

DID YOU KNOW?

CartPros directs you to the right part using the part numbers from this manual. Enter the part number into our search box and it will find the part you are looking for.

GET STARTED HERE →

<https://CartPros.com/f.html>

604574



A Textron Company



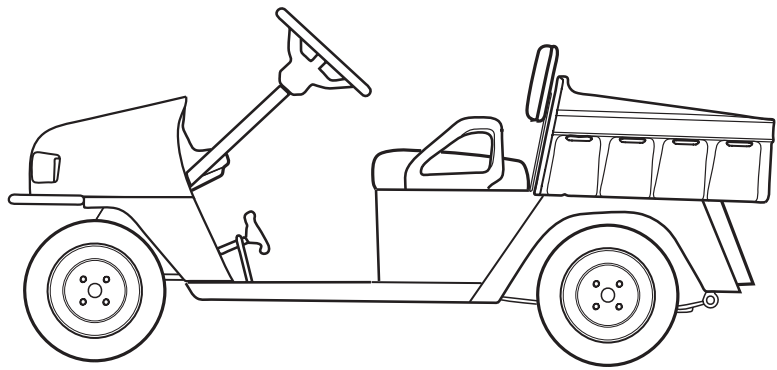
A Textron Company



A Textron Company



SERVICE PARTS MANUAL



ELECTRIC POWERED UTILITY VEHICLE

ISSUE DATE: APRIL 2006

**DID YOU
KNOW?**

CartPros directs you to the right part using the part numbers from this manual. Enter the part number into our search box and it will find the part you are looking for.

**GET STARTED
HERE**



<https://CartPros.com/f.html>



SERVICE PARTS MANUAL

ELECTRIC UTILITY VEHICLES

MPT™ 800

INDUSTRIAL™ 800

COMMANDER™ 800

JACOBSEN HAULER® 280

STARTING MODEL YEAR 2006+

E-Z-GO Division of TEXTRON, Inc. reserves the right to make design changes without obligation to make these changes on units previously sold and the information contained in this manual is subject to change without notice.

E-Z-GO Division of TEXTRON, Inc. is not liable for errors in this manual or for incidental or consequential damages that result from the use of the material in this manual.

CUSTOMER SERVICE DEPARTMENT IN USA PHONE: 1-800-241-5855 FAX: 1-800-448-8124

OUTSIDE USA PHONE: 010-1-706-798-4311, FAX: 010-1-706-771-4609

E-Z-GO DIVISION OF TEXTRON, INC., P.O.BOX 388, AUGUSTA, GEORGIA USA 30903-0388

NOTES

To obtain a copy of the limited warranty applicable to the vehicle, call or write a local Distributor, authorized Branch or the Warranty Department with vehicle serial number and manufacturer code.

The use of non Original Equipment Manufacturer (OEM) parts may void the warranty.

Tampering with or adjusting the governor to permit vehicle to operate at above factory specifications will void the vehicle warranty.

When servicing engines, all adjustments and replacement components must be per original vehicle specifications in order to maintain the United States of America Federal and State emission certification applicable at the time of manufacture.

BATTERY PROLONGED STORAGE

All batteries will self discharge over time. The rate of self discharge varies depending on the ambient temperature and the age and condition of the batteries.

A fully charged battery will not freeze in winter temperatures unless the temperature falls below -75° F (-60° C).

As with all electric vehicles, the batteries must be checked and recharged as required or at a minimum of 30 day intervals.

TABLE OF CONTENTS

SECTION	Page No.
HOW TO USE THE SERVICE PARTS MANUAL	v
ILLUSTRATED PARTS BREAKDOWN	vii
ACCELERATOR	A-1
BATTERY CHARGER, ON BOARD	B-1
BATTERY CHARGER, PORTABLE	B-9
BATTERY CHARGER, LESTER	B-11
BODY	C-1
BRAKES	D-1
BRAKES - FRONT DISC	E-1
CAB	F-1
DIRECTION SELECTOR	G-1
ELECTRIC MOTOR	H-1
ELECTRICAL SYSTEM	J-1
ELECTRONIC SPEED CONTROL	K-1
FRONT SUSPENSION/STEERING	L-1
REAR AXLE	M-1
REAR SUSPENSION	N-1
SEATING	P-1
TRUCK BED, MANUAL LIFT	Q-1
TRUCK BED, ELECTRIC LIFT	Q-7
WEATHER PROTECTION	R-1
WHEELS AND TIRES	S-1
SPECIALTY PRODUCTS	APPENDIX A-1
OPTIONS/ACCESSORIES	APPENDIX B-1

HOW TO USE THE SERVICE PARTS MANUAL

This manual is divided into several sections:

GENERAL INFORMATION

- TABLE OF CONTENTS
- HOW TO USE THE SERVICE PARTS MANUAL

ILLUSTRATED PARTS BREAKDOWN

- Contains illustrations and parts lists for all systems of the vehicle

APPENDIX

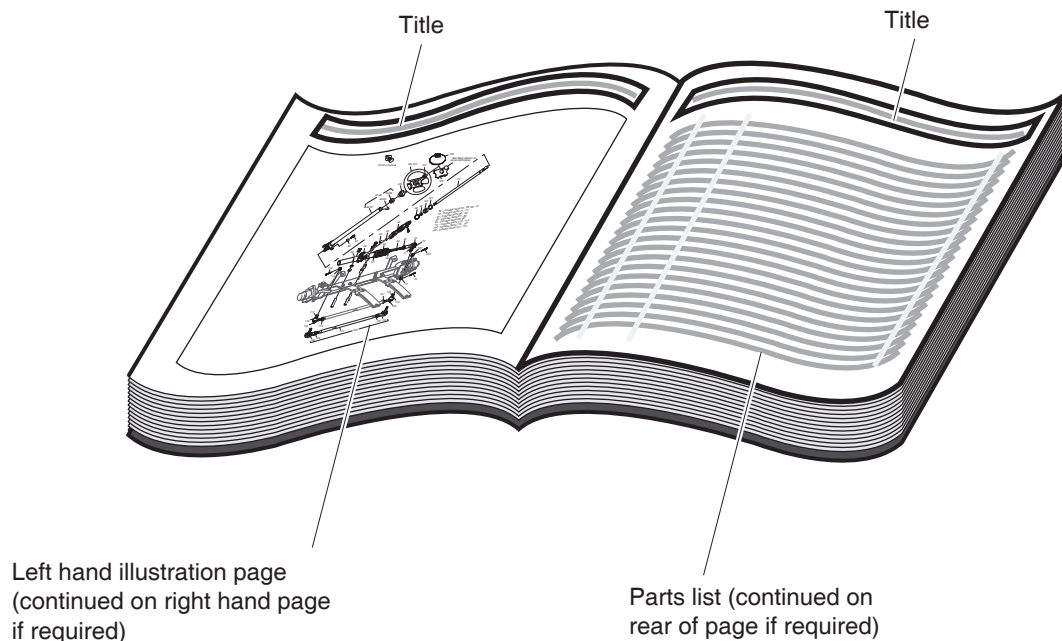
- Contains a listing of specialty products and options/accessories

USE OF THE MANUAL

To use this manual, consult the TABLE OF CONTENTS (page iii) to locate the information or illustration required.

Introduction of some revisions varies due to supply of components; therefore, it is possible that various combinations of components may be found that are not directly reflected by each illustration. Consult the illustration that best suits your situation. Locate the serial number plate (see BODY located in the Illustrated Parts Breakdown section of this manual for its location) and note the complete number shown on the plate. It is important that the serial number of your vehicle and its model number be supplied to Service Parts when ordering any replacement components.

HOW TO USE THE SERVICE PARTS MANUAL



1. WHEN THE PART NUMBER IS NOT KNOWN

- Determine the function and application of the part required. Turn to the INDEX OF MAJOR COMPONENTS and select the most appropriate component description.
- Turn to the page number indicated and locate the part description in the parts list. Read the full accompanying description for specific information regarding the part that was not shown in the index.
- From the parts list, obtain the item number assigned to it and confirm that the part selected is correct by verifying it with the pictorial representation on the illustrated page.

2. IF YOU KNOW THE PART NUMBER

- Use the INDEX OF MAJOR COMPONENTS to find the page(s) the part number appears on.
- Turn to the page number indicated and locate the part number in the parts list. Refer to the accompanying description for specific information regarding the part.
- From the parts list, obtain the item number assigned to it and confirm that the part selected is correct by verifying it with the pictorial representation on the illustrated page.

Should an asterisk (*) appear in the part number column on the parts list page, read upwards until a part number is found. The part number is the lowest assembly sold by Service Parts. The asterisk (*) indicates that the part depicted is not available for purchase.

NOTE: Descriptions are indented under the assembly that they are used on. That assembly is, in turn listed under the assembly that it is used on. This process is repeated until the highest final assembly is reached.

To facilitate the maintenance and repair of the vehicle, a Technician's Repair and Service Manual is available from the Service Parts Department.

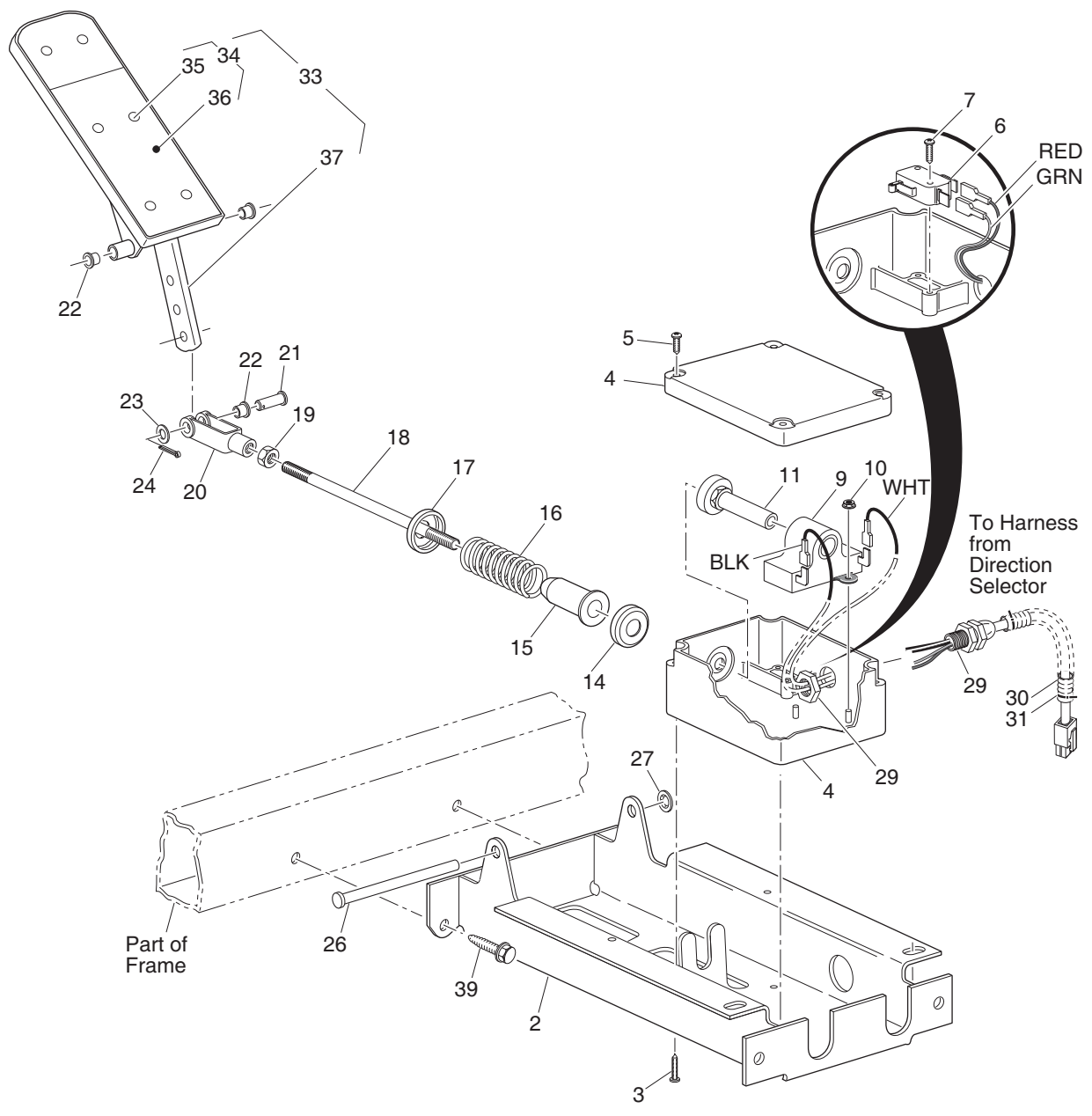


ILLUSTRATED PARTS BREAKDOWN

ILLUSTRATED PARTS BREAKDOWN

ACCELERATOR

1 - Includes Items 2 - 37



Ref Acl 3-1

ACCELERATOR

When ordering parts, please specify the model and serial number of the product.
 * Indicates a component that is not available as an individual part.
 G** Indicates consult Customer Service Department for additional information.

ITEM	PART NO.	1 2 3 4 5	DESCRIPTION	QTY.
1	73333-G09		PEDAL BOX ASSEMBLY (INCLUDES ITEMS 2 - 37)	1
2	70116-G02		ACCELERATOR PEDAL BRACKET	1
3	01051-G01		SCREW, #8 - 10 X 1/2" LG.	4
4	25853-G01		PEDAL BOX AND COVER	1
5	00684-G6		SCREW, #8 - 32 X 3/4" LG (STAINLESS STEEL)	4
6	25861-G01		MICRO SWITCH	1
7	01050-G01		SCREW, #4 - 14 X 5/8" LG	2
8				
9	25854-G01		INDUCTIVE THROTTLE SENSOR	1
10	00983-G01		SELF THREADING NUT, 3/16"	2
11	602484		PLUNGER.....	1
12				
13				
14	17677-G1		SPRING RETAINER, 1/2"	1
15	17979-G1		BUSHING.....	1
16	73046-G01		COMPRESSION SPRING	1
17	17677-G2		SPRING RETAINER, 3/8"	1
18	73332-G01		ACCELERATOR ROD	1
19	00532-G4		NUT, 5/16 - 24	1
20	10385-G4		CLEVIS YOKE (ADJUSTABLE).....	1
21	10386-G3		CLEVIS PIN, 5/16" X 13/16" LG	1
22	17838-G1		NYLON BUSHING	3
23	17255-G1		TEFLON WASHER, 5/16"	1
24	10387-G3		COTTER PIN, 3/32" X 3/4" LG	1
25				
26	74432-G01		PEDAL PIVOT PIN	1
27	12064-G6		PUSH NUT, 5/16"	1
28				
29	25879-G03		WIRING HARNESS (PEDAL BOX ASSEMBLY)	1
30	17313-G1		LOOM FLEX, 3/8" X 6" LG (BULK).....	1

ACCELERATOR

When ordering parts, please specify the model and serial number of the product.
 * Indicates a component that is not available as an individual part.
 G** Indicates consult Customer Service Department for additional information.

ITEM	PART NO.	1	2	3	4	5	DESCRIPTION	QTY.
31	17618-G1						WIRE TIE	2
32								
33	25799-G03						ACCELERATOR PEDAL ASSEMBLY (INCLUDES ITEMS 34 - 37)	1
34	27844-G01						ACCELERATOR PEDAL PAD KIT (INCLUDES ITEMS 35 - 36)	1
35	15766-G1						OVAL RIVET, 3/16" X 7/16" LG	6
36	27512-G01						ACCELERATOR PEDAL PAD	1
37	*						ACCELERATOR PEDAL	1
38								
39	00715-G2						BOLT, 5/16 - 18 X 4/5" LG	4

**DID YOU
KNOW?**

CartPros directs you to the right part using the part numbers from this manual. Enter the part number into our search box and it will find the part you are looking for.

**GET STARTED
HERE**



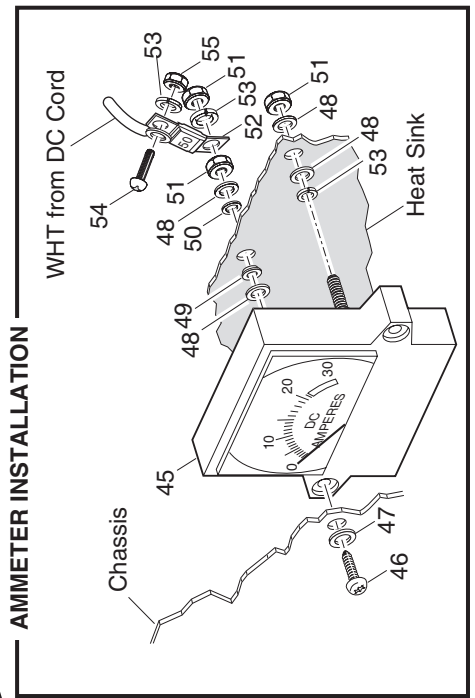
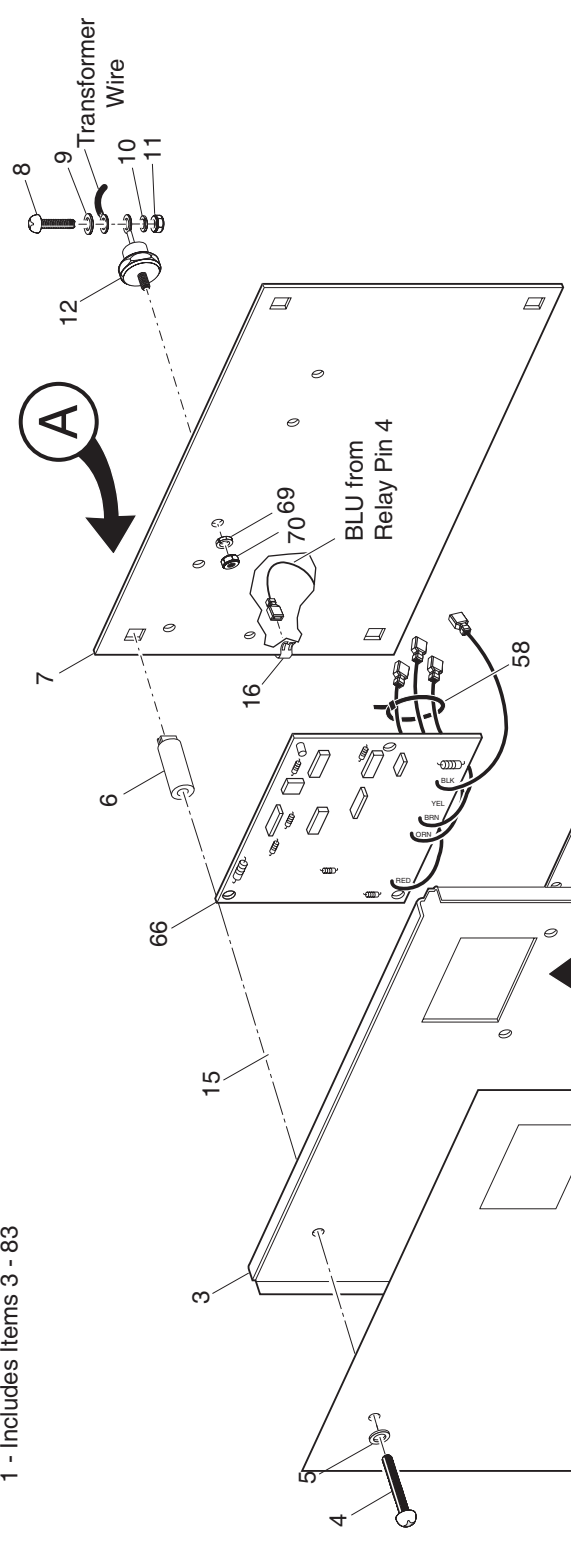
<https://CartPros.com/f.html>

ACCELERATOR

BATTERY CHARGER, ON BOARD

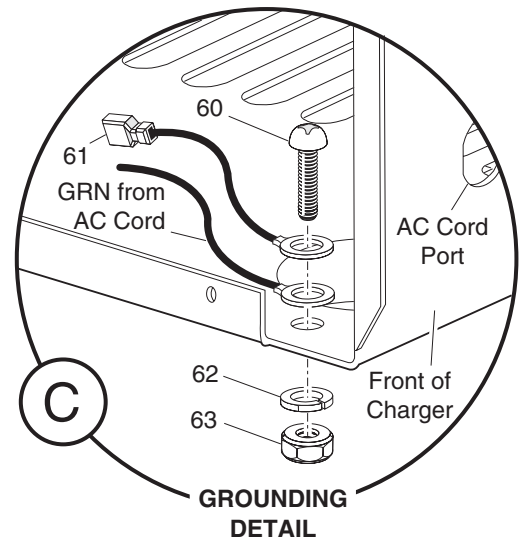
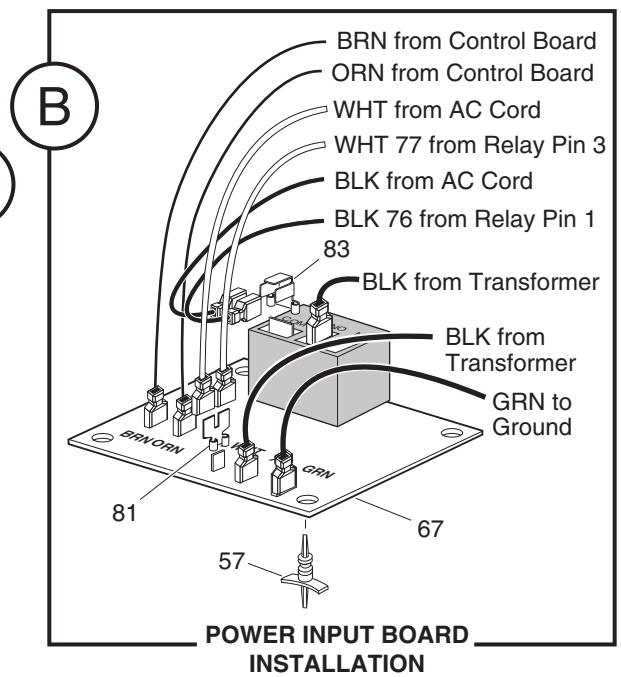
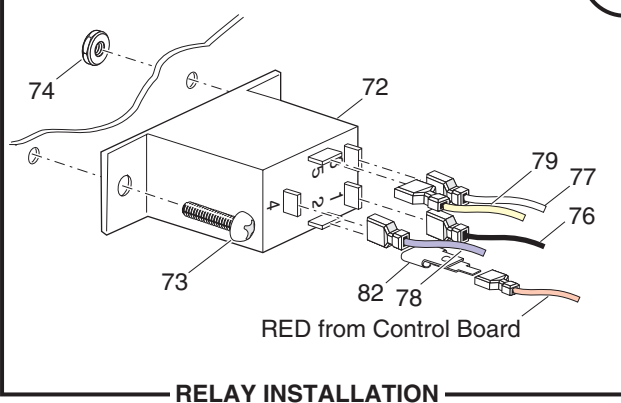
1 - Includes Items 3 - 83

Ref Bco 3-1



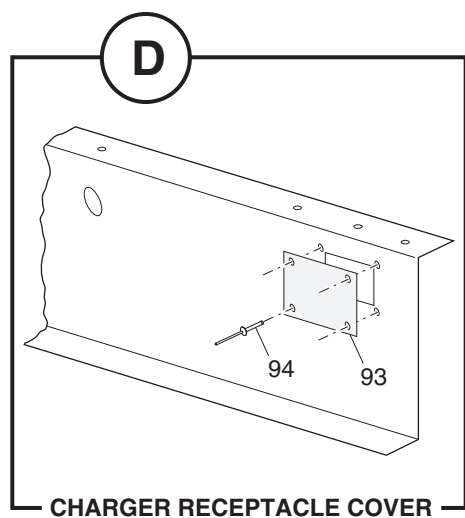
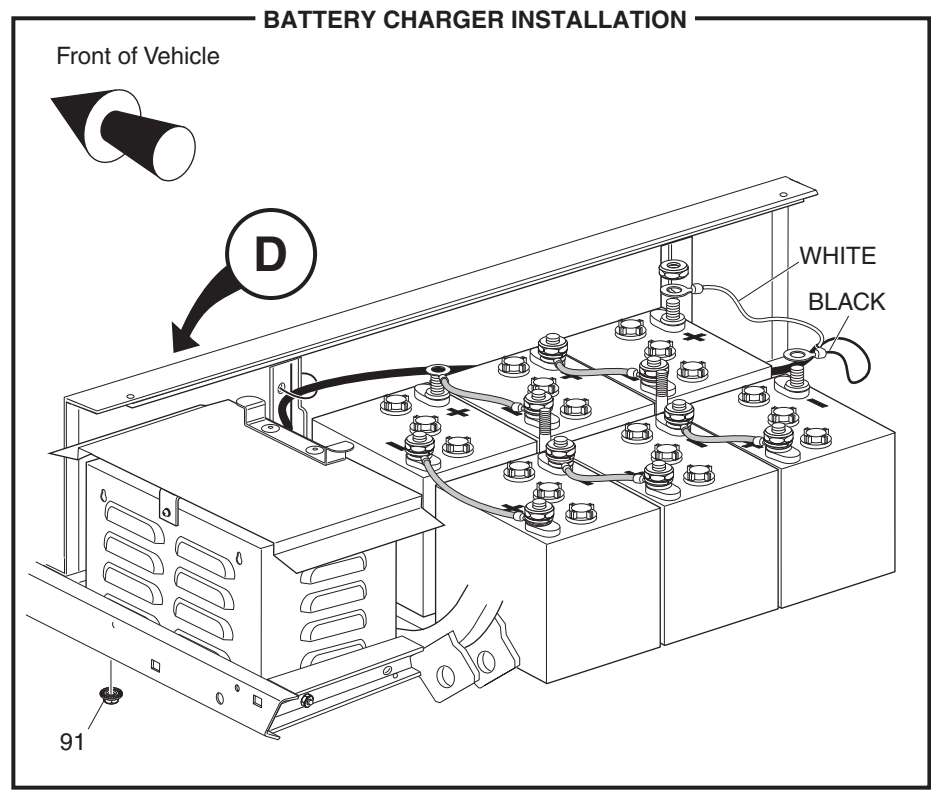
BATTERY CHARGER, ON BOARD

- Pin 1 - Wire 76 to Input Board "COM"
- Pin 2 - Tab Adapter 82, RED wire from Control Board
- Pin 3 - Wire 77 to Input Board "WHT"
- Pin 4 - Wire 78 to Heat Sink Clip
- Pin 5 - Wire 79 to DC Cord RED Wire



Ref Bco 3-3

BATTERY CHARGER, ON BOARD



Ref Bco 3-4

BATTERY CHARGER, ON BOARD

THE USE OF NON U.L. PARTS WILL VOID ANY U.L. LISTING.
 When ordering parts, please specify the model and serial number of the product.
 * Indicates a component that is not available as an individual part.
 G** Indicates consult Customer Service Department for additional information.

ITEM	PART NO.	1 2 3 4 5	DESCRIPTION	QTY.
1	28115-G06		POWERWISE™ CHARGER (ON BOARD) (INCLUDES ITEMS 3 - 83).....	1
2				
3	*		CHASSIS	1
4	00513-G6		SCREW, #8 - 18 X 1 3/4" LG	2
5	00559-G4		WASHER, #8	2
6	11572-G3		EXPANSION NUT.....	2
7	28104-G01		HEAT SINK	1
8	00138-G3		SCREW, #6 - 32 X 3/8" LG	2
9	00559-G3		WASHER, #6	2
10				
11	00525-G5		NUT, #6 - 32	2
12	18488-G1		DIODE.....	2
13				
14				
15				
16	28110-G01		ELECTRICAL CLIP.....	1
17				
18	*		COVER	1
19				
20	00614-G4		SCREW, #8 - 18 X 1/2" LG	6
21	28136-G01		LABEL (VENTILATION).....	1
22	28136-G02		LABEL (CORD CONDITION).....	1
23				
24	26979-G01		CAPACITOR BRACKET	1
25	28109-G01		CAPACITOR	1
26	00969-G01		SCREW, #8 - 32 X 3/8" LG	3
27	00414-G5		BOLT, 1/4 - 20 X 5/8" LG.....	3
28	11027-G2		LOCK NUT, 1/4 - 20.....	3
29	19388-G5		AC CORD	1
30	13557-G2		STRAIN RELIEF (AC).....	1

BATTERY CHARGER, ON BOARD

THE USE OF NON U.L. PARTS WILL VOID ANY U.L. LISTING.

When ordering parts, please specify the model and serial number of the product.

* Indicates a component that is not available as an individual part.

G** Indicates consult Customer Service Department for additional information.

ITEM	PART NO.	1	2	3	4	5	DESCRIPTION	QTY.
31	13557-G3						STRAIN RELIEF (DC).....	1
32	73344-G06						DC CORD ASSEMBLY (INCLUDES ITEMS 33 - 37).....	1
33	28107-G01						DC CORD.....	1
34	11343-G3						RING TERMINAL, 3/16".....	2
35	11343-G1						RING TERMINAL, 5/16".....	2
36	17064-G2						FEMALE TERMINAL.....	2
37	22476-G1						HEAT SHRINK TUBING.....	A/R
38								
39								
40	22009-G1						ISOLATION MOUNT.....	4
41	00559-G7						WASHER, 1/4" (STAINLESS STEEL).....	4
42	00565-G7						LOCK WASHER, 1/4" (STAINLESS STEEL).....	4
43	00532-G1						NUT, 1/4 - 20.....	4
44								
45	28105-G01						AMMETER.....	1
46	00372-G4						SCREW, #8 - 10 X 1/2" LG.....	2
47	00559-G4						WASHER, #8.....	2
48	01003-G01						BRASS WASHER, #10.....	4
49	22589-G2						SHOULDER WASHER, #10.....	1
50	00771-G6						NYLON WASHER, 3/8".....	1
51	00528-G4						NUT, #10 - 32 (BRASS).....	3
52	28106-G01						50 AMP FUSE.....	1
53	00565-G5						LOCK WASHER, #10.....	4
54	00378-G4						SCREW, #10 - 24 X 1/2" LG.....	2
55	00526-G3						NUT, #10 - 24.....	2
56	28103-G01						TRANSFORMER.....	1
57	27877-G01						SPACER SUPPORT.....	4
58	17618-G1						WIRE TIE.....	3
59								
60	00372-G3						SCREW, #8 - 32 X 3/8" LG.....	1

BATTERY CHARGER, ON BOARD

THE USE OF NON U.L. PARTS WILL VOID ANY U.L. LISTING.
 When ordering parts, please specify the model and serial number of the product.
 * Indicates a component that is not available as an individual part.
 G** Indicates consult Customer Service Department for additional information.

ITEM	PART NO.	1	2	3	4	5	DESCRIPTION	QTY.
61	25977-G32						16 GA WIRE (GREEN 4")	1
62	00565-G4						LOCK WASHER, #8	1
63	00526-G1						NUT, #8 - 32	1
64								
65	*						LABEL (POWERWISE™)	1
66	28667-G01						CONTROL BOARD.....	1
67	28126-G03						POWER INPUT BOARD.....	1
68								
69	00664-G7						LOCK WASHER, 1/4" (STAINLESS STEEL)	2
70	00532-G2						NUT, 1/4 - 28	2
71								
72	21971-G4						RELAY	1
73	00138-G4						SCREW, #6 - 32 X 1/2" LG.....	2
74	14390-G9						LOCK NUT, #6 - 32.....	2
75								
76	25977-G38						16 GA WIRE (BLACK 4") (from Relay 1 to Power Input Board "COM")	1
77	25977-G37						16 GA WIRE (WHITE 5") (from Relay 3 to Power Input Board "WHT").....	1
78	25978-G161						18 GA WIRE (BLUE 6") (from Relay 4 to Heat Sink clip).....	1
79	25978-G162						18 GA WIRE (YELLOW 6") (from Relay 5 to DC Cord "RED").....	1
80	25978-G163						18 GA WIRE (BLACK 7") (from Transformer S2/S3 to Control Module "Black")	1
81	17902-G1						TAB ADAPTER (on Power Input Board "WHT" w/ 77 & AC Cord WHT)	1
82	28305-G01						TERMINAL ADAPTER (on Relay 2 w/ Control Board RED).....	1
83	27285-G01						TERMINAL ADAPTER (on Relay "COM" w/ 76 & AC Cord BLK).....	1
84								
85	71968-G01						SHIELD ASSEMBLY (INCLUDES ITEMS 86 - 88)	1
86	71967-G01						SHIELD	1
87	22045-G01						CORD HOLDER	1
88	10570-G01						RIVET,	2
89	00106-G6						SCREW, #12 - 24 X 3/4" LG.	2

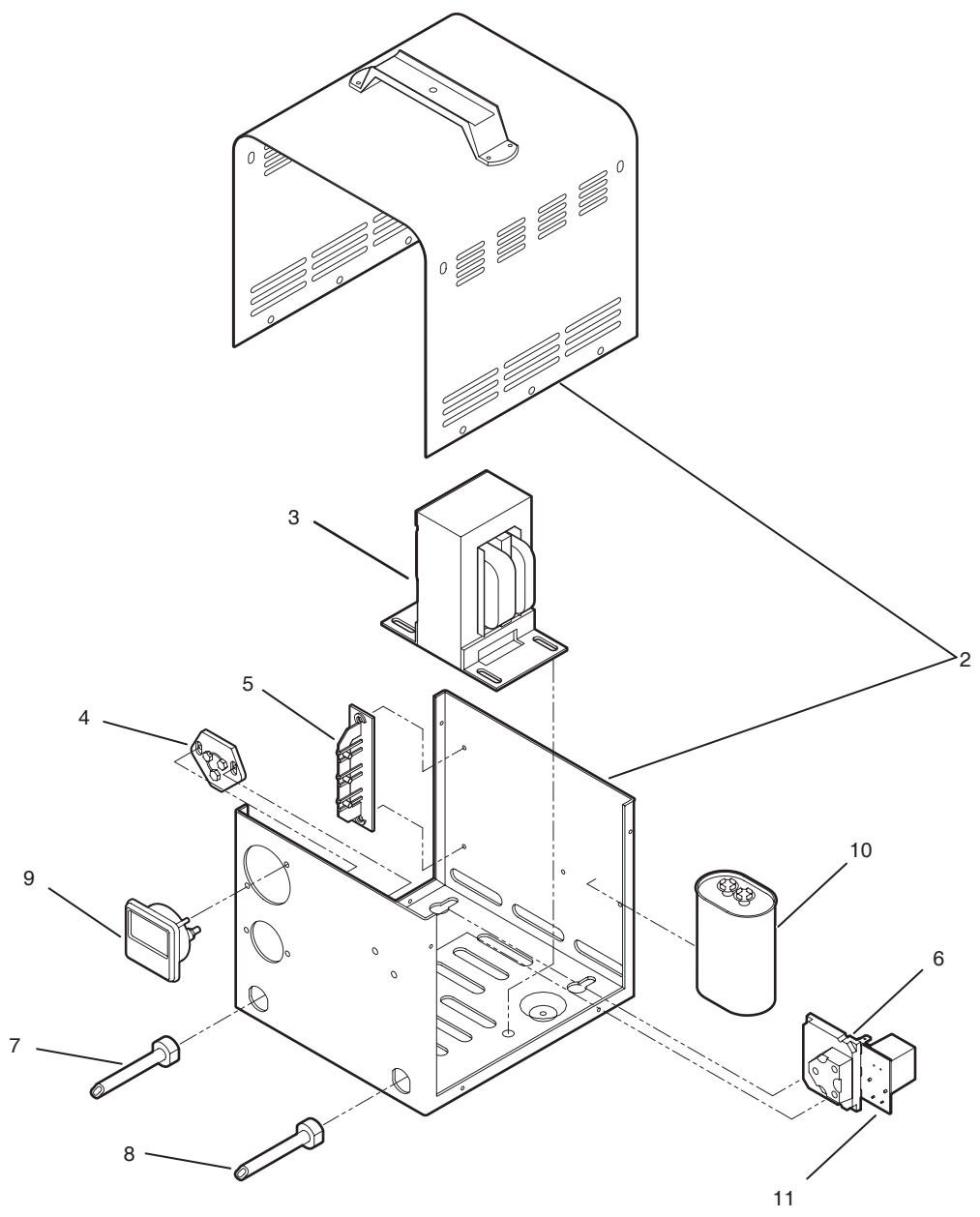
BATTERY CHARGER, ON BOARD

THE USE OF NON U.L. PARTS WILL VOID ANY U.L. LISTING.
When ordering parts, please specify the model and serial number of the product.
* Indicates a component that is not available as an individual part.
G** Indicates consult Customer Service Department for additional information.

ITEM	PART NO.	1	2	3	4	5	DESCRIPTION	QTY.
90								
91	11027-G2						LOCK NUT, 1/4 - 20	4
92								
93	73173-G01						COVER PLATE	1
94	14601-G10						RIVET, 3/16" X 7/16" LG (ALUMINUM)	4

BATTERY CHARGER, PORTABLE

1 - Includes items 2 - 11

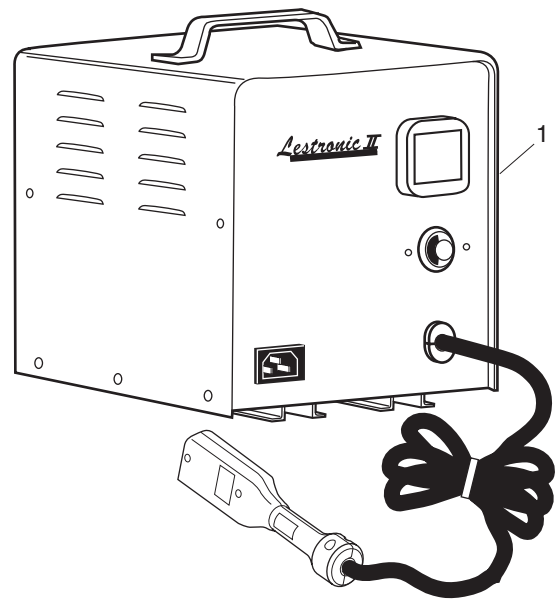


BATTERY CHARGER, PORTABLE

THE USE OF NON U.L. PARTS WILL VOID ANY U.L. LISTING.
 When ordering parts, please specify the model and serial number of the product.
 * Indicates a component that is not available as an individual part.
 G** Indicates consult Customer Service Department for additional information.

ITEM	PART NO.	1 2 3 4 5	DESCRIPTION	QTY.
1	602718		POWERWISE CHARGER ASSEMBLY (INCLUDES ITEMS 2 - 11)	
2	603192		CASE ASSEMBLY	1
3	603193		TRANSFORMER ASSEMBLY	1
4	603207		FUSE ASSEMBLY	1
5	603208		HEAT SINK	1
6	603194		ELECTRONIC CONTROLLER	1
7	603195		DC CORD	1
8	603843		DC CORDSET, 12/2 & 16/1, 216" POWER WISE PLUG (OPTION-18).....	1
9	603844		DC CORDSET, 12/2, 133" SB50 GRAY (OPTION -03).....	1
10	603196		AC CORD	1
11	603209		AMMETER, 30 AMP	1
12	603210		CAPACITOR, 660V (AC)	1
13	603197		RELAY BOARD	1

BATTERY CHARGER, LESTER



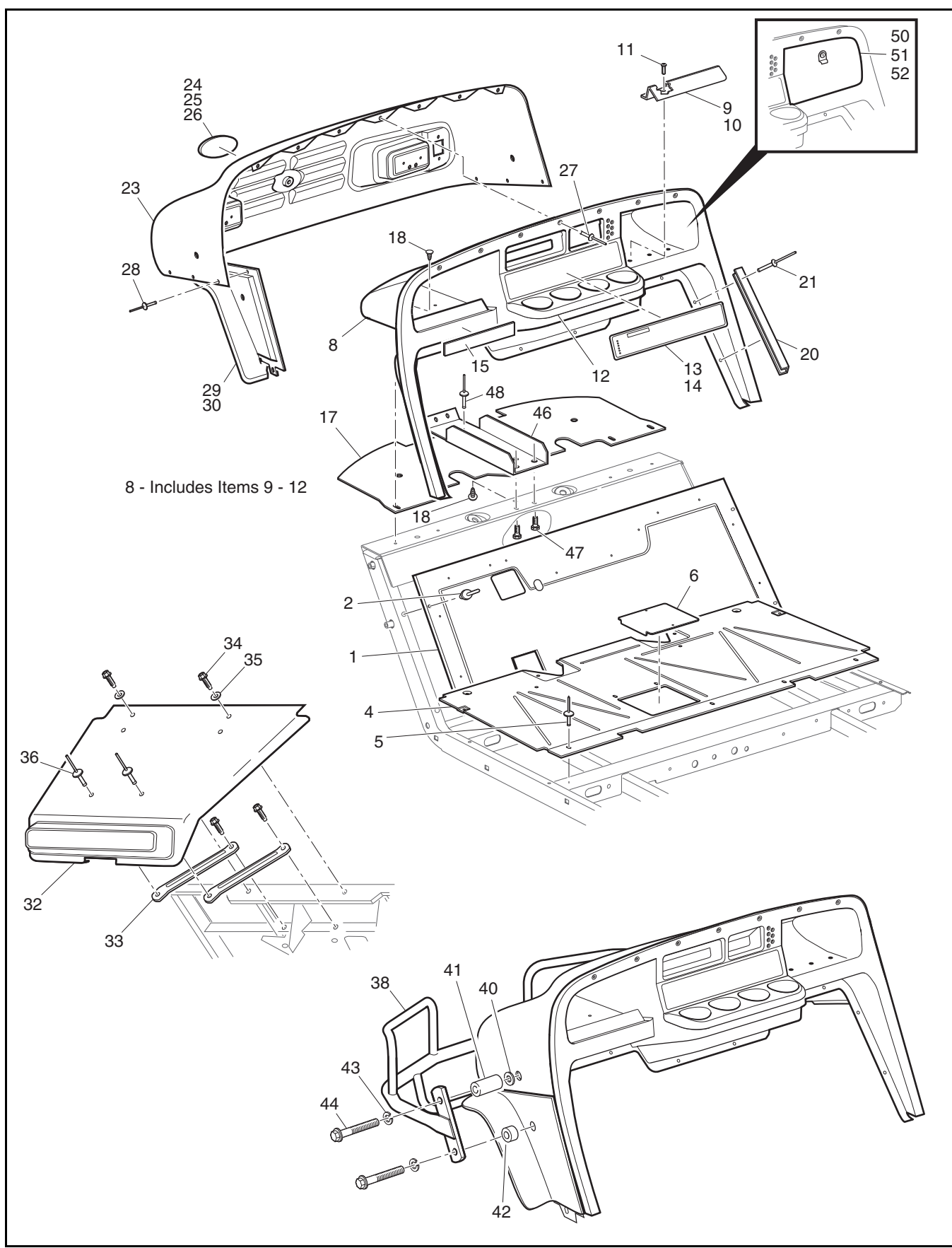
Ref Bcl 3-1

BATTERY CHARGER, LESTER

THE USE OF NON U.L. PARTS WILL VOID ANY U.L. LISTING.
When ordering parts, please specify the model and serial number of the product.
* Indicates a component that is not available as an individual part.
G** Indicates consult Customer Service Department for additional information.

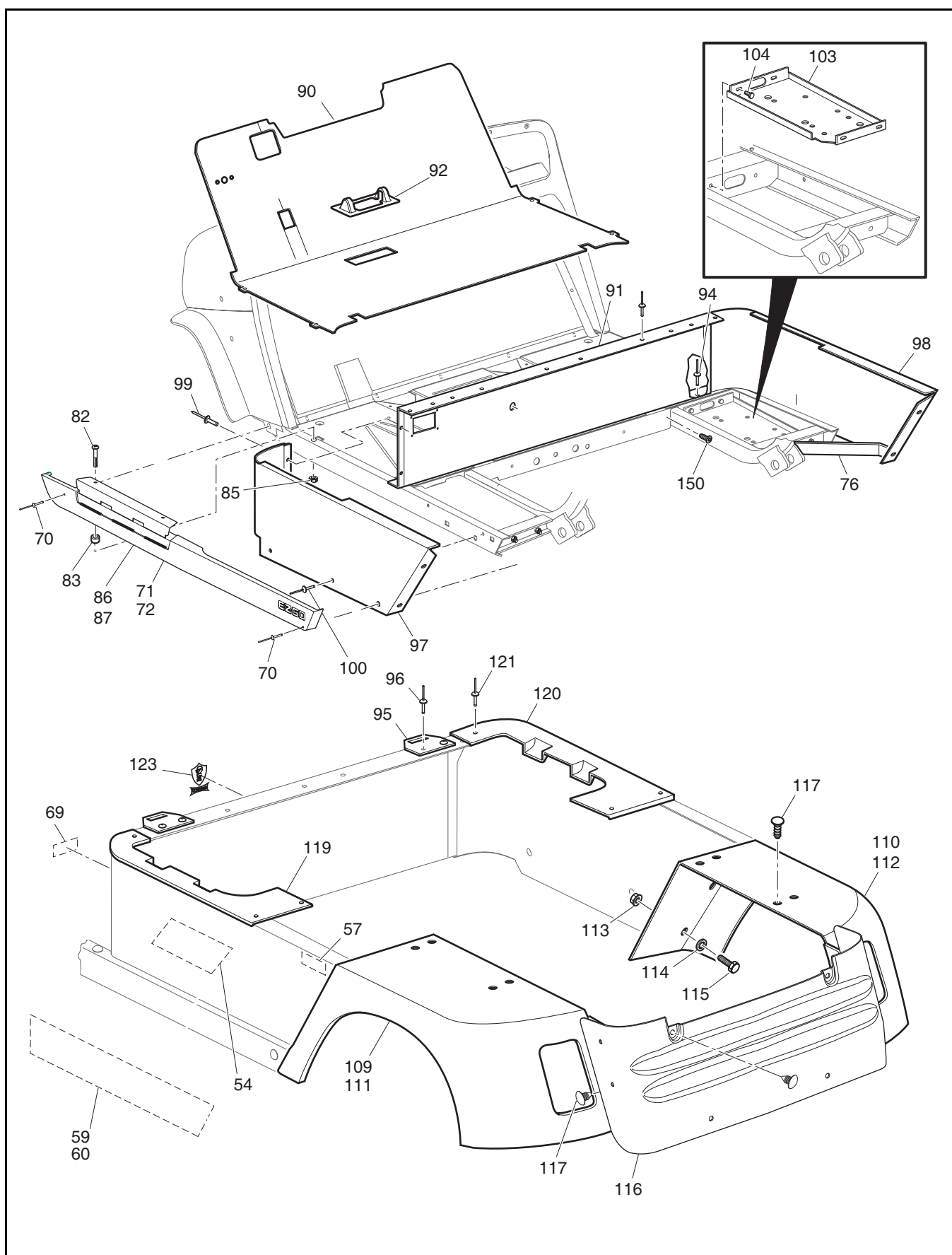
ITEM	PART NO.	1 2 3 4 5	DESCRIPTION	QTY.
1	28516-G01		<p>BATTERY CHARGER, LESTER, 36 VOLT, PORTABLE WITH POWERWISE CONNECTOR, CE APPROVED (OPTIONAL)</p> <p>For service or replacement parts, contact: Lester Electrical 625 West "A" Street Lincoln, NE 68522</p> <p>Phone: (402) 477-8988, FAX: (402) 474-1769</p> <p>Always provide the following information when requesting information or ordering replacement parts:</p> <p>Model Number: Serial Number: (stamped into housing)</p>	

BODY

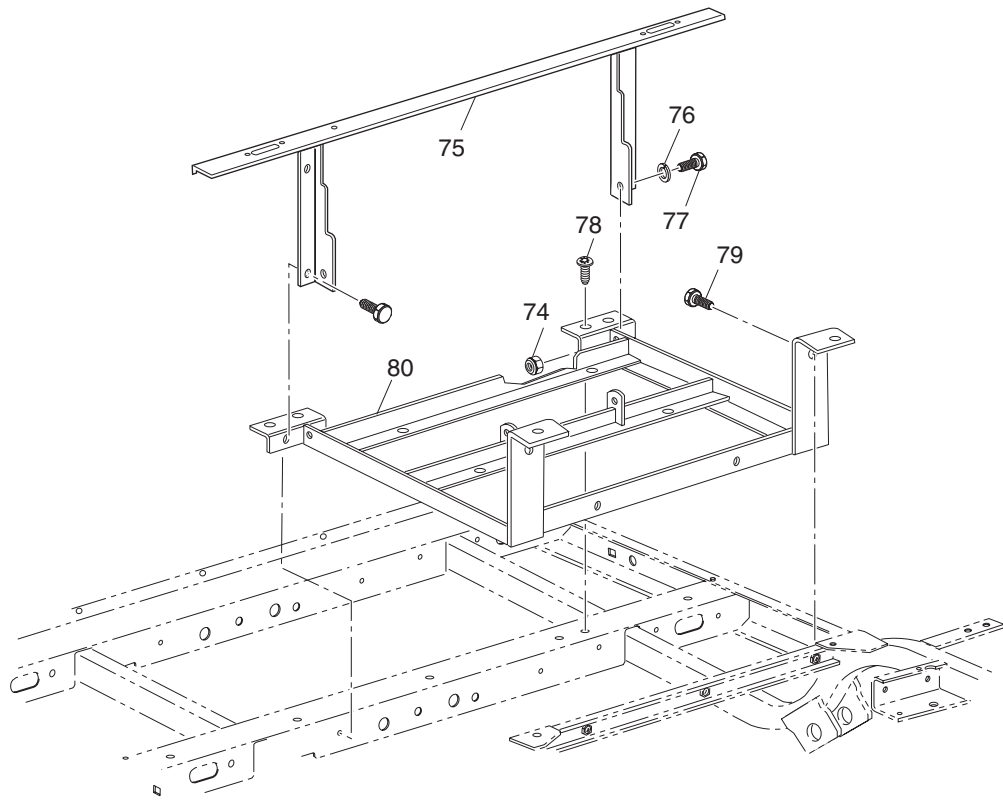


8 - Includes Items 9 - 12

BODY

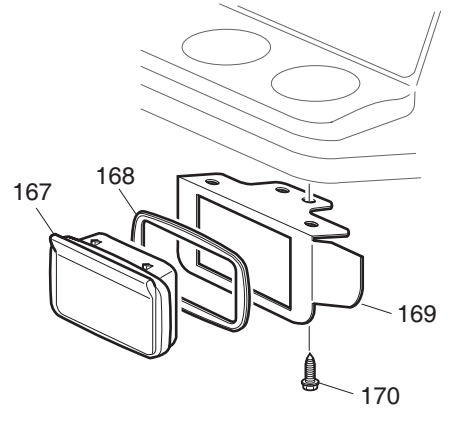


BODY

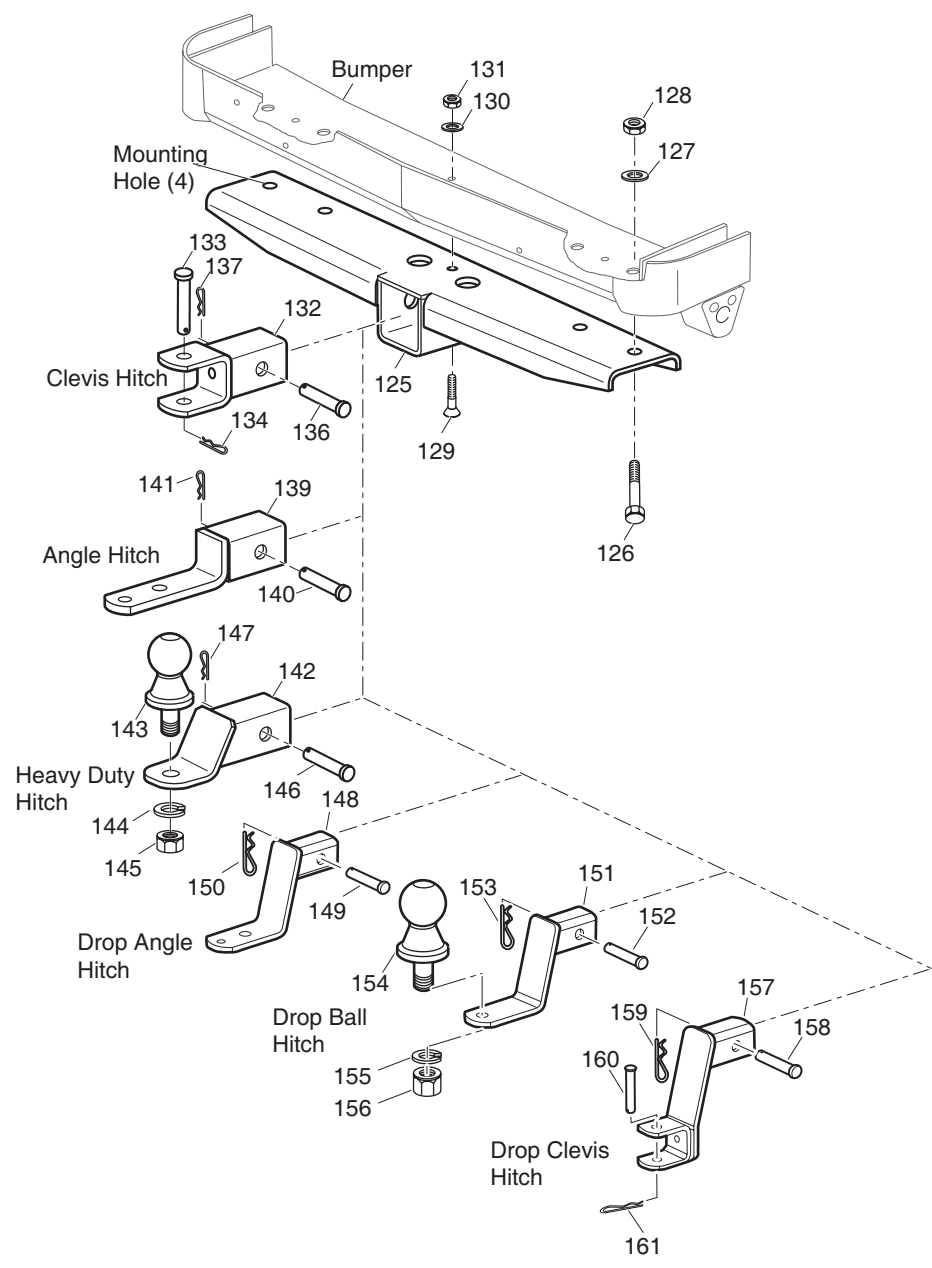


ASH TRAY

166 - Includes Items 167 - 170



HITCHES



Ref Bod 21-3

BODY

THE USE OF NON U.L. PARTS WILL VOID ANY U.L. LISTING.
 When ordering parts, please specify the model and serial number of the product.
 * Indicates a component that is not available as an individual part.
 G** Indicates consult Customer Service Department for additional information.

ITEM	PART NO.	1 2 3 4 5	DESCRIPTION	QTY.
1	70662-G01		UPPER FLOORPAN	1
2	14601-G11		RIVET, 3/16" X 9/16" LG (ALUMINUM)	9
3				
4	70451-G01		LOWER FLOORPAN	1
5	14601-G11		RIVET, 3/16" X 9/16" LG (ALUMINUM)	7
6	70452-G01		ACCESS COVER.....	1
7				
8	71151-G01		INSTRUMENT PANEL ASSEMBLY (INCLUDES ITEMS 9 - 12).....	1
9	71153-G01		DEFLECTOR (PASSENGER SIDE).....	1
10	71154-G01		DEFLECTOR (DRIVER SIDE).....	1
11	00614-G5		SCREW, #8 - 18 X 5/8" LG.....	6
12	71158-G01		INSTRUMENT PANEL INSERT (FOUR CUP)	1
13	35964-G01		LABEL (SAFETY) (TEXT)	1
14	35962-G01		LABEL (SAFETY) (PICTOGRAPH).....	1
15	74443-G01		LABEL (ANTI-ROLLBACK)	1
16				
17	71413-G01		SPLASH PANEL	1
18	16816-G2		RATCHET FASTENER, 1/4" X 3/4" LG	1
19				
20	71115-G01		VINYL TRIM	2
21	71055-G01		RIVET, 3/16" X 1" LG (ALUMINUM)	10
22				
23	71468-G**		COWL.....	1
24	74813-G01		NAMEPLATE (E-Z-GO) (OVAL).....	1
25	28907-G01		NAMEPLATE (JACOBSEN) (OVAL).....	1
26	74952-G01		NAMEPLATE (CUSHMAN) (OVAL)	1
27	71055-G01		RIVET, 3/16" X 1" LG	9
28	71055-G01		RIVET, 3/16" X 1" LG	6
29	71338-G01		FENDER FLARE (DRIVER SIDE).....	1
30	71338-G02		FENDER FLARE (PASSENGER SIDE).....	1

BODY

THE USE OF NON U.L. PARTS WILL VOID ANY U.L. LISTING.
 When ordering parts, please specify the model and serial number of the product.
 * Indicates a component that is not available as an individual part.
 G** Indicates consult Customer Service Department for additional information.

ITEM	PART NO.	1 2 3 4 5	DESCRIPTION	QTY.
31				
32	27166-G04		FRONT SHIELD	1
33	70725-G02		FRONT SHIELD BRACE.....	2
34	01038-G01		SCREW, 1/4 - 20 X 1/2" LG	4
35	16469-G1		WASHER, 1/4"	2
36	01057-G01		RIVET, KTR, 1/4" X 1" LG.....	2
37				
38	74265-G02		BUMPER.....	1
39				
40	00570-G2		WASHER, 5/16"	2
41	75048-G04		SPACER, 1"	2
42	75048-G01		SPACER, 1/2"	2
43	00905-G8		LOCK WASHER, 5/16".....	4
44	01035-G02		BOLT, 5/16 - 18 X 2 1/2" LG	4
45				
46	71101-G02		COWL SUPPORT BRACKET	1
47	71102-G02		SELF TAPPING SCREW, 1/4 - 20 X 1/2" LG.....	3
48	71055-G01		RIVET, 3/16" X 1.0" LG.....	1
49				
50	75459-G01		GLOVE BOX DOORS (BOTH SIDES)	1
51	75459-G02		GLOVE BOX DOOR (DRIVER SIDE)	1
52	75459-G03		GLOVE BOX DOOR (PASSENGER SIDE)	1
53				
54	600823		LABEL (MPT™).....	2
55				
56				
57	74099-G01		LABEL, TILT WARNING PICTOGRAPH.....	2
58				
59	28915-G01		LABEL (JACOBSEN HAULER™) (DRIVER SIDE).....	1
60	28915-G02		LABEL (JACOBSEN HAULER™) (PASSENGER SIDE).....	1

BODY

THE USE OF NON U.L. PARTS WILL VOID ANY U.L. LISTING.
 When ordering parts, please specify the model and serial number of the product.
 * Indicates a component that is not available as an individual part.
 G** Indicates consult Customer Service Department for additional information.

ITEM	PART NO.	1	2	3	4	5	DESCRIPTION	QTY.
61								
62								
63								
64								
65								
66								
67								
68								
69	*						SERIAL NUMBER PLATE.....	1
70	15058-G6						RIVET, BLACK (ALUMINUM)	4
71	71502-G01						ROCKER PANEL (DRIVER SIDE).....	1
72	71501-G01						ROCKER PANEL (PASSENGER SIDE).....	1
73								
74	11098-G6						LOCK NUT, 5/16 - 18.....	2
75	70441-G01						SEAT FRAME	1
76	00559-G8						WASHER, 5/16"	2
77	00438-G6						BOLT, 5/16 - 18 X 3/4" LG	2
78	70200-G01						SCREW, 3/8 - 16 X 1/4" LG	2
79	00715-G2						BOLT, 5/16 - 18 X 13/16" LG	4
80	70046-G02						BATTERY RACK.....	1
81								
82	16705-G1						SCREW, 1/4 - 20 X 1" LG	4
83	23726-G4						SPACER.....	4
84								
85	14390-G4						LOCK NUT, 1/4 - 20	4
86	28971-G01						SILL PLATE TREAD (PASSENGER SIDE)	1
87	28971-G02						SILL PLATE TREAD (DRIVER SIDE)	1
88								
89								
90	70663-G04						FLOORMAT (AXLE MOUNTED STEERING)	1

BODY

THE USE OF NON U.L. PARTS WILL VOID ANY U.L. LISTING.
 When ordering parts, please specify the model and serial number of the product.
 * Indicates a component that is not available as an individual part.
 G** Indicates consult Customer Service Department for additional information.

ITEM	PART NO.	1 2 3 4 5	DESCRIPTION	QTY.
91	71379-G21		SEAT WRAP PANEL	1
92	70135-G01		PEDAL PIVOT COVER	1
93				
94	10570-G10		RIVET, 5/32" X 9/16" LG	8
95	71609-G01		SEAT HINGE PLATE	2
96	10570-G11		RIVET, 3/16" X 3/4" LG	4
97	71259-G01		SIDE PANEL (DRIVER SIDE)	1
98	71259-G02		SIDE PANEL (PASSENGER SIDE)	1
99	10570-G10		RIVET, 5/32" X 9/16" LG	4
100	10570-G12		RIVET, 1/4" X 1/2" LG	4
101				
102				
103	70244-G03		SPLASH PANEL	2
104	00715-G2		BOLT, 5/16 - 18 X 13/16" LG	8
105				
106				
107				
108				
109	74892-G01		FENDER (DRIVER SIDE)	1
110	74892-G02		FENDER (PASSENGER SIDE)	1
111	74892-G03		FENDER WITH TAILLIGHT (DRIVER SIDE)	1
112	74892-G04		FENDER WITH TAILLIGHT (PASSENGER SIDE)	1
113	00891-G2		LOCK NUT, 1/4 - 20	8
114	00642-G7		WASHER, 1/4"	8
115	00414-G6		BOLT, 1/4 - 20 X 3/4" LG	4
116	74890-G01		REAR PANEL.....	1
117	16816-G2		RATCHET FASTENER, 1/4" X 3/4" LG	8
118				
119	74891-G01		SEAT FILLER PANEL (DRIVER SIDE).....	1
120	74891-G02		SEAT FILLER PANEL (PASSENGER SIDE).....	1

BODY

THE USE OF NON U.L. PARTS WILL VOID ANY U.L. LISTING.
 When ordering parts, please specify the model and serial number of the product.
 * Indicates a component that is not available as an individual part.
 G** Indicates consult Customer Service Department for additional information.

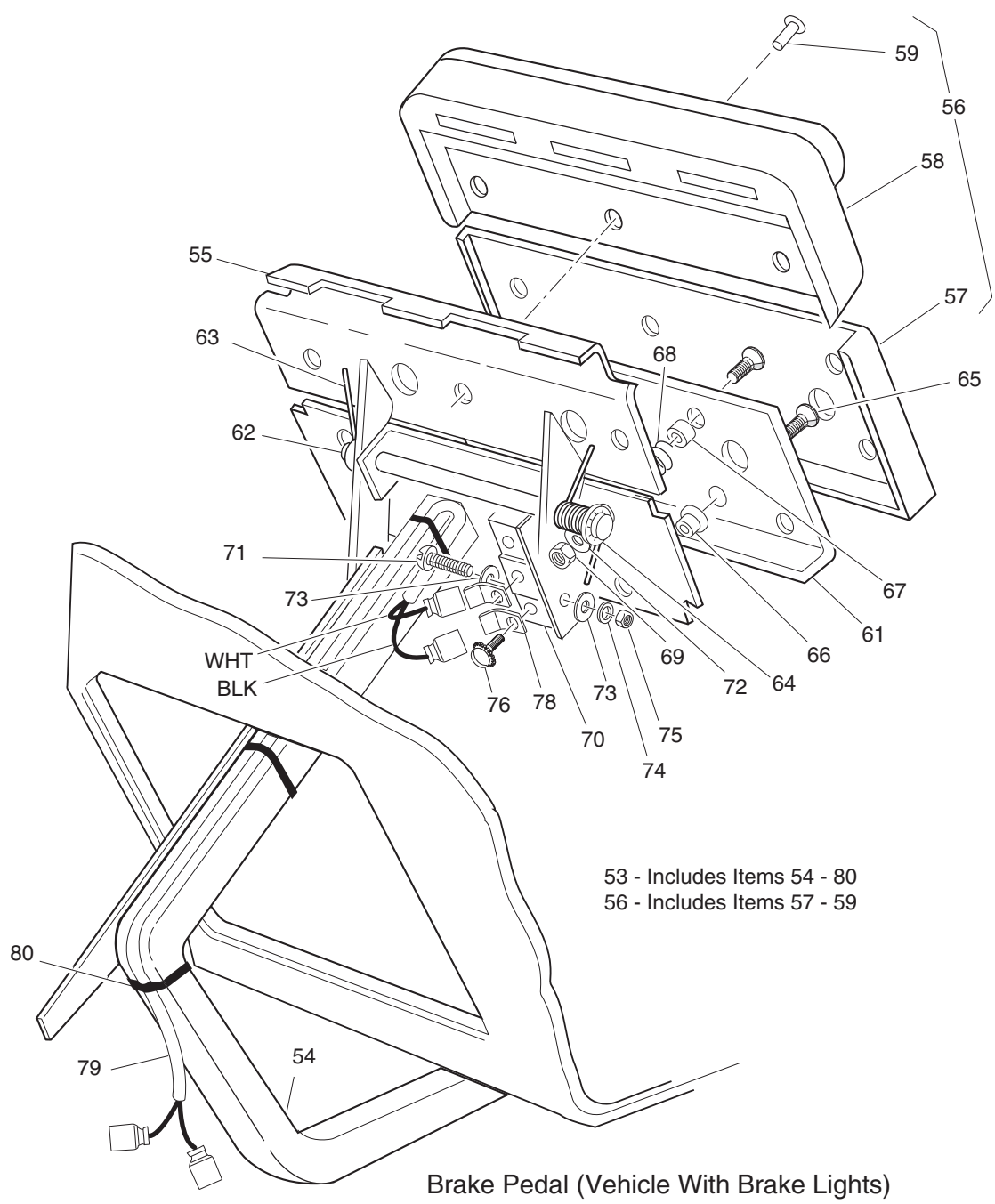
ITEM	PART NO.	1 2 3 4 5	DESCRIPTION	QTY.
121	10570-G10		RIVET, 5/32" X 9/16" LG	6
122				
123	74755-G01		LABEL (E-SHIELD™).....	1
124				
125	74348-G02		HITCH RECEIVER	1
126	00463-G4		BOLT, 7/16 - 14 X 1 1/2" LG	4
127	00922-G3		WASHER, 7/16"	4
128	00734-G1		LOCK NUT, 7/16 - 14	4
129	00198-G8		SCREW, 5/16 - 18 X 1" LG	1
130	00559-G8		WASHER, 5/16"	1
131	11098-G6		LOCK NUT, 5/16 - 18	1
132	74338-G02		CLEVIS HITCH.....	1
133	14443-G7		CLEVIS PIN, 1/2" X 2 1/2" LG	1
134	19314-G1		COTTER PIN, 2 1/2" LG.....	1
135				
136	21317-G01		CLEVIS PIN, 5/8" X 3" LG	1
137	21683-G1		COTTER PIN, 15/32" X 2 11/16" LG	1
138				
139	74339-G02		ANGLE HITCH	1
140	21317-G01		CLEVIS PIN, 5/8" X 3" LG	1
141	21683-G1		COTTER PIN, 15/32" X 2 11/16" LG	1
142	74351-G02		HEAVY DUTY HITCH	1
143	31757-G1		HITCH BALL, 1 7/8"	1
144	00566-G6		LOCK WASHER, 3/4".....	1
145	00702-G11		NUT, 3/4 - 16.....	1
146	21317-G01		CLEVIS PIN, 5/8" X 3" LG	1
147	21683-G1		COTTER PIN, 15/32" X 2 11/16" LG	1
148	74489-G02		DROP ANGLE HITCH.....	1
149	21317-G01		CLEVIS PIN, 5/8" X 2 11/16" LG	1
150	21683-G1		COTTER PIN, 15/32" X 2 11/16" LG	1

BODY

THE USE OF NON U.L. PARTS WILL VOID ANY U.L. LISTING.
 When ordering parts, please specify the model and serial number of the product.
 * Indicates a component that is not available as an individual part.
 G** Indicates consult Customer Service Department for additional information.

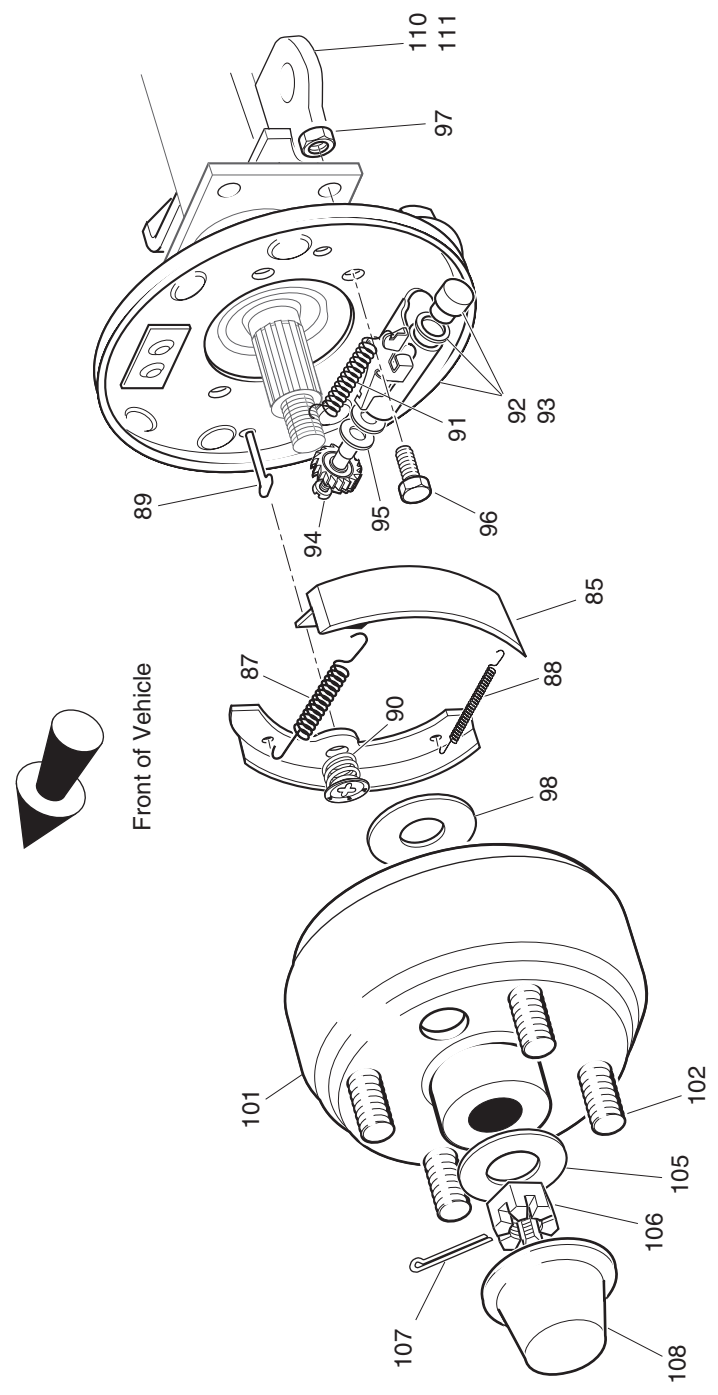
ITEM	PART NO.	1 2 3 4 5	DESCRIPTION	QTY.
151	74491-G02		DROP BALL HITCH	1
152	21317-G01		CLEVIS PIN, 5/8" X 3" LG	1
153	21683-G1		COTTER PIN, 15/32" X 2 11/16" LG	1
154	31757-G1		HITCH BALL, 1 7/8"	1
155	00566-G6		LOCK WASHER, 3/4"	1
156	00702-G11		NUT, 3/4 - 16	1
157	74495-G02		DROP CLEVIS HITCH	1
158	21317-G01		CLEVIS PIN, 5/8" X 3" LG	1
159	21683-G1		COTTER PIN, 15/32" X 2 11/16" LG	1
160	14443-G7		CLEVIS PIN, 1/2" X 2 1/2" LG	1
161	19314-G1		COTTER PIN, 2 1/2" LG	1
162				
163				
164				
165				
166	75109-G04		ASH TRAY KIT (INCLUDES ITEMS 167 - 170)	1
167	27731-G01		ASH TRAY	1
168	27736-G01		GASKET	1
169	75108-G02		BRACKET	1
170	00100-G4		SCREW, #10 - 16 X 1/2" LG	4

BRAKES



Ref Brk 3-2

BRAKES



- 82 - Includes Items 84 - 92
- 83 - Includes Items 84-91, 93
- 84 - Includes Items 85
- 86 - Includes Items 87 - 91
- 92 - Includes Items 94, 95
- 93 - Includes Items 94, 95
- 100 - Includes Items 101, 102

Ref Brk 3-3

BRAKES

THE USE OF NON U.L. PARTS WILL VOID ANY U.L. LISTING.

When ordering parts, please specify the model and serial number of the product.

* Indicates a component that is not available as an individual part.

G** Indicates consult Customer Service Department for additional information.

ITEM	PART NO.	1 2 3 4 5	DESCRIPTION	QTY.
1	70612-G02		BRAKE PEDAL ASSEMBLY (WITHOUT BRAKE LIGHTS) (INCLUDES ITEMS 2 - 10).....	1
2	70681-G01		TORSION SPRING.....	2
3	70682-G01		PIVOT PIN.....	1
4	01071-G01		PUSHNUT, 5/16".....	1
5	*		BRAKE PEDAL.....	1
6	70611-G01		PARK BRAKE PEDAL.....	1
7	70274-G01		BRAKE/PARK BRAKE PEDAL PAD KIT (INCLUDES ITEMS 8 - 10).....	1
8	*		SERVICE BRAKE PAD.....	1
9	*		PARK BRAKE PEDAL PAD.....	1
10	15766-G1		OVAL RIVET, 3/16" X 7/16" LG.....	9
11				
12	70582-G01		SHOULDER BOLT, 3/8 - 16 X 4" LG (STAINLESS STEEL).....	1
13	70581-G01		FLANGED BUSHING.....	2
14	70676-G01		TORSION SPRING.....	1
15	00643-G1		WASHER, 3/8".....	1
16	11098-G5		LOCK NUT, 3/8 - 16.....	1
17				
18	70272-G04		COMPENSATOR ASSEMBLY (INCLUDES ITEMS 19, 20).....	1
19	00963-G01		SPHERICAL NUT, 5/16 - 24.....	1
20	11098-G9		LOCK NUT, 5/16 - 24.....	1
21				
22	70969-G03		EQUALIZER AND BRAKE CABLE ASSEMBLY (INCLUDES ITEMS 23-26).....	1
23	28082-G01		EQUALIZER BRACKET.....	1
24	28083-G01		BRAKE COMPENSATOR BUMPER.....	2
25	*		BRAKE CABLE (DRIVER SIDE).....	1
26	*		BRAKE CABLE (PASSENGER SIDE).....	1
27				
28	01111-G01		RETAINING RING, 13/32" (STAINLESS STEEL).....	4
29				

BRAKES

THE USE OF NON U.L. PARTS WILL VOID ANY U.L. LISTING.
 When ordering parts, please specify the model and serial number of the product.
 * Indicates a component that is not available as an individual part.
 G** Indicates consult Customer Service Department for additional information.

ITEM	PART NO.	1 2 3 4 5	DESCRIPTION	QTY.
30	10386-G3		CLEVIS PIN, 5/16" X 13/16" LG	3
31	10387-G3		COTTER PIN, 3/32" X 3/4" LG	3
32	14443-G2		CLEVIS PIN, 5/16" X 5/8" LG	2
33				
34	70601-G01		KICK-OFF LINK.....	1
35	17838-G1		NYLON BUSHING.....	2
36	20835-G1		TEFLON WASHER, 3/8"	2
37	00559-G8		WASHER, 5/16"	2
38	10387-G3		COTTER PIN, 3/32" X 3/4" LG	2
39	70098-G01		KICK-OFF CAM PIVOT	1
40	10097-G6		FLANGED BEARING	2
41	70587-G01		KICK-OFF CAM.....	1
42	71215-G01		SETSCREW, 1/4 - 20 X 1/2" LG	2
43	14134-G4		SPACER.....	1
44				
45	70113-G01		ADJUSTABLE BUMPER.....	1
46	11027-G1		LOCK NUT, 5/16 - 18	1
47				
48	70080-G02		CATCH BRACKET	1
49	00414-G6		BOLT, 1/4 - 20 X 3/4" LG	2
50	14390-G4		LOCK NUT, 1/4 - 20 (STAINLESS STEEL)	2
51				
52				
53	70690-G02		BRAKE PEDAL ASSEMBLY (WITH BRAKE LIGHTS) (INCLUDES ITEMS 54 - 80).....	1
54	*		BRAKE PEDAL.....	1
55	70611-G01		PARK BRAKE PEDAL	1
56	70274-G01		BRAKE/PARK BRAKE PEDAL PAD KIT (INCLUDES ITEMS 57 - 59)	1
57	*		SERVICE BRAKE PAD	1
58	*		PARK BRAKE PAD	1

BRAKES

THE USE OF NON U.L. PARTS WILL VOID ANY U.L. LISTING.
 When ordering parts, please specify the model and serial number of the product.
 * Indicates a component that is not available as an individual part.
 G** Indicates consult Customer Service Department for additional information.

ITEM	PART NO.	1	2	3	4	5	DESCRIPTION	QTY.
59	15766-G1						OVAL RIVET, 3/16" x 7/16" LG	9
60								
61	70258-G03						SERVICE BRAKE PEDAL PLATE	1
62	70682-G01						PIVOT PIN	1
63	70681-G01						TORSION SPRING	2
64	01071-G01						PUSHNUT, 5/16"	1
65	00737-G8						SCREW, #10 - 24 X 7/8" LG	4
66	00739-G1						RUBBER NUT, #10 - 24	2
67	74535-G01						BRAKE PEDAL STANDOFF	2
68	27137-G01						CONICAL SPRING	2
69	14390-G10						LOCK NUT, #10 - 24	2
70	10606-G8						MICRO SWITCH	1
71	00957-G1						BOLT, #6 - 32 X 1 1/4" LG	2
72	00559-G5						WASHER, #10	2
73	00559-G3						WASHER, #6	4
74	00565-G3						LOCK WASHER, #6	2
75	00525-G5						NUT, #6 - 32	2
76	13514-G1						SCREW AND LOCK WASHER, #6	2
77								
78	14628-G1						FASTON TAB	2
79	24605-G1						WIRE HARNESS (BRAKE LIGHT)	1
80	17618-G1						WIRE TIE	3
81								
82	70998-G01						BRAKE ASSEMBLY (DRIVER SIDE) (INCLUDES ITEMS 84 - 95)	1
83	70998-G02						BRAKE ASSEMBLY (PASSENGER SIDE) (INCLUDES ITEMS 84 - 95)	1
84	70794-G01						BRAKE SHOE KIT (INCLUDES ITEM 85)	2
85	*						BRAKE SHOE	2
86	27944-G01						BRAKE SPRING KIT (INCLUDES ITEMS 87 - 91)	2
87	*						UPPER SPRING	1
88	*						LOWER SPRING	1

BRAKES

THE USE OF NON U.L. PARTS WILL VOID ANY U.L. LISTING.
 When ordering parts, please specify the model and serial number of the product.
 * Indicates a component that is not available as an individual part.
 G** Indicates consult Customer Service Department for additional information.

ITEM	PART NO.	1	2	3	4	5	DESCRIPTION	QTY.
89	*						PIN	2
90	*						CUP AND SPRING	2
91	*						ADJUSTER SPRING.....	1
92	72582-G01						BRAKE ADJUSTER KIT (DRIVER SIDE) (INCLUDES ITEMS 94, 95)	1
93	72582-G02						BRAKE ADJUSTER KIT (PASSENGER SIDE) (INCL. ITEMS 94, 95)	1
94	*						ADJUSTER	1
95	*						TEFLON WASHER	2
96	17083-G2						BOLT, 5/16 - 24 X 1" LG	8
97	15126-G1						LOCK NUT, 5/16 - 24	8
98	15485-G1						WASHER, 13/16"	2
99								
100	19186-G1						BRAKE DRUM ASSEMBLY (INCLUDES ITEMS 101 - 102)	2
101	*						BRAKE DRUM	1
102	19862-G1						LUG BOLT, 1/2 - 20 X 1 3/16" LG	4
103								
104								
105	15487-G1						WASHER, 1 3/8" O.D. X 21/32"	2
106	15483-G1						CASTELLATED NUT, 5/8 - 18	2
107	10387-G1						COTTER PIN, 1/8" X 1 1/2" LG.....	2
108	74175-G01						SPINDLE CAP.....	2
109								
110	72036-G03						BRAKE CABLE BRACKET (PASSENGER SIDE)	1
111	72036-G04						BRAKE CABLE BRACKET (DRIVER SIDE)	1

**DID YOU
KNOW?**

CartPros directs you to the right part using the part numbers from this manual. Enter the part number into our search box and it will find the part you are looking for.

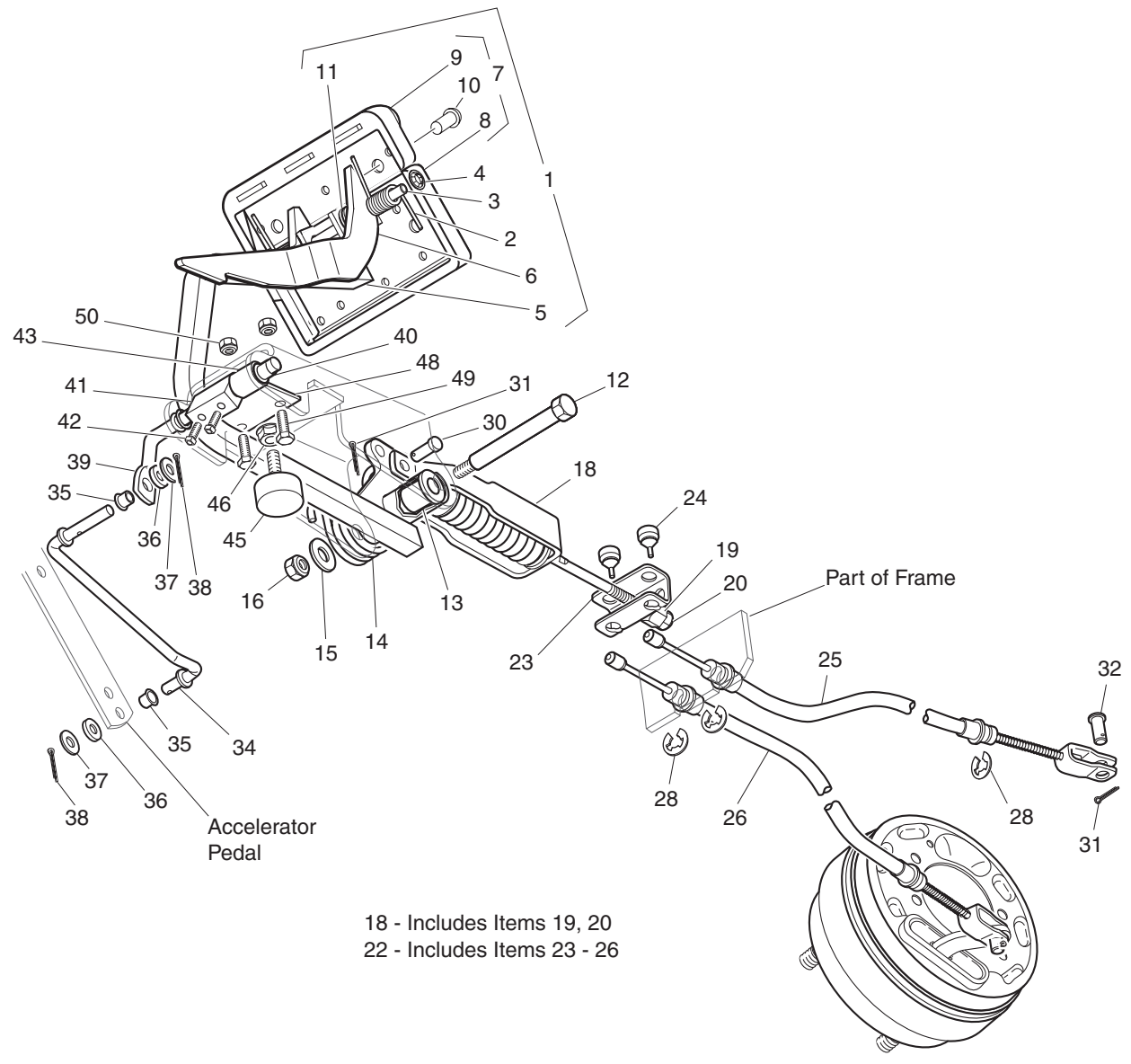
**GET STARTED
HERE**



<https://CartPros.com/f.html>

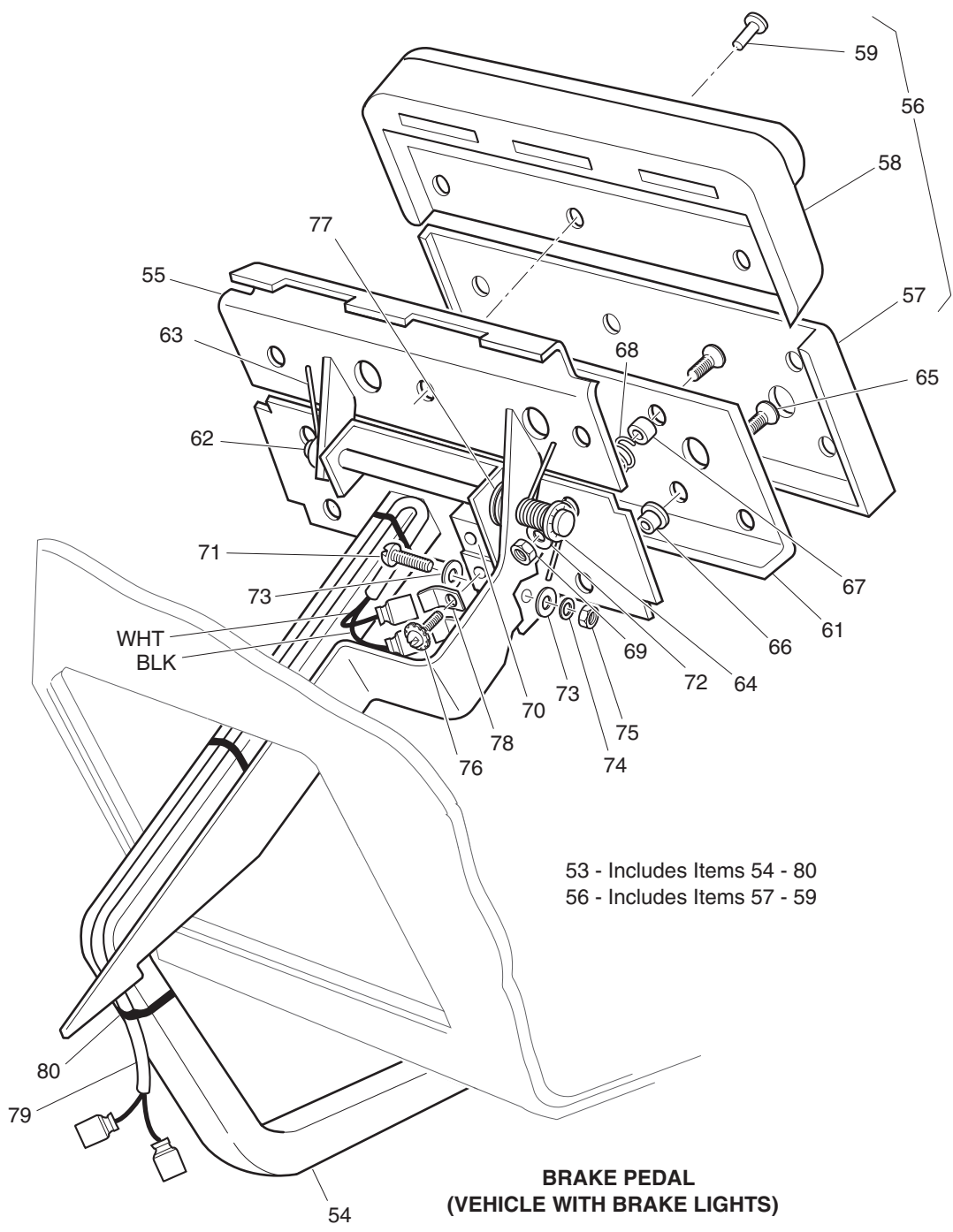
BRAKES

BRAKES - FRONT DISC



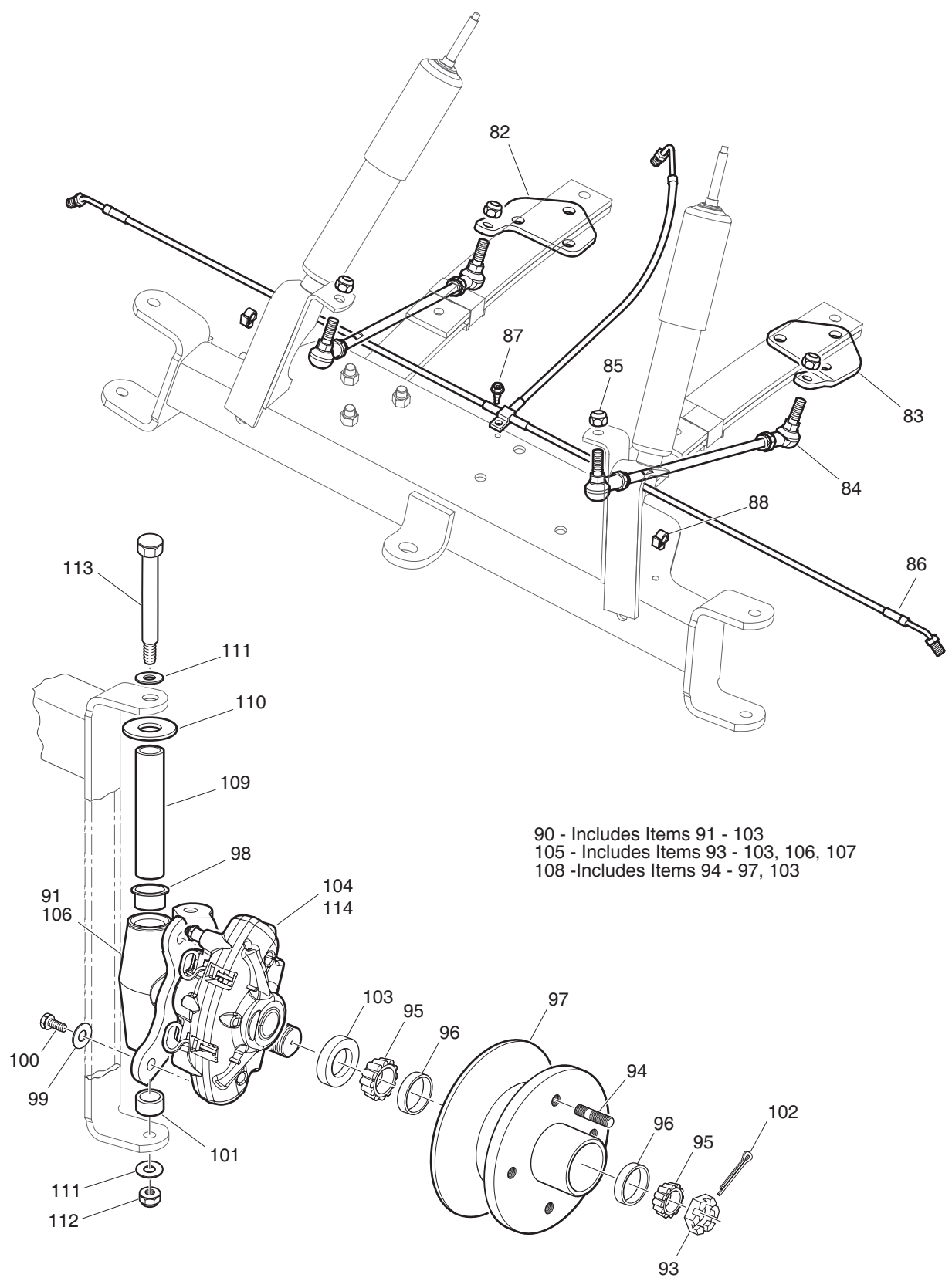
Ref Brh 21-1

BRAKES - FRONT DISC



Ref Brh 21-2

BRAKES - FRONT DISC



Ref Brh 21-3

BRAKES - FRONT DISC

THE USE OF NON U.L. PARTS WILL VOID ANY U.L. LISTING.

When ordering parts, please specify the model and serial number of the product.

* Indicates a component that is not available as an individual part.

G** Indicates consult Customer Service Department for additional information.

ITEM	PART NO.	1 2 3 4 5	DESCRIPTION	QTY.
1	74723-G01		BRAKE PEDAL ASSEMBLY (WITHOUT BRAKE LIGHTS) (INCLUDES ITEMS 2 - 11).....	1
2	70681-G01		TORSION SPRING.....	2
3	70682-G01		PIVOT PIN.....	1
4	01071-G01		PUSHNUT, 5/16".....	1
5	*		BRAKE PEDAL.....	1
6	74724-G01		PARK BRAKE PEDAL.....	1
7	70274-G01		BRAKE/PARK BRAKE PEDAL PAD KIT (INCLUDES ITEMS 8 - 10).....	1
8	*		SERVICE BRAKE PAD.....	1
9	*		PARK BRAKE PEDAL PAD.....	1
10	15766-G1		OVAL RIVET, 3/16" X 15/32" LG.....	9
11	20835-G1		WASHER, TEFLON, 3/8".....	2
12	70582-G01		SHOULDER BOLT, 3/8 - 16 X 4" LG.....	1
13	70581-G01		FLANGED BUSHING.....	2
14	70676-G01		TORSION SPRING.....	1
15	00643-G1		WASHER, 3/8".....	1
16	11098-G5		LOCK NUT, 3/8 - 16.....	1
17				
18	70272-G04		COMPENSATOR ASSEMBLY (INCLUDES ITEMS 19, 20).....	1
19	00963-G01		SPHERICAL NUT, 5/16 - 24.....	1
20	11098-G9		LOCK NUT, 5/16 - 24.....	1
21				
22	70969-G05		EQUALIZER AND BRAKE CABLE ASSEMBLY (INCLUDES ITEMS 23 - 26) ...	1
23	28082-G01		EQUALIZER BRACKET.....	1
24	28083-G01		BRAKE COMPENSATOR BUMPER.....	2
25	*		BRAKE CABLE (DRIVER SIDE).....	1
26	*		BRAKE CABLE (PASSENGER SIDE).....	1
27				
28	01111-G01		RETAINING RING, S.S.	4
29				

BRAKES - FRONT DISC

THE USE OF NON U.L. PARTS WILL VOID ANY U.L. LISTING.
 When ordering parts, please specify the model and serial number of the product.
 * Indicates a component that is not available as an individual part.
 G** Indicates consult Customer Service Department for additional information.

ITEM	PART NO.	1 2 3 4 5	DESCRIPTION	QTY.
30	10386-G3		CLEVIS PIN, 5/16" X 1" LG	3
31	10387-G3		COTTER PIN, 3/32" X 3/4" LG	3
32	14443-G2		CLEVIS PIN, 5/16" X 3/4" LG	2
33				
34	70601-G01		KICK-OFF LINK.....	1
35	17838-G1		NYLON BUSHING.....	2
36	20835-G1		TEFLON WASHER, 3/8"	2
37	00559-G8		WASHER, 5/16"	2
38	10387-G3		COTTER PIN, 3/32" X 3/4" LG	2
39	70098-G01		KICK-OFF CAM PIVOT	1
40	10097-G6		FLANGED BEARING	2
41	70587-G01		KICK-OFF CAM.....	1
42	71215-G01		SETSCREW, 1/4 - 20 X 1/2" LG	2
43	14134-G4		SPACER.....	1
44				
45	70113-G01		ADJUSTABLE BUMPER.....	1
46	11027-G1		LOCK NUT, 5/16 - 18	1
47				
48	70080-G02		CATCH BRACKET	1
49	00141-G8		BOLT, 1/4 - 20 X 3/4" LG	2
50	00891-G2		LOCK NUT, 1/4 - 20	2
51				
52				
53	74874-G01		BRAKE PEDAL ASSEMBLY (WITH BRAKE LIGHTS) (INCLUDES ITEMS 54 - 80).....	1
54	*		BRAKE PEDAL.....	1
55	74724-G01		PARK BRAKE PEDAL	1
56	70274-G01		BRAKE/PARK BRAKE PEDAL PAD KIT (INCLUDES ITEMS 57 - 59)	1
57	*		SERVICE BRAKE PAD	1
58	*		PARK BRAKE PAD	1

BRAKES - FRONT DISC

THE USE OF NON U.L. PARTS WILL VOID ANY U.L. LISTING.
 When ordering parts, please specify the model and serial number of the product.
 * Indicates a component that is not available as an individual part.
 G** Indicates consult Customer Service Department for additional information.

ITEM	PART NO.	1	2	3	4	5	DESCRIPTION	QTY.
59	15766-G1						OVAL RIVET, 3/16" X 15/32" LG.....	9
60								
61	70258-G03						BRAKE PEDAL PLATE.....	1
62	70682-G01						PIVOT PIN.....	1
63	70681-G01						TORSION SPRING.....	2
64	01071-G01						PUSHNUT, 5/16".....	1
65	00737-G8						SCREW, #10 - 24 X 1" LG.....	4
66	00739-G1						RUBBER NUT, #10 - 24.....	2
67	74535-G01						BRAKE PEDAL STANDOFF.....	2
68	27137-G01						CONICAL SPRING.....	2
69	14390-G10						LOCK NUT, #10 - 24.....	2
70	10606-G8						MICRO SWITCH.....	1
71	00957-G1						SCREW, #6 - 32 X 1 1/4" LG.....	2
72	00559-G5						WASHER, #10.....	2
73	00559-G3						WASHER, #6.....	4
74	00565-G3						LOCK WASHER, #6.....	2
75	00525-G5						NUT, #6 - 32.....	2
76	13514-G1						SCREW AND LOCK WASHER, #6.....	2
77	20835-G1						WASHER, TEFLON, 3/8".....	2
78	14628-G1						FASTON TAB.....	2
79	24605-G1						WIRE HARNESS (BRAKE LIGHT).....	1
80	17618-G1						WIRE TIE.....	3
81								
82	74731-G02						SPRING PLATE (PASSENGER SIDE).....	1
83	74731-G01						SPRING PLATE (DRIVER SIDE).....	1
84	74730-G01						FOUR LINK ROD.....	2
85	01084-G01						LOCK NUT, M10-1.25.....	4
86	74736-G01						BRAKE LINE.....	1
87	01038-G01						SCREW, 1/4 - 20 X 4444" LG.....	1
88	74875-G01						WIRE RETAINER.....	2

BRAKES - FRONT DISC

THE USE OF NON U.L. PARTS WILL VOID ANY U.L. LISTING.

When ordering parts, please specify the model and serial number of the product.

* Indicates a component that is not available as an individual part.

G** Indicates consult Customer Service Department for additional information.

ITEM	PART NO.	1 2 3 4 5	DESCRIPTION	QTY.
89				
90	602281		SPINDLE, CALIPER AND DISC HUB ASSEMBLY (DRIVER SIDE) (INCLUDES ITEMS 91 - 103).....	1
91	602176		DISC BRAKE SPINDLE (DRIVER SIDE)	1
92				
93	12093-G1		SLOTTED NUT	1
94	74864-G01		DRIVE FLANGE STUD.....	4
95	11750-G2		ROLLER BEARING	2
96	51141-G1		BEARING RACE.....	2
97	74673-G01		DISC BRAKE HUB.....	1
98	70648-G01		FLANGED BEARING.....	1
99	00566-G1		WASHER, 3/8"	2
100	00426-G8		BOLT, 3/8 - 16 X 1	2
101	70749-G01		BEARING.....	1
102	00798-G8		COTTER PIN	1
103	25146-G1		GREASE SEAL.....	1
104	74733-G02		CALIPER (DRIVER SIDE).....	1
105	602288		SPINDLE, CALIPER AND DISC HUB ASSEMBLY (PASSENGER SIDE) (INCLUDES ITEMS 93 - 103, 106, 107).....	1
106	602158		DISC BRAKE SPINDLE (PASSENGER SIDE).....	1
107				
108				
109	70745-G01		KINGPIN TUBE	2
110	70754-G01		THRUST WASHER	2
111	00560-G3		WASHER, 1/2"	4
112	14390-G6		LOCKNUT, 1/2 - 13	2
113	00407-G6		CAPSCREW, 1/2 - 13 X 6" LG	2
114	74733-G01		CALIPER (PASSENGER SIDE).....	1
115	74702-G01		FRONT DISC BRAKE BRAKE ACTUATOR ASSEMBLY (INCLUDES ITEMS 116 - 133).....	1
116	10387-G3		COTTER PIN, 3/32 X 3/4" LG.....	1

BRAKES - FRONT DISC

THE USE OF NON U.L. PARTS WILL VOID ANY U.L. LISTING.
 When ordering parts, please specify the model and serial number of the product.
 * Indicates a component that is not available as an individual part.
 G** Indicates consult Customer Service Department for additional information.

ITEM	PART NO.	1	2	3	4	5	DESCRIPTION	QTY.
117	17838-G1						NYLON BUSHING	1
118	10386-G3						CLEVIS PIN, 5/16 X 1" LG.....	1
119	74753-G01						UPPER ACTUATOR PIVOT	1
120	70581-G02						ACETAL BUSHING.....	4
121	74711-G01						SHOULDER BOLT.....	1
122	00560-G3						WASHER, 1/2"	1
123	13437-G3						BOLT, 1/2 - 13 X 6" LG.....	2
124								
125	800697						LOCKNUT, 5/16 - 18.....	2
126	74742-G01						MASTER CYLINDER.....	1
127	74703-G01						BRAKE ACTUATOR ASSEMBLY HOUSING.....	1
128	11098-G5						LOCKNUT, 3/8 - 16.....	1
129	00679-G1						WASHER, 3/8" STAINLESS	1
130	74707-G01						LOWER ACTUATOR PIVOT	1
131	10385-G4						CLEVIS YOKE	1
132	74873-G01						BRAKE ACTUATOR ASSEMBLY COVER.....	1
133	01038-G01						SCREW, 1/4 -20 SWAGEFORM	4
134								
135	00414-G8						BOLT, 1/4 - 20 X 1 1/4" LG	4
136	00891-G2						LOCKNUT, 1/4 - 20	4
137								
138	10387-G3						COTTER PIN, 3/32 X 3/4	2
139	20835-G1						WASHER, NYLON	1
140	17838-G1						NYLON BUSHING.....	2
141	74865-G01						ACTUATOR LINKAGE	1
142	00771-G5						WASHER, 3/8"	1
143	74917-G01						DISC BRAKE PAD AND PIN KIT (SERVICES ONE CORNER) (INCLUDES ITEMS 144 - 145).....	1
144	*						BRAKE PADS.....	2
145	*						BRAKE PAD RETAINER PINS.....	2

**DID YOU
KNOW?**

CartPros directs you to the right part using the part numbers from this manual. Enter the part number into our search box and it will find the part you are looking for.

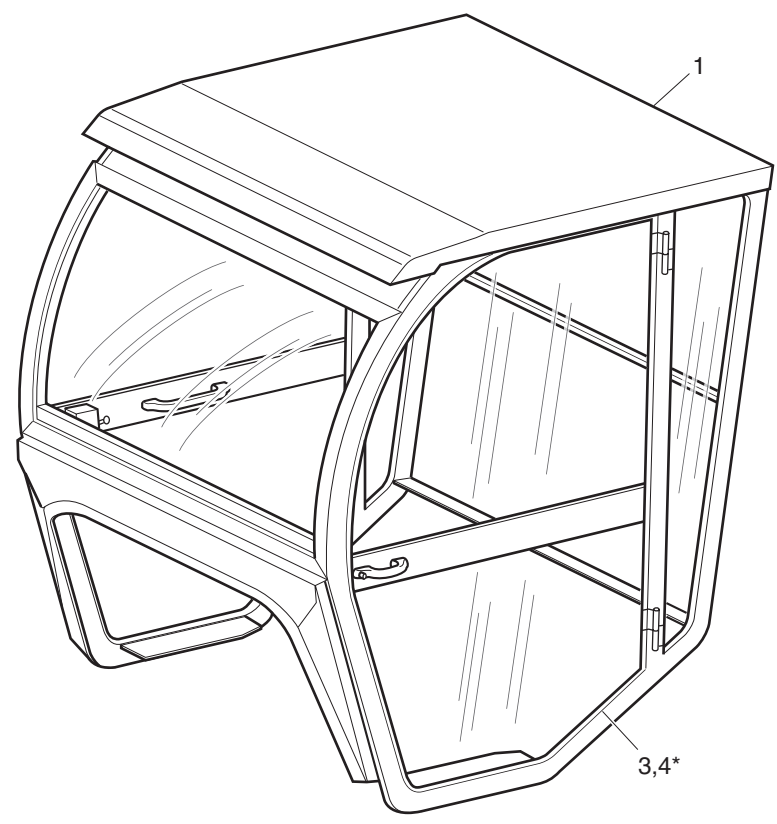
**GET STARTED
HERE**



<https://CartPros.com/f.html>

BRAKES - FRONT DISC

CAB



CAB

*Steel Doors Shown

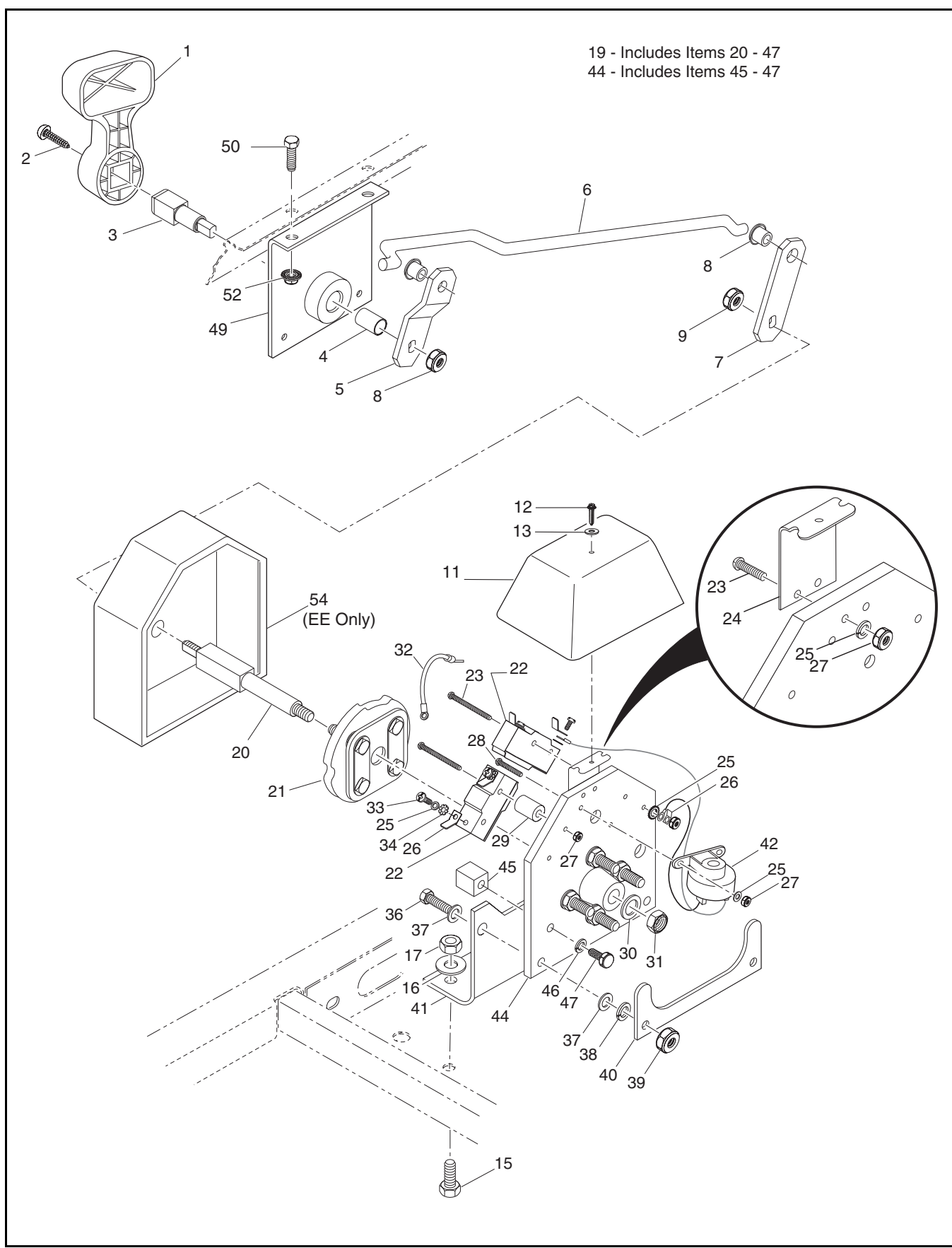
For Cab Accessories, See ACCESSORIES LISTING in Appendix B

CAB

THE USE OF NON U.L. PARTS WILL VOID ANY U.L. LISTING.
 When ordering parts, please specify the model and serial number of the product.
 * Indicates a component that is not available as an individual part.
 G** Indicates consult Customer Service Department for additional information.

ITEM	PART NO.	1 2 3 4 5	DESCRIPTION	QTY.
1	72684-G**		STEEL CAB (WITHOUT DOORS) REPACEMENT PARTS AND ACCESSORIES MAY BE OBTAINED FROM CURTIS CAB, INC.	1
2				
3	75855-G01		VINYL DOOR KIT.....	1
4	75856-G**		STEEL DOOR KIT.....	1
<p>For Cab replacement parts and accessories, contact Curtis Cab at: Curtis Cab, Inc. 111 Higgins Street, Worcester, Massachusetts, 01606. Tel.: 508-853-2200. Toll free: 800-343-7676. www.curtiscab.com</p>				

DIRECTION SELECTOR



DIRECTION SELECTOR

THE USE OF NON U.L. PARTS WILL VOID ANY U.L. LISTING.
 When ordering parts, please specify the model and serial number of the product.
 * Indicates a component that is not available as an individual part.
 G** Indicates consult Customer Service Department for additional information.

ITEM	PART NO.	1	2	3	4	5	DESCRIPTION	QTY.
1	71205-G01						DIRECTION SELECTOR HANDLE.....	1
2	00740-G4						SCREW, #10 - 32 X 1/2" LG (STAINLESS STEEL).....	1
3	70233-G01						DIRECTION SELECTOR SHAFT	1
4	25664-G2						BUSHING	1
5	70334-G01						OFFSET SHIFT LINKAGE ARM	1
6	70313-G01						LINKAGE ROD.....	1
7	70232-G03						SHIFT LINKAGE ARM	1
8	22754-G3						BUSHING	2
9	14390-G1						LOCK NUT, 3/8 - 24	2
10								
11	73049-G01						COVER.....	1
12	00114-G6						SCREW, 1/4 - 14 x 3/4" LG.....	1
13	16469-G1						WASHER, 1/4"	1
14								
15	00438-G6						BOLT, 5/16 - 18 X 3/4" LG.	2
16	00571-G2						WASHER, 5/16" (STAINLESS STEEL).....	2
17	11098-G6						LOCK NUT, 5/16 - 18 (STAINLESS STEEL)	2
18								
19	70578-G02						DIRECTION SELECTOR ASSEMBLY (INCLUDES ITEMS 20 - 47)	1
20	73027-G01						DIRECTION SELECTOR SHAFT	1
21	12835-G1						CAM.....	1
22	10606-G2						MICRO SWITCH.....	2
23	00645-G7						SCREW, #6 - 32 X 2" LG.....	4
24	73048-G01						COVER BRACKET	1
25	00565-G3						LOCK WASHER, #6	8
26	14628-G1						FASTON TAB	4
27	00525-G5						NUT, #6 - 32	8
28	00645-G5						SCREW, #6 - 32 X 3/4" LG.....	3
29	12806-G1						SPACER	4
30	00560-G1						WASHER, 3/8"	1

DIRECTION SELECTOR

THE USE OF NON U.L. PARTS WILL VOID ANY U.L. LISTING.
 When ordering parts, please specify the model and serial number of the product.
 * Indicates a component that is not available as an individual part.
 G** Indicates consult Customer Service Department for additional information.

ITEM	PART NO.	1	2	3	4	5	DESCRIPTION	QTY.
31	14390-G1						LOCK NUT, 3/8 - 24.....	2
32	25978-G37						18 GA WIRE (RED 6")	1
33	*						SCREW.....	4
34	00567-G3						LOCK WASHER, #6	4
35								
36	00414-G8						BOLT, 1/4 - 20 X 1" LG (STAINLESS STEEL)	2
37	00559-G7						WASHER, 1/4" (STAINLESS STEEL)	4
38	00565-G7						LOCK WASHER, 1/4" (STAINLESS STEEL)	2
39	00532-G1						NUT, 1/4 - 20	2
40	15461-G1						SUPPORT BRACKET.....	1
41	73031-G02						DIRECTION SELECTOR MOUNTING BRACKET	1
42	73290-G02						REVERSE WARNING BUZZER	1
43								
44	14651-G1						CONTACT BOARD ASSEMBLY (INCLUDES ITEMS 45 - 47).....	1
45	24940-G1						STOP.....	2
46	00565-G7						LOCK WASHER, 1/4" (STAINLESS STEEL)	2
47	00414-G6						BOLT, 1/4 - 20 X 3/4" LG.	2
48								
49	70444-G02						BRACKET	1
50	28272-G01						BOLT, 1/4 - 20 X 5/8" LG	2
51								
52	11027-G2						LOCK NUT, 1/4 - 20	2

**DID YOU
KNOW?**

CartPros directs you to the right part using the part numbers from this manual. Enter the part number into our search box and it will find the part you are looking for.

**GET STARTED
HERE**

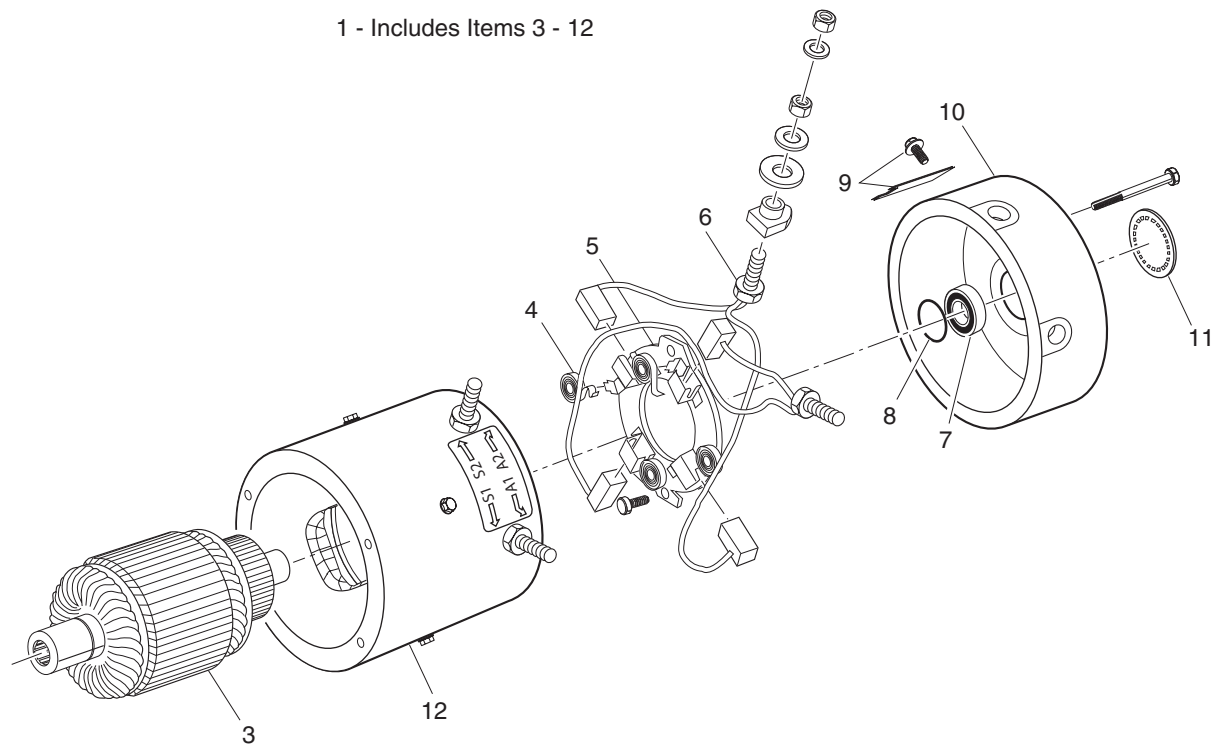


<https://CartPros.com/f.html>

DIRECTION SELECTOR

ELECTRIC MOTOR

1 - Includes Items 3 - 12



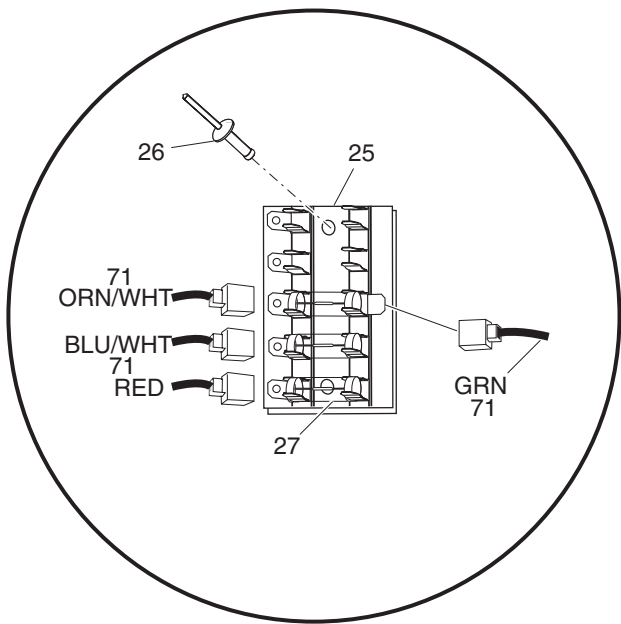
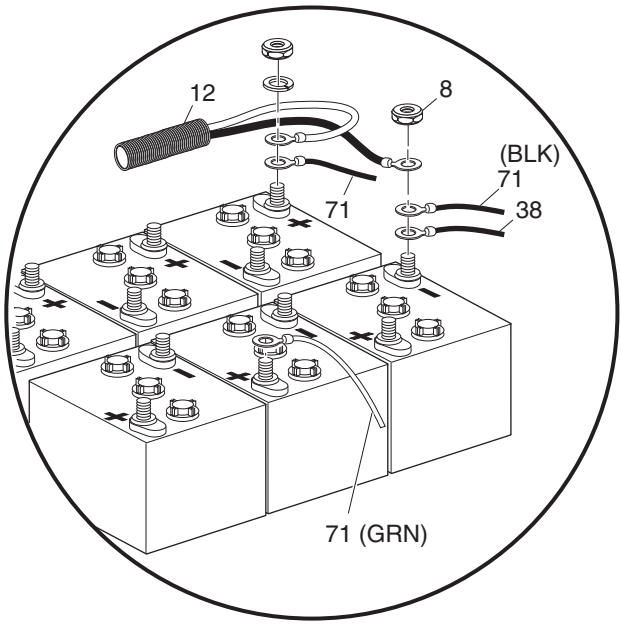
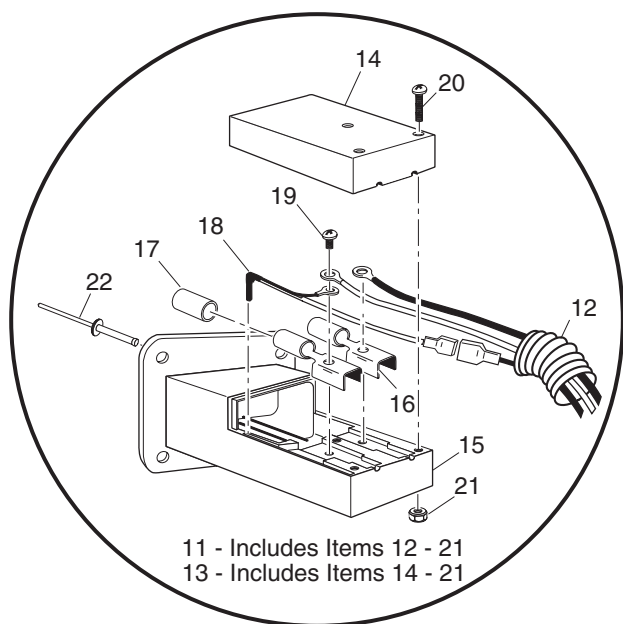
Ref Mtr 3-1

ELECTRIC MOTOR

THE USE OF NON U.L. PARTS WILL VOID ANY U.L. LISTING.
 When ordering parts, please specify the model and serial number of the product.
 * Indicates a component that is not available as an individual part.
 G** Indicates consult Customer Service Department for additional information.

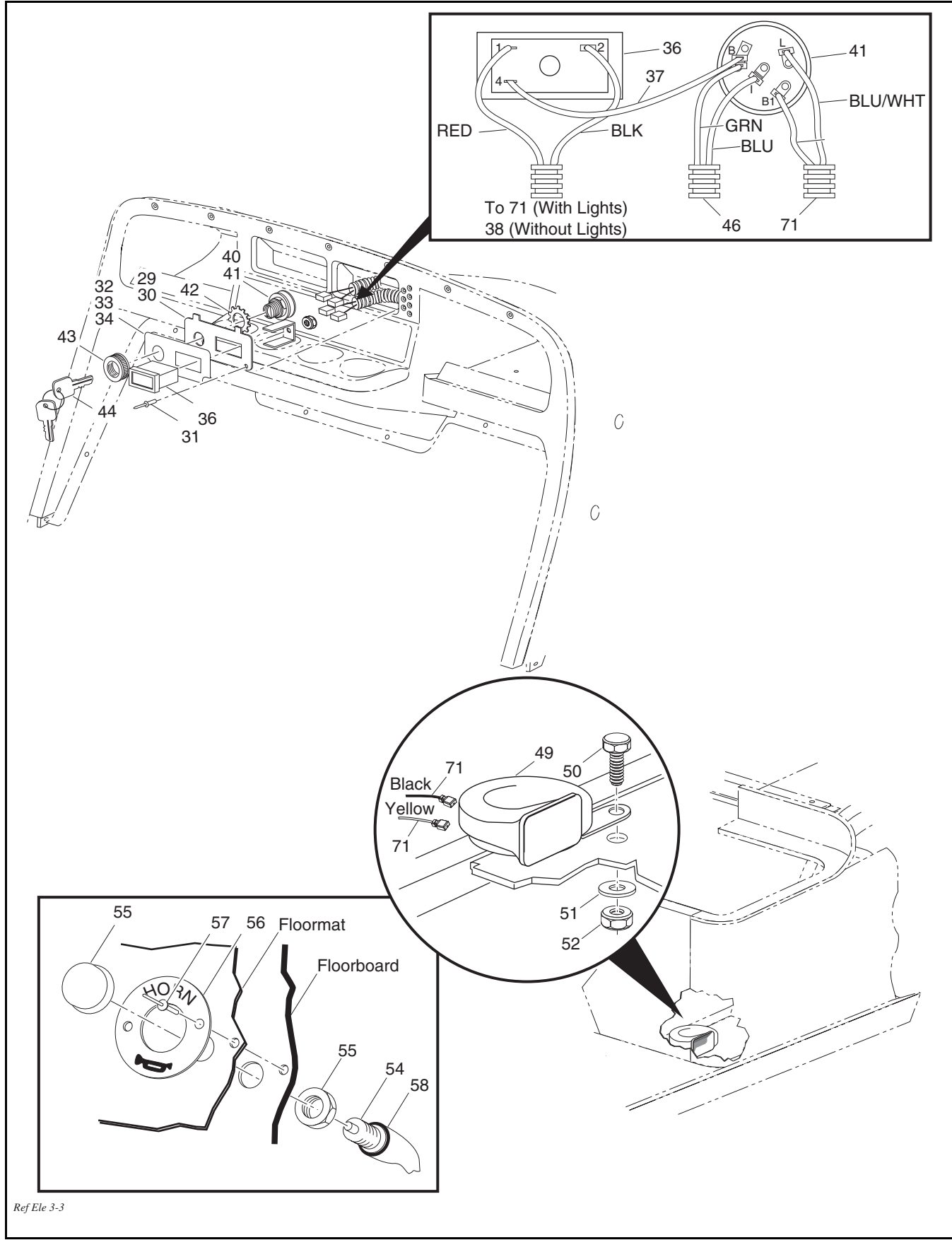
ITEM	PART NO.	1 2 3 4 5	DESCRIPTION	QTY.
1	73445-G01		MOTOR (SERIES, FLEET SPEED) (INCLUDES ITEMS 3 - 12)	1
2				
3	73120-G01		ARMATURE	1
4	73120-G03		BRUSH SPRING.....	4
5	73120-G15		BRUSH PLATE AND BOX	1
6	73120-G25		BRUSH REPLACEMENT KIT (INCLUDES HARDWARE)	1
7	73120-G07		BEARING	1
8	73120-G06		SNAP RING	1
9	73120-G09		COVER PLATE AND SCREW	1
10	73120-G08		COVER COMMUTATOR END	1
11	73120-G16		CAP.....	1
12	73120-G29		FRAME AND FIELD COIL (INCLUDES HARDWARE).....	1

ELECTRICAL SYSTEM



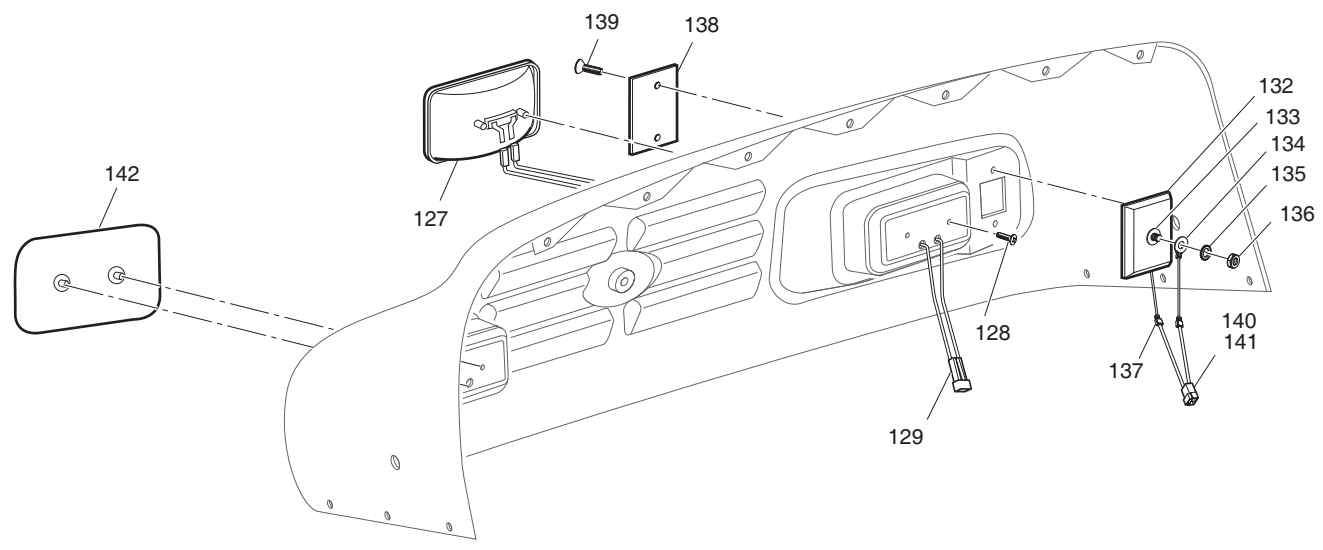
Ref Ele 3-2

ELECTRICAL SYSTEM



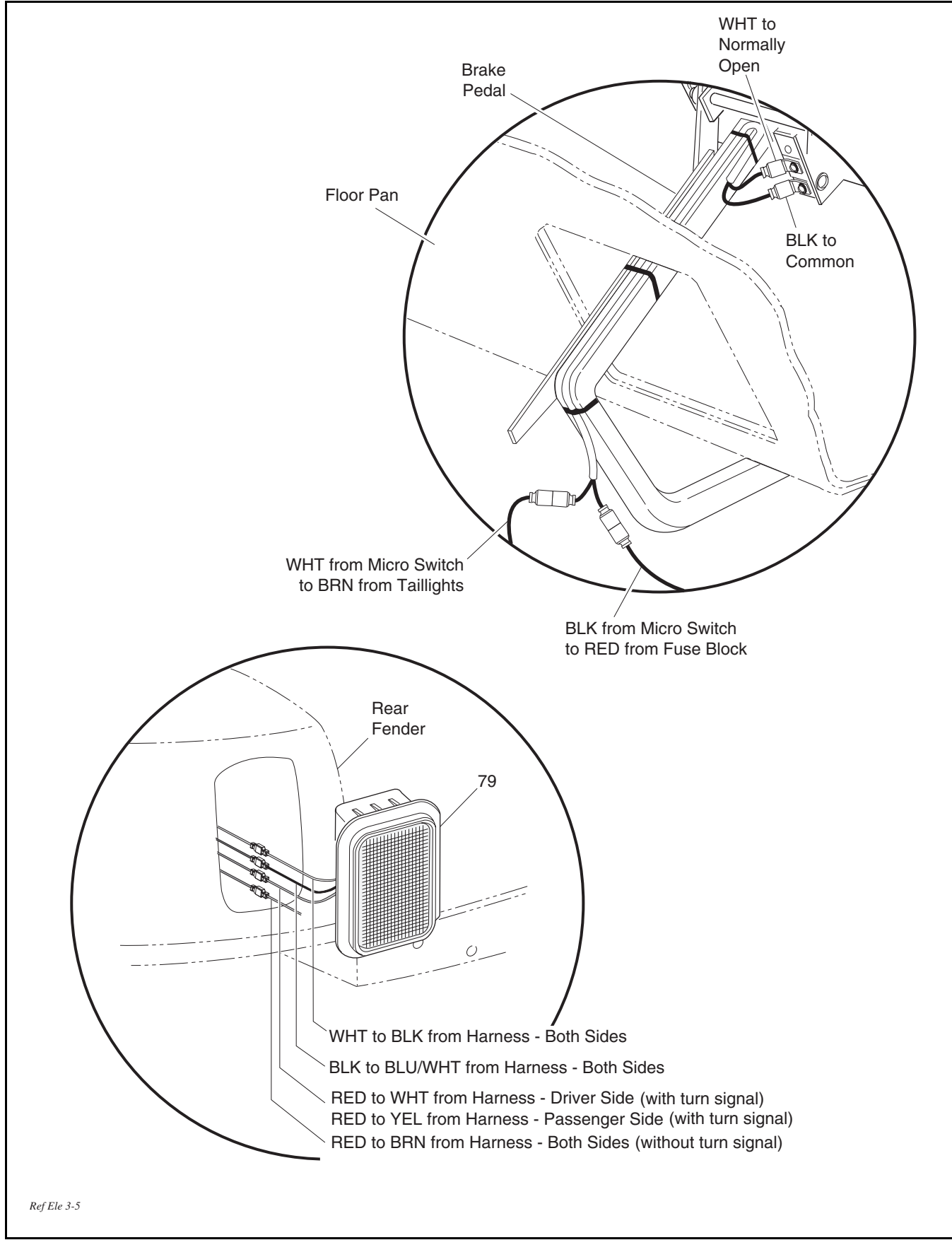
Ref Ele 3-3

ELECTRICAL SYSTEM



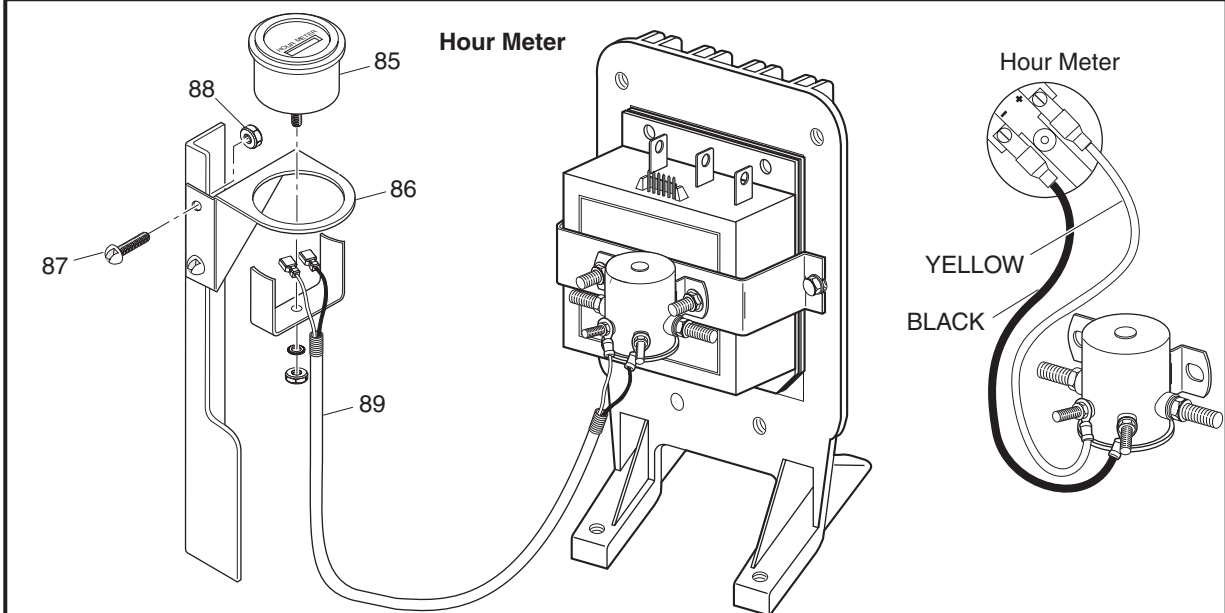
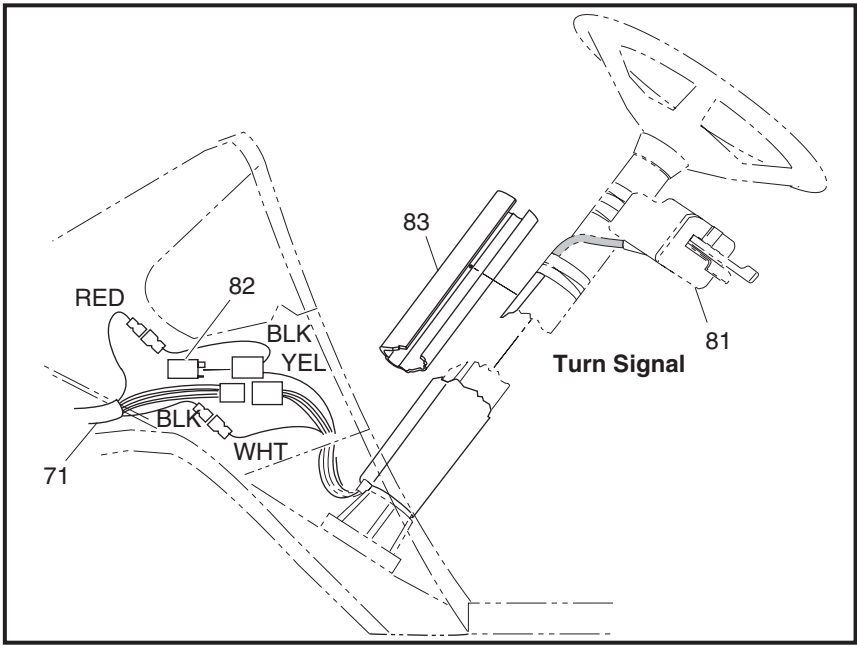
Ref Ele 3-4

ELECTRICAL SYSTEM



Ref Ele 3-5

ELECTRICAL SYSTEM



Ref Ele 3-6

ELECTRICAL SYSTEM

THE USE OF NON U.L. PARTS WILL VOID ANY U.L. LISTING.

When ordering parts, please specify the model and serial number of the product.

* Indicates a component that is not available as an individual part.

G** Indicates consult Customer Service Department for additional information.

ITEM	PART NO.	1 2 3 4 5	DESCRIPTION	QTY.
1	XXXXX-G**		BATTERY (6 VOLT)	6
2	01101-G01		HOLD DOWN BOLT (STAINLESS STEEL)	2
3	70045-G01		BATTERY RETAINER.....	1
4	11027-G1		LOCK NUT, 5/16 - 18	2
5				
6	25972-G32		6 GA WIRE (BLACK 10 1/2")	1
7	25972-G40		6 GA WIRE (BLACK 6")	4
8	00702-G2		NUT, 5/16 - 18.....	12
9				
10				
11	73063-G01		CHARGER WIRE HARNESS/RECEPTACLE ASSEMBLY (PORTABLE CHARGER) (INCLUDES ITEMS 12 - 21)	1
12	602594		CHARGER HARNESS.....	1
13	73051-G29		CHARGER RECEPTACLE (INCLUDES ITEMS 14 - 21)	1
14	73051-G03		RECEPTACLE COVER	1
15	73051-G04		RECEPTACLE BOTTOM.....	1
16	73051-G05		FEMALE CONTACT	2
17	73051-G06		INSULATOR SLEEVE	1
18	25978-G25		RED JUMPER WIRE	1
19	73051-G08		SCREW, #10 - 32 X 1/2" LG. (BRASS, BINDING HEAD)	2
20	73051-G09		SCREW, #6 - 32 X 1 3/4" LG. (STAINLESS STEEL)	3
21	73051-G10		LOCK NUT, #6-32.....	3
22	14601-G10		RIVET, 3/16" X 1" LG (ALUMINUM)	4
23	17618-G1		WIRE TIE (NOT ILLUSTRATED)	3
24				
25	22674-G1		FUSE BLOCK.....	1
26	01041-G01		RIVET, 5/32" X 3/8" LG	2
27	18392-G1		FUSE, 15 AMP	3
28				
29	601015		PLATE (IGNITION SWITCH ONLY).....	1

ELECTRICAL SYSTEM

THE USE OF NON U.L. PARTS WILL VOID ANY U.L. LISTING.
 When ordering parts, please specify the model and serial number of the product.
 * Indicates a component that is not available as an individual part.
 G** Indicates consult Customer Service Department for additional information.

ITEM	PART NO.	1 2 3 4 5	DESCRIPTION	QTY.
30	73030-G02		PLATE (IGNITION WITH STATE OF CHARGE METER)	1
31	33623-G02		DRIVE RIVET, 3/16 X 3/8" LG	2
32	71181-G02		DECAL (WITHOUT LIGHTS)	1
33	71123-G02		DECAL (WITHOUT LIGHTS, WITH STATE OF CHARGE METER)	1
34	71129-G02		DECAL (WITH LIGHTS AND STATE OF CHARGE METER).....	1
35				
36	33636-G01		STATE OF CHARGE METER.....	1
37	25978-G74		18 GA WIRE (RED 6").....	1
38	74018-G01		STATE OF CHARGE METER HARNESS	1
39				
40	18602-G1		IGNITION SWITCH (WITHOUT LIGHTS).....	1
41	33639-G01		IGNITION SWITCH (WITH LIGHTS).....	1
42	00568-G6		LOCK WASHER, 3/4".....	1
43	17137-G1		FACE NUT, 3/4 - 20	1
44	17063-G1		IGNITION KEY (SET).....	A/R
45				
46	73041-G01		IGNITION SWITCH HARNESS.....	1
47	17618-G1		WIRE TIE (NOT ILLUSTRATED).....	1
48				
49	32860-G1		HORN.....	1
50	00414-G5		BOLT, 1/4 - 20 X 5/8" LG	1
51	00559-G8		WASHER, 1/4" (STAINLESS STEEL).....	1
52	14390-G4		LOCK NUT, 1/4 - 20 (STAINLESS STEEL)	1
53				
54	17318-G1		HORN SWITCH (INCLUDES ITEM 55)	1
55	17318-G2		BUTTON AND NUT	1
56	19233-G1		HORN SWITCH PLATE	1
57	71055-G01		RIVET, 3/16 X 1" LG (ALUMINUM).....	2
58	27068-G01		HORN SWITCH BOOT	1
59				

ELECTRICAL SYSTEM

THE USE OF NON U.L. PARTS WILL VOID ANY U.L. LISTING.
 When ordering parts, please specify the model and serial number of the product.
 * Indicates a component that is not available as an individual part.
 G** Indicates consult Customer Service Department for additional information.

ITEM	PART NO.	1 2 3 4 5	DESCRIPTION	QTY.
60				
61				
62				
63				
64				
65				
66				
67				
68				
69				
70				
71	73044-G01		WIRE HARNESS (ACCESSORY).....	1
72	17618-G1		WIRE TIE (NOT ILLUSTRATED)	5
73	31539-G1		WIRE TIE (NOT ILLUSTRATED)	6
74				
75				
76				
77				
78				
79	32739-G2		STOP/TAIL LIGHT	2
80				
81	17867-G1		TURN SIGNAL (WITH MOUNTING HARDWARE) (INCLUDES ITEM 82)	1
82	21640-G1		FLASHER	1
83	20965-G3		STEERING COLUMN COVER.....	1
84				
85	21573-G1		HOUR METER	1
86	74019-G02		BRACKET	1
87	00379-G4		SCREW. #10 - 24 X 1/2" LG	2
88	11098-G7		NUT, #10 - 24.....	2
89	75117-G01		WIRE HARNESS (HOUR METER)	1

ELECTRICAL SYSTEM

THE USE OF NON U.L. PARTS WILL VOID ANY U.L. LISTING.
 When ordering parts, please specify the model and serial number of the product.
 * Indicates a component that is not available as an individual part.
 G** Indicates consult Customer Service Department for additional information.

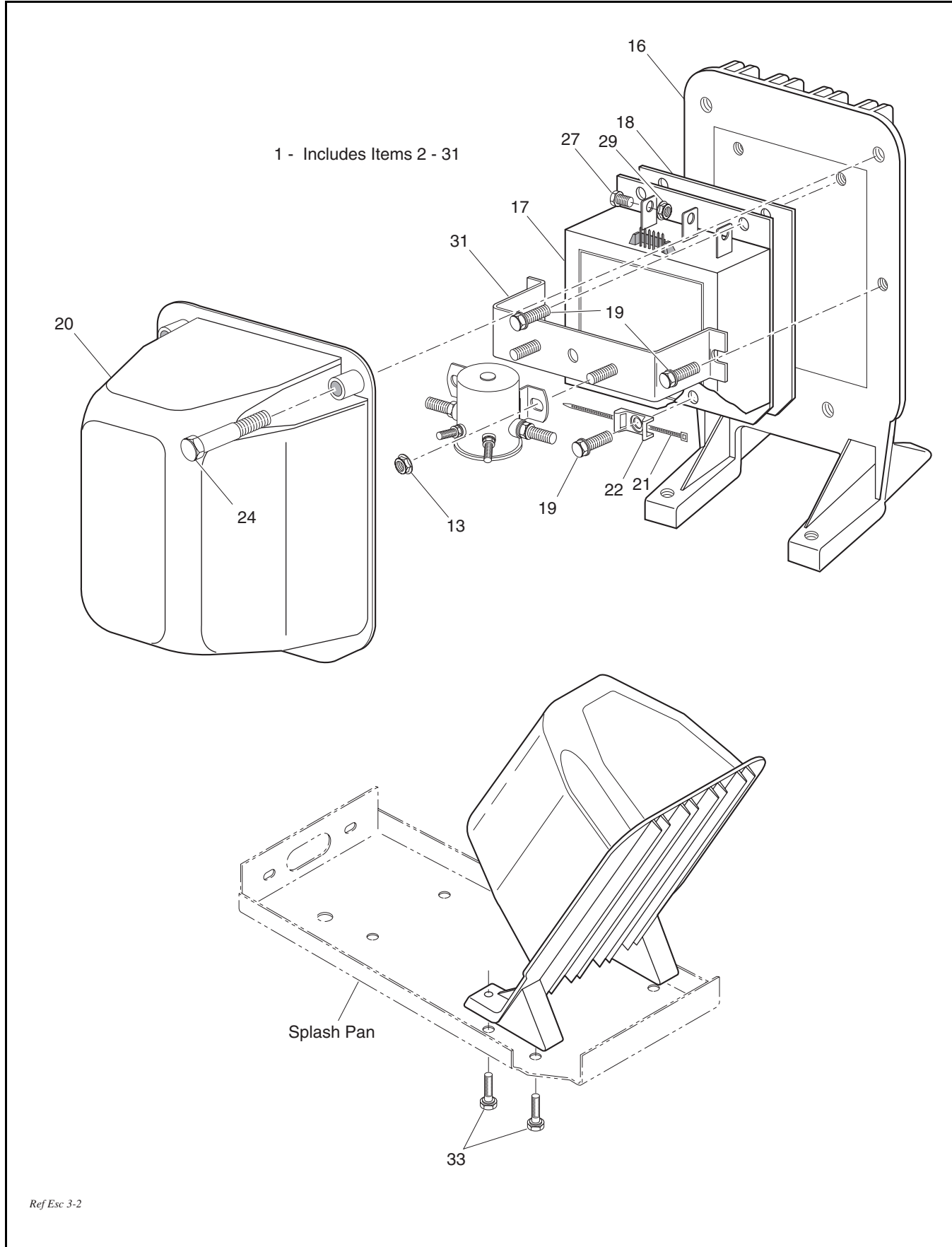
ITEM	PART NO.	1	2	3	4	5	DESCRIPTION	QTY.
90								
91	71323-G**						WORK LIGHT BAR WITH LIGHTS AND/OR STROBE (INCLUDES ITEMS 92 - 109, 111 AND/OR 119).....	1
92	75838-G03						STRUT (DRIVER SIDE).....	1
93	75838-G04						STRUT (PASSENGER SIDE).....	1
94	75346-G01						WIRE HARNESS (WORK LIGHT)	1
95	71294-G02						BRACE.....	1
96	71293-G02						COVER PLATE.....	1
97	75430-G01						SWITCH HARNESS	1
98	71077-G**						LIGHT SWITCH PLATE.....	1
99	33201-G03						STROBE LIGHT MOUNT (USED ONLY WITH STROBE LIGHT).....	1
100	75365-G01						HARDWARE KIT (INCLUDES ITEMS 101 - 109).....	1
101	00685-G7						BOLT, 5/16 - 18 X 1 3/4" LG (STAINLESS STEEL).....	6
102	00660-G8						WASHER, 5/16" (STAINLESS STEEL).....	12
103	15121-G1						WASHER, 3/8" X 1 1/4"	2
104	11098-G6						LOCK NUT, 5/16 - 18 (STAINLESS STEEL)	4
105	00918-G3						ACORN NUT, 5/16 - 18.....	2
106	33623-G02						DRIVE RIVET, 3/16" X 3/8" LG	3
107	20367-G1						GROMMET	2
108	16705-G3						SCREW, 1/4 - 20 X 3/4" LG (STAINLESS STEEL).....	2
109	14390-G4						LOCK NUT, 1/4 - 20	2
110								
111	20383-G2						WORK LIGHT KIT (INCLUDES ITEMS 112-117).....	1
112	20209-G2						WORK LIGHT (RECTANGULAR)	2
113	00566-G3						LOCK WASHER, 1/2".....	2
114	00533-G1						NUT, 1/2 - 13.....	2
115	17317-G1						LIGHT SWITCH.....	1
116	17902-G1						TAB ADAPTER	1
117	20053-G1						16 GA WIRE (RED 5 3/8").....	1
118								

ELECTRICAL SYSTEM

THE USE OF NON U.L. PARTS WILL VOID ANY U.L. LISTING.
 When ordering parts, please specify the model and serial number of the product.
 * Indicates a component that is not available as an individual part.
 G** Indicates consult Customer Service Department for additional information.

ITEM	PART NO.	1	2	3	4	5	DESCRIPTION	QTY.
119	20385-G3						STROBE LIGHT KIT (INCLUDES ITEMS 120 - 125)	1
120	20394-G4						STROBE LIGHT	1
121	00379-G4						SCREW, #10 - 24 x 1/2" LG	3
122	14390-G10						LOCK NUT, #10 - 24	3
123	17317-G1						LIGHT SWITCH.....	1
124	17902-G1						TAB ADAPTER	1
125	20053-G1						16 GA WIRE (RED 5 3/8").....	1
126								
127	22523-G1						HEADLIGHT (RECTANGULAR) (INCLUDES ITEM 128)	2
128	01085-G01						SCREW, #10 - 16 X 1" LG	2
129	74337-G01						JUMPER.....	2
130								
131	20570-G3						TURN SIGNAL LIGHT ASSEMBLY (INCLUDES ITEMS 132 - 137)	2
132	20574-G3						TURN SIGNAL LIGHT	1
133	00660-G7						WASHER, 1/4" (STAINLESS STEEL)	1
134	20606-G1						WIRE ASSEMBLY	1
135	00567-G7						LOCK WASHER, 1/4"	1
136	00532-G1						NUT, 1/4 - 20	1
137	18995-G1						PUSH-ON MALE TERMINAL	1
138	20574-G5						LENS, AMBER	1
139	00118-G5						SCREW, #6 - 18 X 5/8" LG	2
140	74056-G01						JUMPER, RED/BLACK (PASSENGER SIDE)	1
141	74056-G02						JUMPER, GREEN/BLACK (DRIVER SIDE).....	1
142	74728-G01						PLATE, HEADLIGHT	2

ELECTRONIC SPEED CONTROL



Ref Esc 3-2

ELECTRONIC SPEED CONTROL

THE USE OF NON U.L. PARTS WILL VOID ANY U.L. LISTING.

When ordering parts, please specify the model and serial number of the product.

* Indicates a component that is not available as an individual part.

G** Indicates consult Customer Service Department for additional information.

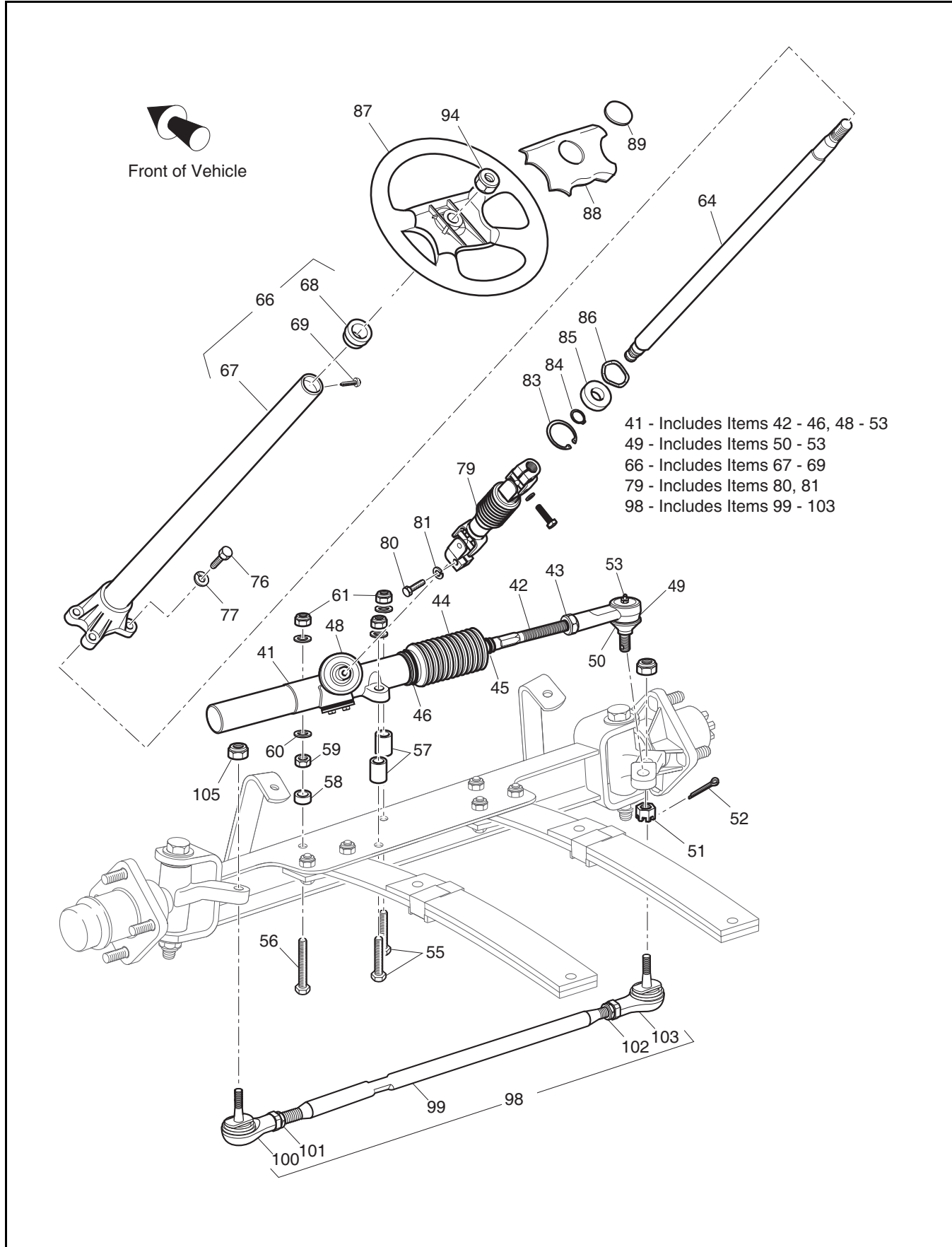
ITEM	PART NO.	1 2 3 4 5	DESCRIPTION	QTY.
1	73056-G04		ELECTRONIC SPEED CONTROL ASSEMBLY (INCLUDES ITEMS 2 - 31)	1
2	*		LOCK WASHER, #10	2
3	*		NUT, 10 - 32	2
4				
5	30353-G1		DIODE, 3 AMP	1
6	21764-G1		RESISTOR.....	1
7	73103-G02		WIRE HARNESS (CONTROL)	1
8	*		NUT, 5/16 - 24	2
9				
10	*		LOCK WASHER, 5/16"	2
11	25972-G56		6 GA WIRE (BLACK 6", SOL - B+)	1
12	25978-G10		18 GA WIRE (BLACK 6", SOL - B-).....	1
13	800706		LOCK NUT, 1/4 - 20.....	2
14				
15	27855-G02		SOLENOID, 36 VOLT	1
16	73471-G01		HEATSINK.....	1
17	25864-G09		ELECTRONIC SPEED CONTROLLER.....	1
18	73190-G01		THERMAL MOUNTING PAD.....	1
19	71102-G01		BOLT, 1/4 - 20 X 3/4" LG.....	5
20	73028-G01		COVER	1
21	31539-G1		WIRE TIE	1
22	73053-G01		MOUNT.....	1
23				
24	71102-G01		BOLT, 1/4 - 20 X 1 3/16" LG.....	4
25	73039-G04		WIRE HARNESS (POWER)	1
26				
27	00270-G5		BOLT, 5/16 - 18 X 5/8" LG.....	3
28				
29	11027-G1		NUT, 5/16 - 18	3
30				

ELECTRONIC SPEED CONTROL

THE USE OF NON U.L. PARTS WILL VOID ANY U.L. LISTING.
When ordering parts, please specify the model and serial number of the product.
* Indicates a component that is not available as an individual part.
G** Indicates consult Customer Service Department for additional information.

ITEM	PART NO.	1 2 3 4 5	DESCRIPTION	QTY.
31	25866-G01		SOLENOID BRACKET	1
32				
33	71102-G01		BOLT, 1/4 - 20 X 3/4" LG.	4

FRONT SUSPENSION/STEERING



FRONT SUSPENSION/STEERING

THE USE OF NON U.L. PARTS WILL VOID ANY U.L. LISTING.
 When ordering parts, please specify the model and serial number of the product.
 * Indicates a component that is not available as an individual part.
 G** Indicates consult Customer Service Department for additional information.

ITEM	PART NO.	1 2 3 4 5	DESCRIPTION	QTY.
1	602512		FRONT AXLE	1
2				
3	70942-G03		SPINDLE AND HUB ASSEMBLY, 4 LUG (PASSENGER SIDE) (INCLUDES ITEMS 4 - 10).....	1
4	70942-G04		SPINDLE ASSEMBLY (PASSENGER SIDE).....	1
5	25146-G1		GREASE SEAL	1
6	50892-G1		ROLLER BEARING AND RACE ASSEMBLY	2
7	70895-G01		WHEEL HUB ASSEMBLY WITH RACES, 4 LUG (INCLUDES ITEM 8)	1
8	19862-G1		LUG BOLT, 1/2 - 20 X 1 7/32" LG	4
9	12093-G1		SLOTTED NUT, 1 - 14	1
10	00798-G8		COTTER PIN, 5/32" X 1 3/4" LG	1
11	12091-G2		SPINDLE CAP	2
12				
13				
14	70673-G03		SPINDLE AND HUB ASSEMBLY, 4 LUG (DRIVER SIDE) (INCLUDES ITEMS 5 - 10, 15).....	1
15	70673-G04		SPINDLE ASSEMBLY (DRIVER SIDE)	1
16				
17				
18	00407-G6		BOLT, 1/2 - 13 X 6" LG	2
19	00560-G3		WASHER, 1/2"	4
20	70745-G01		KING PIN TUBE	2
21	70754-G01		THRUST WASHER (STAINLESS STEEL).....	2
22	14390-G6		LOCK NUT, 1/2 - 13	2
23				
24				
25	76419-G01		SHOCK ABSORBER.....	2
26				
27				
28	10435-G1		SHOCK ABSORBER WASHER.....	8
29	10194-G1		RUBBER SHOCK ABSORBER BUSHING	8

FRONT SUSPENSION/STEERING

THE USE OF NON U.L. PARTS WILL VOID ANY U.L. LISTING.
 When ordering parts, please specify the model and serial number of the product.
 * Indicates a component that is not available as an individual part.
 G** Indicates consult Customer Service Department for additional information.

ITEM	PART NO.	1	2	3	4	5	DESCRIPTION	QTY.
30	00532-G6						NUT, 3/8 - 24	4
31	10044-G01						VINYL CAP	4
32								
33								
34	70664-G03						LEAF SPRING (HEAVY DUTY) (SEE PART NUMBER ON SPRING).....	2
35	70163-G03						SPRING PLATE	4
36								
37	00734-G1						LOCK NUT, 7/16 - 14	11
38	00463-G6						BOLT, 7/16 - 14 X 1 3/4" LG	11
39								
40								
41	74605-G01						RACK AND PINION UNIT (COMPLETE) (INCLUDES ITEMS 42 - 45, 48 - 53) ..	1
42	74602-G01						RACK EXTENSION	1
43	*						JAM NUT, 1/2 - 20.....	1
44	70961-G01						RACK BOOT	1
45	12416-G2						NYLON CLAMP	1
46	11391-G8						HOSE CLAMP	1
47								
48	70638-G01						PINION SEAL	1
49	70695-G01						RACK BALL JOINT (INCLUDES ITEMS 50 - 53).....	1
50	50641-G1						RUBBER BOOT	1
51	50209-G2						SLOTTED NUT, 7/16 - 20.....	1
52	10387-G2						COTTER PIN, 3/32" X 1" LG	1
53	10389-G3						GREASE FITTING, STRAIGHT.....	1
54								
55	00464-G6						BOLT, 7/16 - 14 X 2 3/4" LG	2
56	01068-G01						BOLT, 7/16 - 14 X 3 1/2" LG	1
57	70667-G02						SPACER.....	2
58	70667-G03						SPACER (SHORT).....	1
59	00532-G7						NUT, 7/16 - 14	1

FRONT SUSPENSION/STEERING

THE USE OF NON U.L. PARTS WILL VOID ANY U.L. LISTING.
 When ordering parts, please specify the model and serial number of the product.
 * Indicates a component that is not available as an individual part.
 G** Indicates consult Customer Service Department for additional information.

ITEM	PART NO.	1 2 3 4 5	DESCRIPTION	QTY.
60	00560-G2		FLAT WASHER, 7/16"	7
61	00734-G1		LOCK NUT, 7/16 - 14	3
62				
63				
64	70607-G01		STEERING SHAFT	1
65				
66	70758-G05		STEERING COLUMN KIT (INCLUDES ITEMS 67 - 69)	1
67	70610-G03		STEERING COLUMN	1
68	28569-G01		STEERING COLUMN BUSHING	1
69	01022-G01		SCREW, #6 - 20 X 5/16" LG	1
70				
71				
72				
73				
74				
75				
76	01006-G01		BOLT, 3/8 - 16 X 1 1/4" LG WITH PATCHLOCK	4
77	00879-G1		LOCK WASHER, 3/8"	4
78				
79	70580-G01		INTERMEDIATE SHAFT (INCLUDES ITEMS 80, 81).....	1
80	01055-G01		BOLT, M8 X 1 1/4" LG	2
81	00565-G8		LOCK WASHER, 5/16"	2
82				
83	70751-G01		RETAINING RING (INTERNAL).....	1
84	70888-G01		RETAINING RING (EXTERNAL).....	1
85	15112-G1		BALL BEARING	1
86	70887-G01		WAVE WASHER.....	1
87	602980		STEERING WHEEL	1
88	71147-G01		STEERING WHEEL COVER	1
89	74815-G01		LABEL (E-Z-GO)	1

FRONT SUSPENSION/STEERING

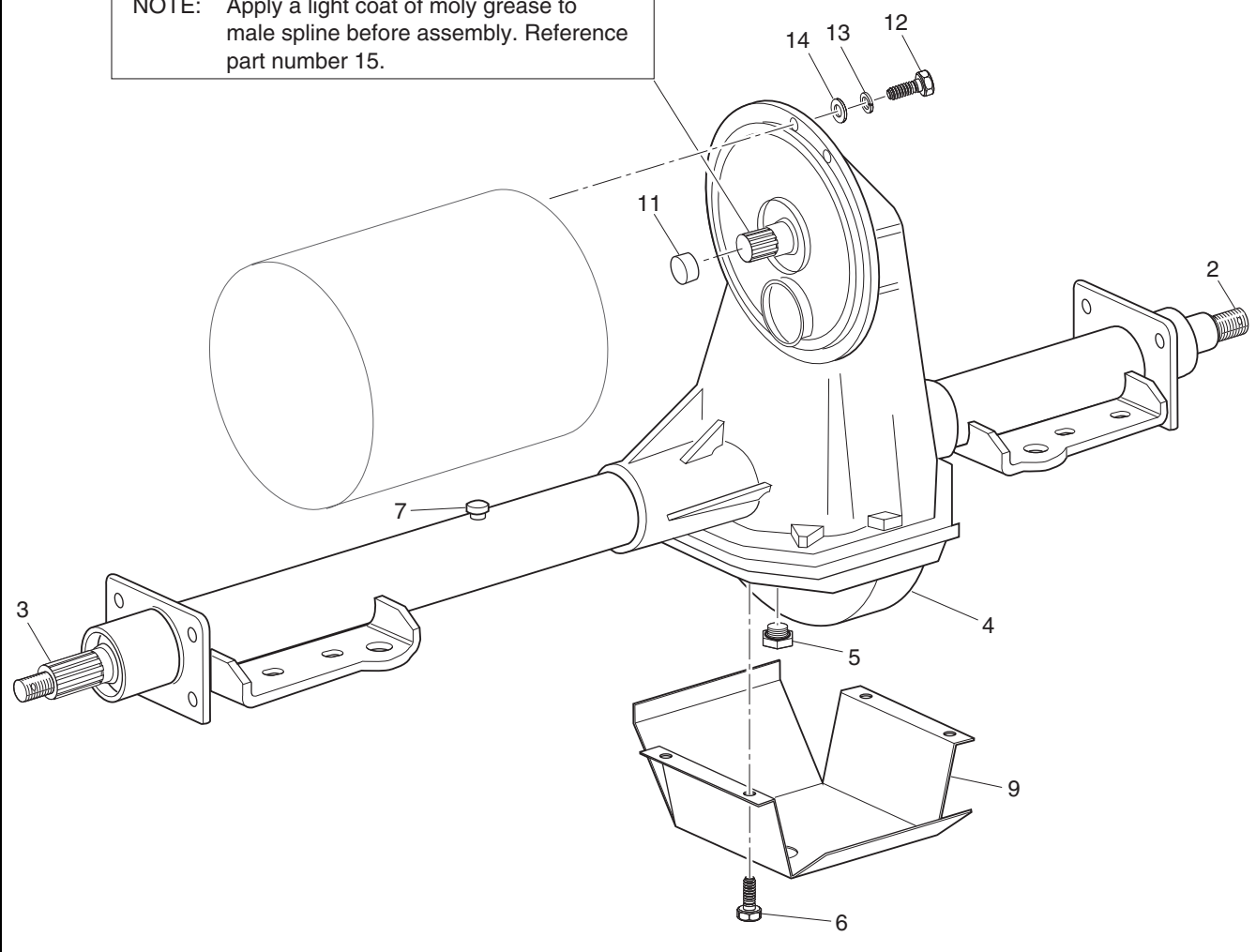
THE USE OF NON U.L. PARTS WILL VOID ANY U.L. LISTING.
 When ordering parts, please specify the model and serial number of the product.
 * Indicates a component that is not available as an individual part.
 G** Indicates consult Customer Service Department for additional information.

ITEM	PART NO.	1	2	3	4	5	DESCRIPTION	QTY.
90								
91								
92								
93								
94	14390-G2						LOCK NUT, 5/8 - 18	1
95								
96								
97								
98	74604-G01						TIE ROD ASSEMBLY (INCLUDES ITEMS 127 - 131)	1
99	74603-G01						THREADED ROD (24" LG).....	1
100	70902-G01						TIE ROD END (LEFT HAND THREADS)	1
101	01069-G01						JAM NUT, M12 X 1.25-05 (LEFT HAND THREADS).....	1
102	70902-G02						TIE ROD END (RIGHT HAND THREADS).....	1
103	01069-G02						JAM NUT, M12 X 1.25-05 (RIGHT HAND THREADS)	1
104								
105	00734-G1						LOCK NUT, 7/16 - 14	2

REAR AXLE

1 - Includes Items 2 - 7

NOTE: Apply a light coat of moly grease to male spline before assembly. Reference part number 15.



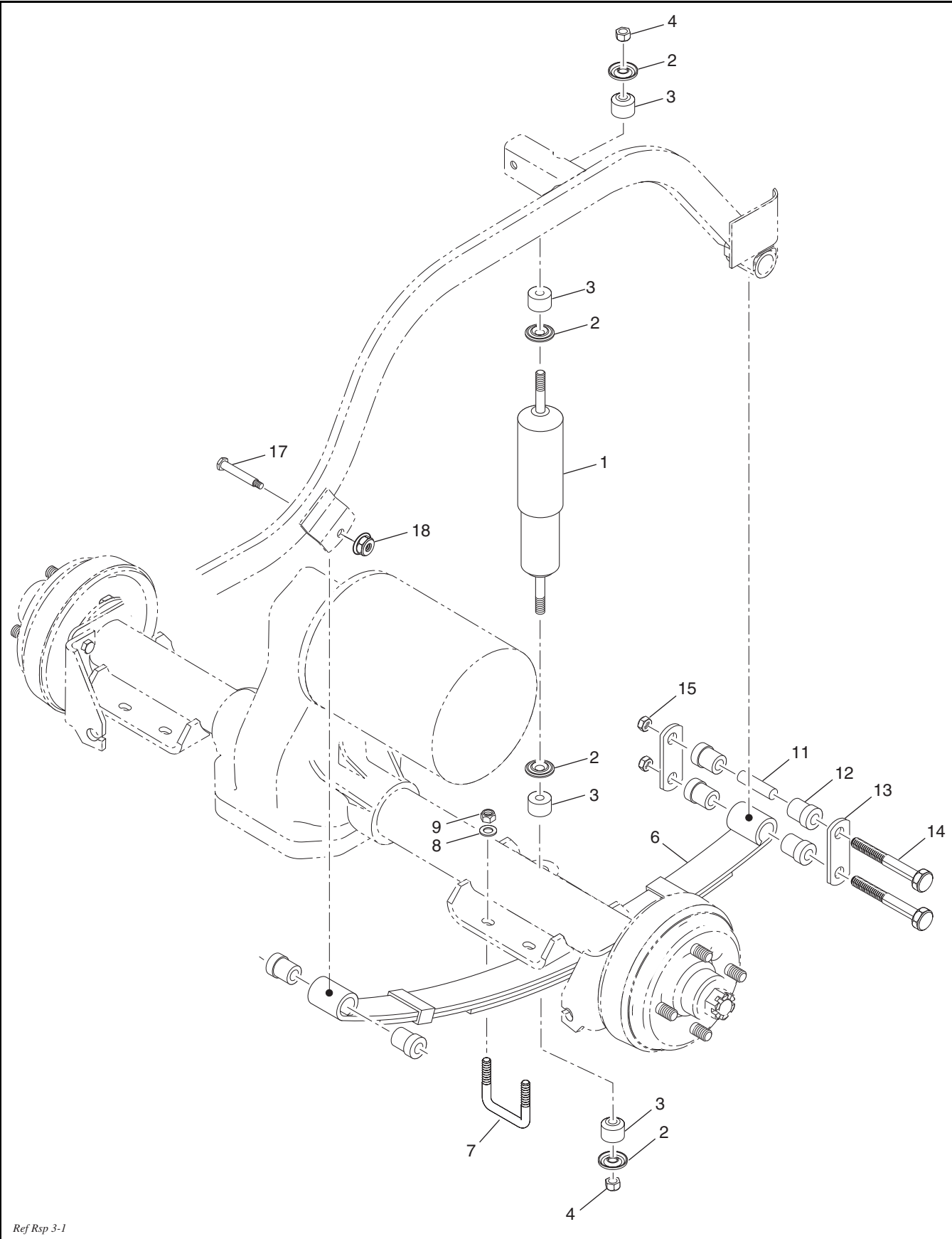
Ref Rax 1

REAR AXLE

THE USE OF NON U.L. PARTS WILL VOID ANY U.L. LISTING.
 When ordering parts, please specify the model and serial number of the product.
 * Indicates a component that is not available as an individual part.
 G** Indicates consult Customer Service Department for additional information.

ITEM	PART NO.	1 2 3 4 5	DESCRIPTION	QTY.
1	73500-G01		REAR AXLE ASSEMBLY, 12.44:1 (INCLUDES ITEMS 3 - 9).....	1
2				
3	20377-G12		AXLE SHAFT (PASSENGER SIDE).....	1
4	20377-G11		AXLE SHAFT (DRIVER SIDE).....	1
5	25228-G1		DIFFERENTIAL COVER.....	1
6	28610-G01		FILL/CHECK PLUG	1
7				
8	15558-G1		SCREW, 5/16 - 18 X 3/4" LG.	10
9	73050-G01		VENT	1
10				
11	24261-G1		BUMPER SPLINE	1
12	00797-G2		BOLT, 1/4 - 20 X 1 1/4" LG.	3
13	00565-G7		LOCK WASHER, 1/4" (STAINLESS STEEL)	3
14	00559-G7		WASHER, 1/4" (STAINLESS STEEL)	3
15	28095-G01		MOLY LUBE, 2 OZ.	AR
16				
17	72763-G02		DIFFERENTIAL GUARD.....	1

REAR SUSPENSION



Ref Rsp 3-1

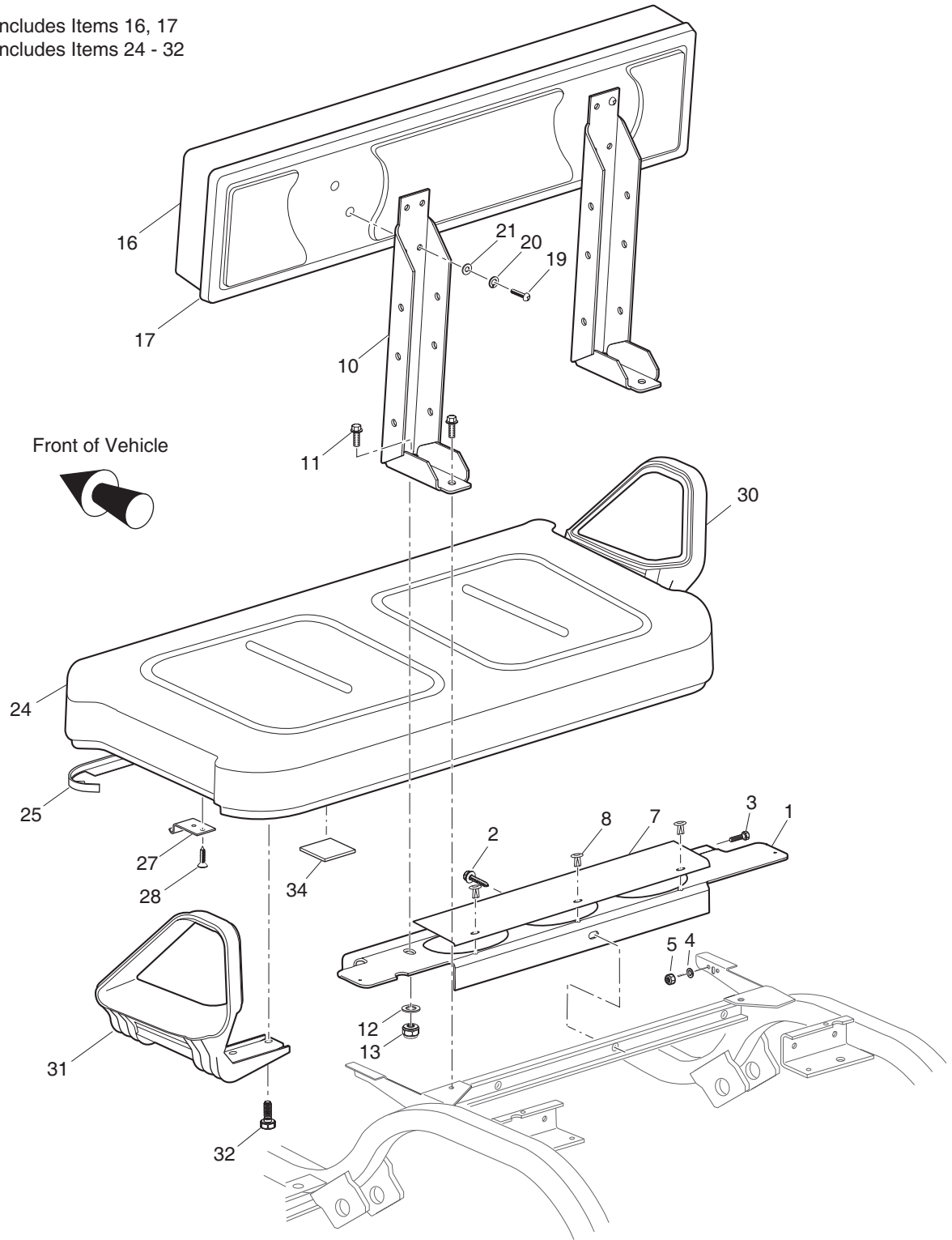
REAR SUSPENSION

THE USE OF NON U.L. PARTS WILL VOID ANY U.L. LISTING.
 When ordering parts, please specify the model and serial number of the product.
 * Indicates a component that is not available as an individual part.
 G** Indicates consult Customer Service Department for additional information.

ITEM	PART NO.	1 2 3 4 5	DESCRIPTION	QTY.
1	70248-G01		SHOCK ABSORBER.....	2
2	10435-G1		SHOCK ABSORBER WASHER.....	8
3	10194-G1		RUBBER SHOCK ABSORBER BUSHING.....	8
4	00532-G6		NUT, 3/8 - 24.....	4
5				
6	74207-G03		LEAF SPRING (HEAVY DUTY).....	2
7	72618-G01		"U" BOLT, 3/8 - 16 X 2" X 2 1/2" LG.....	4
8	00560-G1		WASHER, 3/8".....	8
9	11098-G5		LOCK NUT, 3/8 - 16.....	8
10				
11	70289-G02		SPACER.....	4
12	70291-G01		RUBBER BUSHING.....	12
13	70290-G02		SHACKLE PLATE.....	4
14	00665-G9		BOLT, 3/8 - 16 X 3 1/2" LG (STAINLESS STEEL).....	4
15	11098-G5		LOCK NUT, 3/8 - 16.....	4
16				
17	14158-G1		SHOULDER BOLT, 3/8 - 16 X 3 1/4" LG.....	2
18	12262-G1		LOCK NUT, 3/8 - 16.....	2

SEATING

15 - Includes Items 16, 17
23 - Includes Items 24 - 32



Ref Sea 4-1 28812

SEATING

THE USE OF NON U.L. PARTS WILL VOID ANY U.L. LISTING.
 When ordering parts, please specify the model and serial number of the product.
 * Indicates a component that is not available as an individual part.
 G** Indicates consult Customer Service Department for additional information.

ITEM	PART NO.	1 2 3 4 5	DESCRIPTION	QTY.
1	71262-G04		SEAT BACK SUPPORT	1
2	00715-G2		BOLT, 5/16 - 18 X 13/16" LG	1
3	00438-G8		BOLT, 5/16 - 18 X 3/4" LG	2
4	00642-G8		WASHER, 5/16"	2
5	11098-G6		LOCK NUT, 5/16 - 18	2
6				
7	71263-G01		ACCESS COVER	1
8	18436-G1		DRIVE RIVET	3
9				
10	75900-G02		SEAT BACK SUPPORT BRACKET	2
11	01006-G01		BOLT, 3/8 - 16 X 1 1/4" LG	4
12	00560-G1		WASHER, 3/8"	2
13	11098-G5		LOCK NUT, 3/8 - 16	2
14				
15	71274-G**		SEAT BACK ASSEMBLY (INCLUDES ITEMS 16, 17)	1
16	18144-G**		VINYL SEAT BACK COVER	1
17	74889-G01		PLASTIC SEAT BACK COVER (BLACK)	1
18				
19	16705-G12		SCREW, 1/4 - 20 X 1" LG	4
20	00664-G7		LOCK WASHER, 1/4" (STAINLESS STEEL)	4
21	01110-G01		WASHER, 1/4" (STAINLESS STEEL)	4
22				
23	71611-G**		SEAT BOTTOM ASSEMBLY (INCLUDES ITEMS 24 - 32)	1
24	71602-G**		VINYL SEAT BOTTOM COVER	1
25	71012-G01		VINYL TRIM (SEAT BOTTOM)	1
26				
27	71610-G01		SEAT HINGE	2
28	00720-G08		SCREW, #12 - 14 X 1" LG	6
29				
30	71701-G01		HIP RESTRAINT (PASSENGER SIDE)	1

SEATING

THE USE OF NON U.L. PARTS WILL VOID ANY U.L. LISTING.
 When ordering parts, please specify the model and serial number of the product.
 * Indicates a component that is not available as an individual part.
 G** Indicates consult Customer Service Department for additional information.

ITEM	PART NO.	1 2 3 4 5	DESCRIPTION	QTY.
31	71702-G01		HIP RESTRAINT (DRIVER SIDE)	1
32	71204-G01		BOLT, 1/4 - 20 X 7/8" LG.....	8
33				
34	17074-G1		BUMPER.....	2

**DID YOU
KNOW?**

CartPros directs you to the right part using the part numbers from this manual. Enter the part number into our search box and it will find the part you are looking for.

**GET STARTED
HERE**

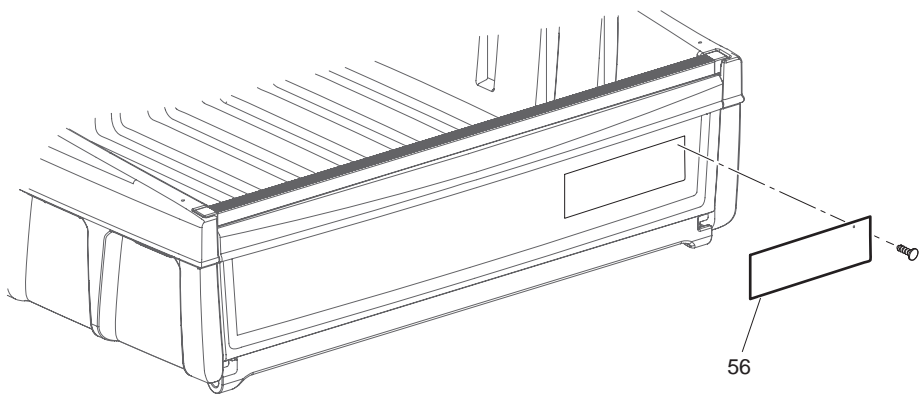
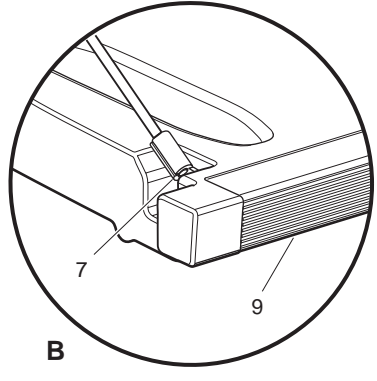
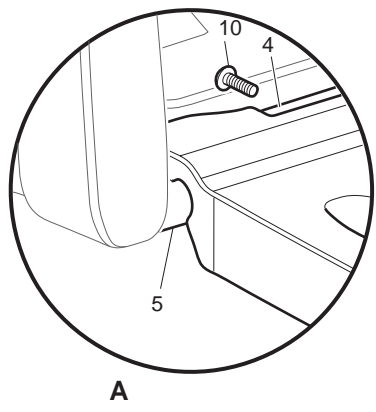
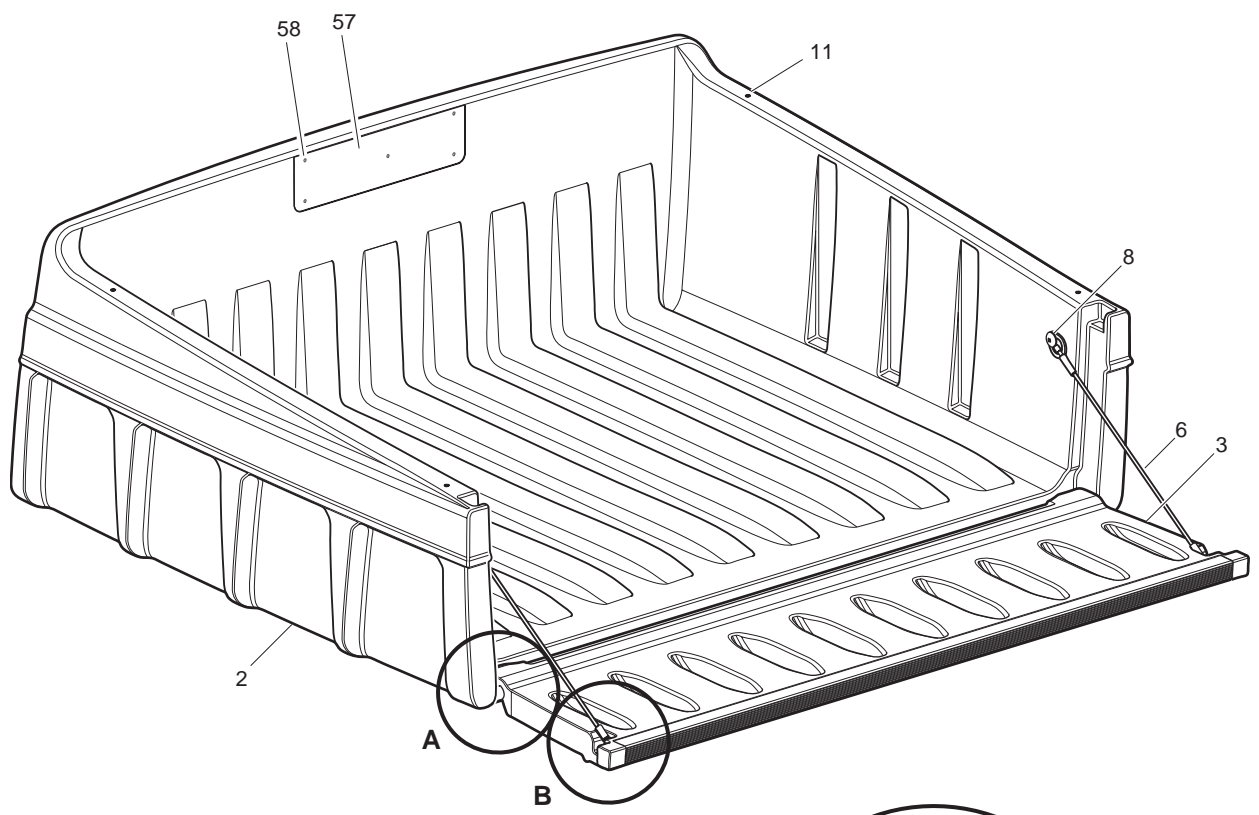


<https://CartPros.com/f.html>

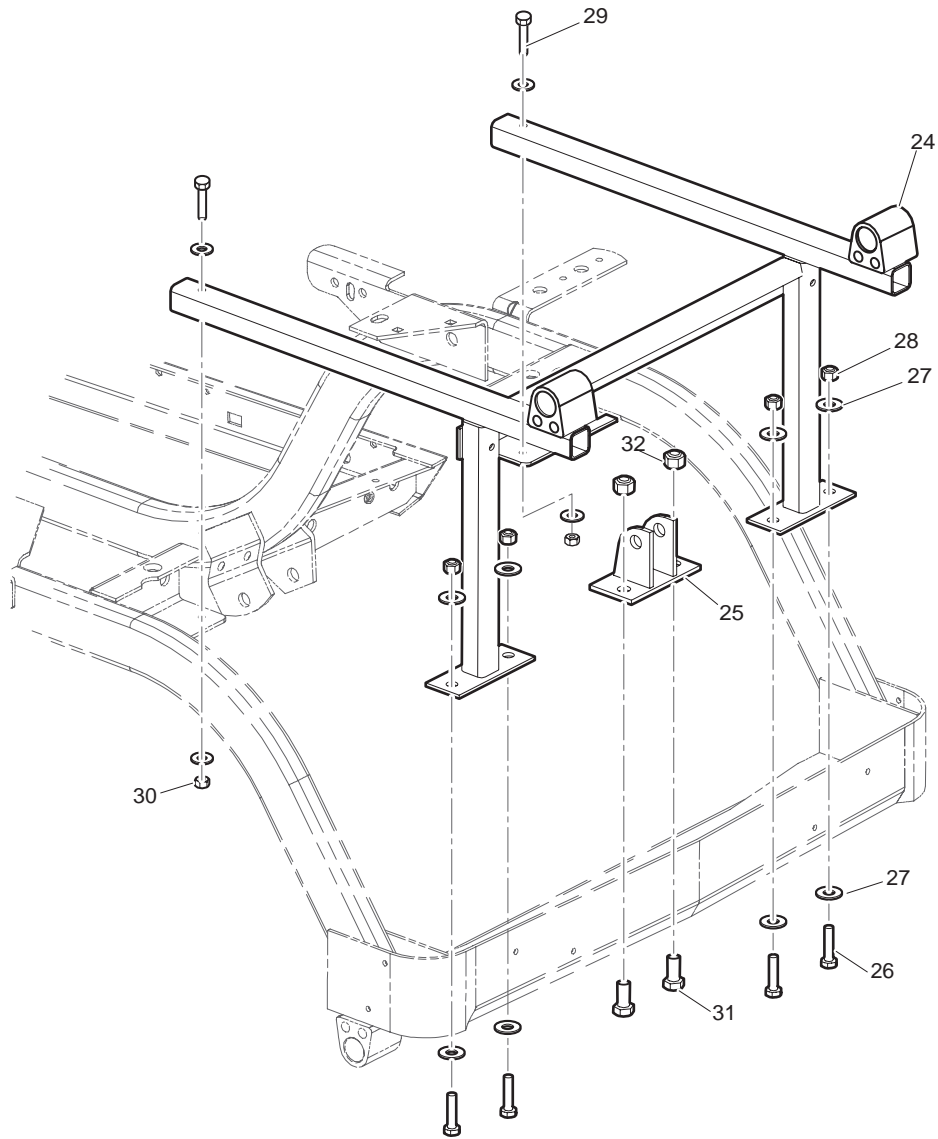
SEATING

TRUCK BED, MANUAL LIFT

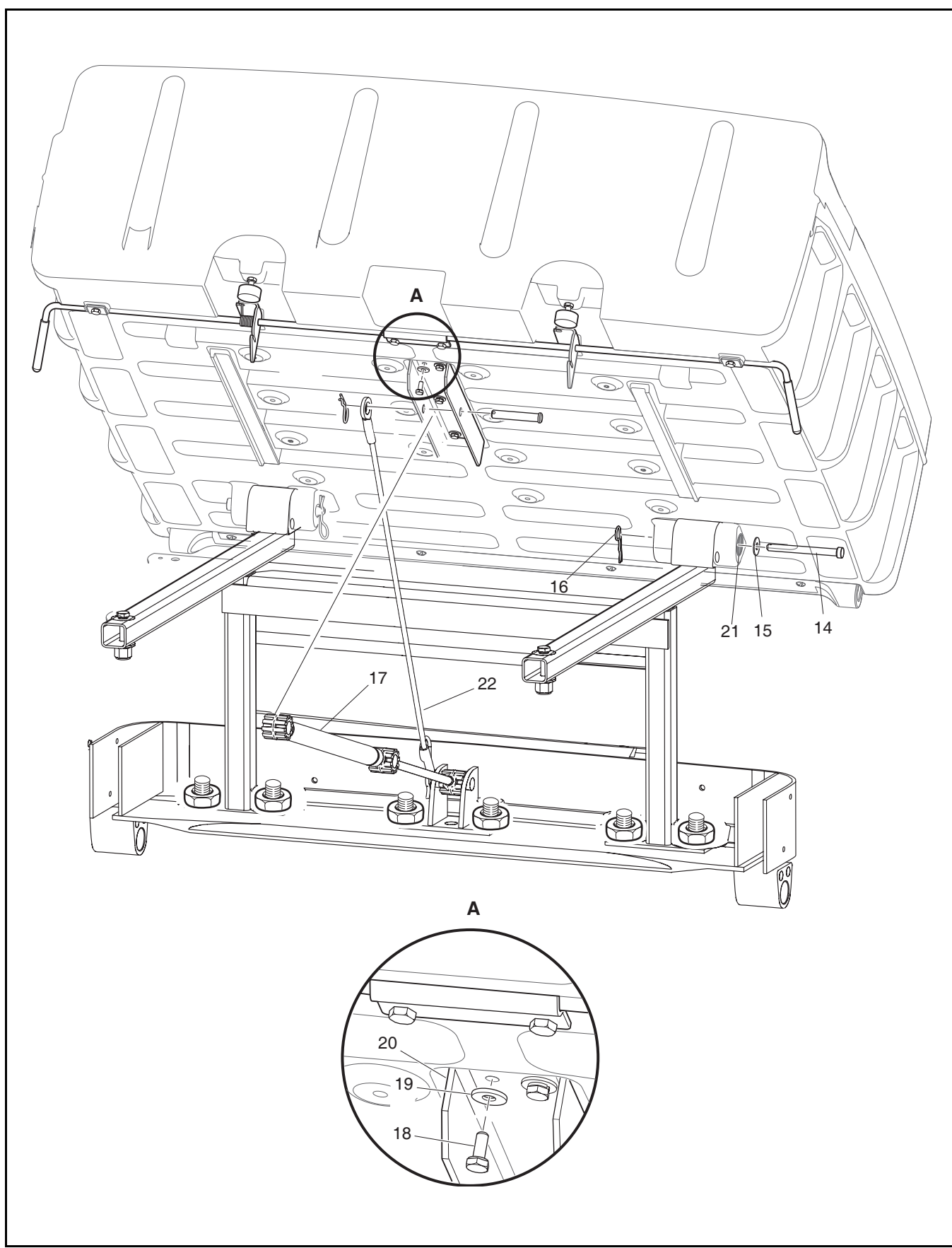
1 - INCLUDES ITEMS 2 - 11



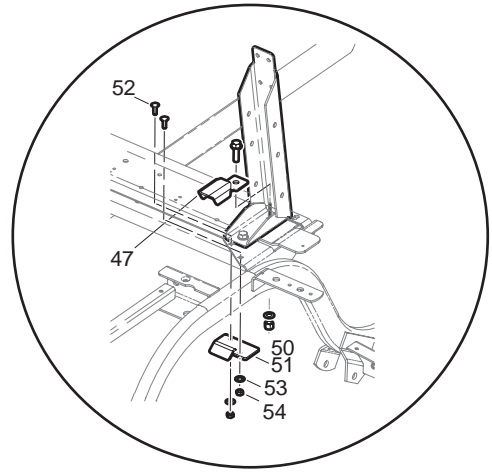
TRUCK BED, MANUAL LIFT



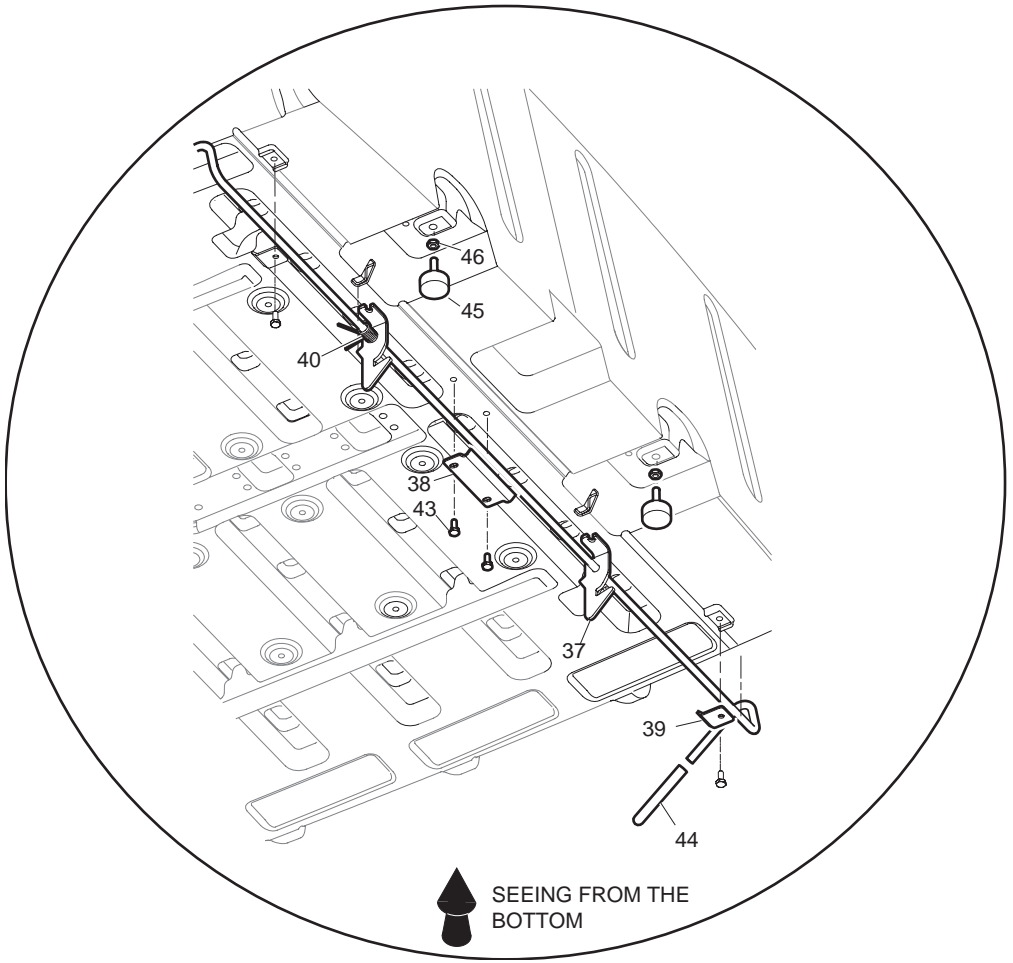
TRUCK BED, MANUAL LIFT



TRUCK BED, MANUAL LIFT



36 - INCLUDES ITEMS 37 - 54



TRUCK BED, MANUAL LIFT

Where applicable, THE USE OF NON UL PARTS WILL VOID ANY UL LISTING.
 When ordering parts, please specify the model and serial number of the product.
 * Indicates a component that is not available as an individual part.
 G** Indicates consult Customer Service Department for additional information.

ITEM	PART NO.	1 2 3 4 5	DESCRIPTION	QTY.
1	72647-G01		ASSEMBLY PLASTIC BED (INCLUDES ITEMS 2 - 11)	1
2	72648-G01		PLASTIC BED 36"	1
3	72649-G01		TAILGATE 36", PLASTIC	1
4	73450-G01		ANGLE, BOWED	1
5	73454-G01		SHAFT, PIVOT	2
6	73455-G02		CABLE ASSEMBLY, TAILGATE	2
7	00415-G2		SCREW, 1/4 - 20 X 1 1/4" LG	2
8	73460-G01		BOLT, SHOULDER	2
9	73449-G01		CHANNEL, EXTRUSION	1
10	16705-G2		SCREW, 1/4 - 2 X 5/8" LG	4
11	16816-G5		RACHET FASTNER.....	4
12				
13				
14	71571-G01		CLEVIS PIN.....	2
15	00922-G4		WASHER, 1/2"	2
16	21683-G1		COTTER PIN.....	2
17	71537-G02		GAS SPRING	1
18	01118-G01		SCREW, 1/4 - 20 X 5/8" LG.....	8
19	00642-G7		WASHER, 1/4"	8
20	71569-G02		CHANNEL GAS SPRING.....	1
21	70291-G01		FLANGED BUSHING	4
22	602904		CABLE ASSEMBLY	1
23				
24	76423-G01		BED FRAME	1
25	71283-G02		BRACKET ELECTRIC LIFT	1
26	00439-G2		SCREW, 5/16 - 18 X 1 1/4" LG.....	4
27	00642-G8		WASHER, 5/16"	8
28	11098-G6		LOCK NUT, 5/16 - 18	2
29	00415-G6		SCREW, 4/4 - 20 X 1 3/4" LG.....	2
30	00891-G2		LOCK NUT, 1/4 - 20	2

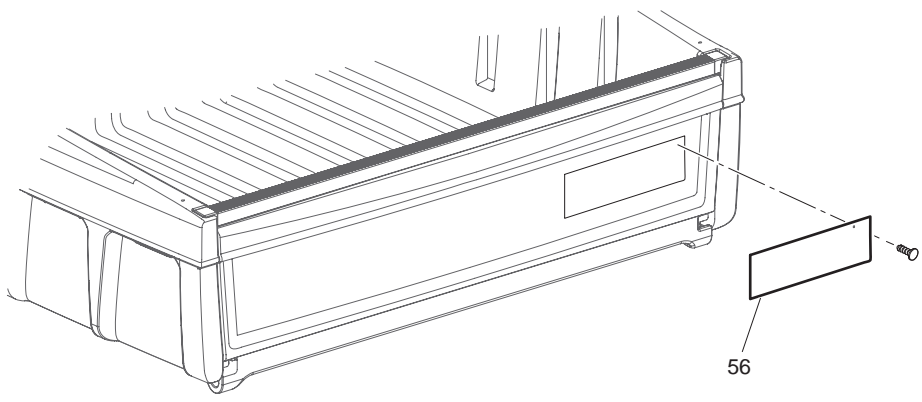
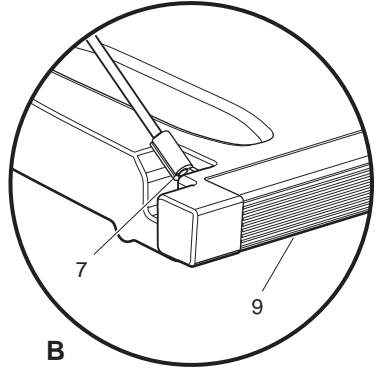
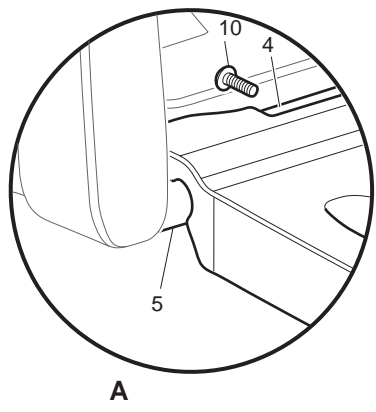
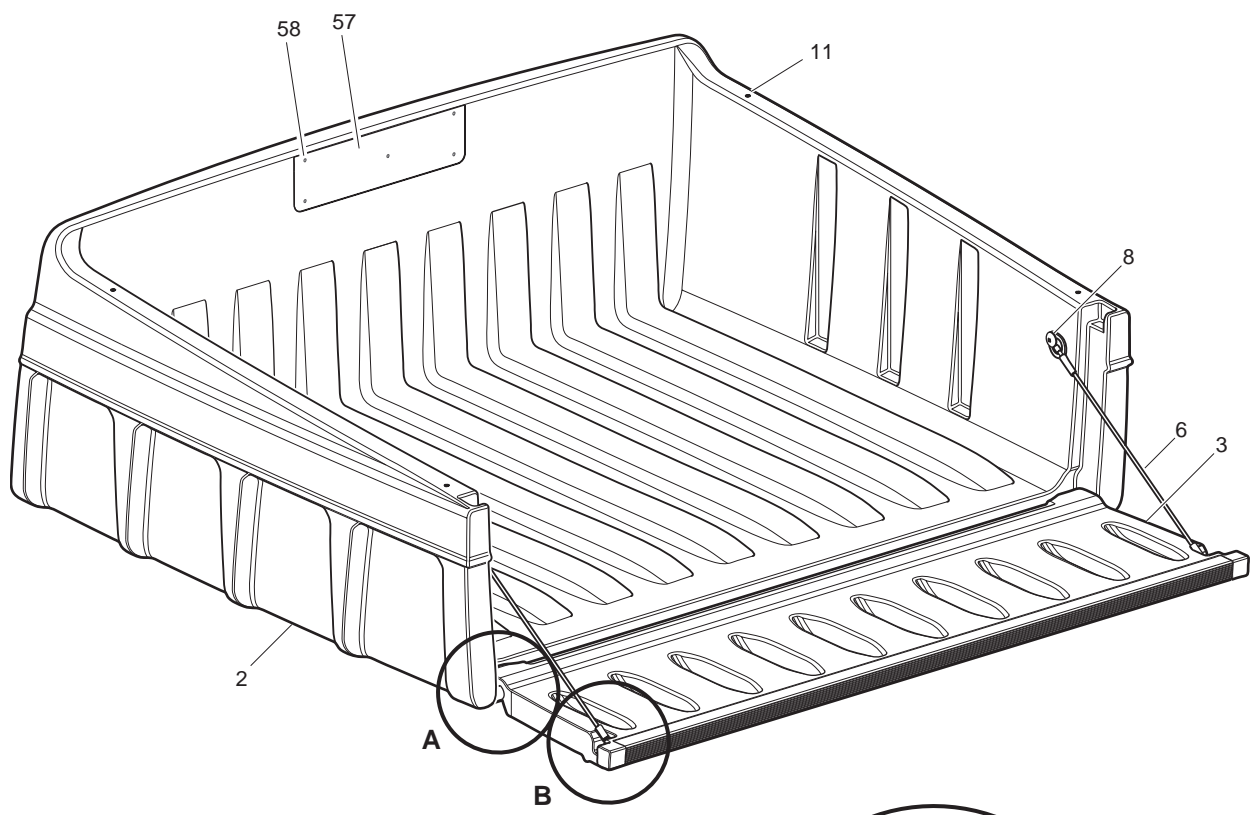
TRUCK BED, MANUAL LIFT

Where applicable, THE USE OF NON UL PARTS WILL VOID ANY UL LISTING.
 When ordering parts, please specify the model and serial number of the product.
 * Indicates a component that is not available as an individual part.
 G** Indicates consult Customer Service Department for additional information.

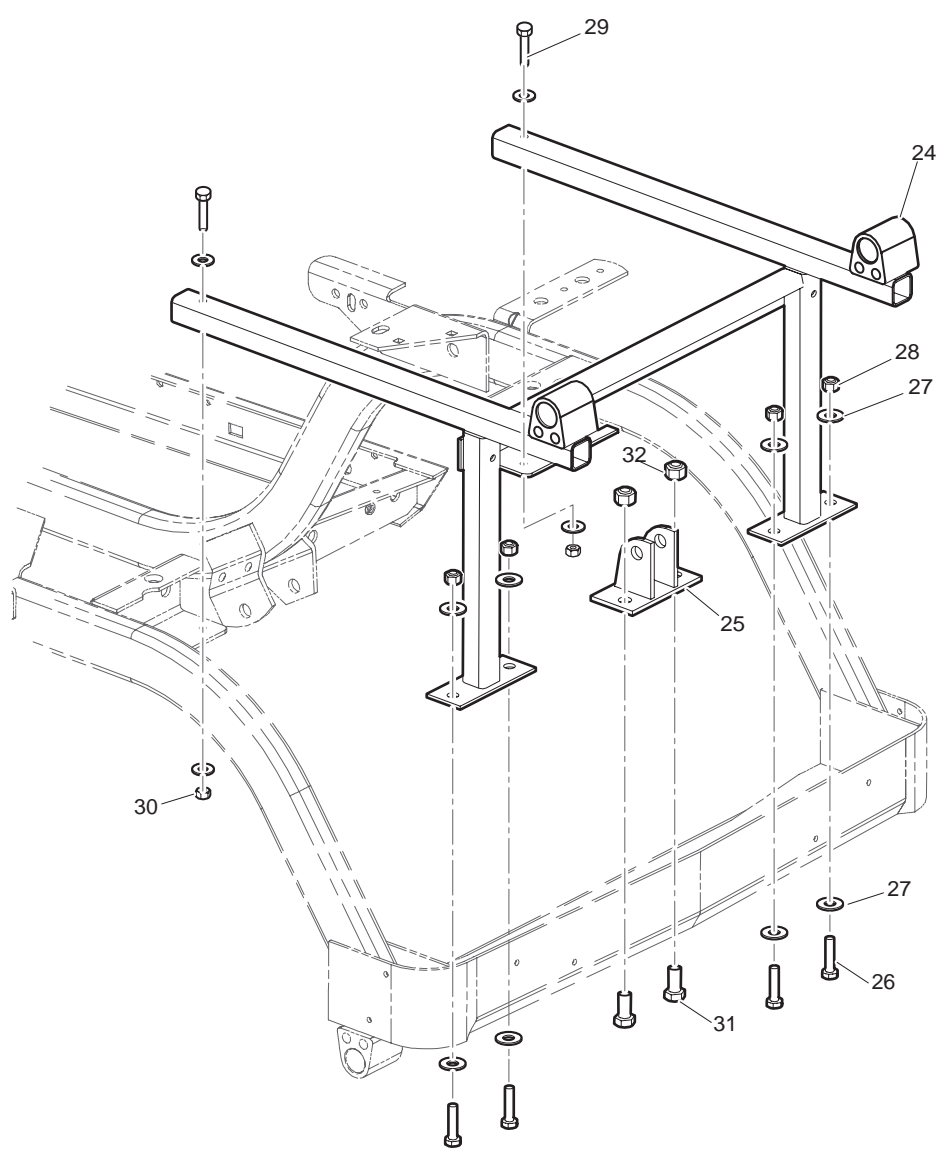
ITEM	PART NO.	1 2 3 4 5	DESCRIPTION	QTY.
31	00462-G7		SCREW, 7/16 - 14 X .875" LG	2
32	00734-G1		NUT, 7/16 - 14	2
33				
34				
35				
36	71095-G02		INSTALLATION LATCH (INCLUDES ITEMS 37 - 54)	1
37	74962-G01		WELDMENT LATCH BED	1
38	71477-G02		BRACKET	1
39	71099-G02		LATCH PLATE	2
40	71538-G01		TORSION SPRING	1
41				
42				
43	01118-G01		SCREW, 1/4 - 2 X 5/8" LG	4
44	71704-G01		HANDLE GRIP	2
45	70113-G01		BUMPER.....	2
46	11027-G1		LOCK NUT, 5/16 - 18	2
47	74947-G01		BRACKET BUMPER.....	2
48				
49				
50	602977		LATCH PLATE (LEFT SIDE).....	1
51	602978		LATCH PLATE (RIGHT SIDE)	1
52	01014-G03		BOLT, 1/4 - 20	4
53	00559-G7		WASHER, 1/4"	4
54	14390-G4		LOCK NUT, 1/4 - 20	4
55				
56	600823		LABEL EZGO MPT	2
57	74821-G01		BED CAPACITY LABEL (500 LB)	1
58	71055-G01		RIVET, 3/16"	5

TRUCK BED, ELECTRIC LIFT

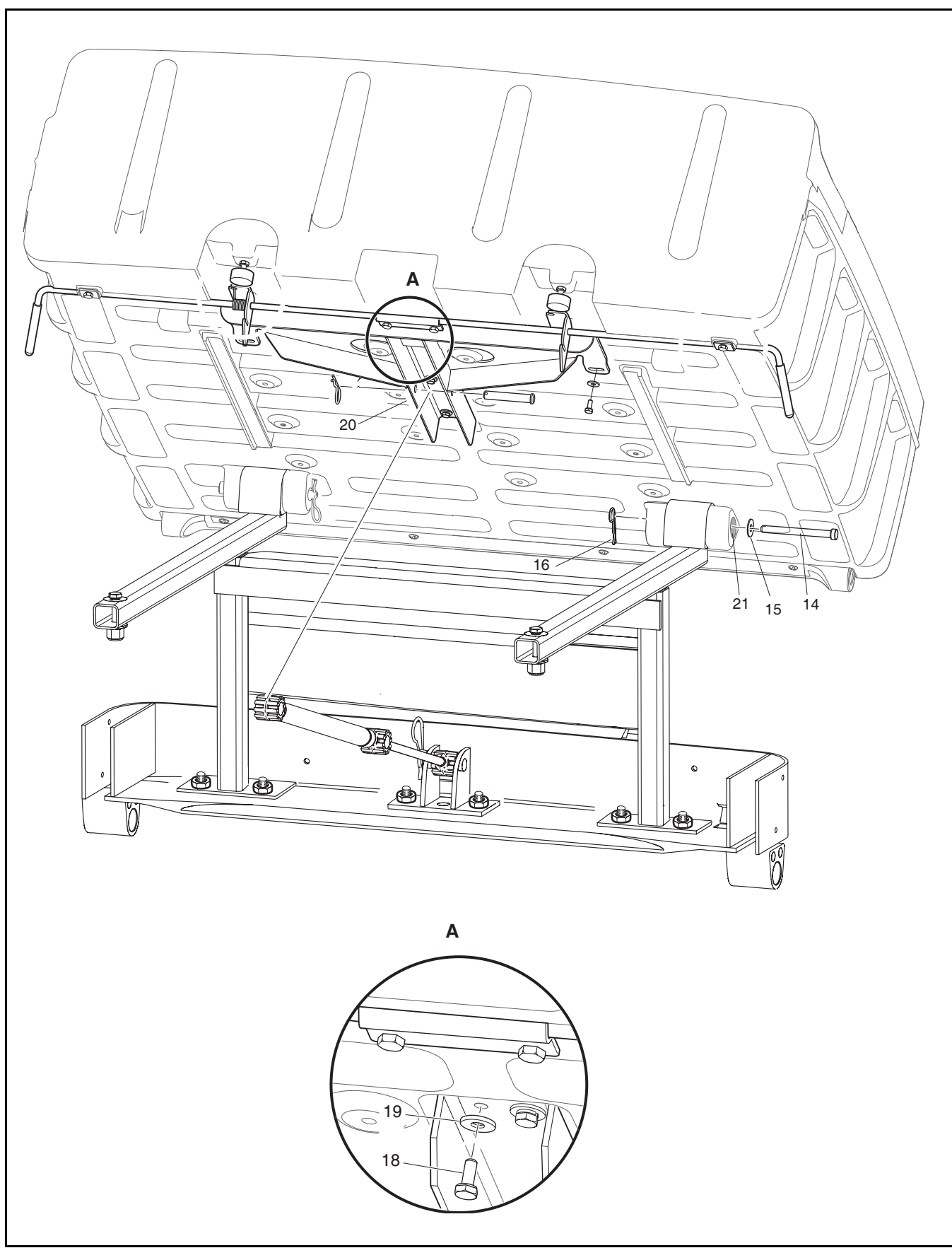
1 - INCLUDES ITEMS 2 - 11



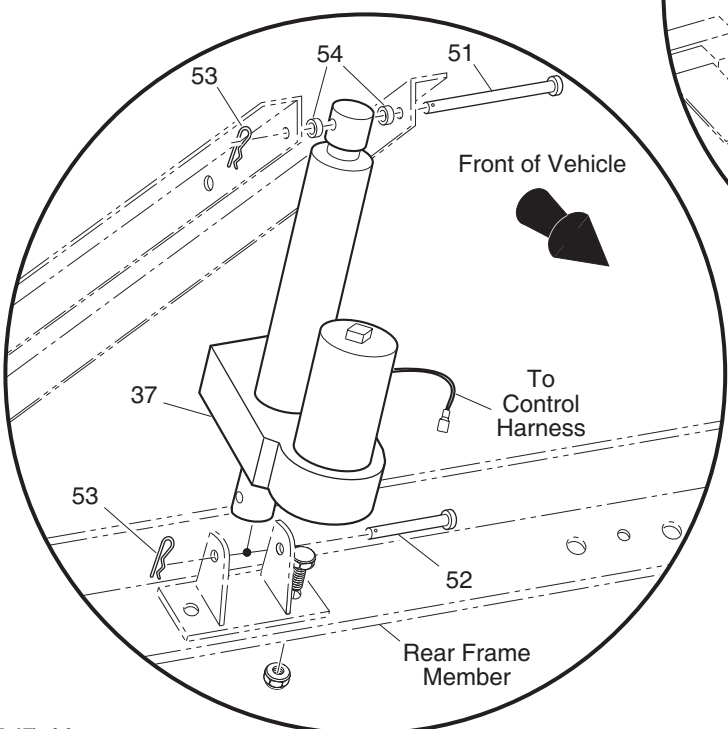
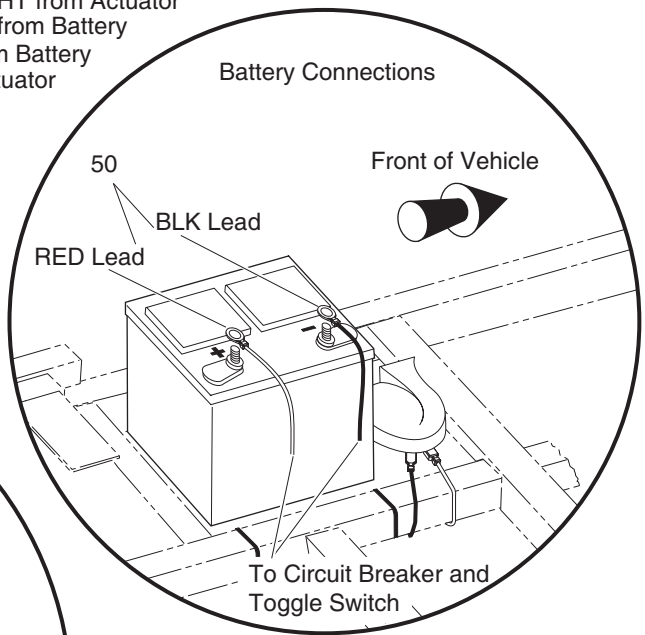
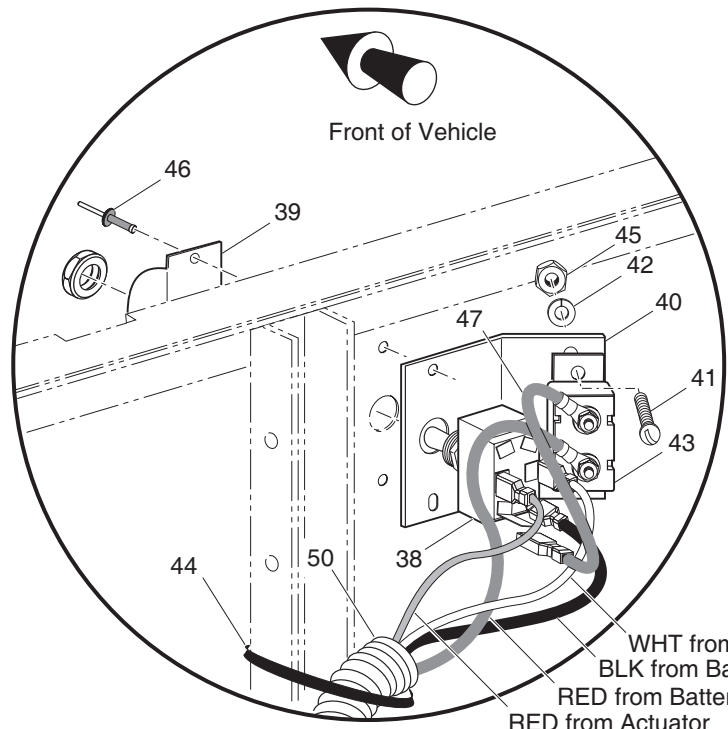
TRUCK BED, ELECTRIC LIFT



TRUCK BED, ELECTRIC LIFT



TRUCK BED, ELECTRIC LIFT



Ref Tbe 3-3

TRUCK BED, ELECTRIC LIFT

Where applicable, THE USE OF NON UL PARTS WILL VOID ANY UL LISTING.
 When ordering parts, please specify the model and serial number of the product.
 * Indicates a component that is not available as an individual part.
 G** Indicates consult Customer Service Department for additional information.

ITEM	PART NO.	1 2 3 4 5	DESCRIPTION	QTY.
1	72647-G01		ASSEMBLY PLASTIC BED (INCLUDES ITEMS 2 - 11)	1
2	72648-G01		PLASTIC BED 36"	1
3	72649-G01		TAILGATE 36", PLASTIC	1
4	73450-G01		ANGLE, BOWED	1
5	73454-G01		SHAFT, PIVOT	2
6	73455-G02		CABLE ASSEMBLY, TAILGATE	2
7	00415-G2		SCREW, 1/4 - 20 X 1 1/4" LG	2
8	73460-G01		BOLT, SHOULDER	2
9	73449-G01		CHANNEL, EXTRUSION	1
10	16705-G2		SCREW, 1/4 - 2 X 5/8" LG	4
11	16816-G5		RACHET FASTNER.....	4
12				
13				
14	71571-G01		CLEVIS PIN.....	2
15	00922-G4		WASHER, 1/2"	2
16	21683-G1		COTTER PIN.....	2
17				
18	01118-G01		SCREW, 1/4 - 20 X 5/8" LG.....	8
19	00642-G7		WASHER, 1/4"	8
20	71547-G02		OUTRIGGER CHANNEL	1
21	70291-G01		FLANGED BUSHING	4
22				
23				
24	76423-G01		BED FRAME	1
25	71283-G02		BRACKET ELECTRIC LIFT	1
26	00439-G2		SCREW, 5/16 - 18 X 1 1/4" LG.....	4
27	00642-G8		WASHER, 5/16"	8
28	11098-G6		LOCK NUT, 5/16 - 18	2
29	00415-G6		SCREW, 4/4 - 20 X 1 3/4" LG.....	2
30	00891-G2		LOCK NUT, 1/4 - 20	2

TRUCK BED, ELECTRIC LIFT

Where applicable, THE USE OF NON UL PARTS WILL VOID ANY UL LISTING.

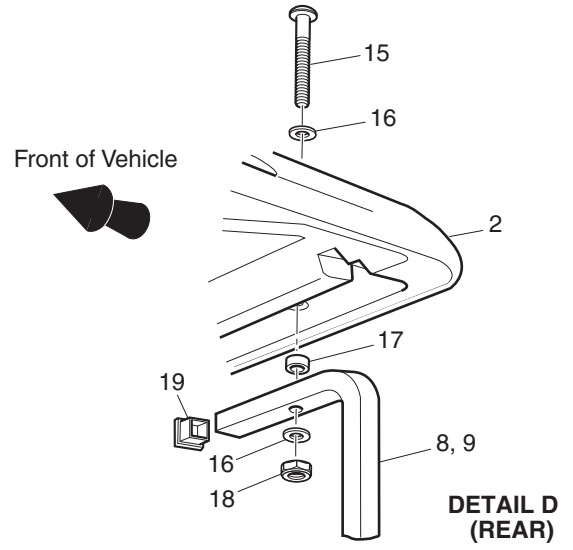
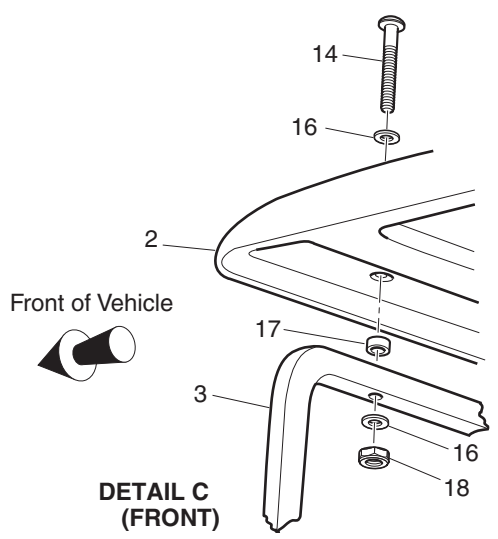
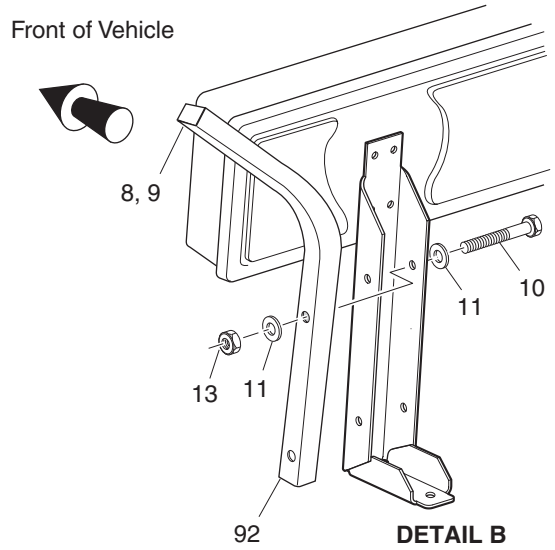
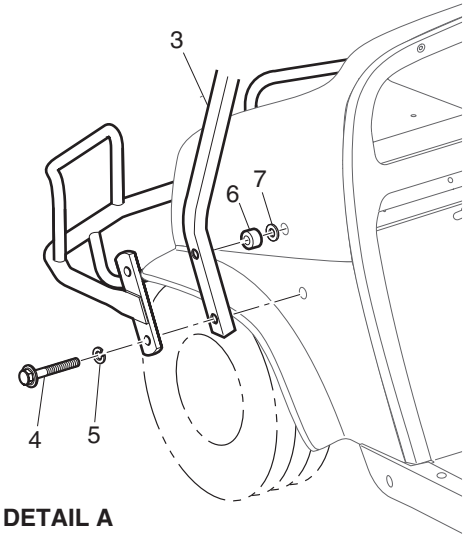
When ordering parts, please specify the model and serial number of the product.

* Indicates a component that is not available as an individual part.

G** Indicates consult Customer Service Department for additional information.

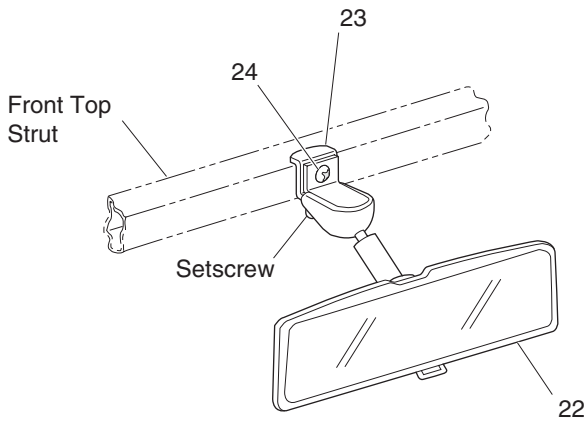
ITEM	PART NO.	1	2	3	4	5	DESCRIPTION	QTY.
31	00462-G7						SCREW, 7/16 - 14 X .875" LG	2
32	00734-G1						NUT, 7/16 - 14	2
33								
34								
35								
36	74637-G04						ELECTRIC DUMP KIT (INCLUDES ITEMS 37 - 54).....	1
37	27612-G03						ELECTRIC ACTUATOR 36 V	1
38	27680-G01						TOGGLE SWITCH.....	1
39	27447-G01						TOGGLE GUARD	1
40	74165-G02						CIRCUIT BREAKER MOUNTING BRACKET.....	1
41	00150-G4						SCREW, 10 - 24 X 1/2" LG	2
42	00565-G5						LOCK WASHER, #10	2
43	21320-G4						CIRCUIT BREAKER 15A 24V	1
44	17618-G1						WIRE TIE	8
45	00526-G3						NUT, #10 - 24.....	2
46	10570-G9						RIVET, 5/32 X .55	2
47	25976-G14						14 GA WIRE (RED 5").....	1
48								
49								
50	74054-G01						WIRE HARNESS (CONTROL)	1
51	14443-G10						CLEVIS PIN, 1/2" X 2 7/8" LG	1
52	14443-G11						CLEVIS PIN, 1/2" X 1 3/4" LG	1
53	21683-G1						COTTER PIN, 15/32" X 2 13/16" LG	2
54	27613-G01						SPACER	2
55								
56	600823						LABEL EZGO MPT	2
57	74821-G01						BED CAPACITY LABEL (500 LB)	1
58	71055-G01						RIVET, 3/16"	5

WEATHER PROTECTION



Ref Wea 20-1

WEATHER PROTECTION

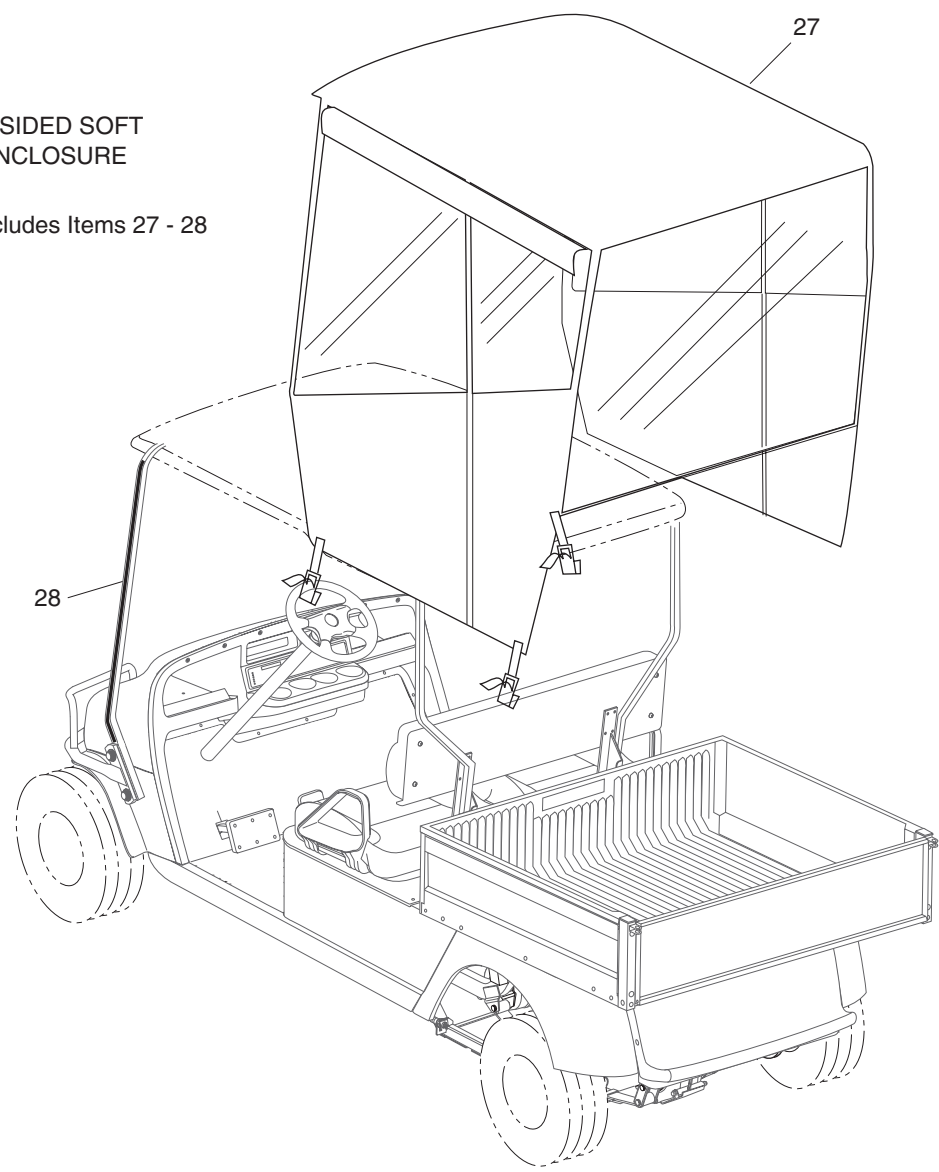


REAR VIEW MIRROR

21 - Includes Items 22 - 24

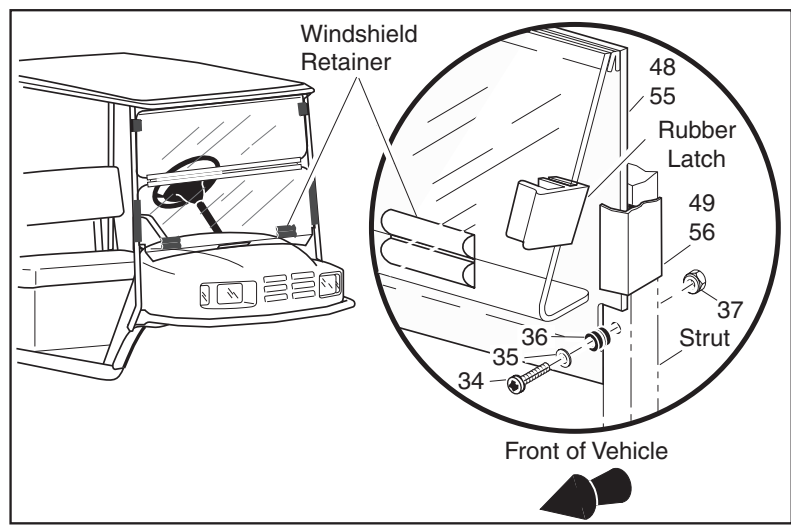
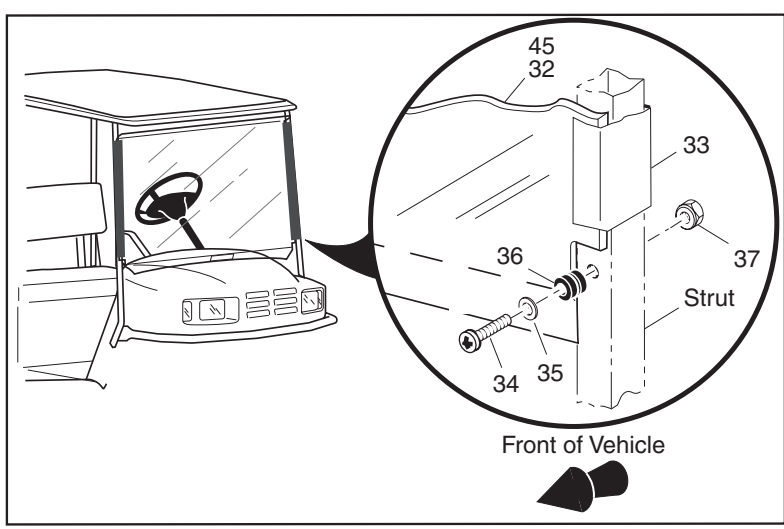
3-SIDED SOFT ENCLOSURE

26 - Includes Items 27 - 28



Ref Wea 20-2

WEATHER PROTECTION



Ref Wea 20-3

WEATHER PROTECTION

THE USE OF NON U.L. PARTS WILL VOID ANY U.L. LISTING.
 When ordering parts, please specify the model and serial number of the product.
 * Indicates a component that is not available as an individual part.
 G** Indicates consult Customer Service Department for additional information.

ITEM	PART NO.	1 2 3 4 5	DESCRIPTION	QTY.
1	75040-G**		SUN TOP KIT (INCLUDES ITEMS 2 - 19)	1
2	27069-G**		SUN TOP	1
3	75045-G05		FRONT STRUT	1
4	00440G2		BOLT, 5/16 - 18 X 2 1/4" LG	4
5	00905-G8		LOCK WASHER, 5/16"	4
6	75048-G01		SPACER, 1/2"	2
7	00570-G2		WASHER, 5/16"	6
8	75838-G04		REAR STRUT (PASSENGER SIDE)	1
9	75838-G03		REAR STRUT (DRIVER SIDE)	1
10	00685-G7		BOLT, 5/16 - 18 X 1 3/4" LG	4
11	0110G03		WASHER, 5/16"	8
12				
13	11098-G6		LOCK NUT, 5/16 - 18	4
14	00753-G5		SCREW, 1/4 - 20 X 2" LG (STAINLESS STEEL)	2
15	00753-G6		SCREW, 1/4 - 20 X 2 1/4" LG (STAINLESS STEEL)	2
16	01110-G01		WASHER, 1/4" (STAINLESS STEEL)	8
17	75051-G01		SPACER	4
18	00891-G2		LOCK NUT, 1/4 - 20	4
19	19853-G1		END CAP, 1"	2
20				
21	19528-G2		REAR VIEW MIRROR KIT (REQUIRES SUN TOP) (INCLUDES ITEMS 22 - 24)	1
22	19496-G1		REAR VIEW MIRROR	1
23	19502-G2		SUPPORT BRACKET	1
24	19527-G1		SCREW, #8 - 32 X 5/8" LG (STAINLESS STEEL)	1
25				
26	75367-G**		3-SIDED SOFT ENCLOSURE (REQUIRES SUN TOP) (INCL ITEMS 27 - 28)	1
27	*		ENCLOSURE	1
28	*		VELCRO	AR
29				

WEATHER PROTECTION

Replacement parts for the windshield may be obtained from Eagle Parts, Inc. 1411 Marvin Griffin Rd. Augusta, GA 30906. Telephone (706) 790-6687.

* Indicates a component that is not available as an individual part.

G** Indicates consult Customer Service Department for additional information.

ITEM	PART NO.	1 2 3 4 5	DESCRIPTION	QTY.
30				
31	71966-G01		WINDSHIELD KIT (FULL) (INCLUDES ITEMS 32 - 38)	1
32	71954-G01		WINDSHIELD (FULL) (LEXAN)	1
33	EGWHC12		SASH, 26" LG.	2
34	EGWHS12		BOLT, 1/4 - 20 X 1 3/4" LG. (STAINLESS STEEL)	2
35	EGWHG12		WASHER, 1/4" (STAINLESS STEEL)	4
36	EGWHG13		RUBBER GROMMET	2
37	EGWHN12		LOCK NUT, 1/4 - 20 (STAINLESS STEEL)	2
38	71963G01		SAFETY LABEL	1
39				
40				
41				
42				
43				
44	71966-G03		WINDSHIELD KIT (FULL) (INCLUDES ITEMS 45, 33 - 37)	1
45	71960-G01		WINDSHIELD (FULL)	1
46				
47	71966-G04		WINDSHIELD KIT (SPLIT) (INCLUDES ITEMS 48, 49, 34 - 37)	1
48	71961-G01		WINDSHIELD (SPLIT)	1
49	EGWHC10		SASH, 12" LG.	2
50				
51				
52				
53				
54	71966-G02		WINDSHIELD KIT (SPLIT) (INCLUDES ITEMS 55, 56, 34 - 37)	1
55	71955-G01		WINDSHIELD (SPLIT) (LEXAN)	1
56	EGWHC10		SASH, 12" LG.	2

**DID YOU
KNOW?**

CartPros directs you to the right part using the part numbers from this manual. Enter the part number into our search box and it will find the part you are looking for.

**GET STARTED
HERE**



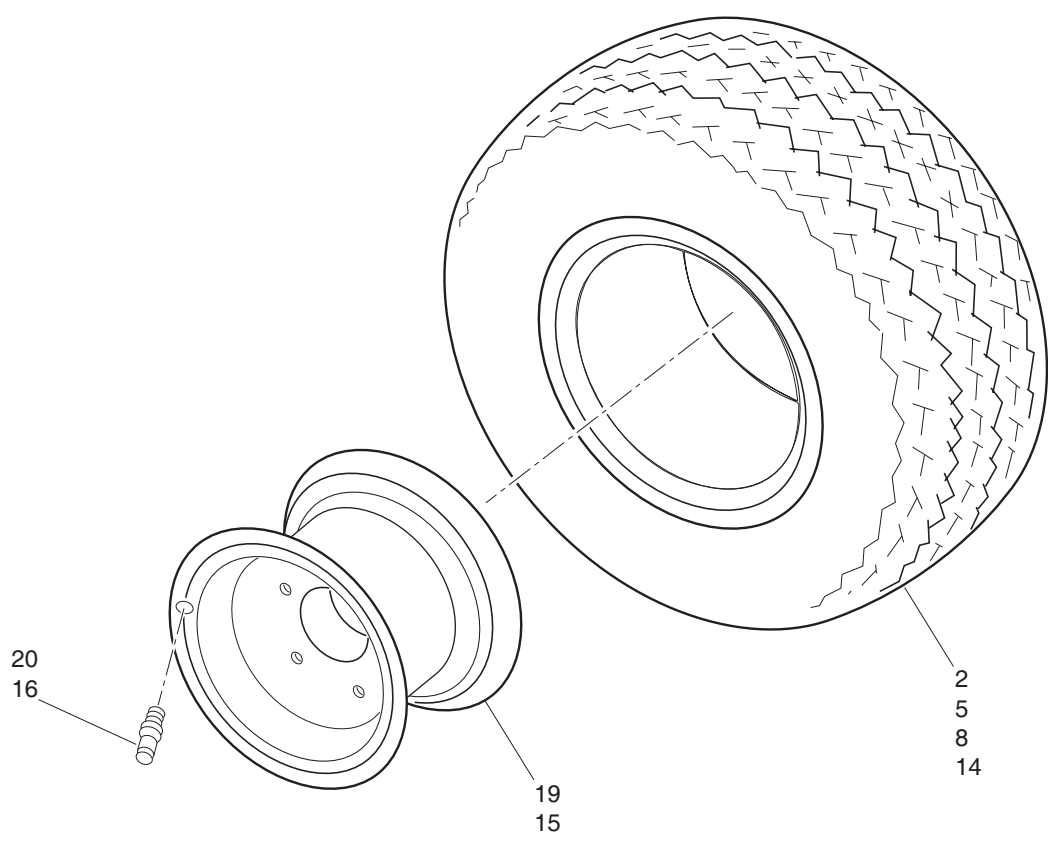
<https://CartPros.com/f.html>

WEATHER PROTECTION

WHEELS AND TIRES

- 1 - Includes Items 2, 19, 20
- 4 - Includes Items 5, 19, 20
- 7 - Includes Items 8, 19, 20
- 13 - Includes Items 14, 15, 16

Tire design may vary by Part Number



Ref Whl 3-1

WHEELS AND TIRES



GOLD / SILVER SPOKE HUBCAP
22, 23

WHEELS AND TIRES

When ordering parts, please specify the model and serial number of the product.
 * Indicates a component that is not available as an individual part.
 G** Indicates consult Customer Service Department for additional information.

ITEM	PART NO.	1 2 3 4 5	DESCRIPTION	QTY.
1	28757-G01		WHEEL AND TIRE ASSEMBLY, LINKS (INCLUDES ITEMS 2, 19, 20)	1
2	28764-G01		CARLISLE TIRE (LINKS 18 X 8.5 - 8, 4 PLY RATED)	1
3				
4	28757-G03		WHEEL AND TIRE ASSEMBLY, TURF SAVER (INCLUDES ITEMS 5, 19, 20)	1
5	28764-G03		CARLISLE TIRE (TURF SAVER 18 X 8.5 - 8, 4 PLY RATED).....	1
6				
7	28842-G01		WHEEL AND TIRE ASSEMBLY, LINKS (INCLUDES ITEMS 8, 19, 20)	1
8	28764-G08		CARLISLE TIRE (USA TRAIL LOAD RANGE C)	1
9				
10				
11				
12				
13	27784-G06		WHEEL AND TIRE ASSEMBLY, USA TRAIL (INCLUDES ITEMS 14, 15 16) ...	1
14	27784-G07		CARLISLE TIRE (USA TRAIL 5.70 X 8)	1
15	33678-G02		WHEEL RIM (4 LUG).....	1
16	26482-G01		VALVE STEM	1
17				
18				
19	28759-G01		WHEEL RIM (4 LUG).....	1
20	11657-G2		VALVE STEM	1
21				
22	19241-G*		GOLD SPOKE HUBCAP (OPTIONAL)	A/R
23	19241-G*		SILVER SPOKE HUBCAP (OPTIONAL).....	A/R



SPECIALTY PRODUCTS

SPECIALTY PRODUCTS

SPECIALTY PRODUCTS

SPECIAL TOOLS	PART NO.
BATTERY MAINTENANCE KIT.....	25587-G01
SEAL INSTALLATION TOOL (REAR AXLE SHAFT SEAL).....	18739-G1
BATTERY SET DISCHARGER, 36 VOLT, 75 AMP	28251-G01
CURRENT INDICATOR.....	16489-G2
DIGITAL MULTI-METER	27481-G01
CRIMPING TOOL	27765-G01
SLIDE HAMMER (AXLE/HUB REMOVAL).....	15947-G1
SLIDE HAMMER (AXLE REMOVAL ONLY).....	18753-G1

TOUCH UP PAINT	PART NO.
PEN 3 OUNCE (89 ML) - HUNTER GREEN	28432-G02
PEN 3 OUNCE (89 ML) - CHAMPAGNE BEIGE.....	28432-G01
PEN 3 OUNCE (89 ML) - WHITE	28432-G05
PEN 3 OUNCE (89 ML) - INDUSTRIAL YELLOW.....	28432-G03
PEN 3 OUNCE (89 ML) - ORANGE	28432-G04
PEN 3 OUNCE (89 ML) - STEEL BLUE PEARL	28432-G**
PEN 3 OUNCE (89 ML) - CAMOUFLAGE PAINT (THREE PENS).....	75831-G01
AEROSOL 12 OUNCE (360 ML) - HUNTER GREEN	28140-G09
AEROSOL 12 OUNCE (360 ML) - CHAMPAGNE BEIGE.....	28140-G15
AEROSOL 12 OUNCE (360 ML) - WHITE	28140-G03
AEROSOL 12 OUNCE (360 ML) - INDUSTRIAL YELLOW.....	28140-G14
AEROSOL 12 OUNCE (360 ML) - ORANGE	28140-G13
AEROSOL 12 OUNCE (360 ML) - STEEL BLUE PEARL	28140-G**

MAINTENANCE PRODUCTS	PART NO.
FORMULA 40 VINYL-COAT® - WHITE.....	28166-G01
PLEXUS® CLEANER, 7 OUNCE (210 ML) (FOR WINDSHIELDS)	28433-G01
PLEXUS® CLEANER, 13 OUNCE (380 ML) (FOR WINDSHIELDS)	28433-G02
BATTERY PROTECTOR, 14 OUNCE (410 ML) SPRAY	75500-G01
WHITE LITHIUM GREASE, 14 OUNCE (410 ML) SPRAY	75502-G01
PENETRANT/LUBRICANT, 15 OUNCE (440 ML) SPRAY	75503-G01
MULTI-PURPOSE CLEANER & DEGREASER, 14 OUNCE (410 ML) SPRAY.....	75504-G01
MULTI-PURPOSE HAND CLEANER, 32 OUNCE (950 ML) LIQUID.....	75505-G01



SPECIALTY PRODUCTS

BATTERY CLEANER, 32 OUNCE (950 ML) WITH TRIGGER SPRAYER	75506-G01
BIO-DEGRADABLE CLEANER, 32 OUNCE (950 ML) WITH TRIGGER SPRAYER.....	75507-G01
MULTI-PURPOSE VALUE PACK.....	75508-G01
<ul style="list-style-type: none">• BATTERY PROTECTOR, 4 OUNCE (120 ML) SPRAY• PENETRANT/LUBRICANT, 4 OUNCE (120 ML) SPRAY• WHITE LITHIUM GREASE, 4 OUNCE (120 ML) SPRAY• CARBURETOR & CHOKE CLEANER, 4 OUNCE (120 ML) SPRAY	



OPTIONS/ACCESSORIES

OPTIONS/ACCESSORIES

OPTIONS/ACCESSORIES

ITEM	KIT NO.	COMMENTS
ACCESSORIES LISTING		
	KIT NO.	
ASHTRAY KIT	75109-G04	See BODY
BALL HITCH KIT	74492-G02	See BODY
BUMPER KIT	74292-G04	See BODY
CLEVIS HITCH KIT	74492-G05	See BODY
DEFROSTER/COOLING FAN	74248-G01	See CAB
DIFFERENTIAL GUARD	25353-G01	See REAR AXLE
DOOR SET	75856-G0*	See CAB
DOOR SET (VINYL)	75855-G01	See CAB
ELECTRIC DUMP KIT	74637-G01	See TRUCKBED
GLOVE BOX DOOR	75456-G0*	See BODY
HOUR METER KIT	75113-G02	See ELECTRICAL SYSTEM
INSIDE MIRROR	27924-G01	See WEATHER PROTECTION
INSTRUMENT/SWITCH PANEL	74250-G01	See CAB
REAR VIEW MIRROR KIT	19528-G2	See WEATHER PROTECTION
SOFT ENCLOSURE	75367-G01	See WEATHER PROTECTION
STEEL CAB, W/O DOORS	75854-G0*	See CAB
STROBE LIGHT	74245-G01	See CAB
SUN TOP KIT	75040-G0*	See WEATHER PROTECTION
TURN SIGNAL KIT	75107-G02	See ELECTRICAL SYSTEM
GOLD SPOKE WHEEL COVERS	19241-G*	See WHEELS AND TIRES
SILVER SPOKE WHEEL COVERS	19241-G*	See WHEELS AND TIRES
WINDSHIELDS	71966-G0*	See WEATHER PROTECTION
WINDSHIELD WIPER	74244-G01	See CAB
WORK LIGHTS	74247-G01	See CAB
WORK LIGHT BAR WITH LIGHTS	71323-G04	See ELECTRICAL SYSTEM
WORK LIGHT BAR WITH STROBE	71323-G05	See ELECTRICAL SYSTEM
WORK LIGHT BAR WITH LIGHTS AND STROBE	71323-G06	See ELECTRICAL SYSTEM

**DID YOU
KNOW?**

CartPros directs you to the right part using the part numbers from this manual. Enter the part number into our search box and it will find the part you are looking for.

**GET STARTED
HERE**



<https://CartPros.com/f.html>

**DID YOU
KNOW?**

CartPros directs you to the right part using the part numbers from this manual. Enter the part number into our search box and it will find the part you are looking for.

**GET STARTED
HERE**



<https://CartPros.com/f.html>



A Textron Company

E-Z-GO Division Of Textron, Inc.,
1451 Marvin Griffin Road, Augusta, Georgia USA 30906-3852

TO CONTACT US

North America:

Technical Assistance & Warranty Phone: 1-800-774-3946, FAX: 1-800-448-8124
Service Parts Phone: 1-888-GET-EZGO (1-888-438-3946), FAX: 1-800-752-6175

International:

Phone: 010-1-706-798-4311, FAX: 010-1-706-771-4609

Certified ISO 9001 / ISO 14001 by



Copyrighted Material
This manual may not be reproduced in whole or
in part without the express permission of
E-Z-GO Division of Textron, Inc.
Technical Communications Department