

DID YOU KNOW?

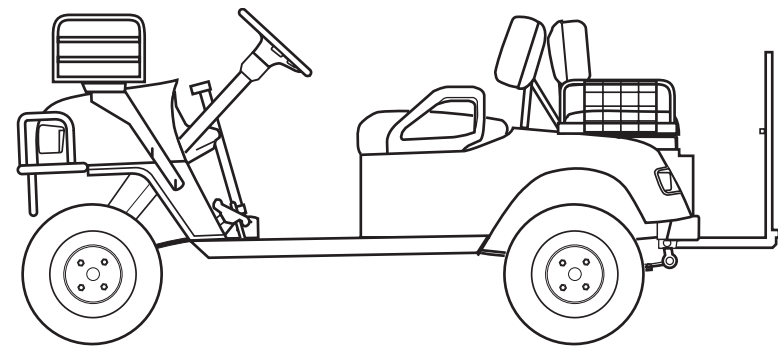
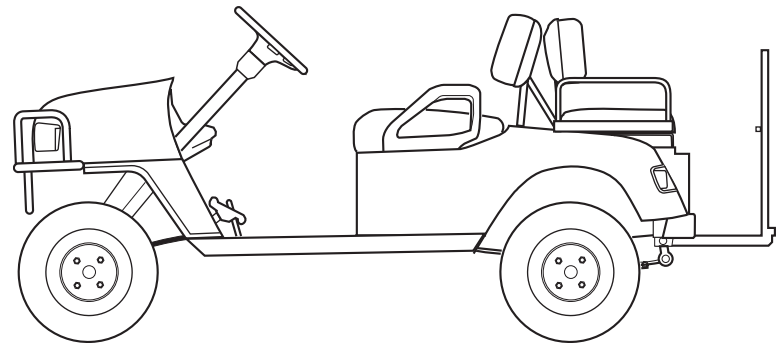
CartPros directs you to the right part using the part numbers from this manual. Enter the part number into our search box and it will find the part you are looking for.

GET STARTED HERE → <https://CartPros.com/f.html>

600115G01



SERVICE PARTS MANUAL



GASOLINE POWERED UTILITY VEHICLE

ISSUED DATE SEPTEMBER 2005 REVISED DATE JANUARY 2007



**DID YOU
KNOW?**

CartPros directs you to the right part using the part numbers from this manual. Enter the part number into our search box and it will find the part you are looking for.

**GET STARTED
HERE**



<https://CartPros.com/f.html>



SERVICE PARTS MANUAL

GASOLINE POWERED UTILITY VEHICLE

CLAYS CAR

CLAYS CAR CARB

ST SPORT 2+2

ST SPORT 2+2 CARB

STARTING MODEL YEAR 2005

E-Z-GO Division of Textron, Inc. reserves the right to make design changes without obligation to make these changes on units previously sold and the information contained in this manual is subject to change without notice.

E-Z-GO Division of Textron, Inc. is not liable for errors in this manual or for incidental or consequential damages that result from the use of the material in this manual.

CUSTOMER SERVICE DEPARTMENT IN USA PHONE: 1-800-241-5855 FAX: 1-800-448-8124

OUTSIDE USA PHONE: 010-1-706-798-4311, FAX: 010-1-706-771-4609

E-Z-GO DIVISION OF TEXTRON, INC., 1451 MARVIN GRIFFIN RD., AUGUSTA, GEORGIA USA 30906

NOTES

To obtain a copy of the limited warranty applicable to the vehicle, call or write a local Distributor, authorized Branch or the Warranty Department with vehicle serial number and manufacturer code.

The use of non Original Equipment Manufacturer (OEM) parts may void the warranty.

Overfilling of batteries may void the warranty.

BATTERY PROLONGED STORAGE

All batteries will self discharge over time. The rate of self discharge varies depending on the ambient temperature and the age and condition of the batteries.

A fully charged battery will not freeze in winter temperatures unless the temperature falls below -75° F (-60° C).

As with all electric vehicles, the batteries must be checked and recharged as required or at a minimum of 30 day intervals.

TABLE OF CONTENTS

SECTION	Page No.
HOW TO USE THE SERVICE PARTS MANUAL	v
ILLUSTRATED PARTS BREAKDOWN	vii
ACCELERATOR	A-1
AIR FILTER	B-1
BODY	C-1
BRAKES	D-1
CARBURETOR AND CHOKE	E-1
CLUTCH	F-1
DIRECTION SELECTOR	G-1
ELECTRICAL SYSTEM	H-1
ENGINE AND MUFFLER	J-1
ENGINE MOUNTING	K-1
FRONT SUSPENSION	L-1
FUEL SYSTEM	M-1
REAR AXLE	N-1
REAR SUSPENSION	P-1
SEATING	Q-1
STARTER / GENERATOR	R-1
STEERING	S-1
WEATHER PROTECTION	T-1
WHEELS AND TIRES	U-1
SPECIALTY PRODUCTS	APPENDIX A-1
OPTIONS AND ACCESSORIES	APPENDIX B-1

HOW TO USE THE SERVICE PARTS MANUAL

This manual is divided into several sections:

- GENERAL INFORMATION
- ILLUSTRATED PARTS BREAKDOWN
- APPENDIX

The first section, GENERAL INFORMATION, contains the following information:

- WARRANTY INFORMATION
- GENERAL INDEX
- HOW TO USE THE SERVICE PARTS MANUAL

The second section, ILLUSTRATED PARTS BREAKDOWN, contains illustrations and parts lists for all systems of your vehicle.

The third section, APPENDIX, contains a listing of specialty products and accessories.

USE OF THE MANUAL

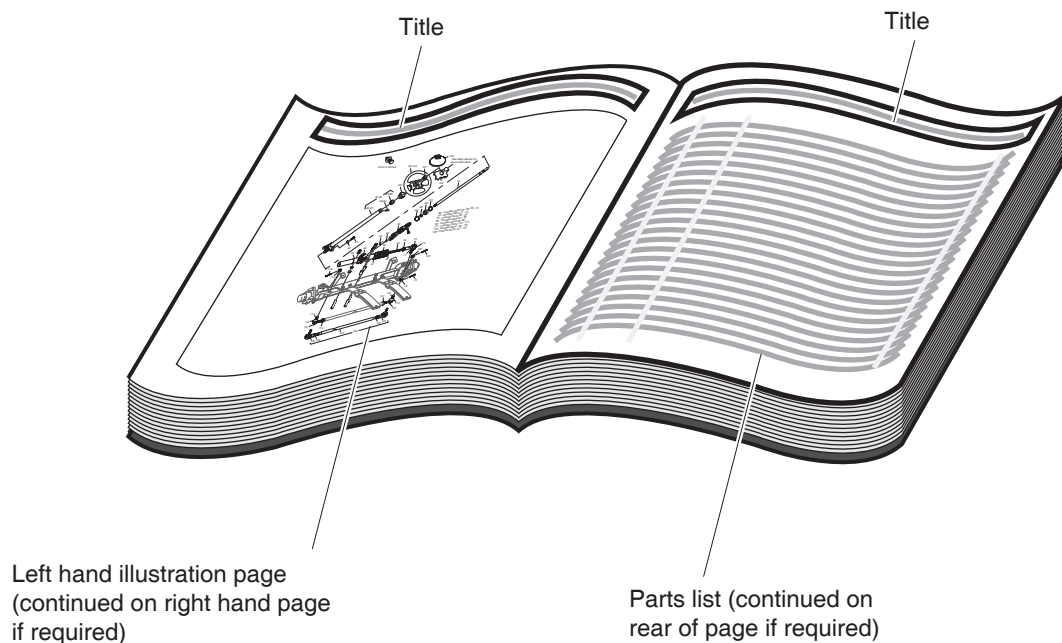
To use this manual, consult the GENERAL INDEX to locate the information or illustration required.

Introduction of some revisions varies due to supply of components; therefore, it is possible that various combinations of components may be found that are not directly reflected by each illustration. Consult the illustration that best suits your situation and then contact the Service Parts Department. It is important that the serial number of your vehicle and its model number be supplied to Service Parts when ordering any replacement components.

Locate the serial number plate (see BODY located in the Illustrated Parts Breakdown section of this manual for its location) and note the complete number shown on the plate.



HOW TO USE THE SERVICE PARTS MANUAL



1. WHEN THE PART NUMBER IS NOT KNOWN

- Determine the function and application of the part required. Turn to the General Index and select the most appropriate title.
- Turn to the page number indicated and locate the desired part on the illustration.
- From the illustration, obtain the item number assigned to the desired part. Refer to the accompanying description for specific information regarding the part.

2. IF YOU KNOW THE PART NUMBER

- Locate the part number or description in the appropriate column on the parts list page.

NOTE: It is suggested that you confirm that the part selected is correct by verifying it with the pictorial representation on the illustrated page.

Should an asterisk (*) appear in the part number column on the parts list page, read upwards until a part number is found. The part number is the lowest assembly sold by Service Parts and the asterisk (*) indicates that the part depicted is not available for purchase.

NOTE: Descriptions are indented under the assembly that they are used on. That assembly is, in turn listed under the assembly that it is used on. This process is repeated until the highest final assembly is reached.

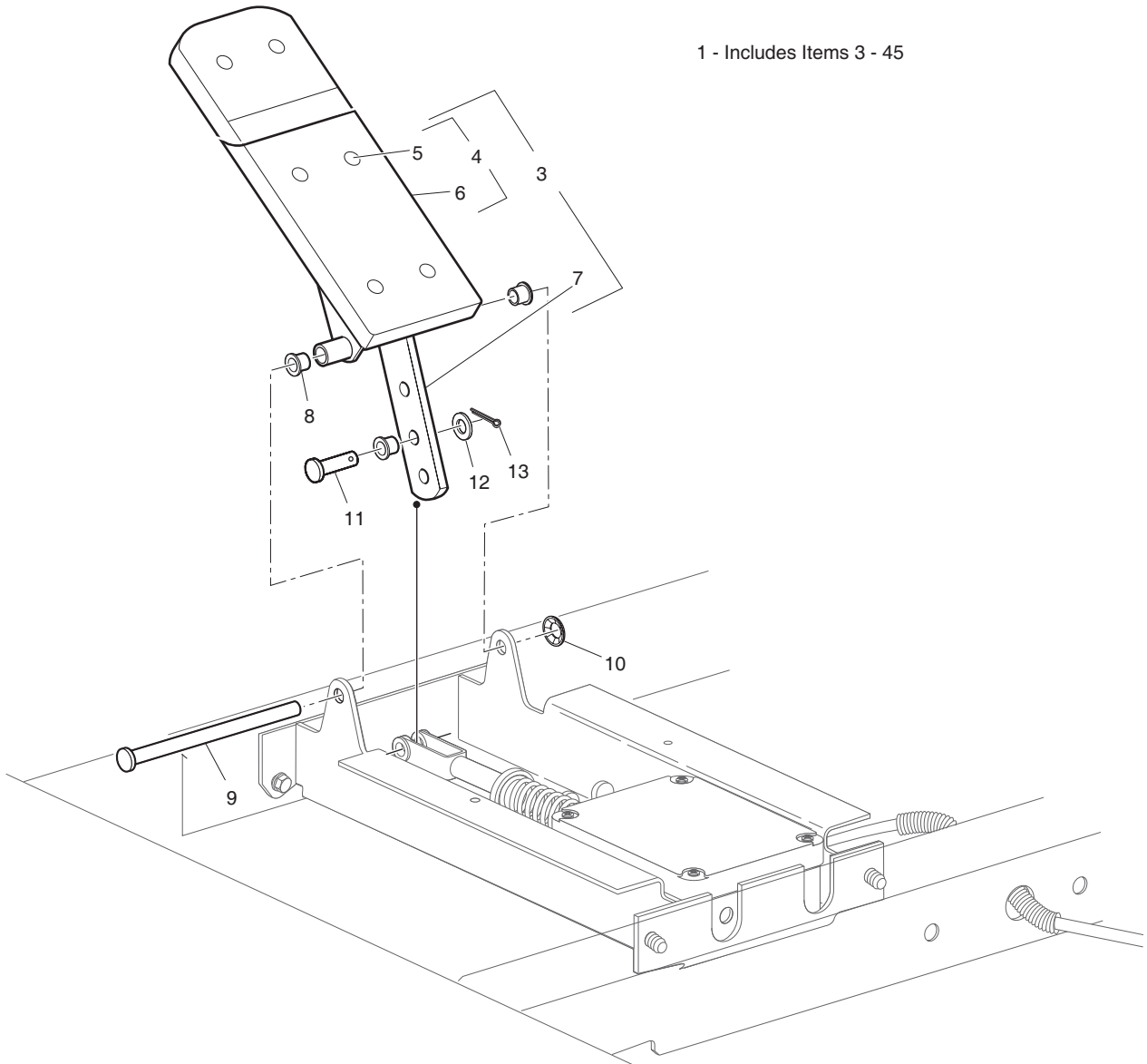
To facilitate the maintenance and repair of the vehicle, a Technician's Repair and Service Manual is available from the Service Parts Department.



ILLUSTRATED PARTS BREAKDOWN

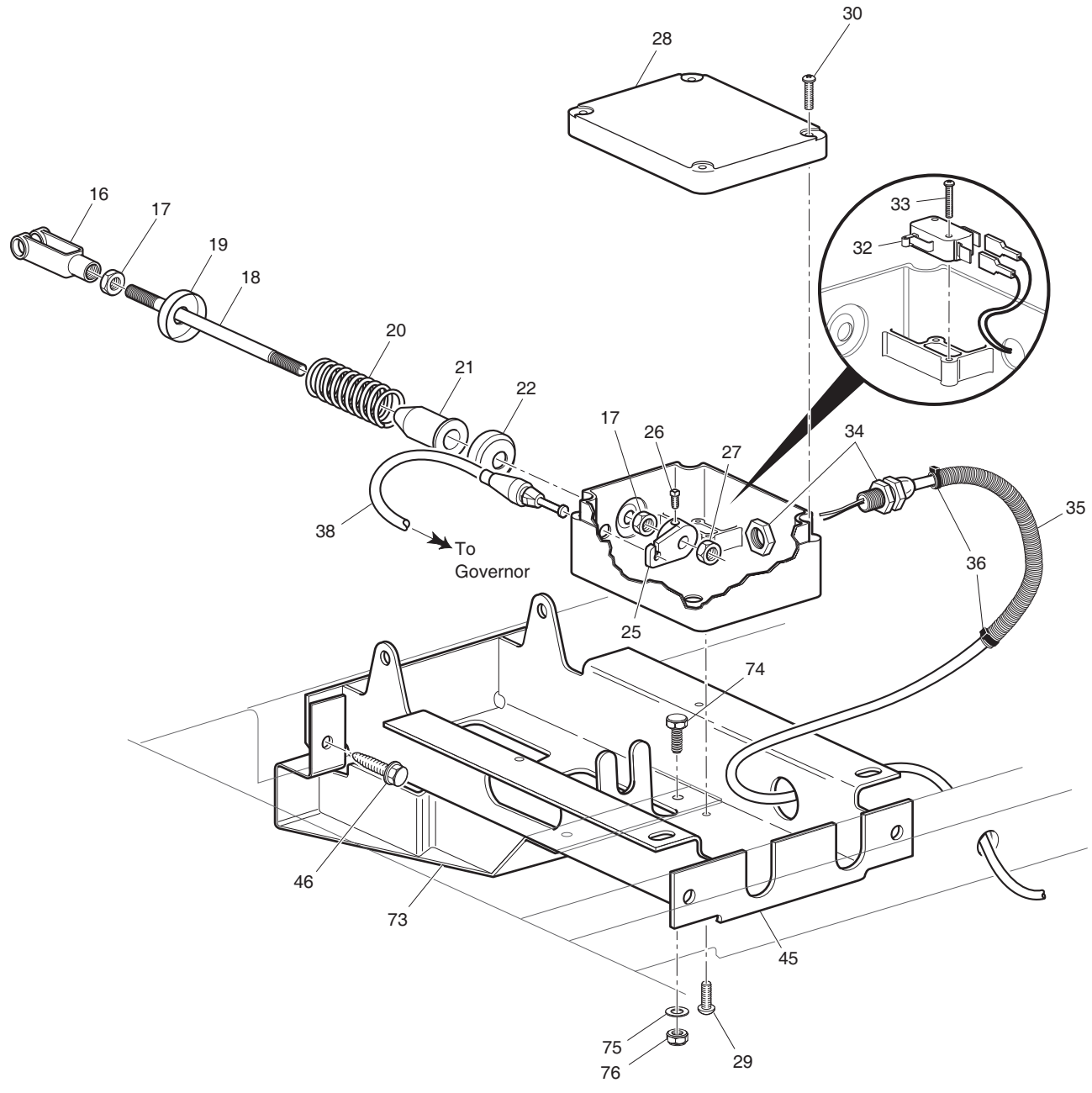
ILLUSTRATED PARTS BREAKDOWN

ACCELERATOR



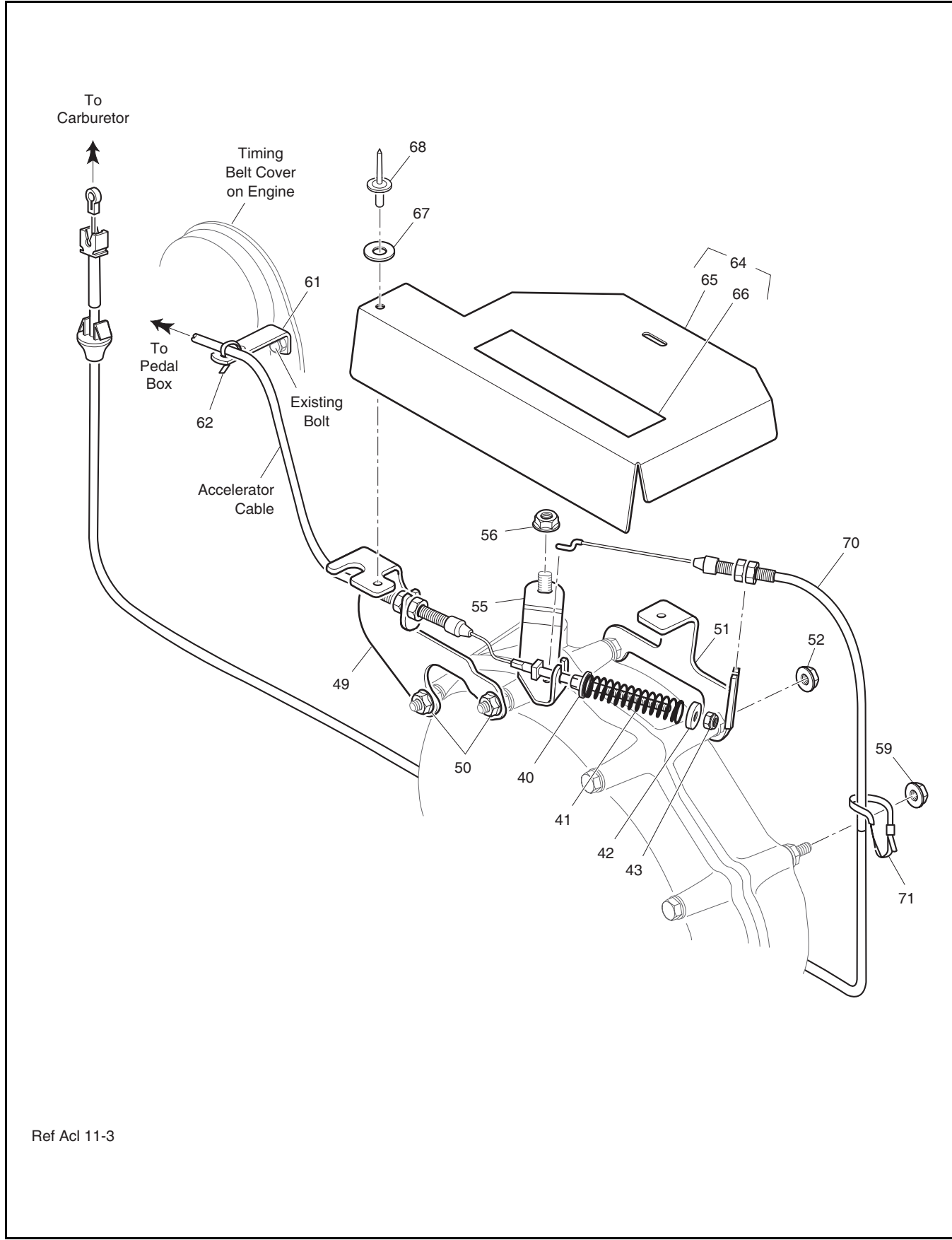
Ref Acl 11-1

ACCELERATOR



Ref Acl 11-2

ACCELERATOR



Ref Acl 11-3

ACCELERATOR

When ordering parts, please specify the model and serial number of the product.

* Indicates a component that is not available as an individual part.

G** Indicates consult Customer Service Department for additional information.

ITEM	PART NO.	1 2 3 4 5	DESCRIPTION	QTY.
1	72717-G04		PEDAL BOX ASSEMBLY (INCLUDES ITEMS 3 - 45).....	1
2				
3	25799-G03		ACCELERATOR PEDAL ASSEMBLY (INCLUDES ITEMS 4 - 7).....	1
4	27844-G01		ACCELERATOR PEDAL PAD KIT (INCLUDES ITEMS 5 - 6).....	1
5	15766-G1		OVAL RIVET, 3/16" X 7/16" LG.....	6
6	27512-G01		ACCELERATOR PEDAL PAD.....	1
7	*		ACCELERATOR PEDAL.....	1
8	17838-G1		NYLON BUSHING.....	3
9	74432-G01		PEDAL PIVOT PIN.....	1
10	12064-G6		PUSH NUT, 9/32".....	1
11	10386-G3		CLEVIS PIN, 5/16" X 13/16" LG.....	1
12	17255-G1		TEFLON WASHER, 5/16".....	1
13	10387-G3		COTTER PIN, 3/32" X 3/4" LG.....	1
14				
15				
16	10385-G4		CLEVIS YOKE (ADJUSTABLE).....	1
17	00532-G4		NUT, 5/16 - 24.....	2
18	72072-G01		ACCELERATOR ROD.....	1
19	17677-G2		SPRING RETAINER, 3/8".....	1
20	73046-G01		COMPRESSION SPRING.....	1
21	17979-G1		ACCELERATOR ROD BUSHING.....	1
22	17677-G1		SPRING RETAINER, 1/2".....	1
23				
24				
25	72716-G01		MICRO SWITCH CAM.....	1
26	00487-G3		SETSCREW, 1/4 - 20 X 3/8" LG.....	1
27	15126-G1		LOCK NUT, 5/16 - 24.....	1
28	25853-G03		PEDAL BOX AND COVER.....	1
29	01051-G01		SCREW, #8 - 16 X 1/2" LG.....	4
30	00684-G6		SCREW, #8 - 32 X 3/4" LG (STAINLESS STEEL).....	4

ACCELERATOR

When ordering parts, please specify the model and serial number of the product.
 * Indicates a component that is not available as an individual part.
 G** Indicates consult Customer Service Department for additional information.

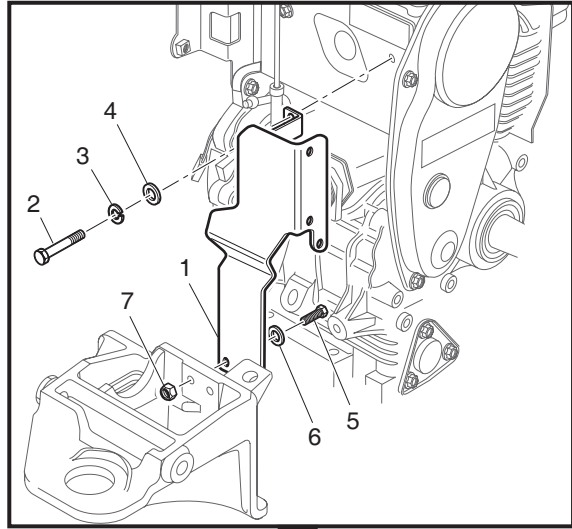
ITEM	PART NO.	1	2	3	4	5	DESCRIPTION	QTY.
31								
32	25861-G01						MICRO SWITCH.....	1
33	01050-G01						SCREW, #4 - 20 X 5/8" LG.....	2
34	72201-G04						WIRE HARNESS (PEDAL BOX)	1
35	17313-G1						FLEX LOOM (BULK).....	AR
36	17618-G1						WIRE TIE.....	2
37								
38	72713-G01						ACCELERATOR CABLE	1
39								
40	72706-G01						ACCELERATOR CABLE BUSHING.....	1
41	72707-G01						COMPRESSION SPRING	1
42	25727-G02						CUP WASHER, 1/5"	1
43	00734-G5						LOCK NUT, #10 - 32.....	1
44								
45	70116-G02						ACCELERATOR PEDAL BRACKET	1
46	00715-G2						BOLT, 5/16 - 18 X 4/5" LG	4
47	70135-G01						PEDAL PIVOT COVER.....	1
48								
49	72701-G02						ACCELERATOR CABLE MOUNTING BRACKET	1
50	26830-G01						LOCK NUT, M8 X 1.25 MM.....	2
51	72703-G02						THROTTLE CABLE MOUNTING BRACKET	1
52	26830-G01						LOCK NUT, M8 X 1.25 MM.....	2
53								
54								
55	72708-G01						GOVERNOR ARM	1
56	26830-G01						LOCK NUT, M8 X 1.25 MM.....	1
57								
58								
59	26830-G01						LOCK NUT, M8 X 1.25 MM.....	1
60								

ACCELERATOR

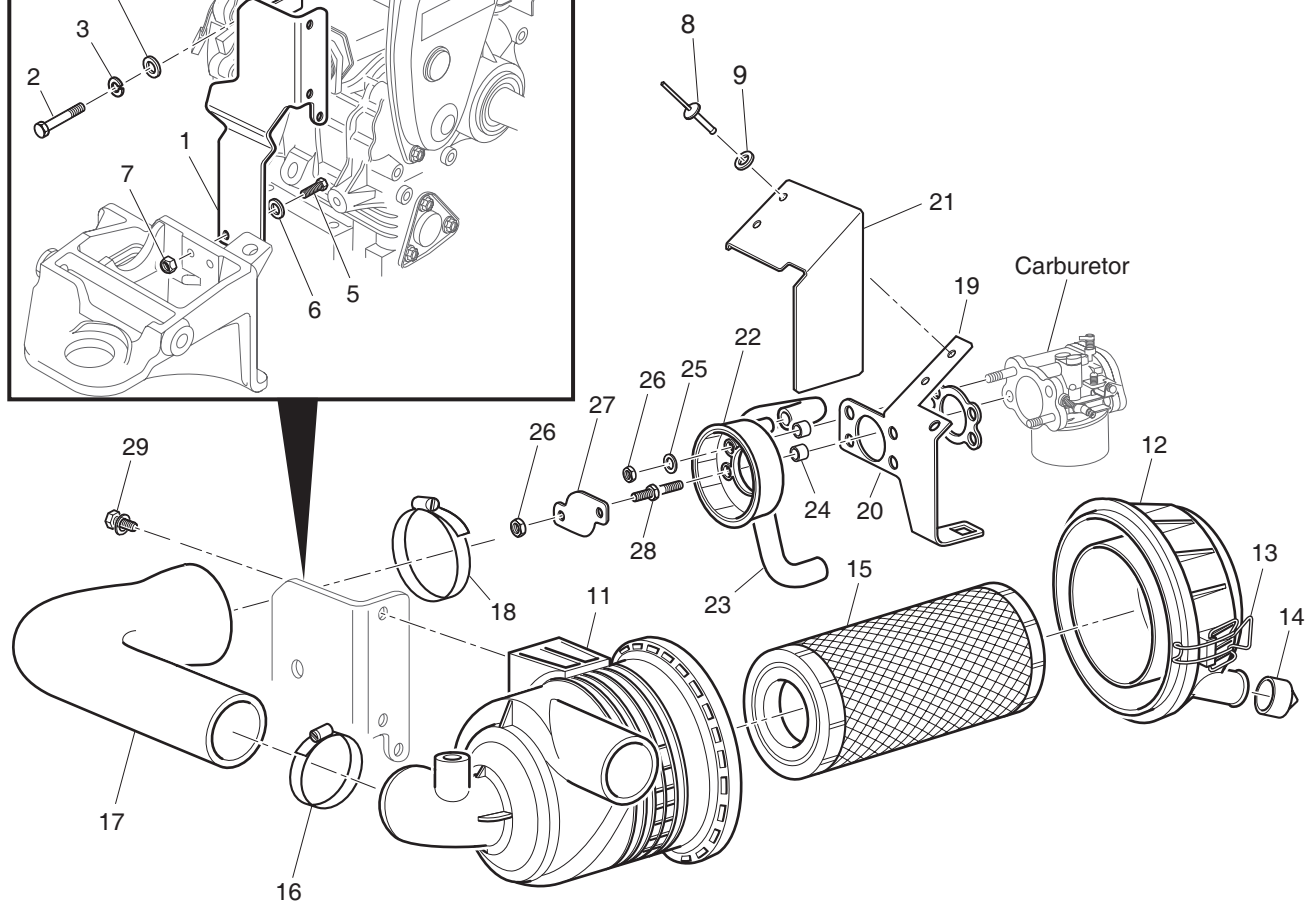
When ordering parts, please specify the model and serial number of the product.
 * Indicates a component that is not available as an individual part.
 G** Indicates consult Customer Service Department for additional information.

ITEM	PART NO.	1 2 3 4 5	DESCRIPTION	QTY.
61	72701-G02		ACCELERATOR CABLE BRACKET	1
62	17618-G1		WIRE TIE	1
63				
64	74457-G02		GOVERNOR COVER/DECAL ASSEMBLY (INCLUDES ITEMS 65, 66).....	1
65	72705-G02		GOVERNOR COVER	1
66	24880-G1		LABEL (WARNING - GOVERNOR).....	1
67	00915-G1		BONDED WASHER, 1/4"	2
68	14601-G11		RIVET, 3/16" X 9/16" LG (ALUMINUM)	2
69				
70	72714-G01		THROTTLE CABLE.....	1
71	17618-G1		WIRE TIE	1
72				
73	75757-G01		PEDAL GUARD.....	1
74	00414-G6		BOLT 1/4 - 20 X 3/4" LG	2
75	01110-G01		WASHER, 1/4" (STAINLESS STEEL).....	2
76	00654-G2		LOCK NUT, 1/4 - 20 (STAINLESS STEEL)	2

AIR FILTER



10 - Includes Items 11 - 15



Front of Vehicle

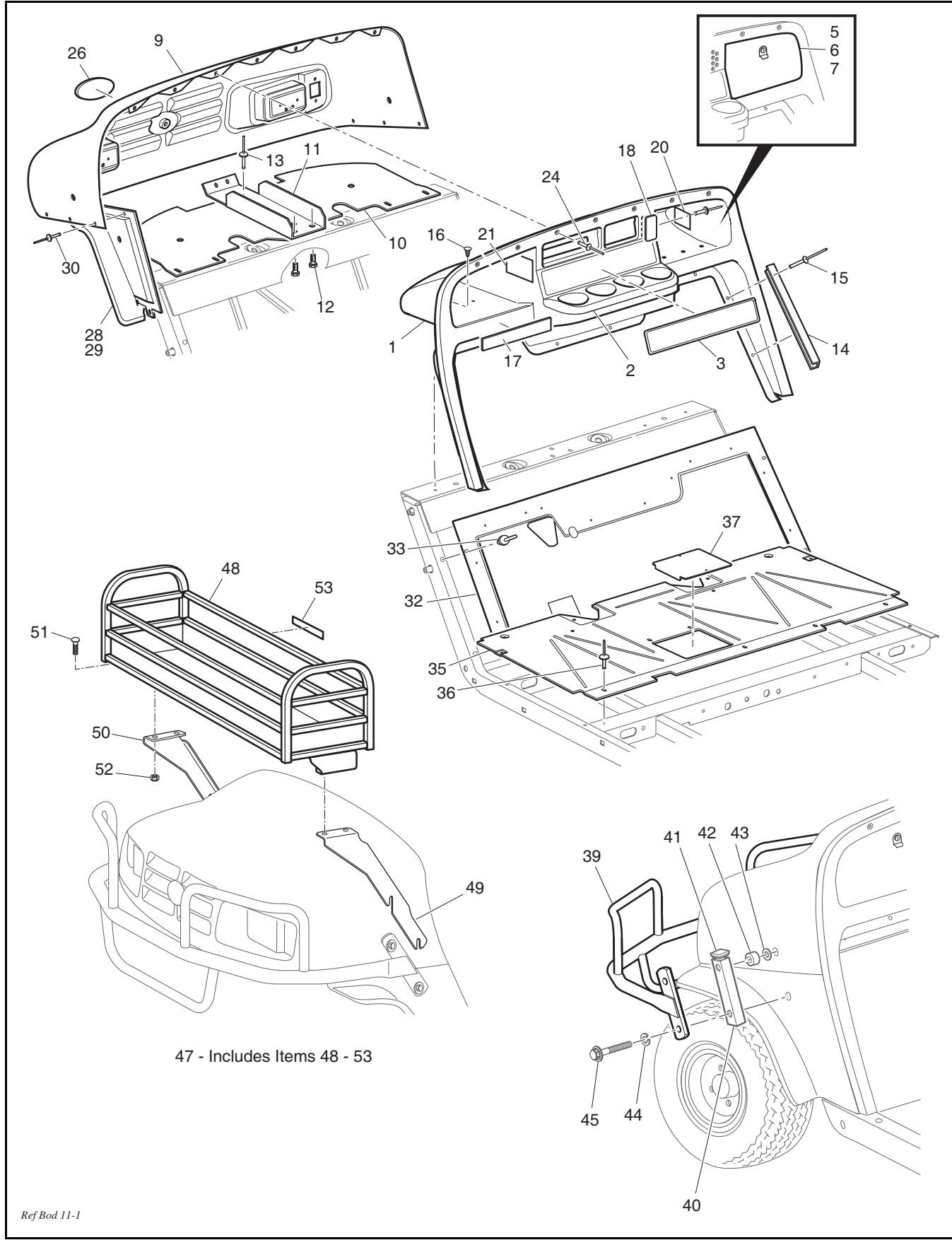


AIR FILTER

THE USE OF NON U.L. PARTS WILL VOID ANY U.L. LISTING.
 When ordering parts, please specify the model and serial number of the product.
 * Indicates a component that is not available as an individual part.
 G** Indicates consult Customer Service Department for additional information.

ITEM	PART NO.	1 2 3 4 5	DESCRIPTION	QTY.
1	75878-G02		AIR FILTER BRACKET (CABLE ACTUATED CARBURETOR)	1
2	12547-G3		BOLT, M6 X 1MM X 20MM LG	1
3	00664-G7		LOCK WASHER, 1/4".....	1
4	00559-G7		WASHER, 1/4"	1
5	00415-G2		BOLT, 1/4 - 20 X 1 1/4" LG	2
6	00559-G7		WASHER, 1/4"	2
7	14390-G4		LOCK NUT, 1/4 - 20	2
8	14601-G11		RIVET	2
9	00915-G1		BONDED WASHER	2
10	72607-G01		AIR CLEANER CANISTER ASSEMBLY (INCLUDES ITEMS 11 - 14)	1
11	72598-G01		AIR CLEANER CANISTER	1
12	72599-G01		AIR CLEANER COVER.....	1
13	72604-G01		AIR CLEANER LATCH.....	2
14	28462-G01		AIR CLEANER DUST COLLECTOR.....	1
15	28463-G01		AIR CLEANER ELEMENT	1
16	11391-G7		HOSE CLAMP	1
17	72592-G01		HOSE (AIR FILTER TO CARBURETOR)	1
18	11391-G6		HOSE CLAMP	2
19	26727-G01		CARBURETOR GASKET.....	2
20	74498-G02		CHOKE / THROTTLE BRACKET.....	1
21	74499-G02		CHOKE / THROTTLE COVER.....	1
22	72591-G01		CARBURETOR ADAPTER	1
23	72151-G01		PCV HOSE.....	1
24	23726-G11		CARBURETOR MOUNTING SPACER.....	4
25	00664-G7		WASHER, 1/4"	2
26	13632-G1		NUT, M6 X 1.....	4
27	72605-G01		CARBURETOR BAFFLE.....	1
28	72514-G01		STUD.....	2
29	25532-G1		BOLT AND WASHER, M8 X 1.25 X 18 MM.....	2

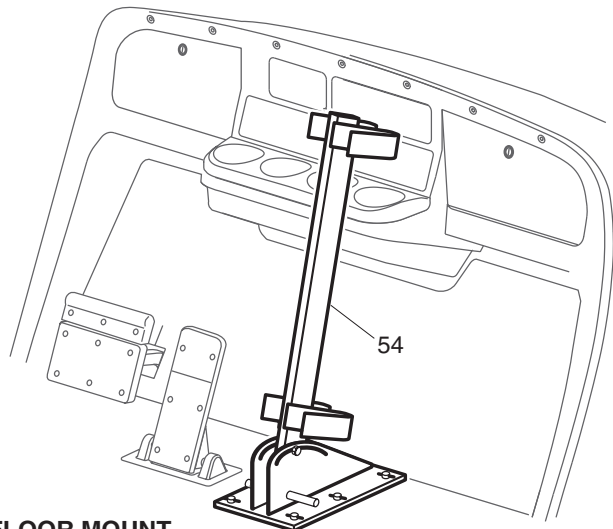
BODY



47 - Includes Items 48 - 53

Ref Bod 11-1

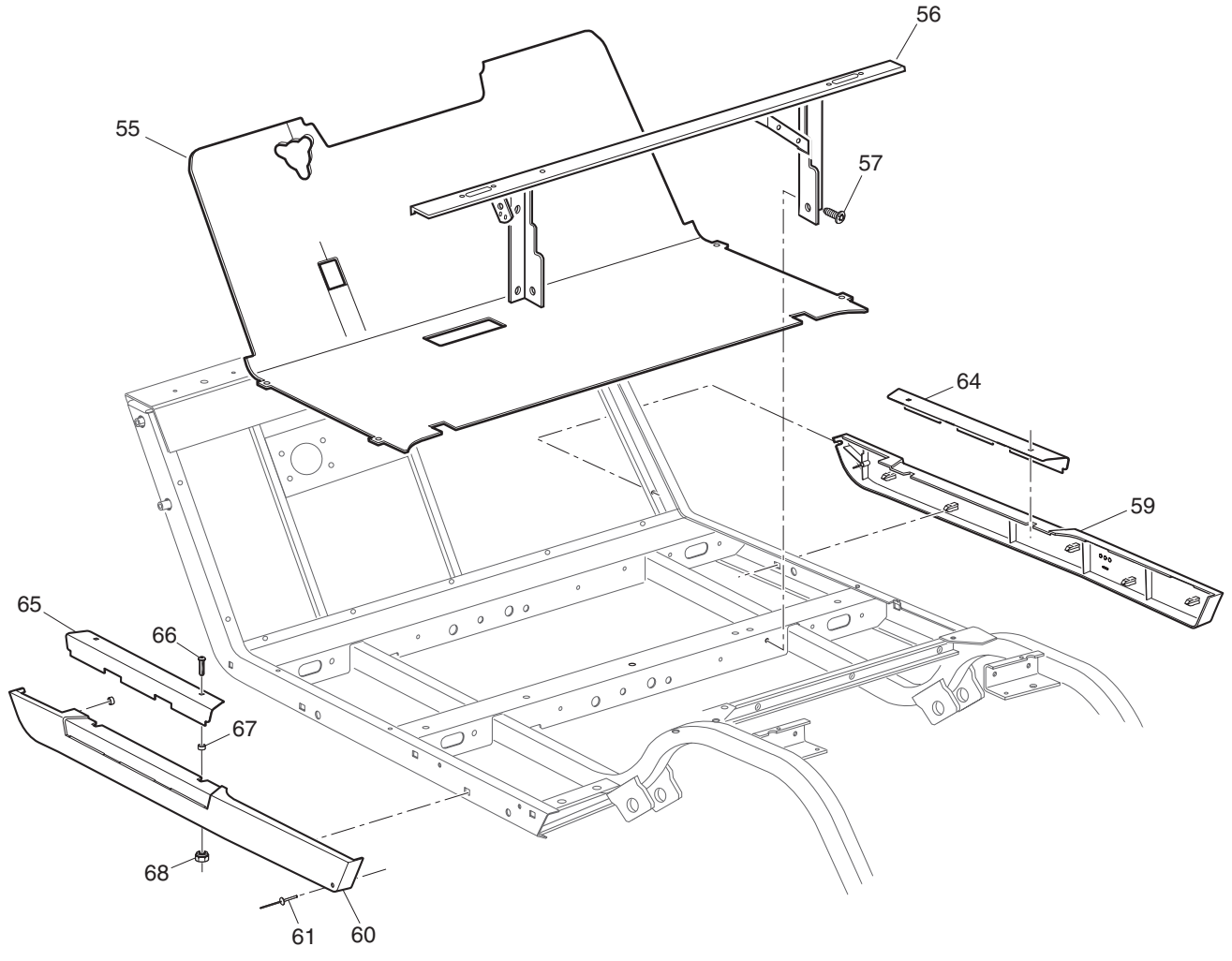
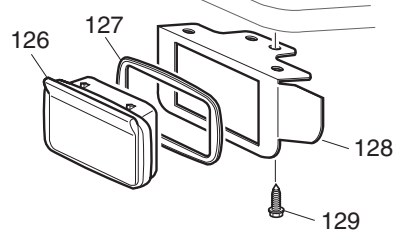
BODY



FLOOR MOUNT GUN HOLDER

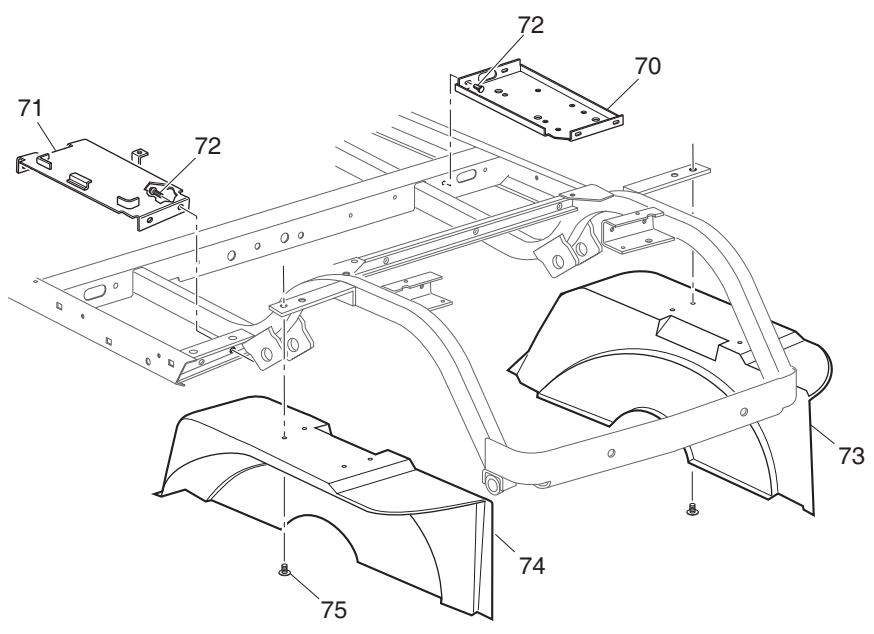
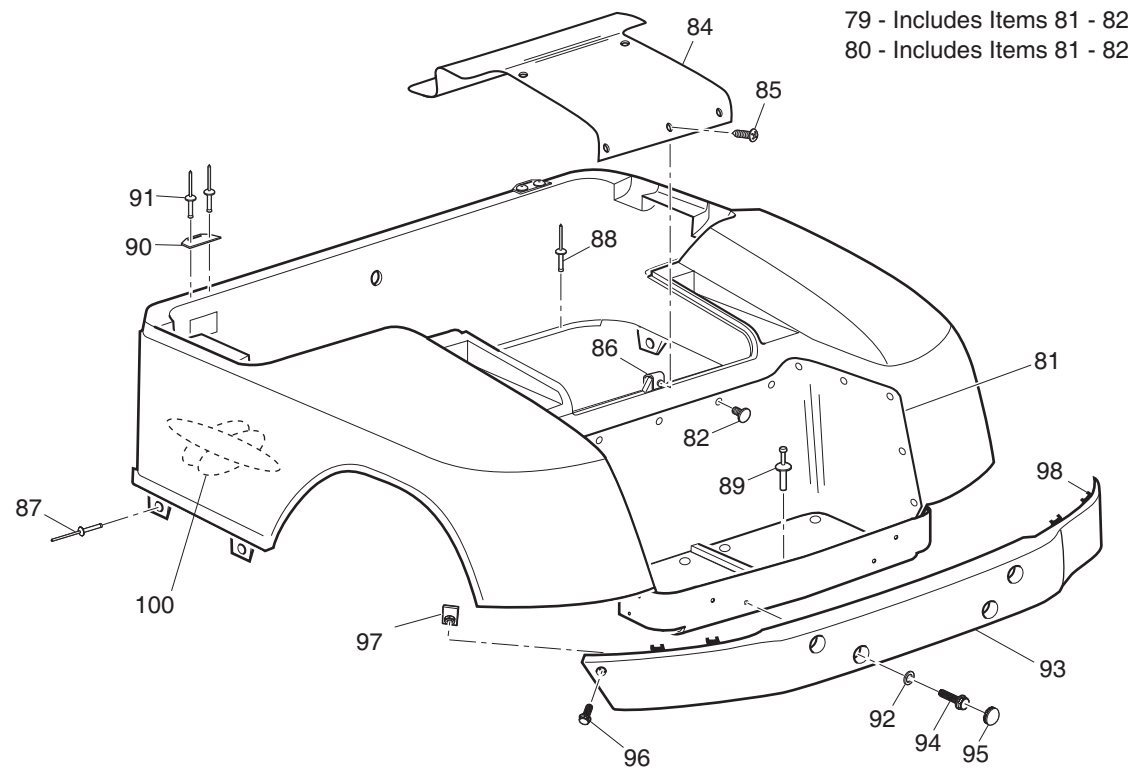
125 - Includes Items 126 - 129

ASH TRAY



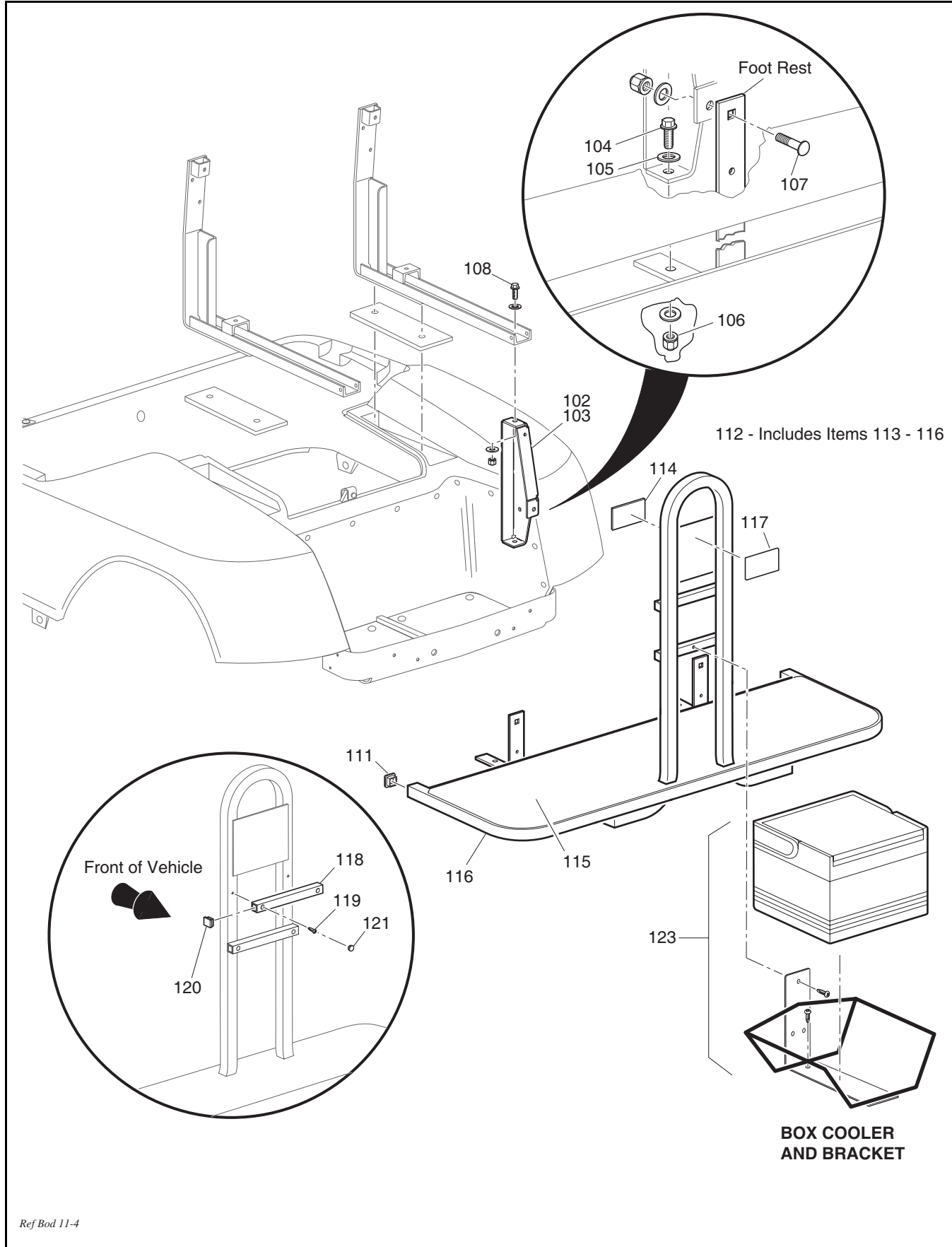
Ref Bod 11-2

BODY



Ref Bod 11-3

BODY



Ref Bod 11-4

BODY

THE USE OF NON U.L. PARTS WILL VOID ANY U.L. LISTING.
 When ordering parts, please specify the model and serial number of the product.
 * Indicates a component that is not available as an individual part.
 G** Indicates consult Customer Service Department for additional information.

ITEM	PART NO.	1 2 3 4 5	DESCRIPTION	QTY.
1	71151-G03		INSTRUMENT PANEL ASSEMBLY.....	1
2	71158-G01		INSTRUMENT PANEL INSERT (FOUR CUP).....	1
3	27826-G01		LABEL (SAFETY).....	1
4				
5	75459-G01		GLOVE BOX DOORS (BOTH SIDES).....	1
6	75459-G02		GLOVE BOX DOOR (DRIVER SIDE).....	1
7	75459-G03		GLOVE BOX DOOR (PASSENGER SIDE).....	1
8				
9	71468-G**		COWL.....	1
10	71413-G01		SPLASH PANEL.....	1
11	71101-G01		COWL SUPPORT BRACKET.....	1
12	71102-G02		BOLT, 1/4 - 20 X 1/2" LG.....	3
13	71055-G02		RIVET, 3/16" X 1 1/8" LG (ALUMINUM).....	1
14	71115-G01		VINYL TRIM.....	2
15	71055-G01		RIVET, 3/16" X 1" LG (ALUMINUM).....	10
16	16816-G2		RATCHET FASTENER, 1/4" X 3/4" LG.....	4
17	74443-G01		LABEL (ANTI-ROLLBACK).....	1
18	35968-G01		LABEL (TEE HOLDER COVER).....	1
19				
20	*		SERIAL NUMBER PLATE.....	1
21	*		CAPACITY PLATE.....	1
22				
23				
24	71055-G01		RIVET, 3/16" X 1" LG (ALUMINUM).....	10
25				
26	74813-G01		NAMEPLATE (E-Z-GO) (OVAL).....	1
27				
28	71338-G01		FENDER FLARE (DRIVER SIDE).....	1
29	71338-G02		FENDER FLARE (PASSENGER SIDE).....	1
30	71055-G01		RIVET, 3/16" X 1" LG (ALUMINUM).....	6

BODY

THE USE OF NON U.L. PARTS WILL VOID ANY U.L. LISTING.
 When ordering parts, please specify the model and serial number of the product.
 * Indicates a component that is not available as an individual part.
 G** Indicates consult Customer Service Department for additional information.

ITEM	PART NO.	1 2 3 4 5	DESCRIPTION	QTY.
31				
32	71510-G01		UPPER FLOORPAN (FRAME MOUNTED STEERING).....	1
33	14601-G11		RIVET, 3/16" X 9/16" LG (ALUMINUM)	9
34				
35	70451-G01		LOWER FLOORPAN	1
36	14601-G11		RIVET, 3/16" X 9/16" LG (ALUMINUM)	7
37	70452-G01		ACCESS COVER.....	1
38				
39	74265-G02		BUMPER.....	1
40	74037-G01		SPACER TUBE	2
41	19859-G1		END CAP, 3/4"	2
42	75048-G01		SPACER, 1/2"	2
43	00570-G2		WASHER, 5/16"	6
44	00905-G8		LOCK WASHER, 5/16".....	4
45	01035-G02		BOLT, 5/16 - 18 X 2 1/2" LG	4
46				
47	74521-G02		FRONT BASKET ASSEMBLY (INCLUDES ITEMS 48 - 53).....	1
48	74523-G01		FRONT BASKET	1
49	74522-G01		BASKET MOUNTING BRACKET (DRIVER SIDE).....	1
50	74522-G02		BASKET MOUNTING BRACKET (PASSENGER SIDE)	1
51	00725-G1		CARRIAGE BOLT, 3/8 - 16 X 1" LG (STAINLESS STEEL).....	4
52	00891-G1		LOCK NUT, 3/8 - 16.....	4
53	71931-G01		LABEL, FRONT BASKET (WARNING)	1
54	74365-G01		GUN HOLDER, FLOOR MOUNT	1
55	70048-G06		FLOORMAT WITH HORN HOLES (1/8").....	1
56	70440-G03		SEAT FRAME (FOR SINGLE CABLE DIRECTION SELECTOR)	1
57	00715-G2		BOLT, 5/16 - 18 X 4/5" LG	2
58				
59	71501-G01		ROCKER PANEL (PASSENGER SIDE).....	1
60	71502-G01		ROCKER PANEL (DRIVER SIDE).....	1

BODY

THE USE OF NON U.L. PARTS WILL VOID ANY U.L. LISTING.
 When ordering parts, please specify the model and serial number of the product.
 * Indicates a component that is not available as an individual part.
 G** Indicates consult Customer Service Department for additional information.

ITEM	PART NO.	1 2 3 4 5	DESCRIPTION	QTY.
61	15058-G6		RIVET, 3/16" X 15/16" LG (ALUMINUM)	4
62				
63				
64	71507-G01		SILL PLATE (PASSENGER SIDE)	1
65	71507-G02		SILL PLATE (DRIVER SIDE)	1
66	16705-G1		SCREW, 1/4 - 20 X 1" LG (STAINLESS STEEL).....	4
67	23726-G4		SPACER, 5/16"	4
68	00891-G2		LOCK NUT, 1/4 - 20 (STAINLESS STEEL)	4
69				
70	70244-G02		SPLASH PANEL	1
71	70245-G01		BATTERY TRAY	1
72	00715-G2		BOLT, 5/16 - 18 X 4/5" LG	8
73	71551-G05		FENDER LINER, EXTENDED (PASSENGER SIDE)	1
74	71552-G05		FENDER LINER, EXTENDED (DRIVER SIDE)	1
75	16816-G2		RATCHET FASTENER, 1/4" X 3/4" LG	8
76				
77				
78				
79	71912-G4**		REAR BODY (WITHOUT TAILLIGHTS) (INCLUDES ITEMS 81, 82)	1
80	71334-G0**		REAR BODY (WITH TAILLIGHTS) (INCLUDES ITEMS 81, 82)	1
81	71318-G01		BAGWELL LINER	1
82	16816-G1		RATCHET FASTENER, 1/4" X 9/16" LG	26
83				
84	71320-G01		ACCESS PANEL	1
85	01107-G01		SCREW, #8 X 3/8" LG (STAINLESS STEEL)	5
86	71364-G02		"J" CLIP	1
87	10570-G12		RIVET, 1/4" X 9/16" LG (ALUMINUM)	4
88	10570-G10		RIVET, 5/32" X 9/16" LG (STAINLESS STEEL)	6
89	18436-G1		PLASTIC DRIVE RIVET, 1/4" X 3/4" LG	2
90	71609-G01		SEAT HINGE PLATE	2

BODY

THE USE OF NON U.L. PARTS WILL VOID ANY U.L. LISTING.
 When ordering parts, please specify the model and serial number of the product.
 * Indicates a component that is not available as an individual part.
 G** Indicates consult Customer Service Department for additional information.

ITEM	PART NO.	1 2 3 4 5	DESCRIPTION	QTY.
91	10570-G11		RIVET, 3/16" X 3/4" LG (STAINLESS STEEL)	4
92	00571-G2		WASHER, 5/16"	4
93	71456-G01		NOTCHED REAR BUMPER	1
94	71398-G01		BOLT, 1/4 - 20 X 1 1/4" LG	4
95	71455-G01		BUMPER PLUG	4
96	71102-G01		BOLT, 1/4 - 20 x 11/16" LG	2
97	71554-G01		J-TYPE NUT RETAINER, 1/4 - 20	2
98	71457-G01		BUMPER STAY	4
99				
100	74532-G01		LABEL (CLAYS CAR)	2
101				
102	74126-G01		VERTICAL FRAME SUPPORT (PASSENGER SIDE).....	1
103	74126-G02		VERTICAL FRAME SUPPORT (DRIVER SIDE)	1
104	00427-G6		BOLT, 3/8 - 16 X 1 1/2" LG	2
105	00560-G1		WASHER, 3/8"	10
106	11098-G5		LOCK NUT, 3/8 - 16	10
107	00769-G2		CARRIAGE BOLT, 3/8 - 16 X 1 1/4" LG.....	2
108	00426-G8		BOLT, 3/8 - 16 X 1" LG	2
109				
110				
111	19853-G1		END CAP, 1"	2
112	70361-G01		FOOTREST ASSEMBLY (INCLUDES ITEMS 113 - 116).....	1
113				
114	74074-G01		LABEL (WARNING)	1
115	70362-G01		FLOORMAT	1
116	70633-G01		FOOTREST	1
117	71093-G01		LABEL (LOAD BED LIMIT WARNING)	1
118	75268-G01		SUPPORT TUBE	2
119	00106-G6		SELF THREADING SCREW, #12 - 24 X 3/4" LG	4
120	19859-G1		END CAP, 3/4"	4

BODY

THE USE OF NON U.L. PARTS WILL VOID ANY U.L. LISTING.
 When ordering parts, please specify the model and serial number of the product.
 * Indicates a component that is not available as an individual part.
 G** Indicates consult Customer Service Department for additional information.

ITEM	PART NO.	1 2 3 4 5	DESCRIPTION	QTY.
121	20271-G2		HOLE PLUG, 1/2".....	4
122				
123	71048-G01		BOX COOLER AND BRACKET (INCLUDES HARDWARE)	1
124				
125	75109-G02		ASH TRAY KIT (INCLUDES ITEMS 126 - 129)	1
126	27731-G01		ASH TRAY	1
127	27736-G01		GASKET	1
128	75108-G02		BRACKET	1
129	00100-G4		SCREW, #10 - 16 X 1/2" LG.....	4
130				
131	74533-G01		GUN HOLDER (SWIVEL MOUNT) (NOT ILLUSTRATED).....	1

DID YOU KNOW?

CartPros directs you to the right part using the part numbers from this manual. Enter the part number into our search box and it will find the part you are looking for.

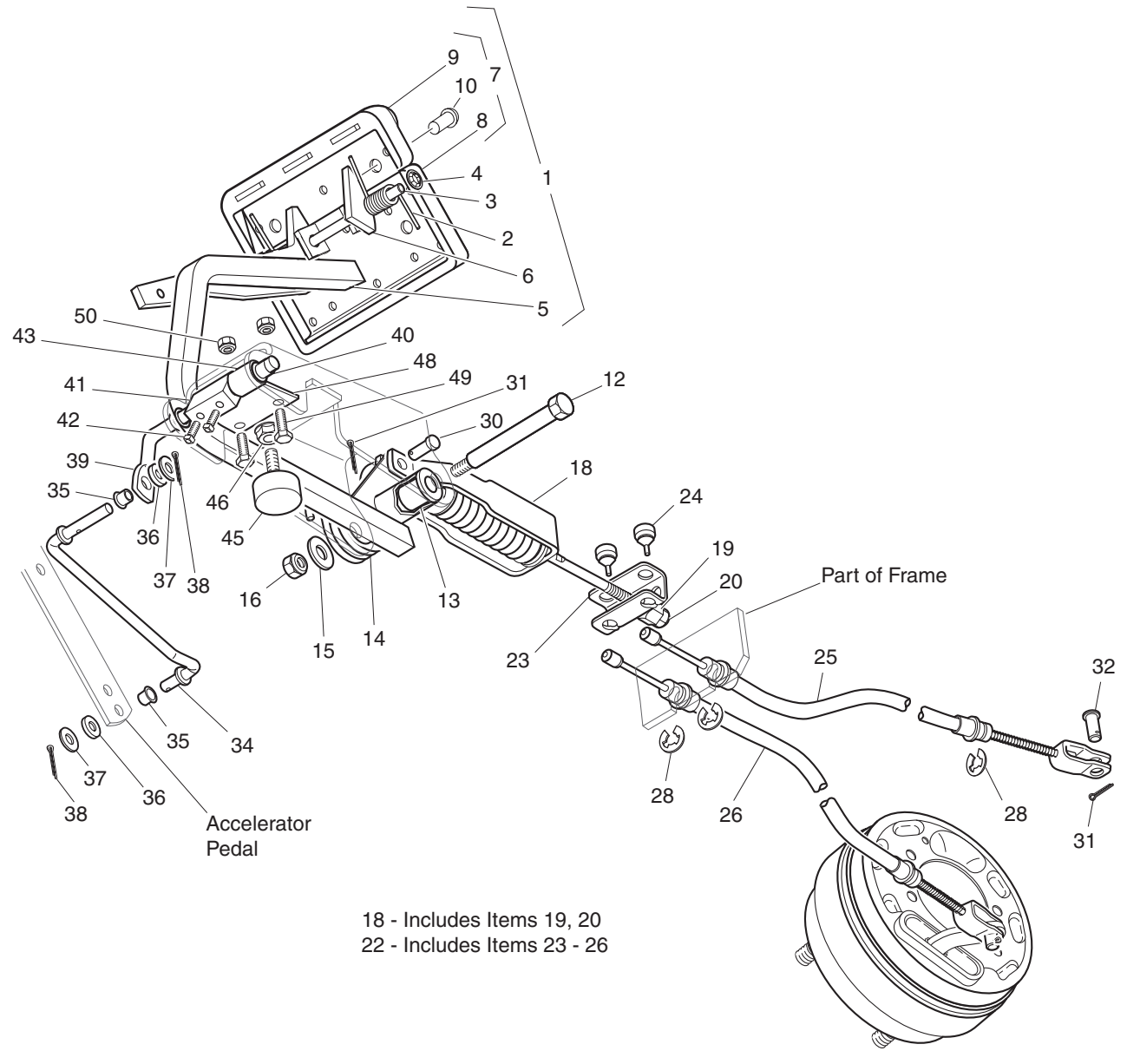
GET STARTED HERE



<https://CartPros.com/f.html>

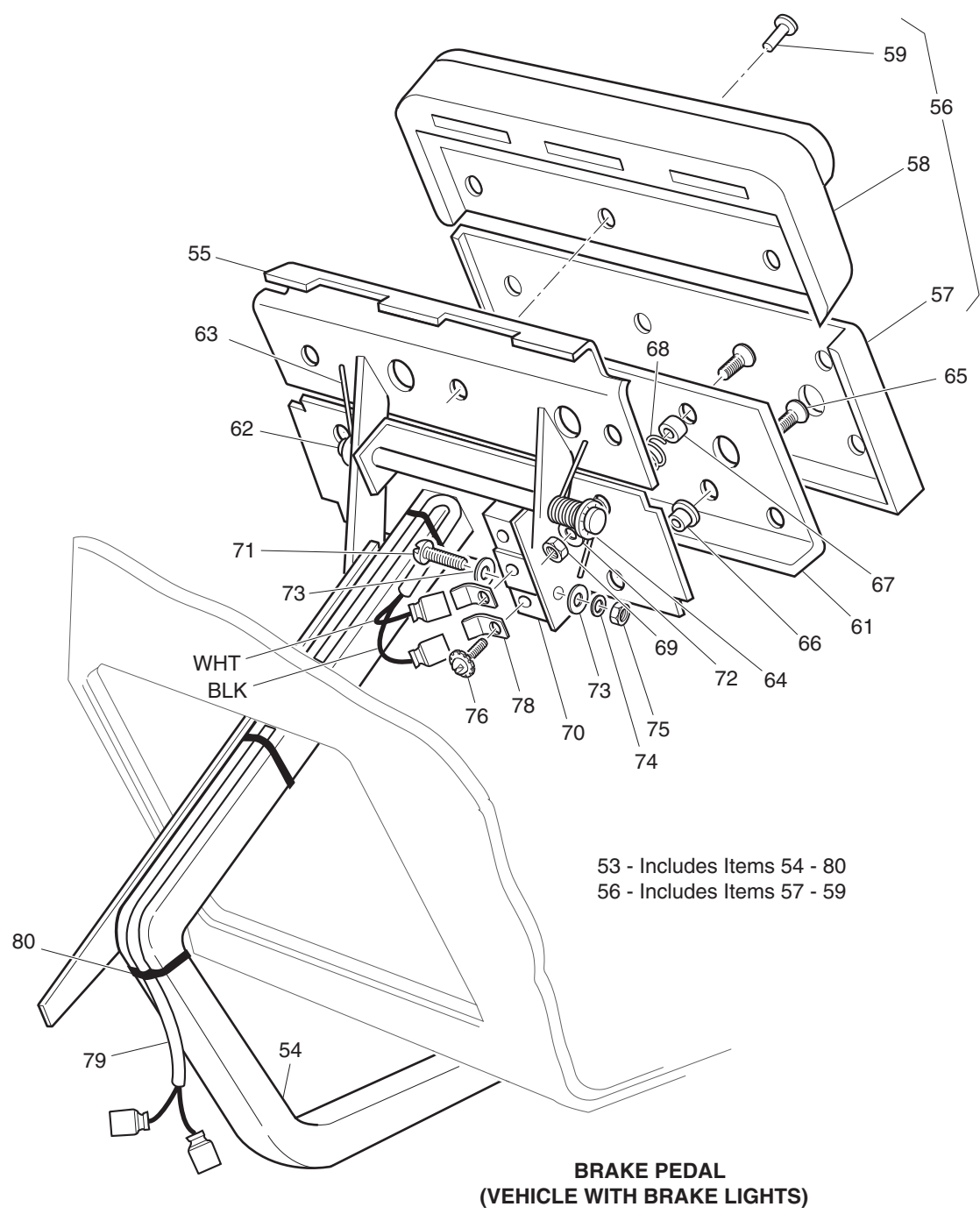
BODY

BRAKES



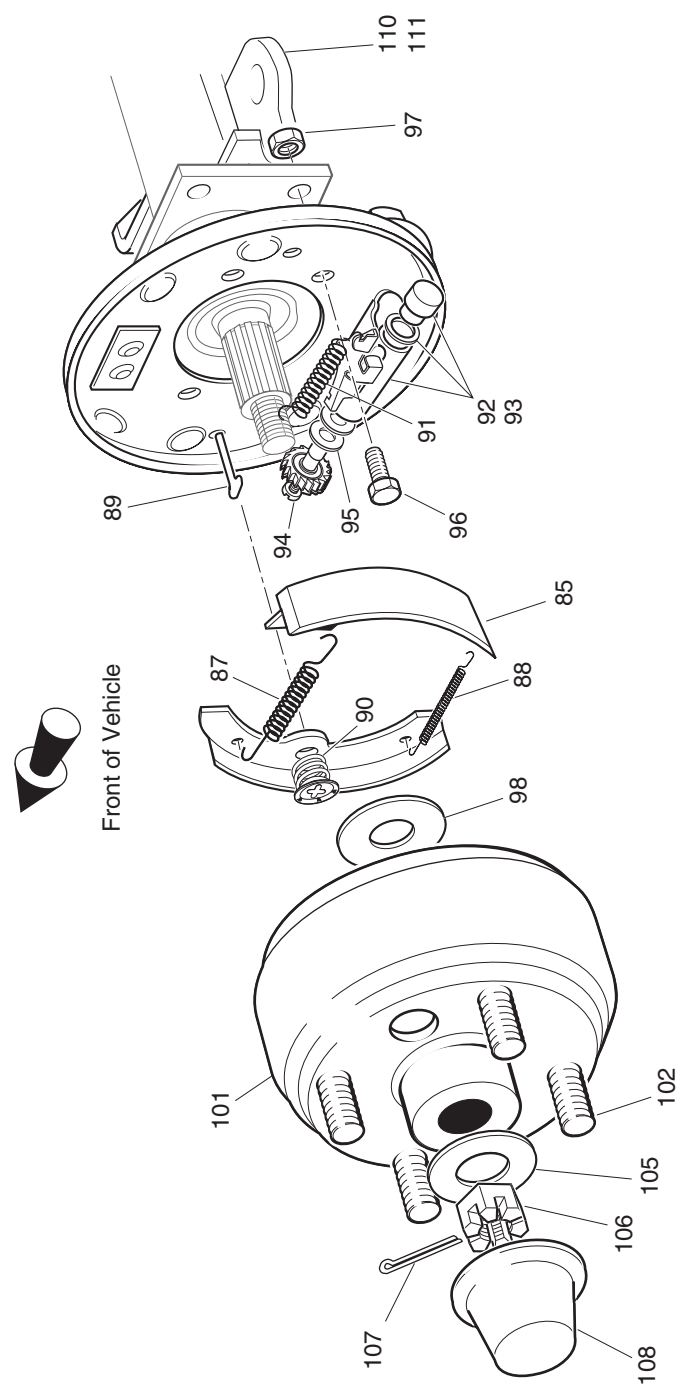
Ref Brk 6-1

BRAKES



Ref Brk 6-2

BRAKES



- 82 - Includes Items 84 - 92
- 83 - Includes Items 84 - 93
- 84 - Includes Items 85
- 86 - Includes Items 87 - 91
- 92 - Includes Items 94, 95
- 93 - Includes Items 94, 95
- 100 - Includes Items 101, 102

Ref Brk 6-3

BRAKES

THE USE OF NON U.L. PARTS WILL VOID ANY U.L. LISTING.
 When ordering parts, please specify the model and serial number of the product.
 * Indicates a component that is not available as an individual part.
 G** Indicates consult Customer Service Department for additional information.

ITEM	PART NO.	1 2 3 4 5	DESCRIPTION	QTY.
1	70612-G02		BRAKE PEDAL ASSEMBLY (WITHOUT BRAKE LIGHTS) (INCLUDES ITEMS 2 - 10).....	1
2	70681-G01		TORSION SPRING.....	2
3	70682-G01		PIVOT PIN.....	1
4	01071-G01		PUSHNUT, 5/16".....	1
5	*		BRAKE PEDAL.....	1
6	70611-G02		PARK BRAKE PEDAL.....	1
7	70274-G01		BRAKE/PARK BRAKE PEDAL PAD KIT (INCLUDES ITEMS 8 - 10).....	1
8	*		SERVICE BRAKE PAD.....	1
9	*		PARK BRAKE PEDAL PAD.....	1
10	15766-G1		OVAL RIVET, 3/16" X 3/8" LG.....	9
11				
12	70582-G01		SHOULDER BOLT, 3/8 - 16 X 4" LG.....	1
13	70581-G01		FLANGED BUSHING.....	2
14	70676-G01		TORSION SPRING.....	1
15	00643-G1		WASHER, 3/8".....	1
16	11098-G5		LOCK NUT, 3/8 - 16.....	1
17				
18	70272-G04		COMPENSATOR ASSEMBLY (INCLUDES ITEMS 19, 20).....	1
19	00963-G01		SPHERICAL NUT, 5/16 - 24.....	1
20	11098-G9		LOCK NUT, 5/16 - 24.....	1
21				
22	70969-G03		EQUALIZER AND BRAKE CABLE ASSEMBLY (INCLUDES ITEMS 23 - 26)....	1
23	28082-G01		EQUALIZER BRACKET.....	1
24	28083-G01		BRAKE COMPENSATOR BUMPER.....	2
25	*		BRAKE CABLE (DRIVER SIDE).....	1
26	*		BRAKE CABLE (PASSENGER SIDE).....	1
27				
28	01111-G01		RETAINING RING, S.S.....	4
29				

BRAKES

THE USE OF NON U.L. PARTS WILL VOID ANY U.L. LISTING.
 When ordering parts, please specify the model and serial number of the product.
 * Indicates a component that is not available as an individual part.
 G** Indicates consult Customer Service Department for additional information.

ITEM	PART NO.	1 2 3 4 5	DESCRIPTION	QTY.
30	10386-G3		CLEVIS PIN, 5/16" X 1" LG	3
31	10387-G3		COTTER PIN, 3/32" X 3/4" LG	3
32	14443-G2		CLEVIS PIN, 5/16" X 3/4" LG	2
33				
34	70601-G01		KICK-OFF LINK.....	1
35	17838-G1		NYLON BUSHING.....	2
36	20835-G1		TEFLON WASHER, 3/8"	2
37	00559-G8		WASHER, 5/16"	2
38	10387-G3		COTTER PIN, 3/32" X 3/4" LG	2
39	70098-G01		KICK-OFF CAM PIVOT.....	1
40	10097-G6		FLANGED BEARING	2
41	70587-G01		KICK-OFF CAM.....	1
42	71215-G01		SETSCREW, 1/4 - 20 X 1/2" LG.....	2
43	14134-G4		SPACER.....	1
44				
45	70113-G01		ADJUSTABLE BUMPER	1
46	11027-G1		LOCK NUT, 5/16 - 18	1
47				
48	70080-G02		CATCH BRACKET	1
49	00414-G6		BOLT, 1/4 - 20 X 3/4" LG	2
50	00891-G2		LOCK NUT, 1/4 - 20	2
51				
52				
53	70690-G02		BRAKE PEDAL ASSEMBLY (WITH BRAKE LIGHTS) (INCLUDES ITEMS 54 - 80).....	1
54	*		BRAKE PEDAL.....	1
55	70611-G02		PARK BRAKE PEDAL	1
56	70274-G01		BRAKE/PARK BRAKE PEDAL PAD KIT (INCLUDES ITEMS 57 - 59).....	1
57	*		SERVICE BRAKE PAD	1
58	*		PARK BRAKE PAD.....	1

BRAKES

THE USE OF NON U.L. PARTS WILL VOID ANY U.L. LISTING.
 When ordering parts, please specify the model and serial number of the product.
 * Indicates a component that is not available as an individual part.
 G** Indicates consult Customer Service Department for additional information.

ITEM	PART NO.	1	2	3	4	5	DESCRIPTION	QTY.
59	15766-G1						OVAL RIVET, 3/16" x 3/8" LG	9
60								
61	70258-G03						BRAKE PEDAL PLATE	1
62	70682-G01						PIVOT PIN	1
63	70681-G01						TORSION SPRING	2
64	01071-G01						PUSHNUT, 5/16"	1
65	00737-G8						SCREW, #10 - 24 X 1" LG	4
66	00739-G1						RUBBER NUT, #10 - 24	2
67	74536-G01						BRAKE PEDAL STANDOFF	2
68	27137-G01						CONICAL SPRING	2
69	14390-G10						LOCK NUT, #10 - 24	2
70	10606-G8						MICRO SWITCH	1
71	00957-G1						SCREW, #6 - 32 X 1 1/4" LG	2
72	00559-G5						WASHER, #10	2
73	00559-G3						WASHER, #6	4
74	00565-G3						LOCK WASHER, #6	2
75	00525-G5						NUT, #6 - 32	2
76	13514-G1						SCREW AND LOCK WASHER, #6	2
77								
78	14628-G1						FASTON TAB	2
79	24605-G1						WIRE HARNESS (BRAKE LIGHT)	1
80	17618-G1						WIRE TIE	3
81								
82	70998-G01						BRAKE ASSEMBLY (DRIVER SIDE) (INCLUDES ITEMS 84 - 92)	1
83	70998-G02						BRAKE ASSEMBLY (PASSENGER SIDE) (INCL. ITEMS 84 - 91, 93)	1
84	70794-G01						BRAKE SHOE KIT (INCLUDES ITEM 85)	2
85	*						BRAKE SHOE	2
86	27944-G01						BRAKE SPRING KIT (INCLUDES ITEMS 87 - 91)	2
87	*						UPPER SPRING	1
88	*						LOWER SPRING	1

BRAKES

THE USE OF NON U.L. PARTS WILL VOID ANY U.L. LISTING.
 When ordering parts, please specify the model and serial number of the product.
 * Indicates a component that is not available as an individual part.
 G** Indicates consult Customer Service Department for additional information.

ITEM	PART NO.	1	2	3	4	5	DESCRIPTION	QTY.
89	*						PIN	2
90	*						CUP AND SPRING	2
91	*						ADJUSTER SPRING.....	1
92	72582-G01						BRAKE ADJUSTER KIT (DRIVER SIDE) (INCLUDES ITEMS 94, 95)	1
93	72582-G02						BRAKE ADJUSTER KIT (PASSENGER SIDE) (INCL ITEMS 94, 95).....	1
94	*						ADJUSTER	1
95	*						TEFLON WASHER.....	2
96	17083-G2						BOLT, 5/16 - 24 X 1" LG	8
97	15126-G1						LOCK NUT, 5/16 - 24	8
98	21809-G1						INNER BRAKE DRUM WASHER, 1 5/16" OD X 1" ID X 1/32"	2
99								
100	21807-G2						BRAKE DRUM ASSEMBLY (INCLUDES ITEMS 101 - 102).....	2
101	*						BRAKE DRUM.....	1
102	19862-G1						LUG BOLT, 1/2 - 20.....	4
103								
104	24939-G2						SPINDLE CAP ADAPTER.....	2
105	21830-G1						OUTER BRAKE DRUM WASHER	2
106	00518-G8						SLOTTED NUT, 3/4 - 16.....	2
107	10387-G1						COTTER PIN, 1/8" X 1 1/2" LG.....	2
108	12091-G2						SPINDLE CAP.....	2
109								
110	75870-G04						BRAKE CABLE BRACKET (PASSENGER SIDE).....	1
111	75870-G03						BRAKE CABLE BRACKET (DRIVER SIDE)	1

**DID YOU
KNOW?**

CartPros directs you to the right part using the part numbers from this manual. Enter the part number into our search box and it will find the part you are looking for.

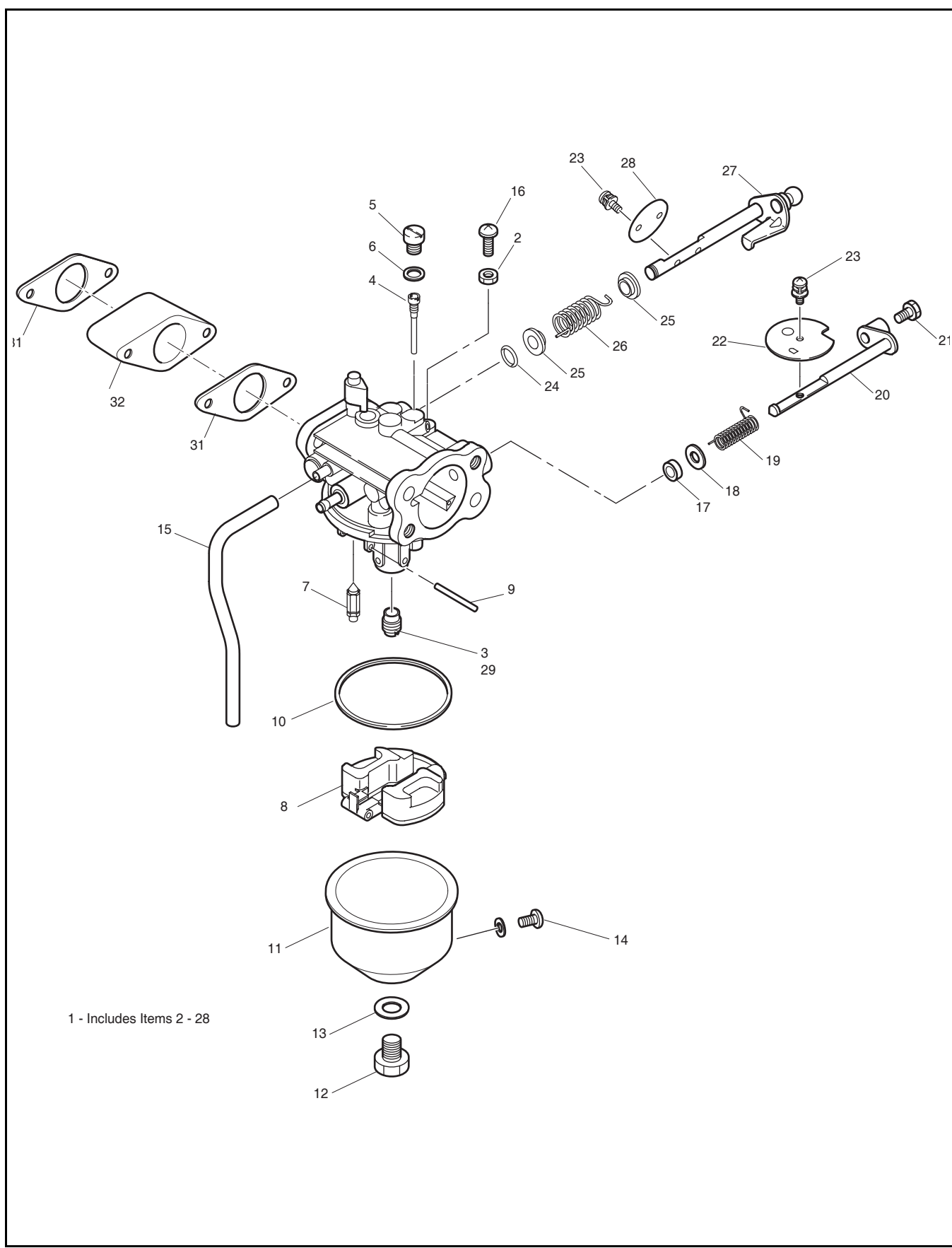
**GET STARTED
HERE**



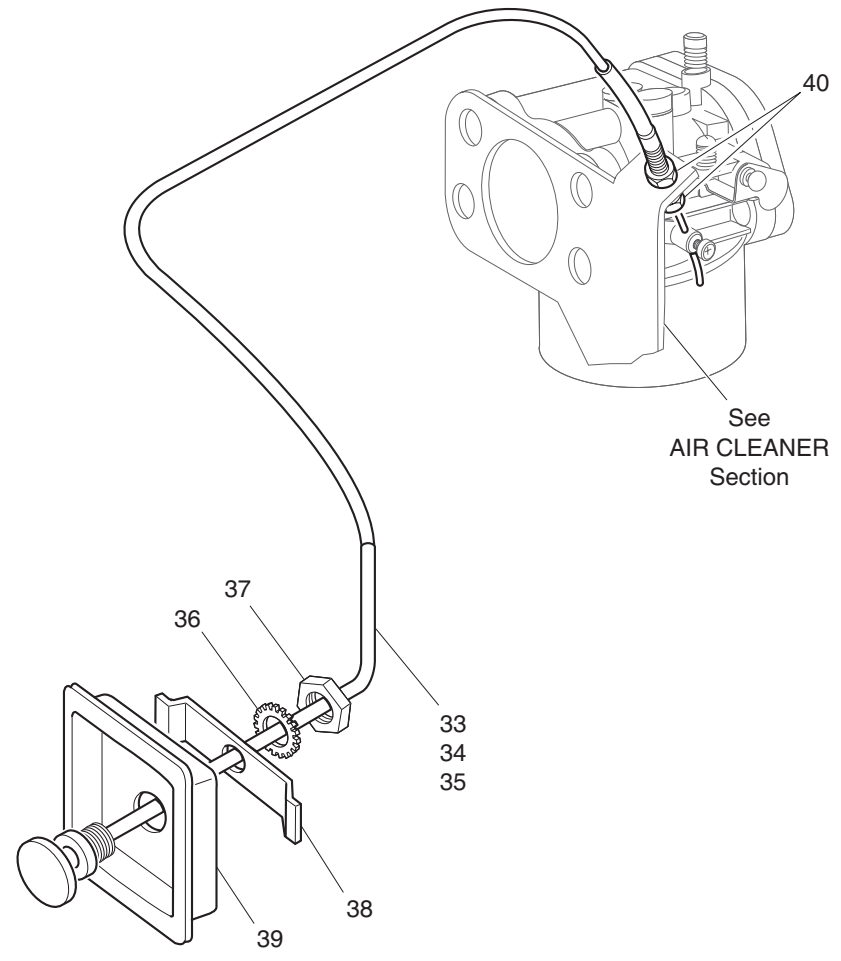
<https://CartPros.com/f.html>

BRAKES

CARBURETOR AND CHOKE



CARBURETOR AND CHOKE



Ref Cac 2-2

CARBURETOR AND CHOKE

Where applicable, THE USE OF NON UL PARTS WILL VOID ANY UL LISTING.
 When ordering parts, please specify the model and serial number of the product.
 * Indicates a component that is not available as an individual part.
 G** Indicates consult Customer Service Department for additional information.

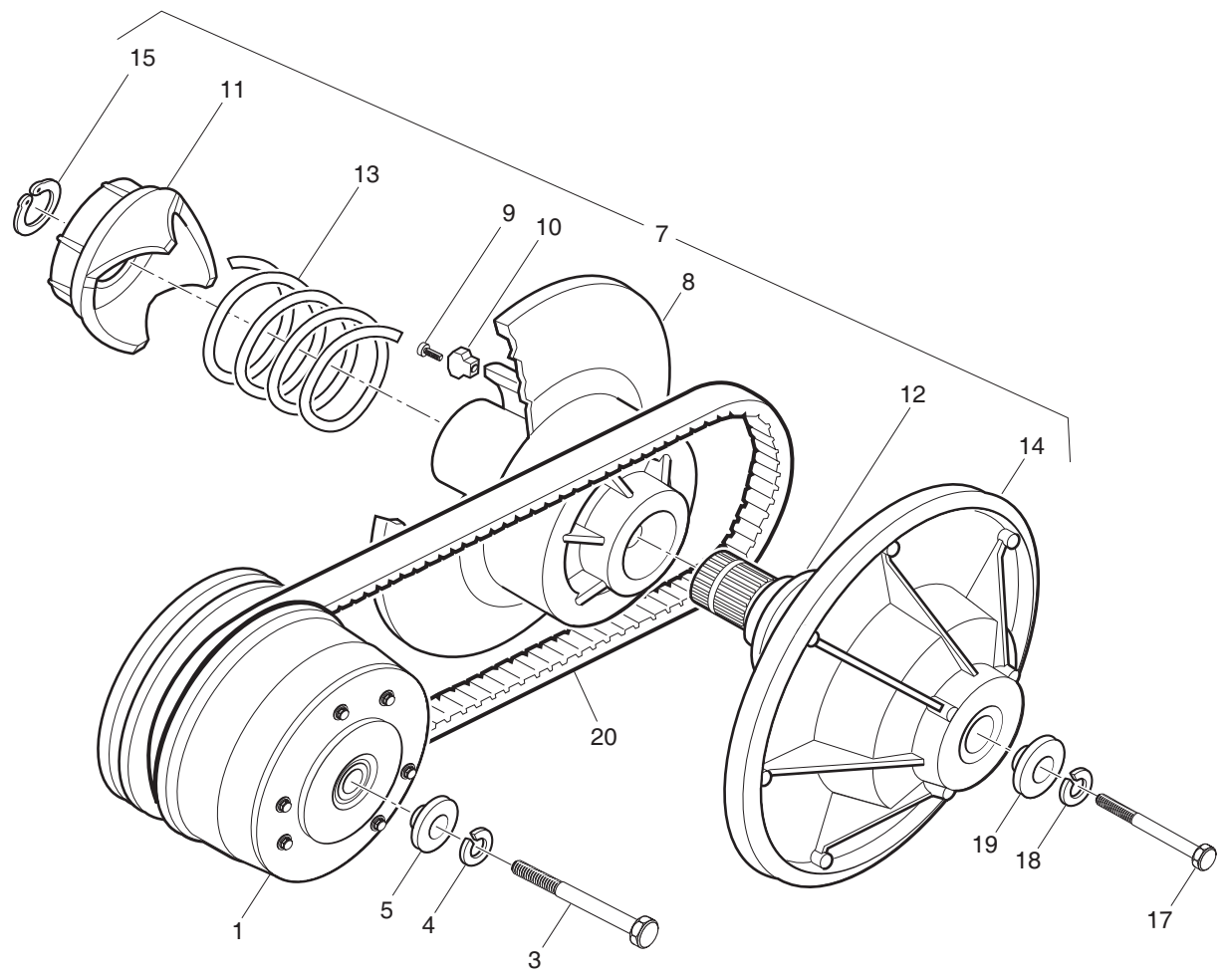
ITEM	PART NO.	1 2 3 4 5	DESCRIPTION	QTY.
1	72840-G02		CARBURETOR (FOR VEHICLES ORIGINALLY EQUIPPED WITH 350cc (EH35C)) (INCLUDES ITEMS 2 - 28)	1
2	72310-G01		NUT.....	1
3	26646-G05		MAIN JET (#82)	1
4	26649-G05		PILOT JET (#42).....	1
5	26841-G01		PLUG	1
6	72306-G01		GASKET	1
7	72578-G01		NEEDLE VALVE	1
8	26648-G01		FLOAT	1
9	26840-G01		FLOAT PIN	1
10	26843-G01		FLOAT BOWL GASKET	1
11	26844-G01		FLOAT CHAMBER	1
12	26839-G01		BOWL SCREW	1
13	26838-G01		BOWL GASKET	1
14	72579-G01		DRAIN SCREW	1
15	26650-G01		VENT TUBE.....	2
16	72317-G01		SCREW.....	1
17	26755-G01		BUSHING.....	1
18	26756-G01		COLLAR.....	1
19	26757-G01		SPRING, CHOKE RETURN	1
20	72315-G01		CHOKE SHAFT ASSY	1
21	72314-G01		SCREW.....	1
22	*		CHOKE VALVE.....	1
23	72313-G01		SCREW.....	3
24	26750-G01		OV RING.....	1
25	26751-G01		COLLAR.....	2
26	26752-G01		THROTTLE RETURN SPRING	1
27	26753-G01		THROTTLE SHAFT ASSY.....	1
28	26748-G01		THROTTLE VALVE	1
29	26646-G04		MAIN JET (#78) (FOR ELEVATIONS OF 5000 FT - 10000 FT)	1

CARBURETOR AND CHOKE

Where applicable, THE USE OF NON UL PARTS WILL VOID ANY UL LISTING.
 When ordering parts, please specify the model and serial number of the product.
 * Indicates a component that is not available as an individual part.
 G** Indicates consult Customer Service Department for additional information.

ITEM	PART NO.	1 2 3 4 5	DESCRIPTION	QTY.
30				
31	26726-G01		CARBURETOR MOUNT GASKET	2
32	72883-G01		CARBURETOR INSULATOR (FOR FUJI ENGINE EH35C).....	1
33	25693-G04		CHOKE CABLE (22 1/4" LG WITH NUTS)	1
34	72401-G01		CHOKE CABLE (60 1/4" LG WITH NUTS)	1
35	72401-G02		CHOKE CABLE (31 1/2" LG WITH NUTS)	1
36	00568-G4		LOCK WASHER, 9/16".....	1
37	00545-G4		JAM NUT, 9/16 - 18.....	1
38	72155-G02		RETAINER	1
39	72154-G01		CHOKE CABLE ADAPTER.....	1
40	00544-G4		JAM NUT, 5/16 - 24.....	2

CLUTCH



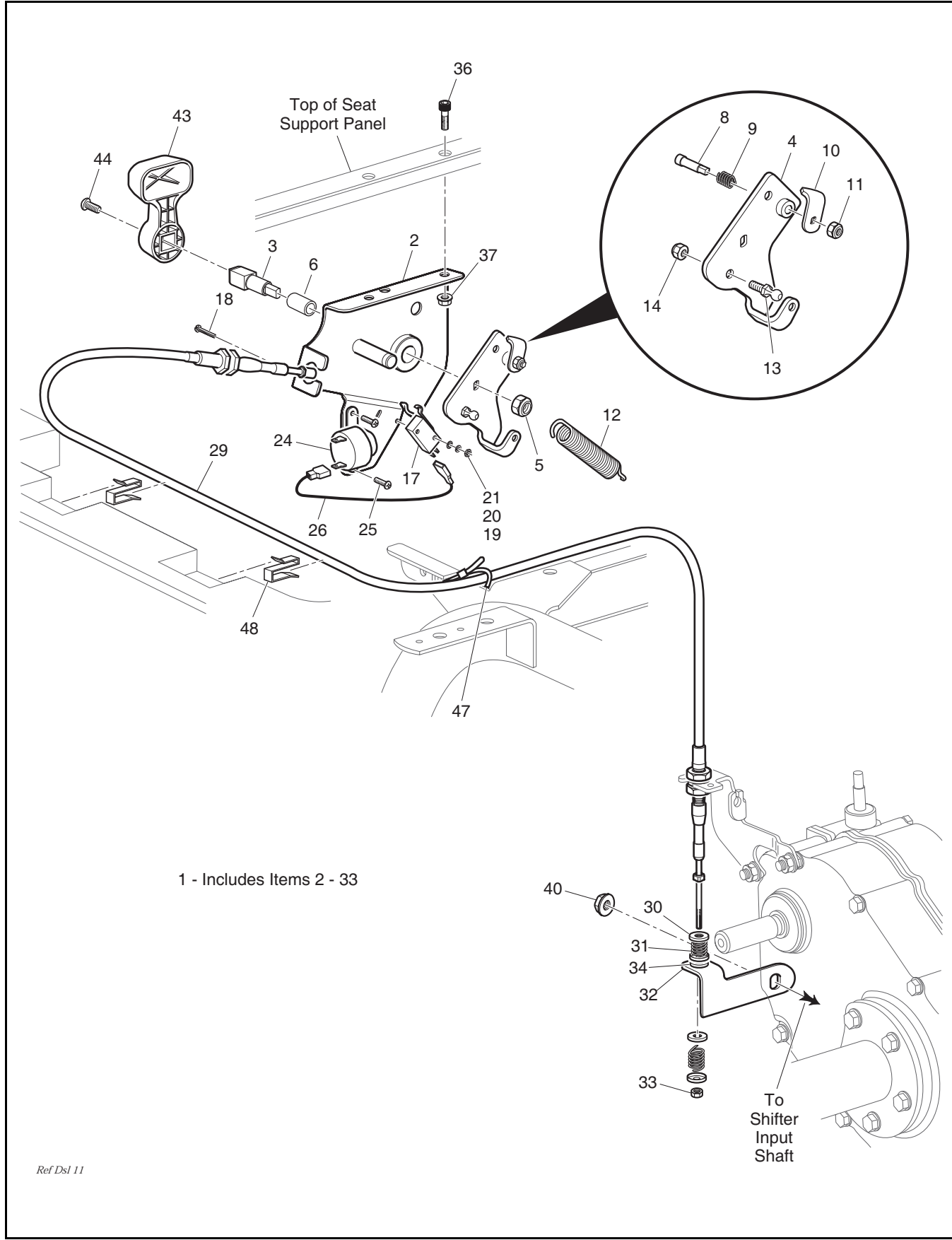
Ref Clt 11

CLUTCH

THE USE OF NON U.L. PARTS WILL VOID ANY U.L. LISTING.
 When ordering parts, please specify the model and serial number of the product.
 * Indicates a component that is not available as an individual part.
 G** Indicates consult Customer Service Department for additional information.

ITEM	PART NO.	1 2 3 4 5	DESCRIPTION	QTY.
1	26952-G01		DRIVE CLUTCH	1
2				
3	00473-G9		BOLT, 7/16 - 20 X 6 1/2" LG	1
4	00566-G2		LOCK WASHER, 7/16".....	1
5	25757-G1		PILOT WASHER	1
6				
7	26301-G03		DRIVEN CLUTCH ASSEMBLY (INCLUDES ITEMS 8 - 15).....	1
8	*		MOVABLE SHEAVE (INCLUDES ITEMS 9 -10)	1
9	00979-G01		SCREW, #10 - 24 X 7/8" LG	3
10	72324-G01		RAMP BUTTON	3
11	*		CAM.....	1
12	24600-G1		SPACER, 1 1/2"	1
13	26304-G01		COMPRESSION SPRING	1
14	*		SHEAVE AND POST	1
15	27270-G01		HEAVY DUTY RETAINING RING	1
16				
17	00441-G8		BOLT, 5/16 - 18 X 4" LG	1
18	00565-G8		LOCK WASHER, 5/16".....	1
19	25756-G1		RETAINING WASHER	1
20	72328-G01		DRIVE BELT (SEVERE DUTY).....	1

DIRECTION SELECTOR



Ref Dsl 11

DIRECTION SELECTOR

THE USE OF NON U.L. PARTS WILL VOID ANY U.L. LISTING.
 When ordering parts, please specify the model and serial number of the product.
 * Indicates a component that is not available as an individual part.
 G** Indicates consult Customer Service Department for additional information.

ITEM	PART NO.	1 2 3 4 5	DESCRIPTION	QTY.
1	72721-G01		DIRECTION SELECTOR ASSEMBLY (INCLUDES ITEMS 2 - 33)	1
2	72737-G02		DIRECTION SELECTOR BRACKET	1
3	70233-G01		DIRECTION SELECTOR SHAFT	1
4	72738-G01		DIRECTION SELECTOR CAM.....	1
5	14390-G1		LOCK NUT, 3/8 - 24.....	1
6	25664-G2		BUSHING.....	1
7				
8	72724-G01		NEUTRAL LOCK PIN	1
9	72733-G01		COMPRESSION SPRING, 3/8" X 5/8" LG	1
10	72729-G01		NEUTRAL LOCK LATCH.....	1
11	00734-G2		LOCK NUT, 1/4 - 28.....	1
12	28574-G01		EXTENSION SPRING	1
13	72732-G01		BALL STUD, 1/4"	1
14	00734-G5		LOCK NUT, #10 - 32.....	1
15				
16				
17	72736-G01		MICRO SWITCH.....	1
18	01062-G01		SCREW, #4 - 40 X 1" LG.....	2
19	00559-G1		WASHER, #4	2
20	00565-G1		LOCK WASHER, #4	2
21	00526-G2		NUT, #4 - 40	2
22				
23				
24	73290-G03		REVERSE WARNING BUZZER	1
25	01063-G01		SCREW, #6 - 32 X 3/8" LG.....	2
26	25978-G345		18 GA WIRE (RED 7")	1
27				
28				
29	72734-G01		SHIFTER CABLE.....	1
30	25727-G01		CUP WASHER, 1/4"	4

DIRECTION SELECTOR

THE USE OF NON U.L. PARTS WILL VOID ANY U.L. LISTING.
 When ordering parts, please specify the model and serial number of the product.
 * Indicates a component that is not available as an individual part.
 G** Indicates consult Customer Service Department for additional information.

ITEM	PART NO.	1 2 3 4 5	DESCRIPTION	QTY.
31	72735-G01		COMPRESSION SPRING, 19/32" X 1" LG	2
32	74455-G01		SHIFTER ARM WITH BUSHING	1
33	00734-G5		LOCK NUT, #10 - 32.....	1
34	22754-G4		BUSHING, FLIP LOK, .250.....	1
35				
36	70227-G01		SCREW, 1/4 - 20 X 7/8" LG	2
37	11027-G2		LOCK NUT, 1/4 - 20	2
38				
39				
40	26830-G01		LOCK NUT, M8 X 1.25 MM.....	1
41				
42				
43	71205-G01		DIRECTION SELECTOR HANDLE.....	1
44	00740-G4		SCREW, #10 - 32 X 1/2" LG (STAINLESS STEEL).....	1
45				
46				
47	17618-G1		WIRE TIE	1
48	01072-G01		CABLE CLIP.....	2

**DID YOU
KNOW?**

CartPros directs you to the right part using the part numbers from this manual. Enter the part number into our search box and it will find the part you are looking for.

**GET STARTED
HERE**

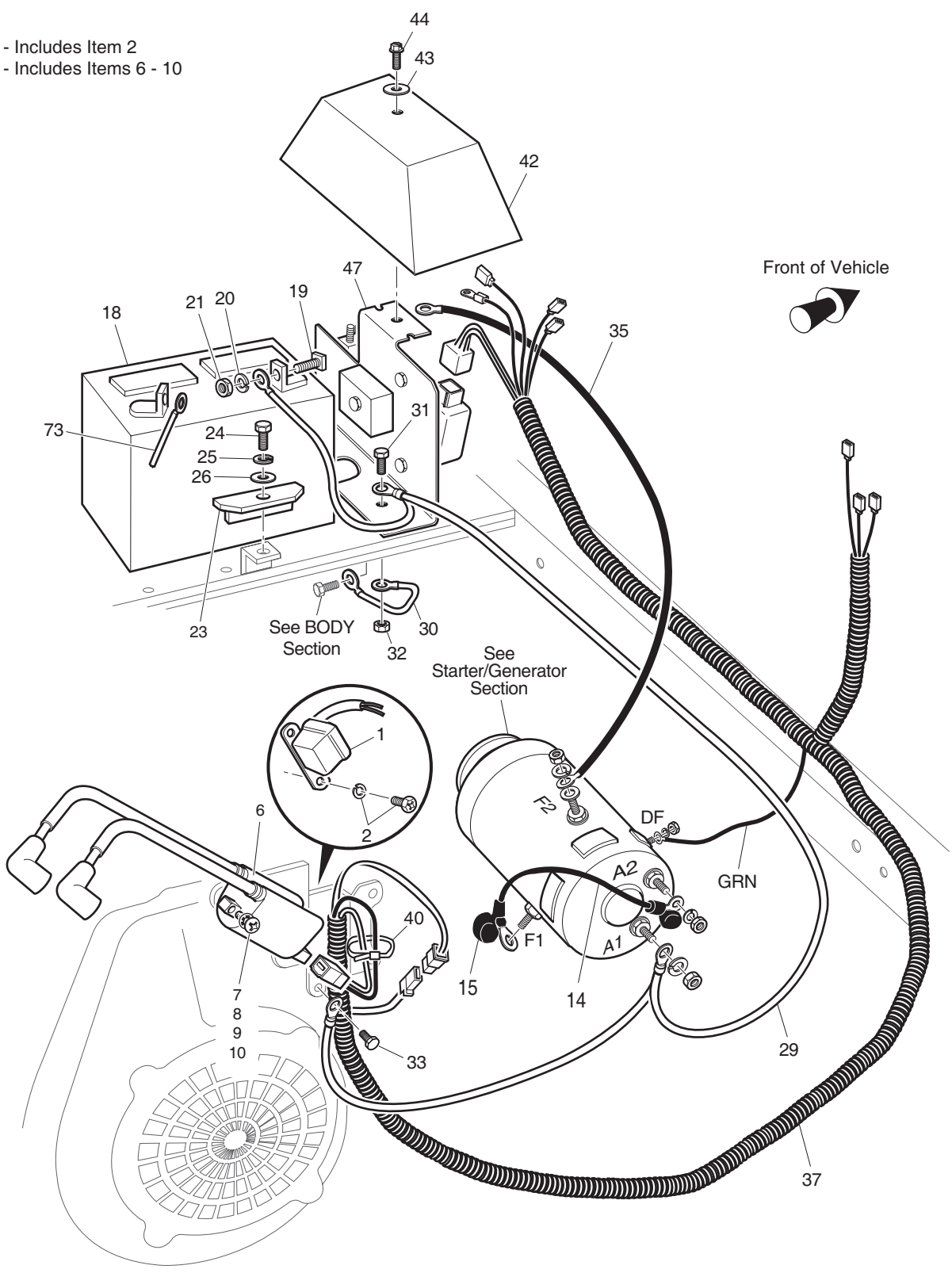


<https://CartPros.com/f.html>

DIRECTION SELECTOR

ELECTRICAL SYSTEM

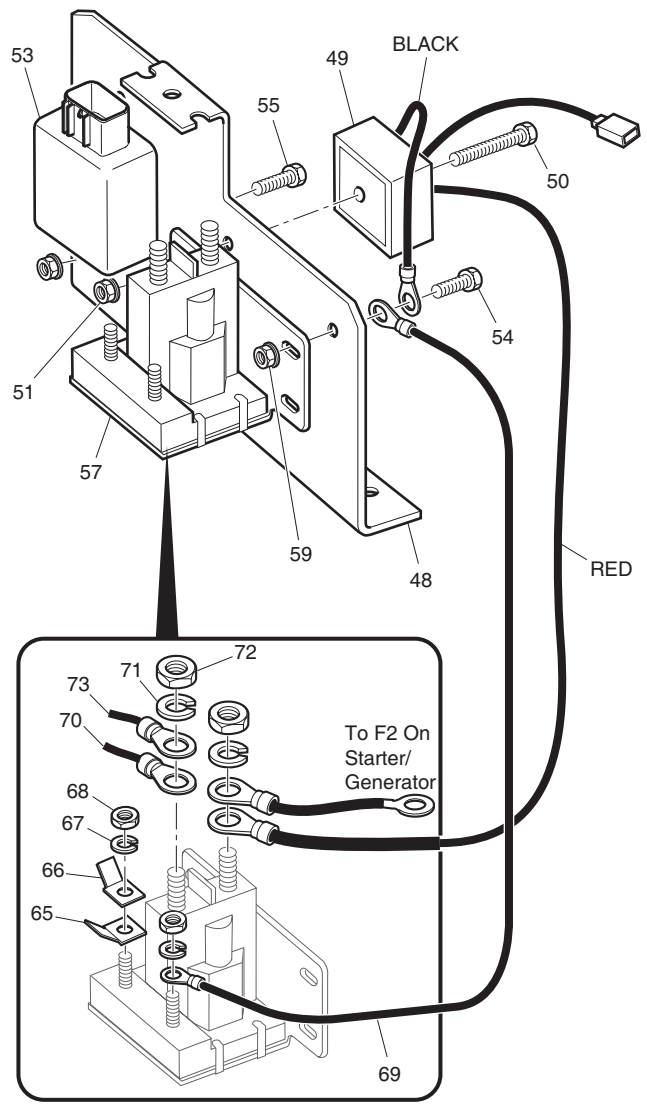
- 1 - Includes Item 2
- 5 - Includes Items 6 - 10



Ref Ele 2-1

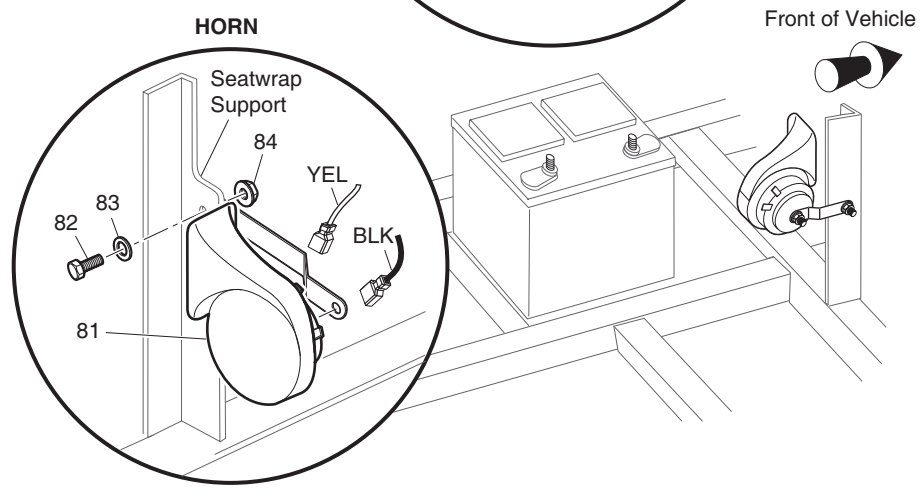
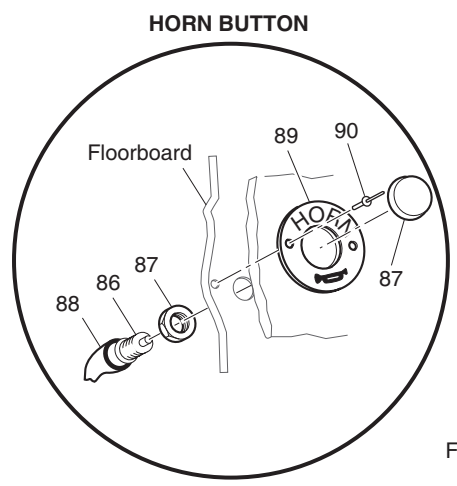
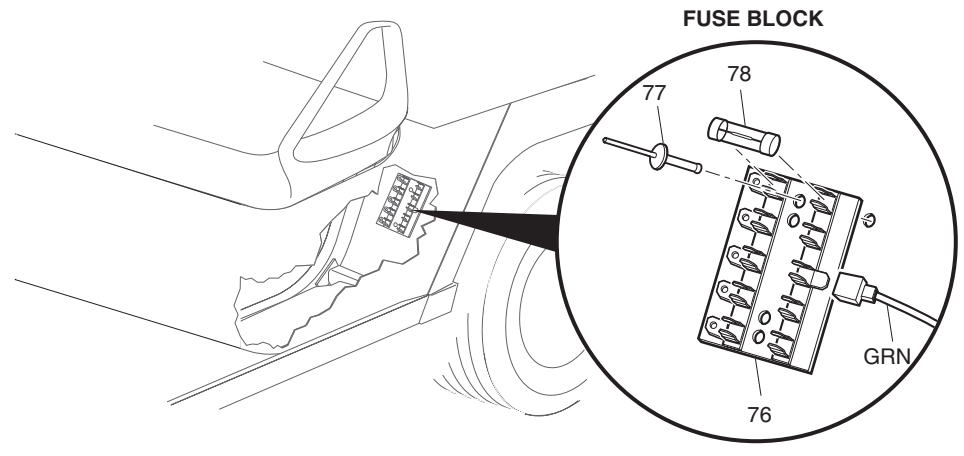
ELECTRICAL SYSTEM

47 - Includes Items 48 - 72



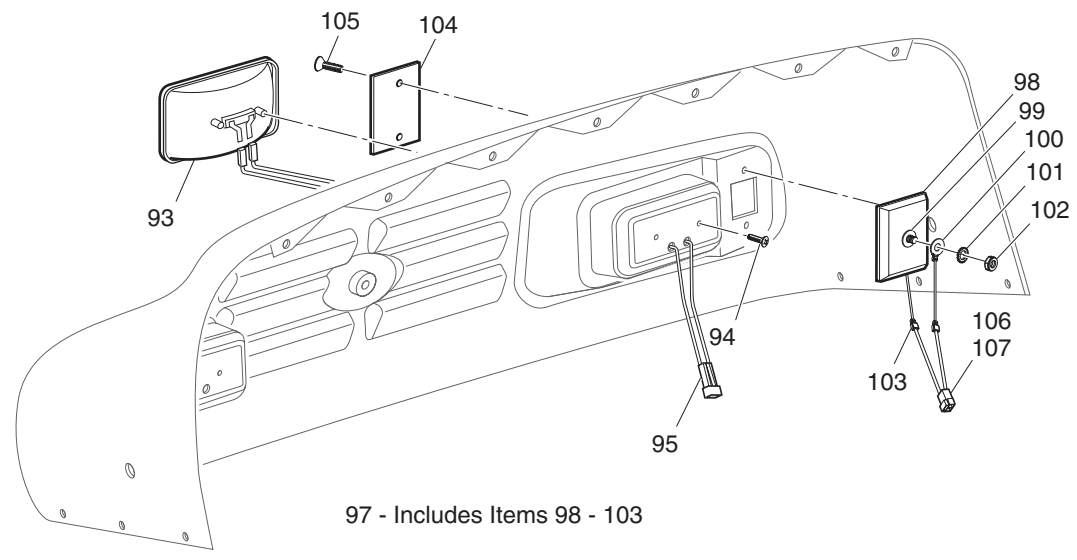
Ref Ele 2-2

ELECTRICAL SYSTEM



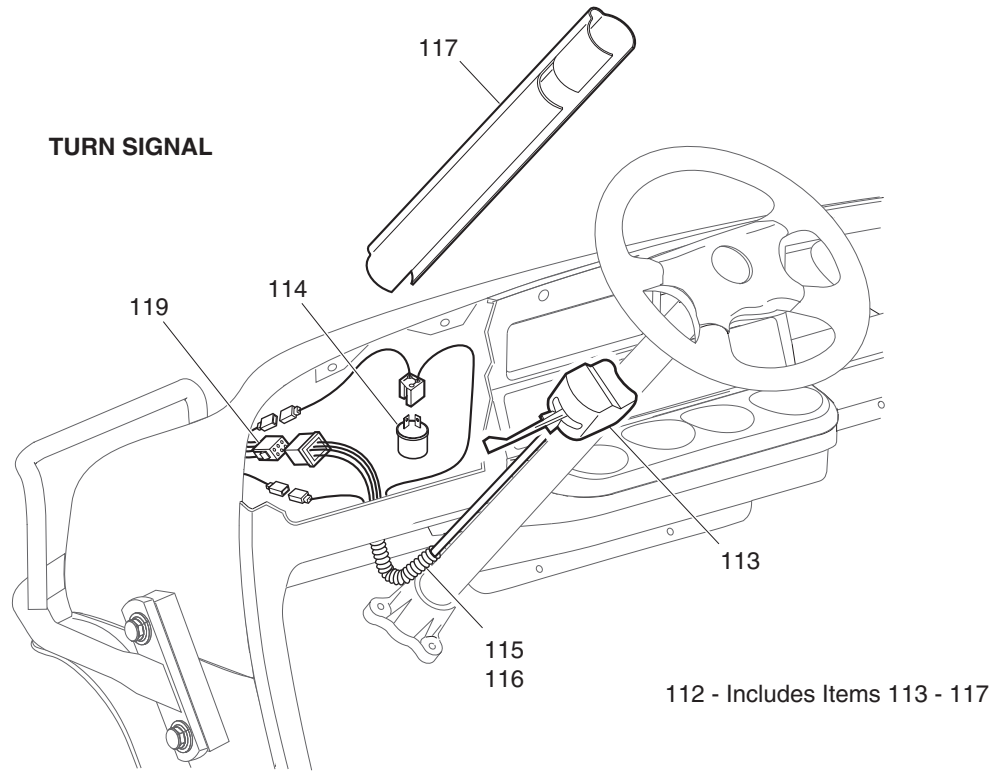
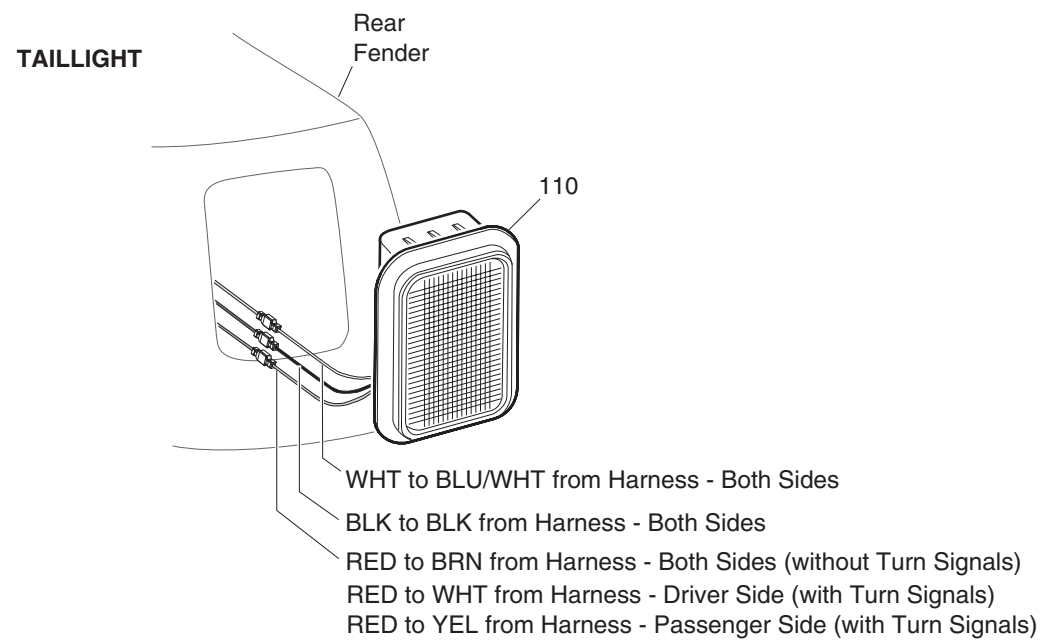
Ref Ele 11-3

ELECTRICAL SYSTEM



Ref Ele 11-4

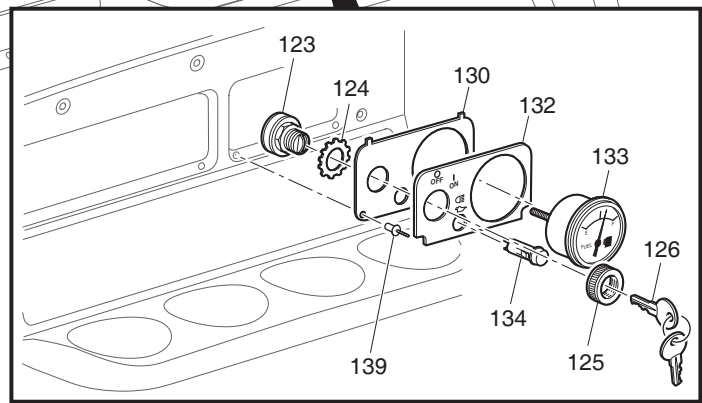
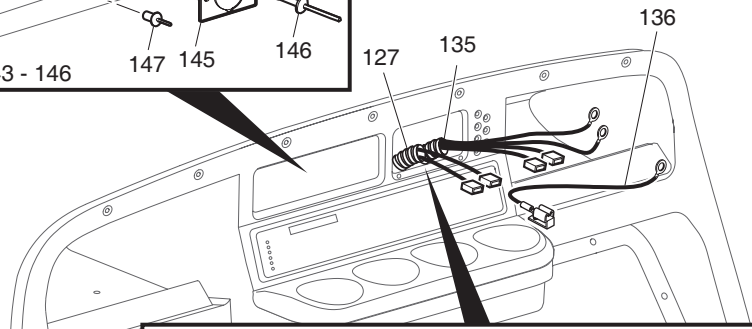
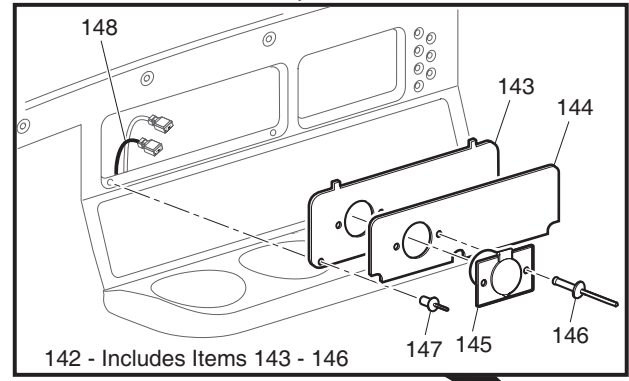
ELECTRICAL SYSTEM



Ref Ele 11-5

ELECTRICAL SYSTEM

CONSOLE INSERT PLATE (WITH POWER OUTLET SHOWN)

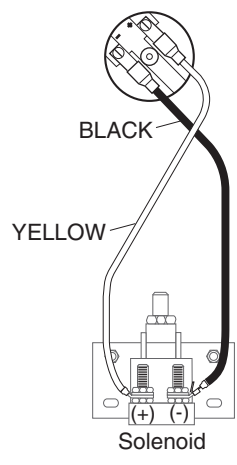
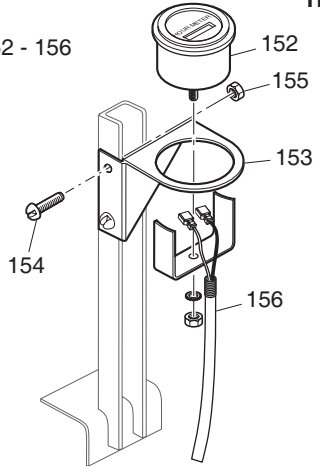


KEY SWITCH, INDICATOR LIGHT(S), AND FUEL GAUGE

HOUR METER

151 - Includes Items 152 - 156

Front of Vehicle



Ref Ele 11-6

ELECTRICAL SYSTEM

THE USE OF NON UL PARTS WILL VOID ANY UL LISTING.
 When ordering parts, please specify the model and serial number of the product.
 * Indicates a component that is not available as an individual part.
 G** Indicates consult Customer Service Department for additional information.

ITEM	PART NO.	1 2 3 4 5	DESCRIPTION	QTY.
1	26651-G02		IGNITION PICKUP ASSEMBLY (INCLUDES ITEM 2)	1
2	26707-G01		BOLT AND WASHER ASSEMBLY, M5 X 0.8 X 10 MM LG	1
3				
4				
5	26652-G01		IGNITION COIL ASSEMBLY (INCLUDES ITEMS 6 - 10).....	1
6	*		IGNITION COIL.....	1
7	*		SPACER	1
8	*		LOCK WASHER	1
9	*		NUT.....	1
10	*		SCREW.....	1
11	13632-G1		NUT, M6 X 1.....	2
12				
13				
14	25887-G01		6 GA WIRE (BLACK 6", F1 - A2).....	1
15	25682-G1		TERMINAL COVER	3
16				
17				
18	24775-G*		BATTERY, 12V	1
19	00962-G1		BOLT, 5/16 - 18 X 1 1/4" LG	2
20	00993-G01		LOCK WASHER, 5/16" (SILICON BRONZE).....	2
21	00994-G01		NUT, 5/16 - 18 (SILICON BRONZE)	2
22				
23	72101-G02		BATTERY HOLD DOWN	1
24	00438-G6		BOLT, 5/16 - 18 X 3/4" LG	1
25	00565-G8		LOCK WASHER, 5/16".....	1
26	00571-G2		WASHER, 5/16" (STAINLESS STEEL).....	1
27				
28				
29	27044-G03		GROUND CABLE.....	1
30	25976-G19		14 GA WIRE (BLACK 6")	1

ELECTRICAL SYSTEM

THE USE OF NON UL PARTS WILL VOID ANY UL LISTING.
 When ordering parts, please specify the model and serial number of the product.
 * Indicates a component that is not available as an individual part.
 G** Indicates consult Customer Service Department for additional information.

ITEM	PART NO.	1	2	3	4	5	DESCRIPTION	QTY.
31	00438-G6						BOLT, 5/16 - 18 X 3/4" LG	2
32	11027-G1						LOCK NUT, 5/16 - 18	2
33	26676-G01						FLANGED BOLT, M6 X 1 X 23 MM LG	1
34								
35	25972-G85						6 GA WIRE (BLACK 23", F2 - SOL)	1
36								
37	74938-G01						WIRE HARNESS (CONTROL)	1
38								
39								
40	17618-G1						WIRE TIE	AR
41								
42	73049-G01						COVER	1
43	16469-G1						WASHER, 1/4"	1
44	00114-G6						SCREW, 1/4 - 14 X 3/4" LG	1
45								
46								
47	72909-G01						ELECTRICAL PLATE ASSEMBLY (INCLUDES ITEMS 48 - 73)	1
48	73057-G01						BRACKET	1
49	27739-G01						VOLTAGE REGULATOR	1
50	00415-G2						BOLT, 1/4 - 20 X 1 1/4" LG	1
51	11027-G2						LOCK NUT, 1/4 - 20	1
52								
53	72872-G01						IGNITOR	1
54	00414-G8						BOLT, 1/4 - 20 X 1" LG	1
55	00414-G5						BOLT, 1/4 - 20 X 5/8" LG	1
56								
57	27153-G01						SOLENOID	1
58								
59	11027-G2						LOCK NUT, 1/4 - 20	3
60								

ELECTRICAL SYSTEM

THE USE OF NON UL PARTS WILL VOID ANY UL LISTING.
 When ordering parts, please specify the model and serial number of the product.
 * Indicates a component that is not available as an individual part.
 G** Indicates consult Customer Service Department for additional information.

ITEM	PART NO.	1	2	3	4	5	DESCRIPTION	QTY.
61								
62								
63								
64								
65	73446-G01						FASTON TAB, 90°	1
66	73446-G01						FASTON TAB, #10 X 1/4"	1
67	00565-G5						LOCK WASHER, #10	2
68	00526-G4						NUT, #10 - 32	2
69	25978-G56						18 GA WIRE (BLACK 5 3/4")	1
70	600418-G01						IN-LINE FUSE HOLDER	1
71	00565-G8						LOCK WASHER, 5/16"	2
72	00544-G4						NUT, 5/16 - 24	2
73								
74								
75								
76	22674-G1						FUSE BLOCK.....	1
77	01041-G01						RIVET, 1/8" X 13/16" LG	2
78	18392-G1						15 AMP FUSE	3
79								
80								
81	32860-G1						HORN.....	1
82	00414-G5						BOLT, 1/4 - 20 x 5/8" LG.....	1
83	00559-G7						WASHER, 1/4" (STAINLESS STEEL).....	1
84	00891-G2						LOCK NUT, 1/4 - 20 (STAINLESS STEEL)	1
85								
86	17318-G1						HORN SWITCH.....	1
87	17318-G2						HORN SWITCH CAP AND NUT	1
88	27068-G01						HORN SWITCH BOOT	1
89	19233-G1						HORN SWITCH LABEL	1
90	71055-G01						RIVET, 3/16" X 1" LG (ALUMINUM)	2

ELECTRICAL SYSTEM

THE USE OF NON UL PARTS WILL VOID ANY UL LISTING.
 When ordering parts, please specify the model and serial number of the product.
 * Indicates a component that is not available as an individual part.
 G** Indicates consult Customer Service Department for additional information.

ITEM	PART NO.	1	2	3	4	5	DESCRIPTION	QTY.
91								
92								
93	20209-G3						HEADLIGHT (INCLUDES ITEM 94).....	2
94	00906-G6						SCREW, #10 - 16 X 1" LG.....	2
95	74337-G01						JUMPER WIRE (HEADLIGHT)	2
96								
97	20570-G3						TURN SIGNAL LIGHT ASSEMBLY (INCLUDES ITEMS 98 - 103)	2
98	20574-G3						TURN SIGNAL LIGHT	1
99	00660-G7						WASHER, 1/4" (STAINLESS STEEL)	1
100	20606-G1						WIRE ASSEMBLY	1
101	00567-G7						LOCK WASHER, 1/4"	1
102	00532-G1						NUT, 1/4 - 20	1
103	18995-G1						PUSH-ON TERMINAL (MALE)	1
104	20574-G5						LENS, AMBER	1
105	00118-G5						SCREW, #6 - 18 X 5/8" LG	2
106	74056-G01						TURN SIGNAL JUMPER, RED/BLACK (PASSENGER SIDE).....	1
107	74056-G02						TURN SIGNAL JUMPER, GREEN/BLACK (DRIVER SIDE)	1
108								
109								
110	32739-G2						TAILLIGHT ASSEMBLY (COMPLETE).....	2
111								
112	75107-G01						TURN SIGNAL KIT (INCLUDES ITEMS 113 - 117).....	1
113	17867-G1						TURN SIGNAL (WITH MOUNTING HARDWARE) (INCLUDES ITEM 114)	1
114	21640-G1						TURN SIGNAL FLASHER.....	1
115	32307-G3						FLEX LOOM, 3/8 X 8" LG.....	1
116	17618-G1						WIRE TIE	2
117	20965-G3						STEERING COLUMN COVER	1
118								
119	72228-G01						WIRE HARNESS (ACCESSORY).....	1
120								

ELECTRICAL SYSTEM

THE USE OF NON UL PARTS WILL VOID ANY UL LISTING.
 When ordering parts, please specify the model and serial number of the product.
 * Indicates a component that is not available as an individual part.
 G** Indicates consult Customer Service Department for additional information.

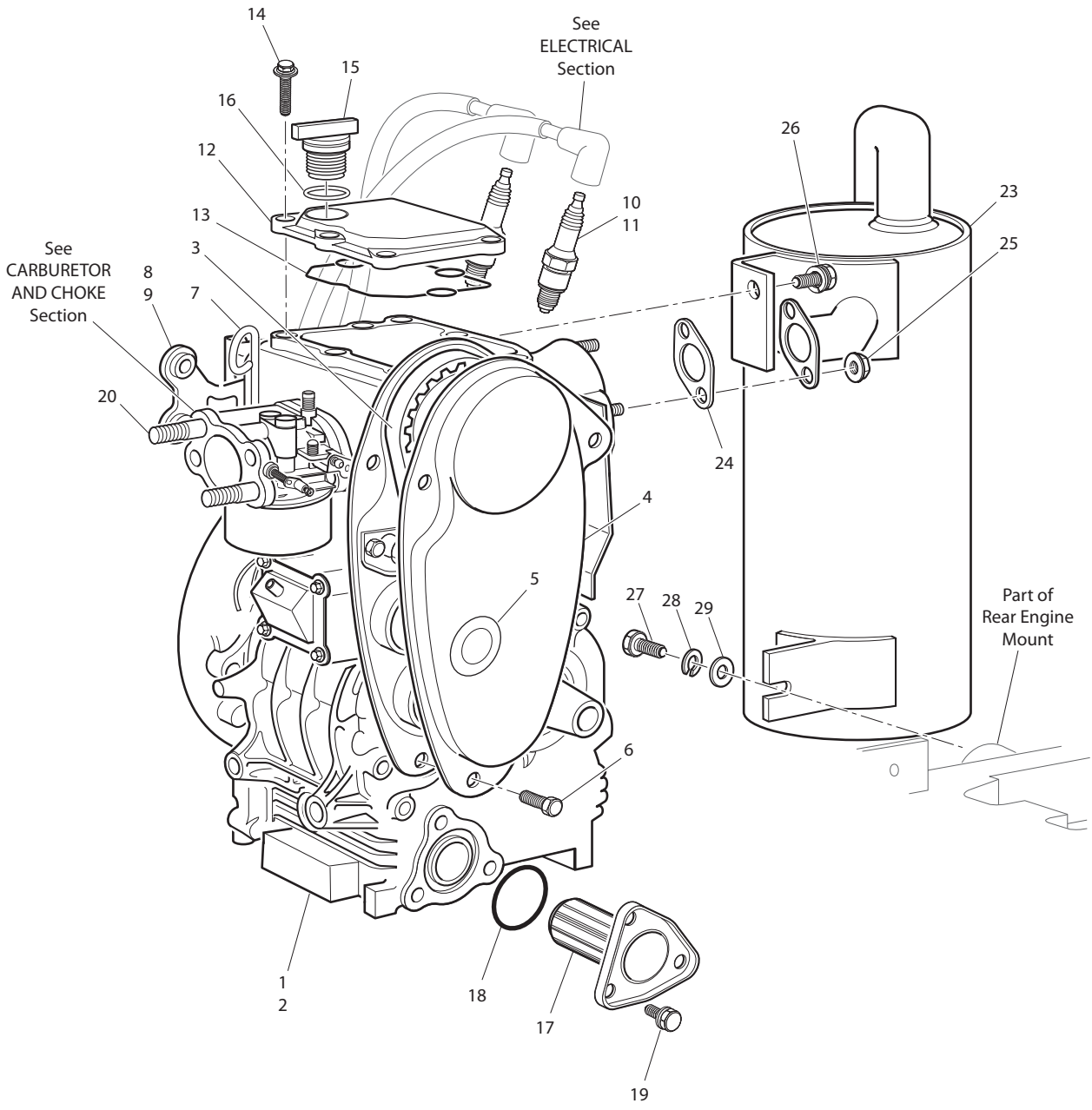
ITEM	PART NO.	1	2	3	4	5	DESCRIPTION	QTY.
121								
122								
123	33639-G03						IGNITION SWITCH (WITH LIGHTS, INDIVIDUALLY KEYED).....	1
124	00568-G6						LOCK WASHER, 3/4".....	1
125	17137-G1						FACE NUT, 3/4 - 20	1
126	17063-G1						IGNITION KEY	1
127	73041-G01						WIRE HARNESS (KEY SWITCH).....	1
128								
129								
130	73030-G04						PLATE (FUEL GAUGE AND OIL LIGHT)	1
131								
132	71131-G01						LABEL (OIL LIGHT AND FUEL GAUGE WITH HEADLIGHTS)	1
133	21553-G1						FUEL GAUGE	1
134	23474-G1						INDICATOR LIGHT	1
135	74311-G01						HARNESS (OIL LIGHT/FUEL GAUGE)	1
136	25978-G122						18 GA WIRE (RED 6").....	1
137								
138								
139	33623-G02						DRIVE RIVET, 3/16" X 3/8" LG	2
140								
141								
142	74444-G01						CONSOLE INSERT ASSEMBLY (INCLUDES ITEMS 143 - 146)	1
143	71077-G03						CONSOLE INSERT PLATE.....	1
144	35966-G01						LABEL (CONSOLE INSERT PLATE)	1
145	71078-G01						POWER OUTLET (12 VOLT)	1
146	14601-G10						RIVET, 3/16" X 7/16" LG (ALUMINUM)	2
147	33623-G01						DRIVE RIVET, 3/16" X 3/8" LG	3
148	71081-G01						WIRE HARNESS (POWER OUTLET)	1
149								
150								

ELECTRICAL SYSTEM

THE USE OF NON UL PARTS WILL VOID ANY UL LISTING.
 When ordering parts, please specify the model and serial number of the product.
 * Indicates a component that is not available as an individual part.
 G** Indicates consult Customer Service Department for additional information.

ITEM	PART NO.	1	2	3	4	5	DESCRIPTION	QTY.
151	75114-G02						HOUR METER KIT (INCLUDES ITEMS 152 - 156).....	1
152	21573-G1						HOUR METER.....	1
153	74019-G02						HOUR METER BRACKET.....	1
154	00379-G4						SCREW, #10 - 24 X 1/2" LG.....	2
155	14390-G10						LOCK NUT, #10 - 24.....	2
156	75117-G01						WIRE HARNESS (HOUR METER).....	1

ENGINE AND MUFFLER



Ref Emf 2

ENGINE AND MUFFLER

Where applicable, THE USE OF NON UL PARTS WILL VOID ANY UL LISTING.

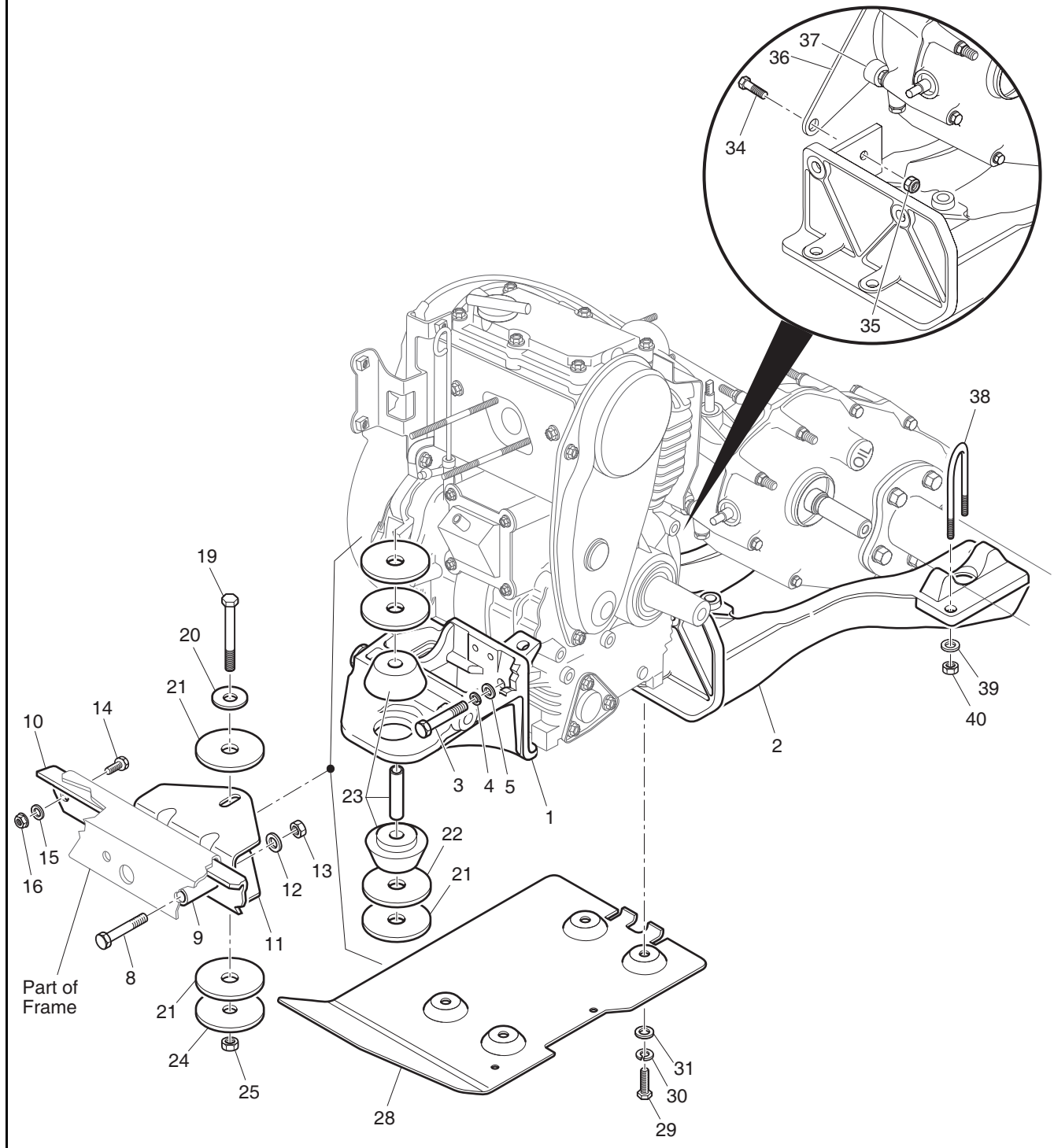
When ordering parts, please specify the model and serial number of the product.

* Indicates a component that is not available as an individual part.

G** Indicates consult Customer Service Department for additional information.

ITEM	PART NO.	1 2 3 4 5	DESCRIPTION	QTY.
1	72845-G01		ENGINE (FOR VEHICLES ORIGINALLY EQUIPPED WITH 295cc (EH29C) (INCLUDES ITEMS 3 - 9, 12 - 22)	1
2	72846-G02		ENGINE (FOR VEHICLES ORIGINALLY EQUIPPED WITH 350cc (EH35C) (INCLUDES ITEMS 3 - 8, 10 - 20, 23)	1
3	26626-G01		TIMING BELT.....	1
4	72908-G01		TIMING BELT COVER.....	1
5	26631-G01		TIMING BELT COVER GROMMET	1
6	26678-G01		BOLT, M6 X 1 X 12 MM LG.....	3
7	605910		DIP STICK (10 DEGREES)	1
8	72885-G01		IGNITION COIL BRACKET (295cc).....	1
9	72869-G01		IGNITION COIL BRACKET (350cc).....	1
10	72867-G02		SPARK PLUG (NGK B?P? or ?K?R4ES - RESISTOR) (295cc).....	2
11	72867-G01		SPARK PLUG (NGK B?P? or ?K?R5ES - RESISTOR) (350cc).....	2
12	72848-G01		VALVE COVER	1
13	72876-G01		VALVE COVER GASKET	1
14	26676-G01		FLANGED BOLT, M6 X 1 X 23 MM LG.....	6
15	26601-G01		OIL FILLER CAP.....	1
16	26720-G01		OIL FILLER 'O' RING.....	1
17	26591-G01		OIL FILTER	1
18	26710-G01		OIL FILTER 'O' RING.....	1
19	26680-G01		BOLT AND WASHER, M6 X 1 X 12 MM LG	3
20	72307-G01		STUD, M6 X 1 X 115MM LG.....	2
21				
22				
23	74829-G01		MUFFLER	1
24	25531-G01		EXHAUST GASKET	1
25	*		NUT	2
26	25532-G1		BOLT AND WASHER, M8 X 1.25 X 18 MM LG	1
27	00438-G8		BOLT, 5/16 - 18 X 1" LG	1
28	00565-G8		LOCK WASHER, 5/16".....	1
29	00642-G8		WASHER, 5/16"	1

ENGINE MOUNTING



Ref Emt 2

ENGINE MOUNTING

Where applicable, THE USE OF NON UL PARTS WILL VOID ANY UL LISTING.

When ordering parts, please specify the model and serial number of the product.

* Indicates a component that is not available as an individual part.

G** Indicates consult Customer Service Department for additional information.

ITEM	PART NO.	1 2 3 4 5	DESCRIPTION	QTY.
1	72010-G01		FRONT ENGINE MOUNT	1
2	72011-G01		REAR ENGINE MOUNT	1
3	00463-G4		BOLT, 7/16 - 14 X 1 1/2" LG	4
4	00566-G2		LOCK WASHER, 7/16".....	4
5	00922-G3		WASHER, 7/16"	4
6				
7				
8	00428-G6		BOLT, 3/8 - 16 X 2 3/4" LG	2
9	72016-G01		SPACER.....	2
10	70269-G01		CROSSMEMBER BRACE	1
11	72253-G01		MOUNT BRACKET	1
12	00643-G1		WASHER, 3/8"	2
13	11098-G5		LOCK NUT, 3/8 - 16	2
14	00438-G7		BOLT, 5/16 - 18 X 7/8" LG	2
15	01110-G03		WASHER, 5/16" (STAINLESS STEEL).....	2
16	01109-G01		LOCK NUT, 5/16 - 18 (STAINLESS STEEL)	2
17				
18				
19	00430-G4		BOLT, 3/8 - 16 X 4 1/2" LG	1
20	15121-G1		WASHER, 3/8"	1
21	72050-G01		PLASTIC WASHER, 2 1/4" OD X 5/8" ID X 1/8"	4
22	72051-G01		WASHER, 2 1/2" OD X 5/8" ID X 1/8"	2
23	72015-G01		ISOLATION MOUNT	1
24	72051-G02		WASHER, 3/8"	1
25	11098-G5		LOCK NUT, 3/8 - 16	1
26				
27				
28	70527-G01		ENGINE GUARD.....	1
29	00463-G4		BOLT, 7/16 - 14 X 1 1/2" LG	4
30	00566-G2		LOCK WASHER, 7/16".....	4

ENGINE MOUNTING

Where applicable, THE USE OF NON UL PARTS WILL VOID ANY UL LISTING.
 When ordering parts, please specify the model and serial number of the product.
 * Indicates a component that is not available as an individual part.
 G** Indicates consult Customer Service Department for additional information.

ITEM	PART NO.	1 2 3 4 5	DESCRIPTION	QTY.
31	00922-G3		WASHER, 7/16"	4
32				
33				
34	00439-G2		BOLT, 5/16 - 18 X 1 1/8" LG	1
35	11098-G6		LOCK NUT, 5/16 - 18 (STAINLESS STEEL)	1
36	72017-G02		STRAP, DIFFERENTIAL - GAS MED/TXT	1
37	75048-G01		SPACER.....	1
38	72035-G01		'U' BOLT, 7/16 - 14 X 3 7/16" X 3 9/16" LG.....	2
39	00922-G3		WASHER, 7/16"	4
40	00734-G1		LOCK NUT, 7/16 - 14	4

**DID YOU
KNOW?**

CartPros directs you to the right part using the part numbers from this manual. Enter the part number into our search box and it will find the part you are looking for.

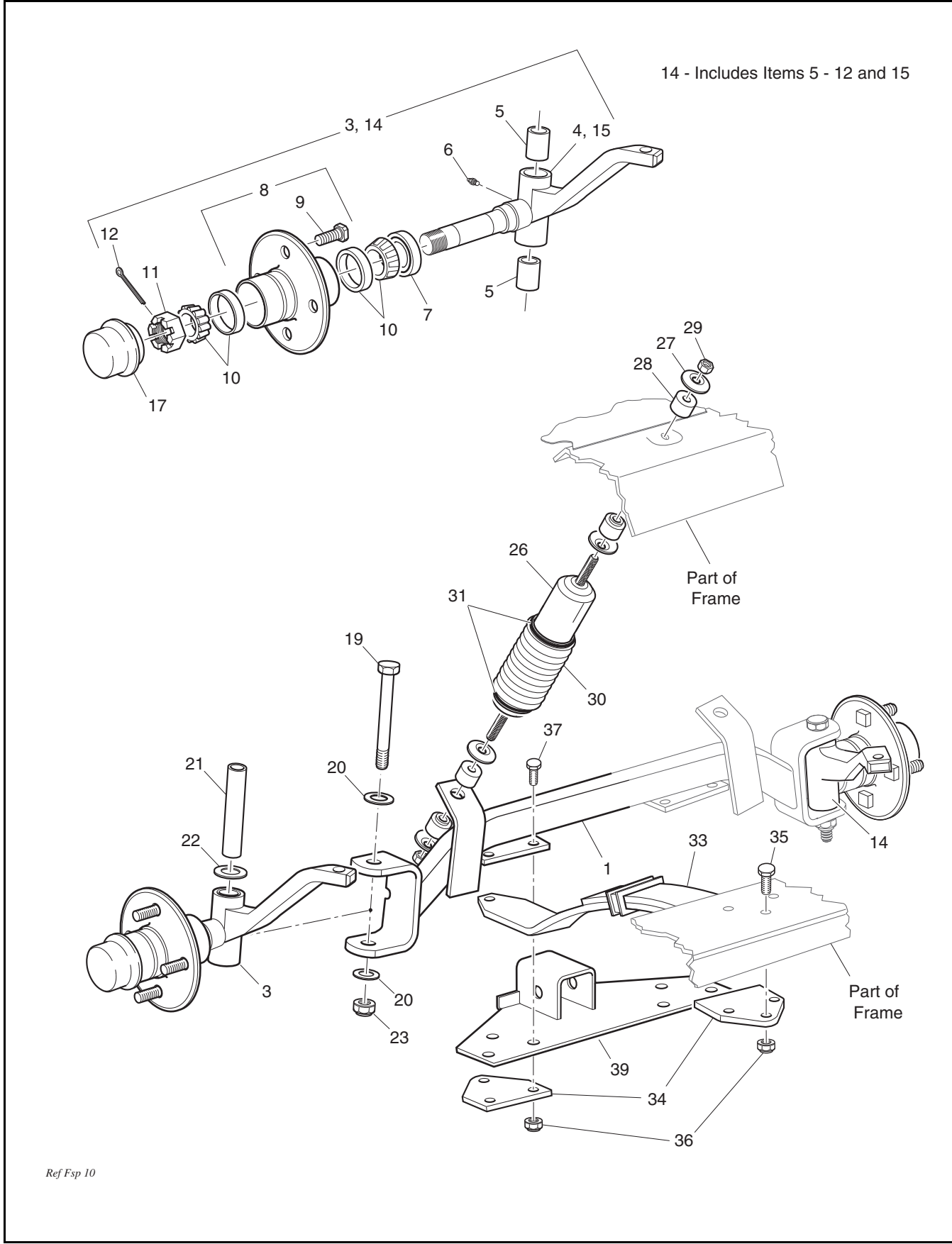
**GET STARTED
HERE**



<https://CartPros.com/f.html>

ENGINE MOUNTING

FRONT SUSPENSION



FRONT SUSPENSION

Where applicable, THE USE OF NON UL PARTS WILL VOID ANY UL LISTING.

When ordering parts, please specify the model and serial number of the product.

* Indicates a component that is not available as an individual part.

G** Indicates consult Customer Service Department for additional information.

ITEM	PART NO.	1 2 3 4 5	DESCRIPTION	QTY.
1	70515-G01		FRONT AXLE	1
2				
3	70535-G03		SPINDLE ASSEMBLY (DRIVER SIDE) (INCLUDES ITEMS 4 - 12)	1
4	*		SPINDLE (DRIVER SIDE)	1
5	16623-G1		BEARING	2
6	10389-G3		GREASE FITTING, STRAIGHT	1
7	25146-G1		GREASE SEAL	1
8	35886-G01		WHEEL HUB ASSEMBLY WITH RACES (INCLUDES ITEMS 9).....	1
9	19862-G1		LUG BOLT, 1/2 - 20 X 1 3/16" LG	4
10	50892-G1		BEARING AND RACE ASSEMBLY (COMPLETE).....	2
11	12093-G1		SLOTTED NUT, 1 - 14.....	1
12	00798-G8		COTTER PIN, 5/32" X 1 3/4" LG	1
13				
14	70534-G03		SPINDLE ASSEMBLY (PASSENGER SIDE) (INCL ITEMS 5 - 12, 15)	1
15	*		SPINDLE (PASSENGER SIDE)	1
16				
17	12091-G2		SPINDLE CAP	2
18				
19	01040-G01		BOLT, 1/2 - 13 X 5" LG	2
20	00571-G5		WASHER, 1/2".....	4
21	70328-G01		KING PIN TUBE	2
22	16982-G1		THRUST WASHER, 7/8"	2
23	14390-G6		LOCK NUT, 1/2 - 13.....	2
24				
25				
26	70630-G01		SHOCK ABSORBER	2
27	10435-G1		SHOCK ABSORBER WASHER.....	8
28	10194-G1		RUBBER BUSHING	8
29	00532-G6		NUT, 3/8 - 24.....	4
30	70509-G01		SHOCK ABSORBER BOOT	2

FRONT SUSPENSION

Where applicable, THE USE OF NON UL PARTS WILL VOID ANY UL LISTING.

When ordering parts, please specify the model and serial number of the product.

* Indicates a component that is not available as an individual part.

G** Indicates consult Customer Service Department for additional information.

ITEM	PART NO.	1 2 3 4 5	DESCRIPTION	QTY.
31	31539-G1		WIRE TIE.....	4
32				
33	70422-G01		LEAF SPRING (HEAVY DUTY).....	2
34	70163-G03		SPRING PLATE.....	4
35	00463-G6		BOLT, 7/16 - 14 X 1 3/4" LG.....	6
36	00734-G1		LOCK NUT, 7/16 - 14.....	16
37	00463-G6		BOLT, 7/16 - 14 X 1 3/4" LG.....	6
38				
39	74255-G01		WINCH RECEIVER.....	1

DID YOU KNOW?

CartPros directs you to the right part using the part numbers from this manual. Enter the part number into our search box and it will find the part you are looking for.

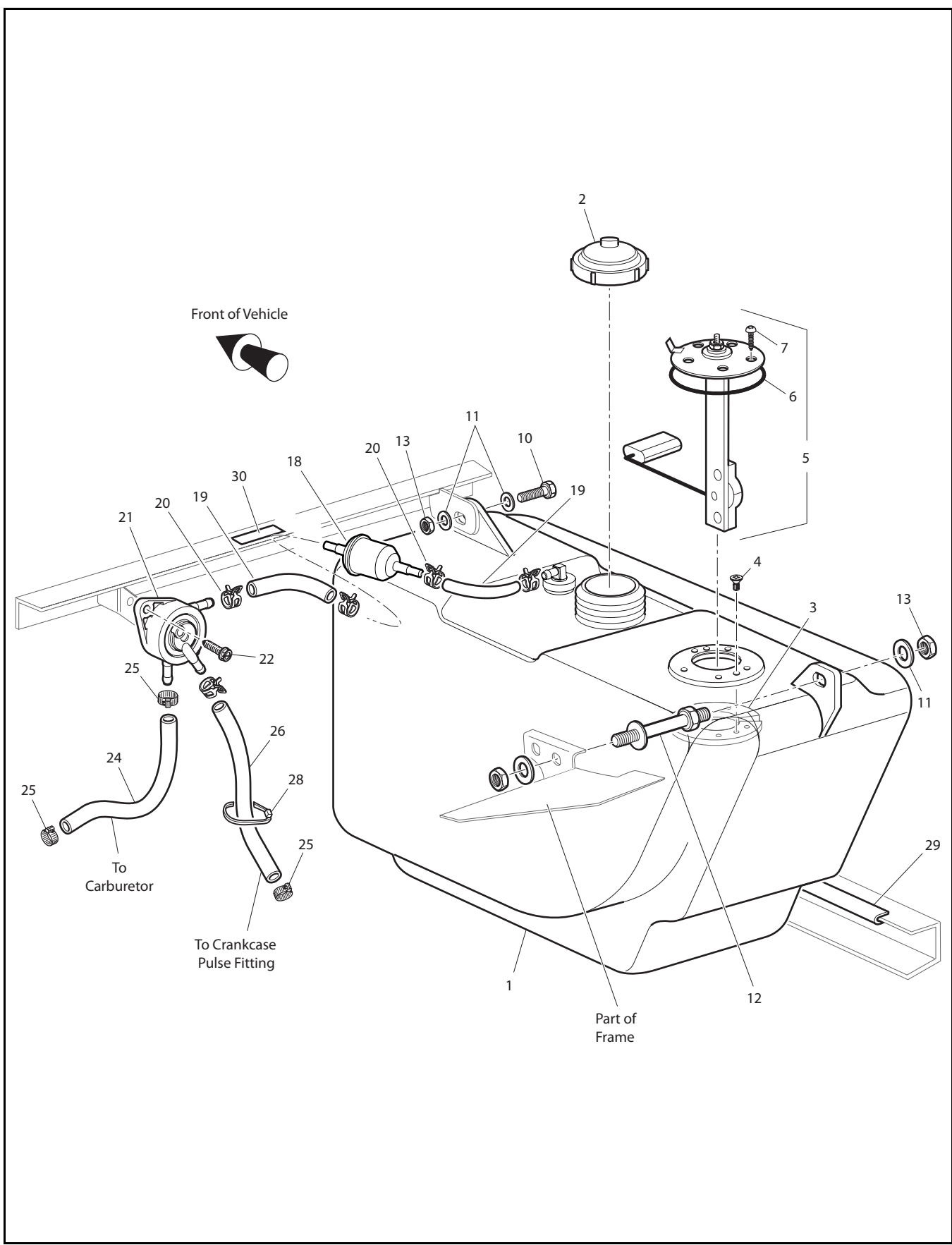
GET STARTED HERE



<https://CartPros.com/f.html>

FRONT SUSPENSION

FUEL SYSTEM



FUEL SYSTEM

Where applicable, THE USE OF NON UL PARTS WILL VOID ANY UL LISTING.

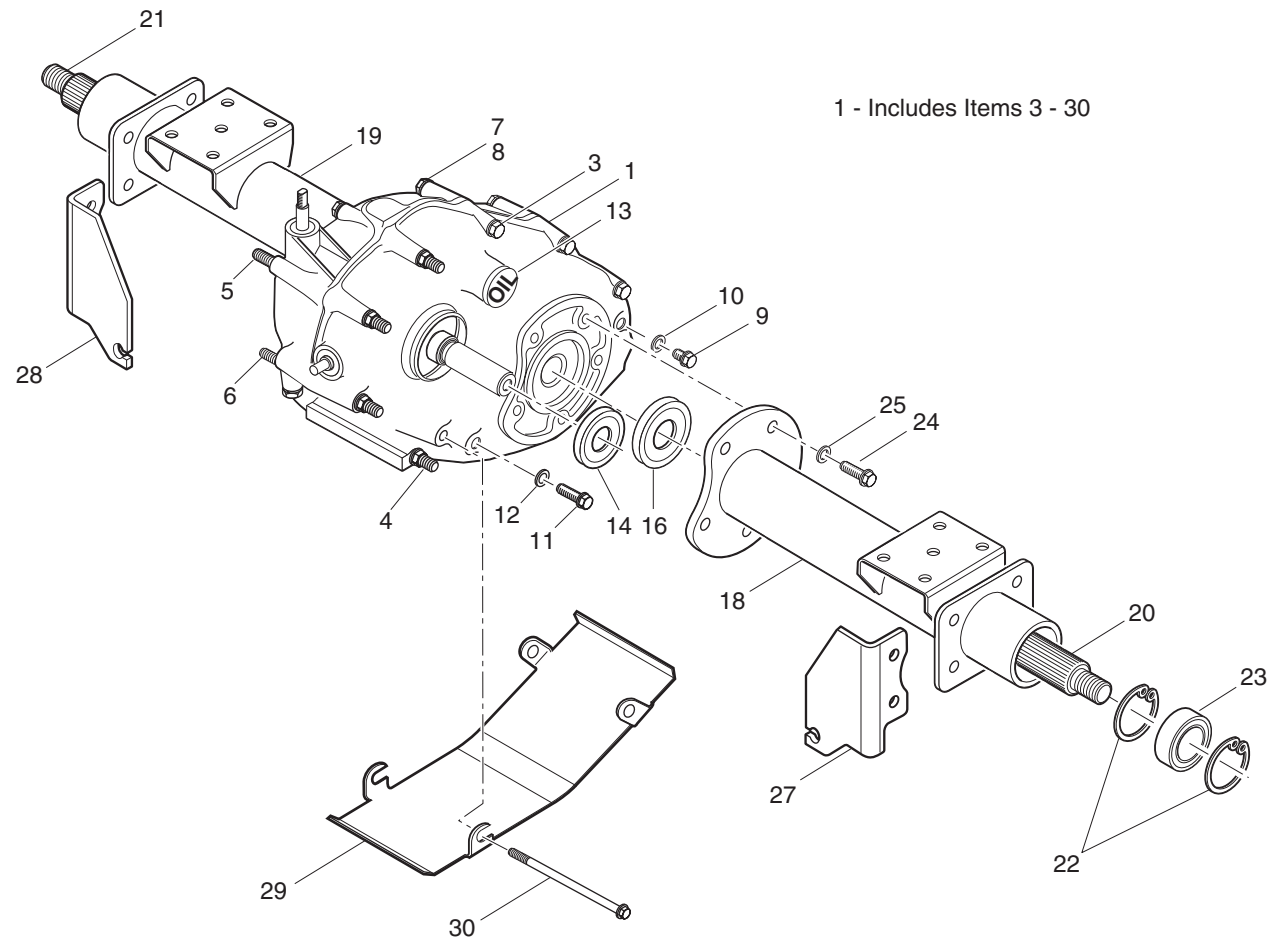
When ordering parts, please specify the model and serial number of the product.

* Indicates a component that is not available as an individual part.

G** Indicates consult Customer Service Department for additional information.

ITEM	PART NO.	1 2 3 4 5	DESCRIPTION	QTY.
1	72092-G02		FUEL TANK (FOR ELECTRIC FUEL GAUGE).....	1
2	72282-G01		FUEL TANK CAP	1
3	72229-G01		FUEL LEVEL SENDER ADAPTER.....	1
4	72230-G01		SCREW, #6 - 32 X 1/2" LG	2
5	20048-G2		FUEL LEVEL SENDER (ELEC. FUEL GAUGE) (INCLUDES ITEMS 6, 7).....	1
6	*		GASKET	1
7	72232-G01		SCREW, #10 - 32 x 3/4" LG	5
8				
9				
10	00438-G8		BOLT, 5/16 - 18 X 1" LG	1
11	00559-G8		WASHER, 5/16"	4
12	70483-G01		SPACER	1
13	11098-G6		LOCK NUT, 5/16 - 18 (STAINLESS STEEL)	3
14				
15				
16				
17				
18	72084-G01		FUEL FILTER.....	1
19	17470-G1		FUEL SYSTEM TUBING, 1/4" ID X 1/2" OD X 3 1/4" LG (BULK).....	2
20	18292-G1		CLAMP	5
21	72873-G01		FUEL PUMP	1
22	00114-G6		SCREW, 1/4 - 14 X 3/4" LG	2
23				
24	17470-G1		FUEL SYSTEM TUBING, 1/4" ID X 1/2" OD X 16" LG (BULK)	A/R
25	11391-G4		HOSE CLAMP, 1/4"	3
26	27183-G01		TUBING, 1/4" ID X 1/2" OD X 16" LG (BULK).....	A/R
27				
28	17618-G1		WIRE TIE.....	3
29	22280-G1		VINYL TRIM, 6 1/4" LG (BULK).....	A/R
30				

REAR AXLE



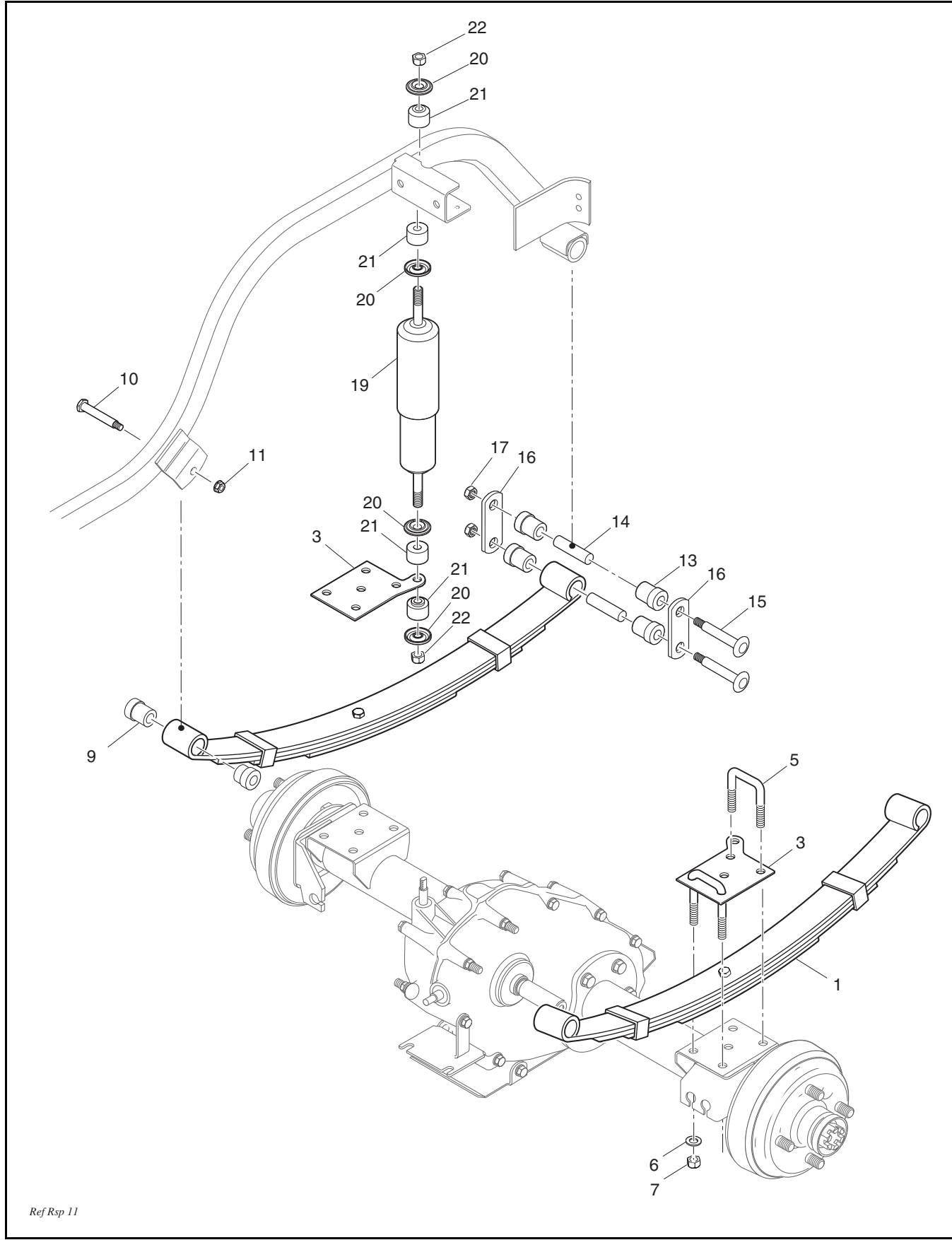
Ref Rax 11

REAR AXLE

THE USE OF NON U.L. PARTS WILL VOID ANY U.L. LISTING.
 When ordering parts, please specify the model and serial number of the product.
 * Indicates a component that is not available as an individual part.
 G** Indicates consult Customer Service Department for additional information.

ITEM	PART NO.	1 2 3 4 5	DESCRIPTION	QTY.
1	74545-G01		REAR AXLE ASSEMBLY (13.32:1) (INCLUDES ITEMS 3 - 30).....	1
2				
3	26823-G01		FLANGED BOLT, M8 X 1.25 X 100 MM LG	7
4	26824-G01		FLANGED BOLT, M8 X 1.25 X 110 MM LG	1
5	72053-G01		FLANGED BOLT, M8 X 1.25 X 120 MM LG	1
6	72052-G01		FLANGED BOLT, M8 X 1.25 X 130 MM LG	1
7	26826-G01		LOCK WASHER, 8 MM	4
8	26827-G01		NUT, M8 X 1.25 MM	4
9	26768-G01		OIL CHECK PLUG.....	1
10	26769-G01		GASKET, 8 MM	1
11	26770-G01		OIL DRAIN PLUG	1
12	26771-G01		GASKET, 14 MM	1
13	26772-G01		OIL FILLER PLUG	1
14	26761-G01		INPUT SHAFT SEAL	1
15				
16	26766-G01		AXLE SHAFT SEAL.....	2
17				
18	72058-G01		AXLE TUBE (DRIVER SIDE).....	1
19	72059-G01		AXLE TUBE (PASSENGER SIDE)	1
20	72056-G01		AXLE SHAFT (DRIVER SIDE).....	1
21	72057-G01		AXLE SHAFT (PASSENGER SIDE).....	1
22	26814-G01		RETAINING RING	4
23	26811-G01		BALL BEARING	2
24	72260-G01		FLANGED BOLT, M10 X 1.5 X 23 MM LG	10
25	26828-G01		WASHER, 10 MM	10
26				
27	*****		BRAKE CABLE BRACKET (SEE BRAKES SECTION)	1
28	*****		BRAKE CABLE BRACKET (SEE BRAKES SECTION)	1
29	72349-G02		DIFFERENTIAL SKID PLATE	1
30	72053-G01		FLANGED BOLT, M8 X 1.25 X 120 MM LG	2

REAR SUSPENSION



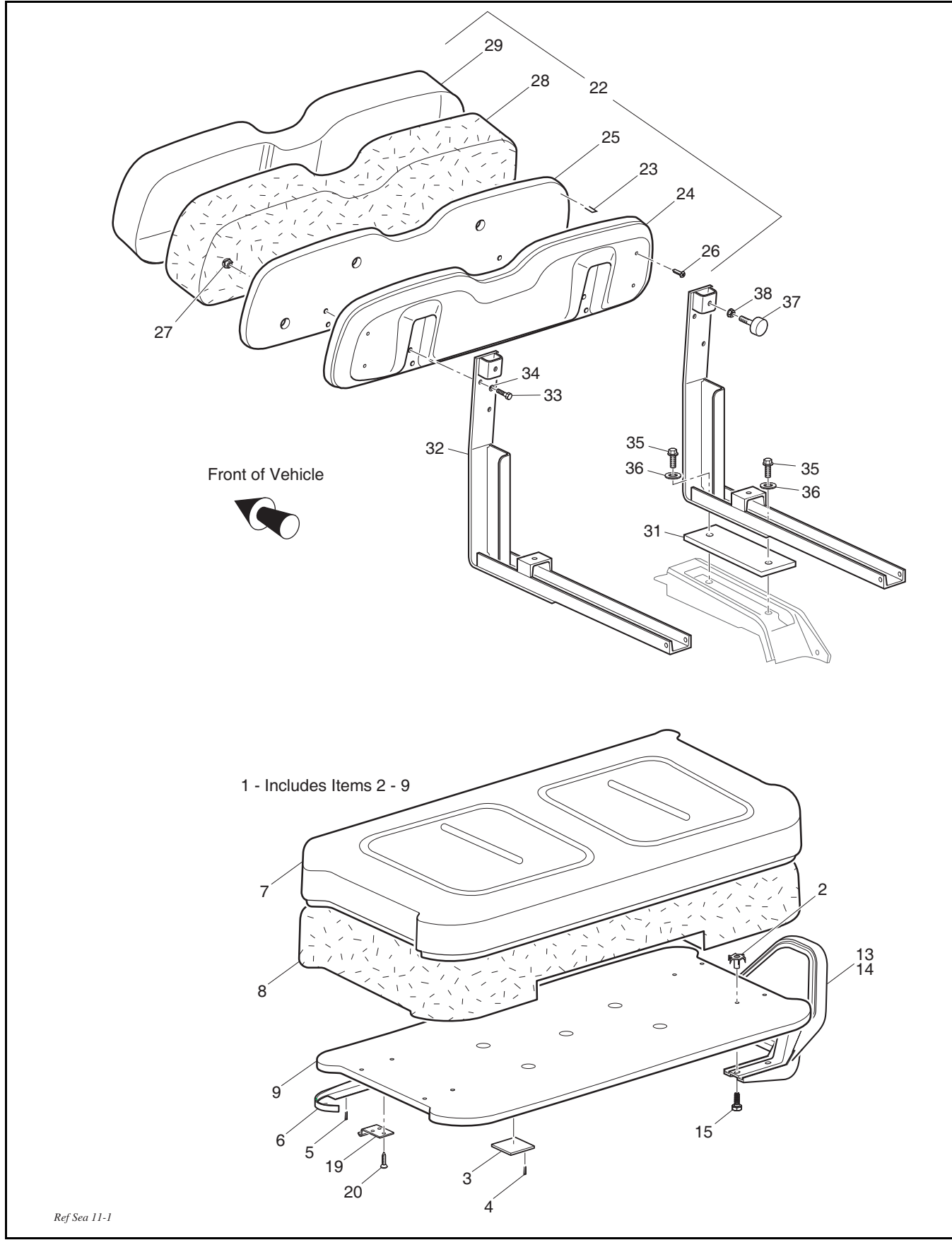
Ref Rsp 11

REAR SUSPENSION

THE USE OF NON U.L. PARTS WILL VOID ANY U.L. LISTING.
 When ordering parts, please specify the model and serial number of the product.
 * Indicates a component that is not available as an individual part.
 G** Indicates consult Customer Service Department for additional information.

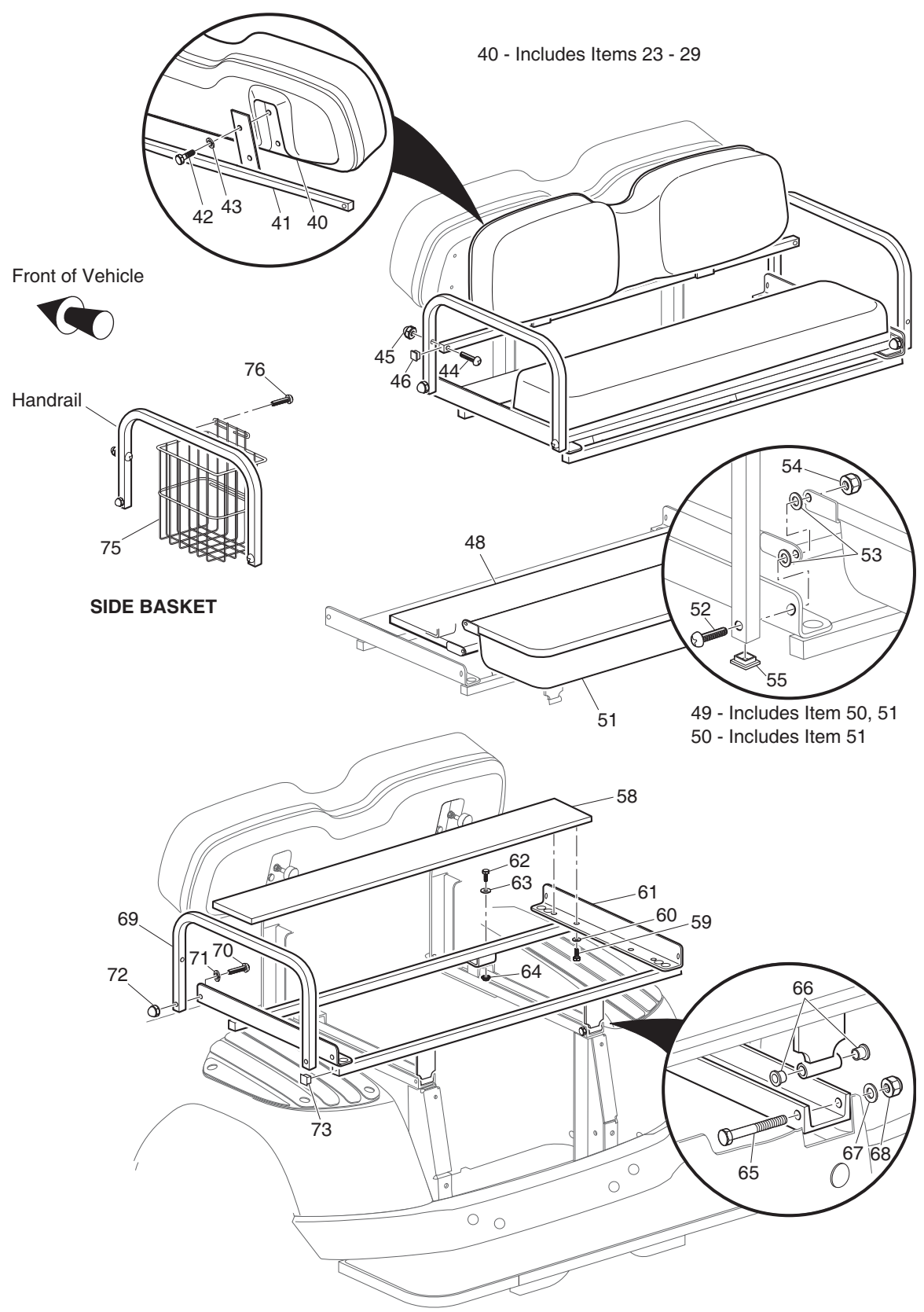
ITEM	PART NO.	1 2 3 4 5	DESCRIPTION	QTY.
1	74207-G01		HEAVY DUTY LEAF SPRING.....	2
2				
3	72357-G02		SPRING PLATE	2
4				
5	72618-G02		'U' BOLT, 3/8 - 16 X 2" X 2 1/8" LG	4
6	00560-G1		WASHER, 3/8"	8
7	11098-G5		LOCK NUT, 3/8 - 16	8
8				
9	70291-G01		FLANGED BUSHING	4
10	14158-G1		SHOULDER BOLT, 3/8 - 16 X 3 1/4" LG	2
11	12262-G1		LOCK NUT, 3/8 - 16	2
12				
13	70291-G01		FLANGED BUSHING	8
14	70289-G02		SPACER.....	4
15	00665-G9		BOLT, 3/8 - 16 X 3 1/2" LG (STAINLESS STEEL).....	4
16	70290-G02		SHACKLE PLATE	4
17	11098-G5		LOCK NUT, 3/8 - 16	4
18				
19	76418-G01		SHOCK ABSORBER.....	2
20	10435-G1		SHOCK ABSORBER WASHER.....	8
21	10194-G1		RUBBER BUSHING	8
22	00532-G6		NUT, 3/8 - 24.....	4

SEATING



Ref Sea 11-1

SEATING



Ref Sea 11-2

SEATING

THE USE OF NON U.L. PARTS WILL VOID ANY U.L. LISTING.
 When ordering parts, please specify the model and serial number of the product.
 * Indicates a component that is not available as an individual part.
 G** Indicates consult Customer Service Department for additional information.

ITEM	PART NO.	1 2 3 4 5	DESCRIPTION	QTY.
1	71611-G**		SEAT BOTTOM ASSEMBLY (INCLUDES ITEMS 2 - 9)	1
2	*		TEE NUT.....	8
3	17074-G1		RUBBER PAD.....	2
4	*		FLAT STAPLE.....	110
5	*		FLAT STAPLE.....	46
6	71012-G01		VINYL TRIM (SEAT BOTTOM).....	1
7	71602-G**		VINYL SEAT BOTTOM COVER	1
8	*		FOAM PADDING (SEAT BOTTOM).....	1
9	*		SEAT BOTTOM (WOOD).....	1
10				
11				
12				
13	71701-G01		HIP RESTRAINT (PASSENGER SIDE)	1
14	71702-G01		HIP RESTRAINT (DRIVER SIDE).....	1
15	71204-G01		BOLT, 1/4 - 20 X 1" LG (STAINLESS STEEL).....	8
16				
17				
18				
19	71610-G01		SEAT HINGE.....	2
20	00720-G08		SCREW, #12 - 14 X 1" LG (STAINLESS STEEL)	4
21				
22	71751-G**		SEAT BACK ASSEMBLY (INCLUDES ITEMS 23 - 29).....	1
23	*		FLAT STAPLE.....	95
24	71752-G01		PLASTIC SEAT BACK COVER	1
25	*		SEAT BACK (WOOD).....	1
26	01107-G01		SCREW, #8 X 3/8" LG (STAINLESS STEEL)	4
27	*		TEE NUT.....	4
28	*		FOAM PADDING (SEAT BACK).....	1
29	71753-G**		VINYL SEAT BACK COVER	1
30				

SEATING

THE USE OF NON U.L. PARTS WILL VOID ANY U.L. LISTING.
 When ordering parts, please specify the model and serial number of the product.
 * Indicates a component that is not available as an individual part.
 G** Indicates consult Customer Service Department for additional information.

ITEM	PART NO.	1 2 3 4 5	DESCRIPTION	QTY.
31	70364-G01		SPACER.....	2
32	74111-G01		SEAT BACK SUPPORT	2
33	00661-G8		BOLT, 1/4 - 20 X 1" LG (STAINLESS STEEL).....	4
34	00664-G7		LOCK WASHER, 1/4" (STAINLESS STEEL)	4
35	01006-G02		BOLT, 3/8 - 16 X 1 1/2" LG	4
36	00560-G1		WASHER, 3/8"	4
37	70113-G01		ADJUSTABLE BUMPER	2
38	11027-G1		LOCK NUT, 5/16 - 18	2
39				
40	71751-G**		SEAT BACK ASSEMBLY (INCLUDES ITEMS 23 - 29).....	1
41	75258-G01		SEAT BACK SUPPORT	1
42	00661-G8		BOLT, 1/4 - 20 X 1" LG (STAINLESS STEEL).....	4
43	00664-G7		LOCK WASHER, 1/4" (STAINLESS STEEL)	4
44	16705-G6		SCREW, 1/4 - 20 X 1 3/4" LG (STAINLESS STEEL)	2
45	00520-G1		ACORN NUT, 1/4 - 20	2
46	75261-G01		END PLUG, 3/4"	2
47				
48	71062-G01		BED ASSEMBLY	1
49	71063-G**		SEAT BOTTOM ASSEMBLY (INCLUDES ITEM 50, 51).....	1
50	75197-G**		SEAT BOTTOM (INCLUDES ITEM 51)	1
51	75252-G**		VINYL SEAT BOTTOM COVER.....	1
52	00762-G4		SCREW, 5/16 - 18 X 1 1/2" LG (STAINLESS STEEL)	2
53	17255-G1		TEFLON WASHER, 5/16"	4
54	00891-G3		LOCK NUT, 5/16 - 18 (STAINLESS STEEL)	2
55	19859-G1		END CAP, 3/4".....	4
56				
57				
58	71060-G01		BED FRONT (INCLUDES MAT).....	1
59	00661-G6		BOLT, 1/4 - 20 X 3/4" LG (STAINLESS STEEL).....	4
60	00664-G7		WASHER, 5/16"	4

SEATING

THE USE OF NON U.L. PARTS WILL VOID ANY U.L. LISTING.
 When ordering parts, please specify the model and serial number of the product.
 * Indicates a component that is not available as an individual part.
 G** Indicates consult Customer Service Department for additional information.

ITEM	PART NO.	1 2 3 4 5	DESCRIPTION	QTY.
61	75193-G01		SUPPORT FRAME.....	1
62	00438-G8		BOLT, 5/16 - 18 X 1" LG	2
63	00559-G8		WASHER, 5/16"	2
64	00654-G3		LOCK NUT, 5/16 - 18	2
65	00440-G4		BOLT, 5/16 - 18 X 2 1/2" LG	2
66	17838-G1		NYLON BUSHING.....	4
67	00559-G8		WASHER, 5/16"	2
68	00654-G3		LOCK NUT, 5/16 - 18 (STAINLESS STEEL)	2
69	75196-G01		HANDRAIL	2
70	00762-G2		SCREW, 5/16 - 18 X 1 1/4" LG (STAINLESS STEEL)	2
71	00664-G8		LOCK WASHER, 5/16" (STAINLESS STEEL)	2
72	00520-G3		ACORN NUT, 5/16 - 18	2
73	75261-G02		END CAP, 1".....	4
74				
75	75460-G01		SIDE BASKET (BLACK).....	2
76	00106-G6		SELF THREADING SCREW, #12 - 24 X 3/4" LG	4

**DID YOU
KNOW?**

CartPros directs you to the right part using the part numbers from this manual. Enter the part number into our search box and it will find the part you are looking for.

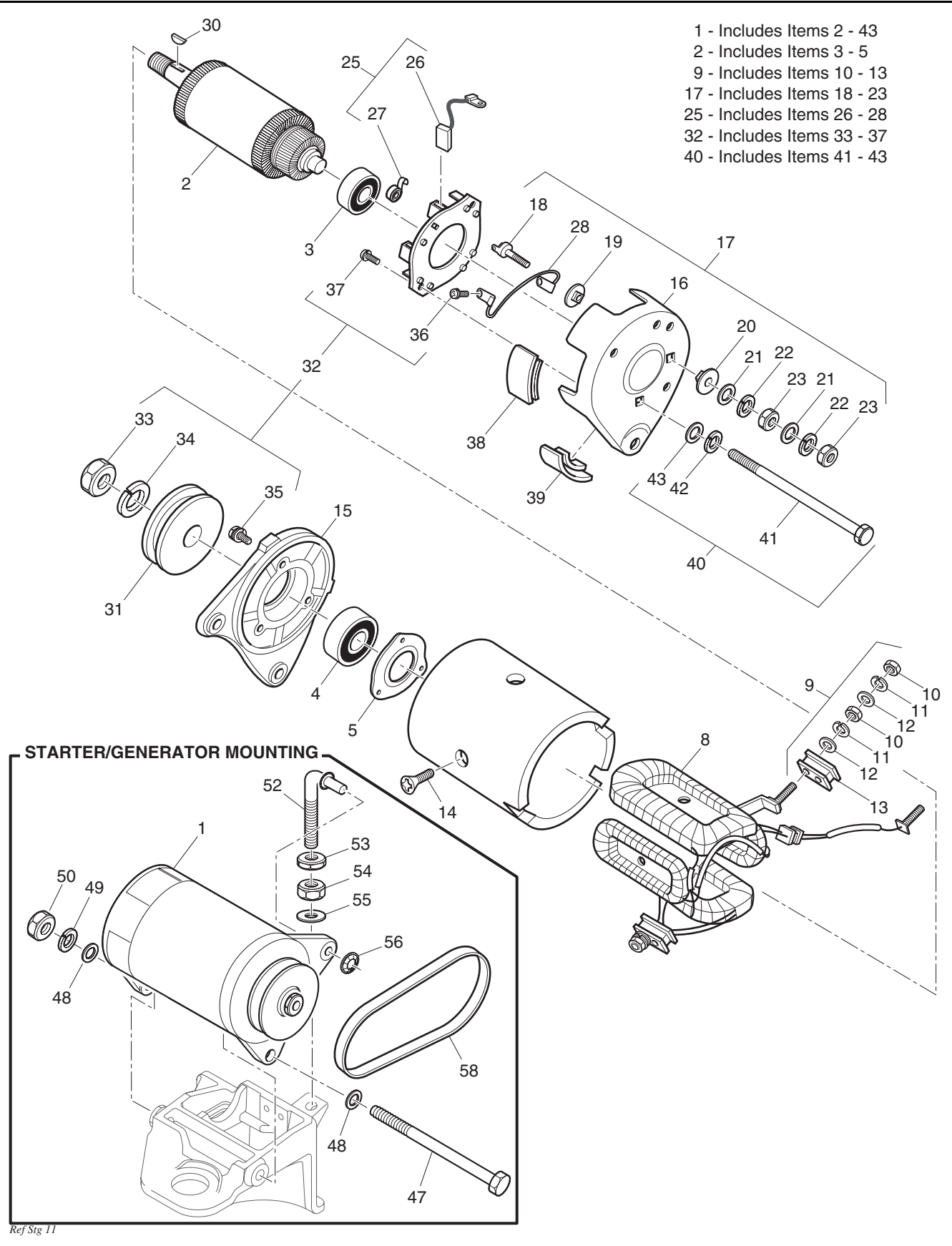
**GET STARTED
HERE**



<https://CartPros.com/f.html>

SEATING

STARTER / GENERATOR



STARTER / GENERATOR

THE USE OF NON U.L. PARTS WILL VOID ANY U.L. LISTING.
 When ordering parts, please specify the model and serial number of the product.
 * Indicates a component that is not available as an individual part.
 G** Indicates consult Customer Service Department for additional information.

ITEM	PART NO.	1 2 3 4 5	DESCRIPTION	QTY.
1	27066-G02		STARTER / GENERATOR (INCLUDES ITEMS 2 - 43)	1
2	26870-G01		ARMATURE (INCLUDES ITEMS 3 - 5)	1
3	26871-G01		REAR BALL BEARING	1
4	26872-G01		FRONT BALL BEARING	1
5	26873-G01		BEARING HOLDER	1
6				
7				
8	26875-G01		FIELD COIL	1
9	26876-G01		INSULATING BRUSH ASSEMBLY ('F') (INCLUDES ITEMS 10 - 13)	2
10	*		NUT	2
11	*		LOCK WASHER.....	2
12	*		WASHER.....	2
13	*		INSULATOR.....	1
14	26877-G01		POLE CORE SETSCREW.....	4
15	26878-G01		FRONT COVER.....	1
16	27879-G01		REAR COVER	1
17	26880-G01		TERMINAL ASSEMBLY ('A') (INCLUDES ITEMS 18 - 23)	2
18	*		TERMINAL	2
19	*		INSULATOR.....	2
20	*		INSULATOR.....	2
21	*		WASHER.....	4
22	*		LOCK WASHER.....	4
23	*		NUT	4
24				
25	26881-G01		BRUSH HOLDER ASSEMBLY (INCLUDES ITEMS 26 - 28)	1
26	26658-G01		BRUSH.....	4
27	26882-G01		BRUSH SPRING	4
28	26883-G01		BRUSH CONNECTOR.....	2
29				
30	26884-G01		KEY.....	1

STARTER / GENERATOR

THE USE OF NON U.L. PARTS WILL VOID ANY U.L. LISTING.
 When ordering parts, please specify the model and serial number of the product.
 * Indicates a component that is not available as an individual part.
 G** Indicates consult Customer Service Department for additional information.

ITEM	PART NO.	1	2	3	4	5	DESCRIPTION	QTY.
31	*						PULLEY	1
32	26886-G01						BRUSH AND PULLEY HARDWARE KIT (INCLUDES ITEMS 33 - 37).....	1
33	*						NUT	1
34	*						LOCK WASHER.....	1
35	*						SCREW	3
36	*						SCREW	4
37	*						SCREW	2
38	26887-G01						BRUSH 1 COVER.....	3
39	26888-G01						BRUSH 2 COVER.....	2
40	26889-G01						HOUSING HARDWARE KIT (INCLUDES ITEMS 41 - 43).....	2
41	*						BOLT	2
42	*						LOCK WASHER.....	2
43	*						WASHER.....	2
44								
45								
46								
47	00938-G4						BOLT, 1/2 - 13 X 8" LG	1
48	00560-G3						WASHER, 1/2"	2
49	00566-G3						LOCK WASHER, 1/2".....	1
50	00533-G1						NUT, 1/2 - 13.....	1
51								
52	28617-G01						STARTER / GENERATOR ADJUSTER.....	1
53	00544-G5						JAM NUT, 3/8 - 16.....	1
54	00532-G5						NUT, 3/8 - 16.....	1
55	00560-G1						WASHER, 3/8"	1
56	12064-G4						PUSH NUT, 5/16"	1
57								
58	26414-G01						STARTER / GENERATOR BELT.....	1

**DID YOU
KNOW?**

CartPros directs you to the right part using the part numbers from this manual. Enter the part number into our search box and it will find the part you are looking for.

**GET STARTED
HERE**

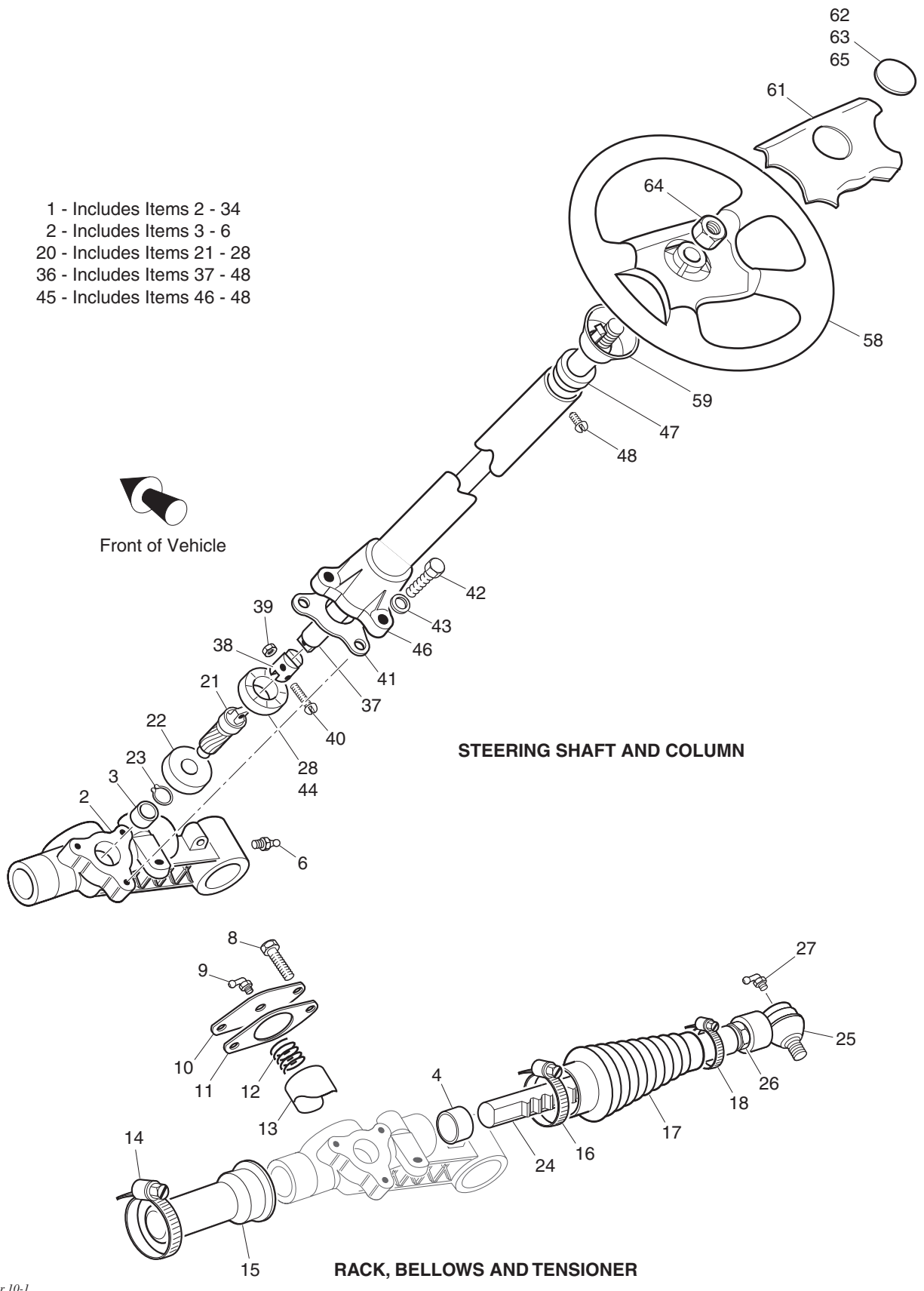


<https://CartPros.com/f.html>

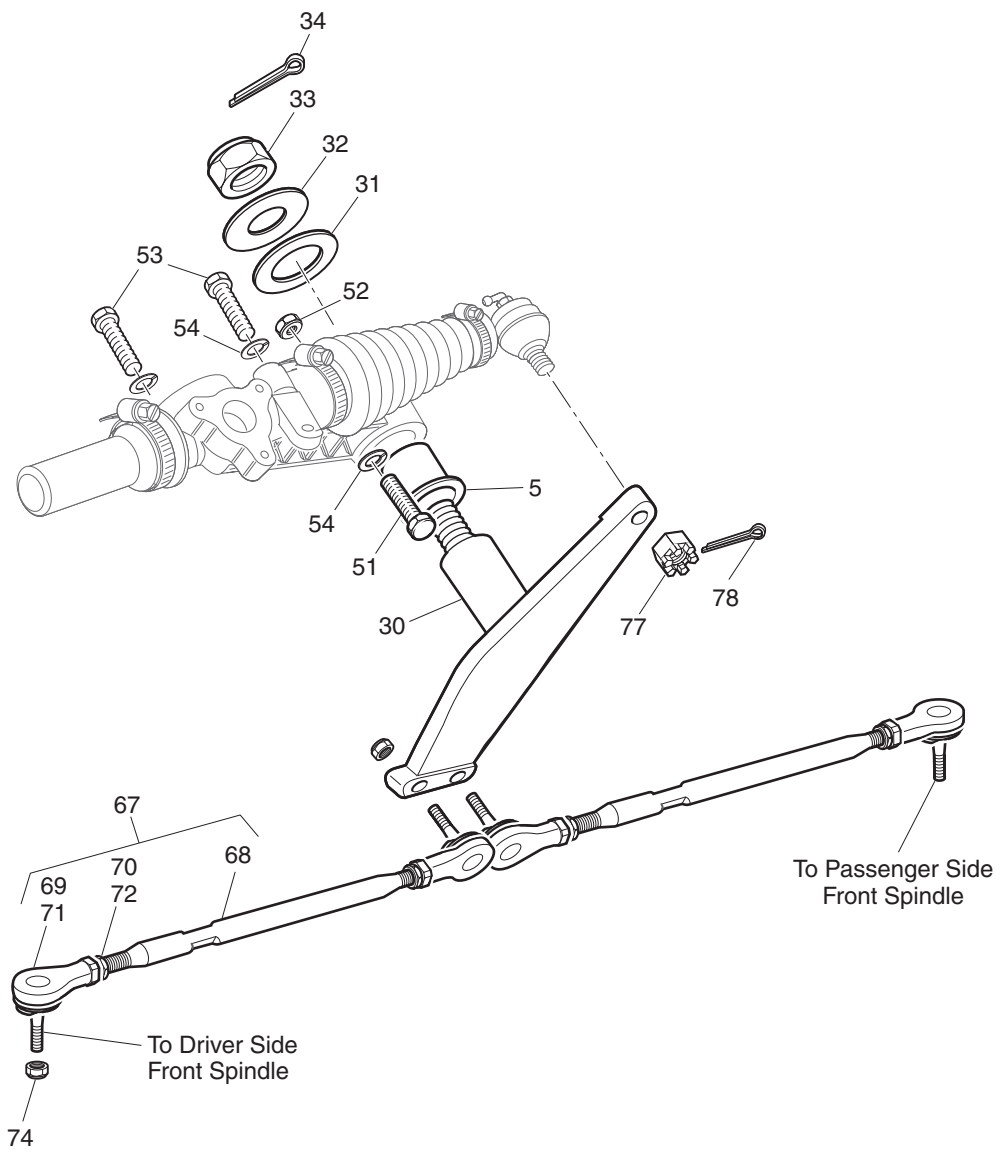
STARTER / GENERATOR

STEERING

- 1 - Includes Items 2 - 34
- 2 - Includes Items 3 - 6
- 20 - Includes Items 21 - 28
- 36 - Includes Items 37 - 48
- 45 - Includes Items 46 - 48



IDLER, TIE RODS AND MOUNTING



Ref Str 10-2

STEERING

Where applicable, THE USE OF NON UL PARTS WILL VOID ANY UL LISTING.
 When ordering parts, please specify the model and serial number of the product.
 * Indicates a component that is not available as an individual part.
 G** Indicates consult Customer Service Department for additional information.

ITEM	PART NO.	1	2	3	4	5	DESCRIPTION	QTY.
1	70723-G02	STEERING BOX ASSEMBLY (COMPLETE) (INCLUDES ITEMS 2 - 34)					1	
2	70175-G01	STEERING HOUSING (INCLUDES ITEMS 3 - 6)					1	
3	*	SLEEVE BEARING					1	
4	*	SLEEVE BEARING					1	
5	*	FLANGED BEARING					1	
6	10389-G3	GREASE FITTING, STRAIGHT					1	
7								
8	00426-G6	BOLT, 3/8 - 16 X 3/4" LG					2	
9	18456-G1	GREASE FITTING, 90°					1	
10	70177-G01	RACK GUIDE COVER					1	
11	70225-G01	GASKET					1	
12	70178-G01	COMPRESSION SPRING					1	
13	70179-G01	RACK GUIDE					1	
14	11391-G1	HOSE CLAMP, 1 5/16"					1	
15	70041-G01	RACK COVER					1	
16	11391-G1	HOSE CLAMP, 1 5/16"					1	
17	70183-G01	BELLOWS					1	
18	11391-G5	HOSE CLAMP, 13/16"					1	
19								
20	70724-G01	STEERING GEAR KIT (INCLUDES ITEMS 21 - 28)					1	
21	70717-G01	GEAR PINION					1	
22	15112-G1	BALL BEARING					1	
23	70190-G01	EXTERNAL RETAINING RING					1	
24	70718-G01	STEERING RACK					1	
25	70192-G01	RACK BALL END					1	
26	00532-G8	JAM NUT, 7/16 - 20					1	
27	18456-G1	GREASE FITTING, 90°					1	
28	70466-G01	RETAINER					1	
29								
30	70184-G01	IDLER					1	

STEERING

Where applicable, THE USE OF NON UL PARTS WILL VOID ANY UL LISTING.

When ordering parts, please specify the model and serial number of the product.

* Indicates a component that is not available as an individual part.

G** Indicates consult Customer Service Department for additional information.

ITEM	PART NO.	1 2 3 4 5	DESCRIPTION	QTY.
31	70216-G01		THRUST WASHER, 1 1/2"	1
32	70195-G01		THRUST WASHER, 7/8"	1
33	00734-G6		LOCK NUT, 7/8 - 9.....	1
34	00798-G8		COTTER PIN, 5/32" X 1 3/4" LG	1
35				
36	70360-G01		STEERING SHAFT/COLUMN KIT (INCLUDES ITEMS 37 - 48)	1
37	14322-G6		STEERING SHAFT.....	1
38	70558-G01		COUPLING	1
39	00550-G1		LOCK NUT, 1/4 - 20.....	2
40	70227-G01		SCREW, 1/4 - 20 X 7/8" LG.....	2
41	70223-G01		GASKET	1
42	01034-G01		BOLT, 3/8 - 16 X 1 1/4" LG WITH PATCHLOCK.....	3
43	00878-G1		LOCK WASHER, 3/8"	3
44	70466-G01		RETAINER.....	1
45	28633-G01		STEERING COLUMN KIT (INCLUDES ITEMS 46 - 48).....	1
46	*		STEERING COLUMN	1
47	28569-G01		STEERING COLUMN BUSHING	1
48	01022-G01		SCREW, #6 - 20 X 5/16" LG	1
49				
50				
51	00470-G4		BOLT, 7/16 - 20 X 2 1/2" LG	1
52	00734-G3		LOCK NUT, 7/16 - 20	1
53	01033-G01		BOLT, 7/16 - 14 X 1 1/4" LG WITH PATCHLOCK	2
54	00566-G2		LOCK WASHER, 7/16".....	3
55				
56				
57				
58	602979		STEERING WHEEL	1
59				
60				

STEERING

Where applicable, THE USE OF NON UL PARTS WILL VOID ANY UL LISTING.
 When ordering parts, please specify the model and serial number of the product.
 * Indicates a component that is not available as an individual part.
 G** Indicates consult Customer Service Department for additional information.

ITEM	PART NO.	1 2 3 4 5	DESCRIPTION	QTY.
61	71147-G01		COVER.....	1
62	71047-G01		LABEL (E-Z-GO)	1
63	74405-G01		LABEL (CUSHMAN).....	1
64	14390-G2		LOCK NUT, 5/8 - 18	1
65				
66				
67	70904-G04		TIE ROD ASSEMBLY (INCLUDES ITEMS 68 - 72).....	2
68	70855-G03		THREADED ROD (10 1/8" LG).....	1
69	70902-G01		TIE ROD END (LEFT HAND THREADS)	1
70	01069-G01		JAM NUT, M12 X 1.25-05 (LEFT HAND THREADS)	1
71	70902-G02		TIE ROD END (RIGHT HAND THREADS).....	1
72	01069-G02		JAM NUT, M12 X 1.25-05 (RIGHT HAND THREADS).....	1
73				
74	00734-G1		LOCK NUT, 7/16 - 14	4
75				
76				
77	50209-G2		CASTELLATED NUT, 7/16 - 20	1
78	10387-G2		COTTER PIN, 3/32" X 1" LG	1

DID YOU KNOW?

CartPros directs you to the right part using the part numbers from this manual. Enter the part number into our search box and it will find the part you are looking for.

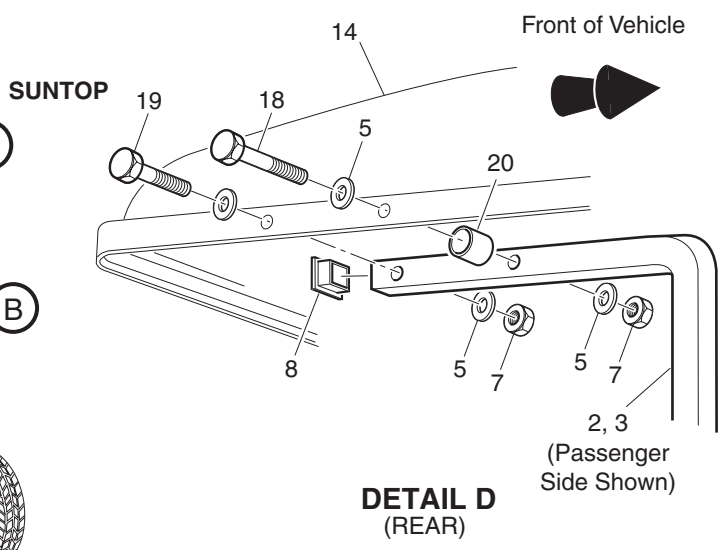
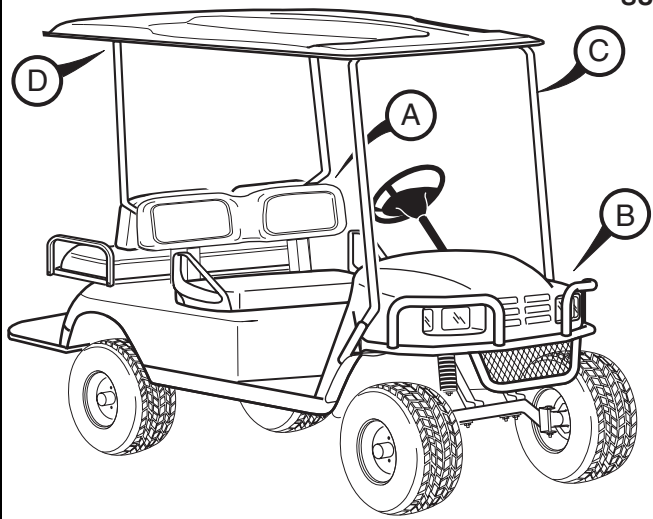
GET STARTED HERE



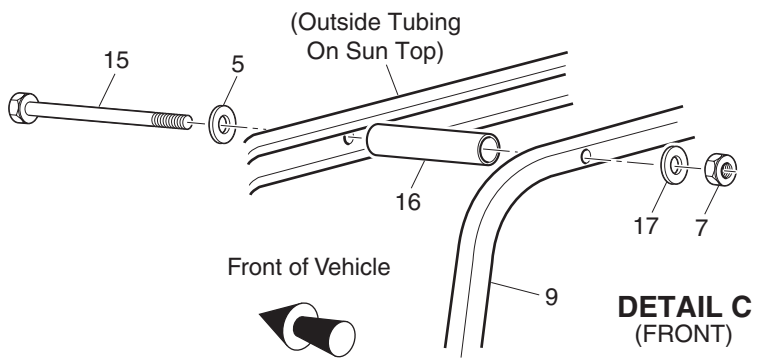
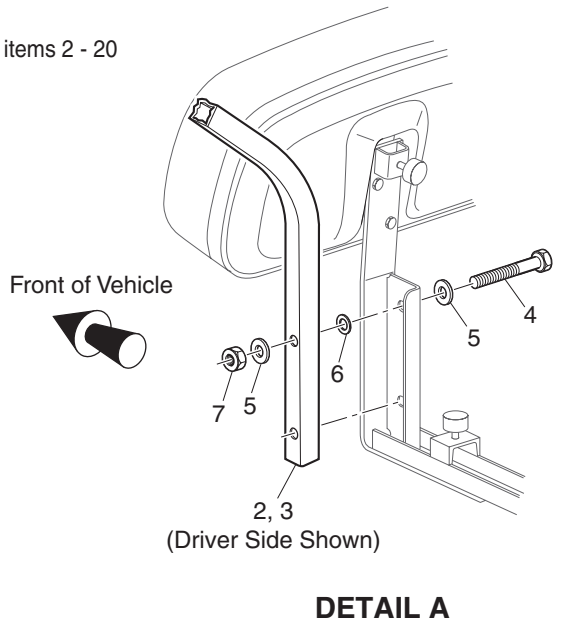
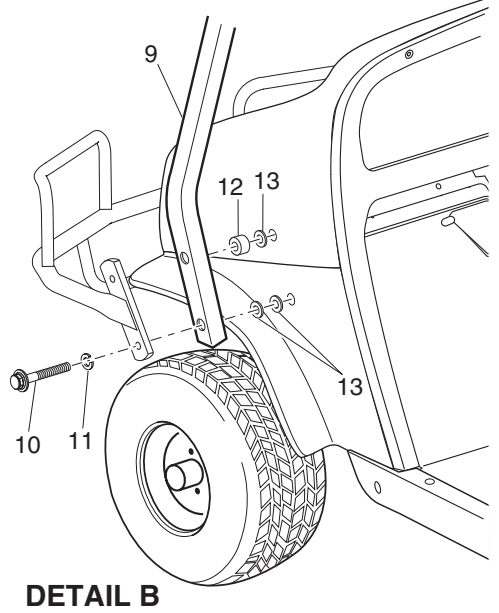
<https://CartPros.com/f.html>

STEERING

WEATHER PROTECTION

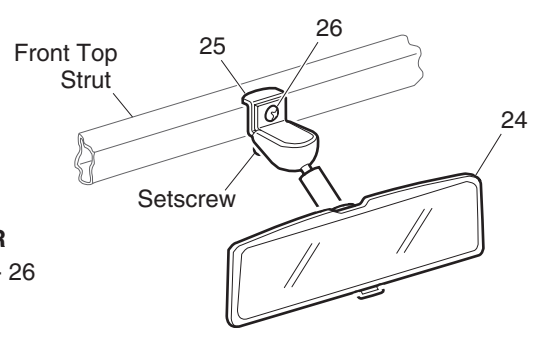


1 - Includes items 2 - 20

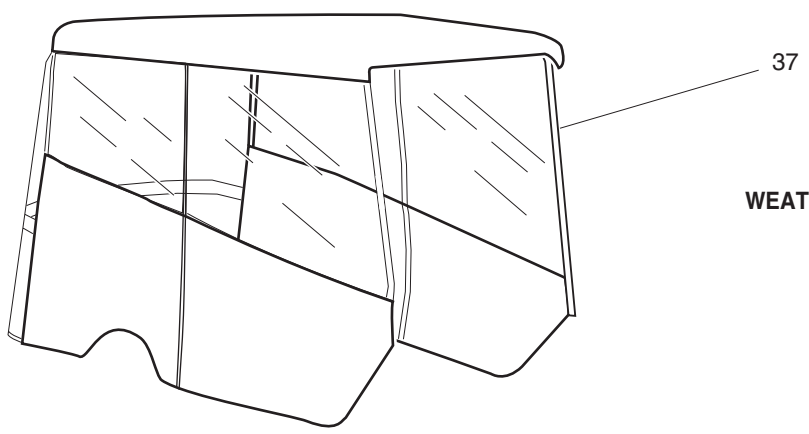


Ref Wea 11-1

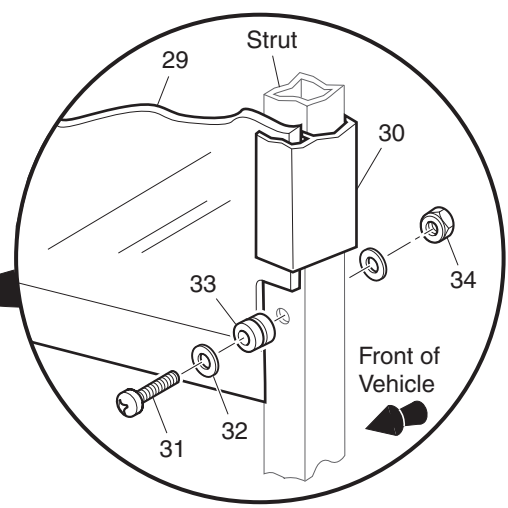
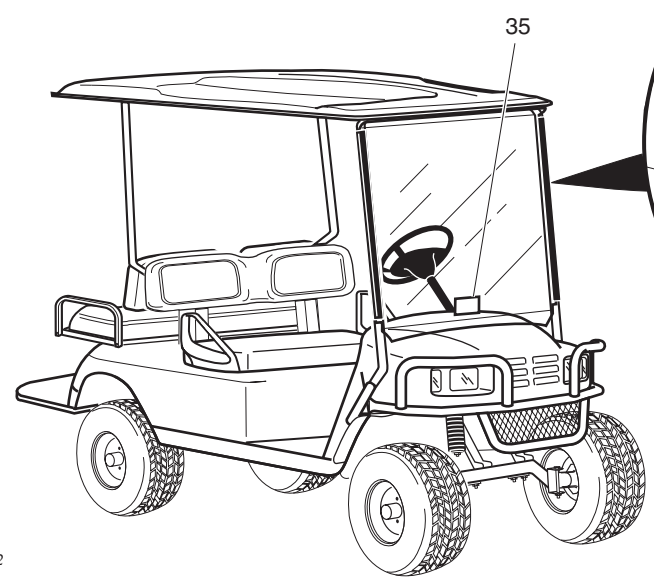
WEATHER PROTECTION



REAR VIEW MIRROR
23 - Includes Items 24 - 26



WEATHER ENCLOSURE



28 - Includes Items 29 - 35

Ref Wea 11-2

WEATHER PROTECTION

THE USE OF NON U.L. PARTS WILL VOID ANY U.L. LISTING.
 When ordering parts, please specify the model and serial number of the product.
 * Indicates a component that is not available as an individual part.
 G** Indicates consult Customer Service Department for additional information.

ITEM	PART NO.	1 2 3 4 5	DESCRIPTION	QTY.
1	75123-G01		SUN TOP KIT (INCLUDES ITEMS 2 - 20)	1
2	75074-G01		REAR STRUT (DRIVER SIDE).....	1
3	75074-G02		REAR STRUT (PASSENGER SIDE)	1
4	00665-G5		BOLT, 3/8 - 16 X 1 3/4" LG (STAINLESS STEEL)	4
5	00679-G1		WASHER, 3/8" (STAINLESS STEEL).....	18
6	00771-G5		NYLON WASHER, 3/8.....	4
7	00891-G5		LOCK NUT, 3/8 - 16.....	10
8	19853-G1		END CAP, 1"	2
9	75125-G01		FRONT STRUT.....	1
10	00440-G2		BOLT, 5/16 - 18 X 2 1/4" LG.....	4
11	00905-G8		LOCK WASHER, 5/16"	4
12	75048-G01		SPACER, 1/2"	2
13	00879-G1		LOCK WASHER, 3/8"	4
14	27604-G01		SUN TOP	1
15	00674-G8		BOLT, 3/8 - 16 X 5" LG (STAINLESS STEEL)	2
16	18716-G1		SPACER	2
17	00653-G1		WASHER, 3/8" (STAINLESS STEEL).....	2
18	00665-G3		BOLT, 3/8 - 16 X 2 1/2" LG (STAINLESS STEEL)	2
19	00665-G6		BOLT, 3/8 - 16 X 2" LG (STAINLESS STEEL)	2
20	24647-G1		SPACER, 1/4"	2
21				
22				
23	19528-G2		REAR VIEW MIRROR KIT (INCLUDES ITEMS 24 - 26)	1
24	19496-G1		REAR VIEW MIRROR	1
25	19502-G2		SUPPORT BRACKET.....	1
26	19527-G1		SCREW, #8 - 32 X 5/8" LG (STAINLESS STEEL).....	1
27				
28	71966-G01		WINDSHIELD KIT (LEXAN) (REQUIRES SUN TOP KIT) (INCLUDES ITEMS 29 - 35).....	1
29	*		WINDSHIELD	1

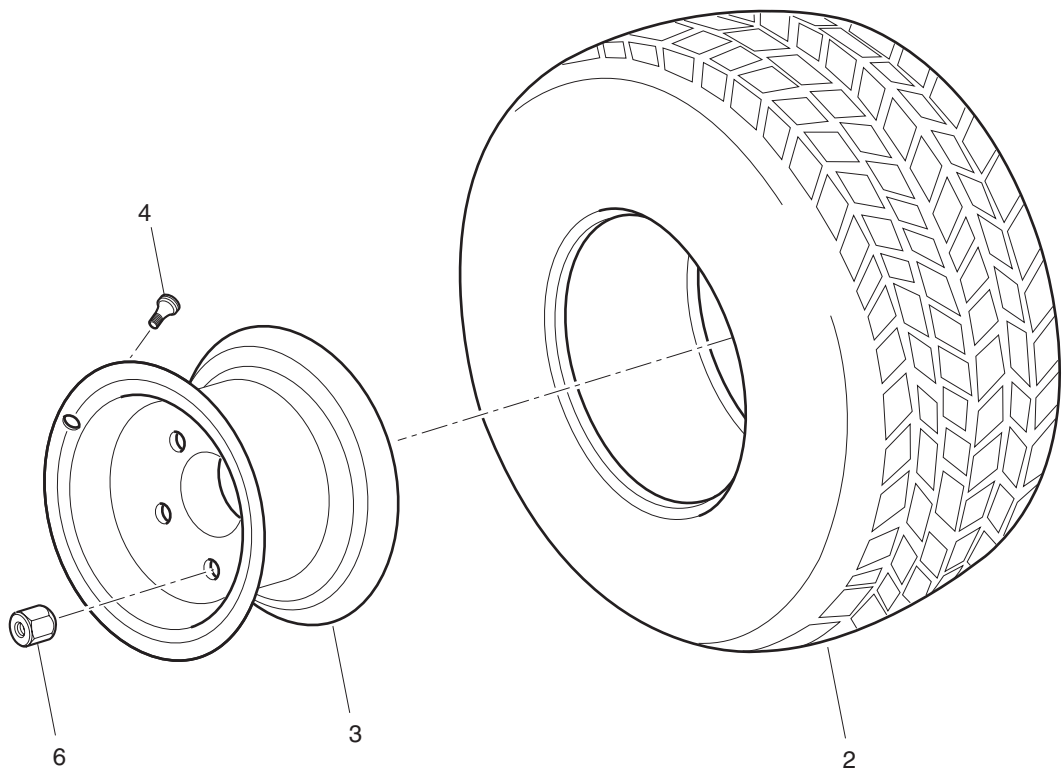
WEATHER PROTECTION

THE USE OF NON U.L. PARTS WILL VOID ANY U.L. LISTING.
 When ordering parts, please specify the model and serial number of the product.
 * Indicates a component that is not available as an individual part.
 G** Indicates consult Customer Service Department for additional information.

ITEM	PART NO.	1	2	3	4	5	DESCRIPTION	QTY.
30	110-035A						SASH, 26" LG	2
31	110-072A						SCREW, 1/4 - 20 X 1 3/4" LG (STAINLESS STEEL).....	2
32	110-072B						WASHER, 1/4" (STAINLESS STEEL).....	4
33	110-072C						RUBBER GROMMET	2
34	010-072D						LOCK NUT, 1/4 - 20 (STAINLESS STEEL).....	2
35	110-066						LABEL (SAFETY)	1
36								
37	75492-G01						WEATHER ENCLOSURE (3 SIDED)	1
Replacement Parts for items 30-35 may be obtained from: Eagle Parts, Inc 1811 Wilkinson Rd. Augusta, GA 30904 Telephone (706) 729-9911 Fax (706) 729-9955								

WHEELS AND TIRES

1 - Includes Items 2, 3, 4



(Style of tire may differ from tire shown)

Ref Whl 11

WHEELS AND TIRES

When ordering parts, please specify the model and serial number of the product.
 * Indicates a component that is not available as an individual part.
 G** Indicates consult Customer Service Department for additional information.

ITEM	PART NO.	1	2	3	4	5	DESCRIPTION	QTY.
1	28442-G03						WHEEL AND TIRE ASSEMBLY (INCLUDES ITEMS 2, 3, 4)	AR
2	28442-G02						TIRE, 20 X 10 - 10 TURF SAVER®	1
3	15172-G02						WHEEL RIM, BLACK (4 LUG)	1
4	11657-G1						VALVE STEM	1
5								
6	14723-G1						LUG NUT, 1/2 -20	AR

**DID YOU
KNOW?**

CartPros directs you to the right part using the part numbers from this manual. Enter the part number into our search box and it will find the part you are looking for.

**GET STARTED
HERE**



<https://CartPros.com/f.html>

WHEELS AND TIRES



SPECIALTY PRODUCTS

SPECIALTY PRODUCTS

SPECIALTY PRODUCTS

SPECIAL TOOLS	PART NO.
HIGH RESISTANCE SPARK PLUG WIRE SET	26733-G02
CLUTCH PULLER (DRIVE)	19779-G2
FLYWHEEL PULLER.....	27111-G01
CURRENT INDICATOR.....	16489-G2
DIGITAL MULTI-METER	27481-G01
SLIDE HAMMER (AXLE/HUB REMOVAL).....	15947-G1
SLIDE HAMMER (AXLE REMOVAL ONLY).....	18753-G1
COMPRESSION TESTER.....	72524-G01
FEELER GAUGE	72525-G01
TACHOMETER.....	72526-G01

ENGINE OIL	PART NO.
4 CYCLE ENGINE OIL, 5 GALLON (19 LITER)	25730-G03
4 CYCLE ENGINE OIL, 12 QUART CASE	25730-G04
4 CYCLE ENGINE OIL, 1 QUART BOTTLE (950 ML)	25730-G06

TOUCH UP PAINT	PART NO.
PEN 3 OUNCE (89 ML) - HUNTER GREEN	28432-G02
PEN 3 OUNCE (89 ML) - CHAMPAGNE BEIGE.....	28432-G01
PEN 3 OUNCE (89 ML) - WHITE	28432-G05
PEN 3 OUNCE (89 ML) - INDUSTRIAL YELLOW.....	28432-G03
PEN 3 OUNCE (89 ML) - ORANGE	28432-G04
PEN 3 OUNCE (89 ML) - STEEL BLUE PEARL	28432-G24
PEN 3 OUNCE (89 ML) - OLIVE GREEN.....	28432-G**
PEN 3 OUNCE (89 ML) - CAMOUFLAGE PAINT (THREE PENS).....	75831-G01
AEROSOL 12 OUNCE (360 ML) - HUNTER GREEN	28140-G09
AEROSOL 12 OUNCE (360 ML) - CHAMPAGNE BEIGE.....	28140-G15
AEROSOL 12 OUNCE (360 ML) - WHITE	28140-G03
AEROSOL 12 OUNCE (360 ML) - INDUSTRIAL YELLOW.....	28140-G14
AEROSOL 12 OUNCE (360 ML) - ORANGE	28140-G13
AEROSOL 12 OUNCE (360 ML) - STEEL BLUE PEARL	28140-G**
AEROSOL 12 OUNCE (360 ML) - OLIVE GREEN.....	28140-G**

SPECIALTY PRODUCTS

MAINTENANCE PRODUCTS	PART NO.
FORMULA 40 VINYL-COAT® - WHITE	28166-G01
PLEXUS® CLEANER, 7 OUNCE (210 ML) (FOR WINDSHIELDS)	28433-G01
PLEXUS® CLEANER, 13 OUNCE (380 ML) (FOR WINDSHIELDS)	28433-G02
BATTERY PROTECTOR, 14 OUNCE (410 ML) SPRAY	75500-G01
CARBURETOR & CHOKE CLEANER, 15 OUNCE (440 ML) SPRAY	75501-G01
WHITE LITHIUM GREASE, 14 OUNCE (410 ML) SPRAY.....	75502-G01
PENETRANT/LUBRICANT, 15 OUNCE (440 ML) SPRAY	75503-G01
MULTI-PURPOSE CLEANER & DEGREASER, 14 OUNCE (410 ML) SPRAY	75504-G01
MULTI-PURPOSE HAND CLEANER, 32 OUNCE (950 ML) LIQUID	75505-G01
BATTERY CLEANER, 32 OUNCE (950 ML) WITH TRIGGER SPRAYER	75506-G01
BIO-DEGRADABLE CLEANER, 32 OUNCE (950 ML) WITH TRIGGER SPRAYER.....	75507-G01
MULTI-PURPOSE VALUE PACK.....	75508-G01
<ul style="list-style-type: none"> • BATTERY PROTECTOR, 4 OUNCE (120 ML) SPRAY • PENETRANT/LUBRICANT, 4 OUNCE (120 ML) SPRAY • WHITE LITHIUM GREASE, 4 OUNCE (120 ML) SPRAY • CARBURETOR & CHOKE CLEANER, 4 OUNCE (120 ML) SPRAY 	



SPECIALTY PRODUCTS



OPTIONS/ACCESSORIES

OPTIONS/ACCESSORIES

OPTIONS/ACCESSORIES

ITEM	KIT NO.	COMMENTS
ASHTRAY KIT	75109-G02	See BODY
BOX COOLER AND BRACKET KIT	71048-G01	See BODY
DIFFERENTIAL GUARD	72347-G01	See REAR AXLE
FRONT BASKET	74521-G02	See BODY
GLOVE BOX DOOR	75459-G0*	See BODY
GUN HOLDER (FLOOR MOUNT)	74365-G01	See BODY
GUN HOLDER (SWIVEL MOUNT)	74533-G01	See BODY
HOUR METER KIT	75114-G02	See ELECTRICAL SYSTEM
REAR VIEW MIRROR KIT	19528-G2	See WEATHER PROTECTION
SOFT ENCLOSURE	75492-G01	See WEATHER PROTECTION
SUN TOP KIT	75123-G01	See WEATHER PROTECTION
TURN SIGNAL KIT	75107-G01	See ELECTRICAL SYSTEM
WINDSHIELD (POLYCARBONATE)	71966-G01	See WEATHER PROTECTION

**DID YOU
KNOW?**

CartPros directs you to the right part using the part numbers from this manual. Enter the part number into our search box and it will find the part you are looking for.

**GET STARTED
HERE**



<https://CartPros.com/f.html>

**DID YOU
KNOW?**

CartPros directs you to the right part using the part numbers from this manual. Enter the part number into our search box and it will find the part you are looking for.

**GET STARTED
HERE**



<https://CartPros.com/f.html>



A Textron Company

E-Z-GO Division of Textron, Inc.

1451 Marvin Griffin Rd., Augusta, Georgia 30906 USA

Inside USA Phone: 1-800-241-5855, FAX: 1-800-448-8124

Outside USA Phone: 010-1-706-798-4311, FAX: 010-1-706-771-4609

Copyrighted Material
This manual may not be reproduced in whole or
in part without the express permission of
E-Z-GO Division of Textron, Inc.
Technical Communications Department