

**DID YOU
KNOW?**

CartPros directs you to the right part using the part numbers from this manual. Enter the part number into our search box and it will find the part you are looking for.

**GET STARTED
HERE**

→ <https://CartPros.com/f.html>

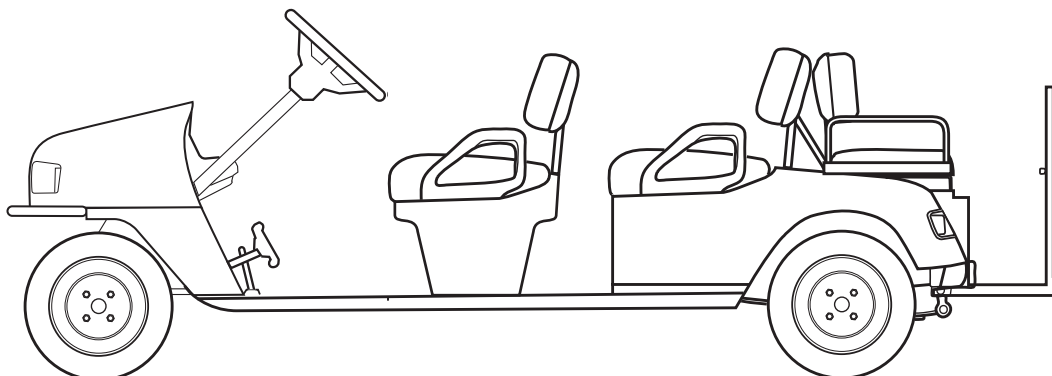
620365



A Textron Company



SERVICE PARTS MANUAL



ELECTRIC POWERED PERSONNEL CARRIERS AND GOLF CAR

ISSUED DATE FEBRUARY 2008

**DID YOU
KNOW?**

CartPros directs you to the right part using the part numbers from this manual. Enter the part number into our search box and it will find the part you are looking for.

**GET STARTED
HERE**



<https://CartPros.com/f.html>



SERVICE PARTS MANUAL

ELECTRIC POWERED PERSONNEL CARRIERS AND GOLF CARS

ST SHUTTLE 4/6 E

STARTING MODEL YEAR 2007

E-Z-GO Division of Textron, Inc. reserves the right to make design changes without obligation to make these changes on units previously sold and the information contained in this manual is subject to change without notice.

E-Z-GO Division of Textron, Inc. is not liable for errors in this manual or for incidental or consequential damages that result from the use of the material in this manual.

CUSTOMER SERVICE DEPARTMENT IN USA PHONE: 1-800-241-5855 FAX: 1-800-448-8124

OUTSIDE USA PHONE: 001-706-798-4311, FAX: 001-706-771-4609

E-Z-GO DIVISION OF TEXTRON, INC., 1451 MARVIN GRIFFIN RD., AUGUSTA, GEORGIA USA 30906

NOTES

To obtain a copy of the limited warranty applicable to the vehicle, call or write a local Distributor, authorized Branch or the Warranty Department with vehicle serial number and manufacturer code.

The use of non Original Equipment Manufacturer (OEM) parts may void the warranty.

Overfilling of batteries may void the warranty.

BATTERY PROLONGED STORAGE

All batteries will self discharge over time. The rate of self discharge varies depending on the ambient temperature and the age and condition of the batteries.

A fully charged battery will not freeze in winter temperatures unless the temperature falls below -75° F (-60° C).

As with all electric vehicles, the batteries must be checked and recharged as required or at a minimum of 30 day intervals.



TABLE OF CONTENTS

SECTION	Page No.
HOW TO USE THE SERVICE PARTS MANUAL	v
ILLUSTRATED PARTS BREAKDOWN	vii
ACCELERATOR	A-1
BATTERY CHARGER (PORTABLE).....	B-1
BODY.....	C-1
BRAKES - FRONT DISC	D-1
ELECTRICAL.....	E-1
ELECTRONIC SPEED CONTROL - PDS	F-1
FRONT SUSPENSION / STEERING.....	G-1
MOTOR	H-1
REAR AXLE.....	I-1
REAR SUSPENSION	J-1
SEATING	K-1
WEATHER PROTECTION	L-1
WHEELS AND TIRES	M-1
SPECIALTY PRODUCTS	APPENDIX A-1



TABLE OF CONTENTS

Notes:

HOW TO USE THE SERVICE PARTS MANUAL

This manual is divided into several sections:

- GENERAL INFORMATION
- ILLUSTRATED PARTS BREAKDOWN
- APPENDIX

The first section, GENERAL INFORMATION, contains the following information:

- WARRANTY INFORMATION
- GENERAL INDEX
- HOW TO USE THE SERVICE PARTS MANUAL

The second section, ILLUSTRATED PARTS BREAKDOWN, contains illustrations and parts lists for all systems of your vehicle.

The third section, APPENDIX, contains a listing of specialty products and accessories.

USE OF THE MANUAL

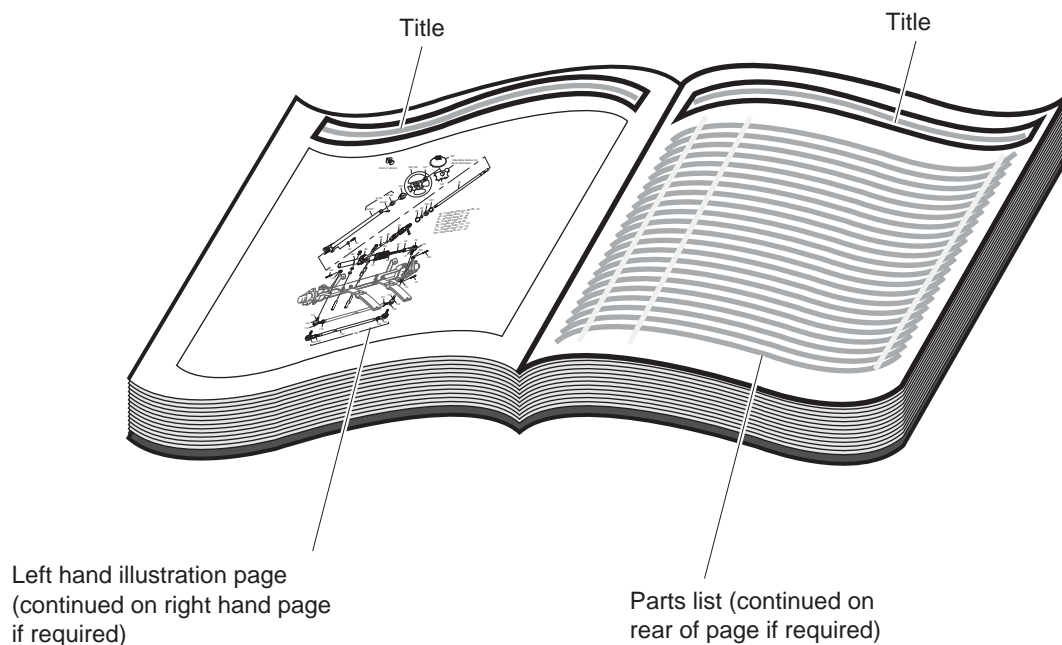
To use this manual, consult the GENERAL INDEX to locate the information or illustration required.

Introduction of some revisions varies due to supply of components; therefore, it is possible that various combinations of components may be found that are not directly reflected by each illustration. Consult the illustration that best suits your situation and then contact the Service Parts Department. It is important that the serial number of your vehicle and its model number be supplied to Service Parts when ordering any replacement components.

Locate the serial number plate (see BODY located in the Illustrated Parts Breakdown section of this manual for its location) and note the complete number shown on the plate.



HOW TO USE THE SERVICE PARTS MANUAL



1. WHEN THE PART NUMBER IS NOT KNOWN

- Determine the function and application of the part required. Turn to the General Index and select the most appropriate title.
- Turn to the page number indicated and locate the desired part on the illustration.
- From the illustration, obtain the item number assigned to the desired part. Refer to the accompanying description for specific information regarding the part.

2. IF YOU KNOW THE PART NUMBER

- Locate the part number or description in the appropriate column on the parts list page.

NOTE: It is suggested that you confirm that the part selected is correct by verifying it with the pictorial representation on the illustrated page.

Should an asterisk (*) appear in the part number column on the parts list page, read upwards until a part number is found. The part number is the lowest assembly sold by Service Parts and the asterisk (*) indicates that the part depicted is not available for purchase.

NOTE: Descriptions are indented under the assembly that they are used on. That assembly is, in turn listed under the assembly that it is used on. This process is repeated until the highest final assembly is reached.

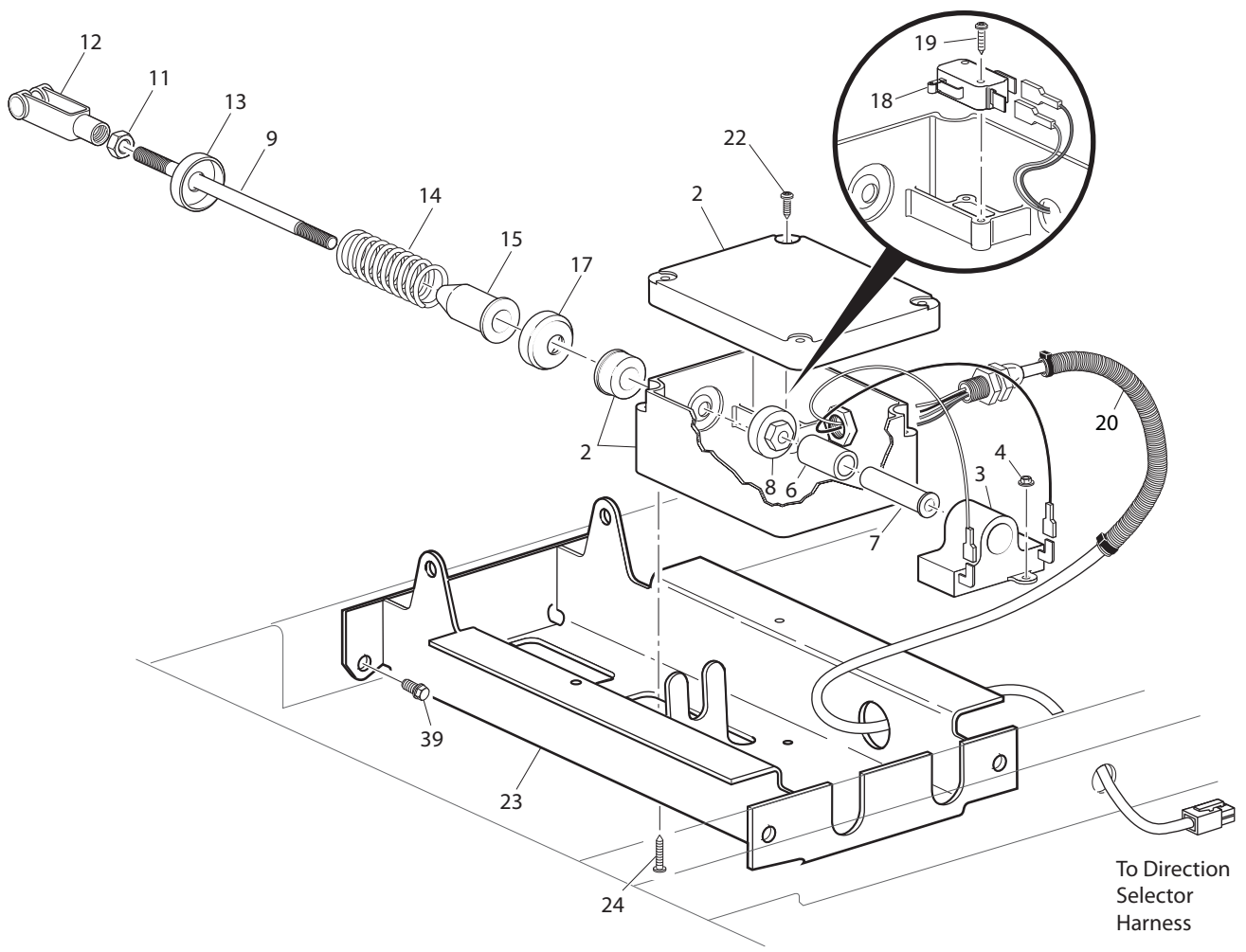
To facilitate the maintenance and repair of the vehicle, a Technician's Repair and Service Manual is available from the Service Parts Department.

ILLUSTRATED PARTS BREAKDOWN

ILLUSTRATED PARTS BREAKDOWN

ACCELERATOR

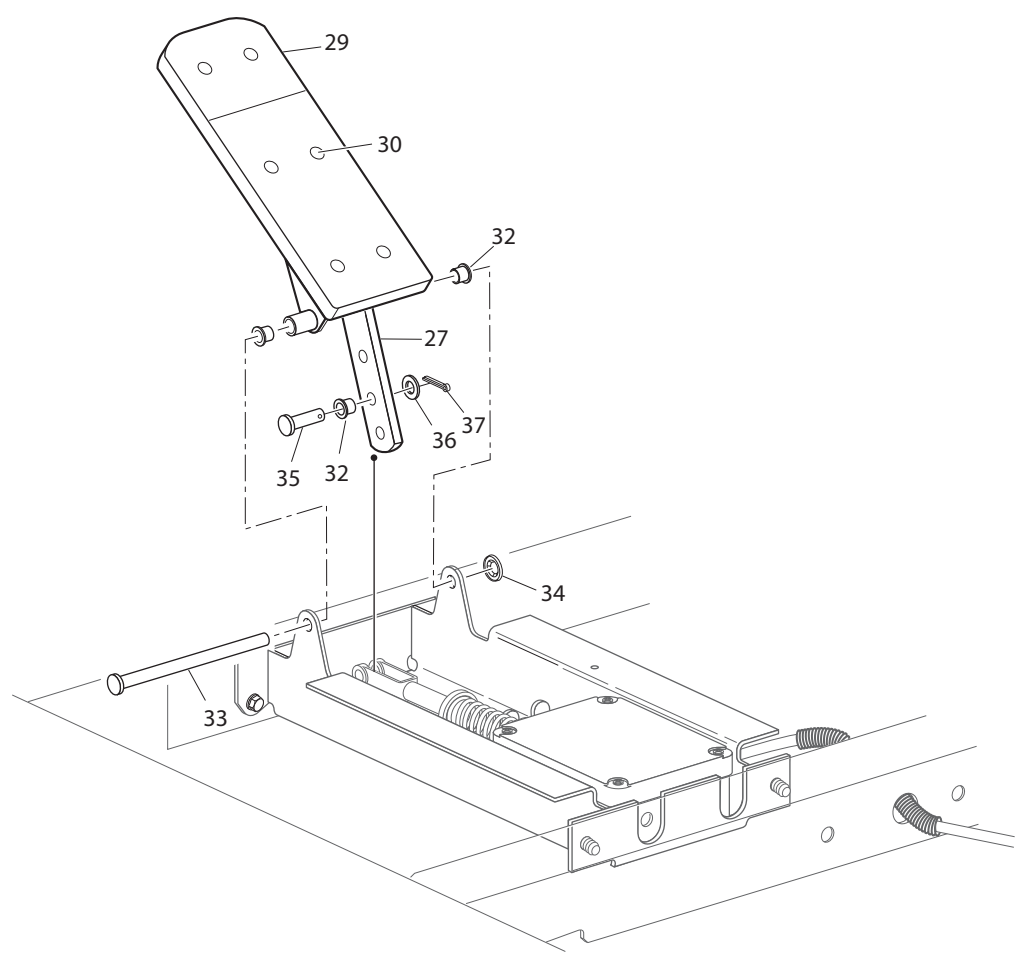
1 - Includes Items 2 - 37



Ref Acl 7-1

ACCELERATOR

26-Includes Item 27-30



Ref Acl 7-2

ACCELERATOR

When ordering parts, please specify the model and serial number of the product.
 * Indicates a component that is not available as an individual part.
 G** Indicates consult Customer Service Department for additional information.

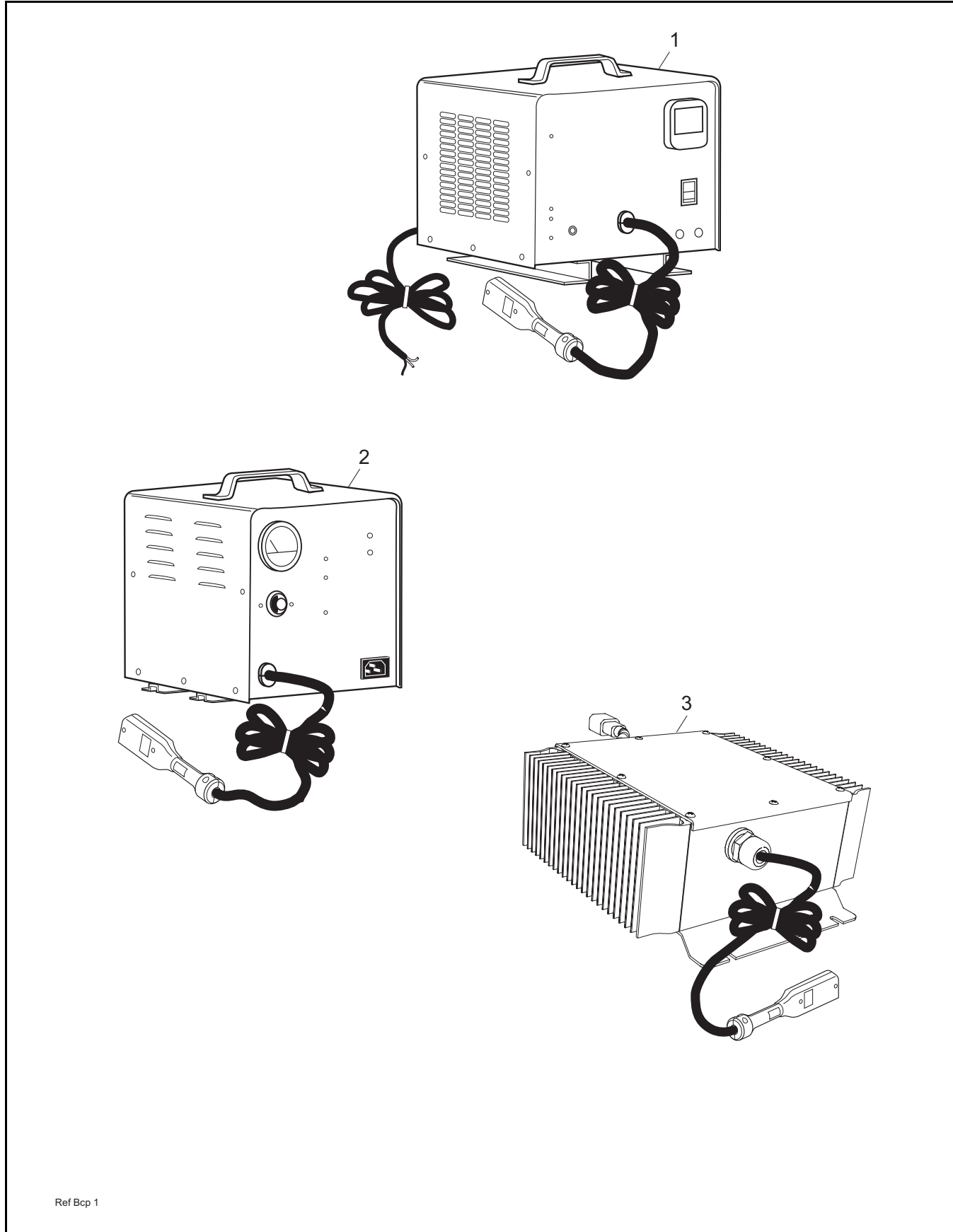
ITEM	PART NO.	1 2 3 4 5	DESCRIPTION	QTY.
1	73333-G07		PEDAL BOX ASSEMBLY, PDS MODEL ONLY (INCLUDES ITEMS 2 - 37).....	1
2	25853-G01		PEDAL BOX AND COVER (SEAL AND BEARING).....	1
3	25854-G01		INDUCTIVE THROTTLE SENSOR	1
4	00983-G01		SELF THREADING NUT, 3/16"	2
5				
6	25857-G01		PLUNGER SLEEVE.....	1
7	28443-G01		PLUNGER.....	1
8	28444-G01		PLUNGER CAM.....	1
9	73332-G01		ACCELERATOR ROD	1
10				
11	00532-G4		LOCK NUT, 5/16 - 24	1
12	10385-G4		YOKE (ADJUSTABLE).....	1
13	17677-G2		SPRING RETAINER, 3/8"	1
14	73046-G01		COMPRESSION SPRING	1
15	17979-G1		ACCELERATOR ROD BUSHING	1
16				
17	17677-G1		SPRING RETAINER, 1/2"	1
18	25861-G02		MICRO SWITCH (PDS MODEL ONLY).....	1
19	01050-G01		SCREW, #4 - 20 X 5/8" LG	2
20	25879-G06		WIRING HARNESS (PEDAL BOX ASSEMBLY) (PDS MODEL ONLY)	1
21				
22	00684-G6		SCREW, #8 - 32 X 3/4" LG	2
23	70116-G02		ACCELERATOR PEDAL BRACKET.....	1
24	01051-G01		SCREW, #8 - 16 X 1/2" LG	4
25				
26	25799-G03		ACCELERATOR PEDAL ASSEMBLY (INCLUDES ITEMS 27 - 30).....	1
27	70125-G04		ACCELERATOR PEDAL	1
28				
29	27512-G01		ACCELERATOR PEDAL PAD	1

ACCELERATOR

When ordering parts, please specify the model and serial number of the product.
 * Indicates a component that is not available as an individual part.
 G** Indicates consult Customer Service Department for additional information.

ITEM	PART NO.	1	2	3	4	5	DESCRIPTION	QTY.
30	16409-G1						OVAL RIVET 3/16" X 7/16" LG	6
31								
32	17838-G1						BUSHING.....	3
33	74432-G01						PEDAL PIVOT PIN	1
34	12064-G6						PUSHNUT, 9/32" I.D.	1
35	10386-G3						CLEVIS PIN, 5/16" X 13/16" LG	1
36	17255-G1						TEFLON WASHER, 5/16"	1
37	10387-G3						COTTER PIN, 3/32" X 3/4" LG	1
38								
39	00715-G2						BOLT, 5/16 - 18 X 13/16" LG.	4

BATTERY CHARGER (PORTABLE)



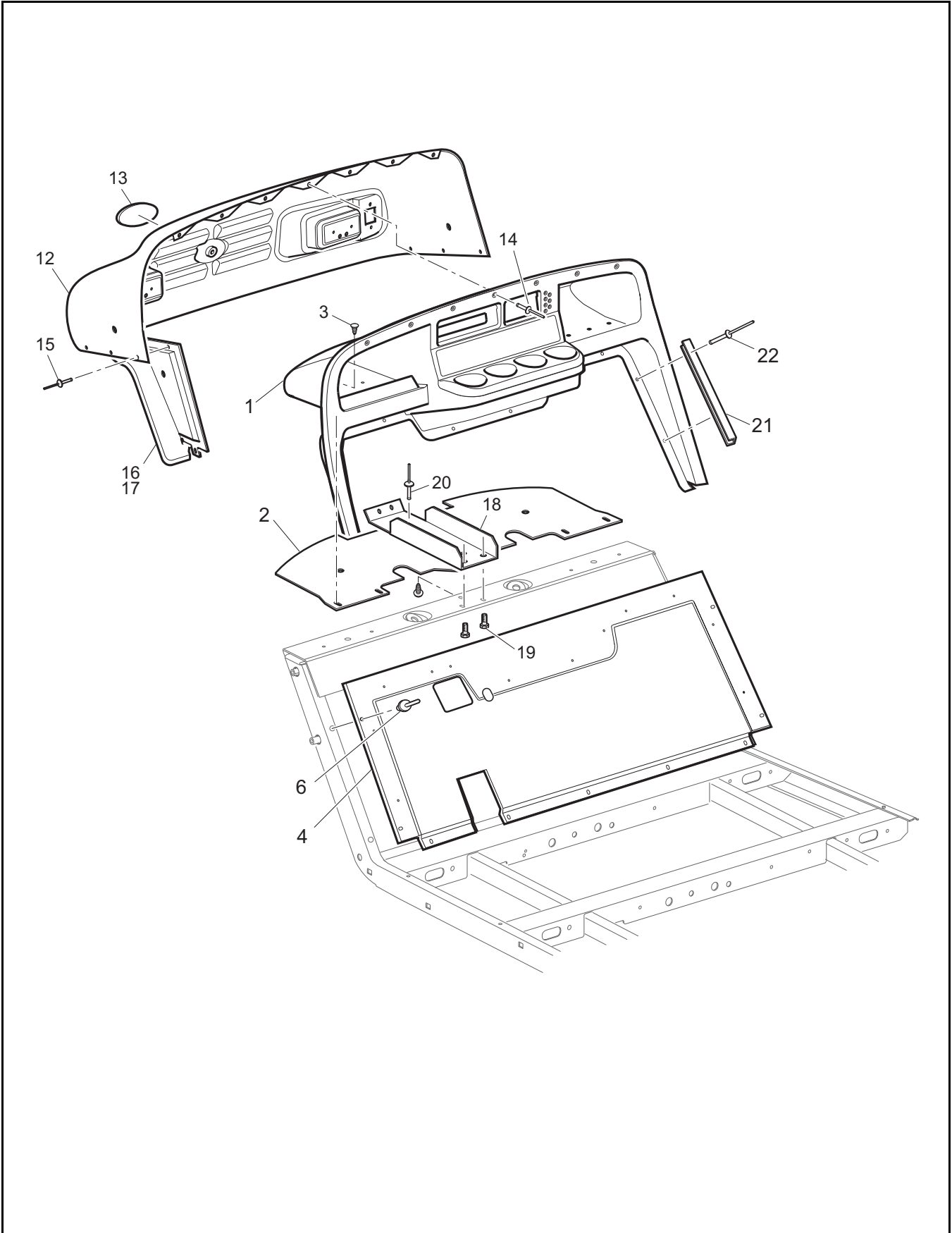
Ref Bcp 1

BATTERY CHARGER (PORTABLE)

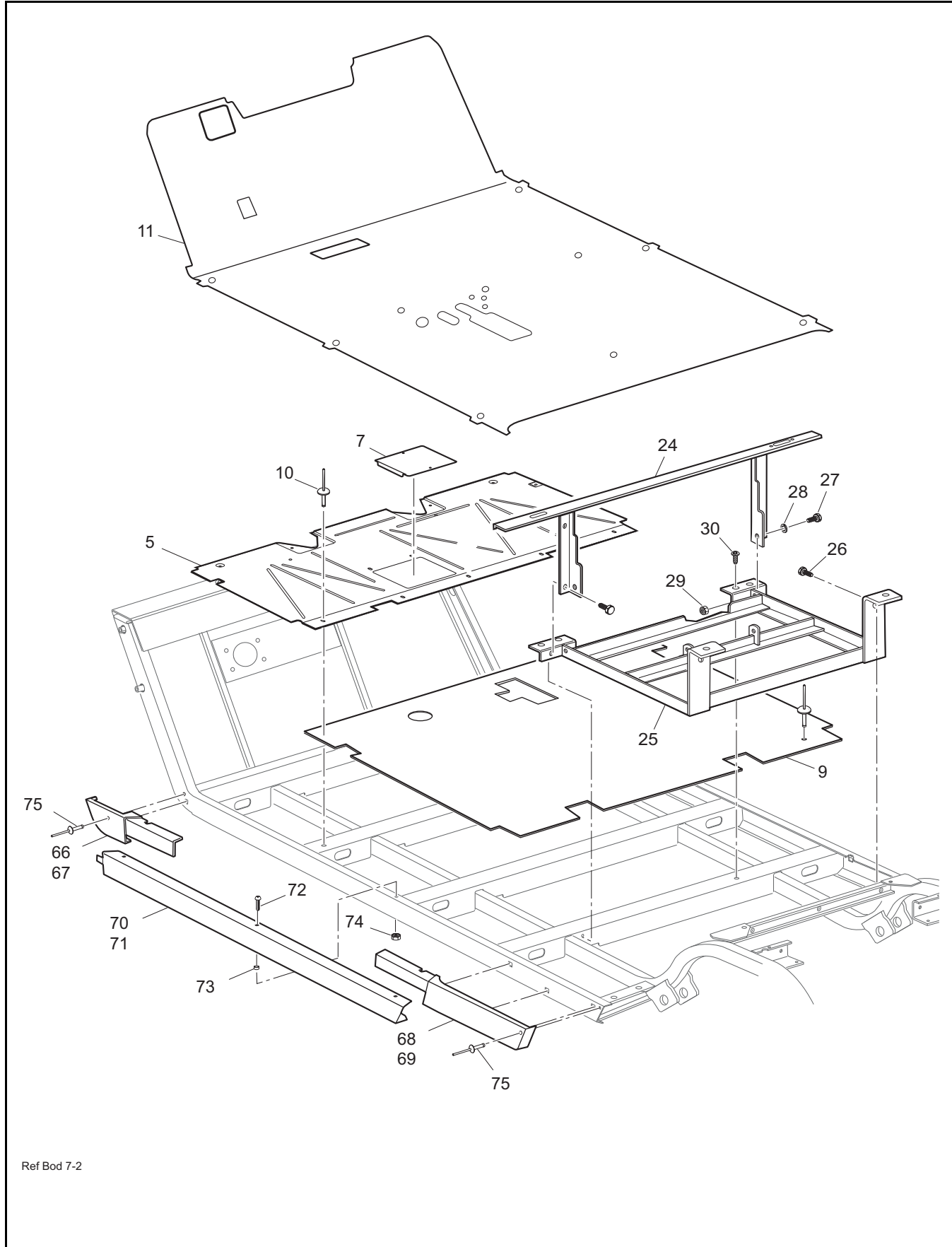
THE USE OF NON U.L. PARTS WILL VOID ANY U.L. LISTING.
 When ordering parts, please specify the model and serial number of the product.
 * Indicates a component that is not available as an individual part.
 G** Indicates consult Customer Service Department for additional information.

ITEM	PART NO.	1 2 3 4 5	DESCRIPTION	QTY.
1	28435-G01		48V LESTER BATTERY CHARGER WITH SWITCHABLE INPUT	1
2	28435-G05		48V LESTER BATTERY CHARGER CE APPROVED.....	1
			For service or replacement parts, contact: Lester Electrical 625 West "A" Street Lincoln, NE 68522 Phone: (402) 477-8988, FAX: (402) 474-1769 Always provide the following information when requesting information or ordering replacement parts: Model Number: Serial Number: (stamped into housing)	
3	600341-G03		48V DELTA-Q BATTERY CHARGER WITH 10' DC CORD (INCLUDES ITEMS 5-7)	1
4	600340-G02		48V DELTA-Q CHARGER	1
5	600463-G02		48V DC CABLE ASSEMBLY	1
6	600462-G01		AC POWER CORD (NOT SHOWN).....	1z

BODY

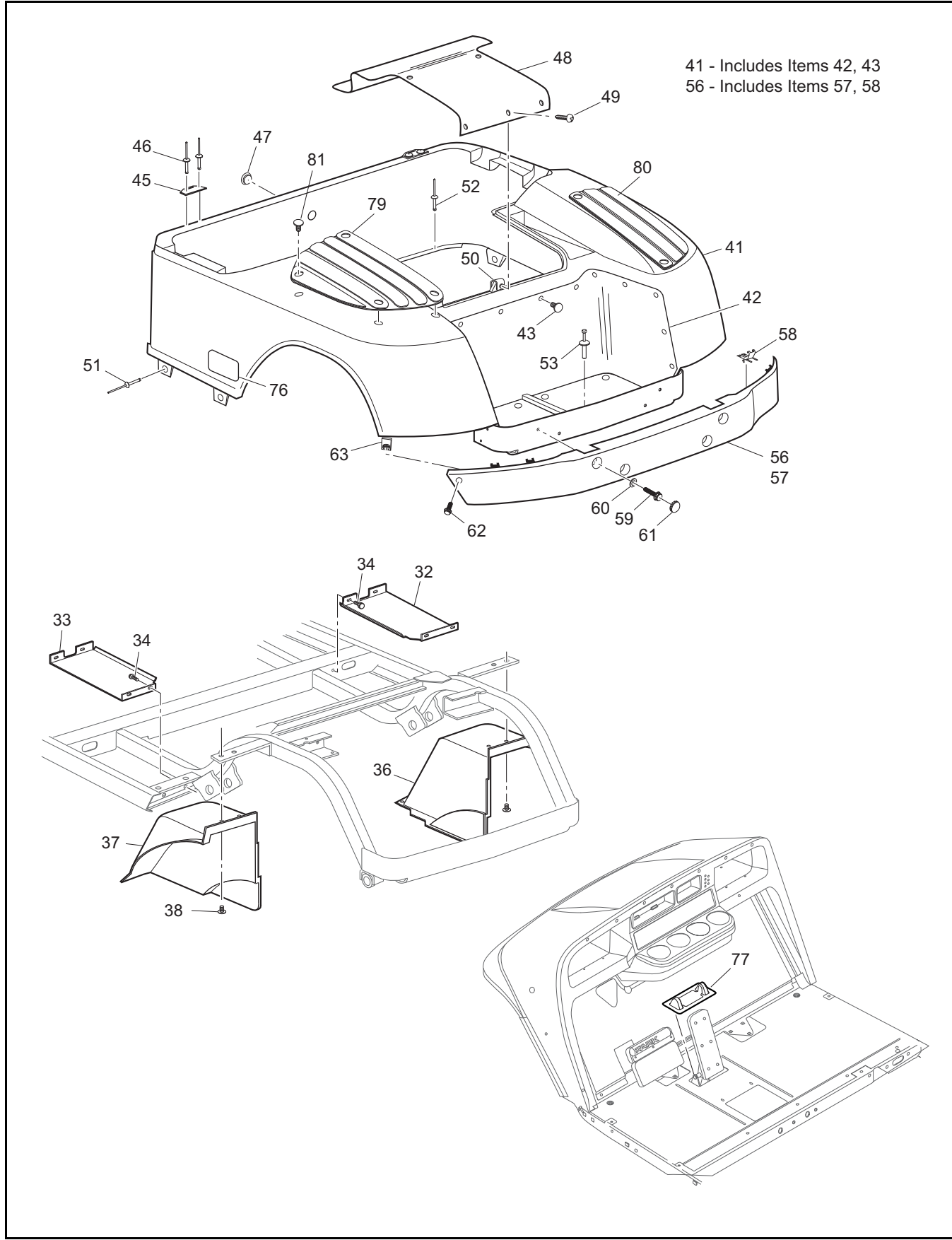


BODY



Ref Bod 7-2

BODY



BODY

THE USE OF NON U.L. PARTS WILL VOID ANY U.L. LISTING.
 When ordering parts, please specify the model and serial number of the product.
 * Indicates a component that is not available as an individual part.
 G** Indicates consult Customer Service Department for additional information.

ITEM	PART NO.	1 2 3 4 5	DESCRIPTION	QTY.
1	71151-G03		INSTRUMENT PANEL ASSEMBLY	1
2	71413-G01		SPLASH PANEL.....	1
3	16816-G2		RATCHET FASTENER, 1/4" X 3/4" LG	5
4	70662-G01		UPPER FLOORPAN.....	1
5	70451-G01		LOWER FLOORPAN.....	1
6	14601-G11		RIVET, 3/16" X 9/16" LG (ALUMINUM).....	16
7	70452-G01		ACCESS COVER.....	1
8				
9	70823-G01		REAR FLOORPAN.....	1
10	10570-G10		RIVET, 5/32" X 9/16" LG (STAINLESS STEEL)	5
11	70668-G0*		FLOORMAT.....	1
12	606534-G0xx		COWL.....	1
13	74183-G01		NAMEPLATE (E-Z-GO) (OVAL)	1
14	71055-G01		RIVET, 3/16' X 1" LG	7
15	71055-G01		RIVET, 3/16' X 1" LG	6
16	71338-G01		FENDER FLARE (DRIVER SIDE).....	1
17	71338-G02		FENDER FLARE (PASSENGER SIDE)	1
18	71101-G02		COWL SUPPORT BRACKET	1
19	71102-G02		SELF TAPPING SCREW, 1/4 - 20 X 1/2" LG	3
20	71055-G01		RIVET, 3/16' X 1 1/8" LG	1
21	71115-G01		VINYL TRIM	2
22	71055-G01		RIVET, 3/16" X 1" LG	10
23	00571-G2		WASHER, 5/16 (WITHOUT SUN TOP).....	2
24	70441-G01		SEAT FRAME.....	1
25	70046-G02		BATTERY RACK	1
26	00715-G2		BOLT, 5/16 - 18 X 13/16" LG	4
27	00438-G6		BOLT, 5/16 - 18 X 3/4" LG	2
28	00559-G8		WASHER, 5/16"	2
29	11098-G6		LOCK NUT, 5/16 - 18	2
30	70200-G01		SCREW, 3/8 - 16 X 3/4" LG.....	2

BODY

THE USE OF NON U.L. PARTS WILL VOID ANY U.L. LISTING.
 When ordering parts, please specify the model and serial number of the product.
 * Indicates a component that is not available as an individual part.
 G** Indicates consult Customer Service Department for additional information.

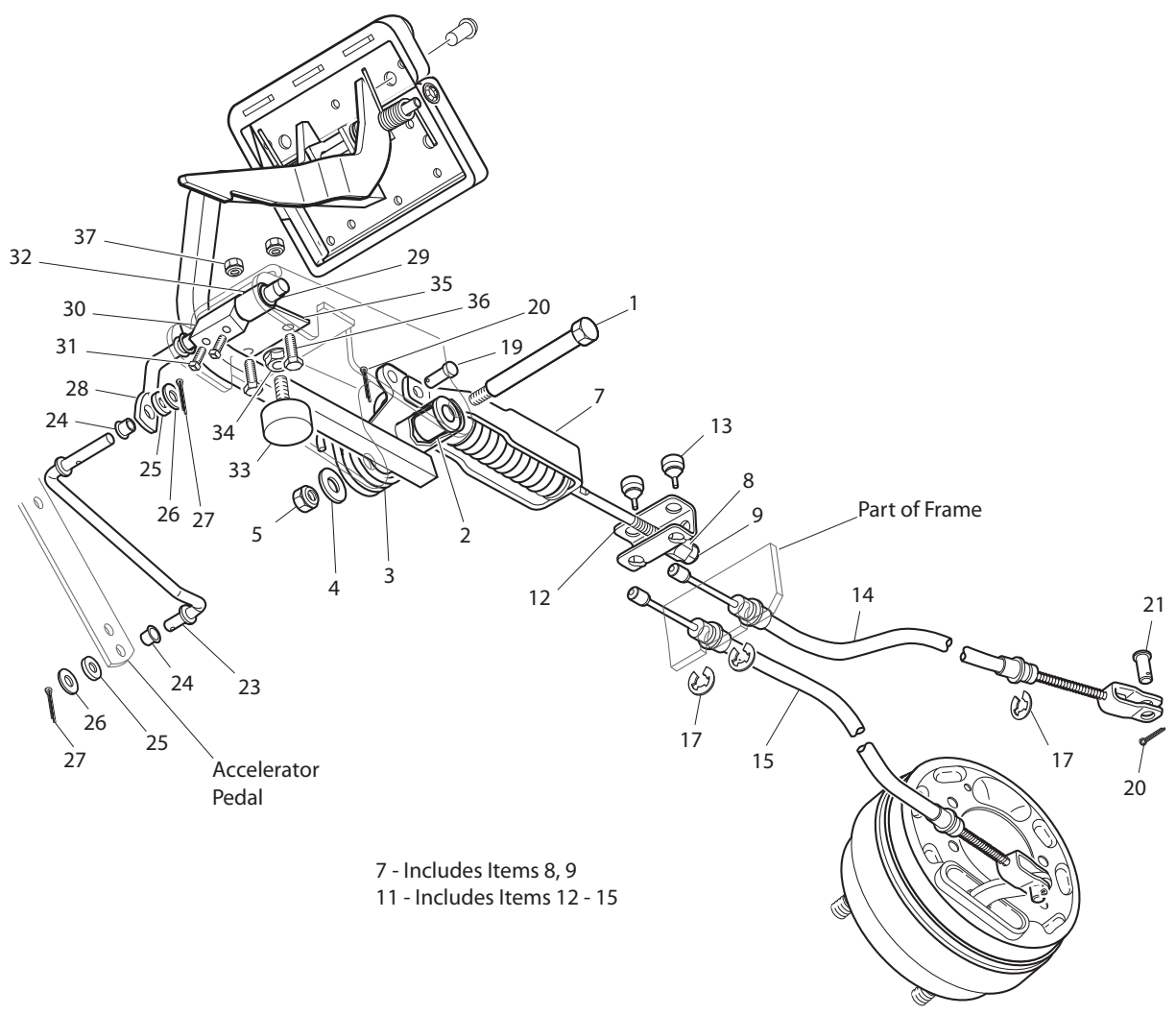
ITEM	PART NO.	1 2 3 4 5	DESCRIPTION	QTY.
31				
32	70385-G01		SPLASH PAN (PASSENGER SIDE)	1
33	70385-G02		SPLASH PAN (DRIVER SIDE).....	1
34	00715-G2		BOLT, 5/16 - 18 X 13/16" LG	8
35				
36	71551-G01		FENDER LINER (PASSENGER SIDE)	1
37	71552-G01		FENDER LINER (DRIVER SIDE).....	1
38	16816-G2		RATCHET FASTENER, 1/4" X 3/4" LG	8
39				
40				
41	71912-G**		REAR BODY ASSEMBLY (W/OUT TAILLIGHTS) (INCLUDES ITEMS 42, 43)..	1
42	71318-G01		BAGWELL LINER	1
43	16816-G1		RATCHET FASTENER, 1/4" X 9/16" LG	20
44				
45	71609-G01		HINGE PLATE	2
46	10570-G11		RIVET, 3/16" X 3/4" LG (STAINLESS STEEL)	4
47	71316-G01		PLUG.....	1
48	71320-G01		ACCESS PANEL	1
49	01107-G01		SCREW, #8 X 5/8" LG	5
50	71364-G02		'J' CLIP	1
51	10570-G12		RIVET, 1/4" X 9/16" LG (ALUMINUM)	4
52	10570-G10		RIVET, 5/32" X 9/16" LG (STAINLESS STEEL)	6
53	18436-G1		PLASTIC DRIVE RIVET, 1/4" X 9/16" LG	2
54				
55				
56	71451-G02		REAR BUMPER ASSEMBLY (INCLUDES ITEMS 69 & 70).....	1
57	*		REAR BUMPER.....	1
58	*		STAY	1
59	71398-G01		BOLT, 1/4 - 20 X 1 1/4" LG	4
60	00571-G2		WASHER, 5/16"	4

BODY

THE USE OF NON U.L. PARTS WILL VOID ANY U.L. LISTING.
 When ordering parts, please specify the model and serial number of the product.
 * Indicates a component that is not available as an individual part.
 G** Indicates consult Customer Service Department for additional information.

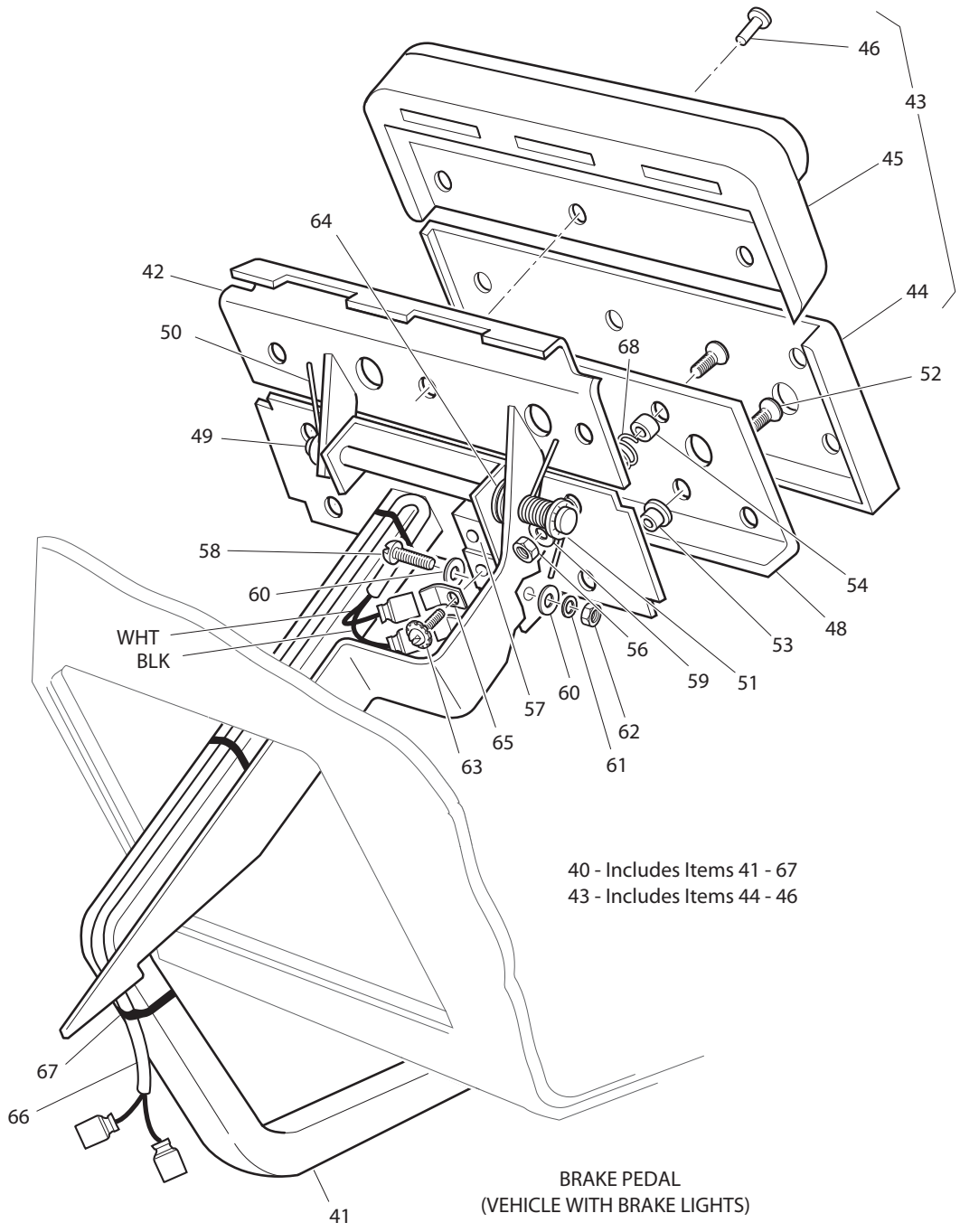
ITEM	PART NO.	1 2 3 4 5	DESCRIPTION	QTY.
61	71455-G01		BUMPER PLUG	4
62	71102-G03		BOLT, 1/4 - 20 x 11/16" LG	2
63	71554-G01		J-TYPE NUT RETAINER, 1/4 - 20.....	2
64				
65				
66	71642-G01		ROCKER PANEL (FRONT, DRIVER SIDE)	1
67	71642-G02		ROCKER PANEL (FRONT, PASSENGER SIDE).....	1
68	71643-G01		ROCKER PANEL (REAR, DRIVER SIDE)	1
69	71643-G02		ROCKER PANEL (REAR, PASSENGER SIDE).....	1
70	71641-G01		SILL PLATE (PASSENGER SIDE)	1
71	71641-G02		SILL PLATE (DRIVER SIDE).....	1
72	16705-G1		SCREW, 1/4 - 20 X 1" LG (STAINLESS STEEL)	6
73	23726-G4		SPACER, 5/16".....	6
74	00891-G2		LOCK NUT, 1/4 - 20	6
75	15058-G6		RIVET, 3/16" X 15/16" LG (ALUMINUM).....	4
76				
77	70135-G01		PEDAL PIVOT COVER	1
78				
79	75126-G01		FENDER SCUFFGUARD (DRIVER SIDE)	1
80	75126-G02		FENDER SCUFFGUARD (PASSENGER SIDE).....	1
81	16816-G2		RATCHET FASTENER, 1/4" x 3/4 " LG.....	8

BRAKES - FRONT DISC



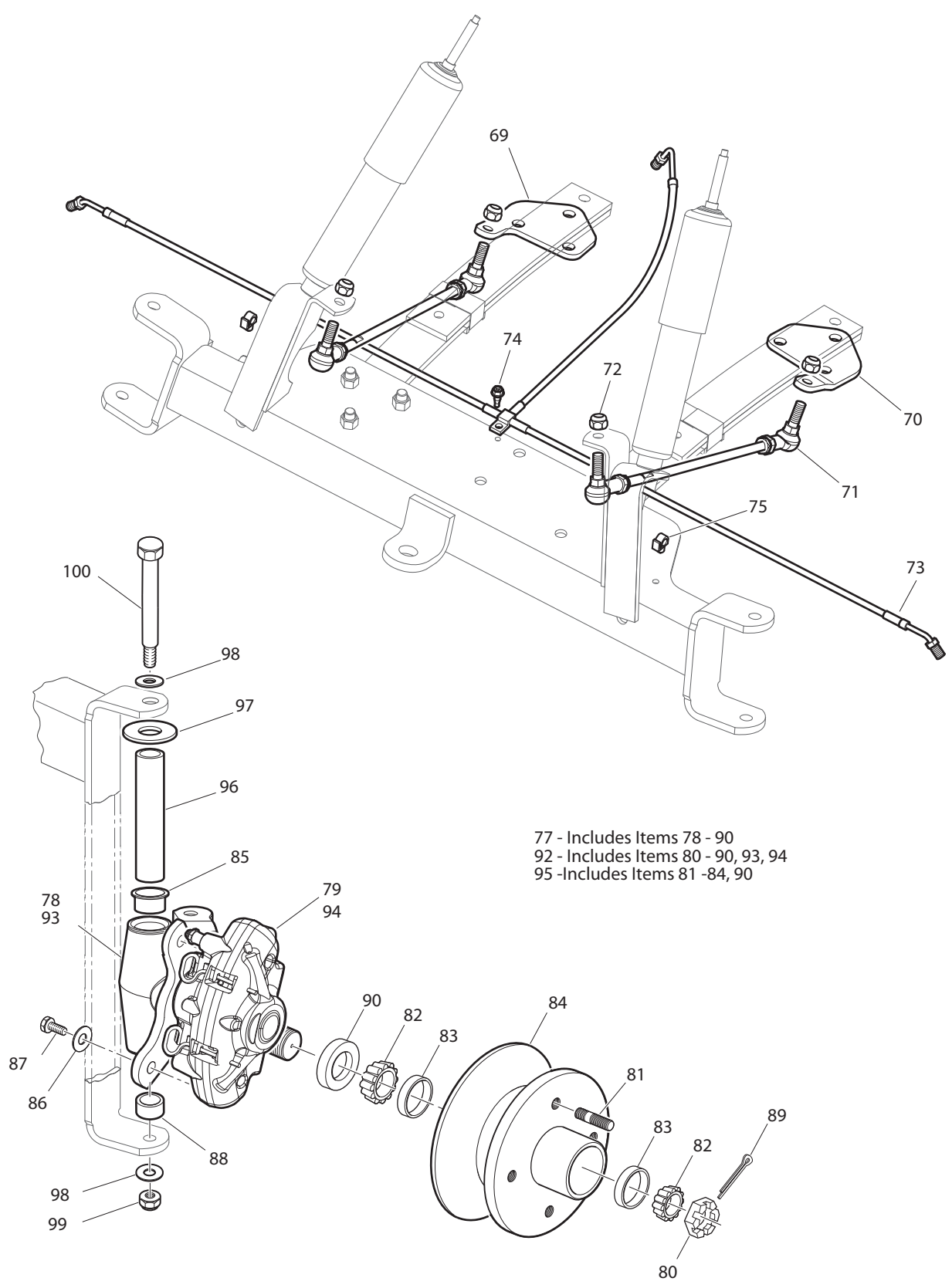
Ref Brh 21-1

BRAKES - FRONT DISC



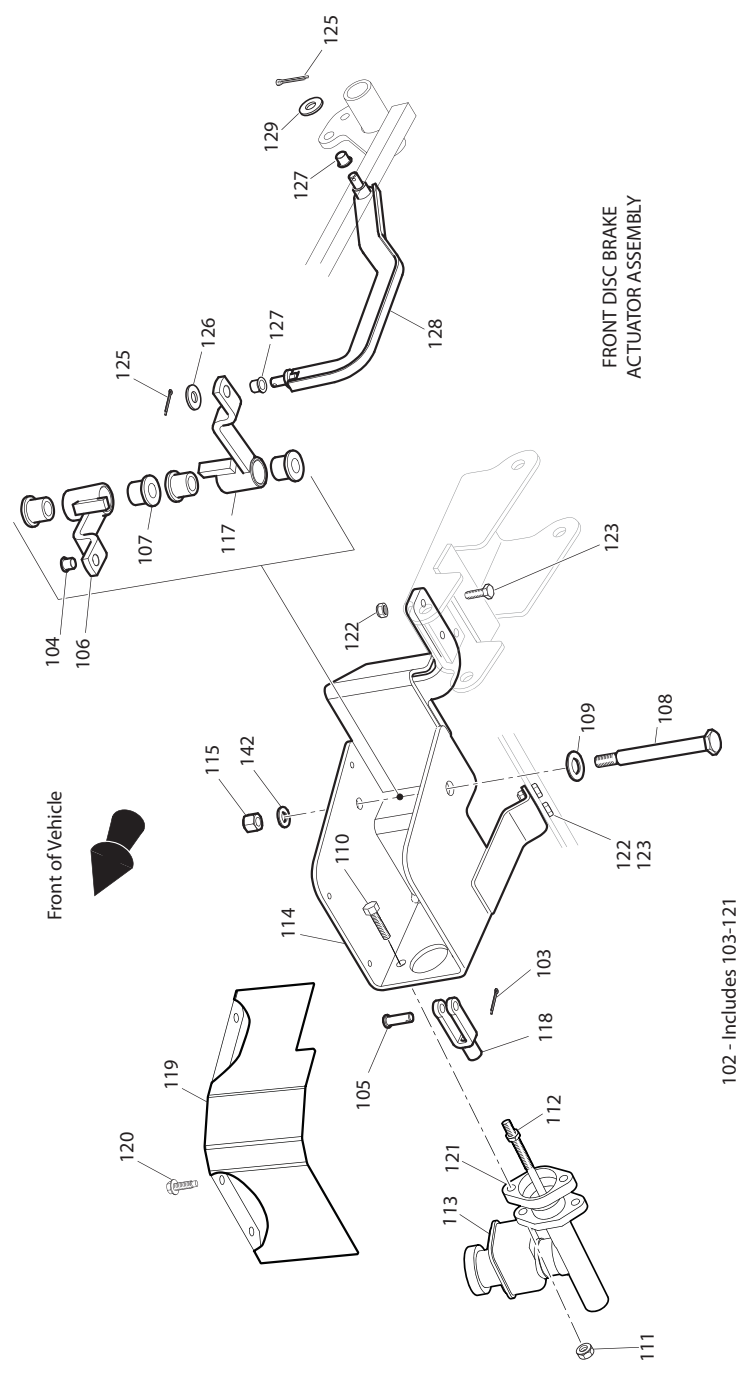
Ref Brh 21-2

BRAKES - FRONT DISC



Ref Brh 21-3

BRAKES - FRONT DISC



FRONT DISC BRAKE ACTUATOR ASSEMBLY

102 - Includes 103-121

Ref Brh 21-4

BRAKES - FRONT DISC

THE USE OF NON U.L. PARTS WILL VOID ANY U.L. LISTING.
When ordering parts, please specify the model and serial number of the product.
* Indicates a component that is not available as an individual part.
G** Indicates consult Customer Service Department for additional information.

ITEM	PART NO.	1 2 3 4 5	DESCRIPTION	QTY.
1	70582-G01		SHOULDER BOLT, 3/8 - 16 X 4" LG	1
2	70581-G01		FLANGED BUSHING	2
3	70676-G01		TORSION SPRING	1
4	00643-G1		WASHER, 3/8"	1
5	11098-G5		LOCK NUT, 3/8 - 16	1
6				
7	70272-G04		COMPENSATOR ASSEMBLY (INCLUDES ITEMS 8, 9)	1
8	00963-G01		SPHERICAL NUT, 5/16 - 24	1
9	11098-G9		LOCK NUT, 5/16 - 24	1
10				
11	70969-G05		EQUALIZER AND BRAKE CABLE ASSEMBLY (INCLUDES ITEMS 12 - 15)....	1
12	28082-G01		EQUALIZER BRACKET.....	1
13	28083-G01		BRAKE COMPENSATOR BUMPER.....	2
14	*		BRAKE CABLE (DRIVER SIDE).....	1
15	*		BRAKE CABLE (PASSENGER SIDE)	1
16				
17	01111-G01		RETAINING RING, S.S.....	4
18				
19	10386-G3		CLEVIS PIN, 5/16" X 1" LG	1
20	10387-G3		COTTER PIN, 3/32" X 3/4" LG	3
21	14443-G2		CLEVIS PIN, 5/16" X 3/4" LG	2
22				
23	70601-G01		KICK-OFF LINK.....	1
24	17838-G1		NYLON BUSHING.....	2
25	20835-G1		TEFLON WASHER, 3/8"	2
26	00559-G8		WASHER, 5/16"	2
27	10387-G3		COTTER PIN, 3/32" X 3/4" LG	2
28	70098-G01		KICK-OFF CAM PIVOT.....	1
29	10097-G6		FLANGED BEARING	2
30	70587-G01		KICK-OFF CAM.....	1

BRAKES - FRONT DISC

THE USE OF NON U.L. PARTS WILL VOID ANY U.L. LISTING.

When ordering parts, please specify the model and serial number of the product.

* Indicates a component that is not available as an individual part.

G** Indicates consult Customer Service Department for additional information.

ITEM	PART NO.	1 2 3 4 5	DESCRIPTION	QTY.
31	71215-G01		SETSCREW, 1/4 - 20 X 1/2" LG.....	2
32	14134-G4		SPACER.....	1
33	70113-G01		ADJUSTABLE BUMPER.....	1
34	11027-G1		LOCK NUT, 5/16 - 18.....	1
35	70080-G01		CATCH BRACKET.....	1
36	00414-G6		BOLT, 1/4 - 20 X 3/4" LG.....	2
37	14390-G4		LOCK NUT, 1/4 - 20.....	2
38				
39				
40	70690-G02		BRAKE PEDAL ASSEMBLY (WITH BRAKE LIGHTS) (INCLUDES ITEMS 41 - 67).....	1
41	70686-G02		BRAKE PEDAL.....	1
42	70611-G02		PARK BRAKE PEDAL.....	1
43	70274-G01		BRAKE/PARK BRAKE PEDAL PAD KIT (INCLUDES ITEMS 44 - 46).....	1
44	*		SERVICE BRAKE PAD.....	1
45	*		PARK BRAKE PAD.....	1
46	16409-G1		OVAL RIVET, 3/16" X 15/32" LG.....	9
47				
48	70258-G03		BRAKE PEDAL PLATE.....	1
49	70682-G01		PIVOT PIN.....	1
50	70681-G01		TORSION SPRING.....	2
51	01071-G01		PUSHNUT, 5/16".....	1
52	00737-G8		SCREW, #10 - 24 X 1" LG.....	4
53	00739-G1		RUBBER NUT, #10 - 24.....	2
54	74535-G01		BRAKE PEDAL STANDOFF.....	2
55	27137-G01		CONICAL SPRING.....	2
56	14390-G10		LOCK NUT, #10 - 24.....	2
57	10606-G8		MICRO SWITCH.....	1
58	00957-G1		SCREW, #6 - 32 X 1 1/4" LG.....	2
59	00559-G5		WASHER, #10.....	2

BRAKES - FRONT DISC

THE USE OF NON U.L. PARTS WILL VOID ANY U.L. LISTING.
 When ordering parts, please specify the model and serial number of the product.
 * Indicates a component that is not available as an individual part.
 G** Indicates consult Customer Service Department for additional information.

ITEM	PART NO.	1 2 3 4 5	DESCRIPTION	QTY.
60	00559-G3		WASHER, #6	4
61	00565-G3		LOCK WASHER, #6	2
62	00525-G5		NUT, #6 - 32.....	2
63	13514-G1		SCREW AND LOCK WASHER, #6.....	2
64	20835-G1		WASHER, TEFLON, 3/8"	2
65	14628-G1		FASTON TAB	2
66	24605-G1		WIRE HARNESS (BRAKE LIGHT)	1
67	17618-G1		WIRE TIE	2
68				
69	74731-G02		SPRING PLATE (PASSENGER SIDE).....	1
70	74731-G01		SPRING PLATE (DRIVER SIDE)	1
71	74730-G01		FOUR LINK ROD	2
72	01084-G01		LOCK NUT, M10-1.25	4
73	74736-G01		BRAKE LINE	1
74	01038-G01		SCREW, 1/4 - 20 X 4444" LG.....	1
75	74875-G01		WIRE RETAINER	2
76				
77	602281		SPINDLE, CALIPER AND DISC HUB ASSEMBLY (DRIVER SIDE) (INCLUDES ITEMS 78, 80 - 90).....	1
78	70803-G01		DISC BRAKE SPINDLE (DRIVER SIDE)	1
79	74733-G02		CALIPER (DRIVER SIDE)	1
80	12093-G1		SLOTTED NUT	1
81	74864-G01		DRIVE FLANGE STUD.....	4
82	11750-G2		ROLLER BEARING	2
83	51141-G1		BEARING RACE.....	2
84	35886-G01		DISC BRAKE HUB.....	1
85	70648-G01		FLANGED BEARING.....	1
86	00566-G1		WASHER, 3/8"	2
87	00426-G6		BOLT, 3/8 - 16 X 1.....	2
88	70749-G01		BEARING.....	1

BRAKES - FRONT DISC

THE USE OF NON U.L. PARTS WILL VOID ANY U.L. LISTING.

When ordering parts, please specify the model and serial number of the product.

* Indicates a component that is not available as an individual part.

G** Indicates consult Customer Service Department for additional information.

ITEM	PART NO.	1 2 3 4 5	DESCRIPTION	QTY.
89	00798-G8		COTTER PIN	1
90	25146-G1		GREASE SEAL.....	1
91				
92	70803-G01		SPINDLE, CALIPER AND DISC HUB ASSEMBLY (PASSENGER SIDE) (INCLUDES ITEMS 80 - 90, 94).....	1
93	602158		DISC BRAKE SPINDLE (PASSENGER SIDE).....	1
94	74733-G01		CALIPER (PASSENGER SIDE).....	1
95	74948-G01		DISC BRAKE SERVICE HUB (INCLUDES ITEMS 94 - 97, 103).....	1
96	70745-G01		KINGPIN TUBE	2
97	70754-G01		THRUST WASHER	2
98	00560-G3		WASHER, 1/2"	4
99	14390-G6		LOCKNUT, 1/2 - 13	2
100	00407-G6		CAPSCREW, 1/2 - 13 X 6" LG	2
101				
102	74702-G02		FRONT DISC BRAKE BRAKE ACTUATOR ASSEMBLY (INCLUDES ITEMS 103 - 121).....	1
103	10387-G3		COTTER PIN, 3/32 X 3/4" LG.....	1
104	17838-G1		NYLON BUSHING	1
105	10386-G3		CLEVIS PIN, 5/16 X 1" LG.....	1
106	74753-G01		UPPER ACTUATOR PIVOT	1
107	70581-G02		ACETAL BUSHING.....	4
108	74711-G01		SHOULDER BOLT	1
109	00560-G3		WASHER, 1/2"	1
110	00439-G4		BOLT, 1/2 - 13 X 6" LG.....	2
111	11098-G6		FLANDED LOCK NUT, 5/16 - 18	2
112	00544-G4		JAM NUT	1
113	604804		MASTER CYLINDER.....	1
114	606864		MASTER CYLINDER WELDMENT MOUNT	1
115	11098-G5		LOCKNUT, 3/8 - 16.....	1
116	00679-G1		WASHER, 3/8" STAINLESS	1
117	74707-G01		LOWER ACTUATOR PIVOT.....	1

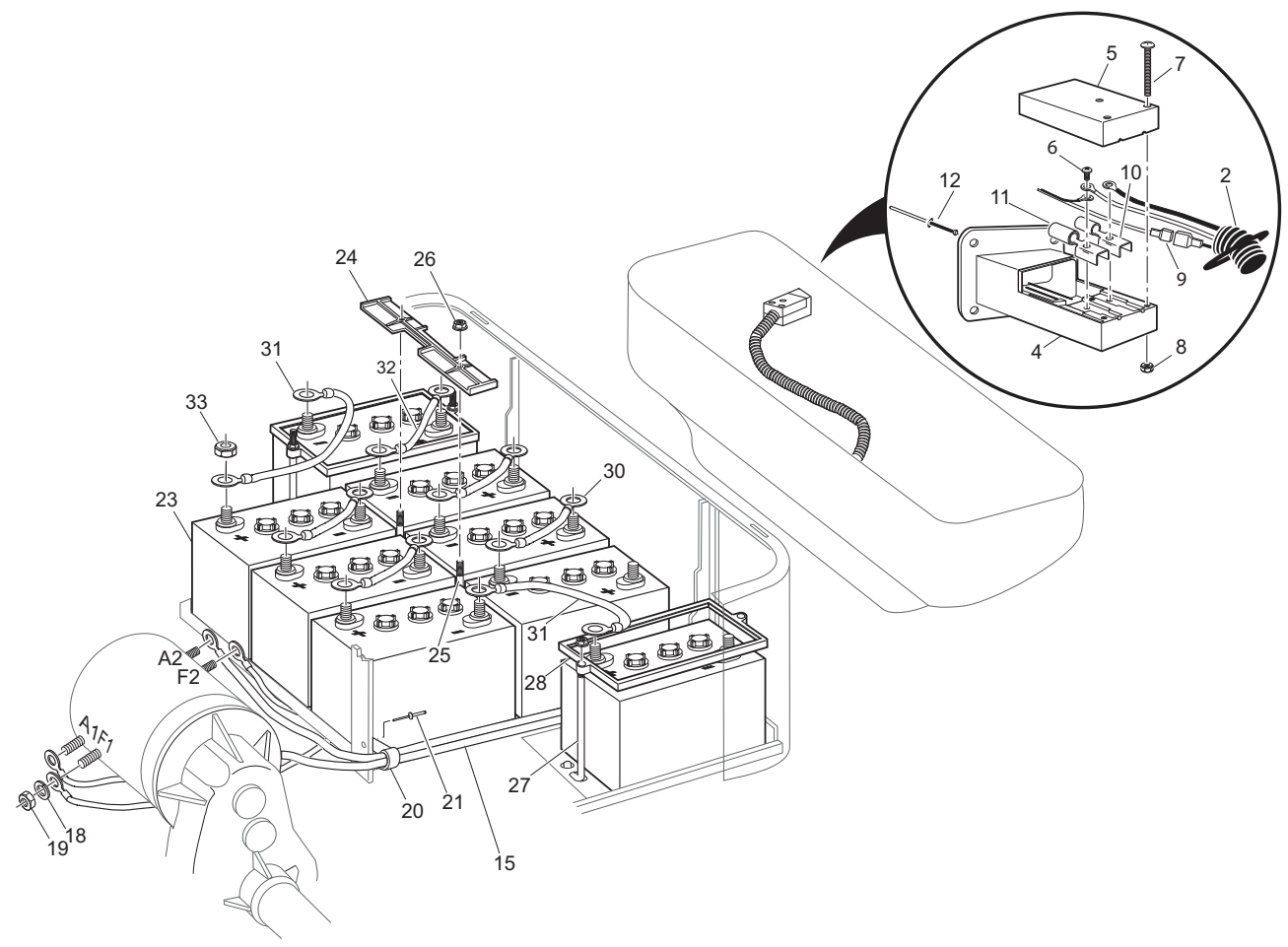
BRAKES - FRONT DISC

THE USE OF NON U.L. PARTS WILL VOID ANY U.L. LISTING.
 When ordering parts, please specify the model and serial number of the product.
 * Indicates a component that is not available as an individual part.
 G** Indicates consult Customer Service Department for additional information.

ITEM	PART NO.	1	2	3	4	5	DESCRIPTION	QTY.
118	10385-G4						CLEVIS YOKE	1
119	606869						ACTUATOR ASSEMBLY COVER.....	1
120	01038-G01						SCREW, 1/4 -20 SWAGEFORM.....	3
121	604565						MASTER CYLINDER SPACER	1
122	00414-G8						BOLT, 1/4 - 20 X 1 1/4" LG	4
123	00891-G2						LOCKNUT, 1/4 - 20	4
124								
125	10387-G3						COTTER PIN, 3/32 X 3/4	2
126	20835-G1						WASHER, NYLON	1
127	17838-G1						NYLON BUSHING.....	2
128	74865-G01						ACTUATOR LINKAGE	1
129	00771-G5						WASHER, 3/8"	1
130	74917-G01						DISC BRAKE PAD AND PIN KIT (SERVICES ONE CORNER) (INCLUDES ITEMS 131 - 132).....	1
131	*						BRAKE PADS	2
132	*						BRAKE PAD RETAINER PINS	2

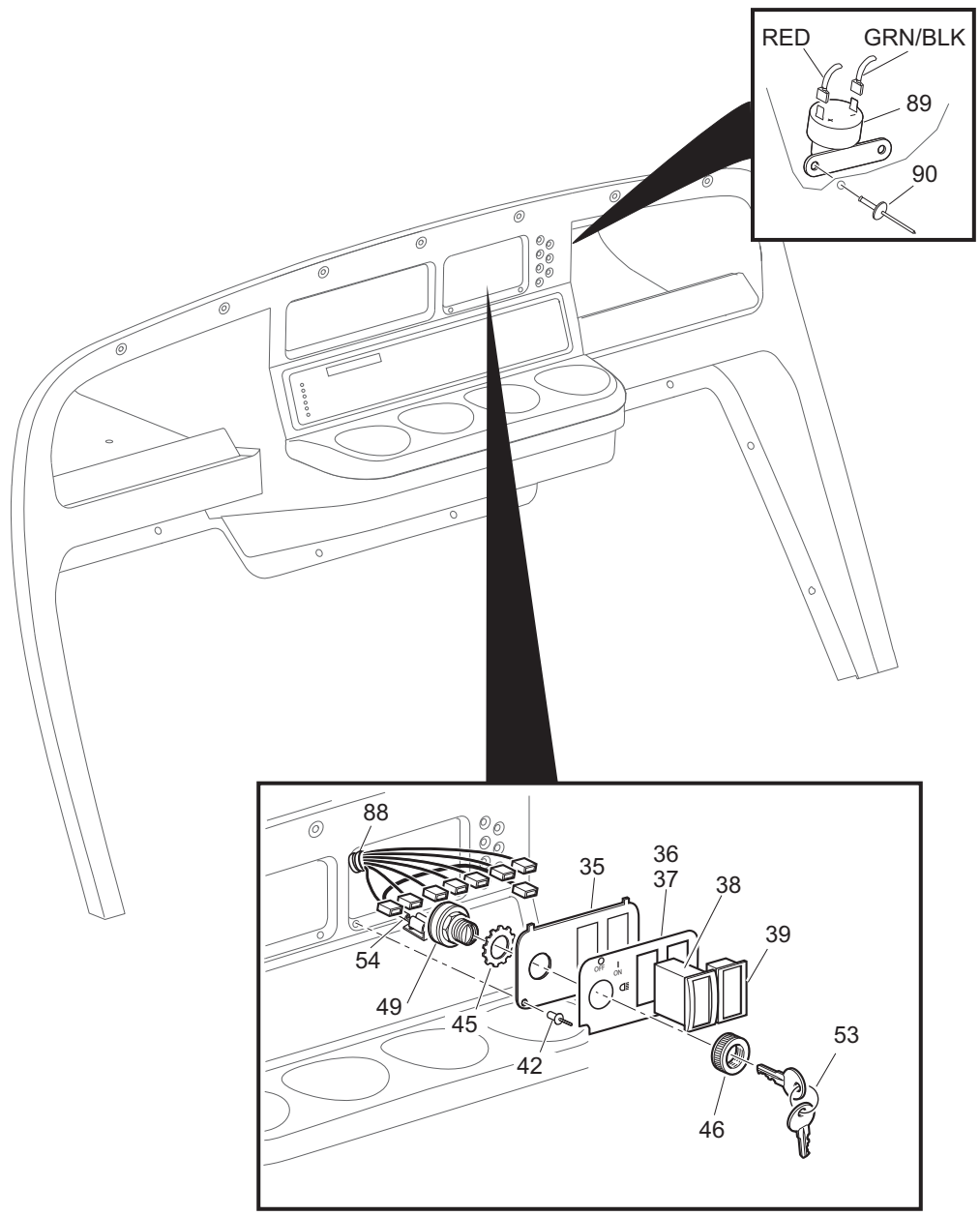
ELECTRICAL SYSTEM

- 1 - Includes Items 2 - 11
- 3 - Includes Items 4 - 11



Ref Ele 7-1

ELECTRICAL SYSTEM

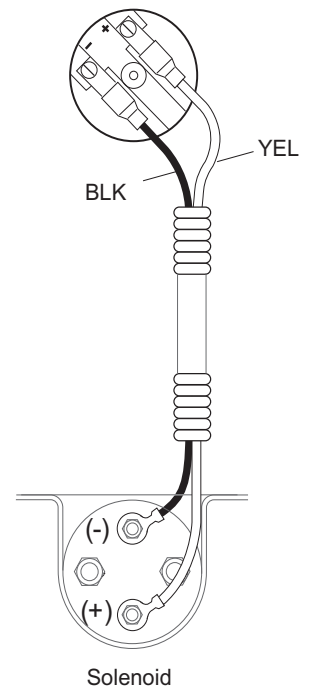
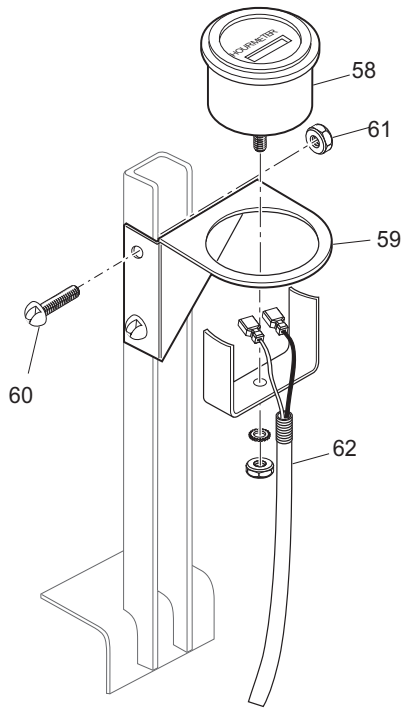


Ref Ele 7-2

ELECTRICAL SYSTEM

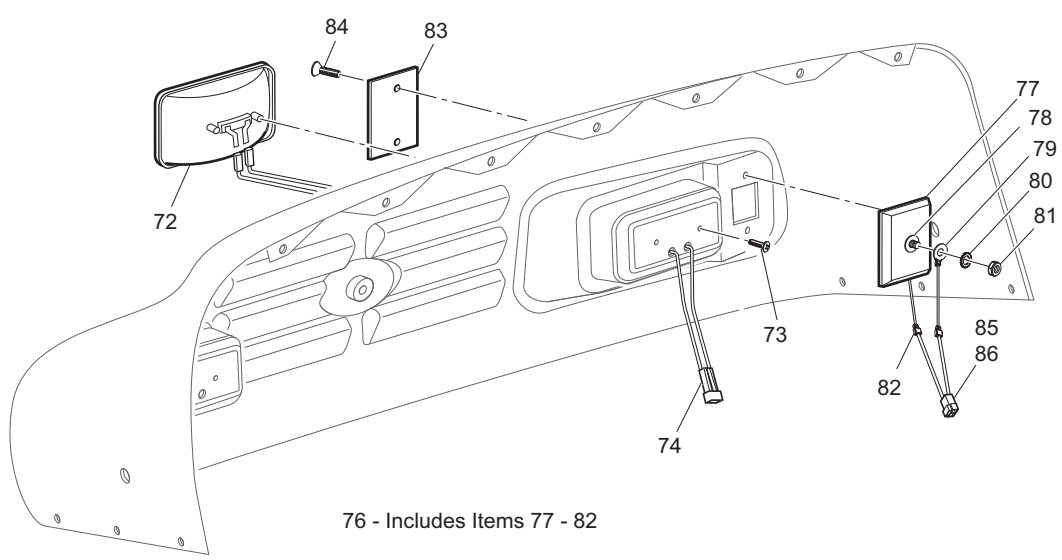
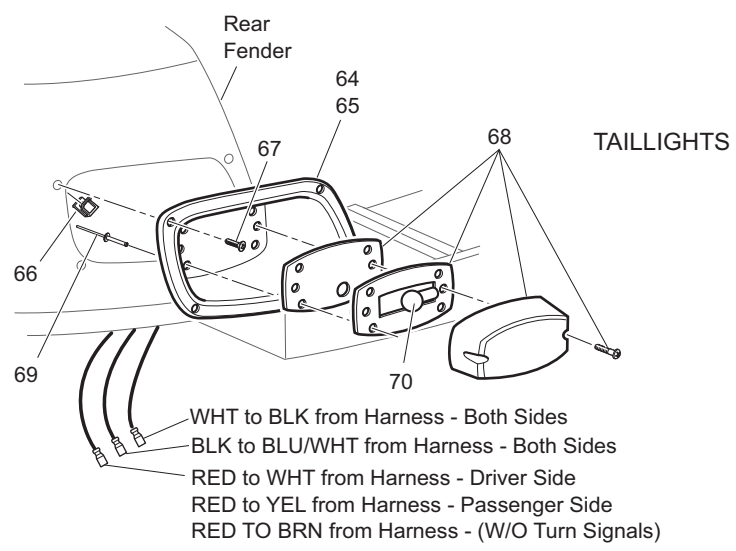
HOUR METER

57 - Includes Items 58 - 62



Ref Ele 7-3

ELECTRICAL SYSTEM



ELECTRICAL SYSTEM

THE USE OF NON U.L. PARTS WILL VOID ANY U.L. LISTING.
 When ordering parts, please specify the model and serial number of the product.
 * Indicates a component that is not available as an individual part.
 G** Indicates consult Customer Service Department for additional information.

ITEM	PART NO.	1 2 3 4 5	DESCRIPTION	QTY.
1	73311-G03		CHARGER HARNESS / RECEPTACLE (INCLUDES ITEMS 2 - 11).....	1
2	602822		CHARGER HARNESS.....	1
3	73051-G30		CHARGER HARNESS RECEPTACLE (INCLUDES ITEMS 4 - 11)	1
4	73051-G22		RECEPTACLE BOTTOM	1
5	73051-G21		RECEPTACLE COVER	1
6	73051-G08		SCREW, #10 - 32 X 1/2" LG.....	2
7	73051-G09		SCREW, #6 - 32 X 1 3/4" LG.....	3
8	73051-G10		LOCK NUT, #6 - 32	3
9	25978-G25		WIRE, RED JUMPER, 18 GA.	1
10	73051-G23		FEMALE CONTACT	1
11	73051-G24		FEMALE CONTACT, INSULATED	1
12	71055-G01		RIVET, 3/16" X 1" LG	4
13				
14				
15	73349-G01		POWER HARNESS	1
16				
17				
18	00993-G02		LOCK WASHER, 5/16"	2
19	28418-G02		NUT, 5/16 - 18	2
20	27327-G02		CLAMP	1
21	10570-G11		RIVET, 3/16" X 3/4" LG (STAINLESS STEEL)	1
22				
23	XXXXX-G**		48 VOLT BATTERY	8
24	70045-G01		BATTERY RETAINER	1
25	01101-G01		HOLD DOWN BOLT	2
26	11027-G1		LOCK NUT, 5/16 - 18	6
27	70386-G01		HOLD DOWN BOLT	4
28	70387-G01		BATTERY RETAINER	2
29				
30	25971-G18		4 GA WIRE (BLK 6")	4

ELECTRICAL SYSTEM

THE USE OF NON U.L. PARTS WILL VOID ANY U.L. LISTING.
 When ordering parts, please specify the model and serial number of the product.
 * Indicates a component that is not available as an individual part.
 G** Indicates consult Customer Service Department for additional information.

ITEM	PART NO.	1	2	3	4	5	DESCRIPTION	QTY.
31	25971-G13						4 GA WIRE (BLK 10 1/2")	2
32	25971-G16						4 GA WIRE (BLK 19")	1
33	00702-G2						NUT, 5/16 - 18	16
34								
35	73030-G02						CONSOLE INSERT PLATE.....	1
36	74320-G01						LABEL, DIRECTION SELECTOR AND STATE OF CHARGE METER	1
37	74322-G01						LABEL, LIGHTS, DIRECTION SELECTOR & STATE OF CHARGE METER.....	1
38	74323-G01						DIRECTION SELECTOR SWITCH	1
39	33636-G05						STATE OF CHARGE METER (VERTICAL)	1
40								
41								
42	33623-G02						RIVET, 3/16" X 3/8" LG	2
43								
44								
45	00568-G6						LOCK WASHER, 3/4".....	1
46	17137-G1						FACE NUT.....	1
47								
48								
49	33639-G01						IGNITION SWITCH (WITH LIGHTS, STANDARD KEY).....	1
50								
51								
52								
53	17618-G1						WIRE TIE	1
54	25978-G18						18 GA WIRE (RED 6").....	1
55								
56								
57	75113-G06						HOUR METER KIT (INCLUDES ITEMS 58 - 62).....	1
58	21573-G1						HOUR METER ASSEMBLY.....	1
59	74019-G02						HOUR METER BRACKET.....	1
60	00379-G4						SCREW, #10 - 24 X 1/2" LG	2

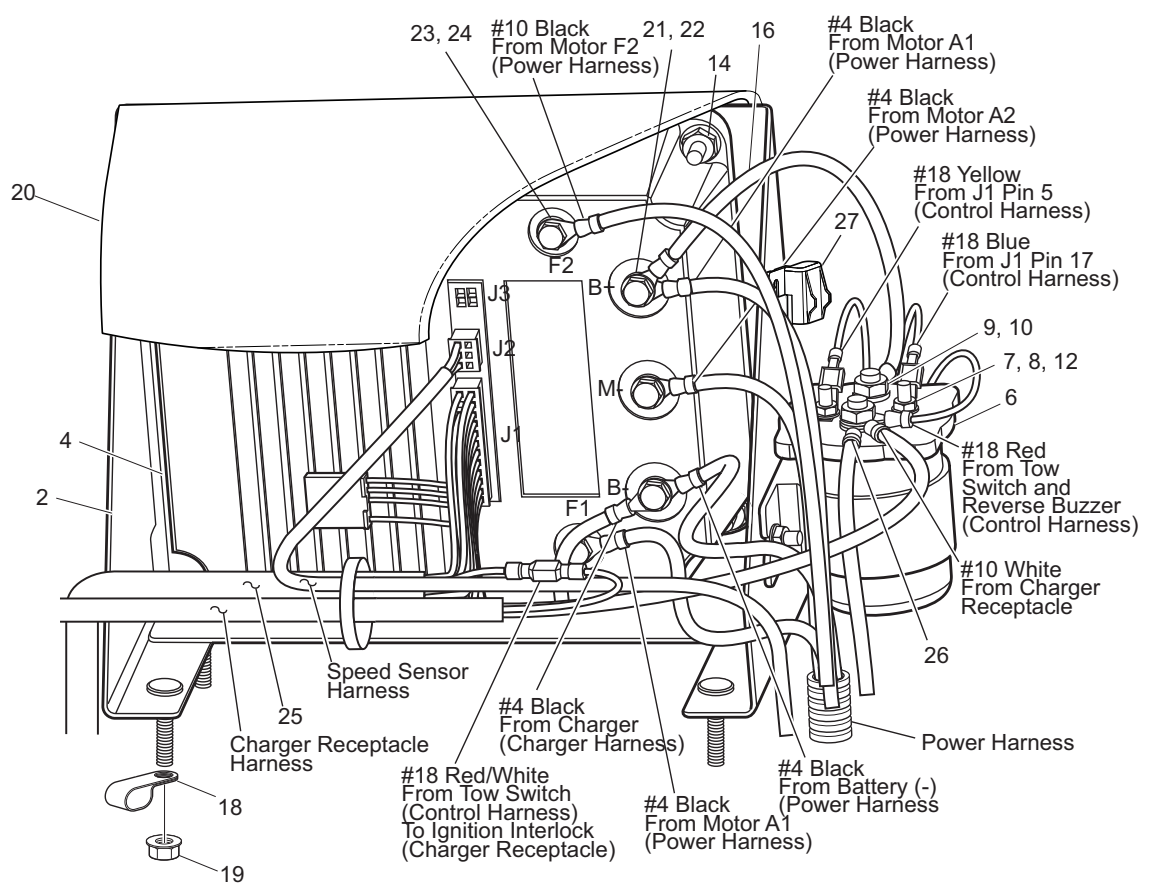
ELECTRICAL SYSTEM

THE USE OF NON U.L. PARTS WILL VOID ANY U.L. LISTING.
 When ordering parts, please specify the model and serial number of the product.
 * Indicates a component that is not available as an individual part.
 G** Indicates consult Customer Service Department for additional information.

ITEM	PART NO.	1 2 3 4 5	DESCRIPTION	QTY.
61	14390-G10		LOCK NUT, #10 - 24	2
62	75117-G04		WIRE HARNESS (HOUR METER).....	1
63				
64	74371-G02		BEZEL (DRIVER SIDE).....	1
65	74371-G02		BEZEL (PASSENGER SIDE)	1
66	71364-G02		'J' CLIP	8
67	71425-G01		COUNTERSUNK SCREW, #8	8
68	22288-G1		BRAKE/TAILLIGHT LAMP.....	1
69	14601-G11		RIVET, 3/16' X 9/16' LG (ALUMINIUM).....	4
70	00513-G4		SCREW ST 8 - 18 X 1 1/2".....	4
71				
72	22523-G1		HEADLIGHT (INCLUDES ITEM 94).....	2
73	00906-G6		SCREW, #10 - 16 X 1" LG	2
74	74337-G01		JUMPER WIRE (HEADLIGHT)	2
75				
76	20570-G3		TURN SIGNAL LIGHT ASSEMBLY (INCLUDES ITEM 108 - 113)	2
77	20574-G3		TURN SIGNAL LIGHT	1
78	00660-G7		WASHER, 1/4" (STAINLESS STEEL).....	1
79	20606-G1		WIRE ASSEMBLY	1
80	00567-G7		LOCK WASHER, 1/4'.....	1
81	00532-G1		NUT, 1/4 - 20.....	1
82	18995-G1		PUSH-ON TERMINAL (MALE)	1
83	20574-G5		LENS, AMBER	1
84	00118-G5		SCREW, #6 - 18 X 5/8' LG	2
85	74056-G01		TURN SIGNAL JUMPER, RED/BLACK (PASSENGER SIDE)	1
86	74056-G02		TURN SIGNAL JUMPER, GREEN/BLACK (DRIVER SIDE)	1
87				
88	73334-G01		HARNESS (CONTROL)	1
89	73290-G02		BUZZER	1
90	01041-G01		RIVET, 5/32"	2

ELECTRONIC SPEED CONTROL - PDS

1 - Includes 2 - 16



29

Code	Pin	Code	Symptoms	Corrective Action
10	10	10	Vehicle will not start	Check battery voltage and connections
11	11	11	Vehicle will not start	Check positive terminal connections
12	12	12	Vehicle will not start	Check positive terminal connections
13	13	13	Vehicle will not start	Check positive terminal connections
14	14	14	Vehicle will not start	Check positive terminal connections
15	15	15	Vehicle will not start	Check positive terminal connections
16	16	16	Vehicle will not start	Check positive terminal connections
17	17	17	Vehicle will not start	Check positive terminal connections
18	18	18	Vehicle will not start	Check positive terminal connections
19	19	19	Vehicle will not start	Check positive terminal connections
20	20	20	Vehicle will not start	Check positive terminal connections
21	21	21	Vehicle will not start	Check positive terminal connections
22	22	22	Vehicle will not start	Check positive terminal connections
23	23	23	Vehicle will not start	Check positive terminal connections
24	24	24	Vehicle will not start	Check positive terminal connections
25	25	25	Vehicle will not start	Check positive terminal connections
26	26	26	Vehicle will not start	Check positive terminal connections
27	27	27	Vehicle will not start	Check positive terminal connections
28	28	28	Vehicle will not start	Check positive terminal connections
29	29	29	Vehicle will not start	Check positive terminal connections

Abbreviations: AUX (Auxiliary), CONT (Contact), SOLENOID, CNC (Circuit Control), HPS (High Pedal Disable), HW (Hardware), ITS (Inductive Throttle Sensor), M (Common to all Controller), VCC (Voltage Control), VDD (Power Supply Fault)

DIAGNOSTIC FAULT CODES

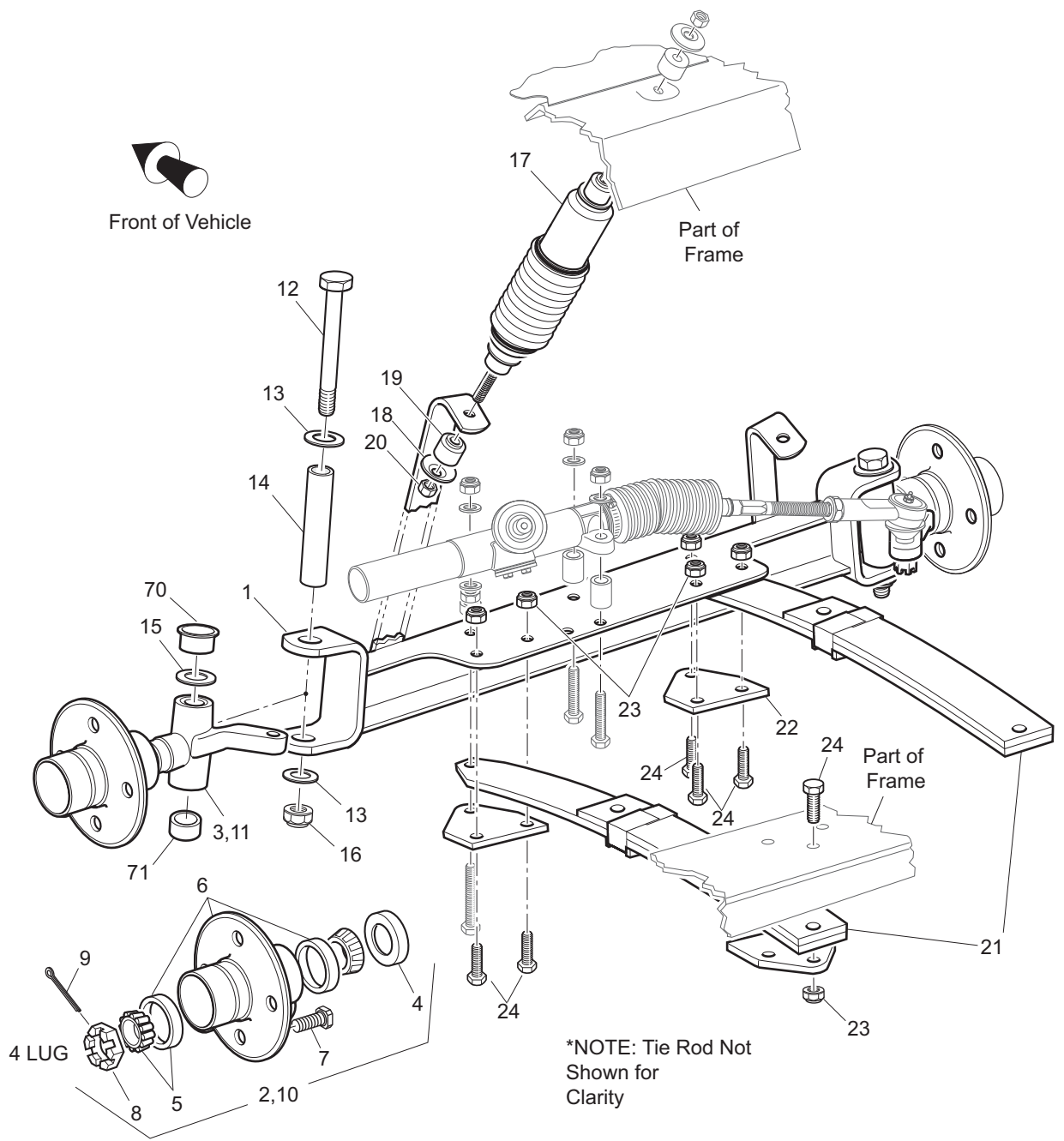
- The LED will flash a diagnostic fault code when a fault is detected
- Some faults may only be detected by operating the vehicle with the use of the vehicle raised and supported on safety stands
- Access from the 'SAFETY MAINTENANCE' switch (located in the battery compartment) to the 'TOW MAINTENANCE' position before performing any repair or maintenance to the vehicle
- Select 'RUN' before returning the vehicle to service

ELECTRONIC SPEED CONTROL - PDS

THE USE OF NON U.L. PARTS WILL VOID ANY U.L. LISTING.
 When ordering parts, please specify the model and serial number of the product.
 * Indicates a component that is not available as an individual part.
 G** Indicates consult Customer Service Department for additional information.

ITEM	PART NO.	1 2 3 4 5	DESCRIPTION	QTY.
1	73348-G04		ELECTRONIC SPEED CONTROL ASSEMBLY (INCLUDES ITEMS 2 - 16).....	1
2	73351-G01		CONTROLLER MOUNT	1
3				
4	73098-G04		ELECTRONIC SPEED CONTROLLER	1
5				
6	73231-G01		48 VOLT SOLENOID (INCLUDES ITEMS 7 - 10)	1
7	00565-G5		LOCK WASHER, #10	2
8	00565-G4		NUT, #10 - 32	2
9	00565-G8		LOCK WASHER, 5/16"	2
10	00544-G4		JAM NUT, 5/16 - 24	2
11				
12	73446-G01		FASTON TAB	4
13				
14	11027-G2		LOCK NUT, 1/4 - 20	6
15				
16	25971-G17		4 GA WIRE (BLK 9")	1
17				
18	73053-G01		DOUBLE TUBE CLAMP	1
19	11027-G2		LOCK NUT, 1/4 - 20	4
20	73523-G01		COVER, PDS CONTROLLER.....	1
21	73296-G01		BOLT, 8MM X 16MM LG.....	3
22	00993-G01		LOCK WASHER, 5/16"	5
23	73346-G01		BOLT, 6MM X 1 X 12MM LG	2
24	00993-G02		LOCK WASHER, 1/4"	2
25	73334-G01		CONTROL HARNESS	1
26	25971-G06		4 GA WIRE (BLK 59 1/2") (SOL - BATTERY +)	1
27	73499-G01		COVER, IN-LINE FUSE	1
28				
29	73398-G01		DIAGNOSTIC LABEL (FAULT CODE)	1

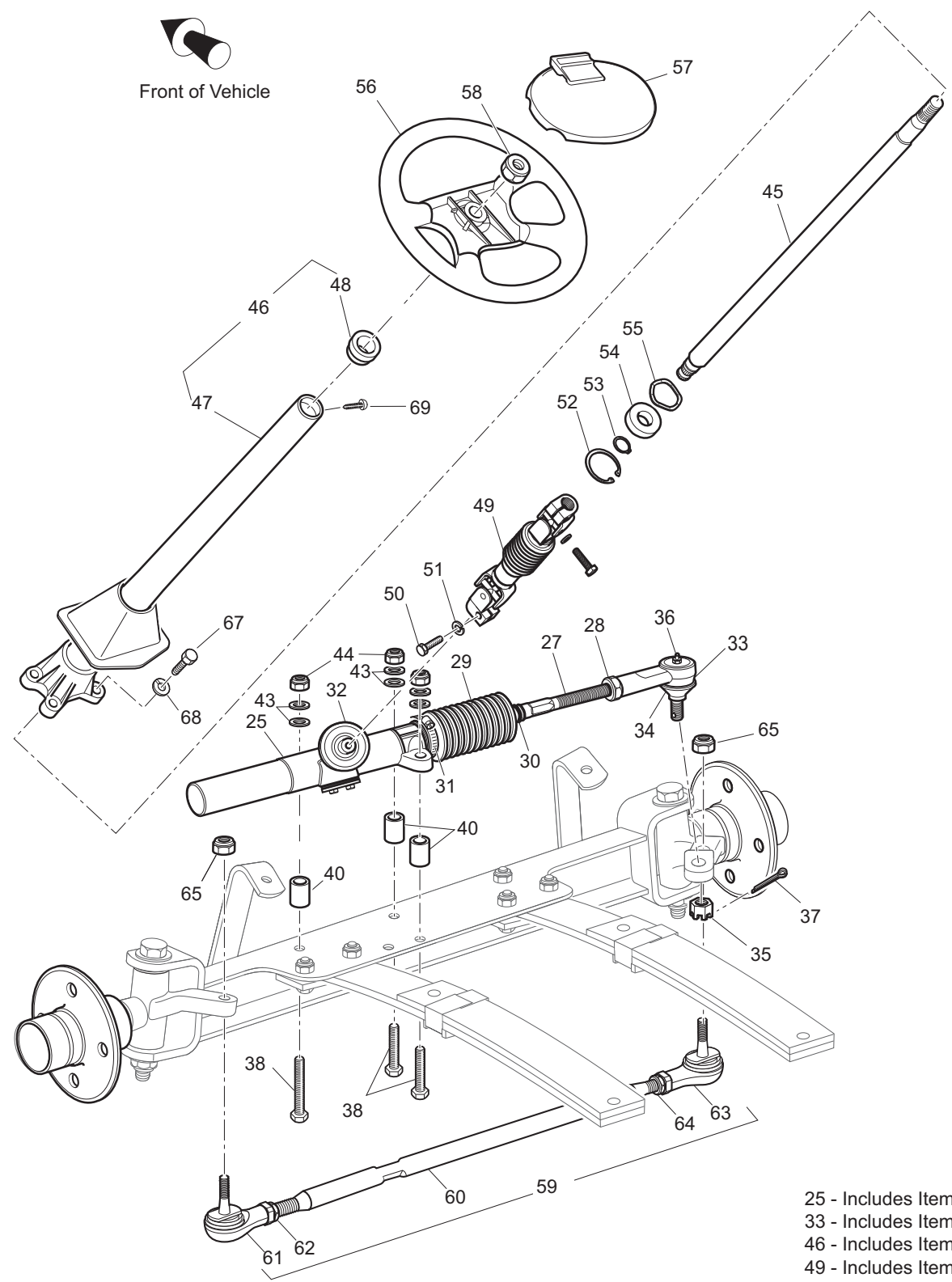
FRONT SUSPENSION/STEERING



- 2 - Includes Items 3 - 9
- 6 - Includes Item 7
- 10 - Includes Items 4 - 9, 11

Ref Fss 1-1

FRONT SUSPENSION/STEERING



- 25 - Includes Items 26 - 37
- 33 - Includes Items 34 - 37
- 46 - Includes Items 47, 48, 69
- 49 - Includes Items 51, 52
- 59 - Includes Items 60 - 64

Ref Fss 1-2

FRONT SUSPENSION/STEERING

Where applicable, THE USE OF NON UL PARTS WILL VOID ANY UL LISTING.
 When ordering parts, please specify the model and serial number of the product.
 * Indicates a component that is not available as an individual part.
 G** Indicates consult Customer Service Department for additional information.

ITEM	PART NO.	1 2 3 4 5	DESCRIPTION	QTY.
1	606989		FRONT AXLE	1
2	70930-G01		SPINDLE AND HUB ASSEMBLY, 4 LUG (PASSENGER SIDE) (INCLUDES ITEMS 3 - 9).....	1
3	70802-G01		SPINDLE ASSEMBLY (PASSENGER SIDE).....	1
4	25146-G1		GREASE SEAL.....	1
5	11750-G2		ROLLER BEARING AND RACE ASSEMBLY.....	2
6	35886-G01		WHEEL HUB ASSEMBLY WITH RACES, 4 LUG (INCLUDES ITEM 7)	1
7	19862-G1		LUG BOLT, 1/2 - 20 X 1 3/16" LG.....	4
8	12093-G1		CASTELLATED NUT, 1 - 14	1
9	00798-G8		COTTER PIN, 5/32" X 1 3/4" LG	1
10	70931-G01		SPINDLE AND HUB ASSEMBLY, 4 LUG (DRIVER SIDE) (INCLUDES ITEMS 4 - 9, 11).....	1
11	70803-G01		SPINDLE ASSEMBLY (DRIVER SIDE)	1
12	00407-G6		BOLT, 1/2 - 13 X 6" LG	2
13	00560-G3		WASHER, 1/2"	4
14	70745-G01		KING PIN TUBE	2
15	70754-G01		THRUST WASHER, 1" (STAINLESS STEEL).....	2
16	14390-G6		LOCK NUT, 1/2 - 13	2
17	76419-G01		SHOCK ABSORBER.....	2
18	10435-G1		SHOCK ABSORBER WASHER	8
19	10194-G1		RUBBER BUSHING	8
20	00532-G6		NUT, 3/8 - 24	4
21	70664-G03		LEAF SPRING (HEAVY DUTY)	2
22	70163-G03		SPRING PLATE	4
23	00734-G1		LOCK NUT, 7/16 - 14	12
24	00463-G11		BOLT, 7/16 - 14 X 1 3/4" LG	12
25	70964-G01		RACK AND PINION UNIT (COMPLETE) (INCLUDES ITEMS 26 - 37)	1
26	*		STEERING BOX INSTALLATION TAG.....	1
27	70694-G01		RACK EXTENSION	1
28	*		JAM NUT, 1/2 - 20.....	1
29	70961-G01		RACK BOOT.....	1

FRONT SUSPENSION/STEERING

Where applicable, THE USE OF NON UL PARTS WILL VOID ANY UL LISTING.

When ordering parts, please specify the model and serial number of the product.

* Indicates a component that is not available as an individual part.

G** Indicates consult Customer Service Department for additional information.

ITEM	PART NO.	1 2 3 4 5	DESCRIPTION	QTY.
30	12416-G2		WIRE TIE	1
31	11391-G8		CLAMP, 1 13/16 - 2 3/8"	1
32	70638-G01		PINION SEAL	1
33	70695-G01		RACK BALL JOINT (INCLUDES ITEMS 34 -37)	1
34	50641-G1		RUBBER BOOT	1
35	50209-G2		CASTELLATED NUT, 7/16 - 20	1
36	10387-G2		GREASE FITTING, STRAIGHT	1
37	10389-G3		COTTER PIN, 3/32" X 1" LG	1
38	00464-G6		BOLT, 7/16 - 14 X 2 3/4" LG	3
39				
40	70667-G02		SPACER	3
41				
42				
43	00560-G2		FLAT WASHER, 7/16"	6
44	00734-G1		LOCK NUT, 7/16 - 14	3
45	70607-G01		STEERING SHAFT	1
46	70758-G05		STEERING COLUMN KIT (INCLUDES ITEMS 47,48 & 69)	1
47	70610-G03		STEERING COLUMN	1
48	28569-G01		STEERING COLUMN BUSHING	1
49	70580-G01		INTERMEDIATE SHAFT (INCLUDES ITEMS 50, 51)	1
50	01055-G01		BOLT, M8 X 1.25 - 05	1
51	00565-G8		LOCK WASHER, 5/16"	1
52	70751-G01		RETAINING RING (INTERNAL)	1
53	70888-G01		RETAINING RING (EXTERNAL)	1
54	15112-G1		BALL BEARING	1
55	70887-G01		WAVE WASHER	1
56	602980		STEERING WHEEL	1
57	71950-G01		CLIPBOARD	1
58	14390-G2		LOCK NUT, 5/8 - 18	1
59	70876-G02		TIE ROD ASSEMBLY (INCLUDES ITEMS 60 - 64)	1

FRONT SUSPENSION/STEERING

Where applicable, THE USE OF NON UL PARTS WILL VOID ANY UL LISTING.
When ordering parts, please specify the model and serial number of the product.
* Indicates a component that is not available as an individual part.
G** Indicates consult Customer Service Department for additional information.

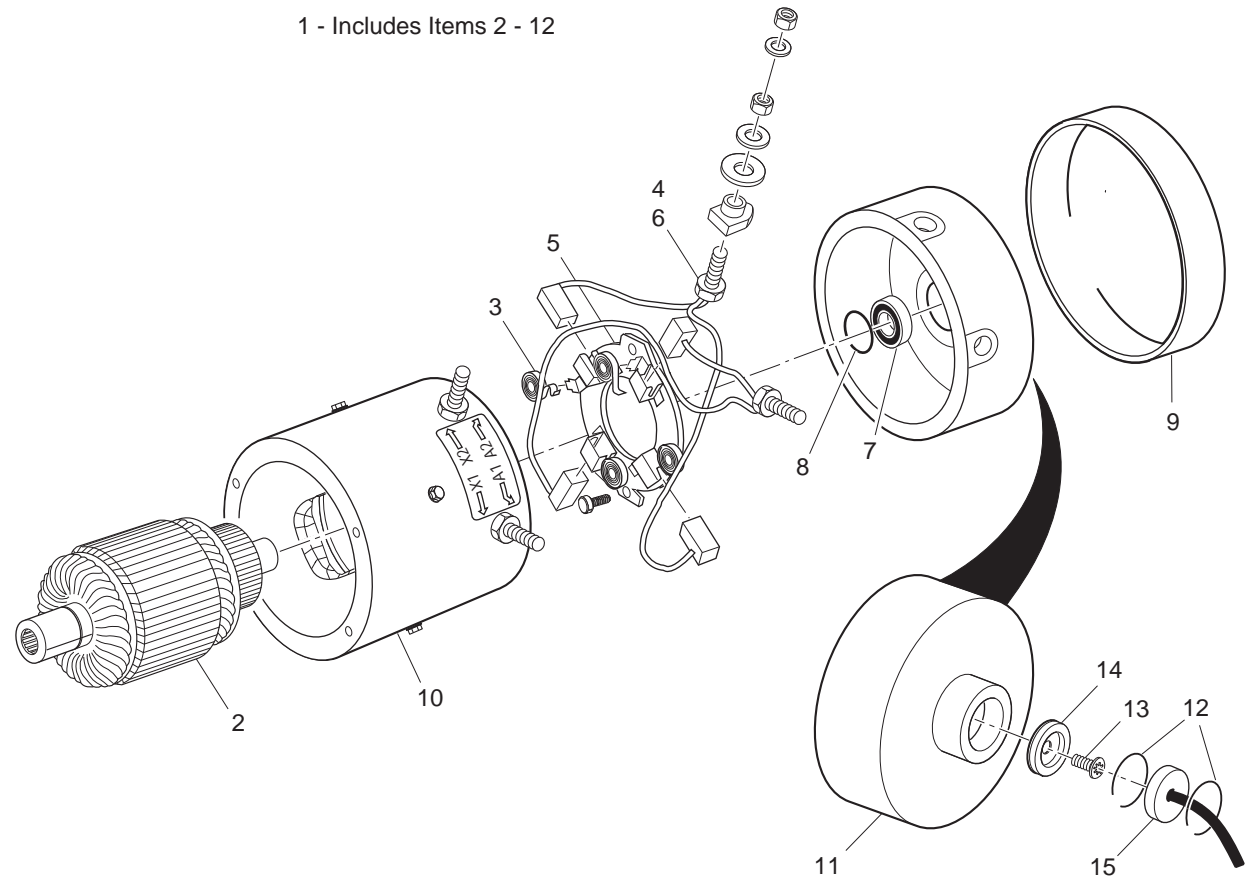
ITEM	PART NO.	1 2 3 4 5	DESCRIPTION	QTY.
60	70897-G02		THREADED ROD (24" LG).....	1
61	70902-G01		TIE ROD END (LEFT HAND THREADS)	1
62	01069-G01		JAM NUT, M12 X 1.25 - 05 (LEFT HAND THREADS).....	1
63	70902-G02		TIE ROD END (RIGHT HAND THREADS).....	1
64	01069-G02		JAM NUT, M12 X 1.25 - 05 (RIGHT HAND THREADS)	1
65	00734-G1		LOCK NUT, 7/16 - 14	2
66				
67	01006-G01		BOLT, 3/8 - 16 x 1 1/4" LG.....	4
68	00879 -G1		LOCK WASHER, 3/8".....	4
69	01022-G01		SCREW #6 - 20 x 5/16" LG	1
70	70648-G01		FLANGED BEARING	1
71	70749-G01		BEARING	1

FRONT SUSPENSION/STEERING

Notes:

MOTOR

1 - Includes Items 2 - 12



MOTOR

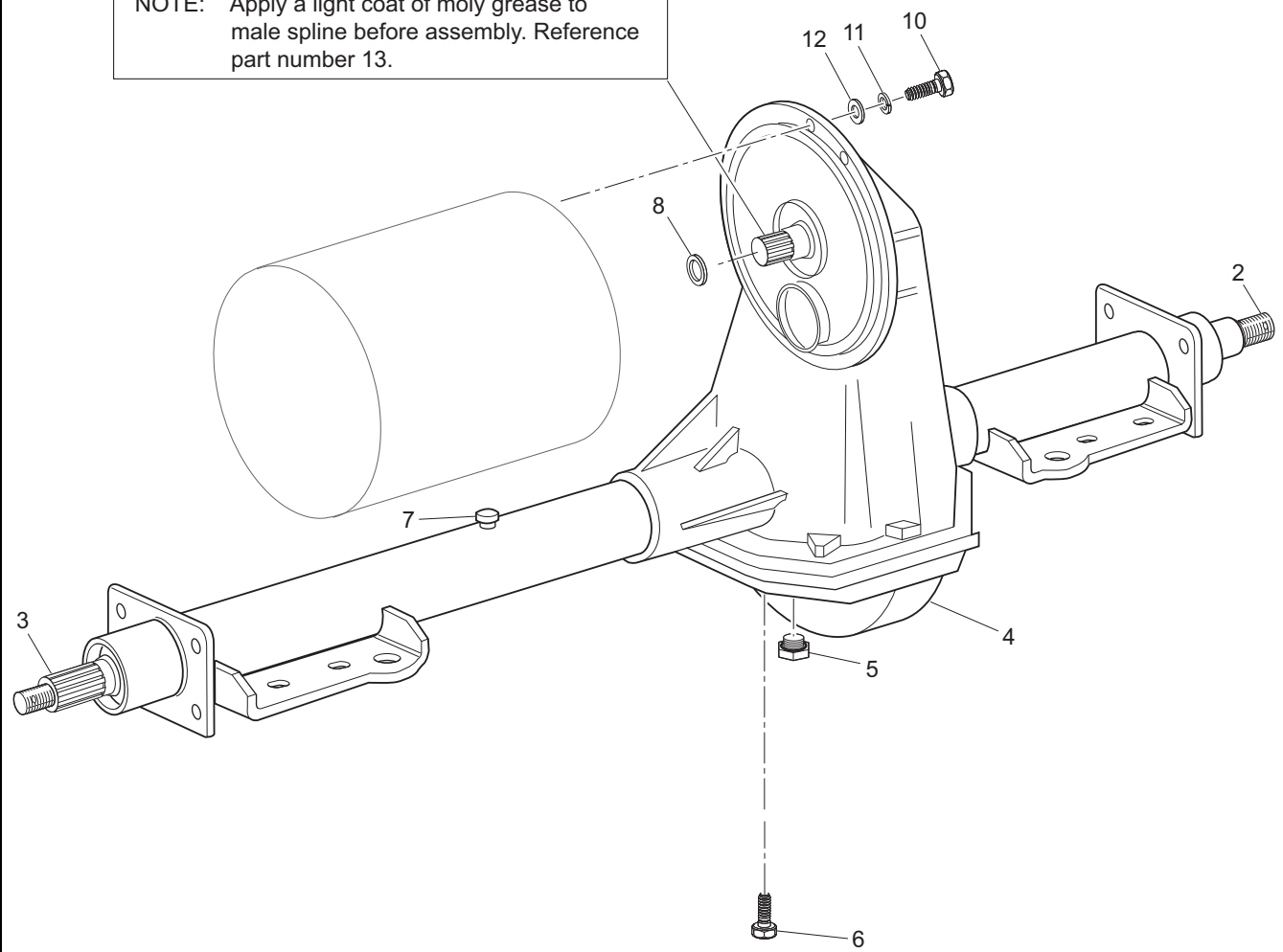
THE USE OF NON U.L. PARTS WILL VOID ANY U.L. LISTING.
 When ordering parts, please specify the model and serial number of the product.
 * Indicates a component that is not available as an individual part.
 G** Indicates consult Customer Service Department for additional information.

ITEM	PART NO.	1 2 3 4 5	DESCRIPTION	QTY.
1	73291-G04		MOTOR (SEPARATELY EXCITED) (PDS) (INCLUDES ITEMS 2-12).....	1
2	73120-G36		ARMATURE ASSEMBLY	1
3	73120-G38		BRUSH SPRING.....	8
4	73120-G39		BRUSH	1
5	73120-G40		BRUSH BOX ASSEMBLY.....	1
6	73120-G41		BRUSH REPLACEMENT KIT (INCLUDES HARDWARE)	1
7	73120-G07		BEARING	1
8	73120-G06		SNAP RING	1
9	73120-G43		HEADBAND	1
10	73120-G37		FRAME AND FIELD COIL (INCLUDES HARDWARE).....	1
11	73120-G42		COVER COMMUTATOR END	1
12	73277-G01		RETAINING RING.....	1
13	01037-G02		SCREW, #10 - 32 X 1/2" LG.....	1
14	73328-G01		MAGNET	1
15	73327-G02		SPEED SENSOR	1

REAR AXLE

1 - Includes Items 2 - 8

NOTE: Apply a light coat of moly grease to male spline before assembly. Reference part number 13.

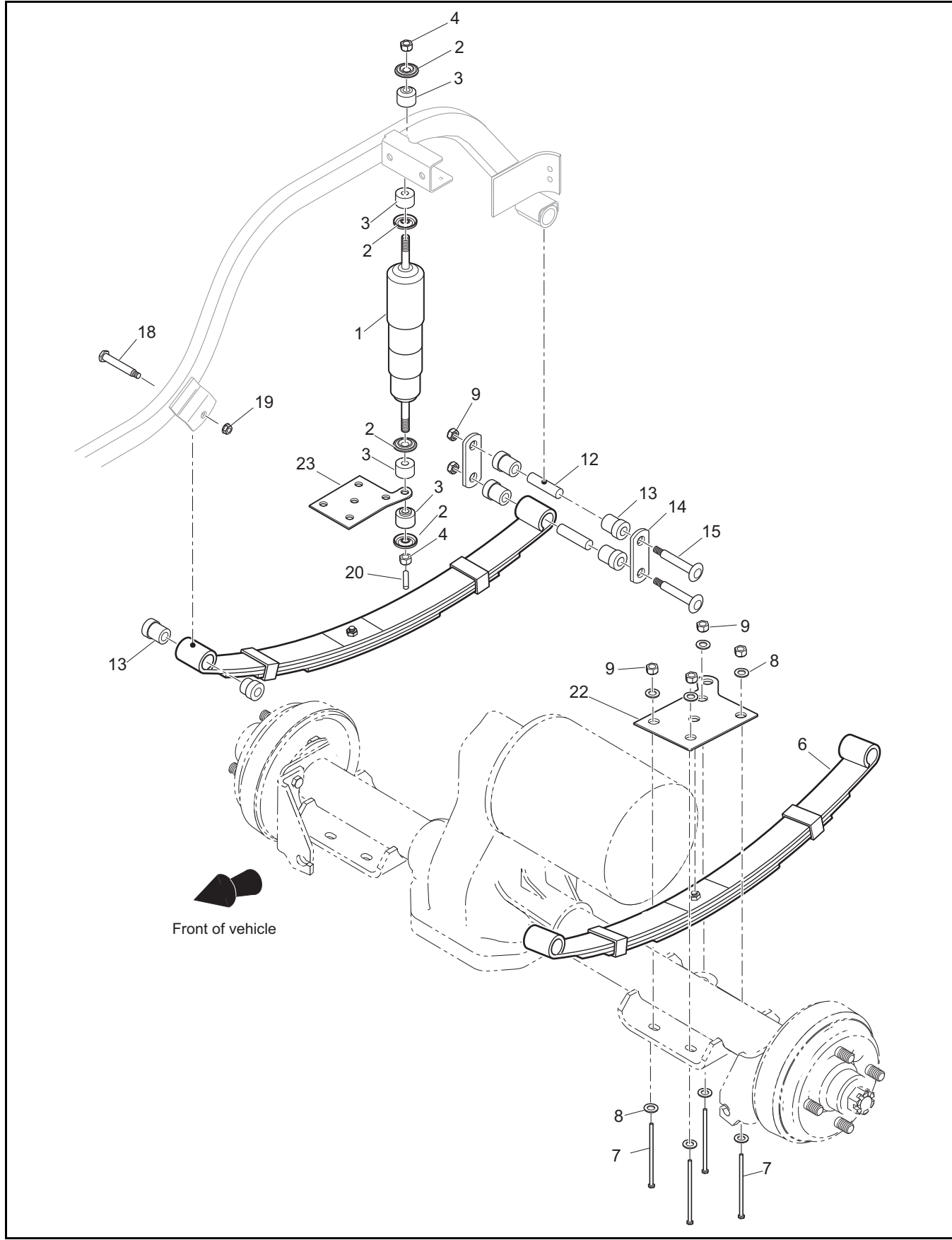


REAR AXLE

Where applicable, THE USE OF NON UL PARTS WILL VOID ANY UL LISTING.
 When ordering parts, please specify the model and serial number of the product.
 * Indicates a component that is not available as an individual part.
 G** Indicates consult Customer Service Department for additional information.

ITEM	PART NO.	1 2 3 4 5	DESCRIPTION	QTY.
1	74612-G01		REAR AXLE ASSEMBLY 14.76:1 (INCLUDES ITEMS 2 - 8)	1
2	20377-G12		AXLE SHAFT (PASSENGER SIDE)	1
3	20377-G11		AXLE SHAFT (DRIVER SIDE).....	1
4	*		DIFFERENTIAL COVER.....	1
5	28610-G01		FILL PLUG WITH 'O' RING.....	1
6	15558-G1		BOLT, 5/16 - 18 X 3/4" LG.....	10
7	73050-G01		VENT	1
8	73356-P01		O-RING INPUT SHAFT	1
9				
10	00797-G2		BOLT, 1/4 - 20 X 1 1/4" LG	3
11	00565-G7		LOCK WASHER, 1/4" (STAINLESS STEEL)	3
12	00559-G7		WASHER, 1/4" (STAINLESS STEEL)	3
13	27023-G01		MOLY GREASE.	AR

REAR SUSPENSION



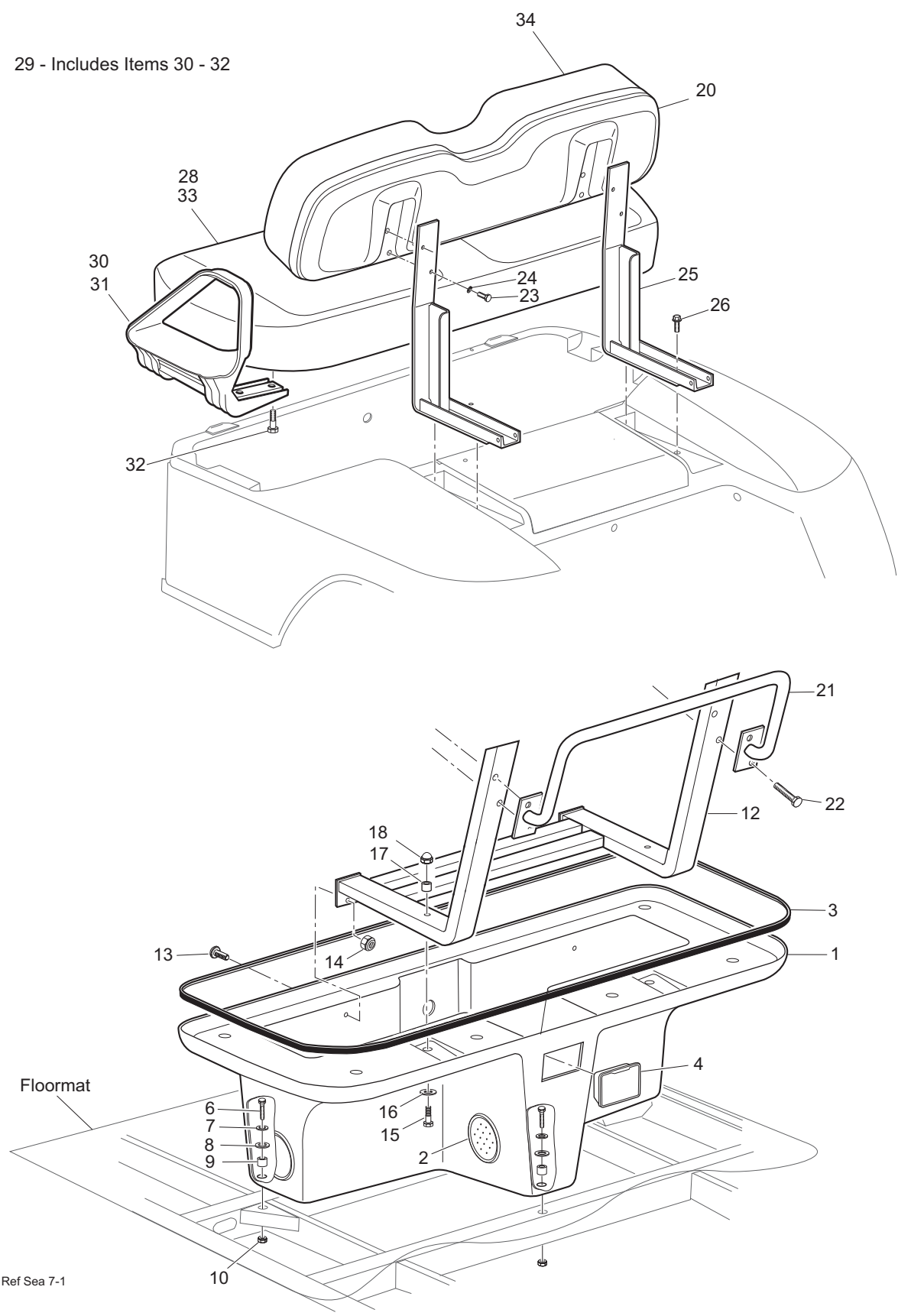
REAR SUSPENSION

THE USE OF NON U.L. PARTS WILL VOID ANY U.L. LISTING.
 When ordering parts, please specify the model and serial number of the product.
 * Indicates a component that is not available as an individual part.
 G** Indicates consult Customer Service Department for additional information.

ITEM	PART NO.	1 2 3 4 5	DESCRIPTION	QTY.
1	76418-G01		SHOCK ABSORBER.....	2
2	10435-G1		SHOCK ABSORBER WASHER.....	8
3	10194-G1		RUBBER SHOCK ABSORBER BUSHING.....	8
4	00532-G6		NUT, 3/8 - 24.....	4
5				
6	74207-G03		LEAF SPRING (HEAVY DUTY).....	2
7	00430-G12		SCREW, CAP HEX HEAD, 3/8 - 16.....	8
8	00560-G1		WASHER, 3/8".....	16
9	11098-G5		LOCK NUT, 3/8 - 16.....	12
10				
11				
12	70289-G02		SPACER.....	4
13	70291-G01		RUBBER BUSHING.....	12
14	70290-G02		SHACKLE PLATE.....	4
15	00665-G9		BOLT, 3/8 - 16 X 3 1/2" LG (STAINLESS STEEL).....	4
16				
17				
18	14158-G1		SHOULDER BOLT, 3/8 - 16 X 3 1/4" LG.....	2
19	12262-G1		LOCK NUT, 3/8 - 16.....	2
20	10044-G01		VINYL CAP.....	2
21				
22	72360G02		PLATE, MOUNTING , SHOCK (DRIVER SIDE).....	1
23	72360G01		PLATE, MOUNTING, SHOCK (PASSENGER SIDE).....	1

SEATING

29 - Includes Items 30 - 32



SEATING

THE USE OF NON U.L. PARTS WILL VOID ANY U.L. LISTING.
 When ordering parts, please specify the model and serial number of the product.
 * Indicates a component that is not available as an individual part.
 G** Indicates consult Customer Service Department for additional information.

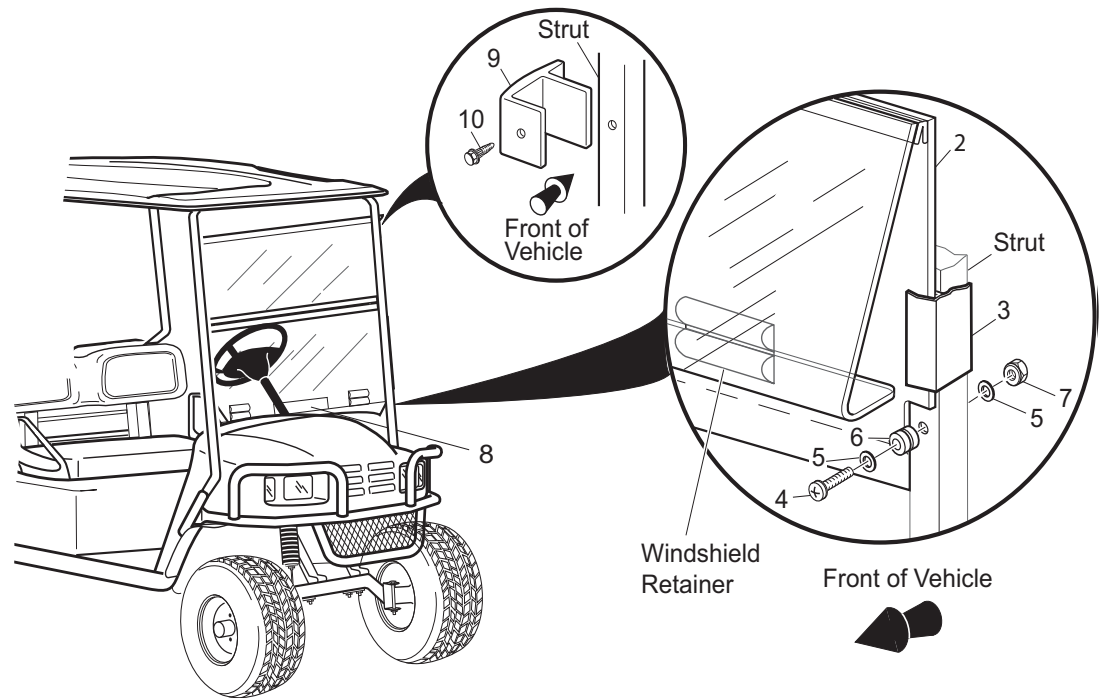
ITEM	PART NO.	1 2 3 4 5	DESCRIPTION	QTY.
1	70836-G00*		SEAT POD	1
2	71599-G01		VENT PLUG	4
3	32805-G6		TRIM, BLACK.....	1
4	27731-G01		ASHTRAY	1
5				
6	00439-G8		BOLT, 5/16 - 18 X 2" LG	3
7	00675-G1		WASHER, 1 1/4" X 3/8".....	3
8	71883-G01		RUBBER WASHER, 5/8"	3
9	23726-G9		SPACER, 3/4".....	3
10	11098-G6		LOCK NUT, 5/16 - 18	3
11				
12	71868 -G01		SEAT BACK SUPPORT	2
13	00976-G06		SCREW, 5/16 - 18 X 3/4" LG.....	2
14	11098-G6		LOCK NUT, 5/16 - 18	2
15	00427-G8		BOLT, 3/8 - 16 X 2" LG	2
16	00675-G1		WASHER, 1 1/4" X 3/8".....	2
17	23726-G4		SPACER, 5/16".....	2
18	15717-G5		ACORN NUT, 3/8 - 16	2
19				
20	606828		SEAT BACK ASSEMBLY	1
21	71632-G01		HAND GRIP	1
22	71204-G02		BOLT, 1/4 - 20 X 2" LG	4
23	00661G8		SCREW, 1/4 - 20 X 1"	4
24	00664G7		LOCK WASHER, 1/4".....	4
25	74137-G01		SEAT BACK SUPPORT	2
26	01006-G02		BOLT, 3/8 - 16 X 1 1/4" LG	4
27				
28	71625-G01		SEAT BOTTOM	1
29				
30	71702-G01		HIP RESTRAINT, REAR SEAT (DRIVER SIDE).....	1

SEATING

THE USE OF NON U.L. PARTS WILL VOID ANY U.L. LISTING.
 When ordering parts, please specify the model and serial number of the product.
 * Indicates a component that is not available as an individual part.
 G** Indicates consult Customer Service Department for additional information.

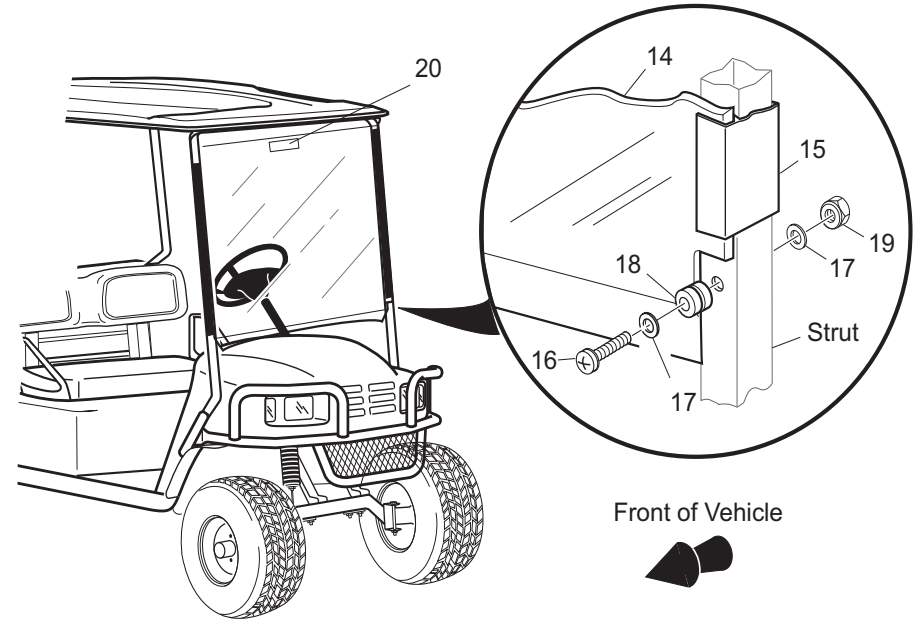
ITEM	PART NO.	1 2 3 4 5	DESCRIPTION	QTY.
31	71701-G01		HIP RESTRAINT, REAR SEAT (PASSENGER SIDE)	1
32	71204-G01		BOLT, 1/4 - 20	1
33	604912-G**		TWO TONE VINYL SEAT BOTTOM	1
34	604916-G**		TWO TONE VINYL SEAT BACK.....	1

WEATHER PROTECTION



WINDSHIELD (4-CADDY)

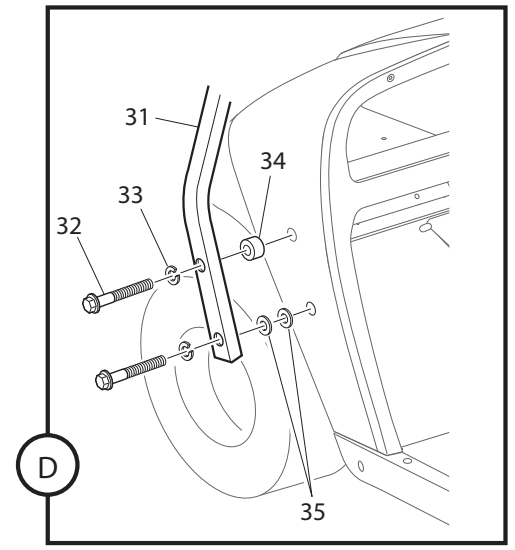
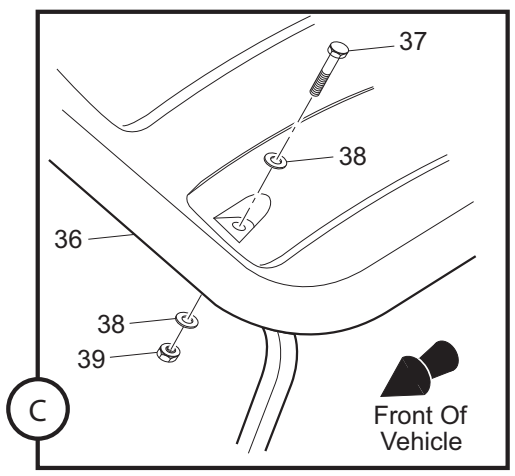
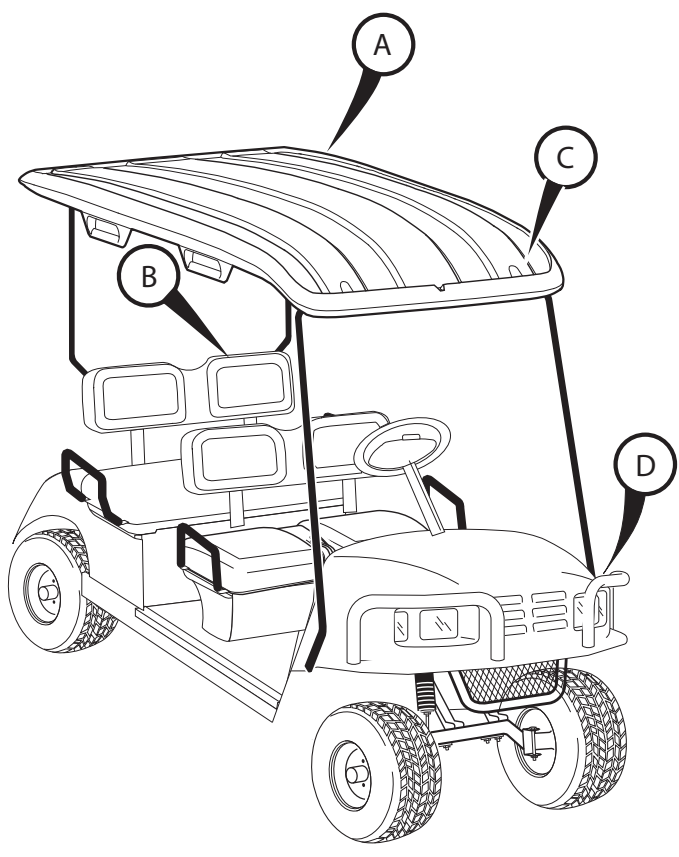
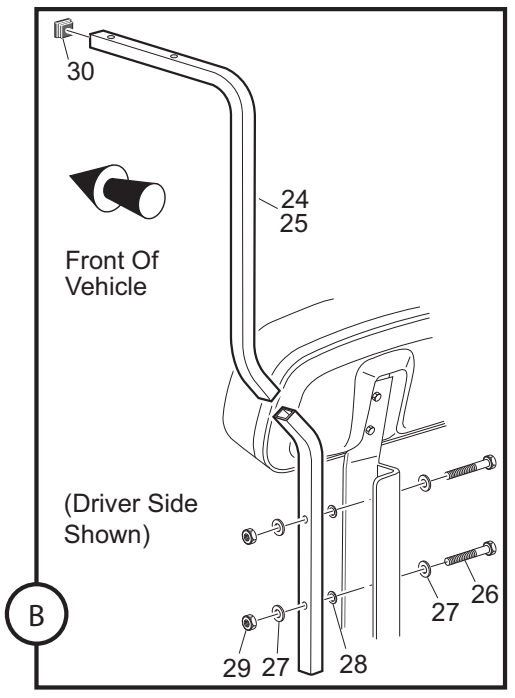
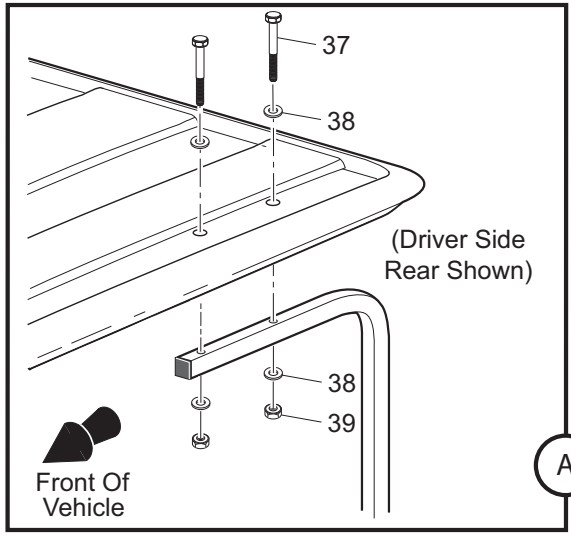
1 - Includes Items 2 - 10



WINDSHIELD (GOLF CAR)

13 - Includes Items 14 - 20

WEATHER PROTECTION



WEATHER PROTECTION

THE USE OF NON U.L. PARTS WILL VOID ANY U.L. LISTING.
 When ordering parts, please specify the model and serial number of the product.
 * Indicates a component that is not available as an individual part.
 G** Indicates consult Customer Service Department for additional information.

ITEM	PART NO.	1 2 3 4 5	DESCRIPTION	QTY.
1	75525G02		WINDSHIELD KIT, SPLIT,CLEAR, 4-CADDY (INCLUDES ITEMS 2 - 10)	1
2	E4WSX03		WINDSHIELD (4-CADDY)	1
3	EGWHC10		SASH, 12"	2
4	EGWHS12		SCREW, 1/4 - 20 X 1 3/4" LG (STAINLESS STEEL)	2
5	EGWHW12		WASHER, 1/4" (STAINLESS STEEL)	4
6	EGWHG13		RUBBER GROMMET	2
7	EGWHN12		LOCK NUT, 1/4 - 20 (STAINLESS STEEL)	2
8	EGWHL14		SAFETY LABEL	1
9	137-011		TOP GRIP, 1" X 2"	2
10	136-008		TOP GRIP FASTENER	2
11				
12				
13	75524G01		WINDSHIELD KIT, FLAT - CLIP ON CLEAR (INCLUDES ITEMS 14 - 20)	1
14	EGWFX03		WINDSHIELD (GOLF CAR)	1
15	EGWHC12		SASH, 26" LG	2
16	EGWHS12		SCREW, 1/4 - 20 X 1 3/4" LG (STAINLESS STEEL)	2
17	EGWHW12		WASHER, 1/4" (STAINLESS STEEL)	4
18	EGWHG13		RUBBER GROMMET	2
19	EGWHN12		LOCK NUT, 1/4 - 20 (STAINLESS STEEL)	2
20	EGWHL14		SAFETY LABEL	1
21				
22				
23	75282G02		SUN TOP KIT (INCLUDES ITEMS 24 - 39)	1
24	75274-G01		REAR SUPPORT (DRIVER SIDE)	1
25	75274-G02		REAR SUPPORT (PASSENGER SIDE)	1
26	00665-G5		BOLT, 3/8 - 16 X 1 3/4" LG (STAINLESS STEEL)	4
27	00679-G1		WASHER, 3/8" (STAINLESS STEEL)	8
28	00771-G5		NYLON WASHER, 3/8"	4
29	00891-G5		LOCK NUT, 3/8 - 16	4
30	19853-G1		END CAP, 1"	2

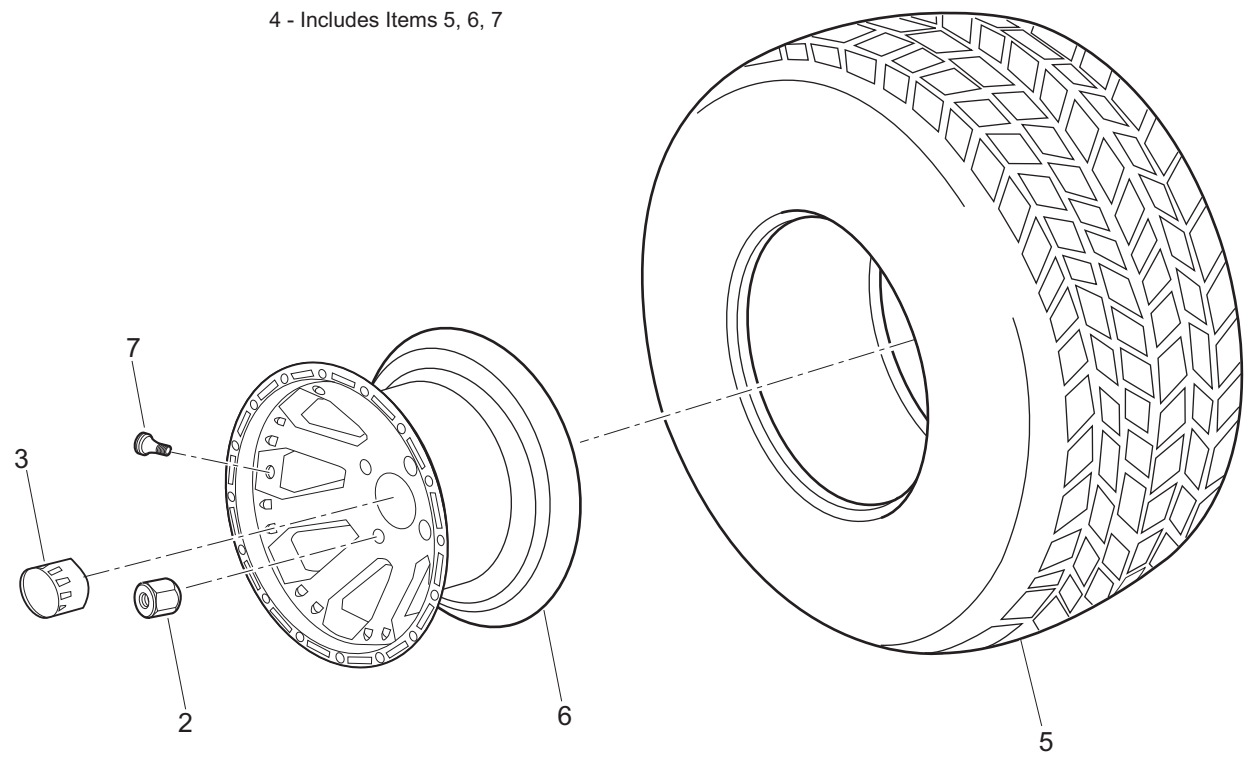
WEATHER PROTECTION

THE USE OF NON U.L. PARTS WILL VOID ANY U.L. LISTING.
When ordering parts, please specify the model and serial number of the product.
* Indicates a component that is not available as an individual part.
G** Indicates consult Customer Service Department for additional information.

ITEM	PART NO.	1 2 3 4 5	DESCRIPTION	QTY.
31	75045-G03		FRONT SUPPORT	1
32	00440-G02		BOLT, 5/16 - 18 X 2 1/4" LG.....	4
33	00905-G8		LOCK WASHER, 5/16"	4
34	75048-G01		SPACER, 1/2"	2
35	00879-G1		LOCK WASHER, 3/8"	4
36	75266-G02		SUN TOP	1
37	00753-G6		SCREW, 1/4 - 20 X 2 1/4" LG (STAINLESS STEEL).....	8
38	00915-G1		WASHER, 1/4"	8
39	14390-G4		LOCK NUT, 1/4 - 20 (STAINLESS STEEL).....	8

WHEELS AND TIRES

- 1 - Includes Items 2, 3, 4
- 4 - Includes Items 5, 6, 7



(Style of tire may differ from tire shown)

WHEELS AND TIRES

Where applicable, THE USE OF NON UL PARTS WILL VOID ANY UL LISTING.
 When ordering parts, please specify the model and serial number of the product.
 * Indicates a component that is not available as an individual part.
 G** Indicates consult Customer Service Department for additional information.

ITEM	PART NO.	1	2	3	4	5	DESCRIPTION	QTY.
1	607253						TIRE AND WHEEL ASSEMBLY	AR
2	606925						LUG NUT	AR
3	606835						CENTER CAP	1
4	607252						WHEEL ASSEMBLY	1
5	606142						TIRE 23 x 10.5 x 12	1
6	606149						WHEEL RIM	1
7	604915						VALVE STEM	1



SPECIALTY PRODUCTS

SPECIALTY PRODUCTS

SPECIALTY PRODUCTS

SPECIAL TOOLS	PART NO.
BATTERY MAINTENANCE KIT	25587-G01
BATTERY SET DISCHARGER, 36 VOLT, 75 AMP	28251-G01
DIGITAL MULTI-METER	27481-G01
E-Z-GO RESTORER FIBERGLASS & PLASTIC	606313
E-Z-GO W/SHIELD AND PLASTIC PROTECTOR.....	606314

TOUCH UP PAINT	PART NO.
PEN 3 OUNCE (89 ML) - HUNTER GREEN	28432-G02
PEN 3 OUNCE (89 ML) - CHAMPAGNE BEIGE	28432-G01
PEN 3 OUNCE (89 ML) - WHITE	28432-G05
PEN 3 OUNCE (89 ML) - INDUSTRIAL YELLOW.....	28432-G03
PEN 3 OUNCE (89 ML) - ORANGE	28432-G04
PEN 3 OUNCE (89 ML) - STEEL BLUE PEARL	28432-G**
PEN 3 OUNCE (89 ML) - CAMOUFLAGE PAINT (THREE PENS)	75831-G01
AEROSOL 12 OUNCE (360 ML) - HUNTER GREEN	28140-G09
AEROSOL 12 OUNCE (360 ML) - CHAMPAGNE BEIGE	28140-G15
AEROSOL 12 OUNCE (360 ML) - INDUSTRIAL YELLOW.....	28140-G14
AEROSOL 12 OUNCE (360 ML) - STEEL BLUE PEARL	28140-G**

MAINTENANCE PRODUCTS	PART NO.
FORMULA 40 VINYL-COAT® - WHITE	28166-G01
PLEXUS® CLEANER, 7 OUNCE (210 ML) (FOR WINDSHIELDS)	28433-G01
PLEXUS® CLEANER, 13 OUNCE (380 ML) (FOR WINDSHIELDS)	28433-G02
BATTERY PROTECTOR, 14 OUNCE (410 ML) SPRAY	75500-G01
WHITE LITHIUM GREASE, 14 OUNCE (410 ML) SPRAY.....	75502-G01
PENETRANT/LUBRICANT, 15 OUNCE (440 ML) SPRAY	75503-G01
MULTI-PURPOSE CLEANER & DEGREASER, 14 OUNCE (410 ML) SPRAY	75504-G01
MULTI-PURPOSE HAND CLEANER, 32 OUNCE (950 ML) LIQUID	75505-G01
BATTERY CLEANER, 32 OUNCE (950 ML) WITH TRIGGER SPRAYER.....	75506-G01
E-Z-GO ALL SURFACE CLEANER	606311
E-Z-GO BATTERY TERMINAL PROTECTOR	606312
TUBELESS TIRE REPAIR KIT	606009
TIRE PLUGGER REFILL PACK (50/BOX)	606831

SPECIALTY PRODUCTS

BIO-DEGRADABLE CLEANER, 32 OUNCE (950 ML) WITH TRIGGER SPRAYER..... 75507-G01

MULTI-PURPOSE VALUE PACK..... 75508-G01

- BATTERY PROTECTOR, 4 OUNCE (120 ML) SPRAY
- PENETRANT/LUBRICANT, 4 OUNCE (120 ML) SPRAY
- WHITE LITHIUM GREASE, 4 OUNCE (120 ML) SPRAY
- CARBURETOR & CHOKE CLEANER, 4 OUNCE (120 ML) SPRAY

**DID YOU
KNOW?**

CartPros directs you to the right part using the part numbers from this manual. Enter the part number into our search box and it will find the part you are looking for.

**GET STARTED
HERE**



<https://CartPros.com/f.html>



A Textron Company

E-Z-GO Division Of Textron, Inc.,
1451 Marvin Griffin Road, Augusta, Georgia USA 30906-3852

TO CONTACT US

North America:

Technical Assistance & Warranty Phone: 1-800-774-3946, FAX: 1-800-448-8124
Service Parts Phone: 1-888-GET-EZGO (1-888-438-3946), FAX: 1-800-752-6175

International:

Phone: 001-706-798-4311, FAX: 001-706-771-4609

Certified ISO 9001 / ISO 14001 by



Copyrighted Material

This manual may not be reproduced in whole or
in part without the express permission of
E-Z-GO Division of Textron, Inc.
Technical Communications Department