

**DID YOU
KNOW?**

CartPros directs you to the right part using the part numbers from this manual. Enter the part number into our search box and it will find the part you are looking for.

**GET STARTED
HERE**

<https://CartPros.com/f.html>

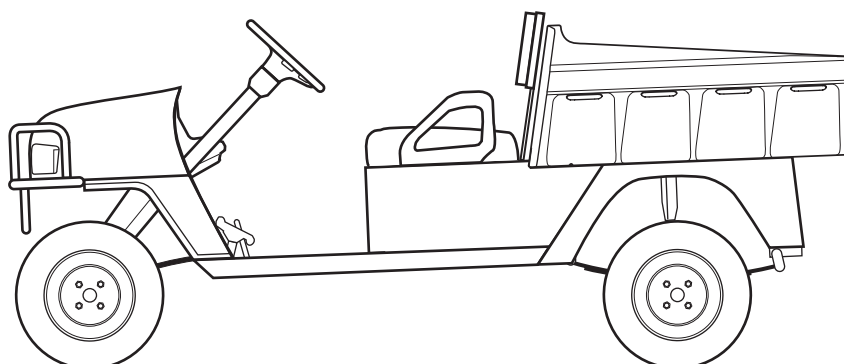
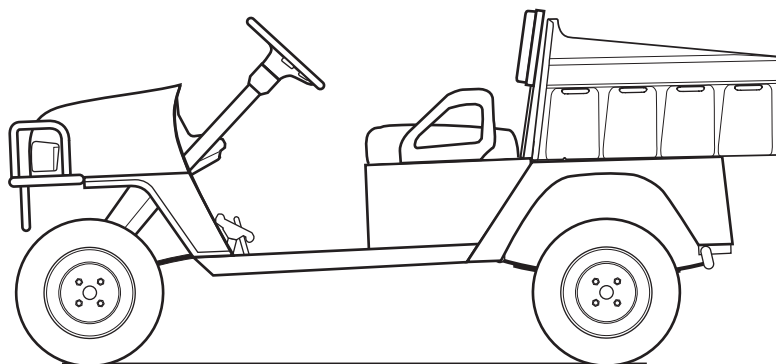
605232



A Textron Company



SERVICE PARTS MANUAL



GASOLINE POWERED UTILITY VEHICLE

ISSUED DATE MAY 2006 REVISED DATE JANUARY 2007

**DID YOU
KNOW?**

CartPros directs you to the right part using the part numbers from this manual. Enter the part number into our search box and it will find the part you are looking for.

**GET STARTED
HERE**



<https://CartPros.com/f.html>

SERVICE PARTS MANUAL

GASOLINE POWERED UTILITY VEHICLES

ST 350

ST 350 CARB

ST SPORT

ST SPORT CARB

JAC 3500

STARTING MODEL YEAR 2006+

E-Z-GO Division of TEXTRON, Inc. reserves the right to make design changes without obligation to make these changes on units previously sold and the information contained in this manual is subject to change without notice.

E-Z-GO Division of TEXTRON, Inc. is not liable for errors in this manual or for incidental or consequential damages that result from the use of the material in this manual.

CUSTOMER SERVICE DEPARTMENT IN USA PHONE: 1-800-241-5855 FAX: 1-800-448-8124

OUTSIDE USA PHONE: 001-706-798-4311, FAX: 001-706-771-4609

E-Z-GO DIVISION OF TEXTRON, INC., P.O.BOX 388, AUGUSTA, GEORGIA USA 30906-3852

NOTES

To obtain a copy of the limited warranty applicable to the vehicle, call or write a local Distributor, authorized Branch or the Warranty Department with vehicle serial number and manufacturer code.

The use of non Original Equipment Manufacturer (OEM) parts may void the warranty.

Tampering with or adjusting the governor to permit vehicle to operate at above factory specifications will void the vehicle warranty.

When servicing engines, all adjustments and replacement components must be per original vehicle specifications in order to maintain the United States of America Federal and State emission certification applicable at the time of manufacture.

BATTERY PROLONGED STORAGE

All batteries will self discharge over time. The rate of self discharge varies depending on the ambient temperature and the age and condition of the batteries.

A fully charged battery will not freeze in winter temperatures unless the temperature falls below -75° F (-60° C).

TABLE OF CONTENTS

SECTION	Page No.
HOW TO USE THE SERVICE PARTS MANUAL	v
ILLUSTRATED PARTS BREAKDOWN	vii
ACCELERATOR	A-1
AIR CLEANER	B-1
BODY	C-1
BRAKES	D-1
CAB	E-1
CARBURETOR AND CHOKE	F-1
CLUTCH	G-1
DIRECTION SELECTOR	H-1
ELECTRICAL	J-1
ENGINE AND MUFFLER	K-1
ENGINE MOUNTING	L-1
FRONT SUSPENSION	M-1
FUEL SYSTEM	N-1
REAR AXLE	P-1
REAR SUSPENSION	Q-1
SEATING	R-1
STARTER / GENERATOR	S-1
STEERING	T-1
TRUCK BED, ST SPORT	U-1
TRUCK BED ST 350	U-11
WINCH	V-1
WEATHER PROTECTION	W-1
WHEELS AND TIRES	X-1
OPTIONS/ACCESSORIES	APPENDIX B-1
SPECIALTY PRODUCTS	APPENDIX A-1

**DID YOU
KNOW?**

CartPros directs you to the right part using the part numbers from this manual. Enter the part number into our search box and it will find the part you are looking for.

**GET STARTED
HERE**



<https://CartPros.com/f.html>

TABLE OF CONTENTS

SECTION

Page No.

HOW TO USE THE SERVICE PARTS MANUAL

This manual is divided into several sections:

GENERAL INFORMATION

- TABLE OF CONTENTS
- HOW TO USE THE SERVICE PARTS MANUAL

ILLUSTRATED PARTS BREAKDOWN

- Contains illustrations and parts lists for all systems of the vehicle

APPENDIX

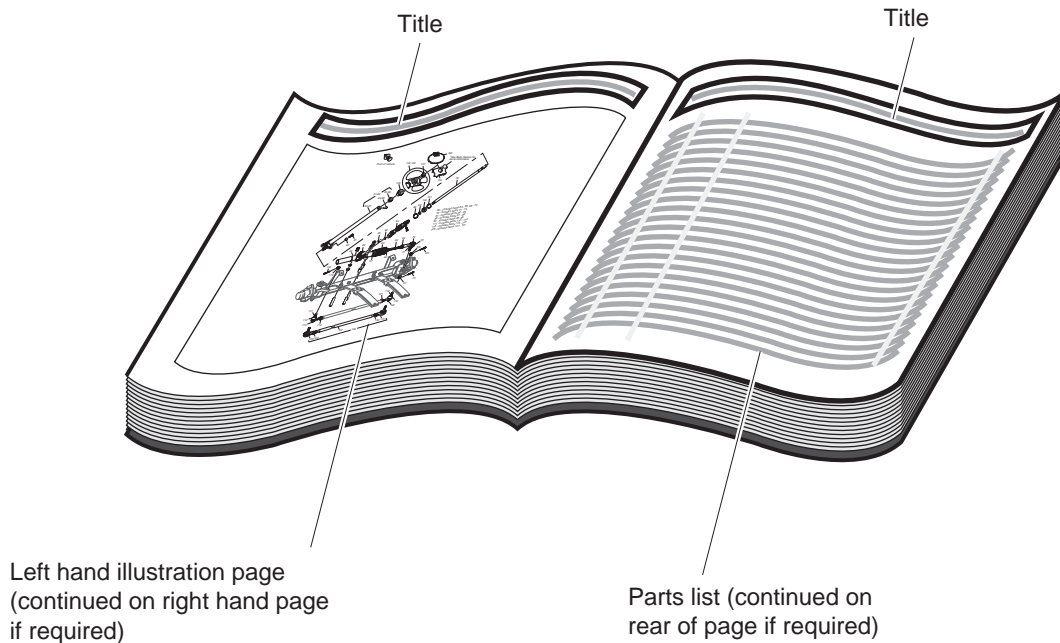
- Contains a listing of specialty products and options/accessories

USE OF THE MANUAL

To use this manual, consult the TABLE OF CONTENTS (page iii) to locate the information or illustration required.

Introduction of some revisions varies due to supply of components; therefore, it is possible that various combinations of components may be found that are not directly reflected by each illustration. Consult the illustration that best suits your situation. Locate the serial number plate (see BODY located in the Illustrated Parts Breakdown section of this manual for its location) and note the complete number shown on the plate. It is important that the serial number of your vehicle and its model number be supplied to Service Parts when ordering any replacement components.

HOW TO USE THE SERVICE PARTS MANUAL



1. WHEN THE PART NUMBER IS NOT KNOWN

- Determine the function and application of the part required. Turn to the INDEX OF MAJOR COMPONENTS and select the most appropriate component description.
- Turn to the page number indicated and locate the part description in the parts list. Read the full accompanying description for specific information regarding the part that was not shown in the index.
- From the parts list, obtain the item number assigned to it and confirm that the part selected is correct by verifying it with the pictorial representation on the illustrated page.

2. IF YOU KNOW THE PART NUMBER

- Use the INDEX OF MAJOR COMPONENTS to find the page(s) the part number appears on.
- Turn to the page number indicated and locate the part number in the parts list. Refer to the accompanying description for specific information regarding the part.
- From the parts list, obtain the item number assigned to it and confirm that the part selected is correct by verifying it with the pictorial representation on the illustrated page.

Should an asterisk (*) appear in the part number column on the parts list page, read upwards until a part number is found. The part number is the lowest assembly sold by Service Parts. The asterisk (*) indicates that the part depicted is not available for purchase.

NOTE: Descriptions are indented under the assembly that they are used on. That assembly is, in turn listed under the assembly that it is used on. This process is repeated until the highest final assembly is reached.

To facilitate the maintenance and repair of the vehicle, a Technician's Repair and Service Manual is available from the Service Parts Department.

**DID YOU
KNOW?**

CartPros directs you to the right part using the part numbers from this manual. Enter the part number into our search box and it will find the part you are looking for.

**GET STARTED
HERE**

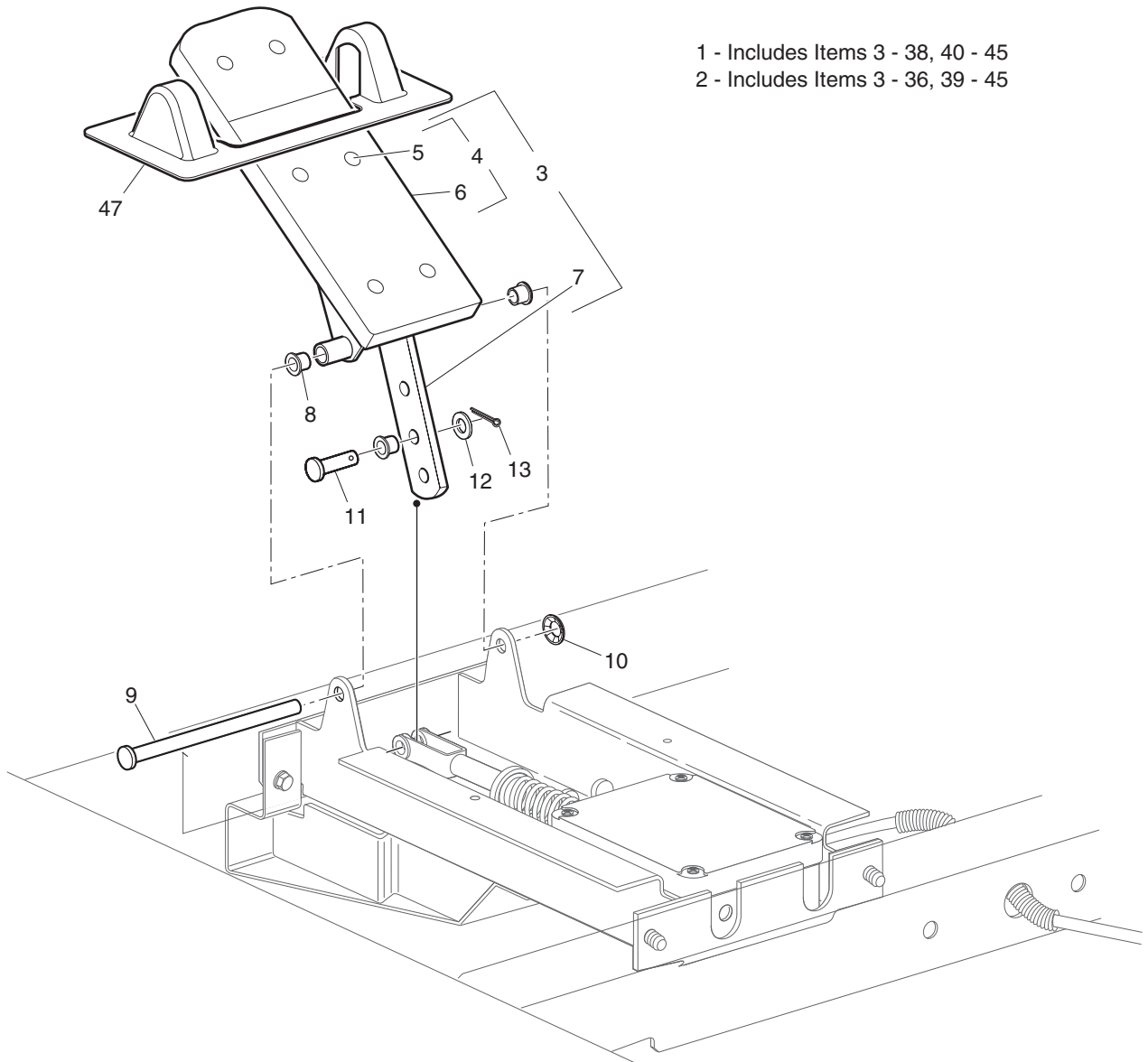


<https://CartPros.com/f.html>

ILLUSTRATED PARTS BREAKDOWN

ILLUSTRATED PARTS BREAKDOWN

ACCELERATOR

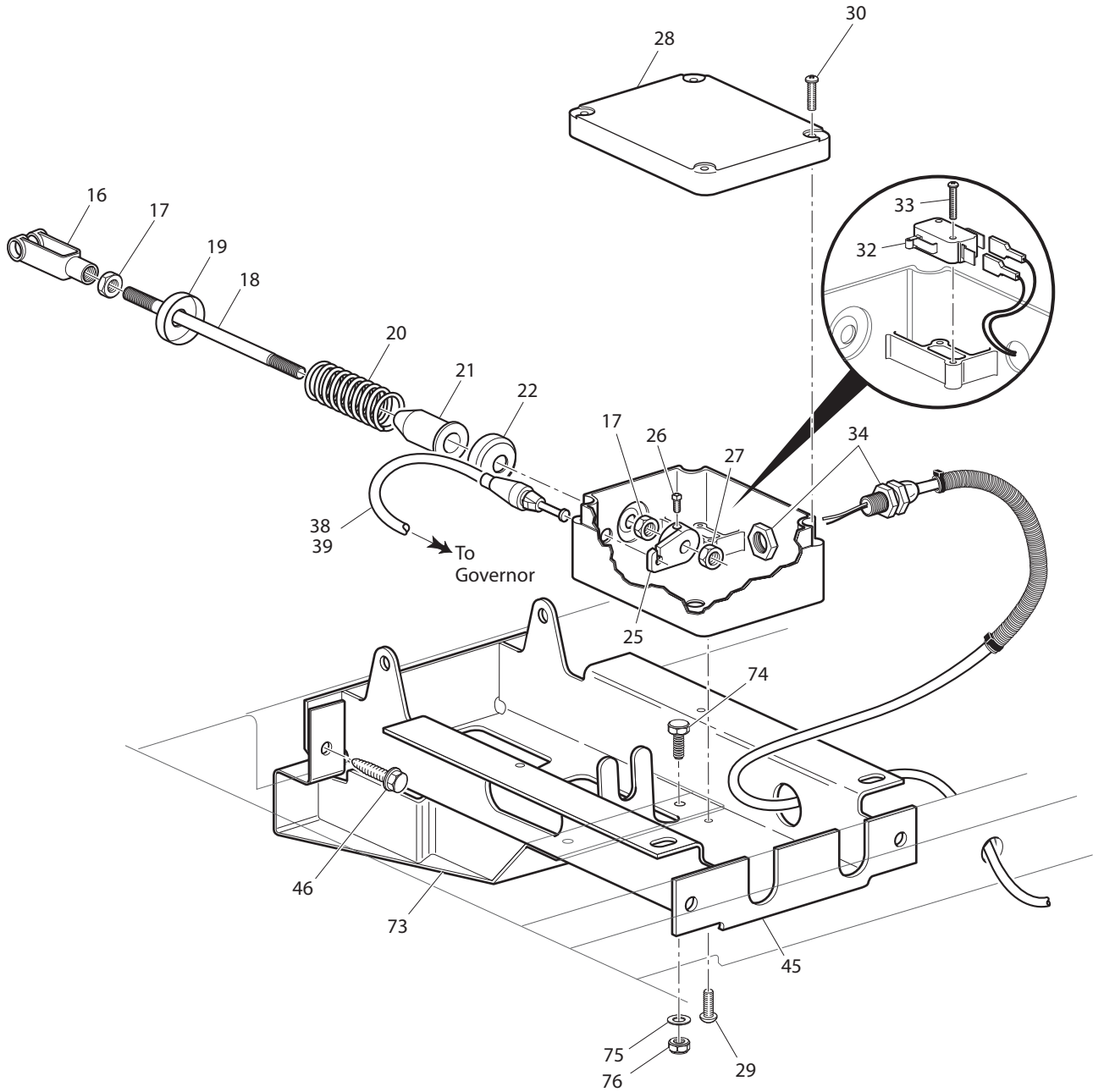


1 - Includes Items 3 - 38, 40 - 45

2 - Includes Items 3 - 36, 39 - 45

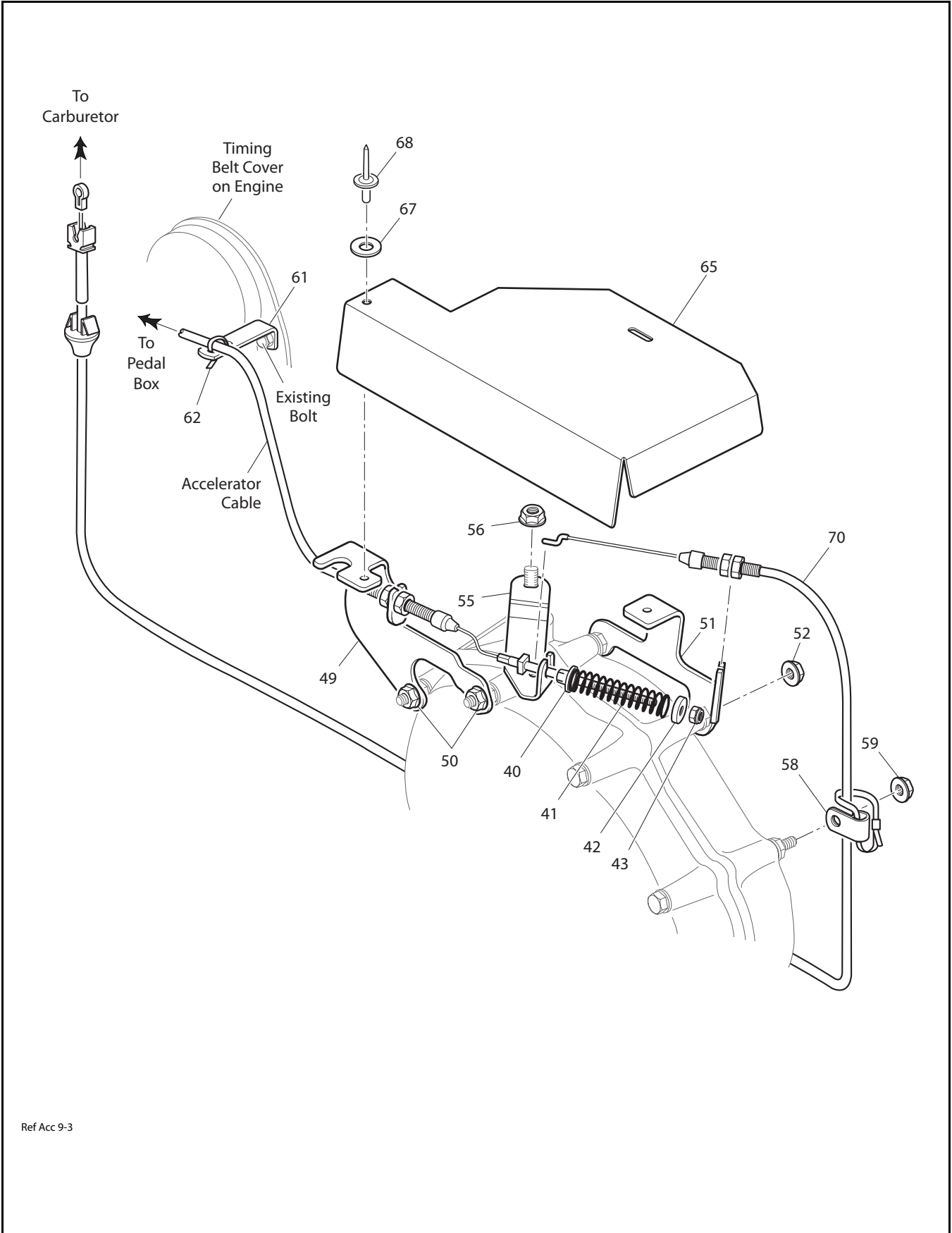
Ref Acc 9-1

ACCELERATOR



Ref Acc 9-2

ACCELERATOR



Ref Acc 9-3

ACCELERATOR

Where applicable, THE USE OF NON UL PARTS WILL VOID ANY UL LISTING.
 When ordering parts, please specify the model and serial number of the product.
 * Indicates a component that is not available as an individual part.
 G** Indicates consult Customer Service Department for additional information.

ITEM	PART NO.	1 2 3 4 5	DESCRIPTION	QTY.
1	72717-G06		PEDAL BOX ASSEMBLY (INCLUDES ITEMS 3 - 38, 40 - 45) (ST SPORT).....	1
2	72717-G05		PEDAL BOX ASSEMBLY (INCLUDES ITEMS 3 - 36, 39 - 45) (ST 350).....	1
3	25799-G03		ACCELERATOR PEDAL ASSEMBLY (INCLUDES ITEMS 4 - 7).....	1
4	27844-G01		ACCELERATOR PEDAL PAD KIT (INCLUDES ITEMS 5 - 6).....	1
5	15766-G1		OVAL RIVET, 3/16" X 7/16" LG.....	6
6	27512-G01		ACCELERATOR PEDAL PAD	1
7	*		ACCELERATOR PEDAL	1
8	17838-G1		NYLON BUSHING	3
9	74432-G01		PEDAL PIVOT PIN	1
10	12064-G6		PUSH NUT, 9/32".....	1
11	10386-G3		CLEVIS PIN, 5/16" X 13/16" LG	1
12	17255-G1		TEFLON WASHER, 5/16".....	1
13	10387-G3		COTTER PIN, 3/32" X 3/4" LG	1
14				
15				
16	10385-G4		CLEVIS YOKE (ADJUSTABLE).....	1
17	00532-G4		NUT, 5/16 - 24.....	2
18	72072-G01		ACCELERATOR ROD	1
19	17677-G2		SPRING RETAINER	1
20	73046-G01		COMPRESSION SPRING	1
21	17979-G1		ACCELERATOR ROD BUSHING	1
22	17677-G1		SPRING RETAINER	1
23				
24				
25	72716-G1		MICRO SWITCH CAM.....	1
26	00487-G3		SETSCREW, 1/4 - 20 X 3/8" LG	1
27	15126-G1		LOCK NUT, 5/16 - 24.....	1
28	25853-G03		PEDAL BOX AND COVER	1
29	01051-G01		SCREW, #8 - 16 X 1/2" LG	4
30	00684-G6		SCREW, #8 - 32 X 3/4" LG (STAINLESS STEEL).....	4

ACCELERATOR

Where applicable, THE USE OF NON UL PARTS WILL VOID ANY UL LISTING.

When ordering parts, please specify the model and serial number of the product.

* Indicates a component that is not available as an individual part.

G** Indicates consult Customer Service Department for additional information.

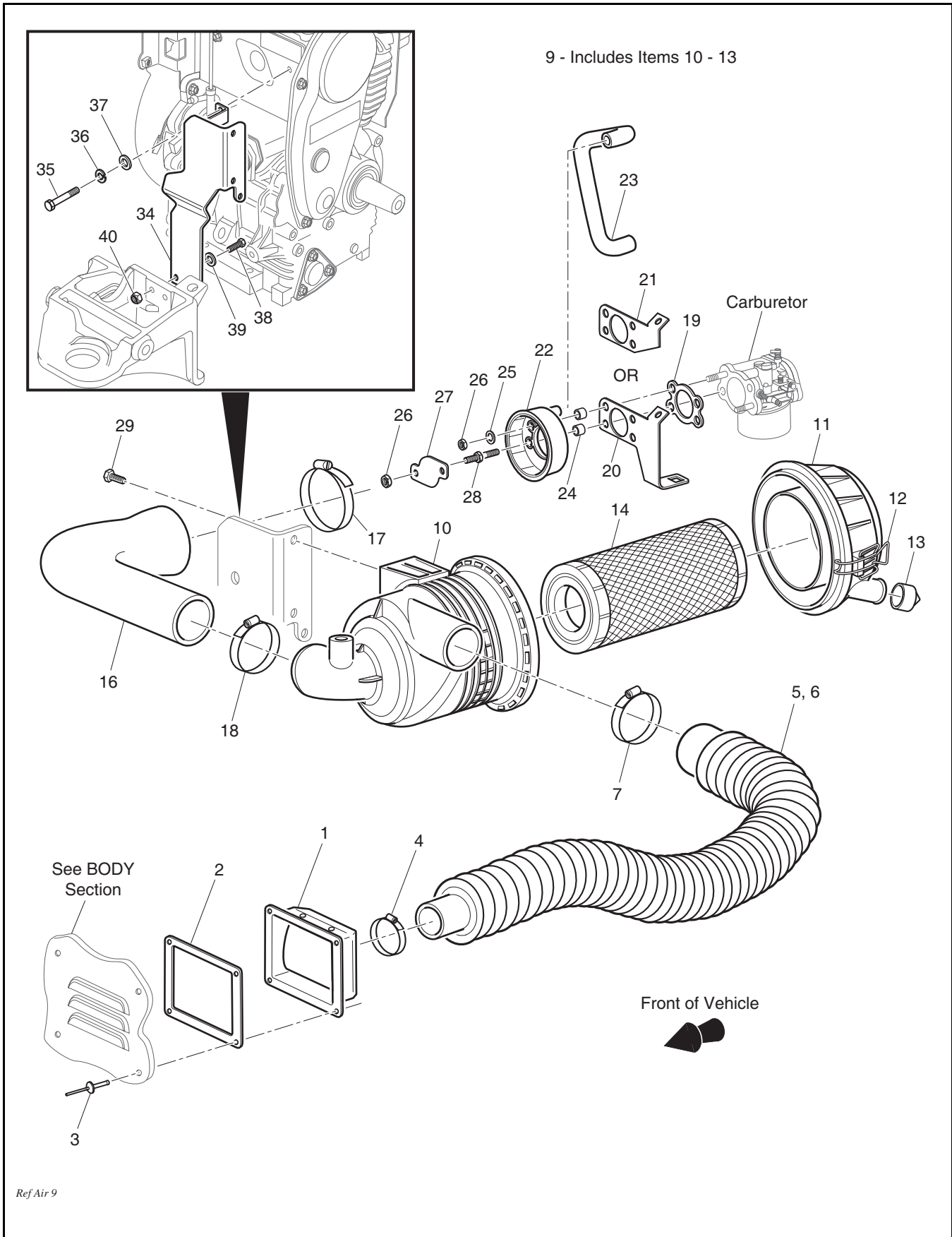
ITEM	PART NO.	1 2 3 4 5	DESCRIPTION	QTY.
31				
32	25861-G01		MICRO SWITCH.....	1
33	01050-G01		SCREW, #4 - 20 X 5/8" LG	2
34	72201-G04		WIRE HARNESS (PEDAL BOX)	1
35				
36				
37				
38	72713-G01		ACCELERATOR CABLE (ST SPORT)	1
39	72713-G02		ACCELERATOR CABLE (ST 350).....	1
40	72706-G01		ACCELERATOR CABLE BUSHING	1
41	72809-G01		COMPRESSION SPRING	1
42	25727-G02		CUP WASHER, 1/5"	1
43	00734-G5		LOCK NUT, #10 - 32.....	1
44				
45	70116-G02		ACCELERATOR PEDAL BRACKET.....	1
46	00715-G2		BOLT, 5/16 - 18 X 4/5" LG	4
47	70135-G01		PEDAL PIVOT COVER	1
48				
49	72701-G02		ACCELERATOR CABLE MOUNTING BRACKET	1
50	26830-G01		LOCK NUT, M8 X 1.25 MM	2
51	72703-G02		THROTTLE CABLE MOUNTING BRACKET	1
52	26830-G01		LOCK NUT, M8 X 1.25MM	2
53				
54				
55	72708-G01		GOVERNOR ARM	1
56	26830-G01		LOCK NUT, M8 X 1.25 MM	1
57				
58	11845-G3		CLAMP	1
59	26830-G01		FLANGED NUT, M8 X 1 1/4".....	1
60				

ACCELERATOR

Where applicable, THE USE OF NON UL PARTS WILL VOID ANY UL LISTING.
 When ordering parts, please specify the model and serial number of the product.
 * Indicates a component that is not available as an individual part.
 G** Indicates consult Customer Service Department for additional information.

ITEM	PART NO.	1 2 3 4 5	DESCRIPTION	QTY.
61	72055-G01		ACCELERATOR CABLE BRACKET	1
62	17618-G1		WIRE TIE	1
63				
64				
65	72705-G1		GOVERNOR COVER.....	1
66				
67	00915-G1		BONDED WASHER, 1/4"	2
68	14601-G11		RIVET, 3/16" X 9/16" LG (ALUMINUM)	2
69				
70	72714-G01		THROTTLE CABLE.....	1
71				
72				
73	75757-G01		PEDAL GUARD.....	1
74	00414-G6		BOLT, 1/4 - 20 X 3/4" LG	2
75	01110-G01		WASHER, 1/4" (STAINLESS STEEL)	2
76	00654-G2		LOCK NUT, 1/4 - 20 (STAINLESS STEEL)	2

AIR CLEANER



AIR CLEANER

THE USE OF NON U.L. PARTS WILL VOID ANY U.L. LISTING.
 When ordering parts, please specify the model and serial number of the product.
 * Indicates a component that is not available as an individual part.
 G** Indicates consult Customer Service Department for additional information.

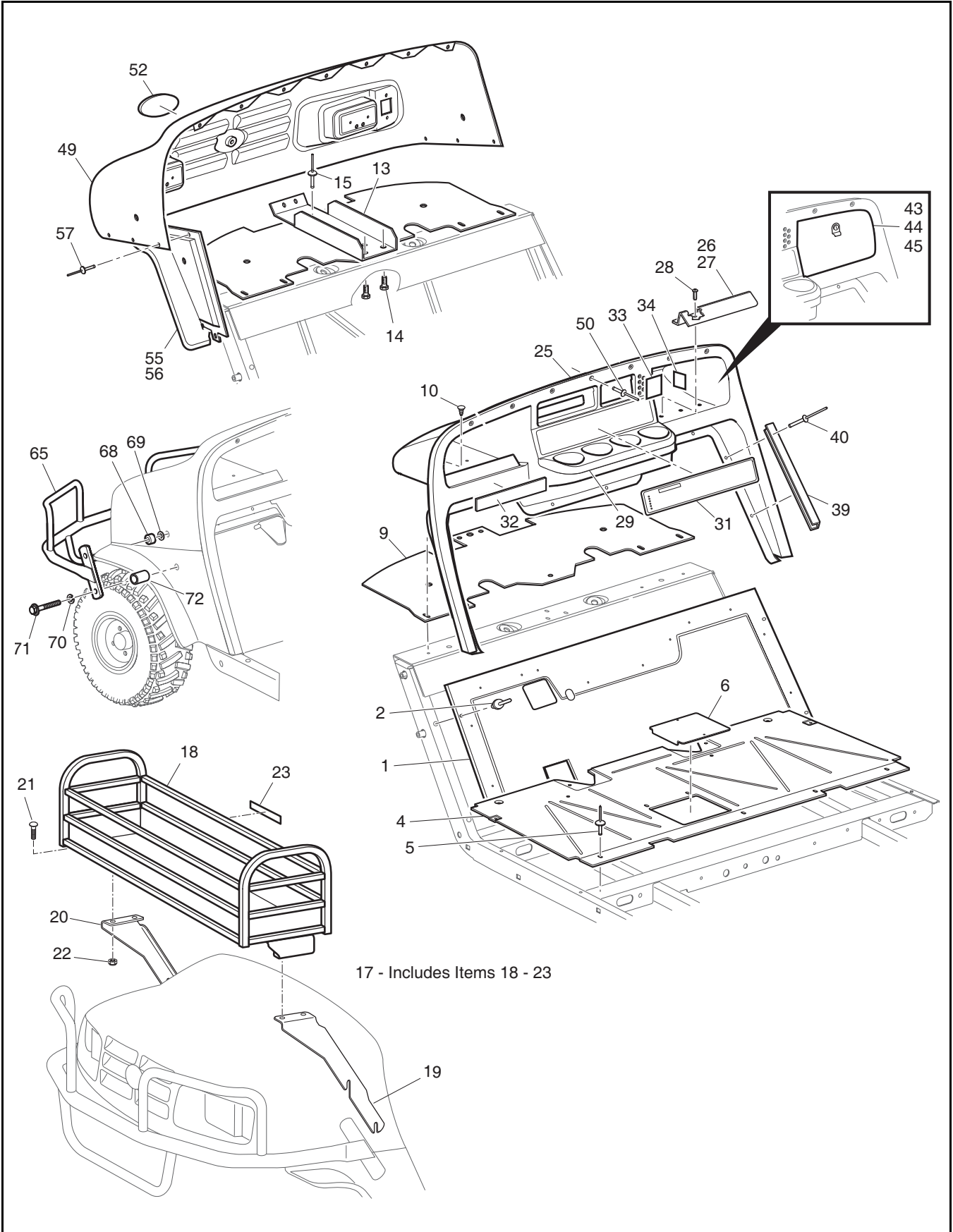
ITEM	PART NO.	1 2 3 4 5	DESCRIPTION	QTY.
1	72416-G01		INLET ADAPTER	1
2	72415-G01		GASKET	1
3	71055-G01		RIVET, 3/16" X 1" LG (ALUMINUM)	4
4	11391-G2		HOSE CLAMP, 2 1/16"	1
5	72637-G02		HOSE (CONVOLUTED) (ST 350)	1
6	72637-G01		HOSE (CONVOLUTED) (ST SPORT).....	1
7	11391-G1		HOSE CLAMP, 1 5/16"	1
8				
9	72607-G01		AIR CLEANER CANISTER ASSEMBLY (INCLUDES ITEMS 10 - 13)	1
10	72598-G01		AIR CLEANER CANISTER.....	1
11	72599-G01		AIR CLEANER COVER	1
12	72604-G01		AIR CLEANER LATCH	2
13	28462-G01		AIR CLEANER DUST COLLECTOR	1
14	28463-G01		AIR CLEANER ELEMENT	1
15				
16	72592-G01		HOSE (AIR FILTER TO CARBURETOR).....	1
17	11391-G6		HOSE CLAMP, 2 1/8"	1
18	11391-G7		HOSE CLAMP, 1 9/16"	1
19	26727-G01		CARBURETOR GASKET	1
20	74498-G02		CHOKE / THROTTLE BRACKET.....	1
21	26728-G01		CHOKE BRACKET.....	1
22	72591-G01		CARBURETOR ADAPTER	1
23	72151-G01		PCV HOSE	1
24	23726-G11		SPACER	4
25	00664-G7		LOCK WASHER, 1/4" (STAINLESS STEEL)	4
26	13632-G1		NUT, M6 X 1	4
27	72605-G01		CARBURETOR BAFFLE.....	1
28	72514-G01		STUD.....	2
29	25532-G1		BOLT AND WASHER, M8 X 1.25 X 20 MM	2
30				

AIR CLEANER

THE USE OF NON U.L. PARTS WILL VOID ANY U.L. LISTING.
 When ordering parts, please specify the model and serial number of the product.
 * Indicates a component that is not available as an individual part.
 G** Indicates consult Customer Service Department for additional information.

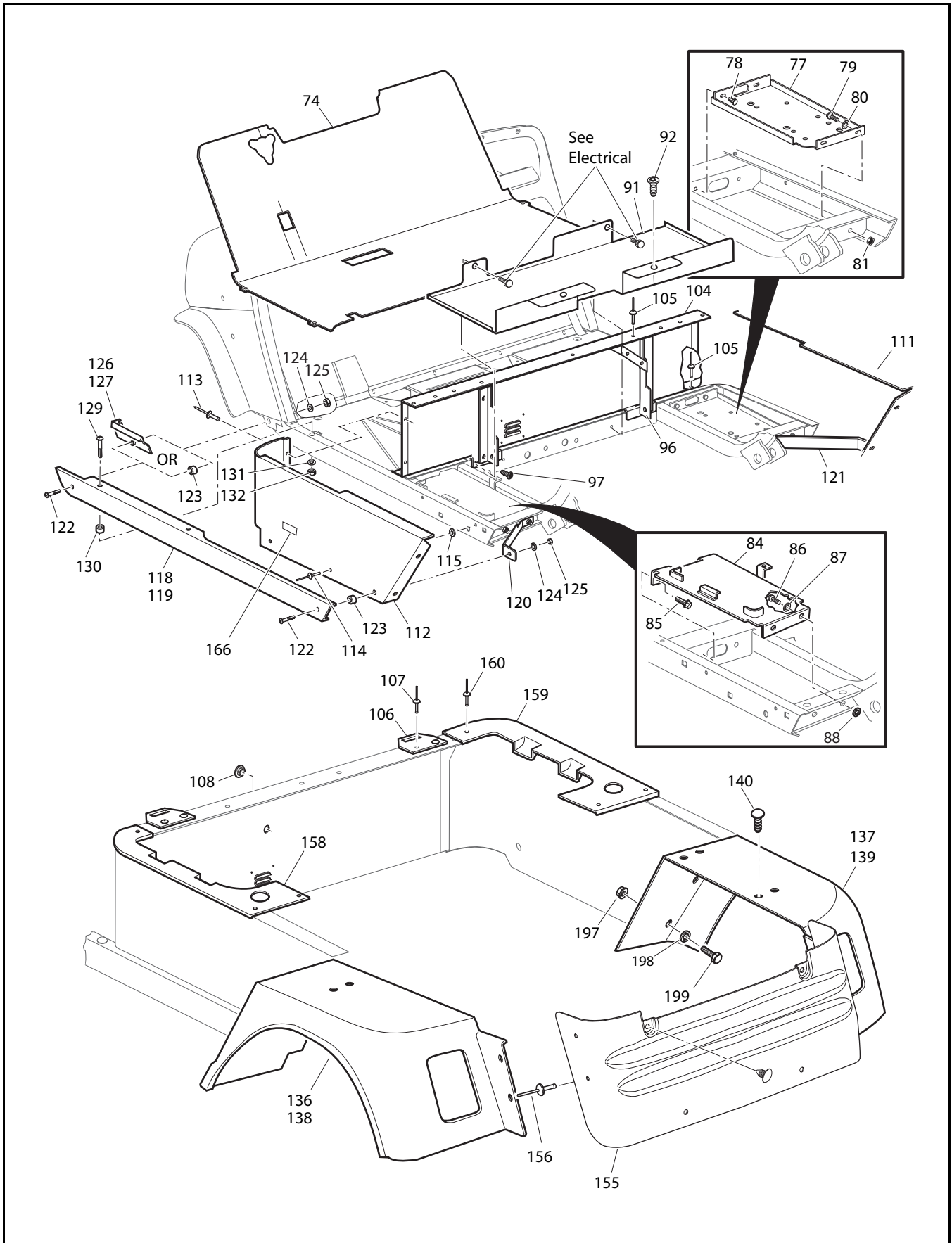
ITEM	PART NO.	1 2 3 4 5	DESCRIPTION	QTY.
31				
32				
33				
34	75878-G02		AIR FILTER BRACKET (CABLE ACTUATED CARBURETOR).....	1
35	12547-G3		BOLT, M6 X 1 X 20MM LG	1
36	00664-G7		LOCK WASHER, 1/4" (STAINLESS STEEL)	1
37	01110-G01		WASHER, 1/4" (STAINLESS STEEL)	1
38	00415-G2		BOLT, 1/4 - 20 X 1 1/4" LG	2
39	00559-G7		WASHER, 1/4"	2
40	14390-G4		LOCK NUT, 1/4 - 20	2

BODY

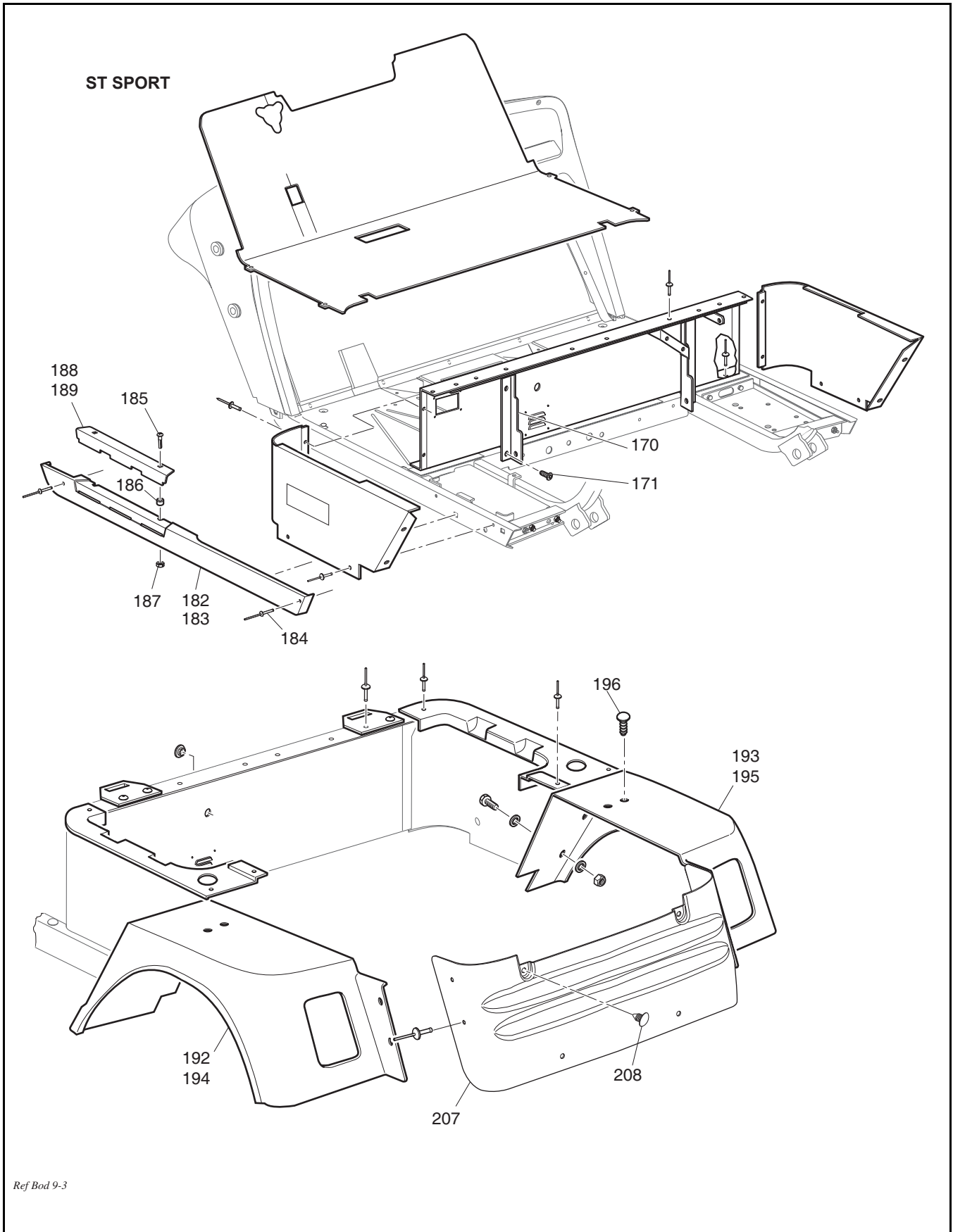


17 - Includes Items 18 - 23

BODY

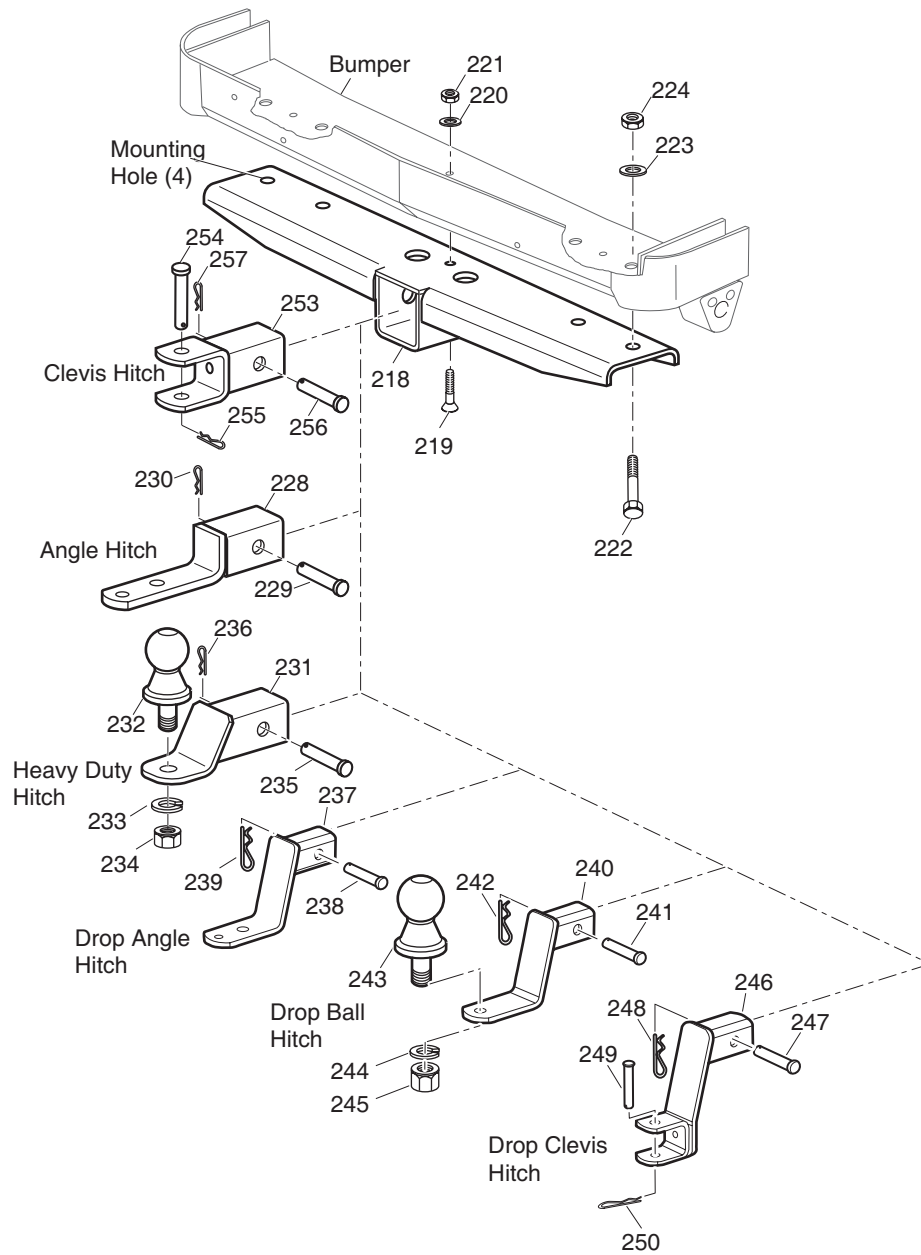


BODY



Ref Bod 9-3

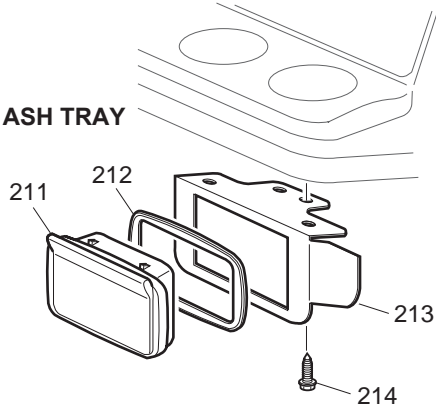
HITCHES



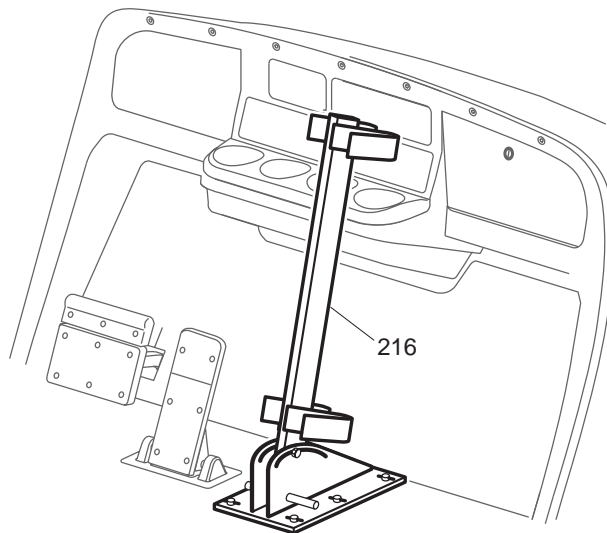
Ref Bod 21-3

BODY

ASH TRAY



**FLOOR MOUNT
GUN HOLDER**



THE USE OF NON U.L. PARTS WILL VOID ANY U.L. LISTING.
 When ordering parts, please specify the model and serial number of the product.
 * Indicates a component that is not available as an individual part.
 G** Indicates consult Customer Service Department for additional information.

ITEM	PART NO.	1 2 3 4 5	DESCRIPTION	QTY.
1	71510-G01		UPPER FLOORPAN.....	1
2	14601-G11		RIVET, 3/16" X 9/16" LG (ALUMINUM).....	9
3				
4	70451-G01		LOWER FLOORPAN.....	1
5	14601-G11		RIVET, 3/16" X 9/16" LG (ALUMINUM).....	7
6	70452-G01		ACCESS COVER.....	1
7				
8				
9	71413-G01		SPLASH PANEL.....	1
10	16816-G2		RATCHET FASTENER, 1/4" X 3/4" LG.....	4
11				
12				
13	71101-G02		COWL SUPPORT BRACKET.....	1
14	71102-G01		SELF TAPPING SCREW, 1/4 - 20 X 1/2" LG.....	3
15	71055-G02		RIVET, 3/16" X 1 1/8" LG (ALUMINUM).....	1
16				
17	74521-G02		FRONT BASKET ASSEMBLY (INCLUDES ITEMS 18 - 23).....	1
18	74523-G01		FRONT BASKET.....	1
19	74522-G01		BASKET MOUNTING BRACKET (DRIVER SIDE).....	1
20	74522-G02		BASKET MOUNTING BRACKET (PASSENGER SIDE).....	1
21	00725-G1		CARRIAGE BOLT, 3/8 - 16 X 1" LG (STAINLESS STEEL).....	4
22	00891-G1		LOCK NUT, 3/8 - 16.....	4
23	71931-G01		LABEL, FRONT BASKET (WARNING).....	1
24				
25	71151-G03		INSTRUMENT PANEL ASSEMBLY (INCLUDES ITEMS 26 - 29).....	1
26	71153-G01		DEFLECTOR (PASSENGER SIDE).....	1
27	71154-G01		DEFLECTOR (DRIVER SIDE).....	1
28	00614-G5		SCREW, #8 - 18 X 5/8" LG.....	6
29	71158-G01		INSTRUMENT PANEL INSERT (FOUR CUP).....	1
30				

BODY

THE USE OF NON U.L. PARTS WILL VOID ANY U.L. LISTING.
 When ordering parts, please specify the model and serial number of the product.
 * Indicates a component that is not available as an individual part.
 G** Indicates consult Customer Service Department for additional information.

ITEM	PART NO.	1 2 3 4 5	DESCRIPTION	QTY.
31	35962-G01		LABEL (SAFETY).....	1
32	74443-G01		LABEL (ANTI-ROLL BACK)	1
33	35968-G01		LABEL (T-HOLDER COVER).....	1
34	*		SERIAL NUMBER PLATE	1
35				
36				
37				
38				
39	71115-G01		VINYL TRIM	2
40	71055-G01		RIVET, 3/16" X 1" LG (ALUMINUM).....	10
41				
42				
43	75456-G01		GLOVE BOX DOORS (BOTH SIDES)	1
44	75456-G02		GLOVE BOX DOOR (DRIVER SIDE)	1
45	75456-G03		GLOVE BOX DOOR (PASSENGER SIDE).....	1
46				
47				
48				
49	71468-G0**		COWL.....	1
50	71055-G01		RIVET, 3/16" X 1" LG (ALUMINUM).....	7
51				
52	74813-G01		NAMEPLATE (E-Z-GO) (OVAL)	1
53				
54				
55	71338-G01		FENDER FLARE (DRIVER SIDE).....	1
56	71338-G02		FENDER FLARE (PASSENGER SIDE)	1
57	71055-G01		RIVET, 3/16" X 1" LG (ALUMINUM).....	6
58				
59				
60				

THE USE OF NON U.L. PARTS WILL VOID ANY U.L. LISTING.
 When ordering parts, please specify the model and serial number of the product.
 * Indicates a component that is not available as an individual part.
 G** Indicates consult Customer Service Department for additional information.

ITEM	PART NO.	1 2 3 4 5	DESCRIPTION	QTY.
61				
62				
63				
64				
65	74265-G02		BUMPER	1
66				
67				
68	75048-G04		SPACER, 1/2"	2
69	00570-G2		WASHER, 5/16"	2
70	00905-G8		LOCK WASHER, 5/16"	4
71	01035-G02		BOLT, 5/16 - 18 X 2 1/2" LG	4
72	75048-G04		SPACER	2
73				
74	70048-G06		FLOORMAT	1
75				
76				
77	70244-G03		SPLASH PANEL	1
78	00715-G2		BOLT, 5/16 - 18 X 4/5" LG	4
79	00438-G8		BOLT, 5/16 - 18 X 1" LG (ST 350)	2
80	00559-G8		WASHER, 5/16" (ST 350)	2
81	11098-G6		LOCK NUT, 5/16 - 18 (STAINLESS STEEL) (ST 350)	2
82				
83				
84	600496		BATTERY TRAY	1
85	00715-G2		BOLT, 5/16 - 18 X 4/5" LG	AR
86	00438-G6		BOLT, 5/16 - 18 X 3/4" LG	3
87	00571-G2		WASHER, 5/16"	1
88	00565-G8		LOCK WASHER, 5/16"	1
89				
90				

BODY

THE USE OF NON U.L. PARTS WILL VOID ANY U.L. LISTING.
 When ordering parts, please specify the model and serial number of the product.
 * Indicates a component that is not available as an individual part.
 G** Indicates consult Customer Service Department for additional information.

ITEM	PART NO.	1 2 3 4 5	DESCRIPTION	QTY.
91	70629-G01		SPLASH PANEL.....	1
92	00106-G6		SELF THREADING SCREW, #12 - 24 X 3/4" LG	2
93				
94				
95				
96	70440-G04		SEAT FRAME (ST 350) (SINGLE CABLE DIRECTION SELECTOR)	1
97	00715-G2		BOLT, 5/16 - 18 X 4/5" LG	2
98				
99				
100				
101				
102				
103				
104	71977-G**		SEAT WRAP PANEL WITH LOUVERS.....	1
105	10570-G10		RIVET, 5/32" X 9/16" LG (STAINLESS STEEL)	8
106	71609-G01		SEAT HINGE PLATE	2
107	10570-G11		RIVET, 3/16" X 3/4" LG (STAINLESS STEEL)	4
108	20271-G9		HOLE PLUG	1
109				
110				
111	71674-G**		SIDE PANEL (DRIVER SIDE) (ST 350)	1
112	71674-G**		SIDE PANEL (PASSENGER SIDE) (ST 350).....	1
113	10570-G10		RIVET, 5/32" X 9/16" LG (STAINLESS STEEL)	4
114	10570-G12		RIVET, 1/4" X 9/16" LG (ALUMINUM)	4
115	16469-G1		WASHER, 1/4"	4
116				
117				
118	71439-G01		ROCKER PANEL (DRIVER SIDE) (ST 350)	1
119	71439-G02		ROCKER PANEL (PASSENGER SIDE) (ST 350).....	1
120	71440-G03		BRACE (DRIVER SIDE).....	1

THE USE OF NON U.L. PARTS WILL VOID ANY U.L. LISTING.
 When ordering parts, please specify the model and serial number of the product.
 * Indicates a component that is not available as an individual part.
 G** Indicates consult Customer Service Department for additional information.

ITEM	PART NO.	1 2 3 4 5	DESCRIPTION	QTY.
121	71440-G04		BRACE (PASSENGER SIDE)	1
122	00789-G2		SCREW, #10 - 24 X 1 1/4" LG.....	4
123	23726-G2		SPACER, 1/4".....	4
124	00660-G5		WASHER, #10 (STAINLESS STEEL)	4
125	14390-G10		LOCK NUT, #10 - 24	4
126	71424-G01		SPACER (DRIVER SIDE).....	1
127	71424-G02		SPACER (PASSENGER SIDE)	1
128				
129	16705-G1		SCREW, 1/4 - 20 X 1" LG (STAINLESS STEEL)	4
130	23726-G2		SPACER, 1/4".....	4
131	00559-G7		WASHER , 1/4"	4
132	14390-G4		LOCK NUT, 1/4 - 20	4
133				
134				
135				
136	74893-G01		FENDER (DRIVER SIDE) (ST 350)	1
137	74893-G02		FENDER (PASSENGER SIDE) (ST 350).....	1
138	74893-G03		FENDER WITH TAILLIGHT (DRIVER SIDE) (ST 350)	1
139	74893-G04		FENDER WITH TAILLIGHT (PASSENGER SIDE) (ST 350).....	1
140	16816-G2		RATCHET FASTENER, 1/4" X 3/4" LG	10
141				
142				
143				
144				
145				
146				
147				
148				
149				
150				

BODY

THE USE OF NON U.L. PARTS WILL VOID ANY U.L. LISTING.
 When ordering parts, please specify the model and serial number of the product.
 * Indicates a component that is not available as an individual part.
 G** Indicates consult Customer Service Department for additional information.

ITEM	PART NO.	1	2	3	4	5	DESCRIPTION	QTY.
151								
152								
153								
154								
155	74890-G01						REAR PANEL (ST 350).....	1
156	71055-G01						RIVET, 3/16" X 1" LG (ALUMINUM).....	4
157								
158	74891-G01						SEAT FILLER PANEL (DRIVER SIDE)	1
159	74891-G02						SEAT FILLER PANEL (PASSENGER SIDE).....	1
160	10570-G10						RIVET, 5/32" X 9/16" LG (STAINLESS STEEL)	6
161								
162								
163								
164								
165								
166	600821						LABEL (ST 350)	2
167								
168								
169								
170	70440-G04						SEAT FRAME (ST SPORT)	1
171	00715-G2						BOLT, 5/16 - 18 X 4/5" LG	2
172								
173								
174								
175								
176								
177								
178								
179								
180								

BODY

THE USE OF NON U.L. PARTS WILL VOID ANY U.L. LISTING.
 When ordering parts, please specify the model and serial number of the product.
 * Indicates a component that is not available as an individual part.
 G** Indicates consult Customer Service Department for additional information.

ITEM	PART NO.	1 2 3 4 5	DESCRIPTION	QTY.
181				
182	71502-G01		ROCKER PANEL (DRIVER SIDE) (ST SPORT).....	1
183	71501-G01		ROCKER PANEL (PASSENGER SIDE) (ST SPORT)	1
184	15058-G6		RIVET, 3/16" X 15/16" LG (ALUMINUM).....	4
185	16705-G1		SCREW, 1/4 - 20 X 1" LG (STAINLESS STEEL)	4
186	23726-G4		SPACER, 5/16".....	4
187	14390-G4		LOCK NUT, 1/4 - 20	4
188	600112		SILL PLATE (DRIVER SIDE).....	1
189	600111		SILL PLATE (PASSENGER SIDE).....	1
190				
191				
192	74892-G01		FENDER (DRIVER SIDE) (ST SPORT).....	1
193	74892-G02		FENDER (PASSENGER SIDE) (ST SPORT)	1
194	74892-G03		FENDER WITH TAILLIGHT (DRIVER SIDE) (ST SPORT).....	1
195	74892-G04		FENDER WITH TAILLIGHT (PASSENGER SIDE) (ST SPORT)	1
196	16816-G2		RATCHET FASTENER, 1/4" X 3/4" LG.....	10
197	14390-G4		LOCK NUT, 1/4 - 20	4
198	00642-G7		WASHER, 1/4"	8
199	00414-G6		BOLT, 1/4 - 20 X 3/4" LG.....	4
200				
201				
202				
203				
204				
205				
206				
207				
208	74890-G01		REAR PANEL (ST SPORT).....	1
209	16816-G2		RATCHET FASTENER, 1/4" X 3/4" LG.....	8
210				

BODY

THE USE OF NON U.L. PARTS WILL VOID ANY U.L. LISTING.
 When ordering parts, please specify the model and serial number of the product.
 * Indicates a component that is not available as an individual part.
 G** Indicates consult Customer Service Department for additional information.

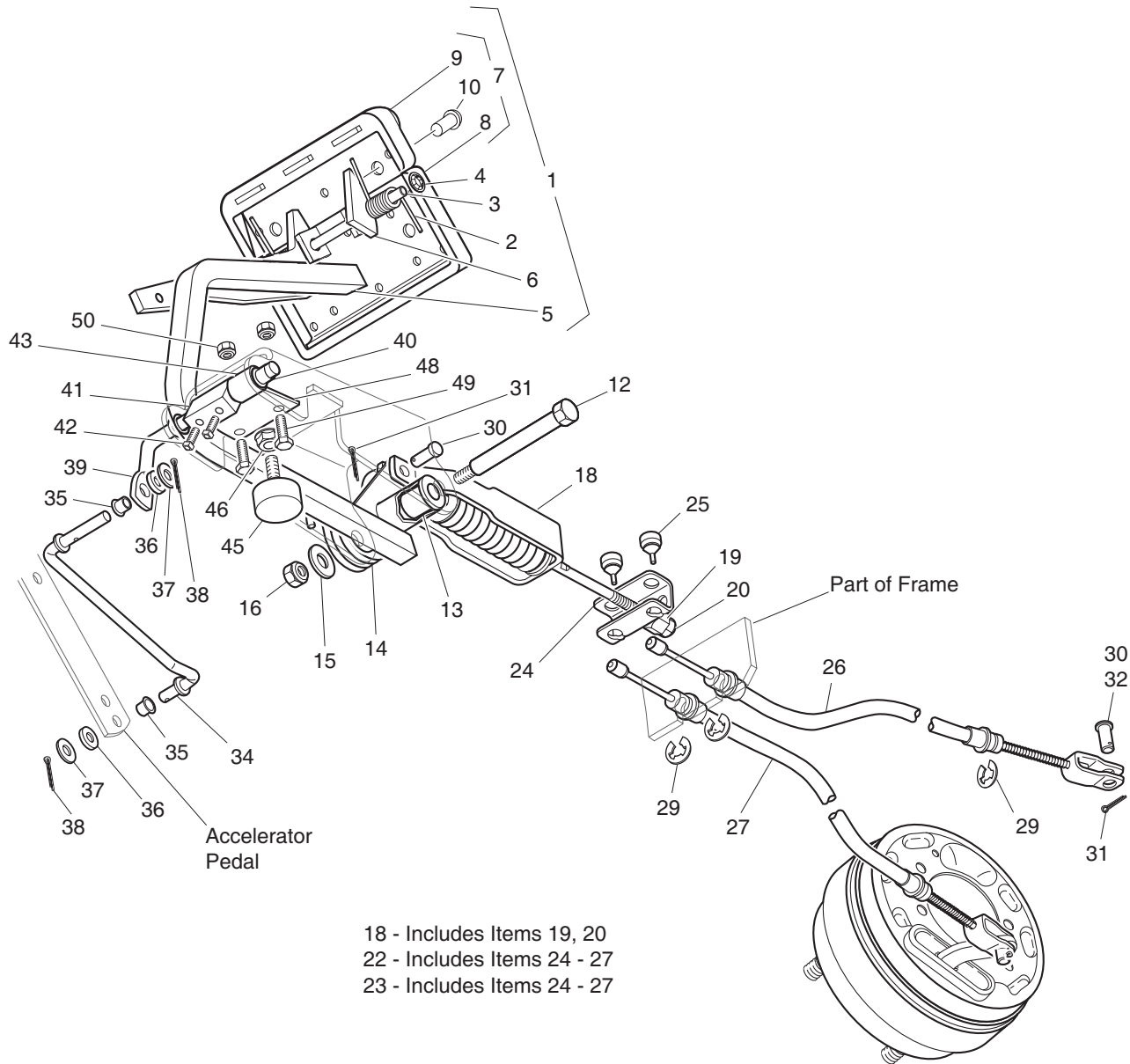
ITEM	PART NO.	1 2 3 4 5	DESCRIPTION	QTY.
211				
212	27731-G01		ASH TRAY.....	1
213	27736-G01		GASKET.....	1
214	75108-G02		BRACKET.....	1
215	00100-G4		SCREW, #10 - 16 X 1/2" LG.....	4
216				
217	74365-G01		GUN HOLDER.....	1
218				
219	74348-G02		HITCH RECEIVER.....	1
220	00198-G8		BOLT, 5/16 - 18 X 1" LG.....	1
221	00559-G8		WASHER, 5/16".....	1
222	11098-G6		LOCK NUT, 5/16 - 18 (STAINLESS STEEL).....	1
223	00463-G4		BOLT, 7/16 - 14 X 1 1/2" LG.....	4
224	00922-G3		WASHER, 7/16".....	4
225	00734-G1		LOCK NUT, 7/16 - 14.....	4
226				
227				
228				
229	74339-G02		ANGLE HITCH.....	1
230	21317-G01		CLEVIS PIN, 5/8" X 3" LG.....	1
231	21683-G1		COTTER PIN, 15/32" X 2 11/16" LG.....	1
232	74351-G02		HEAVY DUTY HITCH.....	1
233	31757-G1		HITCH BALL, 1 7/8".....	1
234	00566-G6		LOCK WASHER, 3/4".....	1
235	00702-G11		NUT, 3/4 - 16.....	1
236	21317-G01		CLEVIS PIN, 5/8" X 3" LG.....	1
237	21683-G1		COTTER PIN, 15/32" X 2 11/16" LG.....	1
238	74489-G02		DROP ANGLE HITCH.....	1
239	21317-G01		CLEVIS PIN, 5/8" X 2 11/16" LG.....	1
240	21683-G1		COTTER PIN, 15/32" X 2 11/16" LG.....	1

BODY

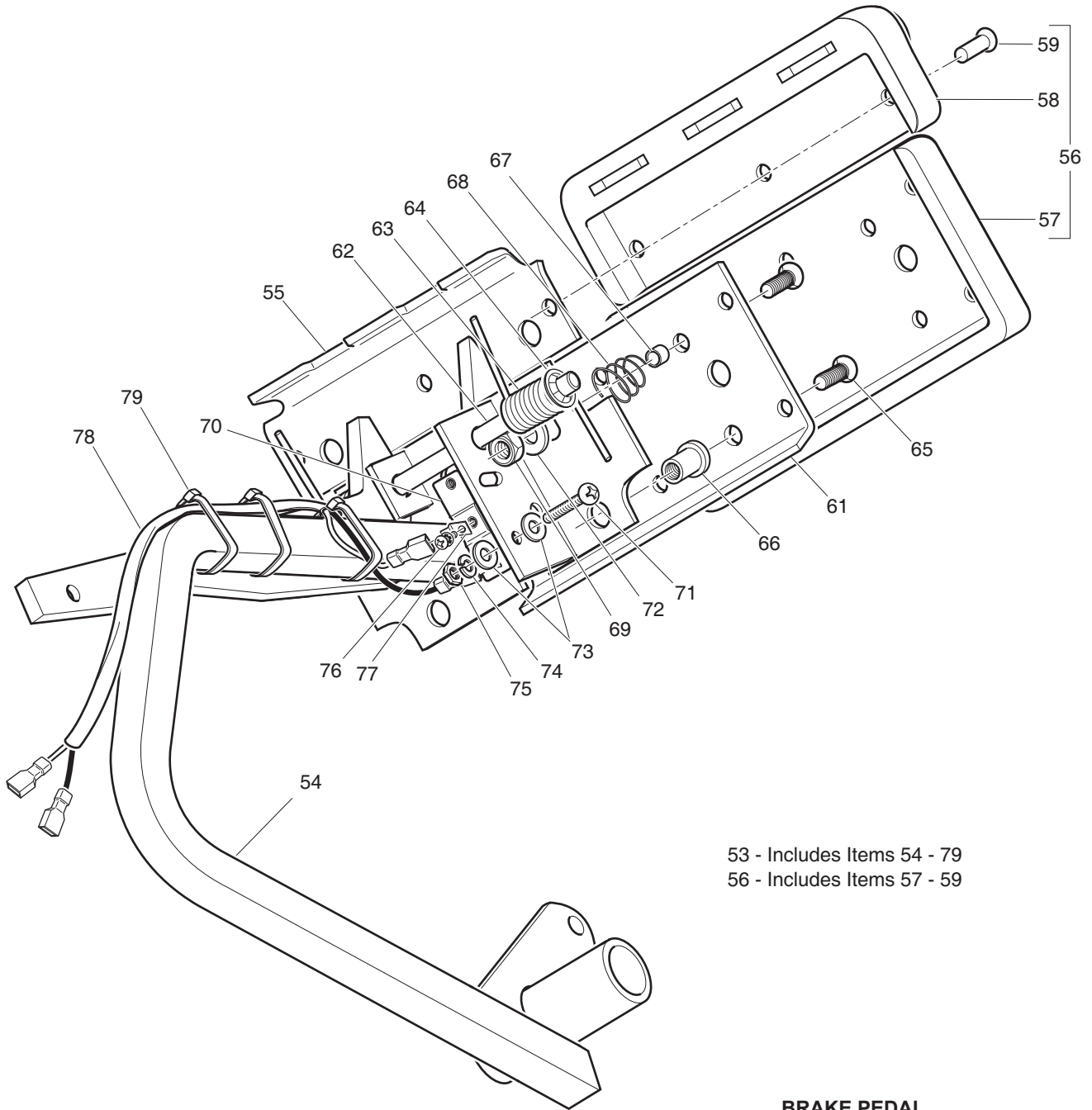
THE USE OF NON U.L. PARTS WILL VOID ANY U.L. LISTING.
 When ordering parts, please specify the model and serial number of the product.
 * Indicates a component that is not available as an individual part.
 G** Indicates consult Customer Service Department for additional information.

ITEM	PART NO.	1 2 3 4 5	DESCRIPTION	QTY.
241	74491-G02		DROP BALL HITCH	1
242	21317-G01		CLEVIS PIN, 5/8" X 3" LG	1
243	21683-G1		COTTER PIN, 15/32" X 2 11/16" LG	1
244	31757-G1		HITCH BALL, 1 7/8"	1
245	00566-G6		LOCK WASHER, 3/4"	1
246	00702-G11		NUT, 3/4 - 16	1
247	74495-G02		DROP CLEVIS HITCH	1
248	21317-G01		CLEVIS PIN, 5/8" X 3" LG	1
249	21683-G1		COTTER PIN, 15/32" X 2 11/16" LG	1
250	14443-G7		CLEVIS PIN, 1/2" X 2 1/2" LG	1
251	19314-G1		COTTER PIN, 2 1/2" LG.....	1
252				
253				
254	74338-G02		CLEVIS HITCH.....	1
255	14443-G7		CLEVIS PIN, 1/2" X 2 1/2" LG	1
256	19314-G1		COTTER PIN, 2 1/2" LG.....	1
257	21317-G01		CLEVIS PIN, 5/8" X 3" LG	1
258	21683-G1		COTTER PIN, 15/32" X 2 11/16" LG	1

BRAKES



Ref Brk 9-1

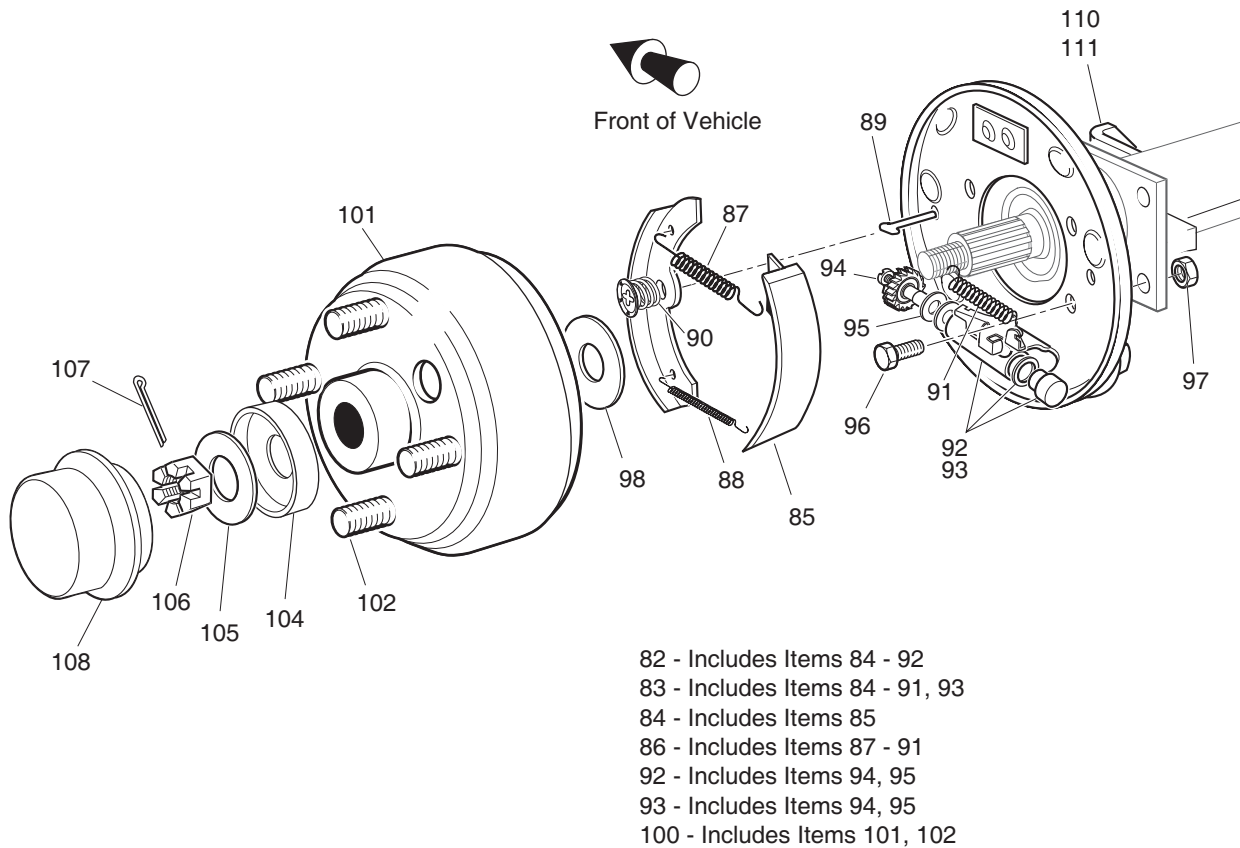


53 - Includes Items 54 - 79
56 - Includes Items 57 - 59

**BRAKE PEDAL
(VEHICLE WITH BRAKE LIGHTS)**

Ref Brk 9-2

BRAKES



Ref Brk 9-3

THE USE OF NON U.L. PARTS WILL VOID ANY U.L. LISTING.
 When ordering parts, please specify the model and serial number of the product.
 * Indicates a component that is not available as an individual part.
 G** Indicates consult Customer Service Department for additional information.

ITEM	PART NO.	1 2 3 4 5	DESCRIPTION	QTY.
1	70612-G02		BRAKE PEDAL ASSEMBLY (WITHOUT BRAKE LIGHTS) (INCLUDES ITEMS 2 - 10).....	1
2	70681-G01		TORSION SPRING.....	2
3	70682-G01		PIVOT PIN.....	1
4	01071-G01		PUSHNUT, 5/16".....	1
5	*		BRAKE PEDAL.....	1
6	70611-G02		PARK BRAKE PEDAL.....	1
7	70274-G01		BRAKE/PARK BRAKE PEDAL PAD KIT (INCLUDES ITEMS 8 - 10).....	1
8	*		SERVICE BRAKE PAD.....	1
9	*		PARK BRAKE PEDAL PAD.....	1
10	15766-G1		OVAL RIVET, 3/16" X 7/16" LG.....	9
11				
12	70582-G01		SHOULDER BOLT, 3/8 - 16 X 4" LG (STAINLESS STEEL).....	1
13	70581-G01		FLANGED BUSHING.....	2
14	70676-G01		TORSION SPRING.....	1
15	00643-G1		WASHER, 3/8".....	1
16	11098-G5		LOCK NUT, 3/8 - 16.....	1
17				
18	70272-G04		COMPENSATOR ASSEMBLY (INCLUDES ITEMS 19, 20).....	1
19	00963-G01		SPHERICAL NUT, 5/16 - 24.....	1
20	11098-G9		LOCK NUT, 5/16 - 24.....	1
21				
22	70969-G05		EQUALIZER & BRAKE CABLE ASSEMBLY (INCL ITEMS 24 - 27) (ST 350)....	1
23	70969-G03		EQUALIZER & BRAKE CABLE ASSEMBLY (INCL ITEMS 24 - 27) (SPORT)...	1
24	28082-G01		EQUALIZER BRACKET.....	1
25	28083-G01		BRAKE COMPENSATOR BUMPER.....	2
26	*		BRAKE CABLE (DRIVER SIDE).....	1
27	*		BRAKE CABLE (PASSENGER SIDE).....	1
28				
29	01111-G01		RETAINING RING, 13/32" (STAINLESS STEEL).....	4

BRAKES

THE USE OF NON U.L. PARTS WILL VOID ANY U.L. LISTING.
 When ordering parts, please specify the model and serial number of the product.
 * Indicates a component that is not available as an individual part.
 G** Indicates consult Customer Service Department for additional information.

ITEM	PART NO.	1 2 3 4 5	DESCRIPTION	QTY.
30	10386-G3		CLEVIS PIN, 5/16" X 13/16" LG	3
31	10387-G3		COTTER PIN, 3/32" X 3/4" LG	3
32	14443-G2		CLEVIS PIN, 5/16" X 5/8" LG (ST SPORT).....	2
33				
34	70601-G01		KICK-OFF LINK.....	1
35	17838-G1		NYLON BUSHING.....	2
36	20835-G1		TEFLON WASHER, 3/8"	2
37	00559-G8		WASHER, 5/16"	2
38	10387-G3		COTTER PIN, 3/32" X 3/4" LG	2
39	70098-G01		KICK-OFF CAM PIVOT.....	1
40	10097-G6		FLANGED BEARING	2
41	70587-G01		KICK-OFF CAM.....	1
42	71215-G01		SETSCREW, 1/4 - 20 X 1/2" LG.....	2
43	14134-G4		SPACER	1
44				
45	70113-G01		ADJUSTABLE BUMPER	1
46	11027-G1		LOCK NUT, 5/16 - 18	1
47				
48	70080-G02		CATCH BRACKET	1
49	00414-G6		BOLT, 1/4 - 20 X 3/4" LG	2
50	14390-G4		LOCK NUT, 1/4 - 20	2
51				
52				
53	70690-G02		BRAKE PEDAL ASSEMBLY (WITH BRAKE LIGHTS) (INCLUDES ITEMS 54 - 79).....	1
54	*		BRAKE PEDAL.....	1
55	70611-G02		PARK BRAKE PEDAL	1
56	70274-G01		BRAKE/PARK BRAKE PEDAL PAD KIT (INCLUDES ITEMS 57 - 59).....	1
57	*		SERVICE BRAKE PAD	1
58	*		PARK BRAKE PAD.....	1

BRAKES

THE USE OF NON U.L. PARTS WILL VOID ANY U.L. LISTING.
 When ordering parts, please specify the model and serial number of the product.
 * Indicates a component that is not available as an individual part.
 G** Indicates consult Customer Service Department for additional information.

ITEM	PART NO.	1	2	3	4	5	DESCRIPTION	QTY.
59	15766-G1						OVAL RIVET, 3/16" x 7/16" LG.....	9
60								
61	70258-G03						BRAKE PEDAL PLATE.....	1
62	70682-G01						PIVOT PIN.....	1
63	70681-G01						TORSION SPRING.....	2
64	01071-G01						PUSHNUT, 5/16".....	1
65	00737-G8						SCREW, #10 - 24 X 7/8" LG.....	4
66	00739-G1						RUBBER NUT, #10 - 24.....	2
67	74535-G01						BRAKE PEDAL STANDOFF.....	2
68	27137-G01						CONICAL SPRING.....	2
69	14390-G10						LOCK NUT, #10 - 24.....	2
70	10606-G8						MICRO SWITCH.....	1
71	00957-G1						BOLT, #6 - 32 X 1 1/4" LG.....	2
72	00559-G5						WASHER, #10.....	2
73	00559-G3						WASHER, #6.....	4
74	00565-G3						LOCK WASHER, #6.....	2
75	00525-G5						NUT, #6 - 32.....	2
76	13514-G1						SCREW AND LOCK WASHER, #6.....	2
77	14628-G1						FASTON TAB.....	2
78	24605-G1						WIRE HARNESS (BRAKE LIGHT).....	1
79	17618-G1						WIRE TIE.....	3
80								
81								
82	70998-G01						BRAKE ASSEMBLY (DRIVER SIDE) (INCLUDES ITEMS 84 - 92).....	1
83	70998-G02						BRAKE ASSEMBLY (PASSENGER SIDE) (INCL. ITEMS 84 - 91, 93).....	1
84	70794-G01						BRAKE SHOE KIT (INCLUDES ITEM 85).....	2
85	*						BRAKE SHOE.....	2
86	27944-G01						BRAKE SPRING KIT (INCLUDES ITEMS 87 - 91).....	2
87	*						UPPER SPRING.....	1
88	*						LOWER SPRING.....	1

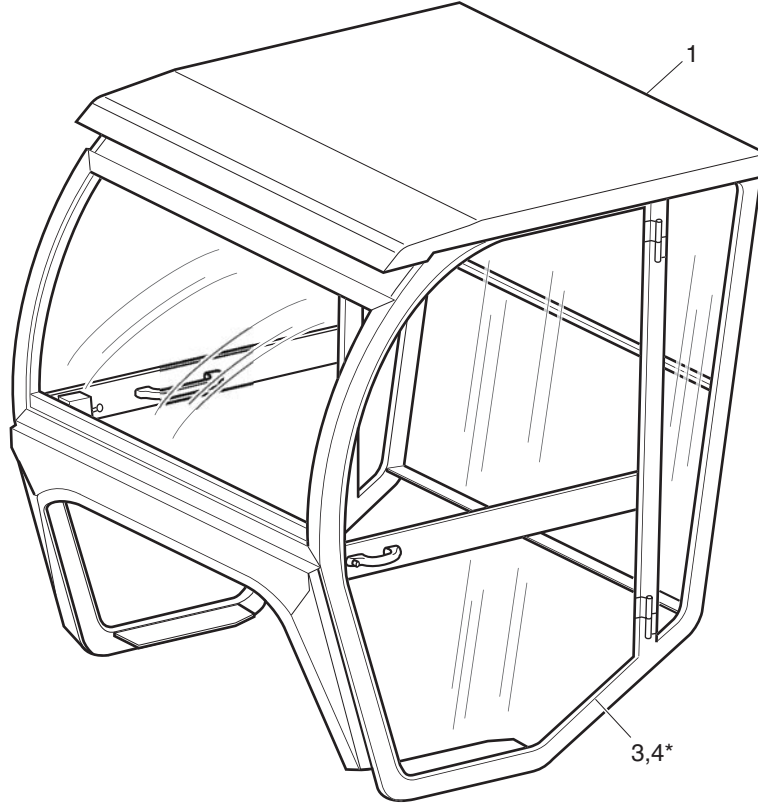
BRAKES

THE USE OF NON U.L. PARTS WILL VOID ANY U.L. LISTING.
 When ordering parts, please specify the model and serial number of the product.
 * Indicates a component that is not available as an individual part.
 G** Indicates consult Customer Service Department for additional information.

ITEM	PART NO.	1	2	3	4	5	DESCRIPTION	QTY.
89	*						PIN	2
90	*						CUP AND SPRING	2
91	*						ADJUSTER SPRING.....	1
92	72582-G01						BRAKE ADJUSTER KIT (DRIVER SIDE) (INCLUDES ITEMS 94, 95)	1
93	72582-G02						BRAKE ADJUSTER KIT (PASSENGER SIDE) (INCL ITEMS 94, 95).....	1
94	*						ADJUSTER	1
95	*						TEFLON WASHER.....	2
96	17083-G2						BOLT, 5/16 - 24 X 1" LG	8
97	15126-G1						LOCK NUT, 5/16 - 24	8
98	21809-G1						INNER BRAKE DRUM WASHER, 1 5/16" OD X 1" ID X 1/32"	2
99								
100	21807-G2						BRAKE DRUM ASSEMBLY (INCLUDES ITEMS 101 - 102).....	2
101	*						BRAKE DRUM.....	1
102	19862-G2						LUG BOLT, 1/2 - 20 X 1 11/16" LG	4
103								
104	24939-G2						SPINDLE CAP ADAPTER.....	1
105	21830-G1						OUTER BRAKE DRUM WASHER	2
106	00518-G8						SLOTTED NUT, 3/4 - 16.....	2
107	10387-G1						COTTER PIN, 1/8" X 1 1/2" LG.....	2
108	12091-G1						SPINDLE CAP.....	2
109								
110	75870-G04						BRAKE CABLE BRACKET (PASSENGER SIDE).....	1
111	75870-G03						BRAKE CABLE BRACKET (DRIVER SIDE)	1

CAB

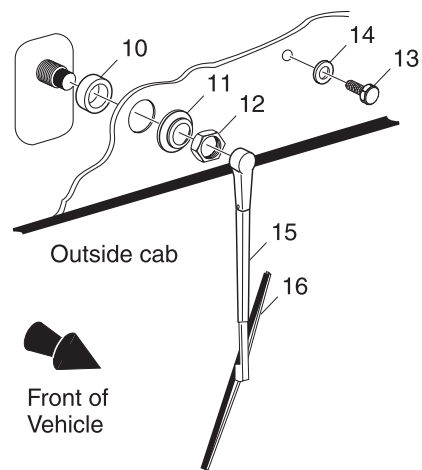
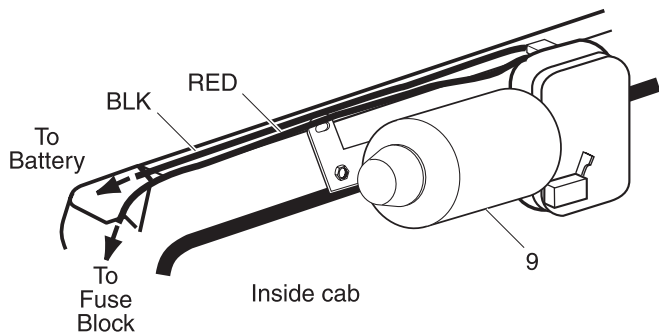
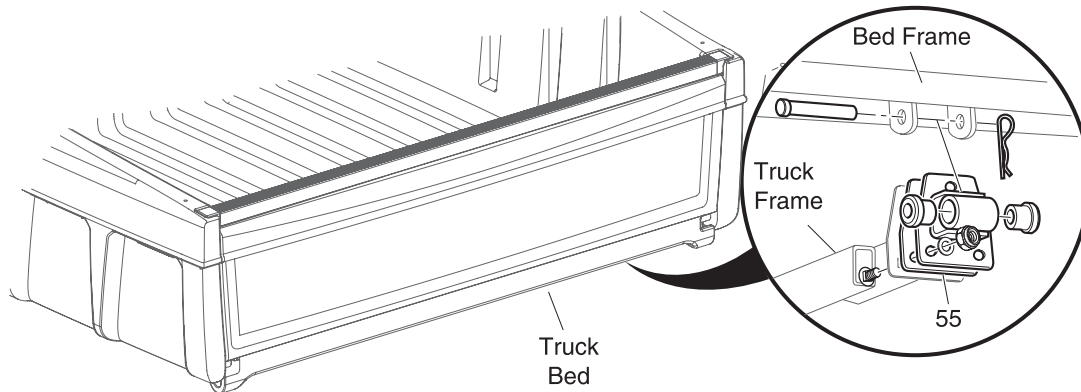
ST 350



*Steel Doors Shown

For Cab Accessories, See ACCESSORIES LISTING in Appendix B

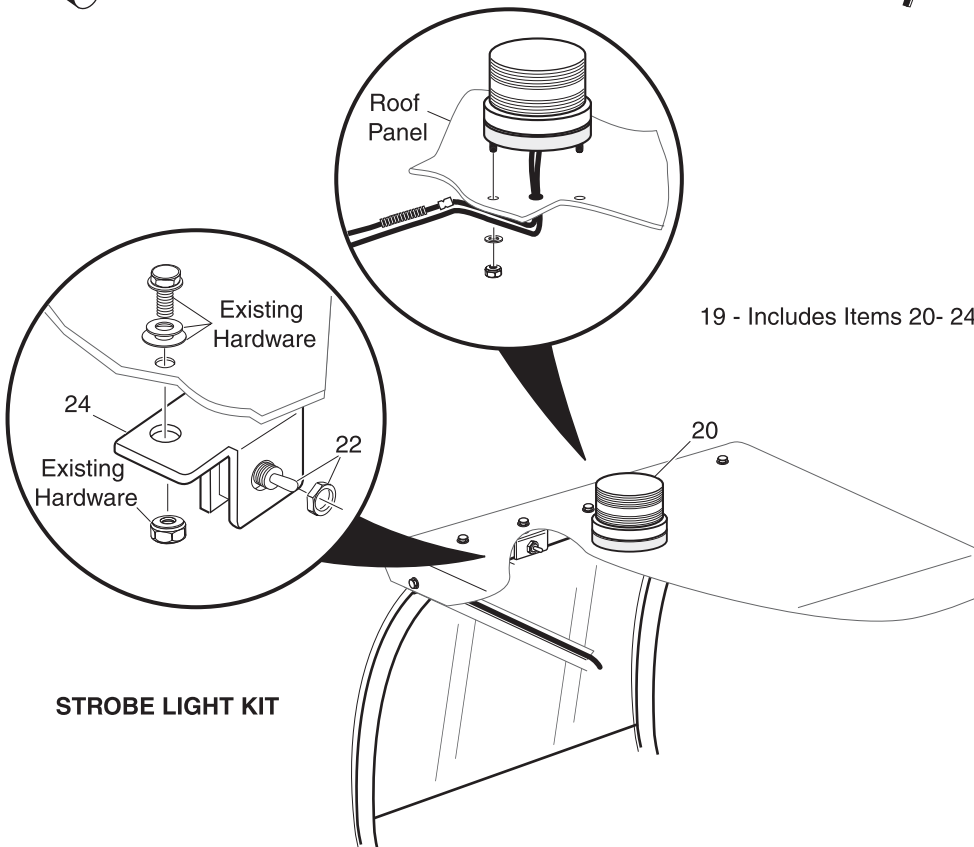
Ref Cab 9



WINDSHIELD WIPER COMPONENTS

8- Includes Items 9 -17

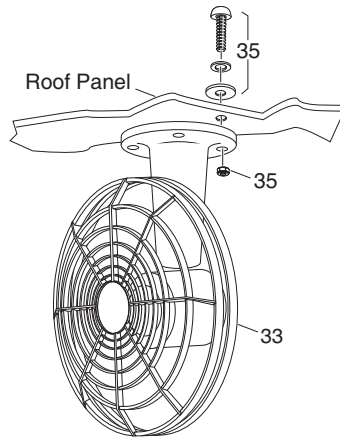
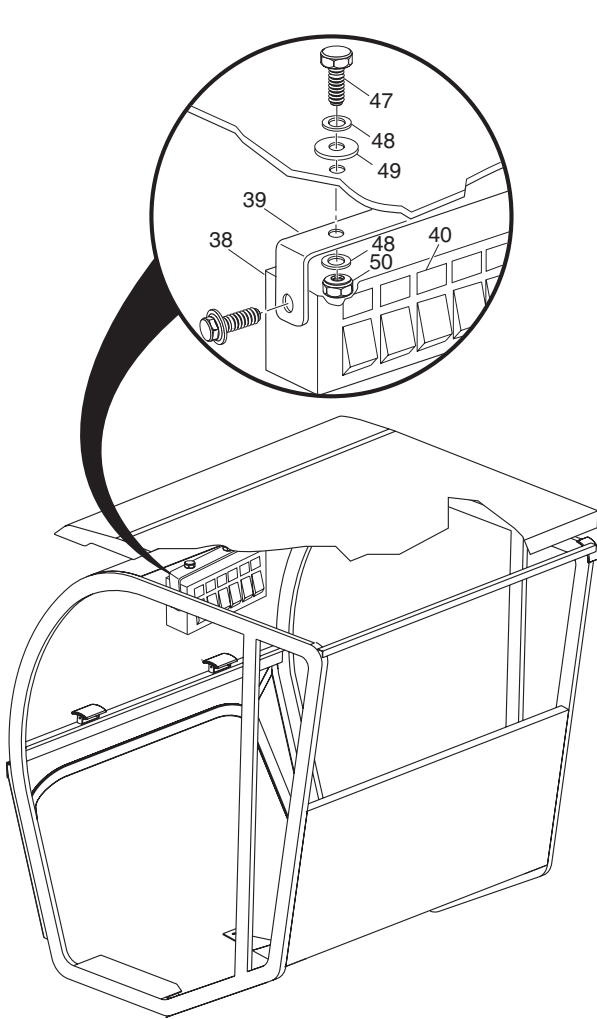
Front of Vehicle



CAB

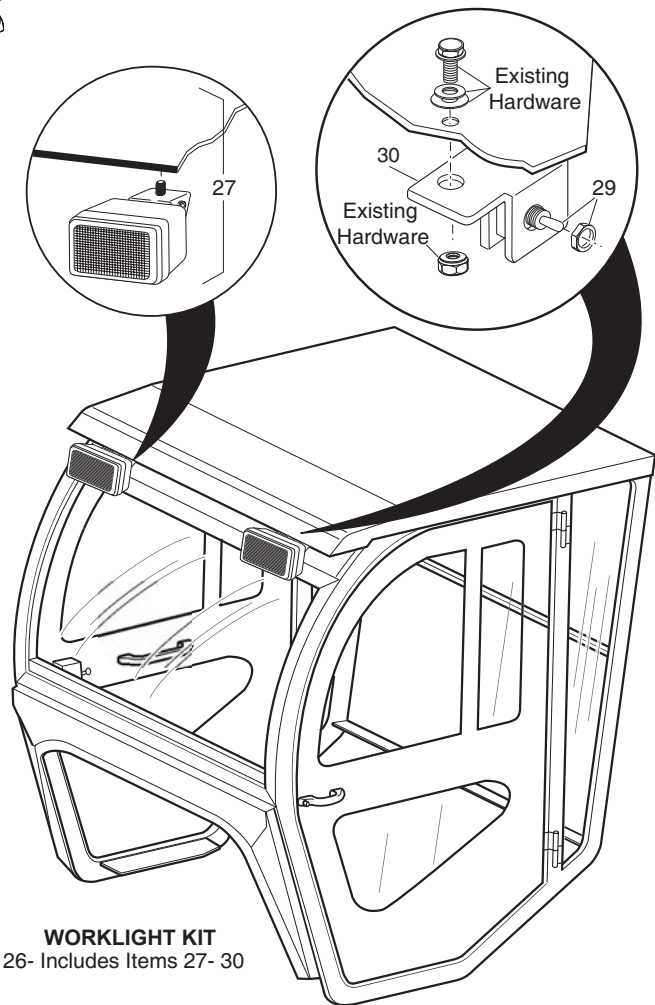
SWITCH PANEL KIT

37 - Includes Items 38 - 52



DEFROSTER / COOLING FAN KIT

32- Includes Items 33- 35



WORKLIGHT KIT

26- Includes Items 27- 30

THE USE OF NON U.L. PARTS WILL VOID ANY U.L. LISTING.
 When ordering parts, please specify the model and serial number of the product.
 * Indicates a component that is not available as an individual part.
 G** Indicates consult Customer Service Department for additional information.

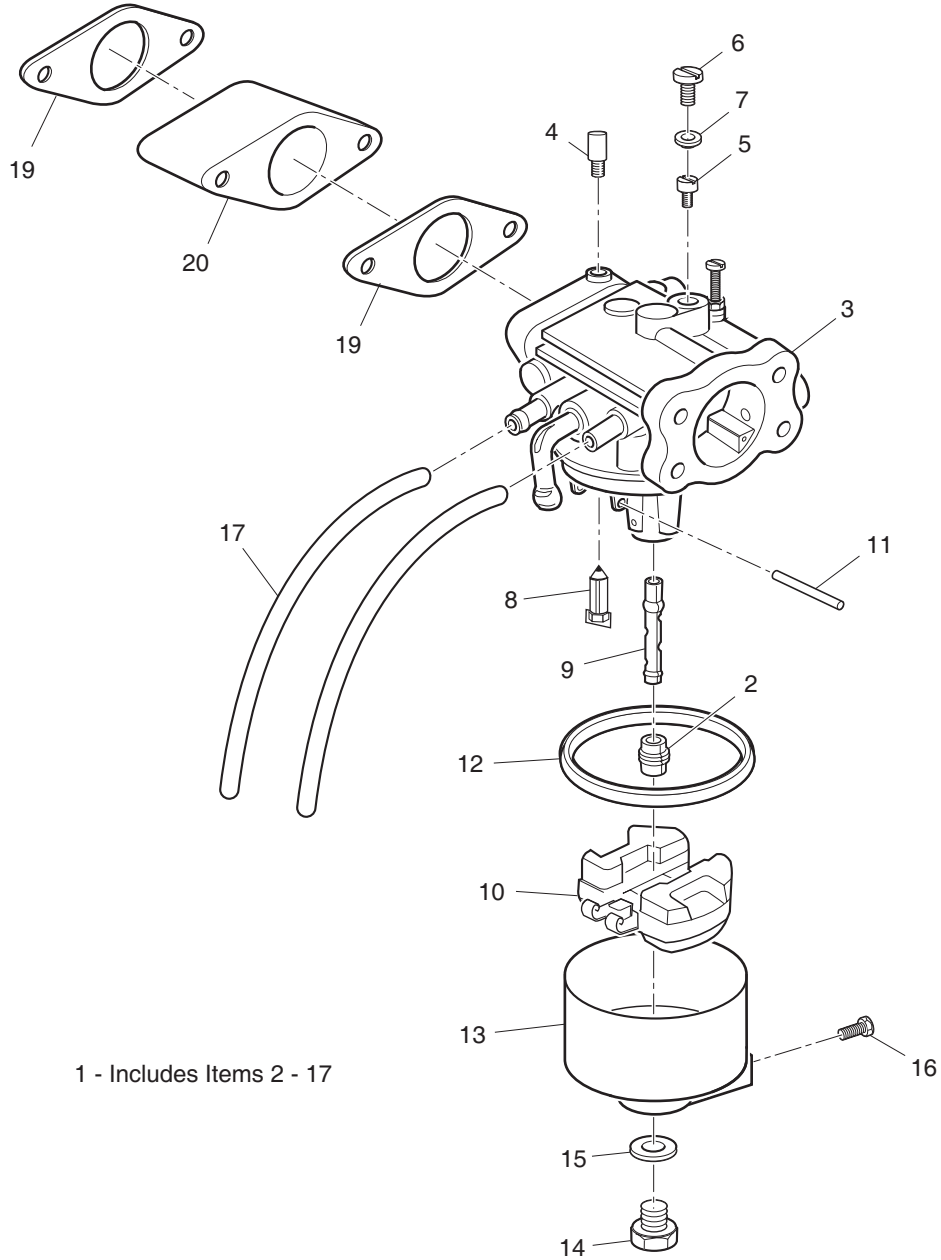
ITEM	PART NO.	1 2 3 4 5	DESCRIPTION	QTY.
1	72684-G**		STEEL CAB (WITHOUT DOORS) REPACEMENT PARTS AND ACCESSORIES MAY BE OBTAINED FROM CURTIS CAB, INC.) (ST 350)	1
2				
3	75855-G01		VINYL DOOR KIT.....	1
4	75856-G**		STEEL DOOR KIT.....	1
5				
6				
7				
8	74244-G01		WINDSHIELD WIPER KIT (INCLUDES ITEMS 9 -17).....	1
9	9PWM85		WIPER MOTOR (INCLUDES ITEMS 10 - 14).....	1
10	*		SPACER.....	1
11	*		SHAFT COVER (SEAL).....	1
12	*		NUT.....	1
13	*		BOLT.....	1
14	*		WASHER.....	1
15	9PWA		WIPER ARM.....	1
16	9PWB		WINDSHIELD WIPER BLADE.....	1
17	9E003		ELECTRICAL HARDWARE KIT (NOT ILLUSTRATED).....	1
18				
19	74245-G01		STROBE LIGHT KIT (INCLUDES ITEMS 20 - 24).....	1
20	9PSLRL		STROBE LENS.....	1
21	9E001		ELECTRICAL HARDWARE KIT (NOT ILLUSTRATED).....	1
22	9E002		TOGGLE SWITCH.....	1
23	9PSLRB		REPLACEMENT BULB (NOT ILLUSTRATED).....	1
24	9PB001		BRACKET.....	1
25				
26	74247-G01		WORK LIGHT KIT (INCLUDES ITEMS 27 - 30).....	1
27	9LW1A		WORK LIGHT (INCLUDES HARDWARE).....	2
28	9E001		ELECTRICAL HARDWARE KIT (NOT ILLUSTRATED).....	1
29	9E002		TOGGLE SWITCH.....	1

CAB

THE USE OF NON U.L. PARTS WILL VOID ANY U.L. LISTING.
 When ordering parts, please specify the model and serial number of the product.
 * Indicates a component that is not available as an individual part.
 G** Indicates consult Customer Service Department for additional information.

ITEM	PART NO.	1	2	3	4	5	DESCRIPTION	QTY.
30	9PB001						BRACKET	1
31								
32	74248-G01						DEFROSTER / COOLING FAN KIT (INCLUDES ITEMS 33 - 35)	1
33	9PDF						FAN	1
34	9E001						ELECTRICAL HARDWARE KIT (NOT ILLUSTRATED)	1
35	9PFHK						HARDWARE KIT	1
36								
37	74250-G01						SWITCH PANEL KIT (INCLUDES ITEMS 38 - 52)	1
38	9PSF1-001						SWITCH PANEL	1
39	9PSF1-002						MOUNTING BRACKET AND HARDWARE	1
40	9PSF1-003						ADHESIVE LABELS	1
41	9PSF1-004						3 AMP FUSE (NOT ILLUSTRATED)	2
42	9PSF1-005						5 AMP FUSE (NOT ILLUSTRATED)	3
43	9PSF1-006						7.5 AMP FUSE (NOT ILLUSTRATED)	1
44	9PSF1-007						FLEX LOOM, 5/8" X 10 FT LG (NOT ILLUSTRATED)	1
45	9PSF1-008						4-WAY BASE TIE (NOT ILLUSTRATED).....	6
46	9PSF1-009						WIRE TIE (NOT ILLUSTRATED).....	14
47	9PSF1-010						BOLT, 1/4 - 20 X 7/8" LG.....	2
48	9PSF1-011						WASHER, 1/4"	4
49	9PSF1-012						NYLON WASHER, 1/4".....	2
50	9PSF1-013						LOCK NUT, 1/4 - 20	2
51	9PSF1-014						10 GA WIRE (RED 8") (NOT ILLUSTRATED).....	1
52	9PSF1-015						10 GA WIRE (BLACK 8") (NOT ILLUSTRATED).....	1
53								
54								
55	6E03T						BED SPACER	2
56								

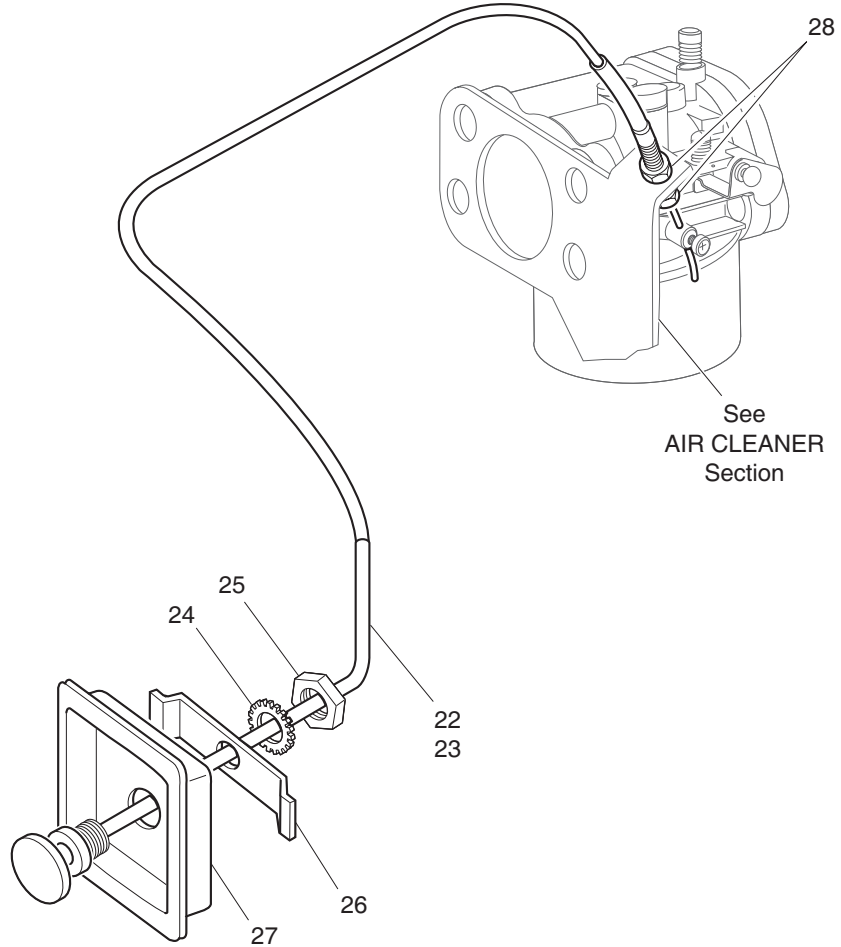
CARBURETOR AND CHOKE



1 - Includes Items 2 - 17

Ref Cac 9-1

CARBURETOR AND CHOKE



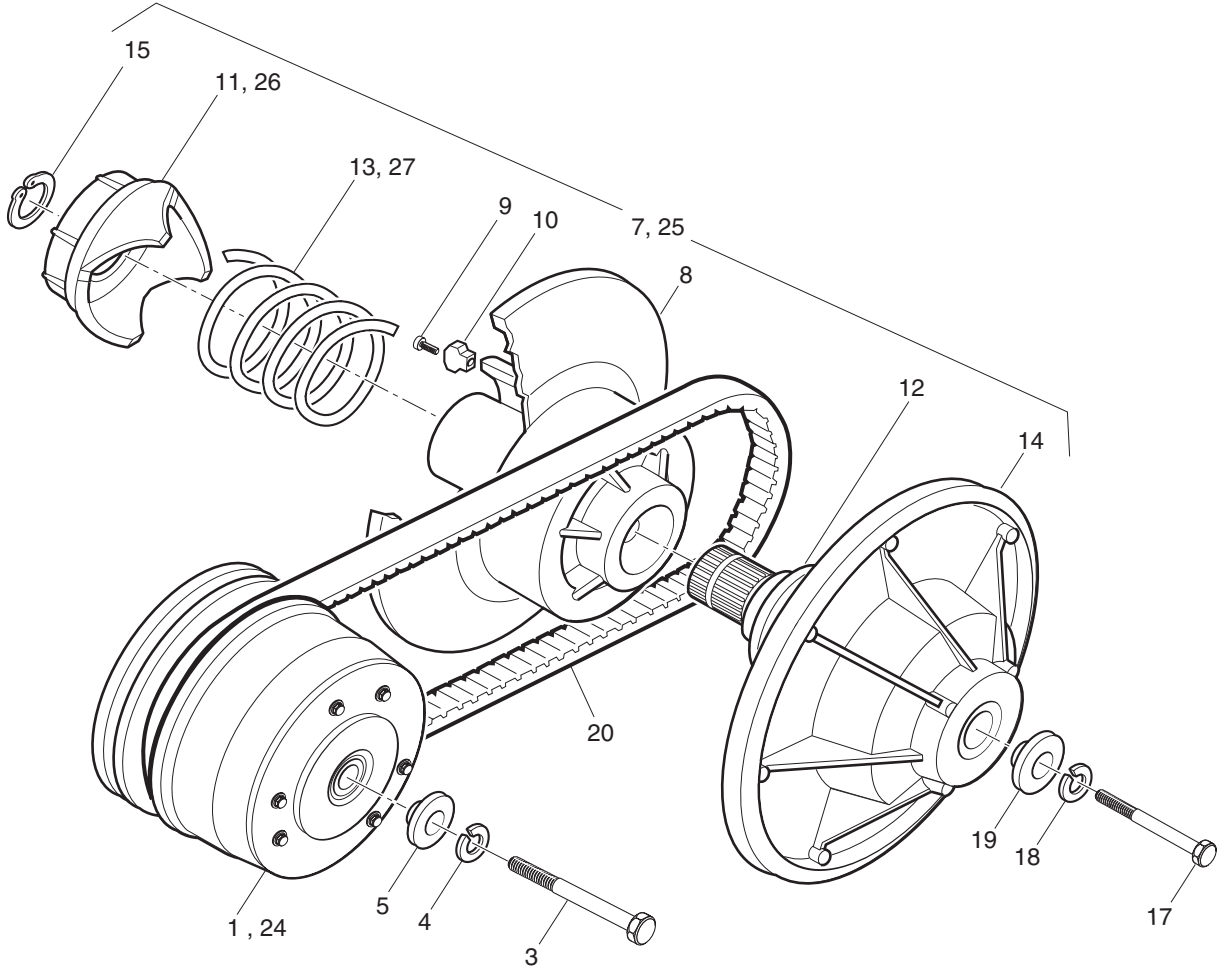
Ref Cac 9-2

CARBURETOR AND CHOKE

THE USE OF NON U.L. PARTS WILL VOID ANY U.L. LISTING.
 When ordering parts, please specify the model and serial number of the product.
 * Indicates a component that is not available as an individual part.
 G** Indicates consult Customer Service Department for additional information.

ITEM	PART NO.	1 2 3 4 5	DESCRIPTION	QTY.
1	72558-G05		CARBURETOR ASSEMBLY (FOR FUJI ENGINE P/N EH35CPG5033) (INCLUDES ITEMS 2 - 17).....	1
2	26646-G07		MAIN JET (#90)	1
3	*		CARBURETOR BODY.....	1
4	*		PILOT SCREW	1
5	26649-G05		PILOT JET (#46).....	1
6	26841-G01		PLUG	1
7	72306-G01		GASKET	1
8	72578-G01		NEEDLE VALVE	1
9	*		MAIN NOZZLE	1
10	26648-G01		FLOAT.....	1
11	26840-G01		FLOAT PIN.....	1
12	26843-G01		FLOAT BOWL GASKET	1
13	26844-G01		FLOAT CHAMBER.....	1
14	26839-G01		BOWL SCREW	1
15	26838-G01		BOWL GASKET.....	1
16	*		DRAIN SCREW	1
17	26650-G01		VENT TUBE.....	2
18				
19	26726-G01		CARBURETOR MOUNT GASKET.....	2
20	72311-G01		CARBURETOR INSULATOR	1
21				
22	72401-G02		CHOKE CABLE (WITH NUTS) (ST 350)	1
23	25693-G04		CHOKE CABLE (WITH NUTS) (ST SPORT)	1
24	00568-G4		LOCK WASHER, 9/16".....	1
25	00545-G4		JAM NUT, 9/16 - 18	1
26	72155-G01		RETAINER	1
27	72154-G01		CHOKE CABLE ADAPTER.....	1
28	00544-G4		JAM NUT, 5/16 - 24	2

CLUTCH



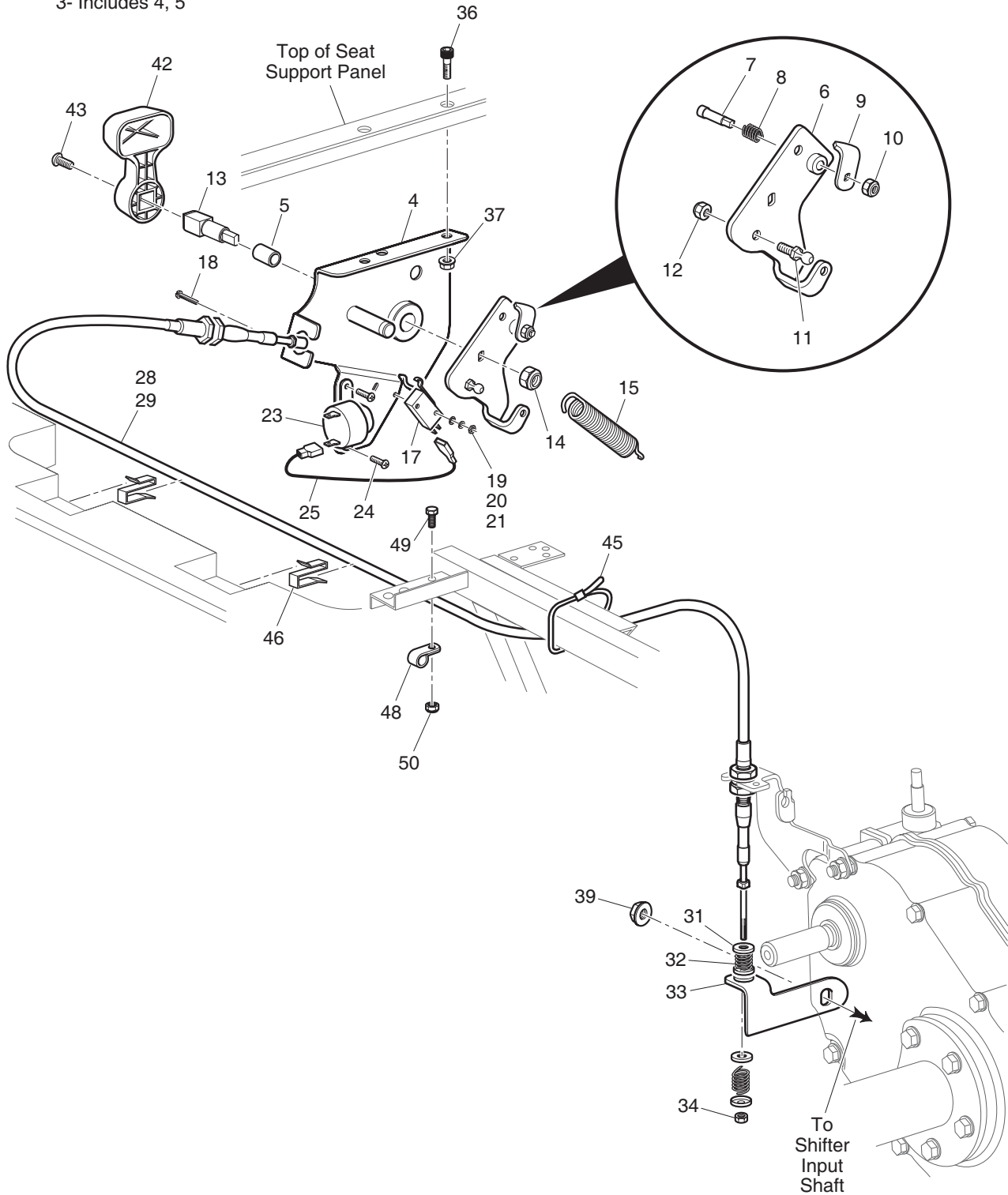
Ref Clt 9

THE USE OF NON U.L. PARTS WILL VOID ANY U.L. LISTING.
 When ordering parts, please specify the model and serial number of the product.
 * Indicates a component that is not available as an individual part.
 G** Indicates consult Customer Service Department for additional information.

ITEM	PART NO.	1 2 3 4 5	DESCRIPTION	QTY.
1	26952-G01		DRIVE CLUTCH	1
2				
3	00473-G9		BOLT, 7/16 - 20 X 6 1/2" LG	1
4	00566-G2		LOCK WASHER, 7/16"	1
5	25757-G1		PILOT WASHER	1
6				
7	26301-G03		DRIVEN CLUTCH ASSEMBLY (INCLUDES ITEMS 8 - 15)	1
8	*		MOVABLE SHEAVE (INCLUDES ITEMS 9 -10).....	1
9	00979-G01		SCREW, #10 - 24 X 7/8" LG.....	3
10	72324-G01		RAMP BUTTON	3
11	*		CAM.....	1
12	24600-G1		SPACER, 1 1/2"	1
13	26304-G01		COMPRESSION SPRING	1
14	*		SHEAVE AND POST	1
15	27270-G01		HEAVY DUTY RETAINING RING	1
16				
17	00441-G8		BOLT, 5/16 - 18 X 4" LG	1
18	00565-G8		LOCK WASHER, 5/16"	4
19	25756-G1		RETAINING WASHER	1
20	72328-G01		DRIVE BELT (SEVERE DUTY).....	1
21				
22				
23				
24	26952-G02		DRIVE CLUTCH (HIGH ALTITUDE)	1
25	25632-G03		DRIVEN CLUTCH (HIGH ALTITUDE) (INCLUDES ITEMS 8, 12, 14, 15, 26, 27).....	1
26	*		CAM.....	1
27	25612-G1		COMPRESSION SPRING	1

DIRECTION SELECTOR

- 1 - Includes Items 3 - 28, 31 - 34 (ST 350)
- 2 - Includes Items 3 - 25, 29 - 34 (ST SPORT)
- 3- Includes 4, 5



Ref Dsl 9

DIRECTION SELECTOR

THE USE OF NON U.L. PARTS WILL VOID ANY U.L. LISTING.
 When ordering parts, please specify the model and serial number of the product.
 * Indicates a component that is not available as an individual part.
 G** Indicates consult Customer Service Department for additional information.

ITEM	PART NO.	1 2 3 4 5	DESCRIPTION	QTY.
1	72721-G06		DIRECTION SELECTOR ASSY (INCLUDES ITEMS 3 - 28, 31 - 34) (ST 350)...	1
2	72721-G05		DIRECTION SELECTOR ASSY (INCLUDES ITEMS 3 - 25, 29 - 34) (SPORT)...	1
3	74456-G02		DIRECTION SELECTOR BRACKET (INCLUDES ITEMS 4, 5).....	1
4	72737-G02		WELDMENT	1
5	25664-G2		BUSHING.....	1
6	72738-G01		DIRECTION SELECTOR CAM.....	1
7	72724-G01		NEUTRAL LOCK PIN	1
8	72733-G01		COMPRESSION SPRING, 3/8" X 5/8" LG.....	1
9	72729-G01		NEUTRAL LOCK LATCH.....	1
10	00734-G2		LOCK NUT, 1/4 - 28.....	1
11	72732-G01		BALL STUD	1
12	00734-G5		LOCK NUT, #10 - 32.....	1
13	70233-G01		DIRECTION SELECTOR SHAFT	1
14	14390-G1		LOCK NUT, 3/8 - 24.....	1
15	28574-G01		EXTENSION SPRING	1
16				
17	72736-G01		MICRO SWITCH.....	1
18	01062-G01		SCREW, #4 - 40 X 1" LG	2
19	00559-G1		WASHER, #4	2
20	00565-G1		LOCK WASHER, #4	2
21	00526-G2		NUT, #4 - 40.....	2
22				
23	73290-G03		REVERSE WARNING BUZZER	1
24	01063-G01		SCREW, #6 - 32 X 3/8" LG	2
25	25978-G345		18 GA WIRE (RED 7")	1
26				
27				
28	72734-G03		SHIFTER CABLE (ST 350).....	1
29	602891		SHIFTER CABLE (ST SPORT)	1
30				

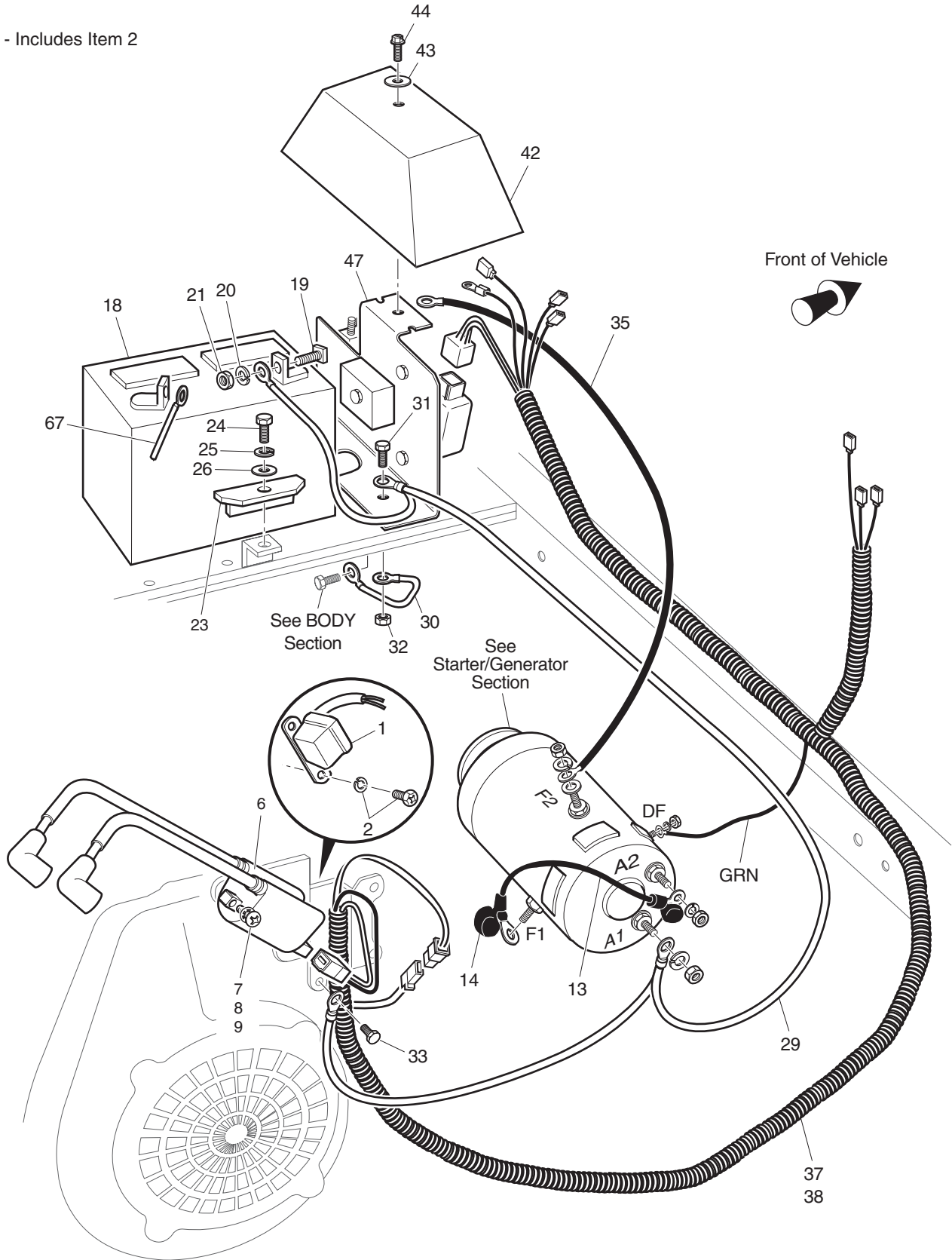
DIRECTION SELECTOR

THE USE OF NON U.L. PARTS WILL VOID ANY U.L. LISTING.
 When ordering parts, please specify the model and serial number of the product.
 * Indicates a component that is not available as an individual part.
 G** Indicates consult Customer Service Department for additional information.

ITEM	PART NO.	1 2 3 4 5	DESCRIPTION	QTY.
31	25727-G01		CUP WASHER, 1/4"	4
32	72735-G01		COMPRESSION SPRING, 19/32" X 1" LG.....	2
33	72730-G01		SHIFTER ARM WITH BUSHING	1
34	00734-G5		LOCK NUT, #10 - 32.....	1
35				
36	70227-G01		SCREW, 1/4 - 20 X 7/8" LG.....	2
37	11027-G2		LOCK NUT, 1/4 - 20	2
38				
39	26830-G01		LOCK NUT, M8 X 1.25 MM	1
40				
41				
42	71205-G01		DIRECTION SELECTOR HANDLE.....	1
43	00740-G4		SCREW, #10 - 32 X 1/2" LG (STAINLESS STEEL)	1
44				
45	31539-G1		WIRE TIE	1
46	01072-G01		CABLE CLIP.....	2
47				
48	11845-G5		CLIP, 3/8" (ST 350).....	1
49	00414-G6		BOLT, 1/4 - 20 X 3/4" LG (ST 350).....	1
50	14390-G4		LOCK NUT, 1/4 - 20 (ST 350)	1

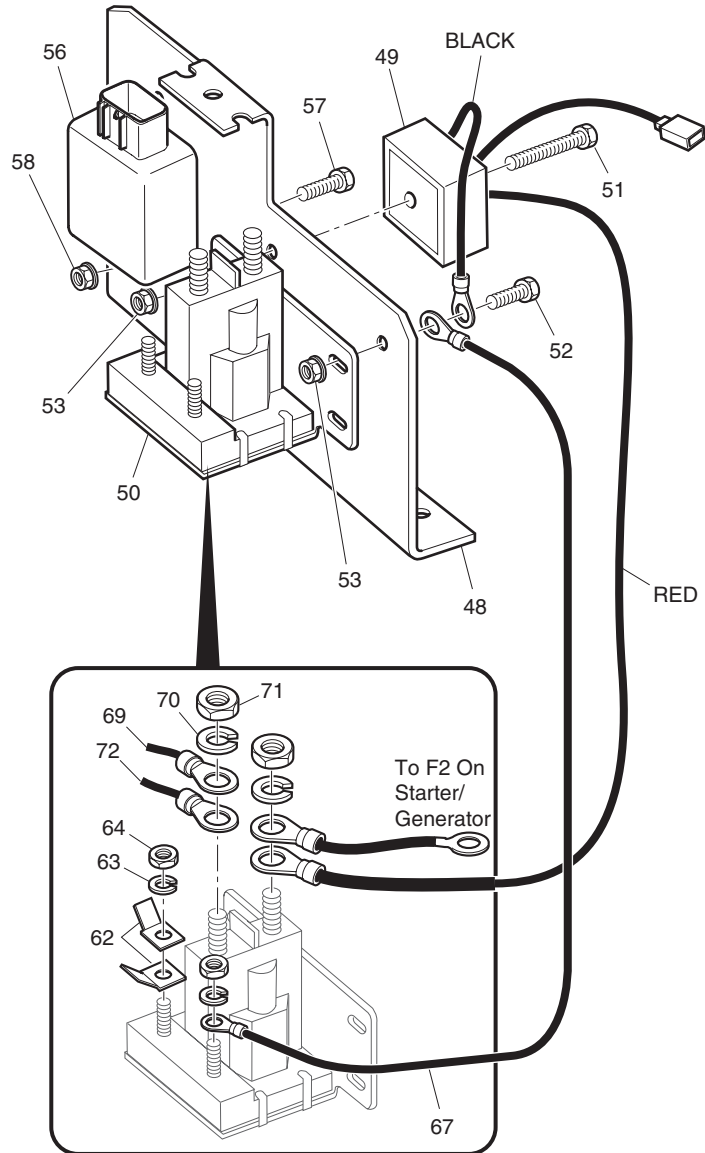
ELECTRICAL

1 - Includes Item 2



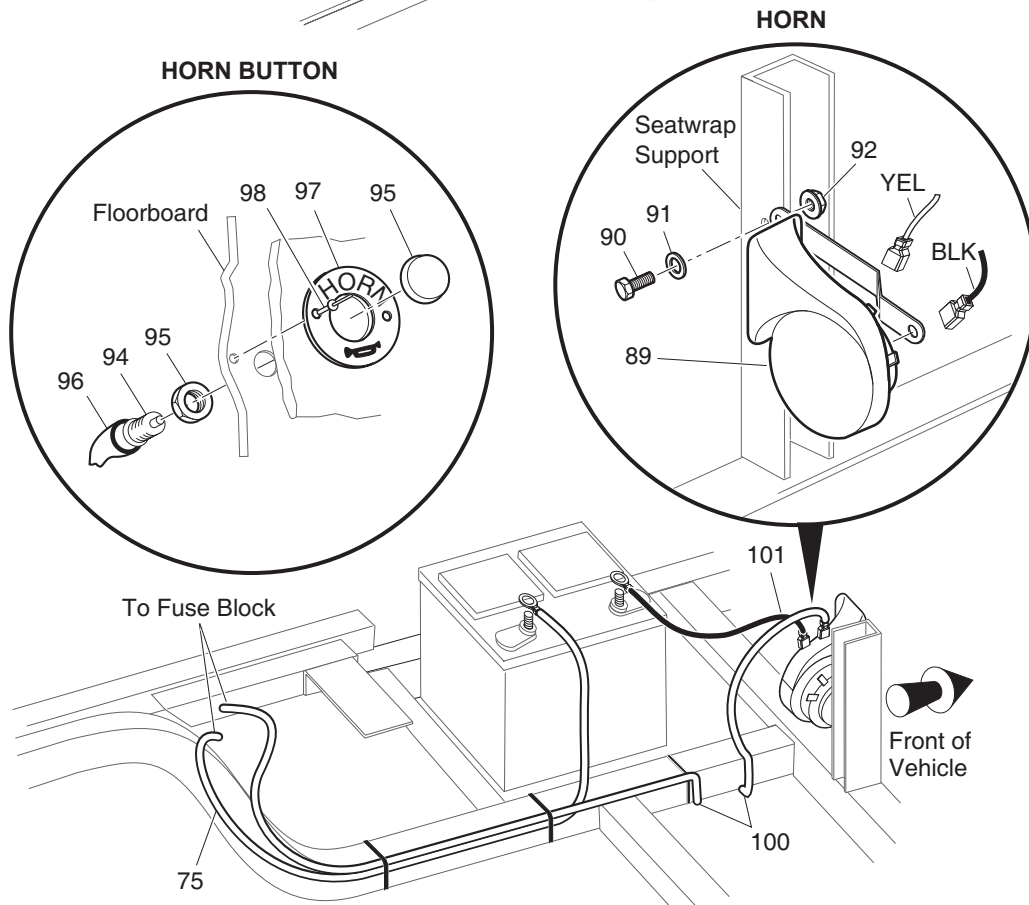
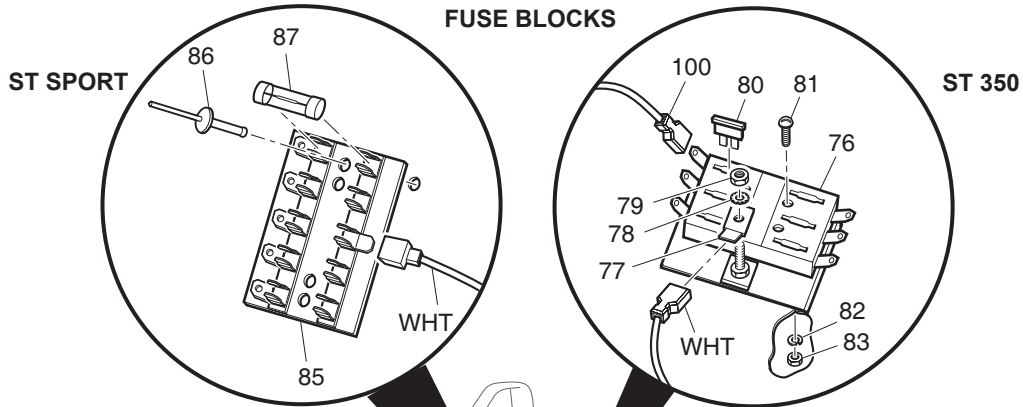
Ref Ele 2-1

47 - Includes Items 48 - 72

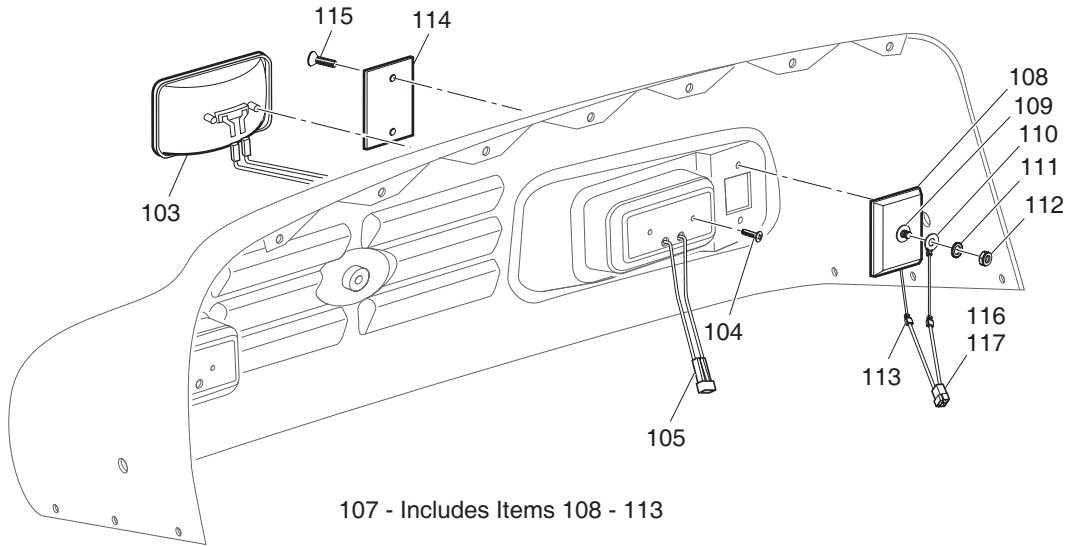


Ref Ele 2-2

ELECTRICAL

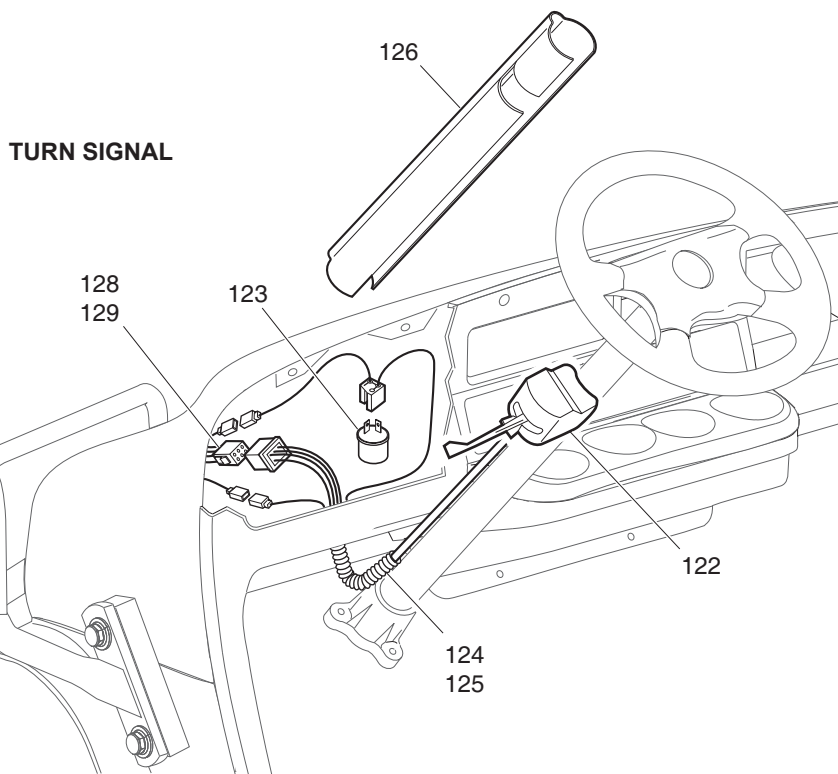
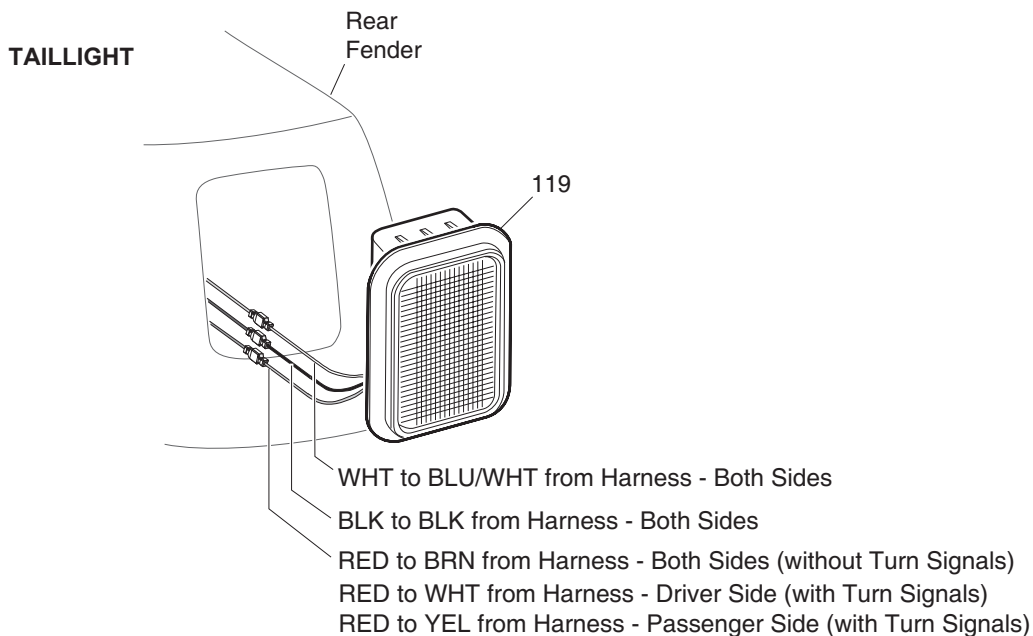


Ref Ele 9-3



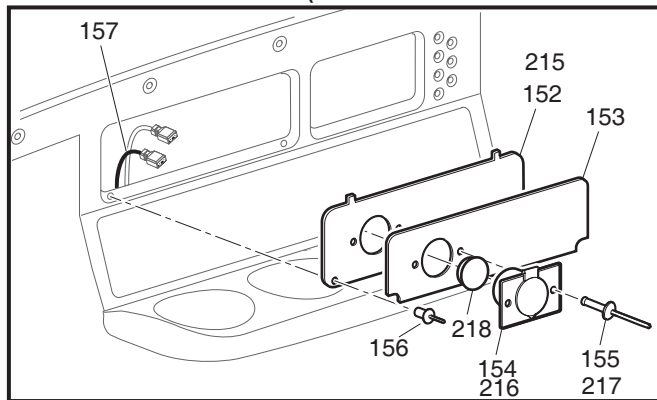
Ref Ele 9-4

ELECTRICAL

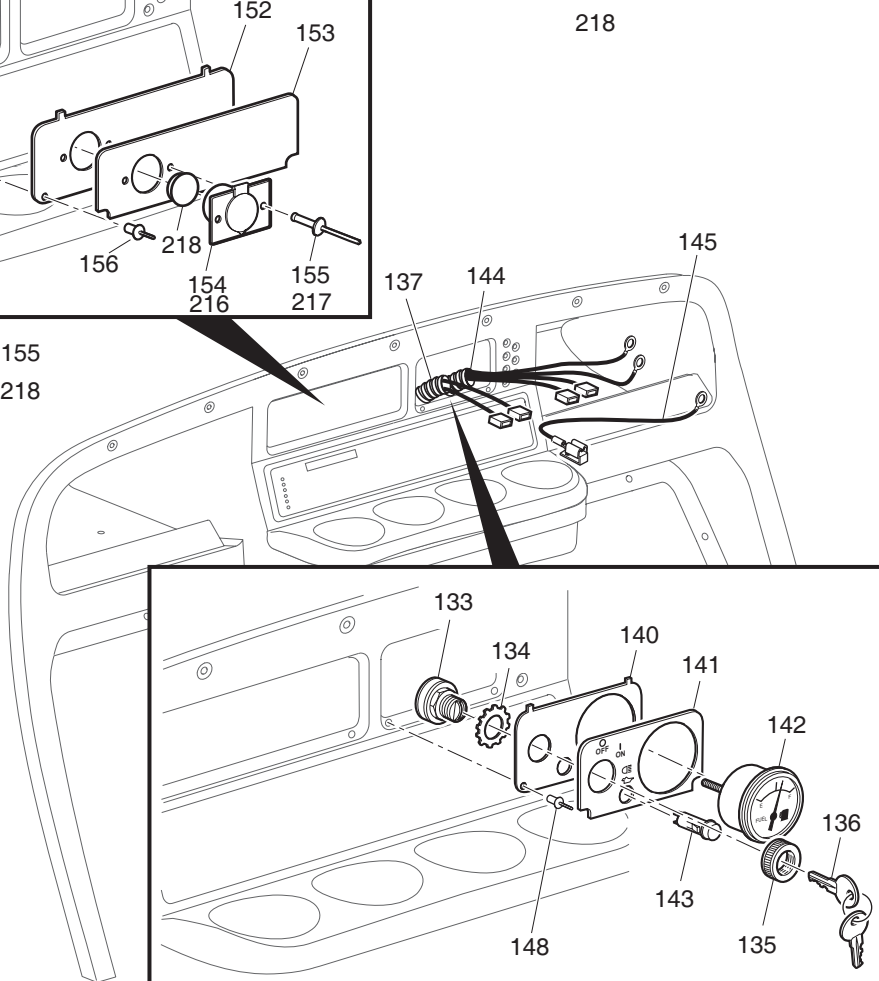


Ref Ele 9-5

CONSOLE INSERT PLATE (WITH POWER OUTLET SHOWN)



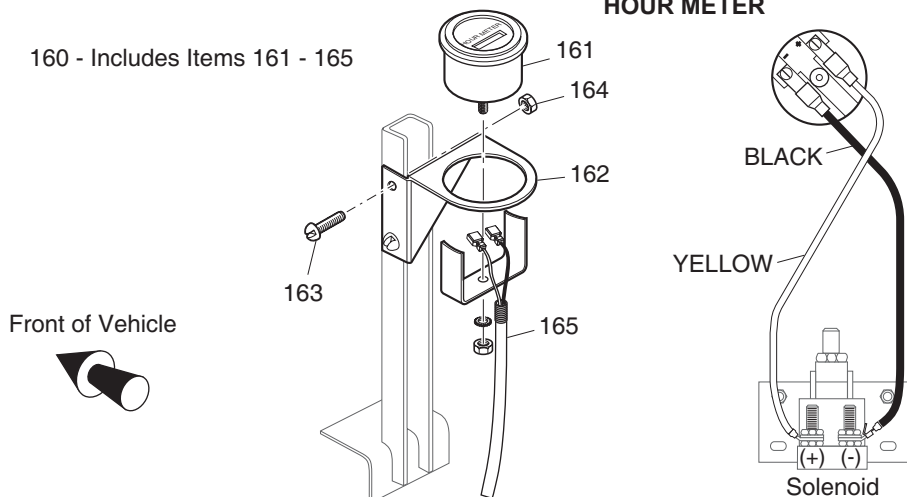
151 - Includes Items 152 - 155
214 - Includes Items 215 - 218



KEY SWITCH, INDICATOR LIGHT(S), AND FUEL GAUGE

HOUR METER

160 - Includes Items 161 - 165



Front of Vehicle

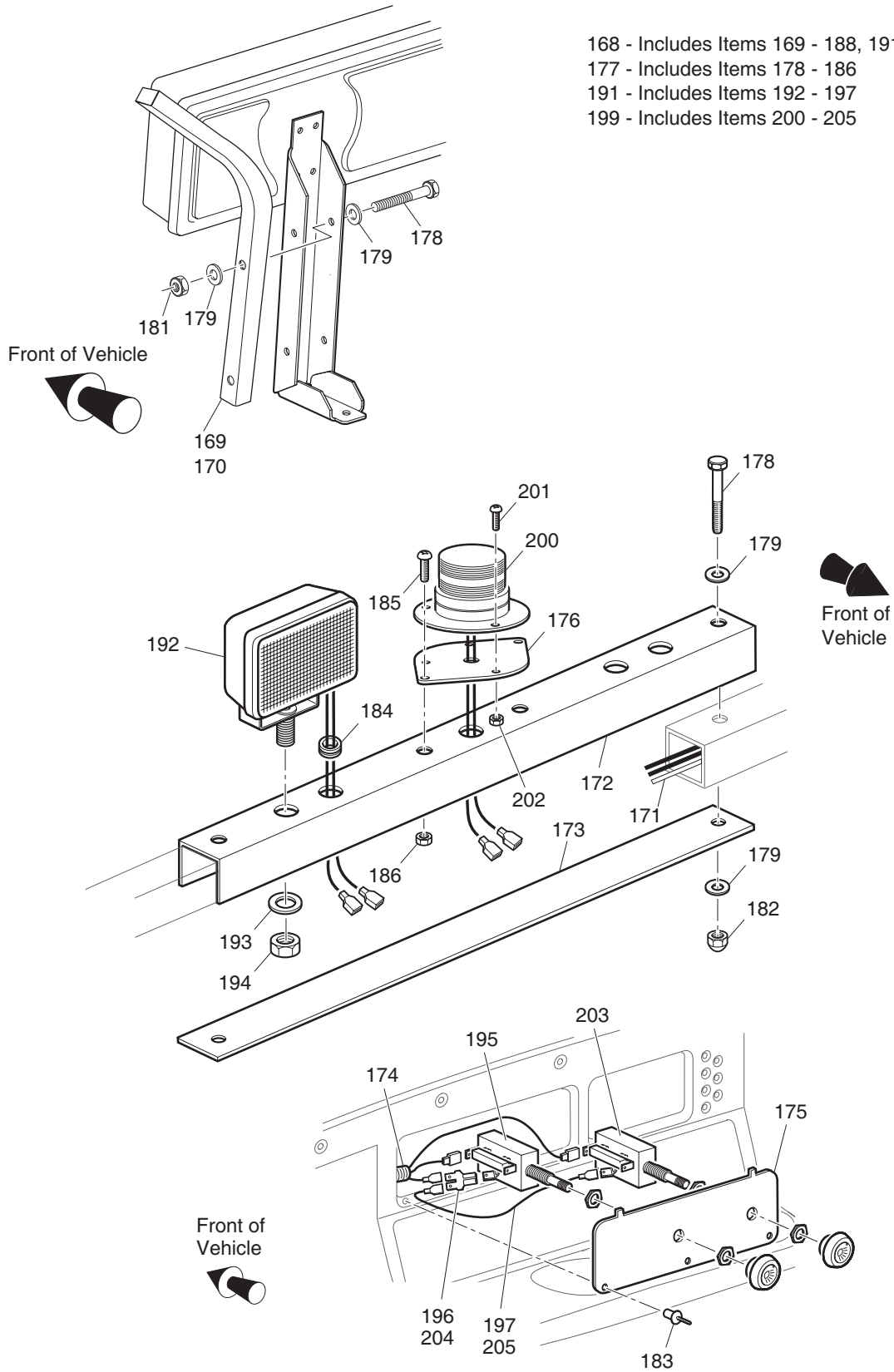


Ref Ele 9-6

ELECTRICAL

WORK AND STROBE LIGHTS

- 168 - Includes Items 169 - 188, 191 and/or 199
- 177 - Includes Items 178 - 186
- 191 - Includes Items 192 - 197
- 199 - Includes Items 200 - 205



Ref Ele 9-7

ELECTRICAL

THE USE OF NON U.L. PARTS WILL VOID ANY U.L. LISTING.
 When ordering parts, please specify the model and serial number of the product.
 * Indicates a component that is not available as an individual part.
 G** Indicates consult Customer Service Department for additional information.

ITEM	PART NO.	1 2 3 4 5	DESCRIPTION	QTY.
1	72865-G01		PULSER COIL (EH292C & EH352C ENGINES) (INCLUDES ITEM 2)	1
2	26707-G01		BOLT AND WASHER ASSEMBLY, M5 X 0.8 X 10 MM LG	2
3				
4				
5				
6	72866-G01		IGNITION COIL (EH292C & EH352C ENGINES) (INCL. SPARK PLUG WIRES)	1
7	*		FLAT WASHER	2
8	*		LOCK WASHER	2
9	72871-G01		SCREW	2
10				
11				
12				
13	25887-G01		6 GA WIRE (BLACK, 6", F1 - A2).....	1
14	25682-G1		TERMINAL COVER	3
15				
16				
17				
18	24775-G*		BATTERY, 12V	1
19	00962-G1		BOLT, 5/16 - 18 X 1 1/4" LG	2
20	00993-G01		LOCK WASHER, 5/16" (SILICON BRONZE)	2
21	00994-G01		NUT, 5/16 - 18 (SILICON BRONZE)	2
22				
23	72101-G02		BATTERY HOLD DOWN.....	1
24	00438-G6		BOLT, 5/16 - 18 X 3/4" LG	1
25	00565-G8		LOCK WASHER, 5/16"	1
26	00571-G2		WASHER, 5/16"	1
27				
28				
29	27044-G03		GROUND CABLE.....	1
30	25976-G19		14 GA WIRE (BLACK, 6")	1

ELECTRICAL

THE USE OF NON U.L. PARTS WILL VOID ANY U.L. LISTING.
 When ordering parts, please specify the model and serial number of the product.
 * Indicates a component that is not available as an individual part.
 G** Indicates consult Customer Service Department for additional information.

ITEM	PART NO.	1 2 3 4 5	DESCRIPTION	QTY.
31	00438-G6		BOLT, 5/16 - 18 X 3/4" LG	2
32	11027-G1		LOCK NUT, 5/16 - 18	2
33	26676-G01		FLANGED BOLT, M6 X 1 X 23 MM LG	1
34				
35	25972-G58		6 GA WIRE (BLACK 26", F2 - SOL).....	1
36				
37	74935-G01		WIRE HARNESS (CONTROL) ST350	1
38	74938-G01		WIRE HARNESS (CONTROL) STSPORT	1
39				
40	17618-G1		WIRE TIE	AR
41				
42	73049-G01		COVER.....	1
43	16469-G1		WASHER, 1/4"	1
44	00114-G6		SCREW, 1/4 - 14 X 3/4" LG.....	1
45				
46				
47	72909-G01		ELEC. PLATE ASSY (EH292C & EH352C ENGINES) (INCL. ITEMS 48 - 72) ..	1
48	73057-G01		BRACKET	1
49	27739-G01		VOLTAGE REGULATOR	1
50	27153-G01		SOLENOID	1
51	00415-G2		BOLT, 1/4 - 20 X 1 1/4" LG.....	1
52	00414-G8		BOLT, 1/4 - 20 X 1" LG.....	1
53	11027-G2		LOCK NUT, 1/4 - 20.....	2
54				
55				
56	72872-G01		IGNITOR (EH292C & EH352C ENGINES).....	1
57	00414-G5		BOLT, 1/4 - 20 X 5/8" LG.....	1
58	11027-G2		LOCK NUT, 1/4 - 20.....	1
59				
60				

THE USE OF NON U.L. PARTS WILL VOID ANY U.L. LISTING.
 When ordering parts, please specify the model and serial number of the product.
 * Indicates a component that is not available as an individual part.
 G** Indicates consult Customer Service Department for additional information.

ITEM	PART NO.	1 2 3 4 5	DESCRIPTION	QTY.
61				
62	73446-G01		FASTON TAB, 90°	2
63	00565-G5		LOCK WASHER, #10	2
64	00526-G4		NUT, #10 - 32.....	2
65				
66				
67	25978-G56		18 GA WIRE (BLACK, 5 3/4").....	1
68				
69	600418		IN-LINE FUSE HOLDER.....	1
70	00565-G8		LOCK WASHER, 5/16"	2
71	00544-G4		JAM NUT, 5/16 - 24.....	2
72	25972-G33		6 GA WIRE (BLACK, 24", B+ - SOL).....	1
73				
74				
75	25974-G22		10 GA WIRE (WHITE 34") (ST 350).....	1
76	35211-G01		FUSE BLOCK (ST 350).....	1
77	12914-G1		FASTON TAB	1
78	00567-G5		LOCK WASHER, # 10	1
79	00526-G4		NUT, # 10 - 32	1
80	35212-G01		FUSE, 15 AMP	1
81	00379-G2		SCREW, # 10 - 24 X 1 1/4" LG.....	2
82	00559-G5		WASHER, #10.....	2
83	14390-G10		LOCK NUT, # 10 - 24	2
84				
85	22674-G1		FUSE BLOCK (ST SPORT)	1
86	01041-G01		RIVET, 5/32" X 3/8" LG	2
87	18392-G1		15 AMP FUSE	3
88				
89	32860-G1		HORN.....	1
90	00414-G5		BOLT, 1/4 - 20 X 5/8" LG	1

ELECTRICAL

THE USE OF NON U.L. PARTS WILL VOID ANY U.L. LISTING.
 When ordering parts, please specify the model and serial number of the product.
 * Indicates a component that is not available as an individual part.
 G** Indicates consult Customer Service Department for additional information.

ITEM	PART NO.	1 2 3 4 5	DESCRIPTION	QTY.
91	00559-G7		WASHER, 1/4"	1
92	14390-G4		LOCK NUT, 1/4 - 20	1
93				
94	17318-G1		HORN SWITCH.....	1
95	17318-G2		HORN SWITCH CAP AND NUT	1
96	27068-G01		HORN SWITCH BOOT	1
97	19233-G1		HORN SWITCH LABEL	1
98	71055-G01		RIVET, 3/16" X 1" LG (ALUMINUM).....	2
99				
100	73214-G01		HORN HARNESS (ST 350)	1
101	25977-G40		16 GA WIRE (BLACK 17")	1
102				
103	22523-G1		HEADLIGHT (INCLUDES ITEM 104).....	2
104	00906-G6		SCREW, #10 - 16 X 1" LG	2
105	74337-G01		HEADLIGHT JUMPER	2
106				
107	20570-G3		TURN SIGNAL LIGHT (INCLUDES ITEMS 126 - 131).....	2
108	20574-G3		TURN SIGNAL LIGHT	1
109	00660-G7		WASHER, 1/4"	1
110	20606-G1		WIRE ASSEMBLY	1
111	00567-G7		LOCK WASHER, 1/4"	1
112	00532-G1		NUT, 1/4 - 20.....	1
113	18995-G1		PUSH-ON MALE TERMINAL	1
114	20574-G5		LENS, AMBER	1
115	00118-G5		SCREW, #6 - 18 X 5/8" LG.....	2
116	74056-G01		TURN SIGNAL JUMPER, RED/BLACK (PASSENGER SIDE)	1
117	74056-G02		TURN SIGNAL JUMPER, GREEN/BLACK (DRIVER SIDE)	1
118				
119	32739-G2		TAILLIGHT ASSEMBLY (COMPLETE)	2
120				

ELECTRICAL

THE USE OF NON U.L. PARTS WILL VOID ANY U.L. LISTING.
 When ordering parts, please specify the model and serial number of the product.
 * Indicates a component that is not available as an individual part.
 G** Indicates consult Customer Service Department for additional information.

ITEM	PART NO.	1 2 3 4 5	DESCRIPTION	QTY.
121				
122	17867-G1		TURN SIGNAL (WITH MOUNTING HARDWARE) (INCL. ITEM 123)	1
123	21640-G1		TURN SIGNAL FLASHER	1
124	32307-G3		FLEX LOOM, 3/8 X 8" LG	1
125	17618-G1		WIRE TIE	2
126	20965-G3		STEERING COLUMN COVER.....	1
127				
128	72228-G01		WIRE HARNESS (ACCESSORY - ST SPORT).....	1
129	74042-G01		HARNESS (LIGHTS) (ST 350).....	1
130				
131				
132				
133	33639-G**		IGNITION SWITCH (WITH LIGHTS).....	1
134	00568-G6		LOCK WASHER, 3/4".....	1
135	17137-G1		FACE NUT, 3/4 - 20.....	1
136	17063-G1		IGNITION KEY (SET).....	1
137	73041-G01		WIRE HARNESS (KEY SWITCH).....	1
138				
139				
140	73030-G04		PLATE (FUEL GAUGE AND OIL LIGHT).....	1
141	71131-G01		DECAL (OIL LIGHT AND FUEL GAUGE WITH HEADLIGHTS).....	1
142	21553-G1		FUEL GAUGE	1
143	23474-G1		INDICATOR LIGHT	1
144	74311-G01		HARNESS (OIL LIGHT/FUEL GAUGE)	1
145	25978-G122		18 GA WIRE (RED 6").....	1
146				
147				
148	33623-G02		DRIVE RIVET, 3/16" X 3/8" LG	2
149				
150				

ELECTRICAL

THE USE OF NON U.L. PARTS WILL VOID ANY U.L. LISTING.
 When ordering parts, please specify the model and serial number of the product.
 * Indicates a component that is not available as an individual part.
 G** Indicates consult Customer Service Department for additional information.

ITEM	PART NO.	1 2 3 4 5	DESCRIPTION	QTY.
151	74444-G**		CONSOLE INSERT ASSEMBLY (WITH OR W/O POWER OUTLET) (INCLUDES ITEMS 152 - 155).....	1
152	71077-G**		CONSOLE INSERT PLATE	1
153	35966-G**		DECAL (CONSOLE INSERT PLATE).....	1
154	71078-G01		POWER OUTLET (12 VOLT).....	1
155	14601-G10		RIVET, 5/32" X 7/16" LG	2
156	33623-G02		DRIVE RIVET, 5/32" X 5/16" LG	3
157	71081-G01		WIRE HARNESS (POWER OUTLET)	1
158	75114-G02		HOUR METER KIT (INCLUDES ITEMS 161 - 165).....	1
159	21573-G1		HOUR METER ASSEMBLY.....	1
160	74019-G02		HOUR METER BRACKET.....	1
161	00379-G4		SCREW, #10 - 24 X 1/2" LG	2
162	14390-G10		LOCK NUT, #10 - 24	2
163	75117-G01		WIRE HARNESS (HOUR METER).....	1
164				
165				
166	71323-G**		WORK LIGHT BAR WITH LIGHTS AND/OR STROBE (INCLUDES ITEMS 169 - 188, 191 AND/OR 199).....	1
167	75838-G03		STRUT (DRIVER SIDE).....	1
168	75838-G04		STRUT (PASSENGER SIDE)	1
169	75346-G01		WIRE HARNESS (WORK LIGHT)	1
170	71294-G02		BRACE.....	1
171	71293-G02		COVER PLATE	1
172	75430-G01		SWITCH HARNESS	1
173	73522-G**		CONSOLE INSERT PLATE	1
174	33201-G03		STROBE LIGHT MOUNT (USED ONLY WITH STROBE LIGHT).....	1
175	75365-G01		HARDWARE KIT (INCLUDES ITEMS 207 - 215).....	1
176	00685-G7		BOLT, 5/16 - 18 X 1 3/4" LG	6
177	00660-G8		WASHER, 5/16".....	12
178				
179	01109-G01		LOCK NUT, 5/16 - 18	4

THE USE OF NON U.L. PARTS WILL VOID ANY U.L. LISTING.
 When ordering parts, please specify the model and serial number of the product.
 * Indicates a component that is not available as an individual part.
 G** Indicates consult Customer Service Department for additional information.

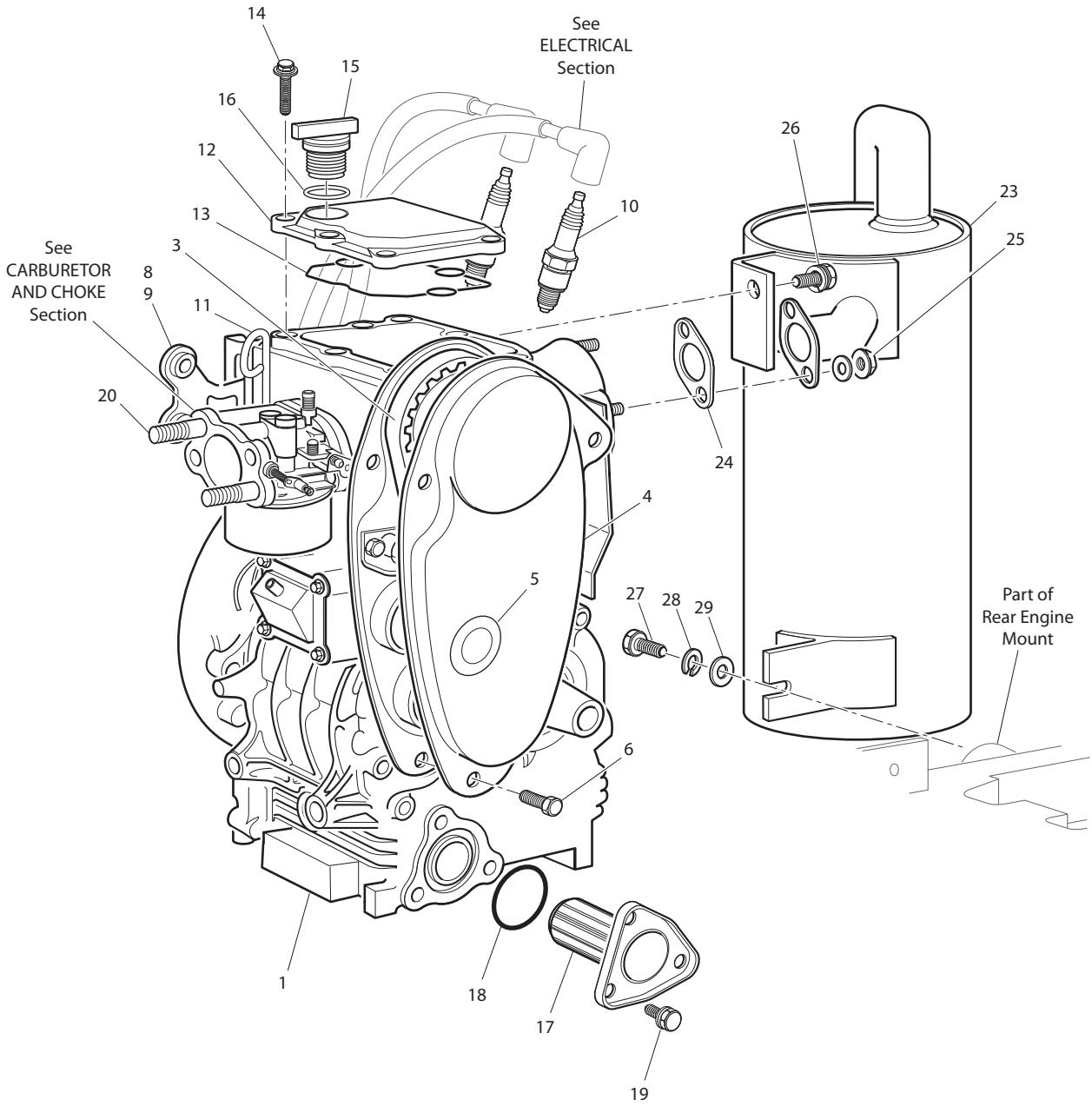
ITEM	PART NO.	1	2	3	4	5	DESCRIPTION	QTY.
180	00918-G3						ACORN NUT, 5/16 - 18	2
181	33623-G02						DRIVE RIVET, 3/16" X 3/8" LG.....	3
182	20367-G1						GROMMET	2
183	16705-G3						SCREW, 1/4 - 20 X 3/4" LG.....	2
184	14390-G4						LOCK NUT, 1/4 - 20	2
185								
186								
187								
188								
189	74247-G01						WORK LIGHT (INCLUDES ITEMS 192 - 197).....	1
190	20209-G2						WORK LIGHT (RECTANGULAR).....	2
191	00566-G3						LOCK WASHER, 1/2"	2
192	00533-G1						NUT, 1/2 - 13.....	2
193	17317-G1						LIGHT SWITCH	1
194	17902-G1						TAB ADAPTER	1
195	20053-G1						16 GA WIRE (RED 5 3/8").....	1
196								
197	74245-G01						STROBE LIGHT KIT (INCLUDES ITEMS 200 - 205).....	1
198	20394-G4						STROBE LIGHT.....	1
199	00379-G4						SCREW, #10 - 24 X 1/2" LG	3
200	14390-G10						LOCK NUT, #10 - 24	3
201	17317-G1						LIGHT SWITCH	1
202	17902-G1						TAB ADAPTER	1
203	20053-G1						16 GA WIRE (RED 5 3/8").....	1
204								
205								
206								
207								
208								
209								

ELECTRICAL

THE USE OF NON U.L. PARTS WILL VOID ANY U.L. LISTING.
 When ordering parts, please specify the model and serial number of the product.
 * Indicates a component that is not available as an individual part.
 G** Indicates consult Customer Service Department for additional information.

ITEM	PART NO.	1	2	3	4	5	DESCRIPTION	QTY.
210								
211								
212	74693-G**						CONSOLE INSERT ASSEMBLY	1
213	73522-G03						CONSOLE PLATE	1
214	71078-G01						OUTLET, 12V POWER	1
215	14601-G10						RIVET, 5/32" X 7/16" LG (ALUMINUM)	2
216	20271-G10						HOLE PLUG	1

ENGINE AND MUFFLER



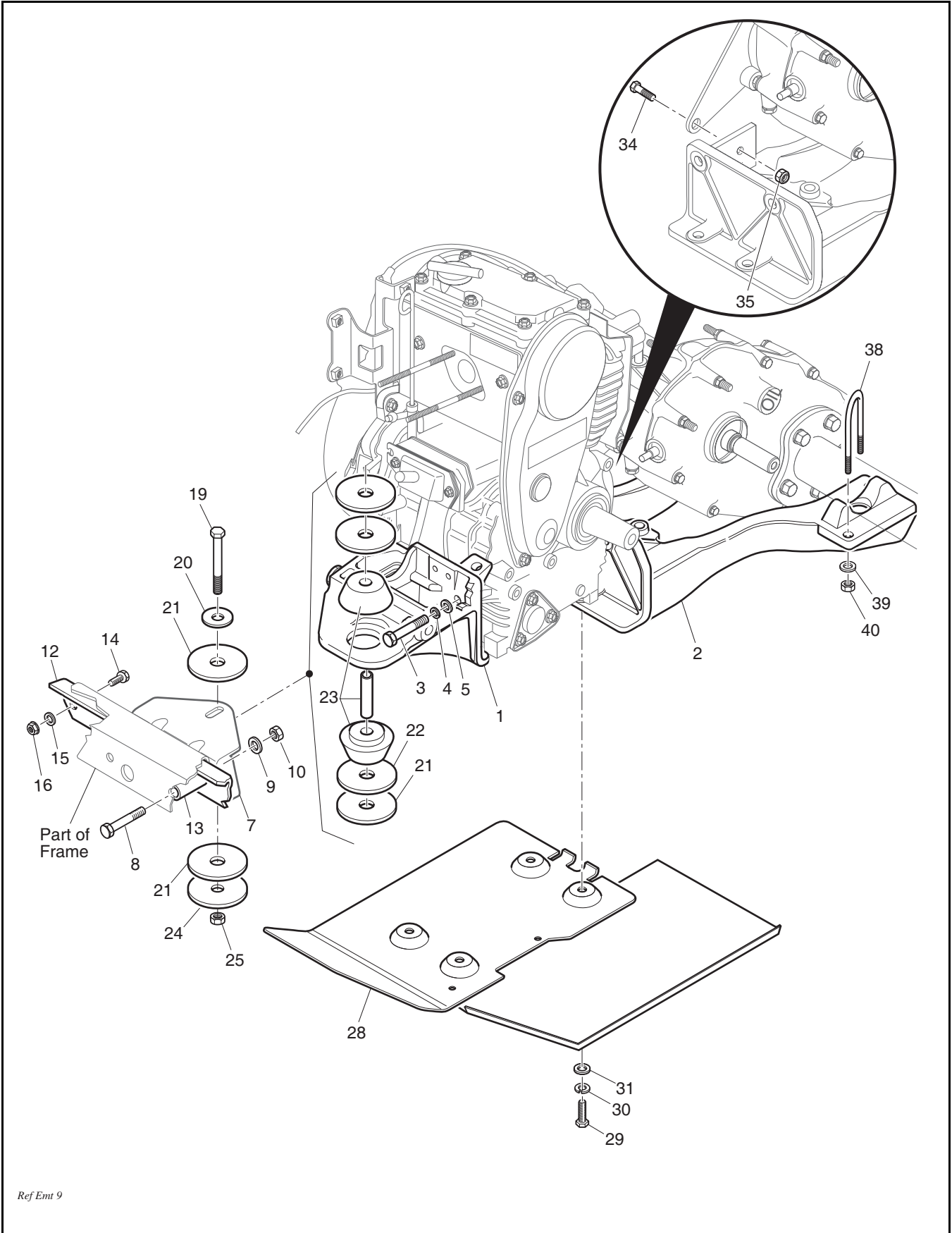
Ref Emf2

ENGINE AND MUFFLER

Where applicable, THE USE OF NON UL PARTS WILL VOID ANY UL LISTING.
 When ordering parts, please specify the model and serial number of the product.
 * Indicates a component that is not available as an individual part.
 G** Indicates consult Customer Service Department for additional information.

ITEM	PART NO.	1	2	3	4	5	DESCRIPTION	QTY.
1	72846-G01						ENGINE (FOR VEHICLES ORIGINALLY EQUIPPED WITH 350cc (EH35C) (INCLUDES ITEMS 3 - 6, 9 - 20)	1
2								
3	26626-G01						TIMING BELT.....	1
4	72908-G01						TIMING BELT COVER.....	1
5	26631-G01						TIMING BELT COVER GROMMET	1
6	26678-G01						BOLT, M6 X 1 X 12 MM LG.....	3
7								
8								
9	72869-G01						IGNITION COIL BRACKET.....	1
10	25523-G5						SPARK PLUG (NGK FR2A-D).....	2
11	605910						DIP STICK (10 DEGREES)	1
12	72848-G01						VALVE COVER	1
13	72876-G01						VALVE COVER GASKET	1
14	26676-G01						FLANGED BOLT, M6 X 1 X 23 MM LG.....	6
15	26601-G01						OIL FILLER CAP.....	1
16	26720-G01						OIL FILLER 'O' RING.....	1
17	26591-G01						OIL FILTER	1
18	26710-G01						OIL FILTER 'O' RING.....	1
19	26680-G01						BOLT AND WASHER, M6 X 1 X 12 MM LG.....	3
20	72307-G01						STUD, M6 X 1 X 115 MM LG.....	2
21								
22								
23	74829-G01						MUFFLER	1
24	25531-G1						EXHAUST GASKET	1
25	72851-G01						FLANGE NUT, M8 X 1.25 MM.....	2
26	25532-G1						BOLT AND WASHER, M8 X 1.25 X 18 MM LG	1
27	00438-G8						BOLT, 5/16 - 18 X 1" LG	1
28	00565-G8						LOCK WASHER, 5/16".....	1
29	00642-G8						WASHER, 5/16"	1

ENGINE MOUNTING



Ref Emt 9

ENGINE MOUNTING

THE USE OF NON U.L. PARTS WILL VOID ANY U.L. LISTING.

When ordering parts, please specify the model and serial number of the product.

* Indicates a component that is not available as an individual part.

G** Indicates consult Customer Service Department for additional information.

ITEM	PART NO.	1 2 3 4 5	DESCRIPTION	QTY.
1	72010-G01		FRONT ENGINE MOUNT	1
2	72011-G01		REAR ENGINE MOUNT	1
3	00463-G4		BOLT, 7/16 - 14 X 1 1/2" LG	4
4	00566-G2		LOCK WASHER, 7/16"	4
5	00922-G3		WASHER, 7/16"	4
6				
7	72253-G02		MOUNT BRACKET	1
8	00428-G6		BOLT, 3/8 - 16 X 2 3/4" LG	2
9	00643-G1		WASHER, 3/8"	2
10	11098-G5		LOCK NUT, 3/8 - 16	2
11				
12	70269-G01		CROSSMEMBER BRACE	1
13	72016-G01		SPACER	2
14	00438-G7		BOLT, 5/16 - 18 X 7/8" LG	2
15	01110-G03		WASHER, 5/16"	2
16	01109-G01		LOCK NUT, 5/16 - 18	2
17				
18				
19	00430-G4		BOLT, 3/8 - 16 X 4 1/2" LG	1
20	15121-G1		WASHER, 1 1/4" X 3/8"	1
21	72050-G01		PLASTIC WASHER, 2 1/2" x 5/8"	4
22	72051-G01		WASHER, 2 1/2" X 5/8"	2
23	72015-G01		ISOLATION MOUNT	1
24	72051-G02		WASHER, 2 1/2" X 11/32"	1
25	11098-G5		LOCK NUT, 3/8 - 16	1
26				
27				
28	70527-G02		ENGINE GUARD	1
29	00463-G4		BOLT, 7/16 - 14 X 1 1/2" LG	4
30	00566-G2		LOCK WASHER, 7/16"	4

ENGINE MOUNTING

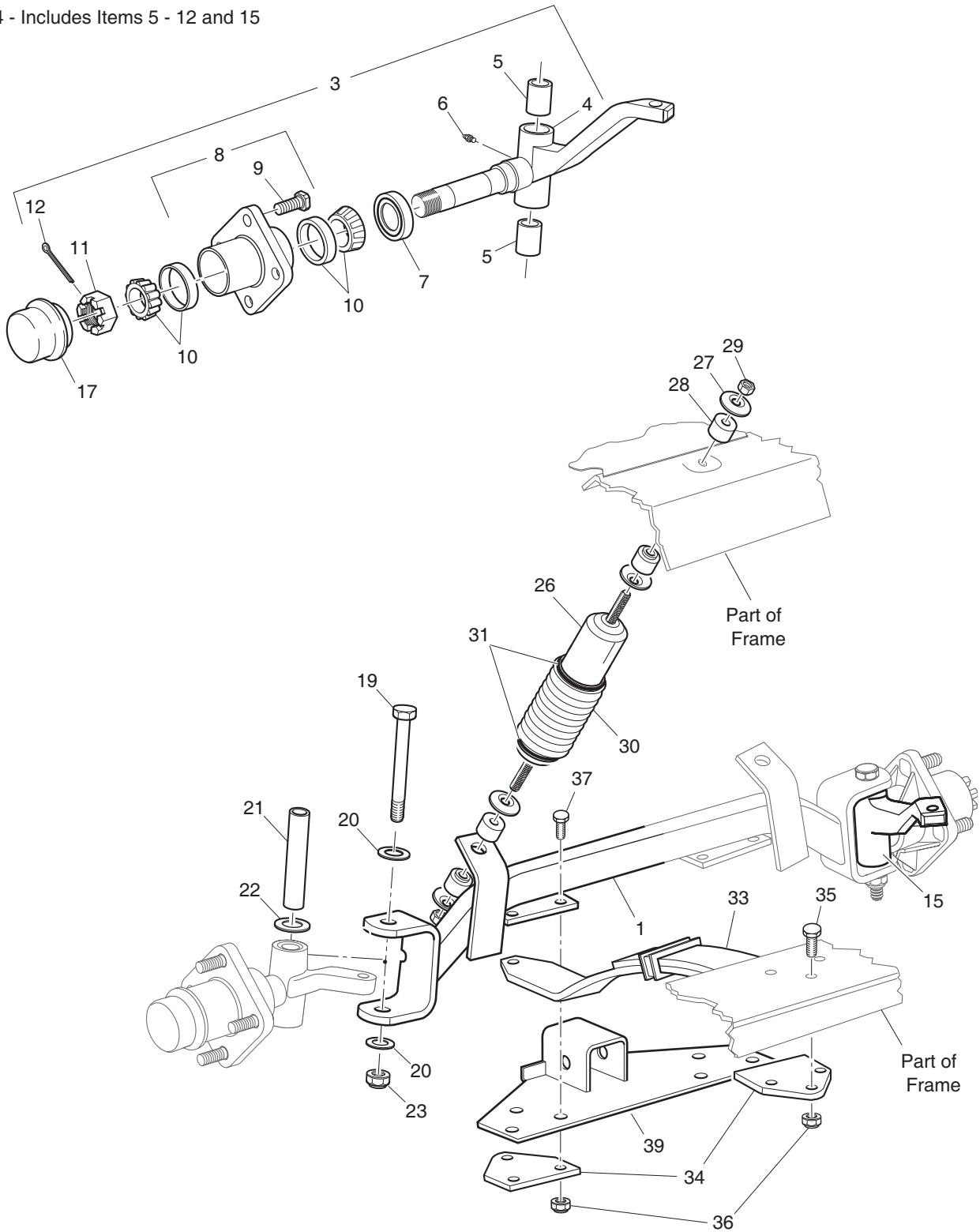
THE USE OF NON U.L. PARTS WILL VOID ANY U.L. LISTING.
 When ordering parts, please specify the model and serial number of the product.
 * Indicates a component that is not available as an individual part.
 G** Indicates consult Customer Service Department for additional information.

ITEM	PART NO.	1 2 3 4 5	DESCRIPTION	QTY.
31	00922-G3		WASHER, 7/16"	4
32				
33				
34	00439-G2		BOLT, 5/16 - 18 X 1 1/8" LG	1
35	11098-G6		LOCK NUT, 5/16 - 18	1
36				
37				
38	72035-G01		'U' BOLT, 7/16 - 14	2
39	00922-G3		WASHER, 7/16"	4
40	00734-G1		LOCK NUT, 7/16 - 14	4

FRONT SUSPENSION

3 - Includes Items 4 - 12

14 - Includes Items 5 - 12 and 15



Ref Fsp 9

FRONT SUSPENSION

THE USE OF NON U.L. PARTS WILL VOID ANY U.L. LISTING.
 When ordering parts, please specify the model and serial number of the product.
 * Indicates a component that is not available as an individual part.
 G** Indicates consult Customer Service Department for additional information.

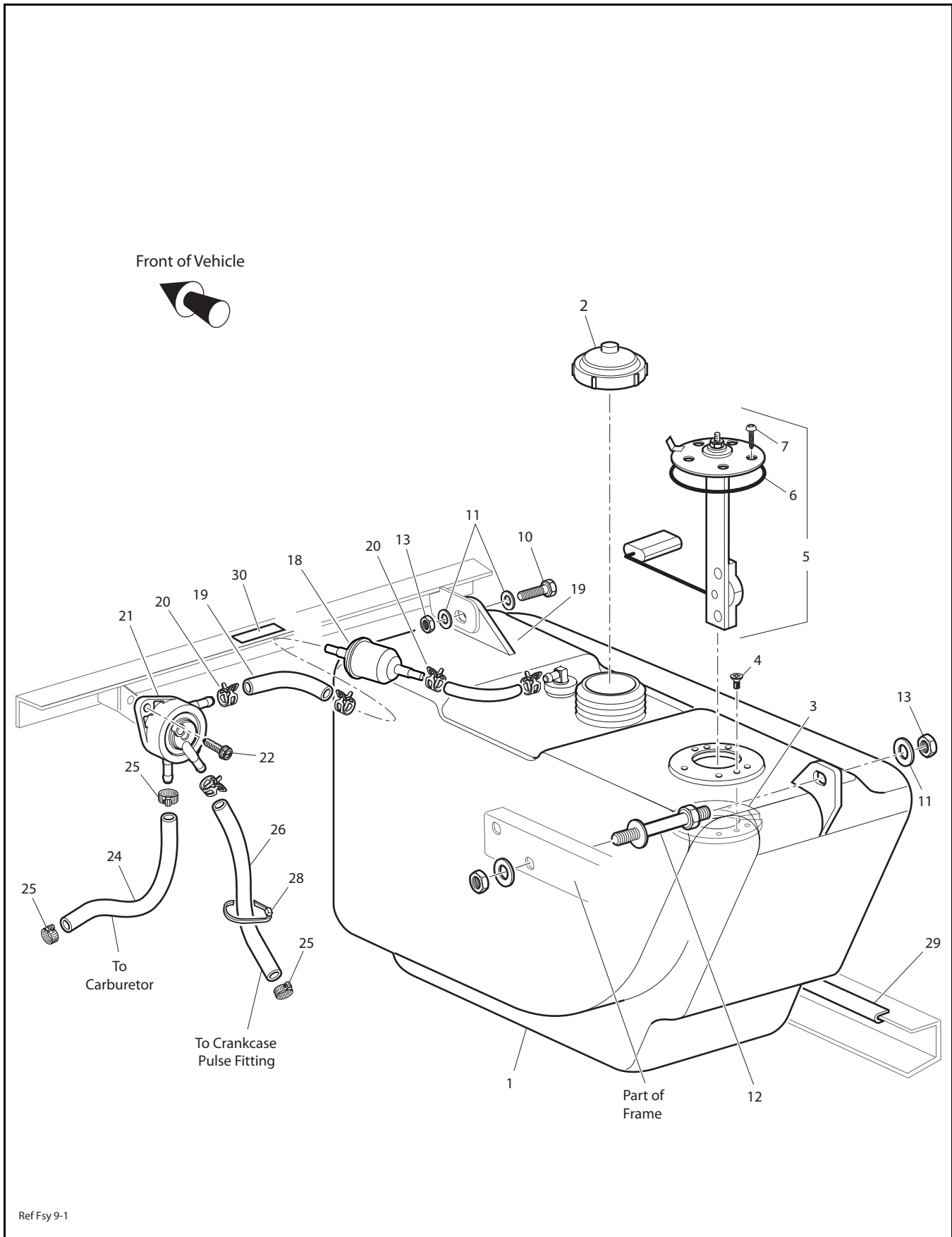
ITEM	PART NO.	1 2 3 4 5	DESCRIPTION	QTY.
1	70515-G01		FRONT AXLE	1
2				
3	70535-G03		SPINDLE ASSEMBLY (DRIVER SIDE) (INCLUDES ITEMS 4 - 12).....	1
4	*		SPINDLE (DRIVER SIDE)	1
5	16623-G1		BEARING.....	2
6	10389-G3		GREASE FITTING, STRAIGHT	1
7	25146-G1		GREASE SEAL.....	1
8	35886-G01		WHEEL HUB ASSEMBLY WITH RACES (INCLUDES ITEMS 9)	1
9	19862-G1		LUG BOLT, 1/2 - 20 X 1 3/16" LG.....	4
10	50892-G1		BEARING AND RACE ASSEMBLY (COMPLETE).....	2
11	12093-G1		SLOTTED NUT, 1 - 14	1
12	00798-G8		COTTER PIN, 5/32" X 1 3/4" LG	1
13				
14	70534-G03		SPINDLE ASSEMBLY (PASSENGER SIDE) (INCL ITEMS 5 - 12, 15)	1
15	*		SPINDLE (PASSENGER SIDE).....	1
16				
17	12091-G2		SPINDLE CAP.....	2
18				
19	01040-G01		BOLT, 1/2 - 13 X 5" LG	2
20	00571-G5		WASHER, 1/2"	4
21	70328-G01		KING PIN TUBE	2
22	16982-G1		THRUST WASHER, 7/8"	2
23	14390-G6		LOCK NUT, 1/2 - 13	2
24				
25				
26	70630-G01		SHOCK ABSORBER.....	2
27	10435-G1		SHOCK ABSORBER WASHER.....	8
28	10194-G1		RUBBER BUSHING	8
29	00532-G6		NUT, 3/8 - 24	4
30	70509-G01		SHOCK ABSORBER BOOT	2

FRONT SUSPENSION

THE USE OF NON U.L. PARTS WILL VOID ANY U.L. LISTING.
 When ordering parts, please specify the model and serial number of the product.
 * Indicates a component that is not available as an individual part.
 G** Indicates consult Customer Service Department for additional information.

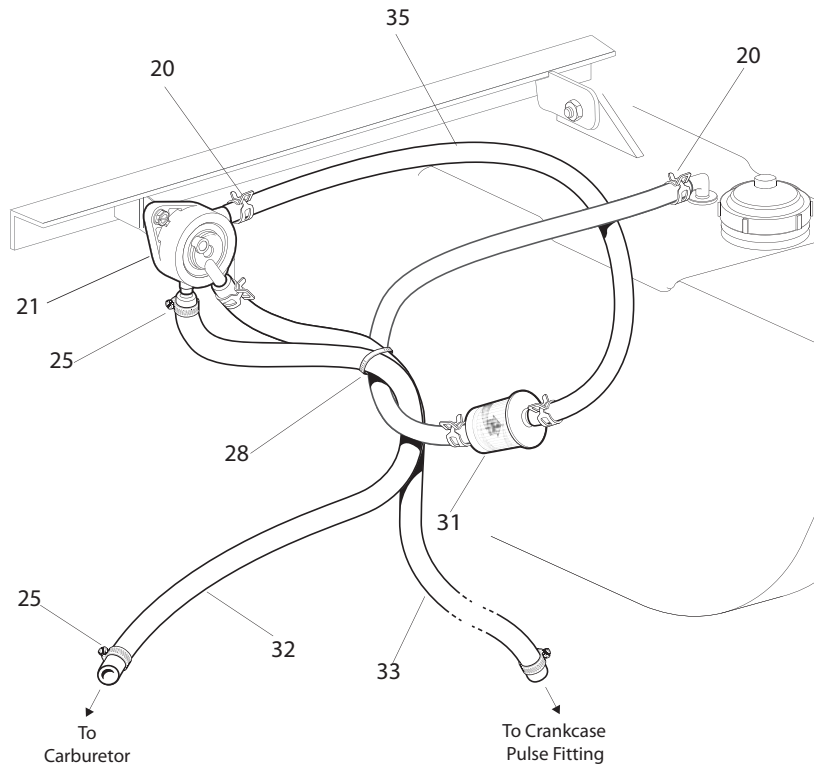
ITEM	PART NO.	1 2 3 4 5	DESCRIPTION	QTY.
31	31539-G1		WIRE TIE	4
32				
33	70422-G01		LEAF SPRING (HEAVY DUTY).....	2
34	70163-G03		SPRING PLATE	4
35	00463-G6		BOLT, 7/16 - 14 X 1 3/4" LG	6
36	00734-G1		LOCK NUT, 7/16 - 14	12
37	00463-G6		BOLT, 7/16 - 14 X 1 3/4" LG	6
38				
39	74255-G01		WINCH RECEIVER.....	1

FUEL SYSTEM



Ref Fsy 9-1

FUEL SYSTEM



CALIFORNIA EMISSION REQUIREMENT

FUEL SYSTEM

Where applicable, THE USE OF NON UL PARTS WILL VOID ANY UL LISTING.

When ordering parts, please specify the model and serial number of the product.

* Indicates a component that is not available as an individual part.

G** Indicates consult Customer Service Department for additional information.

ITEM	PART NO.	1 2 3 4 5	DESCRIPTION	QTY.
1	605704		FUEL TANK (FOR ELECTRIC FUEL GAUGE).....	1
2	72282-G01		FUEL TANK CAP	1
3	72229-G01		FUEL LEVEL SENDER ADAPTER.....	1
4	72230-G01		SCREW, #6 - 32 X 1/2" LG	2
5	20048-G2		FUEL LEVEL SENDER (ELEC. FUEL GAUGE) (INCLUDES ITEMS 6, 7).....	1
6	*		GASKET	1
7	72232-G01		SCREW, #10 - 32 x 3/4" LG	5
8				
9				
10	00438-G8		BOLT, 5/16 - 18 X 1" LG	1
11	00559-G8		WASHER, 5/16"	4
12	70483-G01		SPACER BOLT	1
13	01109-G01		LOCK NUT, 5/16 - 18 (STAINLESS STEEL)	3
14				
15				
16				
17				
18	72084-G01		FUEL FILTER.....	1
19	17470-G1		FUEL SYSTEM TUBING, 1/4" ID X 1/2" OD (BULK).....	3 1/4"
20	18292-G1		CLAMP	5
21	72873-G01		FUEL PUMP	1
22	00114-G6		SCREW, 1/4 - 14 X 3/4" LG	2
23				
24	17470-G1		FUEL SYSTEM TUBING, 1/4" ID X 1/2" OD (BULK).....	26"
25	11391-G4		HOSE CLAMP, 1/4"	3
26	27183-G01		TUBING, 1/4" I.D. X 1/2" O.D. (BULK)	26"
27				
28	17618-G1		WIRE TIE.....	3
29	22280-G1		VINYL TRIM - BLACK, (BULK)	6 1/4"
30	26459-G01		LABEL (UNLEADED GASOLINE ONLY)	1

FUEL SYSTEM

Where applicable, THE USE OF NON UL PARTS WILL VOID ANY UL LISTING.

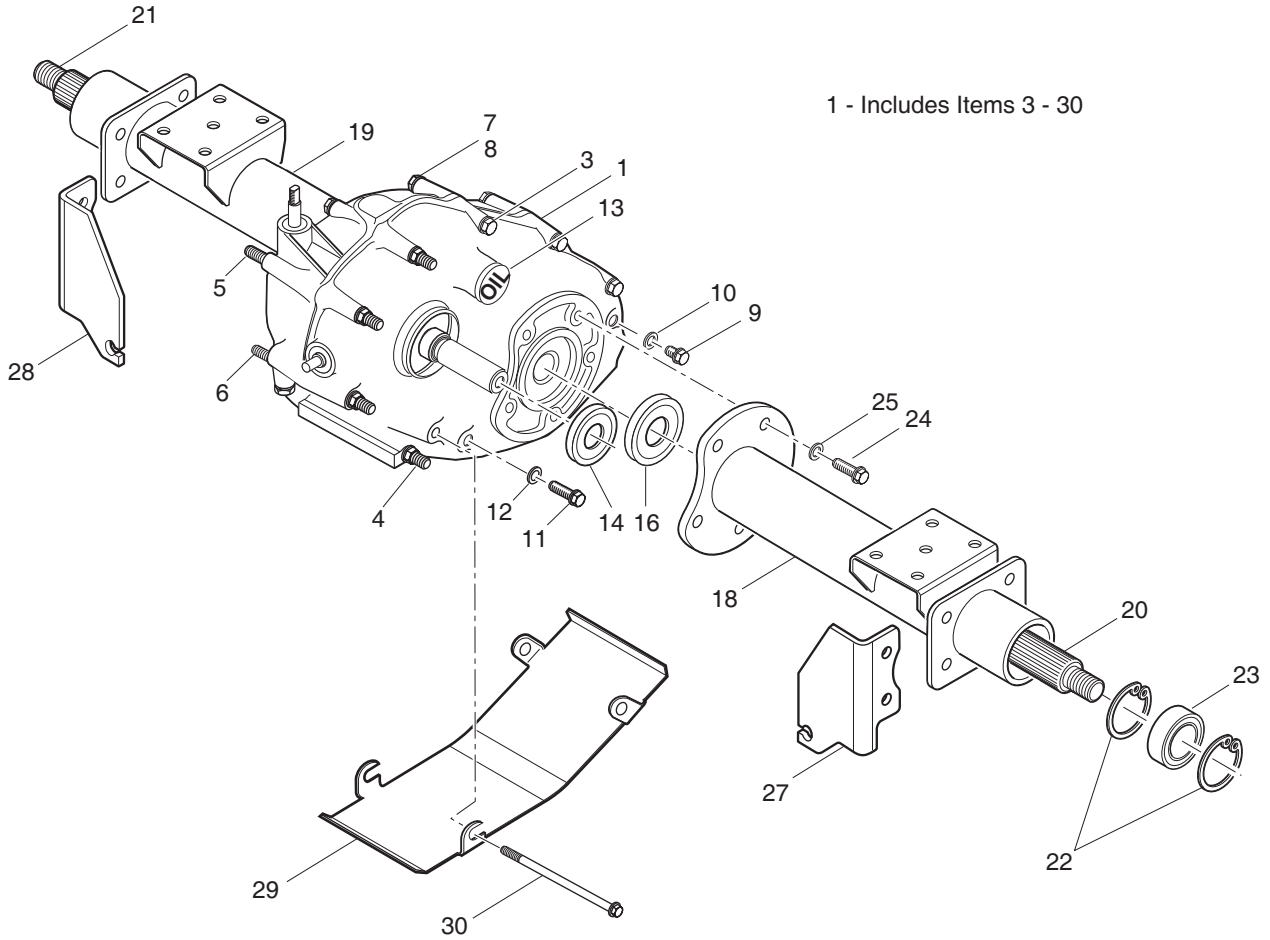
When ordering parts, please specify the model and serial number of the product.

* Indicates a component that is not available as an individual part.

G** Indicates consult Customer Service Department for additional information.

ITEM	PART NO.	1 2 3 4 5	DESCRIPTION	QTY.
31	12902-G1		FUEL FILTER-CARB.....	1
32	604596		FUEL SYSTEM TUBING, 26" LG, 1/4"ID X 1/2" OD (BULK)	AR
33	27183-G01		TUBING, 1/4" I.D. X 1/2" O.D. (BULK)	AR
34				
35	604596		FUEL SYSTEM TUBING, 14" LG, 1/4" ID X 1/2" OD (BULK)	AR
36				
37				
38	604589		LABEL, CARB EMISSION (TOP OF TIMING BELT COVER)	1

REAR AXLE



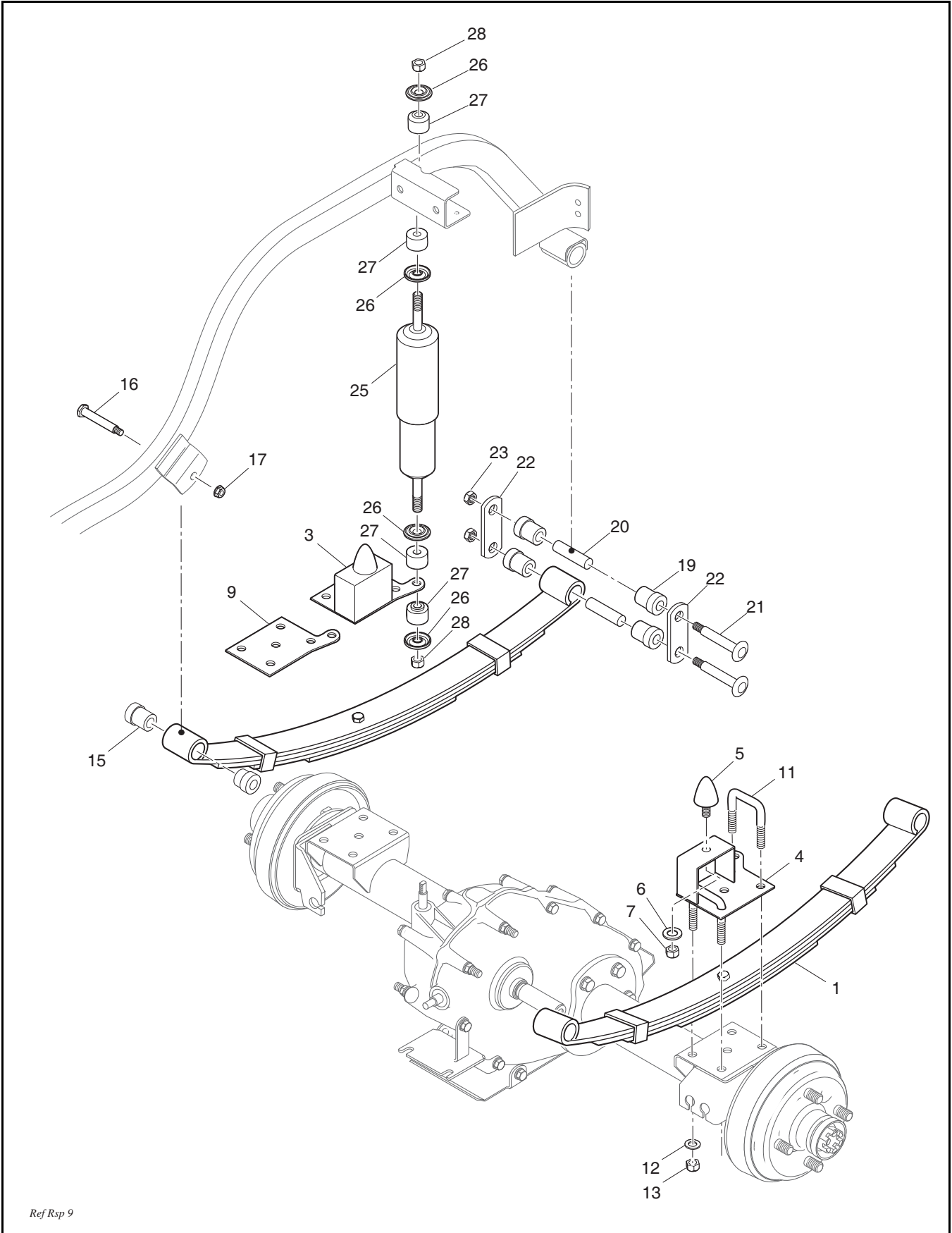
Ref Rax 9

REAR AXLE

Where applicable, THE USE OF NON UL PARTS WILL VOID ANY UL LISTING.
 When ordering parts, please specify the model and serial number of the product.
 * Indicates a component that is not available as an individual part.
 G** Indicates consult Customer Service Department for additional information.

ITEM	PART NO.	1 2 3 4 5	DESCRIPTION	QTY.
1	74544-G01		REAR AXLE (13.32:1) (INCLUDES ITEMS 3 - 30)	1
2				
3	26823-G01		FLANGED BOLT, M8 X 1.25 X 100 MM LG.....	7
4	26824-G01		FLANGED BOLT, M8 X 1.25 X 110 MM LG	1
5	72053-G01		FLANGED BOLT, M8 X 1.25 X 120 MM LG.....	1
6	72052-G01		FLANGED BOLT, M8 X 1.25 X 130 MM LG.....	1
7	26826-G01		LOCK WASHER, 8 MM	4
8	26827-G01		NUT, M8 X 1.25 MM.....	4
9	26768-G01		OIL CHECK PLUG.....	1
10	26769-G01		GASKET, 8 MM.....	1
11	26770-G01		OIL DRAIN PLUG	1
12	26771-G01		GASKET, 14 MM.....	1
13	26772-G01		OIL FILLER PLUG	1
14	26761-G01		INPUT SHAFT SEAL	1
15	26762-G01		SHIFTER SHAFT SEAL.....	1
16	26766-G01		AXLE SHAFT SEAL.....	2
17				
18	72058-G01		AXLE TUBE (DRIVER SIDE).....	1
19	72059-G01		AXLE TUBE (PASSENGER SIDE)	1
20	72056-G01		AXLE SHAFT (DRIVER SIDE).....	1
21	72057-G01		AXLE SHAFT (PASSENGER SIDE)	1
22	26814-G01		RETAINING RING.....	4
23	26811-G01		BALL BEARING	2
24	72260-G01		FLANGED BOLT, M10 X 1.5 X 23 MM LG.....	10
25	26828-G01		WASHER, 10 MM	10
26				
27	75870-G03		BRAKE CABLE BRACKET (DRIVER SIDE).....	1
28	75870-G04		BRAKE CABLE BRACKET (PASSENGER SIDE)	1
29	72349-G02		DIFFERENTIAL SKID PLATE	1
30	26824-G01		FLANGED BOLT, M8 X 1.25 X 110 MM LG	2

REAR SUSPENSION



Ref Rsp 9

REAR SUSPENSION

Where applicable, THE USE OF NON UL PARTS WILL VOID ANY UL LISTING.

When ordering parts, please specify the model and serial number of the product.

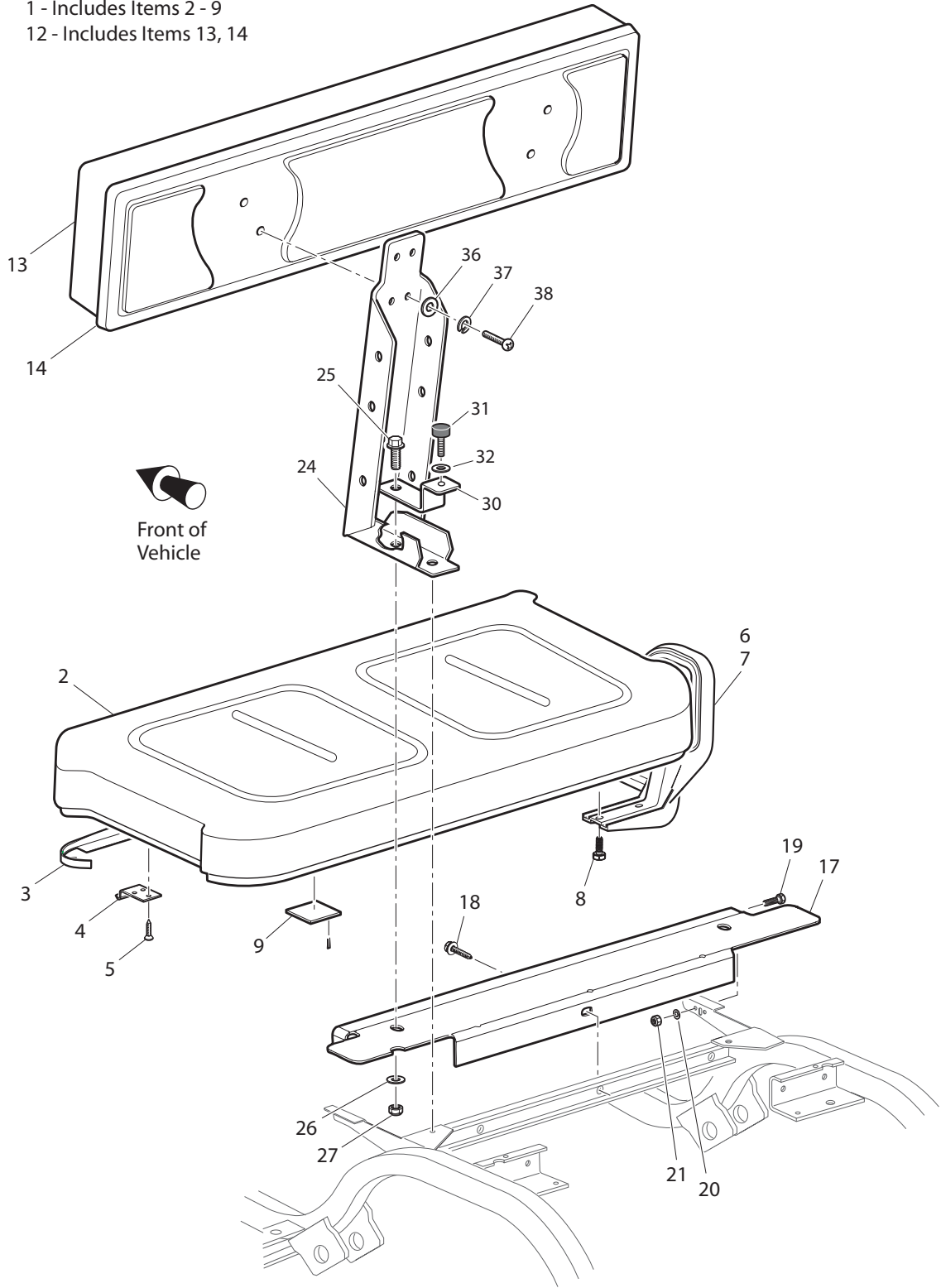
* Indicates a component that is not available as an individual part.

G** Indicates consult Customer Service Department for additional information.

ITEM	PART NO.	1 2 3 4 5	DESCRIPTION	QTY.
1	74207-G01		HEAVY DUTY LEAF SPRING	2
2				
3	72360-G01		SHOCK/STOP MOUNT (PASSENGER SIDE)	1
4	72360-G02		SHOCK/STOP MOUNT (DRIVER SIDE)	1
5	70492-G01		RUBBER BUMPER	2
6	00968-G01		LOCK WASHER, 10 MM	2
7	00974-G01		NUT, M10 X 1.5	2
8				
9	72357-G02		SPRING PLATE	2
10				
11	72618-G01		'U' BOLT, 3/8 - 16 X 2" X 2 1/8" LG	4
12	00560-G1		WASHER, 3/8"	8
13	11098-G5		LOCK NUT, 3/8 - 16	8
14				
15	70291-G01		FLANGED BUSHING	4
16	14158-G1		SHOULDER BOLT, 3/8 - 16 X 3 1/4" LG	2
17	12262-G1		LOCK NUT, 3/8 - 16	2
18				
19	70291-G01		FLANGED BUSHING	8
20	70289-G02		SPACER	4
21	00665-G9		BOLT, 3/8 - 16 X 3 1/2" LG (STAINLESS STEEL)	4
22	70290-G02		SHACKLE PLATE	4
23	11098-G5		LOCK NUT, 3/8 - 16	4
24				
25	76418-G01		SHOCK ABSORBER	2
26	10435-G1		SHOCK ABSORBER WASHER	8
27	10194-G1		RUBBER SHOCK ABSORBER BUSHING	8
28	00532-G6		NUT, 3/8 - 24	4

SEATING

1 - Includes Items 2 - 9
12 - Includes Items 13, 14



Ref Sea 9-2

SEATING

THE USE OF NON U.L. PARTS WILL VOID ANY U.L. LISTING.
 When ordering parts, please specify the model and serial number of the product.
 * Indicates a component that is not available as an individual part.
 G** Indicates consult Customer Service Department for additional information.

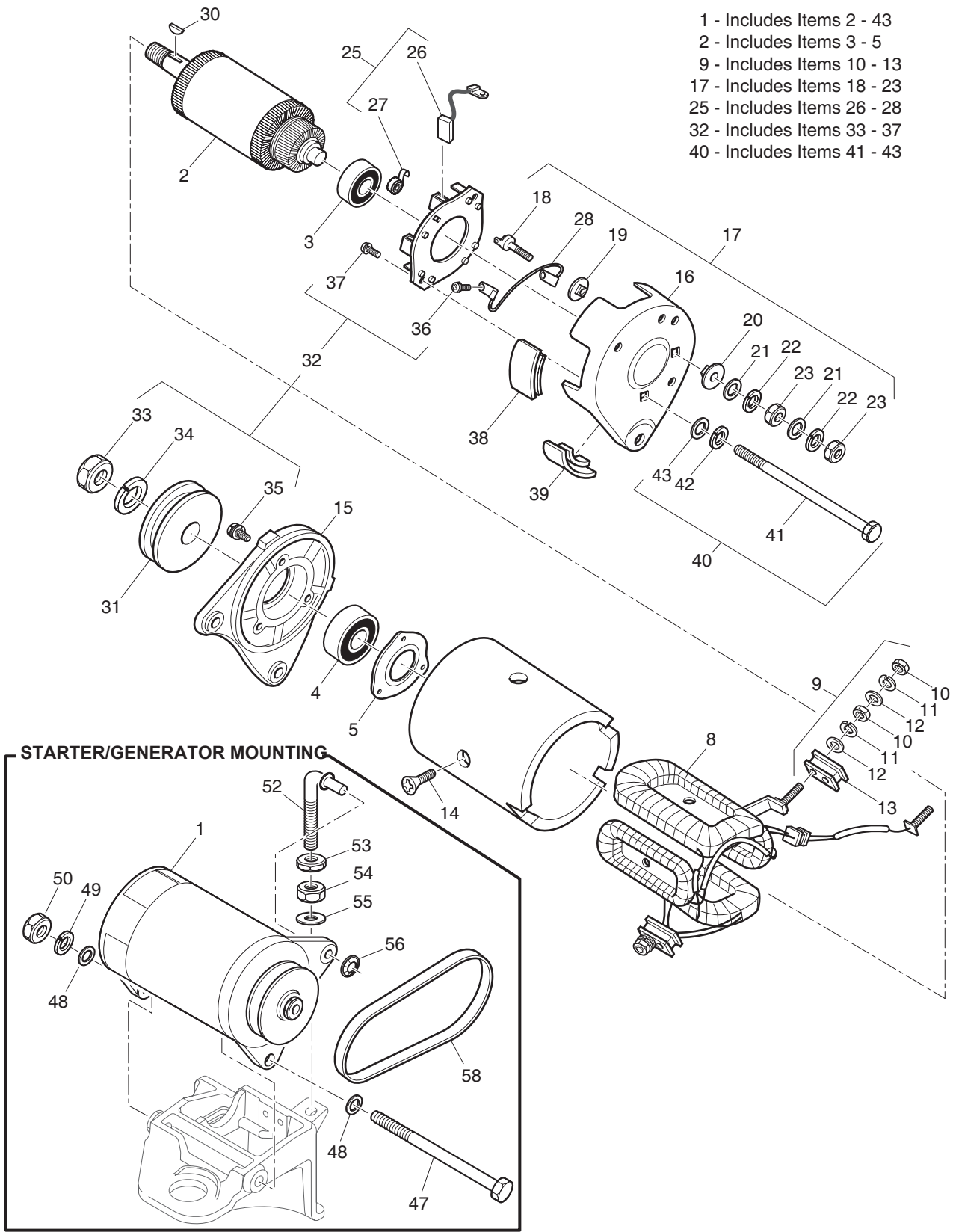
ITEM	PART NO.	1 2 3 4 5	DESCRIPTION	QTY.
1	71611-G**		SEAT BOTTOM ASSEMBLY (INCLUDES ITEMS 2 - 9)	1
2	71602-G**		VINYL SEAT BOTTOM COVER	1
3	71012-G01		VINYL TRIM (SEAT BOTTOM)	1
4	71610-G01		SEAT HINGE	2
5	00720-G08		SCREW, #12 - 14 X 1" LG (STAINLESS STEEL)	6
6	71701-G01		HIP RESTRAINT (PASSENGER SIDE)	1
7	71702-G01		HIP RESTRAINT (DRIVER SIDE)	1
8	71204-G01		BOLT, 1/4 - 20 X 7/8" LG	8
9	17074-G1		RUBBER PAD	2
10				
11				
12	71274-G**		SEAT BACK ASSEMBLY (INCLUDES ITEMS 13, 14)	1
13	18144-G**		VINYL SEAT BACK COVER	1
14	18868-G4		PLASTIC SEAT BACK COVER (BLACK)	1
15				
16				
17	71446-G02		SEAT BACK SUPPORT	1
18	00715-G2		BOLT, 5/16 - 18 X 4/5" LG	1
19	00438-G8		BOLT, 5/16 - 18 X 1" LG	2
20	00642-G8		WASHER, 5/16"	2
21	11098-G6		LOCK NUT, 5/16 - 18 (STAINLESS STEEL)	2
22				
23				
24	75900-G02		SEAT BACK SUPPORT BRACKET	2
25	01006-G01		BOLT, 3/8 - 16 X 1 1/4" LG	4
26	00560-G1		WASHER, 3/8"	2
27	11098-G5		LOCK NUT, 3/8 - 16	2
28				
29				
30	71577-G01		BED BUMPER BRACKET	2

SEATING

THE USE OF NON U.L. PARTS WILL VOID ANY U.L. LISTING.
 When ordering parts, please specify the model and serial number of the product.
 * Indicates a component that is not available as an individual part.
 G** Indicates consult Customer Service Department for additional information.

ITEM	PART NO.	1 2 3 4 5	DESCRIPTION	QTY.
31	70113-G01		RUBBER BUMPER	2
32	11027-G1		WASHER,	2
33				
34				
35				
36	16705-G12		SCREW, 1/4 - 20 X 1" LG (STAINLESS STEEL)	4
37	00565-G7		LOCK WASHER, 1/4" (STAINLESS STEEL)	4
38	01110-G01		WASHER, 1/4" (STAINLESS STEEL)	4

STARTER / GENERATOR



STARTER/GENERATOR MOUNTING

Ref Stg 9

STARTER / GENERATOR

THE USE OF NON U.L. PARTS WILL VOID ANY U.L. LISTING.
 When ordering parts, please specify the model and serial number of the product.
 * Indicates a component that is not available as an individual part.
 G** Indicates consult Customer Service Department for additional information.

ITEM	PART NO.	1 2 3 4 5	DESCRIPTION	QTY.
1	27065-G01		STARTER / GENERATOR (INCLUDES ITEMS 2 - 43).....	1
2	26870-G01		ARMATURE (INCLUDES ITEMS 3 - 5)	1
3	26871-G01		REAR BALL BEARING	1
4	26872-G01		FRONT BALL BEARING	1
5	26873-G01		BEARING HOLDER	1
6				
7				
8	26875-G01		FIELD COIL	1
9	26876-G01		INSULATING BRUSH ASSEMBLY ('F') (INCLUDES ITEMS 10 - 13).....	2
10	*		NUT	2
11	*		LOCK WASHER.....	2
12	*		WASHER.....	2
13	*		INSULATOR	1
14	26877-G01		POLE CORE SETSCREW.....	4
15	26878-G01		FRONT COVER.....	1
16	27879-G01		REAR COVER	1
17	26880-G01		TERMINAL ASSEMBLY ('A') (INCLUDES ITEMS 18 - 23).....	2
18	*		TERMINAL	2
19	*		INSULATOR	2
20	*		INSULATOR	2
21	*		WASHER.....	4
22	*		LOCK WASHER.....	4
23	*		NUT	4
24				
25	26881-G01		BRUSH HOLDER ASSEMBLY (INCLUDES ITEMS 26 - 28)	1
26	26658-G01		BRUSH.....	4
27	26882-G01		BRUSH SPRING	4
28	26883-G01		BRUSH CONNECTOR.....	2
29				
30	26884-G01		KEY.....	1

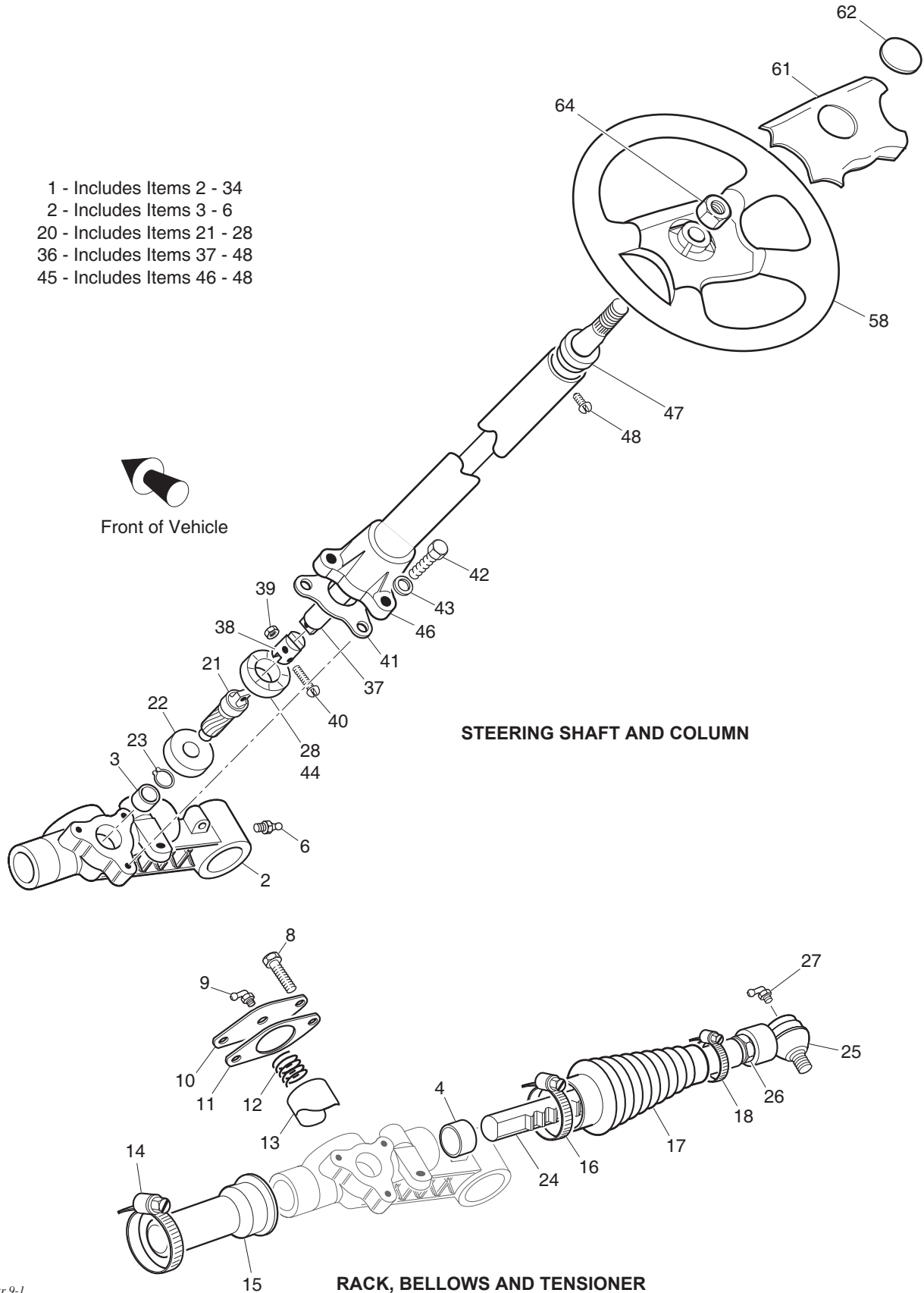
STARTER / GENERATOR

THE USE OF NON U.L. PARTS WILL VOID ANY U.L. LISTING.
 When ordering parts, please specify the model and serial number of the product.
 * Indicates a component that is not available as an individual part.
 G** Indicates consult Customer Service Department for additional information.

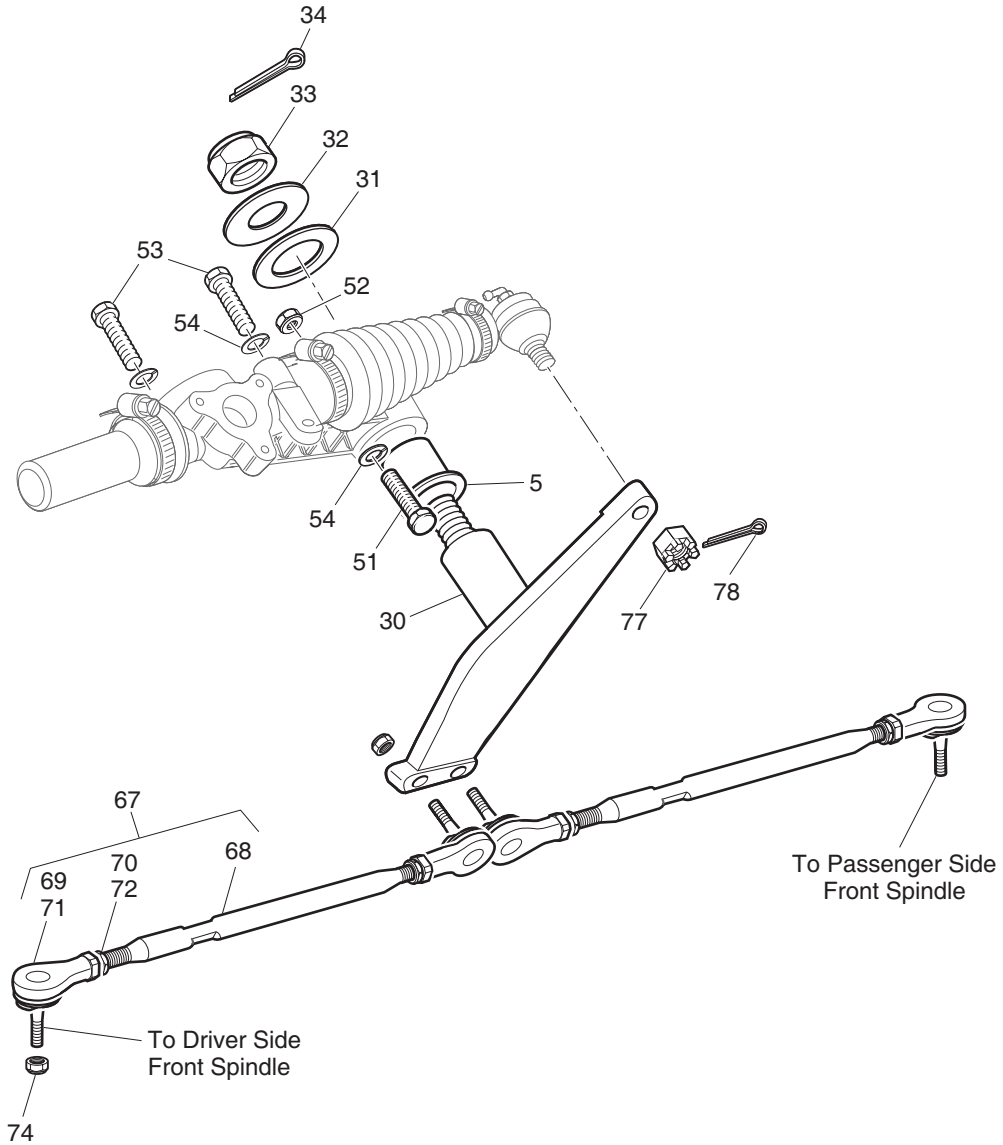
ITEM	PART NO.	1	2	3	4	5	DESCRIPTION	QTY.
31	*						PULLEY	1
32	26886-G01						BRUSH AND PULLEY HARDWARE KIT (INCLUDES ITEMS 33 - 37).....	1
33	*						NUT	1
34	*						LOCK WASHER	1
35	*						SCREW	3
36	*						SCREW	4
37	*						SCREW	2
38	26887-G01						BRUSH 1 COVER.....	3
39	26888-G01						BRUSH 2 COVER.....	2
40	26889-G01						HOUSING HARDWARE KIT (INCLUDES ITEMS 41 - 43).....	2
41	*						BOLT	2
42	*						LOCK WASHER	2
43	*						WASHER.....	2
44								
45								
46								
47	00938-G4						BOLT, 1/2 - 13 X 8" LG	1
48	00560-G3						WASHER, 1/2"	2
49	00566-G3						LOCK WASHER, 1/2".....	1
50	00533-G1						NUT, 1/2 - 13	1
51								
52	28617-G01						STARTER / GENERATOR ADJUSTER.....	1
53	00544-G5						JAM NUT, 3/8 - 16	1
54	00532-G5						NUT, 3/8 - 16	1
55	00560-G1						WASHER, 3/8"	1
56	12064-G4						PUSH NUT, 5/16"	1
57								
58	26414-G01						STARTER / GENERATOR BELT	1

STEERING

- 1 - Includes Items 2 - 34
- 2 - Includes Items 3 - 6
- 20 - Includes Items 21 - 28
- 36 - Includes Items 37 - 48
- 45 - Includes Items 46 - 48



IDLER, TIE RODS AND MOUNTING



STEERING

THE USE OF NON U.L. PARTS WILL VOID ANY U.L. LISTING.
 When ordering parts, please specify the model and serial number of the product.
 * Indicates a component that is not available as an individual part.
 G** Indicates consult Customer Service Department for additional information.

ITEM	PART NO.	1 2 3 4 5	DESCRIPTION	QTY.
1	70723-G01		STEERING BOX ASSEMBLY (COMPLETE) (INCLUDES ITEMS 2 - 34)	1
2	70175-G01		STEERING HOUSING (INCLUDES ITEMS 3 - 6)	1
3	*		SLEEVE BEARING	1
4	*		SLEEVE BEARING	1
5	*		FLANGED BEARING	1
6	10389-G3		GREASE FITTING, STRAIGHT	1
7				
8	00426-G6		BOLT, 3/8 - 16 X 3/4" LG.....	2
9	18456-G1		GREASE FITTING, 90°	1
10	70177-G01		RACK GUIDE COVER	1
11	70225-G01		GASKET	1
12	70178-G01		COMPRESSION SPRING	1
13	70179-G01		RACK GUIDE.....	1
14	11391-G1		HOSE CLAMP, 1 5/16".....	1
15	70041-G01		RACK COVER	1
16	11391-G1		HOSE CLAMP, 1 5/16".....	1
17	70183-G01		BELLOWS.....	1
18	11391-G5		HOSE CLAMP, 13/16".....	1
19				
20	70724-G01		STEERING GEAR KIT (INCLUDES ITEMS 21 - 28)	1
21	70717-G01		GEAR PINION	1
22	15112-G1		BALL BEARING	1
23	70190-G01		EXTERNAL RETAINING RING	1
24	70718-G01		STEERING RACK	1
25	70192-G01		RACK BALL END	1
26	00532-G8		NUT, 7/16 - 20	1
27	18456-G1		GREASE FITTING, 90°	1
28	70466-G01		RETAINER.....	1
29				
30	70184-G01		IDLER	1

STEERING

THE USE OF NON U.L. PARTS WILL VOID ANY U.L. LISTING.
 When ordering parts, please specify the model and serial number of the product.
 * Indicates a component that is not available as an individual part.
 G** Indicates consult Customer Service Department for additional information.

ITEM	PART NO.	1 2 3 4 5	DESCRIPTION	QTY.
31	70216-G01		THRUST WASHER, 1 1/2"	1
32	70195-G01		THRUST WASHER, 7/8"	1
33	00734-G6		LOCK NUT, 7/8 - 9	1
34	00798-G8		COTTER PIN, 5/32" X 1 3/4" LG	1
35				
36	70360-G01		STEERING SHAFT/COLUMN KIT (INCLUDES ITEMS 37 - 48)	1
37	14322-G6		STEERING SHAFT	1
38	70558-G01		COUPLING	1
39	00550-G1		LOCK NUT, 1/4 - 20	2
40	70227-G01		BOLT, 1/4 - 20 X 7/8" LG	2
41	70223-G01		GASKET	1
42	01034-G01		BOLT, 3/8 - 16 X 1 1/2" LG	3
43	00878-G1		LOCK WASHER, 3/8"	3
44	70466-G01		RETAINER	1
45	28633-G01		STEERING COLUMN KIT (INCLUDES ITEMS 46 - 48)	1
46	*		STEERING COLUMN	1
47	28569-G01		STEERING COLUMN BUSHING	1
48	01022-G01		SCREW, #6 - 20 X 5/16" LG	1
49				
50				
51	00470-G4		BOLT, 7/16 - 20 X 2 1/2" LG	1
52	00734-G3		LOCK NUT, 7/16 - 20	1
53	01033-G01		BOLT, 7/16 - 14 X 1 1/4" LG WITH PATCHLOCK	2
54	00566-G2		LOCK WASHER, 7/16"	3
55				
56				
57				
58	602980		STEERING WHEEL	1
59				
60				

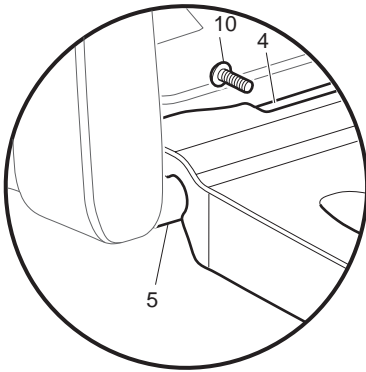
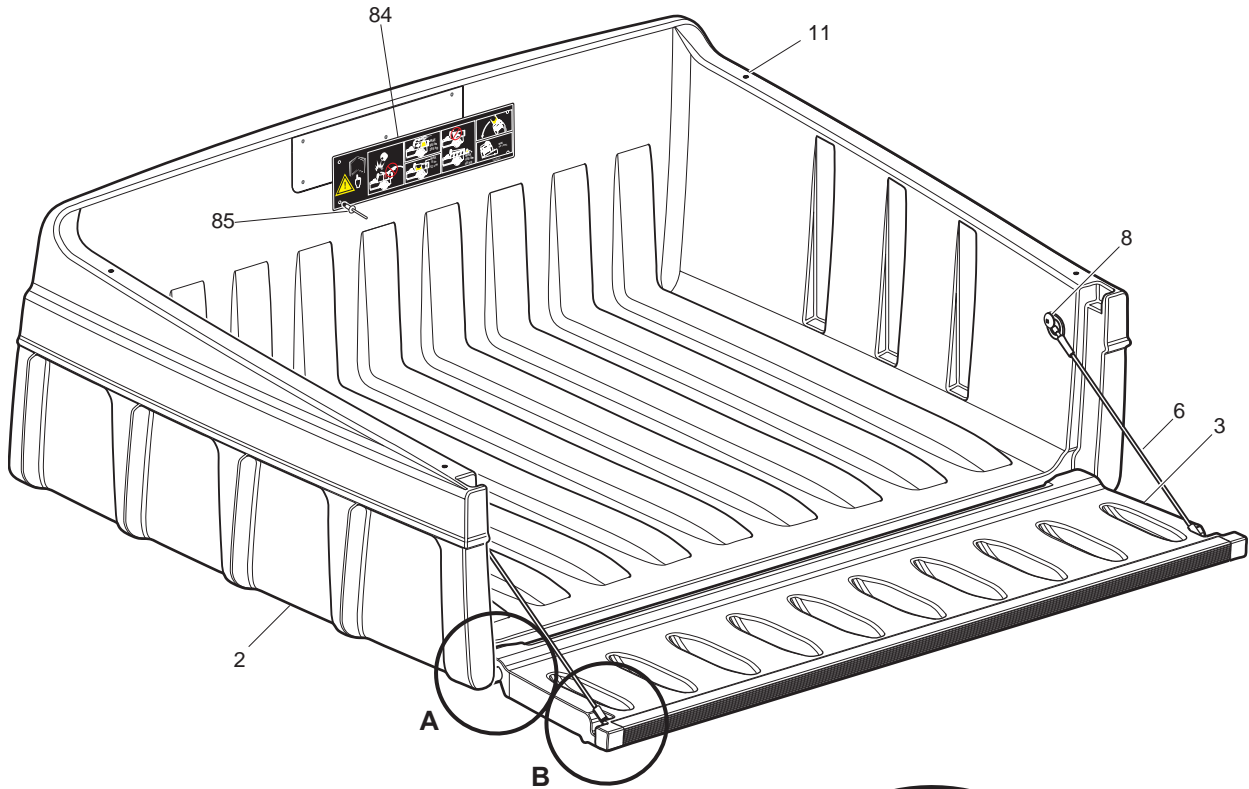
STEERING

THE USE OF NON U.L. PARTS WILL VOID ANY U.L. LISTING.
 When ordering parts, please specify the model and serial number of the product.
 * Indicates a component that is not available as an individual part.
 G** Indicates consult Customer Service Department for additional information.

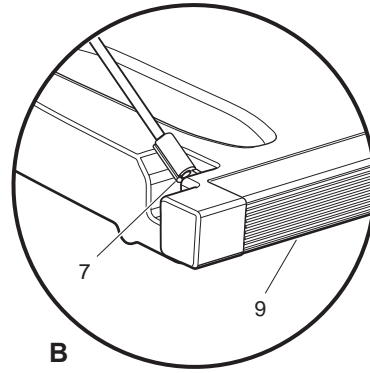
ITEM	PART NO.	1 2 3 4 5	DESCRIPTION	QTY.
61	71147-G01		STEERING WHEEL COVER	1
62	71047-G01		LABEL (E-Z-GO)	1
63				
64	14390-G2		LOCK NUT, 5/8 - 18	1
65				
66				
67	70904-G04		TIE ROD ASSEMBLY (INCLUDES ITEMS 68 - 72)	2
68	70855-G03		THREADED ROD (10 1/8" LG)	1
69	70902-G01		TIE ROD END (LEFT HAND THREADS)	1
70	01069-G01		JAM NUT, M12 X 1.25-05 (LEFT HAND THREADS)	1
71	70902-G02		TIE ROD END (RIGHT HAND THREADS)	1
72	01069-G02		JAM NUT, M12 X 1.25-05 (RIGHT HAND THREADS)	1
73				
74	00734-G1		LOCK NUT, 7/16 - 14	4
75				
76				
77	*		CASTELLATED NUT, 7/16 - 20	1
78	10387-G2		COTTER PIN, 3/32" X 1" LG	1

TRUCK BED, ST SPORT

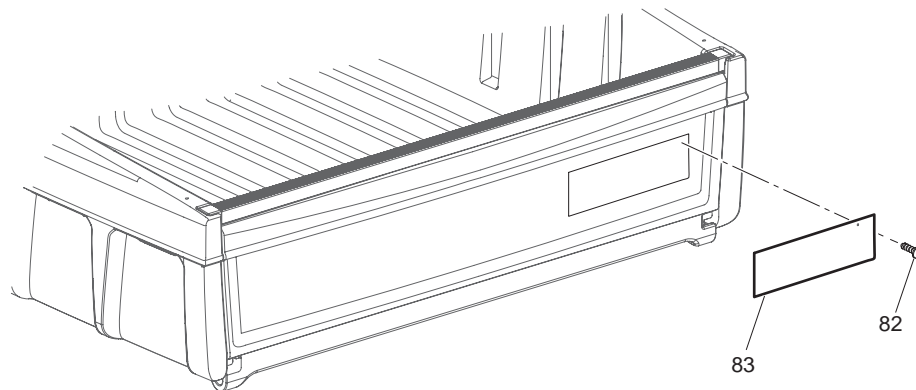
1 - INCLUDES ITEMS 2 - 11



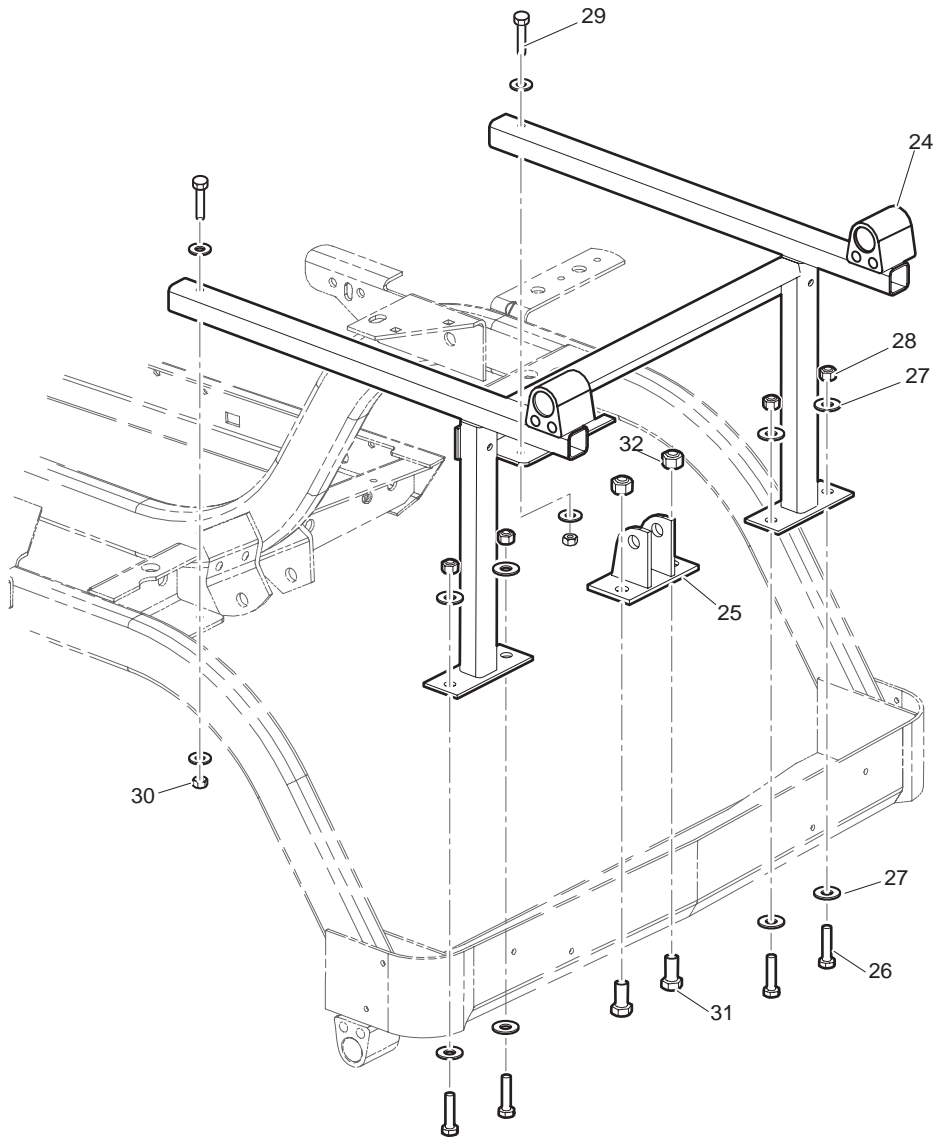
A



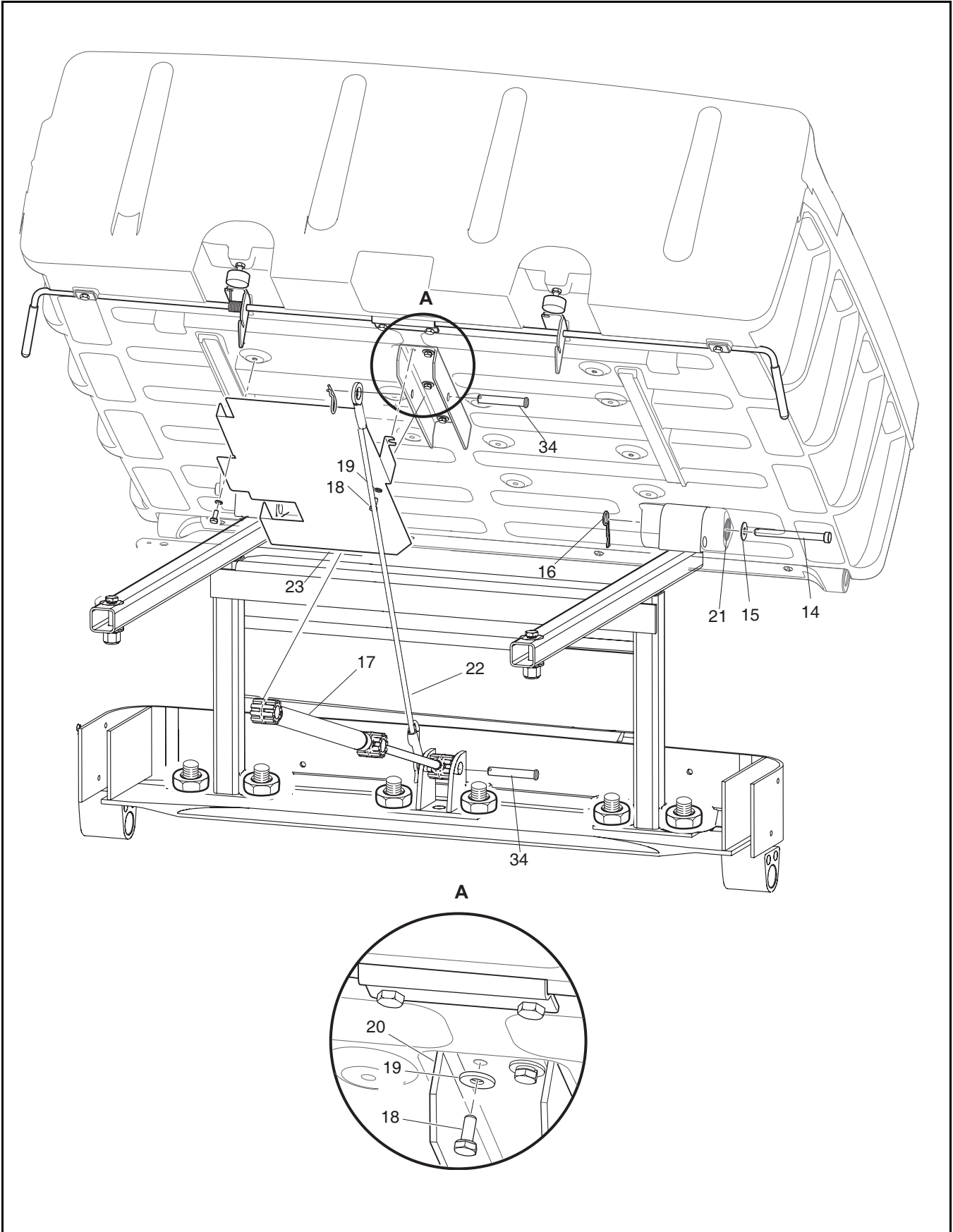
B



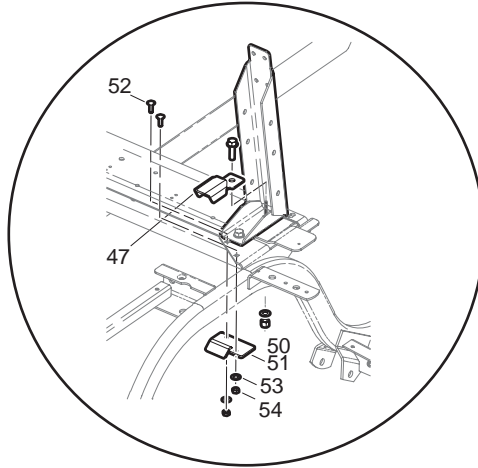
TRUCK BED, ST SPORT



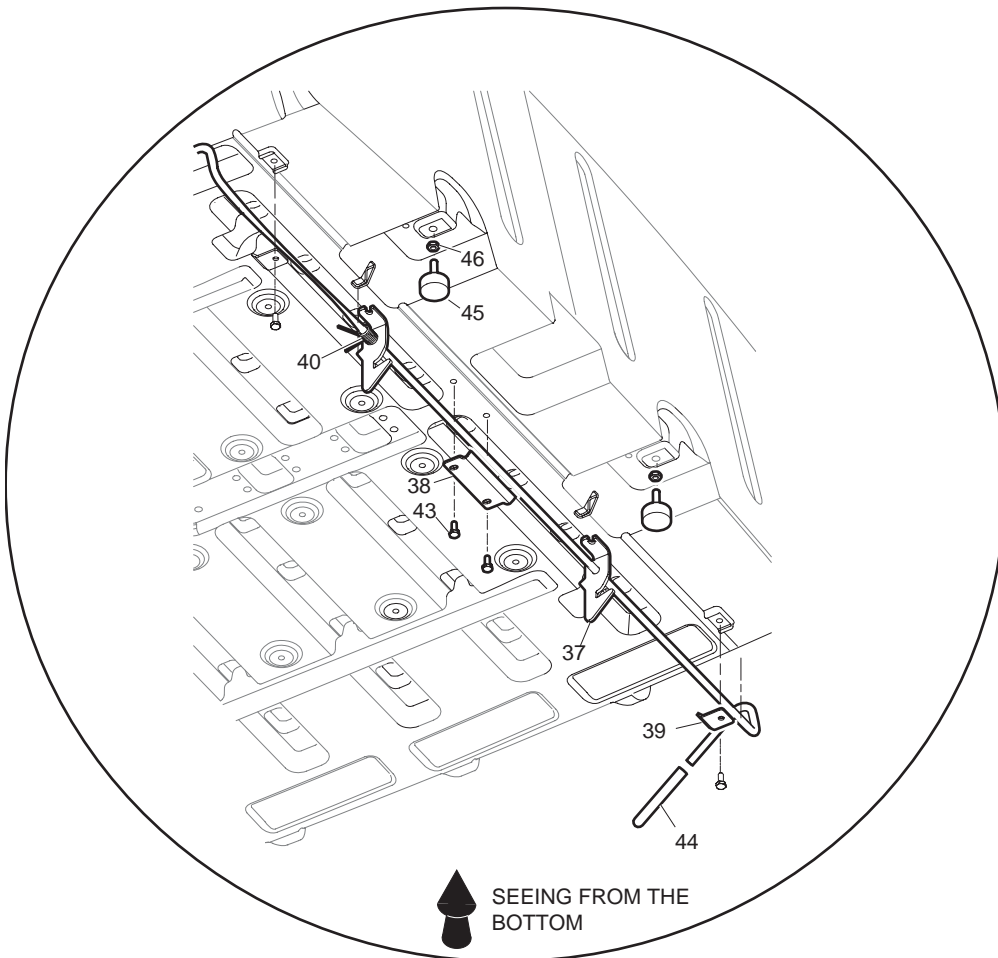
TRUCK BED, ST SPORT



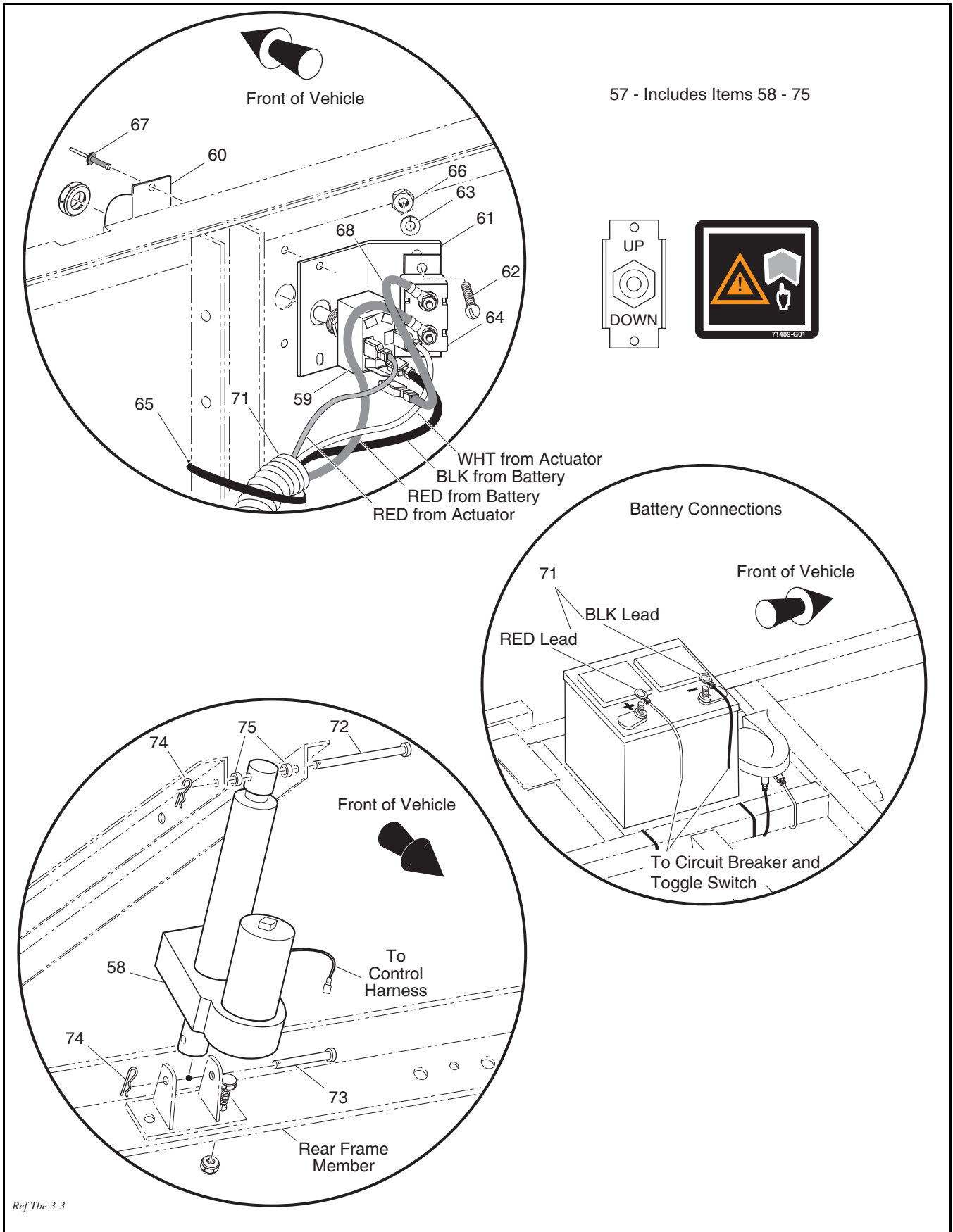
TRUCK BED, ST SPORT



36 - INCLUDES ITEMS 37 - 54



TRUCK BED, ST SPORT



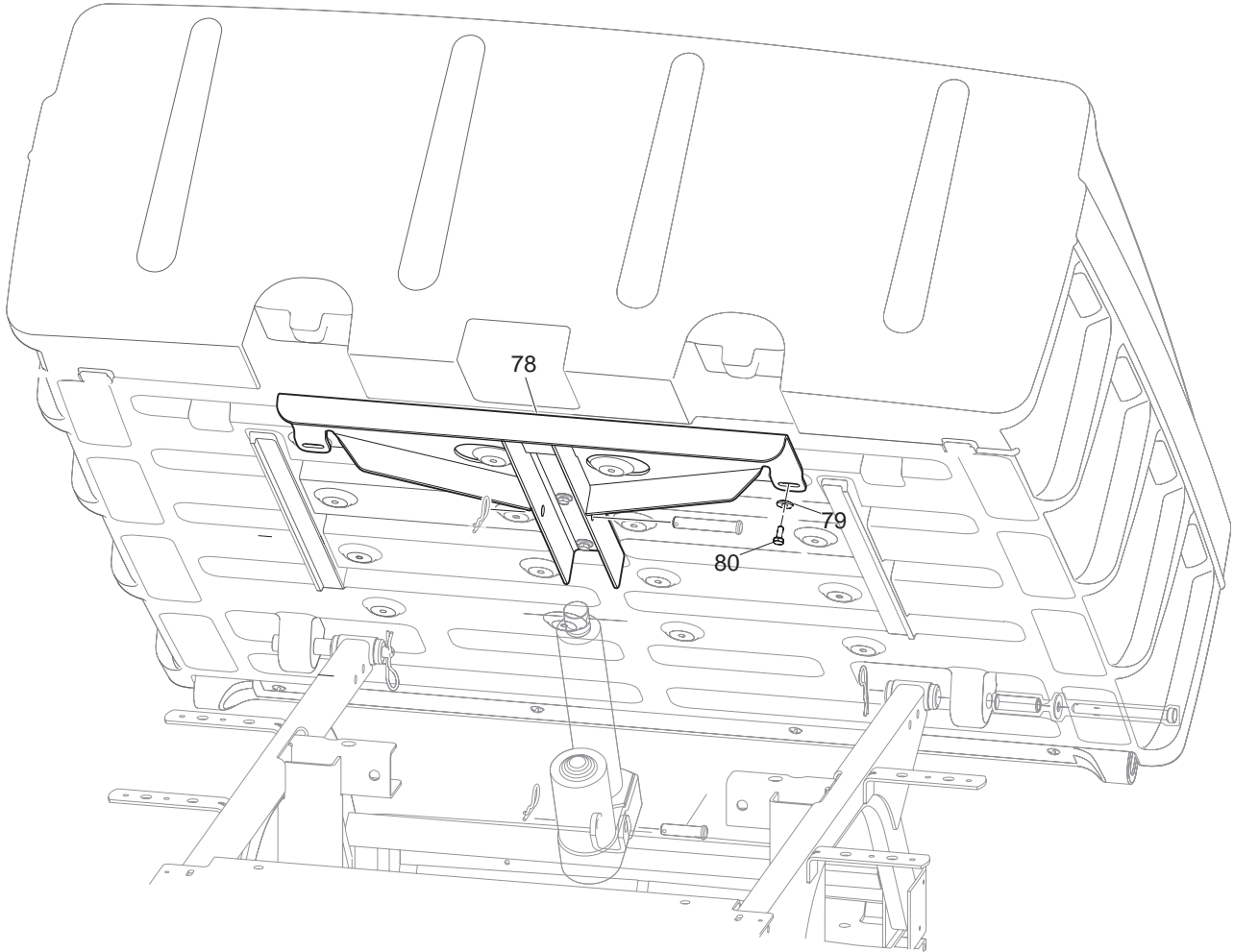
**DID YOU
KNOW?**

CartPros directs you to the right part using the part numbers from this manual. Enter the part number into our search box and it will find the part you are looking for.

**GET STARTED
HERE** →

<https://CartPros.com/f.html>

TRUCK BED, ST SPORT



TRUCK BED, ST SPORT

Where applicable, THE USE OF NON UL PARTS WILL VOID ANY UL LISTING.
 When ordering parts, please specify the model and serial number of the product.
 * Indicates a component that is not available as an individual part.
 G** Indicates consult Customer Service Department for additional information.

ITEM	PART NO.	1 2 3 4 5	DESCRIPTION	QTY.
1	72647-G01		ASSEMBLY PLASTIC BED (INCLUDES ITEMS 2 - 11)	1
2	72648-G01		PLASTIC BED 36"	1
3	72649-G01		TAILGATE 36", PLASTIC	1
4	73450-G01		ANGLE, BOWED	1
5	73454-G01		SHAFT, PIVOT	2
6	73455-G02		CABLE ASSEMBLY, TAILGATE	2
7	00415-G2		SCREW, 1/4 - 20 X 1 1/4" LG	2
8	73460-G01		BOLT, SHOULDER	2
9	73449-G01		CHANNEL, EXTRUSION	1
10	16705-G2		SCREW, 1/4 - 2 X 5/8" LG	4
11	16816-G5		RACHET FASTNER.....	4
12				
13				
14	71571-G01		CLEVIS PIN.....	2
15	00571-G5		WASHER, 1/2"	2
16	21683-G1		COTTER PIN.....	2
17	71537-G02		GAS SPRING	1
18	01118-G01		SCREW, 1/4 - 20 X 5/8" LG.....	8
19	00642-G7		WASHER, 1/4"	8
20	71569-G02		CHANNEL GAS SPRING	1
21	70291-G01		FLANGED BUSHING	4
22	602904		CABLE ASSEMBLY	1
23	72339-G02		PLASTIC BED HEAT SHIELD (GASOLINE VEHICLES ONLY).....	1
24	76423-G01		BED FRAME	1
25	71283-G02		BRACKET ELECTRIC LIFT	1
26	00439-G2		SCREW, 5/16 - 18 X 1 1/4" LG.....	4
27	00642-G8		WASHER, 5/16"	8
28	11098-G6		LOCK NUT, 5/16 - 18	2
29	00415-G6		SCREW, 4/4 - 20 X 1 3/4" LG.....	2
30	00891-G2		LOCK NUT, 1/4 - 20	2

TRUCK BED, ST SPORT

Where applicable, THE USE OF NON UL PARTS WILL VOID ANY UL LISTING.
 When ordering parts, please specify the model and serial number of the product.
 * Indicates a component that is not available as an individual part.
 G** Indicates consult Customer Service Department for additional information.

ITEM	PART NO.	1 2 3 4 5	DESCRIPTION	QTY.
31	00462-G7		SCREW, 7/16 - 14 X .875" LG	2
32	00734-G1		NUT, 7/16 - 14	2
33	14443-G10		CLEVIS PIN, 1/2 X 3" LG	1
34	14443-G12		CLEVIS PIN, 1/2 X 2.2" LG	1
35				
36	71095-G02		INSTALLATION LATCH (INCLUDES ITEMS 37 - 54)	1
37	74962-G01		WELDMENT LATCH BED	1
38	71477-G02		BRACKET	1
39	71099-G02		LATCH PLATE	2
40	71538-G01		TORSION SPRING	1
41				
42				
43	01118-G01		SCREW, 1/4 - 2 X 5/8" LG	4
44	71704-G01		HANDLE GRIP	2
45	70113-G01		BUMPER.....	2
46	11027-G1		LOCK NUT, 5/16 - 18.....	2
47	74947-G01		BRACKET BUMPER.....	2
48				
49				
50	602977		LATCH PLATE (LEFT SIDE).....	1
51	602978		LATCH PLATE (RIGHT SIDE)	1
52	01014-G03		BOLT, 1/4 - 20	4
53	00559-G7		WASHER, 1/4"	4
54	14390-G4		LOCK NUT, 1/4 - 20	4
55				
56				
57	74164-G03		ELECTRIC DUMP KIT (INCLUDES ITEMS 58 - 75)	1
58	27612-G02		ELECTRIC ACTUATOR 36 V	1
59	27680-G01		TOGGLE SWITCH.....	1
60	27447-G01		TOGGLE GUARD	1

TRUCK BED, ST SPORT

Where applicable, THE USE OF NON UL PARTS WILL VOID ANY UL LISTING.

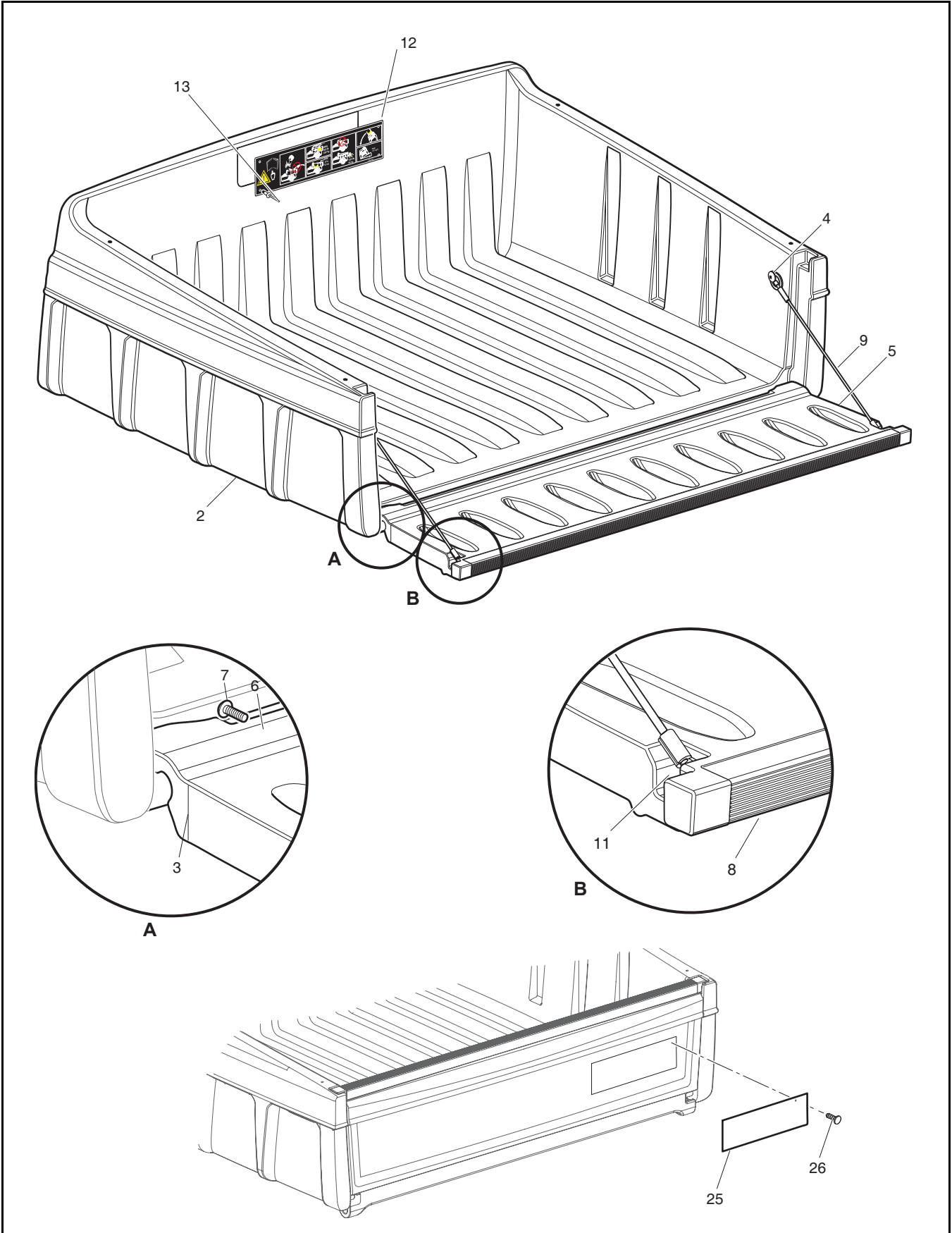
When ordering parts, please specify the model and serial number of the product.

* Indicates a component that is not available as an individual part.

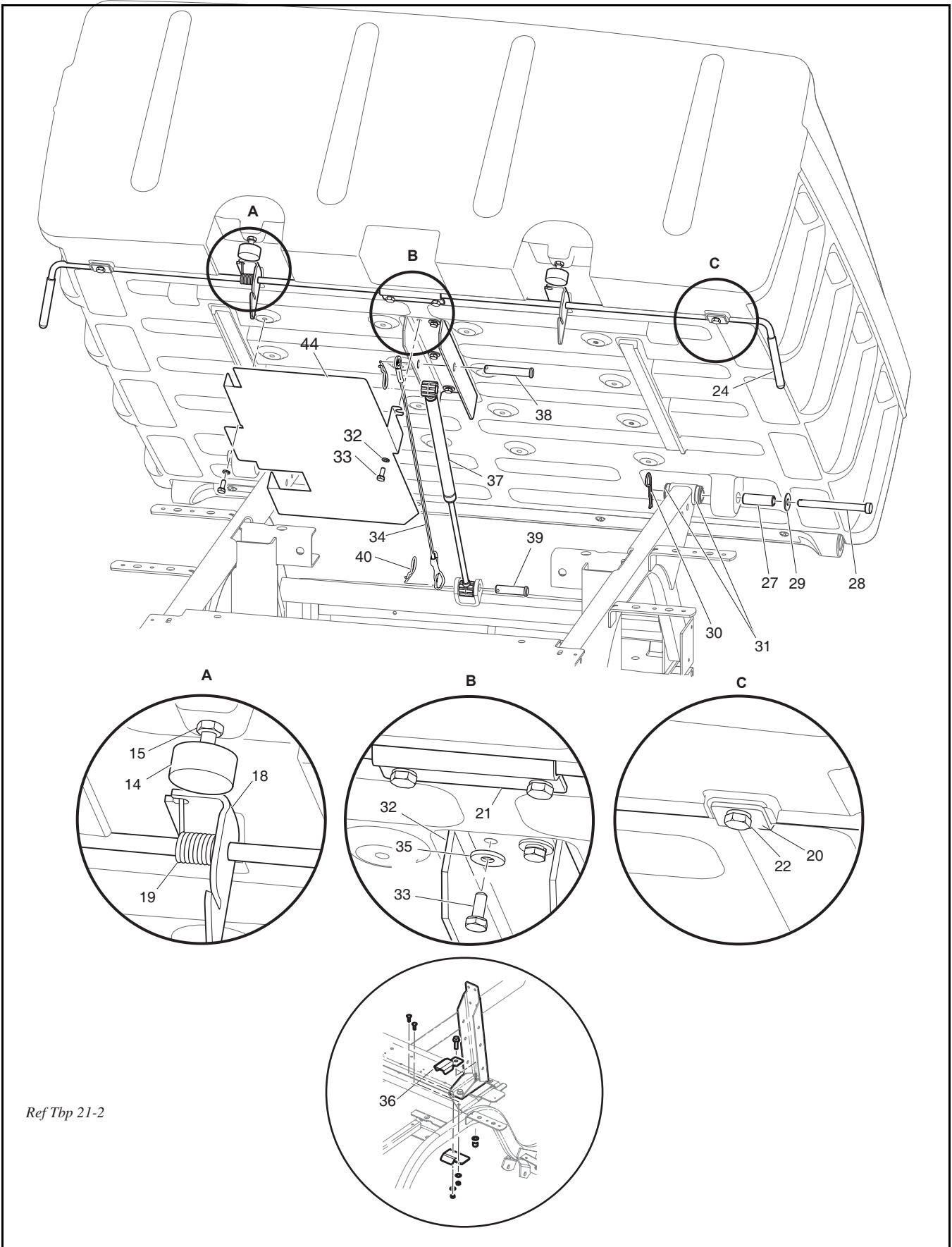
G** Indicates consult Customer Service Department for additional information.

ITEM	PART NO.	1	2	3	4	5	DESCRIPTION	QTY.
61	74165-G02						CIRCUIT BREAKER MOUNTING BRACKET.....	1
62	00150-G4						SCREW, 10 - 24 X 1/2" LG	2
63	00565-G5						LOCK WASHER, #10	2
64	21320-G3						CIRCUIT BREAKER 15A 24V	1
65	17618-G1						WIRE TIE	8
66	00526-G3						NUT, #10 - 24.....	2
67	10570-G9						RIVET, 5/32 X .55	2
68	25976-G14						14 GA WIRE (RED 5")	1
69								
70								
71	74163-G01						WIRE HARNESS (CONTROL)	1
72	14443-G10						CLEVIS PIN, 1/2" X 2 7/8" LG	1
73	14443-G11						CLEVIS PIN, 1/2" X 1 3/4" LG	1
74	21683-G1						COTTER PIN, 15/32" X 2 13/16" LG	2
75	27613-G01						SPACER	2
76								
77								
78	71547-G02						OUTRIGGER CHANNEL	1
79	00642-G7						WASHER, 1/4"	8
80	01118-G01						SCREW, 1/4 - 20 X 5/8" LG.....	8
81								
82	16812-G2						RATCHET FASTENER.....	2
83	600821						LABEL EZGO MPT	2
84	74821-G05						BED CAPACITY LABEL (250 LB)	1
85	71055-G01						RIVET, 3/16"	5

TRUCK BED ST 350

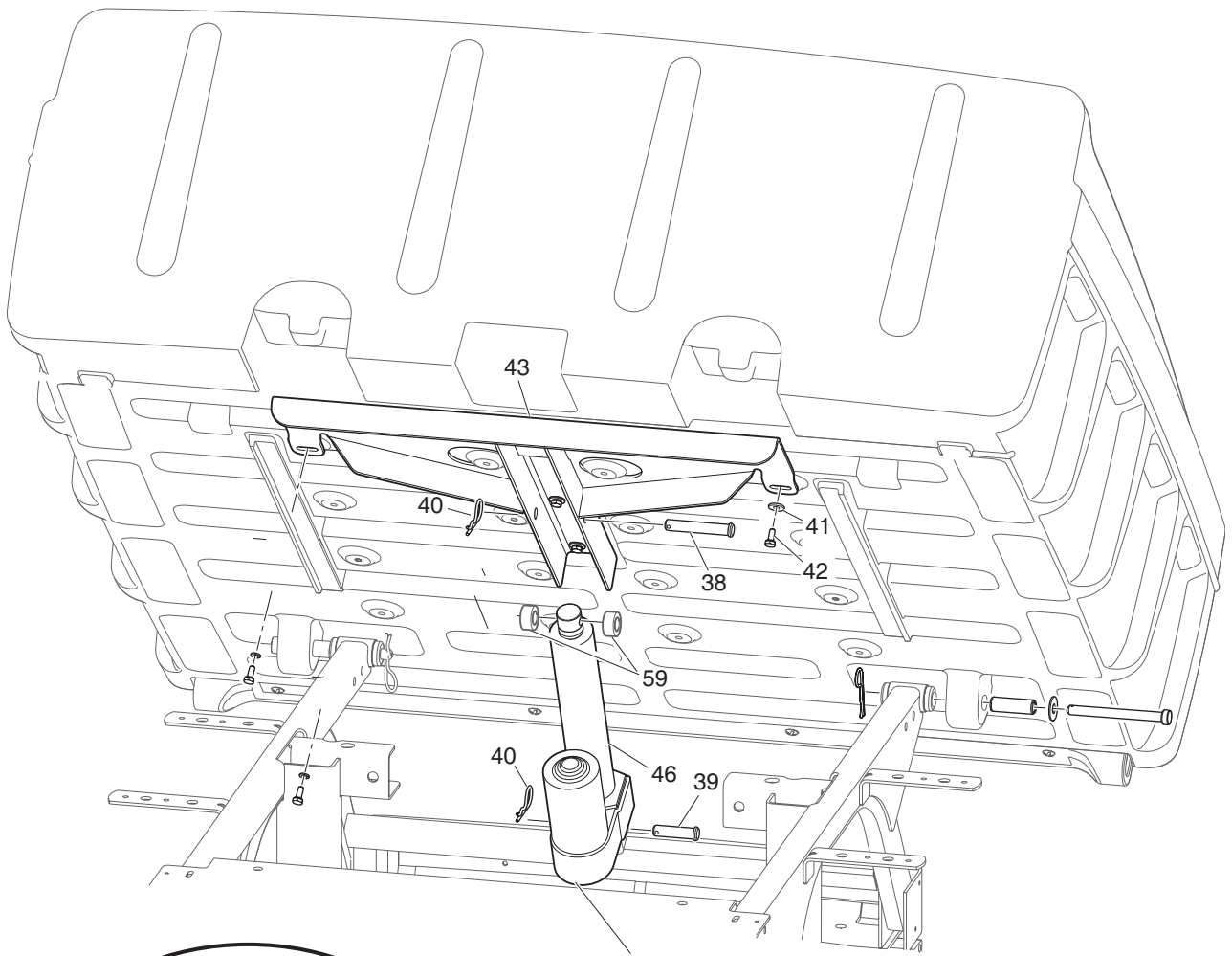


TRUCK BED ST 350

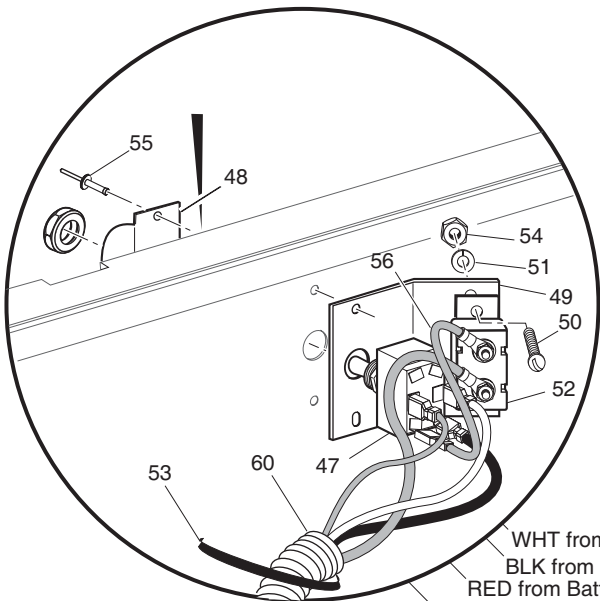


Ref Tbp 21-2

TRUCK BED ST 350



Actuator may be rotated 90° on some models



WHT from Actuator
BLK from Battery
RED from Battery
RED from Actuator



TRUCK BED ST 350

Where applicable, THE USE OF NON UL PARTS WILL VOID ANY UL LISTING.
 When ordering parts, please specify the model and serial number of the product.
 * Indicates a component that is not available as an individual part.
 G** Indicates consult Customer Service Department for additional information.

ITEM	PART NO.	1 2 3 4 5	DESCRIPTION	QTY.
1	73451-G01		BED ASSEMBLY, 40" (INCLUDES ITEMS 2 -11).....	1
2	73447-G01		PLASTIC BED, 40"	1
3	73454-G01		PIVOT SHAFT	2
4	73460-G01		SHOULDER BOLT, 1/4 - 20 X 3/4" LG.....	2
5	73455-G01		TAILGATE CABLE	1
6	73450-G01		BOWED ANGLE	1
7	16705-G2		SCREW, 1/4 - 20 X 5/8" LG (STAINLESS STEEL).....	4
8	73449-G01		EXTRUSION CHANNEL.....	1
9	16818-G5		RATCHET FASTENER	4
10				
11	00415-G2		SCREW, 1/4 - 20 X 5/8" LG	2
12	74821-G01		BED CAPACITY LABEL	1
13	71055-G01		RIVET, 3/16" X 1" LG (ALUMINUM).....	5
14	70113-G01		ADJUSTABLE RUBBER BUMPER	2
15	11027-G1		LOCK NUT, 5/16 - 18	2
16				
17				
18	74962-G01		BED LATCH	1
19	71538-G01		LATCH TORSION SPRING.....	1
20	71099-G02		PLATE, LATCH.....	2
21	71477-G02		RETAINER BRACKET.....	1
22	01118-G01		SCREW, 1/4 - 20 X 5/8" LG.....	4
23				
24	71704-G01		HANDLE GRIP	2
25	600110-G01		LABEL	1
26	16816-G2		RATCHET FASTNER	2
27	71570-G01		BUSHING	2
28	71571-G01		CLEVIS PIN.....	2
29	00571-G5		WASHER, 1 1/4 X 7/16	2
30	21683-G1		HAIR CLIP	2

TRUCK BED ST 350

Where applicable, THE USE OF NON UL PARTS WILL VOID ANY UL LISTING.
 When ordering parts, please specify the model and serial number of the product.
 * Indicates a component that is not available as an individual part.
 G** Indicates consult Customer Service Department for additional information.

ITEM	PART NO.	1 2 3 4 5	DESCRIPTION	QTY.
31	70291-G01		BUSHING	4
32	71569-G02		SPRING CHANNEL	1
33	01118-G01		SCREW, 1/4 - 20 X 5/8" LG.....	8
34	602904		BED TETHER CABLE.....	1
35	00642-G7		WASHER, 1/4"	8
36	74947-G01		BRACKET, BUMPER	2
37	71537-G02		GAS SPRING	2
38	14443-G10		CLEVIS PIN, 1/2" X 2 27/32" LG.....	1
39	14443-G12		CLEVIS PIN, 1/2" X 1 3/4" LG.....	1
40	21683-G1		HAIR CLIP	2
41	00642-G7		WASHER, 1/4"	8
42	01118-G01		SCREW, 1/4 - 20 X 5/8" LG.....	8
43	71547-G02		OUTRIGGER CHANNEL	1
44	72339-G02		PLASTIC BED HEAT SHIELD (GASLONE VEHICLES ONLY).....	1
45	74164-G04		ELECTRIC DUMP KIT (INCLUDES ITEMS 37 - 54).....	1
46	27612-G02		ELECTRIC ACTUATOR, 12 VOLT, 1500 LBS	1
47	27680-G01		TOGGLE SWITCH.....	1
48	27447-G01		TOGGLE GUARD	1
49	74165-G02		CIRCUIT BREAKER MOUNTING BRACKET.....	1
50	00150-G4		SCREW, 10 - 24 X 1/2" LG	2
51	00565-G5		LOCK WASHER, #10	2
52	21320-G4		CIRCUIT BREAKER 15A 24V	1
53	17618-G1		WIRE TIE	8
54	00526-G3		NUT, #10 - 24.....	2
55	10570-G9		RIVET, 5/32 X .55	2
56	25976-G14		14 GA WIRE (RED 5")	1
57				
58				
59	27613-G01		SPACER	2
60	74613-G01		HARNESS.....	1

**DID YOU
KNOW?**

CartPros directs you to the right part using the part numbers from this manual. Enter the part number into our search box and it will find the part you are looking for.

GET STARTED
HERE

<https://CartPros.com/f.html>

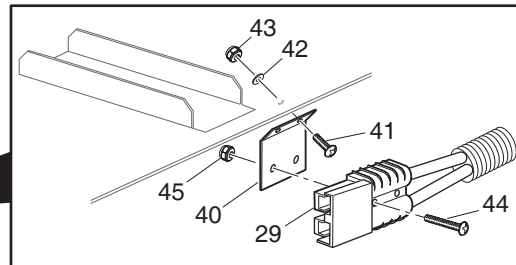
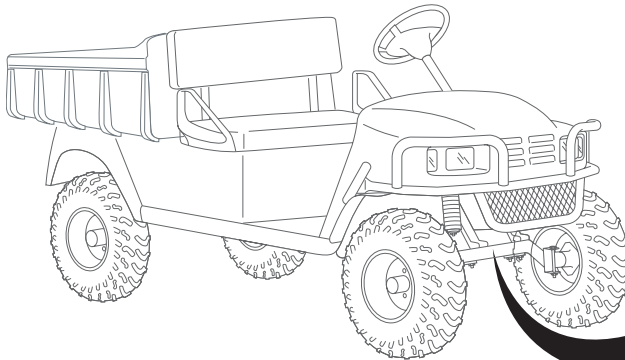
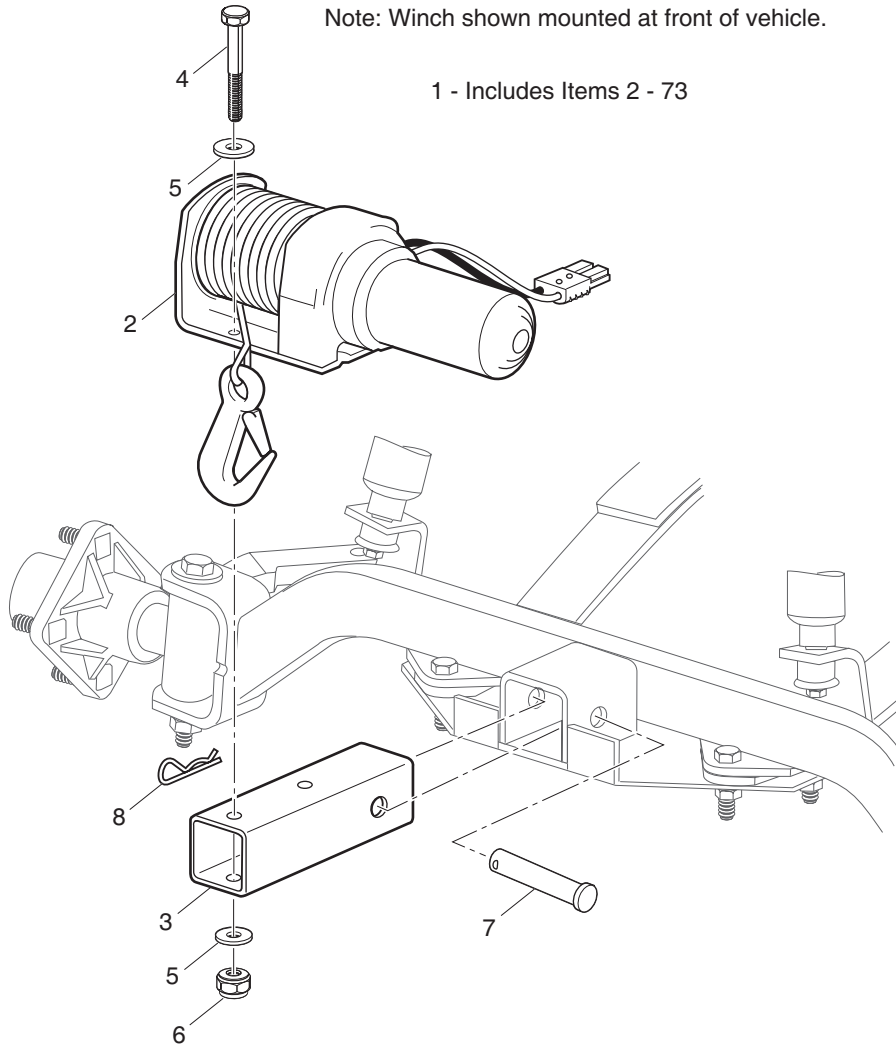
TRUCK BED ST 350

Notes: _____

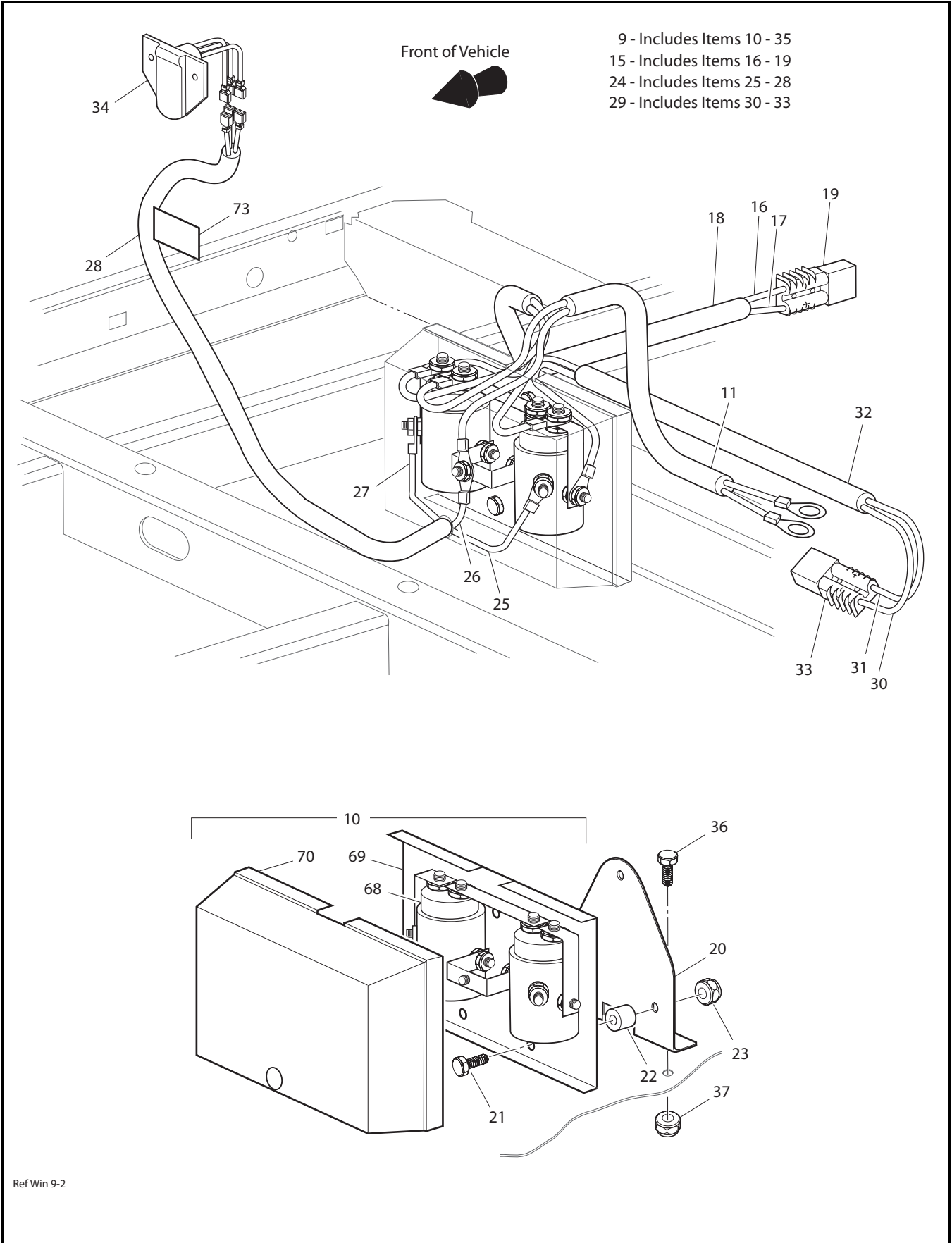
WINCH - ST 350

Note: Winch shown mounted at front of vehicle.

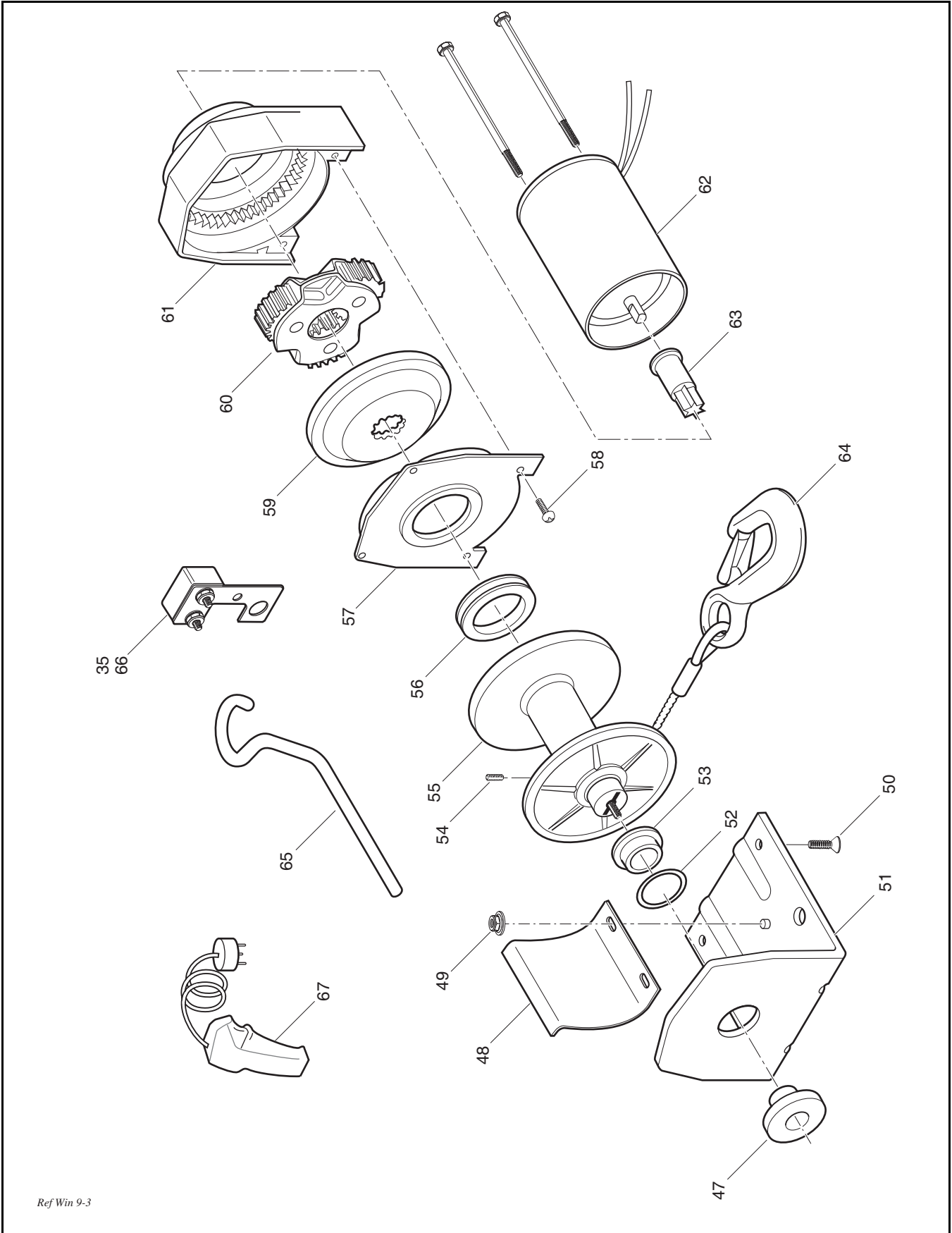
1 - Includes Items 2 - 73



WINCH - ST 350



WINCH - ST 350



Ref Win 9-3

WINCH - ST 350

Where applicable, THE USE OF NON UL PARTS WILL VOID ANY UL LISTING.

When ordering parts, please specify the model and serial number of the product.

* Indicates a component that is not available as an individual part.

G** Indicates consult Customer Service Department for additional information.

ITEM	PART NO.	1 2 3 4 5	DESCRIPTION	QTY.
1	74259-G02		WINCH KIT (INCLUDES ITEMS 2 - 73) (ST 350).....	1
2	600792		WINCH ASSEMBLY, T1500.....	1
3	74271-G01		WINCH MOUNTING TUBE.....	1
4	00440-G6		BOLT, 5/16 - 18 X 2 3/4" LG.....	2
5	00571-G2		WASHER, 5/16".....	4
6	00891-G3		LOCK NUT, 5/16 - 18.....	2
7	21317-G1		CLEVIS PIN, 5/8" x 3" LG.....	1
8	21683-G1		COTTER PIN, 15/32" X 2 13/16" LG.....	1
9	74286-G02		REMOTE SOLENOID (INCLUDES ITEMS 10 - 35).....	1
10	74256-G02		SOLENOID KIT.....	1
11	72278-G01		WIRE HARNESS (SOLENOID to BATTERY).....	1
12				
13				
14				
15	600798		WIRE HARNESS (SOLENOID to REAR WINCH) (INCLUDES 16 - 19)	1
16	600794		8 GA WIRE (YELLOW 67").....	1
17	600793		8 GA WIRE (BLUE 67").....	1
18	20436-G1		FLEX LOOM (BULK) 49".....	1
19	73235-G01		CONNECTOR.....	1
20	74326-G01		MOUNTING BRACKET.....	1
21	00414-G6		BOLT, 1/4 - 20 X 3/4" LG.....	3
22	23726-G1		SPACER, 1/4".....	3
23	14390-G4		LOCK NUT, 1/4 - 20.....	3
24	600801		WIRE HARNESS (SOLENOID to RECEPTACLE) (INCLUDES 25-28)	1
25	19077-G1		16 GA WIRE (BLUE 14").....	1
26	20216-G1		16 GA WIRE (WHITE 14").....	1
27	19080-G1		16 GA WIRE (YELLOW 14").....	1
28	17313-G1		FLEX LOOM (BULK), 4".....	1
29	600795		WIRE HARNESS (SOLENOID to FRONT WINCH) (INCLUDES 30-33)	1
30	600794		8 GA WIRE (YELLOW 94").....	1

WINCH - ST 350

Where applicable, THE USE OF NON UL PARTS WILL VOID ANY UL LISTING.
 When ordering parts, please specify the model and serial number of the product.
 * Indicates a component that is not available as an individual part.
 G** Indicates consult Customer Service Department for additional information.

ITEM	PART NO.	1	2	3	4	5	DESCRIPTION	QTY.
31	600793						8 GA WIRE (BLUE 94")	1
32	20436-G1						FLEX LOOM, 75 5/8" (BULK)	1
33	73235-G01						CONNECTOR	1
34	600482						RECEPTACLE WITH LEADS (GREEN, WHITE, BLACK)	1
35	*						CIRCUIT BREAKER WITH BRACKET	1
36	00414-G5						BOLT, 1/4 - 20 X 5/8" LG	2
37	14390-G4						LOCK NUT, 1/4 - 20	2
38								
39								
40	74289-G01						CONNECTOR MOUNT PLATE	1
41	00740-G4						SCREW, #10 - 32 X 1/2" LG (STAINLESS STEEL)	2
42	00559-G5						WASHER, #10	2
43	00921-G8						LOCK NUT, #10 - 32	2
44	00156-G8						SCREW, #10 - 32 X 1" LG	2
45	00526-G4						NUT, #10 - 32	2
46							The following items are replacement components for the winch. For service or replacement parts, contact Superwinch, Inc., Winch Drive, Putnam, CT 06260 Phone: (860) 928-7787, FAX: (860) 928-1143	
							Always provide the following information when requesting information or ordering replacement parts:	
							Winch Part Number: T1500 Serial Number: (found on housing) Part Number and Description	
47	87-10490						KNOB ASSEMBLY, T-SERIES F/W	1
48	87-22381						TENSION PLATE	1
49	87-23149-05						NUT, HEX, FLANGED, M5 X 0.8	2
50	89-22291-01						SCREW, ST HEX SKY FH, M6 X 1 X 20	2
51	87-22394						BASEPLATE ASSEMBLY, T-SERIES	1
52	AS REQ'D						WASHER, .020 OR .030 THICK	A/R
53	87-10466						BUSHING, T-SERIES	1

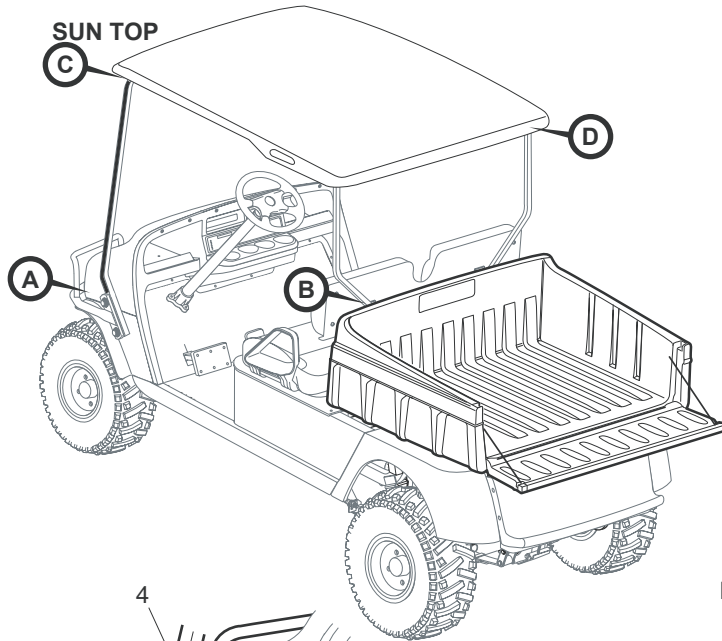
WINCH - ST 350

Where applicable, THE USE OF NON UL PARTS WILL VOID ANY UL LISTING.
 When ordering parts, please specify the model and serial number of the product.
 * Indicates a component that is not available as an individual part.
 G** Indicates consult Customer Service Department for additional information.

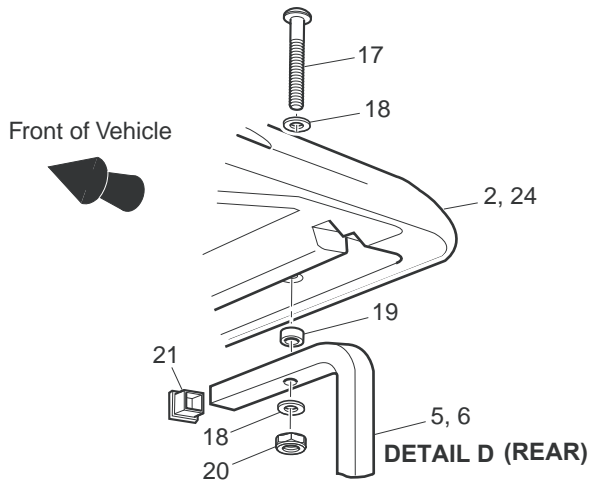
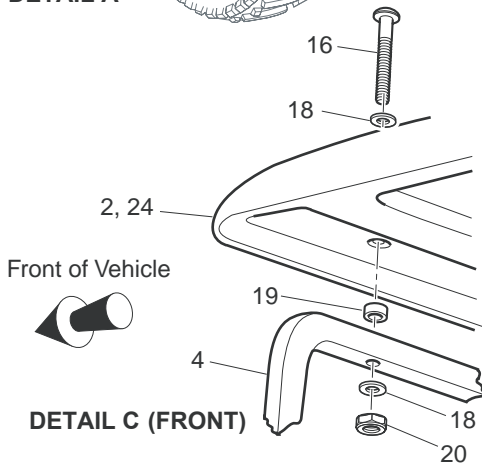
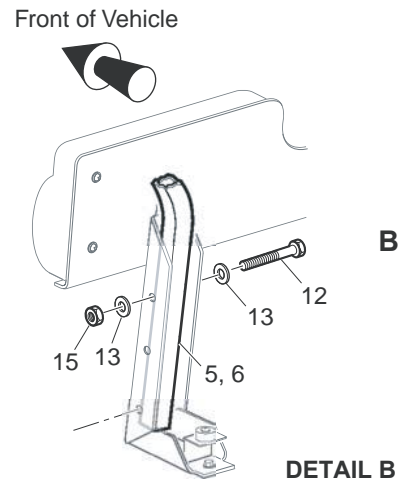
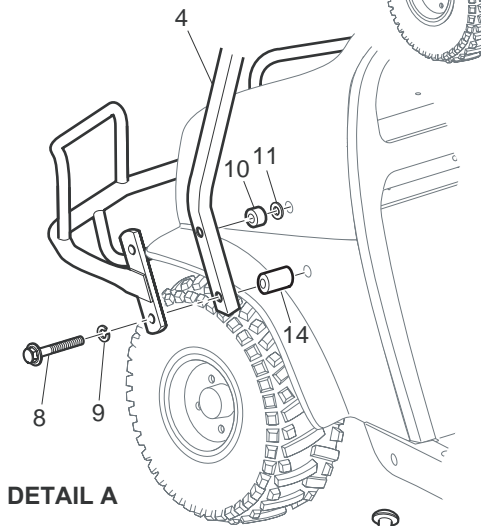
ITEM	PART NO.	1	2	3	4	5	DESCRIPTION	QTY.
54	87-23309-01						SET SCREW, M5 X 0.8 X 6	1
55	87-22397						DRUM ASSEMBLY	1
56	87-10470						DRUM SUPPORT BUSHING	1
57	87-33257						DRUM SUPPORT PLATE.....	1
58	87-23030-10						SCREW, ST PAN HEAD, M4 X 0.7 X 10	4
59	87-33251						ROTATOR GEAR, T-SERIES	1
60	87-22380						CARRIER ASSEMBLY, T-SERIES.....	1
61	87-22396						STATIONARY GEAR HOUSING ASSEMBLY, T-SERIES.....	1
62	87-33249						MOTOR, 12 VOLT	1
63	87-22401						MOTOR PINION GEAR	1
64	1535A						WIRE ROPE AND HOOK ASSEMBLY, 5/32" X 25 FEET.....	1
65	89-32300						HANSAVER BAR	1
66	90-22873-03						CIRCUIT BREAKER ASSEMBLY, 12 VOLT, T-SERIES	1
67	90-22117						REMOTE CONTROL ASSEMBLY	1
68	92-20172						SOLENOID, 12 VOLT	2
69	90-32070						SOLENOID BACK PLATE	1
70	90-31079						SOLENOID COVER.....	1
71								
72								
73	71489-G01						LABEL (READ INSTRUCTIONS)	1

WEATHER PROTECTION

SUN TOP CAP (CAMO)



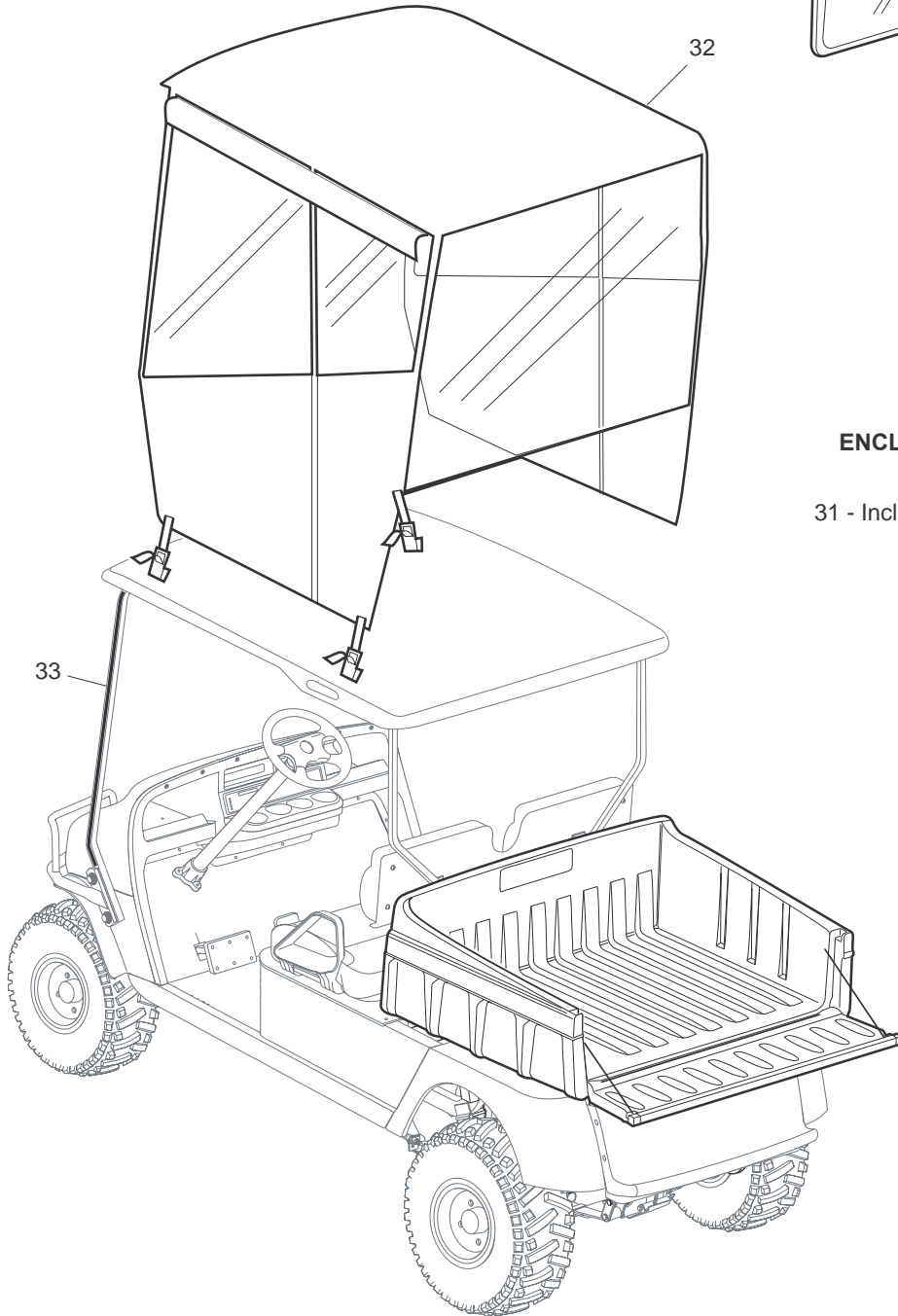
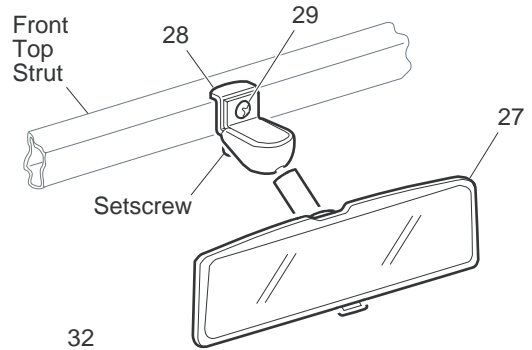
- 1 - Includes Items 2 - 21
- 3 - Includes Items 4 - 21
- 7 - Includes Items 8 - 21



WEATHER PROTECTION

REAR VIEW MIRROR

26 - Includes Items 27 - 29



ENCLOSURE

31 - Includes Items 32, 33

Ref Wea 10-2

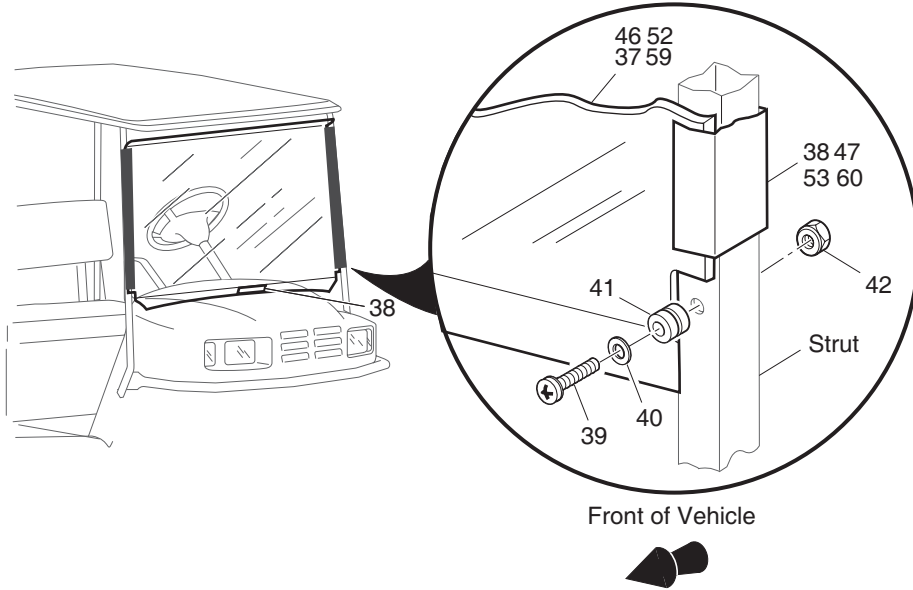
WEATHER PROTECTION

36 - Includes 37 - 43

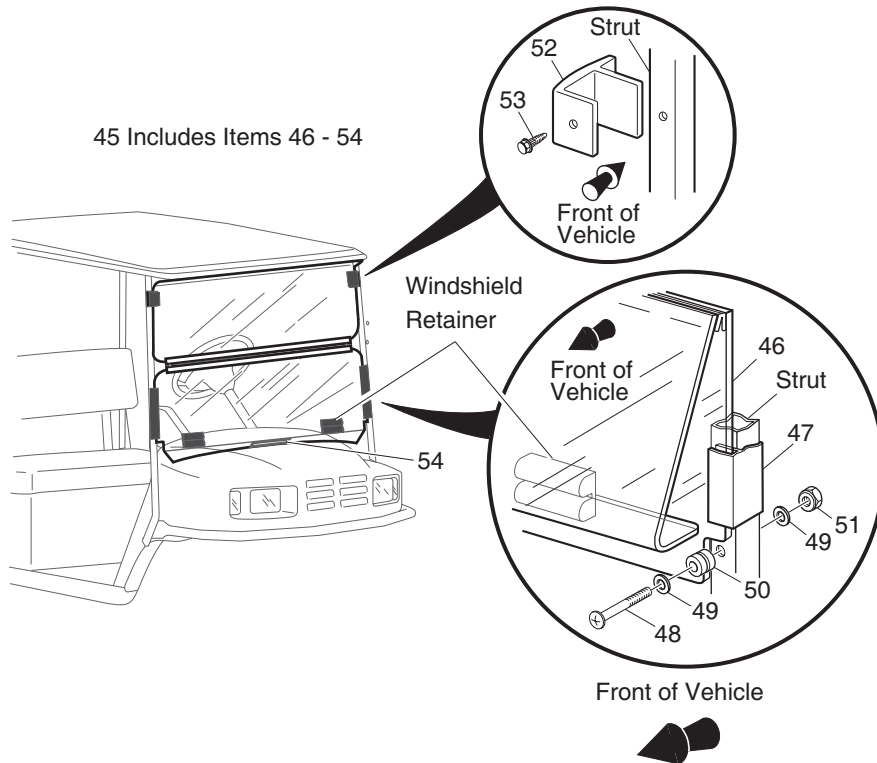
45 - Includes 46 - 47 and 39 - 43

51 - Includes 52 - 53 and 39 - 43

51 - Includes 59 - 60 and 39 - 43



45 Includes Items 46 - 54

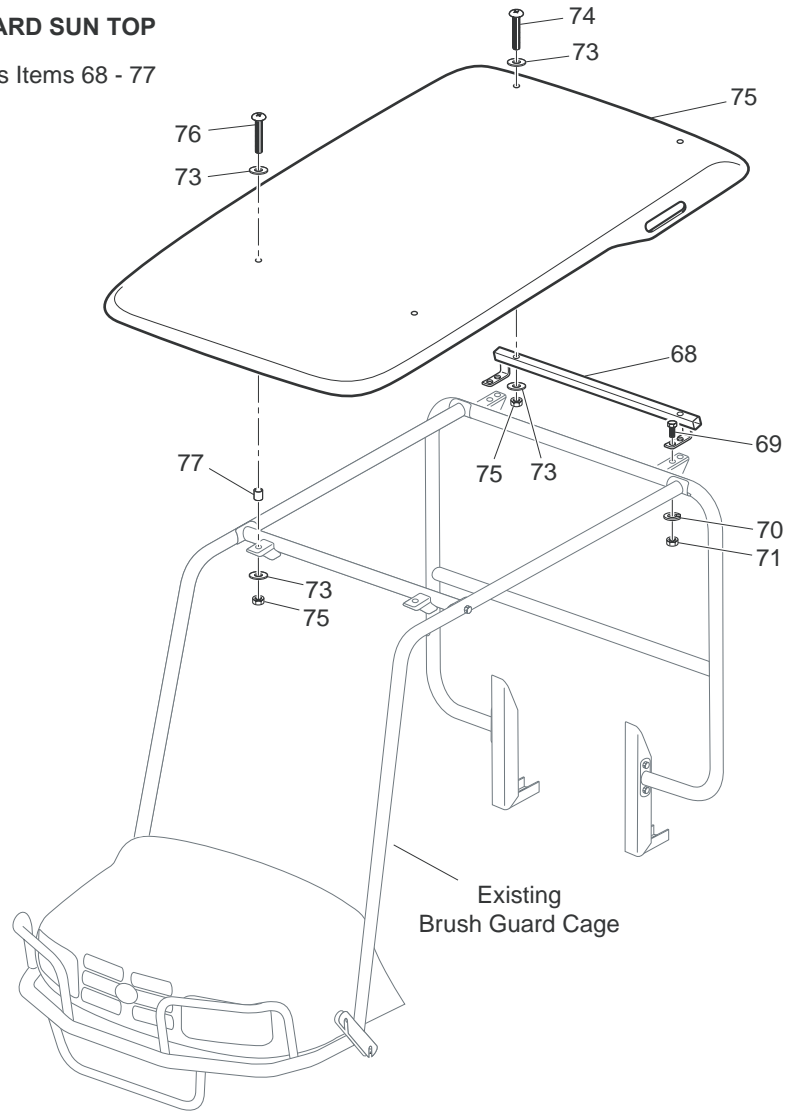


Ref Wea 9-3

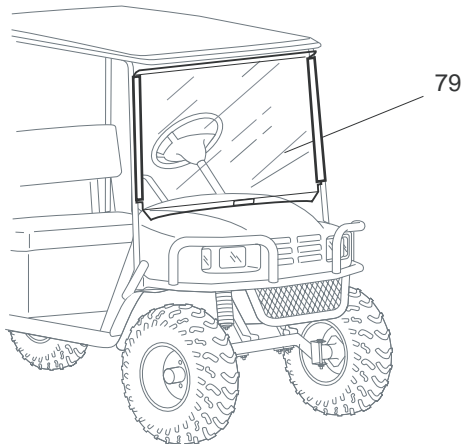
WEATHER PROTECTION

BRUSHGUARD SUN TOP

67 - Includes Items 68 - 77



BRUSHGUARD WINDSHIELD



WEATHER PROTECTION

THE USE OF NON U.L. PARTS WILL VOID ANY U.L. LISTING.
 When ordering parts, please specify the model and serial number of the product.
 * Indicates a component that is not available as an individual part.
 G** Indicates consult Customer Service Department for additional information.

ITEM	PART NO.	1 2 3 4 5	DESCRIPTION	QTY.
1	75040-G0*		SUN TOP KIT (INCLUDES ITEMS 2 -21)	1
2	27069-G0*		SUN TOP	1
3	75044-G06		HARDWARE KIT (INCLUDES ITEMS 4 - 21).....	1
4	75045-G05		FRONT STRUT	1
5	75838-G03		REAR STRUT (DRIVER SIDE)	1
6	75838-G04		REAR STRUT (PASSENGER SIDE).....	1
7	75465-G01		FASTENING HARDWARE KIT (INCLUDES ITEMS 8 - 21).....	1
8	00440-G2		BOLT, 5/16 - 18 X 2 1/4" LG.....	4
9	00905-G8		LOCK WASHER, 5/16"	4
10	75048-G01		SPACER, 1/2"	2
11	00570-G2		WASHER, 5/16"	6
12	00685-G7		BOLT, 5/16 - 18 X 1 3/4" LG (STAINLESS STEEL)	4
13	01110-G03		WASHER, 5/16" (STAINLESS STEEL).....	8
14	75048-G04		SPACER	2
15	01109-G01		LOCK NUT, 5/16 - 18 (STAINLESS STEEL).....	4
16	00753-G5		SCREW, 1/4 - 20 X 2" LG (STAINLESS STEEL).....	2
17	00753-G6		SCREW, 1/4 - 20 X 2 1/4" LG (STAINLESS STEEL).....	2
18	01110-G01		WASHER, 1/4" (STAINLESS STEEL).....	8
19	75051-G01		PLASTIC SPACER	4
20	00891-G2		LOCK NUT, 1/4 - 20 (STAINLESS STEEL).....	4
21	19853-G1		END CAP, 1"	2
22				
23				
24				
25				
26	19528-G2		REAR VIEW MIRROR KIT (INCLUDES ITEMS 27 - 29)	1
27	19496-G1		REAR VIEW MIRROR	1
28	19502-G2		SUPPORT BRACKET.....	1
29	19527-G1		SCREW, #8 - 32 X 5/8" LG (STAINLESS STEEL).....	1
30				

WEATHER PROTECTION

THE USE OF NON U.L. PARTS WILL VOID ANY U.L. LISTING.
 When ordering parts, please specify the model and serial number of the product.
 * Indicates a component that is not available as an individual part.
 G** Indicates consult Customer Service Department for additional information.

ITEM	PART NO.	1 2 3 4 5	DESCRIPTION	QTY.
31	75367-G**		3 SIDED SOFT ENCLOSURE KIT (INCLUDES ITEMS 32 - 33)	1
32	*		ENCLOSURE.....	1
33	*		VELCRO	AR
34				
35				
36	71966-G01		WINDSHIELD KIT (FULL)(REQUIRES SUN TOP KIT) (INCLUDES ITEMS 37-431	431
37	71954-G01		WINDSHIELD (FULL) (LEXAN)	1
38	EGWHC12		SASH, 26" LG	2
39	EGWHS12		SCREW, 1/4 - 20 X 1 3/4" LG (STAINLESS STEEL).....	2
40	EGWHG12		WASHER, 1/4" (STAINLESS STEEL).....	4
41	EGWHG13		RUBBER GROMMET	2
42	EGWHN12		LOCK NUT, 1/4 - 20 (STAINLESS STEEL).....	2
43	EGWHL14		SAFETY LABEL (NOT ILLUSTRATED).....	1
44				
45	71966-G02		WINDSHIELD KIT (FOLD DOWN) (REQUIRES SUN TOP KIT) (INCLUDES ITEMS 46 - 47 AND 39 - 43).....	1
46	71955-G01		WINDSHIELD (SPLIT) (LEXAN).....	1
47	EGWHC10		SASH, 12" LG	2
48				
49				
50				
51	71966-G03		WINDSHIELD KIT (FULL) (REQUIRES SUN TOP KIT) (INCLUDES ITEMS 52 - 53 AND 39 - 43).....	1
52	71960-G01		WINDSHIELD (FULL)	1
53	EGWHC12		SASH, 26" LG	2
54				
55				
56				
57				
58	71966-G04		WINDSHIELD KIT (FOLD DOWN)(REQUIRES SUN TOP KIT) (INCLUDES ITEMS 59 - 60 AND 39 - 43).....	1

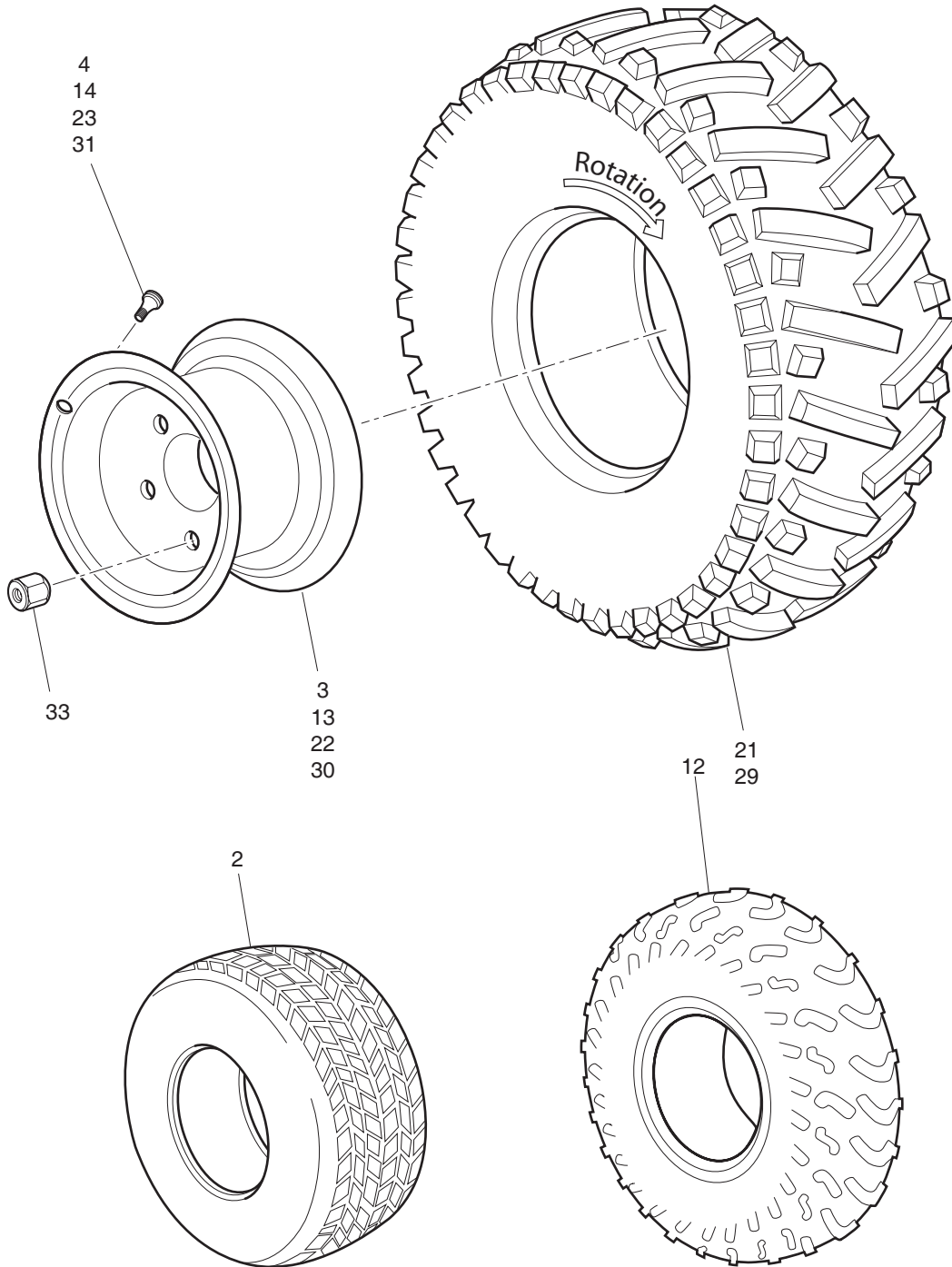
WEATHER PROTECTION

THE USE OF NON U.L. PARTS WILL VOID ANY U.L. LISTING.
 When ordering parts, please specify the model and serial number of the product.
 * Indicates a component that is not available as an individual part.
 G** Indicates consult Customer Service Department for additional information.

ITEM	PART NO.	1 2 3 4 5	DESCRIPTION	QTY.
59	71961-G01		WINDSHIELD (SPLIT)	1
60	EGWHC10		SASH, 12" LG	2
61				
62				
63				
64				
65				
66				
67	74496-G0*		SUN TOP KIT (WITH BRUSH GUARD) (INCLUDES ITEMS 68 - 77)	1
68	74466-G01		MOUNTING BRACKET	1
69	00438-G5		BOLT, 5/16 - 18 X 5/8" LG.....	4
70	00565-G8		LOCK WASHER, 5/16"	4
71	00532-G3		NUT, 5/16 - 18.....	4
72	74497-G0*		SUN TOP	1
73	00559-G7		WASHER, 1/4" (STAINLESS STEEL).....	8
74	00753-G6		SCREW, 1/4 - 20 X 2 1/4" LG (STAINLESS STEEL).....	2
75	00891-G2		LOCK NUT, 1/4 - 20 (STAINLESS STEEL).....	4
76	00753-G7		SCREW, 1/4 - 20 X 2 1/2" LG (STAINLESS STEEL).....	2
77	74469-G01		SPACER	2
78				
79	74542-G01		WINDSHIELD KIT (WITH BRUSH GUARD) (INCLUDES ITEMS 80 - 85) (Replacement Parts available from Eagle Parts, 706-790-6687)	1

WHEELS AND TIRES

- 1 - Includes Items 2 - 4
 - 11 - Includes Items 12 - 14
 - 20 - Includes Items 21 - 23
 - 28 - Includes Items 29 - 31
- (Style of tire may differ from tire shown)



Ref Whl 9

WHEELS AND TIRES

Where applicable, THE USE OF NON UL PARTS WILL VOID ANY UL LISTING.

When ordering parts, please specify the model and serial number of the product.

* Indicates a component that is not available as an individual part.

G** Indicates consult Customer Service Department for additional information.

ITEM	PART NO.	1 2 3 4 5	DESCRIPTION	QTY.
1	28442-G03		WHEEL AND TIRE ASSEMBLY, TURF SAVER (INCLUDES ITEMS 2 - 4).....	1
2	28442-G02		TIRE, 20 X 10 - 10 TURF SAVER.....	1
3	15172-G02		WHEEL RIM (BLACK, 4 LUG).....	1
4	11657-G1		VALVE STEM.....	1
5				
6				
7				
8				
9				
10				
11	74842-G04		WHEEL AND TIRE ASSY (PASSENGER SIDE) (INCLUDES ITEMS 12 - 14)...	1
12	74842-G05		TIRE, 21 X 11 - 10 TRAIL WOLF.....	1
13	1015239014		WHEEL RIM (BLACK, 4 LUG).....	1
14	012007		VALVE STEM.....	1
15				
16				
17				
18				
19				
20	28630-G04		WHEEL AND TIRE ASSEMBLY (DRIVER SIDE) (INCLUDES ITEMS 21 - 23)..	1
21	28630-G01		TIRE, 22 X 9 - 10 STRYKER.....	1
22	15172-G02		WHEEL RIM (BLACK, 4 LUG).....	1
23	11657-G1		VALVE STEM.....	1
24				
25				
26				
27				
28	28630-G05		WHEEL AND TIRE ASSY (PASSENGER SIDE) (INCLUDES ITEMS 29 - 31)...	1
29	28630-G01		TIRE, 22 X 9 - 10 STRYKER.....	1
30	15172-G02		WHEEL RIM (BLACK, 4 LUG).....	1

WHEELS AND TIRES

Where applicable, THE USE OF NON UL PARTS WILL VOID ANY UL LISTING.

When ordering parts, please specify the model and serial number of the product.

* Indicates a component that is not available as an individual part.

G** Indicates consult Customer Service Department for additional information.

ITEM	PART NO.	1 2 3 4 5	DESCRIPTION	QTY.
31	11657-G1		VALVE STEM.....	1
32				
33	14723-G1		LUG NUT, 1/2 - 20.....	AR

**DID YOU
KNOW?**

CartPros directs you to the right part using the part numbers from this manual. Enter the part number into our search box and it will find the part you are looking for.

**GET STARTED
HERE**



<https://CartPros.com/f.html>

OPTIONS/ACCESSORIES

OPTIONS/ACCESSORIES

OPTIONS/ACCESSORIES

ITEM	KIT NO.	COMMENTS
ASHTRAY KIT	75109-G02	See BODY
BALL HITCH KIT	74491-G02	See BODY
CARGO BED COVER	73521-G01	
CARGO TRAILER (STEEL)	74486-G01	
CARGO TRAILER (POLY)	74487-G01	
CONSOLE POWER OUTLET	71079-G01	See ELECTRICAL SYSTEM
DEFROSTER/COOLING FAN	74248-G01	See CAB (FLAT WINDSHIELD)
DOME LIGHT	20495-G2	See CAB (FLAT WINDSHIELD)
DOOR SET (STEEL)	74301-G0*	See CAB (FLAT WINDSHIELD)
DOOR SET (STEEL)	75856-G0*	See CAB (CURVED WINDSHIELD)
DOOR SET (VINYL)	74242-G01	See CAB (FLAT WINDSHIELD)
DOOR SET (VINYL)	75855-G01	See CAB (CURVED WINDSHIELD)
GLOVE BOX DOOR	75456-G0*	See BODY
GUN HOLDER	74365-G01	
HITCH KITS	74492-G0*	See BODY
HOUR METER KIT	75114-G0*	See ELECTRICAL SYSTEM
RECTANGULAR SIDE MIRROR KIT	27924-G01	See CAB (FLAT WINDSHIELD)
INSTRUMENT/SWITCH PANEL	74250-G01	See CAB (FLAT WINDSHIELD)
LIGHT BAR	75354-G0*	See ELECTRICAL
REAR VIEW MIRROR KIT (REQUIRES SUN TOP KIT)	19528-G2	See WEATHER PROTECTION
SOFT ENCLOSURE (3 SIDED)	75367-G0*	See WEATHER PROTECTION
STEEL CAB, W/O DOORS	75854-G0*	See CAB (CURVED WINDSHIELD)
STROBE LIGHT	74245-G01	See CAB (FLAT WINDSHIELD)
SUN TOP KIT (ST SPORT)	75040-G0*	See WEATHER PROTECTION
TURN SIGNAL KIT	75107-G0*	See ELECTRICAL SYSTEM
WINCH	74259-G02	See WINCH (ST 350)
WINDSHIELD KIT (REQUIRES SUN TOP KIT)	71966-G0*	See WEATHER PROTECTION
FOLD DOWN WINDSHIELD KIT (REQUIRES SUN TOP KIT)	71966-G0*	See WEATHER PROTECTION
WINDSHIELD WIPER	74244-G01	See CAB (FLAT WINDSHIELD)
WORK LIGHTS	74247-G01	See CAB (FLAT WINDSHIELD)

**DID YOU
KNOW?**

CartPros directs you to the right part using the part numbers from this manual. Enter the part number into our search box and it will find the part you are looking for.

**GET STARTED
HERE**



<https://CartPros.com/f.html>

SPECIALTY PRODUCTS

SPECIALTY PRODUCTS

SPECIALTY PRODUCTS

SPECIAL TOOLS	PART NO.
HIGH RESISTANCE SPARK PLUG WIRE SET	26733-G02
CLUTCH PULLER (DRIVE)	19779-G2
FLYWHEEL PULLER	27111-G01
CURRENT INDICATOR	16489-G2
DIGITAL MULTI-METER	27481-G01
SLIDE HAMMER (AXLE/HUB REMOVAL)	15947-G1
SLIDE HAMMER (AXLE REMOVAL ONLY)	18753-G1
COMPRESSION TESTER	72524-G01
FEELER GAUGE	72525-G01
TACHOMETER	72526-G01

ENGINE OIL	PART NO.
4 CYCLE ENGINE OIL, 5 GALLON (19 LITER)	25730-G03
4 CYCLE ENGINE OIL, 12 QUART CASE	25730-G04
4 CYCLE ENGINE OIL, 1 QUART BOTTLE (950 ML)	25730-G06

TOUCH UP PAINT	PART NO.
PEN 3 OUNCE (89 ML) - HUNTER GREEN	28432-G02
PEN 3 OUNCE (89 ML) - CHAMPAGNE BEIGE	28432-G01
PEN 3 OUNCE (89 ML) - WHITE	28432-G05
PEN 3 OUNCE (89 ML) - INDUSTRIAL YELLOW	28432-G03
PEN 3 OUNCE (89 ML) - ORANGE	28432-G04
PEN 3 OUNCE (89 ML) - STEEL BLUE PEARL	28432-G24
PEN 3 OUNCE (89 ML) - OLIVE GREEN	28432-G**
PEN 3 OUNCE (89 ML) - CAMOUFLAGE PAINT (THREE PENS)	75831-G01
AEROSOL 12 OUNCE (360 ML) - HUNTER GREEN	28140-G09
AEROSOL 12 OUNCE (360 ML) - CHAMPAGNE BEIGE	28140-G15
AEROSOL 12 OUNCE (360 ML) - WHITE	28140-G03
AEROSOL 12 OUNCE (360 ML) - INDUSTRIAL YELLOW	28140-G14
AEROSOL 12 OUNCE (360 ML) - ORANGE	28140-G13
AEROSOL 12 OUNCE (360 ML) - STEEL BLUE PEARL	28140-G**
AEROSOL 12 OUNCE (360 ML) - OLIVE GREEN	28140-G**

SPECIALTY PRODUCTS

MAINTENANCE PRODUCTS	PART NO.
FORMULA 40 VINYL-COAT® - WHITE	28166-G01
PLEXUS® CLEANER, 7 OUNCE (210 ML) (FOR WINDSHIELDS)	28433-G01
PLEXUS® CLEANER, 13 OUNCE (380 ML) (FOR WINDSHIELDS)	28433-G02
BATTERY PROTECTOR, 14 OUNCE (410 ML) SPRAY	75500-G01
CARBURETOR & CHOKE CLEANER, 15 OUNCE (440 ML) SPRAY	75501-G01
WHITE LITHIUM GREASE, 14 OUNCE (410 ML) SPRAY	75502-G01
PENETRANT/LUBRICANT, 15 OUNCE (440 ML) SPRAY	75503-G01
MULTI-PURPOSE CLEANER & DEGREASER, 14 OUNCE (410 ML) SPRAY	75504-G01
MULTI-PURPOSE HAND CLEANER, 32 OUNCE (950 ML) LIQUID	75505-G01
BATTERY CLEANER, 32 OUNCE (950 ML) WITH TRIGGER SPRAYER	75506-G01
BIO-DEGRADABLE CLEANER, 32 OUNCE (950 ML) WITH TRIGGER SPRAYER	75507-G01
MULTI-PURPOSE VALUE PACK	75508-G01
• BATTERY PROTECTOR, 4 OUNCE (120 ML) SPRAY	
• PENETRANT/LUBRICANT, 4 OUNCE (120 ML) SPRAY	
• WHITE LITHIUM GREASE, 4 OUNCE (120 ML) SPRAY	
• CARBURETOR & CHOKE CLEANER, 4 OUNCE (120 ML) SPRAY	

**DID YOU
KNOW?**

CartPros directs you to the right part using the part numbers from this manual. Enter the part number into our search box and it will find the part you are looking for.

**GET STARTED
HERE**



<https://CartPros.com/f.html>

**DID YOU
KNOW?**

CartPros directs you to the right part using the part numbers from this manual. Enter the part number into our search box and it will find the part you are looking for.

**GET STARTED
HERE** →

<https://CartPros.com/f.html>



A Textron Company

E-Z-GO Division Of Textron, Inc.,
1451 Marvin Griffin Road, Augusta, Georgia USA 30906-3852

TO CONTACT US

North America:

Technical Assistance & Warranty Phone: 1-800-774-3946, FAX: 1-800-448-8124
Service Parts Phone: 1-888-GET-EZGO (1-888-438-3946), FAX: 1-800-752-6175

International:

Phone: 001-706-798-4311, FAX: 001-706-771-4609

Certified ISO 9001 / ISO 14001 by



Copyrighted Material
This manual may not be reproduced in whole or
in part without the express permission of
E-Z-GO Division of Textron, Inc.
Technical Communications Department