

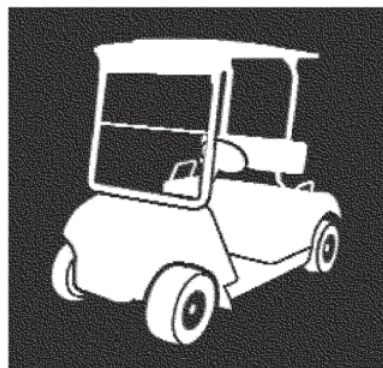
**DID YOU  
KNOW?**

**CartPros** directs you to the right part using the part numbers from this manual. Enter the part number into our search box and it will find the part you are looking for.

**GET STARTED  
HERE**



<https://CartPros.com/f.html>



# PARTS CATALOG



## CONTENTS

ACCELERATOR	B3
BATTERY CHARGER DPI	C7
BATTERY CHARGER MAC	C6
BODY	B8
BODY 2	B9-10
BODY FITTING	B11
BRAKE	A11-12
BRAKE 2	B1
BRAKE 3	B2
BUMPER	B7
CARRIER	B12
CONTROLLER 1	C3
ELECTRIC MOTOR	C2
ELECTRICAL 1	C4-5
FRAME	A6
FRONT SUSPENSION & WHEEL	A7-8
OPTIONAL ENERGY/HOUR GAUGES	C12
OPTIONAL LIGHT KIT	C10-11
OPTIONAL SUN ROOF	C9
OPTIONAL WINDSHIELD	C8
REAR ARM & SUSPENSION	A5
REAR AXLE MOUNT & WHEEL	B6
SEAT	C1
STEERING	A9-10
TRANSAXLE	B4-5

**2006  
G22-EC (JU22) U.S.A.**



STARTING SERIAL NUMBER JU2-300101 AND FOLLOWING



**FOREWORD**

This Parts Catalog os related to the parts for the model(s) on the cover page. When you are ordering replacement parts, please refer to tis Parts Catalog and quote both part numers and part names correctly.

- 1.Modifications or additions which have been made after the issue of the Parts Catalog will be announced in the Parts News.  
It is advisable that you make the necessary corrections to the Parts Catalog according to the Parts News.
2. Abbreviations  
The following abbreviations are used in this Parts catalog.  
  
"UR" Use specified parts number.  
"UN" Use as many as needed.  
"AP" Locally made (Parts need to be ordered locally)  
"F#" Frame No. (Applicable machine No.)
3. The number of components for assembly  
\* Parts which are to be supplied in an assembly, are listed with a dor(>) in front of the part name as shown below.  
\* The numeral appearing to the right of eck component part indicates the quantity of parts for each assembly unit.

PART NO.	DESCRIPTION	QTY	REMARKS
2F5-83310-60-00	FRONT FLASHER LIGHT ASSY	2	
115-83311-60-00	.BULB (6V-18W)	1	

4. Applicable colors of graphics are represented in the "REMARKS" as shown below.

PART NO.	DESCRIPTION	QTY	REMARKS
2N4-24110-00-X5	FUEL TANK COMP.	2	MXR
3J1-24240-10-00	.GRAPHIC, FUEL TANK	1	FOR MXR

5. Note that the illustrations for reference in finding parts numbers are not to be used for assembling. When assembling, please use the applicable service manual.

6. The asterisk (\*) before a reference number indicates modified items after the first edition.

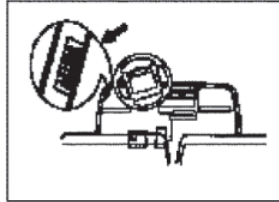
**CONTENTS**

ACCELERATOR	B3
BATTERY CHARGER DPI	C7
BATTERY CHARGER MAC	C6
BODY	B8
BODY 2	B9-10
BODY FITTING	B11
BRAKE	A11-12
BRAKE 2	B1
BRAKE 3	B2
BUMPER	B7
CARRIER	B12
CONTROLLER 1	C3
ELECTRIC MOTOR	C2
ELECTRICAL 1	C4-5
FRAME	A6
FRONT SUSPENSION & WHEEL	A7-8
OPTIONAL ENERGY/HOUR GAUGES	C12
OPTIONAL LIGHT KIT	C10-11
OPTIONAL SUN ROOF	C9
OPTIONAL WINDSHIELD	C8
REAR ARM & SUSPENSION	A5
REAR AXLE MOUNT & WHEEL	B6
SEAT	C1
STEERING	A9-10
TRANSAXLE	B4-5

**FOREWORD**

7. Applicable Serial No.

Frame Serial No.



8. Applicable Color Code (The (\*) mark shows Model color.).

Abbreviation	Color Marketing Name	Color Code
DPBMT(*)	BRIGHT BLUE METALLIC	0978
DRMG(*)	CANDY APPLE RED METALLIC	0811
HTR(*)	BURGUNDY	00EY
VDGS1(*)	HUNTER GREEN	0614
VPYS2(*)	IVORY	0500

9. Applicable Starting Serial No.

Frame Serial No.

Serial No.	Name	Model Code
JU2-300101	G22-EC	JU22

**CONTENTS**

ACCELERATOR	B3
BATTERY CHARGER DPI	C7
BATTERY CHARGER MAC	C6
BODY	B8
BODY 2	B9-10
BODY FITTING	B11
BRAKE	A11-12
BRAKE 2	B1
BRAKE 3	B2
BUMPER	B7
CARRIER	B12
CONTROLLER 1	C3
ELECTRIC MOTOR	C2
ELECTRICAL 1	C4-5
FRAME	A6
FRONT SUSPENSION & WHEEL	A7-8
OPTIONAL ENERGY/HOUR GAUGES	C12
OPTIONAL LIGHT KIT	C10-11
OPTIONAL SUN ROOF	C9
OPTIONAL WINDSHIELD	C8
REAR ARM & SUSPENSION	A5
REAR AXLE MOUNT & WHEEL	B6
SEAT	C1
STEERING	A9-10
TRANSAXLE	B4-5

# DID YOU KNOW?

**CartPros** directs you to the right part using the part numbers from this manual. Enter the part number into our search box and it will find the part you are looking for.

**GET STARTED  
HERE**



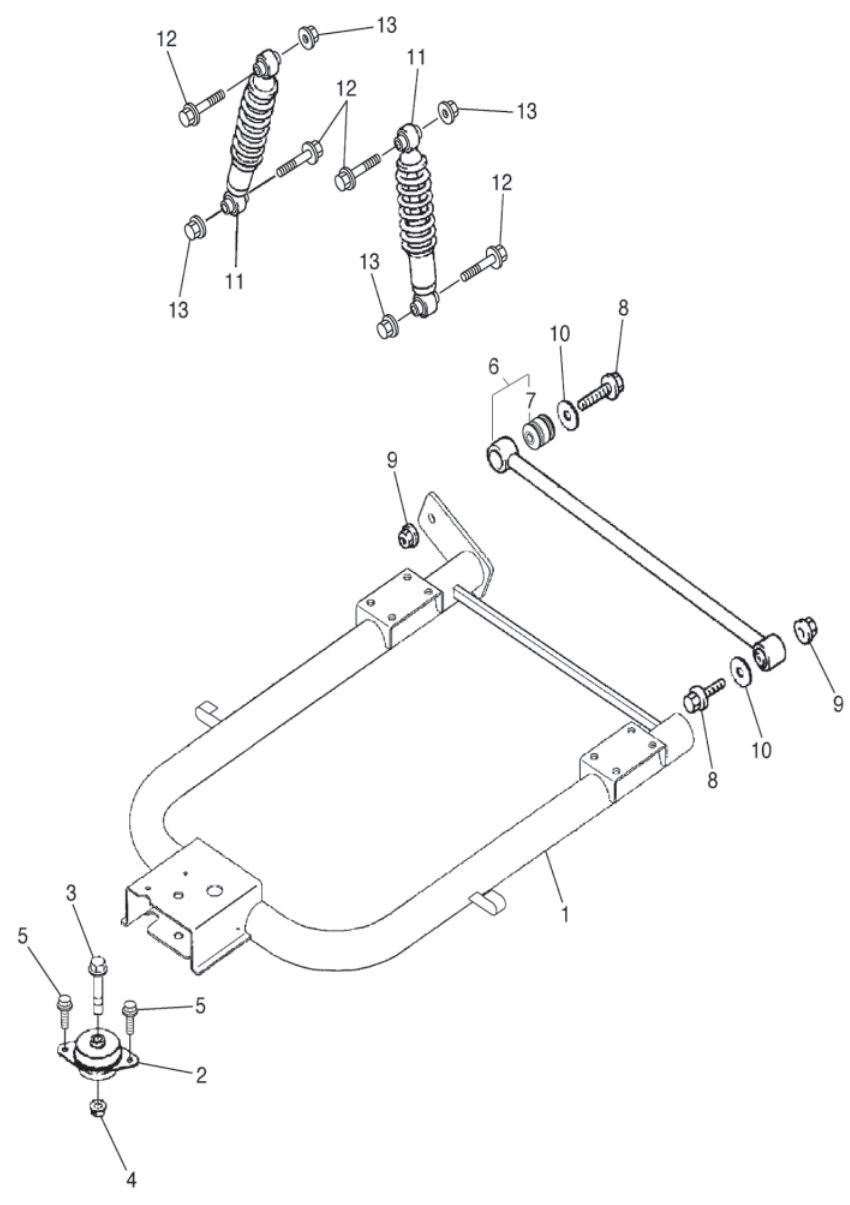
<https://CartPros.com/f.html>

## CONTENTS

ACCELERATOR	B3
BATTERY CHARGER DPI	C7
BATTERY CHARGER MAC	C6
BODY	B8
BODY 2	B9-10
BODY FITTING	B11
BRAKE	A11-12
BRAKE 2	B1
BRAKE 3	B2
BUMPER	B7
CARRIER	B12
CONTROLLER 1	C3
ELECTRIC MOTOR	C2
ELECTRICAL 1	C4-5
FRAME	A6
FRONT SUSPENSION & WHEEL	A7-8
OPTIONAL ENERGY/HOUR GAUGES	C12
OPTIONAL LIGHT KIT	C10-11
OPTIONAL SUN ROOF	C9
OPTIONAL WINDSHIELD	C8
REAR ARM & SUSPENSION	A5
REAR AXLE MOUNT & WHEEL	B6
SEAT	C1
STEERING	A9-10
TRANSAXLE	B4-5

G22-EC  
PARTS CATALOG  
©2005 by Yamaha Motor Co., Ltd.  
1st Edition, June 2005  
All rights reserved  
any reprinting or unauthorized use  
without the written permission of  
Yamaha Motor Co., Ltd.  
is expressly prohibited.  
Printed in the U.S.A.

# REAR ARM & SUSPENSION



Ref. No.	Part Number	Description	Qty	Remarks
1	JU2-F2110-01-00	REAR ARM COMP. ....	1	
2	JN6-F2123-10-00	BUSH 1 ....	1	
3	90105-13864-00	BOLT, FLANGE ....	1	
4	90179-13878-00	NUT ....	1	
5	9751P-10620-00	BOLT, WITH WASHER ....	2	
6	JN6-F2172-00-00	ROD, CONNECTING 2 ....	1	
7	JN6-F2124-10-00	BUSH 2 ....	2	
8	9581P-12065-00	BOLT, FLANGE ....	2	
9	9560P-12200-00	NUT, FLANGE ....	2	
10	90201-128S4-00	WASHER, PLATE ....	2	
11	JN4-F2210-00-00	SHOCK ABSORBER ASSY, REAR ....	2	
12	95807-10055-00	BOLT, FLANGE ....	4	
13	95607-10200-00	NUT, U FLANGE ....	4	

## CONTENTS

ACCELERATOR	B3
BATTERY CHARGER DPI	C7
BATTERY CHARGER MAC	C6
BODY	B8
BODY 2	B9-10
BODY FITTING	B11
BRAKE	A11-12
BRAKE 2	B1
BRAKE 3	B2
BUMPER	B7
CARRIER	B12
CONTROLLER 1	C3
ELECTRIC MOTOR	C2
ELECTRICAL 1	C4-5
FRAME	A6
FRONT SUSPENSION & WHEEL	A7-8
OPTIONAL ENERGY/HOUR GAUGES	C12
OPTIONAL LIGHT KIT	C10-11
OPTIONAL SUN ROOF	C9
OPTIONAL WINDSHIELD	C8
REAR ARM & SUSPENSION	A5
REAR AXLE MOUNT & WHEEL	B6
SEAT	C1
STEERING	A9-10
TRANSAXLE	B4-5

  
JT83010-C010

# DID YOU KNOW?

CartPros directs you to the right part using the part numbers from this manual. Enter the part number into our search box and it will find the part you are looking for.

**GET STARTED  
HERE** →

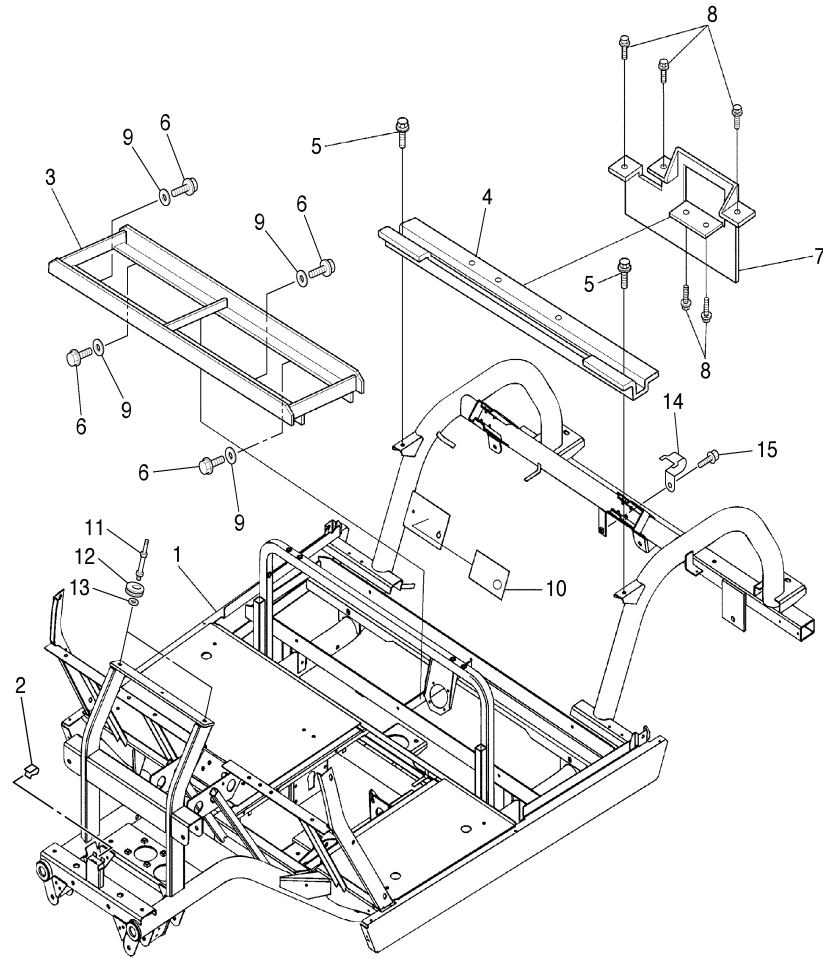
<https://CartPros.com/f.html>

## FRAME

Ref. No.	Part Number	Description	Qty	Remarks
1	JU2-F2501-00-00	FRAME COMP. ....	1	
2	JU0-F2567-00-00	SUPPORT 1 ....	1	
3	JU2-F2554-10-00	BASE, BATTERY ....	1	
4	JU0-F254R-00-00	SUPPORT, BODY MOUNTING .	1	
5	95807-08016-00	BOLT, FLANGE ....	2	
6	90105-10881-00	BOLT, FLANGE ....	4	
7	JU2-F252M-00-00	BRACKET, 3 ....	1	
8	90163-06005-00	SCREW, TAPPING ....	5	
9	90201-11800-00	WASHER, PLATE ....	4	
10	JR1-K8298-10-00	PLATE, CAUTION 2 ....	1	
11	JU0-K834A-00-00	REINF., HOLDER ....	2	FOR SUN ROOF
12	JN3-K832F-00-00	GROMMET, ROOF SUPPORT .	2	FOR SUN ROOF
13	90201-11800-00	WASHER, PLATE ....	2	FOR SUN ROOF
14	90462-20186-00	CLAMP ....	1	
15	90105-06876-00	BOLT, FLANGE ....	1	

### CONTENTS

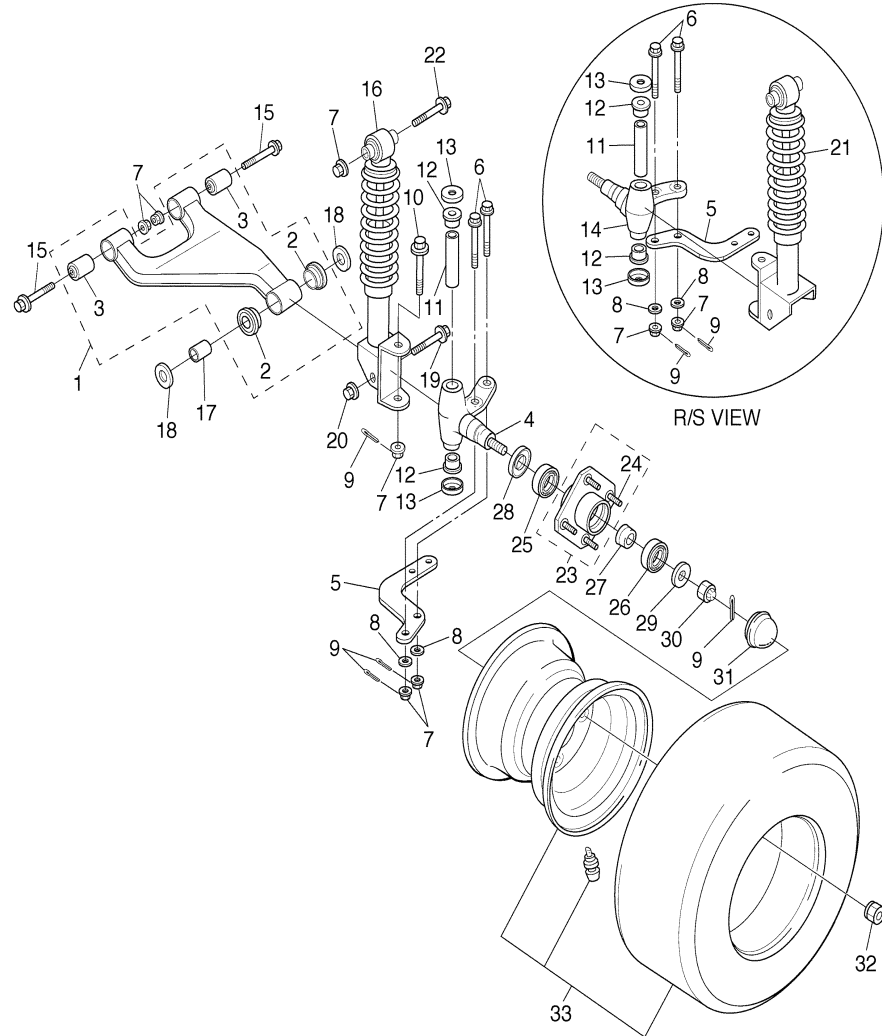
ACCELERATOR	B3
BATTERY CHARGER DPI	C7
BATTERY CHARGER MAC	C6
BODY	B8
BODY 2	B9-10
BODY FITTING	B11
BRAKE	A11-12
BRAKE 2	B1
BRAKE 3	B2
BUMPER	B7
CARRIER	B12
CONTROLLER 1	C3
ELECTRIC MOTOR	C2
ELECTRICAL 1	C4-5
FRAME	A6
FRONT SUSPENSION & WHEEL	A7-8
OPTIONAL ENERGY/HOUR GAUGES	C12
OPTIONAL LIGHT KIT	C10-11
OPTIONAL SUN ROOF	C9
OPTIONAL WINDSHIELD	C8
REAR ARM & SUSPENSION	A5
REAR AXLE MOUNT & WHEEL	B6
SEAT	C1
STEERING	A9-10
TRANSAXLE	B4-5



JU22100-D020



# FRONT SUSPENSION & WHEEL



Ref. No.	Part Number	Description	Qty	Remarks
1	JU0-F3570-20-00	FRONT LOWER ARM COMP. . .	2	
2	90381-18001-00	. BUSH, SOLID . . . . .	2	
3	2HR-23526-00-00	. BUSH . . . . .	2	
4	JU0-F3511-00-00	KNUCKLE, STEERING 1 . . . . .	1	
5	JU0-F3512-01-00	ARM, KNUCKLE 1 . . . . .	2	
6	90105-10728-00	BOLT, FLANGE . . . . .	4	
7	95607-10200-00	NUT, U FLANGE . . . . .	12	
8	90201-108P8-00	WASHER, PLATE . . . . .	4	
9	91401-25020-00	PIN, COTTER . . . . .	8	
10	90105-10064-00	BOLT, FLANGE . . . . .	2	
11	2NL-23448-00-00	SPACER . . . . .	2	
12	90381-17067-00	BUSH, SOLID . . . . .	4	
13	2NL-23517-00-00	COVER, THRUST 1 . . . . .	4	
14	JU0-F3521-00-00	KNUCKLE, STEERING 2 . . . . .	1	
15	90105-10890-00	BOLT, FLANGE . . . . .	4	
16	JU0-F3350-20-00	SHOCK ABSORBER ASSY . . .	1	
17	90387-12016-00	COLLAR . . . . .	2	
18	401-22128-01-00	COVER, THRUST 1 . . . . .	4	
19	95817-12080-00	BOLT, FLANGE . . . . .	2	
20	9561P-12100-00	NUT . . . . .	2	
21	JU0-F3390-20-00	SHOCK ABSORBER ASSY 2 . .	1	
22	95807-10065-00	BOLT, FLANGE . . . . .	2	
23	JG5-WF511-10-00	HUB, FRONT . . . . .	2	
24	90114-12800-00	. BOLT, SERRATION . . . . .	4	
25	93306-204X0-00	BEARING . . . . .	2	
26	93306-005Y3-00	BEARING . . . . .	2	
27	90387-241M7-00	COLLAR . . . . .	2	
28	93102-30083-00	OIL SEAL . . . . .	2	
29	90209-32832-00	WASHER . . . . .	2	
30	95607-14100-00	NUT, U . . . . .	2	

## CONTENTS

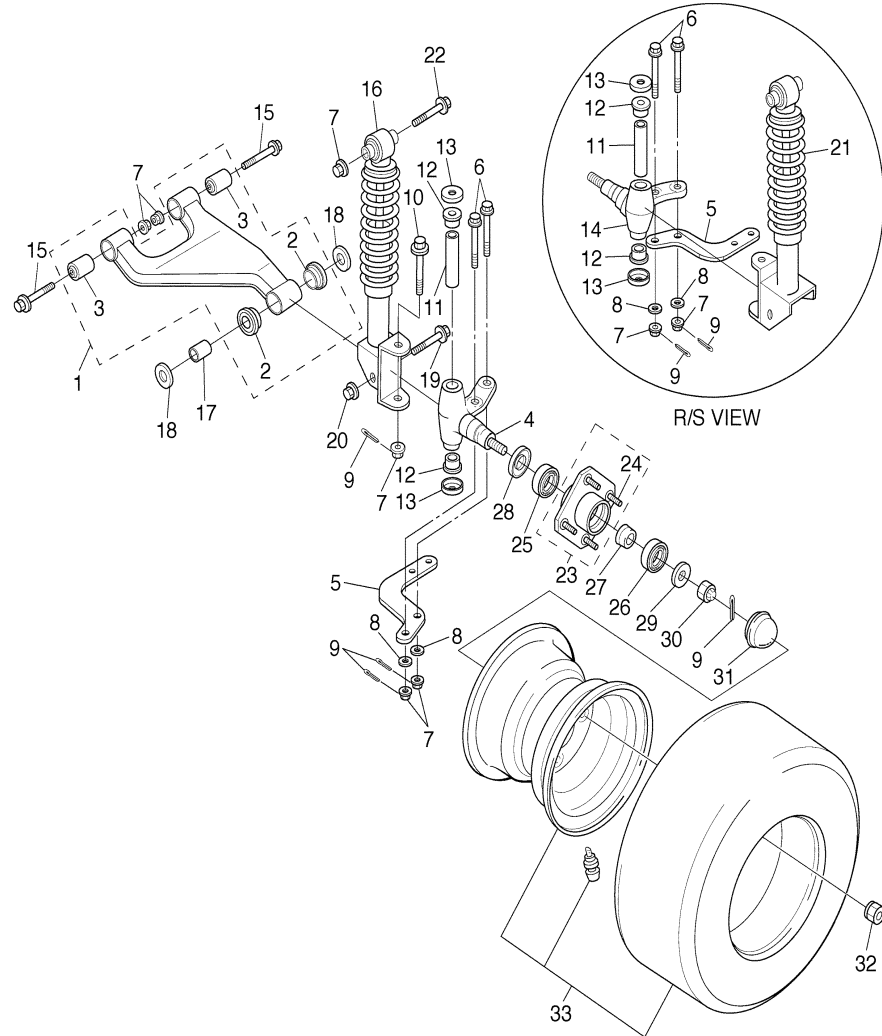
ACCELERATOR	B3
BATTERY CHARGER DPI	C7
BATTERY CHARGER MAC	C6
BODY	B8
BODY 2	B9-10
BODY FITTING	B11
BRAKE	A11-12
BRAKE 2	B1
BRAKE 3	B2
BUMPER	B7
CARRIER	B12
CONTROLLER 1	C3
ELECTRIC MOTOR	C2
ELECTRICAL 1	C4-5
FRAME	A6
FRONT SUSPENSION & WHEEL	A7-8
OPTIONAL ENERGY/HOUR GAUGES	C12
OPTIONAL LIGHT KIT	C10-11
OPTIONAL SUN ROOF	C9
OPTIONAL WINDSHIELD	C8
REAR ARM & SUSPENSION	A5
REAR AXLE MOUNT & WHEEL	B6
SEAT	C1
STEERING	A9-10
TRANSAXLE	B4-5

CONTINUED ON NEXT FRAME >

JT73010-C120



# FRONT SUSPENSION & WHEEL



Ref. No.	Part Number	Description	Qty	Remarks
31	JN6-F5118-00-00	COVER, HUB DUST .....	2	
32	90179-12262-00	NUT .....	8	
33	JN6-F5100-11-00	WHEEL ASSY (18X8.5-8 4PLY)	2	UR KENDA
	JU0-F5100-00-00	WHEEL ASSY (18X8.5-8 4PR)	2	UR MAXXIS PRORIDE

## CONTENTS

ACCELERATOR	B3
BATTERY CHARGER DPI	C7
BATTERY CHARGER MAC	C6
BODY	B8
BODY 2	B9-10
BODY FITTING	B11
BRAKE	A11-12
BRAKE 2	B1
BRAKE 3	B2
BUMPER	B7
CARRIER	B12
CONTROLLER 1	C3
ELECTRIC MOTOR	C2
ELECTRICAL 1	C4-5
FRAME	A6
FRONT SUSPENSION & WHEEL	A7-8
OPTIONAL ENERGY/HOUR GAUGES	C12
OPTIONAL LIGHT KIT	C10-11
OPTIONAL SUN ROOF	C9
OPTIONAL WINDSHIELD	C8
REAR ARM & SUSPENSION	A5
REAR AXLE MOUNT & WHEEL	B6
SEAT	C1
STEERING	A9-10
TRANSAXLE	B4-5

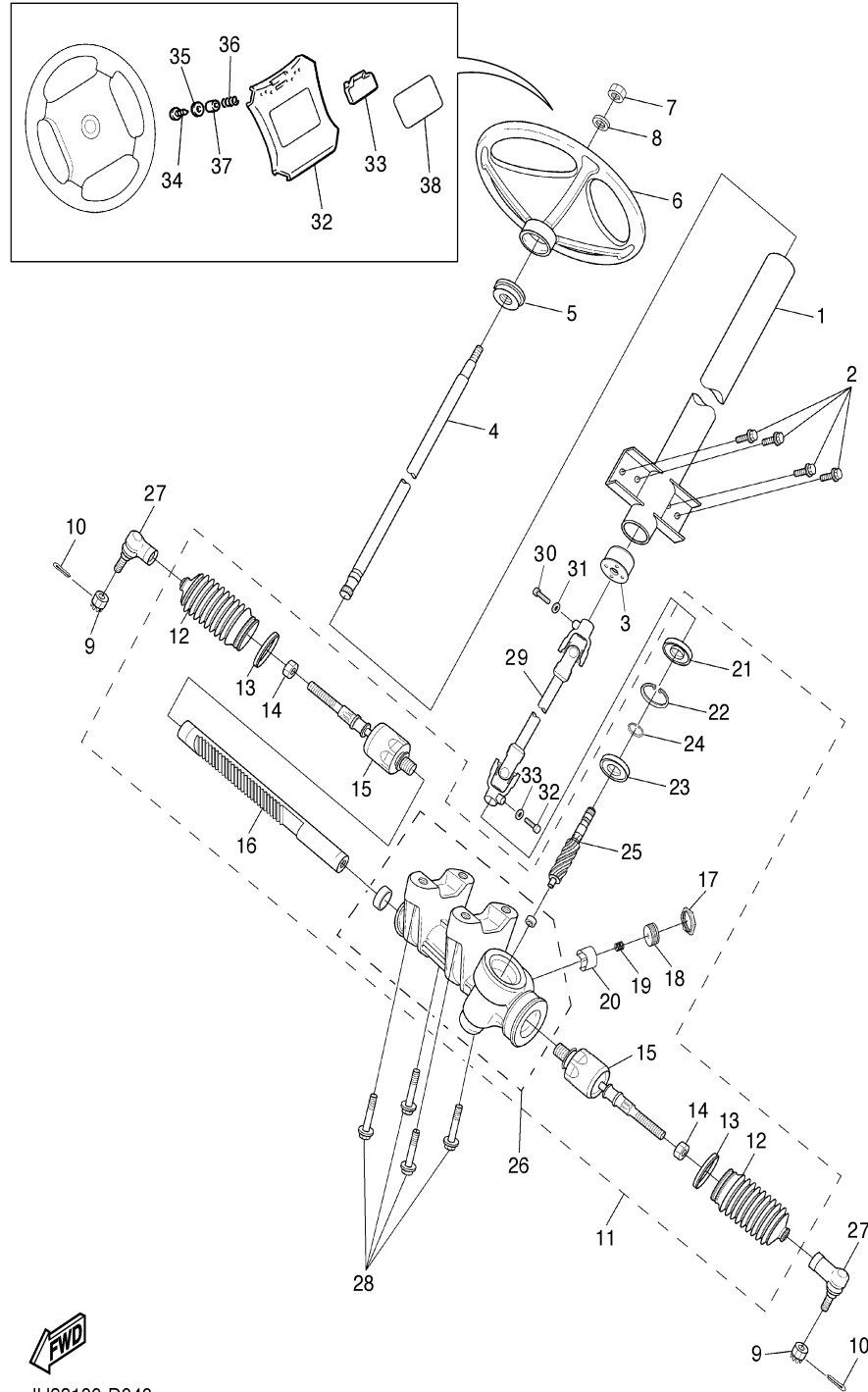


JT73010-C120





# STEERING



Ref. No.	Part Number	Description	Qty	Remarks
1	JU0-F3811-00-00	COLUMN, STEERING	1	
2	9581P-08016-00	BOLT, FLANGE	4	
3	JU0-F3857-00-00	HOLDER	1	
4	JU0-F3828-00-00	ROD, STEERING	1	
5	JN3-F3814-00-00	HOLDER, HANDLE UPPER	1	
6	JN3-F3838-00-00	WHEEL, STEERING	1	
7	90185-12061-00	NUT, SELF-LOCKING	1	
8	9290P-12200-00	WASHER	1	
9	95607-12200-00	NUT, SELF-LOCKING	2	
10	91401-25020-00	PIN, COTTER	2	
11	JU0-F3400-00-00	STEERING ASSY	1	
12	JU0-F3848-00-00	. BOOT	2	
13	JU0-F1338-00-00	. CLAMP	2	
14	JU0-F3833-00-00	. NUT 1	2	
15	JU0-F3837-00-00	. ROD, TIE 2	2	
16	JU0-F387E-00-00	. GEAR, RACK	1	
17	JU0-F3834-00-00	. NUT 2	1	
18	JU0-F387G-00-00	. COVER, ADJUST	1	
19	JU0-F387K-00-00	. SPRING, PRESSURE	1	
20	JU0-F387F-00-00	. PAD, PRESSURE	1	
21	JU0-F3844-00-00	. SEAL	1	
22	JU0-F387J-00-00	. RING, STOPPER	1	
23	JU0-F339Y-00-00	. BEARING	1	
24	JU0-F3183-00-00	. CIRCLIP	1	
25	JU0-F387A-00-00	. GEAR, PINION	1	
26	JU0-F620A-00-00	. HOUSING, MAIN 1	1	
27	JU0-F3841-00-00	JOINT, UNIVERSAL 1	2	
28	90105-10810-00	BOLT, FLANGE	4	
29	JU0-F3822-00-00	JOINT 1	1	
30	97017-08030-00	BOLT	2	

## CONTENTS

ACCELERATOR	B3
BATTERY CHARGER DPI	C7
BATTERY CHARGER MAC	C6
BODY	B8
BODY 2	B9-10
BODY FITTING	B11
BRAKE	A11-12
BRAKE 2	B1
BRAKE 3	B2
BUMPER	B7
CARRIER	B12
CONTROLLER 1	C3
ELECTRIC MOTOR	C2
ELECTRICAL 1	C4-5
FRAME	A6
FRONT SUSPENSION & WHEEL	A7-8
OPTIONAL ENERGY/HOUR GAUGES	C12
OPTIONAL LIGHT KIT	C10-11
OPTIONAL SUN ROOF	C9
OPTIONAL WINDSHIELD	C8
REAR ARM & SUSPENSION	A5
REAR AXLE MOUNT & WHEEL	B6
SEAT	C1
STEERING	A9-10
TRANSAXLE	B4-5

CONTINUED ON NEXT FRAME ➤



# DID YOU KNOW?

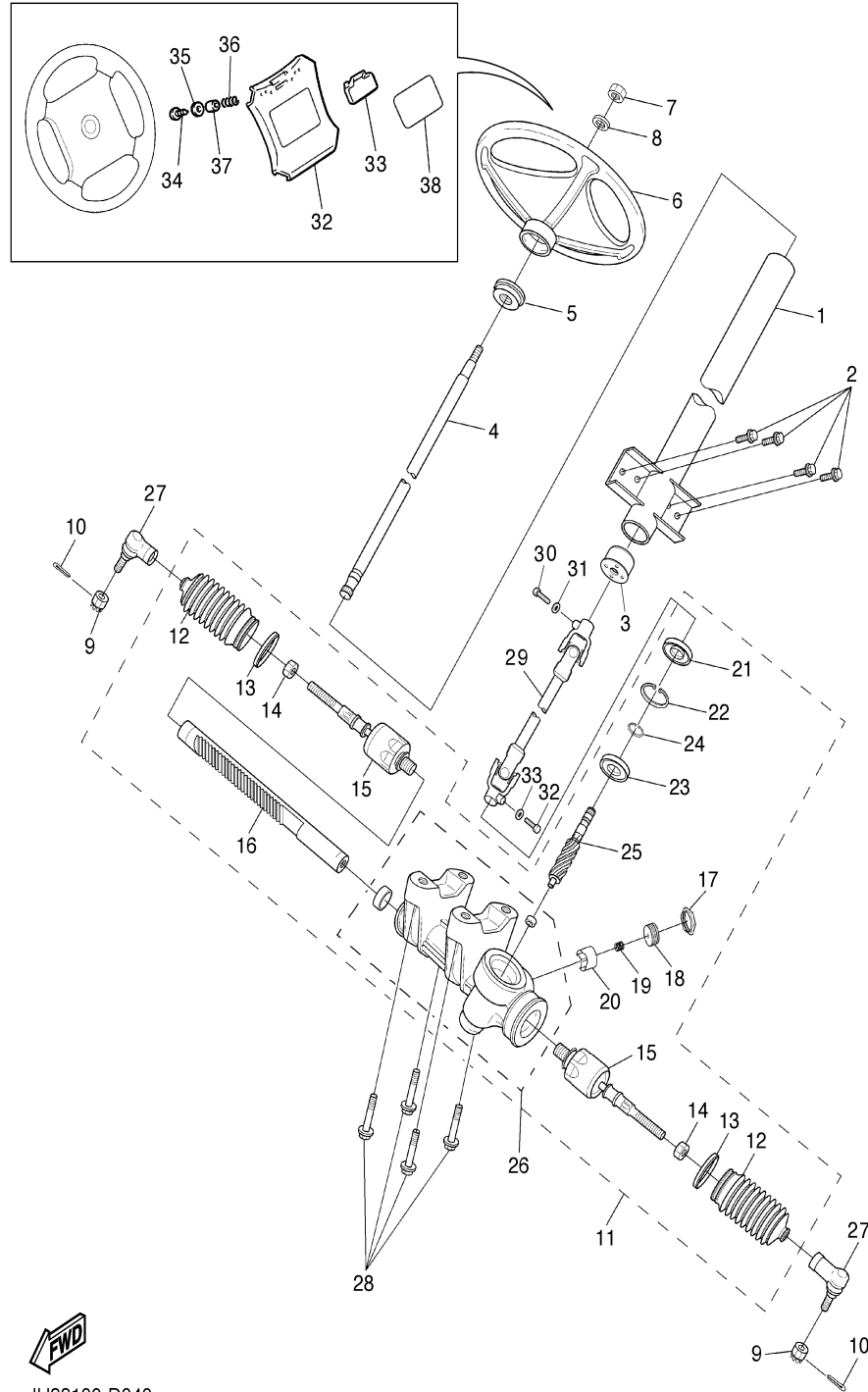
CartPros directs you to the right part using the part numbers from this manual. Enter the part number into our search box and it will find the part you are looking for.

**GET STARTED HERE**



<https://CartPros.com/f.html>

## STEERING



Ref. No.	Part Number	Description	Qty	Remarks
31	92907-08600-00	WASHER, PLATE	2	
32	JN3-K8357-00-00	HOLDER 1	1	
33	JN6-K8358-01-00	HOLDER 2	1	
34	97707-40525-00	SCREW, TAPPING	2	
35	90201-048R5-00	WASHER, PLATE	2	
36	90502-10013-00	SPRING, CONICAL	2	
37	90387-046N7-00	COLLAR	2	
38	JU0-K7762-00-00	LABEL, WARNING 2 (E)	1	

### CONTENTS

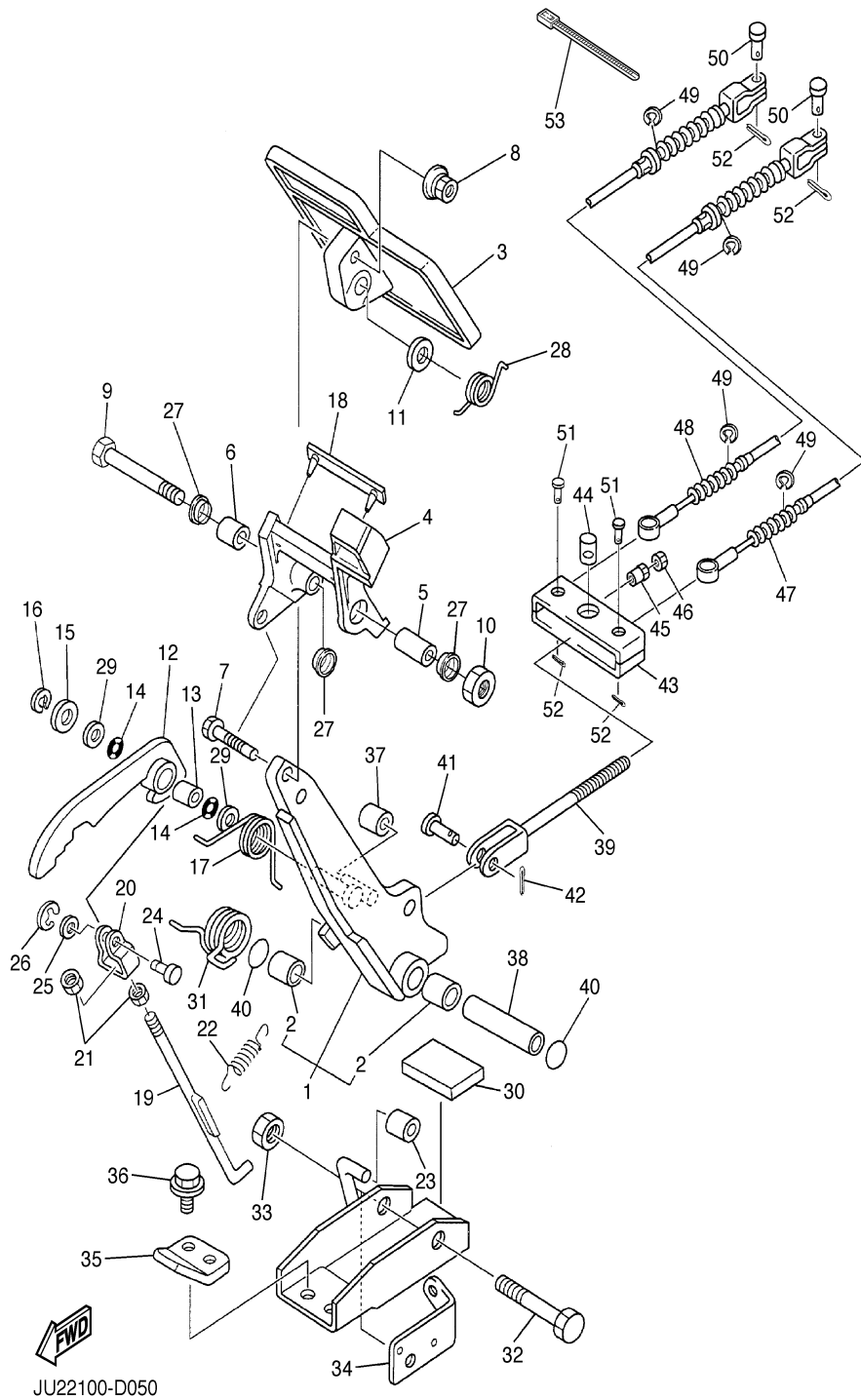
ACCELERATOR	B3
BATTERY CHARGER DPI	C7
BATTERY CHARGER MAC	C6
BODY	B8
BODY 2	B9-10
BODY FITTING	B11
BRAKE	A11-12
BRAKE 2	B1
BRAKE 3	B2
BUMPER	B7
CARRIER	B12
CONTROLLER 1	C3
ELECTRIC MOTOR	C2
ELECTRICAL 1	C4-5
FRAME	A6
FRONT SUSPENSION & WHEEL	A7-8
OPTIONAL ENERGY/HOUR GAUGES	C12
OPTIONAL LIGHT KIT	C10-11
OPTIONAL SUN ROOF	C9
OPTIONAL WINDSHIELD	C8
REAR ARM & SUSPENSION	A5
REAR AXLE MOUNT & WHEEL	B6
SEAT	C1
STEERING	A9-10
TRANSAXLE	B4-5



JU22100-D040



# BRAKE



Ref. No.	Part Number	Description	Qty	Remarks
1	J46-27250-03-00	BRAKE ARM COMP. ....	1	
2	90384-14080-00	. BUSH, BIMETAL FORMED ...	2	
3	JU0-27211-01-00	PEDAL, BRAKE .....	1	
4	JU0-25671-00-00	PEDAL, PARKING BRAKE ....	1	
5	90387-08014-00	COLLAR .....	1	
6	90387-08013-00	COLLAR .....	1	
7	97027-06035-00	BOLT .....	1	
8	90179-07564-00	NUT .....	1	
9	97027-08100-00	BOLT .....	1	
10	95307-08600-00	NUT .....	1	
11	92907-08200-00	WASHER .....	1	
12	J17-25666-02-00	SECTOR, PARKING BRAKE ..	1	
13	90384-10162-00	BUSH, BIMETAL FORMED ....	1	
14	J17-27221-00-00	SEAL, SHAFT .....	2	
15	92907-10600-00	WASHER, PLATE .....	1	
16	99001-07600-00	CIRCLIP .....	1	
17	90508-14548-00	SPRING, TORSION .....	1	
18	J17-25672-01-00	PAD, PARKING PEDAL .....	1	
19	J17-27231-03-00	ROD, BRAKE .....	1	
20	J17-27232-00-00	END, ROD 2 .....	1	
21	95307-06700-00	NUT .....	2	
22	90506-09001-00	SPRING, TENSION .....	1	
23	J17-25673-00-00	DAMPER, BRAKE .....	1	
24	J17-27228-00-00	PIN, JOINT .....	1	
25	92907-05600-00	WASHER, PLATE .....	1	
26	99001-04600-00	CIRCLIP .....	1	
27	90387-12009-00	COLLAR .....	3	
28	90508-32015-00	SPRING, TORSION .....	1	
29	90201-104G8-00	WASHER, PLATE .....	2	
30	JN3-F7245-00-00	PAD, BRAKE PEDAL .....	1	

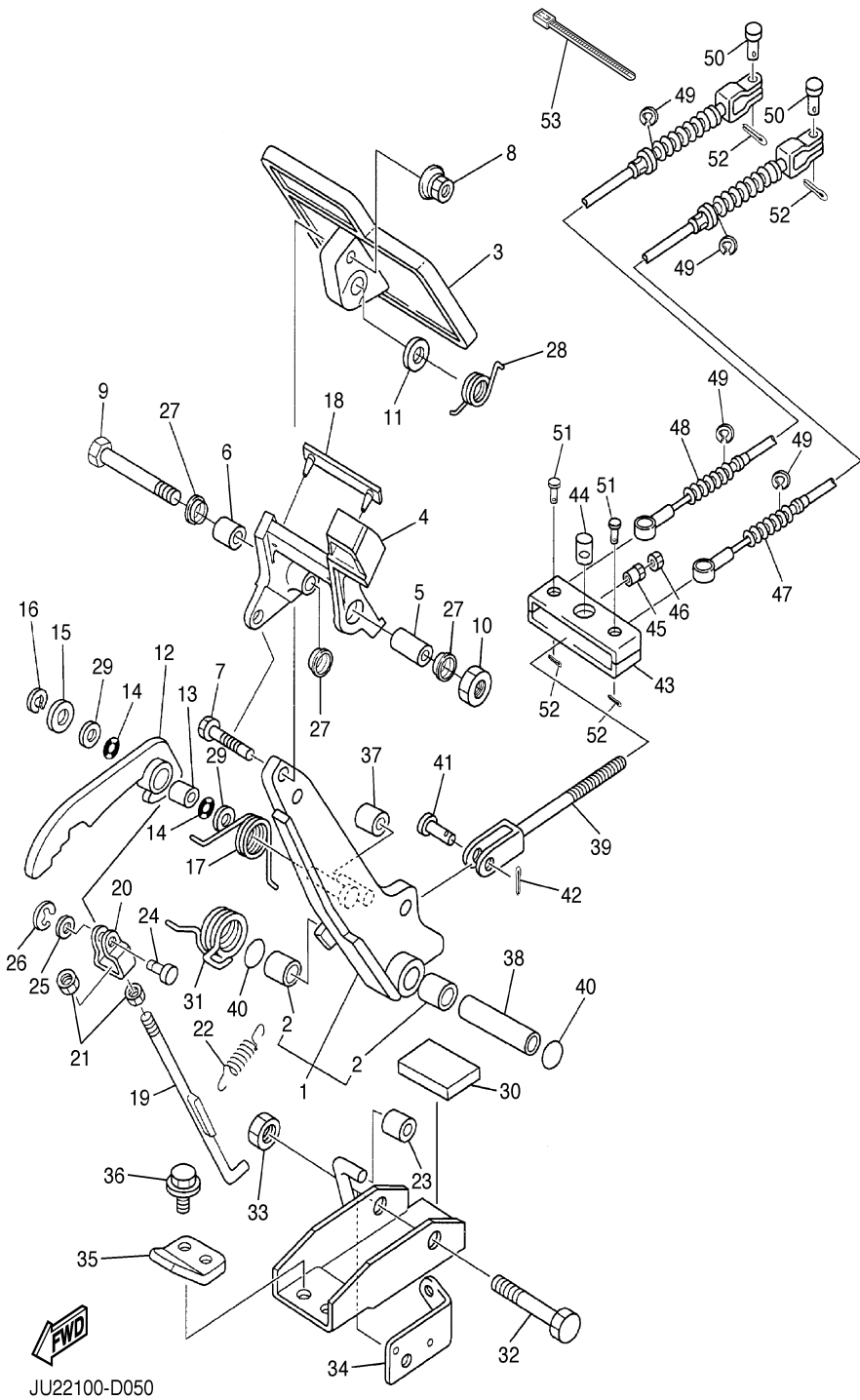
**CONTENTS**

ACCELERATOR	B3
BATTERY CHARGER DPI	C7
BATTERY CHARGER MAC	C6
BODY	B8
BODY 2	B9-10
BODY FITTING	B11
BRAKE	A11-12
BRAKE 2	B1
BRAKE 3	B2
BUMPER	B7
CARRIER	B12
CONTROLLER 1	C3
ELECTRIC MOTOR	C2
ELECTRICAL 1	C4-5
FRAME	A6
FRONT SUSPENSION & WHEEL	A7-8
OPTIONAL ENERGY/HOUR GAUGES	C12
OPTIONAL LIGHT KIT	C10-11
OPTIONAL SUN ROOF	C9
OPTIONAL WINDSHIELD	C8
REAR ARM & SUSPENSION	A5
REAR AXLE MOUNT & WHEEL	B6
SEAT	C1
STEERING	A9-10
TRANSAXLE	B4-5

CONTINUED ON NEXT FRAME ►



# BRAKE



Ref. No.	Part Number	Description	Qty	Remarks
31	90508-40007-00	SPRING, TORSION	1	
32	90101-10884-00	BOLT	1	
33	95607-10200-00	NUT, U FLANGE	1	
34	J55-2252M-00-00	BRACKET, 3	1	
35	J17-27246-00-00	NAIL, BRAKE	1	
36	90105-08878-00	BOLT, FLANGE	2	
37	J17-25673-00-00	DAMPER, BRAKE	1	
38	90387-107F8-00	COLLAR	1	
39	JN6-F5685-00-00	ROD	1	
40	93210-132A8-00	O-RING	2	
41	91701-10022-00	PIN, CLEVIS	1	
42	91490-30015-00	PIN, COTTER	1	
43	JN6-F5681-00-00	EQUALIZER, BRAKE	1	
44	90249-14129-00	PIN	1	
45	90179-08894-00	NUT	1	
46	95307-08700-00	NUT	1	
47	JU0-F6341-00-00	CABLE, BRAKE	1	
48	JU0-F6351-00-00	CABLE, BRAKE	1	
49	99001-09600-00	CIRCLIP	4	
50	91701-08018-00	PIN, CLEVIS	2	
51	91701-08026-00	PIN, CLEVIS	2	
52	91490-25015-00	PIN, COTTER	4	
53	90464-31827-00	CLAMP	1	

## CONTENTS

ACCELERATOR	B3
BATTERY CHARGER DPI	C7
BATTERY CHARGER MAC	C6
BODY	B8
BODY 2	B9-10
BODY FITTING	B11
BRAKE	A11-12
BRAKE 2	B1
BRAKE 3	B2
BUMPER	B7
CARRIER	B12
CONTROLLER 1	C3
ELECTRIC MOTOR	C2
ELECTRICAL 1	C4-5
FRAME	A6
FRONT SUSPENSION & WHEEL	A7-8
OPTIONAL ENERGY/HOUR GAUGES	C12
OPTIONAL LIGHT KIT	C10-11
OPTIONAL SUN ROOF	C9
OPTIONAL WINDSHIELD	C8
REAR ARM & SUSPENSION	A5
REAR AXLE MOUNT & WHEEL	B6
SEAT	C1
STEERING	A9-10
TRANSAXLE	B4-5

# DID YOU KNOW?

CartPros directs you to the right part using the part numbers from this manual. Enter the part number into our search box and it will find the part you are looking for.

**GET STARTED  
HERE** →

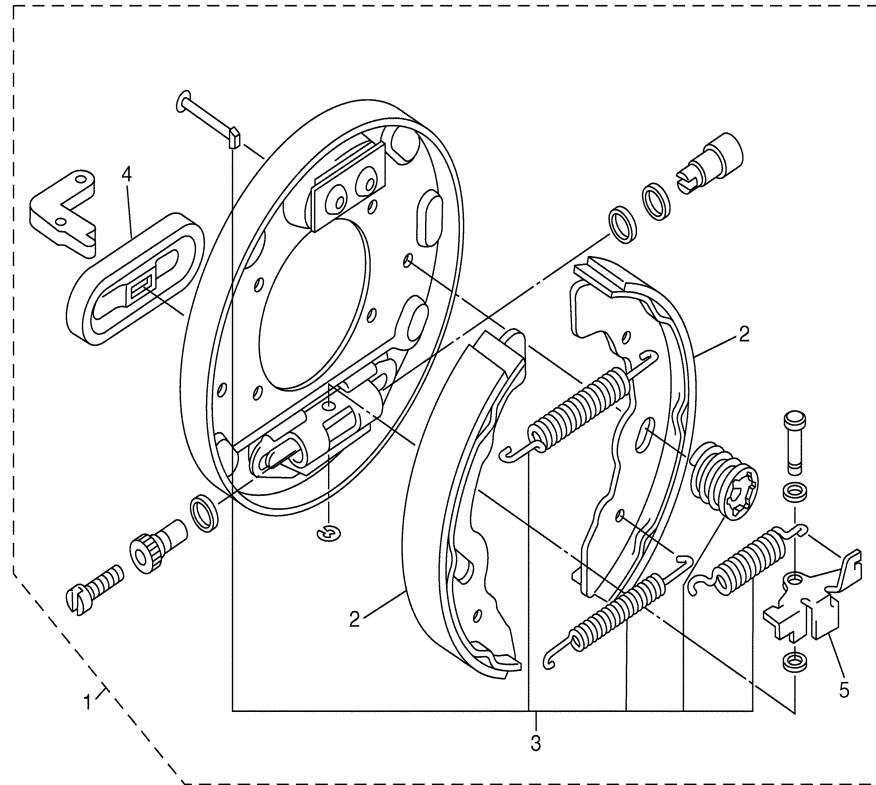
<https://CartPros.com/f.html>

## BRAKE 2

Ref. No.	Part Number	Description	Qty	Remarks
1	JN6-F7290-03-00	BACKING PLATE ASSY 2 . . . .	1	(L.H)
2	JN6-F5331-01-00	. SHOE, BRAKE 2 . . . . .	1	1 EACH SIDE
3	JG5-F819G-00-00	. REPAIR PARTS KIT . . . . .	1	
4	JN6-F7286-00-00	. COVER, DUST . . . . .	1	
5	JN6-F722E-01-00	. LEVER, ADJUSTOR (LH) . . . .	1	

### CONTENTS

ACCELERATOR	B3
BATTERY CHARGER DPI	C7
BATTERY CHARGER MAC	C6
BODY	B8
BODY 2	B9-10
BODY FITTING	B11
BRAKE	A11-12
BRAKE 2	B1
BRAKE 3	B2
BUMPER	B7
CARRIER	B12
CONTROLLER 1	C3
ELECTRIC MOTOR	C2
ELECTRICAL 1	C4-5
FRAME	A6
FRONT SUSPENSION & WHEEL	A7-8
OPTIONAL ENERGY/HOUR GAUGES	C12
OPTIONAL LIGHT KIT	C10-11
OPTIONAL SUN ROOF	C9
OPTIONAL WINDSHIELD	C8
REAR ARM & SUSPENSION	A5
REAR AXLE MOUNT & WHEEL	B6
SEAT	C1
STEERING	A9-10
TRANSAXLE	B4-5



JT71010-B160

# DID YOU KNOW?

CartPros directs you to the right part using the part numbers from this manual. Enter the part number into our search box and it will find the part you are looking for.

**GET STARTED  
HERE** →

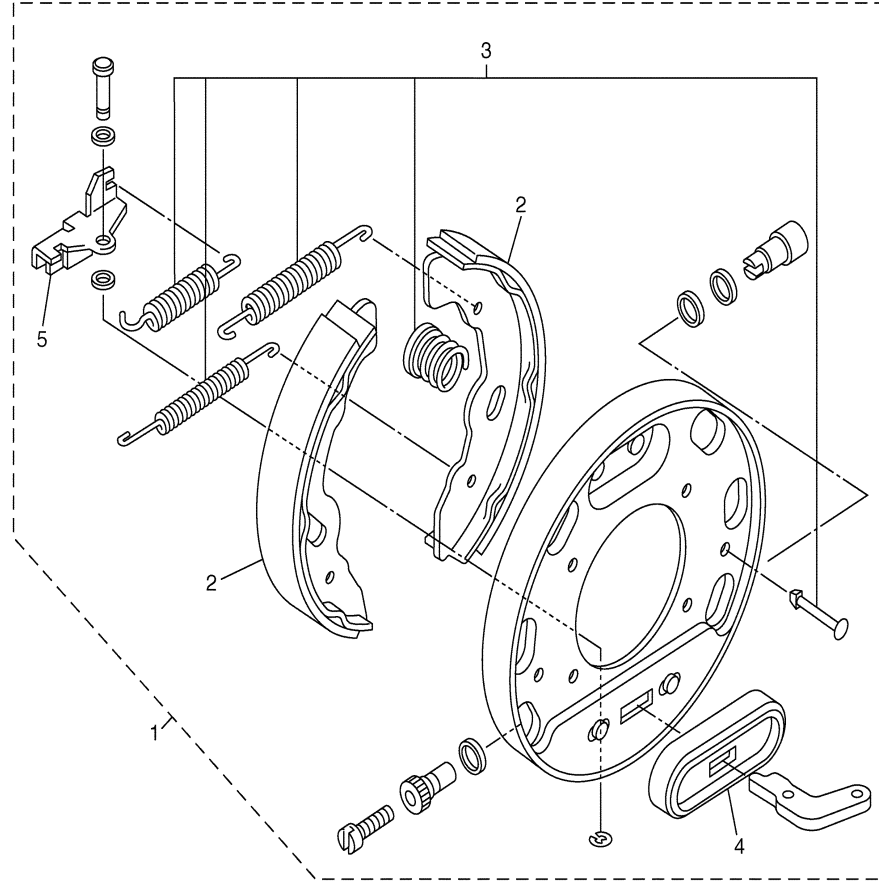
<https://CartPros.com/f.html>

## BRAKE 3

Ref. No.	Part Number	Description	Qty	Remarks
1	JN6-F7280-03-00	BACKING PLATE ASSY 1 . . . .	1	(R.H)
2	JN6-F5331-01-00	. SHOE, BRAKE 2 . . . . .	1	1 EACH SIDE
3	JG5-F819G-00-00	. REPAIR PARTS KIT . . . . .	1	
4	JN6-F7286-00-00	. COVER, DUST . . . . .	1	
5	JN6-F722F-00-00	. LEVER, ADJUSTOR (RH) . . . .	1	

### CONTENTS

ACCELERATOR	B3
BATTERY CHARGER DPI	C7
BATTERY CHARGER MAC	C6
BODY	B8
BODY 2	B9-10
BODY FITTING	B11
BRAKE	A11-12
BRAKE 2	B1
BRAKE 3	B2
BUMPER	B7
CARRIER	B12
CONTROLLER 1	C3
ELECTRIC MOTOR	C2
ELECTRICAL 1	C4-5
FRAME	A6
FRONT SUSPENSION & WHEEL	A7-8
OPTIONAL ENERGY/HOUR GAUGES	C12
OPTIONAL LIGHT KIT	C10-11
OPTIONAL SUN ROOF	C9
OPTIONAL WINDSHIELD	C8
REAR ARM & SUSPENSION	A5
REAR AXLE MOUNT & WHEEL	B6
SEAT	C1
STEERING	A9-10
TRANSAXLE	B4-5



JT71010-B170

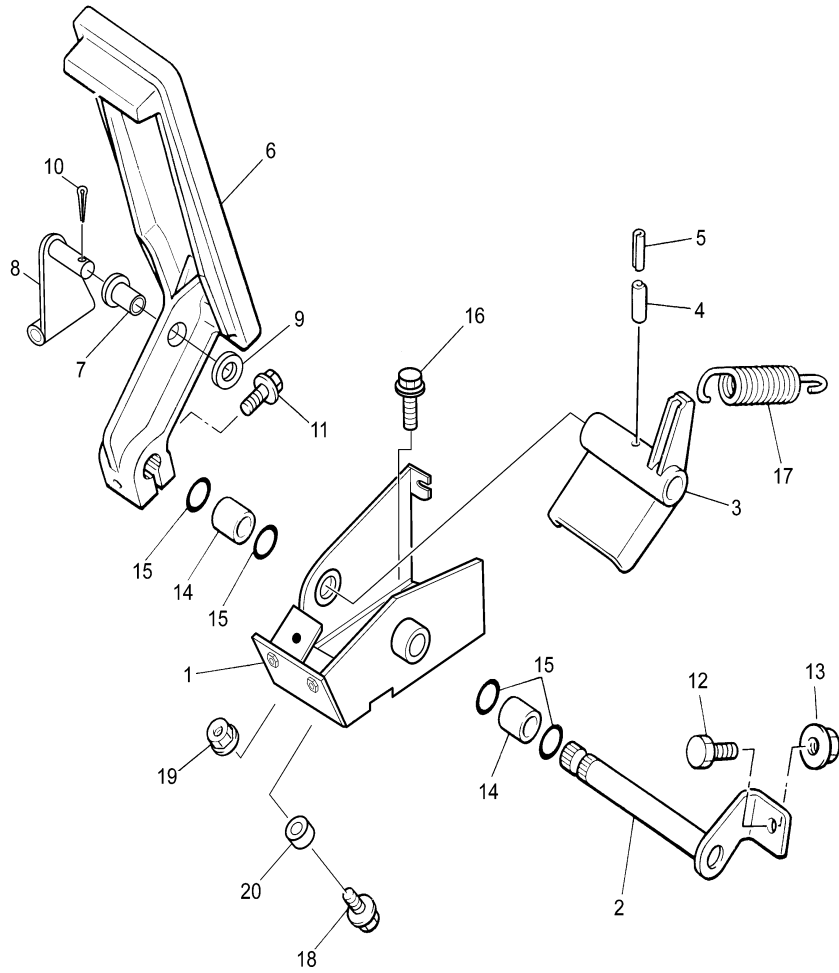


# ACCELERATOR

Ref. No.	Part Number	Description	Qty	Remarks
1	JN6-F7874-01-00	BRACKET, ACCELERATOR PEDAL .....	1	
2	J17-27853-01-00	SHAFT, PEDAL 1 .....	1	
3	J22-27872-00-00	ARM, ACCELERATOR PEDAL .	1	
4	91609-60028-00	PIN, SPRING .....	1	
5	91609-35028-00	PIN, SPRING .....	1	
6	JF3-27871-00-00	PEDAL, ACCELERATOR .....	1	
7	90381-06033-00	BUSH, SOLID .....	1	
8	J14-27815-00-00	LEVER, CRANK PEDAL .....	1	
9	9290P-06600-00	WASHER .....	1	
10	91401-20012-00	PIN, COTTER .....	1	
11	95807-06025-00	BOLT, FLANGE .....	1	
12	90106-08806-00	BOLT .....	1	
13	95707-08500-00	NUT, FLANGE .....	1	
14	90384-14080-00	BUSH, BIMETAL FORMED ....	2	
15	93210-14104-00	O-RING .....	4	
16	90105-08878-00	BOLT, FLANGE .....	3	
17	90506-26282-00	SPRING, TENSION .....	1	
18	95807-06025-00	BOLT, FLANGE .....	1	
19	95707-06500-00	NUT, FLANGE .....	1	
20	90387-068T4-00	COLLAR .....	1	

## CONTENTS

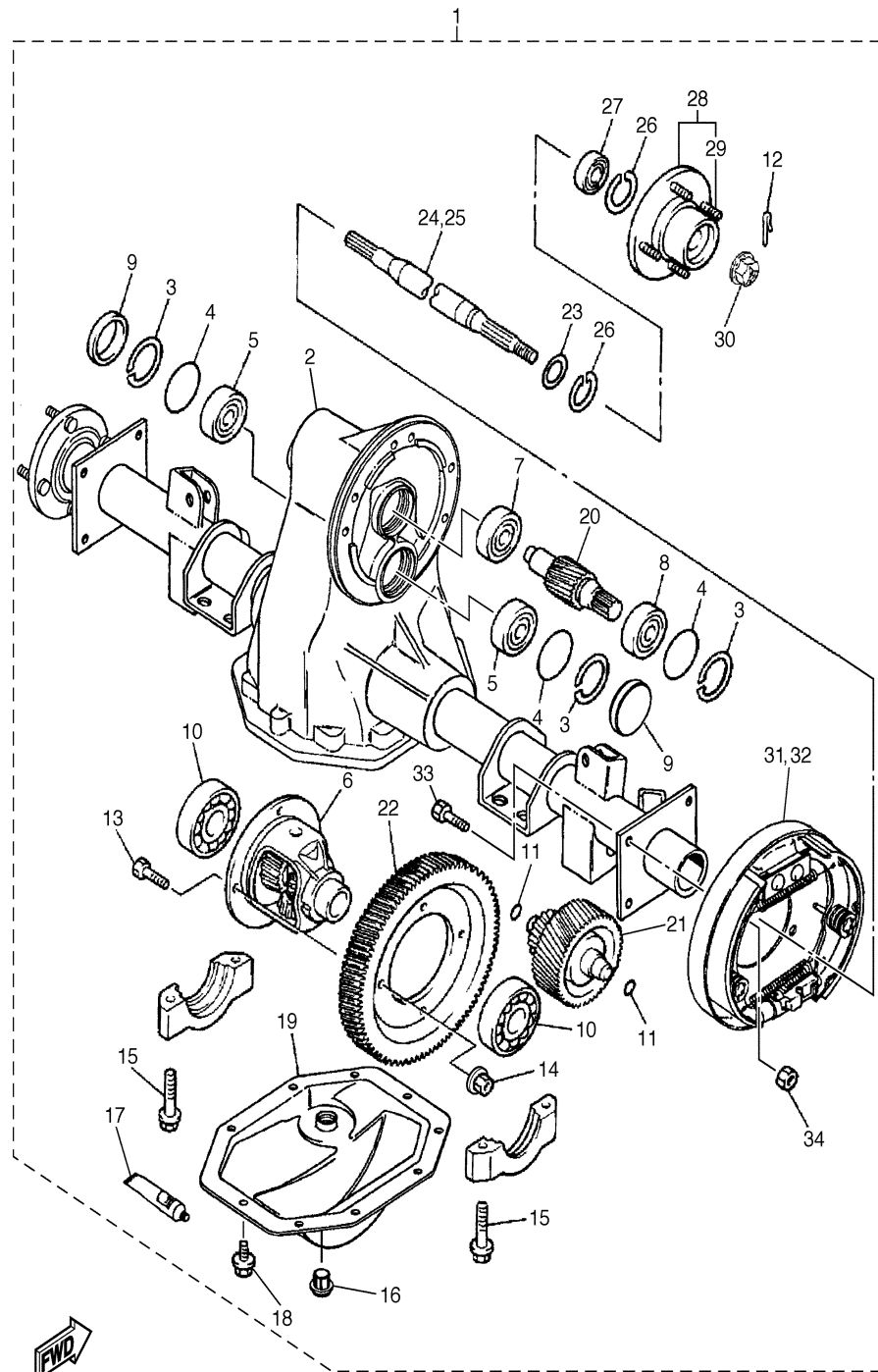
ACCELERATOR	B3
BATTERY CHARGER DPI	C7
BATTERY CHARGER MAC	C6
BODY	B8
BODY 2	B9-10
BODY FITTING	B11
BRAKE	A11-12
BRAKE 2	B1
BRAKE 3	B2
BUMPER	B7
CARRIER	B12
CONTROLLER 1	C3
ELECTRIC MOTOR	C2
ELECTRICAL 1	C4-5
FRAME	A6
FRONT SUSPENSION & WHEEL	A7-8
OPTIONAL ENERGY/HOUR GAUGES	C12
OPTIONAL LIGHT KIT	C10-11
OPTIONAL SUN ROOF	C9
OPTIONAL WINDSHIELD	C8
REAR ARM & SUSPENSION	A5
REAR AXLE MOUNT & WHEEL	B6
SEAT	C1
STEERING	A9-10
TRANSAXLE	B4-5



JU2100-5080



# TRANSAXLE



JU81110-C090

Ref. No.	Part Number	Description	Qty	Remarks
1	JU2-G6300-00-00	TRANS AXLE ASSY .....	1	
2	JR1-G6310-20-00	. CASE ASSY .....	1	
3	93420-50804-00	. CIRCLIP .....	3	
4	93210-478B8-00	. O-RING .....	3	
5	93306-303Y6-00	. BEARING .....	2	
6	JU2-G6410-00-00	. DIFFERENTIAL ASSY. ....	1	
7	93306-203X1-00	. BEARING .....	1	
8	93306-005Y1-00	. BEARING .....	1	
9	JH7-G3396-01-00	. PLUG, BLIND .....	2	
10	93306-007Y0-00	. BEARING .....	2	
11	93210-148B9-00	. O-RING .....	2	
12	91490-25025-00	. PIN, COTTER .....	2	
13	90101-10854-00	. BOLT .....	4	
14	90170-10840-00	. NUT .....	4	
15	90105-10840-00	. BOLT, FLANGE .....	4	
16	JN3-G6432-00-00	. STOPPER .....	1	
17	ACC-QUICK-GS-KT	. SEAL 1 .....	1	QUICK GASKET
18	90101-08856-00	. BOLT .....	10	
19	JR1-G6312-11-00	. CASE, TRANSMISSION 2 ....	1	
20	JU2-G6321-00-00	. SHAFT, INPUT .....	1	
21	JU2-G6350-00-00	. COUNTER GEAR ASSY .....	1	
22	JU2-G6421-00-00	. GEAR, RING .....	1	
23	93101-24822-00	. OIL SEAL .....	2	
24	JR1-G6512-00-00	. SHAFT, REAR AXLE 2 (R.H) .	1	
25	JR1-G6511-00-00	. SHAFT, REAR AXLE 1 (L.H) .	1	
26	93420-44805-00	. CIRCLIP .....	4	
27	93306-004X5-00	. BEARING .....	2	
28	JN3-G6514-00-00	. HUB, REAR AXLE .....	2	
29	90114-12804-00	. . BOLT, SERRATION .....	4	
30	90185-16833-00	. NUT, SELF-LOCKING .....	2	

## CONTENTS

ACCELERATOR	B3
BATTERY CHARGER DPI	C7
BATTERY CHARGER MAC	C6
BODY	B8
BODY 2	B9-10
BODY FITTING	B11
BRAKE	A11-12
BRAKE 2	B1
BRAKE 3	B2
BUMPER	B7
CARRIER	B12
CONTROLLER 1	C3
ELECTRIC MOTOR	C2
ELECTRICAL 1	C4-5
FRAME	A6
FRONT SUSPENSION & WHEEL	A7-8
OPTIONAL ENERGY/HOUR GAUGES	C12
OPTIONAL LIGHT KIT	C10-11
OPTIONAL SUN ROOF	C9
OPTIONAL WINDSHIELD	C8
REAR ARM & SUSPENSION	A5
REAR AXLE MOUNT & WHEEL	B6
SEAT	C1
STEERING	A9-10
TRANSAXLE	B4-5

CONTINUED ON NEXT FRAME ➤



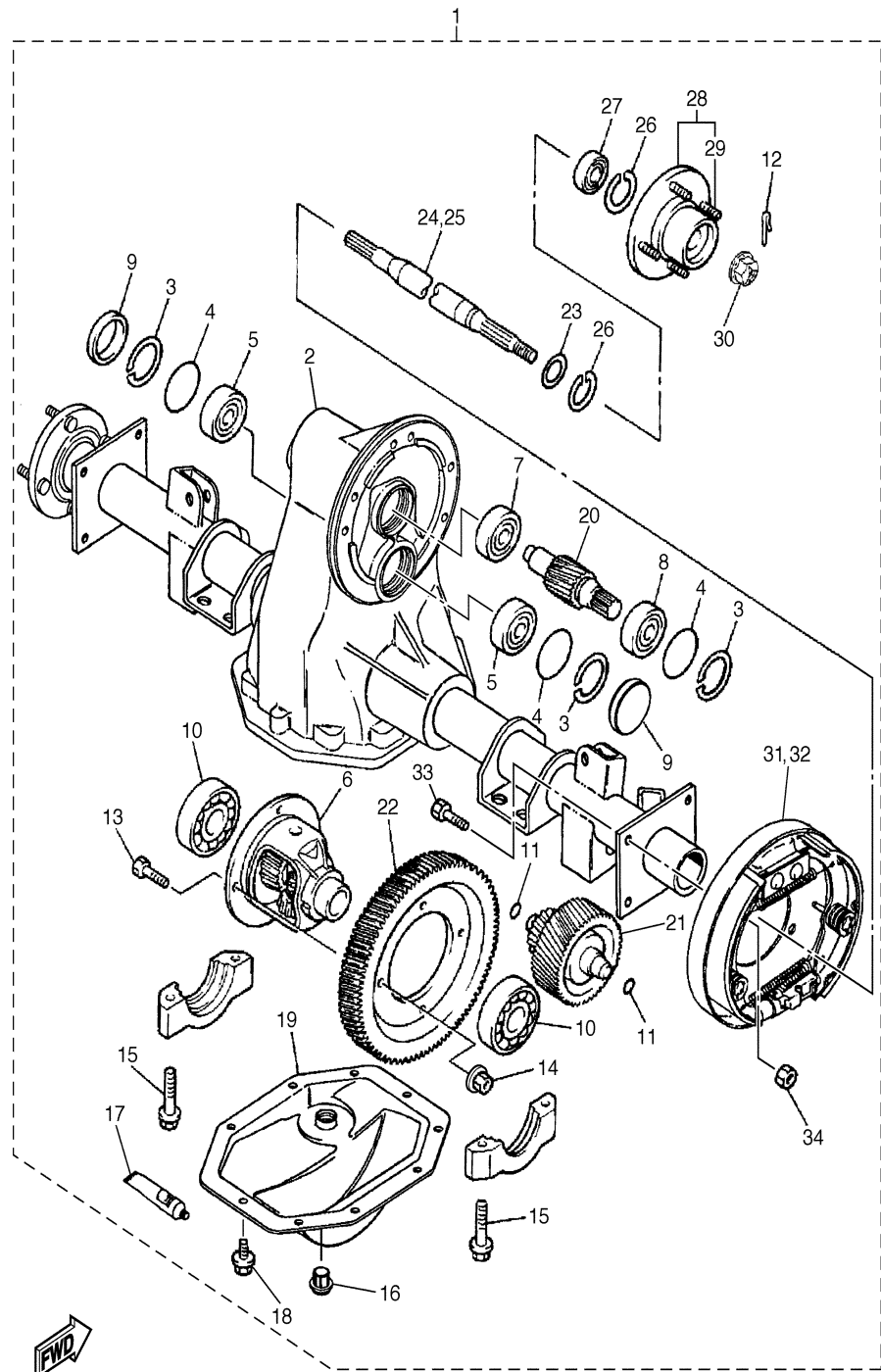
# DID YOU KNOW?

CartPros directs you to the right part using the part numbers from this manual. Enter the part number into our search box and it will find the part you are looking for.

**GET STARTED HERE** →

<https://CartPros.com/f.html>

## TRANSAXLE



Ref. No.	Part Number	Description	Qty	Remarks
31	JN6-F7280-03-00	. BACKING PLATE ASSY 1 ...	1	SEE BRAKE 3
32	JN6-F7290-03-00	. BACKING PLATE ASSY 2 ...	1	SEE BRAKE 2
33	90101-08855-00	. BOLT .....	8	
34	90170-08841-00	. NUT .....	8	

### CONTENTS

ACCELERATOR	B3
BATTERY CHARGER DPI	C7
BATTERY CHARGER MAC	C6
BODY	B8
BODY 2	B9-10
BODY FITTING	B11
BRAKE	A11-12
BRAKE 2	B1
BRAKE 3	B2
BUMPER	B7
CARRIER	B12
CONTROLLER 1	C3
ELECTRIC MOTOR	C2
ELECTRICAL 1	C4-5
FRAME	A6
FRONT SUSPENSION & WHEEL	A7-8
OPTIONAL ENERGY/HOUR GAUGES	C12
OPTIONAL LIGHT KIT	C10-11
OPTIONAL SUN ROOF	C9
OPTIONAL WINDSHIELD	C8
REAR ARM & SUSPENSION	A5
REAR AXLE MOUNT & WHEEL	B6
SEAT	C1
STEERING	A9-10
TRANSAXLE	B4-5



JU81110-C090

# DID YOU KNOW?

CartPros directs you to the right part using the part numbers from this manual. Enter the part number into our search box and it will find the part you are looking for.

**GET STARTED  
HERE** →

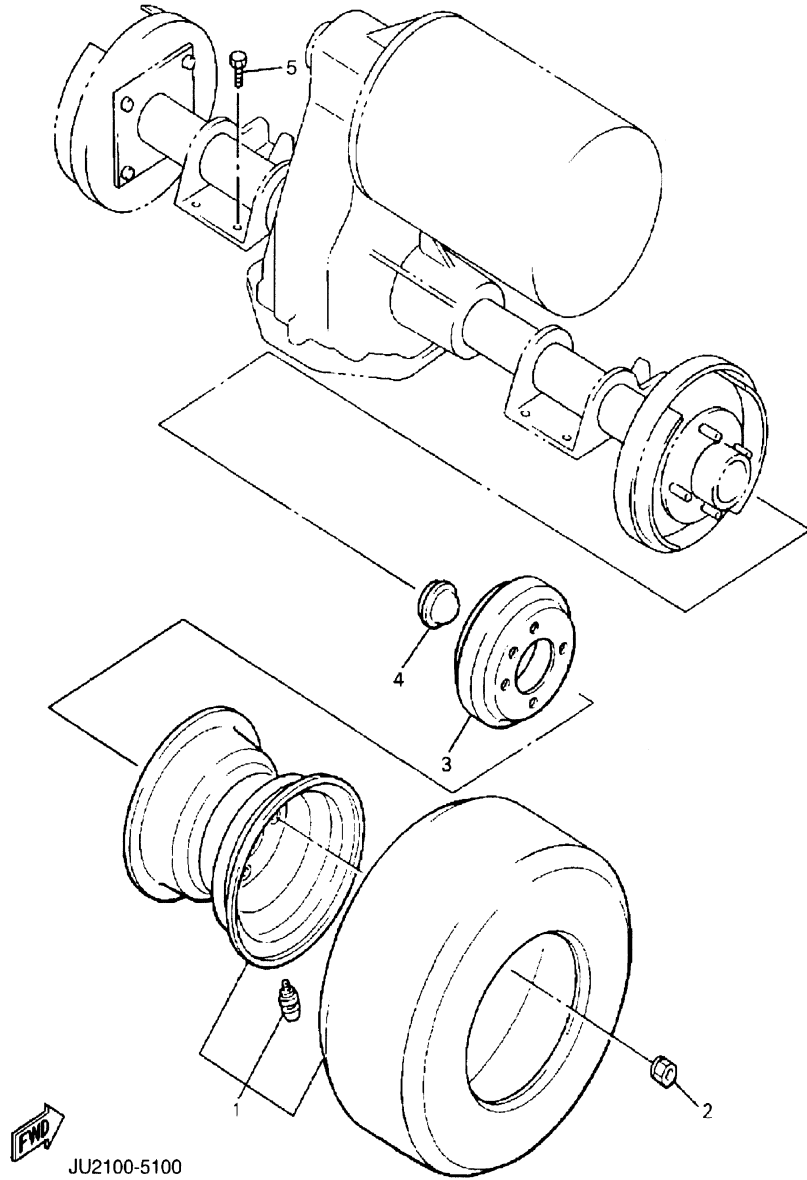
<https://CartPros.com/f.html>

## REAR AXLE MOUNT & WHEEL

Ref. No.	Part Number	Description	Qty	Remarks
1	JN6-F5100-11-00	WHEEL ASSY (18X8.5-8 4PLY)	2	UR KENDA
	JU0-F5100-00-00	WHEEL ASSY (18X8.5-8 4PR)	2	UR MAXXIS PRORIDE
2	90179-12262-00	NUT .....	8	
3	JU0-G6521-00-00	DRUM .....	2	
4	JN6-F5118-00-00	COVER, HUB DUST .....	2	
5	9751P-10620-00	BOLT, WITH WASHER .....	8	

### CONTENTS

ACCELERATOR	B3
BATTERY CHARGER DPI	C7
BATTERY CHARGER MAC	C6
BODY	B8
BODY 2	B9-10
BODY FITTING	B11
BRAKE	A11-12
BRAKE 2	B1
BRAKE 3	B2
BUMPER	B7
CARRIER	B12
CONTROLLER 1	C3
ELECTRIC MOTOR	C2
ELECTRICAL 1	C4-5
FRAME	A6
FRONT SUSPENSION & WHEEL	A7-8
OPTIONAL ENERGY/HOUR GAUGES	C12
OPTIONAL LIGHT KIT	C10-11
OPTIONAL SUN ROOF	C9
OPTIONAL WINDSHIELD	C8
REAR ARM & SUSPENSION	A5
REAR AXLE MOUNT & WHEEL	B6
SEAT	C1
STEERING	A9-10
TRANSAXLE	B4-5



JU2100-5100

# DID YOU KNOW?

CartPros directs you to the right part using the part numbers from this manual. Enter the part number into our search box and it will find the part you are looking for.

**GET STARTED  
HERE** →

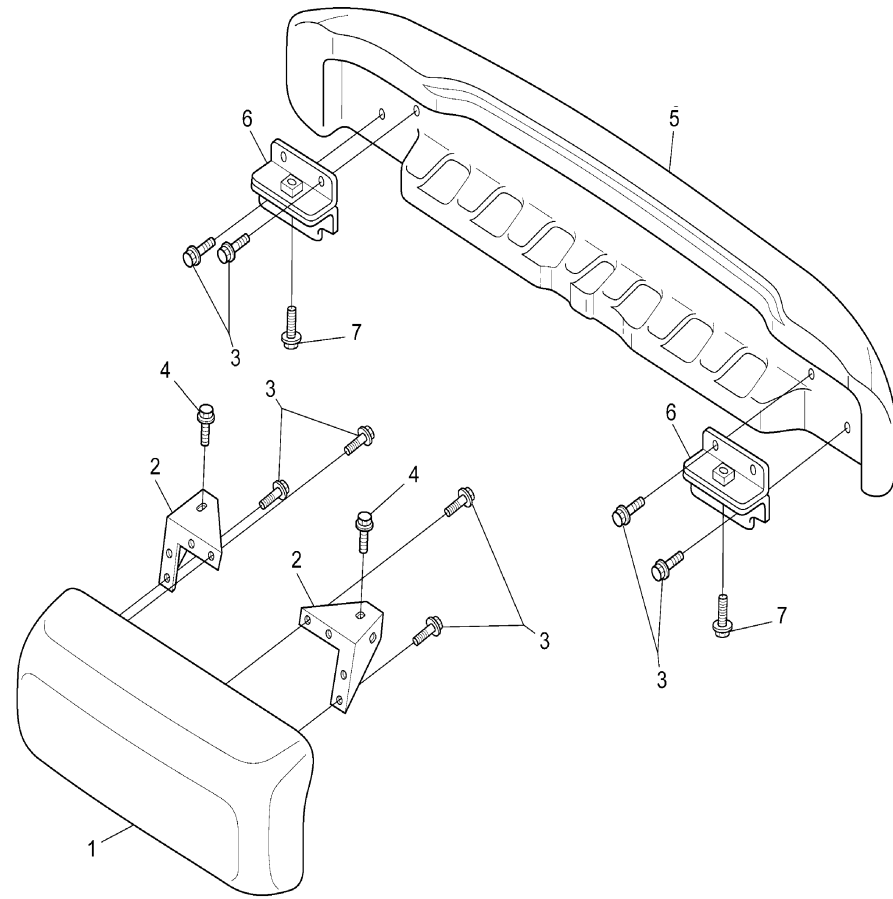
<https://CartPros.com/f.html>

## BUMPER

Ref. No.	Part Number	Description	Qty	Remarks
1	JN3-K7510-02-00	FRONT BUMPER COMP. ....	1	
2	JU0-K8164-00-00	STAY, FRONT BUMPER ....	2	
3	90105-06876-00	BOLT, FLANGE .....	8	
4	9581P-08012-00	BOLT, FLANGE .....	2	
5	JN6-K7540-00-00	REAR BUMPER COMP. ....	1	
6	JN3-K8174-00-00	STAY, REAR BUMPER ....	2	
7	90105-10881-00	BOLT, FLANGE .....	2	

## CONTENTS

ACCELERATOR	B3
BATTERY CHARGER DPI	C7
BATTERY CHARGER MAC	C6
BODY	B8
BODY 2	B9-10
BODY FITTING	B11
BRAKE	A11-12
BRAKE 2	B1
BRAKE 3	B2
BUMPER	B7
CARRIER	B12
CONTROLLER 1	C3
ELECTRIC MOTOR	C2
ELECTRICAL 1	C4-5
FRAME	A6
FRONT SUSPENSION & WHEEL	A7-8
OPTIONAL ENERGY/HOUR GAUGES	C12
OPTIONAL LIGHT KIT	C10-11
OPTIONAL SUN ROOF	C9
OPTIONAL WINDSHIELD	C8
REAR ARM & SUSPENSION	A5
REAR AXLE MOUNT & WHEEL	B6
SEAT	C1
STEERING	A9-10
TRANSAXLE	B4-5



JU0100-5240

# DID YOU KNOW?

CartPros directs you to the right part using the part numbers from this manual. Enter the part number into our search box and it will find the part you are looking for.

**GET STARTED HERE**



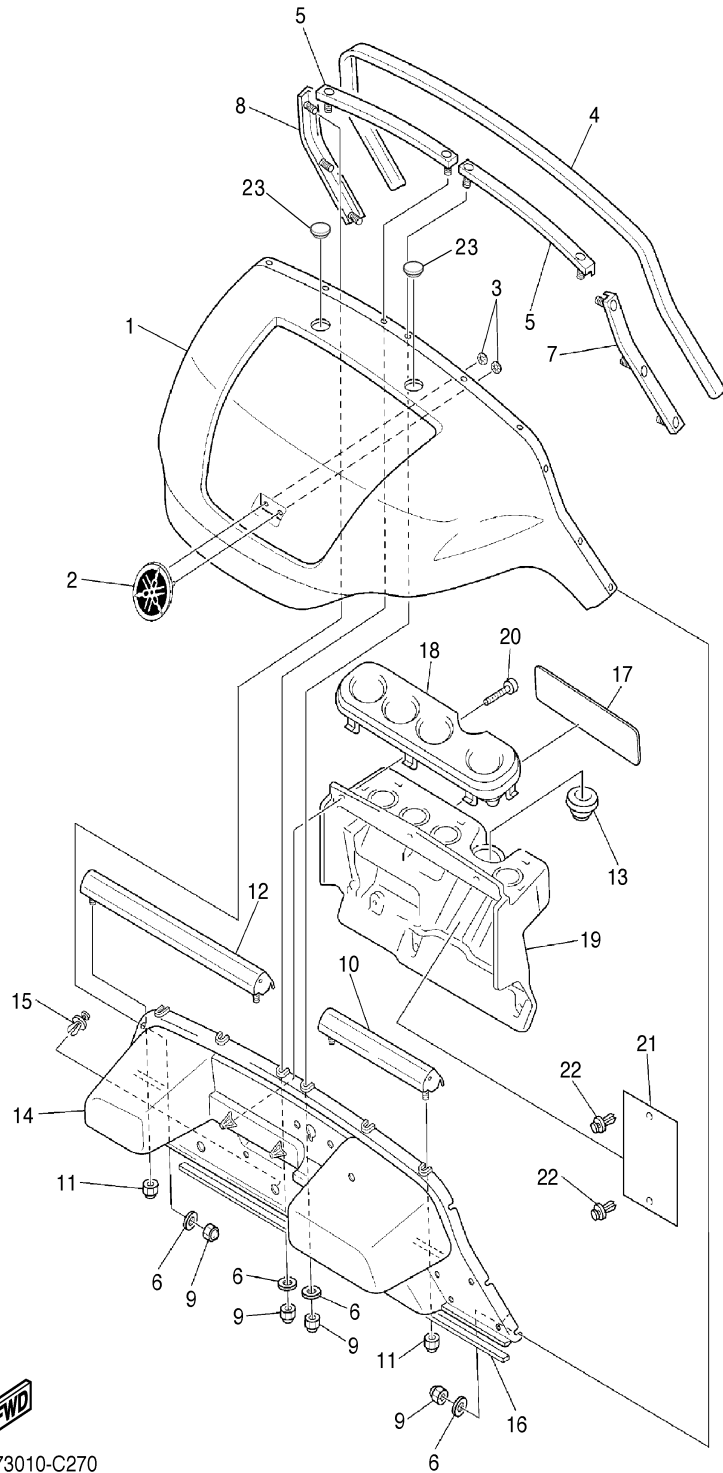
<https://CartPros.com/f.html>

## BODY

Ref. No.	Part Number	Description	Qty	Remarks
1	JU0-K8115-00-00	COWL, FRONT .....	1	IVORY
	JU0-K8115-30-00	COWL, FRONT .....	1	BURGUNDY
	JU0-K8115-50-00	COWL, FRONT .....	1	HUNTER GREEN
	JU0-K8115-60-00	COWL, FRONT .....	1	CANDY APPLE RED MET.
	JU0-K8115-80-00	COWL, FRONT .....	1	BRIGHT BLUE MET.
2	JU0-F4161-00-00	EMBLEM 1 .....	1	
3	JU0-K7573-00-00	NUT, SPECIAL .....	2	
4	JF2-K811V-00-00	PROTECTOR 1 .....	1	
5	JU0-K8261-00-00	PLATE, BODY PROTECT 1 ...	2	
6	90201-06829-00	WASHER, PLATE .....	10	
7	JF2-K8262-01-00	PLATE, BODY PROTECT 2 ...	1	
8	JF2-K8263-01-00	PLATE, BODY PRTOTECT 3 ..	1	
9	90185-06836-00	NUT, SELF-LOCKING .....	10	
10	JN6-K8264-00-00	PLATE, BODY PROTECT 4 ...	1	
11	9560P-06200-00	NUT, FLANGE .....	4	
12	JN6-K8265-00-00	PLATE, BODY PROTECT 5 ...	1	
13	JN3-K8273-00-00	COVER, HOLE .....	1	
14	JF2-K8114-03-00	PANEL, FRONT .....	1	
15	90269-08066-00	RIVET .....	3	
16	JN3-K815G-00-00	SEAL, FRONT STORAGE ....	1	
17	JR1-K7768-00-00	LABEL, WARNING .....	1	
18	JN6-K835E-00-00	HOLDER, BEVERAGE .....	1	
19	JR1-K835G-00-00	HOUSING, HOLDER .....	1	
20	9770P-60130-00	SCREW, TAPPING .....	6	
21	JN6-K8182-00-00	PLATE 2 .....	1	
22	90267-63047-00	RIVET, BLIND .....	2	
23	JN3-K818E-00-00	CAP, PROTECTOR .....	2	W/O SUNTOP

## CONTENTS

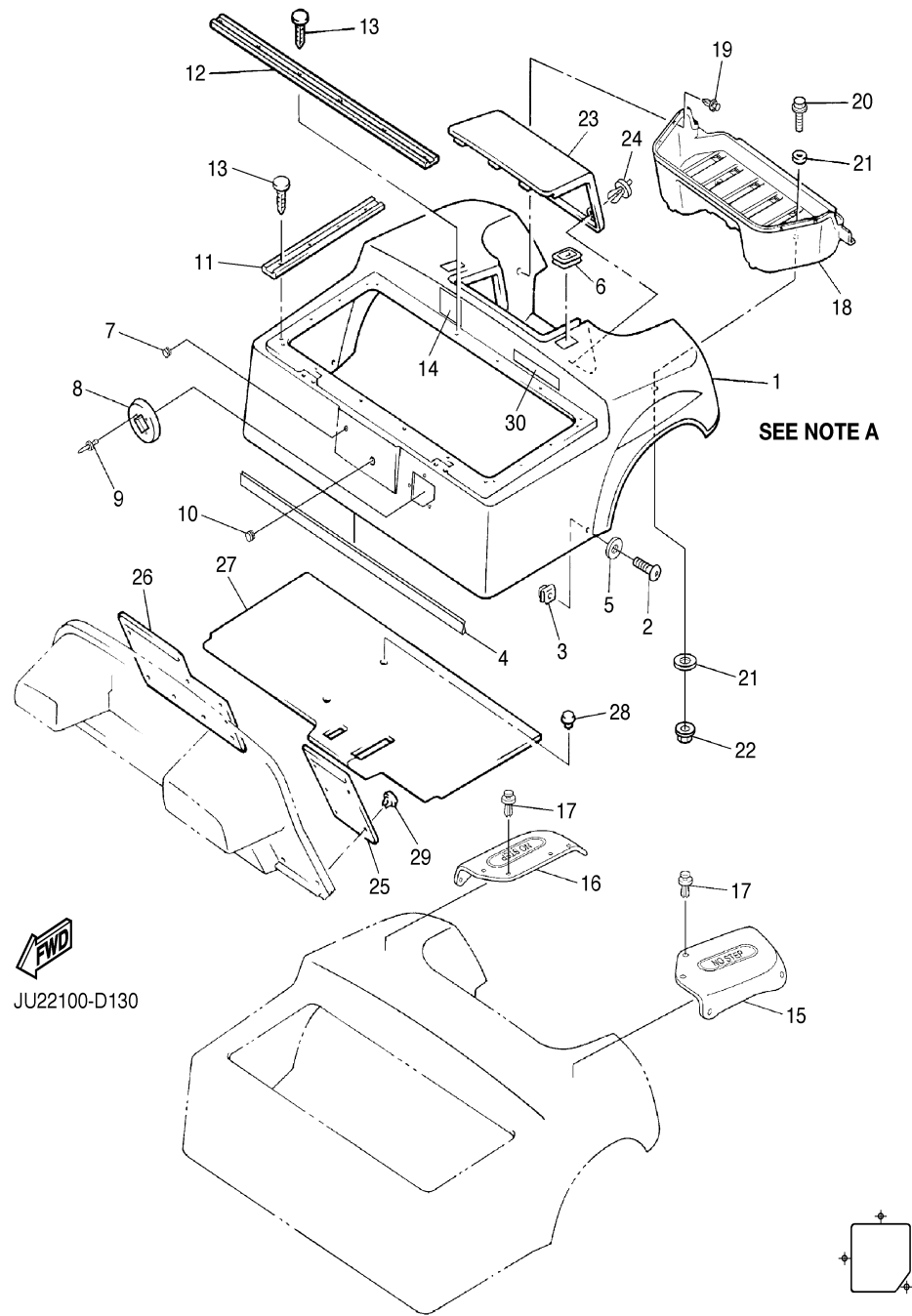
ACCELERATOR	B3
BATTERY CHARGER DPI	C7
BATTERY CHARGER MAC	C6
BODY	B8
BODY 2	B9-10
BODY FITTING	B11
BRAKE	A11-12
BRAKE 2	B1
BRAKE 3	B2
BUMPER	B7
CARRIER	B12
CONTROLLER 1	C3
ELECTRIC MOTOR	C2
ELECTRICAL 1	C4-5
FRAME	A6
FRONT SUSPENSION & WHEEL	A7-8
OPTIONAL ENERGY/HOUR GAUGES	C12
OPTIONAL LIGHT KIT	C10-11
OPTIONAL SUN ROOF	C9
OPTIONAL WINDSHIELD	C8
REAR ARM & SUSPENSION	A5
REAR AXLE MOUNT & WHEEL	B6
SEAT	C1
STEERING	A9-10
TRANSAXLE	B4-5



JT73010-C270



# BODY 2



NOTE A: THE G22E REAR BODY PANEL REQUIRES AN OPENING BE MADE, SO THAT THE THE BATTERY CHARGER RECEPTICAL GUIDE (JN4-K827A-00-00) CAN BE MOUNTED. THE CORRECT SHAPE IS MARKED ON THE BACKSIDE OF THE BODY PANEL AND IS SHOWN ABOVE.

NOTE B: WHEN REPLACING THE G22E REAR BODY PANEL, YOU MUST ALSO REPLACE REF. #30, CAUTION PLATE 1 (JN4-K8297-10-00).

Ref. No.	Part Number	Description	Qty	Remarks
1	JN6-K8142-02-00	PANEL, REAR BODY .....	1	IVORY (SEE NOTE A)
	JN6-K8142-52-00	PANEL, REAR BODY .....	1	HUNTER GREEN (SEE NOTE A)
	JU0-K8142-32-00	PANEL, REAR BODY .....	1	BURGUNDY (SEE NOTE A)
	JU0-K8142-62-00	PANEL, REAR BODY .....	1	CANDY APPLE RED MET. (SEE NOTE A)
	JU0-K8142-82-00	PANEL, REAR BODY .....	1	BRIGHT BLUE MET. (SEE NOTE A)
2	90110-06837-00	BOLT, HEXAGON SOCKET HEAD .....	2	
3	90183-06811-00	NUT, SPRING .....	2	
4	JN6-K824E-00-00	TRIM, REAR BODY 1 .....	1	
5	90201-068H0-00	WASHER, PLATE .....	2	
6	JN3-K8363-00-00	PROTECTOR .....	2	
7	JR1-K8139-00-00	CAP, END .....	1	
8	JN4-K827A-00-00	GUIDE 1 .....	1	
9	90267-60840-00	RIVET, BLIND .....	3	
10	90338-25836-00	PLUG .....	1	
11	JN3-K8425-00-00	SEAL, SEAT .....	2	
12	JN3-K842A-00-00	SEAL, SEAT 2 .....	1	
13	90338-05834-00	PLUG .....	14	
14	JU2-K7765-00-00	LABEL, WARNING 5 .....	1	
15	JN3-K8243-00-00	MAT, REAR BODY SIDE (LH) .	1	
16	JN3-K8244-00-00	MAT, REAR BODY SIDE (RH) .	1	
17	90269-07810-00	RIVET .....	10	
18	JF2-K8237-00-00	COVER, REAR FLOOR .....	1	
19	90269-08813-00	RIVET .....	7	
20	90101-06876-00	BOLT .....	2	
21	90201-068G7-00	WASHER, PLATE .....	4	
22	9572R-06300-00	NUT, NYLON .....	2	

## CONTENTS

ACCELERATOR	B3
BATTERY CHARGER DPI	C7
BATTERY CHARGER MAC	C6
BODY	B8
BODY 2	B9-10
BODY FITTING	B11
BRAKE	A11-12
BRAKE 2	B1
BRAKE 3	B2
BUMPER	B7
CARRIER	B12
CONTROLLER 1	C3
ELECTRIC MOTOR	C2
ELECTRICAL 1	C4-5
FRAME	A6
FRONT SUSPENSION & WHEEL	A7-8
OPTIONAL ENERGY/HOUR GAUGES	C12
OPTIONAL LIGHT KIT	C10-11
OPTIONAL SUN ROOF	C9
OPTIONAL WINDSHIELD	C8
REAR ARM & SUSPENSION	A5
REAR AXLE MOUNT & WHEEL	B6
SEAT	C1
STEERING	A9-10
TRANSAXLE	B4-5

CONTINUED ON NEXT FRAME ►

# DID YOU KNOW?

CartPros directs you to the right part using the part numbers from this manual. Enter the part number into our search box and it will find the part you are looking for.

**GET STARTED HERE** →

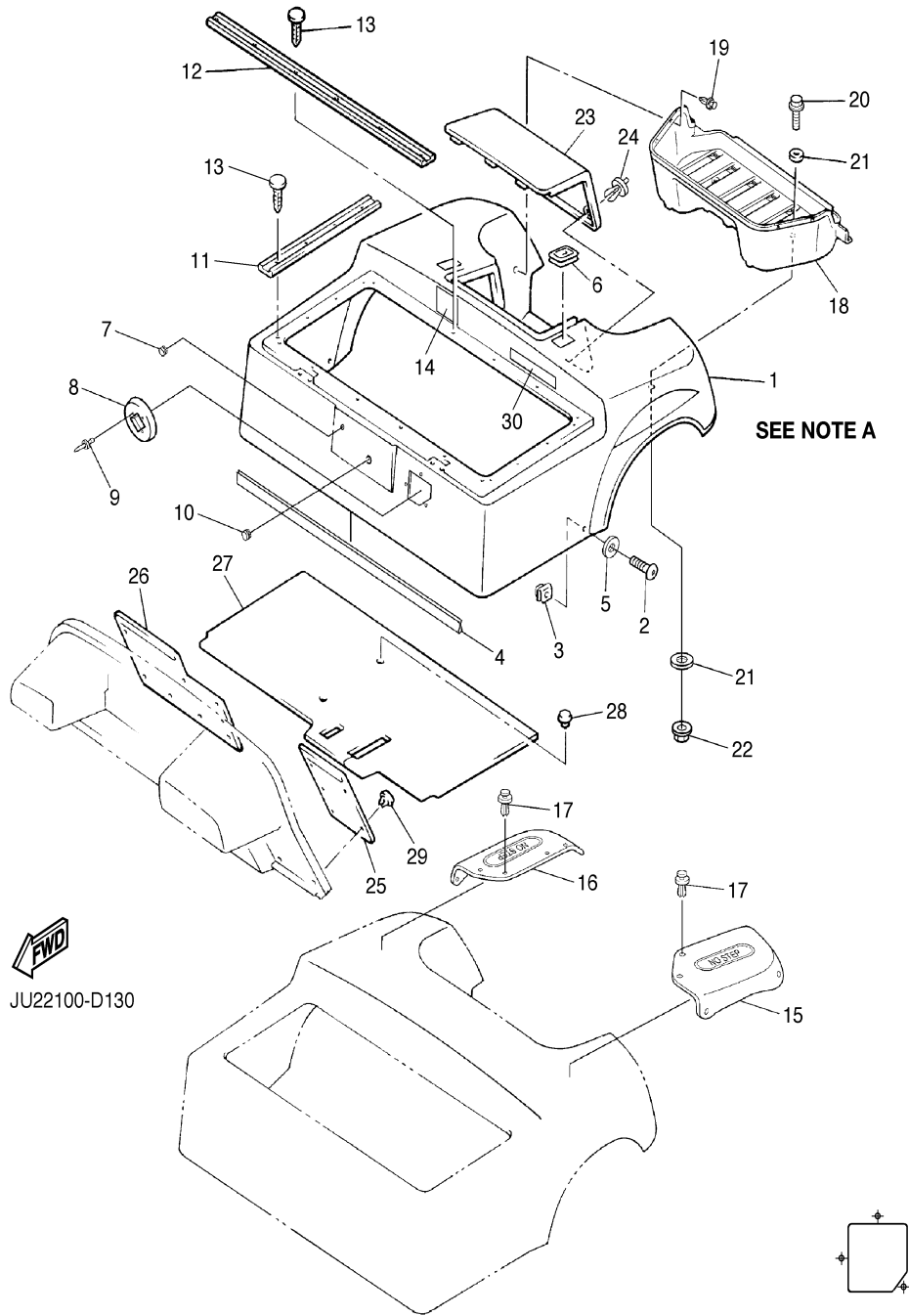
<https://CartPros.com/f.html>

## BODY 2

Ref. No.	Part Number	Description	Qty	Remarks
23	JU0-K8151-00-00	PANEL, INSPECTION LID 1 ...	1	
24	90269-06804-00	RIVET .....	2	
25	JN6-K8231-01-00	MAT, MAIN FLOOR 1 .....	1	
26	JN6-K8232-01-00	MAT, MAIN FLOOR 2 .....	1	
27	JN6-K8233-01-00	MAT, MAIN FLOOR 3 .....	1	
28	90269-08813-00	RIVET .....	4	
29	90267-63047-00	RIVET, BLIND .....	9	
30	JN4-K8297-10-00	PLATE, CAUTION 1 .....	1	SEE NOTE B

### CONTENTS

ACCELERATOR	B3
BATTERY CHARGER DPI	C7
BATTERY CHARGER MAC	C6
BODY	B8
BODY 2	B9-10
BODY FITTING	B11
BRAKE	A11-12
BRAKE 2	B1
BRAKE 3	B2
BUMPER	B7
CARRIER	B12
CONTROLLER 1	C3
ELECTRIC MOTOR	C2
ELECTRICAL 1	C4-5
FRAME	A6
FRONT SUSPENSION & WHEEL	A7-8
OPTIONAL ENERGY/HOUR GAUGES	C12
OPTIONAL LIGHT KIT	C10-11
OPTIONAL SUN ROOF	C9
OPTIONAL WINDSHIELD	C8
REAR ARM & SUSPENSION	A5
REAR AXLE MOUNT & WHEEL	B6
SEAT	C1
STEERING	A9-10
TRANSAXLE	B4-5



JU22100-D130

**NOTE A:** THE G22E REAR BODY PANEL REQUIRES AN OPENING BE MADE, SO THAT THE THE BATTERY CHARGER RECEPTICAL GUIDE (JN4-K827A-00-00) CAN BE MOUNTED. THE CORRECT SHAPE IS MARKED ON THE BACKSIDE OF THE BODY PANEL AND IS SHOWN ABOVE.

**NOTE B:** WHEN REPLACING THE G22E REAR BODY PANEL, YOU MUST ALSO REPLACE REF. #30, CAUTION PLATE 1 (JN4-K8297-10-00).

# DID YOU KNOW?

CartPros directs you to the right part using the part numbers from this manual. Enter the part number into our search box and it will find the part you are looking for.

**GET STARTED  
HERE** →

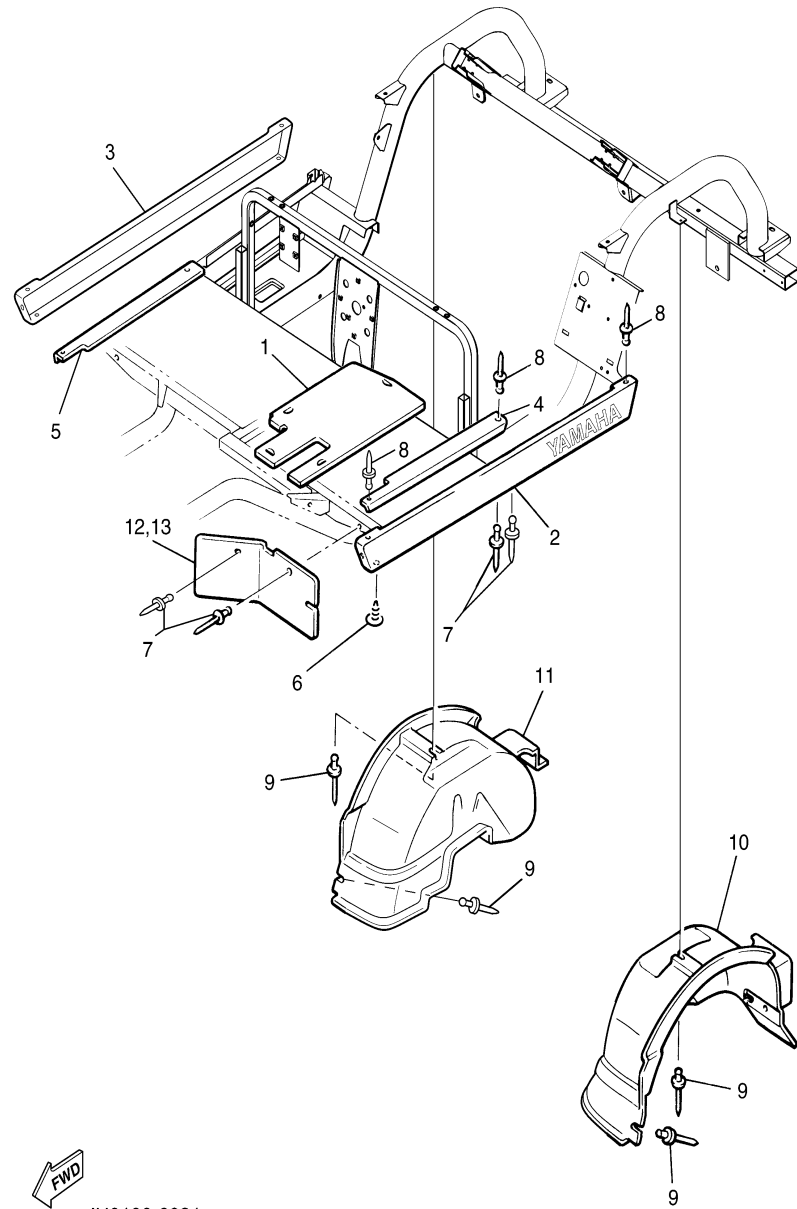
<https://CartPros.com/f.html>

## BODY FITTING

Ref. No.	Part Number	Description	Qty	Remarks
1	JN6-K8271-00-00	SERVICE LID, PEDAL .....	1	
2	JU0-K818A-00-00	PROTECTOR, SIDE PLATE 1 ..	1	
3	JU0-K818B-00-00	PROTECTOR, SIDE PLATE 2 ..	1	
4	JF2-K8215-10-00	PLATE, SIDE TRIM 1 .....	1	
5	JF2-K821F-10-00	PLATE, SIDE TRIM 2 .....	1	
6	90338-05829-00	PLUG .....	4	
7	90267-48831-00	RIVET, BLIND .....	8	
8	90267-48154-00	RIVET, BLIND .....	6	
9	90267-48086-00	RIVET, BLIND .....	4	
10	JF2-K8191-01-00	PANEL, REAR FENDER 1 ....	1	
11	JF2-K8192-01-00	PANEL, REAR FENDER 2 ....	1	
12	JF2-K8187-00-00	FLAP, FRONT FENDER (L.H) ..	1	
13	JF2-K8189-00-00	FLAP, FRONT FENDER (R.H) .	1	

### CONTENTS

ACCELERATOR	B3
BATTERY CHARGER DPI	C7
BATTERY CHARGER MAC	C6
BODY	B8
BODY 2	B9-10
BODY FITTING	B11
BRAKE	A11-12
BRAKE 2	B1
BRAKE 3	B2
BUMPER	B7
CARRIER	B12
CONTROLLER 1	C3
ELECTRIC MOTOR	C2
ELECTRICAL 1	C4-5
FRAME	A6
FRONT SUSPENSION & WHEEL	A7-8
OPTIONAL ENERGY/HOUR GAUGES	C12
OPTIONAL LIGHT KIT	C10-11
OPTIONAL SUN ROOF	C9
OPTIONAL WINDSHIELD	C8
REAR ARM & SUSPENSION	A5
REAR AXLE MOUNT & WHEEL	B6
SEAT	C1
STEERING	A9-10
TRANSAXLE	B4-5



# DID YOU KNOW?

CartPros directs you to the right part using the part numbers from this manual. Enter the part number into our search box and it will find the part you are looking for.

**GET STARTED  
HERE** →

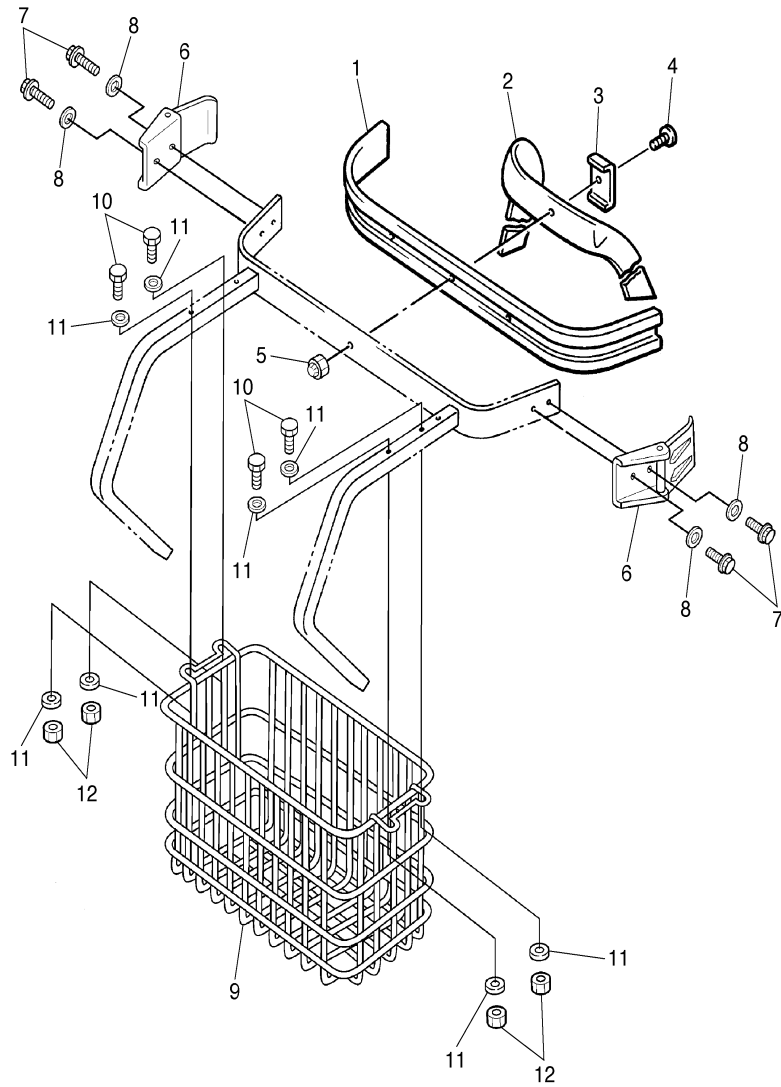
<https://CartPros.com/f.html>

## CARRIER

Ref. No.	Part Number	Description	Qty	Remarks
1	JF2-K8356-00-00	PAD, BAG SUPPORT .....	1	
2	JN6-K8355-00-00	BAND .....	1	
3	J38-78367-00-00	PLATE, ANCHOR .....	1	
4	90101-06865-00	BOLT .....	1	
5	90185-06836-00	NUT, SELF-LOCKING .....	1	
6	JN6-K8380-00-00	LOCK ASSY .....	2	
7	90159-06845-00	SCREW, WITH WASHER .....	4	
8	9299R-06200-00	WASHER .....	4	
9	JN6-K8340-00-00	LUGGAGE RACK ASSY., REAR	1	
10	90111-08803-00	BOLT .....	4	
11	90201-088R9-00	WASHER, PLATE .....	8	
12	90185-08832-00	NUT, SELF-Locking .....	4	

### CONTENTS

ACCELERATOR	B3
BATTERY CHARGER DPI	C7
BATTERY CHARGER MAC	C6
BODY	B8
BODY 2	B9-10
BODY FITTING	B11
BRAKE	A11-12
BRAKE 2	B1
BRAKE 3	B2
BUMPER	B7
CARRIER	B12
CONTROLLER 1	C3
ELECTRIC MOTOR	C2
ELECTRICAL 1	C4-5
FRAME	A6
FRONT SUSPENSION & WHEEL	A7-8
OPTIONAL ENERGY/HOUR GAUGES	C12
OPTIONAL LIGHT KIT	C10-11
OPTIONAL SUN ROOF	C9
OPTIONAL WINDSHIELD	C8
REAR ARM & SUSPENSION	A5
REAR AXLE MOUNT & WHEEL	B6
SEAT	C1
STEERING	A9-10
TRANSAXLE	B4-5

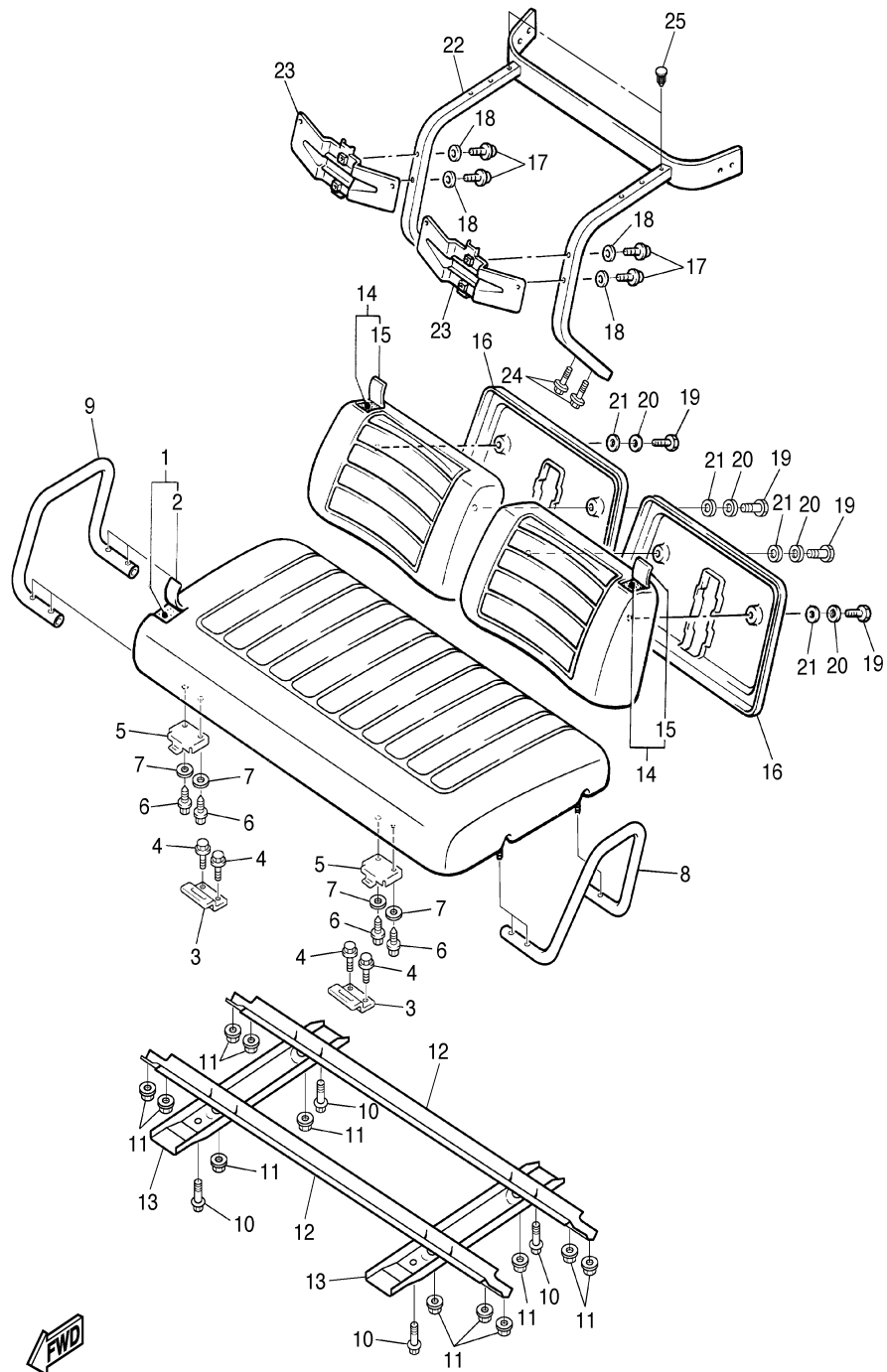


JT73010-C310





# SEAT



Ref. No.	Part Number	Description	Qty	Remarks
1	JN6-K8401-10-00	SEAT SUB-ASSY, CUSHION ..	1	UR IVORY WHITE
	JU0-K8401-00-00	SEAT SUB-ASSY, CUSHION ..	1	UR TAN
2	JN6-K8404-10-00	. COVER, SEAT .....	1	UR IVORY WHITE
	JU0-K8404-00-00	. COVER, SEAT .....	1	UR TAN
3	JF2-K8427-00-00	HINGE, SEAT 2 .....	2	
4	90105-06903-00	BOLT, FLANGE .....	4	
5	JN3-K8426-01-00	HINGE, SEAT 1 .....	2	
6	90111-06810-00	BOLT .....	4	
7	90204-06807-00	WASHER, SPRING .....	4	
8	JN6-K8361-00-00	ARM REST 1 .....	1	
9	JU0-K8362-00-00	ARM REST 2 .....	1	
10	90167-04815-00	SCREW, TAPPING .....	4	
11	9560P-08200-00	NUT .....	12	
12	JN6-K8121-00-00	REINFORCEMENT 1 .....	2	
13	JN6-K8122-02-00	REINFORCEMENT 2 .....	2	
14	JN3-K8402-00-00	SEAT SUB ASSY, BACK .....	2	UR IVORY WHITE
	JU0-K8402-00-00	SEAT SUB ASSY, BACK .....	2	UR TAN
15	JN3-K841G-09-00	. COVER, SEAT BACK 2 .....	1	UR IVORY WHITE
	JU0-K841G-09-00	. COVER, SEAT BACK 2 .....	1	UR TAN
16	JN3-K8413-00-00	COVER, SEAT BACK .....	2	
17	90119-08820-00	BOLT, WITH WASHER .....	4	
18	90201-098J4-00	WASHER, PLATE .....	4	
19	95880-06025-00	BOLT, FLANGE .....	4	
20	90201-068G0-00	WASHER, PLATE .....	4	
21	90201-068G6-00	WASHER, PLATE .....	4	
22	JU0-K8423-00-00	SUPPORT, SEAT BACK .....	1	
23	JN3-K842H-00-00	RETAINER, SEAT .....	2	
24	90105-08871-00	BOLT, FLANGE .....	4	
25	90338-09828-00	PLUG .....	2	

## CONTENTS

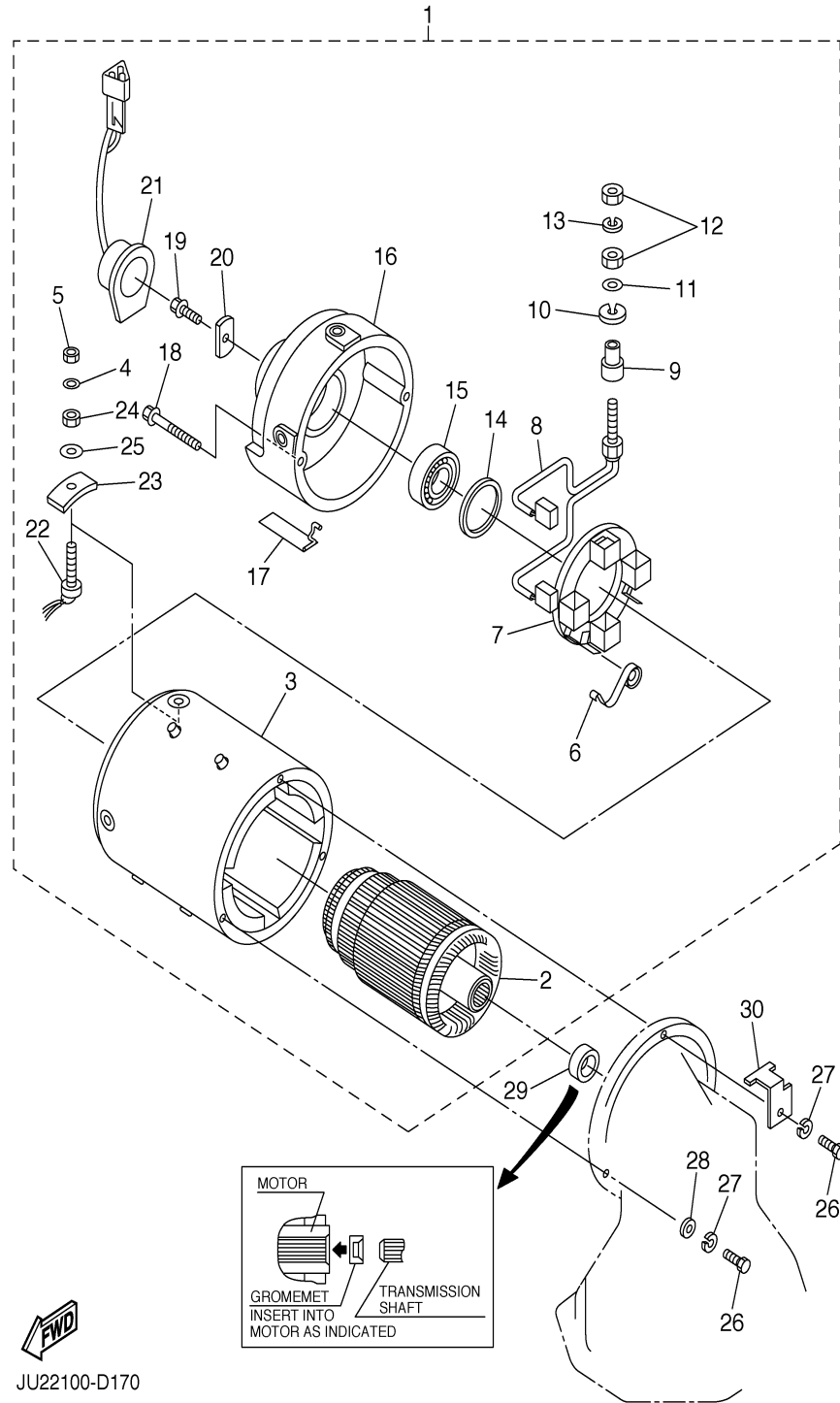
ACCELERATOR	B3
BATTERY CHARGER DPI	C7
BATTERY CHARGER MAC	C6
BODY	B8
BODY 2	B9-10
BODY FITTING	B11
BRAKE	A11-12
BRAKE 2	B1
BRAKE 3	B2
BUMPER	B7
CARRIER	B12
CONTROLLER 1	C3
ELECTRIC MOTOR	C2
ELECTRICAL 1	C4-5
FRAME	A6
FRONT SUSPENSION & WHEEL	A7-8
OPTIONAL ENERGY/HOUR GAUGES	C12
OPTIONAL LIGHT KIT	C10-11
OPTIONAL SUN ROOF	C9
OPTIONAL WINDSHIELD	C8
REAR ARM & SUSPENSION	A5
REAR AXLE MOUNT & WHEEL	B6
SEAT	C1
STEERING	A9-10
TRANSAXLE	B4-5



JT73010-C320



# ELECTRIC MOTOR



JU22100-D170

Ref. No.	Part Number	Description	Qty	Remarks
1	JU2-H1890-10-00	MOTOR ASSY	1	
2	JU2-H1850-10-00	. ARMATURE ASSY	1	
3	JU2-H1160-10-00	. FIELD COIL ASSY	1	
4	JU2-H185A-10-00	. WASHER, PLATE	2	
5	JU2-H182A-10-00	. NUT	2	
6	JU2-H1617-10-00	. SPRING, BRUSH	4	
7	JU2-H1840-10-00	. BRUSH HOLDER ASSY	1	
8	JU2-H1801-10-00	. BRUSH SET	2	
9	JU2-H182G-10-00	. BUSH, TERMINAL	2	
10	JU2-H1843-10-00	. WASHER 1	2	
11	JU2-H181L-10-00	. WASHER, PLAIN	2	
12	JU2-H1872-10-00	. NUT, SPECIAL	4	
13	JU2-H1835-10-00	. WASHER	2	
14	JU2-H1856-10-00	. BEARING	1	
15	JU2-H185B-10-00	. BEARING 1	1	
16	JU2-H183J-10-00	. BRACKET, FRONT	1	
17	JU2-H1129-10-00	. COVER, BRUSH	1	
18	JU2-H1828-10-00	. BOLT 2	2	
19	JU2-H2113-10-00	. SCREW	1	
20	JU2-H181K-10-00	. MAGNET	1	
21	JU2-H1670-10-00	. PICK-UP ASSY	1	
22	JU2-H272L-10-00	. INSULATOR, 1	2	
23	JU2-H272N-10-00	. PLATE, INSULATOR	2	
24	JU2-H182A-10-00	. NUT	2	
25	JU2-H3348-10-00	. WASHER	2	
26	90101-06857-00	BOLT	3	
27	90215-06811-00	WASHER, LOCK	3	
28	90201-068E2-00	WASHER, PLATE	2	
29	JH7-H1829-00-00	GROMMET	1	
30	JU2-H218E-00-00	RELIEF, STRAIN 1	1	

## CONTENTS

ACCELERATOR	B3
BATTERY CHARGER DPI	C7
BATTERY CHARGER MAC	C6
BODY	B8
BODY 2	B9-10
BODY FITTING	B11
BRAKE	A11-12
BRAKE 2	B1
BRAKE 3	B2
BUMPER	B7
CARRIER	B12
CONTROLLER 1	C3
ELECTRIC MOTOR	C2
ELECTRICAL 1	C4-5
FRAME	A6
FRONT SUSPENSION & WHEEL	A7-8
OPTIONAL ENERGY/HOUR GAUGES	C12
OPTIONAL LIGHT KIT	C10-11
OPTIONAL SUN ROOF	C9
OPTIONAL WINDSHIELD	C8
REAR ARM & SUSPENSION	A5
REAR AXLE MOUNT & WHEEL	B6
SEAT	C1
STEERING	A9-10
TRANSAXLE	B4-5

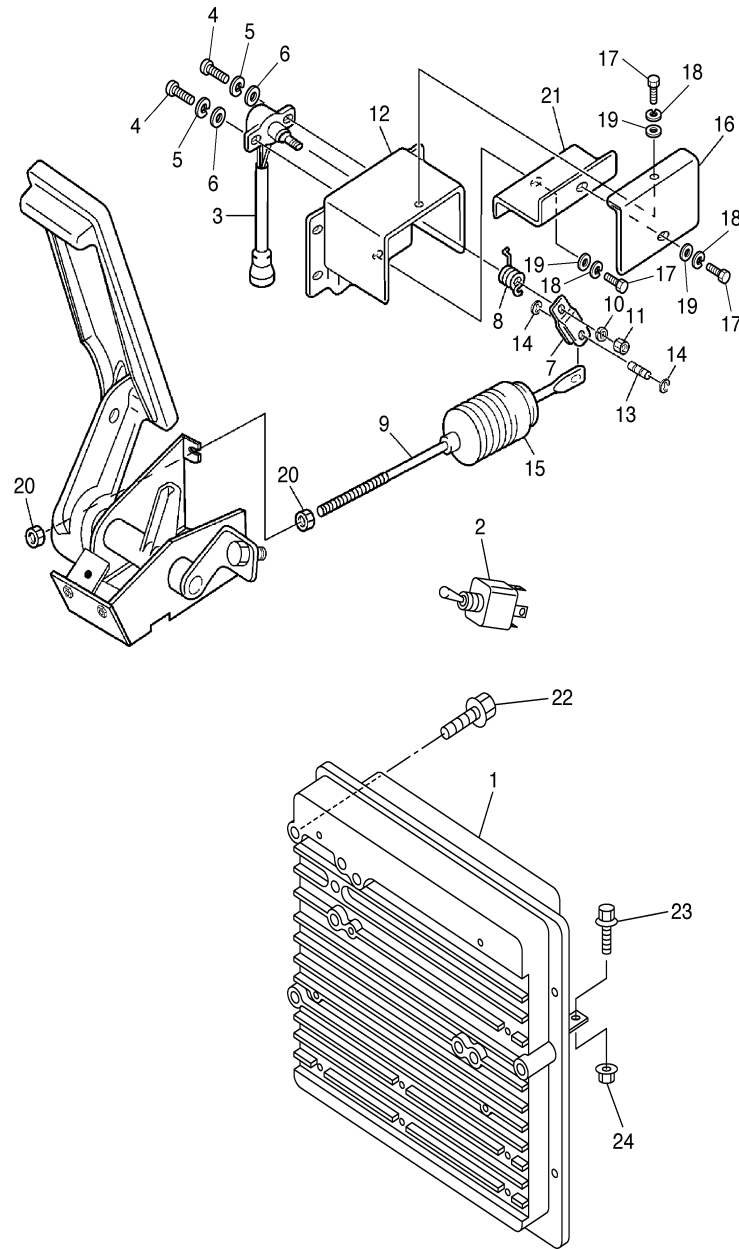


# CONTROLLER 1

Ref. No.	Part Number	Description	Qty	Remarks
1	JU2-H6510-21-00	MOTOR CONTROL UNIT ASSY	1	
2	JU2-H2727-00-00	SWITCH	1	
3	JR1-85885-00-00	THROTTLE SENSOR ASSY	1	
4	98507-05016-00	SCREW, PAN HEAD	3	
5	92907-05100-00	WASHER, SPRING	3	
6	92907-05600-00	WASHER, PLATE	3	
7	JF3-2625H-00-00	ARM, THROTTLE	1	
8	JF3-27825-00-00	SPRING, RETURN	1	
9	JU2-F7241-00-00	ROD, JOINT	1	
10	9290P-06100-00	WASHER	1	
11	95307-06600-00	NUT	1	
12	JF3-27981-00-00	BRACKET, THROTTLE	1	
13	JF3-27813-00-00	PIN, PEDAL CRANK	1	
14	99001-04600-00	CIRCLIP	2	
15	JN4-F7486-00-00	COVER 1	1	
16	JF3-27487-00-00	COVER 2	1	
17	97007-05016-00	BOLT	6	
18	92907-05100-00	WASHER, SPRING	6	
19	92907-05600-00	WASHER, PLATE	6	
20	95307-08700-00	NUT	2	
21	JF3-27445-00-00	PLATE 1	1	
22	9582P-06040-00	BOLT, FLANGE	3	
23	9582P-06016-00	BOLT, FLANGE	3	
24	9560P-06200-00	NUT, FLANGE	3	

## CONTENTS

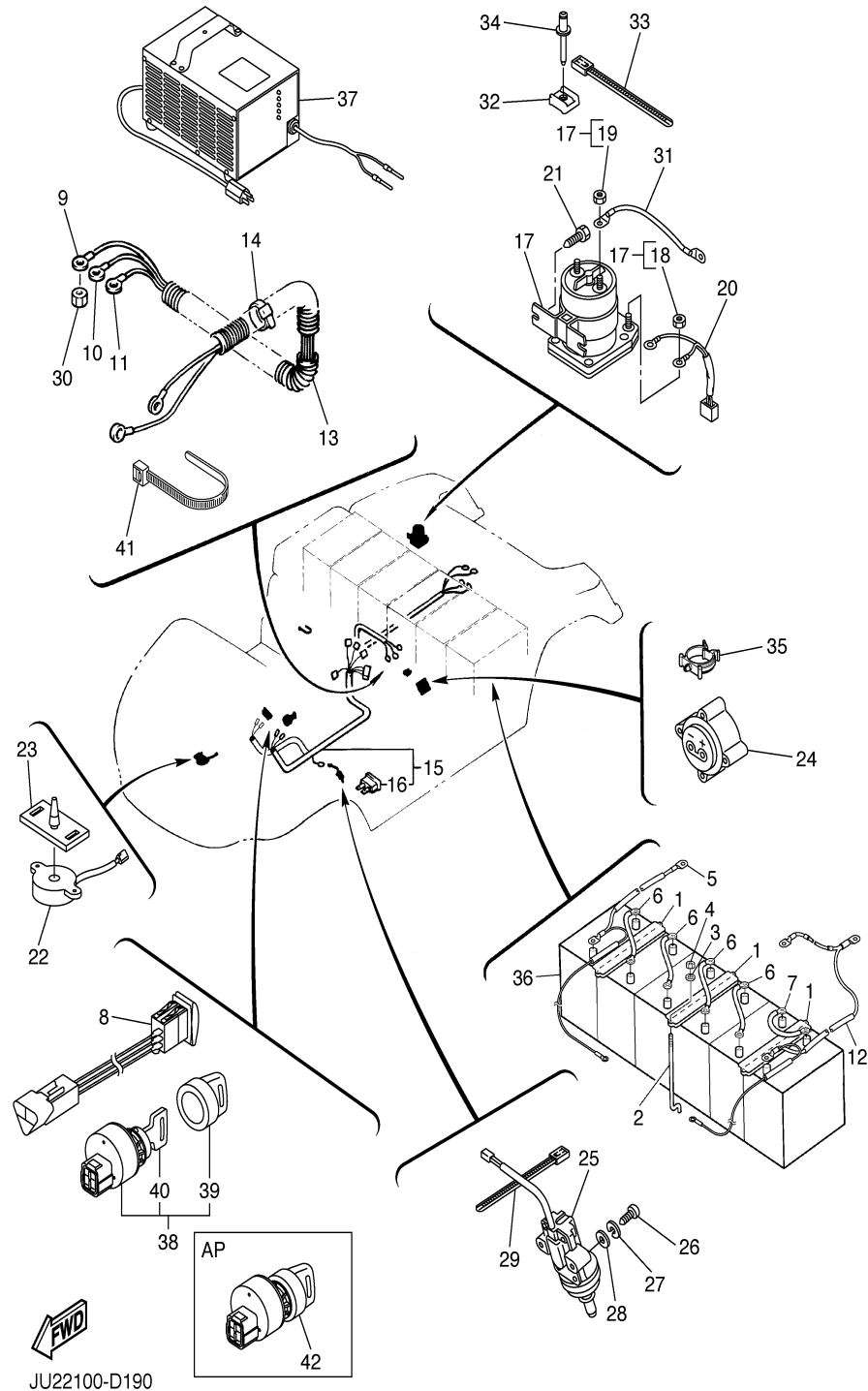
ACCELERATOR	B3
BATTERY CHARGER DPI	C7
BATTERY CHARGER MAC	C6
BODY	B8
BODY 2	B9-10
BODY FITTING	B11
BRAKE	A11-12
BRAKE 2	B1
BRAKE 3	B2
BUMPER	B7
CARRIER	B12
CONTROLLER 1	C3
ELECTRIC MOTOR	C2
ELECTRICAL 1	C4-5
FRAME	A6
FRONT SUSPENSION & WHEEL	A7-8
OPTIONAL ENERGY/HOUR GAUGES	C12
OPTIONAL LIGHT KIT	C10-11
OPTIONAL SUN ROOF	C9
OPTIONAL WINDSHIELD	C8
REAR ARM & SUSPENSION	A5
REAR AXLE MOUNT & WHEEL	B6
SEAT	C1
STEERING	A9-10
TRANSAXLE	B4-5



JU22100-D180



# ELECTRICAL 1



Ref. No.	Part Number	Description	Qty	Remarks
1	JF3-H2136-00-00	PLATE, BATTERY FITTING	3	
2	JN3-H2133-00-00	SCREW, FITTING	6	
3	90201-068R7-00	WASHER, PLATE	6	
4	95707-06500-00	NUT, FLANGE	6	
5	JU2-H2115-10-00	WIRE, PLUS LEAD	1	
6	JU2-H2127-10-00	WIRE, LEAD 2	4	
7	JU2-H2149-10-00	WIRE, LEAD 3	1	
8	JU2-H2917-00-00	SWITCH	1	
9	JU2-H2521-10-00	WIRE, LEAD	1	
10	JU2-H2531-10-00	WIRE, LEAD	1	
11	JU2-H6171-10-00	WIRE, LEAD 1	1	
12	JU2-H6172-10-00	WIRE, LEAD 2	1	
13	JU2-H7196-00-00	TUBE 1	1	
14	90465-13152-00	CLAMP	1	
15	JU2-H2590-10-00	WIRE HARNESS ASSY	1	
16	JR1-H2151-00-00	. FUSE (3A)	1	
17	JU6-H1950-00-00	RELAY ASSY	1	
18	90179-05886-00	. NUT	2	
19	90179-08887-00	. NUT	2	
20	JN6-H2105-00-00	WIRE HARNESS	1	
21	90163-06005-00	SCREW, TAPPING	2	
22	JR1-H3383-01-00	BUZZER	1	
23	JN6-H3386-01-00	STAY, BUZZER	1	
24	JR1-H6181-02-00	RECEPTACLE	1	
25	JF7-82817-20-00	SWITCH	1	
26	98507-05025-00	SCREW, PAN HEAD	2	
27	92907-05100-00	WASHER, SPRING	2	
28	92907-05600-00	WASHER, PLATE	2	
29	90464-40825-00	CLAMP	4	
30	JG6-H1872-00-00	NUT, SPECIAL	4	

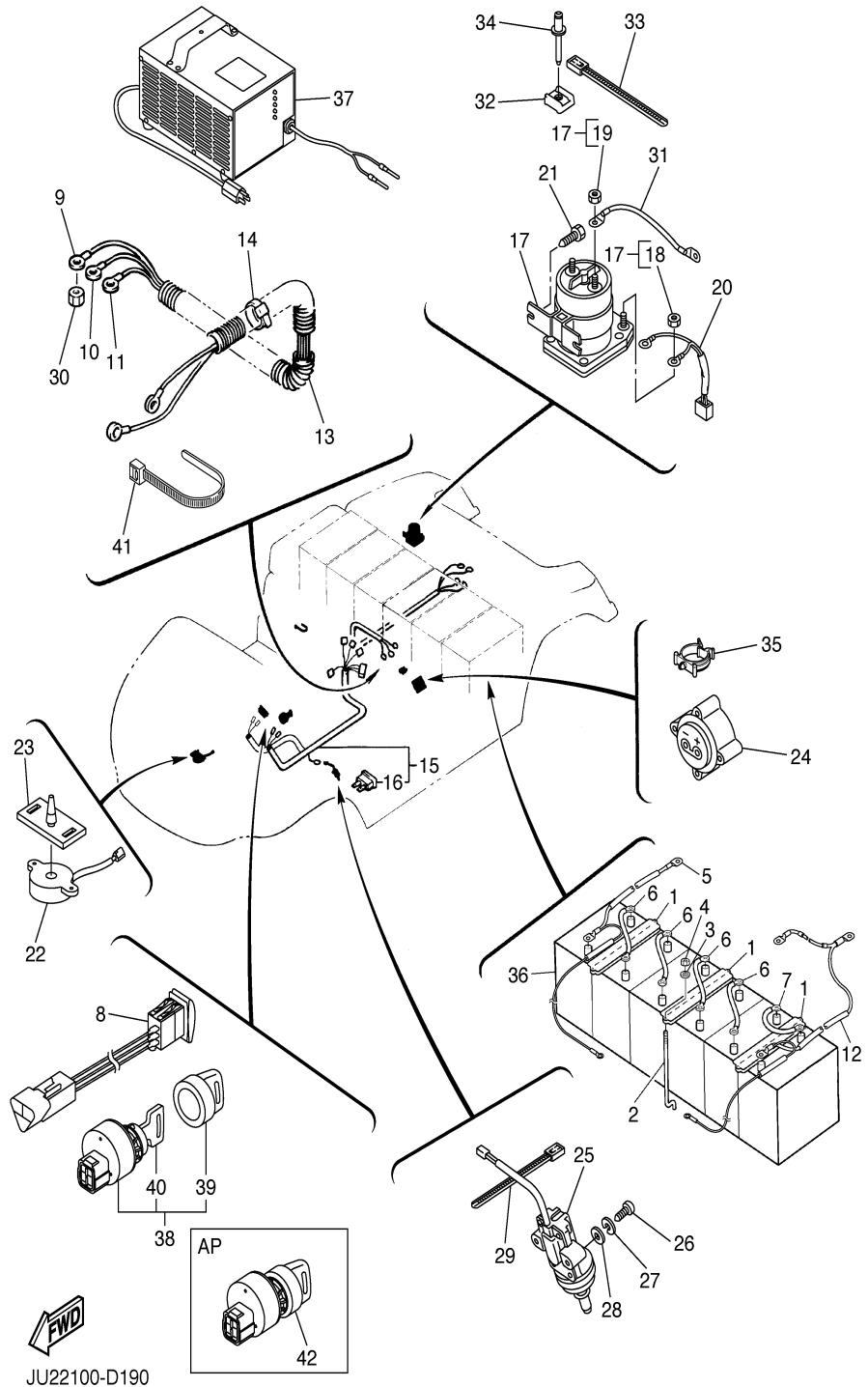
## CONTENTS

ACCELERATOR	B3
BATTERY CHARGER DPI	C7
BATTERY CHARGER MAC	C6
BODY	B8
BODY 2	B9-10
BODY FITTING	B11
BRAKE	A11-12
BRAKE 2	B1
BRAKE 3	B2
BUMPER	B7
CARRIER	B12
CONTROLLER 1	C3
ELECTRIC MOTOR	C2
ELECTRICAL 1	C4-5
FRAME	A6
FRONT SUSPENSION & WHEEL	A7-8
OPTIONAL ENERGY/HOUR GAUGES	C12
OPTIONAL LIGHT KIT	C10-11
OPTIONAL SUN ROOF	C9
OPTIONAL WINDSHIELD	C8
REAR ARM & SUSPENSION	A5
REAR AXLE MOUNT & WHEEL	B6
SEAT	C1
STEERING	A9-10
TRANSAXLE	B4-5

CONTINUED ON NEXT FRAME ►



# ELECTRICAL 1



Ref. No.	Part Number	Description	Qty	Remarks
31	JU2-H6527-10-00	WIRE 7	1	
32	90207-05800-00	WASHER, FINISH	2	
33	90464-40825-00	CLAMP	2	
34	90267-489U9-00	RIVET, BLIND	2	
35	90464-25826-00	CLAMP	2	
36	JR1-H2110-20-00	BATTERY (8V BCI GROUP GC-2H)	6	CALL PARTS DEPT.
37	MAC-SCR48-17-17	CHARGER (JR1-H2107-03-00)	1	60HZ/120V
	JU2-H2107-01-00	CHARGER DPI	1	60HZ/120V
38	JU2-H2510-10-00	MAIN SWITCH ASSY	1	STD
39	5UG-H2579-00-00	. CAP, KEY	1	
40	JU2-H2511-00-00	. KEY, MAIN SWITCH	1	
41	90464-14806-00	CLAMP	1	
42	JU2-H2510-20-00	MAIN SWITCH ASSY	1	AP RANDOM KEY

## CONTENTS

ACCELERATOR	B3
BATTERY CHARGER DPI	C7
BATTERY CHARGER MAC	C6
BODY	B8
BODY 2	B9-10
BODY FITTING	B11
BRAKE	A11-12
BRAKE 2	B1
BRAKE 3	B2
BUMPER	B7
CARRIER	B12
CONTROLLER 1	C3
ELECTRIC MOTOR	C2
ELECTRICAL 1	C4-5
FRAME	A6
FRONT SUSPENSION & WHEEL	A7-8
OPTIONAL ENERGY/HOUR GAUGES	C12
OPTIONAL LIGHT KIT	C10-11
OPTIONAL SUN ROOF	C9
OPTIONAL WINDSHIELD	C8
REAR ARM & SUSPENSION	A5
REAR AXLE MOUNT & WHEEL	B6
SEAT	C1
STEERING	A9-10
TRANSAXLE	B4-5

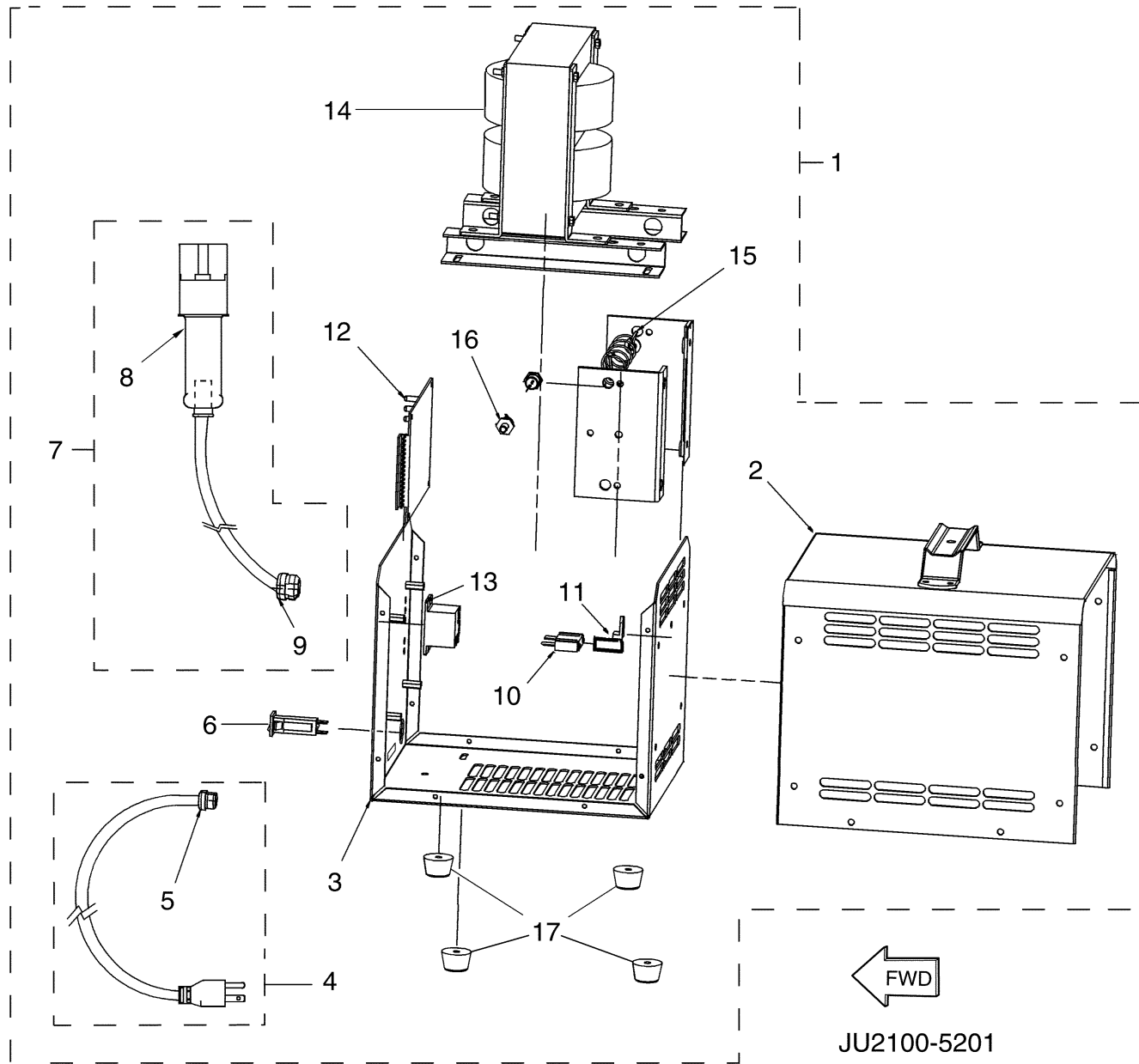


# BATTERY CHARGER MAC

Ref. No.	Part Number	Description	Qty	Remarks
1	MAC-SCR48-17-17	CHARGER (JR1-H2107-03-00)	1	MAC 60HZ/120V
2	MAC-WP141-06-20	. CASE COVER	1	MAC
3	MAC-WP140-81-00	. CASE MAIN	1	MAC
4	MAC-11438-10-00	. AC CORD ASSY	1	120V
5	MAC-M3660-00-00	. AC STRAIN RELIEF	1	MAC
6	MAC-M1406-10-00	. CIRCUIT BREAKER, 15A AC	1	MAC
7	MAC-CDC10-23-00	. DC CORD ASSY 8FT	1	MAC
8	MAC-M1409-80-00	. DC PLUG SET	1	MAC
9	MAC-M6680-00-00	. DC STRAIN RELIEF	1	MAC
10	MAC-WP154-77-00	. DC FUSE ASSY	1	MAC
11	MAC-M1546-10-00	. TIE, CABLE STRAP	1	MAC
12	MAC-0480S-1F-17	. CONTROL CIRCUIT	1	MAC
13	MACM1406-50-00	. RELAY	1	MAC
14	MAC-TX141-10-V0	. POWER TRANSFORMER	1	U.S. 60HZ/120V
15	MAC-WP135-52-L0	. SHUNT	1	MAC
16	MAC-M3998-00-00	. RECTIFIER, SCR	2	MAC
17	MAC-M1202-60-00	. BUMPER	1	

## CONTENTS

ACCELERATOR	B3
BATTERY CHARGER DPI	C7
BATTERY CHARGER MAC	C6
BODY	B8
BODY 2	B9-10
BODY FITTING	B11
BRAKE	A11-12
BRAKE 2	B1
BRAKE 3	B2
BUMPER	B7
CARRIER	B12
CONTROLLER 1	C3
ELECTRIC MOTOR	C2
ELECTRICAL 1	C4-5
FRAME	A6
FRONT SUSPENSION & WHEEL	A7-8
OPTIONAL ENERGY/HOUR GAUGES	C12
OPTIONAL LIGHT KIT	C10-11
OPTIONAL SUN ROOF	C9
OPTIONAL WINDSHIELD	C8
REAR ARM & SUSPENSION	A5
REAR AXLE MOUNT & WHEEL	B6
SEAT	C1
STEERING	A9-10
TRANSAXLE	B4-5



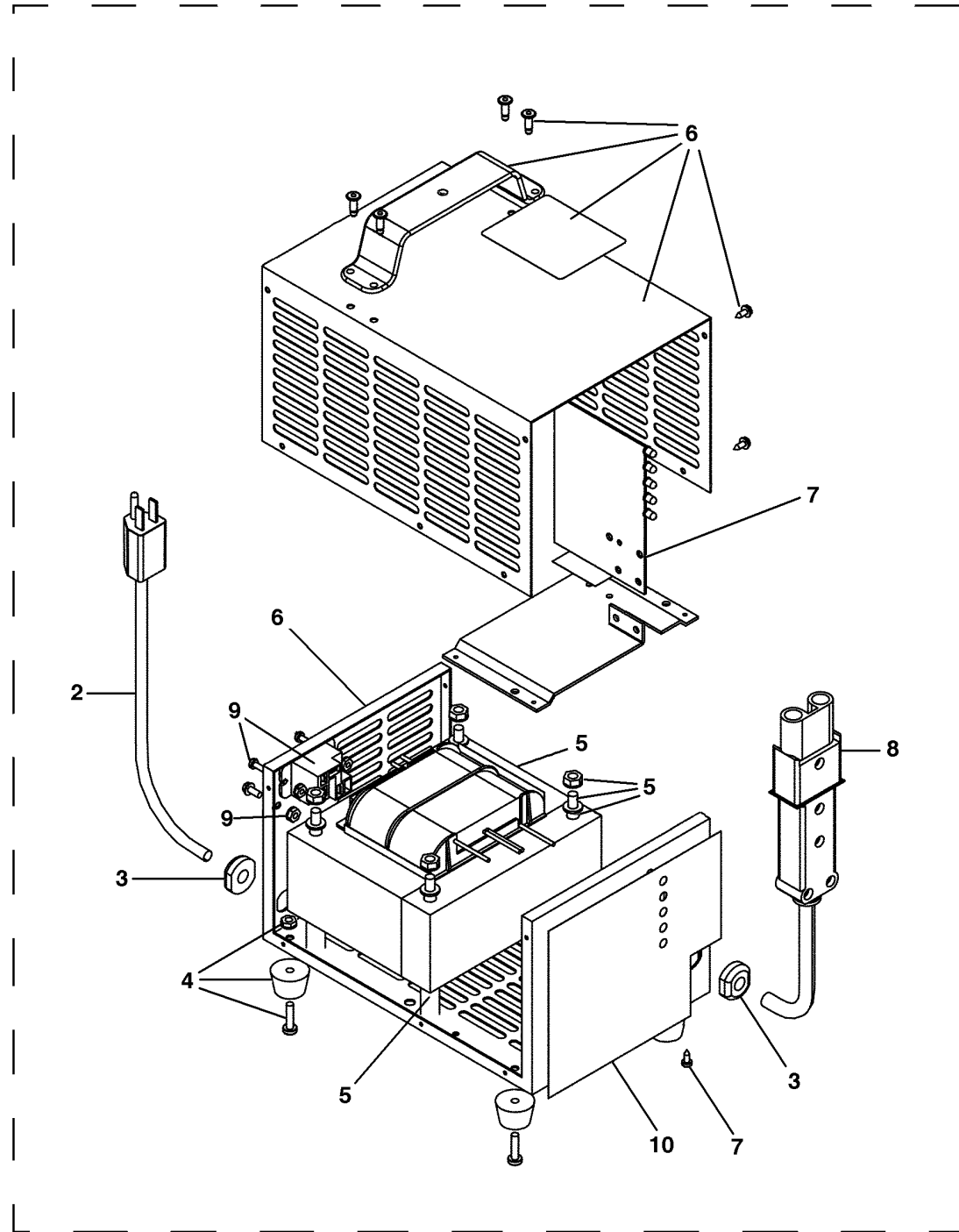


# BATTERY CHARGER DPI

Ref. No.	Part Number	Description	Qty	Remarks
1	JU2-H2107-01-00	CHARGER DPI .....	1	DPI 60HZ/120V
2	DPI-JU201-00-00	. INPUT AC CABLE .....	1	KIT 1
3	DPI-JU202-00-00	. STRAIN RELIEF SET .....	1	KIT 2
4	DPI-JU203-00-00	. BUMPER SET .....	1	KIT 3
5	DPI-JU204-00-00	. TRANSFORMER SET .....	1	KIT 4
6	DPI-JU205-00-00	. CASE SET .....	1	KIT 5
7	DPI-JU206-00-00	. PC BOARD SET .....	1	KIT 6
8	DPI-JU207-00-00	. DC PLUG .....	1	KIT 7
9	DPI-JU208-00-00	. RELAY SET .....	1	KIT 8
10	DPI-JU209-00-00	. FRONT PANEL LABEL .....	1	KIT 9

## CONTENTS

ACCELERATOR	B3
BATTERY CHARGER DPI	C7
BATTERY CHARGER MAC	C6
BODY	B8
BODY 2	B9-10
BODY FITTING	B11
BRAKE	A11-12
BRAKE 2	B1
BRAKE 3	B2
BUMPER	B7
CARRIER	B12
CONTROLLER 1	C3
ELECTRIC MOTOR	C2
ELECTRICAL 1	C4-5
FRAME	A6
FRONT SUSPENSION & WHEEL	A7-8
OPTIONAL ENERGY/HOUR GAUGES	C12
OPTIONAL LIGHT KIT	C10-11
OPTIONAL SUN ROOF	C9
OPTIONAL WINDSHIELD	C8
REAR ARM & SUSPENSION	A5
REAR AXLE MOUNT & WHEEL	B6
SEAT	C1
STEERING	A9-10
TRANSAXLE	B4-5



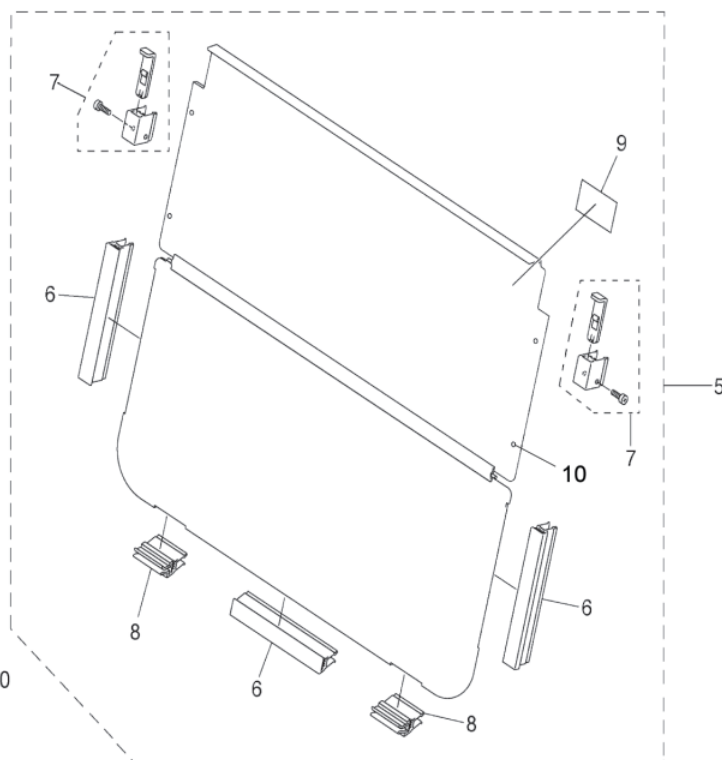
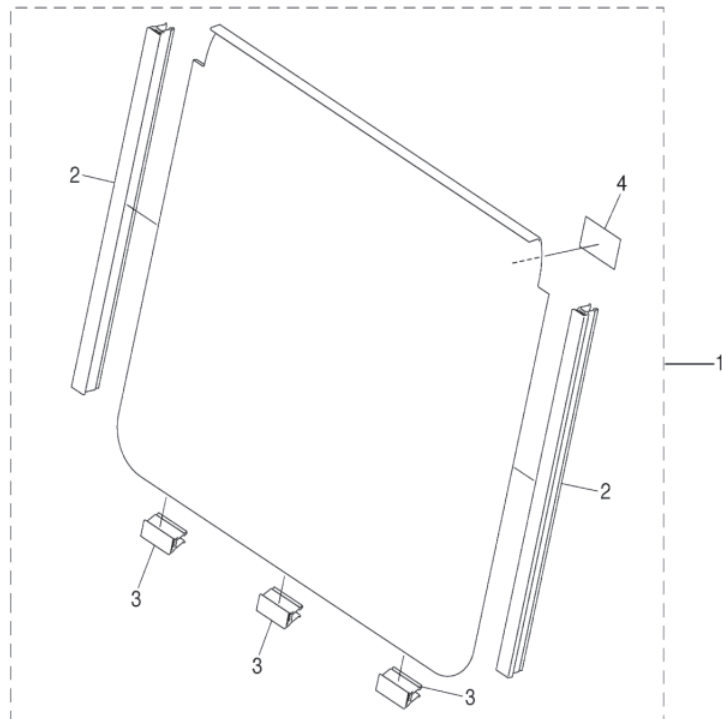


# OPTIONAL WINDSHIELD

Ref. No.	Part Number	Description	Qty	Remarks
1	JU0-K7200-03-00	WINDSHIELD ASSY, SOLID (CLEAR)	1	UR AP
	JU0-K7200-13-00	WINDSHIELD ASSY, SOLID (TINTED)	1	UR AP
2	JU0-K838A-20-00	. RETAINER 1	2	
3	JU0-K838A-10-00	. RETAINER 1	3	
4	JU0-K7458-00-00	. LABEL, WARNING	1	
5	JU0-K7200-22-00	WINDSHIELD ASSY, HINGED (CLEAR)	1	UR AP
	JU0-K7200-32-00	WINDSHIELD ASSY, HINGED (SMOKE)	1	UR AP
6	JU0-K838B-00-00	. RETAINER 2	3	
7	GCA-WSUPP-ER-KT	. UPPER, LATCH 2	1	
8	JU0-K7222-01-00	. BRACKET, WINDSHIELD (R.H.)	2	
9	JU0-K7458-00-00	. LABEL, WARNING	1	
10	JN3-K7238-00-00	. DAMPER, WINDSHIELD	4	

## CONTENTS

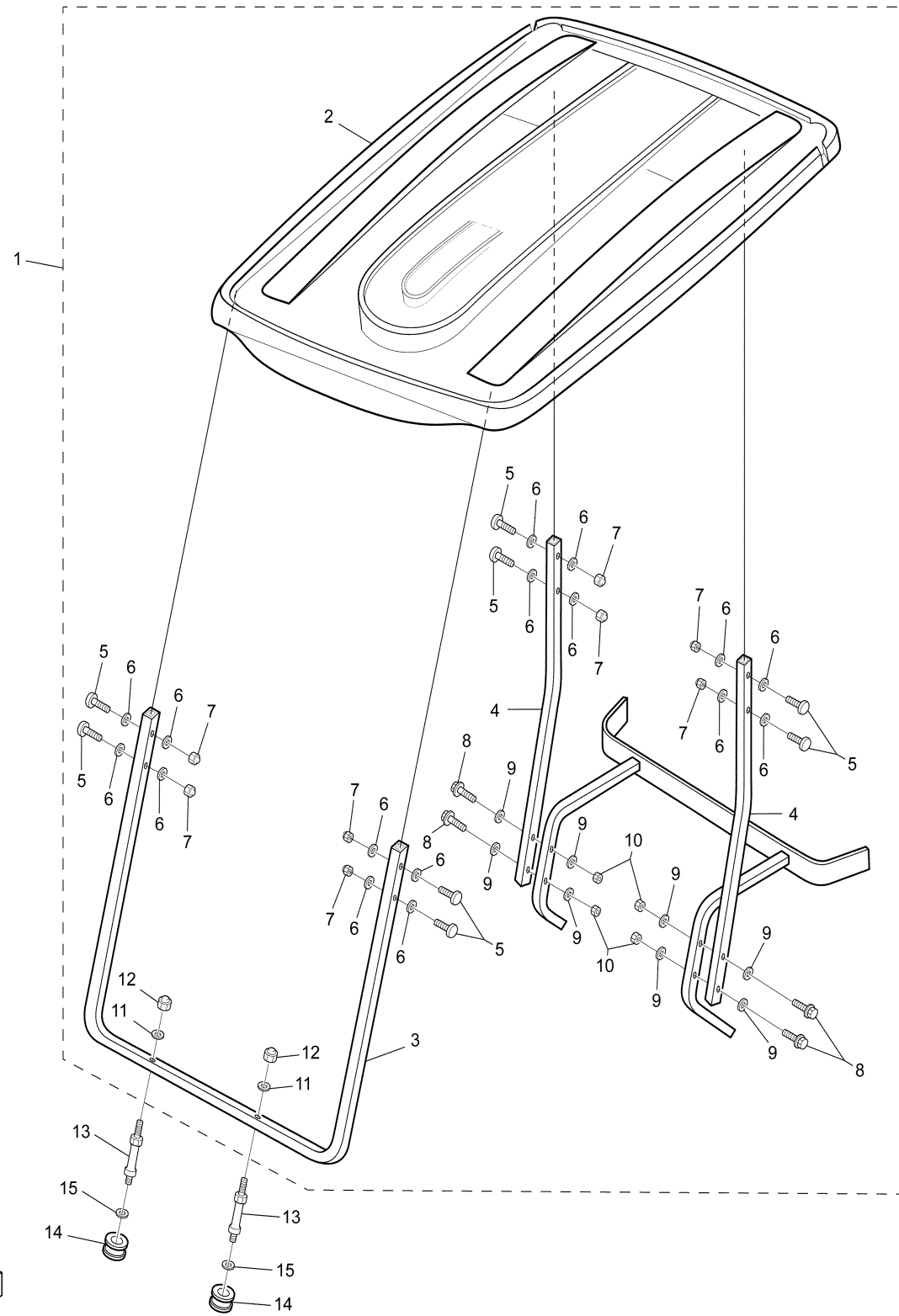
ACCELERATOR	B3
BATTERY CHARGER DPI	C7
BATTERY CHARGER MAC	C6
BODY	B8
BODY 2	B9-10
BODY FITTING	B11
BRAKE	A11-12
BRAKE 2	B1
BRAKE 3	B2
BUMPER	B7
CARRIER	B12
CONTROLLER 1	C3
ELECTRIC MOTOR	C2
ELECTRICAL 1	C4-5
FRAME	A6
FRONT SUSPENSION & WHEEL	A7-8
OPTIONAL ENERGY/HOUR GAUGES	C12
OPTIONAL LIGHT KIT	C10-11
OPTIONAL SUN ROOF	C9
OPTIONAL WINDSHIELD	C8
REAR ARM & SUSPENSION	A5
REAR AXLE MOUNT & WHEEL	B6
SEAT	C1
STEERING	A9-10
TRANSAXLE	B4-5







# OPTIONAL SUN ROOF



JU0100-5370

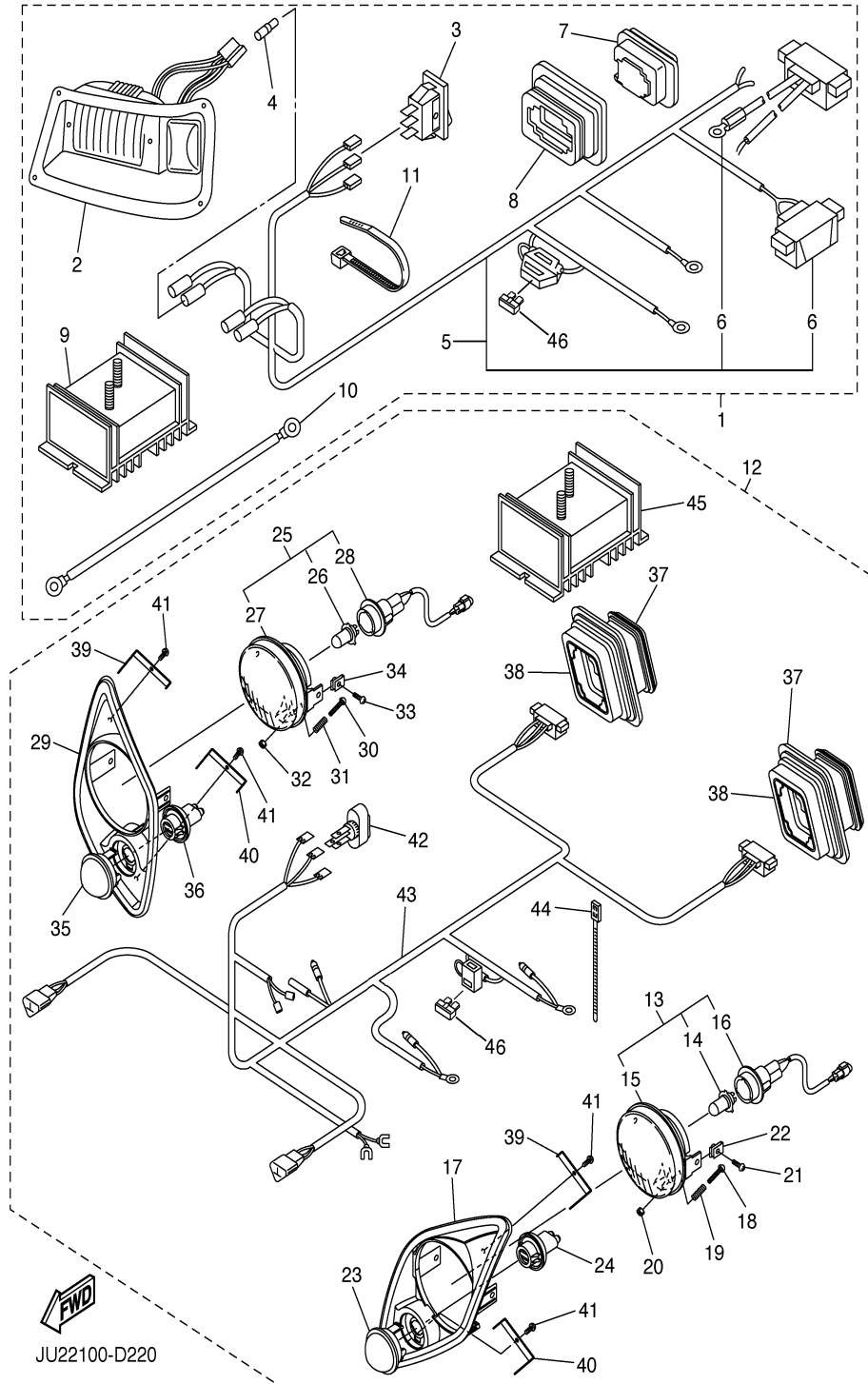
Ref. No.	Part Number	Description	Qty	Remarks
1	JU0-K8310-00-00	SUN ROOF ASSY .....	1	UR IVORY
	JU0-K8310-10-00	SUN ROOF ASSY .....	1	UR TAN
2	JU0-K8314-00-00	. COVER, SUN ROOF .....	1	UR IVORY
	JU0-K8314-10-00	. COVER, SUN ROOF .....	1	UR TAN
3	JU0-K8312-01-00	. SUPPORT, SUN ROOF 1 ....	1	
4	JU0-K8313-01-00	. SUPPORT, SUN ROOF 2 ....	2	
5	JU0-K8388-00-00	. BOLT, ROOF 1 .....	8	
6	90201-088T2-00	. WASHER, PLATE .....	16	
7	JU0-K8398-00-00	. NUT, ROOF 1 .....	8	
8	90101-22864-00	. BOLT .....	4	
9	90201-088J3-00	. WASHER, PLATE .....	8	
10	90185-12835-00	. NUT, SELF-LOCKING .....	4	
11	90201-098J4-00	. WASHER, PLATE .....	2	
12	90176-08801-00	. NUT, CROWN .....	2	
13	JU0-K834A-00-00	. REINF., HOLDER .....	2	FOR SUN ROOF
14	JN3-K832F-00-00	. GROMMET, ROOF SUPPORT	2	FOR SUN ROOF
15	90201-11800-00	. WASHER, PLATE .....	2	FOR SUN ROOF

## CONTENTS

ACCELERATOR	B3
BATTERY CHARGER DPI	C7
BATTERY CHARGER MAC	C6
BODY	B8
BODY 2	B9-10
BODY FITTING	B11
BRAKE	A11-12
BRAKE 2	B1
BRAKE 3	B2
BUMPER	B7
CARRIER	B12
CONTROLLER 1	C3
ELECTRIC MOTOR	C2
ELECTRICAL 1	C4-5
FRAME	A6
FRONT SUSPENSION & WHEEL	A7-8
OPTIONAL ENERGY/HOUR GAUGES	C12
OPTIONAL LIGHT KIT	C10-11
OPTIONAL SUN ROOF	C9
OPTIONAL WINDSHIELD	C8
REAR ARM & SUSPENSION	A5
REAR AXLE MOUNT & WHEEL	B6
SEAT	C1
STEERING	A9-10
TRANSAXLE	B4-5



# OPTIONAL LIGHT KIT



Ref. No.	Part Number	Description	Qty	Remarks
1	JR1-H430A-20-00	HEADLIGHT UNIT ASSY	1	UR
2	JN3-H4303-20-00	. HEADLIGHT UNIT ASSY	2	
3	JN3-H3976-20-00	. SWITCH, HANDLE 1	1	
4	9E212-10401-00	. TERMINAL	2	
5	JR1-H4159-00-00	. CORD, HEADLIGHT	1	
6	JN3-H4517-00-00	. . CORD, TAILLIGHT	2	
7	JU5-H4700-00-00	. TAILLIGHT ASSY	2	
8	JU5-H4718-00-00	. GROMMET	2	
9	JR1-H1910-00-00	. VOLTAGE REGULATOR ASSY	1	
10	JR1-H4149-00-00	. WIRE, LEAD 2	1	
11	90464-40800-00	. CLAMP	20	
12	JU2-H430A-00-00	HEADLIGHT UNIT ASSY	1	UR
13	5FU-H4300-00-00	. HEADLIGHT ASSY	1	
14	5FU-H4314-00-00	. . BULB, HEADLIGHT (12V-30/30W)	1	
15	5FU-H4320-00-00	. . LENS ASSY	1	
16	5FU-H4340-00-00	. . SOCKET CORD ASSY 1	1	
17	JU7-H411T-01-00	. HOLDER, 1	1	
18	98507-03540-00	. SCREW, PAN HEAD	1	
19	90501-10060-00	. SPRING, SCREW	1	
20	2GU-84334-00-00	. NUT, ADJUSTING	1	
21	90150-05802-00	. SCREW, ROUND HEAD	2	
22	90183-05008-00	. NUT, SPRING	2	
23	JU7-H5415-00-00	. MARK, SIGNAL LAMP	1	
24	JU7-H3547-00-00	. COVER, SOCKET	1	
25	5FU-H4300-00-00	. HEADLIGHT ASSY	1	
26	5FU-H4314-00-00	. . BULB, HEADLIGHT (12V-30/30W)	1	
27	5FU-H4320-00-00	. . LENS ASSY	1	
28	5FU-H4340-00-00	. . SOCKET CORD ASSY 1	1	
29	JU7-H411U-01-00	. HOLDER, 2	1	

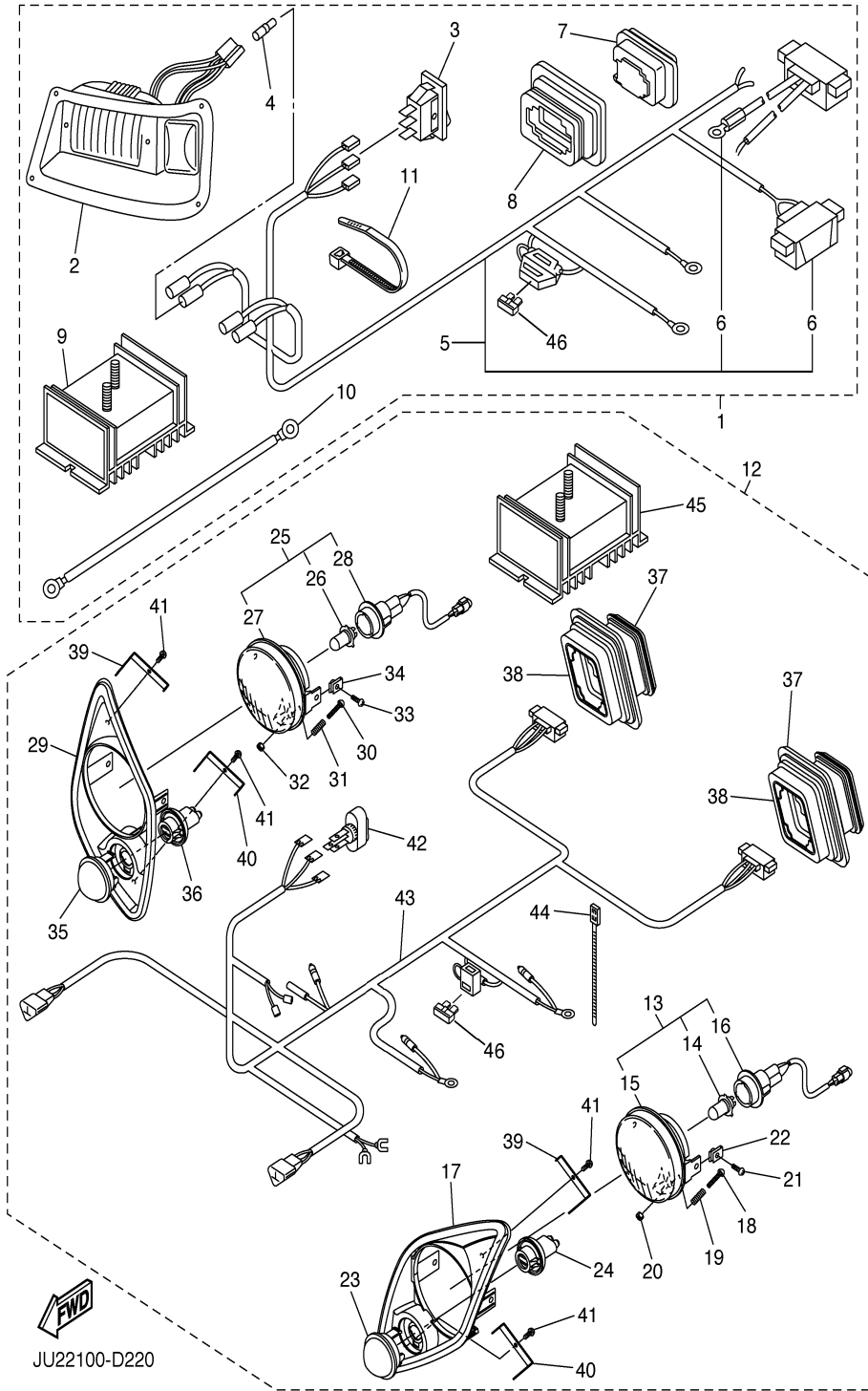
## CONTENTS

ACCELERATOR	B3
BATTERY CHARGER DPI	C7
BATTERY CHARGER MAC	C6
BODY	B8
BODY 2	B9-10
BODY FITTING	B11
BRAKE	A11-12
BRAKE 2	B1
BRAKE 3	B2
BUMPER	B7
CARRIER	B12
CONTROLLER 1	C3
ELECTRIC MOTOR	C2
ELECTRICAL 1	C4-5
FRAME	A6
FRONT SUSPENSION & WHEEL	A7-8
OPTIONAL ENERGY/HOUR GAUGES	C12
OPTIONAL LIGHT KIT	C10-11
OPTIONAL SUN ROOF	C9
OPTIONAL WINDSHIELD	C8
REAR ARM & SUSPENSION	A5
REAR AXLE MOUNT & WHEEL	B6
SEAT	C1
STEERING	A9-10
TRANSAXLE	B4-5

CONTINUED ON NEXT FRAME ►



# OPTIONAL LIGHT KIT



Ref. No.	Part Number	Description	Qty	Remarks
30	98507-03540-00	. SCREW, PAN HEAD	1	
31	90501-10060-00	. SPRING, SCREW	1	
32	2GU-84334-00-00	. NUT, ADJUSTING	1	
33	90150-05802-00	. SCREW, ROUND HEAD	2	
34	90183-05008-00	. NUT, SPRING	2	
35	JU7-H5415-00-00	. MARK, SIGNAL LAMP	1	
36	JU7-H3547-00-00	. COVER, SOCKET	1	
37	JU5-H4700-00-00	. TAILLIGHT ASSY	2	
38	JU5-H4718-00-00	. GROMMET	2	
39	JU7-H4118-01-00	. STAY, HEADLIGHT 1	2	
40	JU7-H4119-01-00	. STAY, HEADLIGHT 2	2	
41	97707-40112-00	. SCREW, TAPPING	4	
42	JN3-H3976-20-00	. SWITCH, HANDLE 1	1	
43	JU0-H4159-00-00	. CORD, HEADLIGHT	1	
44	90464-14806-00	. CLAMP	20	
45	JR1-H1910-00-00	. VOLTAGE REGULATOR ASSY	1	
46	42X-82151-00-00	. FUSE, (10A-BL)	1	

## CONTENTS

ACCELERATOR	B3
BATTERY CHARGER DPI	C7
BATTERY CHARGER MAC	C6
BODY	B8
BODY 2	B9-10
BODY FITTING	B11
BRAKE	A11-12
BRAKE 2	B1
BRAKE 3	B2
BUMPER	B7
CARRIER	B12
CONTROLLER 1	C3
ELECTRIC MOTOR	C2
ELECTRICAL 1	C4-5
FRAME	A6
FRONT SUSPENSION & WHEEL	A7-8
OPTIONAL ENERGY/HOUR GAUGES	C12
OPTIONAL LIGHT KIT	C10-11
OPTIONAL SUN ROOF	C9
OPTIONAL WINDSHIELD	C8
REAR ARM & SUSPENSION	A5
REAR AXLE MOUNT & WHEEL	B6
SEAT	C1
STEERING	A9-10
TRANSAXLE	B4-5



## OPTIONAL ENERGY/HOUR GAUGES

Ref. No.	Part Number	Description	Qty	Remarks
1	JR1-H351C-10-00	BATTERY ENERGY METER ...	1	INCL. MOUNTING SCREWS AND TERMINAL CONNECTORS
12	JN6-H351C-00-00	HOUR METER .....	1	INCL. MOUNTING SCREWS AND TERMINAL CONNECTORS

### CONTENTS

ACCELERATOR	B3
BATTERY CHARGER DPI	C7
BATTERY CHARGER MAC	C6
BODY	B8
BODY 2	B9-10
BODY FITTING	B11
BRAKE	A11-12
BRAKE 2	B1
BRAKE 3	B2
BUMPER	B7
CARRIER	B12
CONTROLLER 1	C3
ELECTRIC MOTOR	C2
ELECTRICAL 1	C4-5
FRAME	A6
FRONT SUSPENSION & WHEEL	A7-8
OPTIONAL ENERGY/HOUR GAUGES	C12
OPTIONAL LIGHT KIT	C10-11
OPTIONAL SUN ROOF	C9
OPTIONAL WINDSHIELD	C8
REAR ARM & SUSPENSION	A5
REAR AXLE MOUNT & WHEEL	B6
SEAT	C1
STEERING	A9-10
TRANSAXLE	B4-5

