

**DID YOU
KNOW?**

CartPros directs you to the right part using the part numbers from this manual. Enter the part number into our search box and it will find the part you are looking for.

**GET STARTED
HERE** →

<https://CartPros.com/f.html>

604938



A Textron Company

CUSHMAN

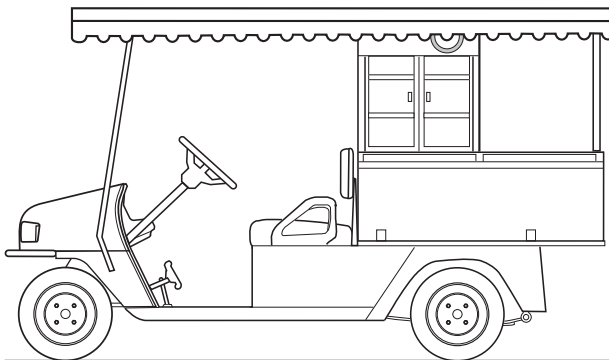
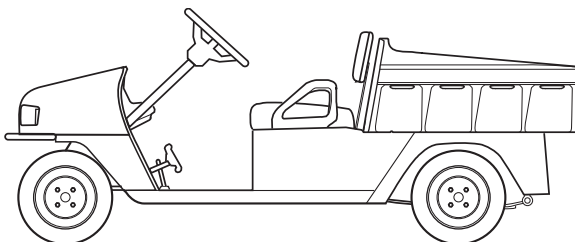
A Textron Company

JACOBSEN

A Textron Company



SERVICE PARTS MANUAL



Ref Fcv 21

GASOLINE POWERED UTILITY VEHICLES

ISSUED DATE APRIL 2006 REVISED DATE JULY 2008

**DID YOU
KNOW?**

CartPros directs you to the right part using the part numbers from this manual. Enter the part number into our search box and it will find the part you are looking for.

**GET STARTED
HERE**



<https://CartPros.com/f.html>

SERVICE PARTS MANUAL

GASOLINE POWERED UTILITY VEHICLES

MPT™ 1200

COMMANDER™ 2200

HAULER™ 1200

REFRESHER® 1200

STARTING MODEL YEAR 2006+

DISCLAIMER: The E-Z-GO Division of Textron Inc. reserves the right to incorporate engineering and design changes to products in this Manual, without obligation to include these changes on units leased/sold previously.

The information contained in this Manual may be revised periodically by the E-Z-GO Division, and therefore is subject to change without notice.

The E-Z-GO Division DISCLAIMS LIABILITY FOR ERRORS IN THIS MANUAL, and the E-Z-GO Division SPECIFICALLY DISCLAIMS LIABILITY FOR INCIDENTAL AND CONSEQUENTIAL DAMAGES resulting from the use of the information and materials in this Manual.

CUSTOMER SERVICE DEPARTMENT IN USA PHONE: 1-800-241-5855 FAX: 1-800-448-8124

OUTSIDE USA PHONE: 001-706-798-4311, FAX: 001-706-771-4609

E-Z-GO DIVISION OF TEXTRON, INC., P.O.BOX 388, AUGUSTA, GEORGIA USA 30903-0388

NOTES

To obtain a copy of the limited warranty applicable to the vehicle, call or write a local Distributor, authorized Branch or the Warranty Department with vehicle serial number and manufacturer code.

The use of non Original Equipment Manufacturer (OEM) parts may void the warranty.

Tampering with or adjusting the governor to permit vehicle to operate at above factory specifications will void the vehicle warranty.

When servicing engines, all adjustments and replacement components must be per original vehicle specifications in order to maintain the United States of America Federal and State emission certification applicable at the time of manufacture.

BATTERY PROLONGED STORAGE

All batteries will self discharge over time. The rate of self discharge varies depending on the ambient temperature and the age and condition of the batteries.

A fully charged battery will not freeze in winter temperatures unless the temperature falls below -75° F (-60° C).

TABLE OF CONTENTS

| SECTION | Page No. |
|---|-----------------|
| HOW TO USE THE SERVICE PARTS MANUAL | v |
| ILLUSTRATED PARTS BREAKDOWN | vii |
| ACCELERATOR | A-1 |
| AIR FILTER | B-1 |
| BODY | C-1 |
| BRAKES - FRONT DISC | D-1 |
| BRAKES | E-1 |
| CAB | F-1 |
| CARBURETOR AND CHOKE | G-1 |
| CLUTCH | H-1 |
| DIRECTION SELECTOR | J-1 |
| ELECTRICAL | K-1 |
| ENGINE AND MUFFLER | L-1 |
| ENGINE MOUNTING | M-1 |
| FRONT SUSPENSION/STEERING | N-1 |
| FUEL SYSTEM | P-1 |
| REAR AXLE | Q-1 |
| REFRESHER UNIT | R-1 |
| REAR SUSPENSION | S-1 |
| SEATING | T-1 |
| STARTER / GENERATOR | U-1 |
| TRUCK BED, PLASTIC | W-1 |
| WEATHER PROTECTION | Y-1 |
| WHEELS AND TIRES | Z-1 |
| SPECIALTY PRODUCTS | APPENDIX A-1 |

HOW TO USE THE SERVICE PARTS MANUAL

This manual is divided into several sections:

GENERAL INFORMATION

- TABLE OF CONTENTS
- HOW TO USE THE SERVICE PARTS MANUAL

ILLUSTRATED PARTS BREAKDOWN

- Contains illustrations and parts lists for all systems of the vehicle

APPENDIX

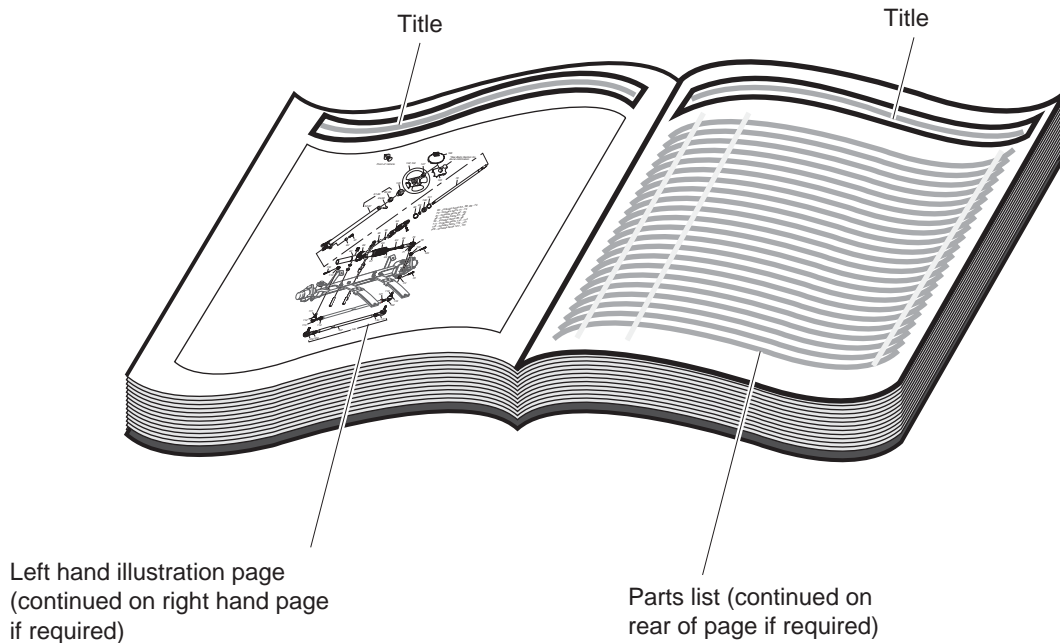
- Contains a listing of specialty products and options/accessories

USE OF THE MANUAL

To use this manual, consult the TABLE OF CONTENTS (page iii) to locate the information or illustration required.

Introduction of some revisions varies due to supply of components; therefore, it is possible that various combinations of components may be found that are not directly reflected by each illustration. Consult the illustration that best suits your situation. Locate the serial number plate (see BODY located in the Illustrated Parts Breakdown section of this manual for its location) and note the complete number shown on the plate. It is important that the serial number of your vehicle and its model number be supplied to Service Parts when ordering any replacement components.

HOW TO USE THE SERVICE PARTS MANUAL



1. WHEN THE PART NUMBER IS NOT KNOWN

- Determine the function and application of the part required. Turn to the INDEX OF MAJOR COMPONENTS and select the most appropriate component description.
- Turn to the page number indicated and locate the part description in the parts list. Read the full accompanying description for specific information regarding the part that was not shown in the index.
- From the parts list, obtain the item number assigned to it and confirm that the part selected is correct by verifying it with the pictorial representation on the illustrated page.

2. IF YOU KNOW THE PART NUMBER

- Use the INDEX OF MAJOR COMPONENTS to find the page(s) the part number appears on.
- Turn to the page number indicated and locate the part number in the parts list. Refer to the accompanying description for specific information regarding the part.
- From the parts list, obtain the item number assigned to it and confirm that the part selected is correct by verifying it with the pictorial representation on the illustrated page.

Should an asterisk (*) appear in the part number column on the parts list page, read upwards until a part number is found. The part number is the lowest assembly sold by Service Parts. The asterisk (*) indicates that the part depicted is not available for purchase.

NOTE: Descriptions are indented under the assembly that they are used on. That assembly is, in turn listed under the assembly that it is used on. This process is repeated until the highest final assembly is reached.

To facilitate the maintenance and repair of the vehicle, a Technician's Repair and Service Manual is available from the Service Parts Department.

**DID YOU
KNOW?**

CartPros directs you to the right part using the part numbers from this manual. Enter the part number into our search box and it will find the part you are looking for.

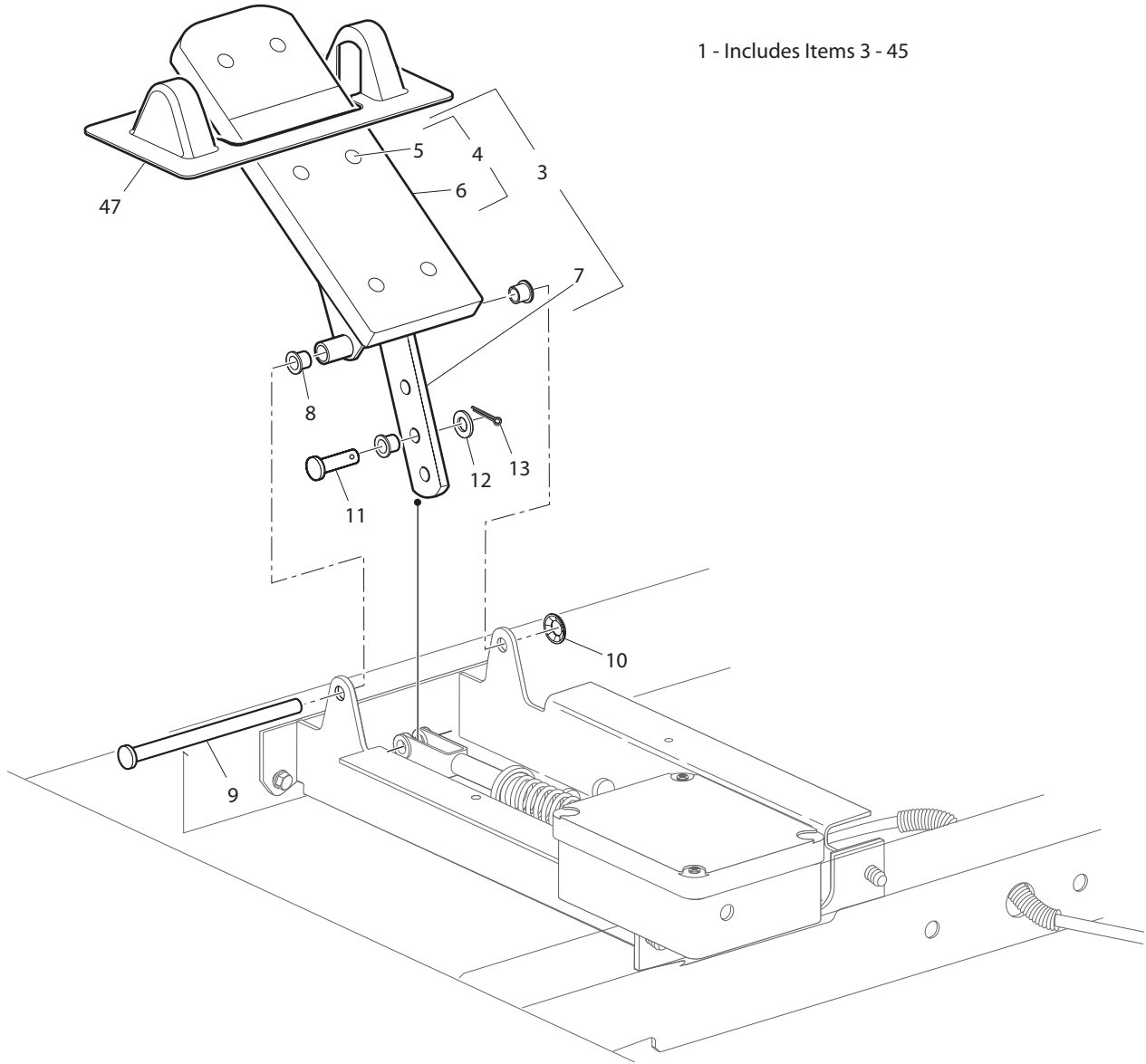
**GET STARTED
HERE**

→ <https://CartPros.com/f.html>

ILLUSTRATED PARTS BREAKDOWN

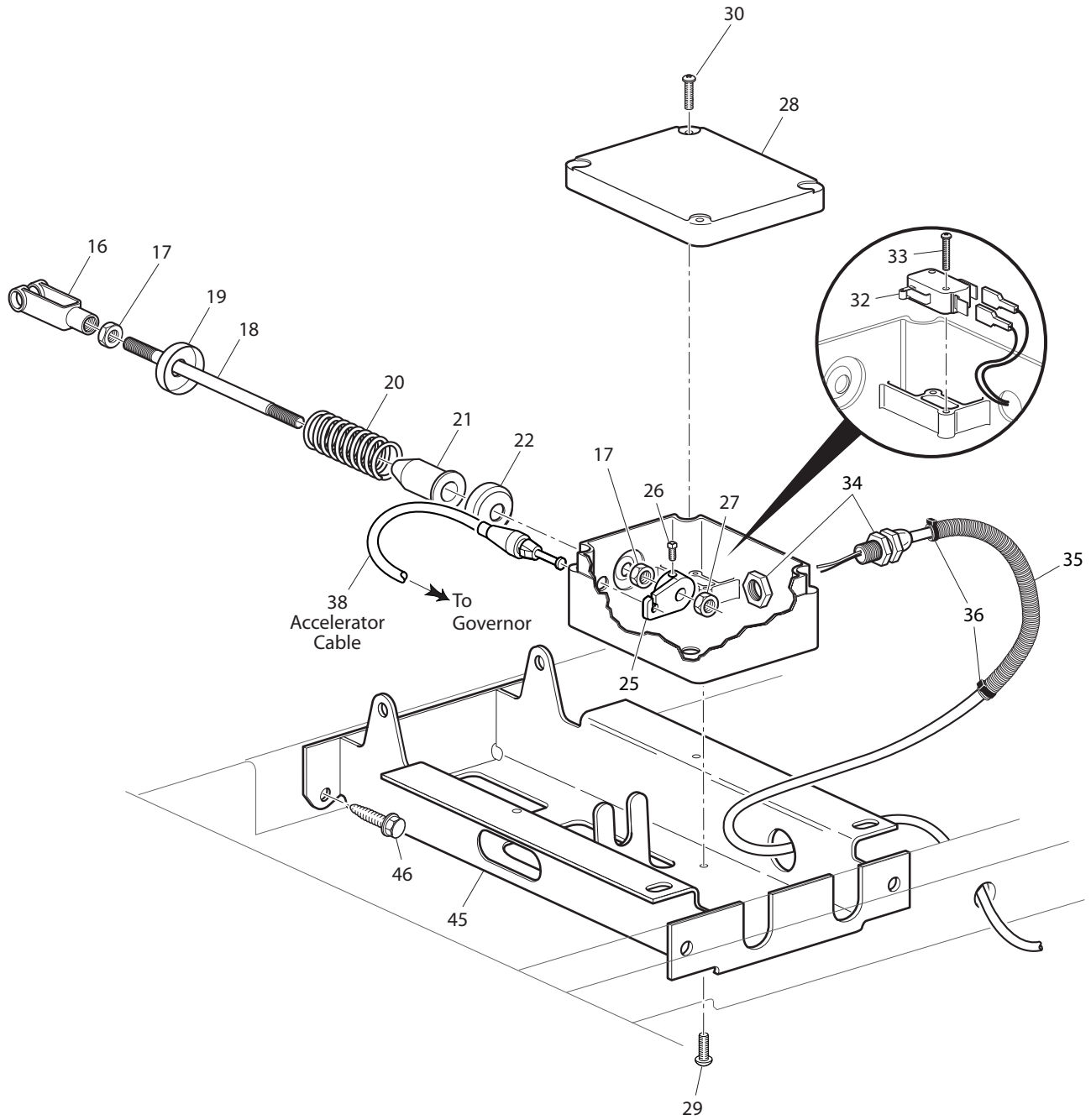
ILLUSTRATED PARTS BREAKDOWN

ACCELERATOR



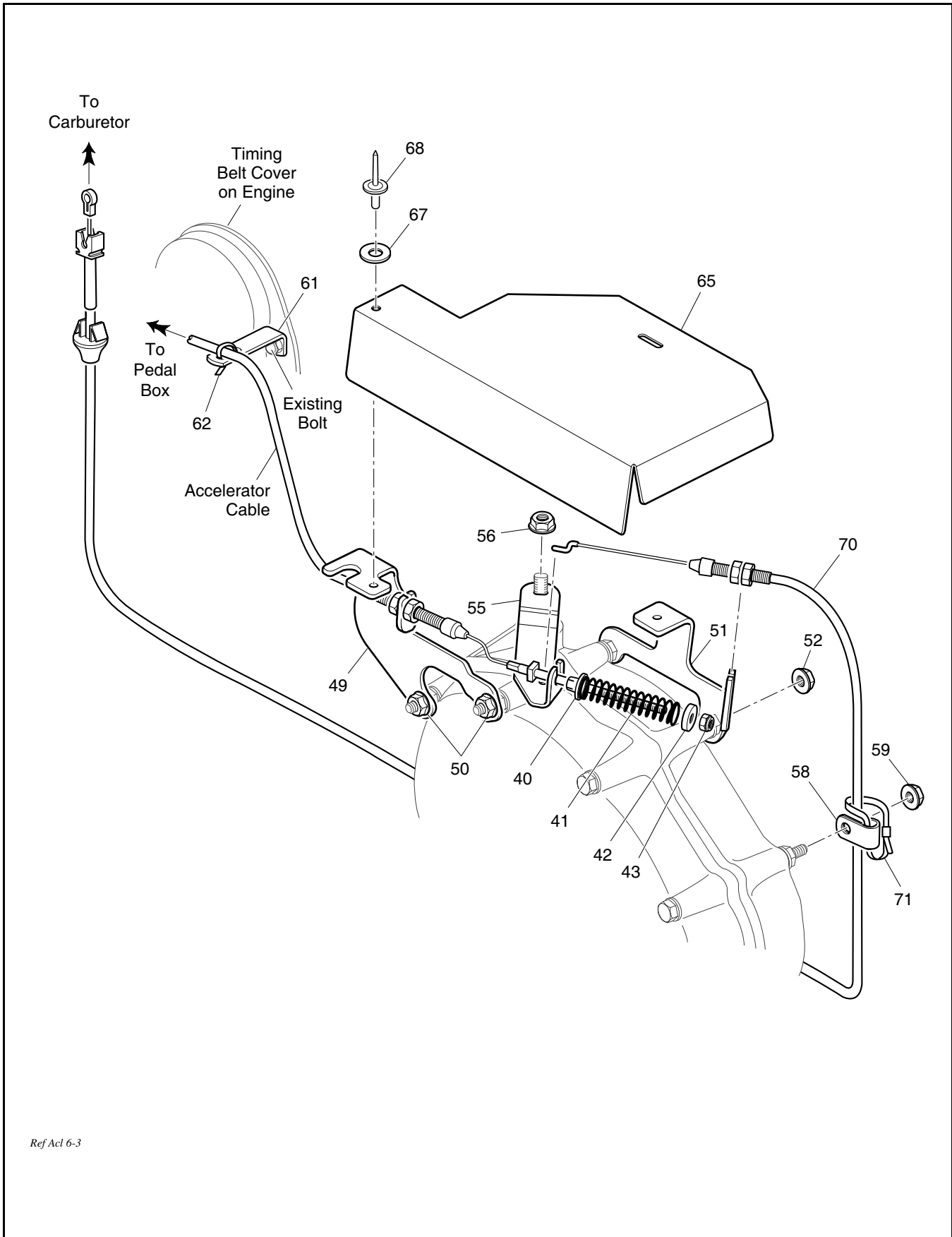
Ref Acl 6-1

ACCELERATOR



Ref Acc 21-2

ACCELERATOR



Ref Acl 6-3

ACCELERATOR

When ordering parts, please specify the model and serial number of the product.

* Indicates a component that is not available as an individual part.

G** Indicates consult Customer Service Department for additional information.

| ITEM | PART NO. | 1 2 3 4 5 | DESCRIPTION | QTY. |
|------|-----------|-----------|--|------|
| 1 | 72717-G05 | | PEDAL BOX ASSEMBLY (INCLUDES ITEMS 3 - 45) | 1 |
| 2 | | | | |
| 3 | 25799-G03 | | ACCELERATOR PEDAL ASSEMBLY (INCLUDES ITEMS 4 - 7)..... | 1 |
| 4 | 27844-G01 | | ACCELERATOR PEDAL PAD KIT (INCLUDES ITEMS 5 - 6)..... | 1 |
| 5 | 15766-G1 | | OVAL RIVET, 3/16" X 3/8" LG..... | 6 |
| 6 | 27512-G01 | | ACCELERATOR PEDAL PAD | 1 |
| 7 | * | | ACCELERATOR PEDAL | 1 |
| 8 | 17838-G1 | | NYLON BUSHING | 3 |
| 9 | 74432-G01 | | PEDAL PIVOT PIN | 1 |
| 10 | 12064-G6 | | PUSH NUT, 9/32"..... | 1 |
| 11 | 10386-G3 | | CLEVIS PIN, 5/16" X 1" LG | 1 |
| 12 | 17255-G1 | | TEFLON WASHER, 5/16"..... | 1 |
| 13 | 10387-G3 | | COTTER PIN, 3/32" X 3/4" LG | 1 |
| 14 | | | | |
| 15 | | | | |
| 16 | 10385-G4 | | CLEVIS YOKE (ADJUSTABLE)..... | 1 |
| 17 | 00532-G4 | | LOCK NUT, 5/16 - 24 | 2 |
| 18 | 72072-G01 | | ACCELERATOR ROD | 1 |
| 19 | 17677-G2 | | SPRING RETAINER | 1 |
| 20 | 73046-G01 | | COMPRESSION SPRING | 1 |
| 21 | 17979-G1 | | ACCELERATOR ROD BUSHING | 1 |
| 22 | 17677-G1 | | SPRING RETAINER | 1 |
| 23 | | | | |
| 24 | | | | |
| 25 | 72716-G01 | | MICRO SWITCH CAM..... | 1 |
| 26 | 00487-G3 | | SETSCREW, 1/4 - 20 X 3/8" LG. | 1 |
| 27 | 15126-G1 | | LOCK NUT, 5/16 - 24 | 1 |
| 28 | 25853-G03 | | PEDAL BOX AND COVER | 1 |
| 29 | 01051-G01 | | SCREW, #8 - 16 X 1/2" LG. | 4 |
| 30 | 00684-G6 | | SCREW, #8 - 32 X 3/4" LG. | 2 |

ACCELERATOR

When ordering parts, please specify the model and serial number of the product.

* Indicates a component that is not available as an individual part.

G** Indicates consult Customer Service Department for additional information.

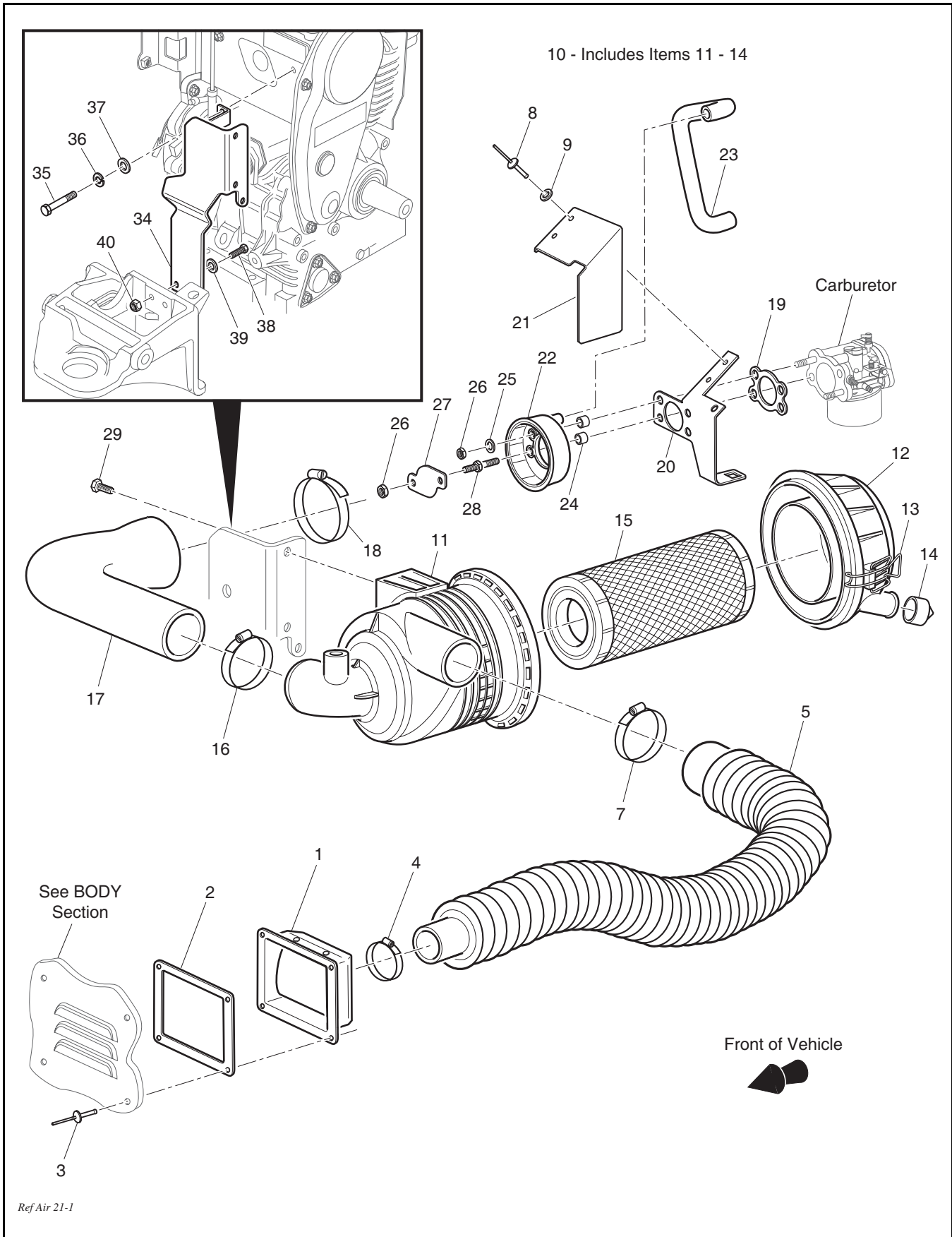
| ITEM | PART NO. | 1 | 2 | 3 | 4 | 5 | DESCRIPTION | QTY. |
|------|-----------|---|---|---|---|---|--|------|
| 31 | | | | | | | | |
| 32 | 25861-G01 | | | | | | MICRO SWITCH..... | 1 |
| 33 | 01050-G01 | | | | | | SCREW, #4 - 20 X 5/8" LG | 2 |
| 34 | 72201-G04 | | | | | | WIRE HARNESS (PEDAL BOX) | 1 |
| 35 | 17313-G1 | | | | | | LOOM FLEX (BULK)..... | AR |
| 36 | 17618-G1 | | | | | | WIRE TIE | 2 |
| 37 | | | | | | | | |
| 38 | 72713-G02 | | | | | | ACCELERATOR CABLE | 1 |
| 39 | | | | | | | | |
| 40 | 72706-G01 | | | | | | ACCELERATOR CABLE BUSHING | 1 |
| 41 | 72707-G01 | | | | | | COMPRESSION SPRING | 1 |
| 42 | 25727-G02 | | | | | | CUP WASHER..... | 1 |
| 43 | 00734-G5 | | | | | | LOCK NUT, #10 - 32..... | 1 |
| 44 | | | | | | | | |
| 45 | 70116-G02 | | | | | | ACCELERATOR PEDAL BRACKET..... | 1 |
| 46 | 00715-G2 | | | | | | BOLT, 5/16 - 18 X 13/16" LG | 4 |
| 47 | 70135-G01 | | | | | | PEDAL PIVOT COVER..... | 1 |
| 48 | | | | | | | | |
| 49 | 72701-G02 | | | | | | ACCELERATOR CABLE MOUNTING BRACKET | 1 |
| 50 | 26830-G01 | | | | | | LOCK NUT, M8 X 1.25 MM | 2 |
| 51 | 72703-G02 | | | | | | THROTTLE CABLE MOUNTING BRACKET | 1 |
| 52 | 26830-G02 | | | | | | LOCK NUT, M8 X 1.25 MM | 2 |
| 53 | | | | | | | | |
| 54 | | | | | | | | |
| 55 | 72708-G01 | | | | | | GOVERNOR ARM | 1 |
| 56 | 26830-G01 | | | | | | LOCK NUT, M8 X 1.25 MM | 1 |
| 57 | | | | | | | | |
| 58 | 11845-G3 | | | | | | CLAMP | 1 |
| 59 | 26830-G01 | | | | | | LOCK NUT, M8 X 1.25 MM | 1 |
| 60 | | | | | | | | |

ACCELERATOR

When ordering parts, please specify the model and serial number of the product.
 * Indicates a component that is not available as an individual part.
 G** Indicates consult Customer Service Department for additional information.

| ITEM | PART NO. | 1 2 3 4 5 | DESCRIPTION | QTY. |
|------|-----------|-----------|---------------------------------|------|
| 61 | 72055-G01 | | ACCELERATOR CABLE BRACKET | 1 |
| 62 | 17618-G1 | | WIRE TIE | 1 |
| 63 | | | | |
| 64 | | | | |
| 65 | 72705-G02 | | GOVERNOR COVER | 1 |
| 66 | | | | |
| 67 | 00915-G1 | | BONDED WASHER, 1/4" | 2 |
| 68 | 14601-G11 | | RIVET, 3/16" X 9/16" LG | 2 |
| 69 | | | | |
| 70 | 72714-G01 | | THROTTLE CABLE..... | 1 |
| 71 | 17618-G1 | | WIRE TIE | 1 |

AIR FILTER



AIR FILTER

Where applicable, THE USE OF NON UL PARTS WILL VOID ANY UL LISTING.
 When ordering parts, please specify the model and serial number of the product.
 * Indicates a component that is not available as an individual part.
 G** Indicates consult Customer Service Department for additional information.

| ITEM | PART NO. | 1 2 3 4 5 | DESCRIPTION | QTY. |
|------|-----------|-----------|---|------|
| 1 | 72416-G01 | | INLET ADAPTER | 1 |
| 2 | 72415-G01 | | GASKET | 1 |
| 3 | 71055-G01 | | RIVET, 3/16" X 3/8" LG | 4 |
| 4 | 11391-G2 | | CLAMP | 1 |
| 5 | 72637-G02 | | HOSE (CONVOLUTED)..... | 1 |
| 6 | | | | |
| 7 | 11391-G1 | | HOSE CLAMP | 1 |
| 8 | 14601-G11 | | RIVET, 3/16" X 9/16" LG | 2 |
| 9 | 00915-G1 | | WASHER, #14 ID | 2 |
| 10 | 72607-G01 | | AIR CLEANER CANISTER ASSEMBLY (INCLUDES ITEMS 11 - 14)..... | 1 |
| 11 | 72598-G01 | | AIR CLEANER CANISTER..... | 1 |
| 12 | 72599-G01 | | AIR CLEANER COVER | 1 |
| 13 | 72604-G01 | | AIR CLEANER LATCH | 2 |
| 14 | 28462-G01 | | AIR CLEANER DUST COLLECTOR | 1 |
| 15 | 28463-G01 | | AIR CLEANER ELEMENT | 1 |
| 16 | 11391-G7 | | HOSE CLAMP | 1 |
| 17 | 72592-G01 | | HOSE (AIR FILTER TO CARBURETOR)..... | 1 |
| 18 | 11391-G6 | | HOSE CLAMP | 1 |
| 19 | 26727-G01 | | CARBURETOR GASKET | 2 |
| 20 | 74498-G02 | | CHOKE / THROTTLE BRACKET..... | 1 |
| 21 | 74499-G02 | | CHOKE THROTTLE COVER | 1 |
| 22 | 72591-G01 | | CARBURETOR ADAPTER | 1 |
| 23 | 72151-G01 | | PCV HOSE | 1 |
| 24 | 23726-G11 | | CARBURETOR MOUNTING SPACER | 4 |
| 25 | 00664-G7 | | WASHER, 1/4" | 2 |
| 26 | 13632-G1 | | NUT, M6 X 1 | 4 |
| 27 | 72605-G01 | | CARBURETOR BAFFLE..... | 1 |
| 28 | 72514-G01 | | STUD..... | 2 |
| 29 | 25532-G1 | | BOLT, M8 X 1.25 X 20 MM..... | 2 |
| 30 | | | | |

AIR FILTER

Where applicable, THE USE OF NON UL PARTS WILL VOID ANY UL LISTING.
 When ordering parts, please specify the model and serial number of the product.
 * Indicates a component that is not available as an individual part.
 G** Indicates consult Customer Service Department for additional information.

| ITEM | PART NO. | 1 2 3 4 5 | DESCRIPTION | QTY. |
|------|-----------|-----------|---|------|
| 31 | | | | |
| 32 | | | | |
| 33 | | | | |
| 34 | 75878-G02 | | AIR FILTER BRACKET (CABLE ACTUATED CARBURETOR)..... | 1 |
| 35 | 12547-G3 | | BOLT, M6 X 1MM X 20MM LG | 1 |
| 36 | 00664-G7 | | LOCK WASHER, 1/4"..... | 1 |
| 37 | 00559-G7 | | WASHER, 1/4" | 1 |
| 38 | 00415-G2 | | BOLT, 1/4 - 20 X 1 1/4" LG | 2 |
| 39 | 00559-G7 | | WASHER, 1/4" | 2 |
| 40 | 14390-G4 | | LOCK NUT, 1/4 - 20 | 2 |

**DID YOU
KNOW?**

CartPros directs you to the right part using the part numbers from this manual. Enter the part number into our search box and it will find the part you are looking for.

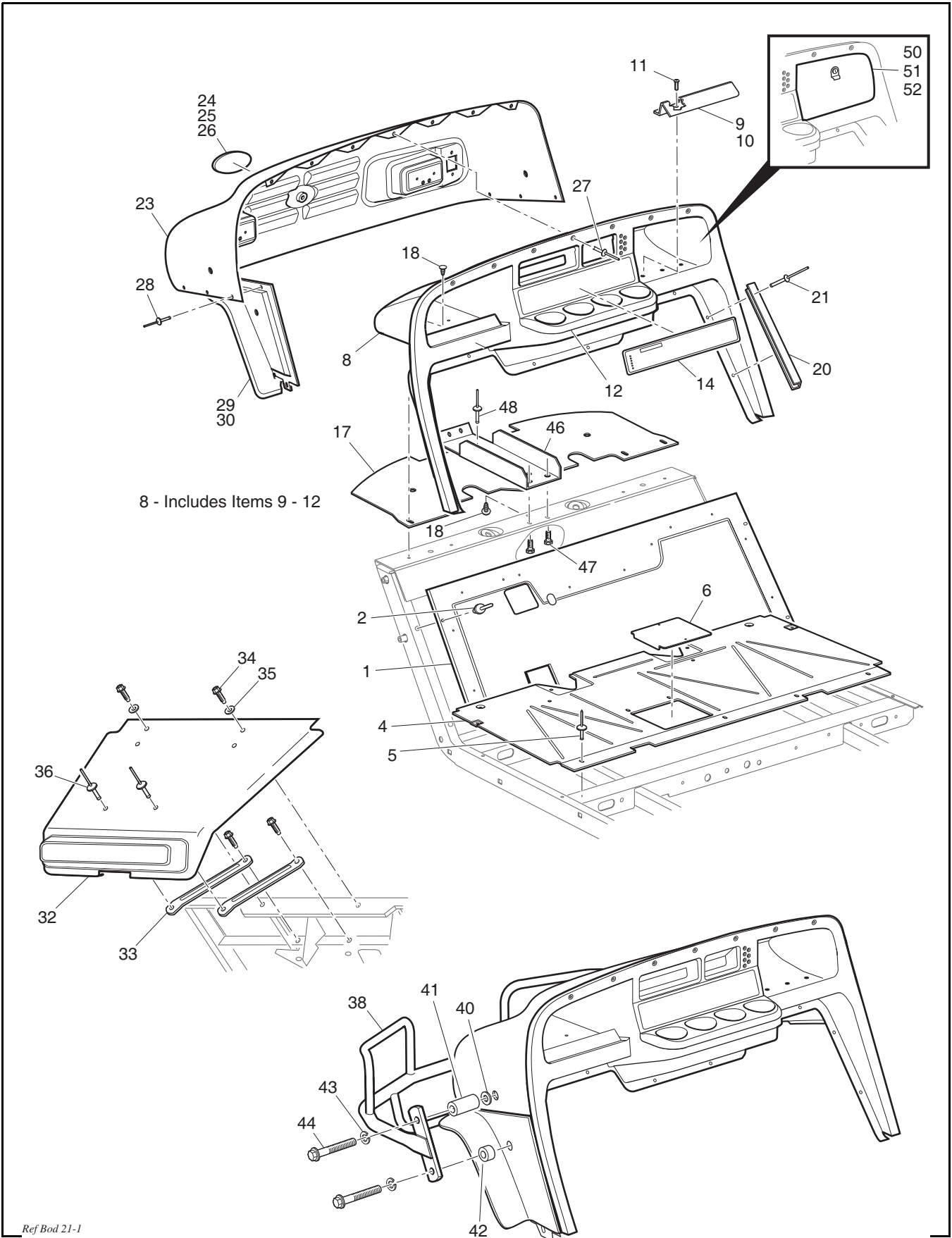
**GET STARTED
HERE**



<https://CartPros.com/f.html>

AIR FILTER

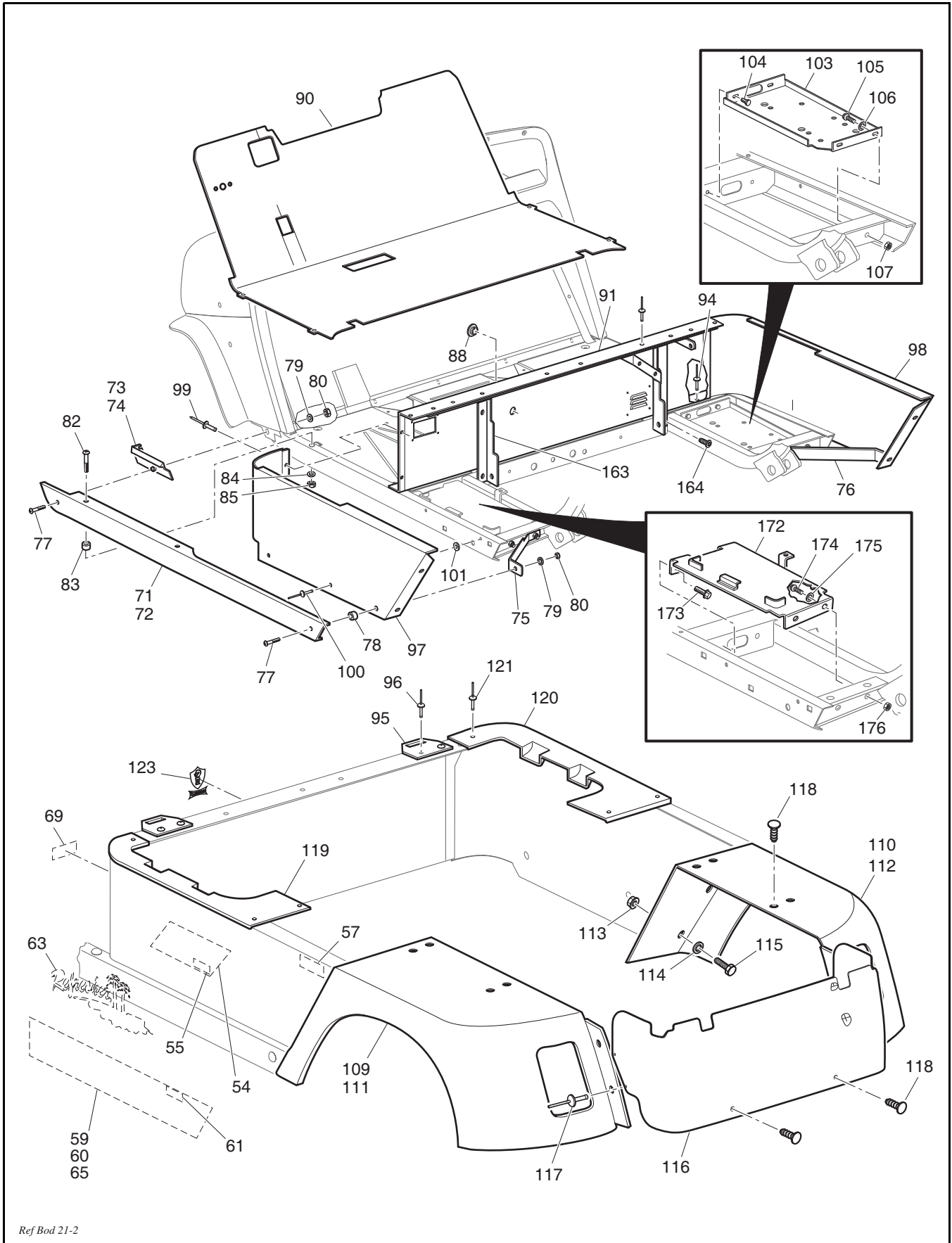
BODY



8 - Includes Items 9 - 12

Ref Bod 21-1

BODY

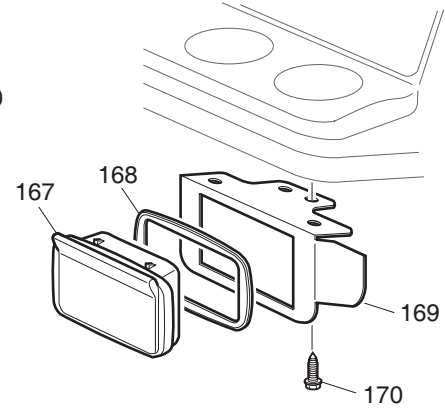


Ref Bod 21-2

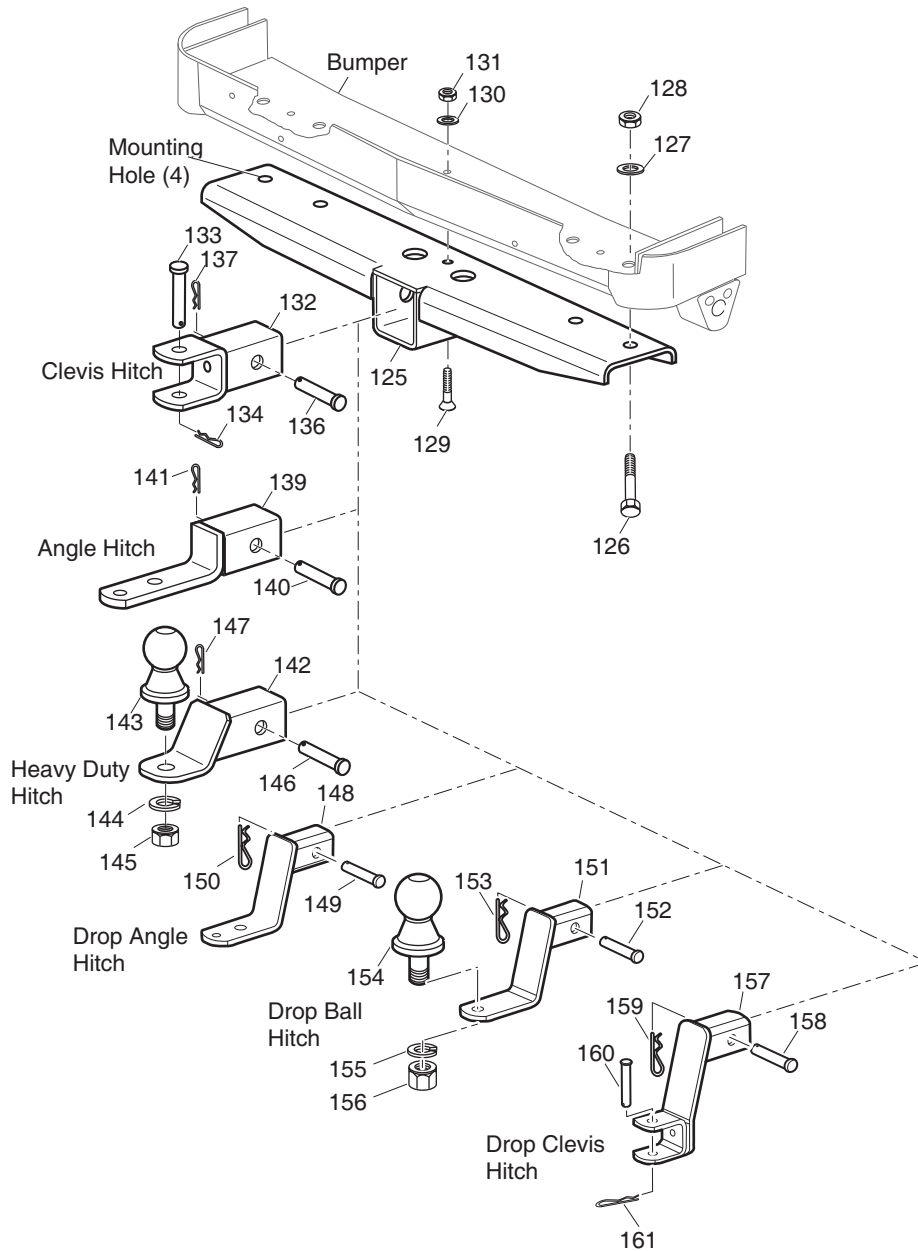
BODY

ASH TRAY

166 - Includes Items 167 - 170



HITCHES



Ref Bod 21-3

Where applicable, THE USE OF NON UL PARTS WILL VOID ANY UL LISTING.
 When ordering parts, please specify the model and serial number of the product.
 * Indicates a component that is not available as an individual part.
 G** Indicates consult Customer Service Department for additional information.

| ITEM | PART NO. | 1 2 3 4 5 | DESCRIPTION | QTY. |
|------|------------|-----------|---|------|
| 1 | 70662-G01 | | UPPER FLOORPAN (AXLE MOUNTED STEERING) | 1 |
| 2 | 14601-G11 | | RIVET, 3/16" X 9/16" LG | 9 |
| 3 | | | | |
| 4 | 70451-G01 | | LOWER FLOORPAN..... | 1 |
| 5 | 14601-G11 | | RIVET, 3/16" X 9/16" LG | 7 |
| 6 | 70452-G01 | | ACCESS COVER..... | 1 |
| 7 | | | | |
| 8 | 71151-G03 | | INSTRUMENT PANEL ASSEMBLY (INCLUDES ITEMS 9 - 12) | 1 |
| 9 | 71153-G01 | | DEFLECTOR (PASSENGER SIDE) | 1 |
| 10 | 71154-G01 | | DEFLECTOR (DRIVER SIDE)..... | 1 |
| 11 | 00614-G5 | | SCREW, #8 - 18 X 5/8" LG | 6 |
| 12 | 71158-G01 | | INSTRUMENT PANEL INSERT (FOUR CUP)..... | 1 |
| 13 | | | | |
| 14 | 35964-G01 | | LABEL (SAFETY) (PICTOGRAPH)..... | 1 |
| 15 | | | | |
| 16 | | | | |
| 17 | 71413-G01 | | SPLASH PANEL..... | 1 |
| 18 | 16816-G2 | | RATCHET FASTENER, 1/4" X 3/4" LG | 5 |
| 19 | | | | |
| 20 | 71115-G01 | | VINYL TRIM | 2 |
| 21 | 71055-G01 | | RIVET, 3/16" X 1" LG | 10 |
| 22 | | | | |
| 23 | 606534-G** | | COWL (LX/SE) | 1 |
| | | | 606534G002....ST COWL SPECIAL COLOR | |
| | | | 606534G005....ST COWL FRONT JAC ORANGE | |
| | | | 606534G006....ST COWL FRONT LIGHT GOLD PEARL | |
| | | | 606534G007....ST COWL SILVER PEARL METAL | |
| | | | 606534G011....ST COWL BLACK PAINT | |
| | | | 606534G012....ST COWL EMERALD GREEN PEARL | |
| | | | 606534G013....ST COWL CLOUD GREY | |
| | | | 606534G014....ST COWL VIPER BLUE METAL | |
| | | | 606534G019....ST COWL PATRIOT BLUE PEARL | |
| | | | 606534G020....ST COWL INFERNO RED METAL | |
| | | | 606534G023....ST COWL ADV CLASSICE CAMO | |

BODY

Where applicable, THE USE OF NON UL PARTS WILL VOID ANY UL LISTING.
 When ordering parts, please specify the model and serial number of the product.
 * Indicates a component that is not available as an individual part.
 G** Indicates consult Customer Service Department for additional information.

| ITEM | PART NO. | 1 2 3 4 5 | DESCRIPTION | QTY. |
|------|-----------|-----------|--|------|
| | | | 606534G024....ST COWL FRONT NATURAL 606534G025....ST COWL FRONT NEW HOLLAND BLUE 606534G026....ST COWL FRONT STEEL BLUE PEARL 606534G027....ST COWL BRIGHT SILVER METAL 606534G029....ST COWL PRIME 606534G030....ST COWL HD ADV CAMO 606534G031....ST COWL FRONT METALLIC CHARCOAL 606534G033....ST COWL TIMERLINE GREEN 606534G034....ST COWL DEEP MOLTEN RED 606534G035....ST COWL SAFETY YELLOW 606534G036....ST COWL CAMPAGNE BEIGE TEXT 606534G037....ST COWL HUNTER GREEN 606534G038....ST COWL BRIGHT WHITE 606534G039....ST COWL FLAME RED 606534G040....ST COWL BLACK 606534G041....ST COWL ELECTRIC BLUE 606534G042....ST COWL PLATINUM 606534G043....ST COWL BURGUNDY ON CH BG 606534G044....ST COWL ALMOND 606534G046....ST COWL BURGANDY ON BLACK 606534G047....ST COWL BURLINGTON GREEN 606534G048....ST COWL BLACK ON CHAM BEIGE 606534G049....ST COWL RED ON CHAM BEIGE | |
| 24 | 74813-G01 | | NAMEPLATE (E-Z-GO) (OVAL) | 1 |
| 25 | 28907-G01 | | NAMEPLATE (JACOBSEN) (OVAL) | 1 |
| 26 | 74401-G01 | | NAMEPLATE (CUSHMAN) (OVAL)..... | 1 |
| 27 | 71055-G01 | | RIVET, 3/16" X 1" LG | 9 |
| 28 | 71055-G01 | | RIVET, 3/16" X 1" LG | 6 |
| 29 | 71338-G01 | | FENDER FLARE (DRIVER SIDE)..... | 1 |
| 30 | 71338-G02 | | FENDER FLARE (PASSENGER SIDE) | 1 |
| 31 | | | | |
| 32 | 27166-G04 | | FRONT SHIELD | 1 |
| 33 | 70725-G02 | | FRONT SHIELD BRACE..... | 2 |
| 34 | 01038-G01 | | SCREW, 1/4 - 20 X 1/2" LG..... | 4 |
| 35 | 16469-G1 | | WASHER, 1/4" | 2 |
| 36 | 01057-G01 | | RIVET, KTR, 1/4" X 1" LG | 2 |
| 37 | | | | |
| 38 | 74265-G02 | | BUMPER | 1 |

Where applicable, THE USE OF NON UL PARTS WILL VOID ANY UL LISTING.

When ordering parts, please specify the model and serial number of the product.

* Indicates a component that is not available as an individual part.

G** Indicates consult Customer Service Department for additional information.

| ITEM | PART NO. | 1 2 3 4 5 | DESCRIPTION | QTY. |
|------|-----------|-----------|---|------|
| 39 | | | | |
| 40 | 00570-G2 | | WASHER, 5/16" | 2 |
| 41 | 75048-G04 | | SPACER, 1"..... | 2 |
| 42 | 75048-G01 | | SPACER, 1/2"..... | 2 |
| 43 | 00905-G8 | | LOCK WASHER, 5/16"..... | 4 |
| 44 | 01035-G02 | | BOLT, 5/16 - 18 X 2 1/2" LG | 4 |
| 45 | | | | |
| 46 | 71101-G01 | | COWL SUPPORT BRACKET | 1 |
| 47 | 71102-G02 | | SELF TAPPING SCREW, 1/4 - 20 X 1/2" LG | 3 |
| 48 | 71055-G01 | | RIVET, 3/16" X 1 1/8" LG | 1 |
| 49 | | | | |
| 50 | 75459-G01 | | GLOVE BOX DOORS (BOTH SIDES) | 1 |
| 51 | 75459-G02 | | GLOVE BOX DOOR (DRIVER SIDE) | 1 |
| 52 | 75459-G03 | | GLOVE BOX DOOR (PASSENGER SIDE)..... | 1 |
| 53 | | | | |
| 54 | 600823 | | LABEL (MPT™)..... | 2 |
| 55 | 600817 | | LABEL (1200)..... | 2 |
| 56 | | | | |
| 57 | 74099-G01 | | LABEL, TILT WARNING PICTOGRAPH | 2 |
| 58 | | | | |
| 59 | 28915-G01 | | LABEL (JACOBSEN HAULER™) (DRIVER SIDE)..... | 1 |
| 60 | 28915-G02 | | LABEL (JACOBSEN HAULER™) (PASSENGER SIDE) | 1 |
| 61 | 74099-G01 | | LABEL (1200)..... | 2 |
| 62 | | | | |
| 63 | 75743-G01 | | LABEL (REFRESHER)..... | 2 |
| 64 | | | | |
| 65 | 600811 | | LABEL (CUSHMAN COMMANDER™) (DRIVER SIDE)..... | 2 |
| 66 | | | | |
| 67 | | | | |
| 68 | | | | |

BODY

Where applicable, THE USE OF NON UL PARTS WILL VOID ANY UL LISTING.
 When ordering parts, please specify the model and serial number of the product.
 * Indicates a component that is not available as an individual part.
 G** Indicates consult Customer Service Department for additional information.

| ITEM | PART NO. | 1 2 3 4 5 | DESCRIPTION | QTY. |
|------|-----------|-----------|--|------|
| 69 | * | | SERIAL NUMBER PLATE | 1 |
| 70 | | | | |
| 71 | 71439-G03 | | ROCKER PANEL (DRIVER SIDE) | 1 |
| 72 | 71439-G04 | | ROCKER PANEL (PASSENGER SIDE)..... | 1 |
| 73 | 71424-G01 | | FENDER SPACER (DRIVER SIDE)..... | 1 |
| 74 | 71424-G02 | | FENDER SPACER (PASSENGER SIDE) | 1 |
| 75 | 71440-G03 | | BRACE (DRIVER SIDE)..... | 1 |
| 76 | 71440-G04 | | BRACE (PASSENGER SIDE) | 1 |
| 77 | 00789-G2 | | SCREW, #10 - 24 X 1 1/4" LG..... | 4 |
| 78 | 23726-G2 | | SPACER, 1/4" | 2 |
| 79 | 00660-G5 | | WASHER, #10..... | 4 |
| 80 | 14390-G10 | | LOCK NUT, #10 - 24 | 4 |
| 81 | | | | |
| 82 | 16705-G1 | | SCREW, 1/4 - 20 X 1" LG..... | 4 |
| 83 | 23726-G2 | | SPACER, 1/4" | 4 |
| 84 | 00559-G7 | | WASHER, 1/4" | 4 |
| 85 | 14390-G4 | | LOCK NUT, 1/4 - 20 | 4 |
| 86 | | | | |
| 87 | | | | |
| 88 | 20271-G9 | | HOLE PLUG, 1/2" | 1 |
| 89 | | | | |
| 90 | 70663-G04 | | FLOORMAT (AXLE MOUNTED STEERING)..... | 1 |
| 91 | 71977-G** | | SEAT SUPPORT PANEL (W/DRIVER SIDE LOUVERS) | 1 |
| 92 | | | | |
| 93 | | | | |
| 94 | 10570-G10 | | RIVET, 5/32" X 9/16" LG | 8 |
| 95 | 71609-G01 | | SEAT HINGE PLATE | 2 |
| 96 | 10570-G11 | | RIVET, 3/16" X 3/4" LG | 4 |
| 97 | 71674-G01 | | SIDE PANEL (DRIVER SIDE) | 1 |
| 98 | 71674-G02 | | SIDE PANEL (PASSENGER SIDE)..... | 1 |

BODY

Where applicable, THE USE OF NON UL PARTS WILL VOID ANY UL LISTING.
 When ordering parts, please specify the model and serial number of the product.
 * Indicates a component that is not available as an individual part.
 G** Indicates consult Customer Service Department for additional information.

| ITEM | PART NO. | 1 2 3 4 5 | DESCRIPTION | QTY. |
|------|-----------|-----------|---|------|
| 99 | 10570-G10 | | RIVET, 5/32" X 9/16" LG | 4 |
| 100 | 10570-G12 | | RIVET, 1/4" X 1/2" LG | 4 |
| 101 | 16469-G7 | | WASHER, 1/4" | 4 |
| 102 | | | | |
| 103 | 70244-G03 | | SPLASH PANEL..... | 1 |
| 104 | 00715-G2 | | BOLT, 5/16 - 18 X 13/16" LG | 2 |
| 105 | 00438-G8 | | BOLT, 5/16 - 18 X 1" LG | 2 |
| 106 | 00559-G8 | | WASHER, 5/16" | 2 |
| 107 | 11098-G6 | | LOCK NUT, 5/16 - 18 | 2 |
| 108 | | | | |
| 109 | 74893-G01 | | FENDER (DRIVER SIDE) | 1 |
| 110 | 74893-G02 | | FENDER (PASSENGER SIDE)..... | 1 |
| 111 | 74893-G03 | | FENDER WITH TAILLIGHT (DRIVER SIDE) | 1 |
| 112 | 74893-G04 | | FENDER WITH TAILLIGHT (PASSENGER SIDE)..... | 1 |
| 113 | 14390-G4 | | LOCK NUT, 1/4 - 20 | 4 |
| 114 | 00642-G7 | | WASHER, 1/4" | 8 |
| 115 | 00414-G6 | | BOLT, 1/4 - 20 X 7/8" LG | 4 |
| 116 | 74890-G01 | | REAR PANEL | 1 |
| 117 | 71055-G01 | | RIVET, 3/16" X 1" LG | 4 |
| 118 | 16816-G2 | | RATCHET FASTENER, 1/4" X 3/4" LG | 10 |
| 119 | 74891-G01 | | SEAT FILLER PANEL (DRIVER SIDE) | 1 |
| 120 | 74891-G02 | | SEAT FILLER PANEL (PASSENGER SIDE)..... | 1 |
| 121 | 10570-G10 | | RIVET, 5/32" X 9/16" LG | 6 |
| 122 | | | | |
| 123 | 74755-G01 | | LABEL (E-SHIELD™)..... | 1 |
| 124 | | | | |
| 125 | 74348-G02 | | HITCH RECEIVER | 1 |
| 126 | 00463-G4 | | BOLT, 7/16 - 14 X 1 1/2" LG | 4 |
| 127 | 00922-G3 | | WASHER, 7/16" | 4 |
| 128 | 00734-G1 | | LOCK NUT, 7/16 - 14 | 4 |

BODY

Where applicable, THE USE OF NON UL PARTS WILL VOID ANY UL LISTING.

When ordering parts, please specify the model and serial number of the product.

* Indicates a component that is not available as an individual part.

G** Indicates consult Customer Service Department for additional information.

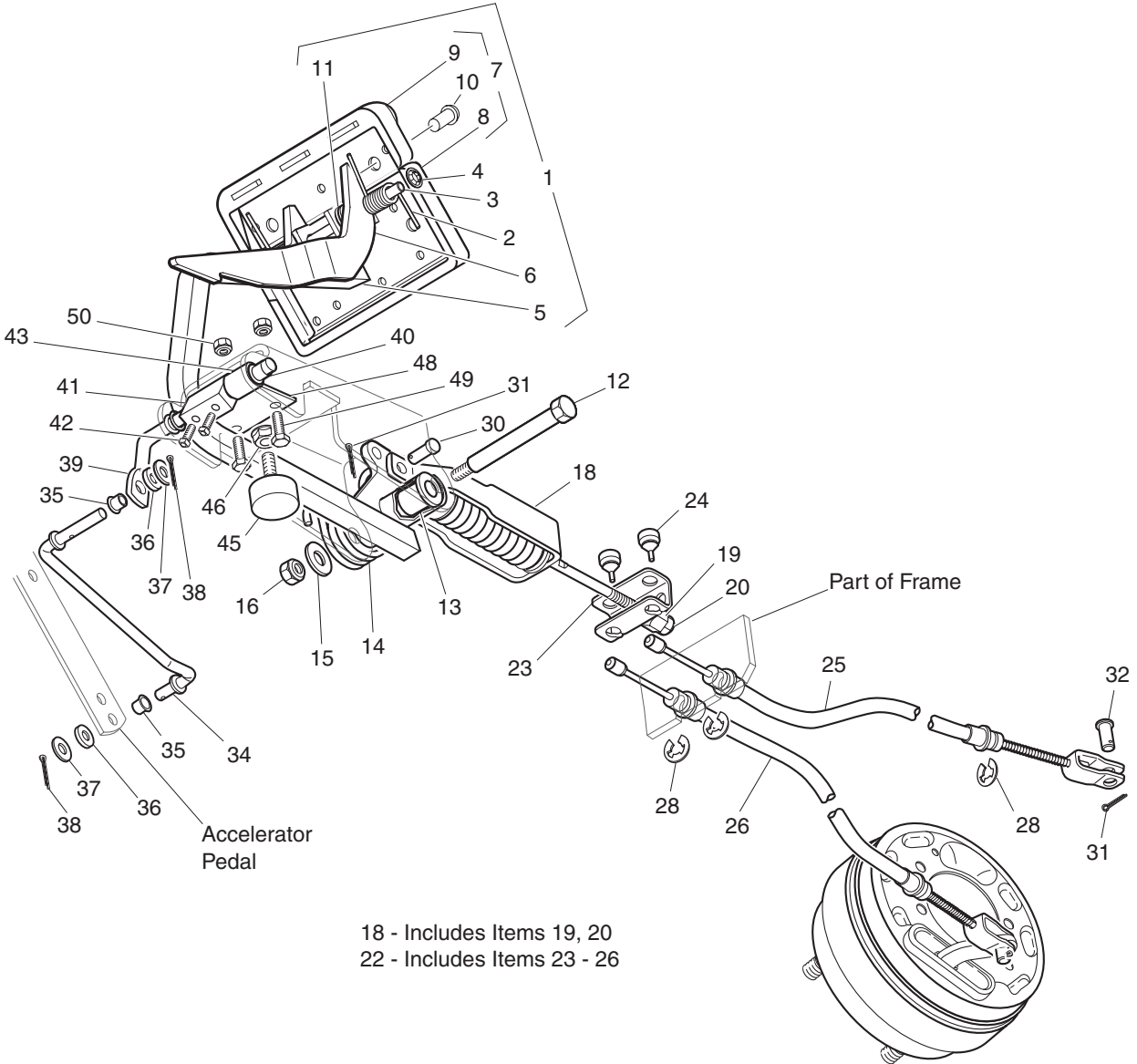
| ITEM | PART NO. | 1 2 3 4 5 | DESCRIPTION | QTY. |
|------|-----------|-----------|--|------|
| 129 | 00198-G8 | | SCREW, 5/16 - 18 X 1" LG..... | 1 |
| 130 | 00559-G8 | | WASHER, 5/16" | 1 |
| 131 | 11098-G6 | | LOCK NUT, 5/16 - 18 | 1 |
| 132 | 74338-G02 | | CLEVIS HITCH..... | 1 |
| 133 | 14443-G7 | | CLEVIS PIN, 1/2" X 2 1/2" LG | 1 |
| 134 | 19314-G1 | | COTTER PIN, 2 1/2" LG..... | 1 |
| 135 | | | | |
| 136 | 21317-G01 | | CLEVIS PIN, 5/8" X 3" LG | 1 |
| 137 | 21683-G1 | | COTTER PIN, 15/32" X 2 11/16" LG | 1 |
| 138 | | | | |
| 139 | 74339-G02 | | ANGLE HITCH | 1 |
| 140 | 21317-G01 | | CLEVIS PIN, 5/8" X 3" LG | 1 |
| 141 | 21683-G1 | | COTTER PIN, 15/32" X 2 11/16" LG | 1 |
| 142 | 74351-G02 | | HEAVY DUTY HITCH..... | 1 |
| 143 | 31757-G1 | | HITCH BALL, 1 7/8" | 1 |
| 144 | 00566-G6 | | LOCK WASHER, 3/4" | 1 |
| 145 | 00702-G11 | | NUT, 3/4 - 16 | 1 |
| 146 | 21317-G01 | | CLEVIS PIN, 5/8" X 3" LG | 1 |
| 147 | 21683-G1 | | COTTER PIN, 15/32" X 2 11/16" LG | 1 |
| 148 | 74489-G02 | | DROP ANGLE HITCH..... | 1 |
| 149 | 21317-G01 | | CLEVIS PIN, 5/8" X 3" LG | 1 |
| 150 | 21683-G1 | | COTTER PIN, 15/32" X 2 11/16" LG | 1 |
| 151 | 74491-G02 | | DROP BALL HITCH | 1 |
| 152 | 21317-G01 | | CLEVIS PIN, 5/8" X 3" LG | 1 |
| 153 | 21683-G1 | | COTTER PIN, 15/32" X 2 11/16" LG | 1 |
| 154 | 31757-G1 | | HITCH BALL, 1 7/8" | 1 |
| 155 | 00566-G6 | | LOCK WASHER, 3/4" | 1 |
| 156 | 00702-G11 | | NUT, 3/4 - 16 | 1 |
| 157 | 74495-G02 | | DROP CLEVIS HITCH | 1 |
| 158 | 21317-G01 | | CLEVIS PIN, 5/8" X 3" LG | 1 |

BODY

Where applicable, THE USE OF NON UL PARTS WILL VOID ANY UL LISTING.
 When ordering parts, please specify the model and serial number of the product.
 * Indicates a component that is not available as an individual part.
 G** Indicates consult Customer Service Department for additional information.

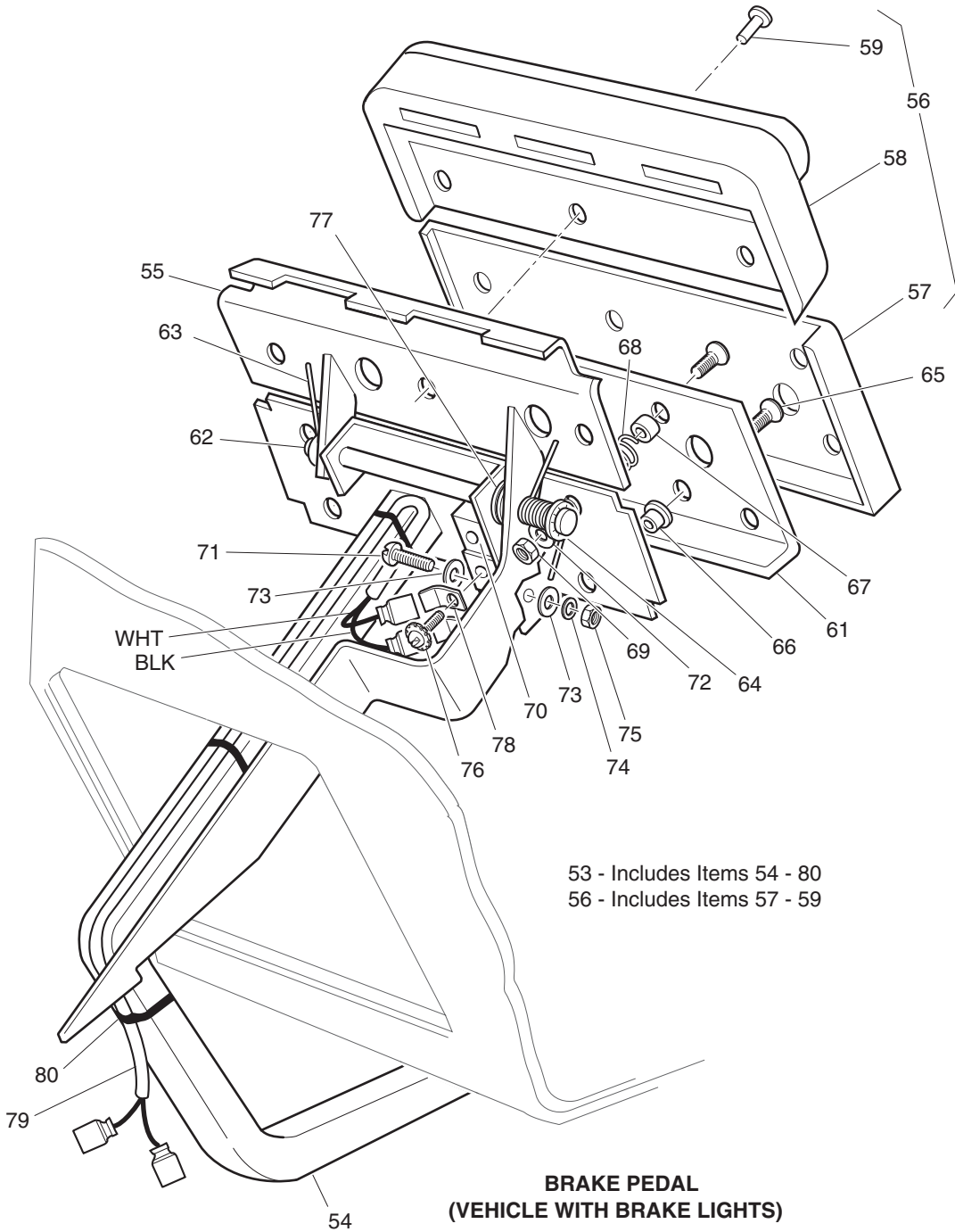
| ITEM | PART NO. | 1 2 3 4 5 | DESCRIPTION | QTY. |
|------|-----------|-----------|---|------|
| 159 | 21683-G1 | | COTTER PIN, 15/32" X 2 11/16" LG | 1 |
| 160 | 14443-G7 | | CLEVIS PIN, 1/2" X 2 1/2" LG | 1 |
| 161 | 19314-G1 | | COTTER PIN, 2 1/2" LG..... | 1 |
| 162 | | | | |
| 163 | 70440-G04 | | SEAT FRAME..... | 1 |
| 164 | 00715-G2 | | SCREW, 3/8 - 16 X 1/4" LG..... | 2 |
| 165 | | | | |
| 166 | 75109-G04 | | ASH TRAY KIT (INCLUDES ITEMS 167 - 170) | 1 |
| 167 | 27731-G01 | | ASH TRAY | 1 |
| 168 | 27736-G01 | | GASKET | 1 |
| 169 | 75108-G02 | | BRACKET | 1 |
| 170 | 00100-G4 | | SCREW, #10 - 16 X 1/2" LG | 4 |
| 171 | | | | |
| 172 | 600496 | | BATTERY TRAY..... | 1 |
| 173 | 00715-G2 | | BOLT, 5/16 - 18 X 13/16" LG | 2 |
| 174 | 00438-G8 | | BOLT, 5/16 - 18 X 1" LG | 2 |
| 175 | 00571-G2 | | WASHER, 5/16" | 2 |
| 176 | 11098-G6 | | LOCK NUT, 5/16 - 18 | 2 |

BRAKES - FRONT DISC



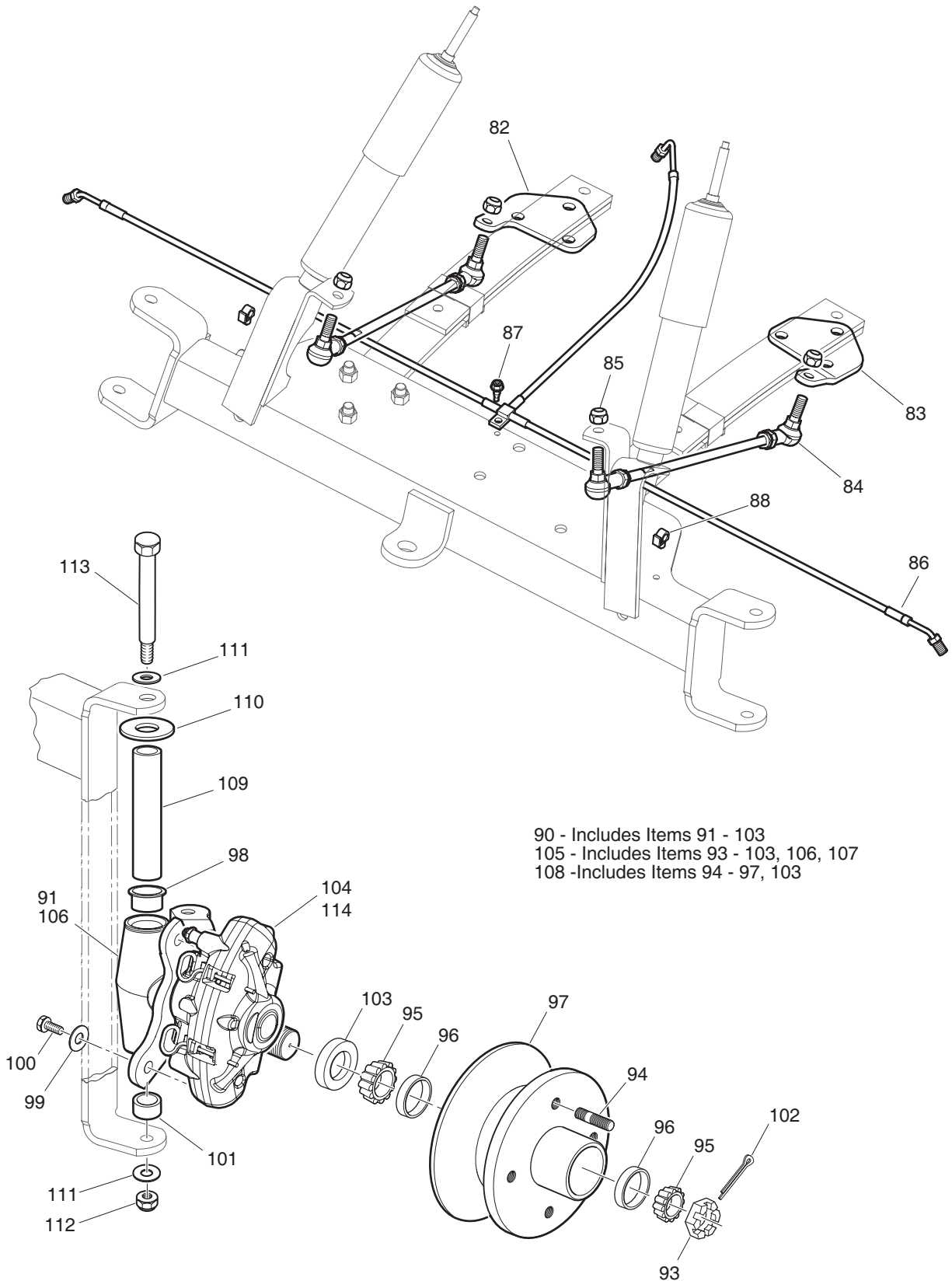
Ref Brh 21-1

BRAKES - FRONT DISC



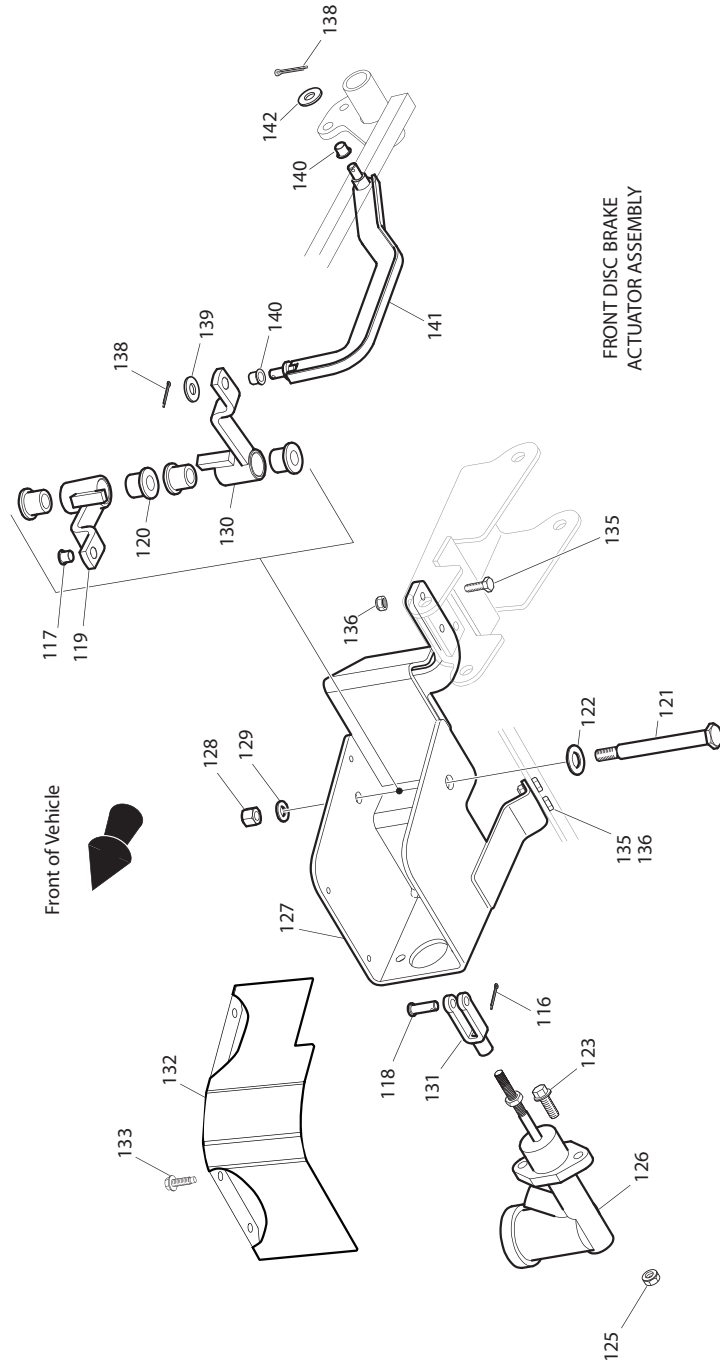
Ref Brh 21-2

BRAKES - FRONT DISC



Ref Brh 21-3

BRAKES - FRONT DISC



FRONT DISC BRAKE ACTUATOR ASSEMBLY

115 - Includes 116 - 133

Ref Brh 21-4

BRAKES - FRONT DISC

THE USE OF NON U.L. PARTS WILL VOID ANY U.L. LISTING.
 When ordering parts, please specify the model and serial number of the product.
 * Indicates a component that is not available as an individual part.
 G** Indicates consult Customer Service Department for additional information.

| ITEM | PART NO. | 1 2 3 4 5 | DESCRIPTION | QTY. |
|------|-----------|-----------|---|------|
| 1 | 74723-G01 | | BRAKE PEDAL ASSEMBLY (WITHOUT BRAKE LIGHTS) (INCLUDES ITEMS 2 - 11) | 1 |
| 2 | 70681-G01 | | TORSION SPRING | 2 |
| 3 | 70682-G01 | | PIVOT PIN | 1 |
| 4 | 01071-G01 | | PUSHNUT, 5/16" | 1 |
| 5 | * | | BRAKE PEDAL | 1 |
| 6 | 74724-G01 | | PARK BRAKE PEDAL | 1 |
| 7 | 70274-G01 | | BRAKE/PARK BRAKE PEDAL PAD KIT (INCLUDES ITEMS 8 - 10) | 1 |
| 8 | * | | SERVICE BRAKE PAD | 1 |
| 9 | * | | PARK BRAKE PEDAL PAD | 1 |
| 10 | 15766-G1 | | OVAL RIVET, 3/16" X 15/32" LG | 9 |
| 11 | 20835-G1 | | WASHER, TEFLON, 3/8" | 2 |
| 12 | 70582-G01 | | SHOULDER BOLT, 3/8 - 16 X 4" LG | 1 |
| 13 | 70581-G01 | | FLANGED BUSHING | 2 |
| 14 | 70676-G01 | | TORSION SPRING | 1 |
| 15 | 00643-G1 | | WASHER, 3/8" | 1 |
| 16 | 11098-G5 | | LOCK NUT, 3/8 - 16 | 1 |
| 17 | | | | |
| 18 | 70272-G04 | | COMPENSATOR ASSEMBLY (INCLUDES ITEMS 19, 20) | 1 |
| 19 | 00963-G01 | | SPHERICAL NUT, 5/16 - 24 | 1 |
| 20 | 11098-G9 | | LOCK NUT, 5/16 - 24 | 1 |
| 21 | | | | |
| 22 | 70969-G05 | | EQUALIZER AND BRAKE CABLE ASSEMBLY (INCLUDES ITEMS 23 - 26).... | 1 |
| 23 | 28082-G01 | | EQUALIZER BRACKET | 1 |
| 24 | 28083-G01 | | BRAKE COMPENSATOR BUMPER..... | 2 |
| 25 | * | | BRAKE CABLE (DRIVER SIDE)..... | 1 |
| 26 | * | | BRAKE CABLE (PASSENGER SIDE) | 1 |
| 27 | | | | |
| 28 | 01111-G01 | | RETAINING RING, S.S..... | 4 |
| 29 | | | | |

BRAKES - FRONT DISC

THE USE OF NON U.L. PARTS WILL VOID ANY U.L. LISTING.
 When ordering parts, please specify the model and serial number of the product.
 * Indicates a component that is not available as an individual part.
 G** Indicates consult Customer Service Department for additional information.

| ITEM | PART NO. | 1 2 3 4 5 | DESCRIPTION | QTY. |
|------|-----------|-----------|---|------|
| 30 | 10386-G3 | | CLEVIS PIN, 5/16" X 1" LG | 3 |
| 31 | 10387-G3 | | COTTER PIN, 3/32" X 3/4" LG | 3 |
| 32 | 10386-G3 | | CLEVIS PIN, 5/16" X 3/4" LG | 2 |
| 33 | | | | |
| 34 | 70601-G01 | | KICK-OFF LINK..... | 1 |
| 35 | 17838-G1 | | NYLON BUSHING..... | 2 |
| 36 | 20835-G1 | | TEFLON WASHER, 3/8" | 2 |
| 37 | 00559-G8 | | WASHER, 5/16" | 2 |
| 38 | 10387-G3 | | COTTER PIN, 3/32" X 3/4" LG | 2 |
| 39 | 70098-G01 | | KICK-OFF CAM PIVOT | 1 |
| 40 | 10097-G6 | | FLANGED BEARING | 2 |
| 41 | 70587-G01 | | KICK-OFF CAM..... | 1 |
| 42 | 71215-G01 | | SETSCREW, 1/4 - 20 X 1/2" LG..... | 2 |
| 43 | 14134-G4 | | SPACER | 1 |
| 44 | | | | |
| 45 | 70113-G01 | | ADJUSTABLE BUMPER | 1 |
| 46 | 11027-G1 | | LOCK NUT, 5/16 - 18 | 1 |
| 47 | | | | |
| 48 | 70080-G02 | | CATCH BRACKET | 1 |
| 49 | 00141-G8 | | BOLT, 1/4 - 20 X 3/4" LG | 2 |
| 50 | 00891-G2 | | LOCK NUT, 1/4 - 20 | 2 |
| 51 | | | | |
| 52 | | | | |
| 53 | 74874-G01 | | BRAKE PEDAL ASSEMBLY (WITH BRAKE LIGHTS) (INCLUDES ITEMS 54 - 80)..... | 1 |
| 54 | * | | BRAKE PEDAL | 1 |
| 55 | 74724-G01 | | PARK BRAKE PEDAL | 1 |
| 56 | 70274-G01 | | BRAKE/PARK BRAKE PEDAL PAD KIT (INCLUDES ITEMS 57 - 59)..... | 1 |
| 57 | * | | SERVICE BRAKE PAD | 1 |
| 58 | * | | PARK BRAKE PAD..... | 1 |

BRAKES - FRONT DISC

THE USE OF NON U.L. PARTS WILL VOID ANY U.L. LISTING.
 When ordering parts, please specify the model and serial number of the product.
 * Indicates a component that is not available as an individual part.
 G** Indicates consult Customer Service Department for additional information.

| ITEM | PART NO. | 1 | 2 | 3 | 4 | 5 | DESCRIPTION | QTY. |
|------|-----------|---|---|---|---|---|-------------------------------------|------|
| 59 | 15766-G1 | | | | | | OVAL RIVET, 3/16" X 15/32" LG | 9 |
| 60 | | | | | | | | |
| 61 | 70258-G03 | | | | | | BRAKE PEDAL PLATE | 1 |
| 62 | 70682-G01 | | | | | | PIVOT PIN | 1 |
| 63 | 70681-G01 | | | | | | TORSION SPRING | 2 |
| 64 | 01071-G01 | | | | | | PUSHNUT, 5/16" | 1 |
| 65 | 00737-G8 | | | | | | SCREW, #10 - 24 X 1" LG | 4 |
| 66 | 00739-G1 | | | | | | RUBBER NUT, #10 - 24 | 2 |
| 67 | 74535-G01 | | | | | | BRAKE PEDAL STANDOFF | 2 |
| 68 | 27137-G01 | | | | | | CONICAL SPRING | 2 |
| 69 | 14390-G10 | | | | | | LOCK NUT, #10 - 24 | 2 |
| 70 | 10606-G8 | | | | | | MICRO SWITCH | 1 |
| 71 | 00957-G1 | | | | | | SCREW, #6 - 32 X 1 1/4" LG | 2 |
| 72 | 00559-G5 | | | | | | WASHER, #10 | 2 |
| 73 | 00559-G3 | | | | | | WASHER, #6 | 4 |
| 74 | 00565-G3 | | | | | | LOCK WASHER, #6 | 2 |
| 75 | 00525-G5 | | | | | | NUT, #6 - 32 | 2 |
| 76 | 13514-G1 | | | | | | SCREW AND LOCK WASHER, #6 | 2 |
| 77 | 20835-G1 | | | | | | WASHER, TEFLON, 3/8" | 2 |
| 78 | 14628-G1 | | | | | | FASTON TAB | 2 |
| 79 | 24605-G1 | | | | | | WIRE HARNESS (BRAKE LIGHT) | 1 |
| 80 | 17618-G1 | | | | | | WIRE TIE | 3 |
| 81 | | | | | | | | |
| 82 | 74731-G02 | | | | | | SPRING PLATE (PASSENGER SIDE) | 1 |
| 83 | 74731-G01 | | | | | | SPRING PLATE (DRIVER SIDE) | 1 |
| 84 | 74730-G01 | | | | | | FOUR LINK ROD | 2 |
| 85 | 01084-G01 | | | | | | LOCK NUT, M10-1.25 | 4 |
| 86 | 74736-G01 | | | | | | BRAKE LINE | 1 |
| 87 | 01038-G01 | | | | | | SCREW, 1/4 - 20 X 11/16" LG | 1 |
| 88 | 74875-G01 | | | | | | WIRE RETAINER | 2 |

BRAKES - FRONT DISC

THE USE OF NON U.L. PARTS WILL VOID ANY U.L. LISTING.

When ordering parts, please specify the model and serial number of the product.

* Indicates a component that is not available as an individual part.

G** Indicates consult Customer Service Department for additional information.

| ITEM | PART NO. | 1 2 3 4 5 | DESCRIPTION | QTY. |
|------|-----------|-----------|---|------|
| 89 | | | | |
| 90 | 602281 | | SPINDLE, CALIPER AND DISC HUB ASSEMBLY (DRIVER SIDE) (INCLUDES ITEMS 91 - 103)..... | 1 |
| 91 | 602176 | | DISC BRAKE SPINDLE (DRIVER SIDE) | 1 |
| 92 | | | | |
| 93 | 12093-G1 | | SLOTTED NUT | 1 |
| 94 | 74864-G01 | | DRIVE FLANGE STUD..... | 4 |
| 95 | 11750-G2 | | ROLLER BEARING | 2 |
| 96 | 51141-G1 | | BEARING RACE..... | 2 |
| 97 | 74673-G01 | | DISC BRAKE HUB..... | 1 |
| 98 | 70648-G01 | | FLANGED BEARING..... | 1 |
| 99 | 00566-G1 | | WASHER, 3/8" | 2 |
| 100 | 00426-G8 | | BOLT, 3/8 - 16 X 1 | 2 |
| 101 | 70749-G01 | | BEARING..... | 1 |
| 102 | 00798-G8 | | COTTER PIN | 1 |
| 103 | 25146-G1 | | GREASE SEAL..... | 1 |
| 104 | 74733-G02 | | CALIPER (DRIVER SIDE)..... | 1 |
| 105 | 602288 | | SPINDLE, CALIPER AND DISC HUB ASSEMBLY (PASSENGER SIDE) (INCLUDES ITEMS 93 - 103, 106, 107)..... | 1 |
| 106 | 602158 | | DISC BRAKE SPINDLE (PASSENGER SIDE)..... | 1 |
| 107 | | | | |
| 108 | | | | |
| 109 | 70745-G01 | | KINGPIN TUBE | 2 |
| 110 | 70754-G01 | | THRUST WASHER | 2 |
| 111 | 00560-G3 | | WASHER, 1/2" | 4 |
| 112 | 14390-G6 | | LOCKNUT, 1/2 - 13 | 2 |
| 113 | 00407-G6 | | CAPSCREW, 1/2 - 13 X 6" LG | 2 |
| 114 | 74733-G01 | | CALIPER (PASSENGER SIDE) | 1 |
| 115 | 74702-G01 | | FRONT DISC BRAKE BRAKE ACTUATOR ASSEMBLY (INCLUDES ITEMS 116 - 133)..... | 1 |
| 116 | 10387-G3 | | COTTER PIN, 3/32 X 3/4" LG..... | 1 |

BRAKES - FRONT DISC

THE USE OF NON U.L. PARTS WILL VOID ANY U.L. LISTING.
 When ordering parts, please specify the model and serial number of the product.
 * Indicates a component that is not available as an individual part.
 G** Indicates consult Customer Service Department for additional information.

| ITEM | PART NO. | 1 2 3 4 5 | DESCRIPTION | QTY. |
|------|-----------|-----------|---|------|
| 117 | 17838-G1 | | NYLON BUSHING | 1 |
| 118 | 10386-G3 | | CLEVIS PIN, 5/16 X 1" LG..... | 1 |
| 119 | 74753-G01 | | UPPER ACTUATOR PIVOT | 1 |
| 120 | 70581-G02 | | ACETAL BUSHING..... | 4 |
| 121 | 74711-G01 | | SHOULDER BOLT..... | 1 |
| 122 | 00560-G3 | | WASHER, 1/2" | 1 |
| 123 | 13437-G3 | | BOLT, 1/2 - 13 X 6" LG..... | 2 |
| 124 | | | | |
| 125 | 800697 | | LOCKNUT, 5/16 - 18..... | 2 |
| 126 | 74742-G01 | | MASTER CYLINDER..... | 1 |
| 127 | 606864 | | MASTER CYLINDER WELDMENT MOUNT | 1 |
| 128 | 11098-G5 | | LOCKNUT, 3/8 - 16..... | 1 |
| 129 | 00679-G1 | | WASHER, 3/8" STAINLESS | 1 |
| 130 | 74707-G01 | | LOWER ACTUATOR PIVOT..... | 1 |
| 131 | 10385-G4 | | CLEVIS YOKE | 1 |
| 132 | 606869 | | ACTUATOR ASSEMBLY COVER..... | 1 |
| 133 | 01038-G01 | | SCREW, 1/4 -20 SWAGEFORM..... | 3 |
| 134 | | | | |
| 135 | 00414-G8 | | BOLT, 1/4 - 20 X 1 1/4" LG | 4 |
| 136 | 00891-G2 | | LOCKNUT, 1/4 - 20 | 4 |
| 137 | | | | |
| 138 | 10387-G3 | | COTTER PIN, 3/32 X 3/4 | 2 |
| 139 | 20835-G1 | | WASHER, NYLON | 1 |
| 140 | 17838-G1 | | NYLON BUSHING..... | 2 |
| 141 | 74865-G01 | | ACTUATOR LINKAGE | 1 |
| 142 | 00771-G5 | | WASHER, 3/8" | 1 |
| 143 | 74917-G01 | | DISC BRAKE PAD AND PIN KIT (SERVICES ONE CORNER) (INCLUDES ITEMS 144 - 145)..... | 1 |
| 144 | * | | BRAKE PADS | 2 |
| 145 | * | | BRAKE PAD RETAINER PINS | 2 |

**DID YOU
KNOW?**

CartPros directs you to the right part using the part numbers from this manual. Enter the part number into our search box and it will find the part you are looking for.

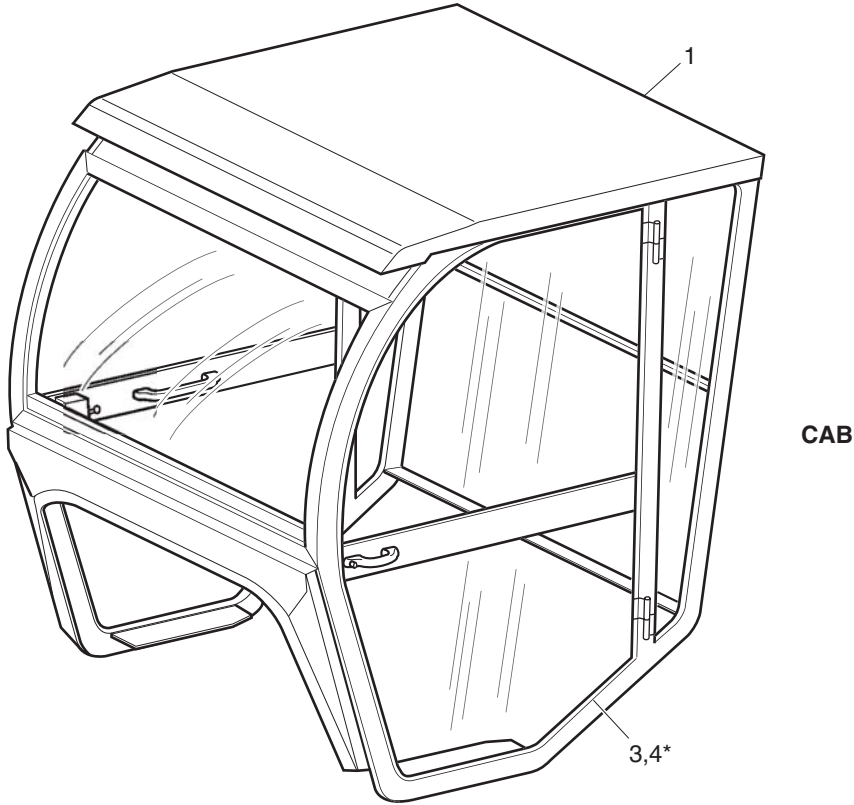
**GET STARTED
HERE**



<https://CartPros.com/f.html>

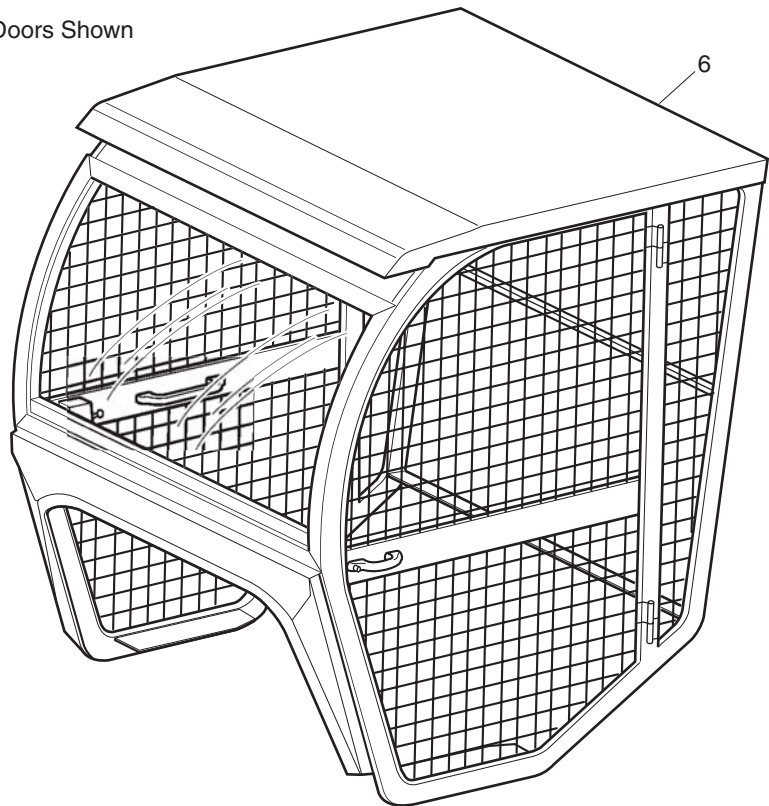
BRAKES - FRONT DISC

CAB



*Steel Doors Shown

BALL CAGE



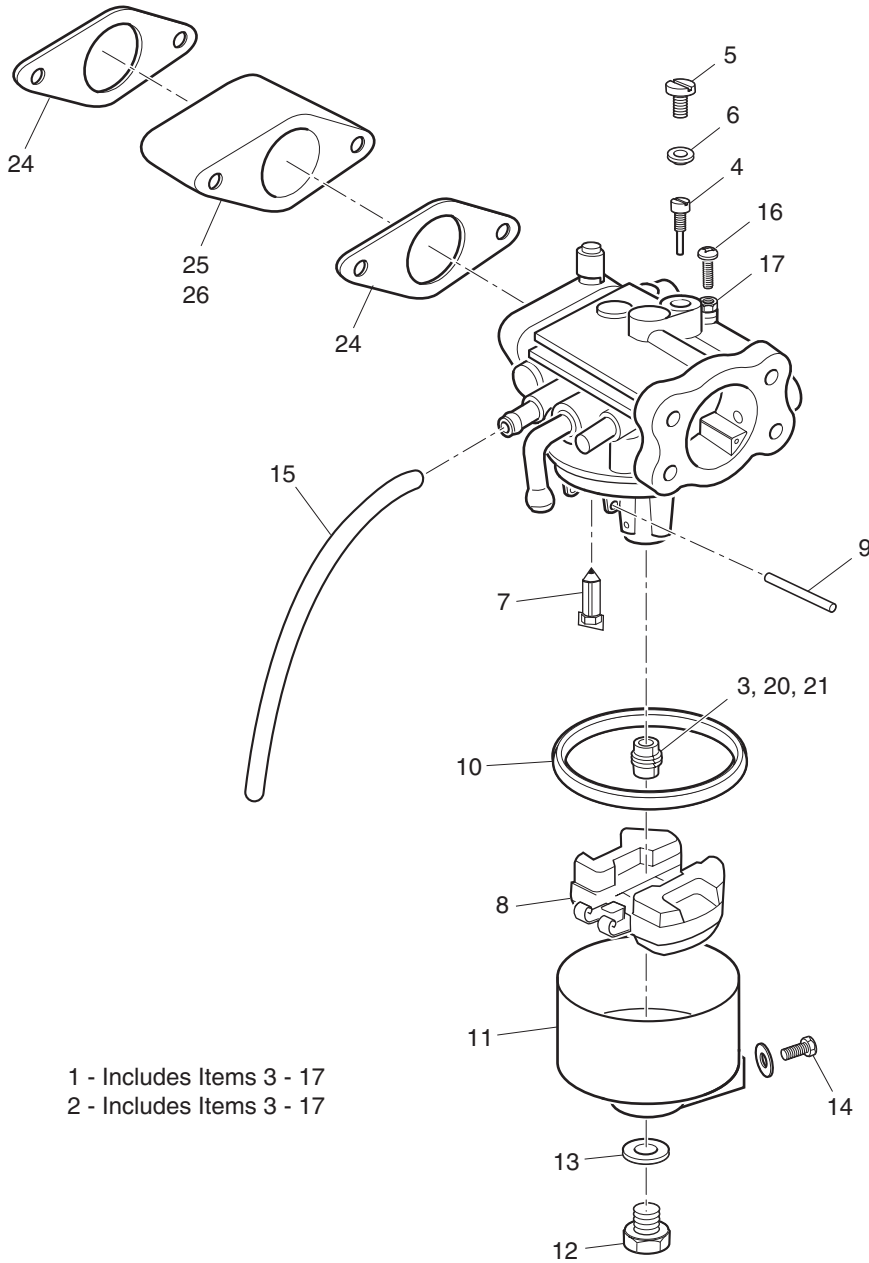
Ref Cab 6-1

For Cab Accessories, See ACCESSORIES LISTING in Appendix B

THE USE OF NON U.L. PARTS WILL VOID ANY U.L. LISTING.
 When ordering parts, please specify the model and serial number of the product.
 * Indicates a component that is not available as an individual part.
 G** Indicates consult Customer Service Department for additional information.

| ITEM | PART NO. | 1 2 3 4 5 | DESCRIPTION | QTY. |
|---|-----------|-----------|---|------|
| 1 | 72684-G** | | STEEL CAB (WITHOUT DOORS) REPACEMENT PARTS AND ACCESSORIES MAY BE OBTAINED FROM CURTIS CAB, INC. | 1 |
| 2 | | | | |
| 3 | 75855-G01 | | VINYL DOOR KIT..... | 1 |
| 4 | 75856-G** | | STEEL DOOR KIT..... | 1 |
| 5 | | | | |
| 6 | 75853-G01 | | BALL CAGE | 1 |
| <p>ForCab replacement parts and accessories, contact Curtis Cab at: Curtis Cab, Inc. 111 Higgins Street, Worcester, Massachusetts, 01606. Tel.: 508-853-2200. Toll free: 800-343-7676. www.curtiscab.com</p> | | | | |

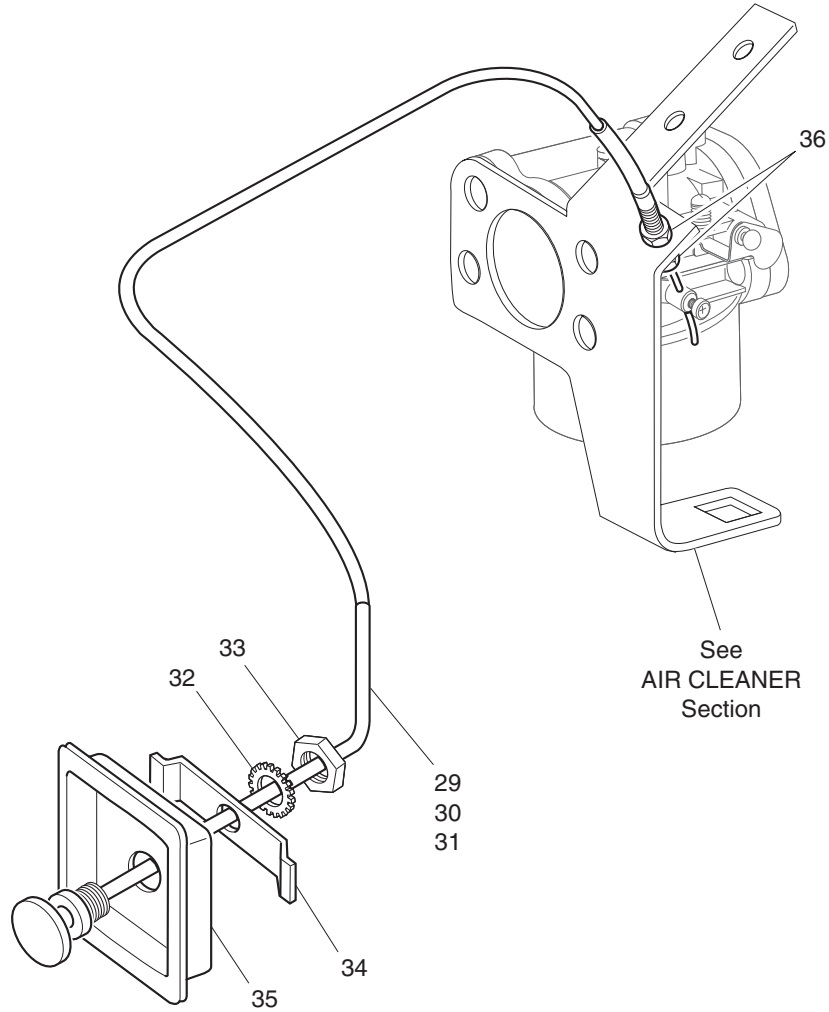
CARBURETOR AND CHOKE



- 1 - Includes Items 3 - 17
- 2 - Includes Items 3 - 17

Ref Cac 2-1

CARBURETOR AND CHOKE



Ref Cac 2-2

CARBURETOR AND CHOKE

Where applicable, THE USE OF NON UL PARTS WILL VOID ANY UL LISTING.

When ordering parts, please specify the model and serial number of the product.

* Indicates a component that is not available as an individual part.

G** Indicates consult Customer Service Department for additional information.

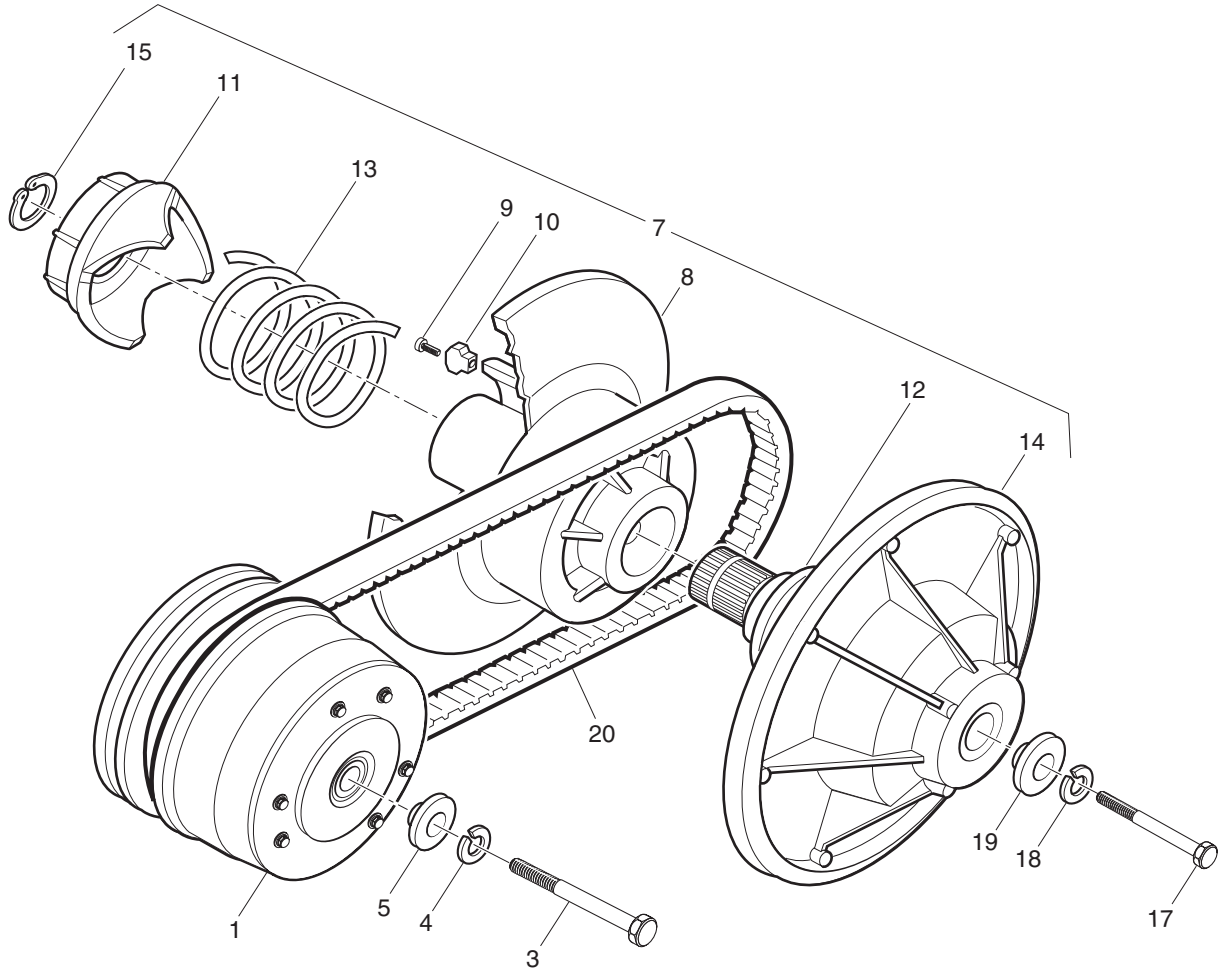
| ITEM | PART NO. | 1 2 3 4 5 | DESCRIPTION | QTY. |
|------|-----------|-----------|--|------|
| 1 | 72840-G01 | | CARBURETOR (FOR VEHICLES ORIGINALLY EQUIPPED WITH 295cc (EH29C & EH292C) ENGINES) (INCLUDES ITEMS 3 - 17)..... | 1 |
| 2 | 72840-G02 | | CARBURETOR (FOR VEHICLES ORIGINALLY EQUIPPED WITH 350cc (EH35C & EH352C) ENGINES) (INCLUDES ITEMS 3 - 17)..... | 1 |
| 3 | 26646-G08 | | MAIN JET (#86) | 1 |
| 4 | 26649-G05 | | PILOT JET (#46)..... | 1 |
| 5 | 26841-G01 | | PLUG | 1 |
| 6 | 72306-G01 | | GASKET | 1 |
| 7 | 72578-G01 | | NEEDLE VALVE | 1 |
| 8 | 26648-G01 | | FLOAT..... | 1 |
| 9 | 26840-G01 | | FLOAT PIN..... | 1 |
| 10 | 26843-G01 | | FLOAT BOWL GASKET | 1 |
| 11 | 26844-G01 | | FLOAT CHAMBER..... | 1 |
| 12 | 26839-G01 | | BOWL SCREW | 1 |
| 13 | 26838-G01 | | BOWL GASKET | 1 |
| 14 | 72579-G01 | | DRAIN SCREW | 1 |
| 15 | 26650-G01 | | VENT TUBE..... | 2 |
| 16 | 72317-G01 | | SCREW..... | 1 |
| 17 | 72310-G01 | | NUT..... | 1 |
| 18 | | | | |
| 19 | | | | |
| 20 | 26646-G** | | MAIN JET (#**) (FOR ELEVATIONS OF 3000 FT - 6000 FT)..... | 1 |
| 21 | 26646-G** | | MAIN JET (#**) (FOR ELEVATIONS OF 6000 FT - 10000 FT)..... | 1 |
| 22 | | | | |
| 23 | | | | |
| 24 | 26726-G01 | | CARBURETOR MOUNT GASKET..... | 2 |
| 25 | 72883-G01 | | CARBURETOR INSULATOR (FOR FUJI ENGINE EH29C) | 1 |
| 26 | 72854-G01 | | CARBURETOR INSULATOR (FOR FUJI ENGINE EH35C) | 1 |
| 27 | | | | |
| 28 | | | | |
| 29 | 25693-G04 | | CHOKE CABLE (22 1/4" LG WITH NUTS) | 1 |

CARBURETOR AND CHOKE

Where applicable, THE USE OF NON UL PARTS WILL VOID ANY UL LISTING.
 When ordering parts, please specify the model and serial number of the product.
 * Indicates a component that is not available as an individual part.
 G** Indicates consult Customer Service Department for additional information.

| ITEM | PART NO. | 1 2 3 4 5 | DESCRIPTION | QTY. |
|------|-----------|-----------|--|------|
| 30 | 72401-G01 | | CHOKE CABLE (60 1/4" LG WITH NUTS) | 1 |
| 31 | 72401-G02 | | CHOKE CABLE (31 1/2" LG WITH NUTS) | 1 |
| 32 | 00568-G4 | | LOCK WASHER, 9/16" | 1 |
| 33 | 00545-G4 | | JAM NUT, 9/16 - 18 | 1 |
| 34 | 72155-G02 | | RETAINER | 1 |
| 35 | 72154-G01 | | CHOKE CABLE ADAPTER | 1 |
| 36 | 00544-G4 | | JAM NUT, 5/16 - 24 | 2 |

CLUTCH



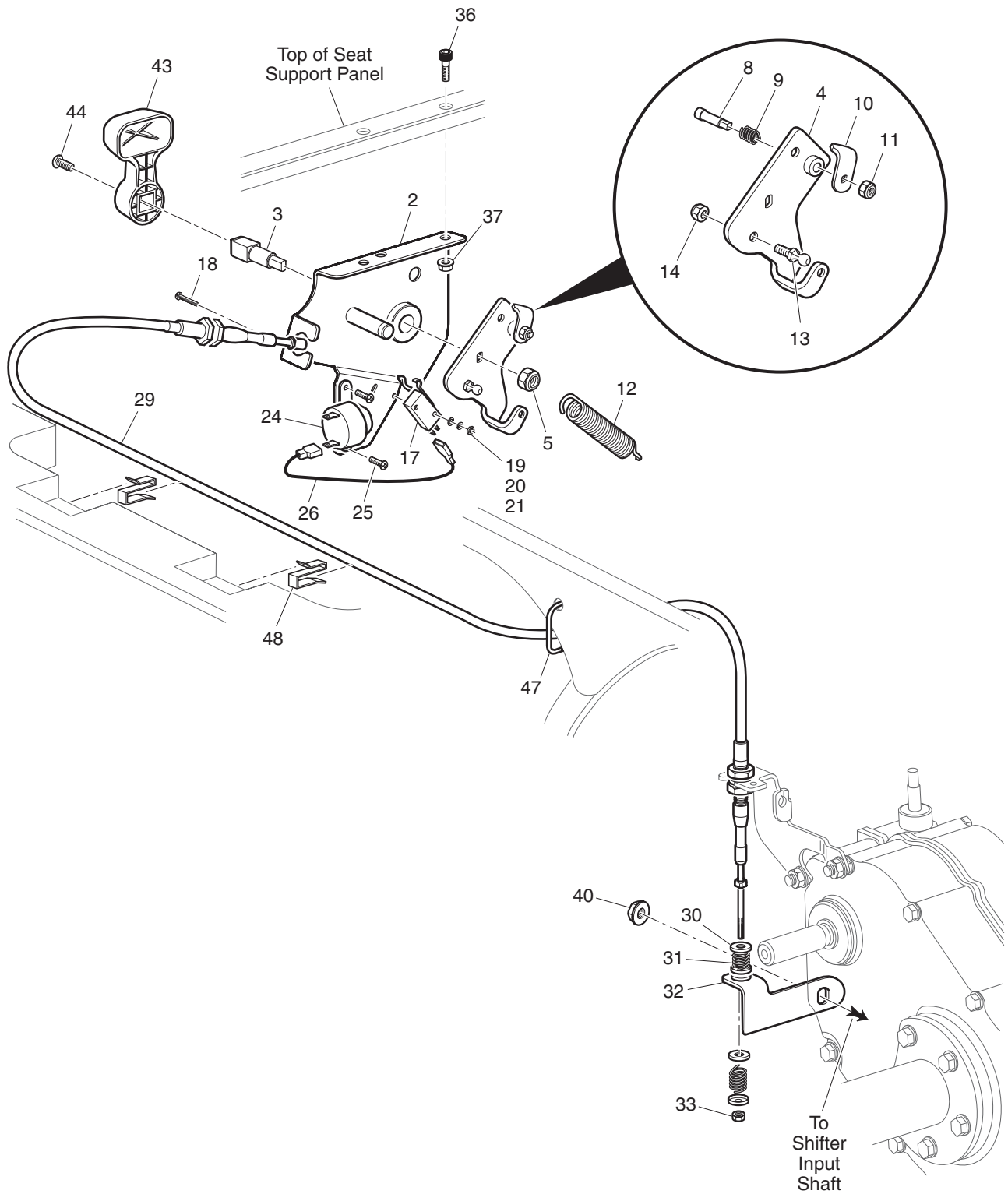
Ref Clt 21-1

THE USE OF NON U.L. PARTS WILL VOID ANY U.L. LISTING.
 When ordering parts, please specify the model and serial number of the product.
 * Indicates a component that is not available as an individual part.
 G** Indicates consult Customer Service Department for additional information.

| ITEM | PART NO. | 1 2 3 4 5 | DESCRIPTION | QTY. |
|------|-----------|-----------|--|------|
| 1 | 26952-G01 | | DRIVE CLUTCH | 1 |
| 2 | | | | |
| 3 | 00473-G9 | | BOLT, 7/16 - 20 X 6 1/2" LG | 1 |
| 4 | 00566-G2 | | LOCK WASHER, 7/16" | 1 |
| 5 | 25757-G1 | | PILOT WASHER | 1 |
| 6 | | | | |
| 7 | 26301-G03 | | DRIVEN CLUTCH ASSEMBLY (INCLUDES ITEMS 8 - 15) | 1 |
| 8 | * | | MOVABLE SHEAVE (INCLUDES ITEMS 9 -10)..... | 1 |
| 9 | 00979-G01 | | SCREW, #10 - 24 X 7/8" LG..... | 3 |
| 10 | 72324-G01 | | RAMP BUTTON | 3 |
| 11 | * | | CAM..... | 1 |
| 12 | 24600-G1 | | SPACER | 1 |
| 13 | 26304-G01 | | COMPRESSION SPRING | 1 |
| 14 | * | | SHEAVE AND POST | 1 |
| 15 | 27270-G01 | | HEAVY DUTY RETAINING RING | 1 |
| 16 | | | | |
| 17 | 00441-G8 | | BOLT, 5/16 - 18 X 4" LG | 1 |
| 18 | 00565-G8 | | LOCK WASHER, 5/16" | 4 |
| 19 | 25756-G1 | | RETAINING WASHER | 1 |
| 20 | 72328-G01 | | DRIVE BELT (SEVERE DUTY)..... | 1 |

DIRECTION SELECTOR

1 - Includes Items 2 - 33



Ref Dsl 21-1

DIRECTION SELECTOR

Where applicable, THE USE OF NON UL PARTS WILL VOID ANY UL LISTING.
 When ordering parts, please specify the model and serial number of the product.
 * Indicates a component that is not available as an individual part.
 G** Indicates consult Customer Service Department for additional information.

| ITEM | PART NO. | 1 2 3 4 5 | DESCRIPTION | QTY. |
|------|------------|-----------|--|------|
| 1 | 72721-G06 | | DIRECTION SELECTOR ASSEMBLY E-COAT (INCLUDES ITEMS 2 - 33) | 1 |
| 2 | 72737-G02 | | DIRECTION SELECTOR BRACKET | 1 |
| 3 | 70233-G01 | | DIRECTION SELECTOR SHAFT | 1 |
| 4 | 72738-G01 | | DIRECTION SELECTOR CAM | 1 |
| 5 | 14390-G1 | | LOCK NUT, 3/8 - 24 | 1 |
| 6 | | | | |
| 7 | | | | |
| 8 | 72724-G01 | | NEUTRAL LOCK PIN | 1 |
| 9 | 72733-G01 | | COMPRESSION SPRING, 3/8" X 5/8" LG | 1 |
| 10 | 72729-G01 | | NEUTRAL LOCK LATCH | 1 |
| 11 | 00734-G2 | | LOCK NUT, 1/4 - 28 | 1 |
| 12 | 28574-G01 | | EXTENSION SPRING | 1 |
| 13 | 72732-G01 | | BALL STUD | 1 |
| 14 | 00734-G5 | | LOCK NUT, #10 - 32 | 1 |
| 15 | | | | |
| 16 | | | | |
| 17 | 72736-G01 | | MICRO SWITCH | 1 |
| 18 | 01062-G01 | | SCREW, #4 - 40 X 1" LG | 2 |
| 19 | 00559-G1 | | WASHER, #4 | 2 |
| 20 | 00565-G1 | | LOCK WASHER, #4 | 2 |
| 21 | 00526-G2 | | NUT, #4 - 40 | 2 |
| 22 | | | | |
| 23 | | | | |
| 24 | 73290-G03 | | REVERSE WARNING BUZZER | 1 |
| 25 | 01063-G01 | | SCREW, #6 - 32 X 3/8" LG | 2 |
| 26 | 25978-G345 | | 18 GA WIRE (RED 7") | 1 |
| 27 | | | | |
| 28 | | | | |
| 29 | 72734-G03 | | SHIFTER CABLE | 1 |
| 30 | 25727-G01 | | CUP WASHER | 4 |

DIRECTION SELECTOR

Where applicable, THE USE OF NON UL PARTS WILL VOID ANY UL LISTING.
 When ordering parts, please specify the model and serial number of the product.
 * Indicates a component that is not available as an individual part.
 G** Indicates consult Customer Service Department for additional information.

| ITEM | PART NO. | 1 2 3 4 5 | DESCRIPTION | QTY. |
|------|-----------|-----------|---|------|
| 31 | 72735-G01 | | COMPRESSION SPRING, 19/32" X 1" LG | 2 |
| 32 | 72730-G01 | | SHIFTER ARM..... | 1 |
| 33 | 00734-G5 | | LOCK NUT, #10 - 32..... | 1 |
| 34 | | | | |
| 35 | | | | |
| 36 | 70227-G01 | | SCREW, 1/4 - 20 X 7/8" LG..... | 2 |
| 37 | 11027-G2 | | LOCK NUT, 1/4 - 20 | 2 |
| 38 | | | | |
| 39 | | | | |
| 40 | 26830-G01 | | LOCK NUT, M8 X 1.25 MM | 1 |
| 41 | | | | |
| 42 | | | | |
| 43 | 71205-G01 | | DIRECTION SELECTOR HANDLE..... | 1 |
| 44 | 00740-G4 | | SCREW, #10 - 32 X 1/2" LG (STAINLESS STEEL) | 1 |
| 45 | | | | |
| 46 | | | | |
| 47 | 17618-G1 | | WIRE TIE | 1 |
| 48 | 01072-G01 | | CABLE CLIP..... | 2 |

**DID YOU
KNOW?**

CartPros directs you to the right part using the part numbers from this manual. Enter the part number into our search box and it will find the part you are looking for.

**GET STARTED
HERE**

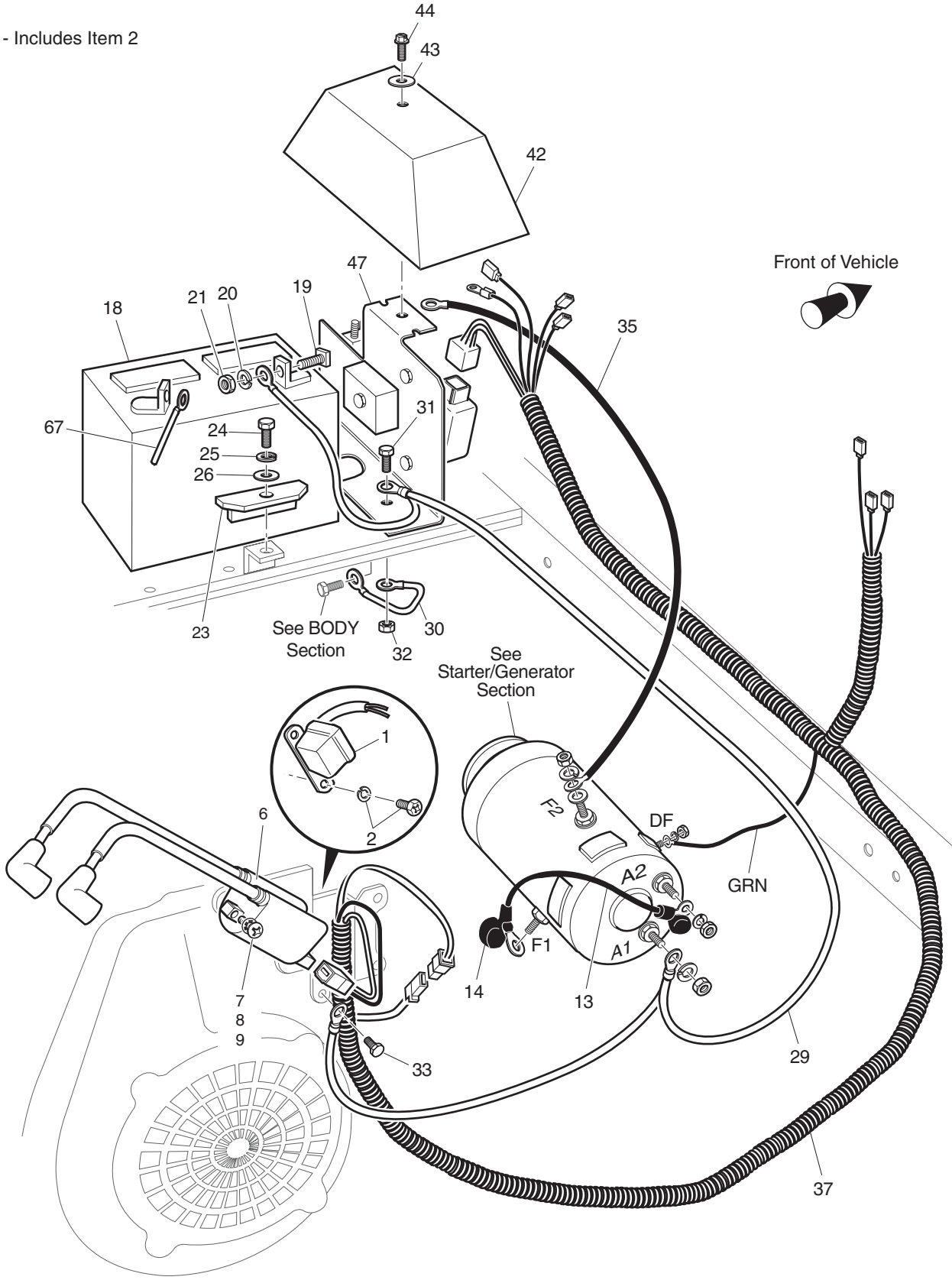


<https://CartPros.com/f.html>

DIRECTION SELECTOR

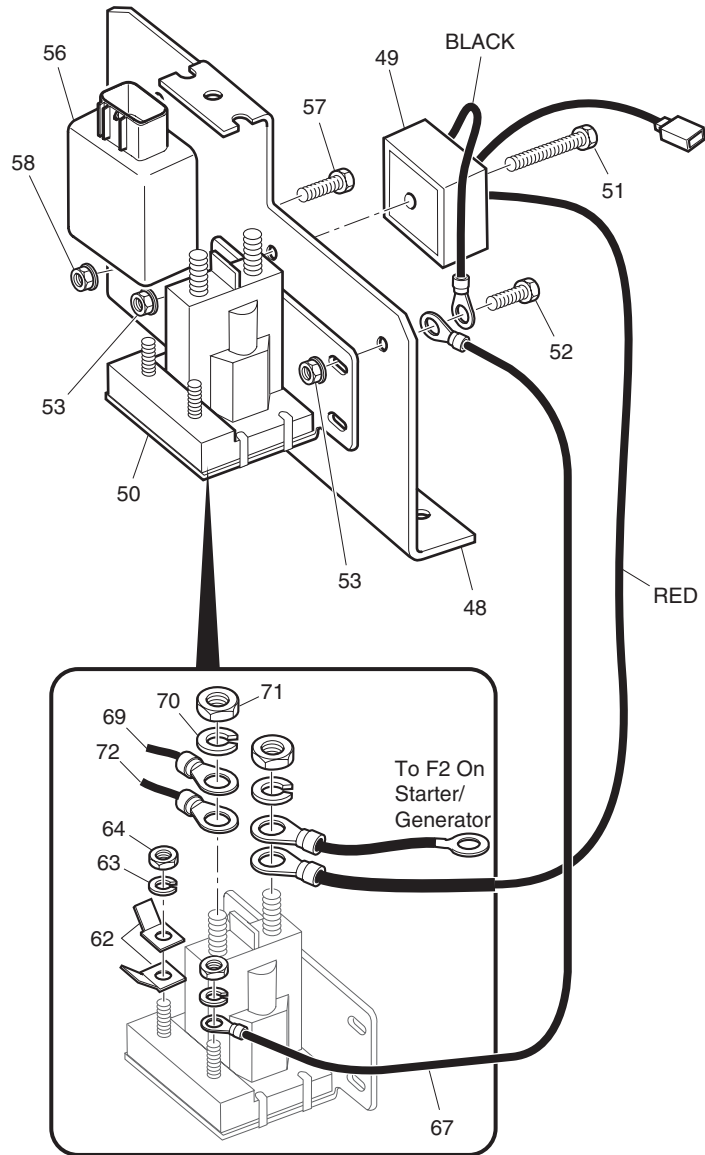
ELECTRICAL

1 - Includes Item 2

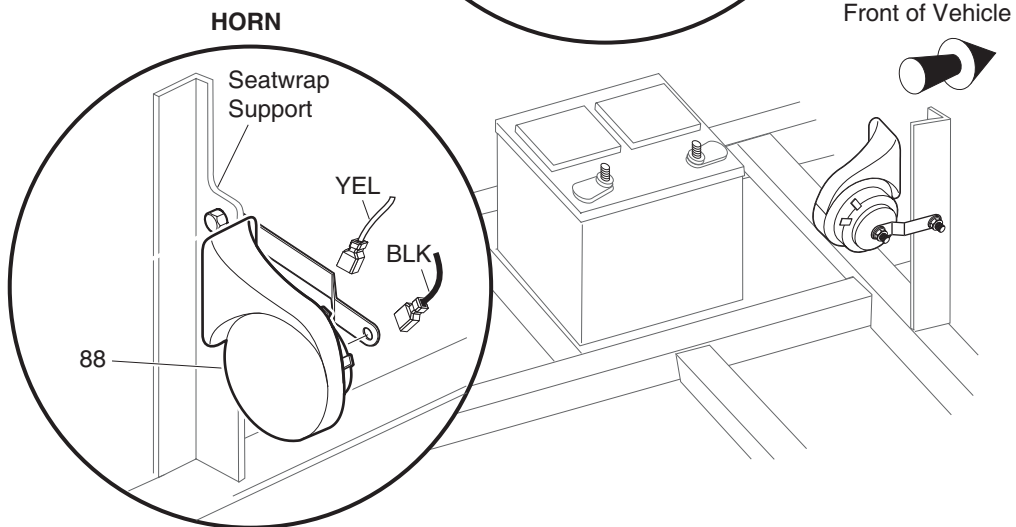
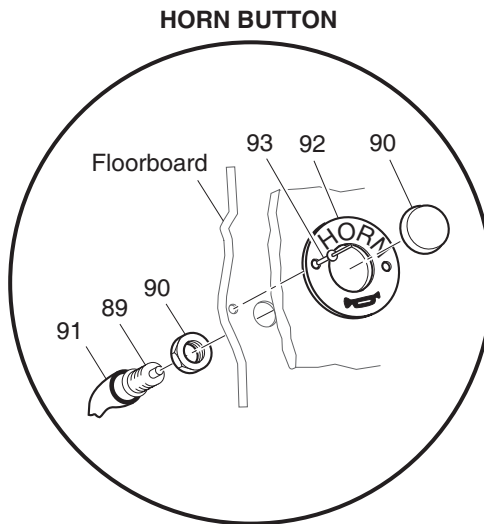
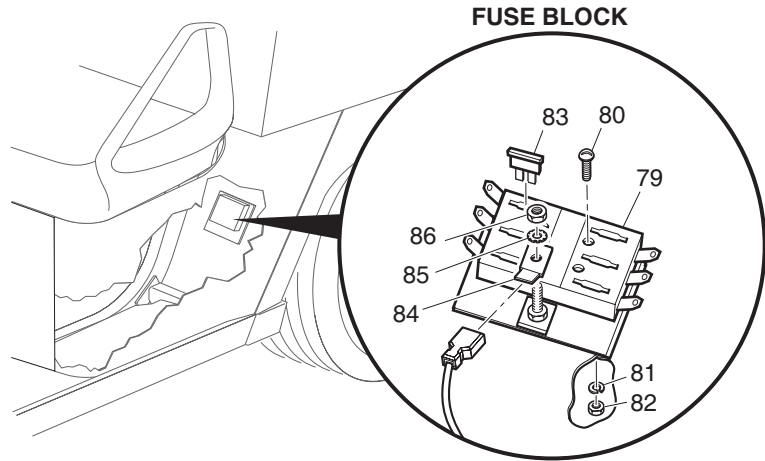


Ref Ele 2-1

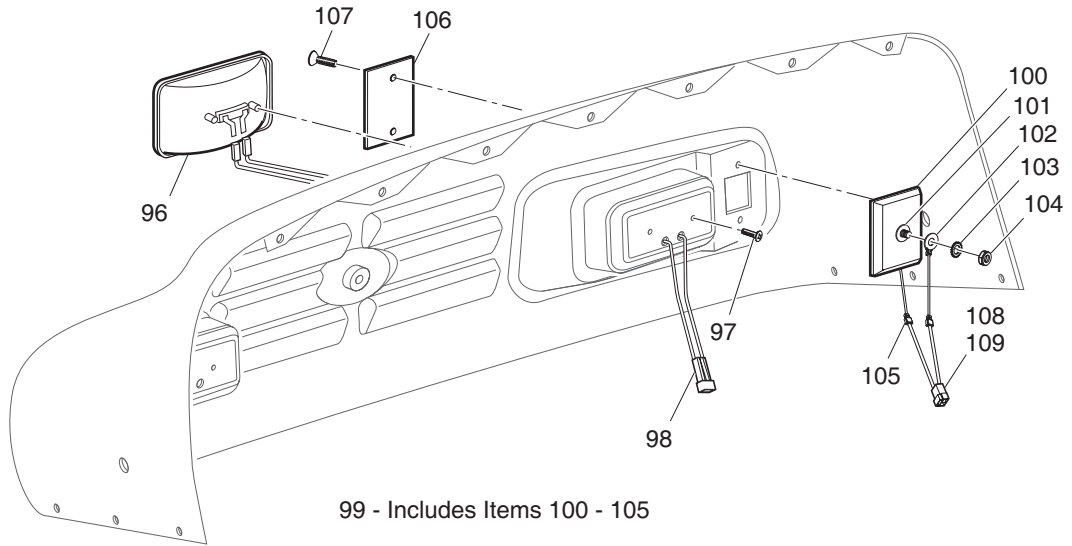
47 - Includes Items 48 - 72



ELECTRICAL

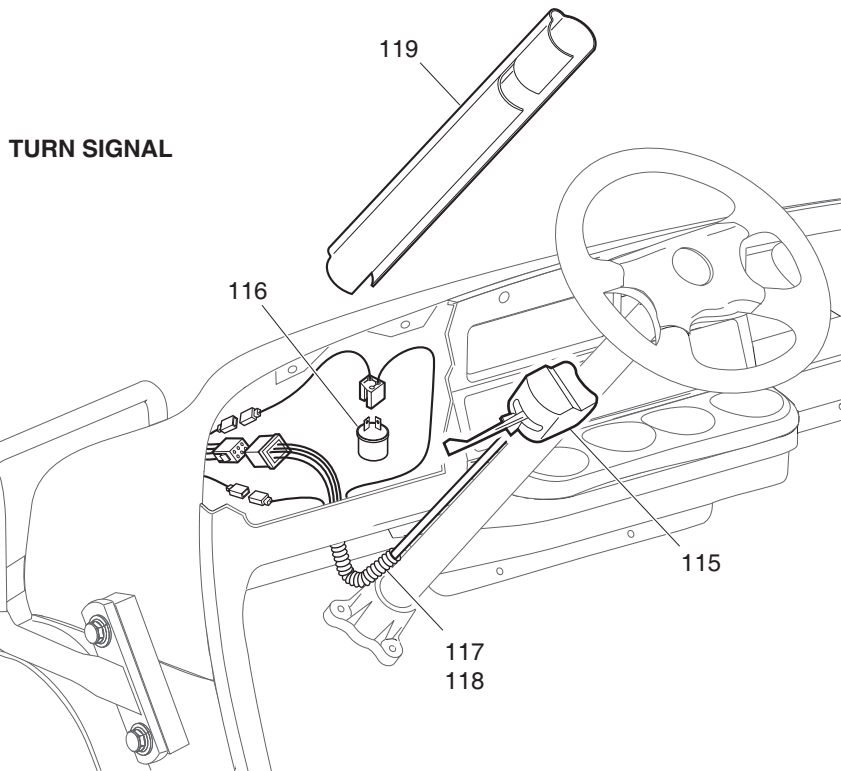
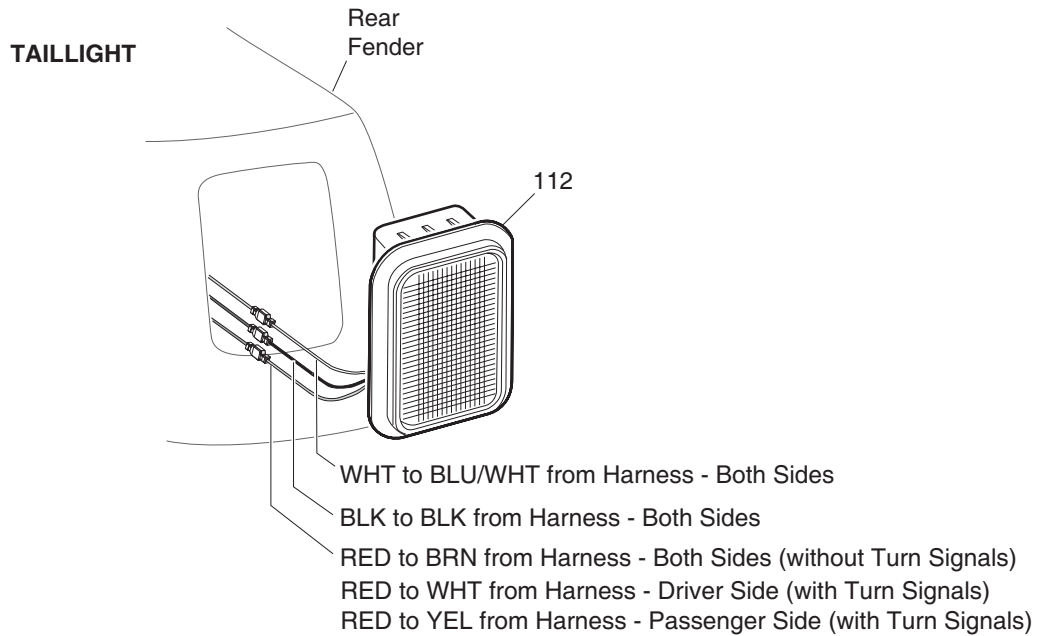


Ref Ele 21-3



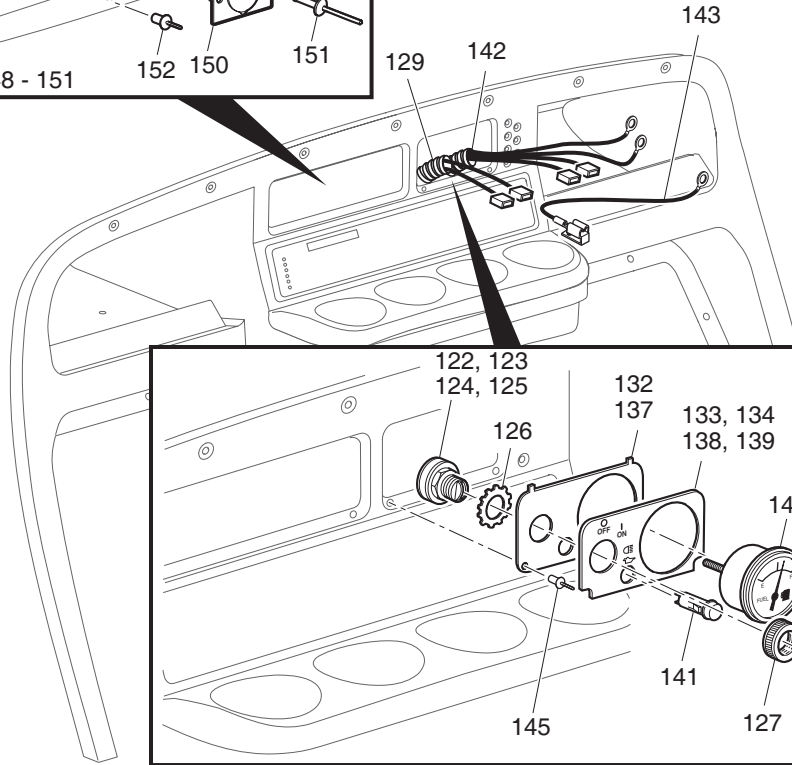
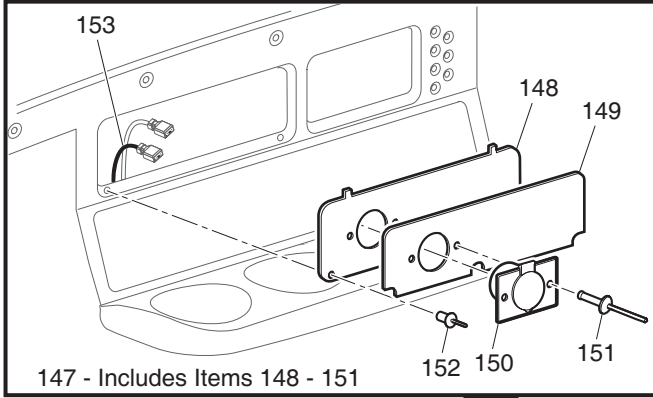
Ref Ele 21-4

ELECTRICAL



Ref Ele 6-5

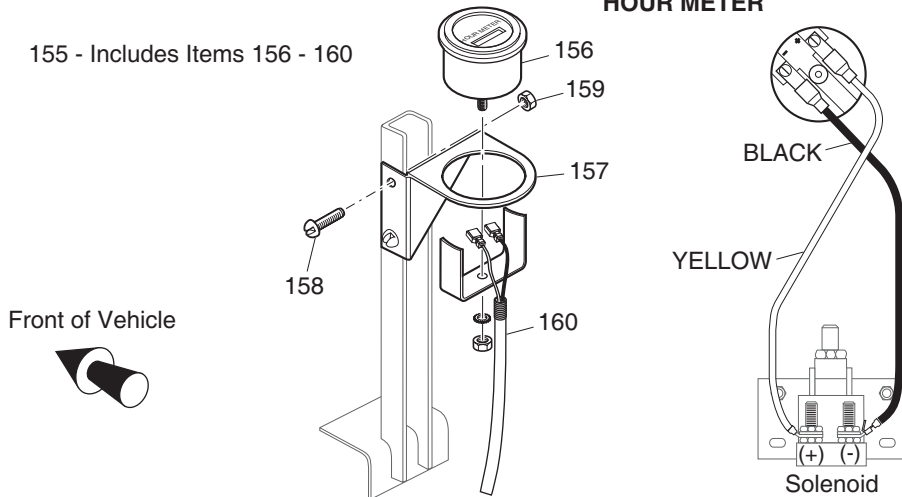
CONSOLE INSERT PLATE (WITH POWER OUTLET SHOWN)



KEY SWITCH, INDICATOR LIGHT(S), AND FUEL GAUGE

HOUR METER

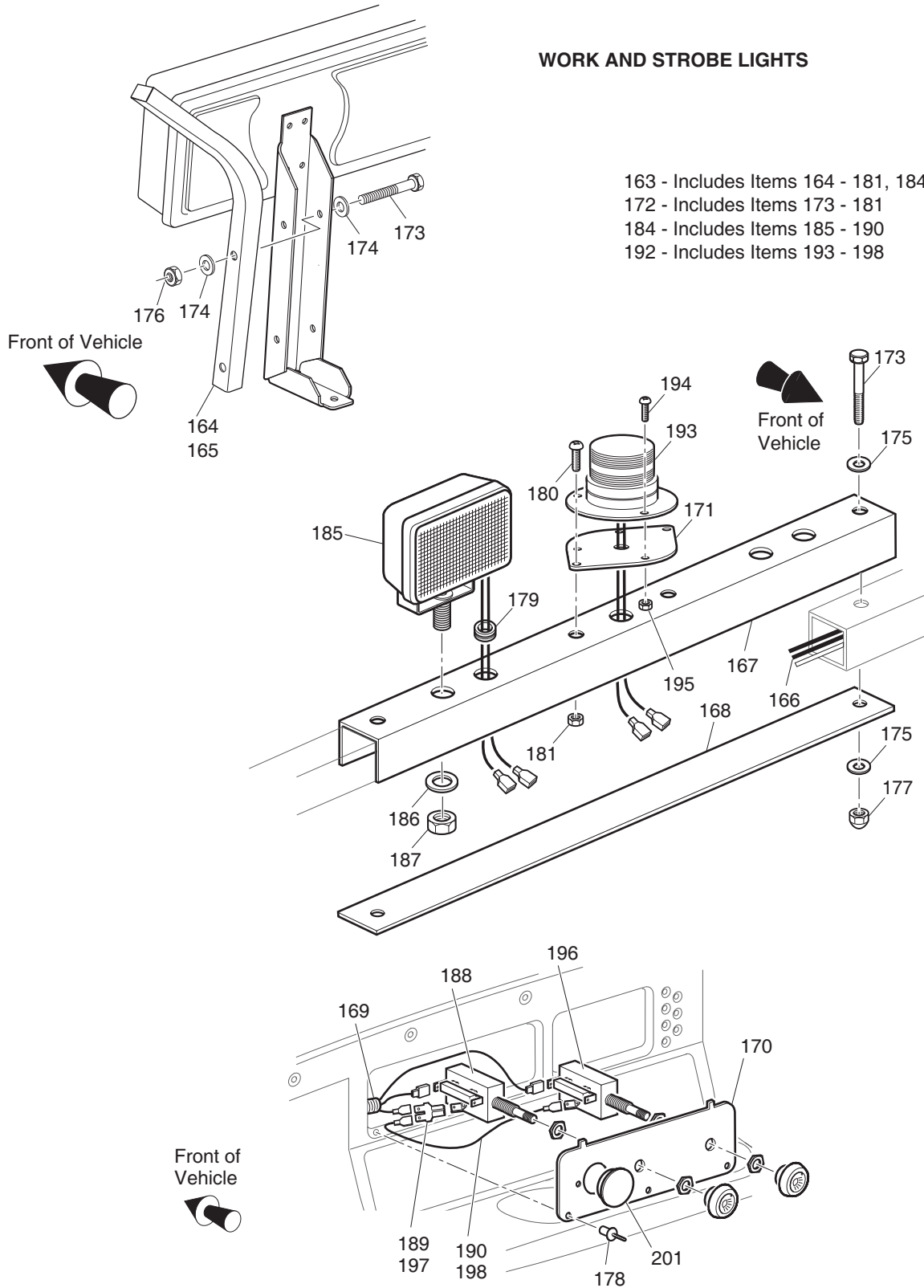
155 - Includes Items 156 - 160



Ref Ele 6-6

ELECTRICAL

WORK AND STROBE LIGHTS



Ref Ele 23-7

ELECTRICAL

Where applicable, THE USE OF NON UL PARTS WILL VOID ANY UL LISTING.

When ordering parts, please specify the model and serial number of the product.

* Indicates a component that is not available as an individual part.

G** Indicates consult Customer Service Department for additional information.

| ITEM | PART NO. | 1 2 3 4 5 | DESCRIPTION | QTY. |
|------|-----------|-----------|--|------|
| 1 | 72865-G01 | | IGNITION PICKUP ASSEMBLY (INCLUDES ITEM 2)..... | 1 |
| 2 | 26707-G01 | | BOLT AND WASHER ASSEMBLY, M5 X 0.8 X 10 MM LG | 2 |
| 3 | | | | |
| 4 | | | | |
| 5 | | | | |
| 6 | 72866-G01 | | IGNITION COIL (EH292C & EH352C ENGINES) (INCL. SPARK PLUG WIRES) | 1 |
| 7 | * | | FLAT WASHER | 2 |
| 8 | * | | LOCK WASHER | 2 |
| 9 | 72871-G01 | | SCREW | 2 |
| 10 | | | | |
| 11 | | | | |
| 12 | | | | |
| 13 | 25887-G01 | | 6 GA WIRE (BLACK, 6", F1 - A2)..... | 1 |
| 14 | 25682-G1 | | TERMINAL COVER | 3 |
| 15 | | | | |
| 16 | | | | |
| 17 | | | | |
| 18 | 24775-G* | | BATTERY, 12V | 1 |
| 19 | 00962-G1 | | BOLT, 5/16 - 18 X 1 1/4" LG | 2 |
| 20 | 00993-G01 | | LOCK WASHER, 5/16" (SILICON BRONZE) | 2 |
| 21 | 00994-G01 | | NUT, 5/16 - 18 (SILICON BRONZE) | 2 |
| 22 | | | | |
| 23 | 72101-G01 | | BATTERY HOLD DOWN..... | 1 |
| 24 | 00438-G6 | | BOLT, 5/16 - 18 X 3/4" LG | 1 |
| 25 | 00565-G8 | | LOCK WASHER, 5/16" | 1 |
| 26 | 00571-G2 | | WASHER, 5/16" (STAINLESS STEEL) | 1 |
| 27 | | | | |
| 28 | | | | |
| 29 | 27044-G03 | | GROUND CABLE..... | 1 |

ELECTRICAL

Where applicable, THE USE OF NON UL PARTS WILL VOID ANY UL LISTING.

When ordering parts, please specify the model and serial number of the product.

* Indicates a component that is not available as an individual part.

G** Indicates consult Customer Service Department for additional information.

| ITEM | PART NO. | 1 2 3 4 5 | DESCRIPTION | QTY. |
|------|-----------|-----------|--|------|
| 30 | 25976-G19 | | 14 GA WIRE (BLACK, 6") | 1 |
| 31 | 00438-G6 | | BOLT, 5/16 - 18 X 3/4" LG | 2 |
| 32 | 11027-G1 | | LOCK NUT, 5/16 - 18 | 2 |
| 33 | 26676-G01 | | FLANGED BOLT, M6 X 1 X 23 MM LG | 1 |
| 34 | | | | |
| 35 | 25972-G58 | | 6 GA WIRE (BLACK 26", F2 - SOL)..... | 1 |
| 36 | | | | |
| 37 | 74935-G01 | | WIRE HARNESS (CONTROL)..... | 1 |
| 38 | | | | |
| 39 | | | | |
| 40 | 17618-G1 | | WIRE TIE | AR |
| 41 | | | | |
| 42 | 73049-G01 | | COVER..... | 1 |
| 43 | 16469-G1 | | WASHER, 1/4" | 1 |
| 44 | 00114-G6 | | SCREW, 1/4 - 14 X 3/4" LG..... | 1 |
| 45 | | | | |
| 46 | | | | |
| 47 | 72909-G01 | | ELECTRICAL PLATE ASSEMBLY (INCLUDES ITEMS 48 - 72) | 1 |
| 48 | 73057-G01 | | BRACKET | 1 |
| 49 | 27739-G01 | | VOLTAGE REGULATOR | 1 |
| 50 | 27153-G01 | | SOLENOID | 1 |
| 51 | 00415-G2 | | BOLT, 1/4 - 20 X 1 1/4" LG..... | 1 |
| 52 | 00414-G8 | | BOLT, 1/4 - 20 X 1" LG..... | 1 |
| 53 | 11027-G2 | | LOCK NUT, 1/4 - 20..... | 2 |
| 54 | | | | |
| 55 | | | | |
| 56 | 72872-G01 | | IGNITOR | 1 |
| 57 | 00414-G5 | | BOLT, 1/4 - 20 X 5/8" LG..... | 1 |
| 58 | 11027-G2 | | LOCK NUT, 1/4 - 20 | 1 |
| 59 | | | | |

ELECTRICAL

Where applicable, THE USE OF NON UL PARTS WILL VOID ANY UL LISTING.

When ordering parts, please specify the model and serial number of the product.

* Indicates a component that is not available as an individual part.

G** Indicates consult Customer Service Department for additional information.

| ITEM | PART NO. | 1 2 3 4 5 | DESCRIPTION | QTY. |
|------|-----------|-----------|--|------|
| 60 | | | | |
| 61 | | | | |
| 62 | 73446-G01 | | FASTON TAB, 90° | 2 |
| 63 | 00565-G5 | | LOCK WASHER, #10 | 2 |
| 64 | 00526-G4 | | NUT, #10 - 32..... | 2 |
| 65 | | | | |
| 66 | | | | |
| 67 | 25978-G56 | | 18 GA WIRE (BLACK, 5 3/4") | 1 |
| 68 | | | | |
| 69 | 22585-G3 | | IN-LINE FUSE HOLDER..... | 1 |
| 70 | 00565-G8 | | LOCK WASHER, 5/16" | 2 |
| 71 | 00544-G4 | | JAM NUT, 5/16 - 24..... | 2 |
| 72 | 25972-G33 | | 6 GA WIRE (BLACK, 24", B+ - SOL) | 1 |
| 73 | | | | |
| 74 | | | | |
| 75 | | | | |
| 76 | | | | |
| 77 | | | | |
| 78 | | | | |
| 79 | 35211-G01 | | FUSE BLOCK (6 POSITION) | 1 |
| 80 | 00379-G2 | | SCREW, #10 - 24 X 1 1/4" LG..... | 2 |
| 81 | 00559-G5 | | WASHER, #10..... | 2 |
| 82 | 14390-G10 | | LOCK NUT, #10 - 24 | 2 |
| 83 | 35212-G01 | | FUSE, 15 AMP | AR |
| 84 | 12914-G1 | | PUSH ON MALE TERMINAL | 1 |
| 85 | 00567-G5 | | LOCK WASHER, #10 | 1 |
| 86 | 00526-G4 | | NUT, #10 - 32 | 1 |
| 87 | | | | |
| 88 | 32860-G1 | | HORN..... | 1 |
| 89 | 17318-G1 | | HORN SWITCH..... | 1 |

ELECTRICAL

Where applicable, THE USE OF NON UL PARTS WILL VOID ANY UL LISTING.

When ordering parts, please specify the model and serial number of the product.

* Indicates a component that is not available as an individual part.

G** Indicates consult Customer Service Department for additional information.

| ITEM | PART NO. | 1 2 3 4 5 | DESCRIPTION | QTY. |
|------|-----------|-----------|---|------|
| 90 | 17318-G2 | | HORN SWITCH CAP AND NUT | 1 |
| 91 | 27068-G01 | | HORN SWITCH BOOT | 1 |
| 92 | 19233-G1 | | HORN SWITCH LABEL | 1 |
| 93 | 71055-G01 | | RIVET, 3/16" X 1" LG (ALUMINUM) | 2 |
| 94 | | | | |
| 95 | | | | |
| 96 | 22523-G1 | | HEADLIGHT (INCLUDES ITEM 122) (LX / SE) | 2 |
| 97 | 00906-G6 | | SCREW, #10 - 16 X 1" LG | 2 |
| 98 | 74337-G01 | | JUMPER WIRE (HEADLIGHT) | 2 |
| 99 | 20570-G3 | | TURN SIGNAL LIGHT (INCLUDES ITEMS 100 - 105) | 2 |
| 100 | 20574-G3 | | TURN SIGNAL LIGHT | 1 |
| 101 | 00660-G7 | | WASHER, 1/4" | 1 |
| 102 | 20606-G1 | | WIRE ASSEMBLY | 1 |
| 103 | 00567-G7 | | LOCK WASHER, 1/4" | 1 |
| 104 | 00532-G1 | | NUT, 1/4 - 20 | 1 |
| 105 | 18995-G1 | | PUSH-ON MALE TERMINAL | 1 |
| 106 | 20574-G5 | | LENS, AMBER | 1 |
| 107 | 00118-G5 | | SCREW, #6 - 18 X 5/8" LG | 2 |
| 108 | 74056-G01 | | TURN SIGNAL JUMPER, RED/BLACK (PASSENGER SIDE) | 1 |
| 109 | 74056-G02 | | TURN SIGNAL JUMPER, GREEN/BLACK (DRIVER SIDE) | 1 |
| 110 | | | | |
| 111 | | | | |
| 112 | 32739-G2 | | TAILLIGHT ASSEMBLY (COMPLETE) | 2 |
| 113 | | | | |
| 114 | | | | |
| 115 | 17867-G1 | | TURN SIGNAL (WITH MOUNTING HARDWARE) (INCL. ITEM 116) | 1 |
| 116 | 21640-G1 | | TURN SIGNAL FLASHER | 1 |
| 117 | 32307-G3 | | FLEX LOOM, 3/8 X 8" LG | 1 |
| 118 | 17618-G1 | | WIRE TIE | 2 |
| 119 | 20965-G3 | | STEERING COLUMN COVER | 1 |

ELECTRICAL

Where applicable, THE USE OF NON UL PARTS WILL VOID ANY UL LISTING.
 When ordering parts, please specify the model and serial number of the product.
 * Indicates a component that is not available as an individual part.
 G** Indicates consult Customer Service Department for additional information.

| ITEM | PART NO. | 1 2 3 4 5 | DESCRIPTION | QTY. |
|------|------------|-----------|---|------|
| 120 | | | | |
| 121 | | | | |
| 122 | 33639-G02 | | IGNITION SWITCH KIT (W/O LIGHTS - STANDARD - WITH HARDWARE) | 1 |
| 123 | 33639-G03 | | IGNITION SWITCH (WITHOUT LIGHTS - NON STANDARD) | 1 |
| 124 | 18027-G1 | | IGNITION SWITCH (WITHOUT LIGHTS - INDIVIDUALLY KEYED) | 1 |
| 125 | 33639-G** | | IGNITION SWITCH (WITH LIGHTS)..... | 1 |
| 126 | 00568-G6 | | LOCK WASHER, 3/4"..... | 1 |
| 127 | 17137-G1 | | FACE NUT, 3/4 - 20..... | 1 |
| 128 | 17063-G1 | | IGNITION KEY (SET)..... | 1 |
| 129 | 73041-G01 | | WIRE HARNESS (KEY SWITCH)..... | 1 |
| 130 | | | | |
| 131 | | | | |
| 132 | 601015 | | PLATE (IGNITION SWITCH ONLY) | 1 |
| 133 | 71181-G02 | | DECAL (IGNITION SWITCH ONLY) WITHOUT HEADLIGHTS..... | 1 |
| 134 | 71181-G01 | | DECAL (IGNITION SWITCH ONLY) WITH HEADLIGHTS | 1 |
| 135 | | | | |
| 136 | | | | |
| 137 | 73030-G04 | | PLATE (FUEL GAUGE AND OIL LIGHT)..... | 1 |
| 138 | 71127-G01 | | DECAL (OIL LIGHT AND FUEL GAUGE W/O HEADLIGHTS)..... | 1 |
| 139 | 71131-G01 | | DECAL (OIL LIGHT AND FUEL GAUGE WITH HEADLIGHTS)..... | 1 |
| 140 | 21553-G1 | | FUEL GAUGE | 1 |
| 141 | 23474-G1 | | INDICATOR LIGHT | 1 |
| 142 | 74311-G01 | | HARNESS (OIL LIGHT/FUEL GAUGE) | 1 |
| 143 | 25978-G122 | | 18 GA WIRE (RED 6")..... | 1 |
| 144 | | | | |
| 145 | 33623-G02 | | DRIVE RIVET, 3/16" X 3/8" LG | 2 |
| 146 | | | | |
| 147 | 74444-G** | | CONSOLE INSERT ASSEMBLY (WITH OR W/O POWER OUTLET) (INCLUDES ITEMS 148 - 151)..... | 1 |
| 148 | 71077-G** | | CONSOLE INSERT PLATE | 1 |

ELECTRICAL

Where applicable, THE USE OF NON UL PARTS WILL VOID ANY UL LISTING.

When ordering parts, please specify the model and serial number of the product.

* Indicates a component that is not available as an individual part.

G** Indicates consult Customer Service Department for additional information.

| ITEM | PART NO. | 1 2 3 4 5 | DESCRIPTION | QTY. |
|------|-----------|-----------|---|------|
| 149 | 35966-G** | | DECAL (CONSOLE INSERT PLATE)..... | 1 |
| 150 | 71078-G01 | | POWER OUTLET (12 VOLT)..... | 1 |
| 151 | 14601-G10 | | RIVET, 5/32" X 7/16" LG | 2 |
| 152 | 33623-G02 | | DRIVE RIVET, 5/32" X 5/16" LG | 3 |
| 153 | 71081-G01 | | WIRE HARNESS (POWER OUTLET) | 1 |
| 154 | | | | |
| 155 | 75114-G02 | | HOUR METER KIT (INCLUDES ITEMS 156 - 160)..... | 1 |
| 156 | 21573-G1 | | HOUR METER ASSEMBLY..... | 1 |
| 157 | 74019-G02 | | HOUR METER BRACKET..... | 1 |
| 158 | 00379-G4 | | SCREW, #10 - 24 X 1/2" LG | 2 |
| 159 | 14390-G10 | | LOCK NUT, #10 - 24..... | 2 |
| 160 | 75117-G01 | | WIRE HARNESS (HOUR METER) | 1 |
| 161 | | | | |
| 162 | | | | |
| 163 | 71323-G** | | WORK LIGHT BAR WITH LIGHTS AND/OR STROBE (INCLUDES ITEMS 164 - 181, 184 AND/OR 192)..... | 1 |
| 164 | 75838-G03 | | STRUT (DRIVER SIDE)..... | 1 |
| 165 | 75838-G04 | | STRUT (PASSENGER SIDE) | 1 |
| 166 | 75346-G01 | | WIRE HARNESS (WORK LIGHT) | 1 |
| 167 | 71294-G02 | | BRACE..... | 1 |
| 168 | 71293-G02 | | COVER PLATE | 1 |
| 169 | 75347-G01 | | SWITCH HARNESS | 1 |
| 170 | 73522-G** | | CONSOLE INSERT PLATE | 1 |
| 171 | 33201-G03 | | STROBE LIGHT MOUNT (USED ONLY WITH STROBE LIGHT)..... | 1 |
| 172 | 75365-G01 | | HARDWARE KIT (INCLUDES ITEMS 173 - 181)..... | 1 |
| 173 | 00685-G7 | | BOLT, 5/16 - 18 X 1 3/4" LG | 6 |
| 174 | 00660-G8 | | WASHER, 5/16"..... | 12 |
| 175 | 15121-G1 | | WASHER, 3/8" X 1 1/4"..... | 2 |
| 176 | 01109-G01 | | LOCK NUT, 5/16 - 18 | 4 |
| 177 | 00918-G3 | | ACORN NUT, 5/16 - 18 | 2 |

ELECTRICAL

Where applicable, THE USE OF NON UL PARTS WILL VOID ANY UL LISTING.

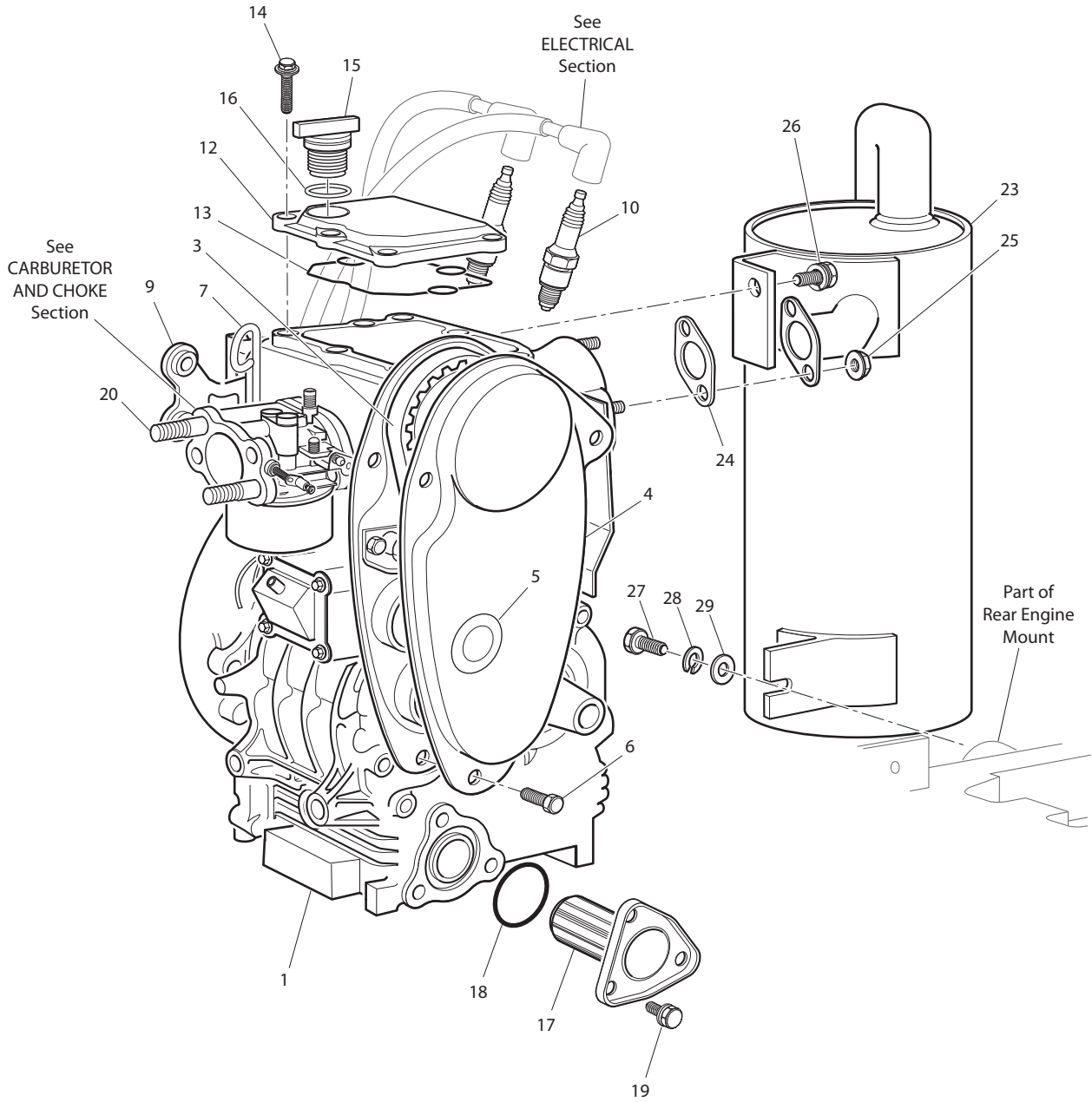
When ordering parts, please specify the model and serial number of the product.

* Indicates a component that is not available as an individual part.

G** Indicates consult Customer Service Department for additional information.

| ITEM | PART NO. | 1 | 2 | 3 | 4 | 5 | DESCRIPTION | QTY. |
|------|-----------|---|---|---|---|---|---|------|
| 178 | 33623-G02 | | | | | | DRIVE RIVET, 3/16" X 3/8" LG..... | 3 |
| 179 | 20367-G1 | | | | | | GROMMET | 2 |
| 180 | 16705-G3 | | | | | | SCREW, 1/4 - 20 X 3/4" LG | 2 |
| 181 | 14390-G4 | | | | | | LOCK NUT, 1/4 - 20 | 2 |
| 182 | | | | | | | | |
| 183 | | | | | | | | |
| 184 | 20383-G2 | | | | | | WORK LIGHT KIT (INCLUDES ITEMS 185 - 190)..... | 1 |
| 185 | 20209-G2 | | | | | | WORK LIGHT (RECTANGULAR) | 2 |
| 186 | 00566-G3 | | | | | | LOCK WASHER, 1/2" | 2 |
| 187 | 00533-G1 | | | | | | NUT, 1/2 - 13 | 2 |
| 188 | 17317-G1 | | | | | | LIGHT SWITCH..... | 1 |
| 189 | 17902-G1 | | | | | | TAB ADAPTER..... | 1 |
| 190 | 20053-G1 | | | | | | 16 GA WIRE (RED 5 3/8")..... | 1 |
| 191 | | | | | | | | |
| 192 | 20385-G3 | | | | | | STROBE LIGHT KIT (INCLUDES ITEMS 193 - 198) | 1 |
| 193 | 20394-G4 | | | | | | STROBE LIGHT | 1 |
| 194 | 00379-G4 | | | | | | SCREW, #10 - 24 x 1/2" LG | 3 |
| 195 | 14390-G10 | | | | | | LOCK NUT, #10 - 24 | 3 |
| 196 | 17317-G1 | | | | | | LIGHT SWITCH..... | 1 |
| 197 | 17902-G1 | | | | | | TAB ADAPTER..... | 1 |
| 198 | 20053-G1 | | | | | | 16 GA WIRE (RED 5 3/8")..... | 1 |
| 199 | | | | | | | | |
| 200 | | | | | | | | |
| 201 | 20271-G10 | | | | | | HOLE PLUG..... | 1 |
| 202 | | | | | | | | |
| 203 | | | | | | | | |
| 204 | | | | | | | | |
| 205 | | | | | | | | |
| 206 | | | | | | | | |
| 207 | | | | | | | | |

ENGINE AND MUFFLER



1 - Includes Items 3 - 20

Ref Emf 2

ENGINE AND MUFFLER

Where applicable, THE USE OF NON UL PARTS WILL VOID ANY UL LISTING.

When ordering parts, please specify the model and serial number of the product.

* Indicates a component that is not available as an individual part.

G** Indicates consult Customer Service Department for additional information.

| ITEM | PART NO. | 1 2 3 4 5 | DESCRIPTION | QTY. |
|------|-----------|-----------|--|------|
| 1 | 72846-G02 | | ENGINE (EH352C) (INCLUDES ITEMS 3 - 20)..... | 1 |
| 2 | | | | |
| 3 | 26626-G01 | | TIMING BELT..... | 1 |
| 4 | 72908-G01 | | TIMING BELT COVER..... | 1 |
| 5 | 26631-G01 | | TIMING BELT COVER GROMMET..... | 1 |
| 6 | 26678-G01 | | BOLT, M6 X 1 X 12 MM LG..... | 3 |
| 7 | 72538-G01 | | DIP STICK (0 DEGREES)..... | 1 |
| 8 | | | | |
| 9 | 72869-G01 | | IGNITION COIL BRACKET..... | 1 |
| 10 | 25523-G3 | | SPARK PLUG (NGK BPR4ES)..... | 2 |
| 11 | | | | |
| 12 | 72848-G01 | | VALVE COVER..... | 1 |
| 13 | 72876-G01 | | VALVE COVER GASKET..... | 1 |
| 14 | 26676-G01 | | FLANGED BOLT, M6 X 1 X 23 MM LG..... | 6 |
| 15 | 26601-G01 | | OIL FILLER CAP..... | 1 |
| 16 | 26720-G01 | | OIL FILLER 'O' RING..... | 1 |
| 17 | 26591-G01 | | OIL FILTER..... | 1 |
| 18 | 26710-G01 | | OIL FILTER 'O' RING..... | 1 |
| 19 | 26680-G01 | | BOLT AND WASHER, M6 X 1 X 12 MM LG..... | 3 |
| 20 | 72307-G01 | | STUD, M6 X 1 X 115MM LG..... | 2 |
| 21 | | | | |
| 22 | | | | |
| 23 | 74829-G01 | | MUFFLER..... | 1 |
| 24 | 25531-G1 | | EXHAUST GASKET..... | 1 |
| 25 | 26827-G01 | | NUT, M8 X 1.25MM..... | 2 |
| 26 | 25532-G1 | | BOLT AND WASHER, M8 X 1.25 X 18 MM LG..... | 1 |
| 27 | 00438-G8 | | BOLT, 5/16 - 18 X 1" LG..... | 1 |

ENGINE AND MUFFLER

Where applicable, THE USE OF NON UL PARTS WILL VOID ANY UL LISTING.

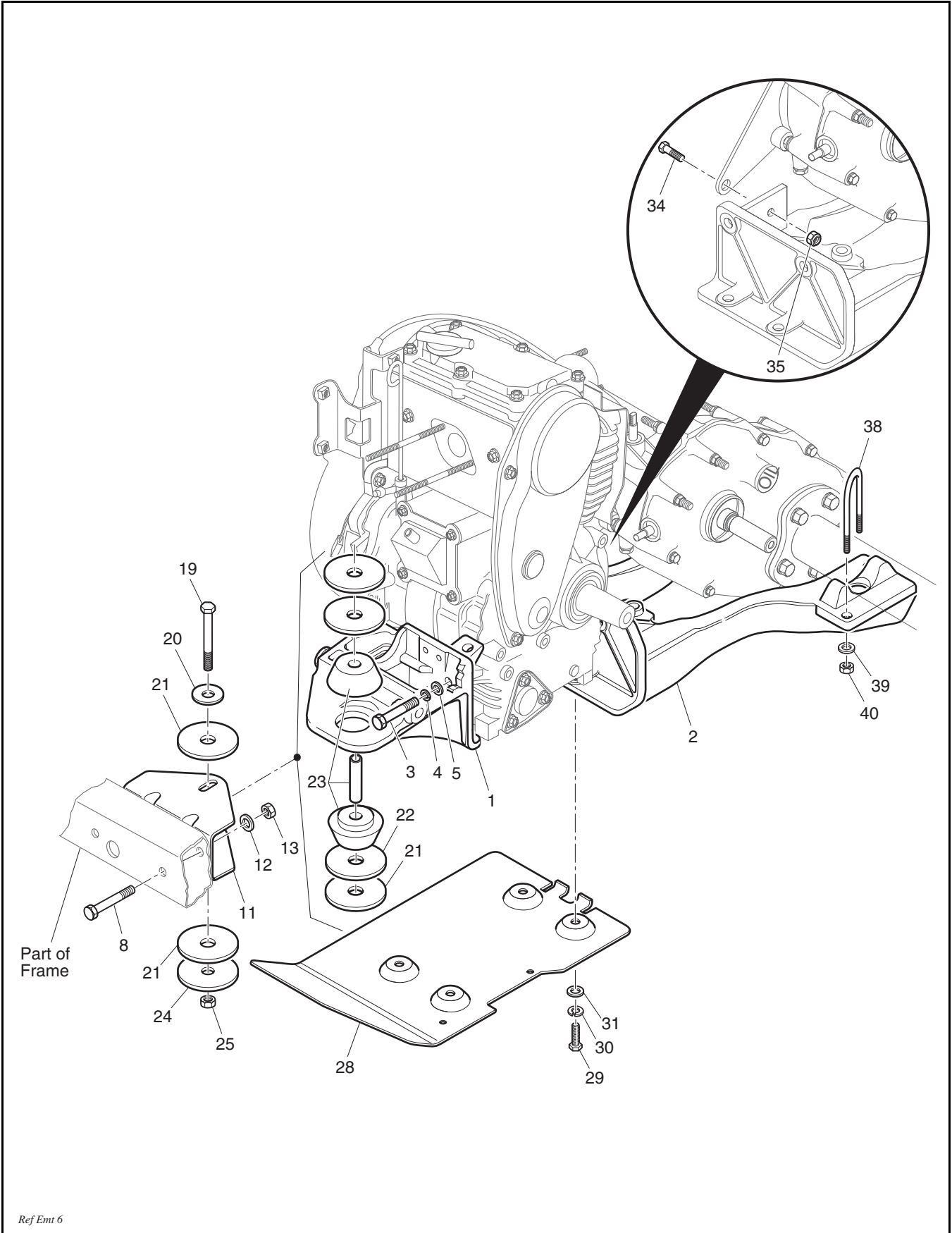
When ordering parts, please specify the model and serial number of the product.

* Indicates a component that is not available as an individual part.

G** Indicates consult Customer Service Department for additional information.

| ITEM | PART NO. | 1 2 3 4 5 | DESCRIPTION | QTY. |
|------|----------|-----------|--------------------------|------|
| 28 | 00565-G8 | | LOCK WASHER, 5/16" | 1 |
| 29 | 00642-G8 | | WASHER, 5/16" | 1 |

ENGINE MOUNTING



Ref Em1 6

ENGINE MOUNTING

Where applicable, THE USE OF NON UL PARTS WILL VOID ANY UL LISTING.

When ordering parts, please specify the model and serial number of the product.

* Indicates a component that is not available as an individual part.

G** Indicates consult Customer Service Department for additional information.

| ITEM | PART NO. | 1 2 3 4 5 | DESCRIPTION | QTY. |
|------|-----------|-----------|-------------------------------------|------|
| 1 | 72010-G01 | | FRONT ENGINE MOUNT | 1 |
| 2 | 72011-G01 | | REAR ENGINE MOUNT | 1 |
| 3 | 00463-G4 | | BOLT, 7/16 - 14 X 1 1/2" LG | 4 |
| 4 | 00566-G2 | | LOCK WASHER, 7/16" | 4 |
| 5 | 00922-G3 | | WASHER, 7/16" | 4 |
| 6 | | | | |
| 7 | | | | |
| 8 | 00428-G6 | | BOLT, 3/8 - 16 X 2 3/4" LG | 2 |
| 9 | | | | |
| 10 | | | | |
| 11 | 72044-G02 | | MOUNT BRACKET | 1 |
| 12 | 00643-G1 | | WASHER, 3/8" | 2 |
| 13 | 11098-G5 | | LOCK NUT, 3/8 - 16 | 2 |
| 14 | | | | |
| 15 | | | | |
| 16 | | | | |
| 17 | | | | |
| 18 | | | | |
| 19 | 00430-G4 | | BOLT, 3/8 - 16 X 4 1/2" LG | 1 |
| 20 | 15121-G1 | | WASHER, 1 1/4" X 3/8" | 1 |
| 21 | 72050-G01 | | PLASTIC WASHER, 2 1/2" x 5/8" | 4 |
| 22 | 72051-G01 | | WASHER, 2 1/2" X 5/8" | 2 |
| 23 | 72015-G01 | | ISOLATION MOUNT | 1 |
| 24 | 72051-G02 | | WASHER, 2 1/2" X 11/32" | 1 |
| 25 | 11098-G5 | | LOCK NUT, 3/8 - 16 | 1 |
| 26 | | | | |
| 27 | | | | |
| 28 | 72719-G01 | | ENGINE GUARD..... | 1 |
| 29 | 00463-G4 | | BOLT, 7/16 - 14 X 1 1/2" LG | 4 |
| 30 | 00566-G2 | | LOCK WASHER, 7/16" | 4 |

ENGINE MOUNTING

Where applicable, THE USE OF NON UL PARTS WILL VOID ANY UL LISTING.
 When ordering parts, please specify the model and serial number of the product.
 * Indicates a component that is not available as an individual part.
 G** Indicates consult Customer Service Department for additional information.

| ITEM | PART NO. | 1 2 3 4 5 | DESCRIPTION | QTY. |
|------|-----------|-----------|-----------------------------------|------|
| 31 | 00922-G3 | | WASHER, 7/16" | 4 |
| 32 | | | | |
| 33 | | | | |
| 34 | 00439-G2 | | BOLT, 5/16 - 18 X 1 1/8" LG | 1 |
| 35 | 11098-G6 | | LOCK NUT, 5/16 - 18 | 1 |
| 36 | | | | |
| 37 | | | | |
| 38 | 72035-G01 | | 'U' BOLT, 7/16 - 14 | 2 |
| 39 | 00922-G3 | | WASHER, 7/16" | 4 |
| 40 | 00734-G1 | | LOCK NUT, 7/16 - 14 | 4 |

**DID YOU
KNOW?**

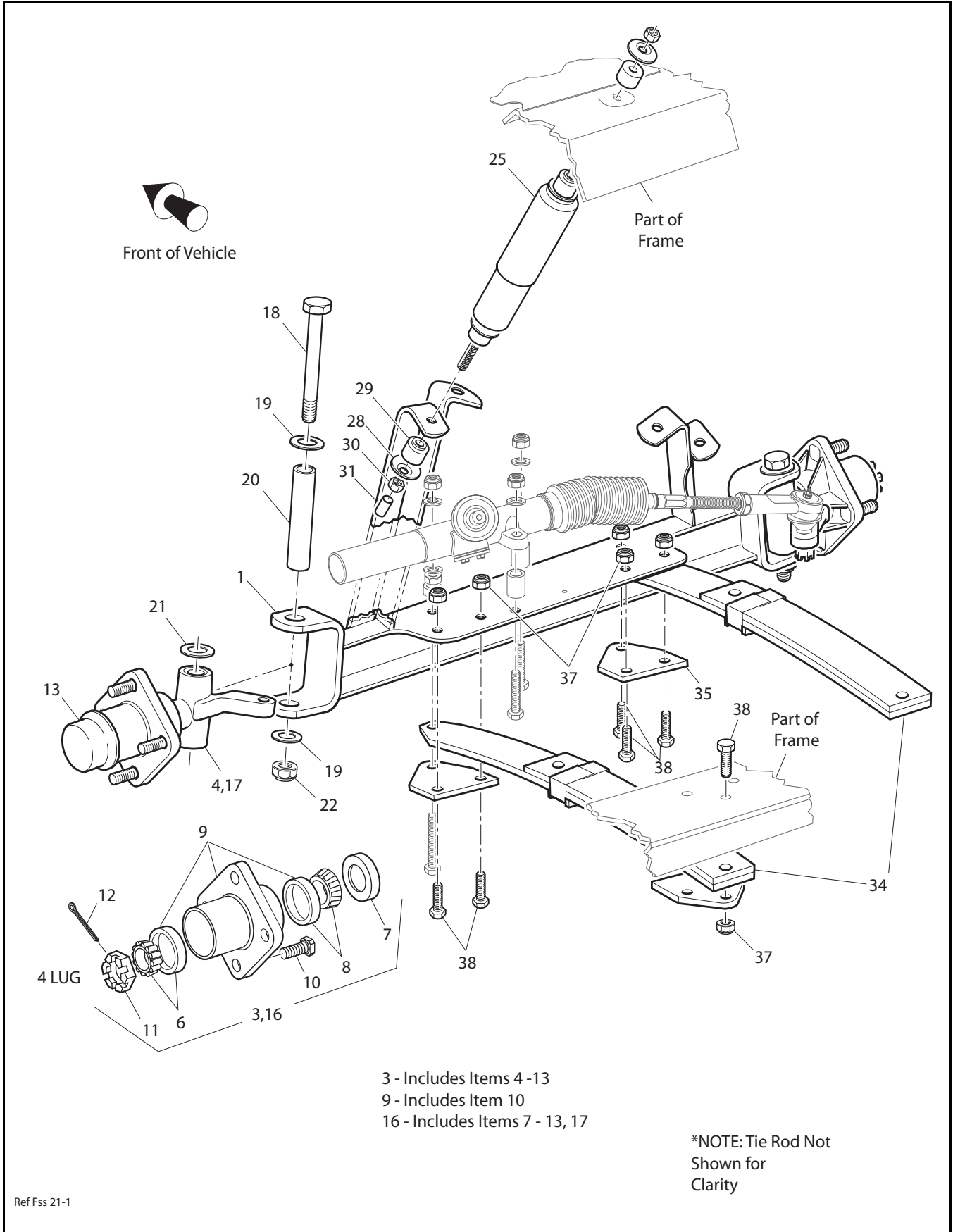
CartPros directs you to the right part using the part numbers from this manual. Enter the part number into our search box and it will find the part you are looking for.

**GET STARTED
HERE** →

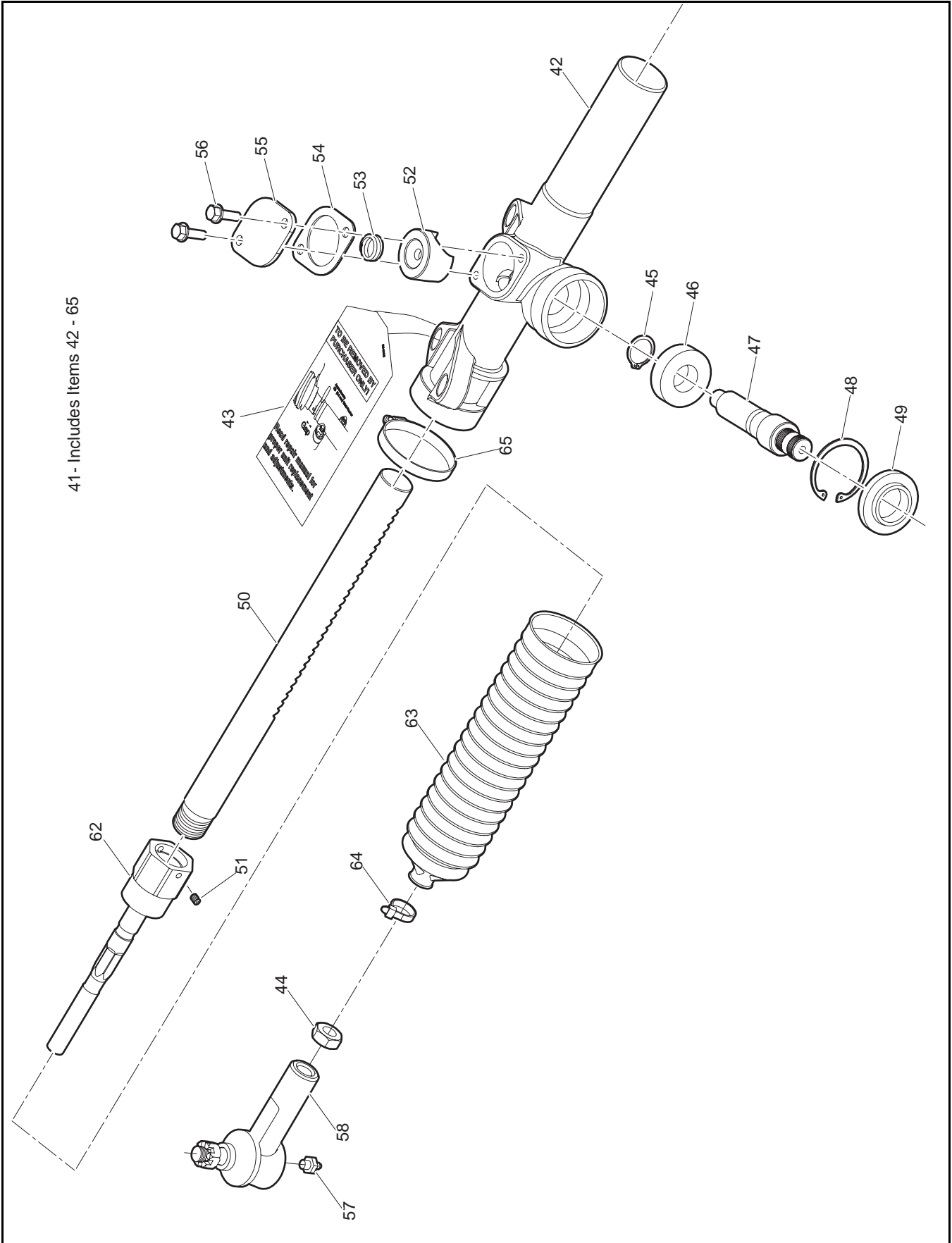
<https://CartPros.com/f.html>

ENGINE MOUNTING

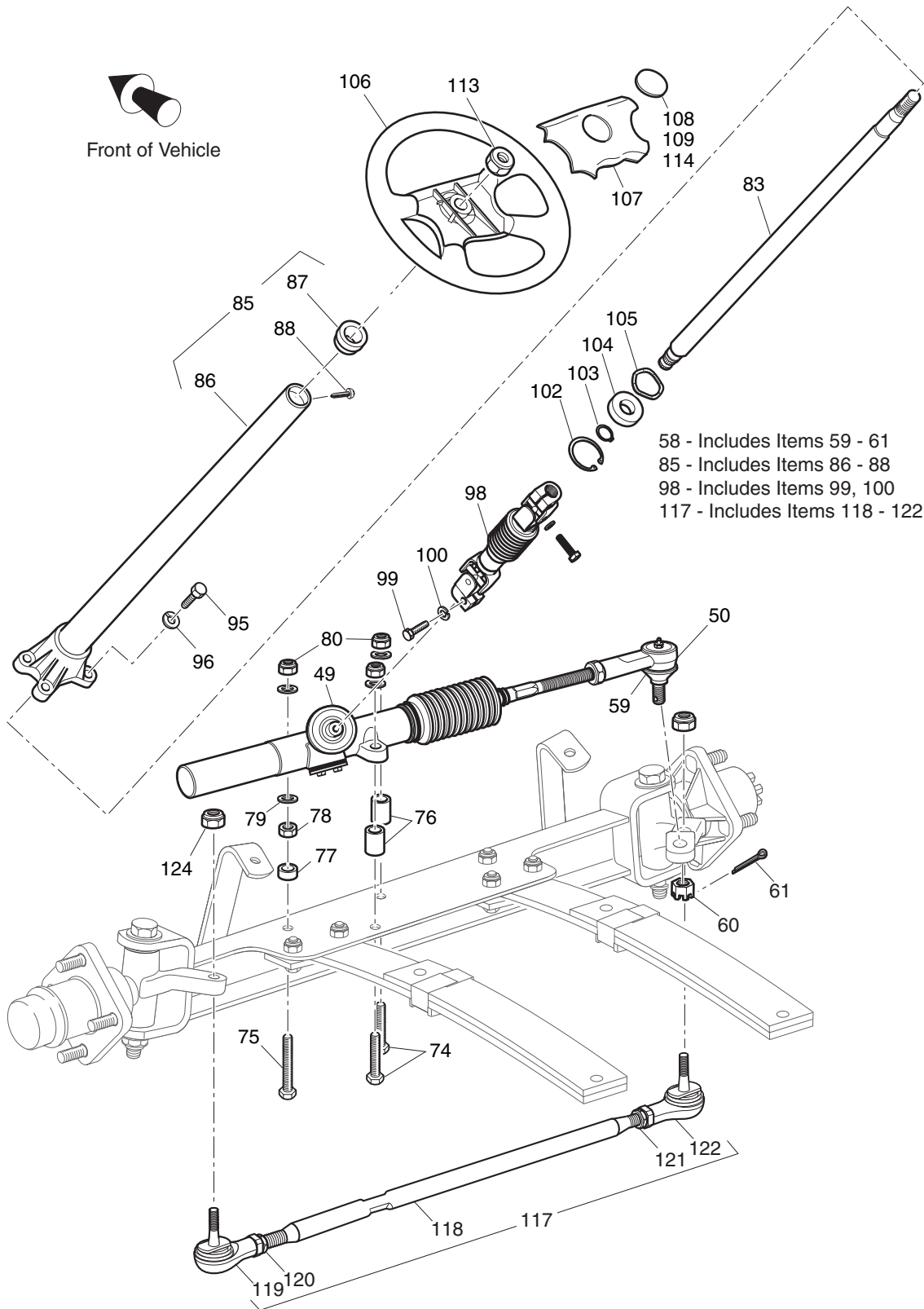
FRONT SUSPENSION/STEERING



FRONT SUSPENSION/STEERING



FRONT SUSPENSION/STEERING



Ref Fss 21-2

FRONT SUSPENSION/STEERING

THE USE OF NON U.L. PARTS WILL VOID ANY U.L. LISTING.
 When ordering parts, please specify the model and serial number of the product.
 * Indicates a component that is not available as an individual part.
 G** Indicates consult Customer Service Department for additional information.

| ITEM | PART NO. | 1 2 3 4 5 | DESCRIPTION | QTY. |
|------|-----------|-----------|--|------|
| 1 | 602513 | | FRONT AXLE | 1 |
| 2 | | | | |
| 3 | 70942-G03 | | SPINDLE AND HUB ASSEMBLY, 4 LUG (PASSENGER SIDE) (INCLUDES ITEMS 4 - 13)..... | 1 |
| 4 | 70940-G04 | | SPINDLE ASSEMBLY (PASSENGER SIDE) (INCLUDES ITEMS 5 - 6)..... | 1 |
| 5 | 70648-G01 | | BEARING | 1 |
| 6 | 70749-G01 | | BEARING, DP4..... | 1 |
| 7 | 25146-G1 | | GREASE SEAL..... | 1 |
| 8 | 50892-G1 | | ROLLER BEARING AND RACE ASSEMBLY..... | 2 |
| 9 | 70589-G1 | | WHEEL HUB ASSEMBLY WITH RACES, 4 LUG (INCLUDES ITEM 10) | 1 |
| 10 | 19862-G1 | | LUG BOLT, 1/2 - 20 X 1 7/32" LG..... | 4 |
| 11 | 12093-G1 | | SLOTTED NUT, 1 - 14 | 1 |
| 12 | 00798-G8 | | COTTER PIN, 5/32" X 1 3/4" LG | 1 |
| 13 | 12091-G2 | | SPINDLE CAP | 2 |
| 14 | | | | |
| 15 | | | | |
| 16 | 70673-G03 | | SPINDLE AND HUB ASSEMBLY, 4 LUG (DRIVER SIDE) (INCLUDES ITEMS 7 - 13 & 17) | 1 |
| 17 | 70742-G02 | | SPINDLE ASSEMBLY (DRIVER SIDE) (INCLUDES ITEMS 5 - 6) | 1 |
| 18 | 00407-G6 | | BOLT, 1/2 - 13 X 6" LG | 2 |
| 19 | 00560-G3 | | WASHER, 1/2" | 4 |
| 20 | 70745-G01 | | KING PIN TUBE | 2 |
| 21 | 70754-G01 | | THRUST WASHER (STAINLESS STEEL)..... | 2 |
| 22 | 14390-G6 | | LOCK NUT, 1/2 - 13 | 2 |
| 23 | | | | |
| 24 | | | | |
| 25 | 76419-G01 | | SHOCK ABSORBER..... | 2 |
| 26 | | | | |
| 27 | | | | |
| 28 | 10435-G1 | | SHOCK ABSORBER WASHER..... | 8 |
| 29 | 10194-G1 | | RUBBER SHOCK ABSORBER BUSHING | 8 |

FRONT SUSPENSION/STEERING

THE USE OF NON U.L. PARTS WILL VOID ANY U.L. LISTING.
 When ordering parts, please specify the model and serial number of the product.
 * Indicates a component that is not available as an individual part.
 G** Indicates consult Customer Service Department for additional information.

| ITEM | PART NO. | 1 2 3 4 5 | DESCRIPTION | QTY. |
|------|-----------|-----------|--|------|
| 30 | 00532-G6 | | NUT, 3/8 - 24 | 4 |
| 31 | 10044-G01 | | VINYL CAP | 2 |
| 32 | | | | |
| 33 | | | | |
| 34 | 70664-G03 | | LEAF SPRING (HEAVY DUTY) (SEE PART NUMBER ON SPRING)..... | 2 |
| 35 | 70163-G03 | | SPRING PLATE | 4 |
| 36 | | | | |
| 37 | 00734-G1 | | LOCK NUT, 7/16 - 14 | 11 |
| 38 | 00463-G11 | | BOLT, 7/16 - 14 X 1 3/4" LG | 11 |
| 39 | | | | |
| 40 | | | | |
| 41 | 70964-G02 | | RACK AND PINION UNIT (COMPLETE) (INCLUDES ITEMS 42 - 65) | 1 |
| 42 | 70965-G01 | | STEERING RACK COVER & BEARING | 1 |
| 43 | * | | STEERING BOX INSTALLATION TAG | 1 |
| 44 | * | | JAM NUT, 1/2 - 20..... | 1 |
| 45 | 70750-G01 | | RETAINING RING (EXTERNAL) | 1 |
| 46 | 15115-G1 | | BALL BEARING | 1 |
| 47 | 70603-G01 | | PINION..... | 1 |
| 48 | 70751-G01 | | RETAINING RING (INTERNAL) | 1 |
| 49 | 70638-G01 | | SEAL PINION | 1 |
| 50 | 70604-G01 | | RACK STEERING..... | 1 |
| 51 | 01053-G01 | | SCREW, 10- 32..... | 1 |
| 52 | 70590-G01 | | RACK LOADER | 1 |
| 53 | 70666-G01 | | SPRING COMPRESSION | 1 |
| 54 | 70645-G01 | | GASKET RACK LOADER..... | 1 |
| 55 | 70591-G01 | | COVER RACK LOADER | 1 |
| 56 | 71102-G01 | | SCREW, 1/4 - 20..... | 2 |
| 57 | 10389-G3 | | GREASE FITTING, STRAIGHT | 1 |
| 58 | 70695-G01 | | RACK BALL JOINT (INCLUDES ITEMS 59 - 61)..... | 1 |
| 59 | 50641-G1 | | RUBBER BOOT | 1 |

FRONT SUSPENSION/STEERING

THE USE OF NON U.L. PARTS WILL VOID ANY U.L. LISTING.
 When ordering parts, please specify the model and serial number of the product.
 * Indicates a component that is not available as an individual part.
 G** Indicates consult Customer Service Department for additional information.

| ITEM | PART NO. | 1 | 2 | 3 | 4 | 5 | DESCRIPTION | QTY. |
|------|-----------|---|---|---|---|---|---|------|
| 60 | 50209-G2 | | | | | | SLOTTED NUT, 7/16 - 20..... | 1 |
| 61 | 10387-G2 | | | | | | COTTER PIN, 3/32" X 1" LG..... | 1 |
| 62 | 74694-G01 | | | | | | ROD END (INNER)..... | 1 |
| 63 | 70961-G01 | | | | | | RACK BOOT..... | 1 |
| 64 | 12416-G2 | | | | | | WIRE TIE..... | 1 |
| 65 | 11391-G8 | | | | | | WIRE TIE..... | 1 |
| 66 | | | | | | | | |
| 67 | | | | | | | | |
| 68 | | | | | | | | |
| 69 | | | | | | | | |
| 70 | | | | | | | | |
| 71 | | | | | | | | |
| 72 | | | | | | | | |
| 73 | | | | | | | | |
| 74 | 00464-G6 | | | | | | BOLT, 7/16 - 14 X 2 3/4" LG..... | 2 |
| 75 | 01068-G01 | | | | | | BOLT, 7/16 - 14 X 3 1/2" LG..... | 1 |
| 76 | 70667-G02 | | | | | | SPACER..... | 2 |
| 77 | 70667-G03 | | | | | | SPACER (SHORT)..... | 1 |
| 78 | 00532-G7 | | | | | | NUT, 7/16 - 14..... | 1 |
| 79 | 00560-G2 | | | | | | FLAT WASHER, 7/16"..... | 7 |
| 80 | 00734-G1 | | | | | | LOCK NUT, 7/16 - 14..... | 3 |
| 81 | | | | | | | | |
| 82 | | | | | | | | |
| 83 | 70607-G01 | | | | | | STEERING SHAFT..... | 1 |
| 84 | | | | | | | | |
| 85 | 70758-G05 | | | | | | STEERING COLUMN KIT (INCLUDES ITEMS 86 - 88)..... | 1 |
| 86 | 70610-G03 | | | | | | STEERING COLUMN..... | 1 |
| 87 | 28569-G01 | | | | | | STEERING COLUMN BUSHING..... | 1 |
| 88 | 01022-G01 | | | | | | SCREW, #6 - 20 X 5/16" LG..... | 1 |
| 89 | | | | | | | | |

FRONT SUSPENSION/STEERING

THE USE OF NON U.L. PARTS WILL VOID ANY U.L. LISTING.
 When ordering parts, please specify the model and serial number of the product.
 * Indicates a component that is not available as an individual part.
 G** Indicates consult Customer Service Department for additional information.

| ITEM | PART NO. | 1 2 3 4 5 | DESCRIPTION | QTY. |
|------|-----------|-----------|---|------|
| 90 | | | | |
| 91 | | | | |
| 92 | | | | |
| 93 | | | | |
| 94 | | | | |
| 95 | 01006-G01 | | BOLT, 3/8 - 16 X 1 1/4" LG WITH PATCHLOCK | 4 |
| 96 | 00879-G1 | | LOCK WASHER, 3/8"..... | 4 |
| 97 | | | | |
| 98 | 70580-G01 | | INTERMEDIATE SHAFT (INCLUDES ITEMS 99, 100)..... | 1 |
| 99 | 01055-G01 | | BOLT, M8 X 1 1/4" LG..... | 2 |
| 100 | 00565-G8 | | LOCK WASHER, 5/16" | 2 |
| 101 | | | | |
| 102 | 70751-G01 | | RETAINING RING (INTERNAL)..... | 1 |
| 103 | 70888-G01 | | RETAINING RING (EXTERNAL)..... | 1 |
| 104 | 15112-G1 | | BALL BEARING | 1 |
| 105 | 70887-G01 | | WAVE WASHER..... | 1 |
| 106 | 602980 | | STEERING WHEEL | 1 |
| 107 | 71147-G01 | | STEERING WHEEL COVER | 1 |
| 108 | 74815-G01 | | LABEL (E-Z-GO) | 1 |
| 109 | 74954-G01 | | LABEL (CUSHMAN)..... | 1 |
| 110 | | | | |
| 111 | | | | |
| 112 | | | | |
| 113 | 14390-G2 | | LOCK NUT, 5/8 - 18 | 1 |
| 114 | 28909-G01 | | LABEL (JACOBSEN) | 1 |
| 115 | | | | |
| 116 | | | | |
| 117 | 74604-G01 | | TIE ROD ASSEMBLY (INCLUDES ITEMS 118 - 122) | 1 |
| 118 | 74603-G01 | | THREADED ROD (24" LG)..... | 1 |
| 119 | 70902-G01 | | TIE ROD END (LEFT HAND THREADS) | 1 |

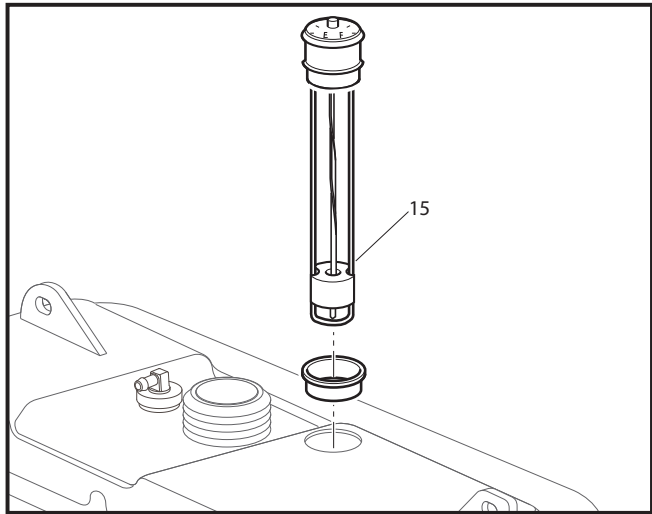
FRONT SUSPENSION/STEERING

THE USE OF NON U.L. PARTS WILL VOID ANY U.L. LISTING.
 When ordering parts, please specify the model and serial number of the product.
 * Indicates a component that is not available as an individual part.
 G** Indicates consult Customer Service Department for additional information.

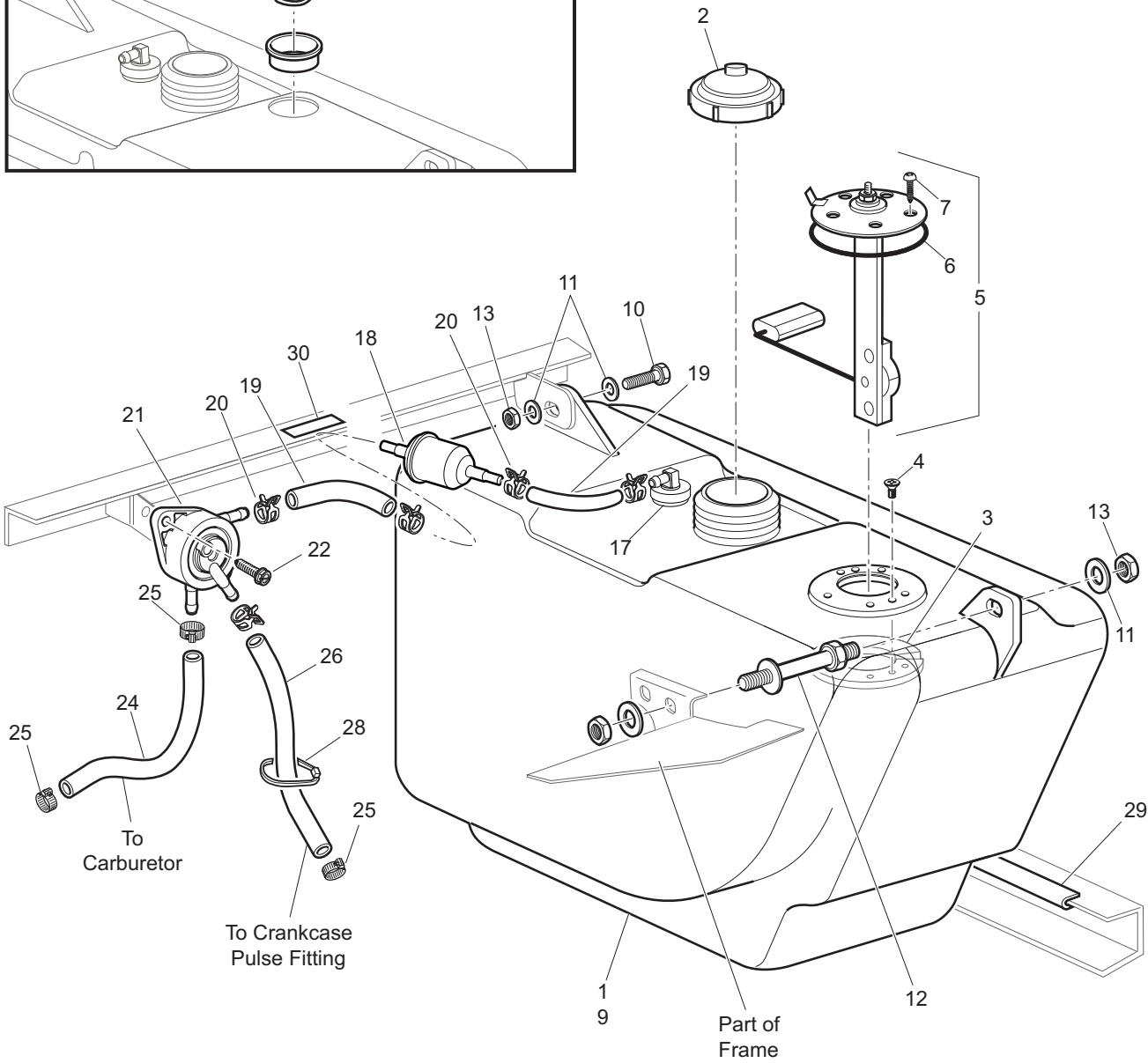
| ITEM | PART NO. | 1 2 3 4 5 | DESCRIPTION | QTY. |
|------|-----------|-----------|---|------|
| 120 | 01069-G01 | | JAM NUT, M12 X 1.25-05 (LEFT HAND THREADS)..... | 1 |
| 121 | 70902-G02 | | TIE ROD END (RIGHT HAND THREADS)..... | 1 |
| 122 | 01069-G02 | | JAM NUT, M12 X 1.25-05 (RIGHT HAND THREADS) | 1 |
| 123 | | | | |
| 124 | 00734-G1 | | LOCK NUT, 7/16 - 14 | 2 |

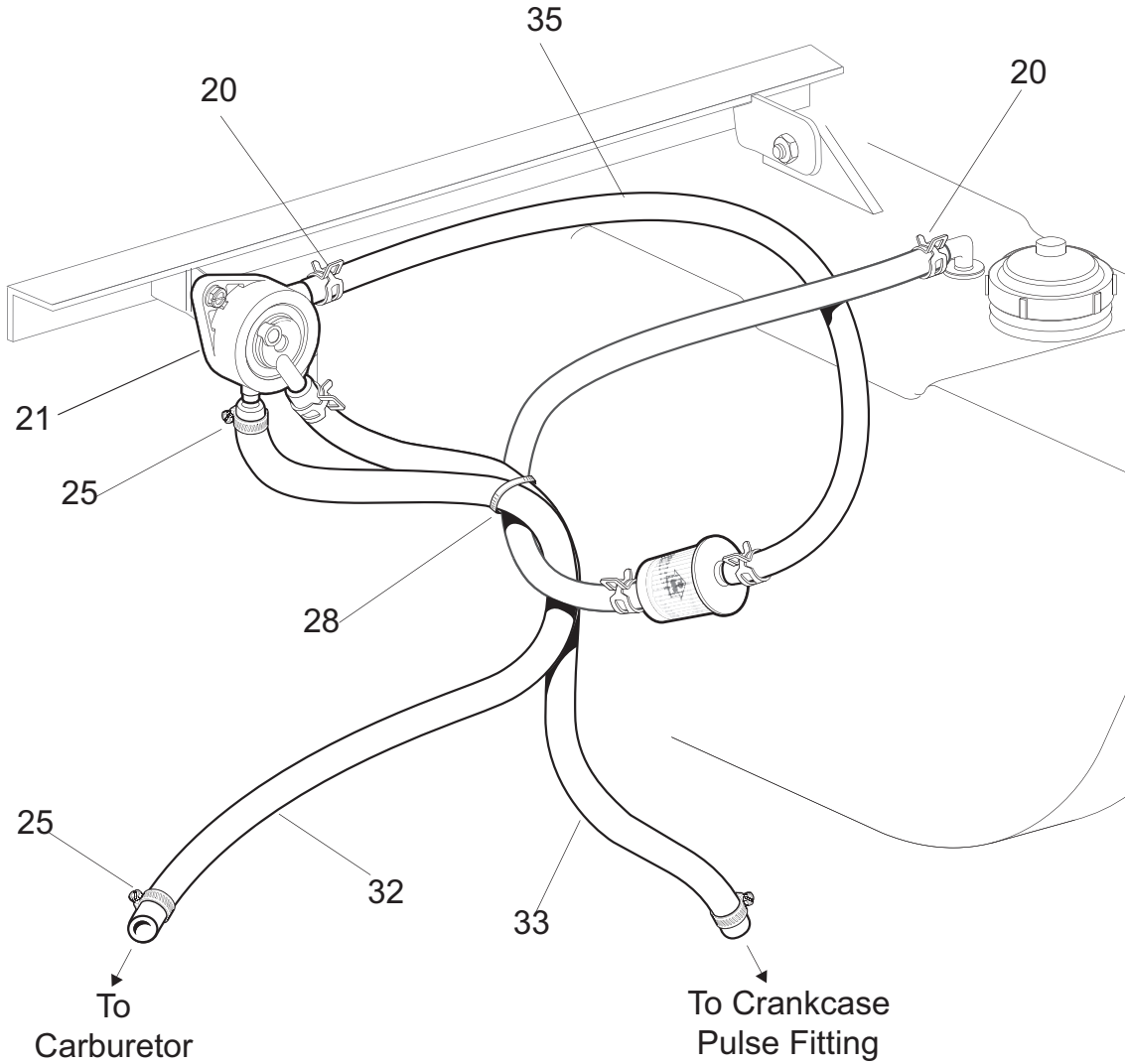
FUEL SYSTEM

MECHANICAL GAUGE



Front of Vehicle





CALIFORNIA EMISSION REQUIREMENT

FUEL SYSTEM

Where applicable, THE USE OF NON UL PARTS WILL VOID ANY UL LISTING.

When ordering parts, please specify the model and serial number of the product.

* Indicates a component that is not available as an individual part.

G** Indicates consult Customer Service Department for additional information.

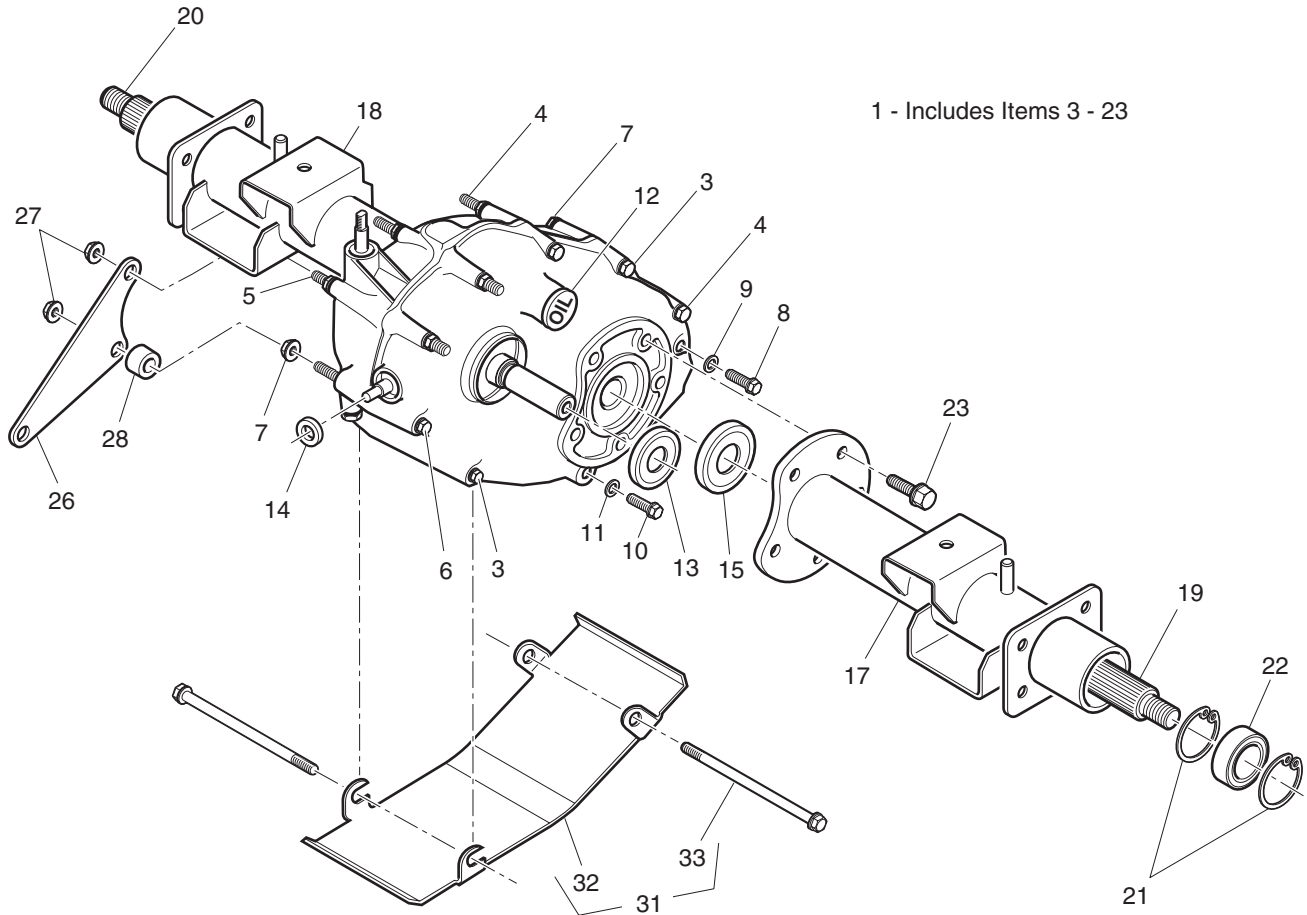
| ITEM | PART NO. | 1 2 3 4 5 | DESCRIPTION | QTY. |
|------|-----------|-----------|--|------|
| 1 | 605521 | | FUEL TANK (FOR VEHICLES WITHOUT GAUGE) | 1 |
| 2 | 72282-G01 | | FUEL TANK CAP | 1 |
| 3 | 72229-G01 | | FUEL LEVEL SENDER ADAPTER | 1 |
| 4 | 72230-G01 | | SCREW, #6 - 32 X 1/2" LG..... | 2 |
| 5 | 20048-G2 | | FUEL LEVEL SENDER (ELEC. FUEL GAUGE) (INCLUDES ITEMS 6, 7) | 1 |
| 6 | * | | GASKET | 1 |
| 7 | 72232-G01 | | SCREW, #10 - 32 x 3/4" LG..... | 5 |
| 8 | | | | |
| 9 | 605523 | | FUEL TANK (FOR ELECTRIC FUEL GAUGE)..... | 1 |
| 10 | 00438-G8 | | BOLT, 5/16 - 18 X 1" LG | 1 |
| 11 | 00559-G8 | | WASHER, 5/16" | 4 |
| 12 | 70483-G01 | | SPACER BOLT..... | 1 |
| 13 | 11098-G6 | | LOCK NUT, 5/16 - 18 (STAINLESS STEEL) | 3 |
| 14 | | | | |
| 15 | 14099-G2 | | FUEL TANK CAP WITH GAUGE | 1 |
| 16 | | | | |
| 17 | 18287-G1 | | FUEL PICK UP TUBE | 1 |
| 18 | 72084-G01 | | FUEL FILTER | 1 |
| 19 | 17470-G1 | | FUEL SYSTEM TUBING, 14" LG, 1/4" ID X 1/2" OD (BULK)..... | AR |
| 20 | 18292-G1 | | CLAMP | 5 |
| 21 | 72873-G01 | | FUEL PUMP | 1 |
| 22 | 00114-G6 | | SCREW, 1/4 - 14 X 3/4" LG..... | 2 |
| 23 | | | | |
| 24 | 17470-G1 | | FUEL SYSTEM TUBING, 26" LG, 1/4"ID X 1/2" OD (BULK)..... | AR |
| 25 | 11391-G4 | | HOSE CLAMP, 1/4" | 3 |
| 26 | 27184-G01 | | TUBING, 1/4" I.D. X 1/2" O.D. (BULK) | AR |
| 27 | | | | |
| 28 | 17618-G1 | | WIRE TIE | 1 |
| 29 | 22280-G1 | | VINYL TRIM - BLACK, (BULK) | AR |
| 30 | 26459-G01 | | LABEL (UNLEADED GASOLINE ONLY) | 1 |

FUEL SYSTEM

Where applicable, THE USE OF NON UL PARTS WILL VOID ANY UL LISTING.
 When ordering parts, please specify the model and serial number of the product.
 * Indicates a component that is not available as an individual part.
 G** Indicates consult Customer Service Department for additional information.

| ITEM | PART NO. | 1 2 3 4 5 | DESCRIPTION | QTY. |
|------|-----------|-----------|---|------|
| 31 | | | | |
| 32 | 608014 | | FUEL SYSTEM TUBING, 26" LG, 1/4"ID X 1/2" OD (BULK)..... | AR |
| 33 | 27184-G01 | | TUBING, 1/4" I.D. X 1/2" O.D. (BULK) | AR |
| 34 | | | | |
| 35 | 608014 | | FUEL SYSTEM TUBING, 14" LG, 1/4" ID X 1/2" OD (BULK)..... | AR |
| 36 | | | | |
| 37 | | | | |
| 38 | 604589 | | LABEL, CARB EMISSION (TOP OF TIMING BELT COVER)..... | 1 |

REAR AXLE



Ref Rax 6-1

REAR AXLE

THE USE OF NON U.L. PARTS WILL VOID ANY U.L. LISTING.
 When ordering parts, please specify the model and serial number of the product.
 * Indicates a component that is not available as an individual part.
 G** Indicates consult Customer Service Department for additional information.

| ITEM | PART NO. | 1 2 3 4 5 | DESCRIPTION | QTY. |
|------|-----------|-----------|---|------|
| 1 | 74520-G01 | | REAR AXLE (13.32:1) (INCLUDES ITEMS 3 - 23) | 1 |
| 2 | | | | |
| 3 | 26823-G01 | | FLANGED BOLT, M8 X 1.25 X 100 MM LG..... | 5 |
| 4 | 26824-G01 | | FLANGED BOLT, M8 X 1.25 X 110 MM LG | 2 |
| 5 | * | | BOLT, M8 X 1.25 X 146 MM LG..... | 2 |
| 6 | 72052-G01 | | FLANGED BOLT, M8 X 1.25 X 130 MM LG..... | 1 |
| 7 | 72269-G01 | | FLANGE NUT, M8 X 1.25 MM | 12 |
| 8 | 26768-G01 | | OIL CHECK PLUG..... | 1 |
| 9 | 26769-G01 | | GASKET, 8 MM..... | 1 |
| 10 | 26770-G01 | | OIL DRAIN PLUG | 1 |
| 11 | 26771-G01 | | GASKET, 14 MM..... | 1 |
| 12 | 26772-G01 | | OIL FILLER PLUG | 1 |
| 13 | 26761-G01 | | INPUT SHAFT SEAL | 1 |
| 14 | 26762-G01 | | SHIFTER SHAFT SEAL..... | 1 |
| 15 | 72259-G01 | | AXLE SHAFT SEAL..... | 2 |
| 16 | | | | |
| 17 | 72249-G01 | | AXLE TUBE (DRIVER SIDE)..... | 1 |
| 18 | 72248-G01 | | AXLE TUBE (PASSENGER SIDE) | 1 |
| 19 | 72056-G01 | | AXLE SHAFT (DRIVER SIDE)..... | 1 |
| 20 | 72057-G01 | | AXLE SHAFT (PASSENGER SIDE) | 1 |
| 21 | 26814-G01 | | RETAINING RING..... | 4 |
| 22 | 26811-G01 | | BALL BEARING | 2 |
| 23 | 72260-G01 | | FLANGED BOLT, M10 X 1.5 X 23 MM LG..... | 10 |
| 24 | | | | |
| 25 | | | | |
| 26 | 72017-G02 | | AXLE BRACKET | 1 |
| 27 | 26830-G01 | | LOCK NUT, M8 X 1.25 MM | 2 |
| 28 | 75048-G01 | | SPACER, 1/2"..... | 1 |
| 29 | | | | |
| 30 | | | | |

REAR AXLE

THE USE OF NON U.L. PARTS WILL VOID ANY U.L. LISTING.
 When ordering parts, please specify the model and serial number of the product.
 * Indicates a component that is not available as an individual part.
 G** Indicates consult Customer Service Department for additional information.

| ITEM | PART NO. | 1 2 3 4 5 | DESCRIPTION | QTY. |
|------|-----------|-----------|---|------|
| 31 | 72347-G02 | | DIFFERENTIAL SCUFF GUARD KIT (INCLUDES ITEMS 32 - 33) | 1 |
| 32 | 72349-G02 | | DIFFERENTIAL SKID PLATE | 1 |
| 33 | 26824-G01 | | FLANGED BOLT, M8 X 1.25 X 110 MM LG | 2 |

**DID YOU
KNOW?**

CartPros directs you to the right part using the part numbers from this manual. Enter the part number into our search box and it will find the part you are looking for.

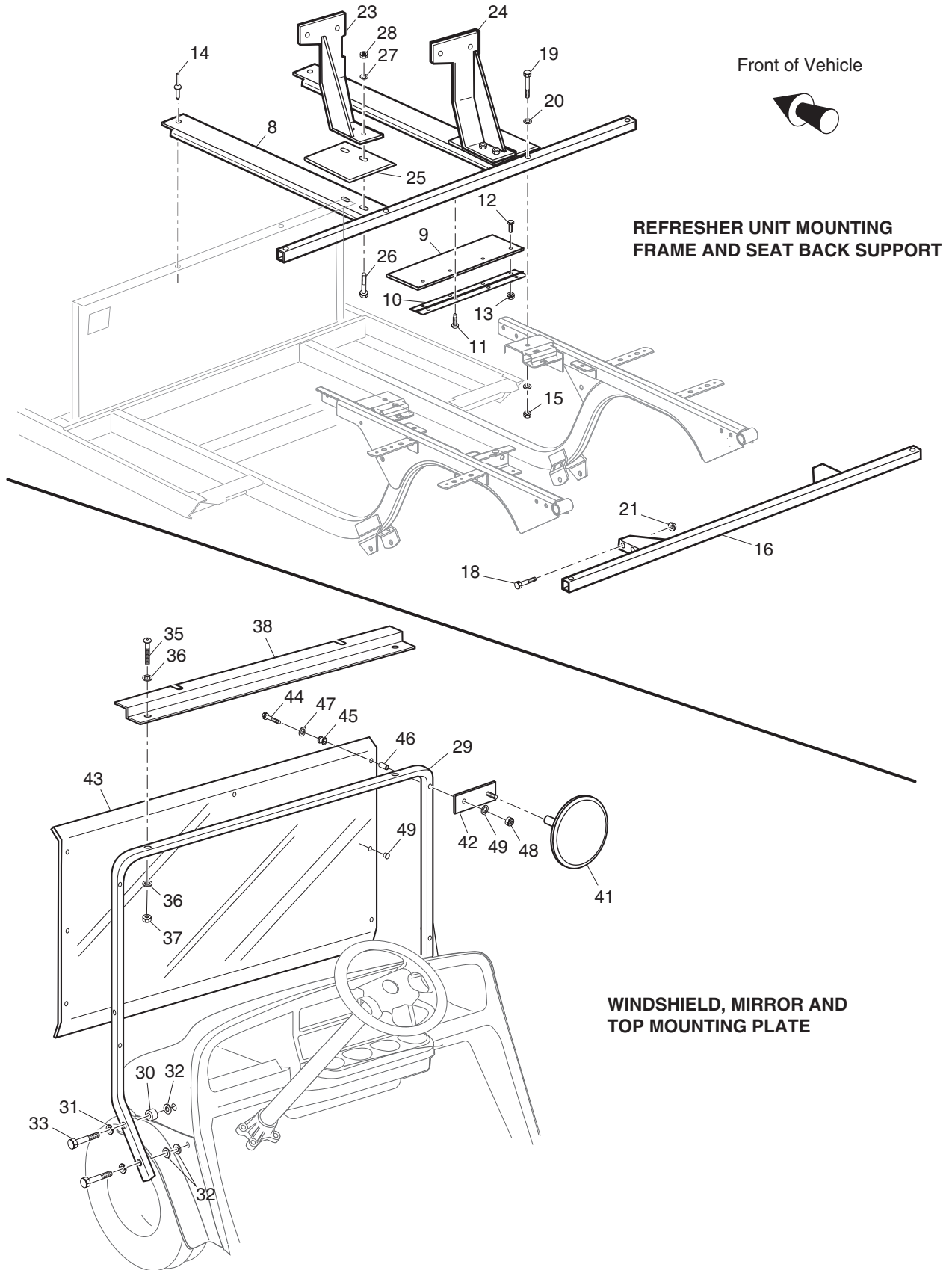
**GET STARTED
HERE**



<https://CartPros.com/f.html>

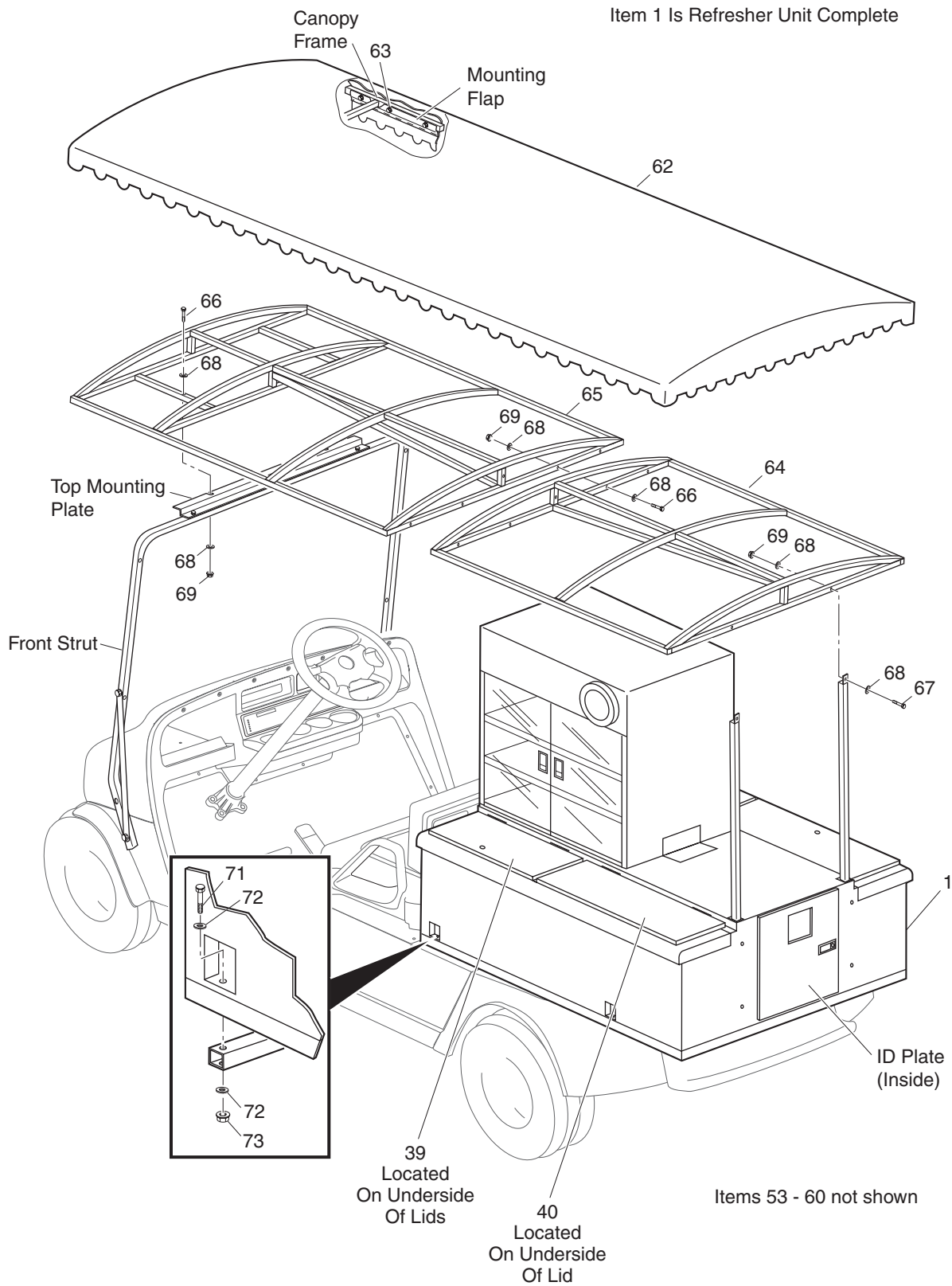
REAR AXLE

REFRESHER UNIT



Ref Rfi 21-1

REFRESHER UNIT



Ref Rfi 21-2

REFRESHER UNIT

THE USE OF NON U.L. PARTS WILL VOID ANY U.L. LISTING.
 When ordering parts, please specify the model and serial number of the product.
 * Indicates a component that is not available as an individual part.
 G** Indicates consult Customer Service Department for additional information.

| ITEM | PART NO. | 1 2 3 4 5 | DESCRIPTION | QTY. |
|------|-----------|-----------|--|------|
| 1 | 74434-G01 | | REFRESHER UNIT (COMPLETE) (INCLUDES ITEMS 3 - 49)..... | 1 |
| 2 | | | | |
| 3 | | | | |
| 4 | | | | |
| 5 | | | | |
| 6 | | | | |
| 7 | | | | |
| 8 | 74421-G02 | | REFRESHER UNIT MOUNTING FRAME (FRONT) | 1 |
| 9 | 74392-G02 | | ENGINE ACCESS DOOR..... | 1 |
| 10 | 33121-G01 | | ACCESS DOOR HINGE | 1 |
| 11 | 00106-G6 | | SCREW, 12 - 24 X 3/4" LG | 4 |
| 12 | 00414-G5 | | BOLT, 1/4 - 20 X 1/2" LG..... | 4 |
| 13 | 00891-G2 | | LOCK NUT, 1/4 - 20 | 4 |
| 14 | 10570-G10 | | RIVET, 5/32" (STAINLESS STEEL) | 2 |
| 15 | 11098-G6 | | LOCK NUT, 5/16 - 18 | 2 |
| 16 | 71545-G01 | | REFRESHER UNIT MOUNTING FRAME (REAR)..... | 1 |
| 17 | | | | |
| 18 | 00427-G8 | | BOLT, 3/8 - 16 X 2" LG..... | 4 |
| 19 | 00439-G8 | | BOLT, 5/16 - 18 X 2" LG..... | 2 |
| 20 | 00559-G8 | | WASHER, 5/16" | 4 |
| 21 | 11027-G5 | | LOCK NUT, 5/16 - 18 | 4 |
| 22 | | | | |
| 23 | 70008-G01 | | SEAT BACK SUPPORT (DRIVER SIDE)..... | 1 |
| 24 | 70008-G02 | | SEAT BACK SUPPORT (PASSENGER SIDE) | 1 |
| 25 | 74855-G01 | | SIDE COVER | 2 |
| 26 | 00438-G8 | | BOLT, 5/16 - 18 X 1" LG | 4 |
| 27 | 00559-G8 | | WASHER, 5/16" | 4 |
| 28 | 11098-G6 | | LOCK NUT, 5/16 - 18 | 4 |
| 29 | 75045-G06 | | FRONT STRUT..... | 1 |
| 30 | 75048-G01 | | SPACER | 2 |

REFRESHER UNIT

THE USE OF NON U.L. PARTS WILL VOID ANY U.L. LISTING.
 When ordering parts, please specify the model and serial number of the product.
 * Indicates a component that is not available as an individual part.
 G** Indicates consult Customer Service Department for additional information.

| ITEM | PART NO. | 1 | 2 | 3 | 4 | 5 | DESCRIPTION | QTY. |
|------|-----------|---|---|---|---|---|----------------------------------|------|
| 31 | 00905-G8 | | | | | | LOCK WASHER, 5/16" (BLACK) | 4 |
| 32 | 00879-G1 | | | | | | WASHER, 3/8" X 1" | 6 |
| 33 | 01035-G02 | | | | | | BOLT, 5/16 - 18 X 2 1/2" LG..... | 4 |
| 34 | | | | | | | | |
| 35 | 16705-G6 | | | | | | BOLT, 1/4 - 20 X 1 1/2" LG..... | 2 |
| 36 | 00559-G7 | | | | | | WASHER, 1/4" | 4 |
| 37 | 00891-G2 | | | | | | LOCK NUT, 1/4 - 20 | 2 |
| 38 | 74191-G02 | | | | | | TOP MOUNTING PLATE | 1 |
| 39 | 36002-G01 | | | | | | DECAL (WARNING) | 3 |
| 40 | 35991-G01 | | | | | | DECAL (WARNING) | 1 |
| 41 | 74202-G01 | | | | | | MIRROR, 6" | 2 |
| 42 | 74203-G02 | | | | | | MIRROR MOUNTING BRACKET..... | 2 |
| 43 | 75021-G03 | | | | | | WINDSHIELD | 1 |
| 44 | 16705-G6 | | | | | | BOLT, 1/4 - 20 X 1 3/4" LG..... | 4 |
| 45 | 72147-G01 | | | | | | RUBBER GROMMET | 4 |
| 46 | 23726-G7 | | | | | | SPACER | 4 |
| 47 | 00660-G7 | | | | | | WASHER, 1/4" | 8 |
| 48 | 00891-G2 | | | | | | LOCK NUT, 1/4 - 20 | 4 |
| 49 | 75124-G01 | | | | | | BUMPER..... | 2 |
| 50 | | | | | | | | |
| 51 | | | | | | | | |
| 52 | | | | | | | ITEMS 53 - 60 NOT SHOWN | |
| 53 | 74346-G01 | | | | | | SIGN BOARD..... | 2 |
| 54 | 75793-G01 | | | | | | CONDIMENT TRAY | 1 |
| 55 | 75794-G01 | | | | | | BOTTLE CADDY | 1 |
| 56 | 75795-G01 | | | | | | CASH DRAWER..... | 1 |
| 57 | 75796-G01 | | | | | | MINI BOTTLE CARRIER..... | 1 |
| 58 | 75797-G01 | | | | | | HUMIDOR | 1 |
| 59 | 75798-G01 | | | | | | CREDIT CARD MACHINE MOUNT | 1 |
| 60 | 75891-G01 | | | | | | FOOD WARMER..... | 1 |

REFRESHER UNIT

THE USE OF NON U.L. PARTS WILL VOID ANY U.L. LISTING.
 When ordering parts, please specify the model and serial number of the product.
 * Indicates a component that is not available as an individual part.
 G** Indicates consult Customer Service Department for additional information.

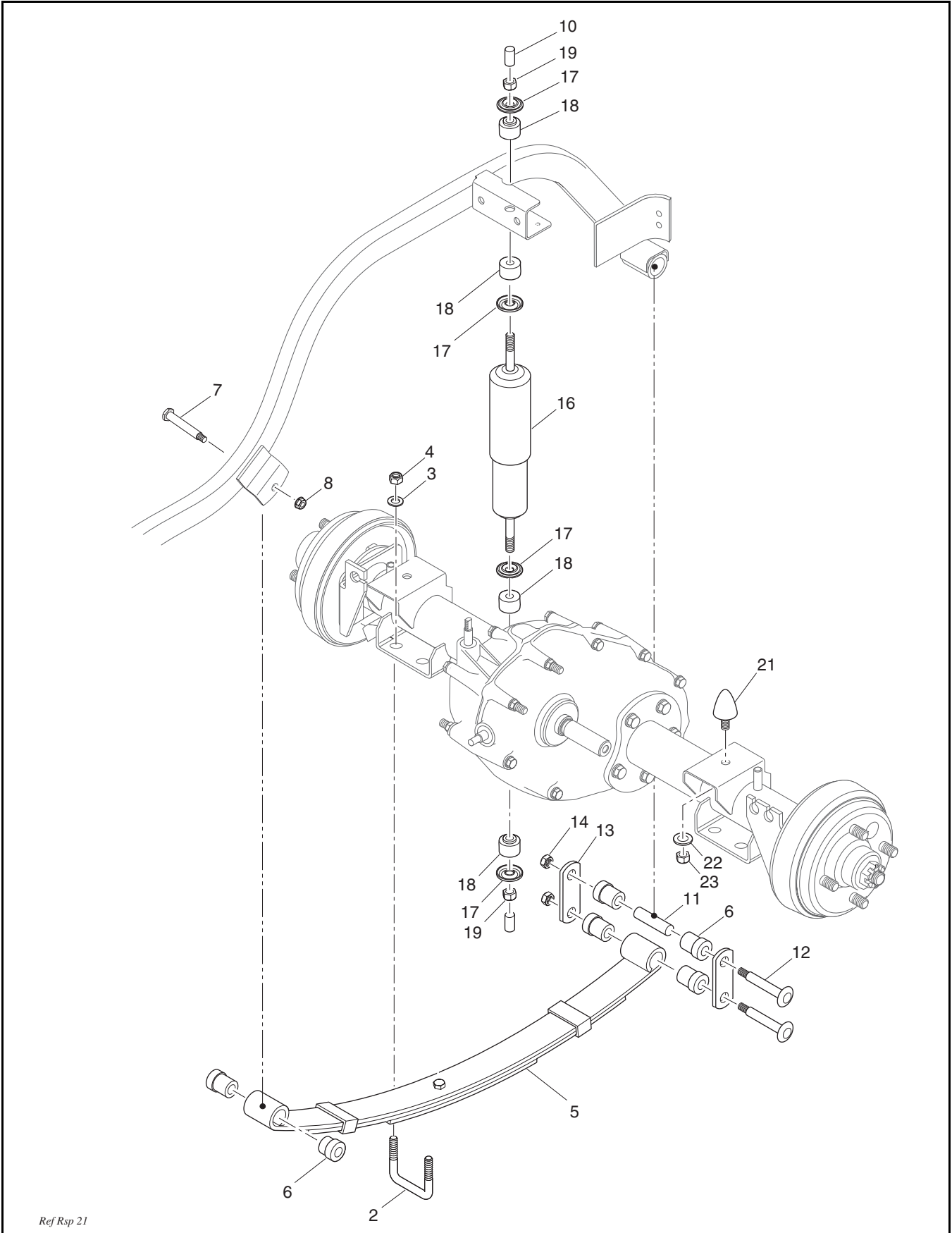
| ITEM | PART NO. | 1 2 3 4 5 | DESCRIPTION | QTY. |
|------|------------|-----------|---|------|
| 61 | | | THE FOLLOWING SERVICE PARTS AND ACCESORIES ARE AVAILABLE FROM 19TH HOLE MARKETING, INC, 400 E. COMSTOCK DRIVE, CHANDLER, AZ 85225, PHONE: (480) 497 - 8280 | |
| 62 | EZRAM10064 | | CANOPY | 1 |
| 63 | H1092 | | SELF TAPPING SCREW, 10MM X 1/2" LG | 40 |
| 64 | EZRAM10060 | | CANOPY FRAME (REAR) | 1 |
| 65 | EZRAM10061 | | CANOPY FRAME (FRONT)..... | 1 |
| 66 | H1075 | | BOLT, 1/4 - 20 X 2" | 7 |
| 67 | H1077 | | BOLT, 1/4 - 20 X 1 1/4" LG | 2 |
| 68 | H1079 | | WASHER, 1/4" | 18 |
| 69 | H1078 | | LOCK NUT, 1/4 - 20 | 9 |
| 70 | | | | |
| 71 | H1083 | | BOLT, 5/16 - 18 X 1 1/4" LG | 4 |
| 72 | H1019 | | WASHER, 5/16" | 8 |
| 73 | H1017 | | LOCK NUT, 5/16 - 18 | 4 |
| 74 | | | ITEMS 75 - 106 NOT SHOWN | |
| 75 | EZRAM10033 | | COLD STORAGE DOOR, FRONT..... | 1 |
| 76 | EZRAM10037 | | COLD STORAGE DOOR, REAR | 1 |
| 77 | EZRAM10041 | | CONSUMABLE ICE DOOR | 1 |
| 78 | EZRAM10022 | | CANOPY UPRIGHT | 1 |
| 79 | EZRAM10069 | | HOSE MOUNTING BRACKET..... | 1 |
| 80 | H4007 | | COMPRESSION HINGE | 1 |
| 81 | EZRAM10075 | | TRASH DOOR HINGE | 1 |
| 82 | B6001 | | TRASH BIN | 1 |
| 83 | H4008 | | TRASH DOOR LATCH..... | 1 |
| 84 | EZRAM10045 | | TRASH DOOR COMPARTMENT..... | 1 |
| 85 | M6003 | | DOOR SEAL GASKET | 1 |
| 86 | H2006 | | LOCK (COLD STORAGE DOOR)..... | 1 |
| 87 | | | | |
| 88 | EZRAM10069 | | HOSE MOUNTING BRACKET..... | 2 |
| 89 | H5012 | | SPIGOT VALVE..... | 2 |

REFRESHER UNIT

THE USE OF NON U.L. PARTS WILL VOID ANY U.L. LISTING.
 When ordering parts, please specify the model and serial number of the product.
 * Indicates a component that is not available as an individual part.
 G** Indicates consult Customer Service Department for additional information.

| ITEM | PART NO. | 1 2 3 4 5 | DESCRIPTION | QTY. |
|------|-------------|-----------|--|------|
| 90 | H5000 | | DRAIN HOSE, 36" LG | 1 |
| 91 | H5007 | | HOSE ADAPTER, 3/4" X 1/2" | 2 |
| 92 | H5006 | | COMBINATION ELBOW | 3 |
| 93 | H5005 | | COMBINATION TEE | 1 |
| 94 | H1070 | | HOSE CLAMP | 1 |
| 95 | | | | |
| 96 | B10000 | | TOUCH UP PAINT REPAIR KIT | 1 |
| 97 | EZRAM100010 | | DOOR ACCESSORY MODULE (LEFT)..... | 1 |
| 98 | EZRAM100012 | | DOOR ACCESSORY MODULE (RIGHT) | 1 |
| 99 | H4009 | | LOCKING LATCH..... | 1 |
| 100 | B9001 | | CUP DISPENSER | 1 |
| 101 | B9002 | | CUP DISPENSOR COVER RING | 1 |
| 102 | B9003 | | CUP DISPENSOR COVER SPRING | 1 |
| 103 | B6011 | | AIRPOT, 3.75 LITER (STAINLESS STEEL) | 1 |
| 104 | EZRAM100020 | | AIRPOT RACK ASSEMBLY | 1 |
| 105 | H600 | | DOOR HINGE (STAINLESS STEEL) | 1 |
| 106 | M1002 | | CUSHIONING ADHESIVE TAPE | 1 |

REAR SUSPENSION



Ref Rsp 21

REAR SUSPENSION

THE USE OF NON U.L. PARTS WILL VOID ANY U.L. LISTING.

When ordering parts, please specify the model and serial number of the product.

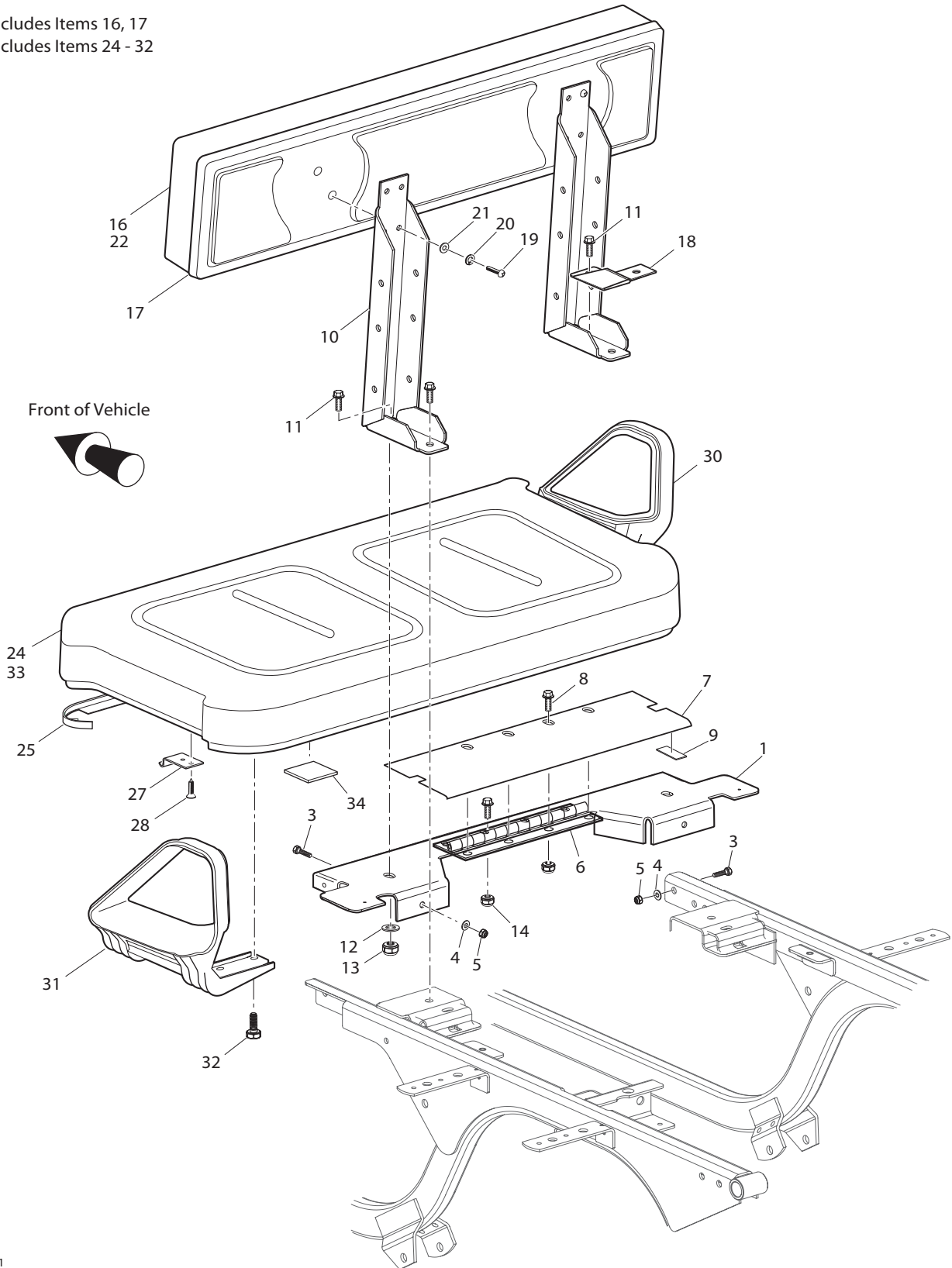
* Indicates a component that is not available as an individual part.

G** Indicates consult Customer Service Department for additional information.

| ITEM | PART NO. | 1 2 3 4 5 | DESCRIPTION | QTY. |
|------|-----------|-----------|--|------|
| 1 | | | | |
| 2 | 72618-G01 | | 'U' BOLT, 3/8 - 16 | 4 |
| 3 | 00560-G1 | | WASHER, 3/8" | 8 |
| 4 | 11098-G5 | | LOCK NUT, 3/8 - 16 | 8 |
| 5 | 74345-G03 | | LEAF SPRING..... | 2 |
| 6 | 70291-G01 | | FLANGED BUSHING | 12 |
| 7 | 14158-G1 | | SHOULDER BOLT, 3/8 - 16 x 3 1/4" LG..... | 2 |
| 8 | 12262-G1 | | LOCK NUT, 3/8 - 16 | 2 |
| 9 | | | | |
| 10 | 10044-G01 | | VINYL CAP | 4 |
| 11 | 70289-G02 | | SPACER | 4 |
| 12 | 00665-G9 | | BOLT, 3/8 - 16 X 3 1/2" LG | 4 |
| 13 | 70290-G02 | | SHACKLE PLATE | 4 |
| 14 | 11098-G5 | | LOCK NUT, 3/8 - 16 | 4 |
| 15 | | | | |
| 16 | 70248-G01 | | SHOCK ABSORBER..... | 2 |
| 17 | 10435-G1 | | WASHER (SHOCK ABSORBER)..... | 8 |
| 18 | 10194-G1 | | RUBBER BUSHING | 8 |
| 19 | 00532-G6 | | NUT, 3/8 - 24 | 4 |
| 20 | | | | |
| 21 | 70492-G01 | | RUBBER BUMPER | 2 |
| 22 | 00968-G01 | | LOCK WASHER, 10 MM | 2 |
| 23 | 00974-G01 | | NUT, M10 X 1.5 | 2 |

SEATING

15 - Includes Items 16, 17
23 - Includes Items 24 - 32



Ref Sea 21-1

SEATING

Where applicable, THE USE OF NON UL PARTS WILL VOID ANY UL LISTING.

When ordering parts, please specify the model and serial number of the product.

* Indicates a component that is not available as an individual part.

G** Indicates consult Customer Service Department for additional information.

| ITEM | PART NO. | 1 2 3 4 5 | DESCRIPTION | QTY. |
|------|------------|-----------|---|------|
| 1 | 71446-G02 | | SEAT BACK SUPPORT | 1 |
| 2 | 00715-G2 | | BOLT, 5/16 - 18 X 13/16" LG | 1 |
| 3 | 00438-G8 | | BOLT, 5/16 - 18 X 1" LG | 4 |
| 4 | 00642-G8 | | WASHER, 5/16" | 4 |
| 5 | 11098-G6 | | LOCK NUT, 5/16 - 18 | 4 |
| 6 | 33121-G01 | | HINGE | 1 |
| 7 | 71558-G02 | | ACCESS COVER | 1 |
| 8 | 00414-G5 | | BOLT, 1/4 - 20 X 1/2" LG | 8 |
| 9 | 14382-G7 | | NOISE SUPPRESSOR | 2 |
| 10 | 75900-G02 | | SEAT BACK SUPPORT BRACKET | 2 |
| 11 | 01006-G01 | | BOLT, 3/8 - 16 X 1 1/4" LG | 4 |
| 12 | 00560-G1 | | WASHER, 3/8" | 4 |
| 13 | 11098-G5 | | LOCK NUT, 3/8 - 16 | 4 |
| 14 | 14390-G4 | | LOCK NUT, 1/4 - 20 | 8 |
| 15 | 71274-G** | | SEAT BACK ASSEMBLY (INCLUDES ITEMS 16, 17) | 1 |
| 16 | 18144-G** | | VINYL SEAT BACK COVER | 1 |
| 17 | 74889-G01 | | PLASTIC SEAT BACK COVER (BLACK) | 1 |
| 18 | 74947-G01 | | BED BUMPER BRACKET | 2 |
| 19 | 16705-G12 | | SCREW, 1/4 - 20 X 1" LG | 4 |
| 20 | 00664-G7 | | LOCK WASHER, 1/4" | 4 |
| 21 | 01110-G01 | | WASHER, 1/4" | 4 |
| 22 | 604916-G** | | TWO TONE VINYL SEAT BACK | 1 |
| 23 | 71611-G** | | SEAT BOTTOM ASSEMBLY (INCLUDES ITEMS 24 - 32) | 1 |
| 24 | 71602-G** | | VINYL SEAT BOTTOM COVER | 1 |
| 25 | 71012-G01 | | VINYL TRIM (SEAT BOTTOM) | 1 |
| 26 | | | | |
| 27 | 71610-G01 | | SEAT HINGE | 2 |
| 28 | 00720-G08 | | SCREW, #12 - 14 X 1" LG | 6 |
| 29 | | | | |
| 30 | 71701-G01 | | HIP RESTRAINT (PASSENGER SIDE) | 1 |

SEATING

Where applicable, THE USE OF NON UL PARTS WILL VOID ANY UL LISTING.

When ordering parts, please specify the model and serial number of the product.

* Indicates a component that is not available as an individual part.

G** Indicates consult Customer Service Department for additional information.

| ITEM | PART NO. | 1 2 3 4 5 | DESCRIPTION | QTY. |
|------|------------|-----------|-----------------------------------|------|
| 31 | 71702-G01 | | HIP RESTRAINT (DRIVER SIDE) | 1 |
| 32 | 71204-G01 | | BOLT, 1/4 - 20 X 7/8" LG. | 8 |
| 33 | 604912-G** | | TWO TONE VINYL SEAT BOTTOM | 1 |
| 34 | 17074-G1 | | BUMPER | 2 |

**DID YOU
KNOW?**

CartPros directs you to the right part using the part numbers from this manual. Enter the part number into our search box and it will find the part you are looking for.

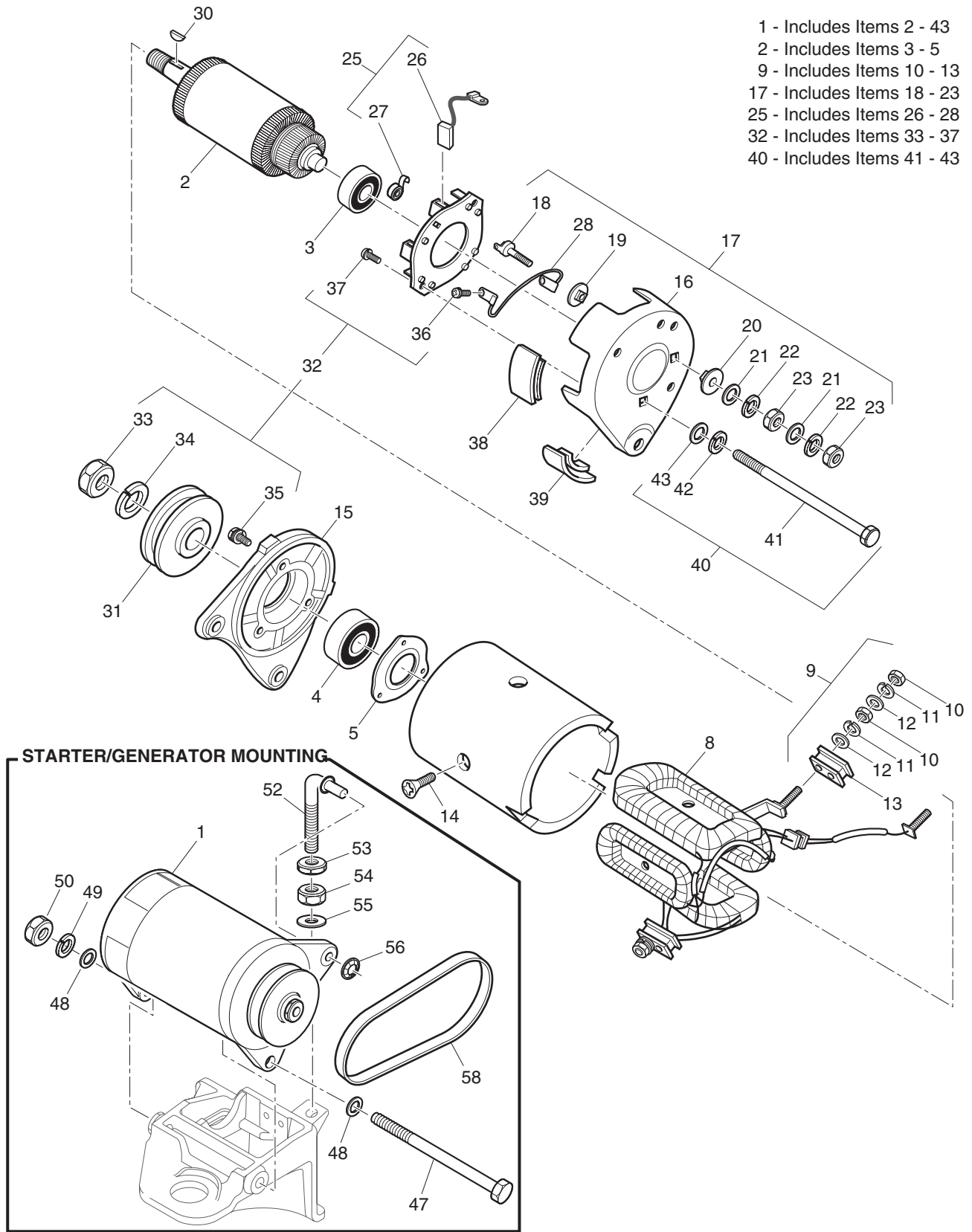
**GET STARTED
HERE**



<https://CartPros.com/f.html>

SEATING

STARTER / GENERATOR



Ref Stg 6-1

STARTER / GENERATOR

THE USE OF NON U.L. PARTS WILL VOID ANY U.L. LISTING.
 When ordering parts, please specify the model and serial number of the product.
 * Indicates a component that is not available as an individual part.
 G** Indicates consult Customer Service Department for additional information.

| ITEM | PART NO. | 1 2 3 4 5 | DESCRIPTION | QTY. |
|------|-----------|-----------|---|------|
| 1 | 27065-G01 | | STARTER / GENERATOR (INCLUDES ITEMS 2 - 43)..... | 1 |
| 2 | 26870-G01 | | ARMATURE (INCLUDES ITEMS 3 - 5) | 1 |
| 3 | 26871-G01 | | REAR BALL BEARING | 1 |
| 4 | 26872-G01 | | FRONT BALL BEARING | 1 |
| 5 | 26873-G01 | | BEARING HOLDER | 1 |
| 6 | | | | |
| 7 | | | | |
| 8 | 26875-G01 | | FIELD COIL | 1 |
| 9 | 26876-G01 | | INSULATING BRUSH ASSEMBLY ('F') (INCLUDES ITEMS 10 - 13)..... | 2 |
| 10 | * | | NUT | 2 |
| 11 | * | | LOCK WASHER..... | 2 |
| 12 | * | | WASHER..... | 2 |
| 13 | * | | INSULATOR | 1 |
| 14 | 26877-G01 | | POLE CORE SETSCREW..... | 4 |
| 15 | 26878-G01 | | FRONT COVER..... | 1 |
| 16 | 27879-G01 | | REAR COVER | 1 |
| 17 | 26880-G01 | | TERMINAL ASSEMBLY ('A') (INCLUDES ITEMS 18 - 23)..... | 2 |
| 18 | * | | TERMINAL | 2 |
| 19 | * | | INSULATOR | 2 |
| 20 | * | | INSULATOR | 2 |
| 21 | * | | WASHER..... | 4 |
| 22 | * | | LOCK WASHER..... | 4 |
| 23 | * | | NUT | 4 |
| 24 | | | | |
| 25 | 26881-G01 | | BRUSH HOLDER ASSEMBLY (INCLUDES ITEMS 26 - 28) | 1 |
| 26 | 26658-G01 | | BRUSH..... | 4 |
| 27 | 26882-G01 | | BRUSH SPRING | 4 |
| 28 | 26883-G01 | | BRUSH CONNECTOR..... | 2 |
| 29 | | | | |
| 30 | 26884-G01 | | KEY..... | 1 |

STARTER / GENERATOR

THE USE OF NON U.L. PARTS WILL VOID ANY U.L. LISTING.
 When ordering parts, please specify the model and serial number of the product.
 * Indicates a component that is not available as an individual part.
 G** Indicates consult Customer Service Department for additional information.

| ITEM | PART NO. | 1 2 3 4 5 | DESCRIPTION | QTY. |
|------|-----------|-----------|---|------|
| 31 | 26885-G01 | | PULLEY | 1 |
| 32 | 26886-G01 | | BRUSH AND PULLEY HARDWARE KIT (INCLUDES ITEMS 33 - 37)..... | 1 |
| 33 | * | | NUT | 1 |
| 34 | * | | LOCK WASHER | 1 |
| 35 | * | | SCREW | 3 |
| 36 | * | | SCREW | 4 |
| 37 | * | | SCREW | 2 |
| 38 | 26887-G01 | | BRUSH 1 COVER..... | 3 |
| 39 | 26888-G01 | | BRUSH 2 COVER..... | 2 |
| 40 | 26889-G01 | | HOUSING HARDWARE KIT (INCLUDES ITEMS 41 - 43)..... | 2 |
| 41 | * | | BOLT | 2 |
| 42 | * | | LOCK WASHER | 2 |
| 43 | * | | WASHER..... | 2 |
| 44 | | | | |
| 45 | | | | |
| 46 | | | | |
| 47 | 00938-G4 | | BOLT, 1/2 - 13 X 8" LG | 1 |
| 48 | 00560-G3 | | WASHER, 1/2" | 2 |
| 49 | 00566-G3 | | LOCK WASHER, 1/2"..... | 1 |
| 50 | 00533-G1 | | NUT, 1/2 - 13 | 1 |
| 51 | | | | |
| 52 | 28617-G01 | | STARTER / GENERATOR ADJUSTER..... | 1 |
| 53 | 00544-G5 | | JAM NUT, 3/8 - 16 | 1 |
| 54 | 00532-G5 | | NUT, 3/8 - 16 | 1 |
| 55 | 00560-G1 | | WASHER, 3/8" | 1 |
| 56 | 12064-G4 | | PUSH NUT, 5/16" | 1 |
| 57 | | | | |
| 58 | 26414-G01 | | STARTER / GENERATOR BELT | 1 |

**DID YOU
KNOW?**

CartPros directs you to the right part using the part numbers from this manual. Enter the part number into our search box and it will find the part you are looking for.

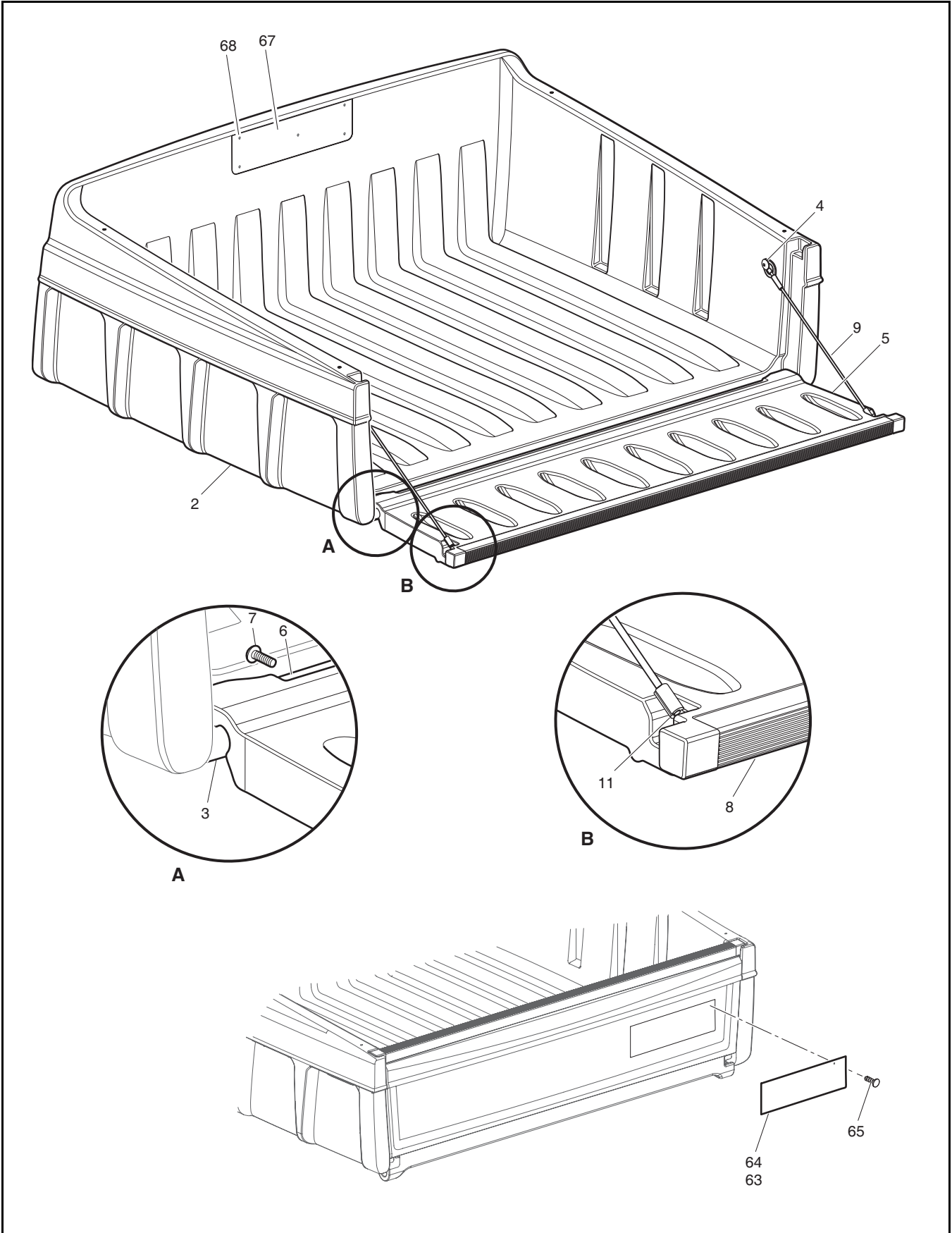
**GET STARTED
HERE**



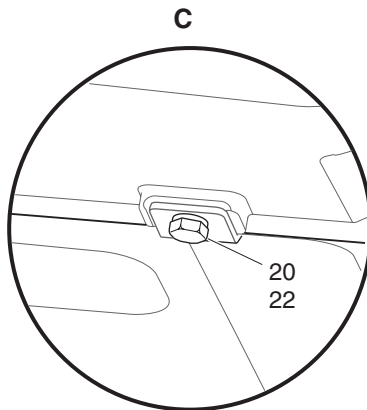
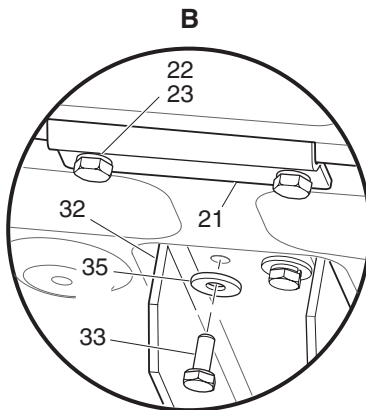
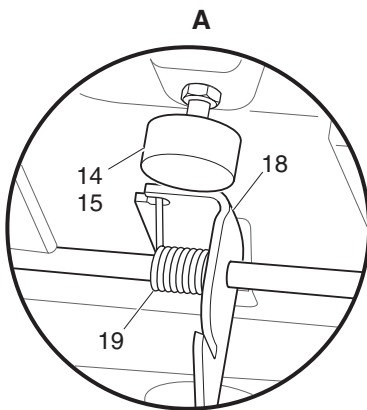
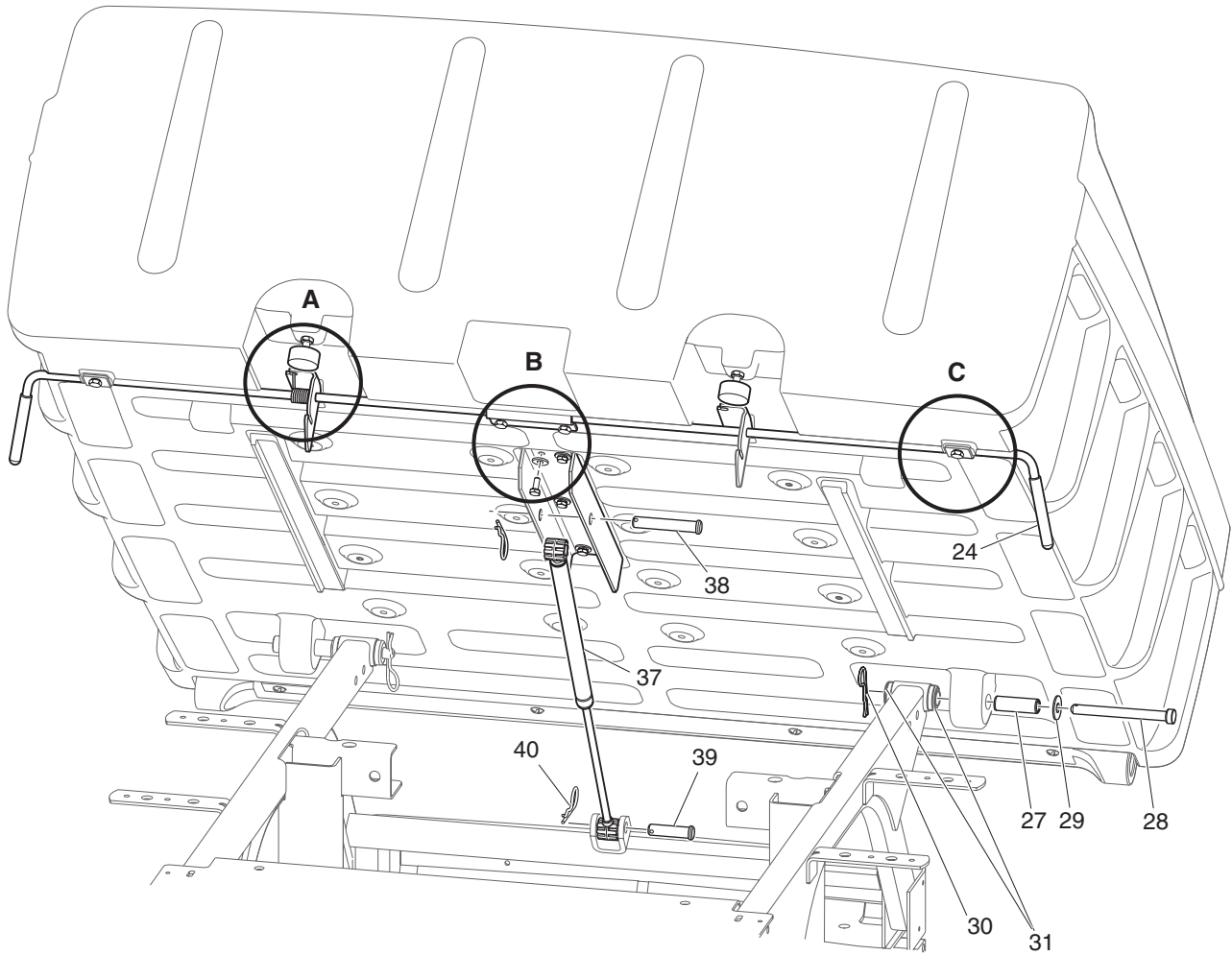
<https://CartPros.com/f.html>

STARTER / GENERATOR

TRUCK BED, PLASTIC

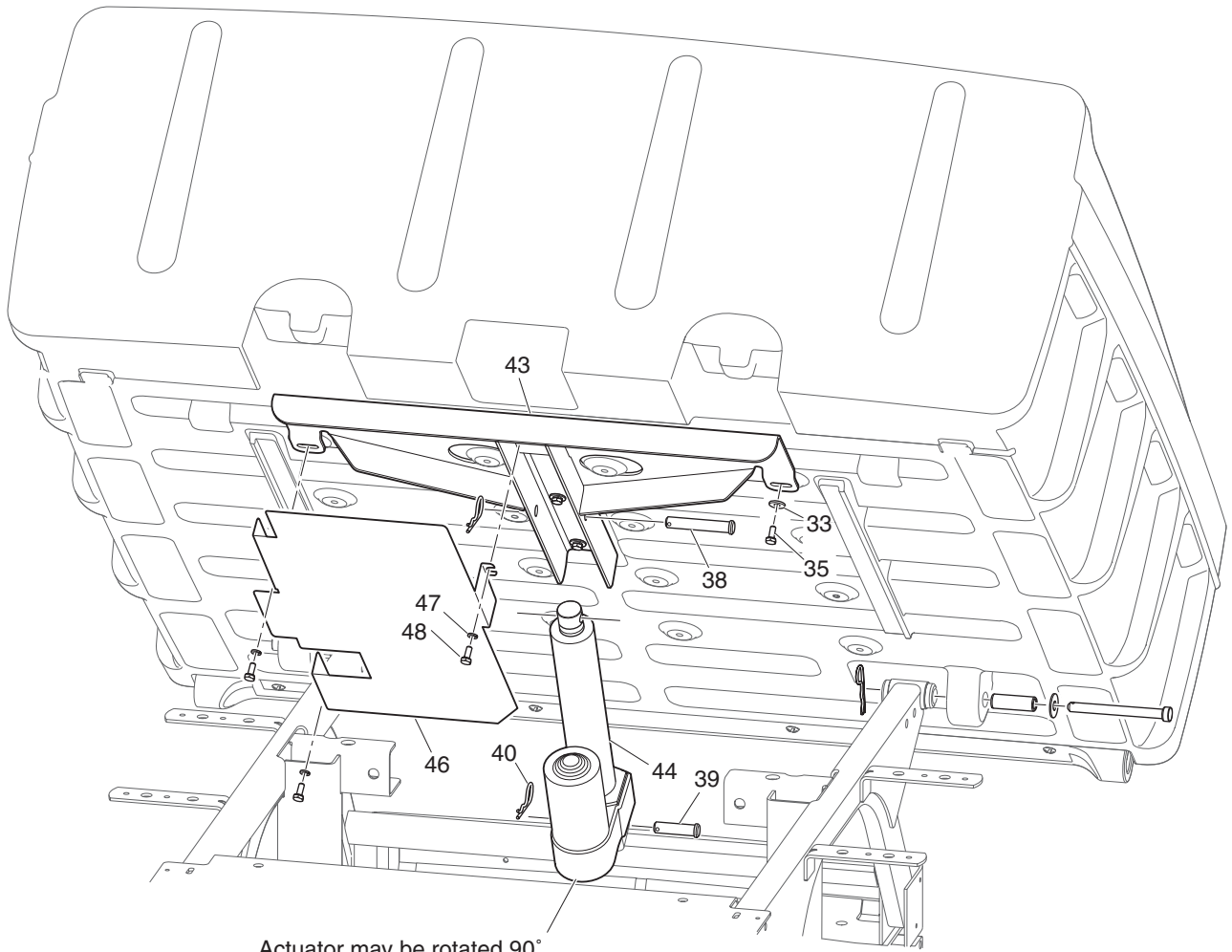


TRUCK BED, PLASTIC



Ref Tbp 21-2

TRUCK BED, PLASTIC



Actuator may be rotated 90°
on some models

Ref Tbp 21-3

TRUCK BED, PLASTIC

Where applicable, THE USE OF NON UL PARTS WILL VOID ANY UL LISTING.

When ordering parts, please specify the model and serial number of the product.

* Indicates a component that is not available as an individual part.

G** Indicates consult Customer Service Department for additional information.

| ITEM | PART NO. | 1 2 3 4 5 | DESCRIPTION | QTY. |
|------|-----------|-----------|--|------|
| 1 | 73451-G01 | | BED ASSEMBLY, 40" (INCLUDES ITEMS 2 -11)..... | 1 |
| 2 | 73447-G01 | | PLASTIC BED, 40" | 1 |
| 3 | 73454-G01 | | PIVOT SHAFT | 2 |
| 4 | 73460-G01 | | SHOULDER BOLT, 1/4 - 20 X 3/4" LG..... | 2 |
| 5 | 73448-G01 | | TAILGATE | 1 |
| 6 | 73450-G01 | | BOWED ANGLE | 1 |
| 7 | 16705-G2 | | SCREW, 1/4 - 20 X 5/8" LG (STAINLESS STEEL)..... | 4 |
| 8 | 73449-G01 | | EXTRUSION CHANNEL..... | 1 |
| 9 | 73455-G01 | | TAILGATE CABLE | 1 |
| 10 | | | | |
| 11 | 00415-G2 | | SCREW, 1/4 - 20 X 5/8" LG (STAINLESS STEEL)..... | 2 |
| 12 | | | | |
| 13 | | | | |
| 14 | 70113-G01 | | ADJUSTABLE RUBBER BUMPER | 2 |
| 15 | 11027-G1 | | LOCK NUT, 5/16 - 18 | 2 |
| 16 | | | | |
| 17 | | | | |
| 18 | 74962-G01 | | BED LATCH | 1 |
| 19 | 71538-G01 | | LATCH TORSION SPRING..... | 1 |
| 20 | 71099-G02 | | KEEPER PLATE..... | 2 |
| 21 | 71477-G02 | | RETAINER BRACKET..... | 1 |
| 22 | 01118-G01 | | SCREW, 1/4 - 20 X 5/8" LG..... | 4 |
| 23 | | | | |
| 24 | 71704-G01 | | HANDLE GRIP | 2 |
| 25 | | | | |
| 26 | | | | |
| 27 | 71570-G01 | | BUSHING | 2 |
| 28 | 71571-G01 | | CLEVIS PIN..... | 2 |
| 29 | 00571-G5 | | WASHER, 1/2" | 2 |
| 30 | 21683-G1 | | COTTER PIN..... | 2 |

TRUCK BED, PLASTIC

Where applicable, THE USE OF NON UL PARTS WILL VOID ANY UL LISTING.

When ordering parts, please specify the model and serial number of the product.

* Indicates a component that is not available as an individual part.

G** Indicates consult Customer Service Department for additional information.

| ITEM | PART NO. | 1 2 3 4 5 | DESCRIPTION | QTY. |
|------|-----------|-----------|---|------|
| 31 | 70291-G01 | | BUSHING | 4 |
| 32 | 71569-G02 | | SPRING CHANNEL | 1 |
| 33 | 01118-G01 | | SCREW, 1/4 - 20 X 5/8" LG..... | 8 |
| 34 | | | | |
| 35 | 00642-G7 | | WASHER, 1/4" | 8 |
| 36 | | | | |
| 37 | 71537-G02 | | GAS SPRING | 2 |
| 38 | 14443-G10 | | CLEVIS PIN, 1/2" X 2 27/32" LG..... | 1 |
| 39 | 14443-G11 | | CLEVIS PIN, 1/2" X 1 3/4" LG..... | 1 |
| 40 | 21683-G1 | | COTTER PIN, | 2 |
| 41 | | | | |
| 42 | | | | |
| 43 | 71547-G02 | | OUTRIGGER CHANNEL | 1 |
| 44 | 27612-G02 | | ELECTRIC ACTUATOR, 12 VOLT, 1500 LBS..... | 1 |
| 45 | | | | |
| 46 | 72339-G02 | | PLASTIC BED HEAT SHIELD (GASOLINE VEHICLE ONLY) | 1 |
| 47 | 00642-G7 | | WASHER, 1/4" | 2 |
| 48 | 01118-G01 | | SCREW, 1/4-20 X 5/8" | 2 |
| 49 | | | | |
| 50 | | | | |
| 51 | | | | |
| 52 | | | | |
| 53 | | | | |
| 54 | | | | |
| 55 | | | | |
| 56 | | | | |
| 57 | | | | |
| 58 | | | | |
| 59 | | | | |
| 60 | | | | |

TRUCK BED, PLASTIC

Where applicable, THE USE OF NON UL PARTS WILL VOID ANY UL LISTING.

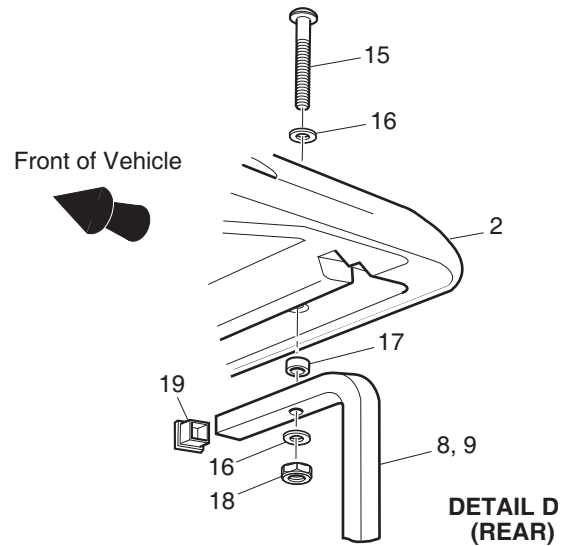
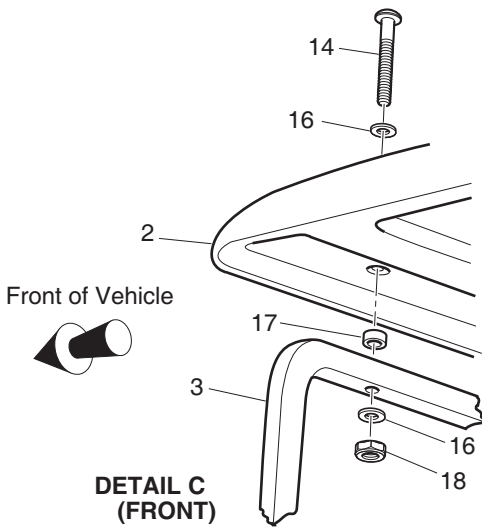
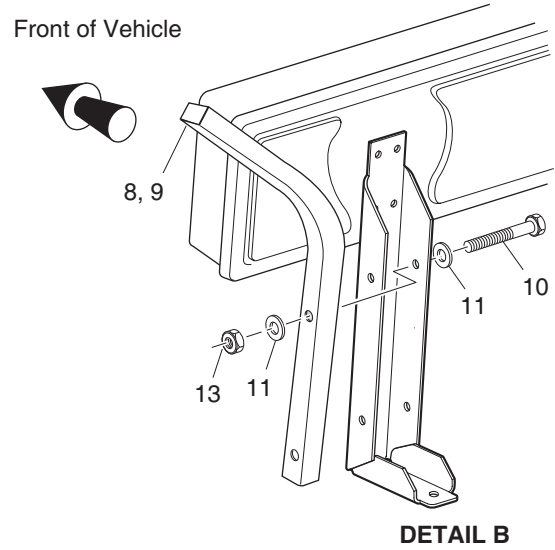
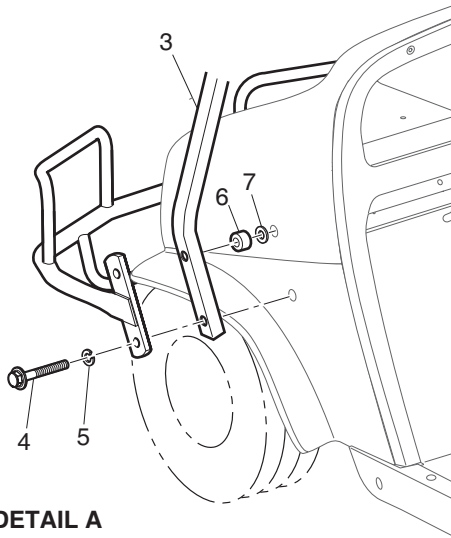
When ordering parts, please specify the model and serial number of the product.

* Indicates a component that is not available as an individual part.

G** Indicates consult Customer Service Department for additional information.

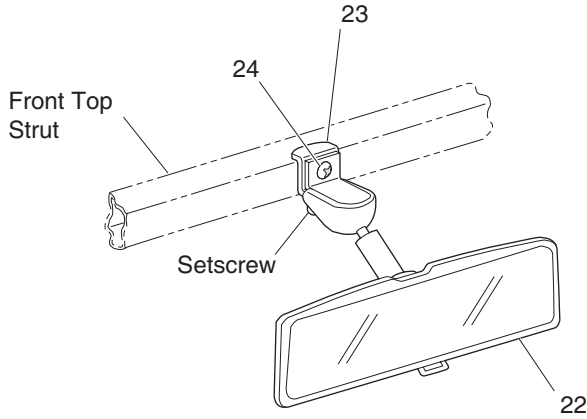
| ITEM | PART NO. | 1 2 3 4 5 | DESCRIPTION | QTY. |
|------|------------|-----------|-----------------------|------|
| 61 | | | | |
| 62 | | | | |
| 63 | 600110 | | JACOBSEN PLATE | 1 |
| 64 | 600108-G01 | | CUSHMAN PLATE | 1 |
| 65 | 16816-G2 | | RATCHET FASTENER..... | 4 |
| 66 | | | | |
| 67 | 74821-G01 | | LOAD BED DECAL | 1 |
| 68 | 71055-G01 | | RIVET | 5 |

WEATHER PROTECTION



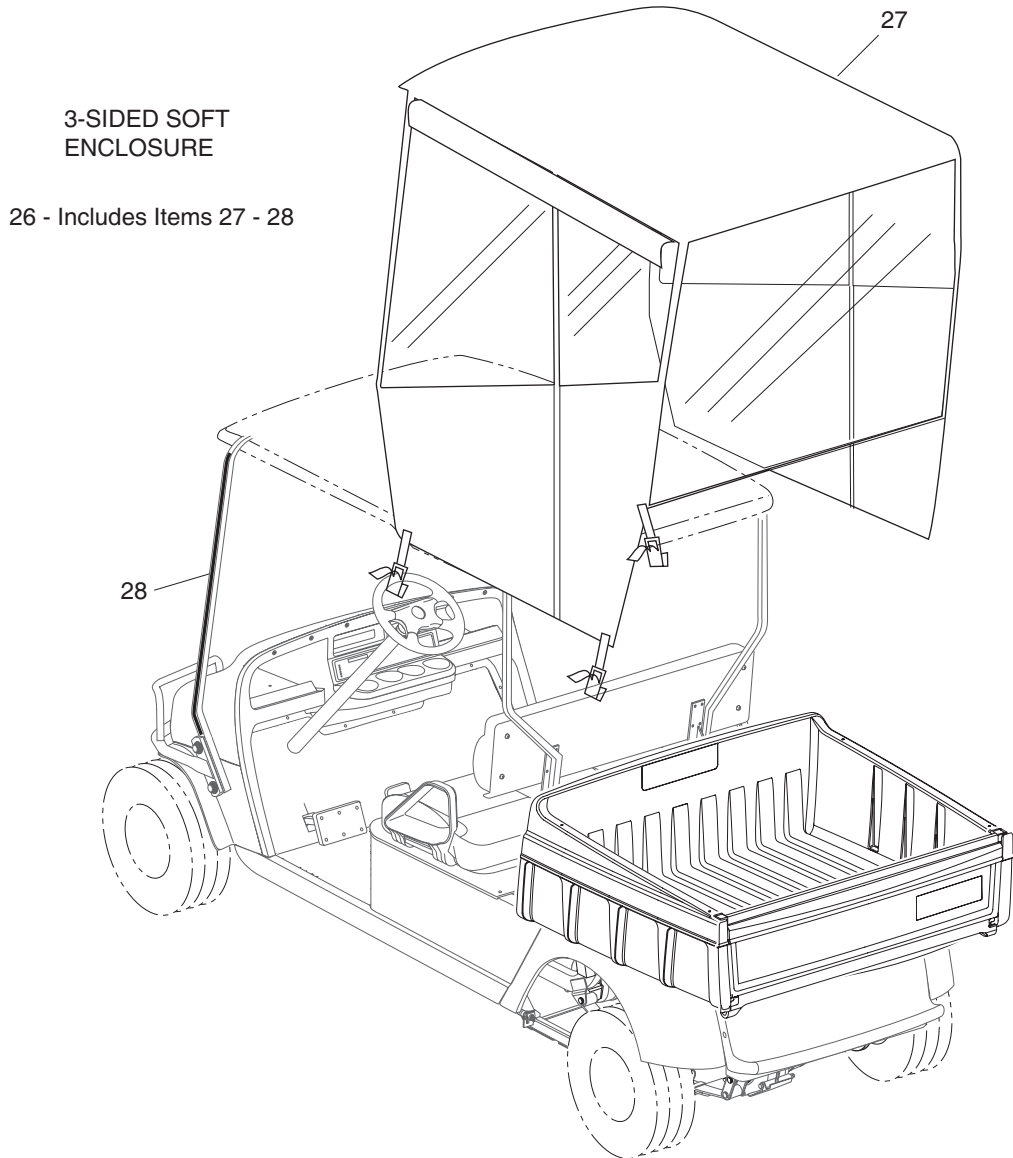
Ref Wea 20-1

WEATHER PROTECTION



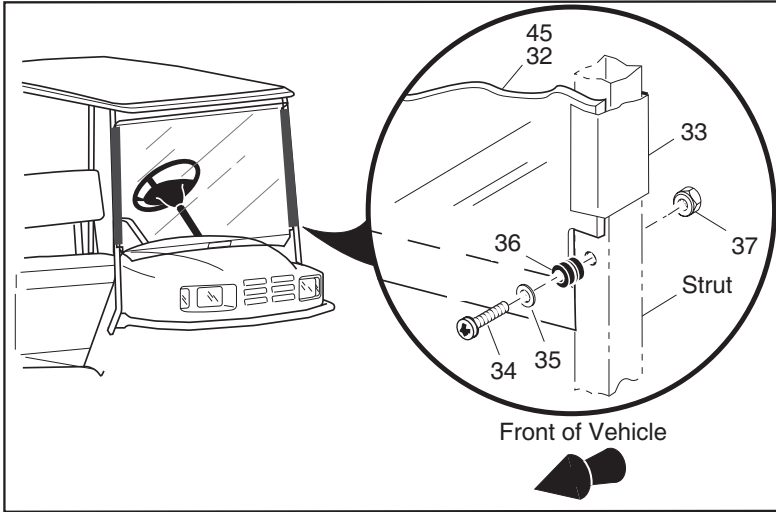
REAR VIEW MIRROR

21 - Includes Items 22 - 24

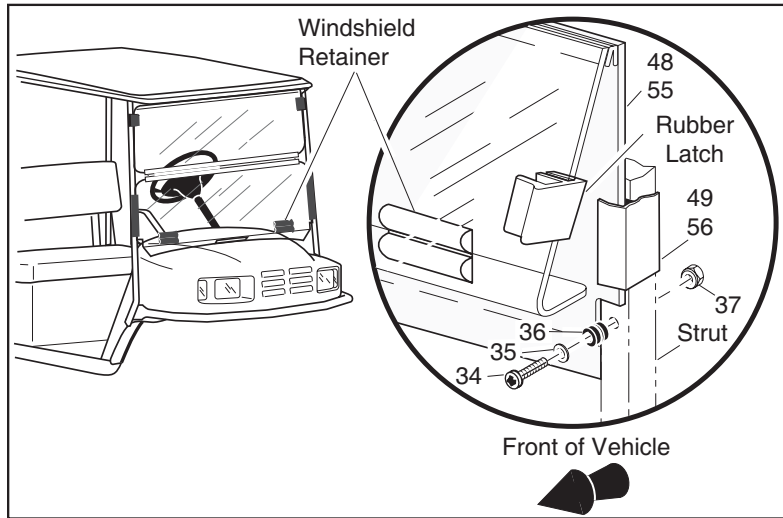


Ref Wea 20-2

WEATHER PROTECTION



- 44 - Includes item 45
- 47 - Includes item 48 - 49
- 54 - Includes item 55 - 56



Ref Wea 20-3

WEATHER PROTECTION

Where applicable, THE USE OF NON UL PARTS WILL VOID ANY UL LISTING.
 When ordering parts, please specify the model and serial number of the product.
 * Indicates a component that is not available as an individual part.
 G** Indicates consult Customer Service Department for additional information.

| ITEM | PART NO. | 1 2 3 4 5 | DESCRIPTION | QTY. |
|------|-----------|-----------|--|------|
| 1 | 75040-G** | | SUN TOP KIT (INCLUDES ITEMS 2 - 19) | 1 |
| 2 | 27069-G01 | | SUN TOP | 1 |
| 3 | 75045-G05 | | FRONT STRUT..... | 1 |
| 4 | 00440-G2 | | BOLT, 5/16 - 18 X 2 1/4" LG..... | 4 |
| 5 | 00905-G8 | | LOCK WASHER, 5/16" | 4 |
| 6 | 75048-G01 | | SPACER, 1/2" | 2 |
| 7 | 00570-G2 | | WASHER, 5/16" | 6 |
| 8 | 75838-G04 | | REAR STRUT (PASSENGER SIDE)..... | 1 |
| 9 | 75838-G03 | | REAR STRUT (DRIVER SIDE)..... | 1 |
| 10 | 00685-G7 | | BOLT, 5/16 - 18 X 1 3/4" LG..... | 4 |
| 11 | 01110-G03 | | WASHER, 5/16" | 8 |
| 12 | | | | |
| 13 | 11098-G6 | | LOCK NUT, 5/16 - 18 | 4 |
| 14 | 00753-G5 | | SCREW, 1/4 - 20 X 2" LG (STAINLESS STEEL)..... | 2 |
| 15 | 00753-G6 | | SCREW, 1/4 - 20 X 2 1/4" LG (STAINLESS STEEL)..... | 2 |
| 16 | 01110-G01 | | WASHER, 1/4" (STAINLESS STEEL)..... | 8 |
| 17 | 75051-G01 | | SPACER | 4 |
| 18 | 00891-G2 | | LOCK NUT, 1/4 - 20 | 4 |
| 19 | 19853-G1 | | END CAP, 1" | 2 |
| 20 | | | | |
| 21 | 19528-G2 | | REAR VIEW MIRROR KIT (REQUIRES SUN TOP) (INCLUDES ITEMS 22 - 24)..... | 1 |
| 22 | 19496-G1 | | REAR VIEW MIRROR | 1 |
| 23 | 19502-G2 | | SUPPORT BRACKET..... | 1 |
| 24 | 19527-G1 | | SCREW, #8 - 32 X 5/8" LG (STAINLESS STEEL)..... | 1 |
| 25 | | | | |
| 26 | 75367-G** | | 3-SIDED SOFT ENCLOSURE (REQUIRES SUN TOP) (INCL ITEMS 27 - 28) | 1 |
| 27 | * | | ENCLOSURE..... | 1 |
| 28 | * | | VELCRO | AR |
| 29 | | | | |

WEATHER PROTECTION

Replacement parts for the windshield may be obtained from Eagle Parts, Inc. 1411 Marvin Griffin Rd. Augusta, GA 30906. Telephone (706) 790-6687.

* Indicates a component that is not available as an individual part.

G** Indicates consult Customer Service Department for additional information.

| ITEM | PART NO. | 1 2 3 4 5 | DESCRIPTION | QTY. |
|------|-----------|-----------|---|------|
| 30 | | | | |
| 31 | 71966-G01 | | WINDSHIELD KIT (FULL) (INCLUDES ITEMS 32 - 38) | 1 |
| 32 | 71954-G01 | | WINDSHIELD (FULL) (LEXAN) | 1 |
| 33 | EGWHC12 | | SASH, 26" LG. | 2 |
| 34 | EGWHS12 | | BOLT, 1/4 - 20 X 1 3/4" LG. (STAINLESS STEEL) | 2 |
| 35 | EGWHG12 | | WASHER, 1/4" (STAINLESS STEEL) | 4 |
| 36 | EGWHG13 | | RUBBER GROMMET | 2 |
| 37 | EGWHN12 | | LOCK NUT, 1/4 - 20 (STAINLESS STEEL) | 2 |
| 38 | 71963-G01 | | SAFETY LABEL..... | 1 |
| 39 | | | | |
| 40 | | | | |
| 41 | | | | |
| 42 | | | | |
| 43 | | | | |
| 44 | 71966-G03 | | WINDSHIELD KIT (FULL) (INCLUDES ITEMS 45, 33 - 37) | 1 |
| 45 | 71960-G01 | | WINDSHIELD (FULL) | 1 |
| 46 | | | | |
| 47 | 71966-G04 | | WINDSHIELD KIT (SPLIT) (INCLUDES ITEMS 48, 49, 34 - 37) | 1 |
| 48 | 71961-G01 | | WINDSHIELD (SPLIT) | 1 |
| 49 | EGWHC10 | | SASH, 12" LG. | 2 |
| 50 | | | | |
| 51 | | | | |
| 52 | | | | |
| 53 | | | | |
| 54 | 71966-G02 | | WINDSHIELD KIT (SPLIT) (INCLUDES ITEMS 55, 56, 34 - 37) | 1 |
| 55 | 71955-G01 | | WINDSHIELD (SPLIT) (LEXAN) | 1 |
| 56 | EGWHC10 | | SASH, 12" LG. | 2 |

**DID YOU
KNOW?**

CartPros directs you to the right part using the part numbers from this manual. Enter the part number into our search box and it will find the part you are looking for.

**GET STARTED
HERE**



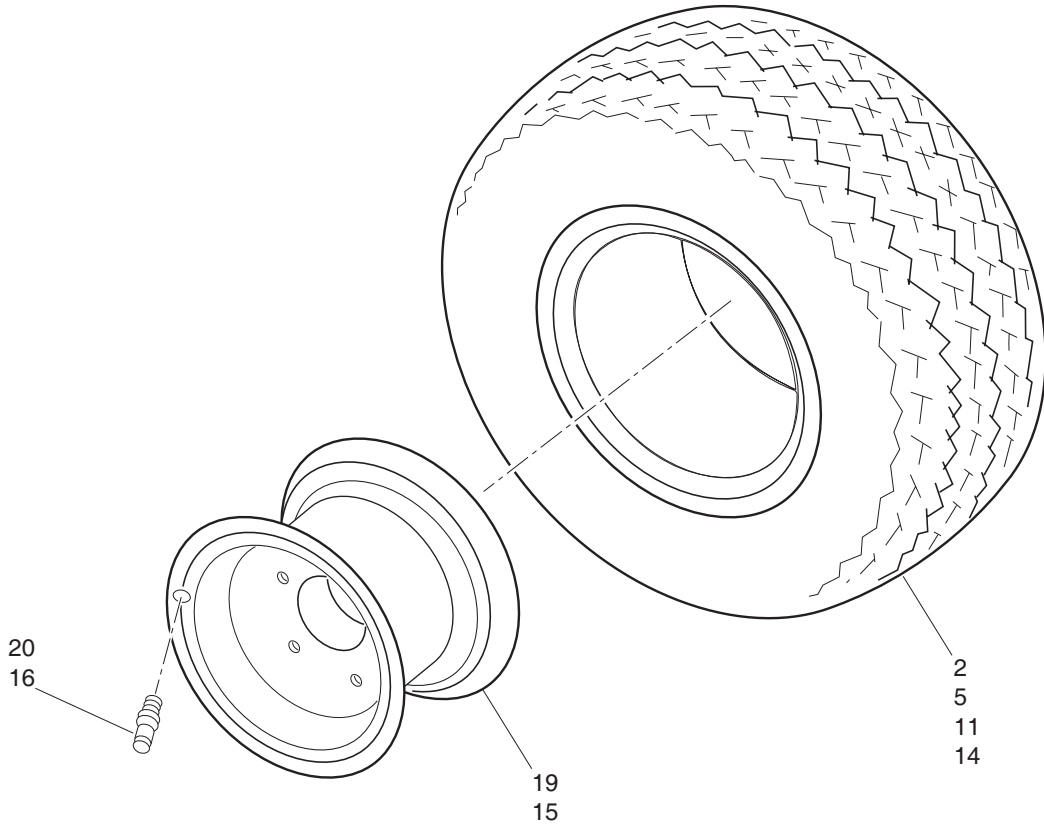
<https://CartPros.com/f.html>

WEATHER PROTECTION

WHEELS AND TIRES

- 1 - Includes Items 2, 19, 20
- 4 - Includes Items 5, 19, 20
- 7 - Includes Items 8, 19, 20
- 13 - Includes Items 14, 15, 16

Tire design may vary by Part Number



Ref Whl 20-1

**DID YOU
KNOW?**

CartPros directs you to the right part using the part numbers from this manual. Enter the part number into our search box and it will find the part you are looking for.

**GET STARTED
HERE** →

<https://CartPros.com/f.html>

WHEELS AND TIRES



GOLD / SILVER SPOKE HUBCAP
22, 23

Ref Whl 20-2

WHEELS AND TIRES

When ordering parts, please specify the model and serial number of the product.
 * Indicates a component that is not available as an individual part.
 G** Indicates consult Customer Service Department for additional information.

| ITEM | PART NO. | 1 2 3 4 5 | DESCRIPTION | QTY. |
|------|-----------|-----------|--|------|
| 1 | 28757-G01 | | TIRE AND WHEEL ASSEMBLY (LINKS 18 X 8.5 - 8) (INCLUDES ITEMS 2, 19, 20)..... | 1 |
| 2 | 28764-G01 | | TIRE (LINKS 18 X 8.5 - 8) | 1 |
| 3 | | | | |
| 4 | 28757-G03 | | WHEEL AND TIRE ASSEMBLY (TURF SAVER 18 X 8.5 - 8) (INCLUDES ITEMS 5, 19, 20)..... | 1 |
| 5 | 28764-G03 | | TIRE (TURF-SAVER 18 X 8.5 - 8) | 1 |
| 6 | | | | |
| 7 | 28842-G01 | | WHEEL AND TIRE ASSEMBLY (USA TRAIL 18 X 8.5 - 8) (INCLUDES ITEMS 8 , 19, 20) | 1 |
| 8 | 28764-G08 | | CARLISLE TIRE (18 X 8.5 - 8 LOAD RANGE C) | 1 |
| 9 | | | | |
| 10 | | | | |
| 11 | | | | |
| 12 | | | | |
| 13 | 27784-G06 | | WHEEL AND TIRE ASSEMBLY, USA TRAIL (INCLUDES ITEMS 14, 15 16) | 1 |
| 14 | 27784-G07 | | CARLISLE TIRE (USA TRAIL 5.70 X 8) | 1 |
| 15 | 33678-G02 | | WHEEL RIM (4 LUG)..... | 1 |
| 16 | 26482-G01 | | VALVE STEM..... | 1 |
| 17 | | | | |
| 18 | | | | |
| 19 | 28759-G01 | | WHEEL RIM (4 LUG)..... | 1 |
| 20 | 11657-G2 | | VALVE STEM..... | 1 |
| 21 | | | | |
| 22 | | | | |
| 23 | 19241-G* | | GOLD SPOKE HUBCAP (OPTIONAL) | A/R |
| 24 | 19241-G* | | SILVER SPOKE HUBCAP (OPTIONAL) | A/R |

**DID YOU
KNOW?**

CartPros directs you to the right part using the part numbers from this manual. Enter the part number into our search box and it will find the part you are looking for.

**GET STARTED
HERE**



<https://CartPros.com/f.html>

SPECIALTY PRODUCTS

SPECIALTY PRODUCTS

SPECIALTY PRODUCTS

SPECIAL TOOLS

PART NO.

| | |
|---|-----------|
| HIGH RESISTANCE SPARK PLUG WIRE SET | 26733-G02 |
| CLUTCH PULLER (DRIVE) | 19779-G2 |
| FLYWHEEL PULLER | 27111-G01 |
| CURRENT INDICATOR | 16489-G2 |
| DIGITAL MULTI-METER | 27481-G01 |
| SLIDE HAMMER (AXLE/HUB REMOVAL) | 15947-G1 |
| SLIDE HAMMER (AXLE REMOVAL ONLY) | 18753-G1 |
| COMPRESSION TESTER | 72524-G01 |
| FEELER GAUGE | 72525-G01 |
| TACHOMETER | 72526-G01 |

ENGINE OIL

PART NO.

| | |
|---|-----------|
| 4 CYCLE ENGINE OIL, 5 GALLON (19 LITER) | 25730-G03 |
| 4 CYCLE ENGINE OIL, 12 QUART CASE | 25730-G04 |
| 4 CYCLE ENGINE OIL, 1 QUART BOTTLE (950 ML) | 25730-G06 |

TOUCH UP PAINT

PART NO.

| | |
|---|-----------|
| PEN 3 OUNCE (89 ML) - HUNTER GREEN | 28432-G02 |
| PEN 3 OUNCE (89 ML) - CHAMPAGNE BEIGE | 28432-G01 |
| PEN 3 OUNCE (89 ML) - WHITE | 28432-G05 |
| PEN 3 OUNCE (89 ML) - INDUSTRIAL YELLOW | 28432-G03 |
| PEN 3 OUNCE (89 ML) - ORANGE | 28432-G04 |
| PEN 3 OUNCE (89 ML) - STEEL BLUE PEARL | 28432-G24 |
| PEN 3 OUNCE (89 ML) - OLIVE GREEN | 28432-G** |
| PEN 3 OUNCE (89 ML) - CAMOUFLAGE PAINT (THREE PENS) | 75831-G01 |
| AEROSOL 12 OUNCE (360 ML) - HUNTER GREEN | 28140-G09 |
| AEROSOL 12 OUNCE (360 ML) - CHAMPAGNE BEIGE | 28140-G15 |
| AEROSOL 12 OUNCE (360 ML) - WHITE | 28140-G03 |
| AEROSOL 12 OUNCE (360 ML) - INDUSTRIAL YELLOW | 28140-G14 |
| AEROSOL 12 OUNCE (360 ML) - ORANGE | 28140-G13 |
| AEROSOL 12 OUNCE (360 ML) - STEEL BLUE PEARL | 28140-G** |
| AEROSOL 12 OUNCE (360 ML) - OLIVE GREEN | 28140-G** |

SPECIALTY PRODUCTS

| MAINTENANCE PRODUCTS | PART NO. |
|--|-----------------|
| FORMULA 40 VINYL-COAT® - WHITE | 28166-G01 |
| PLEXUS® CLEANER, 7 OUNCE (210 ML) (FOR WINDSHIELDS) | 28433-G01 |
| PLEXUS® CLEANER, 13 OUNCE (380 ML) (FOR WINDSHIELDS) | 28433-G02 |
| BATTERY PROTECTOR, 14 OUNCE (410 ML) SPRAY | 75500-G01 |
| CARBURETOR & CHOKE CLEANER, 15 OUNCE (440 ML) SPRAY | 75501-G01 |
| WHITE LITHIUM GREASE, 14 OUNCE (410 ML) SPRAY | 75502-G01 |
| PENETRANT/LUBRICANT, 15 OUNCE (440 ML) SPRAY | 75503-G01 |
| MULTI-PURPOSE CLEANER & DEGREASER, 14 OUNCE (410 ML) SPRAY | 75504-G01 |
| MULTI-PURPOSE HAND CLEANER, 32 OUNCE (950 ML) LIQUID | 75505-G01 |
| BATTERY CLEANER, 32 OUNCE (950 ML) WITH TRIGGER SPRAYER..... | 75506-G01 |
| BIO-DEGRADABLE CLEANER, 32 OUNCE (950 ML) WITH TRIGGER SPRAYER..... | 75507-G01 |
| MULTI-PURPOSE VALUE PACK..... | 75508-G01 |
| <ul style="list-style-type: none"> • BATTERY PROTECTOR, 4 OUNCE (120 ML) SPRAY • PENETRANT/LUBRICANT, 4 OUNCE (120 ML) SPRAY • WHITE LITHIUM GREASE, 4 OUNCE (120 ML) SPRAY • CARBURETOR & CHOKE CLEANER, 4 OUNCE (120 ML) SPRAY | |

**DID YOU
KNOW?**

CartPros directs you to the right part using the part numbers from this manual. Enter the part number into our search box and it will find the part you are looking for.

**GET STARTED
HERE**



<https://CartPros.com/f.html>

SPECIALTY PRODUCTS

**DID YOU
KNOW?**

CartPros directs you to the right part using the part numbers from this manual. Enter the part number into our search box and it will find the part you are looking for.

**GET STARTED
HERE**



<https://CartPros.com/f.html>

**DID YOU
KNOW?**

CartPros directs you to the right part using the part numbers from this manual. Enter the part number into our search box and it will find the part you are looking for.

**GET STARTED
HERE** →

<https://CartPros.com/f.html>



A Textron Company

E-Z-GO Division Of Textron, Inc.,
1451 Marvin Griffin Road, Augusta, Georgia USA 30906-3852

TO CONTACT US

North America:

Technical Assistance & Warranty Phone: 1-800-774-3946, FAX: 1-800-448-8124
Service Parts Phone: 1-888-GET-EZGO (1-888-438-3946), FAX: 1-800-752-6175

International:

Phone: 001-706-798-4311, FAX: 001-706-771-4609

Certified ISO 9001 / ISO 14001 by



Copyrighted Material
This manual may not be reproduced in whole or
in part without the express permission of
E-Z-GO Division of Textron, Inc.
Technical Communications Department