

**DID YOU
KNOW?**

CartPros directs you to the right part using the part numbers from this manual. Enter the part number into our search box and it will find the part you are looking for.

**GET STARTED
HERE** →

<https://CartPros.com/f.html>

604937

EZGO[®]

A Textron Company

CUSHMAN[®]

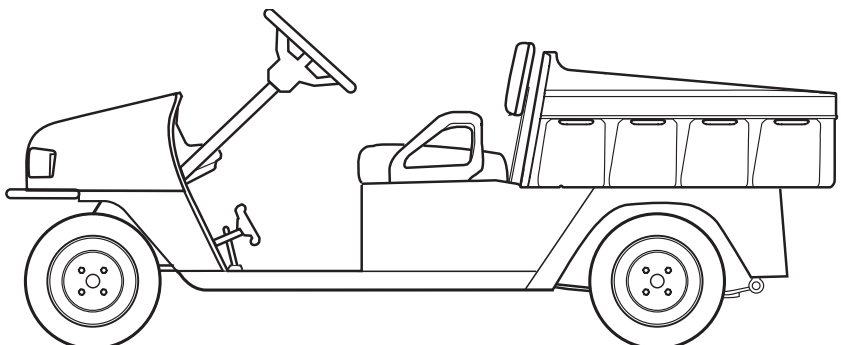
A Textron Company

JACOBSEN[®]

A Textron Company



SERVICE PARTS MANUAL



Ref Fcv 4 28812

ELECTRIC POWERED UTILITY VEHICLES

REVISED DATE: DEC 2006

**DID YOU
KNOW?**

CartPros directs you to the right part using the part numbers from this manual. Enter the part number into our search box and it will find the part you are looking for.

**GET STARTED
HERE**



<https://CartPros.com/f.html>

SERVICE PARTS MANUAL

ELECTRIC UTILITY VEHICLES

MPT™ 1000

INDUSTRIAL™ 1000

COMMANDER™ 2100

JACOBSEN HAULER® 1000

STARTING MODEL YEAR 2006+

E-Z-GO Division of TEXTRON, Inc. reserves the right to make design changes without obligation to make these changes on units previously sold and the information contained in this manual is subject to change without notice.

E-Z-GO Division of TEXTRON, Inc. is not liable for errors in this manual or for incidental or consequential damages that result from the use of the material in this manual.

CUSTOMER SERVICE DEPARTMENT IN USA PHONE: 1-800-241-5855 FAX: 1-800-448-8124

OUTSIDE USA PHONE: 010-1-706-798-4311, FAX: 010-1-706-771-4609

E-Z-GO DIVISION OF TEXTRON, INC., P.O.BOX 388, AUGUSTA, GEORGIA USA 30903-0388

NOTES

To obtain a copy of the limited warranty applicable to the vehicle, call or write a local Distributor, authorized Branch or the Warranty Department with vehicle serial number and manufacturer code.

The use of non Original Equipment Manufacturer (OEM) parts may void the warranty.

Tampering with or adjusting the governor to permit vehicle to operate at above factory specifications will void the vehicle warranty.

When servicing engines, all adjustments and replacement components must be per original vehicle specifications in order to maintain the United States of America Federal and State emission certification applicable at the time of manufacture.

BATTERY PROLONGED STORAGE

All batteries will self discharge over time. The rate of self discharge varies depending on the ambient temperature and the age and condition of the batteries.

A fully charged battery will not freeze in winter temperatures unless the temperature falls below -75° F (-60° C).

TABLE OF CONTENTS

SECTION	Page No.
HOW TO USE THE SERVICE PARTS MANUAL	v
ILLUSTRATED PARTS BREAKDOWN	vii
ACCELERATOR	A-1
BATTERY CHARGER (LESTER)	B-1
BODY	C-1
BRAKES	D-1
BRAKES - FRONT DISC	E-1
CAB	F-1
ELECTRICAL	G-1
ELECTRONIC SPEED CONTROL - PDS	H-1
FRONT SUSPENSION/STEERING	J-1
MOTOR	K-1
REAR AXLE	L-1
REAR SUSPENSION	M-1
SEATING	N-1
TRUCK BED, PLASTIC	P-1
WEATHER PROTECTION	Q-1
WHEELS AND TIRES	R-1
SPECIALTY PRODUCTS	APPENDIX A-1
OPTIONS/ACCESSORIES	APPENDIX B-1

**DID YOU
KNOW?**

CartPros directs you to the right part using the part numbers from this manual. Enter the part number into our search box and it will find the part you are looking for.

**GET STARTED
HERE**



<https://CartPros.com/f.html>

TABLE OF CONTENTS

SECTION

Page No.

HOW TO USE THE SERVICE PARTS MANUAL

This manual is divided into several sections:

GENERAL INFORMATION

- TABLE OF CONTENTS
- HOW TO USE THE SERVICE PARTS MANUAL

ILLUSTRATED PARTS BREAKDOWN

- Contains illustrations and parts lists for all systems of the vehicle

APPENDIX

- Contains a listing of specialty products and options/accessories

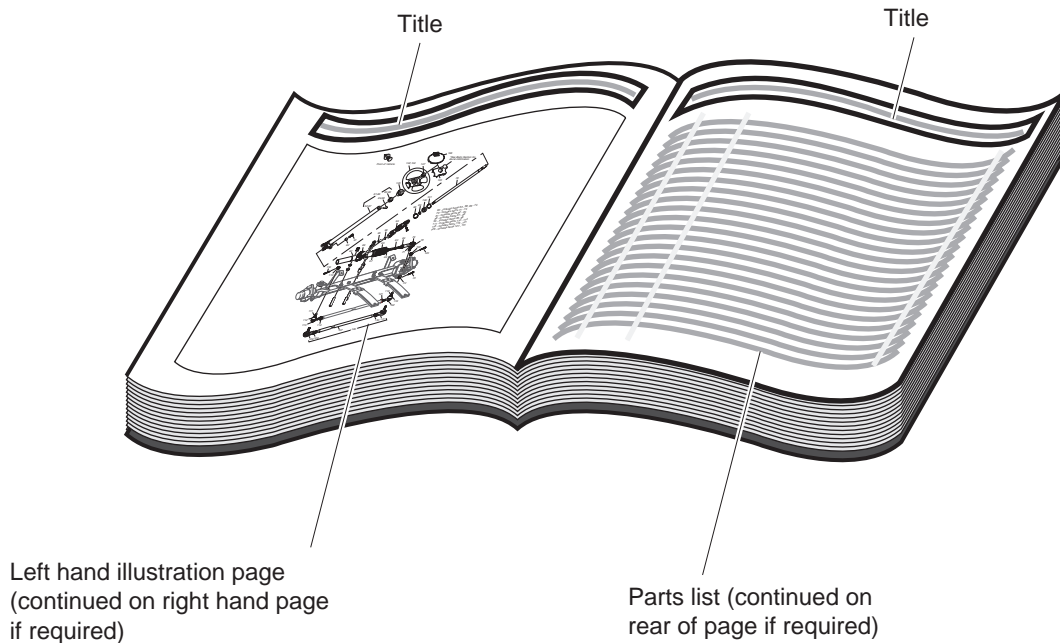
I

USE OF THE MANUAL

To use this manual, consult the TABLE OF CONTENTS (page iii) (located at rear of this manual) to locate the information or illustration required.

Introduction of some revisions varies due to supply of components; therefore, it is possible that various combinations of components may be found that are not directly reflected by each illustration. Consult the illustration that best suits your situation. Locate the serial number plate (see BODY located in the Illustrated Parts Breakdown section of this manual for its location) and note the complete number shown on the plate. It is important that the serial number of your vehicle and its model number be supplied to Service Parts when ordering any replacement components.

HOW TO USE THE SERVICE PARTS MANUAL



1. WHEN THE PART NUMBER IS NOT KNOWN

- Determine the function and application of the part required. Turn to the INDEX OF MAJOR COMPONENTS and select the most appropriate component description.
- Turn to the page number indicated and locate the part description in the parts list. Read the full accompanying description for specific information regarding the part that was not shown in the index.
- From the parts list, obtain the item number assigned to it and confirm that the part selected is correct by verifying it with the pictorial representation on the illustrated page.

2. IF YOU KNOW THE PART NUMBER

- Use the INDEX OF MAJOR COMPONENTS to find the page(s) the part number appears on.
- Turn to the page number indicated and locate the part number in the parts list. Refer to the accompanying description for specific information regarding the part.
- From the parts list, obtain the item number assigned to it and confirm that the part selected is correct by verifying it with the pictorial representation on the illustrated page.

Should an asterisk (*) appear in the part number column on the parts list page, read upwards until a part number is found. The part number is the lowest assembly sold by Service Parts. The asterisk (*) indicates that the part depicted is not available for purchase.

NOTE: Descriptions are indented under the assembly that they are used on. That assembly is, in turn listed under the assembly that it is used on. This process is repeated until the highest final assembly is reached.

To facilitate the maintenance and repair of the vehicle, a Technician's Repair and Service Manual is available from the Service Parts Department.

**DID YOU
KNOW?**

CartPros directs you to the right part using the part numbers from this manual. Enter the part number into our search box and it will find the part you are looking for.

**GET STARTED
HERE**

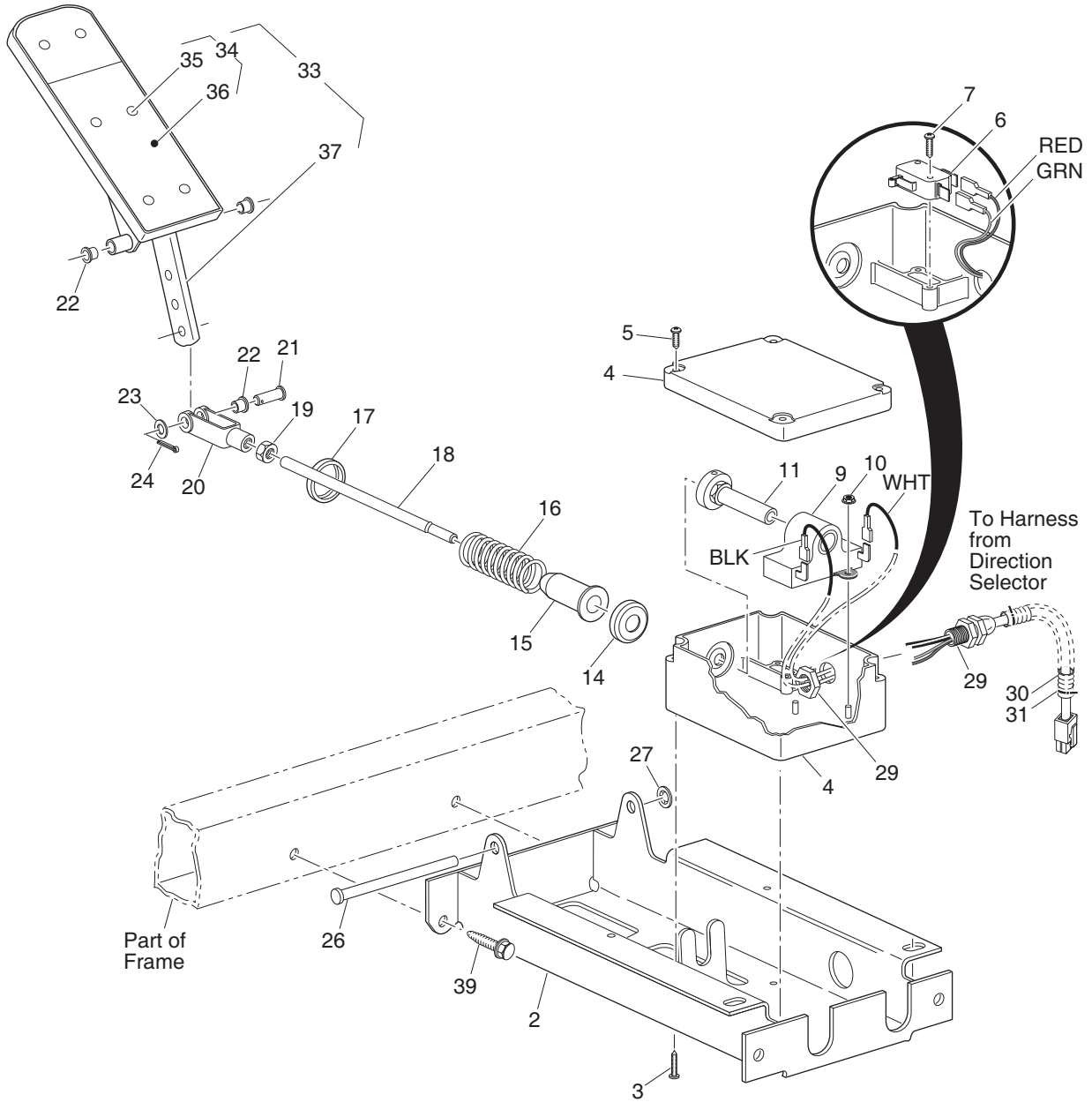
→ <https://CartPros.com/f.html>

ILLUSTRATED PARTS BREAKDOWN

ILLUSTRATED PARTS BREAKDOWN

ACCELERATOR

1 - Includes Items 2 - 37



Ref Acl 4-1

ACCELERATOR

When ordering parts, please specify the model and serial number of the product.
 * Indicates a component that is not available as an individual part.
 G** Indicates consult Customer Service Department for additional information.

ITEM	PART NO.	1 2 3 4 5	DESCRIPTION	QTY.
1	25870-G03		PEDAL BOX ASSEMBLY (INCLUDES ITEMS 2 - 37).....	1
2	70116-G01		ACCELERATOR PEDAL BRACKET	1
3	00984-G01		SCREW, #8 - 10 X 1/2" LG.....	4
4	25853-G01		PEDAL BOX AND COVER	1
5	00684-G6		SCREW, #8 - 32 X 3/4" LG.....	4
6	25861-G01		MICRO SWITCH.....	1
7	00982-G01		SCREW, #4 - 14 X 5/8" LG.....	2
8				
9	25854-G01		INDUCTIVE THROTTLE SENSOR	1
10	00983-G01		SELF THREADING NUT, 3/16"	2
11	602484		PLUNGER.....	1
12				
13				
14	17677-G1		SPRING RETAINER, 1/2".....	1
15	17979-G1		BUSHING.....	1
16	73046-G01		COMPRESSION SPRING	1
17	17677-G2		SPRING RETAINER, 3/8".....	1
18	73332-G01		ACCELERATOR ROD	1
19	00532-G4		LOCK NUT, 5/16 - 24.....	1
20	10385-G4		CLEVIS YOKE (ADJUSTABLE).....	1
21	10386-G3		CLEVIS PIN, 5/16" X 1" LG	1
22	17838-G1		NYLON BUSHING	3
23	17255-G1		TEFLON WASHER, 5/16".....	1
24	10387-G3		COTTER PIN, 3/32" X 3/4" LG	1
25				
26	70134-G01		PEDAL PIVOT PIN	1
27	00986-G01		PUSH NUT, 9/32"	1
28				
29	25879-G03		WIRING HARNESS (PEDAL BOX ASSEMBLY).....	1
30	17313-G1		LOOM FLEX, 3/8" X 6" LG (BULK).....	1

ACCELERATOR

When ordering parts, please specify the model and serial number of the product.
 * Indicates a component that is not available as an individual part.
 G** Indicates consult Customer Service Department for additional information.

ITEM	PART NO.	1	2	3	4	5	DESCRIPTION	QTY.
31	17618-G1						WIRE TIE	2
32								
33	25799-G03						ACCELERATOR PEDAL ASSEMBLY (INCLUDES ITEMS 34 - 37)	1
34	27844-G01						ACCELERATOR PEDAL PAD KIT (INCLUDES ITEMS 35 - 36)	1
35	15766-G1						OVAL RIVET, 3/16" X 3/8" LG	6
36	27512-G01						ACCELERATOR PEDAL PAD	1
37	*						ACCELERATOR PEDAL	1
38								
39	00715-G2						BOLT, 5/16 - 18 X 13/16" LG	4

**DID YOU
KNOW?**

CartPros directs you to the right part using the part numbers from this manual. Enter the part number into our search box and it will find the part you are looking for.

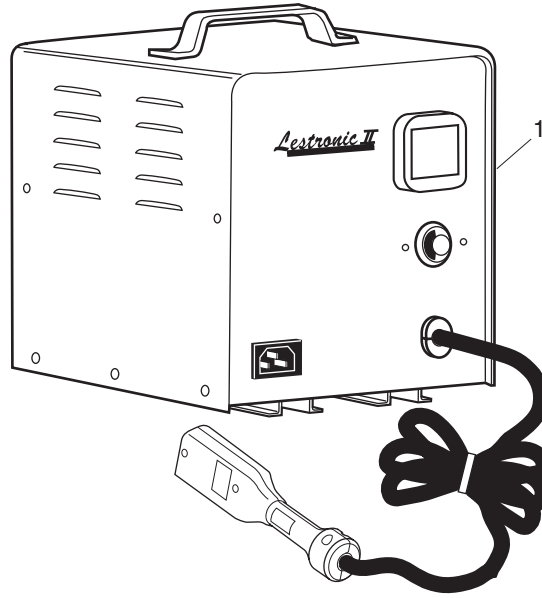
**GET STARTED
HERE**



<https://CartPros.com/f.html>

ACCELERATOR

BATTERY CHARGER (LESTER)



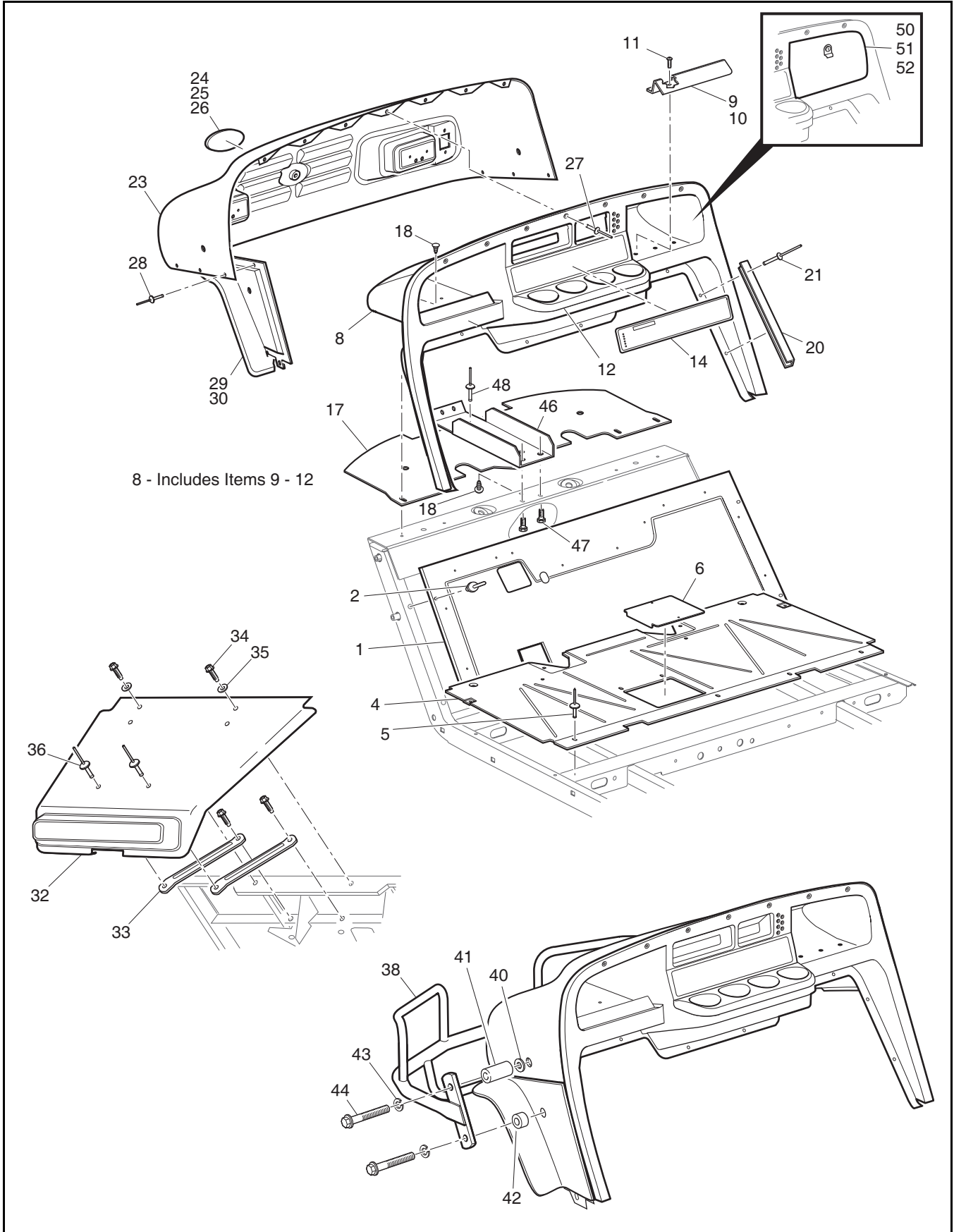
Ref Bcl 4-1

BATTERY CHARGER (LESTER)

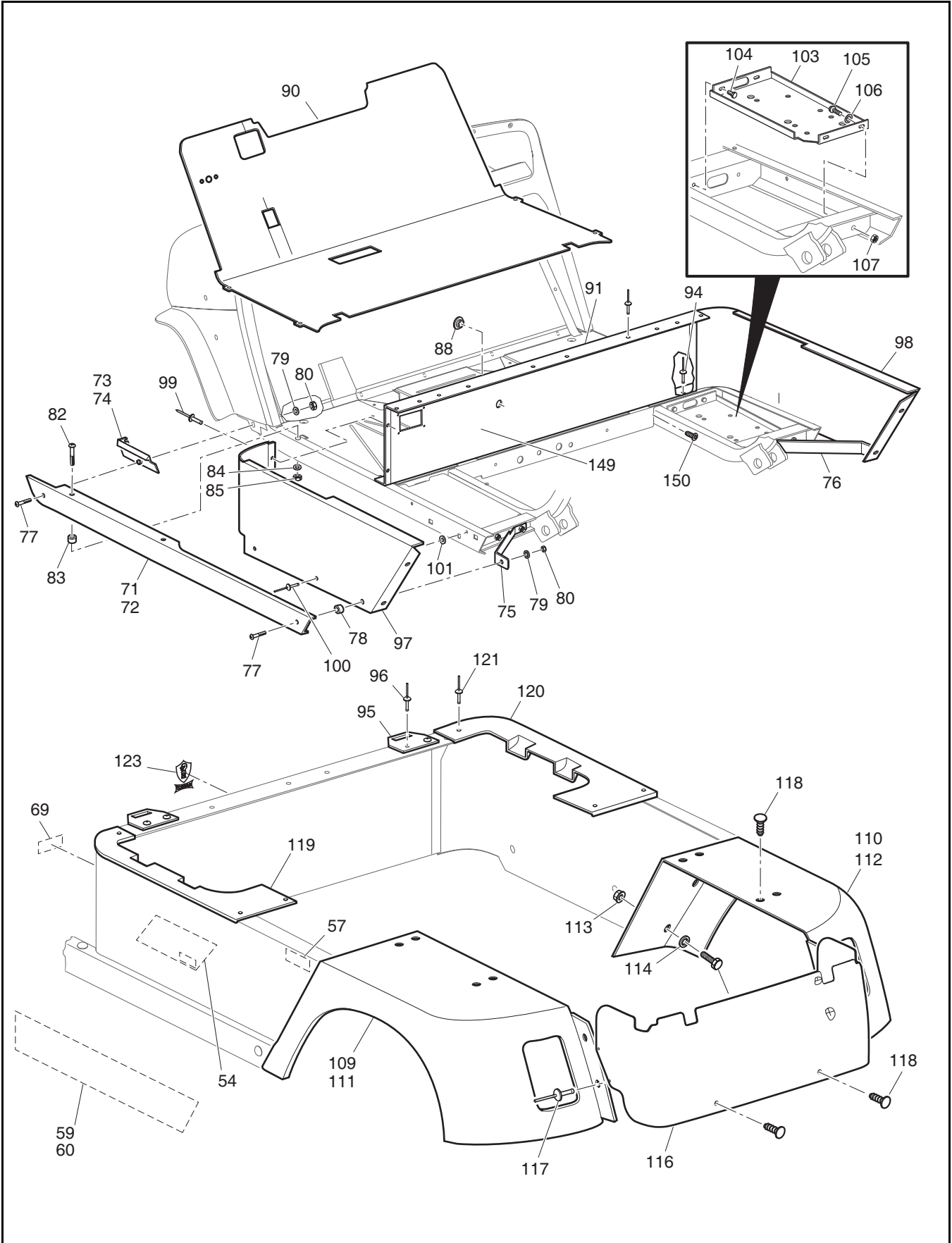
THE USE OF NON U.L. PARTS WILL VOID ANY U.L. LISTING.
 When ordering parts, please specify the model and serial number of the product.
 * Indicates a component that is not available as an individual part.
 G** Indicates consult Customer Service Department for additional information.

ITEM	PART NO.	1 2 3 4 5	DESCRIPTION	QTY.
1	28435-G03		BATTERY CHARGER, LESTER, 36 VOLT, PORTABLE WITH POWERWISE CONNECTOR, CE APPROVED (OPTIONAL) For service or replacement parts, contact: Lester Electrical 625 West "A" Street Lincoln, NE 68522 Phone: (402) 477-8988, FAX: (402) 474-1769 Always provide the following information when requesting information or ordering replacement parts: Model Number: Serial Number: (stamped into housing)	

BODY



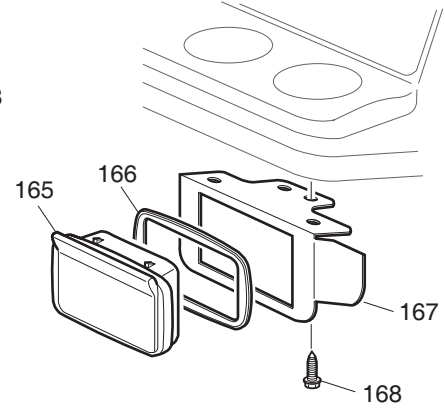
BODY



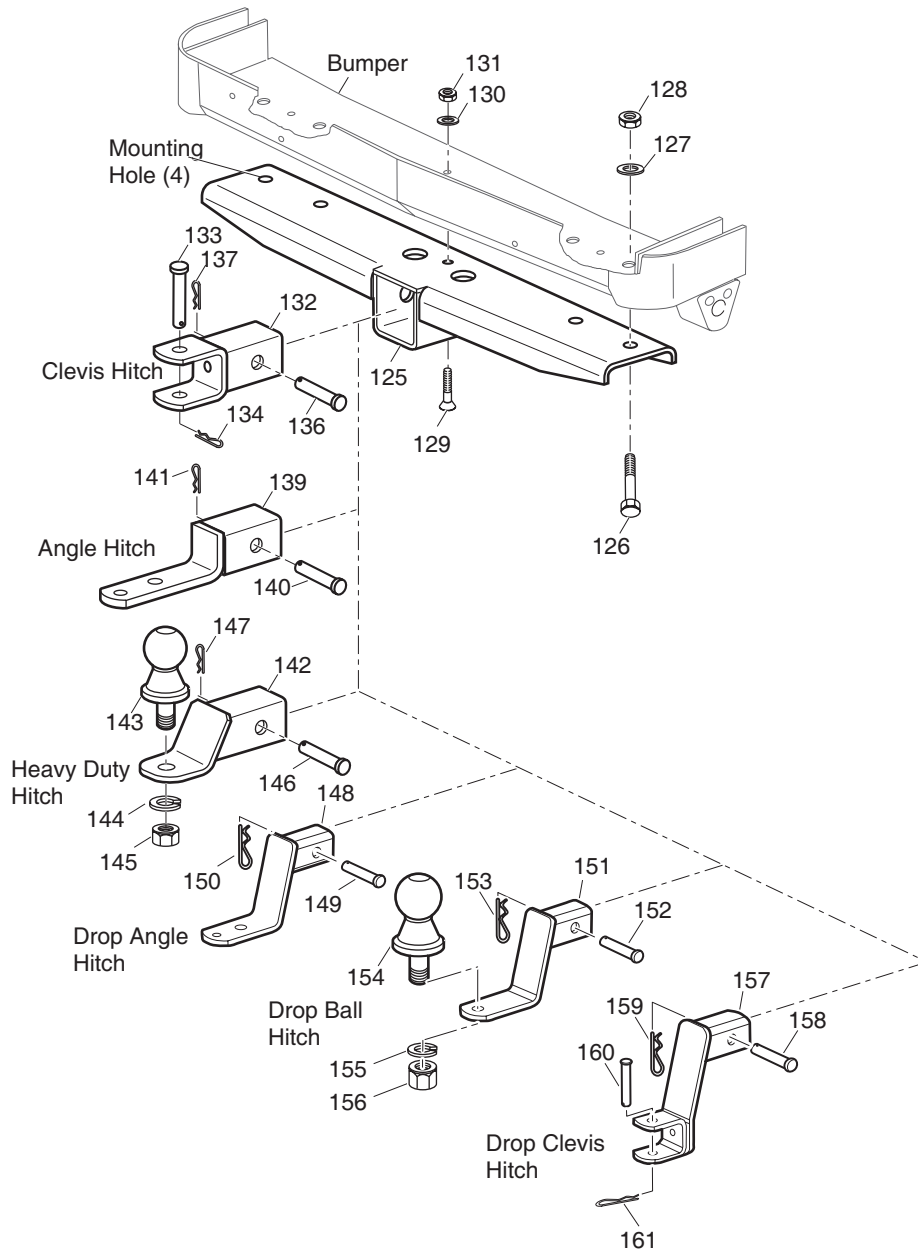
BODY

ASH TRAY

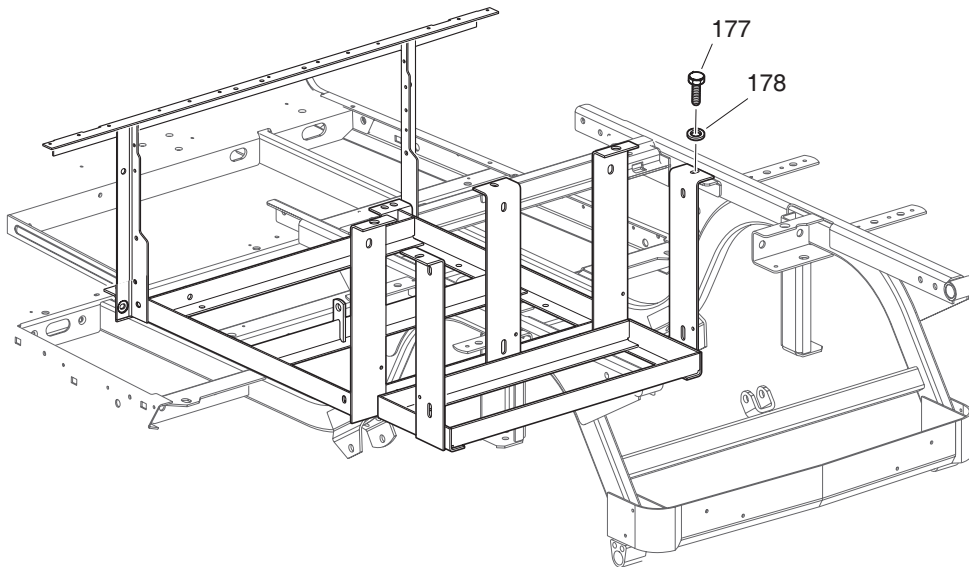
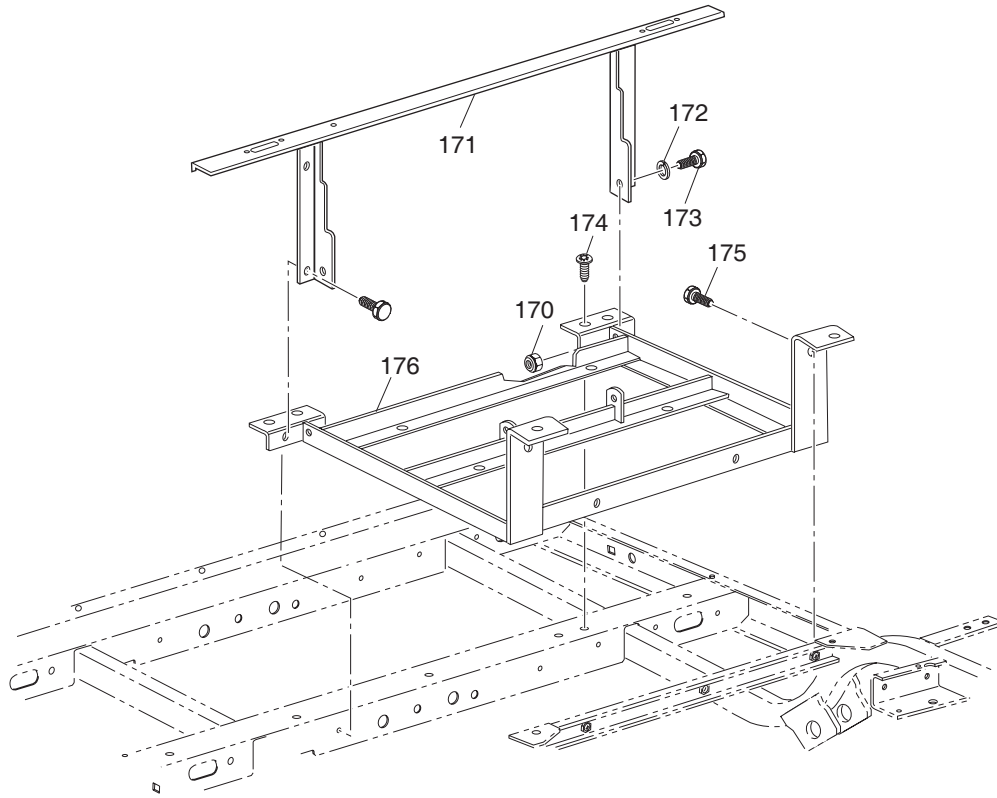
164 - Includes Items 165 - 168



HITCHES



Ref Bod 21-3



BODY

THE USE OF NON U.L. PARTS WILL VOID ANY U.L. LISTING.
 When ordering parts, please specify the model and serial number of the product.
 * Indicates a component that is not available as an individual part.
 G** Indicates consult Customer Service Department for additional information.

ITEM	PART NO.	1 2 3 4 5	DESCRIPTION	QTY.
1	70662-G01		UPPER FLOORPAN (AXLE MOUNTED STEERING)	1
2	14601-G11		RIVET, 3/16" X 9/16" LG	9
3				
4	70451-G01		LOWER FLOORPAN	1
5	14601-G11		RIVET, 3/16" X 9/16" LG	7
6	70452-G01		ACCESS COVER	1
7				
8	71151-G03		INSTRUMENT PANEL ASSEMBLY (INCLUDES ITEMS 9 - 12)	1
9	71153-G01		DEFLECTOR (PASSENGER SIDE)	1
10	71154-G01		DEFLECTOR (DRIVER SIDE)	1
11	00614-G5		SCREW, #8 - 18 X 5/8" LG	6
12	71158-G01		INSTRUMENT PANEL INSERT (FOUR CUP)	1
13				
14	74409-G01		LABEL (SAFETY) (PICTOGRAPH)	1
15				
16				
17	71413-G01		SPLASH PANEL	1
18	16816-G2		RATCHET FASTENER, 1/4" X 3/4" LG	5
19				
20	71115-G01		VINYL TRIM	2
21	71055-G01		RIVET, 3/16" X 1" LG	10
22				
23	71468-G**		COWL	1
24	74813-G01		NAMEPLATE (E-Z-GO) (OVAL)	1
25	28907-G01		NAMEPLATE (JACOBSEN) (OVAL)	1
26	74401-G01		NAMEPLATE (CUSHMAN) (OVAL)	1
27	71055-G01		RIVET, 3/16" X 1" LG	9
28	71055-G01		RIVET, 3/16" X 1" LG	6
29	71338-G01		FENDER FLARE (DRIVER SIDE)	1
30	71338-G02		FENDER FLARE (PASSENGER SIDE)	1

THE USE OF NON U.L. PARTS WILL VOID ANY U.L. LISTING.
 When ordering parts, please specify the model and serial number of the product.
 * Indicates a component that is not available as an individual part.
 G** Indicates consult Customer Service Department for additional information.

ITEM	PART NO.	1 2 3 4 5	DESCRIPTION	QTY.
31				
32	27166-G04		FRONT SHIELD	1
33	70725-G02		FRONT SHIELD BRACE.....	2
34	01038-G01		SCREW, 1/4 - 20 X 1/2" LG	4
35	16469-G1		WASHER, 1/4"	2
36	01057-G01		RIVET, KTR, 1/4" X 1" LG.....	2
37				
38	74265-G02		BUMPER.....	1
39				
40	00570-G2		WASHER, 5/16"	2
41	75048-G04		SPACER, 1"	2
42	75048-G01		SPACER, 1/2"	2
43	00905-G8		LOCK WASHER, 5/16".....	4
44	01035-G02		BOLT, 5/16 - 18 X 2 1/2" LG	4
45				
46	71101-G02		COWL SUPPORT BRACKET	1
47	71102-G02		SELF TAPPING SCREW, 1/4 - 20 X 1/2" LG.....	3
48	71055-G01		RIVET, 3/16" X 1 1/8" LG	1
49				
50	75459-G01		GLOVE BOX DOORS (BOTH SIDES)	1
51	75459-G02		GLOVE BOX DOOR (DRIVER SIDE)	1
52	75459-G03		GLOVE BOX DOOR (PASSENGER SIDE)	1
53				
54	600823		LABEL (MPT™).....	2
55				
56				
57	74099-G01		LABEL, TILT WARNING PICTOGRAPH.....	2
58				
59	28915-G01		LABEL (JACOBSEN HAULER™) (DRIVER SIDE).....	1
60	28915-G02		LABEL (JACOBSEN HAULER™) (PASSENGER SIDE).....	1

BODY

THE USE OF NON U.L. PARTS WILL VOID ANY U.L. LISTING.

When ordering parts, please specify the model and serial number of the product.

* Indicates a component that is not available as an individual part.

G** Indicates consult Customer Service Department for additional information.

ITEM	PART NO.	1	2	3	4	5	DESCRIPTION	QTY.
61								
62								
63								
64								
65								
66								
67								
68								
69	*						SERIAL NUMBER PLATE.....	1
70								
71	71439-G03						ROCKER PANEL (DRIVER SIDE).....	1
72	71439-G04						ROCKER PANEL (PASSENGER SIDE).....	1
73	71424-G01						FENDER SPACER (DRIVER SIDE).....	1
74	71424-G02						FENDER SPACER (PASSENGER SIDE).....	1
75	71440-G03						BRACE (DRIVER SIDE).....	1
76	71440-G04						BRACE (PASSENGER SIDE).....	1
77	00789-G2						SCREW, #10 - 24 X 1 1/4" LG.....	4
78	23726-G2						SPACER, 1/4".....	2
79	00660-G5						WASHER, #10.....	4
80	14390-G10						LOCK NUT, #10 - 24.....	4
81								
82	16705-G1						SCREW, 1/4 - 20 X 1" LG.....	4
83	23726-G2						SPACER, 1/4".....	4
84	00559-G7						WASHER, 1/4".....	4
85	14390-G4						LOCK NUT, 1/4 - 20.....	4
86								
87								
88	20271-G9						HOLE PLUG, 1/2".....	1
89								
90	70663-G04						FLOORMAT (AXLE MOUNTED STEERING).....	1

THE USE OF NON U.L. PARTS WILL VOID ANY U.L. LISTING.
 When ordering parts, please specify the model and serial number of the product.
 * Indicates a component that is not available as an individual part.
 G** Indicates consult Customer Service Department for additional information.

ITEM	PART NO.	1 2 3 4 5	DESCRIPTION	QTY.
91	74619-G01		SEAT SUPPORT PANEL.....	1
92				
93				
94	10570-G10		RIVET, 5/32" X 9/16" LG.....	8
95	71609-G01		SEAT HINGE PLATE.....	2
96	10570-G11		RIVET, 3/16" X 3/4" LG.....	4
97	71674-G01		SIDE PANEL (DRIVER SIDE).....	1
98	71674-G02		SIDE PANEL (PASSENGER SIDE).....	1
99	10570-G10		RIVET, 5/32" X 9/16" LG.....	4
100	10570-G12		RIVET, 1/4" X 1/2" LG.....	4
101	16469-G7		WASHER, 1/4".....	4
102				
103	70244-G03		SPLASH PANEL.....	2
104	00715-G2		BOLT, 5/16 - 18 X 13/16" LG.....	4
105	00438-G8		BOLT, 5/16 - 18 X 1" LG.....	4
106	00559-G8		WASHER, 5/16".....	4
107	11098-G6		LOCK NUT, 5/16 - 18.....	4
108				
109	74893-G01		FENDER (DRIVER SIDE).....	1
110	74893-G02		FENDER (PASSENGER SIDE).....	1
111	74893-G03		FENDER WITH TAILLIGHT (DRIVER SIDE).....	1
112	74893-G04		FENDER WITH TAILLIGHT (PASSENGER SIDE).....	1
113	14390-G4		LOCK NUT, 1/4 - 20.....	12
114	00642-G7		WASHER, 1/4".....	12
115	00414-G6		BOLT, 1/4 - 20 X 7/8" LG.....	12
116	74890-G01		REAR PANEL.....	1
117	71055-G01		RIVET, 3/16" X 1" LG.....	4
118	16816-G2		RATCHET FASTENER, 1/4" X 3/4" LG.....	10
119	74891-G01		SEAT FILLER PANEL (DRIVER SIDE).....	1
120	74891-G02		SEAT FILLER PANEL (PASSENGER SIDE).....	1

BODY

THE USE OF NON U.L. PARTS WILL VOID ANY U.L. LISTING.
 When ordering parts, please specify the model and serial number of the product.
 * Indicates a component that is not available as an individual part.
 G** Indicates consult Customer Service Department for additional information.

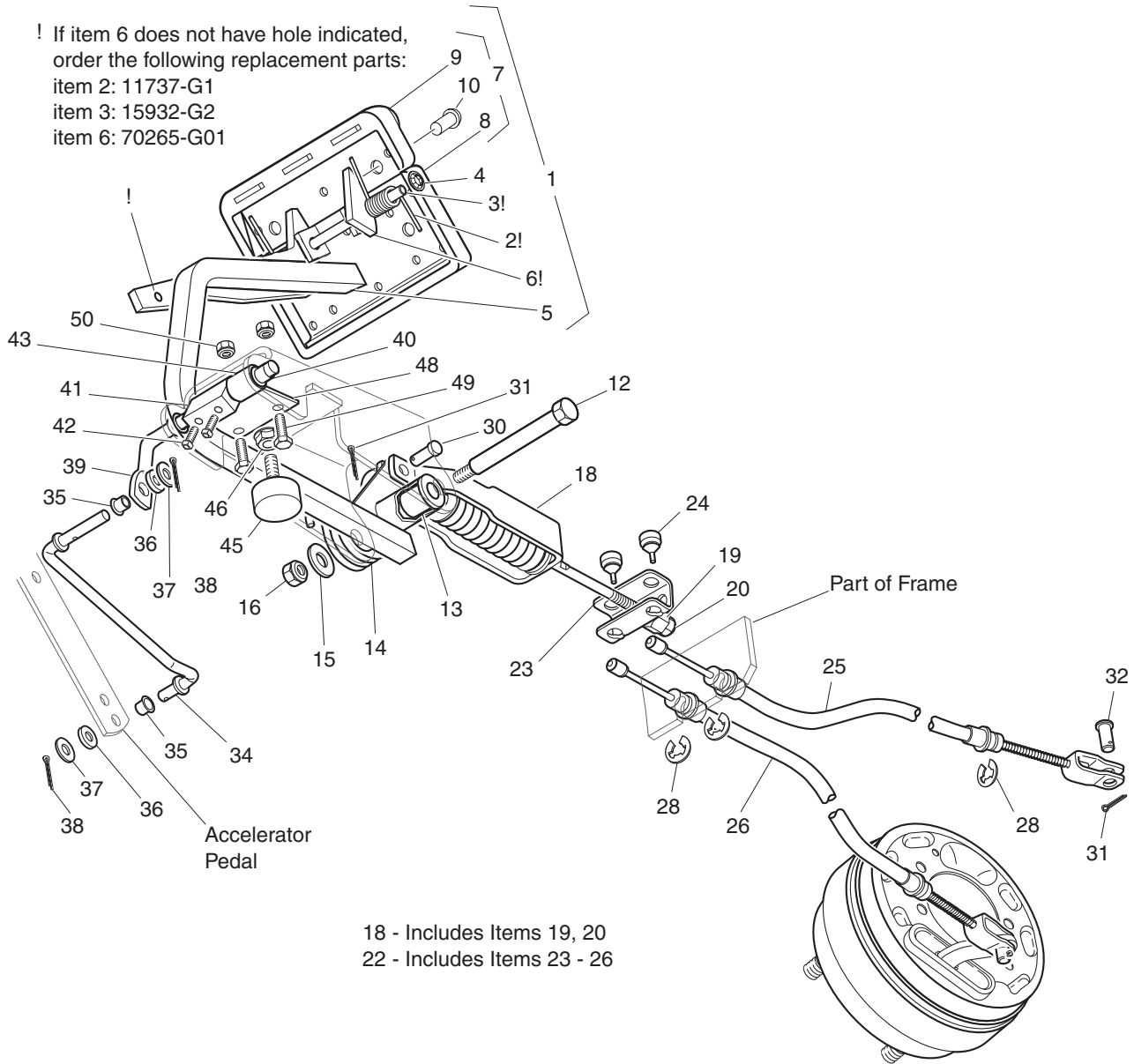
ITEM	PART NO.	1 2 3 4 5	DESCRIPTION	QTY.
121	10570-G10		RIVET, 5/32" X 9/16" LG	6
122				
123	74755-G01		LABEL (E-SHIELD™).....	1
124				
125	74348-G02		HITCH RECEIVER	1
126	00463-G4		BOLT, 7/16 - 14 X 1 1/2" LG	4
127	00922-G3		WASHER, 7/16"	4
128	00734-G1		LOCK NUT, 7/16 - 14	4
129	00198-G8		SCREW, 5/16 - 18 X 1" LG	1
130	00559-G8		WASHER, 5/16"	1
131	11098-G6		LOCK NUT, 5/16 - 18	1
132	74338-G02		CLEVIS HITCH.....	1
133	14443-G7		CLEVIS PIN, 1/2" X 2 1/2" LG	1
134	19314-G1		COTTER PIN, 2 1/2" LG.....	1
135				
136	21317-G01		CLEVIS PIN, 5/8" X 3" LG	1
137	21683-G1		COTTER PIN, 15/32" X 2 11/16" LG	1
138				
139	74339-G02		ANGLE HITCH	1
140	21317-G01		CLEVIS PIN, 5/8" X 3" LG	1
141	21683-G1		COTTER PIN, 15/32" X 2 11/16" LG	1
142	74351-G02		HEAVY DUTY HITCH	1
143	31757-G1		HITCH BALL, 1 7/8"	1
144	00566-G6		LOCK WASHER, 3/4".....	1
145	00702-G11		NUT, 3/4 - 16.....	1
146	21317-G01		CLEVIS PIN, 5/8" X 3" LG	1
147	21683-G1		COTTER PIN, 15/32" X 2 11/16" LG	1
148	74489-G02		DROP ANGLE HITCH.....	1
149	21317-G01		CLEVIS PIN, 5/8" X 3" LG	1
150	21683-G1		COTTER PIN, 15/32" X 2 11/16" LG	1

THE USE OF NON U.L. PARTS WILL VOID ANY U.L. LISTING.
 When ordering parts, please specify the model and serial number of the product.
 * Indicates a component that is not available as an individual part.
 G** Indicates consult Customer Service Department for additional information.

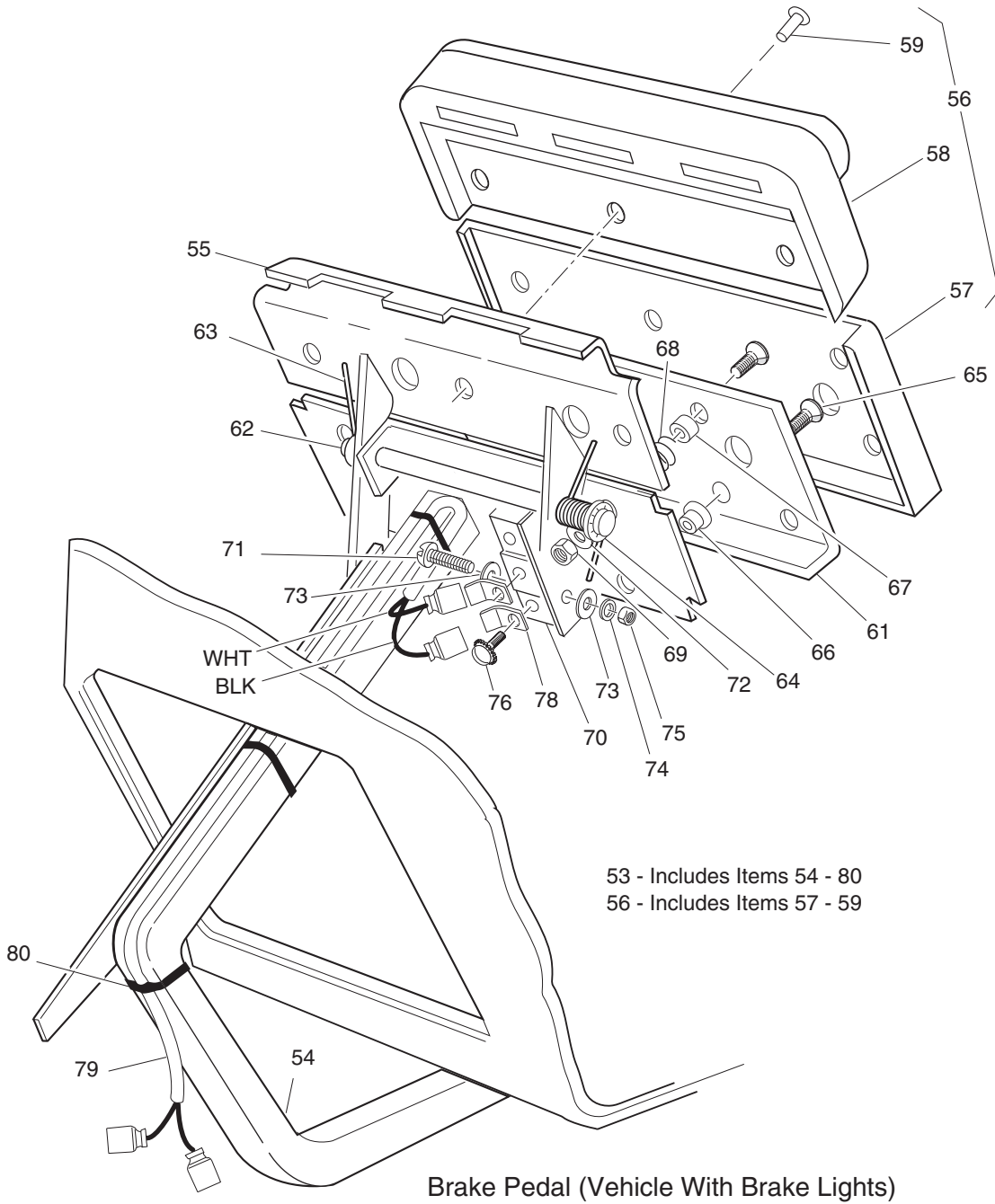
ITEM	PART NO.	1 2 3 4 5	DESCRIPTION	QTY.
151	74491-G02		DROP BALL HITCH	1
152	21317-G01		CLEVIS PIN, 5/8" X 3" LG	1
153	21683-G1		COTTER PIN, 15/32" X 2 11/16" LG	1
154	31757-G1		HITCH BALL, 1 7/8"	1
155	00566-G6		LOCK WASHER, 3/4"	1
156	00702-G11		NUT, 3/4 - 16	1
157	74495-G02		DROP CLEVIS HITCH	1
158	21317-G01		CLEVIS PIN, 5/8" X 3" LG	1
159	21683-G1		COTTER PIN, 15/32" X 2 11/16" LG	1
160	14443-G7		CLEVIS PIN, 1/2" X 2 1/2" LG	1
161	19314-G1		COTTER PIN, 2 1/2" LG	1
162				
163				
164	75109-G04		ASH TRAY KIT (INCLUDES ITEMS 165 - 168)	1
165	27731-G01		ASH TRAY	1
166	27736-G01		GASKET	1
167	75108-G02		BRACKET	1
168	00100-G4		SCREW, #10 - 16 X 1/2" LG	4
169				
170	11098-G6		LOCK NUT, 5/16 - 18	2
171	70441-G02		SEAT FRAME	1
172	00559-G8		WASHER, 5/16"	2
173	00438-G6		BOLT, 5/16 - 18 X 3/4" LG	2
174	70200-G01		SCREW, 3/8 - 16 X 1/4" LG	2
175	00715-G2		BOLT, 5/16 - 18 X 13/16" LG	4
176	70046-G02		BATTERY RACK	1
177	00438-G6		BOLT, 5/16 - 18 X 3/4" LG	3
178	00565-G8		WASHER, 5/16"	3

BRAKES

! If item 6 does not have hole indicated, order the following replacement parts:
item 2: 11737-G1
item 3: 15932-G2
item 6: 70265-G01

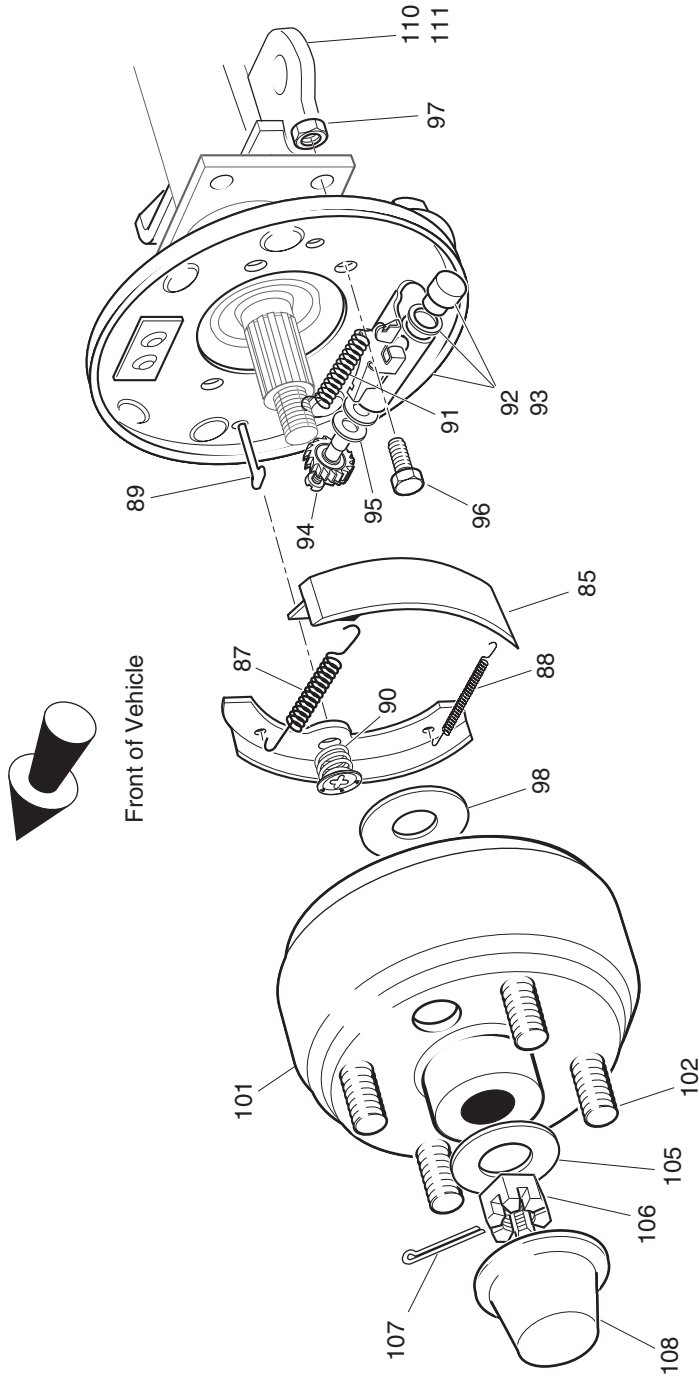


Ref Brk 4-1



Ref Brk 4-2

BRAKES



- 82 - Includes Items 84 - 92
- 83 - Includes Items 84-91, 93
- 84 - Includes Items 85
- 86 - Includes Items 87 - 91
- 92 - Includes Items 94, 95
- 93 - Includes Items 94, 95
- 100 - Includes Items 101, 102

Ref Brk 4-3

BRAKES

THE USE OF NON U.L. PARTS WILL VOID ANY U.L. LISTING.
 When ordering parts, please specify the model and serial number of the product.
 * Indicates a component that is not available as an individual part.
 G** Indicates consult Customer Service Department for additional information.

ITEM	PART NO.	1 2 3 4 5	DESCRIPTION	QTY.
1	70612-G02		BRAKE PEDAL ASSEMBLY (WITHOUT BRAKE LIGHTS) (INCLUDES ITEMS 2 - 10).....	1
2	70681-G01		TORSION SPRING.....	2
3	70682-G01		PIVOT PIN.....	1
4	01071-G01		PUSHNUT, 5/16".....	1
5	*		BRAKE PEDAL.....	1
6	70611-G02		PARK BRAKE PEDAL.....	1
7	70274-G01		BRAKE/PARK BRAKE PEDAL PAD KIT (INCLUDES ITEMS 8 - 10).....	1
8	*		SERVICE BRAKE PAD.....	1
9	*		PARK BRAKE PEDAL PAD.....	1
10	15766-G1		OVAL RIVET, 3/16" X 3/8" LG.....	9
11				
12	70582-G01		SHOULDER BOLT, 3/8 - 16 X 4" LG.....	1
13	70581-G01		FLANGED BUSHING.....	2
14	70676-G01		TORSION SPRING.....	1
15	00643-G1		WASHER, 3/8".....	1
16	11098-G5		LOCK NUT, 3/8 - 16.....	1
17				
18	70272-G04		COMPENSATOR ASSEMBLY (INCLUDES ITEMS 19, 20).....	1
19	00963-G01		SPHERICAL NUT, 5/16 - 24.....	1
20	11098-G9		LOCK NUT, 5/16 - 24.....	1
21				
22	70969-G05		EQUALIZER AND BRAKE CABLE ASSEMBLY (INCLUDES ITEMS 23-26).....	1
23	28082-G01		EQUALIZER BRACKET.....	1
24	28083-G01		BRAKE COMPENSATOR BUMPER.....	2
25	*		BRAKE CABLE (DRIVER SIDE).....	1
26	*		BRAKE CABLE (PASSENGER SIDE).....	1
27				
28	01111-G01		RETAINING RING, 13/32" (STAINLESS STEEL).....	4
29				

BRAKES

THE USE OF NON U.L. PARTS WILL VOID ANY U.L. LISTING.
 When ordering parts, please specify the model and serial number of the product.
 * Indicates a component that is not available as an individual part.
 G** Indicates consult Customer Service Department for additional information.

ITEM	PART NO.	1 2 3 4 5	DESCRIPTION	QTY.
30	10386-G3		CLEVIS PIN, 5/16" X 1" LG	1
31	10387-G3		COTTER PIN, 3/32" X 3/4" LG	3
32	14443-G2		CLEVIS PIN, 5/16" X 3/4" LG	2
33				
34	70601-G01		KICK-OFF LINK.....	1
35	17838-G1		NYLON BUSHING.....	2
36	20835-G1		TEFLON WASHER, 3/8"	2
37	00559-G8		WASHER, 5/16"	2
38	10387-G3		COTTER PIN, 3/32" X 3/4" LG	2
39	70098-G01		KICK-OFF CAM PIVOT	1
40	10097-G6		FLANGED BEARING	2
41	70587-G01		KICK-OFF CAM.....	1
42	71215-G01		SETSCREW, 1/4 - 20 X 1/2" LG	2
43	14134-G4		SPACER.....	1
44				
45	70113-G01		ADJUSTABLE BUMPER.....	1
46	11027-G1		LOCK NUT, 5/16 - 18	1
47				
48	70080-G02		CATCH BRACKET	1
49	00414-G6		BOLT, 1/4 - 20 X 3/4" LG	2
50	00891-G2		LOCK NUT, 1/4 - 20	2
51				
52				
53	70690-G02		BRAKE PEDAL ASSEMBLY (WITH BRAKE LIGHTS) (INCLUDES ITEMS 54 - 80).....	1
54	*		BRAKE PEDAL.....	1
55	70611-G02		PARK BRAKE PEDAL	1
56	70274-G01		BRAKE/PARK BRAKE PEDAL PAD KIT (INCLUDES ITEMS 57 - 59)	1
57	*		SERVICE BRAKE PAD	1
58	*		PARK BRAKE PAD	1

BRAKES

THE USE OF NON U.L. PARTS WILL VOID ANY U.L. LISTING.
 When ordering parts, please specify the model and serial number of the product.
 * Indicates a component that is not available as an individual part.
 G** Indicates consult Customer Service Department for additional information.

ITEM	PART NO.	1	2	3	4	5	DESCRIPTION	QTY.
59	15766-G1						OVAL RIVET, 3/16" x 3/8" LG	9
60								
61	70258-G03						SERVICE BRAKE PEDAL PLATE	1
62	70682-G01						PIVOT PIN	1
63	70681-G01						TORSION SPRING	2
64	01071-G01						PUSHNUT, 5/16"	2
65	00737-G8						SCREW, #10 - 24 X 1" LG	4
66	00739-G1						RUBBER NUT, #10 - 24	2
67	74535-G01						BRAKE PEDAL STANDOFF	2
68	27137-G01						CONICAL SPRING	2
69	14390-G10						LOCK NUT, #10 - 24	2
70	10606-G8						MICRO SWITCH	1
71	00957-G1						SCREW, #6 - 32 X 1 1/4" LG	2
72	00559-G5						WASHER, #10	2
73	00559-G3						WASHER, #6	4
74	00565-G3						LOCK WASHER, #6	2
75	00525-G5						NUT, #6 - 32	2
76	13514-G1						SCREW AND LOCK WASHER, #6	2
77								
78	14628-G1						FASTON TAB	2
79	24605-G1						WIRE HARNESS (BRAKE LIGHT)	1
80	17618-G1						WIRE TIE	3
81								
82	70998-G01						BRAKE ASSEMBLY (DRIVER SIDE) (INCLUDES ITEMS 84 - 95)	1
83	70998-G02						BRAKE ASSEMBLY (PASSENGER SIDE) (INCLUDES ITEMS 84 - 95)	1
84	70794-G01						BRAKE SHOE KIT (INCLUDES ITEM 85)	2
85	*						BRAKE SHOE	2
86	27944-G01						BRAKE SPRING KIT (INCLUDES ITEMS 87 - 91)	2
87	*						UPPER SPRING	1
88	*						LOWER SPRING	1

BRAKES

THE USE OF NON U.L. PARTS WILL VOID ANY U.L. LISTING.
 When ordering parts, please specify the model and serial number of the product.
 * Indicates a component that is not available as an individual part.
 G** Indicates consult Customer Service Department for additional information.

ITEM	PART NO.	1	2	3	4	5	DESCRIPTION	QTY.
89	*						PIN	2
90	*						CUP AND SPRING	2
91	*						ADJUSTER SPRING.....	1
92	72582-G01						BRAKE ADJUSTER KIT (DRIVER SIDE) (INCLUDES ITEMS 94, 95)	1
93	72582-G02						BRAKE ADJUSTER KIT (PASSENGER SIDE) (INCL. ITEMS 94, 95)	1
94	*						ADJUSTER	1
95	*						TEFLON WASHER	2
96	17083-G2						BOLT, 5/16 - 24 X 1" LG	8
97	15126-G1						LOCK NUT, 5/16 - 24	8
98	21809-G1						INNER BRAKE DRUM WASHER	2
99								
100	21807-G1						BRAKE DRUM ASSEMBLY (INCLUDES ITEMS 101 - 102)	2
101	*						BRAKE DRUM.....	1
102	19862-G1						LUG BOLT, 1/2 - 20.....	4
103								
104								
105	21830-G1						WASHER, 1 3/8" O.D. X 21/32"	2
106	00518-G8						SLOTTED NUT, 3/4 - 16	2
107	10387-G1						COTTER PIN, 1/8" X 1 1/2" LG.....	2
108	74175-G01						SPINDLE CAP.....	2
109								
110	72036-G03						BRAKE CABLE BRACKET (PASSENGER SIDE)	1
111	72036-G04						BRAKE CABLE BRACKET (DRIVER SIDE)	1

**DID YOU
KNOW?**

CartPros directs you to the right part using the part numbers from this manual. Enter the part number into our search box and it will find the part you are looking for.

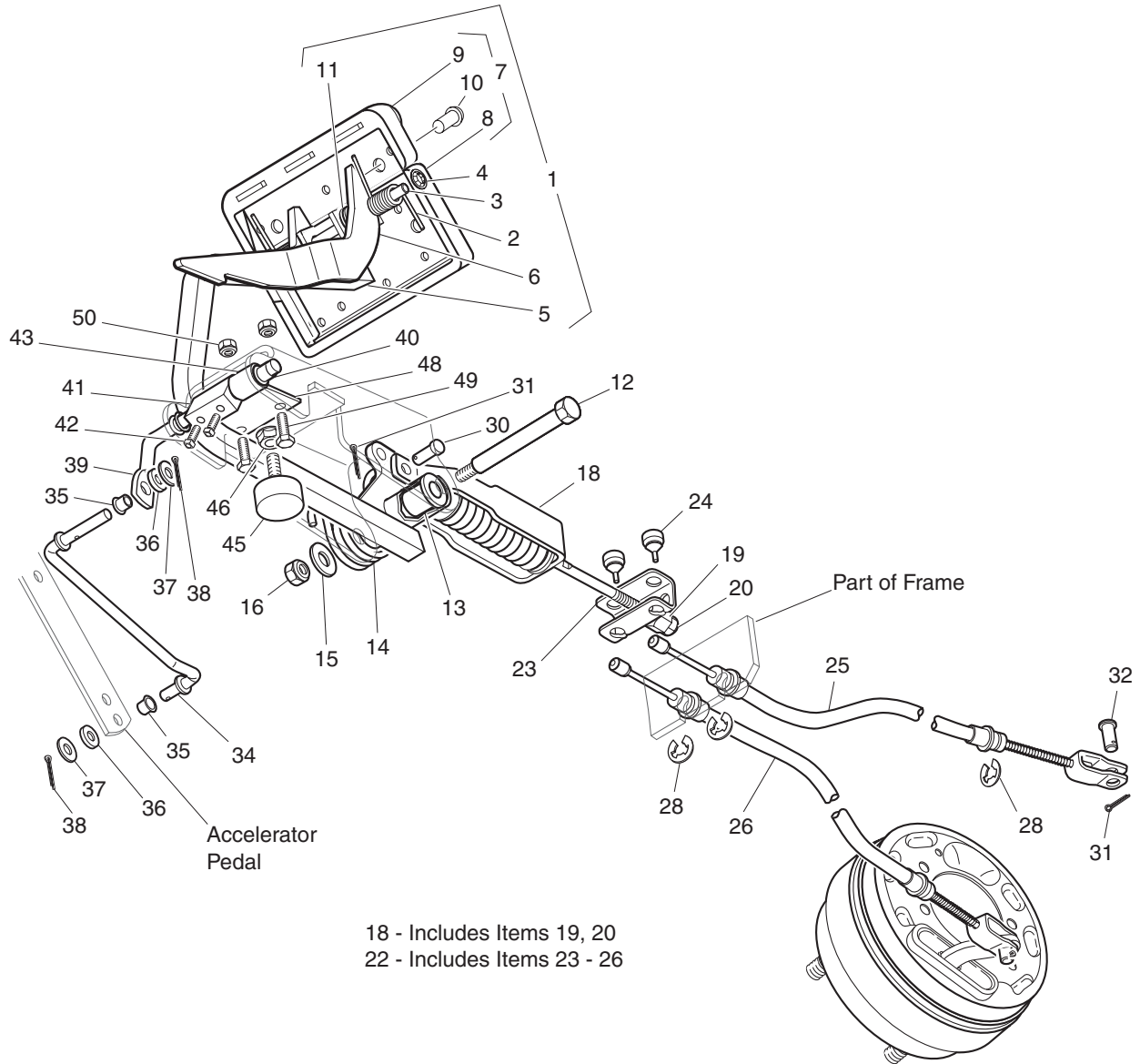
**GET STARTED
HERE**



<https://CartPros.com/f.html>

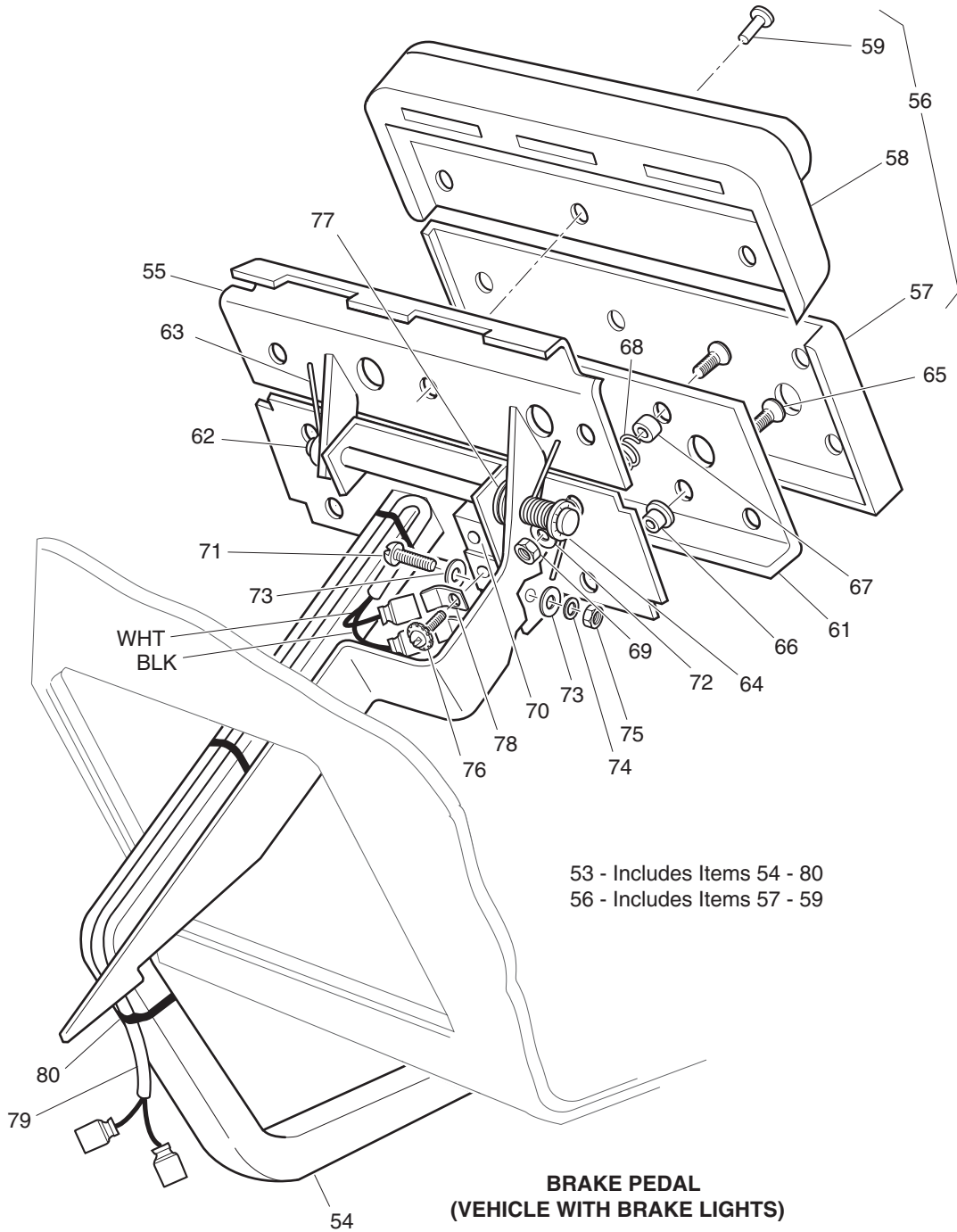
BRAKES

BRAKES - FRONT DISC



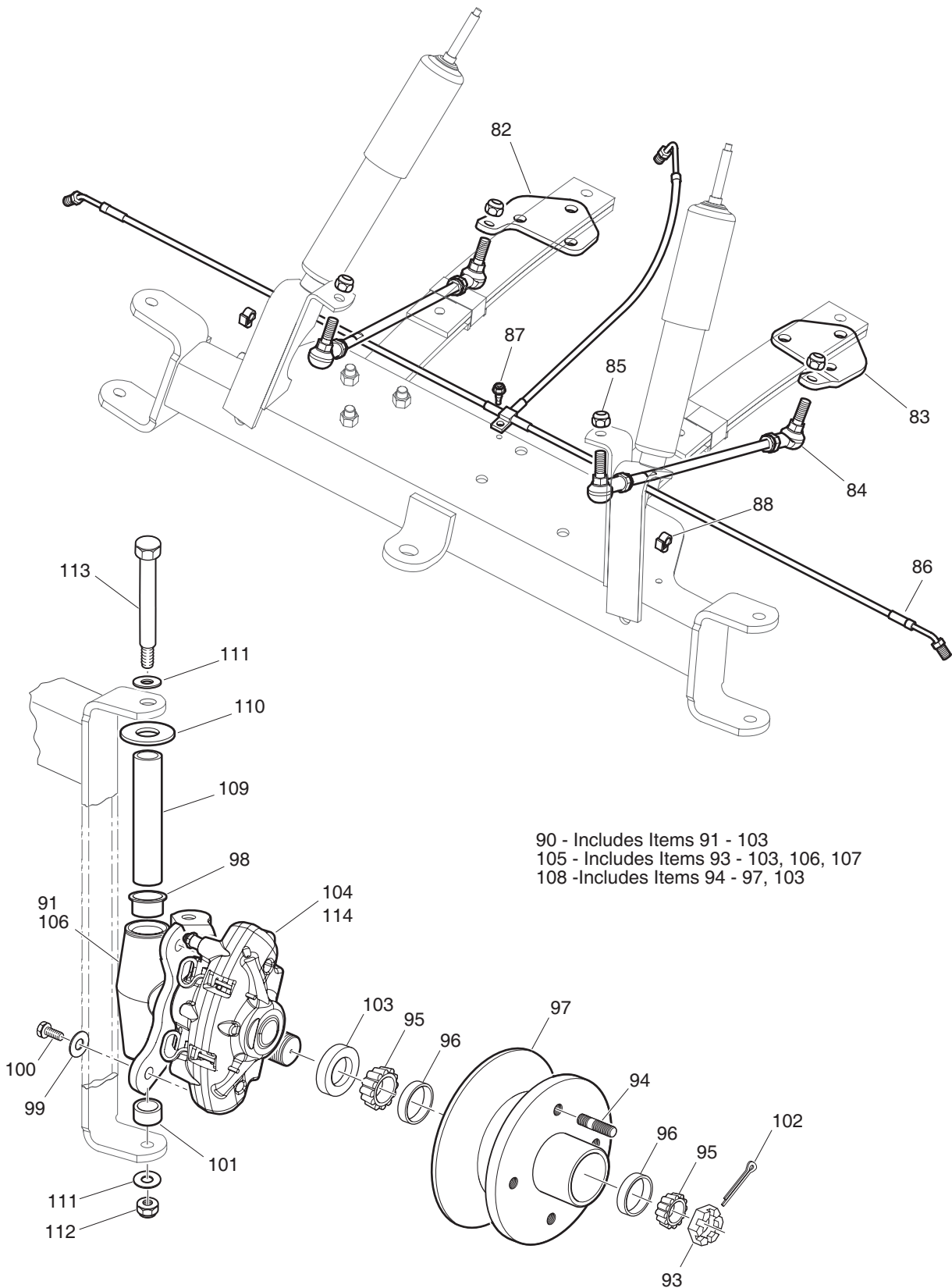
Ref Brh 21-1

BRAKES - FRONT DISC



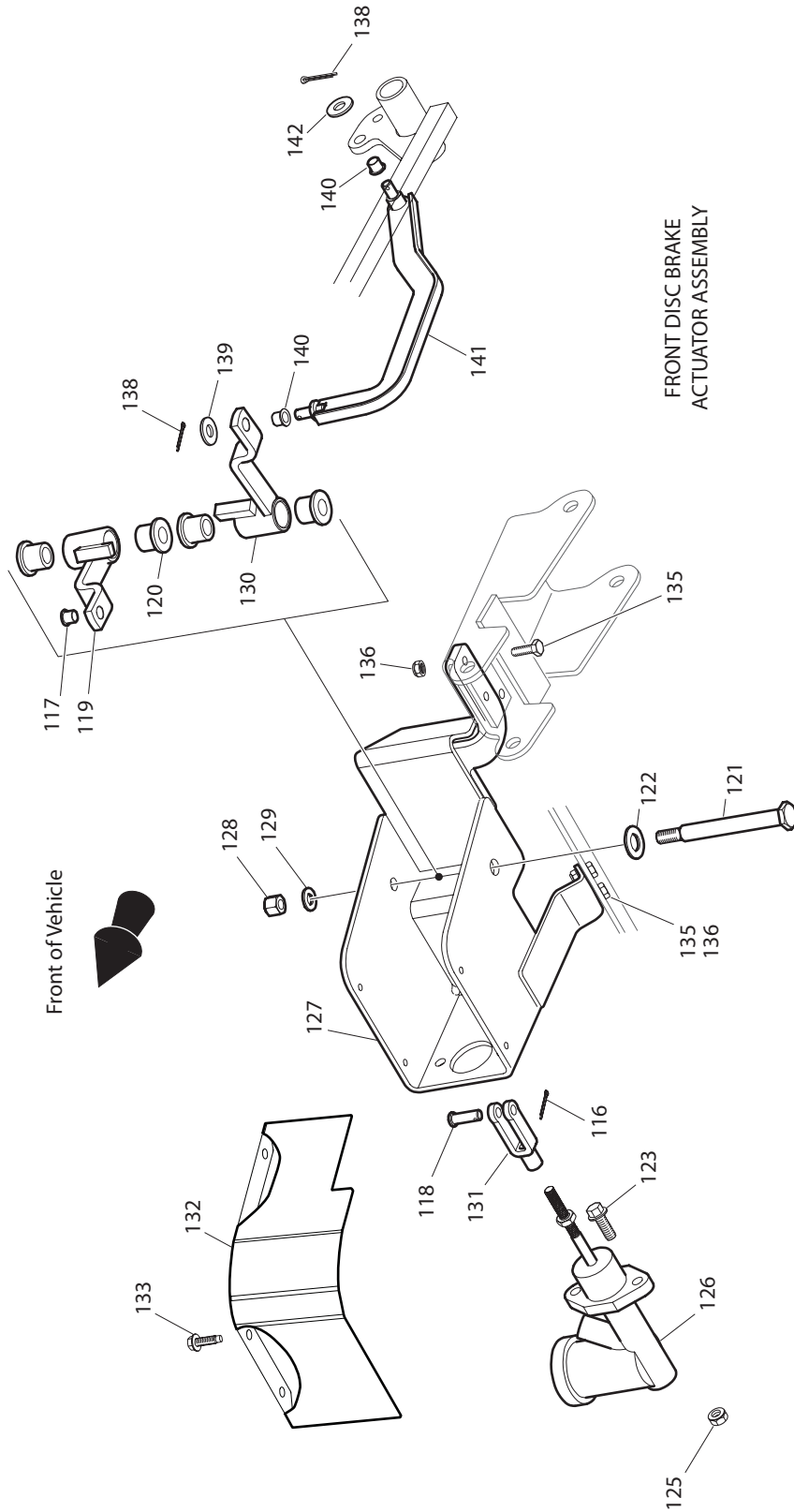
Ref Brh 21-2

BRAKES - FRONT DISC



Ref Brh 21-3

BRAKES - FRONT DISC



Ref Brh 21-4

BRAKES - FRONT DISC

THE USE OF NON U.L. PARTS WILL VOID ANY U.L. LISTING.
 When ordering parts, please specify the model and serial number of the product.
 * Indicates a component that is not available as an individual part.
 G** Indicates consult Customer Service Department for additional information.

ITEM	PART NO.	1 2 3 4 5	DESCRIPTION	QTY.
1	74723-G01		BRAKE PEDAL ASSEMBLY (WITHOUT BRAKE LIGHTS) (INCLUDES ITEMS 2 - 11).....	1
2	70681-G01		TORSION SPRING.....	2
3	70682-G01		PIVOT PIN.....	1
4	01071-G01		PUSHNUT, 5/16".....	1
5	*		BRAKE PEDAL.....	1
6	74724-G01		PARK BRAKE PEDAL.....	1
7	70274-G01		BRAKE/PARK BRAKE PEDAL PAD KIT (INCLUDES ITEMS 8 - 10).....	1
8	*		SERVICE BRAKE PAD.....	1
9	*		PARK BRAKE PEDAL PAD.....	1
10	15766-G1		OVAL RIVET, 3/16" X 15/32" LG.....	9
11	20835-G1		WASHER, TEFLON, 3/8".....	2
12	70582-G01		SHOULDER BOLT, 3/8 - 16 X 4" LG.....	1
13	70581-G01		FLANGED BUSHING.....	2
14	70676-G01		TORSION SPRING.....	1
15	00643-G1		WASHER, 3/8".....	1
16	11098-G5		LOCK NUT, 3/8 - 16.....	1
17				
18	70272-G04		COMPENSATOR ASSEMBLY (INCLUDES ITEMS 19, 20).....	1
19	00963-G01		SPHERICAL NUT, 5/16 - 24.....	1
20	11098-G9		LOCK NUT, 5/16 - 24.....	1
21				
22	70969-G05		EQUALIZER AND BRAKE CABLE ASSEMBLY (INCLUDES ITEMS 23 - 26)....	1
23	28082-G01		EQUALIZER BRACKET.....	1
24	28083-G01		BRAKE COMPENSATOR BUMPER.....	2
25	*		BRAKE CABLE (DRIVER SIDE).....	1
26	*		BRAKE CABLE (PASSENGER SIDE).....	1
27				
28	01111-G01		RETAINING RING, S.S.....	4
29				

BRAKES - FRONT DISC

THE USE OF NON U.L. PARTS WILL VOID ANY U.L. LISTING.
 When ordering parts, please specify the model and serial number of the product.
 * Indicates a component that is not available as an individual part.
 G** Indicates consult Customer Service Department for additional information.

ITEM	PART NO.	1 2 3 4 5	DESCRIPTION	QTY.
30	10386-G3		CLEVIS PIN, 5/16" X 1" LG	3
31	10387-G3		COTTER PIN, 3/32" X 3/4" LG	3
32	14443-G2		CLEVIS PIN, 5/16" X 3/4" LG	2
33				
34	70601-G01		KICK-OFF LINK.....	1
35	17838-G1		NYLON BUSHING.....	2
36	20835-G1		TEFLON WASHER, 3/8"	2
37	00559-G8		WASHER, 5/16"	2
38	10387-G3		COTTER PIN, 3/32" X 3/4" LG	2
39	70098-G01		KICK-OFF CAM PIVOT.....	1
40	10097-G6		FLANGED BEARING	2
41	70587-G01		KICK-OFF CAM.....	1
42	71215-G01		SETSCREW, 1/4 - 20 X 1/2" LG.....	2
43	14134-G4		SPACER	1
44				
45	70113-G01		ADJUSTABLE BUMPER	1
46	11027-G1		LOCK NUT, 5/16 - 18	1
47				
48	70080-G02		CATCH BRACKET	1
49	00141-G8		BOLT, 1/4 - 20 X 3/4" LG	2
50	00891-G2		LOCK NUT, 1/4 - 20	2
51				
52				
53	74874-G01		BRAKE PEDAL ASSEMBLY (WITH BRAKE LIGHTS) (INCLUDES ITEMS 54 - 80).....	1
54	*		BRAKE PEDAL.....	1
55	74724-G01		PARK BRAKE PEDAL	1
56	70274-G01		BRAKE/PARK BRAKE PEDAL PAD KIT (INCLUDES ITEMS 57 - 59).....	1
57	*		SERVICE BRAKE PAD	1
58	*		PARK BRAKE PAD.....	1

BRAKES - FRONT DISC

THE USE OF NON U.L. PARTS WILL VOID ANY U.L. LISTING.
 When ordering parts, please specify the model and serial number of the product.
 * Indicates a component that is not available as an individual part.
 G** Indicates consult Customer Service Department for additional information.

ITEM	PART NO.	1	2	3	4	5	DESCRIPTION	QTY.
59	15766-G1						OVAL RIVET, 3/16" X 15/32" LG	9
60								
61	70258-G03						BRAKE PEDAL PLATE	1
62	70682-G01						PIVOT PIN	1
63	70681-G01						TORSION SPRING	2
64	01071-G01						PUSHNUT, 5/16"	1
65	00737-G8						SCREW, #10 - 24 X 1" LG	4
66	00739-G1						RUBBER NUT, #10 - 24	2
67	74535-G01						BRAKE PEDAL STANDOFF	2
68	27137-G01						CONICAL SPRING	2
69	14390-G10						LOCK NUT, #10 - 24	2
70	10606-G8						MICRO SWITCH	1
71	00957-G1						SCREW, #6 - 32 X 1 1/4" LG	2
72	00559-G5						WASHER, #10	2
73	00559-G3						WASHER, #6	4
74	00565-G3						LOCK WASHER, #6	2
75	00525-G5						NUT, #6 - 32	2
76	13514-G1						SCREW AND LOCK WASHER, #6	2
77	20835-G1						WASHER, TEFLON, 3/8"	2
78	14628-G1						FASTON TAB	2
79	24605-G1						WIRE HARNESS (BRAKE LIGHT)	1
80	17618-G1						WIRE TIE	3
81								
82	74731-G02						SPRING PLATE (PASSENGER SIDE)	1
83	74731-G01						SPRING PLATE (DRIVER SIDE)	1
84	74730-G01						FOUR LINK ROD	2
85	01084-G01						LOCK NUT, M10-1.25	4
86	74736-G01						BRAKE LINE	1
87	01038-G01						SCREW, 1/4 - 20 X 4444" LG	1
88	74875-G01						WIRE RETAINER	2

BRAKES - FRONT DISC

THE USE OF NON U.L. PARTS WILL VOID ANY U.L. LISTING.

When ordering parts, please specify the model and serial number of the product.

* Indicates a component that is not available as an individual part.

G** Indicates consult Customer Service Department for additional information.

ITEM	PART NO.	1 2 3 4 5	DESCRIPTION	QTY.
89				
90	602281		SPINDLE, CALIPER AND DISC HUB ASSEMBLY (DRIVER SIDE) (INCLUDES ITEMS 91 - 103).....	1
91	602176		DISC BRAKE SPINDLE (DRIVER SIDE)	1
92				
93	12093-G1		SLOTTED NUT	1
94	74864-G01		DRIVE FLANGE STUD.....	4
95	11750-G2		ROLLER BEARING	2
96	51141-G1		BEARING RACE.....	2
97	74673-G01		DISC BRAKE HUB.....	1
98	70648-G01		FLANGED BEARING.....	1
99	00566-G1		WASHER, 3/8"	2
100	00426-G8		BOLT, 3/8 - 16 X 1	2
101	70749-G01		BEARING.....	1
102	00798-G8		COTTER PIN	1
103	25146-G1		GREASE SEAL.....	1
104	74733-G02		CALIPER (DRIVER SIDE).....	1
105	602288		SPINDLE, CALIPER AND DISC HUB ASSEMBLY (PASSENGER SIDE) (INCLUDES ITEMS 93 - 103, 106, 107).....	1
106	602158		DISC BRAKE SPINDLE (PASSENGER SIDE).....	1
107				
108				
109	70745-G01		KINGPIN TUBE	2
110	70754-G01		THRUST WASHER	2
111	00560-G3		WASHER, 1/2"	4
112	14390-G6		LOCKNUT, 1/2 - 13	2
113	00407-G6		CAPSCREW, 1/2 - 13 X 6" LG	2
114	74733-G01		CALIPER (PASSENGER SIDE).....	1
115	74702-G01		FRONT DISC BRAKE BRAKE ACTUATOR ASSEMBLY (INCLUDES ITEMS 116 - 133).....	1
116	10387-G3		COTTER PIN, 3/32 X 3/4" LG.....	1

BRAKES - FRONT DISC

THE USE OF NON U.L. PARTS WILL VOID ANY U.L. LISTING.
 When ordering parts, please specify the model and serial number of the product.
 * Indicates a component that is not available as an individual part.
 G** Indicates consult Customer Service Department for additional information.

ITEM	PART NO.	1	2	3	4	5	DESCRIPTION	QTY.
117	17838-G1						NYLON BUSHING	1
118	10386-G3						CLEVIS PIN, 5/16 X 1" LG.....	1
119	74753-G01						UPPER ACTUATOR PIVOT	1
120	70581-G02						ACETAL BUSHING	4
121	74711-G01						SHOULDER BOLT	1
122	00560-G3						WASHER, 1/2"	1
123	13437-G3						BOLT, 1/2 - 13 X 6" LG.....	2
124								
125	800697						LOCKNUT, 5/16 - 18	2
126	74742-G01						MASTER CYLINDER.....	1
127	74703-G01						BRAKE ACTUATOR ASSEMBLY HOUSING	1
128	11098-G5						LOCKNUT, 3/8 - 16.....	1
129	00679-G1						WASHER, 3/8" STAINLESS	1
130	74707-G01						LOWER ACTUATOR PIVOT.....	1
131	10385-G4						CLEVIS YOKE	1
132	605778						BRAKE ACTUATOR ASSEMBLY COVER	1
133	01038-G01						SCREW, 1/4 - 20 SWAGEFORM.....	3
134								
135	00414-G8						BOLT, 1/4 - 20 X 1 1/4" LG	4
136	00891-G2						LOCKNUT, 1/4 - 20	4
137								
138	10387-G3						COTTER PIN, 3/32 X 3/4	2
139	20835-G1						WASHER, NYLON	1
140	17838-G1						NYLON BUSHING.....	2
141	74865-G01						ACTUATOR LINKAGE	1
142	00771-G5						WASHER, 3/8"	1
143	74917-G01						DISC BRAKE PAD AND PIN KIT (SERVICES ONE CORNER) (INCLUDES ITEMS 144 - 145).....	1
144	*						BRAKE PADS	2
145	*						BRAKE PAD RETAINER PINS	2

**DID YOU
KNOW?**

CartPros directs you to the right part using the part numbers from this manual. Enter the part number into our search box and it will find the part you are looking for.

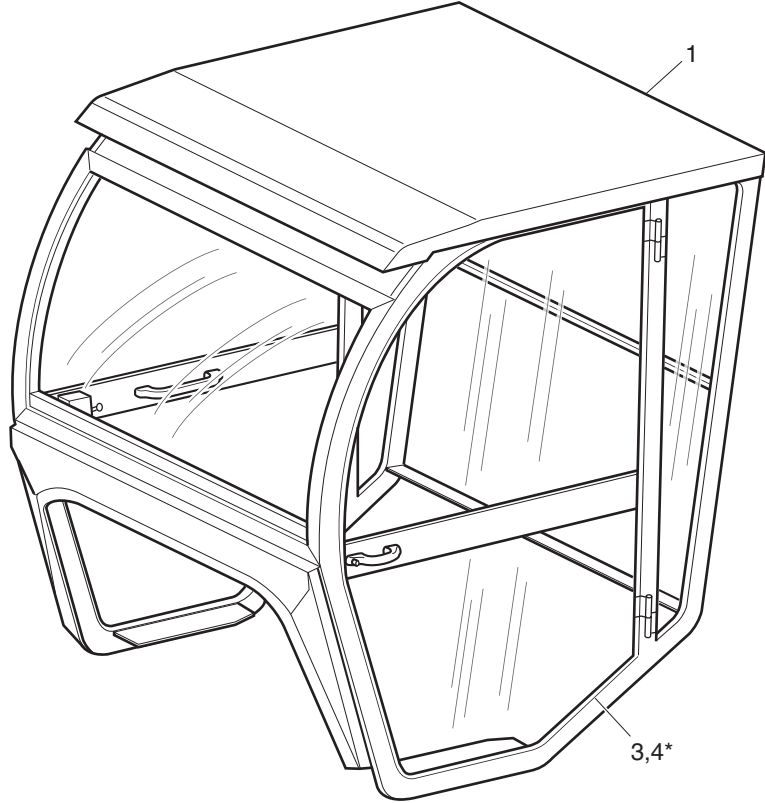
**GET STARTED
HERE**



<https://CartPros.com/f.html>

BRAKES - FRONT DISC

CAB



CAB

*Steel Doors Shown

For Cab Accessories, See ACCESSORIES LISTING in Appendix B

THE USE OF NON U.L. PARTS WILL VOID ANY U.L. LISTING.

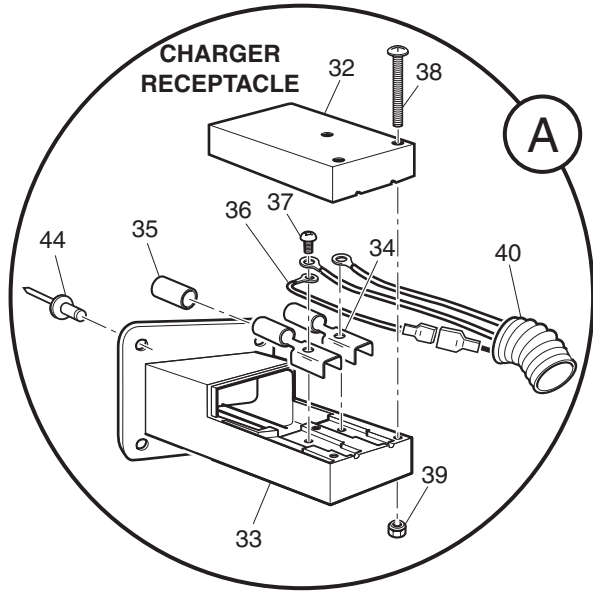
When ordering parts, please specify the model and serial number of the product.

* Indicates a component that is not available as an individual part.

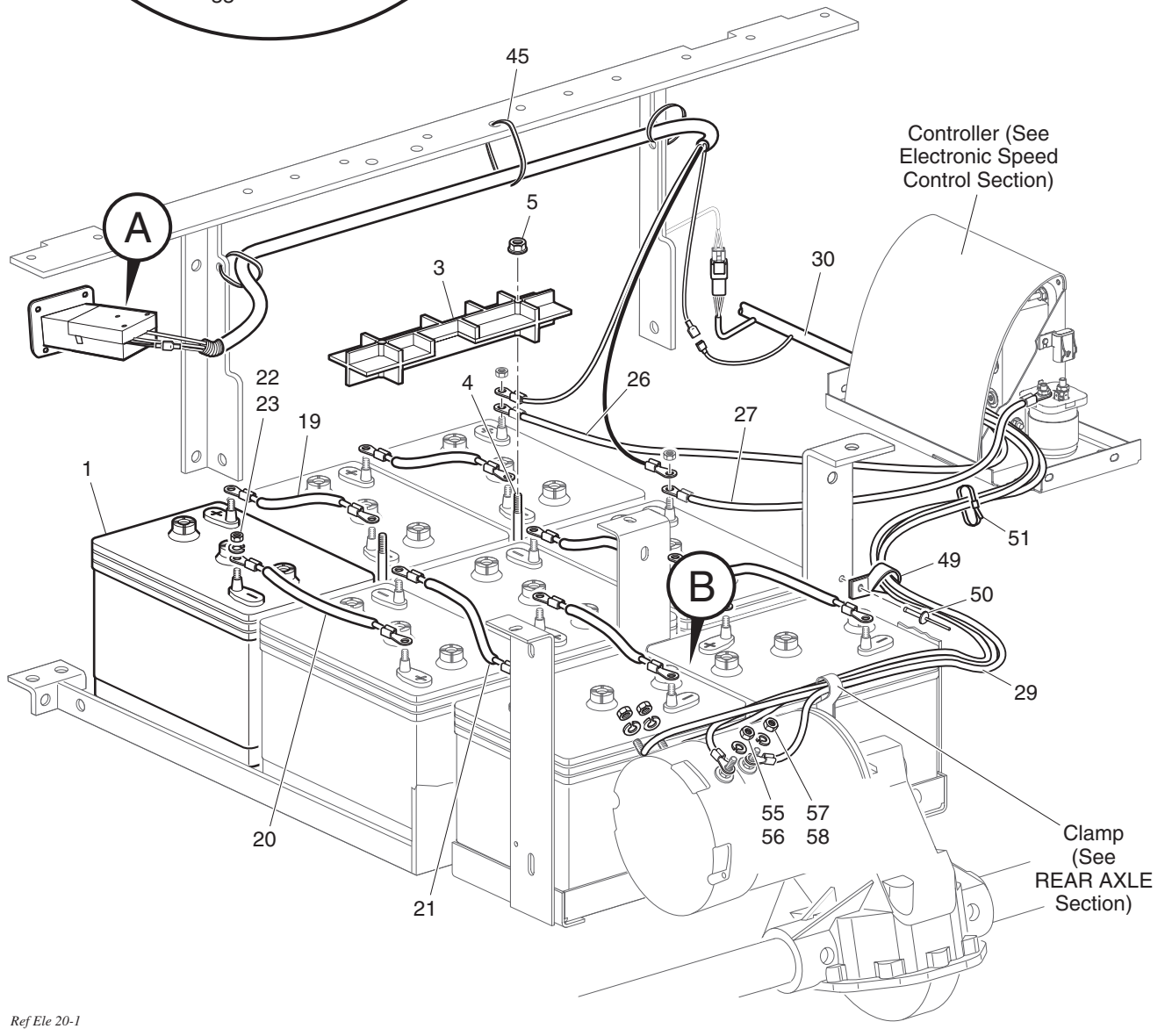
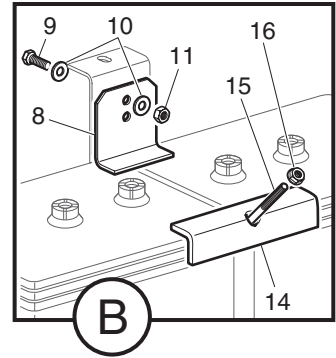
G** Indicates consult Customer Service Department for additional information.

ITEM	PART NO.	1 2 3 4 5	DESCRIPTION	QTY.
1	72684-G**		STEEL CAB (WITHOUT DOORS) REPACEMENT PARTS AND ACCESSORIES MAY BE OBTAINED FROM CURTIS CAB, INC.....	1
2				
3	75855-G01		VINYL DOOR KIT.....	1
4	75856-G**		STEEL DOOR KIT.....	1
<p>ForCab replacement parts and accessories, contact Curtis Cab at: Curtis Cab, Inc. 111 Higgins Street, Worcester, Massachusetts, 01606. Tel.: 508-853-2200. Toll free: 800-343-7676. www.curtiscab.com</p>				

ELECTRICAL



31 - Includes Items 32 - 40



Ref Ele 20-1

Where applicable, THE USE OF NON UL PARTS WILL VOID ANY UL LISTING.
 When ordering parts, please specify the model and serial number of the product.
 * Indicates a component that is not available as an individual part.
 G** Indicates consult Customer Service Department for additional information.

ITEM	PART NO.	1 2 3 4 5	DESCRIPTION	QTY.
1	XXXXX-GXX		6 VOLT BATTERY	8
2				
3	70045-G01		BATTERY RETAINER.....	1
4	01101-G01		HOLD DOWN BOLT (STAINLESS STEEL)	2
5	11027-G1		LOCK NUT, 5/16 - 18	2
6				
7				
8	73218-G02		BATTERY RETAINER ANGLE	1
9	00438-G6		BOLT, 5/16 - 18 X 3/4" LG	1
10	00559-G8		WASHER, 5/16"	2
11	11098-G6		LOCK NUT, 5/16 - 18	1
12				
13				
14	11841-G1		BATTERY RETAINER ANGLE INNER	1
15	01087-G01		HOLD DOWN BOLT (STAINLESS STEEL)	1
16	11027-G1		LOCK NUT, 5/16 - 18	1
17				
18				
19	25971-G18		4 GA WIRE (BATTERY INTERCONNECT, BLACK, 6")	2
20	25971-G13		4 GA WIRE (BATTERY INTERCONNECT, BLACK, 10 1/2")	1
21	25971-G14		4 GA WIRE (BATTERY INTERCONNECT, BLACK, 15")	4
22	00565-G8		LOCK WASHER, 5/16"	16
23	00702-G2		NUT, 5/16 - 18	16
24				
25				
26	25971-G15		4 GA WIRE (BATTERY +, BLACK, 17")	1
27	25971-G16		4 GA WIRE (BATTERY -, BLACK, 19")	1
28				
29	74659-G01		POWER HARNESS	1
30	74649-G01		CONTROL HARNESS	1

ELECTRICAL

Where applicable, THE USE OF NON UL PARTS WILL VOID ANY UL LISTING.

When ordering parts, please specify the model and serial number of the product.

* Indicates a component that is not available as an individual part.

G** Indicates consult Customer Service Department for additional information.

ITEM	PART NO.	1 2 3 4 5	DESCRIPTION	QTY.
31	73063-G03		CHARGER RECEPTACLE ASSEMBLY (INCLUDES ITEMS 32 - 40)	1
32	*		RECEPTACLE COVER	1
33	*		RECEPTACLE BOTTOM.....	1
34	73051-G23		FEMALE CONNECTOR	2
35	73051-G24		INSULATOR SLEEVE	1
36	25978-G25		18 GA WIRE (RED 9")	1
37	73051-G08		SCREW, #10 - 32 X 1/2" LG (BRASS)	2
38	73051-G09		SCREW, #6 - 32 X 1 3/4" LG (STAINLESS STEEL)	3
39	73051-G10		LOCK NUT, #6 - 32.....	3
40	*		WIRE HARNESS (CHARGER).....	1
41				
42				
43				
44	14601-G10		RIVET, 3/16" X 1" LG (ALUMINUM)	4
45	17618-G1		WIRE TIE	3
46				
47				
48				
49	27327-G02		CABLE CLAMP	1
50	10570-G11		RIVET, 3/16" X 3/4" LG (STAINLESS STEEL)	1
51	17618-G1		WIRE TIE	8
52				
53				
54				
55	00993-G01		LOCK WASHER, 5/16" (SILICON BRONZE).....	2
56	28418-G01		NUT, 5/16 - 18 (BRASS)	2
57	00993-G02		LOCK WASHER, 1/4" (SILICON BRONZE).....	2
58	28418-G02		NUT, 1/4 - 20 (BRASS)	2

**DID YOU
KNOW?**

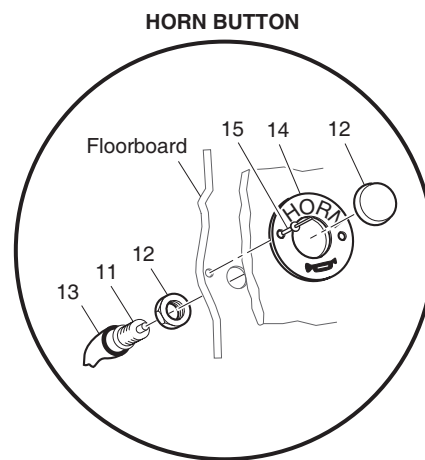
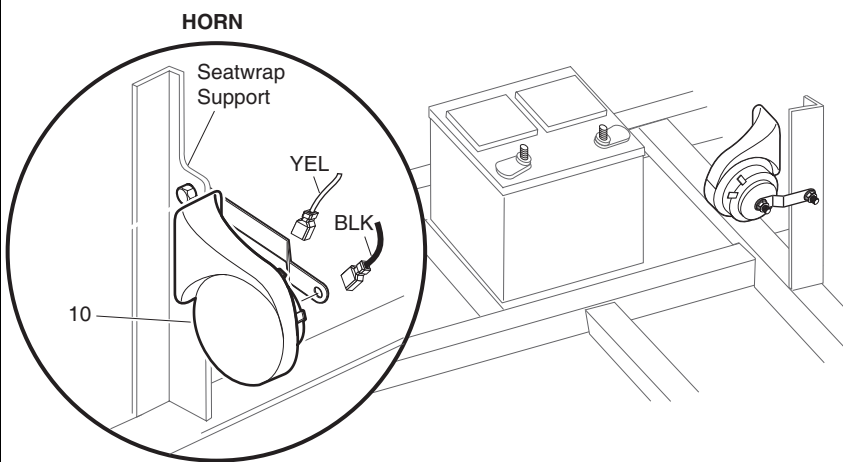
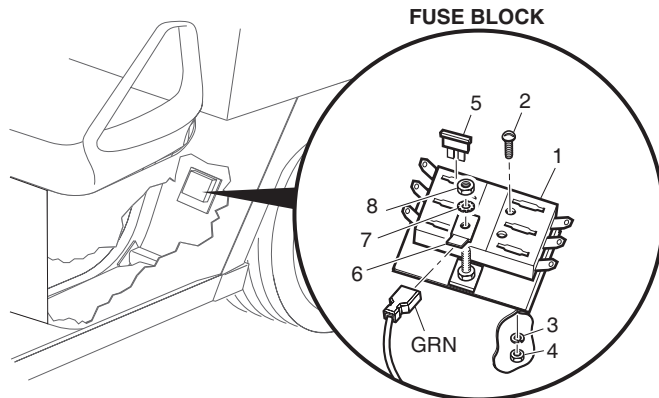
CartPros directs you to the right part using the part numbers from this manual. Enter the part number into our search box and it will find the part you are looking for.

**GET STARTED
HERE**

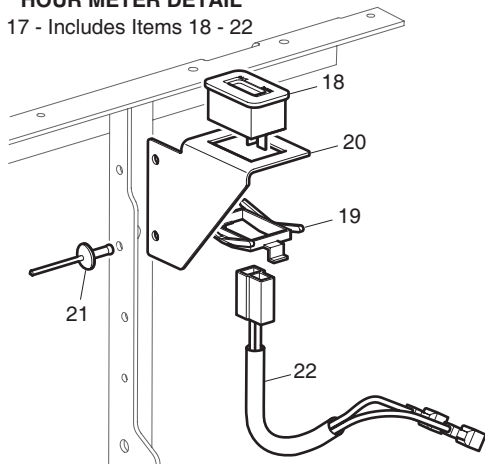


<https://CartPros.com/f.html>

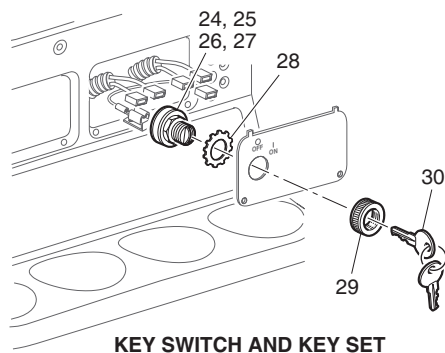
ELECTRICAL



HOUR METER DETAIL
17 - Includes Items 18 - 22



Ref Ele 20-2



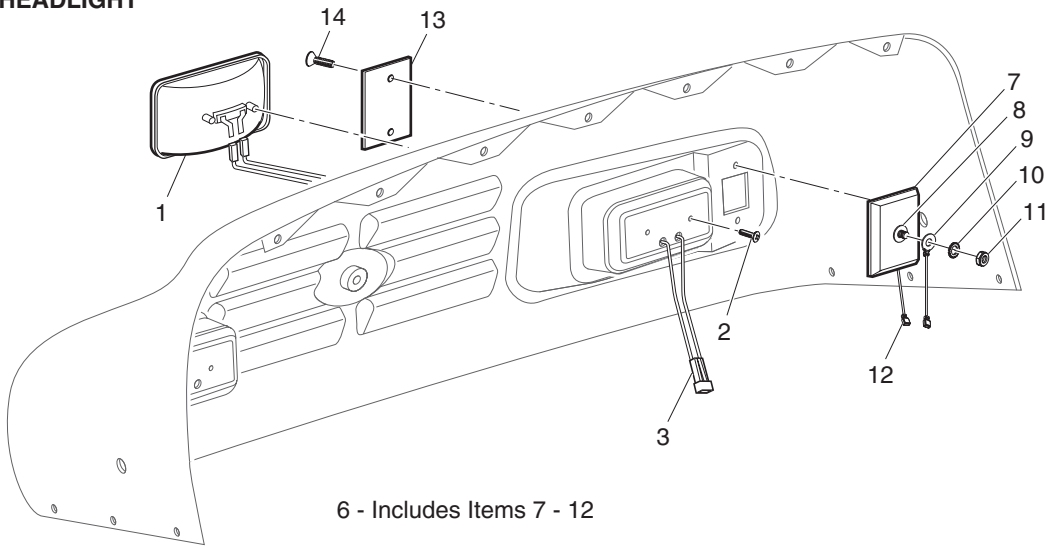
ELECTRICAL

Where applicable, THE USE OF NON UL PARTS WILL VOID ANY UL LISTING.
 When ordering parts, please specify the model and serial number of the product.
 * Indicates a component that is not available as an individual part.
 G** Indicates consult Customer Service Department for additional information.

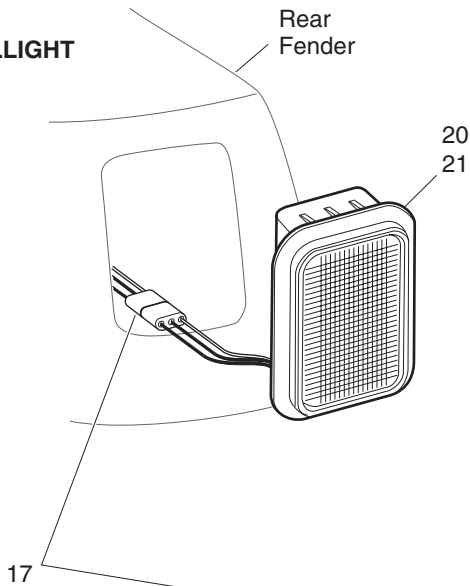
ITEM	PART NO.	1 2 3 4 5	DESCRIPTION	QTY.
1	35211-G01		FUSE BLOCK (6 POSITION)	1
2	00379-G2		SCREW, #10 - 24 X 1 1/4" LG	2
3	00559-G5		WASHER, #10.....	2
4	14390-G10		LOCK NUT, #10 - 24	2
5	35212-G01		FUSE, 15 AMP	AR
6	12914-G1		PUSH ON MALE TERMINAL	1
7	00567-G5		LOCK WASHER, #10.....	1
8	00526-G4		NUT, #10 - 32.....	1
9				
10	32860-G2		HORN.....	1
11	17318-G1		HORN SWITCH.....	1
12	17318-G2		HORN SWITCH CAP AND NUT	1
13	27068-G01		HORN SWITCH BOOT	1
14	19233-G1		HORN SWITCH LABEL	1
15	71055-G01		RIVET, 3/16" X 1" LG (ALUMINUM)	2
16				
17	74914-G02		HOUR METER KIT (INCLUDES ITEMS 18 - 22).....	1
18	74665-G02		HOUR METER.....	1
19	74696-G01		HOUR METER RETAINER CLIP.....	1
20	74716-G02		HOUR METER BRACKET.....	1
21	10570-G11		RIVET, 3/16" X 3/4" LG (STAINLESS STEEL)	2
22	74908-G01		WIRE HARNESS (HOUR METER).....	1
23				
24	17421-G1		KEY SWITCH KIT (W/O LIGHTS - STANDARD - WITH HARDWARE).....	1
25	33639-G02		KEY SWITCH (WITHOUT LIGHTS - NON STANDARD)	1
26	33639-G03		KEY SWITCH (WITHOUT LIGHTS - INDIVIDUALLY KEYED).....	1
27	33639-G**		KEY SWITCH (WITH LIGHTS)	1
28	00568-G6		LOCK WASHER, 3/4".....	1
29	17137-G1		FACE NUT, 3/4 - 20	1
30	17063-G1		KEY (SET).....	1

ELECTRICAL

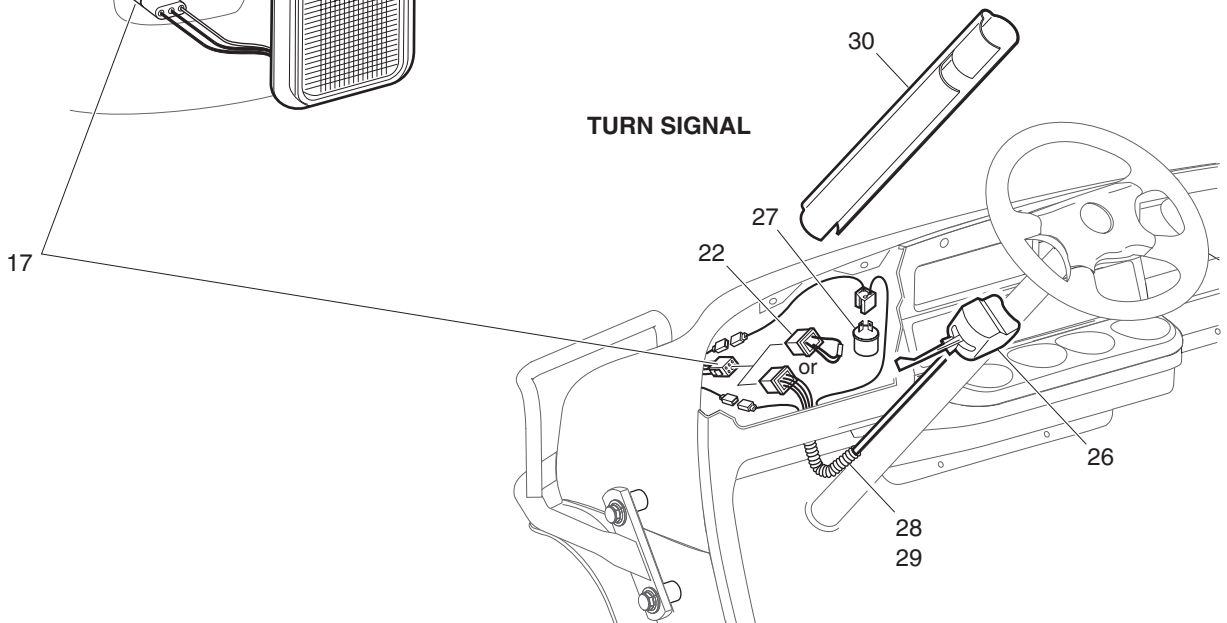
HEADLIGHT



TAILLIGHT



TURN SIGNAL



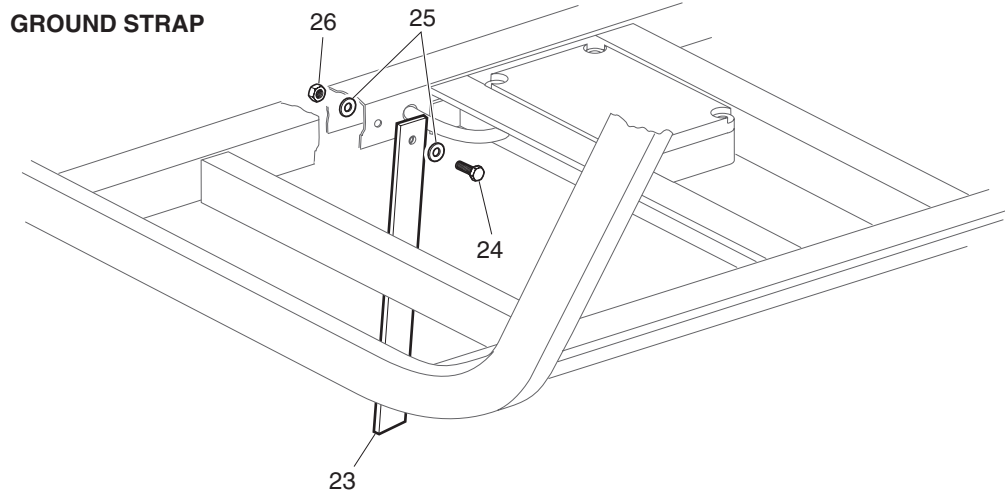
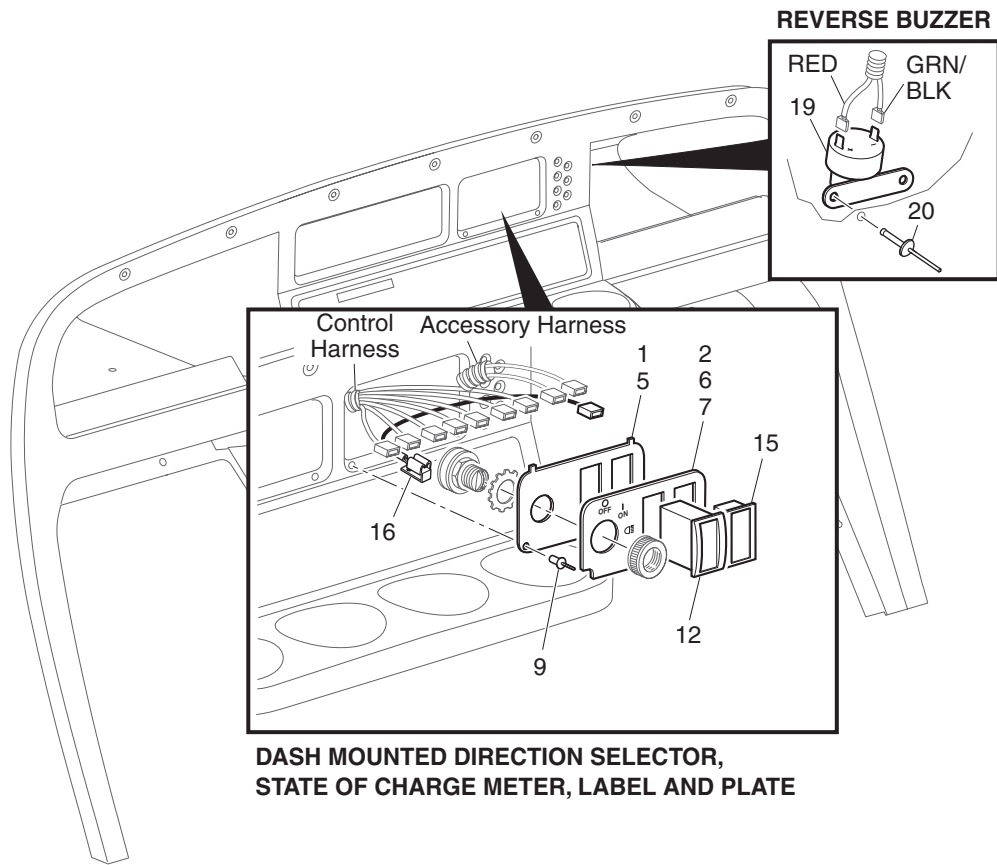
Ref Ele 20-3

ELECTRICAL

Where applicable, THE USE OF NON UL PARTS WILL VOID ANY UL LISTING.
 When ordering parts, please specify the model and serial number of the product.
 * Indicates a component that is not available as an individual part.
 G** Indicates consult Customer Service Department for additional information.

ITEM	PART NO.	1 2 3 4 5	DESCRIPTION	QTY.
1	22523-G1		HEADLIGHT (RECTANGULAR) (INCLUDES ITEM 2)	2
2	00906-G6		SCREW, #10 - 16 X 1" LG	2
3	74337-G01		JUMPER WIRE (HEADLIGHT)	2
4				
5				
6	20570-G3		TURN SIGNAL LIGHT (INCLUDES ITEMS 7 - 12)	2
7	20574-G3		TURN SIGNAL LIGHT	1
8	00660-G7		WASHER, 1/4" (STAINLESS STEEL)	1
9	20606-G1		WIRE.....	1
10	00567-G7		LOCK WASHER, 1/4"	1
11	00532-G1		NUT, 1/4 - 20	1
12	18995-G1		PUSH-ON MALE TERMINAL	1
13	20574-G5		LENS, AMBER	1
14	00118-G5		SCREW, #6 - 18 X 5/8" LG	2
15				
16				
17	74651-G01		WIRE HARNESS (ACCESSORY).....	1
18				
19				
20	32739-G3		TAILLIGHT (WITH SEALED CONNECTORS).....	2
21	21759-G1		TAILLIGHT BULB.....	AR
22	75711-G01		TAILLIGHT JUMPER PLUG (FOR VEHICLE W/OUT TURN SGL)	1
23				
24				
25	75107-G02		TURN SIGNAL KIT (INCLUDES ITEMS 26 - 30).....	1
26	17867-G1		TURN SIGNAL (WITH MOUNTING HARDWARE).....	1
27	21640-G1		TURN SIGNAL FLASHER.....	1
28	32307-G3		FLEX LOOM, 3/8" X 8" LG.....	1
29	17618-G1		WIRE TIE	2
30	20965-G3		STEERING COLUMN COVER	1

ELECTRICAL



Ref Ele 20-4

ELECTRICAL

Where applicable, THE USE OF NON UL PARTS WILL VOID ANY UL LISTING.

When ordering parts, please specify the model and serial number of the product.

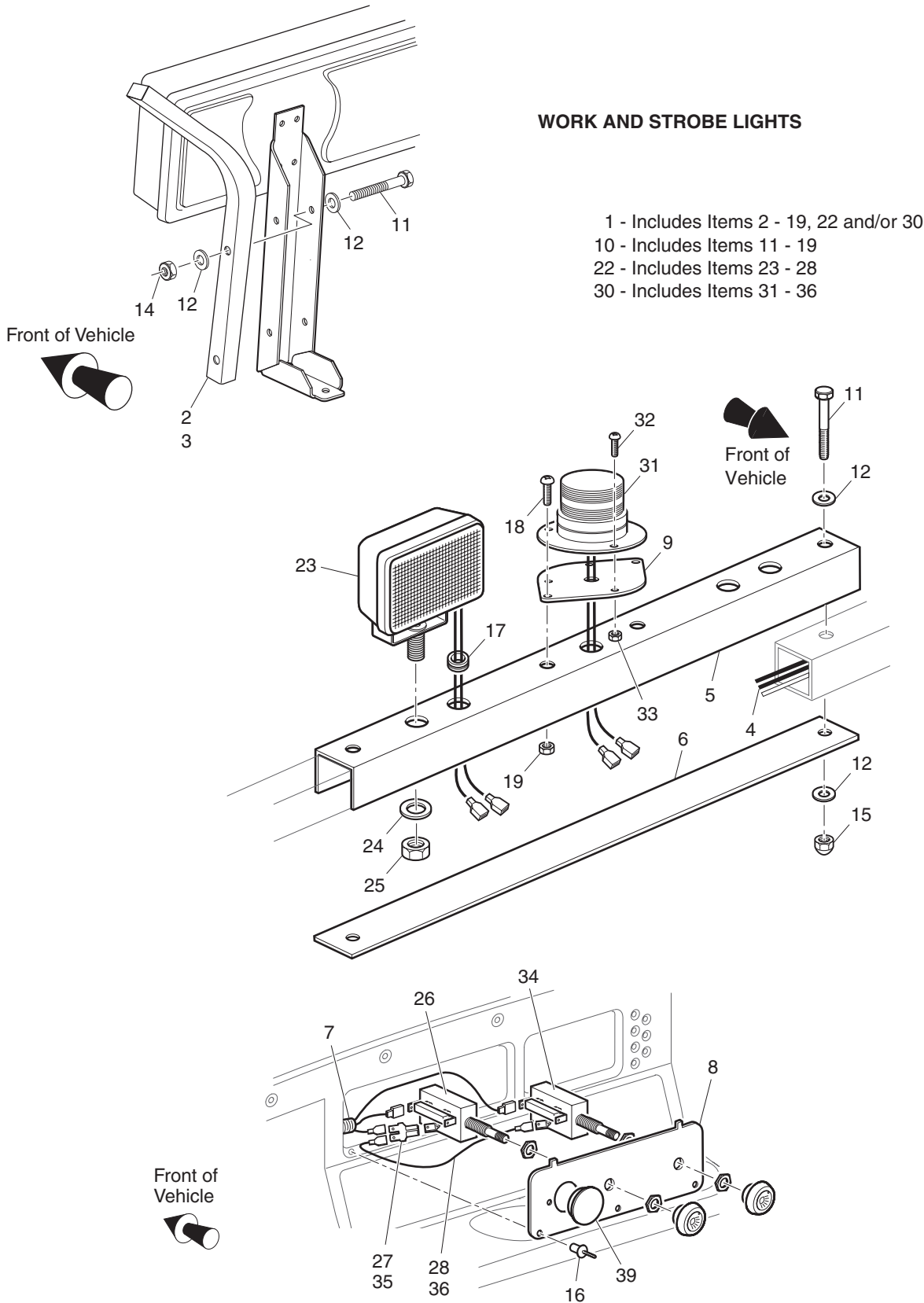
* Indicates a component that is not available as an individual part.

G** Indicates consult Customer Service Department for additional information.

ITEM	PART NO.	1 2 3 4 5	DESCRIPTION	QTY.
1	601016		PLATE (KEY SWITCH, DIRECTION SELECTOR)	1
2	74316-G01		LABEL (KEY SWITCH WITHOUT LIGHTS, DIRECTION SELECTOR)	1
3				
4				
5	73030-G06		PLATE (KEY SWITCH, DIRECTION SELECTOR, CHARGE METER)	1
6	74320-G01		LABEL (KEY SWITCH WITHOUT LIGHTS, DIRECTION SELECTOR, CHARGE METER)	1
7	74322-G01		LABEL (KEY SWITCH WITH LIGHTS, DIRECTION SELECTOR, CHARGE METER)	1
8				
9	33623-G02		DRIVE RIVET, 3/16" X 3/8" LG	2
10				
11				
12	74323-G01		DIRECTION SELECTOR SWITCH (DASH MOUNTED)	1
13				
14				
15	33636-G05		STATE OF CHARGE METER (VERTICAL)	1
16	25978-G74		18 GA WIRE (RED 6")	1
17				
18				
19	73290-G02		REVERSE WARNING BUZZER (CONTINUOUS TONE)	1
20	01041-G01		RIVET, 1/8" X 13/16" LG	2
21				
22				
23	35213-G02		GROUND STRAP, 16" (EE ONLY)	1
24	00426-G8		BOLT, 3/8 - 16 X 1" LG	1
25	00560-G1		WASHER, 3/8"	2
26	11098-G4		LOCK NUT, 3/8 - 16	1

ELECTRICAL

WORK AND STROBE LIGHTS



Ref Ele 20-5

ELECTRICAL

Where applicable, THE USE OF NON UL PARTS WILL VOID ANY UL LISTING.
 When ordering parts, please specify the model and serial number of the product.
 * Indicates a component that is not available as an individual part.
 G** Indicates consult Customer Service Department for additional information.

ITEM	PART NO.	1 2 3 4 5	DESCRIPTION	QTY.
1	71323-G**		WORK LIGHT BAR WITH LIGHTS AND/OR STROBE (INCLUDES ITEMS 2 - 19, 22 AND/OR 30).....	1
2	75838-G03		STRUT (DRIVER SIDE).....	1
3	75838-G04		STRUT (PASSENGER SIDE).....	1
4	75346-G01		WIRE HARNESS (WORK LIGHT)	1
5	71294-G02		BRACE.....	1
6	71293-G02		COVER PLATE.....	1
7	75430-G01		SWITCH HARNESS	1
8	73522-G**		CONSOLE INSERT PLATE.....	1
9	33201-G03		STROBE LIGHT MOUNT (USED ONLY WITH STROBE LIGHT).....	1
10	75365-G01		HARDWARE KIT (INCLUDES ITEMS 11 - 19).....	1
11	00685-G7		BOLT, 5/16 - 18 X 1 3/4" LG	6
12	00660-G8		WASHER, 5/16"	12
13	15121-G1		WASHER, 3/8" X 1 1/4".....	2
14	01109-G01		LOCK NUT, 5/16 - 18.....	4
15	00918-G3		ACORN NUT, 5/16 - 18.....	2
16	33623-G02		DRIVE RIVET, 3/16" X 3/8" LG	3
17	20367-G1		GROMMET.....	2
18	16705-G3		SCREW, 1/4 - 20 X 3/4" LG	2
19	14390-G4		LOCK NUT, 1/4 - 20	2
20				
21				
22	20383-G2		WORK LIGHT KIT (INCLUDES ITEMS 23 - 28).....	1
23	20209-G2		WORK LIGHT (RECTANGULAR)	2
24	00566-G3		LOCK WASHER, 1/2".....	2
25	00533-G1		NUT, 1/2 - 13.....	2
26	17317-G1		LIGHT SWITCH.....	1
27	17902-G1		TAB ADAPTER	1
28	20053-G1		16 GA WIRE (RED 5 3/8").....	1
29				

ELECTRICAL

Where applicable, THE USE OF NON UL PARTS WILL VOID ANY UL LISTING.

When ordering parts, please specify the model and serial number of the product.

* Indicates a component that is not available as an individual part.

G** Indicates consult Customer Service Department for additional information.

ITEM	PART NO.	1	2	3	4	5	DESCRIPTION	QTY.
30	20385-G3						STROBE LIGHT KIT (INCLUDES ITEMS 31 - 36)	1
31	20394-G4						STROBE LIGHT	1
32	00379-G4						SCREW, #10 - 24 x 1/2" LG	3
33	14390-G10						LOCK NUT, #10 - 24	3
34	17317-G1						LIGHT SWITCH.....	1
35	17902-G1						TAB ADAPTER	1
36	20053-G1						16 GA WIRE (RED 5 3/8").....	1
37								
38								
39	20271-G10						HOLE PLUG.....	1

**DID YOU
KNOW?**

CartPros directs you to the right part using the part numbers from this manual. Enter the part number into our search box and it will find the part you are looking for.

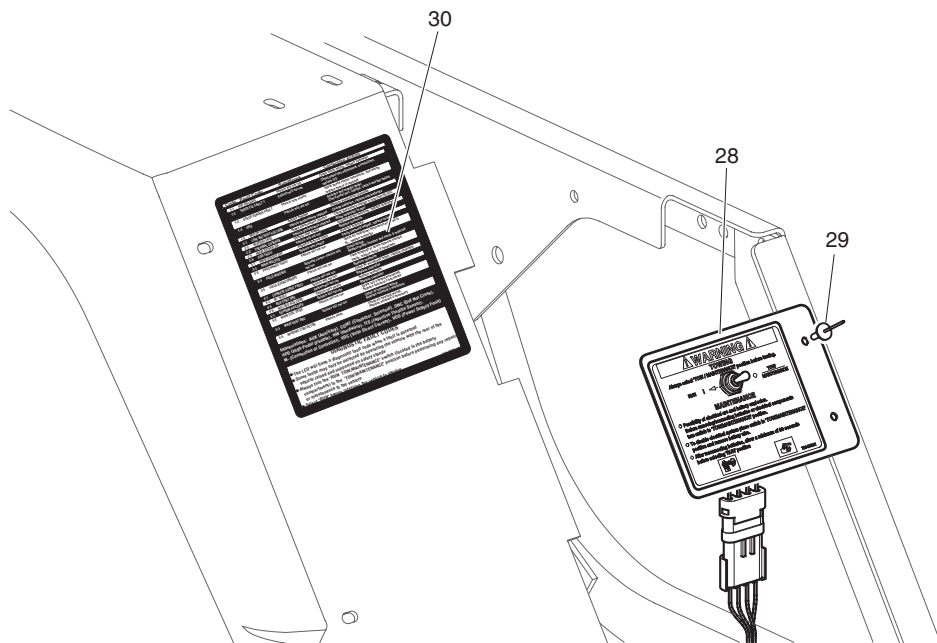
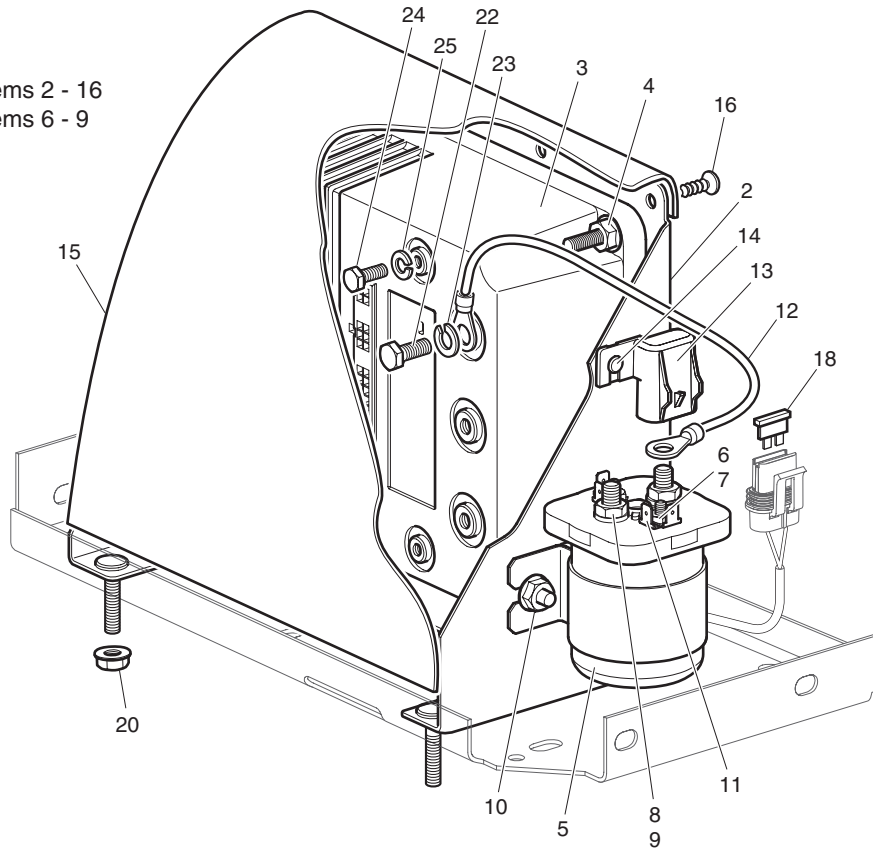
**GET STARTED
HERE**



<https://CartPros.com/f.html>

ELECTRONIC SPEED CONTROL - PDS

1 - Includes Items 2 - 16
5 - Includes Items 6 - 9



Ref Esp 20-1

ELECTRONIC SPEED CONTROL - PDS

Where applicable, THE USE OF NON UL PARTS WILL VOID ANY UL LISTING.

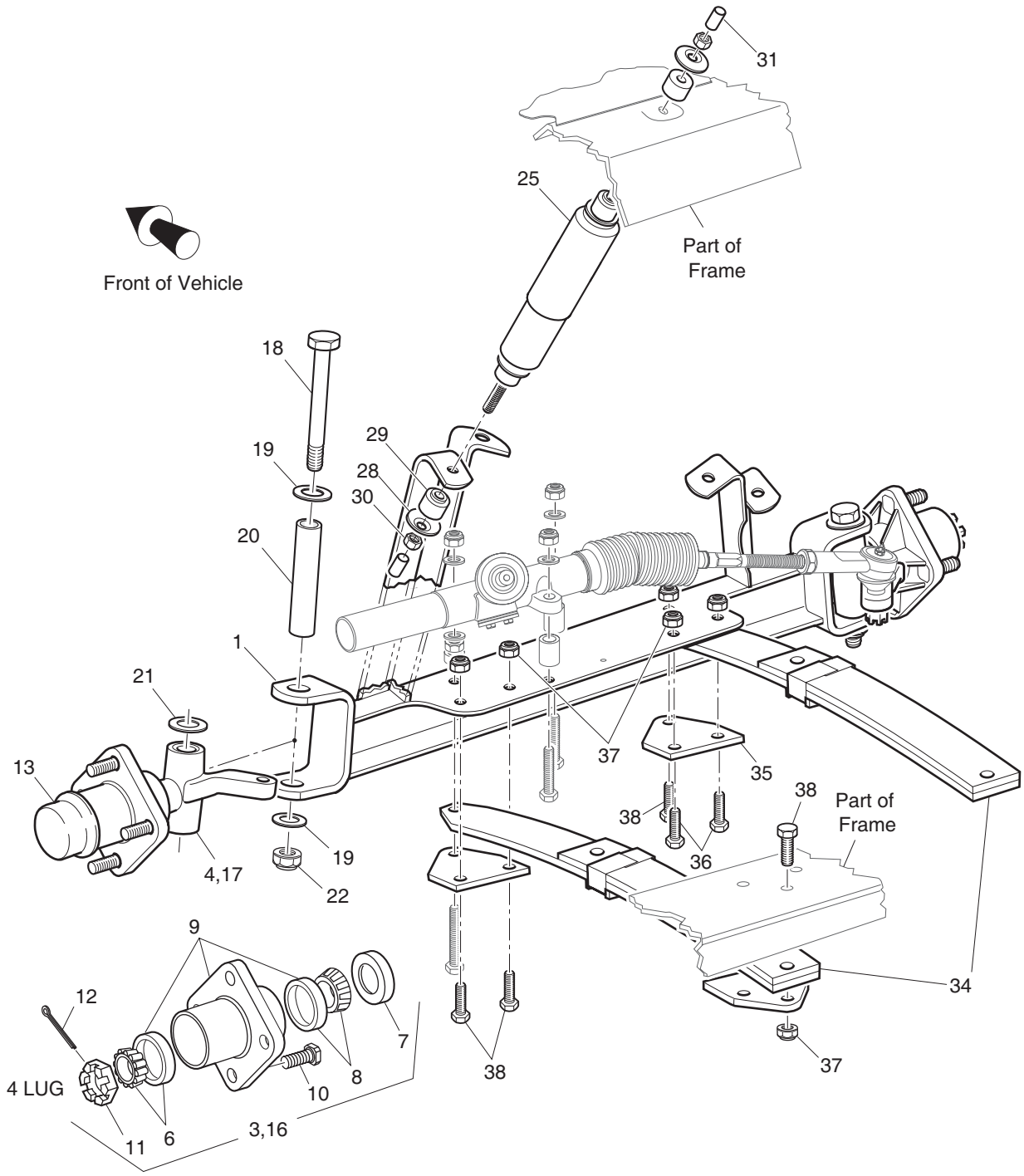
When ordering parts, please specify the model and serial number of the product.

* Indicates a component that is not available as an individual part.

G** Indicates consult Customer Service Department for additional information.

ITEM	PART NO.	1 2 3 4 5	DESCRIPTION	QTY.
1	73348-G03		ELECTRONIC SPEED CONTROL ASSEMBLY (INCLUDES ITEMS 2 - 16)	1
2	73351-G02		CONTROLLER MOUNT	1
3	73098-G04		ELECTRONIC SPEED CONTROLLER	1
4	11027-G2		LOCK NUT, 1/4 - 20.....	4
5	73231-G01		SOLENOID (INCLUDES ITEMS 6 - 9).....	1
6	*		LOCK WASHER, #10.....	2
7	*		NUT, #10 - 32.....	2
8	*		LOCK WASHER, 5/16".....	2
9	*		JAM NUT, 5/16 - 24.....	2
10	11027-G2		LOCK NUT, 1/4 - 20.....	2
11	73446-G01		FASTON TAB, 90°	4
12	25971-G17		4 GA WIRE (BLACK 9").....	1
13	73499-G01		IN-LINE FUSE COVER.....	1
14	15058-G1		RIVET, 3/16" X 7/16" LG (ALUMINUM)	1
15	73523-G01		COVER	1
16	16816-G1		RATCHET FASTENER, 1/4" X 9/16" LG	4
17				
18	35212-G05		FUSE, 7.5 AMP	1
19				
20	11027-G2		LOCK NUT, 1/4 - 20	4
21				
22	73296-G01		BOLT, 8MM X 16MM LG.....	3
23	00993-G01		LOCK WASHER, 5/16" (SILICON BRONZE).....	3
24	73346-G01		BOLT, 6MM X 1 X 12MM LG	2
25	00993-G02		LOCK WASHER, 1/4" (SILICON BRONZE).....	2
26				
27				
28	74878-G01		TOW-MAINTENANCE SWITCH	1
29	71055-G01		RIVET, 3/16" X 1" LG (ALUMINUM)	2
30	73398-G01		DIAGNOSTIC LABEL (FAULT CODE).....	1

FRONT SUSPENSION/STEERING

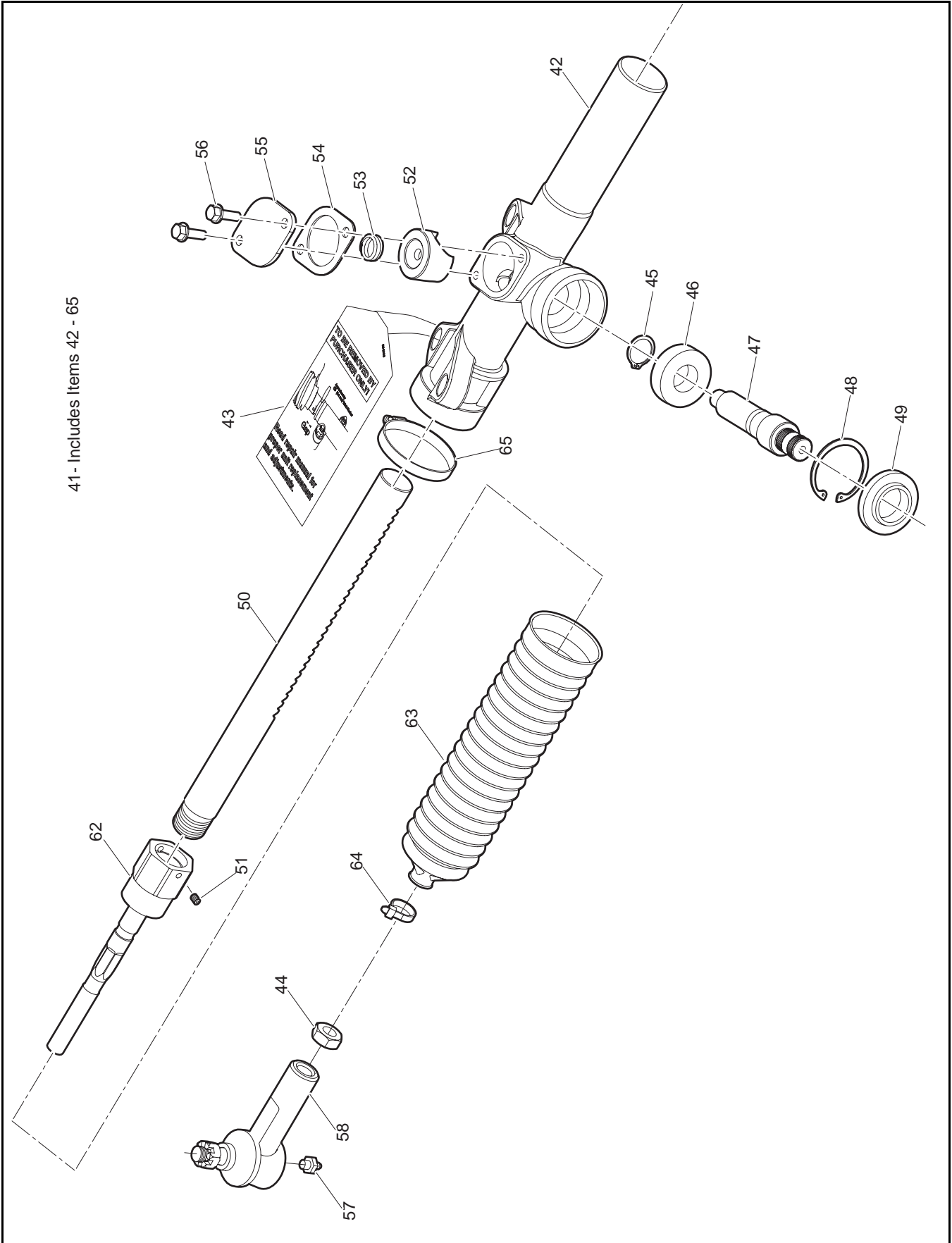


- 3 - Includes Items 4 - 13
- 9 - Includes Item 10
- 16 - Includes Items 7 - 13, 17

*NOTE: Tie Rod Not Shown for Clarity

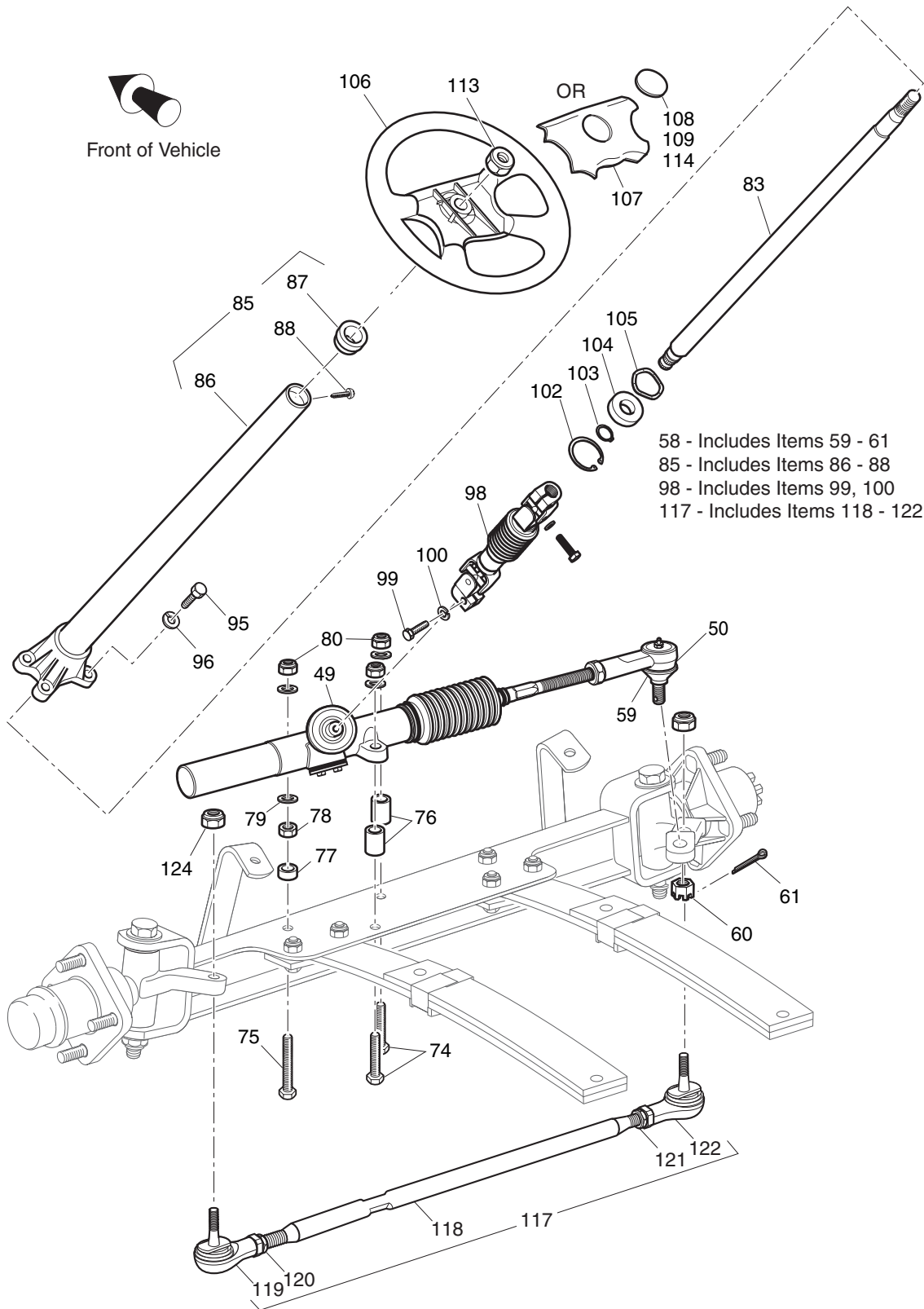
Ref Fss 21-1

FRONT SUSPENSION/STEERING



41 - Includes Items 42 - 65

FRONT SUSPENSION/STEERING



Ref Fss 21-2

FRONT SUSPENSION/STEERING

THE USE OF NON U.L. PARTS WILL VOID ANY U.L. LISTING.
 When ordering parts, please specify the model and serial number of the product.
 * Indicates a component that is not available as an individual part.
 G** Indicates consult Customer Service Department for additional information.

ITEM	PART NO.	1 2 3 4 5	DESCRIPTION	QTY.
1	602513		FRONT AXLE	1
2				
3	70942-G03		SPINDLE AND HUB ASSEMBLY, 4 LUG (PASSENGER SIDE) (INCLUDES ITEMS 4 - 13).....	1
4	70940-G04		SPINDLE ASSEMBLY (PASSENGER SIDE) (INCLUDES ITEMS 5 - 6).....	1
5	70648-G01		BEARING	1
6	70749-G01		BEARING, DP4.....	1
7	25146-G1		GREASE SEAL.....	1
8	50892-G1		ROLLER BEARING AND RACE ASSEMBLY.....	2
9	70589-G1		WHEEL HUB ASSEMBLY WITH RACES, 4 LUG (INCLUDES ITEM 10)	1
10	19862-G1		LUG BOLT, 1/2 - 20 X 1 7/32" LG.....	4
11	12093-G1		SLOTTED NUT, 1 - 14	1
12	00798-G8		COTTER PIN, 5/32" X 1 3/4" LG	1
13	12091-G2		SPINDLE CAP	2
14				
15				
16	70673-G03		SPINDLE AND HUB ASSEMBLY, 4 LUG (DRIVER SIDE) (INCLUDES ITEMS 7 - 13 & 17)	1
17	70742-G02		SPINDLE ASSEMBLY (DRIVER SIDE) (INCLUDES ITEMS 5 - 6)	1
18	00407-G6		BOLT, 1/2 - 13 X 6" LG	2
19	00560-G3		WASHER, 1/2"	4
20	70745-G01		KING PIN TUBE	2
21	70754-G01		THRUST WASHER (STAINLESS STEEL).....	2
22	14390-G6		LOCK NUT, 1/2 - 13	2
23				
24				
25	76419-G01		SHOCK ABSORBER.....	2
26				
27				
28	10435-G1		SHOCK ABSORBER WASHER.....	8
29	10194-G1		RUBBER SHOCK ABSORBER BUSHING	8

FRONT SUSPENSION/STEERING

THE USE OF NON U.L. PARTS WILL VOID ANY U.L. LISTING.
 When ordering parts, please specify the model and serial number of the product.
 * Indicates a component that is not available as an individual part.
 G** Indicates consult Customer Service Department for additional information.

ITEM	PART NO.	1 2 3 4 5	DESCRIPTION	QTY.
30	00532-G6		NUT, 3/8 - 24	4
31	10044-G01		VINYL CAP	4
32				
33				
34	70664-G03		LEAF SPRING (HEAVY DUTY) (SEE PART NUMBER ON SPRING).....	2
35	70163-G03		SPRING PLATE	4
36	00463-G4		BOLT, 7/16 - 14 X 1 1/2" LG	4
37	00734-G1		LOCK NUT, 7/16 - 14	11
38	00463-G6		BOLT, 7/16 - 14 X 1 3/4" LG	7
39				
40				
41	70964-G02		RACK AND PINION UNIT (COMPLETE) (INCLUDES ITEMS 42 - 65)	1
42	70965-G01		STEERING RACK COVER & BEARING	1
43	*		STEERING BOX INSTALLATION TAG	1
44	*		JAM NUT, 1/2 - 20.....	1
45	70750-G01		RETAINING RING (EXTERNAL)	1
46	15115-G1		BALL BEARING	1
47	70603-G01		PINION.....	1
48	70751-G01		RETAINING RING (INTERNAL)	1
49	70638-G01		SEAL PINION	1
50	70604-G01		RACK STEERING.....	1
51	01053-G01		SCREW, 10- 32.....	1
52	70590-G01		RACK LOADER	1
53	70666-G01		SPRING COMPRESSION	1
54	70645-G01		GASKET RACK LOADER.....	1
55	70591-G01		COVER RACK LOADER	1
56	71102-G01		SCREW, 1/4 - 20.....	2
57	10389-G3		GREASE FITTING, STRAIGHT	1
58	70695-G01		RACK BALL JOINT (INCLUDES ITEMS 59 - 61)	1
59	50641-G1		RUBBER BOOT	1

FRONT SUSPENSION/STEERING

THE USE OF NON U.L. PARTS WILL VOID ANY U.L. LISTING.
 When ordering parts, please specify the model and serial number of the product.
 * Indicates a component that is not available as an individual part.
 G** Indicates consult Customer Service Department for additional information.

ITEM	PART NO.	1 2 3 4 5	DESCRIPTION	QTY.
60	50209-G2		SLOTTED NUT, 7/16 - 20.....	1
61	10387-G2		COTTER PIN, 3/32" X 1" LG	1
62	74694-G01		ROD END (INNER).....	1
63	70961-G01		RACK BOOT	1
64	12416-G2		WIRE TIE	1
65	11391-G8		WIRE TIE	1
66				
67				
68				
69				
70				
71				
72				
73				
74	00464-G6		BOLT, 7/16 - 14 X 2 3/4" LG	2
75	01068-G01		BOLT, 7/16 - 14 X 3 1/2" LG	1
76	70667-G02		SPACER.....	2
77	70667-G03		SPACER (SHORT).....	1
78	00532-G7		NUT, 7/16 - 14	1
79	00560-G2		FLAT WASHER, 7/16".....	7
80	00734-G1		LOCK NUT, 7/16 - 14	3
81				
82				
83	70607-G01		STEERING SHAFT	1
84				
85	70758-G05		STEERING COLUMN KIT (INCLUDES ITEMS 86 - 88).....	1
86	70610-G03		STEERING COLUMN.....	1
87	28569-G01		STEERING COLUMN BUSHING.....	1
88	01022-G01		SCREW, #6 - 20 X 5/16" LG	1
89				

FRONT SUSPENSION/STEERING

THE USE OF NON U.L. PARTS WILL VOID ANY U.L. LISTING.
 When ordering parts, please specify the model and serial number of the product.
 * Indicates a component that is not available as an individual part.
 G** Indicates consult Customer Service Department for additional information.

ITEM	PART NO.	1 2 3 4 5	DESCRIPTION	QTY.
90				
91				
92				
93				
94				
95	01006-G01		BOLT, 3/8 - 16 X 1 1/4" LG WITH PATCHLOCK	4
96	00879-G1		LOCK WASHER, 3/8".....	4
97				
98	70580-G01		INTERMEDIATE SHAFT (INCLUDES ITEMS 99, 100).....	1
99	01055-G01		BOLT, M8 X 1 1/4" LG.....	2
100	00565-G8		LOCK WASHER, 5/16"	2
101				
102	70751-G01		RETAINING RING (INTERNAL).....	1
103	70888-G01		RETAINING RING (EXTERNAL).....	1
104	15112-G1		BALL BEARING	1
105	70887-G01		WAVE WASHER.....	1
106	602980		STEERING WHEEL	1
107	71147-G01		STEERING WHEEL COVER	1
108	74815-G01		LABEL (E-Z-GO)	1
109	74954-G01		LABEL (CUSHMAN).....	1
110				
111				
112				
113	14390-G2		LOCK NUT, 5/8 - 18	1
114	28909-G01		LABEL (JACOBSEN)	1
115				
116				
117	74604-G01		TIE ROD ASSEMBLY (INCLUDES ITEMS 118 - 122)	1
118	74603-G01		THREADED ROD (24" LG).....	1
119	70902-G01		TIE ROD END (LEFT HAND THREADS)	1

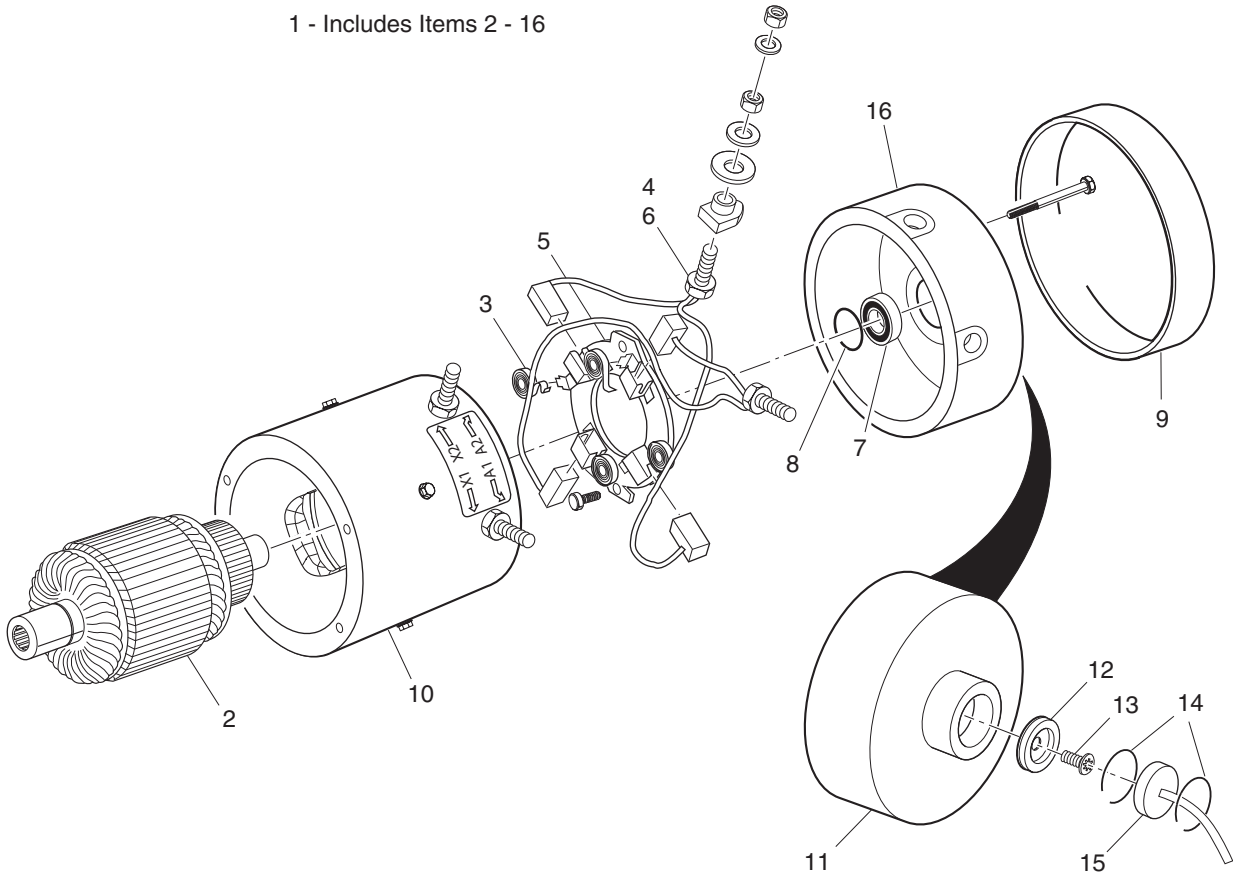
FRONT SUSPENSION/STEERING

THE USE OF NON U.L. PARTS WILL VOID ANY U.L. LISTING.
 When ordering parts, please specify the model and serial number of the product.
 * Indicates a component that is not available as an individual part.
 G** Indicates consult Customer Service Department for additional information.

ITEM	PART NO.	1 2 3 4 5	DESCRIPTION	QTY.
120	01069-G01		JAM NUT, M12 X 1.25-05 (LEFT HAND THREADS).....	1
121	70902-G02		TIE ROD END (RIGHT HAND THREADS).....	1
122	01069-G02		JAM NUT, M12 X 1.25-05 (RIGHT HAND THREADS)	1
123				
124	00734-G1		LOCK NUT, 7/16 - 14	2

MOTOR

1 - Includes Items 2 - 16



MOTOR

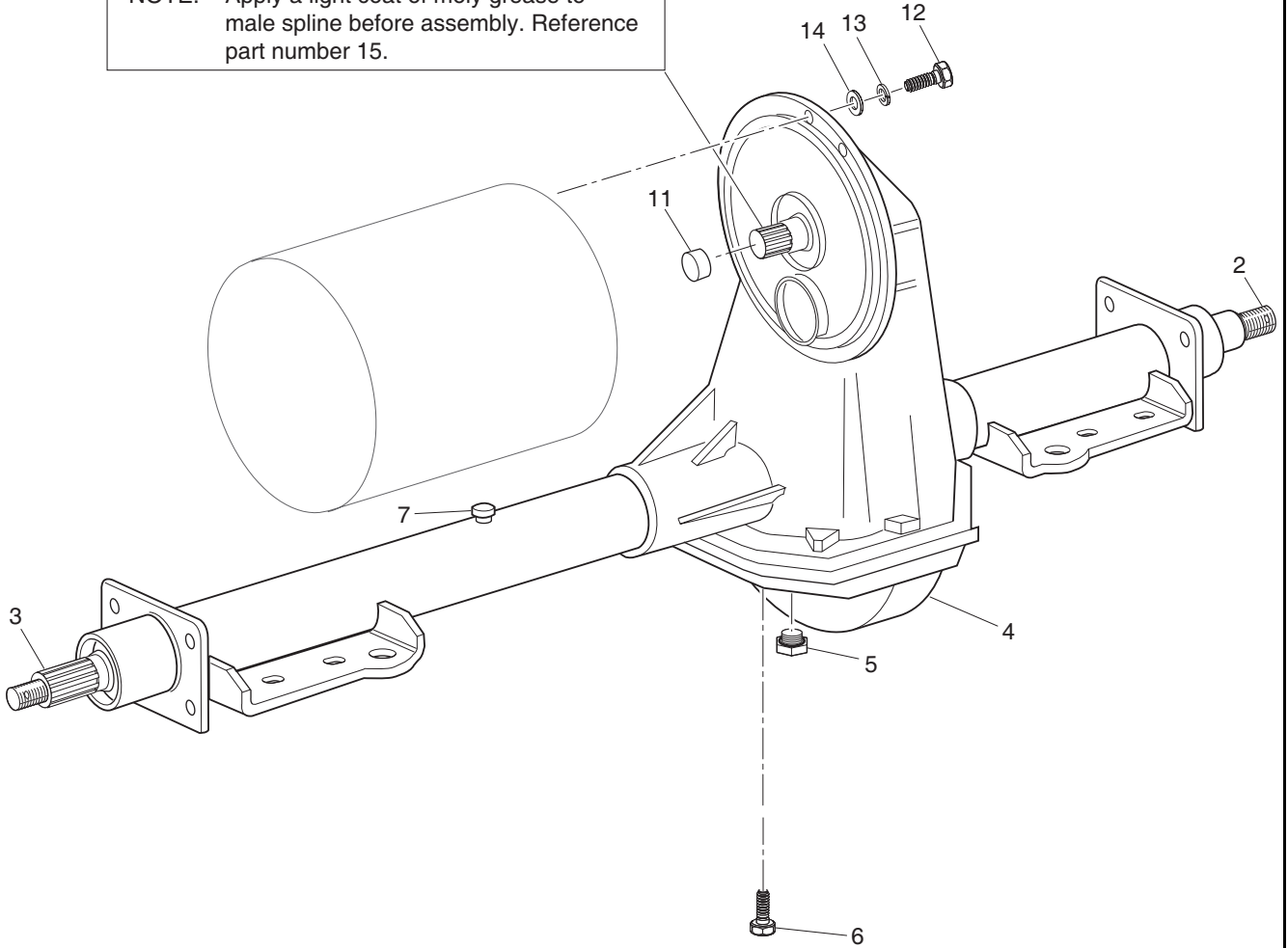
THE USE OF NON U.L. PARTS WILL VOID ANY U.L. LISTING.
 When ordering parts, please specify the model and serial number of the product.
 * Indicates a component that is not available as an individual part.
 G** Indicates consult Customer Service Department for additional information.

ITEM	PART NO.	1 2 3 4 5	DESCRIPTION	QTY.
1	73291-G04		MOTOR (SEPARATELY EXCITED) (PDS) (INCLUDES ITEMS 15 - 28).....	1
2	73120-G36		ARMATURE.....	1
3	73120-G38		BRUSH SPRING.....	8
4	73120-G39		BRUSH.....	1
5	73120-G40		BRUSH BOX.....	1
6	73120-G41		BRUSH REPLACEMENT KIT (INCLUDES HARDWARE).....	1
7	73120-G07		BEARING.....	1
8	73120-G06		SNAP RING.....	1
9	73120-G43		HEADBAND.....	1
10	73120-G37		FRAME AND FIELD COIL (INCLUDES HARDWARE).....	1
11	73120-G42		COVER COMMUTATOR END.....	1
12	73328-G01		MAGNET.....	1
13	01037-G02		SCREW, #10 - 32 X 1/2" LG.....	1
14	73277-G01		RETAINING RING.....	2
15	73327-G01		SPEED SENSOR.....	1

REAR AXLE

1 - Includes Items 2 - 7

NOTE: Apply a light coat of moly grease to male spline before assembly. Reference part number 15.



Ref Rav 1

REAR AXLE

Where applicable, THE USE OF NON UL PARTS WILL VOID ANY UL LISTING.

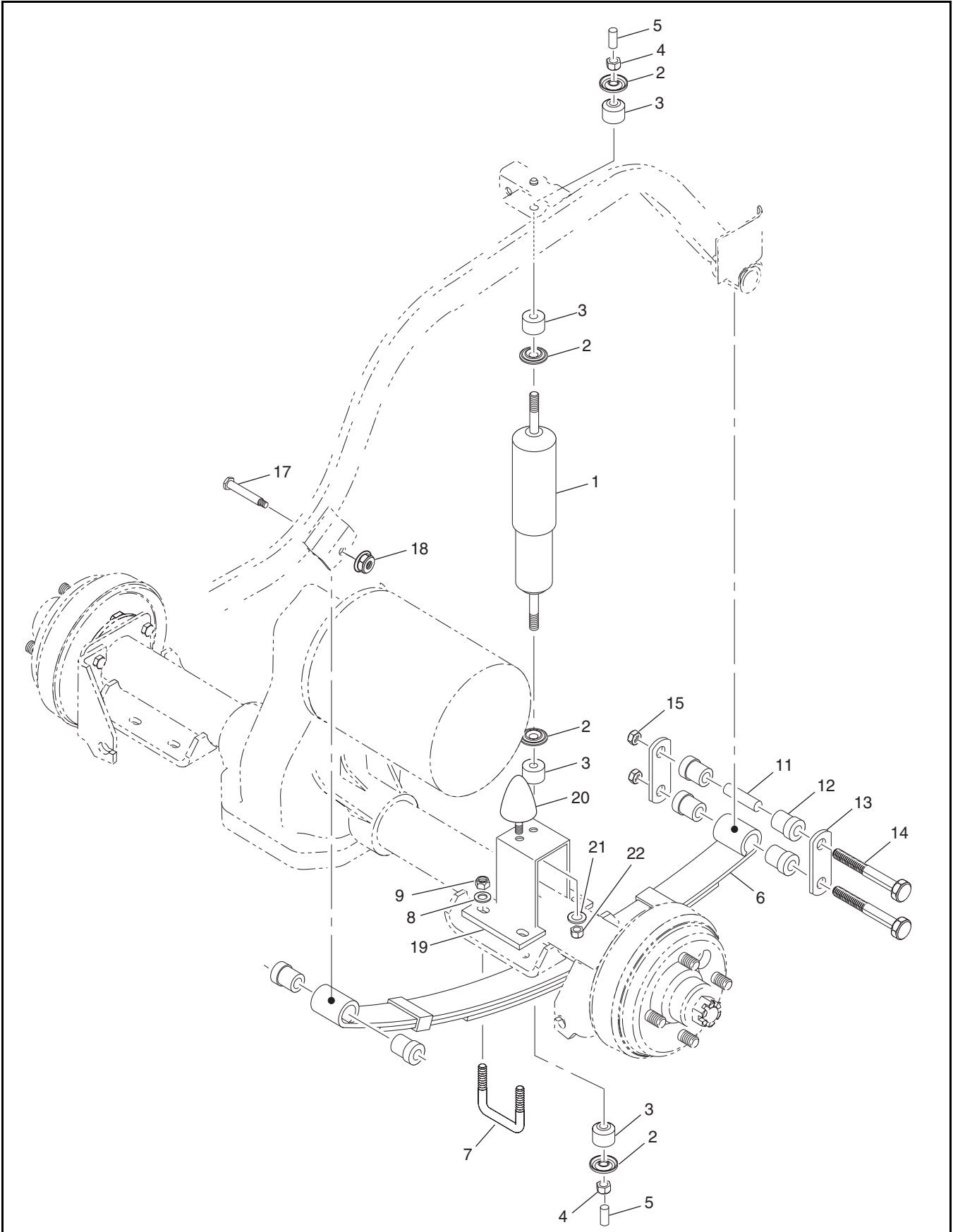
When ordering parts, please specify the model and serial number of the product.

* Indicates a component that is not available as an individual part.

G** Indicates consult Customer Service Department for additional information.

ITEM	PART NO.	1 2 3 4 5	DESCRIPTION	QTY.
1	74612-G01		REAR AXLE ASSEMBLY 14.76:1 (INCLUDES ITEMS 2 - 7)	1
2	20377-G12		AXLE SHAFT (PASSENGER SIDE).....	1
3	20377-G11		AXLE SHAFT (DRIVER SIDE).....	1
4	*		DIFFERENTIAL COVER.....	1
5	28610-G01		FILL PLUG WITH 'O' RING.....	1
6	15558-G1		BOLT, 5/16 - 18 X 3/4" LG.....	10
7	73050-G01		VENT	1
8				
9				
10				
11	24261-G1		SPLINE BUMPER	1
12	00797-G2		BOLT, 1/4 - 20 X 1 1/4" LG	3
13	00565-G7		LOCK WASHER, 1/4" (STAINLESS STEEL)	3
14	00559-G7		WASHER, 1/4" (STAINLESS STEEL).....	3
15	28095-G01		MOLY LUBE, 2 OZ.....	AR

REAR SUSPENSION



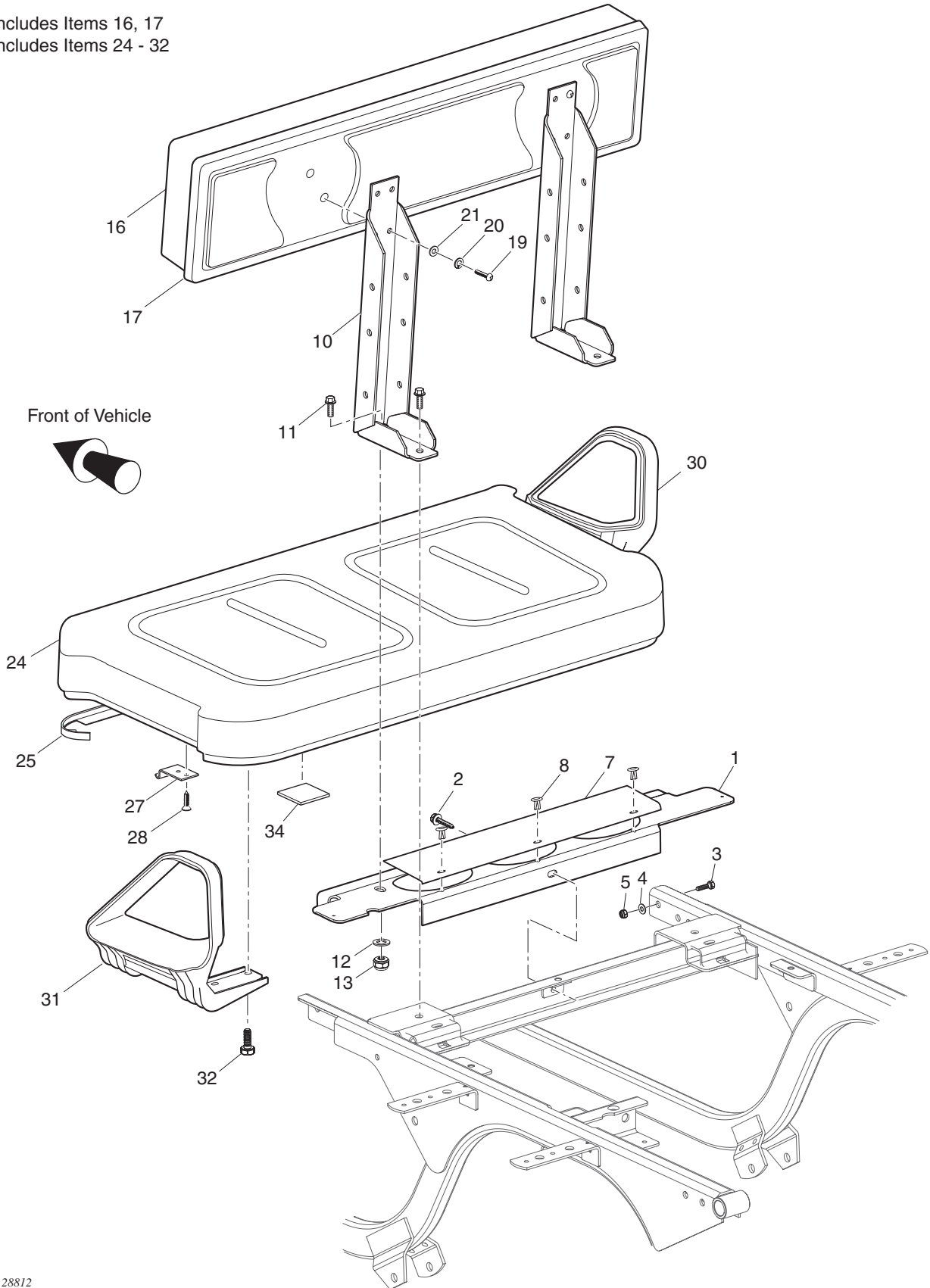
REAR SUSPENSION

THE USE OF NON U.L. PARTS WILL VOID ANY U.L. LISTING.
 When ordering parts, please specify the model and serial number of the product.
 * Indicates a component that is not available as an individual part.
 G** Indicates consult Customer Service Department for additional information.

ITEM	PART NO.	1 2 3 4 5	DESCRIPTION	QTY.
1	70248-G01		SHOCK ABSORBER.....	2
2	10435-G1		SHOCK ABSORBER WASHER.....	8
3	10194-G1		RUBBER SHOCK ABSORBER BUSHING	8
4	00532-G6		NUT, 3/8 - 24.....	4
5	10044-G01		VINYL CAP.....	4
6	74345-G03		LEAF SPRING.....	2
7	72618-G01		"U" BOLT, 3/8 - 16.....	4
8	00560-G1		WASHER, 3/8"	8
9	11098-G5		LOCK NUT, 3/8 - 16	8
10				
11	70289-G02		SPACER.....	4
12	70291-G01		RUBBER BUSHING	12
13	70290-G02		SHACKLE PLATE	4
14	00665-G9		BOLT, 3/8 - 16 X 3 1/2" LG (STAINLESS STEEL).....	4
15	11098-G5		LOCK NUT, 3/8 - 16	4
16				
17	14158-G1		SHOULDER BOLT, 3/8 - 16 X 3 1/4" LG.	2
18	12262-G1		LOCK NUT, 3/8 - 16	2
19	71498-G01		AXLE BUMPER BRACKET	2
20	70492-G01		RUBER BUMPER	2
21	00968-G01		LOCK WASHER, M10.....	2
22	00974-G01		NUT, M10	2

SEATING

15 - Includes Items 16, 17
23 - Includes Items 24 - 32



Ref Sea 4-1 28812

SEATING

THE USE OF NON U.L. PARTS WILL VOID ANY U.L. LISTING.

When ordering parts, please specify the model and serial number of the product.

* Indicates a component that is not available as an individual part.

G** Indicates consult Customer Service Department for additional information.

ITEM	PART NO.	1 2 3 4 5	DESCRIPTION	QTY.
1	74971-G01		SEAT BACK SUPPORT	1
2	00715-G2		BOLT, 5/16 - 18 X 13/16" LG	1
3	00438-G8		BOLT, 5/16 - 18 X 3/4" LG	2
4	00642-G8		WASHER, 5/16"	2
5	11098-G6		LOCK NUT, 5/16 - 18	2
6				
7	71263-G01		ACCESS COVER.....	1
8	18436-G1		DRIVE RIVET.....	3
9				
10	75900-G02		SEAT BACK SUPPORT BRACKET	2
11	01006-G01		BOLT, 3/8 - 16 X 1 1/4" LG	4
12	00643-G1		WASHER, 3/8"	2
13	11098-G5		LOCK NUT, 3/8 - 16	2
14				
15	71274-G**		SEAT BACK ASSEMBLY (INCLUDES ITEMS 16, 17)	1
16	18144-G**		VINYL SEAT BACK COVER	1
17	74889-G01		PLASTIC SEAT BACK COVER (BLACK)	1
18				
19	16705-G12		SCREW, 1/4 - 20 X 1" LG	4
20	00664-G7		LOCK WASHER, 1/4".....	4
21	01110-G01		WASHER, 1/4"	4
22				
23	71611-G**		SEAT BOTTOM ASSEMBLY (INCLUDES ITEMS 24 - 32)	1
24	71602-G**		VINYL SEAT BOTTOM COVER	1
25	71012-G01		VINYL TRIM (SEAT BOTTOM).....	1
26				
27	71610-G01		SEAT HINGE	2
28	00720-G08		SCREW, #12 - 14 X 1" LG.....	6
29				
30	71701-G01		HIP RESTRAINT (PASSENGER SIDE)	1

SEATING

THE USE OF NON U.L. PARTS WILL VOID ANY U.L. LISTING.

When ordering parts, please specify the model and serial number of the product.

* Indicates a component that is not available as an individual part.

G** Indicates consult Customer Service Department for additional information.

ITEM	PART NO.	1 2 3 4 5	DESCRIPTION	QTY.
31	71702-G01		HIP RESTRAINT (DRIVER SIDE)	1
32	71204-G01		BOLT, 1/4 - 20 X 7/8" LG.....	8
33				
34	17074-G1		BUMPER.....	2

**DID YOU
KNOW?**

CartPros directs you to the right part using the part numbers from this manual. Enter the part number into our search box and it will find the part you are looking for.

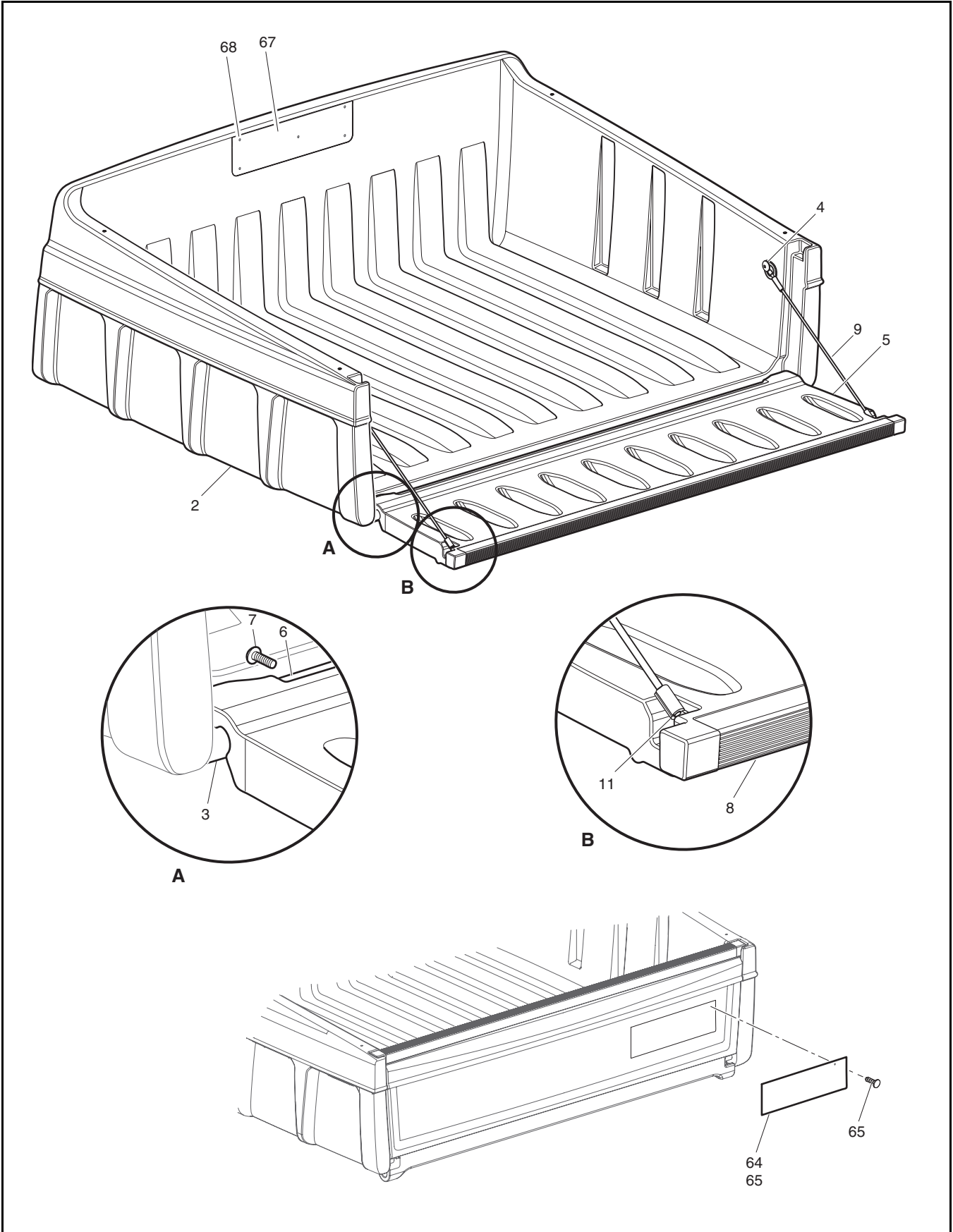
**GET STARTED
HERE**



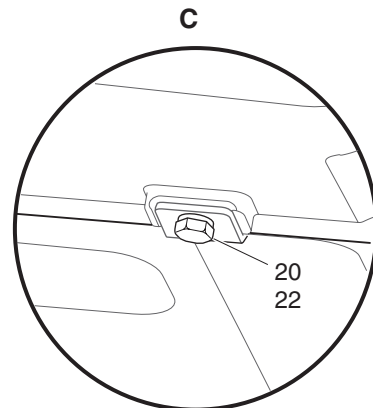
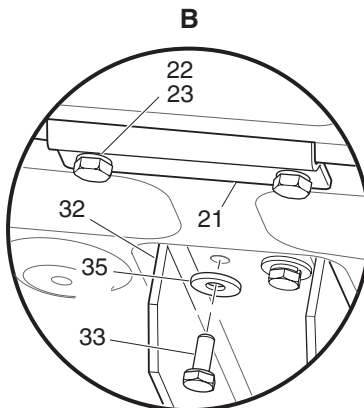
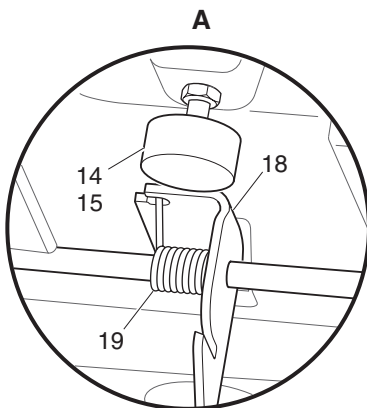
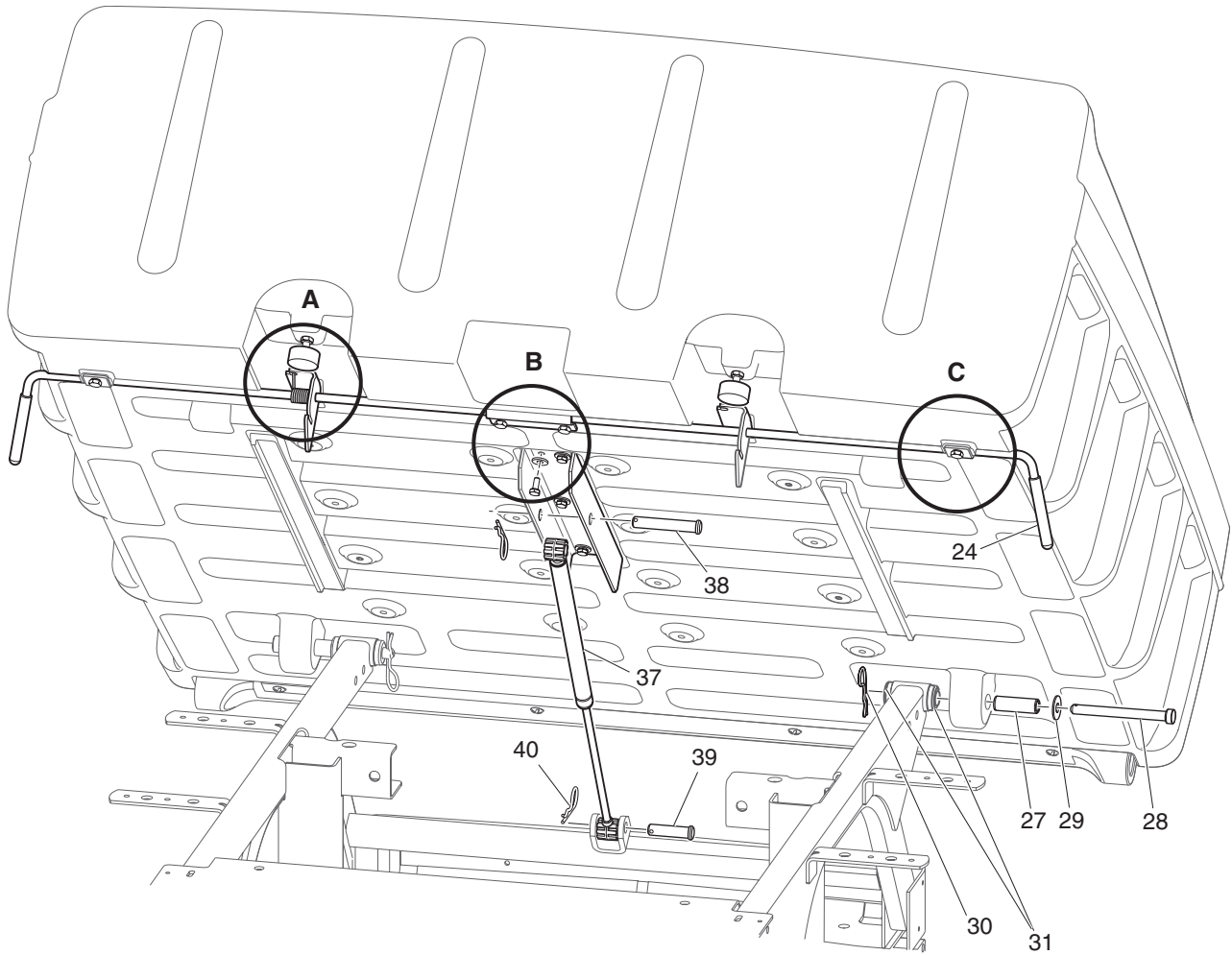
<https://CartPros.com/f.html>

SEATING

TRUCK BED, PLASTIC

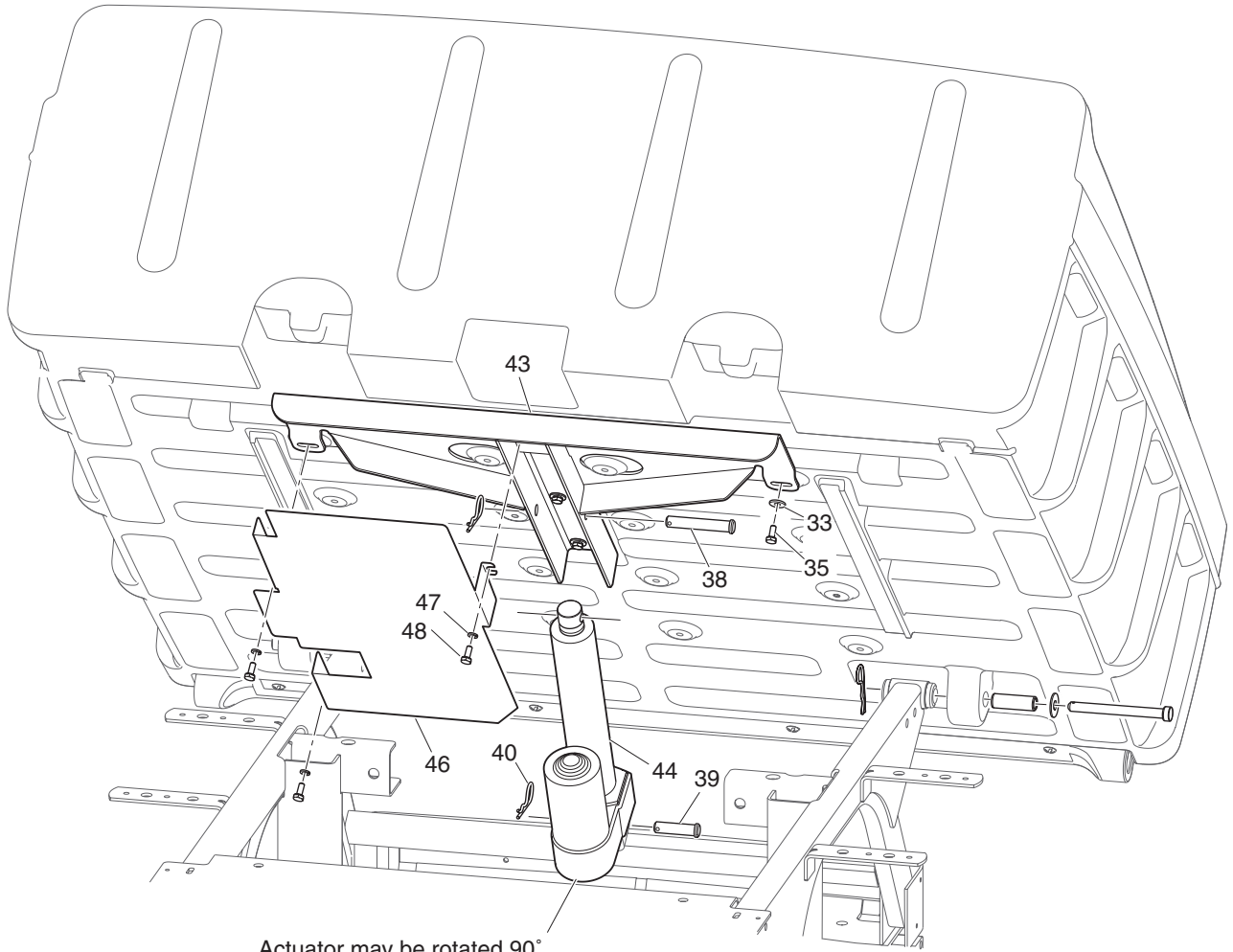


TRUCK BED, PLASTIC



Ref Tbp 21-2

TRUCK BED, PLASTIC



Actuator may be rotated 90°
on some models

Ref Tbp 21-3

TRUCK BED, PLASTIC

Where applicable, THE USE OF NON UL PARTS WILL VOID ANY UL LISTING.
 When ordering parts, please specify the model and serial number of the product.
 * Indicates a component that is not available as an individual part.
 G** Indicates consult Customer Service Department for additional information.

ITEM	PART NO.	1 2 3 4 5	DESCRIPTION	QTY.
1	73451-G01		BED ASSEMBLY, 40" (INCLUDES ITEMS 2 -11).....	1
2	73447-G01		PLASTIC BED, 40"	1
3	73454-G01		PIVOT SHAFT	2
4	73460-G01		SHOULDER BOLT, 1/4 - 20 X 3/4" LG	2
5	73448-G01		TAILGATE.....	1
6	73450-G01		BOWED ANGLE	1
7	16705-G2		SCREW, 1/4 - 20 X 5/8" LG (STAINLESS STEEL)	4
8	73449-G01		EXTRUSION CHANNEL.....	1
9	73455-G01		TAILGATE CABLE	1
10				
11	00415-G2		SCREW, 1/4 - 20 X 5/8" LG (STAINLESS STEEL)	2
12				
13				
14	70113-G01		ADJUSTABLE RUBBER BUMPER.....	2
15	11027-G1		LOCK NUT, 5/16 - 18.....	2
16				
17				
18	74962-G01		BED LATCH	1
19	71538-G01		LATCH TORSION SPRING	1
20	71099-G02		KEEPER PLATE	2
21	71477-G02		RETAINER BRACKET	1
22	01118-G01		SCREW, 1/4 - 20 X 5/8" LG	4
23				
24	71704-G01		HANDLE GRIP	2
25				
26				
27	71570-G01		BUSHING	2
28	71571-G01		CLEVIS PIN.....	2
29	00571-G5		WASHER, 1/2"	2
30	21683-G1		COTTER PIN.....	2

TRUCK BED, PLASTIC

Where applicable, THE USE OF NON UL PARTS WILL VOID ANY UL LISTING.
 When ordering parts, please specify the model and serial number of the product.
 * Indicates a component that is not available as an individual part.
 G** Indicates consult Customer Service Department for additional information.

ITEM	PART NO.	1 2 3 4 5	DESCRIPTION	QTY.
31	70291-G01		BUSHING	4
32	71569-G02		SPRING CHANNEL	1
33	01118-G01		SCREW, 1/4 - 20 X 5/8" LG	8
34				
35	00642-G7		WASHER, 1/4"	8
36				
37	71537-G02		GAS SPRING	2
38	14443-G10		CLEVIS PIN, 1/2" X 2 27/32" LG	1
39	14443-G11		CLEVIS PIN, 1/2" X 1 3/4" LG	1
40	21683-G1		COTTER PIN,	2
41				
42				
43	71547-G02		OUTRIGGER CHANNEL	1
44	27612-G02		ELECTRIC ACTUATOR, 12 VOLT, 1500 LBS.....	1
45				
46	72339-G02		PLASTIC BED HEAT SHIELD (GASOLINE VEHICLE ONLY)	1
47	00642-G7		WASHER, 1/4"	2
48	01118-G01		SCREW, 1/4-20 X 5/8"	2
49				
50				
51				
52				
53				
54				
55				
56				
57				
58				
59				
60				

TRUCK BED, PLASTIC

Where applicable, THE USE OF NON UL PARTS WILL VOID ANY UL LISTING.

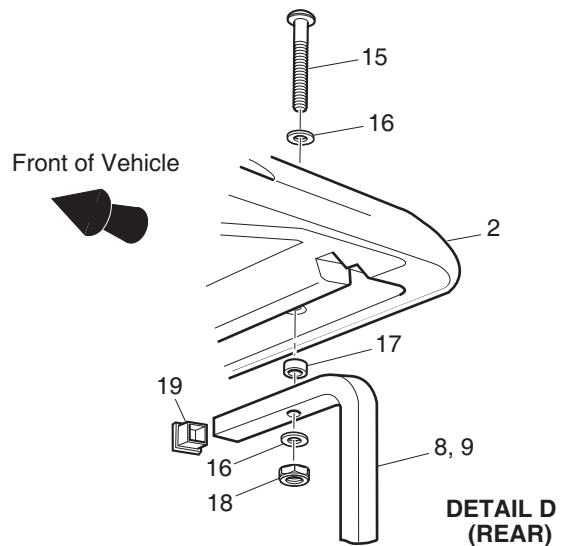
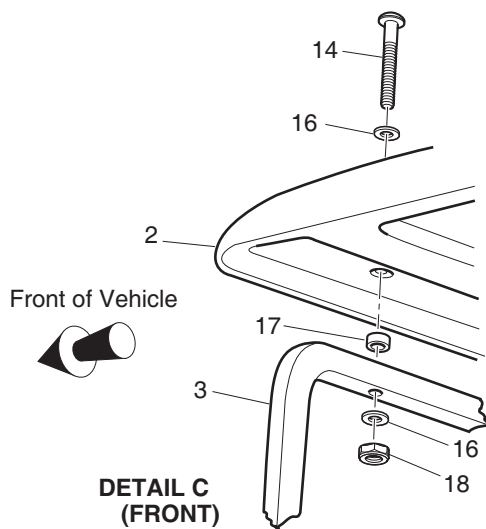
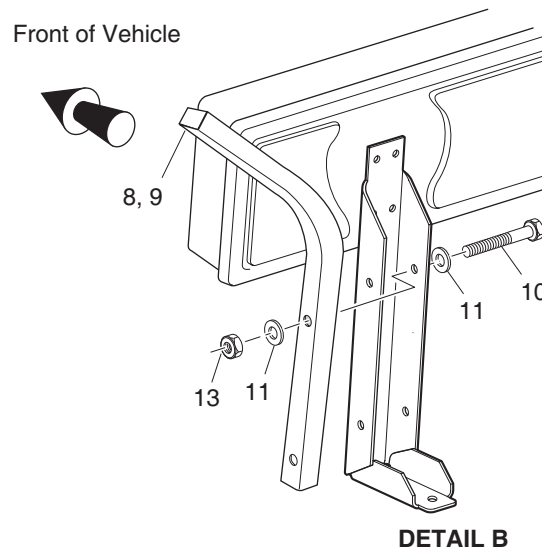
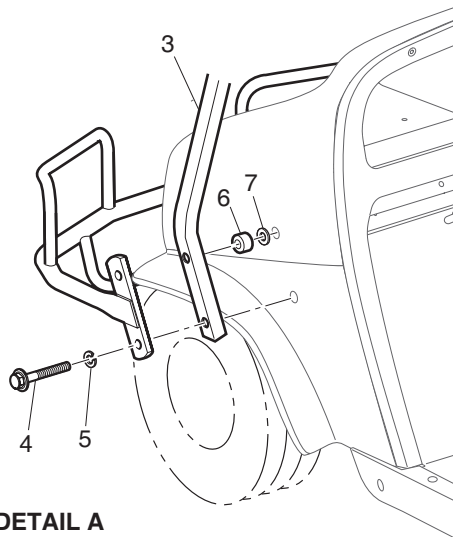
When ordering parts, please specify the model and serial number of the product.

* Indicates a component that is not available as an individual part.

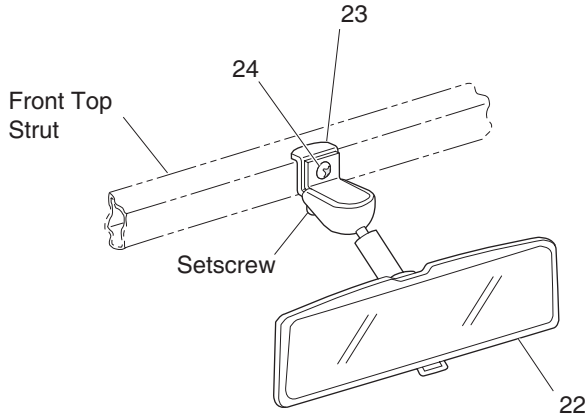
G** Indicates consult Customer Service Department for additional information.

ITEM	PART NO.	1 2 3 4 5	DESCRIPTION	QTY.
61				
62				
63	600110		JACOBSEN PLATE.....	1
64	600108-G01		CUSHMAN PLATE.....	1
65	16816-G2		RATCHET FASTENER.....	4
66				
67	74821-G01		LOAD BED DECAL.....	1
68	71055-G01		RIVET.....	5

WEATHER PROTECTION

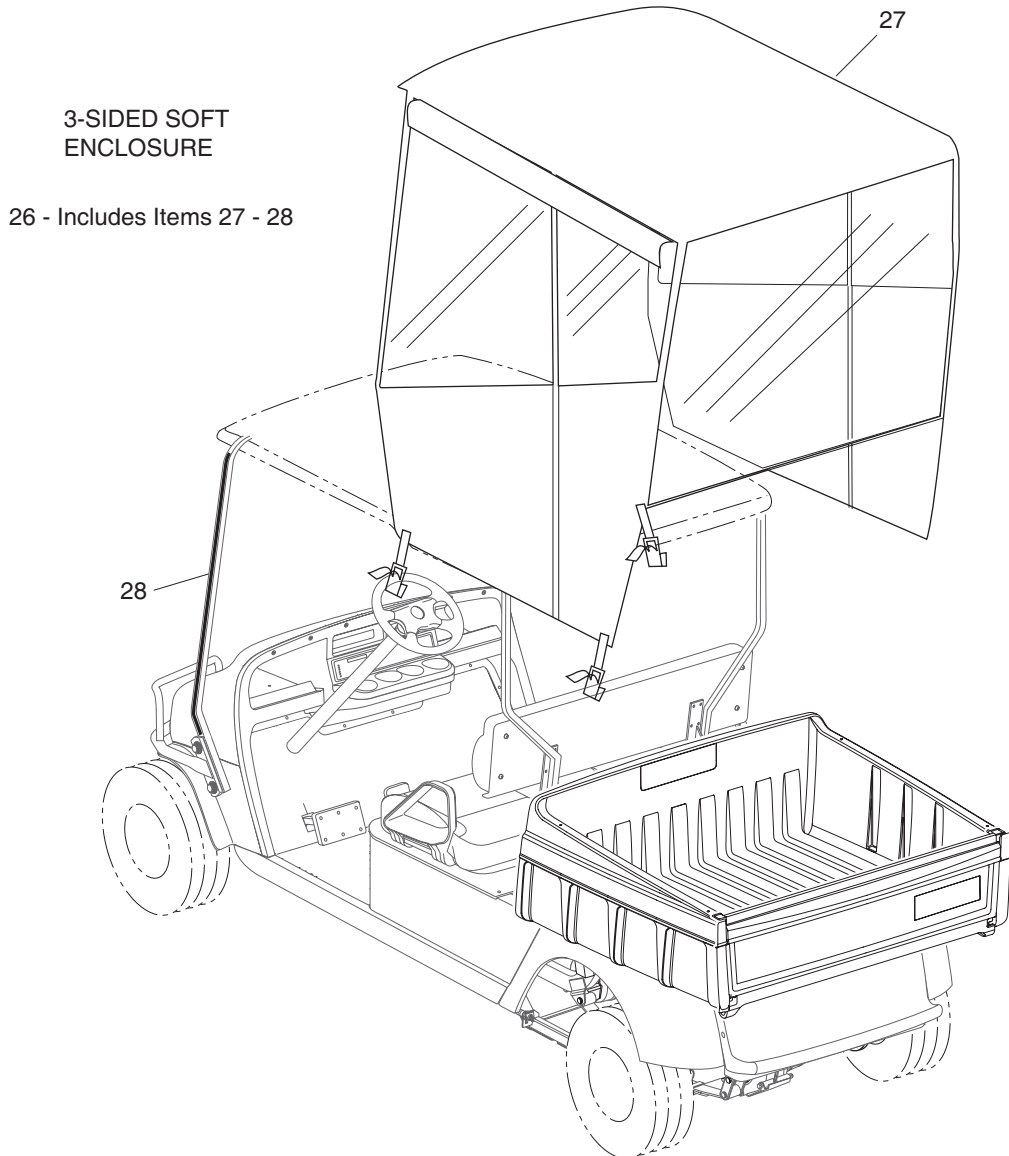


WEATHER PROTECTION



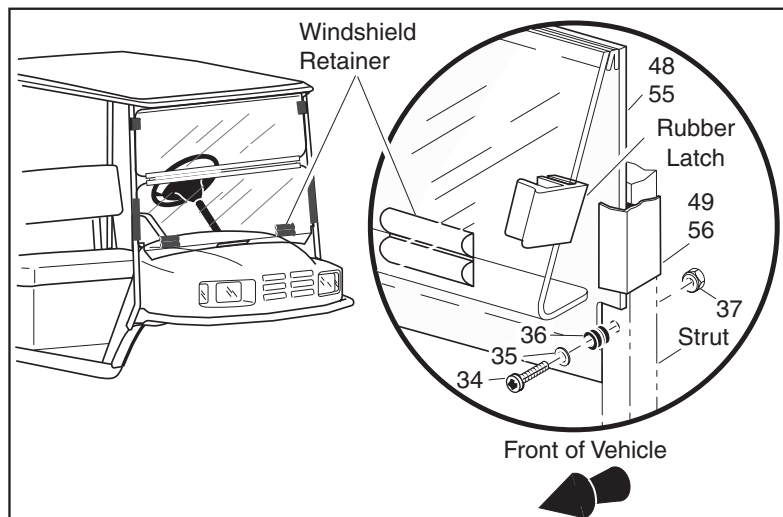
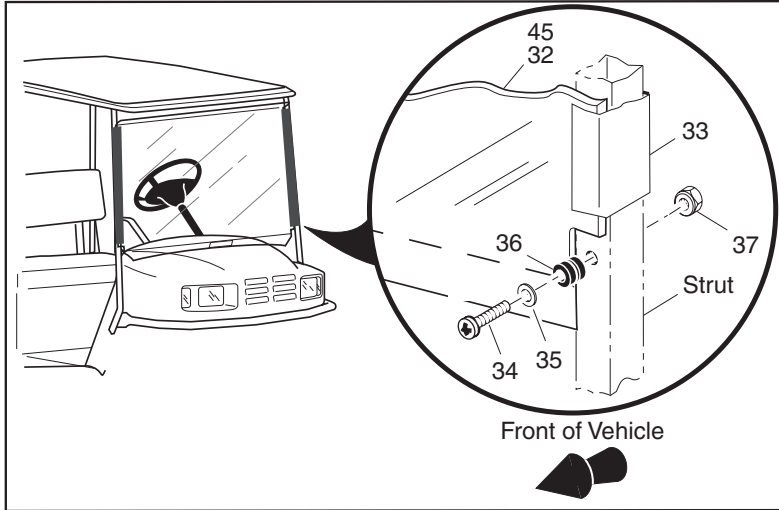
REAR VIEW MIRROR

21 - Includes Items 22 - 24



Ref Wea 20-2

WEATHER PROTECTION



WEATHER PROTECTION

THE USE OF NON U.L. PARTS WILL VOID ANY U.L. LISTING.

When ordering parts, please specify the model and serial number of the product.

* Indicates a component that is not available as an individual part.

G** Indicates consult Customer Service Department for additional information.

ITEM	PART NO.	1 2 3 4 5	DESCRIPTION	QTY.
1	75040-G**		SUN TOP KIT (INCLUDES ITEMS 2 - 19)	1
2	27069-G01		SUN TOP	1
3	75045-G05		FRONT STRUT	1
4	00440-G2		BOLT, 5/16 - 18 X 2 1/4" LG	4
5	00905-G8		LOCK WASHER, 5/16"	4
6	75048-G01		SPACER, 1/2"	2
7	00570-G2		WASHER, 5/16"	6
8	75838-G04		REAR STRUT (PASSENGER SIDE)	1
9	75838-G03		REAR STRUT (DRIVER SIDE)	1
10	00685-G7		BOLT, 5/16 - 18 X 1 3/4" LG	4
11	01110-G03		WASHER, 5/16"	8
12				
13	11098-G6		LOCK NUT, 5/16 - 18	4
14	00753-G5		SCREW, 1/4 - 20 X 2" LG (STAINLESS STEEL)	2
15	00753-G6		SCREW, 1/4 - 20 X 2 1/4" LG (STAINLESS STEEL)	2
16	01110-G01		WASHER, 1/4" (STAINLESS STEEL)	8
17	75051-G01		SPACER	4
18	00891-G2		LOCK NUT, 1/4 - 20	4
19	19853-G1		END CAP, 1"	2
20				
21	19528-G2		REAR VIEW MIRROR KIT (REQUIRES SUN TOP) (INCLUDES ITEMS 22 - 24)	1
22	19496-G1		REAR VIEW MIRROR	1
23	19502-G2		SUPPORT BRACKET	1
24	19527-G1		SCREW, #8 - 32 X 5/8" LG (STAINLESS STEEL)	1
25				
26	75367-G**		3-SIDED SOFT ENCLOSURE (REQUIRES SUN TOP) (INCL ITEMS 27 - 28)	1
27	*		ENCLOSURE	1
28	*		VELCRO	AR
29				

WEATHER PROTECTION

Replacement parts for the windshield may be obtained from Eagle Parts, Inc. 1411 Marvin Griffin Rd. Augusta, GA 30906. Telephone (706) 790-6687.

* Indicates a component that is not available as an individual part.

G** Indicates consult Customer Service Department for additional information.

ITEM	PART NO.	1 2 3 4 5	DESCRIPTION	QTY.
30				
31	71966-G01		WINDSHIELD KIT (FULL) (INCLUDES ITEMS 32 - 38)	1
32	71954-G01		WINDSHIELD (FULL) (LEXAN)	1
33	EGWHC12		SASH, 26" LG.	2
34	EGWHS12		BOLT, 1/4 - 20 X 1 3/4" LG. (STAINLESS STEEL)	2
35	EGWHG12		WASHER, 1/4" (STAINLESS STEEL)	4
36	EGWHG13		RUBBER GROMMET	2
37	EGWHN12		LOCK NUT, 1/4 - 20 (STAINLESS STEEL)	2
38	71963-G01		SAFETY LABEL	1
39				
40				
41				
42				
43				
44	71966-G03		WINDSHIELD KIT (FULL) (INCLUDES ITEMS 45, 33 - 37)	1
45	71960-G01		WINDSHIELD (FULL)	1
46				
47	71966-G04		WINDSHIELD KIT (SPLIT) (INCLUDES ITEMS 48, 49, 34 - 37)	1
48	71961-G01		WINDSHIELD (SPLIT)	1
49	EGWHC10		SASH, 12" LG.	2
50				
51				
52				
53				
54	71966-G02		WINDSHIELD KIT (SPLIT) (INCLUDES ITEMS 55, 56, 34 - 37)	1
55	71955-G01		WINDSHIELD (SPLIT) (LEXAN)	1
56	EGWHC10		SASH, 12" LG.	2

**DID YOU
KNOW?**

CartPros directs you to the right part using the part numbers from this manual. Enter the part number into our search box and it will find the part you are looking for.

**GET STARTED
HERE**



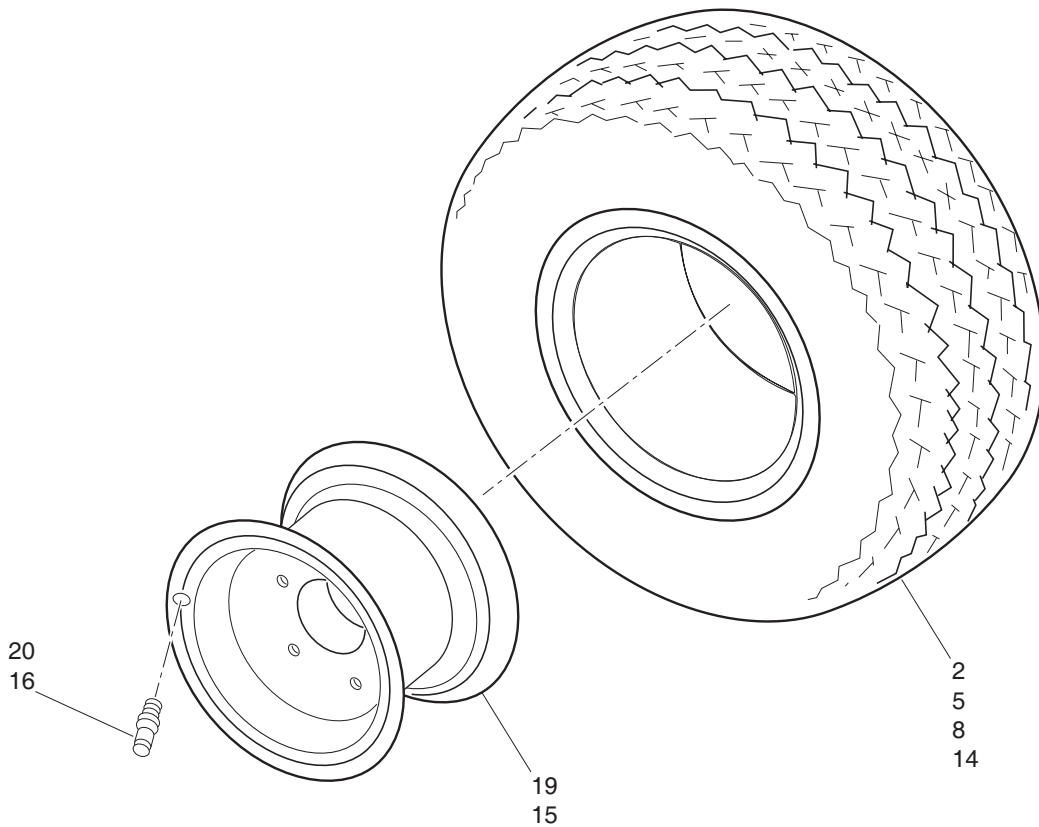
<https://CartPros.com/f.html>

WEATHER PROTECTION

WHEELS AND TIRES

- 1 - Includes Items 2, 19, 20
- 4 - Includes Items 5, 19, 20
- 7 - Includes Items 8, 19, 20
- 13 - Includes Items 14, 15, 16

Tire design may vary by Part Number



Ref Whl 3-1

**DID YOU
KNOW?**

CartPros directs you to the right part using the part numbers from this manual. Enter the part number into our search box and it will find the part you are looking for.

**GET STARTED
HERE** →

<https://CartPros.com/f.html>

WHEELS AND TIRES



GOLD / SILVER SPOKE HUBCAP
22, 23

WHEELS AND TIRES

When ordering parts, please specify the model and serial number of the product.
 * Indicates a component that is not available as an individual part.
 G** Indicates consult Customer Service Department for additional information.

ITEM	PART NO.	1 2 3 4 5	DESCRIPTION	QTY.
1	28757-G01		WHEEL AND TIRE ASSEMBLY, LINKS (INCLUDES ITEMS 2, 19, 20)	1
2	28764-G01		CARLISLE TIRE (LINKS 18 X 8.5 - 8, 4 PLY RATED)	1
3				
4	28757-G03		WHEEL AND TIRE ASSEMBLY, TURF SAVER (INCLUDES ITEMS 5, 19, 20)	1
5	28764-G03		CARLISLE TIRE (TURF SAVER 18 X 8.5 - 8, 4 PLY RATED).....	1
6				
7	28842-G01		WHEEL AND TIRE ASSEMBLY, LINKS (INCLUDES ITEMS 8, 19, 20)	1
8	28764-G08		CARLISLE TIRE (USA TRAIL LOAD RANGE C)	1
9				
10				
11				
12				
13	27784-G06		WHEEL AND TIRE ASSEMBLY, USA TRAIL (INCLUDES ITEMS 14, 15 16) ...	1
14	27784-G07		CARLISLE TIRE (USA TRAIL 5.70 X 8)	1
15	33678-G02		WHEEL RIM (4 LUG).....	1
16	26482-G01		VALVE STEM	1
17				
18				
19	28759-G01		WHEEL RIM (4 LUG).....	1
20	11657-G2		VALVE STEM	1
21				
22	19241-G*		GOLD SPOKE HUBCAP (OPTIONAL)	A/R
23	19241-G*		SILVER SPOKE HUBCAP (OPTIONAL).....	A/R

**DID YOU
KNOW?**

CartPros directs you to the right part using the part numbers from this manual. Enter the part number into our search box and it will find the part you are looking for.

**GET STARTED
HERE**



<https://CartPros.com/f.html>

SPECIALTY PRODUCTS

SPECIALTY PRODUCTS

SPECIALTY PRODUCTS

SPECIAL TOOLS	PART NO.
BATTERY MAINTENANCE KIT.....	25587-G01
SEAL INSTALLATION TOOL (REAR AXLE SHAFT SEAL).....	18739-G1
BATTERY SET DISCHARGER, 36 VOLT, 75 AMP	28251-G01
CURRENT INDICATOR.....	16489-G2
DIGITAL MULTI-METER	27481-G01
CRIMPING TOOL	27765-G01
SLIDE HAMMER (AXLE/HUB REMOVAL).....	15947-G1
SLIDE HAMMER (AXLE REMOVAL ONLY).....	18753-G1

TOUCH UP PAINT	PART NO.
PEN 3 OUNCE (89 ML) - HUNTER GREEN	28432-G02
PEN 3 OUNCE (89 ML) - CHAMPAGNE BEIGE.....	28432-G01
PEN 3 OUNCE (89 ML) - WHITE	28432-G05
PEN 3 OUNCE (89 ML) - INDUSTRIAL YELLOW.....	28432-G03
PEN 3 OUNCE (89 ML) - ORANGE	28432-G04
PEN 3 OUNCE (89 ML) - STEEL BLUE PEARL	28432-G**
PEN 3 OUNCE (89 ML) - CAMOUFLAGE PAINT (THREE PENS).....	75831-G01
AEROSOL 12 OUNCE (360 ML) - HUNTER GREEN	28140-G09
AEROSOL 12 OUNCE (360 ML) - CHAMPAGNE BEIGE.....	28140-G15
AEROSOL 12 OUNCE (360 ML) - WHITE	28140-G03
AEROSOL 12 OUNCE (360 ML) - INDUSTRIAL YELLOW.....	28140-G14
AEROSOL 12 OUNCE (360 ML) - ORANGE	28140-G13
AEROSOL 12 OUNCE (360 ML) - STEEL BLUE PEARL	28140-G**

MAINTENANCE PRODUCTS	PART NO.
FORMULA 40 VINYL-COAT® - WHITE.....	28166-G01
PLEXUS® CLEANER, 7 OUNCE (210 ML) (FOR WINDSHIELDS)	28433-G01
PLEXUS® CLEANER, 13 OUNCE (380 ML) (FOR WINDSHIELDS)	28433-G02
BATTERY PROTECTOR, 14 OUNCE (410 ML) SPRAY	75500-G01
WHITE LITHIUM GREASE, 14 OUNCE (410 ML) SPRAY	75502-G01
PENETRANT/LUBRICANT, 15 OUNCE (440 ML) SPRAY	75503-G01
MULTI-PURPOSE CLEANER & DEGREASER, 14 OUNCE (410 ML) SPRAY	75504-G01
MULTI-PURPOSE HAND CLEANER, 32 OUNCE (950 ML) LIQUID.....	75505-G01

SPECIALTY PRODUCTS

BATTERY CLEANER, 32 OUNCE (950 ML) WITH TRIGGER SPRAYER	75506-G01
BIO-DEGRADABLE CLEANER, 32 OUNCE (950 ML) WITH TRIGGER SPRAYER.....	75507-G01
MULTI-PURPOSE VALUE PACK.....	75508-G01
• BATTERY PROTECTOR, 4 OUNCE (120 ML) SPRAY	
• PENETRANT/LUBRICANT, 4 OUNCE (120 ML) SPRAY	
• WHITE LITHIUM GREASE, 4 OUNCE (120 ML) SPRAY	
• CARBURETOR & CHOKE CLEANER, 4 OUNCE (120 ML) SPRAY	

**DID YOU
KNOW?**

CartPros directs you to the right part using the part numbers from this manual. Enter the part number into our search box and it will find the part you are looking for.

**GET STARTED
HERE**



<https://CartPros.com/f.html>

OPTIONS/ACCESSORIES

OPTIONS/ACCESSORIES

OPTIONS/ACCESSORIES

ITEM	KIT NO.	COMMENTS
ACCESSORIES LISTING		
	KIT NO.	
ASHTRAY KIT	75109-G04	See BODY
BALL HITCH KIT	74492-G01	See BODY
CLEVIS HITCH KIT	74492-G05	See BODY
DEFROSTER/COOLING FAN	74248-G01	See CAB
DOOR SET	75856-G0*	See CAB
DOOR SET (VINYL)	75855-G01	See CAB
ELECTRIC DUMP KIT	74658-G05	See TRUCKBED
GLOVE BOX DOOR	75456-G0*	See BODY
HOUR METER KIT	74914-G02	See ELECTRICAL SYSTEM
INSIDE MIRROR	27924-G01	See WEATHER PROTECTION
INSTRUMENT/SWITCH PANEL	74250-G01	See CAB
REAR VIEW MIRROR KIT	19528-G2	See WEATHER PROTECTION
SOFT ENCLOSURE	75367-G**	See WEATHER PROTECTION
STEEL CAB, W/O DOORS	75854-G0*	See CAB
STROBE LIGHT	74245-G01	See CAB
SUN TOP KIT	75040-G**	See WEATHER PROTECTION
TURN SIGNAL KIT	75107-G02	See ELECTRICAL SYSTEM
GOLD SPOKE WHEEL COVERS	19241-G*	See WHEELS AND TIRES
SILVER SPOKE WHEEL COVERS	19241-G*	See WHEELS AND TIRES
WINDSHIELDS	71966-G0*	See WEATHER PROTECTION
WINDSHIELD WIPER	74244-G01	See CAB
WORK LIGHTS	74247-G01	See CAB
WORK LIGHT BAR WITH LIGHTS	71323-G04	See ELECTRICAL SYSTEM
WORK LIGHT BAR WITH STROBE	71323-G05	See ELECTRICAL SYSTEM
WORK LIGHT BAR WITH LIGHTS AND STROBE	71323-G06	See ELECTRICAL SYSTEM

**DID YOU
KNOW?**

CartPros directs you to the right part using the part numbers from this manual. Enter the part number into our search box and it will find the part you are looking for.

**GET STARTED
HERE**



<https://CartPros.com/f.html>

**DID YOU
KNOW?**

CartPros directs you to the right part using the part numbers from this manual. Enter the part number into our search box and it will find the part you are looking for.

**GET STARTED
HERE** →

<https://CartPros.com/f.html>



A Textron Company

E-Z-GO Division Of Textron, Inc.,
1451 Marvin Griffin Road, Augusta, Georgia USA 30906-3852

TO CONTACT US

North America:

Technical Assistance & Warranty Phone: 1-800-774-3946, FAX: 1-800-448-8124

Service Parts Phone: 1-888-GET-EZGO (1-888-438-3946), FAX: 1-800-752-6175

International:

Phone: 010-1-706-798-4311, FAX: 010-1-706-771-4609

Certified ISO 9001 / ISO 14001 by



Copyrighted Material
This manual may not be reproduced in whole or
in part without the express permission of
E-Z-GO Division of Textron, Inc.
Technical Communications Department