

**DID YOU  
KNOW?**

CartPros directs you to the right part using the part numbers from this manual. Enter the part number into our search box and it will find the part you are looking for.

**GET STARTED  
HERE** →

<https://CartPros.com/f.html>

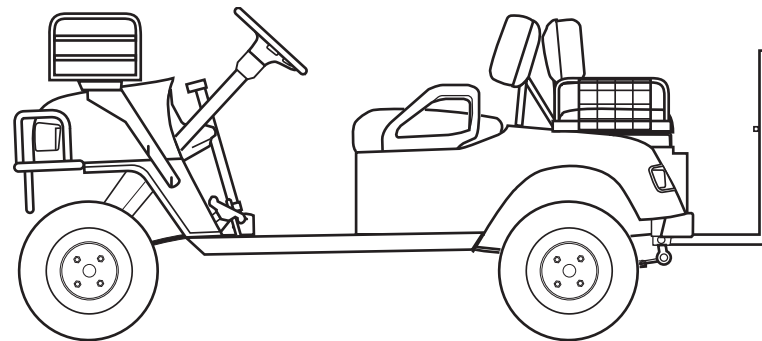
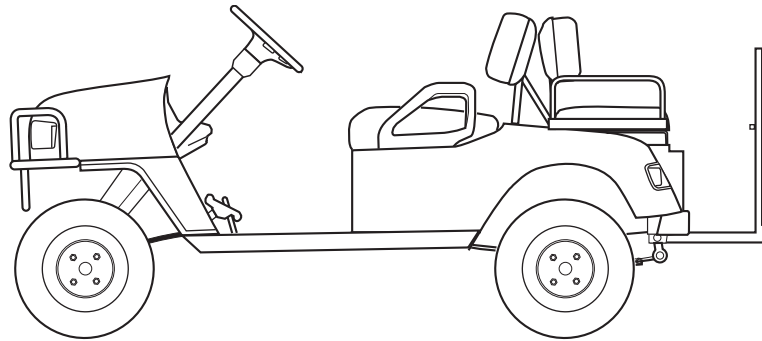
**600115G01**



A Textron Company



# SERVICE PARTS MANUAL



## GASOLINE POWERED UTILITY VEHICLE

ISSUED SEPTEMBER 2005 REVISED MAY 2008

**DID YOU  
KNOW?**

**CartPros** directs you to the right part using the part numbers from this manual. Enter the part number into our search box and it will find the part you are looking for.

**GET STARTED  
HERE**



<https://CartPros.com/f.html>

# SERVICE PARTS MANUAL

## GASOLINE POWERED UTILITY VEHICLE

**CLAYS CAR**

**CLAYS CAR CARB**

**ST SPORT 2+2**

**ST SPORT 2+2 CARB**

**ST CUSTOM**

**STARTING MODEL YEAR 2005**

DISCLAIMER: The E-Z-GO Division of Textron Inc. reserves the right to incorporate engineering and design changes to products in this Manual, without obligation to include these changes on units leased/sold previously.

The information contained in this Manual may be revised periodically by the E-Z-GO Division, and therefore is subject to change without notice.

The E-Z-GO Division DISCLAIMS LIABILITY FOR ERRORS IN THIS MANUAL, and the E-Z-GO Division SPECIFICALLY DISCLAIMS LIABILITY FOR INCIDENTAL AND CONSEQUENTIAL DAMAGES resulting from the use of the information and materials in this Manual.

**CUSTOMER SERVICE DEPARTMENT IN USA PHONE: 1-800-241-5855 FAX: 1-800-448-8124**

**OUTSIDE USA PHONE: 001-706-798-4311, FAX: 001-706-771-4609**

**E-Z-GO DIVISION OF TEXTRON, INC., 1451 MARVIN GRIFFIN RD., AUGUSTA, GEORGIA USA 30906**

## NOTES

**To obtain a copy of the limited warranty applicable to the vehicle, call or write a local Distributor, authorized Branch or the Warranty Department with vehicle serial number and manufacturer code.**

**The use of non Original Equipment Manufacturer (OEM) parts may void the warranty.**

**Overfilling of batteries may void the warranty.**

### **BATTERY PROLONGED STORAGE**

**All batteries will self discharge over time. The rate of self discharge varies depending on the ambient temperature and the age and condition of the batteries.**

**A fully charged battery will not freeze in winter temperatures unless the temperature falls below -75° F (-60° C).**

**As with all electric vehicles, the batteries must be checked and recharged as required or at a minimum of 30 day intervals.**

## TABLE OF CONTENTS

| <b>SECTION</b>                            | <b>Page No.</b> |
|---|-----------------|
| HOW TO USE THE SERVICE PARTS MANUAL ..... | v               |
| ILLUSTRATED PARTS BREAKDOWN .....         | vii             |
| ACCELERATOR .....                         | A-1             |
| AIR FILTER .....                          | B-1             |
| BODY .....                                | C-1             |
| BRAKES .....                              | D-1             |
| CARBURETOR AND CHOKE .....                | E-1             |
| CLUTCH .....                              | F-1             |
| DIRECTION SELECTOR .....                  | G-1             |
| ELECTRICAL SYSTEM .....                   | H-1             |
| ENGINE AND MUFFLER .....                  | J-1             |
| ENGINE MOUNTING .....                     | K-1             |
| FRONT SUSPENSION .....                    | L-1             |
| FUEL SYSTEM .....                         | M-1             |
| REAR AXLE .....                           | N-1             |
| REAR SUSPENSION .....                     | P-1             |
| SEATING .....                             | Q-1             |
| STARTER / GENERATOR .....                 | R-1             |
| STEERING .....                            | S-1             |
| WEATHER PROTECTION .....                  | T-1             |
| WHEELS AND TIRES .....                    | U-1             |
| SPECIALTY PRODUCTS .....                  | APPENDIX A-1    |
| OPTIONS AND ACCESSORIES .....             | APPENDIX B-1    |



## HOW TO USE THE SERVICE PARTS MANUAL

This manual is divided into several sections:

- GENERAL INFORMATION
- ILLUSTRATED PARTS BREAKDOWN
- APPENDIX

The first section, GENERAL INFORMATION, contains the following information:

- WARRANTY INFORMATION
- GENERAL INDEX
- HOW TO USE THE SERVICE PARTS MANUAL

The second section, ILLUSTRATED PARTS BREAKDOWN, contains illustrations and parts lists for all systems of your vehicle.

The third section, APPENDIX, contains a listing of specialty products and accessories.

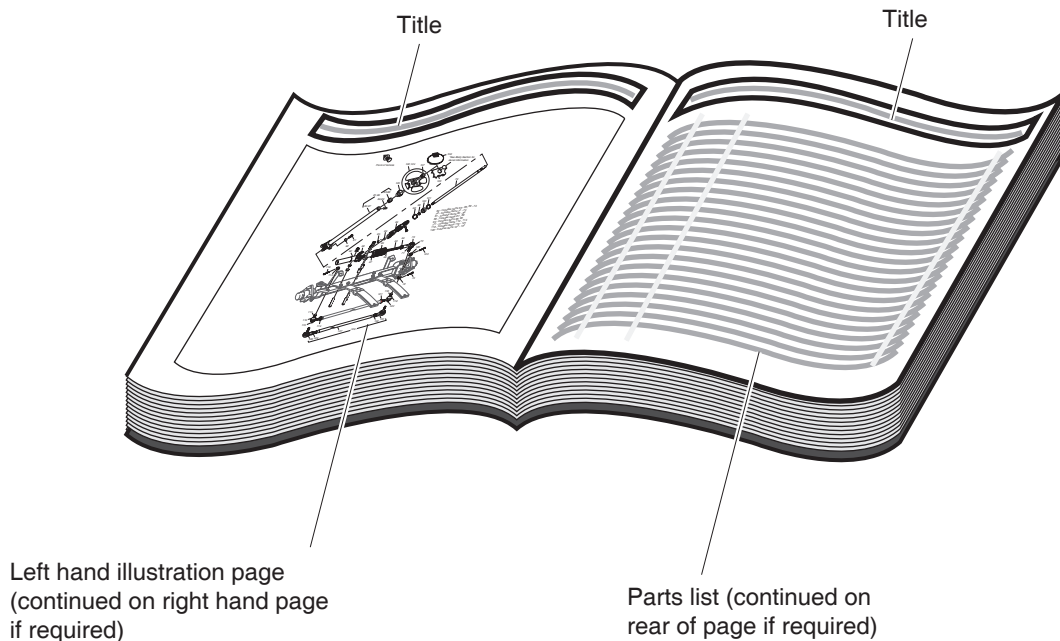
### USE OF THE MANUAL

To use this manual, consult the GENERAL INDEX to locate the information or illustration required.

Introduction of some revisions varies due to supply of components; therefore, it is possible that various combinations of components may be found that are not directly reflected by each illustration. Consult the illustration that best suits your situation and then contact the Service Parts Department. It is important that the serial number of your vehicle and its model number be supplied to Service Parts when ordering any replacement components.

Locate the serial number plate (see BODY located in the Illustrated Parts Breakdown section of this manual for its location) and note the complete number shown on the plate.

## HOW TO USE THE SERVICE PARTS MANUAL



### 1. WHEN THE PART NUMBER IS NOT KNOWN

- Determine the function and application of the part required. Turn to the General Index and select the most appropriate title.
- Turn to the page number indicated and locate the desired part on the illustration.
- From the illustration, obtain the item number assigned to the desired part. Refer to the accompanying description for specific information regarding the part.

### 2. IF YOU KNOW THE PART NUMBER

- Locate the part number or description in the appropriate column on the parts list page.

**NOTE:** It is suggested that you confirm that the part selected is correct by verifying it with the pictorial representation on the illustrated page.

Should an asterisk (\*) appear in the part number column on the parts list page, read upwards until a part number is found. The part number is the lowest assembly sold by Service Parts and the asterisk (\*) indicates that the part depicted is not available for purchase.

**NOTE:** Descriptions are indented under the assembly that they are used on. That assembly is, in turn listed under the assembly that it is used on. This process is repeated until the highest final assembly is reached.

**To facilitate the maintenance and repair of the vehicle, a Technician's Repair and Service Manual is available from the Service Parts Department.**



**DID YOU  
KNOW?**

CartPros directs you to the right part using the part numbers from this manual. Enter the part number into our search box and it will find the part you are looking for.

**GET STARTED  
HERE**

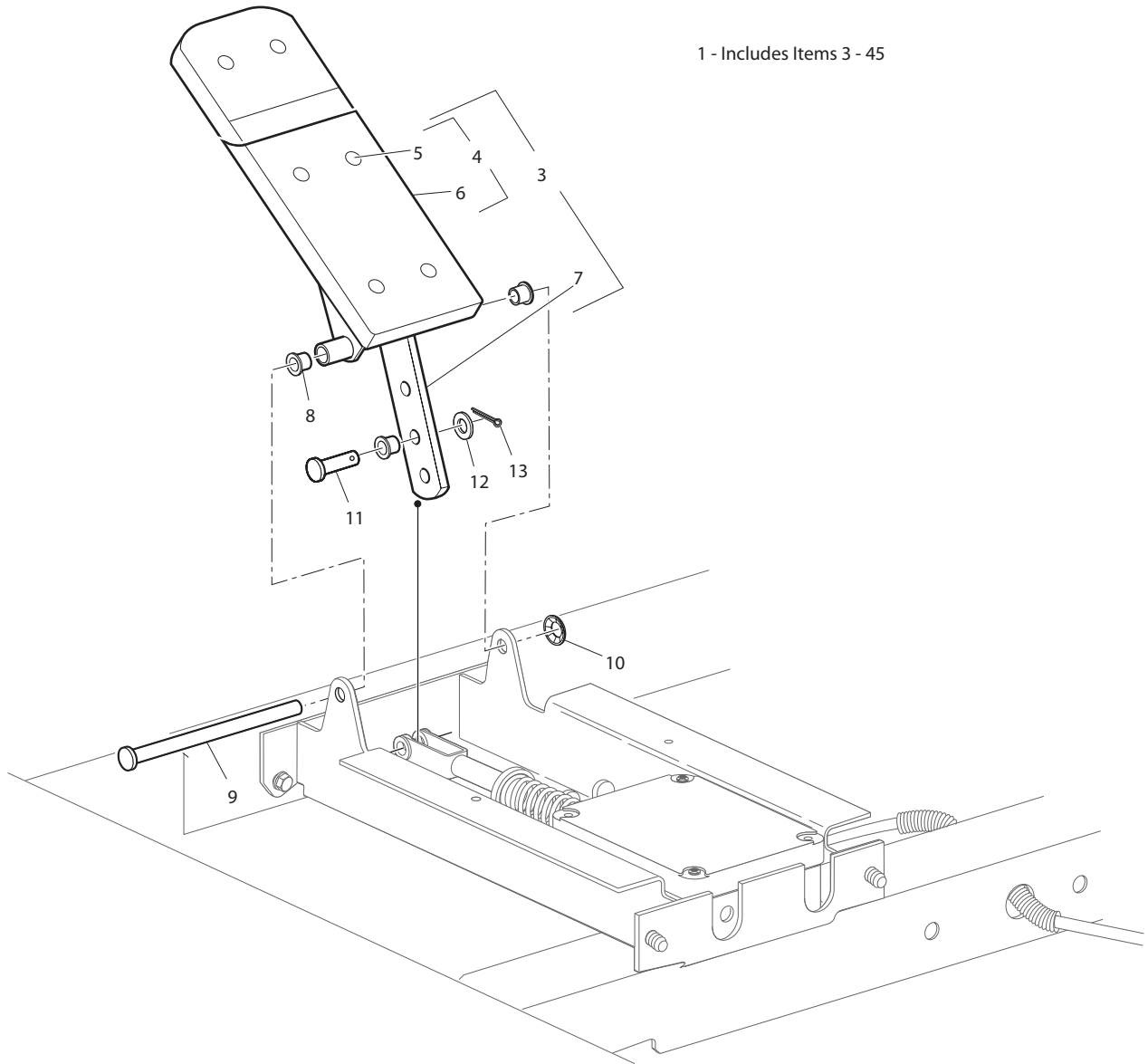


<https://CartPros.com/f.html>

# ILLUSTRATED PARTS BREAKDOWN

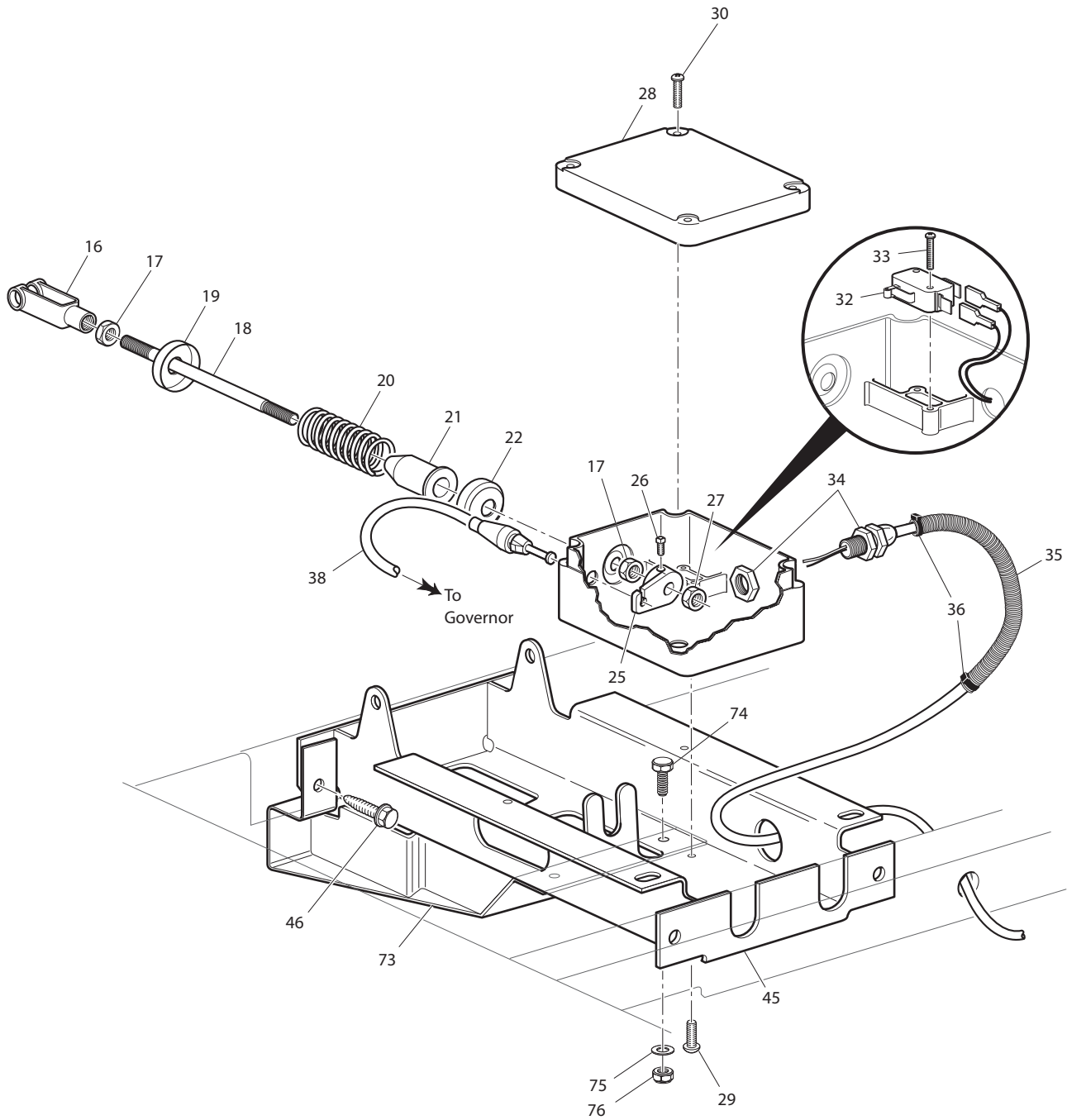
# ILLUSTRATED PARTS BREAKDOWN

# ACCELERATOR



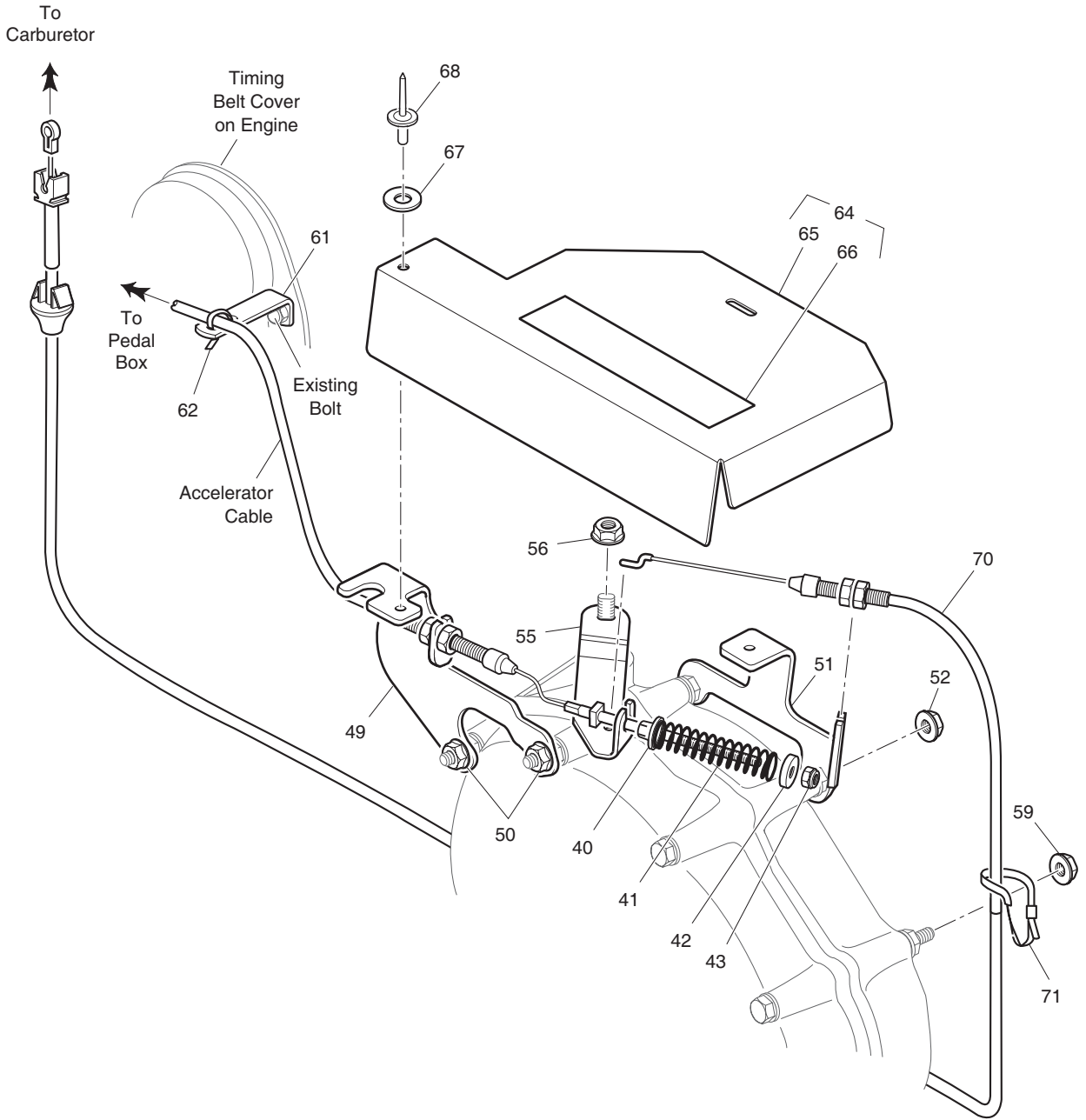
Ref Acl 11-1

# ACCELERATOR



Ref Acl 11-2

# ACCELERATOR



Ref Acl 11-3

**ACCELERATOR**

When ordering parts, please specify the model and serial number of the product.  
 \* Indicates a component that is not available as an individual part.  
 G\*\* Indicates consult Customer Service Department for additional information.

| ITEM | PART NO.  | 1 2 3 4 5 | DESCRIPTION  | QTY. |
|------|-----------|-----------|--|------|
| 1    | 72717-G04 |           | PEDAL BOX ASSEMBLY (INCLUDES ITEMS 3 - 45) .....       | 1    |
| 2    |           |           |  |      |
| 3    | 25799-G03 |           | ACCELERATOR PEDAL ASSEMBLY (INCLUDES ITEMS 4 - 7)..... | 1    |
| 4    | 27844-G01 |           | ACCELERATOR PEDAL PAD KIT (INCLUDES ITEMS 5 - 6).....  | 1    |
| 5    | 15766-G1  |           | OVAL RIVET, 3/16" X 7/16" LG .....                     | 6    |
| 6    | 27512-G01 |           | ACCELERATOR PEDAL PAD .....                            | 1    |
| 7    | *         |           | ACCELERATOR PEDAL .....                                | 1    |
| 8    | 17838-G1  |           | NYLON BUSHING .....                                    | 3    |
| 9    | 74432-G01 |           | PEDAL PIVOT PIN .....                                  | 1    |
| 10   | 12064-G6  |           | PUSH NUT, 9/32" .....                                  | 1    |
| 11   | 10386-G3  |           | CLEVIS PIN, 5/16" X 13/16" LG .....                    | 1    |
| 12   | 17255-G1  |           | TEFLON WASHER, 5/16" .....                             | 1    |
| 13   | 10387-G3  |           | COTTER PIN, 3/32" X 3/4" LG .....                      | 1    |
| 14   |           |           |  |      |
| 15   |           |           |  |      |
| 16   | 10385-G4  |           | CLEVIS YOKE (ADJUSTABLE).....                          | 1    |
| 17   | 00532-G4  |           | NUT, 5/16 - 24.....                                    | 2    |
| 18   | 72072-G01 |           | ACCELERATOR ROD .....                                  | 1    |
| 19   | 17677-G2  |           | SPRING RETAINER, 3/8" .....                            | 1    |
| 20   | 73046-G01 |           | COMPRESSION SPRING .....                               | 1    |
| 21   | 17979-G1  |           | ACCELERATOR ROD BUSHING .....                          | 1    |
| 22   | 17677-G1  |           | SPRING RETAINER, 1/2" .....                            | 1    |
| 23   |           |           |  |      |
| 24   |           |           |  |      |
| 25   | 72716-G01 |           | MICRO SWITCH CAM.....                                  | 1    |
| 26   | 00487-G3  |           | SETSCREW, 1/4 - 20 X 3/8" LG. ....                     | 1    |
| 27   | 15126-G1  |           | LOCK NUT, 5/16 - 24 .....                              | 1    |
| 28   | 25853-G03 |           | PEDAL BOX AND COVER .....                              | 1    |
| 29   | 01051-G01 |           | SCREW, #8 - 16 X 1/2" LG. ....                         | 4    |
| 30   | 00684-G6  |           | SCREW, #8 - 32 X 3/4" LG (STAINLESS STEEL).....        | 2    |

# ACCELERATOR

When ordering parts, please specify the model and serial number of the product.

\* Indicates a component that is not available as an individual part.

G\*\* Indicates consult Customer Service Department for additional information.

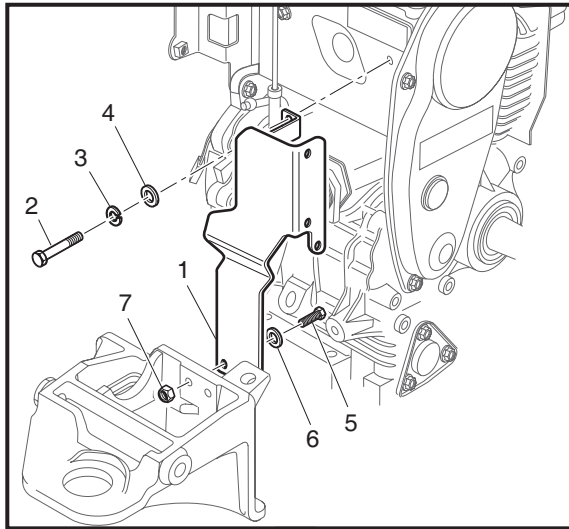
| ITEM | PART NO.  | 1 2 3 4 5 | DESCRIPTION                              | QTY. |
|------|-----------|-----------|--|------|
| 31   |           |           |  |      |
| 32   | 25861-G01 |           | MICRO SWITCH.....                        | 1    |
| 33   | 01050-G01 |           | SCREW, #4 - 20 X 5/8" LG .....           | 2    |
| 34   | 72201-G04 |           | WIRE HARNESS (PEDAL BOX) .....           | 1    |
| 35   | 17313-G1  |           | FLEX LOOM (BULK).....                    | AR   |
| 36   | 17618-G1  |           | WIRE TIE .....                           | 2    |
| 37   |           |           |  |      |
| 38   | 72713-G01 |           | ACCELERATOR CABLE .....                  | 1    |
| 39   |           |           |  |      |
| 40   | 72706-G01 |           | ACCELERATOR CABLE BUSHING .....          | 1    |
| 41   | 72707-G01 |           | COMPRESSION SPRING .....                 | 1    |
| 42   | 25727-G02 |           | CUP WASHER, 1/5" .....                   | 1    |
| 43   | 00734-G5  |           | LOCK NUT, #10 - 32.....                  | 1    |
| 44   |           |           |  |      |
| 45   | 70116-G02 |           | ACCELERATOR PEDAL BRACKET.....           | 1    |
| 46   | 00715-G2  |           | BOLT, 5/16 - 18 X 4/5" LG .....          | 4    |
| 47   | 70135-G01 |           | PEDAL PIVOT COVER .....                  | 1    |
| 48   |           |           |  |      |
| 49   | 72701-G02 |           | ACCELERATOR CABLE MOUNTING BRACKET ..... | 1    |
| 50   | 26830-G01 |           | LOCK NUT, M8 X 1.25 MM .....             | 2    |
| 51   | 72703-G02 |           | THROTTLE CABLE MOUNTING BRACKET .....    | 1    |
| 52   | 26830-G01 |           | LOCK NUT, M8 X 1.25 MM .....             | 2    |
| 53   |           |           |  |      |
| 54   |           |           |  |      |
| 55   | 72708-G01 |           | GOVERNOR ARM .....                       | 1    |
| 56   | 26830-G01 |           | LOCK NUT, M8 X 1.25 MM .....             | 1    |
| 57   |           |           |  |      |
| 58   |           |           |  |      |
| 59   | 26830-G01 |           | LOCK NUT, M8 X 1.25 MM .....             | 1    |
| 60   |           |           |  |      |

**ACCELERATOR**

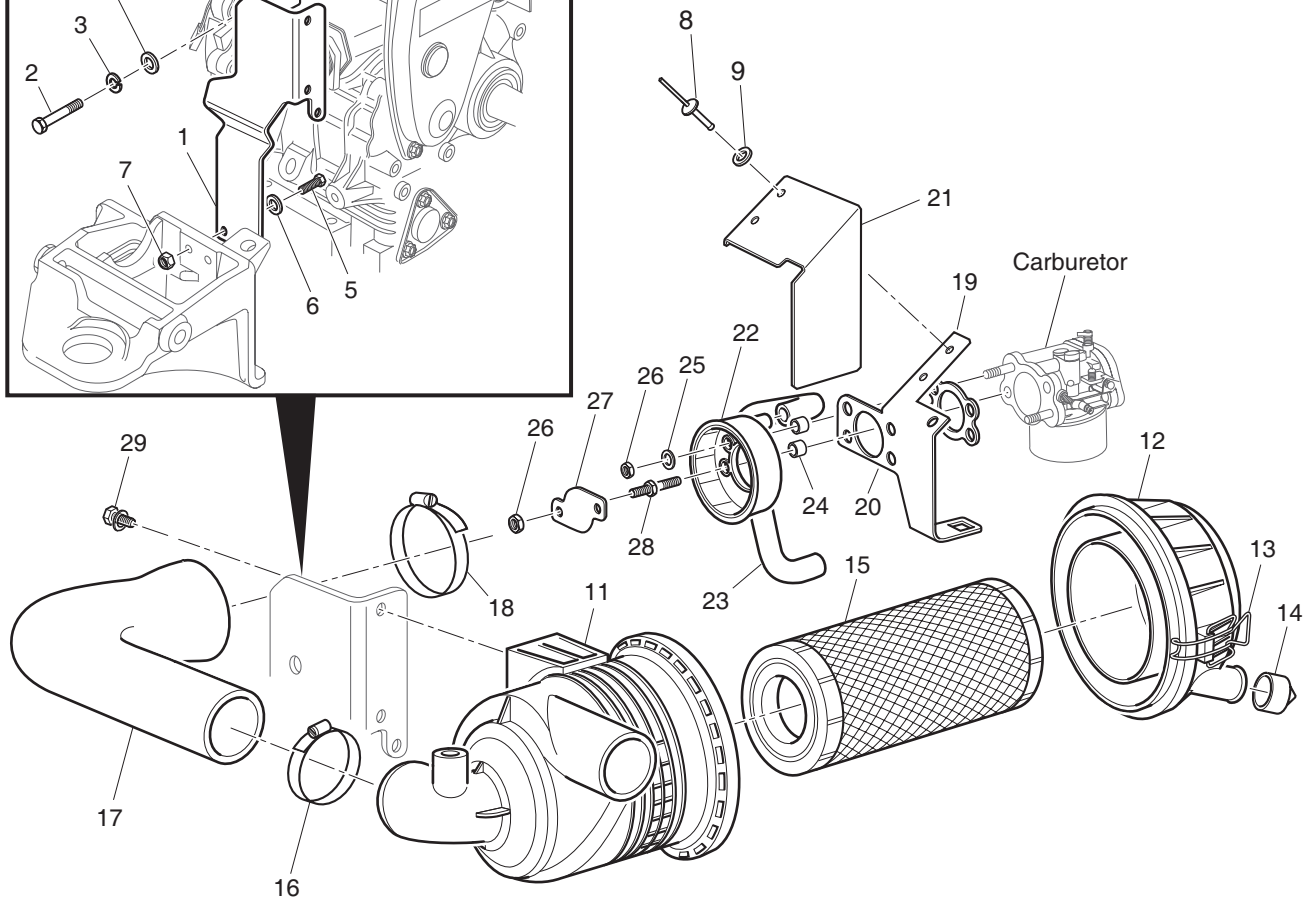
When ordering parts, please specify the model and serial number of the product.  
 \* Indicates a component that is not available as an individual part.  
 G\*\* Indicates consult Customer Service Department for additional information.

| ITEM | PART NO.  | 1 2 3 4 5 | DESCRIPTION   | QTY. |
|------|-----------|-----------|---|------|
| 61   | 72701-G02 |           | ACCELERATOR CABLE BRACKET .....                             | 1    |
| 62   | 17618-G1  |           | WIRE TIE .....  | 1    |
| 63   |           |           |   |      |
| 64   | 74457-G02 |           | GOVERNOR COVER/DECAL ASSEMBLY (INCLUDES ITEMS 65, 66) ..... | 1    |
| 65   | 72705-G02 |           | GOVERNOR COVER .....  | 1    |
| 66   | 24880-G1  |           | LABEL (WARNING - GOVERNOR) .....                            | 1    |
| 67   | 00915-G1  |           | BONDED WASHER, 1/4" .....                                   | 2    |
| 68   | 14601-G11 |           | RIVET, 3/16" X 9/16" LG (ALUMINUM) .....                    | 2    |
| 69   |           |           |   |      |
| 70   | 72714-G01 |           | THROTTLE CABLE .....  | 1    |
| 71   | 17618-G1  |           | WIRE TIE .....  | 1    |
| 72   |           |           |   |      |
| 73   | 75757-G01 |           | PEDAL GUARD .....   | 1    |
| 74   | 00414-G6  |           | BOLT 1/4 - 20 X 3/4" LG .....                               | 2    |
| 75   | 01110-G01 |           | WASHER, 1/4" (STAINLESS STEEL) .....                        | 2    |
| 76   | 00654-G2  |           | LOCK NUT, 1/4 - 20 (STAINLESS STEEL) .....                  | 2    |

# AIR FILTER



10 - Includes Items 11 - 15



Front of Vehicle



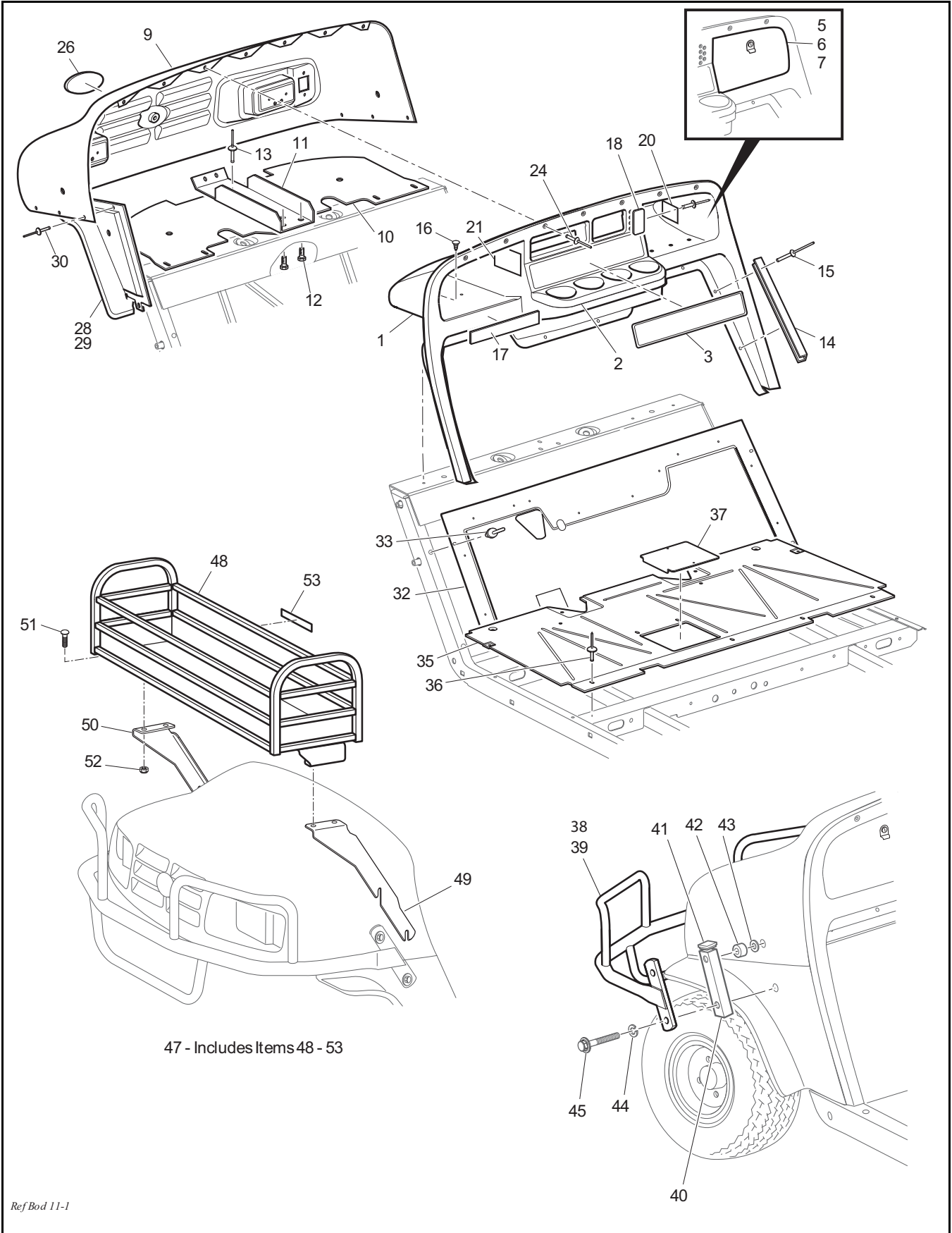


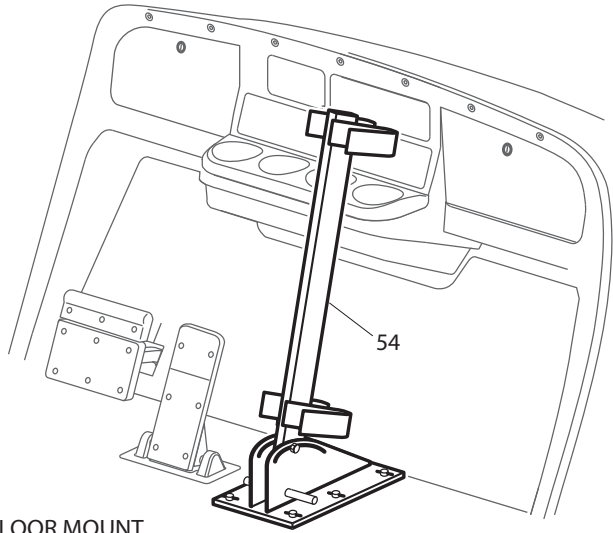
# AIR FILTER

THE USE OF NON U.L. PARTS WILL VOID ANY U.L. LISTING.  
 When ordering parts, please specify the model and serial number of the product.  
 \* Indicates a component that is not available as an individual part.  
 G\*\* Indicates consult Customer Service Department for additional information.

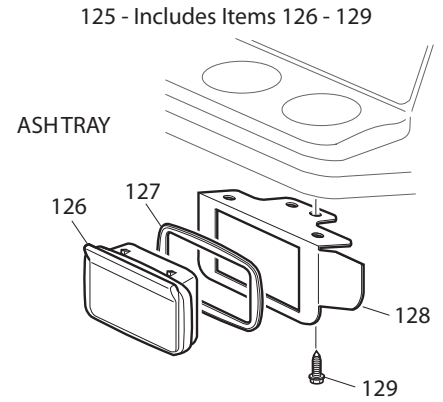
| ITEM | PART NO.  | 1 2 3 4 5 | DESCRIPTION  | QTY. |
|------|-----------|-----------|--|------|
| 1    | 75878-G02 |           | AIR FILTER BRACKET (CABLE ACTUATED CARBURETOR) .....         | 1    |
| 2    | 12547-G3  |           | BOLT, M6 X 1MM X 20MM LG .....                               | 1    |
| 3    | 00664-G7  |           | LOCK WASHER, 1/4".....                                       | 1    |
| 4    | 00559-G7  |           | WASHER, 1/4" .....   | 1    |
| 5    | 00415-G2  |           | BOLT, 1/4 - 20 X 1 1/4" LG .....                             | 2    |
| 6    | 00559-G7  |           | WASHER, 1/4" .....   | 2    |
| 7    | 14390-G4  |           | LOCK NUT, 1/4 - 20 .....                                     | 2    |
| 8    | 14601-G11 |           | RIVET .....  | 2    |
| 9    | 00915-G1  |           | BONDED WASHER .....  | 2    |
| 10   | 72607-G01 |           | AIR CLEANER CANISTER ASSEMBLY (INCLUDES ITEMS 11 - 14) ..... | 1    |
| 11   | 72598-G01 |           | AIR CLEANER CANISTER .....                                   | 1    |
| 12   | 72599-G01 |           | AIR CLEANER COVER.....                                       | 1    |
| 13   | 72604-G01 |           | AIR CLEANER LATCH.....                                       | 2    |
| 14   | 28462-G01 |           | AIR CLEANER DUST COLLECTOR.....                              | 1    |
| 15   | 28463-G01 |           | AIR CLEANER ELEMENT .....                                    | 1    |
| 16   | 11391-G7  |           | HOSE CLAMP .....   | 1    |
| 17   | 72592-G01 |           | HOSE (AIR FILTER TO CARBURETOR) .....                        | 1    |
| 18   | 11391-G6  |           | HOSE CLAMP .....   | 2    |
| 19   | 26727-G01 |           | CARBURETOR GASKET.....                                       | 2    |
| 20   | 74498-G02 |           | CHOKE / THROTTLE BRACKET.....                                | 1    |
| 21   | 74499-G02 |           | CHOKE / THROTTLE COVER.....                                  | 1    |
| 22   | 72591-G01 |           | CARBURETOR ADAPTER .....                                     | 1    |
| 23   | 72151-G01 |           | PCV HOSE.....  | 1    |
| 24   | 23726-G11 |           | CARBURETOR MOUNTING SPACER.....                              | 4    |
| 25   | 00664-G7  |           | WASHER, 1/4" .....   | 2    |
| 26   | 13632-G1  |           | NUT, M6 X 1.....   | 4    |
| 27   | 72605-G01 |           | CARBURETOR BAFFLE.....                                       | 1    |
| 28   | 72514-G01 |           | STUD.....  | 2    |
| 29   | 25532-G1  |           | BOLT AND WASHER, M8 X 1.25 X 18 MM.....                      | 2    |

# BODY



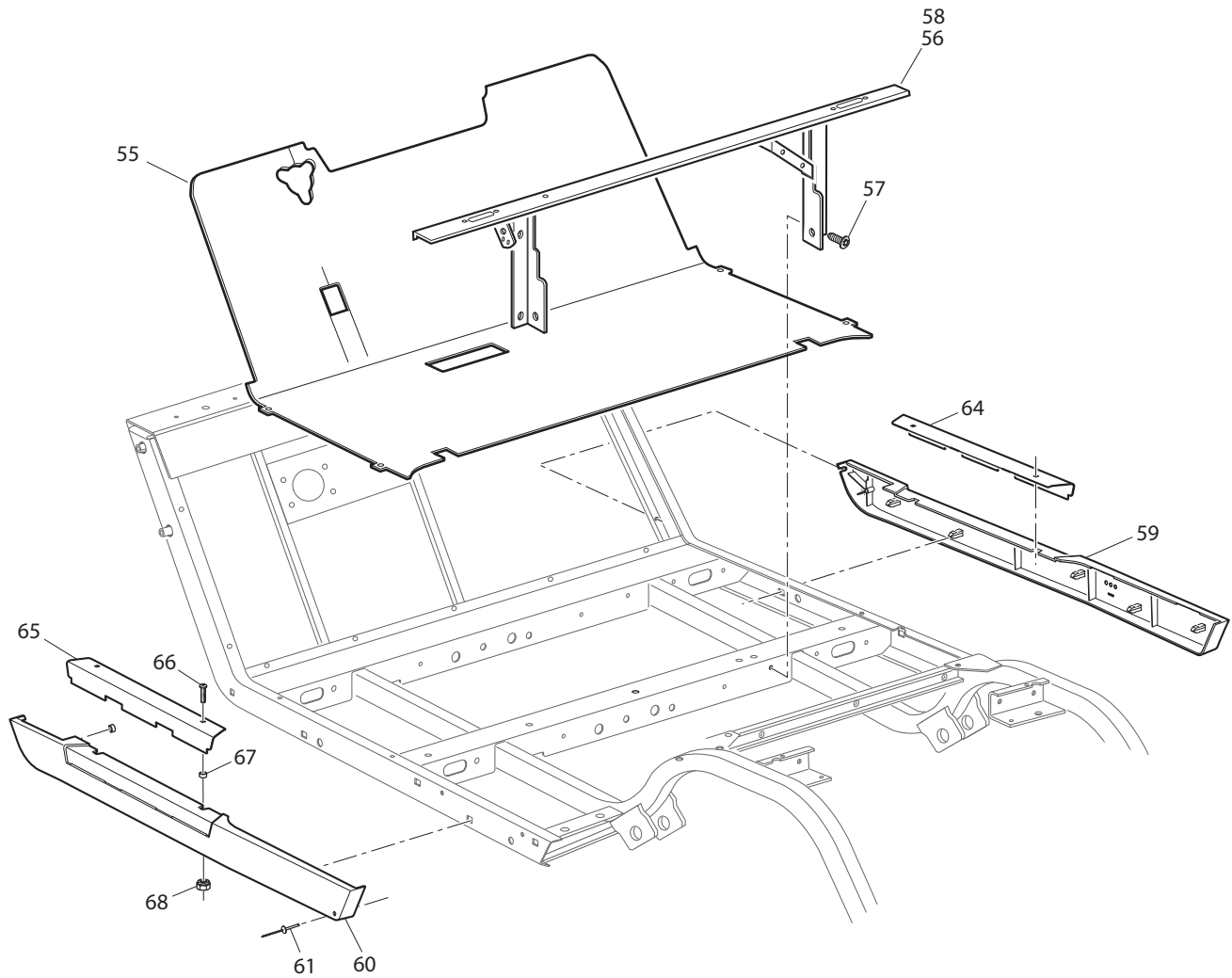


FLOOR MOUNT  
GUN HOLDER



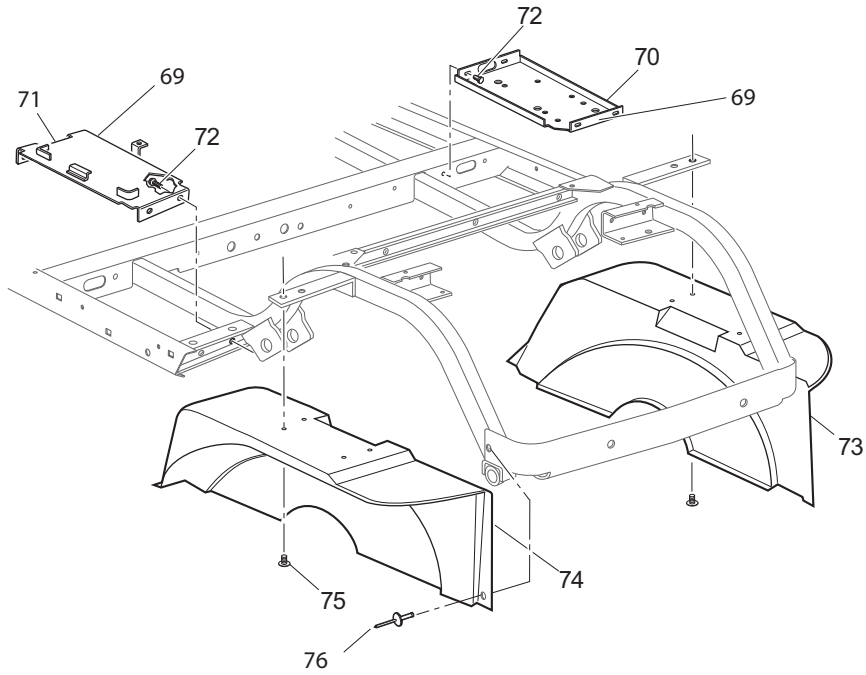
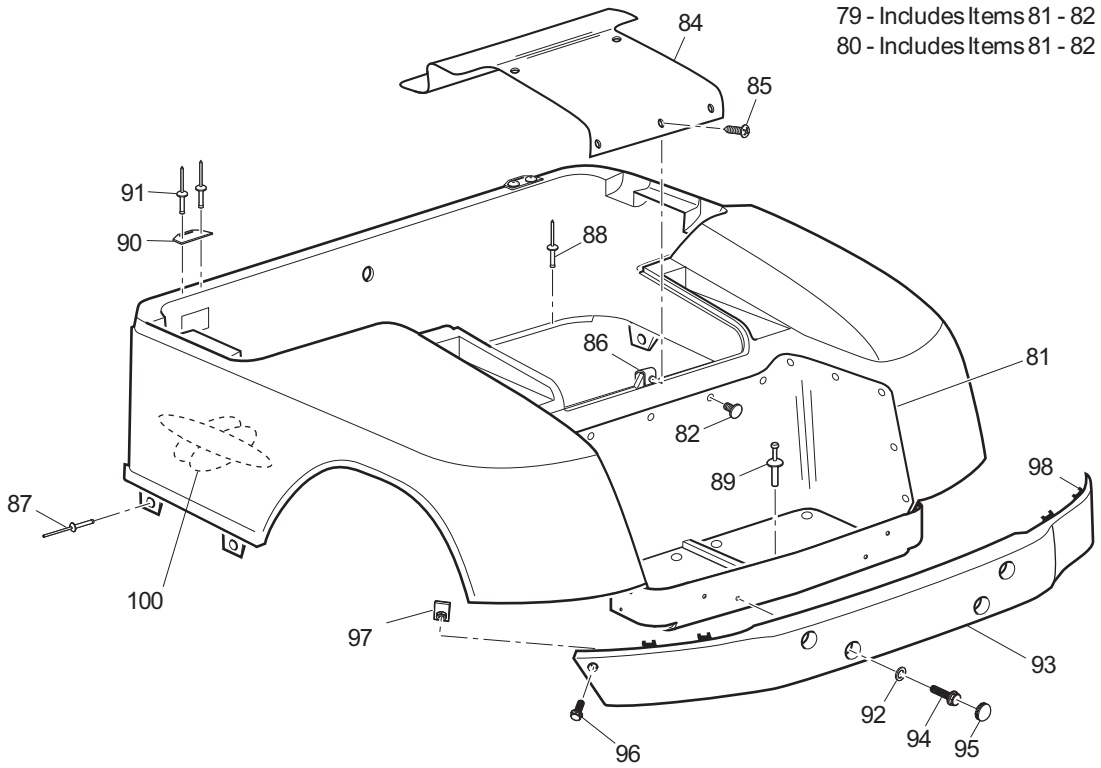
125 - Includes Items 126 - 129

ASHTRAY

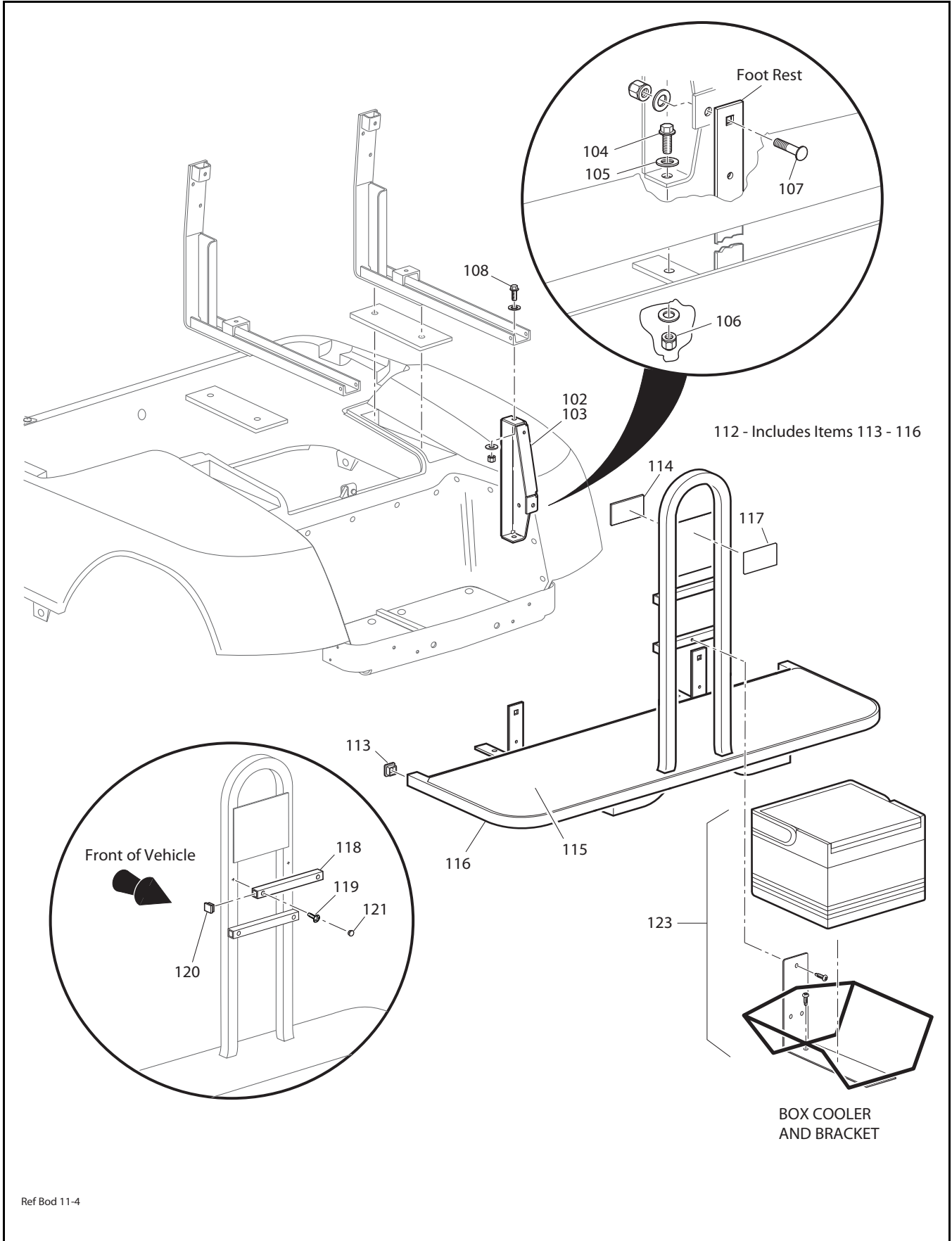


Ref Bod 11-2

# BODY



RefBod 11-3



Ref Bod 11-4

**BODY**

THE USE OF NON U.L. PARTS WILL VOID ANY U.L. LISTING.  
 When ordering parts, please specify the model and serial number of the product.  
 \* Indicates a component that is not available as an individual part.  
 G\*\* Indicates consult Customer Service Department for additional information.

| ITEM | PART NO.   | 1 2 3 4 5 | DESCRIPTION                              | QTY. |
|------|------------|-----------|--|------|
| 1    | 71151-G03  |           | INSTRUMENT PANEL ASSEMBLY .....          | 1    |
| 2    | 71158-G01  |           | INSTRUMENT PANEL INSERT (FOUR CUP) ..... | 1    |
| 3    | 27826-G01  |           | LABEL (SAFETY).....                      | 1    |
| 4    |            |           |  |      |
| 5    | 75459-G01  |           | GLOVE BOX DOORS (BOTH SIDES) .....       | 1    |
| 6    | 75459-G02  |           | GLOVE BOX DOOR (DRIVER SIDE) .....       | 1    |
| 7    | 75459-G03  |           | GLOVE BOX DOOR (PASSENGER SIDE).....     | 1    |
| 8    |            |           |  |      |
| 9    | 606534-G** |           | COWL.....                                | 1    |
| 10   | 71413-G01  |           | SPLASH PANEL.....                        | 1    |
| 11   | 71101-G01  |           | COWL SUPPORT BRACKET .....               | 1    |
| 12   | 71102-G02  |           | BOLT, 1/4 - 20 X 1/2" LG .....           | 3    |
| 13   | 71055-G02  |           | RIVET, 3/16" X 1 1/8" LG (ALUMINUM)..... | 1    |
| 14   | 71115-G01  |           | VINYL TRIM .....                         | 2    |
| 15   | 71055-G01  |           | RIVET, 3/16" X 1" LG (ALUMINUM).....     | 10   |
| 16   | 16816-G2   |           | RATCHET FASTENER, 1/4" X 3/4" LG .....   | 4    |
| 17   | 74443-G01  |           | LABEL (ANTI-ROLLBACK) .....              | 1    |
| 18   | 35968-G01  |           | LABEL (TEE HOLDER COVER) .....           | 1    |
| 19   |            |           |  |      |
| 20   | *          |           | SERIAL NUMBER PLATE .....                | 1    |
| 21   | *          |           | CAPACITY PLATE.....                      | 1    |
| 22   |            |           |  |      |
| 23   |            |           |  |      |
| 24   | 71055-G01  |           | RIVET, 3/16" X 1" LG (ALUMINUM).....     | 10   |
| 25   |            |           |  |      |
| 26   | 74813-G01  |           | NAMEPLATE (E-Z-GO) (OVAL) .....          | 1    |
| 27   |            |           |  |      |
| 28   | 71338-G01  |           | FENDER FLARE (DRIVER SIDE).....          | 1    |
| 29   | 71338-G02  |           | FENDER FLARE (PASSENGER SIDE) .....      | 1    |
| 30   | 71055-G01  |           | RIVET, 3/16" X 1" LG (ALUMINUM).....     | 6    |

THE USE OF NON U.L. PARTS WILL VOID ANY U.L. LISTING.  
 When ordering parts, please specify the model and serial number of the product.  
 \* Indicates a component that is not available as an individual part.  
 G\*\* Indicates consult Customer Service Department for additional information.

| ITEM | PART NO.  | 1 2 3 4 5 | DESCRIPTION  | QTY. |
|------|-----------|-----------|--|------|
| 31   |           |           |  |      |
| 32   | 71510-G01 |           | UPPER FLOORPAN (FRAME MOUNTED STEERING).....           | 1    |
| 33   | 14601-G11 |           | RIVET, 3/16" X 9/16" LG (ALUMINUM).....                | 9    |
| 34   |           |           |  |      |
| 35   | 70451-G01 |           | LOWER FLOORPAN.....                                    | 1    |
| 36   | 14601-G11 |           | RIVET, 3/16" X 9/16" LG (ALUMINUM).....                | 7    |
| 37   | 70452-G01 |           | ACCESS COVER.....                                      | 1    |
| 38   | 604891    |           | 3 BAR CHROME BRUSH GUARD (ST CUSTOM).....              | 1    |
| 39   | 74265-G02 |           | BUMPER.....  | 1    |
| 40   | 74037-G01 |           | SPACER TUBE.....                                       | 2    |
| 41   | 19859-G1  |           | END CAP, 3/4".....                                     | 2    |
| 42   | 75048-G01 |           | SPACER, 1/2".....                                      | 2    |
| 43   | 00570-G2  |           | WASHER, 5/16".....                                     | 6    |
| 44   | 00905-G8  |           | LOCK WASHER, 5/16".....                                | 4    |
| 45   | 01035-G02 |           | BOLT, 5/16 - 18 X 2 1/2" LG.....                       | 4    |
| 46   |           |           |  |      |
| 47   | 74521-G02 |           | FRONT BASKET ASSEMBLY (INCLUDES ITEMS 48 - 53).....    | 1    |
| 48   | 74523-G01 |           | FRONT BASKET.....                                      | 1    |
| 49   | 74522-G01 |           | BASKET MOUNTING BRACKET (DRIVER SIDE).....             | 1    |
| 50   | 74522-G02 |           | BASKET MOUNTING BRACKET (PASSENGER SIDE).....          | 1    |
| 51   | 00725-G1  |           | CARRIAGE BOLT, 3/8 - 16 X 1" LG (STAINLESS STEEL)..... | 4    |
| 52   | 00891-G1  |           | LOCK NUT, 3/8 - 16.....                                | 4    |
| 53   | 71931-G01 |           | LABEL, FRONT BASKET (WARNING).....                     | 1    |
| 54   | 74365-G01 |           | GUN HOLDER, FLOOR MOUNT.....                           | 1    |
| 55   | 70048-G06 |           | FLOORMAT WITH HORN HOLES (1/8").....                   | 1    |
| 56   | 70440-G03 |           | SEAT FRAME (FOR SINGLE CABLE DIRECTION SELECTOR).....  | 1    |
| 57   | 00715-G2  |           | BOLT, 5/16 - 18 X 4/5" LG.....                         | 2    |
| 58   | 70440-G04 |           | SEAT FRAME (ST CUSTOM).....                            | 1    |
| 59   | 71501-G01 |           | ROCKER PANEL (PASSENGER SIDE).....                     | 1    |
| 60   | 71502-G01 |           | ROCKER PANEL (DRIVER SIDE).....                        | 1    |

# BODY

THE USE OF NON U.L. PARTS WILL VOID ANY U.L. LISTING.

When ordering parts, please specify the model and serial number of the product.

\* Indicates a component that is not available as an individual part.

G\*\* Indicates consult Customer Service Department for additional information.

| ITEM | PART NO.   | 1 2 3 4 5 | DESCRIPTION  | QTY. |
|------|------------|-----------|--|------|
| 61   | 15058-G6   |           | RIVET, 3/16" X 15/16" LG (ALUMINUM) .....                    | 4    |
| 62   |            |           |  |      |
| 63   |            |           |  |      |
| 64   | 71507-G01  |           | SILL PLATE (PASSENGER SIDE) .....                            | 1    |
| 65   | 71507-G02  |           | SILL PLATE (DRIVER SIDE).....                                | 1    |
| 66   | 16705-G1   |           | SCREW, 1/4 - 20 X 1" LG (STAINLESS STEEL) .....              | 4    |
| 67   | 23726-G4   |           | SPACER, 5/16".....   | 4    |
| 68   | 00891-G2   |           | LOCK NUT, 1/4 - 20 (STAINLESS STEEL) .....                   | 4    |
| 69   | 70244-G03  |           | SPLASH PANEL (ST CUSTOM) .....                               | 2    |
| 70   | 70244-G02  |           | SPLASH PANEL.....  | 1    |
| 71   | 70245-G01  |           | BATTERY TRAY.....  | 1    |
| 72   | 00715-G2   |           | BOLT, 5/16 - 18 X 4/5" LG .....                              | 8    |
| 73   | 71551-G01  |           | FENDER LINER, EXTENDED (PASSENGER SIDE).....                 | 1    |
| 74   | 71552-G01  |           | FENDER LINER, EXTENDED (DRIVER SIDE) .....                   | 1    |
| 75   | 16816-G2   |           | RATCHET FASTENER, 1/4" X 3/4" LG .....                       | 8    |
| 76   | 14601-G17  |           | RIVET .....  | 2    |
| 77   |            |           |  |      |
| 78   |            |           |  |      |
| 79   | 71912-G4** |           | REAR BODY (WITHOUT TAILLIGHTS) (INCLUDES ITEMS 81, 82) ..... | 1    |
| 80   | 71334-G0** |           | REAR BODY (WITH TAILLIGHTS) (INCLUDES ITEMS 81, 82).....     | 1    |
| 81   | 71318-G01  |           | BAGWELL LINER .....  | 1    |
| 82   | 16816-G1   |           | RATCHET FASTENER, 1/4" X 9/16" LG .....                      | 26   |
| 83   |            |           |  |      |
| 84   | 71320-G01  |           | ACCESS PANEL .....   | 1    |
| 85   | 01107-G01  |           | SCREW, #8 X 3/8" LG (STAINLESS STEEL) .....                  | 5    |
| 86   | 71364-G02  |           | "J" CLIP .....   | 1    |
| 87   | 10570-G12  |           | RIVET, 1/4" X 9/16" LG (ALUMINUM) .....                      | 4    |
| 88   | 10570-G10  |           | RIVET, 5/32" X 9/16" LG (STAINLESS STEEL) .....              | 6    |
| 89   | 18436-G1   |           | PLASTIC DRIVE RIVET, 1/4" X 3/4" LG .....                    | 2    |
| 90   | 71609-G01  |           | SEAT HINGE PLATE.....  | 2    |



THE USE OF NON U.L. PARTS WILL VOID ANY U.L. LISTING.  
 When ordering parts, please specify the model and serial number of the product.  
 \* Indicates a component that is not available as an individual part.  
 G\*\* Indicates consult Customer Service Department for additional information.

| ITEM | PART NO.  | 1 2 3 4 5 | DESCRIPTION  | QTY. |
|------|-----------|-----------|--|------|
| 91   | 10570-G11 |           | RIVET, 3/16" X 3/4" LG (STAINLESS STEEL) .....     | 4    |
| 92   | 00571-G2  |           | WASHER, 5/16" .....                                | 4    |
| 93   | 71456-G01 |           | NOTCHED REAR BUMPER .....                          | 1    |
| 94   | 71398-G01 |           | BOLT, 1/4 - 20 X 1 1/4" LG .....                   | 4    |
| 95   | 71455-G01 |           | BUMPER PLUG .....                                  | 4    |
| 96   | 71102-G01 |           | BOLT, 1/4 - 20 x 11/16" LG .....                   | 2    |
| 97   | 71554-G01 |           | J-TYPE NUT RETAINER, 1/4 - 20.....                 | 2    |
| 98   | 71457-G01 |           | BUMPER STAY .....                                  | 4    |
| 99   |           |           |  |      |
| 100  | 74532-G01 |           | LABEL (CLAYS CAR).....                             | 2    |
| 101  |           |           |  |      |
| 102  | 74126-G01 |           | VERTICAL FRAME SUPPORT (PASSENGER SIDE) .....      | 1    |
| 103  | 74126-G02 |           | VERTICAL FRAME SUPPORT (DRIVER SIDE).....          | 1    |
| 104  | 00427-G6  |           | BOLT, 3/8 - 16 X 1 1/2" LG .....                   | 2    |
| 105  | 00560-G1  |           | WASHER, 3/8" .....                                 | 10   |
| 106  | 11098-G5  |           | LOCK NUT, 3/8 - 16 .....                           | 10   |
| 107  | 00769-G2  |           | CARRIAGE BOLT, 3/8 - 16 X 1 1/4" LG .....          | 2    |
| 108  | 00426-G8  |           | BOLT, 3/8 - 16 X 1" LG .....                       | 2    |
| 109  |           |           |  |      |
| 110  |           |           |  |      |
| 111  |           |           |  |      |
| 112  | 70361-G01 |           | FOOTREST ASSEMBLY (INCLUDES ITEMS 113 - 116) ..... | 1    |
| 113  | 19853-G1  |           | END CAP, 1" .....                                  | 2    |
| 114  | 74074-G01 |           | LABEL (WARNING) .....                              | 1    |
| 115  | 70362-G01 |           | FLOORMAT .....                                     | 1    |
| 116  | 70633-G01 |           | FOOTREST .....                                     | 1    |
| 117  | 71093-G01 |           | LABEL (LOAD BED LIMIT WARNING) .....               | 1    |
| 118  | 75268-G01 |           | SUPPORT TUBE.....                                  | 2    |
| 119  | 606882    |           | SELF THREADING SCREW, #12 - 24 X 3/4" LG .....     | 4    |
| 120  | 19859-G1  |           | END CAP, 3/4" .....                                | 4    |

# BODY

THE USE OF NON U.L. PARTS WILL VOID ANY U.L. LISTING.  
 When ordering parts, please specify the model and serial number of the product.  
 \* Indicates a component that is not available as an individual part.  
 G\*\* Indicates consult Customer Service Department for additional information.

| ITEM | PART NO.  | 1 2 3 4 5 | DESCRIPTION                                       | QTY. |
|------|-----------|-----------|---|------|
| 121  | 20271-G2  |           | HOLE PLUG, 1/2" .....                             | 4    |
| 122  |           |           |   |      |
| 123  | 71048-G01 |           | BOX COOLER AND BRACKET (INCLUDES HARDWARE).....   | 1    |
| 124  |           |           |   |      |
| 125  | 75109-G02 |           | ASH TRAY KIT (INCLUDES ITEMS 126 - 129) .....     | 1    |
| 126  | 27731-G01 |           | ASH TRAY .....                                    | 1    |
| 127  | 27736-G01 |           | GASKET .....                                      | 1    |
| 128  | 75108-G02 |           | BRACKET .....                                     | 1    |
| 129  | 00100-G4  |           | SCREW, #10 - 16 X 1/2" LG .....                   | 4    |
| 130  |           |           |   |      |
| 131  | 74533-G01 |           | GUN HOLDER (SWIVEL MOUNT) (NOT ILLUSTRATED) ..... | 1    |

**DID YOU  
KNOW?**

**CartPros** directs you to the right part using the part numbers from this manual. Enter the part number into our search box and it will find the part you are looking for.

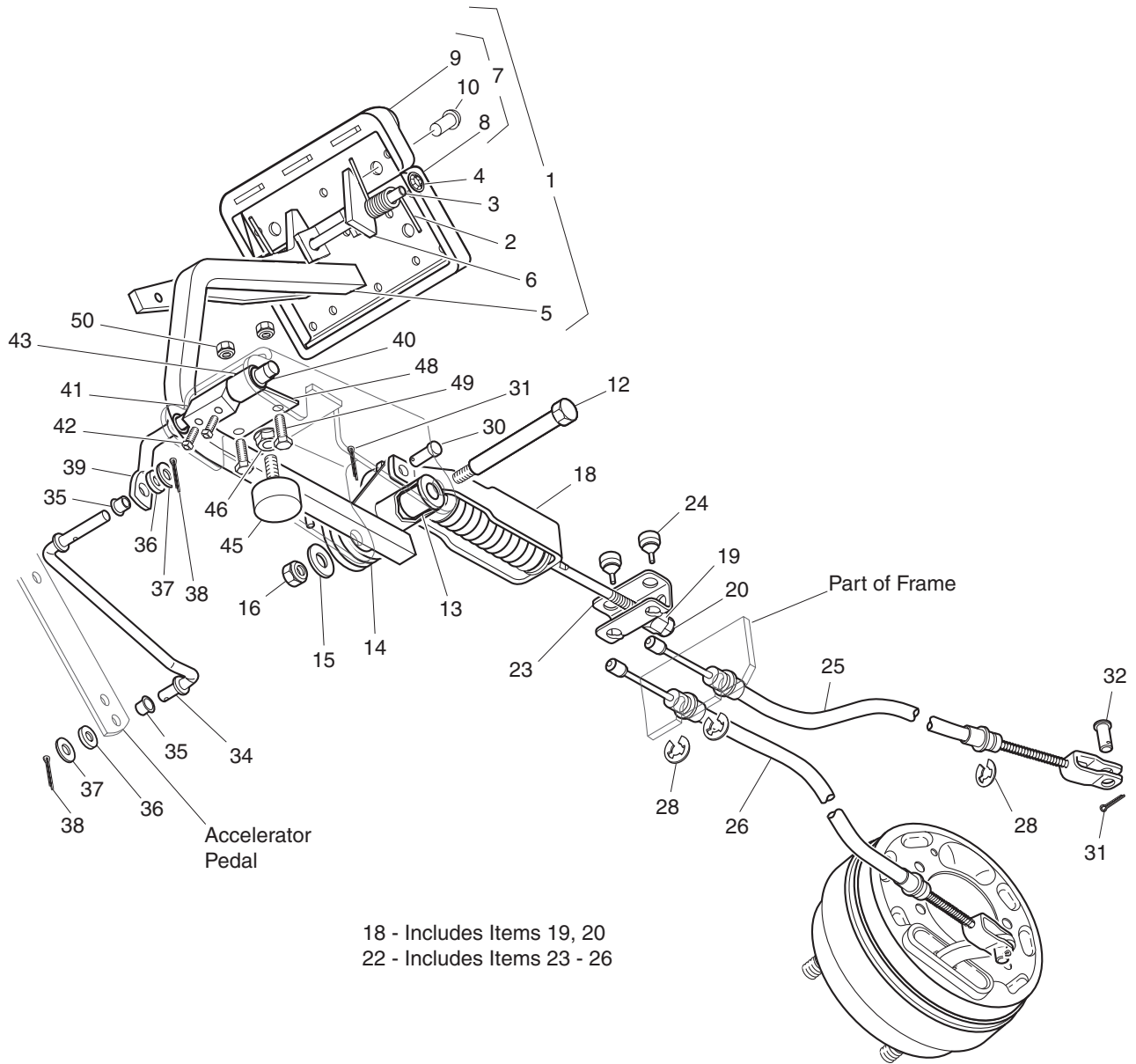
**GET STARTED  
HERE**



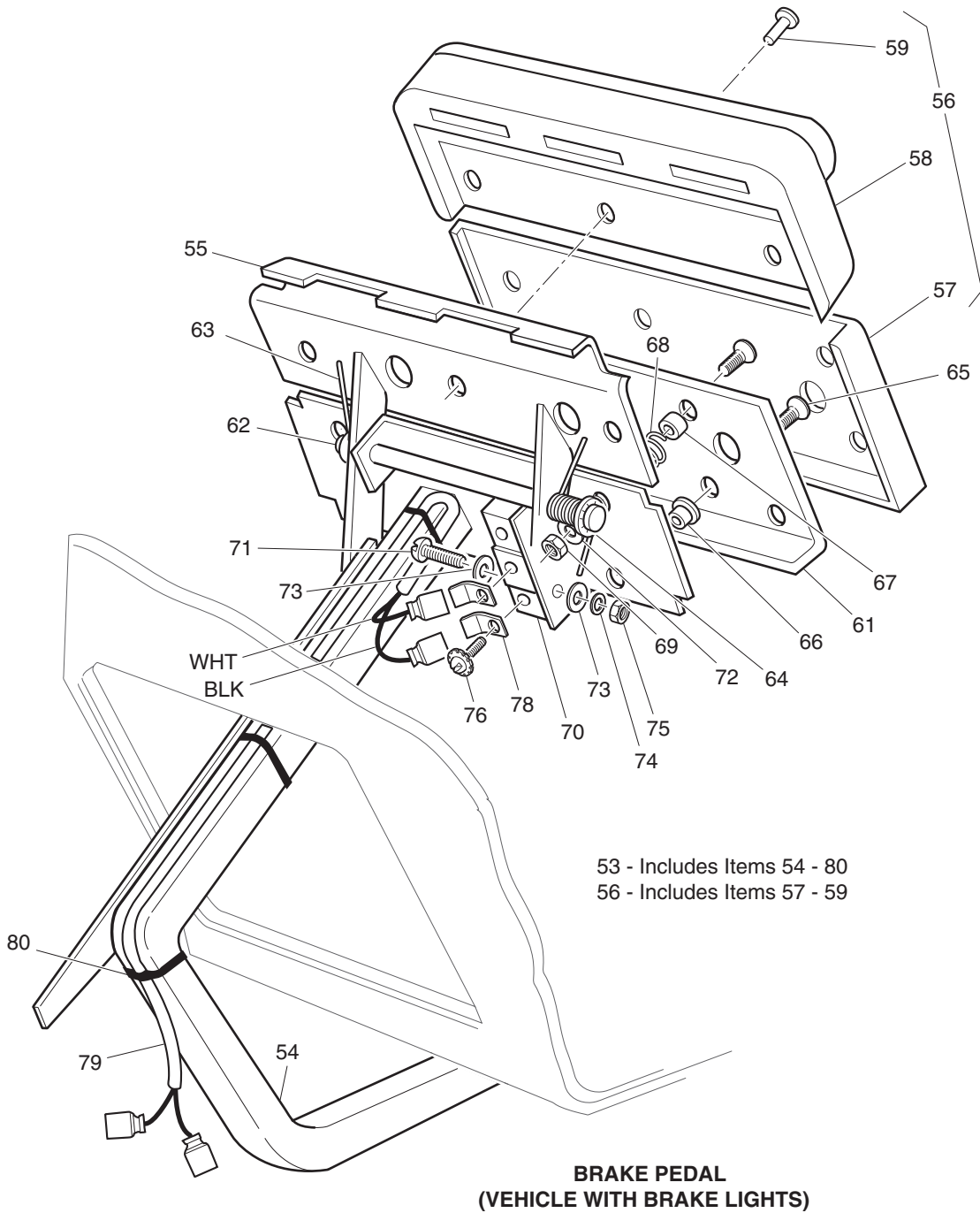
<https://CartPros.com/f.html>

**BODY**

# BRAKES

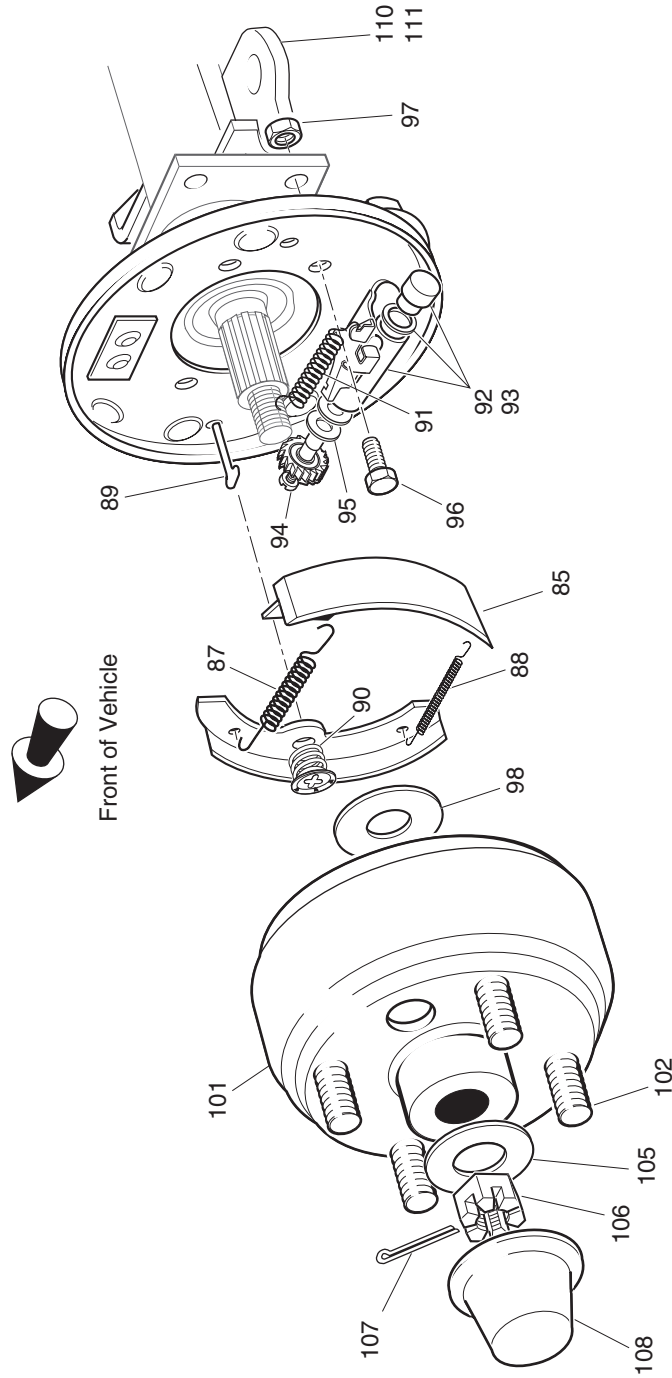


Ref Brk 6-1



Ref Brk 6-2

# BRAKES



- 82 - Includes Items 84 - 92
- 83 - Includes Items 84 - 93
- 84 - Includes Items 85
- 86 - Includes Items 87 - 91
- 92 - Includes Items 94, 95
- 93 - Includes Items 94, 95
- 100 - Includes Items 101, 102

Ref Brk 6-3

**BRAKES**

THE USE OF NON U.L. PARTS WILL VOID ANY U.L. LISTING.  
 When ordering parts, please specify the model and serial number of the product.  
 \* Indicates a component that is not available as an individual part.  
 G\*\* Indicates consult Customer Service Department for additional information.

| ITEM | PART NO.  | 1 2 3 4 5 | DESCRIPTION  | QTY. |
|------|-----------|-----------|--|------|
| 1    | 70612-G02 |           | BRAKE PEDAL ASSEMBLY (WITHOUT BRAKE LIGHTS) (INCLUDES ITEMS 2 - 10)..... | 1    |
| 2    | 70681-G01 |           | TORSION SPRING.....  | 2    |
| 3    | 70682-G01 |           | PIVOT PIN.....   | 1    |
| 4    | 01071-G01 |           | PUSHNUT, 5/16".....  | 1    |
| 5    | *         |           | BRAKE PEDAL.....   | 1    |
| 6    | 70611-G02 |           | PARK BRAKE PEDAL.....  | 1    |
| 7    | 70274-G01 |           | BRAKE/PARK BRAKE PEDAL PAD KIT (INCLUDES ITEMS 8 - 10).....              | 1    |
| 8    | *         |           | SERVICE BRAKE PAD.....   | 1    |
| 9    | *         |           | PARK BRAKE PEDAL PAD.....  | 1    |
| 10   | 15766-G1  |           | OVAL RIVET, 3/16" X 3/8" LG.....   | 9    |
| 11   |           |           |  |      |
| 12   | 70582-G01 |           | SHOULDER BOLT, 3/8 - 16 X 4" LG.....                                     | 1    |
| 13   | 70581-G01 |           | FLANGED BUSHING.....   | 2    |
| 14   | 70676-G01 |           | TORSION SPRING.....  | 1    |
| 15   | 00643-G1  |           | WASHER, 3/8".....  | 1    |
| 16   | 11098-G5  |           | LOCK NUT, 3/8 - 16.....  | 1    |
| 17   |           |           |  |      |
| 18   | 70272-G04 |           | COMPENSATOR ASSEMBLY (INCLUDES ITEMS 19, 20).....                        | 1    |
| 19   | 00963-G01 |           | SPHERICAL NUT, 5/16 - 24.....  | 1    |
| 20   | 11098-G9  |           | LOCK NUT, 5/16 - 24.....   | 1    |
| 21   |           |           |  |      |
| 22   | 70969-G03 |           | EQUALIZER AND BRAKE CABLE ASSEMBLY (INCLUDES ITEMS 23 - 26)....          | 1    |
| 23   | 28082-G01 |           | EQUALIZER BRACKET.....   | 1    |
| 24   | 28083-G01 |           | BRAKE COMPENSATOR BUMPER.....  | 2    |
| 25   | *         |           | BRAKE CABLE (DRIVER SIDE).....   | 1    |
| 26   | *         |           | BRAKE CABLE (PASSENGER SIDE).....  | 1    |
| 27   |           |           |  |      |
| 28   | 01111-G01 |           | RETAINING RING, S.S.....   | 4    |
| 29   |           |           |  |      |

# BRAKES

THE USE OF NON U.L. PARTS WILL VOID ANY U.L. LISTING.  
 When ordering parts, please specify the model and serial number of the product.  
 \* Indicates a component that is not available as an individual part.  
 G\*\* Indicates consult Customer Service Department for additional information.

| ITEM | PART NO.  | 1 2 3 4 5 | DESCRIPTION   | QTY. |
|------|-----------|-----------|---|------|
| 30   | 10386-G3  |           | CLEVIS PIN, 5/16" X 1" LG .....   | 3    |
| 31   | 10387-G3  |           | COTTER PIN, 3/32" X 3/4" LG .....   | 3    |
| 32   | 14443-G2  |           | CLEVIS PIN, 5/16" X 3/4" LG .....   | 2    |
| 33   |           |           |   |      |
| 34   | 70601-G01 |           | KICK-OFF LINK.....  | 1    |
| 35   | 17838-G1  |           | NYLON BUSHING.....  | 2    |
| 36   | 20835-G1  |           | TEFLON WASHER, 3/8" .....   | 2    |
| 37   | 00559-G8  |           | WASHER, 5/16" .....   | 2    |
| 38   | 10387-G3  |           | COTTER PIN, 3/32" X 3/4" LG .....   | 2    |
| 39   | 70098-G01 |           | KICK-OFF CAM PIVOT.....   | 1    |
| 40   | 10097-G6  |           | FLANGED BEARING .....   | 2    |
| 41   | 70587-G01 |           | KICK-OFF CAM.....   | 1    |
| 42   | 71215-G01 |           | SETSCREW, 1/4 - 20 X 1/2" LG.....   | 2    |
| 43   | 14134-G4  |           | SPACER .....  | 1    |
| 44   |           |           |   |      |
| 45   | 70113-G01 |           | ADJUSTABLE BUMPER .....   | 1    |
| 46   | 11027-G1  |           | LOCK NUT, 5/16 - 18 .....   | 1    |
| 47   |           |           |   |      |
| 48   | 70080-G02 |           | CATCH BRACKET .....   | 1    |
| 49   | 00414-G6  |           | BOLT, 1/4 - 20 X 3/4" LG .....  | 2    |
| 50   | 00891-G2  |           | LOCK NUT, 1/4 - 20 .....  | 2    |
| 51   |           |           |   |      |
| 52   |           |           |   |      |
| 53   | 70690-G02 |           | BRAKE PEDAL ASSEMBLY (WITH BRAKE LIGHTS)<br>(INCLUDES ITEMS 54 - 80)..... | 1    |
| 54   | *         |           | BRAKE PEDAL.....  | 1    |
| 55   | 70611-G02 |           | PARK BRAKE PEDAL .....  | 1    |
| 56   | 70274-G01 |           | BRAKE/PARK BRAKE PEDAL PAD KIT (INCLUDES ITEMS 57 - 59).....              | 1    |
| 57   | *         |           | SERVICE BRAKE PAD .....   | 1    |
| 58   | *         |           | PARK BRAKE PAD.....   | 1    |



**BRAKES**

THE USE OF NON U.L. PARTS WILL VOID ANY U.L. LISTING.  
 When ordering parts, please specify the model and serial number of the product.  
 \* Indicates a component that is not available as an individual part.  
 G\*\* Indicates consult Customer Service Department for additional information.

| ITEM | PART NO.  | 1 | 2 | 3 | 4 | 5 | DESCRIPTION   | QTY. |
|------|-----------|---|---|---|---|---|---|------|
| 59   | 15766-G1  |   |   |   |   |   | OVAL RIVET, 3/16" x 3/8" LG .....                               | 9    |
| 60   |           |   |   |   |   |   |   |      |
| 61   | 70258-G03 |   |   |   |   |   | BRAKE PEDAL PLATE .....   | 1    |
| 62   | 70682-G01 |   |   |   |   |   | PIVOT PIN .....   | 1    |
| 63   | 70681-G01 |   |   |   |   |   | TORSION SPRING .....  | 2    |
| 64   | 01071-G01 |   |   |   |   |   | PUSHNUT, 5/16" .....  | 1    |
| 65   | 00737-G8  |   |   |   |   |   | SCREW, #10 - 24 X 1" LG .....                                   | 4    |
| 66   | 00739-G1  |   |   |   |   |   | RUBBER NUT, #10 - 24 .....                                      | 2    |
| 67   | 74536-G01 |   |   |   |   |   | BRAKE PEDAL STANDOFF .....                                      | 2    |
| 68   | 27137-G01 |   |   |   |   |   | CONICAL SPRING .....  | 2    |
| 69   | 14390-G10 |   |   |   |   |   | LOCK NUT, #10 - 24 .....  | 2    |
| 70   | 10606-G8  |   |   |   |   |   | MICRO SWITCH .....  | 1    |
| 71   | 00957-G1  |   |   |   |   |   | SCREW, #6 - 32 X 1 1/4" LG .....                                | 2    |
| 72   | 00559-G5  |   |   |   |   |   | WASHER, #10 .....   | 2    |
| 73   | 00559-G3  |   |   |   |   |   | WASHER, #6 .....  | 4    |
| 74   | 00565-G3  |   |   |   |   |   | LOCK WASHER, #6 .....   | 2    |
| 75   | 00525-G5  |   |   |   |   |   | NUT, #6 - 32 .....  | 2    |
| 76   | 13514-G1  |   |   |   |   |   | SCREW AND LOCK WASHER, #6 .....                                 | 2    |
| 77   |           |   |   |   |   |   |   |      |
| 78   | 14628-G1  |   |   |   |   |   | FASTON TAB .....  | 2    |
| 79   | 24605-G1  |   |   |   |   |   | WIRE HARNESS (BRAKE LIGHT) .....                                | 1    |
| 80   | 17618-G1  |   |   |   |   |   | WIRE TIE .....  | 3    |
| 81   |           |   |   |   |   |   |   |      |
| 82   | 70998-G01 |   |   |   |   |   | BRAKE ASSEMBLY (DRIVER SIDE) (INCLUDES ITEMS 84 - 92) .....     | 1    |
| 83   | 70998-G02 |   |   |   |   |   | BRAKE ASSEMBLY (PASSENGER SIDE) (INCL. ITEMS 84 - 91, 93) ..... | 1    |
| 84   | 70794-G01 |   |   |   |   |   | BRAKE SHOE KIT (INCLUDES ITEM 85) .....                         | 2    |
| 85   | *         |   |   |   |   |   | BRAKE SHOE .....  | 2    |
| 86   | 27944-G01 |   |   |   |   |   | BRAKE SPRING KIT (INCLUDES ITEMS 87 - 91) .....                 | 2    |
| 87   | *         |   |   |   |   |   | UPPER SPRING .....  | 1    |
| 88   | *         |   |   |   |   |   | LOWER SPRING .....  | 1    |

# BRAKES

THE USE OF NON U.L. PARTS WILL VOID ANY U.L. LISTING.  
 When ordering parts, please specify the model and serial number of the product.  
 \* Indicates a component that is not available as an individual part.  
 G\*\* Indicates consult Customer Service Department for additional information.

| ITEM | PART NO.  | 1 | 2 | 3 | 4 | 5 | DESCRIPTION  | QTY. |
|------|-----------|---|---|---|---|---|--|------|
| 89   | *         |   |   |   |   |   | PIN .....  | 2    |
| 90   | *         |   |   |   |   |   | CUP AND SPRING .....   | 2    |
| 91   | *         |   |   |   |   |   | ADJUSTER SPRING.....   | 1    |
| 92   | 72582-G01 |   |   |   |   |   | BRAKE ADJUSTER KIT (DRIVER SIDE) (INCLUDES ITEMS 94, 95) ..... | 1    |
| 93   | 72582-G02 |   |   |   |   |   | BRAKE ADJUSTER KIT (PASSENGER SIDE) (INCL ITEMS 94, 95).....   | 1    |
| 94   | *         |   |   |   |   |   | ADJUSTER .....   | 1    |
| 95   | *         |   |   |   |   |   | TEFLON WASHER.....   | 2    |
| 96   | 17083-G2  |   |   |   |   |   | BOLT, 5/16 - 24 X 1" LG .....                                  | 8    |
| 97   | 15126-G1  |   |   |   |   |   | LOCK NUT, 5/16 - 24 .....                                      | 8    |
| 98   | 21809-G1  |   |   |   |   |   | INNER BRAKE DRUM WASHER, 1 5/16" OD X 1" ID X 1/32" .....      | 2    |
| 99   |           |   |   |   |   |   |  |      |
| 100  | 21807-G2  |   |   |   |   |   | BRAKE DRUM ASSEMBLY (INCLUDES ITEMS 101 - 102).....            | 2    |
| 101  | *         |   |   |   |   |   | BRAKE DRUM.....  | 1    |
| 102  | 19862-G1  |   |   |   |   |   | LUG BOLT, 1/2 - 20.....  | 4    |
| 103  |           |   |   |   |   |   |  |      |
| 104  | 24939-G2  |   |   |   |   |   | SPINDLE CAP ADAPTER.....                                       | 2    |
| 105  | 21830-G1  |   |   |   |   |   | OUTER BRAKE DRUM WASHER .....                                  | 2    |
| 106  | 00518-G8  |   |   |   |   |   | SLOTTED NUT, 3/4 - 16.....                                     | 2    |
| 107  | 10387-G1  |   |   |   |   |   | COTTER PIN, 1/8" X 1 1/2" LG.....                              | 2    |
| 108  | 12091-G2  |   |   |   |   |   | SPINDLE CAP.....   | 2    |
| 109  |           |   |   |   |   |   |  |      |
| 110  | 75870-G04 |   |   |   |   |   | BRAKE CABLE BRACKET (PASSENGER SIDE).....                      | 1    |
| 111  | 75870-G03 |   |   |   |   |   | BRAKE CABLE BRACKET (DRIVER SIDE) .....                        | 1    |

**DID YOU  
KNOW?**

**CartPros** directs you to the right part using the part numbers from this manual. Enter the part number into our search box and it will find the part you are looking for.

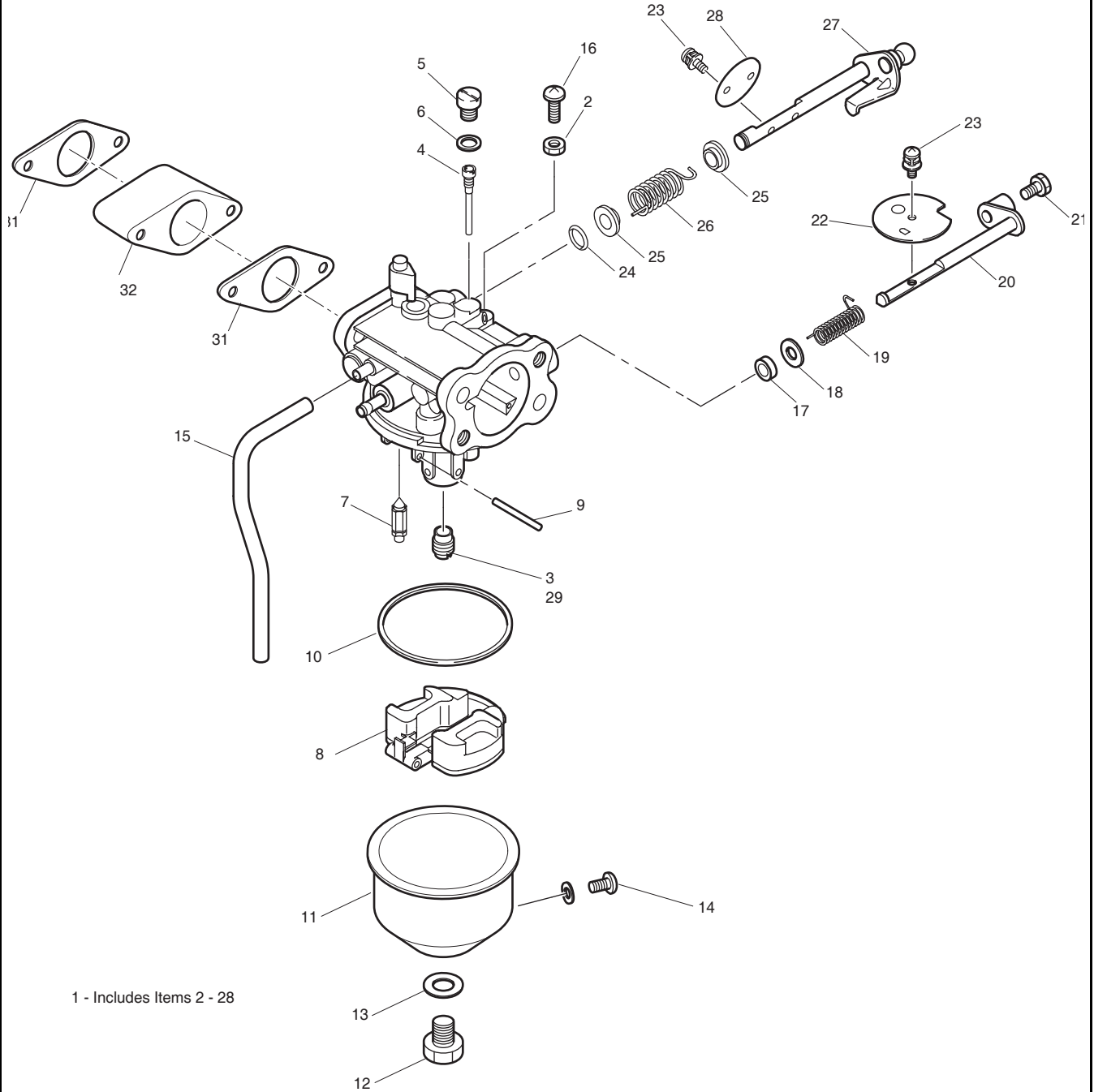
**GET STARTED  
HERE**



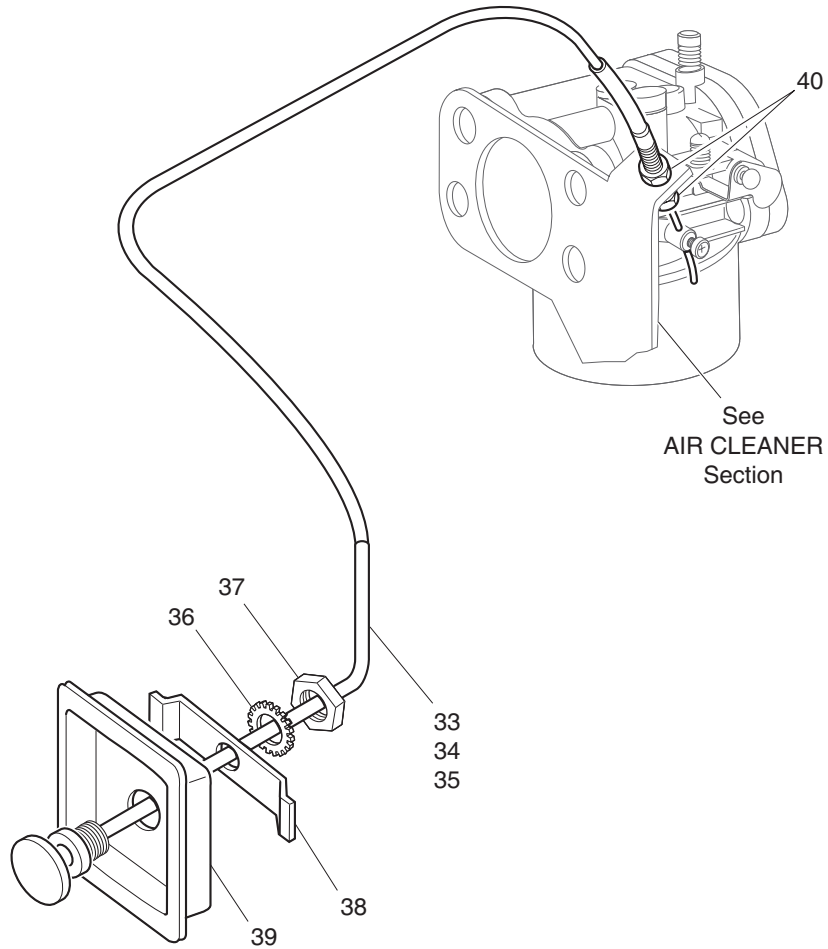
<https://CartPros.com/f.html>

**BRAKES**

# CARBURETOR AND CHOKE



# CARBURETOR AND CHOKE



Ref Cac 2-2

# CARBURETOR AND CHOKE

Where applicable, THE USE OF NON UL PARTS WILL VOID ANY UL LISTING.

When ordering parts, please specify the model and serial number of the product.

\* Indicates a component that is not available as an individual part.

G\*\* Indicates consult Customer Service Department for additional information.

| ITEM | PART NO.  | 1 2 3 4 5 | DESCRIPTION  | QTY. |
|------|-----------|-----------|--|------|
| 1    | 72840-G02 |           | CARBURETOR (FOR VEHICLES ORIGINALLY EQUIPPED WITH 350cc (EH35C)) (INCLUDES ITEMS 2 - 28) ..... | 1    |
| 2    | 72310-G01 |           | NUT.....   | 1    |
| 3    | 26646-G05 |           | MAIN JET (#82) .....   | 1    |
| 4    | 26649-G05 |           | PILOT JET (#42).....   | 1    |
| 5    | 26841-G01 |           | PLUG .....   | 1    |
| 6    | 72306-G01 |           | GASKET .....   | 1    |
| 7    | 72578-G01 |           | NEEDLE VALVE .....   | 1    |
| 8    | 26648-G01 |           | FLOAT .....  | 1    |
| 9    | 26840-G01 |           | FLOAT PIN .....  | 1    |
| 10   | 26843-G01 |           | FLOAT BOWL GASKET .....  | 1    |
| 11   | 26844-G01 |           | FLOAT CHAMBER .....  | 1    |
| 12   | 26839-G01 |           | BOWL SCREW .....   | 1    |
| 13   | 26838-G01 |           | BOWL GASKET .....  | 1    |
| 14   | 72579-G01 |           | DRAIN SCREW .....  | 1    |
| 15   | 26650-G01 |           | VENT TUBE.....   | 2    |
| 16   | 72317-G01 |           | SCREW.....   | 1    |
| 17   | 26755-G01 |           | BUSHING.....   | 1    |
| 18   | 26756-G01 |           | COLLAR.....  | 1    |
| 19   | 26757-G01 |           | SPRING, CHOKE RETURN .....   | 1    |
| 20   | 72315-G01 |           | CHOKE SHAFT ASSY .....   | 1    |
| 21   | 72314-G01 |           | SCREW.....   | 1    |
| 22   | *         |           | CHOKE VALVE.....   | 1    |
| 23   | 72313-G01 |           | SCREW.....   | 3    |
| 24   | 26750-G01 |           | OV RING.....   | 1    |
| 25   | 26751-G01 |           | COLLAR.....  | 2    |
| 26   | 26752-G01 |           | THROTTLE RETURN SPRING .....   | 1    |
| 27   | 26753-G01 |           | THROTTLE SHAFT ASSY.....   | 1    |
| 28   | 26748-G01 |           | THROTTLE VALVE .....   | 1    |
| 29   | 26646-G04 |           | MAIN JET (#78) (FOR ELEVATIONS OF 5000 FT - 10000 FT) .....                                    | 1    |

# CARBURETOR AND CHOKE

Where applicable, THE USE OF NON UL PARTS WILL VOID ANY UL LISTING.

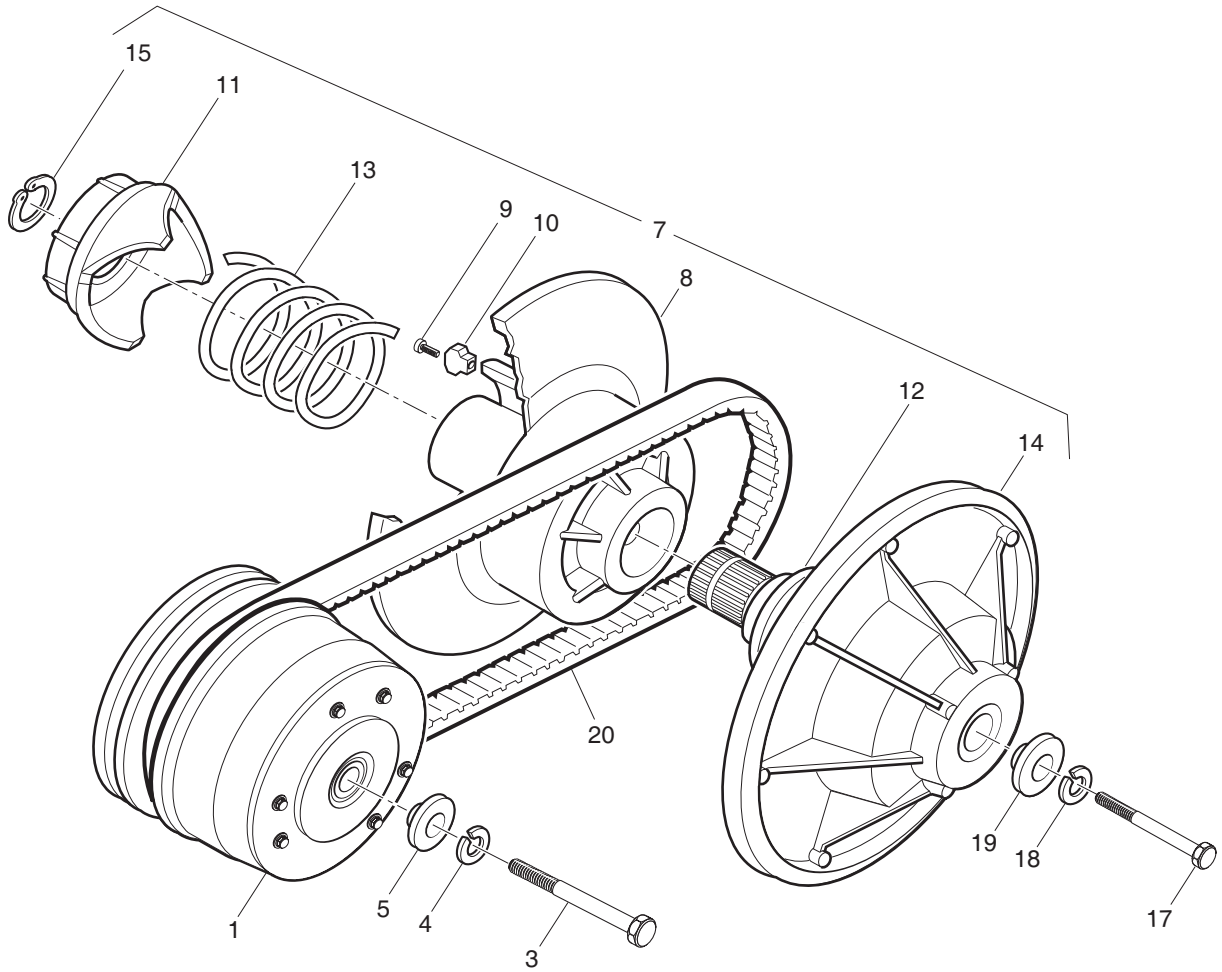
When ordering parts, please specify the model and serial number of the product.

\* Indicates a component that is not available as an individual part.

G\*\* Indicates consult Customer Service Department for additional information.

| ITEM | PART NO.  | 1 2 3 4 5 | DESCRIPTION                                       | QTY. |
|------|-----------|-----------|---|------|
| 30   |           |           |   |      |
| 31   | 26726-G01 |           | CARBURETOR MOUNT GASKET .....                     | 2    |
| 32   | 72883-G01 |           | CARBURETOR INSULATOR (FOR FUJI ENGINE EH35C)..... | 1    |
| 33   | 25693-G04 |           | CHOKE CABLE (22 1/4" LG WITH NUTS) .....          | 1    |
| 34   | 72401-G01 |           | CHOKE CABLE (60 1/4" LG WITH NUTS) .....          | 1    |
| 35   | 72401-G02 |           | CHOKE CABLE (31 1/2" LG WITH NUTS) .....          | 1    |
| 36   | 00568-G4  |           | LOCK WASHER, 9/16".....                           | 1    |
| 37   | 00545-G4  |           | JAM NUT, 9/16 - 18.....                           | 1    |
| 38   | 72155-G02 |           | RETAINER .....                                    | 1    |
| 39   | 72154-G01 |           | CHOKE CABLE ADAPTER.....                          | 1    |
| 40   | 00544-G4  |           | JAM NUT, 5/16 - 24.....                           | 2    |

# CLUTCH



Ref Clt 11



THE USE OF NON U.L. PARTS WILL VOID ANY U.L. LISTING.

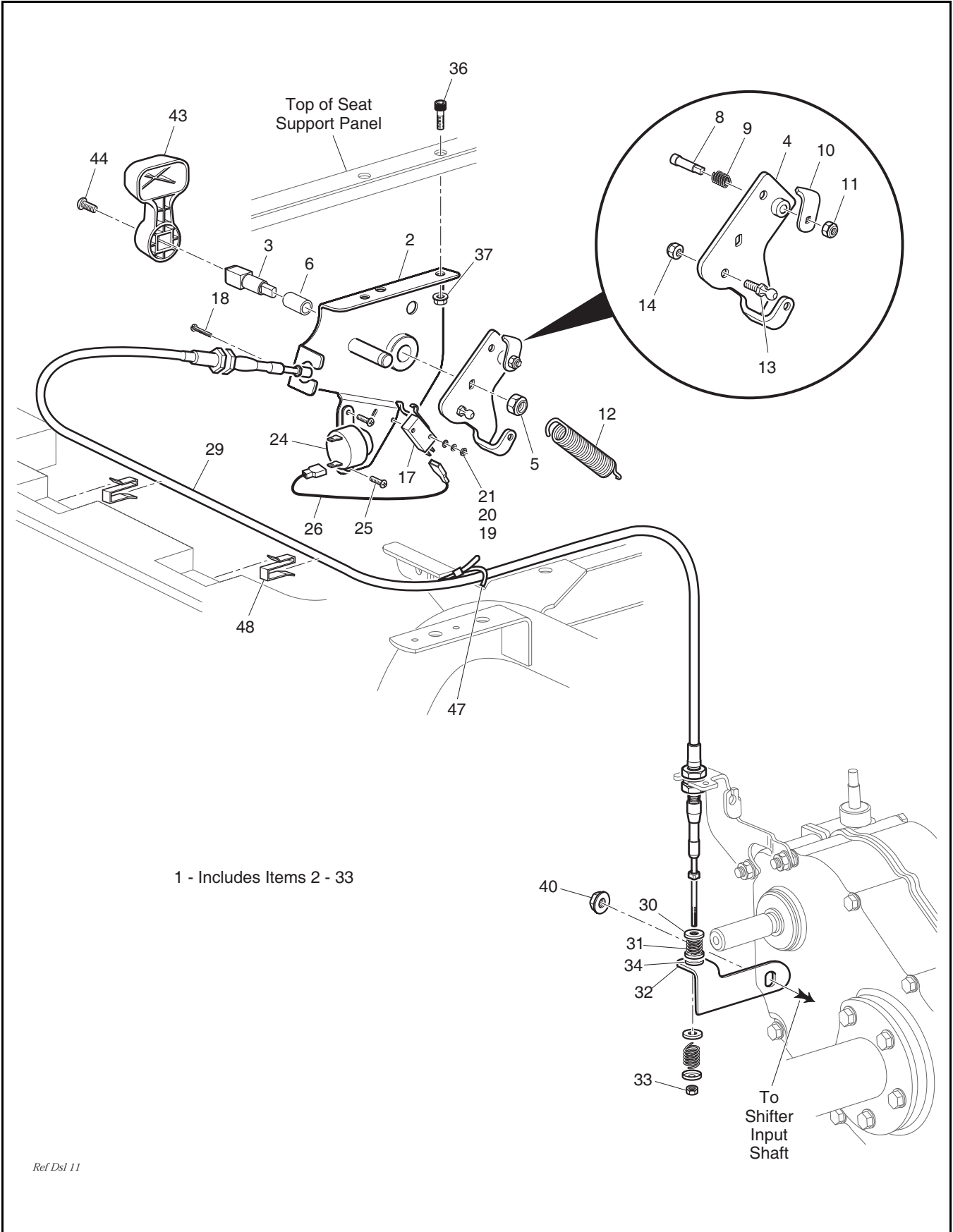
When ordering parts, please specify the model and serial number of the product.

\* Indicates a component that is not available as an individual part.

G\*\* Indicates consult Customer Service Department for additional information.

| ITEM | PART NO.  | 1 2 3 4 5 | DESCRIPTION   | QTY. |
|------|-----------|-----------|---|------|
| 1    | 26952-G01 |           | DRIVE CLUTCH .....                                  | 1    |
| 2    |           |           |   |      |
| 3    | 00473-G9  |           | BOLT, 7/16 - 20 X 6 1/2" LG .....                   | 1    |
| 4    | 00566-G2  |           | LOCK WASHER, 7/16".....                             | 1    |
| 5    | 25757-G1  |           | PILOT WASHER .....                                  | 1    |
| 6    |           |           |   |      |
| 7    | 26301-G03 |           | DRIVEN CLUTCH ASSEMBLY (INCLUDES ITEMS 8 - 15)..... | 1    |
| 8    | *         |           | MOVABLE SHEAVE (INCLUDES ITEMS 9 -10) .....         | 1    |
| 9    | 00979-G01 |           | SCREW, #10 - 24 X 7/8" LG .....                     | 3    |
| 10   | 72324-G01 |           | RAMP BUTTON .....                                   | 3    |
| 11   | *         |           | CAM.....  | 1    |
| 12   | 24600-G1  |           | SPACER, 1 1/2" .....                                | 1    |
| 13   | 26304-G01 |           | COMPRESSION SPRING .....                            | 1    |
| 14   | *         |           | SHEAVE AND POST .....                               | 1    |
| 15   | 27270-G01 |           | HEAVY DUTY RETAINING RING .....                     | 1    |
| 16   |           |           |   |      |
| 17   | 00441-G8  |           | BOLT, 5/16 - 18 X 4" LG .....                       | 1    |
| 18   | 00565-G8  |           | LOCK WASHER, 5/16".....                             | 1    |
| 19   | 25756-G1  |           | RETAINING WASHER .....                              | 1    |
| 20   | 72328-G01 |           | DRIVE BELT (SEVERE DUTY).....                       | 1    |

# DIRECTION SELECTOR



## DIRECTION SELECTOR

THE USE OF NON U.L. PARTS WILL VOID ANY U.L. LISTING.

When ordering parts, please specify the model and serial number of the product.

\* Indicates a component that is not available as an individual part.

G\*\* Indicates consult Customer Service Department for additional information.

| ITEM | PART NO.   | 1 2 3 4 5 | DESCRIPTION   | QTY. |
|------|------------|-----------|---|------|
| 1    | 72721-G01  |           | DIRECTION SELECTOR ASSEMBLY (INCLUDES ITEMS 2 - 33) ..... | 1    |
| 2    | 72737-G02  |           | DIRECTION SELECTOR BRACKET .....                          | 1    |
| 3    | 70233-G01  |           | DIRECTION SELECTOR SHAFT .....                            | 1    |
| 4    | 72738-G01  |           | DIRECTION SELECTOR CAM.....                               | 1    |
| 5    | 14390-G1   |           | LOCK NUT, 3/8 - 24.....                                   | 1    |
| 6    | 25664-G2   |           | BUSHING.....  | 1    |
| 7    |            |           |   |      |
| 8    | 72724-G01  |           | NEUTRAL LOCK PIN .....                                    | 1    |
| 9    | 72733-G01  |           | COMPRESSION SPRING, 3/8" X 5/8" LG .....                  | 1    |
| 10   | 72729-G01  |           | NEUTRAL LOCK LATCH.....                                   | 1    |
| 11   | 00734-G2   |           | LOCK NUT, 1/4 - 28.....                                   | 1    |
| 12   | 28574-G01  |           | EXTENSION SPRING .....                                    | 1    |
| 13   | 72732-G01  |           | BALL STUD, 1/4" .....                                     | 1    |
| 14   | 00734-G5   |           | LOCK NUT, #10 - 32.....                                   | 1    |
| 15   |            |           |   |      |
| 16   |            |           |   |      |
| 17   | 72736-G01  |           | MICRO SWITCH.....   | 1    |
| 18   | 01062-G01  |           | SCREW, #4 - 40 X 1" LG.....                               | 2    |
| 19   | 00559-G1   |           | WASHER, #4 .....  | 2    |
| 20   | 00565-G1   |           | LOCK WASHER, #4 .....                                     | 2    |
| 21   | 00526-G2   |           | NUT, #4 - 40 .....  | 2    |
| 22   |            |           |   |      |
| 23   |            |           |   |      |
| 24   | 73290-G03  |           | REVERSE WARNING BUZZER .....                              | 1    |
| 25   | 01063-G01  |           | SCREW, #6 - 32 X 3/8" LG.....                             | 2    |
| 26   | 25978-G345 |           | 18 GA WIRE (RED 7") .....                                 | 1    |
| 27   |            |           |   |      |
| 28   |            |           |   |      |
| 29   | 72734-G01  |           | SHIFTER CABLE.....  | 1    |
| 30   | 25727-G01  |           | CUP WASHER, 1/4" .....                                    | 4    |

# DIRECTION SELECTOR

THE USE OF NON U.L. PARTS WILL VOID ANY U.L. LISTING.

When ordering parts, please specify the model and serial number of the product.

\* Indicates a component that is not available as an individual part.

G\*\* Indicates consult Customer Service Department for additional information.

| ITEM | PART NO.  | 1 2 3 4 5 | DESCRIPTION                                      | QTY. |
|------|-----------|-----------|--|------|
| 31   | 72735-G01 |           | COMPRESSION SPRING, 19/32" X 1" LG .....         | 2    |
| 32   | 74455-G01 |           | SHIFTER ARM WITH BUSHING .....                   | 1    |
| 33   | 00734-G5  |           | LOCK NUT, #10 - 32.....                          | 1    |
| 34   | 22754-G4  |           | BUSHING, FLIP LOK, .250.....                     | 1    |
| 35   |           |           |  |      |
| 36   | 70227-G01 |           | SCREW, 1/4 - 20 X 7/8" LG .....                  | 2    |
| 37   | 11027-G2  |           | LOCK NUT, 1/4 - 20 .....                         | 2    |
| 38   |           |           |  |      |
| 39   |           |           |  |      |
| 40   | 26830-G01 |           | LOCK NUT, M8 X 1.25 MM.....                      | 1    |
| 41   |           |           |  |      |
| 42   |           |           |  |      |
| 43   | 71205-G01 |           | DIRECTION SELECTOR HANDLE.....                   | 1    |
| 44   | 00740-G4  |           | SCREW, #10 - 32 X 1/2" LG (STAINLESS STEEL)..... | 1    |
| 45   |           |           |  |      |
| 46   |           |           |  |      |
| 47   | 17618-G1  |           | WIRE TIE .....                                   | 1    |
| 48   | 01072-G01 |           | CABLE CLIP.....                                  | 2    |

**DID YOU  
KNOW?**

**CartPros** directs you to the right part using the part numbers from this manual. Enter the part number into our search box and it will find the part you are looking for.

**GET STARTED  
HERE**

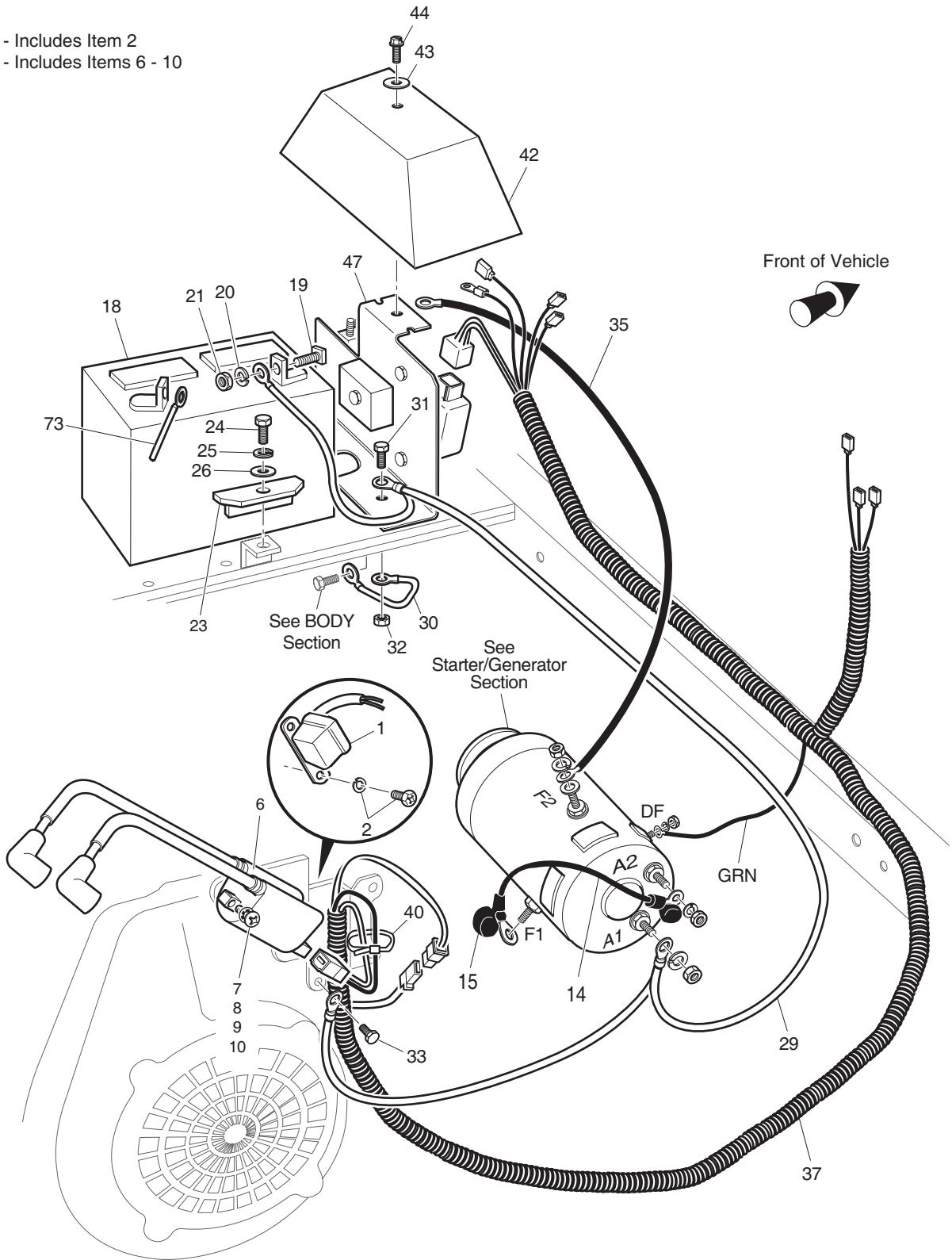


<https://CartPros.com/f.html>

**DIRECTION SELECTOR**

# ELECTRICAL SYSTEM

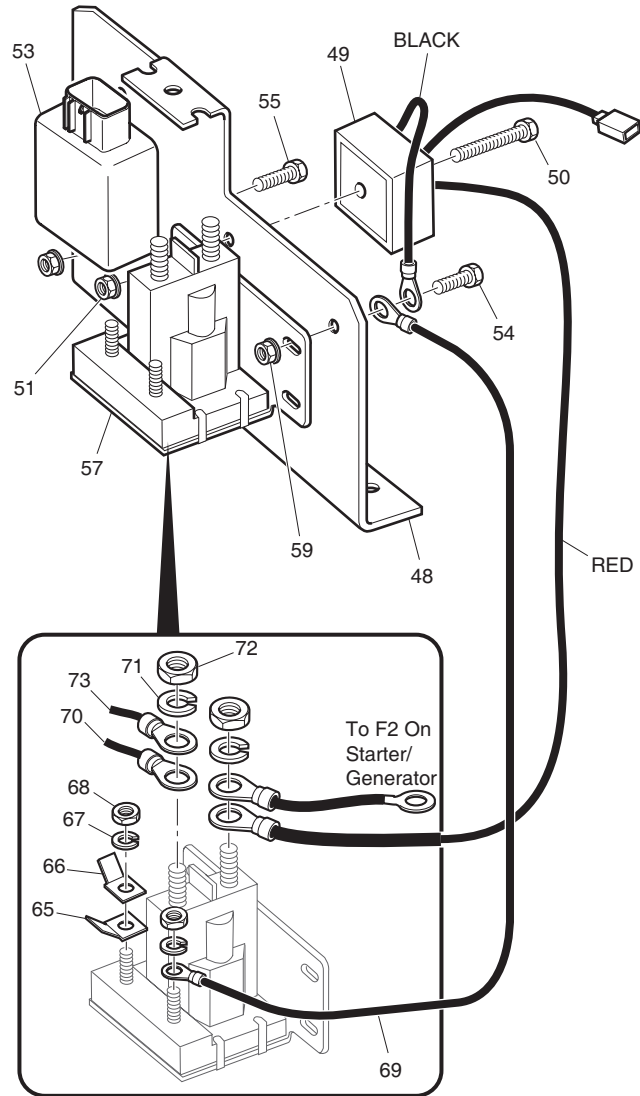
- 1 - Includes Item 2
- 5 - Includes Items 6 - 10



Ref Ele 2-1

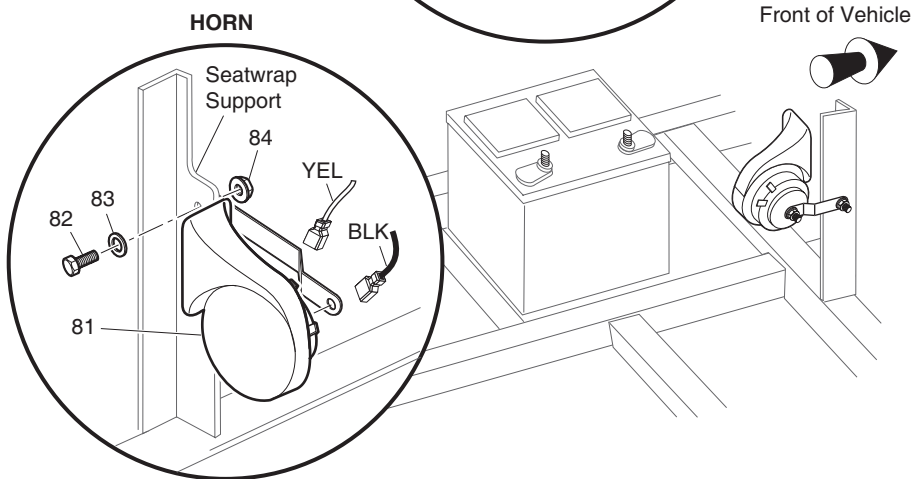
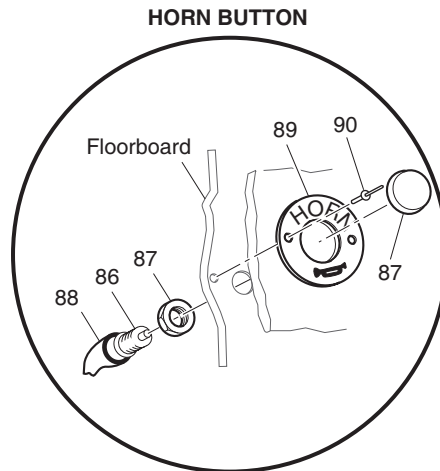
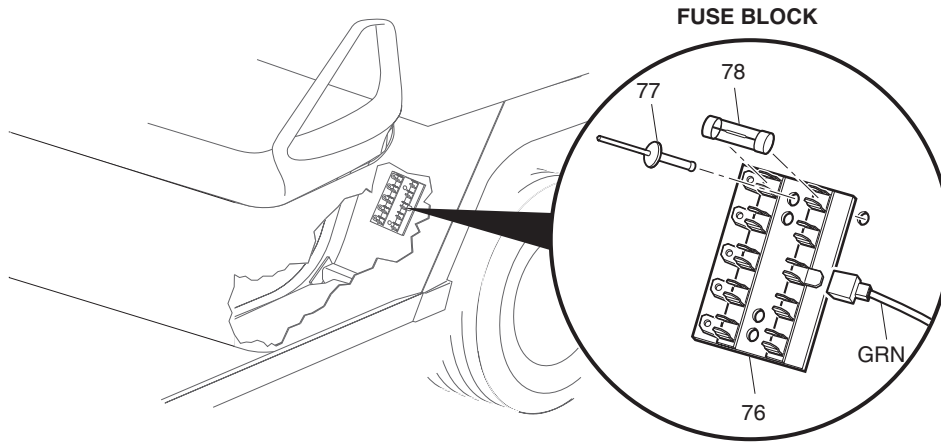
# ELECTRICAL SYSTEM

47 - Includes Items 48 - 72



Ref Ele 2-2

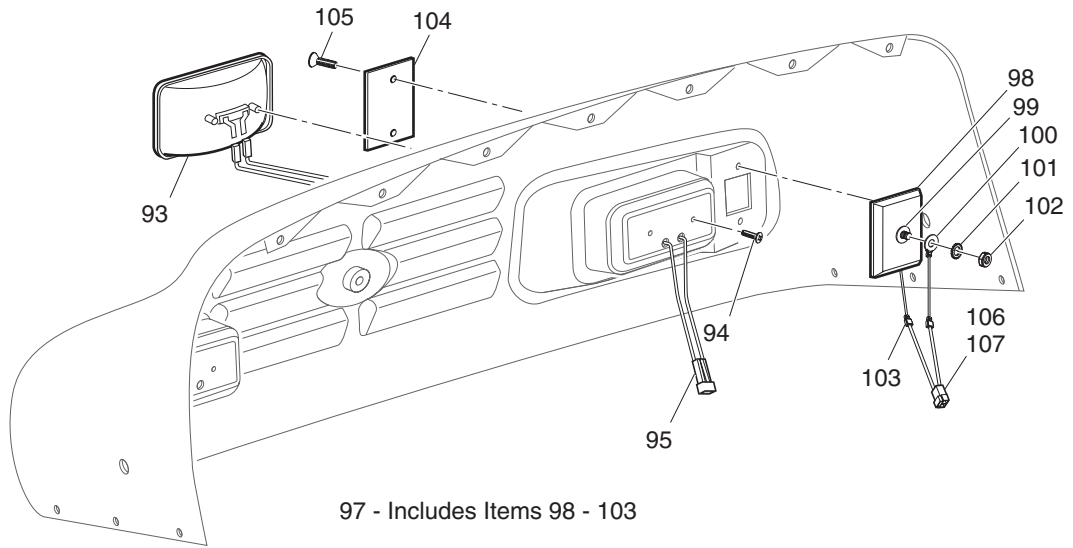
# ELECTRICAL SYSTEM



Ref Ele 11-3

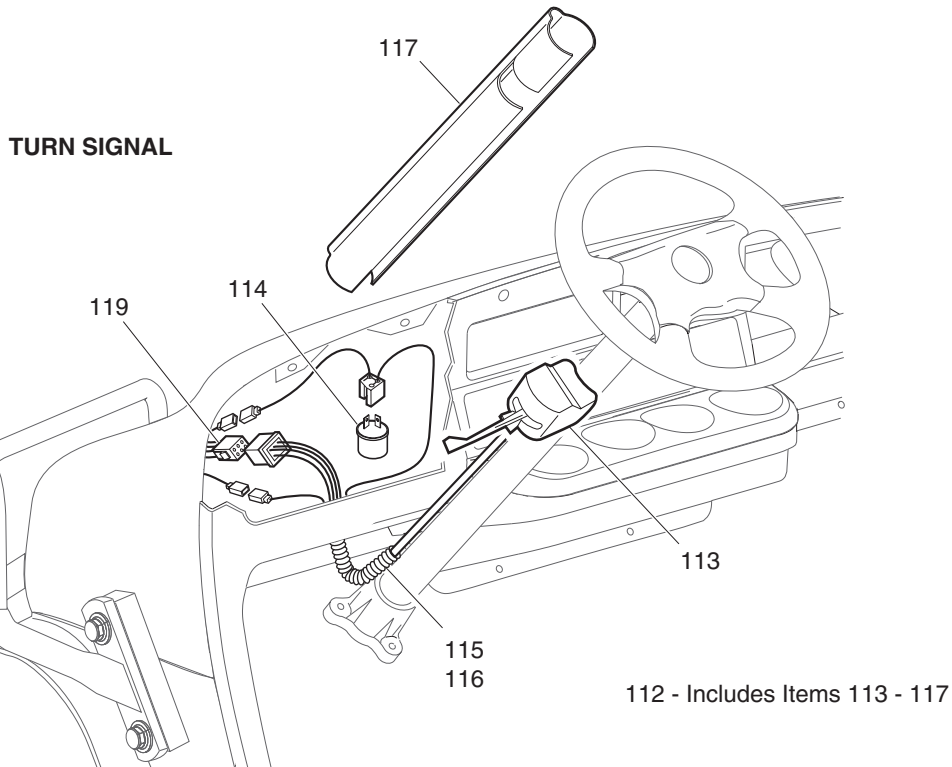
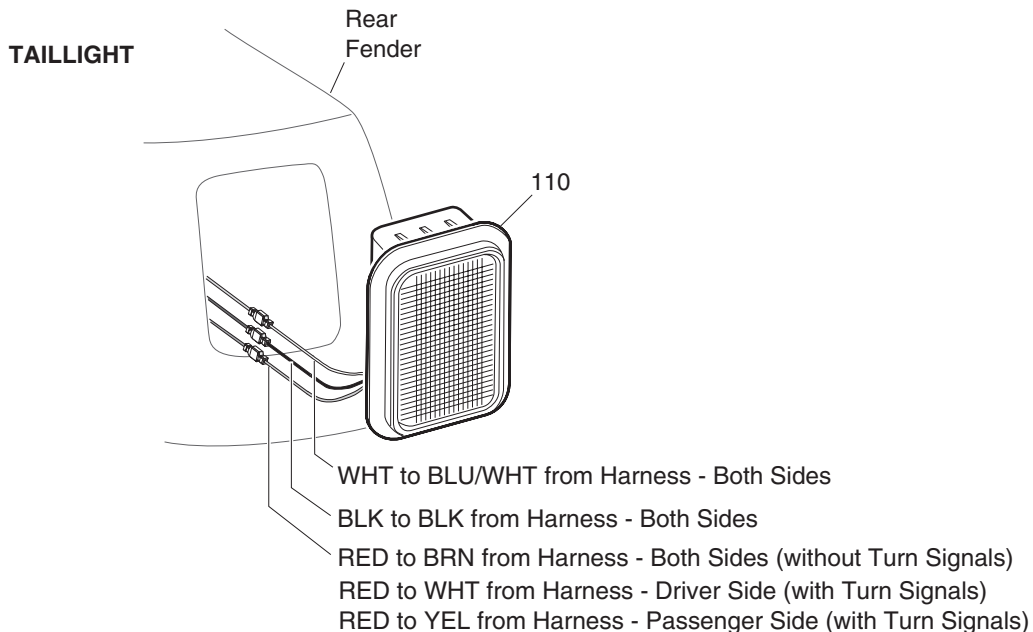


# ELECTRICAL SYSTEM



Ref Ele 11-4

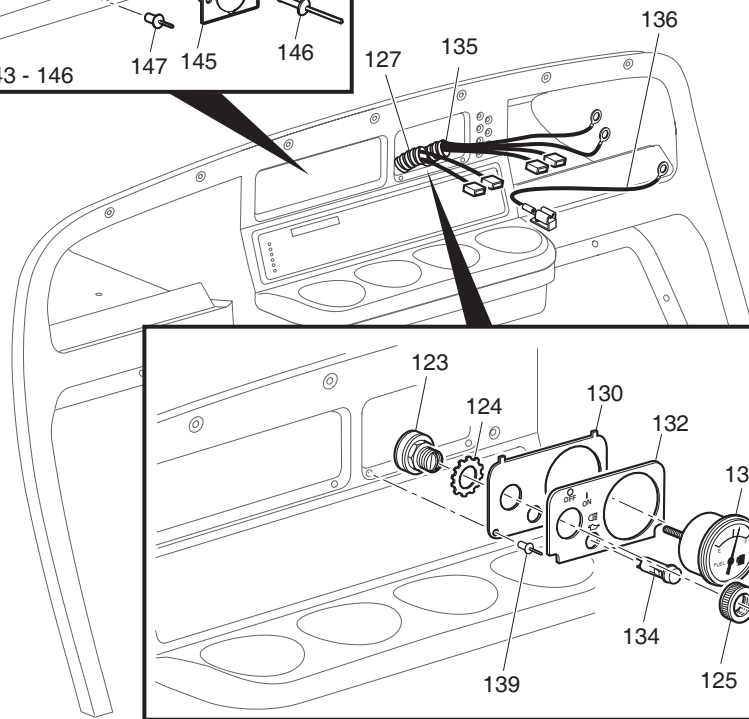
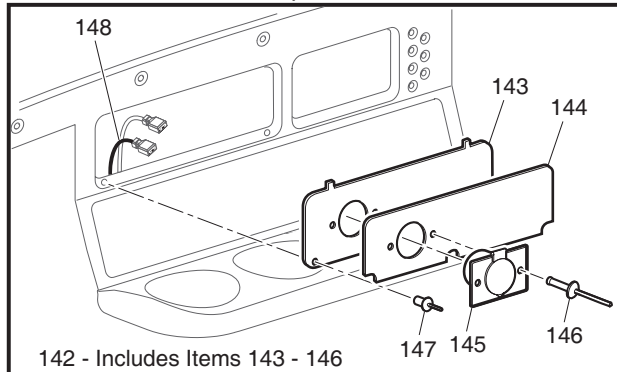
# ELECTRICAL SYSTEM



Ref Ele 11-5

# ELECTRICAL SYSTEM

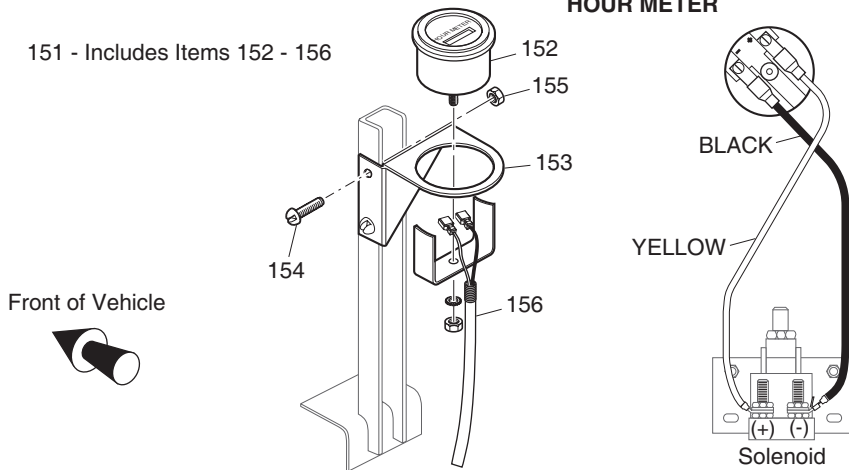
## CONSOLE INSERT PLATE (WITH POWER OUTLET SHOWN)



**KEY SWITCH, INDICATOR LIGHT(S), AND FUEL GAUGE**

## HOUR METER

151 - Includes Items 152 - 156



Front of Vehicle



Ref Ele 11-6

# ELECTRICAL SYSTEM

THE USE OF NON UL PARTS WILL VOID ANY UL LISTING.

When ordering parts, please specify the model and serial number of the product.

\* Indicates a component that is not available as an individual part.

G\*\* Indicates consult Customer Service Department for additional information.

| ITEM | PART NO.  | 1 2 3 4 5 | DESCRIPTION   | QTY. |
|------|-----------|-----------|---|------|
| 1    | 26651-G02 |           | IGNITION PICKUP ASSEMBLY (INCLUDES ITEM 2) .....    | 1    |
| 2    | 26707-G01 |           | BOLT AND WASHER ASSEMBLY, M5 X 0.8 X 10 MM LG ..... | 1    |
| 3    |           |           |   |      |
| 4    |           |           |   |      |
| 5    | 26652-G01 |           | IGNITION COIL ASSEMBLY (INCLUDES ITEMS 6 - 10)..... | 1    |
| 6    | *         |           | IGNITION COIL.....                                  | 1    |
| 7    | *         |           | SPACER .....  | 1    |
| 8    | *         |           | LOCK WASHER .....                                   | 1    |
| 9    | *         |           | NUT.....  | 1    |
| 10   | *         |           | SCREW.....  | 1    |
| 11   | 13632-G1  |           | NUT, M6 X 1.....                                    | 2    |
| 12   |           |           |   |      |
| 13   |           |           |   |      |
| 14   | 25887-G01 |           | 6 GA WIRE (BLACK 6", F1 - A2).....                  | 1    |
| 15   | 25682-G1  |           | TERMINAL COVER .....                                | 3    |
| 16   |           |           |   |      |
| 17   |           |           |   |      |
| 18   | 24775-G*  |           | BATTERY, 12V .....                                  | 1    |
| 19   | 00962-G1  |           | BOLT, 5/16 - 18 X 1 1/4" LG .....                   | 2    |
| 20   | 00993-G01 |           | LOCK WASHER, 5/16" (SILICON BRONZE).....            | 2    |
| 21   | 00994-G01 |           | NUT, 5/16 - 18 (SILICON BRONZE) .....               | 2    |
| 22   |           |           |   |      |
| 23   | 72101-G02 |           | BATTERY HOLD DOWN .....                             | 1    |
| 24   | 00438-G6  |           | BOLT, 5/16 - 18 X 3/4" LG .....                     | 1    |
| 25   | 00565-G8  |           | LOCK WASHER, 5/16".....                             | 1    |
| 26   | 00571-G2  |           | WASHER, 5/16" (STAINLESS STEEL).....                | 1    |
| 27   |           |           |   |      |
| 28   |           |           |   |      |
| 29   | 27044-G03 |           | GROUND CABLE.....                                   | 1    |
| 30   | 25976-G19 |           | 14 GA WIRE (BLACK 6") .....                         | 1    |

# ELECTRICAL SYSTEM

THE USE OF NON UL PARTS WILL VOID ANY UL LISTING.

When ordering parts, please specify the model and serial number of the product.

\* Indicates a component that is not available as an individual part.

G\*\* Indicates consult Customer Service Department for additional information.

| ITEM | PART NO.  | 1 2 3 4 5 | DESCRIPTION  | QTY. |
|------|-----------|-----------|--|------|
| 31   | 00438-G6  |           | BOLT, 5/16 - 18 X 3/4" LG .....                          | 2    |
| 32   | 11027-G1  |           | LOCK NUT, 5/16 - 18 .....                                | 2    |
| 33   | 26676-G01 |           | FLANGED BOLT, M6 X 1 X 23 MM LG .....                    | 1    |
| 34   |           |           |  |      |
| 35   | 25972-G85 |           | 6 GA WIRE (BLACK 23", F2 - SOL) .....                    | 1    |
| 36   |           |           |  |      |
| 37   | 74938-G01 |           | WIRE HARNESS (CONTROL) .....                             | 1    |
| 38   |           |           |  |      |
| 39   |           |           |  |      |
| 40   | 17618-G1  |           | WIRE TIE .....   | AR   |
| 41   |           |           |  |      |
| 42   | 73049-G01 |           | COVER .....  | 1    |
| 43   | 16469-G1  |           | WASHER, 1/4" .....                                       | 1    |
| 44   | 00114-G6  |           | SCREW, 1/4 - 14 X 3/4" LG .....                          | 1    |
| 45   |           |           |  |      |
| 46   |           |           |  |      |
| 47   | 72909-G01 |           | ELECTRICAL PLATE ASSEMBLY (INCLUDES ITEMS 48 - 73) ..... | 1    |
| 48   | 73057-G01 |           | BRACKET .....  | 1    |
| 49   | 27739-G01 |           | VOLTAGE REGULATOR .....                                  | 1    |
| 50   | 00415-G2  |           | BOLT, 1/4 - 20 X 1 1/4" LG .....                         | 1    |
| 51   | 11027-G2  |           | LOCK NUT, 1/4 - 20 .....                                 | 1    |
| 52   |           |           |  |      |
| 53   | 72872-G01 |           | IGNITOR .....  | 1    |
| 54   | 00414-G8  |           | BOLT, 1/4 - 20 X 1" LG .....                             | 1    |
| 55   | 00414-G5  |           | BOLT, 1/4 - 20 X 5/8" LG .....                           | 1    |
| 56   |           |           |  |      |
| 57   | 27153-G01 |           | SOLENOID .....   | 1    |
| 58   |           |           |  |      |
| 59   | 11027-G2  |           | LOCK NUT, 1/4 - 20 .....                                 | 3    |
| 60   |           |           |  |      |

# ELECTRICAL SYSTEM

THE USE OF NON UL PARTS WILL VOID ANY UL LISTING.

When ordering parts, please specify the model and serial number of the product.

\* Indicates a component that is not available as an individual part.

G\*\* Indicates consult Customer Service Department for additional information.

| ITEM | PART NO.   | 1 | 2 | 3 | 4 | 5 | DESCRIPTION                                | QTY. |
|------|------------|---|---|---|---|---|--|------|
| 61   |            |   |   |   |   |   |  |      |
| 62   |            |   |   |   |   |   |  |      |
| 63   |            |   |   |   |   |   |  |      |
| 64   |            |   |   |   |   |   |  |      |
| 65   | 73446-G01  |   |   |   |   |   | FASTON TAB, 90° .....                      | 1    |
| 66   | 73446-G01  |   |   |   |   |   | FASTON TAB, #10 X 1/4" .....               | 1    |
| 67   | 00565-G5   |   |   |   |   |   | LOCK WASHER, #10 .....                     | 2    |
| 68   | 00526-G4   |   |   |   |   |   | NUT, #10 - 32 .....                        | 2    |
| 69   | 25978-G56  |   |   |   |   |   | 18 GA WIRE (BLACK 5 3/4") .....            | 1    |
| 70   | 600418-G01 |   |   |   |   |   | IN-LINE FUSE HOLDER .....                  | 1    |
| 71   | 00565-G8   |   |   |   |   |   | LOCK WASHER, 5/16" .....                   | 2    |
| 72   | 00544-G4   |   |   |   |   |   | NUT, 5/16 - 24 .....                       | 2    |
| 73   |            |   |   |   |   |   |  |      |
| 74   |            |   |   |   |   |   |  |      |
| 75   |            |   |   |   |   |   |  |      |
| 76   | 22674-G1   |   |   |   |   |   | FUSE BLOCK.....                            | 1    |
| 77   | 01041-G01  |   |   |   |   |   | RIVET, 1/8" X 13/16" LG .....              | 2    |
| 78   | 18392-G1   |   |   |   |   |   | 15 AMP FUSE .....                          | 3    |
| 79   |            |   |   |   |   |   |  |      |
| 80   |            |   |   |   |   |   |  |      |
| 81   | 32860-G1   |   |   |   |   |   | HORN.....                                  | 1    |
| 82   | 00414-G5   |   |   |   |   |   | BOLT, 1/4 - 20 x 5/8" LG.....              | 1    |
| 83   | 00559-G7   |   |   |   |   |   | WASHER, 1/4" (STAINLESS STEEL).....        | 1    |
| 84   | 00891-G2   |   |   |   |   |   | LOCK NUT, 1/4 - 20 (STAINLESS STEEL) ..... | 1    |
| 85   |            |   |   |   |   |   |  |      |
| 86   | 17318-G1   |   |   |   |   |   | HORN SWITCH.....                           | 1    |
| 87   | 17318-G2   |   |   |   |   |   | HORN SWITCH CAP AND NUT .....              | 1    |
| 88   | 27068-G01  |   |   |   |   |   | HORN SWITCH BOOT .....                     | 1    |
| 89   | 19233-G1   |   |   |   |   |   | HORN SWITCH LABEL .....                    | 1    |
| 90   | 71055-G01  |   |   |   |   |   | RIVET, 3/16" X 1" LG (ALUMINUM) .....      | 2    |

# ELECTRICAL SYSTEM

THE USE OF NON UL PARTS WILL VOID ANY UL LISTING.

When ordering parts, please specify the model and serial number of the product.

\* Indicates a component that is not available as an individual part.

G\*\* Indicates consult Customer Service Department for additional information.

| ITEM | PART NO.  | 1 2 3 4 5 | DESCRIPTION  | QTY. |
|------|-----------|-----------|--|------|
| 91   |           |           |  |      |
| 92   |           |           |  |      |
| 93   | 20209-G3  |           | HEADLIGHT (INCLUDES ITEM 94).....                          | 2    |
| 94   | 00906-G6  |           | SCREW, #10 - 16 X 1" LG.....                               | 2    |
| 95   | 74337-G01 |           | JUMPER WIRE (HEADLIGHT) .....                              | 2    |
| 96   |           |           |  |      |
| 97   | 20570-G3  |           | TURN SIGNAL LIGHT ASSEMBLY (INCLUDES ITEMS 98 - 103) ..... | 2    |
| 98   | 20574-G3  |           | TURN SIGNAL LIGHT .....                                    | 1    |
| 99   | 00660-G7  |           | WASHER, 1/4" (STAINLESS STEEL) .....                       | 1    |
| 100  | 20606-G1  |           | WIRE ASSEMBLY .....  | 1    |
| 101  | 00567-G7  |           | LOCK WASHER, 1/4" .....                                    | 1    |
| 102  | 00532-G1  |           | NUT, 1/4 - 20 .....  | 1    |
| 103  | 18995-G1  |           | PUSH-ON TERMINAL (MALE).....                               | 1    |
| 104  | 20574-G5  |           | LENS, AMBER .....  | 1    |
| 105  | 00118-G5  |           | SCREW, #6 - 18 X 5/8" LG .....                             | 2    |
| 106  | 74056-G01 |           | TURN SIGNAL JUMPER, RED/BLACK (PASSENGER SIDE).....        | 1    |
| 107  | 74056-G02 |           | TURN SIGNAL JUMPER, GREEN/BLACK (DRIVER SIDE) .....        | 1    |
| 108  |           |           |  |      |
| 109  |           |           |  |      |
| 110  | 32739-G2  |           | TAILLIGHT ASSEMBLY (COMPLETE).....                         | 2    |
| 111  |           |           |  |      |
| 112  | 75107-G01 |           | TURN SIGNAL KIT (INCLUDES ITEMS 113 - 117).....            | 1    |
| 113  | 17867-G1  |           | TURN SIGNAL (WITH MOUNTING HARDWARE) (INCLUDES ITEM 114)   | 1    |
| 114  | 21640-G1  |           | TURN SIGNAL FLASHER.....                                   | 1    |
| 115  | 32307-G3  |           | FLEX LOOM, 3/8 X 8" LG.....                                | 1    |
| 116  | 17618-G1  |           | WIRE TIE .....   | 2    |
| 117  | 20965-G3  |           | STEERING COLUMN COVER .....                                | 1    |
| 118  |           |           |  |      |
| 119  | 72228-G01 |           | WIRE HARNESS (ACCESSORY).....                              | 1    |
| 120  |           |           |  |      |

# ELECTRICAL SYSTEM

THE USE OF NON UL PARTS WILL VOID ANY UL LISTING.

When ordering parts, please specify the model and serial number of the product.

\* Indicates a component that is not available as an individual part.

G\*\* Indicates consult Customer Service Department for additional information.

| ITEM | PART NO.   | 1 2 3 4 5 | DESCRIPTION  | QTY. |
|------|------------|-----------|--|------|
| 121  |            |           |  |      |
| 122  |            |           |  |      |
| 123  | 33639-G03  |           | IGNITION SWITCH (WITH LIGHTS, INDIVIDUALLY KEYED).....   | 1    |
| 124  | 00568-G6   |           | LOCK WASHER, 3/4".....                                   | 1    |
| 125  | 17137-G1   |           | FACE NUT, 3/4 - 20 .....                                 | 1    |
| 126  | 17063-G1   |           | IGNITION KEY .....                                       | 1    |
| 127  | 73041-G01  |           | WIRE HARNESS (KEY SWITCH).....                           | 1    |
| 128  |            |           |  |      |
| 129  |            |           |  |      |
| 130  | 73030-G04  |           | PLATE (FUEL GAUGE AND OIL LIGHT) .....                   | 1    |
| 131  |            |           |  |      |
| 132  | 71131-G01  |           | LABEL (OIL LIGHT AND FUEL GAUGE WITH HEADLIGHTS) .....   | 1    |
| 133  | 21553-G1   |           | FUEL GAUGE .....   | 1    |
| 134  | 23474-G1   |           | INDICATOR LIGHT .....                                    | 1    |
| 135  | 74311-G01  |           | HARNESS (OIL LIGHT/FUEL GAUGE) .....                     | 1    |
| 136  | 25978-G122 |           | 18 GA WIRE (RED 6").....                                 | 1    |
| 137  |            |           |  |      |
| 138  |            |           |  |      |
| 139  | 33623-G02  |           | DRIVE RIVET, 3/16" X 3/8" LG .....                       | 2    |
| 140  |            |           |  |      |
| 141  |            |           |  |      |
| 142  | 74444-G01  |           | CONSOLE INSERT ASSEMBLY (INCLUDES ITEMS 143 - 146) ..... | 1    |
| 143  | 71077-G03  |           | CONSOLE INSERT PLATE.....                                | 1    |
| 144  | 35966-G01  |           | LABEL (CONSOLE INSERT PLATE) .....                       | 1    |
| 145  | 71078-G01  |           | POWER OUTLET (12 VOLT) .....                             | 1    |
| 146  | 14601-G10  |           | RIVET, 3/16" X 7/16" LG (ALUMINUM) .....                 | 2    |
| 147  | 33623-G01  |           | DRIVE RIVET, 3/16" X 3/8" LG .....                       | 3    |
| 148  | 71081-G01  |           | WIRE HARNESS (POWER OUTLET) .....                        | 1    |
| 149  |            |           |  |      |
| 150  |            |           |  |      |

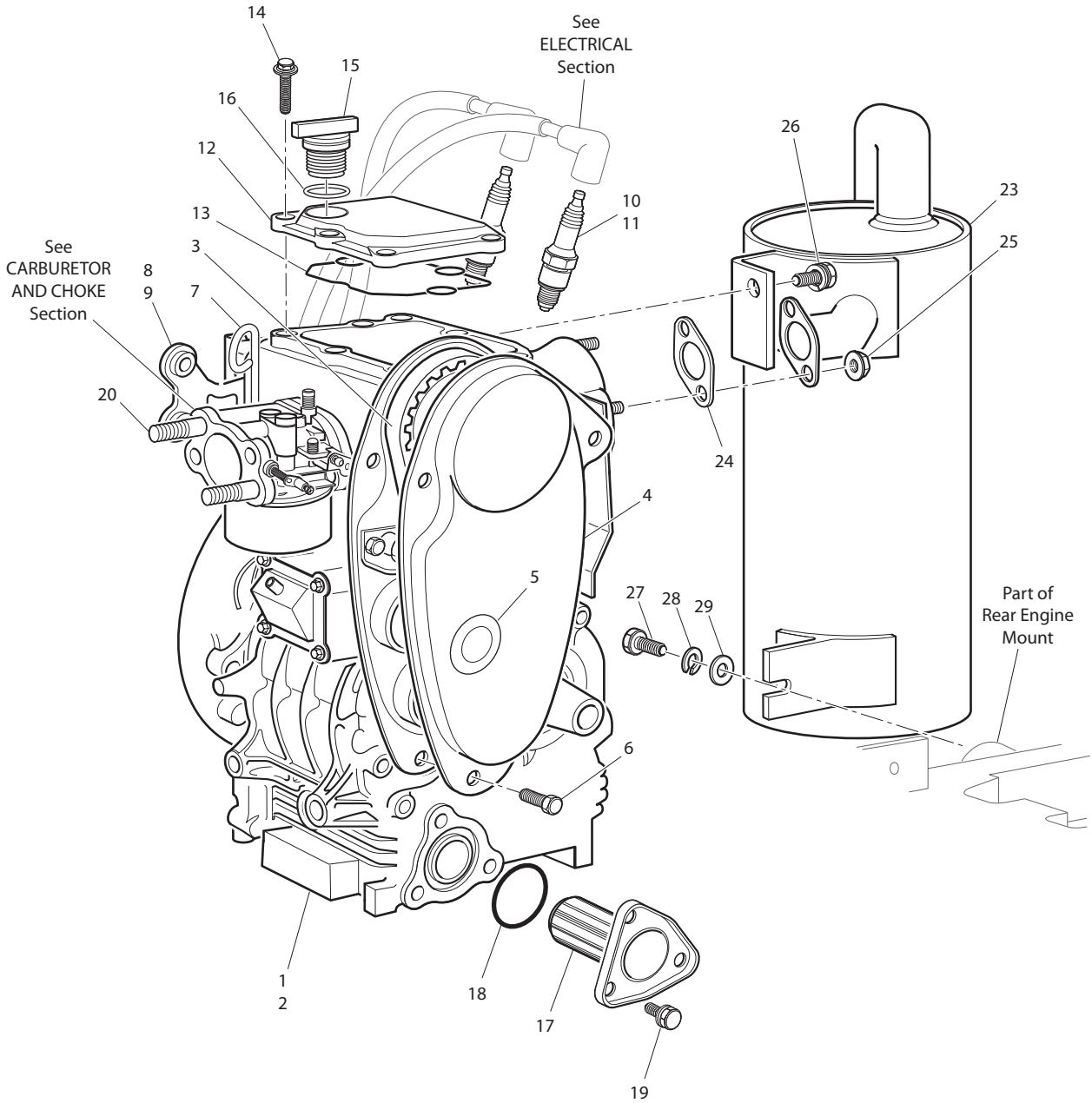


# ELECTRICAL SYSTEM

THE USE OF NON UL PARTS WILL VOID ANY UL LISTING.  
 When ordering parts, please specify the model and serial number of the product.  
 \* Indicates a component that is not available as an individual part.  
 G\*\* Indicates consult Customer Service Department for additional information.

| ITEM | PART NO.  | 1 2 3 4 5 | DESCRIPTION                                    | QTY. |
|------|-----------|-----------|--|------|
| 151  | 75114-G02 |           | HOUR METER KIT (INCLUDES ITEMS 152 - 156)..... | 1    |
| 152  | 21573-G1  |           | HOUR METER.....                                | 1    |
| 153  | 74019-G02 |           | HOUR METER BRACKET.....                        | 1    |
| 154  | 00379-G4  |           | SCREW, #10 - 24 X 1/2" LG.....                 | 2    |
| 155  | 14390-G10 |           | LOCK NUT, #10 - 24.....                        | 2    |
| 156  | 75117-G01 |           | WIRE HARNESS (HOUR METER).....                 | 1    |

# ENGINE AND MUFFLER



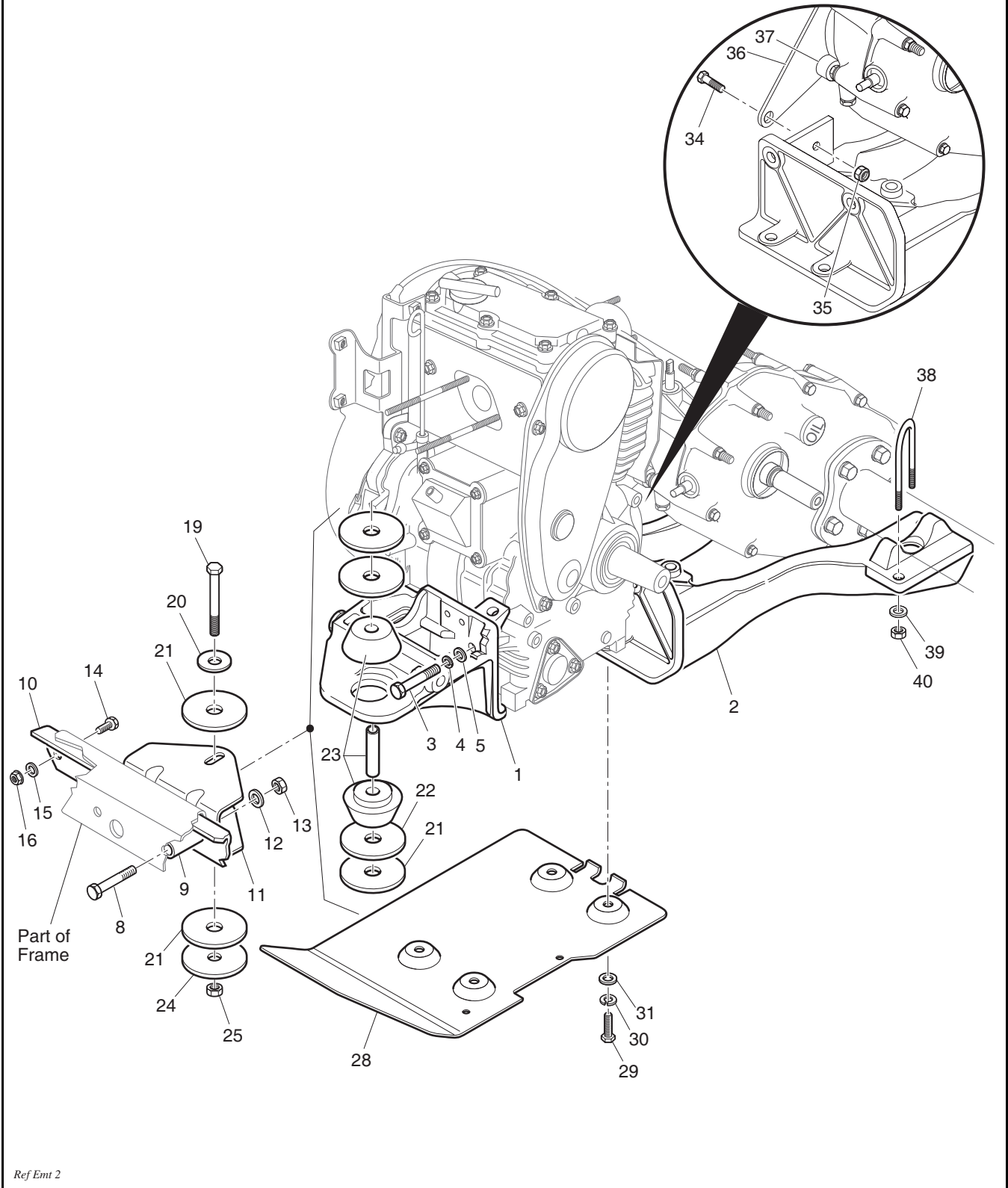
Ref Emf 2

## ENGINE AND MUFFLER

Where applicable, THE USE OF NON UL PARTS WILL VOID ANY UL LISTING.  
 When ordering parts, please specify the model and serial number of the product.  
 \* Indicates a component that is not available as an individual part.  
 G\*\* Indicates consult Customer Service Department for additional information.

| ITEM | PART NO.  | 1 2 3 4 5 | DESCRIPTION   | QTY. |
|------|-----------|-----------|---|------|
| 1    | 72845-G01 |           | ENGINE (FOR VEHICLES ORIGINALLY EQUIPPED WITH 295cc (EH29C) (INCLUDES ITEMS 3 - 9, 12 - 22) .....     | 1    |
| 2    | 72846-G02 |           | ENGINE (FOR VEHICLES ORIGINALLY EQUIPPED WITH 350cc (EH35C) (INCLUDES ITEMS 3 - 8, 10 - 20, 23) ..... | 1    |
| 3    | 26626-G01 |           | TIMING BELT .....   | 1    |
| 4    | 72908-G01 |           | TIMING BELT COVER .....   | 1    |
| 5    | 26631-G01 |           | TIMING BELT COVER GROMMET .....   | 1    |
| 6    | 26678-G01 |           | BOLT, M6 X 1 X 12 MM LG .....   | 3    |
| 7    | 605910    |           | DIP STICK (10 DEGREES) .....  | 1    |
| 8    | 72885-G01 |           | IGNITION COIL BRACKET (295cc) .....   | 1    |
| 9    | 72869-G01 |           | IGNITION COIL BRACKET (350cc) .....   | 1    |
| 10   | 72867-G02 |           | SPARK PLUG (NGK B?P? or ?K?R4ES - RESISTOR) (295cc) .....   | 2    |
| 11   | 72867-G01 |           | SPARK PLUG (NGK B?P? or ?K?R5ES - RESISTOR) (350cc) .....   | 2    |
| 12   | 72848-G01 |           | VALVE COVER .....   | 1    |
| 13   | 72876-G01 |           | VALVE COVER GASKET .....  | 1    |
| 14   | 26676-G01 |           | FLANGED BOLT, M6 X 1 X 23 MM LG .....   | 6    |
| 15   | 26601-G01 |           | OIL FILLER CAP .....  | 1    |
| 16   | 26720-G01 |           | OIL FILLER 'O' RING .....   | 1    |
| 17   | 26591-G01 |           | OIL FILTER .....  | 1    |
| 18   | 26710-G01 |           | OIL FILTER 'O' RING .....   | 1    |
| 19   | 26680-G01 |           | BOLT AND WASHER, M6 X 1 X 12 MM LG .....  | 3    |
| 20   | 72307-G01 |           | STUD, M6 X 1 X 115MM LG .....   | 2    |
| 21   |           |           |   |      |
| 22   |           |           |   |      |
| 23   | 74829-G01 |           | MUFFLER .....   | 1    |
| 24   | 25531-G01 |           | EXHAUST GASKET .....  | 1    |
| 25   | *         |           | NUT .....   | 2    |
| 26   | 25532-G1  |           | BOLT AND WASHER, M8 X 1.25 X 18 MM LG .....   | 1    |
| 27   | 00438-G8  |           | BOLT, 5/16 - 18 X 1" LG .....   | 1    |
| 28   | 00565-G8  |           | LOCK WASHER, 5/16" .....  | 1    |
| 29   | 00642-G8  |           | WASHER, 5/16" .....   | 1    |

# ENGINE MOUNTING



Ref Emt 2

# ENGINE MOUNTING

Where applicable, THE USE OF NON UL PARTS WILL VOID ANY UL LISTING.

When ordering parts, please specify the model and serial number of the product.

\* Indicates a component that is not available as an individual part.

G\*\* Indicates consult Customer Service Department for additional information.

| ITEM | PART NO.  | 1 2 3 4 5 | DESCRIPTION                                      | QTY. |
|------|-----------|-----------|--|------|
| 1    | 72010-G01 |           | FRONT ENGINE MOUNT .....                         | 1    |
| 2    | 72011-G01 |           | REAR ENGINE MOUNT .....                          | 1    |
| 3    | 00463-G4  |           | BOLT, 7/16 - 14 X 1 1/2" LG .....                | 4    |
| 4    | 00566-G2  |           | LOCK WASHER, 7/16".....                          | 4    |
| 5    | 00922-G3  |           | WASHER, 7/16" .....                              | 4    |
| 6    |           |           |  |      |
| 7    |           |           |  |      |
| 8    | 00428-G6  |           | BOLT, 3/8 - 16 X 2 3/4" LG .....                 | 2    |
| 9    | 72016-G01 |           | SPACER.....                                      | 2    |
| 10   | 70269-G01 |           | CROSSMEMBER BRACE .....                          | 1    |
| 11   | 72253-G01 |           | MOUNT BRACKET .....                              | 1    |
| 12   | 00643-G1  |           | WASHER, 3/8" .....                               | 2    |
| 13   | 11098-G5  |           | LOCK NUT, 3/8 - 16 .....                         | 2    |
| 14   | 00438-G7  |           | BOLT, 5/16 - 18 X 7/8" LG .....                  | 2    |
| 15   | 01110-G03 |           | WASHER, 5/16" (STAINLESS STEEL).....             | 2    |
| 16   | 01109-G01 |           | LOCK NUT, 5/16 - 18 (STAINLESS STEEL) .....      | 2    |
| 17   |           |           |  |      |
| 18   |           |           |  |      |
| 19   | 00430-G4  |           | BOLT, 3/8 - 16 X 4 1/2" LG .....                 | 1    |
| 20   | 15121-G1  |           | WASHER, 3/8" .....                               | 1    |
| 21   | 72050-G01 |           | PLASTIC WASHER, 2 1/4" OD X 5/8" ID X 1/8" ..... | 4    |
| 22   | 72051-G01 |           | WASHER, 2 1/2" OD X 5/8" ID X 1/8" .....         | 2    |
| 23   | 72015-G01 |           | ISOLATION MOUNT .....                            | 1    |
| 24   | 72051-G02 |           | WASHER, 3/8" .....                               | 1    |
| 25   | 11098-G5  |           | LOCK NUT, 3/8 - 16 .....                         | 1    |
| 26   |           |           |  |      |
| 27   |           |           |  |      |
| 28   | 70527-G01 |           | ENGINE GUARD.....                                | 1    |
| 29   | 00463-G4  |           | BOLT, 7/16 - 14 X 1 1/2" LG .....                | 4    |
| 30   | 00566-G2  |           | LOCK WASHER, 7/16".....                          | 4    |

# ENGINE MOUNTING

Where applicable, THE USE OF NON UL PARTS WILL VOID ANY UL LISTING.  
 When ordering parts, please specify the model and serial number of the product.  
 \* Indicates a component that is not available as an individual part.  
 G\*\* Indicates consult Customer Service Department for additional information.

| ITEM | PART NO.  | 1 2 3 4 5 | DESCRIPTION                                     | QTY. |
|------|-----------|-----------|---|------|
| 31   | 00922-G3  |           | WASHER, 7/16" .....                             | 4    |
| 32   |           |           |   |      |
| 33   |           |           |   |      |
| 34   | 00439-G2  |           | BOLT, 5/16 - 18 X 1 1/8" LG .....               | 1    |
| 35   | 11098-G6  |           | LOCK NUT, 5/16 - 18 (STAINLESS STEEL) .....     | 1    |
| 36   | 72017-G02 |           | STRAP, DIFFERENTIAL - GAS MED/TXT .....         | 1    |
| 37   | 75048-G01 |           | SPACER.....                                     | 1    |
| 38   | 72035-G01 |           | 'U' BOLT, 7/16 - 14 X 3 7/16" X 3 9/16" LG..... | 2    |
| 39   | 00922-G3  |           | WASHER, 7/16" .....                             | 4    |
| 40   | 00734-G1  |           | LOCK NUT, 7/16 - 14 .....                       | 4    |

**DID YOU  
KNOW?**

**CartPros** directs you to the right part using the part numbers from this manual. Enter the part number into our search box and it will find the part you are looking for.

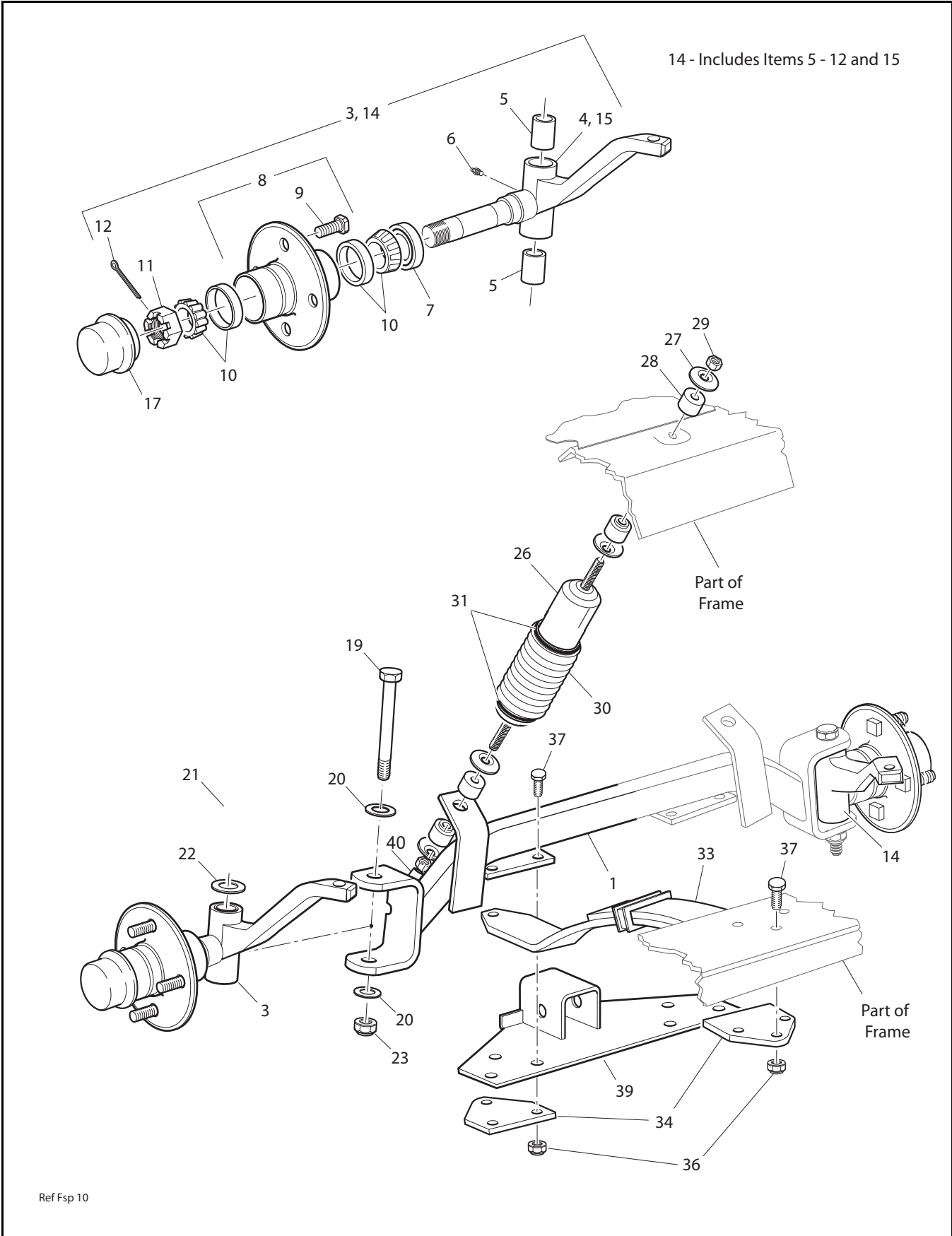
**GET STARTED  
HERE**



<https://CartPros.com/f.html>

**ENGINE MOUNTING**

# FRONT SUSPENSION



Ref Fsp 10



# FRONT SUSPENSION

Where applicable, THE USE OF NON UL PARTS WILL VOID ANY UL LISTING.  
 When ordering parts, please specify the model and serial number of the product.  
 \* Indicates a component that is not available as an individual part.  
 G\*\* Indicates consult Customer Service Department for additional information.

| ITEM | PART NO.  | 1 2 3 4 5 | DESCRIPTION  | QTY. |
|------|-----------|-----------|--|------|
| 1    | 70515-G01 |           | FRONT AXLE.....  | 1    |
| 2    |           |           |  |      |
| 3    | 70535-G03 |           | SPINDLE ASSEMBLY (DRIVER SIDE) (INCLUDES ITEMS 4 - 12).....    | 1    |
| 4    | *         |           | SPINDLE (DRIVER SIDE).....                                     | 1    |
| 5    | 16623-G1  |           | BEARING.....   | 2    |
| 6    | 10389-G3  |           | GREASE FITTING, STRAIGHT.....                                  | 1    |
| 7    | 25146-G1  |           | GREASE SEAL.....   | 1    |
| 8    | 35886-G01 |           | WHEEL HUB ASSEMBLY WITH RACES (INCLUDES ITEMS 9).....          | 1    |
| 9    | 19862-G1  |           | LUG BOLT, 1/2 - 20 X 1 3/16" LG.....                           | 4    |
| 10   | 50892-G1  |           | BEARING AND RACE ASSEMBLY (COMPLETE).....                      | 2    |
| 11   | 12093-G1  |           | SLOTTED NUT, 1 - 14.....                                       | 1    |
| 12   | 00798-G8  |           | COTTER PIN, 5/32" X 1 3/4" LG.....                             | 1    |
| 13   |           |           |  |      |
| 14   | 70534-G03 |           | SPINDLE ASSEMBLY (PASSENGER SIDE) (INCL ITEMS 5 - 12, 15)..... | 1    |
| 15   | *         |           | SPINDLE (PASSENGER SIDE).....                                  | 1    |
| 16   |           |           |  |      |
| 17   | 12091-G2  |           | SPINDLE CAP.....   | 2    |
| 18   |           |           |  |      |
| 19   | 01040-G01 |           | BOLT, 1/2 - 13 X 5" LG.....                                    | 2    |
| 20   | 00571-G5  |           | WASHER, 1/2".....  | 4    |
| 21   | 70328-G01 |           | KING PIN TUBE.....   | 2    |
| 22   | 16982-G1  |           | THRUST WASHER, 7/8".....                                       | 2    |
| 23   | 14390-G6  |           | LOCK NUT, 1/2 - 13.....  | 2    |
| 24   |           |           |  |      |
| 25   |           |           |  |      |
| 26   | 70630-G01 |           | SHOCK ABSORBER.....  | 2    |
| 27   | 10435-G1  |           | SHOCK ABSORBER WASHER.....                                     | 8    |
| 28   | 10194-G1  |           | RUBBER BUSHING.....  | 8    |
| 29   | 00532-G6  |           | NUT, 3/8 - 24.....   | 4    |
| 30   | 70509-G01 |           | SHOCK ABSORBER BOOT.....                                       | 2    |

# FRONT SUSPENSION

Where applicable, THE USE OF NON UL PARTS WILL VOID ANY UL LISTING.  
 When ordering parts, please specify the model and serial number of the product.  
 \* Indicates a component that is not available as an individual part.  
 G\*\* Indicates consult Customer Service Department for additional information.

| ITEM | PART NO.  | 1 2 3 4 5 | DESCRIPTION                       | QTY. |
|------|-----------|-----------|-----------------------------------|------|
| 31   | 31539-G1  |           | WIRE TIE .....                    | 4    |
| 32   |           |           |                                   |      |
| 33   | 70422-G01 |           | LEAF SPRING (HEAVY DUTY).....     | 2    |
| 34   | 70163-G03 |           | SPRING PLATE .....                | 4    |
| 35   |           |           |                                   |      |
| 36   | 00734-G1  |           | LOCK NUT, 7/16 - 14 .....         | 16   |
| 37   | 00463-G11 |           | BOLT, 7/16 - 14 X 1 3/4" LG ..... | 12   |
| 38   |           |           |                                   |      |
| 39   | 74255-G01 |           | WINCH RECEIVER.....               | 1    |
| 40   | 10044-G01 |           | VINYL CAP .....                   | 2    |

**DID YOU  
KNOW?**

**CartPros** directs you to the right part using the part numbers from this manual. Enter the part number into our search box and it will find the part you are looking for.

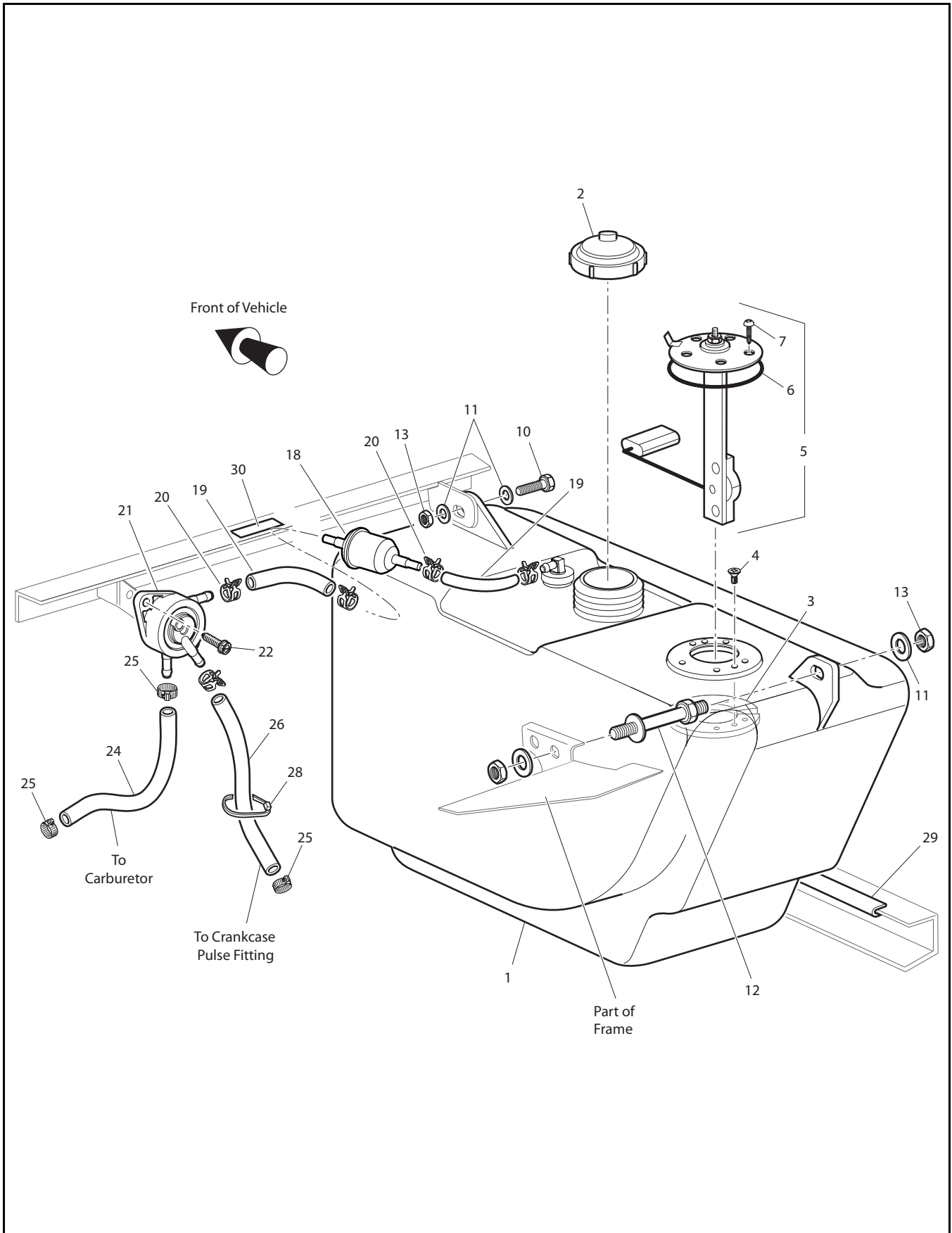
**GET STARTED  
HERE**



<https://CartPros.com/f.html>

# FRONT SUSPENSION

# FUEL SYSTEM



**FUEL SYSTEM**

Where applicable, THE USE OF NON UL PARTS WILL VOID ANY UL LISTING.

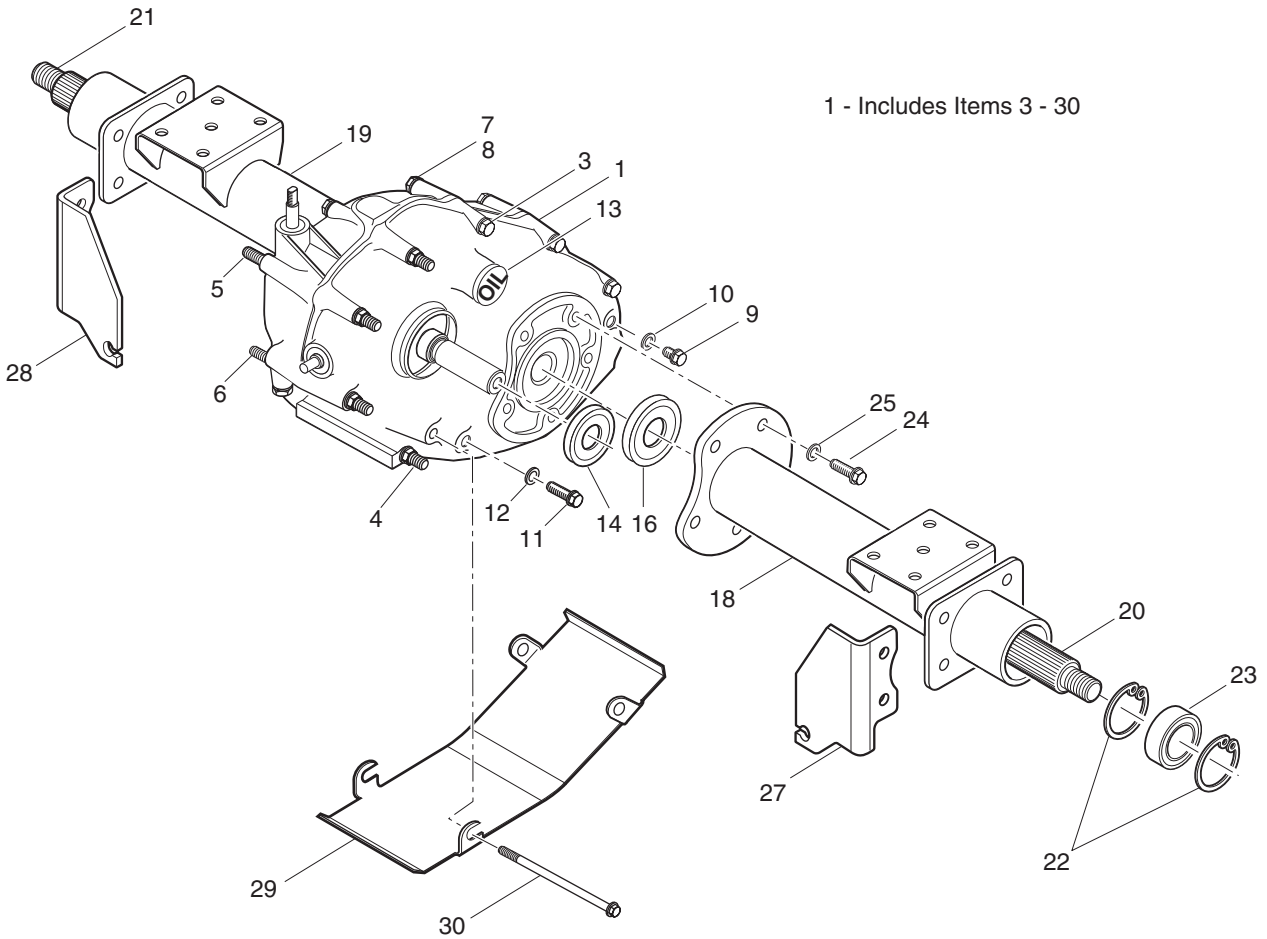
When ordering parts, please specify the model and serial number of the product.

\* Indicates a component that is not available as an individual part.

G\*\* Indicates consult Customer Service Department for additional information.

| ITEM | PART NO.  | 1 2 3 4 5 | DESCRIPTION  | QTY. |
|------|-----------|-----------|--|------|
| 1    | 72092-G02 |           | FUEL TANK (FOR ELECTRIC FUEL GAUGE) .....                        | 1    |
| 2    | 72282-G01 |           | FUEL TANK CAP .....  | 1    |
| 3    | 72229-G01 |           | FUEL LEVEL SENDER ADAPTER .....                                  | 1    |
| 4    | 72230-G01 |           | SCREW, #6 - 32 X 1/2" LG.....                                    | 2    |
| 5    | 20048-G2  |           | FUEL LEVEL SENDER (ELEC. FUEL GAUGE) (INCLUDES ITEMS 6, 7) ..... | 1    |
| 6    | *         |           | GASKET .....   | 1    |
| 7    | 72232-G01 |           | SCREW, #10 - 32 x 3/4" LG.....                                   | 5    |
| 8    |           |           |  |      |
| 9    |           |           |  |      |
| 10   | 00438-G8  |           | BOLT, 5/16 - 18 X 1" LG .....                                    | 1    |
| 11   | 00559-G8  |           | WASHER, 5/16" .....  | 4    |
| 12   | 70483-G01 |           | SPACER .....   | 1    |
| 13   | 11098-G6  |           | LOCK NUT, 5/16 - 18 (STAINLESS STEEL) .....                      | 3    |
| 14   |           |           |  |      |
| 15   |           |           |  |      |
| 16   |           |           |  |      |
| 17   |           |           |  |      |
| 18   | 72084-G01 |           | FUEL FILTER .....  | 1    |
| 19   | 17470-G1  |           | FUEL SYSTEM TUBING, 1/4" ID X 1/2" OD X 3 1/4" LG (BULK) .....   | 2    |
| 20   | 18292-G1  |           | CLAMP .....  | 5    |
| 21   | 72873-G01 |           | FUEL PUMP .....  | 1    |
| 22   | 00114-G6  |           | SCREW, 1/4 - 14 X 3/4" LG.....                                   | 2    |
| 23   |           |           |  |      |
| 24   | 17470-G1  |           | FUEL SYSTEM TUBING, 1/4" ID X 1/2" OD X 16" LG (BULK) .....      | A/R  |
| 25   | 11391-G4  |           | HOSE CLAMP, 1/4" .....   | 3    |
| 26   | 27183-G01 |           | TUBING, 1/4" ID X 1/2" OD X 16" LG (BULK) .....                  | A/R  |
| 27   |           |           |  |      |
| 28   | 17618-G1  |           | WIRE TIE .....   | 3    |
| 29   | 22280-G1  |           | VINYL TRIM, 6 1/4" LG (BULK) .....                               | A/R  |
| 30   |           |           |  |      |

# REAR AXLE



Ref Rax 11

# REAR AXLE

THE USE OF NON U.L. PARTS WILL VOID ANY U.L. LISTING.

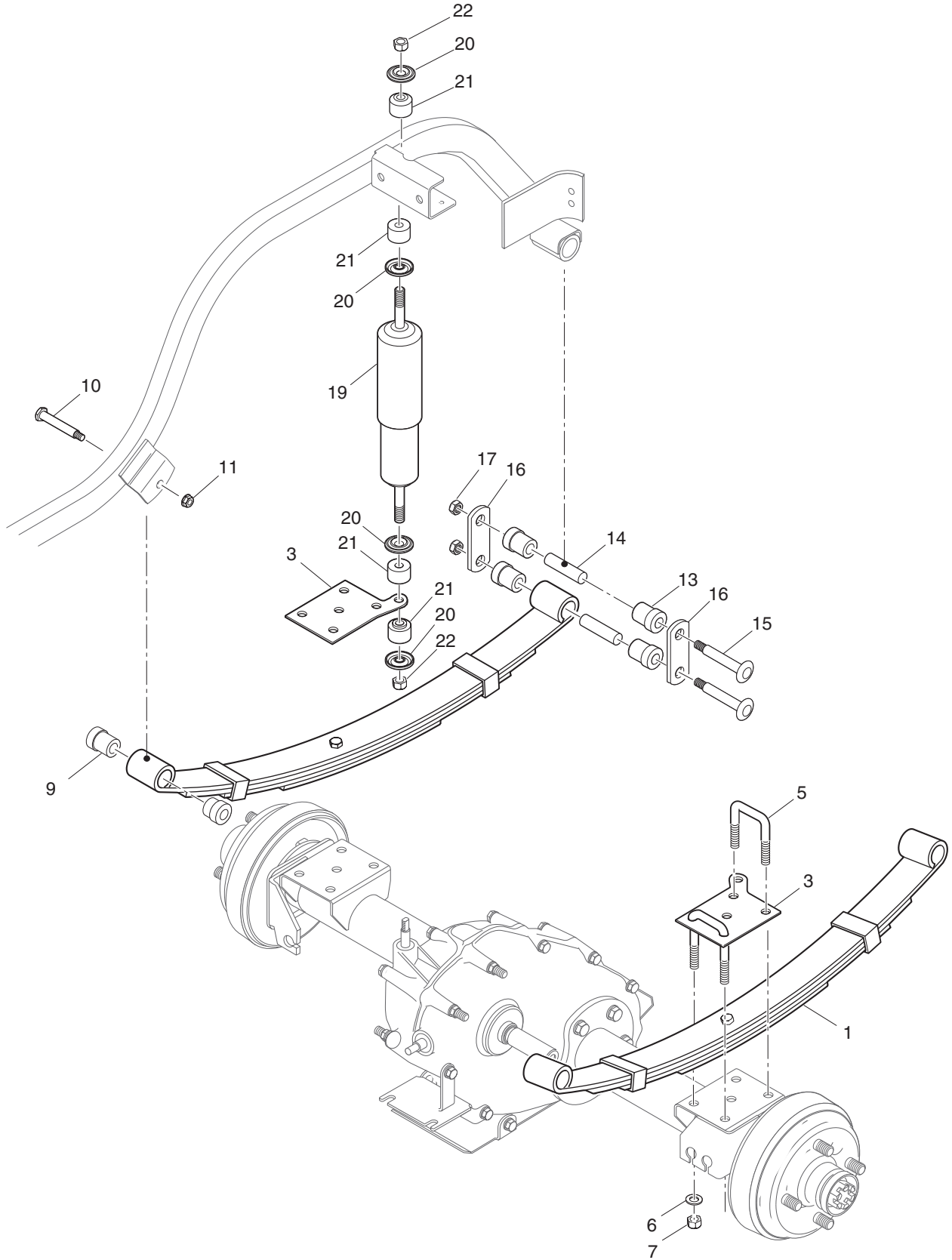
When ordering parts, please specify the model and serial number of the product.

\* Indicates a component that is not available as an individual part.

G\*\* Indicates consult Customer Service Department for additional information.

| ITEM | PART NO.  | 1 2 3 4 5 | DESCRIPTION   | QTY. |
|------|-----------|-----------|---|------|
| 1    | 74545-G01 |           | REAR AXLE ASSEMBLY (13.32:1) (INCLUDES ITEMS 3 - 30)..... | 1    |
| 2    |           |           |   |      |
| 3    | 26823-G01 |           | FLANGED BOLT, M8 X 1.25 X 100 MM LG .....                 | 7    |
| 4    | 26824-G01 |           | FLANGED BOLT, M8 X 1.25 X 110 MM LG .....                 | 1    |
| 5    | 72053-G01 |           | FLANGED BOLT, M8 X 1.25 X 120 MM LG .....                 | 1    |
| 6    | 72052-G01 |           | FLANGED BOLT, M8 X 1.25 X 130 MM LG .....                 | 1    |
| 7    | 26826-G01 |           | LOCK WASHER, 8 MM .....                                   | 4    |
| 8    | 26827-G01 |           | NUT, M8 X 1.25 MM .....                                   | 4    |
| 9    | 26768-G01 |           | OIL CHECK PLUG.....                                       | 1    |
| 10   | 26769-G01 |           | GASKET, 8 MM .....  | 1    |
| 11   | 26770-G01 |           | OIL DRAIN PLUG .....                                      | 1    |
| 12   | 26771-G01 |           | GASKET, 14 MM .....                                       | 1    |
| 13   | 26772-G01 |           | OIL FILLER PLUG .....                                     | 1    |
| 14   | 26761-G01 |           | INPUT SHAFT SEAL .....                                    | 1    |
| 15   |           |           |   |      |
| 16   | 26766-G01 |           | AXLE SHAFT SEAL.....                                      | 2    |
| 17   |           |           |   |      |
| 18   | 72058-G01 |           | AXLE TUBE (DRIVER SIDE).....                              | 1    |
| 19   | 72059-G01 |           | AXLE TUBE (PASSENGER SIDE).....                           | 1    |
| 20   | 72056-G01 |           | AXLE SHAFT (DRIVER SIDE).....                             | 1    |
| 21   | 72057-G01 |           | AXLE SHAFT (PASSENGER SIDE).....                          | 1    |
| 22   | 26814-G01 |           | RETAINING RING .....                                      | 4    |
| 23   | 26811-G01 |           | BALL BEARING .....  | 2    |
| 24   | 72260-G01 |           | FLANGED BOLT, M10 X 1.5 X 23 MM LG .....                  | 10   |
| 25   | 26828-G01 |           | WASHER, 10 MM .....                                       | 10   |
| 26   |           |           |   |      |
| 27   | *****     |           | BRAKE CABLE BRACKET (SEE BRAKES SECTION) .....            | 1    |
| 28   | *****     |           | BRAKE CABLE BRACKET (SEE BRAKES SECTION) .....            | 1    |
| 29   | 72349-G02 |           | DIFFERENTIAL SKID PLATE .....                             | 1    |
| 30   | 72053-G01 |           | FLANGED BOLT, M8 X 1.25 X 120 MM LG .....                 | 2    |

# REAR SUSPENSION



Ref Rsp 11



# REAR SUSPENSION

THE USE OF NON U.L. PARTS WILL VOID ANY U.L. LISTING.

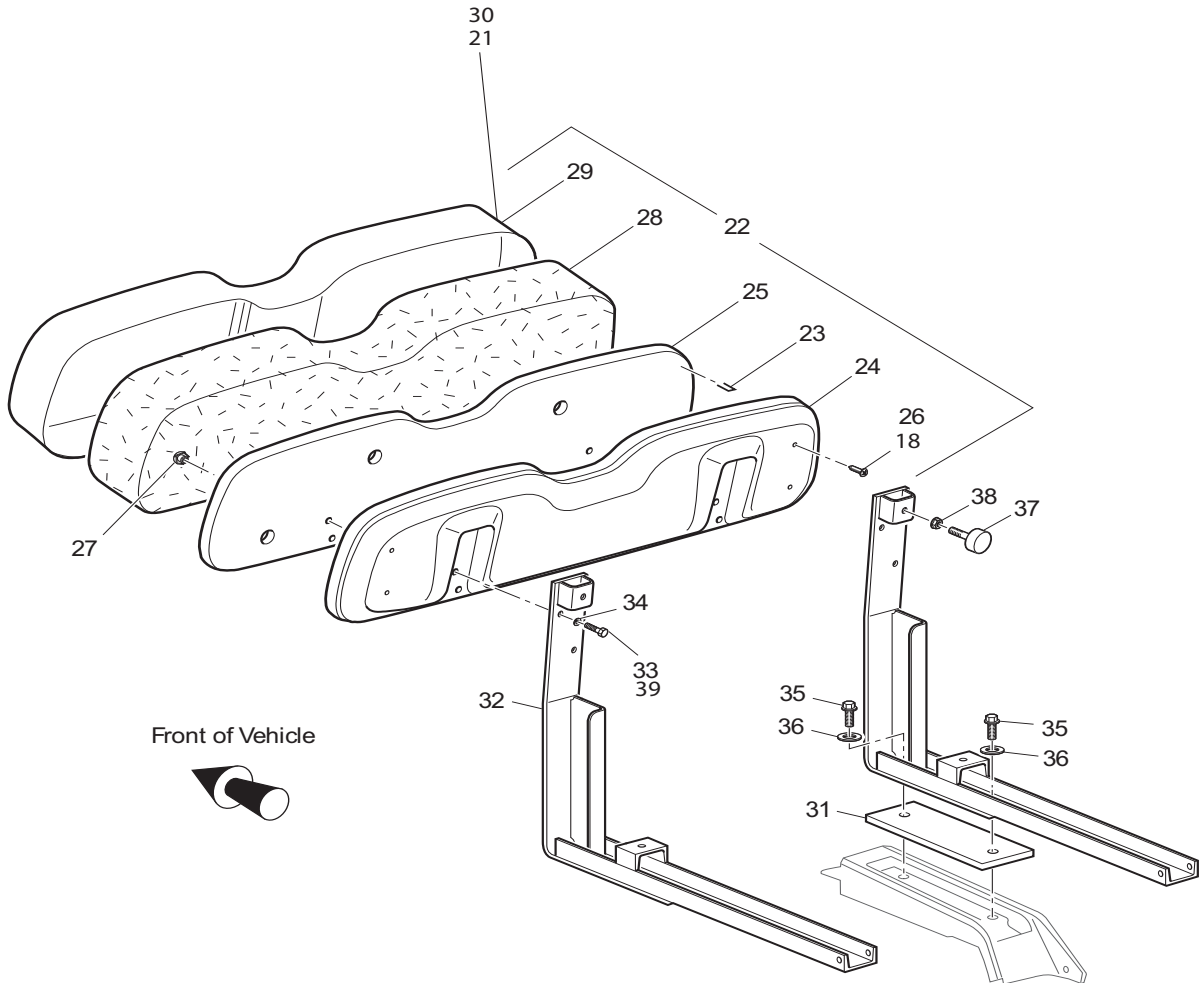
When ordering parts, please specify the model and serial number of the product.

\* Indicates a component that is not available as an individual part.

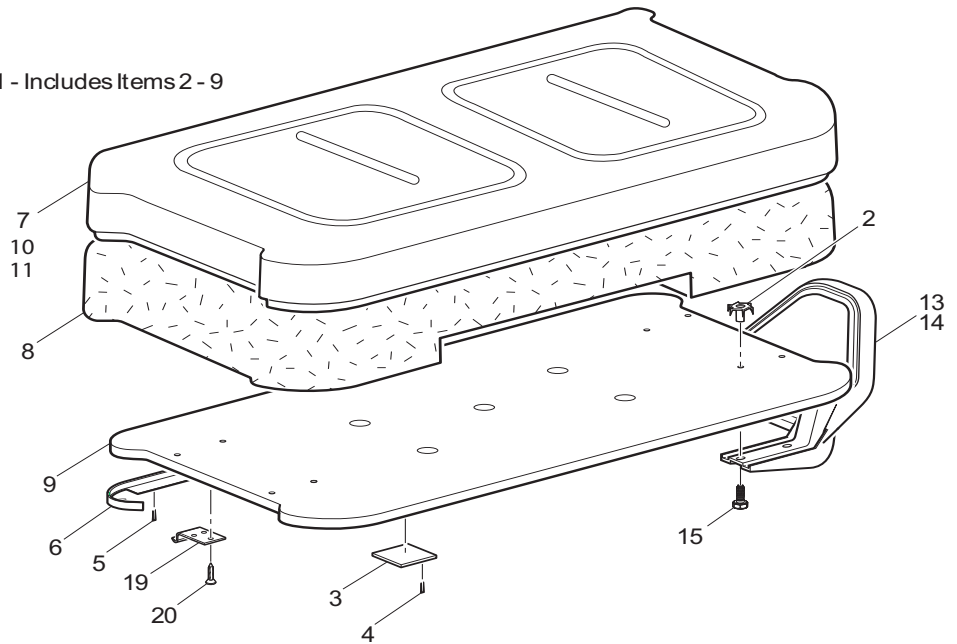
G\*\* Indicates consult Customer Service Department for additional information.

| ITEM | PART NO.  | 1 2 3 4 5 | DESCRIPTION                                       | QTY. |
|------|-----------|-----------|---|------|
| 1    | 74207-G01 |           | HEAVY DUTY LEAF SPRING.....                       | 2    |
| 2    |           |           |   |      |
| 3    | 72357-G02 |           | SPRING PLATE .....                                | 2    |
| 4    |           |           |   |      |
| 5    | 72618-G02 |           | 'U' BOLT, 3/8 - 16 X 2" X 2 1/8" LG .....         | 4    |
| 6    | 00560-G1  |           | WASHER, 3/8" .....                                | 8    |
| 7    | 11098-G5  |           | LOCK NUT, 3/8 - 16 .....                          | 8    |
| 8    |           |           |   |      |
| 9    | 70291-G01 |           | FLANGED BUSHING .....                             | 4    |
| 10   | 14158-G1  |           | SHOULDER BOLT, 3/8 - 16 X 3 1/4" LG .....         | 2    |
| 11   | 12262-G1  |           | LOCK NUT, 3/8 - 16 .....                          | 2    |
| 12   |           |           |   |      |
| 13   | 70291-G01 |           | FLANGED BUSHING .....                             | 8    |
| 14   | 70289-G02 |           | SPACER.....                                       | 4    |
| 15   | 00665-G9  |           | BOLT, 3/8 - 16 X 3 1/2" LG (STAINLESS STEEL)..... | 4    |
| 16   | 70290-G02 |           | SHACKLE PLATE .....                               | 4    |
| 17   | 11098-G5  |           | LOCK NUT, 3/8 - 16 .....                          | 4    |
| 18   |           |           |   |      |
| 19   | 76418-G01 |           | SHOCK ABSORBER.....                               | 2    |
| 20   | 10435-G1  |           | SHOCK ABSORBER WASHER.....                        | 8    |
| 21   | 10194-G1  |           | RUBBER BUSHING .....                              | 8    |
| 22   | 00532-G6  |           | NUT, 3/8 - 24.....                                | 4    |

# SEATING

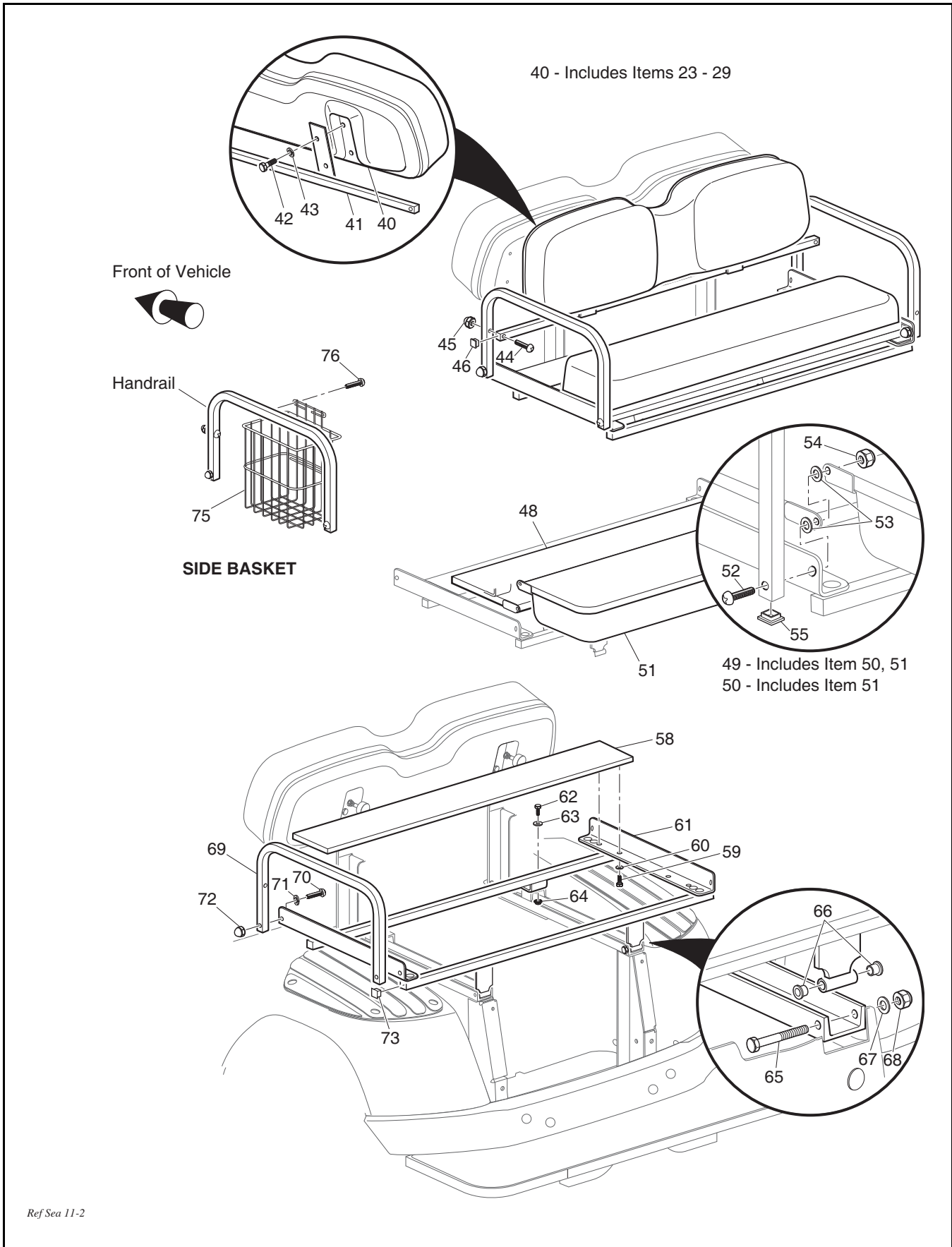


1 - Includes Items 2 - 9



Ref Sea 11-1

# SEATING



Ref Sea 11-2

# SEATING

THE USE OF NON U.L. PARTS WILL VOID ANY U.L. LISTING.  
 When ordering parts, please specify the model and serial number of the product.  
 \* Indicates a component that is not available as an individual part.  
 G\*\* Indicates consult Customer Service Department for additional information.

| ITEM | PART NO.   | 1 2 3 4 5 | DESCRIPTION                                       | QTY. |
|------|------------|-----------|---|------|
| 1    | 71611-G**  |           | SEAT BOTTOM ASSEMBLY (INCLUDES ITEMS 2 - 9) ..... | 1    |
| 2    | *          |           | TEE NUT.....                                      | 8    |
| 3    | 17074-G1   |           | RUBBER PAD.....                                   | 2    |
| 4    | *          |           | FLAT STAPLE.....                                  | 110  |
| 5    | *          |           | FLAT STAPLE.....                                  | 46   |
| 6    | 71012-G01  |           | VINYL TRIM (SEAT BOTTOM).....                     | 1    |
| 7    | 71602-G**  |           | VINYL SEAT BOTTOM COVER .....                     | 1    |
| 8    | *          |           | FOAM PADDING (SEAT BOTTOM).....                   | 1    |
| 9    | *          |           | SEAT BOTTOM (WOOD).....                           | 1    |
| 10   | 604912-G** |           | TWO TONE VINYL SEAT BOTTOM .....                  | 1    |
| 11   | 604906     |           | SEAT BOTTOM (ST CUSTOM) .....                     | 1    |
| 12   |            |           |   |      |
| 13   | 71701-G01  |           | HIP RESTRAINT (PASSENGER SIDE) .....              | 1    |
| 14   | 71702-G01  |           | HIP RESTRAINT (DRIVER SIDE).....                  | 1    |
| 15   | 71204-G01  |           | BOLT, 1/4 - 20 X 1" LG (STAINLESS STEEL).....     | 8    |
| 16   |            |           |   |      |
| 17   |            |           |   |      |
| 18   | 607535     |           | TORX HEAD SCREW .....                             | 4    |
| 19   | 71610-G01  |           | SEAT HINGE .....                                  | 2    |
| 20   | 00720-G08  |           | SCREW, #12 - 14 X 1" LG (STAINLESS STEEL) .....   | 4    |
| 21   | 604908     |           | SEAT BACK (ST CUSTOM) .....                       | 1    |
| 22   | 71751-G**  |           | SEAT BACK ASSEMBLY (INCLUDES ITEMS 23 - 29).....  | 1    |
| 23   | *          |           | FLAT STAPLE .....                                 | 95   |
| 24   | 71752-G01  |           | PLASTIC SEAT BACK COVER .....                     | 1    |
| 25   | *          |           | SEAT BACK (WOOD).....                             | 1    |
| 26   | 01107-G01  |           | SCREW, #8 X 3/8" LG (STAINLESS STEEL) .....       | 4    |
| 27   | *          |           | TEE NUT.....                                      | 4    |
| 28   | *          |           | FOAM PADDING (SEAT BACK) .....                    | 1    |
| 29   | 71753-G**  |           | VINYL SEAT BACK COVER .....                       | 1    |
| 30   | 604916-G** |           | TWO TONE VINYL SEAT BACK.....                     | 1    |

**SEATING**

THE USE OF NON U.L. PARTS WILL VOID ANY U.L. LISTING.

When ordering parts, please specify the model and serial number of the product.

\* Indicates a component that is not available as an individual part.

G\*\* Indicates consult Customer Service Department for additional information.

| ITEM | PART NO.  | 1 2 3 4 5 | DESCRIPTION  | QTY. |
|------|-----------|-----------|--|------|
| 31   | 70364-G01 |           | SPACER.....  | 2    |
| 32   | 74111-G01 |           | SEAT BACK SUPPORT .....                              | 2    |
| 33   | 00661-G8  |           | BOLT, 1/4 - 20 X 1" LG (STAINLESS STEEL).....        | 4    |
| 34   | 00664-G7  |           | LOCK WASHER, 1/4" (STAINLESS STEEL) .....            | 4    |
| 35   | 01006-G02 |           | BOLT, 3/8 - 16 X 1 1/2" LG .....                     | 4    |
| 36   | 00560-G1  |           | WASHER, 3/8" .....                                   | 4    |
| 37   | 70113-G01 |           | ADJUSTABLE BUMPER .....                              | 2    |
| 38   | 11027-G1  |           | LOCK NUT, 5/16 - 18 .....                            | 2    |
| 39   | 605056    |           | SCREW 1/4 - 20 X 1" .....                            | 4    |
| 40   | 71751-G** |           | SEAT BACK ASSEMBLY (INCLUDES ITEMS 23 - 29).....     | 1    |
| 41   | 75258-G01 |           | SEAT BACK SUPPORT .....                              | 1    |
| 42   | 00661-G8  |           | BOLT, 1/4 - 20 X 1" LG (STAINLESS STEEL).....        | 4    |
| 43   | 00664-G7  |           | LOCK WASHER, 1/4" (STAINLESS STEEL) .....            | 4    |
| 44   | 16705-G6  |           | SCREW, 1/4 - 20 X 1 3/4" LG (STAINLESS STEEL) .....  | 2    |
| 45   | 00520-G1  |           | ACORN NUT, 1/4 - 20 .....                            | 2    |
| 46   | 75261-G01 |           | END PLUG, 3/4" .....                                 | 2    |
| 47   |           |           |  |      |
| 48   | 71062-G01 |           | BED ASSEMBLY .....                                   | 1    |
| 49   | 71063-G** |           | SEAT BOTTOM ASSEMBLY (INCLUDES ITEM 50, 51).....     | 1    |
| 50   | 75197-G** |           | SEAT BOTTOM (INCLUDES ITEM 51) .....                 | 1    |
| 51   | 75252-G** |           | VINYL SEAT BOTTOM COVER.....                         | 1    |
| 52   | 00762-G4  |           | SCREW, 5/16 - 18 X 1 1/2" LG (STAINLESS STEEL) ..... | 2    |
| 53   | 17255-G1  |           | TEFLON WASHER, 5/16" .....                           | 4    |
| 54   | 00891-G3  |           | LOCK NUT, 5/16 - 18 (STAINLESS STEEL) .....          | 2    |
| 55   | 19859-G1  |           | END CAP, 3/4".....                                   | 4    |
| 56   |           |           |  |      |
| 57   |           |           |  |      |
| 58   | 71060-G01 |           | BED FRONT (INCLUDES MAT).....                        | 1    |
| 59   | 00661-G6  |           | BOLT, 1/4 - 20 X 3/4" LG (STAINLESS STEEL).....      | 4    |
| 60   | 00664-G7  |           | WASHER, 5/16" .....                                  | 4    |

# SEATING

THE USE OF NON U.L. PARTS WILL VOID ANY U.L. LISTING.  
 When ordering parts, please specify the model and serial number of the product.  
 \* Indicates a component that is not available as an individual part.  
 G\*\* Indicates consult Customer Service Department for additional information.

| ITEM | PART NO.  | 1 2 3 4 5 | DESCRIPTION  | QTY. |
|------|-----------|-----------|--|------|
| 61   | 75193-G01 |           | SUPPORT FRAME.....                                   | 1    |
| 62   | 00438-G8  |           | BOLT, 5/16 - 18 X 1" LG .....                        | 2    |
| 63   | 00559-G8  |           | WASHER, 5/16" .....                                  | 2    |
| 64   | 00654-G3  |           | LOCK NUT, 5/16 - 18 .....                            | 2    |
| 65   | 00440-G4  |           | BOLT, 5/16 - 18 X 2 1/2" LG .....                    | 2    |
| 66   | 17838-G1  |           | NYLON BUSHING.....                                   | 4    |
| 67   | 00559-G8  |           | WASHER, 5/16" .....                                  | 2    |
| 68   | 00654-G3  |           | LOCK NUT, 5/16 - 18 (STAINLESS STEEL) .....          | 2    |
| 69   | 75196-G01 |           | HANDRAIL .....                                       | 2    |
| 70   | 00762-G2  |           | SCREW, 5/16 - 18 X 1 1/4" LG (STAINLESS STEEL) ..... | 2    |
| 71   | 00664-G8  |           | LOCK WASHER, 5/16" (STAINLESS STEEL) .....           | 2    |
| 72   | 00520-G3  |           | ACORN NUT, 5/16 - 18 .....                           | 2    |
| 73   | 75261-G02 |           | END CAP, 1".....                                     | 4    |
| 74   |           |           |  |      |
| 75   | 75460-G01 |           | SIDE BASKET (BLACK).....                             | 2    |
| 76   | 00106-G6  |           | SELF THREADING SCREW, #12 - 24 X 3/4" LG .....       | 4    |

**DID YOU  
KNOW?**

**CartPros** directs you to the right part using the part numbers from this manual. Enter the part number into our search box and it will find the part you are looking for.

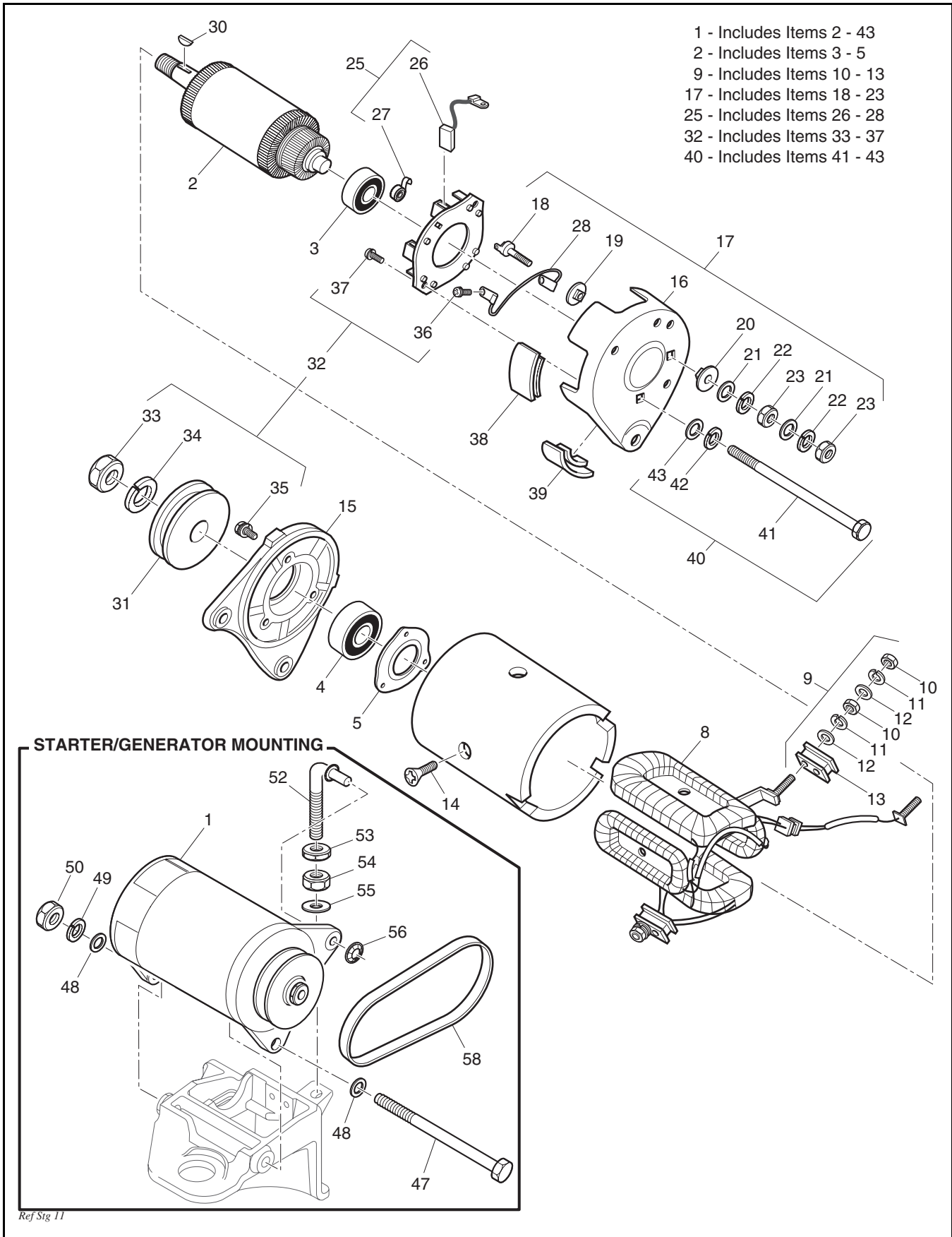
**GET STARTED  
HERE**



<https://CartPros.com/f.html>

**SEATING**

# STARTER / GENERATOR





# STARTER / GENERATOR

THE USE OF NON U.L. PARTS WILL VOID ANY U.L. LISTING.  
 When ordering parts, please specify the model and serial number of the product.  
 \* Indicates a component that is not available as an individual part.  
 G\*\* Indicates consult Customer Service Department for additional information.

| ITEM | PART NO.  | 1 2 3 4 5 | DESCRIPTION  | QTY. |
|------|-----------|-----------|--|------|
| 1    | 27066-G02 |           | STARTER / GENERATOR (INCLUDES ITEMS 2 - 43) .....              | 1    |
| 2    | 26870-G01 |           | ARMATURE (INCLUDES ITEMS 3 - 5) .....                          | 1    |
| 3    | 26871-G01 |           | REAR BALL BEARING .....  | 1    |
| 4    | 26872-G01 |           | FRONT BALL BEARING .....                                       | 1    |
| 5    | 26873-G01 |           | BEARING HOLDER .....   | 1    |
| 6    |           |           |  |      |
| 7    |           |           |  |      |
| 8    | 26875-G01 |           | FIELD COIL .....   | 1    |
| 9    | 26876-G01 |           | INSULATING BRUSH ASSEMBLY ('F') (INCLUDES ITEMS 10 - 13) ..... | 2    |
| 10   | *         |           | NUT .....  | 2    |
| 11   | *         |           | LOCK WASHER.....   | 2    |
| 12   | *         |           | WASHER.....  | 2    |
| 13   | *         |           | INSULATOR.....   | 1    |
| 14   | 26877-G01 |           | POLE CORE SETSCREW.....  | 4    |
| 15   | 26878-G01 |           | FRONT COVER.....   | 1    |
| 16   | 27879-G01 |           | REAR COVER .....   | 1    |
| 17   | 26880-G01 |           | TERMINAL ASSEMBLY ('A') (INCLUDES ITEMS 18 - 23) .....         | 2    |
| 18   | *         |           | TERMINAL .....   | 2    |
| 19   | *         |           | INSULATOR.....   | 2    |
| 20   | *         |           | INSULATOR.....   | 2    |
| 21   | *         |           | WASHER.....  | 4    |
| 22   | *         |           | LOCK WASHER.....   | 4    |
| 23   | *         |           | NUT .....  | 4    |
| 24   |           |           |  |      |
| 25   | 26881-G01 |           | BRUSH HOLDER ASSEMBLY (INCLUDES ITEMS 26 - 28) .....           | 1    |
| 26   | 26658-G01 |           | BRUSH.....   | 4    |
| 27   | 26882-G01 |           | BRUSH SPRING .....   | 4    |
| 28   | 26883-G01 |           | BRUSH CONNECTOR.....   | 2    |
| 29   |           |           |  |      |
| 30   | 26884-G01 |           | KEY.....   | 1    |

# STARTER / GENERATOR

THE USE OF NON U.L. PARTS WILL VOID ANY U.L. LISTING.  
 When ordering parts, please specify the model and serial number of the product.  
 \* Indicates a component that is not available as an individual part.  
 G\*\* Indicates consult Customer Service Department for additional information.

| ITEM | PART NO.  | 1 | 2 | 3 | 4 | 5 | DESCRIPTION   | QTY. |
|------|-----------|---|---|---|---|---|---|------|
| 31   | *         |   |   |   |   |   | PULLEY .....  | 1    |
| 32   | 26886-G01 |   |   |   |   |   | BRUSH AND PULLEY HARDWARE KIT (INCLUDES ITEMS 33 - 37)..... | 1    |
| 33   | *         |   |   |   |   |   | NUT .....   | 1    |
| 34   | *         |   |   |   |   |   | LOCK WASHER.....  | 1    |
| 35   | *         |   |   |   |   |   | SCREW .....   | 3    |
| 36   | *         |   |   |   |   |   | SCREW .....   | 4    |
| 37   | *         |   |   |   |   |   | SCREW .....   | 2    |
| 38   | 26887-G01 |   |   |   |   |   | BRUSH 1 COVER.....  | 3    |
| 39   | 26888-G01 |   |   |   |   |   | BRUSH 2 COVER.....  | 2    |
| 40   | 26889-G01 |   |   |   |   |   | HOUSING HARDWARE KIT (INCLUDES ITEMS 41 - 43).....          | 2    |
| 41   | *         |   |   |   |   |   | BOLT .....  | 2    |
| 42   | *         |   |   |   |   |   | LOCK WASHER.....  | 2    |
| 43   | *         |   |   |   |   |   | WASHER.....   | 2    |
| 44   |           |   |   |   |   |   |   |      |
| 45   |           |   |   |   |   |   |   |      |
| 46   |           |   |   |   |   |   |   |      |
| 47   | 00938-G4  |   |   |   |   |   | BOLT, 1/2 - 13 X 8" LG .....                                | 1    |
| 48   | 00560-G3  |   |   |   |   |   | WASHER, 1/2" .....  | 2    |
| 49   | 00566-G3  |   |   |   |   |   | LOCK WASHER, 1/2".....                                      | 1    |
| 50   | 00533-G1  |   |   |   |   |   | NUT, 1/2 - 13.....  | 1    |
| 51   |           |   |   |   |   |   |   |      |
| 52   | 28617-G01 |   |   |   |   |   | STARTER / GENERATOR ADJUSTER.....                           | 1    |
| 53   | 00544-G5  |   |   |   |   |   | JAM NUT, 3/8 - 16.....                                      | 1    |
| 54   | 00532-G5  |   |   |   |   |   | NUT, 3/8 - 16.....  | 1    |
| 55   | 00560-G1  |   |   |   |   |   | WASHER, 3/8" .....  | 1    |
| 56   | 12064-G4  |   |   |   |   |   | PUSH NUT, 5/16" .....                                       | 1    |
| 57   |           |   |   |   |   |   |   |      |
| 58   | 26414-G01 |   |   |   |   |   | STARTER / GENERATOR BELT.....                               | 1    |

**DID YOU  
KNOW?**

**CartPros** directs you to the right part using the part numbers from this manual. Enter the part number into our search box and it will find the part you are looking for.

**GET STARTED  
HERE**

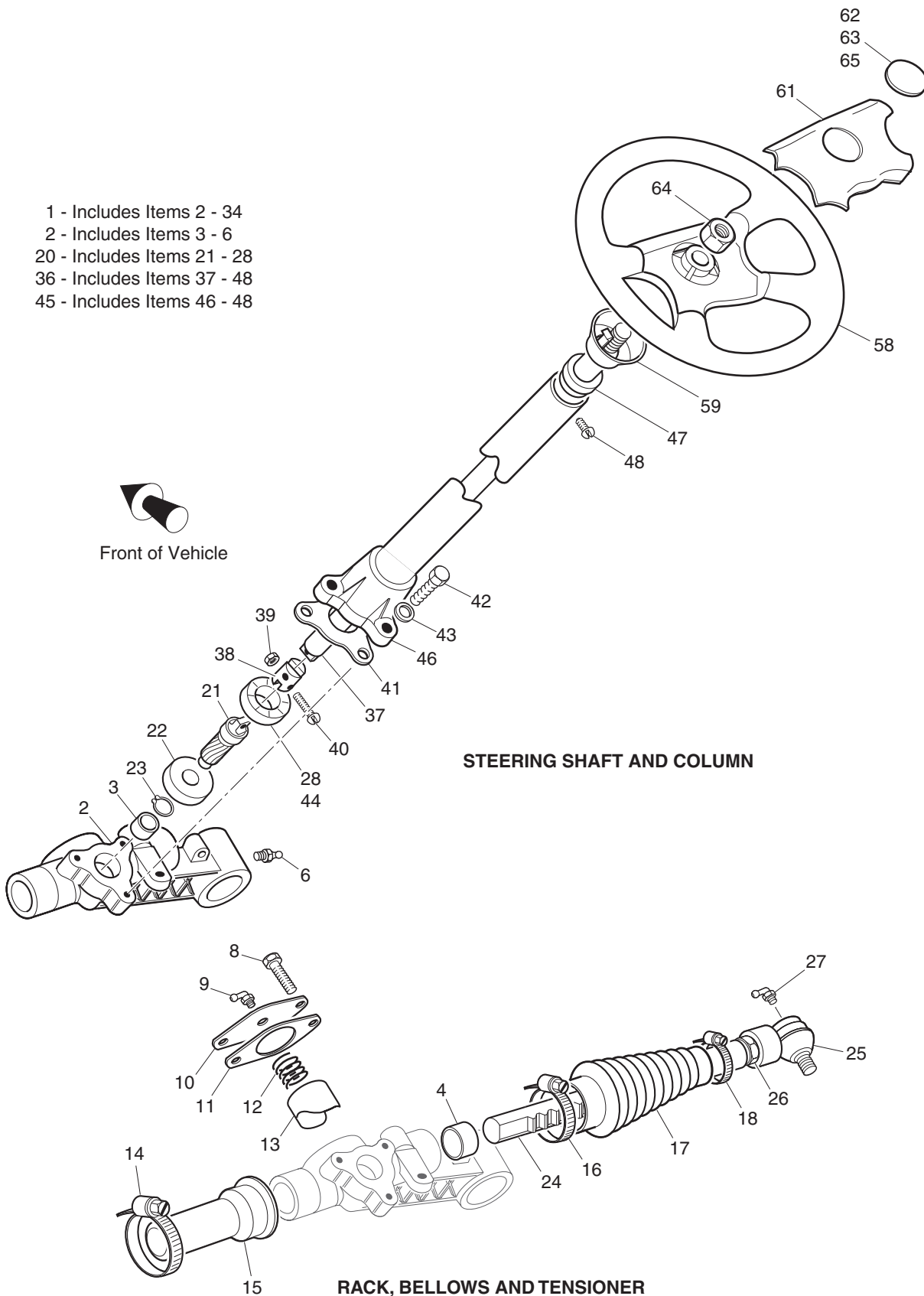


<https://CartPros.com/f.html>

**STARTER / GENERATOR**

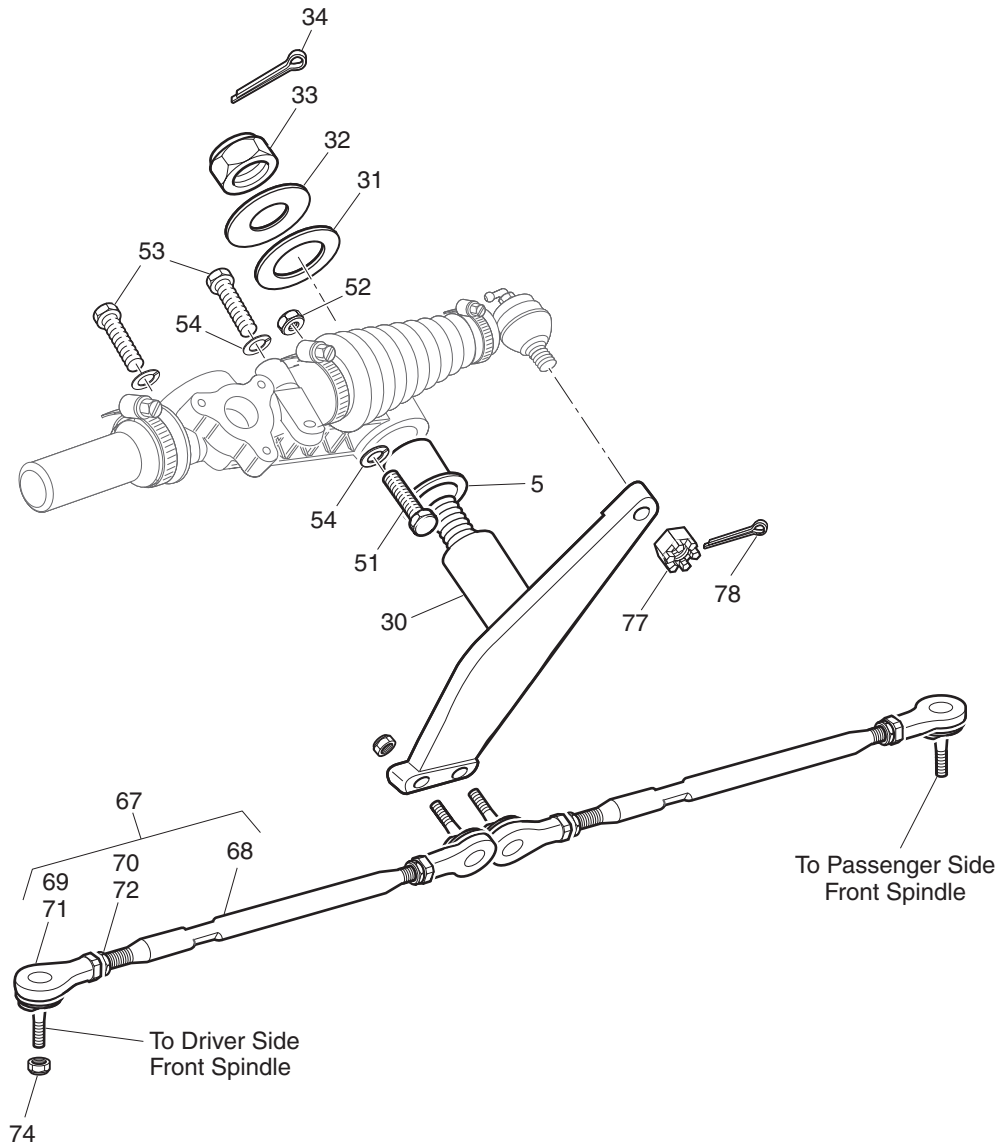
# STEERING

- 1 - Includes Items 2 - 34
- 2 - Includes Items 3 - 6
- 20 - Includes Items 21 - 28
- 36 - Includes Items 37 - 48
- 45 - Includes Items 46 - 48



Ref Str 10-1

**IDLER, TIE RODS AND MOUNTING**



Ref Str 10-2

# STEERING

Where applicable, THE USE OF NON UL PARTS WILL VOID ANY UL LISTING.

When ordering parts, please specify the model and serial number of the product.

\* Indicates a component that is not available as an individual part.

G\*\* Indicates consult Customer Service Department for additional information.

| ITEM | PART NO.  | 1 2 3 4 5 | DESCRIPTION  | QTY. |
|------|-----------|-----------|--|------|
| 1    | 70723-G02 |           | STEERING BOX ASSEMBLY (COMPLETE) (INCLUDES ITEMS 2 - 34) ..... | 1    |
| 2    | 70175-G01 |           | STEERING HOUSING (INCLUDES ITEMS 3 - 6) .....                  | 1    |
| 3    | *         |           | SLEEVE BEARING .....   | 1    |
| 4    | *         |           | SLEEVE BEARING .....   | 1    |
| 5    | *         |           | FLANGED BEARING .....  | 1    |
| 6    | 10389-G3  |           | GREASE FITTING, STRAIGHT .....                                 | 1    |
| 7    |           |           |  |      |
| 8    | 00426-G6  |           | BOLT, 3/8 - 16 X 3/4" LG .....                                 | 2    |
| 9    | 18456-G1  |           | GREASE FITTING, 90° .....                                      | 1    |
| 10   | 70177-G01 |           | RACK GUIDE COVER .....   | 1    |
| 11   | 70225-G01 |           | GASKET .....   | 1    |
| 12   | 70178-G01 |           | COMPRESSION SPRING .....                                       | 1    |
| 13   | 70179-G01 |           | RACK GUIDE .....   | 1    |
| 14   | 11391-G1  |           | HOSE CLAMP, 1 5/16" .....                                      | 1    |
| 15   | 70041-G01 |           | RACK COVER .....   | 1    |
| 16   | 11391-G1  |           | HOSE CLAMP, 1 5/16" .....                                      | 1    |
| 17   | 70183-G01 |           | BELLOWS .....  | 1    |
| 18   | 11391-G5  |           | HOSE CLAMP, 13/16" .....                                       | 1    |
| 19   |           |           |  |      |
| 20   | 70724-G01 |           | STEERING GEAR KIT (INCLUDES ITEMS 21 - 28) .....               | 1    |
| 21   | 70717-G01 |           | GEAR PINION .....  | 1    |
| 22   | 15112-G1  |           | BALL BEARING .....   | 1    |
| 23   | 70190-G01 |           | EXTERNAL RETAINING RING .....                                  | 1    |
| 24   | 70718-G01 |           | STEERING RACK .....  | 1    |
| 25   | 70192-G01 |           | RACK BALL END .....  | 1    |
| 26   | 00532-G8  |           | JAM NUT, 7/16 - 20 .....                                       | 1    |
| 27   | 18456-G1  |           | GREASE FITTING, 90° .....                                      | 1    |
| 28   | 70466-G01 |           | RETAINER .....   | 1    |
| 29   |           |           |  |      |
| 30   | 70184-G01 |           | IDLER .....  | 1    |

**STEERING**

Where applicable, THE USE OF NON UL PARTS WILL VOID ANY UL LISTING.

When ordering parts, please specify the model and serial number of the product.

\* Indicates a component that is not available as an individual part.

G\*\* Indicates consult Customer Service Department for additional information.

| ITEM | PART NO.  | 1 2 3 4 5 | DESCRIPTION  | QTY. |
|------|-----------|-----------|--|------|
| 31   | 70216-G01 |           | THRUST WASHER, 1 1/2" .....                              | 1    |
| 32   | 70195-G01 |           | THRUST WASHER, 7/8" .....                                | 1    |
| 33   | 00734-G6  |           | LOCK NUT, 7/8 - 9.....                                   | 1    |
| 34   | 00798-G8  |           | COTTER PIN, 5/32" X 1 3/4" LG .....                      | 1    |
| 35   |           |           |  |      |
| 36   | 70360-G01 |           | STEERING SHAFT/COLUMN KIT (INCLUDES ITEMS 37 - 48) ..... | 1    |
| 37   | 14322-G6  |           | STEERING SHAFT.....                                      | 1    |
| 38   | 70558-G01 |           | COUPLING .....   | 1    |
| 39   | 00550-G1  |           | LOCK NUT, 1/4 - 20.....                                  | 2    |
| 40   | 70227-G01 |           | SCREW, 1/4 - 20 X 7/8" LG.....                           | 2    |
| 41   | 70223-G01 |           | GASKET .....   | 1    |
| 42   | 01034-G01 |           | BOLT, 3/8 - 16 X 1 1/4" LG WITH PATCHLOCK.....           | 3    |
| 43   | 00878-G1  |           | LOCK WASHER, 3/8" .....                                  | 3    |
| 44   | 70466-G01 |           | RETAINER.....  | 1    |
| 45   | 28633-G01 |           | STEERING COLUMN KIT (INCLUDES ITEMS 46 - 48).....        | 1    |
| 46   | *         |           | STEERING COLUMN .....                                    | 1    |
| 47   | 28569-G01 |           | STEERING COLUMN BUSHING .....                            | 1    |
| 48   | 01022-G01 |           | SCREW, #6 - 20 X 5/16" LG .....                          | 1    |
| 49   |           |           |  |      |
| 50   |           |           |  |      |
| 51   | 00470-G4  |           | BOLT, 7/16 - 20 X 2 1/2" LG .....                        | 1    |
| 52   | 00734-G3  |           | LOCK NUT, 7/16 - 20 .....                                | 1    |
| 53   | 01033-G01 |           | BOLT, 7/16 - 14 X 1 1/4" LG WITH PATCHLOCK .....         | 2    |
| 54   | 00566-G2  |           | LOCK WASHER, 7/16".....                                  | 3    |
| 55   |           |           |  |      |
| 56   |           |           |  |      |
| 57   |           |           |  |      |
| 58   | 602979    |           | STEERING WHEEL .....                                     | 1    |
| 59   |           |           |  |      |
| 60   |           |           |  |      |

# STEERING

Where applicable, THE USE OF NON UL PARTS WILL VOID ANY UL LISTING.  
 When ordering parts, please specify the model and serial number of the product.  
 \* Indicates a component that is not available as an individual part.  
 G\*\* Indicates consult Customer Service Department for additional information.

| ITEM | PART NO.  | 1 2 3 4 5 | DESCRIPTION                                      | QTY. |
|------|-----------|-----------|--|------|
| 61   | 71147-G01 |           | COVER.....                                       | 1    |
| 62   | 71047-G01 |           | LABEL (E-Z-GO) .....                             | 1    |
| 63   | 74405-G01 |           | LABEL (CUSHMAN).....                             | 1    |
| 64   | 14390-G2  |           | LOCK NUT, 5/8 - 18 .....                         | 1    |
| 65   |           |           |  |      |
| 66   |           |           |  |      |
| 67   | 70904-G04 |           | TIE ROD ASSEMBLY (INCLUDES ITEMS 68 - 72).....   | 2    |
| 68   | 70855-G03 |           | THREADED ROD (10 1/8" LG).....                   | 1    |
| 69   | 70902-G01 |           | TIE ROD END (LEFT HAND THREADS) .....            | 1    |
| 70   | 01069-G01 |           | JAM NUT, M12 X 1.25-05 (LEFT HAND THREADS) ..... | 1    |
| 71   | 70902-G02 |           | TIE ROD END (RIGHT HAND THREADS).....            | 1    |
| 72   | 01069-G02 |           | JAM NUT, M12 X 1.25-05 (RIGHT HAND THREADS)..... | 1    |
| 73   |           |           |  |      |
| 74   | 00734-G1  |           | LOCK NUT, 7/16 - 14 .....                        | 4    |
| 75   |           |           |  |      |
| 76   |           |           |  |      |
| 77   | 50209-G2  |           | CASTELLATED NUT, 7/16 - 20 .....                 | 1    |
| 78   | 10387-G2  |           | COTTER PIN, 3/32" X 1" LG .....                  | 1    |



**DID YOU  
KNOW?**

**CartPros** directs you to the right part using the part numbers from this manual. Enter the part number into our search box and it will find the part you are looking for.

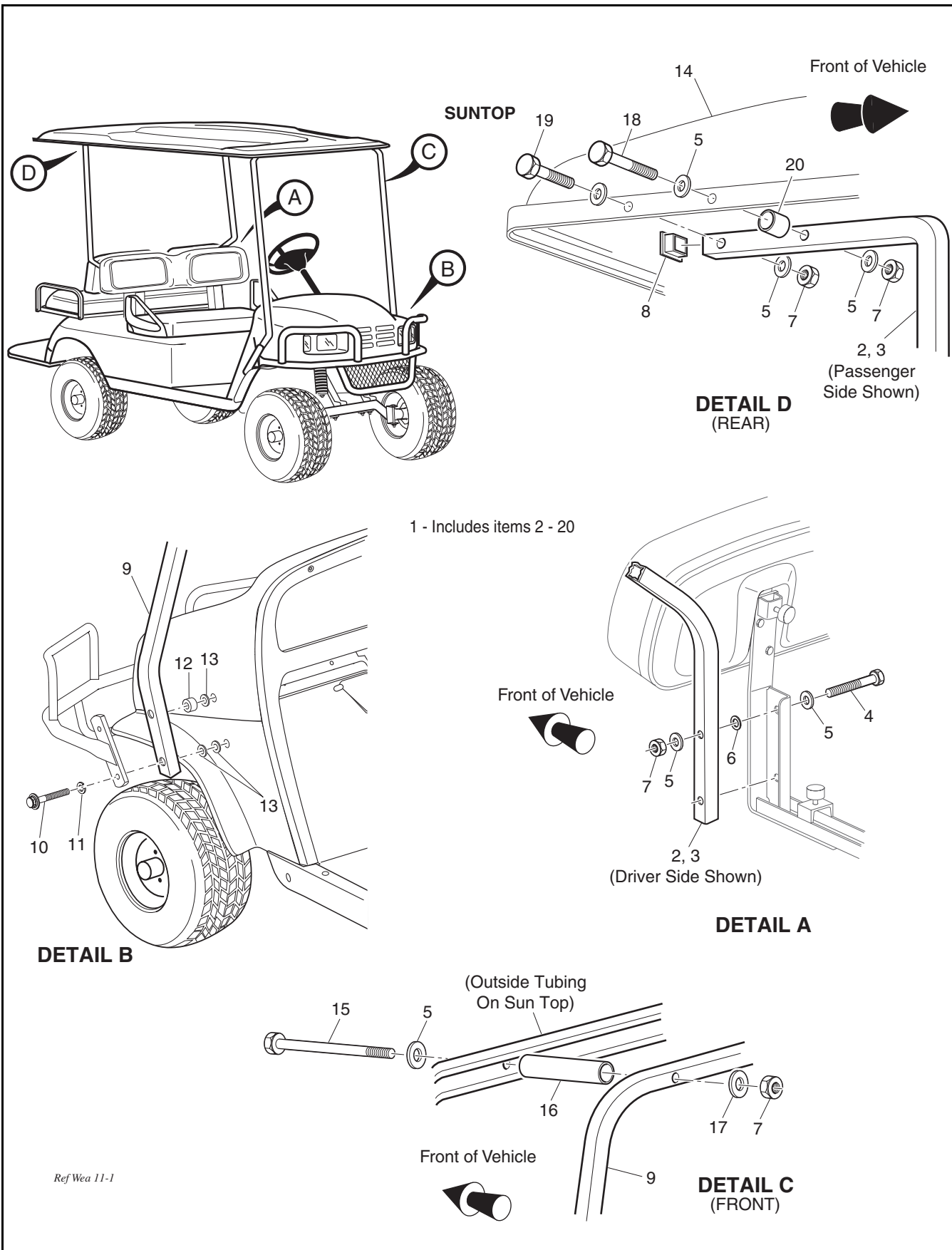
**GET STARTED  
HERE**



<https://CartPros.com/f.html>

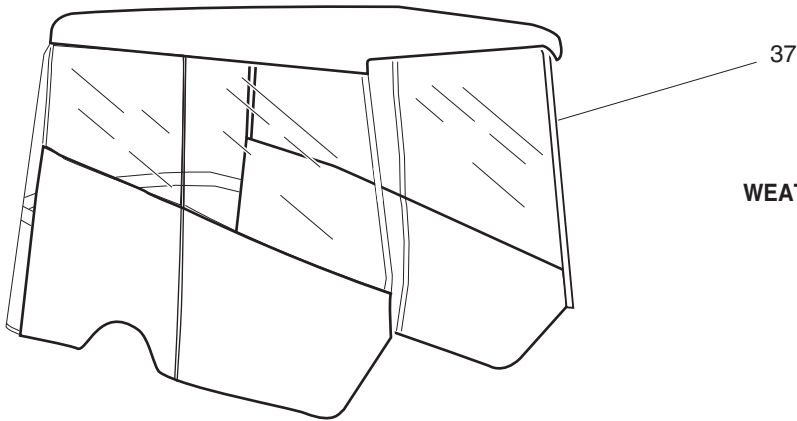
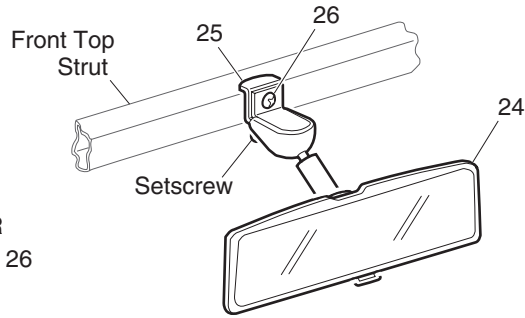
**STEERING**

# WEATHER PROTECTION

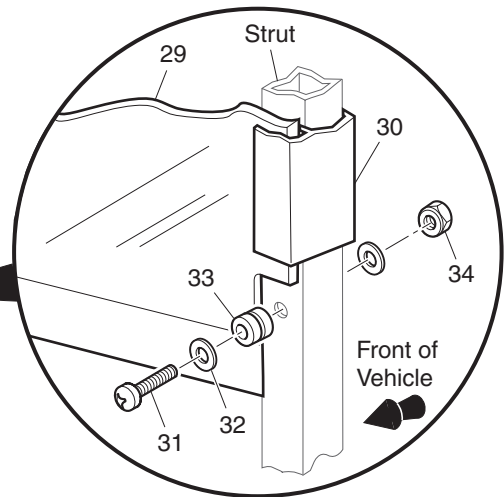
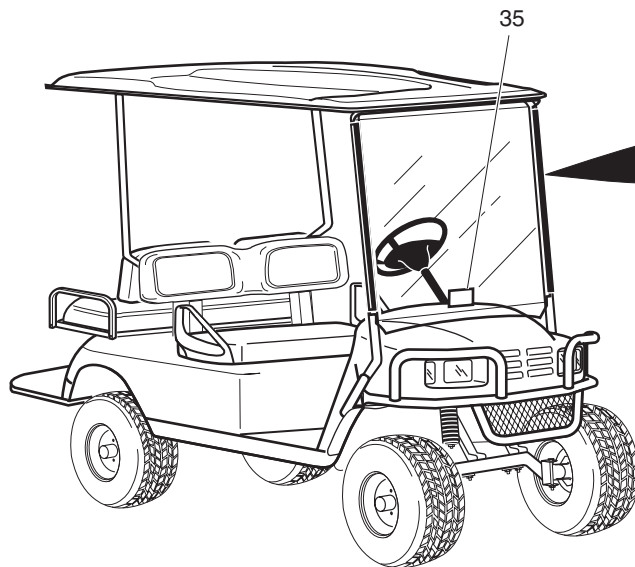


# WEATHER PROTECTION

## REAR VIEW MIRROR 23 - Includes Items 24 - 26



## WEATHER ENCLOSURE



28 - Includes Items 29 - 35

Ref Wea 11-2

# WEATHER PROTECTION

THE USE OF NON U.L. PARTS WILL VOID ANY U.L. LISTING.  
 When ordering parts, please specify the model and serial number of the product.  
 \* Indicates a component that is not available as an individual part.  
 G\*\* Indicates consult Customer Service Department for additional information.

| ITEM | PART NO.  | 1 2 3 4 5 | DESCRIPTION  | QTY. |
|------|-----------|-----------|--|------|
| 1    | 75123-G01 |           | SUN TOP KIT (INCLUDES ITEMS 2 - 20) .....                                      | 1    |
| 2    | 75074-G01 |           | REAR STRUT (DRIVER SIDE).....  | 1    |
| 3    | 75074-G02 |           | REAR STRUT (PASSENGER SIDE) .....  | 1    |
| 4    | 00665-G5  |           | BOLT, 3/8 - 16 X 1 3/4" LG (STAINLESS STEEL) .....                             | 4    |
| 5    | 00679-G1  |           | WASHER, 3/8" (STAINLESS STEEL).....  | 18   |
| 6    | 00771-G5  |           | NYLON WASHER, 3/8.....   | 4    |
| 7    | 00891-G5  |           | LOCK NUT, 3/8 - 16.....  | 10   |
| 8    | 19853-G1  |           | END CAP, 1" .....  | 2    |
| 9    | 75125-G01 |           | FRONT STRUT.....   | 1    |
| 10   | 00440-G2  |           | BOLT, 5/16 - 18 X 2 1/4" LG.....   | 4    |
| 11   | 00905-G8  |           | LOCK WASHER, 5/16" .....   | 4    |
| 12   | 75048-G01 |           | SPACER, 1/2" .....   | 2    |
| 13   | 00879-G1  |           | LOCK WASHER, 3/8" .....  | 4    |
| 14   | 27604-G01 |           | SUN TOP .....  | 1    |
| 15   | 00674-G8  |           | BOLT, 3/8 - 16 X 5" LG (STAINLESS STEEL) .....                                 | 2    |
| 16   | 18716-G1  |           | SPACER .....   | 2    |
| 17   | 00653-G1  |           | WASHER, 3/8" (STAINLESS STEEL).....  | 2    |
| 18   | 00665-G3  |           | BOLT, 3/8 - 16 X 2 1/2" LG (STAINLESS STEEL) .....                             | 2    |
| 19   | 00665-G6  |           | BOLT, 3/8 - 16 X 2" LG (STAINLESS STEEL) .....                                 | 2    |
| 20   | 24647-G1  |           | SPACER, 1/4" .....   | 2    |
| 21   |           |           |  |      |
| 22   |           |           |  |      |
| 23   | 19528-G2  |           | REAR VIEW MIRROR KIT (INCLUDES ITEMS 24 - 26) .....                            | 1    |
| 24   | 19496-G1  |           | REAR VIEW MIRROR .....   | 1    |
| 25   | 19502-G2  |           | SUPPORT BRACKET.....   | 1    |
| 26   | 19527-G1  |           | SCREW, #8 - 32 X 5/8" LG (STAINLESS STEEL).....                                | 1    |
| 27   |           |           |  |      |
| 28   | 71966-G01 |           | WINDSHIELD KIT (LEXAN) (REQUIRES SUN TOP KIT)<br>(INCLUDES ITEMS 29 - 35)..... | 1    |
| 29   | *         |           | WINDSHIELD .....   | 1    |

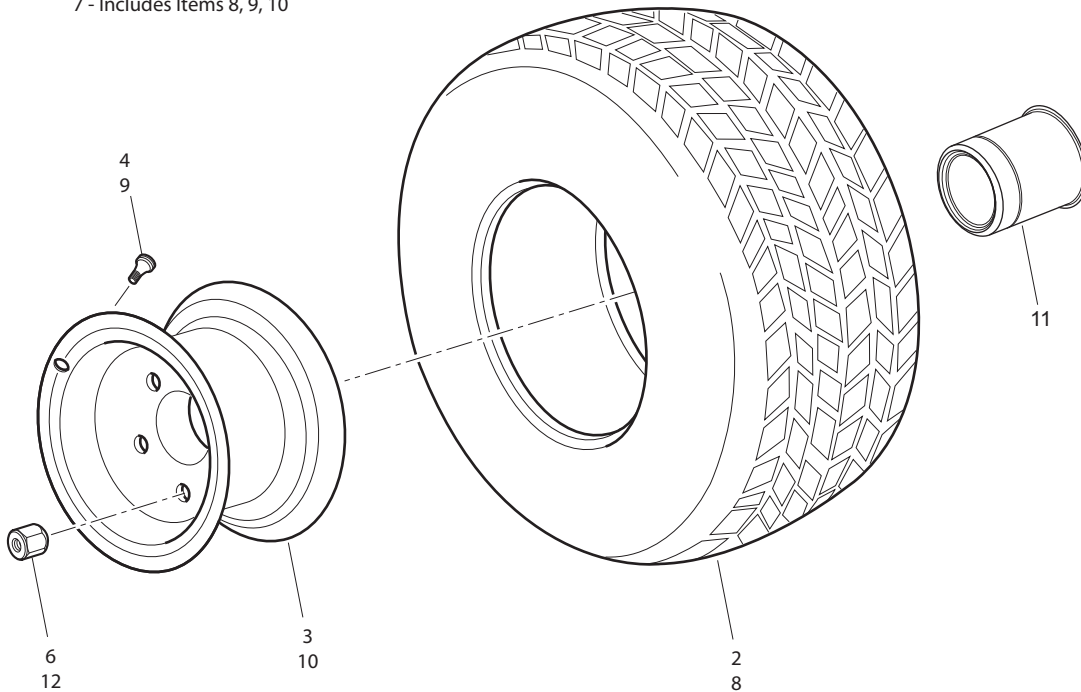
# WEATHER PROTECTION

THE USE OF NON U.L. PARTS WILL VOID ANY U.L. LISTING.  
 When ordering parts, please specify the model and serial number of the product.  
 \* Indicates a component that is not available as an individual part.  
 G\*\* Indicates consult Customer Service Department for additional information.

| ITEM   | PART NO.  | 1 | 2 | 3 | 4 | 5 | DESCRIPTION  | QTY. |
|--|-----------|---|---|---|---|---|--|------|
| 30   | 110-035A  |   |   |   |   |   | SASH, 26" LG .....                                 | 2    |
| 31   | 110-072A  |   |   |   |   |   | SCREW, 1/4 - 20 X 1 3/4" LG (STAINLESS STEEL)..... | 2    |
| 32   | 110-072B  |   |   |   |   |   | WASHER, 1/4" (STAINLESS STEEL).....                | 4    |
| 33   | 110-072C  |   |   |   |   |   | RUBBER GROMMET .....                               | 2    |
| 34   | 010-072D  |   |   |   |   |   | LOCK NUT, 1/4 - 20 (STAINLESS STEEL).....          | 2    |
| 35   | 110-066   |   |   |   |   |   | LABEL (SAFETY) .....                               | 1    |
| 36   |           |   |   |   |   |   |  |      |
| 37   | 75492-G01 |   |   |   |   |   | WEATHER ENCLOSURE (3 SIDED) .....                  | 1    |
| Replacement Parts for items 30-35 may be obtained from:<br><br>Eagle Parts, Inc<br>1811 Wilkinson Rd.<br>Augusta, GA 30904<br>Telephone (706) 729-9911<br>Fax (706) 729-9955 |           |   |   |   |   |   |  |      |

# WHEELS AND TIRES

1 - Includes Items 2, 3, 4  
7 - Includes Items 8, 9, 10



(Style of tire may differ from tire shown)

*Ref Whl 11*

# WHEELS AND TIRES

When ordering parts, please specify the model and serial number of the product.  
 \* Indicates a component that is not available as an individual part.  
 G\*\* Indicates consult Customer Service Department for additional information.

| ITEM | PART NO.  | 1 2 3 4 5 | DESCRIPTION   | QTY. |
|------|-----------|-----------|---|------|
| 1    | 28442-G03 |           | WHEEL AND TIRE ASSEMBLY<br>(INCLUDES ITEMS 2, 3, 4) ..... | AR   |
| 2    | 28442-G02 |           | TIRE, 20 X 10 - 10 TURF SAVER® .....                      | 1    |
| 3    | 15172-G02 |           | WHEEL RIM, BLACK (4 LUG) .....                            | 1    |
| 4    | 11657-G1  |           | VALVE STEM .....  | 1    |
| 5    |           |           |   |      |
| 6    | 14723-G1  |           | LUG NUT, 1/2 -20 .....                                    | AR   |
| 7    | 608915    |           | WHEEL ASSEMBLY<br>(INCLUDES ITEM 8, 9, 10) .....          | AR   |
| 8    | 606141    |           | TERRA TRAC TIRE .....                                     | 1    |
| 9    | 604915    |           | VALVE STEM .....  | 1    |
| 10   | 604927    |           | WHEEL - POLISHED SPOKED .....                             | 1    |
| 11   | 604929    |           | CENTER CAP .....  | AR   |
| 12   | 601354    |           | NUT, LUG .....  | AR   |

**DID YOU  
KNOW?**

CartPros directs you to the right part using the part numbers from this manual. Enter the part number into our search box and it will find the part you are looking for.

**GET STARTED  
HERE** →

<https://CartPros.com/f.html>

# WHEELS AND TIRES



**DID YOU  
KNOW?**

**CartPros** directs you to the right part using the part numbers from this manual. Enter the part number into our search box and it will find the part you are looking for.

**GET STARTED  
HERE**



<https://CartPros.com/f.html>

## SPECIALTY PRODUCTS

# SPECIALTY PRODUCTS

## SPECIALTY PRODUCTS

| <b>SPECIAL TOOLS</b>                      | <b>PART NO.</b> |
|---|-----------------|
| HIGH RESISTANCE SPARK PLUG WIRE SET ..... | 26733-G02       |
| CLUTCH PULLER (DRIVE) .....               | 19779-G2        |
| FLYWHEEL PULLER.....                      | 27111-G01       |
| CURRENT INDICATOR.....                    | 16489-G2        |
| DIGITAL MULTI-METER.....                  | 27481-G01       |
| TUBELESS TIRE REPAIR KIT .....            | 606009          |
| TIRE PLUGGER REFIL PACK (50/BOX) .....    | 606831          |

| <b>TOUCH UP PAINT</b>                                    | <b>PART NO.</b> |
|--|-----------------|
| PEN 3 OUNCE (89 ML) - HUNTER GREEN .....                 | 28432-G02       |
| PEN 3 OUNCE (89 ML) - CHAMPAGNE BEIGE .....              | 28432-G01       |
| PEN 3 OUNCE (89 ML) - WHITE .....                        | 28432-G05       |
| PEN 3 OUNCE (89 ML) - INDUSTRIAL YELLOW.....             | 28432-G03       |
| PEN 3 OUNCE (89 ML) - ORANGE .....                       | 28432-G04       |
| PEN 3 OUNCE (89 ML) - STEEL BLUE PEARL .....             | 28432-G24       |
| PEN 3 OUNCE (89 ML) - OLIVE GREEN.....                   | 28432-G**       |
| PEN 3 OUNCE (89 ML) - CAMOUFLAGE PAINT (THREE PENS)..... | 75831-G01       |
| AEROSOL 12 OUNCE (360 ML) - HUNTER GREEN .....           | 28140-G09       |
| AEROSOL 12 OUNCE (360 ML) - CHAMPAGNE BEIGE .....        | 28140-G15       |
| AEROSOL 12 OUNCE (360 ML) - INDUSTRIAL YELLOW.....       | 28140-G14       |

| <b>MAINTENANCE PRODUCTS</b>                                | <b>PART NO.</b> |
|--|-----------------|
| PLEXUS® CLEANER, 13 OUNCE (380 ML) (FOR WINDSHIELDS) ..... | 28433-G02       |
| BATTERY PROTECTOR, 14 OUNCE (410 ML) SPRAY .....           | 27619-G02       |
| E-Z-GO ALLSURFACE CLEANER.....                             | 606311          |
| E-Z-GO FIBERGLASS/PLASTIC RESTORER.....                    | 606313          |
| WIND SHIELD AND PLASTIC PROTECTOR .....                    | 606314          |
| 64 OZ HAND CLEANER.....                                    | 607636          |
| 4 OZ HAND CLEANER.....                                     | 607637          |

**DID YOU  
KNOW?**

**CartPros** directs you to the right part using the part numbers from this manual. Enter the part number into our search box and it will find the part you are looking for.

**GET STARTED  
HERE**

→ <https://CartPros.com/f.html>

## OPTIONS/ACCESSORIES

# OPTIONS/ACCESSORIES

## OPTIONS/ACCESSORIES

| ITEM  | KIT NO.               | COMMENTS               |
|---|-----------------------|------------------------|
| ASHTRAY KIT . . . . .                         | 75109-G02 . . . . .   | See BODY               |
| BOX COOLER AND BRACKET KIT . . . . .          | 71048-G01 . . . . .   | See BODY               |
| DIFFERENTIAL GUARD . . . . .                  | 72347-G01 . . . . .   | See REAR AXLE          |
| FRONT BASKET . . . . .                        | 74521-G02 . . . . .   | See BODY               |
| GLOVE BOX DOOR . . . . .                      | 75459-G0* . . . . .   | See BODY               |
| GUN HOLDER (FLOOR MOUNT) . . . . .            | 74365-G01 . . . . .   | See BODY               |
| GUN HOLDER (SWIVEL MOUNT) . . . . .           | 74533-G01 . . . . .   | See BODY               |
| HOUR METER KIT . . . . .                      | 75114-G02 . . . . .   | See ELECTRICAL SYSTEM  |
| REAR VIEW MIRROR KIT . . . . .                | 19528-G2 . . . . .    | See WEATHER PROTECTION |
| SOFT ENCLOSURE . . . . .                      | 75492-G01 . . . . .   | See WEATHER PROTECTION |
| SUN TOP KIT . . . . .                         | 75123-G01 . . . . .   | See WEATHER PROTECTION |
| TURN SIGNAL KIT . . . . .                     | 75107-G01 . . . . .   | See ELECTRICAL SYSTEM  |
| WINDSHIELD (POLYCARBONATE) . . . . .          | 71966-G01 . . . . .   | See WEATHER PROTECTION |
| TIRE DOMINATOR 20X11-10 . . . . .             | 605316 . . . . .      | Wheels and Tires       |
| PATHFINDER TIRE, BRUSHED WHEEL LH . . . . .   | 605355 . . . . .      | Wheels and Tires       |
| PATHFINDER TIRE, BRUSHED WHEEL RH . . . . .   | 605356 . . . . .      | Wheels and Tires       |
| V-STEM-BRUSHED SPOKED WHEEL . . . . .         | 605351 . . . . .      | Wheels and Tires       |
| DOMINATOR - POLISHED WHEEL . . . . .          | 605319 . . . . .      | Wheels and Tires       |
| DOMINATOR - BRUSHED WHEEL . . . . .           | 605320 . . . . .      | Wheels and Tires       |
| CHROME CENTER CAP - SPOKED WHEEL . . . . .    | 604929 . . . . .      | Wheels and Tires       |
| NUT, LUG-CHROME . . . . .                     | 605310 . . . . .      | Wheels and Tires       |
| V-STEM-POLISHED SPOKED WHEEL . . . . .        | 605311 . . . . .      | Wheels and Tires       |
| PATHFINDER TIRE 22X11-10 . . . . .            | 604928 . . . . .      | Wheels and Tires       |
| PATHFINDER TIRE, POLISHED WHEEL LH . . . . .  | 604930 . . . . .      | Wheels and Tires       |
| PATHFINDER TIRE, POLISHED WHEEL RH . . . . .  | 605228 . . . . .      | Wheels and Tires       |
| WHEEL INSTL FRT/RR 20X9X10 STRYKER . . . . .  | 605664 . . . . .      | Wheels and Tires       |
| SEAT BTM COVER FRONT/REAR W/PIPPING . . . . . | 604912GXXXX . . . . . | Seating                |
| SEAT BACK FRNT/RR COVER - W/PIPPING . . . . . | 604916GXXXX . . . . . | Seating                |
| VINYL CVR-SEAT BTM CC W/PIPPING . . . . .     | 604920GXXXX . . . . . | Seating                |
| SEAT BOTTOM CONV-CARR W/PIPPING . . . . .     | 605372GXXXX . . . . . | Seating                |
| SEAT BACK CUST W/PIPPING . . . . .            | 605373GXXXX . . . . . | Seating                |
| SEAT BOTTOM FRONT W/PIPPING . . . . .         | 605374GXXXX . . . . . | Seating                |

**DID YOU  
KNOW?**

CartPros directs you to the right part using the part numbers from this manual. Enter the part number into our search box and it will find the part you are looking for.

**GET STARTED  
HERE** →

<https://CartPros.com/f.html>

## OPTIONS/ACCESSORIES

| ITEM                            | KIT NO.         | COMMENTS |
|---------------------------------|-----------------|----------|
| SEAT BOTTOM REAR W/PIPPING..... | 605375GXXX..... | Seating  |

**DID YOU  
KNOW?**

CartPros directs you to the right part using the part numbers from this manual. Enter the part number into our search box and it will find the part you are looking for.

**GET STARTED  
HERE**



<https://CartPros.com/f.html>

## OPTIONS/ACCESSORIES

**DID YOU  
KNOW?**

**CartPros** directs you to the right part using the part numbers from this manual. Enter the part number into our search box and it will find the part you are looking for.

**GET STARTED  
HERE** →

<https://CartPros.com/f.html>



A Textron Company

E-Z-GO Division Of Textron, Inc.,  
1451 Marvin Griffin Road, Augusta, Georgia USA 30906-3852

TO CONTACT US

North America:

Technical Assistance & Warranty Phone: 1-800-774-3946, FAX: 1-800-448-8124  
Service Parts Phone: 1-888-GET-EZGO (1-888-438-3946), FAX: 1-800-752-6175

International:

Phone: 001-706-798-4311, FAX: 001-706-771-4609

Certified ISO 9001 / ISO 14001 by



Copyrighted Material

This manual may not be reproduced in whole or  
in part without the express permission of  
E-Z-GO Division of Textron, Inc.  
Technical Communications Department