

**DID YOU  
KNOW?**

CartPros directs you to the right part using the part numbers from this manual. Enter the part number into our search box and it will find the part you are looking for.

**GET STARTED  
HERE** →

<https://CartPros.com/f.html>

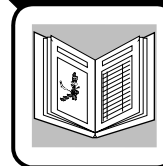
**601028**

**EZGO**

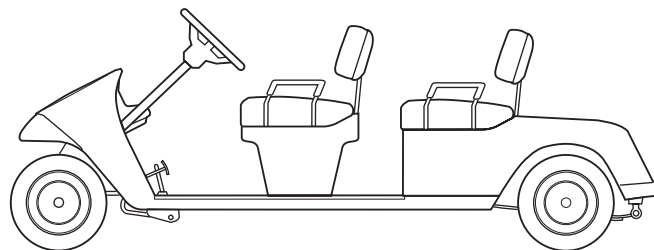
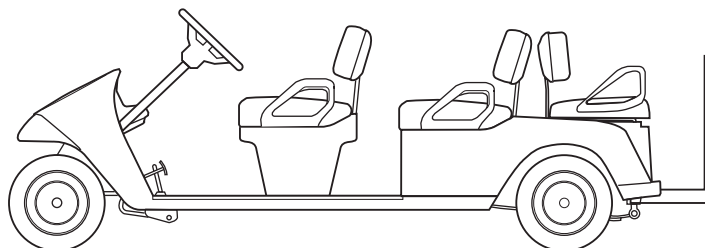
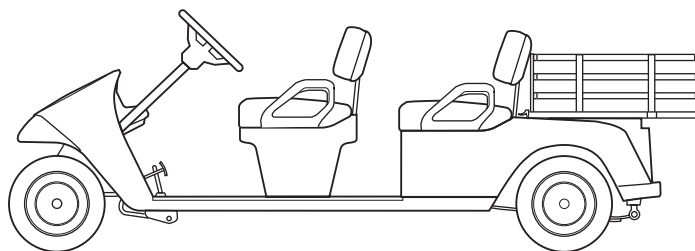
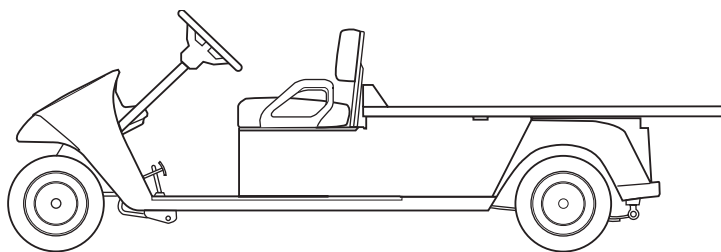
A Textron Company

**CUSHMAN**<sup>®</sup>

A Textron Company



# SERVICE PARTS MANUAL



## **GASOLINE POWERED PERSONNEL CARRIERS AND GOLF CAR**

STARTING MODEL YEAR: 2005

# **SERVICE PARTS MANUAL**

## **GASOLINE POWERED PERSONNEL CARRIERS AND GOLF CARS**

**SHUTTLE/BELLHOP 2**

**SHUTTLE/BELLHOP 4**

**SHUTTLE/BELLHOP 6**

**TG5**

E-Z-GO Division of Textron, Inc. reserves the right to make design changes without obligation to make these changes on units previously sold and the information contained in this manual is subject to change without notice.

E-Z-GO Division of Textron, Inc. is not liable for errors in this manual or for incidental or consequential damages that result from the use of the material in this manual.

**CUSTOMER SERVICE DEPARTMENT IN USA PHONE: 1-800-241-5855 FAX: 1-800-448-8124**

**OUTSIDE USA PHONE: 010-1-706-798-4311, FAX: 010-1-706-771-4609**

**E-Z-GO DIVISION OF TEXTRON, INC., MARVIN GRIFFIN RD., AUGUSTA, GEORGIA USA 30906**

## **NOTES**

To obtain a copy of the limited warranty applicable to the vehicle, call or write a local Distributor, authorized Branch or the Warranty Department with vehicle serial number and manufacturer code.

The use of non Original Equipment Manufacturer (OEM) parts may void the warranty.

Overfilling of batteries may void the warranty.

### **BATTERY PROLONGED STORAGE**

All batteries will self discharge over time. The rate of self discharge varies depending on the ambient temperature and the age and condition of the batteries.

A fully charged battery will not freeze in winter temperatures unless the temperature falls below -75° F (-60° C).

As with all electric vehicles, the batteries must be checked and recharged as required or at a minimum of 30 day intervals.

# TABLE OF CONTENTS

<b>SECTION</b>	<b>Page No.</b>
HOW TO USE THE SERVICE PARTS MANUAL .....	vii
ACCELERATOR .....	A-1
AIR FILTER .....	B-1
BODY .....	C-1
BRAKES .....	D-1
BRAKES - FRONT DISC .....	E-1
CARBURETOR AND CHOKE.....	F-1
CLUTCHES.....	G-1
DIRECTION SELECTOR .....	H-1
ELECTRICAL SYSTEM .....	J-1
ENGINE AND MUFFLER.....	K-1
ENGINE MOUNTING.....	L-1
FRONT SUSPENSION AND STEERING .....	M-1
FUEL SYSTEM .....	N-1
REAR AXLE .....	P-1
REAR SUSPENSION .....	Q-1
SEATING.....	R-1
STARTER/GENERATOR .....	S-1
WEATHER PROTECTION.....	T-1
WHEELS AND TIRES.....	U-1
SPECIALTY PRODUCTS .....	Appendix A
ACCESSORIES .....	Appendix B



## HOW TO USE THE SERVICE PARTS MANUAL

This manual is divided into several sections:

- GENERAL INFORMATION
- ILLUSTRATED PARTS BREAKDOWN
- APPENDIX

The first section, GENERAL INFORMATION, contains the following information:

- WARRANTY INFORMATION
- GENERAL INDEX
- HOW TO USE THE SERVICE PARTS MANUAL

The second section, ILLUSTRATED PARTS BREAKDOWN, contains illustrations and parts lists for all systems of your vehicle.

The third section, APPENDIX, contains a listing of specialty products and accessories.

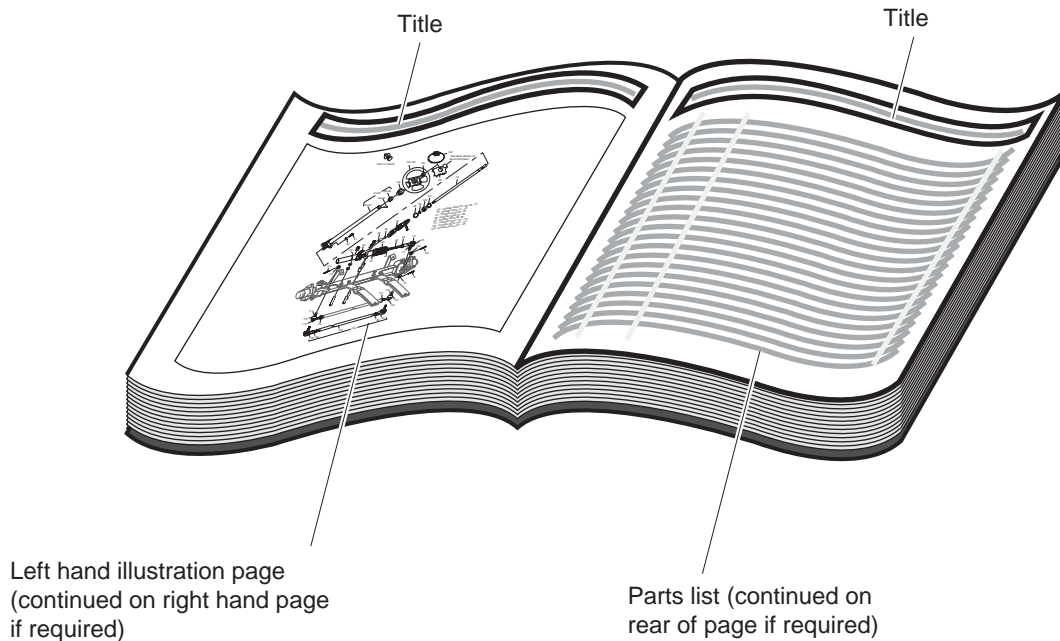
### USE OF THE MANUAL

To use this manual, consult the GENERAL INDEX to locate the information or illustration required.

Introduction of some revisions varies due to supply of components; therefore, it is possible that various combinations of components may be found that are not directly reflected by each illustration. Consult the illustration that best suits your situation and then contact the Service Parts Department. It is important that the serial number of your vehicle and its model number be supplied to Service Parts when ordering any replacement components.

Locate the serial number plate (see BODY located in the Illustrated Parts Breakdown section of this manual for its location) and note the complete number shown on the plate.

## HOW TO USE THE SERVICE PARTS MANUAL



### 1. WHEN THE PART NUMBER IS NOT KNOWN

- Determine the function and application of the part required. Turn to the General Index and select the most appropriate title.
- Turn to the page number indicated and locate the desired part on the illustration.
- From the illustration, obtain the item number assigned to the desired part. Refer to the accompanying description for specific information regarding the part.

### 2. IF YOU KNOW THE PART NUMBER

- Locate the part number or description in the appropriate column on the parts list page.

**NOTE:** It is suggested that you confirm that the part selected is correct by verifying it with the pictorial representation on the illustrated page.

Should an asterisk (\*) appear in the part number column on the parts list page, read upwards until a part number is found. The part number is the lowest assembly sold by Service Parts and the asterisk (\*) indicates that the part depicted is not available for purchase.

**NOTE:** Descriptions are indented under the assembly that they are used on. That assembly is, in turn listed under the assembly that it is used on. This process is repeated until the highest final assembly is reached.

**To facilitate the maintenance and repair of the vehicle, a Technician's Repair and Service Manual is available from the Service Parts Department.**

**DID YOU  
KNOW?**

CartPros directs you to the right part using the part numbers from this manual. Enter the part number into our search box and it will find the part you are looking for.

**GET STARTED  
HERE**



<https://CartPros.com/f.html>

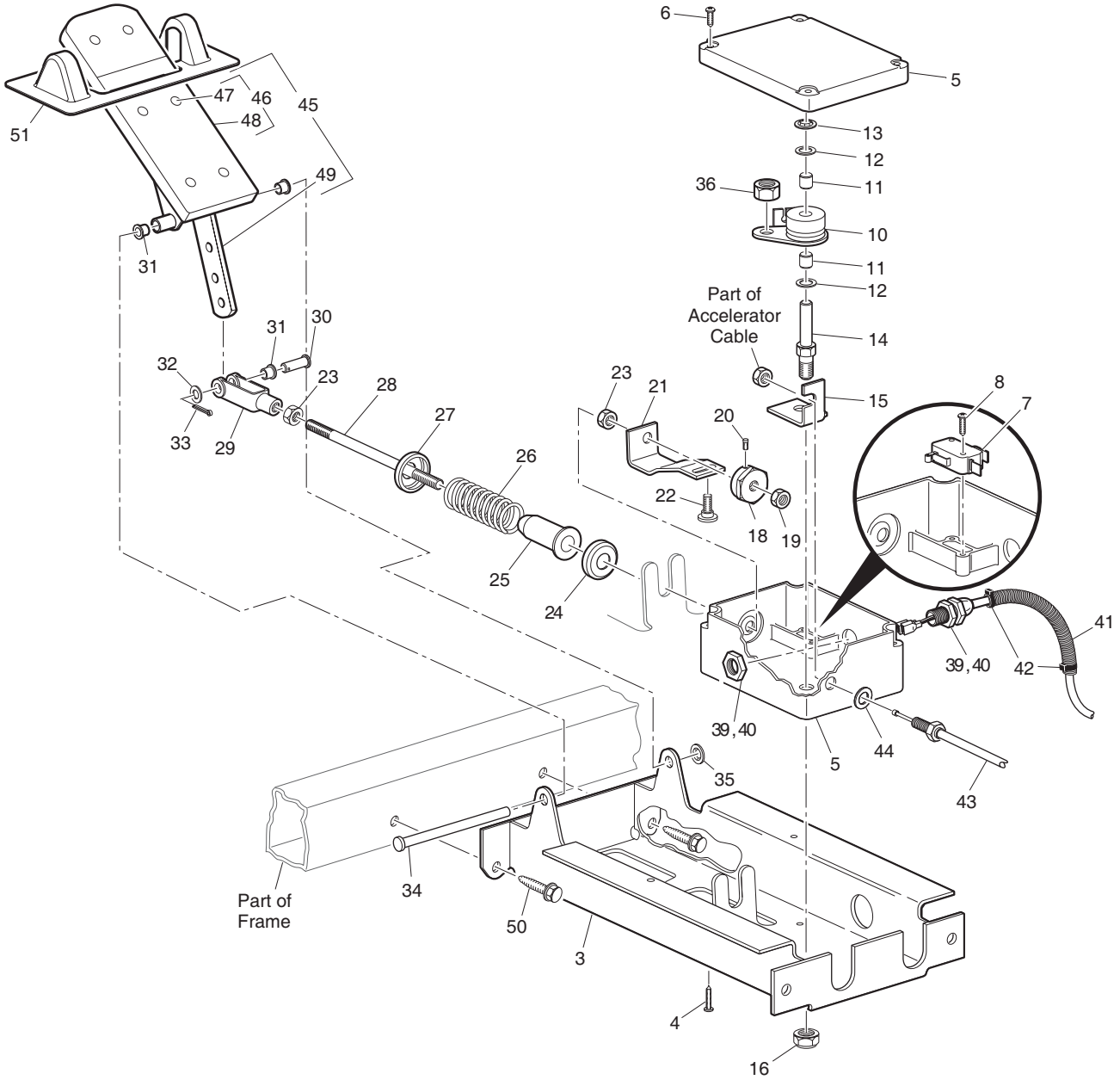
# ILLUSTRATED PARTS BREAKDOWN

# ILLUSTRATED PARTS BREAKDOWN



# ACCELERATOR

- 1 - Includes Items 3 - 39, 41 - 49
- 2 - Includes Items 3 - 37, 40 - 49 (TG5)



Ref Acl 8-1



# ACCELERATOR

When ordering parts, please specify the model and serial number of the product.

\* Indicates a component that is not available as an individual part.

G\*\* Indicates consult Customer Service Department for additional information.

ITEM	PART NO.	1 2 3 4 5	DESCRIPTION	QTY.
1	72062-G02		PEDAL BOX ASSEMBLY (INCLUDES ITEMS 3 - 39, 41 - 49).....	1
2	72062-G06		PEDAL BOX ASSEMBLY (INCLUDES ITEMS 3 - 37 , 40 - 49) (TG5).....	1
3	70116-G01		ACCELERATOR PEDAL BRACKET.....	1
4	01051-G01		SCREW, #8 - 16 X 1/2" LG .....	4
5	25853-G02		PEDAL BOX AND COVER .....	1
6	00684-G6		SCREW, #8 - 32 X 3/4" LG (STAINLESS STEEL).....	4
7	25861-G01		MICRO SWITCH.....	1
8	01050-G01		SCREW, #4 - 20 X 5/8" LG .....	2
9				
10	72066-G01		CONTROL ARM .....	1
11	23860-G10		BEARING.....	2
12	24621-G1		NYLON WASHER, 5/16".....	2
13	12064-G1		PUSH NUT, 5/16".....	1
14	25768-G01		PIVOT ROD .....	1
15	72199-G01		PIVOT BRACKET .....	1
16	14390-G1		LOCK NUT, 3/8-24.....	1
17				
18	72198-G03		MICRO SWITCH CAM.....	1
19	15126-G1		LOCK NUT, 5/16 - 24.....	1
20	00487-G3		SETSCREW, 1/4 - 20 X 3/8" LG .....	1
21	72074-G01		CONTROL ARM LINK .....	1
22	72225-G01		SHOULDER BOLT, #10 - 24 X 11/16" LG.....	1
23	00532-G4		NUT, 5/16 - 24.....	2
24	17677-G1		SPRING RETAINER .....	1
25	17979-G1		ACCELERATOR ROD BUSHING .....	1
26	73046-G01		COMPRESSION SPRING .....	1
27	17677-G2		SPRING RETAINER .....	1
28	72072-G01		ACCELERATOR ROD .....	1
29	10385-G4		CLEVIS YOKE (ADJUSTABLE).....	1
30	10386-G3		CLEVIS PIN, 5/16" X 13/16" LG .....	1

# ACCELERATOR

When ordering parts, please specify the model and serial number of the product.

\* Indicates a component that is not available as an individual part.

G\*\* Indicates special Customer Service Department for additional information.

ITEM	PART NO.	1 2 3 4 5	DESCRIPTION	QTY.
31	17838-G1		NYLON BUSHING .....	3
32	17255-G1		TEFLON WASHER, 5/16" .....	1
33	10387-G3		COTTER PIN, 3/32" X 3/4" LG .....	1
34	74432-G01		PEDAL PIVOT PIN .....	1
35	12064-G6		PUSH NUT, 9/32" .....	1
36	14390-G10		LOCK NUT, #10 - 24 .....	1
37	12730-G1		WHEEL BEARING GREASE (NOT ILLUSTRATED) .....	A/R
38				
39	72201-G02		WIRE HARNESS (PEDAL BOX) .....	1
40	72201-G03		WIRE HARNESS (PEDAL BOX) (TG5) .....	1
41	17313-G1		FLEX LOOM (BULK) .....	AR
42	17618-G1		WIRE TIE .....	2
43	72402-G01		ACCELERATOR CABLE .....	1
44	00559-G8		WASHER, 5/16" .....	1
45	25799-G02		ACCELERATOR PEDAL ASSEMBLY (INCLUDES ITEMS 47 - 49) .....	1
46	27844-G01		ACCELERATOR PEDAL PAD KIT (INCLUDES ITEMS 47 - 48) .....	1
47	15766-G1		OVAL RIVET, 3/16" X 7/16" LG .....	6
48	27512-G01		ACCELERATOR PEDAL PAD .....	1
49	*		ACCELERATOR PEDAL	
50	00715-G2		BOLT, 5/16 - 18 X 4/5" LG .....	4
51	70135-G01		PEDAL PIVOT COVER .....	1
52				
53	72401-G01		CHOKE CABLE (WITH NUTS) .....	1
54	00568-G4		LOCK WASHER, 9/16" .....	1
55	00545-G4		JAM NUT, 9/16 - 18 .....	1
56				
57	72155-G01		RETAINER .....	1
58	72154-G01		CHOKE CABLE ADAPTER .....	1
59				
60	00544-G4		JAM NUT, 5/16 - 24 .....	2

# ACCELERATOR

When ordering parts, please specify the model and serial number of the product.

\* Indicates a component that is not available as an individual part.

G\*\* Indicates consult Customer Service Department for additional information.

ITEM	PART NO.	1 2 3 4 5	DESCRIPTION	QTY.
61	25737-G01		CARBURETOR LINKAGE ROD (INCLUDES ITEMS 62 - 64) .....	1
62	23722-G1		ADJUSTING ROD (SHORT).....	1
63	24465-G1		BALL JOINT SOCKET .....	2
64	00526-G4		NUT, #10 - 32.....	2
65				
66	25760-G01		CARBURETOR LINKAGE BELLCRANK (INCLUDES ITEMS 67 - 74).....	1
67	25759-G01		CARBURETOR PIVOT .....	1
68	23860-G1		BEARING .....	2
69	24621-G1		NYLON WASHER, 5/16".....	2
70	25768-G01		PIVOT ROD .....	1
71	12064-G1		PUSH NUT, 5/16" .....	1
72	24479-G1		BALL JOINT BALL .....	2
73	00565-G5		LOCK WASHER, #10 .....	2
74	00526-G4		NUT, #10 - 32.....	2
75	72197-G01		PIVOT BRACKET.....	1
76	14390-G1		LOCK NUT, 3/8 - 24 .....	1
77	00661-G8		BOLT, 1/4 - 20 X 1" LG (STAINLESS STEEL).....	2
78	14390-G4		LOCK NUT, 1/4 - 20 .....	2
79				
80	72254-G01		THROTTLE LINKAGE ROD ASSEMBLY (INCLUDES ITEMS 81 - 83).....	1
81	72609-G01		ADJUSTING ROD (LONG) .....	1
82	24465-G1		BALL JOINT SOCKET .....	2
83	00526-G4		NUT, #10 - 32.....	2
84				
85	25702-G01		GOVERNOR PIVOT BRACKET ASSEMBLY (INCLUDES ITEMS 86 - 96).....	1
86	25655-G01		BELLCRANK BRACKET.....	1
87	14390-G1		LOCK NUT, 3/8 - 24 .....	1
88	25763-G01		GOVERNOR PIVOT ASSEMBLY (INCLUDES ITEMS 89 - 96) .....	1
89	25762-G01		GOVERNOR PIVOT.....	1
90	23860-G1		BEARING .....	2

When ordering parts, please specify the model and serial number of the product.

\* Indicates a component that is not available as an individual part.

G\*\* Indicates consult Customer Service Department for additional information.

ITEM	PART NO.	1	2	3	4	5	DESCRIPTION	QTY.
91	24621-G1						NYLON WASHER, 5/16" .....	2
92	25768-G01						PIVOT ROD.....	1
93	12064-G1						PUSH NUT, 5/16" .....	1
94	24479-G1						BALL JOINT BALL .....	2
95	00565-G5						LOCK WASHER, #10 .....	2
96	00526-G4						NUT, #10 - 32 .....	2
97								
98	00276-G6						BOLT, 5/16 - 24 X 3/4" LG .....	2
99	00565-G8						LOCK WASHER, 5/16".....	2
100								
101	25737-G03						GOVERNOR LINKAGE ROD (INCLUDES ITEMS 102 - 104) .....	1
102	23722-G1						ADJUSTING ROD.....	1
103	24465-G1						BALL JOINT SOCKET .....	2
104	00526-G4						NUT, #10 - 32.....	2
105								
106	25690-G01						GOVERNOR BELLCRANK ASSEMBLY (INCLUDES ITEMS 107 - 119) .....	1
107	25765-G01						GOVERNOR BELLCRANK.....	1
108	24479-G1						BALL JOINT BALL .....	1
109	00734-G5						LOCK NUT, #10 - 32.....	1
110	14390-G4						LOCK NUT, 1/4 - 20.....	1
111	22751-G2						GOVERNOR BRACKET ASSEMBLY (INCLUDES ITEMS 112 - 119).....	1
112	22752-G1						GOVERNOR BRACKET .....	1
113	25274-G1						GOVERNOR ROD .....	1
114	22754-G1						BUSHING .....	1
115	25661-G01						CUP WASHER .....	2
116	23578-G1						COMPRESSION SPRING.....	1
117	22754-G2						BUSHING .....	1
118	23859-G1						GOVERNOR ADJUSTER .....	1
119	00526-G4						NUT, #10 - 32 .....	1
120	00491-G4						SETSCREW, 1/4 - 20 X 1/2" LG.....	2

# ACCELERATOR

When ordering parts, please specify the model and serial number of the product.

\* Indicates a component that is not available as an individual part.

G\*\* Indicates consult Customer Service Department for additional information.

ITEM	PART NO.	1 2 3 4 5	DESCRIPTION	QTY.
121	25738-G01		SPRING.....	1
122	25286-G1		SAFETY SEAL, 3/8" .....	1
123	12064-G3		PUSH NUT, 3/16" .....	1
124				
125	25653-G01		ACCELERATOR CABLE BRACKET .....	1
126	26826-G01		LOCK WASHER, 8 MM .....	2
127	26827-G01		NUT, M8 X 1.25 MM .....	2
128				
129	72055-G01		ACCELERATOR CABLE BRACKET .....	1
130	17618-G1		WIRE TIE .....	7

**DID YOU  
KNOW?**

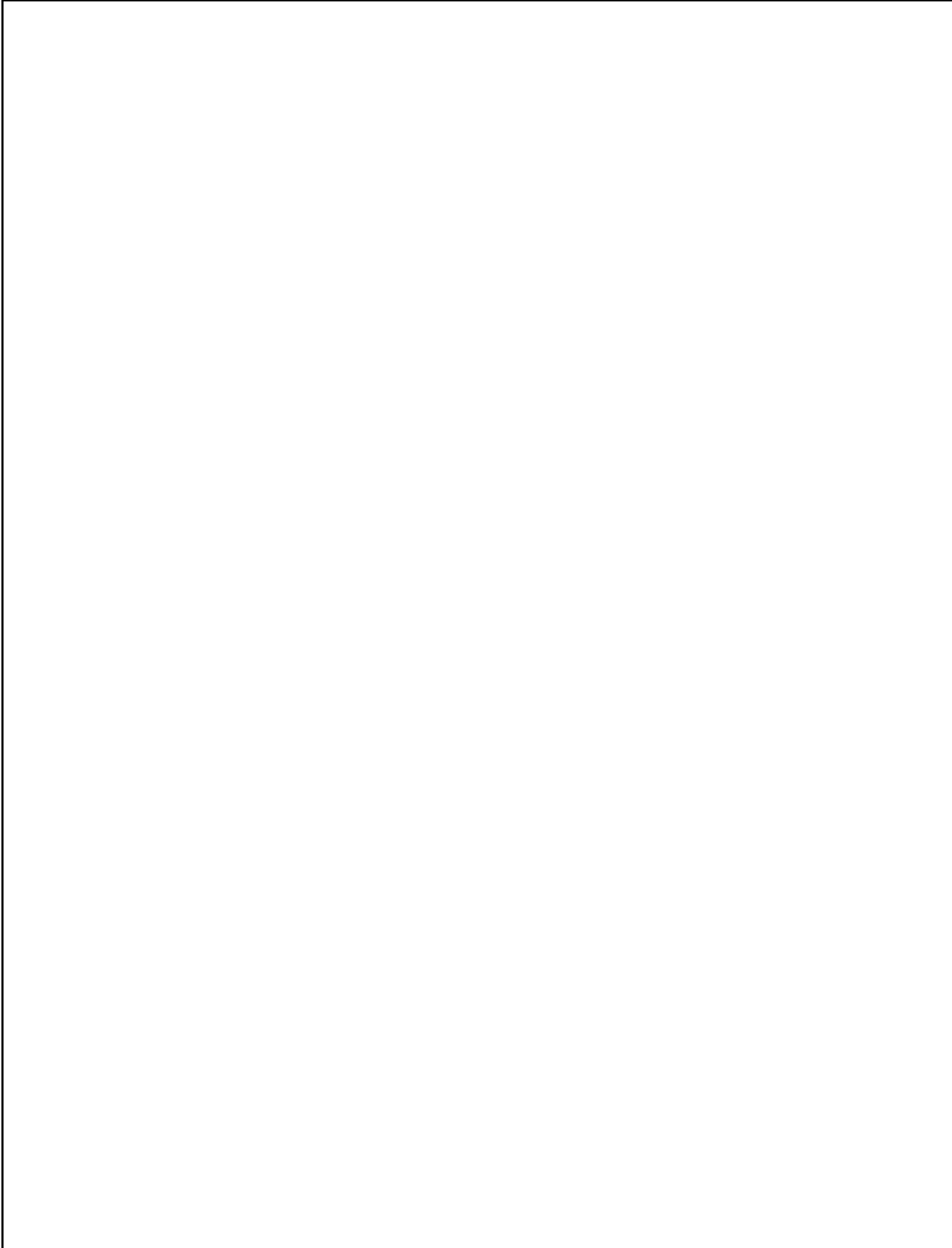
**CartPros** directs you to the right part using the part numbers from this manual. Enter the part number into our search box and it will find the part you are looking for.

**GET STARTED  
HERE**



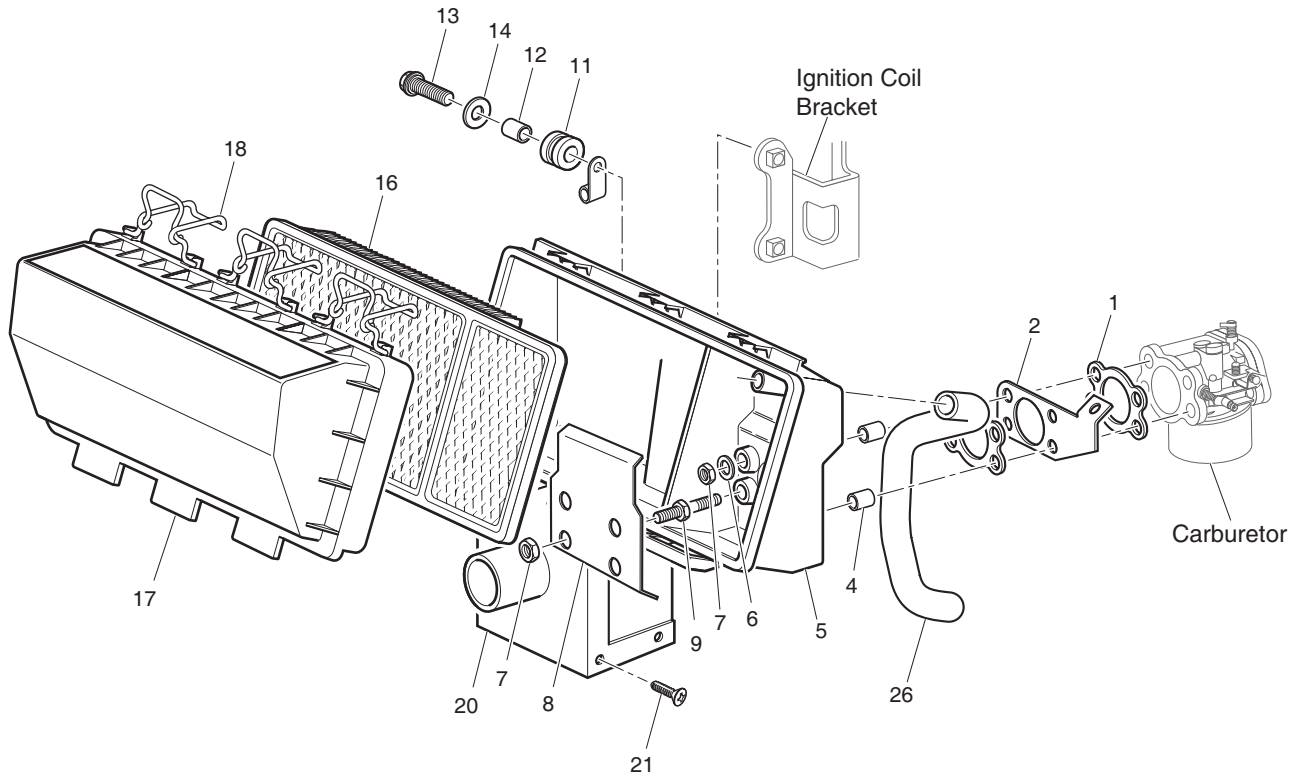
<https://CartPros.com/f.html>

**ACCELERATOR**





# AIR CLEANER



Ref Air 8

# AIR CLEANER

THE USE OF NON U.L. PARTS WILL VOID ANY U.L. LISTING.

When ordering parts, please specify the model and serial number of the product.

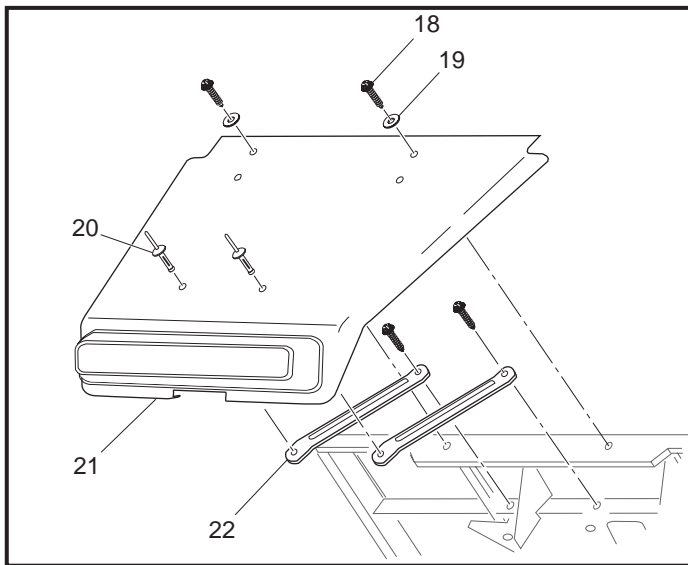
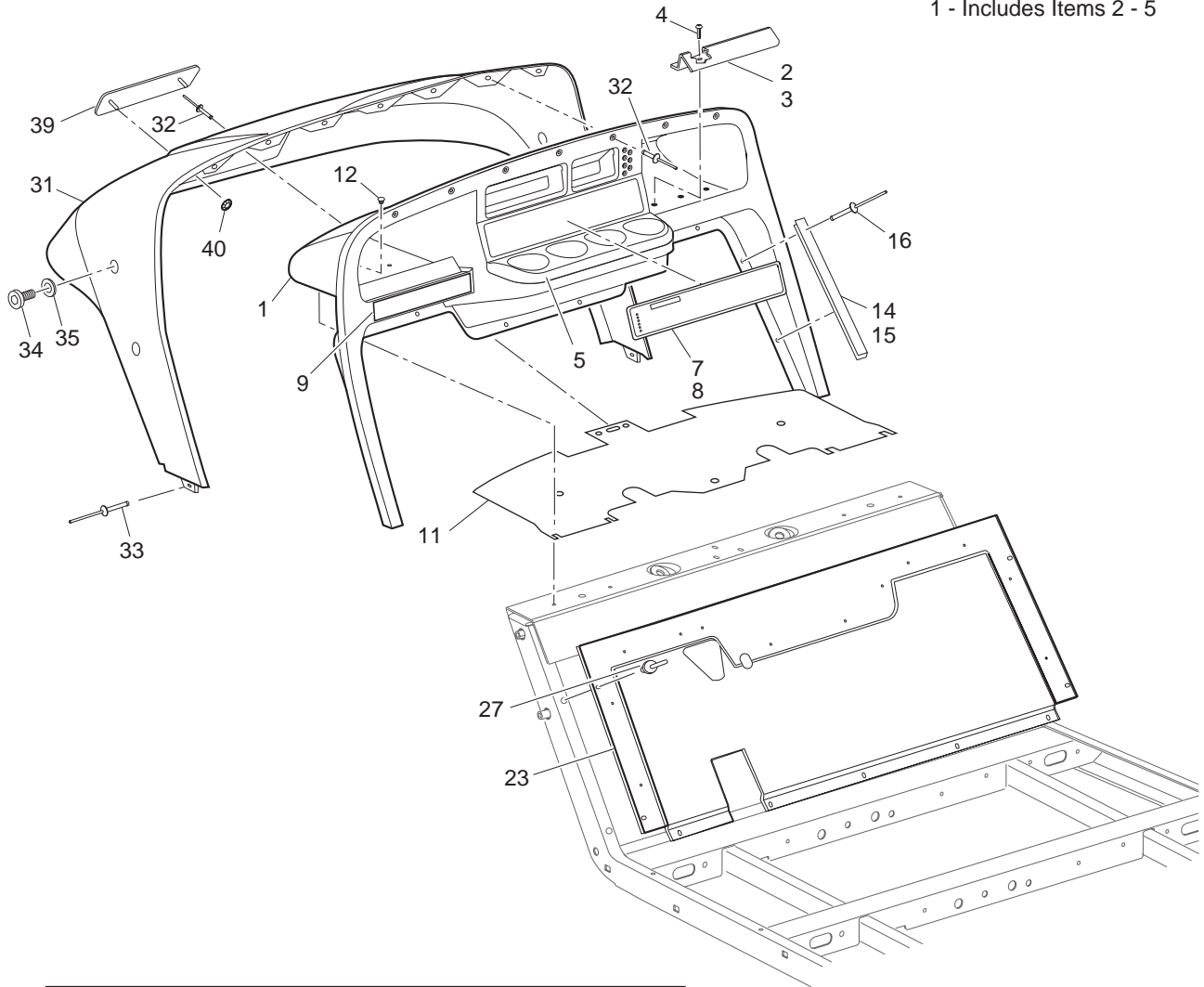
\* Indicates a component that is not available as an individual part.

G\*\* Indicates consult Customer Service Department for additional information.

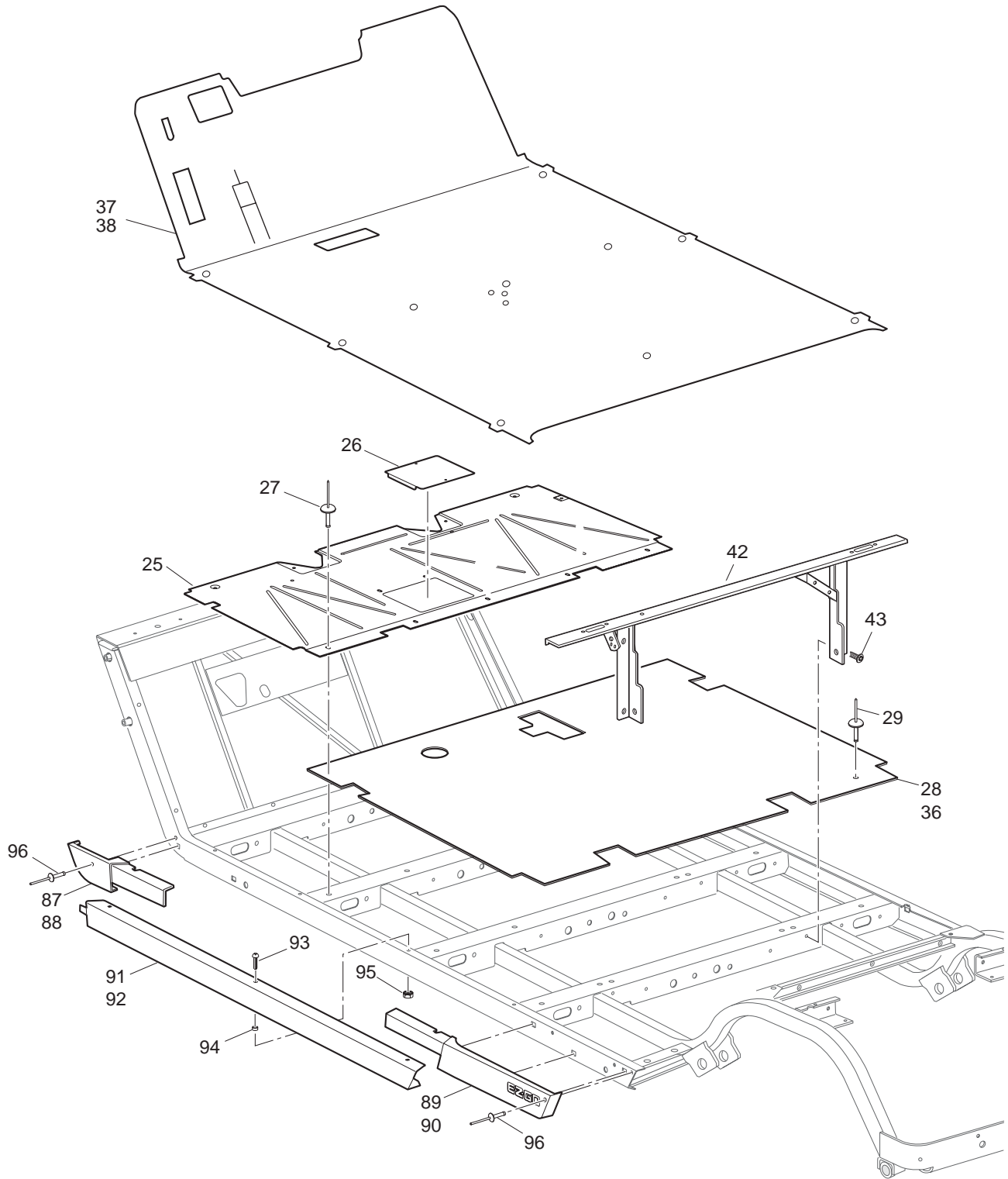
ITEM	PART NO.	1 2 3 4 5	DESCRIPTION	QTY.
1	72710-G01		CARBURETOR / AIR BOX GASKET .....	2
2	26728-G01		CHOKE BRACKET .....	1
3				
4	23726-G6		SPACER, 7/16" .....	4
5	72178-G02		HOUSING .....	1
6	00664-G7		LOCK WASHER, 1/4" (STAINLESS STEEL) .....	2
7	13632-G1		NUT, M6 X 1 .....	4
8	72529-G01		BAFFLE .....	1
9	72514-G01		STUD, M6 X 1 X 39 MM LG .....	2
10				
11	72147-G01		RUBBER GROMMET .....	2
12	23726-G7		SPACER, 9/16" .....	2
13	26671-G01		BOLT AND WASHER, M6 X 1 X 30 MM LG .....	2
14	26701-G01		WASHER, 6.5 MM .....	2
15				
16	72368-G01		AIR FILTER ELEMENT .....	1
17	72179-G02		AIR FILTER COVER .....	1
18	72145-G01		LATCH .....	3
19				
20	72146-G02		INLET COVER .....	1
21	00614-G5		SCREW, #8 - 18 X 5/8" LG .....	6
22				
23				
24				
25				
26	72151-G01		PCV HOSE .....	1

# BODY

1 - Includes Items 2 - 5

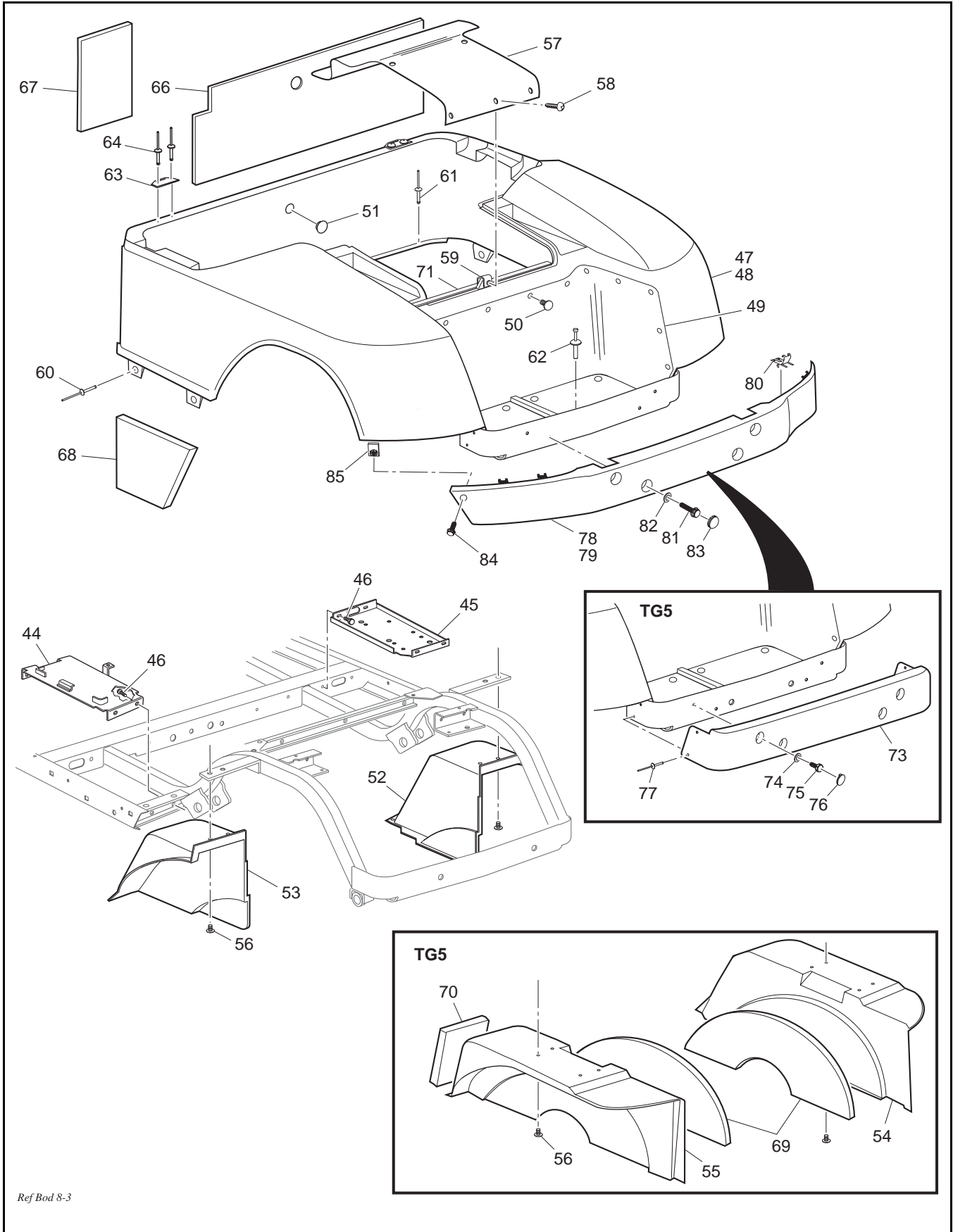


Ref Bod 8-1

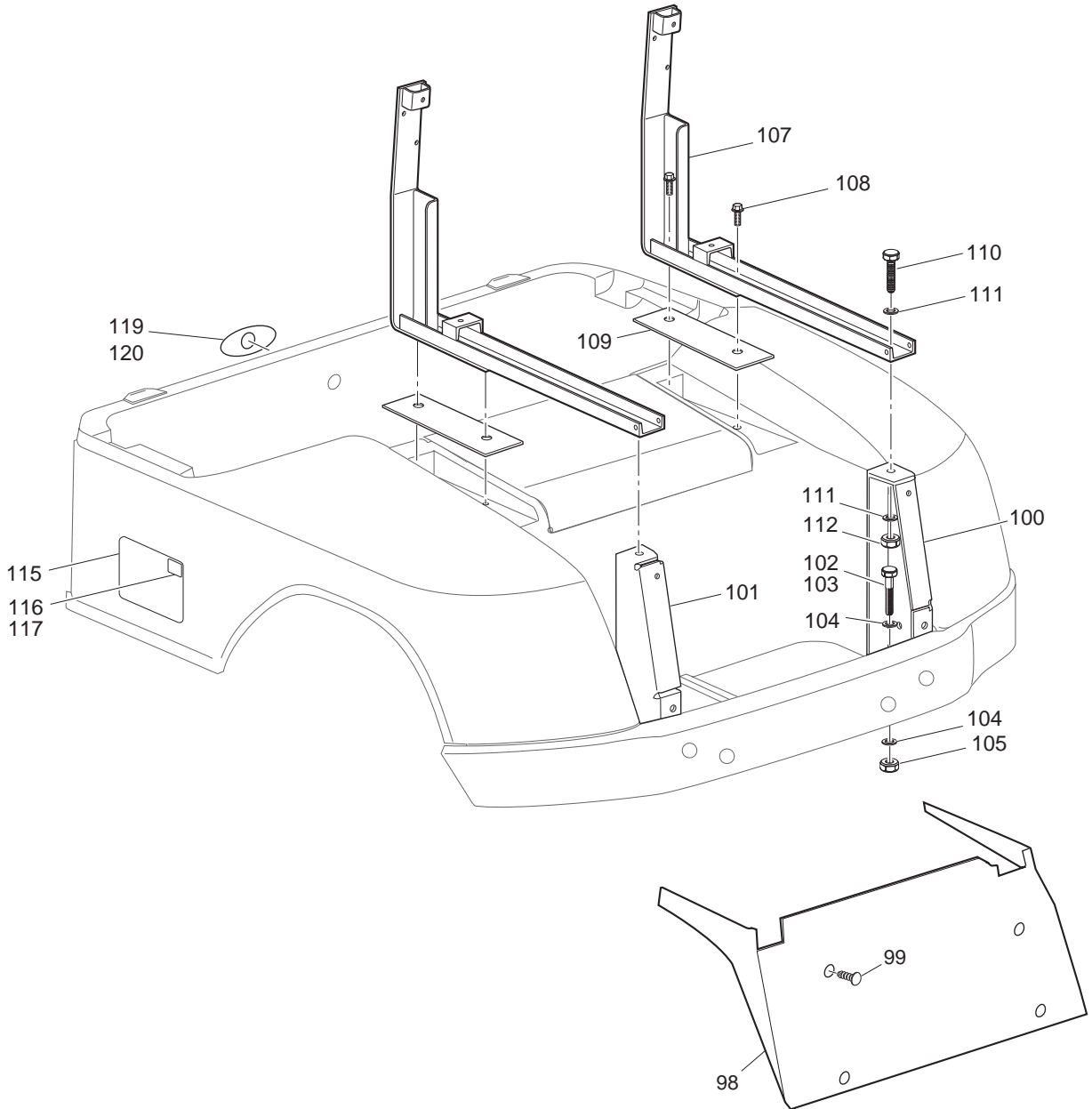


Ref Bod 8-2

# BODY

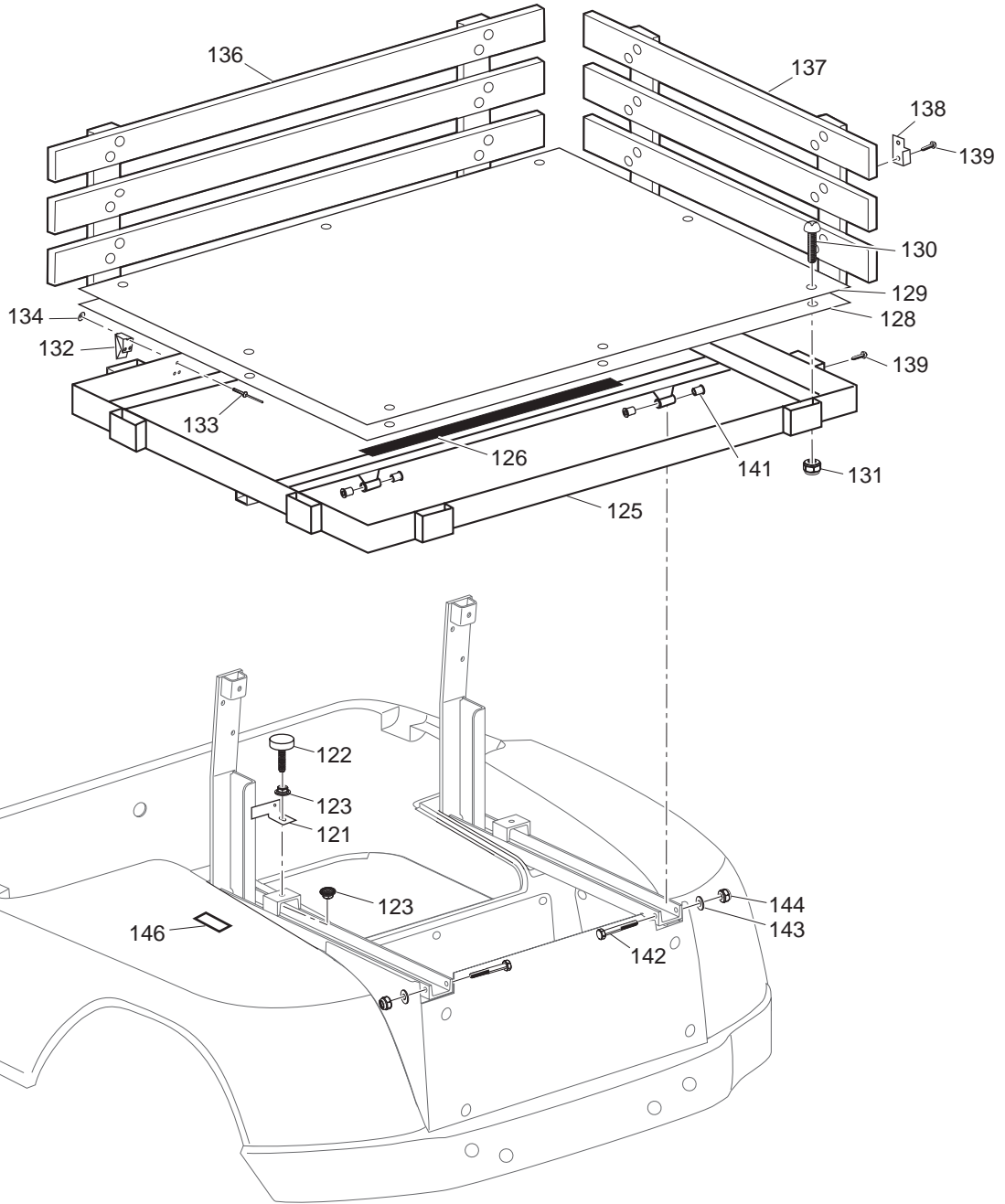


Ref Bod 8-3



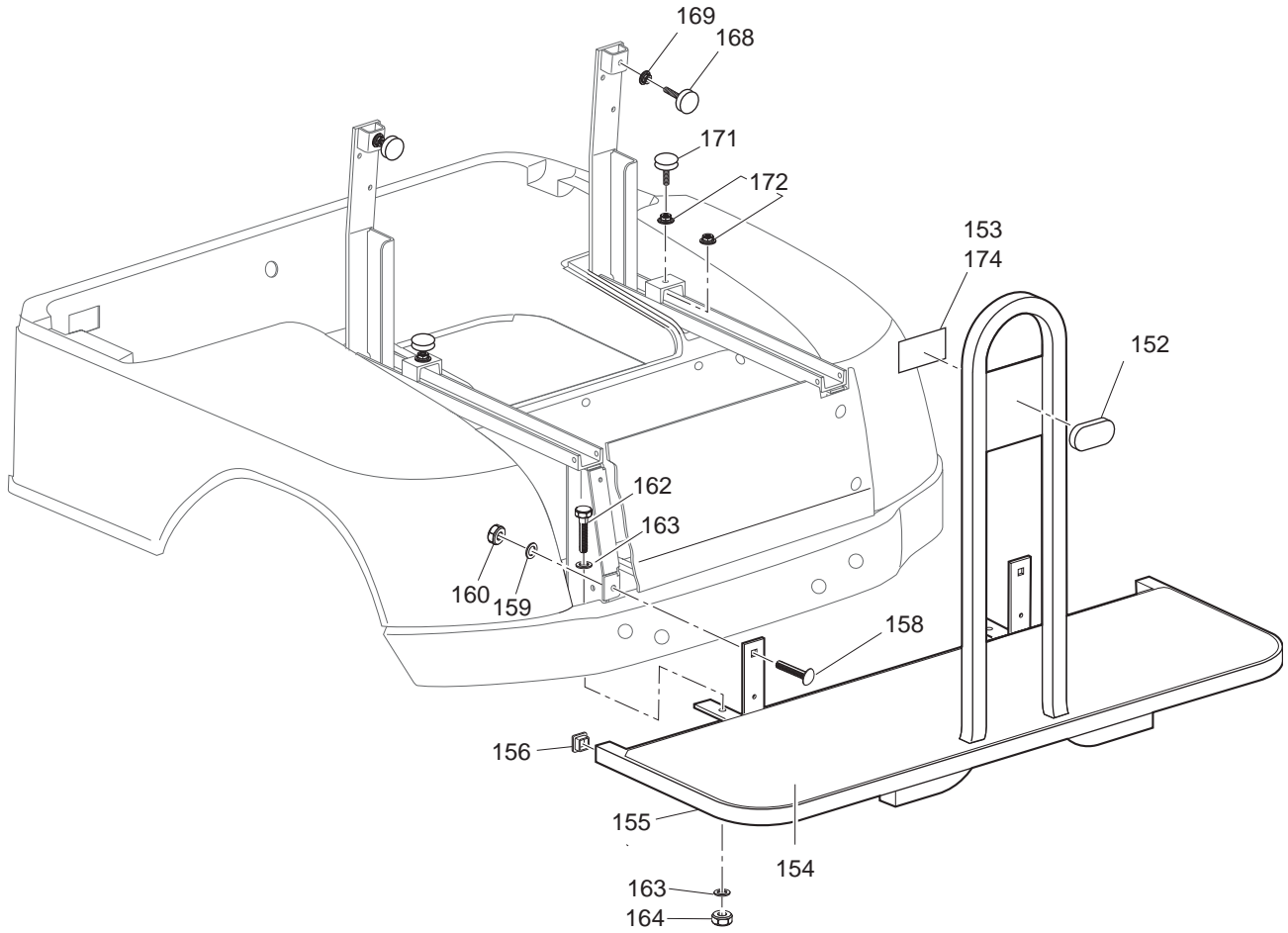
Ref Bod 8-4

# BODY



Ref Bod 8-5

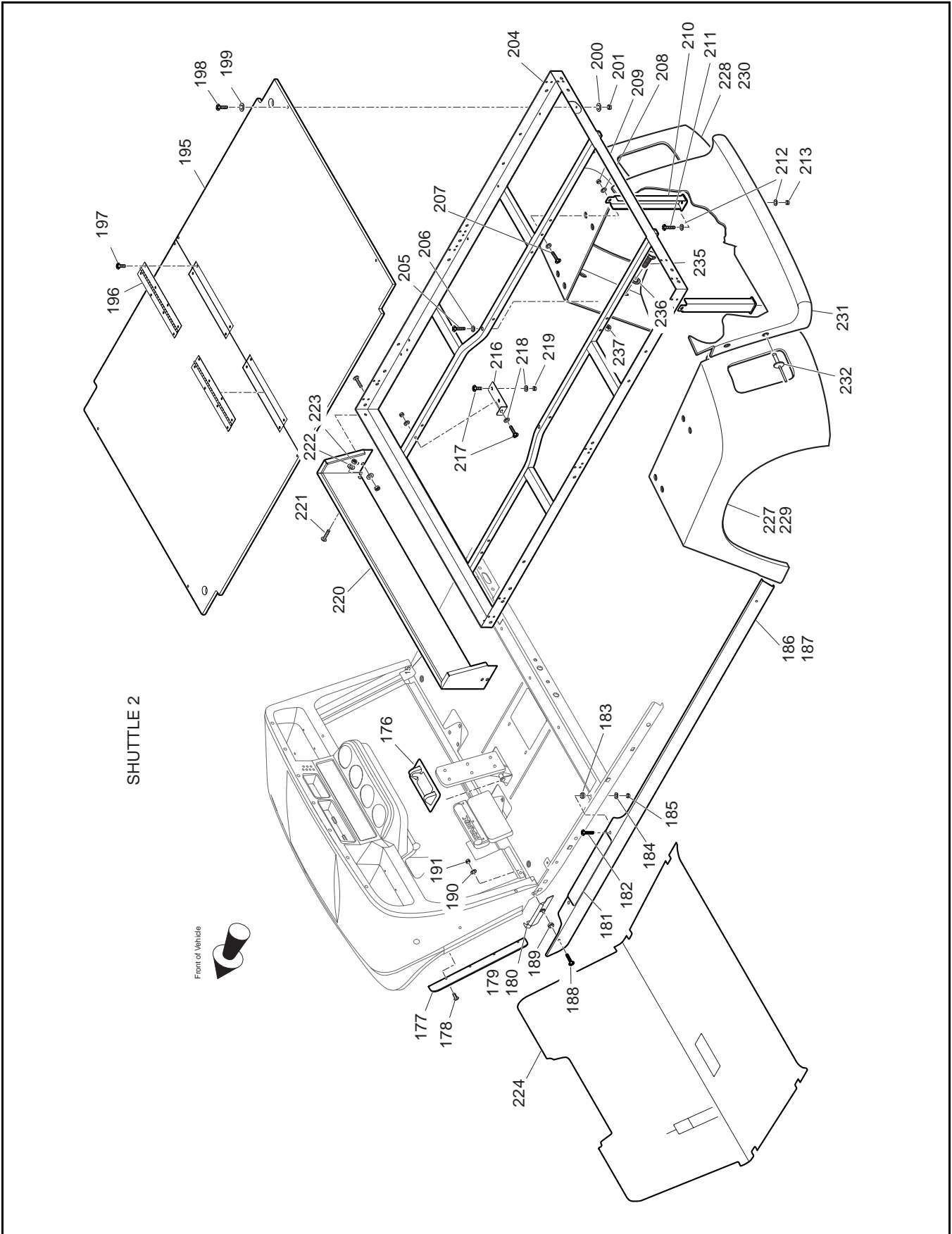
151 - Includes Items 152 - 155

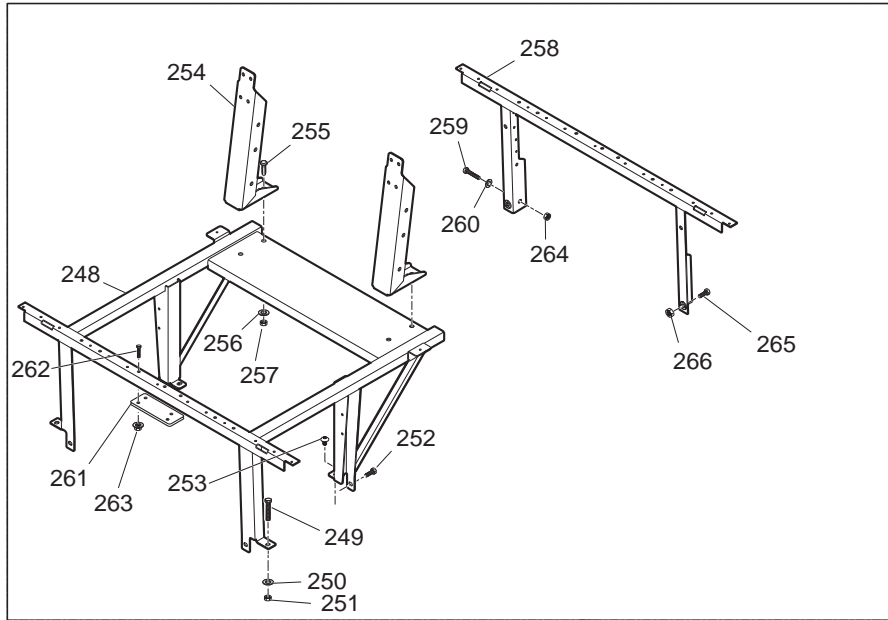


Ref Bod 8-6

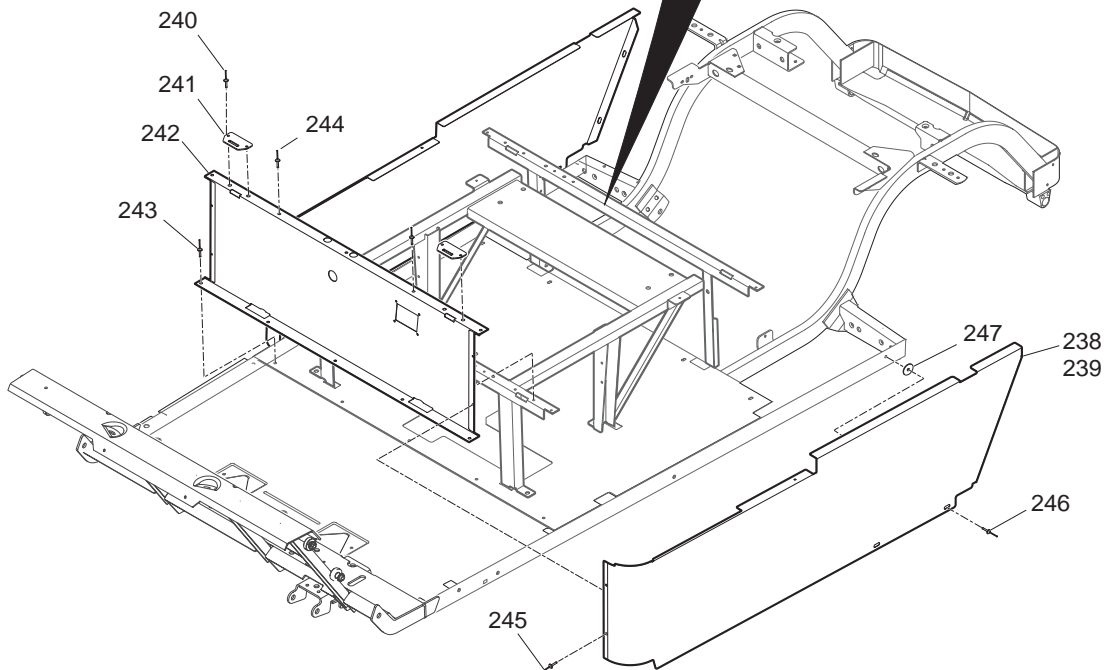


# BODY





SHUTTLE 2



# BODY

THE USE OF NON U.L. PARTS WILL VOID ANY U.L. LISTING.  
 When ordering parts, please specify the model and serial number of the product.  
 \* Indicates a component that is not available as an individual part.  
 G\*\* Indicates consult Customer Service Department for additional information.

ITEM	PART NO.	1 2 3 4 5	DESCRIPTION	QTY.
1	71151-G01		INSTRUMENT PANEL ASSEMBLY (INCLUDES ITEMS 2 - 5) .....	1
2	71153-G01		BALL DEFLECTOR (PASSENGER SIDE).....	1
3	71154-G01		BALL DEFLECTOR (DRIVER SIDE) .....	1
4	00614-G5		SCREW, #8 - 18 X 5/8" LG .....	6
5	71158-G01		INSTRUMENT PANEL INSERT (4 CUP HOLDER).....	1
6				
7	74078-G01		LABEL (SAFETY).....	1
8	35345-G01		LABEL (SAFETY) (EC) .....	1
9	74443-G01		LABEL (ANTI-ROLLBACK) .....	1
10				
11	71413-G01		SPLASH PANEL.....	1
12	16816-G2		RATCHET FASTENER, 1/4" X 3/4" LG .....	5
13				
14	71115-G01		VINYL TRIM (SHUTTLE - QTY 2) (TG5 - QTY 1).....	AR
15	71115-G02		VINYL TRIM DRIVER SIDE (TG5).....	1
16	71055-G01		RIVET, 3/16" X 1" LG (ALUMINUM).....	10
17				
18	01038-G01		BOLT, 1/4 - 20 X 11/16" LG .....	4
19	16469-G1		WASHER, 1/4" .....	2
20	01057-G01		RIVET, KTR, 1/4" X 3/4" LG .....	2
21	27166-G04		FRONT SHIELD .....	1
22	70725-G01		FRONT SHIELD BRACE.....	2
23	70662-G01		UPPER FLOORPAN.....	1
24				
25	70451-G01		LOWER FLOORPAN.....	1
26	70452-G01		ACCESS COVER.....	1
27	14601-G11		RIVET, 3/16" X 9/16" LG (ALUMINUM) .....	16
28	70316-G01		REAR FLOORPAN .....	1
29	10570-G10		RIVET, 5/32" X 9/16" LG (STAINLESS STEEL) .....	5
30				

THE USE OF NON U.L. PARTS WILL VOID ANY U.L. LISTING.  
 When ordering parts, please specify the model and serial number of the product.  
 \* Indicates a component that is not available as an individual part.  
 G\*\* Indicates consult Customer Service Department for additional information.

ITEM	PART NO.	1 2 3 4 5	DESCRIPTION	QTY.
31	71051-G**		COWL.....	1
32	71055-G01		RIVET, 3/16" X 1" LG (ALUMINUM).....	9
33	10570-G11		RIVET, 3/16" X 3/4" LG (STAINLESS STEEL).....	2
34	71056-G01		BOLT, 5/16 - 18 X 5/8" LG.....	4
35	00570-G2		WASHER, 5/16.....	4
36	70823-G01		REAR FLOORPAN (HAND PARK BRAKE).....	1
37	70668-G0*		FLOORMAT (HAND PARK BRAKE).....	1
38	70663-G0*		FLOORMAT.....	1
39	71037-G02		E-Z-GO NAMEPLATE (GOLD).....	1
40	71597-G01		NUT, SELF THREADING.....	2
41				
42	70440-G03		SEAT FRAME.....	1
43	00715-G2		BOLT, 5/16 - 18 X 4/5" LG.....	2
44	70245-G01		BATTERY TRAY.....	1
45	70244-G03		SPLASH PAN.....	1
46	00715-G2		BOLT, 5/16 - 18 X 4/5" LG.....	8
47	71912-G6**		REAR BODY ASSEMBLY (W/OUT TAILLIGHTS) (INCLUDES ITEMS 49, 50)..	1
48	71332-G3**		REAR BODY ASSEMBLY (W/ TAILLIGHTS) (INCLUDES ITEMS 49, 50).....	1
49	71318-G01		BAGWELL LINER.....	1
50	16816-G1		RATCHET FASTENER, 1/4" X 9/16" LG.....	12
51	71316-G01		PLUG.....	1
52	71812-G01		FENDER LINER (PASSENGER SIDE) (SHUTTLE).....	1
53	71812-G02		FENDER LINER (DRIVER SIDE) (SHUTTLE).....	1
54	71551-G05		FENDER LINER (PASSENGER SIDE) (TG5).....	1
55	71552-G05		FENDER LINER (DRIVER SIDE) (TG5).....	1
56	16816-G2		RATCHET FASTENER, 1/4" X 3/4" LG.....	8
57	71320-G01		ACCESS PANEL.....	1
58	01107-G01		SCREW, #8 X 3/8" LG (STAINLESS STEEL).....	5
59	71364-G02		'J' CLIP.....	1
60	10570-G12		RIVET, 1/4" X 9/16" LG (ALUMINUM).....	4

**BODY**

THE USE OF NON U.L. PARTS WILL VOID ANY U.L. LISTING.

When ordering parts, please specify the model and serial number of the product.

\* Indicates a component that is not available as an individual part.

G\*\* Indicates consult Customer Service Department for additional information.

ITEM	PART NO.	1 2 3 4 5	DESCRIPTION	QTY.
61	10570-G10		RIVET, 5/32" X 9/16" LG (STAINLESS STEEL) .....	6
62	18436-G1		PLASTIC DRIVE RIVET, 1/4" X 3/4" LG .....	2
63	71609-G01		HINGE PLATE .....	2
64	10570-G11		RIVET, 3/16" X 3/4" LG (STAINLESS STEEL) .....	4
65				
66	72112-G01		SEATWRAP NOISE SUPPRESSOR (LARGE).....	1
67	72549-G01		SEATWRAP NOISE SUPPRESSOR (SMALL) .....	1
68	72552-G01		SEATWRAP NOISE SUPPRESSOR (DRIVER SIDE, SIDE).....	1
69	72548-G01		FENDER NOISE SUPPRESSOR .....	2
70	72551-G01		FENDER NOISE SUPPRESSOR (DRIVER SIDE, FRONT).....	1
71	22744-G1		BAGWELL NOISE SUPPRESSOR .....	1
72				
73	71578-G01		BUMPER (TG5).....	1
74	00571-G2		WASHER, 5/16" .....	4
75	71102-G01		BOLT, 1/4 - 20 X 5/8" LG .....	4
76	71514-G01		BUMPER PLUG .....	4
77	14601-G17		RIVET, 3/16" X 9/16" LG (ALUMINUM) .....	4
78	71451-G02		BUMPER (SHUTTLE 4) .....	1
79	71456-G01		BUMPER (SHUTTLE 6) .....	1
80	71457-G01		STAY .....	4
81	71398-G01		BOLT, 1/4 - 20 X 1 1/4" LG (SHUTTLE 4 - QTY 4) (SHUTTLE 6 - QTY 2) .....	AR
82	00571-G2		WASHER, 5/16" (SHUTTLE 4 - QTY 4) (SHUTTLE 6 - QTY 2).....	AR
83	71455-G01		BUMPER PLUG .....	4
84	71102-G03		BOLT, 1/4 - 20 x 11/16" LG .....	2
85	71554-G01		'J' TYPE NUT RETAINER, 1/4 - 20 .....	2
86				
87	71642-G02		ROCKER PANEL (FRONT, PASSENGER SIDE).....	1
88	71642-G01		ROCKER PANEL (FRONT, DRIVER SIDE) .....	1
89	71643-G02		ROCKER PANEL (REAR, PASSENGER SIDE).....	1
90	71643-G01		ROCKER PANEL (REAR, DRIVER SIDE) .....	1

THE USE OF NON U.L. PARTS WILL VOID ANY U.L. LISTING.

When ordering parts, please specify the model and serial number of the product.

\* Indicates a component that is not available as an individual part.

G\*\* Indicates consult Customer Service Department for additional information.

ITEM	PART NO.	1 2 3 4 5	DESCRIPTION	QTY.
91	71641-G01		SILL PLATE (PASSENGER SIDE) .....	1
92	71641-G02		SILL PLATE (DRIVER SIDE).....	1
93	16705-G1		SCREW, 1/4 - 20 X 1" LG (STAINLESS STEEL) .....	6
94	23726-G4		SPACER, 5/16".....	6
95	00891-G2		LOCK NUT, 1/4 - 20 (STAINLESS STEEL) .....	6
96	15058-G6		RIVET, 3/16" X 15/16" LG (ALUMINUM).....	4
97				
98	74149-G01		VALANCE PANEL .....	1
99	16816-G2		RATCHET FASTENER, 1/4" X 3/4" LG .....	4
100	74126-G01		VERTICAL FRAME SUPPORT (PASSENGER SIDE) .....	1
101	74126-G02		VERTICAL FRAME SUPPORT (DRIVER SIDE).....	1
102	00427-G4		BOLT, 3/8 - 16 X 1 1/2" LG (SHUTTLE 4) .....	2
103	00427-G6		BOLT, 3/8 - 16 X 1 3/4" LG (SHUTTLE 6) .....	2
104	00560-G1		WASHER, 3/8" .....	4
105	11098-G5		LOCK NUT, 3/8 - 16 .....	2
106				
107	74111-G01		SEAT BACK SUPPORT .....	2
108	01006-G02		SELF TAPPING SCREW, 3/8 - 16 X 1 1/2" LG .....	4
109	70364-G01		SPACER .....	2
110	00426-G8		BOLT, 3/8 - 16 X 1" LG .....	2
111	00560-G1		WASHER, 3/8" .....	4
112	11098-G5		LOCK NUT, 3/8 - 16 .....	2
113				
114				
115	35434-G01		LABEL (SHUTTLE) .....	2
116	35430-G13		LABEL (6).....	2
117	35430-G14		LABEL (4).....	2
118				
119	12109-G01		LABEL (F-R).....	1
120	73317-G01		LABEL (F-R) (EC) .....	1

**BODY**

THE USE OF NON U.L. PARTS WILL VOID ANY U.L. LISTING.  
 When ordering parts, please specify the model and serial number of the product.  
 \* Indicates a component that is not available as an individual part.  
 G\*\* Indicates consult Customer Service Department for additional information.

ITEM	PART NO.	1 2 3 4 5	DESCRIPTION	QTY.
121	74086-G01		HOLD DOWN BRACKET .....	1
122	70113-G01		ADJUSTABLE BUMPER .....	2
123	11027-G1		LOCK NUT, 5/16 - 18 .....	4
124				
125	74080-G01		CARGO DECK .....	1
126	23052-G1		NOISE SUPPRESSOR .....	1
127				
128	74082-G01		STEEL DECK .....	1
129	74097-G01		CARGO BED MAT .....	1
130	16705-G3		SCREW, 1/4 - 20 X 3/4" LG (STAINLESS STEEL) .....	8
131	14390-G4		LOCK NUT, 1/4 - 20 .....	8
132	72913-G01		LATCH .....	1
133	???????		RIVET, 5/32" X 9/16" LG (STAINLESS STEEL) .....	3
134	???????		WASHER, #8 .....	1
135				
136	34280-G02		FRONT/REAR CARGO RACK .....	2
137	34280-G01		SIDE CARGO RACK .....	2
138	74079-G01		TAILGATE RETAINER BRACKET .....	2
139	00666-G6		SCREW, #10 - 12 X 3/4" LG (STAINLESS STEEL) .....	10
140				
141	17838-G1		BUSHING .....	4
142	00440-G4		BOLT, 5/16 - 18 X 2 1/2" LG .....	2
143	00559-G8		WASHER, 5/16" .....	2
144	01109-G01		LOCK NUT, 5/16 - 18 (STAINLESS STEEL) .....	2
145				
146	74099-G01		WARNING LABEL .....	1
147				
148				
149				
150				

THE USE OF NON U.L. PARTS WILL VOID ANY U.L. LISTING.  
 When ordering parts, please specify the model and serial number of the product.  
 \* Indicates a component that is not available as an individual part.  
 G\*\* Indicates consult Customer Service Department for additional information.

ITEM	PART NO.	1 2 3 4 5	DESCRIPTION	QTY.
151	70361-G02		FOOT REST ASSEMBLY (INCLUDES ITEMS 152 - 155) .....	1
152	74129-G01		REFLECTOR .....	1
153	74132-G01		WARNING LABEL .....	1
154	70362-G01		FLOOR MAT .....	1
155	70633-G01		FOOT REST .....	1
156	19853-G1		END PLUG .....	2
157				
158	00769-G2		CARRIAGE BOLT, 3/8 - 16 X 1 1/4" LG .....	2
159	00560-G1		WASHER, 3/8" .....	2
160	11098-G5		LOCK NUT, 3/8 - 16 .....	2
161				
162	00427-G6		BOLT, 3/8 - 16 X 1 3/4" LG .....	2
163	00560-G1		WASHER, 3/8" .....	4
164	11098-G5		LOCK NUT, 3/8 - 16 .....	2
165				
166				
167				
168	70113-G01		ADJUSTABLE BUMPER .....	2
169	11027-G1		LOCK NUT, 5/16 - 18 .....	2
170				
171	70113-G01		ADJUSTABLE BUMPER .....	2
172	11027-G1		LOCK NUT, 5/16 - 18 .....	4
173				
174	74074-G01		LABEL, WARNING (EC).....	1
175				
176	70135-G01		PEDAL PIVOT COVER .....	1
177	600776-G01		FENDER FLAIR .....	2
178	16816-G2		RATCHET FASTENER, 1/4" X 3/4" LG .....	8
179	71424-G01		SPACER, DRIVER SIDE .....	1
180	71424-G02		SPACER, PASSENGER SIDE .....	1



**BODY**

THE USE OF NON U.L. PARTS WILL VOID ANY U.L. LISTING.  
 When ordering parts, please specify the model and serial number of the product.  
 \* Indicates a component that is not available as an individual part.  
 G\*\* Indicates consult Customer Service Department for additional information.

ITEM	PART NO.	1 2 3 4 5	DESCRIPTION	QTY.
181	71764-G01		SILL PLATE TREAD.....	2
182	16705-G1		SCREW, 1/4 - 20 X 1" LG (STAINLESS STEEL) .....	4
183	23726-G2		SPACER, 1/4" .....	4
184	00559-G7		WASHER, 1/4" .....	4
185	14390-G4		LOCK NUT, 1/4 - 20 .....	4
186	600035-G01		ROCKER PANEL, DRIVER SIDE.....	1
187	600035-G02		ROCKER PANEL, PASSENGER SIDE .....	1
188	00789-G2		SCREW, #10 - 24 X 1 1/4 LG.....	4
189	23726-G2		SPACER, 1/4".....	4
190	00660-G5		WASHER, #10.....	4
191	11098-G7		LOCK NUT, #10-24" .....	4
192				
193				
194				
195	72966-G01		CARGO DECK .....	2
196	33121-G01		HINGE .....	2
197	16705-G3		SCREW, 1/4 - 20 X 3/4" LG (STAINLESS STEEL) .....	16
198	16705-G9		SCREW, 1/4 - 20 X 1 1/4" LG (STAINLESS STEEL) .....	4
199	00559-G7		WASHER, 1/4" .....	4
200	00559-G7		WASHER, 1/4" .....	4
201	00891-G2		LOCK NUT, 1/4 - 20 .....	4
202				
203				
204	72956-G01		BED FRAME .....	1
205	71802-G01		SCREW, 3/8 - 16 X 2 3/4" LG.....	2
206	00571-G3		WASHER, 3/8.....	2
207	00439-G6		SCREW, 5/16 - 18 X 1 3/4" LG.....	4
208	00559-G8		WASHER, 5/16.....	8
209	11098-G6		LOCK NUT, 5/16 - 18 .....	4
210	72982-G01		BRACKET .....	2

THE USE OF NON U.L. PARTS WILL VOID ANY U.L. LISTING.  
 When ordering parts, please specify the model and serial number of the product.  
 \* Indicates a component that is not available as an individual part.  
 G\*\* Indicates consult Customer Service Department for additional information.

ITEM	PART NO.	1 2 3 4 5	DESCRIPTION	QTY.
211	00438-G6		BOLT, 5/16 - 18 X 3/4" LG .....	2
212	00559-G8		WASHER, 5/16 .....	4
213	11098-G6		LOCK NUT, 5/16 - 18 .....	2
214				
215				
216	72983-G01		BED MOUNT BRACKET .....	2
217	16705-G3		SCREW, 1/4 - 20 X 3/4" LG (STAINLESS STEEL) .....	4
218	00559-G7		WASHER, 1/4" .....	4
219	00891-G2		LOCK NUT, 1/4 - 20 .....	4
220	72967-G01		BULKHEAD .....	1
221	16705-G3		SCREW, 1/4 - 20 X 3/4" LG (STAINLESS STEEL) .....	4
222	00559-G7		WASHER, 1/4" .....	4
223	00891-G2		LOCK NUT, 1/4 - 20 .....	4
224	70663-G03		FLOORMAT .....	1
225				
226				
227	71572-G01		FENDER (DRIVER SIDE) .....	1
228	71572-G02		FENDER (PASSENGER SIDE) .....	1
229	71572-G03		FENDER WITH TAILLIGHT (DRIVER SIDE) .....	1
230	71572-G04		FENDER WITH TAILLIGHT (PASSENGER SIDE) .....	1
231	71587-G02		REAR PANEL .....	1
232	71055-G01		RIVET, 3/16" X 1" LG .....	4
233	11027-G2		LOCK NUT, 1/4 - 20 .....	12
234	00559-G7		WASHER, 1/4" .....	12
235	00414-G7		BOLT, 1/4 - 20 X 7/8" LG .....	12
236				
237				
238	600037-G01		SIDE PANEL, DRIVER SIDE .....	1
239	600037-G02		SIDE PANEL, PASSENGER SIDE .....	1
240	10570-G11		RIVET, 3/16" X 3/4" LG (STAINLESS STEEL) .....	4

THE USE OF NON U.L. PARTS WILL VOID ANY U.L. LISTING.  
 When ordering parts, please specify the model and serial number of the product.  
 \* Indicates a component that is not available as an individual part.  
 G\*\* Indicates consult Customer Service Department for additional information.

ITEM	PART NO.	1 2 3 4 5	DESCRIPTION	QTY.
241	71609-G01		SEAT HINGE .....	2
242	600034-G01		SEAT WRAP PANEL .....	1
243	10570-G10		RIVET, 5/32" X 9/16" LG (STAINLESS STEEL) .....	5
244	10570-G10		RIVET, 5/32" X 9/16" LG (STAINLESS STEEL) .....	2
245	10570-G10		RIVET, 5/32" X 9/16" LG (STAINLESS STEEL) .....	4
246	10570-G12		RIVET, 1/4" X 9/16" LG .....	2
247	16469-G01		WASHER, 1/4" .....	4
248	600038-G01		SEAT FRAME WELDMENT .....	1
249	00438-G8		BOLT, 5/16 - 18 x 1"LG.....	2
250	00559-G8		WASHER, 5/16.....	2
251	11098-G6		LOCK NUT, 5/16 - 18 .....	2
252	00715-G2		BOLT, 5/16 - 18 X 13/16" LG .....	4
253	70200-G01		BOLT, 3/8 - 16 X 3/4" LG .....	2
254	75900-G02		SEAT BACK BRACKET.....	2
255	00426-G8		BOLT, 3/8 - 16 X 1" LG .....	4
256	00560-G1		WASHER, 3/8" .....	4
257	11098-G5		LOCK NUT, 3/8 - 16 .....	4
258	70440-G04		SEAT FRAME.....	1
259	00438-G8		BOLT, 5/16 - 18 x 1"LG.....	2
260	00559-G8		WASHER, 5/16.....	2
261	600264-G01		F&R BRACKET .....	1
262	28272-G01		SCREW, 1/4 - 20 X 1.....	2
263	11027-G2		LOCK NUT, 1/4 - 20 .....	2
264	11098-G6		LOCK NUT, 5/16 - 18 .....	2
265	00715-G2		BOLT, 5/16 - 18 X 13/16" LG .....	2
266	11098-G6		LOCK NUT, 5/16 - 18 .....	2

THE USE OF NON U.L. PARTS WILL VOID ANY U.L. LISTING.

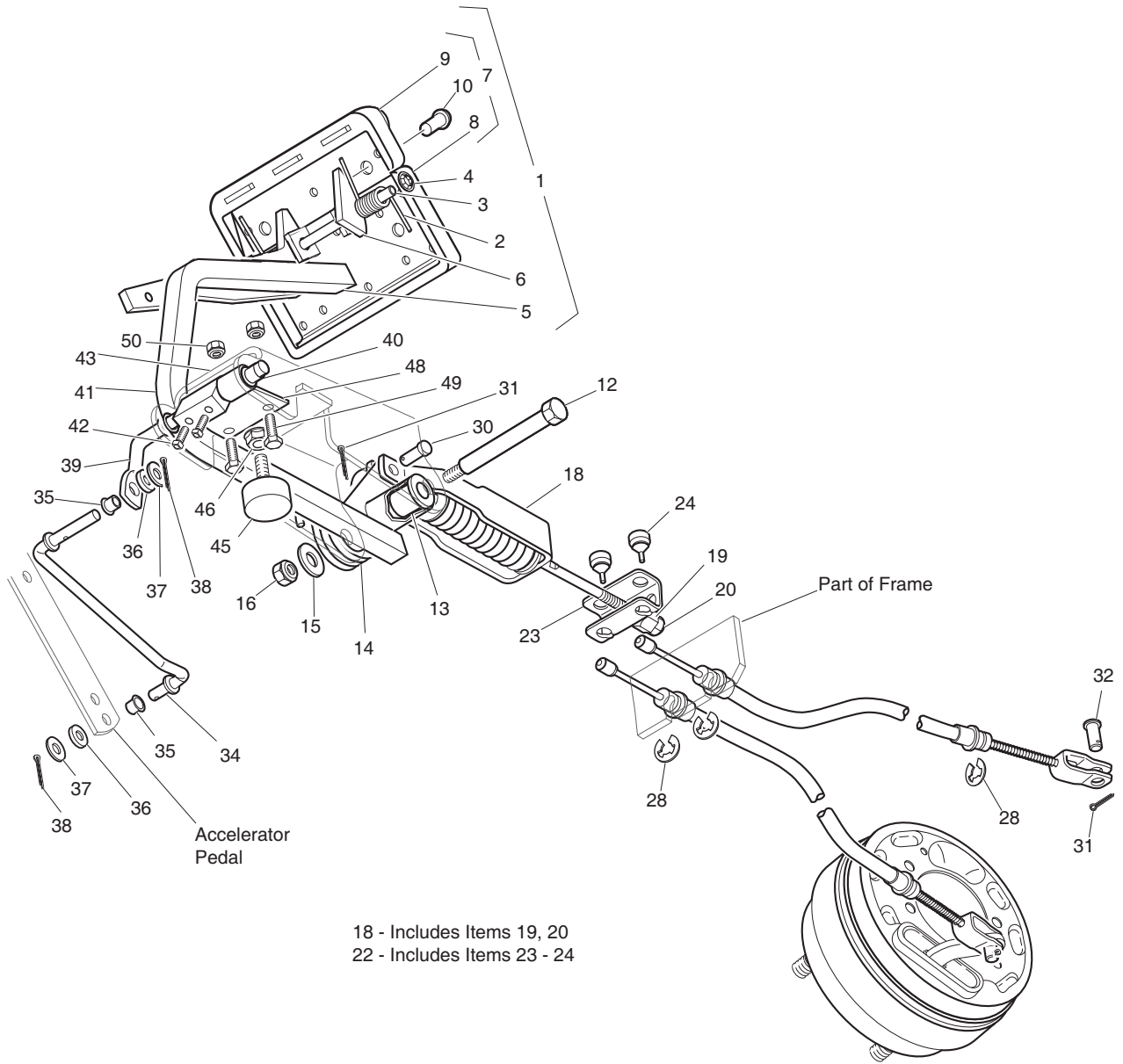
When ordering parts, please specify the model and serial number of the product.

\* Indicates a component that is not available as an individual part.

G\*\* Indicates consult Customer Service Department for additional information.

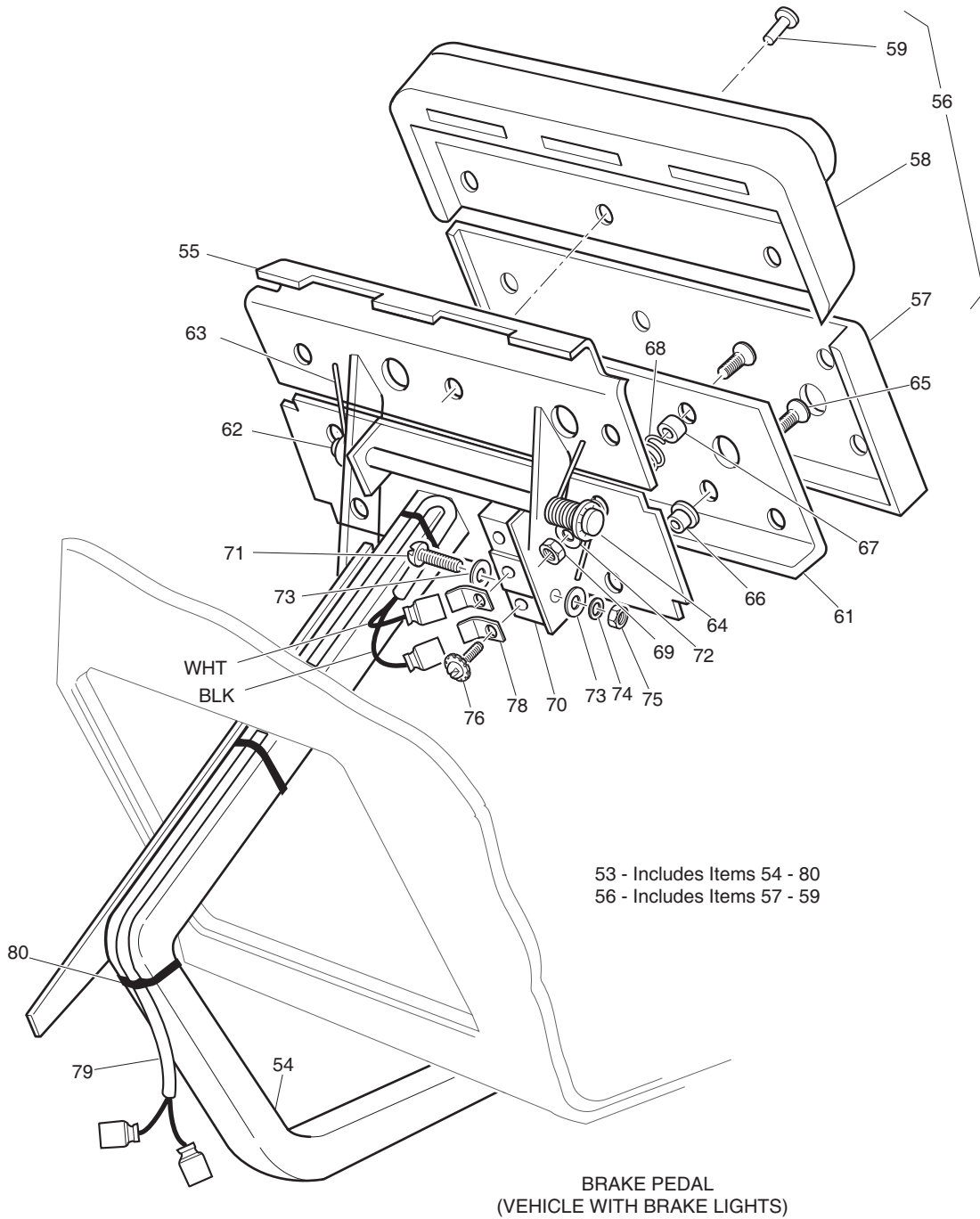
ITEM	PART NO.	1 2 3 4 5	DESCRIPTION	QTY.

# BRAKES - MECHANICAL



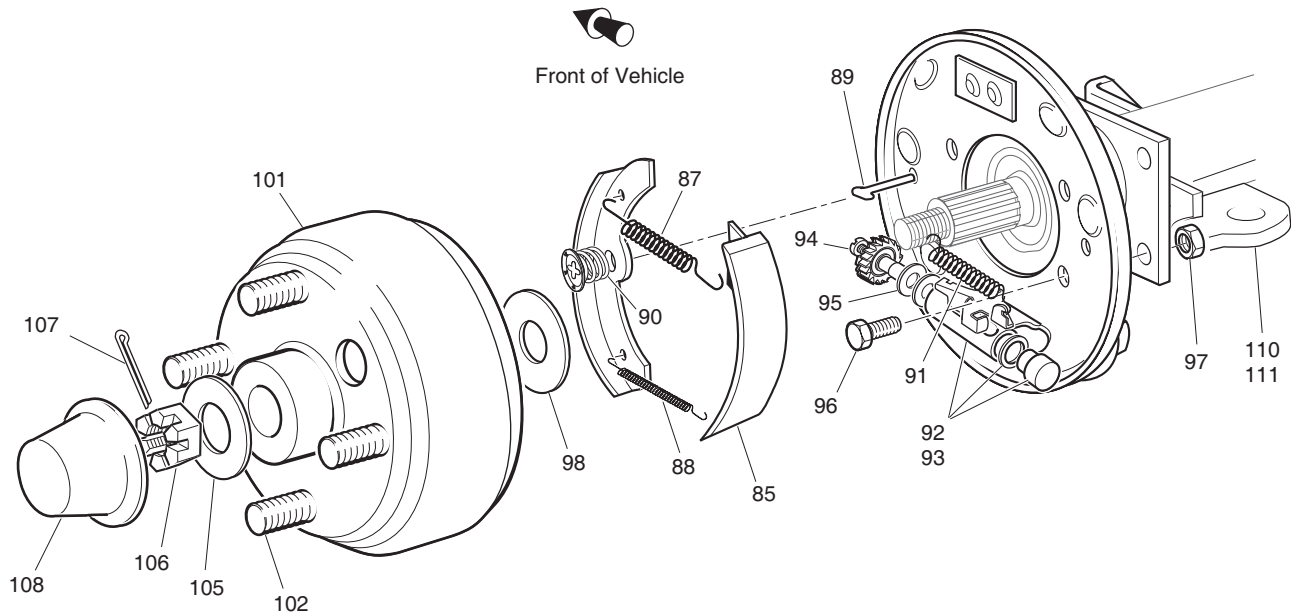
Ref Brm 8-1

# BRAKES - MECHANICAL



Ref Brm 8-2

# BRAKES - MECHANICAL



- 82 - Includes Items 84 - 92, 94, 95
- 83 - Includes Items 84 - 91, 93 - 95
- 84 - Includes Items 85
- 86 - Includes Items 87 - 91
- 92 - Includes Items 94, 95
- 93 - Includes Items 94, 95
- 100 - Includes Items 101, 102

Ref Brm 8-3

# BRAKES - MECHANICAL

THE USE OF NON U.L. PARTS WILL VOID ANY U.L. LISTING.  
 When ordering parts, please specify the model and serial number of the product.  
 \* Indicates a component that is not available as an individual part.  
 G\*\* Indicates consult Customer Service Department for additional information.

ITEM	PART NO.	1 2 3 4 5	DESCRIPTION	QTY.
1	70612-G01		BRAKE PEDAL ASSEMBLY (WITHOUT BRAKE LIGHTS) (INCLUDES ITEMS 2 - 10).....	1
2	70681-G01		TORSION SPRING.....	2
3	70682-G01		PIVOT PIN.....	1
4	01071-G01		PUSHNUT, 5/16".....	2
5	*		BRAKE PEDAL.....	1
6	70611-G01		PARK BRAKE PEDAL.....	1
7	70274-G01		BRAKE/PARK BRAKE PEDAL PAD KIT (INCLUDES ITEMS 8 - 10).....	1
8	*		SERVICE BRAKE PAD.....	1
9	*		PARK BRAKE PEDAL PAD.....	1
10	15766-G1		OVAL RIVET, 3/16" X 7/16" LG.....	9
11				
12	70582-G01		SHOULDER BOLT, 3/8 - 16 X 4" LG (STAINLESS STEEL).....	1
13	70581-G01		FLANGED BUSHING.....	2
14	70676-G01		TORSION SPRING.....	1
15	00643-G1		WASHER, 3/8".....	1
16	11098-G5		LOCK NUT, 3/8 - 16.....	1
17				
18	70272-G04		COMPENSATOR ASSEMBLY (INCLUDES ITEMS 19, 20).....	1
19	00963-G01		SPHERICAL NUT, 5/16 - 24.....	1
20	11098-G9		LOCK NUT, 5/16 - 24.....	1
21				
22	70969-G06		EQUALIZER AND BRAKE CABLE ASSEMBLY (INCLUDES ITEMS 23-24).....	1
23	28082-G01		EQUALIZER BRACKET.....	1
24	28083-G01		BRAKE COMPENSATOR BUMPER.....	2
25				
26				
27				
28	01111-G01		RETAINING RING, 13/32" (STAINLESS STEEL).....	4
29				



# BRAKES - MECHANICAL

THE USE OF NON U.L. PARTS WILL VOID ANY U.L. LISTING.

When ordering parts, please specify the model and serial number of the product.

\* Indicates a component that is not available as an individual part.

G\*\* Indicates consult Customer Service Department for additional information.

ITEM	PART NO.	1 2 3 4 5	DESCRIPTION	QTY.
30	10386-G3		CLEVIS PIN, 5/16" X 13/16" LG .....	1
31	10387-G3		COTTER PIN, 3/32" X 3/4" LG .....	3
32	14443-G2		CLEVIS PIN, 5/16" X 5/8" LG .....	2
33				
34	70601-G01		KICK-OFF LINK.....	1
35	17838-G1		NYLON BUSHING.....	2
36	20835-G1		TEFLON WASHER, 3/8" .....	2
37	00559-G8		WASHER, 5/16" .....	2
38	10387-G3		COTTER PIN, 3/32" X 3/4" LG .....	2
39	70098-G01		KICK-OFF CAM PIVOT .....	1
40	10097-G6		FLANGED BEARING .....	2
41	70587-G01		KICK-OFF CAM.....	1
42	71215-G01		SETSCREW, 1/4 - 20 X 1/2" LG.....	2
43	14134-G4		SPACER.....	1
44				
45	70113-G01		ADJUSTABLE BUMPER .....	1
46	11027-G1		LOCK NUT, 5/16 - 18 .....	1
47				
48	70080-G01		CATCH BRACKET .....	1
49	00414-G6		BOLT, 1/4 - 20 X 3/4" LG .....	2
50	00891-G2		LOCK NUT, 1/4 - 20 (STAINLESS STEEL) .....	2
51				
52				
53	70690-G01		BRAKE PEDAL ASSEMBLY (WITH BRAKE LIGHTS) (INCLUDES ITEMS 54 - 80).....	1
54	*		BRAKE PEDAL .....	1
55	70611-G01		PARK BRAKE PEDAL .....	1
56	70274-G01		BRAKE/PARK BRAKE PEDAL PAD KIT (INCLUDES ITEMS 57 - 59).....	1
57	*		SERVICE BRAKE PAD .....	1
58	*		PARK BRAKE PAD.....	1

# BRAKES - MECHANICAL

THE USE OF NON U.L. PARTS WILL VOID ANY U.L. LISTING.  
 When ordering parts, please specify the model and serial number of the product.  
 \* Indicates a component that is not available as an individual part.  
 G\*\* Indicates consult Customer Service Department for additional information.

ITEM	PART NO.	1	2	3	4	5	DESCRIPTION	QTY.
59	15766-G1						OVAL RIVET, 3/16" x 7/16" LG.....	9
60								
61	70258-G02						BRAKE PEDAL PLATE.....	1
62	70682-G01						PIVOT PIN.....	1
63	70681-G01						TORSION SPRING.....	2
64	01071-G01						PUSHNUT, 5/16".....	1
65	00737-G8						SCREW, #10 - 24 X 7/8" LG.....	4
66	00739-G1						RUBBER NUT, #10 - 24.....	2
67	74535-G03						BRAKE PEDAL STANDOFF.....	2
68	27137-G01						CONICAL SPRING.....	2
69	11098-G7						LOCK NUT, #10 - 24.....	2
70	10606-G8						MICRO SWITCH.....	1
71	00957-G1						BOLT, #6 - 32 X 1 1/4" LG.....	2
72	00559-G5						WASHER, #10.....	2
73	00559-G3						WASHER, #6.....	4
74	00565-G3						LOCK WASHER, #6.....	2
75	00525-G5						NUT, #6 - 32.....	2
76	13514-G1						SCREW AND LOCK WASHER, #6.....	2
77								
78	14628-G1						FASTON TAB.....	2
79	24605-G1						WIRE HARNESS (BRAKE LIGHT).....	1
80	17618-G1						WIRE TIE.....	3
81								
82	70998-G01						BRAKE ASSEMBLY (DRIVER SIDE) (INCLUDES ITEMS 84 - 92, 94, 95).....	1
83	70998-G02						BRAKE ASSEMBLY (PASSENGER SIDE) (INCLUDES ITEMS 84 - 91, 93 - 95).....	1
84	70794-G01						BRAKE SHOE KIT (INCLUDES ITEM 85).....	2
85	*						BRAKE SHOE.....	2
86	27944-G01						BRAKE SPRING KIT (INCLUDES ITEMS 87 - 91).....	2
87	*						UPPER SPRING.....	1

# BRAKES - MECHANICAL

THE USE OF NON U.L. PARTS WILL VOID ANY U.L. LISTING.  
 When ordering parts, please specify the model and serial number of the product.  
 \* Indicates a component that is not available as an individual part.  
 G\*\* Indicates consult Customer Service Department for additional information.

ITEM	PART NO.	1	2	3	4	5	DESCRIPTION	QTY.
88	*						LOWER SPRING .....	1
89	*						PIN .....	2
90	*						CUP AND SPRING .....	2
91	*						ADJUSTER SPRING.....	1
92	72582-G01						BRAKE ADJUSTER KIT (DRIVER SIDE) (INCLUDES ITEMS 94, 95) .....	1
93	72582-G02						BRAKE ADJUSTER KIT (PASSENGER SIDE) (INCL. ITEMS 94, 95).....	1
94	*						ADJUSTER .....	1
95	*						TEFLON WASHER.....	2
96	17083-G2						BOLT, 5/16 - 24 X 1" LG .....	8
97	15126-G1						LOCK NUT, 5/16 - 24 .....	8
98	21809-G1						INNER BRAKE DRUM WASHER, 1 5/16" OD X 1" ID X 1/32" .....	2
99								
100	21807-G1						BRAKE DRUM ASSEMBLY (INCLUDES ITEMS 101 - 102).....	2
101	*						BRAKE DRUM.....	1
102	19862-G1						LUG BOLT, 1/2 - 20 X 1 3/16" LG .....	4
103								
104								
105	21830-G1						OUTER BRAKE DRUM WASHER .....	2
106	00518-G8						SLOTTED NUT, 3/4 - 16.....	2
107	10387-G1						COTTER PIN, 1/8" X 1 1/2" LG.....	2
108	74175-G01						SPINDLE CAP.....	2
109								
110	72036-G01						BRAKE CABLE BRACKET (PASSENGER SIDE).....	1
111	72036-G02						BRAKE CABLE BRACKET (DRIVER SIDE) .....	1

**DID YOU  
KNOW?**

**CartPros** directs you to the right part using the part numbers from this manual. Enter the part number into our search box and it will find the part you are looking for.

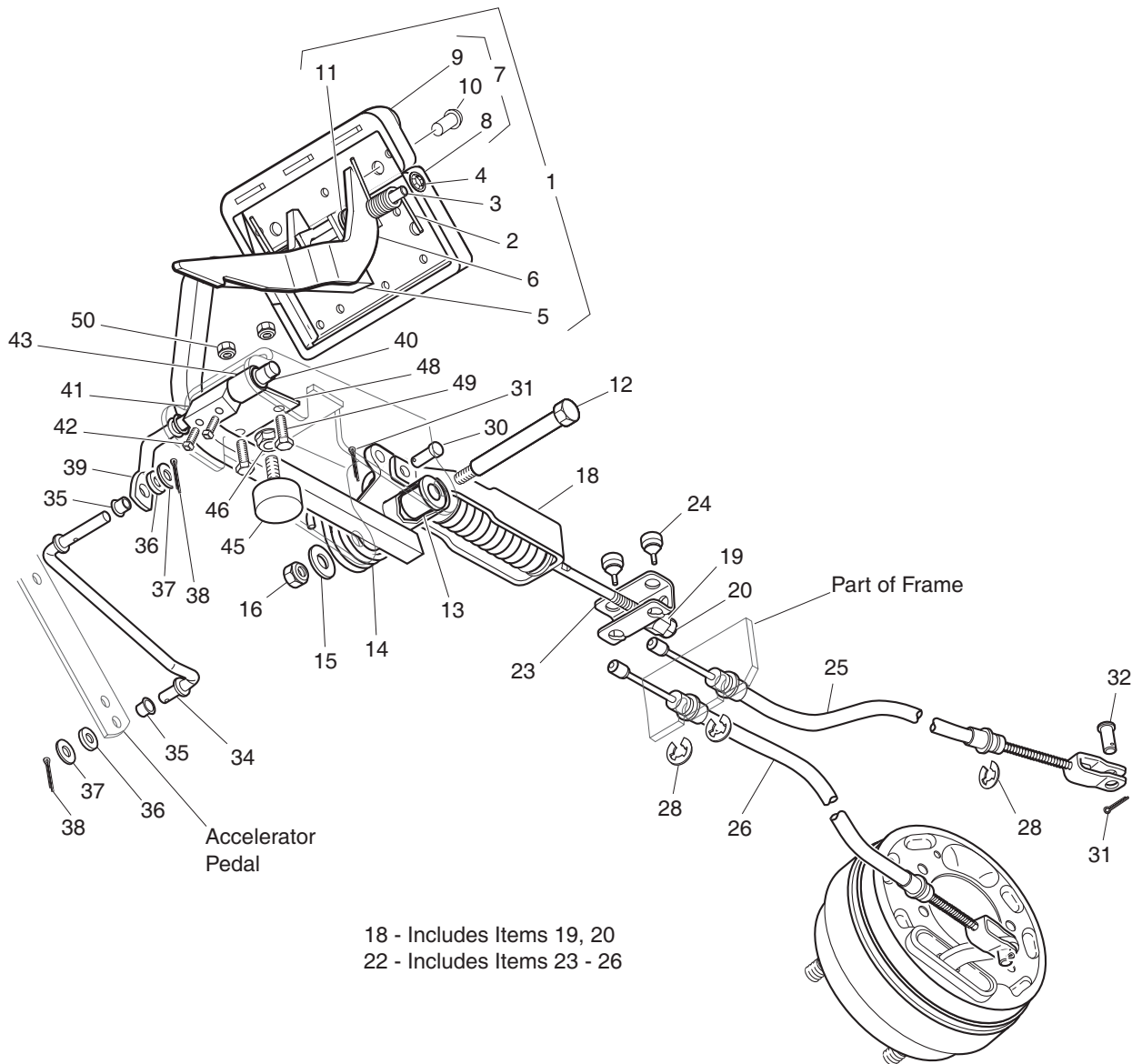
**GET STARTED  
HERE**



<https://CartPros.com/f.html>

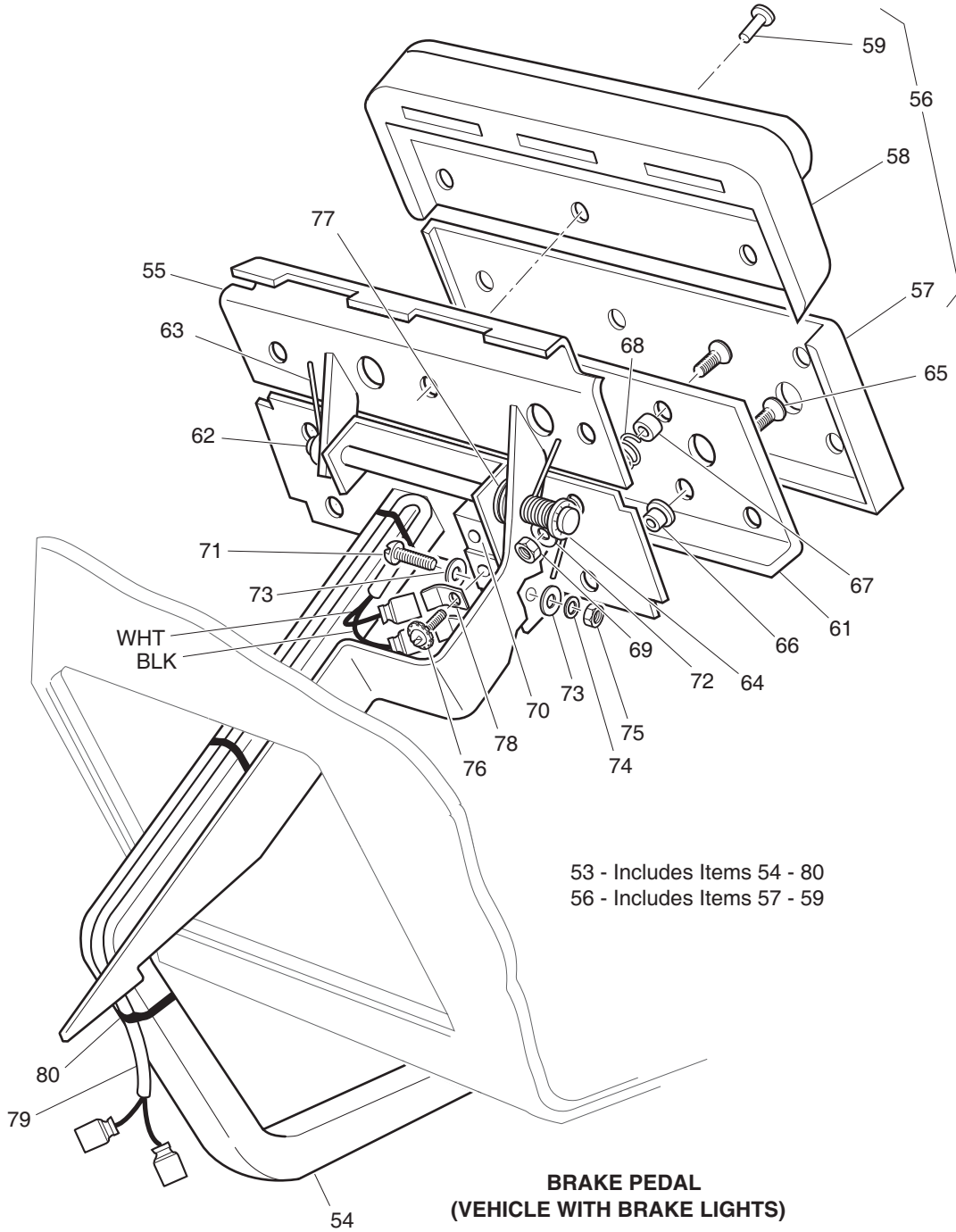
**BRAKES - MECHANICAL**

# BRAKES - FRONT DISC



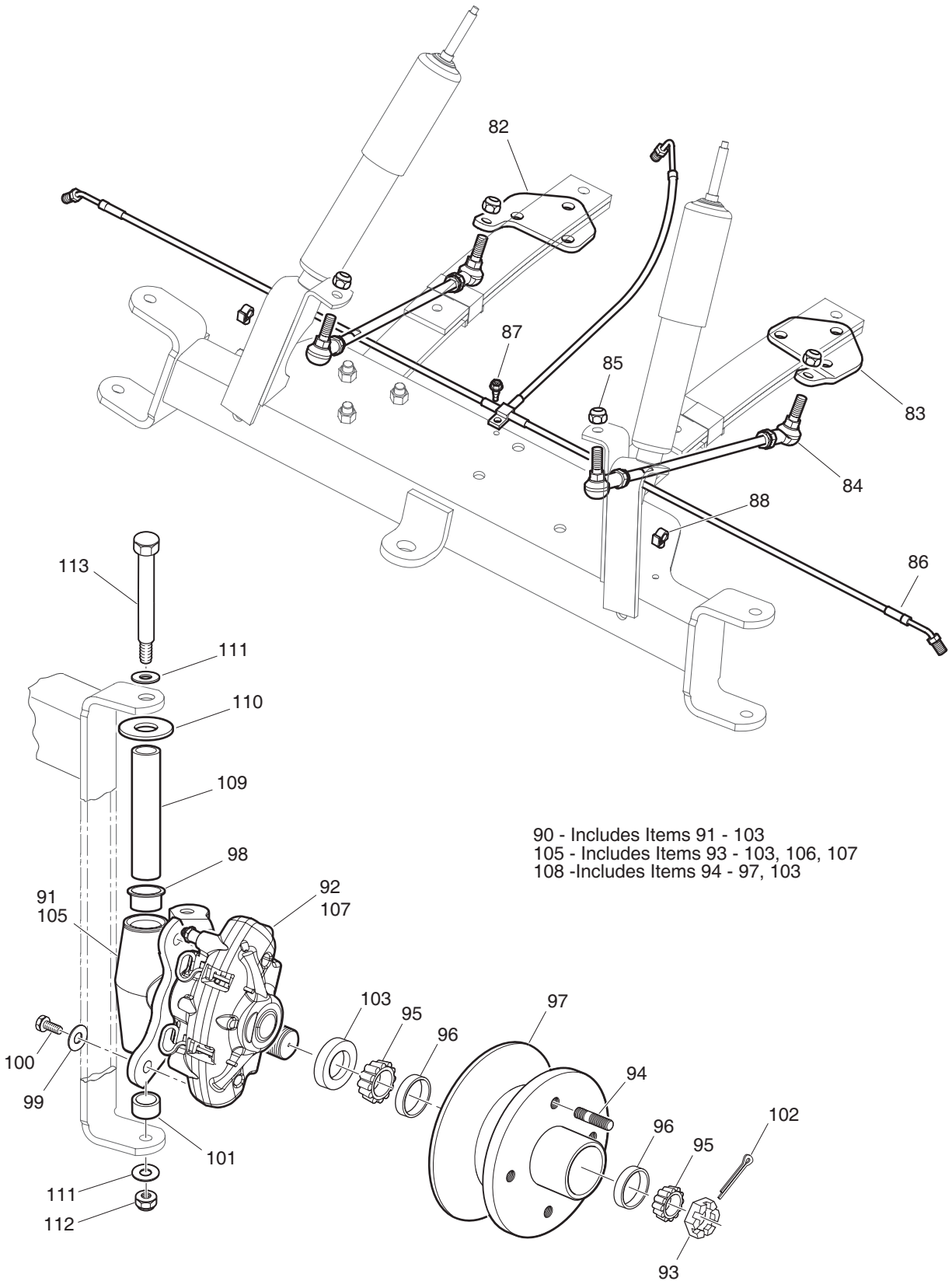
Ref Brh 21-1

# BRAKES - FRONT DISC



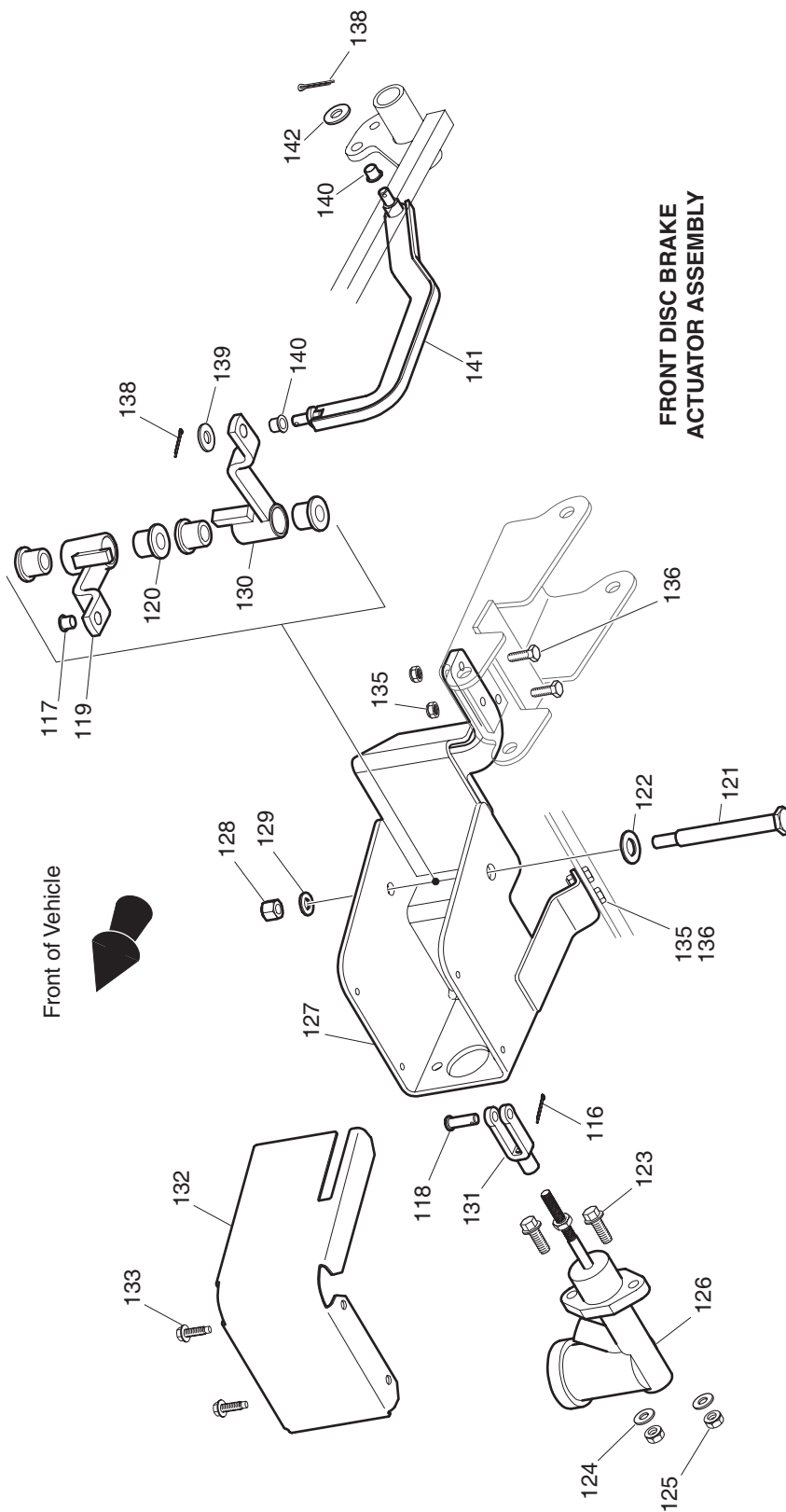
Ref Brh 21-2

# BRAKES - FRONT DISC



Ref Brh 21-3

# BRAKES - FRONT DISC



Ref Brh 21-4



# BRAKES - FRONT DISC

THE USE OF NON U.L. PARTS WILL VOID ANY U.L. LISTING.  
 When ordering parts, please specify the model and serial number of the product.  
 \* Indicates a component that is not available as an individual part.  
 G\*\* Indicates consult Customer Service Department for additional information.

ITEM	PART NO.	1 2 3 4 5	DESCRIPTION	QTY.
1	74723-G01		BRAKE PEDAL ASSEMBLY (WITHOUT BRAKE LIGHTS) (INCLUDES ITEMS 2 - 11) .....	1
2	70681-G01		TORSION SPRING .....	2
3	70682-G01		PIVOT PIN .....	1
4	01071-G01		PUSHNUT, 5/16" .....	1
5	*		BRAKE PEDAL .....	1
6	74724-G01		PARK BRAKE PEDAL .....	1
7	70274-G01		BRAKE/PARK BRAKE PEDAL PAD KIT (INCLUDES ITEMS 8 - 10) .....	1
8	*		SERVICE BRAKE PAD .....	1
9	*		PARK BRAKE PEDAL PAD .....	1
10	16409-G1		OVAL RIVET, 3/16" X 15/32" LG .....	9
11	20835-G1		WASHER, TEFLON, 3/8" .....	2
12	70582-G01		SHOULDER BOLT, 3/8 - 16 X 4" LG .....	1
13	70581-G01		FLANGED BUSHING .....	2
14	70676-G01		TORSION SPRING .....	1
15	00643-G1		WASHER, 3/8" .....	1
16	11098-G5		LOCK NUT, 3/8 - 16 .....	1
17				
18	70272-G04		COMPENSATOR ASSEMBLY (INCLUDES ITEMS 19, 20) .....	1
19	00963-G01		SPHERICAL NUT, 5/16 - 24 .....	1
20	11098-G9		LOCK NUT, 5/16 - 24 .....	1
21				
22	70969-G05		EQUALIZER AND BRAKE CABLE ASSEMBLY (INCLUDES ITEMS 23 - 26)....	1
23	28082-G01		EQUALIZER BRACKET .....	1
24	28083-G01		BRAKE COMPENSATOR BUMPER.....	2
25	*		BRAKE CABLE (DRIVER SIDE).....	1
26	*		BRAKE CABLE (PASSENGER SIDE) .....	1
27				
28	01111-G01		RETAINING RING, S.S.....	4
29				

# BRAKES - FRONT DISC

THE USE OF NON U.L. PARTS WILL VOID ANY U.L. LISTING.  
 When ordering parts, please specify the model and serial number of the product.  
 \* Indicates a component that is not available as an individual part.  
 G\*\* Indicates consult Customer Service Department for additional information.

ITEM	PART NO.	1 2 3 4 5	DESCRIPTION	QTY.
30	10386-G3		CLEVIS PIN, 5/16" X 1" LG .....	3
31	10387-G3		COTTER PIN, 3/32" X 3/4" LG .....	3
32	14443-G2		CLEVIS PIN, 5/16" X 3/4" LG .....	2
33				
34	70601-G01		KICK-OFF LINK.....	1
35	17838-G1		NYLON BUSHING.....	2
36	20835-G1		TEFLON WASHER, 3/8" .....	2
37	00559-G8		WASHER, 5/16" .....	2
38	10387-G3		COTTER PIN, 3/32" X 3/4" LG .....	2
39	70098-G01		KICK-OFF CAM PIVOT .....	1
40	10097-G6		FLANGED BEARING .....	2
41	70587-G01		KICK-OFF CAM.....	1
42	71215-G01		SETSCREW, 1/4 - 20 X 1/2" LG.....	2
43	14134-G4		SPACER.....	1
44				
45	70113-G01		ADJUSTABLE BUMPER .....	1
46	11027-G1		LOCK NUT, 5/16 - 18 .....	1
47				
48	70080-G01		CATCH BRACKET .....	1
49	00414-G6		BOLT, 1/4 - 20 X 3/4" LG .....	2
50	00891-G2		LOCK NUT, 1/4 - 20 .....	2
51				
52				
53	74874-G01		BRAKE PEDAL ASSEMBLY (WITH BRAKE LIGHTS) (INCLUDES ITEMS 54 - 80).....	1
54	*		BRAKE PEDAL.....	1
55	74724-G01		PARK BRAKE PEDAL .....	1
56	70274-G01		BRAKE/PARK BRAKE PEDAL PAD KIT (INCLUDES ITEMS 57 - 59).....	1
57	*		SERVICE BRAKE PAD .....	1
58	*		PARK BRAKE PAD.....	1

# BRAKES - FRONT DISC

THE USE OF NON U.L. PARTS WILL VOID ANY U.L. LISTING.  
 When ordering parts, please specify the model and serial number of the product.  
 \* Indicates a component that is not available as an individual part.  
 G\*\* Indicates consult Customer Service Department for additional information.

ITEM	PART NO.	1	2	3	4	5	DESCRIPTION	QTY.
59	16409-G1						OVAL RIVET, 3/16" X 15/32" LG .....	9
60								
61	70258-G02						BRAKE PEDAL PLATE .....	1
62	70682-G01						PIVOT PIN .....	1
63	70681-G01						TORSION SPRING .....	2
64	01071-G01						PUSHNUT, 5/16" .....	1
65	00737-G8						SCREW, #10 - 24 X 1" LG .....	4
66	00739-G1						RUBBER NUT, #10 - 24.....	2
67	22362-G3						BRAKE PEDAL STANDOFF .....	2
68	27137-G01						CONICAL SPRING .....	2
69	11098-G7						LOCK NUT, #10 - 24.....	2
70	10606-G8						MICRO SWITCH.....	1
71	00957-G1						SCREW, #6 - 32 X 1 1/4" LG .....	2
72	00559-G5						WASHER, #10 .....	2
73	00559-G3						WASHER, #6 .....	4
74	00565-G3						LOCK WASHER, #6 .....	2
75	00525-G5						NUT, #6 - 32.....	2
76	13514-G1						SCREW AND LOCK WASHER, #6.....	2
77	20835-G1						WASHER, TEFLON, 3/8" .....	2
78	14628-G1						FASTON TAB.....	2
79	24605-G1						WIRE HARNESS (BRAKE LIGHT) .....	1
80	17618-G1						WIRE TIE .....	3
81								
82	74731-G02						SPRING PLATE (PASSENGER SIDE) .....	1
83	74731-G01						SPRING PLATE (DRIVER SIDE).....	1
84	74730-G01						FOUR LINK ROD.....	2
85	01084-G01						LOCK NUT, M10-1.25 .....	4
86	74736-G01						BRAKE LINE.....	1
87	01038-G01						SCREW, 1/4 - 20 X 4444" LG .....	1
88	74875-G01						WIRE RETAINER.....	2

## BRAKES - FRONT DISC

THE USE OF NON U.L. PARTS WILL VOID ANY U.L. LISTING.

When ordering parts, please specify the model and serial number of the product.

\* Indicates a component that is not available as an individual part.

G\*\* Indicates consult Customer Service Department for additional information.

ITEM	PART NO.	1	2	3	4	5	DESCRIPTION	QTY.
89								
90	74677-G01						SPINDLE, CALIPER AND DISC HUB ASSEMBLY (DRIVER SIDE) (INCLUDES ITEMS 91 - 103).....	1
91	74672-G01						DISC BRAKE SPINDLE (DRIVER SIDE) .....	1
92	74733-G02						CALIPER (DRIVER SIDE) .....	1
93	12093-G1						SLOTTED NUT .....	1
94	74864-G01						DRIVE FLANGE STUD.....	4
95	11750-G2						ROLLER BEARING .....	2
96	51141-G1						BEARING RACE.....	2
97	74673-G01						DISC BRAKE HUB.....	1
98	70648-G01						FLANGED BEARING.....	1
99	00565-G8						WASHER, 3/8" .....	2
100	00426-G8						BOLT, 3/8 - 16 X 1.....	2
101	70749-G01						BEARING.....	1
102	00798-G8						COTTER PIN .....	1
103	25146-G1						GREASE SEAL.....	1
104								
105	74676-G01						SPINDLE, CALIPER AND DISC HUB ASSEMBLY (PASSENGER SIDE) (INCLUDES ITEMS 93 - 103, 106, 107).....	1
106	74671-G01						DISC BRAKE SPINDLE (PASSENGER SIDE).....	1
107	74733-G01						CALIPER (PASSENGER SIDE).....	1
108	74948-G01						DISC BRAKE SERVICE HUB (INCLUDES ITEMS 94 - 97, 103).....	1
109	70745-G01						KINGPIN TUBE .....	2
110	70754-G01						THRUST WASHER .....	2
111	00560-G3						WASHER, 1/2" .....	4
112	14390-G6						LOCKNUT, 1/2 - 13 .....	2
113	00407-G6						CAPSCREW, 1/2 - 13 X 6" LG .....	2
114								
115	74702-G01						FRONT DISC BRAKE BRAKE ACTUATOR ASSEMBLY (INCLUDES ITEMS 116 - 133).....	1
116	10387-G3						COTTER PIN, 3/32 X 3/4" LG.....	1

# BRAKES - FRONT DISC

THE USE OF NON U.L. PARTS WILL VOID ANY U.L. LISTING.  
 When ordering parts, please specify the model and serial number of the product.  
 \* Indicates a component that is not available as an individual part.  
 G\*\* Indicates consult Customer Service Department for additional information.

ITEM	PART NO.	1	2	3	4	5	DESCRIPTION	QTY.
117	17838-G1						NYLON BUSHING .....	1
118	10386-G3						CLEVIS PIN, 5/16 X 1" LG.....	1
119	74753-G01						UPPER ACTUATOR PIVOT .....	1
120	70581-G02						ACETAL BUSHING .....	4
121	74711-G01						SHOULDER BOLT .....	1
122	00560-G3						WASHER, 1/2" .....	1
123	13437-G3						BOLT, 1/2 - 13 X 6" LG.....	2
124	00679-G2						WASHER, 5/16" STAINLESS .....	2
125	00654-G3						LOCKNUT, 5/16 - 18.....	2
126	74742-G01						MASTER CYLINDER.....	1
127	74703-G01						BRAKE ACTUATOR ASSEMBLY HOUSING .....	1
128	11098-G5						LOCKNUT, 3/8 - 16.....	1
129	00679-G1						WASHER, 3/8" STAINLESS .....	1
130	74707-G01						LOWER ACTUATOR PIVOT.....	1
131	10385-G4						CLEVIS YOKE .....	1
132	74873-G01						BRAKE ACTUATOR ASSEMBLY COVER .....	1
133	01038-G01						SCREW, 1/4 -20 SWAGEFORM.....	4
134								
135	00414-G8						BOLT, 1/4 - 20 X 1 1/4" LG .....	4
136	00891-G2						LOCKNUT, 1/4 - 20 .....	4
137								
138	10387-G3						COTTER PIN, 3/32 X 3/4 .....	2
139	20835-G1						WASHER, NYLON .....	1
140	17838-G1						NYLON BUSHING.....	2
141	74865-G01						ACTUATOR LINKAGE .....	1
142	00771-G5						WASHER, 3/8" .....	1
143	74917-G01						DISC BRAKE PAD AND PIN KIT (SERVICES ONE CORNER) (INCLUDES ITEMS 144 - 145).....	1
144	*						BRAKE PADS .....	2
145	*						BRAKE PAD RETAINER PINS .....	2

**DID YOU  
KNOW?**

CartPros directs you to the right part using the part numbers from this manual. Enter the part number into our search box and it will find the part you are looking for.

**GET STARTED  
HERE**

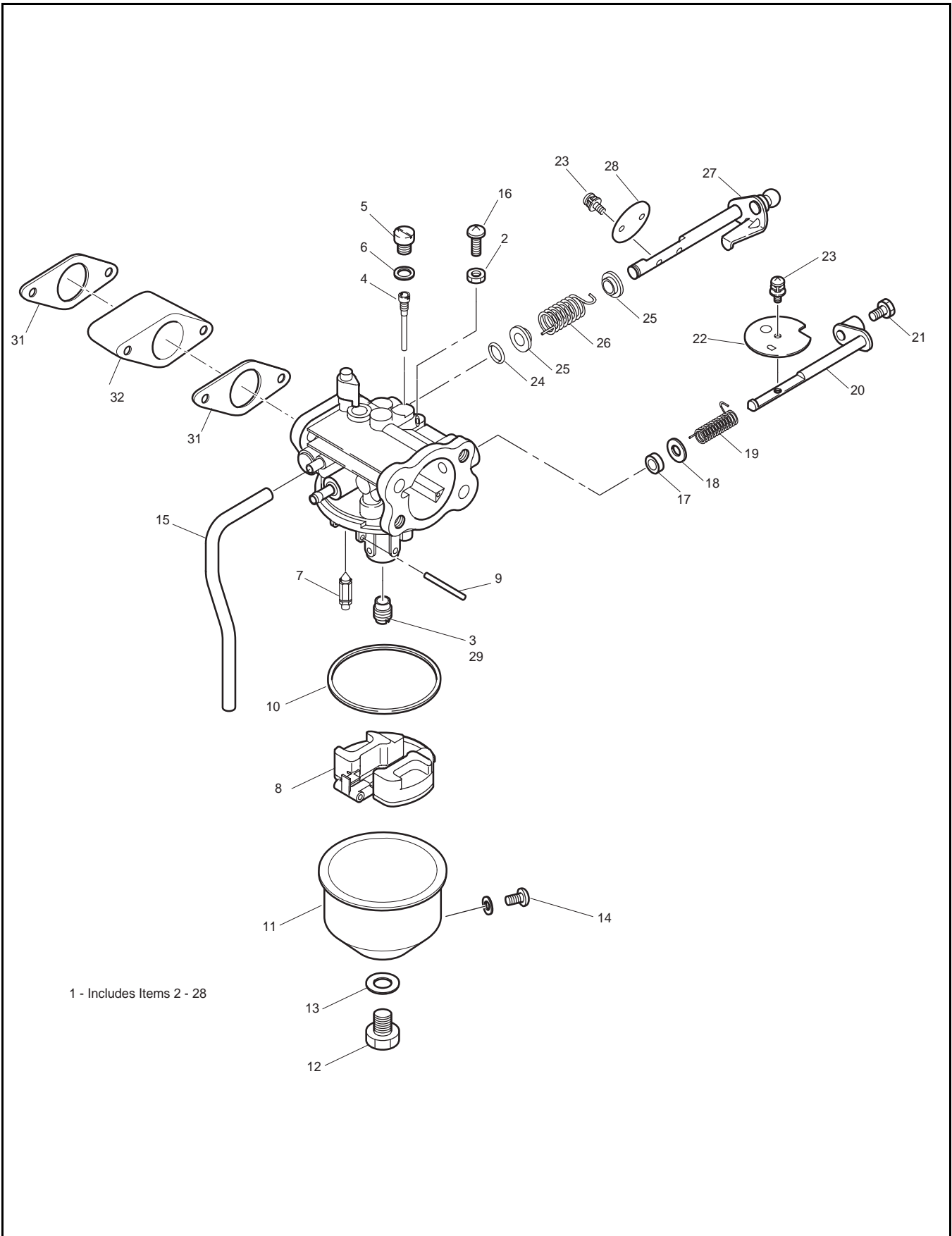


<https://CartPros.com/f.html>

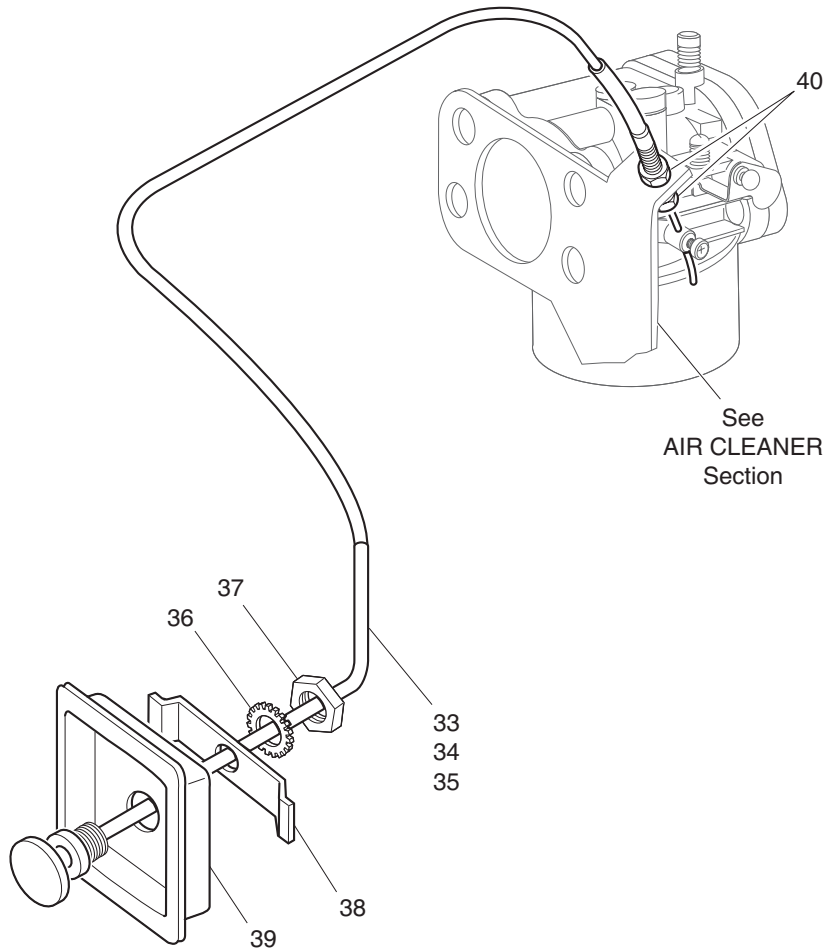
# BRAKES - FRONT DISC



# CARBURETOR AND CHOKE



# CARBURETOR AND CHOKE



Ref Cac 2-2



# CARBURETOR AND CHOKE

Where applicable, THE USE OF NON UL PARTS WILL VOID ANY UL LISTING.

When ordering parts, please specify the model and serial number of the product.

\* Indicates a component that is not available as an individual part.

G\*\* Indicates consult Customer Service Department for additional information.

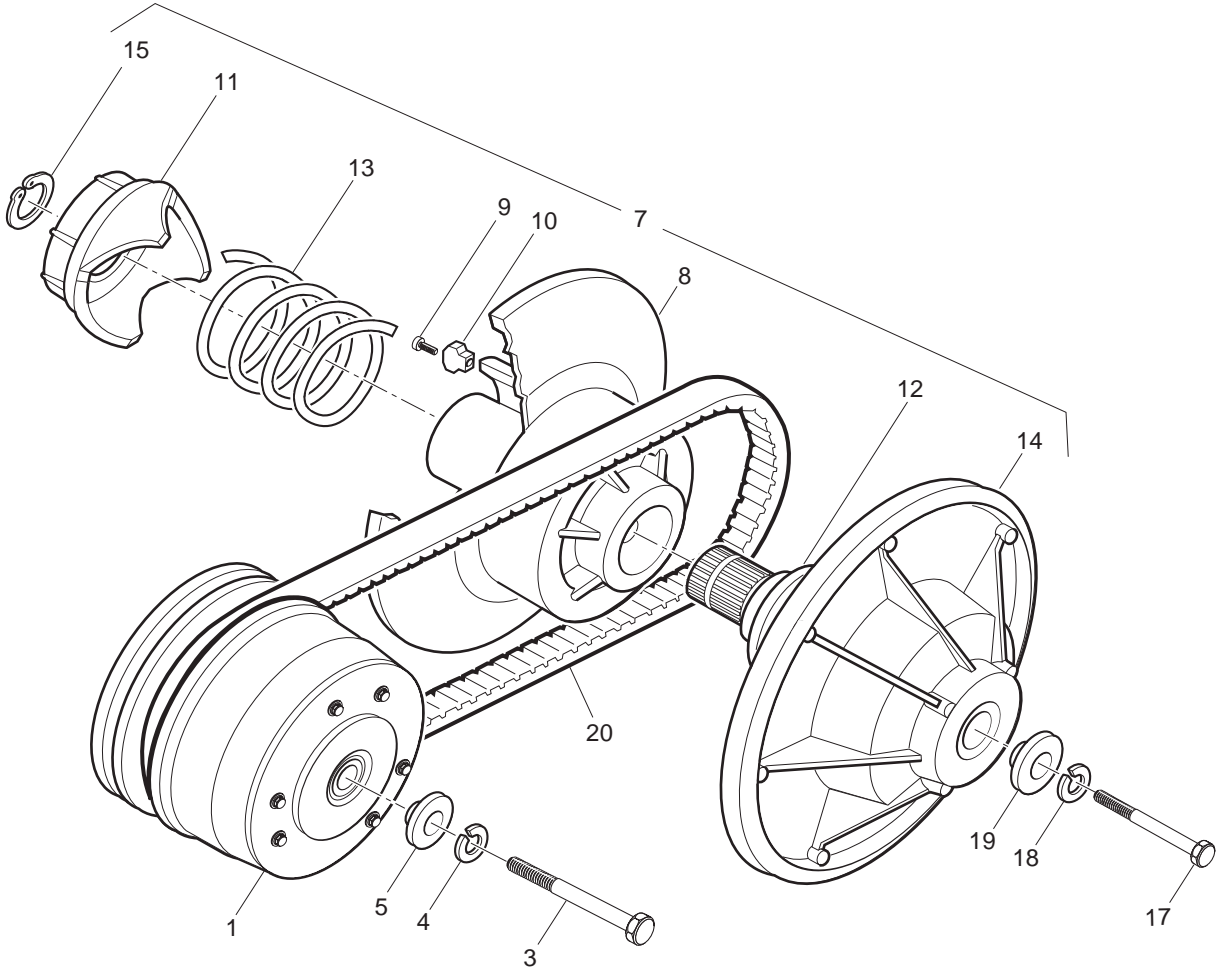
ITEM	PART NO.	1 2 3 4 5	DESCRIPTION	QTY.
1	72840-G02		CARBURETOR (FOR VEHICLES ORIGINALLY EQUIPPED WITH 350cc (EH35C)) (INCLUDES ITEMS 2 - 28) .....	1
2	72310-G01		NUT.....	1
3	26646-G05		MAIN JET (#82) .....	1
4	26649-G05		PILOT JET (#46).....	1
5	26841-G01		PLUG .....	1
6	72306-G01		GASKET .....	1
7	72578-G01		NEEDLE VALVE .....	1
8	26648-G01		FLOAT.....	1
9	26840-G01		FLOAT PIN.....	1
10	26843-G01		FLOAT BOWL GASKET .....	1
11	26844-G01		FLOAT CHAMBER.....	1
12	26839-G01		BOWL SCREW .....	1
13	26838-G01		BOWL GASKET .....	1
14	72579-G01		DRAIN SCREW .....	1
15	26650-G01		VENT TUBE.....	2
16	72317-G01		SCREW.....	1
17	26755-G01		BUSHING.....	1
18	26756-G01		COLLAR.....	1
19	26757-G01		SPRING, CHOKE RETURN.....	1
20	72315-G01		CHOKE SHAFT ASSY .....	1
21	72314-G01		SCREW.....	1
22	*		CHOKE VALVE .....	1
23	72313-G01		SCREW.....	3
24	26750-G01		OV RING.....	1
25	26751-G01		COLLAR.....	2
26	26752-G01		THROTTLE RETURN SPRING .....	1
27	26753-G01		THROTTLE SHAFT ASSY.....	1
28	26748-G01		THROTTLE VALVE.....	1
29	26646-G04		MAIN JET (#78) (FOR ELEVATIONS OF 5000 FT - 10000 FT).....	1

# CARBURETOR AND CHOKE

Where applicable, THE USE OF NON UL PARTS WILL VOID ANY UL LISTING.  
 When ordering parts, please specify the model and serial number of the product.  
 \* Indicates a component that is not available as an individual part.  
 G\*\* Indicates consult Customer Service Department for additional information.

ITEM	PART NO.	1 2 3 4 5	DESCRIPTION	QTY.
30				
31	26726-G01		CARBURETOR MOUNT GASKET.....	2
32	72883-G01		CARBURETOR INSULATOR (FOR FUJI ENGINE EH35C) .....	1
33	25693-G04		CHOKE CABLE (22 1/4" LG WITH NUTS) .....	1
34	72401-G01		CHOKE CABLE (60 1/4" LG WITH NUTS) .....	1
35	72401-G02		CHOKE CABLE (31 1/2" LG WITH NUTS) .....	1
36	00568-G4		LOCK WASHER, 9/16".....	1
37	00545-G4		JAM NUT, 9/16 - 18 .....	1
38	72155-G01		RETAINER .....	1
39	72154-G01		CHOKE CABLE ADAPTER.....	1
40	00544-G4		JAM NUT, 5/16 - 24 .....	2

# CLUTCH



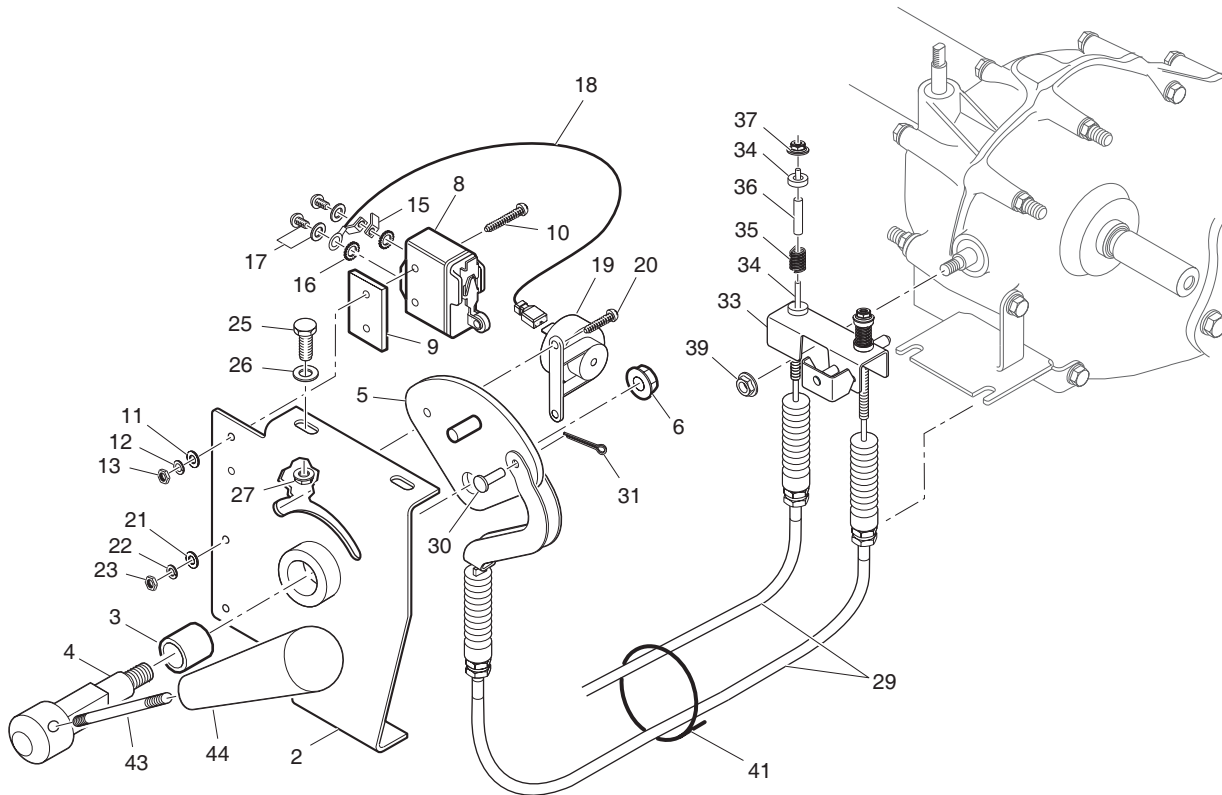
Ref Clt 8

**CLUTCH**

THE USE OF NON U.L. PARTS WILL VOID ANY U.L. LISTING.  
 When ordering parts, please specify the model and serial number of the product.  
 \* Indicates a component that is not available as an individual part.  
 G\*\* Indicates consult Customer Service Department for additional information.

ITEM	PART NO.	1 2 3 4 5	DESCRIPTION	QTY.
1	26952-G01		DRIVE CLUTCH .....	1
2				
3	00473-G9		BOLT, 7/16 - 20 X 6 1/2" LG .....	1
4	00566-G2		LOCK WASHER, 7/16" .....	1
5	25757-G1		PILOT WASHER .....	1
6				
7	26301-G**		DRIVEN CLUTCH ASSEMBLY (INCLUDES ITEMS 8 - 15) .....	1
8	*		MOVABLE SHEAVE (INCLUDES ITEMS 9 -10).....	1
9	00979-G01		SCREW, #10 - 24 X 7/8" LG.....	3
10	26479-G01		RAMP BUTTON .....	3
11	*		CAM.....	1
12	24600-G1		SPACER, 1 1/2" .....	1
13	26304-G01		COMPRESSION SPRING .....	1
14	*		SHEAVE AND POST .....	1
15	27270-G01		HEAVY DUTY RETAINING RING .....	1
16				
17	00441-G8		BOLT, 5/16 - 18 X 4" LG .....	1
18	00565-G8		LOCK WASHER, 5/16" .....	4
19	25756-G1		RETAINING WASHER .....	1
20	72054-G01		DRIVE BELT .....	1

# DIRECTION SELECTOR



1 - Includes Items 2 - 27

Ref Dsl 8

# DIRECTION SELECTOR

THE USE OF NON U.L. PARTS WILL VOID ANY U.L. LISTING.

When ordering parts, please specify the model and serial number of the product.

\* Indicates a component that is not available as an individual part.

G\*\* Indicates consult Customer Service Department for additional information.

ITEM	PART NO.	1 2 3 4 5	DESCRIPTION	QTY.
1	70594-G03		DIRECTION SELECTOR ASSEMBLY (INCLUDES ITEMS 2 - 27) .....	1
2	25684-G01		DIRECTION SELECTOR BRACKET .....	1
3	25664-G1		BUSHING.....	1
4	25677-G01		DIRECTION SELECTOR SHAFT .....	1
5	25745-G01		DIRECTION SELECTOR CAM.....	1
6	14390-G1		LOCK NUT, 3/8 - 24.....	1
7				
8	10606-G1		MICRO SWITCH.....	1
9	27151-G01		MICRO SWITCH SPACER .....	1
10	00645-G2		SCREW, #6 - 32 X 1 1/4" LG .....	2
11	00559-G3		WASHER, #6 .....	2
12	00565-G3		LOCK WASHER, #6 .....	2
13	00525-G5		NUT, #6 - 32.....	2
14				
15	14628-G1		FASTON TAB.....	2
16	00567-G3		LOCK WASHER, #6 .....	2
17	13514-G1		SCREW AND WASHER ASSEMBLY .....	2
18	25978-G343		18 GA WIRE (RED) .....	1
19	73290-G01		REVERSE WARNING BUZZER .....	1
20	00138-G5		SCREW, #6 - 32 X 5/8" LG .....	2
21	00559-G3		WASHER, #6 .....	2
22	00565-G3		LOCK WASHER, #6 .....	2
23	00525-G5		NUT, #6 - 32.....	2
24				
25	00414-G6		BOLT, 1/4 - 20 X 3/4" LG.....	2
26	00559-G7		WASHER, 1/4" (STAINLESS STEEL).....	2
27	11027-G2		LOCK NUT, 1/4 - 20.....	2
28				
29	72400-G01		SHIFTER CONTROL CABLE.....	2
30	23176-G1		CLEVIS PIN, 3/16" X 7/16" LG .....	2

# DIRECTION SELECTOR

THE USE OF NON U.L. PARTS WILL VOID ANY U.L. LISTING.  
 When ordering parts, please specify the model and serial number of the product.  
 \* Indicates a component that is not available as an individual part.  
 G\*\* Indicates consult Customer Service Department for additional information.

ITEM	PART NO.	1 2 3 4 5	DESCRIPTION	QTY.
31	10387-G8		COTTER PIN, 1/16" X 3/4" LG .....	2
32				
33	72619-G01		PIVOT ARM.....	1
34	25727-G01		CUP WASHER, 1/4" .....	4
35	27764-G01		SPRING.....	2
36	23726-G5		SPACER, 1 1/8" .....	2
37	11098-G7		NUT, #10 - 24 .....	2
38				
39	26830-G01		NUT, M8 X 1.25 MM .....	1
40				
41	17618-G1		WIRE TIE .....	1
42				
43	25748-G01		DIRECTION SELECTOR ROD .....	1
44	11989-G1		DIRECTION SELECTOR KNOB .....	1

**DID YOU  
KNOW?**

**CartPros** directs you to the right part using the part numbers from this manual. Enter the part number into our search box and it will find the part you are looking for.

**GET STARTED  
HERE**



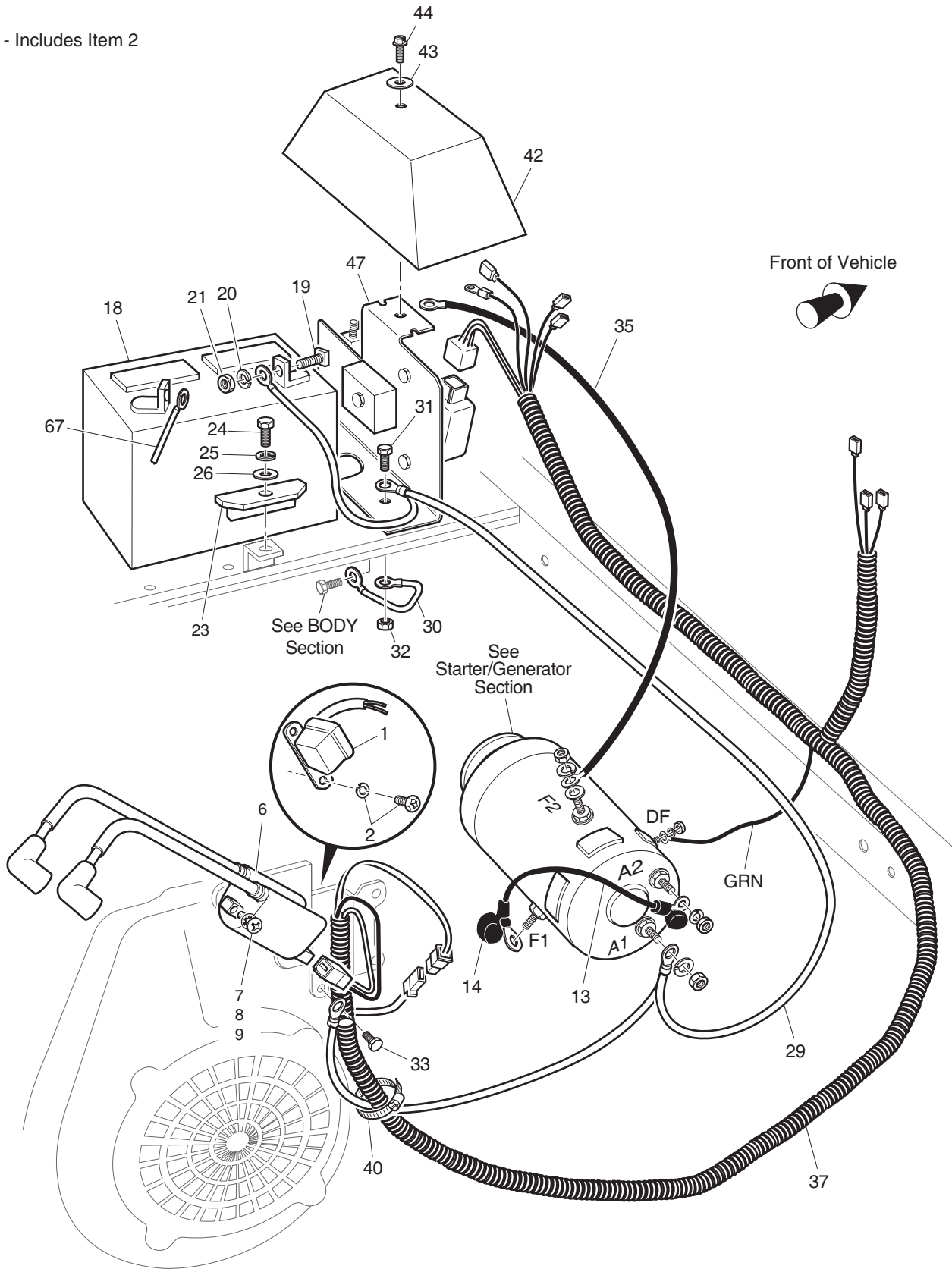
<https://CartPros.com/f.html>

**DIRECTION SELECTOR**



# ELECTRICAL SYSTEM

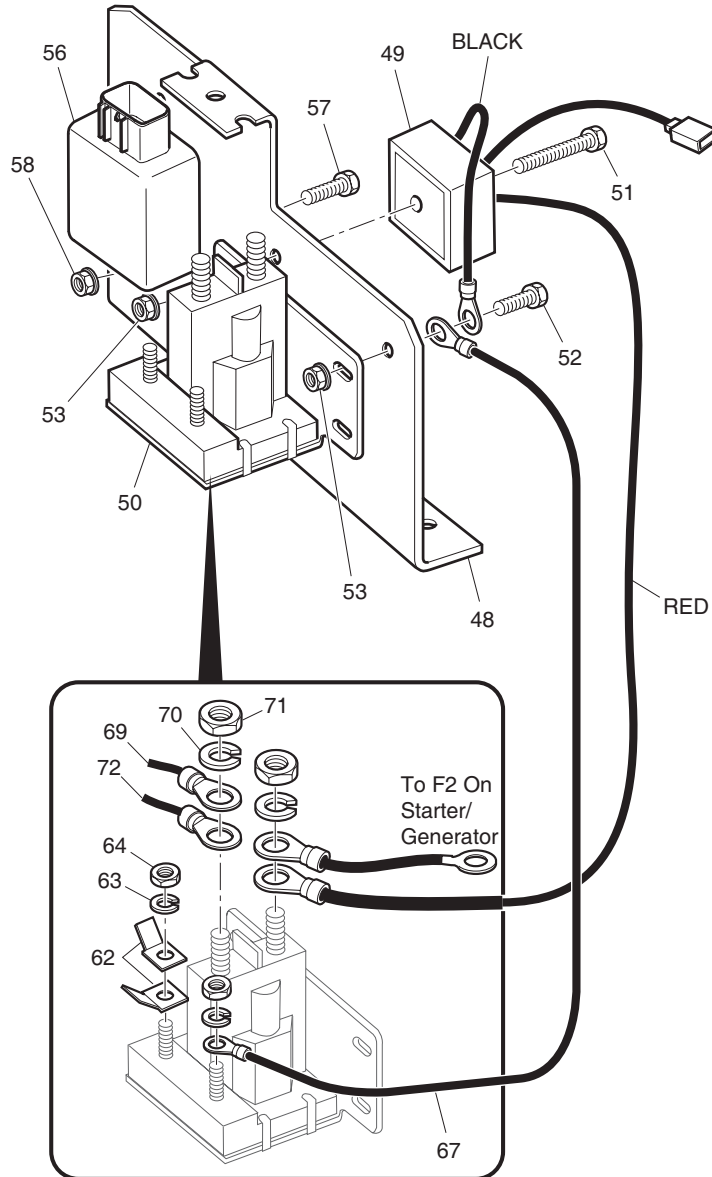
1 - Includes Item 2



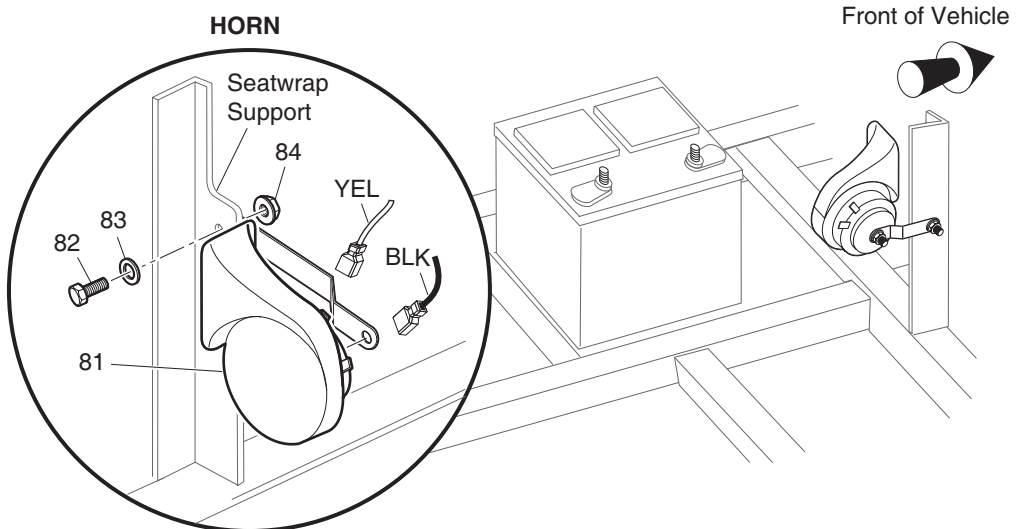
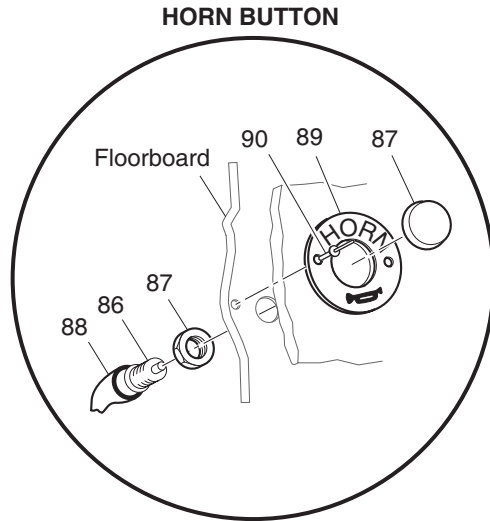
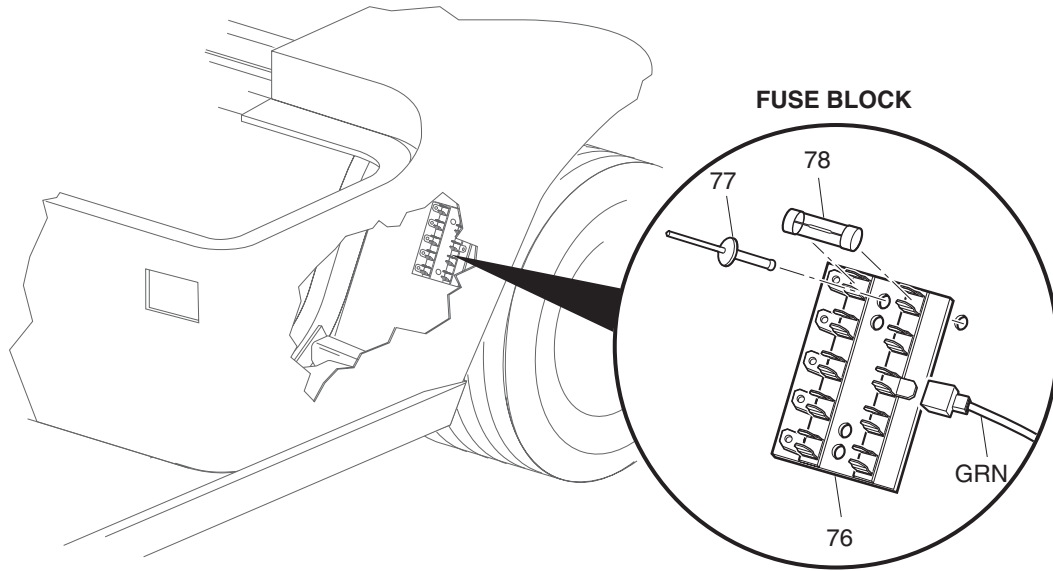
Ref Ele 2-1

# ELECTRICAL SYSTEM

47 - Includes Items 48 - 72

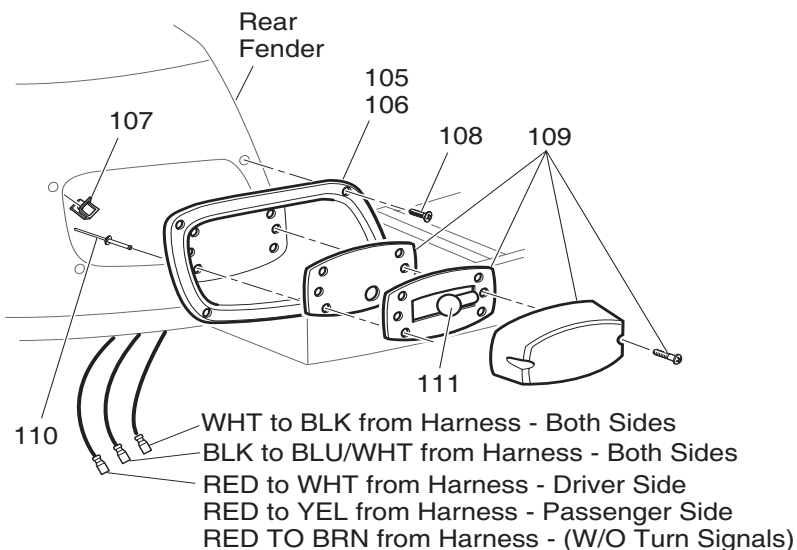
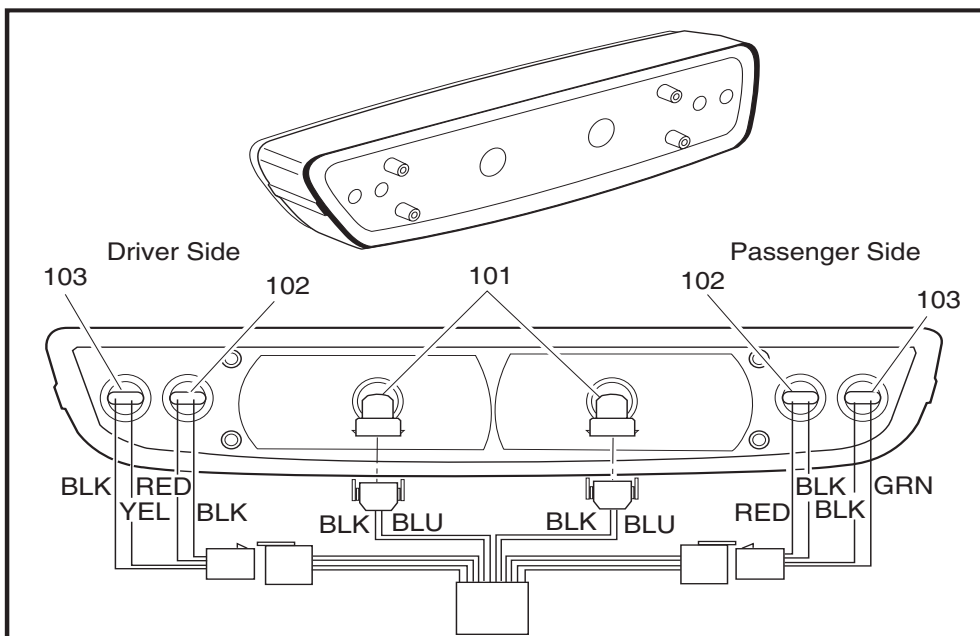
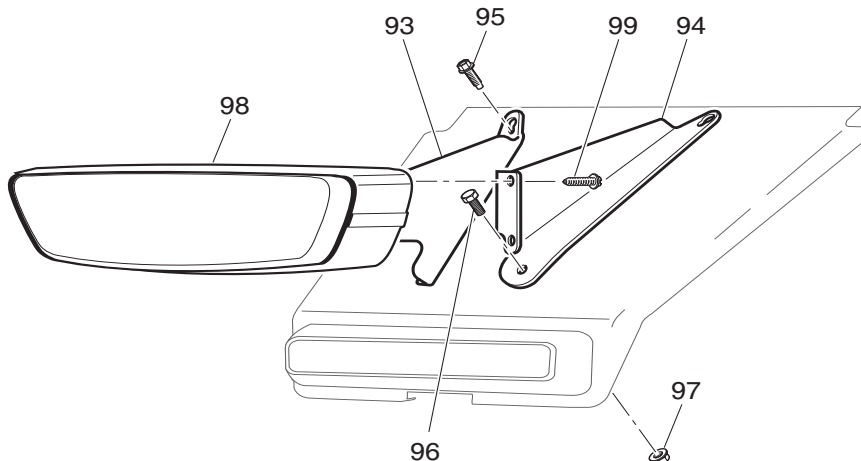


# ELECTRICAL SYSTEM



Ref Ele 8-3

# ELECTRICAL SYSTEM

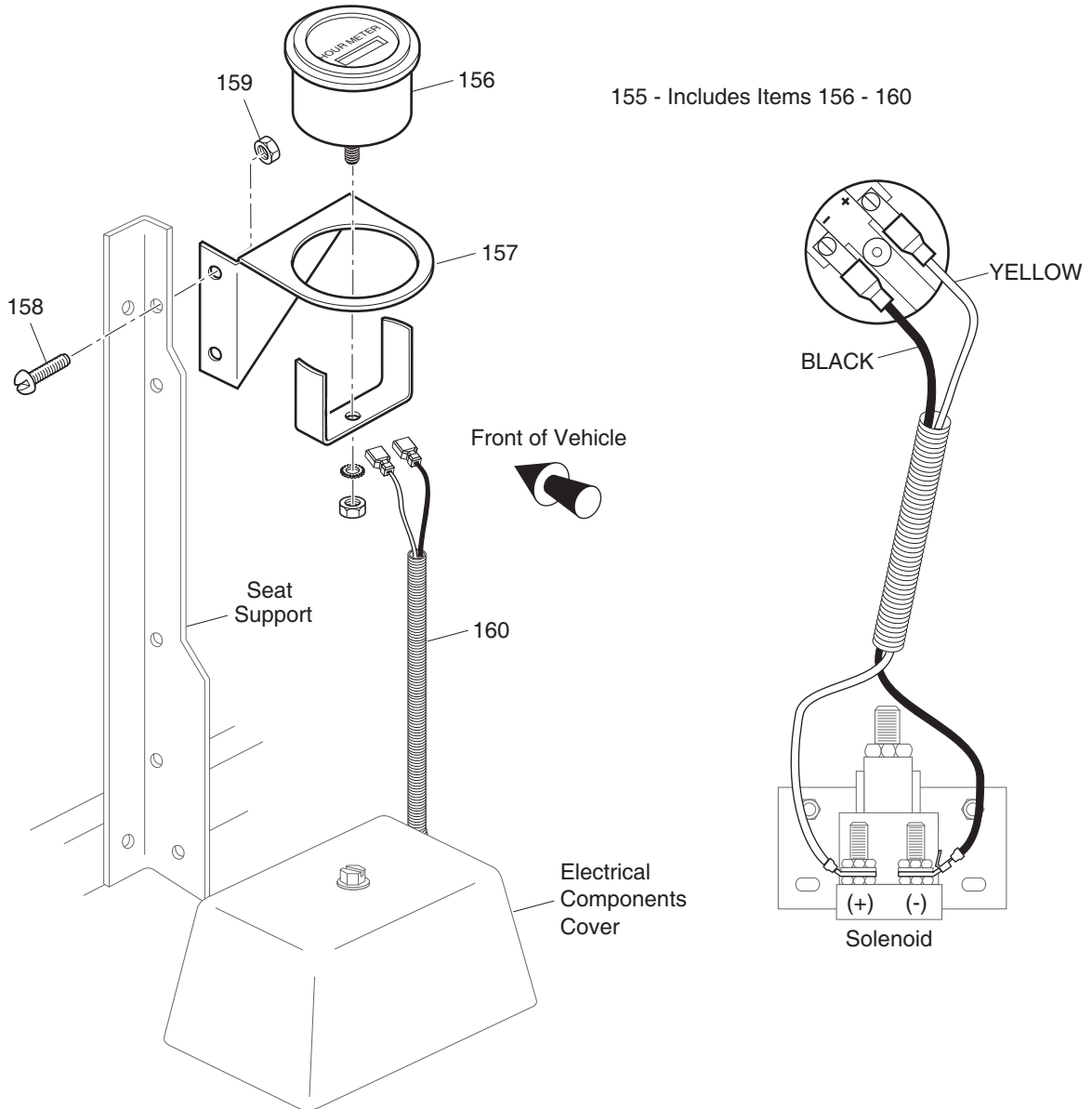


Ref Ele 8-4



# ELECTRICAL SYSTEM

## HOUR METER



Ref Ele 8-6

# ELECTRICAL SYSTEM

THE USE OF NON U.L. PARTS WILL VOID ANY U.L. LISTING.  
 When ordering parts, please specify the model and serial number of the product.  
 \* Indicates a component that is not available as an individual part.  
 G\*\* Indicates consult Customer Service Department for additional information.

ITEM	PART NO.	1 2 3 4 5	DESCRIPTION	QTY.
1	72865-G01		IGNITION PICKUP ASSEMBLY (INCLUDES ITEM 2).....	1
2	26707-G01		BOLT AND WASHER ASSEMBLY, M5 X 0.8 X 10 MM LG .....	2
3				
4				
5				
6	72866-G01		IGNITION COIL ASSEMBLY (INCLUDES SPARK PLUG WIRES).....	1
7	*		FLAT WASHER .....	2
8	*		LOCK WASHER.....	2
9	72871????		SCREW.....	2
10				
11				
12				
13	25887-G01		6 GA WIRE (BLACK, 6", F1 - A2).....	1
14	25682-G1		TERMINAL COVER .....	3
15				
16				
17				
18	24775-G*		BATTERY, 12V .....	1
19	00962-G1		BOLT, 5/16 - 18 X 1 1/4" LG .....	2
20	00993-G01		LOCK WASHER, 5/16" (SILICON BRONZE).....	2
21	00994-G01		NUT, 5/16 - 18 (SILICON BRONZE) .....	2
22				
23	72101-G01		BATTERY HOLD DOWN.....	1
24	00438-G6		BOLT, 5/16 - 18 X 3/4" LG .....	1
25	00565-G8		LOCK WASHER, 5/16".....	1
26	00571-G2		WASHER, 5/16" (STAINLESS STEEL) .....	1
27				
28				
29	27044-G03		GROUND CABLE.....	1
30	25976-G19		14 GA WIRE (BLACK, 6") .....	1

# ELECTRICAL SYSTEM

THE USE OF NON U.L. PARTS WILL VOID ANY U.L. LISTING.  
 When ordering parts, please specify the model and serial number of the product.  
 \* Indicates a component that is not available as an individual part.  
 G\*\* Indicates consult Customer Service Department for additional information.

ITEM	PART NO.	1 2 3 4 5	DESCRIPTION	QTY.
31	00438-G6		BOLT, 5/16 - 18 X 3/4" LG .....	2
32	11027-G1		LOCK NUT, 5/16 - 18 .....	2
33	26676-G01		FLANGED BOLT, M6 X 1 X 23 MM LG .....	1
34				
35	25972-G85		6 GA WIRE (BLACK 23", F2 - SOL).....	1
36				
37	74937-G02		WIRE HARNESS (CONTROL).....	1
38				
39				
40	17618-G1		WIRE TIE .....	AR
41				
42	73049-G01		COVER.....	1
43	16469-G1		WASHER, 1/4" .....	1
44	00114-G6		SCREW, 1/4 - 14 X 3/4" LG.....	1
45				
46				
47	72909-G01		ELECTRICAL PLATE ASSEMBLY (INCLUDES ITEMS 48 - 72) .....	1
48	73057-G01		BRACKET .....	1
49	27739-G01		VOLTAGE REGULATOR .....	1
50	27153-G01		SOLENOID .....	1
51	00415-G2		BOLT, 1/4 - 20 X 1 1/4" LG.....	1
52	00414-G8		BOLT, 1/4 - 20 X 1" LG.....	1
53	11027-G2		LOCK NUT, 1/4 - 20.....	2
54				
55				
56	72872-G01		IGNITOR .....	1
57	00414-G5		BOLT, 1/4 - 20 X 5/8" LG.....	1
58	11027-G2		LOCK NUT, 1/4 - 20.....	1
59				
60				



# ELECTRICAL SYSTEM

THE USE OF NON U.L. PARTS WILL VOID ANY U.L. LISTING.  
 When ordering parts, please specify the model and serial number of the product.  
 \* Indicates a component that is not available as an individual part.  
 G\*\* Indicates consult Customer Service Department for additional information.

ITEM	PART NO.	1	2	3	4	5	DESCRIPTION	QTY.
61								
62	73446-G01						FASTON TAB, 90° .....	2
63	00565-G5						LOCK WASHER, #10 .....	2
64	00526-G4						NUT, #10 - 32.....	2
65								
66								
67	25978-G56						18 GA WIRE (BLACK, 5 3/4").....	1
68								
69	22585-G3						IN-LINE FUSE HOLDER.....	1
70	00565-G8						LOCK WASHER, 5/16" .....	2
71	00544-G4						JAM NUT, 5/16 - 24.....	2
72	25972-G33						6 GA WIRE (BLACK, 24", B+ - SOL) .....	1
73								
74								
75								
76	22674-G1						FUSE BLOCK.....	1
77	01041-G01						RIVET, 1/8" X 13/16" LG .....	2
78	18392-G1						15 AMP FUSE .....	3
79								
80								
81	32860-G1						HORN.....	1
82	00414-G5						BOLT, 1/4 - 20 x 5/8" LG.....	1
83	00559-G7						WASHER, 1/4" (STAINLESS STEEL) .....	1
84	00891-G2						LOCK NUT, 1/4 - 20 (STAINLESS STEEL) .....	1
85								
86	17318-G1						HORN SWITCH.....	1
87	17318-G2						HORN SWITCH CAP AND NUT .....	1
88	27068-G01						HORN SWITCH BOOT .....	1
89	19233-G1						HORN SWITCH LABEL .....	1
90	71055-G01						RIVET, 3/16" X 1" LG (ALUMINUM) .....	2

# ELECTRICAL SYSTEM

THE USE OF NON U.L. PARTS WILL VOID ANY U.L. LISTING.  
 When ordering parts, please specify the model and serial number of the product.  
 \* Indicates a component that is not available as an individual part.  
 G\*\* Indicates consult Customer Service Department for additional information.

ITEM	PART NO.	1 2 3 4 5	DESCRIPTION	QTY.
91				
92				
93	74236-G01		HEADLIGHT MOUNT BRACKET (PASSENGER SIDE).....	1
94	74236-G02		HEADLIGHT MOUNT BRACKET (DRIVER SIDE) .....	1
95	01038-G01		BOLT, 1/4 - 20 X 11/16" LG .....	2
96	00414-G6		BOLT, 1/4 - 20 X 3/4" LG .....	2
97	11027-G2		LOCK NUT, 1/4 - 20 .....	2
98	74001-G01		HEADLIGHT AND TURN SIGNAL LIGHT .....	1
99	00114-G6		SCREW, 1/4 - 14 X 3/4" LG.....	4
100				
101	74004-G01		HEADLIGHT BULB .....	AR
102	74005-G01		MARKER LIGHT BULB .....	AR
103	74006-G01		TURN SIGNAL BULB .....	AR
104				
105	74371-G01		BEZEL (DRIVER SIDE).....	1
106	74371-G02		BEZEL (PASSENGER SIDE) .....	1
107	71364-G02		'J' CLIP .....	8
108	71425-G01		COUNTERSUNK SCREW, #8 .....	8
109	22288-G2		BRAKE / TAILLIGHT LAMP.....	1
110	14601-G11		RIVET, 3/16" X 9/16" LG (ALUMINUM).....	4
111	21759-G1		TAILLIGHT BULB .....	AR
112				
113	75107-G02		TURN SIGNAL KIT (INCLUDES ITEMS 114 - 118) .....	1
114	17867-G1		TURN SIGNAL (WITH MOUNTING HARDWARE) (INCLUDES ITEM 115).	1
115	21640-G1		TURN SIGNAL FLASHER.....	1
116	32307-G3		FLEX LOOM, 3/8 X 8" LG .....	1
117	17618-G1		WIRE TIE .....	2
118	20965-G3		STEERING COLUMN COVER .....	1
119				
120	72228-G01		WIRE HARNESS (ACCESSORY).....	1

# ELECTRICAL SYSTEM

THE USE OF NON U.L. PARTS WILL VOID ANY U.L. LISTING.  
 When ordering parts, please specify the model and serial number of the product.  
 \* Indicates a component that is not available as an individual part.  
 G\*\* Indicates consult Customer Service Department for additional information.

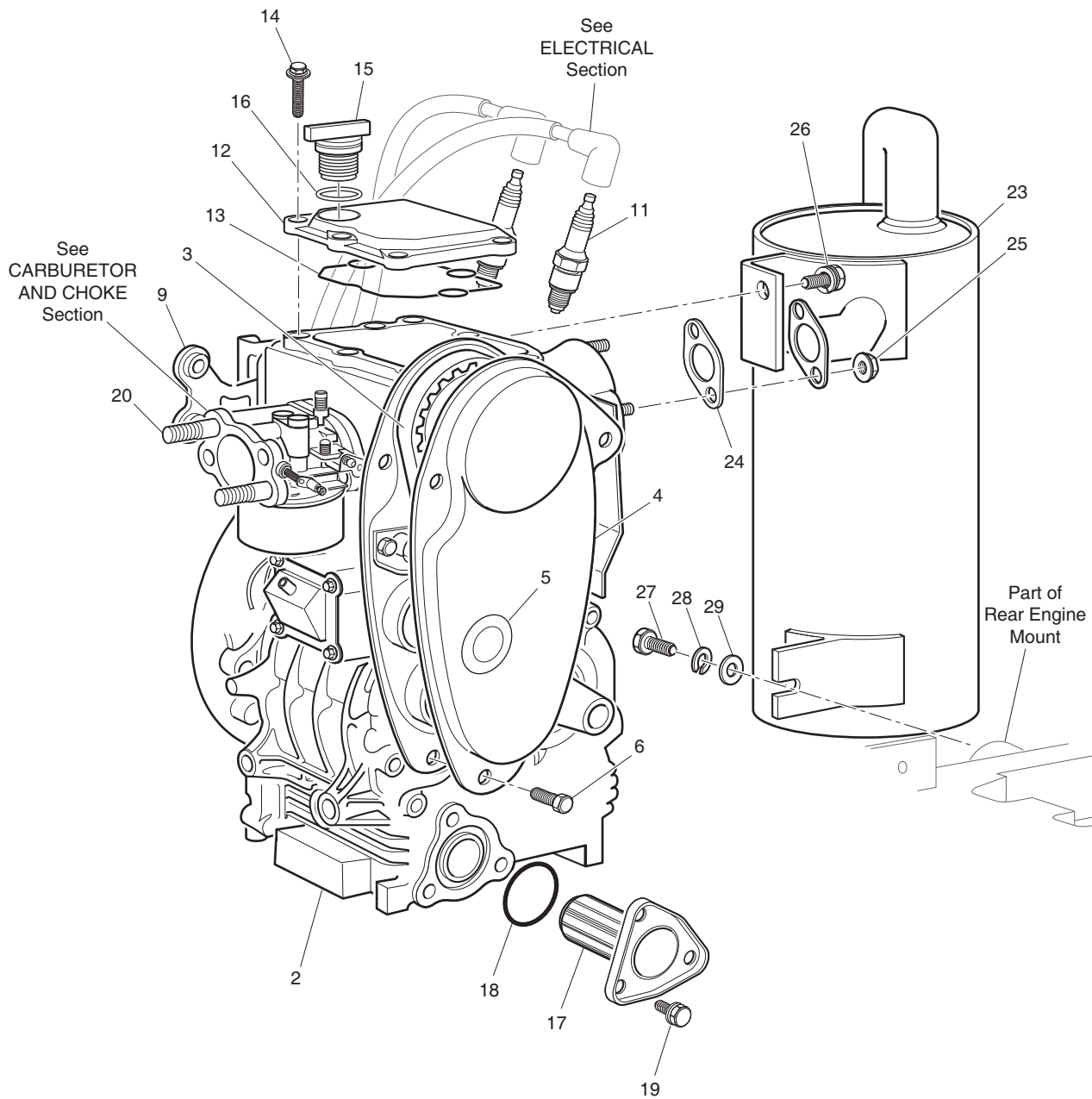
ITEM	PART NO.	1 2 3 4 5	DESCRIPTION	QTY.
121	17421-G1		KEY SWITCH KIT (W/O LIGHTS - STANDARD - WITH HARDWARE).....	1
122	17955-G1		KEY SWITCH (WITHOUT LIGHTS - NON STANDARD) .....	1
123	18027-G1		KEY SWITCH (WITHOUT LIGHTS - INDIVIDUALLY KEYED) .....	1
124	33639-G**		KEY SWITCH (WITH LIGHTS) .....	1
125	00568-G6		LOCK WASHER, 3/4" .....	1
126	17137-G1		FACE NUT, 3/4 - 20 .....	1
127	17063-G1		KEY (SET).....	1
128	73041-G01		WIRE HARNESS (KEY SWITCH).....	1
129				
130				
131	73030-G01		PLATE (KEY SWITCH ONLY) .....	1
132	71145-G01		LABEL (KEY SWITCH ONLY) WITHOUT HEADLIGHTS .....	1
133	71181-G01		LABEL (KEY SWITCH ONLY) WITH HEADLIGHTS.....	1
134				
135				
136	73030-G04		PLATE (FUEL GAUGE AND OIL LIGHT).....	1
137	71127-G01		LABEL (OIL LIGHT AND FUEL GAUGE W/O HEADLIGHTS) .....	1
138	71131-G01		LABEL (OIL LIGHT AND FUEL GAUGE WITH HEADLIGHTS) .....	1
139	21553-G1		FUEL GAUGE .....	1
140	23474-G1		INDICATOR LIGHT .....	1
141	74311-G01		WIRE HARNESS (OIL LIGHT/FUEL GAUGE).....	1
142	25978-G122		18 GA WIRE (RED, 6" LG).....	1
143				
144				
145	73030-G03		PLATE (LOW FUEL AND OIL LIGHT INDICATOR) .....	1
146	71125-G01		LABEL (LOW FUEL AND OIL LIGHT W/O HEADLIGHTS) .....	1
147	71183-G01		LABEL (LOW FUEL AND OIL LIGHT WITH HEADLIGHTS) .....	1
148				
149	74309-G01		WIRE HARNESS (OIL LIGHT/FUEL LIGHT) .....	1
150	25978-G74		18 GA WIRE (RED, 6" LG).....	1

**ELECTRICAL SYSTEM**

THE USE OF NON U.L. PARTS WILL VOID ANY U.L. LISTING.  
 When ordering parts, please specify the model and serial number of the product.  
 \* Indicates a component that is not available as an individual part.  
 G\*\* Indicates consult Customer Service Department for additional information.

ITEM	PART NO.	1 2 3 4 5	DESCRIPTION	QTY.
151				
152	33623-G02		DRIVE RIVET, 3/16" X 3/8" LG .....	2
153				
154				
155	75114-G02		HOUR METER KIT (INCLUDES ITEMS 156 - 160).....	1
156	21573-G1		HOUR METER.....	1
157	74019-G02		HOUR METER BRACKET .....	1
158	00379-G4		SCREW, #10 - 24 X 1/2" LG .....	2
159	11098-G7		LOCK NUT, #10 - 24.....	2
160	75117-G01		WIRE HARNESS (HOUR METER).....	1

# ENGINE AND MUFFLER



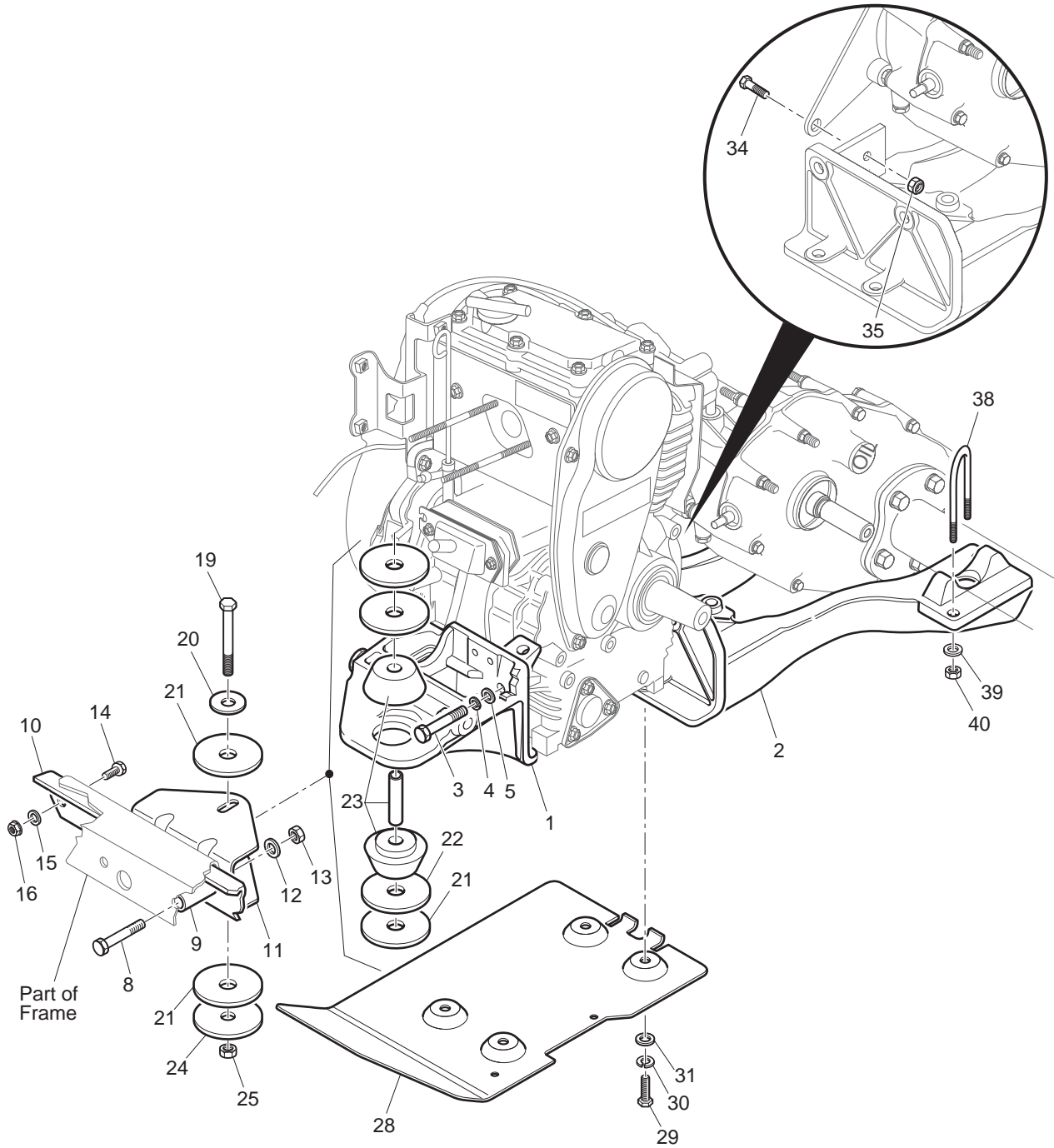
Ref Eng 2

## ENGINE AND MUFFLER

Where applicable, THE USE OF NON UL PARTS WILL VOID ANY UL LISTING.  
 When ordering parts, please specify the model and serial number of the product.  
 \* Indicates a component that is not available as an individual part.  
 G\*\* Indicates consult Customer Service Department for additional information.

ITEM	PART NO.	1	2	3	4	5	DESCRIPTION	QTY.
1								
2	72846-G01						ENGINE (FOR VEHICLES ORIGINALLY EQUIPPED WITH 350cc (EH35C) (INCLUDES ITEMS 3 - 20, 23).....	1
3	26626-G01						TIMING BELT.....	1
4	72908-G01						TIMING BELT COVER.....	1
5	26631-G01						TIMING BELT COVER GROMMET.....	1
6	26678-G01						BOLT, M6 X 1 X 12 MM LG.....	3
7								
8								
9	72869-G01						IGNITION COIL BRACKET (350cc).....	1
10								
11	25523-G4						SPARK PLUG (NGK BPR5ES - RESISTOR) (350cc).....	2
12	72848-G01						VALVE COVER.....	1
13	72876-G01						VALVE COVER GASKET.....	1
14	26676-G01						FLANGED BOLT, M6 X 1 X 23 MM LG.....	6
15	26601-G01						OIL FILLER CAP.....	1
16	26720-G01						OIL FILLER 'O' RING.....	1
17	26591-G01						OIL FILTER.....	1
18	26710-G01						OIL FILTER 'O' RING.....	1
19	26680-G01						BOLT AND WASHER, M6 X 1 X 12 MM LG.....	3
20	72307-G01						STUD, M6 X 1 X 115MM LG.....	2
21								
22								
23	74829-G01						MUFFLER.....	1
24	25531-G1						EXHAUST GASKET.....	1
25	26706-G01						NUT, M6 X 1.0.....	2
26	25532-G1						BOLT AND WASHER, M8 X 1.25 X 18 MM LG.....	1
27	00438-G8						BOLT, 5/16 - 18 X 1" LG.....	1
28	00565-G8						LOCK WASHER, 5/16".....	1
29	00642-G8						WASHER, 5/16".....	1

# ENGINE MOUNTING



Ref Emt 8

# ENGINE MOUNTING

THE USE OF NON U.L. PARTS WILL VOID ANY U.L. LISTING.

When ordering parts, please specify the model and serial number of the product.

\* Indicates a component that is not available as an individual part.

G\*\* Indicates consult Customer Service Department for additional information.

ITEM	PART NO.	1 2 3 4 5	DESCRIPTION	QTY.
1	72010-G01		FRONT ENGINE MOUNT .....	1
2	72011-G01		REAR ENGINE MOUNT .....	1
3	00463-G4		BOLT, 7/16 - 14 X 1 1/2" LG .....	4
4	00566-G2		LOCK WASHER, 7/16" .....	4
5	00922-G3		WASHER, 7/16" .....	4
6				
7				
8	00428-G6		BOLT, 3/8 - 16 X 2 3/4" LG .....	2
9	72016-G01		SPACER .....	2
10	70269-G01		CROSSMEMBER BRACE .....	1
11	72044-G01		MOUNT BRACKET .....	1
12	00643-G1		WASHER, 3/8" .....	2
13	11098-G5		LOCK NUT, 3/8 - 16 .....	2
14	00438-G7		BOLT, 5/16 - 18 X 7/8" LG .....	2
15	01110-G03		WASHER, 5/16" (STAINLESS STEEL) .....	2
16	01109-G01		LOCK NUT, 5/16 - 18 (STAINLESS STEEL) .....	2
17				
18				
19	00430-G4		BOLT, 3/8 - 16 X 4 1/2" LG .....	1
20	15121-G1		WASHER, 1 1/4" X 3/8" .....	1
21	72050-G01		PLASTIC WASHER, 5/8" X 2 1/4" .....	4
22	72051-G01		WASHER, 2 1/2" X 5/8" .....	2
23	72015-G01		ISOLATION MOUNT .....	1
24	72051-G02		WASHER, 3/8" .....	1
25	11098-G5		LOCK NUT, 3/8 - 16 .....	1
26				
27				
28	72719-G03		ENGINE GUARD .....	1
29	00463-G4		BOLT, 7/16 - 14 X 1 1/2" LG .....	4
30	00566-G2		LOCK WASHER, 7/16" .....	4



# ENGINE MOUNTING

THE USE OF NON U.L. PARTS WILL VOID ANY U.L. LISTING.  
 When ordering parts, please specify the model and serial number of the product.  
 \* Indicates a component that is not available as an individual part.  
 G\*\* Indicates consult Customer Service Department for additional information.

ITEM	PART NO.	1 2 3 4 5	DESCRIPTION	QTY.
31	00922-G3		WASHER, 7/16" .....	4
32				
33				
34	00439-G1		BOLT, 5/16 - 18 X 1 1/8" LG .....	1
35	01109-G01		LOCK NUT, 5/16 - 18 (STAINLESS STEEL) .....	1
36				
37				
38	72035-G01		'U' BOLT, 7/16 - 14 X 3 7/16" X 3 9/16" LG .....	2
39	00922-G3		WASHER, 7/16" .....	4
40	00734-G1		LOCK NUT, 7/16 - 14 .....	4

**DID YOU  
KNOW?**

**CartPros** directs you to the right part using the part numbers from this manual. Enter the part number into our search box and it will find the part you are looking for.

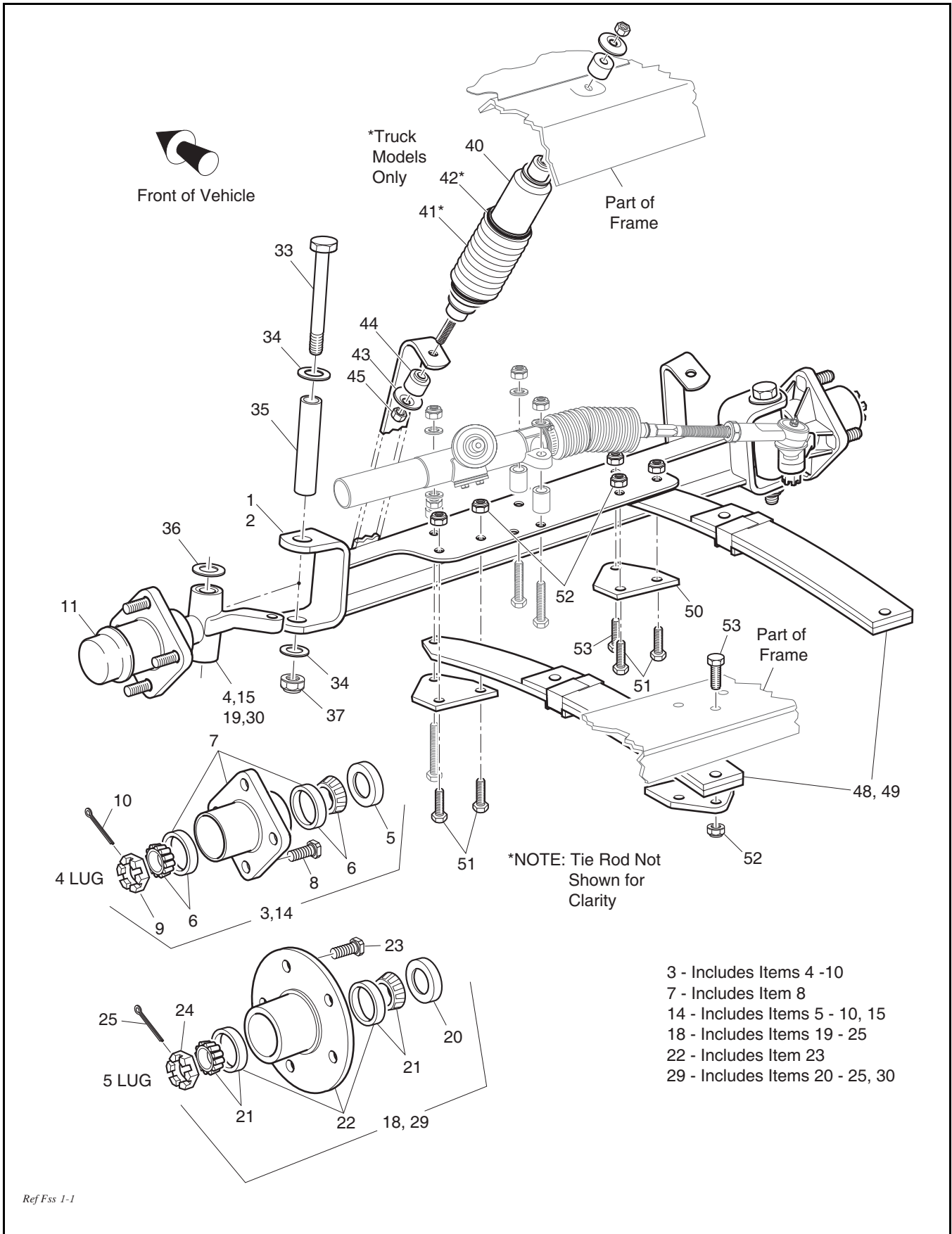
**GET STARTED  
HERE**



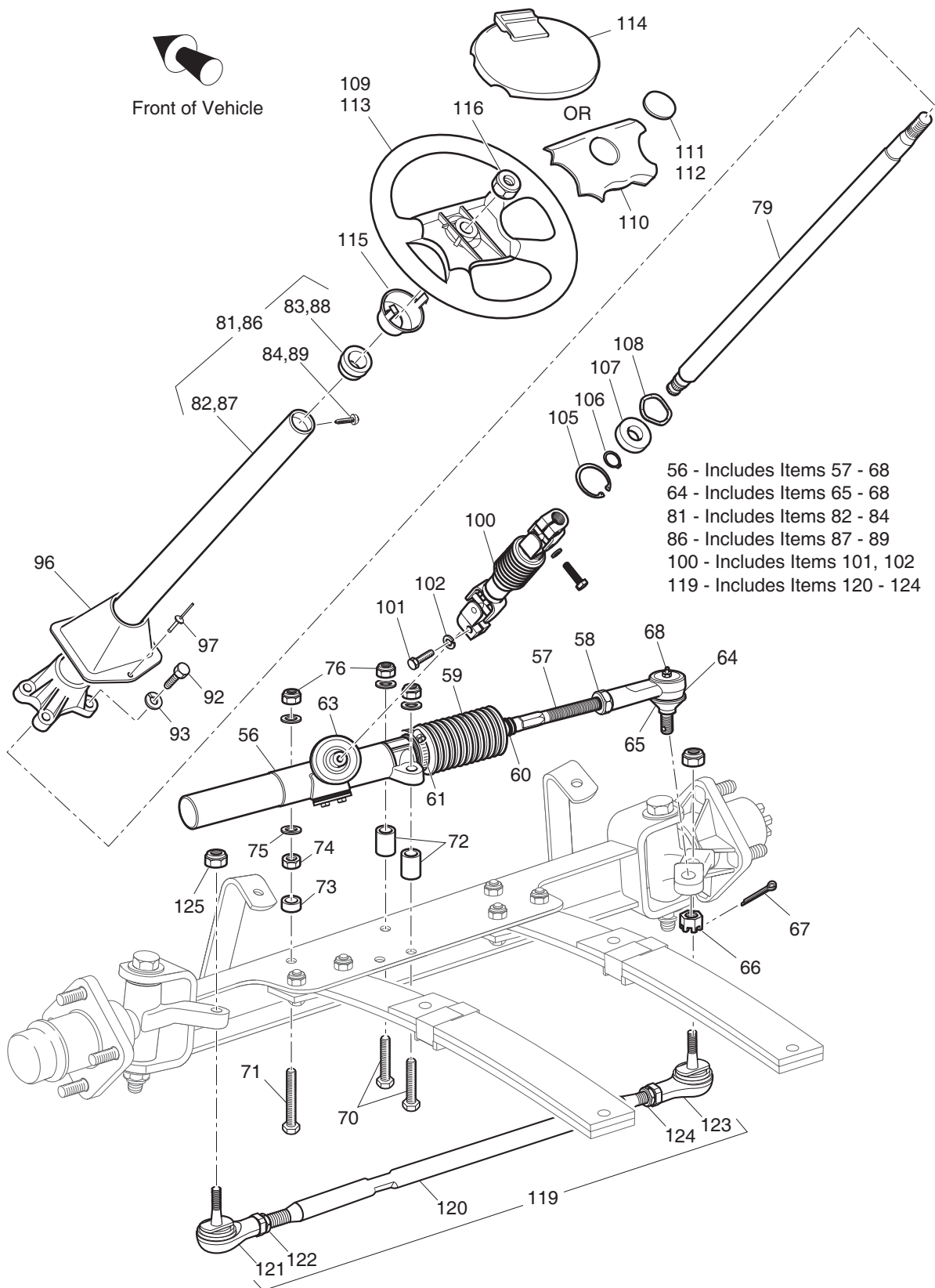
<https://CartPros.com/f.html>

**ENGINE MOUNTING**

# FRONT SUSPENSION/STEERING



# FRONT SUSPENSION/STEERING



Ref Fss 1-2

# FRONT SUSPENSION/STEERING

Where applicable, THE USE OF NON UL PARTS WILL VOID ANY UL LISTING.

When ordering parts, please specify the model and serial number of the product.

\* Indicates a component that is not available as an individual part.

G\*\* Indicates consult Customer Service Department for additional information.

ITEM	PART NO.	1 2 3 4 5	DESCRIPTION	QTY.
1	70963-G01		FRONT AXLE .....	1
2	600044G01		FRONT AXLE WITH FRONT DISC BRAKES .....	1
3	70942-G01		SPINDLE AND HUB ASSEMBLY, 4 LUG (PASSENGER SIDE) (INCLUDES ITEMS 4 - 10).....	1
4	70942-G02		SPINDLE ASSEMBLY (PASSENGER SIDE).....	1
5	25146-G1		GREASE SEAL.....	1
6	50892-G1		ROLLER BEARING AND RACE ASSEMBLY.....	2
7	70895-G01		WHEEL HUB ASSEMBLY WITH RACES, 4 LUG (INCLUDES ITEM 8) .....	1
8	19862-G1		LUG BOLT, 1/2 - 20 X 1 3/16" LG.....	4
9	12093-G1		CASTELLATED NUT, 1 - 14 .....	1
10	00798-G8		COTTER PIN, 5/32" X 1 3/4" LG .....	1
11	12091-G2		SPINDLE CAP.....	2
12				
13				
14	70673-G01		SPINDLE AND HUB ASSEMBLY, 4 LUG (DRIVER SIDE) (INCLUDES ITEMS 5 - 10, 15).....	1
15	70673-G02		SPINDLE ASSEMBLY (DRIVER SIDE) .....	1
16				
17				
18	70943-G01		SPINDLE AND HUB ASSEMBLY, 5 LUG (PASSENGER SIDE) (INCLUDES ITEMS 19 - 25).....	1
19	70942-G02		SPINDLE ASSEMBLY (PASSENGER SIDE).....	1
20	12092-G1		GREASE SEAL.....	1
21	50892-G1		ROLLER BEARING AND RACE ASSEMBLY.....	2
22	70772-G01		WHEEL HUB ASSEMBLY WITH RACES, 5 LUG (INCLUDES ITEM 23) .....	1
23	30143-G1		LUG BOLT, 1/2 - 20 X 1 7/32" LG.....	5
24	12093-G1		CASTELLATED NUT, 1 - 14 .....	1
25	00798-G8		COTTER PIN, 5/32" X 1 3/4" LG .....	1
26				
27				
28				

# FRONT SUSPENSION/STEERING

Where applicable, THE USE OF NON UL PARTS WILL VOID ANY UL LISTING.

When ordering parts, please specify the model and serial number of the product.

\* Indicates a component that is not available as an individual part.

G\*\* Indicates consult Customer Service Department for additional information.

ITEM	PART NO.	1 2 3 4 5	DESCRIPTION	QTY.
29	70797-G01		SPINDLE AND HUB ASSEMBLY, 5 LUG (DRIVER SIDE) (INCLUDES ITEMS 20 - 25, 30).....	1
30	70673-G02		SPINDLE ASSEMBLY (DRIVER SIDE) .....	1
31				
32				
33	00407-G6		BOLT, 1/2 - 13 X 6" LG .....	2
34	00560-G3		WASHER, 1/2" .....	4
35	70745-G01		KING PIN TUBE .....	2
36	70754-G01		THRUST WASHER, 1" (STAINLESS STEEL).....	2
37	14390-G6		LOCK NUT, 1/2 - 13 .....	2
38				
39				
40	70928-G01		SHOCK ABSORBER.....	2
41	70509-G01		SHOCK ABSORBER BOOT .....	2
42	31539-G1		WIRE TIE .....	4
43	10435-G1		SHOCK ABSORBER WASHER .....	8
44	10194-G1		RUBBER BUSHING .....	8
45	00532-G6		NUT, 3/8 - 24 .....	4
46				
47				
48	70990-G02		LEAF SPRING (SEE PART NUMBER ON SPRING) .....	2
49	70664-G03		LEAF SPRING (HEAVY DUTY) (SEE PART NUMBER ON SPRING).....	2
50	70163-G03		SPRING PLATE .....	4
51	00463-G4		BOLT, 7/16 - 14 X 1 1/2" LG .....	4
52	00734-G1		LOCK NUT, 7/16 - 14 .....	11
53	00463-G6		BOLT, 7/16 - 14 X 1 3/4" LG .....	7
54				
55				
56	70964-G01		RACK AND PINION UNIT (COMPLETE) (INCLUDES ITEMS 57 - 68) .....	1
57	70694-G01		RACK EXTENSION .....	1

# FRONT SUSPENSION/STEERING

Where applicable, THE USE OF NON UL PARTS WILL VOID ANY UL LISTING.

When ordering parts, please specify the model and serial number of the product.

\* Indicates a component that is not available as an individual part.

G\*\* Indicates consult Customer Service Department for additional information.

ITEM	PART NO.	1	2	3	4	5	DESCRIPTION	QTY.
58	*						JAM NUT, 1/2 - 20.....	1
59	70961-G01						RACK BOOT.....	1
60	12416-G2						WIRE TIE.....	1
61	11391-G8						CLAMP, 1 13/16 - 2 3/8".....	1
62								
63	70638-G01						PINION SEAL.....	1
64	70695-G01						RACK BALL JOINT (INCLUDES ITEMS 65 - 68).....	1
65	50641-G1						RUBBER BOOT.....	1
66	50209-G2						CASTELLATED NUT, 7/16 - 20.....	1
67	10387-G2						COTTER PIN, 3/32" X 1" LG.....	1
68	10389-G3						GREASE FITTING, STRAIGHT.....	1
69								
70	00464-G6						BOLT, 7/16 - 14 X 2 3/4" LG.....	2
71	01068-G01						BOLT, 7/16 - 14 X 3 1/2" LG.....	1
72	70667-G02						SPACER.....	2
73	70667-G03						SPACER (SHORT).....	1
74	00532-G7						NUT, 7/16 - 14.....	1
75	00560-G2						FLAT WASHER, 7/16".....	4
76	00734-G1						LOCK NUT, 7/16 - 14.....	3
77								
78								
79	70607-G01						STEERING SHAFT.....	1
80								
81	70758-G03						STEERING COLUMN KIT (INCLUDES ITEMS 82 - 84).....	1
82	70610-G01						STEERING COLUMN.....	1
83	28569-G01						STEERING COLUMN BUSHING.....	1
84	01022-G01						SCREW, #6 - 20 X 5/16" LG.....	1
85								
86	70758-G04						STEERING COLUMN KIT (HORN) (INCLUDES ITEMS 87 - 89).....	1
87	70610-G02						STEERING COLUMN.....	1

# FRONT SUSPENSION/STEERING

Where applicable, THE USE OF NON UL PARTS WILL VOID ANY UL LISTING.  
 When ordering parts, please specify the model and serial number of the product.  
 \* Indicates a component that is not available as an individual part.  
 G\*\* Indicates additional Customer Service Department for additional information.

ITEM	PART NO.	1	2	3	4	5	DESCRIPTION	QTY.
88	28569-G01						STEERING COLUMN BUSHING.....	1
89	01022-G01						SCREW, #6 - 20 X 5/16" LG .....	1
90								
91								
92	01006-G01						BOLT, 3/8 - 16 X 1 1/4" LG .....	4
93	00879-G1						LOCK WASHER, 3/8" .....	4
94								
95								
96	70997-G01						COVER.....	1
97	71055-G01						RIVET, 3/16" X 1" LG (ALUMINUM).....	1
98								
99								
100	70580-G01						INTERMEDIATE SHAFT (INCLUDES ITEMS 101, 102).....	1
101	01055-G01						BOLT, M8 X 1.25 - 05.....	2
102	00565-G8						LOCK WASHER, 5/16" .....	2
103								
104								
105	70751-G01						RETAINING RING (INTERNAL).....	1
106	70888-G01						RETAINING RING (EXTERNAL).....	1
107	15112-G1						BALL BEARING .....	1
108	70887-G01						WAVE WASHER.....	1
109	71146-G01						STEERING WHEEL .....	1
110	71147-G01						STEERING WHEEL COVER .....	1
111	71047-G01						LABEL (E-Z-GO) .....	1
112	74405-G01						LABEL (CUSHMAN).....	1
113	71948-G01						STEERING WHEEL .....	1
114	71950-G01						CLIPBOARD.....	1
115	71949-G01						HUB COVER .....	1
116	14390-G2						LOCK NUT, 5/8 - 18 .....	1
117								



# FRONT SUSPENSION/STEERING

Where applicable, THE USE OF NON UL PARTS WILL VOID ANY UL LISTING.

When ordering parts, please specify the model and serial number of the product.

\* Indicates a component that is not available as an individual part.

G\*\* Indicates consult Customer Service Department for additional information.

ITEM	PART NO.	1 2 3 4 5	DESCRIPTION	QTY.
118				
119	70876-G02		TIE ROD ASSEMBLY (INCLUDES ITEMS 120 - 124).....	1
120	70897-G02		THREADED ROD (24" LG).....	1
121	70902-G01		TIE ROD END (LEFT HAND THREADS) .....	1
122	01069-G01		JAM NUT, M12 X 1.25 - 05 (LEFT HAND THREADS).....	1
123	70902-G02		TIE ROD END (RIGHT HAND THREADS).....	1
124	01069-G02		JAM NUT, M12 X 1.25 - 05 (RIGHT HAND THREADS) .....	1
125	00734-G1		LOCK NUT, 7/16 - 14 .....	2

**DID YOU  
KNOW?**

**CartPros** directs you to the right part using the part numbers from this manual. Enter the part number into our search box and it will find the part you are looking for.

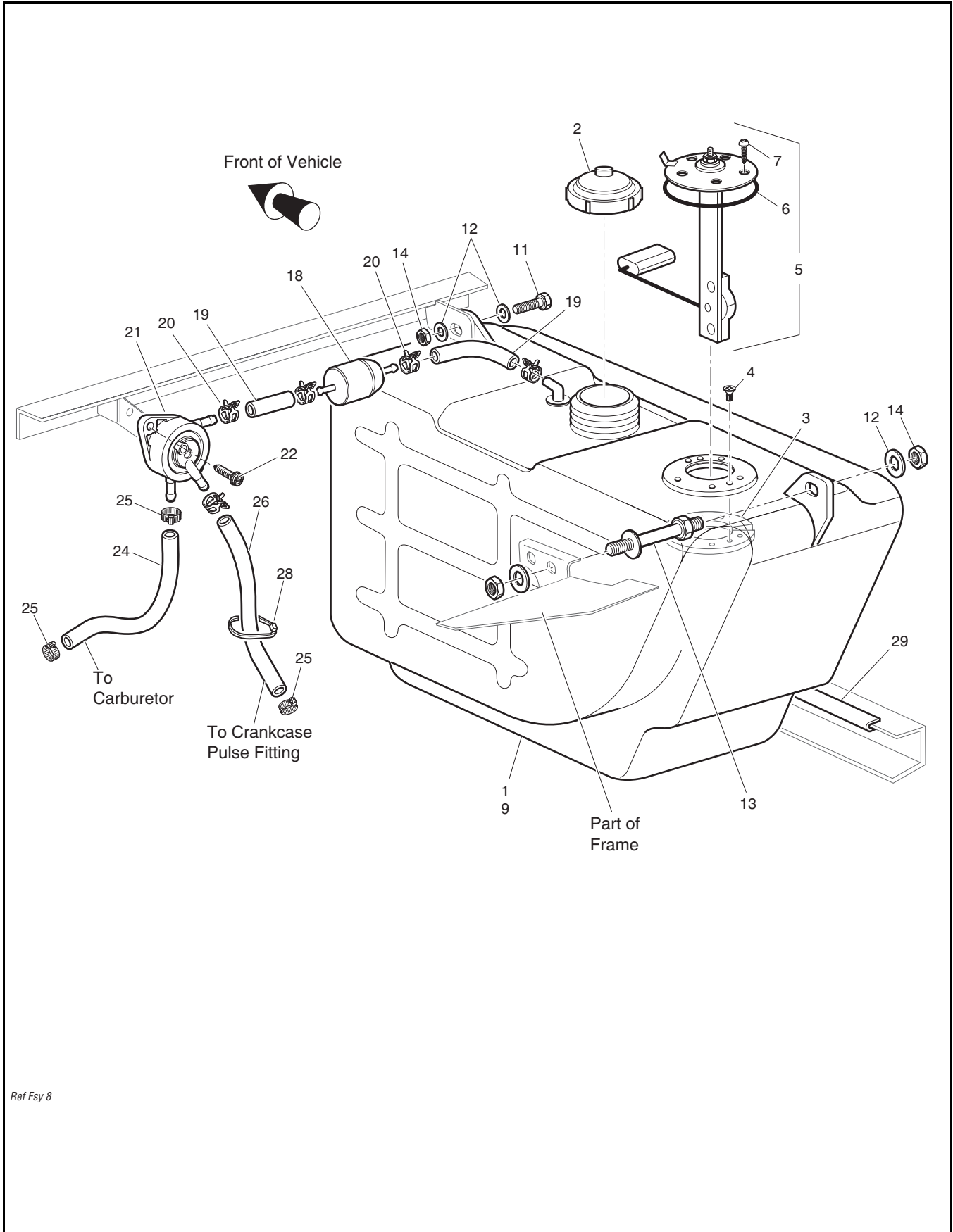
**GET STARTED  
HERE**



<https://CartPros.com/f.html>

# FRONT SUSPENSION/STEERING

# FUEL SYSTEM



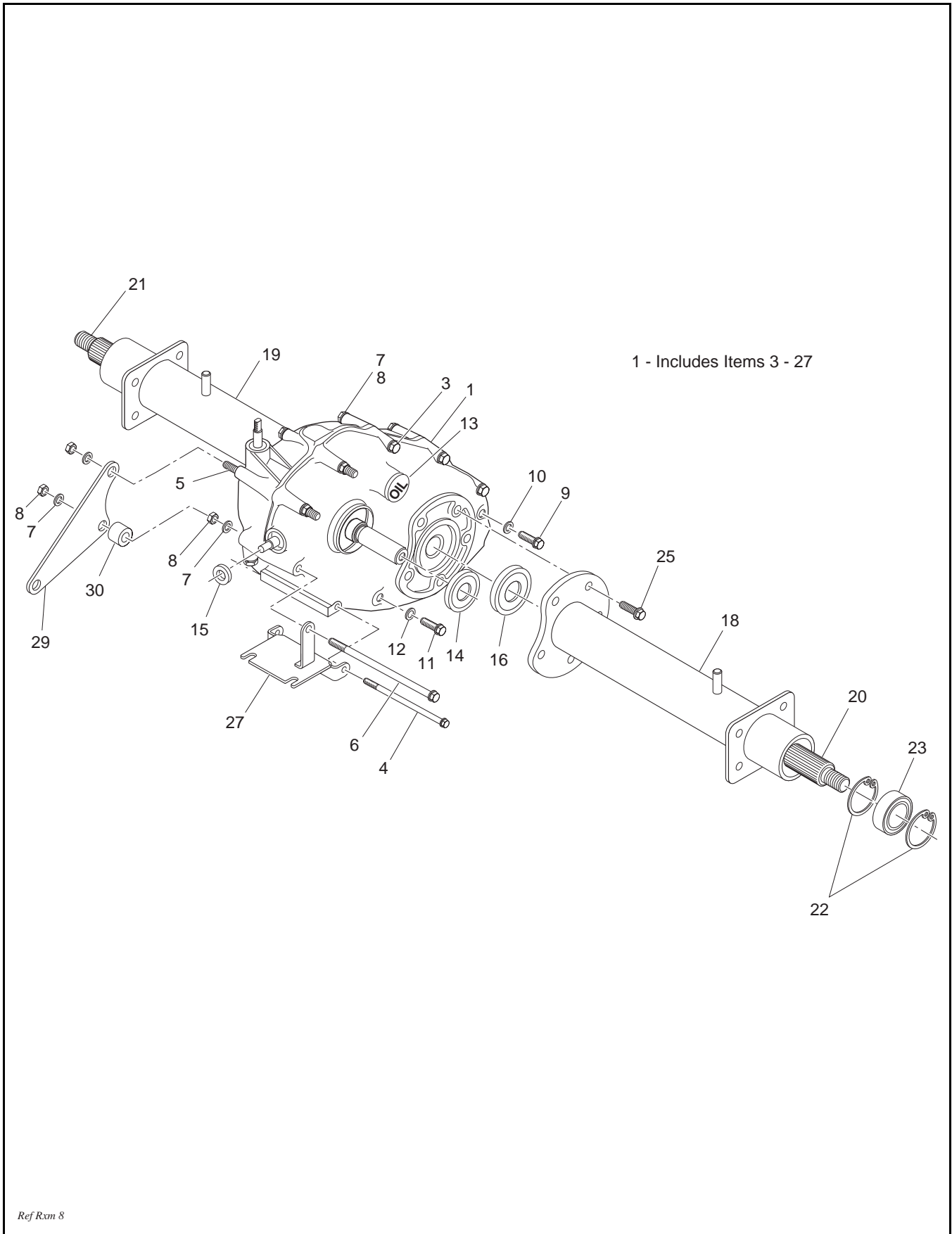
Ref Fsy 8

**FUEL SYSTEM**

THE USE OF NON U.L. PARTS WILL VOID ANY U.L. LISTING.  
 When ordering parts, please specify the model and serial number of the product.  
 \* Indicates a component that is not available as an individual part.  
 G\*\* Indicates consult Customer Service Department for additional information.

ITEM	PART NO.	1 2 3 4 5	DESCRIPTION	QTY.
1	72092-G02		FUEL TANK (FOR ELECTRIC FUEL GAUGE) .....	1
2	72282-G01		FUEL TANK CAP.....	1
3	72229-G01		FUEL LEVEL SENDER ADAPTER .....	1
4	72230-G01		SCREW, #6 - 32 X 1/2" LG.....	2
5	20048-G2		FUEL LEVEL SENDER (ELEC. FUEL GAUGE) (INCLUDES ITEMS 6, 7) .....	1
6	*		GASKET .....	1
7	72232-G01		SCREW, #10 - 32 x 3/4" LG.....	5
8				
9	72092-G01		FUEL TANK (FOR VEHICLES WITHOUT GAUGE) .....	1
10				
11	00438-G8		BOLT, 5/16 - 18 X 1" LG .....	1
12	00559-G8		WASHER, 5/16" .....	4
13	70483-G01		SPACER.....	1
14	11098-G6		LOCK NUT, 5/16 - 18 .....	3
15				
16				
17				
18	72084-G01		FUEL FILTER .....	1
19	17470-G1		TUBING, 1/4" ID X 1/2" OD (BULK), 3 1/4" LG .....	A/R
20	18292-G1		CLAMP .....	5
21	72873-G01		FUEL PUMP.....	1
22	00114-G6		SCREW, 1/4 - 14 X 3/4" LG.....	2
23				
24	17470-G1		TUBING, 16" LG (BULK) .....	A/R
25	11391-G4		HOSE CLAMP, 1/4" .....	3
26	27183-G01		PULSE TUBING, 16" LG (BULK).....	A/R
27				
28	17618-G1		WIRE TIE .....	3
29	22280-G1		VINYL TRIM, 6 1/4" LG (BULK) .....	A/R

# REAR AXLE

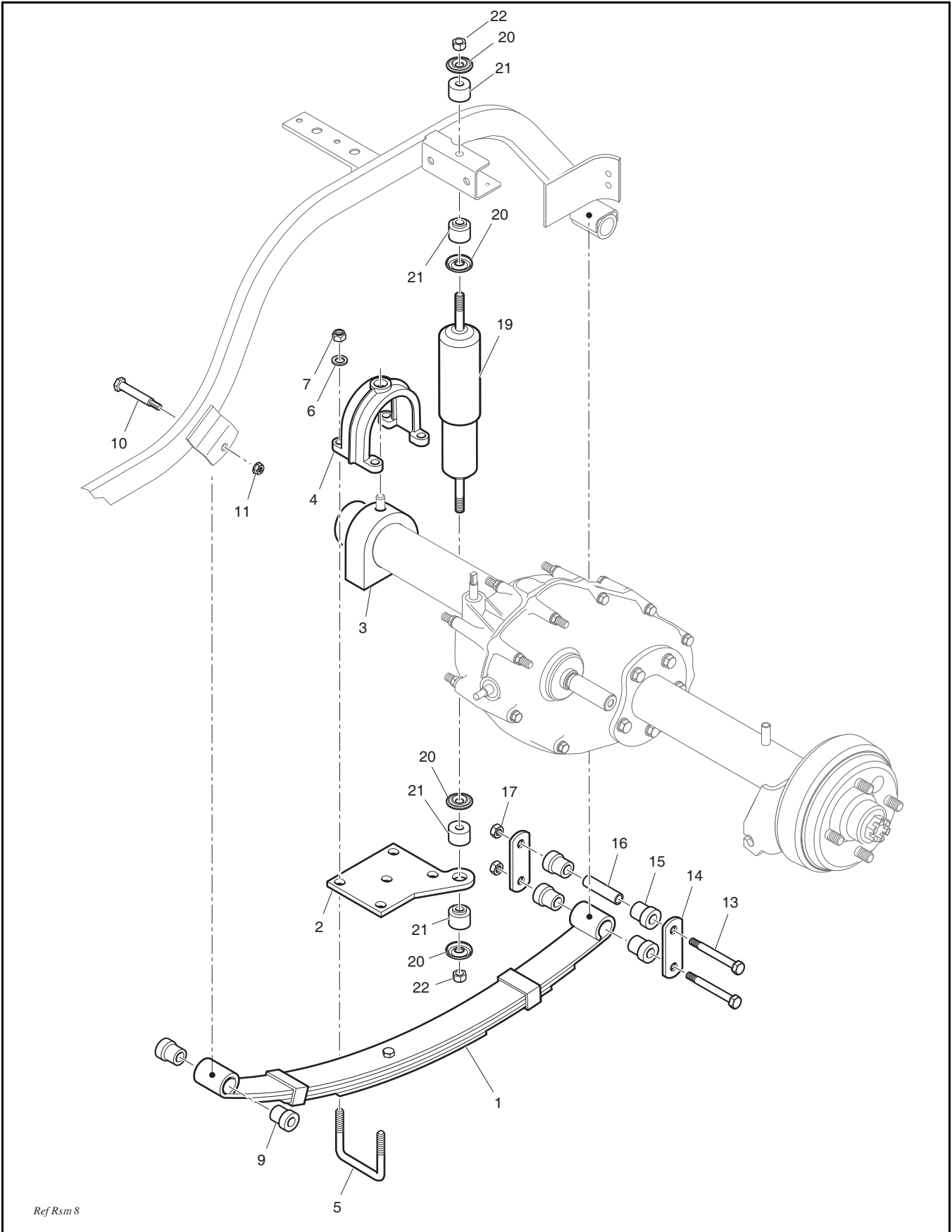


**REAR AXLE**

THE USE OF NON U.L. PARTS WILL VOID ANY U.L. LISTING.  
 When ordering parts, please specify the model and serial number of the product.  
 \* Indicates a component that is not available as an individual part.  
 G\*\* Indicates consult Customer Service Department for additional information.

ITEM	PART NO.	1 2 3 4 5	DESCRIPTION	QTY.
1	72031-G01		REAR AXLE (13.32:1) (INCLUDES ITEMS 3 - 27) .....	1
2				
3	26823-G01		FLANGED BOLT, M8 X 1.25 X 100 MM LG.....	7
4	26824-G01		FLANGED BOLT, M8 X 1.25 X 110 MM LG .....	1
5	72745-G01		FLANGED BOLT, M8 X 1.25 X 146 MM LG.....	1
6	72052-G01		FLANGED BOLT, M8 X 1.25 X 130 MM LG.....	1
7	26826-G01		LOCK WASHER, M8 .....	14
8	26827-G01		NUT, M8 X 1.25 MM.....	14
9	26768-G01		OIL CHECK PLUG.....	1
10	26769-G01		GASKET, 8 MM.....	1
11	26770-G01		OIL DRAIN PLUG .....	1
12	26771-G01		GASKET, 14 MM.....	1
13	26772-G01		OIL FILLER PLUG .....	1
14	26761-G01		INPUT SHAFT SEAL .....	1
15	26762-G01		SHIFTER SHAFT SEAL.....	1
16	26766-G01		AXLE SHAFT SEAL.....	2
17				
18	72058-G01		AXLE TUBE (DRIVER SIDE).....	1
19	72059-G01		AXLE TUBE (PASSENGER SIDE) .....	1
20	72056-G01		AXLE SHAFT (DRIVER SIDE).....	1
21	72057-G01		AXLE SHAFT (PASSENGER SIDE) .....	1
22	26814-G01		RETAINING RING.....	4
23	26811-G01		BALL BEARING .....	2
24				
25	72260-G01		FLANGED BOLT, M10 X 1.5 X 23 MM LG.....	10
26				
27	26815-G01		SHIFTER CABLE BRACKET.....	1
28				
29	72017-G01		AXLE BRACKET .....	1
30	75048-G01		SPACER, 1/2".....	1

# REAR SUSPENSION



Ref Rsm 8

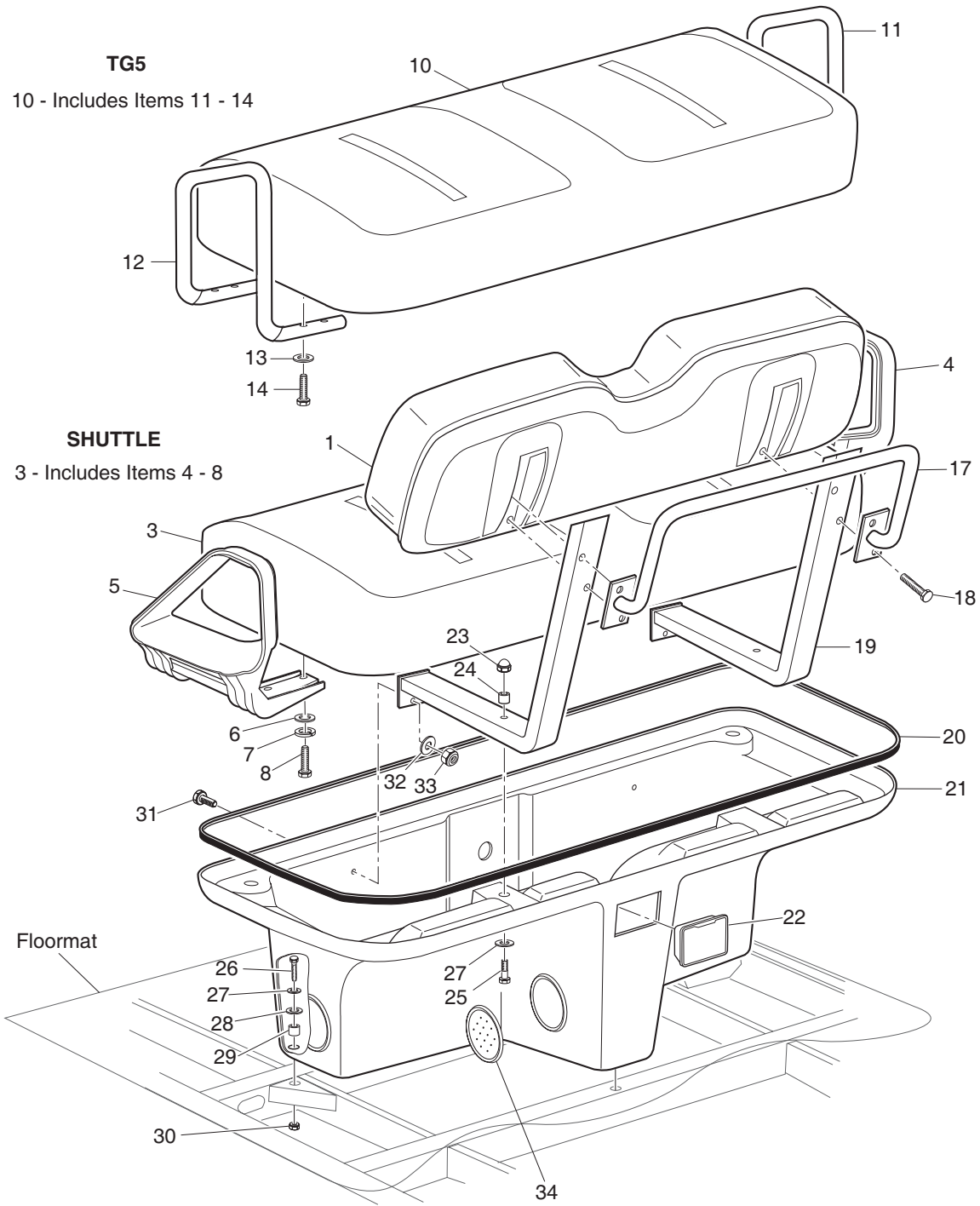
# REAR SUSPENSION

THE USE OF NON U.L. PARTS WILL VOID ANY U.L. LISTING.  
 When ordering parts, please specify the model and serial number of the product.  
 \* Indicates a component that is not available as an individual part.  
 G\*\* Indicates consult Customer Service Department for additional information.

ITEM	PART NO.	1 2 3 4 5	DESCRIPTION	QTY.
1	74207-G01		HEAVY DUTY LEAF SPRING .....	1
2	72028-G01		ISOMOUNT BASE PLATE .....	2
3	72117-G01		ISOMOUNT BUSHING.....	2
4	72037-G01		ISOMOUNT CAP.....	2
5	72618-G01		'U' BOLT, 3/8 - 16 X 2" X 2 1/2" LG .....	4
6	00560-G1		WASHER, 3/8" .....	8
7	11098-G5		LOCK NUT, 3/8 - 16 .....	8
8				
9	70291-G01		FLANGED BUSHING .....	4
10	14158-G1		SHOULDER BOLT, 3/8 - 16 x 3 1/4" LG.....	2
11	12262-G1		LOCK NUT, 3/8 - 16 .....	2
12				
13	00665-G9		BOLT, 3/8 - 16 X 3 1/2" LG (STAINLESS STEEL).....	4
14	70290-G01		SHACKLE PLATE .....	4
15	70291-G01		FLANGED BUSHING .....	8
16	70289-G02		SPACER.....	4
17	11098-G5		LOCK NUT, 3/8 - 16 .....	4
18				
19	70324-G01		SHOCK ABSORBER.....	2
20	10435-G1		SHOCK ABSORBER WASHER .....	8
21	10194-G1		RUBBER BUSHING .....	8
22	00532-G6		NUT, 3/8 - 24 .....	4



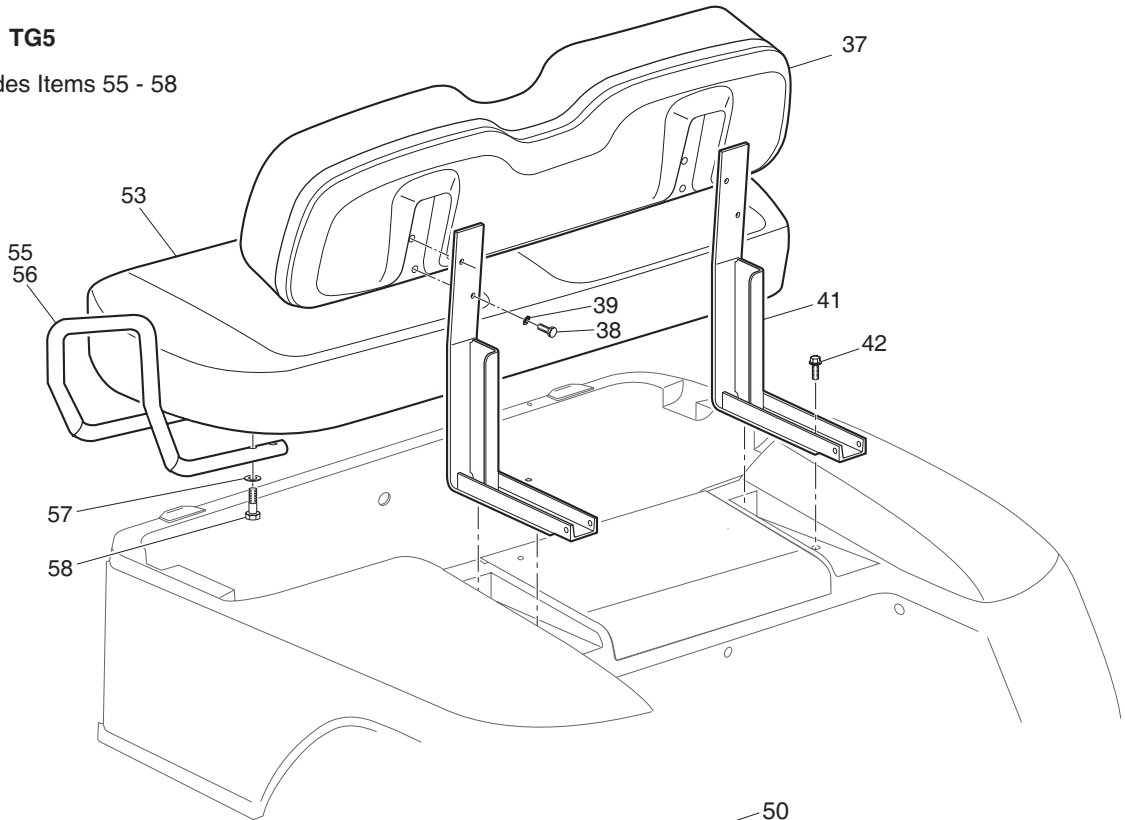
# SEATING



Ref Sea 8-1

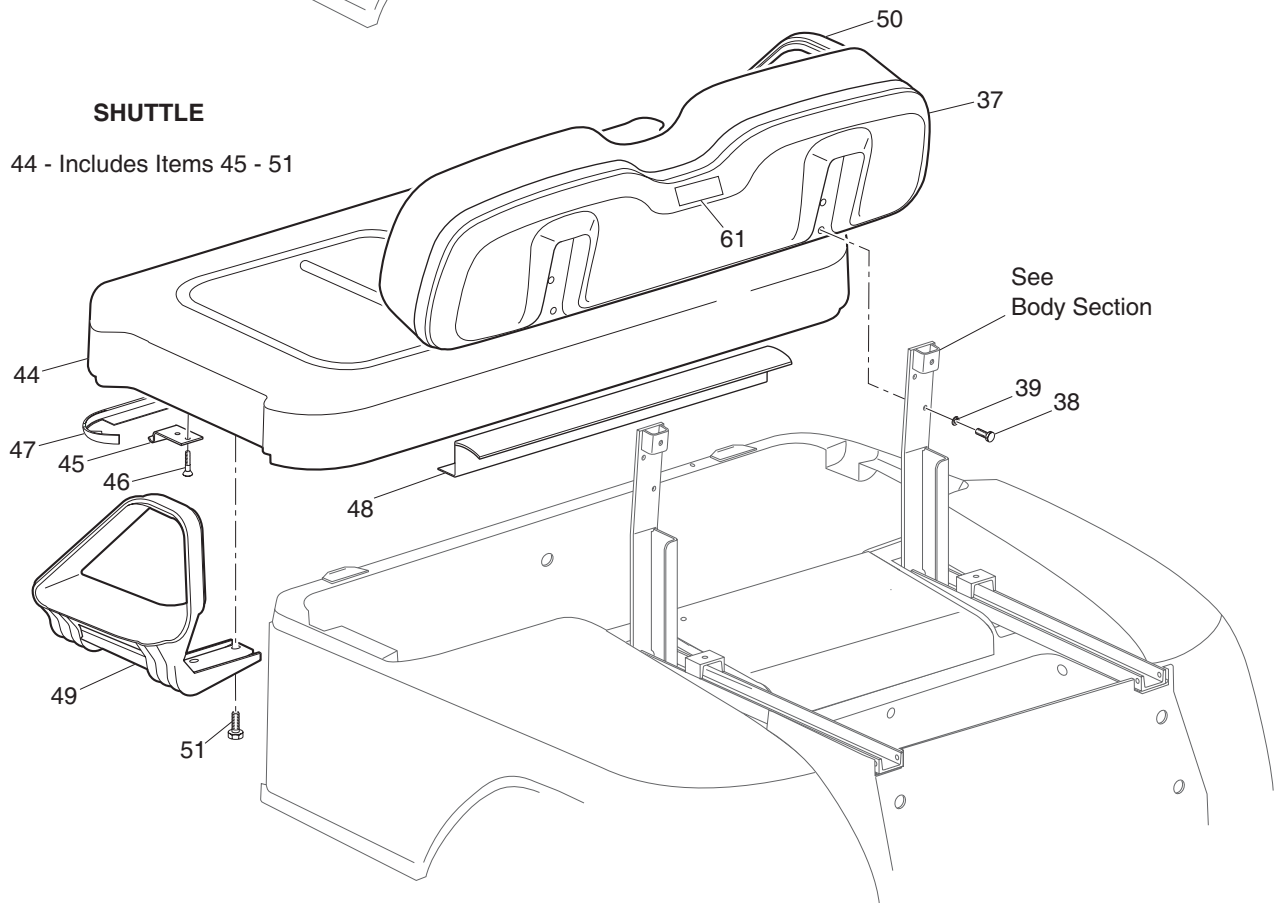
**TG5**

54 - Includes Items 55 - 58



**SHUTTLE**

44 - Includes Items 45 - 51



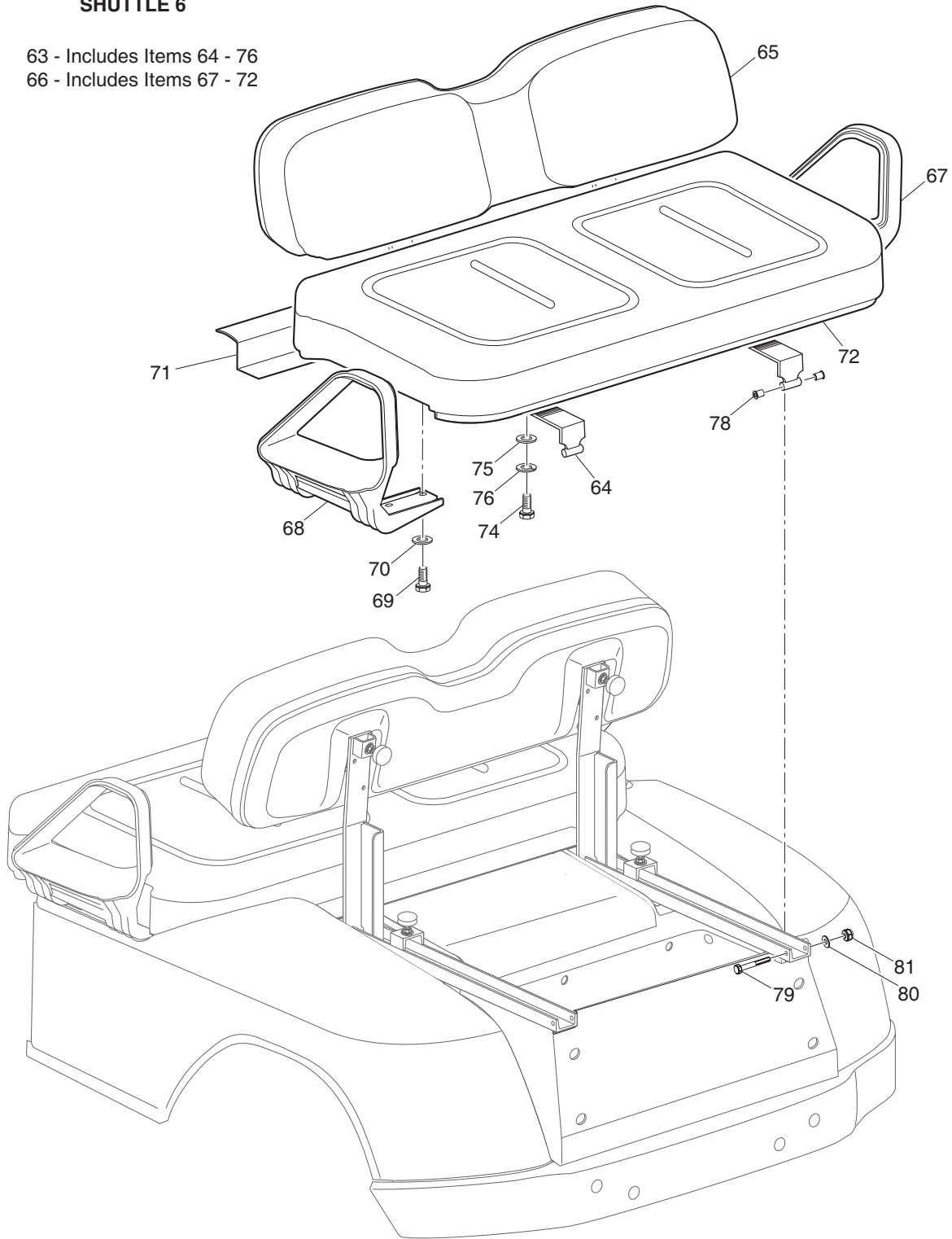
Ref Sea 8-2

# SEATING

## SHUTTLE 6

63 - Includes Items 64 - 76

66 - Includes Items 67 - 72



Ref Sea 8-3

**SEATING**

THE USE OF NON U.L. PARTS WILL VOID ANY U.L. LISTING.  
 When ordering parts, please specify the model and serial number of the product.  
 \* Indicates a component that is not available as an individual part.  
 G\*\* Indicates consult Customer Service Department for additional information.

ITEM	PART NO.	1 2 3 4 5	DESCRIPTION	QTY.
1	71751-G**		SEAT BACK ASSEMBLY .....	1
2				
3	71888-G**		SEAT BOTTOM (INCLUDES ITEMS 4 - 8) (SHUTTLE 4 & 6) .....	1
4	71701-G01		HIP RESTRAINT (PASSENGER SIDE).....	1
5	71702-G01		HIP RESTRAINT (DRIVER SIDE) .....	1
6	01110-G01		WASHER, 1/4" (STAINLESS STEEL).....	8
7	00664-G7		LOCKWASHER, 1/4" (STAINLESS STEEL).....	8
8	00415-G2		BOLT, 1/4 - 20 X 1 1/4" LG.....	8
9				
10	71875-G**		SEAT BOTTOM (INCLUDES ITEMS 11 - 14) (TG5) .....	1
11	71877-G01		HIP RESTRAINT (PASSENGER SIDE).....	1
12	71877-G02		HIP RESTRAINT (DRIVER SIDE) .....	1
13	01110-G01		WASHER, 1/4" (STAINLESS STEEL).....	8
14	00415-G2		BOLT, 1/4 - 20 X 1 1/4" LG.....	8
15				
16				
17	71632-G01		REAR HAND HOLD BAR .....	1
18	71204-G02		BOLT, 1/4 - 20 X 2" LG .....	4
19	71868-G01		SEAT BACK BRACKET .....	2
20	32805-G6		TRIM, BLACK.....	1
21	70836-G0**		SEAT POD .....	1
22	27731-G01		ASHTRAY .....	1
23	15717-G5		ACORN NUT, 3/8 - 16 .....	2
24	23726-G4		SPACER, 5/16".....	2
25	00427-G8		BOLT, 3/8 - 16 X 2" LG .....	2
26	00439-G8		BOLT, 5/16 - 18 X 2" LG .....	3
27	00675-G1		WASHER, 3/8" (STAINLESS STEEL) .....	5
28	71883-G01		RUBBER WASHER, 5/8" .....	3
29	23726-G9		SPACER, 3/4" .....	3
30	11098-G6		LOCK NUT, 5/16 - 18 (STAINLESS STEEL).....	3

# SEATING

THE USE OF NON U.L. PARTS WILL VOID ANY U.L. LISTING.  
 When ordering parts, please specify the model and serial number of the product.  
 \* Indicates a component that is not available as an individual part.  
 G\*\* Indicates consult Customer Service Department for additional information.

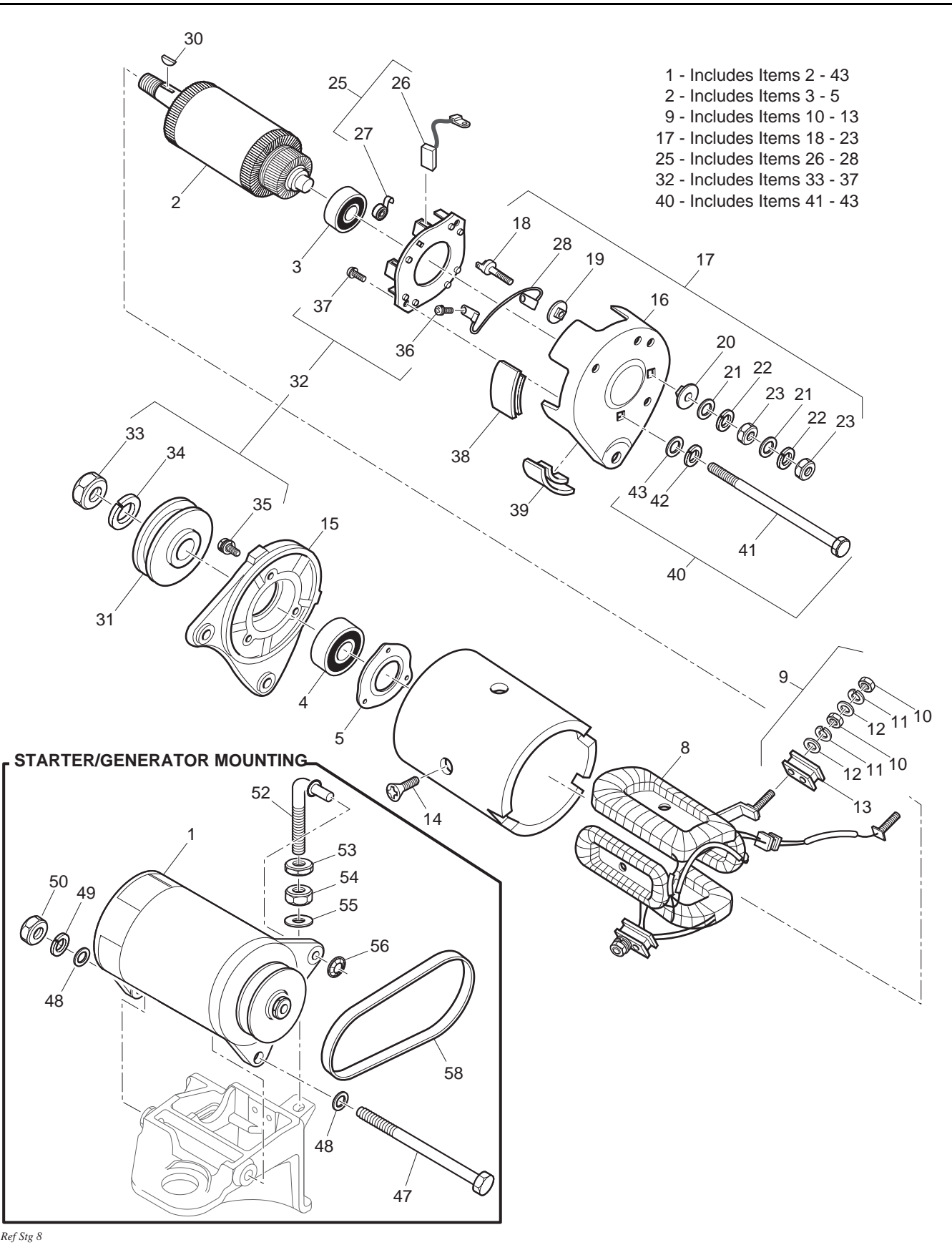
ITEM	PART NO.	1 2 3 4 5	DESCRIPTION	QTY.
31	00976-G06		SCREW, 5/16 - 18 X 3/4" LG (STAINLESS STEEL) .....	2
32	01110-G01		WASHER, 1/4" (STAINLESS STEEL) .....	2
33	11098-G6		LOCK NUT, 1/4 - 20 (STAINLESS STEEL) .....	2
34	71599-G01		VENT PLUG .....	4
35				
36				
37	71751-G**		SEAT BACK .....	1
38	00661-G8		BOLT, 1/4 - 20 X 1" LG (STAINLESS STEEL).....	4
39	00664-G7		LOCK WASHER, 1/4" (STAINLESS STEEL) .....	4
40				
41	74137-G01		SEAT BACK SUPPORT (TG5).....	2
42	01006-G02		BOLT, 3/8 - 16 X 1 1/4" LG (TG5).....	4
43				
44	71611-G**		SEAT BOTTOM (INCLUDES ITEMS 45 - 51) (SHUTTLE 4 & 6) .....	1
45	71610-G01		SEAT HINGE .....	2
46	00720-G08		SCREW, #12 - 14 X 1" LG (STAINLESS STEEL).....	6
47	71012-G01		FRONT EDGE TRIM.....	1
48	71608-G01		BACK EDGE TRIM .....	1
49	71702-G01		HIP RESTRAINT (DRIVER SIDE) .....	1
50	71701-G01		HIP RESTRAINT (PASSENGER SIDE).....	1
51	71204-G01		BOLT, 1/4 - 20 X 7/8" LG .....	8
52				
53	71651-G**		SEAT BOTTOM (TG5).....	1
54	71646-G01		HAND HOLD KIT (INCLUDES ITEMS 55 - 58) .....	1
55	71876-G01		HIP RESTRAINT, REAR SEAT (DRIVER SIDE) .....	1
56	71876-G02		HIP RESTRAINT, REAR SEAT (PASSENGER SIDE).....	1
57	01110-G01		WASHER, 1/4" (STAINLESS STEEL).....	8
58	00415-G2		BOLT, 1/4 - 20 X 1 1/4" LG .....	8
59				
60				

**SEATING**

THE USE OF NON U.L. PARTS WILL VOID ANY U.L. LISTING.  
 When ordering parts, please specify the model and serial number of the product.  
 \* Indicates a component that is not available as an individual part.  
 G\*\* Indicates consult Customer Service Department for additional information.

ITEM	PART NO.	1 2 3 4 5	DESCRIPTION	QTY.
61	74095-G01		LABEL (WARNING) (SHUTTLE 4).....	1
62				
63	74131-G**		SEAT ASSEMBLY (INCLUDES ITEMS 64 - 76) (SHUTTLE 6).....	1
64	72918-G01		SEAT SUPPORT BRACKET .....	2
65	71751-G**		SEAT BACK.....	1
66	74139-G**		SEAT BOTTOM (INCLUDES ITEMS 67 - 72).....	1
67	71701-G01		HIP RESTRAINT (PASSENGER SIDE) .....	1
68	71702-G01		HIP RESTRAINT (DRIVER SIDE).....	1
69	00661-G8		BOLT, 1/4 - 20 X 1" LG (STAINLESS STEEL).....	8
70	01110-G01		WASHER, 1/4" (STAINLESS STEEL) .....	8
71	71012-G01		SEAT TRIM (REAR) .....	1
72	74140-G01		SEAT TRIM (FRONT).....	1
73				
74	00661-G8		BOLT, 1/4 - 20 X 1" LG (STAINLESS STEEL) .....	12
75	01110-G01		WASHER, 1/4" (STAINLESS STEEL).....	12
76	00565-G2		LOCK WASHER, 1/4" .....	12
77				
78	17838-G1		NYLON BUSHING.....	4
79	00440-G4		BOLT, 5/16 - 18 X 2 1/2" LG .....	2
80	00559-G8		WASHER, 5/16" .....	2
81	11098-G6		LOCK NUT, 5/16 - 18 (STAINLESS STEEL) .....	2

# STARTER / GENERATOR





# STARTER / GENERATOR

THE USE OF NON U.L. PARTS WILL VOID ANY U.L. LISTING.  
 When ordering parts, please specify the model and serial number of the product.  
 \* Indicates a component that is not available as an individual part.  
 G\*\* Indicates consult Customer Service Department for additional information.

ITEM	PART NO.	1	2	3	4	5	DESCRIPTION	QTY.
1	27065-G01	STARTER / GENERATOR (INCLUDES ITEMS 2 - 43).....					1	
2	26870-G01	ARMATURE (INCLUDES ITEMS 3 - 5) .....					1	
3	26871-G01	REAR BALL BEARING .....					1	
4	26872-G01	FRONT BALL BEARING .....					1	
5	26873-G01	BEARING HOLDER .....					1	
6								
7								
8	26875-G01	FIELD COIL .....					1	
9	26876-G01	INSULATING BRUSH ASSEMBLY ('F') (INCLUDES ITEMS 10 - 13).....					2	
10	*	NUT .....					2	
11	*	LOCK WASHER .....					2	
12	*	WASHER .....					2	
13	*	INSULATOR .....					1	
14	26877-G01	POLE CORE SETSCREW.....					4	
15	26878-G01	FRONT COVER.....					1	
16	27879-G01	REAR COVER .....					1	
17	26880-G01	TERMINAL ASSEMBLY ('A') (INCLUDES ITEMS 18 - 23).....					2	
18	*	TERMINAL .....					2	
19	*	INSULATOR .....					2	
20	*	INSULATOR .....					2	
21	*	WASHER.....					4	
22	*	LOCK WASHER .....					4	
23	*	NUT .....					4	
24								
25	26881-G01	BRUSH HOLDER ASSEMBLY (INCLUDES ITEMS 26 - 28) .....					1	
26	26658-G01	BRUSH.....					4	
27	26882-G01	BRUSH SPRING .....					4	
28	26883-G01	BRUSH CONNECTOR.....					2	
29								
30	26884-G01	KEY.....					1	



# STARTER / GENERATOR

THE USE OF NON U.L. PARTS WILL VOID ANY U.L. LISTING.  
 When ordering parts, please specify the model and serial number of the product.  
 \* Indicates a component that is not available as an individual part.  
 G\*\* Indicates consult Customer Service Department for additional information.

ITEM	PART NO.	1	2	3	4	5	DESCRIPTION	QTY.
31	26885-G01						PULLEY .....	1
32	26886-G01						NUT AND SCREW ASSEMBLY (INCLUDES ITEMS 33 - 37).....	1
33	*						NUT .....	1
34	*						LOCK WASHER .....	1
35	*						SCREW .....	3
36	*						SCREW .....	4
37	*						SCREW .....	2
38	26887-G01						BRUSH 1 COVER.....	3
39	26888-G01						BRUSH 2 COVER.....	1
40	26889-G01						BOLT AND WASHER ASSEMBLY (INCLUDES ITEMS 41 - 43).....	2
41	*						BOLT .....	2
42	*						LOCK WASHER .....	2
43	*						WASHER.....	2
44								
45								
46								
47	00938-G4						BOLT, 1/2 - 13 X 8" LG .....	1
48	00560-G3						WASHER, 1/2" .....	2
49	00566-G3						LOCK WASHER, 1/2" .....	1
50	00533-G1						NUT, 1/2 - 13 .....	1
51								
52	28617-G01						STARTER / GENERATOR ADJUSTER.....	1
53	00544-G5						JAM NUT, 3/8 - 16 .....	1
54	00532-G5						NUT, 3/8 - 16 .....	1
55	00560-G1						WASHER, 3/8" .....	1
56	12064-G4						PUSH NUT, 5/16" .....	1
57								
58	26414-G01						STARTER / GENERATOR BELT .....	1

**DID YOU  
KNOW?**

**CartPros** directs you to the right part using the part numbers from this manual. Enter the part number into our search box and it will find the part you are looking for.

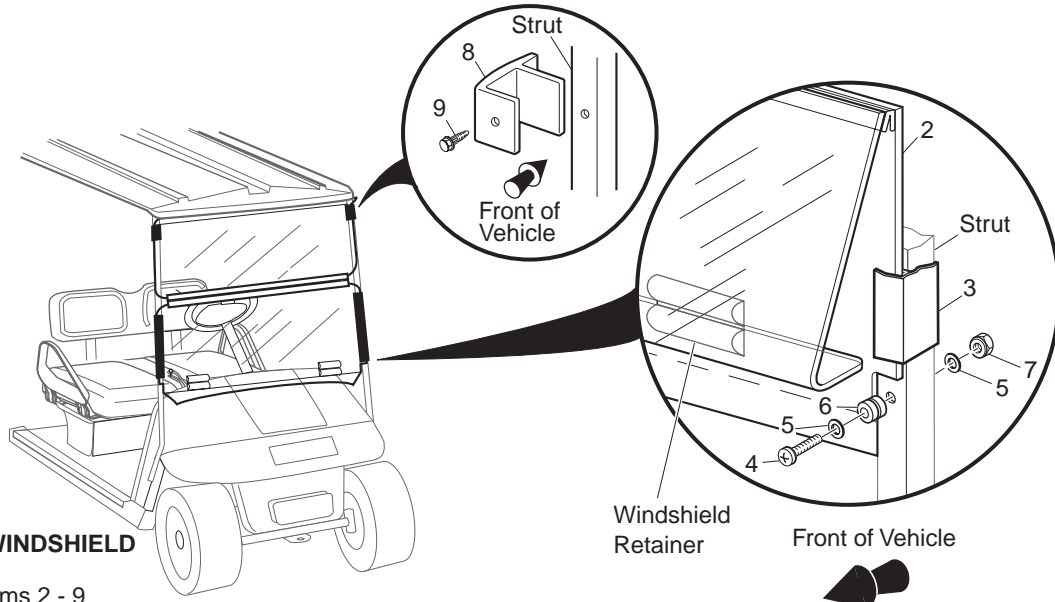
**GET STARTED  
HERE**



<https://CartPros.com/f.html>

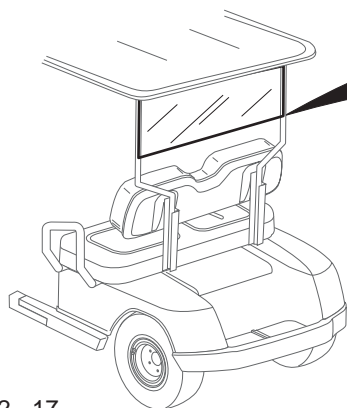
**STARTER / GENERATOR**

# WEATHER PROTECTION



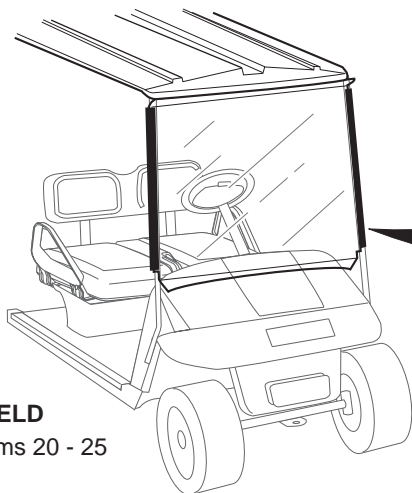
## FOLD DOWN WINDSHIELD

1 - Includes Items 2 - 9



## REAR WINDSHIELD

11 - Includes Items 12 - 17

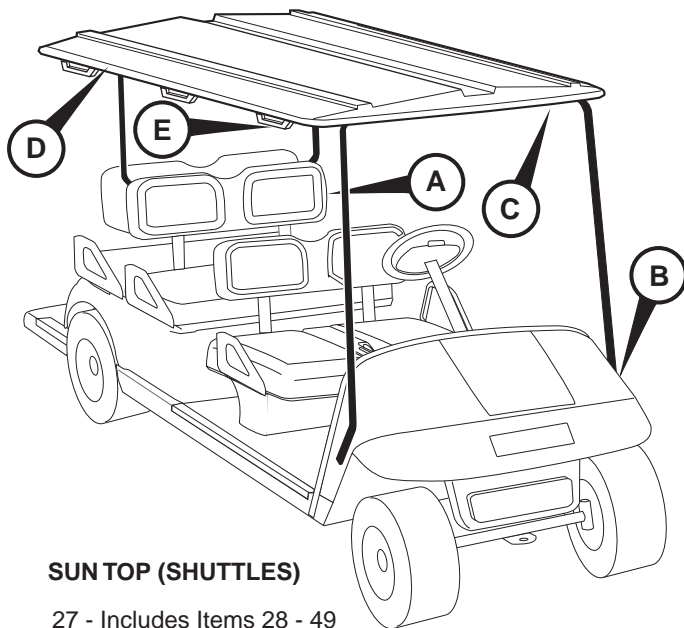
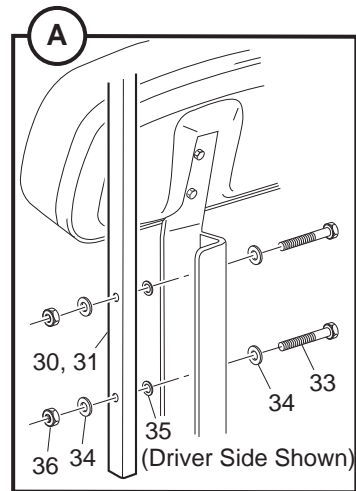
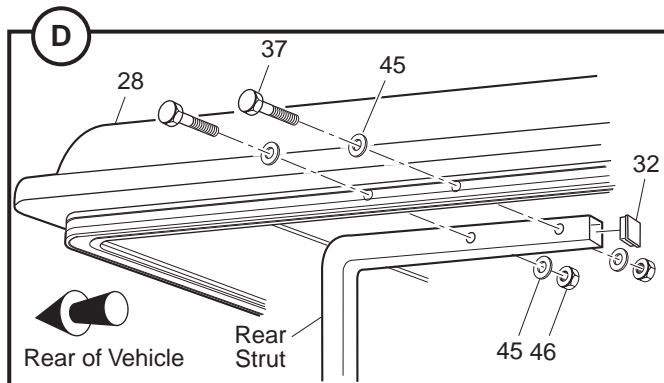


## FULL WINDSHIELD

19 - Includes Items 20 - 25

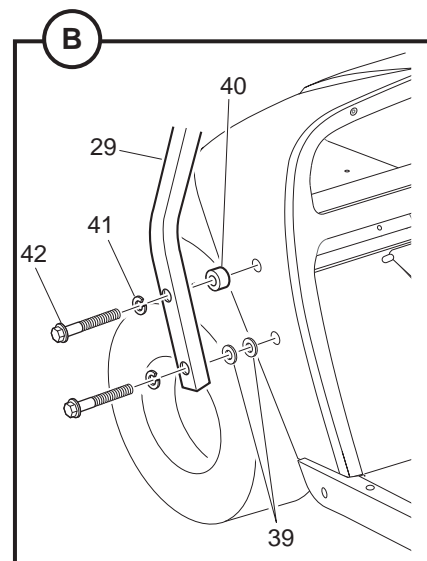
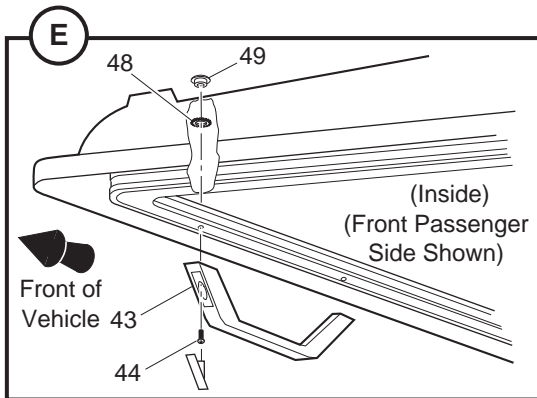
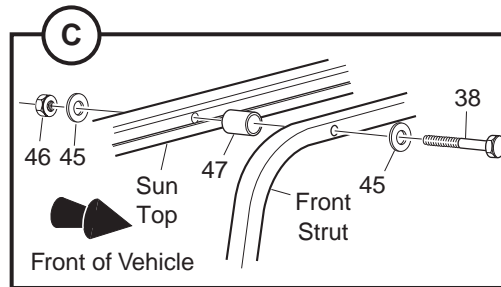
Ref Wea 7-1

# WEATHER PROTECTION



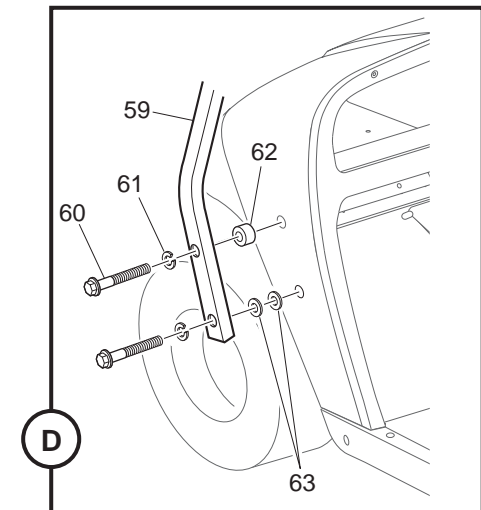
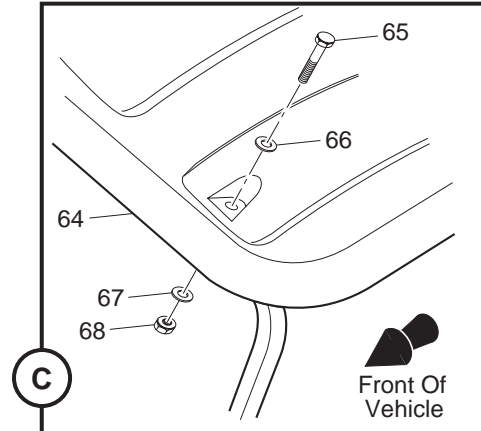
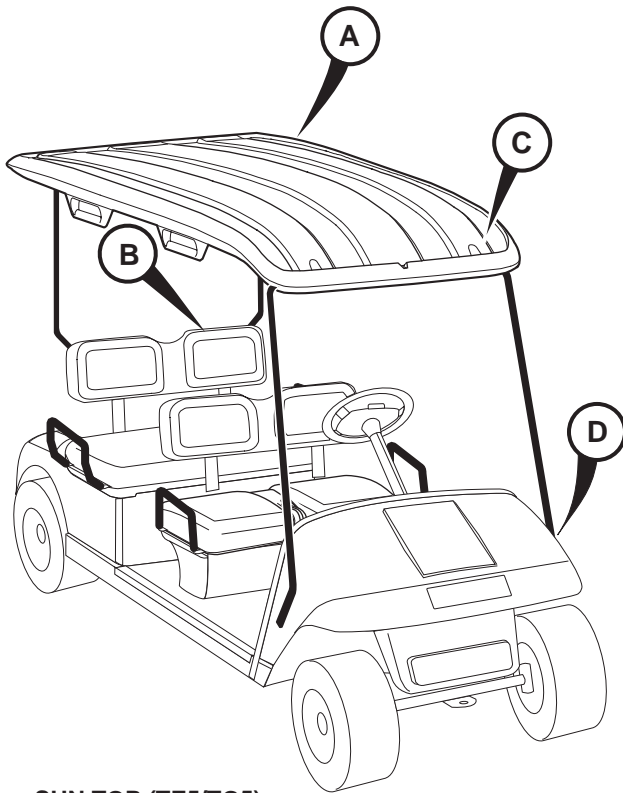
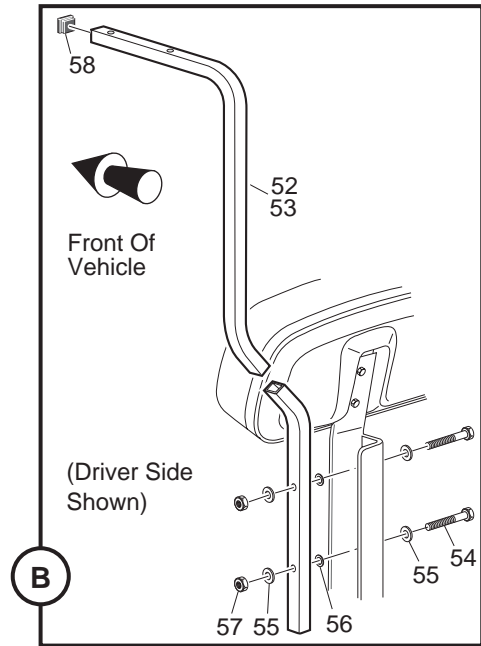
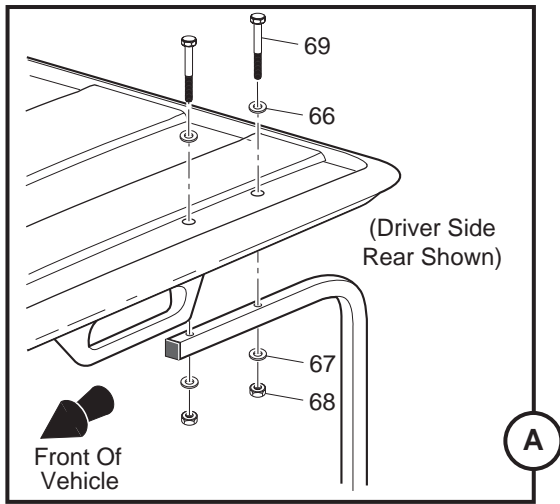
## SUN TOP (SHUTTLES)

27 - Includes Items 28 - 49



Ref Wea 7-2

# WEATHER PROTECTION



## SUN TOP (TE5/TG5)

51 - Includes Items 52 - 69

Ref Wea 7-3

# WEATHER PROTECTION

THE USE OF NON U.L. PARTS WILL VOID ANY U.L. LISTING.

When ordering parts, please specify the model and serial number of the product.

\* Indicates a component that is not available as an individual part.

G\*\* Indicates consult Customer Service Department for additional information.

ITEM	PART NO.	1 2 3 4 5	DESCRIPTION	QTY.
1	75534-G01		WINDSHIELD KIT, FOLD DOWN (INCLUDES ITEMS 2 - 9).....	1
2	E950WSB3		FOLD DOWN WINDSHIELD .....	1
3	EGWHC24		SASH, 3/4" X 14" LG .....	2
4	EGWHS12		SCREW, 1/4 - 20 X 1 3/4" LG (STAINLESS STEEL).....	2
5	EGWHW12		WASHER, 1/4" (STAINLESS STEEL).....	4
6	EGWHG13		RUBBER GROMMET .....	2
7	EGWHN12		LOCK NUT, 1/4 - 20 (STAINLESS STEEL).....	2
8	137-010		TOP GRIP .....	2
9	136-008		FASTENER .....	2
10				
11	75535-G01		WINDSHIELD KIT, REAR (INCLUDES ITEMS 12 - 17).....	1
12	EIRWFB3		REAR WINDSHIELD .....	1
13	EGWHC14		SASH, 1" X 15 9/16" LG .....	2
14	EGWHS14		SCREW, 1/4 - 20 X 2" LG (STAINLESS STEEL).....	2
15	EGWHW13		WASHER, 1/4" (STAINLESS STEEL).....	6
16	EGWHG13		RUBBER GROMMET .....	2
17	EGWHN13		LOCK NUT, 1/4 - 20 (STAINLESS STEEL).....	2
18				
19	75536-G01		WINDSHIELD KIT, FULL (INCLUDES ITEMS 20 - 25) .....	1
20	EISWFB3		FULL, WINDSHIELD.....	1
21	EGWHC13		SASH, 3/4" X 22 7/16" LG .....	2
22	EGWHS13		SCREW, 1/4 - 20 X 1 3/4" LG (STAINLESS STEEL).....	2
23	EGWHW13		WASHER, 1/4" (STAINLESS STEEL).....	4
24	EGWHG13		RUBBER GROMMET .....	2
25	EGWHN13		LOCK NUT, 1/4 - 20 (STAINLESS STEEL).....	2
26				
27	75282-G0*		SUN TOP KIT (SHUTTLE) (INCLUDES ITEMS 28 - 49) .....	1
28	75271-G0*		SUN TOP .....	1
29	75045-G03		FRONT STRUT.....	1
30	75274-G01		REAR STRUT (DRIVER SIDE).....	1

# WEATHER PROTECTION

THE USE OF NON U.L. PARTS WILL VOID ANY U.L. LISTING.

When ordering parts, please specify the model and serial number of the product.

\* Indicates a component that is not available as an individual part.

G\*\* Indicates consult Customer Service Department for additional information.

ITEM	PART NO.	1	2	3	4	5	DESCRIPTION	QTY.
31	75274-G02						REAR STRUT (PASSENGER SIDE) .....	1
32	19853-G1						END CAP, 1" .....	2
33	00665-G5						BOLT, 3/8 - 16 X 1 3/4" LG (STAINLESS STEEL) .....	4
34	00679-G1						WASHER, 3/8" (STAINLESS STEEL).....	8
35	00771-G5						NYLON WASHER, 3/8".....	4
36	00891-G5						LOCK NUT, 3/8 - 16.....	4
37	00440-G4						BOLT, 5/16 - 18 X 2 1/2" LG.....	4
38	00441-G2						BOLT, 5/16 - 18 X 3 1/4" LG.....	2
39	00879-G1						WASHER, 3/8" .....	4
40	75048-G01						SPACER, 1/2" .....	2
41	00905-G8						LOCK WASHER, 5/16" .....	4
42	01035-G01						BOLT, 5/16 - 18 X 2 1/4" LG.....	4
43	75240-G01						HANDLE .....	5
44	00163-G2						SCREW, 1/4 - 20 X 1 1/4" LG .....	10
45	00642-G8						WASHER, 5/16" .....	12
46	11098-G6						LOCK NUT, 5/16 - 18 (STAINLESS STEEL).....	6
47	18716-G2						SPACER, 1" .....	2
48	00567-G8						LOCK WASHER, 5/16" .....	10
49	01010-G01						TEE NUT, 1/4 - 20.....	10
50								
51	75485-G01						SUN TOP KIT (TE5/TG5) (INCLUDES ITEMS 52 - 69) .....	1
52	75487-G02						REAR SUPPORT (DRIVER SIDE) .....	2
53	75487-G01						REAR SUPPORT (PASSENGER SIDE).....	2
54	00665-G5						BOLT, 3/8 - 16 X 1 3/4" LG (STAINLESS STEEL) .....	4
55	00679-G1						WASHER, 3/8" (STAINLESS STEEL).....	8
56	00771-G5						NYLON WASHER, 3/8".....	4
57	00891-G5						LOCK NUT, 3/8 - 16.....	4
58	19853-G1						END CAP, 1" .....	2
59	75488-G01						FRONT SUPPORT .....	2
60	01035-G01						BOLT, 5/16 - 18 X 2 1/4" LG.....	4

# WEATHER PROTECTION

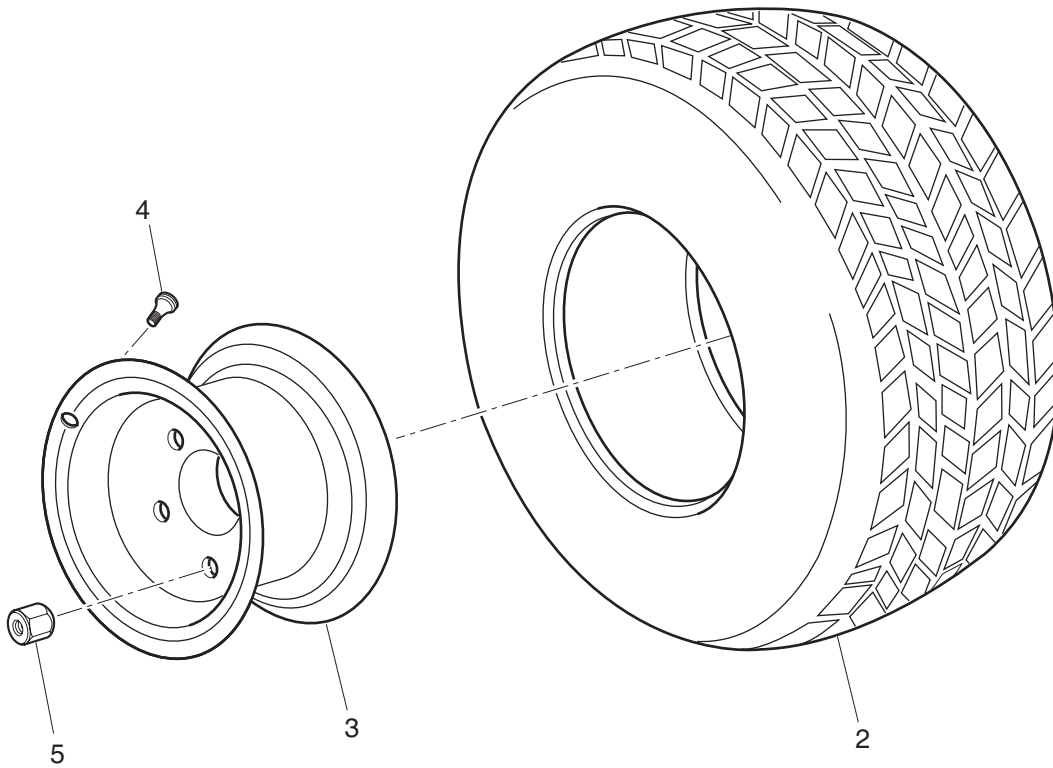
THE USE OF NON U.L. PARTS WILL VOID ANY U.L. LISTING.  
 When ordering parts, please specify the model and serial number of the product.  
 \* Indicates a component that is not available as an individual part.  
 G\*\* Indicates consult Customer Service Department for additional information.

ITEM	PART NO.	1	2	3	4	5	DESCRIPTION	QTY.
61	00905-G8						LOCK WASHER, 5/16" .....	4
62	75048-G01						SPACER, 1/2" .....	2
63	00879-G1						LOCK WASHER, 3/8" .....	4
64	74374-G01						SUN TOP .....	1
65	00685-G10						BOLT, 5/16 - 18 X 2 3/4" LG (STAINLESS STEEL) .....	2
66	00907-G2						WASHER, 5/16" (STAINLESS STEEL).....	6
67	00660-G8						WASHER, 5/16" (STAINLESS STEEL).....	6
68	11098-G6						LOCK NUT, 5/16 - 18 (STAINLESS STEEL).....	6
69	00685-G11						BOLT, 5/16 - 18 X 3 1/4" LG (STAINLESS STEEL) .....	4



# WHEELS AND TIRES

1 - Includes Items 2, 3, 4



(Style of tire may differ from tire shown)

# WHEELS AND TIRES

Where applicable, THE USE OF NON UL PARTS WILL VOID ANY UL LISTING.  
 When ordering parts, please specify the model and serial number of the product.  
 \* Indicates a component that is not available as an individual part.  
 G\*\* Indicates consult Customer Service Department for additional information.

ITEM	PART NO.	1 2 3 4 5	DESCRIPTION	QTY.
1	28757-G01		TIRE AND WHEEL ASSEMBLY (INCLUDES ITEMS 2, 3, 4).....	AR
2	28764-G01		TIRE, 18 X 8.50 - 8 LINKS® .....	1
3	28759-G01		WHEEL RIM.....	1
4	11657-G2		VALVE STEM.....	1
5	14723-G1		LUG NUT, 1/2 - 20.....	AR

**DID YOU  
KNOW?**

**CartPros** directs you to the right part using the part numbers from this manual. Enter the part number into our search box and it will find the part you are looking for.

**GET STARTED  
HERE** →

<https://CartPros.com/f.html>

# WHEELS AND TIRES

**DID YOU  
KNOW?**

CartPros directs you to the right part using the part numbers from this manual. Enter the part number into our search box and it will find the part you are looking for.

**GET STARTED  
HERE**



<https://CartPros.com/f.html>

## **SPECIALTY PRODUCTS**

# **SPECIALTY PRODUCTS**

## SPECIALTY PRODUCTS

<b>SPECIAL TOOLS</b>	<b>PART NO.</b>
HIGH RESISTANCE SPARK PLUG WIRE SET .....	26733-G02
CLUTCH PULLER (DRIVE) .....	19779-G2
FLYWHEEL PULLER .....	27111-G01
CURRENT INDICATOR .....	16489-G2
DIGITAL MULTI-METER .....	27481-G01
SLIDE HAMMER (AXLE/HUB REMOVAL) .....	15947-G1
SLIDE HAMMER (AXLE REMOVAL ONLY) .....	18753-G1
COMPRESSION TESTER .....	72524-G01
FEELER GAUGE .....	72525-G01
TACHOMETER .....	72526-G01

<b>ENGINE OIL</b>	<b>PART NO.</b>
4 CYCLE ENGINE OIL, 5 GALLON (19 LITER) .....	25730-G03
4 CYCLE ENGINE OIL, 12 QUART CASE .....	25730-G04
4 CYCLE ENGINE OIL, 1 QUART BOTTLE (950 ML) .....	25730-G06

<b>TOUCH UP PAINT</b>	<b>PART NO.</b>
PEN 3 OUNCE (89 ML) - HUNTER GREEN .....	28432-G02
PEN 3 OUNCE (89 ML) - CHAMPAGNE BEIGE .....	28432-G01
PEN 3 OUNCE (89 ML) - WHITE .....	28432-G05
PEN 3 OUNCE (89 ML) - INDUSTRIAL YELLOW .....	28432-G03
PEN 3 OUNCE (89 ML) - ORANGE .....	28432-G04
PEN 3 OUNCE (89 ML) - STEEL BLUE PEARL .....	28432-G24
PEN 3 OUNCE (89 ML) - OLIVE GREEN .....	28432-G**
PEN 3 OUNCE (89 ML) - CAMOUFLAGE PAINT (THREE PENS) .....	75831-G01
AEROSOL 12 OUNCE (360 ML) - HUNTER GREEN .....	28140-G09
AEROSOL 12 OUNCE (360 ML) - CHAMPAGNE BEIGE .....	28140-G15
AEROSOL 12 OUNCE (360 ML) - WHITE .....	28140-G03
AEROSOL 12 OUNCE (360 ML) - INDUSTRIAL YELLOW .....	28140-G14
AEROSOL 12 OUNCE (360 ML) - ORANGE .....	28140-G13
AEROSOL 12 OUNCE (360 ML) - STEEL BLUE PEARL .....	28140-G**
AEROSOL 12 OUNCE (360 ML) - OLIVE GREEN .....	28140-G**

## SPECIALTY PRODUCTS

<b>MAINTENANCE PRODUCTS</b>	<b>PART NO.</b>
FORMULA 40 VINYL-COAT® - WHITE .....	28166-G01
PLEXUS® CLEANER, 7 OUNCE (210 ML) (FOR WINDSHIELDS) .....	28433-G01
PLEXUS® CLEANER, 13 OUNCE (380 ML) (FOR WINDSHIELDS) .....	28433-G02
BATTERY PROTECTOR, 14 OUNCE (410 ML) SPRAY .....	75500-G01
CARBURETOR & CHOKE CLEANER, 15 OUNCE (440 ML) SPRAY .....	75501-G01
WHITE LITHIUM GREASE, 14 OUNCE (410 ML) SPRAY .....	75502-G01
PENETRANT/LUBRICANT, 15 OUNCE (440 ML) SPRAY .....	75503-G01
MULTI-PURPOSE CLEANER & DEGREASER, 14 OUNCE (410 ML) SPRAY .....	75504-G01
MULTI-PURPOSE HAND CLEANER, 32 OUNCE (950 ML) LIQUID .....	75505-G01
BATTERY CLEANER, 32 OUNCE (950 ML) WITH TRIGGER SPRAYER .....	75506-G01
BIO-DEGRADABLE CLEANER, 32 OUNCE (950 ML) WITH TRIGGER SPRAYER .....	75507-G01
MULTI-PURPOSE VALUE PACK .....	75508-G01
<ul style="list-style-type: none"><li>• BATTERY PROTECTOR, 4 OUNCE (120 ML) SPRAY</li><li>• PENETRANT/LUBRICANT, 4 OUNCE (120 ML) SPRAY</li><li>• WHITE LITHIUM GREASE, 4 OUNCE (120 ML) SPRAY</li><li>• CARBURETOR &amp; CHOKE CLEANER, 4 OUNCE (120 ML) SPRAY</li></ul>	

**DID YOU  
KNOW?**

**CartPros** directs you to the right part using the part numbers from this manual. Enter the part number into our search box and it will find the part you are looking for.

**GET STARTED  
HERE**



<https://CartPros.com/f.html>

## **SPECIALTY PRODUCTS**

**DID YOU  
KNOW?**

**CartPros** directs you to the right part using the part numbers from this manual. Enter the part number into our search box and it will find the part you are looking for.

**GET STARTED  
HERE** →

<https://CartPros.com/f.html>



A Textron Company

E-Z-GO Division of Textron, Inc.  
1451 Marvin Griffin Rd., Augusta, Georgia 30906 USA  
Inside USA Phone: 1-800-241-5855, FAX: 1-800-448-8124  
Outside USA Phone: 010-1-706-798-4311, FAX: 010-1-706-771-4609

Copyrighted Material  
This manual may not be reproduced in whole or  
in part without the express permission of  
E-Z-GO Division of Textron, Inc.  
Technical Communications Department