

**DID YOU
KNOW?**

CartPros directs you to the right part using the part numbers from this manual. Enter the part number into our search box and it will find the part you are looking for.

**GET STARTED
HERE** →

<https://CartPros.com/f.html>

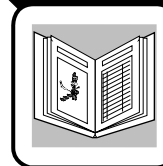
601029



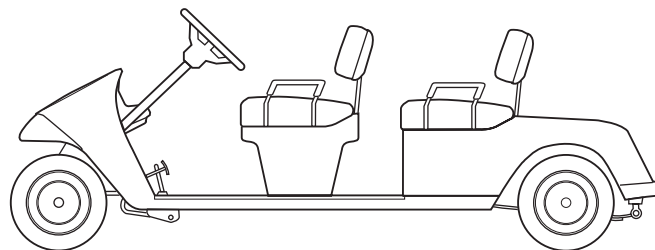
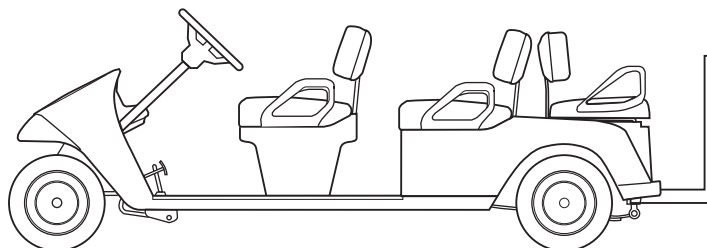
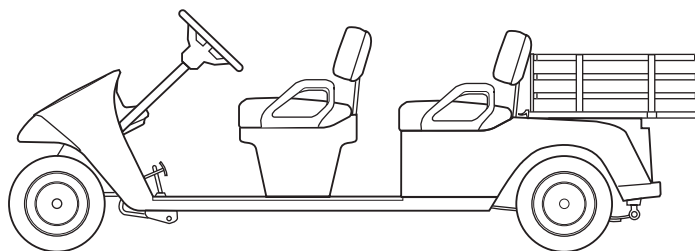
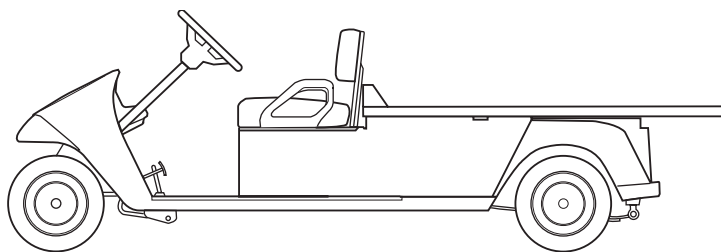
A Textron Company



A Textron Company



SERVICE PARTS MANUAL



ELECTRIC POWERED PERSONNEL CARRIERS AND GOLF CAR

STARTING MODEL YEAR: 2005

SERVICE PARTS MANUAL

ELECTRIC POWERED PERSONNEL CARRIERS AND GOLF CARS

SHUTTLE/BELLHOP 2

SHUTTLE/BELLHOP 4

SHUTTLE/BELLHOP 6

TE5

E-Z-GO Division of Textron, Inc. reserves the right to make design changes without obligation to make these changes on units previously sold and the information contained in this manual is subject to change without notice.

E-Z-GO Division of Textron, Inc. is not liable for errors in this manual or for incidental or consequential damages that result from the use of the material in this manual.

CUSTOMER SERVICE DEPARTMENT IN USA PHONE: 1-800-241-5855 FAX: 1-800-448-8124

OUTSIDE USA PHONE: 010-1-706-798-4311, FAX: 010-1-706-771-4609

E-Z-GO DIVISION OF TEXTRON, INC., 1451 MARVIN GRIFFIN RD., AUGUSTA, GEORGIA USA 30906

NOTES

To obtain a copy of the limited warranty applicable to the vehicle, call or write a local Distributor, authorized Branch or the Warranty Department with vehicle serial number and manufacturer code.

The use of non Original Equipment Manufacturer (OEM) parts may void the warranty.

Overfilling of batteries may void the warranty.

BATTERY PROLONGED STORAGE

All batteries will self discharge over time. The rate of self discharge varies depending on the ambient temperature and the age and condition of the batteries.

A fully charged battery will not freeze in winter temperatures unless the temperature falls below -75° F (-60° C).

As with all electric vehicles, the batteries must be checked and recharged as required or at a minimum of 30 day intervals.

TABLE OF CONTENTS

SECTION	Page No.
HOW TO USE THE SERVICE PARTS MANUAL	v
ILLUSTRATED PARTS BREAKDOWN	vii
ACCELERATOR	A-1
BATTERY CHARGER (PORTABLE).....	B-1
BODY.....	C-1
BRAKES	D-1
BRAKES - FRONT DISC	E-1
ELECTRICAL.....	F-1
ELECTRONIC SPEED CONTROL - PDS	G-1
FRONT SUSPENSION / STEERING.....	H-1
MOTOR	J-1
REAR AXLE.....	K-1
REAR SUSPENSION	L-1
SEATING	M-1
WEATHER PROTECTION	N-1
WHEELS AND TIRES	P-1
SPECIALTY PRODUCTS	APPENDIX A-1

HOW TO USE THE SERVICE PARTS MANUAL

This manual is divided into several sections:

- GENERAL INFORMATION
- ILLUSTRATED PARTS BREAKDOWN
- APPENDIX

The first section, GENERAL INFORMATION, contains the following information:

- WARRANTY INFORMATION
- GENERAL INDEX
- HOW TO USE THE SERVICE PARTS MANUAL

The second section, ILLUSTRATED PARTS BREAKDOWN, contains illustrations and parts lists for all systems of your vehicle.

The third section, APPENDIX, contains a listing of specialty products and accessories.

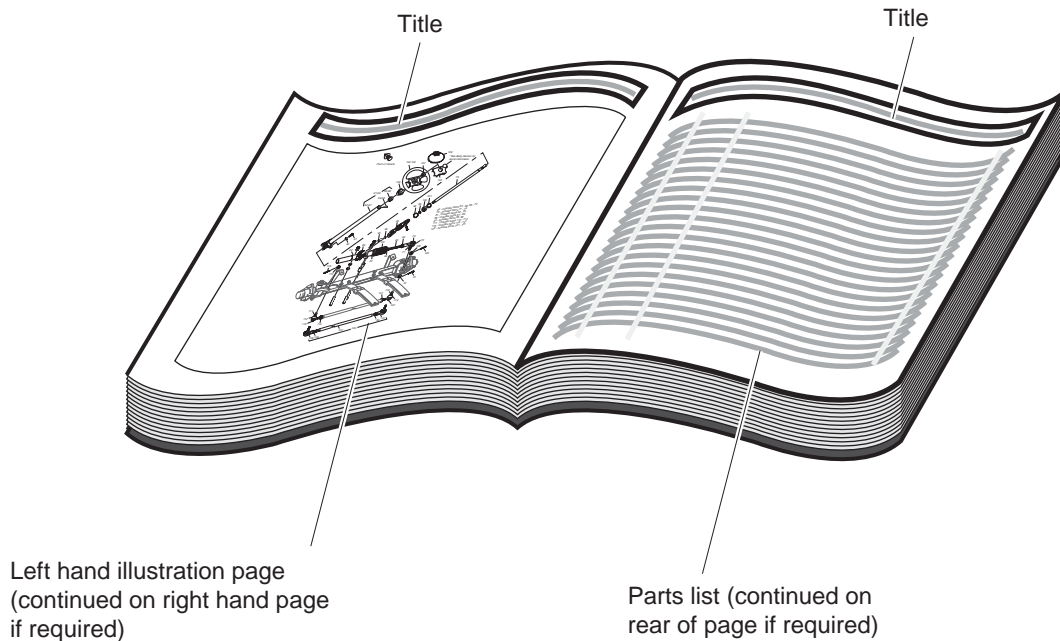
USE OF THE MANUAL

To use this manual, consult the GENERAL INDEX to locate the information or illustration required.

Introduction of some revisions varies due to supply of components; therefore, it is possible that various combinations of components may be found that are not directly reflected by each illustration. Consult the illustration that best suits your situation and then contact the Service Parts Department. It is important that the serial number of your vehicle and its model number be supplied to Service Parts when ordering any replacement components.

Locate the serial number plate (see BODY located in the Illustrated Parts Breakdown section of this manual for its location) and note the complete number shown on the plate.

HOW TO USE THE SERVICE PARTS MANUAL



1. WHEN THE PART NUMBER IS NOT KNOWN

- Determine the function and application of the part required. Turn to the General Index and select the most appropriate title.
- Turn to the page number indicated and locate the desired part on the illustration.
- From the illustration, obtain the item number assigned to the desired part. Refer to the accompanying description for specific information regarding the part.

2. IF YOU KNOW THE PART NUMBER

- Locate the part number or description in the appropriate column on the parts list page.

NOTE: It is suggested that you confirm that the part selected is correct by verifying it with the pictorial representation on the illustrated page.

Should an asterisk (*) appear in the part number column on the parts list page, read upwards until a part number is found. The part number is the lowest assembly sold by Service Parts and the asterisk (*) indicates that the part depicted is not available for purchase.

NOTE: Descriptions are indented under the assembly that they are used on. That assembly is, in turn listed under the assembly that it is used on. This process is repeated until the highest final assembly is reached.

To facilitate the maintenance and repair of the vehicle, a Technician's Repair and Service Manual is available from the Service Parts Department.

**DID YOU
KNOW?**

CartPros directs you to the right part using the part numbers from this manual. Enter the part number into our search box and it will find the part you are looking for.

**GET STARTED
HERE**



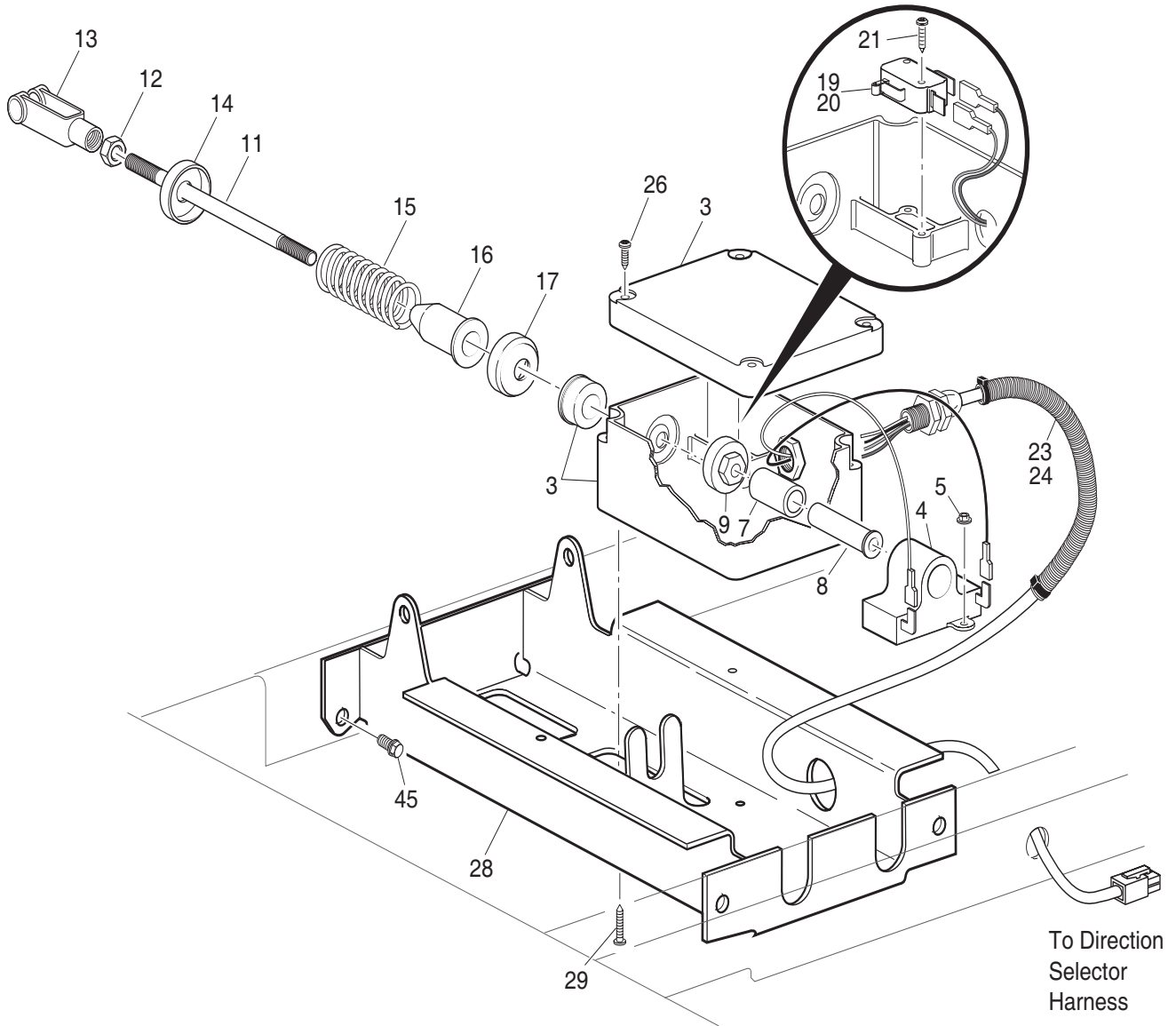
<https://CartPros.com/f.html>

ILLUSTRATED PARTS BREAKDOWN

ILLUSTRATED PARTS BREAKDOWN

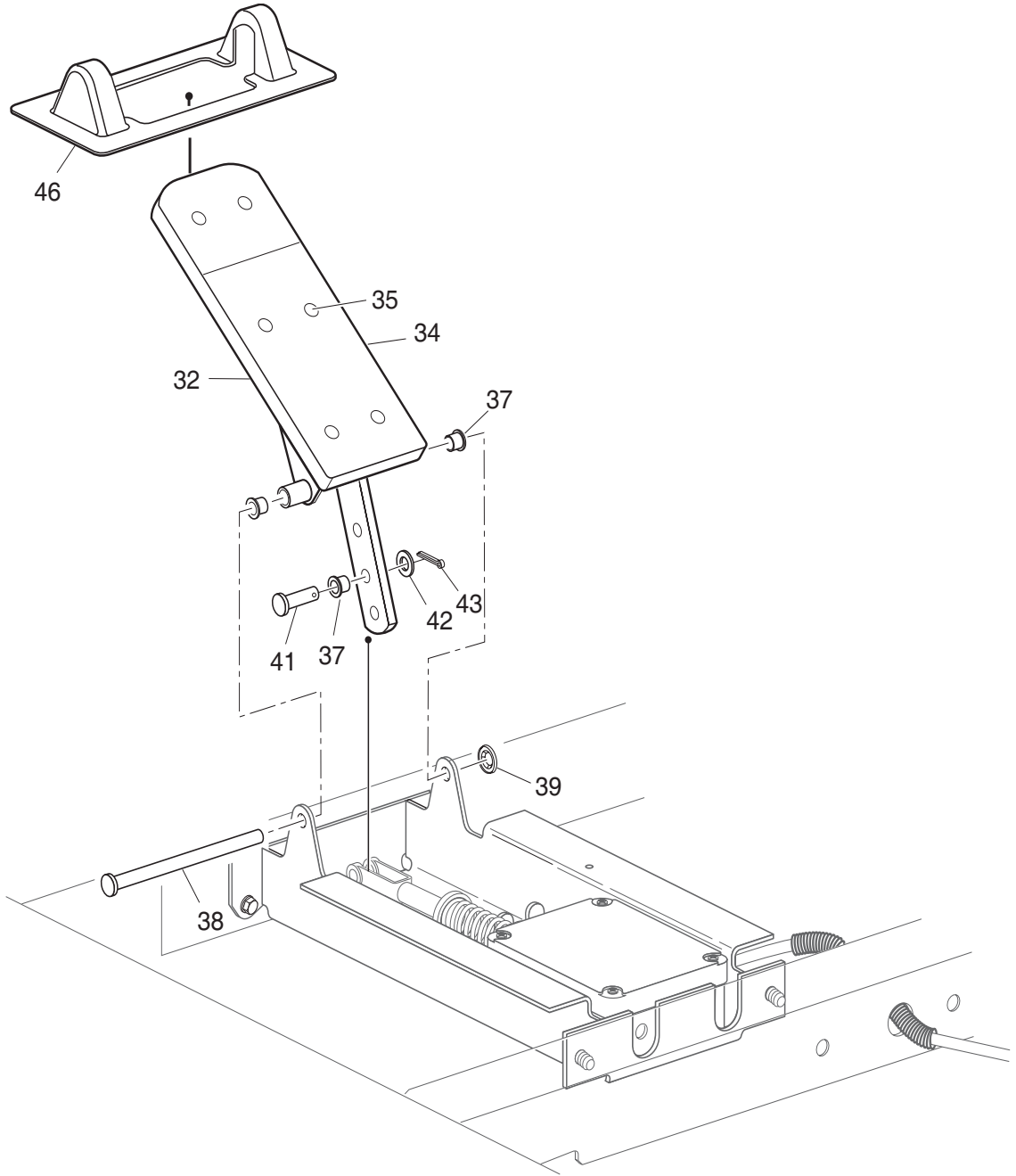
ACCELERATOR

- 1 - Includes Items 3 - 19, 21, 23, 26 - 43
- 2 - Includes Items 3 - 17, 20, 21, 24 - 43
- 31 - Includes Items 32 - 35
- 33 - Includes Items 34, 35



Ref Acl 7-1

ACCELERATOR



Ref Acl 7-2

ACCELERATOR

When ordering parts, please specify the model and serial number of the product.

* Indicates a component that is not available as an individual part.

G** Indicates consult Customer Service Department for additional information.

ITEM	PART NO.	1 2 3 4 5	DESCRIPTION	QTY.
1	73333-G08		PEDAL BOX ASSEMBLY (INCLUDES ITEMS 3 - 19, 21, 23, 26 - 43)	1
2	73333-G07		PEDAL BOX ASSEMBLY, PDS MODEL ONLY (INCLUDES ITEMS 3 - 17, 20, 21, 24 - 43)	1
3	25853-G01		PEDAL BOX AND COVER (SEAL AND BEARING)	1
4	25854-G01		INDUCTIVE THROTTLE SENSOR	1
5	00983-G01		SELF THREADING NUT, 3/16"	2
6				
7	25857-G01		PLUNGER SLEEVE.....	1
8	28443-G01		PLUNGER.....	1
9	28444-G01		PLUNGER CAM.....	1
10				
11	73332-G01		ACCELERATOR ROD	1
12	00532-G4		LOCK NUT, 5/16 - 24	1
13	10385-G4		YOKE (ADJUSTABLE).....	1
14	17677-G2		SPRING RETAINER, 3/8"	1
15	73046-G01		COMPRESSION SPRING	1
16	17979-G1		ACCELERATOR ROD BUSHING	1
17	17677-G1		SPRING RETAINER, 1/2"	1
18				
19	25861-G01		MICRO SWITCH.....	1
20	25861-G02		MICRO SWITCH (PDS MODEL ONLY).....	1
21	01050-G01		SCREW, #4 - 20 X 5/8" LG	2
22				
23	25879-G07		WIRING HARNESS (PEDAL BOX ASSEMBLY)	1
24	25879-G06		WIRING HARNESS (PEDAL BOX ASSEMBLY) (PDS MODEL ONLY)	1
25				
26	00684-G6		SCREW, #8 - 32 X 3/4" LG	4
27				
28	70116-G02		ACCELERATOR PEDAL BRACKET.....	1
29	01051-G01		SCREW, #8 - 16 X 1/2" LG	4

ACCELERATOR

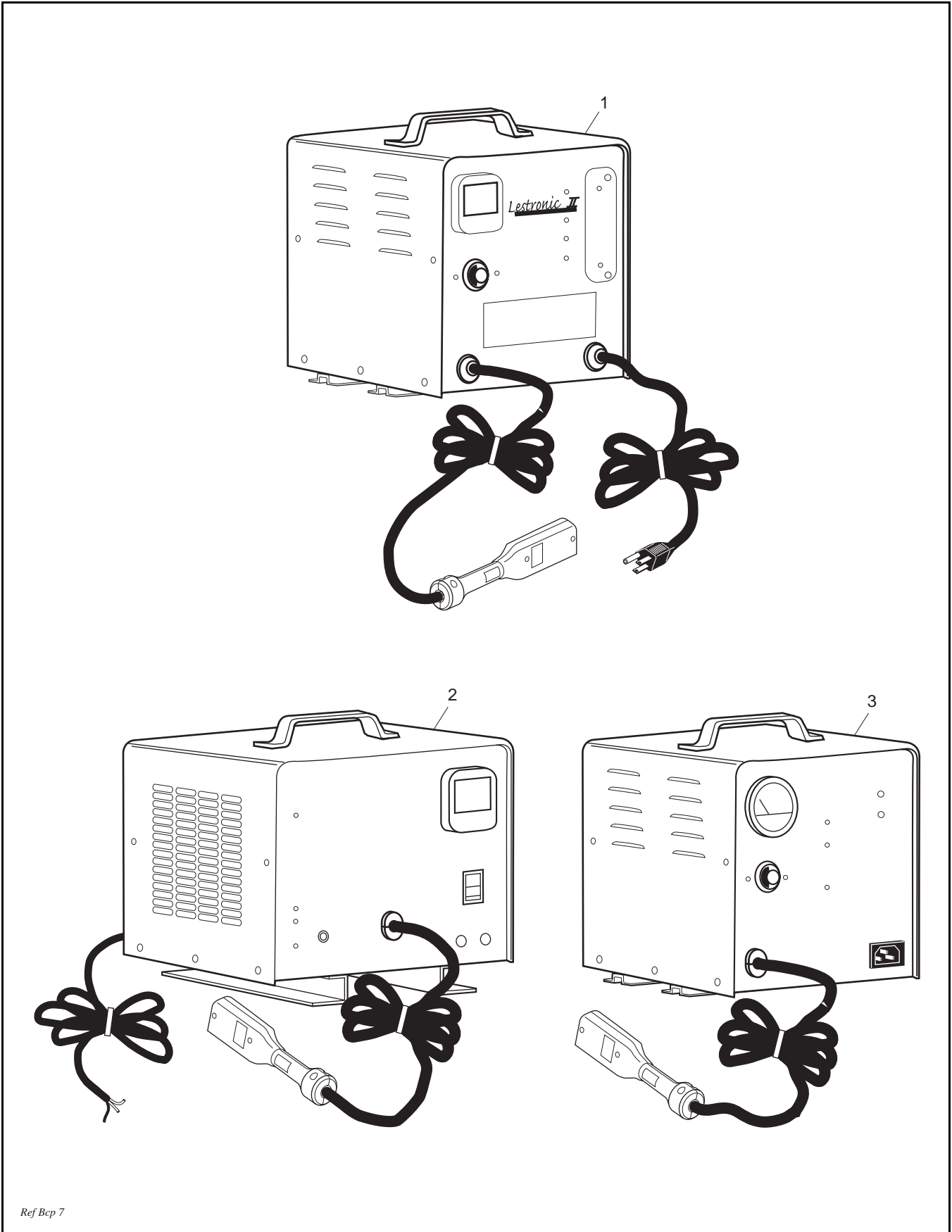
When ordering parts, please specify the model and serial number of the product.

* Indicates a component that is not available as an individual part.

G** Indicates consult Customer Service Department for additional information.

ITEM	PART NO.	1	2	3	4	5	DESCRIPTION	QTY.
30								
31	25799-G03						ACCELERATOR PEDAL ASSEMBLY (INCLUDES ITEMS 32 - 35).....	1
32	*						ACCELERATOR PEDAL	1
33	27844-G01						ACCELERATOR PEDAL PAD KIT (INCLUDES ITEMS 34, 35).....	1
34	27512-G01						ACCELERATOR PEDAL PAD	1
35	15766-G1						OVAL RIVET 3/16" X 7/16" LG	6
36								
37	17838-G1						BUSHING.....	3
38	74432-G01						PEDAL PIVOT PIN	1
39	12064-G6						PUSHNUT, 9/32" I.D.	1
40								
41	10386-G3						CLEVIS PIN, 5/16" X 13/16" LG	1
42	17255-G1						TEFLON WASHER, 5/16"	1
43	10387-G3						COTTER PIN, 3/32" X 3/4" LG	1
44								
45	00715-G2						BOLT, 5/16 - 18 X 13/16" LG.	4
46	70135-G01						PEDAL PIVOT COVER	1

BATTERY CHARGER (PORTABLE)



BATTERY CHARGER (PORTABLE)

THE USE OF NON U.L. PARTS WILL VOID ANY U.L. LISTING.

When ordering parts, please specify the model and serial number of the product.

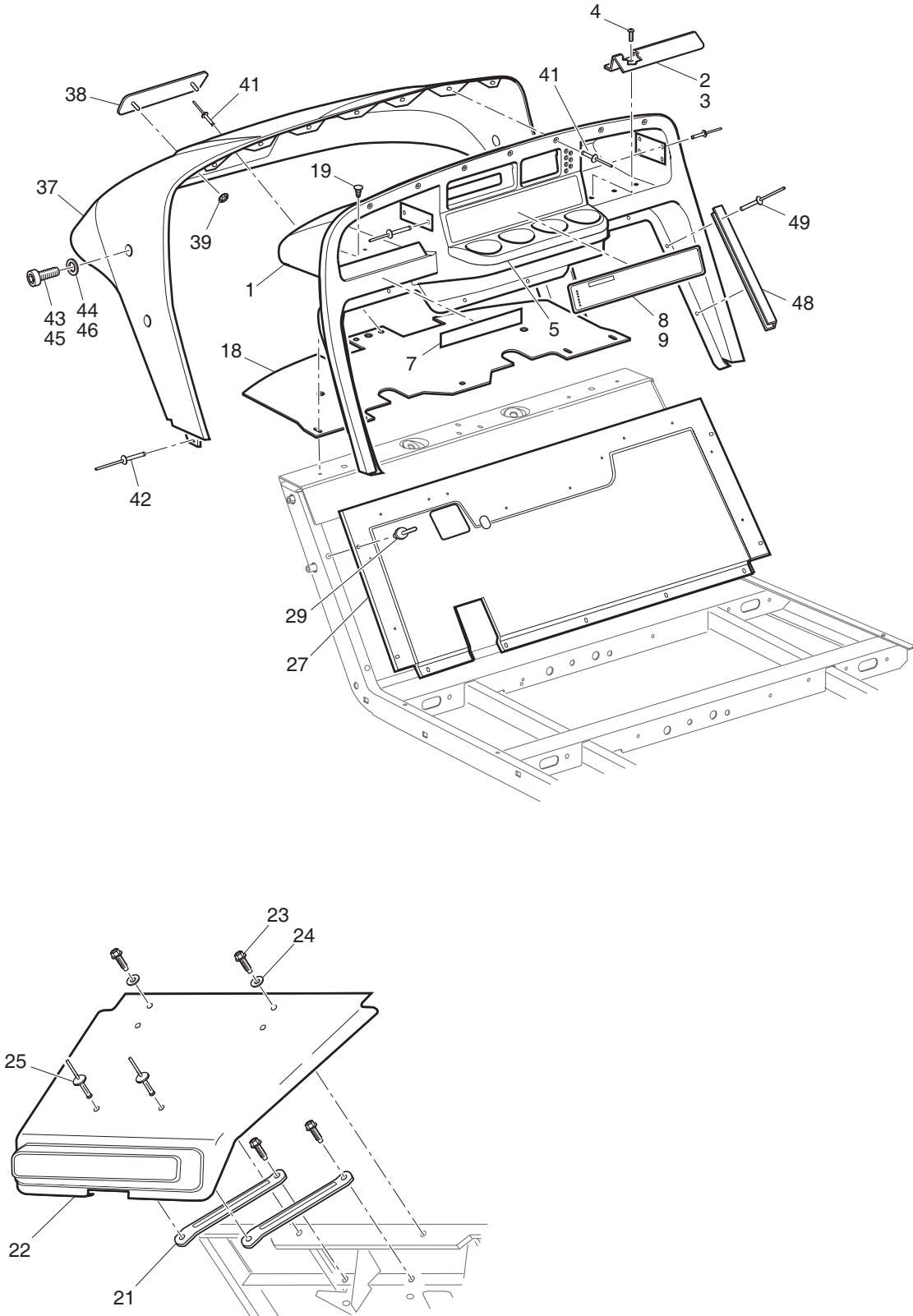
* Indicates a component that is not available as an individual part.

G** Indicates consult Customer Service Department for additional information.

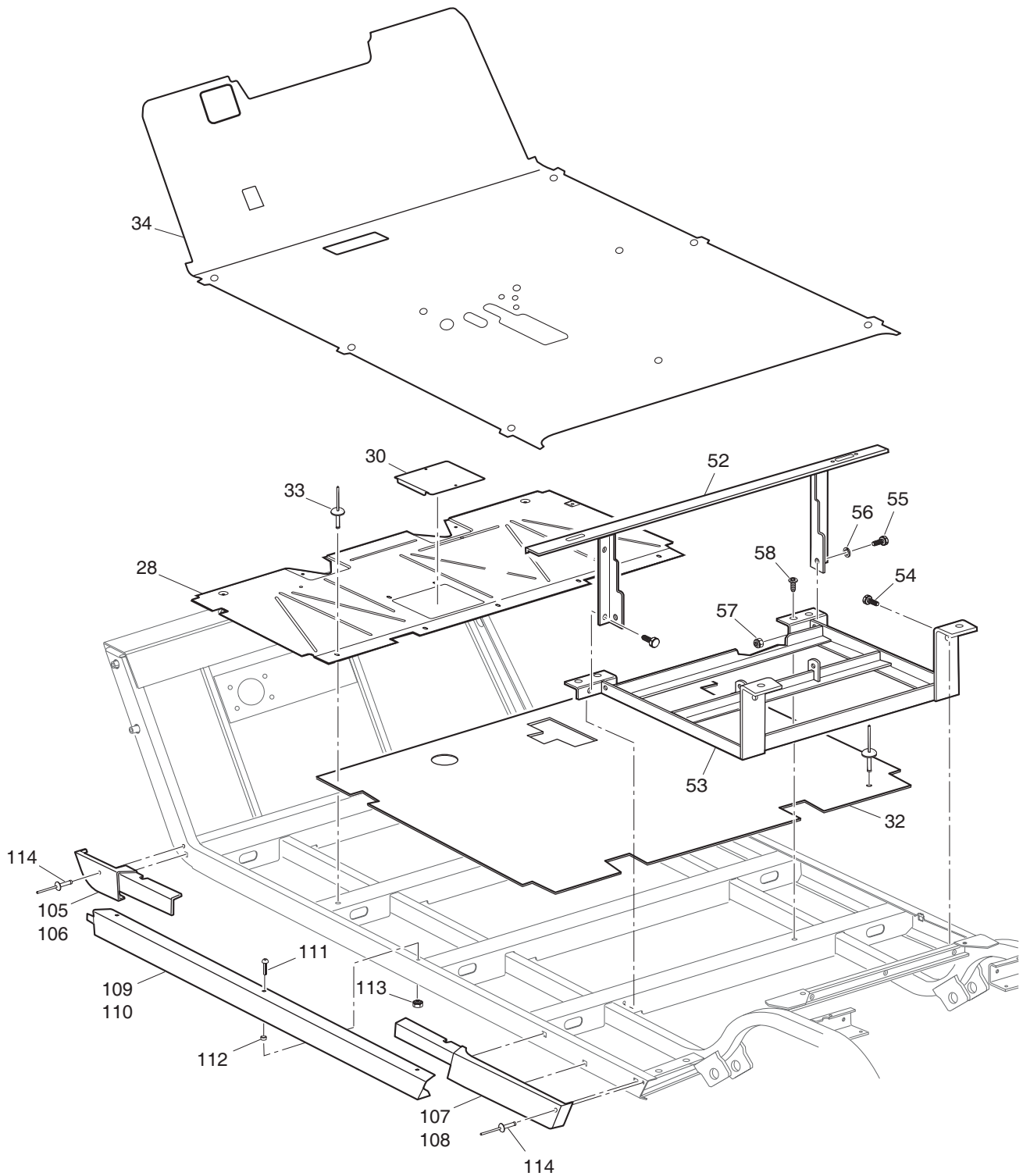
ITEM	PART NO.	1 2 3 4 5	DESCRIPTION	QTY.
1	28435-G03		48V LESTER BATTERY CHARGER.....	1
2	28435-G01		48V LESTER BATTERY CHARGER WITH SWITCHABLE INPUT	1
3	28435-G05		48V LESTER BATTERY CHARGER CE APPROVED.....	1
<p>For service or replacement parts, contact: Lester Electrical 625 West "A" Street Lincoln, NE 68522</p> <p>Phone: (402) 477-8988, FAX: (402) 474-1769</p> <p>Always provide the following information when requesting information or ordering replacement parts:</p> <p>Model Number: Serial Number: (stamped into housing)</p>				

BODY

1 - Includes Items 2 - 5

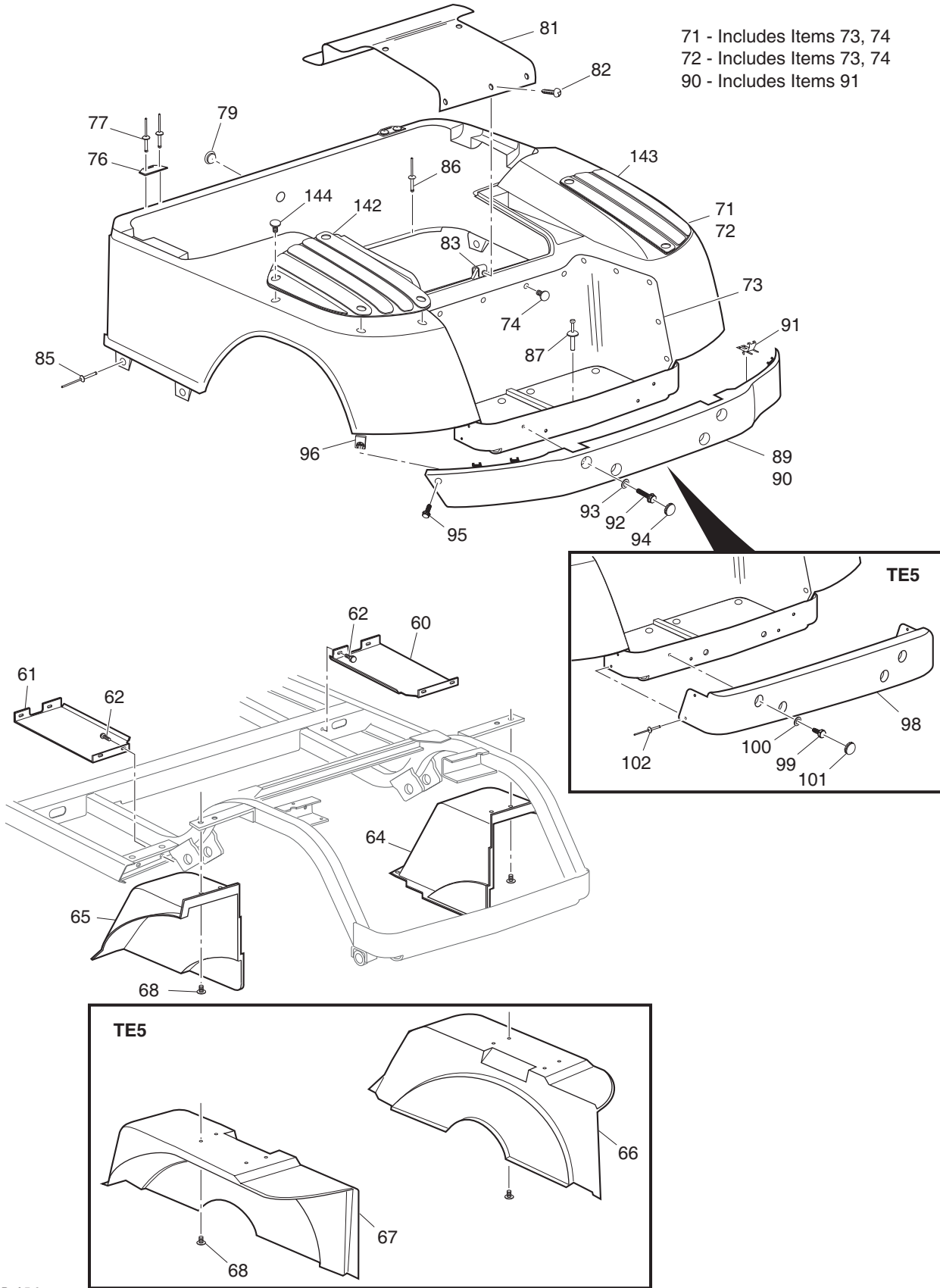


Ref Bod 7-1

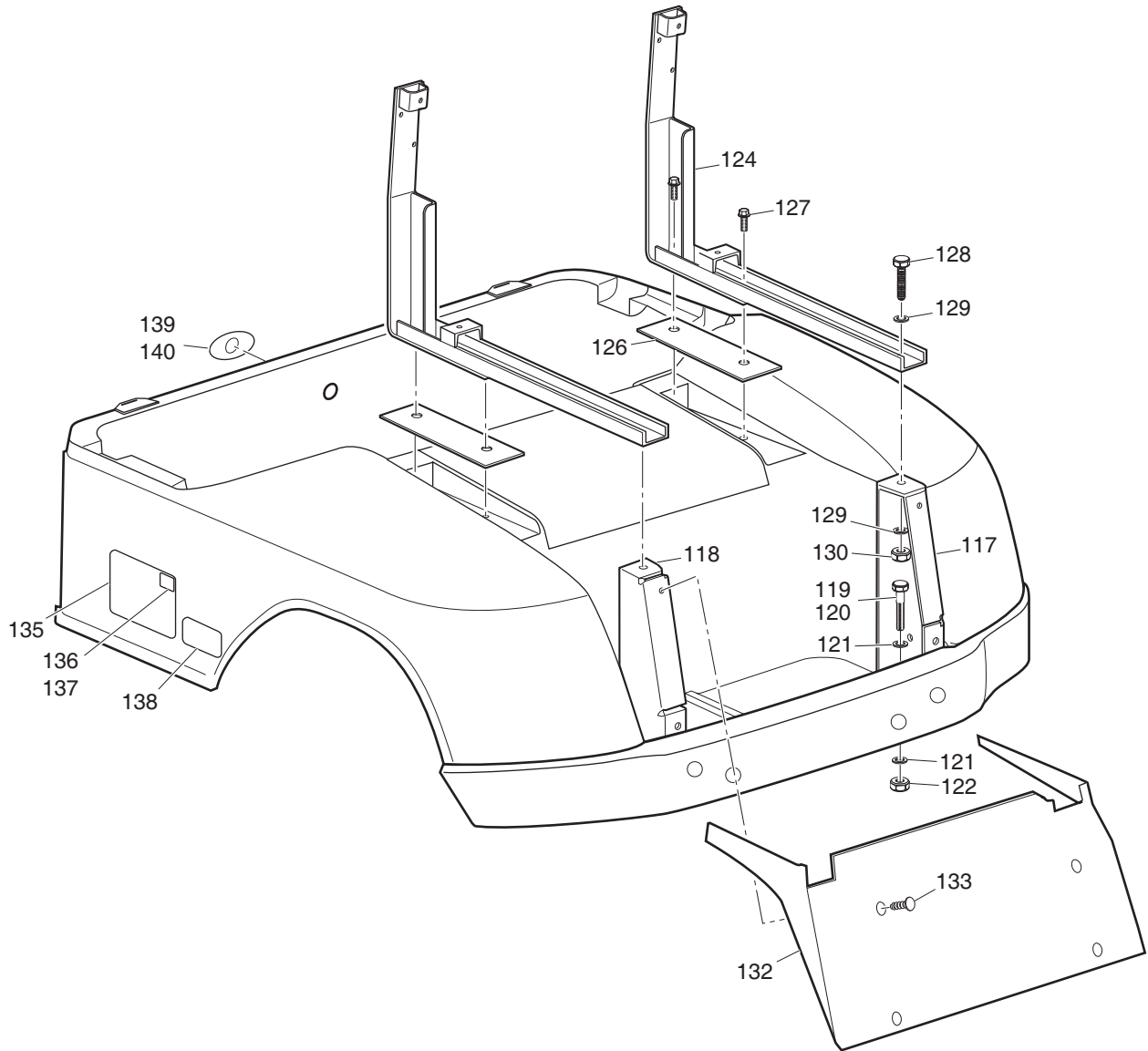


RefBod 7-2

BODY

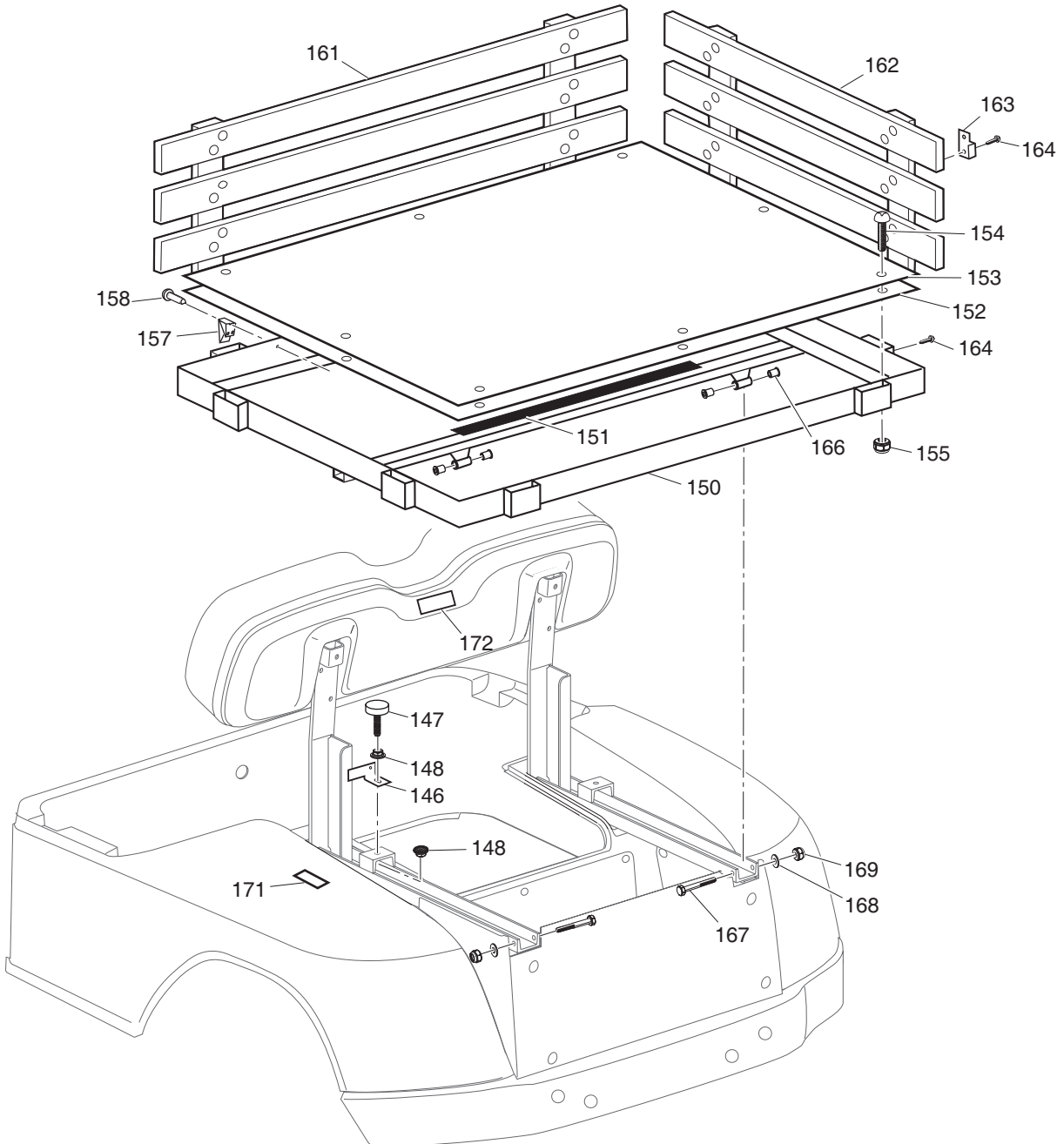


Ref Bod 7-3



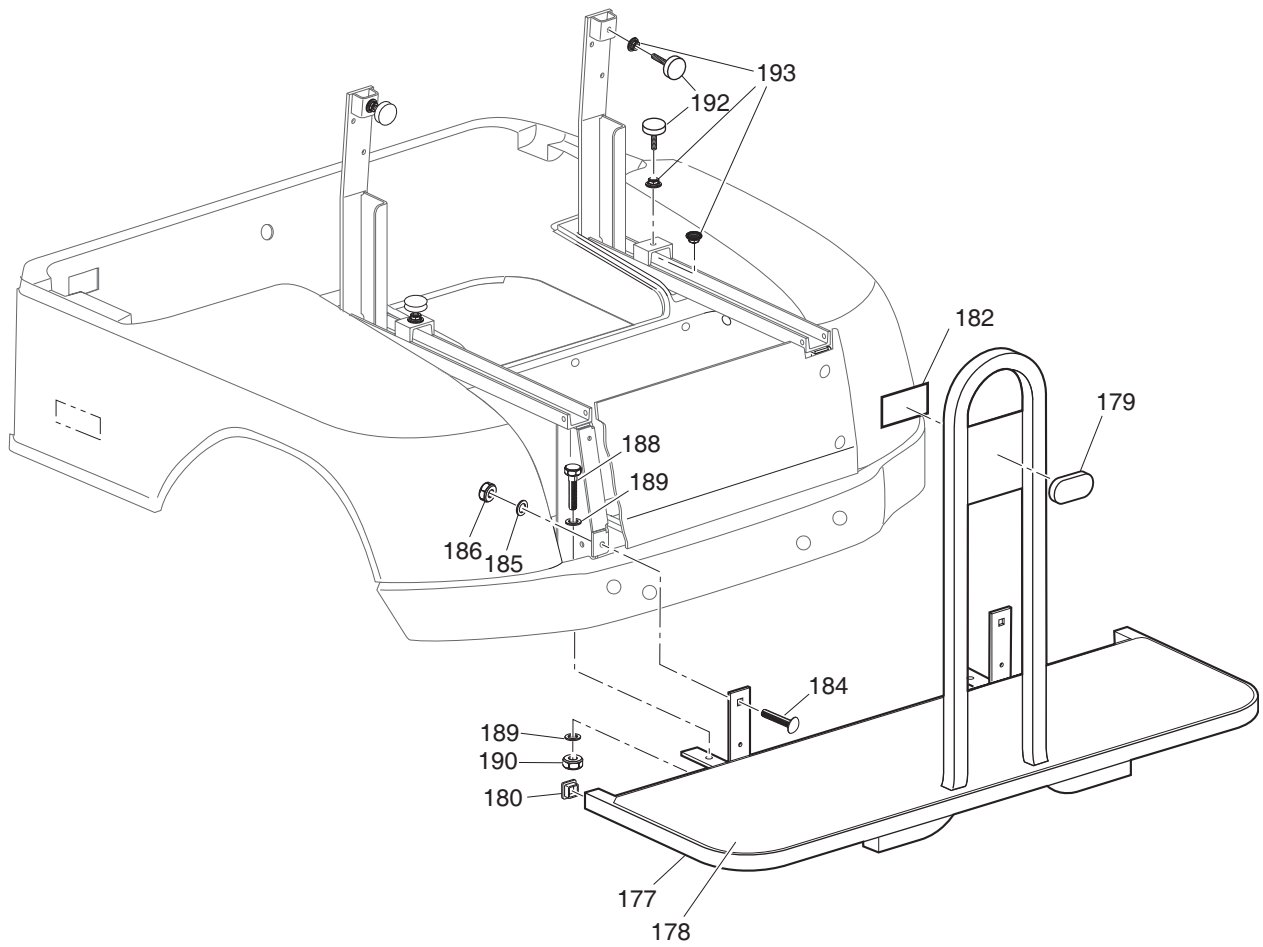
Ref Bod 7-4

BODY



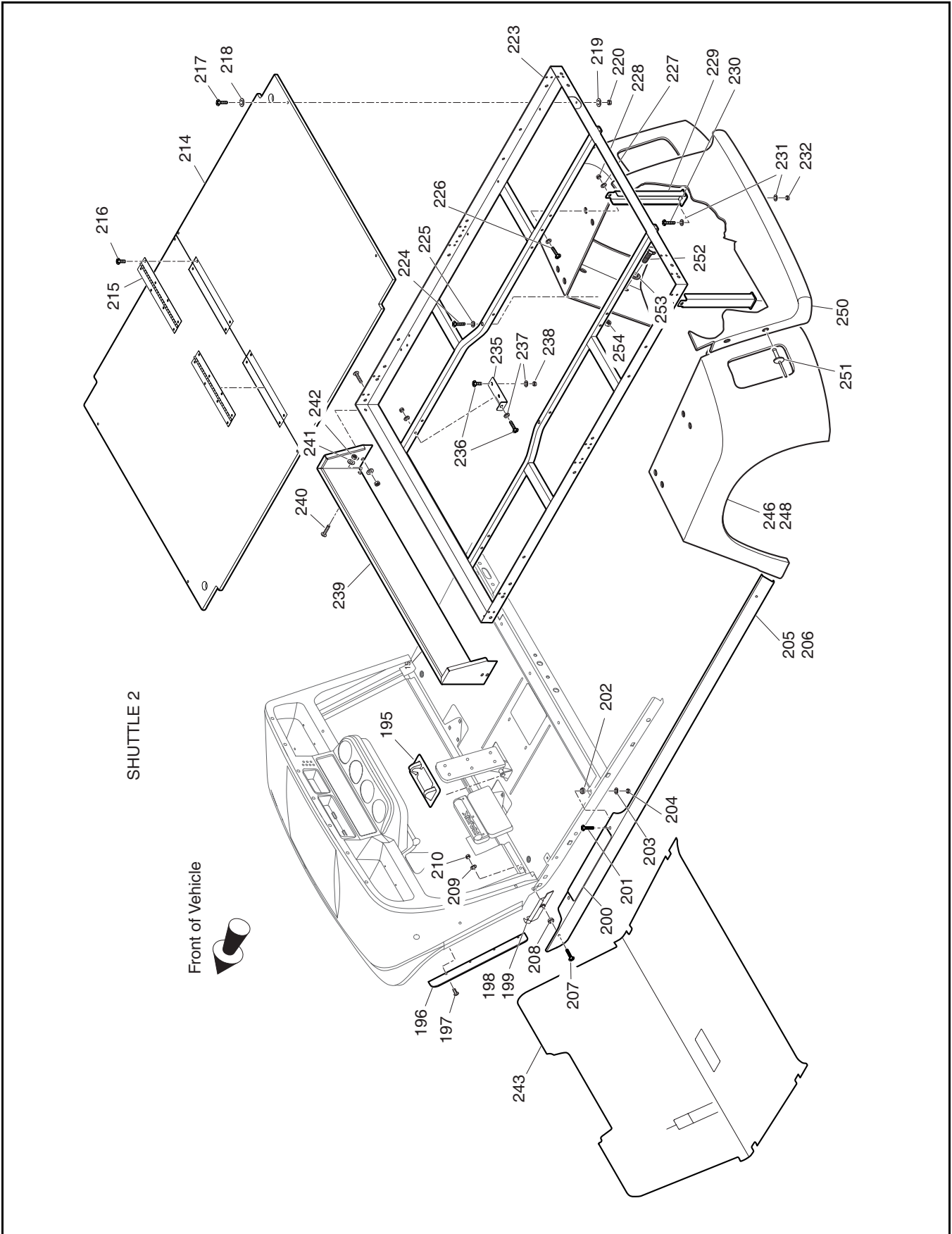
Ref Bod 7-5

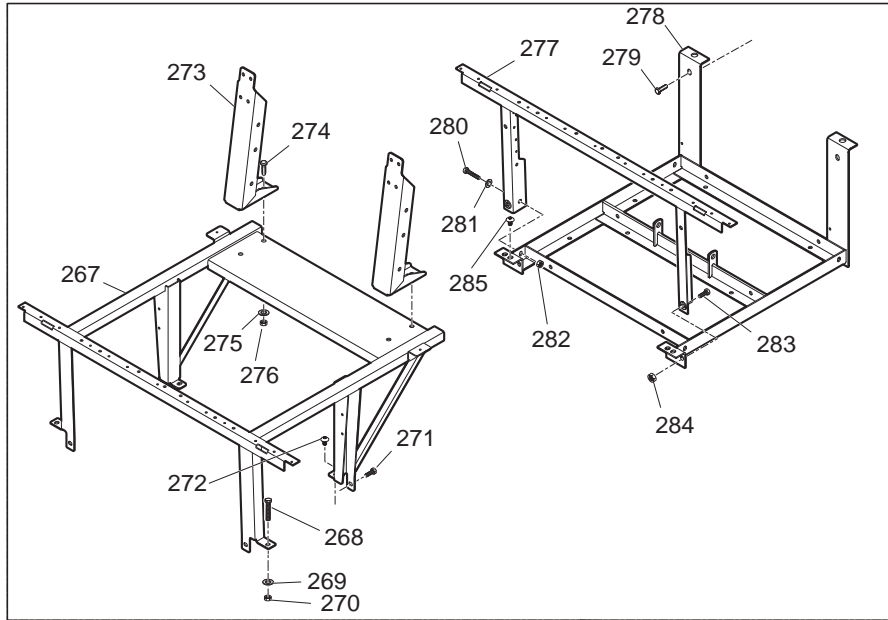
176 - Includes Items 177 - 179



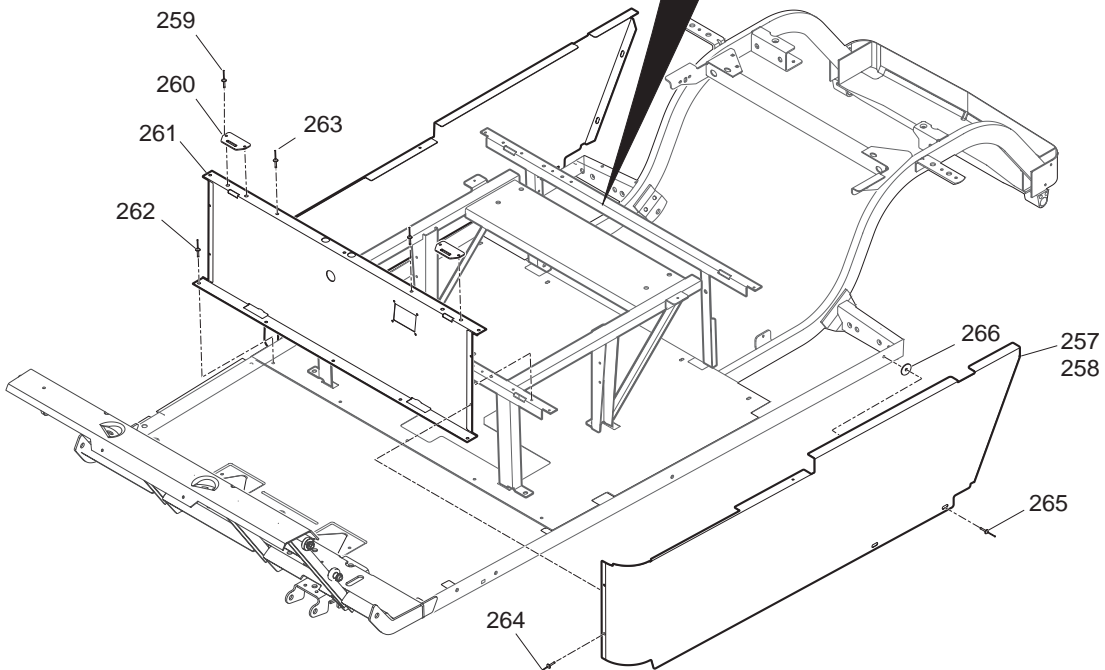
Ref Bod 7-6

BODY





SHUTTLE 2



BODY

THE USE OF NON U.L. PARTS WILL VOID ANY U.L. LISTING.
 When ordering parts, please specify the model and serial number of the product.
 * Indicates a component that is not available as an individual part.
 G** Indicates consult Customer Service Department for additional information.

ITEM	PART NO.	1 2 3 4 5	DESCRIPTION	QTY.
1	71151-G01		INSTRUMENT PANEL ASSEMBLY (INCLUDES ITEMS 2 - 5)	1
2	71153-G01		DEFLECTOR (PASSENGER SIDE)	1
3	71154-G01		DEFLECTOR (DRIVER SIDE).....	1
4	00614-G5		SCREW, #8 - 18 X 5/8" LG	6
5	71158-G01		INSTRUMENT PANEL INSERT (4 CUP HOLDER).....	1
6				
7	74443-G01		LABEL (ANTI-ROLLBACK)	1
8	70878-G01		LABEL (SAFETY) (SHUTTLE)	1
9	70880-G01		LABEL (SAFETY) (TE5).....	1
10				
11				
12				
13				
14				
15				
16				
17				
18	71413-G01		SPLASH PANEL.....	1
19	16816-G2		RATCHET FASTENER, 1/4" X 3/4" LG	5
20				
21	70725-G01		FRONT SHIELD BRACE.....	2
22	27166-G04		FRONT SHIELD	1
23	01038-G01		BOLT, 1/4 - 20 X 11/16" LG	4
24	16469-G1		WASHER, 1/4"	2
25	01057-G01		RIVET, KTR, 1/4" X 3/4" LG	2
26				
27	70662-G01		UPPER FLOORPAN.....	1
28	70451-G01		LOWER FLOORPAN.....	1
29	14601-G11		RIVET, 3/16" X 9/16" LG (ALUMINUM)	16
30	70452-G01		ACCESS COVER.....	1

THE USE OF NON U.L. PARTS WILL VOID ANY U.L. LISTING.
 When ordering parts, please specify the model and serial number of the product.
 * Indicates a component that is not available as an individual part.
 G** Indicates consult Customer Service Department for additional information.

ITEM	PART NO.	1 2 3 4 5	DESCRIPTION	QTY.
31				
32	70823-G01		REAR FLOORPAN	1
33	10570-G10		RIVET, 5/32" X 9/16" LG (STAINLESS STEEL)	5
34	70668-G0*		FLOORMAT	1
35				
36				
37	71051-G**		COWL.....	1
38	71037-G02		E-Z-GO NAMEPLATE (GOLD).....	1
39	71597-G01		PUSHNUT, 3/16"	2
40				
41	71055-G01		RIVET, 3/16" X 1" LG	9
42	10570-G11		RIVET, 3/16" X 3/4" LG (STAINLESS STEEL)	2
43	71056-G01		BOLT, 5/16 - 18 X 5/8" LG (WITHOUT SUN TOP).....	4
44	00570-G2		WASHER, 5/16 (WITHOUT SUN TOP).....	4
45	00438-G6		BOLT, 5/16 - 18 X 5/8" LG (WITHOUT SUN TOP).....	4
46	00571-G2		WASHER, 5/16 (WITHOUT SUN TOP).....	4
47				
48	71115-G01		VINYL TRIM	2
49	71055-G01		RIVET, 3/16" X 1" LG	10
50				
51				
52	70441-G01		SEAT FRAME	1
53	70046-G02		BATTERY RACK	1
54	00715-G2		BOLT, 5/16 - 18 X 13/16" LG	4
55	00438-G6		BOLT, 5/16 - 18 X 3/4" LG	2
56	00559-G8		WASHER, 5/16"	2
57	11098-G6		LOCK NUT, 5/16 - 18	2
58	70200-G01		SCREW, 3/8 - 16 X 3/4" LG.....	2
59				
60	70385-G01		SPLASH PAN (PASSENGER SIDE)	1

BODY

THE USE OF NON U.L. PARTS WILL VOID ANY U.L. LISTING.

When ordering parts, please specify the model and serial number of the product.

* Indicates a component that is not available as an individual part.

G** Indicates consult Customer Service Department for additional information.

ITEM	PART NO.	1 2 3 4 5	DESCRIPTION	QTY.
61	70385-G02		SPLASH PAN (DRIVER SIDE).....	1
62	00715-G2		BOLT, 5/16 - 18 X 13/16" LG	8
63				
64	71812-G01		FENDER LINER (PASSENGER SIDE) (SHUTTLE)	1
65	71812-G02		FENDER LINER (DRIVER SIDE) (SHUTTLE).....	1
66	71551-G05		FENDER LINER, EXTENDED (PASSENGER SIDE) (TE5).....	1
67	71552-G05		FENDER LINER, EXTENDED (DRIVER SIDE) (TE5).....	1
68	16816-G2		RATCHET FASTENER, 1/4" X 3/4" LG (SHUTTLE - QTY 4) (TE5 - QTY 8)	AR
69				
70				
71	71332-G**		REAR BODY ASSEMBLY (WITH TAILLIGHTS) (INCLUDES ITEMS 73, 74).....	1
72	71912-G**		REAR BODY ASSEMBLY (W/OUT TAILLIGHTS) (INCLUDES ITEMS 73, 74) ..	1
73	71318-G01		BAGWELL LINER	1
74	16816-G1		RATCHET FASTENER, 1/4" X 9/16" LG	12
75				
76	71609-G01		HINGE PLATE	2
77	10570-G11		RIVET, 3/16" X 3/4" LG (STAINLESS STEEL)	4
78				
79	71316-G01		PLUG.....	1
80				
81	71320-G01		ACCESS PANEL	1
82	01107-G01		SCREW, #8 X 5/8" LG.....	5
83	71364-G02		'J' CLIP	1
84				
85	10570-G12		RIVET, 1/4" X 9/16" LG (ALUMINUM).....	4
86	10570-G10		RIVET, 5/32" X 9/16" LG (STAINLESS STEEL)	6
87	18436-G1		PLASTIC DRIVE RIVET, 1/4" X 9/16" LG	2
88				
89	71451-G02		REAR BUMPER (SHUTTLE 4, TE5 PDS)	1
90	71456-G01		REAR BUMPER (SHUTTLE 6) (INCLUDES ITEM 91)	1

THE USE OF NON U.L. PARTS WILL VOID ANY U.L. LISTING.
 When ordering parts, please specify the model and serial number of the product.
 * Indicates a component that is not available as an individual part.
 G** Indicates consult Customer Service Department for additional information.

ITEM	PART NO.	1 2 3 4 5	DESCRIPTION	QTY.
91	71457-G01		STAY	4
92	71398-G01		BOLT, 1/4 - 20 X 1 1/4" LG (SHUTTLE 4 - QTY 4) (SHUTTLE 6 - QTY 2)	AR
93	00571-G2		WASHER, 5/16" (SHUTTLE 4 - QTY 4) (SHUTTLE 6 - QTY 2).....	AR
94	71455-G01		BUMPER PLUG	4
95	71102-G03		BOLT, 1/4 - 20 x 11/16" LG.....	2
96	71554-G01		J-TYPE NUT RETAINER, 1/4 - 20.....	2
97				
98	71578-G01		REAR BUMPER (TE5)	1
99	71102-G01		BOLT, 1/4 - 20 X 3/4" LG	4
100	00571-G2		WASHER, 5/16"	4
101	71514-G01		BUMPER PLUG	4
102	14601-G17		RIVET, 3/16" X 9/16" LG (ALUMINUM)	4
103				
104				
105	71642-G01		ROCKER PANEL (FRONT, DRIVER SIDE)	1
106	71642-G02		ROCKER PANEL (FRONT, PASSENGER SIDE).....	1
107	71643-G01		ROCKER PANEL (REAR, DRIVER SIDE)	1
108	71643-G02		ROCKER PANEL (REAR, PASSENGER SIDE).....	1
109	71641-G01		SILL PLATE (PASSENGER SIDE)	1
110	71641-G02		SILL PLATE (DRIVER SIDE).....	1
111	16705-G1		SCREW, 1/4 - 20 X 1" LG (STAINLESS STEEL)	6
112	23726-G4		SPACER, 5/16"	6
113	00891-G2		LOCK NUT, 1/4 - 20	6
114	15058-G6		RIVET, 3/16" X 15/16" LG (ALUMINUM)	4
115				
116				
117	74126-G01		VERTICAL FRAME SUPPORT (PASSENGER SIDE)	1
118	74126-G02		VERTICAL FRAME SUPPORT (DRIVER SIDE).....	1
119	00427-G4		BOLT, 3/8 - 16 X 1 1/2" LG (SHUTTLE 4)	2
120	00427-G6		BOLT, 3/8 - 16 X 1 3/4" LG (SHUTTLE 6)	2

BODY

THE USE OF NON U.L. PARTS WILL VOID ANY U.L. LISTING.
 When ordering parts, please specify the model and serial number of the product.
 * Indicates a component that is not available as an individual part.
 G** Indicates consult Customer Service Department for additional information.

ITEM	PART NO.	1 2 3 4 5	DESCRIPTION	QTY.
121	00560-G1		WASHER, 3/8"	4
122	11098-G5		LOCK NUT, 3/8 - 16	2
123				
124	74111-G01		SEAT BACK SUPPORT (SHUTTLE)	2
125				
126	70364-G01		SPACER (TE5 & SHUTTLE 6)	2
127	01006-G02		BOLT, 3/8 - 16 X 1 1/4" LG	4
128	00426-G8		BOLT, 3/8 - 16 X 1" LG	2
129	00560-G1		WASHER, 3/8"	4
130	11098-G5		LOCK NUT, 3/8 - 16	2
131				
132	74149-G01		VALANCE PANEL	1
133	16816-G2		RATCHET FASTENER, 1/4" X 3/4" LG	4
134				
135	35434-G01		LABEL (SHUTTLE)	2
136	35430-G13		LABEL (6)	2
137	35430-G14		LABEL (4)	2
138	73330-G01		LABEL (PRECISION DRIVE™ SYSTEM) (TE5)	2
139	12109-G01		LABEL (F-R)	1
140	73317-G01		LABEL (F-R) (EC)	1
141				
142	75126-G01		FENDER SCUFFGUARD (DRIVER SIDE) (TE5)	1
143	75126-G02		FENDER SCUFFGUARD (PASSENGER SIDE) (TE5)	1
144	16816-G2		RATCHET FASTENER, 1/4" X 3/4" LG	8
145				
146	72914-G01		HOLD DOWN BRACKET	1
147	70113-G01		ADJUSTABLE BUMPER	2
148	11027-G1		LOCK NUT, 5/16 - 18	4
149				
150	74080-G01		CARGO DECK	1

THE USE OF NON U.L. PARTS WILL VOID ANY U.L. LISTING.
 When ordering parts, please specify the model and serial number of the product.
 * Indicates a component that is not available as an individual part.
 G** Indicates consult Customer Service Department for additional information.

ITEM	PART NO.	1 2 3 4 5	DESCRIPTION	QTY.
151	23052-G1		NOISE SUPPRESSOR	1
152	74082-G01		STEEL DECK	1
153	74097-G01		CARGO BED MAT.....	1
154	16705-G3		SCREW, 1/4 - 20 X 3/4" LG (STAINLESS STEEL)	8
155	14390-G4		LOCK NUT, 1/4 - 20	8
156				
157	72913-G01		LATCH.....	1
158	00100-G6		SCREW - # 10-16 X 3/4 HW - SDT - ZP	3
159				
160				
161	34280-G02		FRONT/REAR CARGO RACK.....	2
162	34280-G01		SIDE CARGO RACK.....	2
163	74079-G01		TAILGATE RETAINER BRACKET.....	2
164	00666-G6		SCREW, #10 - 12 X 3/4" LG.....	10
165				
166	17838-G1		BUSHING	4
167	00440-G4		BOLT, 5/16 - 18 X 2 1/2" LG	2
168	00559-G8		WASHER, 5/16"	2
169	11098-G6		LOCK NUT, 5/16 - 18	2
170				
171	74099-G01		LABEL (WARNING) (BED LATCH - SHUTTLE 4).....	1
172	74095-G01		LABEL (WARNING) (LOAD BED - SHUTTLE 4)	1
173				
174				
175				
176	70361-G02		FOOT REST ASSEMBLY (INCLUDES ITEMS 177 - 179).....	1
177	70633-G01		FOOT REST	1
178	70362-G01		FLOOR MAT	1
179	74129-G01		REFLECTOR	1
180	19853-G1		END CAP	2

BODY

THE USE OF NON U.L. PARTS WILL VOID ANY U.L. LISTING.
 When ordering parts, please specify the model and serial number of the product.
 * Indicates a component that is not available as an individual part.
 G** Indicates consult Customer Service Department for additional information.

ITEM	PART NO.	1 2 3 4 5	DESCRIPTION	QTY.
181				
182	74074-G01		LABEL (WARNING) (EC)	1
183				
184	00769-G2		CARRIAGE BOLT, 3/8 - 16 X 1 1/4" LG	2
185	00560-G1		WASHER, 3/8"	2
186	11098-G5		LOCK NUT, 3/8 - 16	2
187				
188	00427-G6		BOLT, 3/8 - 16 X 1 3/4" LG	2
189	00560-G1		WASHER, 3/8"	4
190	11098-G5		LOCK NUT, 3/8 - 16	2
191				
192	70113-G01		ADJUSTABLE BUMPER	4
193	11027-G1		LOCK NUT, 5/16 - 18	6
194				
195	70135-G01		PEDAL PIVOT COVER	1
196	600776-G01		FENDER FLAIR	2
197	16816-G2		RATCHET FASTENER, 1/4" X 3/4" LG	8
198	71424-G01		SPACER, DRIVER SIDE	1
199	71424-G02		SPACER, PASSENGER SIDE	1
200	71764-G01		SILL PLATE TREAD.....	2
201	16705-G1		SCREW, 1/4 - 20 X 1" LG (STAINLESS STEEL)	4
202	23726-G2		SPACER, 1/4"	4
203	00559-G7		WASHER, 1/4"	4
204	14390-G4		LOCK NUT, 1/4 - 20	4
205	600035-G01		ROCKER PANEL, DRIVER SIDE.....	1
206	600035-G02		ROCKER PANEL, PASSENGER SIDE	1
207	00789-G2		SCREW, #10 - 24 X 1 1/4 LG	4
208	23726-G2		SPACER, 1/4"	4
209	00660-G5		WASHER, #10.....	4
210	11098-G7		LOCK NUT, #10-24"	4

THE USE OF NON U.L. PARTS WILL VOID ANY U.L. LISTING.
 When ordering parts, please specify the model and serial number of the product.
 * Indicates a component that is not available as an individual part.
 G** Indicates consult Customer Service Department for additional information.

ITEM	PART NO.	1	2	3	4	5	DESCRIPTION	QTY.
211								
212								
213								
214	72966-G01						CARGO DECK	2
215	33121-G01						HINGE	2
216	16705-G3						SCREW, 1/4 - 20 X 3/4" LG (STAINLESS STEEL)	16
217	16705-G9						SCREW, 1/4 - 20 X 1 1/4" LG (STAINLESS STEEL)	4
218	00559-G7						WASHER, 1/4"	4
219	00559-G7						WASHER, 1/4"	4
220	00891-G2						LOCK NUT, 1/4 - 20	4
221								
222								
223	72956-G01						BED FRAME	1
224	71802-G01						SCREW, 3/8 - 16 X 2 3/4" LG.....	2
225	00571-G3						WASHER, 3/8.....	2
226	00439-G6						SCREW, 5/16 - 18 X 1 3/4" LG.....	4
227	00559-G8						WASHER, 5/16.....	8
228	11098-G6						LOCK NUT, 5/16 - 18	4
229	72982-G01						BRACKET	2
230	00438-G6						BOLT, 5/16 - 18 X 3/4" LG	2
231	00559-G8						WASHER, 5/16.....	4
232	11098-G6						LOCK NUT, 5/16 - 18	2
233								
234								
235	72983-G01						BED MOUNT BRACKET	2
236	16705-G3						SCREW, 1/4 - 20 X 3/4" LG (STAINLESS STEEL)	4
237	00559-G7						WASHER, 1/4"	4
238	00891-G2						LOCK NUT, 1/4 - 20	4
239	72967-G01						BULKHEAD	1
240	16705-G3						SCREW, 1/4 - 20 X 3/4" LG (STAINLESS STEEL)	4

BODY

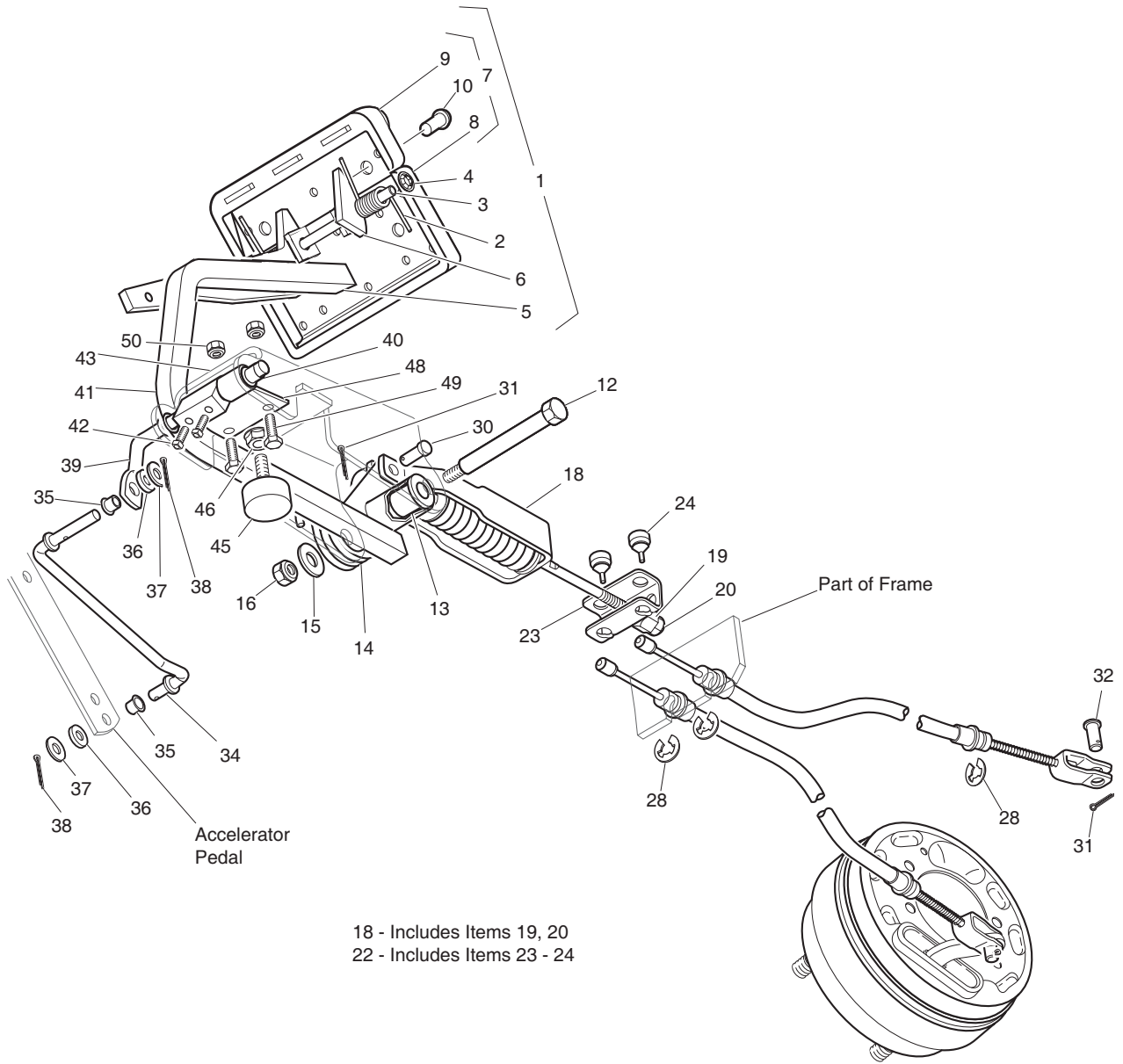
THE USE OF NON U.L. PARTS WILL VOID ANY U.L. LISTING.
 When ordering parts, please specify the model and serial number of the product.
 * Indicates a component that is not available as an individual part.
 G** Indicates consult Customer Service Department for additional information.

ITEM	PART NO.	1 2 3 4 5	DESCRIPTION	QTY.
241	00559-G7		WASHER, 1/4"	4
242	00891-G2		LOCK NUT, 1/4 - 20	4
243	70663-G03		FLOORMAT	1
244				
245				
246	71572-G01		FENDER (DRIVER SIDE)	1
247	71572-G02		FENDER (PASSENGER SIDE)	1
248	71572-G03		FENDER WITH TAILLIGHT (DRIVER SIDE)	1
249	71572-G04		FENDER WITH TAILLIGHT (PASSENGER SIDE)	1
250	71587-G02		REAR PANEL	1
251	71055-G01		RIVET, 3/16" X 1" LG	4
252	11027-G2		LOCK NUT, 1/4 - 20	12
253	00559-G7		WASHER, 1/4"	12
254	00414-G7		BOLT, 1/4 - 20 X 7/8" LG	12
255				
256				
257	600037-G01		SIDE PANEL, DRIVER SIDE	1
258	600037-G02		SIDE PANEL, PASSENGER SIDE	1
259	10570-G11		RIVET, 3/16" X 3/4" LG (STAINLESS STEEL)	4
260	71609-G01		SEAT HINGE	2
261	600034-G01		SEAT WRAP PANEL	1
262	10570-G10		RIVET, 5/32" X 9/16" LG (STAINLESS STEEL)	5
263	10570-G10		RIVET, 5/32" X 9/16" LG (STAINLESS STEEL)	2
264	10570-G10		RIVET, 5/32" X 9/16" LG (STAINLESS STEEL)	4
265	10570-G12		RIVET, 1/4" X 9/16" LG	2
266	16469-G01		WASHER, 1/4"	4
267	600038-G01		SEAT FRAME WELDMENT	1
268	00438-G8		BOLT, 5/16 - 18 x 1" LG	2
269	00559-G8		WASHER, 5/16	2
270	11098-G6		LOCK NUT, 5/16 - 18	2

THE USE OF NON U.L. PARTS WILL VOID ANY U.L. LISTING.
 When ordering parts, please specify the model and serial number of the product.
 * Indicates a component that is not available as an individual part.
 G** Indicates consult Customer Service Department for additional information.

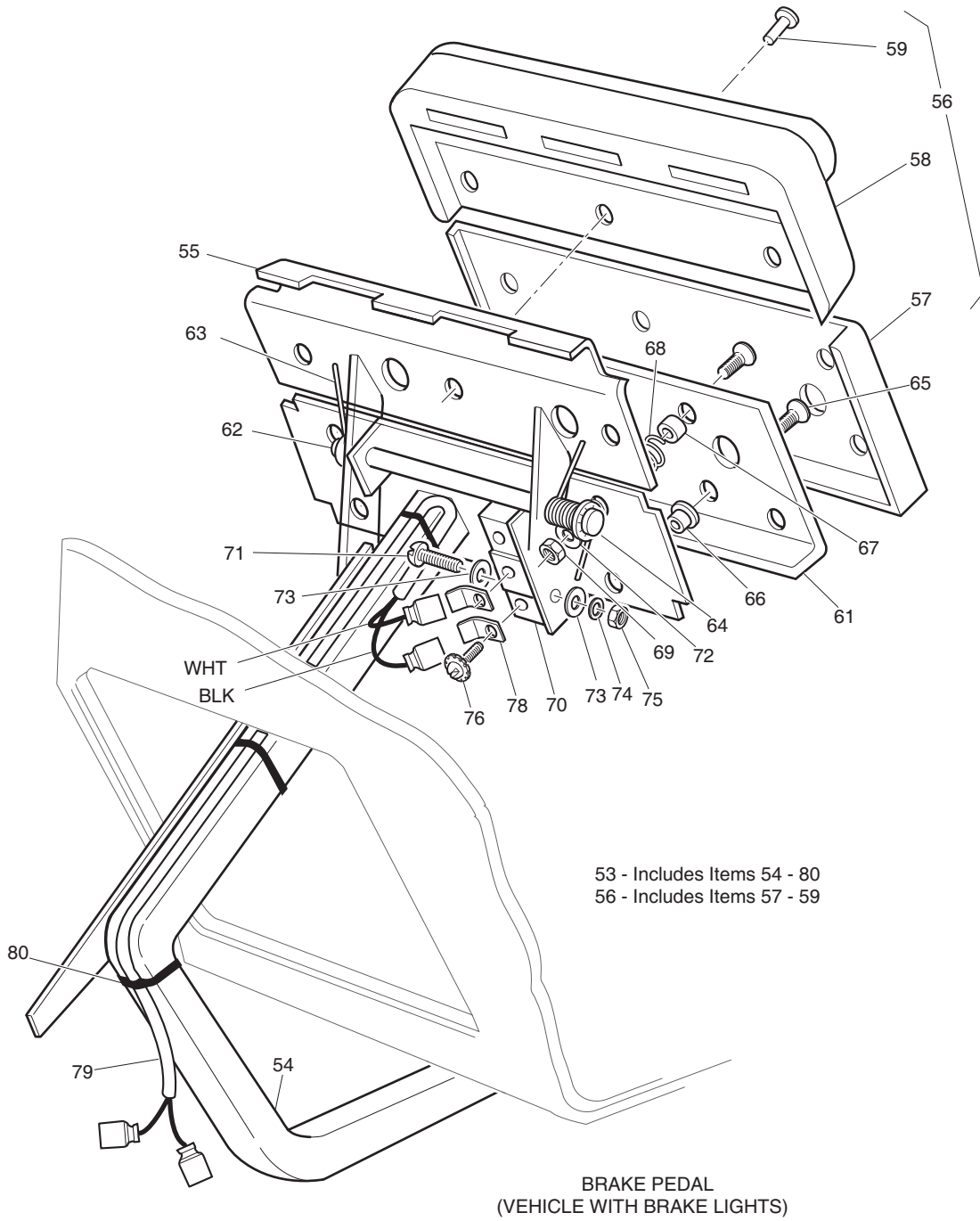
ITEM	PART NO.	1 2 3 4 5	DESCRIPTION	QTY.
271	00715-G2		BOLT, 5/16 - 18 X 13/16" LG	4
272	70200-G01		BOLT, 3/8 - 16 X 3/4" LG	2
273	75900-G02		SEAT BACK BRACKET.....	2
274	00426-G8		BOLT, 3/8 - 16 X 1" LG	4
275	00560-G1		WASHER, 3/8"	4
276	11098-G5		LOCK NUT, 3/8 - 16	4
277	70441-G01		SEAT FRAME	1
278	70046-G01		BATTERY RACK WELDMENT.....	1
279	00715-G2		BOLT, 5/16 - 18 X 13/16" LG	4
280	00438-G8		BOLT, 5/16 - 18 x 1"LG.....	2
281	00559-G8		WASHER, 5/16.....	2
282	11098-G6		LOCK NUT, 5/16 - 18	2
283	00715-G2		BOLT, 5/16 - 18 X 13/16" LG	2
284	11098-G6		LOCK NUT, 5/16 - 18	2
285	70200-G01		BOLT, 3/8 - 16 X 3/4" LG	2

BRAKES - MECHANICAL



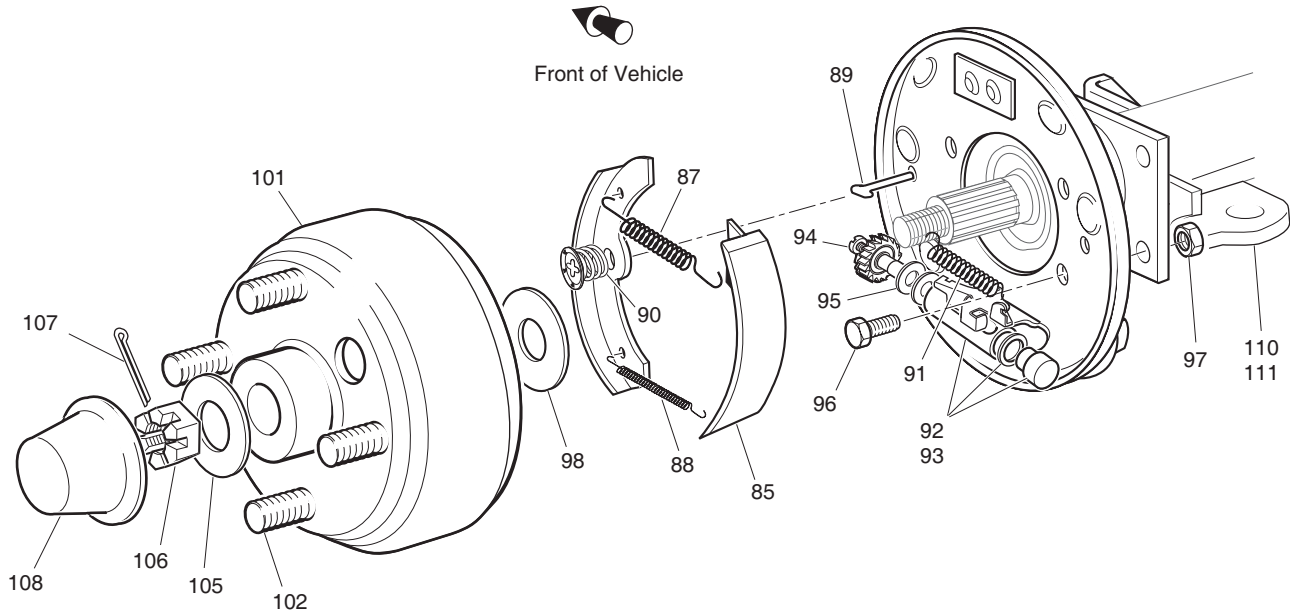
Ref Brm 8-1

BRAKES - MECHANICAL



Ref Brm 8-2

BRAKES - MECHANICAL



- 82 - Includes Items 84 - 92, 94, 95
- 83 - Includes Items 84 - 91, 93 - 95
- 84 - Includes Items 85
- 86 - Includes Items 87 - 91
- 92 - Includes Items 94, 95
- 93 - Includes Items 94, 95
- 100 - Includes Items 101, 102

Ref Btm 8-3

BRAKES - MECHANICAL

THE USE OF NON U.L. PARTS WILL VOID ANY U.L. LISTING.

When ordering parts, please specify the model and serial number of the product.

* Indicates a component that is not available as an individual part.

G** Indicates consult Customer Service Department for additional information.

ITEM	PART NO.	1 2 3 4 5	DESCRIPTION	QTY.
1	70612-G01		BRAKE PEDAL ASSEMBLY (WITHOUT BRAKE LIGHTS) (INCLUDES ITEMS 2 - 10).....	1
2	70681-G01		TORSION SPRING.....	2
3	70682-G01		PIVOT PIN.....	1
4	01071-G01		PUSHNUT, 5/16".....	2
5	*		BRAKE PEDAL.....	1
6	70611-G01		PARK BRAKE PEDAL.....	1
7	70274-G01		BRAKE/PARK BRAKE PEDAL PAD KIT (INCLUDES ITEMS 8 - 10).....	1
8	*		SERVICE BRAKE PAD.....	1
9	*		PARK BRAKE PEDAL PAD.....	1
10	15766-G1		OVAL RIVET, 3/16" X 7/16" LG.....	9
11				
12	70582-G01		SHOULDER BOLT, 3/8 - 16 X 4" LG (STAINLESS STEEL).....	1
13	70581-G01		FLANGED BUSHING.....	2
14	70676-G01		TORSION SPRING.....	1
15	00643-G1		WASHER, 3/8".....	1
16	11098-G5		LOCK NUT, 3/8 - 16.....	1
17				
18	70272-G04		COMPENSATOR ASSEMBLY (INCLUDES ITEMS 19, 20).....	1
19	00963-G01		SPHERICAL NUT, 5/16 - 24.....	1
20	11098-G9		LOCK NUT, 5/16 - 24.....	1
21				
22	70969-G06		EQUALIZER AND BRAKE CABLE ASSEMBLY (INCLUDES ITEMS 23-24).....	1
23	28082-G01		EQUALIZER BRACKET.....	1
24	28083-G01		BRAKE COMPENSATOR BUMPER.....	2
25				
26				
27				
28	01111-G01		RETAINING RING, 13/32" (STAINLESS STEEL).....	4
29				

BRAKES - MECHANICAL

THE USE OF NON U.L. PARTS WILL VOID ANY U.L. LISTING.
 When ordering parts, please specify the model and serial number of the product.
 * Indicates a component that is not available as an individual part.
 G** Indicates consult Customer Service Department for additional information.

ITEM	PART NO.	1 2 3 4 5	DESCRIPTION	QTY.
30	10386-G3		CLEVIS PIN, 5/16" X 13/16" LG	1
31	10387-G3		COTTER PIN, 3/32" X 3/4" LG	3
32	14443-G2		CLEVIS PIN, 5/16" X 5/8" LG	2
33				
34	70601-G01		KICK-OFF LINK.....	1
35	17838-G1		NYLON BUSHING.....	2
36	20835-G1		TEFLON WASHER, 3/8"	2
37	00559-G8		WASHER, 5/16"	2
38	10387-G3		COTTER PIN, 3/32" X 3/4" LG	2
39	70098-G01		KICK-OFF CAM PIVOT	1
40	10097-G6		FLANGED BEARING	2
41	70587-G01		KICK-OFF CAM.....	1
42	71215-G01		SETSCREW, 1/4 - 20 X 1/2" LG.....	2
43	14134-G4		SPACER.....	1
44				
45	70113-G01		ADJUSTABLE BUMPER	1
46	11027-G1		LOCK NUT, 5/16 - 18	1
47				
48	70080-G01		CATCH BRACKET	1
49	00414-G6		BOLT, 1/4 - 20 X 3/4" LG	2
50	00891-G2		LOCK NUT, 1/4 - 20 (STAINLESS STEEL)	2
51				
52				
53	70690-G01		BRAKE PEDAL ASSEMBLY (WITH BRAKE LIGHTS) (INCLUDES ITEMS 54 - 80).....	1
54	*		BRAKE PEDAL	1
55	70611-G01		PARK BRAKE PEDAL	1
56	70274-G01		BRAKE/PARK BRAKE PEDAL PAD KIT (INCLUDES ITEMS 57 - 59).....	1
57	*		SERVICE BRAKE PAD	1
58	*		PARK BRAKE PAD.....	1

BRAKES - MECHANICAL

THE USE OF NON U.L. PARTS WILL VOID ANY U.L. LISTING.
 When ordering parts, please specify the model and serial number of the product.
 * Indicates a component that is not available as an individual part.
 G** Indicates consult Customer Service Department for additional information.

ITEM	PART NO.	1	2	3	4	5	DESCRIPTION	QTY.
59	15766-G1						OVAL RIVET, 3/16" x 7/16" LG.....	9
60								
61	70258-G02						BRAKE PEDAL PLATE.....	1
62	70682-G01						PIVOT PIN.....	1
63	70681-G01						TORSION SPRING.....	2
64	01071-G01						PUSHNUT, 5/16".....	1
65	00737-G8						SCREW, #10 - 24 X 7/8" LG.....	4
66	00739-G1						RUBBER NUT, #10 - 24.....	2
67	74535-G03						BRAKE PEDAL STANDOFF.....	2
68	27137-G01						CONICAL SPRING.....	2
69	11098-G7						LOCK NUT, #10 - 24.....	2
70	10606-G8						MICRO SWITCH.....	1
71	00957-G1						BOLT, #6 - 32 X 1 1/4" LG.....	2
72	00559-G5						WASHER, #10.....	2
73	00559-G3						WASHER, #6.....	4
74	00565-G3						LOCK WASHER, #6.....	2
75	00525-G5						NUT, #6 - 32.....	2
76	13514-G1						SCREW AND LOCK WASHER, #6.....	2
77								
78	14628-G1						FASTON TAB.....	2
79	24605-G1						WIRE HARNESS (BRAKE LIGHT).....	1
80	17618-G1						WIRE TIE.....	3
81								
82	70998-G01						BRAKE ASSEMBLY (DRIVER SIDE) (INCLUDES ITEMS 84 - 92, 94, 95).....	1
83	70998-G02						BRAKE ASSEMBLY (PASSENGER SIDE) (INCLUDES ITEMS 84 - 91, 93 - 95).....	1
84	70794-G01						BRAKE SHOE KIT (INCLUDES ITEM 85).....	2
85	*						BRAKE SHOE.....	2
86	27944-G01						BRAKE SPRING KIT (INCLUDES ITEMS 87 - 91).....	2
87	*						UPPER SPRING.....	1

BRAKES - MECHANICAL

THE USE OF NON U.L. PARTS WILL VOID ANY U.L. LISTING.
 When ordering parts, please specify the model and serial number of the product.
 * Indicates a component that is not available as an individual part.
 G** Indicates consult Customer Service Department for additional information.

ITEM	PART NO.	1	2	3	4	5	DESCRIPTION	QTY.
88	*						LOWER SPRING	1
89	*						PIN	2
90	*						CUP AND SPRING	2
91	*						ADJUSTER SPRING.....	1
92	72582-G01						BRAKE ADJUSTER KIT (DRIVER SIDE) (INCLUDES ITEMS 94, 95)	1
93	72582-G02						BRAKE ADJUSTER KIT (PASSENGER SIDE) (INCL. ITEMS 94, 95).....	1
94	*						ADJUSTER	1
95	*						TEFLON WASHER.....	2
96	17083-G2						BOLT, 5/16 - 24 X 1" LG	8
97	15126-G1						LOCK NUT, 5/16 - 24	8
98	21809-G1						INNER BRAKE DRUM WASHER, 1 5/16" OD X 1" ID X 1/32"	2
99								
100	21807-G1						BRAKE DRUM ASSEMBLY (INCLUDES ITEMS 101 - 102).....	2
101	*						BRAKE DRUM.....	1
102	19862-G1						LUG BOLT, 1/2 - 20 X 1 3/16" LG	4
103								
104								
105	21830-G1						OUTER BRAKE DRUM WASHER	2
106	00518-G8						SLOTTED NUT, 3/4 - 16.....	2
107	10387-G1						COTTER PIN, 1/8" X 1 1/2" LG.....	2
108	74175-G01						SPINDLE CAP.....	2
109								
110	72036-G01						BRAKE CABLE BRACKET (PASSENGER SIDE).....	1
111	72036-G02						BRAKE CABLE BRACKET (DRIVER SIDE)	1

**DID YOU
KNOW?**

CartPros directs you to the right part using the part numbers from this manual. Enter the part number into our search box and it will find the part you are looking for.

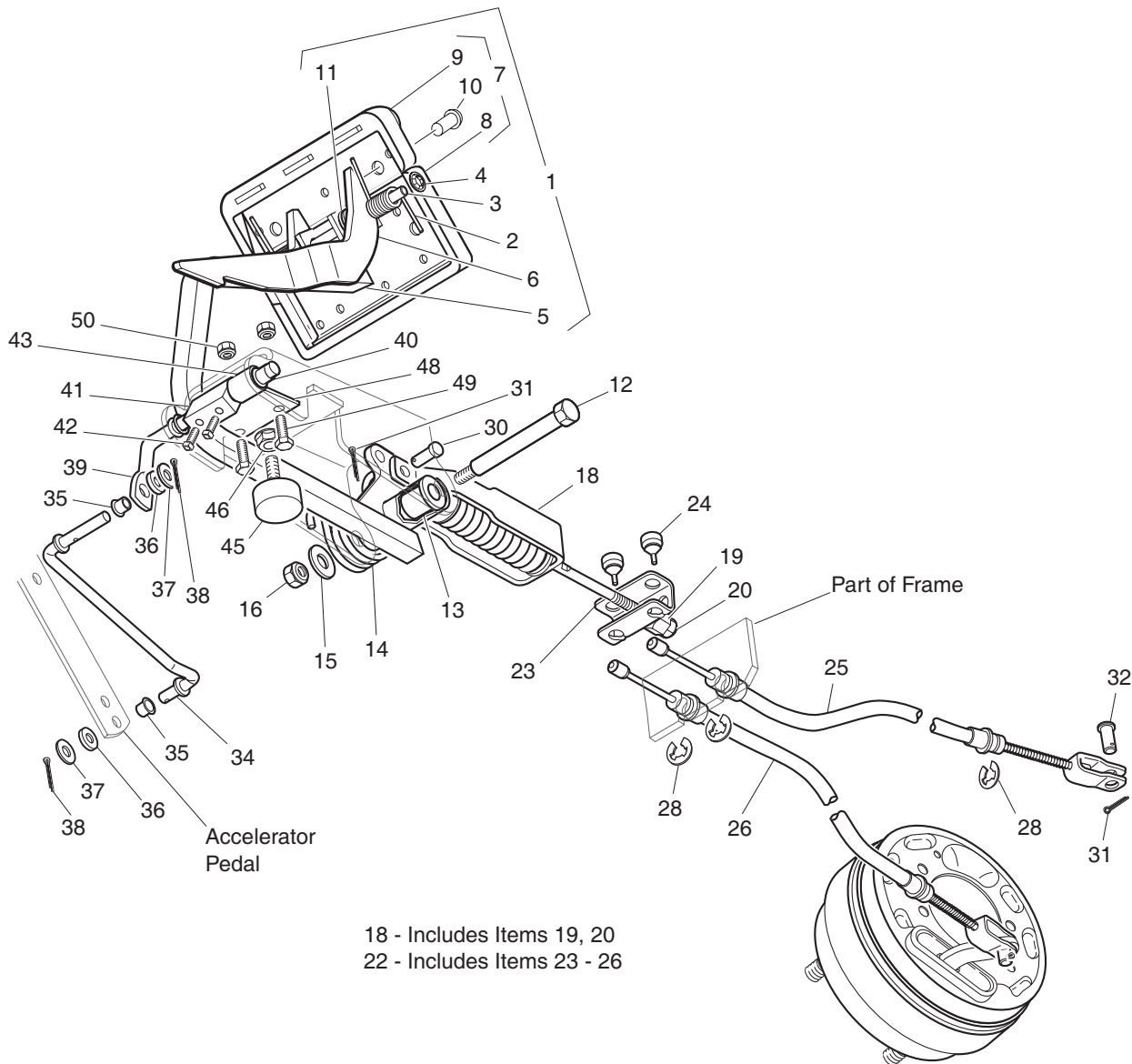
**GET STARTED
HERE**



<https://CartPros.com/f.html>

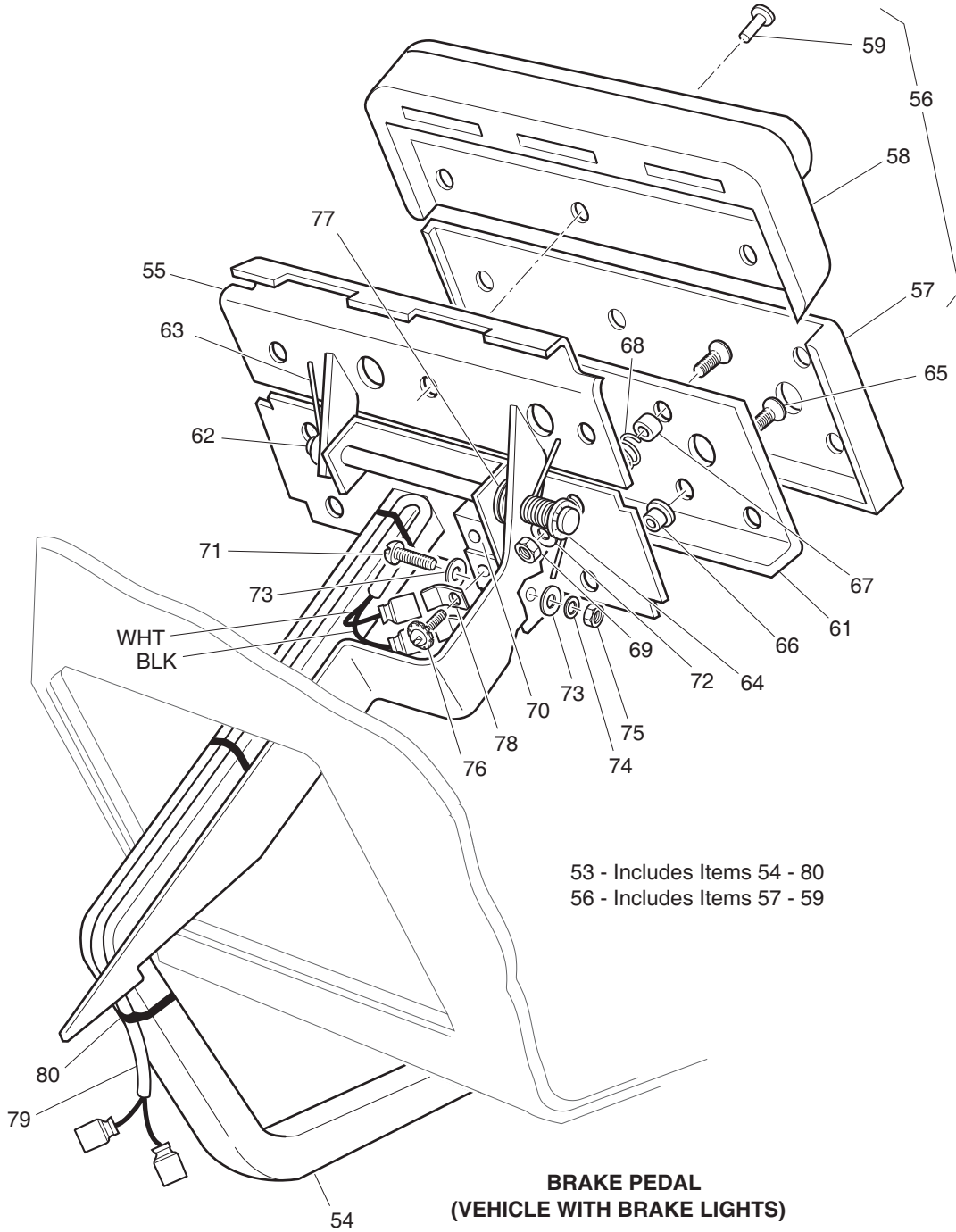
BRAKES - MECHANICAL

BRAKES - FRONT DISC



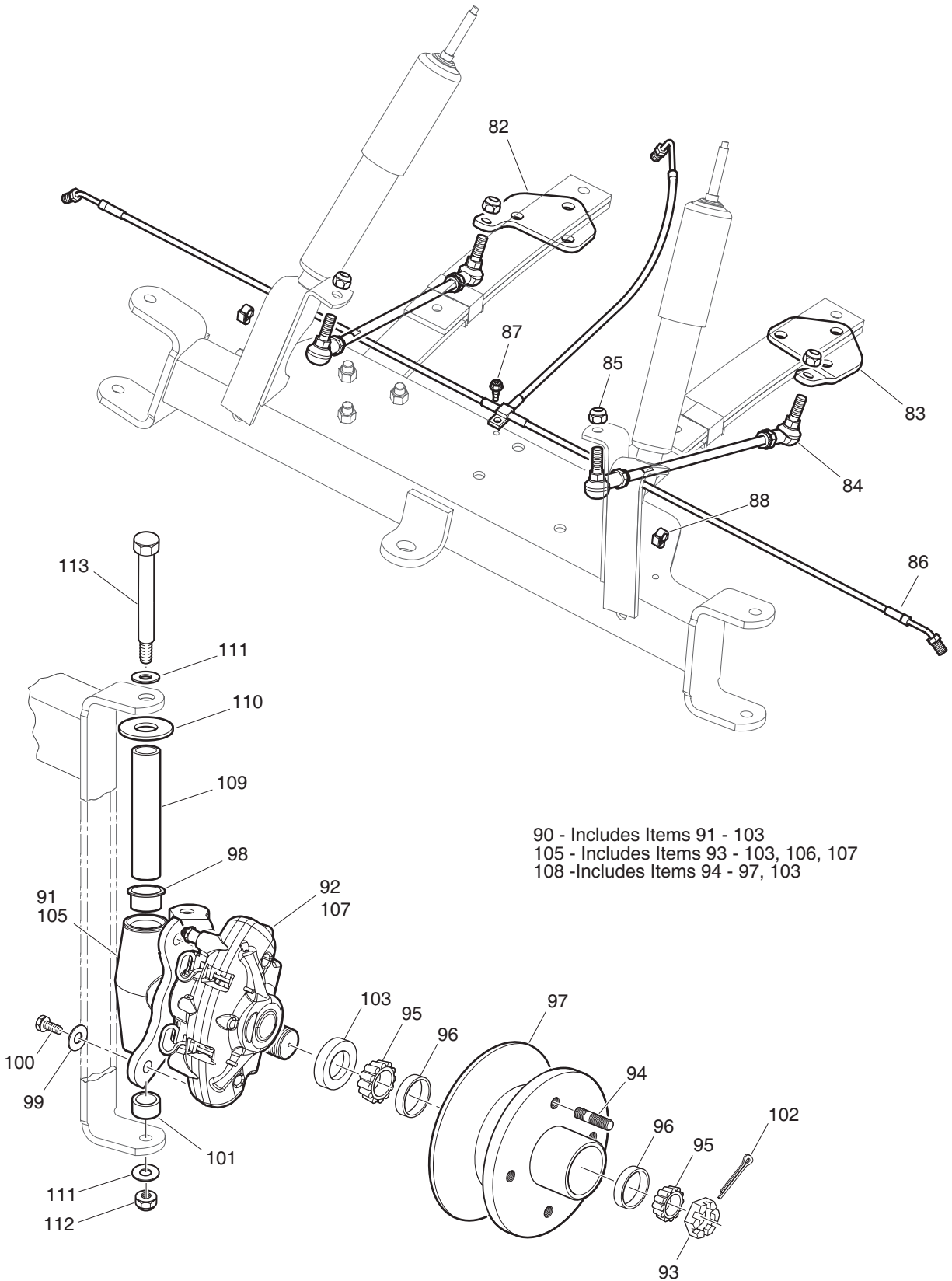
Ref Brh 21-1

BRAKES - FRONT DISC



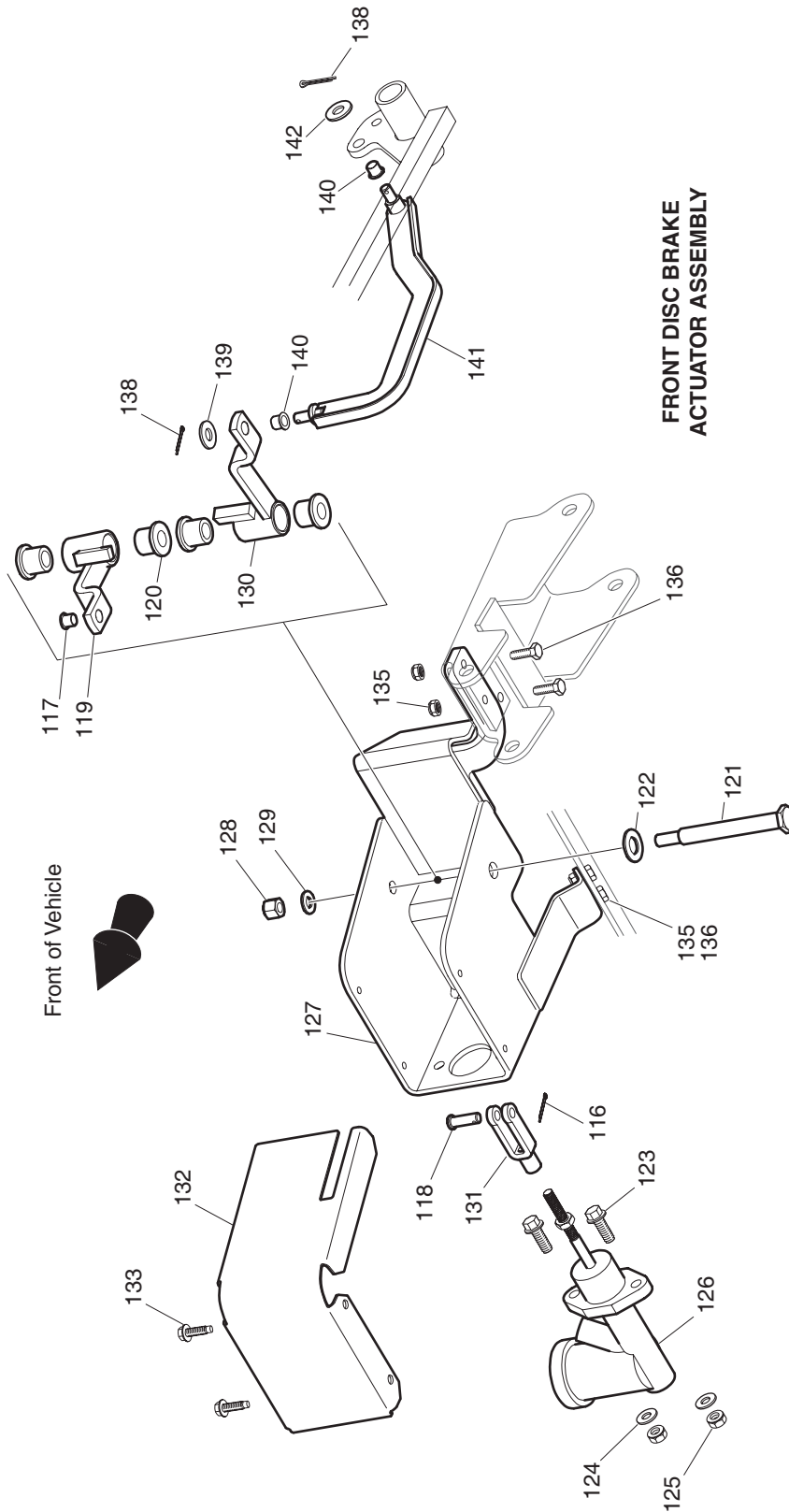
Ref Brh 21-2

BRAKES - FRONT DISC



Ref Bth 21-3

BRAKES - FRONT DISC



115 - Includes 116 -133

Ref Brh 21-4

BRAKES - FRONT DISC

THE USE OF NON U.L. PARTS WILL VOID ANY U.L. LISTING.
 When ordering parts, please specify the model and serial number of the product.
 * Indicates a component that is not available as an individual part.
 G** Indicates consult Customer Service Department for additional information.

ITEM	PART NO.	1 2 3 4 5	DESCRIPTION	QTY.
1	74723-G01		BRAKE PEDAL ASSEMBLY (WITHOUT BRAKE LIGHTS) (INCLUDES ITEMS 2 - 11)	1
2	70681-G01		TORSION SPRING	2
3	70682-G01		PIVOT PIN	1
4	01071-G01		PUSHNUT, 5/16"	1
5	*		BRAKE PEDAL	1
6	74724-G01		PARK BRAKE PEDAL	1
7	70274-G01		BRAKE/PARK BRAKE PEDAL PAD KIT (INCLUDES ITEMS 8 - 10)	1
8	*		SERVICE BRAKE PAD	1
9	*		PARK BRAKE PEDAL PAD	1
10	16409-G1		OVAL RIVET, 3/16" X 15/32" LG	9
11	20835-G1		WASHER, TEFLON, 3/8"	2
12	70582-G01		SHOULDER BOLT, 3/8 - 16 X 4" LG	1
13	70581-G01		FLANGED BUSHING	2
14	70676-G01		TORSION SPRING	1
15	00643-G1		WASHER, 3/8"	1
16	11098-G5		LOCK NUT, 3/8 - 16	1
17				
18	70272-G04		COMPENSATOR ASSEMBLY (INCLUDES ITEMS 19, 20)	1
19	00963-G01		SPHERICAL NUT, 5/16 - 24	1
20	11098-G9		LOCK NUT, 5/16 - 24	1
21				
22	70969-G05		EQUALIZER AND BRAKE CABLE ASSEMBLY (INCLUDES ITEMS 23 - 26)....	1
23	28082-G01		EQUALIZER BRACKET	1
24	28083-G01		BRAKE COMPENSATOR BUMPER.....	2
25	*		BRAKE CABLE (DRIVER SIDE).....	1
26	*		BRAKE CABLE (PASSENGER SIDE)	1
27				
28	01111-G01		RETAINING RING, S.S.....	4
29				

BRAKES - FRONT DISC

THE USE OF NON U.L. PARTS WILL VOID ANY U.L. LISTING.
 When ordering parts, please specify the model and serial number of the product.
 * Indicates a component that is not available as an individual part.
 G** Indicates consult Customer Service Department for additional information.

ITEM	PART NO.	1 2 3 4 5	DESCRIPTION	QTY.
30	10386-G3		CLEVIS PIN, 5/16" X 1" LG	3
31	10387-G3		COTTER PIN, 3/32" X 3/4" LG	3
32	14443-G2		CLEVIS PIN, 5/16" X 3/4" LG	2
33				
34	70601-G01		KICK-OFF LINK.....	1
35	17838-G1		NYLON BUSHING.....	2
36	20835-G1		TEFLON WASHER, 3/8"	2
37	00559-G8		WASHER, 5/16"	2
38	10387-G3		COTTER PIN, 3/32" X 3/4" LG	2
39	70098-G01		KICK-OFF CAM PIVOT	1
40	10097-G6		FLANGED BEARING	2
41	70587-G01		KICK-OFF CAM.....	1
42	71215-G01		SETSCREW, 1/4 - 20 X 1/2" LG.....	2
43	14134-G4		SPACER.....	1
44				
45	70113-G01		ADJUSTABLE BUMPER	1
46	11027-G1		LOCK NUT, 5/16 - 18	1
47				
48	70080-G01		CATCH BRACKET	1
49	00414-G6		BOLT, 1/4 - 20 X 3/4" LG	2
50	00891-G2		LOCK NUT, 1/4 - 20	2
51				
52				
53	74874-G01		BRAKE PEDAL ASSEMBLY (WITH BRAKE LIGHTS) (INCLUDES ITEMS 54 - 80).....	1
54	*		BRAKE PEDAL.....	1
55	74724-G01		PARK BRAKE PEDAL	1
56	70274-G01		BRAKE/PARK BRAKE PEDAL PAD KIT (INCLUDES ITEMS 57 - 59).....	1
57	*		SERVICE BRAKE PAD	1
58	*		PARK BRAKE PAD.....	1

BRAKES - FRONT DISC

THE USE OF NON U.L. PARTS WILL VOID ANY U.L. LISTING.
 When ordering parts, please specify the model and serial number of the product.
 * Indicates a component that is not available as an individual part.
 G** Indicates consult Customer Service Department for additional information.

ITEM	PART NO.	1	2	3	4	5	DESCRIPTION	QTY.
59	16409-G1						OVAL RIVET, 3/16" X 15/32" LG	9
60								
61	70258-G02						BRAKE PEDAL PLATE	1
62	70682-G01						PIVOT PIN	1
63	70681-G01						TORSION SPRING	2
64	01071-G01						PUSHNUT, 5/16"	1
65	00737-G8						SCREW, #10 - 24 X 1" LG	4
66	00739-G1						RUBBER NUT, #10 - 24	2
67	22362-G3						BRAKE PEDAL STANDOFF	2
68	27137-G01						CONICAL SPRING	2
69	11098-G7						LOCK NUT, #10 - 24	2
70	10606-G8						MICRO SWITCH	1
71	00957-G1						SCREW, #6 - 32 X 1 1/4" LG	2
72	00559-G5						WASHER, #10	2
73	00559-G3						WASHER, #6	4
74	00565-G3						LOCK WASHER, #6	2
75	00525-G5						NUT, #6 - 32	2
76	13514-G1						SCREW AND LOCK WASHER, #6	2
77	20835-G1						WASHER, TEFLON, 3/8"	2
78	14628-G1						FASTON TAB	2
79	24605-G1						WIRE HARNESS (BRAKE LIGHT)	1
80	17618-G1						WIRE TIE	3
81								
82	74731-G02						SPRING PLATE (PASSENGER SIDE)	1
83	74731-G01						SPRING PLATE (DRIVER SIDE)	1
84	74730-G01						FOUR LINK ROD	2
85	01084-G01						LOCK NUT, M10-1.25	4
86	74736-G01						BRAKE LINE	1
87	01038-G01						SCREW, 1/4 - 20 X 4444" LG	1
88	74875-G01						WIRE RETAINER	2

BRAKES - FRONT DISC

THE USE OF NON U.L. PARTS WILL VOID ANY U.L. LISTING.
 When ordering parts, please specify the model and serial number of the product.
 * Indicates a component that is not available as an individual part.
 G** Indicates consult Customer Service Department for additional information.

ITEM	PART NO.	1	2	3	4	5	DESCRIPTION	QTY.
89								
90	74677-G01						SPINDLE, CALIPER AND DISC HUB ASSEMBLY (DRIVER SIDE) (INCLUDES ITEMS 91 - 103).....	1
91	74672-G01						DISC BRAKE SPINDLE (DRIVER SIDE)	1
92	74733-G02						CALIPER (DRIVER SIDE)	1
93	12093-G1						SLOTTED NUT	1
94	74864-G01						DRIVE FLANGE STUD.....	4
95	11750-G2						ROLLER BEARING	2
96	51141-G1						BEARING RACE.....	2
97	74673-G01						DISC BRAKE HUB.....	1
98	70648-G01						FLANGED BEARING.....	1
99	00565-G8						WASHER, 3/8"	2
100	00426-G8						BOLT, 3/8 - 16 X 1.....	2
101	70749-G01						BEARING.....	1
102	00798-G8						COTTER PIN	1
103	25146-G1						GREASE SEAL.....	1
104								
105	74676-G01						SPINDLE, CALIPER AND DISC HUB ASSEMBLY (PASSENGER SIDE) (INCLUDES ITEMS 93 - 103, 106, 107).....	1
106	74671-G01						DISC BRAKE SPINDLE (PASSENGER SIDE).....	1
107	74733-G01						CALIPER (PASSENGER SIDE).....	1
108	74948-G01						DISC BRAKE SERVICE HUB (INCLUDES ITEMS 94 - 97, 103).....	1
109	70745-G01						KINGPIN TUBE	2
110	70754-G01						THRUST WASHER	2
111	00560-G3						WASHER, 1/2"	4
112	14390-G6						LOCKNUT, 1/2 - 13	2
113	00407-G6						CAPSCREW, 1/2 - 13 X 6" LG	2
114								
115	74702-G01						FRONT DISC BRAKE BRAKE ACTUATOR ASSEMBLY (INCLUDES ITEMS 116 - 133).....	1
116	10387-G3						COTTER PIN, 3/32 X 3/4" LG.....	1

BRAKES - FRONT DISC

THE USE OF NON U.L. PARTS WILL VOID ANY U.L. LISTING.
 When ordering parts, please specify the model and serial number of the product.
 * Indicates a component that is not available as an individual part.
 G** Indicates consult Customer Service Department for additional information.

ITEM	PART NO.	1	2	3	4	5	DESCRIPTION	QTY.
117	17838-G1						NYLON BUSHING	1
118	10386-G3						CLEVIS PIN, 5/16 X 1" LG.....	1
119	74753-G01						UPPER ACTUATOR PIVOT	1
120	70581-G02						ACETAL BUSHING	4
121	74711-G01						SHOULDER BOLT	1
122	00560-G3						WASHER, 1/2"	1
123	13437-G3						BOLT, 1/2 - 13 X 6" LG.....	2
124	00679-G2						WASHER, 5/16" STAINLESS	2
125	00654-G3						LOCKNUT, 5/16 - 18.....	2
126	74742-G01						MASTER CYLINDER.....	1
127	74703-G01						BRAKE ACTUATOR ASSEMBLY HOUSING	1
128	11098-G5						LOCKNUT, 3/8 - 16.....	1
129	00679-G1						WASHER, 3/8" STAINLESS	1
130	74707-G01						LOWER ACTUATOR PIVOT.....	1
131	10385-G4						CLEVIS YOKE	1
132	74873-G01						BRAKE ACTUATOR ASSEMBLY COVER	1
133	01038-G01						SCREW, 1/4 -20 SWAGEFORM.....	4
134								
135	00414-G8						BOLT, 1/4 - 20 X 1 1/4" LG	4
136	00891-G2						LOCKNUT, 1/4 - 20	4
137								
138	10387-G3						COTTER PIN, 3/32 X 3/4	2
139	20835-G1						WASHER, NYLON	1
140	17838-G1						NYLON BUSHING.....	2
141	74865-G01						ACTUATOR LINKAGE	1
142	00771-G5						WASHER, 3/8"	1
143	74917-G01						DISC BRAKE PAD AND PIN KIT (SERVICES ONE CORNER) (INCLUDES ITEMS 144 - 145).....	1
144	*						BRAKE PADS	2
145	*						BRAKE PAD RETAINER PINS	2

**DID YOU
KNOW?**

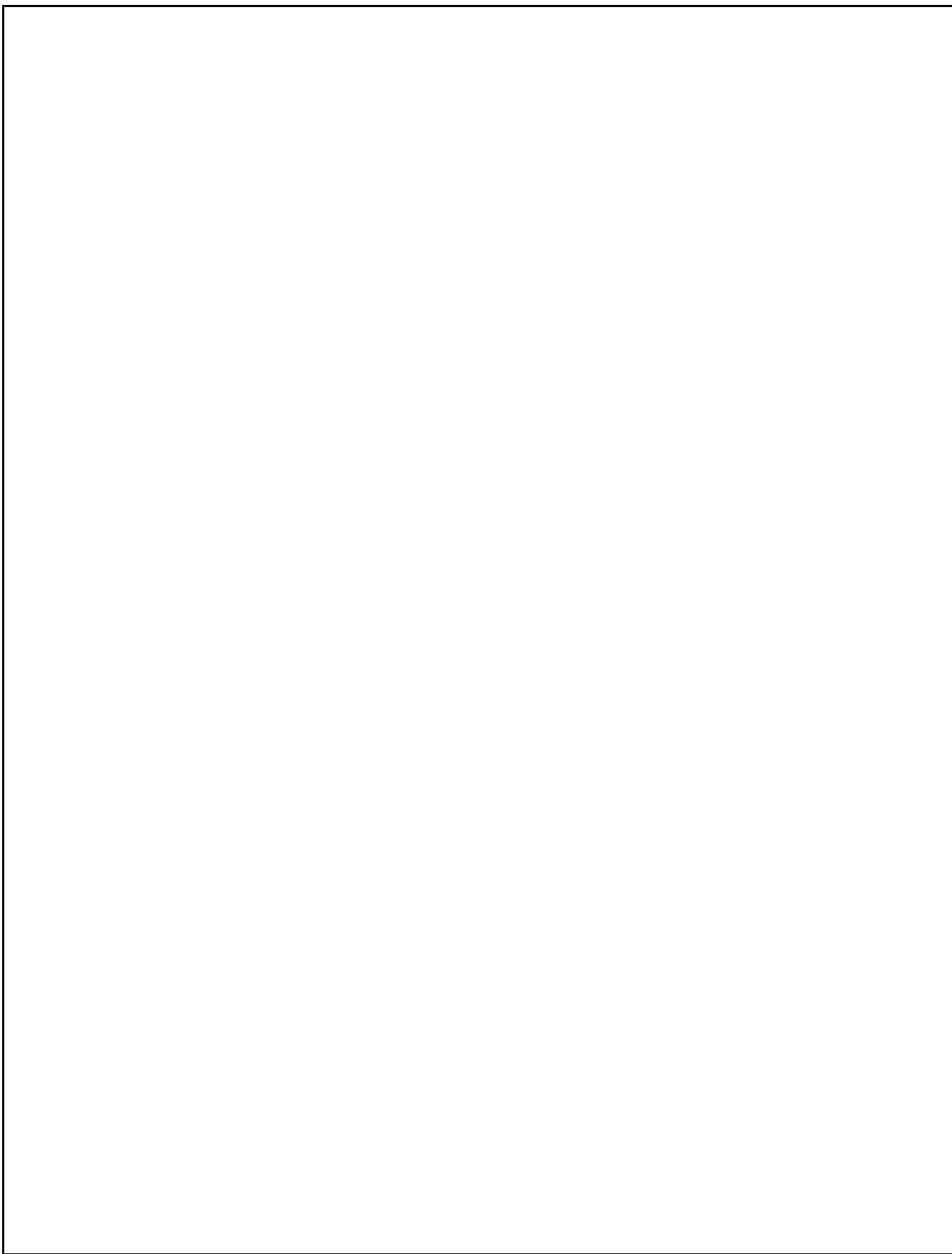
CartPros directs you to the right part using the part numbers from this manual. Enter the part number into our search box and it will find the part you are looking for.

**GET STARTED
HERE**

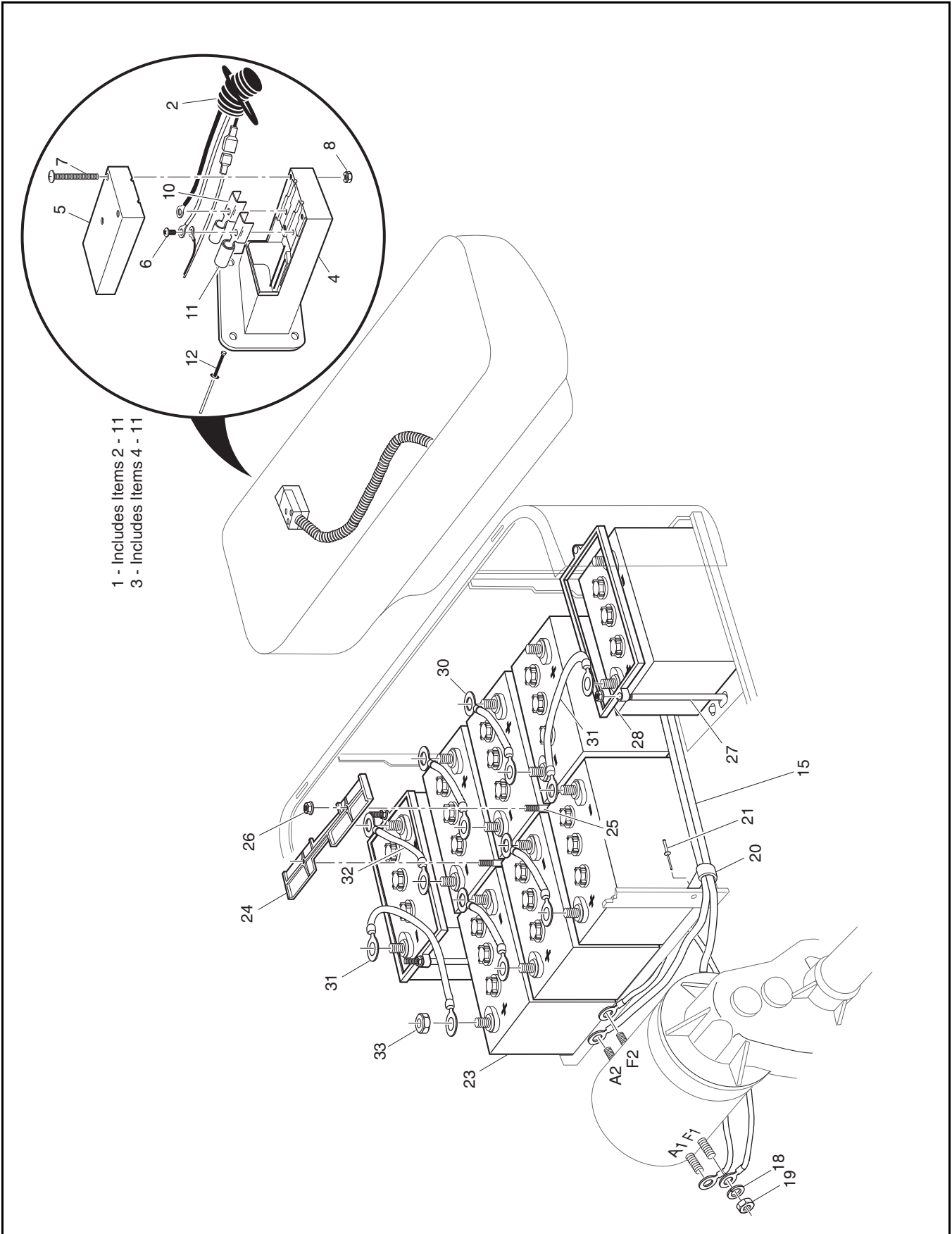


<https://CartPros.com/f.html>

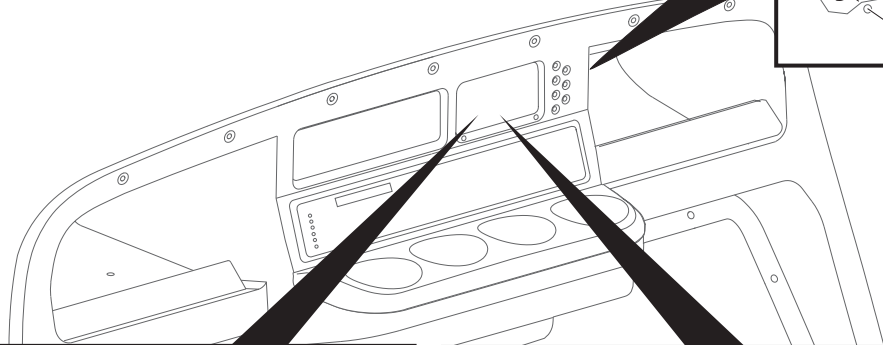
BRAKES - FRONT DISC



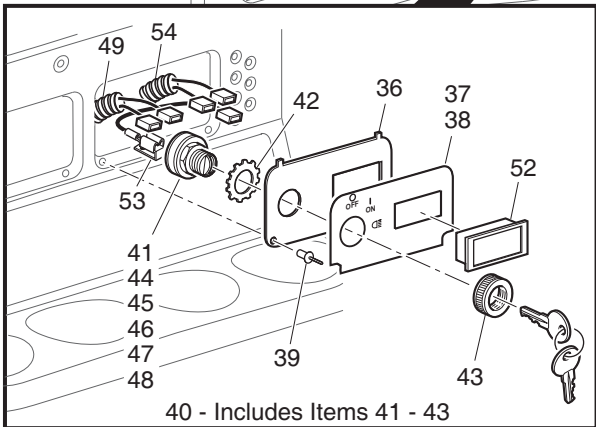
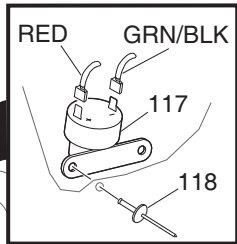
ELECTRICAL SYSTEM



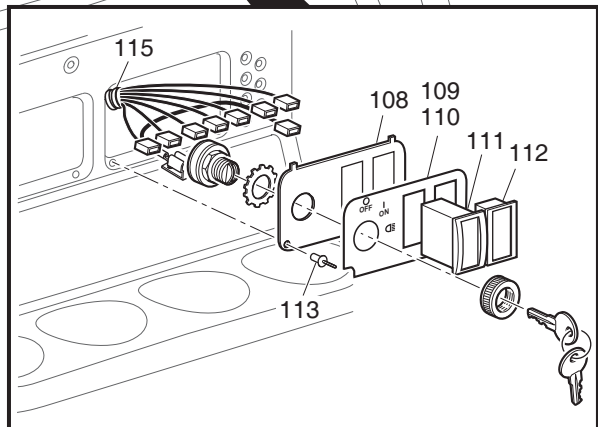
ELECTRICAL SYSTEM



PDS MODELS ONLY



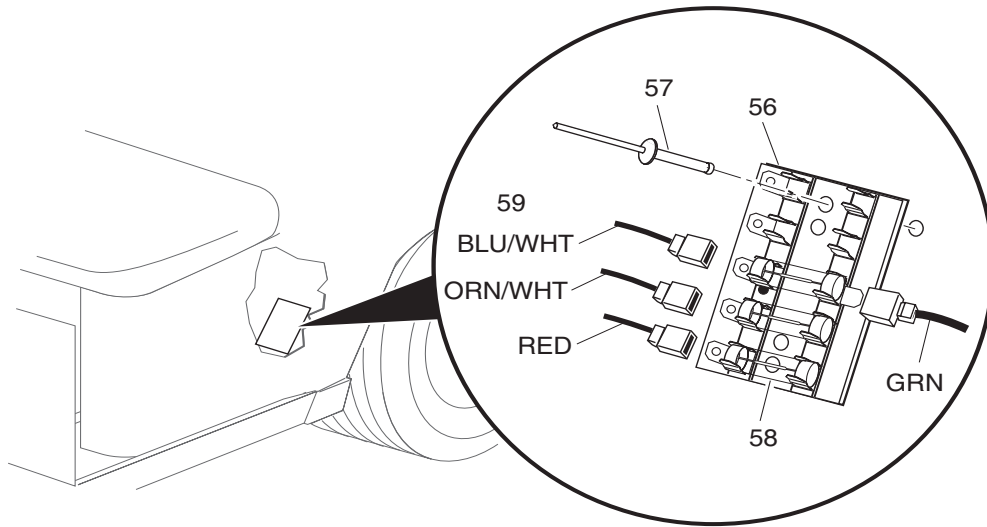
STATE OF CHARGE METER AND KEY SWITCH



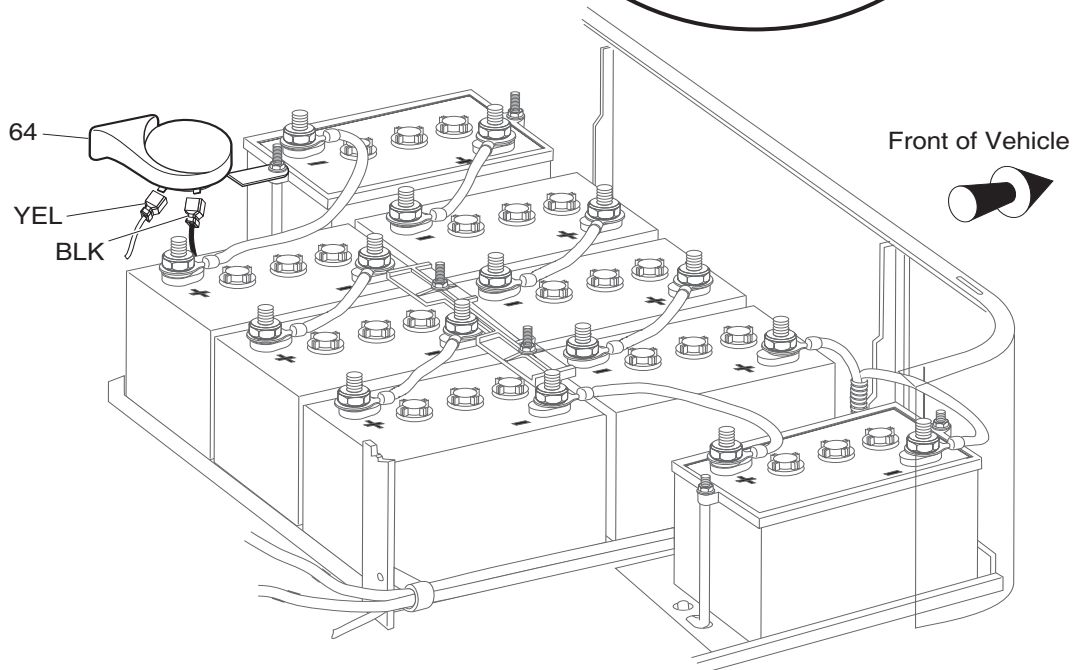
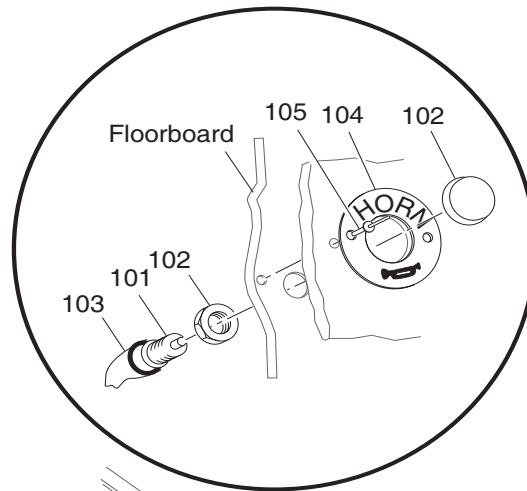
**PDS MODELS ONLY:
DASH MOUNTED DIRECTION SELECTOR,
STATE OF CHARGE METER AND KEY SWITCH**

Ref Ele 7-2

ELECTRICAL SYSTEM

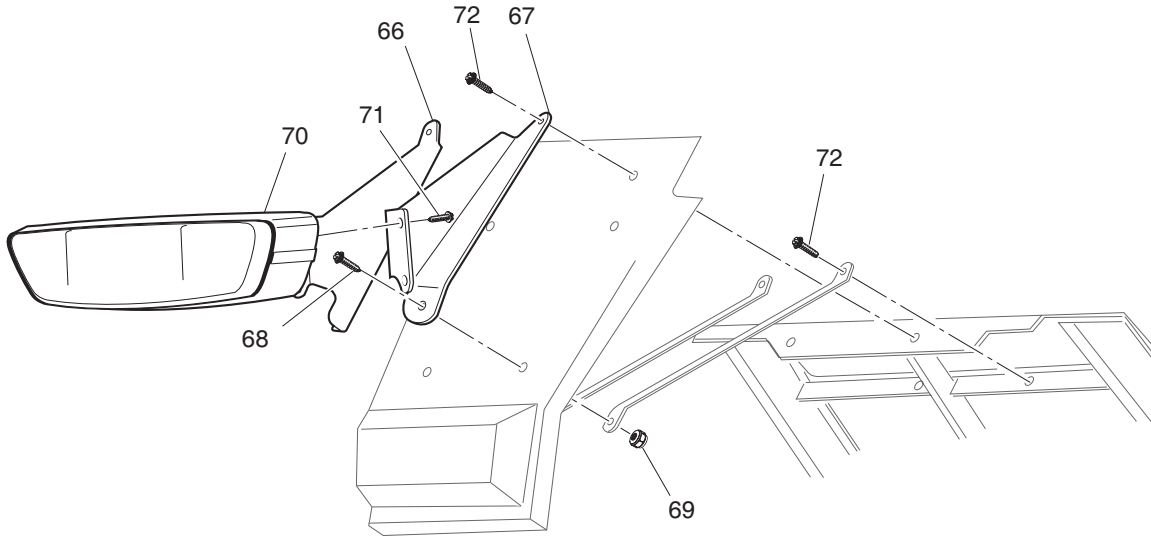


FLOOR MOUNTED HORN BUTTON

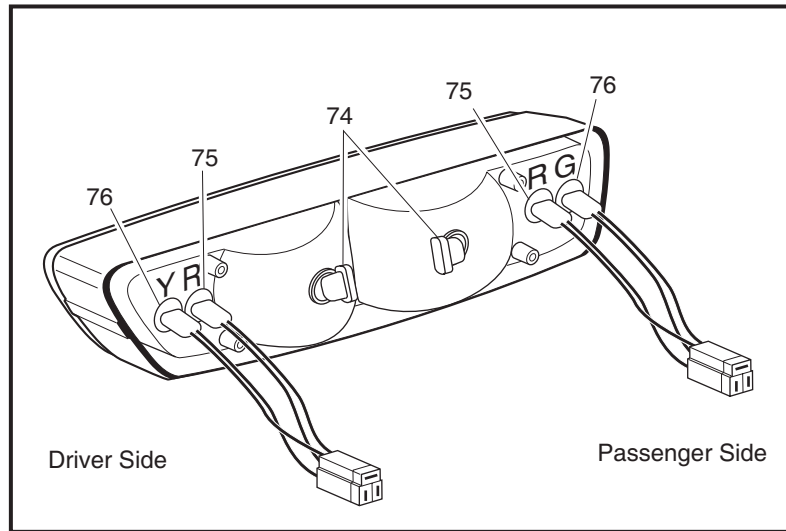


Ref Ele 7-3

ELECTRICAL SYSTEM

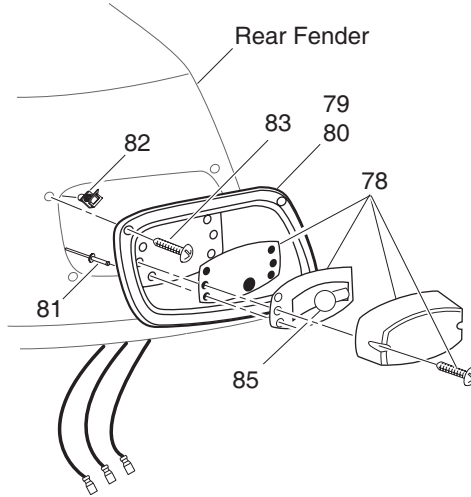


HEADLIGHT

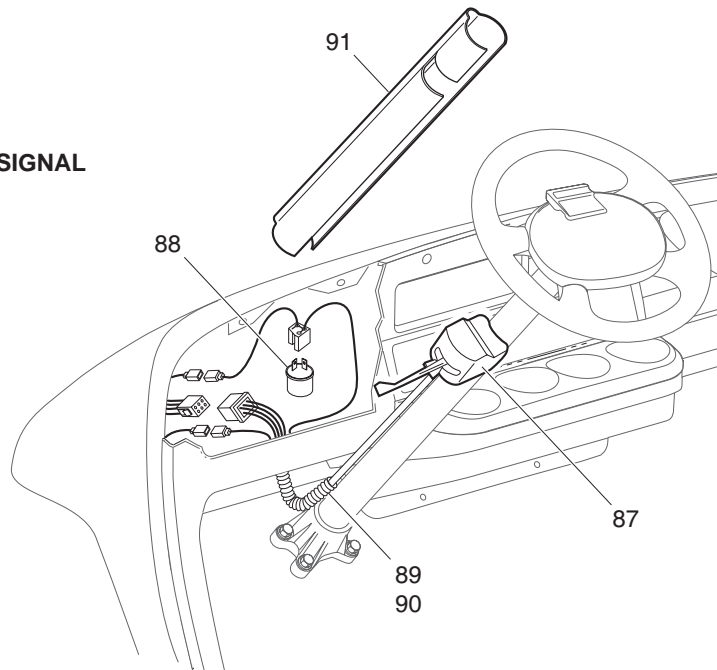


Ref Ele 7-4

ELECTRICAL SYSTEM



TURN SIGNAL

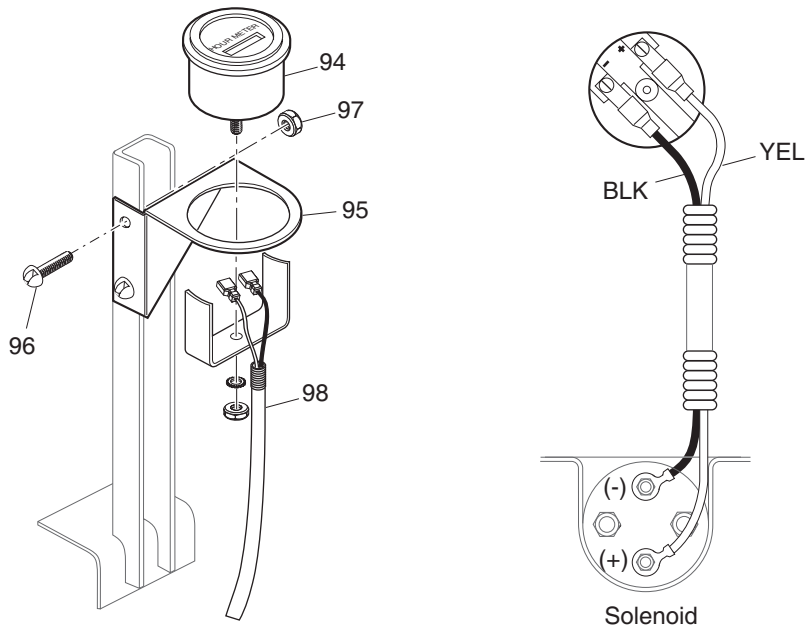


Ref Ele 7-5

ELECTRICAL SYSTEM

HOUR METER

93 - Includes Items 94 - 98



Ref Ele 7-6

ELECTRICAL SYSTEM

THE USE OF NON U.L. PARTS WILL VOID ANY U.L. LISTING.
 When ordering parts, please specify the model and serial number of the product.
 * Indicates a component that is not available as an individual part.
 G** Indicates consult Customer Service Department for additional information.

ITEM	PART NO.	1 2 3 4 5	DESCRIPTION	QTY.
1	73311-G0*		CHARGER HARNESS / RECEPTACLE (INCLUDES ITEMS 2 - 11).....	1
2	73312-G0*		CHARGER HARNESS.....	1
3	73051-G30		CHARGER HARNESS RECEPTACLE (INCLUDES ITEMS 4 - 11)	1
4	73051-G22		RECEPTACLE BOTTOM	1
5	73051-G21		RECEPTACLE COVER	1
6	73051-G08		SCREW, #10 - 32 X 1/2" LG.....	2
7	73051-G09		SCREW, #6 - 32 X 1 3/4" LG.....	3
8	73051-G10		LOCK NUT, #6 - 32	3
9				
10	73051-G23		FEMALE CONTACT	1
11	73051-G24		FEMALE CONTACT, INSULATED	1
12	71055-G01		RIVET, 3/16" X 1" LG	4
13				
14				
15	73349-G01		POWER HARNESS	1
16				
17				
18	00993-G01		LOCK WASHER, 5/16".....	8
19	28418-G01		NUT, 5/16 - 18	8
20	27327-G0*		CLAMP	1
21	10570-G11		RIVET, 3/16" X 3/4" LG (STAINLESS STEEL)	1
22				
23	XXXXX-G**		6 VOLT BATTERY	8
24	70045-G01		BATTERY RETAINER	1
25	01101-G01		HOLD DOWN BOLT	2
26	11027-G1		LOCK NUT, 5/16 - 18	6
27	70386-G01		HOLD DOWN BOLT	4
28	70387-G01		BATTERY RETAINER	2
29				
30	25971-G18		4 GA WIRE (BLK 6")	4

ELECTRICAL SYSTEM

THE USE OF NON U.L. PARTS WILL VOID ANY U.L. LISTING.
 When ordering parts, please specify the model and serial number of the product.
 * Indicates a component that is not available as an individual part.
 G** Indicates consult Customer Service Department for additional information.

ITEM	PART NO.	1 2 3 4 5	DESCRIPTION	QTY.
31	25971-G16		4 GA WIRE (BLK 19")	2
32	25971-G13		4 GA WIRE (BLK 10 1/2")	1
33	00702-G2		NUT, 5/16 - 18	16
34				
35				
36	73030-G02		CONSOLE INSERT PLATE.....	1
37	71123-G02		LABEL, CONSOLE INSERT PLATE (WITHOUT LIGHTS)	1
38	71129-G01		LABEL, CONSOLE INSERT PLATE (WITH LIGHTS).....	1
39	33623-G02		RIVET, 3/16" X 3/8" LG	2
40	17421-G1		IGNITION SWITCH KIT (INCLUDES ITEMS 41 - 43).....	1
41	18602-G1		IGNITION SWITCH (WITHOUT LIGHTS, STANDARD KEY).....	1
42	00568-G6		LOCK WASHER, 3/4"	1
43	17137-G1		FACE NUT	1
44	17955-G1		IGNITION SWITCH (WITHOUT LIGHTS, NON-STANDARD KEY)	1
45	18027-G1		IGNITION SWITCH (WITHOUT LIGHTS, INDIVIDUALLY KEYED).....	1
46	33639-G01		IGNITION SWITCH (WITH LIGHTS, STANDARD KEY)	1
47	33639-G02		IGNITION SWITCH (WITH LIGHTS, NON-STANDARD KEY).....	1
48	33639-G03		IGNITION SWITCH (WITH LIGHTS, INDIVIDUALLY KEYED)	1
49	70828-G01		WIRE HARNESS (KEY SWITCH).....	1
50	17618-G1		WIRE TIE	6
51				
52	33636-G03		STATE OF CHARGE METER	1
53	25978-G74		18 GA WIRE (RED 6").....	1
54	74018-G02		WIRE HARNESS (STATE OF CHARGE METER)	1
55				
56	22674-G1		FUSE BLOCK.....	1
57	01040-G01		RIVET, 5/32" X 3/8" LG	2
58	18392-G1		FUSE, 15 AMP	3
59	73226-G02		WIRE HARNESS (ACCESSORY).....	1
60				

ELECTRICAL SYSTEM

THE USE OF NON U.L. PARTS WILL VOID ANY U.L. LISTING.

When ordering parts, please specify the model and serial number of the product.

* Indicates a component that is not available as an individual part.

G** Indicates consult Customer Service Department for additional information.

ITEM	PART NO.	1	2	3	4	5	DESCRIPTION	QTY.
61								
62								
63								
64	32860-G1						HORN.....	1
65								
66	74236-G03						HEADLIGHT MOUNT BRACKET (PASSENGER SIDE).....	1
67	74236-G04						HEADLIGHT MOUNT BRACKET (DRIVER SIDE)	1
68	00414-G6						BOLT, 1/4 - 20 X 3/4" LG	2
69	11027-G2						LOCK NUT, 1/4 - 20	2
70	74001-G01						HEADLIGHT AND TURN SIGNAL LIGHT BAR	1
71	00114-G6						SCREW, 1/4 - 20 X 3/4" LG.....	4
72	XXXXX-XX						SEE BODY SECTION	
73								
74	74004-G01						HEADLIGHT BULB	2
75	74005-G01						MARKER LIGHT BULB	2
76	74006-G01						TURN SIGNAL BULB.....	2
77								
78	22260-G2						TAILLIGHT ASSEMBLY	2
79	74371-G01						BEZEL (DRIVER SIDE).....	1
80	74371-G02						BEZEL (PASSENGER SIDE)	1
81	14601-G11						RIVET, 3/16" X 9/16" LG (ALUMINUM).....	4
82	71364-G02						'J' CLIP	8
83	71425-G01						COUNTERSUNK SCREW, #3 - 18 X 3/4" LG	8
84								
85	21759-G1						TAILLIGHT BULB	2
86								
87	17867-G1						TURN SIGNAL (WITH MOUNTING HARDWARE) (INCLUDES ITEM 88)	1
88	21640-G1						TURN SIGNAL FLASHER	1
89	32307-G3						FLEX LOOM, 3/8" X 8" LG	1
90	17618-G1						WIRE TIE	2

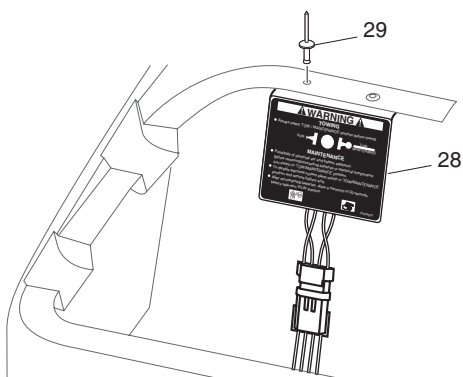
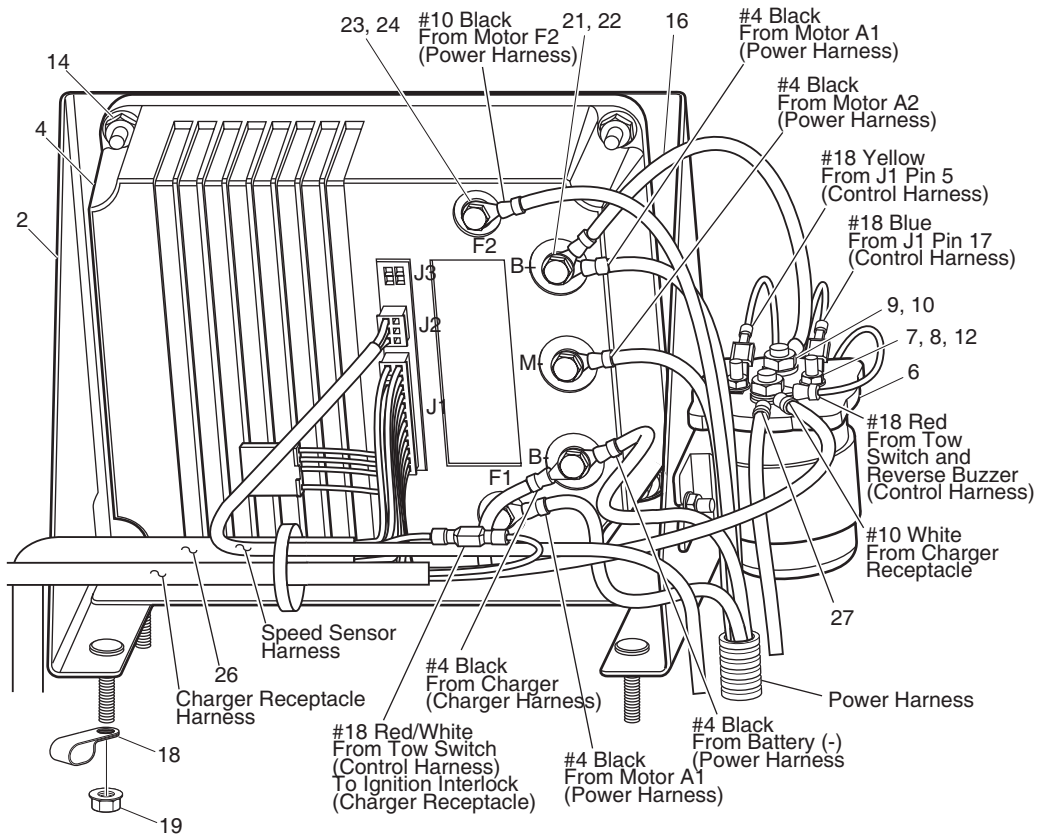
ELECTRICAL SYSTEM

THE USE OF NON U.L. PARTS WILL VOID ANY U.L. LISTING.
 When ordering parts, please specify the model and serial number of the product.
 * Indicates a component that is not available as an individual part.
 G** Indicates consult Customer Service Department for additional information.

ITEM	PART NO.	1 2 3 4 5	DESCRIPTION	QTY.
91	20965-G3		STEERING COLUMN COVER.....	1
92				
93	75113-G06		HOUR METER KIT (INCLUDES ITEMS 94 - 98).....	1
94	21573-G1		HOUR METER ASSEMBLY.....	1
95	74019-G02		HOUR METER BRACKET.....	1
96	00379-G4		SCREW, #10 - 24 X 1/2" LG.....	2
97	11098-G7		LOCK NUT, #10 - 24.....	2
98	75117-G04		WIRE HARNESS (HOUR METER).....	1
99				
100				
101	17318-G1		HORN SWITCH.....	1
102	17318-G2		HORN SWITCH CAP AND NUT.....	1
103	27068-G01		HORN SWITCH BOOT.....	1
104	19233-G1		HORN SWITCH LABEL.....	1
105	71055-G01		RIVET, 3/16" X 1" LG.....	2
106				
107				
108	73030-G06		CONSOLE INSERT PLATE.....	1
109	74320-G01		LABEL, DIRECTION SELECTOR AND STATE OF CHARGE METER.....	1
110	74322-G01		LABEL, LIGHTS, DIRECTION SELECTOR & STATE OF CHARGE METER.....	1
111	74323-G01		DIRECTION SELECTOR SWITCH.....	1
112	33636-G05		STATE OF CHARGE METER (VERTICAL).....	1
113	33623-G02		RIVET, 3/16" X 3/8" LG.....	2
114				
115	73334-G01		HARNESS (CONTROL).....	1
116				
117	73290-G02		BUZZER.....	1
118	71045-G01		RIVET, 5/32" X 3/4" LG.....	2

ELECTRONIC SPEED CONTROL - PDS

1 - Includes 2 - 16



Code	Fault Code	Symptoms	Corrective Action
10	SYSTEM FAILURE	Vehicle will not run	Check connections between ESC and ESCM
11	WHEEL SPEED FAILURE	Vehicle will not run	Check speed sensor operation, and wiring. Check sensor alignment. Check sensor voltage. Check sensor cable for any damage.
12	WIP	Vehicle will not run	Check for proper operation of the WIP.
13	LOW AIR FLOW WARNING	Vehicle performance reduced	Check for blocked, kinked, or damaged hoses.
14	CRUISE CONTROL	Vehicle performance reduced	Check for proper operation of the ESCM.
15	CRUISE CONTROL	Vehicle performance reduced	Check for proper operation of the ESCM.
16	CRUISE CONTROL	Vehicle performance reduced	Check for proper operation of the ESCM.
17	CRUISE CONTROL	Vehicle performance reduced	Check for proper operation of the ESCM.
18	CRUISE CONTROL	Vehicle performance reduced	Check for proper operation of the ESCM.
19	CRUISE CONTROL	Vehicle performance reduced	Check for proper operation of the ESCM.
20	CRUISE CONTROL	Vehicle performance reduced	Check for proper operation of the ESCM.
21	CRUISE CONTROL	Vehicle performance reduced	Check for proper operation of the ESCM.
22	CRUISE CONTROL	Vehicle performance reduced	Check for proper operation of the ESCM.
23	CRUISE CONTROL	Vehicle performance reduced	Check for proper operation of the ESCM.
24	CRUISE CONTROL	Vehicle performance reduced	Check for proper operation of the ESCM.
25	CRUISE CONTROL	Vehicle performance reduced	Check for proper operation of the ESCM.
26	CRUISE CONTROL	Vehicle performance reduced	Check for proper operation of the ESCM.
27	CRUISE CONTROL	Vehicle performance reduced	Check for proper operation of the ESCM.
28	CRUISE CONTROL	Vehicle performance reduced	Check for proper operation of the ESCM.
29	CRUISE CONTROL	Vehicle performance reduced	Check for proper operation of the ESCM.
30	CRUISE CONTROL	Vehicle performance reduced	Check for proper operation of the ESCM.

Abbreviations: AUX (Auxiliary), COM (Common), SENS (Sensor), DMC (Differential Motor Control), ESC (Electronic Speed Control), ESCM (Electronic Speed Control Module), F2 (Left/Right Wheel Speed Sensor), M (Common at Controller), VIC (Walls Direct Current), VSD (Power Supply Fault)

DIAGNOSTIC FAULT CODES

- The LED will flash a diagnostic fault code when a fault is detected.
- Some faults may only be detected by operating the vehicle with the rear of the vehicle raised and supported on safety stands.
- Always turn the "TOW MAINTENANCE" switch (located in the battery compartment) to the "TOW MAINTENANCE" position before performing any repair or maintenance to the vehicle.
- Select "STOP" before exiting the vehicle to service.

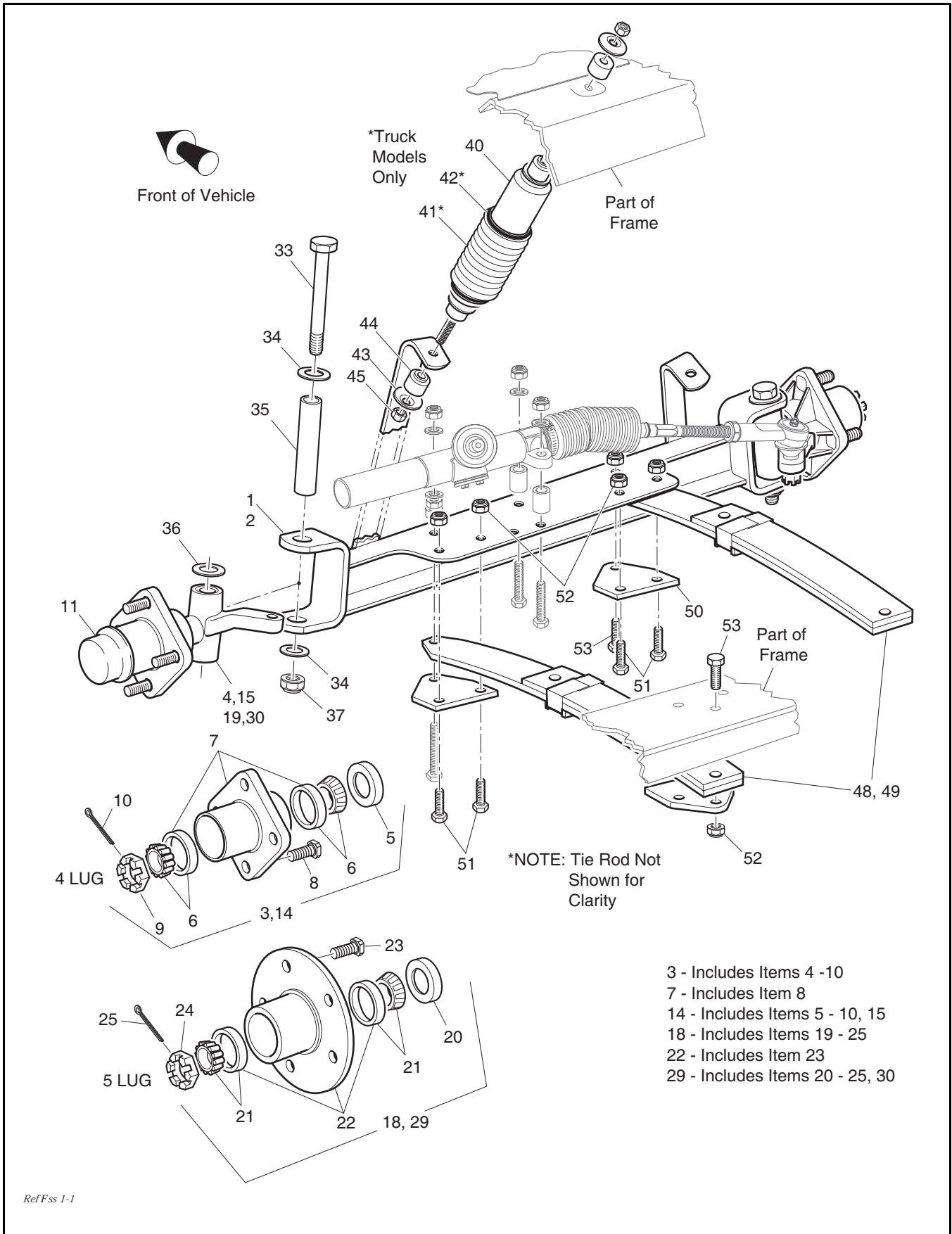
Ref Esp 7

ELECTRONIC SPEED CONTROL - PDS

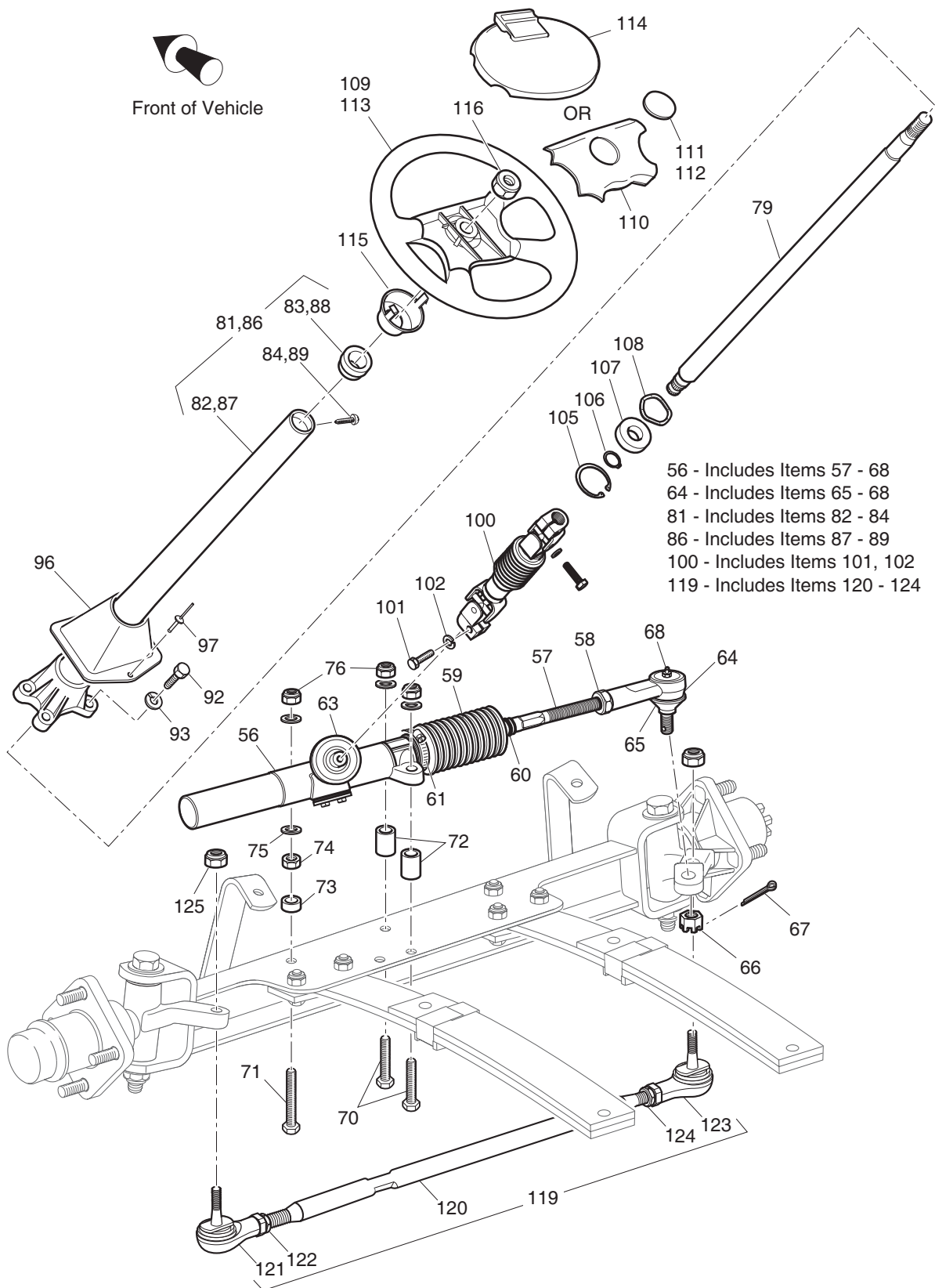
THE USE OF NON U.L. PARTS WILL VOID ANY U.L. LISTING.
 When ordering parts, please specify the model and serial number of the product.
 * Indicates a component that is not available as an individual part.
 G** Indicates consult Customer Service Department for additional information.

ITEM	PART NO.	1 2 3 4 5	DESCRIPTION	QTY.
1	73348-G03		ELECTRONIC SPEED CONTROL ASSEMBLY (INCLUDES ITEMS 2 - 16).....	1
2	73351-G02		CONTROLLER MOUNT	1
3				
4	73098-G04		ELECTRONIC SPEED CONTROLLER	1
5				
6	73231-G01		48 VOLT SOLENOID (INCLUDES ITEMS 7 - 10)	1
7	*		LOCK WASHER, #10	2
8	*		NUT, #10 - 32	2
9	*		LOCK WASHER, 5/16"	2
10	*		JAM NUT, 5/16 - 24	2
11				
12	73446-G01		FASTON TAB.....	2
13				
14	11027-G2		LOCK NUT, 1/4 - 20	6
15				
16	25971-G17		6 GA WIRE (BLK 9").....	1
17				
18	73053-G01		DOUBLE TUBE CLAMP.....	1
19	11027-G2		LOCK NUT, 1/4 - 20	4
20				
21	73296-G01		BOLT, 8MM X 16MM LG.....	3
22	00993-G01		LOCK WASHER, 5/16"	3
23	73346-G01		BOLT, 6MM X 1 X 12MM LG	2
24	00993-G02		LOCK WASHER, 1/4"	2
25				
26	74649-G01		CONTROL HARNESS	1
27	25971-G06		4 GA WIRE (BLK 59 1/2") (SOL - BATTERY +)	1
28	74878-G01		TOW-MAINTENANCE SWITCH.....	1
29	71055-G01		RIVET, 5/32" X 3/4" LG	2
30	73398-G01		DIAGNOSTIC LABEL (FAULT CODE)	1

FRONT SUSPENSION/STEERING



FRONT SUSPENSION/STEERING



RefFss 1-2

FRONT SUSPENSION/STEERING

Where applicable, THE USE OF NON UL PARTS WILL VOID ANY UL LISTING.

When ordering parts, please specify the model and serial number of the product.

* Indicates a component that is not available as an individual part.

G** Indicates consult Customer Service Department for additional information.

ITEM	PART NO.	1 2 3 4 5	DESCRIPTION	QTY.
1	70963-G01		FRONT AXLE	1
2	600044G01		FRONT AXLE WITH FRONT DISC BRAKES	1
3	70942-G01		SPINDLE AND HUB ASSEMBLY, 4 LUG (PASSENGER SIDE) (INCLUDES ITEMS 4 - 10).....	1
4	70942-G02		SPINDLE ASSEMBLY (PASSENGER SIDE).....	1
5	25146-G1		GREASE SEAL.....	1
6	50892-G1		ROLLER BEARING AND RACE ASSEMBLY.....	2
7	70895-G01		WHEEL HUB ASSEMBLY WITH RACES, 4 LUG (INCLUDES ITEM 8)	1
8	19862-G1		LUG BOLT, 1/2 - 20 X 1 3/16" LG.....	4
9	12093-G1		CASTELLATED NUT, 1 - 14	1
10	00798-G8		COTTER PIN, 5/32" X 1 3/4" LG	1
11	12091-G2		SPINDLE CAP.....	2
12				
13				
14	70673-G01		SPINDLE AND HUB ASSEMBLY, 4 LUG (DRIVER SIDE) (INCLUDES ITEMS 5 - 10, 15).....	1
15	70673-G02		SPINDLE ASSEMBLY (DRIVER SIDE)	1
16				
17				
18	70943-G01		SPINDLE AND HUB ASSEMBLY, 5 LUG (PASSENGER SIDE) (INCLUDES ITEMS 19 - 25).....	1
19	70942-G02		SPINDLE ASSEMBLY (PASSENGER SIDE).....	1
20	12092-G1		GREASE SEAL.....	1
21	50892-G1		ROLLER BEARING AND RACE ASSEMBLY.....	2
22	70772-G01		WHEEL HUB ASSEMBLY WITH RACES, 5 LUG (INCLUDES ITEM 23)	1
23	30143-G1		LUG BOLT, 1/2 - 20 X 1 7/32" LG.....	5
24	12093-G1		CASTELLATED NUT, 1 - 14	1
25	00798-G8		COTTER PIN, 5/32" X 1 3/4" LG	1
26				
27				
28				

FRONT SUSPENSION/STEERING

Where applicable, THE USE OF NON UL PARTS WILL VOID ANY UL LISTING.
 When ordering parts, please specify the model and serial number of the product.
 * Indicates a component that is not available as an individual part.
 G** Indicates consult Customer Service Department for additional information.

ITEM	PART NO.	1 2 3 4 5	DESCRIPTION	QTY.
29	70797-G01		SPINDLE AND HUB ASSEMBLY, 5 LUG (DRIVER SIDE) (INCLUDES ITEMS 20 - 25, 30).....	1
30	70673-G02		SPINDLE ASSEMBLY (DRIVER SIDE)	1
31				
32				
33	00407-G6		BOLT, 1/2 - 13 X 6" LG	2
34	00560-G3		WASHER, 1/2"	4
35	70745-G01		KING PIN TUBE	2
36	70754-G01		THRUST WASHER, 1" (STAINLESS STEEL).....	2
37	14390-G6		LOCK NUT, 1/2 - 13	2
38				
39				
40	70928-G01		SHOCK ABSORBER.....	2
41	70509-G01		SHOCK ABSORBER BOOT	2
42	31539-G1		WIRE TIE	4
43	10435-G1		SHOCK ABSORBER WASHER	8
44	10194-G1		RUBBER BUSHING	8
45	00532-G6		NUT, 3/8 - 24	4
46				
47				
48	70990-G02		LEAF SPRING (SEE PART NUMBER ON SPRING)	2
49	70664-G03		LEAF SPRING (HEAVY DUTY) (SEE PART NUMBER ON SPRING).....	2
50	70163-G03		SPRING PLATE	4
51	00463-G4		BOLT, 7/16 - 14 X 1 1/2" LG	4
52	00734-G1		LOCK NUT, 7/16 - 14	11
53	00463-G6		BOLT, 7/16 - 14 X 1 3/4" LG	7
54				
55				
56	70964-G01		RACK AND PINION UNIT (COMPLETE) (INCLUDES ITEMS 57 - 68)	1
57	70694-G01		RACK EXTENSION	1

FRONT SUSPENSION/STEERING

Where applicable, THE USE OF NON UL PARTS WILL VOID ANY UL LISTING.

When ordering parts, please specify the model and serial number of the product.

* Indicates a component that is not available as an individual part.

G** Indicates consult Customer Service Department for additional information.

ITEM	PART NO.	1	2	3	4	5	DESCRIPTION	QTY.
58	*						JAM NUT, 1/2 - 20.....	1
59	70961-G01						RACK BOOT.....	1
60	12416-G2						WIRE TIE.....	1
61	11391-G8						CLAMP, 1 13/16 - 2 3/8".....	1
62								
63	70638-G01						PINION SEAL.....	1
64	70695-G01						RACK BALL JOINT (INCLUDES ITEMS 65 - 68).....	1
65	50641-G1						RUBBER BOOT.....	1
66	50209-G2						CASTELLATED NUT, 7/16 - 20.....	1
67	10387-G2						COTTER PIN, 3/32" X 1" LG.....	1
68	10389-G3						GREASE FITTING, STRAIGHT.....	1
69								
70	00464-G6						BOLT, 7/16 - 14 X 2 3/4" LG.....	2
71	01068-G01						BOLT, 7/16 - 14 X 3 1/2" LG.....	1
72	70667-G02						SPACER.....	2
73	70667-G03						SPACER (SHORT).....	1
74	00532-G7						NUT, 7/16 - 14.....	1
75	00560-G2						FLAT WASHER, 7/16".....	4
76	00734-G1						LOCK NUT, 7/16 - 14.....	3
77								
78								
79	70607-G01						STEERING SHAFT.....	1
80								
81	70758-G03						STEERING COLUMN KIT (INCLUDES ITEMS 82 - 84).....	1
82	70610-G01						STEERING COLUMN.....	1
83	28569-G01						STEERING COLUMN BUSHING.....	1
84	01022-G01						SCREW, #6 - 20 X 5/16" LG.....	1
85								
86	70758-G04						STEERING COLUMN KIT (HORN) (INCLUDES ITEMS 87 - 89).....	1
87	70610-G02						STEERING COLUMN.....	1

FRONT SUSPENSION/STEERING

Where applicable, THE USE OF NON UL PARTS WILL VOID ANY UL LISTING.

When ordering parts, please specify the model and serial number of the product.

* Indicates a component that is not available as an individual part.

G** Indicates additional Customer Service Department for additional information.

ITEM	PART NO.	1	2	3	4	5	DESCRIPTION	QTY.
88	28569-G01						STEERING COLUMN BUSHING.....	1
89	01022-G01						SCREW, #6 - 20 X 5/16" LG	1
90								
91								
92	01006-G01						BOLT, 3/8 - 16 X 1 1/4" LG	4
93	00879-G1						LOCK WASHER, 3/8"	4
94								
95								
96	70997-G01						COVER.....	1
97	71055-G01						RIVET, 3/16" X 1" LG (ALUMINUM).....	1
98								
99								
100	70580-G01						INTERMEDIATE SHAFT (INCLUDES ITEMS 101, 102).....	1
101	01055-G01						BOLT, M8 X 1.25 - 05.....	2
102	00565-G8						LOCK WASHER, 5/16"	2
103								
104								
105	70751-G01						RETAINING RING (INTERNAL).....	1
106	70888-G01						RETAINING RING (EXTERNAL).....	1
107	15112-G1						BALL BEARING	1
108	70887-G01						WAVE WASHER.....	1
109	71146-G01						STEERING WHEEL	1
110	71147-G01						STEERING WHEEL COVER	1
111	71047-G01						LABEL (E-Z-GO)	1
112	74405-G01						LABEL (CUSHMAN).....	1
113	71948-G01						STEERING WHEEL	1
114	71950-G01						CLIPBOARD.....	1
115	71949-G01						HUB COVER	1
116	14390-G2						LOCK NUT, 5/8 - 18	1
117								

FRONT SUSPENSION/STEERING

Where applicable, THE USE OF NON UL PARTS WILL VOID ANY UL LISTING.

When ordering parts, please specify the model and serial number of the product.

* Indicates a component that is not available as an individual part.

G** Indicates consult Customer Service Department for additional information.

ITEM	PART NO.	1 2 3 4 5	DESCRIPTION	QTY.
118				
119	70876-G02		TIE ROD ASSEMBLY (INCLUDES ITEMS 120 - 124).....	1
120	70897-G02		THREADED ROD (24" LG).....	1
121	70902-G01		TIE ROD END (LEFT HAND THREADS)	1
122	01069-G01		JAM NUT, M12 X 1.25 - 05 (LEFT HAND THREADS).....	1
123	70902-G02		TIE ROD END (RIGHT HAND THREADS).....	1
124	01069-G02		JAM NUT, M12 X 1.25 - 05 (RIGHT HAND THREADS)	1
125	00734-G1		LOCK NUT, 7/16 - 14	2

**DID YOU
KNOW?**

CartPros directs you to the right part using the part numbers from this manual. Enter the part number into our search box and it will find the part you are looking for.

**GET STARTED
HERE**

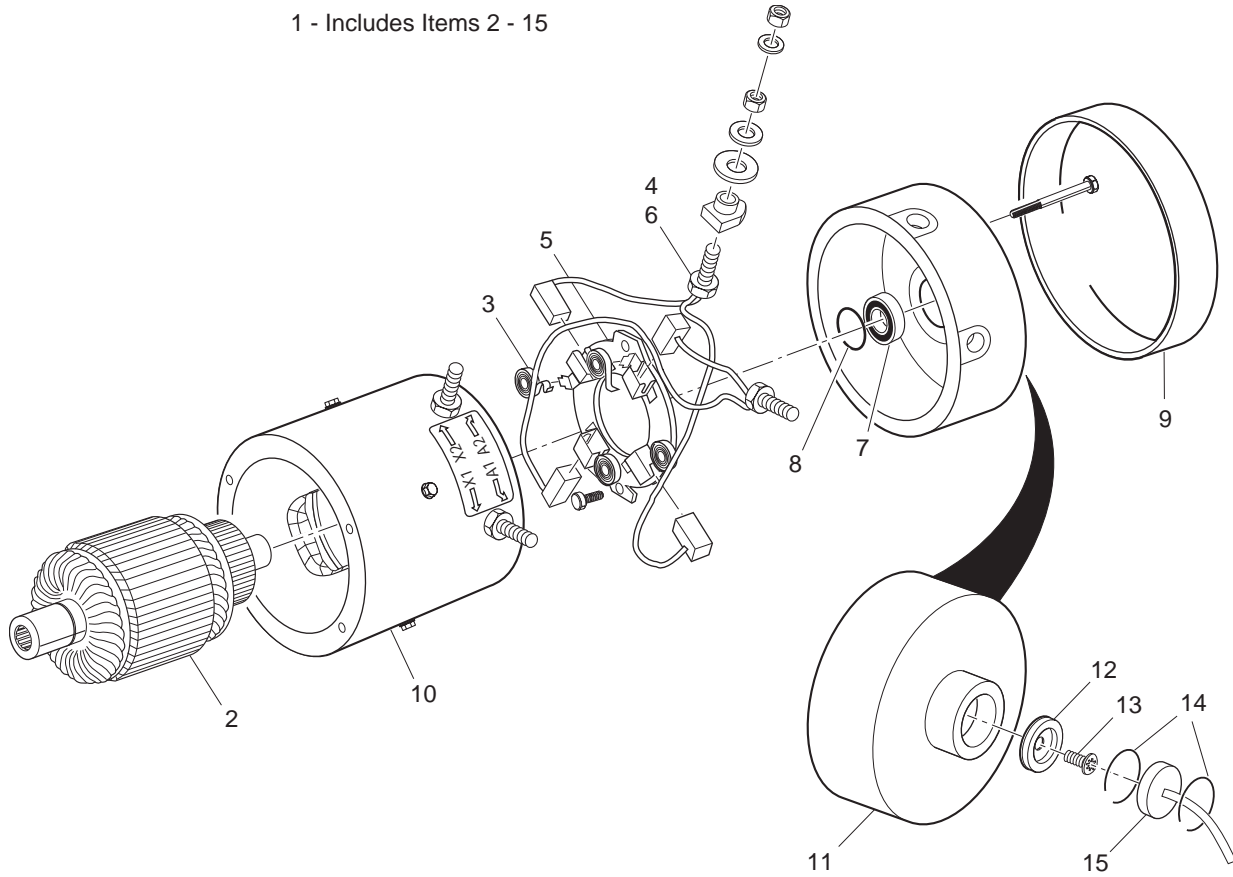


<https://CartPros.com/f.html>

FRONT SUSPENSION/STEERING

MOTOR

1 - Includes Items 2 - 15



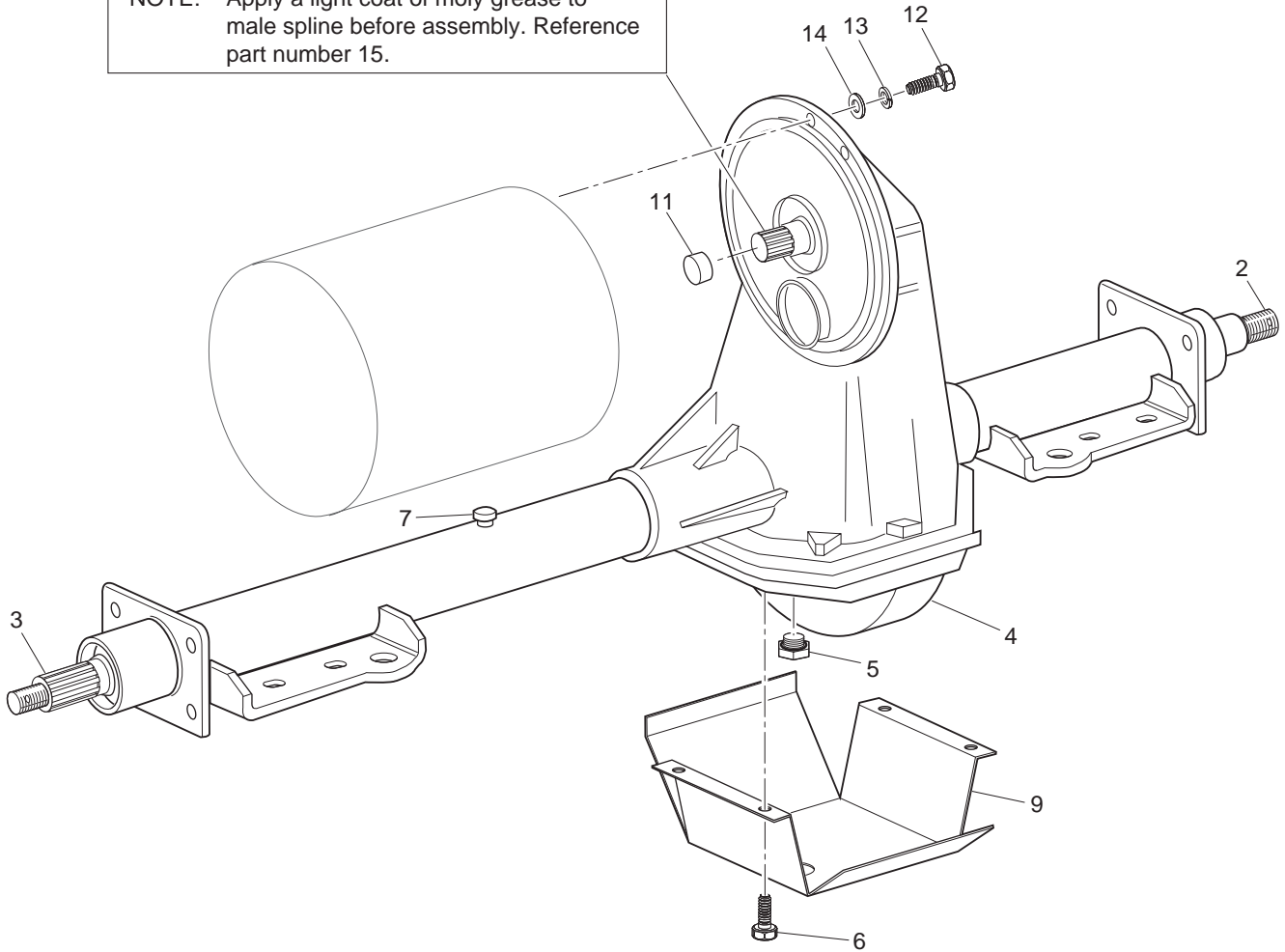
THE USE OF NON U.L. PARTS WILL VOID ANY U.L. LISTING.
 When ordering parts, please specify the model and serial number of the product.
 * Indicates a component that is not available as an individual part.
 G** Indicates consult Customer Service Department for additional information.

ITEM	PART NO.	1 2 3 4 5	DESCRIPTION	QTY.
1	73291-G04		MOTOR (SEPARATELY EXCITED) (PDS) (INCLUDES ITEMS 2-15).....	1
2	73120-G36		ARMATURE	1
3	73120-G38		BRUSH SPRING.....	8
4	73120-G39		BRUSH	8
5	73120-G40		BRUSH BOX.....	1
6	73120-G41		BRUSH REPLACEMENT KIT (INCLUDES HARDWARE)	1
7	73120-G07		BEARING	1
8	73120-G06		SNAP RING	1
9	73120-G43		HEADBAND	1
10	73120-G37		FRAME AND FIELD COIL (INCLUDES HARDWARE).....	1
11	73120-G42		COVER COMMUTATOR END	1
12	73328-G01		MAGNET.....	1
13	01037-G02		SCREW, #10 - 32 X 1/2" LG	1
14	73277-G01		RETAINING RING.....	2
15	73327-G04		SPEED SENSOR.....	1

REAR AXLE

1 - Includes Items 2 - 7

NOTE: Apply a light coat of moly grease to male spline before assembly. Reference part number 15.



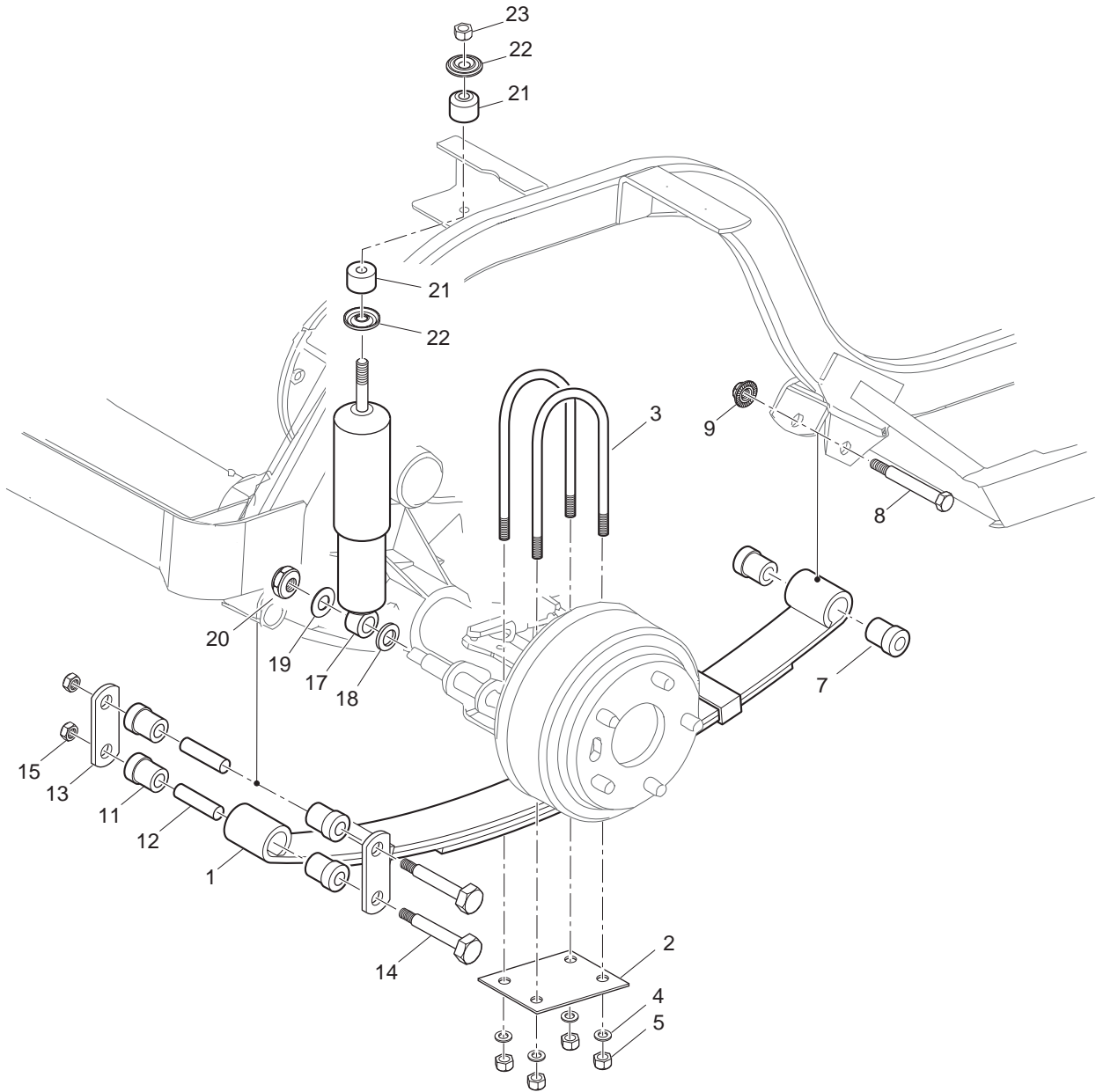
Ref Rav 1

REAR AXLE

Where applicable, THE USE OF NON UL PARTS WILL VOID ANY UL LISTING.
 When ordering parts, please specify the model and serial number of the product.
 * Indicates a component that is not available as an individual part.
 G** Indicates consult Customer Service Department for additional information.

ITEM	PART NO.	1 2 3 4 5	DESCRIPTION	QTY.
1	74612-G01		REAR AXLE ASSEMBLY 14.76:1 (INCLUDES ITEMS 2 - 7)	1
2	20377-G12		AXLE SHAFT (PASSENGER SIDE)	1
3	20377-G11		AXLE SHAFT (DRIVER SIDE).....	1
4	*		DIFFERENTIAL COVER.....	1
5	28610-G01		FILL PLUG WITH 'O' RING.....	1
6	15558-G1		BOLT, 5/16 - 18 X 3/4" LG.....	10
7	73050-G01		VENT	1
8				
9	72763-G02		SCUFF GUARD	1
10				
11	24261-G1		SPLINE BUMPER	1
12	00797-G2		BOLT, 1/4 - 20 X 1 1/4" LG	3
13	00664-G7		LOCK WASHER, 1/4" (STAINLESS STEEL)	3
14	01110-G01		WASHER, 1/4" (STAINLESS STEEL)	3
15	28095-G01		MOLY LUBE, 2 OZ.	AR

REAR SUSPENSION



Ref Rsp 7

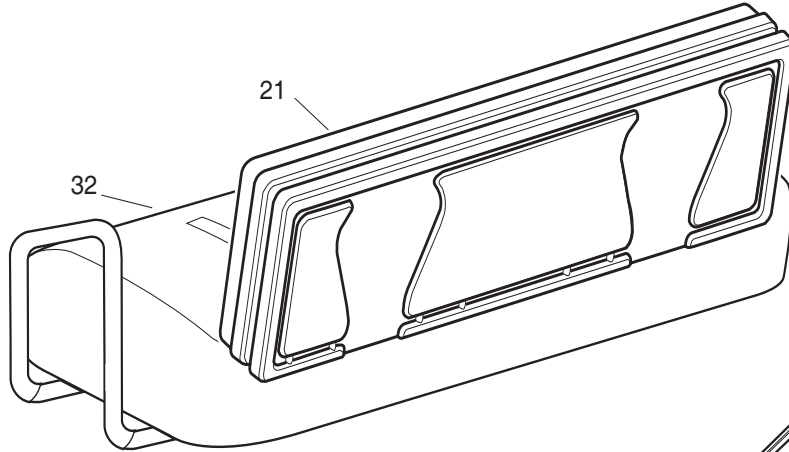
REAR SUSPENSION

THE USE OF NON U.L. PARTS WILL VOID ANY U.L. LISTING.
 When ordering parts, please specify the model and serial number of the product.
 * Indicates a component that is not available as an individual part.
 G** Indicates consult Customer Service Department for additional information.

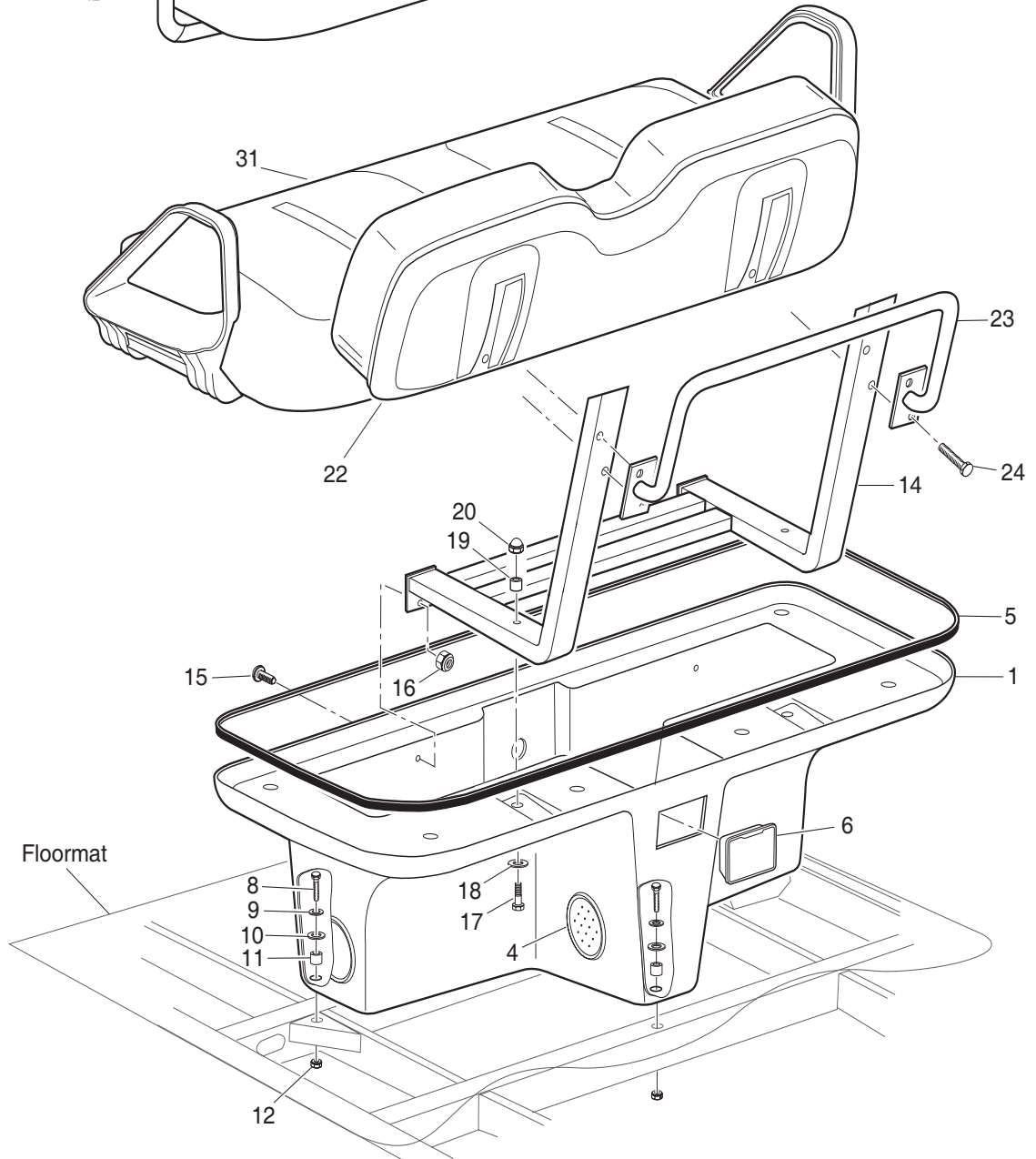
ITEM	PART NO.	1 2 3 4 5	DESCRIPTION	QTY.
1	74207-G03		LEAF SPRING.....	2
2	73217-G01		PLATE	2
3	30553-G1		'U' BOLT, 3/8 - 16 X 2 1/8" X 5" LG	4
4	00560-G1		WASHER, 3/8"	8
5	11098-G5		LOCK NUT, 3/8 - 16	8
6				
7	70291-G01		FLANGED BUSHING	4
8	14158-G1		SHOULDER BOLT, 3/8 - 16 X 3 1/4" LG	2
9	12262-G1		LOCK NUT, 3/8 - 16	2
10				
11	70291-G01		FLANGED BUSHING	8
12	70289-G02		SPACER	4
13	70290-G02		SHACKLE PLATE	4
14	00665-G9		BOLT, 3/8 - 16 X 3 1/2" LG	4
15	11098-G5		LOCK NUT, 3/8 - 16	4
16				
17	70469-G01		SHOCK ABSORBER.....	2
18	70472-G01		SPACER, SHOCK ABSORBER	2
19	00560-G3		WASHER, 1/2"	2
20	00551-G1		LOCK NUT, 1/2 - 13	2
21	10194-G1		RUBBER BUSHING	4
22	10435-G1		WASHER, SHOCK ABSORBER	4
23	00532-G6		NUT, 3/8 - 24	2

SEATING

TE5



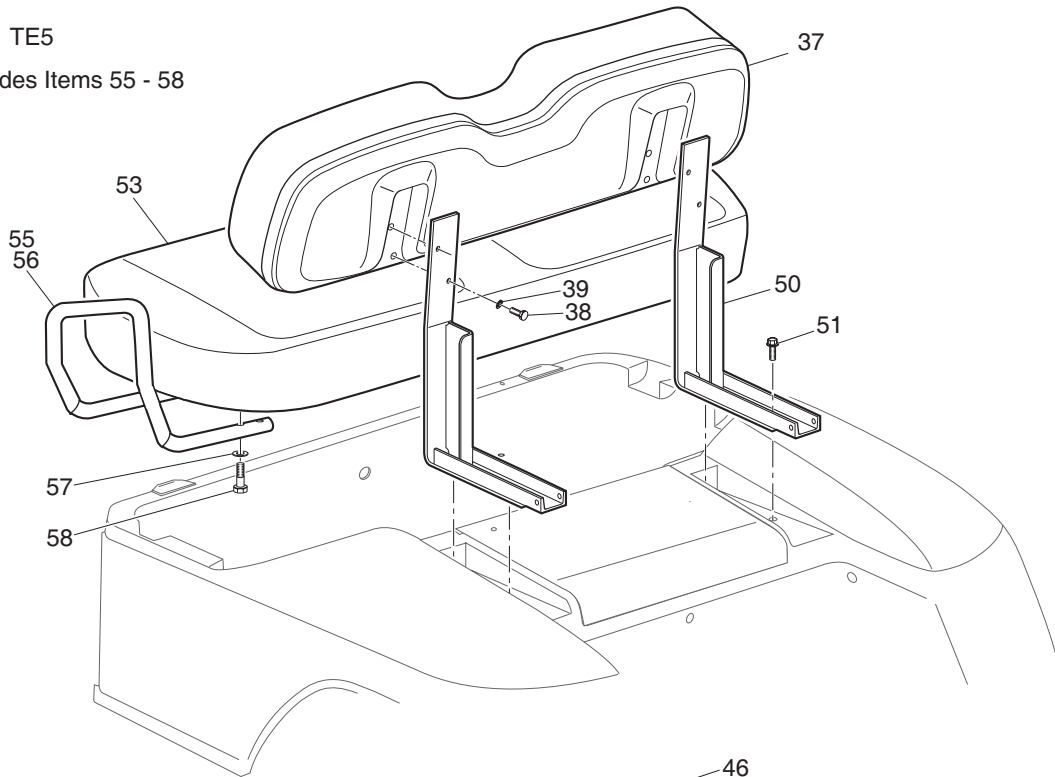
SHUTTLE



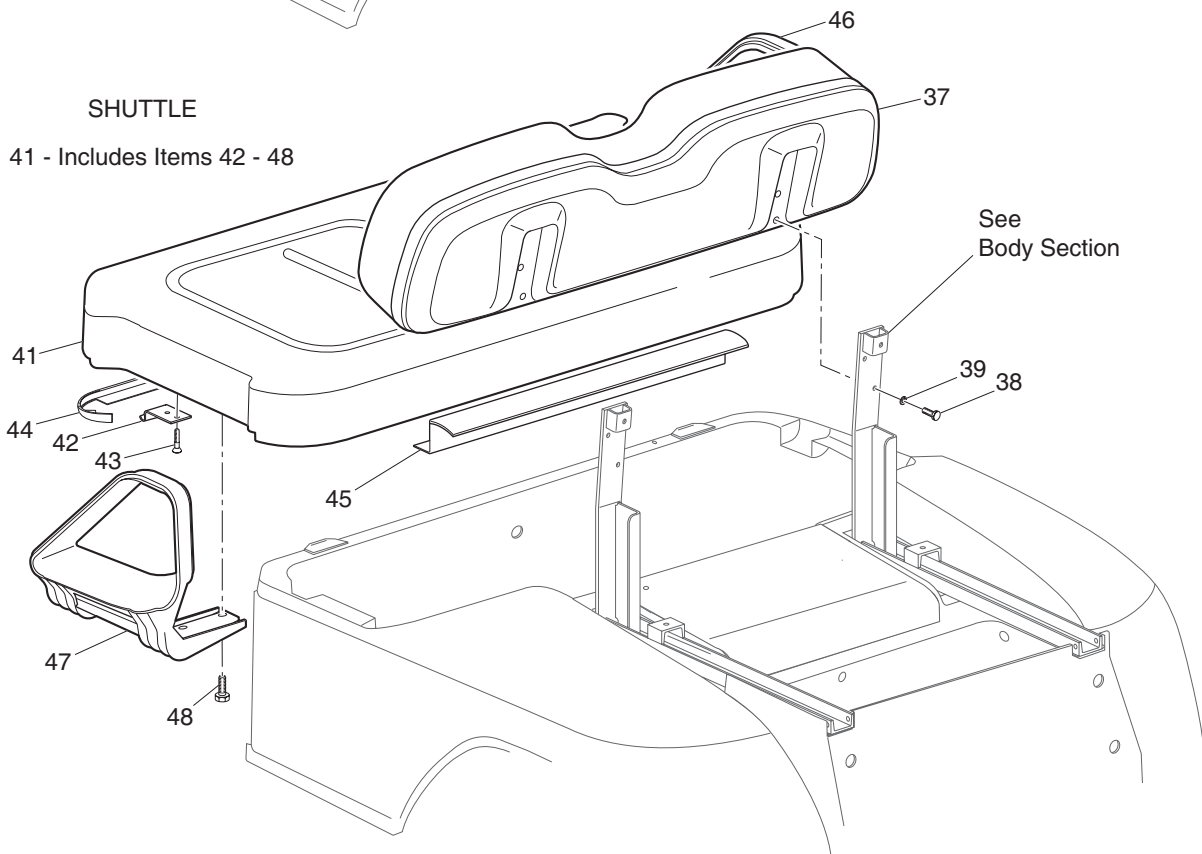
Ref Sea 7-1

SEATING

TE5
54 - Includes Items 55 - 58



SHUTTLE
41 - Includes Items 42 - 48



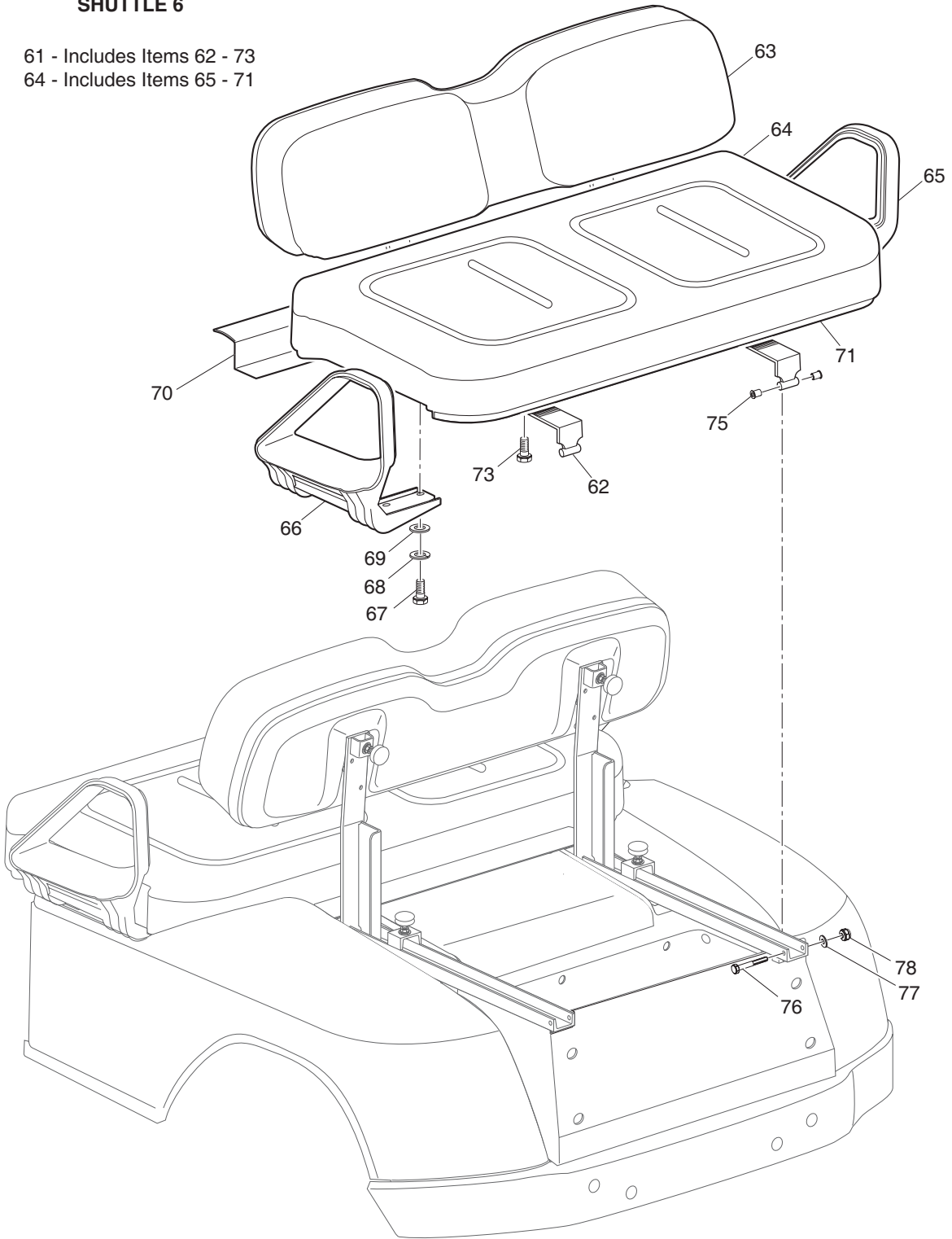
Ref Sea 7-3

SEATING

SHUTTLE 6

61 - Includes Items 62 - 73

64 - Includes Items 65 - 71



Ref Sea 7-4

SEATING

THE USE OF NON U.L. PARTS WILL VOID ANY U.L. LISTING.
 When ordering parts, please specify the model and serial number of the product.
 * Indicates a component that is not available as an individual part.
 G** Indicates consult Customer Service Department for additional information.

ITEM	PART NO.	1 2 3 4 5	DESCRIPTION	QTY.
1	70836-G00*		SEAT POD	1
2				
3				
4	71599-G01		VENT PLUG	4
5	32805-G6		TRIM, BLACK.....	1
6	27731-G01		ASHTRAY	1
7				
8	00439-G8		BOLT, 5/16 - 18 X 2" LG	3
9	00675-G1		WASHER, 1 1/4" X 3/8"	3
10	71883-G01		RUBBER WASHER, 5/8"	3
11	23726-G9		SPACER, 3/4"	3
12	11098-G6		LOCK NUT, 5/16 - 18	3
13				
14	70820-G01		SEAT BACK SUPPORT	1
15	00976-G06		SCREW, 5/16 - 18 X 3/4" LG.....	2
16	11098-G6		LOCK NUT, 5/16 - 18	2
17	00427-G8		BOLT, 3/8 - 16 X 2" LG	2
18	00675-G1		WASHER, 1 1/4" X 3/8"	2
19	23726-G4		SPACER, 5/16"	2
20	15717-G5		ACORN NUT, 3/8 - 16	2
21	71274-G**		SEAT BACK ASSEMBLY	1
22	71751-G**		SEAT BACK ASSEMBLY	1
23	71632-G01		HAND GRIP	1
24	71204-G02		BOLT, 1/4 - 20 X 2" LG	4
25				
26				
27				
28				
29				
30				

SEATING

THE USE OF NON U.L. PARTS WILL VOID ANY U.L. LISTING.
 When ordering parts, please specify the model and serial number of the product.
 * Indicates a component that is not available as an individual part.
 G** Indicates consult Customer Service Department for additional information.

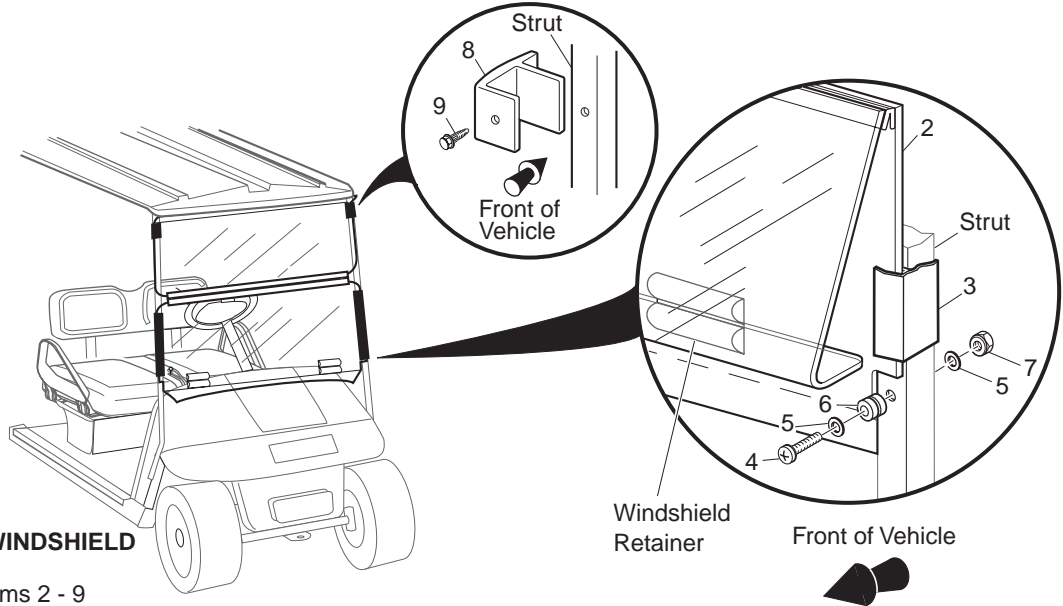
ITEM	PART NO.	1 2 3 4 5	DESCRIPTION	QTY.
31	71611-G**		SEAT BOTTOM (SHUTTLE)	2
32	71651-G**		SEAT BOTTOM (TE5)	2
33				
34				
35				
36				
37	71751-G**		SEAT BACK	1
38	00661-G8		BOLT, 1/4 - 20 X 1" LG	4
39	00664-G7		LOCK WASHER, 1/4"	4
40				
41	71611-G**		SEAT BOTTOM (INCLUDES ITEMS 42 - 48) (SHUTTLE 4 & 6)	1
42	71610-G01		SEAT HINGE	2
43	00720-G08		SCREW, #12 - 14 X 1" LG	6
44	71012-G01		FRONT EDGE TRIM.....	1
45	71608-G01		BACK EDGE TRIM	1
46	71701-G01		HIP RESTRAINT (PASSENGER SIDE)	1
47	71702-G01		HIP RESTRAINT (DRIVER SIDE)	1
48	71204-G01		BOLT, 1/4 - 20 X 7/8" LG.....	8
49				
50	74137-G01		SEAT BACK SUPPORT (TE5)	2
51	01006-G02		BOLT, 3/8 - 16 X 1 1/4" LG (TE5)	4
52				
53	71651-G**		SEAT BOTTOM (TE5)	1
54	71646-G01		HAND HOLD KIT (INCLUDES ITEMS 55 - 58)	1
55	71876-G02		HIP RESTRAINT, REAR SEAT (DRIVER SIDE)	1
56	71876-G01		HIP RESTRAINT, REAR SEAT (PASSENGER SIDE).....	1
57	00559-G7		WASHER, 1/4"	8
58	00415-G2		BOLT, 1/4 - 20 X 1 1/4" LG.....	8
59				
60				

SEATING

THE USE OF NON U.L. PARTS WILL VOID ANY U.L. LISTING.
 When ordering parts, please specify the model and serial number of the product.
 * Indicates a component that is not available as an individual part.
 G** Indicates consult Customer Service Department for additional information.

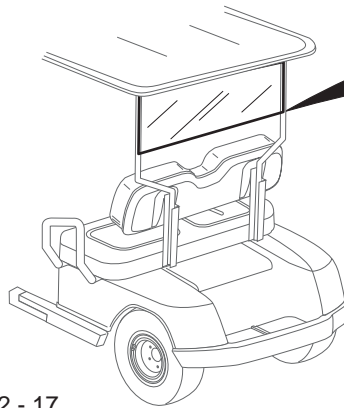
ITEM	PART NO.	1 2 3 4 5	DESCRIPTION	QTY.
61	74131-G**		SEAT ASSEMBLY (INCLUDES ITEMS 62 - 73) (SHUTTLE 6).....	1
62	72918-G01		SEAT SUPPORT BRACKET	2
63	71751-G**		SEAT BACK.....	1
64	74139-G**		SEAT BOTTOM (INCLUDES ITEMS 65 - 71).....	1
65	71701-G01		HIP RESTRAINT (PASSENGER SIDE)	1
66	71702-G01		HIP RESTRAINT (DRIVER SIDE).....	1
67	00661-G8		BOLT, 1/4 - 20 X 1" LG	8
68	00664-G7		LOCK WASHER, 1/4"	8
69	01110-G01		WASHER, 1/4".....	8
70	71012-G01		SEAT TRIM (REAR)	1
71	74140-G01		SEAT TRIM (FRONT).....	1
72				
73	71204-G01		BOLT, 1/4 - 20 X 7/8" LG.....	12
74				
75	17838-G1		NYLON BUSHING.....	4
76	00440-G4		BOLT, 5/16 - 18 X 2 1/2" LG	2
77	00559-G8		WASHER, 5/16"	2
78	11098-G6		LOCK NUT, 5/16 - 18	2

WEATHER PROTECTION



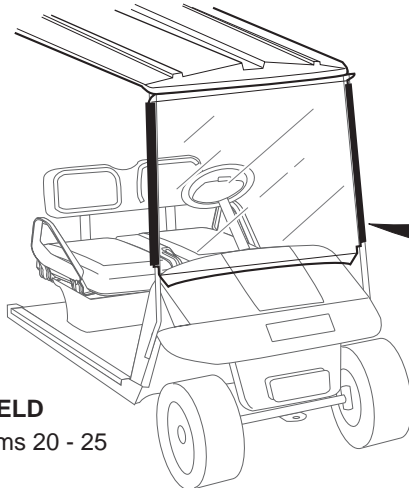
FOLD DOWN WINDSHIELD

1 - Includes Items 2 - 9



REAR WINDSHIELD

11 - Includes Items 12 - 17

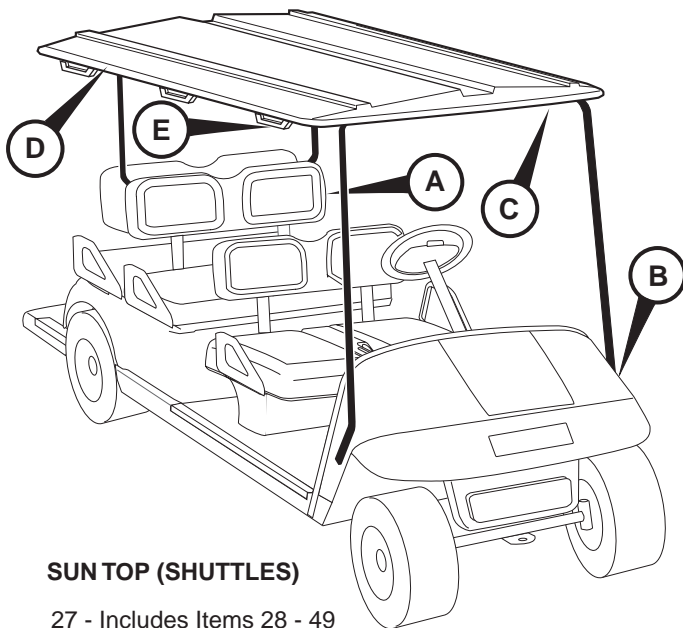
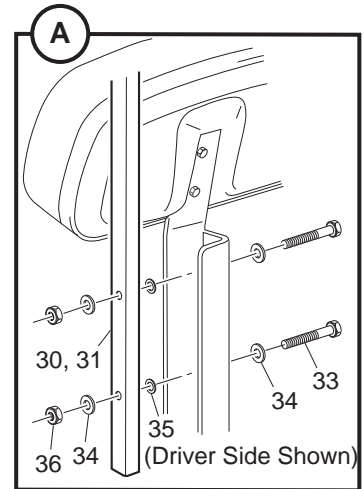
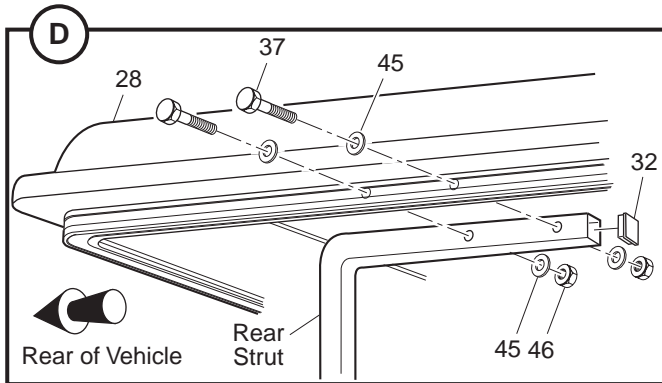


FULL WINDSHIELD

19 - Includes Items 20 - 25

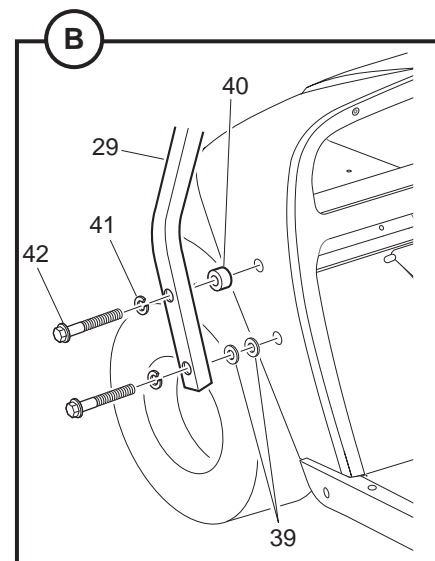
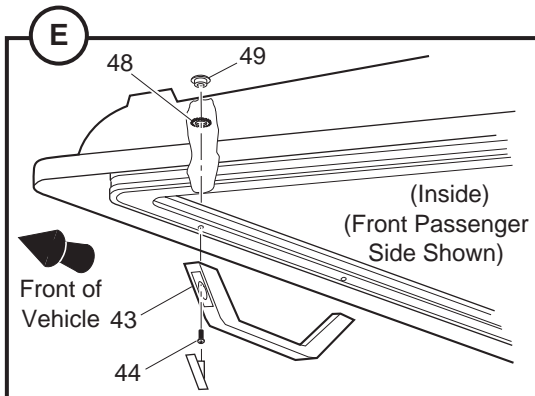
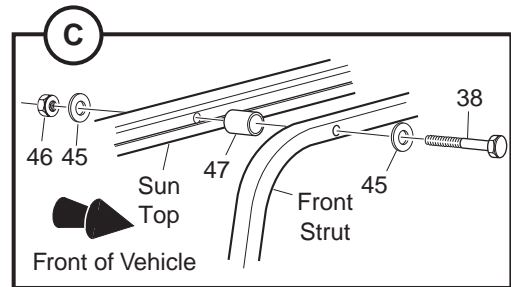
Ref Wea 7-1

WEATHER PROTECTION



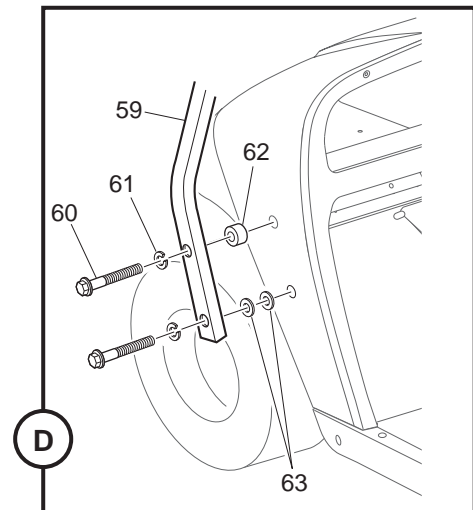
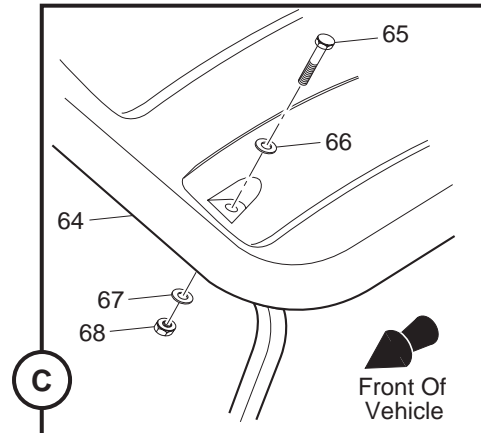
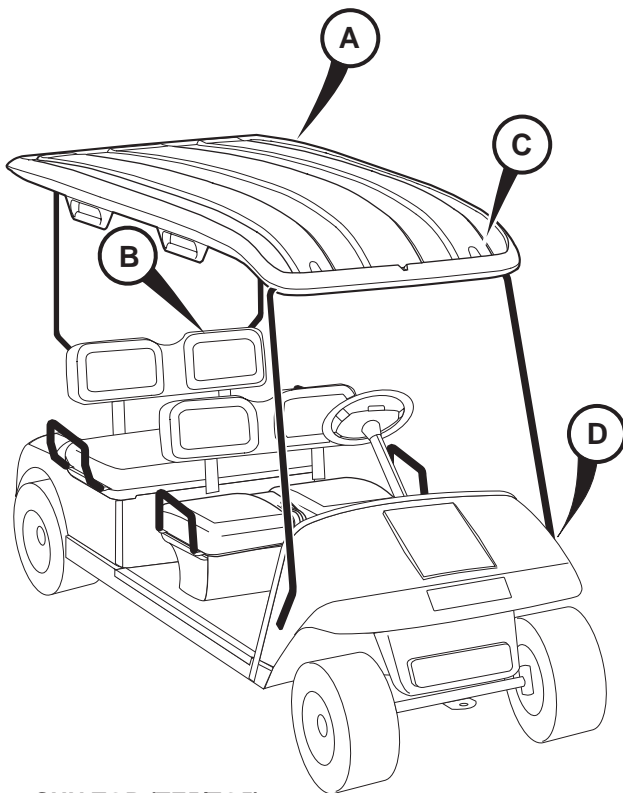
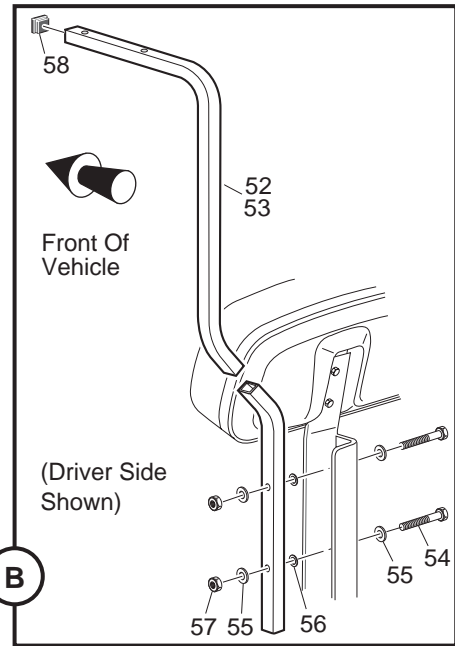
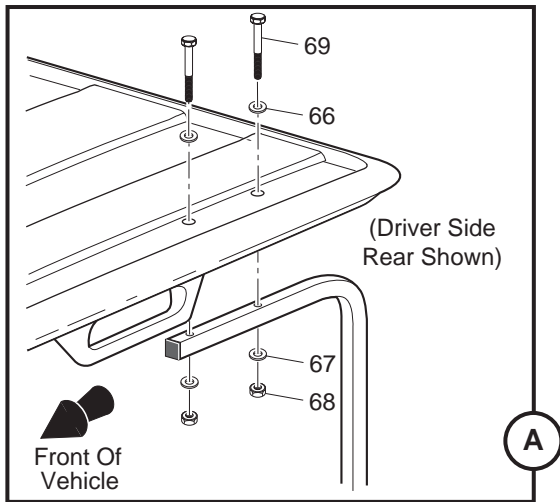
SUN TOP (SHUTTLES)

27 - Includes Items 28 - 49



Ref Wea 7-2

WEATHER PROTECTION



SUN TOP (TE5/TG5)

51 - Includes Items 52 - 69

Ref Wea 7-3

WEATHER PROTECTION

THE USE OF NON U.L. PARTS WILL VOID ANY U.L. LISTING.

When ordering parts, please specify the model and serial number of the product.

* Indicates a component that is not available as an individual part.

G** Indicates consult Customer Service Department for additional information.

ITEM	PART NO.	1 2 3 4 5	DESCRIPTION	QTY.
1	75534-G01		WINDSHIELD KIT, FOLD DOWN (INCLUDES ITEMS 2 - 9).....	1
2	E950WSB3		FOLD DOWN WINDSHIELD	1
3	EGWHC24		SASH, 3/4" X 14" LG	2
4	EGWHS12		SCREW, 1/4 - 20 X 1 3/4" LG (STAINLESS STEEL).....	2
5	EGWHW12		WASHER, 1/4" (STAINLESS STEEL).....	4
6	EGWHG13		RUBBER GROMMET	2
7	EGWHN12		LOCK NUT, 1/4 - 20 (STAINLESS STEEL).....	2
8	137-010		TOP GRIP.....	2
9	136-008		FASTENER	2
10				
11	75535-G01		WINDSHIELD KIT, REAR (INCLUDES ITEMS 12 - 17).....	1
12	EIRWFB3		REAR WINDSHIELD	1
13	EGWHC14		SASH, 1" X 15 9/16" LG	2
14	EGWHS14		SCREW, 1/4 - 20 X 2" LG (STAINLESS STEEL).....	2
15	EGWHW13		WASHER, 1/4" (STAINLESS STEEL).....	6
16	EGWHG13		RUBBER GROMMET	2
17	EGWHN13		LOCK NUT, 1/4 - 20 (STAINLESS STEEL).....	2
18				
19	75536-G01		WINDSHIELD KIT, FULL (INCLUDES ITEMS 20 - 25)	1
20	EISWFB3		FULL, WINDSHIELD.....	1
21	EGWHC13		SASH, 3/4" X 22 7/16" LG	2
22	EGWHS13		SCREW, 1/4 - 20 X 1 3/4" LG (STAINLESS STEEL).....	2
23	EGWHW13		WASHER, 1/4" (STAINLESS STEEL).....	4
24	EGWHG13		RUBBER GROMMET	2
25	EGWHN13		LOCK NUT, 1/4 - 20 (STAINLESS STEEL).....	2
26				
27	75282-G0*		SUN TOP KIT (SHUTTLE) (INCLUDES ITEMS 28 - 49)	1
28	75271-G0*		SUN TOP	1
29	75045-G03		FRONT STRUT.....	1
30	75274-G01		REAR STRUT (DRIVER SIDE).....	1

WEATHER PROTECTION

THE USE OF NON U.L. PARTS WILL VOID ANY U.L. LISTING.

When ordering parts, please specify the model and serial number of the product.

* Indicates a component that is not available as an individual part.

G** Indicates consult Customer Service Department for additional information.

ITEM	PART NO.	1	2	3	4	5	DESCRIPTION	QTY.
31	75274-G02						REAR STRUT (PASSENGER SIDE)	1
32	19853-G1						END CAP, 1"	2
33	00665-G5						BOLT, 3/8 - 16 X 1 3/4" LG (STAINLESS STEEL)	4
34	00679-G1						WASHER, 3/8" (STAINLESS STEEL).....	8
35	00771-G5						NYLON WASHER, 3/8".....	4
36	00891-G5						LOCK NUT, 3/8 - 16.....	4
37	00440-G4						BOLT, 5/16 - 18 X 2 1/2" LG.....	4
38	00441-G2						BOLT, 5/16 - 18 X 3 1/4" LG.....	2
39	00879-G1						WASHER, 3/8"	4
40	75048-G01						SPACER, 1/2"	2
41	00905-G8						LOCK WASHER, 5/16"	4
42	01035-G01						BOLT, 5/16 - 18 X 2 1/4" LG.....	4
43	75240-G01						HANDLE	5
44	00163-G2						SCREW, 1/4 - 20 X 1 1/4" LG	10
45	00642-G8						WASHER, 5/16"	12
46	11098-G6						LOCK NUT, 5/16 - 18 (STAINLESS STEEL).....	6
47	18716-G2						SPACER, 1"	2
48	00567-G8						LOCK WASHER, 5/16"	10
49	01010-G01						TEE NUT, 1/4 - 20.....	10
50								
51	75485-G01						SUN TOP KIT (TE5/TG5) (INCLUDES ITEMS 52 - 69)	1
52	75487-G02						REAR SUPPORT (DRIVER SIDE)	2
53	75487-G01						REAR SUPPORT (PASSENGER SIDE).....	2
54	00665-G5						BOLT, 3/8 - 16 X 1 3/4" LG (STAINLESS STEEL)	4
55	00679-G1						WASHER, 3/8" (STAINLESS STEEL).....	8
56	00771-G5						NYLON WASHER, 3/8".....	4
57	00891-G5						LOCK NUT, 3/8 - 16.....	4
58	19853-G1						END CAP, 1"	2
59	75488-G01						FRONT SUPPORT	2
60	01035-G01						BOLT, 5/16 - 18 X 2 1/4" LG.....	4

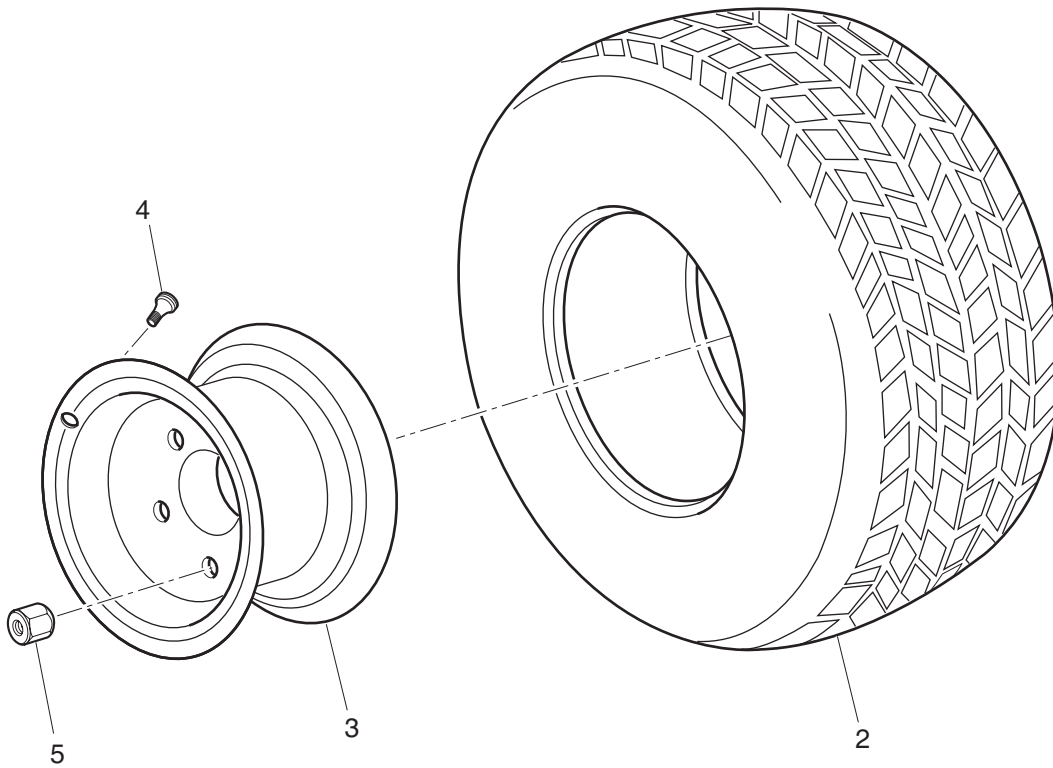
WEATHER PROTECTION

THE USE OF NON U.L. PARTS WILL VOID ANY U.L. LISTING.
 When ordering parts, please specify the model and serial number of the product.
 * Indicates a component that is not available as an individual part.
 G** Indicates consult Customer Service Department for additional information.

ITEM	PART NO.	1	2	3	4	5	DESCRIPTION	QTY.
61	00905-G8						LOCK WASHER, 5/16"	4
62	75048-G01						SPACER, 1/2"	2
63	00879-G1						LOCK WASHER, 3/8"	4
64	74374-G01						SUN TOP	1
65	00685-G10						BOLT, 5/16 - 18 X 2 3/4" LG (STAINLESS STEEL)	2
66	00907-G2						WASHER, 5/16" (STAINLESS STEEL).....	6
67	00660-G8						WASHER, 5/16" (STAINLESS STEEL).....	6
68	11098-G6						LOCK NUT, 5/16 - 18 (STAINLESS STEEL).....	6
69	00685-G11						BOLT, 5/16 - 18 X 3 1/4" LG (STAINLESS STEEL)	4

WHEELS AND TIRES

1 - Includes Items 2, 3, 4



(Style of tire may differ from tire shown)

WHEELS AND TIRES

Where applicable, THE USE OF NON UL PARTS WILL VOID ANY UL LISTING.
 When ordering parts, please specify the model and serial number of the product.
 * Indicates a component that is not available as an individual part.
 G** Indicates consult Customer Service Department for additional information.

ITEM	PART NO.	1 2 3 4 5	DESCRIPTION	QTY.
1	28757-G01		TIRE AND WHEEL ASSEMBLY (INCLUDES ITEMS 2, 3, 4).....	AR
2	28764-G01		TIRE, 18 X 8.50 - 8 LINKS®	1
3	28759-G01		WHEEL RIM.....	1
4	11657-G2		VALVE STEM.....	1
5	14723-G1		LUG NUT, 1/2 - 20.....	AR

**DID YOU
KNOW?**

CartPros directs you to the right part using the part numbers from this manual. Enter the part number into our search box and it will find the part you are looking for.

**GET STARTED
HERE**



<https://CartPros.com/f.html>

SPECIALTY PRODUCTS

SPECIALTY PRODUCTS

SPECIALTY PRODUCTS

SPECIAL TOOLS	PART NO.
BATTERY MAINTENANCE KIT	25587-G01
SEAL INSTALLATION TOOL (REAR AXLE SHAFT SEAL)	18739-G1
BATTERY SET DISCHARGER, 36 VOLT, 75 AMP	28251-G01
CURRENT INDICATOR	16489-G2
DIGITAL MULTI-METER	27481-G01
CRIMPING TOOL	27765-G01
SLIDE HAMMER (AXLE/HUB REMOVAL)	15947-G1
SLIDE HAMMER (AXLE REMOVAL ONLY)	18753-G1

TOUCH UP PAINT	PART NO.
PEN 3 OUNCE (89 ML) - HUNTER GREEN	28432-G02
PEN 3 OUNCE (89 ML) - CHAMPAGNE BEIGE	28432-G01
PEN 3 OUNCE (89 ML) - WHITE	28432-G05
PEN 3 OUNCE (89 ML) - INDUSTRIAL YELLOW	28432-G03
PEN 3 OUNCE (89 ML) - ORANGE	28432-G04
PEN 3 OUNCE (89 ML) - STEEL BLUE PEARL	28432-G**
PEN 3 OUNCE (89 ML) - CAMOUFLAGE PAINT (THREE PENS)	75831-G01
AEROSOL 12 OUNCE (360 ML) - HUNTER GREEN	28140-G09
AEROSOL 12 OUNCE (360 ML) - CHAMPAGNE BEIGE	28140-G15
AEROSOL 12 OUNCE (360 ML) - WHITE	28140-G03
AEROSOL 12 OUNCE (360 ML) - INDUSTRIAL YELLOW	28140-G14
AEROSOL 12 OUNCE (360 ML) - ORANGE	28140-G13
AEROSOL 12 OUNCE (360 ML) - STEEL BLUE PEARL	28140-G**

MAINTENANCE PRODUCTS	PART NO.
FORMULA 40 VINYL-COAT® - WHITE	28166-G01
PLEXUS® CLEANER, 7 OUNCE (210 ML) (FOR WINDSHIELDS)	28433-G01
PLEXUS® CLEANER, 13 OUNCE (380 ML) (FOR WINDSHIELDS)	28433-G02
BATTERY PROTECTOR, 14 OUNCE (410 ML) SPRAY	75500-G01
WHITE LITHIUM GREASE, 14 OUNCE (410 ML) SPRAY	75502-G01
PENETRANT/LUBRICANT, 15 OUNCE (440 ML) SPRAY	75503-G01
MULTI-PURPOSE CLEANER & DEGREASER, 14 OUNCE (410 ML) SPRAY	75504-G01
MULTI-PURPOSE HAND CLEANER, 32 OUNCE (950 ML) LIQUID	75505-G01

SPECIALTY PRODUCTS

BATTERY CLEANER, 32 OUNCE (950 ML) WITH TRIGGER SPRAYER	75506-G01
BIO-DEGRADABLE CLEANER, 32 OUNCE (950 ML) WITH TRIGGER SPRAYER	75507-G01
MULTI-PURPOSE VALUE PACK.....	75508-G01
• BATTERY PROTECTOR, 4 OUNCE (120 ML) SPRAY	
• PENETRANT/LUBRICANT, 4 OUNCE (120 ML) SPRAY	
• WHITE LITHIUM GREASE, 4 OUNCE (120 ML) SPRAY	
• CARBURETOR & CHOKE CLEANER, 4 OUNCE (120 ML) SPRAY	

SPECIALTY PRODUCTS

Notes: _____

**DID YOU
KNOW?**

CartPros directs you to the right part using the part numbers from this manual. Enter the part number into our search box and it will find the part you are looking for.

**GET STARTED
HERE**



<https://CartPros.com/f.html>



A Textron Company

E-Z-GO Division of Textron, Inc.
1451 Marvin Griffin Rd., Augusta, Georgia 30906 USA
Inside USA Phone: 1-800-241-5855, FAX: 1-800-448-8124
Outside USA Phone: 010-1-706-798-4311, FAX: 010-1-706-771-4609

Copyrighted Material
This manual may not be reproduced in whole or
in part without the express permission of
E-Z-GO Division of Textron, Inc.
Technical Communications Department