

**DID YOU
KNOW?**

CartPros directs you to the right part using the part numbers from this manual. Enter the part number into our search box and it will find the part you are looking for.

**GET STARTED
HERE** →

<https://CartPros.com/f.html>

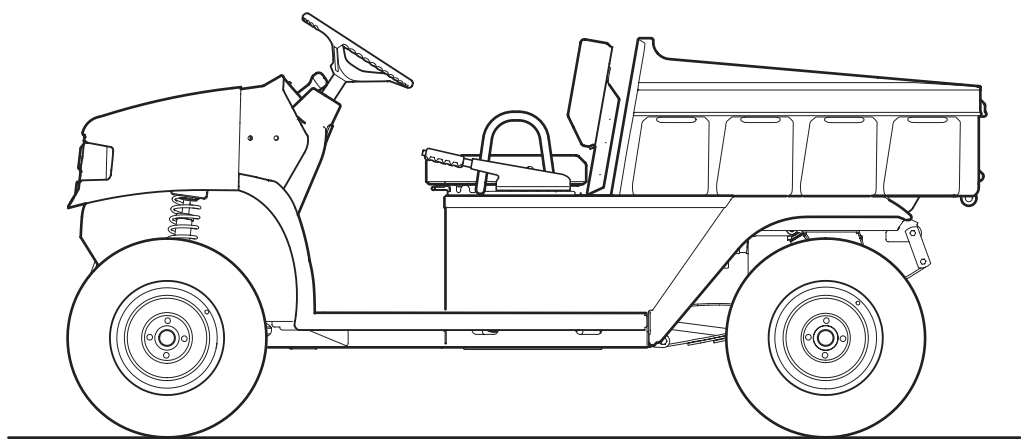
28981-G01



A Textron Company



SERVICE PARTS MANUAL



Ref Fcv 19

GASOLINE POWERED UTILITY VEHICLE

STARTING MODEL YEAR: 2004

**DID YOU
KNOW?**

CartPros directs you to the right part using the part numbers from this manual. Enter the part number into our search box and it will find the part you are looking for.

**GET STARTED
HERE** →

<https://CartPros.com/f.html>

SERVICE PARTS MANUAL

GASOLINE POWERED UTILITY VEHICLE

E-Z-GO ST 4X4

E-Z-GO Division of TEXTRON, Inc. reserves the right to make design changes without obligation to make these changes on units previously sold and the information contained in this manual is subject to change without notice.

E-Z-GO Division of TEXTRON, Inc. is not liable for errors in this manual or for incidental or consequential damages that result from the use of the material in this manual.

CUSTOMER SERVICE DEPARTMENT IN USA PHONE: 1-800-241-5855 FAX: 1-800-448-8124

OUTSIDE USA PHONE: 010-1-706-798-4311, FAX: 010-1-706-771-4609

E-Z-GO DIVISION OF TEXTRON, INC., 1451 MARVIN GRIFFIN ROAD, AUGUSTA, GEORGIA USA 30906 - 3852

GENERAL INFORMATION

To obtain a copy of the limited warranty applicable to the vehicle, call or write a local Distributor, authorized Branch or the Warranty Department with vehicle serial number and manufacturer code.

The use of non Original Equipment Manufacturer (OEM) parts may void the warranty.

Tampering with or adjusting the governor to permit vehicle to operate at above factory specifications will void the vehicle warranty.

When servicing engines, all adjustments and replacement components must be per original vehicle specifications in order to maintain the United States of America Federal and State emission certification applicable at the time of manufacture.

BATTERY PROLONGED STORAGE

All batteries will self discharge over time. The rate of self discharge varies depending on the ambient temperature and the age and condition of the batteries.

A fully charged battery will not freeze in winter temperatures unless the temperature falls below -75° F (-60° C).

TABLE OF CONTENTS

SECTION	Page No.
HOW TO USE THE SERVICE PARTS MANUAL	v
ILLUSTRATED PARTS BREAKDOWN	vii
ACCELERATOR	A-1
AIR FILTER	B-1
BODY - FRONT	C-1
BODY - MID	C-5
BODY - REAR	C-7
BRAKES	D-1
BRAKES - PARK	D-5
DIRECTION AND DRIVE SELECTOR	E-1
DRIVETRAIN - FRONT	F-1
DRIVETRAIN - MID	F-3
DRIVETRAIN - REAR	F-7
ELECTRICAL	G-1
EXHAUST	H-1
FRONT SUSPENSION	I-1
FUEL SYSTEM	J-1
HITCH	K-1
REAR SUSPENSION	L-1
SEAT	M-1
STEERING	N-1
TRUCK BED, PLASTIC	O-1
WHEELS & TIRES	P-1
SPECIALTY PRODUCTS	APPENDIX A-1
OPTIONS/ACCESSORIES	APPENDIX B-1
INDEX OF MAJOR COMPONENTS	INDEX-1

HOW TO USE THE SERVICE PARTS MANUAL

This manual is divided into several sections:

GENERAL INFORMATION

- TABLE OF CONTENTS
- HOW TO USE THE SERVICE PARTS MANUAL

ILLUSTRATED PARTS BREAKDOWN

- Contains illustrations and parts lists for all systems of the vehicle

APPENDIX

- Contains a listing of specialty products and options/accessories

INDEX OF MAJOR COMPONENTS

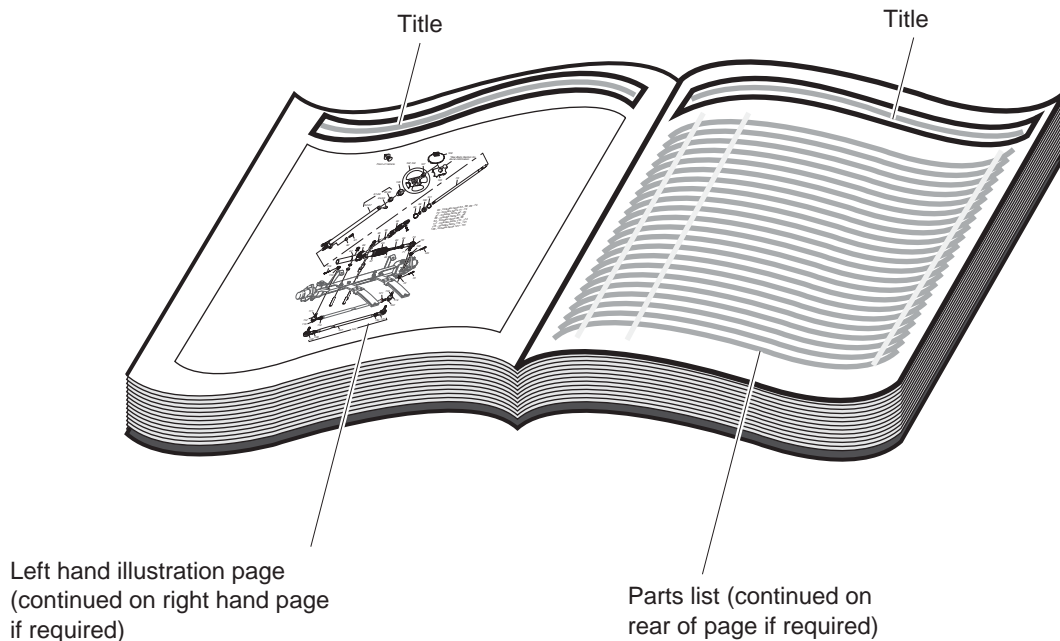
- Contains a listing of parts (excluding hardware) grouped by part number and description and indicates on which page(s) they can be found

USE OF THE MANUAL

To use this manual, consult the TABLE OF CONTENTS (page iii) or the INDEX OF MAJOR COMPONENTS (located at rear of this manual) to locate the information or illustration required.

Introduction of some revisions varies due to supply of components; therefore, it is possible that various combinations of components may be found that are not directly reflected by each illustration. Consult the illustration that best suits your situation. Locate the serial number plate (see BODY located in the Illustrated Parts Breakdown section of this manual for its location) and note the complete number shown on the plate. It is important that the serial number of your vehicle and its model number be supplied to Service Parts when ordering any replacement components.

HOW TO USE THE SERVICE PARTS MANUAL



1. WHEN THE PART NUMBER IS NOT KNOWN

- Determine the function and application of the part required. Turn to the INDEX OF MAJOR COMPONENTS and select the most appropriate component description.
- Turn to the page number indicated and locate the part description in the parts list. Read the full accompanying description for specific information regarding the part that was not shown in the index.
- From the parts list, obtain the item number assigned to it and confirm that the part selected is correct by verifying it with the pictorial representation on the illustrated page.

2. IF YOU KNOW THE PART NUMBER

- Use the INDEX OF MAJOR COMPONENTS to find the page(s) the part number appears on.
- Turn to the page number indicated and locate the part number in the parts list. Refer to the accompanying description for specific information regarding the part.
- From the parts list, obtain the item number assigned to it and confirm that the part selected is correct by verifying it with the pictorial representation on the illustrated page.

Should an asterisk (*) appear in the part number column on the parts list page, read upwards until a part number is found. The part number is the lowest assembly sold by Service Parts. The asterisk (*) indicates that the part depicted is not available for purchase.

NOTE: Descriptions are indented under the assembly that they are used on. That assembly is, in turn listed under the assembly that it is used on. This process is repeated until the highest final assembly is reached.

To facilitate the maintenance and repair of the vehicle, a Technician's Repair and Service Manual is available from the Service Parts Department.

**DID YOU
KNOW?**

CartPros directs you to the right part using the part numbers from this manual. Enter the part number into our search box and it will find the part you are looking for.

**GET STARTED
HERE**

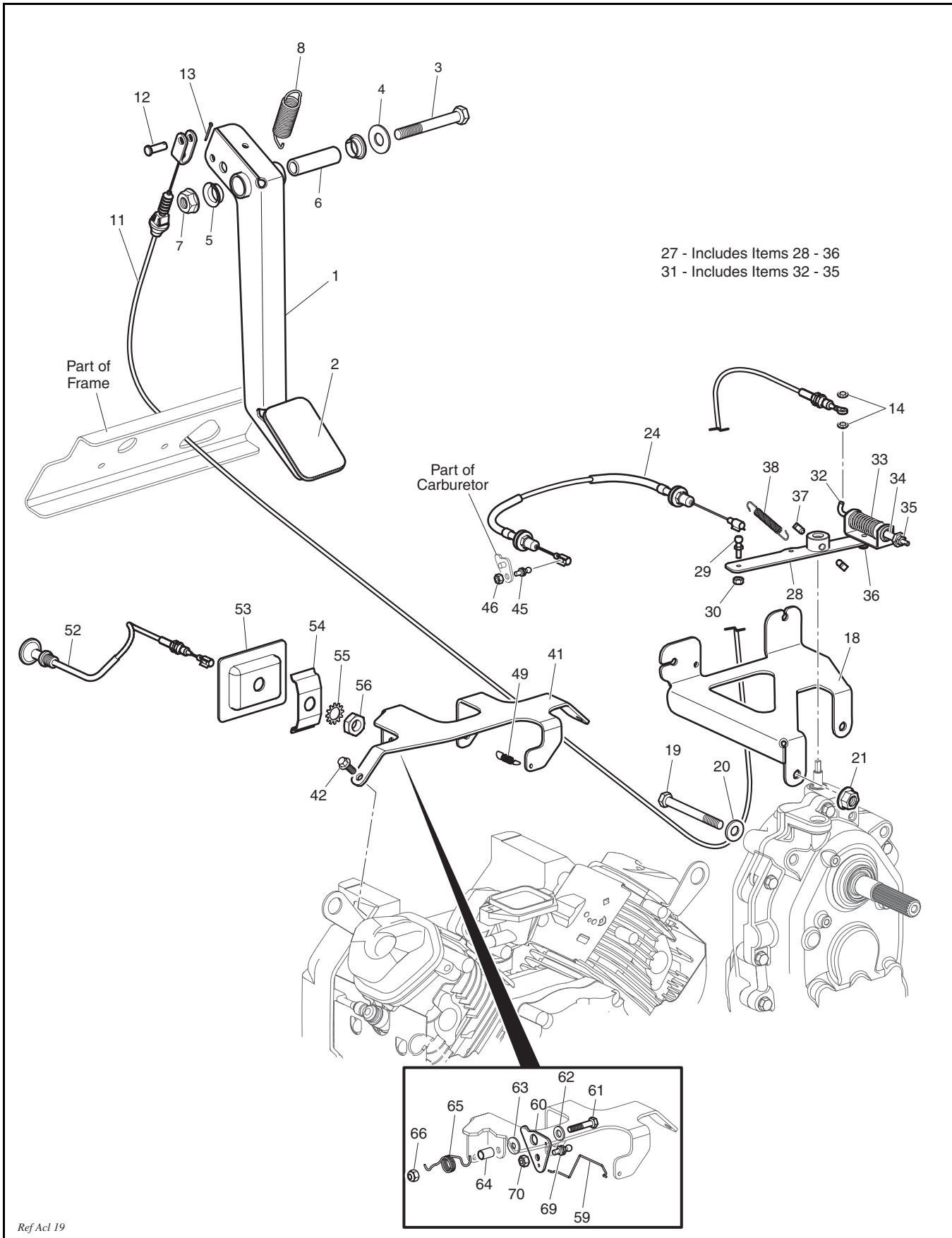


<https://CartPros.com/f.html>

ILLUSTRATED PARTS BREAKDOWN

ILLUSTRATED PARTS BREAKDOWN

ACCELERATOR



ACCELERATOR

Where applicable, THE USE OF NON UL PARTS WILL VOID ANY UL LISTING.
 When ordering parts, please specify the model and serial number of the product.
 * Indicates a component that is not available as an individual part.
 G** Indicates consult Customer Service Department for additional information.

ITEM	PART NO.	1 2 3 4 5	DESCRIPTION	QTY.
1	73999-G01		ACCELERATOR PEDAL.....	1
2	73547-G01		PEDAL PAD	1
3	311398		SCREW, 1/2 - 13 X 3 1/2.....	1
4	00643-G3		WASHER, 1/2"	1
5	73995-G01		BUSHING	2
6	73993-G01		INNER PIVOT TUBE.....	1
7	800700		LOCK NUT, 1/2 - 13	1
8	73813-G01		SPRING.....	1
9				
10				
11	73699-G01		ACCELERATOR CABLE	1
12	10386-G3		CLEVIS PIN, 5/16" X 13/16" LG	1
13	10387-G3		COTTER PIN, 3/32" X 3/4" LG	1
14	12064-G3		PUSH NUT, 3/16"	2
15				
16				
17				
18	73720-G01		ACCELERATOR AND GOVERNOR CABLE BRACKET	1
19	311391		SCREW, 3/8 - 16 X 4.....	2
20	00643-G1		WASHER, 3/8"	1
21	800698		LOCK NUT, 3/8 - 16	2
22				
23				
24	73820-G01		GOVERNOR CABLE.....	1
25				
26				
27	73719-G01		GOVERNOR LEVER ASSEMBLY.....	1
28	73718-G01		GOVERNOR LEVER	1
29	15944-G1		BALL JOINT.....	1
30	00734-G5		LOCK NUT, #10 - 32.....	1

ACCELERATOR

Where applicable, THE USE OF NON UL PARTS WILL VOID ANY UL LISTING.

When ordering parts, please specify the model and serial number of the product.

* Indicates a component that is not available as an individual part.

G** Indicates consult Customer Service Department for additional information.

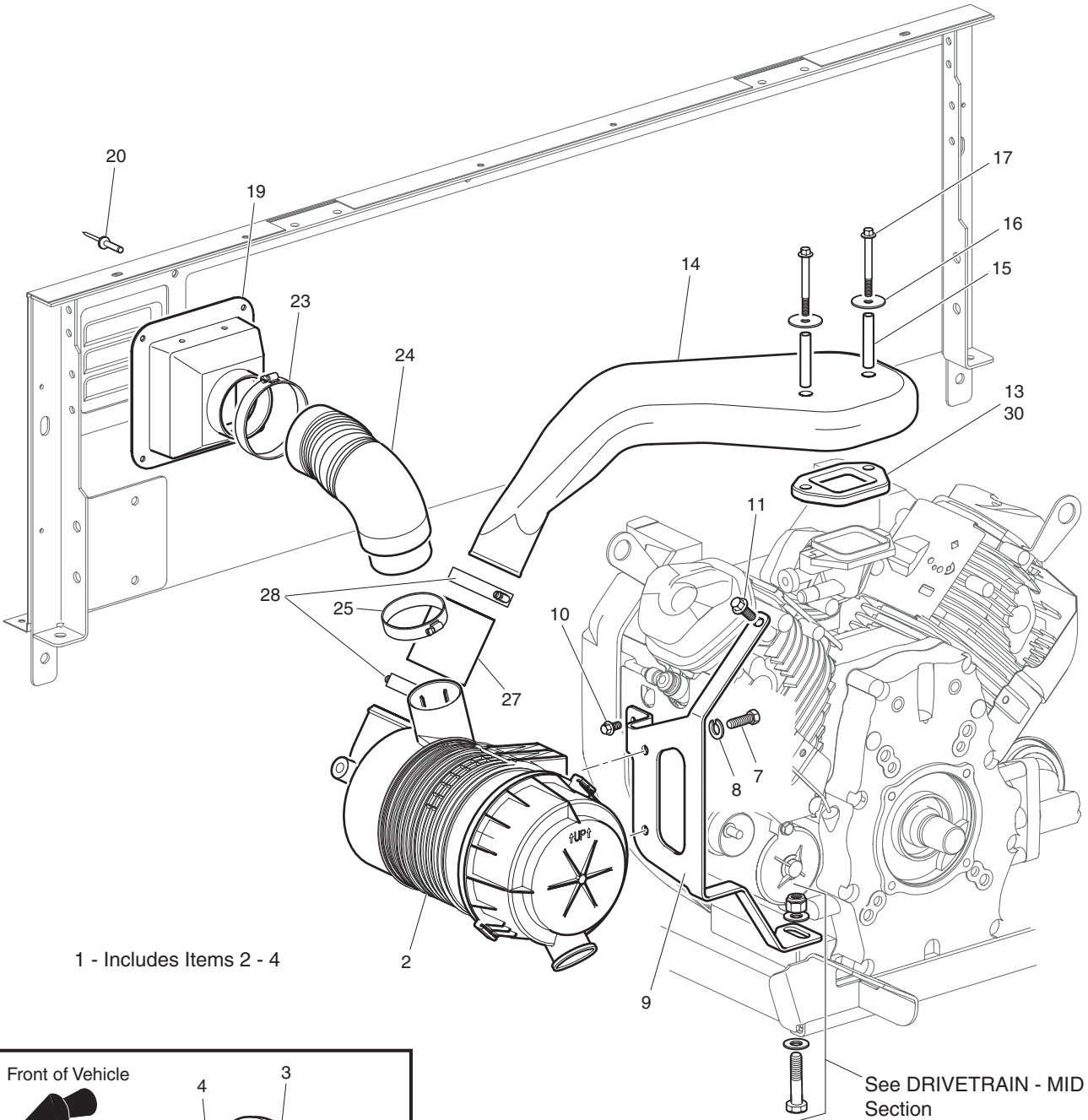
ITEM	PART NO.	1 2 3 4 5	DESCRIPTION	QTY.
31	22751-G2		GOVERNOR BRACKET ASSEMBLY (INCLUDES ITEMS 32 - 35)	1
32	25274-G1		GOVERNOR ROD	1
33	23578-G1		COMPRESSION SPRING	1
34	23859-G1		GOVERNOR ADJUSTER	1
35	00526-G4		NUT, #10 - 32	1
36	14390-G4		LOCK NUT, 1/4 - 20	1
37	00491-G4		SETSCREW, 1/4 - 20 X 1/2" LG.....	2
38	25738-G01		SPRING.....	1
39				
40				
41	73571-G01		GOVERNOR CABLE AND CHOKE BRACKET	1
42	73875-G01		BOLT, M8 - 1.25 X 20MM LG	2
43				
44				
45	73722-G01		BALL STUD.....	1
46	00734-G5		LOCK NUT, #10 -32	1
47				
48				
49	73862-G01		EXTENSION SPRING	1
50				
51				
52	73566-G01		CHOKE CABLE	1
53	72154-G01		CHOKE CABLE ADAPTER.....	1
54	72155-G02		ADAPTER RETAINER.....	1
55	00568-G4		LOCK WASHER, 9/16".....	1
56	00545-G4		JAM NUT, 9/16 - 18	1
57				
58				
59	72943-G01		CHOKE LINKAGE	1
60	73570-G01		CHOKE PIVOT PLATE.....	1

ACCELERATOR

Where applicable, THE USE OF NON UL PARTS WILL VOID ANY UL LISTING.
 When ordering parts, please specify the model and serial number of the product.
 * Indicates a component that is not available as an individual part.
 G** Indicates consult Customer Service Department for additional information.

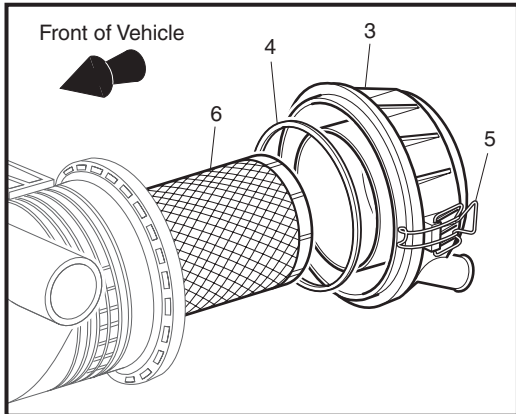
ITEM	PART NO.	1 2 3 4 5	DESCRIPTION	QTY.
61	00415-G2		BOLT, 1/4 - 20 X 1 1/4" LG	1
62	00559-G7		WASHER , 1/4"	1
63	75677-G01		BUSHING	1
64	23726-G7		SPACER, 9/16".....	1
65	23577-G1		TORSION SPRING	1
66	14390-G4		LOCK NUT, 1/4 - 20	1
67				
68				
69	73745-G01		BALL STUD.....	1
70	00734-G2		LOCK NUT, 1/4 - 28	1

AIR FILTER



1 - Includes Items 2 - 4

See DRIVETRAIN - MID Section



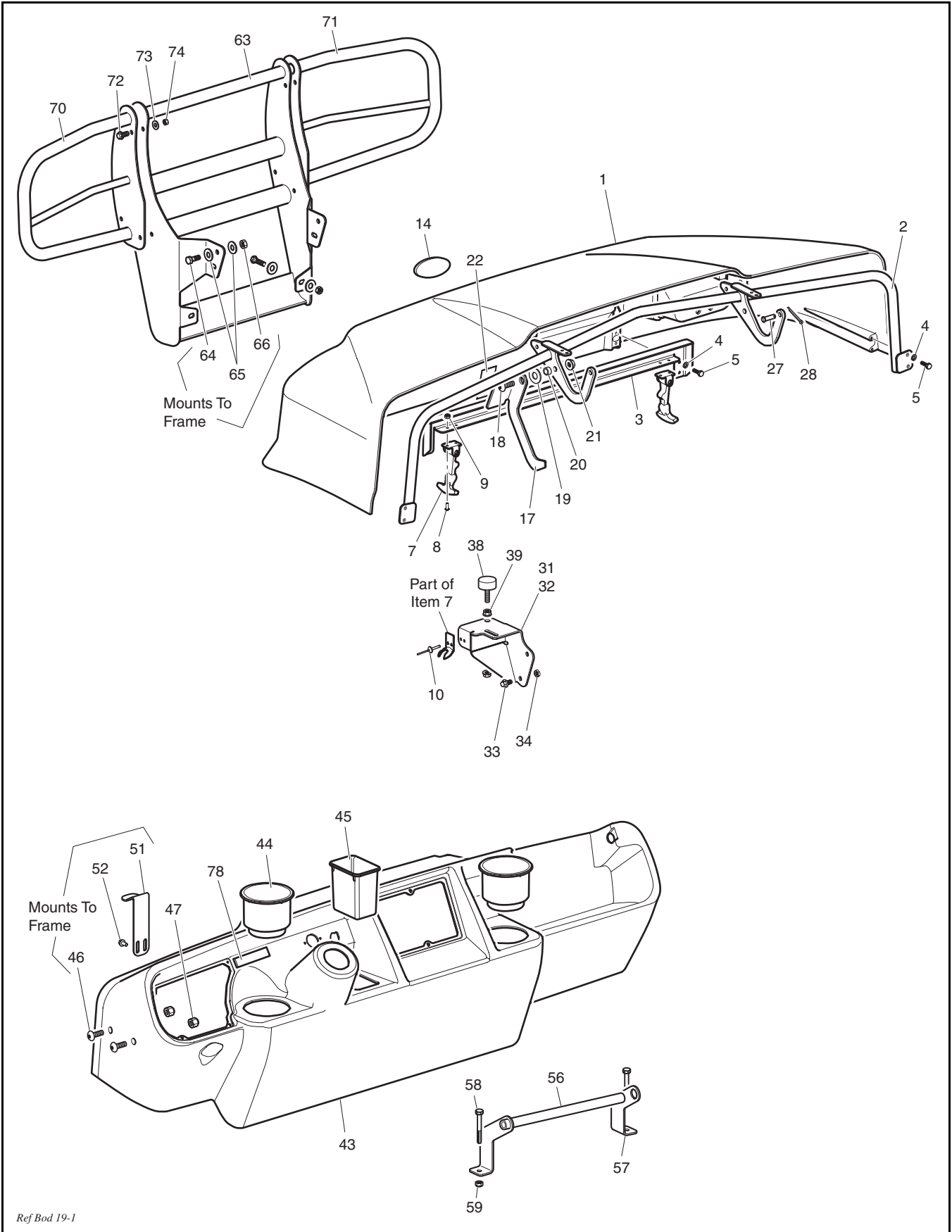
Ref Air 19

AIR FILTER

Where applicable, THE USE OF NON UL PARTS WILL VOID ANY UL LISTING.
 When ordering parts, please specify the model and serial number of the product.
 * Indicates a component that is not available as an individual part.
 G** Indicates consult Customer Service Department for additional information.

ITEM	PART NO.	1 2 3 4 5	DESCRIPTION	QTY.
1	73654-G01		AIR CLEANER CANISTER ASSEMBLY (INCLUDES ITEMS 2 - 4)	1
2	*		AIR CLEANER CANISTER.....	1
3	72997-G01		AIR CLEANER COVER	1
4	72998-G01		AIR CLEANER O-RING	1
5	*		AIR CLEANER LATCH	2
6	72987-G01		AIR CLEANER ELEMENT	1
7	01055-G01		SCREW, M8-1.25 X 30MM LG	2
8	450411		LOCK WASHER, M8	2
9	73713-G01		AIR FILTER BRACKET	1
10	73876-G01		BOLT, M6 -1.00 x 12MM LG	1
11	73875-G01		BOLT, M8 -1.25 x 20MM LG	1
12				
13	73695-G01		AIR INTAKE PLENUM TO CARBURETOR SEAL	1
14	73694-G01		AIR INTAKE PLENUM.....	1
15	73711-G01		SPACER	2
16	16469-G1		WASHER, 1/4"	2
17	73715-G01		BOLT, M6 -1.00 x 60MM LG	2
18				
19	73574-G01		REMOTE AIR INTAKE	1
20	71055-G01		RIVET, 3/16" X 1" LG (ALUMINUM).....	4
21				
22				
23	11391-G2		HOSE CLAMP, 2 1/16"	1
24	73714-G01		HOSE (CONVOLUTED).....	1
25	11391-G7		HOSE CLAMP, 1 9/16"	1
26				
27	73712-G01		HOSE (AIR FILTER TO PLENUM).....	1
28	11391-G7		HOSE CLAMP, 1 9/16"	2
29				
30	70999-G01		SEALANT	A/R

BODY - FRONT



Ref Bod 19-1

BODY - FRONT

Where applicable, THE USE OF NON UL PARTS WILL VOID ANY UL LISTING.
 When ordering parts, please specify the model and serial number of the product.
 * Indicates a component that is not available as an individual part.
 G** Indicates consult Customer Service Department for additional information.

ITEM	PART NO.	1 2 3 4 5	DESCRIPTION	QTY.
1	72841-G**		COWL.....	1
2	73586-G01		COWL FRAME	1
3	73583-G01		FRONT COWL BRACKET	1
4	00565-G5		LOCK WASHER, #10	12
5	73640-G01		SCREW, #10 - 16 X 3/4"	12
6				
7	73639-G01		HOOD LATCH	2
8	00379-G4		SCREW, #10 - 24 X 1/2" LG.....	4
9	14390-G10		LOCK NUT, #10 - 24	4
10	14601-G9		RIVET, 3/16" X 9/16" LG (STAINLESS STEEL)	4
11				
12				
13				
14	74813-G01		LABEL (E-Z-GO)	1
15				
16				
17	73496-G01		COWL LATCH	1
18	73653-G01		BOLT, 3/8 - 16 X 1 1/8"	1
19	00771-G4		NYLON WASHER, 1/2"	1
20	23726-G4		SPACER, 5/16".....	1
21	800698		LOCK NUT, 3/8 - 16	1
22	72939-G01		LABEL (LATCH WARNING)	1
23				
24				
25				
26				
27	17651-G2		CLEVIS PIN, 5/16" X 1 1/8" LG	2
28	10387-G3		COTTER PIN, 3/32" X 3/4" LG	2
29				
30				

BODY - FRONT

Where applicable, THE USE OF NON UL PARTS WILL VOID ANY UL LISTING.
 When ordering parts, please specify the model and serial number of the product.
 * Indicates a component that is not available as an individual part.
 G** Indicates consult Customer Service Department for additional information.

ITEM	PART NO.	1 2 3 4 5	DESCRIPTION	QTY.
31	73585-G01		COWL SUPPORT BRACKET (DRIVER SIDE)	1
32	73585-G02		COWL SUPPORT BRACKET (PASSENGER SIDE)	1
33	13437-G3		LOCK SCREW, 5/16 - 18 X 1" LG	4
34	800697		LOCK NUT, 5/16 - 18	4
35				
36				
37				
38	70113-G01		ADJUSTABLE BUMPER	2
39	11027-G1		LOCK NUT, 5/16 - 18	4
40				
41				
42				
43	72842-G01		INSTRUMENT PANEL	1
44	73638-G01		CUP HOLDER	2
45	73726-G01		HAND RADIO HOLDER	1
46	73653-G01		BOLT, 3/8 - 16 X 1 1/8"	4
47	11098-G5		LOCK NUT, 3/8 - 16	4
48				
49				
50				
51	73597-G01		INSTRUMENT PANEL SUPPORT BRACKET	2
52	71102-G02		BOLT, 1/4 - 20 X 1/2" LG	4
53				
54				
55				
56	73736-G01		HAND RAIL	1
57	73735-G01		HAND RAIL MOUNT	1
58	00440-G4		BOLT, 5/16 - 18 X 2 1/2" LG	2
59	800697		LOCK NUT, 5/16 - 18	2
60				

BODY - FRONT

Where applicable, THE USE OF NON UL PARTS WILL VOID ANY UL LISTING.

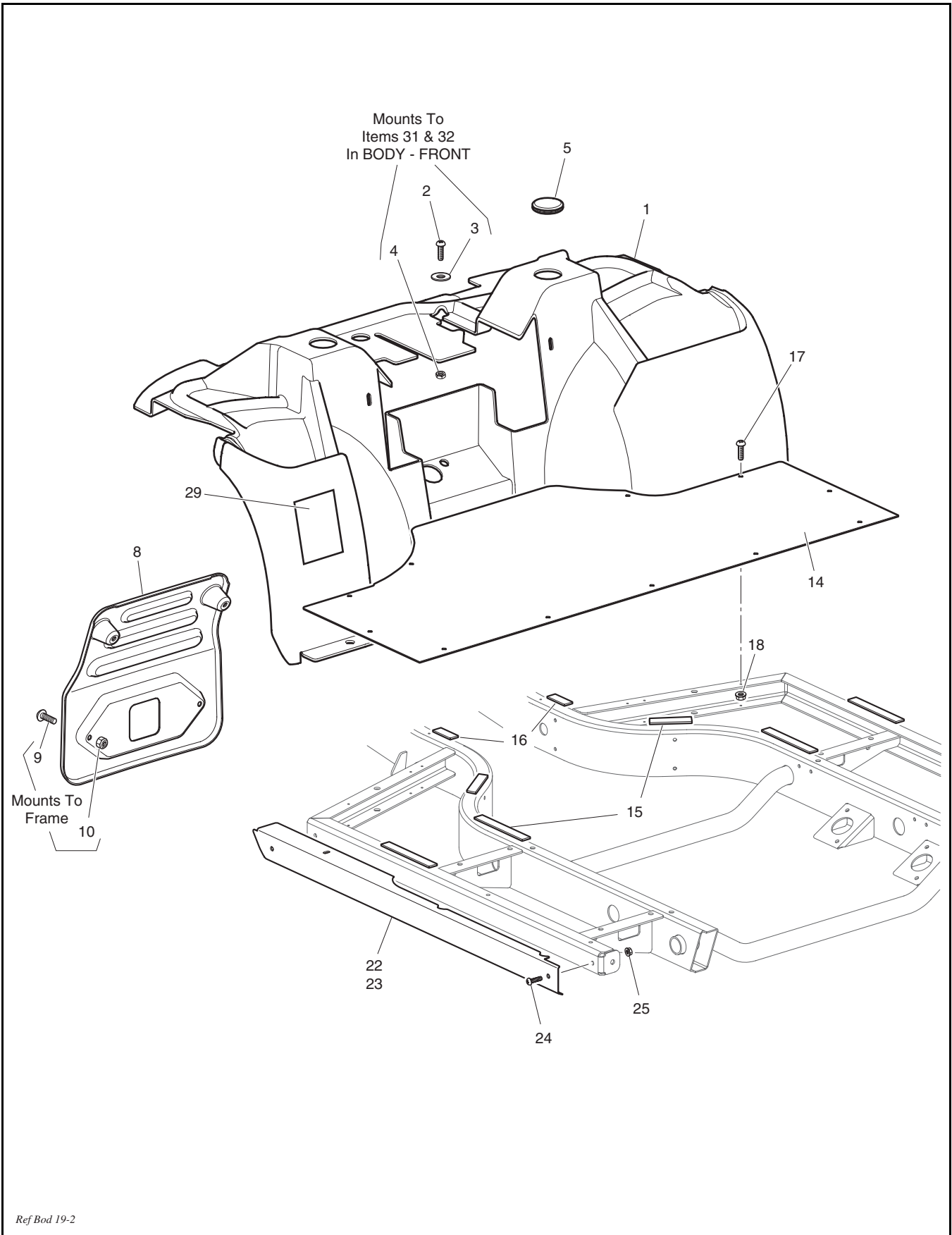
When ordering parts, please specify the model and serial number of the product.

* Indicates a component that is not available as an individual part.

G** Indicates consult Customer Service Department for additional information.

ITEM	PART NO.	1 2 3 4 5	DESCRIPTION	QTY.
61				
62				
63	74973-G01		BRUSH GUARD.....	1
64	00463-G4		BOLT, 7/16 - 14 X 1 1/2" LG.....	6
65	00643-G3		WASHER, 1/2".....	12
66	00734-G1		LOCK NUT, 7/16 - 14.....	6
67				
68				
69				
70	74978-G01		BRUSH GUARD SIDE (DRIVER SIDE).....	1
71	74978-G02		BRUSH GUARD SIDE (PASSENGER SIDE).....	1
72	13437-G4		LOCK SCREW, 3/8 - 16 X 1" LG.....	8
73	00571-G2		WASHER, 5/16".....	8
74	11098-G4		LOCK NUT, 3/8 - 16.....	8
75				
76				
77				
78	29187-G01		LABEL (COLD STARTING).....	1

BODY - MID

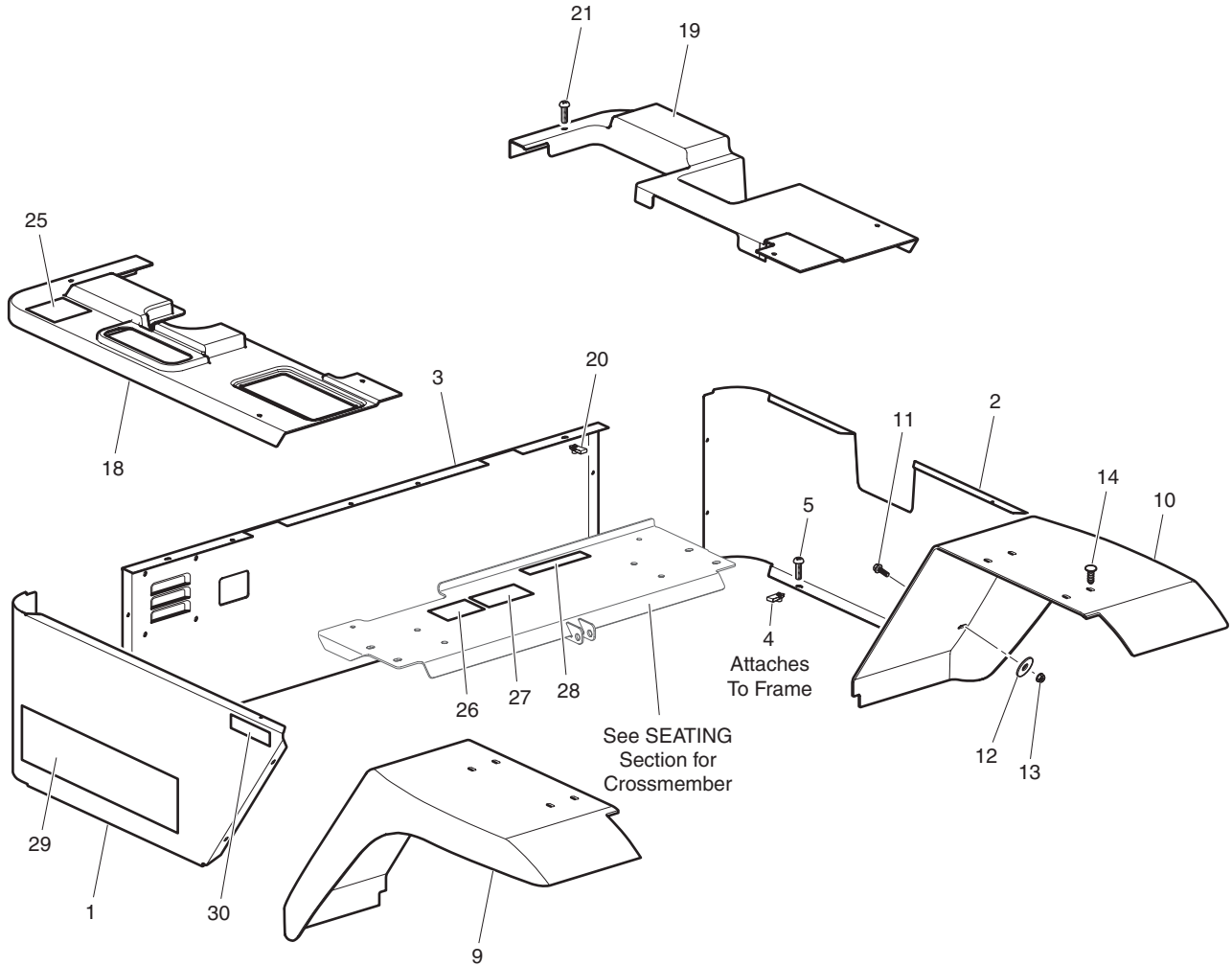


BODY - MID

Where applicable, THE USE OF NON UL PARTS WILL VOID ANY UL LISTING.
 When ordering parts, please specify the model and serial number of the product.
 * Indicates a component that is not available as an individual part.
 G** Indicates consult Customer Service Department for additional information.

ITEM	PART NO.	1 2 3 4 5	DESCRIPTION	QTY.
1	73608-G01		FRONT FENDER WELL	1
2	16705-G1		SCREW, 1/4 - 20 X 1" LG (STAINLESS STEEL)	2
3	00642-G8		WASHER, 5/16"	2
4	800706		LOCK NUT, 1/4 - 20	2
5	35643-G01		HOLE PLUG.....	2
6				
7				
8	72940-G01		FRONT VALANCE.....	1
9	73653-G01		BOLT, 3/8 - 16 X 1 1/8".....	4
10	11098-G5		LOCK NUT, 3/8 - 16	4
11				
12				
13				
14	73833-G01		FLOORPAN.....	1
15	14382-G4		NOISE SUPPRESSION STRIP, 6".....	6
16	14382-G7		NOISE SUPPRESSION STRIP, 2".....	2
17	16705-G1		SCREW, 1/4 - 20 X 1" LG (STAINLESS STEEL)	11
18	800706		LOCK NUT, 1/4 - 20	11
19				
20				
21				
22	73599-G01		ROCKER PANEL (DRIVER SIDE).....	1
23	73599-G02		ROCKER PANEL (PASSENGER SIDE).....	1
24	16705-G1		SCREW, 1/4 - 20 X 1" LG (STAINLESS STEEL)	4
25	800706		LOCK NUT, 1/4 - 20	4
26				
27				
28				
29	73771-G01		LABEL (WARNING).....	1

BODY - REAR



Ref Bod 19-3

BODY - REAR

Where applicable, THE USE OF NON UL PARTS WILL VOID ANY UL LISTING.

When ordering parts, please specify the model and serial number of the product.

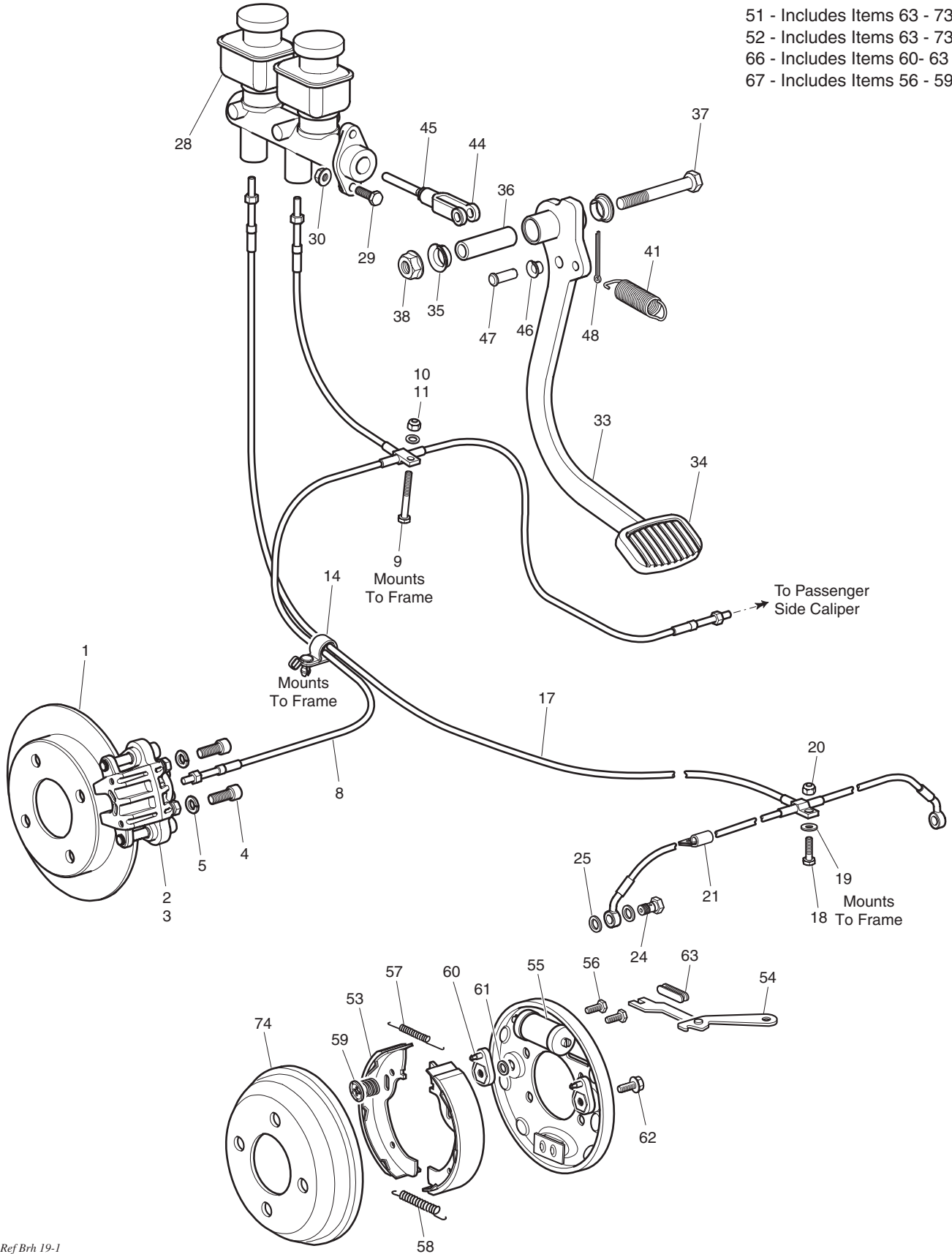
* Indicates a component that is not available as an individual part.

G** Indicates consult Customer Service Department for additional information.

ITEM	PART NO.	1 2 3 4 5	DESCRIPTION	QTY.
1	73641-G**		LOWER SIDE PANEL (DRIVER SIDE)	1
2	73641-G**		LOWER SIDE PANEL (PASSENGER SIDE)	1
3	73642-G**		SEAT SUPPORT PANEL	1
4	14776-G1		RETAINER NUT ('J' TYPE)	9
5	16705-G1		SCREW, 1/4 - 20 X 1" LG (STAINLESS STEEL)	9
6				
7				
8				
9	73626-G01		REAR FENDER (DRIVER SIDE)	1
10	73626-G02		REAR FENDER (PASSENGER SIDE)	1
11	13437-G9		LOCK SCREW, 1/4 - 20 X 3/4" LG	4
12	16469-G3		WASHER, 5/16"	4
13	800706		LOCK NUT, 1/4 - 20	4
14	16816-G2		RATCHET FASTENER, 1/4" X 3/4" LG	8
15				
16				
17				
18	73819-G01		SEAT PANEL (DRIVER SIDE)	1
19	73818-G01		SEAT PANEL (PASSENGER SIDE)	1
20	14776-G1		RETAINER NUT ('J' TYPE)	6
21	16705-G1		SCREW, 1/4 - 20 X 1" LG (STAINLESS STEEL)	6
22				
23				
24				
25	73769-G01		LABEL (PARK BRAKE)	1
26	75696-G01		LABEL (HOT EXHAUST)	1
27	74093-G01		LABEL (WARNING)	1
28	24880-G1		LABEL (GOVERNOR WARNING)	1
29	73955-G01		LABEL (ST 4X4)	2
30	74099-G01		LABEL (TILT WARNING PICTOGRAM)	2

BRAKES

- 51 - Includes Items 63 - 73
- 52 - Includes Items 63 - 73
- 66 - Includes Items 60- 63
- 67 - Includes Items 56 - 59



Ref Brh 19-1

BRAKES

Where applicable, THE USE OF NON UL PARTS WILL VOID ANY UL LISTING.

When ordering parts, please specify the model and serial number of the product.

* Indicates a component that is not available as an individual part.

G** Indicates consult Customer Service Department for additional information.

ITEM	PART NO.	1 2 3 4 5	DESCRIPTION	QTY.
1	73625-G01		ROTOR	2
2	73790-G01		CALIPER (INCLUDES PADS)	2
3	72935-G01		BRAKE PADS (SET OF 4)	1
4	73972-G01		BOLT, 3/8 -24 x 1" LG	4
5	00878-G1		LOCK WASHER, 3/8"	4
6				
7				
8	73791-G01		FRONT BRAKE LINE	1
9	00415-G8		BOLT, 1/4 - 20 X 2" LG	1
10	00559-G7		WASHER , 1/4"	1
11	14390-G4		LOCK NUT, 1/4 - 20	1
12				
13				
14	73864-G01		CLAMP	10
15				
16				
17	73800-G01		REAR BRAKE LINE	1
18	00414-G8		BOLT, 1/4 - 20 X 1" LG	1
19	00559-G7		WASHER , 1/4"	1
20	14390-G4		LOCK NUT, 1/4 - 20	1
21	11845-G9		INSULATED CABLE CLAMP, 5/16"	2
22				
23				
24	75683-G01		BANJO BOLT	2
25	75684-G01		COPPER GASKET	4
26				
27				
28	73793-G01		MASTER CYLINDER	1
29	00439-G1		BOLT, 5/16 - 18 X 1 1/8" LG	2
30	800697		LOCK NUT, 5/16 - 18	2

BRAKES

Where applicable, THE USE OF NON UL PARTS WILL VOID ANY UL LISTING.

When ordering parts, please specify the model and serial number of the product.

* Indicates a component that is not available as an individual part.

G** Indicates consult Customer Service Department for additional information.

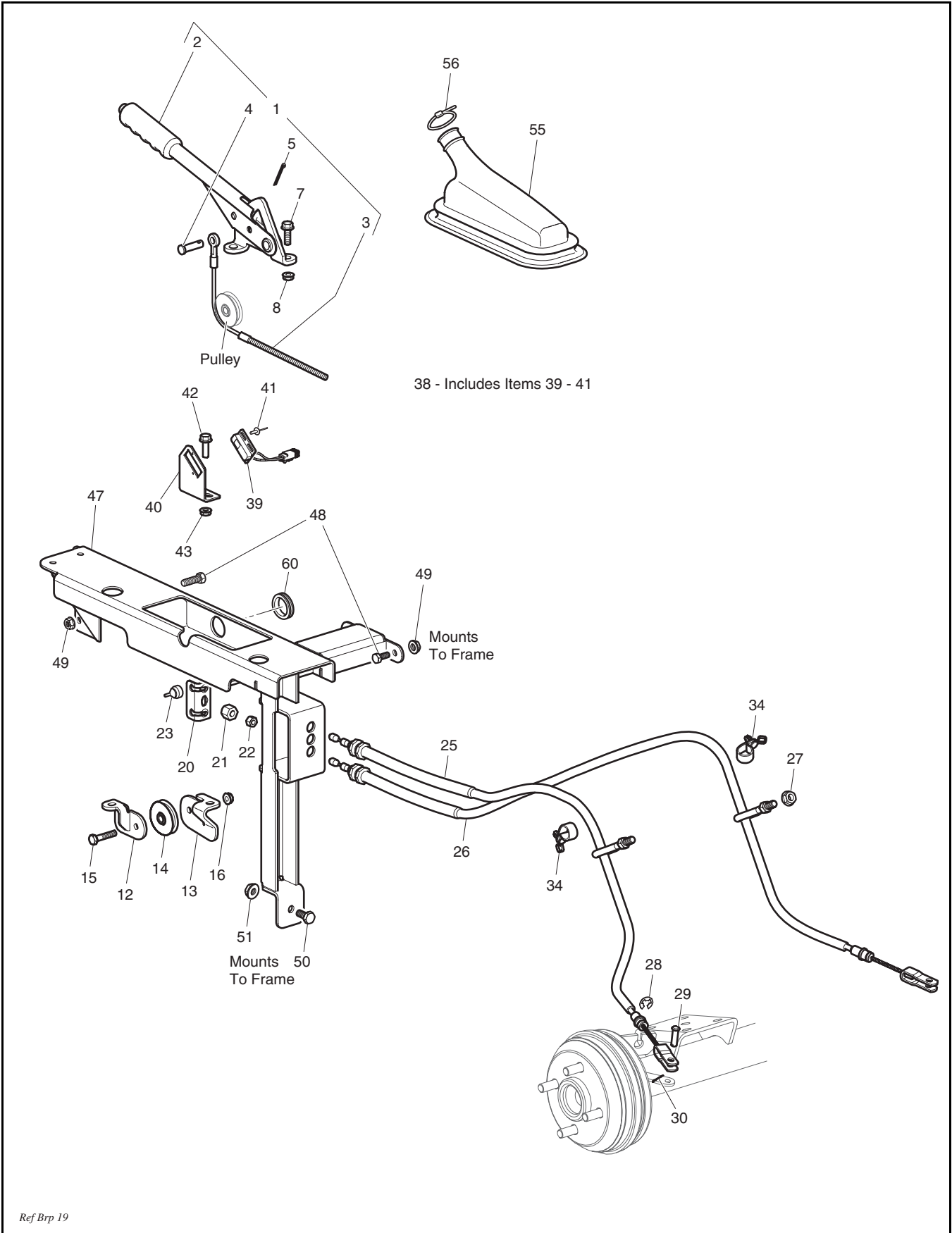
ITEM	PART NO.	1 2 3 4 5	DESCRIPTION	QTY.
31				
32				
33	73976-G01		BRAKE PEDAL	1
34	810152		COVER, PEDAL PAD.....	1
35	73995-G01		BUSHING	2
36	73993-G01		INNER PIVOT TUBE	1
37	311398		SCREW, 1/2 - 13 X 3 1/2" LG.....	1
38	800700		LOCK NUT, 1/2 - 13	1
39				
40				
41	73813-G01		EXTENSION SPRING	1
42				
43				
44	10385-G10		CLEVIS YOKE (ADJUSTABLE)	1
45	00544-G2		JAM NUT, 1/4 - 28	1
46	73545-G01		BUSHING	1
47	10386-G4		CLEVIS PIN, 3/8" X 15/16".....	1
48	00798-G1		COTTER PIN, 1/16" X 1" LG	1
49				
50				
51	72819-G01		BRAKE ASSEMBLY (DRIVER SIDE) (INCLUDES ITEMS 53 - 63).....	1
52	72819-G02		BRAKE ASSEMBLY (PASSENGER SIDE) (INCLUDES ITEMS 53 - 63)	1
53	72180-G01		BRAKE SHOE.....	2
54	75829-G**		PARK BRAKE WHEEL LEVER.....	1
55	75828-G01		WHEEL CYLINDER	1
56	*		WHEEL CYLINDER BOLT	2
57	*		UPPER RETURN SPRING	1
58	*		LOWER RETURN SPRING	1
59	*		CUP AND SPRING	2
60	*		ADJUSTER	2

BRAKES

Where applicable, THE USE OF NON UL PARTS WILL VOID ANY UL LISTING.
 When ordering parts, please specify the model and serial number of the product.
 * Indicates a component that is not available as an individual part.
 G** Indicates consult Customer Service Department for additional information.

ITEM	PART NO.	1	2	3	4	5	DESCRIPTION	QTY.
61	*						WASHER	2
62	*						BOLT, 1/4 - 28 X 1/2" LG.....	2
63	*						DUST COVER	1
64								
65								
66	75826-G01						ADJUSTER KIT (INCLUDES ITEMS 60 - 63)	1
67	75827-G01						HARDWARE KIT (INCLUDES ITEMS 56 - 59)	1
68								
69								
70								
71								
72								
73								
74	72818-G01						BRAKE DRUM	2

BRAKES - PARK



Ref Brp 19

BRAKES - PARK

Where applicable, THE USE OF NON UL PARTS WILL VOID ANY UL LISTING.
 When ordering parts, please specify the model and serial number of the product.
 * Indicates a component that is not available as an individual part.
 G** Indicates consult Customer Service Department for additional information.

ITEM	PART NO.	1 2 3 4 5	DESCRIPTION	QTY.
1	73678-G01		PARK BRAKE LEVER ASSEMBLY (INCLUDES ITEMS 2 - 5).....	1
2	73679-G01		PARK BRAKE LEVER	1
3	75498-G02		PARK BRAKE CABLE	1
4	17651-G1		CLEVIS PIN, 3/8" X 1 1/8" LG	1
5	10387-G2		COTTER PIN, 3/32" X 1" LG	1
6				
7	13437-G3		LOCK SCREW, 5/16 - 18 X 1" LG.....	2
8	800697		LOCK NUT, 5/16 - 18	2
9				
10				
11				
12	73668-G01		PULLEY MOUNT BRACKET (DRIVER SIDE).....	1
13	73667-G01		PULLEY MOUNT BRACKET (PASSENGER SIDE).....	1
14	75789-G01		PULLEY, 2" DIA.....	1
15	00439-G4		BOLT, 5/16 - 18 X 1 1/2" LG	1
16	800697		LOCK NUT, 5/16 - 18	1
17				
18				
19				
20	28082-G01		EQUALIZER BRACKET	1
21	00963-G01		SPHERICAL NUT, 5/16 - 24.....	1
22	00532-G4		NUT, 5/16 - 24	1
23	28083-G01		BRAKE COMPENSATOR BUMPER	2
24				
25	73701-G01		PARK BRAKE CABLE (DRIVER SIDE).....	1
26	73701-G02		PARK BRAKE CABLE (PASSENGER SIDE).....	1
27	800698		LOCK NUT, 3/8 - 16	2
28	01111-G01		RETAINING RING, 25/64" (STAINLESS STEEL).....	4
29	14443-G3		CLEVIS PIN, 5/16" X 1" LG	2
30	10387-G3		COTTER PIN, 3/32" X 3/4" LG	2

BRAKES - PARK

Where applicable, THE USE OF NON UL PARTS WILL VOID ANY UL LISTING.

When ordering parts, please specify the model and serial number of the product.

* Indicates a component that is not available as an individual part.

G** Indicates consult Customer Service Department for additional information.

ITEM	PART NO.	1 2 3 4 5	DESCRIPTION	QTY.
31				
32				
33				
34	73864-G02		CLAMP	2
35				
36				
37				
38	73536-G01		SENSOR ASSEMBLY (INCLUDES ITEMS 39 - 41)	1
39	73826-G01		PROXIMITY SENSOR SWITCH	1
40	73977-G01		SENSOR BRACKET	1
41	10570-G3		RIVET, 1/8" X 17/32" LG (ALUMINUM)	2
42	13437-G3		LOCK SCREW, 5/16 - 18 X 1" LG	2
43	800697		LOCK NUT, 5/16 - 18	2
44				
45				
46				
47	73676-G01		PARK BRAKE FRAME	1
48	00438-G6		BOLT, 5/16 - 18 X 3/4" LG	5
49	800697		LOCK NUT, 5/16 - 18	5
50	00426-G6		BOLT, 3/8 - 16 X 3/4" LG	1
51	800698		LOCK NUT, 3/8 - 16	1
52				
53				
54				
55	73854-G01		PARK BRAKE BOOT	1
56	17618-G1		WIRE TIE	1
57				
58				
59				
60	72936-G01		GROMMET	1

**DID YOU
KNOW?**

CartPros directs you to the right part using the part numbers from this manual. Enter the part number into our search box and it will find the part you are looking for.

**GET STARTED
HERE**

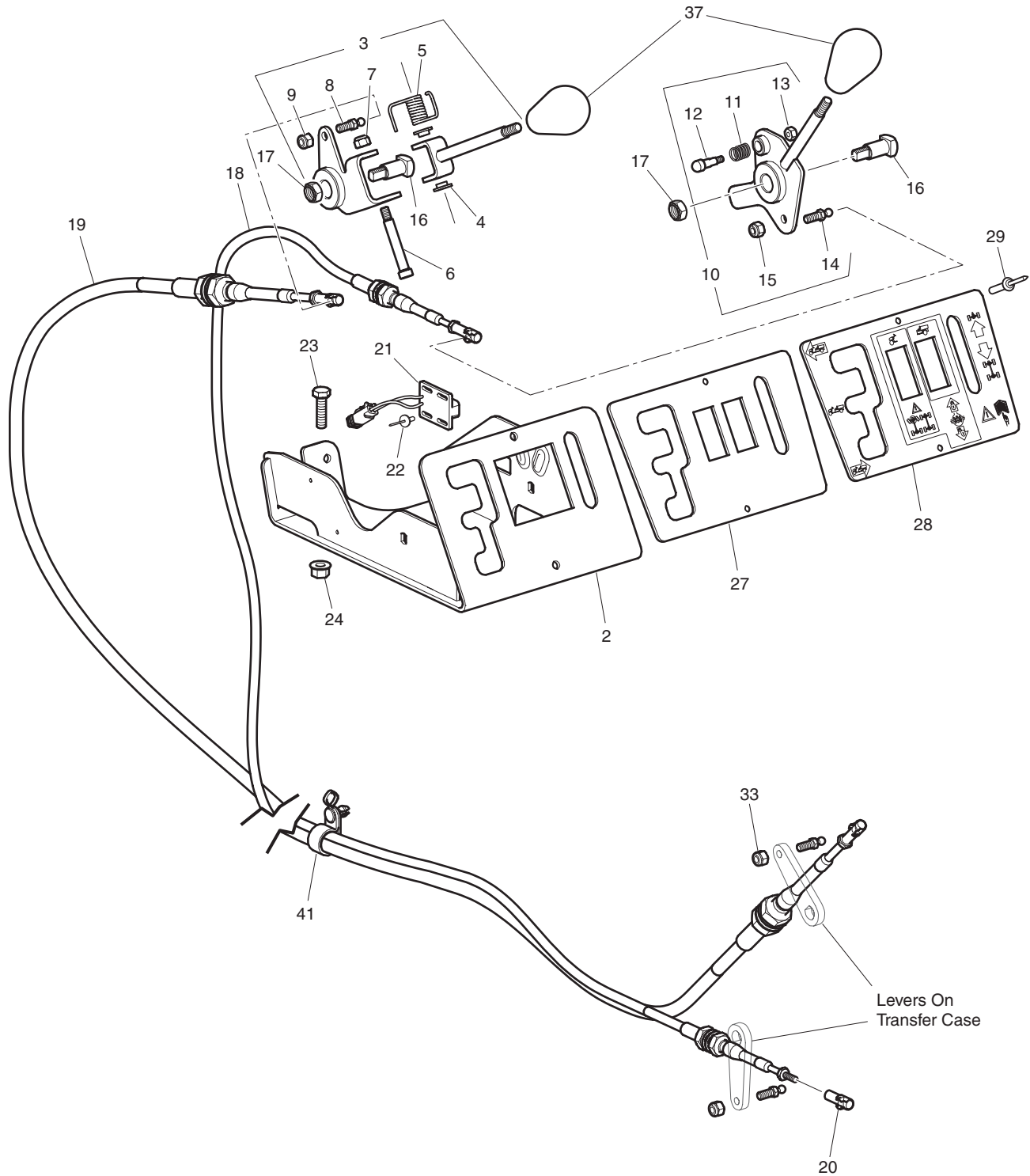


<https://CartPros.com/f.html>

BRAKES - PARK

DIRECTION AND DRIVE SELECTOR

1 - Includes Items 2 - 21



Ref Dsl 19

DIRECTION AND DRIVE SELECTOR

Where applicable, THE USE OF NON UL PARTS WILL VOID ANY UL LISTING.
 When ordering parts, please specify the model and serial number of the product.
 * Indicates a component that is not available as an individual part.
 G** Indicates consult Customer Service Department for additional information.

ITEM	PART NO.	1	2	3	4	5	DESCRIPTION	QTY.
1	73740-G01						FNR & 2WD/4WD SHIFTER ASSEMBLY (INCLUDES ITEMS 2 - 21)	1
2	73761-G01						SHIFTER HOUSING.....	1
3	73747-G01						DIRECTION SELECTOR HANDLE (INCLUDES ITEMS 4 - 9)	1
4	73751-G01						FLANGED BUSHING, 5/16"	2
5	73752-G01						TORSION SPRING	1
6	73753-G01						SHOULDER BOLT, 1/4 - 20.....	1
7	14390-G4						LOCK NUT, 1/4 - 20	1
8	73745-G01						BALL STUD.....	1
9	00734-G2						LOCK NUT, 1/4 - 28	1
10	73741-G01						TWO/FOUR WHEEL DRIVE SELECTOR HANDLE (INCL. ITEMS 11 - 15)	1
11	72733-G01						COMPRESSION SPRING.....	1
12	73746-G01						DETENT PIN	1
13	00734-G5						LOCK NUT	1
14	73745-G01						BALL STUD.....	1
15	00734-G2						LOCK NUT	1
16	75937-G01						PIVOT SHAFT	2
17	14390-G1						LOCK NUT, 3/8 - 24	2
18	73759-G01						TWO/FOUR WHEEL DRIVE SELECTOR CABLE (INCLUDES ITEM 20) ...	1
19	73758-G01						DIRECTION SELECTOR CABLE (INCLUDES ITEM 20).....	1
20	72811-G01						CABLE END SOCKET	2
21	73825-G01						PROXIMITY SENSOR SWITCH.....	1
22	10570-G9						RIVET, 1/8" X 11/32" LG (ALUMINUM).....	2
23	00439-G1						BOLT, 5/16 - 18 X 1 1/8" LG	2
24	800697						LOCK NUT, 5/16 - 18	2
25								
26								
27	73725-G01						HAND CONTROL COVER PLATE.....	1
28	73777-G01						LABEL (HAND CONTROLS).....	1
29	71055-G01						RIVET, 3/16" X 1" LG (ALUMINUM).....	2
30								

DIRECTION AND DRIVE SELECTOR

Where applicable, THE USE OF NON UL PARTS WILL VOID ANY UL LISTING.
 When ordering parts, please specify the model and serial number of the product.
 * Indicates a component that is not available as an individual part.
 G** Indicates consult Customer Service Department for additional information.

ITEM	PART NO.	1 2 3 4 5	DESCRIPTION	QTY.
31				
32	73745-G01		BALL STUD.....	2
33	00734-G2		LOCK NUT, 1/4 - 28	2
34				
35				
36				
37	73988-G01		KNOB	2
38				
39				
40				
41	73864-G02		CLAMP	2

**DID YOU
KNOW?**

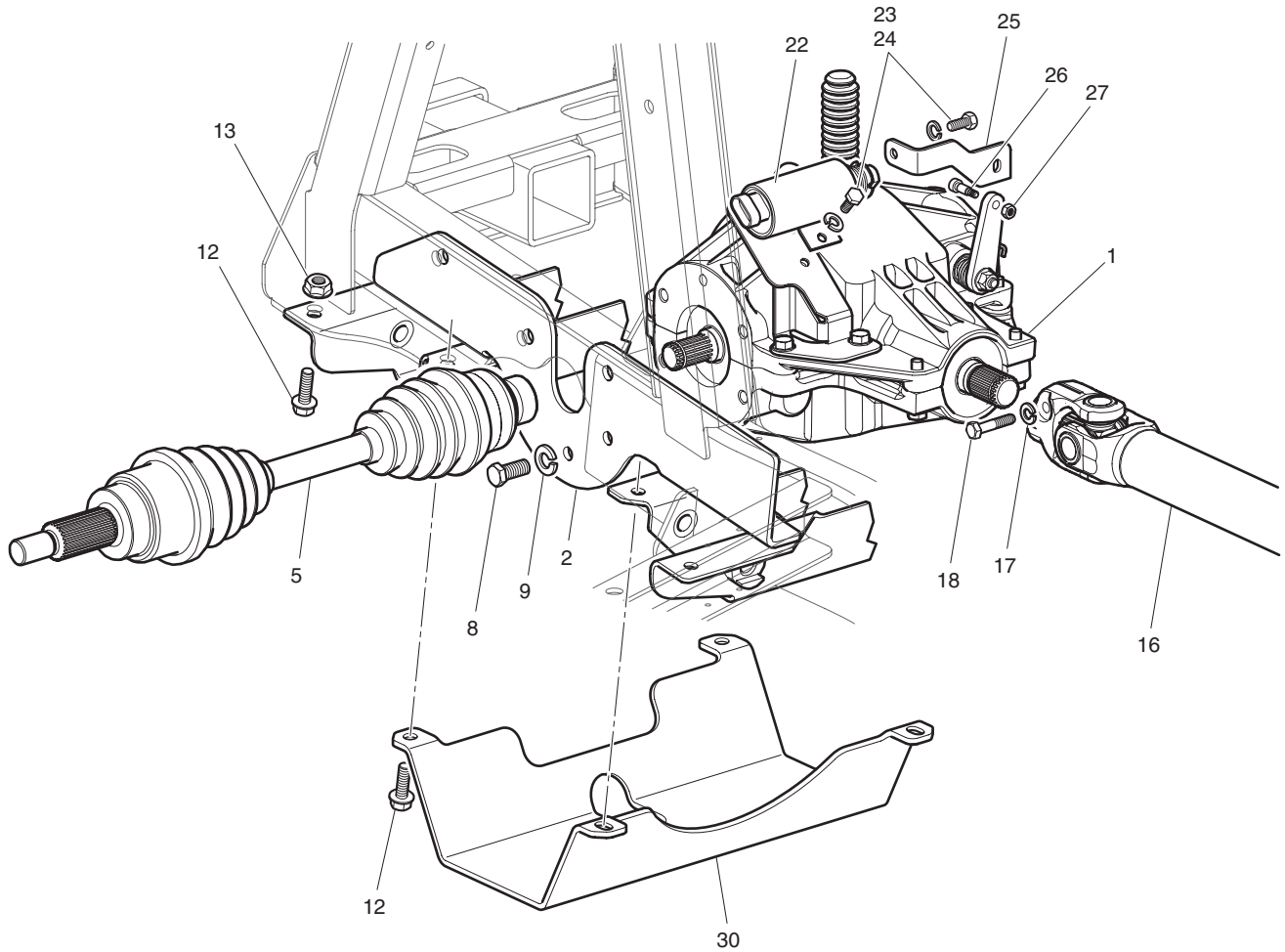
CartPros directs you to the right part using the part numbers from this manual. Enter the part number into our search box and it will find the part you are looking for.

**GET STARTED
HERE**

<https://CartPros.com/f.html>

DIRECTION AND DRIVE SELECTOR

DRIVETRAIN - FRONT



Ref Df 19

DRIVETRAIN - FRONT

Where applicable, THE USE OF NON UL PARTS WILL VOID ANY UL LISTING.

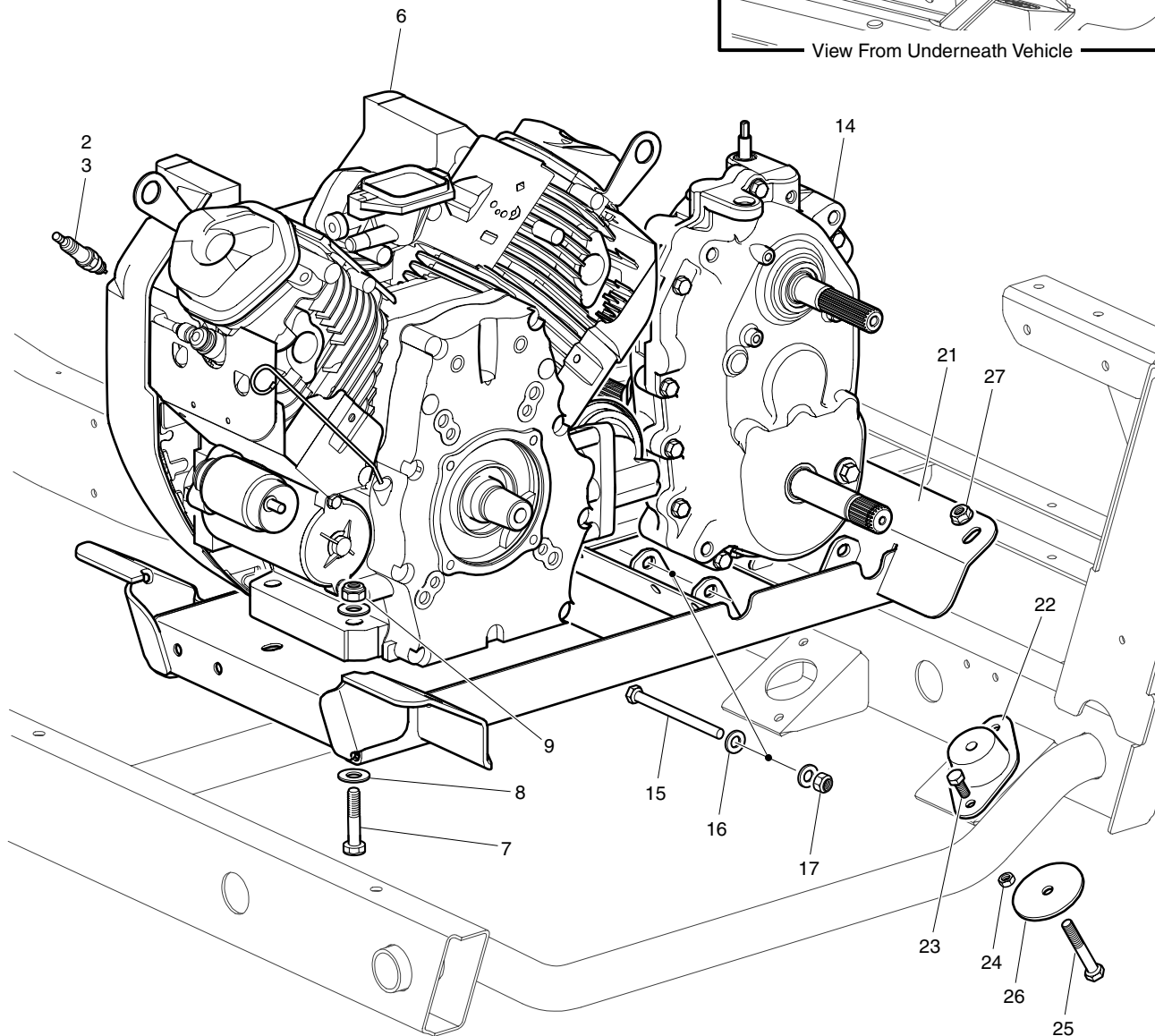
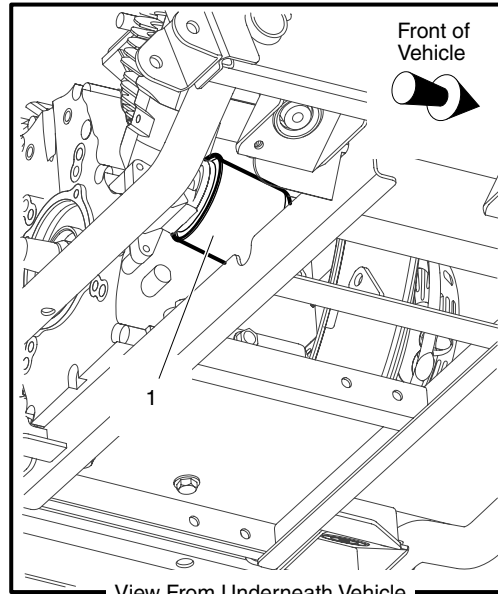
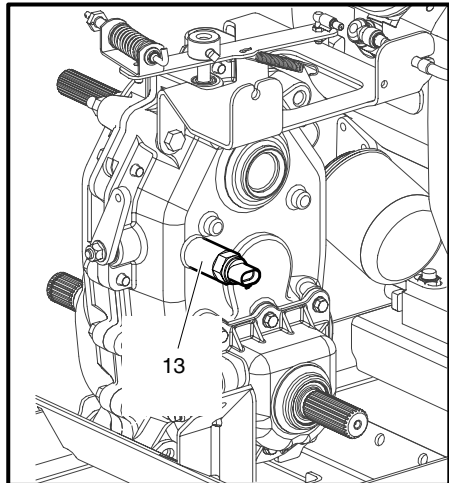
When ordering parts, please specify the model and serial number of the product.

* Indicates a component that is not available as an individual part.

G** Indicates consult Customer Service Department for additional information.

ITEM	PART NO.	1 2 3 4 5	DESCRIPTION	QTY.
1	73838-G01		FRONT DIFFERENTIAL	1
2	73935-G01		FRONT UNDERCARRIAGE	1
3				
4				
5	72847-G01		HALF SHAFT	2
6				
7				
8	00426-G8		BOLT, 3/8 - 16 X 1" LG	10
9	00566-G1		WASHER, LOCK 3/8	10
10				
11				
12	13437-G4		LOCK SCREW, 3/8 - 16 X 1" LG	10
13	800698		LOCK NUT, 3/8 - 16	10
14				
15				
16	73948-G01		FRONT DRIVE SHAFT	1
17	00565-G8		LOCK WASHER, 5/16"	2
18	800932		BOLT, 5/16 - 24 X 1 1/2" LG	2
19				
20				
21				
22	73963-G01		SOLENOID	1
23	300977		SCREW, 1/4 - 28 X 5/8" LG	3
24	00565-G7		LOCK WASHER, 1/4"	3
25	73961-G01		DIFFERENTIAL LOCK LINKAGE	1
26	73962-G01		SHOULDER BOLT, #10 - 24	1
27	14390-G10		LOCK NUT, #10 - 24	1
28				
29				
30	73834-G01		FRONT DIFFERENTIAL GUARD	1

DRIVETRAIN - MID



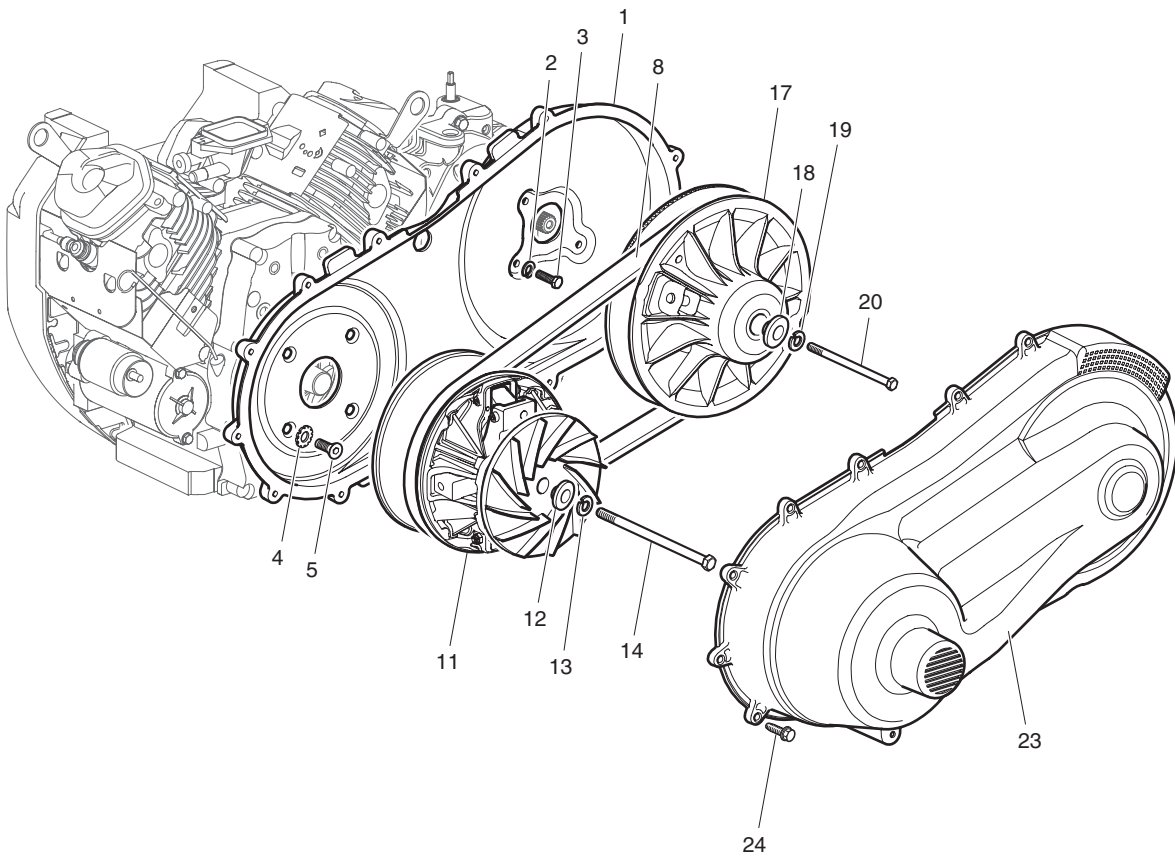
Ref Dtm 19-1

DRIVETRAIN - MID

Where applicable, THE USE OF NON UL PARTS WILL VOID ANY UL LISTING.
 When ordering parts, please specify the model and serial number of the product.
 * Indicates a component that is not available as an individual part.
 G** Indicates consult Customer Service Department for additional information.

ITEM	PART NO.	1 2 3 4 5	DESCRIPTION	QTY.
1	15400-POH-305PE		OIL FILTER	1
2	ZGR5A		SPARK PLUG (NGK).....	2
3	J16CR-U		SPARK PLUG (DENSO).....	2
4				
5				
6	73680-G01		ENGINE HONDA 18 HP.....	1
7	311392		SCREW, 7/16 - 14 X 2" LG.....	4
8	00922-G3		WASHER, 7/16"	8
9	00734-G1		LOCK NUT, 7/16 - 14	4
10				
11				
12				
13	72686-G01		INDICATOR SWITCH.....	1
14	73839-G01		TRANSFER CASE	1
15	311391		SCREW, 3/8 - 16 X 4" LG.....	2
16	00560-G1		WASHER, 3/8"	4
17	11098-G5		LOCK NUT, 3/8 - 16	2
18				
19				
20				
21	73879-G01		ENGINE SUB-FRAME	1
22	73890-G01		ISOLATION MOUNT	4
23	00438-G6		BOLT, 5/16 - 18 X 3/4" LG	8
24	11098-G6		LOCK NUT, 5/16 - 18	8
25	00427-G8		BOLT 3/8 - 16 X 2" LG.....	4
26	72051-G02		WASHER, 3/8"	4
27	800698		LOCK NUT, 3/8 - 16	4

DRIVETRAIN - MID



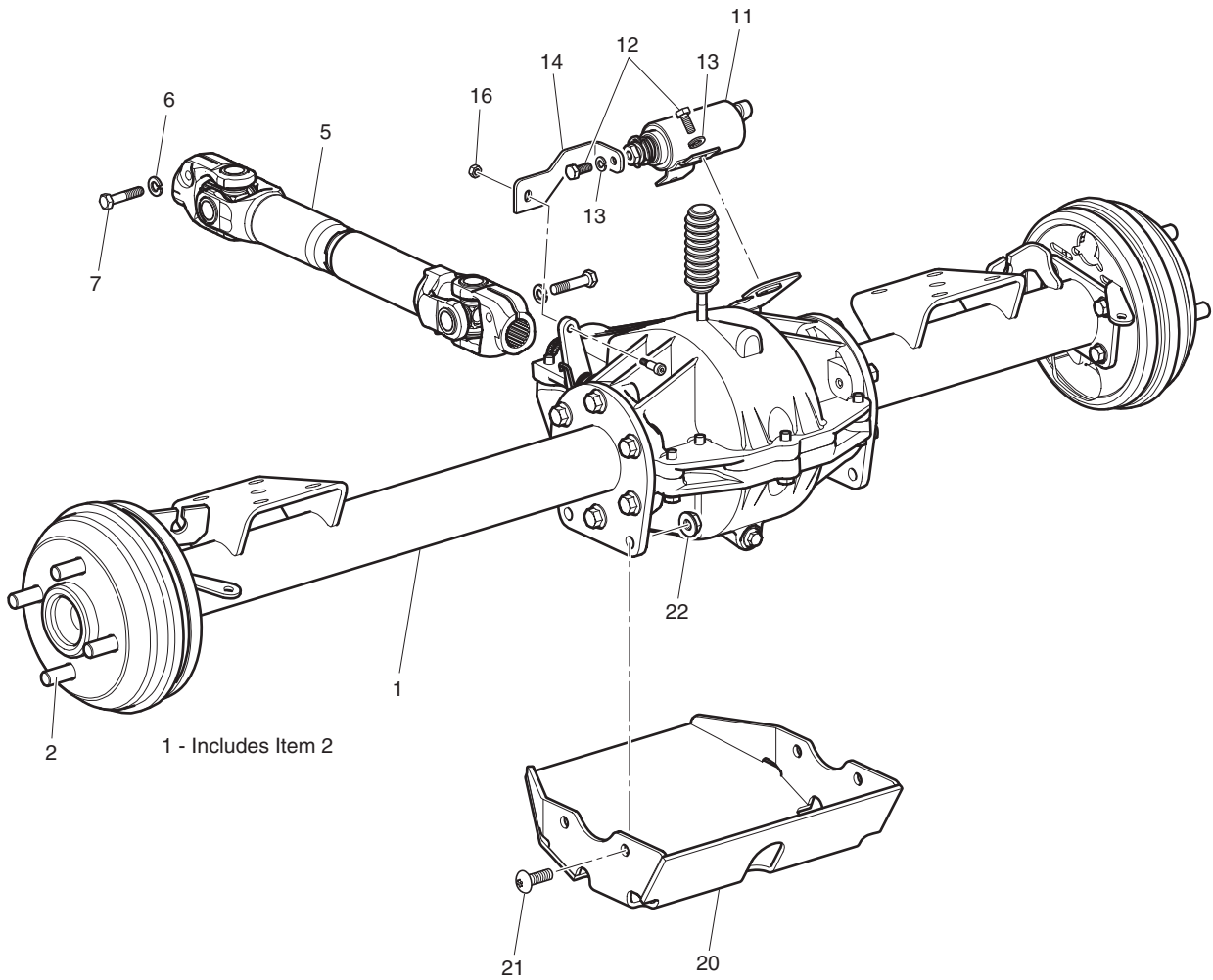
Ref Dtm 19-2

DRIVETRAIN - MID

Where applicable, THE USE OF NON UL PARTS WILL VOID ANY UL LISTING.
 When ordering parts, please specify the model and serial number of the product.
 * Indicates a component that is not available as an individual part.
 G** Indicates consult Customer Service Department for additional information.

ITEM	PART NO.	1 2 3 4 5	DESCRIPTION	QTY.
1	73663-G01		COVER BACK PLATE	1
2	73960-G01		LOCK WASHER, 5/16"	4
3	73959-G01		SCREW, 5/16 - 24 X 3/4" LG	4
4	00565-G7		LOCK WASHER, 1/4"	3
5	00414-G6		BOLT, 1/4 - 20 X 3/4" LG	3
6				
7				
8	73965-G01		DRIVE BELT	1
9				
10				
11	73841-G01		DRIVE CLUTCH	1
12	25757-G1		PILOT WASHER	1
13	00566-G2		LOCK WASHER, 7/16"	1
14	73953-G01		BOLT, M10 X 1.25 X 160MM LG	1
15				
16				
17	73842-G01		DRIVEN CLUTCH	1
18	25756-G1		RETAINING WASHER	1
19	00565-G8		LOCK WASHER, 5/16"	1
20	548958		SCREW, 5/16 - 18 X 3 1/2" LG	1
21				
22				
23	73664-G01		CVT COVER	1
24	71204-G01		BOLT, 1/4 - 20 X 7/8" LG	14

DRIVETRAIN - REAR



Ref Dtr 19

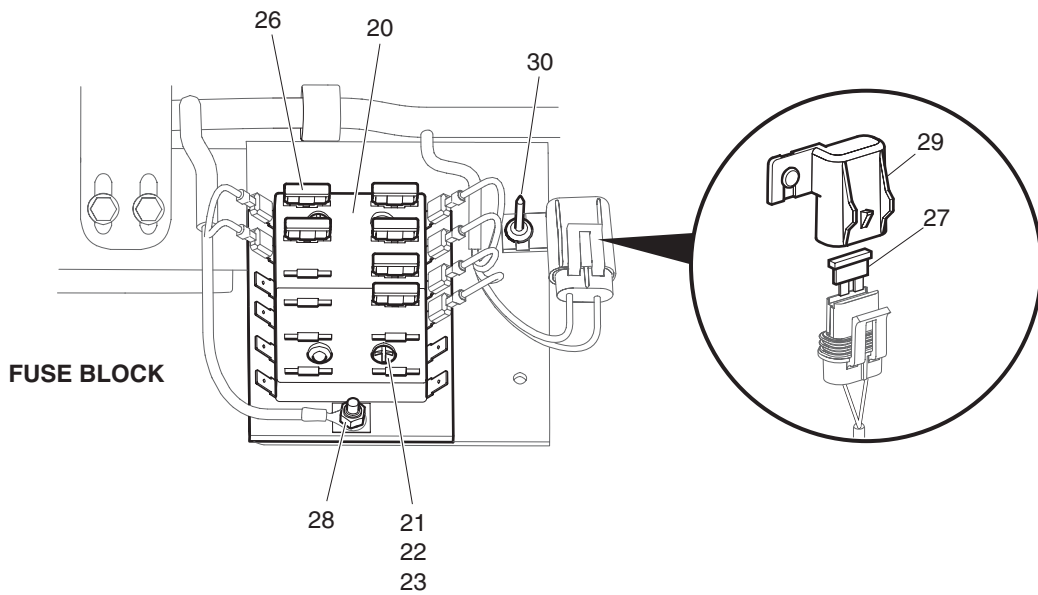
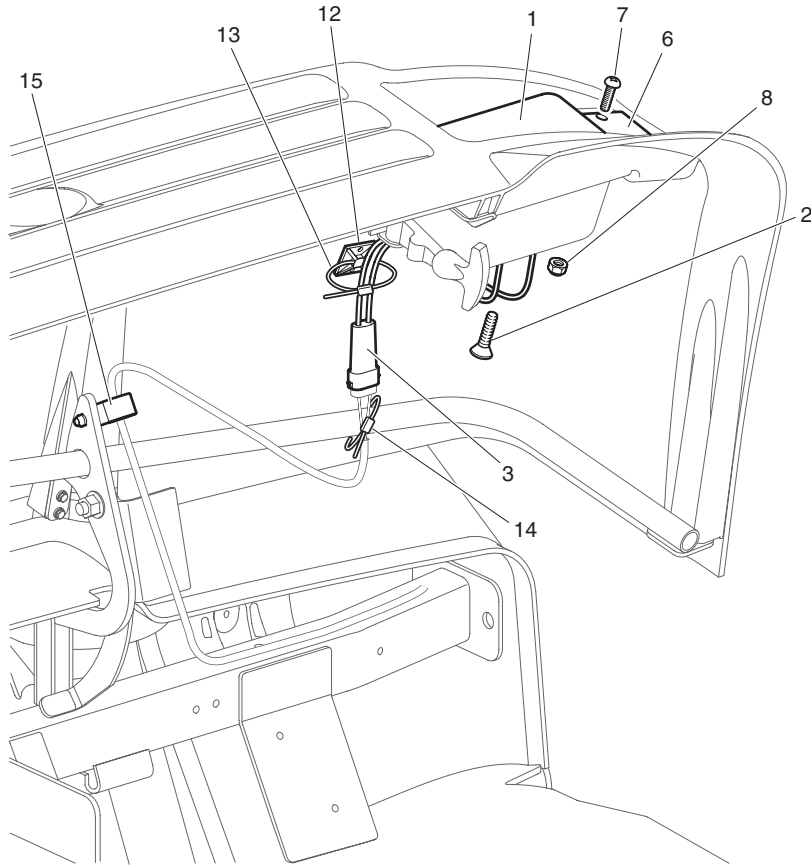
DRIVETRAIN - REAR

Where applicable, THE USE OF NON UL PARTS WILL VOID ANY UL LISTING.
 When ordering parts, please specify the model and serial number of the product.
 * Indicates a component that is not available as an individual part.
 G** Indicates consult Customer Service Department for additional information.

ITEM	PART NO.	1 2 3 4 5	DESCRIPTION	QTY.
1	73840-G01		REAR AXLE (INCLUDES ITEM 2)	1
2	72759-G01		LUG BOLT, 1/2 - 20.....	8
3				
4				
5	73949-G01		REAR DRIVE SHAFT	1
6	00565-G8		LOCK WASHER, 5/16"	2
7	800932		BOLT, 5/16 - 24 X 1 1/2" LG	2
8				
9				
10				
11	73963-G01		SOLENOID	1
12	300977		SCREW, 1/4 - 28 X 5/8" LG.....	3
13	00565-G7		LOCK WASHER, 1/4"	3
14	73961-G01		DIFFERENTIAL LOCK LINKAGE	1
15	73962-G01		SHOULDER SCREW	1
16	14390-G10		LOCK NUT, #10 - 24	1
17				
18				
19				
20	73399-G01		REAR DIFFERENTIAL GUARD	1
21	73653-G01		BOLT, 3/8 - 16 X 1 1/8"	4
22	800698		LOCK NUT, 3/8 - 16	4

ELECTRICAL

HEADLIGHT



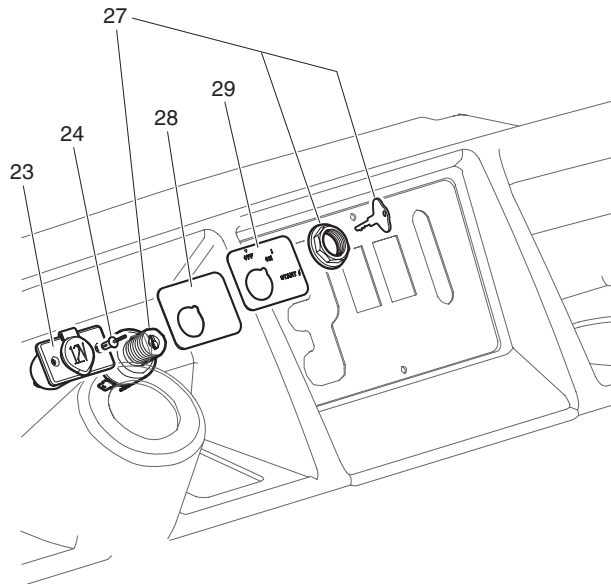
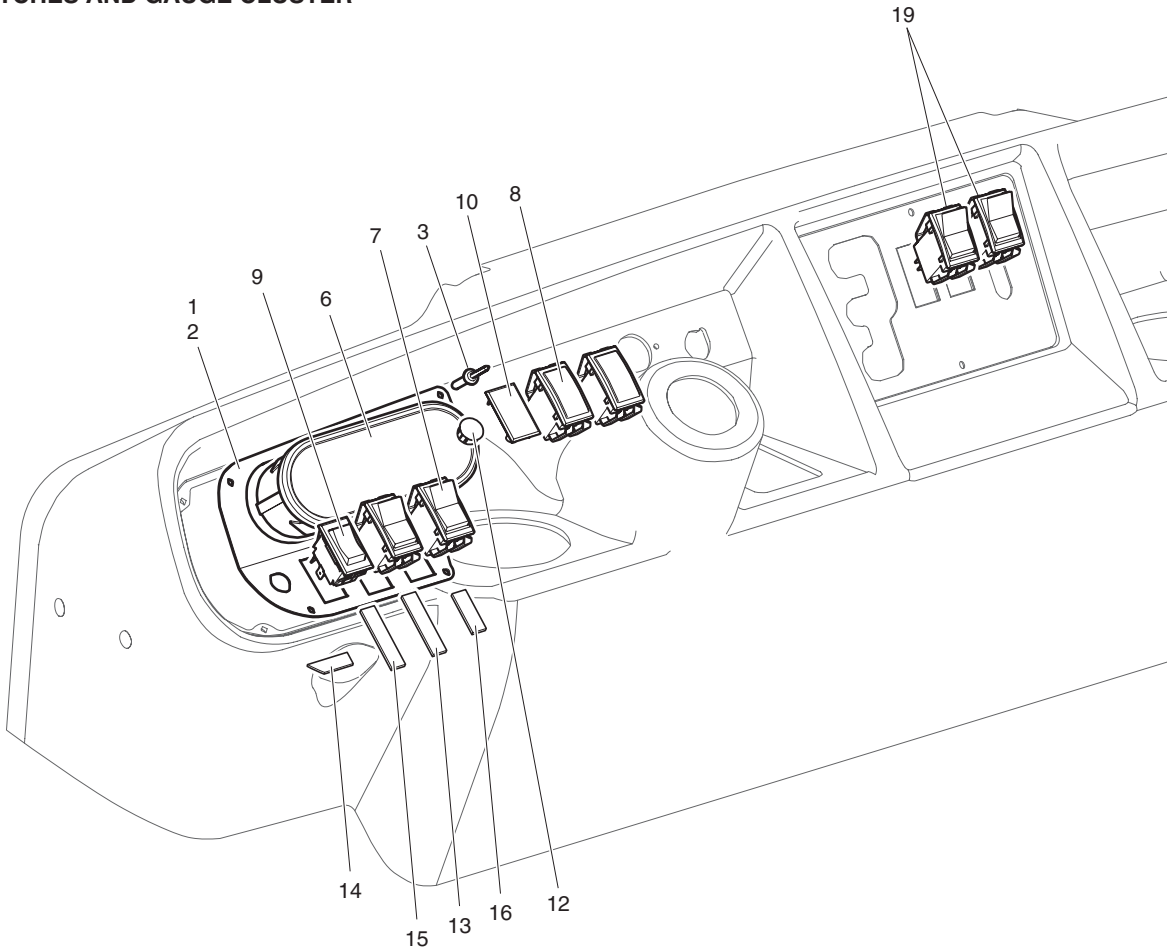
Ref Ele 19-1

Where applicable, THE USE OF NON UL PARTS WILL VOID ANY UL LISTING.
 When ordering parts, please specify the model and serial number of the product.
 * Indicates a component that is not available as an individual part.
 G** Indicates consult Customer Service Department for additional information.

ITEM	PART NO.	1 2 3 4 5	DESCRIPTION	QTY.
1	22523-G1		HEADLIGHT (RECTANGULAR) (INCLUDES ITEM 2)	2
2	00906-G6		SCREW, #10 - 16 X 1" LG	2
3	74337-G01		JUMPER WIRE (HEADLIGHT)	2
4				
5				
6	20574-G4		LENS, AMBER	2
7	00645-G5		SCREW, #6 - 32 X 5/8" LG.....	4
8	14390-G9		LOCK NUT, #6 - 32	4
9				
10				
11				
12	20058-G1		WIRE TIE ADHESIVE BASE.....	2
13	17618-G1		WIRE TIE	2
14	31539-G1		WIRE TIE	2
15	73864-G01		CLAMP, 1/2"	2
16				
17				
18				
19				
20	35211-G02		FUSE BLOCK (12 POSITION)	1
21	00379-G2		SCREW, #10 - 24 X 1 1/4" LG.....	2
22	00559-G5		WASHER, #10.....	2
23	14390-G10		LOCK NUT, #10 - 24	2
24				
25				
26	35212-G01		FUSE, 15 AMP	6
27	35212-G03		FUSE, 25 AMP	1
28	00526-G4		NUT, #10 - 32	1
29	73499-G01		IN-LINE FUSE COVER	1
30	71055-G01		RIVET, 3/16" X 1" LG (ALUMINUM).....	1

ELECTRICAL

SWITCHES AND GAUGE CLUSTER



Ref Ele 19-2

ELECTRICAL

Where applicable, THE USE OF NON UL PARTS WILL VOID ANY UL LISTING.

When ordering parts, please specify the model and serial number of the product.

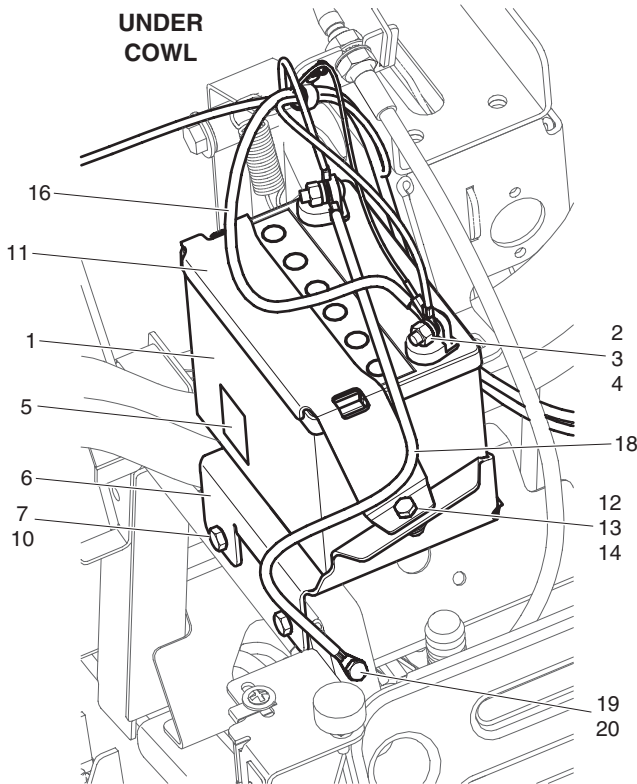
* Indicates a component that is not available as an individual part.

G** Indicates consult Customer Service Department for additional information.

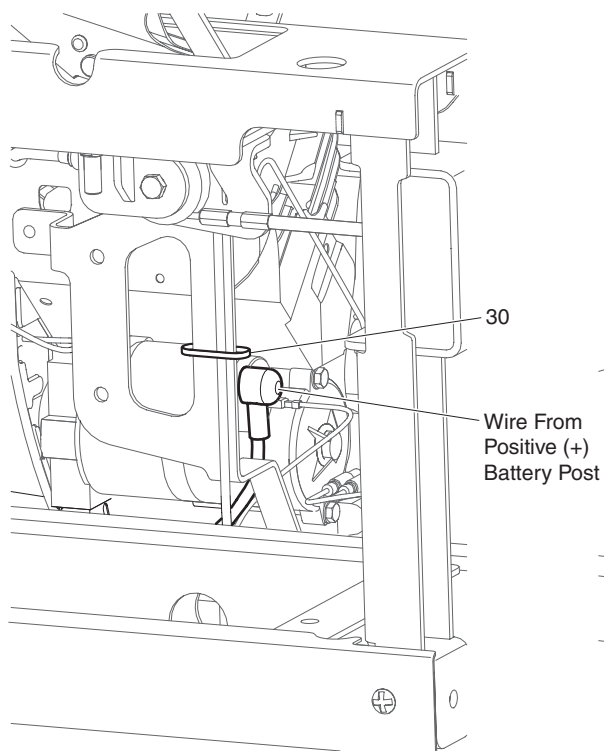
ITEM	PART NO.	1 2 3 4 5	DESCRIPTION	QTY.
1	73660-G01		GAUGE PLATE - OPTIONS.....	1
2	73660-G02		GAUGE PLATE - NO OPTIONS.....	1
3	71055-G01		RIVET, 3/16" X 1" LG (ALUMINUM).....	4
4				
5				
6	73824-G01		GAUGE CLUSTER.....	1
7	73829-G01		LIGHT SWITCH.....	AR
8	73877-G01		LIGHT SWITCH DELETE HOLE PLUG	AR
9	73830-G01		BED DUMP SWITCH	1
10	73892-G01		BED DUMP SWITCH DELETE HOLE PLUG.....	1
11				
12	20271-G11		HOLE PLUG, 5/8"	1
13	73601-G01		LABEL (HEADLIGHT)	1
14	73603-G01		LABEL (HORN)	1
15	73605-G01		LABEL (BED LIFT)	1
16	73607-G01		LABEL (ACCESSORY LIGHTS)	1
17				
18				
19	73829-G02		ROCKER SWITCH.....	2
20				
21				
22				
23	71078-G01		POWER OUTLET.....	1
24	71045-G01		RIVET, 5/32" X 3/4" LG	2
25				
26				
27	72926-G01		KEY SWITCH (OFF-ON-START)	1
28	73772-G01		PLATE, KEY	1
29	73767-G01		LABEL (KEY START)	1
30				

ELECTRICAL

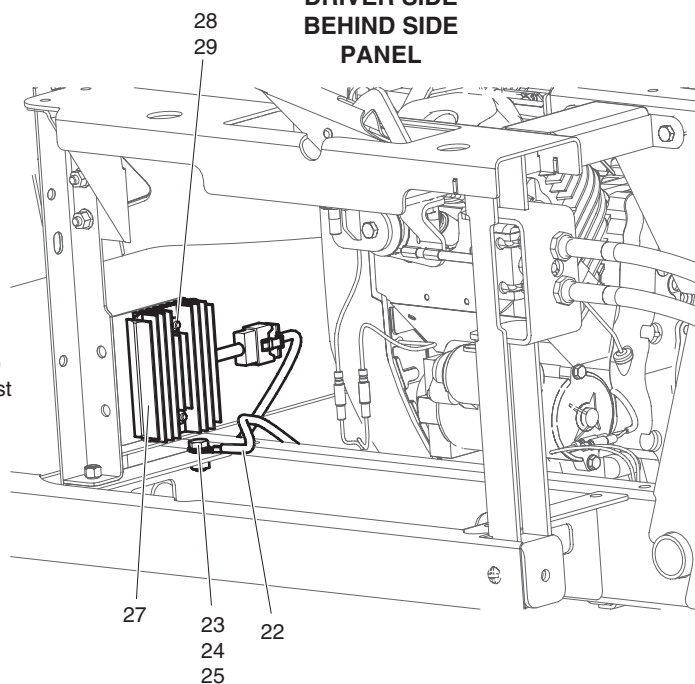
UNDER COWL



DRIVER SIDE BEHIND SIDE PANEL



DRIVER SIDE BEHIND SIDE PANEL



Ref Ele 19-3

Where applicable, THE USE OF NON UL PARTS WILL VOID ANY UL LISTING.

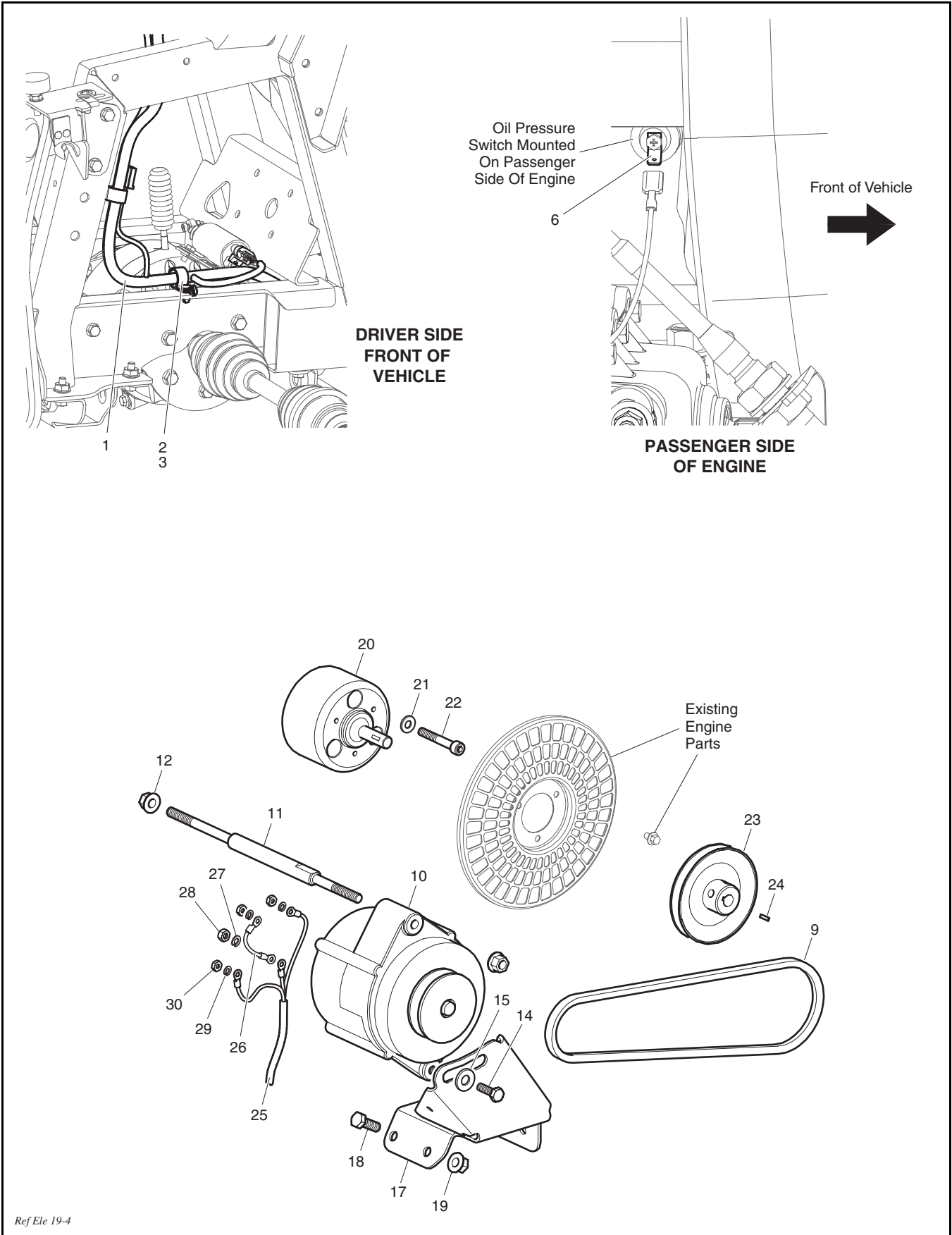
When ordering parts, please specify the model and serial number of the product.

* Indicates a component that is not available as an individual part.

G** Indicates consult Customer Service Department for additional information.

ITEM	PART NO.	1 2 3 4 5	DESCRIPTION	QTY.
1	74956-G01		BATTERY	1
2	74959-G01		SCREW, 5/16 - 18 X 1" LG.....	2
3	00993-G01		LOCK WASHER, 5/16" (SILICON BRONZE).....	2
4	00994-G01		NUT, 5/16 - 18 (SILICON BRONZE)	2
5	35493-G01		LABEL (BATTERY DISPOSAL - CE)	1
6	74957-G01		BATTERY TRAY	1
7	00438-G8		BOLT, 5/16 - 18 X 1" LG	2
8	00272-G4		BOLT, 5/16 - 18 X 2 1/2" LG	1
9	00571-G2		WASHER, 5/16"	1
10	800697		LOCK NUT, 5/16 - 18	3
11	74958-G01		BATTERY RETAINER	1
12	00438-G8		BOLT, 5/16 - 18 X 1" LG	2
13	00642-G8		WASHER, 5/16"	2
14	11098-G6		LOCK NUT, 5/16 - 18	2
15				
16	25972-G144		6 GA WIRE (BLACK 94") (B+ / SOL)	1
17				
18	25972-G145		6 GA WIRE (BLACK 20") (B- / GRD)	1
19	00438-G8		BOLT, 5/16 - 18 X 1" LG	1
20	800697		LOCK NUT, 5/16 - 18	1
21				
22	25972-G146		6 GA WIRE (BLACK 26") (GRD / ENG)	1
23	00426-G6		BOLT, 3/8 - 16 X 3/4" LG	1
24	00560-G1		WASHER, 3/8"	1
25	800698		LOCK NUT, 3/8 - 16	1
26				
27	72927-G01		VOLTAGE REGULATOR.....	1
28	00414-G8		BOLT, 1/4 - 20 X 1" LG	2
29	14390-G4		LOCK NUT, 1/4 - 20	2
30	31539-G1		WIRE TIE	1

ELECTRICAL

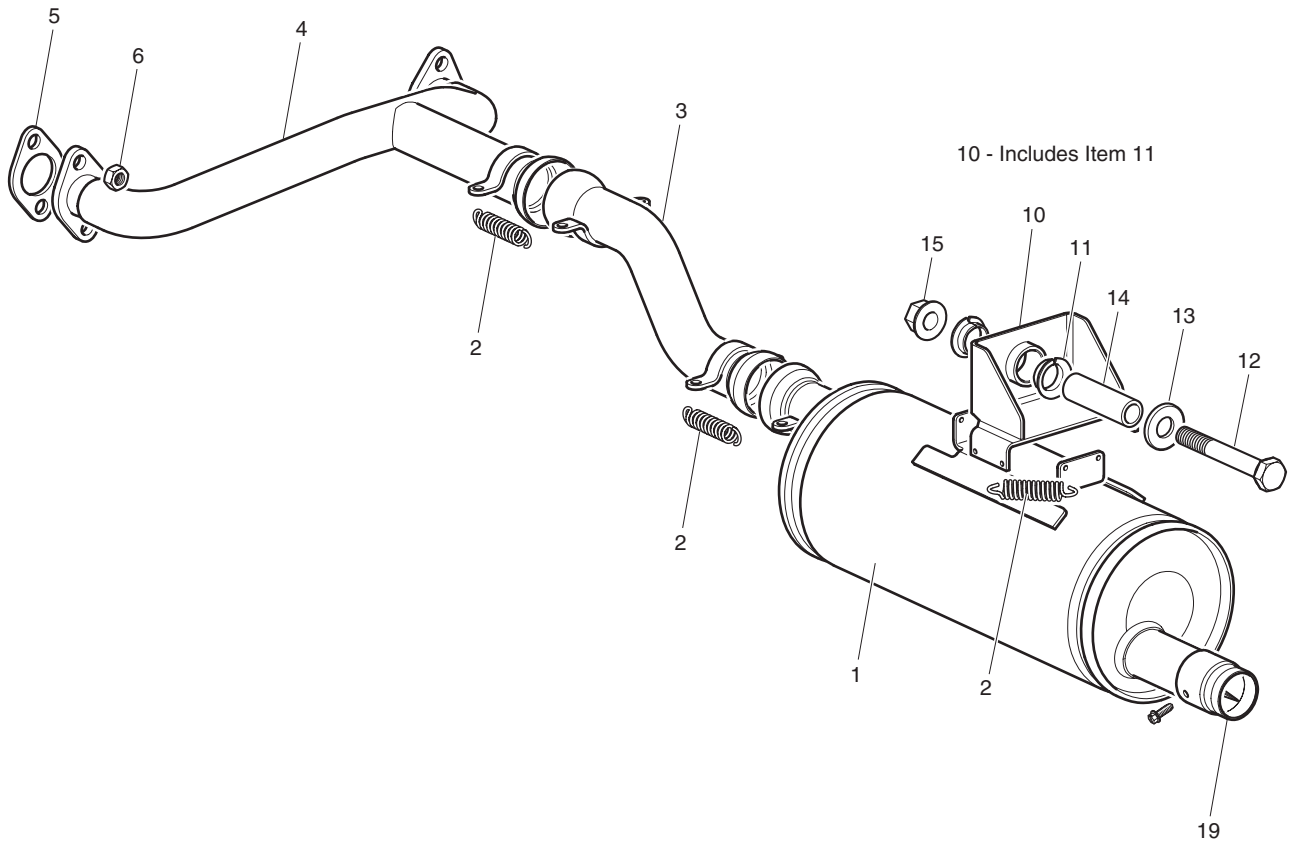


Ref Ele 19-4

Where applicable, THE USE OF NON UL PARTS WILL VOID ANY UL LISTING.
 When ordering parts, please specify the model and serial number of the product.
 * Indicates a component that is not available as an individual part.
 G** Indicates additional Customer Service Department for additional information.

ITEM	PART NO.	1 2 3 4 5	DESCRIPTION	QTY.
1	73989-G01		WIRE HARNESS.....	1
2	73864-G01		CLAMP, 1/2"	7
3	73864-G02		CLAMP, 3/4"	12
4				
5				
6	12914-G1		PUSH ON MALE TERMINAL	1
7				
8				
9	73561-G01		ALTERNATOR BELT	1
10	893633		ALTERNATOR.....	1
11	73557-G01		ALTERNATOR MOUNTING SHAFT	1
12	800698		LOCK NUT, 3/8 - 16	2
13				
14	00438-G8		BOLT, 5/16 - 18 X 1" LG	1
15	00571-G2		WASHER, 5/16"	1
16				
17	73556-G01		ALTERNATOR BRACKET.....	1
18	00426-G8		BOLT, 3/8 - 16 X 1" LG	4
19	800698		LOCK NUT, 3/8 - 16	4
20	73558-G01		PTO SHAFT	1
21	01120-G01		WASHER, M8.....	3
22	01119-G01		BOLT, M8 X 1.25 X 18MM LG	3
23	842996		PULLEY.....	1
24	2702249		WOODRUFF KEY	1
25	73973-G01		WIRE HARNESS (ALTERNATOR).....	1
26	25977-G102		16 GA WIRE (BLACK 3")	1
27	00565-G7		LOCK WASHER, 1/4"	1
28	00532-G1		NUT, 1/4 - 20	1
29	00565-G5		LOCK WASHER, #10	3
30	00526-G4		NUT, #10 - 32	3

EXHAUST



Ref Exh 19

EXHAUST

Where applicable, THE USE OF NON UL PARTS WILL VOID ANY UL LISTING.

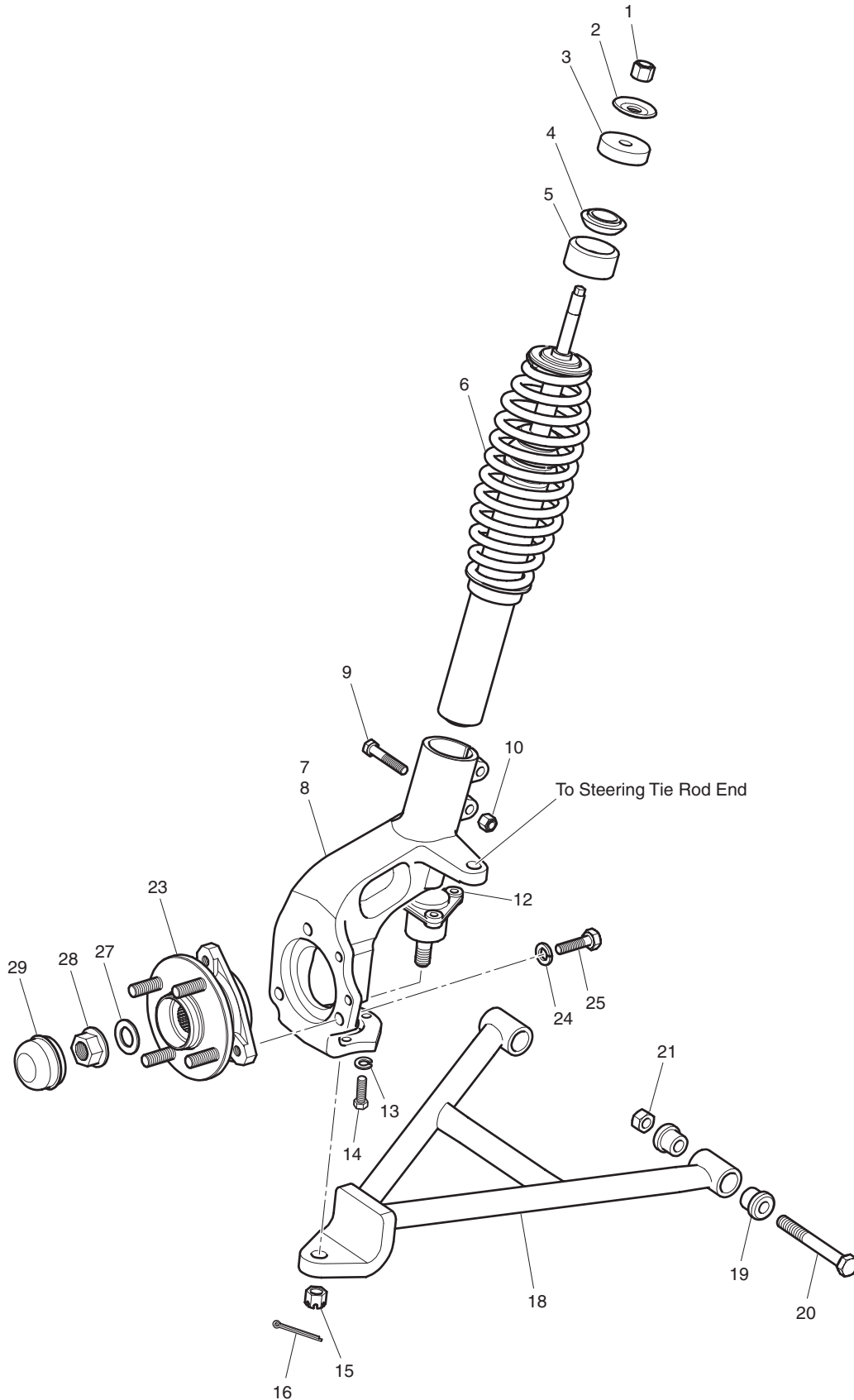
When ordering parts, please specify the model and serial number of the product.

* Indicates a component that is not available as an individual part.

G** Indicates consult Customer Service Department for additional information.

ITEM	PART NO.	1 2 3 4 5	DESCRIPTION	QTY.
1	73579-G01		MUFFLER	1
2	73554-G01		SPRING.....	8
3	73628-G01		EXHAUST PIPE	1
4	73627-G01		EXHAUST MANIFOLD.....	1
5	73860-G01		GASKET	2
6	94050-08000		NUT	4
7				
8				
9				
10	72991-G01		MOUNTING BRACKET (INCLUDES ITEM 11)	1
11	*		BUSHING.....	2
12	311398		BOLT, 1/2 - 13 X 3 1/2" LG	1
13	00643-G3		WASHER, 1/2"	1
14	73993-G01		INNER PIVOT TUBE	1
15	800700		LOCK NUT, 1/2 - 13	1
16				
17				
18				
19	72986-G01		SPARK ARRESTER (SCREW INCLUDED).....	1

FRONT SUSPENSION



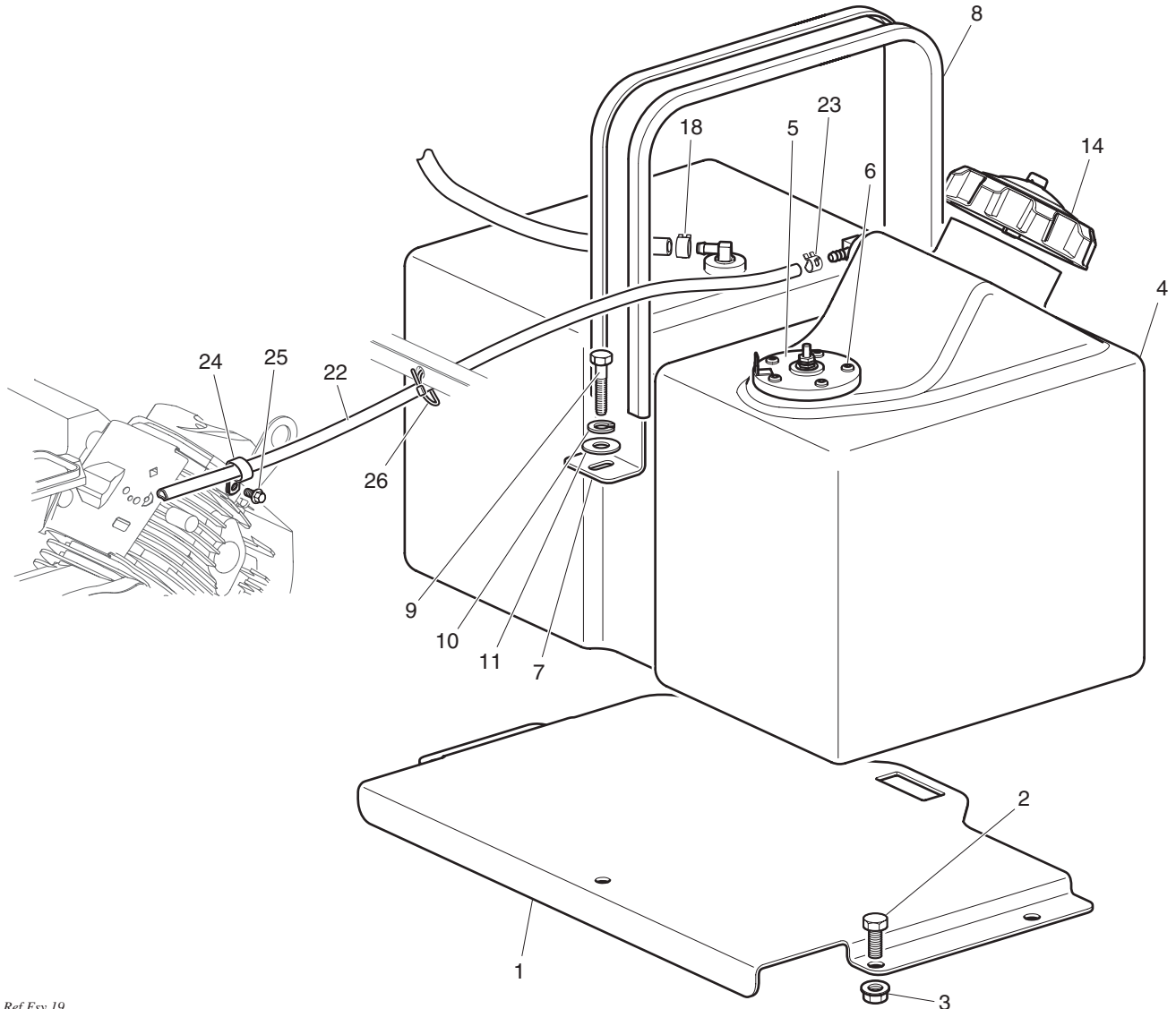
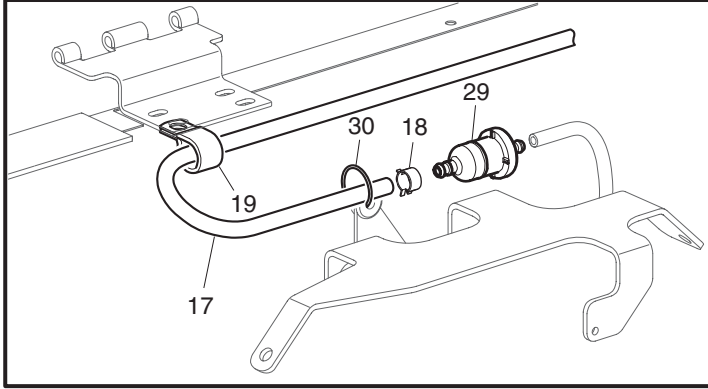
Ref Esp 19

FRONT SUSPENSION

Where applicable, THE USE OF NON UL PARTS WILL VOID ANY UL LISTING.
 When ordering parts, please specify the model and serial number of the product.
 * Indicates a component that is not available as an individual part.
 G** Indicates consult Customer Service Department for additional information.

ITEM	PART NO.	1 2 3 4 5	DESCRIPTION	QTY.
1	11098-G8		LOCK NUT, 1/2 - 20	2
2	73611-G01		STRUT WASHER.....	2
3	73615-G01		STRUT BUSHING	2
4	73614-G01		SPHERICAL BALL	2
5	73612-G01		BALL SEAT	2
6	73613-G01		STRUT	2
7	73623-G02		KNUCKLE (DRIVER SIDE).....	1
8	73623-G01		KNUCKLE (PASSENGER SIDE).....	1
9	00427-G8		BOLT, 3/8 - 16 X 2" LG	4
10	11098-G4		LOCK NUT, 3/8 - 16	4
11				
12	73786-G01		BALL JOINT	2
13	00664-G8		LOCK WASHER, 5/16" (STAINLESS STEEL)	6
14	01055-G01		BOLT, M8 - 1.25 X 30MM LG	6
15	73814-G01		CASTLE NUT	2
16	00798-G1		COTTER PIN, 1/16" X 1" LG	2
17				
18	73778-G01		CONTROL ARM.....	2
19	70291-G01		FLANGED BUSHING	8
20	316913		SCREW, 1/2 - 13 X 4" LG.....	4
21	00557-G1		LOCK NUT, 1/2 - 13	4
22				
23	72839-G01		BEARING	2
24	00566-G3		LOCK WASHER, 1/2"	6
25	01066-G01		BOLT, M12 - 1.75 X 40MM LG	6
26				
27	21830-G1		OUTER BRAKE WASHER	2
28	800973		LOCK NUT, 3/4 - 16	2
29	12091-G2		SPINDLE CAP.....	2
30				

FUEL SYSTEM



Ref Fsy 19

FUEL SYSTEM

Where applicable, THE USE OF NON UL PARTS WILL VOID ANY UL LISTING.

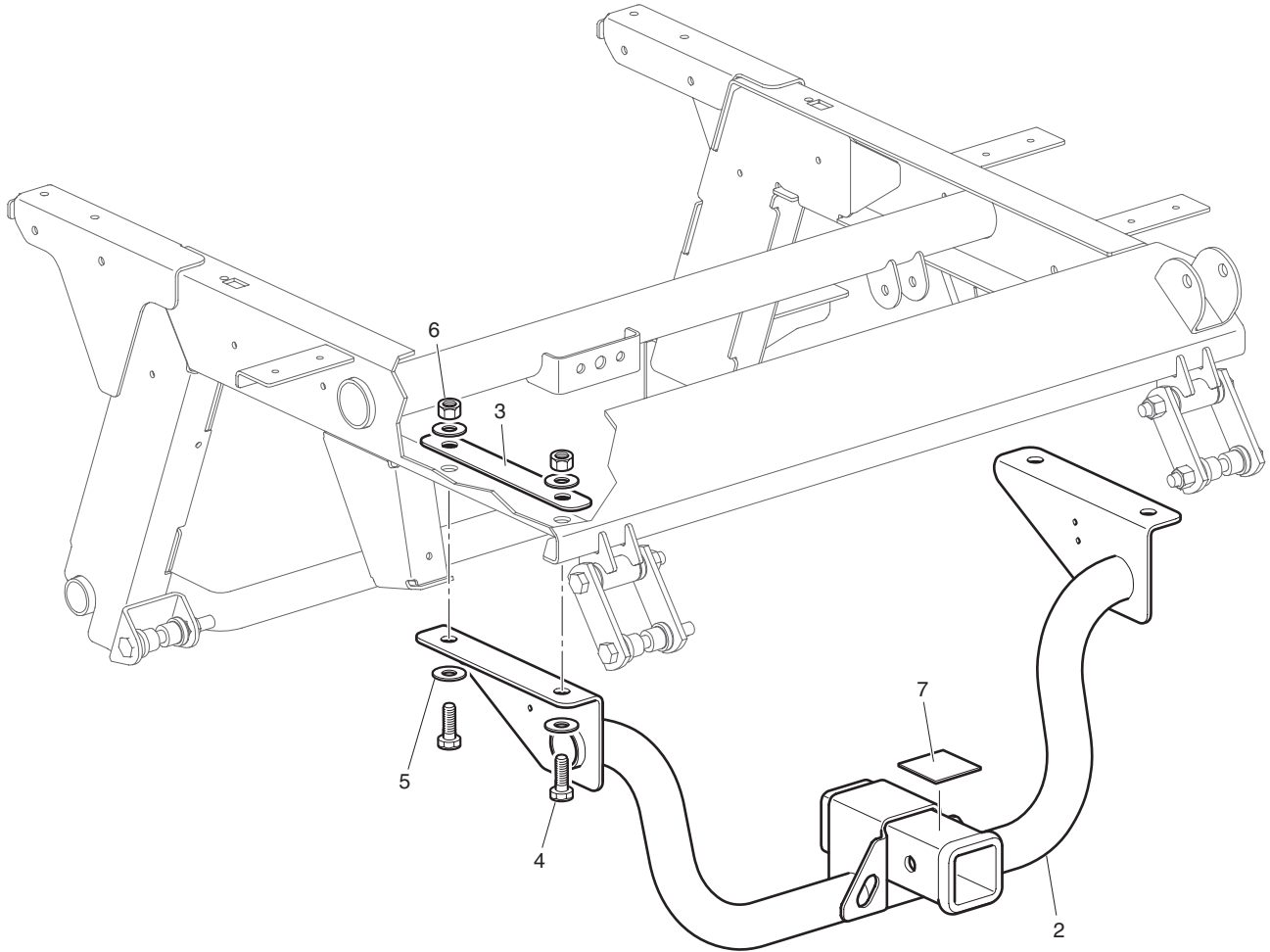
When ordering parts, please specify the model and serial number of the product.

* Indicates a component that is not available as an individual part.

G** Indicates consult Customer Service Department for additional information.

ITEM	PART NO.	1 2 3 4 5	DESCRIPTION	QTY.
1	73827-G01		PLATE FUEL TANK.....	1
2	00426-G6		BOLT, 3/8 - 16 X 3/4" LG.....	3
3	800698		LOCK NUT, 3/8 - 16.....	3
4	74759-G01		FUEL TANK ASSY.....	1
5	20048-G6		FUEL LEVEL SENDER.....	1
6	72232-G01		SCREW, #10 - 32 x 3/4" LG.....	5
7	73773-G01		FUEL TANK MOUNTING STRAP.....	1
8	14643-G5		VINYL EXTRUSION - 2FT.....	1
9	00439-G1		BOLT, 5/16 - 18 X 1 1/8" LG.....	1
10	00565-G8		LOCK WASHER, 5/16".....	1
11	00642-G8		WASHER, 5/16".....	1
12				
13				
14	73815-G01		FUEL CAP.....	1
15				
16				
17	27183-G01		TUBING, 1/4" I.D. X 1/2" O.D. (BULK).....	AR
18	18292-G1		CLAMP.....	2
19	11845-G3		INSULATED CABLE CLAMP, 11/16".....	2
20				
21				
22	28839-G01		TUBING, 3/16" I.D. X 3/8" O.D. (BULK).....	AR
23	18292-G3		CLAMP, 3/8".....	2
24	11845-G3		INSULATED CABLE CLAMP, 11/16".....	1
25	73875-G01		BOLT, M8 - 1.25 x 20MM LG.....	1
26	17618-G1		WIRE TIE.....	1
27				
28				
29	72999-G01		FUEL FILTER.....	1
30	17618-G1		WIRE TIE.....	1

HITCH



Ref Hit 19

HITCH

Where applicable, THE USE OF NON UL PARTS WILL VOID ANY UL LISTING.

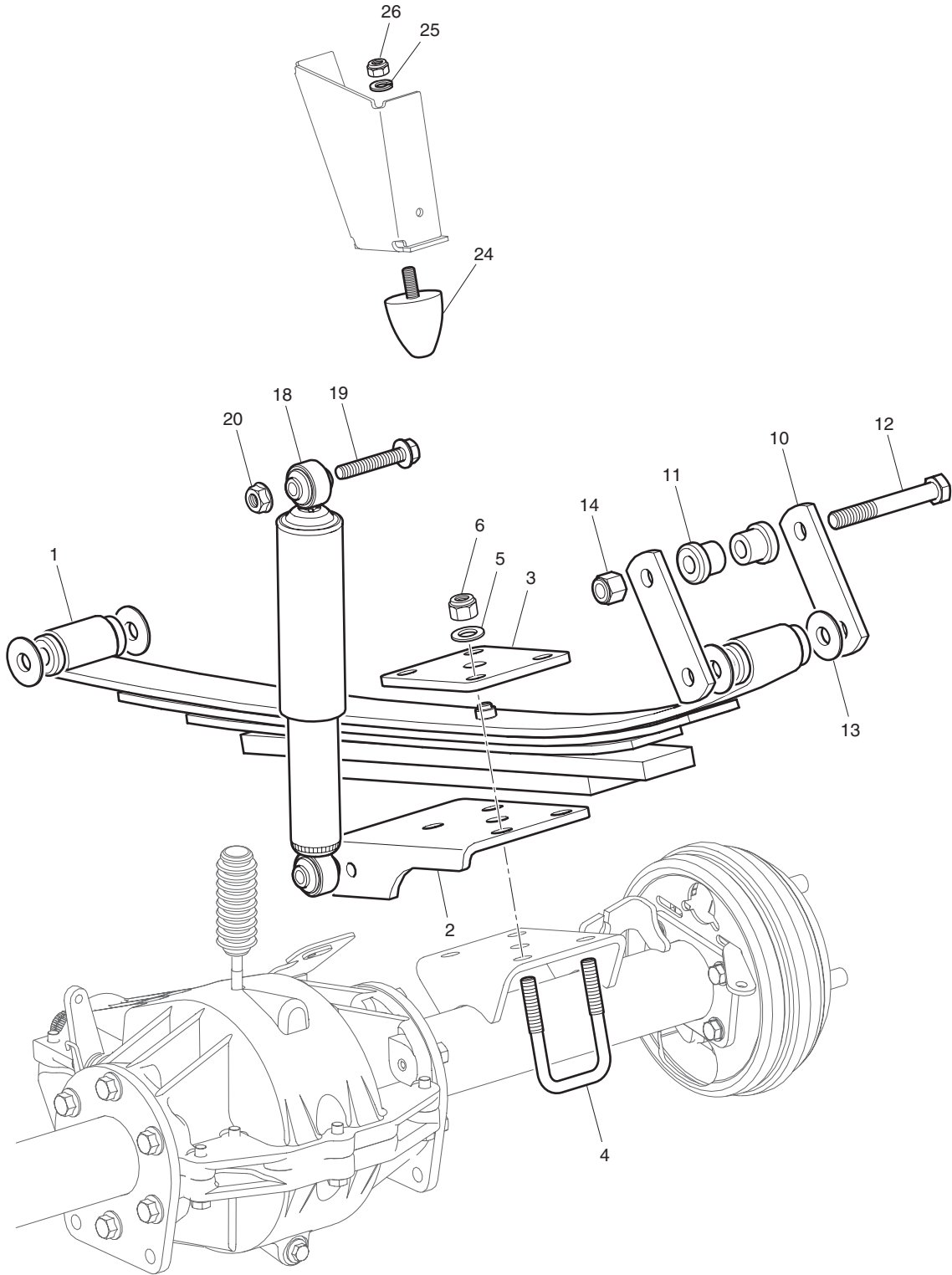
When ordering parts, please specify the model and serial number of the product.

* Indicates a component that is not available as an individual part.

G** Indicates consult Customer Service Department for additional information.

ITEM	PART NO.	1 2 3 4 5	DESCRIPTION	QTY.
1	74989-G02		REAR HITCH KIT (INCLUDES ITEMS 2 - 6)	1
2	74987-G01		REAR HITCH	1
3	74988-G01		BACKING PLATE	2
4	00403-G4		SCREW, 1/2 - 13 X 1 1/2" LG	4
5	00643-G3		WASHER, 1/2"	8
6	14390-G6		LOCK NUT, 1/2 - 13	4
7	74991-G01		LABEL (HITCH CAPACITY)	1

REAR SUSPENSION



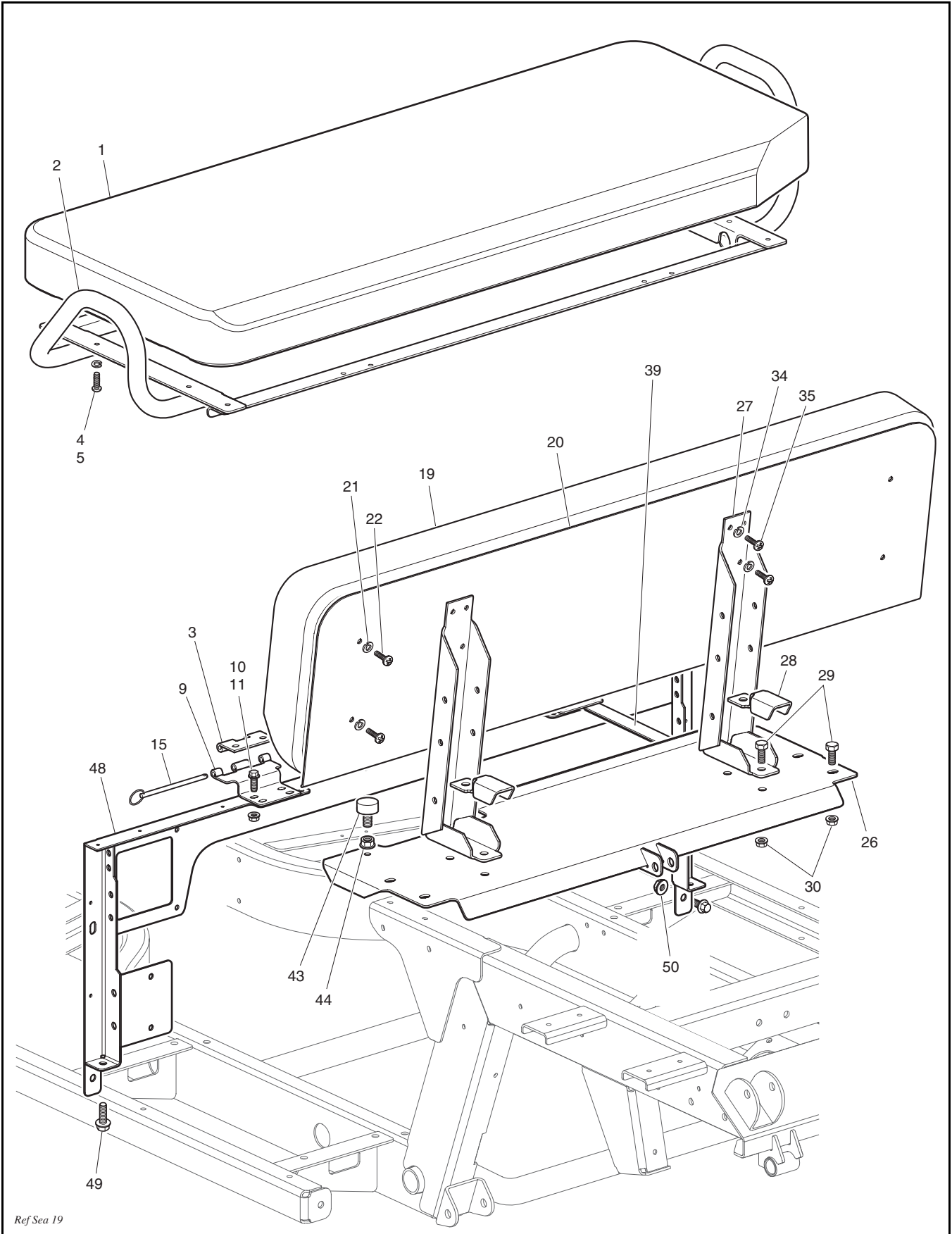
Ref Rsp 19

REAR SUSPENSION

Where applicable, THE USE OF NON UL PARTS WILL VOID ANY UL LISTING.
 When ordering parts, please specify the model and serial number of the product.
 * Indicates a component that is not available as an individual part.
 G** Indicates consult Customer Service Department for additional information.

ITEM	PART NO.	1 2 3 4 5	DESCRIPTION	QTY.
1	73802-G01		LEAF SPRING, 265/500 LB.....	2
2	73896-G01		SHOCK MOUNTING BRACKET	2
3	73897-G01		LEAF SPRING PLATE.....	2
4	73900-G01		U-BOLT, 3/8-16.....	4
5	00560-G1		WASHER, 3/8"	8
6	11098-G5		LOCK NUT, 3/8 - 16	8
7				
8				
9				
10	73898-G01		LEAF SPRING SHACKLE	4
11	70291-G01		FLANGED BUSHING	12
12	316913		SCREW, 1/2 - 13 X 4" LG.....	6
13	00643-G3		WASHER, 1/2"	8
14	14390-G6		LOCK NUT, 1/2 - 13	6
15				
16				
17				
18	73805-G01		SHOCK ABSORBER, REAR.....	2
19	13437-G8		LOCK SCREW, 3/8 - 16 X 2" LG.....	4
20	800698		LOCK NUT, 3/8 - 16	4
21				
22				
23				
24	70492-G01		RUBBER BUMPER	2
25	00968-G01		LOCK WASHER, 10MM	2
26	00974-G01		NUT, M10 X 1.5.....	2

SEAT



Ref Sea 19

Where applicable, THE USE OF NON UL PARTS WILL VOID ANY UL LISTING.
 When ordering parts, please specify the model and serial number of the product.
 * Indicates a component that is not available as an individual part.
 G** Indicates consult Customer Service Department for additional information.

ITEM	PART NO.	1 2 3 4 5	DESCRIPTION	QTY.
1	72992-G01		SEAT BOTTOM	1
2	73648-G01		SEAT BOTTOM FRAME	1
3	34197-G02		HINGE	2
4	00664-G7		LOCK WASHER, 1/4" (STAINLESS STEEL)	8
5	16705-G1		SCREW, 1/4 - 20 X 1" LG (STAINLESS STEEL)	8
6				
7				
8				
9	35914-G01		HOUSING HALF HINGE	2
10	71204-G01		BOLT, 1/4 - 20 X 7/8" LG	8
11	800706		LOCK NUT, 1/4 - 20	8
12				
13				
14				
15	35928-G01		HINGE PIN	2
16				
17				
18				
19	72757-G01		SEAT BACK	1
20	73651-G01		SEAT BACK COVER PLATE.....	1
21	00664-G7		LOCK WASHER, 1/4" (STAINLESS STEEL)	4
22	16705-G1		SCREW, 1/4 - 20 X 1" LG (STAINLESS STEEL)	4
23				
24				
25				
26	73909-G01		SEAT CROSSMEMBER.....	1
27	75900-G01		SEAT BACK SUPPORT BRACKET	2
28	74947-G01		BUMPER REST	2
29	00427-G2		BOLT, 3/8 - 16 X 1 1/4" LG	8
30	800698		LOCK NUT, 3/8 - 16	8

SEAT

Where applicable, THE USE OF NON UL PARTS WILL VOID ANY UL LISTING.

When ordering parts, please specify the model and serial number of the product.

* Indicates a component that is not available as an individual part.

G** Indicates consult Customer Service Department for additional information.

ITEM	PART NO.	1 2 3 4 5	DESCRIPTION	QTY.
31				
32				
33				
34	00664-G7		LOCK WASHER, 1/4" (STAINLESS STEEL)	4
35	16705-G1		SCREW, 1/4 - 20 X 1" LG (STAINLESS STEEL)	4
36				
37				
38				
39	73563-G01		BRACE	1
40				
41				
42				
43	70113-G01		ADJUSTABLE BUMPER	2
44	800697		LOCK NUT, 5/16 - 18	4
45				
46				
47				
48	73677-G01		SEAT FRAME	1
49	00426-G6		BOLT, 3/8 - 16 X 3/4" LG	4
50	800698		LOCK NUT, 3/8 - 16	4

**DID YOU
KNOW?**

CartPros directs you to the right part using the part numbers from this manual. Enter the part number into our search box and it will find the part you are looking for.

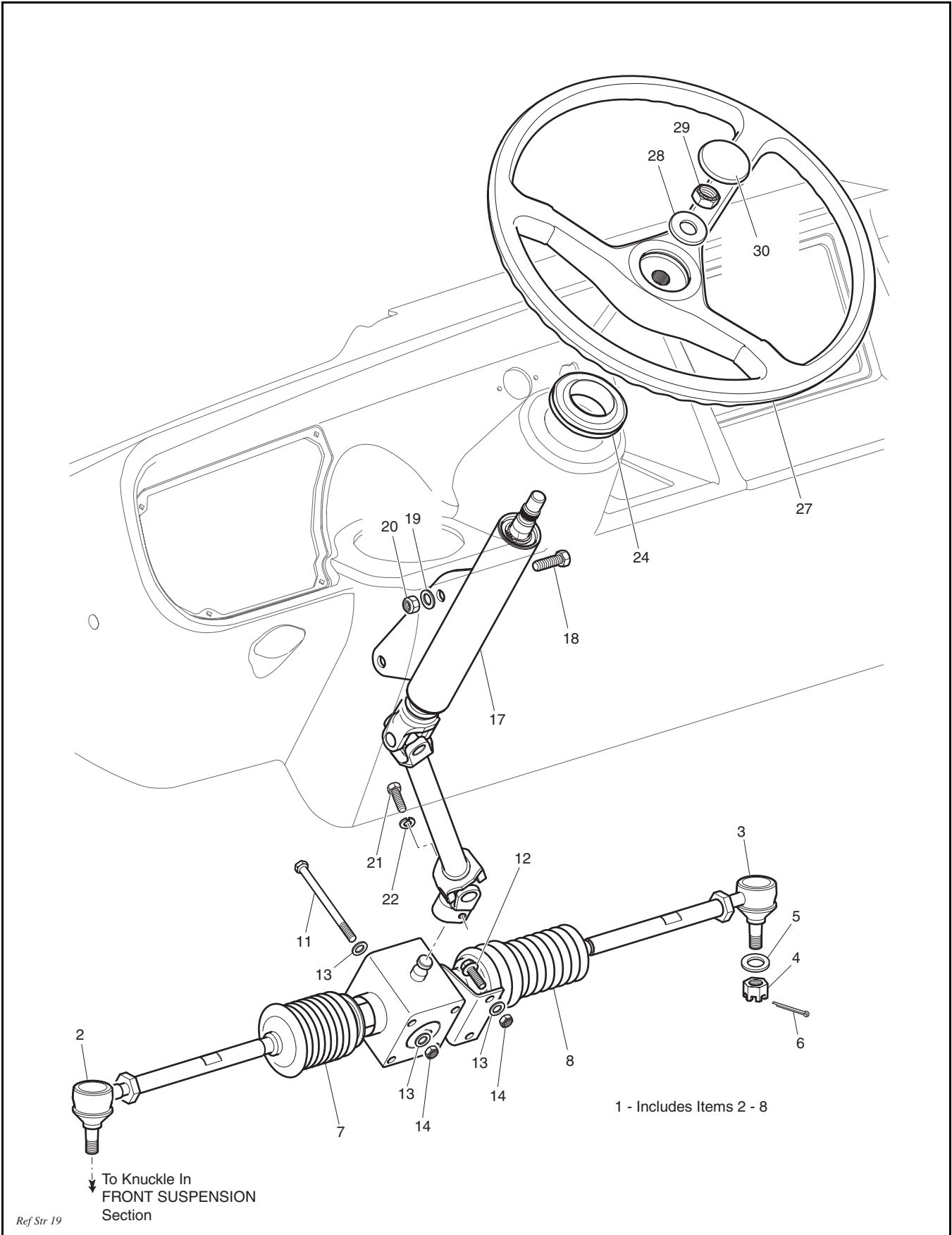
**GET STARTED
HERE**



<https://CartPros.com/f.html>

SEAT

STEERING



STEERING

Where applicable, THE USE OF NON UL PARTS WILL VOID ANY UL LISTING.

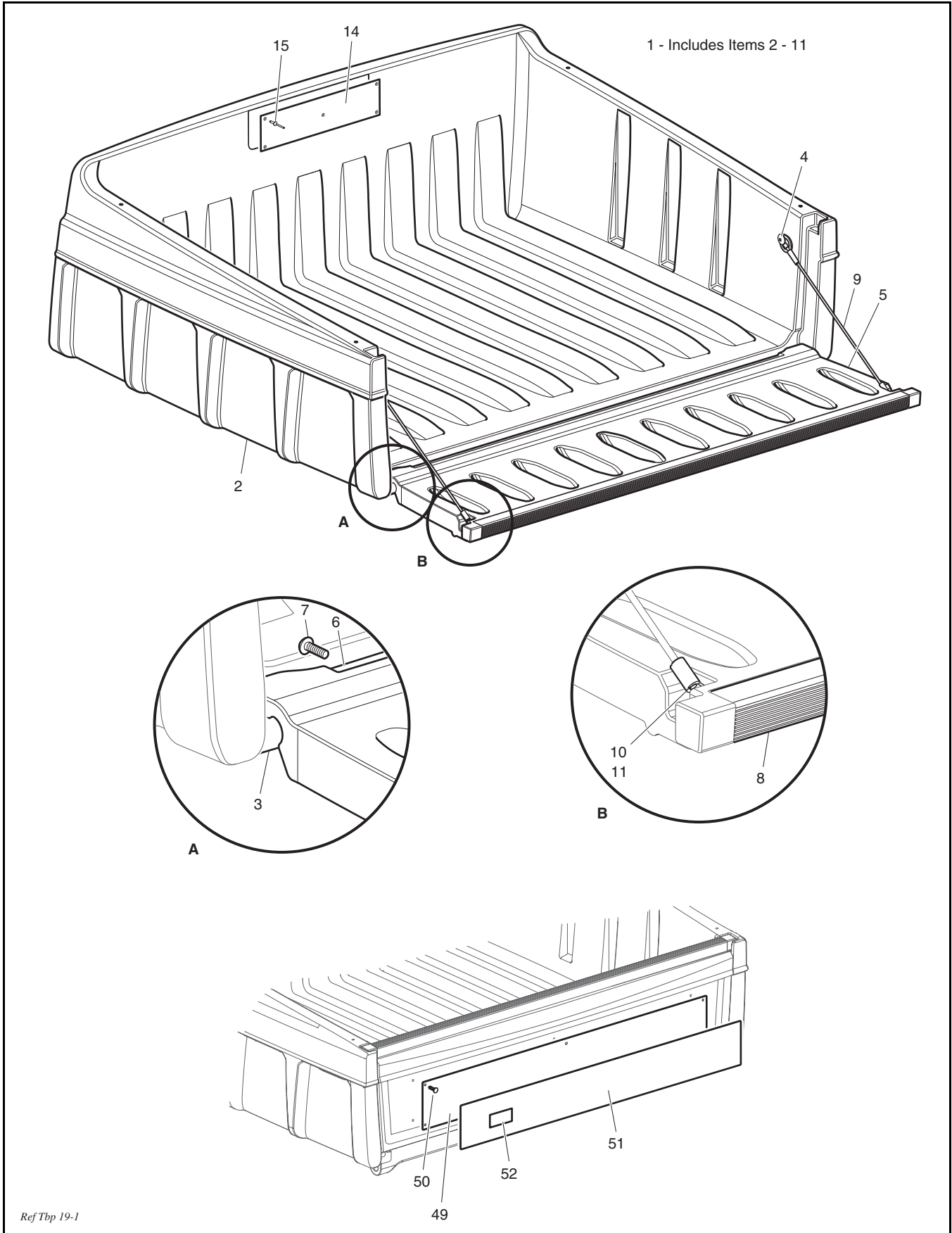
When ordering parts, please specify the model and serial number of the product.

* Indicates a component that is not available as an individual part.

G** Indicates consult Customer Service Department for additional information.

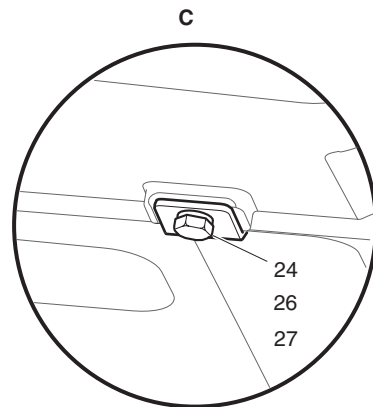
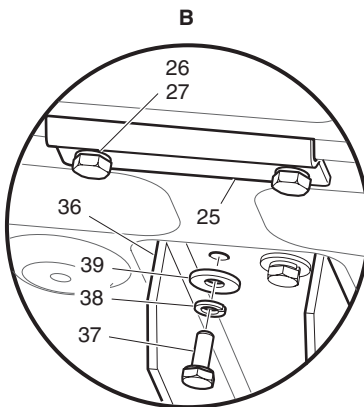
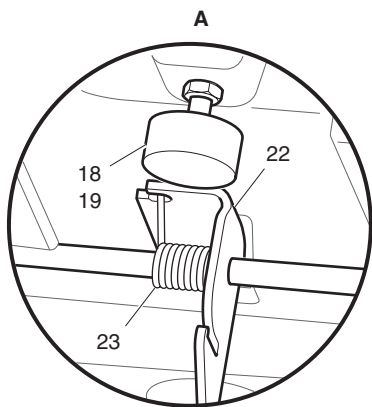
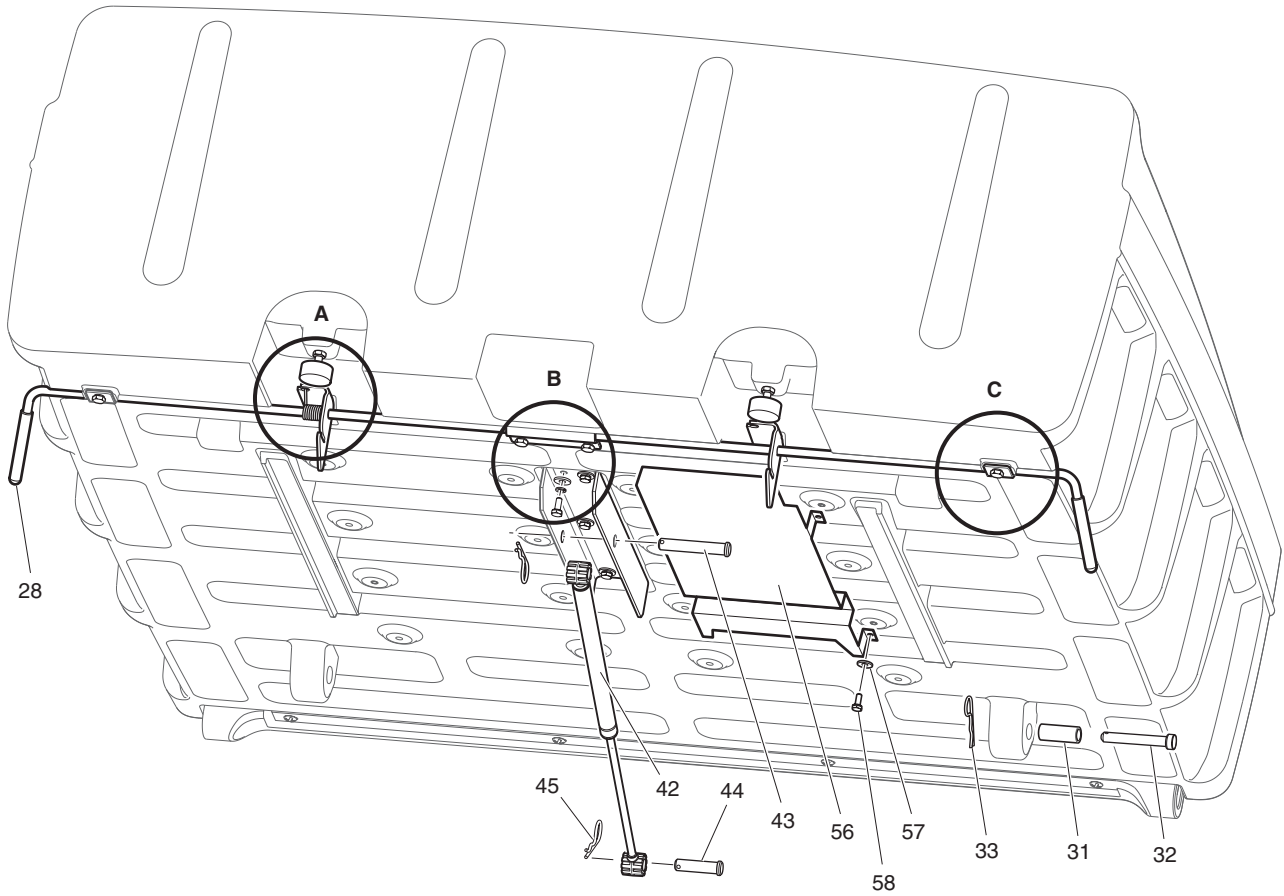
ITEM	PART NO.	1 2 3 4 5	DESCRIPTION	QTY.
1	73809-G01		RACK & PINION ASSEMBLY (INCLUDES ITEMS 2 - 8).....	1
2	*		TIE ROD END (DRIVER SIDE)	1
3	*		TIE ROD END (PASSENGER SIDE).....	1
4	73814-G02		NUT, CASTLE M12 X 1.25.....	2
5	00679-G3		WASHER, 1/2" (STAINLESS STEEL).....	2
6	00798-G1		COTTER PIN, 1/16" X 1"	2
7	*		BOOT (DRIVER SIDE)	1
8	*		BOOT (PASSENGER SIDE).....	1
9				
10				
11	00441-G8		BOLT, 5/16 - 18 X 4" LG	2
12	13437-G3		LOCK SCREW, 5/16 - 18 X 1" LG.....	2
13	00660-G8		WASHER, 5/16" (STAINLESS STEEL)	6
14	11098-G6		LOCK NUT, 5/16 - 18	4
15				
16				
17	73807-G01		STEERING COLUMN	1
18	00426-G8		BOLT, 3/8 - 16 X 1" LG	2
19	00879-G1		WASHER, 3/8"	2
20	00891-G1		LOCK NUT, 3/8 - 16	2
21	01055-G01		BOLT, M8 X 1.25 X 30MM LG	1
22	00565-G8		LOCK WASHER, 5/16"	1
23				
24	73637-G01		BUSHING	1
25				
26				
27	73808-G01		STEERING WHEEL	1
28	00560-G3		WASHER, 1/2"	1
29	11098-G03		LOCK NUT, 1/2 - 20	1
30	73812-G01		COVER, STEERING WHEEL	1

TRUCK BED, PLASTIC



Ref Tbp 19-1

TRUCK BED, PLASTIC



Ref Tbp 19-2

TRUCK BED, PLASTIC

Where applicable, THE USE OF NON UL PARTS WILL VOID ANY UL LISTING.
 When ordering parts, please specify the model and serial number of the product.
 * Indicates a component that is not available as an individual part.
 G** Indicates consult Customer Service Department for additional information.

ITEM	PART NO.	1 2 3 4 5	DESCRIPTION	QTY.
1	73451-G01		BED ASSEMBLY, 40" (INCLUDES ITEMS 2 -11).....	1
2	73447-G01		PLASTIC BED, 40"	1
3	73454-G01		PIVOT SHAFT	2
4	73460-G01		SHOULDER BOLT, 1/4 - 20 X 3/4" LG.....	2
5	73448-G01		TAILGATE	1
6	73450-G01		TAILGATE STIFFENER	1
7	16705-G2		SCREW, 1/4 - 20 X 5/8" LG (STAINLESS STEEL).....	4
8	73449-G01		TAILGATE PROTECTOR.....	1
9	73455-G01		TAILGATE CABLE	1
10	71541-G01		TAILGATE CABLE SPACER.....	2
11	16705-G2		SCREW, 1/4 - 20 X 5/8" LG (STAINLESS STEEL).....	2
12				
13				
14	74821-G04		LABEL (BED LOAD WARNING)	1
15	71055-G01		RIVET, 3/16" X 1" LG (ALUMINUM).....	5
16				
17				
18	70113-G01		ADJUSTABLE RUBBER BUMPER	2
19	11027-G1		LOCK NUT, 5/16 - 18	2
20				
21				
22	73905-G01		BED LATCH	1
23	71538-G01		LATCH TORSION SPRING.....	1
24	71099-G02		KEEPER PLATE.....	2
25	71477-G02		RETAINER BRACKET.....	1
26	00414-G5		BOLT, 1/4 - 20 X 5/8" LG	4
27	00565-G7		LOCK WASHER, 1/4"	4
28	71704-G01		HANDLE GRIP	2
29				
30				

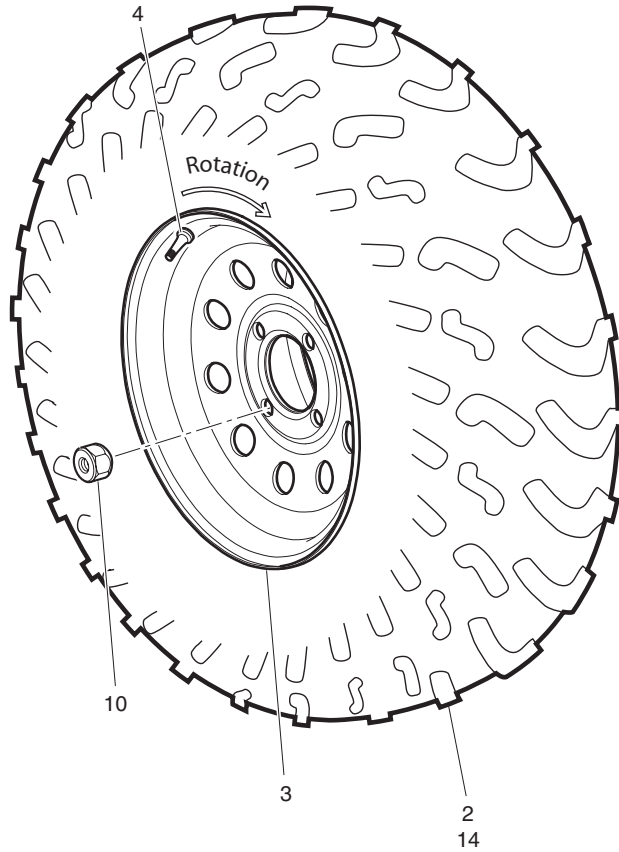
TRUCK BED, PLASTIC

Where applicable, THE USE OF NON UL PARTS WILL VOID ANY UL LISTING.
 When ordering parts, please specify the model and serial number of the product.
 * Indicates a component that is not available as an individual part.
 G** Indicates consult Customer Service Department for additional information.

ITEM	PART NO.	1 2 3 4 5	DESCRIPTION	QTY.
31	73903-G01		BUSHING	2
32	73904-G01		CLEVIS PIN.....	2
33	21683-G1		COTTER PIN, 15/32" X 2 13/16" LG	2
34				
35				
36	73907-G01		SPRING CHANNEL	1
37	00414-G5		SCREW, 1/4 - 20 X 5/8" LG.....	6
38	00565-G7		LOCK WASHER, 1/4".....	6
39	00642-G7		WASHER, 1/4"	6
40				
41				
42	71537-G02		GAS SPRING	2
43	14443-G10		CLEVIS PIN, 1/2" X 2 27/32" LG	1
44	14443-G11		CLEVIS PIN, 1/2" X 1 3/4" LG	1
45	21683-G1		COTTER PIN, 15/32" X 2 13/16" LG	2
46				
47				
48				
49	74925-G01		PLATE	1
50	16816-G1		RATCHET FASTENER, 1/4" X 9/16" LG	6
51	28927-G01		LABEL (ST E-Z-GO).....	1
52	73957-G01		LABEL (ST 4X4).....	1
53				
54				
55				
56	73609-G01		HEAT SHIELD	1
57	00642-G7		WASHER, 1/4"	2
58	01118-G01		BOLT, 1/4 - 20 X 5/8" LG	2

WHEELS & TIRES

- 1 - Includes Items 2, 3, 4
- 7 - Includes Items 2, 3, 4
- 13 - Includes Items 14, 3, 4



Ref Whl 19

WHEELS & TIRES

Where applicable, THE USE OF NON UL PARTS WILL VOID ANY UL LISTING.
 When ordering parts, please specify the model and serial number of the product.
 * Indicates a component that is not available as an individual part.
 G** Indicates consult Customer Service Department for additional information.

ITEM	PART NO.	1 2 3 4 5	DESCRIPTION	QTY.
1	72941-G**		TIRE AND WHEEL ASSEMBLY (DRIVER SIDE) (INCLUDES ITEMS 2 - 4).....	2
2	72941-G01		TIRE (AT489), 25 X 11 - 12.....	1
3	73895-G**		WHEEL, 10" X 6"	1
4	11657-G1		VALVE STEM.....	1
5				
6				
7	72941-G**		TIRE AND WHEEL ASSY. (PASSENGER SIDE) (INCLUDES ITEMS 2 - 4).....	2
8				
9				
10	14723-G1		LUG NUT, 1/2 - 20.....	16
11				
12				
13	72994-G02		TIRE AND WHEEL ASSEMBLY (INCLUDES ITEMS 14, 3, 4).....	4
14	72994-G01		TIRE (TURF CTR TREAD), 25 X 11 - 12.....	1

**DID YOU
KNOW?**

CartPros directs you to the right part using the part numbers from this manual. Enter the part number into our search box and it will find the part you are looking for.

**GET STARTED
HERE**



<https://CartPros.com/f.html>

WHEELS & TIRES

**DID YOU
KNOW?**

CartPros directs you to the right part using the part numbers from this manual. Enter the part number into our search box and it will find the part you are looking for.

**GET STARTED
HERE**



<https://CartPros.com/f.html>

SPECIALTY PRODUCTS

SPECIALTY PRODUCTS

SPECIALTY PRODUCTS

SPECIAL TOOLS	PART NO.
CLUTCH PULLER (DRIVE)	19779-G2
CURRENT INDICATOR	16489-G2
DIGITAL MULTI-METER	27481-G01
COMPRESSION TESTER.....	72524-G01
FEELER GAUGE	72525-G01
TACHOMETER	72526-G01

ENGINE OIL	PART NO.
4 CYCLE ENGINE OIL, 5 GALLON (19 LITER)	25730-G03
4 CYCLE ENGINE OIL, 12 QUART CASE	25730-G04
4 CYCLE ENGINE OIL, 1 QUART BOTTLE (950 ML)	25730-G06

TOUCH UP PAINT	PART NO.
PEN 3 OUNCE (89 ML) - RECON GREEN	28432-G**
PEN 3 OUNCE (89 ML) - CAMOUFLAGE PAINT (THREE PENS)	75831-G01
AEROSOL 12 OUNCE (360 ML) - RECON GREEN	28140-G**

MAINTENANCE PRODUCTS	PART NO.
PLEXUS® CLEANER, 7 OUNCE (210 ML) (FOR WINDSHIELDS)	28433-G01
PLEXUS® CLEANER, 13 OUNCE (380 ML) (FOR WINDSHIELDS)	28433-G02
BATTERY PROTECTOR, 14 OUNCE (410 ML) SPRAY	75500-G01
CARBURETOR & CHOKE CLEANER, 15 OUNCE (440 ML) SPRAY	75501-G01
WHITE LITHIUM GREASE, 14 OUNCE (410 ML) SPRAY	75502-G01
PENETRANT/LUBRICANT, 15 OUNCE (440 ML) SPRAY	75503-G01
MULTI-PURPOSE CLEANER & DEGREASER, 14 OUNCE (410 ML) SPRAY	75504-G01
MULTI-PURPOSE HAND CLEANER, 32 OUNCE (950 ML) LIQUID	75505-G01
BATTERY CLEANER, 32 OUNCE (950 ML) WITH TRIGGER SPRAYER	75506-G01
BIO-DEGRADABLE CLEANER, 32 OUNCE (950 ML) WITH TRIGGER SPRAYER.....	75507-G01
MULTI-PURPOSE VALUE PACK.....	75508-G01
• BATTERY PROTECTOR, 4 OUNCE (120 ML) SPRAY	
• PENETRANT/LUBRICANT, 4 OUNCE (120 ML) SPRAY	
• WHITE LITHIUM GREASE, 4 OUNCE (120 ML) SPRAY	
• CARBURETOR & CHOKE CLEANER, 4 OUNCE (120 ML) SPRAY	

**DID YOU
KNOW?**

CartPros directs you to the right part using the part numbers from this manual. Enter the part number into our search box and it will find the part you are looking for.

**GET STARTED
HERE**



<https://CartPros.com/f.html>

OPTIONS/ACCESSORIES

OPTIONS/ACCESSORIES

OPTIONS/ACCESSORIES

ITEM	KIT NO.	SECTION
HIGH OUTPUT ALTERNATOR KIT	72979-G01	Electrical
FRONT BRUSH GUARD KIT	74982-G01	Body
SIDE BRUSH GUARD KIT	74983-G01	Body
REAR HITCH KIT	74989-G02	Hitch
WINCH KIT	72274-G01	
HIGH ALTITUDE CONVERSION KIT (5-8K FT)	72971-G01	
HIGH ALTITUDE CONVERSION KIT (8-10K FT)	72971-G02	
TURF TIRE AND WHEEL ASSEMBLY	72994-G02	Wheels And Tires
FRONT DIFFERENTIAL GUARD	72844-G01	Drivetrain - Front
REAR DIFFERENTIAL GUARD	72899-G01	Drivetrain - Rear

**DID YOU
KNOW?**

CartPros directs you to the right part using the part numbers from this manual. Enter the part number into our search box and it will find the part you are looking for.

**GET STARTED
HERE**



<https://CartPros.com/f.html>

INDEX OF MAJOR COMPONENTS

INDEX OF MAJOR COMPONENTS

INDEX OF MAJOR COMPONENTS

BY PART DESCRIPTION

A

ACCELERATOR CABLE.....	A-2	AIR CLEANER ELEMENT.....	B-2
ACCELERATOR PEDAL.....	A-2	AIR INTAKE PLENUM TO CARBURETOR SEAL.....	B-2
AIR CLEANER.....	B-2	ALTERNATOR.....	G-8, APPENDIX B-2

B

BALL JOINT.....	I-2	BRAKE ASSEMBLY.....	D-3
BATTERY.....	G-6	BRAKE DRUM.....	D-4
BATTERY RETAINER.....	G-6	BRAKE LINE.....	D-2
BATTERY TRAY.....	G-6	BRAKE PADS (SET OF 4).....	D-2
BEARING.....	I-2	BRAKE PEDAL.....	D-3
BED.....	O-3	BRAKE SHOE.....	D-3
BED LATCH.....	O-3	BRUSH GUARD.....	C-4, APPENDIX B-2
BOOT.....	N-2		

C

CABLE.....	A-2, A-3, D-6, E-2, O-3	CLUTCH.....	F-6
CABLE END SOCKET.....	E-2	CONTROL ARM.....	I-2
CALIPER.....	D-2	COWL.....	C-2
CHOKE CABLE.....	A-3	CVT COVER.....	F-6

D

DIFFERENTIAL GUARD.....	F-2, F-8, APPENDIX B-2	DRIVE BELT.....	F-6
DIRECTION SELECTOR CABLE.....	E-2	DRIVE SHAFT.....	F-2, F-8
DIRECTION SELECTOR HANDLE.....	E-2		

E

ENGINE.....	F-4	EXHAUST.....	H-2
-------------	-----	--------------	-----

F

FLOORPAN.....	C-6	FUEL LEVEL SENDER.....	J-2
FRONT DIFFERENTIAL.....	F-2	FUEL TANK.....	J-2
FRONT FENDER WELL.....	C-6	FUSE.....	G-2
FUEL CAP.....	J-2	FUSE BLOCK.....	G-2
FUEL FILTER.....	J-2		

G

GAS SPRING.....	O-4
GAUGE CLUSTER.....	G-4
GOVERNOR.....	A-2
GOVERNOR CABLE.....	A-2

INDEX OF MAJOR COMPONENTS

H

HALF SHAFT	F-2	HINGE	M-2
HAND RAIL	C-3	HINGE PIN	M-2
HEADLIGHT	G-2	HITCH	K-2, APPENDIX B-2
HEAT SHIELD	O-4	HOOD LATCH	C-2
HIGH ALTITUDE CONVERSION KIT	APPENDIX B-2		

I

INSTRUMENT PANEL	C-3	ISOLATION MOUNT	F-4
------------------------	-----	-----------------------	-----

K

KEY SWITCH	G-4	KNUCKLE	I-2
KNOB	E-3		

L

LABEL (ACCESSORY LIGHTS)	G-4	LABEL (KEY START)	G-4
LABEL (BATTERY DISPOSAL - CE)	G-6	LABEL (LATCH WARNING)	C-2
LABEL (BED LIFT)	G-4	LABEL (PARK BRAKE)	C-8
LABEL (BED LOAD WARNING)	O-3	LABEL (ST E-Z-GO)	O-4
LABEL (COLD STARTING)	C-4	LABEL (ST 4X4)	C-8, O-4
LABEL (E-Z-GO)	C-2	LABEL (TILT WARNING PICTOGRAM)	C-8
LABEL (GOVERNOR WARNING)	C-8	LABEL (WARNING)	C-6, C-8
LABEL (HAND CONTROLS)	E-2	LEAF SPRING	L-2
LABEL (HEADLIGHT)	G-4	LENS, AMBER	G-2
LABEL (HITCH CAPACITY)	K-2	LUG BOLT	F-8
LABEL (HORN)	G-4	LUG NUT	P-2
LABEL (HOT EXHAUST)	C-8		

M

MASTER CYLINDER	D-2	MUFFLER	H-2
-----------------------	-----	---------------	-----

N

NOISE SUPPRESSION STRIP	C-6
-------------------------------	-----

O

OIL FILTER	F-4
------------------	-----

P

PARK BRAKE	D-6	PROXIMITY SENSOR SWITCH	E-2
PARK BRAKE BOOT	D-7	PTO SHAFT	G-8
PARK BRAKE CABLE	D-6	PULLEY	D-6, G-8
POWER OUTLET	G-4		
PROXIMITY SENSOR	D-7		

INDEX OF MAJOR COMPONENTS

R

RACK & PINION.....	N-2	ROCKER PANEL.....	C-6
REAR AXLE.....	F-8	ROTOR.....	D-2
REAR FENDER.....	C-8		

S

SEALANT.....	B-2	SPARK PLUG.....	F-4
SEAT.....	M-2	SPRING.....	L-2
SEAT PANEL.....	C-8	STEERING COLUMN.....	N-2
SHOCK ABSORBER.....	L-2	STEERING WHEEL.....	N-2
SIDE PANEL.....	C-8	STRUT.....	I-2
SOLENOID.....	F-2, F-8	SWITCH.....	F-4, G-4
SPARK ARRESTER.....	H-2		

T

TAILGATE.....	O-3	TRANSFER CASE.....	F-4
TAILGATE PROTECTOR.....	O-3	TWO/FOUR WHEEL DRIVE SELECTOR CABLE.....	E-2
TIE ROD.....	N-2	TWO/FOUR WHEEL DRIVE SELECTOR HANDLE.....	E-2
TIRE.....	P-2, APPENDIX B-2		

V

VALANCE.....	C-6	VOLTAGE REGULATOR.....	G-6
VALVE STEM.....	P-2		

W

WHEEL.....	P-2
WHEEL CYLINDER.....	D-3
WINCH.....	APPENDIX B-2
WIRE HARNESS.....	G-8
WIRE HARNESS (ALTERNATOR).....	G-8
WOODRUFF KEY.....	G-8

**DID YOU
KNOW?**

CartPros directs you to the right part using the part numbers from this manual. Enter the part number into our search box and it will find the part you are looking for.

**GET STARTED
HERE**



<https://CartPros.com/f.html>



A Textron Company

E-Z-GO Division of Textron, Inc.
1451 Marvin Griffin Road, Augusta, Georgia 30906 - 3852 USA
Inside USA Phone: 1-800-241-5855, FAX: 1-800-448-8124
Outside USA Phone: 010-1-706-798-4311, FAX: 010-1-706-771-4609

Copyrighted Material
This manual may not be reproduced in whole or
in part without the express permission of
E-Z-GO Division of Textron, Inc.
Technical Communications Department