

**DID YOU
KNOW?**

CartPros directs you to the right part using the part numbers from this manual. Enter the part number into our search box and it will find the part you are looking for.

**GET STARTED
HERE** →

<https://CartPros.com/>

28812-G01



A Textron Company

CUSHMAN[®]

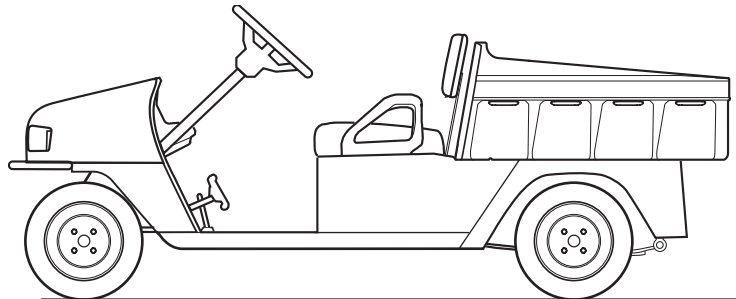
A Textron Company

JACOBSEN[®]

A Textron Company



SERVICE PARTS MANUAL



Ref Fcv 4 28812

ELECTRIC POWERED UTILITY VEHICLE

STARTING MODEL YEAR: 2004

SERVICE PARTS MANUAL

ELECTRIC UTILITY VEHICLES

MPT[®] 1000

INDUSTRIAL[™] 1000

COMMANDER[™] 2100

JACOBSEN HAULER[™] 1000

E-Z-GO Division of Textron, Inc reserves the right to make design changes without obligation to make these changes on units previously sold and the information contained in this manual is subject to change without notice.

E-Z-GO Division of Textron, Inc is not liable for errors in this manual or for incidental or consequential damages that result from the use of the material in this manual.

CUSTOMER SERVICE DEPARTMENT IN USA PHONE: 1-800-241-5855 FAX: 1-800-448-8124

OUTSIDE USA PHONE: 010-1-706-798-4311, FAX: 010-1-706-771-4609

E-Z-GO DIVISION OF TEXTRON, INC., P.O.BOX 388, AUGUSTA, GEORGIA USA 30903-0388

NOTES

To obtain a copy of the limited warranty applicable to the vehicle, call or write a local Distributor, authorized Branch or the Warranty Department with vehicle serial number and manufacturer code.

The use of non Original Equipment Manufacturer (OEM) parts may void the warranty.

Overfilling of batteries may void the warranty.

BATTERY PROLONGED STORAGE

All batteries will self discharge over time. The rate of self discharge varies depending on the ambient temperature and the age and condition of the batteries.

A fully charged battery will not freeze in winter temperatures unless the temperature falls below -75° F (-60° C).

As with all electric vehicles, the batteries must be checked and recharged as required or at a minimum of 30 day intervals.

TABLE OF CONTENTS

SECTION	Page No.
HOW TO USE THE SERVICE PARTS MANUAL	v
ILLUSTRATED PARTS BREAKDOWN	vii
ACCELERATOR	A-1
BATTERY CHARGER (LESTER)	B-1
BODY	C-1
BRAKES	D-1
BRAKES - FRONT DISC	E-1
CAB	F-1
ELECTRICAL	G-1
ELECTRONIC SPEED CONTROL - PDS	H-1
FRONT SUSPENSION / STEERING	J-1
MOTOR	K-1
REAR AXLE	L-1
REAR SUSPENSION	M-1
SEATING	N-1
TRUCK BED, PLASTIC	P-1
WEATHER PROTECTION	Q-1
WHEELS AND TIRES	R-1
SPECIALTY PRODUCTS	APPENDIX A-1
OPTIONS/ACCESSORIES	APPENDIX B-1

HOW TO USE THE SERVICE PARTS MANUAL

This manual is divided into several sections:

GENERAL INFORMATION

- TABLE OF CONTENTS
- HOW TO USE THE SERVICE PARTS MANUAL

ILLUSTRATED PARTS BREAKDOWN

- Contains illustrations and parts lists for all systems of the vehicle

APPENDIX

- Contains a listing of specialty products and options/accessories

INDEX OF MAJOR COMPONENTS

- Contains a listing of parts (excluding hardware) grouped by part number and description and indicates on which page(s) they can be found

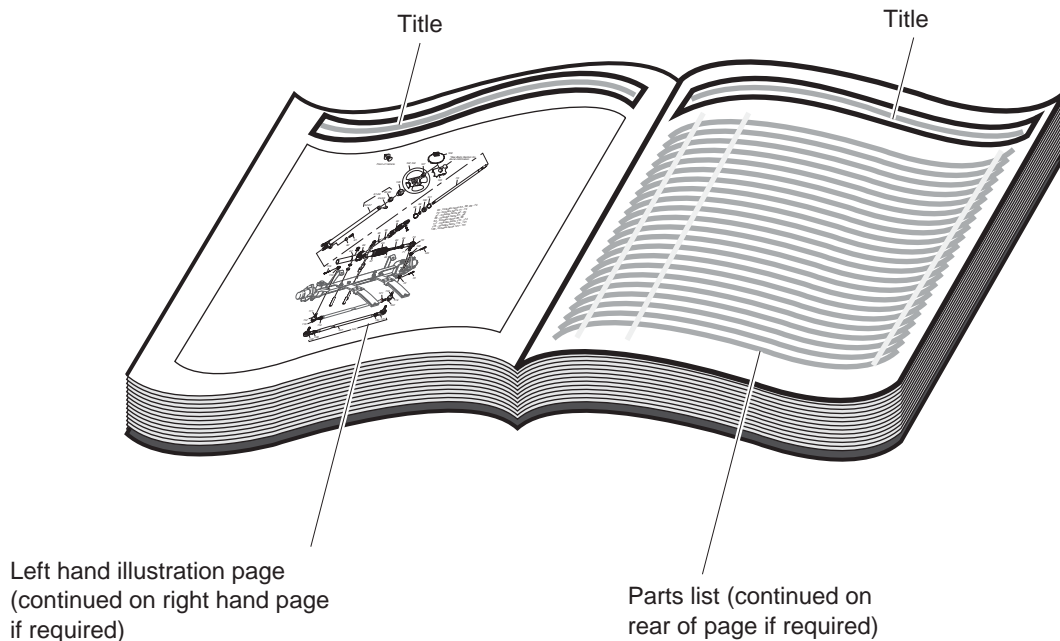
USE OF THE MANUAL

To use this manual, consult the TABLE OF CONTENTS (page iii) or the INDEX OF MAJOR COMPONENTS (located at rear of this manual) to locate the information or illustration required.

Introduction of some revisions varies due to supply of components; therefore, it is possible that various combinations of components may be found that are not directly reflected by each illustration. Consult the illustration that best suits your situation. Locate the serial number plate (see BODY located in the Illustrated Parts Breakdown section of this manual for its location) and note the complete number shown on the plate. It is important that the serial number of your vehicle and its model number be supplied to Service Parts when ordering any replacement components.

Locate the serial number plate (see BODY located in the Illustrated Parts Breakdown section of this manual for its location) and note the complete number shown on the plate.

HOW TO USE THE SERVICE PARTS MANUAL



1. WHEN THE PART NUMBER IS NOT KNOWN

- Determine the function and application of the part required. Turn to the INDEX OF MAJOR COMPONENTS and select the most appropriate component description.
- Turn to the page number indicated and locate the part description in the parts list. Read the full accompanying description for specific information regarding the part that was not shown in the index.
- From the parts list, obtain the item number assigned to it and confirm that the part selected is correct by verifying it with the pictorial representation on the illustrated page.

2. IF YOU KNOW THE PART NUMBER

- Use the INDEX OF MAJOR COMPONENTS to find the page(s) the part number appears on.
- Turn to the page number indicated and locate the part number in the parts list. Refer to the accompanying description for specific information regarding the part.
- From the parts list, obtain the item number assigned to it and confirm that the part selected is correct by verifying it with the pictorial representation on the illustrated page.

Should an asterisk (*) appear in the part number column on the parts list page, read upwards until a part number is found. The part number is the lowest assembly sold by Service Parts. The asterisk (*) indicates that the part depicted is not available for purchase.

NOTE: Descriptions are indented under the assembly that they are used on. That assembly is, in turn listed under the assembly that it is used on. This process is repeated until the highest final assembly is reached.

To facilitate the maintenance and repair of the vehicle, a Technician's Repair and Service Manual is available from the Service Parts Department.

**DID YOU
KNOW?**

CartPros directs you to the right part using the part numbers from this manual. Enter the part number into our search box and it will find the part you are looking for.

**GET STARTED
HERE**



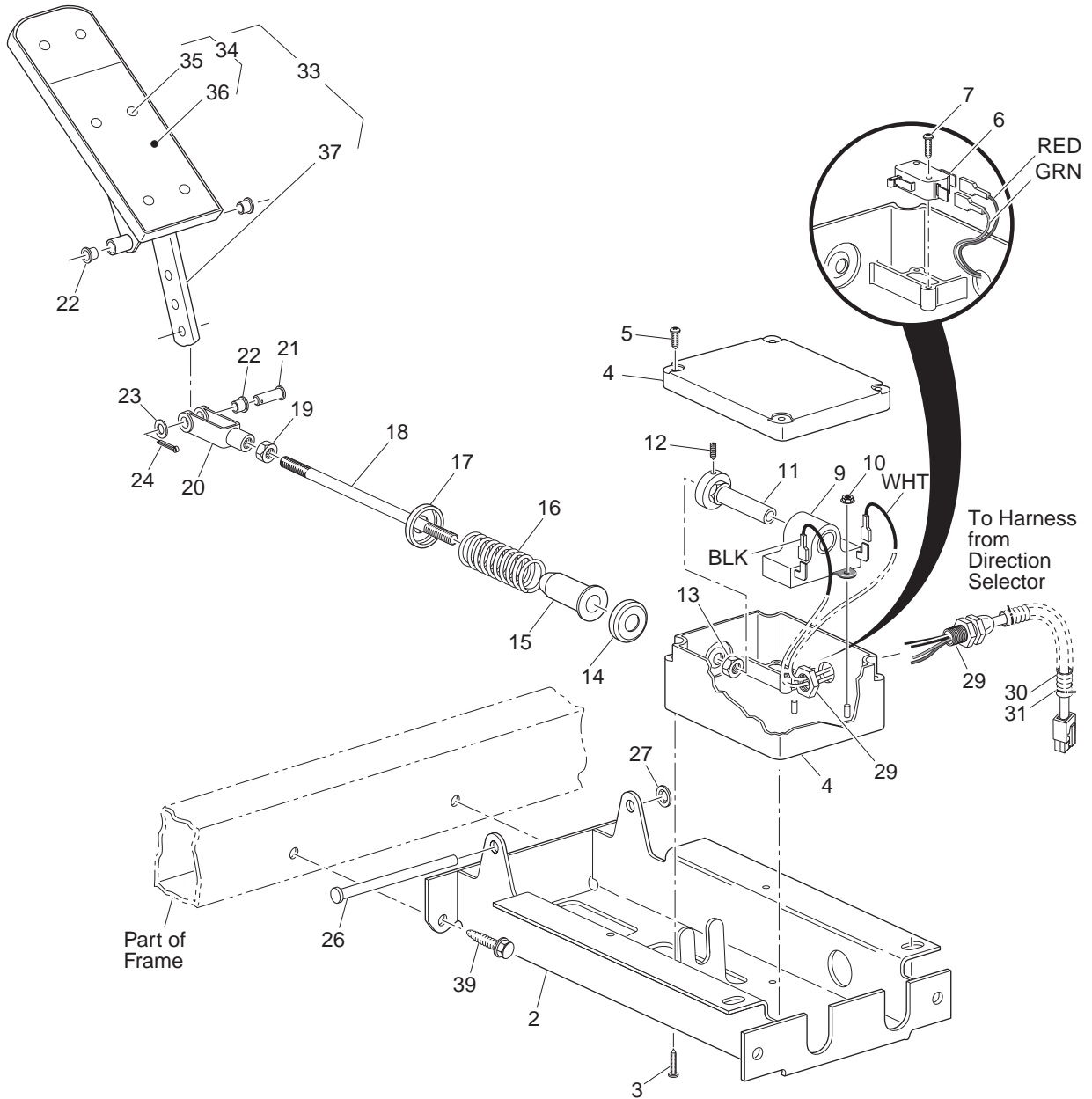
<https://CartPros.com/f.html>

ILLUSTRATED PARTS BREAKDOWN

ILLUSTRATED PARTS BREAKDOWN

ACCELERATOR

1 - Includes Items 2 - 37



Ref Acl 4-1

ACCELERATOR

When ordering parts, please specify the model and serial number of the product.

* Indicates a component that is not available as an individual part.

G** Indicates additional Customer Service Department for additional information.

ITEM	PART NO.	1 2 3 4 5	DESCRIPTION	QTY.
1	73333-G11		PEDAL BOX ASSEMBLY (INCLUDES ITEMS 2 - 37)	1
2	70116-G02		ACCELERATOR PEDAL BRACKET.....	1
3	01050-G01		SCREW, #8 - 16 X 1/2" LG.	4
4	25853-G01		PEDAL BOX AND COVER	1
5	00684-G6		SCREW, #8 - 32 X 3/4" LG.	4
6	25861-G02		MICRO SWITCH.....	1
7	01050-G01		SCREW, #4 - 20 X 5/8" LG	2
8				
9	25854-G01		INDUCTIVE THROTTLE SENSOR	1
10	00983-G01		SELF THREADING NUT, 3/16"	2
11	26551-G01		PLUNGER.....	1
12	00486-G2		SETSCREW, #8 - 32 X 1/8" LG.	1
13	00550-G2		LOCK NUT, 1/4 - 28	1
14	17677-G1		SPRING RETAINER, 1/2"	1
15	17979-G1		BUSHING.....	1
16	73046-G01		COMPRESSION SPRING	1
17	17677-G2		SPRING RETAINER, 3/8"	1
18	25799-G03		ACCELERATOR ROD	1
19	00532-G4		LOCK NUT, 5/16 - 24	1
20	10385-G4		CLEVIS YOKE (ADJUSTABLE).....	1
21	10386-G3		CLEVIS PIN, 5/16" X 1" LG	1
22	17838-G1		NYLON BUSHING	3
23	17255-G1		TEFLON WASHER, 5/16"	1
24	10387-G3		COTTER PIN, 3/32" X 3/4" LG	1
25				
26	74432-G01		PEDAL PIVOT PIN	1
27	12064-G6		PUSH NUT, 9/32"	1
28				
29	25879-G08		WIRING HARNESS (PEDAL BOX ASSEMBLY)	1
30	17313-G1		LOOM FLEX, 3/8" X 6" LG (BULK).....	1

ACCELERATOR

When ordering parts, please specify the model and serial number of the product.
 * Indicates a component that is not available as an individual part.
 G** Indicates consult Customer Service Department for additional information.

ITEM	PART NO.	1	2	3	4	5	DESCRIPTION	QTY.
31	17618-G1						WIRE TIE	2
32								
33	25799-G01						ACCELERATOR PEDAL ASSEMBLY (INCLUDES ITEMS 34 - 37).....	1
34	27844-G01						ACCELERATOR PEDAL PAD KIT (INCLUDES ITEMS 35 - 36).....	1
35	15766-G1						OVAL RIVET, 3/16" X 3/8" LG.....	6
36	27512-G01						ACCELERATOR PEDAL PAD	1
37	*						ACCELERATOR PEDAL	1
38								
39	00715-G2						BOLT, 5/16 - 18 X 13/16" LG	4

**DID YOU
KNOW?**

CartPros directs you to the right part using the part numbers from this manual. Enter the part number into our search box and it will find the part you are looking for.

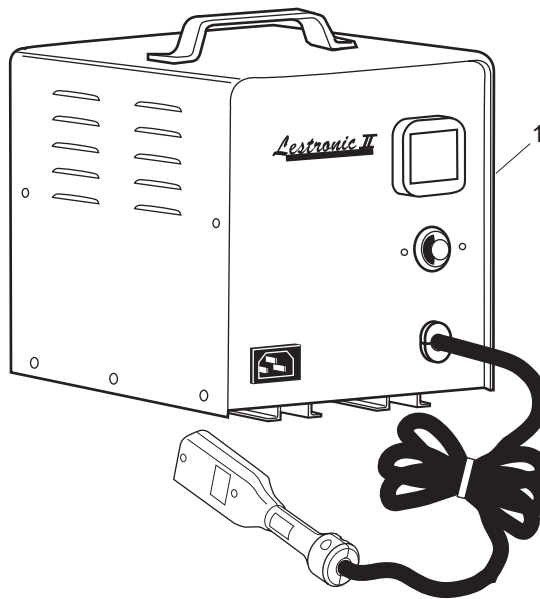
**GET STARTED
HERE**



<https://CartPros.com/f.html>

ACCELERATOR

BATTERY CHARGER (LESTER)



Ref Bcl 4-1

BATTERY CHARGER (LESTER)

THE USE OF NON U.L. PARTS WILL VOID ANY U.L. LISTING.

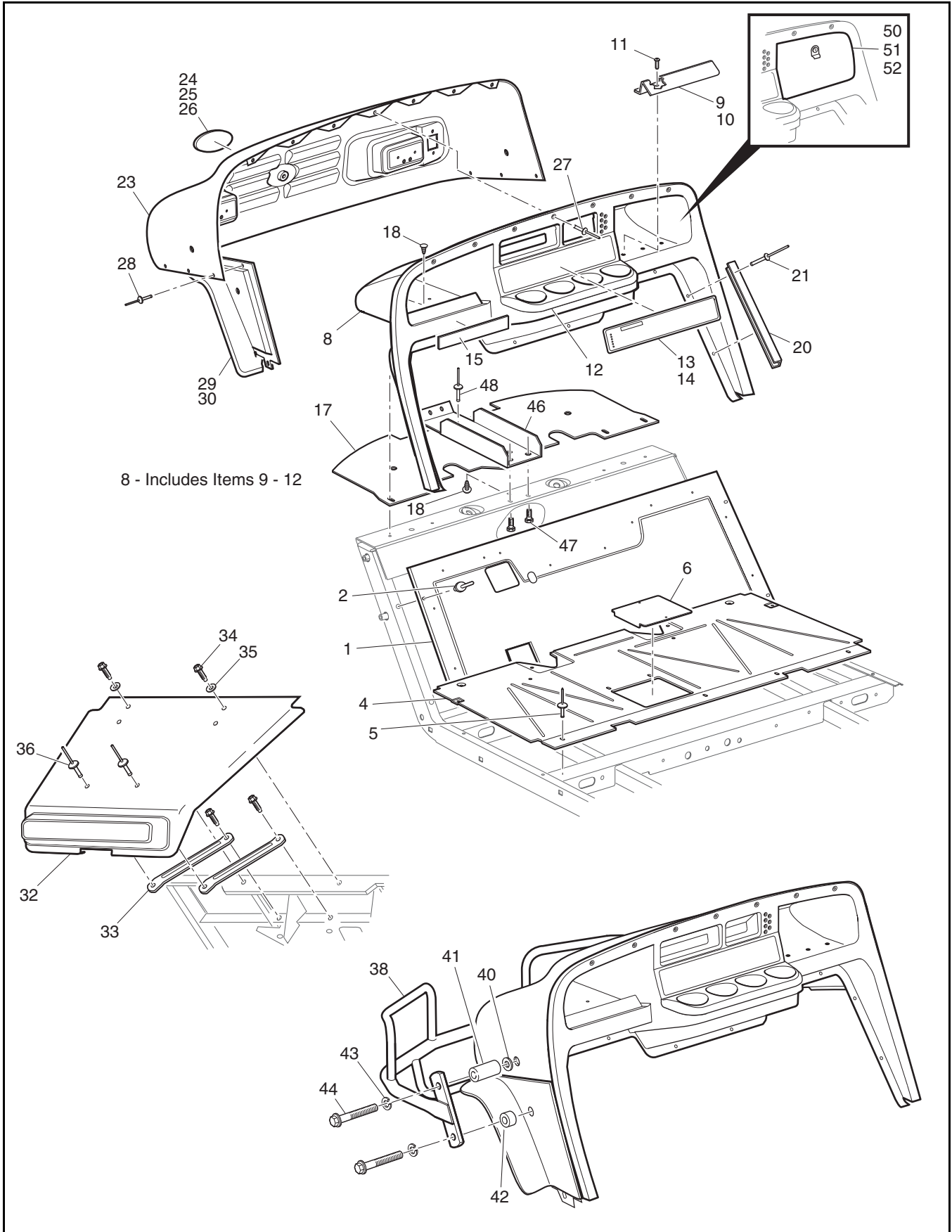
When ordering parts, please specify the model and serial number of the product.

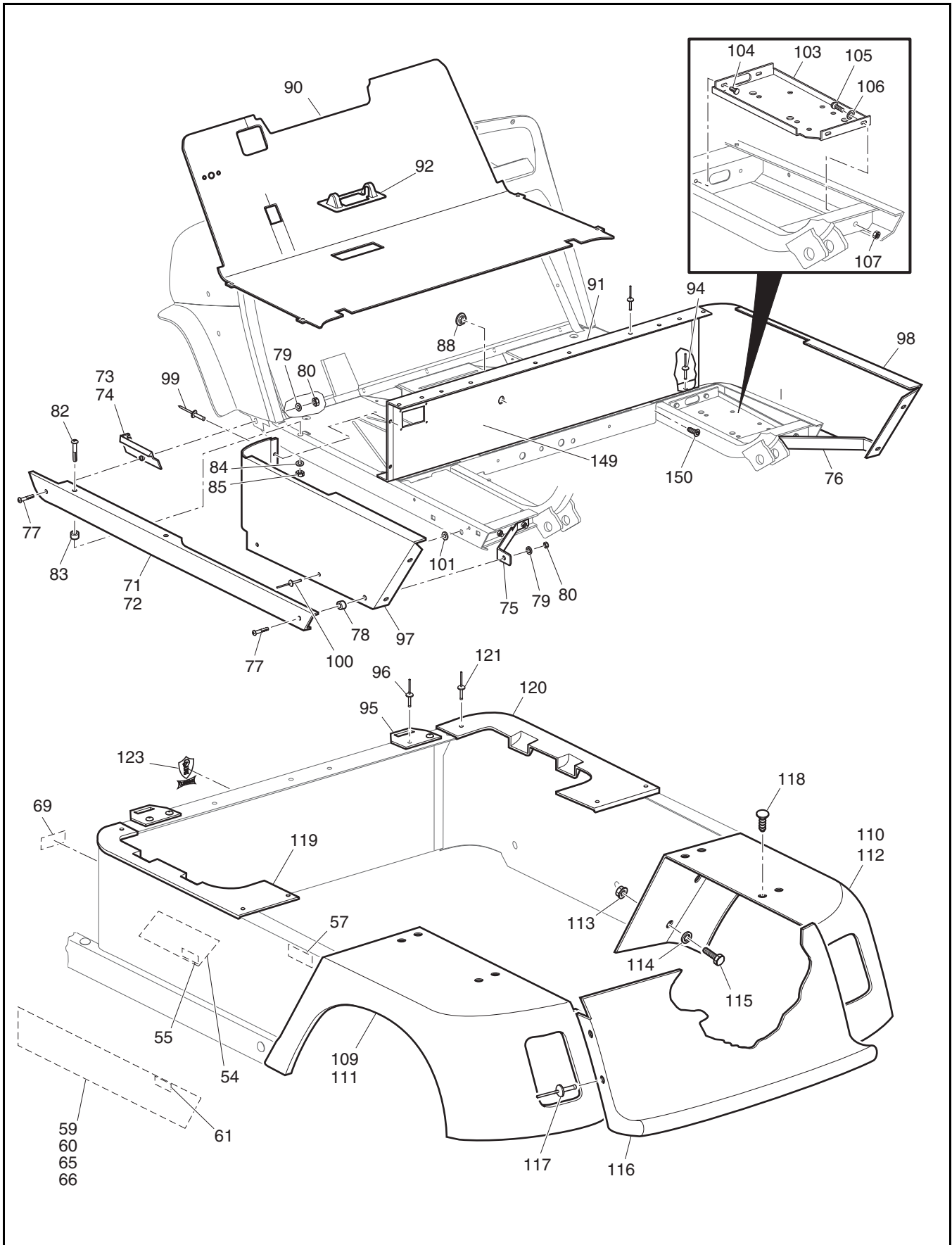
* Indicates a component that is not available as an individual part.

G** Indicates consult Customer Service Department for additional information.

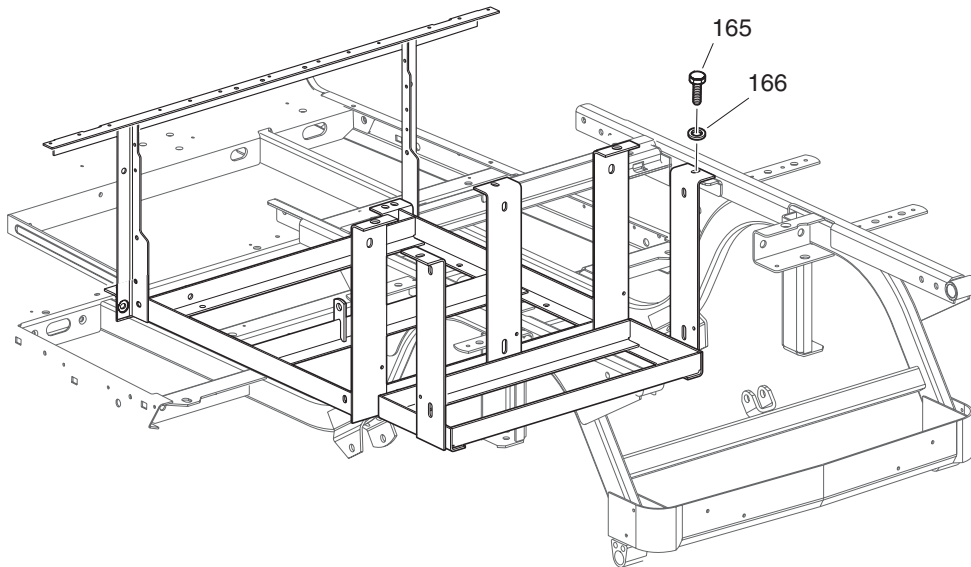
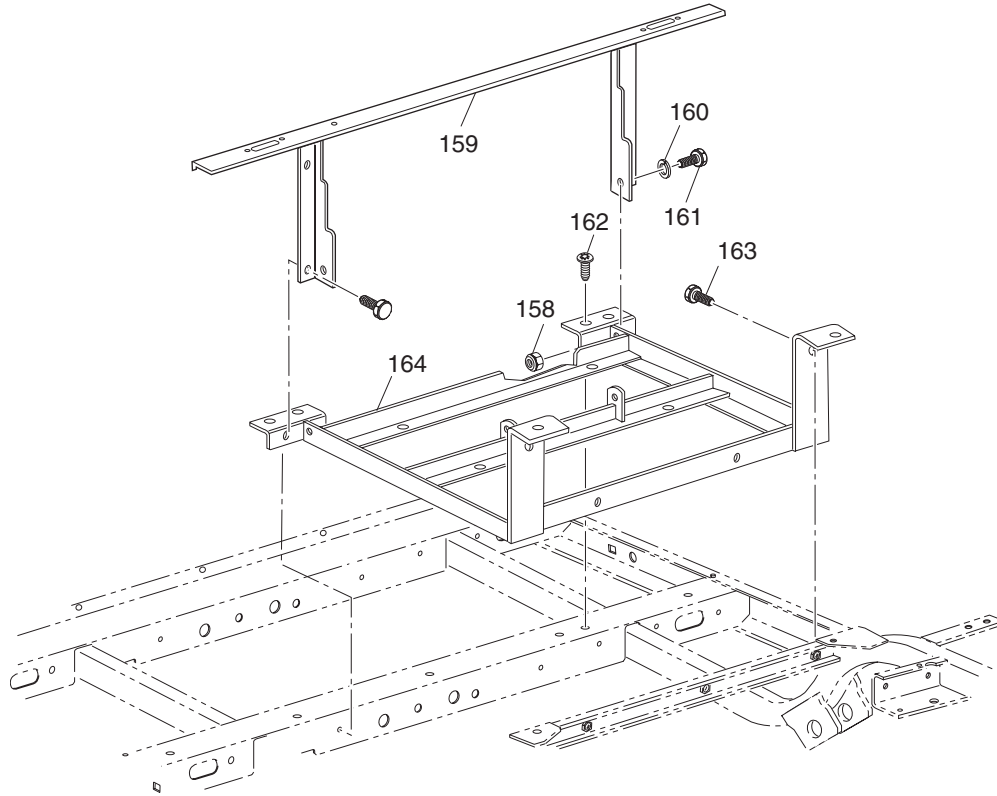
ITEM	PART NO.	1 2 3 4 5	DESCRIPTION	QTY.
1	28435-G03		<p>BATTERY CHARGER, LESTER, 36 VOLT, PORTABLE WITH POWERWISE CONNECTOR, CE APPROVED (OPTIONAL)</p> <p>For service or replacement parts, contact: Lester Electrical 625 West "A" Street Lincoln, NE 68522</p> <p>Phone: (402) 477-8988, FAX: (402) 474-1769</p> <p>Always provide the following information when requesting information or ordering replacement parts:</p> <p>Model Number: Serial Number: (stamped into housing)</p>	

BODY





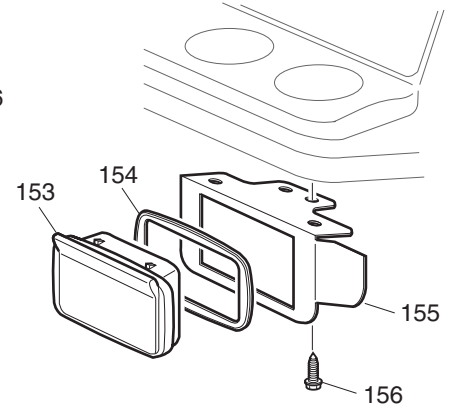
BODY



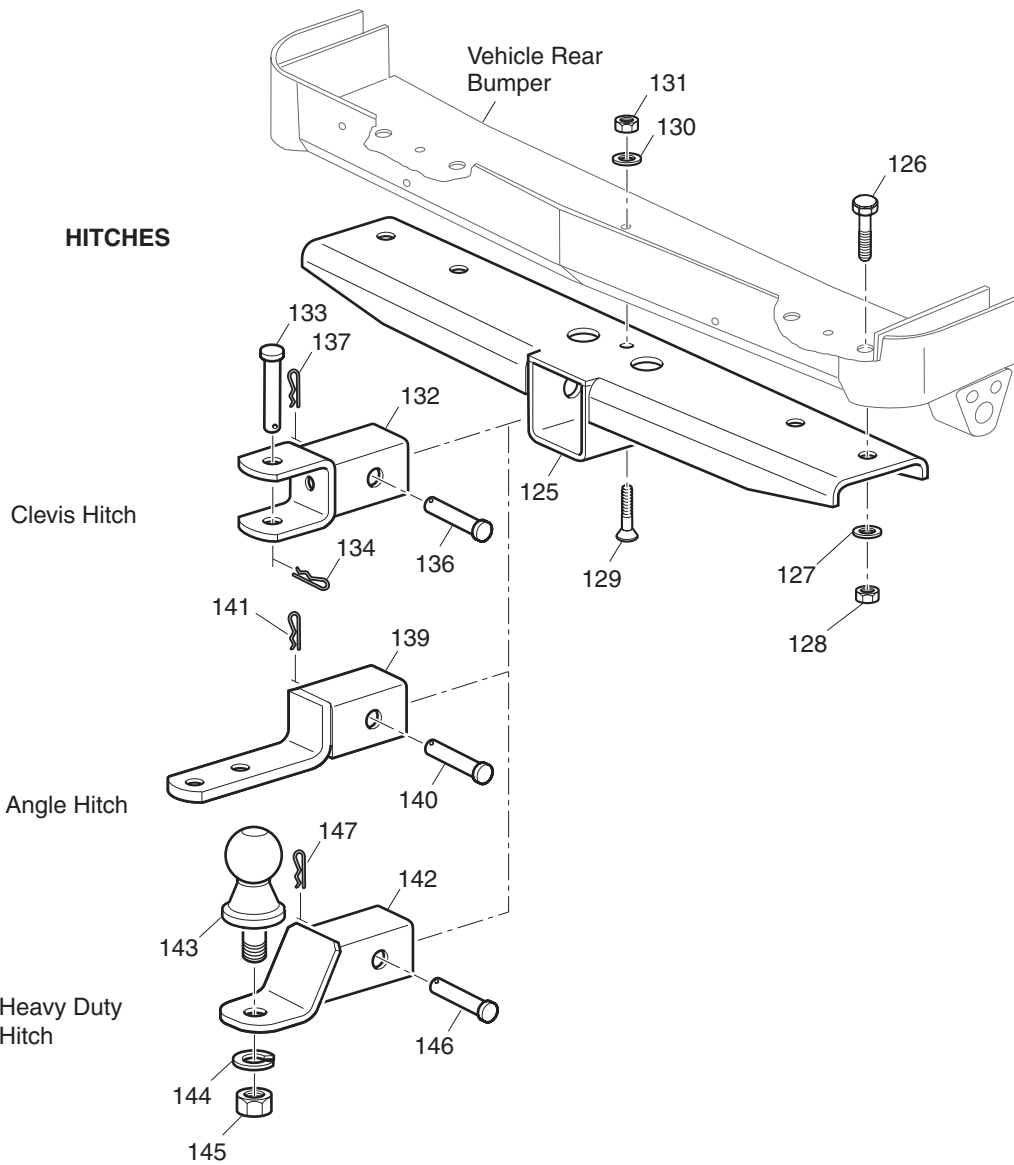
BODY

ASHTRAY

152 - Includes Items 153 - 156



HITCHES



Ref Bod 21-3

BODY

THE USE OF NON U.L. PARTS WILL VOID ANY U.L. LISTING.
 When ordering parts, please specify the model and serial number of the product.
 * Indicates a component that is not available as an individual part.
 G** Indicates consult Customer Service Department for additional information.

ITEM	PART NO.	1 2 3 4 5	DESCRIPTION	QTY.
1	70662-G01		UPPER FLOORPAN (AXLE MOUNTED STEERING)	1
2	14601-G11		RIVET, 3/16" X 9/16" LG	9
3				
4	70451-G01		LOWER FLOORPAN.....	1
5	14601-G11		RIVET, 3/16" X 9/16" LG	7
6	70452-G01		ACCESS COVER.....	1
7				
8	71151-G01		INSTRUMENT PANEL ASSEMBLY (INCLUDES ITEMS 9 - 12)	1
9	71153-G01		DEFLECTOR (PASSENGER SIDE)	1
10	71154-G01		DEFLECTOR (DRIVER SIDE).....	1
11	00614-G5		SCREW, #8 - 18 X 5/8" LG	6
12	71158-G01		INSTRUMENT PANEL INSERT (FOUR CUP).....	1
13	71179-G02		LABEL (SAFETY) (TEXT)	1
14	74409-G01		LABEL (SAFETY) (PICTOGRAPH).....	1
15	74443-G01		LABEL (ANTI-ROLLBACK)	1
16				
17	71413-G01		SPLASH PANEL.....	1
18	16816-G2		RATCHET FASTENER, 1/4" X 3/4" LG	5
19				
20	71115-G01		VINYL TRIM	2
21	71055-G01		RIVET, 3/16" X 1" LG	10
22				
23	71468-G**		COWL.....	1
24	71289-G01		NAMEPLATE (E-Z-GO) (OVAL)	1
25	28907-G01		NAMEPLATE (JACOBSEN) (OVAL)	1
26	74401-G01		NAMEPLATE (CUSHMAN) (OVAL).....	1
27	71055-G01		RIVET, 3/16" X 1" LG	9
28	71055-G01		RIVET, 3/16" X 1" LG	6
29	71338-G01		FENDER FLARE (DRIVER SIDE).....	1
30	71338-G02		FENDER FLARE (PASSENGER SIDE)	1

THE USE OF NON U.L. PARTS WILL VOID ANY U.L. LISTING.
 When ordering parts, please specify the model and serial number of the product.
 * Indicates a component that is not available as an individual part.
 G** Indicates consult Customer Service Department for additional information.

ITEM	PART NO.	1 2 3 4 5	DESCRIPTION	QTY.
31				
32	27166-G04		FRONT SHIELD	1
33	70725-G02		FRONT SHIELD BRACE	2
34	01038-G01		SCREW, 1/4 - 20 X 1/2" LG	4
35	16469-G1		WASHER, 1/4"	2
36	01057-G01		RIVET, KTR, 1/4" X 1" LG	2
37				
38	74265-G02		BUMPER	1
39				
40	00570-G2		WASHER, 5/16"	2
41	75048-G04		SPACER, 1"	2
42	75048-G01		SPACER, 1/2"	2
43	00905-G8		LOCK WASHER, 5/16"	4
44	01035-G02		BOLT, 5/16 - 18 X 2 1/2" LG	4
45				
46	71101-G02		COWL SUPPORT BRACKET	1
47	71102-G02		SELF TAPPING SCREW, 1/4 - 20 X 1/2" LG	3
48	71055-G01		RIVET, 3/16" X 1 1/8" LG	1
49				
50	75459-G01		GLOVE BOX DOORS (BOTH SIDES)	1
51	75459-G02		GLOVE BOX DOOR (DRIVER SIDE)	1
52	75459-G03		GLOVE BOX DOOR (PASSENGER SIDE)	1
53				
54	74801-G01		LABEL (MPT™)	2
55	74805-G01		LABEL (1000)	2
56				
57	74099-G01		LABEL, TILT WARNING PICTOGRAPH	2
58				
59	28915-G01		LABEL (JACOBSEN HAULER™) (DRIVER SIDE)	1
60	28915-G02		LABEL (JACOBSEN HAULER™) (PASSENGER SIDE)	1

BODY

THE USE OF NON U.L. PARTS WILL VOID ANY U.L. LISTING.
 When ordering parts, please specify the model and serial number of the product.
 * Indicates a component that is not available as an individual part.
 G** Indicates consult Customer Service Department for additional information.

ITEM	PART NO.	1	2	3	4	5	DESCRIPTION	QTY.
61	74805-G01						LABEL (1000).....	2
62								
63								
64								
65	28952-G01						LABEL (CUSHMAN COMMANDER™) (DRIVER SIDE).....	1
66	28952-G02						LABEL (CUSHMAN COMMANDER™) (PASSENGER SIDE)	1
67								
68								
69	*						SERIAL NUMBER PLATE	1
70								
71	71439-G03						ROCKER PANEL (DRIVER SIDE)	1
72	71439-G04						ROCKER PANEL (PASSENGER SIDE).....	1
73	71424-G01						FENDER SPACER (DRIVER SIDE).....	1
74	71424-G02						FENDER SPACER (PASSENGER SIDE)	1
75	71440-G03						BRACE (DRIVER SIDE).....	1
76	71440-G04						BRACE (PASSENGER SIDE)	1
77	00789-G2						SCREW, #10 - 24 X 1 1/4" LG.....	4
78	23726-G2						SPACER, 1/4"	2
79	00660-G5						WASHER, #10.....	4
80	11098-G7						LOCK NUT, #10 - 24	4
81								
82	16705-G1						SCREW, 1/4 - 20 X 1" LG.....	4
83	23726-G2						SPACER, 1/4"	4
84	00559-G7						WASHER, 1/4"	4
85	14390-G4						LOCK NUT, 1/4 - 20	4
86								
87								
88	20271-G9						HOLE PLUG, 1/2"	1
89								
90	70663-G04						FLOORMAT (AXLE MOUNTED STEERING).....	1

THE USE OF NON U.L. PARTS WILL VOID ANY U.L. LISTING.
 When ordering parts, please specify the model and serial number of the product.
 * Indicates a component that is not available as an individual part.
 G** Indicates consult Customer Service Department for additional information.

ITEM	PART NO.	1 2 3 4 5	DESCRIPTION	QTY.
91	71739-G**		SEAT SUPPORT PANEL	1
92	70135-G01		PEDAL PIVOT COVER	1
93				
94	10570-G10		RIVET, 5/32" X 9/16" LG	8
95	71609-G01		SEAT HINGE PLATE	2
96	10570-G11		RIVET, 3/16" X 3/4" LG	4
97	71674-G01		SIDE PANEL (DRIVER SIDE)	1
98	71674-G02		SIDE PANEL (PASSENGER SIDE).....	1
99	10570-G10		RIVET, 5/32" X 9/16" LG	4
100	10570-G12		RIVET, 1/4" X 1/2" LG	4
101	16469-G7		WASHER, 1/4"	4
102				
103	70244-G03		SPLASH PANEL.....	2
104	00715-G2		BOLT, 5/16 - 18 X 13/16" LG	4
105	00438-G8		BOLT, 5/16 - 18 X 1" LG	4
106	00559-G8		WASHER, 5/16"	4
107	11098-G6		LOCK NUT, 5/16 - 18	4
108				
109	71572-G01		FENDER (DRIVER SIDE)	1
110	71572-G02		FENDER (PASSENGER SIDE).....	1
111	71572-G03		FENDER WITH TAILLIGHT (DRIVER SIDE)	1
112	71572-G04		FENDER WITH TAILLIGHT (PASSENGER SIDE).....	1
113	11027-G2		LOCK NUT, 1/4 - 20	12
114	00559-G7		WASHER, 1/4"	12
115	00414-G7		BOLT, 1/4 - 20 X 7/8" LG	12
116	71587-G02		REAR PANEL.....	1
117	71055-G01		RIVET, 3/16" X 1" LG	4
118	16816-G2		RATCHET FASTENER, 1/4" X 3/4" LG	
119	75971-G01		SEAT FILLER PANEL (DRIVER SIDE)	1
120	75971-G02		SEAT FILLER PANEL (PASSENGER SIDE).....	1

BODY

THE USE OF NON U.L. PARTS WILL VOID ANY U.L. LISTING.
 When ordering parts, please specify the model and serial number of the product.
 * Indicates a component that is not available as an individual part.
 G** Indicates consult Customer Service Department for additional information.

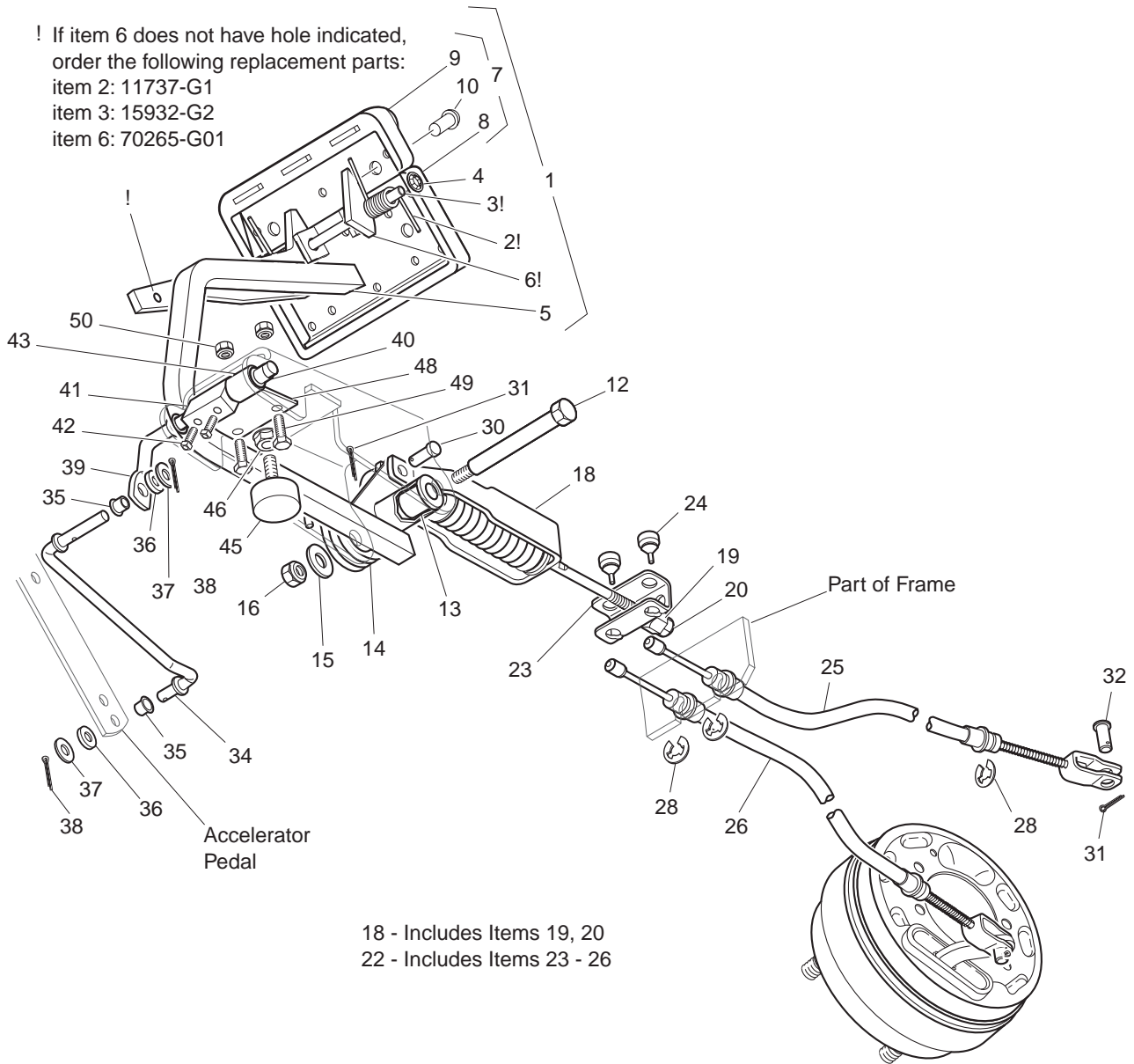
ITEM	PART NO.	1	2	3	4	5	DESCRIPTION	QTY.
121	10570-G10						RIVET, 5/32" X 9/16" LG	6
122								
123	74755-G01						LABEL (E-SHIELD™).....	1
124								
125	74348-G02						HITCH RECEIVER	1
126	00463-G4						BOLT, 7/16 - 14 X 1 1/2" LG	4
127	00922-G3						WASHER, 7/16"	4
128	00734-G1						LOCK NUT, 7/16 - 14	4
129	00198-G8						SCREW, 5/16 - 18 X 1" LG.....	1
130	00559-G8						WASHER, 5/16"	1
131	11098-G6						LOCK NUT, 5/16 - 18	1
132	74338-G02						CLEVIS HITCH.....	1
133	14443-G7						CLEVIS PIN, 1/2" X 2 1/2" LG	1
134	19314-G1						COTTER PIN, 2 1/2" LG.....	1
135								
136	21317-G01						CLEVIS PIN, 5/8" X 3" LG	1
137	21683-G1						COTTER PIN, 15/32" X 2 11/16" LG	1
138								
139	74339-G02						ANGLE HITCH	1
140	21317-G01						CLEVIS PIN, 5/8" X 3" LG	1
141	21683-G1						COTTER PIN, 15/32" X 2 11/16" LG	1
142	74351-G02						HEAVY DUTY HITCH.....	1
143	31757-G1						HITCH BALL, 1 7/8"	1
144	00566-G6						LOCK WASHER, 3/4"	1
145	00702-G11						NUT, 3/4 - 16	1
146	21317-G01						CLEVIS PIN, 5/8" X 3" LG	1
147	21683-G1						COTTER PIN, 15/32" X 2 11/16" LG	1
148								
149								
150								

THE USE OF NON U.L. PARTS WILL VOID ANY U.L. LISTING.
 When ordering parts, please specify the model and serial number of the product.
 * Indicates a component that is not available as an individual part.
 G** Indicates consult Customer Service Department for additional information.

ITEM	PART NO.	1	2	3	4	5	DESCRIPTION	QTY.
151								
152	75109-G04						ASH TRAY KIT (INCLUDES ITEMS 153 - 156)	1
153	27731-G01						ASH TRAY	1
154	27736-G01						GASKET	1
155	75108-G02						BRACKET	1
156	00100-G4						SCREW, #10 - 16 X 1/2" LG	4
157								
158	11098-G6						LOCK NUT, 5/16 - 18	2
159	70441-G02						SEAT FRAME	1
160	00559-G8						WASHER, 5/16"	2
161	00438-G6						BOLT, 5/16 - 18 X 3/4" LG	2
162	70200-G01						SCREW, 3/8 - 16 X 1/4" LG	2
163	00715-G2						BOLT, 5/16 - 18 X 13/16" LG	4
164	70046-G02						BATTERY RACK	1
165	00438-G6						BOLT, 5/16 - 18 X 3/4" LG	3
166	00565-G8						WASHER, 5/16"	3

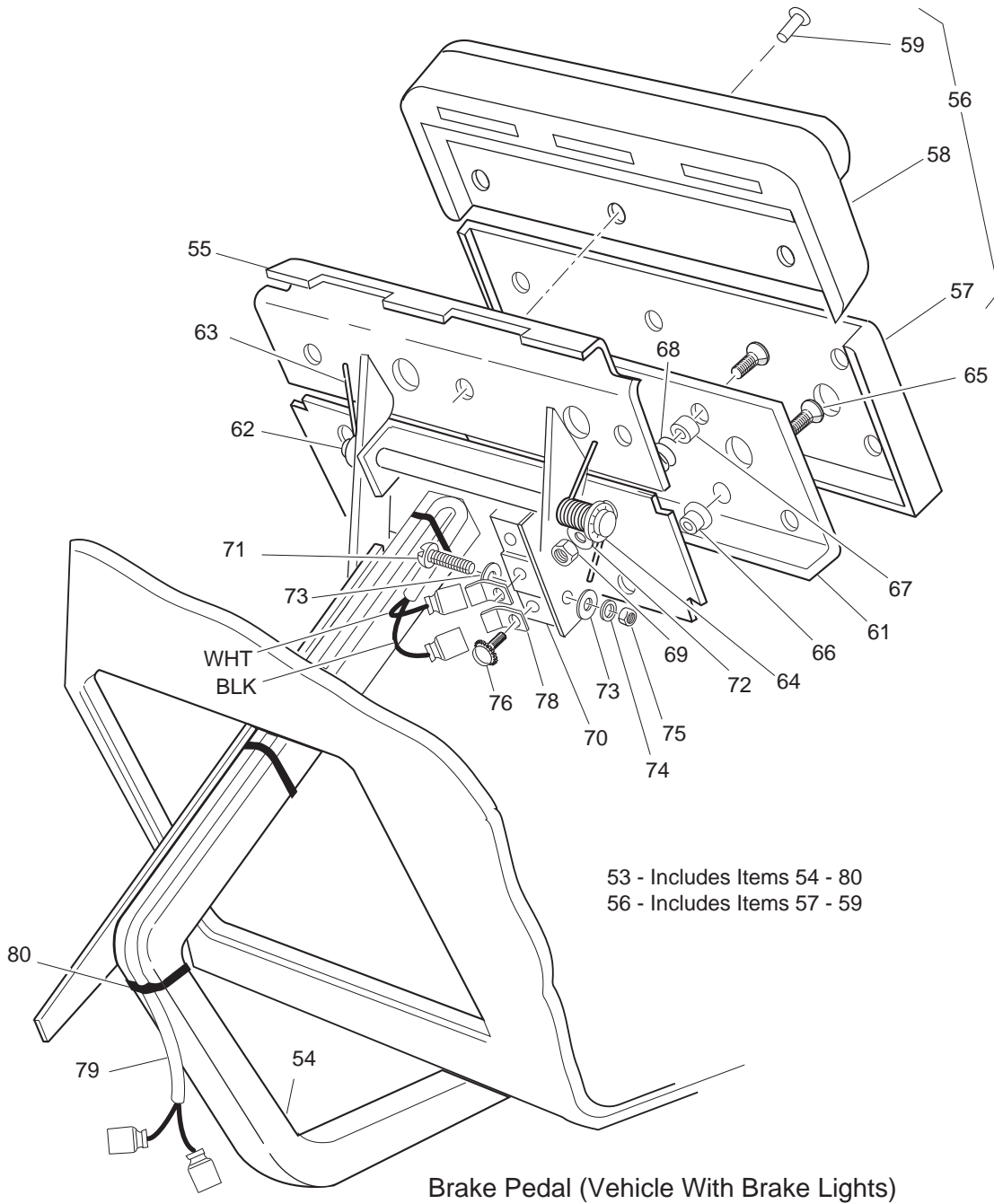
BRAKES

! If item 6 does not have hole indicated, order the following replacement parts:
item 2: 11737-G1
item 3: 15932-G2
item 6: 70265-G01



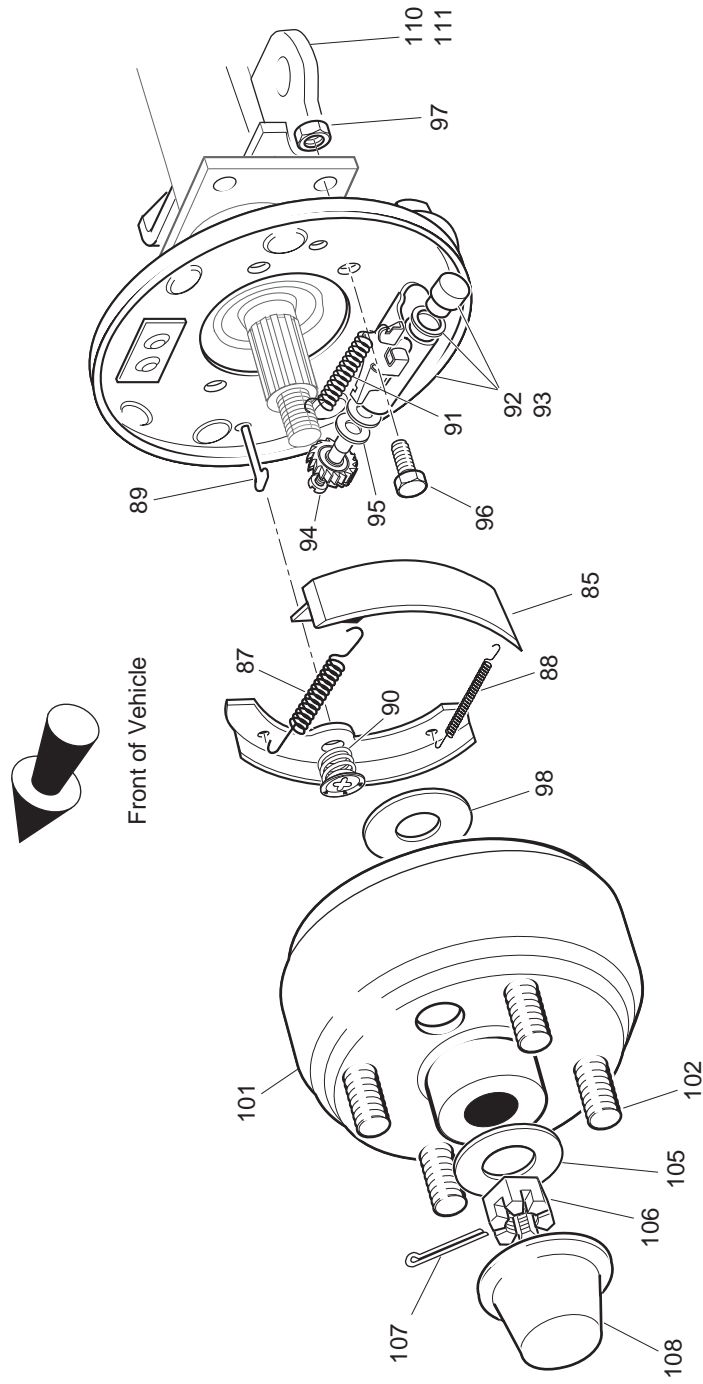
18 - Includes Items 19, 20
22 - Includes Items 23 - 26

Ref Brk 4-1



Ref Brk 4-2

BRAKES



- 82 - Includes Items 84 - 92
- 83 - Includes Items 84-91, 93
- 84 - Includes Items 85
- 86 - Includes Items 87 - 91
- 92 - Includes Items 94, 95
- 93 - Includes Items 94, 95
- 100 - Includes Items 101, 102

Ref Brk 4-3

THE USE OF NON U.L. PARTS WILL VOID ANY U.L. LISTING.

When ordering parts, please specify the model and serial number of the product.

* Indicates a component that is not available as an individual part.

G** Indicates consult Customer Service Department for additional information.

ITEM	PART NO.	1 2 3 4 5	DESCRIPTION	QTY.
1	70612-G02		BRAKE PEDAL ASSEMBLY (WITHOUT BRAKE LIGHTS) (INCLUDES ITEMS 2 - 10).....	1
2	70681-G01		TORSION SPRING.....	2
3	70682-G01		PIVOT PIN.....	1
4	01071-G01		PUSHNUT, 5/16".....	1
5	*		BRAKE PEDAL.....	1
6	70611-G02		PARK BRAKE PEDAL.....	1
7	70274-G01		BRAKE/PARK BRAKE PEDAL PAD KIT (INCLUDES ITEMS 8 - 10).....	1
8	*		SERVICE BRAKE PAD.....	1
9	*		PARK BRAKE PEDAL PAD.....	1
10	15766-G1		OVAL RIVET, 3/16" X 3/8" LG.....	9
11				
12	70582-G01		SHOULDER BOLT, 3/8 - 16 X 4" LG.....	1
13	70581-G01		FLANGED BUSHING.....	2
14	70676-G01		TORSION SPRING.....	1
15	00643-G1		WASHER, 3/8".....	1
16	11098-G5		LOCK NUT, 3/8 - 16.....	1
17				
18	70272-G04		COMPENSATOR ASSEMBLY (INCLUDES ITEMS 19, 20).....	1
19	00963-G01		SPHERICAL NUT, 5/16 - 24.....	1
20	11098-G9		LOCK NUT, 5/16 - 24.....	1
21				
22	70969-G05		EQUALIZER AND BRAKE CABLE ASSEMBLY (INCLUDES ITEMS 23-26).....	1
23	28082-G01		EQUALIZER BRACKET.....	1
24	28083-G01		BRAKE COMPENSATOR BUMPER.....	2
25	*		BRAKE CABLE (DRIVER SIDE).....	1
26	*		BRAKE CABLE (PASSENGER SIDE).....	1
27				
28	01111-G01		RETAINING RING, 13/32" (STAINLESS STEEL).....	4
29				

BRAKES

THE USE OF NON U.L. PARTS WILL VOID ANY U.L. LISTING.
 When ordering parts, please specify the model and serial number of the product.
 * Indicates a component that is not available as an individual part.
 G** Indicates consult Customer Service Department for additional information.

ITEM	PART NO.	1 2 3 4 5	DESCRIPTION	QTY.
30	10386-G3		CLEVIS PIN, 5/16" X 1" LG	3
31	10387-G3		COTTER PIN, 3/32" X 3/4" LG	3
32	14443-G2		CLEVIS PIN, 5/16" X 3/4" LG	2
33				
34	70601-G01		KICK-OFF LINK.....	1
35	17838-G1		NYLON BUSHING.....	2
36	20835-G1		TEFLON WASHER, 3/8"	2
37	00559-G8		WASHER, 5/16"	2
38	10387-G3		COTTER PIN, 3/32" X 3/4" LG	2
39	70098-G01		KICK-OFF CAM PIVOT	1
40	10097-G6		FLANGED BEARING	2
41	70587-G01		KICK-OFF CAM.....	1
42	71215-G01		SETSCREW, 1/4 - 20 X 1/2" LG.....	2
43	14134-G4		SPACER.....	1
44				
45	70113-G01		ADJUSTABLE BUMPER	1
46	11027-G1		LOCK NUT, 5/16 - 18	1
47				
48	70080-G02		CATCH BRACKET	1
49	00414-G6		BOLT, 1/4 - 20 X 3/4" LG	2
50	00891-G2		LOCK NUT, 1/4 - 20	2
51				
52				
53	70690-G02		BRAKE PEDAL ASSEMBLY (WITH BRAKE LIGHTS) (INCLUDES ITEMS 54 - 80).....	1
54	*		BRAKE PEDAL.....	1
55	70611-G02		PARK BRAKE PEDAL	1
56	70274-G01		BRAKE/PARK BRAKE PEDAL PAD KIT (INCLUDES ITEMS 57 - 59).....	1
57	*		SERVICE BRAKE PAD	1
58	*		PARK BRAKE PAD.....	1

BRAKES

THE USE OF NON U.L. PARTS WILL VOID ANY U.L. LISTING.
 When ordering parts, please specify the model and serial number of the product.
 * Indicates a component that is not available as an individual part.
 G** Indicates consult Customer Service Department for additional information.

ITEM	PART NO.	1	2	3	4	5	DESCRIPTION	QTY.
59	15766-G1						OVAL RIVET, 3/16" x 3/8" LG.....	9
60								
61	70258-G03						SERVICE BRAKE PEDAL PLATE	1
62	70682-G01						PIVOT PIN	1
63	70681-G01						TORSION SPRING.....	2
64	12064-G1						PUSHNUT, 5/16".....	1
65	00737-G8						SCREW, #10 - 24 X 1" LG	4
66	00739-G1						RUBBER NUT, #10 - 24.....	2
67	22362-G3						BRAKE PEDAL STANDOFF.....	2
68	27137-G01						CONICAL SPRING	2
69	11098-G7						LOCK NUT, #10 - 24.....	2
70	10606-G8						MICRO SWITCH.....	1
71	00957-G1						SCREW, #6 - 32 X 1 1/4" LG	2
72	00559-G5						WASHER, #10	2
73	00559-G3						WASHER, #6	4
74	00565-G3						LOCK WASHER, #6	2
75	00525-G5						NUT, #6 - 32.....	2
76	13514-G1						SCREW AND LOCK WASHER, #6.....	2
77								
78	14628-G1						FASTON TAB.....	2
79	24605-G1						WIRE HARNESS (BRAKE LIGHT).....	1
80	17618-G1						WIRE TIE	3
81								
82	70998-G01						BRAKE ASSEMBLY (DRIVER SIDE) (INCLUDES ITEMS 84 - 95).....	1
83	70998-G02						BRAKE ASSEMBLY (PASSENGER SIDE) (INCLUDES ITEMS 84 - 95)	1
84	70794-G01						BRAKE SHOE KIT (INCLUDES ITEM 85).....	2
85	*						BRAKE SHOE	2
86	27944-G01						BRAKE SPRING KIT (INCLUDES ITEMS 87 - 91).....	2
87	*						UPPER SPRING	1
88	*						LOWER SPRING	1

BRAKES

THE USE OF NON U.L. PARTS WILL VOID ANY U.L. LISTING.
 When ordering parts, please specify the model and serial number of the product.
 * Indicates a component that is not available as an individual part.
 G** Indicates consult Customer Service Department for additional information.

ITEM	PART NO.	1	2	3	4	5	DESCRIPTION	QTY.
89	*						PIN	2
90	*						CUP AND SPRING	2
91	*						ADJUSTER SPRING.....	1
92	72582-G01						BRAKE ADJUSTER KIT (DRIVER SIDE) (INCLUDES ITEMS 94, 95)	1
93	72582-G02						BRAKE ADJUSTER KIT (PASSENGER SIDE) (INCL. ITEMS 94, 95).....	1
94	*						ADJUSTER	1
95	*						TEFLON WASHER.....	2
96	17083-G2						BOLT, 5/16 - 24 X 1" LG	8
97	15126-G1						LOCK NUT, 5/16 - 24	8
98	21809-G1						INNER BRAKE DRUM WASHER.....	2
99								
100	21807-G1						BRAKE DRUM ASSEMBLY (INCLUDES ITEMS 101 - 102).....	2
101	*						BRAKE DRUM.....	1
102	19862-G1						LUG BOLT, 1/2 - 20.....	4
103								
104								
105	21830-G1						WASHER, 1 3/8" O.D. X 21/32"	2
106	00518-G8						SLOTTED NUT, 5/8 - 18.....	2
107	10387-G1						COTTER PIN, 1/8" X 1 1/2" LG	2
108	74175-G01						SPINDLE CAP.....	2
109								
110	72036-G03						BRAKE CABLE BRACKET (PASSENGER SIDE).....	1
111	72036-G04						BRAKE CABLE BRACKET (DRIVER SIDE)	1

**DID YOU
KNOW?**

CartPros directs you to the right part using the part numbers from this manual. Enter the part number into our search box and it will find the part you are looking for.

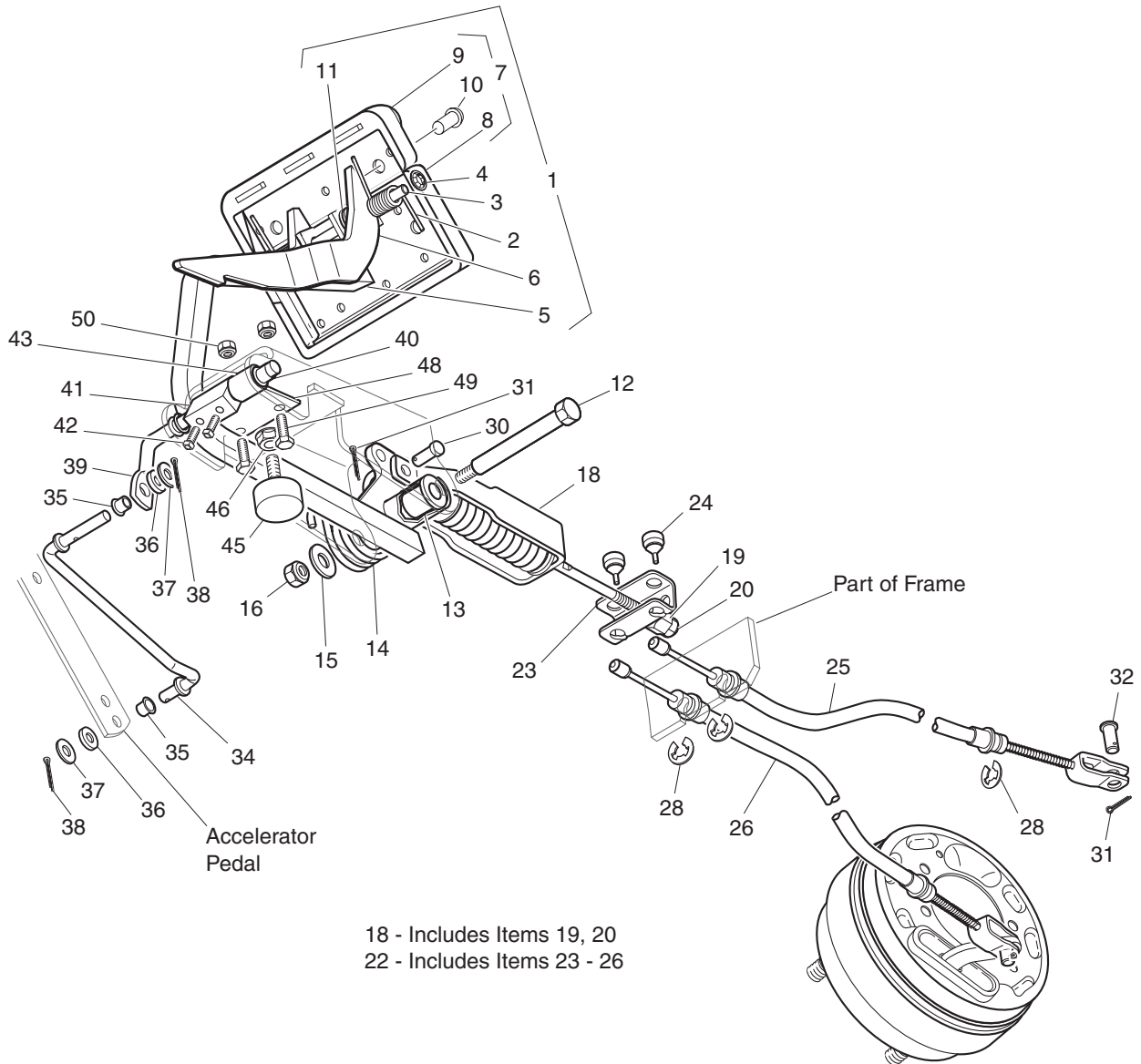
**GET STARTED
HERE**



<https://CartPros.com/f.html>

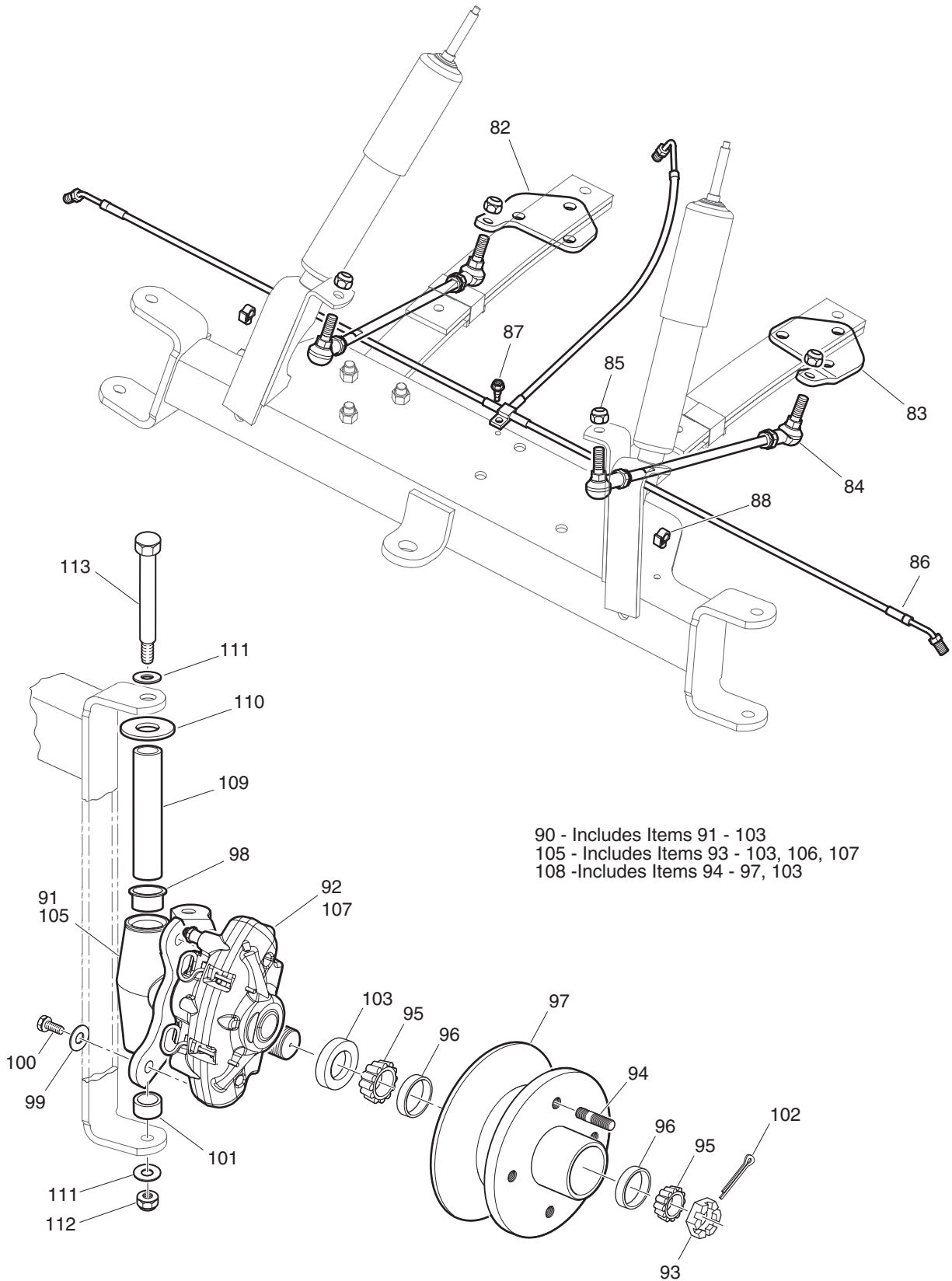
BRAKES

BRAKES - FRONT DISC



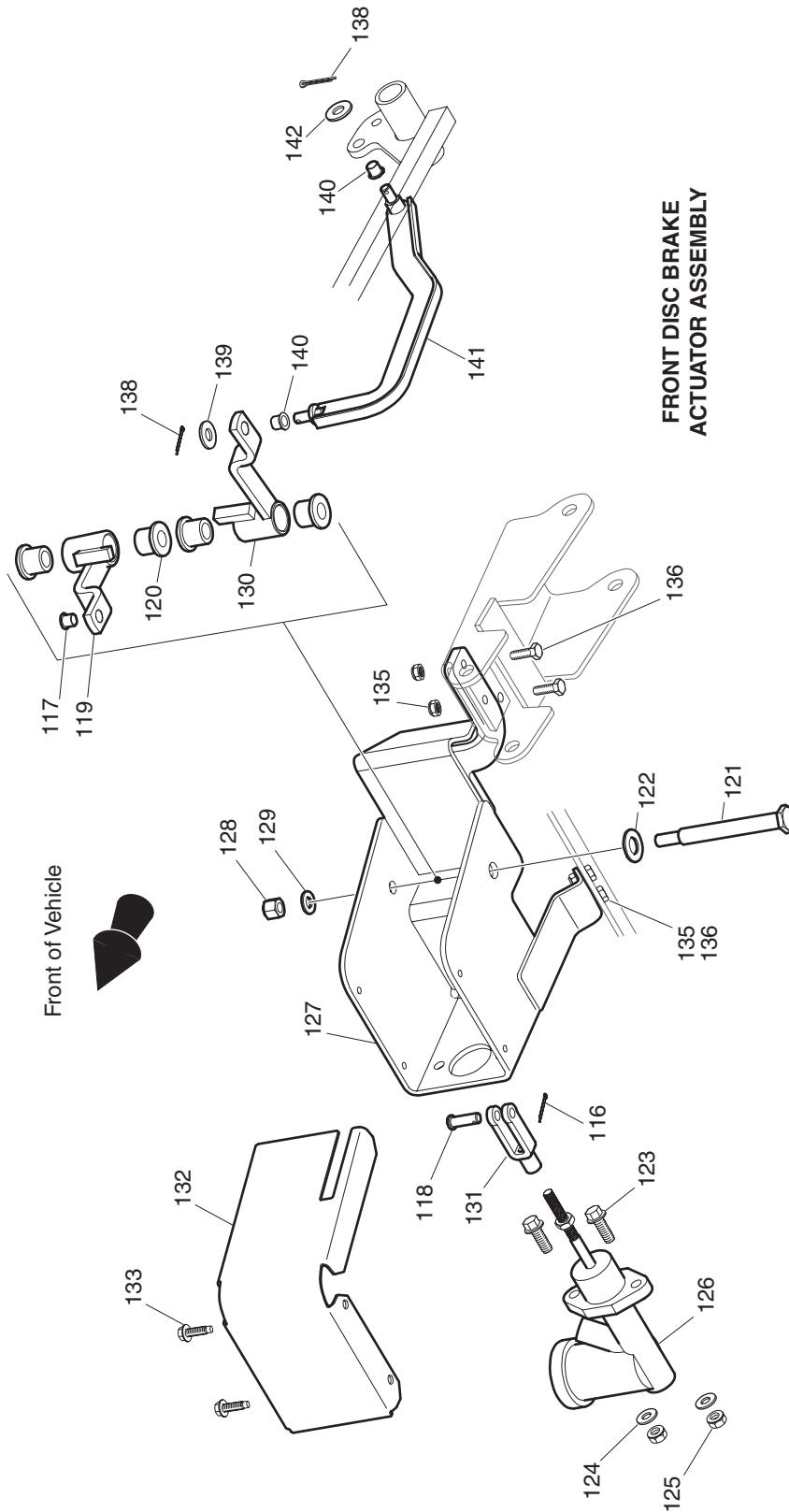
Ref Brh 21-1

BRAKES - FRONT DISC



Ref Brh 21-3

BRAKES - FRONT DISC



FRONT DISC BRAKE ACTUATOR ASSEMBLY

115 - Includes 116 -133

Ref Brh 21-4

BRAKES - FRONT DISC

THE USE OF NON U.L. PARTS WILL VOID ANY U.L. LISTING.
 When ordering parts, please specify the model and serial number of the product.
 * Indicates a component that is not available as an individual part.
 G** Indicates consult Customer Service Department for additional information.

ITEM	PART NO.	1 2 3 4 5	DESCRIPTION	QTY.
1	74723-G01		BRAKE PEDAL ASSEMBLY (WITHOUT BRAKE LIGHTS) (INCLUDES ITEMS 2 - 11)	1
2	70681-G01		TORSION SPRING	2
3	70682-G01		PIVOT PIN	1
4	01071-G01		PUSHNUT, 5/16"	1
5	*		BRAKE PEDAL	1
6	74724-G01		PARK BRAKE PEDAL	1
7	70274-G01		BRAKE/PARK BRAKE PEDAL PAD KIT (INCLUDES ITEMS 8 - 10)	1
8	*		SERVICE BRAKE PAD	1
9	*		PARK BRAKE PEDAL PAD	1
10	16409-G1		OVAL RIVET, 3/16" X 15/32" LG	9
11	20835-G1		WASHER, TEFLON, 3/8"	2
12	70582-G01		SHOULDER BOLT, 3/8 - 16 X 4" LG	1
13	70581-G01		FLANGED BUSHING	2
14	70676-G01		TORSION SPRING	1
15	00643-G1		WASHER, 3/8"	1
16	11098-G5		LOCK NUT, 3/8 - 16	1
17				
18	70272-G04		COMPENSATOR ASSEMBLY (INCLUDES ITEMS 19, 20)	1
19	00963-G01		SPHERICAL NUT, 5/16 - 24	1
20	11098-G9		LOCK NUT, 5/16 - 24	1
21				
22	70969-G05		EQUALIZER AND BRAKE CABLE ASSEMBLY (INCLUDES ITEMS 23 - 26)....	1
23	28082-G01		EQUALIZER BRACKET	1
24	28083-G01		BRAKE COMPENSATOR BUMPER.....	2
25	*		BRAKE CABLE (DRIVER SIDE).....	1
26	*		BRAKE CABLE (PASSENGER SIDE)	1
27				
28	01111-G01		RETAINING RING, S.S.....	4
29				

BRAKES - FRONT DISC

THE USE OF NON U.L. PARTS WILL VOID ANY U.L. LISTING.
 When ordering parts, please specify the model and serial number of the product.
 * Indicates a component that is not available as an individual part.
 G** Indicates consult Customer Service Department for additional information.

ITEM	PART NO.	1 2 3 4 5	DESCRIPTION	QTY.
30	10386-G3		CLEVIS PIN, 5/16" X 1" LG	3
31	10387-G3		COTTER PIN, 3/32" X 3/4" LG	3
32	14443-G2		CLEVIS PIN, 5/16" X 3/4" LG	2
33				
34	70601-G01		KICK-OFF LINK.....	1
35	17838-G1		NYLON BUSHING.....	2
36	20835-G1		TEFLON WASHER, 3/8"	2
37	00559-G8		WASHER, 5/16"	2
38	10387-G3		COTTER PIN, 3/32" X 3/4" LG	2
39	70098-G01		KICK-OFF CAM PIVOT	1
40	10097-G6		FLANGED BEARING	2
41	70587-G01		KICK-OFF CAM.....	1
42	71215-G01		SETSCREW, 1/4 - 20 X 1/2" LG.....	2
43	14134-G4		SPACER.....	1
44				
45	70113-G01		ADJUSTABLE BUMPER	1
46	11027-G1		LOCK NUT, 5/16 - 18	1
47				
48	70080-G01		CATCH BRACKET	1
49	00414-G6		BOLT, 1/4 - 20 X 3/4" LG	2
50	00891-G2		LOCK NUT, 1/4 - 20	2
51				
52				
53	74874-G01		BRAKE PEDAL ASSEMBLY (WITH BRAKE LIGHTS) (INCLUDES ITEMS 54 - 80).....	1
54	*		BRAKE PEDAL.....	1
55	74724-G01		PARK BRAKE PEDAL	1
56	70274-G01		BRAKE/PARK BRAKE PEDAL PAD KIT (INCLUDES ITEMS 57 - 59).....	1
57	*		SERVICE BRAKE PAD	1
58	*		PARK BRAKE PAD.....	1

BRAKES - FRONT DISC

THE USE OF NON U.L. PARTS WILL VOID ANY U.L. LISTING.
 When ordering parts, please specify the model and serial number of the product.
 * Indicates a component that is not available as an individual part.
 G** Indicates consult Customer Service Department for additional information.

ITEM	PART NO.	1	2	3	4	5	DESCRIPTION	QTY.
59	16409-G1						OVAL RIVET, 3/16" X 15/32" LG	9
60								
61	70258-G02						BRAKE PEDAL PLATE	1
62	70682-G01						PIVOT PIN	1
63	70681-G01						TORSION SPRING	2
64	01071-G01						PUSHNUT, 5/16"	1
65	00737-G8						SCREW, #10 - 24 X 1" LG	4
66	00739-G1						RUBBER NUT, #10 - 24.....	2
67	22362-G3						BRAKE PEDAL STANDOFF	2
68	27137-G01						CONICAL SPRING	2
69	11098-G7						LOCK NUT, #10 - 24.....	2
70	10606-G8						MICRO SWITCH.....	1
71	00957-G1						SCREW, #6 - 32 X 1 1/4" LG	2
72	00559-G5						WASHER, #10	2
73	00559-G3						WASHER, #6	4
74	00565-G3						LOCK WASHER, #6	2
75	00525-G5						NUT, #6 - 32.....	2
76	13514-G1						SCREW AND LOCK WASHER, #6.....	2
77	20835-G1						WASHER, TEFLON, 3/8"	2
78	14628-G1						FASTON TAB.....	2
79	24605-G1						WIRE HARNESS (BRAKE LIGHT)	1
80	17618-G1						WIRE TIE	3
81								
82	74731-G02						SPRING PLATE (PASSENGER SIDE)	1
83	74731-G01						SPRING PLATE (DRIVER SIDE).....	1
84	74730-G01						FOUR LINK ROD.....	2
85	01084-G01						LOCK NUT, M10-1.25	4
86	74736-G01						BRAKE LINE.....	1
87	01038-G01						SCREW, 1/4 - 20 X 4444" LG	1
88	74875-G01						WIRE RETAINER.....	2

BRAKES - FRONT DISC

THE USE OF NON U.L. PARTS WILL VOID ANY U.L. LISTING.

When ordering parts, please specify the model and serial number of the product.

* Indicates a component that is not available as an individual part.

G** Indicates consult Customer Service Department for additional information.

ITEM	PART NO.	1 2 3 4 5	DESCRIPTION	QTY.
89				
90	74677-G01		SPINDLE, CALIPER AND DISC HUB ASSEMBLY (DRIVER SIDE) (INCLUDES ITEMS 91 - 103).....	1
91	74672-G01		DISC BRAKE SPINDLE (DRIVER SIDE)	1
92	74733-G02		CALIPER (DRIVER SIDE)	1
93	12093-G1		SLOTTED NUT	1
94	74864-G01		DRIVE FLANGE STUD.....	4
95	11750-G2		ROLLER BEARING	2
96	51141-G1		BEARING RACE.....	2
97	74673-G01		DISC BRAKE HUB.....	1
98	70648-G01		FLANGED BEARING.....	1
99	00565-G8		WASHER, 3/8"	2
100	00426-G8		BOLT, 3/8 - 16 X 1.....	2
101	70749-G01		BEARING.....	1
102	00798-G8		COTTER PIN	1
103	25146-G1		GREASE SEAL.....	1
104				
105	74676-G01		SPINDLE, CALIPER AND DISC HUB ASSEMBLY (PASSENGER SIDE) (INCLUDES ITEMS 93 - 103, 106, 107).....	1
106	74671-G01		DISC BRAKE SPINDLE (PASSENGER SIDE).....	1
107	74733-G01		CALIPER (PASSENGER SIDE).....	1
108	74948-G01		DISC BRAKE SERVICE HUB (INCLUDES ITEMS 94 - 97, 103).....	1
109	70745-G01		KINGPIN TUBE	2
110	70754-G01		THRUST WASHER	2
111	00560-G3		WASHER, 1/2"	4
112	14390-G6		LOCKNUT, 1/2 - 13	2
113	00407-G6		CAPSCREW, 1/2 - 13 X 6" LG	2
114				
115	74702-G01		FRONT DISC BRAKE BRAKE ACTUATOR ASSEMBLY (INCLUDES ITEMS 116 - 133).....	1
116	10387-G3		COTTER PIN, 3/32 X 3/4" LG.....	1

BRAKES - FRONT DISC

THE USE OF NON U.L. PARTS WILL VOID ANY U.L. LISTING.

When ordering parts, please specify the model and serial number of the product.

* Indicates a component that is not available as an individual part.

G** Indicates consult Customer Service Department for additional information.

ITEM	PART NO.	1 2 3 4 5	DESCRIPTION	QTY.
117	17838-G1		NYLON BUSHING	1
118	10386-G3		CLEVIS PIN, 5/16 X 1" LG.....	1
119	74753-G01		UPPER ACTUATOR PIVOT	1
120	70581-G02		ACETAL BUSHING	4
121	74711-G01		SHOULDER BOLT	1
122	00560-G3		WASHER, 1/2"	1
123	13437-G3		BOLT, 1/2 - 13 X 6" LG.....	2
124	00679-G2		WASHER, 5/16" STAINLESS	2
125	00654-G3		LOCKNUT, 5/16 - 18.....	2
126	74742-G01		MASTER CYLINDER.....	1
127	74703-G01		BRAKE ACTUATOR ASSEMBLY HOUSING	1
128	11098-G5		LOCKNUT, 3/8 - 16.....	1
129	00679-G1		WASHER, 3/8" STAINLESS	1
130	74707-G01		LOWER ACTUATOR PIVOT.....	1
131	10385-G4		CLEVIS YOKE	1
132	74873-G01		BRAKE ACTUATOR ASSEMBLY COVER	1
133	01038-G01		SCREW, 1/4 -20 SWAGEFORM.....	4
134				
135	00414-G8		BOLT, 1/4 - 20 X 1 1/4" LG	4
136	00891-G2		LOCKNUT, 1/4 - 20	4
137				
138	10387-G3		COTTER PIN, 3/32 X 3/4	2
139	20835-G1		WASHER, NYLON	1
140	17838-G1		NYLON BUSHING.....	2
141	74865-G01		ACTUATOR LINKAGE	1
142	00771-G5		WASHER, 3/8"	1
143	74917-G01		DISC BRAKE PAD AND PIN KIT (SERVICES ONE CORNER) (INCLUDES ITEMS 144 - 145).....	1
144	*		BRAKE PADS	2
145	*		BRAKE PAD RETAINER PINS	2

**DID YOU
KNOW?**

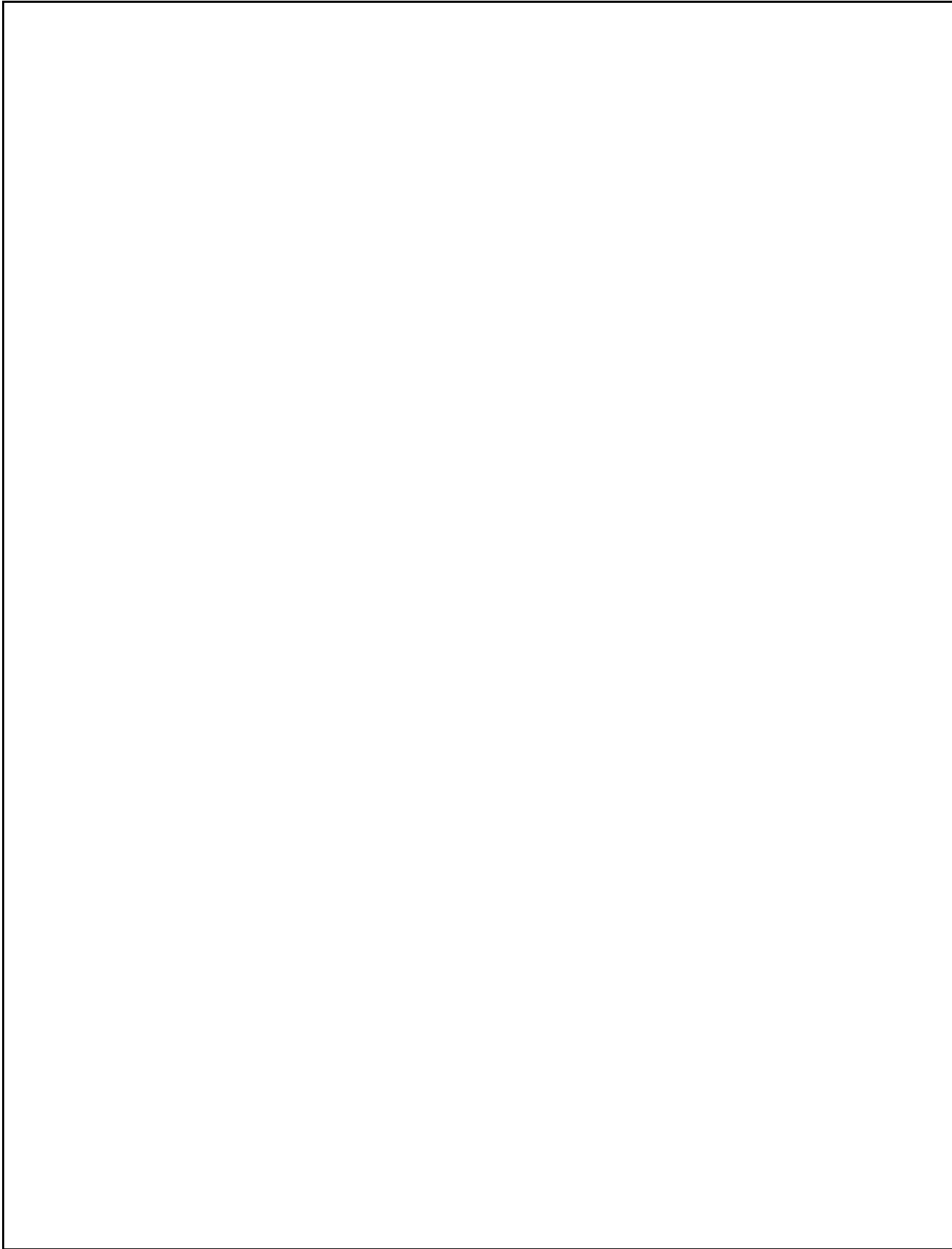
CartPros directs you to the right part using the part numbers from this manual. Enter the part number into our search box and it will find the part you are looking for.

**GET STARTED
HERE**

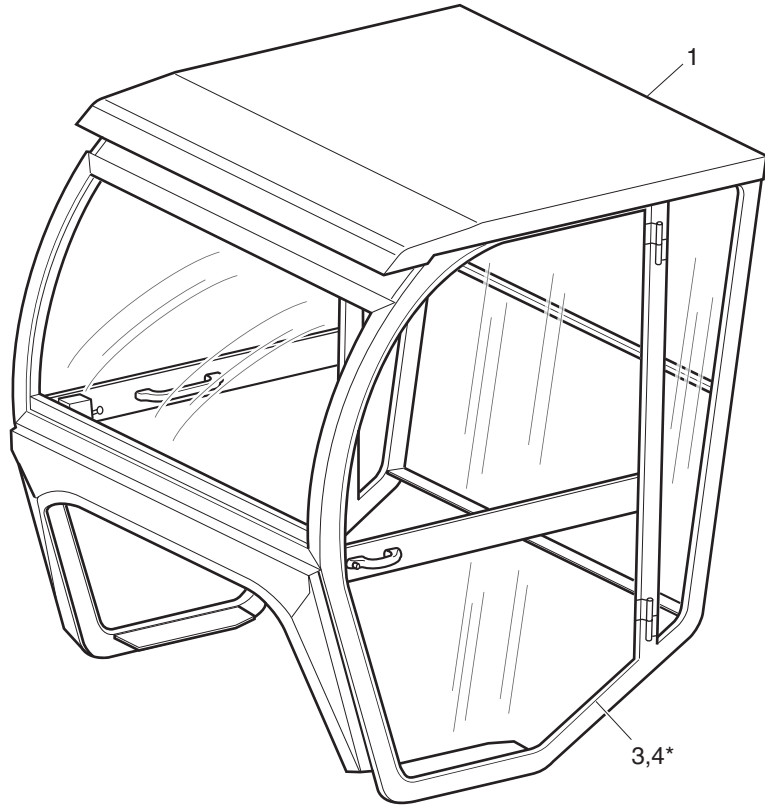


<https://CartPros.com/f.html>

BRAKES - FRONT DISC



CAB



CAB

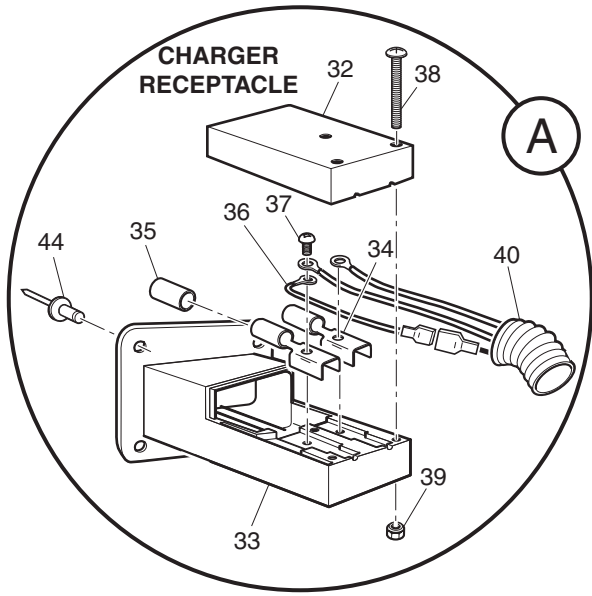
*Steel Doors Shown

For Cab Accessories, See ACCESSORIES LISTING in Appendix B

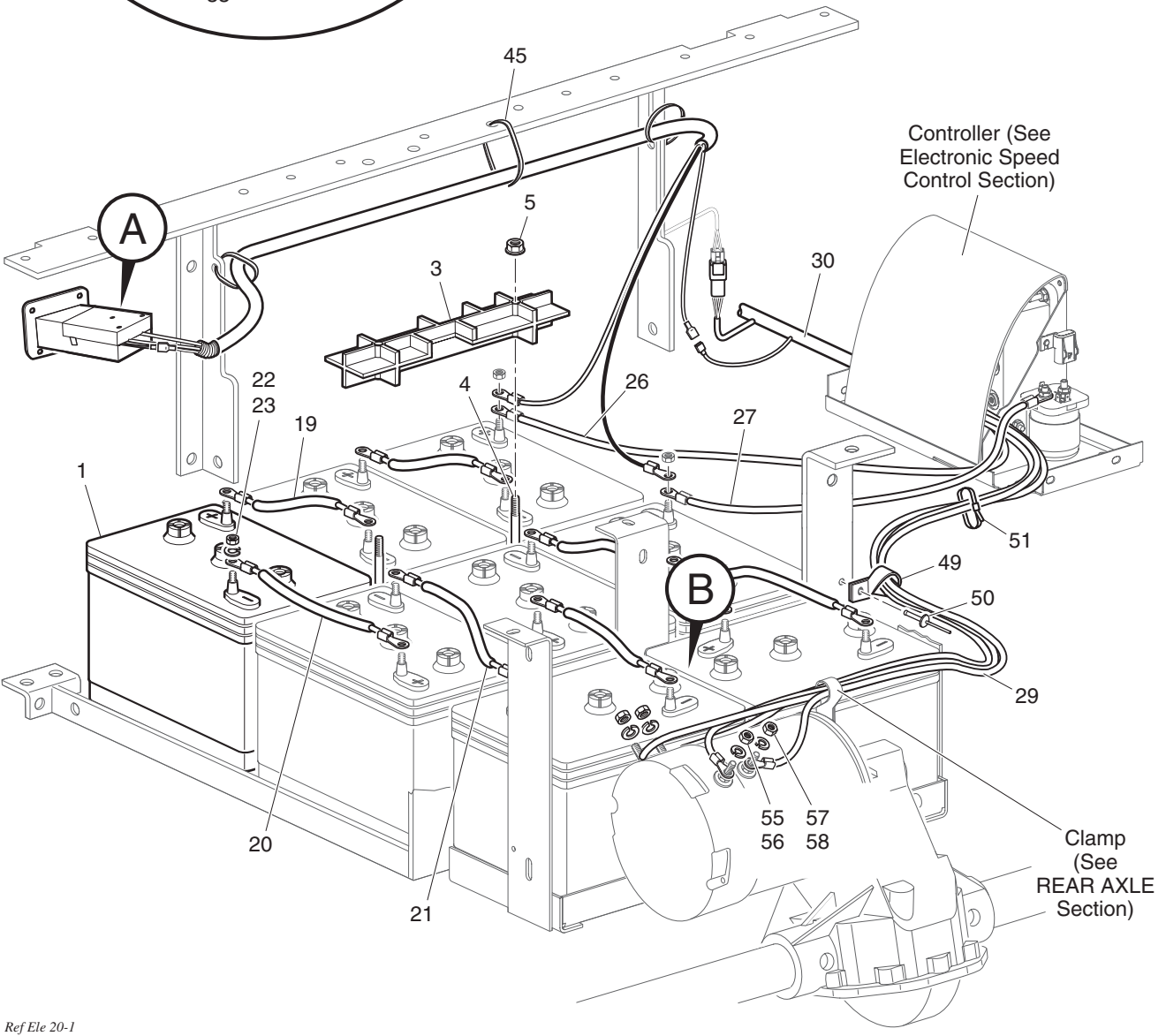
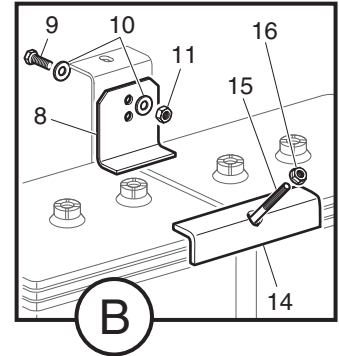
THE USE OF NON U.L. PARTS WILL VOID ANY U.L. LISTING.
 When ordering parts, please specify the model and serial number of the product.
 * Indicates a component that is not available as an individual part.
 G** Indicates consult Customer Service Department for additional information.

ITEM	PART NO.	1 2 3 4 5	DESCRIPTION	QTY.
1	72684-G**		STEEL CAB (WITHOUT DOORS) REPACEMENT PARTS AND ACCESSORIES MAY BE OBTAINED FROM CURTIS CAB, INC.	1
2				
3	75855-G01		VINYL DOOR KIT.....	1
4	75856-G**		STEEL DOOR KIT.....	1
<p>For Cab replacement parts and accessories, contact Curtis Cab at: Curtis Cab, Inc. 111 Higgins Street, Worcester, Massachusetts, 01606. Tel.: 508-853-2200. Toll free: 800-343-7676. www.curtiscab.com</p>				

ELECTRICAL



31 - Includes Items 32 - 40



Ref Ele 20-1

Where applicable, THE USE OF NON UL PARTS WILL VOID ANY UL LISTING.

When ordering parts, please specify the model and serial number of the product.

* Indicates a component that is not available as an individual part.

G** Indicates consult Customer Service Department for additional information.

ITEM	PART NO.	1 2 3 4 5	DESCRIPTION	QTY.
1	XXXXX-GXX		6 VOLT BATTERY	8
2				
3	70045-G01		BATTERY RETAINER	1
4	01101-G01		HOLD DOWN BOLT (STAINLESS STEEL).....	2
5	11027-G1		LOCK NUT, 5/16 - 18	2
6				
7				
8	73218-G02		BATTERY RETAINER ANGLE	1
9	00438-G6		BOLT, 5/16 - 18 X 3/4" LG	1
10	00559-G8		WASHER, 5/16"	2
11	11098-G6		LOCK NUT, 5/16 - 18	1
12				
13				
14	11841-G1		BATTERY RETAINER ANGLE INNER	1
15	01087-G01		HOLD DOWN BOLT (STAINLESS STEEL).....	1
16	11027-G1		LOCK NUT, 5/16 - 18	1
17				
18				
19	25971-G12		4 GA WIRE (BATTERY INTERCONNECT, BLACK, 6")	2
20	25971-G13		4 GA WIRE (BATTERY INTERCONNECT, BLACK, 10 1/2")	1
21	25971-G14		4 GA WIRE (BATTERY INTERCONNECT, BLACK, 15")	4
22	00565-G8		LOCK WASHER, 5/16"	16
23	00702-G2		NUT, 5/16 - 18	16
24				
25				
26	25971-G15		4 GA WIRE (BATTERY +, BLACK, 17")	1
27	25971-G16		4 GA WIRE (BATTERY -, BLACK, 19")	1
28				
29	74659-G01		POWER HARNESS	1
30	74649-G01		CONTROL HARNESS	1

ELECTRICAL

Where applicable, THE USE OF NON UL PARTS WILL VOID ANY UL LISTING.
 When ordering parts, please specify the model and serial number of the product.
 * Indicates a component that is not available as an individual part.
 G** Indicates consult Customer Service Department for additional information.

ITEM	PART NO.	1	2	3	4	5	DESCRIPTION	QTY.
31	73063-G03	CHARGER RECEPTACLE ASSEMBLY (INCLUDES ITEMS 32 - 40)					1	
32	*	RECEPTACLE COVER					1	
33	*	RECEPTACLE BOTTOM					1	
34	73051-G23	FEMALE CONNECTOR					2	
35	73051-G24	INSULATOR SLEEVE					1	
36	25978-G25	18 GA WIRE (RED 9")					1	
37	73051-G08	SCREW, #10 - 32 X 1/2" LG (BRASS)					2	
38	73051-G09	SCREW, #6 - 32 X 1 3/4" LG (STAINLESS STEEL)					3	
39	73051-G10	LOCK NUT, #6 - 32					3	
40	*	WIRE HARNESS (CHARGER)					1	
41								
42								
43								
44	71055-G01	RIVET, 3/16" X 1" LG (ALUMINUM)					4	
45	17618-G1	WIRE TIE					3	
46								
47								
48								
49	27327-G02	CABLE CLAMP					1	
50	10570-G11	RIVET, 3/16" X 3/4" LG (STAINLESS STEEL)					1	
51	17618-G1	WIRE TIE					8	
52								
53								
54								
55	00993-G01	LOCK WASHER, 5/16" (SILICON BRONZE)					2	
56	28418-G01	NUT, 5/16 - 18 (BRASS)					2	
57	00993-G02	LOCK WASHER, 1/4" (SILICON BRONZE)					2	
58	28418-G02	NUT, 1/4 - 20 (BRASS)					2	

**DID YOU
KNOW?**

CartPros directs you to the right part using the part numbers from this manual. Enter the part number into our search box and it will find the part you are looking for.

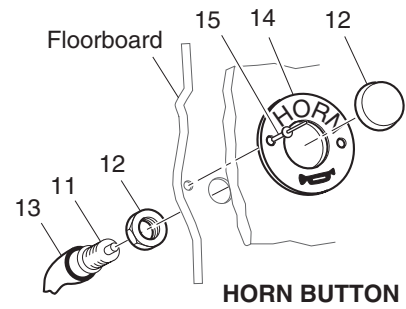
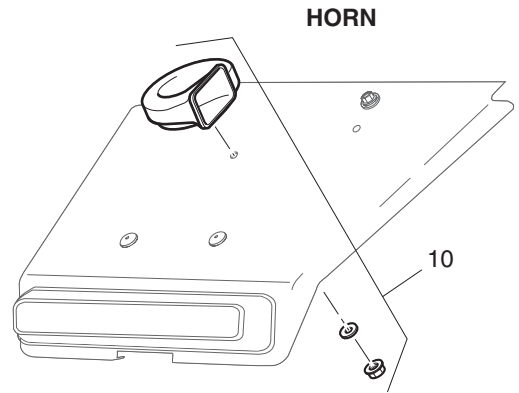
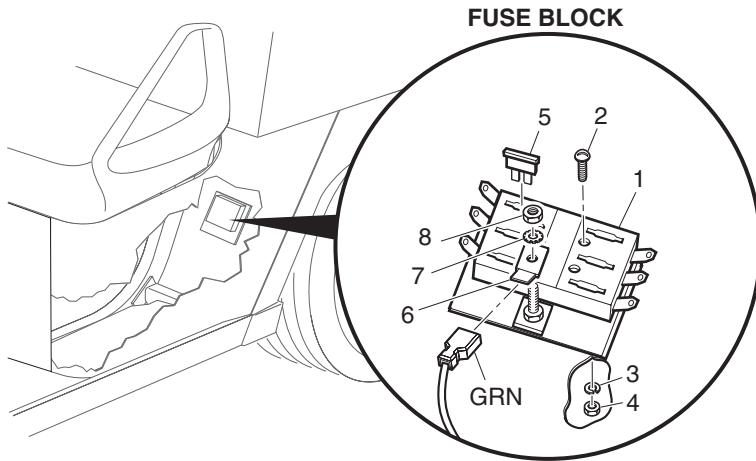
**GET STARTED
HERE**



<https://CartPros.com/f.html>

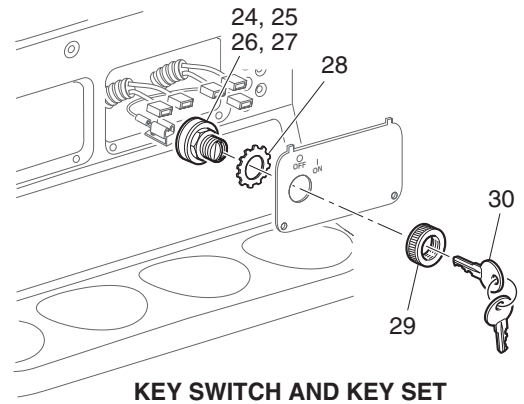
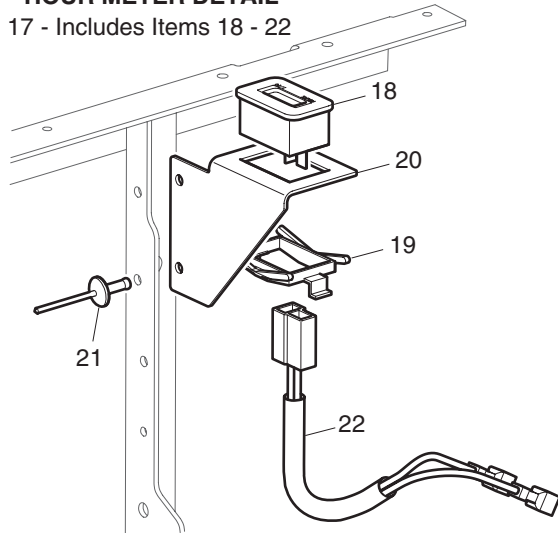
ELECTRICAL

ELECTRICAL



HOUR METER DETAIL

17 - Includes Items 18 - 22



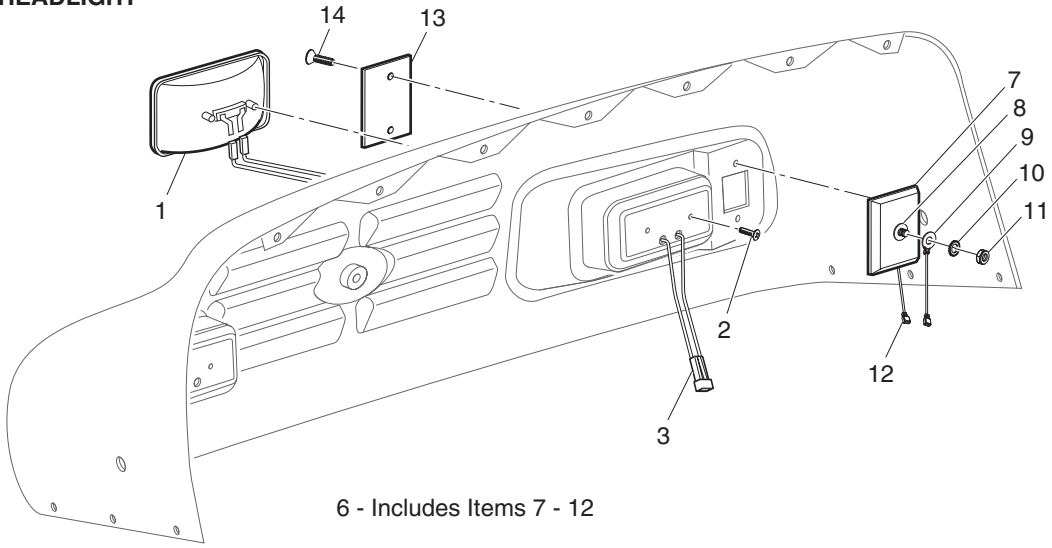
Ref Ele 20-2

Where applicable, THE USE OF NON UL PARTS WILL VOID ANY UL LISTING.
 When ordering parts, please specify the model and serial number of the product.
 * Indicates a component that is not available as an individual part.
 G** Indicates consult Customer Service Department for additional information.

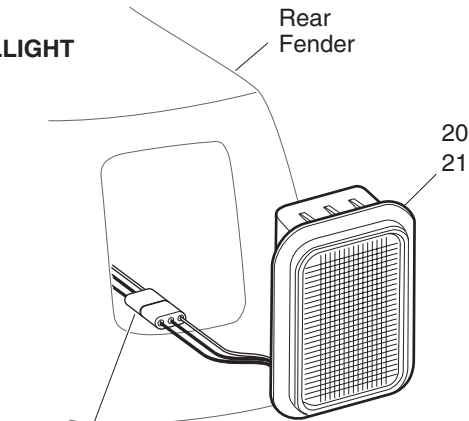
ITEM	PART NO.	1 2 3 4 5	DESCRIPTION	QTY.
1	35211-G01		FUSE BLOCK (6 POSITION)	1
2	00379-G2		SCREW, #10 - 24 X 1 1/4" LG.....	2
3	00559-G5		WASHER, #10.....	2
4	14390-G10		LOCK NUT, #10 - 24	2
5	35212-G01		FUSE, 15 AMP	AR
6	12914-G1		PUSH ON MALE TERMINAL	1
7	00567-G5		LOCK WASHER, #10	1
8	00526-G4		NUT, #10 - 32	1
9				
10	32860-G2		HORN.....	1
11	17318-G1		HORN SWITCH.....	1
12	17318-G2		HORN SWITCH CAP AND NUT	1
13	27068-G01		HORN SWITCH BOOT	1
14	19233-G1		HORN SWITCH LABEL	1
15	71055-G01		RIVET, 3/16" X 1" LG (ALUMINUM).....	2
16				
17	74914-G02		HOUR METER KIT (INCLUDES ITEMS 18 - 22).....	1
18	74665-G02		HOUR METER.....	1
19	74696-G01		HOUR METER RETAINER CLIP	1
20	74716-G02		HOUR METER BRACKET	1
21	10570-G11		RIVET, 3/16" X 3/4" LG (STAINLESS STEEL).....	2
22	74908-G01		WIRE HARNESS (HOUR METER).....	1
23				
24	17421-G1		KEY SWITCH KIT (W/O LIGHTS - STANDARD - WITH HARDWARE).....	1
25	17955-G1		KEY SWITCH (WITHOUT LIGHTS - NON STANDARD)	1
26	18027-G1		KEY SWITCH (WITHOUT LIGHTS - INDIVIDUALLY KEYED)	1
27	33639-G**		KEY SWITCH (WITH LIGHTS)	1
28	00568-G6		LOCK WASHER, 3/4"	1
29	17137-G1		FACE NUT, 3/4 - 20.....	1
30	17063-G1		KEY (SET).....	1

ELECTRICAL

HEADLIGHT

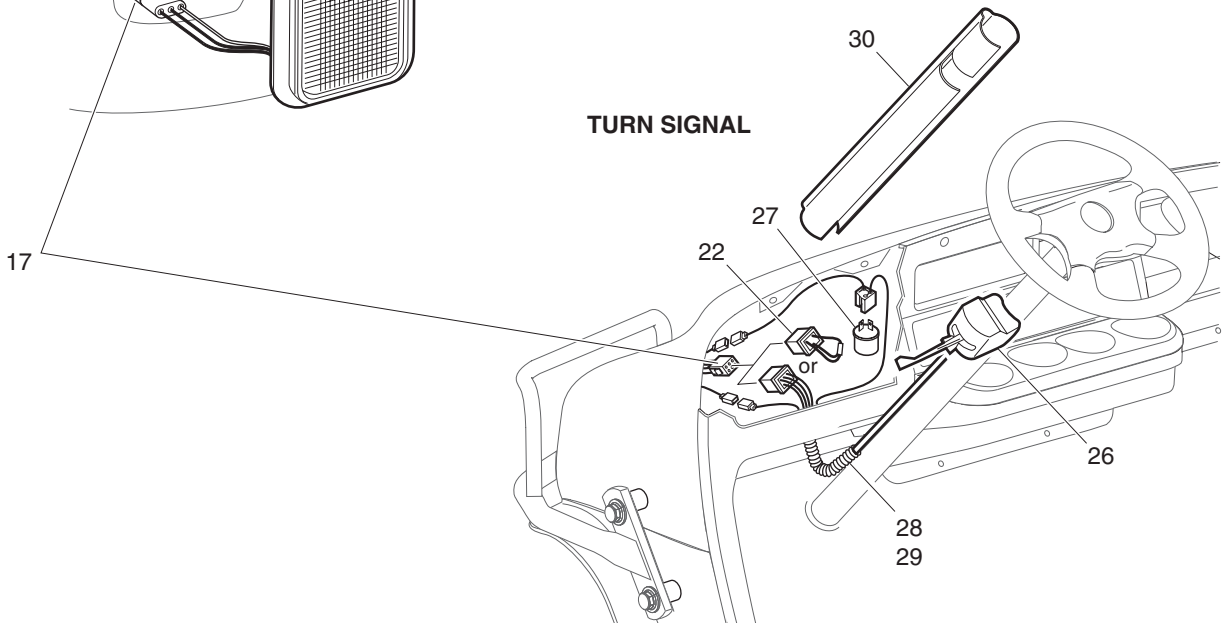


TAILLIGHT



Rear Fender

TURN SIGNAL



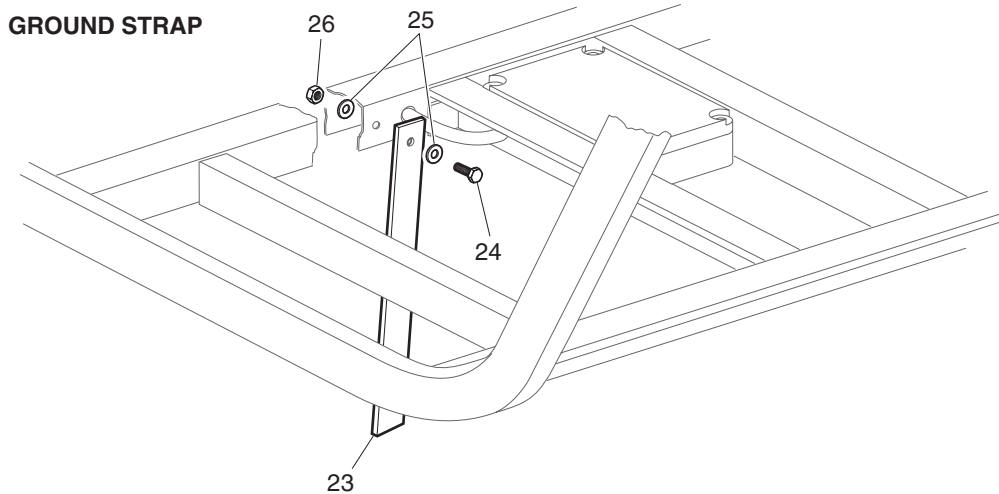
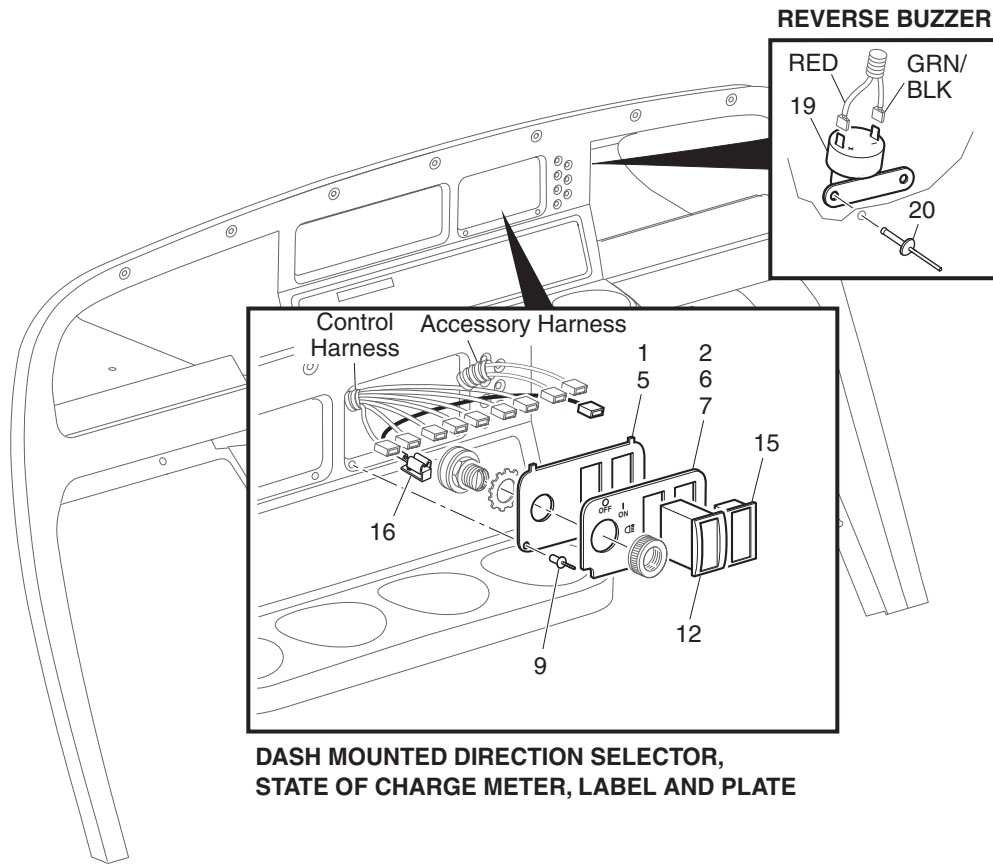
Ref Ele 20-3

ELECTRICAL

Where applicable, THE USE OF NON UL PARTS WILL VOID ANY UL LISTING.
 When ordering parts, please specify the model and serial number of the product.
 * Indicates a component that is not available as an individual part.
 G** Indicates consult Customer Service Department for additional information.

ITEM	PART NO.	1 2 3 4 5	DESCRIPTION	QTY.
1	22523-G1		HEADLIGHT (RECTANGULAR) (INCLUDES ITEM 2)	2
2	00906-G6		SCREW, #10 - 16 X 1" LG	2
3	74337-G01		JUMPER WIRE (HEADLIGHT)	2
4				
5				
6	20570-G3		TURN SIGNAL LIGHT (INCLUDES ITEMS 7 - 12)	2
7	20574-G3		TURN SIGNAL LIGHT	1
8	00660-G7		WASHER, 1/4" (STAINLESS STEEL).....	1
9	20606-G1		WIRE.....	1
10	00567-G7		LOCK WASHER, 1/4"	1
11	00532-G1		NUT, 1/4 - 20.....	1
12	18995-G1		PUSH-ON MALE TERMINAL	1
13	20574-G5		LENS, AMBER	1
14	00118-G5		SCREW, #6 - 18 X 5/8" LG.....	2
15				
16				
17	74651-G01		WIRE HARNESS (ACCESSORY).....	1
18				
19				
20	32739-G3		TAILLIGHT (WITH SEALED CONNECTORS)	2
21	21759-G1		TAILLIGHT BULB	AR
22	75711-G01		TAILLIGHT JUMPER PLUG (FOR VEHICLE W/OUT TURN SGL)	1
23				
24				
25	75107-G02		TURN SIGNAL KIT (INCLUDES ITEMS 26 - 30).....	1
26	17867-G1		TURN SIGNAL (WITH MOUNTING HARDWARE).....	1
27	21640-G1		TURN SIGNAL FLASHER.....	1
28	32307-G3		FLEX LOOM, 3/8" X 8" LG.....	1
29	17618-G1		WIRE TIE	2
30	20965-G3		STEERING COLUMN COVER	1

ELECTRICAL



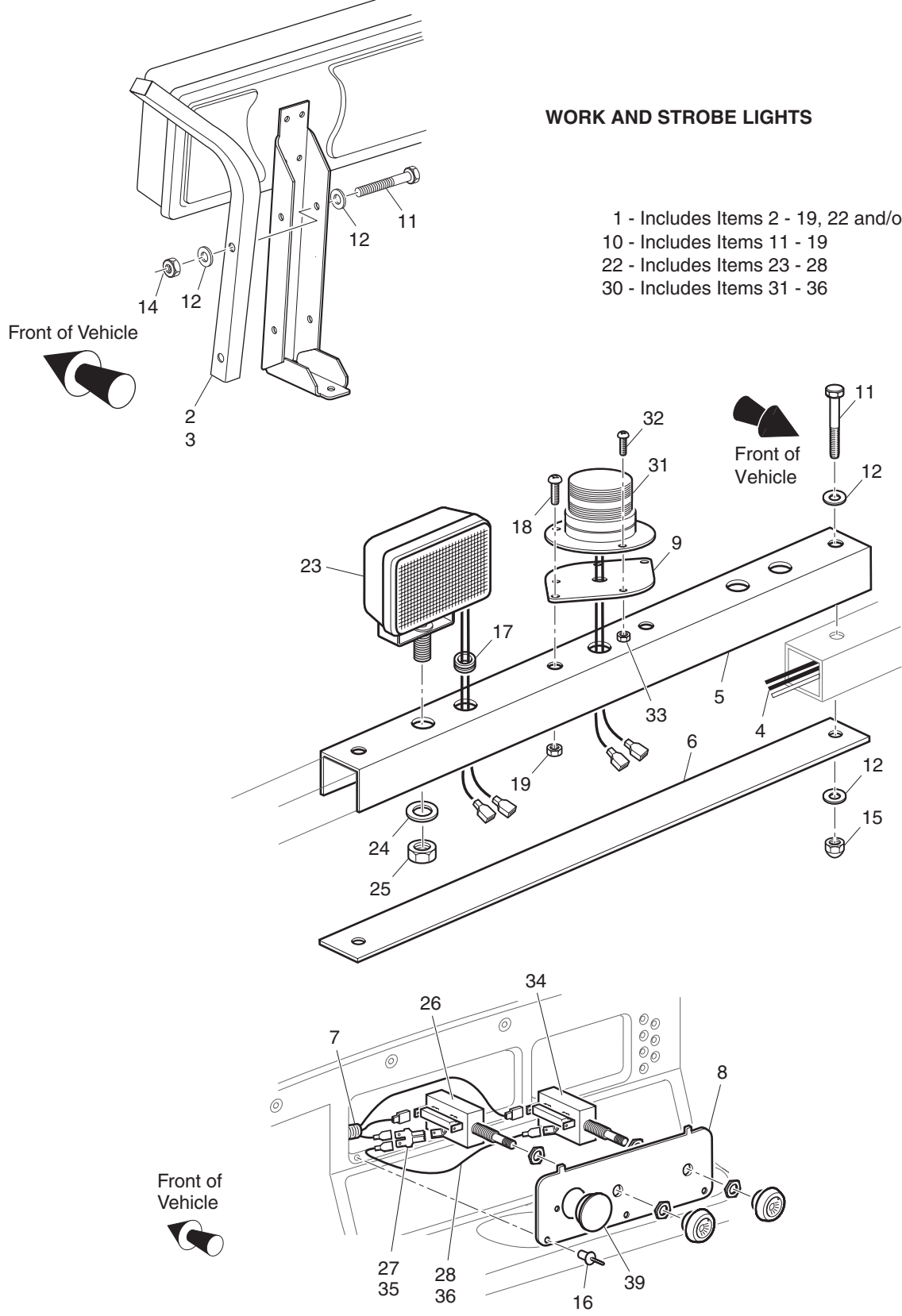
Ref Ele 20-4

Where applicable, THE USE OF NON UL PARTS WILL VOID ANY UL LISTING.
 When ordering parts, please specify the model and serial number of the product.
 * Indicates a component that is not available as an individual part.
 G** Indicates consult Customer Service Department for additional information.

ITEM	PART NO.	1 2 3 4 5	DESCRIPTION	QTY.
1	73030-G05		PLATE (KEY SWITCH, DIRECTION SELECTOR)	1
2	74316-G01		LABEL (KEY SWITCH WITHOUT LIGHTS, DIRECTION SELECTOR).....	1
3				
4				
5	73030-G06		PLATE (KEY SWITCH, DIRECTION SELECTOR, CHARGE METER)	1
6	74320-G01		LABEL (KEY SWITCH WITHOUT LIGHTS, DIRECTION SELECTOR, CHARGE METER)	1
7	74322-G01		LABEL (KEY SWITCH WITH LIGHTS, DIRECTION SELECTOR, CHARGE METER)	1
8				
9	33623-G02		DRIVE RIVET, 3/16" X 3/8" LG	2
10				
11				
12	74323-G01		DIRECTION SELECTOR SWITCH (DASH MOUNTED).....	1
13				
14				
15	33636-G05		STATE OF CHARGE METER (VERTICAL)	1
16	25978-G74		18 GA WIRE (RED 6").....	1
17				
18				
19	73290-G02		REVERSE WARNING BUZZER (CONTINUOUS TONE)	1
20	01041-G01		RIVET, 1/8" X 13/16" LG	2
21				
22				
23	35213-G02		GROUND STRAP, 16" (EE ONLY).....	1
24	00426-G8		BOLT, 3/8 - 16 X 1" LG	1
25	00560-G1		WASHER, 3/8"	2
26	11098-G4		LOCK NUT, 3/8 - 16	1

ELECTRICAL

WORK AND STROBE LIGHTS



Ref Ele 20-5

Where applicable, THE USE OF NON UL PARTS WILL VOID ANY UL LISTING.

When ordering parts, please specify the model and serial number of the product.

* Indicates a component that is not available as an individual part.

G** Indicates consult Customer Service Department for additional information.

ITEM	PART NO.	1 2 3 4 5	DESCRIPTION	QTY.
1	71323-G**		WORK LIGHT BAR WITH LIGHTS AND/OR STROBE (INCLUDES ITEMS 2 - 19, 22 AND/OR 30).....	1
2	75838-G03		STRUT (DRIVER SIDE).....	1
3	75838-G04		STRUT (PASSENGER SIDE)	1
4	75346-G01		WIRE HARNESS (WORK LIGHT)	1
5	71294-G02		BRACE.....	1
6	71293-G02		COVER PLATE	1
7	75430-G01		SWITCH HARNESS	1
8	73522-G**		CONSOLE INSERT PLATE	1
9	33201-G03		STROBE LIGHT MOUNT (USED ONLY WITH STROBE LIGHT).....	1
10	75365-G01		HARDWARE KIT (INCLUDES ITEMS 11 - 19)	1
11	00685-G7		BOLT, 5/16 - 18 X 1 3/4" LG	6
12	00660-G8		WASHER, 5/16".....	12
13	15121-G1		WASHER, 3/8" X 1 1/4"	2
14	01109-G01		LOCK NUT, 5/16 - 18	4
15	00918-G3		ACORN NUT, 5/16 - 18	2
16	33623-G02		DRIVE RIVET, 3/16" X 3/8" LG.....	3
17	20367-G1		GROMMET.....	2
18	16705-G3		SCREW, 1/4 - 20 X 3/4" LG.....	2
19	14390-G4		LOCK NUT, 1/4 - 20	2
20				
21				
22	20383-G2		WORK LIGHT KIT (INCLUDES ITEMS 23 - 28).....	1
23	20209-G2		WORK LIGHT (RECTANGULAR)	2
24	00566-G3		LOCK WASHER, 1/2"	2
25	00533-G1		NUT, 1/2 - 13	2
26	17317-G1		LIGHT SWITCH.....	1
27	17902-G1		TAB ADAPTER.....	1
28	20053-G1		16 GA WIRE (RED 5 3/8").....	1
29				

ELECTRICAL

Where applicable, THE USE OF NON UL PARTS WILL VOID ANY UL LISTING.
 When ordering parts, please specify the model and serial number of the product.
 * Indicates a component that is not available as an individual part.
 G** Indicates consult Customer Service Department for additional information.

ITEM	PART NO.	1	2	3	4	5	DESCRIPTION	QTY.
30	20385-G3						STROBE LIGHT KIT (INCLUDES ITEMS 31 - 36)	1
31	20394-G4						STROBE LIGHT	1
32	00379-G4						SCREW, #10 - 24 x 1/2" LG	3
33	11098-G7						LOCK NUT, #10 - 24	3
34	17317-G1						LIGHT SWITCH.....	1
35	17902-G1						TAB ADAPTER	1
36	20053-G1						16 GA WIRE (RED 5 3/8").....	1
37								
38								
39	20271-G10						HOLE PLUG.....	1

**DID YOU
KNOW?**

CartPros directs you to the right part using the part numbers from this manual. Enter the part number into our search box and it will find the part you are looking for.

**GET STARTED
HERE**

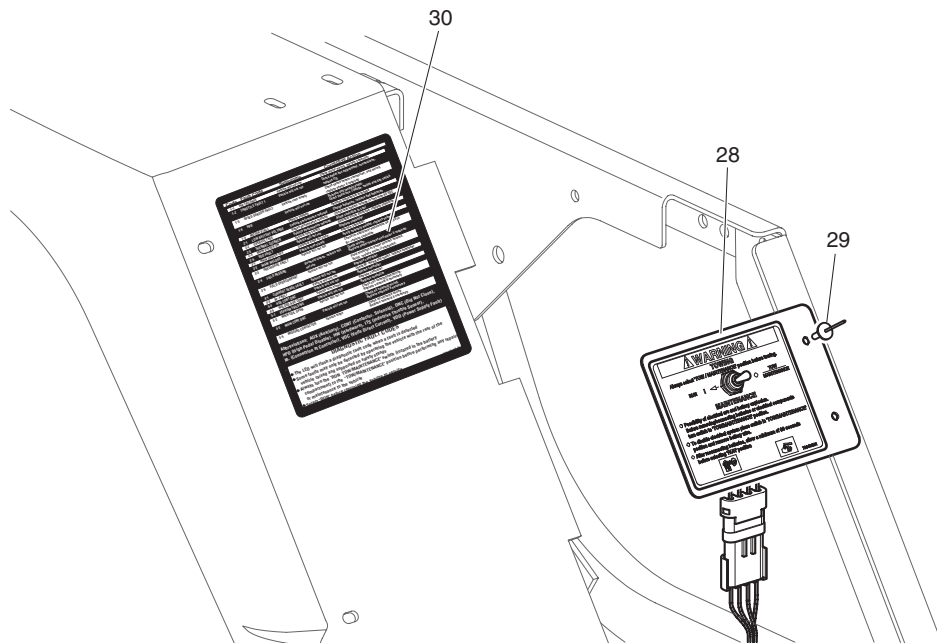
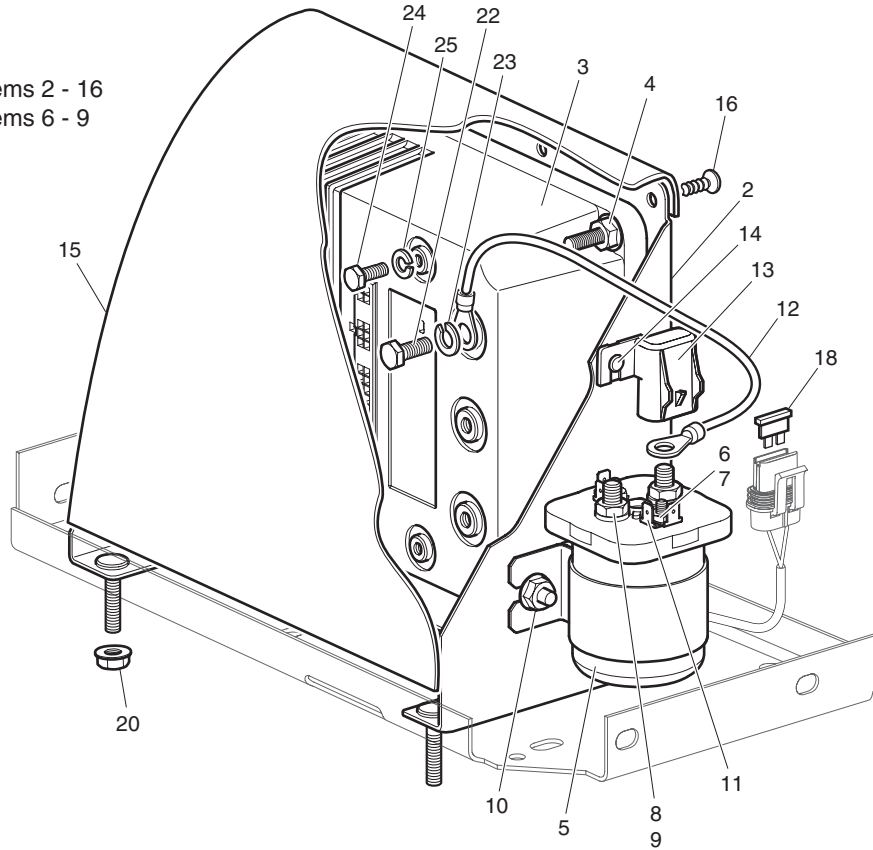


<https://CartPros.com/f.html>

ELECTRICAL

ELECTRONIC SPEED CONTROL - PDS

1 - Includes Items 2 - 16
5 - Includes Items 6 - 9



Ref Esp 20-1

ELECTRONIC SPEED CONTROL - PDS

Where applicable, THE USE OF NON UL PARTS WILL VOID ANY UL LISTING.

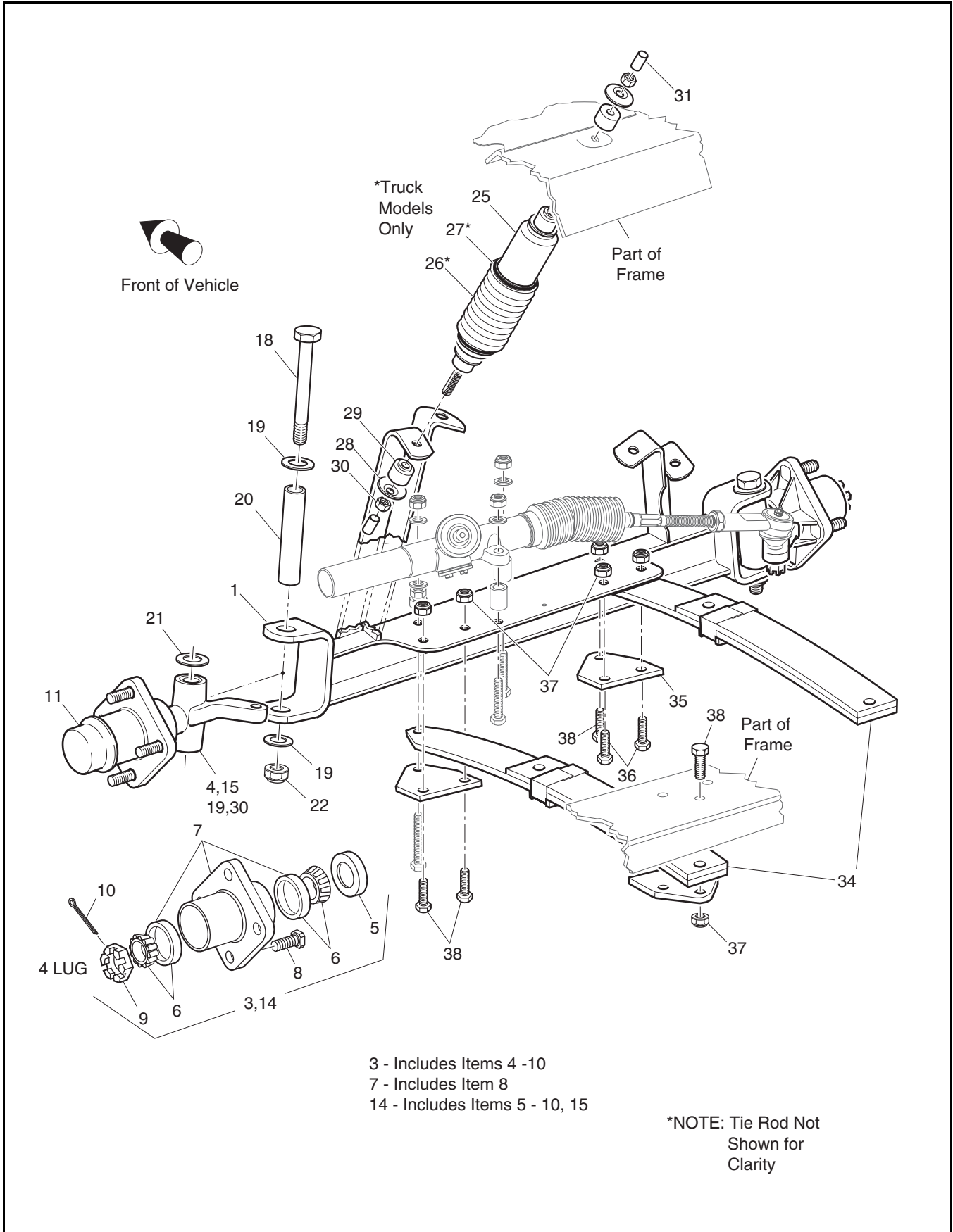
When ordering parts, please specify the model and serial number of the product.

* Indicates a component that is not available as an individual part.

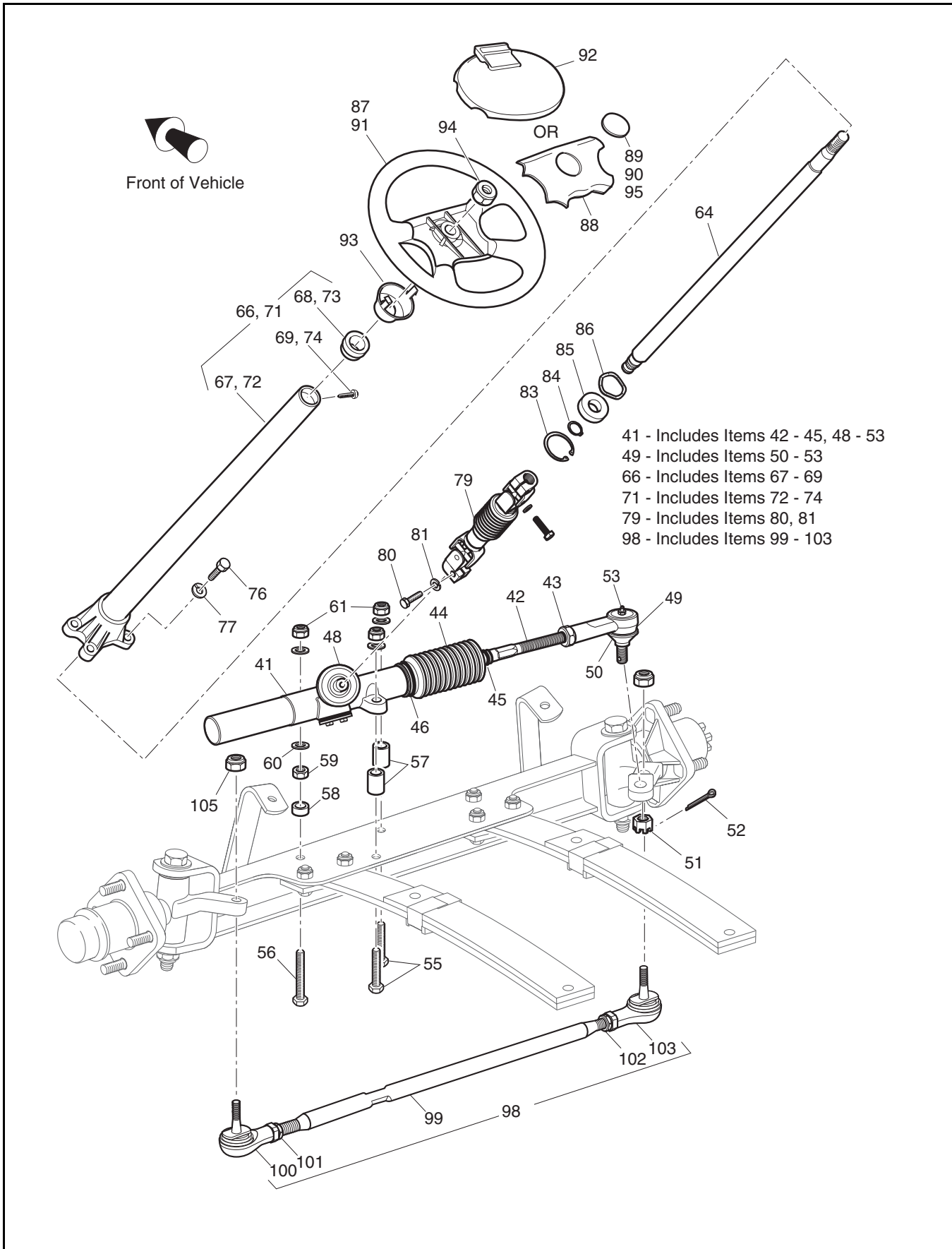
G** Indicates consult Customer Service Department for additional information.

ITEM	PART NO.	1 2 3 4 5	DESCRIPTION	QTY.
1	73348-G03		ELECTRONIC SPEED CONTROL ASSEMBLY (INCLUDES ITEMS 2 - 16).....	1
2	73351-G02		CONTROLLER MOUNT	1
3	73098-G04		ELECTRONIC SPEED CONTROLLER	1
4	11027-G2		LOCK NUT, 1/4 - 20	4
5	73231-G01		SOLENOID (INCLUDES ITEMS 6 - 9).....	1
6	*		LOCK WASHER, #10	2
7	*		NUT, #10 - 32	2
8	*		LOCK WASHER, 5/16"	2
9	*		JAM NUT, 5/16 - 24	2
10	11027-G2		LOCK NUT, 1/4 - 20	2
11	73446-G01		FASTON TAB, 90°	4
12	25971-G17		4 GA WIRE (BLACK 9")	1
13	73499-G01		IN-LINE FUSE COVER.....	1
14	15058-G1		RIVET, 3/16" X 7/16" LG (ALUMINUM)	1
15	73523-G01		COVER	1
16	16816-G1		RATCHET FASTENER, 1/4" X 9/16" LG	4
17				
18	35212-G05		FUSE, 7.5 AMP	1
19				
20	11027-G2		LOCK NUT, 1/4 - 20	4
21				
22	73296-G01		BOLT, 8MM X 16MM LG.....	3
23	00993-G01		LOCK WASHER, 5/16" (SILICON BRONZE).....	3
24	73346-G01		BOLT, 6MM X 1 X 12MM LG	2
25	00993-G02		LOCK WASHER, 1/4" (SILICON BRONZE)	2
26				
27				
28	74878-G01		TOW-MAINTENANCE SWITCH.....	1
29	71055-G01		RIVET, 3/16" X 1" LG (ALUMINUM).....	2
30	73398-G01		DIAGNOSTIC LABEL (FAULT CODE)	1

FRONT SUSPENSION/STEERING



FRONT SUSPENSION/STEERING



FRONT SUSPENSION/STEERING

THE USE OF NON U.L. PARTS WILL VOID ANY U.L. LISTING.
 When ordering parts, please specify the model and serial number of the product.
 * Indicates a component that is not available as an individual part.
 G** Indicates consult Customer Service Department for additional information.

ITEM	PART NO.	1 2 3 4 5	DESCRIPTION	QTY.
1	74600-G02		FRONT AXLE	1
2				
3	70942-G03		SPINDLE AND HUB ASSEMBLY, 4 LUG (PASSENGER SIDE) (INCLUDES ITEMS 4 - 10).....	1
4	70942-G02		SPINDLE ASSEMBLY (PASSENGER SIDE).....	1
5	25146-G1		GREASE SEAL.....	1
6	50892-G1		ROLLER BEARING AND RACE ASSEMBLY.....	2
7	70895-G01		WHEEL HUB ASSEMBLY WITH RACES, 4 LUG (INCLUDES ITEM 8)	1
8	19862-G1		LUG BOLT, 1/2 - 20 X 1 7/32" LG.....	4
9	12093-G1		SLOTTED NUT, 1 - 14	1
10	00798-G8		COTTER PIN, 5/32" X 1 3/4" LG	1
11	12091-G2		SPINDLE CAP.....	2
12				
13				
14	70673-G03		SPINDLE AND HUB ASSEMBLY, 4 LUG (DRIVER SIDE) (INCLUDES ITEMS 5 - 10, 15).....	1
15	70673-G02		SPINDLE ASSEMBLY (DRIVER SIDE)	1
16				
17				
18	00407-G6		BOLT, 1/2 - 13 X 6" LG	2
19	00560-G3		WASHER, 1/2"	4
20	70745-G01		KING PIN TUBE	2
21	70754-G01		THRUST WASHER (STAINLESS STEEL).....	2
22	14390-G6		LOCK NUT, 1/2 - 13	2
23				
24				
25	70928-G01		SHOCK ABSORBER.....	2
26	70509-G01		SHOCK ABSORBER BOOT	2
27	31539-G1		WIRE TIE	4
28	10435-G1		SHOCK ABSORBER WASHER.....	8
29	10194-G1		RUBBER SHOCK ABSORBER BUSHING	8



FRONT SUSPENSION/STEERING

THE USE OF NON U.L. PARTS WILL VOID ANY U.L. LISTING.
 When ordering parts, please specify the model and serial number of the product.
 * Indicates a component that is not available as an individual part.
 G** Indicates consult Customer Service Department for additional information.

ITEM	PART NO.	1 2 3 4 5	DESCRIPTION	QTY.
30	00532-G6		NUT, 3/8 - 24	4
31	10044-G01		VINYL CAP	4
32				
33				
34	70664-G03		LEAF SPRING (HEAVY DUTY) (SEE PART NUMBER ON SPRING)	2
35	70163-G03		SPRING PLATE	4
36	00463-G4		BOLT, 7/16 - 14 X 1 1/2" LG	2
37	00734-G1		LOCK NUT, 7/16 - 14	9
38	00463-G6		BOLT, 7/16 - 14 X 1 3/4" LG	9
39				
40				
41	74605-G01		RACK AND PINION UNIT (COMPLETE) (INCLUDES ITEMS 42 - 45, 48 - 53)	1
42	74602-G01		RACK EXTENSION	1
43	*		JAM NUT, 1/2 - 20	1
44	70675-G01		RACK BOOT	1
45	17618-G1		WIRE TIE	1
46	12416-G2		WIRE TIE	1
47				
48	70638-G01		PINION SEAL	1
49	70695-G01		RACK BALL JOINT (INCLUDES ITEMS 50 - 53)	1
50	50641-G1		RUBBER BOOT	1
51	50209-G2		SLOTTED NUT, 7/16 - 20	1
52	10387-G2		COTTER PIN, 3/32" X 1" LG	1
53	10389-G3		GREASE FITTING, STRAIGHT	1
54				
55	00464-G6		BOLT, 7/16 - 14 X 2 3/4" LG	2
56	01068-G01		BOLT, 7/16 - 14 X 3 1/2" LG	1
57	70667-G03		SPACER	2
58	70667-G03		SPACER (SHORT)	1
59	00532-G7		NUT, 7/16 - 14	1

FRONT SUSPENSION/STEERING

THE USE OF NON U.L. PARTS WILL VOID ANY U.L. LISTING.
 When ordering parts, please specify the model and serial number of the product.
 * Indicates a component that is not available as an individual part.
 G** Indicates consult Customer Service Department for additional information.

ITEM	PART NO.	1 2 3 4 5	DESCRIPTION	QTY.
60	00560-G2		FLAT WASHER, 7/16"	4
61	00734-G1		LOCK NUT, 7/16 - 14	3
62				
63				
64	70607-G01		STEERING SHAFT	1
65				
66	70758-G05		STEERING COLUMN KIT (INCLUDES ITEMS 67 - 69)	1
67	70610-G01		STEERING COLUMN	1
68	28569-G01		STEERING COLUMN BUSHING	1
69	01022-G01		SCREW, #6 - 20 X 5/16" LG	1
70				
71	70758-G04		STEERING COLUMN KIT (HORN) (INCLUDES ITEMS 72 - 74)	1
72	70610-G02		STEERING COLUMN	1
73	28569-G01		STEERING COLUMN BUSHING	1
74	01022-G01		SCREW, #6 - 20 X 5/16" LG	1
75				
76	01006-G01		BOLT, 3/8 - 16 X 1 1/4" LG WITH PATCHLOCK	4
77	00879-G1		LOCK WASHER, 3/8"	4
78				
79	70580-G01		INTERMEDIATE SHAFT (INCLUDES ITEMS 80, 81)	1
80	01055-G01		BOLT, M8 X 1 1/4" LG	2
81	00565-G8		LOCK WASHER, 5/16"	2
82				
83	70751-G01		RETAINING RING (INTERNAL)	1
84	70888-G01		RETAINING RING (EXTERNAL)	1
85	15112-G1		BALL BEARING	1
86	70887-G01		WAVE WASHER	1
87	71146-G01		STEERING WHEEL	1
88	71147-G01		STEERING WHEEL COVER	1
89	74815-G01		LABEL (E-Z-GO)	1

FRONT SUSPENSION/STEERING

THE USE OF NON U.L. PARTS WILL VOID ANY U.L. LISTING.

When ordering parts, please specify the model and serial number of the product.

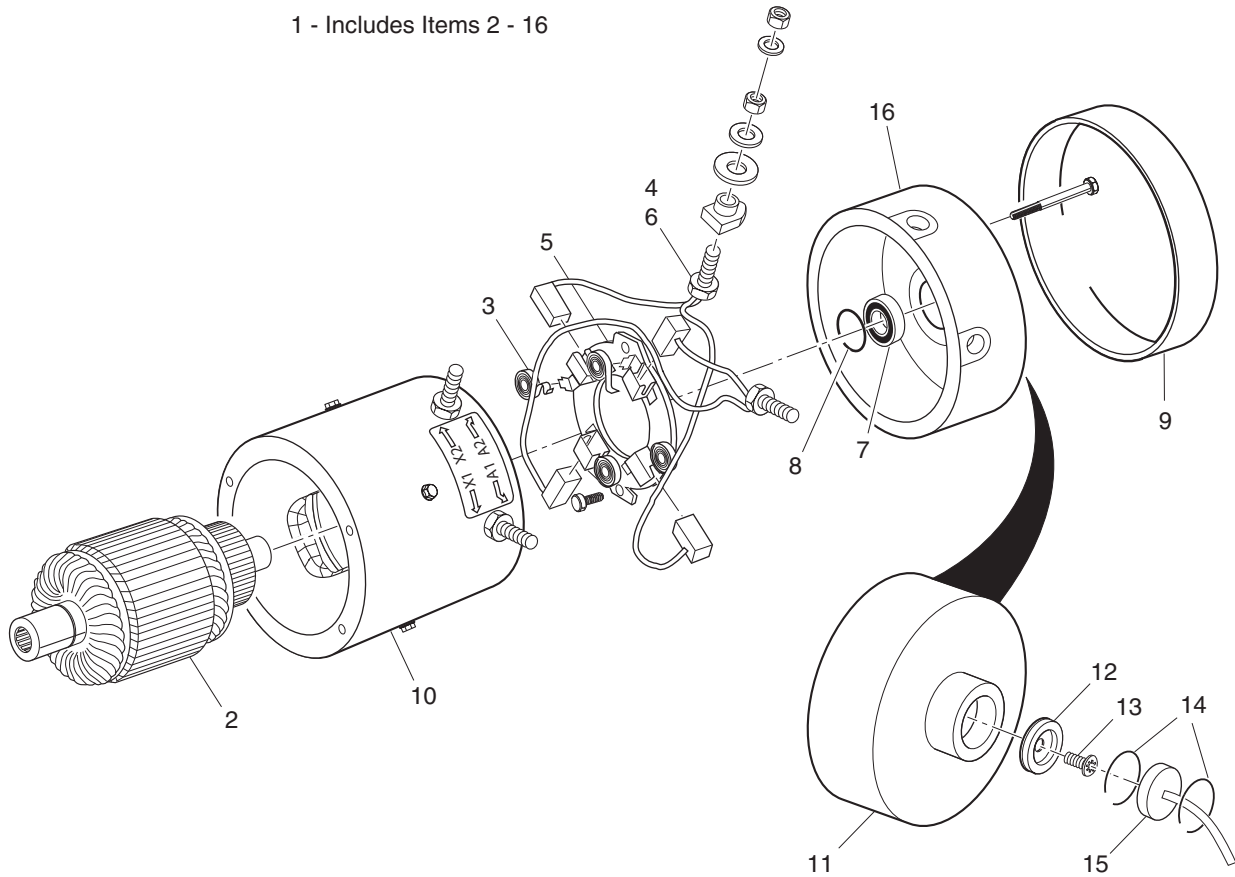
* Indicates a component that is not available as an individual part.

G** Indicates consult Customer Service Department for additional information.

ITEM	PART NO.	1	2	3	4	5	DESCRIPTION	QTY.
90	74954-G01						LABEL (CUSHMAN).....	1
91	71948-G01						STEERING WHEEL	1
92	71950-G01						CLIPBOARD.....	1
93	71949-G01						HUB COVER	1
94	14390-G2						LOCK NUT, 5/8 - 18	1
95	28909-G01						LABEL (JACOBSEN)	1
96								
97								
98	74604-G01						TIE ROD ASSEMBLY (INCLUDES ITEMS 127 - 131).....	1
99	70897-G02						THREADED ROD (24" LG).....	1
100	70902-G01						TIE ROD END (LEFT HAND THREADS)	1
101	01069-G01						JAM NUT, M12 X 1.25-05 (LEFT HAND THREADS).....	1
102	70902-G02						TIE ROD END (RIGHT HAND THREADS).....	1
103	01069-G02						JAM NUT, M12 X 1.25-05 (RIGHT HAND THREADS)	1
104								
105	00734-G1						LOCK NUT, 7/16 - 14	2

MOTOR

1 - Includes Items 2 - 16



MOTOR

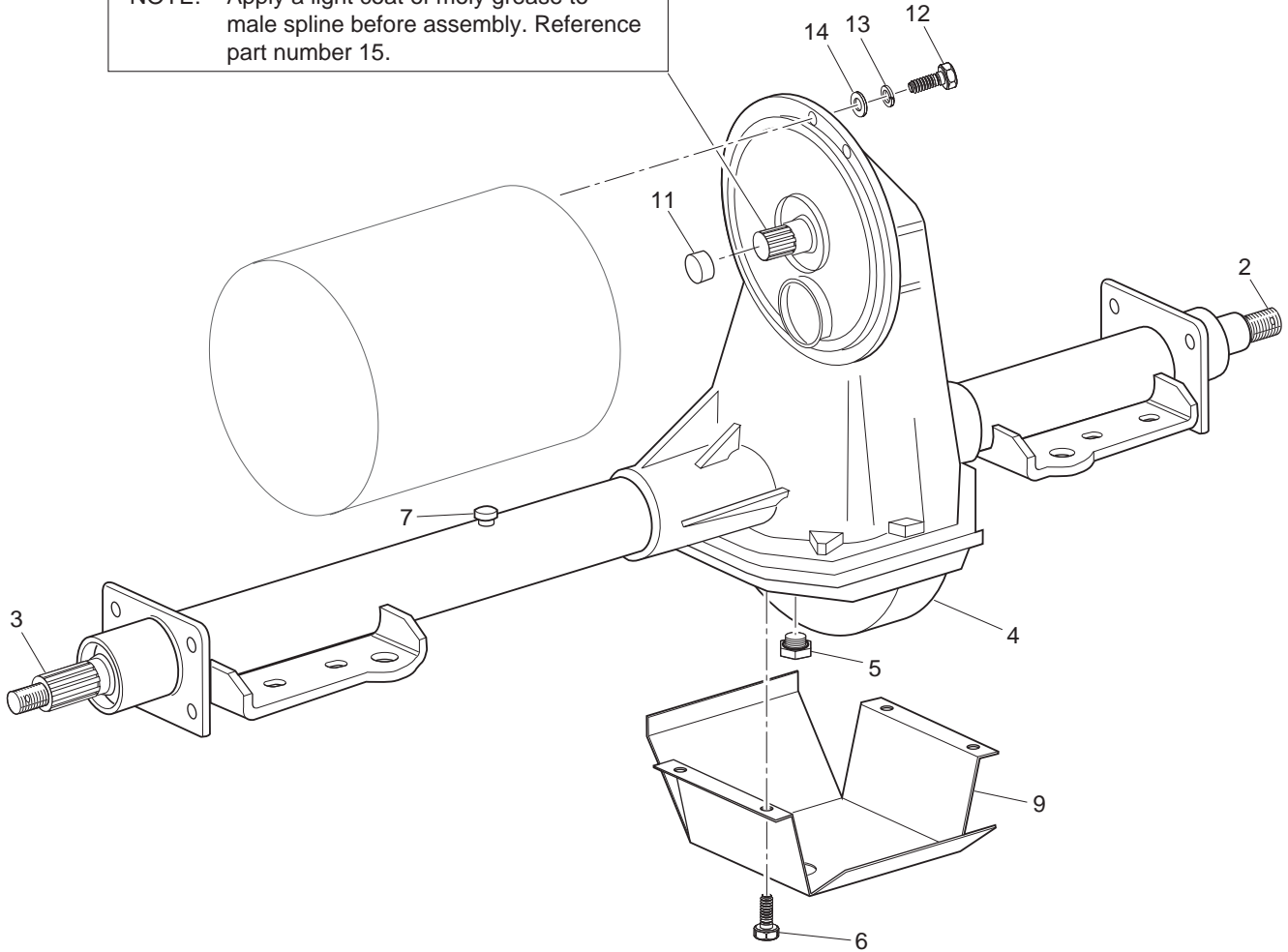
THE USE OF NON U.L. PARTS WILL VOID ANY U.L. LISTING.
 When ordering parts, please specify the model and serial number of the product.
 * Indicates a component that is not available as an individual part.
 G** Indicates consult Customer Service Department for additional information.

ITEM	PART NO.	1	2	3	4	5	DESCRIPTION	QTY.
1	73291-G04	MOTOR (SEPARATELY EXCITED) (PDS) (INCLUDES ITEMS 15 - 28).....					1	
2	73120-G36	ARMATURE					1	
3	73120-G38	BRUSH SPRING.....					8	
4	73120-G39	BRUSH					8	
5	73120-G40	BRUSH BOX.....					1	
6	73120-G41	BRUSH REPLACEMENT KIT (INCLUDES HARDWARE)					1	
7	73120-G07	BEARING					1	
8	73120-G06	SNAP RING					1	
9	73120-G43	HEADBAND					1	
10	73120-G37	FRAME AND FIELD COIL (INCLUDES HARDWARE).....					1	
11	73120-G42	COVER COMMUTATOR END					1	
12	73328-G01	MAGNET.....					1	
13	01037-G02	SCREW, #10 - 32 X 1/2" LG					1	
14	73277-G01	RETAINING RING.....					2	
15	73327-G01	SPEED SENSOR.....					1	

REAR AXLE

1 - Includes Items 2 - 7

NOTE: Apply a light coat of moly grease to male spline before assembly. Reference part number 15.



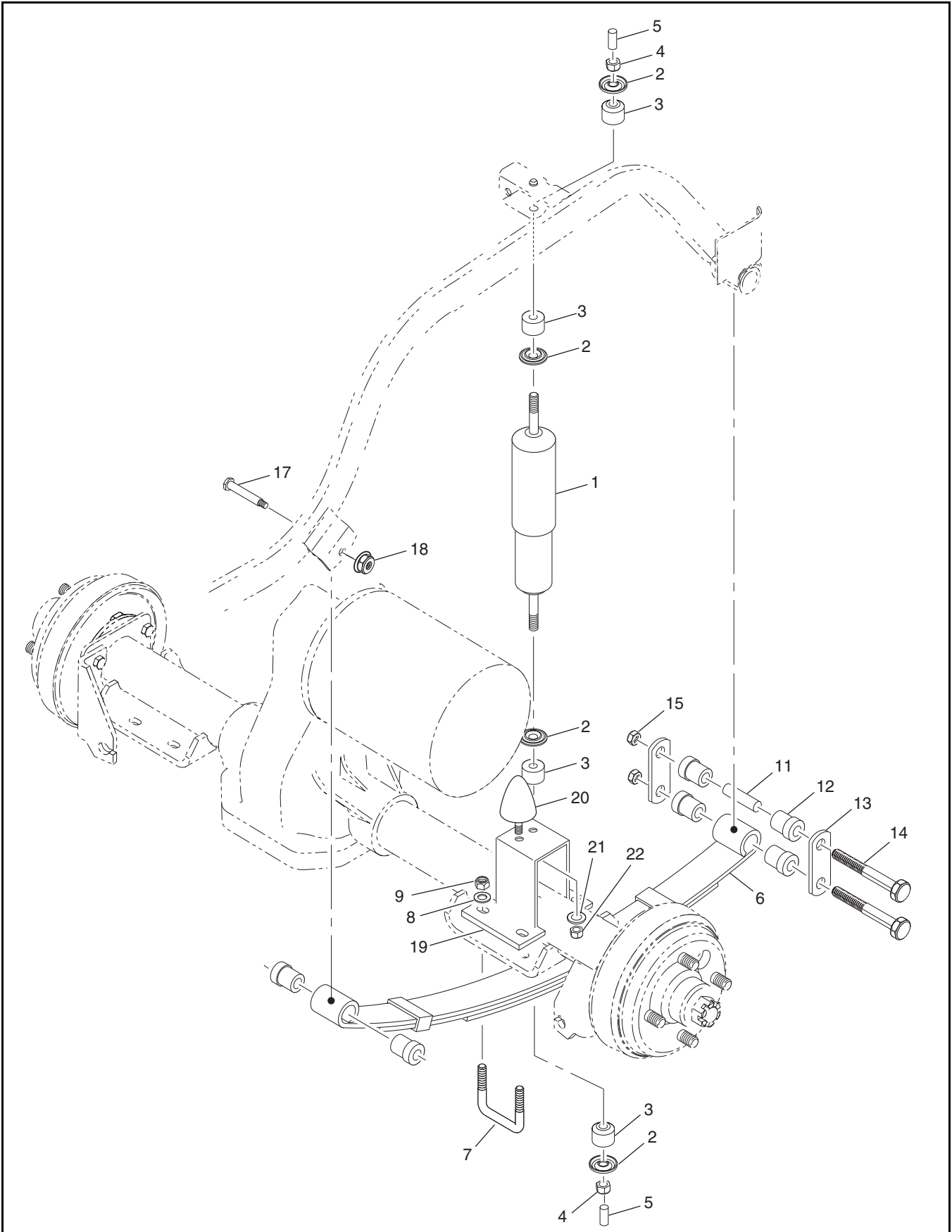
Ref Rav 1

REAR AXLE

Where applicable, THE USE OF NON UL PARTS WILL VOID ANY UL LISTING.
 When ordering parts, please specify the model and serial number of the product.
 * Indicates a component that is not available as an individual part.
 G** Indicates consult Customer Service Department for additional information.

ITEM	PART NO.	1 2 3 4 5	DESCRIPTION	QTY.
1	74612-G01		REAR AXLE ASSEMBLY 14.76:1 (INCLUDES ITEMS 2 - 7)	1
2	20377-G12		AXLE SHAFT (PASSENGER SIDE)	1
3	20377-G11		AXLE SHAFT (DRIVER SIDE).....	1
4	*		DIFFERENTIAL COVER.....	1
5	28610-G01		FILL PLUG WITH 'O' RING.....	1
6	15558-G1		BOLT, 5/16 - 18 X 3/4" LG.....	10
7	73050-G01		VENT	1
8				
9	72763-G02		SCUFF GUARD	1
10				
11	24261-G1		SPLINE BUMPER	1
12	00797-G2		BOLT, 1/4 - 20 X 1 1/4" LG	3
13	00664-G7		LOCK WASHER, 1/4" (STAINLESS STEEL)	3
14	01110-G01		WASHER, 1/4" (STAINLESS STEEL)	3
15	28095-G01		MOLY LUBE, 2 OZ.	AR

REAR SUSPENSION



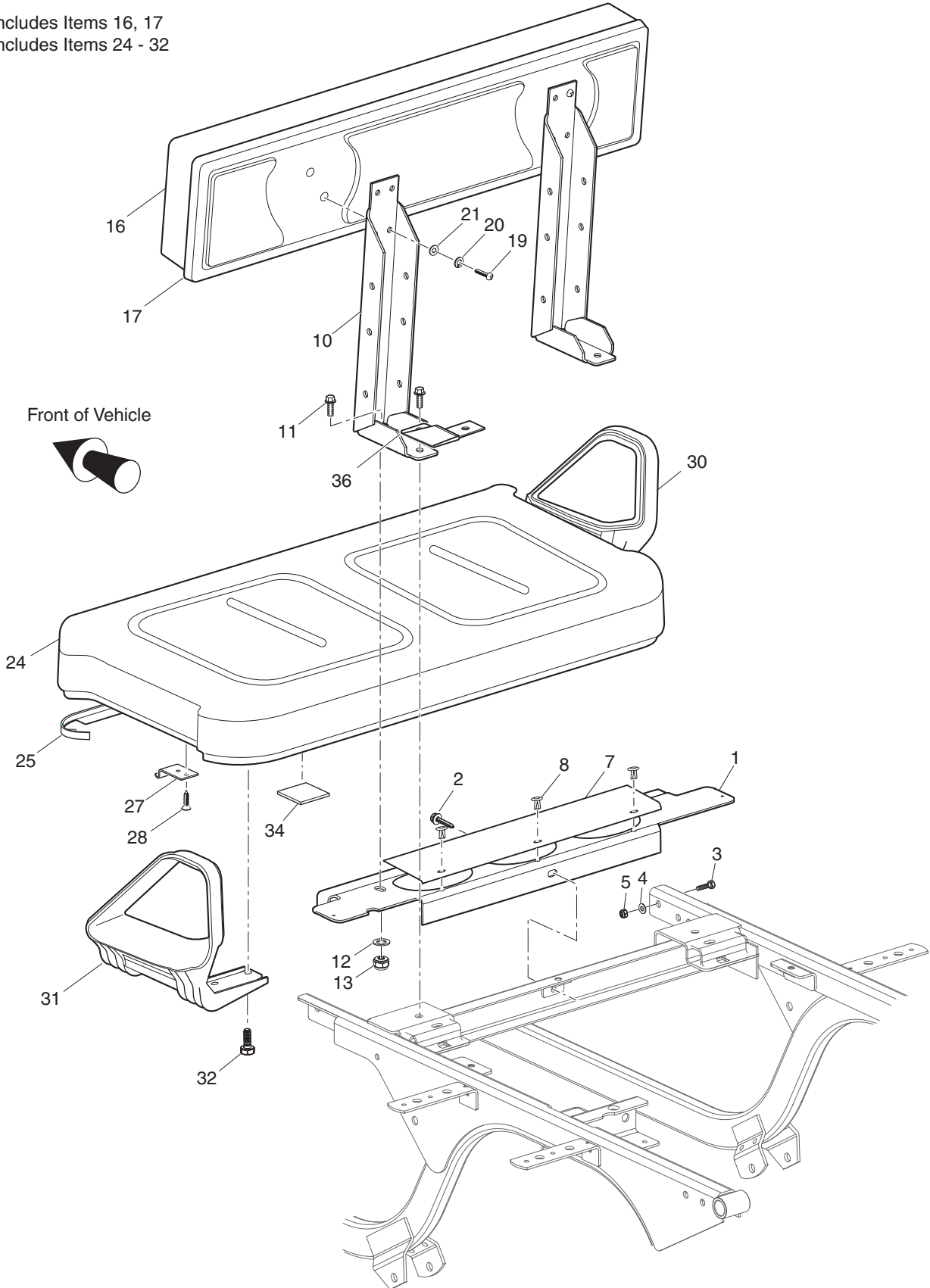
REAR SUSPENSION

THE USE OF NON U.L. PARTS WILL VOID ANY U.L. LISTING.
 When ordering parts, please specify the model and serial number of the product.
 * Indicates a component that is not available as an individual part.
 G** Indicates consult Customer Service Department for additional information.

ITEM	PART NO.	1 2 3 4 5	DESCRIPTION	QTY.
1	70248-G01		SHOCK ABSORBER.....	2
2	10435-G1		SHOCK ABSORBER WASHER	8
3	10194-G1		RUBBER SHOCK ABSORBER BUSHING	8
4	00532-G6		NUT, 3/8 - 24	4
5	10044-G01		VINYL CAP.....	4
6	74345-G03		LEAF SPRING.....	2
7	72618-G01		"U" BOLT, 3/8 - 16	4
8	00560-G1		WASHER, 3/8"	8
9	11098-G5		LOCK NUT, 3/8 - 16	8
10				
11	70289-G02		SPACER.....	4
12	70291-G01		RUBBER BUSHING	12
13	70290-G02		SHACKLE PLATE	4
14	00665-G9		BOLT, 3/8 - 16 X 3 1/2" LG (STAINLESS STEEL).....	4
15	11098-G5		LOCK NUT, 3/8 - 16	4
16				
17	14158-G1		SHOULDER BOLT, 3/8 - 16 X 3 1/4" LG.	2
18	12262-G1		LOCK NUT, 3/8 - 16	2
19	71498-G01		AXLE BUMPER BRACKET.....	2
20	70492-G01		RUBER BUMPER	2
21	00968-G01		LOCK WASHER, M10	2
22	00974-G01		NUT, M10	2

SEATING

15 - Includes Items 16, 17
23 - Includes Items 24 - 32



THE USE OF NON U.L. PARTS WILL VOID ANY U.L. LISTING.

When ordering parts, please specify the model and serial number of the product.

* Indicates a component that is not available as an individual part.

G** Indicates consult Customer Service Department for additional information.

ITEM	PART NO.	1 2 3 4 5	DESCRIPTION	QTY.
1	74675-G01		SEAT BACK SUPPORT	1
2	00715-G2		BOLT, 5/16 - 18 X 13/16" LG	1
3	00438-G8		BOLT, 5/16 - 18 X 3/4" LG	2
4	00642-G8		WASHER, 5/16"	2
5	11098-G6		LOCK NUT, 5/16 - 18	2
6				
7	71263-G01		ACCESS COVER.....	1
8	18436-G1		DRIVE RIVET.....	3
9				
10	75900-G02		SEAT BACK SUPPORT BRACKET	2
11	01006-G1		BOLT, 3/8 - 16 X 1 1/4" LG	4
12	00560-G1		WASHER, 3/8"	2
13	11098-G5		LOCK NUT, 3/8 - 16	2
14				
15	71274-G**		SEAT BACK ASSEMBLY (INCLUDES ITEMS 16, 17).....	1
16	18144-G**		VINYL SEAT BACK COVER	1
17	18868-G4		PLASTIC SEAT BACK COVER (BLACK)	1
18				
19	16705-G1		SCREW, 1/4 - 20 X 1" LG.....	4
20	00664-G7		LOCK WASHER, 1/4"	4
21	01110-G7		WASHER, 1/4"	4
22				
23	71611-G**		SEAT BOTTOM ASSEMBLY (INCLUDES ITEMS 24 - 32)	1
24	71602-G**		VINYL SEAT BOTTOM COVER	1
25	71012-G01		VINYL TRIM (SEAT BOTTOM).....	1
26				
27	71610-G01		SEAT HINGE	2
28	00720-G08		SCREW, #12 - 14 X 1" LG.	6
29				
30	71701-G01		HIP RESTRAINT (PASSENGER SIDE).....	1

SEATING

THE USE OF NON U.L. PARTS WILL VOID ANY U.L. LISTING.
 When ordering parts, please specify the model and serial number of the product.
 * Indicates a component that is not available as an individual part.
 G** Indicates consult Customer Service Department for additional information.

ITEM	PART NO.	1 2 3 4 5	DESCRIPTION	QTY.
31	71702-G01		HIP RESTRAINT (DRIVER SIDE)	1
32	71204-G01		BOLT, 1/4 - 20 X 7/8" LG.	8
33				
34	17074-G1		BUMPER	2
35				
36	71577-G01		BRACKET	2

**DID YOU
KNOW?**

CartPros directs you to the right part using the part numbers from this manual. Enter the part number into our search box and it will find the part you are looking for.

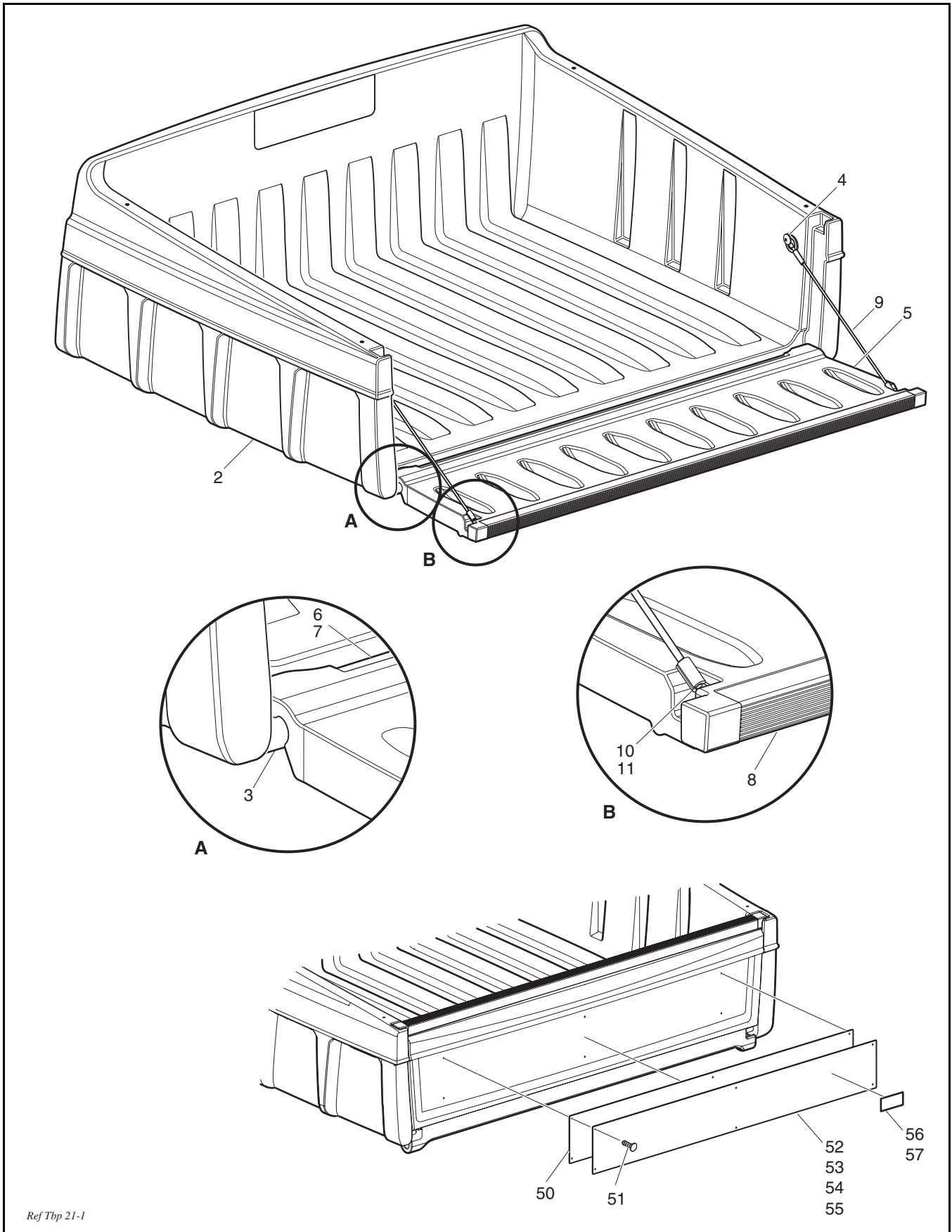
**GET STARTED
HERE**



<https://CartPros.com/f.html>

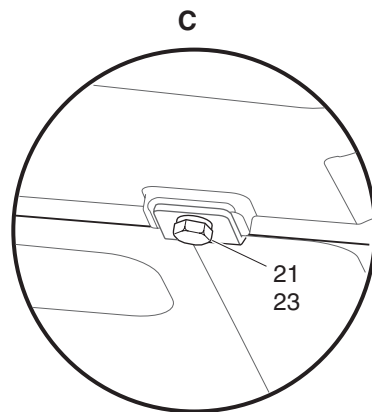
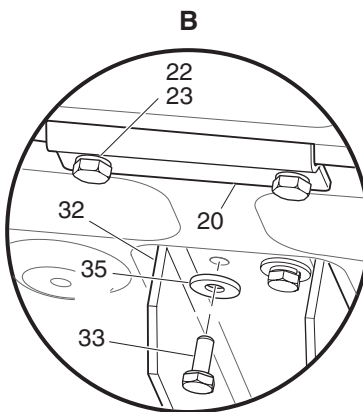
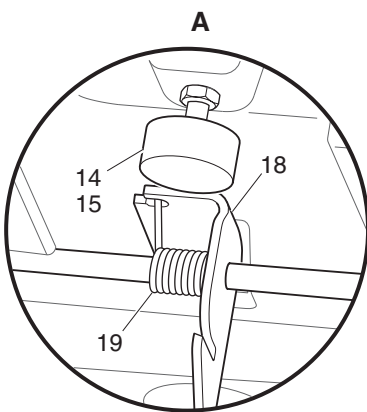
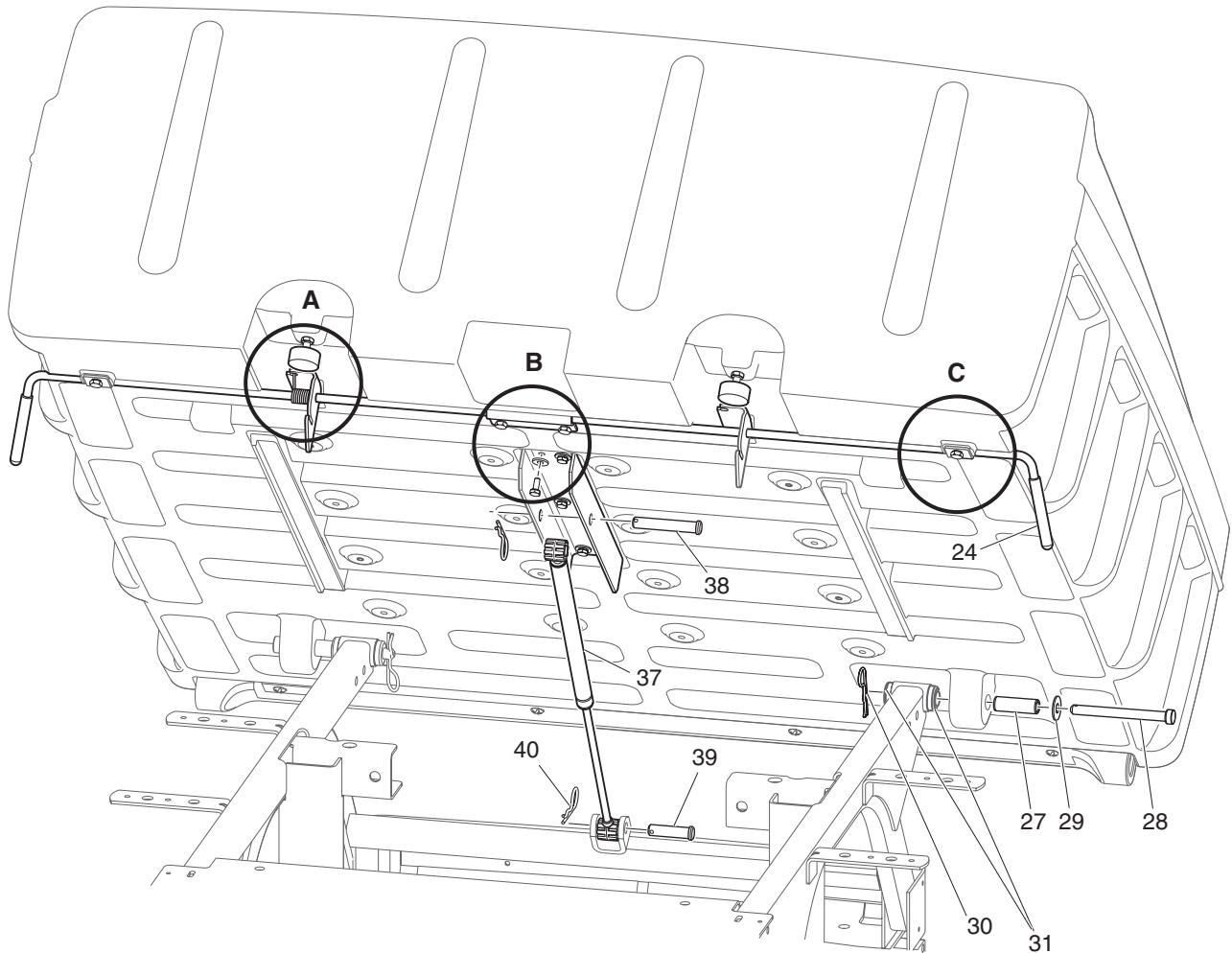
SEATING

TRUCK BED, PLASTIC



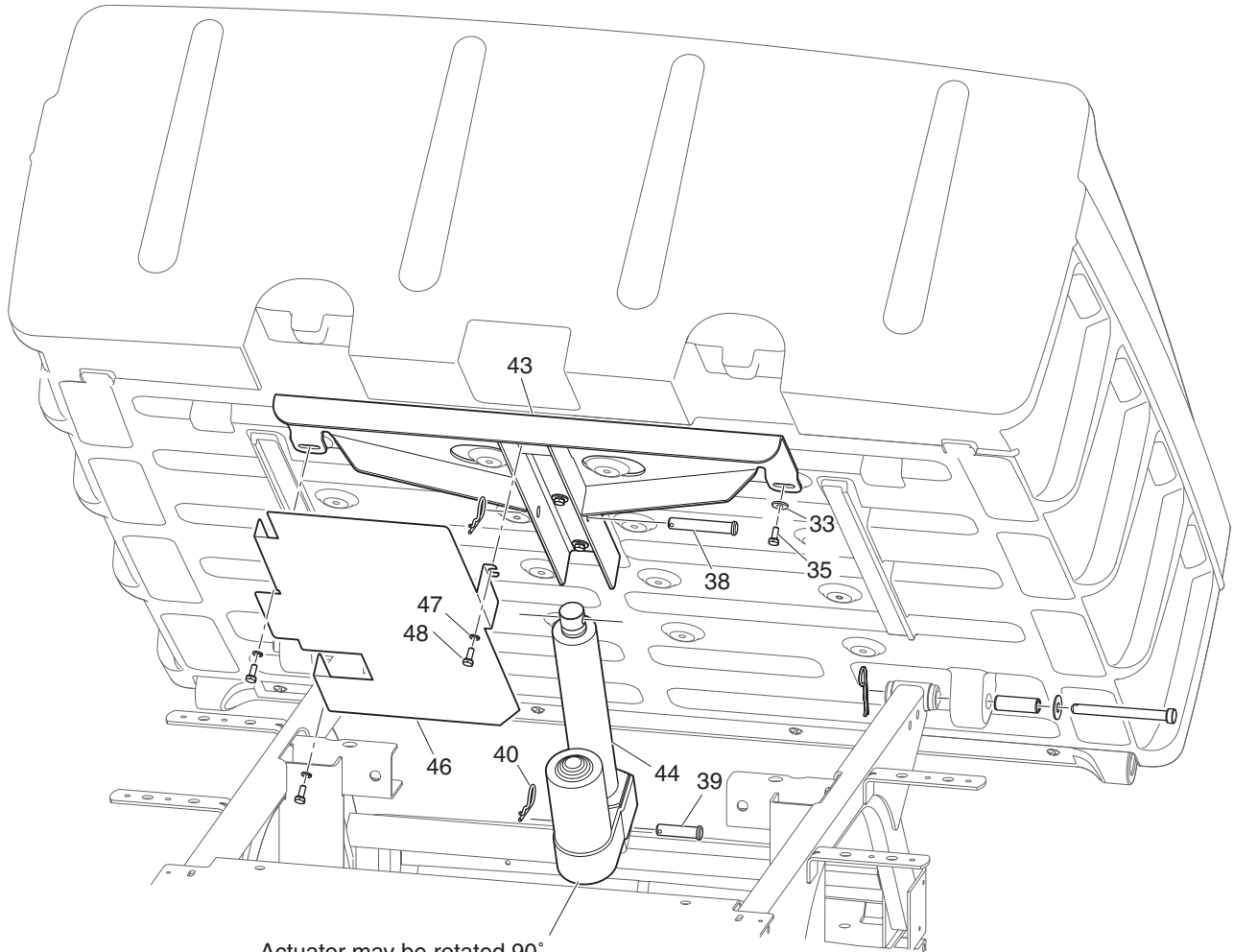
Ref Tbp 21-1

TRUCK BED, PLASTIC



Ref Tbp 21-2

TRUCK BED, PLASTIC



Actuator may be rotated 90°
on some models

Ref Tbp 21-3

TRUCK BED, PLASTIC

THE USE OF NON U.L. PARTS WILL VOID ANY U.L. LISTING.
 When ordering parts, please specify the model and serial number of the product.
 * Indicates a component that is not available as an individual part.
 G** Indicates consult Customer Service Department for additional information.

ITEM	PART NO.	1 2 3 4 5	DESCRIPTION	QTY.
1	73451-G01		BED ASSEMBLY, 40" (INCLUDES ITEMS 2 -11).....	1
2	73447-G01		PLASTIC BED, 40"	1
3	73454-G01		PIVOT SHAFT	2
4	73460-G01		SHOULDER BOLT, 1/4 - 20 X 3/4" LG.....	2
5	73448-G01		TAILGATE	1
6	73450-G01		BOWED ANGLE	1
7	16705-G2		SCREW, 1/4 - 20 X 5/8" LG (STAINLESS STEEL).....	4
8	73449-G01		EXTRUSION CHANNEL.....	1
9	73455-G01		TAILGATE CABLE	1
10	71541-G01		TAILGATE CABLE SPACER.....	2
11	16705-G2		SCREW, 1/4 - 20 X 5/8" LG (STAINLESS STEEL).....	2
12				
13				
14	70113-G01		ADJUSTABLE RUBBER BUMPER	2
15	00544-G3		JAM NUT, 5/16 - 18	2
16				
17				
18	71096-G01		BED LATCH	1
19	71538-G01		LATCH TORSION SPRING.....	1
20	71099-G02		KEEPER PLATE.....	2
21	71477-G02		RETAINER BRACKET.....	1
22	01118-G01		SCREW, 1/4 - 20 X 5/8" LG.....	4
23				
24	71704-G01		HANDLE GRIP	2
25				
26				
27	71570-G01		BUSHING	2
28	71571-G01		CLEVIS PIN.....	2
29	15121-G2		WASHER, 1 1/4 X 7/16	2
30	21683-G1		COTTER PIN.....	2

TRUCK BED, PLASTIC

THE USE OF NON U.L. PARTS WILL VOID ANY U.L. LISTING.
 When ordering parts, please specify the model and serial number of the product.
 * Indicates a component that is not available as an individual part.
 G** Indicates consult Customer Service Department for additional information.

ITEM	PART NO.	1 2 3 4 5	DESCRIPTION	QTY.
31	70291-G01		BUSHING	4
32	71569-G02		SPRING CHANNEL	1
33	01118-G01		SCREW, 1/4 - 20 X 5/8" LG.....	8
34				
35	00642-G7		WASHER, 1/4"	8
36				
37	71537-G02		GAS SPRING	2
38	14443-G10		CLEVIS PIN, 1/2" X 2 27/32" LG.....	1
39	14443-G11		CLEVIS PIN, 1/2" X 1 3/4" LG.....	1
40	21683-G1		COTTER PIN,	2
41				
42				
43	71547-G02		OUTRIGGER CHANNEL	1
44	27612-G02		ELECTRIC ACTUATOR, 12 VOLT, 1500 LBS.....	1
45	27612-G02		ELECTRIC ACTUATOR, 48 VOLT, 1500 LBS.....	1
46	72339-G02		PLASTIC BED HEAT SHIELD (GASOLINE VEHICLE ONLY).....	1
47	00642-G7		WASHER, 1/4"	2
48	01118-G01		SCREW, 1/4-20 X 5/8"	2
49				
50	74925-G01		PLATE	1
51	16816-G2		RIVET.....	6
52	74811-G01		LABEL, (E-Z-GO - MPT).....	1
53	28958-G01		LABEL, (E-Z-GO - IND).....	1
54	28960-G01		LABEL, (COMMANDER).....	1
55	74823-G01		LABEL, (JACOBSEN HAULER).....	1
56	74807-G01		LABEL, (1200).....	1
57	28968-G01		LABEL, (2200).....	1
58	74805-G01		LABEL, (1000).....	1
59	28966-G01		LABEL, (2100).....	1

**DID YOU
KNOW?**

CartPros directs you to the right part using the part numbers from this manual. Enter the part number into our search box and it will find the part you are looking for.

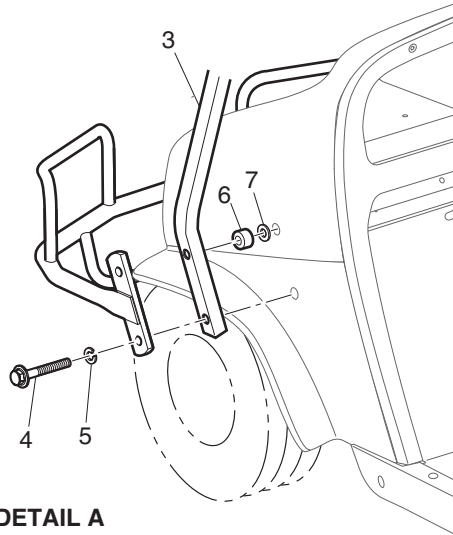
**GET STARTED
HERE**



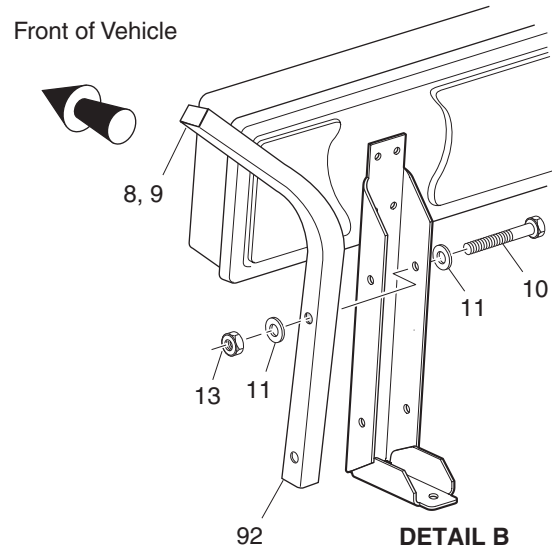
<https://CartPros.com/f.html>

TRUCK BED, PLASTIC

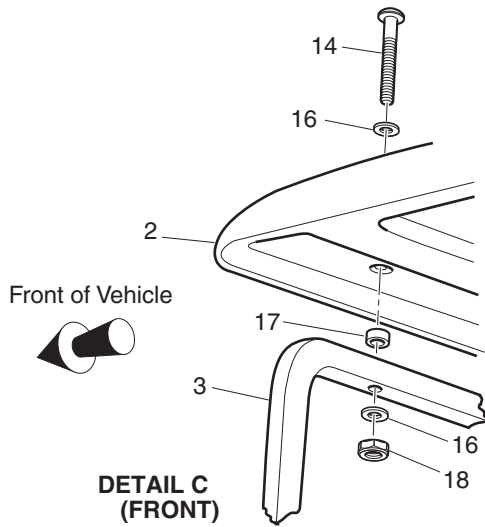
WEATHER PROTECTION



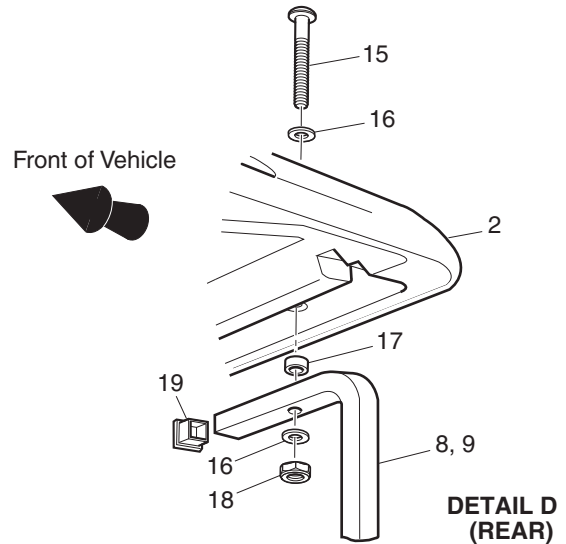
DETAIL A



DETAIL B

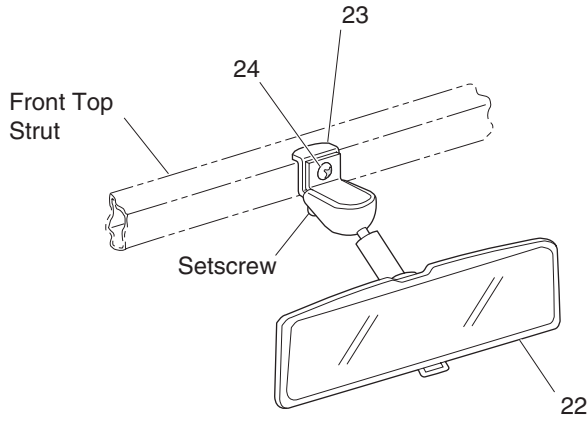


DETAIL C (FRONT)



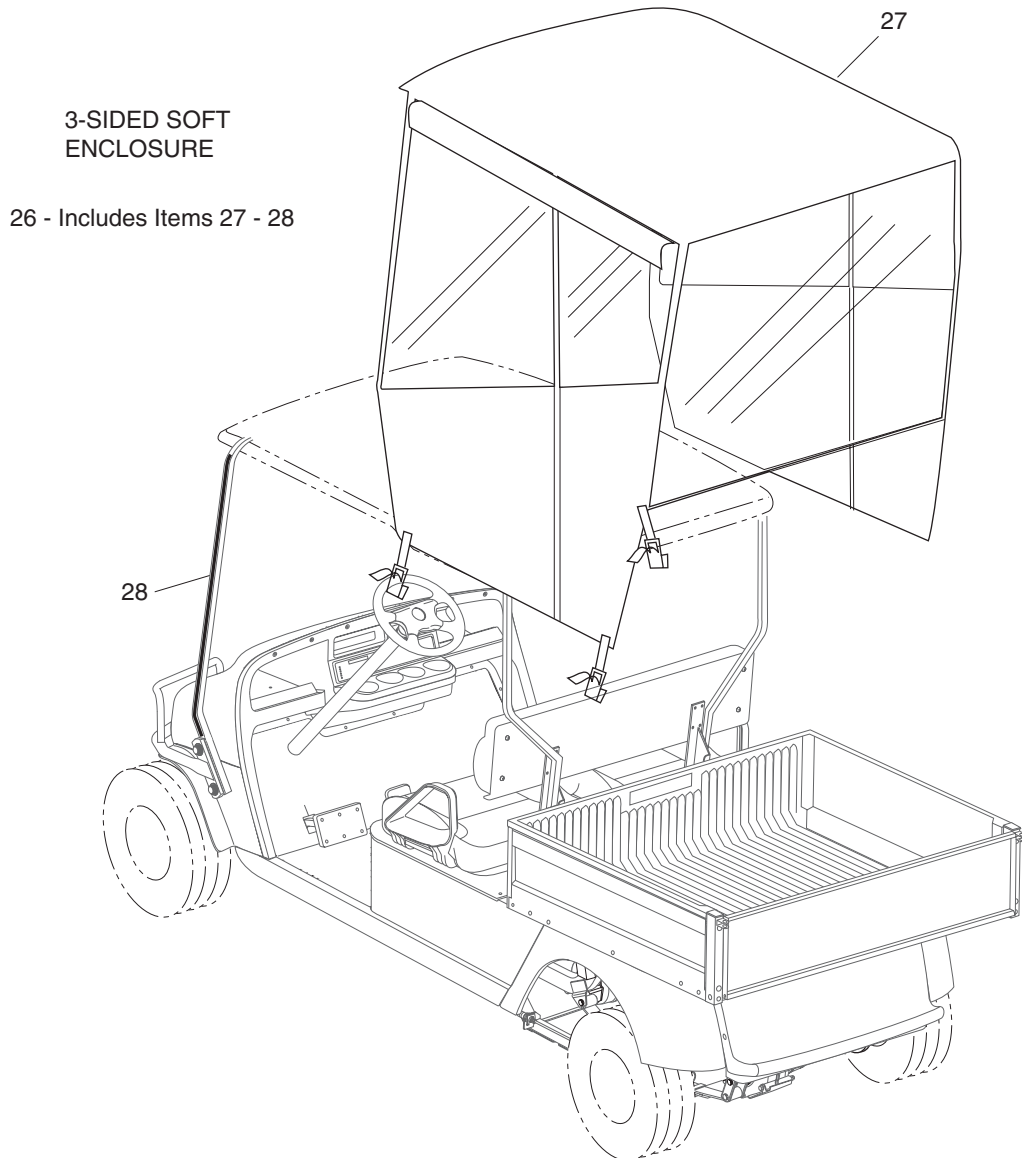
DETAIL D (REAR)

WEATHER PROTECTION



REAR VIEW MIRROR

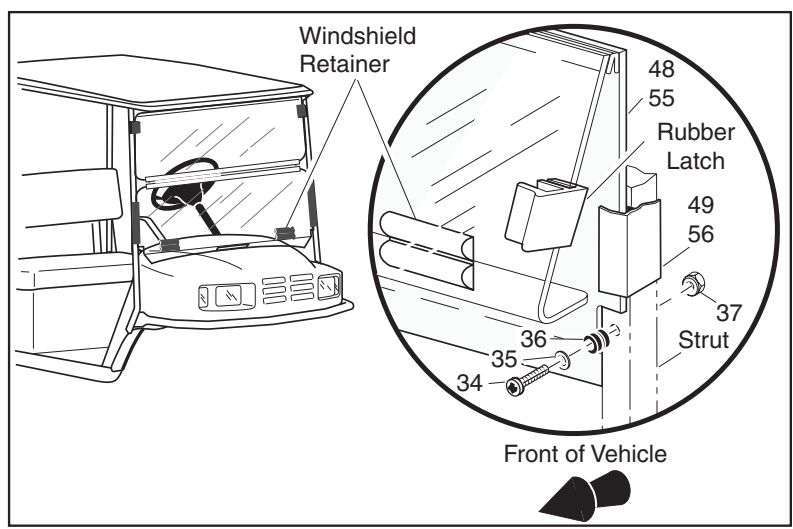
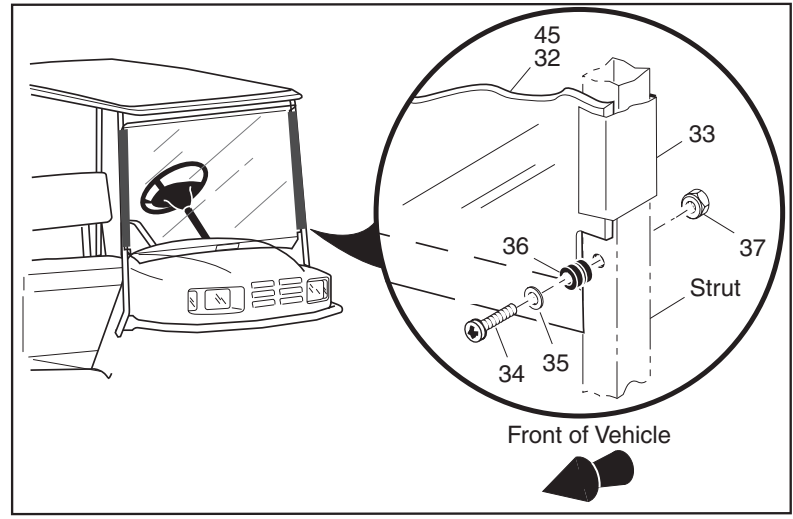
21 - Includes Items 22 - 24



3-SIDED SOFT ENCLOSURE

26 - Includes Items 27 - 28

WEATHER PROTECTION



WEATHER PROTECTION

THE USE OF NON U.L. PARTS WILL VOID ANY U.L. LISTING.
 When ordering parts, please specify the model and serial number of the product.
 * Indicates a component that is not available as an individual part.
 G** Indicates consult Customer Service Department for additional information.

ITEM	PART NO.	1 2 3 4 5	DESCRIPTION	QTY.
1	75040-G**		SUN TOP KIT (INCLUDES ITEMS 2 - 19)	1
2	27069-G01		SUN TOP	1
3	75045-G05		FRONT STRUT	1
4	01035-G01		BOLT, 5/16 - 18 X 2 1/4" LG.....	4
5	00905-G8		LOCK WASHER, 5/16"	4
6	75048-G01		SPACER, 1/2"	2
7	00570-G2		WASHER, 5/16"	6
8	75838-G04		REAR STRUT (PASSENGER SIDE)	1
9	75838-G03		REAR STRUT (DRIVER SIDE).....	1
10	00685-G7		BOLT, 5/16 - 18 X 1 3/4" LG.....	4
11	00660-G8		WASHER, 5/16"	8
12				
13	11098-G6		LOCK NUT, 5/16 - 18	4
14	00753-G5		SCREW, 1/4 - 20 X 2" LG (STAINLESS STEEL).....	2
15	00753-G6		SCREW, 1/4 - 20 X 2 1/4" LG (STAINLESS STEEL).....	2
16	01110-G01		WASHER, 1/4" (STAINLESS STEEL).....	8
17	75051-G01		SPACER	4
18	00654-G2		LOCK NUT, 1/4 - 20	4
19	19853-G1		END CAP, 1"	2
20				
21	19528-G2		REAR VIEW MIRROR KIT (REQUIRES SUN TOP) (INCLUDES ITEMS 22 - 24).....	1
22	19496-G1		REAR VIEW MIRROR	1
23	19502-G2		SUPPORT BRACKET.....	1
24	19527-G1		SCREW, #8 - 32 X 5/8" LG (STAINLESS STEEL).....	1
25				
26	75367-G**		3-SIDED SOFT ENCLOSURE (REQUIRES SUN TOP) (INCL ITEMS 27 - 28)	1
27	*		ENCLOSURE.....	1
28	*		VELCRO	AR
29				



WEATHER PROTECTION

Replacement parts for the windshield may be obtained from Eagle Parts, Inc. 1411 Marvin Griffin Rd. Augusta, GA 30906. Telephone (706) 790-6687.

* Indicates a component that is not available as an individual part.

G** Indicates consult Customer Service Department for additional information.

ITEM	PART NO.	1	2	3	4	5	DESCRIPTION	QTY.
30								
31	71966-G01						WINDSHIELD KIT (FULL) (INCLUDES ITEMS 32 - 38)	1
32	71954-G01						WINDSHIELD (FULL) (LEXAN)	1
33	EGWHC12						SASH, 26" LG.	2
34	EGWHS12						BOLT, 1/4 - 20 X 1 3/4" LG. (STAINLESS STEEL)	2
35	EGWHG12						WASHER, 1/4" (STAINLESS STEEL)	4
36	EGWHG13						RUBBER GROMMET	2
37	EGWHN12						LOCK NUT, 1/4 - 20 (STAINLESS STEEL)	2
38	EGWHL14						SAFETY LABEL.....	1
39								
40								
41								
42								
43								
44	71966-G03						WINDSHIELD KIT (FULL) (INCLUDES ITEMS 45, 33 - 37)	1
45	71960-G01						WINDSHIELD (FULL)	1
46								
47	71966-G04						WINDSHIELD KIT (SPLIT) (INCLUDES ITEMS 48, 49, 34 - 37)	1
48	71961-G01						WINDSHIELD (SPLIT).....	1
49	EGWHC10						SASH, 12" LG.	2
50								
51								
52								
53								
54	71966-G02						WINDSHIELD KIT (SPLIT) (INCLUDES ITEMS 55, 56, 34 - 37)	1
55	71955-G01						WINDSHIELD (SPLIT) (LEXAN).....	1
56	EGWHC10						SASH, 12" LG.	2

**DID YOU
KNOW?**

CartPros directs you to the right part using the part numbers from this manual. Enter the part number into our search box and it will find the part you are looking for.

**GET STARTED
HERE**



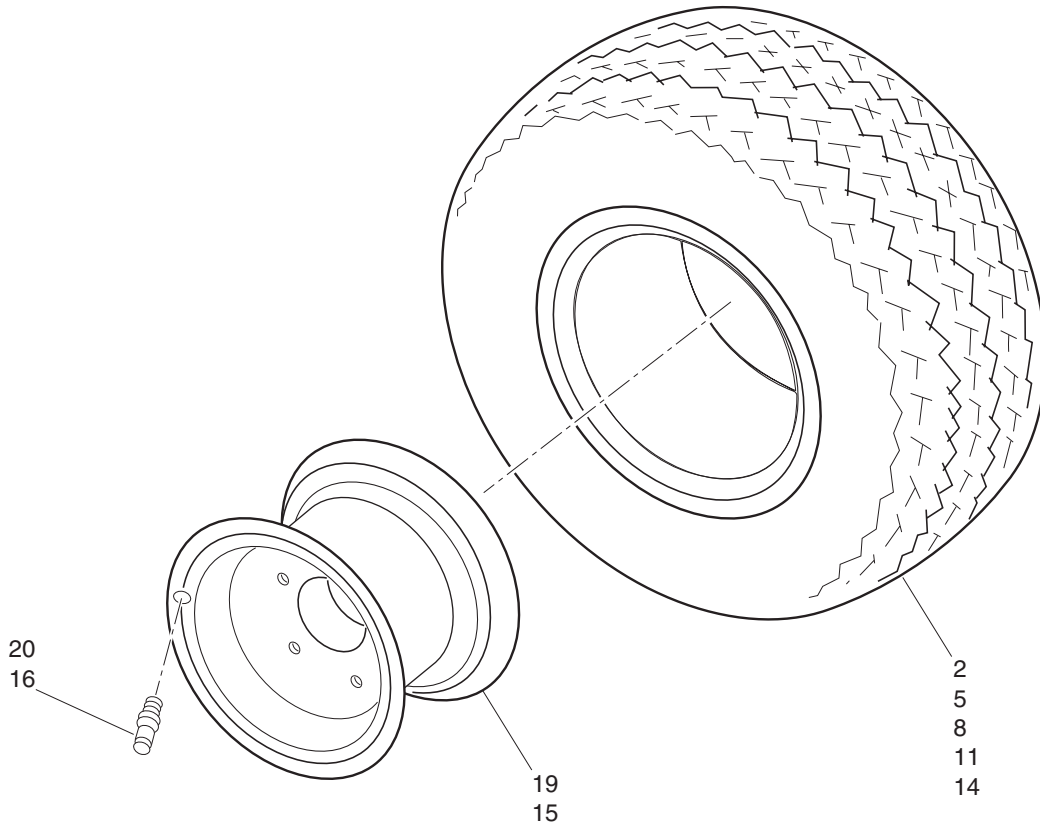
<https://CartPros.com/f.html>

WEATHER PROTECTION

WHEELS AND TIRES

- 1 - Includes Items 2, 19, 20
- 4 - Includes Items 5, 19, 20
- 7 - Includes Items 8, 19, 20
- 10 - Includes Items 11, 19, 20
- 13 - Includes Items 14, 15, 16

Tire design may vary by Part Number



Ref Whl 3-1

WHEELS AND TIRES



GOLD / SILVER SPOKE HUBCAP
22, 23

WHEELS AND TIRES

When ordering parts, please specify the model and serial number of the product.
 * Indicates a component that is not available as an individual part.
 G** Indicates consult Customer Service Department for additional information.

ITEM	PART NO.	1 2 3 4 5	DESCRIPTION	QTY.
1	27770-G01		WHEEL AND TIRE ASSEMBLY, LINKS (INCLUDES ITEMS 2, 19, 20)	A/R
2	28757-G01		CARLISLE TIRE (LINKS 18 X 8.5 - 8, 4 PLY RATED).....	A/R
3				
4	27770-G03		WHEEL AND TIRE ASSEMBLY, TURF SAVER (INCLUDES ITEMS 5, 19, 20)	A/R
5	28757-G03		CARLISLE TIRE (TURF SAVER 18 X 8.5 - 8, 4 PLY RATED)	A/R
6				
7	27770-G06		WHEEL AND TIRE ASSEMBLY, LINKS (INCLUDES ITEMS 8, 19, 20)	A/R
8	28757-G05		CARLISLE TIRE (LINKS 18 X 8.5 - 8, 4 PLY RATED).....	A/R
9				
10	27774-G01		WHEEL AND TIRE ASSEMBLY, USA TRAIL (INCLUDES ITEMS 11, 19, 20) ...	A/R
11	28764-G06		CARLISLE TIRE (USA TRAIL 6 PLY 18.5 X 8.5 - 8, LOAD RANGE C)	A/R
12				
13	27784-G02		WHEEL AND TIRE ASSEMBLY, USA TRAIL (INCLUDES ITEMS 14, 15 16)	A/R
14	27784-G04		CARLISLE TIRE (USA TRAIL 5.70 X 8).....	A/R
15	33678-G01		WHEEL RIM (4 LUG).....	A/R
16	26482-G01		VALVE STEM.....	A/R
17				
18				
19	28759-G01		WHEEL RIM (4 LUG).....	A/R
20	11657-G1		VALVE STEM.....	A/R
21				
22	19241-G*		GOLD SPOKE HUBCAP (OPTIONAL)	A/R
23	19241-G*		SILVER SPOKE HUBCAP (OPTIONAL)	A/R

**DID YOU
KNOW?**

CartPros directs you to the right part using the part numbers from this manual. Enter the part number into our search box and it will find the part you are looking for.

**GET STARTED
HERE**



<https://CartPros.com/f.html>

SPECIALTY PRODUCTS

SPECIALTY PRODUCTS

SPECIALTY PRODUCTS

SPECIAL TOOLS	PART NO.
BATTERY MAINTENANCE KIT	25587-G01
SEAL INSTALLATION TOOL (REAR AXLE SHAFT SEAL)	18739-G1
BATTERY SET DISCHARGER, 36 VOLT, 75 AMP	28251-G01
CURRENT INDICATOR.....	16489-G2
DIGITAL MULTI-METER	27481-G01
CRIMPING TOOL	27765-G01
SLIDE HAMMER (AXLE/HUB REMOVAL)	15947-G1
SLIDE HAMMER (AXLE REMOVAL ONLY)	18753-G1

TOUCH UP PAINT	PART NO.
PEN 3 OUNCE (89 ML) - HUNTER GREEN	28432-G02
PEN 3 OUNCE (89 ML) - CHAMPAGNE BEIGE	28432-G01
PEN 3 OUNCE (89 ML) - WHITE	28432-G05
PEN 3 OUNCE (89 ML) - INDUSTRIAL YELLOW.....	28432-G03
PEN 3 OUNCE (89 ML) - ORANGE	28432-G04
PEN 3 OUNCE (89 ML) - STEEL BLUE PEARL	28432-G**
PEN 3 OUNCE (89 ML) - CAMOUFLAGE PAINT (THREE PENS)	75831-G01
AEROSOL 12 OUNCE (360 ML) - HUNTER GREEN	28140-G09
AEROSOL 12 OUNCE (360 ML) - CHAMPAGNE BEIGE	28140-G15
AEROSOL 12 OUNCE (360 ML) - WHITE	28140-G03
AEROSOL 12 OUNCE (360 ML) - INDUSTRIAL YELLOW.....	28140-G14
AEROSOL 12 OUNCE (360 ML) - ORANGE	28140-G13
AEROSOL 12 OUNCE (360 ML) - STEEL BLUE PEARL	28140-G**

MAINTENANCE PRODUCTS	PART NO.
FORMULA 40 VINYL-COAT® - WHITE	28166-G01
PLEXUS® CLEANER, 7 OUNCE (210 ML) (FOR WINDSHIELDS)	28433-G01
PLEXUS® CLEANER, 13 OUNCE (380 ML) (FOR WINDSHIELDS)	28433-G02
BATTERY PROTECTOR, 14 OUNCE (410 ML) SPRAY	75500-G01
WHITE LITHIUM GREASE, 14 OUNCE (410 ML) SPRAY.....	75502-G01
PENETRANT/LUBRICANT, 15 OUNCE (440 ML) SPRAY	75503-G01
MULTI-PURPOSE CLEANER & DEGREASER, 14 OUNCE (410 ML) SPRAY	75504-G01
MULTI-PURPOSE HAND CLEANER, 32 OUNCE (950 ML) LIQUID	75505-G01

SPECIALTY PRODUCTS

BATTERY CLEANER, 32 OUNCE (950 ML) WITH TRIGGER SPRAYER	75506-G01
BIO-DEGRADABLE CLEANER, 32 OUNCE (950 ML) WITH TRIGGER SPRAYER	75507-G01
MULTI-PURPOSE VALUE PACK	75508-G01
• BATTERY PROTECTOR, 4 OUNCE (120 ML) SPRAY	
• PENETRANT/LUBRICANT, 4 OUNCE (120 ML) SPRAY	
• WHITE LITHIUM GREASE, 4 OUNCE (120 ML) SPRAY	
• CARBURETOR & CHOKE CLEANER, 4 OUNCE (120 ML) SPRAY	

**DID YOU
KNOW?**

CartPros directs you to the right part using the part numbers from this manual. Enter the part number into our search box and it will find the part you are looking for.

**GET STARTED
HERE**



<https://CartPros.com/f.html>

OPTIONS/ACCESSORIES

OPTIONS/ACCESSORIES

**DID YOU
KNOW?**

CartPros directs you to the right part using the part numbers from this manual. Enter the part number into our search box and it will find the part you are looking for.

**GET STARTED
HERE**



<https://CartPros.com/f.html>

OPTIONS/ACCESSORIES

OPTIONS/ACCESSORIES

ITEM	KIT NO.	COMMENTS
ACCESSORIES LISTING		
	KIT NO.	
ASHTRAY KIT	75109-G04	See BODY
BALL HITCH KIT	74492-G01	See BODY
CLEVIS HITCH KIT	74492-G05	See BODY
DEFROSTER/COOLING FAN	74248-G01	See CAB
DOOR SET	75856-G0*	See CAB
DOOR SET (VINYL)	75855-G01	See CAB
ELECTRIC DUMP KIT	74658-G05	See TRUCKBED
GLOVE BOX DOOR	75456-G0*	See BODY
HOUR METER KIT	74914-G02	See ELECTRICAL SYSTEM
INSIDE MIRROR	27924-G01	See WEATHER PROTECTION
INSTRUMENT/SWITCH PANEL	74250-G01	See CAB
REAR VIEW MIRROR KIT	19528-G2	See WEATHER PROTECTION
SOFT ENCLOSURE	75367-G**	See WEATHER PROTECTION
STEEL CAB, W/O DOORS	75854-G0*	See CAB
STROBE LIGHT	74245-G01	See CAB
SUN TOP KIT	75040-G**	See WEATHER PROTECTION
TURN SIGNAL KIT	75107-G02	See ELECTRICAL SYSTEM
GOLD SPOKE WHEEL COVERS	19241-G*	See WHEELS AND TIRES
SILVER SPOKE WHEEL COVERS	19241-G*	See WHEELS AND TIRES
WINDSHIELDS	71966-G0*	See WEATHER PROTECTION
WINDSHIELD WIPER	74244-G01	See CAB
WORK LIGHTS	74247-G01	See CAB
WORK LIGHT BAR WITH LIGHTS	71323-G04	See ELECTRICAL SYSTEM
WORK LIGHT BAR WITH STROBE	71323-G05	See ELECTRICAL SYSTEM
WORK LIGHT BAR WITH LIGHTS AND STROBE	71323-G06	See ELECTRICAL SYSTEM

**DID YOU
KNOW?**

CartPros directs you to the right part using the part numbers from this manual. Enter the part number into our search box and it will find the part you are looking for.

**GET STARTED
HERE** →

<https://CartPros.com/f.html>

OPTIONS/ACCESSORIES

ITEM

KIT NO.

COMMENTS

**DID YOU
KNOW?**

CartPros directs you to the right part using the part numbers from this manual. Enter the part number into our search box and it will find the part you are looking for.

**GET STARTED
HERE**



<https://CartPros.com/f.html>



A Textron Company

E-Z-GO Division of Textron, Inc.

P.O. Box 388 Augusta, Georgia 30903-0388 USA

Inside USA Phone: 1-800-241-5855, FAX: 1-800-448-8124

Outside USA Phone: 010-1-706-798-4311, FAX: 010-1-706-771-4609

Copyrighted Material
This manual may not be reproduced in whole or
in part without the express permission of
E-Z-GO Division of Textron, Inc.
Technical Communications Department