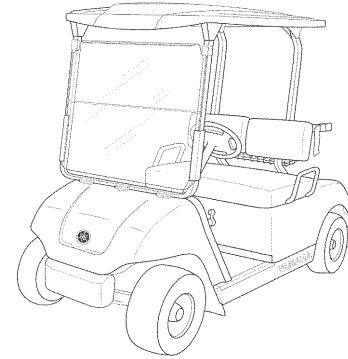


**DID YOU  
KNOW?**

**CartPros** directs you to the right part using the part numbers from this manual. Enter the part number into our search box and it will find the part you are looking for.

**GET STARTED  
HERE** →

<https://CartPros.com/f.html>



## PARTS CATALOGUE

MODEL YEAR 2003

**G-MAX** 4-STROKE

**G22AY (JU01)**

STARTING VIN: JU0-000101 and following

**OWNERS**        LIT-11626-  
**ASSEMBLY**    LIT-11666-  
**SERVICE**       LIT-11616-

## CONTENTS

ACCELERATOR	C2
AIR SHROUD FAN	A9
BODY 2 REAR	D2-3
BODY FITTING	D4
BODY FRONT	C12 ,D1
BRAKE	B10-11
BRAKE 2	B12
BRAKE 3	C1
BUMPER	C11
CAMSHAFT VALVE	A8
CARBURETOR	A11
CARRIER	D5
CRANKCASE	B1
CRANKSHAFT PISTON	A7
CYLINDER HEAD	A6
ELECTRICAL 1	D9
ELECTRICAL 2	D10-11
ENGINE ASSEMBLY	A5
ENGINE MOUNT	B2
EXHAUST	A12
FRAME	B4
FRONT SUSPENSION WHEEL	B5-6
FUEL TANK	B9
GOVERNOR	C3
INTAKE	A10
OPTIONAL HUB CAPS	D12
OPTIONAL LIGHT KIT	E3
OPTIONAL SUN ROOF	E2
OPTIONAL WINDSHIELD	E1
PRIMARY CLUTCH	C4
REAR ARM SUSPENSION	B3
REAR AXLE MOUNT WHEEL	C9
SEAT	D6
SECONDARY SHEAVE	C5
SHIFTER CABLES	C10
STARTER GENERATOR	D7-8
STEERING	B7-8
TRANSMISSION	C6-8

**CONTENTS**

ACCELERATOR	C2
AIR SHROUD FAN	A9
BODY 2 REAR	D2-3
BODY FITTING	D4
BODY FRONT	C12 ,D1
BRAKE	B10-11
BRAKE 2	B12
BRAKE 3	C1
BUMPER	C11
CAMSHAFT VALVE	A8
CARBURETOR	A11
CARRIER	D5
CRANKCASE	B1
CRANKSHAFT PISTON	A7
CYLINDER HEAD	A6
ELECTRICAL 1	D9
ELECTRICAL 2	D10-11
ENGINE ASSEMBLY	A5
ENGINE MOUNT	B2
EXHAUST	A12
FRAME	B4
FRONT SUSPENSION WHEEL	B5-6
FUEL TANK	B9
GOVERNOR	C3
INTAKE	A10
OPTIONAL HUB CAPS	D12
OPTIONAL LIGHT KIT	E3
OPTIONAL SUN ROOF	E2
OPTIONAL WINDSHIELD	E1
PRIMARY CLUTCH	C4
REAR ARM SUSPENSION	B3
REAR AXLE MOUNT WHEEL	C9
SEAT	D6
SECONDARY SHEAVE	C5
SHIFTER CABLES	C10
STARTER GENERATOR	D7-8
STEERING	B7-8
TRANSMISSION	C6-8

**FOREWORD**

**-INTRODUCTION-  
To The Yamaha Parts Fiche**

This parts fiche lists parts and sub-assemblies for the G22AY. When preparing a parts order, please refer to the most recently updated microfiche for this model.

**THE YAMAHA PARTS FICHE**

**SYMBOLS**

[ ]	Inactive, no longer available
U.R.	Use size (thickness) and/or number as required
U.N.	Use as many as you need
T	Number of teeth in a gear
V	Voltage for light bulbs
S	"S" type oil seal or "S" type circlip
SD,SO,SW	"SD", "SO", or "SW" type oil seal
E,R	"E" or "R" type circlip
F/No.	Frame No. (Applicable Machine No.)
L.M.	Locally made
O.L.	Obtain locally
AP	Alternate Part

**SUPERSEDED PART NUMBERS**

If part 'A' has been superseded by part 'B', the superseding part number "B" will appear in the part number listing with the superseded part number "A" appearing in parentheses immediately following the description.

**EXAMPLE:**

Ref. No.	Part No.	Description	Qty.
	(Part 'B')	(Part 'A')	
8	123-45678-00-00	CYLINDER (111-12345-00-00)	1

A part that has been superseded to a kit may be identified by a 99999-00000-00 part number appearing in the part number column. The old superseded part number will appear in parentheses immediately following the description. Listed directly below the 99999 part number will be those parts making up the kit. The description of the parts making up the kit will be preceded by a small black dot (.) and the description will be indented one letter space.

**EXAMPLE:**

Ref. No.	Part No.	Description	Qty.
8	99999-12345-00	CYLINDER (111-12345-00-00)	1
	234-56789-00-00	• HEAD, CYLINDER	1
	345-67890-00-00	• GASKET, CYLINDER	1

**SIZES**

Except for steel balls (ball sizes are indicated in inches), all parts sizes are indicated in millimeters as in the following examples:

Hose (Rubber or Vinyl)	.....Inside Diameter - Length
O-Ring	.....Section Area - Inside Diameter
Washer, Shim, Collar	.....Inside Diameter - Outside Diameter Thickness (Length)

**ASSEMBLIES AND COMPONENT PARTS**

Assemblies and their component parts, are identified by an indentation of one letter space, and the description is preceded by a dot (.). If two main assemblies are listed, and have the same basic description (i.e.: left and right sides of the same assembly), one will immediately follow the other. If each of these main assemblies is made up of almost the same components, these component parts will be listed immediately under the second main assembly line and will be indicated, as noted above.

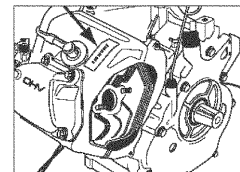
If the component is the same for both main assemblies, the quantity indicated will be the total required. If the component is not the same for both main assemblies, the quantity for each separate item will be listed separately.

**EXAMPLE:**

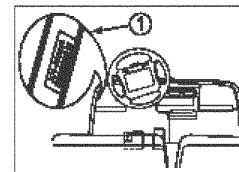
Description	Qty
CARBURETOR ASSY, LEFT	.....1
CARBURETOR ASSY, RIGHT	.....1
. JET, PILOT	.....2
. NOZZLE, MAIN	.....2
. LEVER, STARTER, LEFT	.....1
. LEVER, STARTER, RIGHT	.....1

**APPLICABLE SERIAL NO.**

(1) Engine Serial No.



(2) Frame Serial No.



**CONTENTS**

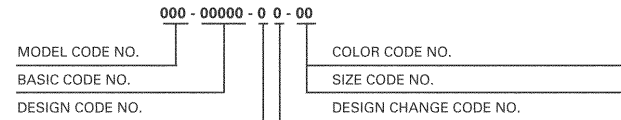
ACCELERATOR	C2
AIR SHROUD FAN	A9
BODY 2 REAR	D2-3
BODY FITTING	D4
BODY FRONT	C12 ,D1
BRAKE	B10-11
BRAKE 2	B12
BRAKE 3	C1
BUMPER	C11
CAMSHAFT VALVE	A8
CARBURETOR	A11
CARRIER	D5
CRANKCASE	B1
CRANKSHAFT PISTON	A7
CYLINDER HEAD	A6
ELECTRICAL 1	D9
ELECTRICAL 2	D10-11
ENGINE ASSEMBLY	A5
ENGINE MOUNT	B2
EXHAUST	A12
FRAME	B4
FRONT SUSPENSION WHEEL	B5-6
FUEL TANK	B9
GOVERNOR	C3
INTAKE	A10
OPTIONAL HUB CAPS	D12
OPTIONAL LIGHT KIT	E3
OPTIONAL SUN ROOF	E2
OPTIONAL WINDSHIELD	E1
PRIMARY CLUTCH	C4
REAR ARM SUSPENSION	B3
REAR AXLE MOUNT WHEEL	C9
SEAT	D6
SECONDARY SHEAVE	C5
SHIFTER CABLES	C10
STARTER GENERATOR	D7-8
STEERING	B7-8
TRANSMISSION	C6-8

**FOREWORD**

**THE YAMAHA PART NUMBER**

The Yamaha part number consists of 12 digits. Each number represents a specific piece of information relating to a replacement part. The following is a guide for reading and interpreting the Yamaha part number.

**BASIC PART NUMBER CONFIGURATION:**



**MODEL CODE NUMBER**

FIRST THREE DIGITS . . . 000-00000-00-00

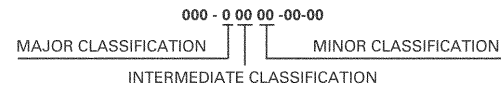
Every model in each Yamaha product line is assigned a model number to identify that particular model. All component parts are given the model code number relating to the model on which they were first used.

Example: 4DU-00000-00-00 identifies the XJ600SE.  
3FA-00000-00-00 identifies the YFA1E.

**BASIC CODE NUMBER**

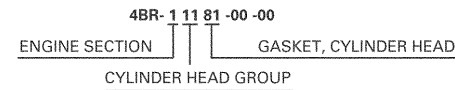
MIDDLE FIVE DIGITS . . . 000-00000-00-00

These "Middle Five Digits" indicate the type of part i.e., piston, rings, lower units, etc. The five digits are broken down as follows:



The "Major Classification" indicates the section to which the parts belong, i.e., engine, electrical etc. The "Intermediate" and "Minor Classifications" indicate more specific details.

Example:



**DESIGN CODE NUMBER: 000-00000-00-00**

The design code distinguishes like component parts from one another when specification differences are involved. For example, distinguishing a standard size piston ring from an oversized piston ring.

Example:

4BR-11610- 0 0-00 Standard Piston Ring Set for XJ600SE  
4BR-11610- 2 0-00 Oversize Piston Ring Set for XJ600SE

**DESIGN CHANGE CODE NUMBER: 000-00000-00-00**

This code number is used to identify a difference between a new component part and old one when a new part is created by changing the old one.

Example: YFZ350E

2GU-11610-0 0 -00 PISTON RING SET, STD. - ORIGINAL  
2GU-11610-0 1 -00 PISTON RING SET, STD. - FIRST DESIGN CHANGE

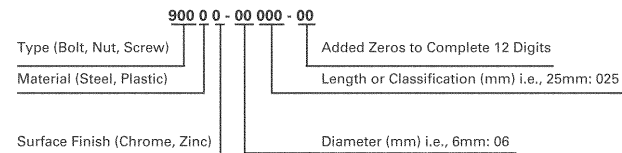
Only major changes to performance, durability, quality, appearance, cost or interchangeability will affect a part number change.

**COLOR CODE & SIZE CODE NUMBER: 000-00000-00-00**

When applicable, the last two digits of the part number identify:

1. Color Code: The painted color or type of plating or surface treatment used on certain parts.
2. Size Code: The last two digits are also used to show the size of parts (mm). Such as the thickness of shims or the size of pistons.

**HARDWARE (Fastener) PART NUMBER CONFIGURATION:**



**TYPE:**

A fastener part number always begins with the number "9" followed by either a 0, 1, 2, 3, 4, 5, 6, 7 or 8 designating one of eight major divisions within this group.

## FOREWORD

**Example:**

- 9 0 000-00000-00 "0" designates various types.
- 9 1 000-00000-00 "1" designates bolts, cotter pins, etc.
- 9 2 000-00000-00 "2" designates screw, nuts, etc.
- 9 3 000-00000-00 "3" designates oil seals, o-rings, bearings, etc.
- 9 4 000-00000-00 "4" designates spark plugs.
- 9 5 000-00000-00 "5" designates bolts and nuts.
- 9 7 000-00000-00 "7" designates ISO bolts.
- 9 8 000-00000-00 "8" designates ISO screws and nuts.

The only major divisions which the mechanic should become familiar with are those related to the general hardware (nuts, bolts, and washers), since these are the most commonly used and most often replaced items. By knowing how to interpret the part number, the dimensions of a piece of hardware can be determined. This can be very helpful during major engine repair, and general parts replacement.

**BOLT EXAMPLE:**

**91311 - 06 018 - 00**

6mm outside diameter      18mm in length

**EXCEPTION:**

It is NOT possible to identify the LENGTH of bolts having a 901 prefix. Only the bolt diameter can be identified with this number.

**NUT AND WASHER EXAMPLE:**

**95301 - 08600 - 00 NUT**

8mm inside diameter

**90201 - 25290 - 00 WASHER**

25mm inside diameter

## CONTENTS

ACCELERATOR	C2
AIR SHROUD FAN	A9
BODY 2 REAR	D2-3
BODY FITTING	D4
BODY FRONT	C12 ,D1
BRAKE	B10-11
BRAKE 2	B12
BRAKE 3	C1
BUMPER	C11
CAMSHAFT VALVE	A8
CARBURETOR	A11
CARRIER	D5
CRANKCASE	B1
CRANKSHAFT PISTON	A7
CYLINDER HEAD	A6
ELECTRICAL 1	D9
ELECTRICAL 2	D10-11
ENGINE ASSEMBLY	A5
ENGINE MOUNT	B2
EXHAUST	A12
FRAME	B4
FRONT SUSPENSION WHEEL	B5-6
FUEL TANK	B9
GOVERNOR	C3
INTAKE	A10
OPTIONAL HUB CAPS	D12
OPTIONAL LIGHT KIT	E3
OPTIONAL SUN ROOF	E2
OPTIONAL WINDSHIELD	E1
PRIMARY CLUTCH	C4
REAR ARM SUSPENSION	B3
REAR AXLE MOUNT WHEEL	C9
SEAT	D6
SECONDARY SHEAVE	C5
SHIFTER CABLES	C10
STARTER GENERATOR	D7-8
STEERING	B7-8
TRANSMISSION	C6-8



# DID YOU KNOW?

CartPros directs you to the right part using the part numbers from this manual. Enter the part number into our search box and it will find the part you are looking for.

**GET STARTED  
HERE** →

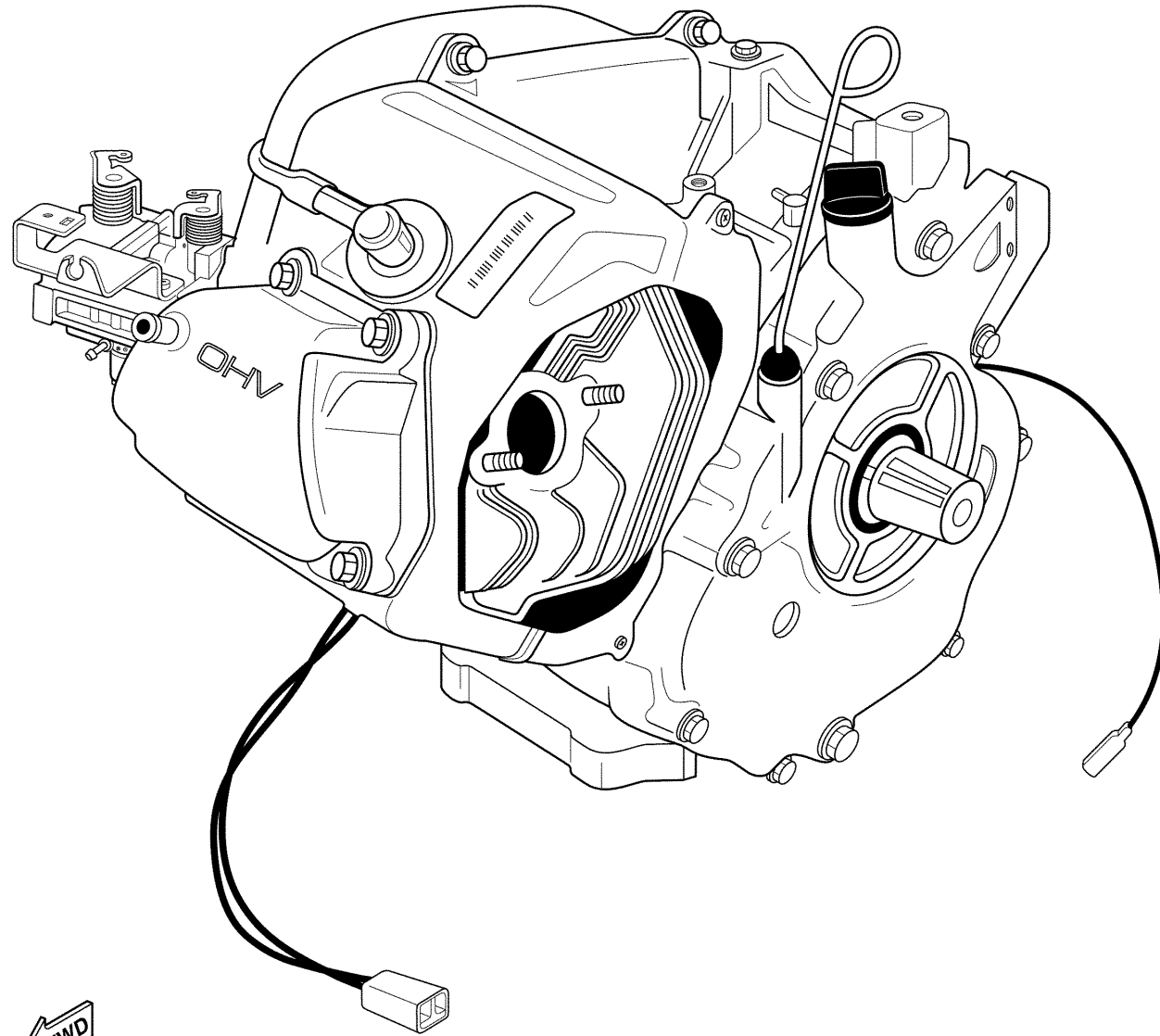
<https://CartPros.com/f.html>

## ENGINE ASSEMBLY

Ref. No.	Part Number	Description	Qty	Remarks
1	JR6-19001-00-00	ENGINE ASSEMBLY .....	1	

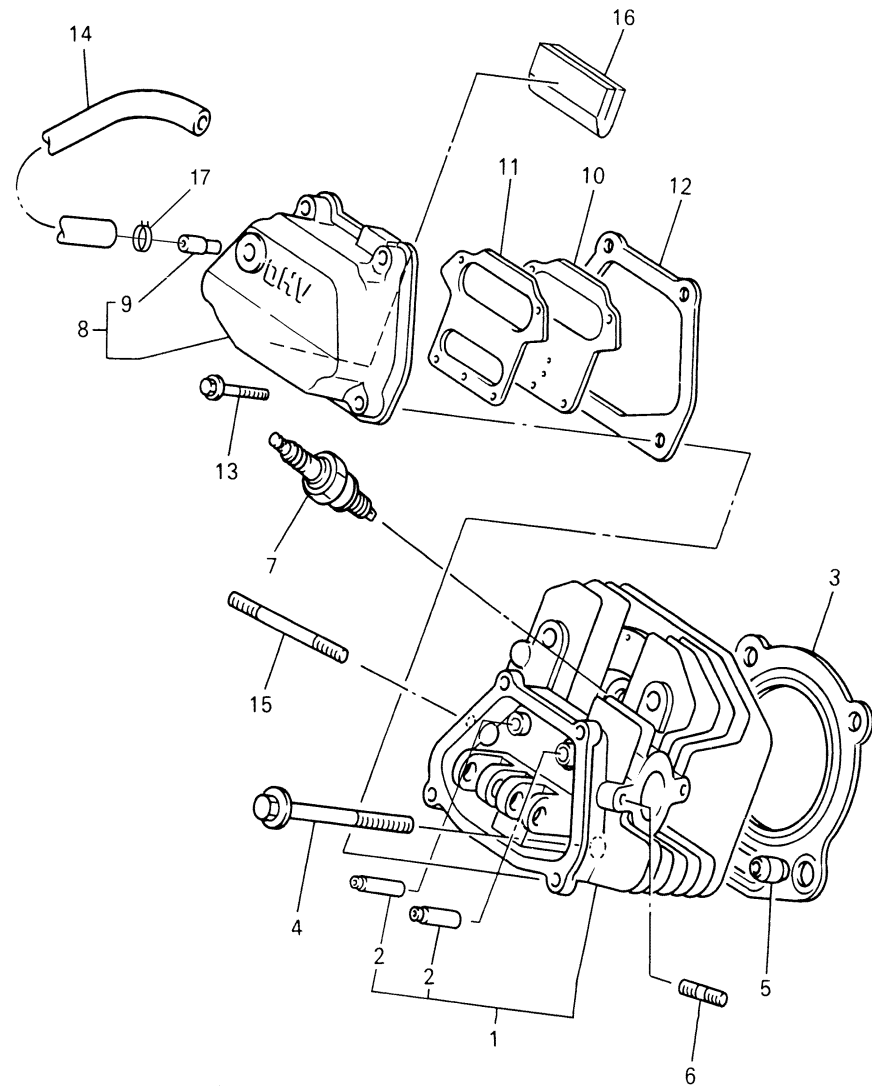
### CONTENTS

ACCELERATOR	C2
AIR SHROUD FAN	A9
BODY 2 REAR	D2-3
BODY FITTING	D4
BODY FRONT	C12 ,D1
BRAKE	B10-11
BRAKE 2	B12
BRAKE 3	C1
BUMPER	C11
CAMSHAFT VALVE	A8
CARBURETOR	A11
CARRIER	D5
CRANKCASE	B1
CRANKSHAFT PISTON	A7
CYLINDER HEAD	A6
ELECTRICAL 1	D9
ELECTRICAL 2	D10-11
ENGINE ASSEMBLY	A5
ENGINE MOUNT	B2
EXHAUST	A12
FRAME	B4
FRONT SUSPENSION WHEEL	B5-6
FUEL TANK	B9
GOVERNOR	C3
INTAKE	A10
OPTIONAL HUB CAPS	D12
OPTIONAL LIGHT KIT	E3
OPTIONAL SUN ROOF	E2
OPTIONAL WINDSHIELD	E1
PRIMARY CLUTCH	C4
REAR ARM SUSPENSION	B3
REAR AXLE MOUNT WHEEL	C9
SEAT	D6
SECONDARY SHEAVE	C5
SHIFTER CABLES	C10
STARTER GENERATOR	D7-8
STEERING	B7-8
TRANSMISSION	C6-8



JR3100-0001

# CYLINDER HEAD



Ref. No.	Part Number	Description	Qty	Remarks
1	JT0-11111-00-00	HEAD, CYLINDER 1	1	
2	JN6-11133-10-00	. GUIDE, VALVE 1	2	
3	JT0-11181-00-00	GASKET, CYLINDER HEAD 1	1	
4	95817-10070-00	BOLT, FLANGE	4	
5	99530-14016-00	PIN, DOWEL	2	
6	95617-08618-00	BOLT, STUD	2	
7	NGK-BPR4E-S0-00	PLUG, SPARK	1	AP, U.S.
	94702-00343-00	PLUG, SPARK (NGK BP4ES)	1	AP, EUROPE
	94702-00348-00	PLUG, SPARK (NGK-BPR2ES)	1	STD, EUROPE
	NGK-BPR2E-S0-00	PLUG, SPARK	1	STD, U.S.
8	JN6-11191-01-00	COVER, CYLINDER HEAD 1	1	
9	JN6-11116-00-00	. JOINT, BREATHER	1	
10	JN6-11168-00-00	COVER, BREATHER	1	
11	JN6-11169-00-00	GASKET, BREATHER COVER	1	
12	JN6-11193-00-00	GASKET, HEAD COVER 1	1	
13	95817-06030-00	BOLT, FLANGE	4	
14	JN6-E1166-00-00	PIPE, BREATHER 1	1	
15	95617-08710-00	BOLT, STUD	2	
16	JR7-11163-00-00	ELEMENT	1	
17	90467-13847-00	CLIP	2	

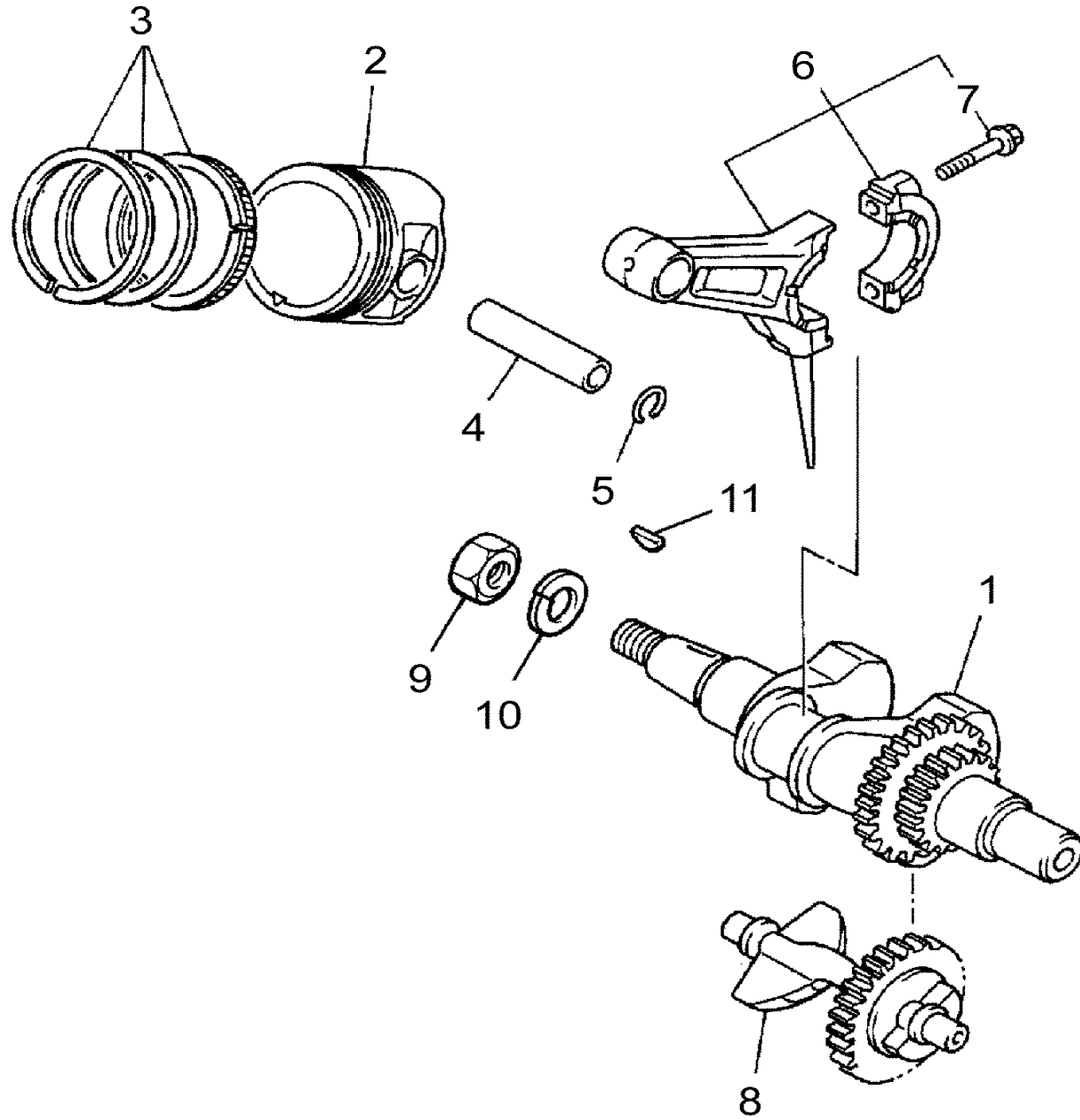
## CONTENTS

ACCELERATOR	C2
AIR SHROUD FAN	A9
BODY 2 REAR	D2-3
BODY FITTING	D4
BODY FRONT	C12 ,D1
BRAKE	B10-11
BRAKE 2	B12
BRAKE 3	C1
BUMPER	C11
CAMSHAFT VALVE	A8
CARBURETOR	A11
CARRIER	D5
CRANKCASE	B1
CRANKSHAFT PISTON	A7
CYLINDER HEAD	A6
ELECTRICAL 1	D9
ELECTRICAL 2	D10-11
ENGINE ASSEMBLY	A5
ENGINE MOUNT	B2
EXHAUST	A12
FRAME	B4
FRONT SUSPENSION WHEEL	B5-6
FUEL TANK	B9
GOVERNOR	C3
INTAKE	A10
OPTIONAL HUB CAPS	D12
OPTIONAL LIGHT KIT	E3
OPTIONAL SUN ROOF	E2
OPTIONAL WINDSHIELD	E1
PRIMARY CLUTCH	C4
REAR ARM SUSPENSION	B3
REAR AXLE MOUNT WHEEL	C9
SEAT	D6
SECONDARY SHEAVE	C5
SHIFTER CABLES	C10
STARTER GENERATOR	D7-8
STEERING	B7-8
TRANSMISSION	C6-8



JT01010-0011

# CRANKSHAFT PISTON



Ref. No.	Part Number	Description	Qty	Remarks
1	JN6-11400-00-00	CRANKSHAFT ASSY .....	1	
2	JR7-11631-00-A0	PISTON (STD) .....	1	STD
	JR7-11635-00-00	PISTON (0.25MM O/S) .....	1	AP
	JR7-11636-00-00	PISTON (0.50MM O/S) .....	1	AP
3	JR7-11610-00-00	PISTON RING SET (STD) .....	1	STD
	JR7-11610-20-00	PISTON RING SET (0.50MM O/S) .....	1	AP
	JR7-11610-10-00	PISTON RING SET (0.25MM O/S) .....	1	AP
4	538-11633-00-00	PIN, PISTON .....	1	
5	93450-21053-00	CIRCLIP .....	2	
6	JN6-11650-00-00	CONNECTING ROD ASSY .....	1	
7	JN6-11654-00-00	. BOLT, CONNECTING ROD ..	2	
8	JN6-11454-00-00	WEIGHT 1 .....	1	
9	95317-18600-00	NUT, HEX .....	1	
10	90201-18620-00	WASHER, PLATE .....	1	
11	90280-04052-00	KEY, WOODRUFF .....	1	

## CONTENTS

ACCELERATOR	C2
AIR SHROUD FAN	A9
BODY 2 REAR	D2-3
BODY FITTING	D4
BODY FRONT	C12 ,D1
BRAKE	B10-11
BRAKE 2	B12
BRAKE 3	C1
BUMPER	C11
CAMSHAFT VALVE	A8
CARBURETOR	A11
CARRIER	D5
CRANKCASE	B1
CRANKSHAFT PISTON	A7
CYLINDER HEAD	A6
ELECTRICAL 1	D9
ELECTRICAL 2	D10-11
ENGINE ASSEMBLY	A5
ENGINE MOUNT	B2
EXHAUST	A12
FRAME	B4
FRONT SUSPENSION WHEEL	B5-6
FUEL TANK	B9
GOVERNOR	C3
INTAKE	A10
OPTIONAL HUB CAPS	D12
OPTIONAL LIGHT KIT	E3
OPTIONAL SUN ROOF	E2
OPTIONAL WINDSHIELD	E1
PRIMARY CLUTCH	C4
REAR ARM SUSPENSION	B3
REAR AXLE MOUNT WHEEL	C9
SEAT	D6
SECONDARY SHEAVE	C5
SHIFTER CABLES	C10
STARTER GENERATOR	D7-8
STEERING	B7-8
TRANSMISSION	C6-8



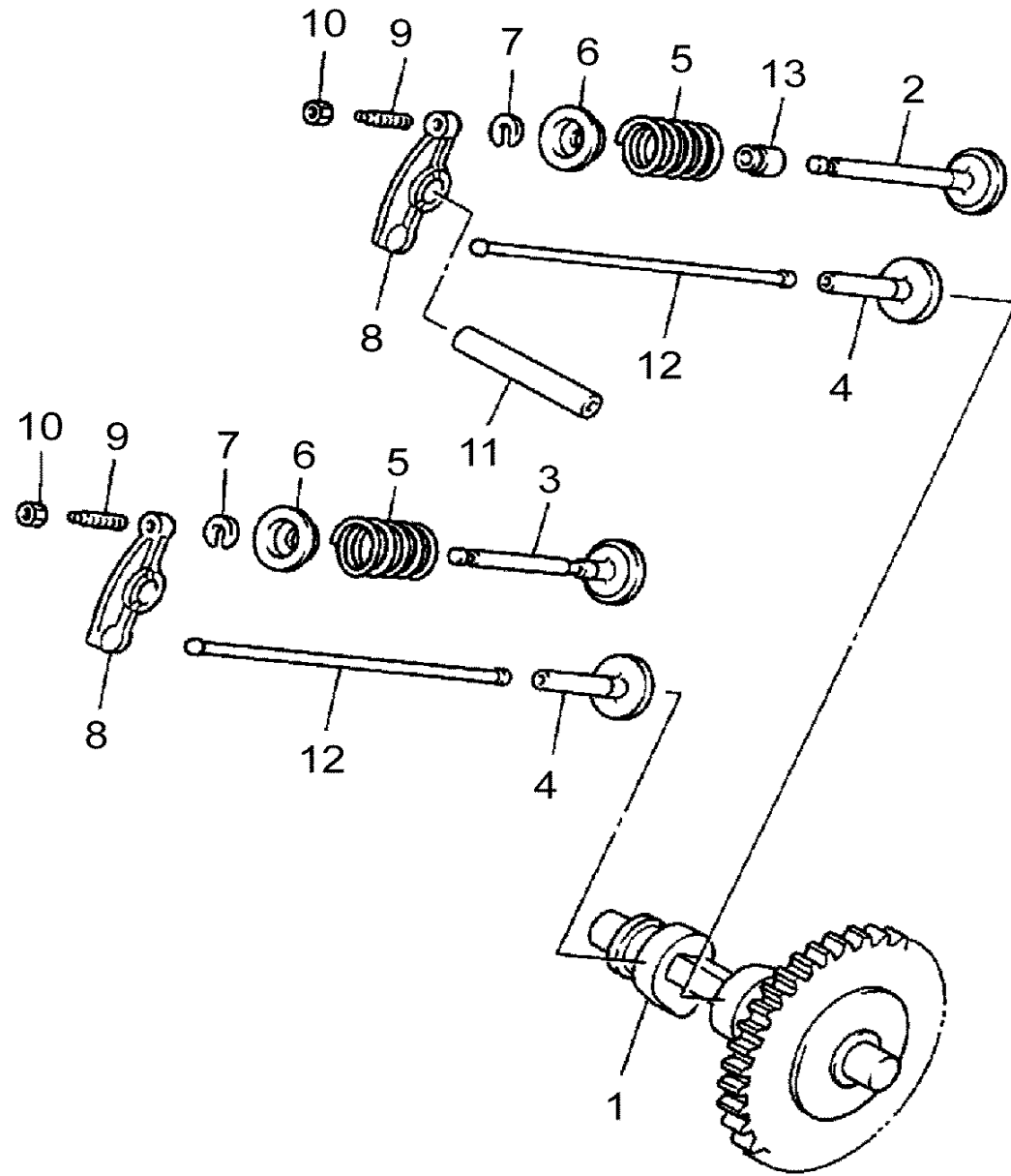
JN7010-6020

# CAMSHAFT VALVE

Ref. No.	Part Number	Description	Qty	Remarks
1	JR7-12170-00-00	CAMSHAFT ASSY 1 .....	1	
2	JN6-12111-01-00	VALVE, INTAKE .....	1	
3	JR7-12121-00-00	VALVE, EXHAUST .....	1	
4	JN6-12153-00-00	LIFTER, VALVE .....	2	
5	90501-126A9-00	SPRING, COMPRESSION .....	2	
6	J38-12117-01-00	RETAINER, VALVE SPRING ..	2	
7	J38-12118-00-00	COTTER, VALVE .....	2	
8	JN6-12151-00-00	ARM, VALVE ROCKER .....	2	
9	22F-12159-00-00	SCREW, VALVE ADJUSTING ..	2	
10	90170-05302-00	NUT .....	2	
11	J38-12156-00-00	SHAFT, ROCKER 2 .....	1	
12	JR7-12154-00-00	ROD, VALVE PUSH .....	2	
13	5H0-12119-00-00	SEAL, VALVE STEM .....	1	

## CONTENTS

ACCELERATOR	C2
AIR SHROUD FAN	A9
BODY 2 REAR	D2-3
BODY FITTING	D4
BODY FRONT	C12 ,D1
BRAKE	B10-11
BRAKE 2	B12
BRAKE 3	C1
BUMPER	C11
CAMSHAFT VALVE	A8
CARBURETOR	A11
CARRIER	D5
CRANKCASE	B1
CRANKSHAFT PISTON	A7
CYLINDER HEAD	A6
ELECTRICAL 1	D9
ELECTRICAL 2	D10-11
ENGINE ASSEMBLY	A5
ENGINE MOUNT	B2
EXHAUST	A12
FRAME	B4
FRONT SUSPENSION WHEEL	B5-6
FUEL TANK	B9
GOVERNOR	C3
INTAKE	A10
OPTIONAL HUB CAPS	D12
OPTIONAL LIGHT KIT	E3
OPTIONAL SUN ROOF	E2
OPTIONAL WINDSHIELD	E1
PRIMARY CLUTCH	C4
REAR ARM SUSPENSION	B3
REAR AXLE MOUNT WHEEL	C9
SEAT	D6
SECONDARY SHEAVE	C5
SHIFTER CABLES	C10
STARTER GENERATOR	D7-8
STEERING	B7-8
TRANSMISSION	C6-8



JN7010-6030



# DID YOU KNOW?

CartPros directs you to the right part using the part numbers from this manual. Enter the part number into our search box and it will find the part you are looking for.

**GET STARTED  
HERE** →

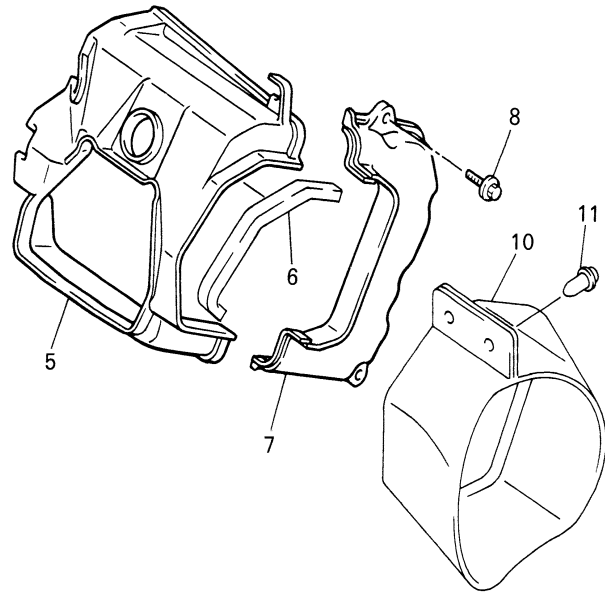
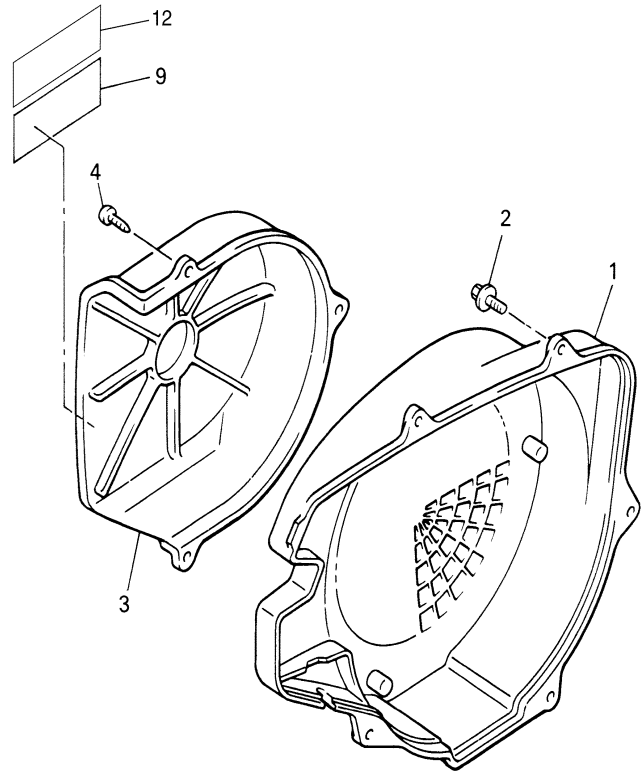
<https://CartPros.com/f.html>

## AIR SHROUD FAN

Ref. No.	Part Number	Description	Qty	Remarks
1	JN6-12621-00-00	CASE, FAN	1	
2	95817-06020-00	BOLT, FLANGE	5	
3	JN6-12616-00-00	COVER, FAN CASE	1	
4	97707-60520-00	SCREW, TAPPING	3	
5	JN6-12651-00-00	AIR SHROUD, CYLINDER 1	1	
6	JR7-12658-00-00	DAMPER, AIR SHROUD 1	1	
7	JN6-12652-00-00	AIR SHROUD, CYLINDER 2	1	
8	95817-06020-00	BOLT, FLANGE	2	
9	JR6-2179R-01-00	PLATE, EPA 2 (CALIFORNIA)	1	UR, U.S. MODEL
10	JN6-E2691-00-00	DUCT, 1	1	
11	90269-08813-00	RIVET	2	
12	7UH-2111F-00-00	LABEL, EMISSION	1	

### CONTENTS

ACCELERATOR	C2
AIR SHROUD FAN	A9
BODY 2 REAR	D2-3
BODY FITTING	D4
BODY FRONT	C12 ,D1
BRAKE	B10-11
BRAKE 2	B12
BRAKE 3	C1
BUMPER	C11
CAMSHAFT VALVE	A8
CARBURETOR	A11
CARRIER	D5
CRANKCASE	B1
CRANKSHAFT PISTON	A7
CYLINDER HEAD	A6
ELECTRICAL 1	D9
ELECTRICAL 2	D10-11
ENGINE ASSEMBLY	A5
ENGINE MOUNT	B2
EXHAUST	A12
FRAME	B4
FRONT SUSPENSION WHEEL	B5-6
FUEL TANK	B9
GOVERNOR	C3
INTAKE	A10
OPTIONAL HUB CAPS	D12
OPTIONAL LIGHT KIT	E3
OPTIONAL SUN ROOF	E2
OPTIONAL WINDSHIELD	E1
PRIMARY CLUTCH	C4
REAR ARM SUSPENSION	B3
REAR AXLE MOUNT WHEEL	C9
SEAT	D6
SECONDARY SHEAVE	C5
SHIFTER CABLES	C10
STARTER GENERATOR	D7-8
STEERING	B7-8
TRANSMISSION	C6-8



JU0100-5040

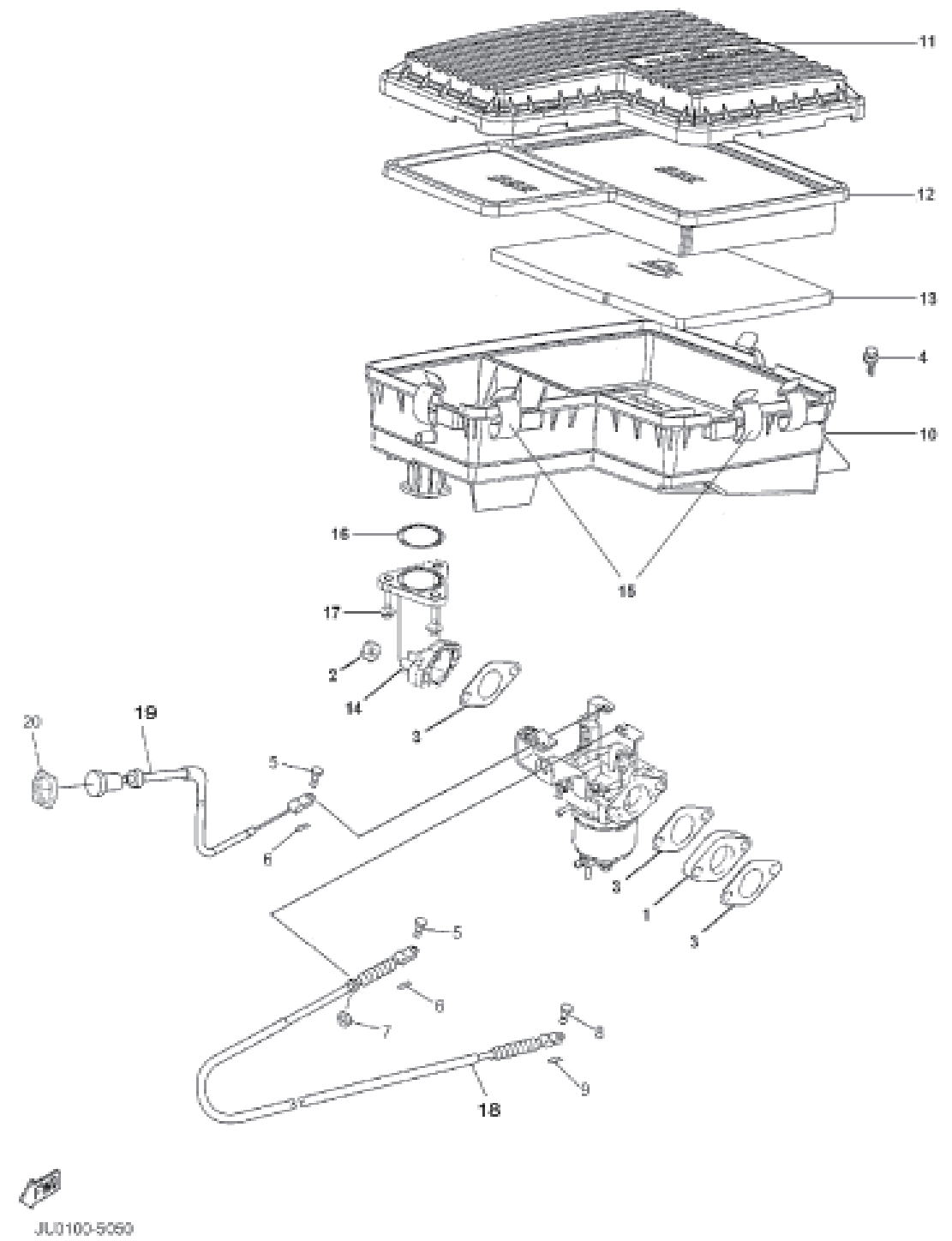


# INTAKE

Ref. No.	Part Number	Description	Qty	Remarks
1	JN6-13595-00-00	JOINT .....	1	
2	90179-08491-00	NUT .....	2	
3	JN6-13567-00-00	GASKET .....	3	
4	90119-06838-00	BOLT, WITH WASHER .....	2	
5	91790-05010-00	PIN, CYLINDER HEAD W/HOLE	2	
6	90468-10050-00	CLIP .....	2	
7	99080-07600-00	CIRCLIP (E) .....	1	
8	91790-05010-00	PIN, CYLINDER HEAD W/HOLE	1	
9	90468-10050-00	CLIP .....	1	
10	JN6-E4411-02-00	CASE, AIR CLEANER 1 .....	1	
11	JN6-E4412-01-00	CAP, CLEANER CASE 1 .....	1	
12	JN6-E4450-01-00	ELEMENT ASSY, AIR CLEANER	1	
13	JN6-E445E-00-00	FILTER 1 .....	1	
14	JN6-E3586-01-00	JOINT, CARBURETOR 1 .....	1	
15	JN6-E4424-00-00	CLIP, CAP FITTING .....	5	
16	93210-398D6-00	O-RING .....	1	
17	90105-06862-00	BOLT, FLANGE .....	3	
18	JN6-F6312-01-00	CABLE, THROTTLE 2 .....	1	
19	JN6-F6331-11-00	CABLE, STARTER 1 .....	1	
20	JN6-F6333-10-00	NUT .....	1	

## CONTENTS

ACCELERATOR	C2
AIR SHROUD FAN	A9
BODY 2 REAR	D2-3
BODY FITTING	D4
BODY FRONT	C12 ,D1
BRAKE	B10-11
BRAKE 2	B12
BRAKE 3	C1
BUMPER	C11
CAMSHAFT VALVE	A8
CARBURETOR	A11
CARRIER	D5
CRANKCASE	B1
CRANKSHAFT PISTON	A7
CYLINDER HEAD	A6
ELECTRICAL 1	D9
ELECTRICAL 2	D10-11
ENGINE ASSEMBLY	A5
ENGINE MOUNT	B2
EXHAUST	A12
FRAME	B4
FRONT SUSPENSION WHEEL	B5-6
FUEL TANK	B9
GOVERNOR	C3
INTAKE	A10
OPTIONAL HUB CAPS	D12
OPTIONAL LIGHT KIT	E3
OPTIONAL SUN ROOF	E2
OPTIONAL WINDSHIELD	E1
PRIMARY CLUTCH	C4
REAR ARM SUSPENSION	B3
REAR AXLE MOUNT WHEEL	C9
SEAT	D6
SECONDARY SHEAVE	C5
SHIFTER CABLES	C10
STARTER GENERATOR	D7-8
STEERING	B7-8
TRANSMISSION	C6-8



JU0100-5050

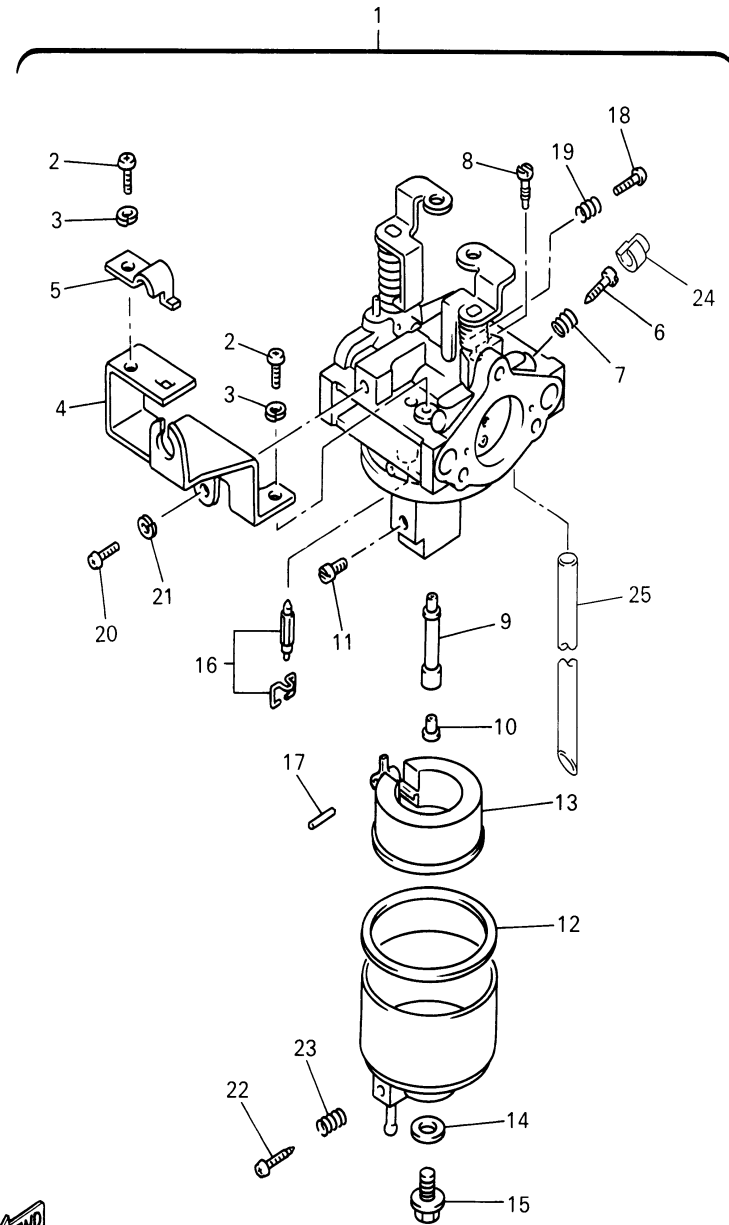


# CARBURETOR

Ref. No.	Part Number	Description	Qty	Remarks
1	JR6-14101-00-00	CARBURETOR ASSY 1	1	
2	98507-05100-00	. SCREW, PAN HEAD	2	
3	92990-05100-00	. WASHER, SPRING	2	
4	JN6-14291-00-00	. BRACKET 1	1	
5	J10-14227-00-00	. PLATE	1	
6	7NJ-14211-00-00	. SCREW, PILOT ADJUSTING	1	
7	73A-14212-10-00	. SPRING	1	
8	732-14142-65-A0	. JET, PILOT (# 65)	1	(#65.0)
9	JN6-1495H-3B-00	. NOZZLE, MAIN	1	
10	73A-1414G-00-00	. PIPE, MAIN BREED	1	
11	3G2-1423A-68-A0	. JET, MAIN (# 87.5)	1	(#87.5)
12	796-14184-00-00	. GASKET, FLOAT CHAMBER	1	
13	JN6-14185-00-00	. FLOAT	1	
14	127-14198-00-00	. GASKET	1	
15	7R1-14162-00-00	. BOLT, HOLDING	1	
16	JN5-14150-00-00	. NEEDLE ASSY (WITH CLIP)	1	
17	22F-14186-00-00	. PIN, FLOAT	1	
18	1WG-14922-00-00	. SCREW, THROTTLE	1	
19	73A-14212-10-00	. SPRING	1	
20	98507-04010-00	. SCREW, PAN HEAD	1	
21	92903-04100-00	. WASHER	1	
22	7E1-14191-00-00	. PLUG, DRAIN	1	
23	73A-14212-00-00	. SPRING	1	
24	7LV-14118-00-00	. CAP	1	
25	1KT-14197-01-00	. PIPE	1	

## CONTENTS

ACCELERATOR	C2
AIR SHROUD FAN	A9
BODY 2 REAR	D2-3
BODY FITTING	D4
BODY FRONT	C12 ,D1
BRAKE	B10-11
BRAKE 2	B12
BRAKE 3	C1
BUMPER	C11
CAMSHAFT VALVE	A8
CARBURETOR	A11
CARRIER	D5
CRANKCASE	B1
CRANKSHAFT PISTON	A7
CYLINDER HEAD	A6
ELECTRICAL 1	D9
ELECTRICAL 2	D10-11
ENGINE ASSEMBLY	A5
ENGINE MOUNT	B2
EXHAUST	A12
FRAME	B4
FRONT SUSPENSION WHEEL	B5-6
FUEL TANK	B9
GOVERNOR	C3
INTAKE	A10
OPTIONAL HUB CAPS	D12
OPTIONAL LIGHT KIT	E3
OPTIONAL SUN ROOF	E2
OPTIONAL WINDSHIELD	E1
PRIMARY CLUTCH	C4
REAR ARM SUSPENSION	B3
REAR AXLE MOUNT WHEEL	C9
SEAT	D6
SECONDARY SHEAVE	C5
SHIFTER CABLES	C10
STARTER GENERATOR	D7-8
STEERING	B7-8
TRANSMISSION	C6-8



JR61100-1060

# DID YOU KNOW?

CartPros directs you to the right part using the part numbers from this manual. Enter the part number into our search box and it will find the part you are looking for.

**GET STARTED HERE** →

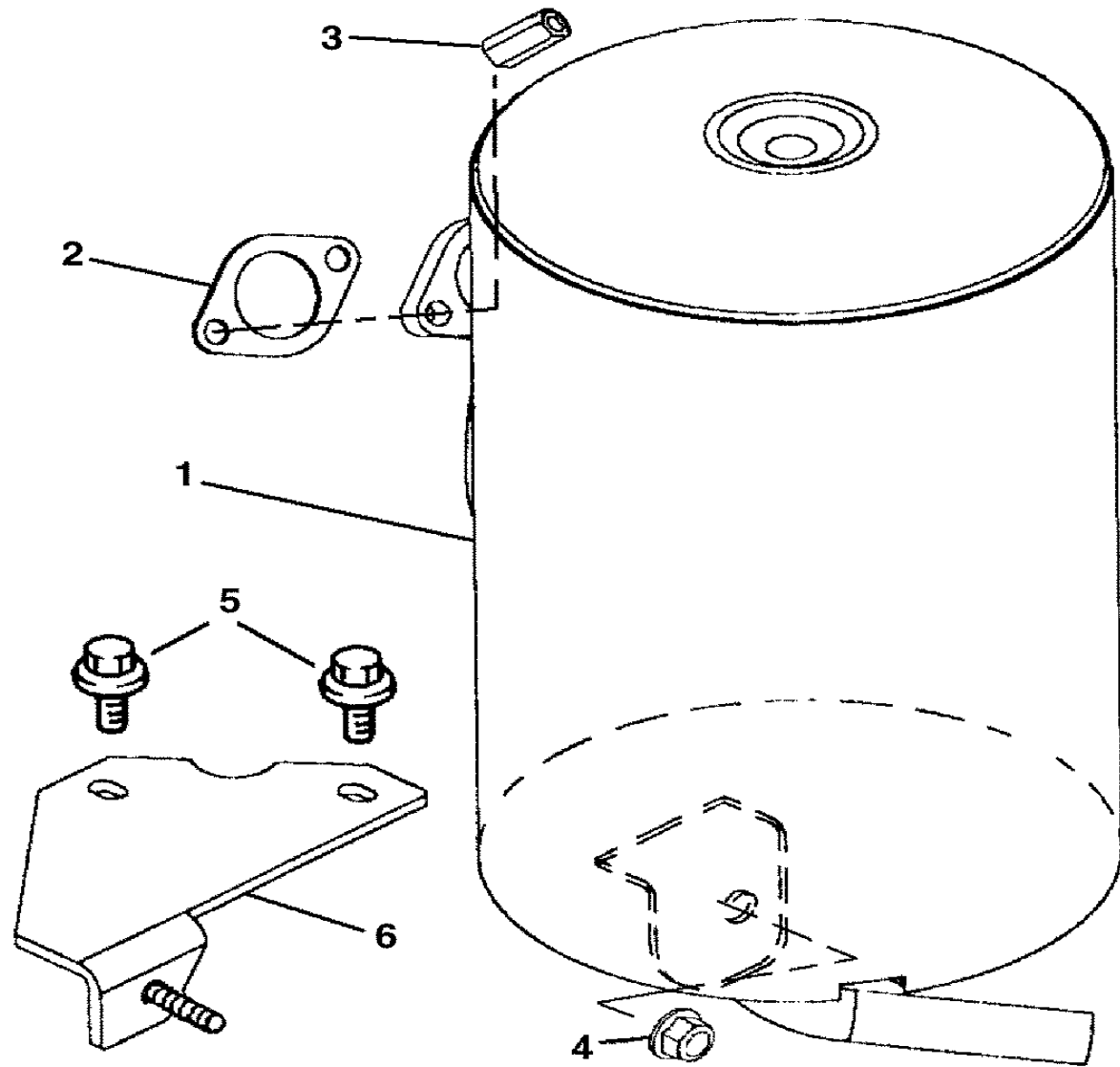
<https://CartPros.com/f.html>

## EXHAUST

Ref. No.	Part Number	Description	Qty	Remarks
1	JU0-E4710-10-00	MUFFLER ASSY 1 .....	1	
2	7KY-14613-01-00	GASKET, EXHAUST 1 .....	1	
3	90179-08879-00	NUT .....	2	
4	90185-08841-00	NUT, SELF-LOCKING .....	1	
5	90179-08825-00	BOLT, HEX HEAD WWASHER	2	
6	JN6-F1435-10-00	BRACKET, MUFFLER 1 .....	1	

### CONTENTS

ACCELERATOR	C2
AIR SHROUD FAN	A9
BODY 2 REAR	D2-3
BODY FITTING	D4
BODY FRONT	C12 ,D1
BRAKE	B10-11
BRAKE 2	B12
BRAKE 3	C1
BUMPER	C11
CAMSHAFT VALVE	A8
CARBURETOR	A11
CARRIER	D5
CRANKCASE	B1
CRANKSHAFT PISTON	A7
CYLINDER HEAD	A6
ELECTRICAL 1	D9
ELECTRICAL 2	D10-11
ENGINE ASSEMBLY	A5
ENGINE MOUNT	B2
EXHAUST	A12
FRAME	B4
FRONT SUSPENSION WHEEL	B5-6
FUEL TANK	B9
GOVERNOR	C3
INTAKE	A10
OPTIONAL HUB CAPS	D12
OPTIONAL LIGHT KIT	E3
OPTIONAL SUN ROOF	E2
OPTIONAL WINDSHIELD	E1
PRIMARY CLUTCH	C4
REAR ARM SUSPENSION	B3
REAR AXLE MOUNT WHEEL	C9
SEAT	D6
SECONDARY SHEAVE	C5
SHIFTER CABLES	C10
STARTER GENERATOR	D7-8
STEERING	B7-8
TRANSMISSION	C6-8



JN6100-6021

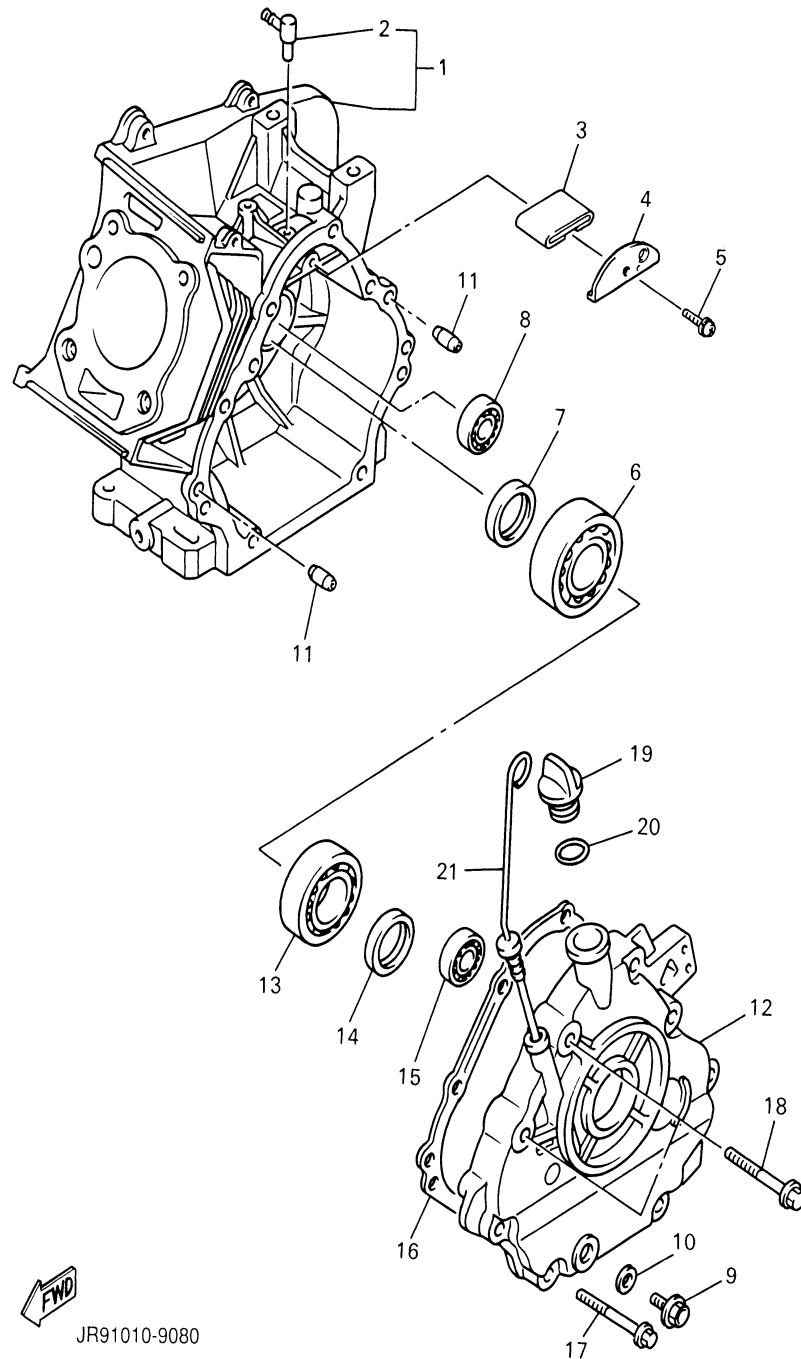


# CRANKCASE

Ref. No.	Part Number	Description	Qty	Remarks
1	JR7-15100-00-00	CRANKCASE ASSY	1	
2	JN6-15155-00-00	. NOZZLE 3	1	
3	JR7-15407-00-00	ELEMENT 1	1	
4	JR7-15123-00-00	PLATE, BUFFLE 1	1	
5	90159-06107-00	SCREW, WITH WASHER	1	
6	93306-30709-00	BEARING	1	
7	93102-35191-00	SEAL, OIL	1	
8	93306-20211-00	BEARING (6202SH2-C3)	1	
9	90340-12097-00	PLUG, STRAIGHT SCREW	1	
10	812-11198-00-00	GASKET	1	
11	91808-16023-00	PIN, DOWEL	2	
12	JN6-15411-00-00	COVER, CRANKCASE 1	1	
13	93306-20716-00	BEARING	1	
14	93102-35191-00	SEAL, OIL	1	
15	93306-20211-00	BEARING (6202SH2-C3)	1	
16	JN6-15451-02-00	GASKET, CRANKCASE COVER 1	1	
17	95817-08045-00	BOLT, FLANGE	6	
18	95817-10050-00	BOLT, FLANGE	2	
19	7EN-51118-00-00	PLUG, OIL	1	
20	93210-22344-00	O-RING	1	
21	J38-15361-00-00	GAUGE, LEVEL	1	

## CONTENTS

ACCELERATOR	C2
AIR SHROUD FAN	A9
BODY 2 REAR	D2-3
BODY FITTING	D4
BODY FRONT	C12 ,D1
BRAKE	B10-11
BRAKE 2	B12
BRAKE 3	C1
BUMPER	C11
CAMSHAFT VALVE	A8
CARBURETOR	A11
CARRIER	D5
CRANKCASE	B1
CRANKSHAFT PISTON	A7
CYLINDER HEAD	A6
ELECTRICAL 1	D9
ELECTRICAL 2	D10-11
ENGINE ASSEMBLY	A5
ENGINE MOUNT	B2
EXHAUST	A12
FRAME	B4
FRONT SUSPENSION WHEEL	B5-6
FUEL TANK	B9
GOVERNOR	C3
INTAKE	A10
OPTIONAL HUB CAPS	D12
OPTIONAL LIGHT KIT	E3
OPTIONAL SUN ROOF	E2
OPTIONAL WINDSHIELD	E1
PRIMARY CLUTCH	C4
REAR ARM SUSPENSION	B3
REAR AXLE MOUNT WHEEL	C9
SEAT	D6
SECONDARY SHEAVE	C5
SHIFTER CABLES	C10
STARTER GENERATOR	D7-8
STEERING	B7-8
TRANSMISSION	C6-8



# DID YOU KNOW?

CartPros directs you to the right part using the part numbers from this manual. Enter the part number into our search box and it will find the part you are looking for.

GET STARTED  
HERE



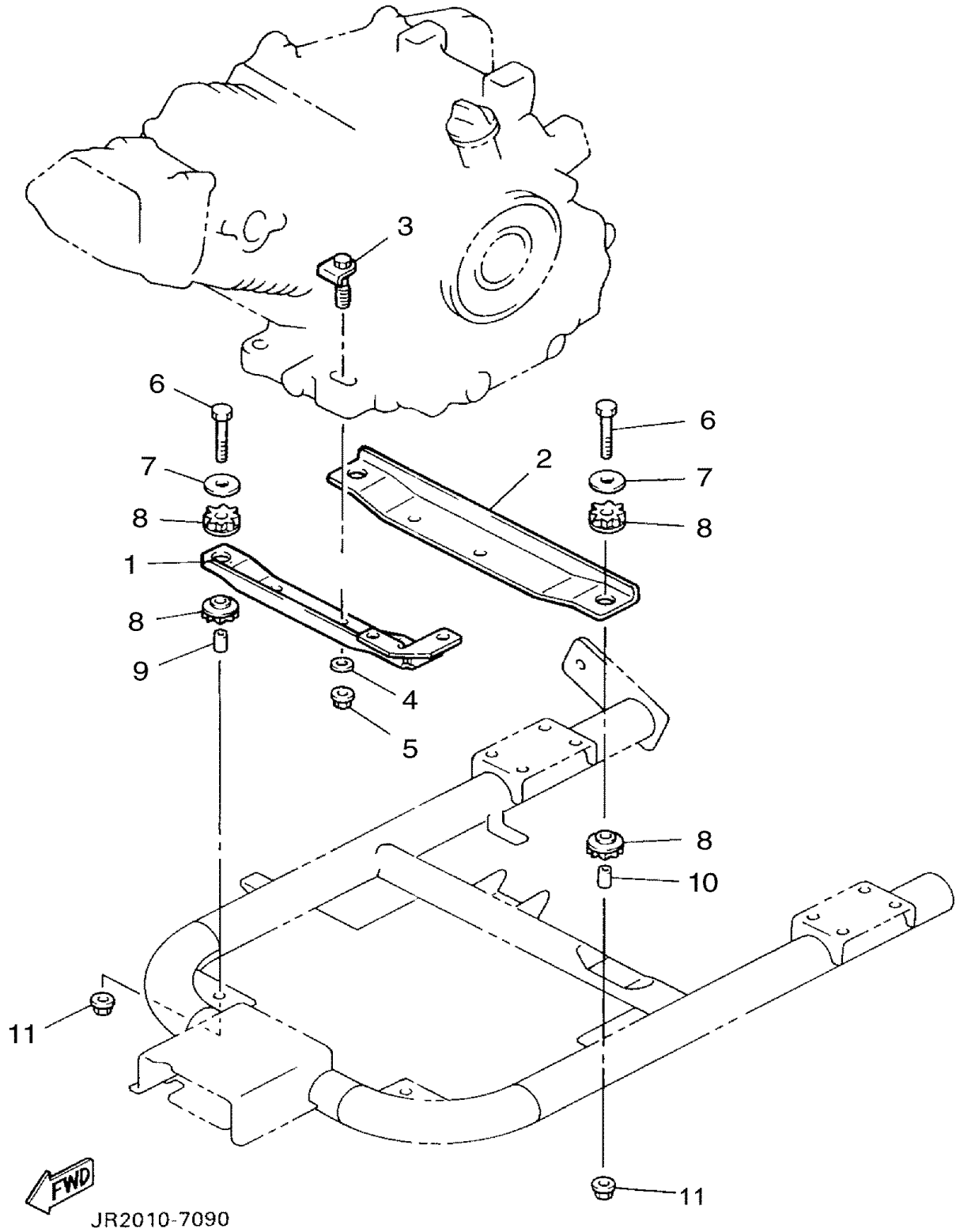
<https://CartPros.com/f.html>

## ENGINE MOUNT

Ref. No.	Part Number	Description	Qty	Remarks
1	JN6-F1411-00-00	BRACKET, ENGINE 1	1	
2	JN6-F1419-02-00	BRACKET, ENGINE 2	1	
3	JN6-F1481-00-00	BOLT, ENGINE MOUNTING 1	4	
4	92907-10200-00	WASHER, PLAIN	4	
5	95607-10200-00	NUT, U FLANGE	4	
6	90101-08870-00	BOLT	4	
7	90201-088K6-00	WASHER, PLATE	4	
8	JN6-F1486-00-00	DAMPER, 2	8	
9	JN6-F1459-00-00	SPACER	2	
10	JN6-F1459-10-00	SPACER	2	
11	90185-08169-00	NUT, SELF-LOCKING	4	

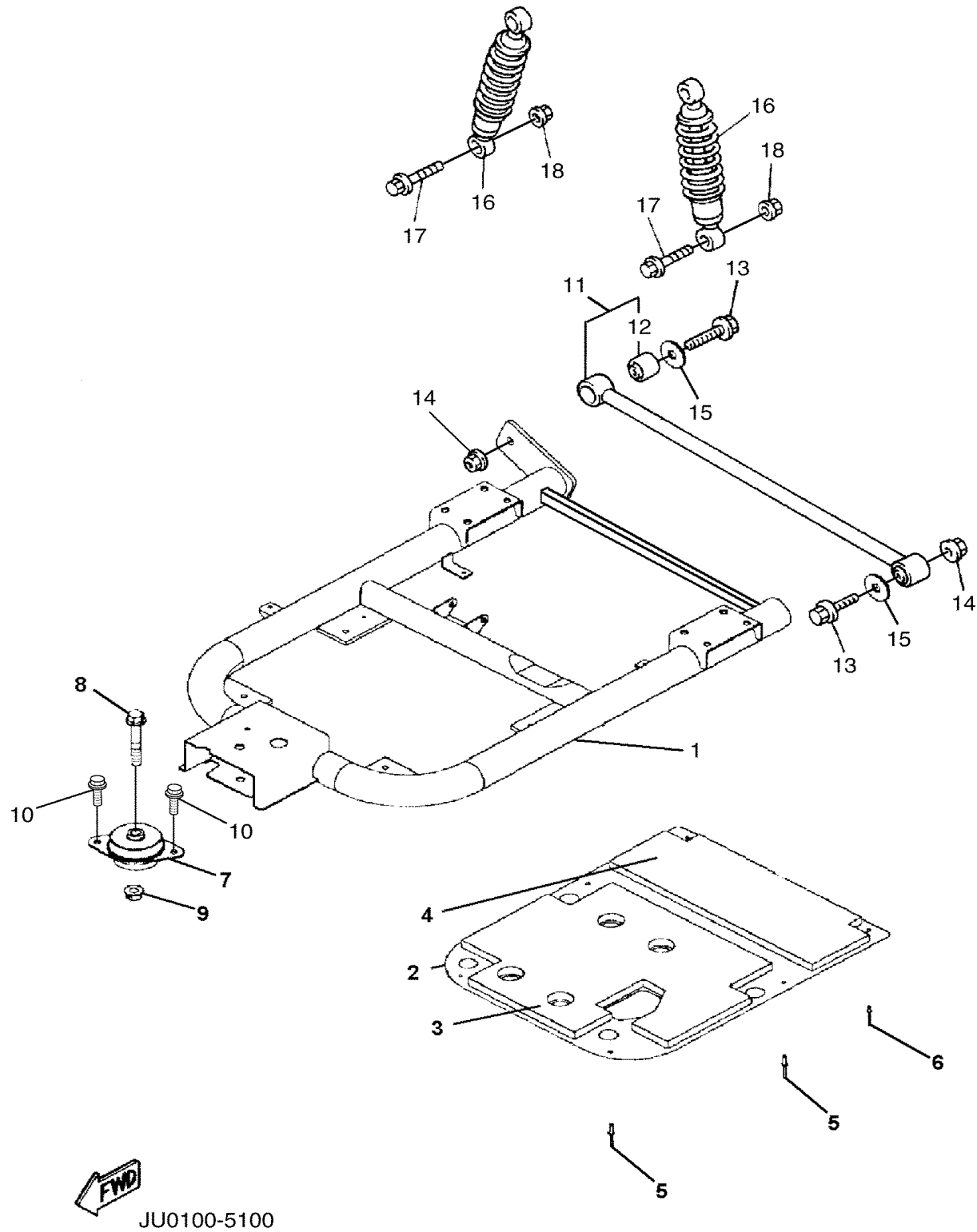
### CONTENTS

ACCELERATOR	C2
AIR SHROUD FAN	A9
BODY 2 REAR	D2-3
BODY FITTING	D4
BODY FRONT	C12 ,D1
BRAKE	B10-11
BRAKE 2	B12
BRAKE 3	C1
BUMPER	C11
CAMSHAFT VALVE	A8
CARBURETOR	A11
CARRIER	D5
CRANKCASE	B1
CRANKSHAFT PISTON	A7
CYLINDER HEAD	A6
ELECTRICAL 1	D9
ELECTRICAL 2	D10-11
ENGINE ASSEMBLY	A5
ENGINE MOUNT	B2
EXHAUST	A12
FRAME	B4
FRONT SUSPENSION WHEEL	B5-6
FUEL TANK	B9
GOVERNOR	C3
INTAKE	A10
OPTIONAL HUB CAPS	D12
OPTIONAL LIGHT KIT	E3
OPTIONAL SUN ROOF	E2
OPTIONAL WINDSHIELD	E1
PRIMARY CLUTCH	C4
REAR ARM SUSPENSION	B3
REAR AXLE MOUNT WHEEL	C9
SEAT	D6
SECONDARY SHEAVE	C5
SHIFTER CABLES	C10
STARTER GENERATOR	D7-8
STEERING	B7-8
TRANSMISSION	C6-8



B2

# REAR ARM SUSPENSION



Ref. No.	Part Number	Description	Qty	Remarks
1	JU0-F2110-00-00	REAR ARM COMP .....	1	
2	JN6-F2128-01-00	COVER, THRUST 1 .....	1	
3	JN6-F211E-01-00	PANEL, INNER 1 .....	1	
4	JN6-F211G-01-00	PANEL, INNER 2 .....	1	
5	90267-48850-00	RIVET, BLIND .....	4	
6	90267-40851-00	RIVET, BLIND .....	2	
7	JN6-F2123-01-00	BUSHING, 1 .....	1	
8	90105-13864-00	BOLT, FLANGE .....	1	
9	90179-13878-00	NUT .....	1	
10	9751P-10620-00	BOLT, WITH WASHER .....	2	
11	JN6-F217G-00-00	ROD, CONNECTING 2 .....	1	
12	JN6-F2124-00-00	BUSHING, 2 .....	2	
13	95817-12055-00	BOLT, FLANGE .....	2	
14	95617-12200-00	NUT, SELF-LOCKING .....	2	
15	90201-12426-00	WASHER, PLATE .....	2	
16	JN4-F2210-00-00	SHOCK ABSORBER ASSY, REAR .....	2	
17	95817-10055-00	BOLT, FLANGE .....	4	
18	95607-10200-00	NUT, U FLANGE .....	4	

## CONTENTS

ACCELERATOR	C2
AIR SHROUD FAN	A9
BODY 2 REAR	D2-3
BODY FITTING	D4
BODY FRONT	C12 ,D1
BRAKE	B10-11
BRAKE 2	B12
BRAKE 3	C1
BUMPER	C11
CAMSHAFT VALVE	A8
CARBURETOR	A11
CARRIER	D5
CRANKCASE	B1
CRANKSHAFT PISTON	A7
CYLINDER HEAD	A6
ELECTRICAL 1	D9
ELECTRICAL 2	D10-11
ENGINE ASSEMBLY	A5
ENGINE MOUNT	B2
EXHAUST	A12
FRAME	B4
FRONT SUSPENSION WHEEL	B5-6
FUEL TANK	B9
GOVERNOR	C3
INTAKE	A10
OPTIONAL HUB CAPS	D12
OPTIONAL LIGHT KIT	E3
OPTIONAL SUN ROOF	E2
OPTIONAL WINDSHIELD	E1
PRIMARY CLUTCH	C4
REAR ARM SUSPENSION	B3
REAR AXLE MOUNT WHEEL	C9
SEAT	D6
SECONDARY SHEAVE	C5
SHIFTER CABLES	C10
STARTER GENERATOR	D7-8
STEERING	B7-8
TRANSMISSION	C6-8

# DID YOU KNOW?

CartPros directs you to the right part using the part numbers from this manual. Enter the part number into our search box and it will find the part you are looking for.

**GET STARTED  
HERE** →

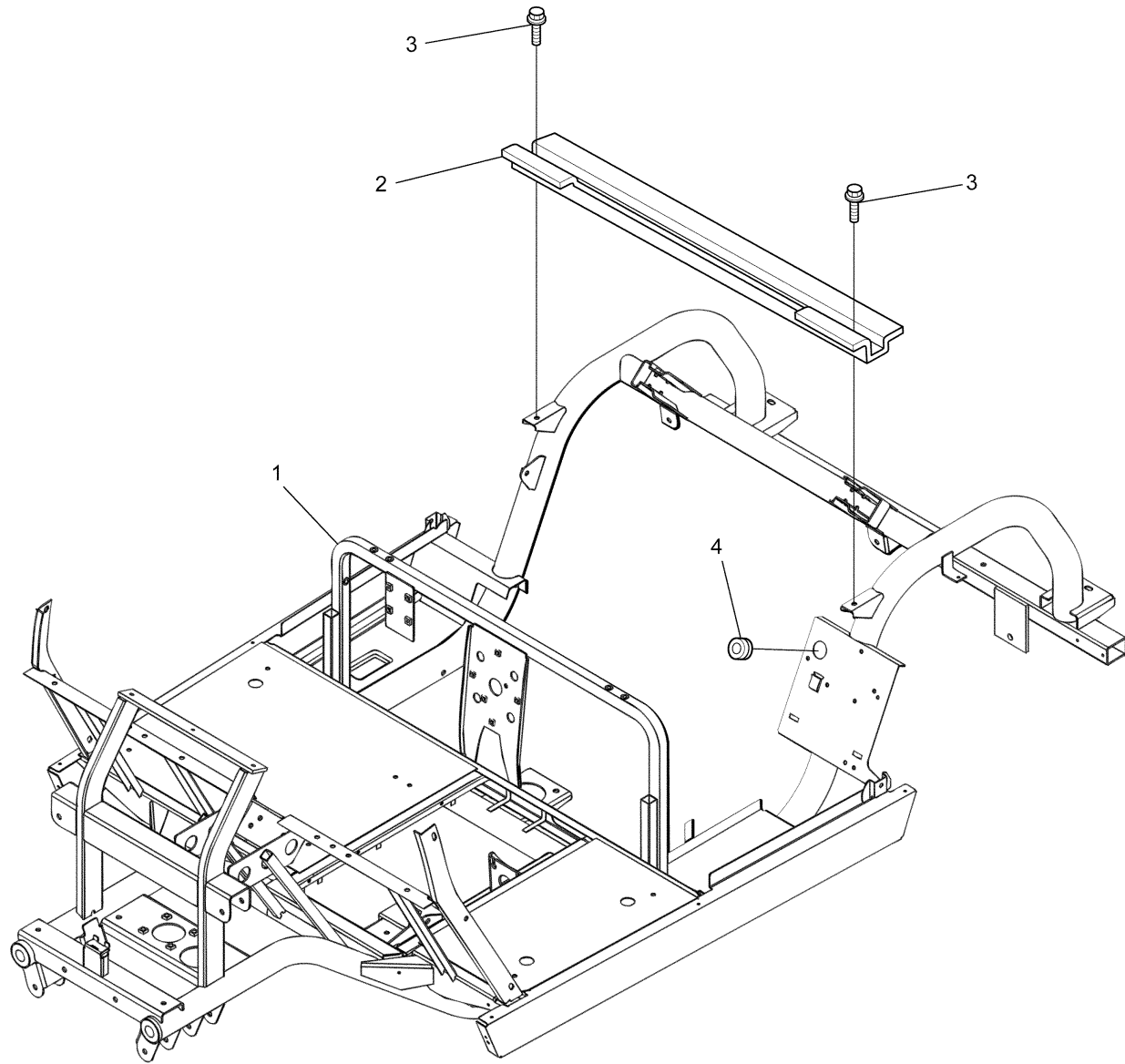
<https://CartPros.com/f.html>

## FRAME

Ref. No.	Part Number	Description	Qty	Remarks
1	JU0-F2501-00-00	FRAME COMP. ....	1	
2	JU0-F254R-00-00	SUPPORT, BODY MOUNTING .	1	
3	95817-08016-00	BOLT, FLANGE .....	2	
4	90480-25856-00	GROMMET .....	1	

## CONTENTS

ACCELERATOR	C2
AIR SHROUD FAN	A9
BODY 2 REAR	D2-3
BODY FITTING	D4
BODY FRONT	C12 ,D1
BRAKE	B10-11
BRAKE 2	B12
BRAKE 3	C1
BUMPER	C11
CAMSHAFT VALVE	A8
CARBURETOR	A11
CARRIER	D5
CRANKCASE	B1
CRANKSHAFT PISTON	A7
CYLINDER HEAD	A6
ELECTRICAL 1	D9
ELECTRICAL 2	D10-11
ENGINE ASSEMBLY	A5
ENGINE MOUNT	B2
EXHAUST	A12
FRAME	B4
FRONT SUSPENSION WHEEL	B5-6
FUEL TANK	B9
GOVERNOR	C3
INTAKE	A10
OPTIONAL HUB CAPS	D12
OPTIONAL LIGHT KIT	E3
OPTIONAL SUN ROOF	E2
OPTIONAL WINDSHIELD	E1
PRIMARY CLUTCH	C4
REAR ARM SUSPENSION	B3
REAR AXLE MOUNT WHEEL	C9
SEAT	D6
SECONDARY SHEAVE	C5
SHIFTER CABLES	C10
STARTER GENERATOR	D7-8
STEERING	B7-8
TRANSMISSION	C6-8

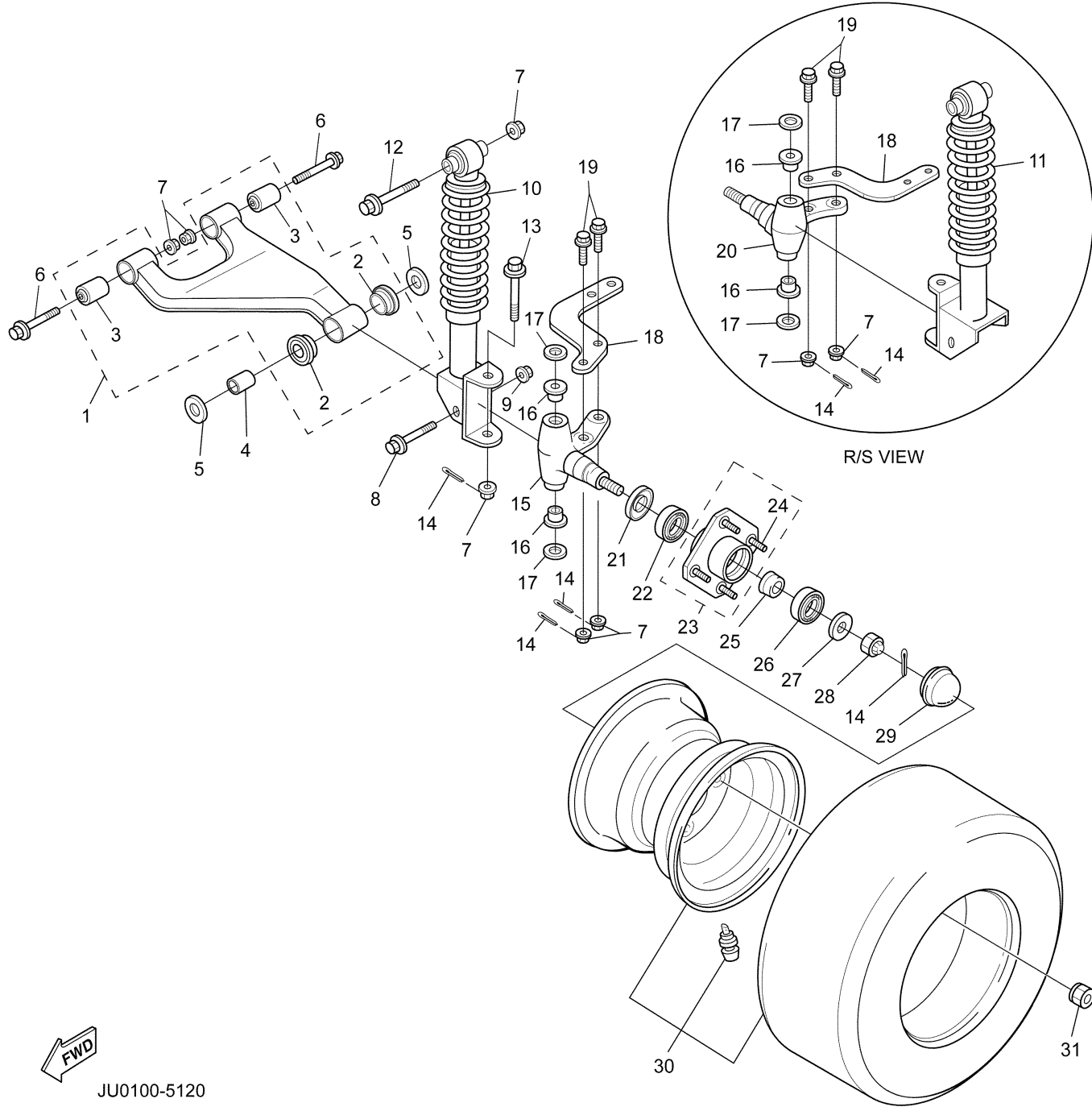


JU0100-5110





# FRONT SUSPENSION WHEEL



Ref. No.	Part Number	Description	Qty	Remarks
1	JU0-F3570-20-00	FRONT LOWER ARM COMP. . .	2	FITS LS AND RS
2	90381-18001-00	. BUSH, SOLID . . . . .	4	FITS LS AND RS
3	2HR-23526-00-00	. BUSH . . . . .	4	FITS LS AND RS
4	90387-12016-00	COLLAR . . . . .	2	
5	401-22128-01-00	COVER, THRUST 1 . . . . .	4	
6	90105-10890-00	BOLT, FLANGE . . . . .	4	
7	95607-10200-00	NUT, U FLANGE . . . . .	12	
8	95817-12080-00	BOLT, FLANGE . . . . .	2	
9	9561P-12100-00	NUT . . . . .	2	
10	JU0-F3350-10-00	CUSHION ASSY . . . . .	1	
11	JU0-F3390-10-00	CUSHION ASSY 2 . . . . .	1	
12	95807-10065-00	BOLT, FLANGE . . . . .	2	
13	90105-10064-00	BOLT, FLANGE . . . . .	2	
14	91401-25020-00	PIN, COTTER . . . . .	8	
15	JU0-F3511-00-00	KNUCKLE, STEERING 1 . . . . .	1	
16	90381-1767-00	BUSH, SOLID . . . . .	4	
17	2NK-23517-00-00	COVER, THRUST 1 . . . . .	4	
18	JU0-F3512-00-00	ARM, KNUCKLE . . . . .	2	
19	90105-10728-00	BOLT, FLANGE . . . . .	4	
20	JU0-F3521-00-00	KNUCKLE, STEERING 2 . . . . .	1	
21	93102-30083-00	OIL SEAL . . . . .	2	
22	93306-204X0-00	BEARING . . . . .	2	
23	JG5-WF511-00-00	HUB . . . . .	2	
24	90114-12800-00	BOLT, SERRATION . . . . .	8	
25	90387-241M7-00	COLLAR . . . . .	2	
26	93306-005Y3-00	BEARING . . . . .	2	
27	90209-32832-00	WASHER . . . . .	2	
28	95607-14100-00	NUT, U . . . . .	2	
29	JN6-F5118-00-00	COVER, HUB DUST . . . . .	2	
30	JN6-F5100-00-00	WHEEL ASSY . . . . .	2	

## CONTENTS

ACCELERATOR	C2
AIR SHROUD FAN	A9
BODY 2 REAR	D2-3
BODY FITTING	D4
BODY FRONT	C12 ,D1
BRAKE	B10-11
BRAKE 2	B12
BRAKE 3	C1
BUMPER	C11
CAMSHAFT VALVE	A8
CARBURETOR	A11
CARRIER	D5
CRANKCASE	B1
CRANKSHAFT PISTON	A7
CYLINDER HEAD	A6
ELECTRICAL 1	D9
ELECTRICAL 2	D10-11
ENGINE ASSEMBLY	A5
ENGINE MOUNT	B2
EXHAUST	A12
FRAME	B4
FRONT SUSPENSION WHEEL	B5-6
FUEL TANK	B9
GOVERNOR	C3
INTAKE	A10
OPTIONAL HUB CAPS	D12
OPTIONAL LIGHT KIT	E3
OPTIONAL SUN ROOF	E2
OPTIONAL WINDSHIELD	E1
PRIMARY CLUTCH	C4
REAR ARM SUSPENSION	B3
REAR AXLE MOUNT WHEEL	C9
SEAT	D6
SECONDARY SHEAVE	C5
SHIFTER CABLES	C10
STARTER GENERATOR	D7-8
STEERING	B7-8
TRANSMISSION	C6-8

CONTINUED ON NEXT FRAME ➤



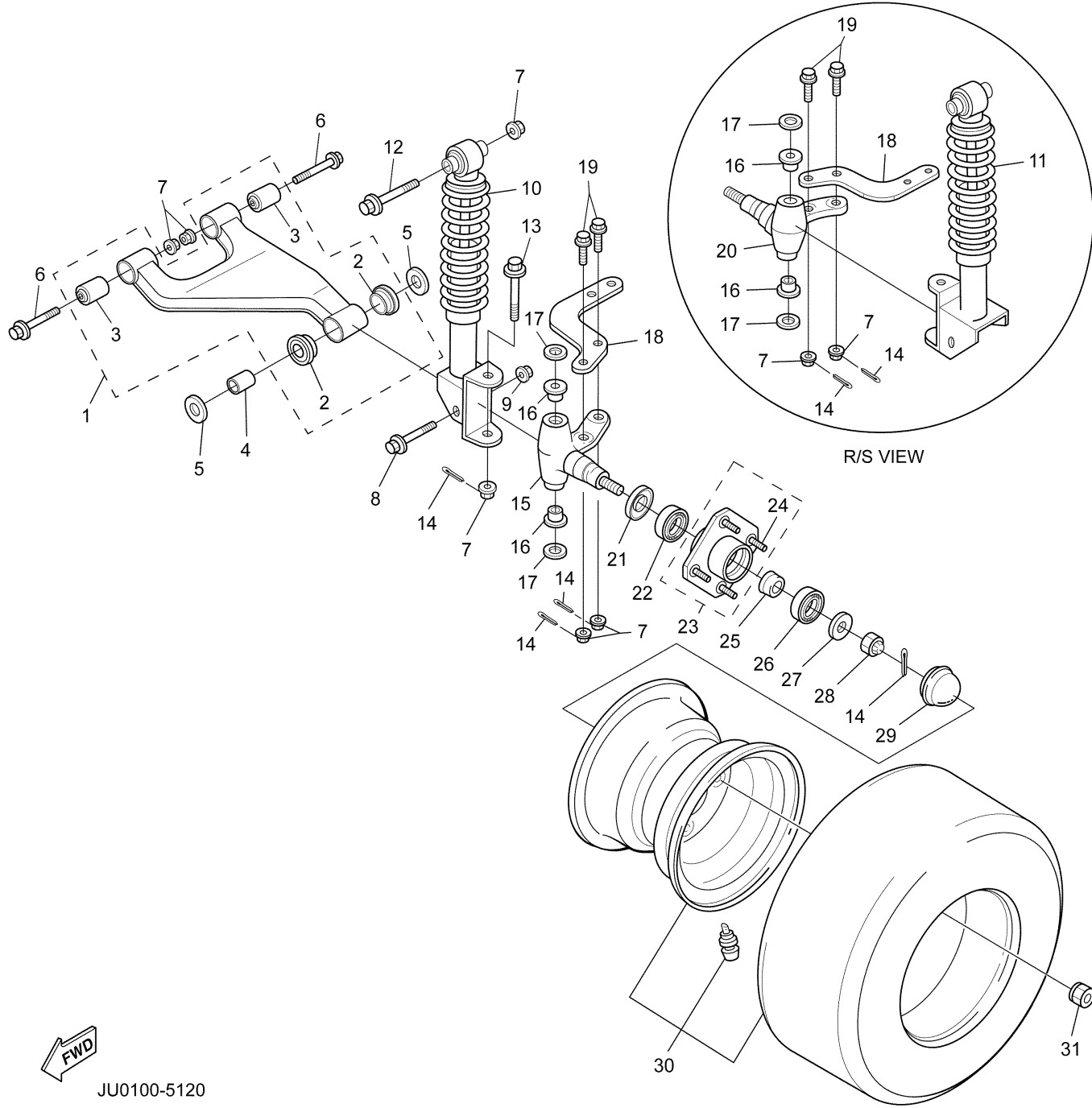
JU0100-5120

# FRONT SUSPENSION WHEEL

Ref. No.	Part Number	Description	Qty	Remarks
31	90179-12262-00	NUT .....	8	

## CONTENTS

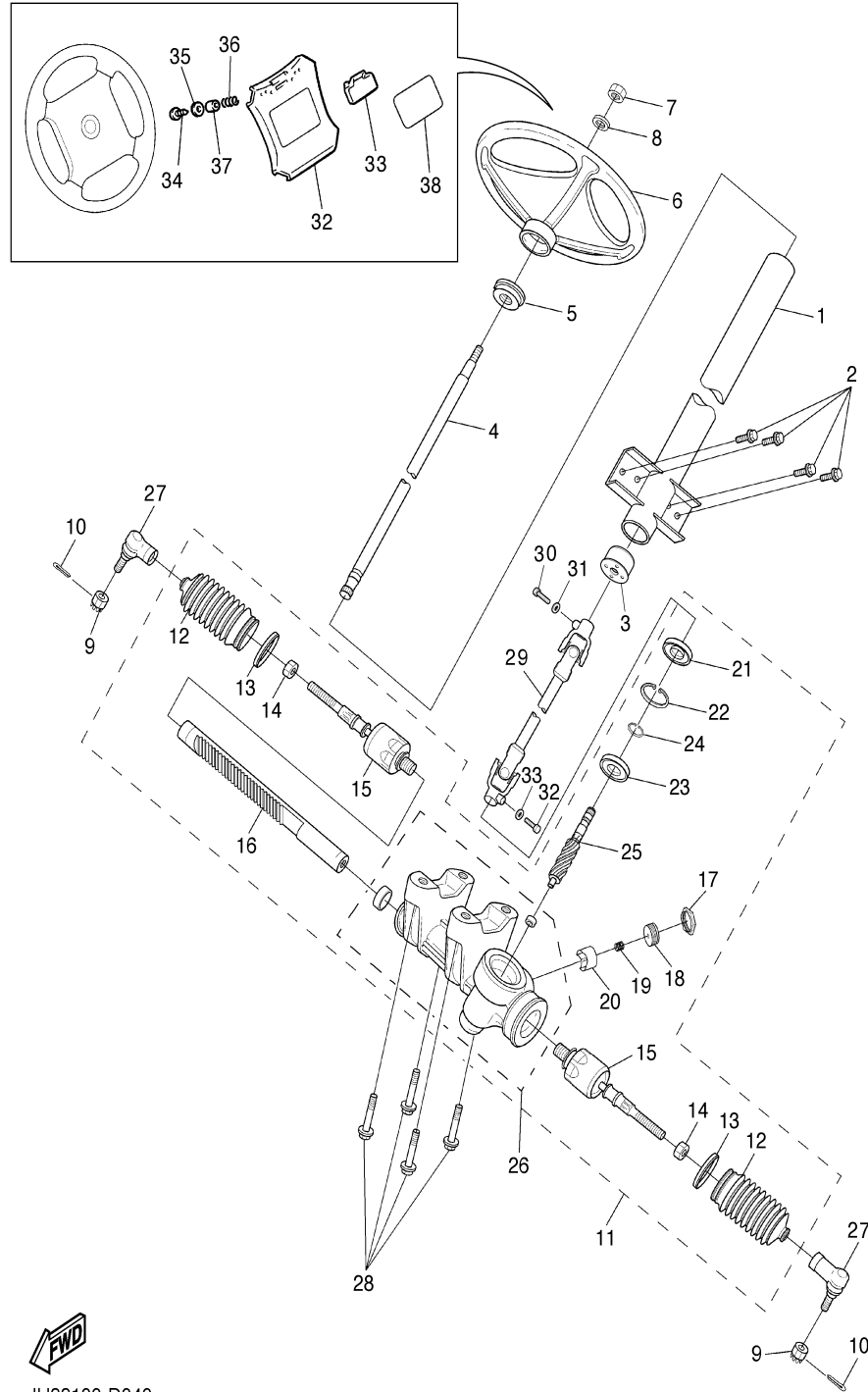
ACCELERATOR	C2
AIR SHROUD FAN	A9
BODY 2 REAR	D2-3
BODY FITTING	D4
BODY FRONT	C12 ,D1
BRAKE	B10-11
BRAKE 2	B12
BRAKE 3	C1
BUMPER	C11
CAMSHAFT VALVE	A8
CARBURETOR	A11
CARRIER	D5
CRANKCASE	B1
CRANKSHAFT PISTON	A7
CYLINDER HEAD	A6
ELECTRICAL 1	D9
ELECTRICAL 2	D10-11
ENGINE ASSEMBLY	A5
ENGINE MOUNT	B2
EXHAUST	A12
FRAME	B4
FRONT SUSPENSION WHEEL	B5-6
FUEL TANK	B9
GOVERNOR	C3
INTAKE	A10
OPTIONAL HUB CAPS	D12
OPTIONAL LIGHT KIT	E3
OPTIONAL SUN ROOF	E2
OPTIONAL WINDSHIELD	E1
PRIMARY CLUTCH	C4
REAR ARM SUSPENSION	B3
REAR AXLE MOUNT WHEEL	C9
SEAT	D6
SECONDARY SHEAVE	C5
SHIFTER CABLES	C10
STARTER GENERATOR	D7-8
STEERING	B7-8
TRANSMISSION	C6-8



JU0100-5120



# STEERING



Ref. No.	Part Number	Description	Qty	Remarks
1	JU0-F3811-00-00	COLUMN, STEERING	1	
2	9581P-08016-00	BOLT, FLANGE	4	
3	JU0-F3857-00-00	HOLDER	1	
4	JU0-F3828-00-00	ROD, STEERING	1	
5	JN3-F3814-00-00	HOLDER, HANDLE UPPER	1	
6	JN3-F3838-00-00	WHEEL, STEERING	1	
7	90185-12061-00	NUT, SELF-LOCKING	1	
8	9290P-12200-00	WASHER	1	
9	95607-12200-00	NUT, SELF-LOCKING	2	
10	91401-25020-00	PIN, COTTER	2	
11	JU0-F3400-00-00	STEERING ASSY	1	
12	JU0-F3848-00-00	. BOOT	2	
13	JU0-F1338-00-00	. CLAMP	2	
14	JU0-F3833-00-00	. NUT 1	2	
15	JU0-F3837-00-00	. ROD, TIE 2	2	
16	JU0-F387E-00-00	. GEAR, RACK	1	
17	JU0-F3834-00-00	. NUT 2	1	
18	JU0-F387G-00-00	. COVER, ADJUST	1	
19	JU0-F387K-00-00	. SPRING, PRESSURE	1	
20	JU0-F387F-00-00	. PAD, PRESSURE	1	
21	JU0-F3844-00-00	. SEAL	1	
22	JU0-F387J-00-00	. RING, STOPPER	1	
23	JU0-F339Y-00-00	. BEARING	1	
24	JU0-F3183-00-00	. CIRCLIP	1	
25	JU0-F387A-00-00	. GEAR, PINION	1	
26	JU0-F620A-00-00	. HOUSING, MAIN 1	1	
27	JU0-F3841-00-00	JOINT, UNIVERSAL 1	2	
28	90105-10810-00	BOLT, FLANGE	4	
29	JU0-F3822-00-00	JOINT 1	1	
30	97017-08030-00	BOLT	2	

## CONTENTS

ACCELERATOR	C2
AIR SHROUD & FAN	A9
BODY	C12
BODY 2	D1-2
BODY FITTING	D3
BRAKE	B10-11
BRAKE 2	B12
BRAKE 3	C1
BUMPER	C11
CAMSHAFT & VALVE	A8
CARBURETOR	A11
CARRIER	D4
CRANKCASE	B1
CRANKSHAFT & PISTON	A7
CYLINDER HEAD	A6
ELECTRICAL 1	D8
ELECTRICAL 2	D9-10
ENGINE ASSEMBLY	A5
ENGINE BRACKET	B2
EXHAUST	A12
FRAME	B4
FRONT SUSPENSION & WHEEL	B5-6
FUEL TANK	B9
GOVERNOR	C3
INTAKE	A10
OPTIONAL LIGHT KIT	E1-2
OPTIONAL SUN ROOF	D12
OPTIONAL WINDSHIELD	D11
PRIMARY SHEAVE	C4
REAR ARM & SUSPENSION	B3
REAR AXLE MOUNT & WHEEL	C9
SEAT	D5
SECONDARY SHEAVE	C5
SHIFTER & CABLES	C10
STARTING MOTOR	D6-7
STEERING	B7-8
TRANSMISSION 1	C6-8

CONTINUED ON NEXT FRAME ➤





# DID YOU KNOW?

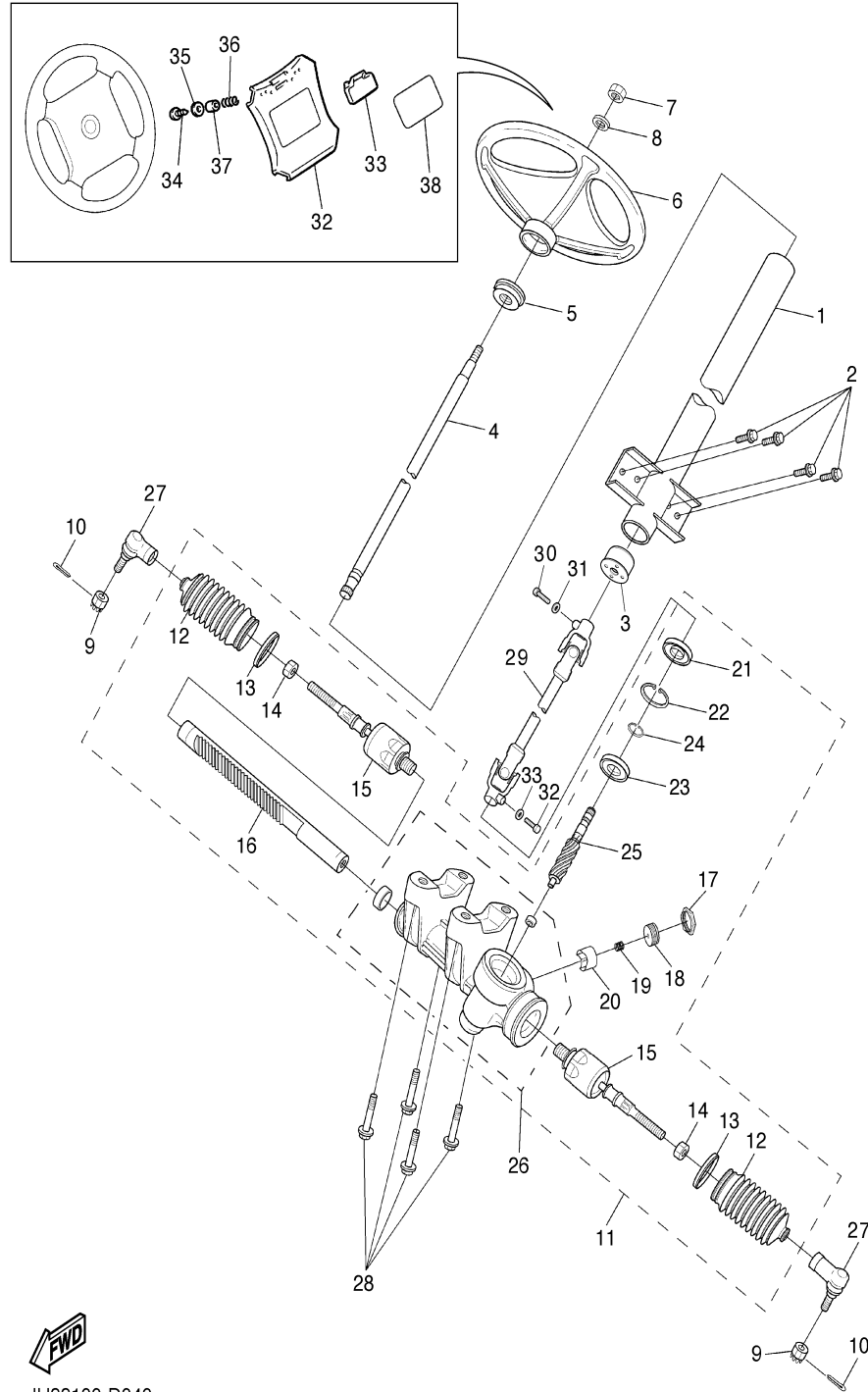
CartPros directs you to the right part using the part numbers from this manual. Enter the part number into our search box and it will find the part you are looking for.

GET STARTED  
HERE



<https://CartPros.com/f.html>

## STEERING



Ref. No.	Part Number	Description	Qty	Remarks
31	92907-08600-00	WASHER, PLATE	2	
32	JN3-K8357-00-00	HOLDER 1	1	
33	JN6-K8358-01-00	HOLDER 2	1	
34	97707-40525-00	SCREW, TAPPING	2	
35	90201-048R5-00	WASHER, PLATE	2	
36	90502-10013-00	SPRING, CONICAL	2	
37	90387-046N7-00	COLLAR	2	
38	JU0-K7762-00-00	LABEL, WARNING 2 (E)	1	

## CONTENTS

ACCELERATOR	C2
AIR SHROUD & FAN	A9
BODY	C12
BODY 2	D1-2
BODY FITTING	D3
BRAKE	B10-11
BRAKE 2	B12
BRAKE 3	C1
BUMPER	C11
CAMSHAFT & VALVE	A8
CARBURETOR	A11
CARRIER	D4
CRANKCASE	B1
CRANKSHAFT & PISTON	A7
CYLINDER HEAD	A6
ELECTRICAL 1	D8
ELECTRICAL 2	D9-10
ENGINE ASSEMBLY	A5
ENGINE BRACKET	B2
EXHAUST	A12
FRAME	B4
FRONT SUSPENSION & WHEEL	B5-6
FUEL TANK	B9
GOVERNOR	C3
INTAKE	A10
OPTIONAL LIGHT KIT	E1-2
OPTIONAL SUN ROOF	D12
OPTIONAL WINDSHIELD	D11
PRIMARY SHEAVE	C4
REAR ARM & SUSPENSION	B3
REAR AXLE MOUNT & WHEEL	C9
SEAT	D5
SECONDARY SHEAVE	C5
SHIFTER & CABLES	C10
STARTING MOTOR	D6-7
STEERING	B7-8
TRANSMISSION 1	C6-8



JU22100-D040



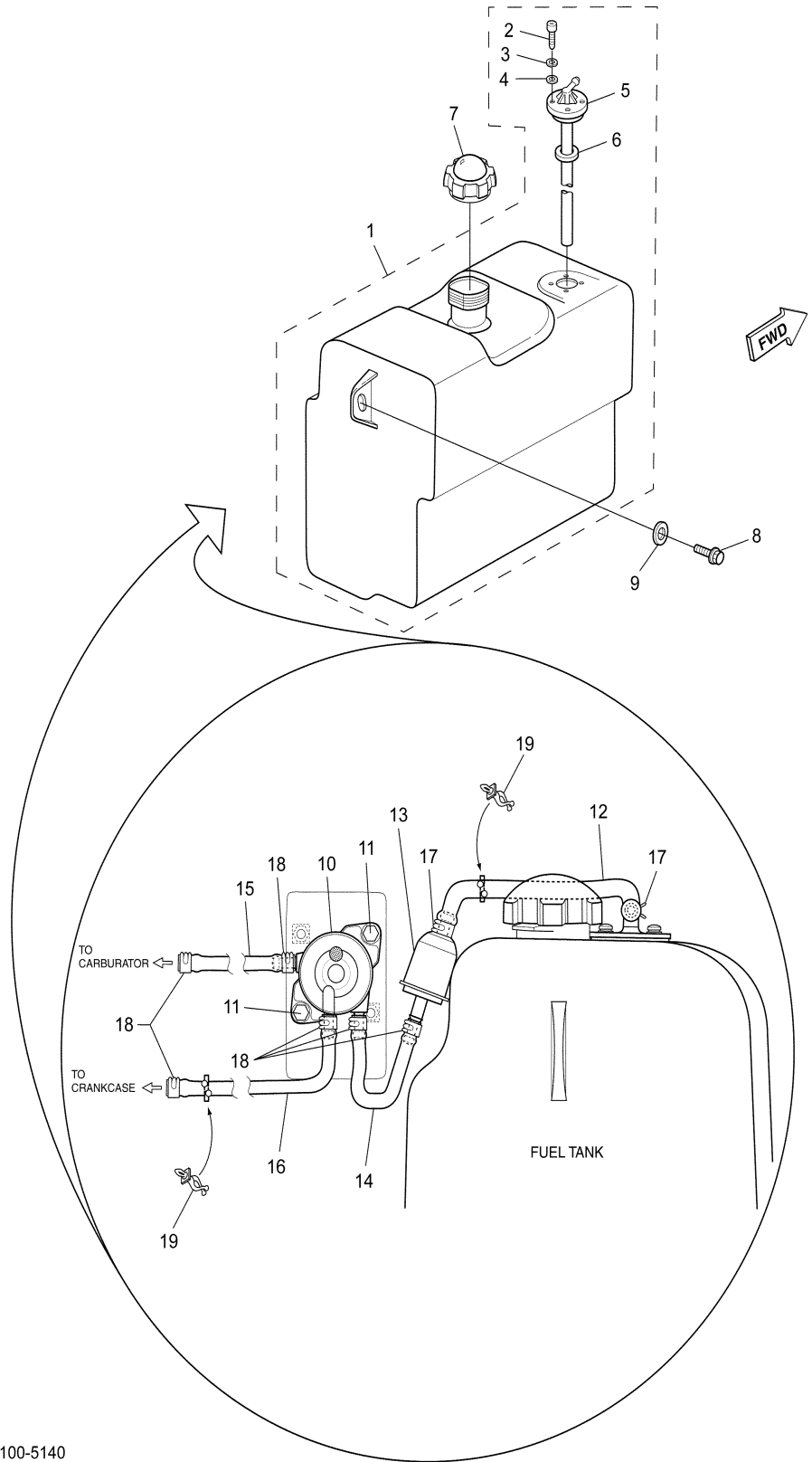


# FUEL TANK

Ref. No.	Part Number	Description	Qty	Remarks
1	JN6-F4110-01-00	FUEL TANK COMP. ....	1	
2	98507-05014-00	. SCREW, PAN HEAD .....	4	
3	92907-05100-00	. WASHER, SPRING .....	4	
4	92907-05600-00	. WASHER, PLATE .....	4	
5	JN3-F4300-02-00	. FUEL PIPE JOINT .....	1	
6	93210-228C4-00	. O-RING .....	1	
7	JN6-F4610-00-00	CAP ASSY .....	1	
8	90105-08878-00	BOLT, FLANGE .....	2	
9	90506-08251-00	SPACER .....	2	
10	JN6-F4410-10-00	FUEL PUMP ASSY .....	1	
11	JN6-F3394-00-00	BOLT, SPECIAL .....	2	
12	JN6-F4312-00-00	PIPE, 2 .....	1	
13	JN6-F4560-00-00	FILTER ASSY .....	1	
14	JN6-F4311-10-00	PIPE, FUEL .....	1	
15	JN6-F4313-10-00	PIPE, 3 .....	1	
16	JN6-F4314-10-00	PIPE, 4 .....	1	
17	90467-12845-00	CLIP .....	2	RED
18	90467-10846-00	CLIP .....	6	GREEN
19	90464-11816-00	CLAMP .....	2	

## CONTENTS

ACCELERATOR	C2
AIR SHROUD FAN	A9
BODY 2 REAR	D2-3
BODY FITTING	D4
BODY FRONT	C12 ,D1
BRAKE	B10-11
BRAKE 2	B12
BRAKE 3	C1
BUMPER	C11
CAMSHAFT VALVE	A8
CARBURETOR	A11
CARRIER	D5
CRANKCASE	B1
CRANKSHAFT PISTON	A7
CYLINDER HEAD	A6
ELECTRICAL 1	D9
ELECTRICAL 2	D10-11
ENGINE ASSEMBLY	A5
ENGINE MOUNT	B2
EXHAUST	A12
FRAME	B4
FRONT SUSPENSION WHEEL	B5-6
FUEL TANK	B9
GOVERNOR	C3
INTAKE	A10
OPTIONAL HUB CAPS	D12
OPTIONAL LIGHT KIT	E3
OPTIONAL SUN ROOF	E2
OPTIONAL WINDSHIELD	E1
PRIMARY CLUTCH	C4
REAR ARM SUSPENSION	B3
REAR AXLE MOUNT WHEEL	C9
SEAT	D6
SECONDARY SHEAVE	C5
SHIFTER CABLES	C10
STARTER GENERATOR	D7-8
STEERING	B7-8
TRANSMISSION	C6-8

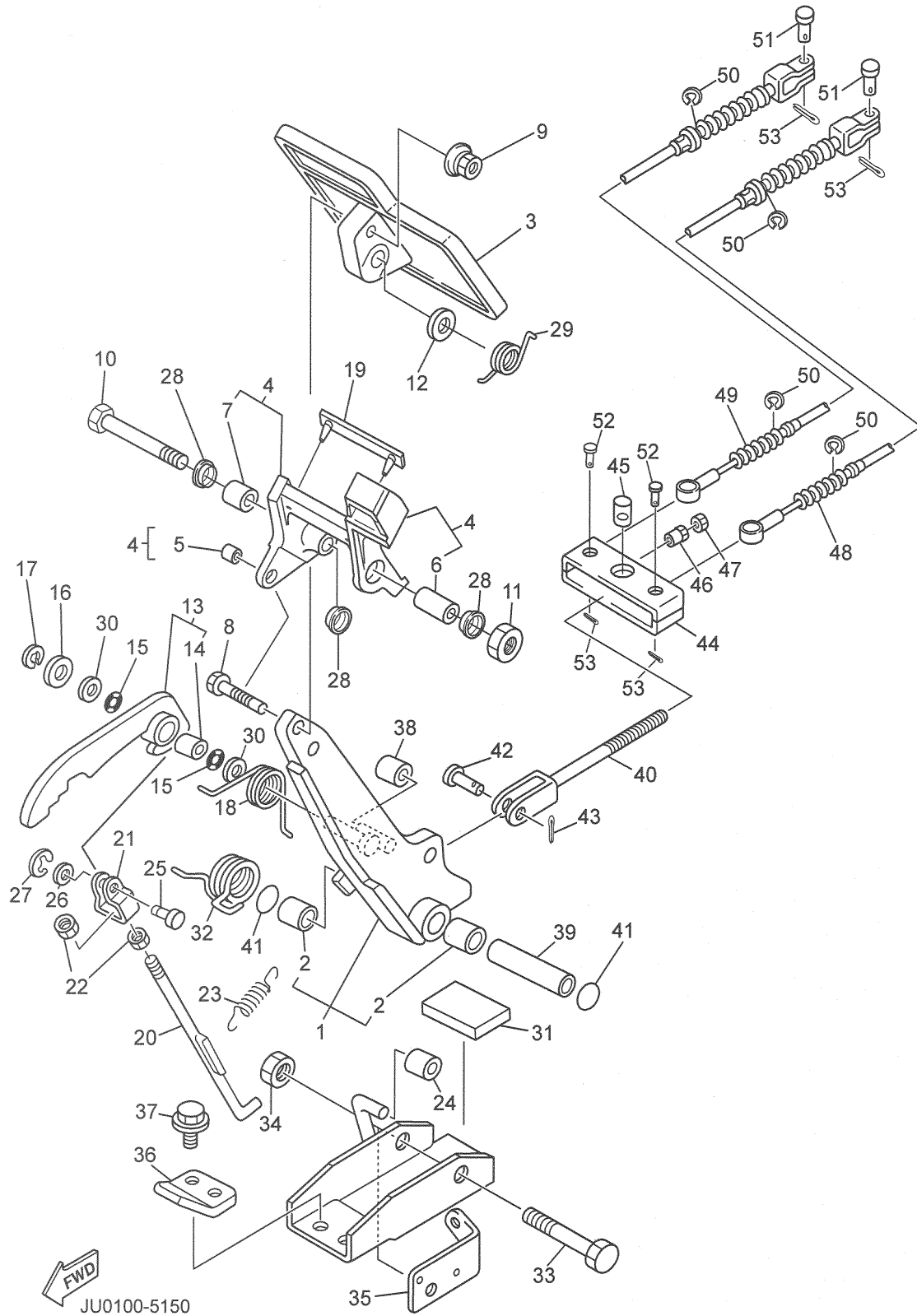


JU0100-5140

G22AY



# BRAKE



Ref. No.	Part Number	Description	Qty	Remarks
1	J46-27250-03-00	BRAKE ARM COMP. ....	1	
2	90384-14080-00	. BUSH, BIMETAL FORMED ...	2	
3	JU0-27211-01-00	PEDAL, BRAKE .....	1	
4	JU0-25671-00-00	PEDAL, PARKING BRAKE ....	1	
5	90384-05163-00	. BUSH, BIMETAL .....	1	
6	90387-08014-00	COLLAR .....	1	
7	90387-08013-00	COLLAR .....	1	
8	97017-06035-00	BOLT, HEX .....	1	
9	90179-06387-00	NUT .....	1	
10	97027-08100-00	BOLT .....	1	
11	95337-08600-00	NUT .....	1	
12	92907-08200-00	WASHER .....	1	
13	J17-25666-02-00	SECTOR, PARKING BRAKE ..	1	
14	90384-10162-00	. BUSH, BIMETAL FORMED ...	1	
15	J17-27221-00-00	SEAL, SHAFT .....	2	
16	92907-10600-00	WASHER, PLATE .....	1	
17	99080-07600-00	CIRCLIP (E) .....	1	
18	90508-14548-00	SPRING, TORSION .....	1	
19	J17-25672-01-00	PAD, PARKING PEDAL .....	1	
20	J17-27231-03-00	ROD, BRAKE .....	1	
21	J17-27232-00-00	END, ROD 2 .....	1	
22	95317-06700-00	NUT .....	2	
23	90508-08526-00	SPRING, TENSION .....	1	
24	J17-25673-00-00	DAMPER, BRAKE .....	1	
25	J17-27228-00-00	PIN, JOINT .....	1	
26	92907-05600-00	WASHER, PLATE .....	1	
27	99080-04600-00	CIRCLIP .....	1	
28	90387-12009-00	COLLAR .....	3	
29	90508-32015-00	SPRING, TORSION .....	1	
30	92907-08200-00	WASHER .....	2	

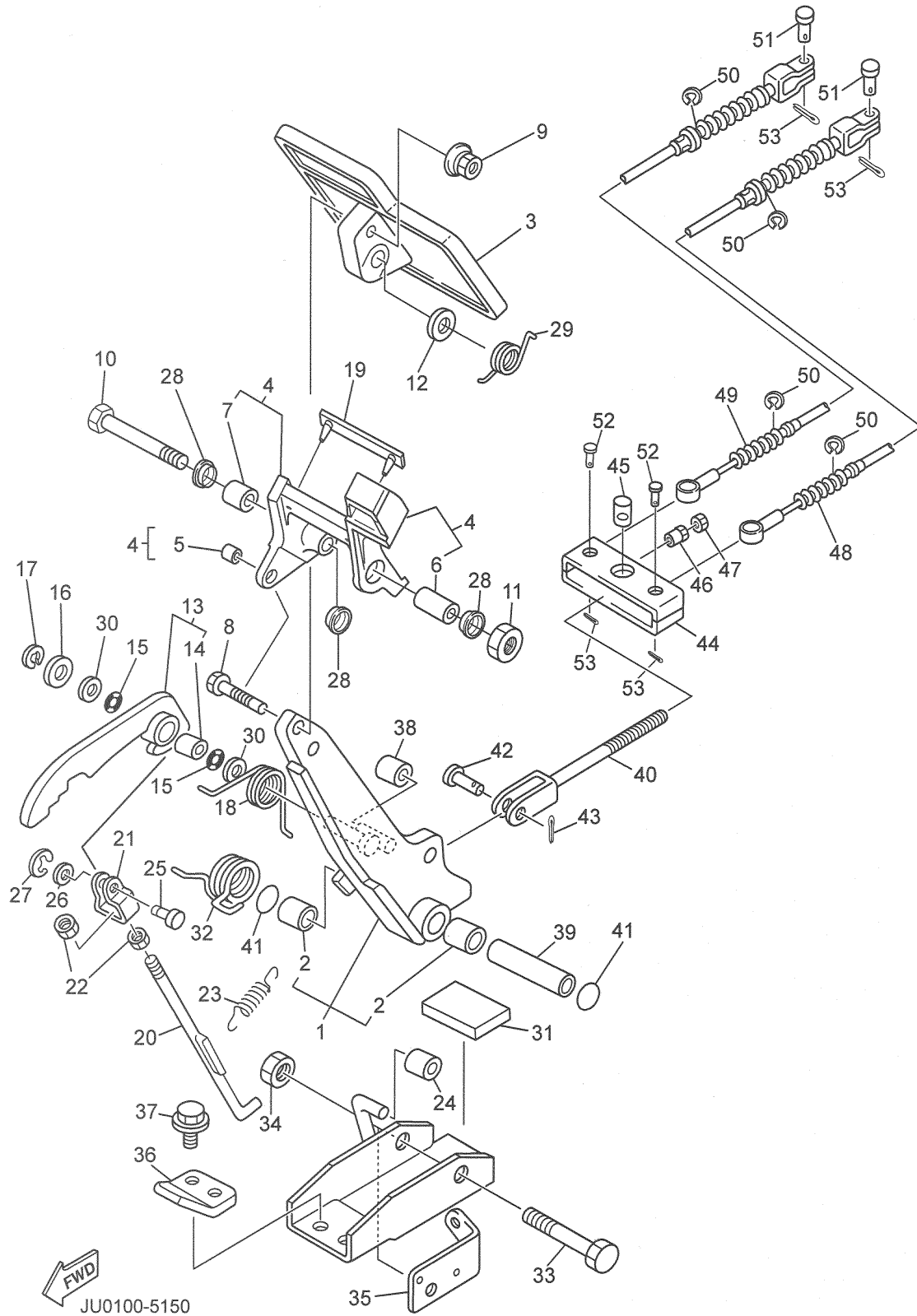
## CONTENTS

ACCELERATOR	C2
AIR SHROUD FAN	A9
BODY 2 REAR	D2-3
BODY FITTING	D4
BODY FRONT	C12 ,D1
BRAKE	B10-11
BRAKE 2	B12
BRAKE 3	C1
BUMPER	C11
CAMSHAFT VALVE	A8
CARBURETOR	A11
CARRIER	D5
CRANKCASE	B1
CRANKSHAFT PISTON	A7
CYLINDER HEAD	A6
ELECTRICAL 1	D9
ELECTRICAL 2	D10-11
ENGINE ASSEMBLY	A5
ENGINE MOUNT	B2
EXHAUST	A12
FRAME	B4
FRONT SUSPENSION WHEEL	B5-6
FUEL TANK	B9
GOVERNOR	C3
INTAKE	A10
OPTIONAL HUB CAPS	D12
OPTIONAL LIGHT KIT	E3
OPTIONAL SUN ROOF	E2
OPTIONAL WINDSHIELD	E1
PRIMARY CLUTCH	C4
REAR ARM SUSPENSION	B3
REAR AXLE MOUNT WHEEL	C9
SEAT	D6
SECONDARY SHEAVE	C5
SHIFTER CABLES	C10
STARTER GENERATOR	D7-8
STEERING	B7-8
TRANSMISSION	C6-8

CONTINUED ON NEXT FRAME ➤



# BRAKE



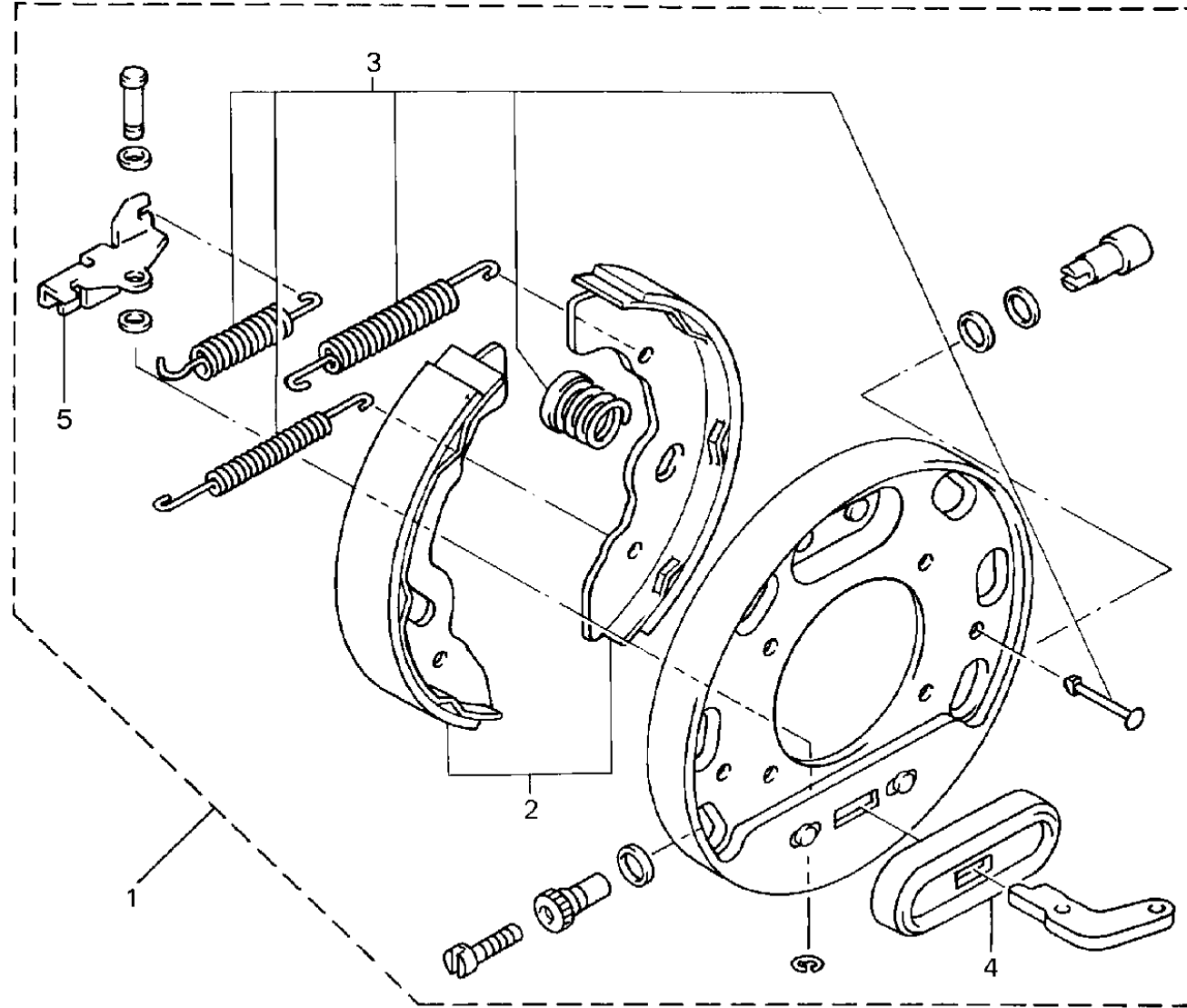
Ref. No.	Part Number	Description	Qty	Remarks
31	JN3-F7245-00-00	PAD, BRAKE PEDAL	1	
32	90508-40007-00	SPRING, TORSION	1	
33	90101-10884-00	BOLT	1	
34	95607-10200-00	NUT, U FLANGE	1	
35	J55-2252M-00-00	BRACKET, 3	1	
36	J17-27246-00-00	NAIL, BRAKE	1	
37	90105-08878-00	BOLT, FLANGE	2	
38	J17-25673-00-00	DAMPER, BRAKE	1	
39	90387-107F8-00	COLLAR	1	
40	JN6-F5685-00-00	ROD	1	
41	93210-14104-00	O-RING	2	
42	91701-10022-00	PIN, CLEVIS	1	
43	91490-30020-00	PIN, COTTER	1	
44	JN6-F5681-00-00	EQUALIZER, BRAKE	1	
45	90249-14129-00	PIN	1	
46	90179-08894-00	NUT	1	
47	95317-08700-00	NUT	1	
48	JU0-F6341-00-00	CABLE, BRAKE	1	
49	JU0-F6351-00-00	CABLE, BRAKE	1	
50	99001-09600-00	CIRCLIP	4	
51	91701-08018-00	PIN, CLEVIS	2	
52	91701-08026-00	PIN, CLEVIS	2	
53	91490-25020-00	PIN, COTTER	4	

## CONTENTS

ACCELERATOR	C2
AIR SHROUD FAN	A9
BODY 2 REAR	D2-3
BODY FITTING	D4
BODY FRONT	C12 ,D1
BRAKE	B10-11
BRAKE 2	B12
BRAKE 3	C1
BUMPER	C11
CAMSHAFT VALVE	A8
CARBURETOR	A11
CARRIER	D5
CRANKCASE	B1
CRANKSHAFT PISTON	A7
CYLINDER HEAD	A6
ELECTRICAL 1	D9
ELECTRICAL 2	D10-11
ENGINE ASSEMBLY	A5
ENGINE MOUNT	B2
EXHAUST	A12
FRAME	B4
FRONT SUSPENSION WHEEL	B5-6
FUEL TANK	B9
GOVERNOR	C3
INTAKE	A10
OPTIONAL HUB CAPS	D12
OPTIONAL LIGHT KIT	E3
OPTIONAL SUN ROOF	E2
OPTIONAL WINDSHIELD	E1
PRIMARY CLUTCH	C4
REAR ARM SUSPENSION	B3
REAR AXLE MOUNT WHEEL	C9
SEAT	D6
SECONDARY SHEAVE	C5
SHIFTER CABLES	C10
STARTER GENERATOR	D7-8
STEERING	B7-8
TRANSMISSION	C6-8



# BRAKE 2



Ref. No.	Part Number	Description	Qty	Remarks
1	JN6-F7280-03-00	BACKING PLATE ASSY 1	1	(FOR RIGHT WHEEL ONLY)
2	JN6-F5331-01-00	. SHOE, BRAKE 2	1	(FOR ONE WHEEL)
3	JG5-F819G-00-00	. REPAIR PARTS KIT	1	
4	JG5-F7286-00-00	. COVER, DUST	1	
5	JN6-F722F-00-00	LEVER, ADJUSTOR (RH)	1	

## CONTENTS

ACCELERATOR	C2
AIR SHROUD FAN	A9
BODY 2 REAR	D2-3
BODY FITTING	D4
BODY FRONT	C12 ,D1
BRAKE	B10-11
BRAKE 2	B12
BRAKE 3	C1
BUMPER	C11
CAMSHAFT VALVE	A8
CARBURETOR	A11
CARRIER	D5
CRANKCASE	B1
CRANKSHAFT PISTON	A7
CYLINDER HEAD	A6
ELECTRICAL 1	D9
ELECTRICAL 2	D10-11
ENGINE ASSEMBLY	A5
ENGINE MOUNT	B2
EXHAUST	A12
FRAME	B4
FRONT SUSPENSION WHEEL	B5-6
FUEL TANK	B9
GOVERNOR	C3
INTAKE	A10
OPTIONAL HUB CAPS	D12
OPTIONAL LIGHT KIT	E3
OPTIONAL SUN ROOF	E2
OPTIONAL WINDSHIELD	E1
PRIMARY CLUTCH	C4
REAR ARM SUSPENSION	B3
REAR AXLE MOUNT WHEEL	C9
SEAT	D6
SECONDARY SHEAVE	C5
SHIFTER CABLES	C10
STARTER GENERATOR	D7-8
STEERING	B7-8
TRANSMISSION	C6-8

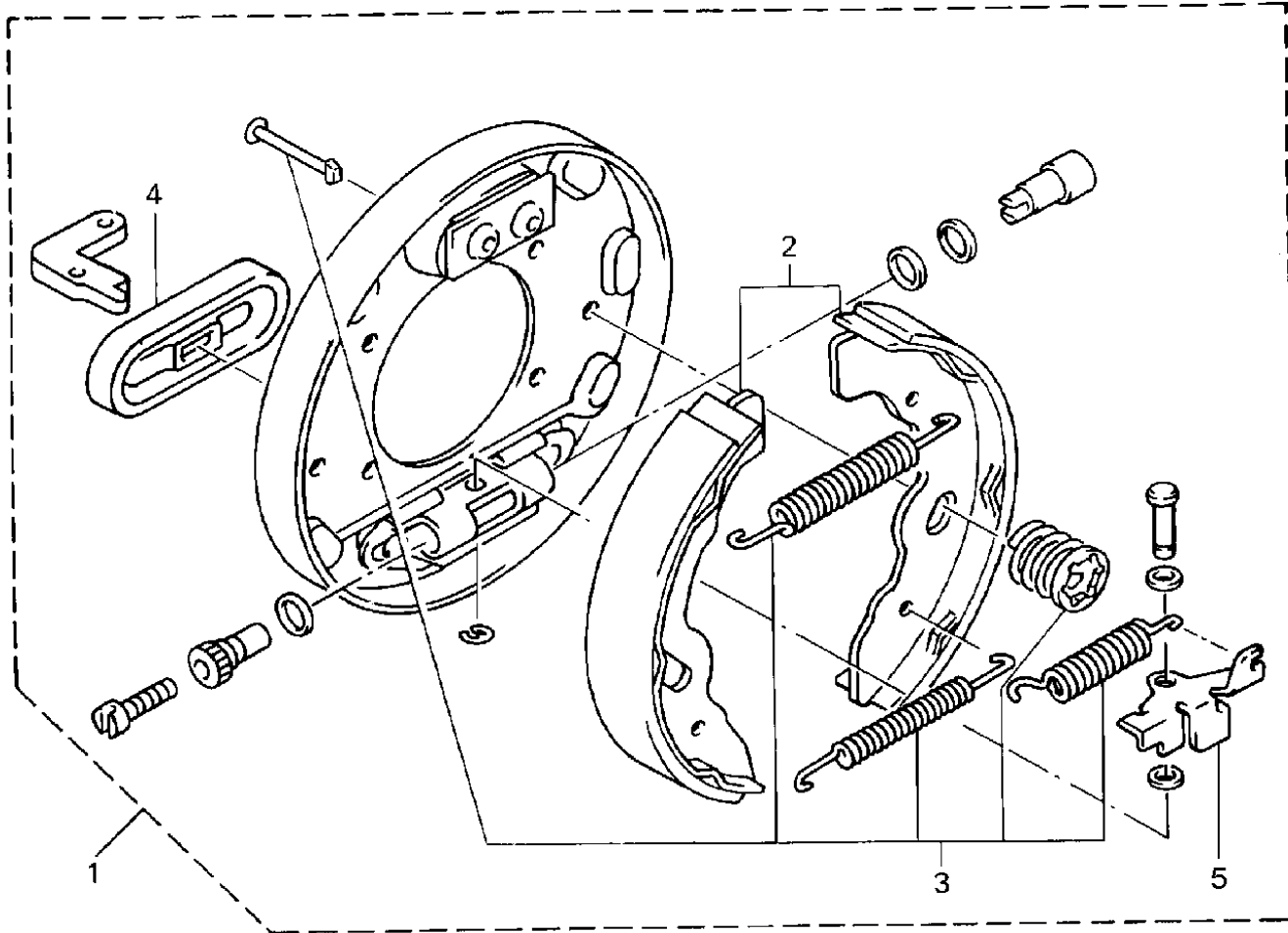


JN4100-5061





# BRAKE 3



Ref. No.	Part Number	Description	Qty	Remarks
1	JN6-F7290-03-00	BACKING PLATE ASSY 2	.... 1	(FOR LEFT WHEEL ONLY)
2	JN6-F5331-01-00	. SHOE, BRAKE 2	..... 1	(FOR ONE WHEEL)
3	JG5-F819G-00-00	. REPAIR PARTS KIT	..... 1	
4	JG5-F7286-00-00	. COVER, DUST	..... 1	
5	JN6-F722E-00-00	LEVER, ADJUSTOR (LH)	..... 1	

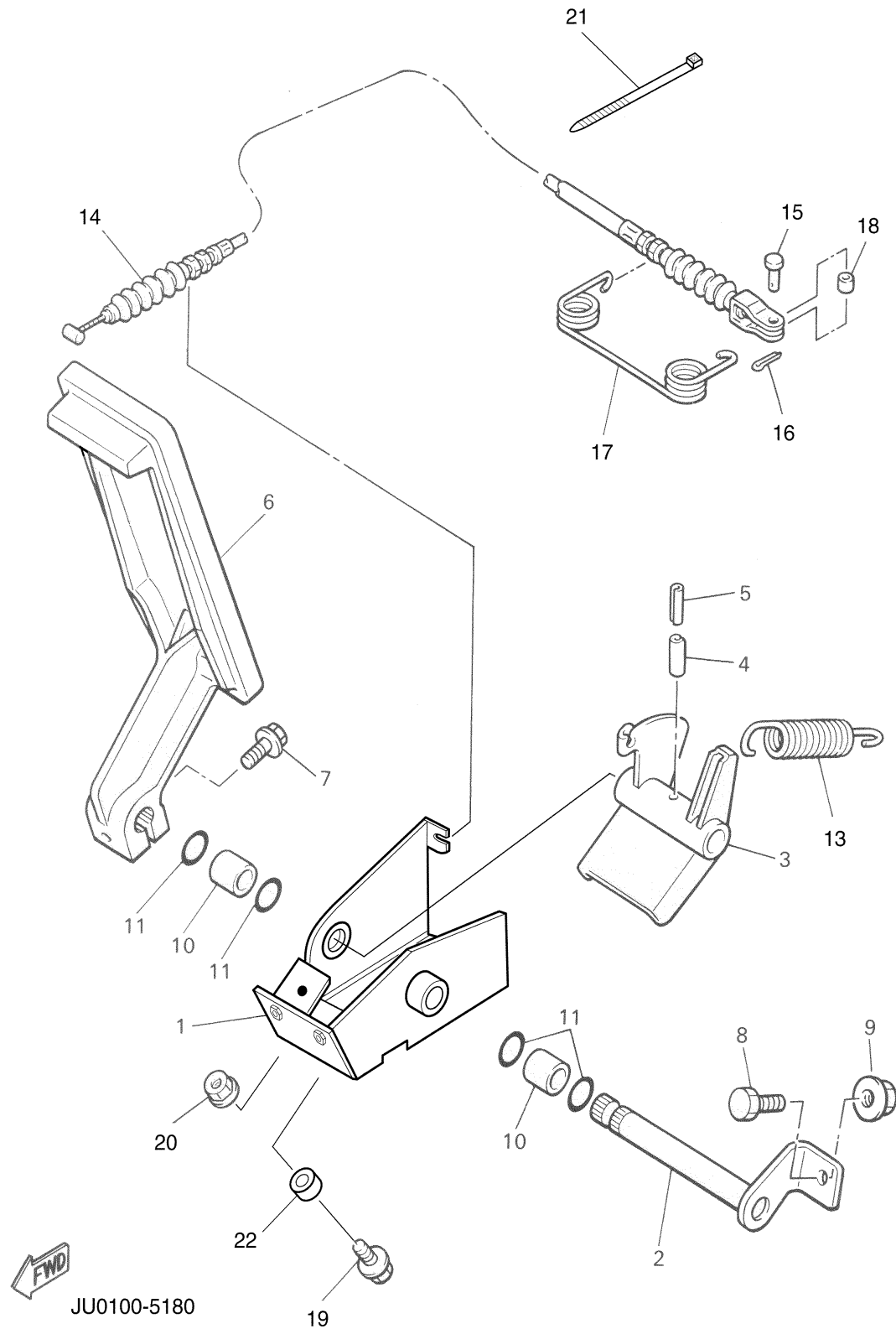
## CONTENTS

ACCELERATOR	C2
AIR SHROUD FAN	A9
BODY 2 REAR	D2-3
BODY FITTING	D4
BODY FRONT	C12 ,D1
BRAKE	B10-11
BRAKE 2	B12
BRAKE 3	C1
BUMPER	C11
CAMSHAFT VALVE	A8
CARBURETOR	A11
CARRIER	D5
CRANKCASE	B1
CRANKSHAFT PISTON	A7
CYLINDER HEAD	A6
ELECTRICAL 1	D9
ELECTRICAL 2	D10-11
ENGINE ASSEMBLY	A5
ENGINE MOUNT	B2
EXHAUST	A12
FRAME	B4
FRONT SUSPENSION WHEEL	B5-6
FUEL TANK	B9
GOVERNOR	C3
INTAKE	A10
OPTIONAL HUB CAPS	D12
OPTIONAL LIGHT KIT	E3
OPTIONAL SUN ROOF	E2
OPTIONAL WINDSHIELD	E1
PRIMARY CLUTCH	C4
REAR ARM SUSPENSION	B3
REAR AXLE MOUNT WHEEL	C9
SEAT	D6
SECONDARY SHEAVE	C5
SHIFTER CABLES	C10
STARTER GENERATOR	D7-8
STEERING	B7-8
TRANSMISSION	C6-8



JN4100-5071

# ACCELERATOR



Ref. No.	Part Number	Description	Qty	Remarks
1	JN6-F7874-01-00	BRACKET, ACCELERATOR PEDAL	1	
2	J17-27853-01-00	SHAFT, PEDAL 1	1	
3	J38-27872-00-00	ARM, ACCELERATOR PEDAL	1	
4	91609-60028-00	PIN, SPRING	1	
5	91609-35028-00	PIN, SPRING	1	
6	JF3-27871-00-00	PEDAL, ACCELERATOR	1	
7	95817-06025-00	BOLT, FLANGE	1	
8	90106-08040-00	BOLT, RD HEX	1	
9	90179-08491-00	NUT	1	
10	90384-14080-00	BUSH, BIMETAL FORMED	2	
11	93210-14104-00	O-RING	4	
12	90105-08878-00	BOLT, FLANGE	3	
13	90508-26282-00	SPRING, TENSION	1	
14	JN3-F6311-00-00	CABLE, THROTTLE 1	1	
15	91790-05012-00	PIN, CLEVIS	1	
16	90468-10050-00	CLIP	1	
17	90508-16460-00	SPRING, TORSION	1	
18	90560-05001-00	SPACER	1	
19	95817-06025-00	BOLT, FLANGE	1	
20	95707-06500-00	NUT, FLANGE	1	
21	90464-40825-00	CLAMP	1	
22	90387-068T4-00	COLLAR	1	

## CONTENTS

ACCELERATOR	C2
AIR SHROUD FAN	A9
BODY 2 REAR	D2-3
BODY FITTING	D4
BODY FRONT	C12 ,D1
BRAKE	B10-11
BRAKE 2	B12
BRAKE 3	C1
BUMPER	C11
CAMSHAFT VALVE	A8
CARBURETOR	A11
CARRIER	D5
CRANKCASE	B1
CRANKSHAFT PISTON	A7
CYLINDER HEAD	A6
ELECTRICAL 1	D9
ELECTRICAL 2	D10-11
ENGINE ASSEMBLY	A5
ENGINE MOUNT	B2
EXHAUST	A12
FRAME	B4
FRONT SUSPENSION WHEEL	B5-6
FUEL TANK	B9
GOVERNOR	C3
INTAKE	A10
OPTIONAL HUB CAPS	D12
OPTIONAL LIGHT KIT	E3
OPTIONAL SUN ROOF	E2
OPTIONAL WINDSHIELD	E1
PRIMARY CLUTCH	C4
REAR ARM SUSPENSION	B3
REAR AXLE MOUNT WHEEL	C9
SEAT	D6
SECONDARY SHEAVE	C5
SHIFTER CABLES	C10
STARTER GENERATOR	D7-8
STEERING	B7-8
TRANSMISSION	C6-8

# DID YOU KNOW?

CartPros directs you to the right part using the part numbers from this manual. Enter the part number into our search box and it will find the part you are looking for.

**GET STARTED HERE** →

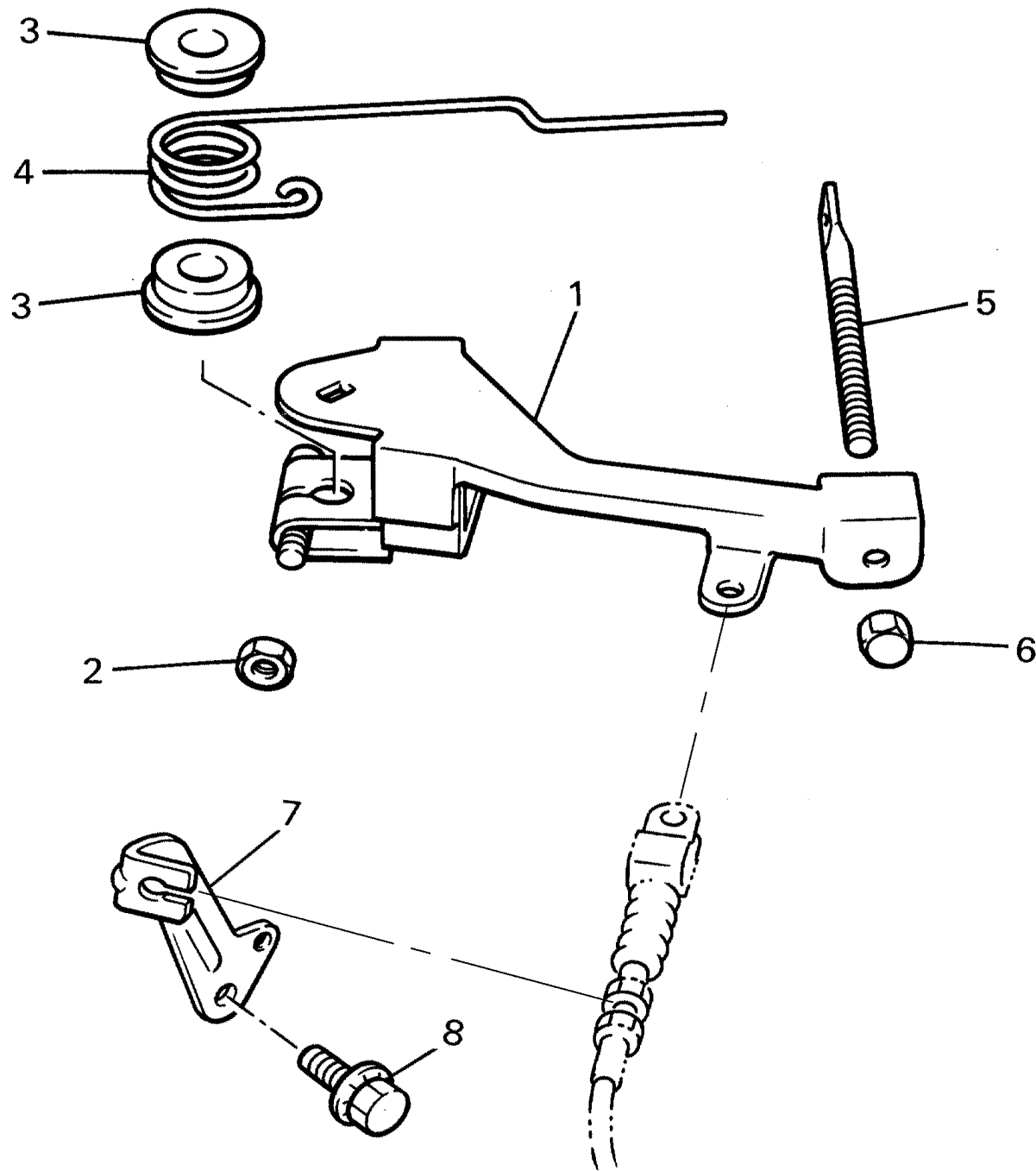
<https://CartPros.com/f.html>

## GOVERNOR

Ref. No.	Part Number	Description	Qty	Remarks
1	J38-27951-00-00	LEVER, SPEED LIMITER .....	1	
2	95317-06600-00	. NUT, HEX .....	1	
3	90386-08141-00	BUSH .....	2	
4	90508-40678-00	SPRING, TORSION .....	1	
5	J38-27959-00-00	SCREW, ADJUSTING .....	1	
6	95607-06200-00	.NUT, SELF U-FLANGE .....	1	
7	JN3-G6555-00-00	BRACKET 2 .....	1	
8	90105-08859-00	BOLT, FLANGE .....	1	

### CONTENTS

ACCELERATOR	C2
AIR SHROUD FAN	A9
BODY 2 REAR	D2-3
BODY FITTING	D4
BODY FRONT	C12 ,D1
BRAKE	B10-11
BRAKE 2	B12
BRAKE 3	C1
BUMPER	C11
CAMSHAFT VALVE	A8
CARBURETOR	A11
CARRIER	D5
CRANKCASE	B1
CRANKSHAFT PISTON	A7
CYLINDER HEAD	A6
ELECTRICAL 1	D9
ELECTRICAL 2	D10-11
ENGINE ASSEMBLY	A5
ENGINE MOUNT	B2
EXHAUST	A12
FRAME	B4
FRONT SUSPENSION WHEEL	B5-6
FUEL TANK	B9
GOVERNOR	C3
INTAKE	A10
OPTIONAL HUB CAPS	D12
OPTIONAL LIGHT KIT	E3
OPTIONAL SUN ROOF	E2
OPTIONAL WINDSHIELD	E1
PRIMARY CLUTCH	C4
REAR ARM SUSPENSION	B3
REAR AXLE MOUNT WHEEL	C9
SEAT	D6
SECONDARY SHEAVE	C5
SHIFTER CABLES	C10
STARTER GENERATOR	D7-8
STEERING	B7-8
TRANSMISSION	C6-8



JU0100-5190

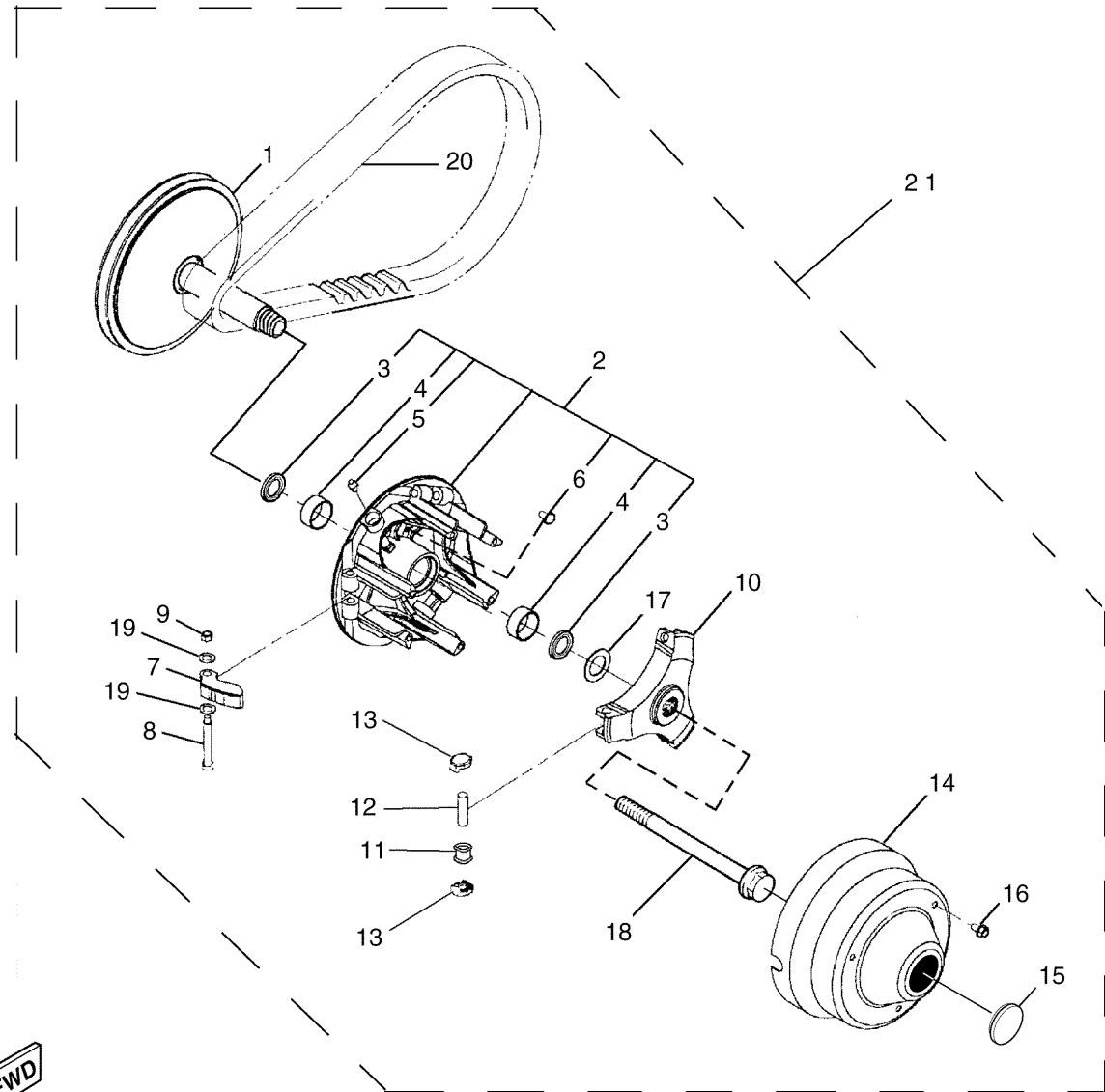
# PRIMARY CLUTCH

Ref. No.	Part Number	Description	Qty	Remarks
1	JN6-G6210-00-00	. PRIMARY FIXED SHEAVE COMP. ....	1	
2	JN6-G6220-00-00	. PRIMARY SLIDING SHEAVE COMP. ....	1	
3	93101-28831-00	.. OIL SEAL .....	2	
4	90384-27823-00	.. BUSH, BIMETAL FORMED ..	2	
5	93700-06810-00	.. NIPPLE, GREASE .....	1	
6	90338-04840-00	.. PLUG .....	3	
7	JN6-G6232-00-00	.. WEIGHT, 1 .....	3	
8	90109-06860-00	. BOLT .....	3	
9	90185-06834-00	. NUT, SELF-LOCKING .....	3	
10	JN6-G6251-00-00	. SPIDER .....	1	
11	JN6-G6258-01-00	. COLLAR, ROLLER .....	3	
12	93610-358A3-00	. PIN, DOWEL .....	3	
13	JN6-G6253-00-00	. SLIDER .....	6	
14	JU0-G6231-00-00	. CAP .....	1	
15	JU0-G6297-00-00	. COVER, DUST .....	1	
16	90105-06861-00	. BOLT, FLANGE .....	3	
17	90102-228K5-00	. WASHER, PLAIN .....	1	
18	JN6-G6249-00-00	BOLT .....	1	
19	JN6-G621F-00-00	. SHIM,THRUST .....	6	
20	J55G6241-00-00	BELT .....	1	
21	JN6-G6201-03-00	PRIMARY CLUTCH ASSEMBLY	1	

ASSY INCLUDES ALL EXCEPT REF. #S 18 & 20.

## CONTENTS

ACCELERATOR	C2
AIR SHROUD FAN	A9
BODY 2 REAR	D2-3
BODY FITTING	D4
BODY FRONT	C12 ,D1
BRAKE	B10-11
BRAKE 2	B12
BRAKE 3	C1
BUMPER	C11
CAMSHAFT VALVE	A8
CARBURETOR	A11
CARRIER	D5
CRANKCASE	B1
CRANKSHAFT PISTON	A7
CYLINDER HEAD	A6
ELECTRICAL 1	D9
ELECTRICAL 2	D10-11
ENGINE ASSEMBLY	A5
ENGINE MOUNT	B2
EXHAUST	A12
FRAME	B4
FRONT SUSPENSION WHEEL	B5-6
FUEL TANK	B9
GOVERNOR	C3
INTAKE	A10
OPTIONAL HUB CAPS	D12
OPTIONAL LIGHT KIT	E3
OPTIONAL SUN ROOF	E2
OPTIONAL WINDSHIELD	E1
PRIMARY CLUTCH	C4
REAR ARM SUSPENSION	B3
REAR AXLE MOUNT WHEEL	C9
SEAT	D6
SECONDARY SHEAVE	C5
SHIFTER CABLES	C10
STARTER GENERATOR	D7-8
STEERING	B7-8
TRANSMISSION	C6-8

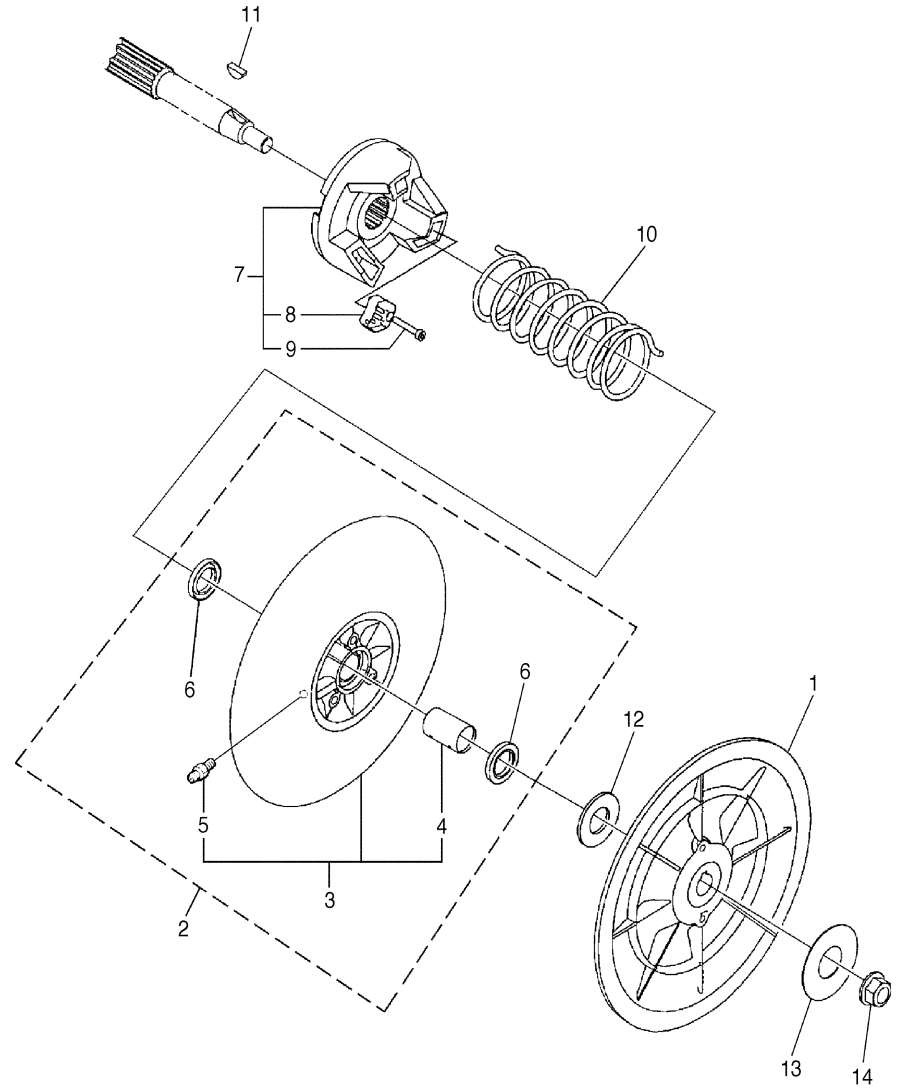


JU0100-5200



# SECONDARY SHEAVE

Ref. No.	Part Number	Description	Qty	Remarks
1	JN6-G6260-00-00	SECONDARY FIXED SHEAVE COMP. ....	1	
2	JN6-G6270-01-KT	SECONDARY SLIDING SHEAVE COMP. ....	1	
3	JN6-G6271-02-00	. SECONDARY SLIDING SHEAVE .....	1	
4	90384-20824-00	.. BUSH, BIMETAL FORMED ..	1	
5	93700-06809-00	.. NIPPLE, GREASE .....	1	
6	93109-20069-00	. OIL SEAL .....	2	
7	JN6-G6280-00-00	SECONDARY SPRING SEAT COMP. ....	1	
8	JN6-E7688-00-00	. SHOE, RAMP .....	3	
9	90110-04834-00	. BOLT, HEXAGON SOCKET HEAD .....	3	
10	90508-45844-00	SPRING, TORSION .....	1	L=100.5mm +/- 1.5
11	90280-05022-00	KEY, WOODRUFF .....	1	
12	90202-20130-00	WASHER, PLATE .....	1	
13	90201-128S5-00	WASHER, PLATE .....	1	
14	95607-12200-00	NUT, SELF-LOCKING .....	1	



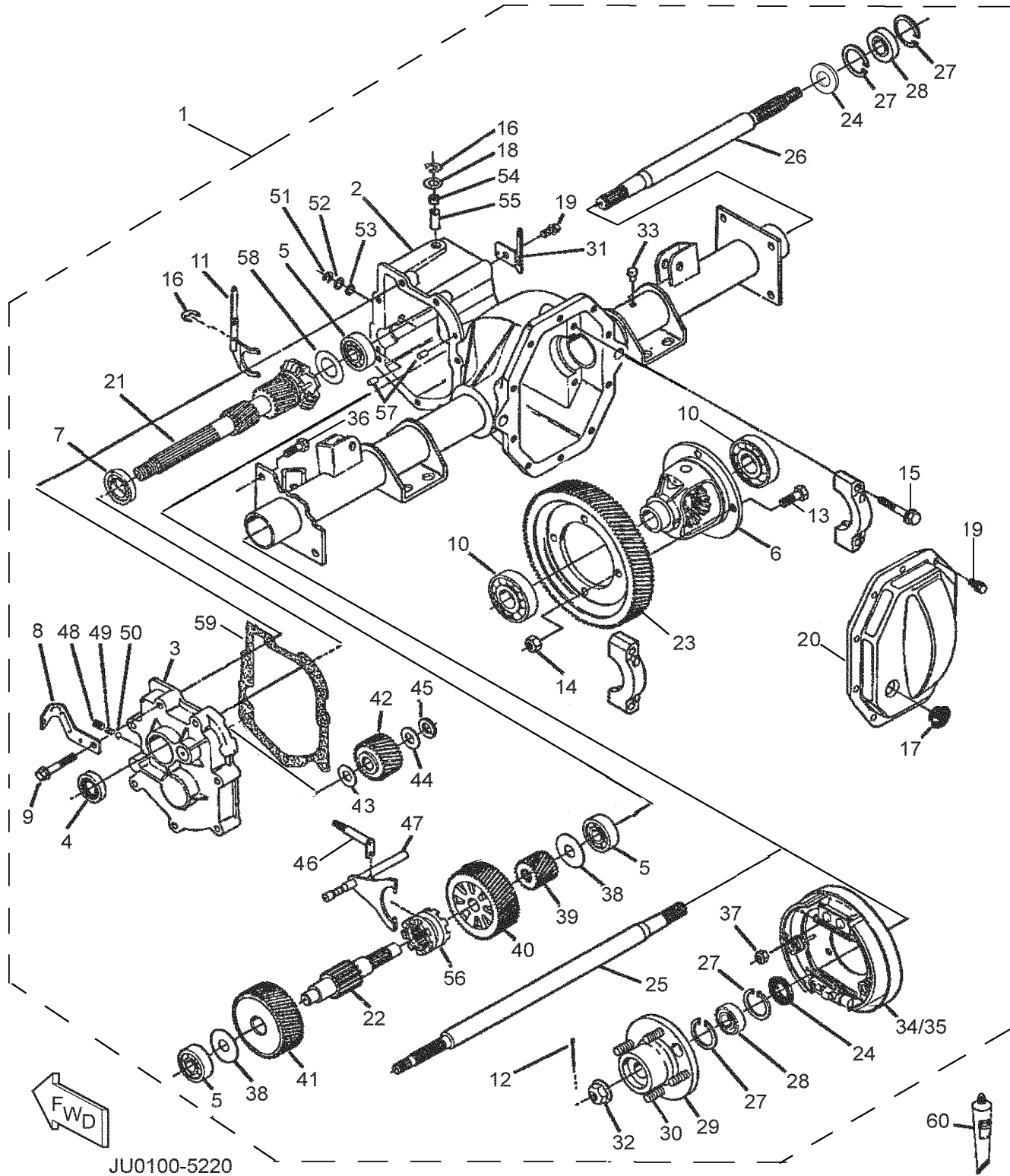
## CONTENTS

ACCELERATOR	C2
AIR SHROUD & FAN	A9
BODY	C12
BODY 2	D1-2
BODY FITTING	D3
BRAKE	B10-11
BRAKE 2	B12
BRAKE 3	C1
BUMPER	C11
CAMSHAFT & VALVE	A8
CARBURETOR	A11
CARRIER	D4
CRANKCASE	B1
CRANKSHAFT & PISTON	A7
CYLINDER HEAD	A6
ELECTRICAL 1	D8
ELECTRICAL 2	D9-10
ENGINE ASSEMBLY	A5
ENGINE BRACKET	B2
EXHAUST	A12
FRAME	B4
FRONT SUSPENSION & WHEEL	B5-6
FUEL TANK	B9
GOVERNOR	C3
INTAKE	A10
OPTIONAL LIGHT KIT	E1-2
OPTIONAL SUN ROOF	D12
OPTIONAL WINDSHIELD	D11
PRIMARY SHEAVE	C4
REAR ARM & SUSPENSION	B3
REAR AXLE MOUNT & WHEEL SEAT	C9
SECONDARY SHEAVE	C5
SHIFTER & CABLES	C10
STARTING MOTOR	D6-7
STEERING	B7-8
TRANSMISSION 1	C6-8



JT71010-B210

# TRANSMISSION



Ref. No.	Part Number	Description	Qty	Remarks
1	JN6-G6300-04-00	TRANS AXLE ASSY	1	WITH BRAKE PLATES
2	JN3-G6290-01-00	. CASE ASSY	1	
3	JN3-G6313-00-00	. COVER, TRNSMISSION	1	
4	93102-25868-00	. OIL SEAL	1	
5	93306-303Y6-00	. BEARING	3	
6	JN6-G6410-00-00	. DIFFERENTIAL ASSY.	1	
7	93306-005YA-00	. BEARING	1	
8	JN6-G6555-00-00	. BRACKET 2	1	
9	90105-08859-00	. BOLT, FLANGE	7	
10	93306-007Y0-00	. BEARING	2	
11	JN3-G633E-01-00	. BAR 1	1	
12	91490-25030-00	. PIN, COTTER	2	
13	90101-10854-00	. BOLT	4	
14	90170-10840-00	. NUT	4	
15	90105-018400-00	. BOLT, FLANGE	4	
16	JU0-F722H-00-00	. RETAINER	2	
17	JN3-G6432-00-00	. STOPPER	1	
18	JU0-F723F-00-00	. WASHER, SPECIAL	1	
19	90101-08856-00	. BOLT	11	
20	JN3-G6314-00-00	. COVER, TRANSMISSION	1	
21	JN3-G6320-01-00	. INPUT SHAFT ASSY	1	
22	JN3-G633G-00-00	. SHAFT	1	
23	JN3-G6355-00-00	. GEAR, PRIMARY	1	
24	93101-24822-00	. OIL SEAL	2	
25	JN3-G6511-00-00	. SHAFT, REAR AXLE 1 (L.H)	1	
26	JN3-G6512-00-00	. SHAFT, REAR AXLE 2 (R.H)	1	
27	93420-44805-00	. CIRCLIP	4	
28	93306-004X5-00	. BEARING	2	
29	JN3-G6514-00-00	. HUB, REAR AXLE	2	
30	90114-12804-00	. BOLT, SERRATION	8	

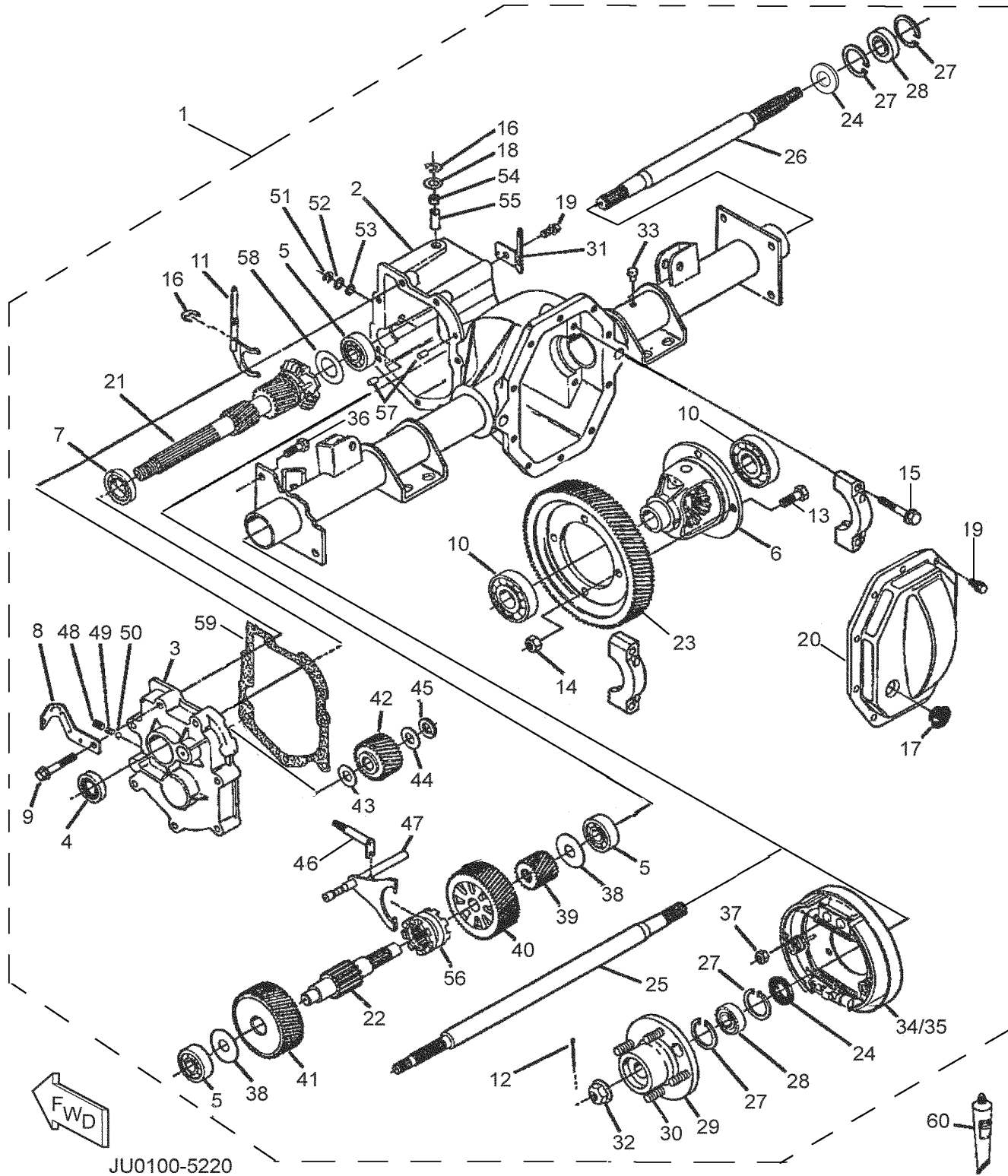
## CONTENTS

ACCELERATOR	C2
AIR SHROUD FAN	A9
BODY 2 REAR	D2-3
BODY FITTING	D4
BODY FRONT	C12 ,D1
BRAKE	B10-11
BRAKE 2	B12
BRAKE 3	C1
BUMPER	C11
CAMSHAFT VALVE	A8
CARBURETOR	A11
CARRIER	D5
CRANKCASE	B1
CRANKSHAFT PISTON	A7
CYLINDER HEAD	A6
ELECTRICAL 1	D9
ELECTRICAL 2	D10-11
ENGINE ASSEMBLY	A5
ENGINE MOUNT	B2
EXHAUST	A12
FRAME	B4
FRONT SUSPENSION WHEEL	B5-6
FUEL TANK	B9
GOVERNOR	C3
INTAKE	A10
OPTIONAL HUB CAPS	D12
OPTIONAL LIGHT KIT	E3
OPTIONAL SUN ROOF	E2
OPTIONAL WINDSHIELD	E1
PRIMARY CLUTCH	C4
REAR ARM SUSPENSION	B3
REAR AXLE MOUNT WHEEL	C9
SEAT	D6
SECONDARY SHEAVE	C5
SHIFTER CABLES	C10
STARTER GENERATOR	D7-8
STEERING	B7-8
TRANSMISSION	C6-8

CONTINUED ON NEXT FRAME ➤



# TRANSMISSION



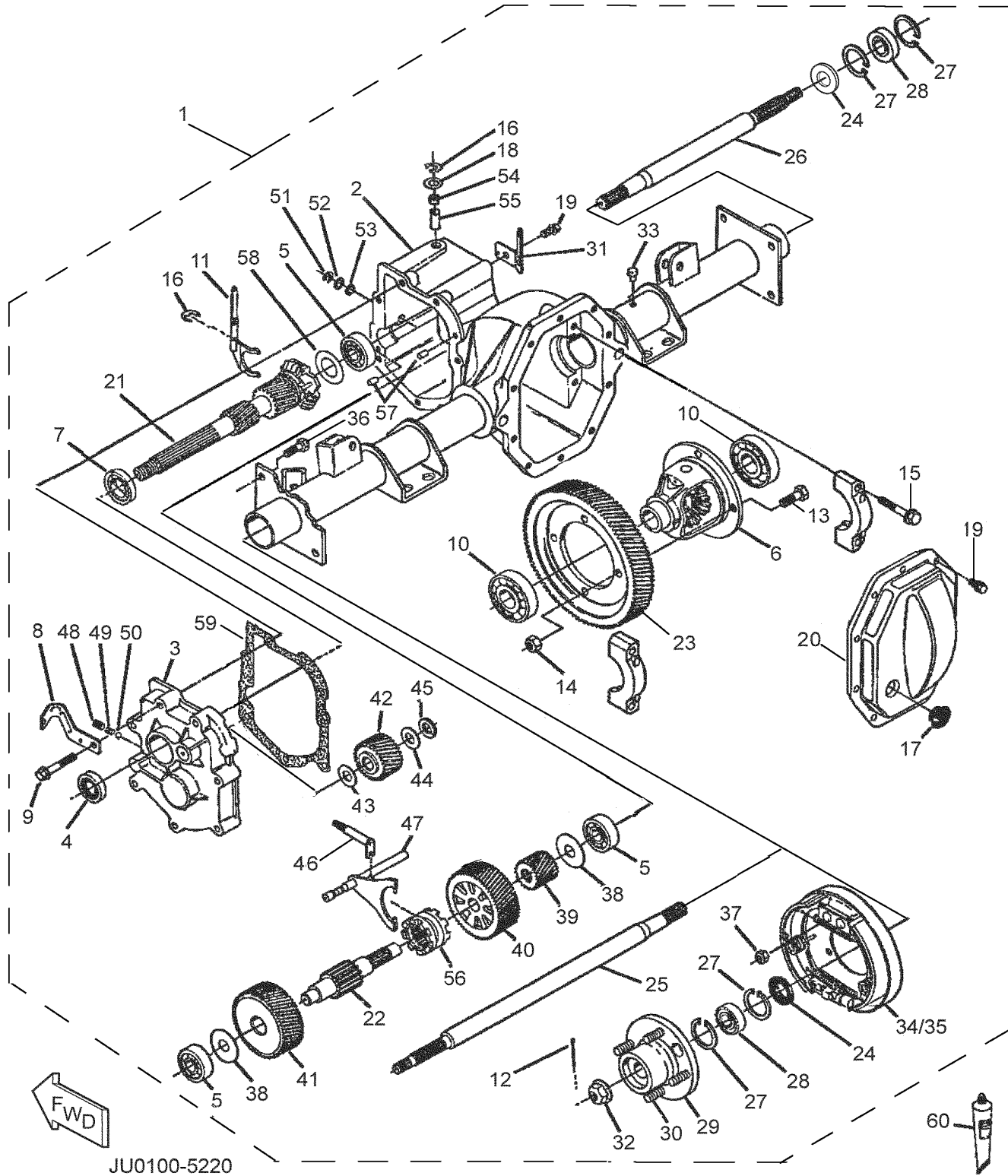
Ref. No.	Part Number	Description	Qty	Remarks
31	JN3-G6556-00-00	. BRACKET 3	1	
32	90185-16833-00	. NUT, SELF-LOCKING	2	
33	JH7-G5619-00-00	. .CAP	1	
34	JN6-F7290-03-00	. BACKING PLATE ASSY LH	1	
35	JN6-F7280-03-00	. BACKING PLATE ASSY RH	1	
36	90101-08855-00	. BOLT	8	
37	90170-08841-00	. NUT	8	
38	90201-178H8-00	. WASHER, PLATE	2	
39	JN3-G6316-00-00	. GEAR, PINION 1	1	
40	JN3-G6326-00-00	. GEAR, WHEEL 1	1	
41	JN3-G6327-00-00	. GEAR, WHEEL 2	1	
42	JN3-G6356-00-00	. GEAR, IDLER	1	
43	90201-208H9-00	. WASHER, PLATE	1	
44	90201-208J0-00	. WASHER, PLATE	1	
45	93440-20813-00	. CIRCLIP	1	
46	JN3-G638A-00-00	. BAR, SHIFT 1	1	
47	JN6-G638E-00-00	. BAR, SHIFT 2	1	
48	90113-08803-00	. .BOLT, SET	1	
49	90501-10852-00	. .SPRING, COMPRESSION	1	
50	93500-06826-00	. .BALL	1	
51	93410-12822-00	. CIRCLIP	1	
52	90202-12807-00	. WASHER, PLATE	1	
53	93104-11829-00	. OIL SEAL	1	
54	93109-10820-00	. OIL SEAL	1	
55	JU0-G614-00-00	. GOVERNOR BUSHING	1	
56	JN3-G6153-00-00	. COLLAR, GUIDE	1	
57	93606-10842-00	. PIN, DOWEL	2	
58	JN3-G6344-00-00	. SHIM, 0.76MM (0.030IN)	1	0.76MM (0.030IN)
	JN3-G6344-10-00	. SHIM, 0.90MM (0.035IN)	1	0.90MM (0.035IN)
	JN3-G6344-20-00	. SHIM, 1.00MM (0.040IN)	1	1.0MM (0.040IN)

## CONTENTS

ACCELERATOR	C2
AIR SHROUD FAN	A9
BODY 2 REAR	D2-3
BODY FITTING	D4
BODY FRONT	C12 ,D1
BRAKE	B10-11
BRAKE 2	B12
BRAKE 3	C1
BUMPER	C11
CAMSHAFT VALVE	A8
CARBURETOR	A11
CARRIER	D5
CRANKCASE	B1
CRANKSHAFT PISTON	A7
CYLINDER HEAD	A6
ELECTRICAL 1	D9
ELECTRICAL 2	D10-11
ENGINE ASSEMBLY	A5
ENGINE MOUNT	B2
EXHAUST	A12
FRAME	B4
FRONT SUSPENSION WHEEL	B5-6
FUEL TANK	B9
GOVERNOR	C3
INTAKE	A10
OPTIONAL HUB CAPS	D12
OPTIONAL LIGHT KIT	E3
OPTIONAL SUN ROOF	E2
OPTIONAL WINDSHIELD	E1
PRIMARY CLUTCH	C4
REAR ARM SUSPENSION	B3
REAR AXLE MOUNT WHEEL	C9
SEAT	D6
SECONDARY SHEAVE	C5
SHIFTER CABLES	C10
STARTER GENERATOR	D7-8
STEERING	B7-8
TRANSMISSION	C6-8

CONTINUED ON NEXT FRAME ►

# TRANSMISSION



Ref. No.	Part Number	Description	Qty	Remarks
58	JN3-G6344-30-00	. SHIM, 1.14MM (0.045IN) . . . . .	1	1.14MM (0.045IN)
	JN3-G6344-40-00	. SHIM, 1.27MM (0.050IN) . . . . .	1	1.27MM (0.050IN)
	JN3-G6344-50-00	. SHIM, 1.39MM (0.055IN) . . . . .	1	1.39MM (0.055IN)
	JN3-G6344-60-00	. SHIM, 1.52MM (0.060IN) . . . . .	1	1.52MM (0.060IN)
	JN3-G6344-70-00	. SHIM, 1.65MM (0.065IN) . . . . .	1	1.65MM (0.065IN)
	JN3-G6344-80-00	. SHIM, 0.38MM (0.015IN) . . . . .	1	0.38MM (0.015IN)
59	JN3-G6319-00-00	. GASKET . . . . .	1	
60	ACC-QUICK-GS-KT	SEAL 1 . . . . .	1	

## CONTENTS

ACCELERATOR	C2
AIR SHROUD FAN	A9
BODY 2 REAR	D2-3
BODY FITTING	D4
BODY FRONT	C12 ,D1
BRAKE	B10-11
BRAKE 2	B12
BRAKE 3	C1
BUMPER	C11
CAMSHAFT VALVE	A8
CARBURETOR	A11
CARRIER	D5
CRANKCASE	B1
CRANKSHAFT PISTON	A7
CYLINDER HEAD	A6
ELECTRICAL 1	D9
ELECTRICAL 2	D10-11
ENGINE ASSEMBLY	A5
ENGINE MOUNT	B2
EXHAUST	A12
FRAME	B4
FRONT SUSPENSION WHEEL	B5-6
FUEL TANK	B9
GOVERNOR	C3
INTAKE	A10
OPTIONAL HUB CAPS	D12
OPTIONAL LIGHT KIT	E3
OPTIONAL SUN ROOF	E2
OPTIONAL WINDSHIELD	E1
PRIMARY CLUTCH	C4
REAR ARM SUSPENSION	B3
REAR AXLE MOUNT WHEEL	C9
SEAT	D6
SECONDARY SHEAVE	C5
SHIFTER CABLES	C10
STARTER GENERATOR	D7-8
STEERING	B7-8
TRANSMISSION	C6-8

JU0100-5220



# DID YOU KNOW?

CartPros directs you to the right part using the part numbers from this manual. Enter the part number into our search box and it will find the part you are looking for.

**GET STARTED HERE** →

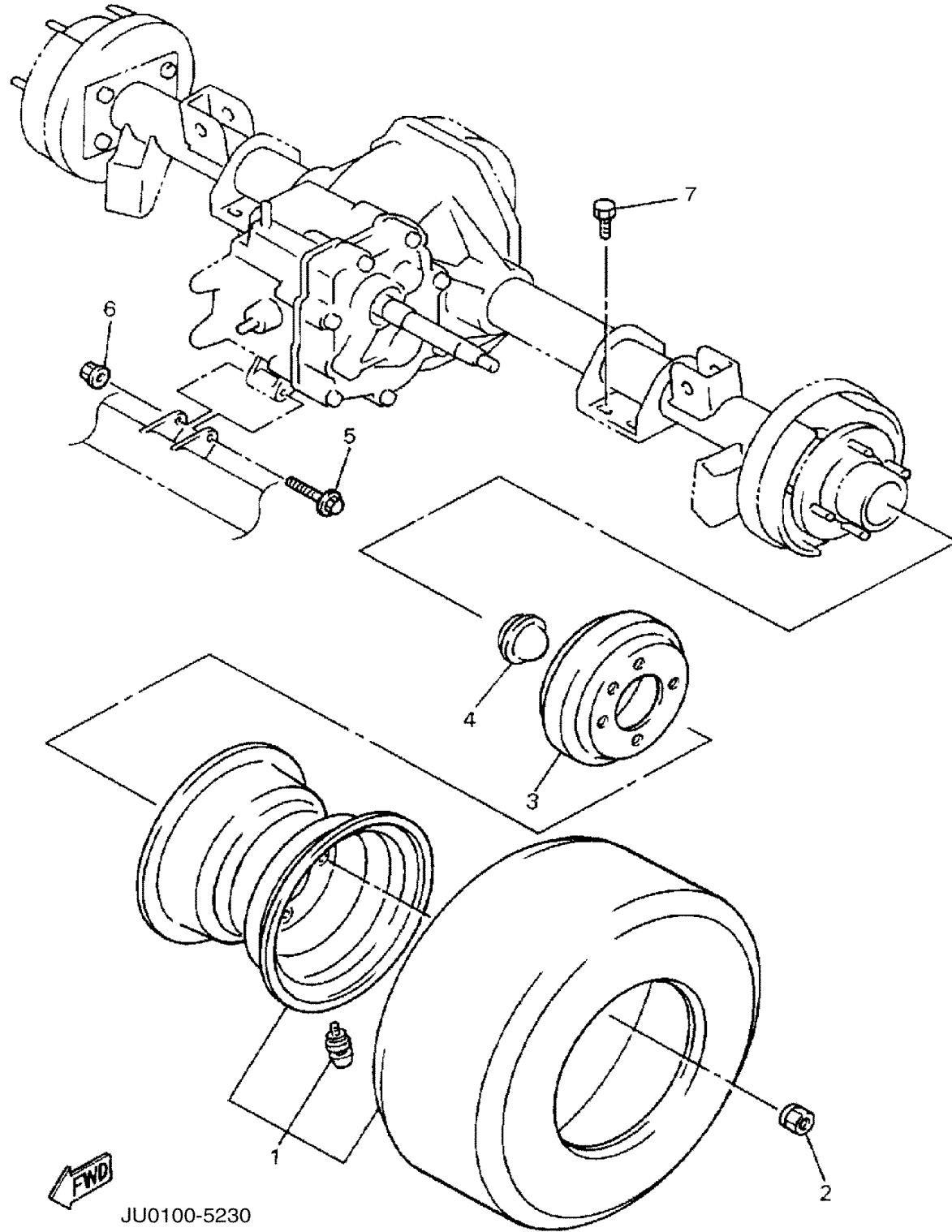
<https://CartPros.com/f.html>

## REAR AXLE MOUNT WHEEL

Ref. No.	Part Number	Description	Qty	Remarks
1	JN6-F5100-11-00	WHEEL ASSY (18X8.5-8 4PLY)	2	
2	90179-12262-00	NUT .....	8	
3	J55-G6521-10-00	DRUM .....	2	
4	JN6-F5118-00-00	COVER, HUB DUST .....	2	
5	95817-08075-00	BOLT, FLANGE .....	1	
6	90179-08491-00	NUT .....	1	
7	9751P-10620-00	BOLT, WITH WASHER .....	8	

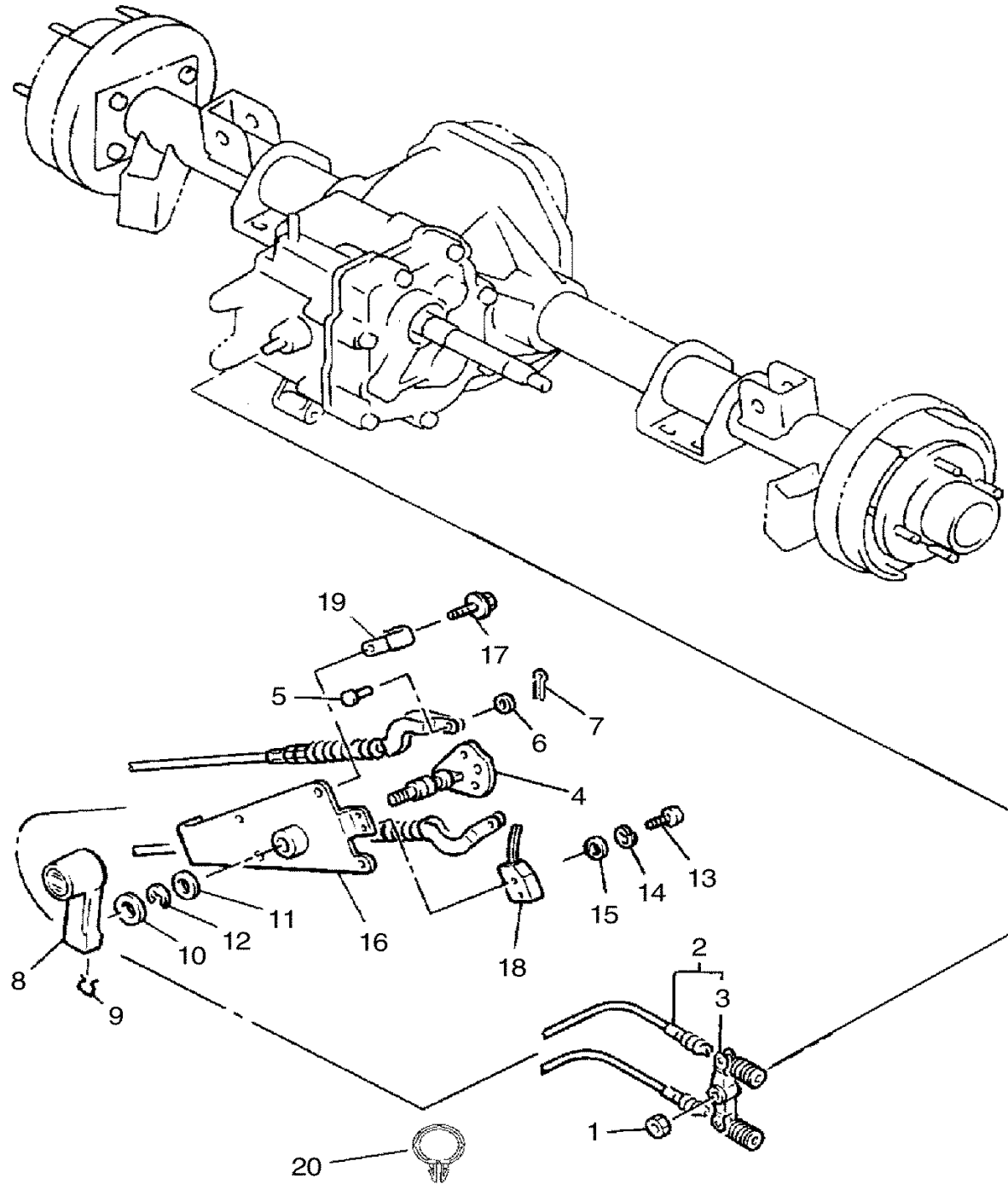
### CONTENTS

ACCELERATOR	C2
AIR SHROUD FAN	A9
BODY 2 REAR	D2-3
BODY FITTING	D4
BODY FRONT	C12 ,D1
BRAKE	B10-11
BRAKE 2	B12
BRAKE 3	C1
BUMPER	C11
CAMSHAFT VALVE	A8
CARBURETOR	A11
CARRIER	D5
CRANKCASE	B1
CRANKSHAFT PISTON	A7
CYLINDER HEAD	A6
ELECTRICAL 1	D9
ELECTRICAL 2	D10-11
ENGINE ASSEMBLY	A5
ENGINE MOUNT	B2
EXHAUST	A12
FRAME	B4
FRONT SUSPENSION WHEEL	B5-6
FUEL TANK	B9
GOVERNOR	C3
INTAKE	A10
OPTIONAL HUB CAPS	D12
OPTIONAL LIGHT KIT	E3
OPTIONAL SUN ROOF	E2
OPTIONAL WINDSHIELD	E1
PRIMARY CLUTCH	C4
REAR ARM SUSPENSION	B3
REAR AXLE MOUNT WHEEL	C9
SEAT	D6
SECONDARY SHEAVE	C5
SHIFTER CABLES	C10
STARTER GENERATOR	D7-8
STEERING	B7-8
TRANSMISSION	C6-8



C9

# SHIFTER CABLES



**FWD**  
JN6100-6160

Ref. No.	Part Number	Description	Qty	Remarks
1	95617-08100-00	NUT, U .....	1	
2	JN3-G8330-00-00	CABLE END ASSY .....	2	
3	J55-G6383-00-00	LEVER, SHIFT 2 .....	1	
4	JF2-46382-00-00	LEVER, SHIFT 1 .....	1	
5	91702-06014-00	PIN, CYLINDER HEAD W/HOLE	2	
6	92907-06600-00	WASHER, PLATE .....	2	
7	91490-20025-00	PIN, SPLIT .....	2	
8	JN3-G6381-00-00	KNOB, SHIFT .....	1	
9	JN3-G6376-00-00	SPRING SET .....	1	
10	90201-201L9-00	WASHER, PLAIN .....	1	
11	90201-19551-00	WASHER, PLAIN .....	1	
12	99009-19400-00	CIRCLIP .....	1	
13	98517-04016-00	SCREW, PAN HEAD .....	2	
14	92907-04100-00	WASHER, SPRING .....	2	
15	92907-04600-00	WASHER .....	2	
16	JN3-G6372-00-00	BRACKET, SHIFT WIRE .....	1	
17	95817-06016-00	BOLT, FLANGE .....	4	
18	JN3-82617-01-00	SWITCH .....	1	
19	90465-06038-00	CLAMP .....	1	
20	90464-19815-00	CLAMP .....	1	

## CONTENTS

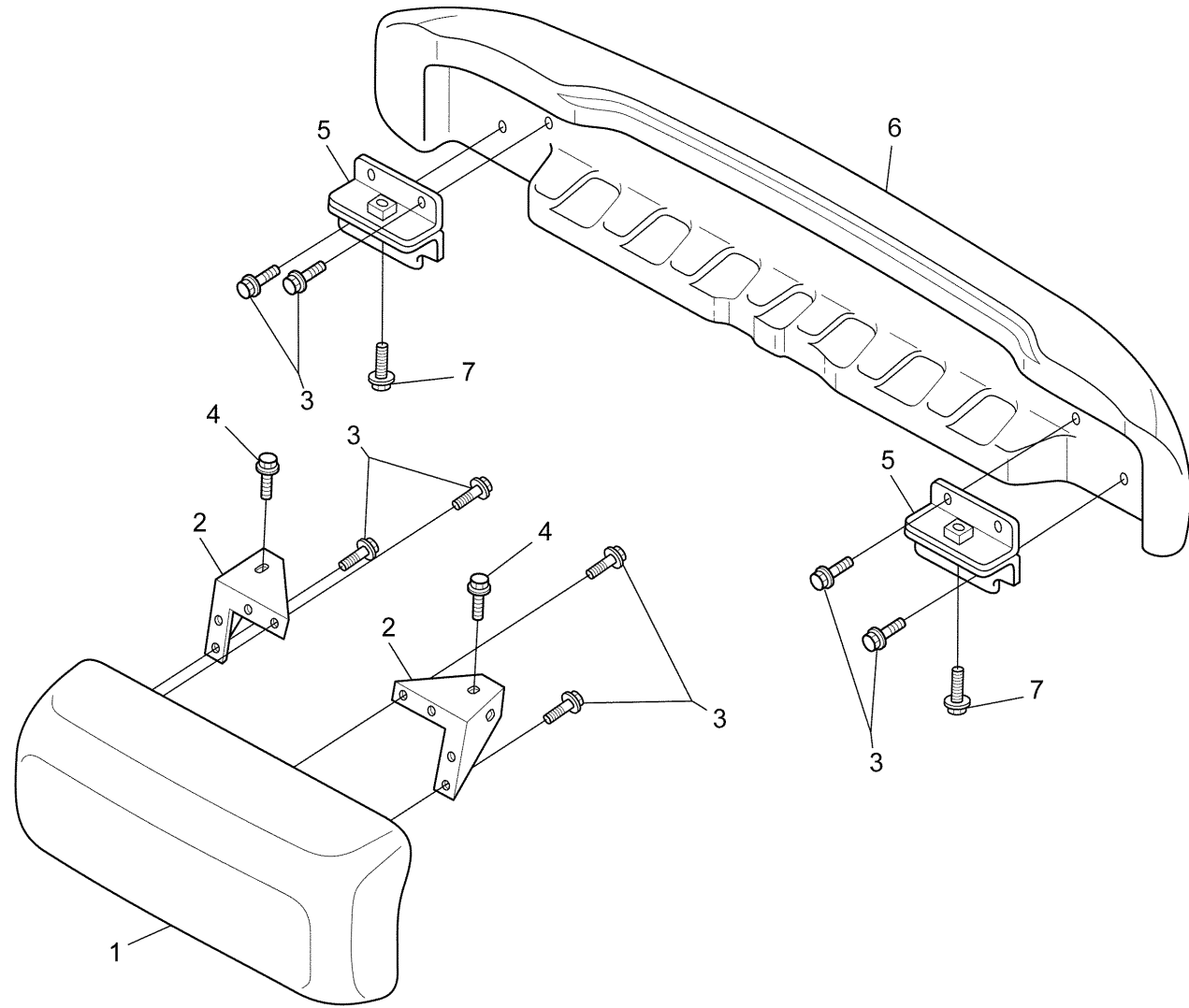
ACCELERATOR	C2
AIR SHROUD FAN	A9
BODY 2 REAR	D2-3
BODY FITTING	D4
BODY FRONT	C12 ,D1
BRAKE	B10-11
BRAKE 2	B12
BRAKE 3	C1
BUMPER	C11
CAMSHAFT VALVE	A8
CARBURETOR	A11
CARRIER	D5
CRANKCASE	B1
CRANKSHAFT PISTON	A7
CYLINDER HEAD	A6
ELECTRICAL 1	D9
ELECTRICAL 2	D10-11
ENGINE ASSEMBLY	A5
ENGINE MOUNT	B2
EXHAUST	A12
FRAME	B4
FRONT SUSPENSION WHEEL	B5-6
FUEL TANK	B9
GOVERNOR	C3
INTAKE	A10
OPTIONAL HUB CAPS	D12
OPTIONAL LIGHT KIT	E3
OPTIONAL SUN ROOF	E2
OPTIONAL WINDSHIELD	E1
PRIMARY CLUTCH	C4
REAR ARM SUSPENSION	B3
REAR AXLE MOUNT WHEEL	C9
SEAT	D6
SECONDARY SHEAVE	C5
SHIFTER CABLES	C10
STARTER GENERATOR	D7-8
STEERING	B7-8
TRANSMISSION	C6-8

# BUMPER

Ref. No.	Part Number	Description	Qty	Remarks
1	JN3-K7510-02-00	FRONT BUMPER COMP. ....	1	
2	JU0-K8164-00-00	STAY, FRONT BUMPER ....	2	
3	90105-06876-00	BOLT, FLANGE .....	8	
4	9581P-08012-00	BOLT, FLANGE .....	2	
5	JN6-K7540-00-00	REAR BUMPER COMP. ....	1	
6	JN3-K8174-00-00	STAY, REAR BUMPER ....	2	
7	90105-10881-00	BOLT, FLANGE .....	2	

## CONTENTS

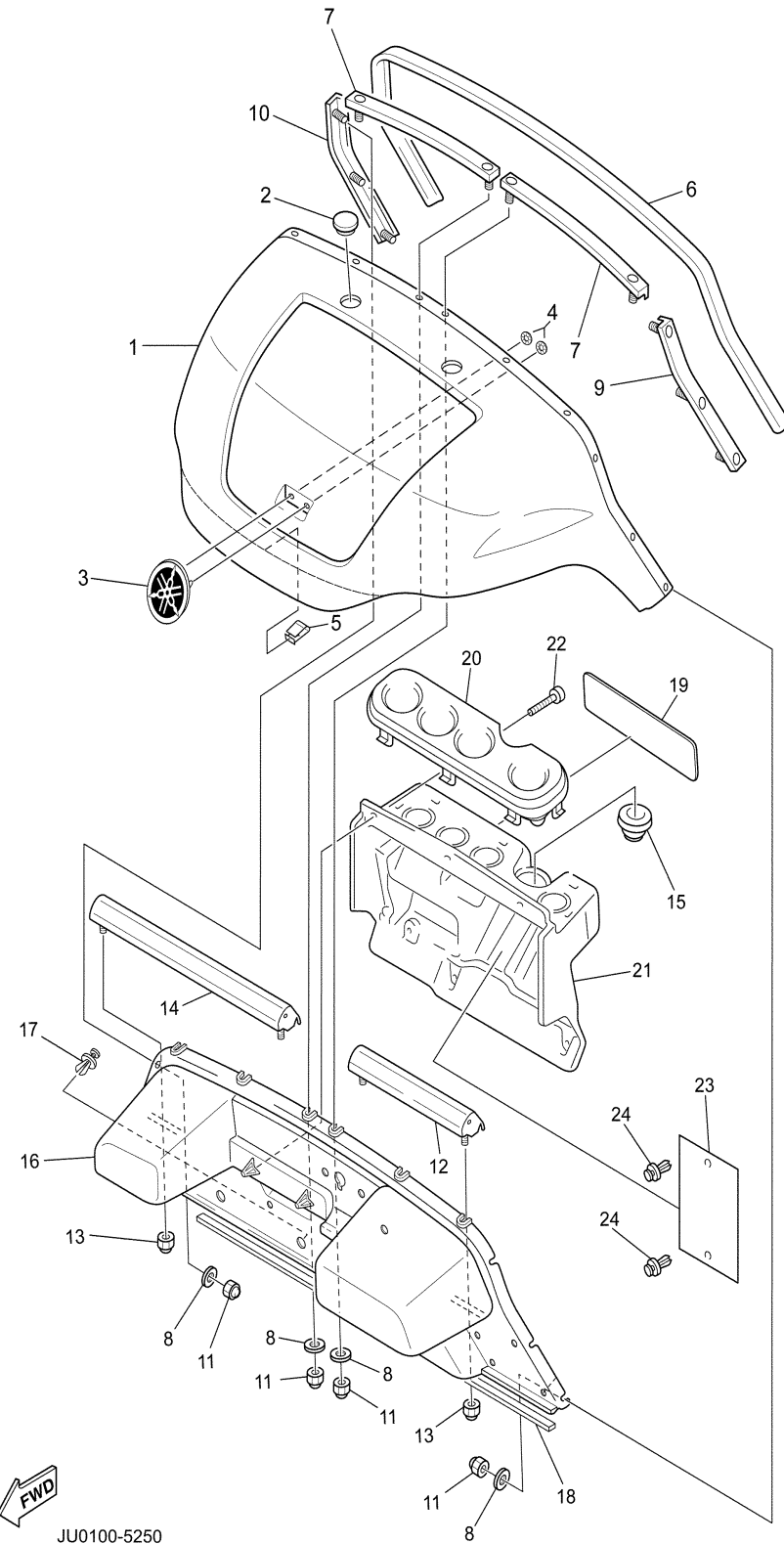
ACCELERATOR	C2
AIR SHROUD FAN	A9
BODY 2 REAR	D2-3
BODY FITTING	D4
BODY FRONT	C12 ,D1
BRAKE	B10-11
BRAKE 2	B12
BRAKE 3	C1
BUMPER	C11
CAMSHAFT VALVE	A8
CARBURETOR	A11
CARRIER	D5
CRANKCASE	B1
CRANKSHAFT PISTON	A7
CYLINDER HEAD	A6
ELECTRICAL 1	D9
ELECTRICAL 2	D10-11
ENGINE ASSEMBLY	A5
ENGINE MOUNT	B2
EXHAUST	A12
FRAME	B4
FRONT SUSPENSION WHEEL	B5-6
FUEL TANK	B9
GOVERNOR	C3
INTAKE	A10
OPTIONAL HUB CAPS	D12
OPTIONAL LIGHT KIT	E3
OPTIONAL SUN ROOF	E2
OPTIONAL WINDSHIELD	E1
PRIMARY CLUTCH	C4
REAR ARM SUSPENSION	B3
REAR AXLE MOUNT WHEEL	C9
SEAT	D6
SECONDARY SHEAVE	C5
SHIFTER CABLES	C10
STARTER GENERATOR	D7-8
STEERING	B7-8
TRANSMISSION	C6-8



JU0100-5240



# BODY FRONT



Ref. No.	Part Number	Description	Qty	Remarks
1	JU0-K8115-00-00	COWL, FRONT .....	1	IVORY
	JU0-K8115-30-00	COWL, FRONT .....	1	BURGUNDY
	JU0-K8115-50-00	COWL, FRONT .....	1	HUNTER GREEN
	JU0-K8115-60-00	COWL, FRONT .....	1	CANDY APPLE RED METALLIC
	JU0-K8115-70-00	COWL, FRONT .....	1	BRILLIANT BLUE METALLIC
2	JN3-K818E-00-00	CAP, PROTECTOR END 1 ....	2	W/O SUNTOP
3	JU0-F4161-00-00	EMBLEM 1 .....	1	
4	JU0-K7573-00-00	NUT, SPECIAL .....	2	
5	JU0-F2567-00-00	SUPPORT 1 .....	1	
6	JF2-K811V-00-00	PROTECTOR 1 .....	1	
7	JU0K8261-00-00	PLATE, BODY PROTECTOR 1 .	2	
8	90201-06829-00	WASHER, PLATE .....	10	
9	JF2-K8262-01-00	PLATE, BODY PROTECT 2 ...	1	
10	JF2-K8263-01-00	PLATE, BODY PRTOTECT 3 ..	1	
11	90185-06836-00	NUT, SELF-LOCKING .....	10	
12	JN6-K8264-00-00	PLATE, BODY PROTECT 4 ...	1	
13	95607-06200-00	.NUT, SELF U-FLANGE .....	4	
14	JN6-K8265-00-00	PLATE, BODY PROTECT 5 ...	1	
15	JN3-K8273-00-00	COVER, HOLE .....	1	
16	JF2-K8114-02-00	PANEL, FRONT .....	1	
17	90269-08069-00	RIVET .....	3	
18	JN3-K815G-00-00	SEAL, FRONT STORAGE ....	1	
19	JN3-K7768-00-00	LABEL, WARNING 8 (E) .....	1	INCL. WHEN REPLACING HOUSING HOLDER
	JN3-K7768-10-00	LABEL, WARNING 8 (UR, FOR CAN) .....	1	INCL. WHEN REPLACING HOUSING HOLDER
	JN3-K7768-20-00	LABEL, WARNING 8 (UR, FOR EUR) .....	1	INCL. WHEN REPLACING HOUSING HOLDER

## CONTENTS

ACCELERATOR	C2
AIR SHROUD FAN	A9
BODY 2 REAR	D2-3
BODY FITTING	D4
BODY FRONT	C12 ,D1
BRAKE	B10-11
BRAKE 2	B12
BRAKE 3	C1
BUMPER	C11
CAMSHAFT VALVE	A8
CARBURETOR	A11
CARRIER	D5
CRANKCASE	B1
CRANKSHAFT PISTON	A7
CYLINDER HEAD	A6
ELECTRICAL 1	D9
ELECTRICAL 2	D10-11
ENGINE ASSEMBLY	A5
ENGINE MOUNT	B2
EXHAUST	A12
FRAME	B4
FRONT SUSPENSION WHEEL	B5-6
FUEL TANK	B9
GOVERNOR	C3
INTAKE	A10
OPTIONAL HUB CAPS	D12
OPTIONAL LIGHT KIT	E3
OPTIONAL SUN ROOF	E2
OPTIONAL WINDSHIELD	E1
PRIMARY CLUTCH	C4
REAR ARM SUSPENSION	B3
REAR AXLE MOUNT WHEEL	C9
SEAT	D6
SECONDARY SHEAVE	C5
SHIFTER CABLES	C10
STARTER GENERATOR	D7-8
STEERING	B7-8
TRANSMISSION	C6-8

CONTINUED ON NEXT FRAME >



JU0100-5250



# DID YOU KNOW?

CartPros directs you to the right part using the part numbers from this manual. Enter the part number into our search box and it will find the part you are looking for.

**GET STARTED HERE** →

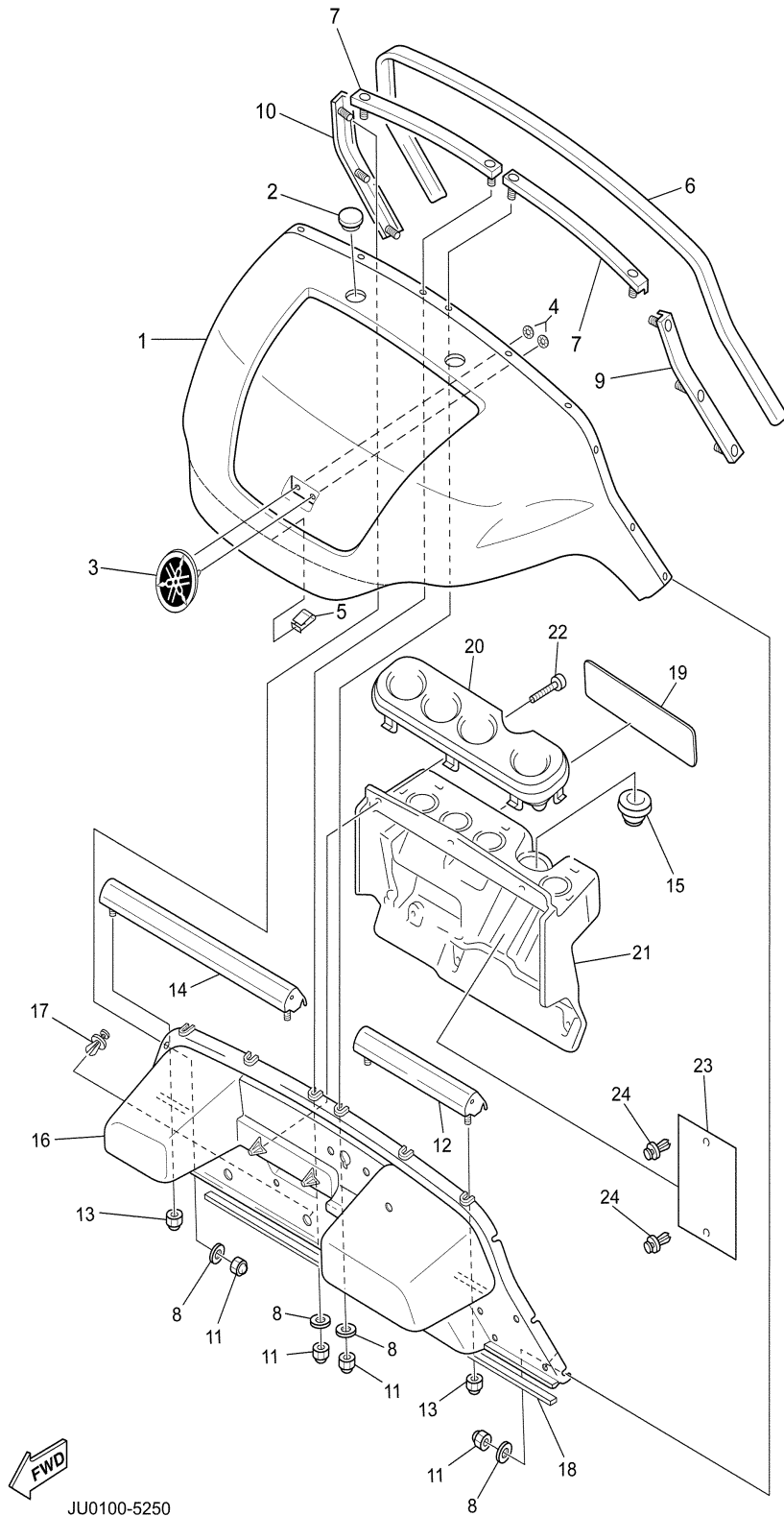
<https://CartPros.com/f.html>

## BODY FRONT

Ref. No.	Part Number	Description	Qty	Remarks
20	JN6-K835E-00-00	HOLDER, BEVERAGE .....	1	
21	JN3-K835G-00-00	HOUSING, HOLDER .....	1	ALSO REPLACE WARNING LABEL 8
22	97707-60130-00	SCREW, PAN HEAD .....	6	
23	JN6-K8182-00-00	PLATE 2 .....	1	
24	902067-63047-00	RIVET, BLIND .....	2	

### CONTENTS

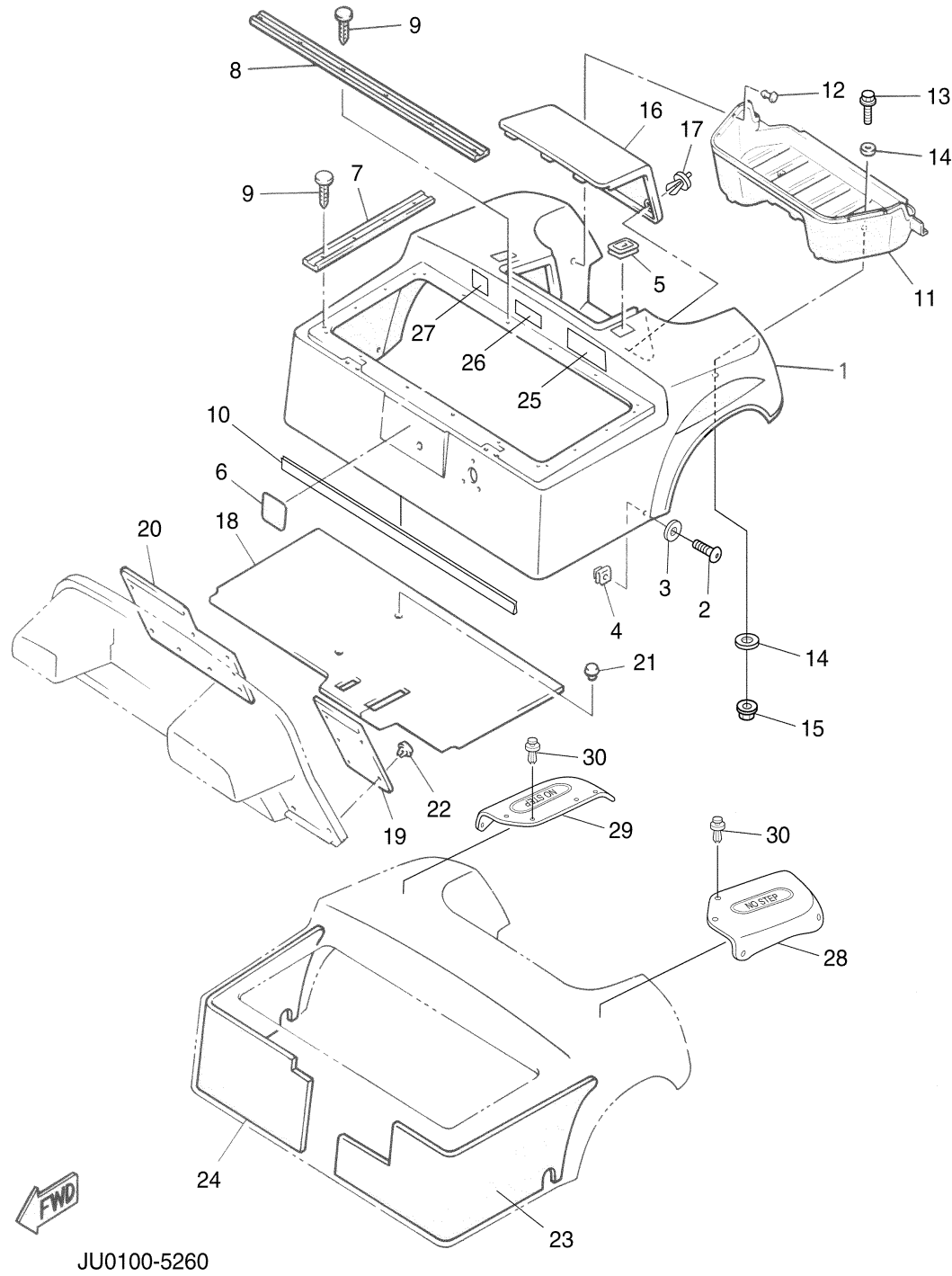
ACCELERATOR	C2
AIR SHROUD FAN	A9
BODY 2 REAR	D2-3
BODY FITTING	D4
BODY FRONT	C12 ,D1
BRAKE	B10-11
BRAKE 2	B12
BRAKE 3	C1
BUMPER	C11
CAMSHAFT VALVE	A8
CARBURETOR	A11
CARRIER	D5
CRANKCASE	B1
CRANKSHAFT PISTON	A7
CYLINDER HEAD	A6
ELECTRICAL 1	D9
ELECTRICAL 2	D10-11
ENGINE ASSEMBLY	A5
ENGINE MOUNT	B2
EXHAUST	A12
FRAME	B4
FRONT SUSPENSION WHEEL	B5-6
FUEL TANK	B9
GOVERNOR	C3
INTAKE	A10
OPTIONAL HUB CAPS	D12
OPTIONAL LIGHT KIT	E3
OPTIONAL SUN ROOF	E2
OPTIONAL WINDSHIELD	E1
PRIMARY CLUTCH	C4
REAR ARM SUSPENSION	B3
REAR AXLE MOUNT WHEEL	C9
SEAT	D6
SECONDARY SHEAVE	C5
SHIFTER CABLES	C10
STARTER GENERATOR	D7-8
STEERING	B7-8
TRANSMISSION	C6-8



D1



# BODY 2 REAR



Ref. No.	Part Number	Description	Qty	Remarks
1	JN6-K8142-02-00	PANEL, REAR BODY .....	1	SEE NOTE A
	JN6-K8142-32-00	PANEL, REAR BODY (BURGUNDY) .....	1	SEE NOTE A
	JN6-K8142-52-00	PANEL, REAR BODY .....	1	SEE NOTE A
	JN6-K8142-62-00	PANEL, REAR BODY (CANDY APPLE RED METALLIC) .....	1	SEE NOTE A
	JN6-K8142-72-00	PANEL, REAR BODY (BRILLIANT BLUE METALLIC) .....	1	SEE NOTE A
2	90110-06200-00	BOLT, HEXAGON SOCKET HEAD .....	2	
3	90201-068H0-00	WASHER, PLATE .....	2	
4	90183-06811-00	NUT, SPRING .....	2	
5	JN3-K8363-00-00	PROTECTOR .....	2	
6	JN3-K7741-00-00	INDICATOR 1 .....	1	SEE NOTE A
7	JN3-K8425-00-00	SEAL, SEAT .....	2	
8	JN3-K842A-00-00	SEAL, SEAT 2 .....	2	
9	90338-05834-00	PLUG .....	20	
10	JN6-K824E-00-00	TRIM, REAR BODY 1 .....	1	
11	JF2-K8237-00-00	COVER, REAR FLOOR .....	1	
12	90269-08813-00	RIVET .....	7	
13	90101-06876-00	BOLT .....	2	
14	90201-068G7-00	WASHER, PLATE .....	4	
15	90105-06836-00	NUT, SELF-LOCKING .....	2	
16	JU0-K8151-00-00	PANEL, INSPECTION LID 1 .....	1	
17	90267-36853-00	RIVET, BLIND .....	2	
18	JN6-K8233-01-00	MAT, MAIN FLOOR 3 .....	1	
19	JN6-K8231-01-00	MAT, MAIN FLOOR 1 .....	1	
20	JN6-K8232-01-00	MAT, MAIN FLOOR 2 .....	1	
21	90269-08813-00	RIVET .....	4	
22	90267-63047-00	RIVET, BLIND .....	9	
23	JN6-K8251-01-00	PAD, SILENCER 1 .....	1	

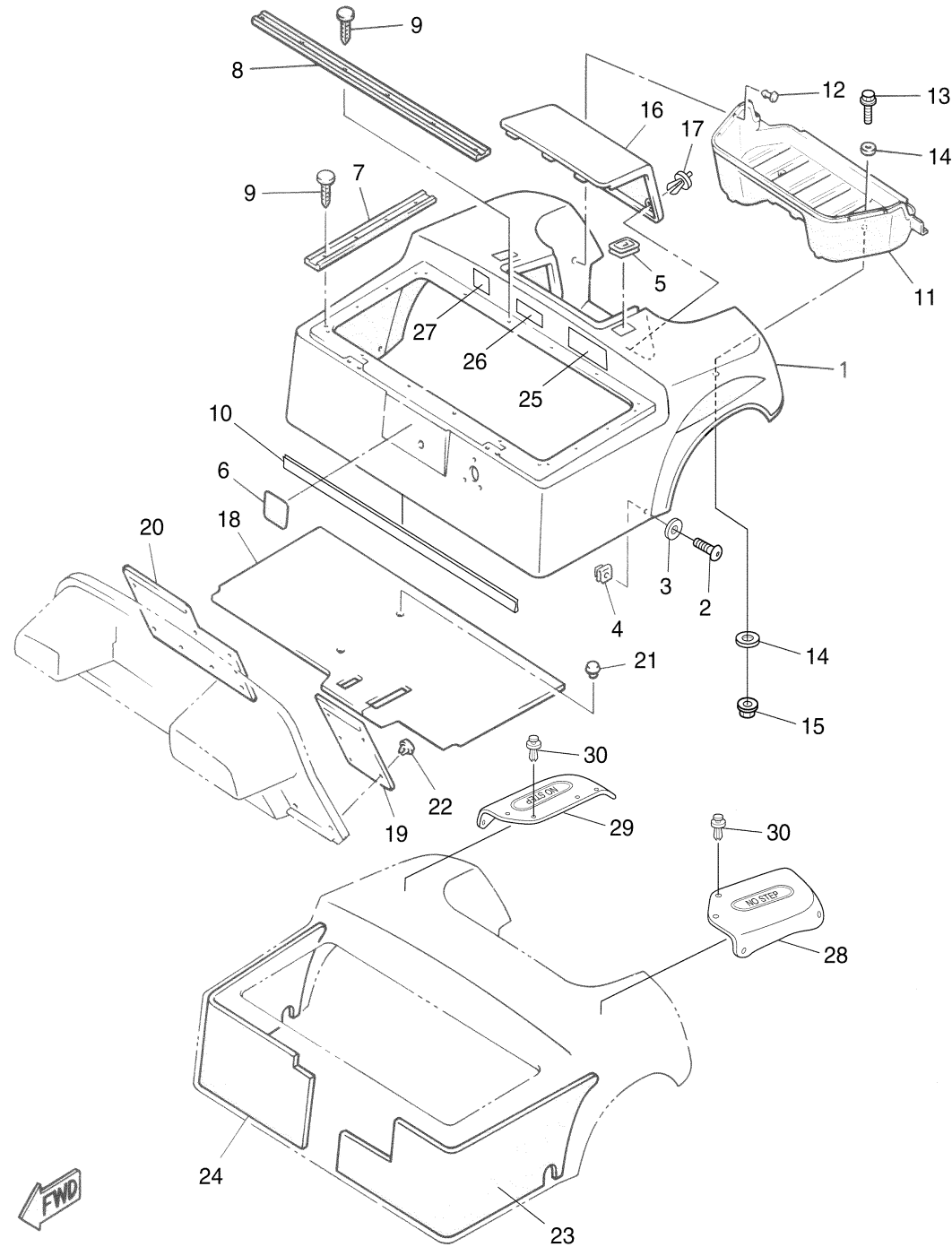
## CONTENTS

ACCELERATOR	C2
AIR SHROUD FAN	A9
BODY 2 REAR	D2-3
BODY FITTING	D4
BODY FRONT	C12 ,D1
BRAKE	B10-11
BRAKE 2	B12
BRAKE 3	C1
BUMPER	C11
CAMSHAFT VALVE	A8
CARBURETOR	A11
CARRIER	D5
CRANKCASE	B1
CRANKSHAFT PISTON	A7
CYLINDER HEAD	A6
ELECTRICAL 1	D9
ELECTRICAL 2	D10-11
ENGINE ASSEMBLY	A5
ENGINE MOUNT	B2
EXHAUST	A12
FRAME	B4
FRONT SUSPENSION WHEEL	B5-6
FUEL TANK	B9
GOVERNOR	C3
INTAKE	A10
OPTIONAL HUB CAPS	D12
OPTIONAL LIGHT KIT	E3
OPTIONAL SUN ROOF	E2
OPTIONAL WINDSHIELD	E1
PRIMARY CLUTCH	C4
REAR ARM SUSPENSION	B3
REAR AXLE MOUNT WHEEL	C9
SEAT	D6
SECONDARY SHEAVE	C5
SHIFTER CABLES	C10
STARTER GENERATOR	D7-8
STEERING	B7-8
TRANSMISSION	C6-8

NOTE A: WHEN REPLACING "PANEL REAR BODY JN6-K8142-02-00 OR JU0-K8142-\*\*-00", YOU MUST ALSO REPLACE "INDICATOR 1 JN3-K7741-00-00", "LABEL JN6-H2377-00-00", "PLATE CAUTION 3 JN3-K8299-10-00", AND "PLATE CAUTION 1 JN3-K8297-10-00".

CONTINUED ON NEXT FRAME >

# BODY 2 REAR



JU0100-5260

NOTE A: WHEN REPLACING "PANEL REAR BODY JN6-K8142-02-00 OR JU0-K8142-\*\*-00", YOU MUST ALSO REPLACE "INDICATOR 1 JN3-K7741-00-00", "LABEL JN6-H2377-00-00", "PLATE CAUTION 3 JN3-K8299-10-00", AND "PLATE CAUTION 1 JN3-K8297-10-00".

Ref. No.	Part Number	Description	Qty	Remarks
24	JN6-K8252-01-00	PAD, SILNCER 2	1	
25	JN6-H2377-00-00	LABEL	1	UR, SEE NOTE A
26	JN3-K8299-10-00	PLATE, CAUTION	1	UR, SEE NOTE A
27	JN3-K8297-10-00	PLATE, CAUTION 1	1	UR, SEE NOTE A
28	JN8-K8243-00-00	MAT, BODY SIDE LEFT	1	
29	JN3-K8244-00-00	MAT, REAR BODY SIDE (RH)	1	
30	90269-07810-00	RIVET	10	

## CONTENTS

ACCELERATOR	C2
AIR SHROUD FAN	A9
BODY 2 REAR	D2-3
BODY FITTING	D4
BODY FRONT	C12 ,D1
BRAKE	B10-11
BRAKE 2	B12
BRAKE 3	C1
BUMPER	C11
CAMSHAFT VALVE	A8
CARBURETOR	A11
CARRIER	D5
CRANKCASE	B1
CRANKSHAFT PISTON	A7
CYLINDER HEAD	A6
ELECTRICAL 1	D9
ELECTRICAL 2	D10-11
ENGINE ASSEMBLY	A5
ENGINE MOUNT	B2
EXHAUST	A12
FRAME	B4
FRONT SUSPENSION WHEEL	B5-6
FUEL TANK	B9
GOVERNOR	C3
INTAKE	A10
OPTIONAL HUB CAPS	D12
OPTIONAL LIGHT KIT	E3
OPTIONAL SUN ROOF	E2
OPTIONAL WINDSHIELD	E1
PRIMARY CLUTCH	C4
REAR ARM SUSPENSION	B3
REAR AXLE MOUNT WHEEL	C9
SEAT	D6
SECONDARY SHEAVE	C5
SHIFTER CABLES	C10
STARTER GENERATOR	D7-8
STEERING	B7-8
TRANSMISSION	C6-8

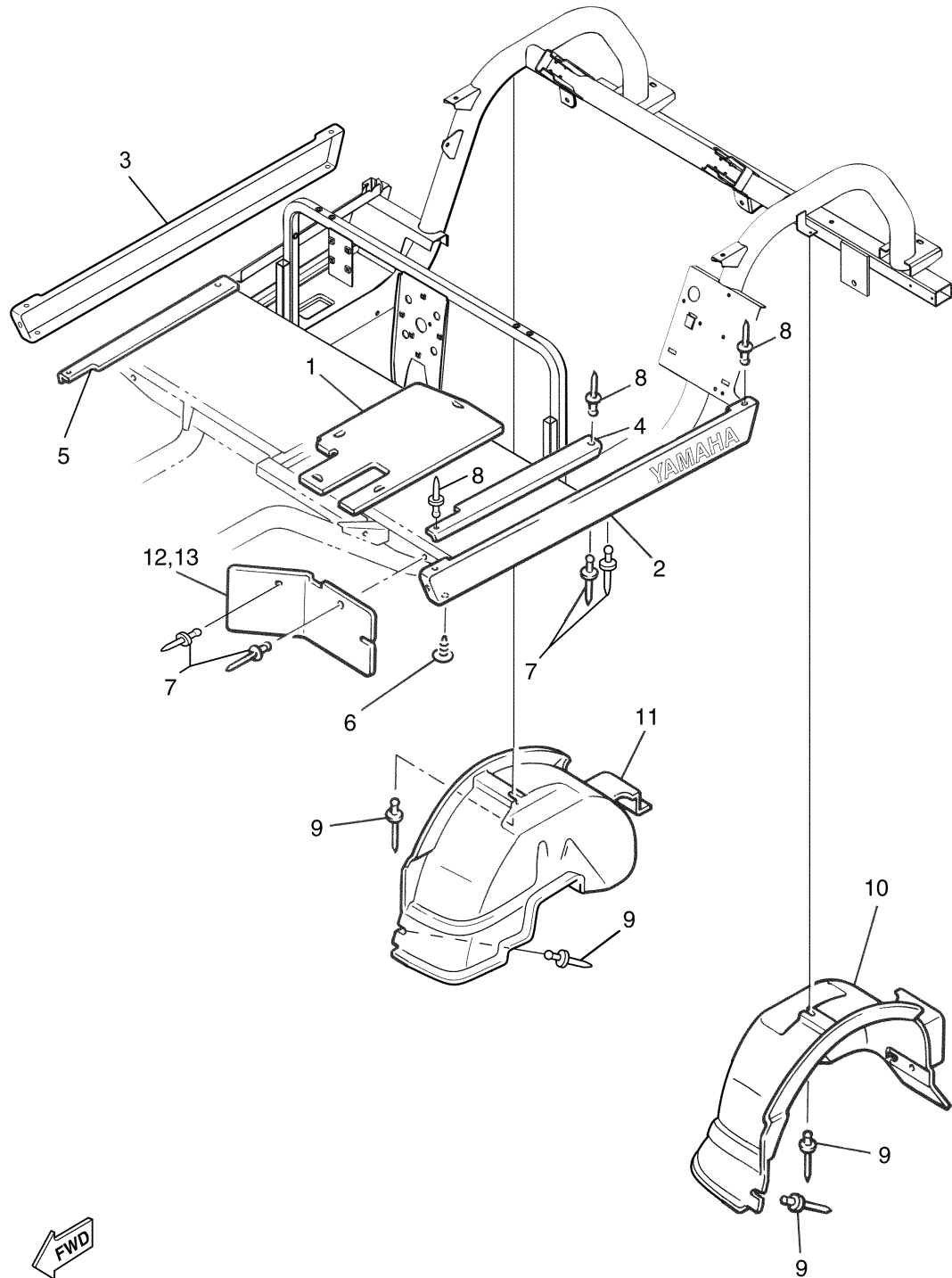


# BODY FITTING

Ref. No.	Part Number	Description	Qty	Remarks
1	JN6-K8271-00-00	SERVICE LID, PEDAL	1	
2	JU0-K818A-00-00	PROTECTOR, SIDE PLATE 1	1	
3	JU0-K818B-00-00	PROTECTOR, SIDE PLATE 2	1	
4	JF2-K8215-10-00	PLATE, SIDE TRIM 1	1	
5	JF2-K821F-10-00	PLATE, SIDE TRIM 2	1	
6	90338-05829-00	PLUG	4	
7	90267-48831-00	RIVET, BLIND	8	
8	90267-48154-00	RIVET, BLIND	6	
9	90267-48086-00	RIVET, BLIND	4	
10	JF2-K8191-00-00	PANEL, REAR FENDER 1	1	
11	JF2-K8192-00-00	PANEL, REAR FENDER 2	1	
12	JF2-K8187-00-00	FLAP, FRONT FENDER (L.H)	1	
13	JF2-K8189-00-00	FLAP, FRONT FENDER (R.H)	1	

## CONTENTS

ACCELERATOR	C2
AIR SHROUD FAN	A9
BODY 2 REAR	D2-3
BODY FITTING	D4
BODY FRONT	C12 ,D1
BRAKE	B10-11
BRAKE 2	B12
BRAKE 3	C1
BUMPER	C11
CAMSHAFT VALVE	A8
CARBURETOR	A11
CARRIER	D5
CRANKCASE	B1
CRANKSHAFT PISTON	A7
CYLINDER HEAD	A6
ELECTRICAL 1	D9
ELECTRICAL 2	D10-11
ENGINE ASSEMBLY	A5
ENGINE MOUNT	B2
EXHAUST	A12
FRAME	B4
FRONT SUSPENSION WHEEL	B5-6
FUEL TANK	B9
GOVERNOR	C3
INTAKE	A10
OPTIONAL HUB CAPS	D12
OPTIONAL LIGHT KIT	E3
OPTIONAL SUN ROOF	E2
OPTIONAL WINDSHIELD	E1
PRIMARY CLUTCH	C4
REAR ARM SUSPENSION	B3
REAR AXLE MOUNT WHEEL	C9
SEAT	D6
SECONDARY SHEAVE	C5
SHIFTER CABLES	C10
STARTER GENERATOR	D7-8
STEERING	B7-8
TRANSMISSION	C6-8



JU0100-6021



# DID YOU KNOW?

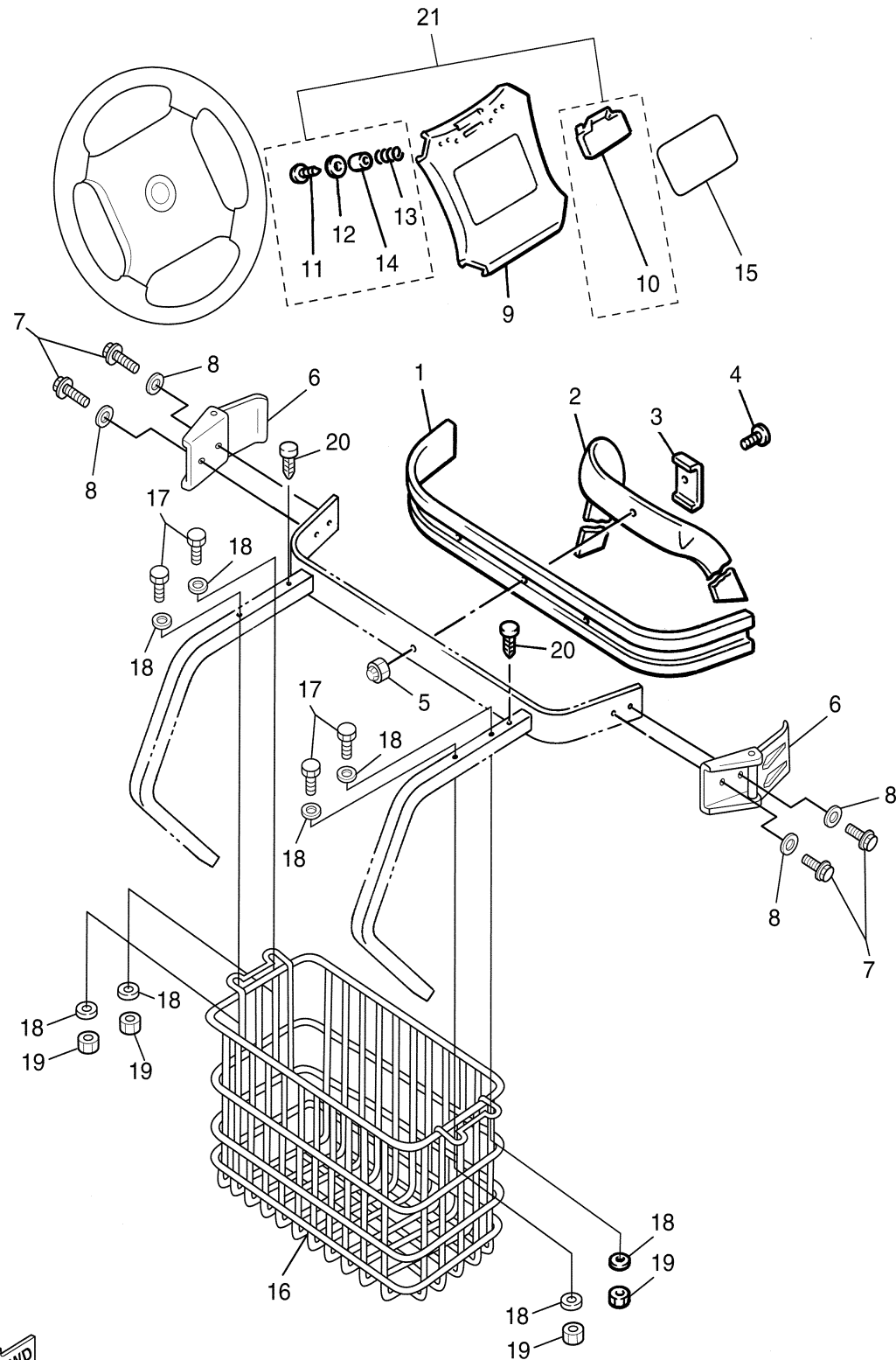
CartPros directs you to the right part using the part numbers from this manual. Enter the part number into our search box and it will find the part you are looking for.

GET STARTED  
HERE



<https://CartPros.com/f.html>

## CARRIER



Ref. No.	Part Number	Description	Qty	Remarks
1	JF2-K8356-00-00	PAD, BAG SUPPORT	1	
2	JN6-K8355-00-00	BAND	1	
3	J38-78367-00-00	PLATE, ANCHOR	1	
4	90101-06865-00	BOLT	1	
5	90185-06836-00	NUT, SELF-LOCKING	1	
6	JN6-K8380-00-00	LOCK ASSY	2	
7	90159-06845-00	SCREW, WITH WASHER	4	
8	9299R-06200-00	WASHER	4	
9	JN3-K8357-00-00	HOLDER 1	1	MUST ALSO REPLACE LABEL WARNING 2
10	JN6-K8358-01-00	HOLDER 2	1	
11	97707-40625-00	.SCREW, TAPPING	2	
12	90201-044H9-00	WASHER, PLAIN	2	
13	90502-10013-00	SPRING, CONICAL	2	
14	90387-046N7-00	COLLAR	2	
15	JU0-K7762-00-00	LABEL, WARNING 2 (E)	1	INCL. WHEN REPLACING HOLDER 1.
	JU0-K7762-10-00	LABEL, WARNING 2 (UR, FOR CAN)	1	INCL. WHEN REPLACING HOLDER 1.
	JU0-K7762-20-00	LABEL, WARNING 2 (UR, FOR EUR)	1	INCL. WHEN REPLACING HOLDER 1.
16	JN6-K8340-00-00	LUGGAGE RACK ASSY., REAR	1	
17	90111-08803-00	BOLT	4	
18	90201-088R9-00	WASHER, PLATE	8	
19	90185-08832-00	NUT, SELF-LOCKING	2	
20	90338-09828-00	PLUG	2	
21	JN6-W001D-00-00	SCORE CARD HOLDER KIT	1	INCLUDES 10, 11, 12, 13 & 14.

### CONTENTS

ACCELERATOR	C2
AIR SHROUD FAN	A9
BODY 2 REAR	D2-3
BODY FITTING	D4
BODY FRONT	C12 ,D1
BRAKE	B10-11
BRAKE 2	B12
BRAKE 3	C1
BUMPER	C11
CAMSHAFT VALVE	A8
CARBURETOR	A11
CARRIER	D5
CRANKCASE	B1
CRANKSHAFT PISTON	A7
CYLINDER HEAD	A6
ELECTRICAL 1	D9
ELECTRICAL 2	D10-11
ENGINE ASSEMBLY	A5
ENGINE MOUNT	B2
EXHAUST	A12
FRAME	B4
FRONT SUSPENSION WHEEL	B5-6
FUEL TANK	B9
GOVERNOR	C3
INTAKE	A10
OPTIONAL HUB CAPS	D12
OPTIONAL LIGHT KIT	E3
OPTIONAL SUN ROOF	E2
OPTIONAL WINDSHIELD	E1
PRIMARY CLUTCH	C4
REAR ARM SUSPENSION	B3
REAR AXLE MOUNT WHEEL	C9
SEAT	D6
SECONDARY SHEAVE	C5
SHIFTER CABLES	C10
STARTER GENERATOR	D7-8
STEERING	B7-8
TRANSMISSION	C6-8

CONTINUED ON NEXT FRAME >



JU0100-5280

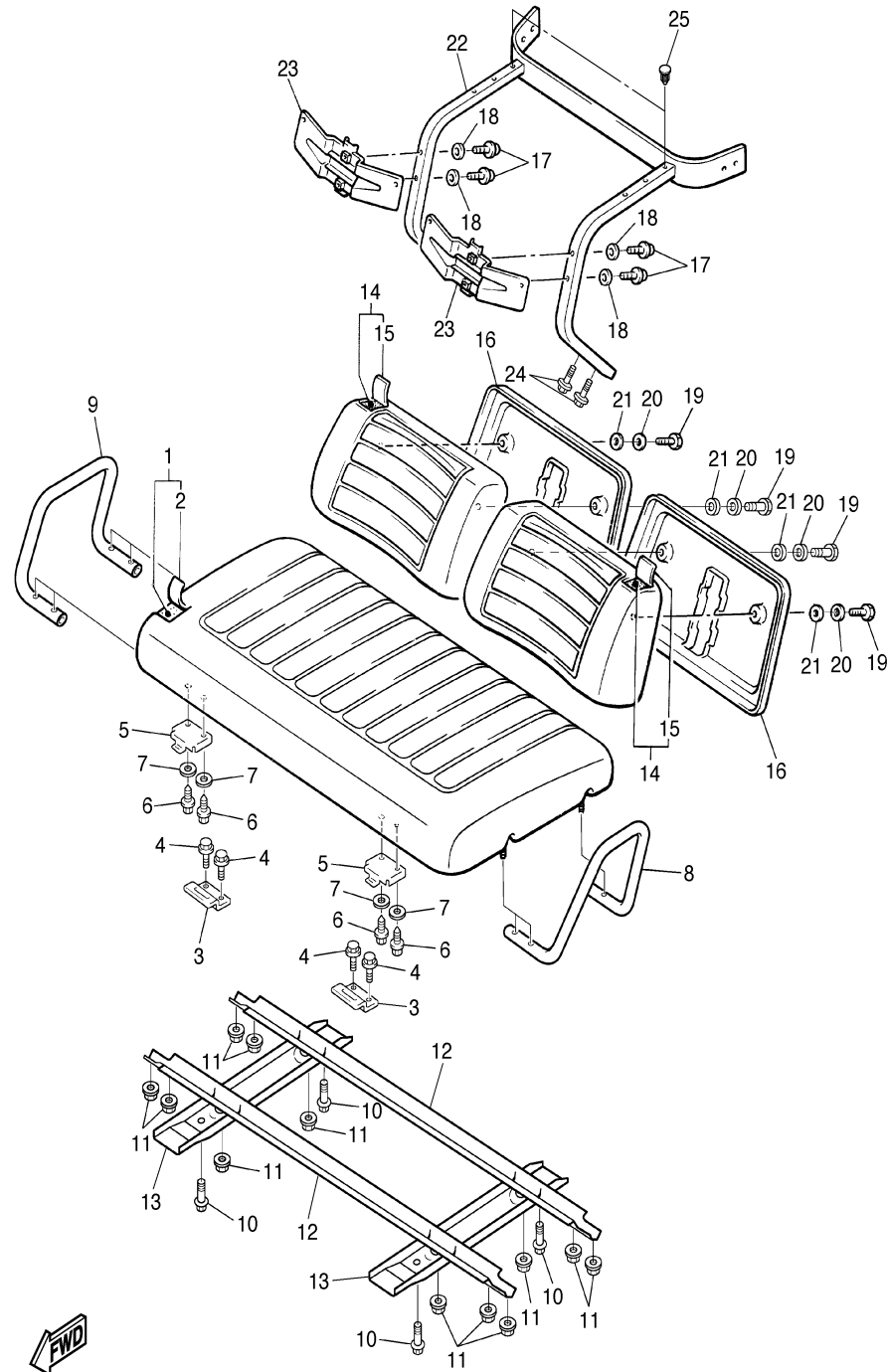
G22AY

D5





# SEAT



JT73010-C320

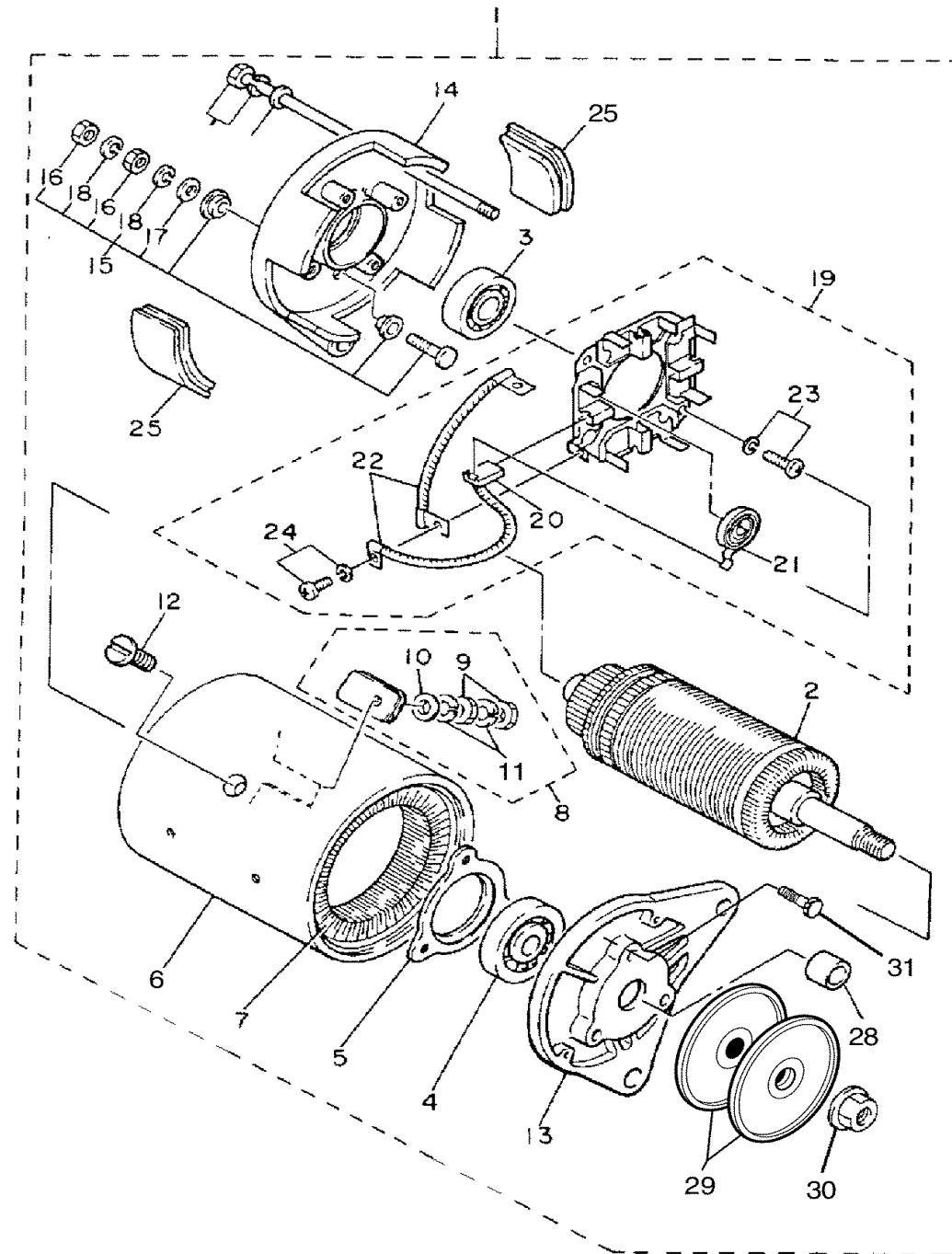
Ref. No.	Part Number	Description	Qty	Remarks
1	JN6-K8401-10-00	SEAT SUB-ASSY, CUSHION ..	1	UR IVORY WHITE
	JU0-K8401-00-00	SEAT SUB-ASSY, CUSHION ..	1	UR TAN
2	JN6-K8404-10-00	. COVER, SEAT .....	1	UR IVORY WHITE
	JU0-K8404-00-00	. COVER, SEAT .....	1	UR TAN
3	JF2-K8427-00-00	HINGE, SEAT 2 .....	2	
4	90105-06903-00	BOLT, FLANGE .....	4	
5	JN3-K8426-01-00	HINGE, SEAT 1 .....	2	
6	90111-06810-00	BOLT .....	4	
7	90204-06807-00	WASHER, SPRING .....	4	
8	JN6-K8361-00-00	ARM REST 1 .....	1	
9	JU0-K8362-00-00	ARM REST 2 .....	1	
10	90167-04815-00	SCREW, TAPPING .....	4	
11	9560P-08200-00	NUT .....	12	
12	JN6-K8121-00-00	REINFORCEMENT 1 .....	2	
13	JN6-K8122-02-00	REINFORCEMENT 2 .....	2	
14	JN3-K8402-00-00	SEAT SUB ASSY, BACK .....	2	UR IVORY WHITE
	JU0-K8402-00-00	SEAT SUB ASSY, BACK .....	2	UR TAN
15	JN3-K841G-09-00	. COVER, SEAT BACK 2 .....	1	UR IVORY WHITE
	JU0-K841G-09-00	. COVER, SEAT BACK 2 .....	1	UR TAN
16	JN3-K8413-00-00	COVER, SEAT BACK .....	2	
17	90119-08820-00	BOLT, WITH WASHER .....	4	
18	90201-098J4-00	WASHER, PLATE .....	4	
19	95880-06025-00	BOLT, FLANGE .....	4	
20	90201-068G0-00	WASHER, PLATE .....	4	
21	90201-068G6-00	WASHER, PLATE .....	4	
22	JU0-K8423-00-00	SUPPORT, SEAT BACK .....	1	
23	JN3-K842H-00-00	RETAINER, SEAT .....	2	
24	90105-08871-00	BOLT, FLANGE .....	4	
25	90338-09828-00	PLUG .....	2	

## CONTENTS

ACCELERATOR	C2
AIR SHROUD & FAN	A9
ALTERNATE FOR LIGHT KIT	E1-2
ALTERNATE FOR SUN ROOF	D12
ALTERNATE FOR WINDSHIELD	D11
BODY	C12
BODY 2	D1-2
BODY FITTING	D3
BRAKE	B10-11
BRAKE 2	B12
BRAKE 3	C1
BUMPER	C11
CAMSHAFT & VALVE	A8
CARBURETOR	A11
CARRIER	D4
CRANKCASE	B1
CRANKSHAFT & PISTON	A7
CYLINDER HEAD	A6
ELECTRICAL 1	D8
ELECTRICAL 2	D9-10
ENGINE ASSEMBLY	A5
ENGINE BRACKET	B2
EXHAUST	A12
FRAME	B4
FRONT SUSPENSION & WHEEL	B5-6
FUEL TANK	B9
GOVERNOR	C3
INTAKE	A10
PRIMARY SHEAVE	C4
REAR ARM & SUSPENSION	B3
REAR AXLE MOUNT & WHEEL	C9
SEAT	D5
SECONDARY SHEAVE	C5
SHIFTER & CABLES	C10
STARTING MOTOR	D6-7
STEERING	B7-8
TRANSMISSION 1	C6-8



# STARTER GENERATOR



Ref. No.	Part Number	Description	Qty	Remarks
1	JN6-H1100-01-00	STARTER GENERATOR	1	
2	JN3-H1150-00-00	. ARMATURE ASSY	1	
3	93306-20226-00	. BEARING 1 (6202 SD)	1	
4	J10-81158-10-00	. BEARING 2 (6203 SD)	1	
5	J10-81159-10-00	. HOLDER, BEARING	1	
6	JN6-H1110-10-00	STATOR ASSY	1	
7	JN6-H1160-10-00	. FIELD COIL ASSY	1	
8	J10-81148-10-00	. SCREW SET 4	2	
9	95380-06600-00	. NUT	4	
10	92990-06600-00	. WASHER, PLATE	2	
11	92995-06100-00	. WASHER, SPRING	4	
12	J10-81146-10-00	..SCREW 2	4	
13	J38-81165-10-00	. BRACKET, STARTER GENERATOR 1	1	
14	J10-81166-10-00	. BRACKET, STARTER GENERATOR 2	1	
15	J10-81147-10-00	. SCREW 3	2	
16	95380-06600-00	NUT	4	
17	92990-06600-00	. WASHER, PLATE	2	
18	92995-06100-00	. WASHER, SPRING	4	
19	JF2-81119-00-00	. BRUSH HOLDER ASSY	1	
20	JF2-81111-00-00	. BRUSH	4	
21	J38-81113-10-00	. SPRING, BRUSH	4	
22	J10-81115-10-00	. WIRE, LEAD	2	
23	98507-05016-00	. SCREW, PAN HEAD	2	
24	98580-04010-00	..SCREW, PAN HEAD	4	
25	J10-81129-10-00	. COVER, BRUSH	4	
26	J10-81145-10-00	. SCREW 1	2	
27	92990-06600-00	. WASHER, PLATE	2	
28	JN3-H1661-00-00	. SPACER	1	
29	JN3-H1161-00-00	..PULLEY	2	

## CONTENTS

ACCELERATOR	C2
AIR SHROUD FAN	A9
BODY 2 REAR	D2-3
BODY FITTING	D4
BODY FRONT	C12 ,D1
BRAKE	B10-11
BRAKE 2	B12
BRAKE 3	C1
BUMPER	C11
CAMSHAFT VALVE	A8
CARBURETOR	A11
CARRIER	D5
CRANKCASE	B1
CRANKSHAFT PISTON	A7
CYLINDER HEAD	A6
ELECTRICAL 1	D9
ELECTRICAL 2	D10-11
ENGINE ASSEMBLY	A5
ENGINE MOUNT	B2
EXHAUST	A12
FRAME	B4
FRONT SUSPENSION WHEEL	B5-6
FUEL TANK	B9
GOVERNOR	C3
INTAKE	A10
OPTIONAL HUB CAPS	D12
OPTIONAL LIGHT KIT	E3
OPTIONAL SUN ROOF	E2
OPTIONAL WINDSHIELD	E1
PRIMARY CLUTCH	C4
REAR ARM SUSPENSION	B3
REAR AXLE MOUNT WHEEL	C9
SEAT	D6
SECONDARY SHEAVE	C5
SHIFTER CABLES	C10
STARTER GENERATOR	D7-8
STEERING	B7-8
TRANSMISSION	C6-8



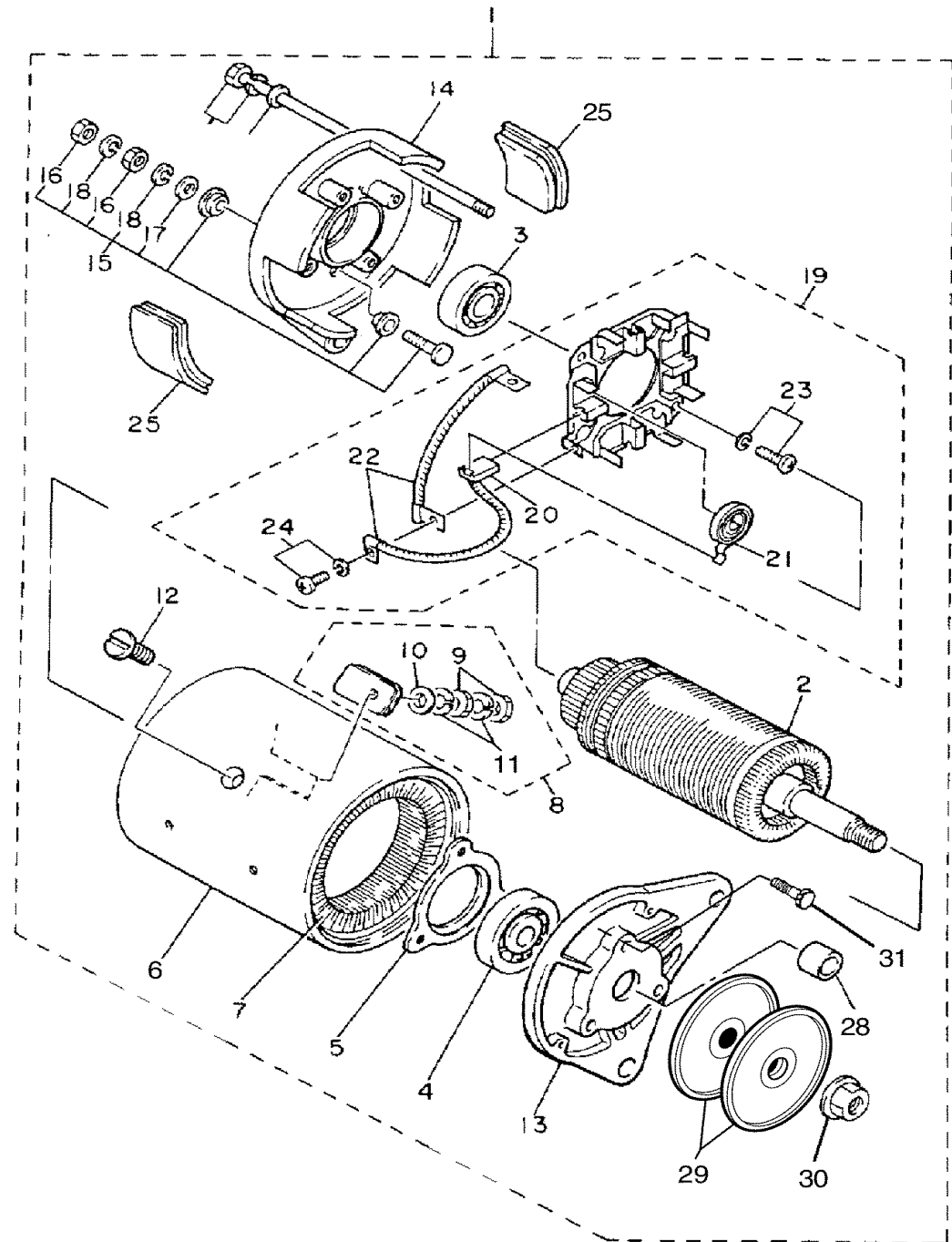
JN6100-6232

CONTINUED ON NEXT FRAME >





# STARTER GENERATOR



Ref. No.	Part Number	Description	Qty	Remarks
30	90179-16889-00	. NUT .....	1	
31	98507-05018-00	. SCREW, PAN HEAD .....	3	

## CONTENTS

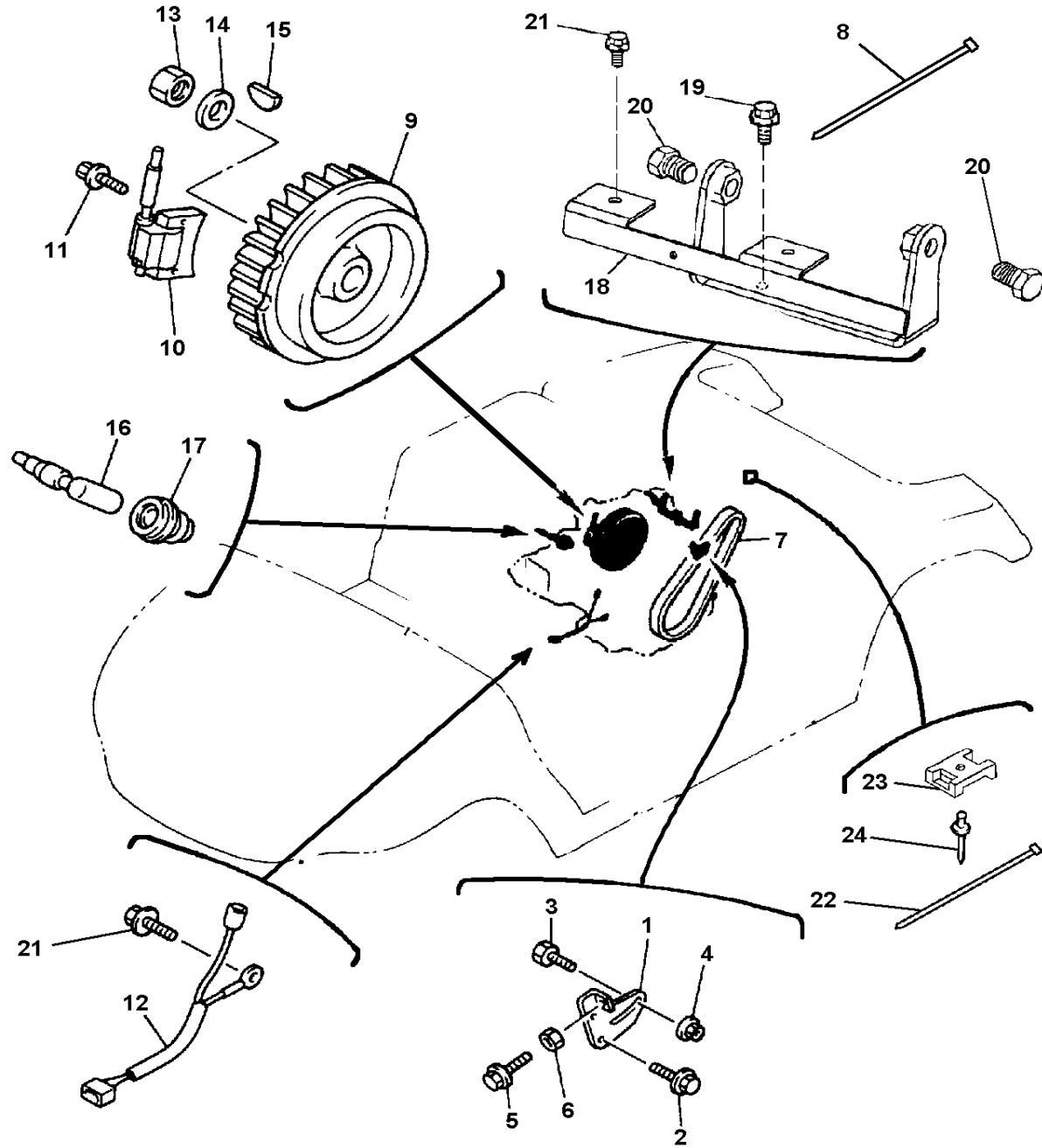
ACCELERATOR	C2
AIR SHROUD FAN	A9
BODY 2 REAR	D2-3
BODY FITTING	D4
BODY FRONT	C12 ,D1
BRAKE	B10-11
BRAKE 2	B12
BRAKE 3	C1
BUMPER	C11
CAMSHAFT VALVE	A8
CARBURETOR	A11
CARRIER	D5
CRANKCASE	B1
CRANKSHAFT PISTON	A7
CYLINDER HEAD	A6
ELECTRICAL 1	D9
ELECTRICAL 2	D10-11
ENGINE ASSEMBLY	A5
ENGINE MOUNT	B2
EXHAUST	A12
FRAME	B4
FRONT SUSPENSION WHEEL	B5-6
FUEL TANK	B9
GOVERNOR	C3
INTAKE	A10
OPTIONAL HUB CAPS	D12
OPTIONAL LIGHT KIT	E3
OPTIONAL SUN ROOF	E2
OPTIONAL WINDSHIELD	E1
PRIMARY CLUTCH	C4
REAR ARM SUSPENSION	B3
REAR AXLE MOUNT WHEEL	C9
SEAT	D6
SECONDARY SHEAVE	C5
SHIFTER CABLES	C10
STARTER GENERATOR	D7-8
STEERING	B7-8
TRANSMISSION	C6-8



JN6100-6232



# ELECTRICAL 1



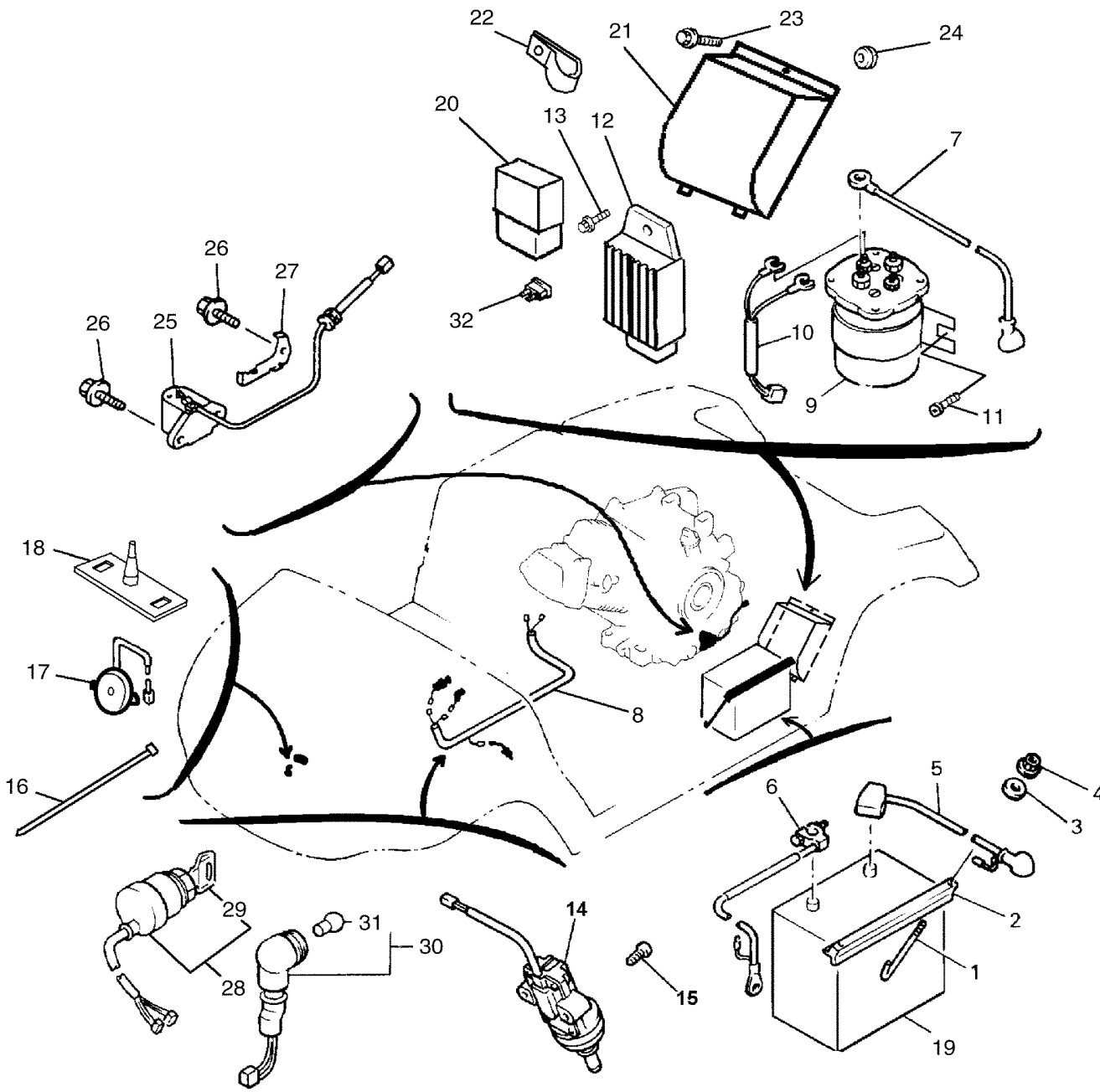
Ref. No.	Part Number	Description	Qty	Remarks
1	JN6-H1170-00-00	TENSIONER ASSY	1	
2	9582P-08020-00	BOLT, FLANGE	2	
3	90109-08875-00	BOLT	1	
4	90179-08491-00	NUT	1	
5	90101-06478-00	BOLT	1	
6	95317-06600-00	NUT, HEX	1	
7	JN6-H1173-00-00	BELT	1	
8	90464-09823-00	CLAMP	1	
9	JR7-85650-00-00	ROTOR ASSY	1	
10	JN6-85640-00-00	T.C.I. UNIT	1	
11	95817-06025-00	BOLT, FLANGE	2	
12	JN6-82318-00-00	WIRE, SUB-LEAD	1	
13	95307-18600-00	NUT	1	
14	90201-18620-00	WASHER, PLATE	1	
15	90280-04052-00	KEY, WOODRUFF	1	
16	JN6-82370-00-00	PLUG CAP ASSY	1	
17	JE8-82372-00-00	SEAL, PLUG CAP	1	
18	JN6-H1171-00-00	BRACKET, STARTER GENERATOR	1	
19	9582P-08020-00	BOLT, FLANGE	2	
20	95817-12025-00	BOLT, FLANGE	2	
21	95817-06016-00	BOLT, FLANGE	3	
22	90464-40825-00	CLAMP	3	
23	90207-05800-00	WASHER, FINISH	1	
24	90267-489U9-00	RIVET, BLIND	1	

## CONTENTS

ACCELERATOR	C2
AIR SHROUD FAN	A9
BODY 2 REAR	D2-3
BODY FITTING	D4
BODY FRONT	C12 ,D1
BRAKE	B10-11
BRAKE 2	B12
BRAKE 3	C1
BUMPER	C11
CAMSHAFT VALVE	A8
CARBURETOR	A11
CARRIER	D5
CRANKCASE	B1
CRANKSHAFT PISTON	A7
CYLINDER HEAD	A6
ELECTRICAL 1	D9
ELECTRICAL 2	D10-11
ENGINE ASSEMBLY	A5
ENGINE MOUNT	B2
EXHAUST	A12
FRAME	B4
FRONT SUSPENSION WHEEL	B5-6
FUEL TANK	B9
GOVERNOR	C3
INTAKE	A10
OPTIONAL HUB CAPS	D12
OPTIONAL LIGHT KIT	E3
OPTIONAL SUN ROOF	E2
OPTIONAL WINDSHIELD	E1
PRIMARY CLUTCH	C4
REAR ARM SUSPENSION	B3
REAR AXLE MOUNT WHEEL	C9
SEAT	D6
SECONDARY SHEAVE	C5
SHIFTER CABLES	C10
STARTER GENERATOR	D7-8
STEERING	B7-8
TRANSMISSION	C6-8

JN6100-6240

# ELECTRICAL 2



Ref. No.	Part Number	Description	Qty	Remarks
1	JN3-H2133-00-00	SCREW, FITTING	2	
2	J55-H2136-00-00	PLATE, BATTERY FITTING	1	
3	92907-06200-00	.WASHER	2	
4	95707-06500-00	NUT, FLANGE	2	
5	JN6-H2115-01-00	WIRE, PLUS LEAD	1	
6	JN6-H2116-01-00	WIRE, MINUS LEAD	1	
7	JN6-H2117-00-00	WIRE, LEAD	1	
8	JN6-H2590-00-00	WIRE HARNESS	1	WITH #33 FUSE
9	JR3-H1950-00-00	RELAY ASSY	1	
10	JN6-H2105-00-00	WIRE HARNESS	1	
11	90163-06005-00	SCREW, TAPPING	2	
12	JF2-81910-01-00	VOLTAGE REGULATOR ASSY	1	
13	90105-06876-00	BOLT, FLANGE	1	
14	JF7-82817-20-00	SWITCH	1	
15	97607-05325-00	SCREW, PAN HEAD W/WASHER	2	
16	90464-31827-00	CLAMP	4	
17	JR1-H3383-01-00	BUZZER	1	
18	JN6-H3386-00-00	STAY, BUZZER	1	
19	NOT-AVAIL-AB-LE	BATTERY, 12V, GROUP 24	1	OBTAIN LOCALLY (CCA: MIN. 400A)
20	4U8-81950-02-00	RELAY ASSY	1	
21	JN6-H1942-00-00	COVER	1	
22	90461-16802-00	CLAMP	1	
23	90105-06876-00	BOLT, FLANGE	2	
24	90480-25856-00	GROMMET	1	
25	JN6-85720-12-00	OIL LEVEL GAUGE ASSY	1	
26	95817-06012-00	BOLT, FLANGE	4	
27	JN6-95724-00-00	CLAMP, OIL LEVEL	1	
28	JN8-82510-02-00	MAIN SWITCH ASSY	1	
	JN8-82510-10-00	MAIN SWITCH ASSY, RANDOM KEY	1	AP

## CONTENTS

ACCELERATOR	C2
AIR SHROUD FAN	A9
BODY 2 REAR	D2-3
BODY FITTING	D4
BODY FRONT	C12 ,D1
BRAKE	B10-11
BRAKE 2	B12
BRAKE 3	C1
BUMPER	C11
CAMSHAFT VALVE	A8
CARBURETOR	A11
CARRIER	D5
CRANKCASE	B1
CRANKSHAFT PISTON	A7
CYLINDER HEAD	A6
ELECTRICAL 1	D9
ELECTRICAL 2	D10-11
ENGINE ASSEMBLY	A5
ENGINE MOUNT	B2
EXHAUST	A12
FRAME	B4
FRONT SUSPENSION WHEEL	B5-6
FUEL TANK	B9
GOVERNOR	C3
INTAKE	A10
OPTIONAL HUB CAPS	D12
OPTIONAL LIGHT KIT	E3
OPTIONAL SUN ROOF	E2
OPTIONAL WINDSHIELD	E1
PRIMARY CLUTCH	C4
REAR ARM SUSPENSION	B3
REAR AXLE MOUNT WHEEL	C9
SEAT	D6
SECONDARY SHEAVE	C5
SHIFTER CABLES	C10
STARTER GENERATOR	D7-8
STEERING	B7-8
TRANSMISSION	C6-8

JU0100-5320

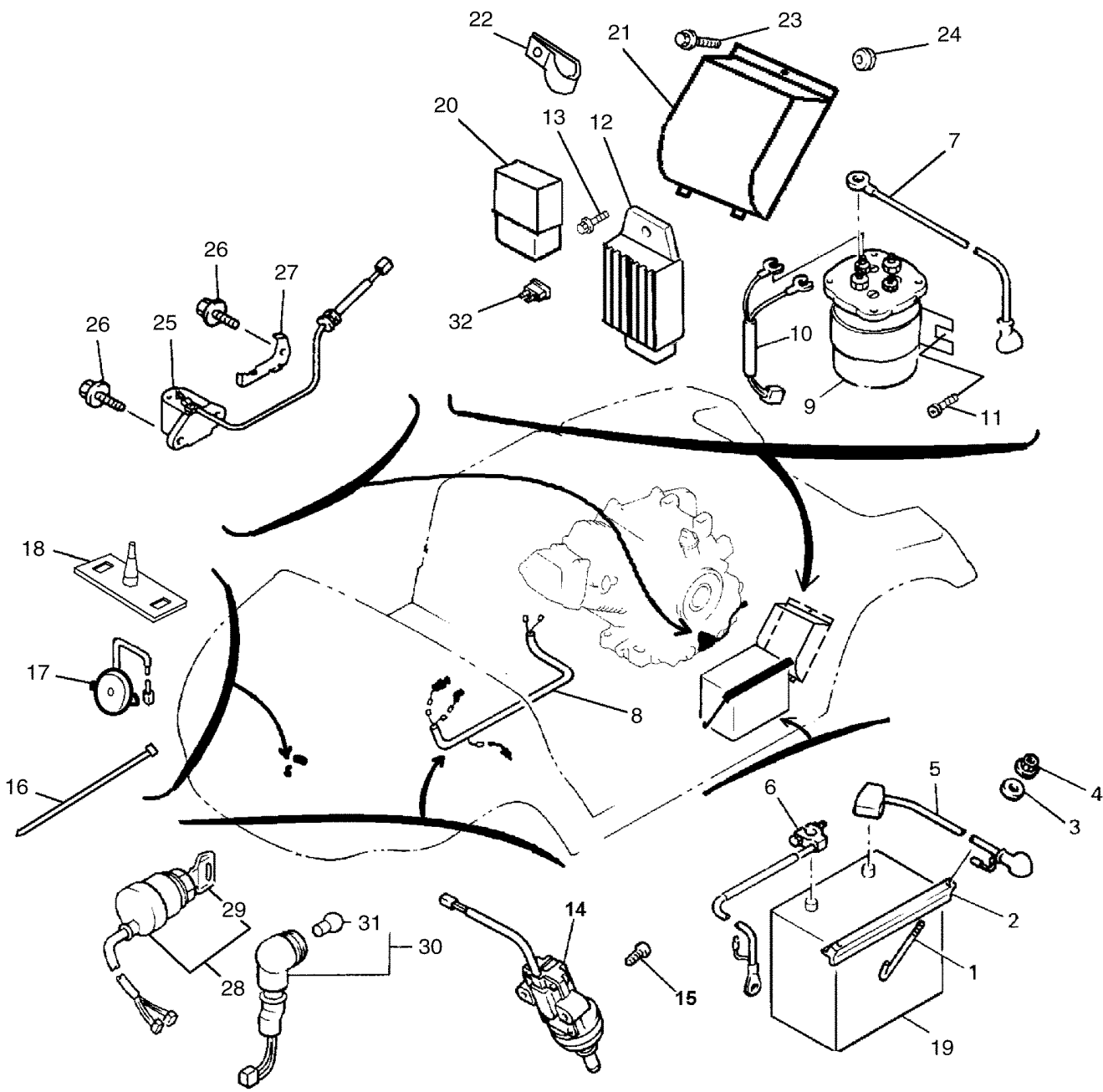
CONTINUED ON NEXT FRAME >

# ELECTRICAL 2

Ref. No.	Part Number	Description	Qty	Remarks
29	J44-82511-00-YY	KEY, MAIN SWITCH .....	1	STD. SWITCH ONLY
30	JN6-83530-00-00	PILOT LIGHT ASSY .....	1	
31	123-83516-21-XX	. BULB (12V-3.4W) .....	1	
32	42X-82151-00-00	.FUSE (10A-BL) .....	1	

## CONTENTS

ACCELERATOR	C2
AIR SHROUD FAN	A9
BODY 2 REAR	D2-3
BODY FITTING	D4
BODY FRONT	C12 ,D1
BRAKE	B10-11
BRAKE 2	B12
BRAKE 3	C1
BUMPER	C11
CAMSHAFT VALVE	A8
CARBURETOR	A11
CARRIER	D5
CRANKCASE	B1
CRANKSHAFT PISTON	A7
CYLINDER HEAD	A6
ELECTRICAL 1	D9
ELECTRICAL 2	D10-11
ENGINE ASSEMBLY	A5
ENGINE MOUNT	B2
EXHAUST	A12
FRAME	B4
FRONT SUSPENSION WHEEL	B5-6
FUEL TANK	B9
GOVERNOR	C3
INTAKE	A10
OPTIONAL HUB CAPS	D12
OPTIONAL LIGHT KIT	E3
OPTIONAL SUN ROOF	E2
OPTIONAL WINDSHIELD	E1
PRIMARY CLUTCH	C4
REAR ARM SUSPENSION	B3
REAR AXLE MOUNT WHEEL	C9
SEAT	D6
SECONDARY SHEAVE	C5
SHIFTER CABLES	C10
STARTER GENERATOR	D7-8
STEERING	B7-8
TRANSMISSION	C6-8



**FWD**  
JU0100-5320

# DID YOU KNOW?

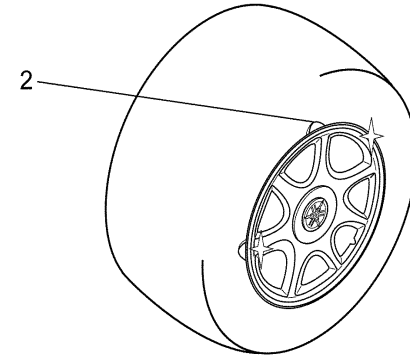
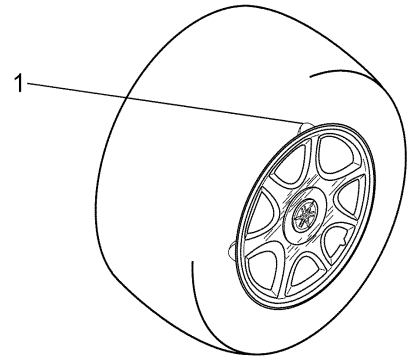
CartPros directs you to the right part using the part numbers from this manual. Enter the part number into our search box and it will find the part you are looking for.

**GET STARTED  
HERE** →

<https://CartPros.com/f.html>

## OPTIONAL HUB CAPS

Ref. No.	Part Number	Description	Qty	Remarks
1	JN6-F512M-C0-00	HUB-CAP, CHROME .....	4	COMES WITH CLIPS
2	JN6-F512M-SM-00	HUB-CAP, BRUSHED ALUMINUM .....	4	COMES WITH CLIPS



### CONTENTS

ACCELERATOR	C2
AIR SHROUD FAN	A9
BODY 2 REAR	D2-3
BODY FITTING	D4
BODY FRONT	C12 ,D1
BRAKE	B10-11
BRAKE 2	B12
BRAKE 3	C1
BUMPER	C11
CAMSHAFT VALVE	A8
CARBURETOR	A11
CARRIER	D5
CRANKCASE	B1
CRANKSHAFT PISTON	A7
CYLINDER HEAD	A6
ELECTRICAL 1	D9
ELECTRICAL 2	D10-11
ENGINE ASSEMBLY	A5
ENGINE MOUNT	B2
EXHAUST	A12
FRAME	B4
FRONT SUSPENSION WHEEL	B5-6
FUEL TANK	B9
GOVERNOR	C3
INTAKE	A10
OPTIONAL HUB CAPS	D12
OPTIONAL LIGHT KIT	E3
OPTIONAL SUN ROOF	E2
OPTIONAL WINDSHIELD	E1
PRIMARY CLUTCH	C4
REAR ARM SUSPENSION	B3
REAR AXLE MOUNT WHEEL	C9
SEAT	D6
SECONDARY SHEAVE	C5
SHIFTER CABLES	C10
STARTER GENERATOR	D7-8
STEERING	B7-8
TRANSMISSION	C6-8



JU0100-5340

G22AY

**D12**



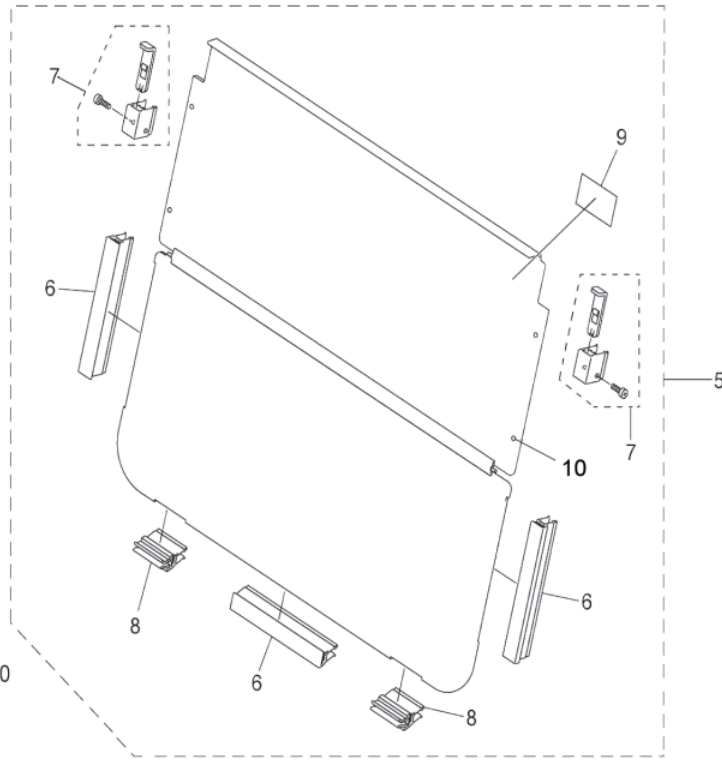
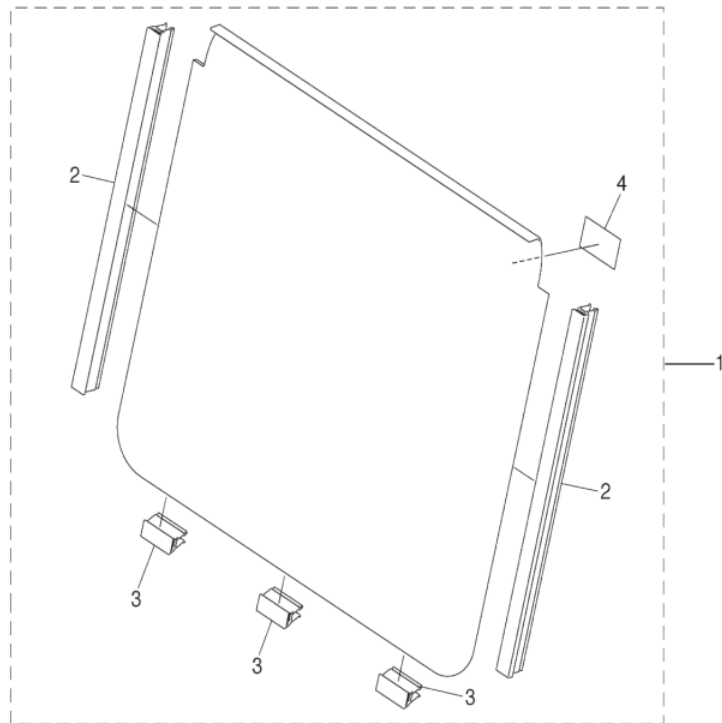


# OPTIONAL WINDSHIELD

Ref. No.	Part Number	Description	Qty	Remarks
1	JU0-K7200-03-00	WINDSHIELD ASSY, SOLID (CLEAR)	1	UR AP
	JU0-K7200-13-00	WINDSHIELD ASSY, SOLID (TINTED)	1	UR AP
2	JU0-K838A-20-00	. RETAINER 1	2	
3	JU0-K838A-10-00	. RETAINER 1	3	
4	JU0-K7458-00-00	. LABEL, WARNING	1	
5	JU0-K7200-22-00	WINDSHIELD ASSY, HINGED (CLEAR)	1	UR AP
	JU0-K7200-32-00	WINDSHIELD ASSY, HINGED (SMOKE)	1	UR AP
6	JU0-K838B-00-00	. RETAINER 2	3	
7	GCA-WSUPP-ER-KT	. UPPER, LATCH 2	1	
8	JU0-K7222-01-00	. BRACKET, WINDSHIELD (R.H.)	2	
9	JU0-K7458-00-00	. LABEL, WARNING	1	
10	JN3-K7238-00-00	. DAMPER, WINDSHIELD	4	

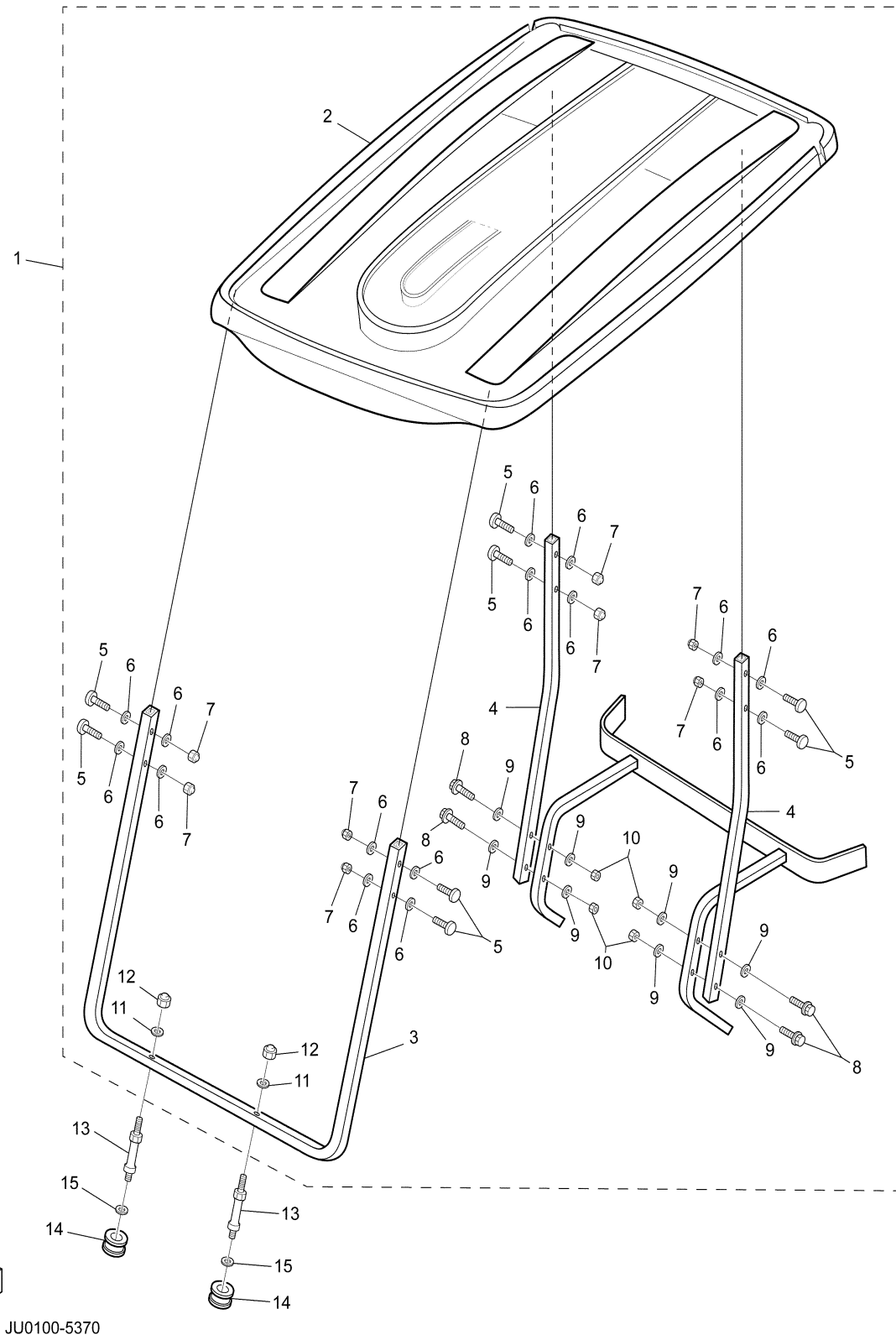
## CONTENTS

- ACCELERATOR
- BATTERY CHARGER MAC
- BODY
- BODY 2
- BODY FITTING
- BRAKE
- BRAKE 2
- BRAKE 3
- BUMPER
- CARRIER
- CONTROLLER 1
- ELECTRIC MOTOR
- ELECTRICAL 1
- FRAME
- FRONT SUSPENSION & WHEEL A7-8
- OPTIONAL ENERGY/HOUR GAUGES C12
- OPTIONAL LIGHT KIT
- OPTIONAL SUN ROOF
- OPTIONAL WINDSHIELD
- REAR ARM & SUSPENSION
- REAR AXLE MOUNT & WHEEL
- SEAT
- STEERING
- TRANSAXLE



JU22100-D200

# OPTIONAL SUN ROOF



Ref. No.	Part Number	Description	Qty	Remarks
1	JU0-K8310-00-00	SUN ROOF ASSY .....	1	UR IVORY
	JU0-K8310-10-00	SUN ROOF ASSY .....	1	UR TAN
2	JU0-K8314-00-00	. COVER, SUN ROOF .....	1	UR IVORY
	JU0-K8314-10-00	. COVER, SUN ROOF .....	1	UR TAN
3	JU0-K8312-01-00	. SUPPORT, SUN ROOF 1 ....	1	
4	JU0-K8313-01-00	. SUPPORT, SUN ROOF 2 ....	2	
5	JU0-K8388-00-00	. BOLT, ROOF 1 .....	8	
6	90201-088T2-00	. WASHER, PLATE .....	16	
7	JU0-K8398-00-00	. NUT, ROOF 1 .....	8	
8	90101-22864-00	. BOLT .....	4	
9	90201-088J3-00	. WASHER, PLATE .....	8	
10	90185-12835-00	. NUT, SELF-LOCKING .....	4	
11	90201-098J4-00	. WASHER, PLATE .....	2	
12	90176-08801-00	. NUT, CROWN .....	2	
13	JU0-K834A-00-00	. REINF., HOLDER .....	2	FOR SUN ROOF
14	JN3-K832F-00-00	. GROMMET, ROOF SUPPORT	2	FOR SUN ROOF
15	90201-11800-00	. WASHER, PLATE .....	2	FOR SUN ROOF

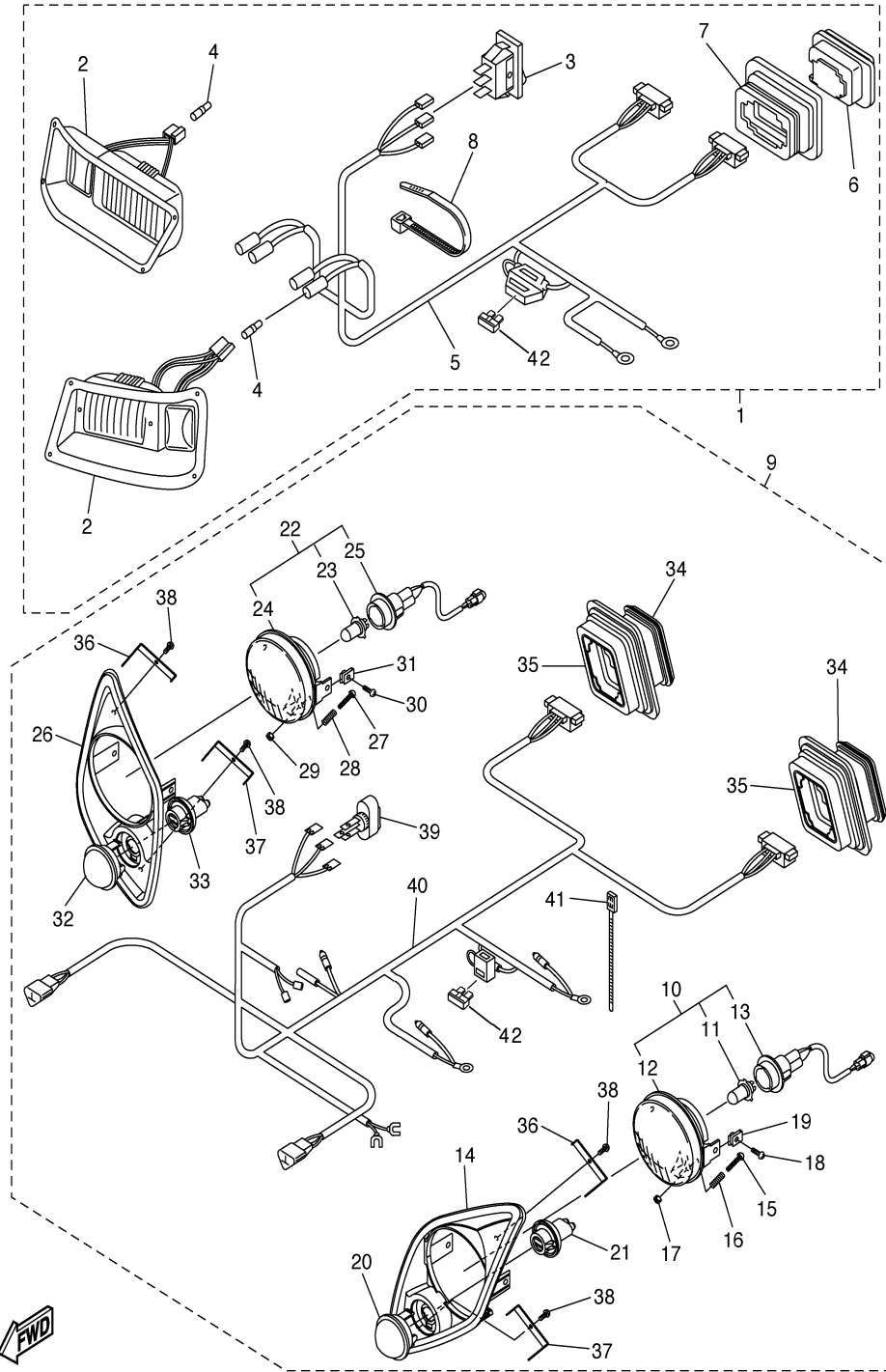
## CONTENTS

ACCELERATOR	C2
AIR SHROUD & FAN	A9
BODY	C12
BODY 2	D1-2
BODY FITTING	D3
BRAKE	B10-11
BRAKE 2	B12
BRAKE 3	C1
BUMPER	C11
CAMSHAFT & VALVE	A8
CARBURETOR	A11
CARRIER	D4
CRANKCASE	B1
CRANKSHAFT & PISTON	A7
CYLINDER HEAD	A6
ELECTRICAL 1	D8
ELECTRICAL 2	D9-10
ENGINE ASSEMBLY	A5
ENGINE BRACKET	B2
EXHAUST	A12
FRAME	B4
FRONT SUSPENSION & WHEEL	B5-6
FUEL TANK	B9
GOVERNOR	C3
INTAKE	A10
OPTIONAL LIGHT KIT	E1-2
OPTIONAL SUN ROOF	E2
OPTIONAL WINDSHIELD	E1
PRIMARY SHEAVE	C4
REAR ARM & SUSPENSION	B3
REAR AXLE MOUNT & WHEEL	C9
SEAT	D5
SECONDARY SHEAVE	C5
SHIFTER & CABLES	C10
STARTING MOTOR	D6-7
STEERING	B7-8
TRANSMISSION 1	C6-8

JU0100-5370



# OPTIONAL LIGHT KIT



JU02100-D370

Ref. No.	Part Number	Description	Qty	Remarks
1	JN6-H430A-20-00	HEADLIGHT UNIT ASSY	1	UR
2	JN3-H4303-20-00	. HEADLIGHT UNIT ASSY	2	
3	JN3-H3976-20-00	. SWITCH, HANDLE 1	1	
4	9E212-10401-00	. TERMINAL	2	
5	JN6-H4159-00-00	. CORD, HEADLIGHT	1	
6	JU5-H4700-00-00	. TAILLIGHT ASSY	2	
7	JU5-H4718-00-00	. GROMMET	2	
8	90464-40800-00	. CLAMP	20	
9	JU0-H430A-00-00	HEADLIGHT UNIT ASSY	1	UR
10	5FU-H4300-00-00	. HEADLIGHT ASSY	1	
11	5FU-H4314-00-00	.. BULB, HEADLIGHT (12V-30/30W)	1	
12	5FU-H4320-00-00	.. LENS ASSY	1	
13	5FU-H4340-00-00	.. SOCKET CORD ASSY 1	1	
14	JU7-H411T-01-00	. HOLDER, 1	1	
15	98507-03540-00	. SCREW, PAN HEAD	1	
16	90505-10060-00	. SPRING, SCREW	1	
17	2GU-84334-00-00	. NUT, ADJUSTING	1	
18	90150-05802-00	. SCREW, ROUND HEAD	2	
19	90183-05008-00	. NUT, SPRING	2	
20	JU7-H5415-00-00	. MARK, SIGNAL LAMP	1	
21	JU7-H3547-00-00	. COVER, SOCKET	1	
22	5FU-H4300-00-00	. HEADLIGHT ASSY	1	
23	5FU-H4314-00-00	.. BULB, HEADLIGHT (12V-30/30W)	1	
24	5FU-H4320-00-00	.. LENS ASSY	1	
25	5FU-H4340-00-00	.. SOCKET CORD ASSY 1	1	
26	JU7-H411U-01-00	. HOLDER, 2	1	
27	98507-03540-00	. SCREW, PAN HEAD	1	
28	90501-10060-00	. SPRING, SCREW	1	
29	2GU-84334-00-00	. NUT, ADJUSTING	1	

## CONTENTS

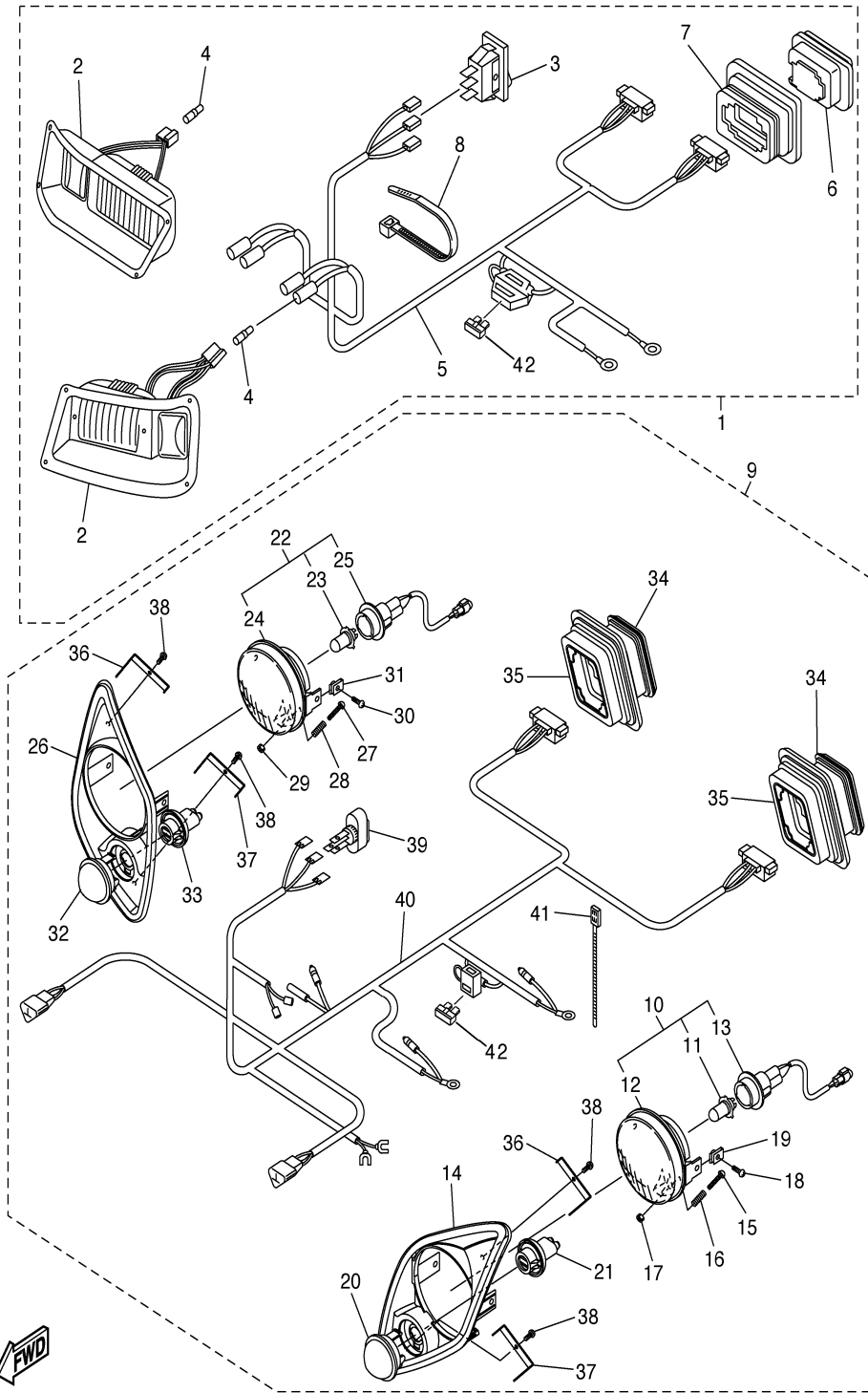
ACCELERATOR	C2
AIR SHROUD & FAN	A9
BODY	C12
BODY 2	D1-2
BODY FITTING	D3
BRAKE	B10-11
BRAKE 2	B12
BRAKE 3	C1
BUMPER	C11
CAMSHAFT & VALVE	A8
CARBURETOR	A11
CARRIER	D4
CRANKCASE	B1
CRANKSHAFT & PISTON	A7
CYLINDER HEAD	A6
ELECTRICAL 1	D8
ELECTRICAL 2	D9-10
ENGINE ASSEMBLY	A5
ENGINE BRACKET	B2
EXHAUST	A12
FRAME	B4
FRONT SUSPENSION & WHEEL	B5-6
FUEL TANK	B9
GOVERNOR	C3
INTAKE	A10
OPTIONAL LIGHT KIT	E3-4
OPTIONAL SUN ROOF	D12
OPTIONAL WINDSHIELD	D11
PRIMARY SHEAVE	C4
REAR ARM & SUSPENSION	B3
REAR AXLE MOUNT & WHEEL	C9
SEAT	D5
SECONDARY SHEAVE	C5
SHIFTER & CABLES	C10
STARTING MOTOR	D6-7
STEERING	B7-8
TRANSMISSION 1	C6-8

CONTINUED ON NEXT FRAME





# OPTIONAL LIGHT KIT



JU02100-D370

Ref. No.	Part Number	Description	Qty	Remarks
30	90150-05802-00	. SCREW, ROUND HEAD	2	
31	90183-05008-00	. NUT, SPRING	2	
32	JU7-H5415-00-00	. MARK, SIGNAL LAMP	1	
33	JU7-H3547-00-00	. COVER, SOCKET	1	
34	JU5-H4700-00-00	. TAILLIGHT ASSY	2	
35	JU5-H4718-00-00	. GROMMET	2	
36	JU7-H4118-01-00	. STAY, HEADLIGHT 1	2	
37	JU7-H4119-01-00	. STAY, HEADLIGHT 2	2	
38	97707-40112-00	. SCREW, TAPPING	4	
39	JU0-H3976-00-00	. SWITCH, HANDLE 1	1	
40	JU0-H4159-00-00	. CORD, HEADLIGHT	1	
41	90464-14806-00	. CLAMP	20	
42	42X-82151-00-00	. FUSE, (10A-BL)	1	

## CONTENTS

ACCELERATOR	C2
AIR SHROUD & FAN	A9
BODY	C12
BODY 2	D1-2
BODY FITTING	D3
BRAKE	B10-11
BRAKE 2	B12
BRAKE 3	C1
BUMPER	C11
CAMSHAFT & VALVE	A8
CARBURETOR	A11
CARRIER	D4
CRANKCASE	B1
CRANKSHAFT & PISTON	A7
CYLINDER HEAD	A6
ELECTRICAL 1	D8
ELECTRICAL 2	D9-10
ENGINE ASSEMBLY	A5
ENGINE BRACKET	B2
EXHAUST	A12
FRAME	B4
FRONT SUSPENSION & WHEEL	B5-6
FUEL TANK	B9
GOVERNOR	C3
INTAKE	A10
OPTIONAL LIGHT KIT	E1-2
OPTIONAL SUN ROOF	D12
OPTIONAL WINDSHIELD	D11
PRIMARY SHEAVE	C4
REAR ARM & SUSPENSION	B3
REAR AXLE MOUNT & WHEEL	C9
SEAT	D5
SECONDARY SHEAVE	C5
SHIFTER & CABLES	C10
STARTING MOTOR	D6-7
STEERING	B7-8
TRANSMISSION 1	C6-8