

**DID YOU
KNOW?**

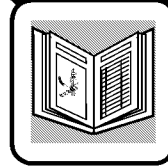
CartPros directs you to the right part using the part numbers from this manual. Enter the part number into our search box and it will find the part you are looking for.

**GET STARTED
HERE** →

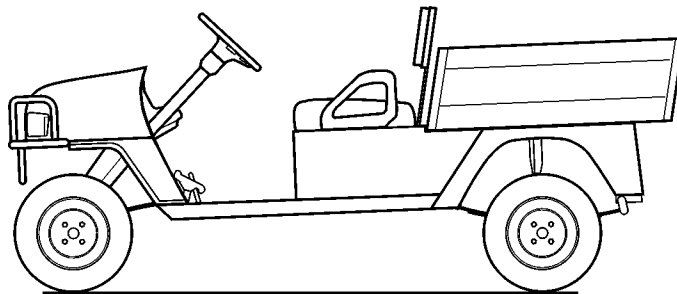
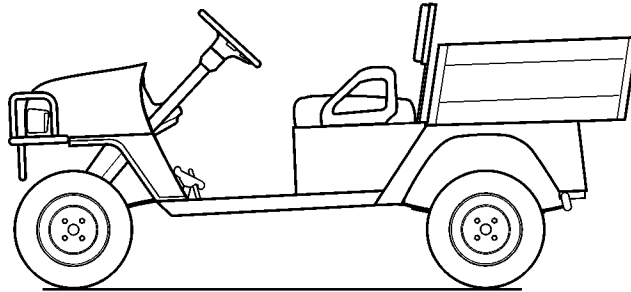
<https://CartPros.com/html>

28765-G01

TEXTRON
GOLF, TURF & SPECIALTY PRODUCTS



SERVICE PARTS MANUAL



GASOLINE POWERED UTILITY VEHICLES

STARTING MODEL YEAR: 2002

REVISED 7/2002

 **CARTPROS**

**DID YOU
KNOW?**

CartPros directs you to the right part using the part numbers from this manual. Enter the part number into our search box and it will find the part you are looking for.

**GET STARTED
HERE**



<https://CartPros.com/f.html>

SERVICE PARTS MANUAL

GASOLINE POWERED UTILITY VEHICLES

ST 350

ST SPORT

Textron Golf, Turf & Specialty Products reserves the right to make design changes without obligation to make these changes on units previously sold and the information contained in this manual is subject to change without notice.

Textron Golf, Turf & Specialty Products is not liable for errors in this manual or for incidental or consequential damages that result from the use of the material in this manual.

CUSTOMER SERVICE DEPARTMENT IN USA PHONE: 1-800-241-5855 FAX: 1-800-448-8124

OUTSIDE USA PHONE: 010-1-706-798-4311, FAX: 010-1-706-771-4609

TEXTRON GOLF, TURF & SPECIALTY PRODUCTS, P.O.BOX 388, AUGUSTA, GEORGIA USA 30903-0388

NOTES

To obtain a copy of the limited warranty applicable to the vehicle, call or write a local Distributor, authorized Branch or Warranty Department with vehicle serial number and manufacture date code.

The use of non Original Equipment Manufacturer (OEM) parts may void the warranty.

Tampering with or adjusting the governor to permit vehicle to operate at above factory specifications will void the vehicle warranty.

When servicing engines, all adjustments and replacement components must be per original vehicle specifications in order to maintain the United States of America Federal and State emission certification applicable at time of manufacture.

BATTERY PROLONGED STORAGE

All batteries will self discharge over time. The rate of self discharge varies depending on the ambient temperature and the age and condition of the batteries.

A fully charged battery will not freeze in winter temperatures unless the temperature falls below -75° F (-60° C).

GENERAL INDEX

SECTION**Page No.**

How to use the **E-Z-GO** Service Parts Manual..... vii

ACCELERATOR - CABLES

- Accelerator Pedal.....A-1
- Accelerator Box.....A-2
- Throttle Linkage, Governor Linkage.....A-3

ACCELERATOR - CABLE & LINKAGE

- Accelerator Pedal, Accelerator BoxA-7
- Choke, Throttle Linkage, Governor LinkageA-8

AIR CLEANER

- Remote Air Components, Filter.....B-1

BODY

- Front Cowl, Instrument Panel, Glove Box Door, Floor Panel, BumperC-1
- Floormat, Seat Wrap, Seat Frame, Splash Panels, Battery Tray (ST 350).....C-2
- Floormat, Seat Wrap, Seat Frame, Splash Panels, Battery Tray (ST SPORT).....C-3
- Receiver, HitchC-4

BRAKES

- Brake Pedal Without Brake Lights, Brake Linkage, Equalizer and Brake Cables.....D-1
- Brake Pedal With Brake LightsD-2
- Wheel Brake AssemblyD-3

CAB (ST 350)

- Cab (Flat Windshield).....E-1
- Cab Mounting Brackets, Windshield Wiper.....E-2
- Steel Doors, Vinyl Doors, Strobe Light.....E-3
- Switch Panel, Defroster/Cooling Fan, Worklights.....E-4
- Cab (Curved Windshield)E-9

CARBURETOR AND CHOKE

- Pilot Jet, Main Jet, Carburetor Mount GasketF-1
- Choke.....F-2

CLUTCH

- Drive Clutch, Driven Clutch, Drive BeltG-1

GENERAL INDEX

DIRECTION SELECTOR - SINGLE CABLE

- Direction Selector Handle, Direction Selector, Cable H-1

DIRECTION SELECTOR - DUAL CABLES

- Direction Selector Handle, Direction Selector, Cables, Shifter Control Pivot..... H-5

ELECTRICAL SYSTEM

- Battery, Control Harness..... J-1
- Electrical Plate Assembly, Voltage Regulator J-2
- Fuse Block, Horn J-3
- Headlight, Turn Signal Light..... J-4
- Taillight, Turn Signal..... J-5
- Outlet (12 volt), Ignition Switch/Plate, Fuel Gauge, Hour Meter J-6
- Work Lights, Strobe Light..... J-7

ENGINE AND MUFFLER

- Engine, Spark Plugs, Muffler, Oil Filter K-1

ENGINE MOUNTING

- Engine Guard, Isolation Mount L-1

FRONT SUSPENSION

- Front Axle, Hub and Spindle, Leaf Springs, Shock Absorber M-1

FUEL SYSTEM

- Fuel Tank, Fuel Filter, Fuel Gauge Sender, Fuel Pump..... N-1

REAR AXLE

- Axle Tube, Axle Shaft, Bearing, Shifter Bracket, Differential Guard P-1

REAR SUSPENSION

- Leaf Spring, Shock Absorber..... Q-1

SEATING

- Seat Bottom, Seat Back, Hip Restraint, Seat Back Support (ST 350)..... R-1
- Seat Back Support, Seat Back Support Bracket, Seat Bottom (ST SPORT) R-2

STARTER/GENERATOR

- Terminal Assembly, Brush Holder Assembly, Pulley..... S-1

STEERING

- Steering Box, Steering Shaft/Column/Wheel T-1
- Tie Rod T-2

GENERAL INDEX

TRUCKBEDS (ST 350)

- 40" Bed U-1
- Bed Liner, Tool Box U-2
- Flat Bed U-3
- Cargo Bed and Racks..... U-4
- Electric Circuit Breaker, Toggle Switch, Actuator U-5
- Tilt Latch, Bed Prop U-6

TRUCKBED (ST SPORT)

- 35" Bed U-13
- Bed Hold Down, Bed Frame U-14
- Bed Liner U-15

WEATHER PROTECTION

- Sun Top..... V-1
- Top Mounted Rear View Mirror, 3-Sided Soft Enclosure..... V-2
- Windshields V-3
- Brush Guard (ST SPORT) V-4
- Suntop, Windshield V-5

WHEELS AND TIRES

- Tire, Wheel Rim, Valve Stems W-1

WINCH (ST 350)

- Mounting X-1
- Solenoids, Electrical Wiring X-2
- Winch Components..... X-3

SPECIALTY PRODUCTS Appendix A

- Special Tools
- Performance Products
- Paint
- Engine Oil

ACCESSORIES Appendix B

- Accessory List

HOW TO USE THE SERVICE PARTS MANUAL

This manual is divided into several sections:

- GENERAL INFORMATION
- ILLUSTRATED PARTS BREAKDOWN
- APPENDIX

The first section, GENERAL INFORMATION, contains the following information:

- WARRANTY INFORMATION
- GENERAL INDEX
- HOW TO USE THE SERVICE PARTS MANUAL

The second section, ILLUSTRATED PARTS BREAKDOWN, contains illustrations and parts lists for all systems of your vehicle.

The third section, APPENDIX, contains a listing of specialty products and accessories.

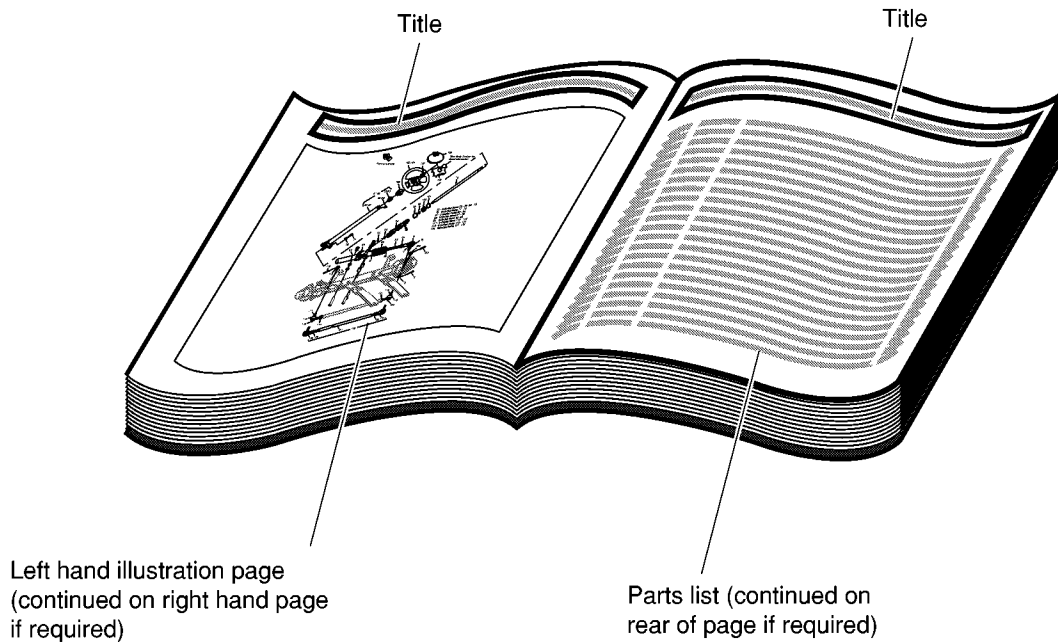
USE OF THE MANUAL

To use this manual, consult the GENERAL INDEX to locate the information or illustration required.

Introduction of some revisions varies due to supply of components; therefore, it is possible that various combinations of components may be found that are not directly reflected by each illustration. Consult the illustration that best suits your situation and then contact the Service Parts Department. It is important that the serial number of your vehicle and its model number be supplied to Service Parts when ordering any replacement components.

Locate the serial number plate (see BODY located in the Illustrated Parts Breakdown section of this manual for its location) and note the complete number shown on the plate.

HOW TO USE THE SERVICE PARTS MANUAL



1. WHEN THE PART NUMBER IS NOT KNOWN

- Determine the function and application of the part required. Turn to the General Index and select the most appropriate title.
- Turn to the page number indicated and locate the desired part on the illustration.
- From the illustration, obtain the item number assigned to the desired part. Refer to the accompanying description for specific information regarding the part.

2. IF YOU KNOW THE PART NUMBER

- Locate the part number or description in the appropriate column on the parts list page.

NOTE: It is suggested that you confirm that the part selected is correct by verifying it with the pictorial representation on the illustrated page.

Should an asterisk (*) appear in the part number column on the parts list page, read upwards until a part number is found. The part number is the lowest assembly sold and the asterisk (*) indicates that the part depicted is not available for purchase.

NOTE: Descriptions are indented under the assembly that they are used on. That assembly is, in turn listed under the assembly that it is used on. This process is repeated until the highest final assembly is reached.

To facilitate the maintenance and repair of the vehicle, a Technician's Repair and Service Manual is available from the Service Parts Department.

**DID YOU
KNOW?**

CartPros directs you to the right part using the part numbers from this manual. Enter the part number into our search box and it will find the part you are looking for.

**GET STARTED
HERE**



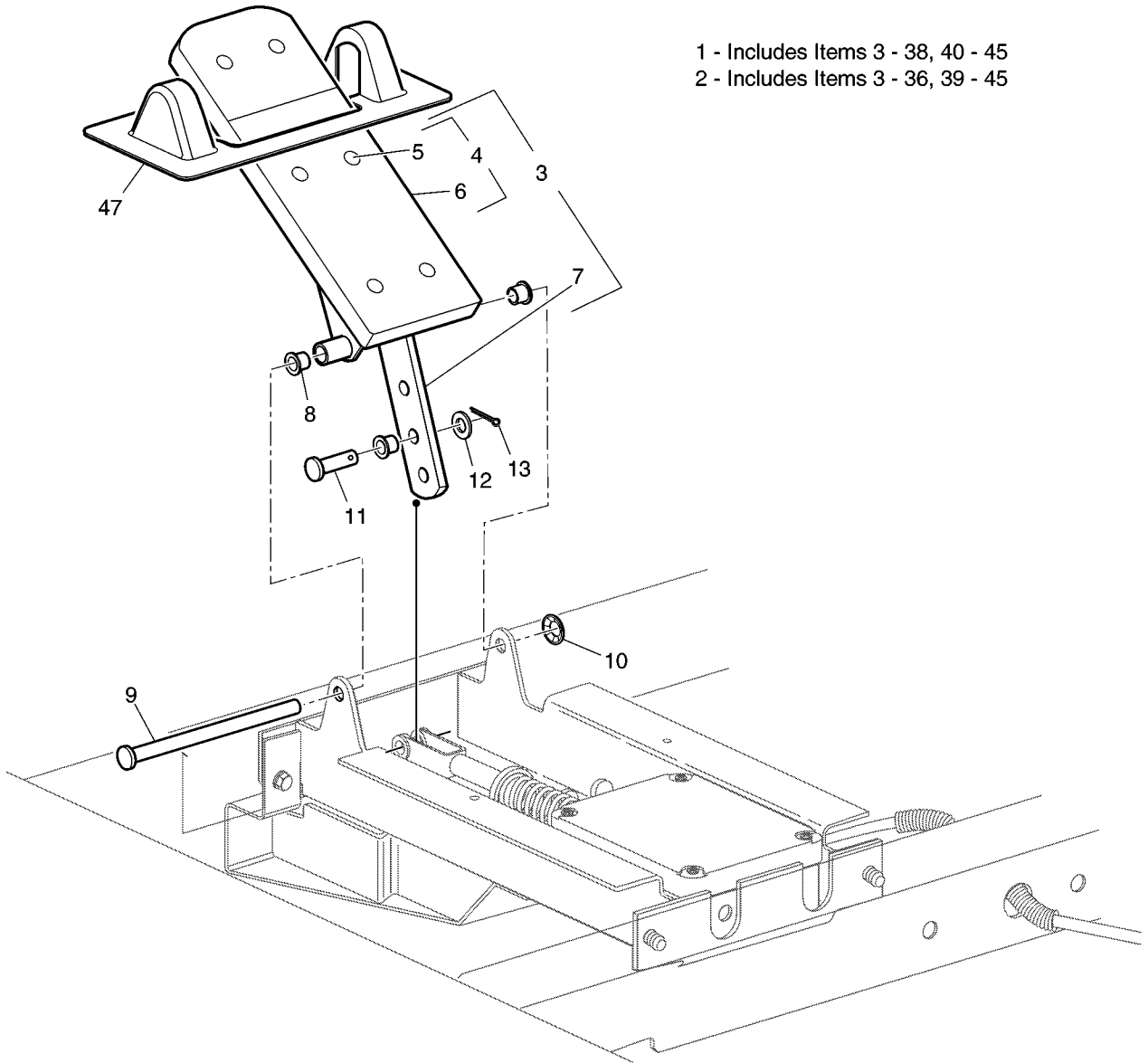
<https://CartPros.com/f.html>

ILLUSTRATED PARTS BREAKDOWN

ILLUSTRATED PARTS BREAKDOWN

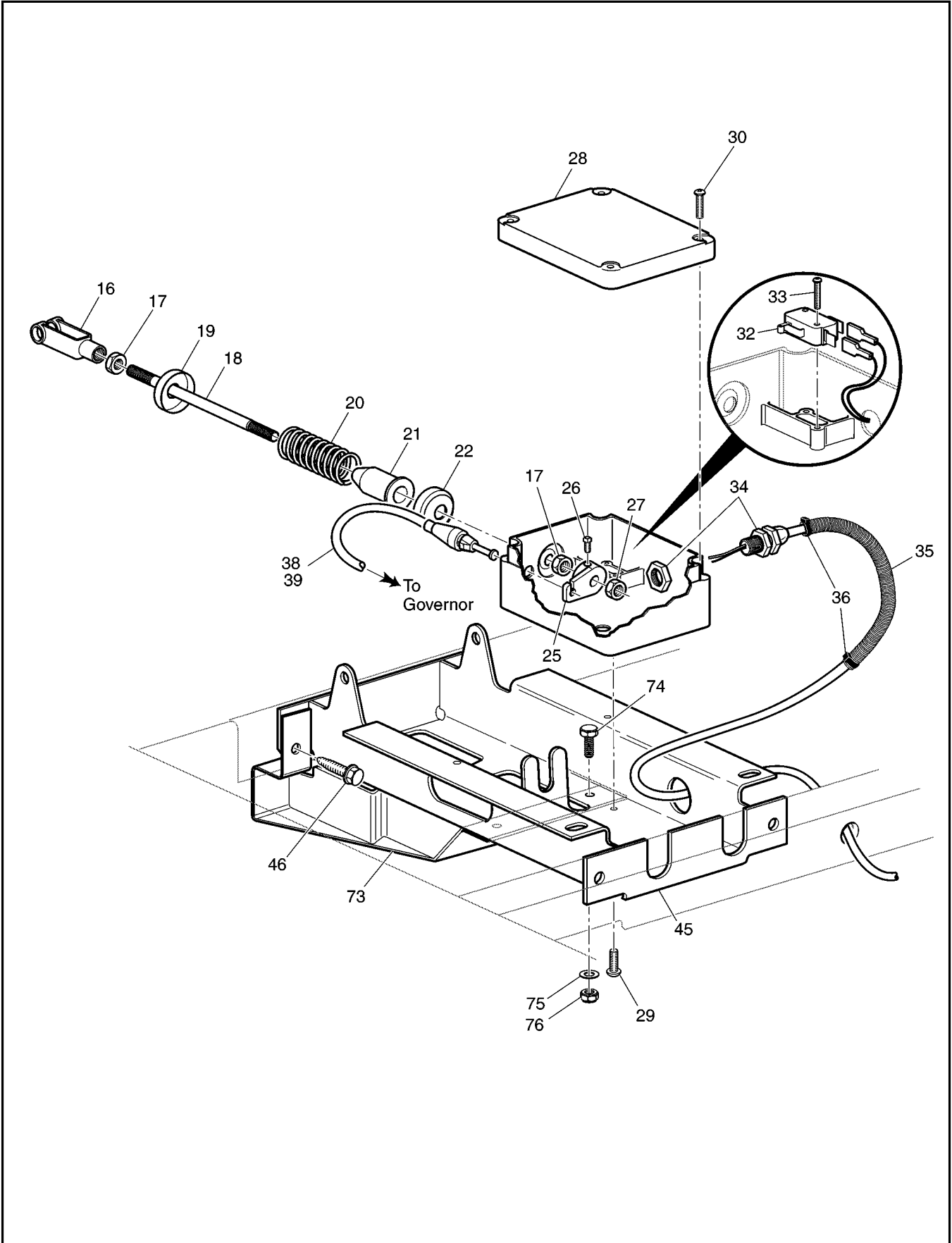
ACCELERATOR - ALL CABLES

Gasoline Vehicle



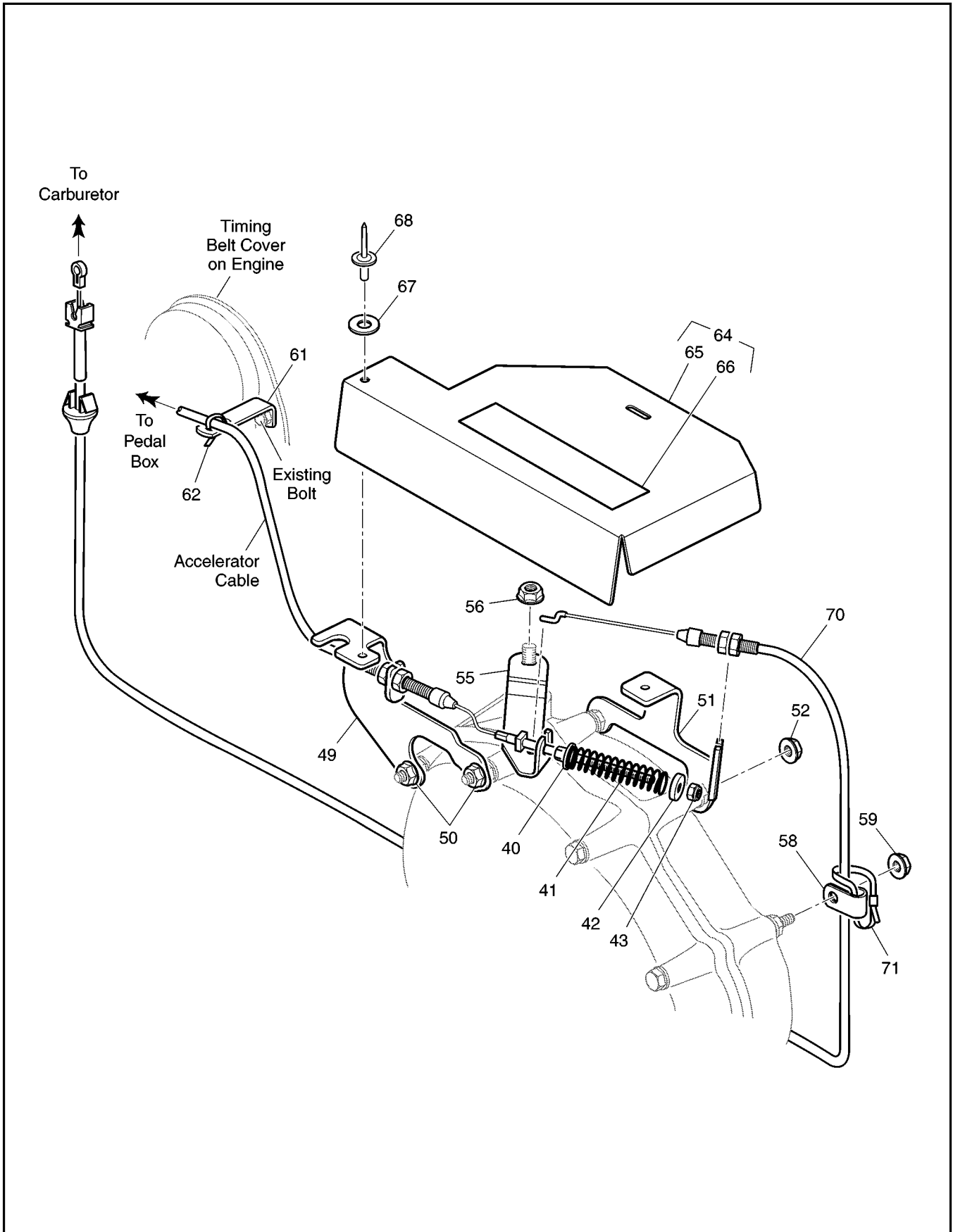
Gasoline Vehicle

ACCELERATOR - ALL CABLES



ACCELERATOR - ALL CABLES

Gasoline Vehicle



Gasoline Vehicle

ACCELERATOR - ALL CABLES

When ordering parts, please specify the model and serial number of the product.

* Indicates a component that is not available as an individual part.

G** Indicates consult Customer Service Department for additional information.

ITEM	PART NO.	1 2 3 4 5	DESCRIPTION	QTY.
1	72717-G01		PEDAL BOX ASSEMBLY (INCLUDES ITEMS 3 - 38, 40 - 45) (ST SPORT)	1
2	72717-G02		PEDAL BOX ASSEMBLY (INCLUDES ITEMS 3 - 36, 39 - 45) (ST 350).....	1
3	25799-G01		ACCELERATOR PEDAL ASSEMBLY (INCLUDES ITEMS 4 - 7)	1
4	27844-G01		ACCELERATOR PEDAL PAD KIT (INCLUDES ITEMS 5 - 6)	1
5	15766-G1		OVAL RIVET, 3/16" X 3/8" LG.....	6
6	27512-G01		ACCELERATOR PEDAL PAD.....	1
7	*		ACCELERATOR PEDAL.....	1
8	17838-G1		NYLON BUSHING.....	3
9	74432-G01		PEDAL PIVOT PIN.....	1
10	12064-G6		PUSH NUT, 9/32"	1
11	10386-G3		CLEVIS PIN, 5/16" X 1" LG.....	1
12	17255-G1		TEFLON WASHER, 5/16"	1
13	10387-G3		COTTER PIN, 3/32" X 3/4" LG.....	1
14				
15				
16	10385-G4		CLEVIS YOKE (ADJUSTABLE)	1
17	00532-G4		LOCK NUT, 5/16 - 24.....	2
18	72072-G01		ACCELERATOR ROD.....	1
19	17677-G2		SPRING RETAINER.....	1
20	73046-G01		COMPRESSION SPRING.....	1
21	17979-G1		ACCELERATOR ROD BUSHING	1
22	17677-G1		SPRING RETAINER.....	1
23				
24				
25	72716-G01		MICRO SWITCH CAM	1
26	00487-G3		SETSCREW, 1/4 - 20 X 3/8" LG.....	1
27	00550-G4		LOCK NUT, 5/16 - 24.....	1
28	25853-G03		PEDAL BOX AND COVER.....	1
29	01051-G01		SCREW, #8 - 16 X 1/2" LG.....	4
30	00684-G6		SCREW, #8 - 32 X 3/4" LG.....	4

ACCELERATOR - ALL CABLES

Gasoline Vehicle

When ordering parts, please specify the model and serial number of the product.
 * Indicates a component that is not available as an individual part.
 G** Indicates consult Customer Service Department for additional information.

ITEM	PART NO.	1	2	3	4	5	DESCRIPTION	QTY.
31								
32	25861-G01						MICRO SWITCH	1
33	01050-G01						SCREW, #4 - 20 X 5/8" LG.....	2
34	72201-G04						WIRE HARNESS (PEDAL BOX)	1
35	17313-G1						LOOM FLEX (BULK)	AR
36	17618-G1						WIRE TIE.....	2
37								
38	72713-G01						ACCELERATOR CABLE (ST SPORT).....	1
39	72713-G02						ACCELERATOR CABLE (ST 350)	1
40	72706-G01						ACCELERATOR CABLE BUSHING.....	1
41	72809-G01						COMPRESSION SPRING	1
42	25727-G02						CUP WASHER	1
43	00734-G5						LOCK NUT, #10 - 32.....	1
44								
45	70116-G01						ACCELERATOR PEDAL BRACKET	1
46	00715-G2						BOLT, 5/16 - 18 X 13/16" LG	4
47	70135-G01						PEDAL PIVOT COVER	1
48								
49	72701-G01						ACCELERATOR CABLE MOUNTING BRACKET	1
50	26830-G01						LOCK NUT, M8 X 1.25 MM	2
51	72703-G01						THROTTLE CABLE MOUNTING BRACKET	1
52	72269-G01						FLANGED NUT, M8 X 1.25 MM	2
53								
54								
55	72708-G01						GOVERNOR ARM	1
56	26830-G01						LOCK NUT, M8 X 1.25 MM	1
57								
58	11845-G3						CLAMP	1
59	72269-G01						FLANGED NUT, M8 X 1.25 MM	1
60								



Gasoline Vehicle

ACCELERATOR - ALL CABLES

When ordering parts, please specify the model and serial number of the product.

* Indicates a component that is not available as an individual part.

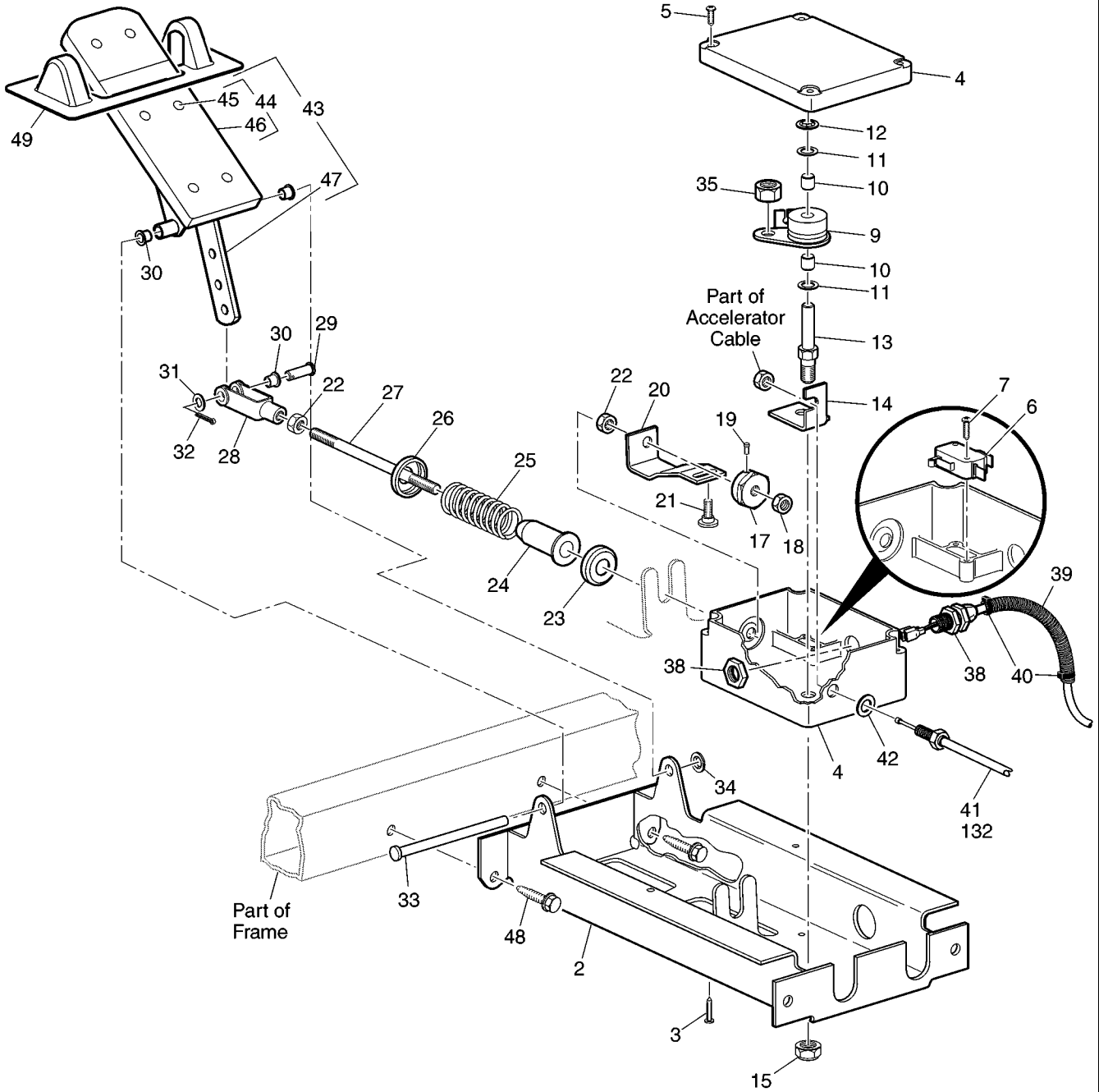
G** Indicates consult Customer Service Department for additional information.

ITEM	PART NO.	1 2 3 4 5	DESCRIPTION	QTY.
61	72055-G01		ACCELERATOR CABLE BRACKET	1
62	17618-G1		WIRE TIE	1
63				
64	74457-G01		GOVERNOR COVER/DECAL ASSEMBLY (INCLUDES ITEMS 65, 66).....	1
65	72705-G01		GOVERNOR COVER.....	1
66	24880-G01		DECAL (WARNING - GOVERNOR).....	1
67	00915-G1		BONDED WASHER, 1/4"	2
68	14601-G11		RIVET, 3/16" X 9/16" LG	2
69				
70	72714-G01		THROTTLE CABLE	1
71	17618-G1		WIRE TIE	1
72				
73	75757-G01		PEDAL GUARD	1
74	00414-G6		BOLT, 1/4 - 20 X 3/4" LG.....	2
75	00559-G7		WASHER, 1/4"	2
76	00654-G2		LOCK NUT, 1/4 - 20	2

ACCELERATOR - CABLE AND LINKAGES

Gasoline Vehicle

1 - Includes Items 2 - 47
131 - Includes Items 2 - 40, 42 - 47, 132

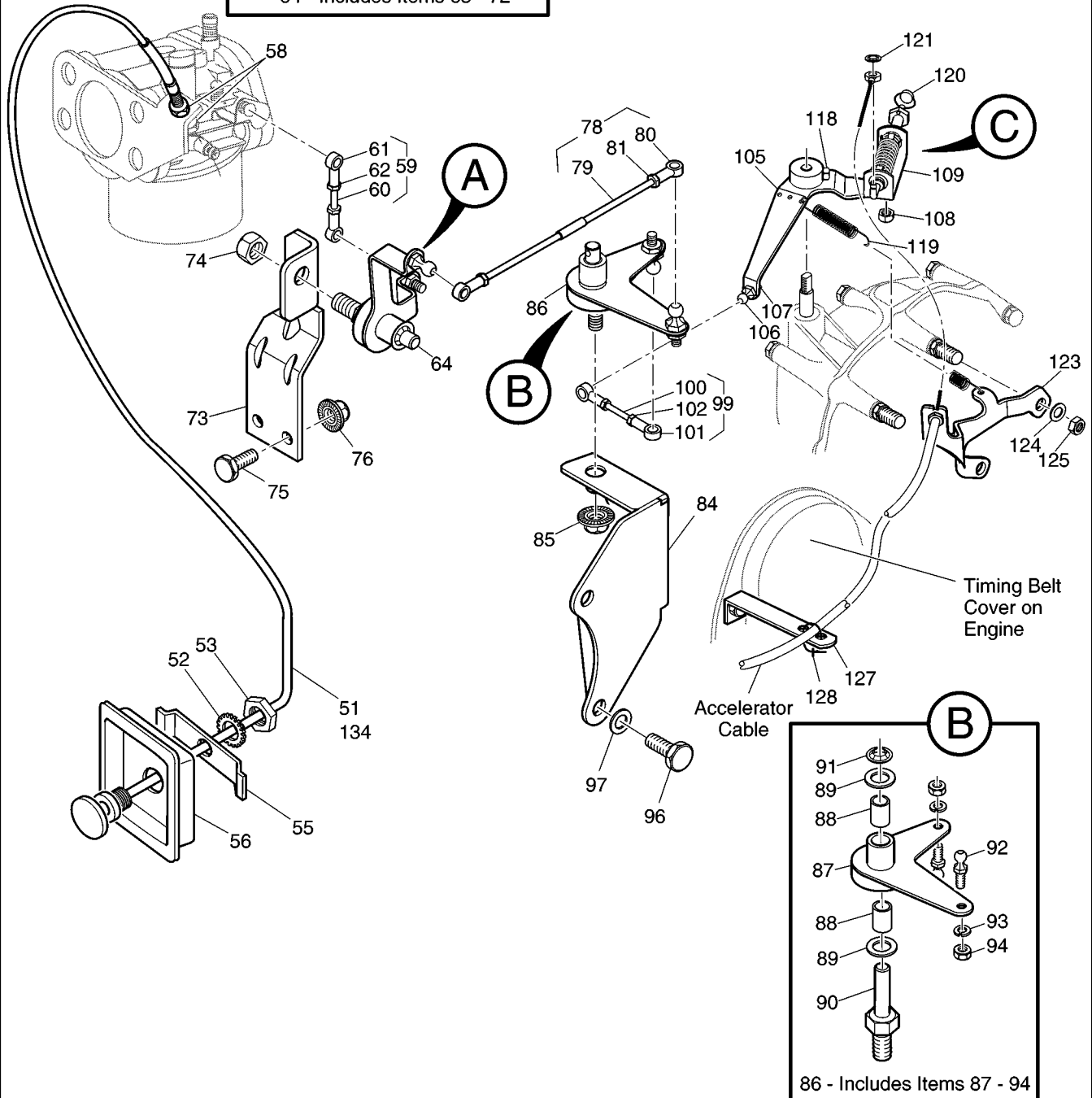
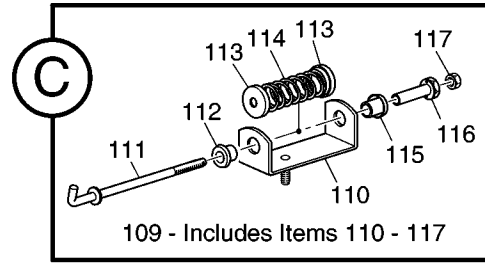
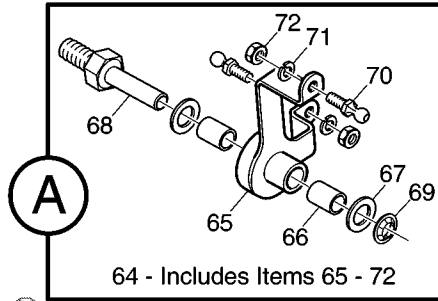


Gasoline Vehicle

ACCELERATOR - CABLE AND LINKAGES

83 - Includes Items 84 - 94

104 - Includes Items 105 - 117



ACCELERATOR - CABLE AND LINKAGES

Gasoline Vehicle

When ordering parts, please specify the model and serial number of the product.
 * Indicates a component that is not available as an individual part.
 G** Indicates consult Customer Service Department for additional information.

ITEM	PART NO.	1 2 3 4 5	DESCRIPTION	QTY.
1	72062-G03		PEDAL BOX ASSEMBLY (INCLUDES ITEMS 2 - 47) (ST 350)	1
2	70116-G01		ACCELERATOR PEDAL BRACKET.....	1
3	01051-G01		SCREW, #8 - 16 X 1/2" LG	4
4	25853-G02		PEDAL BOX AND COVER	1
5	00684-G6		SCREW, #8 - 32 X 3/4" LG	4
6	25861-G01		MICRO SWITCH.....	1
7	01050-G01		SCREW, #4 - 20 X 5/8" LG	2
8				
9	72066-G01		CONTROL ARM	1
10	23860-G1		BEARING.....	2
11	24621-G1		NYLON WASHER, 5/16".....	2
12	12064-G1		PUSH NUT, 5/16".....	1
13	25768-G01		PIVOT ROD	1
14	72199-G01		PIVOT BRACKET	1
15	14390-G1		LOCK NUT, 3/8 - 24.....	1
16				
17	72198-G03		MICRO SWITCH CAM.....	1
18	00550-G4		LOCK NUT, 5/16 - 24	1
19	00487-G3		SETSCREW, 1/4 - 20 X 3/8" LG	1
20	72074-G01		CONTROL ARM LINK	1
21	72225-G01		SHOULDER BOLT, #10 - 24 X 11/16" LG.....	1
22	00532-G4		LOCKNUT, 5/16 - 24.....	2
23	17677-G1		SPRING RETAINER	1
24	17979-G1		ACCELERATOR ROD BUSHING	1
25	73046-G01		COMPRESSION SPRING	1
26	17677-G2		SPRING RETAINER	1
27	72072-G01		ACCELERATOR ROD	1
28	10385-G4		CLEVIS YOKE (ADJUSTABLE).....	1
29	10386-G3		CLEVIS PIN, 5/16" X 1" LG	1
30	17838-G1		NYLON BUSHING	3

Gasoline Vehicle ACCELERATOR - CABLE AND LINKAGES

When ordering parts, please specify the model and serial number of the product.

* Indicates a component that is not available as an individual part.

G** Indicates consult Customer Service Department for additional information.

ITEM	PART NO.	1	2	3	4	5	DESCRIPTION	QTY.
31	17255-G1						TEFLON WASHER, 5/16".....	1
32	10387-G3						COTTER PIN, 3/32" X 3/4" LG	1
33	74432-G01						PEDAL PIVOT PIN	1
34	12064-G6						PUSH NUT, 9/32"	1
35	14390-G10						LOCK NUT, #10 - 24.....	1
36	12730-G1						WHEEL BEARING GREASE (NOT ILLUSTRATED).....	A/R
37								
38	72201-G02						WIRE HARNESS (PEDAL BOX)	1
39	17313-G1						LOOM FLEX (BULK)	AR
40	17618-G1						WIRE TIE.....	2
41	72065-G02						ACCELERATOR CABLE (ST 350)	1
42	00559-G8						WASHER, 5/16"	1
43	25799-G01						ACCELERATOR PEDAL ASSEMBLY (INCLUDES ITEMS 44 - 47)	1
44	27844-G01						ACCELERATOR PEDAL PAD KIT (INCLUDES ITEMS 45 - 46)	1
45	15766-G1						OVAL RIVET, 3/16" X 3/8" LG	6
46	27512-G01						ACCELERATOR PEDAL PAD	1
47	*						ACCELERATOR PEDAL	
48	00715-G2						BOLT, 5/16 - 18 X 13/16" LG.....	4
49	70135-G01						PEDAL PIVOT COVER.....	1
50								
51	72401-G02						CHOKE CABLE (WITH NUTS) (ST 350)	1
52	00568-G4						LOCK WASHER, 9/16"	1
53	00545-G4						NUT, 9/16 - 18.....	1
54								
55	72155-G01						RETAINER	1
56	72154-G01						CHOKE CABLE ADAPTER.....	1
57								
58	00544-G4						JAM NUT, 5/16 - 24.....	2
59	25737-G01						CARBURETOR LINKAGE ROD (INCLUDES ITEMS 60 - 62).....	1
60	23722-G1						ADJUSTING ROD (SHORT)	1



ACCELERATOR - CABLE AND LINKAGES

Gasoline Vehicle

When ordering parts, please specify the model and serial number of the product.

* Indicates a component that is not available as an individual part.

G** Indicates consult Customer Service Department for additional information.

ITEM	PART NO.	1 2 3 4 5	DESCRIPTION	QTY.
61	24465-G1		BALL JOINT SOCKET	2
62	00526-G4		NUT, #10 - 32.....	2
63				
64	25760-G01		CARBURETOR LINKAGE BELLCRANK (INCLUDES ITEMS 65 - 72).....	1
65	25759-G01		CARBURETOR PIVOT	1
66	23860-G1		BEARING.....	2
67	24621-G1		NYLON WASHER, 5/16".....	2
68	25768-G01		PIVOT ROD	1
69	12064-G1		PUSH NUT, 5/16".....	1
70	24479-G1		BALL JOINT BALL	2
71	00565-G5		LOCK WASHER, #10	2
72	00526-G4		NUT, #10 - 32.....	2
73	72197-G01		PIVOT BRACKET.....	1
74	14390-G1		LOCK NUT, 3/8 - 24	1
75	00414-G8		BOLT, 1/4 - 20 X 1" LG	2
76	14390-G4		LOCK NUT, 1/4 - 20	2
77				
78	72254-G01		THROTTLE LINKAGE ROD ASSEMBLY (INCLUDES ITEMS 79 - 81).....	1
79	72609-G01		ADJUSTING ROD (LONG).....	1
80	24465-G1		BALL JOINT SOCKET	2
81	00526-G4		NUT, #10 - 32.....	2
82				
83	25702-G01		GOVERNOR PIVOT BRACKET ASSEMBLY (INCLUDES ITEMS 84 - 94).....	1
84	25655-G01		BELLCRANK BRACKET.....	1
85	14390-G1		LOCK NUT, 3/8 - 24	1
86	25763-G01		GOVERNOR PIVOT ASSEMBLY (INCLUDES ITEMS 87 - 94)	1
87	25762-G01		GOVERNOR PIVOT.....	1
88	23860-G1		BEARING	2
89	24621-G1		NYLON WASHER, 5/16".....	2
90	25768-G01		PIVOT ROD.....	1

Gasoline Vehicle ACCELERATOR - CABLE AND LINKAGES

When ordering parts, please specify the model and serial number of the product.

* Indicates a component that is not available as an individual part.

G** Indicates consult Customer Service Department for additional information.

ITEM	PART NO.	1	2	3	4	5	DESCRIPTION	QTY.
91	12064-G1						PUSH NUT, 5/16"	1
92	24479-G1						BALL JOINT BALL	2
93	00565-G5						LOCK WASHER, #10	2
94	00526-G4						NUT, #10 - 32	2
95								
96	00276-G6						BOLT, 5/16 - 24 X 3/4" LG	2
97	00565-G8						LOCK WASHER, 5/16"	2
98								
99	25737-G03						GOVERNOR LINKAGE ROD (INCLUDES ITEMS 100 - 102)	1
100	23722-G1						ADJUSTING ROD	1
101	24465-G1						BALL JOINT SOCKET	2
102	00526-G4						NUT, #10 - 32	2
103								
104	25690-G01						GOVERNOR BELLCRANK ASSEMBLY (INCLUDES ITEMS 105 - 117)	1
105	25765-G01						GOVERNOR BELLCRANK	1
106	24479-G1						BALL JOINT BALL	1
107	00734-G5						LOCK NUT, #10 - 32	1
108	14390-G4						LOCK NUT, 1/4 - 20	1
109	22751-G2						GOVERNOR BRACKET ASSEMBLY (INCLUDES ITEMS 110 - 117)	1
110	22752-G1						GOVERNOR BRACKET	1
111	25274-G1						GOVERNOR ROD	1
112	22754-G1						BUSHING	1
113	25661-G01						CUP WASHER	2
114	23578-G1						COMPRESSION SPRING	1
115	22754-G2						BUSHING	1
116	23859-G1						GOVERNOR ADJUSTER	1
117	00526-G4						NUT, #10 - 32	1
118	00491-G4						SETSCREW, 1/4 - 20 X 1/2" LG	2
119	25738-G01						SPRING	1
120	25286-G1						SAFETY SEAL, 3/8"	1

ACCELERATOR - CABLE AND LINKAGES Gasoline Vehicle

When ordering parts, please specify the model and serial number of the product.
 * Indicates a component that is not available as an individual part.
 G** Indicates consult Customer Service Department for additional information.

ITEM	PART NO.	1 2 3 4 5	DESCRIPTION	QTY.
121	12064-G3		PUSH NUT, 3/16"	1
122				
123	25653-G01		ACCELERATOR CABLE BRACKET	1
124	26826-G01		LOCK WASHER, 8 MM	2
125	26827-G01		NUT, M8 X 1.25 MM	2
126				
127	72055-G01		ACCELERATOR CABLE BRACKET	1
128	17618-G1		WIRE TIE	7
129				
130				
131	72062-G01		PEDAL BOX ASSEMBLY (INCL ITEMS 2 - 40, 42 - 47, 132) (ST SPORT).....	1
132	72065-G01		ACCELERATOR CABLE	1
133				
134	25693-G04		CHOKE CABLE (WITH NUTS) (ST SPORT)	1

**DID YOU
KNOW?**

CartPros directs you to the right part using the part numbers from this manual. Enter the part number into our search box and it will find the part you are looking for.

**GET STARTED
HERE**



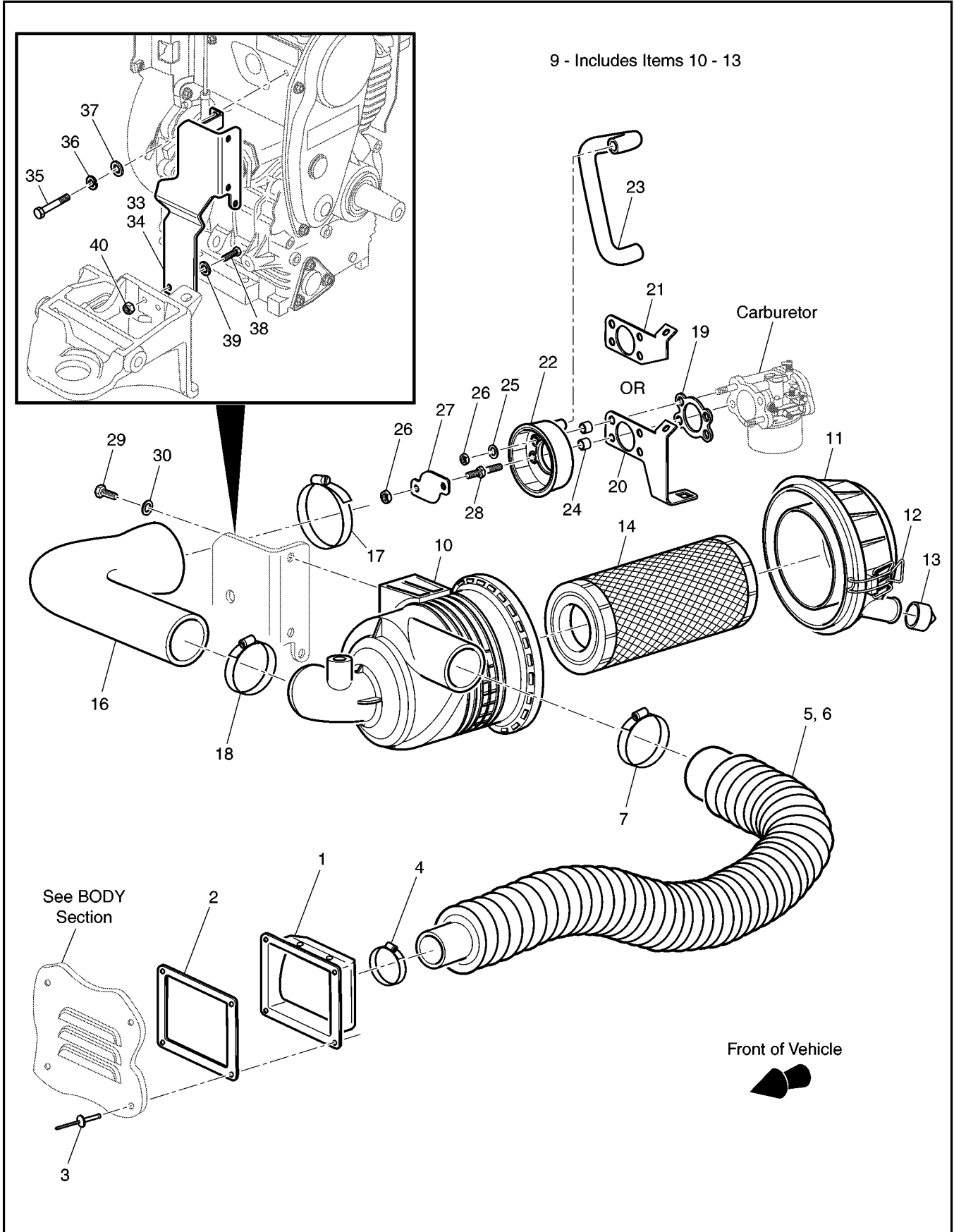
<https://CartPros.com/f.html>

Gasoline Vehicle

ACCELERATOR - CABLE AND LINKAGES

AIR CLEANER

Gasoline Vehicle



Gasoline Vehicle

AIR CLEANER

When ordering parts, please specify the model and serial number of the product.

* Indicates a component that is not available as an individual part.

G** Indicates consult Customer Service Department for additional information.

ITEM	PART NO.	1 2 3 4 5	DESCRIPTION	QTY.
1	72416-G01		INLET ADAPTER	1
2	72415-G01		GASKET	1
3	71055-G01		RIVET, 3/16" X 3/8" LG	4
4	11391-G2		CLAMP	1
5	72637-G02		HOSE (CONVOLUTED) (ST 350).....	1
6	72637-G01		HOSE (CONVOLUTED) (ST SPORT)	1
7	11391-G1		CLAMP	1
8				
9	72607-G01		AIR CLEANER CANISTER ASSEMBLY (INCLUDES ITEMS 10 - 13)	1
10	72598-G01		AIR CLEANER CANISTER	1
11	72599-G01		AIR CLEANER COVER.....	1
12	72604-G01		AIR CLEANER LATCH	2
13	28462-G01		AIR CLEANER DUST COLLECTOR.....	1
14	28463-G01		AIR CLEANER ELEMENT	1
15				
16	72592-G01		HOSE (AIR FILTER TO CARBURETOR).....	1
17	11391-G6		CLAMP	1
18	11391-G7		CLAMP	1
19	26727-G01		CARBURETOR GASKET.....	2
20	72739-G01		CHOKE / THROTTLE BRACKET.....	1
21	26728-G01		CHOKE BRACKET	1
22	72591-G01		CARBURETOR ADAPTER	1
23	72151-G01		PCV HOSE.....	1
24	23726-G11		CARBURETOR MOUNTING SPACER	4
25	00664-G7		LOCK WASHER, 1/4".....	2
26	13632-G1		NUT, M6 X 1	4
27	72605-G01		CARBURETOR BAFFLE.....	1
28	72514-G01		STUD	2
29	26639-G01		BOLT, M8 X 1.25 X 20 MM.....	2
30	00565-G8		WASHER, 5/16"	2

AIR CLEANER

Gasoline Vehicle

When ordering parts, please specify the model and serial number of the product.
 * Indicates a component that is not available as an individual part.
 G** Indicates consult Customer Service Department for additional information.

ITEM	PART NO.	1 2 3 4 5	DESCRIPTION	QTY.
31				
32				
33	72596-G01		AIR FILTER BRACKET (LINKAGE ACTUATED CARBURETOR)	1
34	75878-G01		AIR FILTER BRACKET (CABLE ACTUATED CARBURETOR).....	1
35	12547-G3		BOLT, M6 X 1MM X 20MM LG	1
36	00664-G7		LOCK WASHER, 1/4"	1
37	00559-G7		WASHER, 1/4"	1
38	00415-G2		BOLT, 1/4 - 20 X 1 1/4" LG.....	2
39	00559-G07		WASHER, 1/4"	2
40	14390-G4		LOCK NUT, 1/4 - 20	2

**DID YOU
KNOW?**

CartPros directs you to the right part using the part numbers from this manual. Enter the part number into our search box and it will find the part you are looking for.

**GET STARTED
HERE**



<https://CartPros.com/f.html>

Gasoline Vehicle

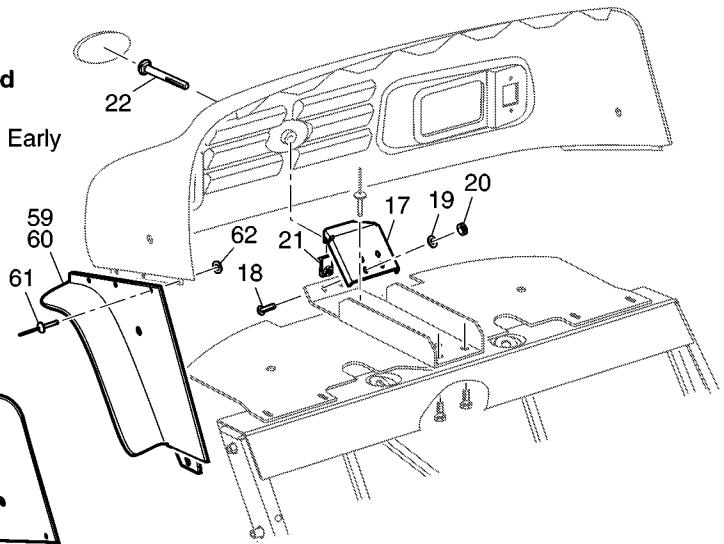
AIR CLEANER

BODY

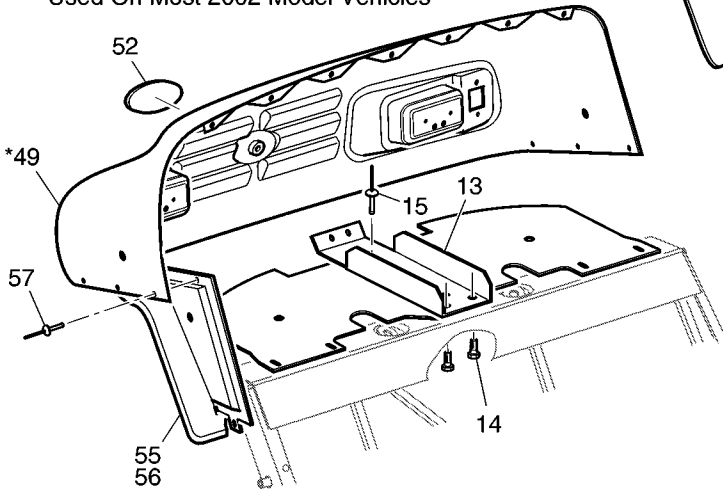
Gasoline Vehicle

**ST 350
and
ST SPORT**

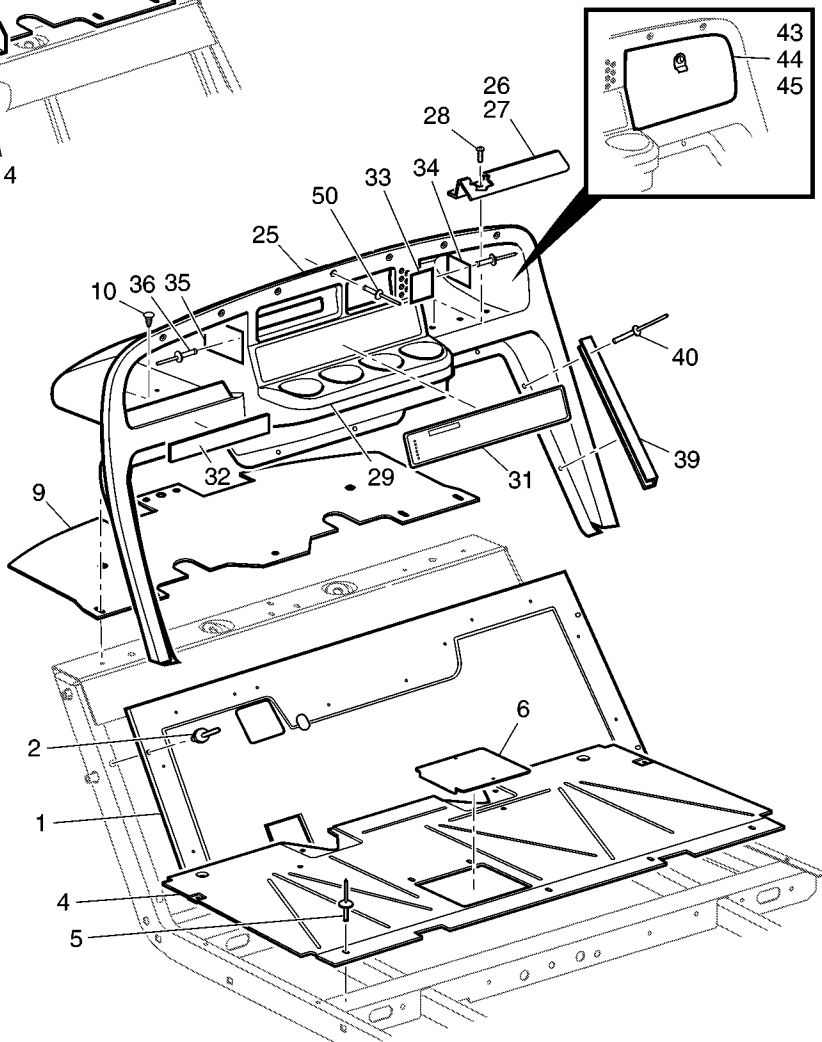
**Cowl Mounted Behind
Top Of Fender Flare:**
Used On All 2001 And Early
2002 Model Vehicles



Cowl Mounted Over Top Of Fender Flare:
Used On Most 2002 Model Vehicles



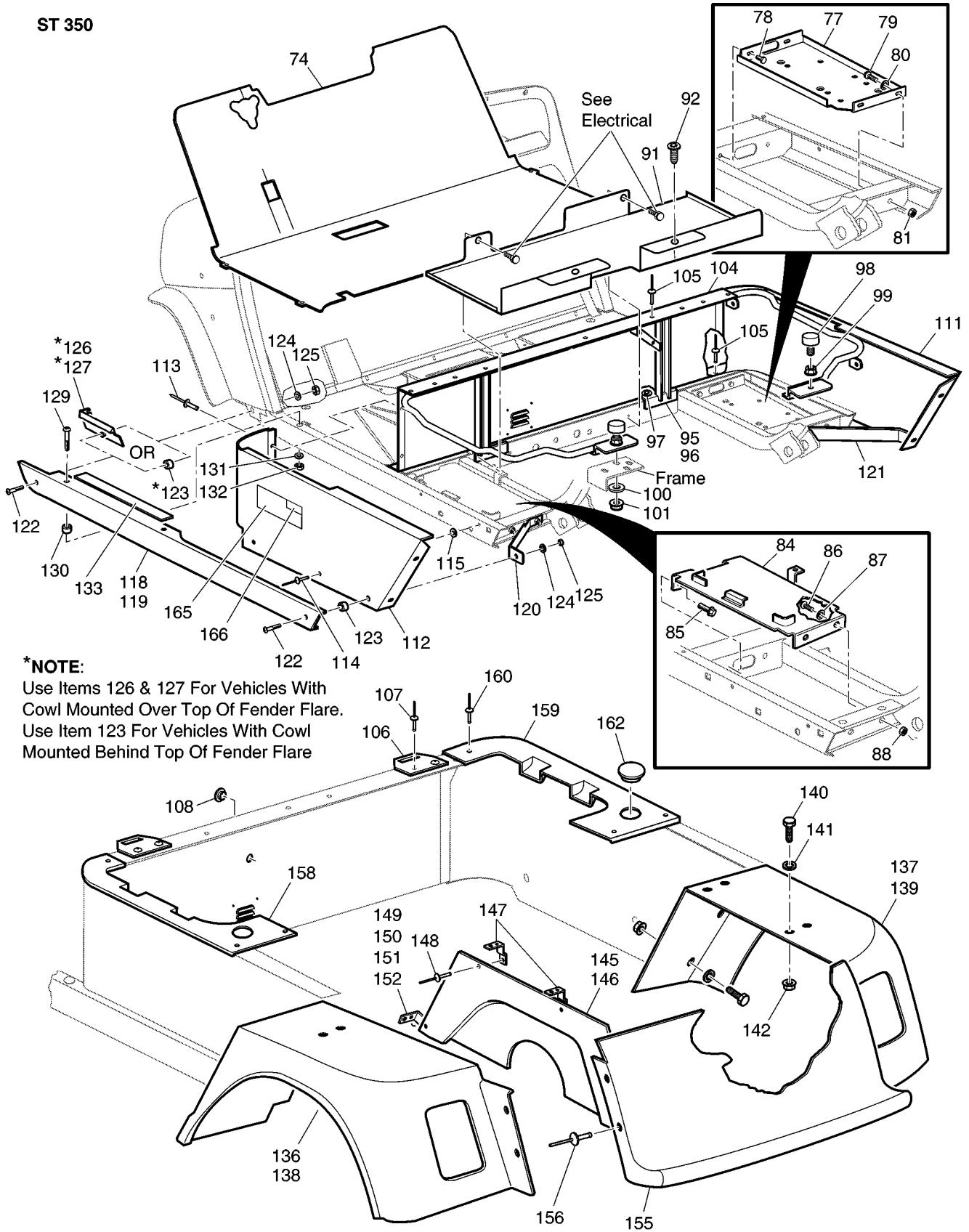
***NOTE:** This Cowl Is Service Replacement For All Prior Model Years When Ordered With Retrofit Kit (Item 206)



Gasoline Vehicle

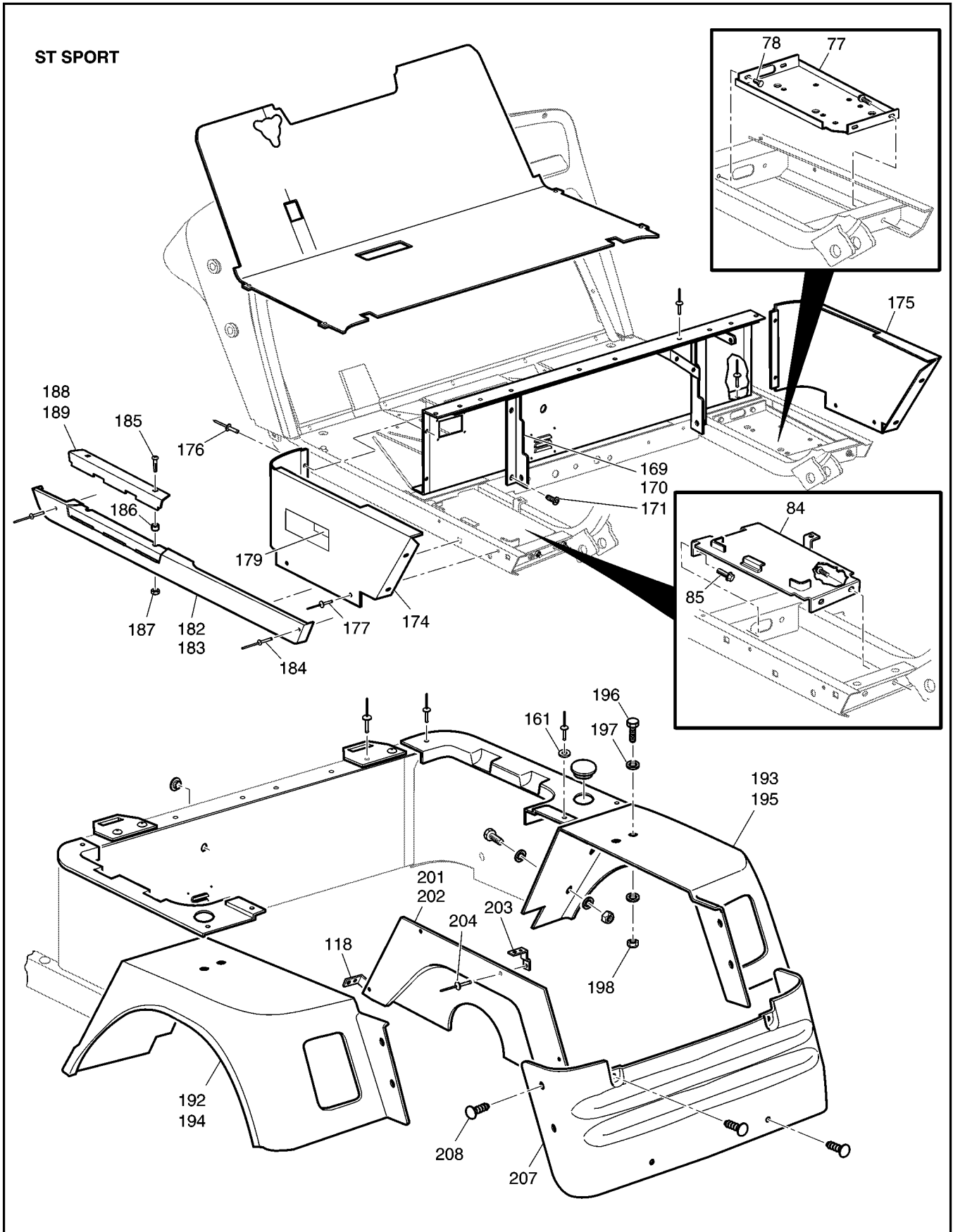
BODY

ST 350



BODY

Gasoline Vehicle



Gasoline Vehicle

BODY

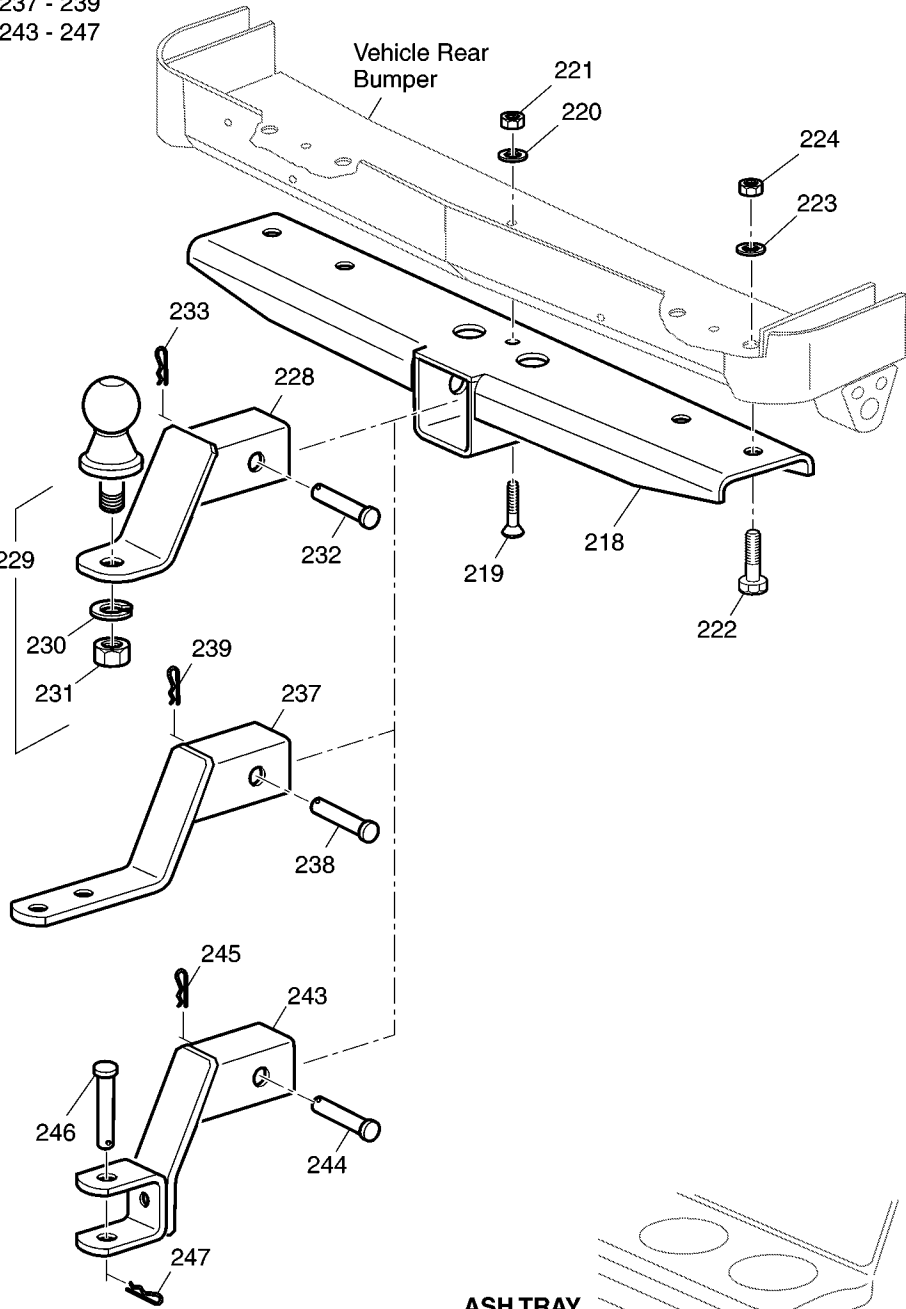
- 227 - Includes Items 228 - 233
- 229 - Includes items 230, 231
- 236 - Includes items 237 - 239
- 242 - Includes items 243 - 247

HITCHES

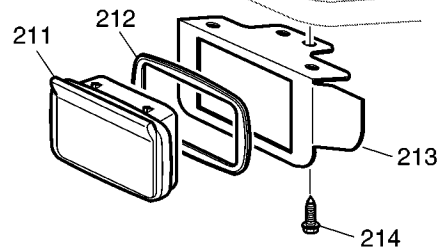
Dropped Heavy Duty Hitch

Dropped Angle Hitch

Dropped Clevis Hitch



ASH TRAY



BODY

Gasoline Vehicle

When ordering parts, please specify the model and serial number of the product.

* Indicates a component that is not available as an individual part.

G** Indicates consult Customer Service Department for additional information.

ITEM	PART NO.	1 2 3 4 5	DESCRIPTION	QTY.
1	71510-G01		UPPER FLOORPAN	1
2	14601-G11		RIVET, 3/16" X 9/16" LG	9
3				
4	70451-G01		LOWER FLOORPAN.....	1
5	14601-G11		RIVET, 3/16" X 9/16" LG	7
6	70452-G01		ACCESS COVER.....	1
7				
8				
9	71413-G02		SPLASH PANEL.....	1
10	16816-G2		RATCHET FASTENER, 1/4" X 3/4" LG.....	4
11				
12				
13	71101-G01		COWL SUPPORT BRACKET	1
14	71102-G02		SELF TAPPING SCREW, 1/4 - 20 X 1/2" LG.....	3
15	71055-G02		RIVET, 3/16" X 1 1/8" LG	1
16				
17	71462-G01		COWL SUPPORT (2001 - EARLY 2002)	1
18	00740-G4		SCREW, #10 - 32 X 1/2" LG (2001 - EARLY 2002)	2
19	00559-G5		WASHER, #10 (2001 - EARLY 2002).....	2
20	00921-G8		LOCK NUT, #10 - 32 (2001 - EARLY 2002)	2
21	14776-G1		RETAINER NUT (J TYPE) (2001 - EARLY 2002)	1
22	16705-G9		SCREW, 1/4 - 20 X 1 1/4" LG (2001 - EARLY 2002)	1
23				
24				
25	71151-G01		INSTRUMENT PANEL ASSEMBLY (INCLUDES ITEMS 26 - 29)	1
26	71153-G01		DEFLECTOR (PASSENGER SIDE).....	1
27	71154-G01		DEFLECTOR (DRIVER SIDE)	1
28	00614-G5		SCREW, #8 - 18 X 5/8" LG.....	6
29	71158-G01		INSTRUMENT PANEL INSERT (FOUR CUP)	1
30				

Gasoline Vehicle

BODY

When ordering parts, please specify the model and serial number of the product.
 * Indicates a component that is not available as an individual part.
 G** Indicates consult Customer Service Department for additional information.

ITEM	PART NO.	1 2 3 4 5	DESCRIPTION	QTY.
31	35962-G01		LABEL (SAFETY).....	1
32	74443-G01		LABEL (ANTI-ROLL BACK)	1
33	35968-G01		LABEL (T-HOLDER COVER).....	1
34	*		SERIAL NUMBER PLATE.....	1
35	*		CAPACITY PLATE	1
36	01041-G01		RIVET, 5/32" X 3/4" LG	4
37				
38				
39	71115-G01		VINYL TRIM	2
40	71055-G01		RIVET, 3/16" X 1" LG	10
41				
42				
43	75459-G01		GLOVE BOX DOORS (BOTH SIDES).....	1
44	75459-G02		GLOVE BOX DOOR (DRIVER SIDE)	1
45	75459-G03		GLOVE BOX DOOR (PASSENGER SIDE).....	1
46				
47				
48				
49	71468-G01		COWL	1
50	71055-G01		RIVET, 3/16" X 1" LG	7
51				
52	71289-G01		NAMEPLATE (E-Z-GO) (OVAL).....	1
53				
54				
55	71338-G01		FENDER FLARE (DRIVER SIDE).....	1
56	71338-G02		FENDER FLARE (PASSENGER SIDE).....	1
57	71055-G01		RIVET, 3/16" X 1" LG	6
58				
59	75815-G01		FENDER FLARE (DRIVER SIDE) (2001 - EARLY 2002)	1
60	75815-G02		FENDER FLARE (PASSENGER SIDE) (2001 - EARLY 2002).....	1

BODY

Gasoline Vehicle

When ordering parts, please specify the model and serial number of the product.
 * Indicates a component that is not available as an individual part.
 G** Indicates consult Customer Service Department for additional information.

ITEM	PART NO.	1 2 3 4 5	DESCRIPTION	QTY.
61	71045-G01		RIVET, 5/32 X 3/4" LG.....	6
62	00559-G4		WASHER, #8.....	6
63				
64				
65	74265-G01		BUMPER.....	1
66	74037-G01		SPACER TUBE.....	2
67	19859-G1		END CAP, 3/4".....	2
68	75048-G01		SPACER, 1/2".....	2
69	00570-G2		WASHER, 5/16".....	2
70	00905-G8		LOCK WASHER, 5/16".....	4
71	01035-G02		BOLT, 5/16 - 18 X 2 1/2" LG.....	4
72				
73				
74	70048-G**		FLOORMAT.....	1
75				
76				
77	70244-G02		SPLASH PANEL.....	1
78	00715-G2		BOLT, 5/16 - 18 X 13/16" LG.....	4
79	00438-G8		BOLT, 5/16 - 18 X 1" LG (ST 350).....	2
80	00559-G8		WASHER, 5/16" (ST 350).....	2
81	11098-G6		LOCK NUT, 5/16 - 18 (ST 350).....	2
82				
83				
84	70245-G01		BATTERY TRAY.....	1
85	00715-G2		BOLT, 5/16 - 18 X 13/16" LG.....	AR
86	00438-G8		BOLT, 5/16 - 18 X 1" LG (ST 350).....	2
87	00571-G2		WASHER, 5/16" (ST 350).....	2
88	11098-G6		LOCK NUT, 5/16 - 18 (ST 350).....	2
89				
90				

Gasoline Vehicle

BODY

When ordering parts, please specify the model and serial number of the product.

* Indicates a component that is not available as an individual part.

G** Indicates consult Customer Service Department for additional information.

ITEM	PART NO.	1 2 3 4 5	DESCRIPTION	QTY.
91	70629-G01		SPLASH PANEL (ST 350).....	1
92	00106-G6		SELF THREADING SCREW, #12 - 24 X 3/4" LG	2
93				
94				
95	70440-G02		SEAT FRAME (ST 350) (DUAL CABLE DIRECTION SELECTOR).....	1
96	70384-G03		SEAT FRAME (ST 350) (SINGLE CABLE DIRECTION SELECTOR)	1
97	70200-G01		SCREW, 3/8 - 16 X 1/4" LG	4
98	70113-G01		ADJUSTABLE BUMPER.....	2
99	11027-G1		LOCK NUT, 5/16 - 18	2
100	00559-G8		WASHER, 5/16"	2
101	11098-G6		LOCK NUT, 5/16 - 18	2
102				
103				
104	71977-G**		SEAT WRAP PANEL WITH LOUVERS	1
105	10570-G10		RIVET, 5/32" X 9/16" LG	8
106	71609-G01		SEAT HINGE PLATE.....	2
107	10570-G11		RIVET, 3/16" X 3/4" LG	4
108	20271-G9		HOLE PLUG.....	1
109				
110				
111	71674-G01		SIDE PANEL (DRIVER SIDE) (ST 350)	1
112	71674-G02		SIDE PANEL (PASSENGER SIDE) (ST 350)	1
113	10570-G10		RIVET, 5/32" X 9/16" LG	4
114	10570-G12		RIVET, 1/4" X 1/2" LG	4
115	16469-G7		WASHER, 1/4"	4
116				
117				
118	71439-G01		ROCKER PANEL (DRIVER SIDE) (ST 350)	1
119	71439-G02		ROCKER PANEL (PASSENGER SIDE) (ST 350)	1
120	71440-G01		BRACE (DRIVER SIDE).....	1

BODY

Gasoline Vehicle

When ordering parts, please specify the model and serial number of the product.

* Indicates a component that is not available as an individual part.

G** Indicates consult Customer Service Department for additional information.

ITEM	PART NO.	1 2 3 4 5	DESCRIPTION	QTY.
121	71440-G02		BRACE (PASSENGER SIDE)	1
122	00789-G2		SCREW, #10 - 24 X 1 1/4" LG	4
123	23726-G2		SPACER, 1/4"	4
124	00660-G5		WASHER, #10.....	4
125	11098-G7		LOCK NUT, #10 - 24	4
126	71424-G01		SPACER (DRIVER SIDE)	1
127	71424-G02		SPACER (PASSENGER SIDE).....	1
128				
129	16705-G1		SCREW, 1/4 - 20 X 1" LG	4
130	23726-G2		SPACER, 1/4"	4
131	00559-G7		WASHER, 1/4"	4
132	14390-G4		LOCK NUT, 1/4 - 20	4
133	71764-G01		SILL PLATE TREAD.....	2
134				
135				
136	74297-G01		FENDER (DRIVER SIDE)	1
137	74297-G02		FENDER (PASSENGER SIDE).....	1
138	74297-G03		FENDER WITH TAILLIGHT (DRIVER SIDE)	1
139	74297-G04		FENDER WITH TAILLIGHT (PASSENGER SIDE)	1
140	00414-G7		BOLT, 1/4 - 20 X 7/8" LG.....	12
141	00559-G7		WASHER, 1/4"	24
142	11027-G2		LOCK NUT, 1/4 - 20	12
143				
144				
145	75661-G01		INNER FENDER (PASSENGER SIDE) (ST 350)	1
146	75661-G02		INNER FENDER (DRIVER SIDE) (ST 350)	1
147	74441-G01		BRACKET	4
148	15058-G1		RIVET, 3/16" X 7/16" LG (ALUMINUM).....	8
149	71734-G01		BRACKET	2
150	00438-G7		BOLT, 5/16 - 18 X 7/8" LG.....	2

Gasoline Vehicle

BODY

When ordering parts, please specify the model and serial number of the product.
 * Indicates a component that is not available as an individual part.
 G** Indicates consult Customer Service Department for additional information.

ITEM	PART NO.	1 2 3 4 5	DESCRIPTION	QTY.
151	00571-G2		WASHER, 5/16"	2
152	11098-G6		LOCK NUT, 5/16 - 18	2
153				
154				
155	71587-G01		REAR PANEL (ST 350).....	1
156	71055-G01		RIVET, 3/16" X 1" LG	4
157				
158	71588-G01		SEAT FILLER PANEL (DRIVER SIDE)	1
159	71588-G02		SEAT FILLER PANEL (PASSENGER SIDE).....	1
160	10570-G10		RIVET, 5/32" X 9/16" LG	6
161	00559-G3		WASHER, #6 (ST SPORT)	2
162	20271-G3		HOLE PLUG, 2" (VEHICLES WITHOUT TOP)	2
163				
164				
165	35062-G01		LABEL (WORKHORSE).....	2
166	35430-G08		LABEL (ST 350)	2
167				
168				
169	70440-G01		SEAT FRAME (ST SPORT) (DUAL CABLE DIRECTION SELECTOR)	1
170	70440-G03		SEAT FRAME (ST SPORT) (SINGLE CABLE DIRECTION SELECTOR).....	1
171	00715-G2		BOLT, 5/16 - 18 X 13/16" LG	2
172				
173				
174	71259-G**		SIDE PANEL (DRIVER SIDE) (ST SPORT).....	1
175	71259-G**		SIDE PANEL (PASSENGER SIDE) (ST SPORT)	1
176	10570-G10		RIVET, 5/32" X 9/16" LG	4
177	10570-G12		RIVET, 1/4" X 9/16" LG	4
178				
179	35430-G22		LABEL (ST SPORT).....	2
180				

BODY

Gasoline Vehicle

When ordering parts, please specify the model and serial number of the product.

* Indicates a component that is not available as an individual part.

G** Indicates consult Customer Service Department for additional information.

ITEM	PART NO.	1 2 3 4 5	DESCRIPTION	QTY.
181				
182	71502-G01		ROCKER PANEL (DRIVER SIDE) (ST SPORT).....	1
183	71501-G01		ROCKER PANEL (PASSENGER SIDE) (ST SPORT)	1
184	15058-G6		RIVET, 3/16" X 3/4" LG	4
185	16705-G1		SCREW, 1/4 - 20 X 1" LG	4
186	23726-G4		SPACER.....	4
187	00891-G2		LOCK NUT, 1/4 - 20	4
188	71507-G02		SILL PLATE (DRIVER SIDE)	1
189	71507-G01		SILL PLATE (PASSENGER SIDE).....	1
190				
191				
192	71224-G01		FENDER (DRIVER SIDE) (ST SPORT).....	1
193	71224-G02		FENDER (PASSENGER SIDE) (ST SPORT)	1
194	71224-G03		FENDER WITH TAILLIGHT (DRIVER SIDE) (ST SPORT).....	1
195	71224-G04		FENDER WITH TAILLIGHT (PASSENGER SIDE) (ST SPORT)	1
196	00414-G6		BOLT, 1/4 - 20 X 3/4" LG.....	8
197	00642-G7		WASHER, 1/4"	16
198	00891-G2		LOCK NUT, 1/4 - 20	8
199				
200				
201	75661-G01		INNER FENDER (PASSENGER SIDE) (ST SPORT).....	1
202	75661-G02		INNER FENDER (DRIVER SIDE) (ST SPORT).....	1
203	71374-G01		BRACKET	4
204	71055-G01		RIVET, 3/16" X 7/16" LG (ALUMINUM).....	8
205				
206	73464-G01		COWL RETROFIT SERVICE KIT (INCLUDES ITEMS 55 - 57, 126, 127)	
207	71225-G01		REAR PANEL (ST SPORT)	1
208	16816-G2		RATCHET FASTENER, 1/4" X 3/4" LG.....	8
209				
210				

Gasoline Vehicle

BODY

When ordering parts, please specify the model and serial number of the product.

* Indicates a component that is not available as an individual part.

G** Indicates consult Customer Service Department for additional information.

ITEM	PART NO.	1 2 3 4 5	DESCRIPTION	QTY.
211	27731-G01		ASH TRAY.....	1
212	27736-G01		GASKET.....	1
213	75108-G01		BRACKET.....	1
214	00100-G4		SCREW, #10 - 16 X 1/2" LG.....	4
215				
216				
217				
218	74348-G01		HITCH RECEIVER.....	1
219	00198-G8		BOLT, 5/16 - 18 X 1" LG.....	1
220	00569-G2		WASHER, 5/16".....	1
221	11098-G6		LOCK NUT, 5/16 - 18.....	1
222	00463-G4		BOLT, 7/16 - 14 X 1 1/2" LG.....	4
223	00922-G3		WASHER, 7/16".....	4
224	00734-G1		LOCK NUT, 7/16 - 14.....	4
225				
226				
227	74492-G10		DROPPED BALL HITCH KIT (INCLUDES ITEMS 228 - 233).....	1
228	74491-G01		DROPPED BALL HITCH.....	1
229	31757-G1		HITCH BALL, 1 7/8" (INCLUDES ITEMS 230 - 231).....	1
230	00566-G6		LOCK WASHER, 3/4".....	1
231	00702-G11		NUT, 3/4 - 16.....	1
232	21317-G1		CLEVIS PIN, 5/8" X 3" LG.....	1
233	21683-G1		HAIRPIN, 15/32" X 2 11/16" LG.....	1
234				
235				
236	74492-G08		DROPPED ANGLE HITCH KIT (INCLUDES ITEMS 237 - 239).....	1
237	74489-G01		DROPPED ANGLE HITCH.....	1
238	21317-G1		CLEVIS PIN.....	1
239	21683-G1		HAIRPIN, 15/32" X 2 11/16" LG.....	1
240				

BODY

Gasoline Vehicle

When ordering parts, please specify the model and serial number of the product.
 * Indicates a component that is not available as an individual part.
 G** Indicates consult Customer Service Department for additional information.

ITEM	PART NO.	1 2 3 4 5	DESCRIPTION	QTY.
241				
242	74492-G12		DROPPED CLEVIS HITCH KIT (INCLUDES ITEMS 243 - 247)	1
243	74495-G01		DROPPED CLEVIS HITCH	1
244	21317-G1		CLEVIS PIN	1
245	21683-G1		COTTER PIN, 15/32" X 2 11/16" LG	1
246	14443-G7		CLEVIS PIN	1
247	19314-G1		COTTER PIN	1

**DID YOU
KNOW?**

CartPros directs you to the right part using the part numbers from this manual. Enter the part number into our search box and it will find the part you are looking for.

**GET STARTED
HERE**



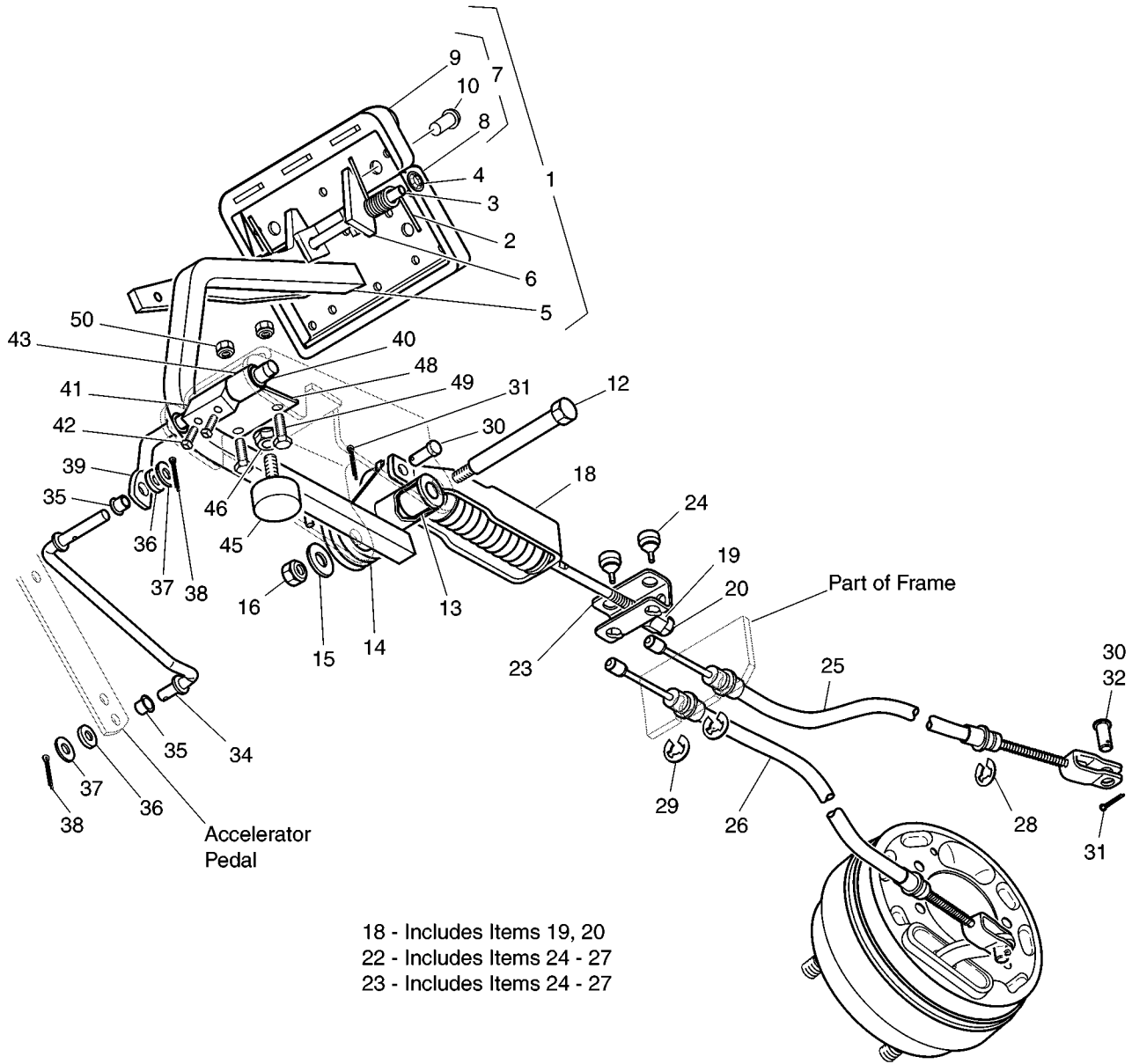
<https://CartPros.com/f.html>

Gasoline Vehicle

BODY

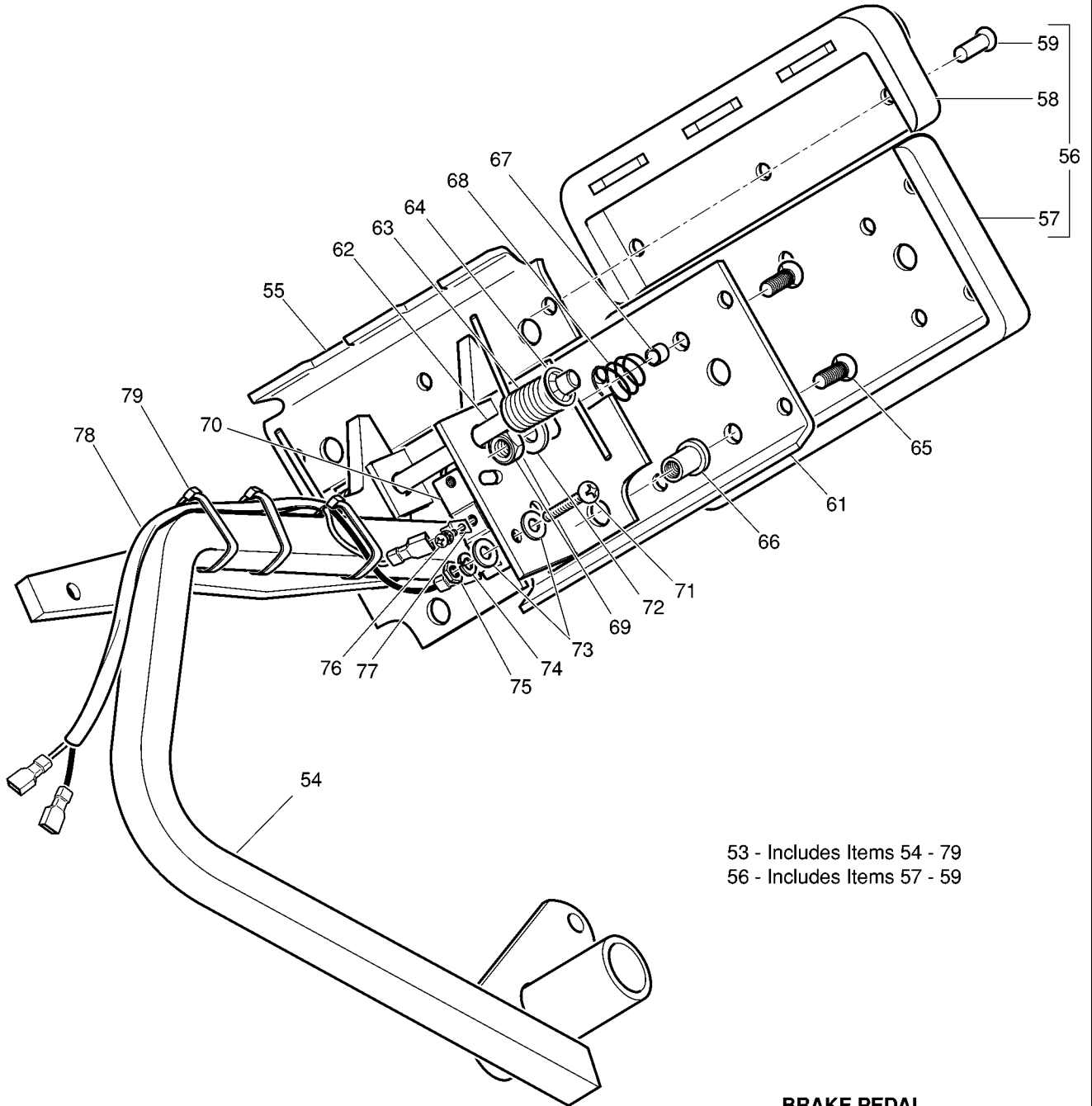
BRAKES

Gasoline Vehicle



Gasoline Vehicle

BRAKES

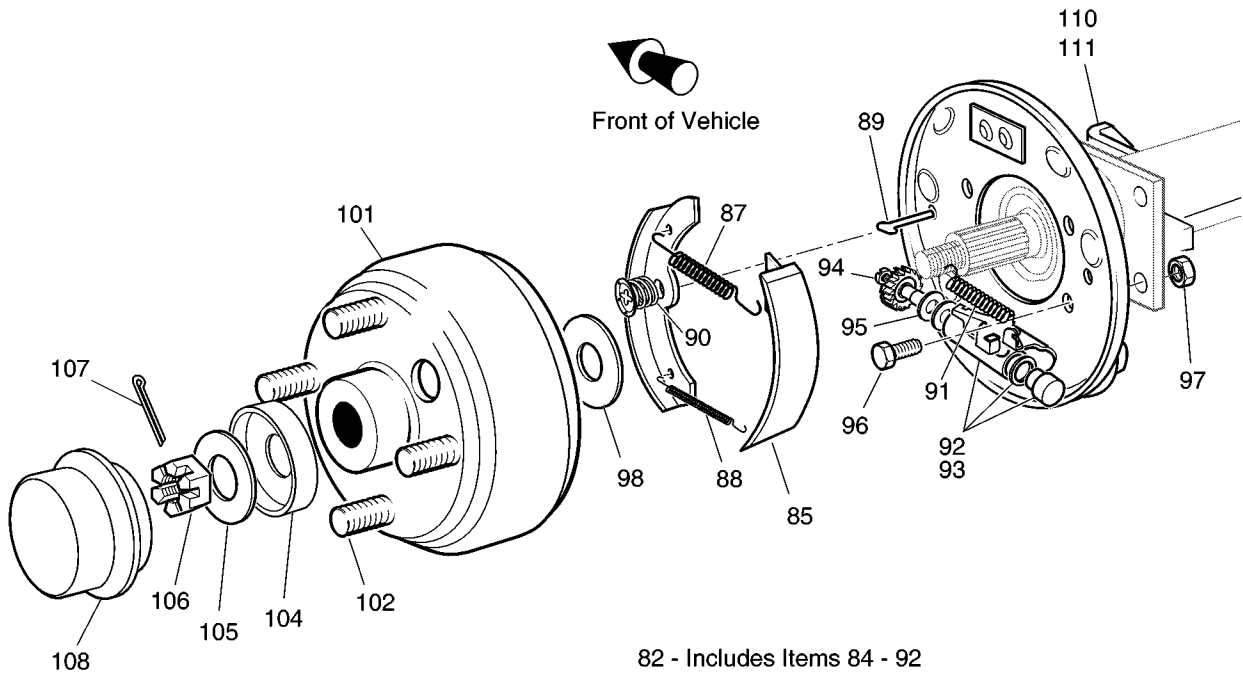


53 - Includes Items 54 - 79
56 - Includes Items 57 - 59

**BRAKE PEDAL
(VEHICLE WITH BRAKE LIGHTS)**

BRAKES

Gasoline Vehicle



- 82 - Includes Items 84 - 92
- 83 - Includes Items 84 - 91, 93
- 84 - Includes Items 85
- 86 - Includes Items 87 - 91
- 92 - Includes Items 94, 95
- 93 - Includes Items 94, 95
- 100 - Includes Items 101, 102

Gasoline Vehicle

BRAKES

When ordering parts, please specify the model and serial number of the product.

* Indicates a component that is not available as an individual part.

G** Indicates consult Customer Service Department for additional information.

ITEM	PART NO.	1 2 3 4 5	DESCRIPTION	QTY.
1	70612-G01		BRAKE PEDAL ASSEMBLY (WITHOUT BRAKE LIGHTS) (INCLUDES ITEMS 2 - 10)	1
2	70681-G01		TORSION SPRING	2
3	70682-G01		PIVOT PIN.....	1
4	01071-G01		PUSHNUT, 5/16"	1
5	*		BRAKE PEDAL.....	1
6	70611-G01		PARK BRAKE PEDAL	1
7	70274-G01		BRAKE/PARK BRAKE PEDAL PAD KIT (INCLUDES ITEMS 8 - 10)	1
8	*		SERVICE BRAKE PAD	1
9	*		PARK BRAKE PEDAL PAD.....	1
10	15766-G1		OVAL RIVET, 3/16" X 3/8" LG	9
11				
12	70582-G01		SHOULDER BOLT, 3/8 - 16 X 4" LG	1
13	70581-G01		FLANGED BUSHING	2
14	70676-G01		TORSION SPRING	1
15	00643-G1		WASHER, 3/8"	1
16	11098-G5		LOCK NUT, 3/8 - 16	1
17				
18	70272-G04		COMPENSATOR ASSEMBLY (INCLUDES ITEMS 19, 20).....	1
19	00963-G01		SPHERICAL NUT, 5/16 - 24.....	1
20	11098-G9		LOCK NUT, 5/16 - 24.....	1
21				
22	70969-G05		EQUALIZER & BRAKE CABLE ASSEMBLY (INCL ITEMS 24 - 27) (ST 350)....	1
23	70969-G03		EQUALIZER & BRAKE CABLE ASSEMBLY (INCL ITEMS 24 - 27) (SPORT)...	1
24	28082-G01		EQUALIZER BRACKET	1
25	28083-G01		BRAKE COMPENSATOR BUMPER.....	2
26	*		BRAKE CABLE (DRIVER SIDE)	1
27	*		BRAKE CABLE (PASSENGER SIDE).....	1
28				
29	12305-G1		RETAINING RING	4

BRAKES

Gasoline Vehicle

When ordering parts, please specify the model and serial number of the product.
 * Indicates a component that is not available as an individual part.
 G** Indicates consult Customer Service Department for additional information.

ITEM	PART NO.	1 2 3 4 5	DESCRIPTION	QTY.
30	10386-G3		CLEVIS PIN, 5/16" X 1" LG.....	3
31	10387-G3		COTTER PIN, 3/32" X 3/4" LG.....	3
32	14443-G2		CLEVIS PIN, 5/16" X 3/4" LG (ST SPORT)	2
33				
34	70601-G01		KICK-OFF LINK	1
35	17838-G1		NYLON BUSHING.....	2
36	20835-G1		TEFLON WASHER, 3/8"	2
37	00559-G8		WASHER, 5/16"	2
38	10387-G3		COTTER PIN, 3/32" X 3/4" LG.....	2
39	70098-G01		KICK-OFF CAM PIVOT.....	1
40	10097-G6		FLANGED BEARING	2
41	70587-G01		KICK-OFF CAM.....	1
42	71215-G01		SETSCREW, 1/4 - 20 X 1/2" LG	2
43	14134-G4		SPACER.....	1
44				
45	70113-G01		ADJUSTABLE BUMPER.....	1
46	11027-G1		LOCK NUT, 5/16 - 18	1
47				
48	70080-G01		CATCH BRACKET	1
49	00414-G6		BOLT, 1/4 - 20 X 3/4" LG.....	2
50	00891-G2		LOCK NUT, 1/4 - 20	2
51				
52				
53	70690-G01		BRAKE PEDAL ASSEMBLY (WITH BRAKE LIGHTS) (INCLUDES ITEMS 54 - 79)	1
54	*		BRAKE PEDAL.....	1
55	70611-G01		PARK BRAKE PEDAL	1
56	70274-G01		BRAKE/PARK BRAKE PEDAL PAD KIT (INCLUDES ITEMS 57 - 59)	1
57	*		SERVICE BRAKE PAD	1
58	*		PARK BRAKE PAD	1

Gasoline Vehicle

BRAKES

When ordering parts, please specify the model and serial number of the product.

* Indicates a component that is not available as an individual part.

G** Indicates consult Customer Service Department for additional information.

ITEM	PART NO.	1	2	3	4	5	DESCRIPTION	QTY.
59	15766-G1						OVAL RIVET, 3/16" x 3/8" LG.....	9
60								
61	70258-G02						SERVICE BRAKE PEDAL PLATE.....	1
62	70682-G01						PIVOT PIN.....	1
63	70681-G01						TORSION SPRING	2
64	01071-G01						PUSHNUT, 5/16"	1
65	00737-G8						SCREW, #10 - 24 X 1" LG.....	4
66	00739-G1						RUBBER NUT, #10 - 24	2
67	22362-G3						BRAKE PEDAL STANDOFF	2
68	27137-G01						CONICAL SPRING.....	2
69	11098-G7						LOCK NUT, #10 - 24.....	2
70	10606-G8						MICRO SWITCH	1
71	00957-G1						SCREW, #6 - 32 X 1 1/4" LG.....	2
72	00559-G5						WASHER, #10.....	2
73	00559-G3						WASHER, #6.....	4
74	00565-G3						LOCK WASHER, #6.....	2
75	00525-G5						NUT, #6 - 32	2
76	13514-G1						SCREW AND LOCK WASHER, #6	2
77	14628-G1						FASTON TAB	2
78	24605-G1						WIRE HARNESS (BRAKE LIGHT).....	1
79	17618-G1						WIRE TIE.....	3
80								
81								
82	70793-G01						BRAKE ASSEMBLY (DRIVER SIDE) (INCLUDES ITEMS 84 - 92).....	1
83	70793-G02						BRAKE ASSEMBLY (PASSENGER SIDE) (INCL. ITEMS 84 - 91, 93)	1
84	70794-G01						BRAKE SHOE KIT (INCLUDES ITEM 85)	2
85	*						BRAKE SHOE	2
86	27944-G01						BRAKE SPRING KIT (INCLUDES ITEMS 87 - 91)	2
87	*						UPPER SPRING	1
88	*						LOWER SPRING	1

BRAKES

Gasoline Vehicle

When ordering parts, please specify the model and serial number of the product.

* Indicates a component that is not available as an individual part.

G** Indicates consult Customer Service Department for additional information.

ITEM	PART NO.	1	2	3	4	5	DESCRIPTION	QTY.
89	*						PIN	2
90	*						CUP AND SPRING	2
91	*						ADJUSTER SPRING.....	1
92	72582-G01						BRAKE ADJUSTER KIT (DRIVER SIDE) (INCLUDES ITEMS 94, 95).....	1
93	72582-G02						BRAKE ADJUSTER KIT (PASSENGER SIDE) (INCL ITEMS 94, 95)	1
94	*						ADJUSTER	1
95	*						TEFLON WASHER	2
96	17083-G2						BOLT, 5/16 - 24 X 1" LG.....	8
97	15126-G1						LOCK NUT, 5/16 - 24	8
98	21809-G1						INNER BRAKE DRUM WASHER, 1 5/16" OD X 1" ID X 1/32".....	2
99								
100	21807-G2						BRAKE DRUM ASSEMBLY (INCLUDES ITEMS 101 - 102)	2
101	*						BRAKE DRUM.....	1
102	19862-G2						LUG BOLT, 1/2 - 20	4
103								
104	24939-G2						SPINDLE CAP ADAPTER.....	1
105	21830-G1						OUTER BRAKE DRUM WASHER	2
106	00518-G8						SLOTTED NUT, 3/4 - 16.....	2
107	10387-G1						COTTER PIN, 1/8" X 1 1/2" LG.....	2
108	12091-G01						SPINDLE CAP	2
109								
110	75870-G01						BRAKE CABLE BRACKET (PASSENGER SIDE)	1
111	75870-G02						BRAKE CABLE BRACKET (DRIVER SIDE).....	1

**DID YOU
KNOW?**

CartPros directs you to the right part using the part numbers from this manual. Enter the part number into our search box and it will find the part you are looking for.

**GET STARTED
HERE**



<https://CartPros.com/f.html>

Gasoline Vehicle

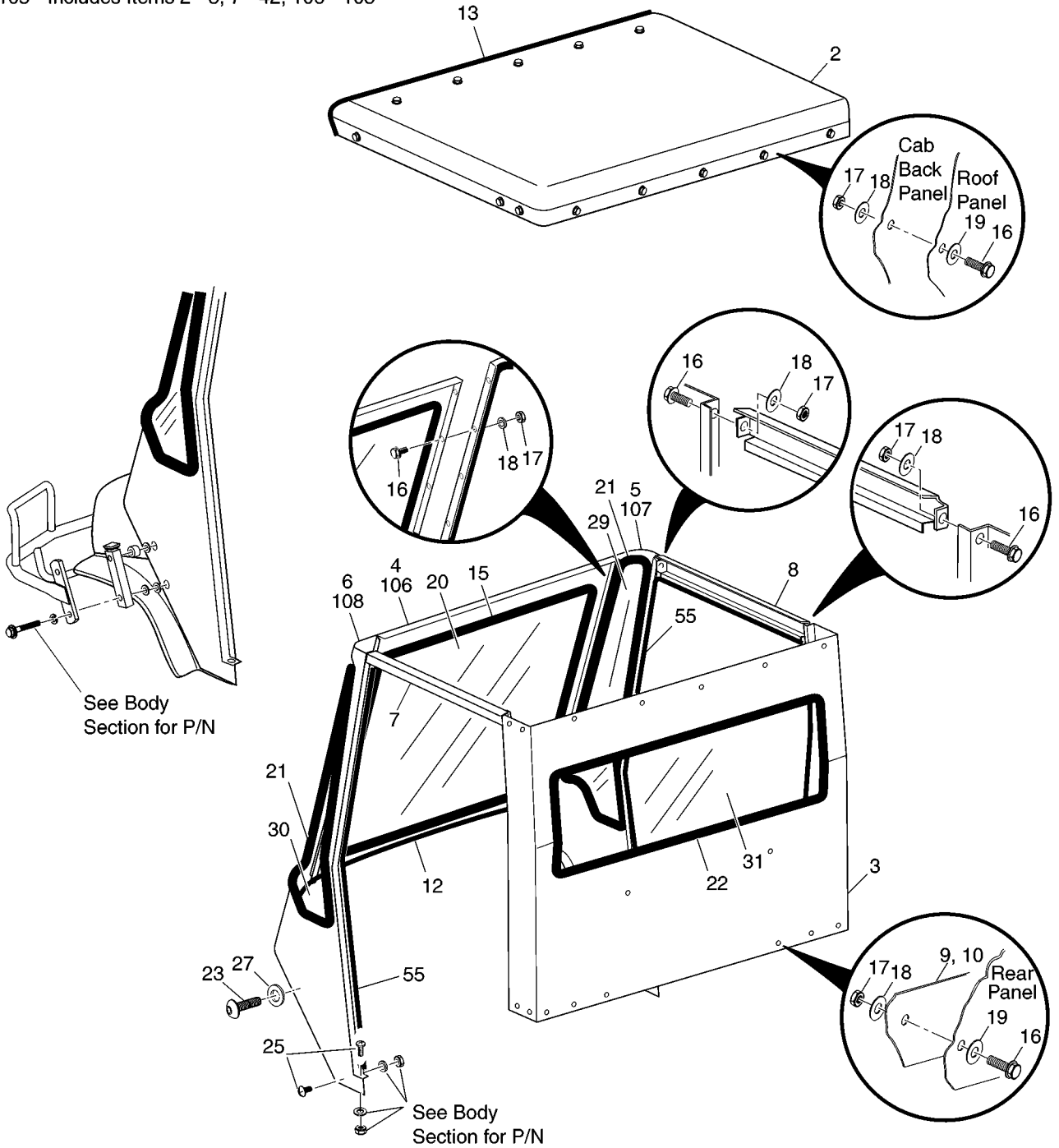
BRAKES

CAB (FLAT WINDSHIELD)

Gasoline Vehicle

CAB COMPONENTS

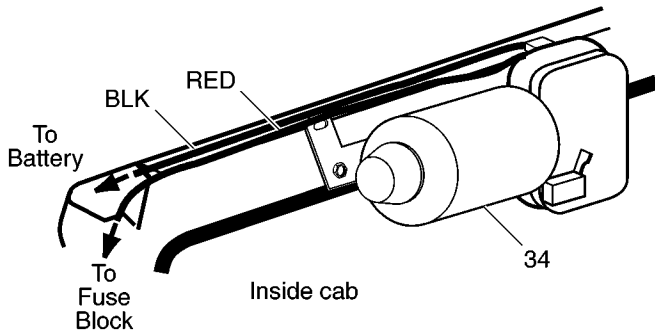
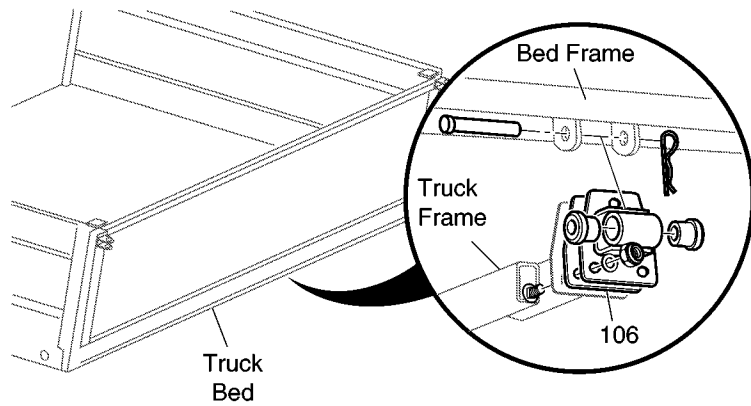
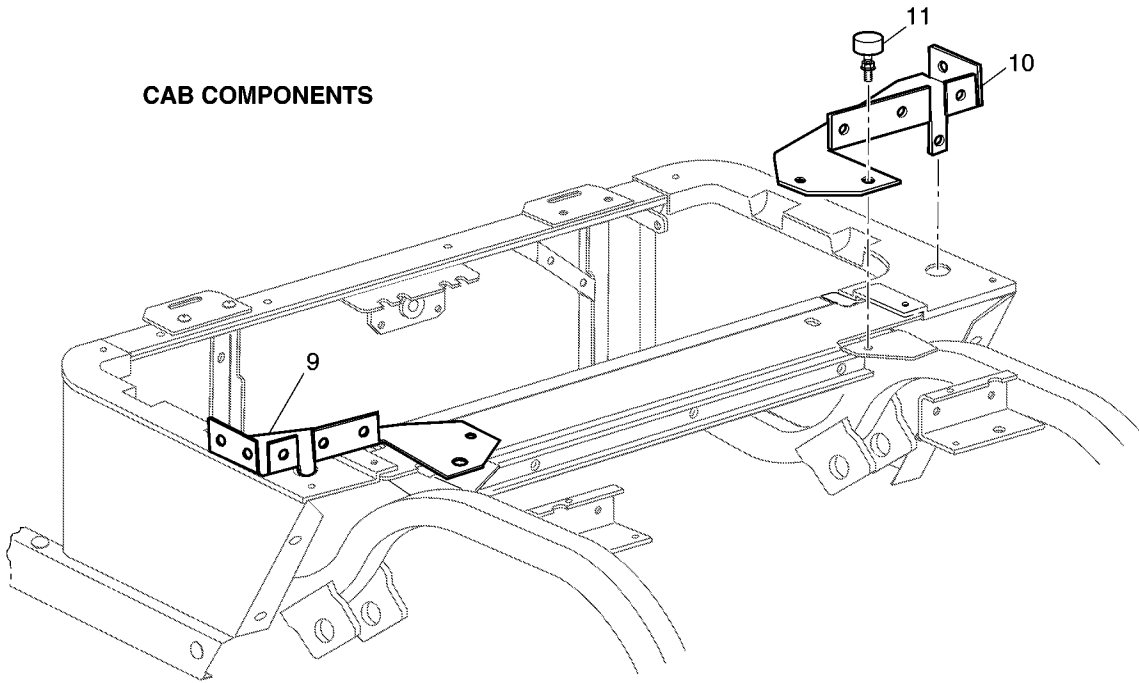
105 - Includes Items 2 - 3, 7 - 42, 106 - 108



Gasoline Vehicle

CAB (FLAT WINDSHIELD)

CAB COMPONENTS



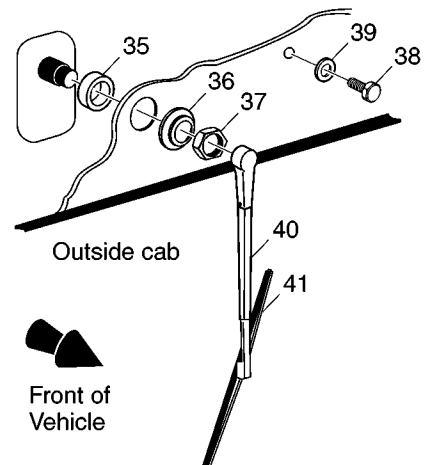
Front of Vehicle



WINDSHIELD WIPER COMPONENTS

33 - Includes Items 34 - 42

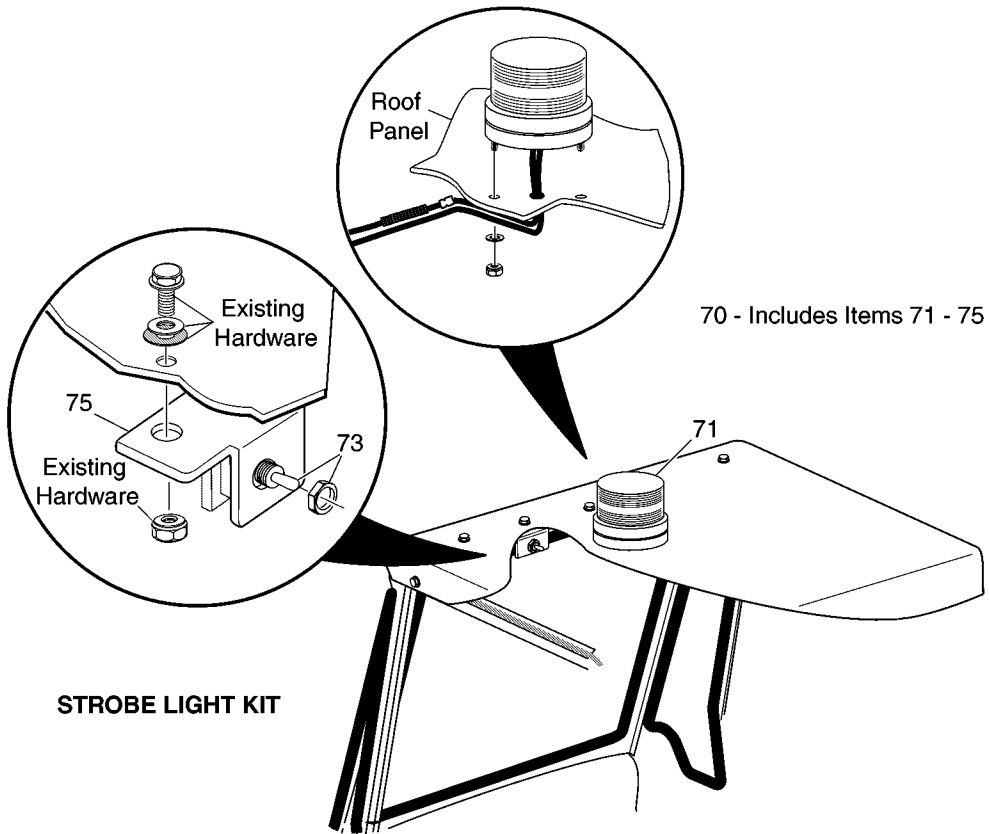
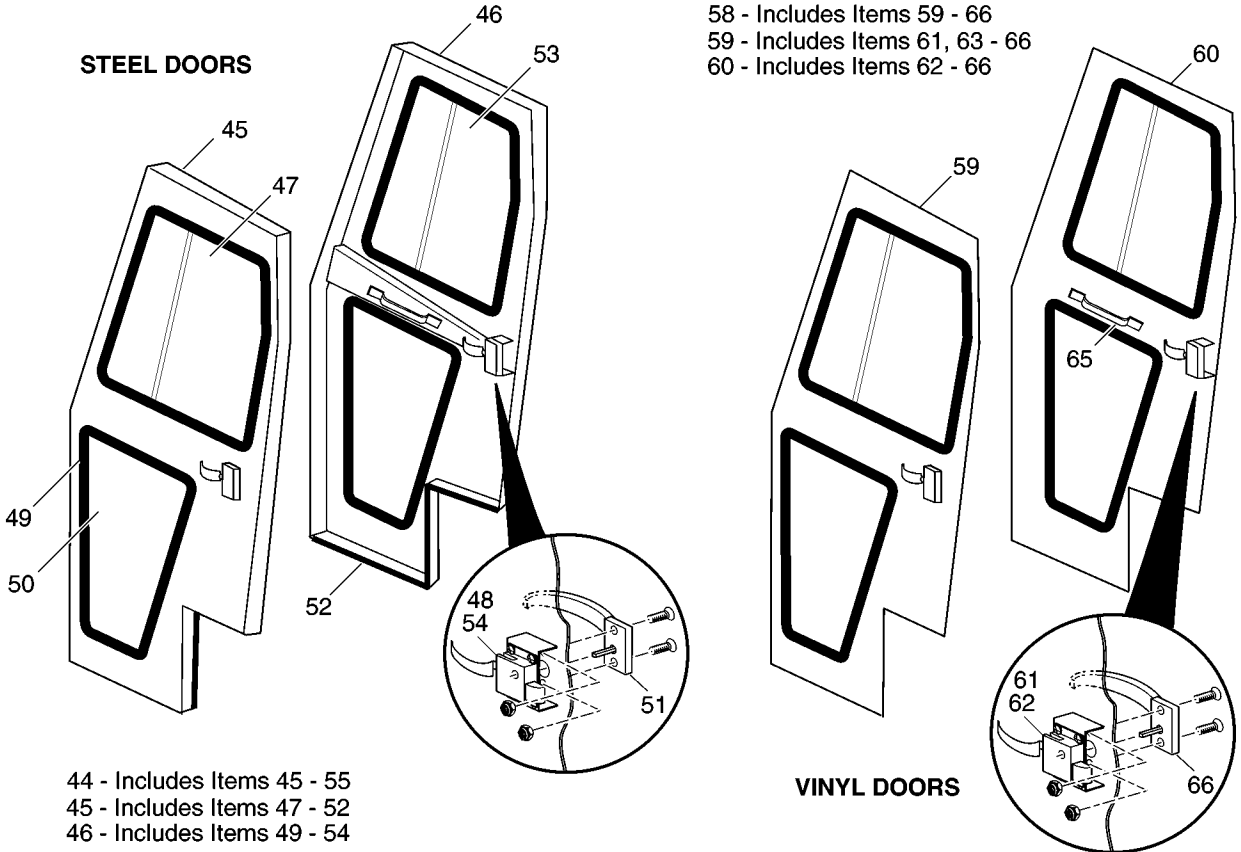
34 - Includes Items 35 - 39



Front of Vehicle

CAB (FLAT WINDSHIELD)

Gasoline Vehicle

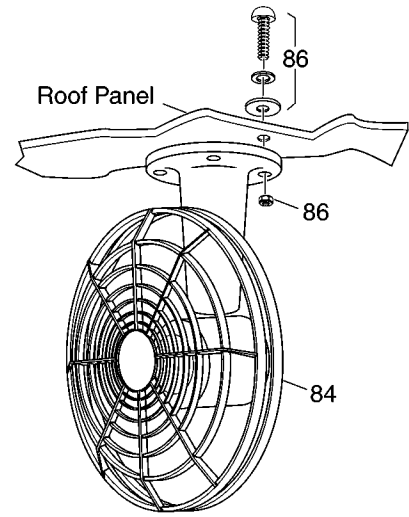
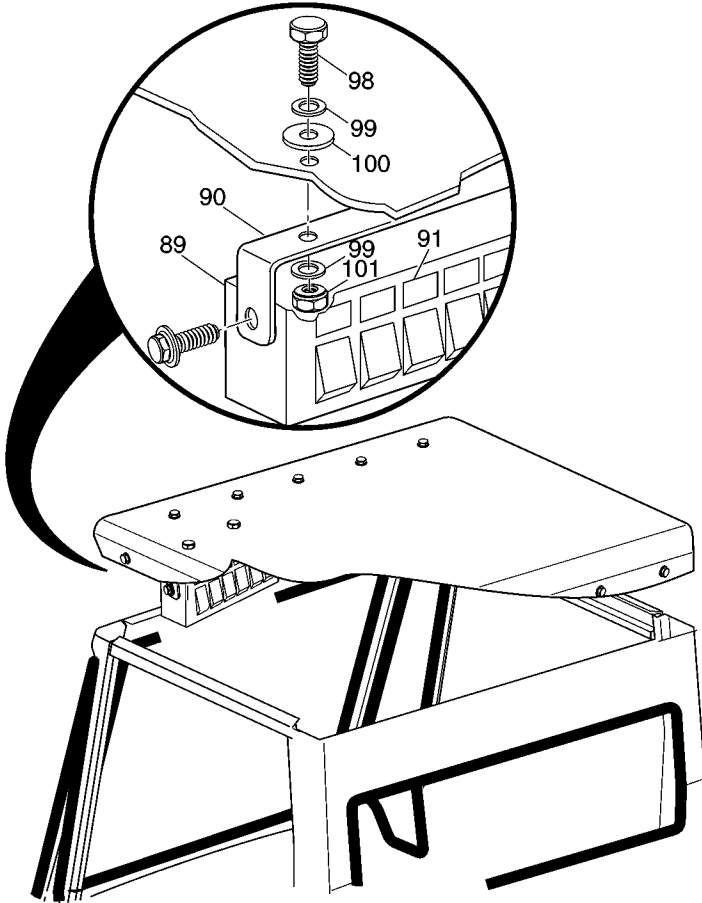


Gasoline Vehicle

CAB (FLAT WINDSHIELD)

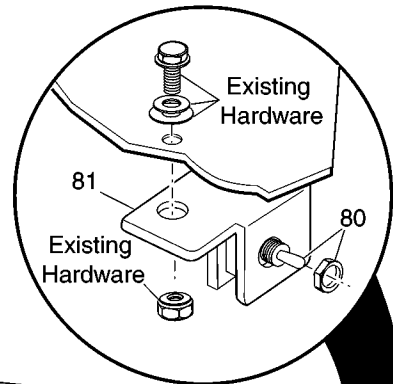
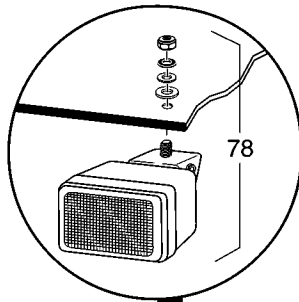
SWITCH PANEL KIT

88 - Includes Items 89 - 103



DEFROSTER / COOLING FAN KIT

83 - Includes Items 84 - 86



WORKLIGHT KIT

77 - Includes Items 78 - 81

CAB (FLAT WINDSHIELD)

Gasoline Vehicle

Replacement parts may be obtained from Curtis Tractor Cab Inc., 111 Higgins Street, Worcester, MA 01606. Telephone (508) 853-2200, or FAX (508) 854-3377.

* Indicates a component that is not available as an individual part.

ITEM	PART NO.	1 2 3 4 5	DESCRIPTION	QTY.
1	*		STEEL CAB (WITHOUT DOORS) (NO LONGER AVAILABLE, REPLACED BY 75854-G**, SEE PAGE E-9).....	1
2	74228-G0*A		ROOF PANEL	1
3	74228-G0*B		REAR PANEL	1
4	74227-G0*C		WINDSHIELD PANEL	1
5	74227-G0*D		FRONT CORNER PANEL (PASSENGER SIDE)	1
6	74227-G0*E		FRONT CORNER PANEL (DRIVER SIDE).....	1
7	74228-G0*F		RECEIVER (DRIVER SIDE).....	1
8	74228-G0*G		RECEIVER (PASSENGER SIDE)	1
9	74228-G0*H		LOWER MOUNTING BRACKET (DRIVER SIDE)	1
10	74228-G0*I		LOWER MOUNTING BRACKET (PASSENGER SIDE).....	1
11	70113-G01		ADJUSTABLE BUMPER	2
12	1P004A		FRONT PANEL COWL SEAL GASKET (85" LG)	1
13	1P004D		ROOF TRIM (50" LG).....	1
14				
15	6E03		FRONT WINDSHIELD MOUNTING GASKET	1
16	6E03A		BOLT, 3/8 - 16 X 7/8" LG	44
17	6E03B		LOCK NUT, 3/8 - 16	44
18	6E03C		WASHER, 3/8"	44
19	6E03D		NYLON WASHER, 3/8"	26
20	6E03E		FRONT WINDSHIELD GLASS	1
21	6E03H		FRONT CORNER PANEL MOUNTING GASKET	2
22	6E03J		REAR PANEL WINDOW MOUNTING GASKET	1
23	6E03S		ALLEN BUTTON HEAD BOLT	4
24				
25	6E03U		BOLT, 1/4 - 20 X 1 1/2" LG	4
26	6E03V		NYLON SPACER, 1/4"	4
27	6E03W		WASHER, 5/16"	4
28				
29	6E05A		FRONT CORNER PANEL WINDOW (PASSENGER SIDE)	1

Gasoline Vehicle

CAB (FLAT WINDSHIELD)

Replacement parts may be obtained from Curtis Tractor Cab Inc., 111 Higgins Street, Worcester, MA 01606. Telephone (508) 853-2200, or FAX (508) 854-3377.

* Indicates a component that is not available as an individual part.

ITEM	PART NO.	1 2 3 4 5	DESCRIPTION	QTY.
30	6E05B		FRONT CORNER PANEL WINDOW (DRIVER SIDE).....	1
31	6E05C		REAR PANEL WINDOW	1
32				
33	74244-G01		WINDSHIELD WIPER KIT (INCLUDES ITEMS 34 - 42)	1
34	9PWM85		WIPER MOTOR (INCLUDES ITEMS 35 - 39).....	1
35	*		SPACER.....	1
36	*		SHAFT COVER (SEAL)	1
37	*		NUT.....	1
38	*		BOLT	1
39	*		WASHER.....	1
40	9PWA		WIPER ARM.....	1
41	9PWB		WINDSHIELD WIPER BLADE.....	1
42	9E003		ELECTRICAL HARDWARE KIT (NOT ILLUSTRATED)	1
43				
44	74301-G0*		STEEL DOOR KIT (INCLUDES ITEMS 45 - 55).....	1
45	74301-G0*A		STEEL DOOR (DRIVER SIDE) (INCLUDES ITEMS 47 - 52)	1
46	74301-G0*B		STEEL DOOR (PASSENGER SIDE) (INCLUDES ITEMS 49 - 54).....	1
47	6E05D		SLIDING DOOR WINDOW ASSEMBLY (DRIVER SIDE).....	1
48	9DHSL		INSIDE DOOR LATCH (DRIVER SIDE).....	1
49	6E03P		LOWER DOOR WINDOW MOUNTING GASKET	1
50	6E05F		LOWER DOOR WINDOW	1
51	9DHOS1		OUTSIDE DOOR HANDLE (KEY LOCKING)	2
52	1P004B		LOWER DOOR SEAL GASKET (43" LG)	1
53	6E05E		SLIDING DOOR WINDOW ASSEMBLY (PASSENGER SIDE)	1
54	9DHSLR		INSIDE DOOR LATCH (PASSENGER SIDE)	1
55	1P004C		DOOR SEAL GASKET (123" LG).....	2
56	9P001A		REPLACEMENT DOOR HINGE KIT (NOT ILLUSTRATED)	A/R
57				
58	74242-G01		VINYL DOOR KIT (INCLUDES ITEMS 59 - 66).....	1
59	9DVK-L		VINYL DOOR (DRIVER SIDE) (INCLUDES ITEMS 61, 63 - 66)	1

CAB (FLAT WINDSHIELD)

Gasoline Vehicle

Replacement parts may be obtained from Curtis Tractor Cab Inc., 111 Higgins Street, Worcester, MA 01606. Telephone (508) 853-2200, or FAX (508) 854-3377.

* Indicates a component that is not available as an individual part.

ITEM	PART NO.	1 2 3 4 5	DESCRIPTION	QTY.
60	9DVK-R		VINYL DOOR (PASSENGER SIDE) (INCLUDES ITEMS 62 - 66)	1
61	9DHSL		INSIDE DOOR LATCH (DRIVER SIDE).....	1
62	9DHSLR		INSIDE DOOR LATCH (PASSENGER SIDE)	1
63	9DCK		DOOR CHECK (NOT ILLUSTRATED).....	1
64	9DSTK1		DOOR STRIKER (NOT ILLUSTRATED)	1
65	9DGH1		DOOR GRAB HANDLE	1
66	9DHOS1		OUTSIDE DOOR HANDLE (KEY LOCKING)	1
67	9PSSHL		REPLACEMENT DOOR HINGE (DRIVER SIDE) (NOT ILLUSTRATED).....	1
68	9PSSHR		REPLACEMENT DOOR HINGE (PASSENGER SIDE) (NOT ILLUSTRATED) ..	1
69				
70	74245-G01		STROBE LIGHT KIT (INCLUDES ITEMS 71 - 75).....	1
71	9PSLRL		STROBE LENS.....	1
72	9E001		ELECTRICAL HARDWARE KIT (NOT ILLUSTRATED)	1
73	9E002		TOGGLE SWITCH.....	1
74	9PSLRB		REPLACEMENT BULB (NOT ILLUSTRATED)	1
75	9PB001		BRACKET	1
76				
77	74247-G01		WORK LIGHT KIT (INCLUDES ITEMS 78 - 81)	1
78	9LW1A		WORK LIGHT (INCLUDES HARDWARE).....	2
79	9E001		ELECTRICAL HARDWARE KIT (NOT ILLUSTRATED)	1
80	9E002		TOGGLE SWITCH.....	1
81	9PB001		BRACKET	1
82				
83	74248-G01		DEFROSTER / COOLING FAN KIT (INCLUDES ITEMS 84 - 86)	1
84	9PDF		FAN.....	1
85	9E001		ELECTRICAL HARDWARE KIT (NOT ILLUSTRATED)	1
86	9PFHK		HARDWARE KIT	1
87				
88	74250-G01		SWITCH PANEL KIT (INCLUDES ITEMS 89 - 103)	1
89	9PSF1-001		SWITCH PANEL	1

Gasoline Vehicle

CAB (FLAT WINDSHIELD)

Replacement parts may be obtained from Curtis Tractor Cab Inc., 111 Higgins Street, Worcester, MA 01606. Telephone (508) 853-2200, or FAX (508) 854-3377.

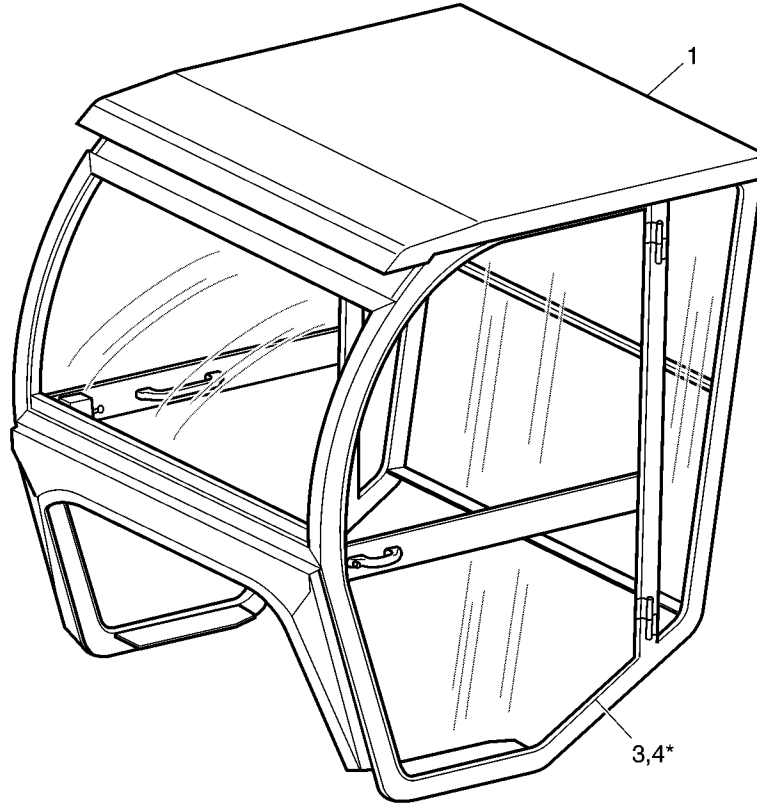
* Indicates a component that is not available as an individual part.

ITEM	PART NO.	1	2	3	4	5	DESCRIPTION	QTY.
90	9PSF1-002						MOUNTING BRACKET AND HARDWARE.....	1
91	9PSF1-003						ADHESIVE LABELS.....	1
92	9PSF1-004						3 AMP FUSE (NOT ILLUSTRATED).....	2
93	9PSF1-005						5 AMP FUSE (NOT ILLUSTRATED).....	3
94	9PSF1-006						7.5 AMP FUSE (NOT ILLUSTRATED).....	1
95	9PSF1-007						FLEX LOOM, 5/8" X 10 FT LG (NOT ILLUSTRATED).....	1
96	9PSF1-008						4-WAY BASE TIE (NOT ILLUSTRATED).....	6
97	9PSF1-009						WIRE TIE (NOT ILLUSTRATED).....	14
98	9PSF1-010						BOLT, 1/4 - 20 X 7/8" LG.....	2
99	9PSF1-011						WASHER, 1/4".....	4
100	9PSF1-012						NYLON WASHER, 1/4".....	2
101	9PSF1-013						LOCK NUT, 1/4 - 20.....	2
102	9PSF1-014						10 GA WIRE (RED 8") (NOT ILLUSTRATED).....	1
103	9PSF1-015						10 GA WIRE (BLACK 8") (NOT ILLUSTRATED).....	1
104								
105								
106	6E03T						BED SPACER.....	2

CAB (CURVED WINDSHIELD)

Gasoline Vehicle

ST 350



*Steel Doors Shown

For Cab Accessories, See ACCESSORIES LISTING in Appendix B

Gasoline Vehicle

CAB (CURVED WINDSHIELD)

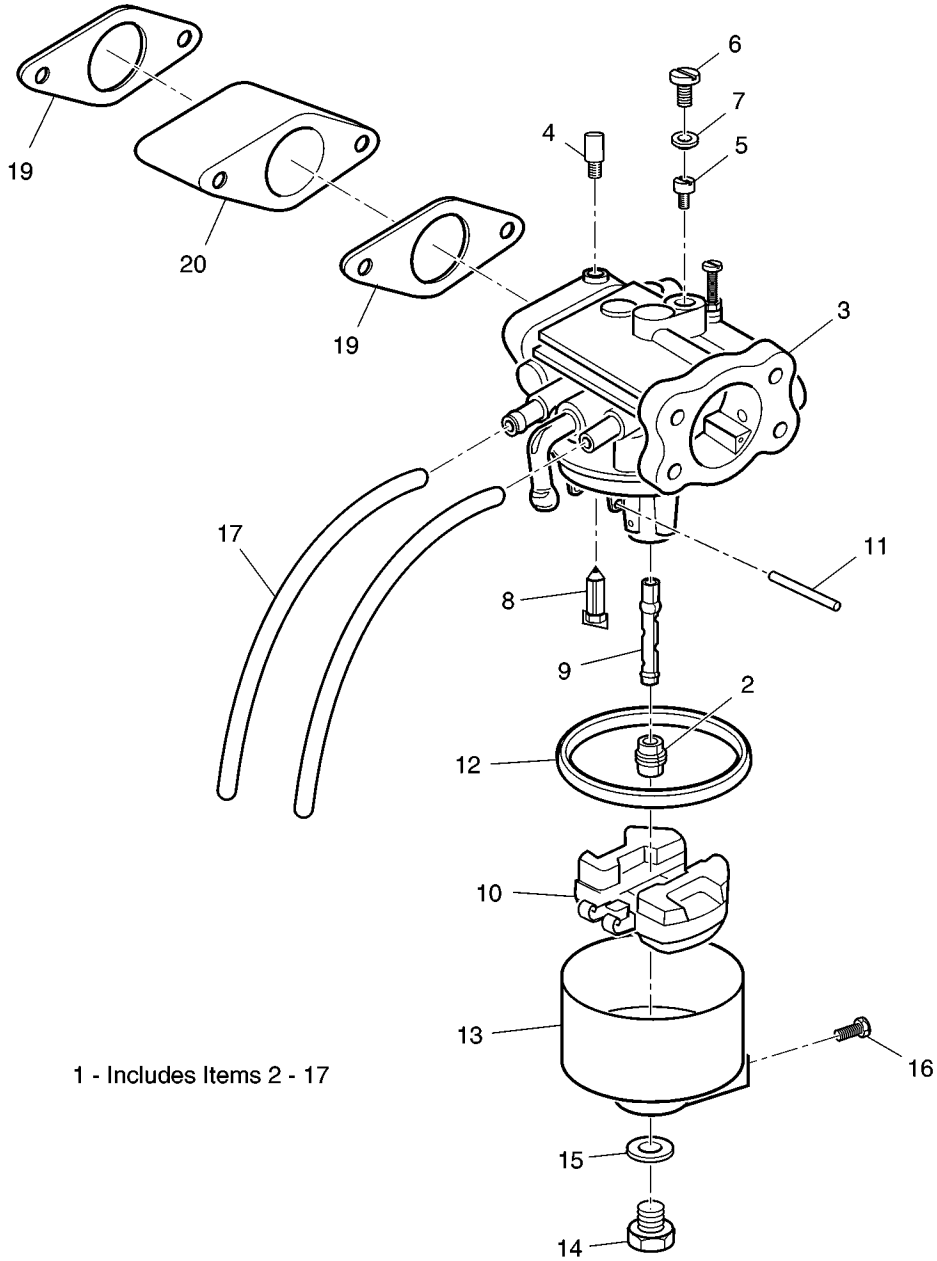
Replacement parts may be obtained from Curtis Tractor Cab Inc., 111 Higgins Street, Worcester, MA 01606. Telephone (508) 853-2200, or FAX (508) 854-3377.

* Indicates a component that is not available as an individual part.

ITEM	PART NO.	1 2 3 4 5	DESCRIPTION	QTY.
1	75854-G**		STEEL CAB (WITHOUT DOORS) REPAACEMENT PARTS AND ACCESSORIES MAY BE OBTAINED FROM CURTIS CAB, INC.) (ST 350)	1
2				
3	75855-G01		VINYL DOOR KIT	1
4	75856-G**		STEEL DOOR KIT	1

CARBURETOR AND CHOKE

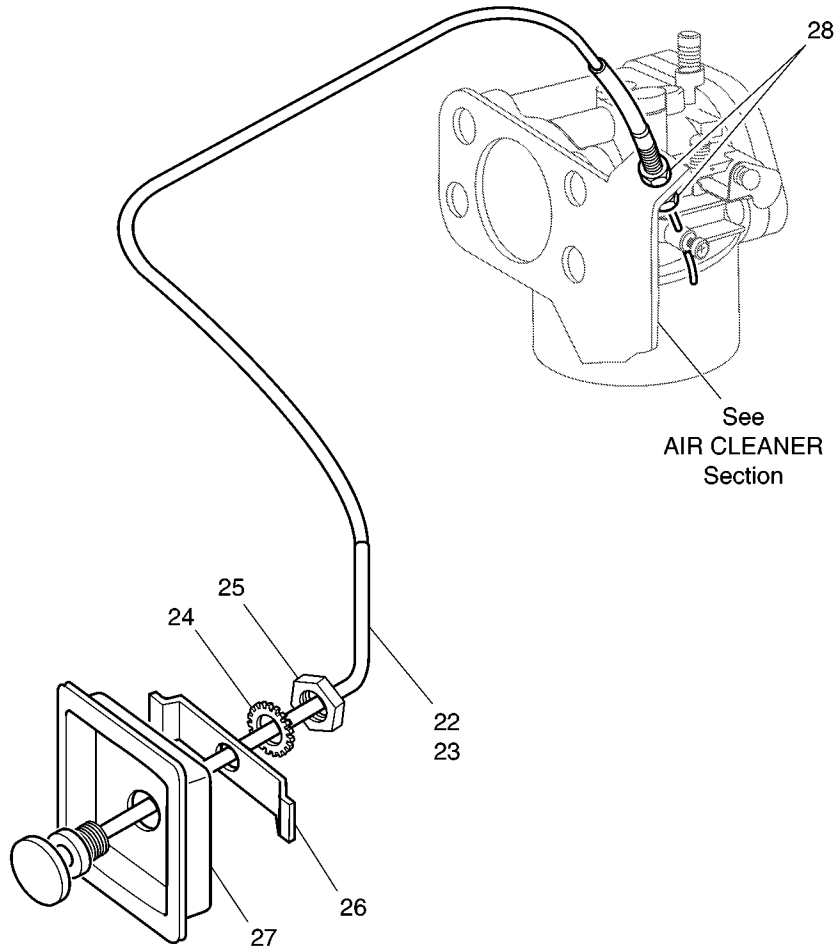
Gasoline Vehicle





Gasoline Vehicle

CARBURETOR AND CHOKE



CARBURETOR AND CHOKE

Gasoline Vehicle

When ordering parts, please specify the model and serial number of the product.

* Indicates a component that is not available as an individual part.

G** Indicates consult Customer Service Department for additional information.

ITEM	PART NO.	1 2 3 4 5	DESCRIPTION	QTY.
1	72558-G05		CARBURETOR ASSEMBLY (FOR FUJI ENGINE P/N EH35CPG5033) (INCLUDES ITEMS 2 - 17)	1
2	26646-G07		MAIN JET (#90).....	1
3	*		CARBURETOR BODY	1
4	*		PILOT SCREW.....	1
5	26649-G05		PILOT JET (#46)	1
6	26841-G01		PLUG.....	1
7	72306-G01		GASKET	1
8	72578-G01		NEEDLE VALVE	1
9	*		MAIN NOZZLE	1
10	26648-G01		FLOAT	1
11	26840-G01		FLOAT PIN	1
12	26843-G01		FLOAT BOWL GASKET	1
13	26844-G01		FLOAT CHAMBER	1
14	26839-G01		BOWL SCREW.....	1
15	26838-G01		BOWL GASKET	1
16	*		DRAIN SCREW	1
17	26650-G01		VENT TUBE	2
18				
19	26726-G01		CARBURETOR MOUNT GASKET	2
20	72311-G01		CARBURETOR INSULATOR.....	1
21				
22	72401-G02		CHOKE CABLE (WITH NUTS) (ST 350)	1
23	25693-G04		CHOKE CABLE (WITH NUTS) (ST SPORT)	1
24	00568-G4		LOCK WASHER, 9/16".....	1
25	00545-G4		NUT, 9/16 - 18	1
26	72155-G01		RETAINER	1
27	72154-G01		CHOKE CABLE ADAPTER.....	1
28	00544-G4		JAM NUT, 5/16 - 24	2

**DID YOU
KNOW?**

CartPros directs you to the right part using the part numbers from this manual. Enter the part number into our search box and it will find the part you are looking for.

**GET STARTED
HERE**



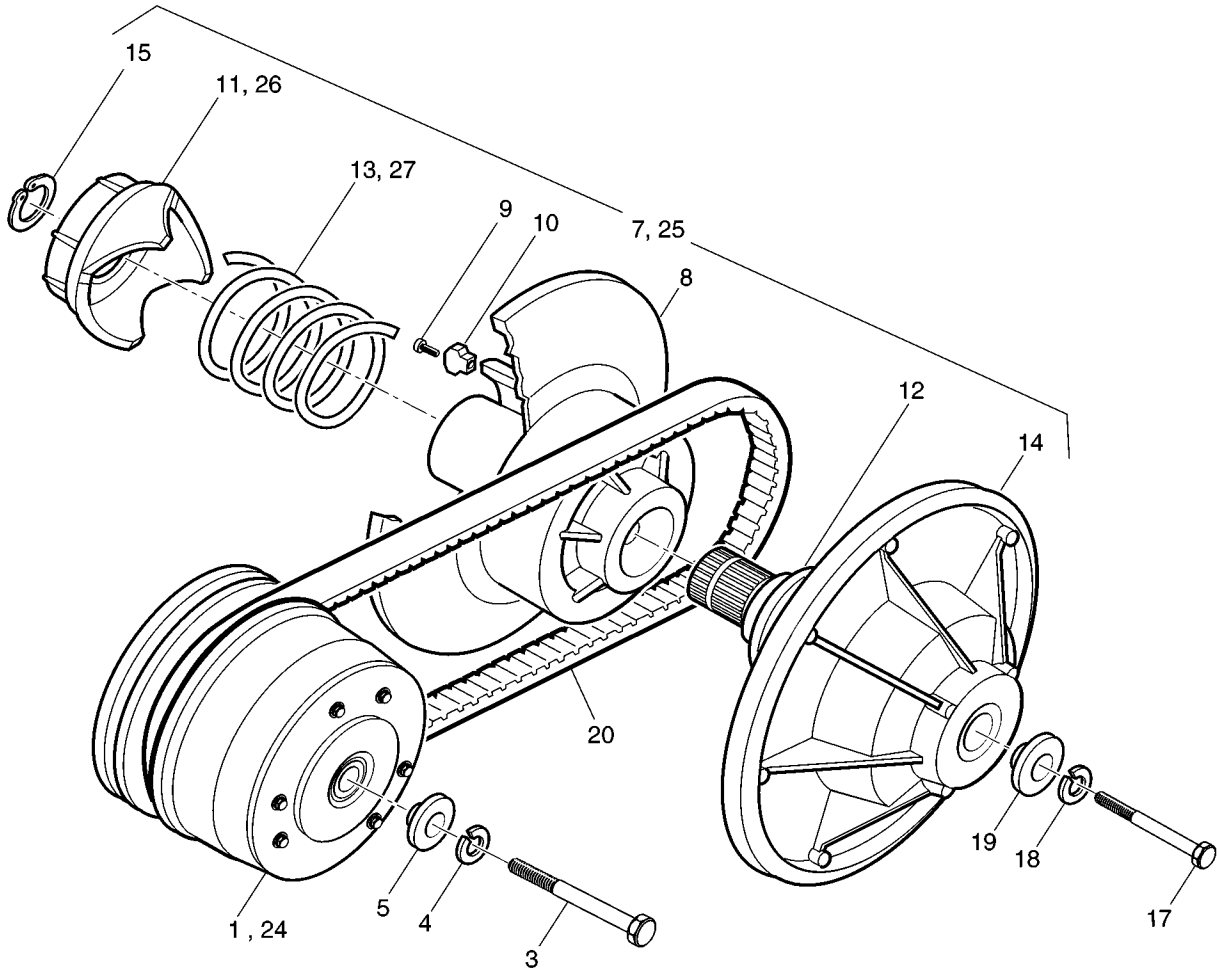
<https://CartPros.com/f.html>

Gasoline Vehicle

CARBURETOR AND CHOKE

CLUTCH

Gasoline Vehicle



Gasoline Vehicle

CLUTCH

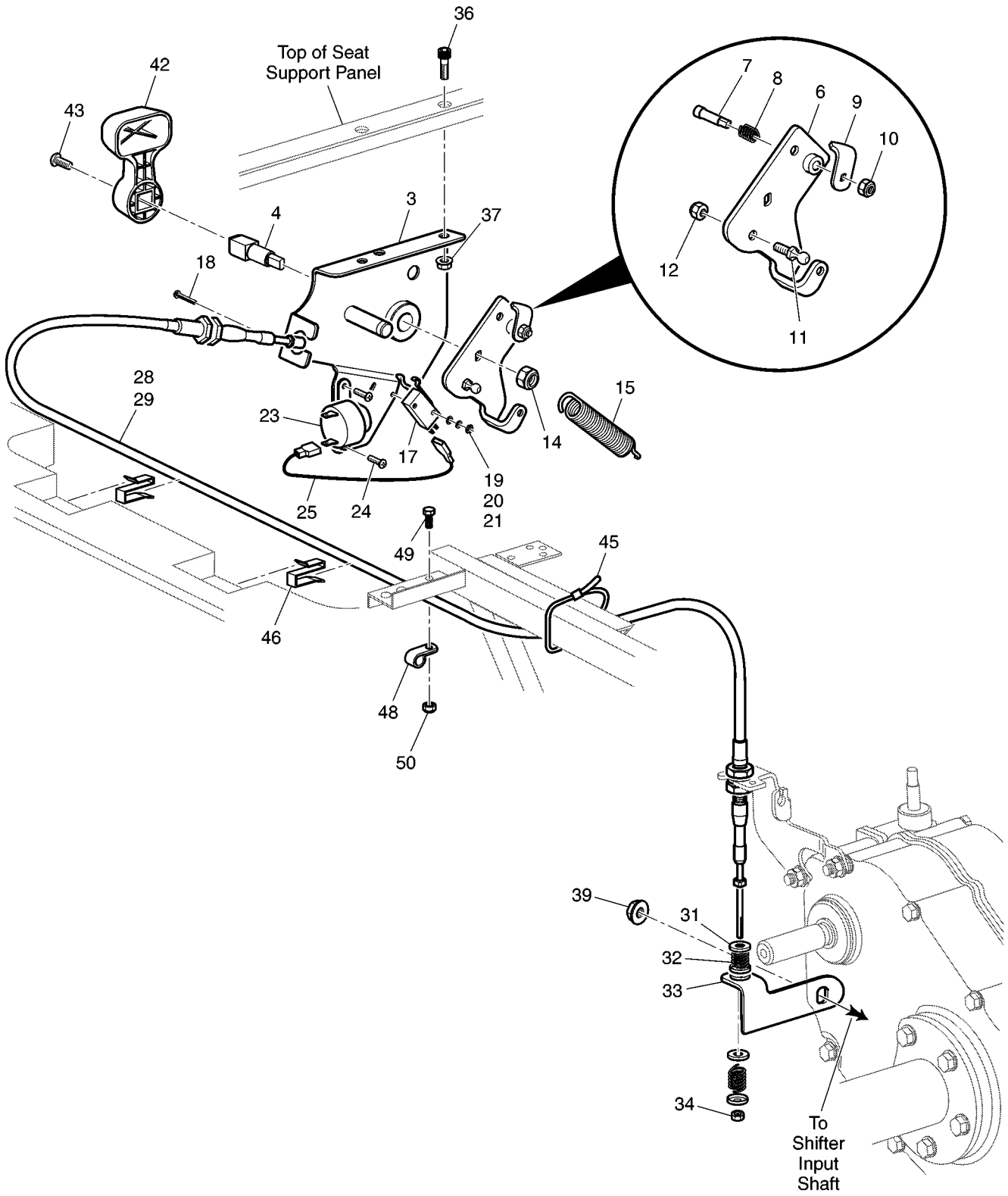
When ordering parts, please specify the model and serial number of the product.
 * Indicates a component that is not available as an individual part.
 G** Indicates consult Customer Service Department for additional information.

ITEM	PART NO.	1 2 3 4 5	DESCRIPTION	QTY.
1	26952-G01		DRIVE CLUTCH	1
2				
3	00473-G9		BOLT, 7/16 - 20 X 6 1/2" LG	1
4	00566-G2		LOCK WASHER, 7/16"	1
5	25757-G1		PILOT WASHER	1
6				
7	26301-G03		DRIVEN CLUTCH ASSEMBLY (INCLUDES ITEMS 8 - 15)	1
8	*		MOVABLE SHEAVE (INCLUDES ITEMS 9 -10)	1
9	00979-G01		SCREW, #10 - 24 X 7/8" LG	3
10	72324-G01		RAMP BUTTON	3
11	*		CAM.....	1
12	24600-G1		SPACER	1
13	26304-G01		COMPRESSION SPRING	1
14	*		SHEAVE AND POST	1
15	27270-G01		HEAVY DUTY RETAINING RING.....	1
16				
17	00441-G8		BOLT, 5/16 - 18 X 4" LG.....	1
18	00565-G8		LOCK WASHER, 5/16"	4
19	25756-G1		RETAINING WASHER	1
20	72328-G01		DRIVE BELT (SEVERE DUTY).....	1
21				
22				
23				
24	26952-G02		DRIVE CLUTCH (HIGH ALTITUDE)	1
25	25632-G03		DRIVEN CLUTCH (HIGH ALTITUDE) (INCLUDES ITEMS 8, 12, 14, 15, 26, 27).....	1
26	*		CAM.....	1
27	25612-G1		COMPRESSION SPRING	1

DIRECTION SELECTOR - SINGLE CABLE

Gasoline Vehicle

- 1 - Includes Items 3 - 28, 31 - 34 (ST 350)
- 2 - Includes Items 3 - 25, 29 - 34 (ST SPORT)



Gasoline Vehicle

DIRECTION SELECTOR - SINGLE CABLE

When ordering parts, please specify the model and serial number of the product.

* Indicates a component that is not available as an individual part.

G** Indicates consult Customer Service Department for additional information.

ITEM	PART NO.	1 2 3 4 5	DESCRIPTION	QTY.
1	72721-G03		DIRECTION SELECTOR ASSY (INCLUDES ITEMS 3 - 28, 31 - 34) (ST 350)..	1
2	72721-G02		DIRECTION SELECTOR ASSY (INCLUDES ITEMS 3 - 25, 29 - 34) (SPORT)..	1
3	74456-G01		DIRECTION SELECTOR BRACKET	1
4	70233-G01		DIRECTION SELECTOR SHAFT	1
5				
6	72738-G01		DIRECTION SELECTOR CAM	1
7	72724-G01		NEUTRAL LOCK PIN	1
8	72733-G01		COMPRESSION SPRING, 3/8" X 5/8" LG	1
9	72729-G01		NEUTRAL LOCK LATCH	1
10	00734-G2		LOCK NUT, 1/4 - 28.....	1
11	72732-G01		BALL STUD	1
12	00734-G5		LOCK NUT, #10 - 32.....	1
13				
14	14390-G1		LOCK NUT, 3/8 - 24.....	1
15	28574-G01		EXTENSION SPRING.....	1
16				
17	72736-G01		MICRO SWITCH	1
18	01062-G01		SCREW, #4 - 40 X 1" LG.....	2
19	00559-G1		WASHER, #4.....	2
20	00565-G1		LOCK WASHER, #4.....	2
21	00526-G2		NUT, #4 - 40	2
22				
23	73290-G03		REVERSE WARNING BUZZER.....	1
24	01063-G01		SCREW, #6 - 32 X 3/8" LG.....	2
25	25978-G345		18 GA WIRE (RED 7").....	1
26				
27				
28	72734-G03		SHIFTER CABLE (ST 350).....	1
29	72734-G02		SHIFTER CABLE (ST SPORT)	1
30				

DIRECTION SELECTOR - SINGLE CABLE Gasoline Vehicle

When ordering parts, please specify the model and serial number of the product.
 * Indicates a component that is not available as an individual part.
 G** Indicates consult Customer Service Department for additional information.

ITEM	PART NO.	1 2 3 4 5	DESCRIPTION	QTY.
31	25727-G01		CUP WASHER	4
32	72735-G01		COMPRESSION SPRING, 19/32" X 1" LG	2
33	74455-G01		SHIFTER ARM WITH BUSHING.....	1
34	00734-G5		LOCK NUT, #10 - 32.....	1
35				
36	70227-G01		SCREW, 1/4 - 20 X 7/8" LG	2
37	11027-G2		LOCK NUT, 1/4 - 20	2
38				
39	26830-G01		LOCK NUT, M8 X 1.25 MM	1
40				
41				
42	71205-G01		DIRECTION SELECTOR HANDLE.....	1
43	00740-G4		SCREW, #10 - 32 X 1/2" LG (STAINLESS STEEL)	1
44				
45	31539-G1		WIRE TIE	1
46	01072-G01		CABLE CLIP	2
47				
48	11845-G5		CLIP, 3/8" (ST 350)	1
49	00414-G6		BOLT, 1/4 - 20 X 3/4" LG (ST 350).....	1
50	14390-G4		LOCK NUT, 1/4 - 20 (ST 350)	1

**DID YOU
KNOW?**

CartPros directs you to the right part using the part numbers from this manual. Enter the part number into our search box and it will find the part you are looking for.

**GET STARTED
HERE**



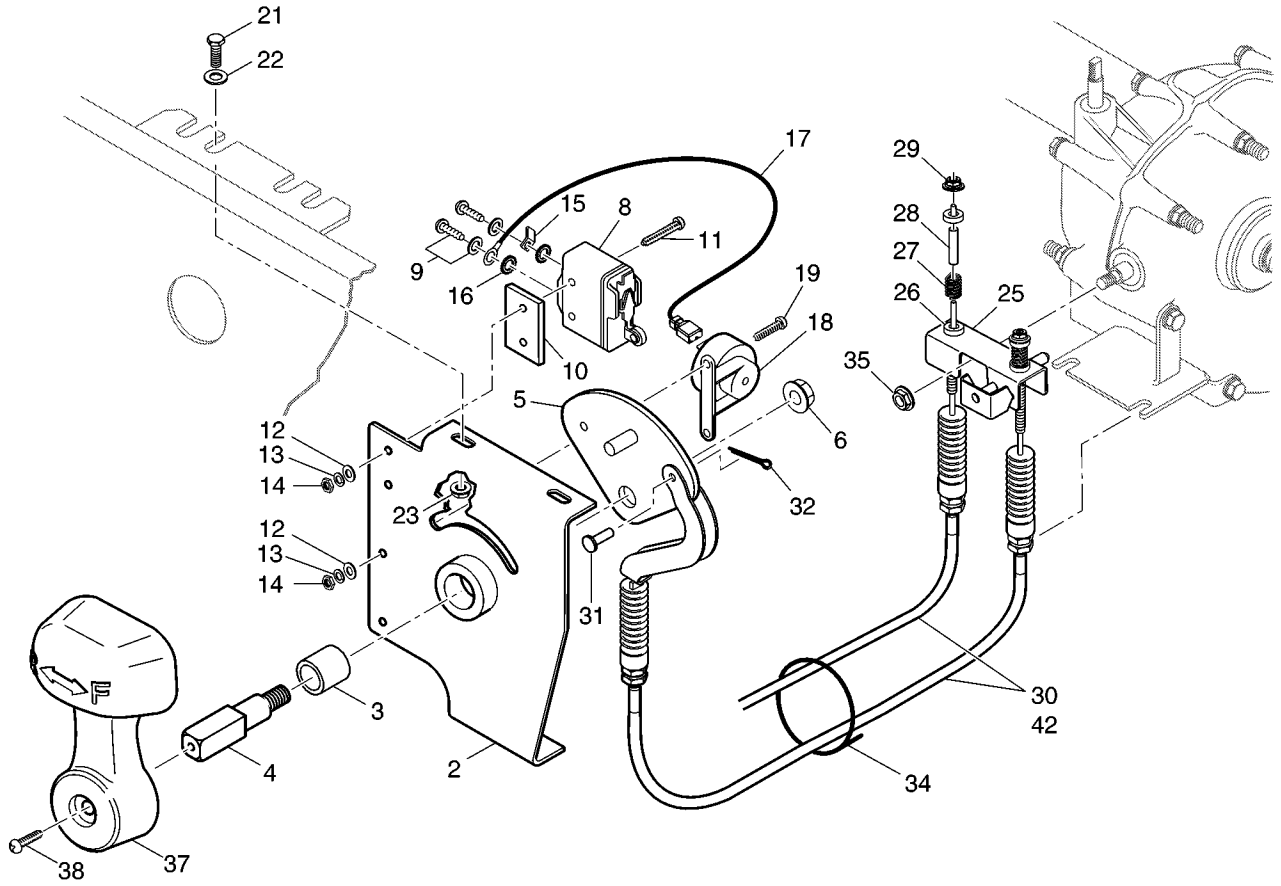
<https://CartPros.com/f.html>

Gasoline Vehicle

DIRECTION SELECTOR - SINGLE CABLE

DIRECTION SELECTOR - DUAL CABLE

Gasoline Vehicle



- 1 - Includes Items 2 - 32
- 41 - Includes Items 2 - 29, 31, 32, 42

Gasoline Vehicle

DIRECTION SELECTOR - DUAL CABLE

When ordering parts, please specify the model and serial number of the product.

* Indicates a component that is not available as an individual part.

G** Indicates consult Customer Service Department for additional information.

ITEM	PART NO.	1 2 3 4 5	DESCRIPTION	QTY.
1	70594-G01		DIRECTION SELECTOR ASSEMBLY (INCLUDES ITEMS 2 - 32) (ST SPORT)	1
2	25684-G01		DIRECTION SELECTOR BRACKET	1
3	25664-G1		BUSHING	1
4	27537-G01		DIRECTION SELECTOR SHAFT	1
5	25745-G01		DIRECTION SELECTOR CAM	1
6	14390-G1		LOCK NUT, 3/8 - 24.....	1
7				
8	10606-G1		MICRO SWITCH	1
9	*		SCREW AND WASHER ASSEMBLY.....	2
10	27151-G01		SPACER.....	1
11	00645-G2		SCREW, #6 - 32 X 1 1/4" LG.....	2
12	00559-G3		WASHER, #6.....	4
13	00565-G3		LOCK WASHER, #6	4
14	00525-G5		NUT, #6 - 32	4
15	14628-G1		FASTON TAB	1
16	00567-G3		LOCK WASHER, #6	2
17	25978-G343		18 GA WIRE (RED 6").....	1
18	73290-G03		REVERSE WARNING BUZZER.....	1
19	00138-G5		SCREW, #6 - 32 X 5/8" LG.....	2
20				
21	00414-G6		BOLT, 1/4 - 20 X 3/4" LG	2
22	00559-G7		WASHER, 1/4"	2
23	11027-G2		LOCK NUT, 1/4 - 20.....	2
24				
25	72619-G01		SHIFTER CONTROL PIVOT	1
26	25727-G01		CUP WASHER	4
27	27764-G01		SPRING.....	2
28	23726-G5		SPACER.....	2
29	11098-G7		LOCK NUT, #10 - 24.....	2
30	25961-G01		SHIFTER CONTROL CABLE (ST SPORT).....	2

DIRECTION SELECTOR - DUAL CABLE Gasoline Vehicle

When ordering parts, please specify the model and serial number of the product.
 * Indicates a component that is not available as an individual part.
 G** Indicates consult Customer Service Department for additional information.

ITEM	PART NO.	1 2 3 4 5	DESCRIPTION	QTY.
31	23176-G1		CLEVIS PIN, 5/16" X 3/8" LG	2
32	10387-G8		COTTER PIN, 1/16" X 3/4" LG	2
33				
34	17618-G1		WIRE TIE	1
35	26830-G01		LOCK NUT, M8 X 1.25 MM	1
36				
37	71205-G01		DIRECTION SELECTOR HANDLE.....	1
38	00740-G4		SCREW, #10 - 32 X 1/2" LG (STAINLESS STEEL)	1
39				
40				
41	70594-G02		DIRECTION SELECTOR ASSY (INCL ITEMS 2 - 29, 31, 32, 42 (ST 350)	1
42	72341-G01		SHIFTER CONTROL CABLE (ST 350)	2

**DID YOU
KNOW?**

CartPros directs you to the right part using the part numbers from this manual. Enter the part number into our search box and it will find the part you are looking for.

**GET STARTED
HERE**



<https://CartPros.com/f.html>

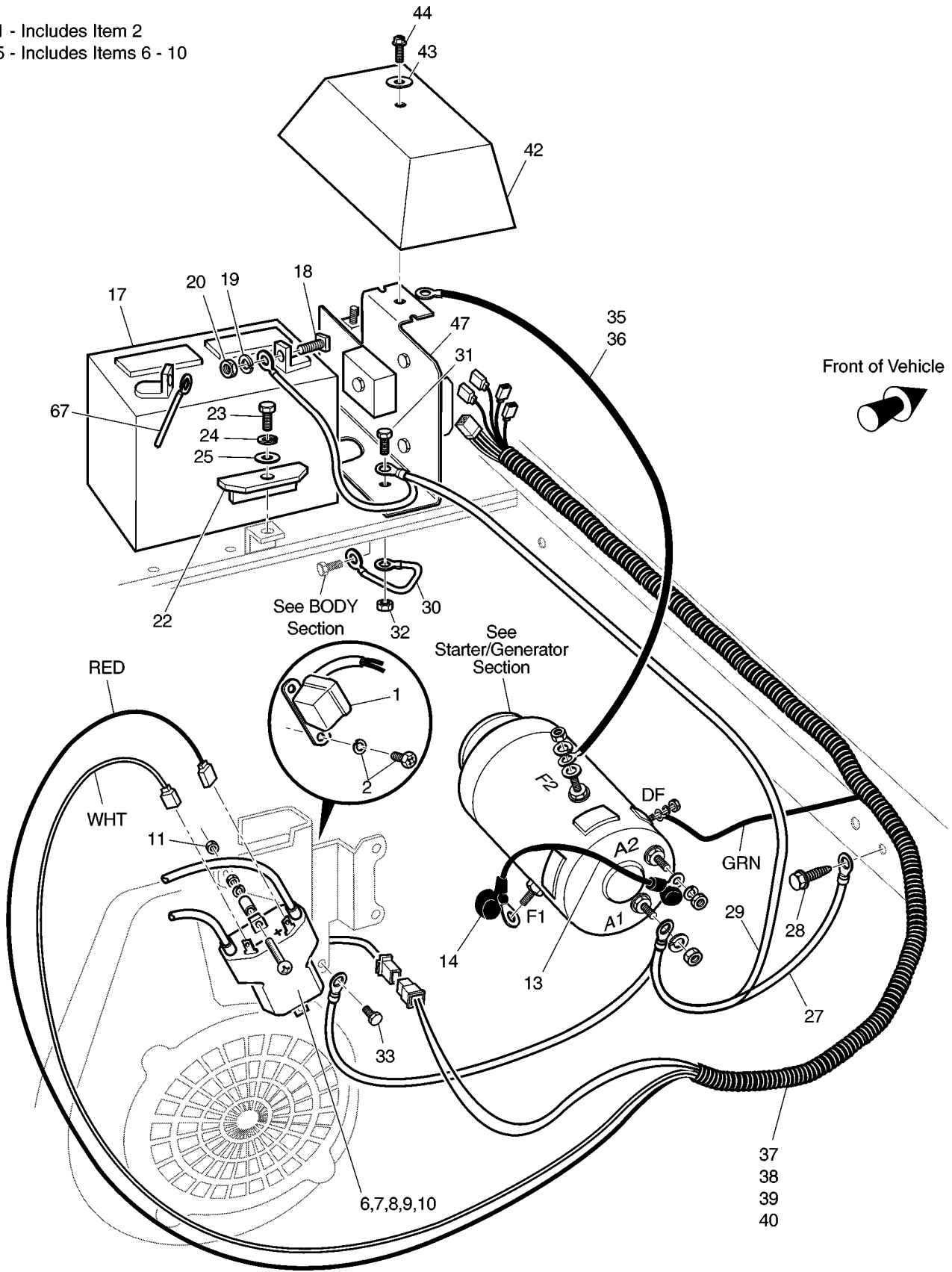
Gasoline Vehicle

DIRECTION SELECTOR - DUAL CABLE

ELECTRICAL SYSTEM

Gasoline Vehicle

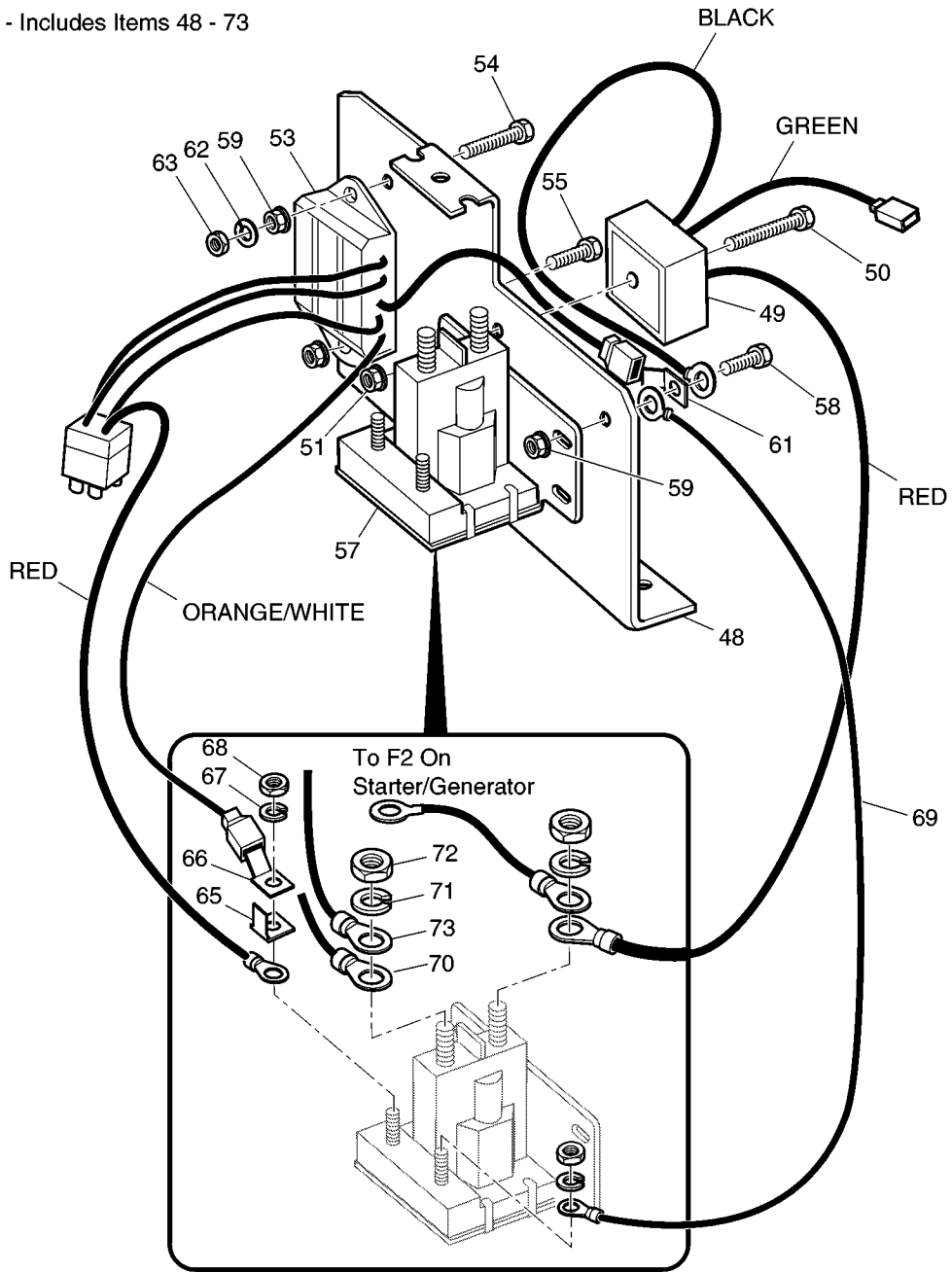
- 1 - Includes Item 2
- 5 - Includes Items 6 - 10



Gasoline Vehicle

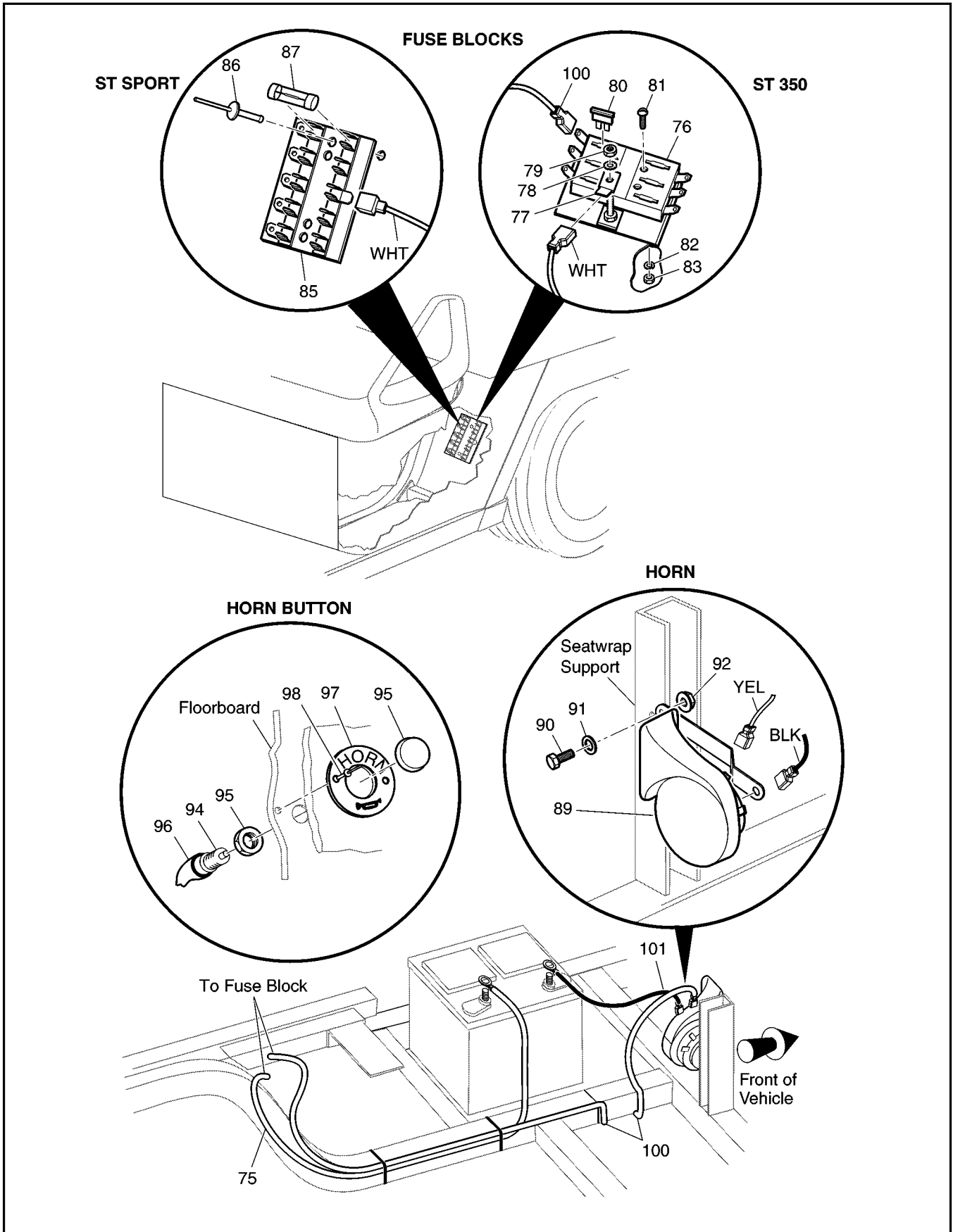
ELECTRICAL SYSTEM

47 - Includes Items 48 - 73



ELECTRICAL SYSTEM

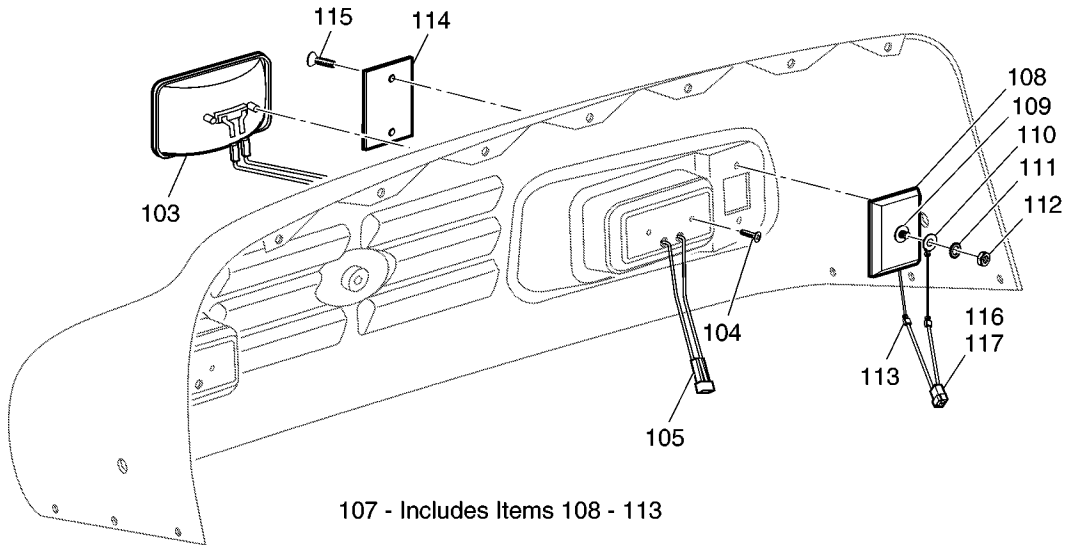
Gasoline Vehicle





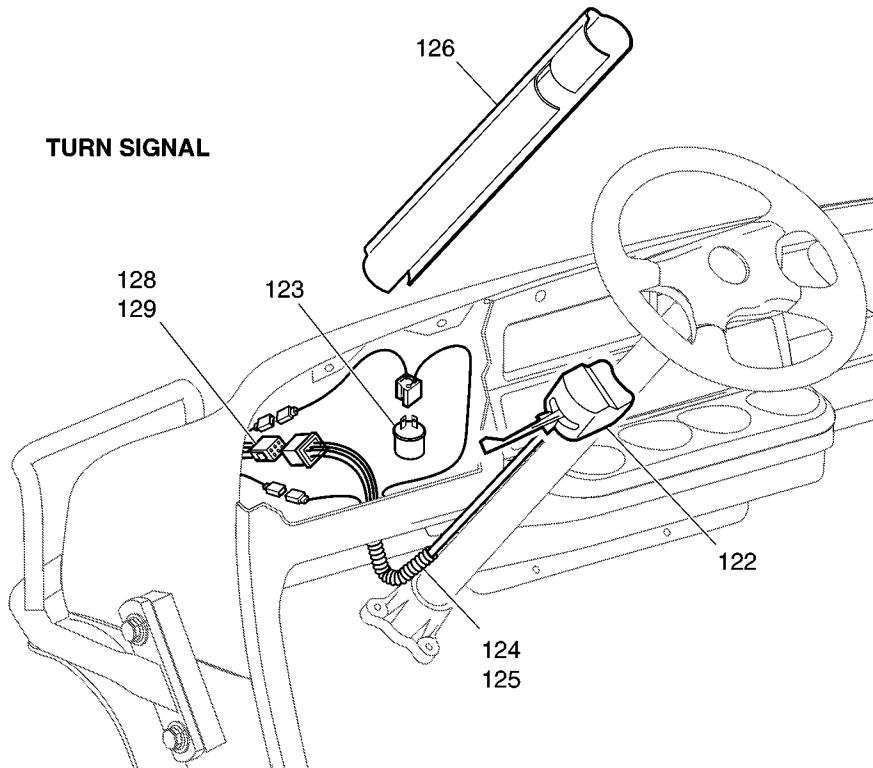
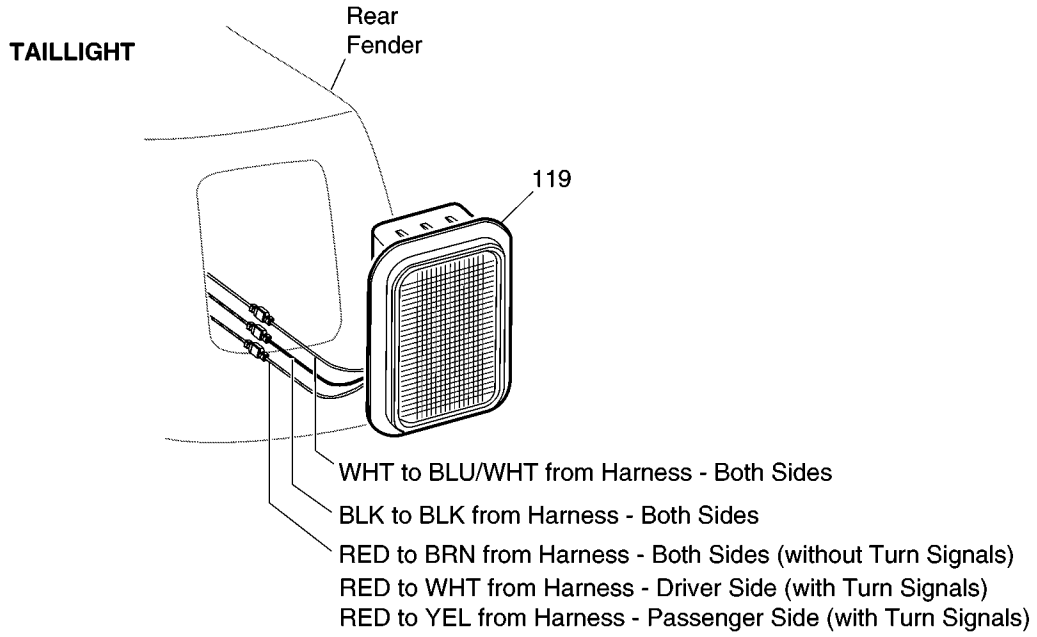
Gasoline Vehicle

ELECTRICAL SYSTEM



ELECTRICAL SYSTEM

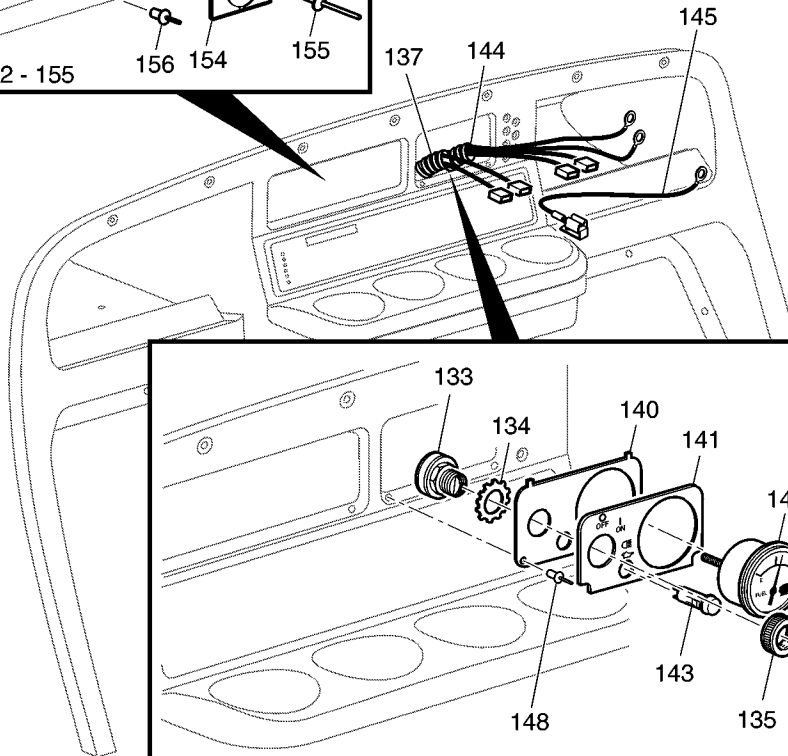
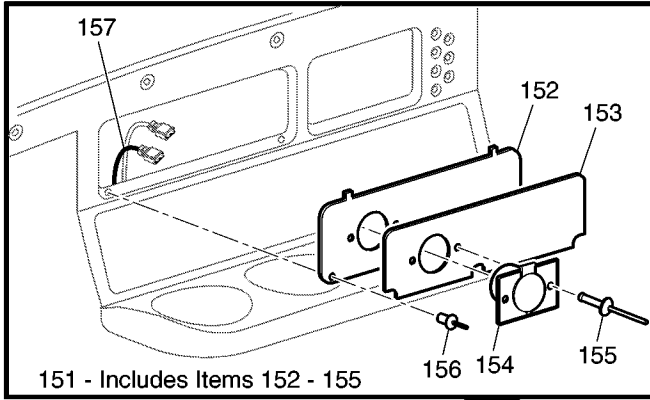
Gasoline Vehicle



Gasoline Vehicle

ELECTRICAL SYSTEM

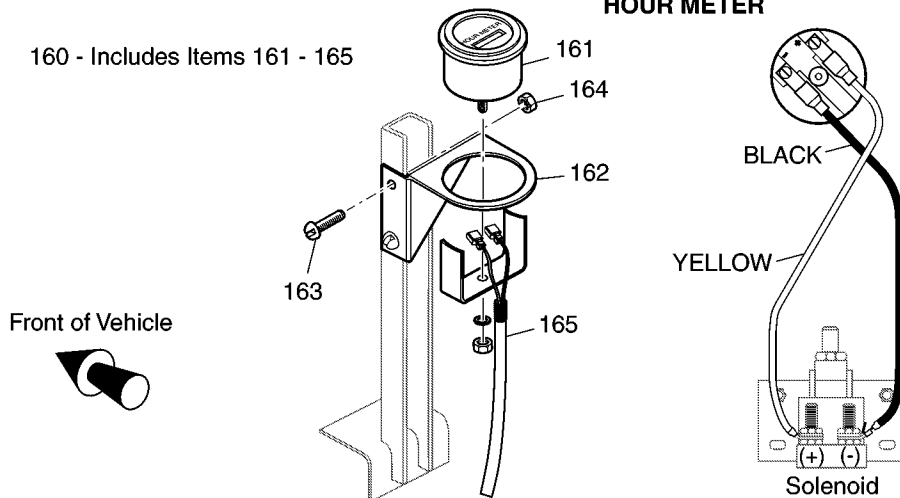
CONSOLE INSERT PLATE (WITH POWER OUTLET SHOWN)



KEY SWITCH, INDICATOR LIGHT(S), AND FUEL GAUGE

HOUR METER

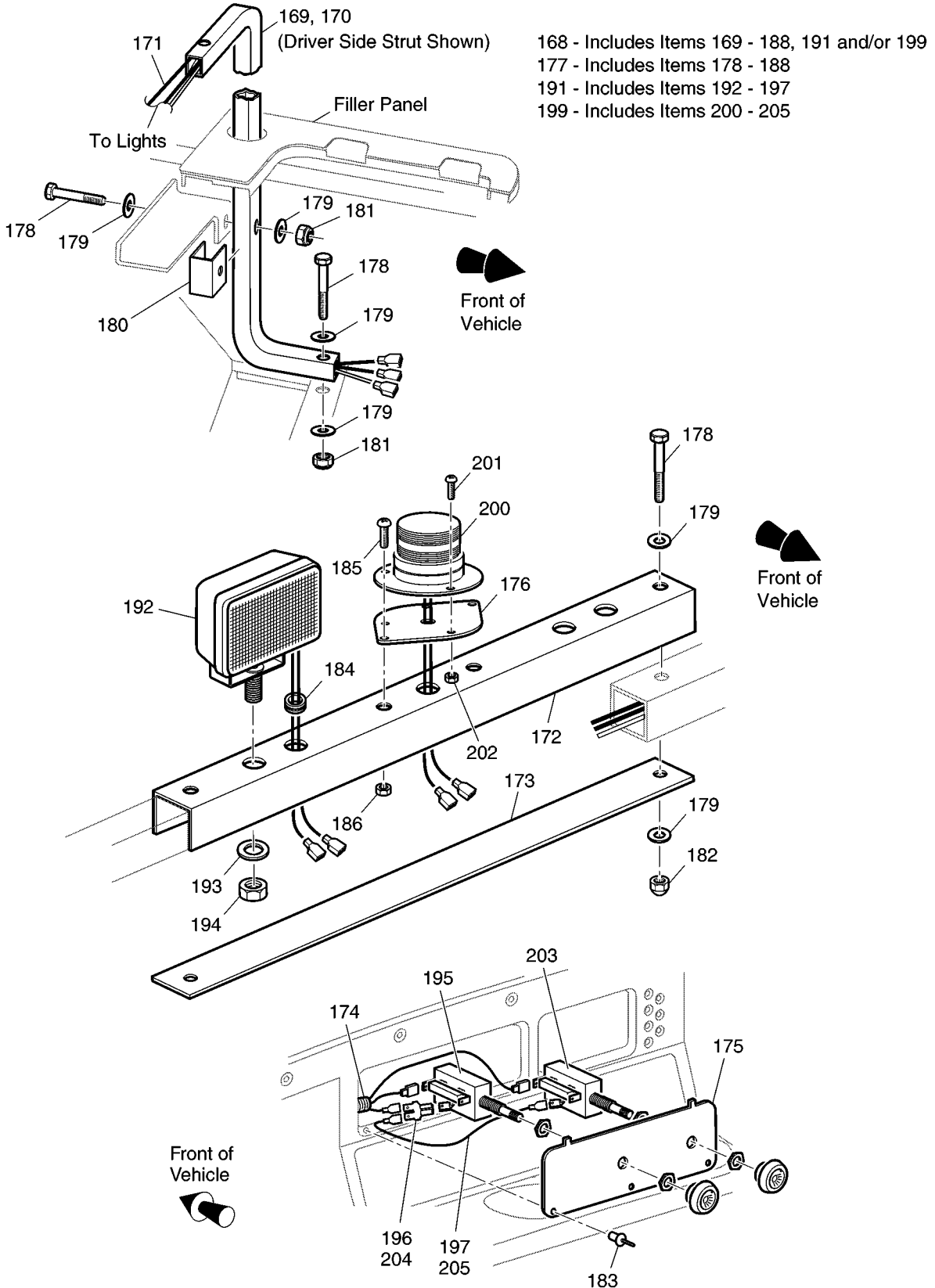
160 - Includes Items 161 - 165



ELECTRICAL SYSTEM

Gasoline Vehicle

WORK AND STROBE LIGHTS



Gasoline Vehicle

ELECTRICAL SYSTEM

When ordering parts, please specify the model and serial number of the product.
 * Indicates a component that is not available as an individual part.
 G** Indicates consult Customer Service Department for additional information.

ITEM	PART NO.	1 2 3 4 5	DESCRIPTION	QTY.
1	26651-G02		IGNITION PICKUP ASSEMBLY (INCLUDES ITEM 2).....	1
2	26707-G01		BOLT AND WASHER ASSEMBLY, M5 X .8 X 10 MM LG.....	1
3				
4				
5	26652-G01		IGNITION COIL ASSEMBLY (INCLUDES ITEMS 6 - 10).....	1
6	*		IGNITION COIL	1
7	*		SPACER	1
8	*		LOCK WASHER	1
9	*		NUT	1
10	*		SCREW	1
11	13632-G1		NUT, M6 X 1	2
12				
13	25887-G01		6 GA WIRE (BLACK 6", F1 - A2)	1
14	25682-G1		TERMINAL COVER	3
15				
16				
17	24775-G*		BATTERY, 12V	1
18	00962-G1		BOLT, 5/16 - 18 X 1 1/4" LG	2
19	00993-G01		LOCK WASHER, 5/16" (SILICON BRONZE).....	2
20	00994-G01		NUT, 5/16 - 18 (SILICON BRONZE)	2
21				
22	72101-G01		BATTERY HOLD DOWN.....	1
23	00438-G6		BOLT, 5/16 - 18 X 3/4" LG	1
24	00565-G8		LOCK WASHER, 5/16".....	1
25	00571-G2		WASHER, 5/16"	1
26				
27	28520-G01		GROUND CABLE (ST 350).....	1
28	00715-G2		BOLT, 5/16 - 18 X 13/16" LG	1
29	27044-G03		GROUND CABLE (ST SPORT)	1
30	25976-G19		14 GA WIRE (BLACK 6")	1

ELECTRICAL SYSTEM

Gasoline Vehicle

When ordering parts, please specify the model and serial number of the product.
 * Indicates a component that is not available as an individual part.
 G** Indicates consult Customer Service Department for additional information.

ITEM	PART NO.	1 2 3 4 5	DESCRIPTION	QTY.
31	00438-G6		BOLT, 5/16 - 18 X 3/4" LG.....	2
32	11027-G1		LOCK NUT, 5/16 - 18	2
33	26676-G01		BOLT, M6 X 1 X 23 MM LG.....	1
34				
35	25972-G58		6 GA WIRE (BLACK 26", F2 - SOL) (ST 350).....	1
36	25972-G85		6 GA WIRE (BLACK 23", F2 - SOL) (ST SPORT)	1
37	74519-G01		HARNESS (CONTROL) - SINGLE CABLE DIRECTION SELECTOR (ST 350).....	1
38	70596-G01		HARNESS (CONTROL) - DUAL CABLE DIRECTION SELECTOR (ST 350)	1
39	70899-G01		HARNESS (CONTROL) - SINGLE CABLE DIRECTION SELECTOR (SPORT).....	1
40	70595-G01		HARNESS (CONTROL) - DUAL CABLE DIRECTION SELECTOR) (SPORT) ..	1
41				
42	73049-G01		COVER	1
43	16469-G1		WASHER, 1/4"	1
44	00114-G6		SCREW, 1/4 - 14 X 3/4" LG	1
45				
46				
47	73059-G01		ELECTRICAL PLATE ASSEMBLY (INCLUDES ITEMS 48 - 73)	1
48	73057-G01		BRACKET.....	1
49	27739-G01		VOLTAGE REGULATOR.....	1
50	00415-G2		BOLT, 1/4 - 20 X 1 1/4" LG	1
51	11027-G2		LOCK NUT, 1/4 - 20.....	1
52				
53	27746-G01		IGNITOR.....	1
54	00414-G8		BOLT, 1/4 - 20 X 1" LG	1
55	00414-G5		BOLT, 1/4 - 20 X 5/8" LG	1
56				
57	27153-G01		SOLENOID	1
58	00414-G5		BOLT, 1/4 - 20 X 5/8" LG	1
59	11027-G2		LOCK NUT, 1/4 - 20.....	3
60				

Gasoline Vehicle

ELECTRICAL SYSTEM

When ordering parts, please specify the model and serial number of the product.
 * Indicates a component that is not available as an individual part.
 G** Indicates consult Customer Service Department for additional information.

ITEM	PART NO.	1 2 3 4 5	DESCRIPTION	QTY.
61	12914-G2		FASTON TAB, 1/4" X 1/4".....	1
62	00565-G7		LOCK WASHER, 1/4".....	1
63	00532-G1		NUT, 1/4 - 20	1
64				
65	73446-G01		FASTON TAB, 90°	1
66	12914-G1		FASTON TAB, #10 X 1/4".....	1
67	00565-G5		LOCK WASHER, #10.....	2
68	00526-G4		NUT, #10 - 32	2
69	25978-G56		18 GA WIRE (BLACK 5 3/4")	1
70	22585-G3		IN-LINE FUSE HOLDER	1
71	00565-G8		LOCK WASHER, 5/16".....	2
72	00544-G4		JAM NUT, 5/16 - 24	2
73	25972-G33		6 GA WIRE (BLACK 24", B+ - SOL).....	1
74				
75	25974-G22		10 GA WIRE (WHITE 34") (ST 350)	1
76	35211-G01		FUSE BLOCK (ST 350)	1
77	12914-G1		FASTON TAB	1
78	00567-G5		LOCK WASHER, #10.....	1
79	00526-G4		NUT, #10 - 32	1
80	35212-G01		FUSE, 15 AMP.....	1
81	00379-G2		SCREW, #10 - 24 X 1 1/4" LG	2
82	00559-G5		WASHER, #10.....	2
83	14390-G10		LOCK NUT, #10 - 24	2
84				
85	22674-G1		FUSE BLOCK (ST SPORT)	1
86	01041-G01		RIVET, 5/32" X 3/8" LG	2
87	18392-G1		15 AMP FUSE.....	3
88				
89	32860-G1		HORN.....	1
90	00414-G5		BOLT, 1/4 - 20 x 5/8" LG	1

ELECTRICAL SYSTEM

Gasoline Vehicle

When ordering parts, please specify the model and serial number of the product.

* Indicates a component that is not available as an individual part.

G** Indicates consult Customer Service Department for additional information.

ITEM	PART NO.	1 2 3 4 5	DESCRIPTION	QTY.
91	00559-G7		WASHER, 1/4"	1
92	00891-G2		LOCK NUT, 1/4 - 20	1
93				
94	17318-G1		HORN SWITCH.....	1
95	17318-G2		HORN SWITCH CAP AND NUT	1
96	27068-G01		HORN SWITCH BOOT	1
97	19233-G1		HORN SWITCH LABEL	1
98	71055-G01		RIVET, 5/32" X 3/8" GRIP (STAINLESS STEEL)	2
99				
100	73214-G01		HORN HARNESS (ST 350)	1
101	25977-G40		16 GA WIRE (BLACK 17")	1
102				
103	20209-G3		HEADLIGHT (INCLUDES ITEM 104).....	2
104	00906-G6		SCREW, #10 - 16 X 1" LG.....	2
105	74337-G01		HEADLIGHT JUMPER.....	2
106				
107	20570-G3		TURN SIGNAL LIGHT (INCLUDES ITEMS 108 - 113).....	2
108	20574-G3		TURN SIGNAL LIGHT.....	1
109	00660-G7		WASHER, 1/4".....	1
110	20606-G1		WIRE ASSEMBLY	1
111	00567-G7		LOCK WASHER, 1/4".....	1
112	00532-G1		NUT, 1/4 - 20	1
113	18995-G1		PUSH-ON MALE TERMINAL.....	1
114	20574-G5		LENS, AMBER.....	1
115	00118-G5		SCREW, #6 - 18 X 5/8" LG	2
116	74056-G01		TURN SIGNAL JUMPER, RED/BLACK (PASSENGER SIDE).....	1
117	74056-G02		TURN SIGNAL JUMPER, GREEN/BLACK (DRIVER SIDE)	1
118				
119	32739-G2		TAILLIGHT ASSEMBLY (COMPLETE).....	2
120				

Gasoline Vehicle

ELECTRICAL SYSTEM

When ordering parts, please specify the model and serial number of the product.

* Indicates a component that is not available as an individual part.

G** Indicates consult Customer Service Department for additional information.

ITEM	PART NO.	1 2 3 4 5	DESCRIPTION	QTY.
121				
122	17867-G1		TURN SIGNAL (WITH MOUNTING HARDWARE) (INCLUDES ITEM 123).....	1
123	21640-G1		TURN SIGNAL FLASHER.....	1
124	32307-G3		FLEX LOOM, 3/8" X 8" LG.....	1
125	17618-G1		WIRE TIE	2
126	20965-G3		STEERING COLUMN COVER.....	1
127				
128	72228-G01		WIRE HARNESS (ACCESSORY) (ST SPORT)	1
129	74042-G01		HARNESS (LIGHTS) (ST 350).....	1
130	35212-G01		FUSE, 15 AMP	1
131				
132				
133	33639-G**		IGNITION SWITCH (WITH LIGHTS).....	1
134	00568-G6		LOCK WASHER, 3/4".....	1
135	17137-G1		FACE NUT, 3/4 - 20.....	1
136	17063-G1		IGNITION KEY (SET).....	1
137	73041-G01		WIRE HARNESS (KEY SWITCH).....	1
138				
139				
140	73030-G04		PLATE (FUEL GAUGE AND OIL LIGHT).....	1
141	71131-G01		LABEL (OIL LIGHT AND FUEL GAUGE WITH HEADLIGHTS)	1
142	21553-G1		FUEL GAUGE	1
143	23474-G1		INDICATOR LIGHT	1
144	74311-G01		HARNESS (OIL LIGHT/FUEL GAUGE) (ST 350).....	1
145	25978-G122		18 GA WIRE (RED 6")	1
146				
147				
148	33623-G02		DRIVE RIVET, 3/16" X 3/8" LG	2
149				
150				

ELECTRICAL SYSTEM

Gasoline Vehicle

When ordering parts, please specify the model and serial number of the product.

* Indicates a component that is not available as an individual part.

G** Indicates consult Customer Service Department for additional information.

ITEM	PART NO.	1 2 3 4 5	DESCRIPTION	QTY.
151	74444-G**		CONSOLE INSERT ASSEMBLY (WITH OR W/O POWER OUTLET) (INCLUDES ITEMS 152 - 155)	1
152	71077-G**		CONSOLE INSERT PLATE.....	1
153	35966-G**		DECAL (CONSOLE INSERT PLATE)	1
154	71078-G01		POWER OUTLET (12 VOLT)	1
155	14601-G10		RIVET, 5/32" X 7/16" LG.....	2
156	33623-G01		DRIVE RIVET, 5/32" X 5/16" LG	3
157	71081-G01		WIRE HARNESS (POWER OUTLET)	1
158				
159				
160	75114-G02		HOUR METER KIT (INCLUDES ITEMS 161 - 165).....	1
161	21573-G1		HOUR METER ASSEMBLY	1
162	74019-G01		HOUR METER BRACKET	1
163	00150-G4		SCREW, #10 - 24 X 1/2" LG.....	2
164	11098-G7		LOCK NUT, #10 - 24.....	2
165	75117-G01		WIRE HARNESS (HOUR METER)	1
166				
167				
168	71323-G**		LIGHT BAR (INCLUDES ITEMS 169 - 188, 191 AND/OR 199) (ST 350)	1
169	75838-G01		STRUT (PASSENGER SIDE).....	1
170	75838-G02		STRUT (DRIVER SIDE)	1
171	75346-G01		WIRE HARNESS (WORK LIGHT).....	1
172	71294-G01		BRACE	1
173	71293-G01		COVER PLATE.....	1
174	75347-G01		SWITCH HARNESS	1
175	71077-G**		CONSOLE INSERT PLATE.....	1
176	33201-G02		STROBE LIGHT MOUNT (USED ONLY WITH STROBE LIGHT)	1
177	75365-G01		HARDWARE KIT (INCLUDES ITEMS 178 - 188)	1
178	00685-G7		BOLT, 5/16 - 18 X 1 3/4" LG	6
179	00660-G8		WASHER, 5/16"	12

Gasoline Vehicle

ELECTRICAL SYSTEM

When ordering parts, please specify the model and serial number of the product.

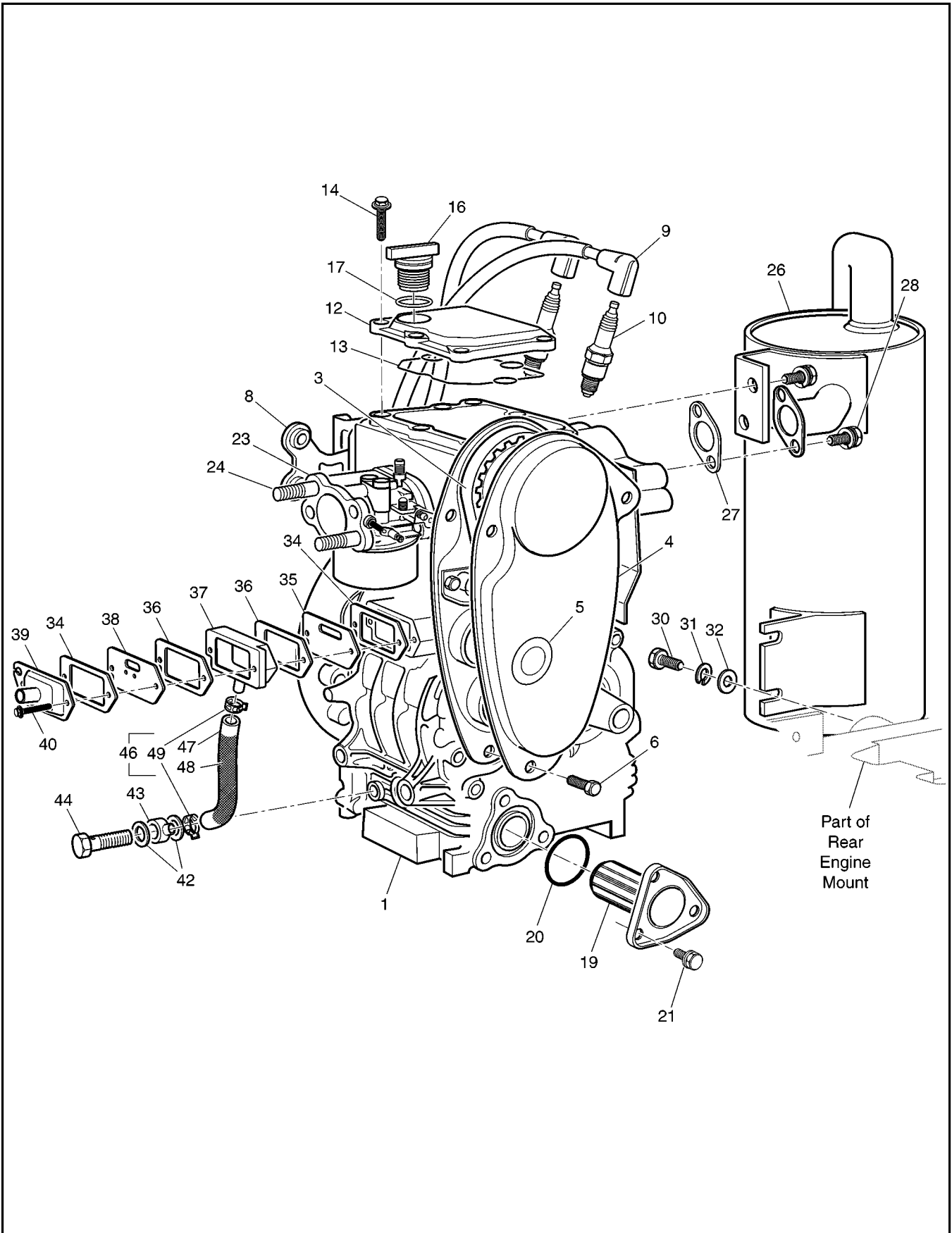
* Indicates a component that is not available as an individual part.

G** Indicates consult Customer Service Department for additional information.

ITEM	PART NO.	1	2	3	4	5	DESCRIPTION	QTY.
180	74537-G01						BRACKET, REAR STRUT SUPPORT	2
181	11098-G6						LOCK NUT, 5/16 - 18	4
182	00918-G3						ACORN NUT, 5/16 - 18	2
183	33623-G02						DRIVE RIVET, 3/16" X 7/16" LG	3
184	20367-G1						GROMMET.....	2
185	16705-G3						SCREW, 1/4 - 20 X 3/4" LG	2
186	14390-G4						LOCK NUT, 1/4 - 20	2
187	17314-G1						FLEX LOOM, 3/8" X 24" LG	1
188	17618-G1						WIRE TIE	3
189								
190								
191	20383-G2						WORK LIGHT KIT (INCLUDES ITEMS 192 - 197)	1
192	20209-G2						WORK LIGHT (RECTANGULAR)	2
193	00566-G3						LOCK WASHER, 1/2".....	2
194	00533-G1						NUT, 1/2 - 13	2
195	17317-G1						LIGHT SWITCH.....	1
196	17902-G1						TAB ADAPTER.....	1
197	20053-G1						16 GA WIRE (RED 5 3/8")	1
198								
199	20385-G2						STROBE LIGHT KIT (INCLUDES ITEMS 200 - 205).....	1
200	20394-G1						STROBE LIGHT	1
201	00379-G4						SCREW, #10 - 24 x 1/2" LG	3
202	11098-G7						LOCK NUT, #10 - 24	3
203	17317-G1						LIGHT SWITCH.....	1
204	17902-G1						TAB ADAPTER.....	1
205	20053-G1						16 GA WIRE (RED 5 3/8")	1

ENGINE AND MUFFLER

Gasoline Vehicle



Gasoline Vehicle

ENGINE AND MUFFLER

When ordering parts, please specify the model and serial number of the product.

* Indicates a component that is not available as an individual part.

G** Indicates consult Customer Service Department for additional information.

ITEM	PART NO.	1 2 3 4 5	DESCRIPTION	QTY.
1	72650-G02		ENGINE, 350 CC	1
2				
3	26626-G01		TIMING BELT	1
4	26630-G01		TIMING BELT COVER	1
5	26631-G01		TIMING BELT COVER GROMMET	1
6	26678-G01		BOLT, M6 X 1 X 12 MM LG	3
7				
8	26657-G01		IGNITION COIL BRACKET	1
9	26733-G01		SPARK PLUG WIRE SET (2 WITH BOOTS)	1
10	25523-G4		SPARK PLUG (NGK BPR5ES)	2
11				
12	26600-G01		VALVE COVER	1
13	26719-G01		VALVE COVER GASKET	1
14	26676-G01		FLANGED BOLT, M6 X 1 X 23 MM LG	6
15				
16	26601-G01		OIL FILLER CAP	1
17	26720-G01		OIL FILLER 'O' RING	1
18				
19	26591-G01		OIL FILTER	1
20	26710-G01		OIL FILTER 'O' RING	1
21	26680-G01		BOLT AND WASHER, M6 X 1 X 12 MM LG	3
22				
23	XXXXX-XX		CARBURETOR (SEE CARBURETOR SECTION)	X
24	26667-G01		STUD	2
25				
26	72019-G01		MUFFLER	1
27	25531-G1		EXHAUST GASKET	1
28	25532-G1		BOLT AND WASHER, M8 X 1.25 X 18 MM LG	4
29				
30	00438-G8		BOLT, 5/16 - 18 X 1" LG	1

ENGINE AND MUFFLER

Gasoline Vehicle

When ordering parts, please specify the model and serial number of the product.
 * Indicates a component that is not available as an individual part.
 G** Indicates consult Customer Service Department for additional information.

ITEM	PART NO.	1 2 3 4 5	DESCRIPTION	QTY.
31	00565-G8		LOCK WASHER, 5/16".....	1
32	00642-G8		WASHER, 5/16"	1
33				
34	72555-G01		BREATHER COVER GASKET (THICK).....	2
35	72657-G01		INNER BREATHER PLATE (LONG SLOT).....	1
36	72554-G01		BREATHER COVER GASKET (THIN).....	2
37	72658-G01		BREATHER BOX.....	1
38	72676-G01		OUTER BREATHER PLATE (SHORT SLOT)	1
39	72659-G01		BREATHER COVER	1
40	72680-G01		FLANGED BOLT, M6 X 1 X 70 MM LG	2
41				
42	72656-G01		ALUMINUM GASKET.....	2
43	72655-G01		BANJO UNION.....	1
44	72654-G01		BANJO BOLT	1
45				
46	72653-G01		RUBBER RETURN HOSE (INCLUDES ITEMS 47 - 49)	1
47	72677-G01		RUBBER HOSE, 6 MM ID X 12 MM OD X 145 MM LG	1
48	72678-G01		MESH PROTECTIVE COVER.....	1
49	72679-G01		HOSE CLAMP	2

**DID YOU
KNOW?**

CartPros directs you to the right part using the part numbers from this manual. Enter the part number into our search box and it will find the part you are looking for.

**GET STARTED
HERE**



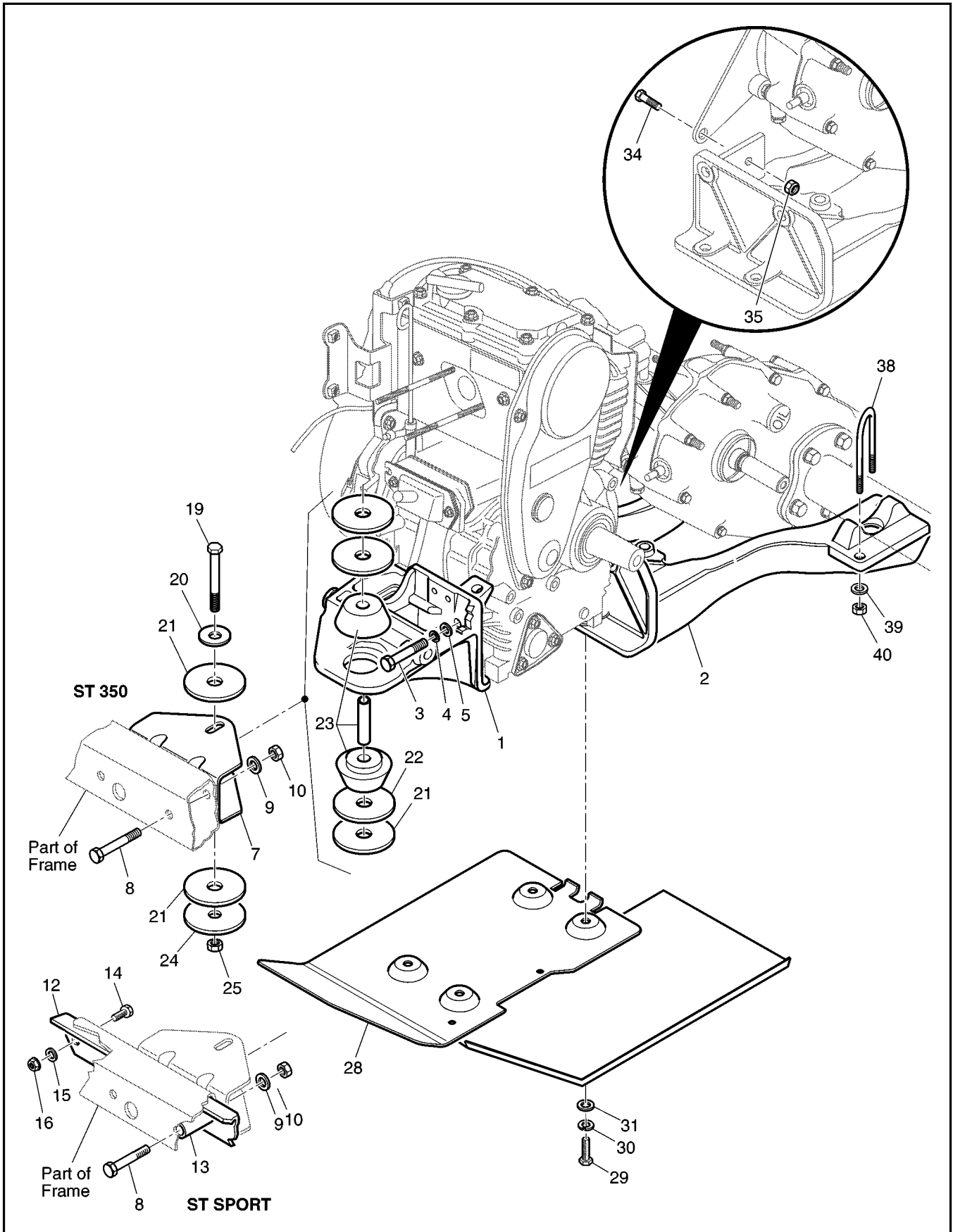
<https://CartPros.com/f.html>

Gasoline Vehicle

ENGINE AND MUFFLER

ENGINE MOUNTING

Gasoline Vehicle



Gasoline Vehicle

ENGINE MOUNTING

When ordering parts, please specify the model and serial number of the product.
 * Indicates a component that is not available as an individual part.
 G** Indicates consult Customer Service Department for additional information.

ITEM	PART NO.	1 2 3 4 5	DESCRIPTION	QTY.
1	72010-G01		FRONT ENGINE MOUNT	1
2	72011-G01		REAR ENGINE MOUNT	1
3	00463-G4		BOLT, 7/16 - 14 X 1 1/2" LG	4
4	00566-G2		LOCK WASHER, 7/16"	4
5	00922-G3		WASHER, 7/16"	4
6				
7	72044-G01		MOUNT BRACKET (ST 350)	1
8	00428-G6		BOLT, 3/8 - 16 X 2 3/4" LG	2
9	00643-G1		WASHER, 3/8"	2
10	11098-G5		LOCK NUT, 3/8 - 16	2
11				
12	70269-G01		CROSSMEMBER BRACE (ST SPORT)	1
13	72016-G01		SPACER.....	2
14	00438-G7		BOLT, 5/16 - 18 X 7/8"	2
15	00571-G2		WASHER, 5/16"	2
16	11098-G6		LOCK NUT, 5/16 - 18	2
17				
18				
19	00430-G4		BOLT, 3/8 - 16 X 4 1/2" LG	1
20	15121-G1		WASHER, 1 1/4" X 3/8".....	1
21	72050-G01		PLASTIC WASHER, 2 1/2" x 5/8"	4
22	72051-G01		WASHER, 2 1/2" X 5/8"	2
23	72015-G01		ISOLATION MOUNT	1
24	72051-G02		WASHER, 2 1/2" X 11/32"	1
25	11098-G5		LOCK NUT, 3/8 - 16	1
26				
27				
28	72719-G01		ENGINE GUARD	1
29	00463-G4		BOLT, 7/16 - 14 X 1 1/2" LG	4
30	00566-G2		LOCK WASHER, 7/16"	4

ENGINE MOUNTING

Gasoline Vehicle

When ordering parts, please specify the model and serial number of the product.
 * Indicates a component that is not available as an individual part.
 G** Indicates consult Customer Service Department for additional information.

ITEM	PART NO.	1 2 3 4 5	DESCRIPTION	QTY.
31	00922-G3		WASHER, 7/16"	4
32				
33				
34	00439-G1		BOLT, 5/16 - 18 X 1 1/8" LG	1
35	11098-G6		LOCK NUT, 5/16 - 18	1
36				
37				
38	72035-G01		'U' BOLT, 7/16 - 14	2
39	00922-G3		WASHER, 7/16"	4
40	00734-G1		LOCK NUT, 7/16 - 14	4

**DID YOU
KNOW?**

CartPros directs you to the right part using the part numbers from this manual. Enter the part number into our search box and it will find the part you are looking for.

**GET STARTED
HERE**



<https://CartPros.com/f.html>

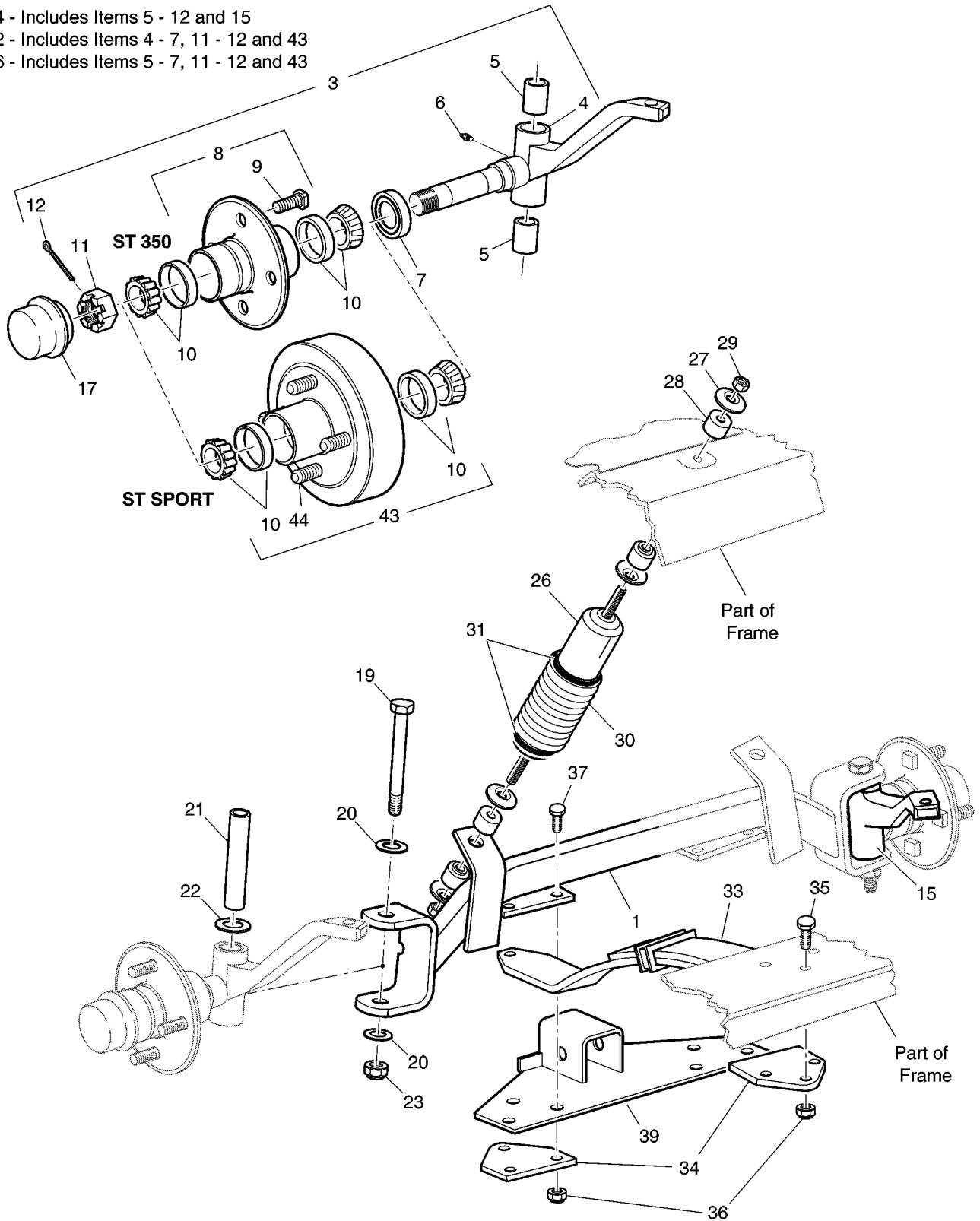
Gasoline Vehicle

ENGINE MOUNTING

FRONT SUSPENSION

Gasoline Vehicle

- 14 - Includes Items 5 - 12 and 15
- 42 - Includes Items 4 - 7, 11 - 12 and 43
- 46 - Includes Items 5 - 7, 11 - 12 and 43



Gasoline Vehicle

FRONT SUSPENSION

When ordering parts, please specify the model and serial number of the product.

* Indicates a component that is not available as an individual part.

G** Indicates consult Customer Service Department for additional information.

ITEM	PART NO.	1 2 3 4 5	DESCRIPTION	QTY.
1	70515-G01		FRONT AXLE.....	1
2				
3	70535-G03		SPINDLE ASSEMBLY (DRIVER SIDE) (INCLUDES ITEMS 4 - 12).....	1
4	*		SPINDLE (DRIVER SIDE)	1
5	16623-G1		BEARING.....	2
6	10389-G3		GREASE FITTING, STRAIGHT.....	1
7	25146-G1		GREASE SEAL.....	1
8	35886-G01		WHEEL HUB ASSEMBLY WITH RACES (INCLUDES ITEMS 9)	1
9	19862-G1		LUG BOLT, 1/2 - 20 X 1 7/32" LG	4
10	50892-G1		BEARING AND RACE ASSEMBLY (COMPLETE).....	2
11	12093-G1		SLOTTED NUT, 1 - 14.....	1
12	00798-G8		COTTER PIN, 5/32" X 1 3/4" LG	1
13				
14	70534-G03		SPINDLE ASSEMBLY (PASSENGER SIDE) (INCL ITEMS 5 - 12, 15)	1
15	*		SPINDLE (PASSENGER SIDE)	1
16				
17	12091-G2		SPINDLE CAP	2
18				
19	01040-G01		BOLT, 1/2 - 13 X 5" LG.....	2
20	00571-G5		WASHER, 1/2"	4
21	70328-G01		KING PIN TUBE.....	2
22	16982-G1		THRUST WASHER, 7/8"	2
23	14390-G6		LOCK NUT, 1/2 - 13	2
24				
25				
26	70630-G01		SHOCK ABSORBER	2
27	10435-G1		SHOCK ABSORBER WASHER.....	8
28	10194-G1		RUBBER BUSHING.....	8
29	00532-G6		NUT, 3/8 - 24.....	4
30	70509-G01		SHOCK ABSORBER BOOT	2

FRONT SUSPENSION

Gasoline Vehicle

When ordering parts, please specify the model and serial number of the product.
 * Indicates a component that is not available as an individual part.
 G** Indicates consult Customer Service Department for additional information.

ITEM	PART NO.	1 2 3 4 5	DESCRIPTION	QTY.
31	31539-G1		WIRE TIE	4
32				
33	70422-G01		LEAF SPRING (HEAVY DUTY)	2
34	70163-G02		SPRING PLATE	4
35	00463-G6		BOLT, 7/16 - 14 X 1 3/4" LG	6
36	00734-G1		LOCK NUT, 7/16 - 14	12
37	00463-G6		BOLT, 7/16 - 14 X 1 3/4" LG	6
38				
39	74255-G01		WINCH RECEIVER.....	1
40				
41				
42	70535-G02		SPINDLE ASSEMBLY (DRIVER SIDE) (INCLUDES ITEMS 4 - 7, 11 - 12, 43) (ST SPORT)	1
43	72590-G01		WHEEL HUB ASSEMBLY (INCLUDES ITEMS 10, 44) (ST SPORT)	1
44	*		SET SCREW, 1/2 - 20 X 2" LG.....	4
45				
46	70534-G02		SPINDLE ASSEMBLY (PASSENGER SIDE) (INCLUDES ITEMS 5 - 7, 11 - 12, 15, 43) (ST SPORT)	1

**DID YOU
KNOW?**

CartPros directs you to the right part using the part numbers from this manual. Enter the part number into our search box and it will find the part you are looking for.

**GET STARTED
HERE**



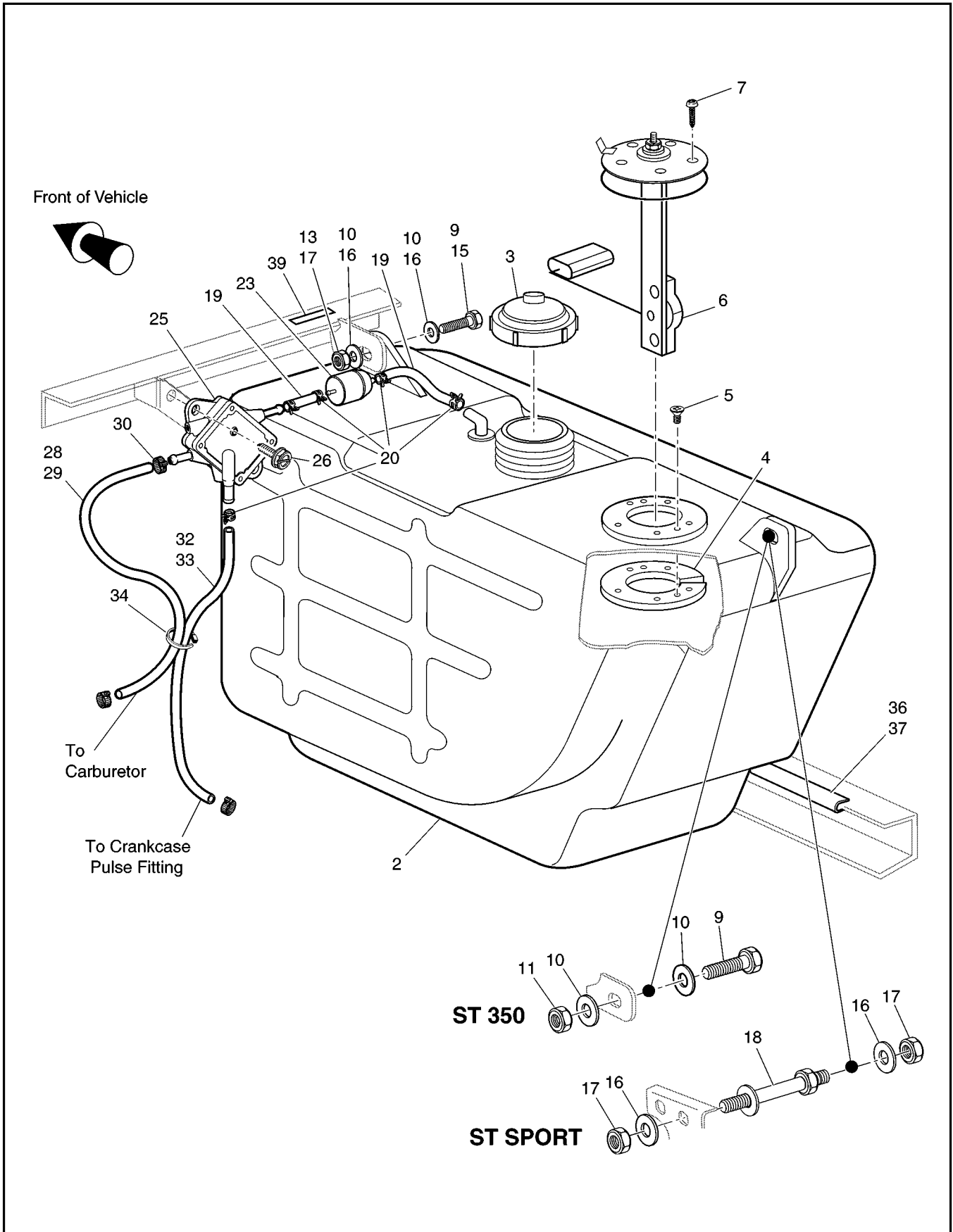
<https://CartPros.com/f.html>

Gasoline Vehicle

FRONT SUSPENSION

FUEL SYSTEM

Gasoline Vehicle



Gasoline Vehicle

FUEL SYSTEM

When ordering parts, please specify the model and serial number of the product.
 * Indicates a component that is not available as an individual part.
 G** Indicates consult Customer Service Department for additional information.

ITEM	PART NO.	1 2 3 4 5	DESCRIPTION	QTY.
1	72231-G01		FUEL TANK ASSEMBLY (INCLUDES ITEMS 2 - 7).....	1
2	72092-G02		FUEL TANK (FOR ELECTRIC GAUGE / WARNING LIGHT)	1
3	72282-G01		FUEL TANK CAP.....	1
4	72229-G01		FUEL LEVEL SENDER ADAPTER	1
5	72230-G01		SCREW, #6 - 32 X 1/2" LG.....	2
6	20048-G2		FUEL LEVEL SENDER (ELECTRIC FUEL GAUGE).....	1
7	72232-G01		SCREW, #10 - 32 X 3/4"	5
8				
9	00439-G1		BOLT, 5/16 - 18 X 1 1/8" LG (ST 350).....	2
10	00559-G8		WASHER, 5/16" (ST 350)	4
11	11098-G6		LOCK NUT, 5/16 - 18 (ST 350)	2
12				
13				
14				
15	00438-G8		BOLT, 5/16 - 18 X 1" LG (ST SPORT).....	1
16	00559-G8		WASHER, 5/16" (ST SPORT)	4
17	11098-G6		LOCK NUT, 5/16 - 18 (ST SPORT)	3
18	70483-G01		SPACER (ST SPORT)	1
19				
20	17470-G1		FUEL SYSTEM TUBE, 1/4" ID X 1/2" OD (BULK), 3 1/4" LG.....	2
21	18292-G1		CLAMP.....	5
22				
23	72084-G01		FUEL FILTER.....	1
24				
25	72021-G01		FUEL PUMP.....	1
26	00114-G6		SCREW, 1/4 - 14 X 3/4" LG	2
27				
28	17470-G1		FUEL SYSTEM TUBE, 1/4" ID X 1/2" OD (BULK), 26" LG (ST 350).....	1
29	17470-G1		FUEL SYSTEM TUBE, 1/4" ID X 1/2" OD (BULK), 16" LG (ST SPORT).....	1
30	11391-G4		HOSE CLAMP, 1/4"	3

FUEL SYSTEM

Gasoline Vehicle

When ordering parts, please specify the model and serial number of the product.
 * Indicates a component that is not available as an individual part.
 G** Indicates consult Customer Service Department for additional information.

ITEM	PART NO.	1 2 3 4 5	DESCRIPTION	QTY.
31				
32	27183-G01		TUBE, 1/4" ID X 1/2" OD (BULK), 26" LG (ST 350).....	1
33	27183-G01		TUBE, 1/4" ID X 1/2" OD (BULK), 16" LG (ST SPORT).....	1
34	17618-G1		WIRE TIE	3
35				
36	22280-G1		VINYL TRIM - BLACK (BULK), 14" LG (ST 350)	1
37	22280-G1		VINYL TRIM - BLACK (BULK), 6 1/4" LG (ST SPORT).....	1
38				
39	26459-G01		LABEL (UNLEADED GASOLINE ONLY)	1

**DID YOU
KNOW?**

CartPros directs you to the right part using the part numbers from this manual. Enter the part number into our search box and it will find the part you are looking for.

**GET STARTED
HERE**



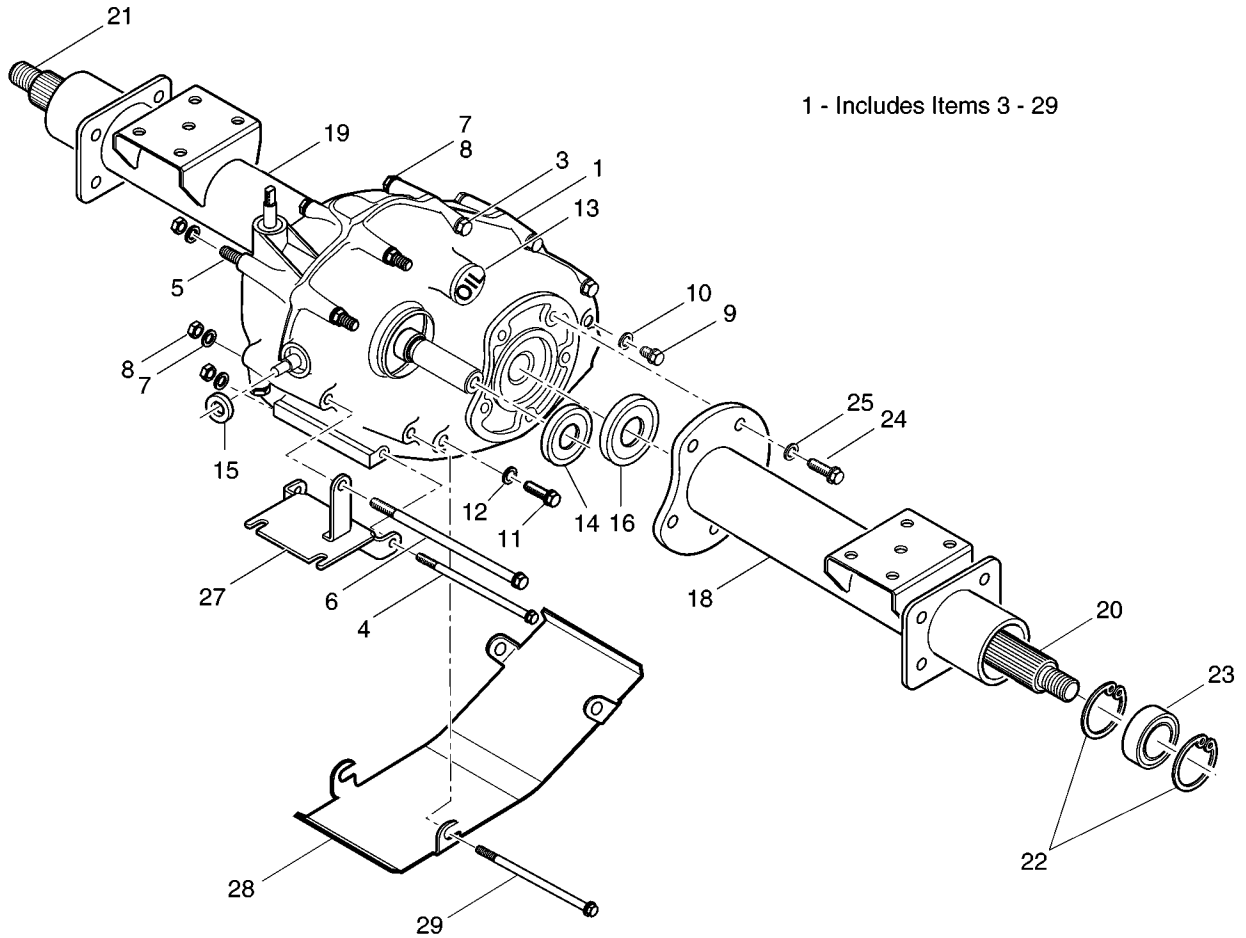
<https://CartPros.com/f.html>

Gasoline Vehicle

FUEL SYSTEM

REAR AXLE - DUAL CABLE SHIFTER

Gasoline Vehicle



Gasoline Vehicle

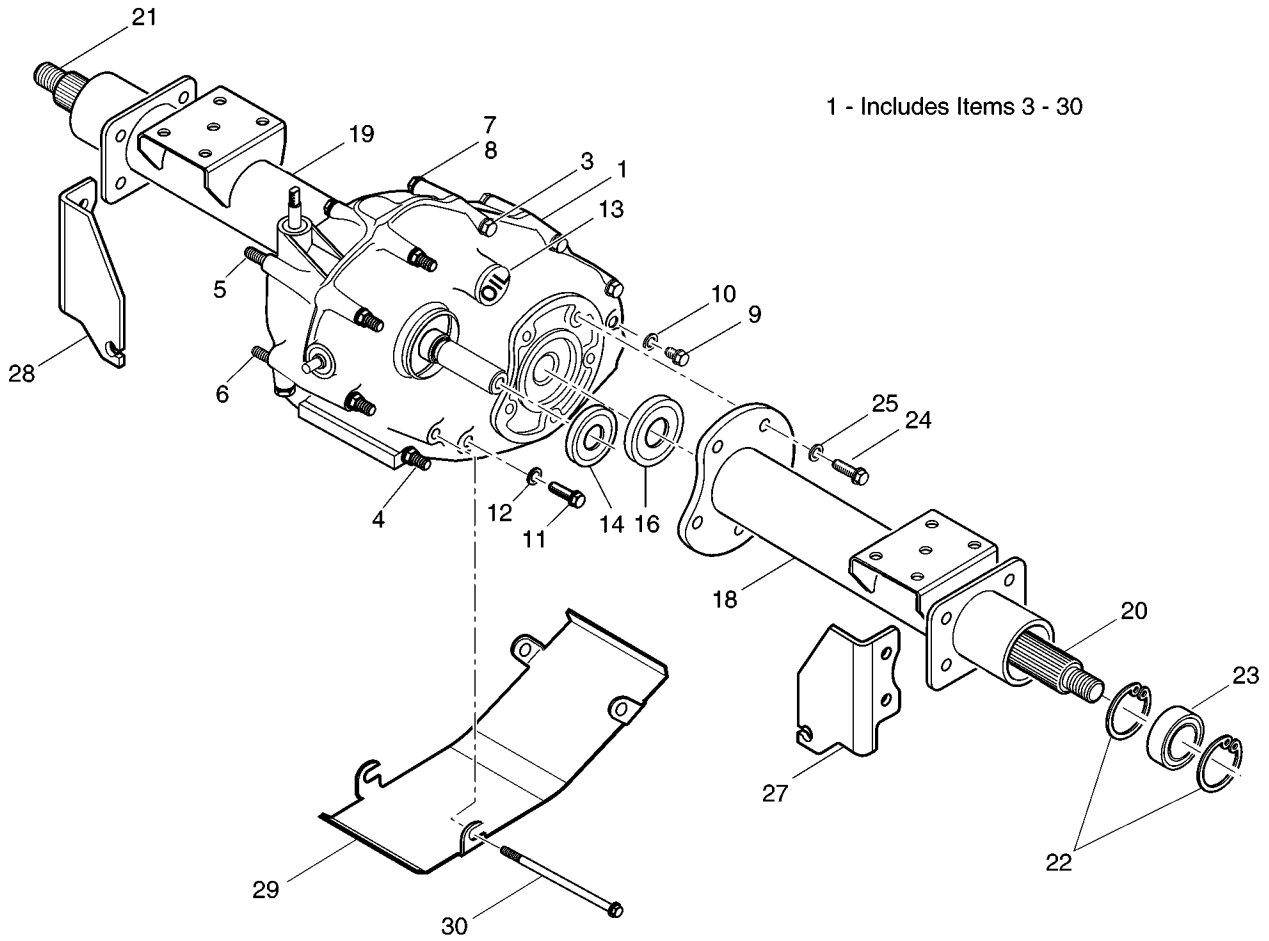
REAR AXLE - DUAL CABLE SHIFTER

When ordering parts, please specify the model and serial number of the product.
 * Indicates a component that is not available as an individual part.
 G** Indicates consult Customer Service Department for additional information.

ITEM	PART NO.	1 2 3 4 5	DESCRIPTION	QTY.
1	72408-G01		REAR AXLE ASSEMBLY (13.32:1) (INCLUDES ITEMS 3 - 29).....	1
2				
3	26823-G01		FLANGED BOLT, M8 X 1.25 X 100 MM LG	7
4	26824-G01		FLANGED BOLT, M8 X 1.25 X 110 MM LG	1
5	72053-G01		FLANGED BOLT, M8 X 1.25 X 120 MM LG	1
6	72052-G01		FLANGED BOLT, M8 X 1.25 X 130 MM LG	1
7	26826-G01		LOCK WASHER, 8 MM	4
8	26827-G01		NUT, M8 X 1.25 MM	4
9	26768-G01		OIL CHECK PLUG	1
10	26769-G01		GASKET, 8 MM	1
11	26770-G01		OIL DRAIN PLUG.....	1
12	26771-G01		GASKET, 14 MM	1
13	26772-G01		OIL FILLER PLUG.....	1
14	26761-G01		INPUT SHAFT SEAL.....	1
15	26762-G01		SHIFTER SHAFT SEAL.....	1
16	26766-G01		AXLE SHAFT SEAL.....	2
17				
18	72058-G01		AXLE TUBE (DRIVER SIDE)	1
19	72059-G01		AXLE TUBE (PASSENGER SIDE).....	1
20	72056-G01		AXLE SHAFT (DRIVER SIDE)	1
21	72057-G01		AXLE SHAFT (PASSENGER SIDE).....	1
22	26814-G01		RETAINING RING	4
23	26811-G01		BALL BEARING.....	2
24	72260-G01		FLANGED BOLT, M10 X 1.5 X 23 MM LG	10
25	26828-G01		WASHER, 10 MM.....	10
26				
27	26815-G01		SHIFTER CABLE BRACKET.....	1
28	72349-G01		DIFFERENTIAL SKID PLATE	1
29	72053-G01		FLANGED BOLT, M8 X 1.25 X 110 MM LG	2

REAR AXLE - SINGLE CABLE SHIFTER

Gasoline Vehicle



Gasoline Vehicle

REAR AXLE - SINGLE CABLE SHIFTER

When ordering parts, please specify the model and serial number of the product.

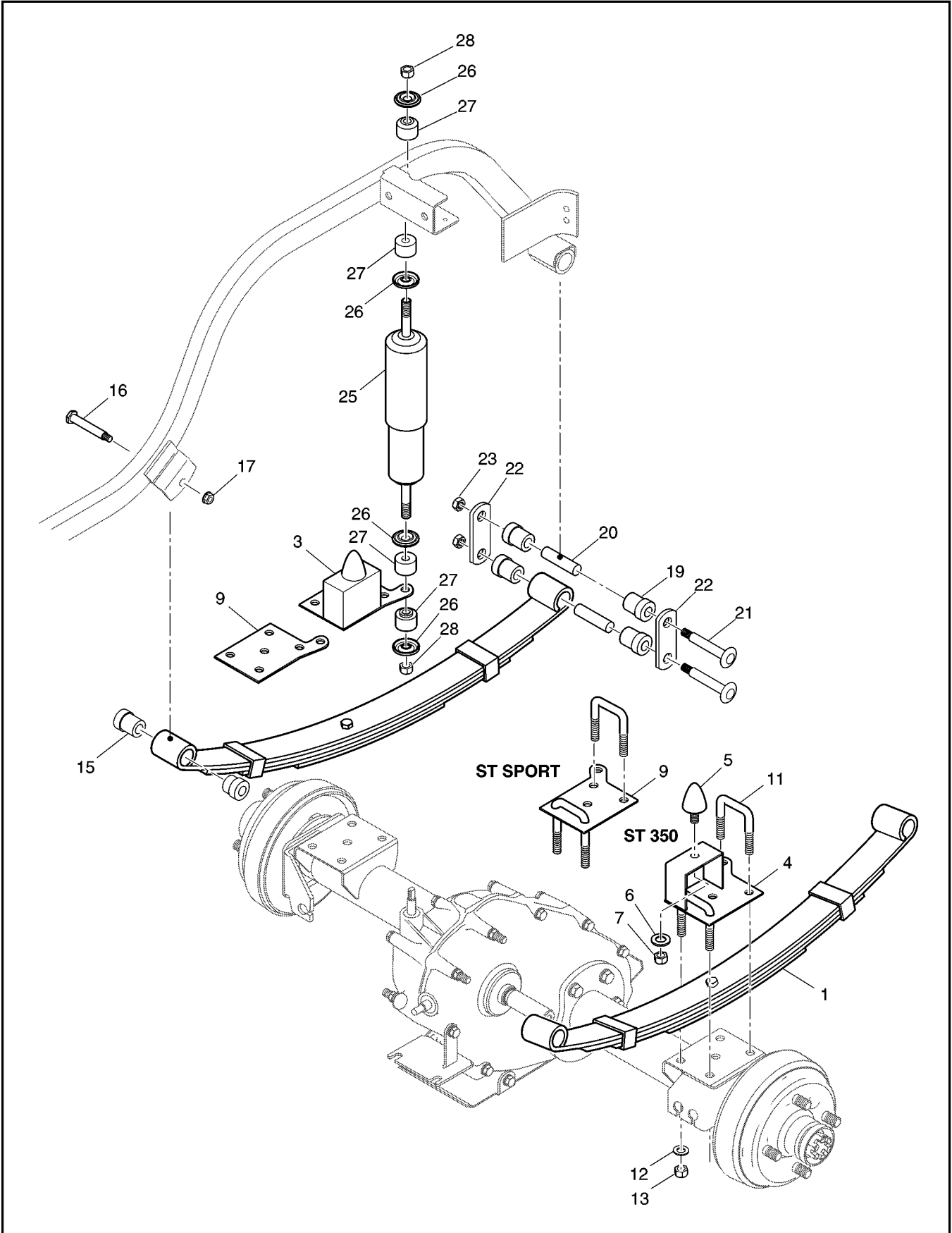
* Indicates a component that is not available as an individual part.

G** Indicates consult Customer Service Department for additional information.

ITEM	PART NO.	1 2 3 4 5	DESCRIPTION	QTY.
1	74545-G01		REAR AXLE ASSEMBLY (13.32:1) (INCLUDES ITEMS 3 - 30).....	1
2				
3	26823-G01		FLANGED BOLT, M8 X 1.25 X 100 MM LG	7
4	26824-G01		FLANGED BOLT, M8 X 1.25 X 110 MM LG	1
5	72053-G01		FLANGED BOLT, M8 X 1.25 X 120 MM LG	1
6	72052-G01		FLANGED BOLT, M8 X 1.25 X 130 MM LG	1
7	26826-G01		LOCK WASHER, 8 MM	4
8	26827-G01		NUT, M8 X 1.25 MM	4
9	26768-G01		OIL CHECK PLUG	1
10	26769-G01		GASKET, 8 MM	1
11	26770-G01		OIL DRAIN PLUG.....	1
12	26771-G01		GASKET, 14 MM	1
13	26772-G01		OIL FILLER PLUG.....	1
14	26761-G01		INPUT SHAFT SEAL.....	1
15	26762-G01		SHIFTER SHAFT SEAL.....	1
16	26766-G01		AXLE SHAFT SEAL.....	2
17				
18	72058-G01		AXLE TUBE (DRIVER SIDE)	1
19	72059-G01		AXLE TUBE (PASSENGER SIDE).....	1
20	72056-G01		AXLE SHAFT (DRIVER SIDE)	1
21	72057-G01		AXLE SHAFT (PASSENGER SIDE).....	1
22	26814-G01		RETAINING RING	4
23	26811-G01		BALL BEARING.....	2
24	72260-G01		FLANGED BOLT, M10 X 1.5 X 23 MM LG	10
25	26828-G01		WASHER, 10 MM.....	10
26				
27	75870-G01		BRAKE CABLE BRACKET (DRIVER SIDE)	1
28	75870-G02		BRAKE CABLE BRACKET (PASSENGER SIDE).....	1
29	72349-G01		DIFFERENTIAL SKID PLATE	1
30	72053-G01		FLANGED BOLT, M8 X 1.25 X 110 MM LG	2

REAR SUSPENSION

Gasoline Vehicle



Gasoline Vehicle

REAR SUSPENSION

When ordering parts, please specify the model and serial number of the product.
 * Indicates a component that is not available as an individual part.
 G** Indicates consult Customer Service Department for additional information.

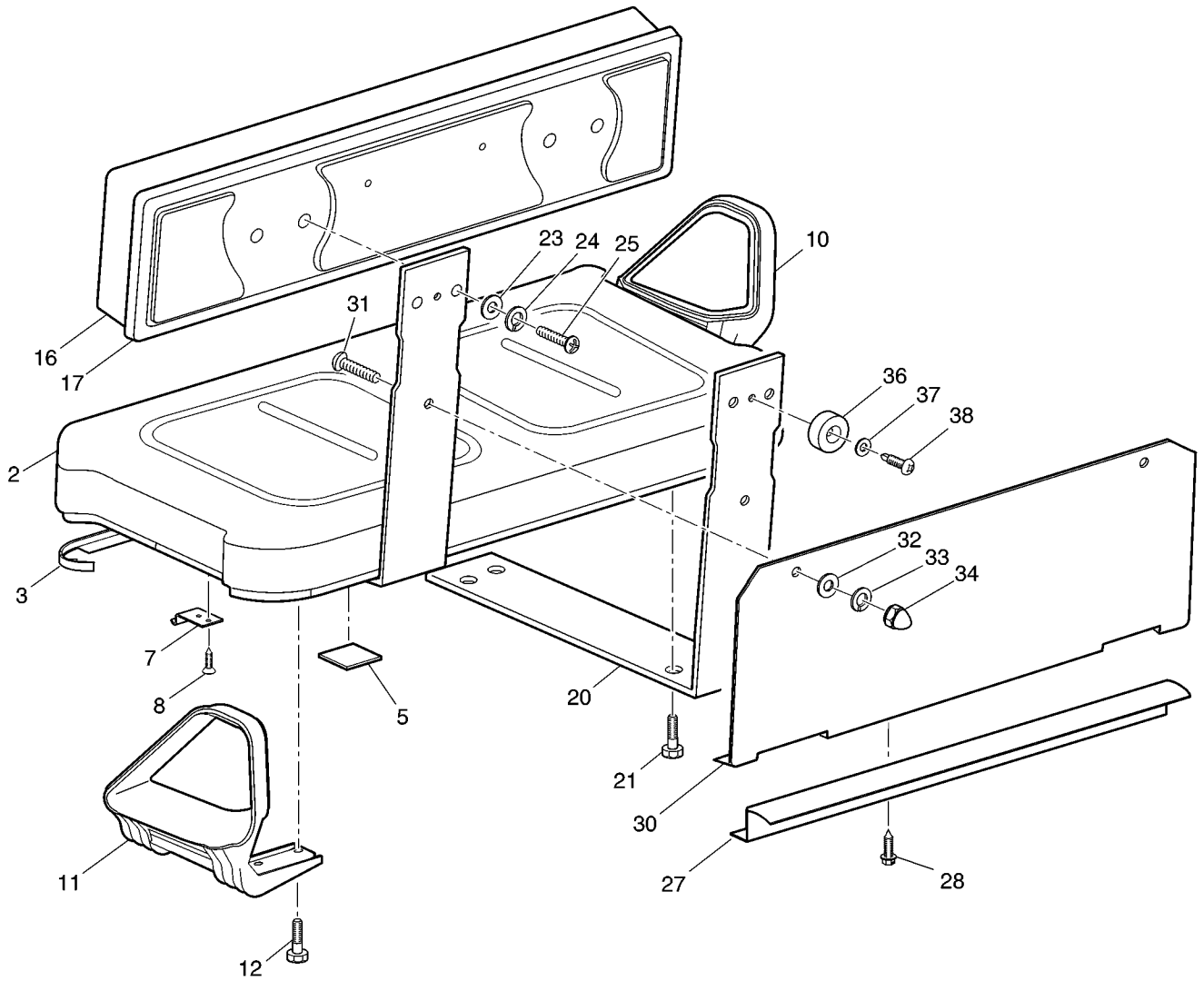
ITEM	PART NO.	1 2 3 4 5	DESCRIPTION	QTY.
1	74207-G01		HEAVY DUTY LEAF SPRING.....	2
2				
3	72360-G01		SHOCK/STOP MOUNT (PASSENGER SIDE) (ST 350).....	1
4	72360-G02		SHOCK/STOP MOUNT (DRIVER SIDE) (ST 350)	1
5	70492-G01		RUBBER BUMPER (ST 350).....	2
6	00968-G01		LOCK WASHER, 10 MM (ST 350).....	2
7	00974-G01		NUT, M10 X 1.5 (ST 350).....	2
8				
9	72357-G02		SPRING PLATE (ST SPORT).....	2
10				
11	72618-G02		'U' BOLT, 3/8 - 16	4
12	00560-G1		WASHER, 3/8"	8
13	11098-G5		LOCK NUT, 3/8 - 16	8
14				
15	70291-G01		FLANGED BUSHING	4
16	14158-G1		SHOULDER BOLT, 3/8 - 16 X 3 1/4" LG.....	2
17	12262-G1		LOCK NUT, 3/8 - 16	2
18				
19	70291-G01		FLANGED BUSHING	8
20	70289-G02		SPACER.....	4
21	00429-G4		BOLT, 3/8 - 16 X 3 1/2" LG.....	4
22	70290-G01		SHACKLE PLATE	4
23	11098-G5		LOCK NUT, 3/8 - 16	4
24				
25	70324-G01		SHOCK ABSORBER	2
26	10435-G1		SHOCK ABSORBER WASHER.....	8
27	10194-G1		RUBBER SHOCK ABSORBER BUSHING	8
28	00532-G6		NUT, 3/8 - 24	4

SEATING

Gasoline Vehicle

ST 350

- 1 - Includes Items 2, 3
- 15 - Includes Items 16, 17



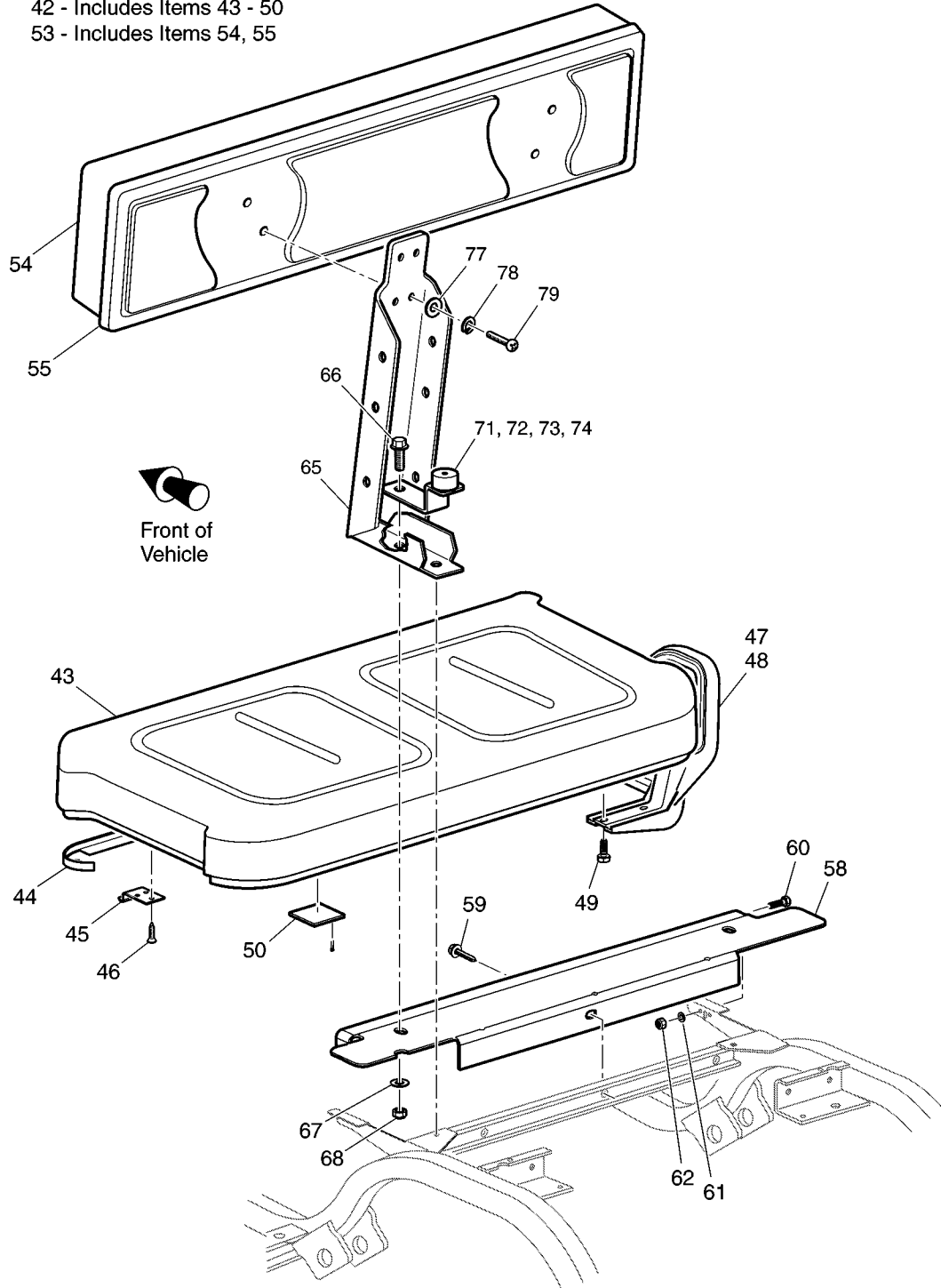
Gasoline Vehicle

SEATING

ST SPORT

42 - Includes Items 43 - 50

53 - Includes Items 54, 55



SEATING

Gasoline Vehicle

When ordering parts, please specify the model and serial number of the product.
 * Indicates a component that is not available as an individual part.
 G** Indicates consult Customer Service Department for additional information.

ITEM	PART NO.	1 2 3 4 5	DESCRIPTION	QTY.
1	71664-G**		SEAT BOTTOM ASSEMBLY (INCLUDES ITEMS 2, 3)	1
2	71602-G**		VINYL SEAT BOTTOM COVER	1
3	71012-G01		VINYL TRIM (SEAT BOTTOM)	1
4				
5	17074-G1		RUBBER PAD	2
6				
7	71610-G01		SEAT HINGE	2
8	00720-G08		SCREW, #12 - 14 X 1" LG.....	6
9				
10	71701-G01		HIP RESTRAINT (PASSENGER SIDE)	1
11	71702-G01		HIP RESTRAINT (DRIVER SIDE).....	1
12	71204-G01		BOLT, 1/4 - 20 X 7/8" LG	8
13				
14				
15	27546-G**		SEAT BACK ASSEMBLY (INCLUDES ITEMS 16, 17).....	1
16	18144-G**		VINYL SEAT BACK COVER	1
17	18868-G3		PLASTIC SEAT BACK COVER (BLACK)	1
18				
19				
20	71662-G01		SEAT BACK SUPPORT BRACKET	2
21	71204-G01		BOLT, 1/4 - 20 X 7/8" LG	8
22				
23	00559-G7		WASHER, 1/4"	4
24	00565-G7		LOCK WASHER, 1/4".....	4
25	16705-G1		SCREW, 1/4 - 20 X 1" LG.....	4
26				
27	71762-G02		SEAL	1
28	00114-G6		SCREW, 1/4 - 14 X 3/4" LG.....	2
29				
30	71783-G01		SEAT SHIELD	1

Gasoline Vehicle

SEATING

When ordering parts, please specify the model and serial number of the product.
 * Indicates a component that is not available as an individual part.
 G** Indicates consult Customer Service Department for additional information.

ITEM	PART NO.	1 2 3 4 5	DESCRIPTION	QTY.
31	16705-G3		SCREW, 1/4 - 20 X 3/4" LG	2
32	00559-G7		WASHER, 1/4"	2
33	00565-G7		LOCK WASHER, 1/4"	2
34	15158-G1		ACORN NUT, 1/4 - 20	2
35				
36	13728-G1		RUBBER BUMPER.....	2
37	00650-G7		WASHER, 1/4"	2
38	74384-G01		SCREW, 1/4 - 20 X 5/8" LG	2
39				
40				
41				
42	71611-G**		SEAT BOTTOM ASSEMBLY (INCLUDES ITEMS 43 - 50).....	1
43	71602-G**		VINYL SEAT BOTTOM COVER	1
44	71012-G01		VINYL TRIM (SEAT BOTTOM).....	1
45	71610-G01		SEAT HINGE	2
46	00720-G08		SCREW, #12 - 14 X 1" LG.....	6
47	71701-G01		HIP RESTRAINT (PASSENGER SIDE)	1
48	71702-G01		HIP RESTRAINT (DRIVER SIDE)	1
49	71204-G01		BOLT, 1/4 - 20 X 7/8" LG	8
50	17074-G1		RUBBER PAD.....	2
51				
52				
53	71274-G**		SEAT BACK ASSEMBLY (INCLUDES ITEMS 54, 55).....	1
54	18144-G**		VINYL SEAT BACK COVER	1
55	18868-G4		PLASTIC SEAT BACK COVER (BLACK)	1
56				
57				
58	71262-G01		SEAT BACK SUPPORT	1
59	00715-G2		BOLT, 5/16 - 18 X 13/16" LG.....	1
60	00438-G8		BOLT, 5/16 - 18 X 1" LG.....	2

SEATING

Gasoline Vehicle

When ordering parts, please specify the model and serial number of the product.
 * Indicates a component that is not available as an individual part.
 G** Indicates consult Customer Service Department for additional information.

ITEM	PART NO.	1 2 3 4 5	DESCRIPTION	QTY.
61	00642-G8		WASHER, 5/16"	2
62	11098-G6		LOCK NUT, 5/16 - 18	2
63				
64				
65	75900-G01		SEAT BACK SUPPORT BRACKET	2
66	01006-G1		BOLT, 3/8 - 16 X 1 1/4" LG	4
67	00560-G1		WASHER, 3/8"	2
68	11098-G5		LOCK NUT, 3/8 - 16	2
69				
70				
71	75901-G01		BED BUMPER BRACKET.....	2
72	13728-G1		RUBBER BUMPER	2
73	00559-G5		WASHER,	2
74	14601-G1		RIVET, 3/16" X 13/16" LG	2
75				
76				
77	16705-G1		SCREW, 1/4 - 20 X 1" LG.....	4
78	00565-G7		LOCK WASHER, 1/4"	4
79	00559-G7		WASHER, 1/4"	4

**DID YOU
KNOW?**

CartPros directs you to the right part using the part numbers from this manual. Enter the part number into our search box and it will find the part you are looking for.

**GET STARTED
HERE**



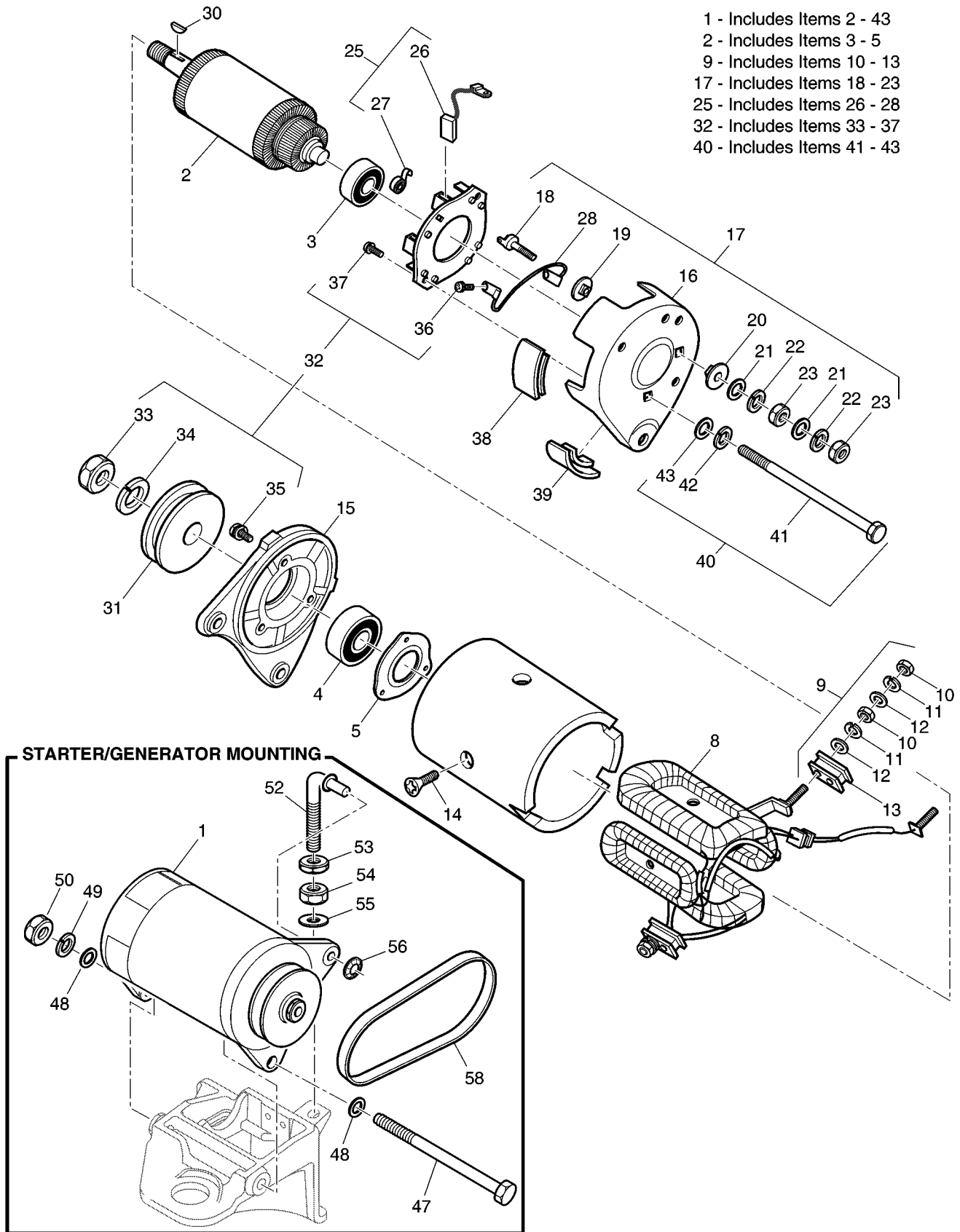
<https://CartPros.com/f.html>

Gasoline Vehicle

SEATING

STARTER / GENERATOR

Gasoline Vehicle



Gasoline Vehicle

STARTER / GENERATOR

When ordering parts, please specify the model and serial number of the product.
 * Indicates a component that is not available as an individual part.
 G** Indicates consult Customer Service Department for additional information.

ITEM	PART NO.	1 2 3 4 5	DESCRIPTION	QTY.
1	27065-G01		STARTER / GENERATOR (INCLUDES ITEMS 2 - 43).....	1
2	26870-G01		ARMATURE (INCLUDES ITEMS 3 - 5).....	1
3	26871-G01		REAR BALL BEARING	1
4	26872-G01		FRONT BALL BEARING.....	1
5	26873-G01		BEARING HOLDER	1
6				
7				
8	26875-G01		FIELD COIL	1
9	26876-G01		INSULATING BRUSH ASSEMBLY ('F') (INCLUDES ITEMS 10 - 13).....	2
10	*		NUT	2
11	*		LOCK WASHER.....	2
12	*		WASHER.....	2
13	*		INSULATOR	1
14	26877-G01		POLE CORE SETSCREW	4
15	26878-G01		FRONT COVER.....	1
16	27879-G01		REAR COVER.....	1
17	26880-G01		TERMINAL ASSEMBLY ('A') (INCLUDES ITEMS 18 - 23).....	2
18	*		TERMINAL	2
19	*		INSULATOR	2
20	*		INSULATOR	2
21	*		WASHER.....	4
22	*		LOCK WASHER.....	4
23	*		NUT	4
24				
25	26881-G01		BRUSH HOLDER ASSEMBLY (INCLUDES ITEMS 26 - 28)	1
26	26658-G01		BRUSH.....	4
27	26882-G01		BRUSH SPRING.....	4
28	26883-G01		BRUSH CONNECTOR.....	2
29				
30	26884-G01		KEY.....	1

STARTER / GENERATOR

Gasoline Vehicle

When ordering parts, please specify the model and serial number of the product.
 * Indicates a component that is not available as an individual part.
 G** Indicates consult Customer Service Department for additional information.

ITEM	PART NO.	1	2	3	4	5	DESCRIPTION	QTY.
31	*						PULLEY	1
32	26886-G01						BRUSH AND PULLEY HARDWARE KIT (INCLUDES ITEMS 33 - 37).....	1
33	*						NUT	1
34	*						LOCK WASHER	1
35	*						SCREW	3
36	*						SCREW	4
37	*						SCREW	2
38	26887-G01						BRUSH 1 COVER.....	3
39	26888-G01						BRUSH 2 COVER.....	2
40	26889-G01						HOUSING HARDWARE KIT (INCLUDES ITEMS 41 - 43)	2
41	*						BOLT	2
42	*						LOCK WASHER	2
43	*						WASHER.....	2
44								
45								
46								
47	00938-G4						BOLT, 1/2 - 13 X 8" LG	1
48	00560-G3						WASHER, 1/2"	2
49	00566-G3						LOCK WASHER, 1/2"	1
50	00533-G1						NUT, 1/2 - 13	1
51								
52	28617-G01						STARTER / GENERATOR ADJUSTER.....	1
53	00544-G5						JAM NUT, 3/8 - 16	1
54	00532-G5						NUT, 3/8 - 16	1
55	00560-G1						WASHER, 3/8"	1
56	12064-G4						PUSH NUT, 5/16"	1
57								
58	26414-G01						STARTER / GENERATOR BELT	1

**DID YOU
KNOW?**

CartPros directs you to the right part using the part numbers from this manual. Enter the part number into our search box and it will find the part you are looking for.

**GET STARTED
HERE**



<https://CartPros.com/f.html>

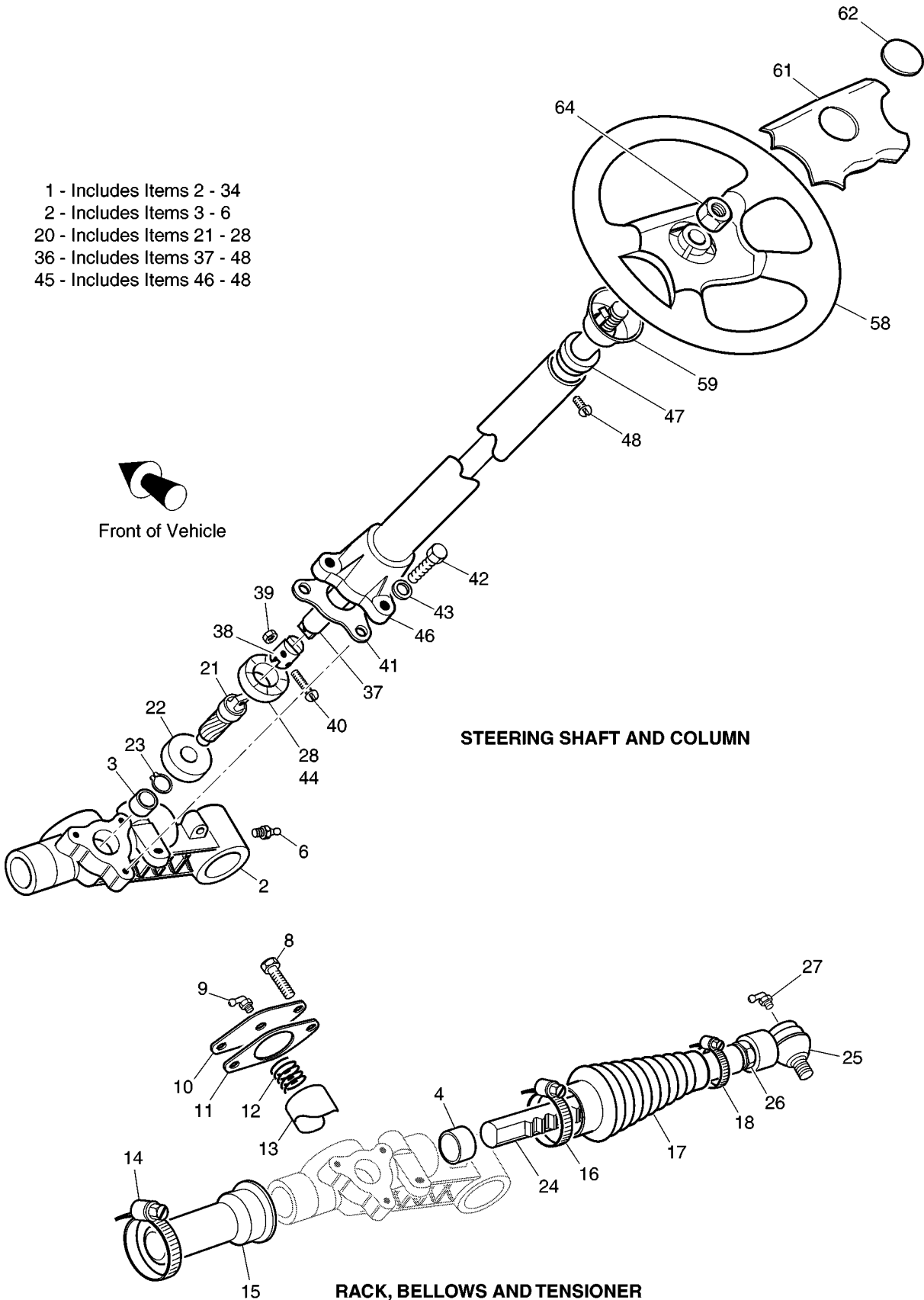
Gasoline Vehicle

STARTER / GENERATOR

STEERING

Gasoline Vehicle

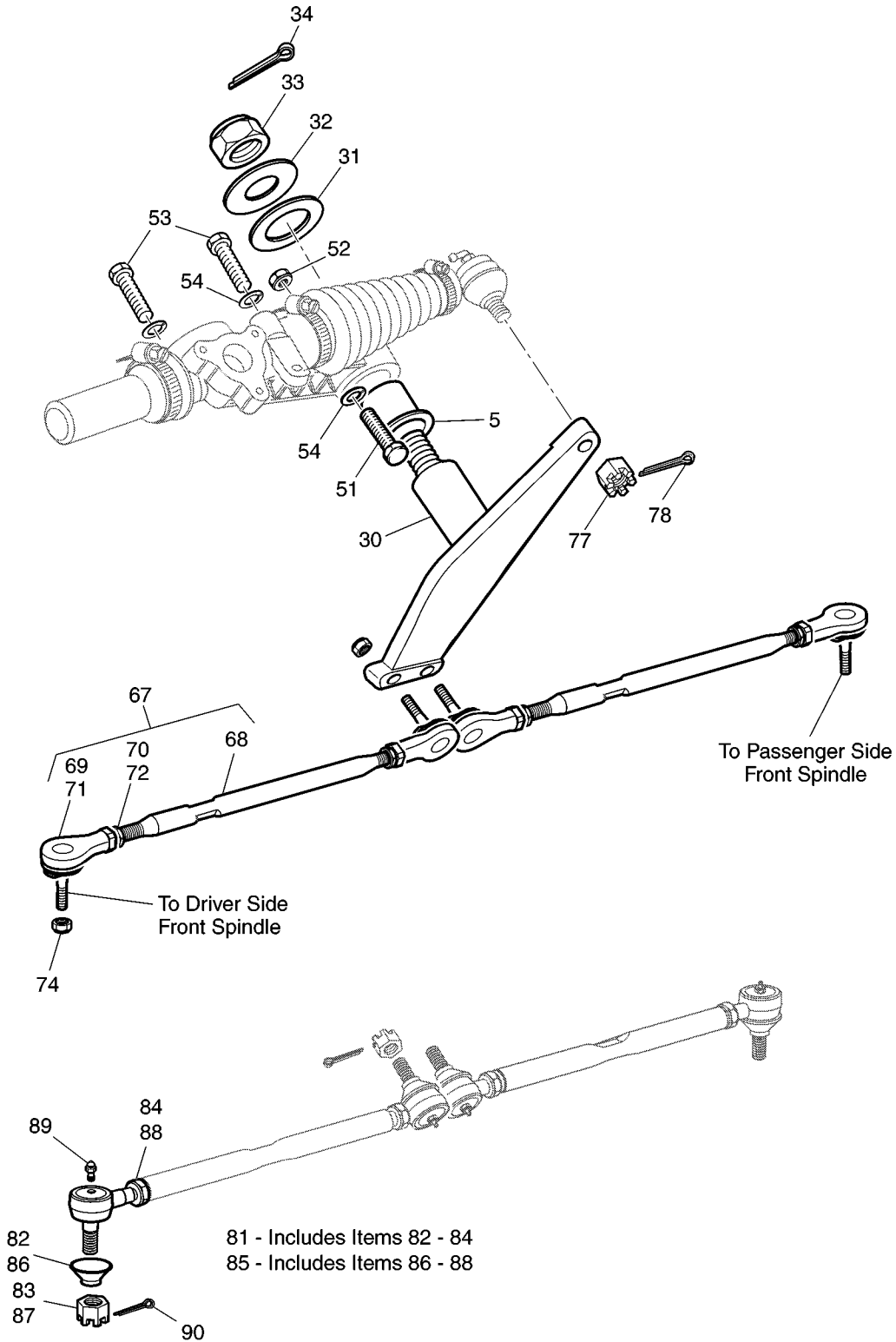
- 1 - Includes Items 2 - 34
- 2 - Includes Items 3 - 6
- 20 - Includes Items 21 - 28
- 36 - Includes Items 37 - 48
- 45 - Includes Items 46 - 48



Gasoline Vehicle

STEERING

IDLER, TIE RODS AND MOUNTING



STEERING

Gasoline Vehicle

When ordering parts, please specify the model and serial number of the product.

* Indicates a component that is not available as an individual part.

G** Indicates consult Customer Service Department for additional information.

ITEM	PART NO.	1 2 3 4 5	DESCRIPTION	QTY.
1	70723-G02		STEERING BOX ASSEMBLY (COMPLETE) (INCLUDES ITEMS 2 - 34)	1
2	75364-G01		STEERING HOUSING (INCLUDES ITEMS 3 - 6).....	1
3	*		SLEEVE BEARING	1
4	*		SLEEVE BEARING	1
5	*		FLANGED BEARING	1
6	10389-G3		GREASE FITTING, STRAIGHT	1
7				
8	00426-G6		BOLT, 3/8 - 16 X 3/4" LG	2
9	18456-G1		GREASE FITTING, 90°	1
10	70177-G01		RACK GUIDE COVER	1
11	70225-G01		GASKET	1
12	70178-G01		COMPRESSION SPRING	1
13	70179-G01		RACK GUIDE	1
14	11391-G1		HOSE CLAMP, 1 1/4"	1
15	70041-G01		RACK COVER.....	1
16	11391-G1		HOSE CLAMP, 1 1/4"	1
17	70183-G01		BELLOWS	1
18	11391-G5		HOSE CLAMP, 3/4"	1
19				
20	70724-G01		STEERING GEAR KIT (INCLUDES ITEMS 21 - 28).....	1
21	70717-G01		GEAR PINION.....	1
22	15112-G1		BALL BEARING	1
23	70190-G01		EXTERNAL RETAINING RING	1
24	70718-G01		STEERING RACK	1
25	70192-G01		RACK BALL END	1
26	00544-G8		NUT, 7/16 - 20	1
27	18456-G1		GREASE FITTING, 90°	1
28	70466-G01		RETAINER	1
29				
30	70184-G01		IDLER.....	1

Gasoline Vehicle

STEERING

When ordering parts, please specify the model and serial number of the product.

* Indicates a component that is not available as an individual part.

G** Indicates consult Customer Service Department for additional information.

ITEM	PART NO.	1 2 3 4 5	DESCRIPTION	QTY.
31	70216-G01		THRUST WASHER, 1 1/2"	1
32	70195-G01		THRUST WASHER, 7/8"	1
33	00734-G6		LOCK NUT, 7/8 - 9.....	1
34	00798-G8		COTTER PIN, 5/32" X 1 3/4" LG	1
35				
36	70360-G01		STEERING SHAFT/COLUMN KIT (INCLUDES ITEMS 37 - 48)	1
37	14322-G6		STEERING SHAFT.....	1
38	70558-G01		COUPLING.....	1
39	00550-G1		LOCK NUT, 1/4 - 20.....	2
40	70227-G01		BOLT, 1/4 - 20 X 7/8" LG	2
41	70223-G01		GASKET	1
42	00876-G2		BOLT, 3/8 - 16 X 1 1/4" LG WITH PATCHLOCK	3
43	00878-G1		LOCK WASHER, 3/8".....	3
44	70466-G01		RETAINER.....	1
45	28633-G01		STEERING COLUMN KIT (INCLUDES ITEMS 46 - 48)	1
46	*		STEERING COLUMN	1
47	28569-G01		STEERING COLUMN BUSHING	1
48	01022-G01		SCREW, #6 - 20 X 5/16" LG	1
49				
50				
51	00470-G4		BOLT, 7/16 - 20 X 2 1/2" LG.....	1
52	00734-G3		LOCK NUT, 7/16 - 20	1
53	01033-G01		BOLT, 7/16 - 14 X 1 1/4" LG WITH PATCHLOCK	2
54	00566-G2		LOCK WASHER, 7/16".....	3
55				
56				
57				
58	71146-G01		STEERING WHEEL	1
59	71949-G01		HUB COVER.....	1
60				



STEERING

Gasoline Vehicle

When ordering parts, please specify the model and serial number of the product.

* Indicates a component that is not available as an individual part.

G** Indicates consult Customer Service Department for additional information.

ITEM	PART NO.	1 2 3 4 5	DESCRIPTION	QTY.
61	71147-G01		STEERING WHEEL COVER	1
62	71047-G01		LABEL (E-Z-GO)	1
63				
64	14390-G2		LOCK NUT, 5/8 - 18	1
65				
66				
67	70904-G04		TIE ROD ASSEMBLY (INCLUDES ITEMS 68 - 72).....	2
68	70855-G03		THREADED ROD (10 1/8" LG)	1
69	70902-G01		TIE ROD END (LEFT HAND THREADS)	1
70	01069-G01		JAM NUT, M12 X 1.25-05 (LEFT HAND THREADS)	1
71	70902-G02		TIE ROD END (RIGHT HAND THREADS)	1
72	01069-G02		JAM NUT, M12 X 1.25-05 (RIGHT HAND THREADS).....	1
73				
74	00734-G1		LOCK NUT, 7/16 - 14	4
75				
76				
77	50209-G2		SLOTTED NUT, 7/16 - 20.....	1
78	10387-G2		COTTER PIN, 3/32" X 1" LG.....	1
79				
80				
81	27205-G01		TIE ROD END (LEFT HAND THREAD) (INCLUDES ITEMS 82 - 84)	1
82	50641-G1		RUBBER BOOT	1
83	50209-G2		SLOTTED NUT, 7/16 - 20.....	1
84	18434-G3		JAM NUT, 9/16 - 18 (LEFT HAND THREAD)	1
85	27205-G02		TIE ROD END (RIGHT HAND THREAD) (INCLUDES ITEMS 86 - 88).....	1
86	50641-G1		RUBBER BOOT	1
87	50209-G2		SLOTTED NUT, 7/16 - 20.....	1
88	18434-G4		JAM NUT, 9/16 - 18 (RIGHT HAND THREAD).....	1
89	10389-G3		GREASE FITTING, STRAIGHT	2
90	10387-G2		COTTER PIN, 3/32" X 1" LG.....	4

**DID YOU
KNOW?**

CartPros directs you to the right part using the part numbers from this manual. Enter the part number into our search box and it will find the part you are looking for.

**GET STARTED
HERE**



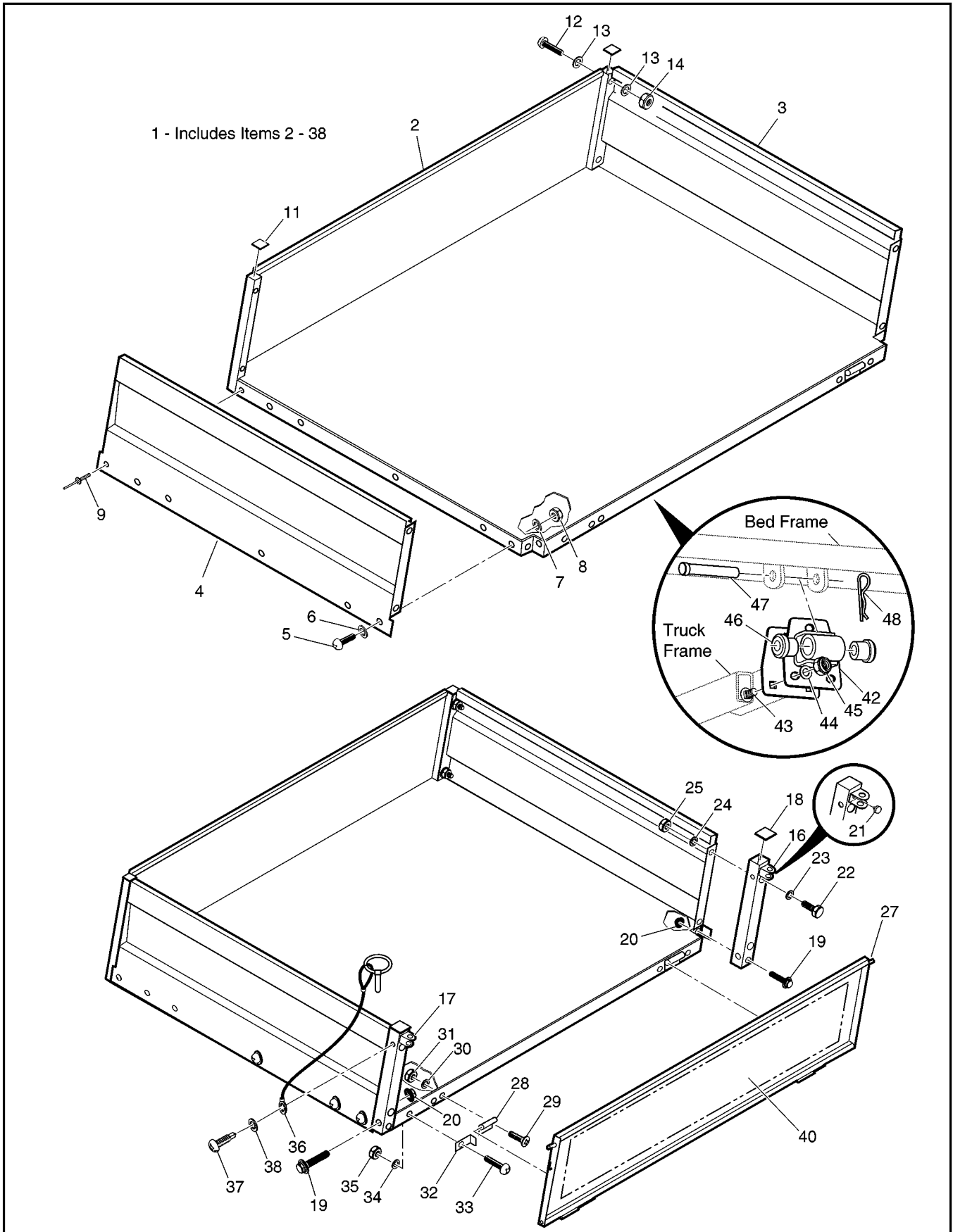
<https://CartPros.com/f.html>

Gasoline Vehicle

STEERING

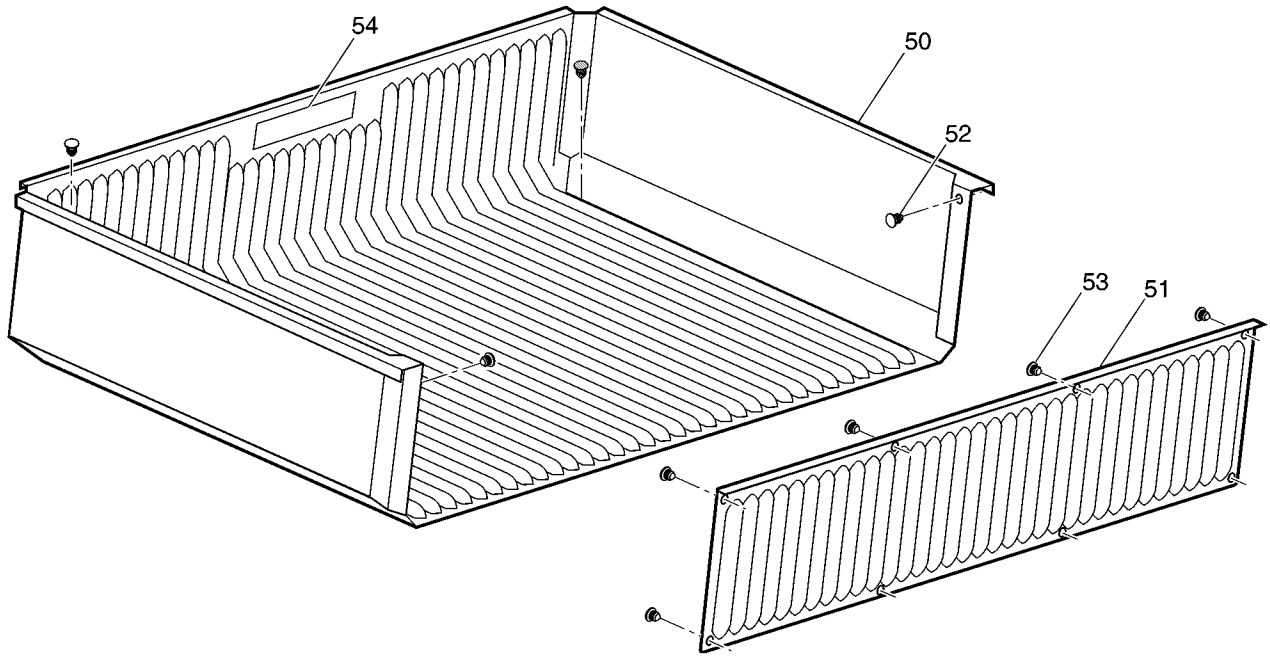
TRUCK BEDS - ST 350

Gasoline Vehicle

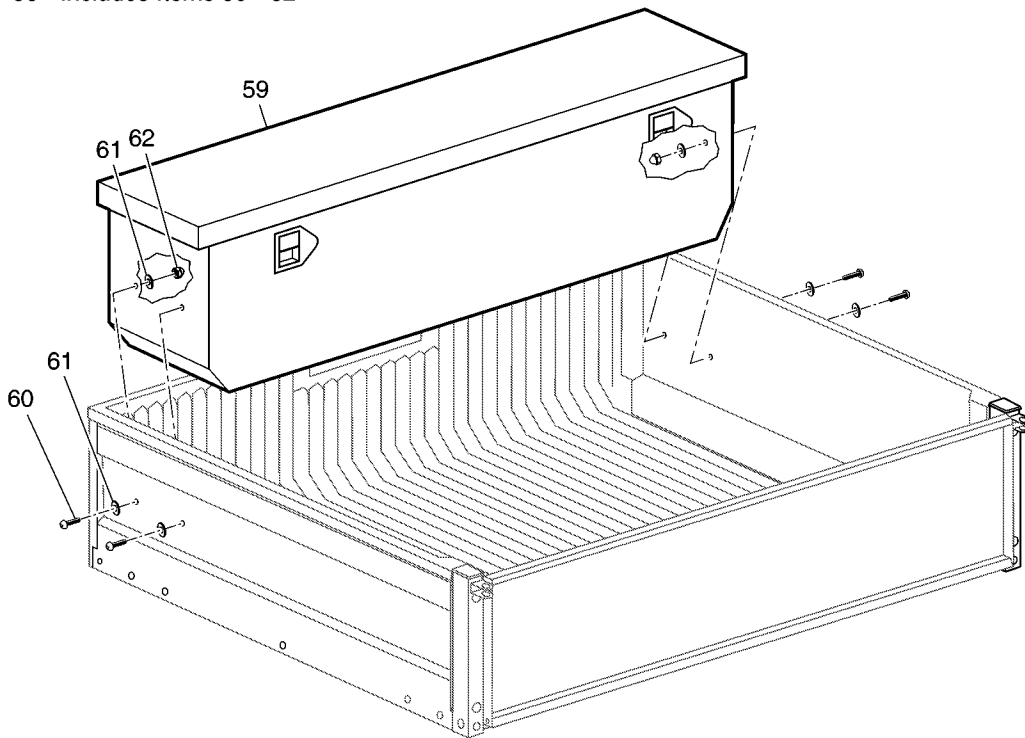


Gasoline Vehicle

TRUCK BEDS - ST 350

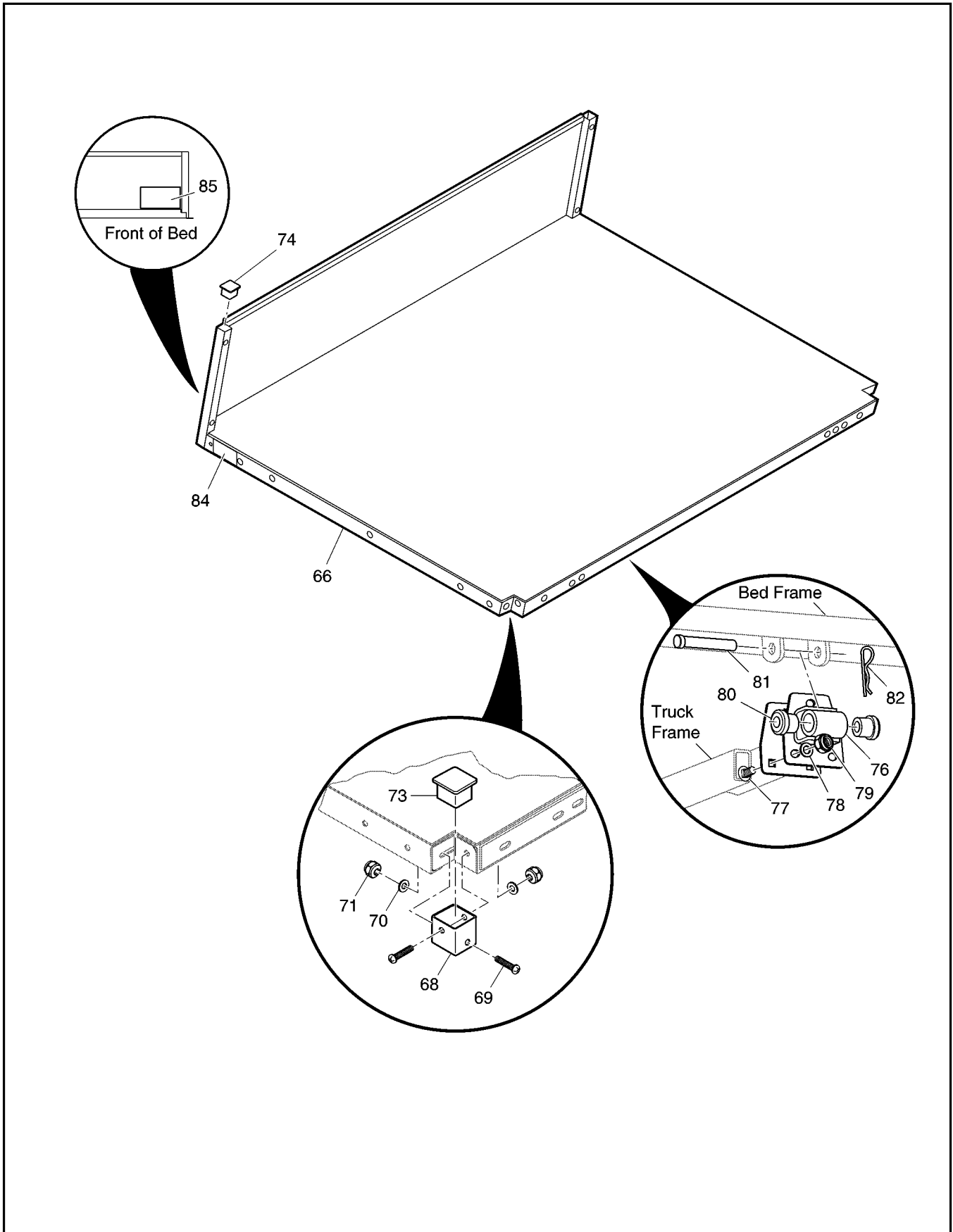


58 - Includes Items 59 - 62



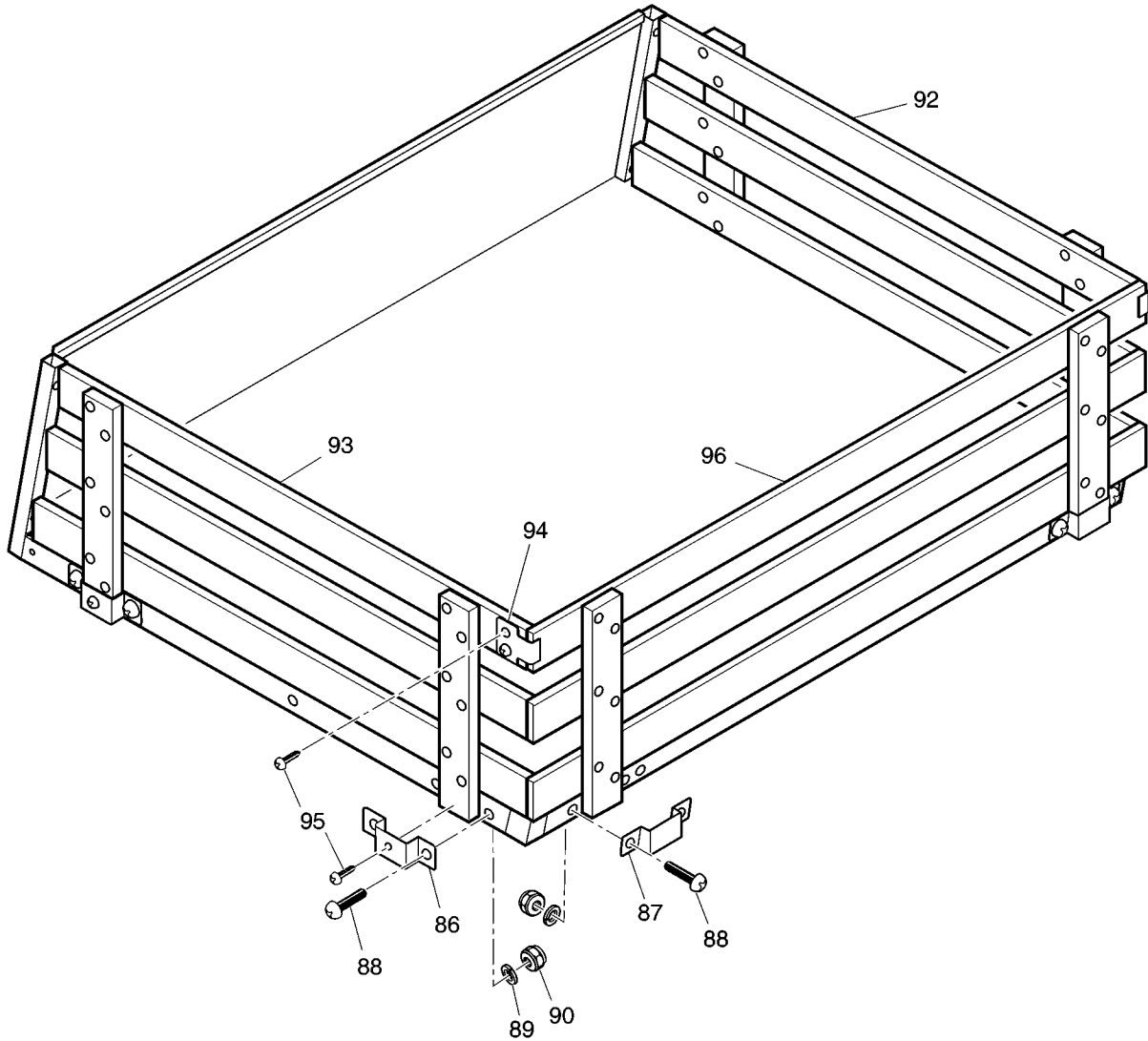
TRUCK BEDS - ST 350

Gasoline Vehicle



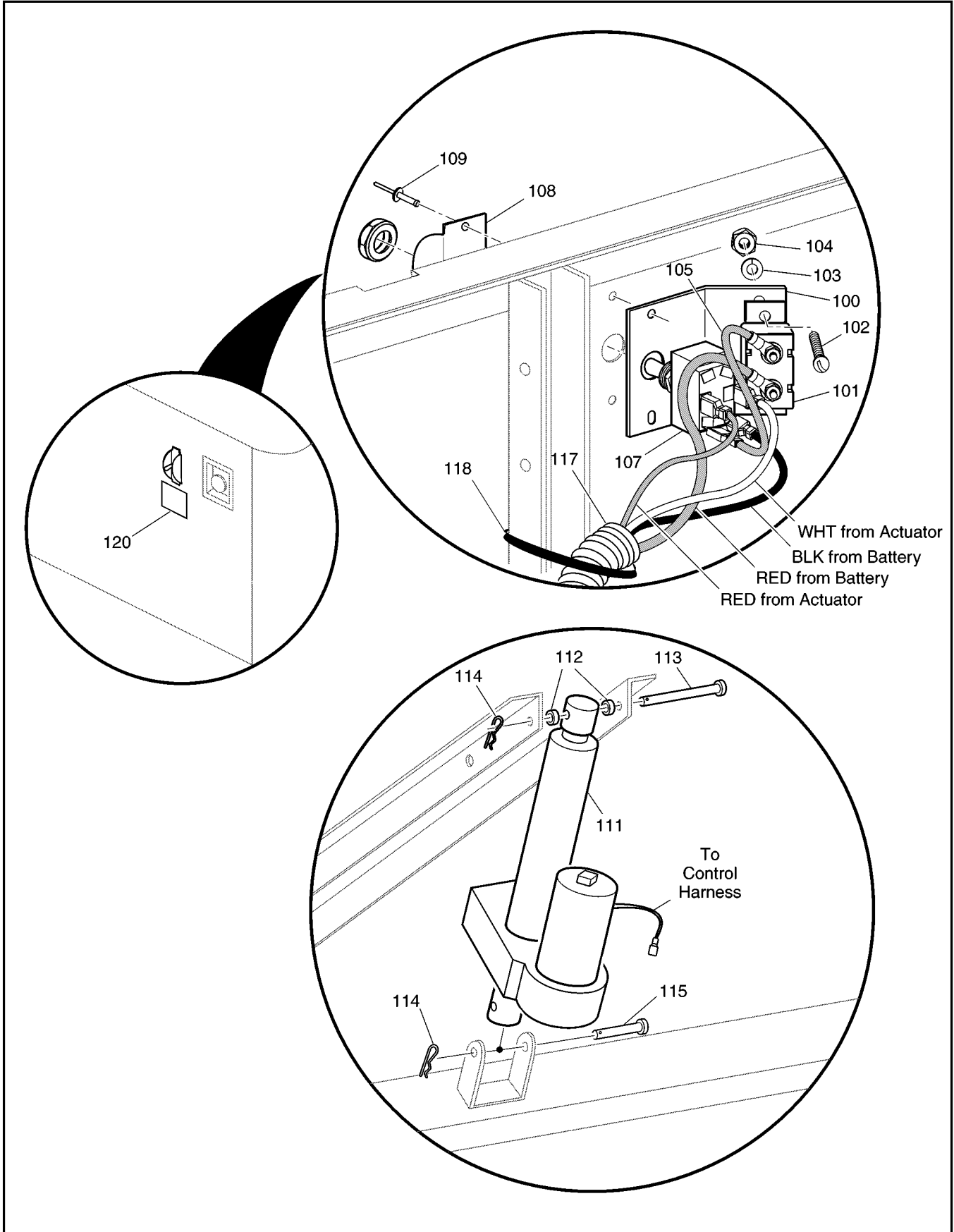
Gasoline Vehicle

TRUCK BEDS - ST 350



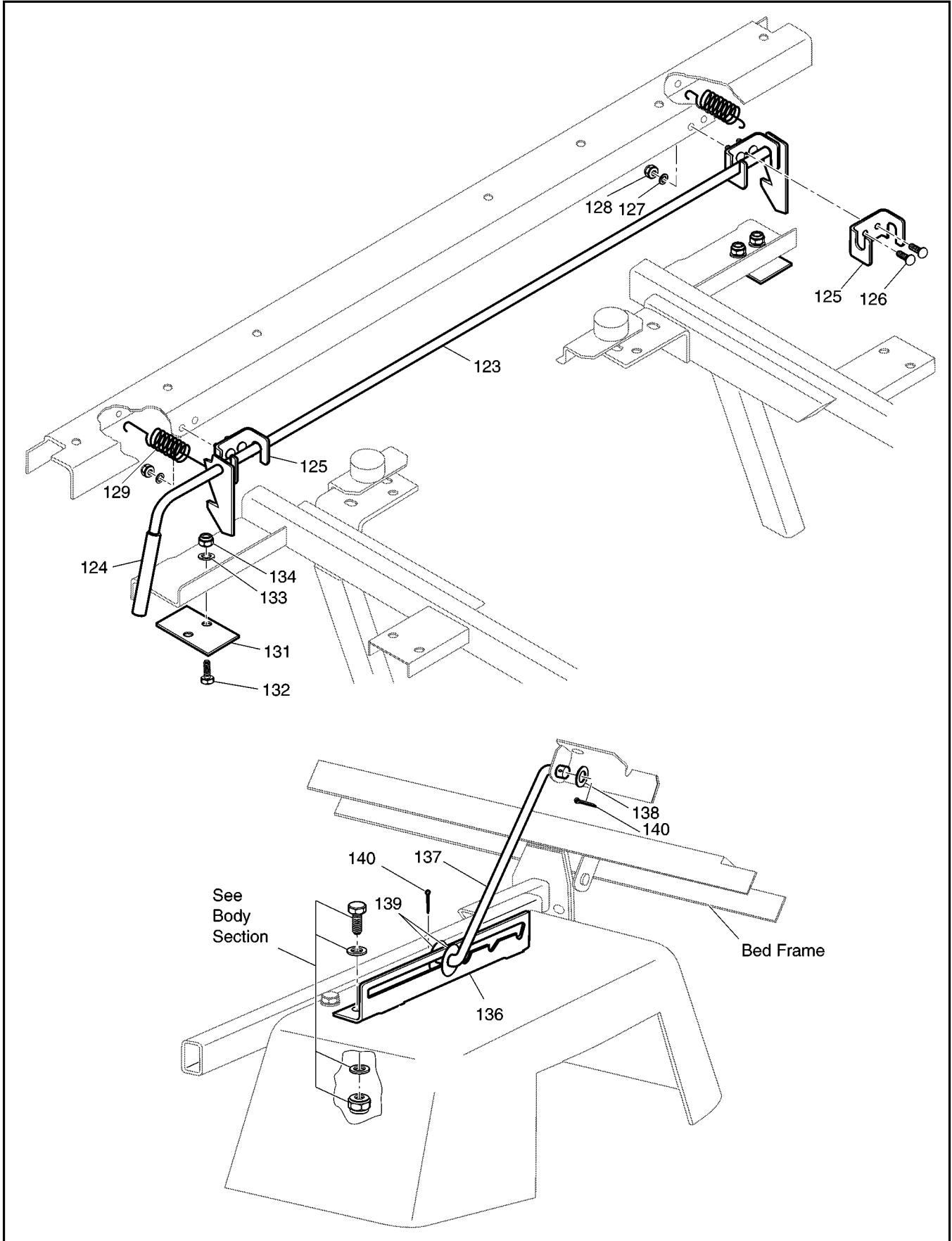
TRUCK BEDS - ST 350

Gasoline Vehicle



Gasoline Vehicle

TRUCK BEDS - ST 350



TRUCK BEDS - ST 350

Gasoline Vehicle

When ordering parts, please specify the model and serial number of the product.

* Indicates a component that is not available as an individual part.

G** Indicates consult Customer Service Department for additional information.

ITEM	PART NO.	1 2 3 4 5	DESCRIPTION	QTY.
1	71711-G01		TRUCK BED ASSEMBLY (40") (INCLUDES ITEMS 2 - 38).....	1
2	71719-G01		BED FRAME.....	1
3	71714-G01		SIDE PANEL (PASSENGER SIDE).....	1
4	71714-G02		SIDE PANEL (DRIVER SIDE)	1
5	16705-G3		SCREW, 1/4 - 20 X 3/4" LG.....	10
6	00915-G1		BONDED WASHER, 1/4"	10
7	00559-G7		WASHER, 1/4".....	10
8	14390-G4		LOCK NUT, 1/4 - 20.....	10
9	14601-G8		RIVET, 3/8" X 7/16" LG (ALUMINUM)	2
10				
11	71717-G01		END CAP, 1".....	2
12	16705-G6		SCREW, 1/4 - 20 X 1 3/4" LG.....	4
13	00915-G1		BONDED WASHER, 1/4"	8
14	14390-G4		LOCK NUT, 1/4 - 20.....	4
15				
16	71837-G01		POST (PASSENGER SIDE).....	1
17	71837-G02		POST (DRIVER SIDE)	1
18	71718-G01		END CAP, 1 1/2".....	2
19	01074-G01		SCREW, 3/8 - 16 X 3/4" LG.....	4
20	11027-G5		LOCK NUT, 3/8 - 16.....	4
21	71838-G01		BUMPER	2
22	16705-G3		SCREW, 1/4 - 20 X 3/4" LG.....	4
23	00915-G1		BONDED WASHER, 1/4"	4
24	00559-G7		WASHER, 1/4".....	4
25	14390-G4		LOCK NUT, 1/4 - 20.....	4
26				
27	71732-G01		TAILGATE.....	1
28	27666-G01		HINGE	2
29	01002-G08		SCREW, 1/4 - 20 X 1" LG.....	4
30	00559-G7		WASHER, 1/4".....	4

Gasoline Vehicle

TRUCK BEDS - ST 350

When ordering parts, please specify the model and serial number of the product.

* Indicates a component that is not available as an individual part.

G** Indicates consult Customer Service Department for additional information.

ITEM	PART NO.	1 2 3 4 5	DESCRIPTION	QTY.
31	14390-G4		LOCK NUT, 1/4 - 20.....	4
32	71748-G01		TAILGATE KEEPER.....	1
33	16705-G3		SCREW, 1/4 - 20 X 3/4" LG.....	1
34	00559-G7		WASHER, 1/4".....	1
35	14390-G4		LOCK NUT, 1/4 - 20.....	1
36	71083-G01		TAILGATE CABLE.....	2
37	00106-G6		SELF-THREADING SCREW, #12 - 24 X 3/4" LG.....	2
38	00915-G1		BONDED WASHER, 1/4".....	2
39				
40	35978-G01		LABEL (WORKHORSE).....	1
41				
42	70396-G01		BED PIVOT.....	2
43	00764-G2		CARRIAGE BOLT, 5/16 - 18 X 1" LG.....	6
44	00559-G8		WASHER, 5/16".....	6
45	11098-G6		LOCK NUT, 5/16 - 18.....	6
46	70291-G01		FLANGED BUSHING.....	4
47	21682-G1		CLEVIS PIN, 1/2" X 2 7/8" LG.....	2
48	21683-G1		COTTER PIN, 15/32" X 2 11/16" LG.....	2
49				
50	74234-G01		BED LINER, 40".....	1
51	74235-G01		TAILGATE LINER.....	1
52	18436-G1		RIVET, 1/4" X 3/4" LG.....	4
53	14601-G10		RIVET, 5/32" X 7/16" LG.....	6
54	71517-G01		BED CAPACITY LABEL.....	1
55				
56				
57				
58	75454-G02		ALUMINUM TOOLBOX KIT (INCLUDES ITEMS 59 - 62).....	1
59	75493-G01		ALUMINUM TOOLBOX.....	1
60	16705-G3		SCREW, 1/4 - 20 X 3/4" LG.....	4

TRUCK BEDS - ST 350

Gasoline Vehicle

When ordering parts, please specify the model and serial number of the product.
 * Indicates a component that is not available as an individual part.
 G** Indicates consult Customer Service Department for additional information.

ITEM	PART NO.	1 2 3 4 5	DESCRIPTION	QTY.
61	00915-G1		BONDED WASHER, 1/4"	8
62	00903-G1		ACORN NUT, 1/4 - 20	4
63				
64				
65				
66	71719-G01		BED FRAME	1
67				
68	71772-G01		CORNER TUBE	2
69	00762-G9		SCREW, 5/16 - 18 X 2 1/2" LG	4
70	00559-G8		WASHER, 5/16"	4
71	00550-G3		LOCK NUT, 5/16 - 18	4
72				
73	71718-G01		END CAP, 1 1/2"	2
74	71717-G01		END CAP, 1"	2
75				
76	70396-G01		BED PIVOT	2
77	00764-G2		CARRIAGE BOLT, 5/16 - 18 X 1" LG	6
78	00559-G8		WASHER, 5/16"	6
79	11098-G6		LOCK NUT, 5/16 - 18	6
80	70291-G01		FLANGED BUSHING	4
81	21682-G1		CLEVIS PIN, 1/2" X 2 7/8" LG	2
82	21683-G1		COTTER PIN, 15/32" X 2 11/16" LG	2
83				
84	71777-G01		LABEL (WARNING)	1
85	71200-G01		LABEL (LOAD WARNING).....	1
86	74157-G01		SIDE RAIL SUPPORT	4
87	74161-G01		BACK RAIL SUPPORT	2
88	16705-G1		SCREW, 1/4 - 20 X 1" LG	12
89	00559-G7		WASHER, 1/4"	12
90	14390-G4		LOCK NUT, 1/4 - 20	12

Gasoline Vehicle

TRUCK BEDS - ST 350

When ordering parts, please specify the model and serial number of the product.
 * Indicates a component that is not available as an individual part.
 G** Indicates consult Customer Service Department for additional information.

ITEM	PART NO.	1 2 3 4 5	DESCRIPTION	QTY.
91				
92	74167-G01		SIDE CARGO RACK (PASSENGER SIDE).....	1
93	74167-G02		SIDE CARGO RACK (DRIVER SIDE)	1
94	74079-G01		TAILGATE RETAINER BRACKET.....	2
95	00666-G6		SCREW, #10 - 12 X 3/4" LG	8
96	74162-G03		REAR CARGO RACK	1
97				
98				
99				
100	74165-G01		CIRCUIT BREAKER MOUNTING BRACKET	1
101	21320-G3		CIRCUIT BREAKER, 30 AMP, 12V.....	1
102	00150-G4		SCREW, #10 - 24 X 1/2" LG	2
103	00565-G5		LOCK WASHER, #10.....	2
104	00526-G3		NUT, #10 - 24	2
105	25976-G14		14 GA WIRE (RED 5")	1
106				
107	27680-G01		TOGGLE SWITCH	1
108	27447-G01		TOGGLE GUARD	1
109	10570-G9		RIVET, 1/8" X 11/32" LG.....	2
110				
111	27612-G02		ELECTRIC ACTUATOR, 12V.....	1
112	27613-G01		SPACER.....	2
113	14443-G10		CLEVIS PIN, 1/2" X 3" LG.....	1
114	21683-G1		COTTER PIN, 2 11/16" LG.....	2
115	14443-G11		CLEVIS PIN, 1/2" X 1 7/8" LG.....	1
116				
117	74163-G01		WIRE HARNESS (CONTROL).....	1
118	17618-G1		WIRE TIE	8
119				
120	71489-G01		LABEL (READ INSTRUCTIONS).....	1

TRUCK BEDS - ST 350

Gasoline Vehicle

When ordering parts, please specify the model and serial number of the product.
 * Indicates a component that is not available as an individual part.
 G** Indicates consult Customer Service Department for additional information.

ITEM	PART NO.	1 2 3 4 5	DESCRIPTION	QTY.
121				
122				
123	71831-G01		BED LATCH	1
124	71704-G01		HANDLE GRIP	1
125	71827-G01		LATCH BRACKET	2
126	01014-G03		CARRIAGE BOLT, 1/4 - 20 X 3/4" LG	4
127	00559-G7		WASHER, 1/4"	4
128	14390-G4		LOCK NUT, 1/4 - 20	4
129	71707-G02		EXTENSION SPRING.....	2
130				
131	71766-G01		CATCH BRACKET	2
132	00414-G6		BOLT, 1/4 - 20 X 3/4" LG.....	4
133	00559-G7		WASHER, 1/4"	4
134	14390-G4		LOCK NUT, 1/4 - 20	4
135				
136	71673-G01		PROP BRACKET	1
137	71657-G01		PROP ROD	1
138	00560-G1		WASHER, 3/8"	1
139	15121-G1		WASHER, 3/8"	2
140	10387-G3		COTTER PIN, 3/32" X 3/4" LG.....	2

**DID YOU
KNOW?**

CartPros directs you to the right part using the part numbers from this manual. Enter the part number into our search box and it will find the part you are looking for.

**GET STARTED
HERE**



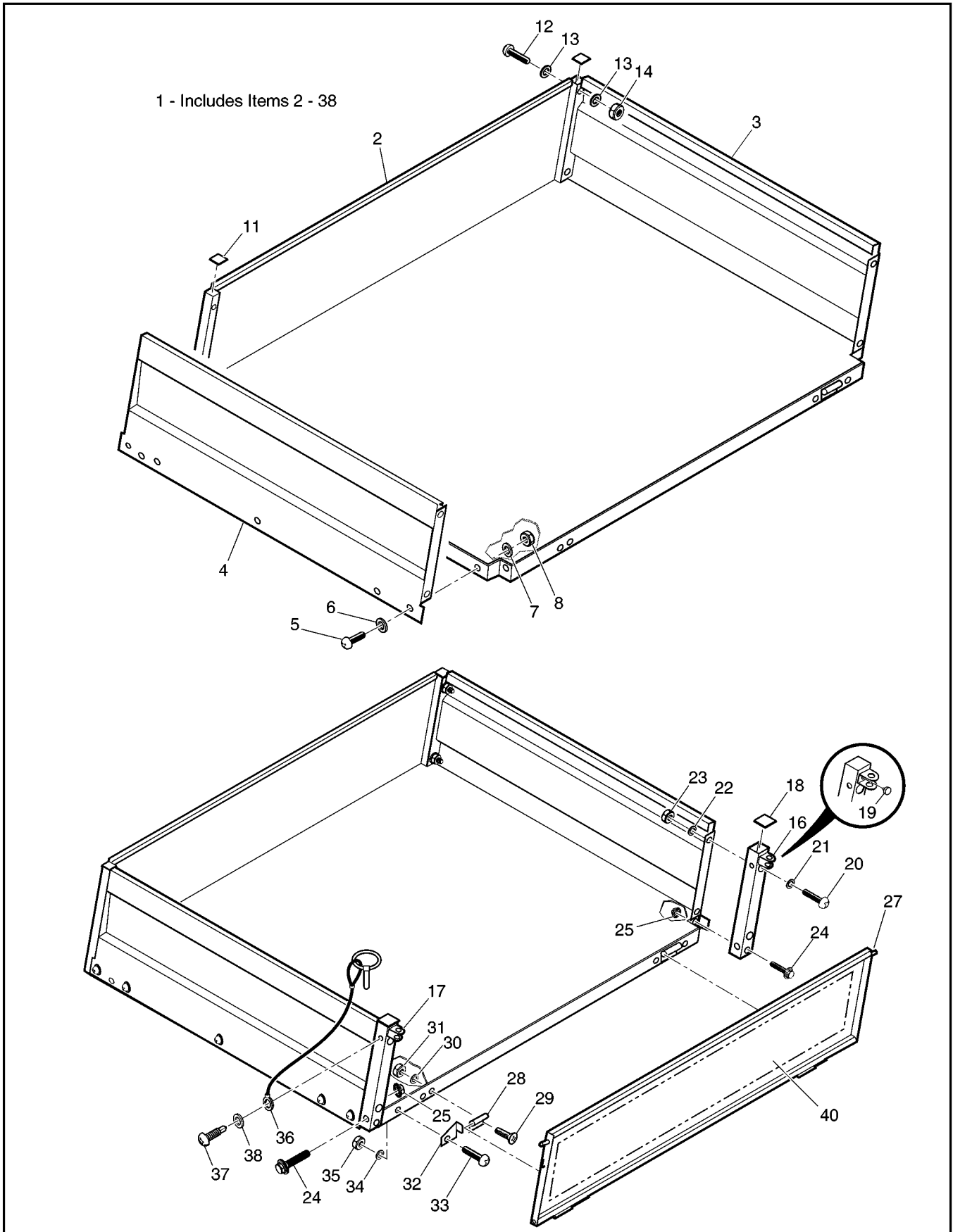
<https://CartPros.com/f.html>

Gasoline Vehicle

TRUCK BEDS - ST 350

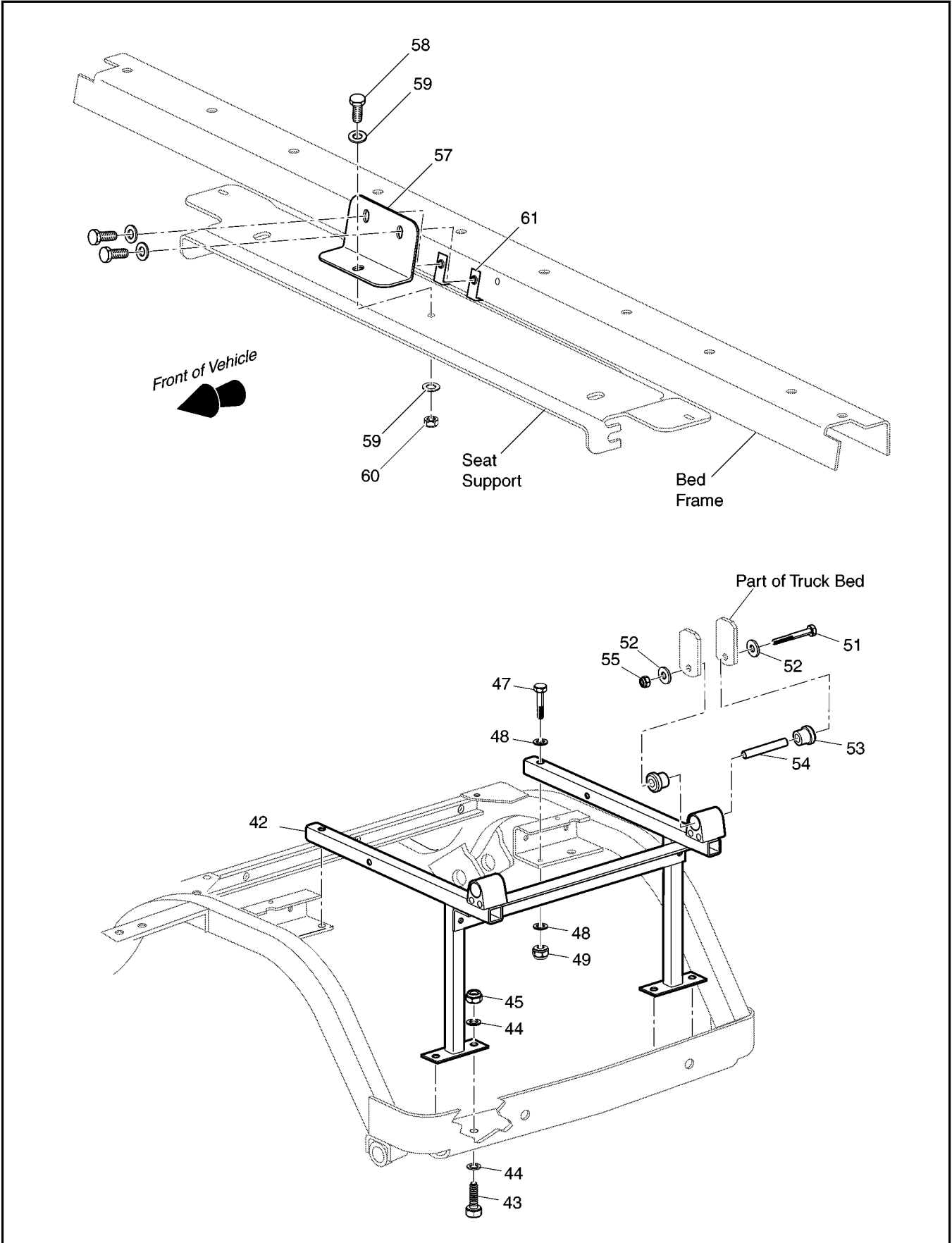
TRUCK BED - ST SPORT

Gasoline Vehicle



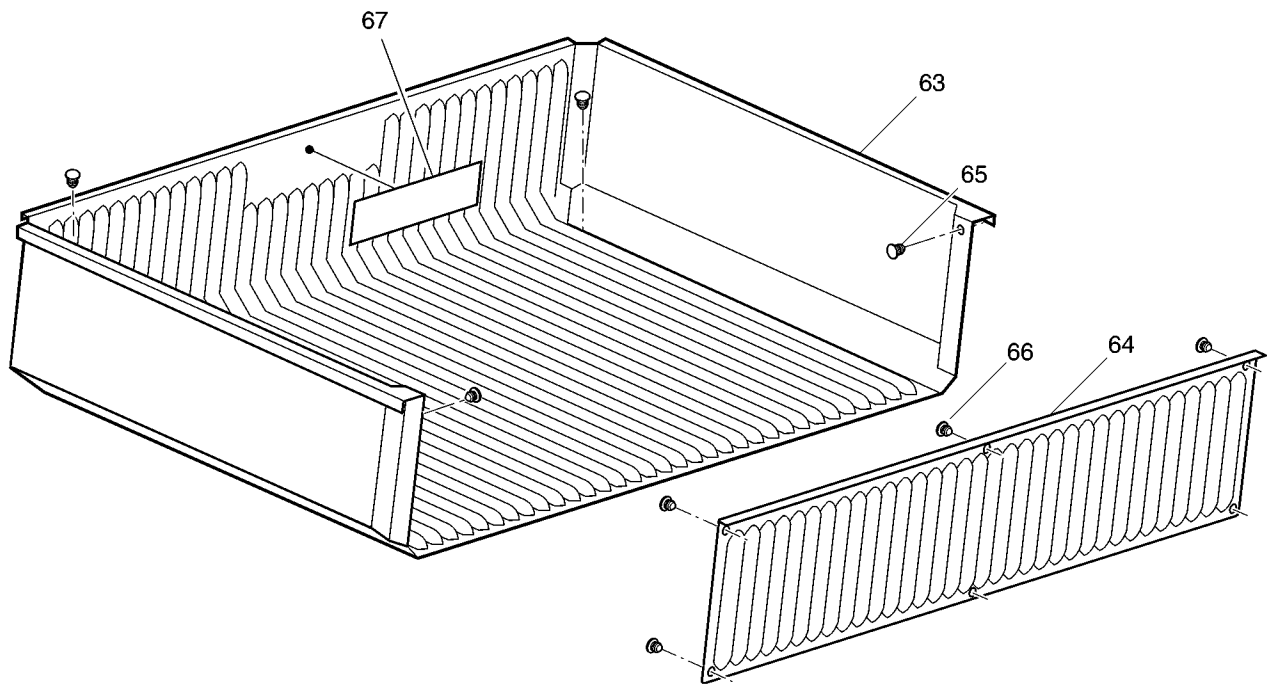
Gasoline Vehicle

TRUCK BED - ST SPORT



TRUCK BED - ST SPORT

Gasoline Vehicle



Gasoline Vehicle

TRUCK BED - ST SPORT

When ordering parts, please specify the model and serial number of the product.

* Indicates a component that is not available as an individual part.

G** Indicates consult Customer Service Department for additional information.

ITEM	PART NO.	1 2 3 4 5	DESCRIPTION	QTY.
1	71260-G01		TRUCK BED ASSEMBLY (35") (INCLUDES ITEMS 2 - 38).....	1
2	71231-G01		BED (35").....	1
3	71248-G01		SIDE PANEL (35") (PASSENGER SIDE)	1
4	71248-G02		SIDE PANEL (35") (DRIVER SIDE).....	1
5	16705-G3		SCREW, 1/4 - 20 X 3/4" LG.....	10
6	00915-G1		BONDED WASHER, 1/4"	10
7	00559-G7		WASHER, 1/4".....	10
8	14390-G4		LOCK NUT, 1/4 - 20.....	10
9				
10				
11	71717-G01		END CAP 1"	2
12	16705-G6		SCREW, 1/4 - 20 X 1 3/4" LG.....	4
13	00915-G1		BONDED WASHER, 1/4"	8
14	14390-G4		LOCK NUT, 1/4 - 20.....	4
15				
16	71322-G01		POST (PASSENGER SIDE).....	1
17	71322-G02		POST (DRIVER SIDE).....	1
18	71718-G01		END CAP 1 1/2"	2
19	71838-G01		RUBBER BUMPER	2
20	16705-G3		SCREW, 1/4 - 20 X 3/4" LG.....	4
21	00915-G1		BONDED WASHER, 1/4"	4
22	00559-G7		WASHER, 1/4"	4
23	14390-G4		LOCK NUT, 1/4 - 20.....	4
24	01074-G01		SCREW, 3/8 - 16 X 3/4" LG.....	4
25	11027-G5		LOCK NUT, 3/8 - 16.....	4
26				
27	71245-G01		TAILGATE.....	1
28	27666-G01		HINGE	2
29	01002-G08		BOLT, 1/4 - 20 X 1" LG	4
30	00559-G7		WASHER, 1/4"	4

TRUCK BED - ST SPORT

Gasoline Vehicle

When ordering parts, please specify the model and serial number of the product.

* Indicates a component that is not available as an individual part.

G** Indicates consult Customer Service Department for additional information.

ITEM	PART NO.	1 2 3 4 5	DESCRIPTION	QTY.
31	14390-G4		LOCK NUT, 1/4 - 20.....	4
32	71748-G01		TAILGATE KEEPER	1
33	16705-G3		SCREW, 1/4 - 20 X 3/4" LG.....	1
34	00559-G7		WASHER, 1/4".....	1
35	14390-G4		LOCK NUT, 1/4 - 20.....	1
36	71083-G01		TAILGATE CABLE	2
37	00106-G6		SELF-TAPPING SCREW, #12 - 24 X 3/4" LG.....	2
38	00915-G1		BONDED WASHER, 1/4"	2
39				
40	35978-G01		LABEL (WORKHORSE).....	1
41				
42	71258-G01		BED FRAME	1
43	00439-G2		BOLT, 5/16 - 18 X 1 1/4" LG.....	4
44	00642-G8		WASHER, 5/16"	8
45	11098-G6		LOCK NUT, 5/16 - 18	4
46				
47	00415-G6		BOLT, 1/4 - 20 X 1 3/4" LG.....	2
48	00642-G7		WASHER, 1/4"	4
49	00891-G2		LOCK NUT, 1/4 - 20	2
50				
51	00429-G4		BOLT, 3/8 - 16 X 3 1/2".....	2
52	00643-G1		WASHER, 3/8"	4
53	70291-G01		FLANGED BUSHING	4
54	70289-G02		SPACER.....	2
55	11098-G5		LOCK NUT, 3/8 - 16	2
56				
57	74333-G01		BED BRACKET.....	1
58	00414-G6		BOLT, 1/4 - 20 X 3/4" LG.....	3
59	00559-G7		WASHER, 1/4"	4
60	14390-G04		LOCK NUT, 1/4 - 20	1

Gasoline Vehicle

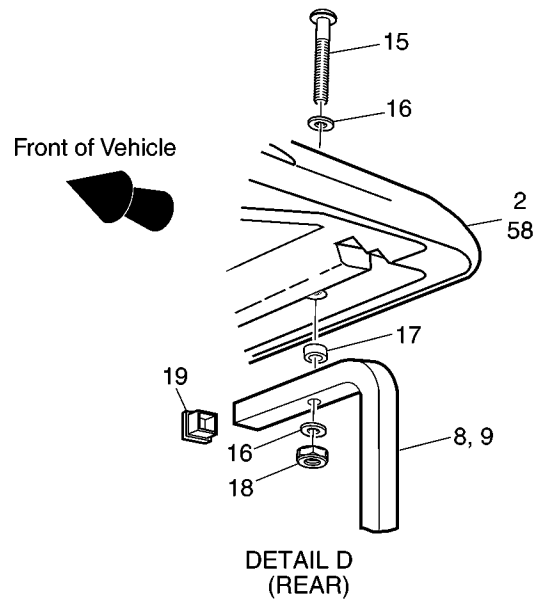
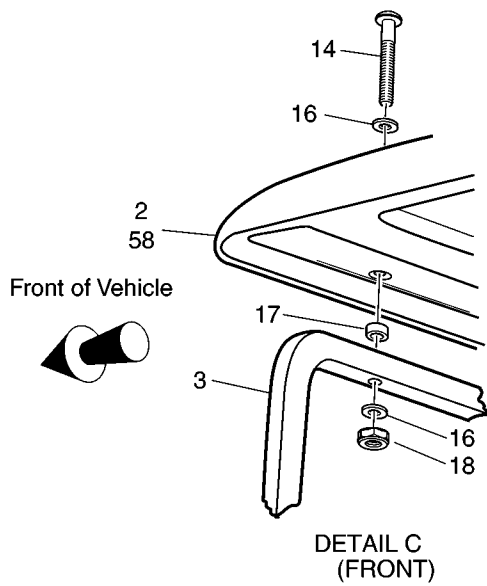
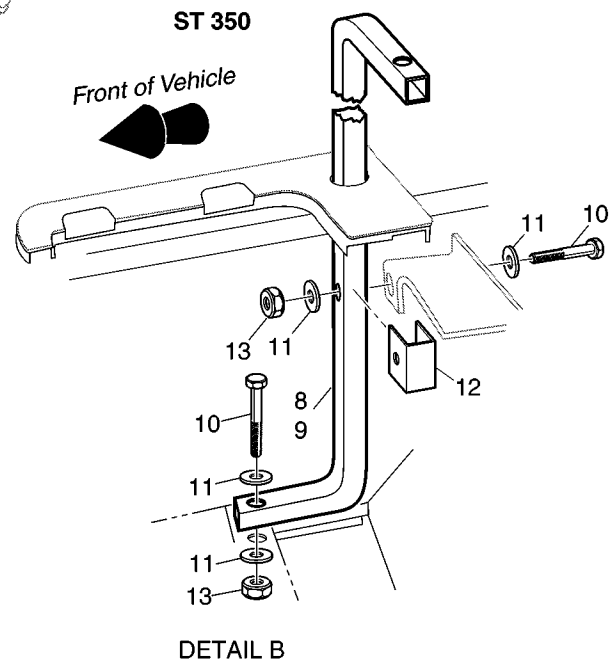
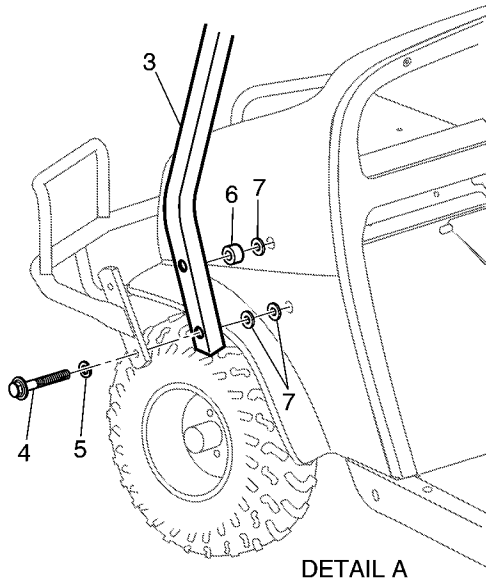
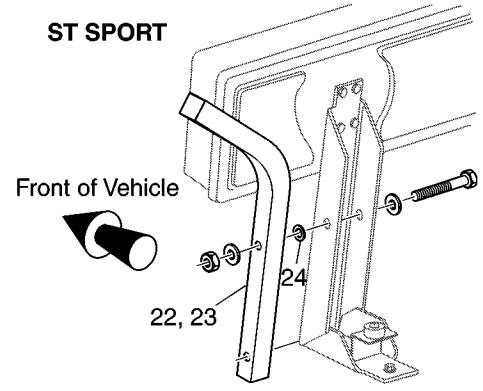
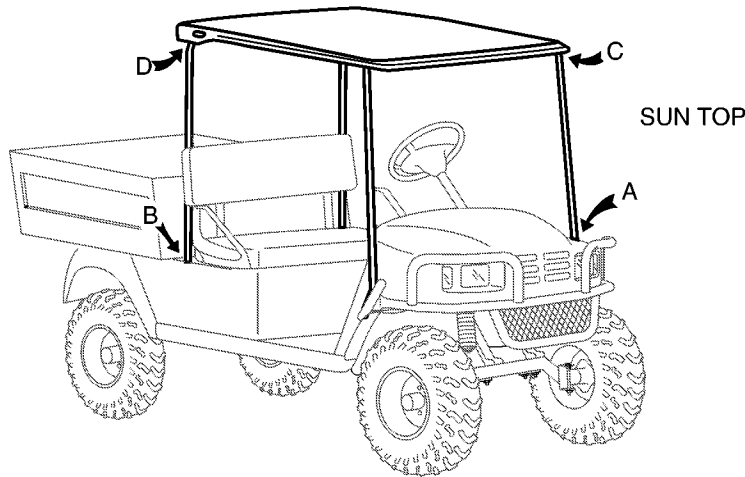
TRUCK BED - ST SPORT

When ordering parts, please specify the model and serial number of the product.
* Indicates a component that is not available as an individual part.
G** Indicates consult Customer Service Department for additional information.

ITEM	PART NO.	1 2 3 4 5	DESCRIPTION	QTY.
61	14776-G1		'J' RETAINER NUT	2
62				
63	74231-G01		BED LINER	1
64	74232-G01		TAILGATE LINER.....	1
65	18436-G1		RIVET, 1/4" X 3/4" LG	4
66	14601-G10		RIVET, 1/8" X 7/16" LG	6
67	71517-G04		BED CAPACITY LABEL (250 LB)	1

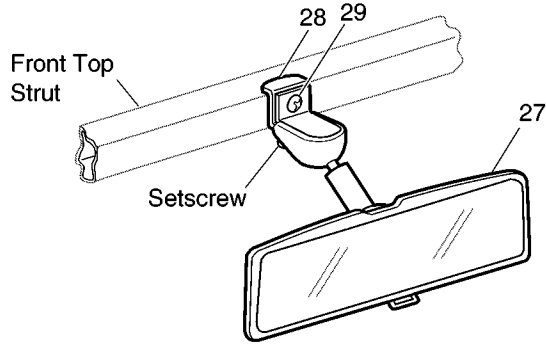
WEATHER PROTECTION

Gasoline Vehicle



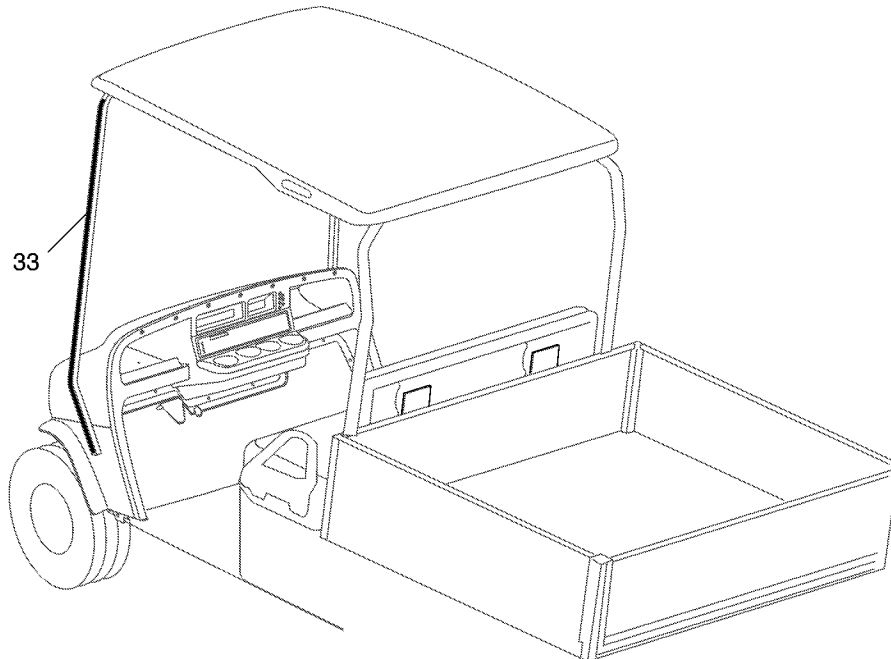
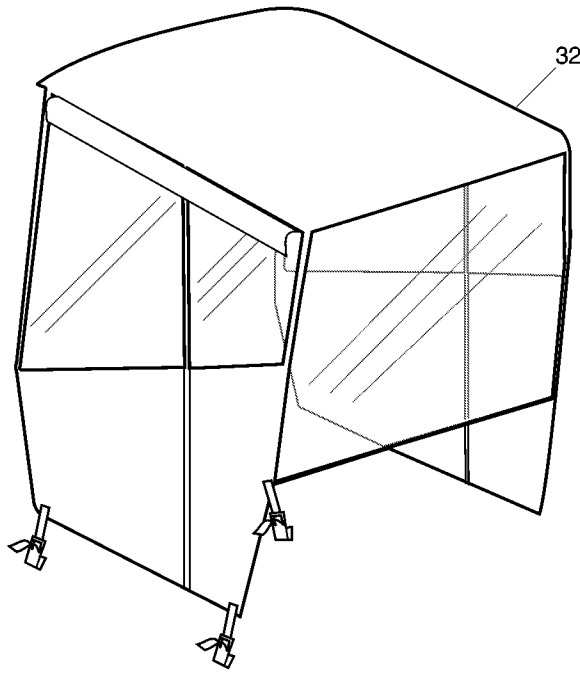
Gasoline Vehicle

WEATHER PROTECTION



REAR VIEW MIRROR

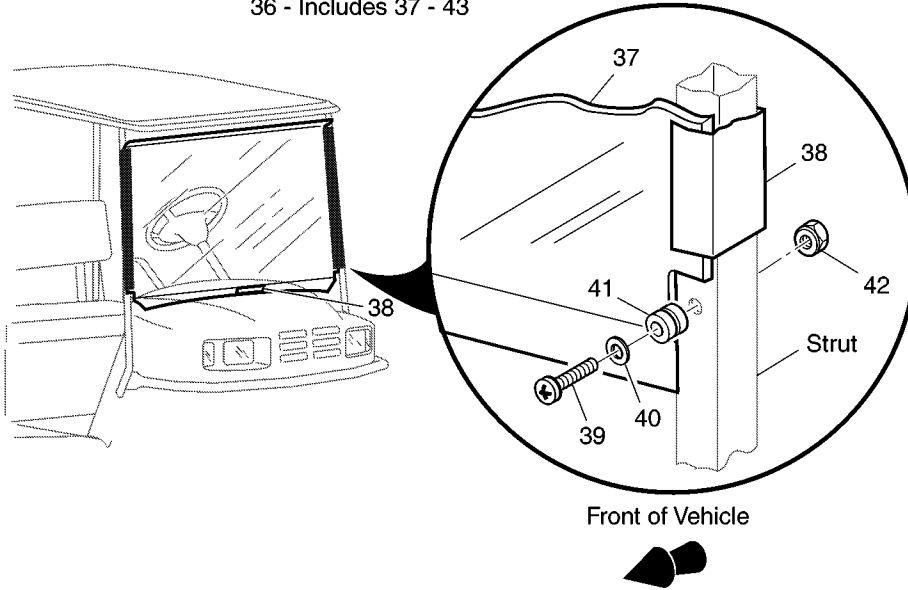
26 - Includes Items 27 - 29



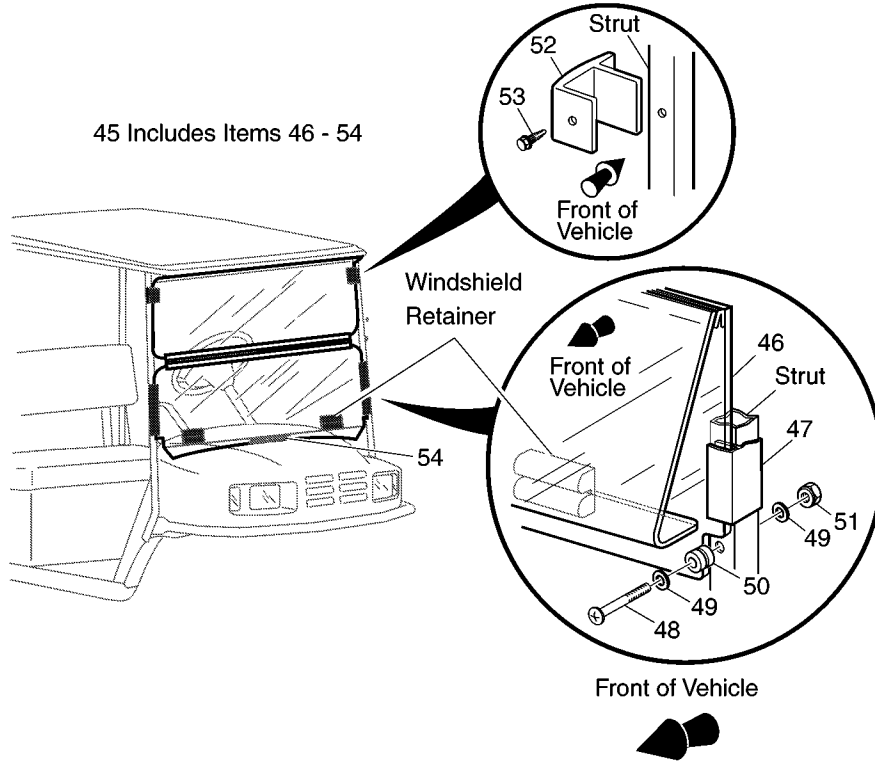
WEATHER PROTECTION

Gasoline Vehicle

36 - Includes 37 - 43

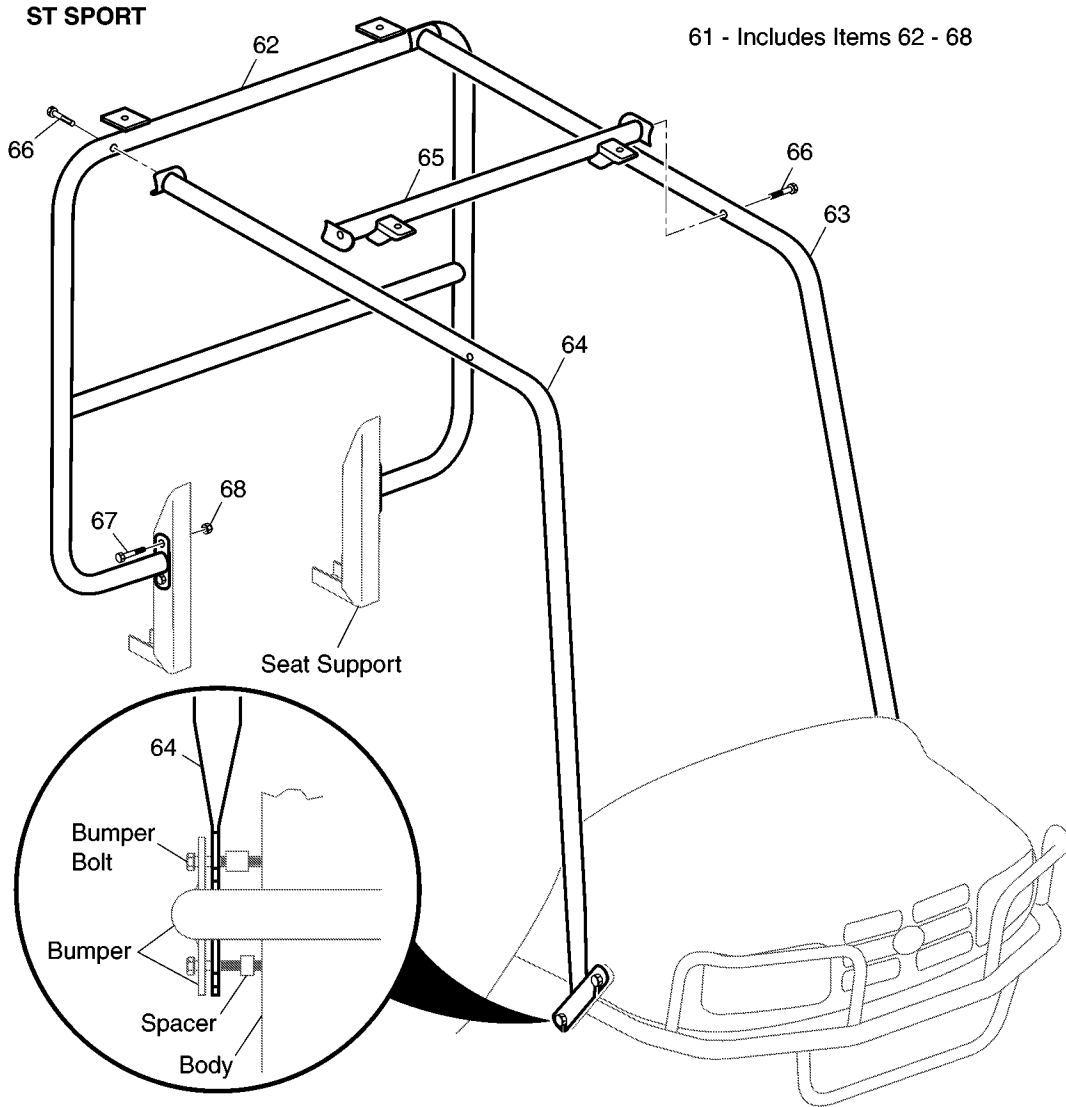


45 Includes Items 46 - 54



Gasoline Vehicle

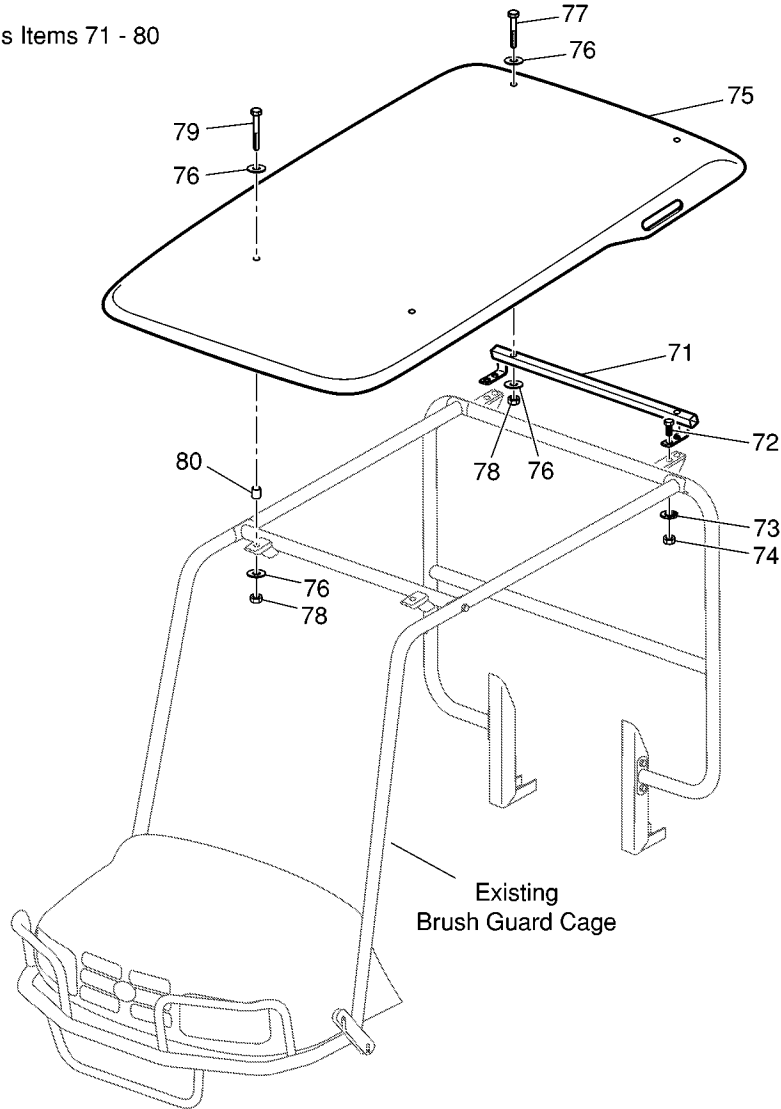
WEATHER PROTECTION



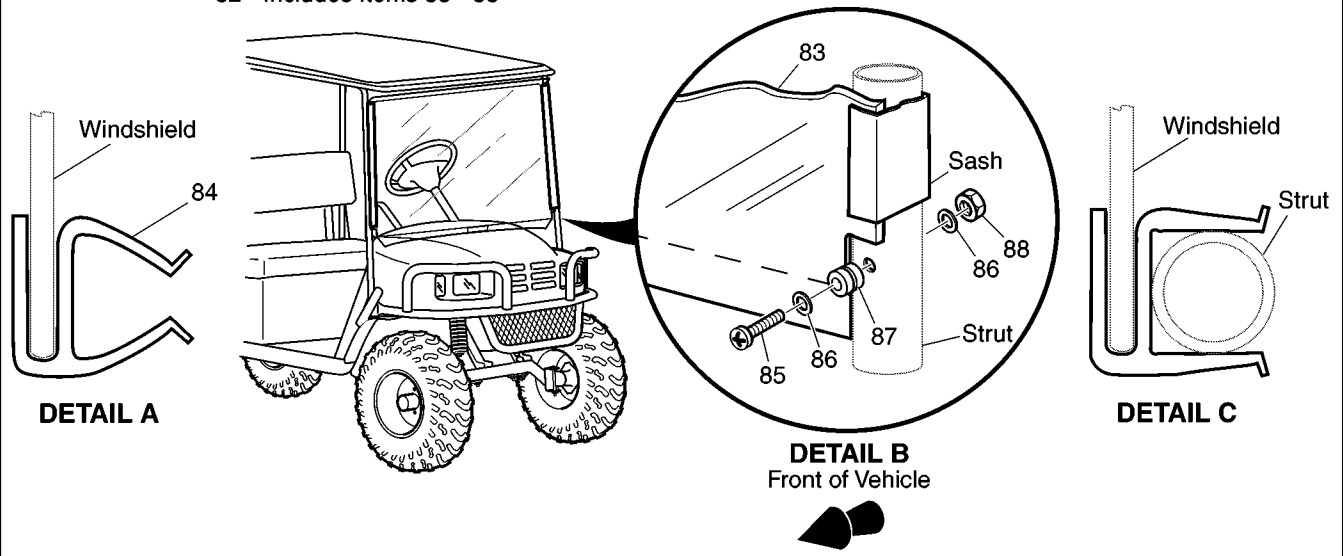
WEATHER PROTECTION

Gasoline Vehicle

70 - Includes Items 71 - 80



82 - Includes Items 83 - 88



Gasoline Vehicle

WEATHER PROTECTION

When ordering parts, please specify the model and serial number of the product.

* Indicates a component that is not available as an individual part.

G** Indicates consult Customer Service Department for additional information.

ITEM	PART NO.	1 2 3 4 5	DESCRIPTION	QTY.
1	75350-G02		SUN TOP KIT (INCLUDES ITEMS 2 -19) (ST 350)	1
2	27069-G07		SUN TOP (TAN)	1
3	75045-G01		FRONT STRUT	1
4	01035-G02		BOLT, 5/16 - 18 X 2 1/2" LG	4
5	00905-G8		LOCK WASHER, 5/16"	4
6	75048-G01		SPACER, 1/2"	2
7	00570-G2		WASHER, 5/16"	6
8	75343-G01		REAR STRUT (PASSENGER SIDE)	1
9	75343-G02		REAR STRUT (DRIVER SIDE)	1
10	00439-G6		BOLT, 5/16 - 18 X 1 3/4" LG	4
11	00571-G2		WASHER, 5/16"	8
12	74537-G01		BRACKET, REAR STRUT SUPPORT	2
13	11098-G6		LOCK NUT, 5/16 - 18	4
14	00753-G5		BOLT, 1/4 - 20 X 2" LG (STAINLESS STEEL)	2
15	00753-G6		BOLT, 1/4 - 20 X 2 1/4" LG (STAINLESS STEEL)	2
16	00559-G7		WASHER, 1/4"	8
17	75051-G01		PLASTIC SPACER	4
18	00891-G2		LOCK NUT, 1/4 - 20	4
19	19853-G1		END CAP, 1"	2
20				
21	75040-G05		SUN TOP KIT (INCL ITEMS 2 -7, 10 - 11, 13 - 19, 22 - 24) (ST SPORT)	1
22	75838-G01		REAR STRUT (DRIVER SIDE)	1
23	75838-G02		REAR STRUT (PASSENGER SIDE)	1
24	17255-G1		TEFLON WASHER, 3/8" X 5/8" X 5/16"	4
25				
26	19528-G2		REAR VIEW MIRROR KIT (INCLUDES ITEMS 27 -29)	1
27	19496-G1		REAR VIEW MIRROR	1
28	19502-G2		SUPPORT BRACKET	1
29	19527-G1		SELF TAPPING SCREW, #8 - 32 X 5/8" LG (STAINLESS STEEL)	1
30				

WEATHER PROTECTION

Gasoline Vehicle

Replacement parts for the windshield may be obtained from Eagle Parts, Inc. 1811 Wilkinson Rd. Augusta, GA 30904. Telephone (706) 729-9911 or FAX (706) 729-9955

* Indicates a component that is not available as an individual part.

G** Indicates consult Customer Service Department for additional information.

ITEM	PART NO.	1 2 3 4 5	DESCRIPTION	QTY.
31	75367-G**		3 SIDED SOFT ENCLOSURE KIT (INCLUDES ITEMS 32 - 33)	1
32	*		ENCLOSURE	1
33	*		VELCRO	AR
34				
35				
36	71966-G01		WINDSHIELD KIT (FULL) (INCLUDES ITEMS 37 - 43) (REQUIRES SUN TOP KIT)	1
37	71954-G01		WINDSHIELD (FULL) (LEXAN).....	1
38	EGWHC12		SASH, 26" LG.....	2
39	EGWHS12		SCREW, 1/4 - 20 X 1 3/4" LG (STAINLESS STEEL)	2
40	EGWHW12		WASHER, 1/4" (STAINLESS STEEL)	4
41	EGWHG13		RUBBER GROMMET	2
42	EGWHN12		LOCK NUT, 1/4 - 20 (STAINLESS STEEL)	2
43	EGWHL14		SAFETY LABEL	1
44				
45	71966-G02		WINDSHIELD KIT (FOLD DOWN) (INCLUDES ITEMS 46 - 54) (REQUIRES SUN TOP KIT)	1
46	71955-G01		WINDSHIELD (SPLIT) (LEXAN)	1
47	EGWHC10		SASH, 12" LG.....	2
48	EGWHS12		SCREW, 1/4 - 20 X 1 3/4" LG (STAINLESS STEEL)	2
49	EGWHW12		WASHER, 1/4" (STAINLESS STEEL)	4
50	EGWHG13		RUBBER GROMMET	2
51	EGWHN12		LOCK NUT, 1/4 - 20 (STAINLESS STEEL)	2
52	137-010		TOP GRIP	2
53	136-008		GRIP FASTENER.....	2
54	EGWHL14		SAFETY LABEL	1
55				
56				
57	75350-G03		SUN TOP KIT (INCLUDES ITEMS 58, 3 -19) (ST 350)	1
58	27069-G10		SUN TOP (BROWN)	1
59				

Gasoline Vehicle

WEATHER PROTECTION

Replacement parts for the windshield may be obtained from Eagle Parts, Inc. 1811 Wilkinson Rd. Augusta, GA 30904. Telephone (706) 729-9911 or FAX (706) 729-9955

* Indicates a component that is not available as an individual part.

G** Indicates consult Customer Service Department for additional information.

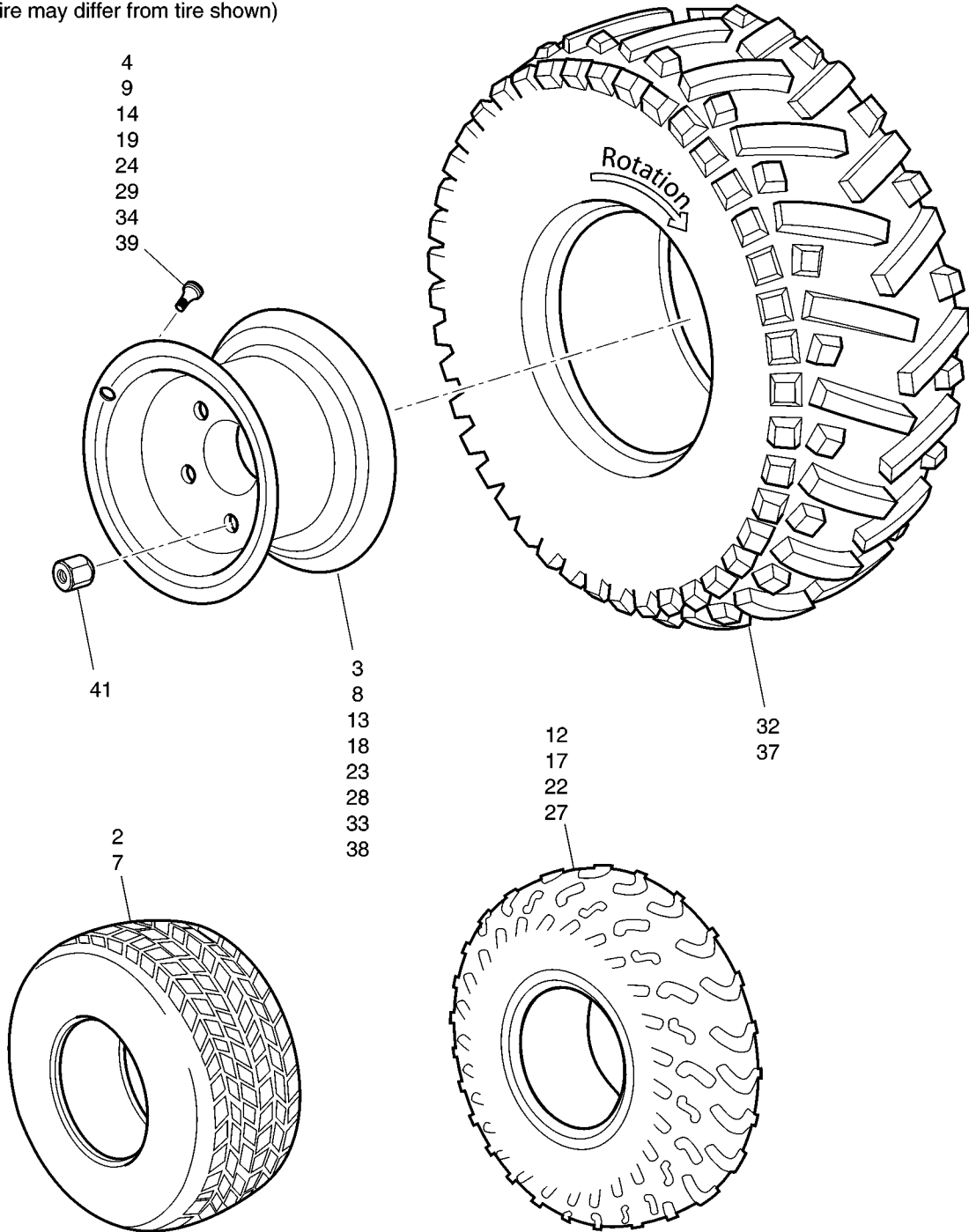
ITEM	PART NO.	1 2 3 4 5	DESCRIPTION	QTY.
60				
61	74479-G01		BRUSH GUARD KIT (ST SPORT).....	1
62	74465-G01		BACK.....	1
63	74459-G01		SIDE (DRIVER SIDE).....	1
64	74460-G01		SIDE (PASSENGER SIDE)	1
65	74462-G01		TOP	1
66	00428-G2		BOLT, 3/8 - 16 X 2 1/4" LG	4
67	00438-G7		BOLT, 5/16 - 18 X 7/8" LG	4
68	11098-G6		LOCK NUT, 5/16 - 18.....	4
69				
70	74496-G0*		SUN TOP KIT (WITH BRUSH GUARD).....	1
71	74466-G01		MOUNTING BRACKET	1
72	00438-G5		BOLT, 5/16 - 18 X 5/8" LG	4
73	00565-G8		LOCK WASHER, 5/16"	4
74	00532-G3		NUT, 5/16 - 18	4
75	74497-G0*		SUN TOP.....	1
76	00559-G7		WASHER, 1/4".....	8
77	00753-G6		BOLT, 1/4 - 20 X 2 1/4" LG	2
78	00891-G2		LOCK NUT, 1/4 - 20.....	4
79	00753-G7		BOLT, 1/4 - 20 X 2 1/2" LG	2
80	74469-G01		SPACER.....	2
81				
82	74542-G01		WINDSHIELD KIT (WITH BRUSH GUARD) (Replacement Parts available from Eagle Parts, 706-790-6687)	1
83	110-735A		WINDSHIELD (POLYCARBONATE)	1
84	EGWHC12		SASH, 26" LG.....	2
85	110-072E		SCREW, 1/4 - 20 X 1/2" LG (STAINLESS STEEL)	2
86	EGWHG12		WASHER, 1/4" (STAINLESS STEEL)	4
87	EGWHG13		RUBBER GROMMET	2
88	EGWHN12		LOCK NUT, 1/4 - 20 (STAINLESS STEEL)	2

WHEELS AND TIRES

Gasoline Vehicle

- 1 - Includes Items 2 - 4
- 6 - Includes Items 7 - 9
- 11 - Includes Items 12 - 14
- 16 - Includes Items 17 - 19
- 21 - Includes Items 22 - 24
- 26 - Includes Items 27 - 29
- 31 - Includes Items 32 - 34
- 36 - Includes Items 37 - 39

(Style of tire may differ from tire shown)



Gasoline Vehicle

WHEELS AND TIRES

When ordering parts, please specify the model and serial number of the product.
 * Indicates a component that is not available as an individual part.
 G** Indicates consult Customer Service Department for additional information.

ITEM	PART NO.	1 2 3 4 5	DESCRIPTION	QTY.
1	28442-G03		WHEEL AND TIRE ASSEMBLY, TURF SAVER (INCLUDES ITEMS 2 - 4)	
2	28442-G02		TIRE, 20 X 10 - 10 TURF SAVER	1
3	15172-G02		WHEEL RIM (BLACK, 4 LUG).....	1
4	11657-G1		VALVE STEM.....	1
5				
6	28442-G04		WHEEL AND TIRE ASSEMBLY, TURF SAVER (INCLUDES ITEMS 7 - 9)	
7	28442-G02		TIRE, 20 X 10 - 10 TURF SAVER	1
8	15172-G03		WHEEL RIM (SILVER, 4 LUG)	1
9	11657-G1		VALVE STEM.....	1
10				
11	28513-G04		WHEEL AND TIRE ASSY (PASSENGER SIDE) (INCLUDES ITEMS 12 - 14)	
12	28513-G03		TIRE, 21 X 9 - 10 WORKMATE	1
13	15172-G02		WHEEL RIM (BLACK, 4 LUG).....	1
14	11657-G1		VALVE STEM.....	1
15				
16	28513-G05		WHEEL AND TIRE ASSEMBLY (DRIVER SIDE) (INCLUDES ITEMS 17 - 19)	
17	28513-G03		TIRE, 21 X 9 - 10 WORKMATE	1
18	15172-G02		WHEEL RIM (BLACK, 4 LUG).....	1
19	11657-G1		VALVE STEM.....	1
20				
21	28513-G06		WHEEL AND TIRE ASSY (PASSENGER SIDE) (INCLUDES ITEMS 22 - 24)	
22	28513-G03		TIRE, 21 X 9 - 10 WORKMATE	1
23	15172-G03		WHEEL RIM (SILVER, 4 LUG).....	1
24	11657-G1		VALVE STEM.....	1
25				
26	28513-G07		WHEEL AND TIRE ASSEMBLY (DRIVER SIDE) (INCLUDES ITEMS 27 - 29)	
27	28513-G03		TIRE, 21 X 9 - 10 WORKMATE	1
28	15172-G03		WHEEL RIM (SILVER, 4 LUG).....	1
29	11657-G1		VALVE STEM.....	1
30				

WHEELS AND TIRES

Gasoline Vehicle

When ordering parts, please specify the model and serial number of the product.

* Indicates a component that is not available as an individual part.

G** Indicates consult Customer Service Department for additional information.

ITEM	PART NO.	1 2 3 4 5	DESCRIPTION	QTY.
31	28630-G04		WHEEL AND TIRE ASSEMBLY (DRIVER SIDE) (INCLUDES ITEMS 32 - 34)	
32	28630-G01		TIRE, 22 X 9 - 10 STRYKER	1
33	15172-G02		WHEEL RIM (BLACK, 4 LUG)	1
34	11657-G1		VALVE STEM	1
35				
36	28630-G05		WHEEL AND TIRE ASSY (PASSENGER SIDE) (INCLUDES ITEMS 37 - 39)	
37	28630-G01		TIRE, 22 X 9 - 10 STRYKER	1
38	15172-G02		WHEEL RIM (BLACK, 4 LUG)	1
39	11657-G1		VALVE STEM	1
40				
41	14723-G1		LUG NUT, 1/2 - 20	AR

**DID YOU
KNOW?**

CartPros directs you to the right part using the part numbers from this manual. Enter the part number into our search box and it will find the part you are looking for.

**GET STARTED
HERE**



<https://CartPros.com/f.html>

Gasoline Vehicle

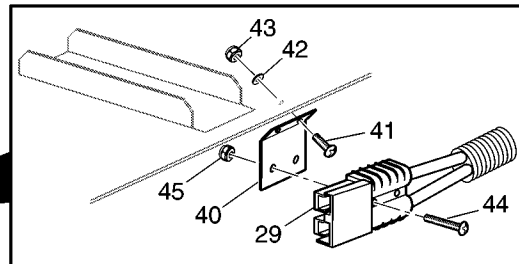
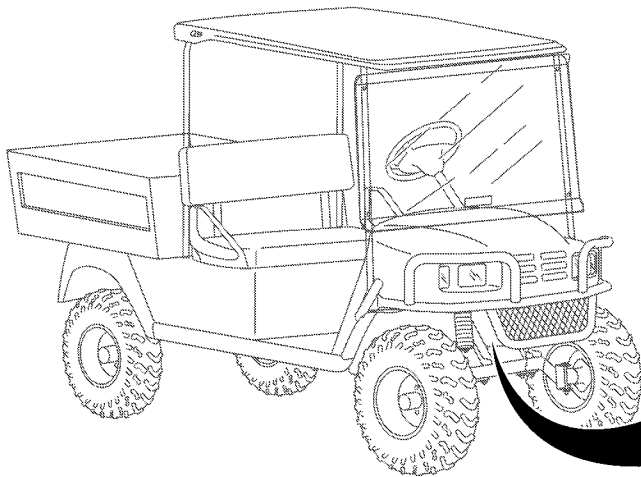
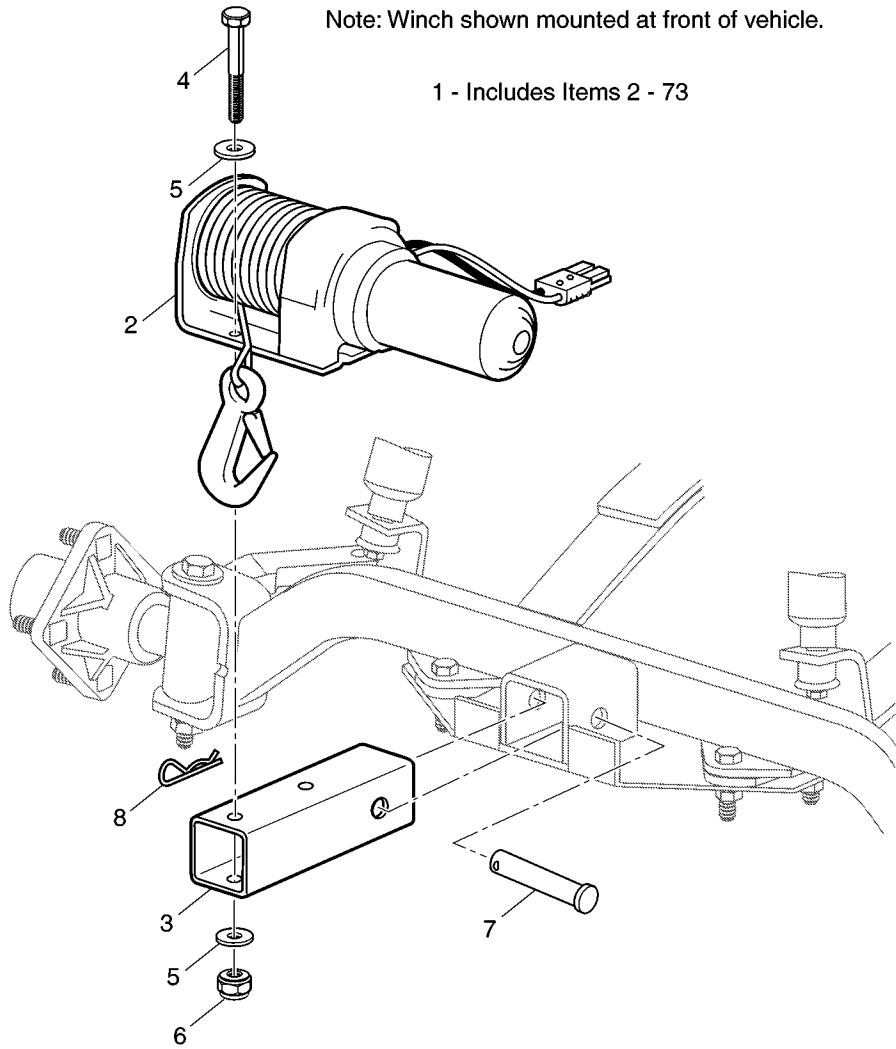
WHEELS AND TIRES

WINCH - ST 350

Gasoline Vehicle

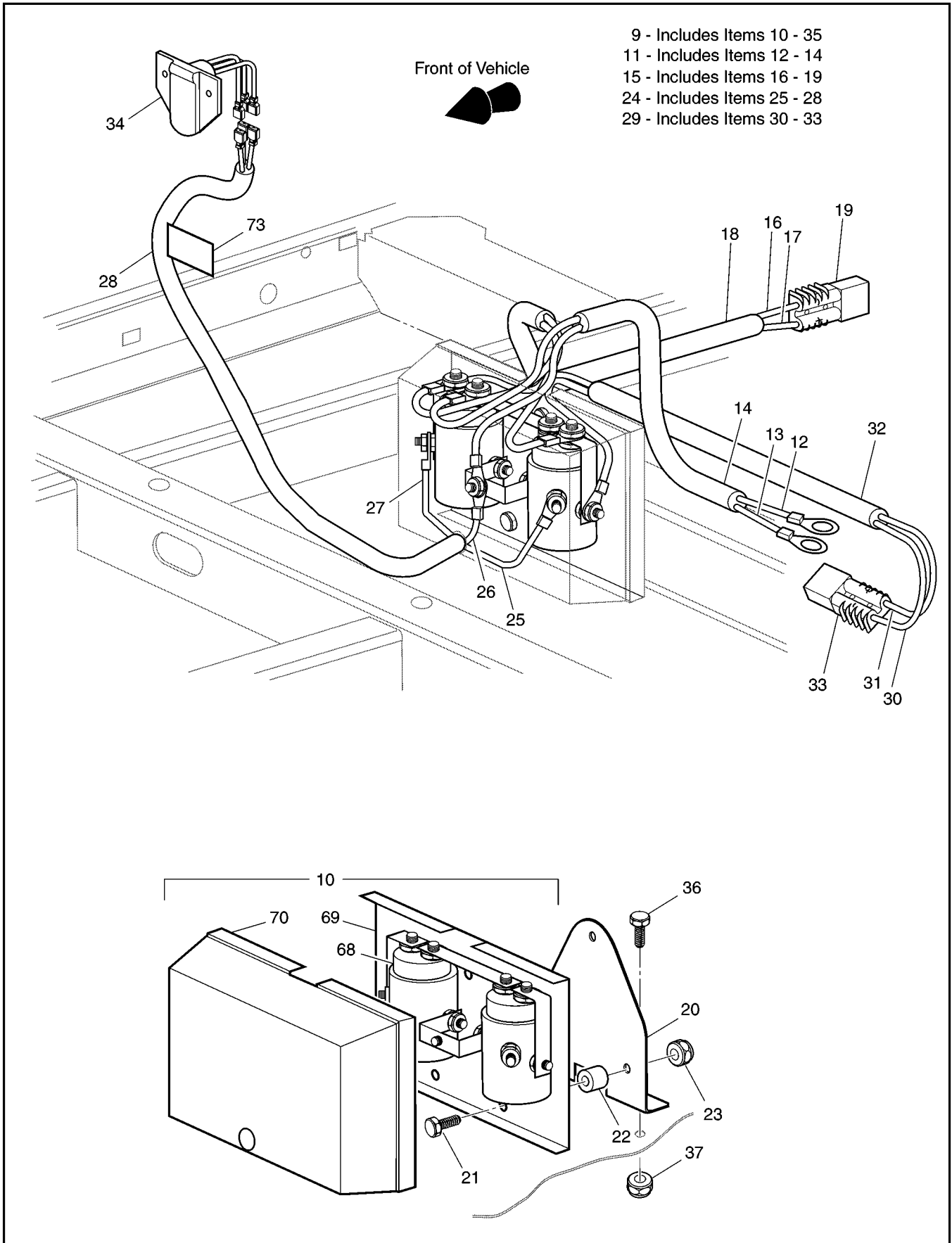
Note: Winch shown mounted at front of vehicle.

1 - Includes Items 2 - 73



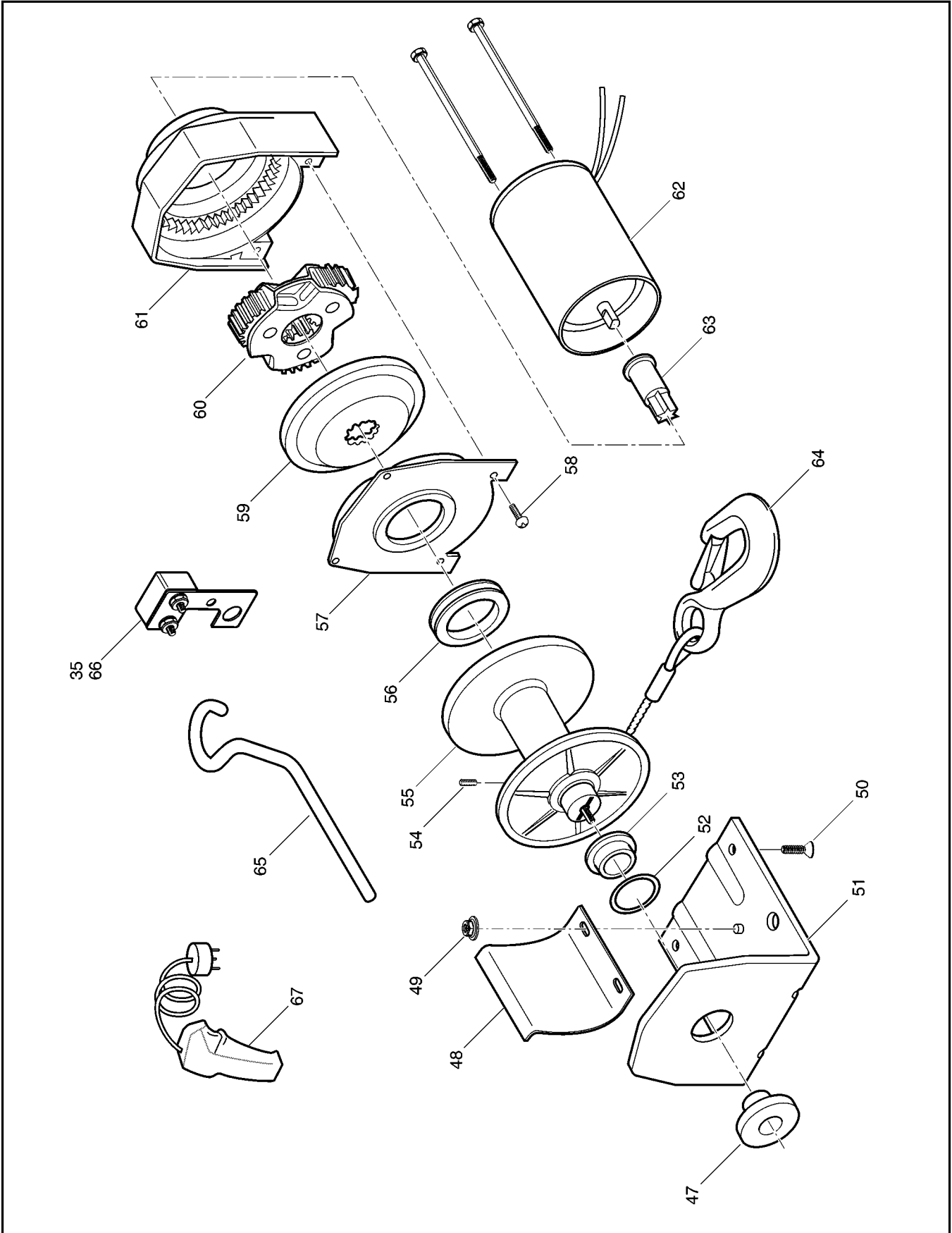
Gasoline Vehicle

WINCH - ST 350



WINCH - ST 350

Gasoline Vehicle



Gasoline Vehicle

WINCH - ST 350

When ordering parts, please specify the model and serial number of the product.

* Indicates a component that is not available as an individual part.

G** Indicates consult Customer Service Department for additional information.

ITEM	PART NO.	1 2 3 4 5	DESCRIPTION	QTY.
1	74259-G02		WINCH KIT (INCLUDES ITEMS 2 - 73) (ST 350).....	1
2	74299-G01		WINCH ASSEMBLY, T1500	1
3	74271-G01		WINCH MOUNTING TUBE	1
4	00440-G6		BOLT, 5/16 - 18 X 2 3/4" LG	2
5	00571-G2		WASHER, 5/16".....	4
6	00891-G3		LOCK NUT, 5/16 - 18.....	2
7	21317-G01		CLEVIS PIN, 5/8" x 3" LG.....	1
8	21683-G1		COTTER PIN, 15/32" x 2 11/16" LG.....	1
9	74286-G02		REMOTE SOLENOID (INCLUDES ITEMS 10 - 35).....	1
10	74256-G02		SOLENOID KIT	1
11	74327-G01		WIRE HARNESS (SOLENOID to BATTERY) (INCLUDES 12 - 14).....	1
12	25973-G07		8 GA WIRE (BLACK 30")	1
13	25973-G08		8 GA WIRE (RED 30")	1
14	20436-G1		FLEX LOOM (BULK), 13".....	1
15	74328-G01		WIRE HARNESS (SOLENOID to REAR WINCH) (INCLUDES 16 - 19)	1
16	25973-G09		8 GA WIRE (BLACK 67")	1
17	25973-G10		8 GA WIRE (RED 67")	1
18	20436-G1		FLEX LOOM (BULK), 49".....	1
19	73235-G01		CONNECTOR	1
20	74326-G01		MOUNTING BRACKET.....	1
21	00414-G6		BOLT, 1/4 - 20 X 3/4" LG.....	3
22	23726-G1		SPACER, 1/4".....	3
23	14390-G4		LOCK NUT, 1/4 - 20	3
24	74298-G01		WIRE HARNESS (SOLENOID to RECEPTACLE) (INCLUDES 25-28) .	1
25	25977-G63		16 GA WIRE (GREEN 14")	1
26	25977-G64		16 GA WIRE (WHITE 14")	1
27	25977-G65		16 GA WIRE (BLACK 14")	1
28	17313-G1		FLEX LOOM (BULK), 4".....	1
29	74329-G01		WIRE HARNESS (SOLENOID to FRONT WINCH) (INCLUDES 30-33)	1
30	25973-G11		8 GA WIRE (BLACK 94")	1

WINCH - ST 350

Gasoline Vehicle

When ordering parts, please specify the model and serial number of the product.
 * Indicates a component that is not available as an individual part.
 G** Indicates consult Customer Service Department for additional information.

ITEM	PART NO.	1	2	3	4	5	DESCRIPTION	QTY.
31	25973-G12						8 GA WIRE (RED 94")	1
32	20436-G1						FLEX LOOM, 75 5/8" (BULK).....	1
33	73235-G01						CONNECTOR	1
34	74285-G01						RECEPTACLE WITH LEADS (GREEN, WHITE, BLACK)	1
35	*						CIRCUIT BREAKER WITH BRACKET	1
36	00414-G5						BOLT, 1/4 - 20 X 5/8" LG	2
37	14390-G4						LOCK NUT, 1/4 - 20.....	2
38								
39								
40	74289-G01						CONNECTOR MOUNT PLATE	1
41	00740-G4						SCREW, #10 - 32 X 1/2" LG.....	2
42	00559-G5						WASHER, #10.....	2
43	00921-G8						LOCK NUT, #10 - 32.....	2
44	00156-G8						SCREW, #10 - 32 X 1" LG.....	2
45	00526-G4						NUT, #10 - 32	2
46							The following items are replacement components for the winch. For service or replacement parts, contact Superwinch, Inc., Winch Drive, Putnam, CT 06260 Phone: (860) 928-7787, FAX: (860) 928-1143 Always provide the following information when requesting information or ordering replacement parts: Winch Part Number: T1500 Serial Number: (found on housing) Part Number and Description	
47	87-10490						KNOB ASSEMBLY, T-SERIES F/W	1
48	87-22381						TENSION PLATE	1
49	87-23149-05						NUT, HEX, FLANGED, M5 X 0.8.....	2
50	89-22291-01						SCREW, ST HEX SKY FH, M6 X 1 X 20.....	2
51	87-22394						BASEPLATE ASSEMBLY, T-SERIES.....	1
52	AS REQ'D						WASHER, .020 OR .030 THICK.....	A/R
53	87-10466						BUSHING, T-SERIES.....	1

Gasoline Vehicle

WINCH - ST 350

When ordering parts, please specify the model and serial number of the product.
 * Indicates a component that is not available as an individual part.
 G** Indicates consult Customer Service Department for additional information.

ITEM	PART NO.	1	2	3	4	5	DESCRIPTION	QTY.
54	87-23309-01						SET SCREW, M5 X 0.8 X 6.....	1
55	87-22397						DRUM ASSEMBLY.....	1
56	87-10470						DRUM SUPPORT BUSHING.....	1
57	87-33257						DRUM SUPPORT PLATE	1
58	87-23030-10						SCREW, ST PAN HEAD, M4 X 0.7 X 10.....	4
59	87-33251						ROTATOR GEAR, T-SERIES.....	1
60	87-22380						CARRIER ASSEMBLY, T-SERIES	1
61	87-22396						STATIONARY GEAR HOUSING ASSEMBLY, T-SERIES	1
62	87-33249						MOTOR, 12 VOLT	1
63	87-22401						MOTOR PINION GEAR.....	1
64	1535A						WIRE ROPE AND HOOK ASSEMBLY, 5/32" X 25 FEET	1
65	89-32300						HANSAVER BAR	1
66	90-22873-03						CIRCUIT BREAKER ASSEMBLY, 12 VOLT, T-SERIES	1
67	90-22117						REMOTE CONTROL ASSEMBLY	1
68	92-20172						SOLENOID, 12 VOLT	2
69	90-32070						SOLENOID BACK PLATE	1
70	90-31079						SOLENOID COVER	1
71								
72								
73	71489-G01						LABEL (READ INSTRUCTIONS).....	1

**DID YOU
KNOW?**

CartPros directs you to the right part using the part numbers from this manual. Enter the part number into our search box and it will find the part you are looking for.

**GET STARTED
HERE**



<https://CartPros.com/f.html>

WINCH - ST 350

Gasoline Vehicle



SPECIALTY PRODUCTS

SPECIALTY PRODUCTS

SPECIALTY PRODUCTS

SPECIAL TOOLS	Part No.
DRIVE CLUTCH PULLER.....	19779-G2
FLYWHEEL PULLER.....	27111-G01
CAM PULLER.....	27851-G01
TACHOMETER.....	72526-G01
FEELER GAUGE.....	72525-G01
COMPRESSION TESTER	72524-G01
ENGINE REBUILD MANUAL	27615-G01
REAR AXLE REBUILD MANUAL.....	27660-G01
CURRENT INDICATOR.....	16489-G1
DIGITAL MULTI-METER.....	27481-G01
CRIMPING TOOL.....	27765-G01
SLIDE HAMMER (AXLE/HUB REMOVAL).....	15947-G1
SLIDE HAMMER (AXLE REMOVAL ONLY).....	18753-G1

PERFORMANCE PRODUCTS

BATTERY PROTECTOR, 14 OZ AEROSOL	75500-G01
CARBURETOR & CHOKE CLEANER, 15 OZ AEROSOL	75501-G01
WHITE LITHIUM GREASE, 14 OZ AEROSOL	75502-G01
PENETRANT/LUBRICANT, 15 OZ AEROSOL	75503-G01
MULTI-PURPOSE CLEANER & DEGREASER, 14 OZ AEROSOL	75504-G01
MULTI-PURPOSE HAND CLEANER, 32 OZ LIQUID	75505-G01
BATTERY CLEANER, 32 OZ W/TRIGGER SPRAYER.....	75506-G01
BIODEGRADABLE CLEANER, 32 OZ W/TRIGGER SPRAYER.....	75507-G01
MULTI-PURPOSE VALUE PACK	75508-G01
•BATTERY PROTECTOR, 4 OZ AEROSOL	
•PENETRANT/LUBRICANT, 4 OZ AEROSOL	
•WHITE LITHIUM GREASE, 4 OZ AEROSOL	
•CARBURETOR & CHOKE CLEANER, 4 OZ AEROSOL	

PAINT

HUNTER GREEN - TOUCH-UP PEN	28432-G02
HUNTER GREEN - 12 OZ. AEROSOL	28140-G09
CAMOUFLAGE PAINT - THREE TOUCH-UP PENS.....	75831-G01

ENGINE OIL

4-CYCLE ENGINE OIL, 10W-30, 5 GALLON.....	25730-G03
4-CYCLE ENGINE OIL, 10W-30, 12 QUART CASE	25730-G04
4-CYCLE ENGINE OIL, 10W-30, QUART BOTTLE.....	25730-G06

**DID YOU
KNOW?**

CartPros directs you to the right part using the part numbers from this manual. Enter the part number into our search box and it will find the part you are looking for.

**GET STARTED
HERE**



<https://CartPros.com/f.html>

ACCESSORIES

ACCESSORIES

ACCESSORIES

ACCESSORY LIST	KIT NO.	LOCATION IN MANUAL
ASHTRAY KIT.....	75109-G02.....	See BODY
BALL HITCH KIT.....	75326-G02.....	See BODY
CARGO BED COVER.....	73521-G01	
CARGO TRAILER (STEEL).....	74486-G01	
CARGO TRAILER (POLY).....	74487-G01	
CONSOLE POWER OUTLET.....	71079-G01.....	See ELECTRICAL SYSTEM
DEFROSTER/COOLING FAN.....	74248-G01.....	See CAB (FLAT WINDSHIELD)
DOME LIGHT.....	20495-G2.....	See CAB (FLAT WINDSHIELD)
DOOR SET (STEEL).....	74301-G0*.....	See CAB (FLAT WINDSHIELD)
DOOR SET (STEEL).....	75856-G0*.....	See CAB (CURVED WINDSHIELD)
DOOR SET (VINYL).....	74242-G01.....	See CAB (FLAT WINDSHIELD)
DOOR SET (VINYL).....	75855-G01.....	See CAB (CURVED WINDSHIELD)
GLOVE BOX DOOR.....	75459-G0*.....	See BODY
GUN HOLDER.....	74365-G01	
HITCH KITS.....	74492-G0*.....	See BODY
HOUR METER KIT.....	75114-G02.....	See ELECTRICAL SYSTEM
RECTANGULAR SIDE MIRROR KIT.....	27924-G01.....	See CAB (FLAT WINDSHIELD)
INSTRUMENT/SWITCH PANEL.....	74250-G01.....	See CAB (FLAT WINDSHIELD)
LIGHT BAR.....	75354-G0*.....	See ELECTRICAL
REAR VIEW MIRROR KIT (REQUIRES SUN TOP KIT).....	19528-G2.....	See WEATHER PROTECTION
SOFT ENCLOSURE (3 SIDED).....	75367-G0*.....	See WEATHER PROTECTION
STEEL CAB, W/O DOORS.....	75854-G0*.....	See CAB (CURVED WINDSHIELD)
STROBE LIGHT.....	74245-G01.....	See CAB (FLAT WINDSHIELD)
SUN TOP KIT (CAMO).....	75378-G0*.....	See WEATHER PROTECTION
SUN TOP KIT (ST 350).....	75350-G02.....	See WEATHER PROTECTION
SUN TOP KIT (ST SPORT).....	75040-G05.....	See WEATHER PROTECTION
TURN SIGNAL KIT.....	75107-G02.....	See ELECTRICAL SYSTEM
WINCH.....	74259-G02.....	See WINCH (ST 350)
WINDSHIELD KIT (REQUIRES SUN TOP KIT).....	71966-G0*.....	See WEATHER PROTECTION
FOLD DOWN WINDSHIELD KIT (REQUIRES SUN TOP KIT).....	71966-G0*.....	See WEATHER PROTECTION
WINDSHIELD WIPER.....	74244-G01.....	See CAB (FLAT WINDSHIELD)
WORK LIGHTS.....	74247-G01.....	See CAB (FLAT WINDSHIELD)
ALUMINUM TOOLBOX.....	75454-G02.....	See TRUCKBEDS (ST 350)

**DID YOU
KNOW?**

CartPros directs you to the right part using the part numbers from this manual. Enter the part number into our search box and it will find the part you are looking for.

**GET STARTED
HERE**



<https://CartPros.com/f.html>

TEXTRON
GOLF, TURF & SPECIALTY PRODUCTS

Textron Golf, Turf & Specialty Products
P.O. Box 388 Augusta, Georgia 30903-0388 USA
Inside USA Phone: 1-800-241-5855, FAX: 1-800-448-8124
Outside USA Phone: 010-1-706-798-4311, FAX: 010-1-706-771-4609

Copyrighted Material
This manual may not be reproduced in whole or
in part without the express permission of
Textron Golf, Turf & Specialty Products
Technical Communications Department