

PARTS CATALOGUE

MODEL YEAR 2006

G28AC (JU9)

STARTING SERIAL NO.: JU9-300101 and following

OWNERS LIT-19626-01-08
ASSEMBLY LIT-11666-01-08
SERVICE LIT-11616-01-08

CONTENTS

ACCELERATOR	C1
AIR SHROUD FAN	A8
BODY	C11-12
BODY 2	D1
BODY FITTING	D2
BRAKE	B9-10
BRAKE 2	B11
BRAKE 3	B12
BUMPER	C10
CAMSHAFT VALVE	A7
CARBURETOR	A10
CARRIER	D3-4
CRANKCASE	A12
CRANKSHAFT PISTON	A6
CYLINDER HEAD	A5
ELECTRICAL 1	D9
ELECTRICAL 2	D10-11
ENGINE ASSEMBLY	A4
ENGINE BRACKET	B1
EXHAUST	A11
FRAME	B3
FRONT SUSPENSION WHEEL	B4-5
FUEL TANK	B8
GOVERNOR	C2
HEADLIGHT	D8
INTAKE	A9
PRIMARY SHEAVE	C3
REAR ARM SUSPENSION	B2
REAR AXLE MOUNT WHEEL	C8
SEAT	D5
SECONDARY SHEAVE	C4
SHIFTER CABLES	C9
STARTING MOTOR	D6-7
STEERING	B6-7
TRANSMISSION 1	C5-7

CONTENTS

ACCELERATOR	C1
AIR SHROUD FAN	A8
BODY	C11-12
BODY 2	D1
BODY FITTING	D2
BRAKE	B9-10
BRAKE 2	B11
BRAKE 3	B12
BUMPER	C10
CAMSHAFT VALVE	A7
CARBURETOR	A10
CARRIER	D3-4
CRANKCASE	A12
CRANKSHAFT PISTON	A6
CYLINDER HEAD	A5
ELECTRICAL 1	D9
ELECTRICAL 2	D10-11
ENGINE ASSEMBLY	A4
ENGINE BRACKET	A11
EXHAUST	B1
FRAME	B3
FRONT SUSPENSION WHEEL	B4-5
FUEL TANK	B8
GOVERNOR	C2
HEADLIGHT	D8
INTAKE	A9
PRIMARY SHEAVE	C3
REAR ARM SUSPENSION	B2
REAR AXLE MOUNT WHEEL	C8
SEAT	D5
SECONDARY SHEAVE	C4
SHIFTER CABLES	C9
STARTING MOTOR	D6-7
STEERING	B6-7
TRANSMISSION 1	C5-7

FOREWORD

This Parts Catalogue is related to the parts for the model(s) on the cover page. When you are ordering replacement parts, please refer to this Parts Catalogue and quote both part numbers and part names correctly.

6. The asterisk (*) before a reference number indicates modified items after the first edition.

1. Modifications or additions which have been made after the issue of the Parts Catalogue will be announced in the Parts News.
It is advisable that you make the necessary corrections to the Parts Catalogue according to the Parts News.

2. Abbreviations
The following abbreviations are used in this Parts Catalogue.

- "UR" Use specified parts number.
- "UN" Use as many as needed.
- "AP" Alternate Parts
- "LM" Locally Made (Parts need to be ordered locally)
- "F#" Frame No. (Applicable machine No.)
- "O/S" Over Size

3. The number of components for assembly
 - Parts, which are to be supplied in an assembly, are listed with a dot (.) in front of the part name as shown below.
 - The numeral appearing to the right of each component part indicates the quantity of parts for each assembly unit.

PART NO.	DESCRIPTION	Q'TY	REMARKS
2F5-83310-60	FRONT FLASHER LIGHT ASSY	2	
115-83311-60	.BULB (6V-18W)	1	

4. Applicable colours of graphics are represented in the "REMARKS" as shown below.

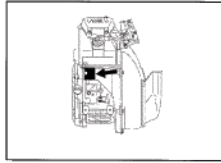
PART NO.	DESCRIPTION	Q'TY	REMARKS
2N4-24110-00-X5	FUEL TANK COMP.	2	MXR
3J1-24240-10	.GRAPHIC, FUEL TANK	1	FOR MXR

5. Note that the illustrations for reference in finding parts numbers are not to be used for assembling. When assembling, please use the applicable service manual.

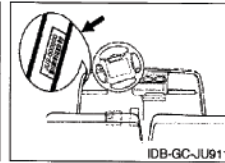
FOREWORD

7. Applicable Serial No.

Engine Serial No.



Frame Serial No.



8. Applicable Colour Code (The (*) mark shows Model colour.)

Abbreviation	Colour Name	Colour Code

9. Quantity Column Information

Column No.	Name Of Q'ty Column	Destination
1	JU91	U.S.A

10. Applicable Starting Serial No.

Frame Serial No.

Serial No.	Name Of Q'ty Column	Model Code
JU9-300101	JU91	JU91

CONTENTS

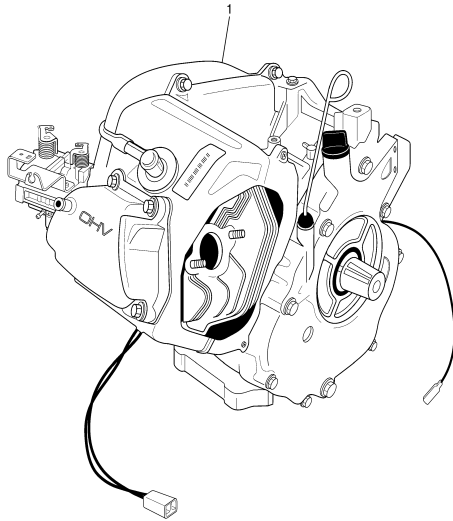
ACCELERATOR	C1
AIR SHROUD FAN	A8
BODY	C11-12
BODY 2	D1
BODY FITTING	D2
BRAKE	B9-10
BRAKE 2	B11
BRAKE 3	B12
BUMPER	C10
CAMSHAFT VALVE	A7
CARBURETOR	A10
CARRIER	D3-4
CRANKCASE	A12
CRANKSHAFT PISTON	A6
CYLINDER HEAD	A5
ELECTRICAL 1	D9
ELECTRICAL 2	D10-11
ENGINE ASSEMBLY	A4
ENGINE BRACKET	B1
EXHAUST	A11
FRAME	B3
FRONT SUSPENSION WHEEL	B4-5
FUEL TANK	B8
GOVERNOR	C2
HEADLIGHT	D8
INTAKE	A9
PRIMARY SHEAVE	C3
REAR ARM SUSPENSION	B2
REAR AXLE MOUNT WHEEL	C8
SEAT	D5
SECONDARY SHEAVE	C4
SHIFTER CABLES	C9
STARTING MOTOR	D6-7
STEERING	B6-7
TRANSMISSION 1	C5-7

ENGINE ASSEMBLY

Ref. No.	Part Number	Description	Qty	Remarks
1	JR6-19001-00-00	ENGINE ASSEMBLY	1	

CONTENTS

ACCELERATOR	C1
AIR SHROUD FAN	A8
BODY	C11-12
BODY 2	D1
BODY FITTING	D2
BRAKE	B9-10
BRAKE 2	B11
BRAKE 3	B12
BUMPER	C10
CAMSHAFT VALVE	A7
CARBURETOR	A10
CARRIER	D3-4
CRANKCASE	A12
CRANKSHAFT PISTON	A6
CYLINDER HEAD	A5
ELECTRICAL 1	D9
ELECTRICAL 2	D10-11
ENGINE ASSEMBLY	A4
ENGINE BRACKET	B1
EXHAUST	A11
FRAME	B3
FRONT SUSPENSION WHEEL	B4-5
FUEL TANK	B8
GOVERNOR	C2
HEADLIGHT	D8
INTAKE	A9
PRIMARY SHEAVE	C3
REAR ARM SUSPENSION	B2
REAR AXLE MOUNT WHEEL	C8
SEAT	D5
SECONDARY SHEAVE	C4
SHIFTER CABLES	C9
STARTING MOTOR	D6-7
STEERING	B6-7
TRANSMISSION 1	C5-7



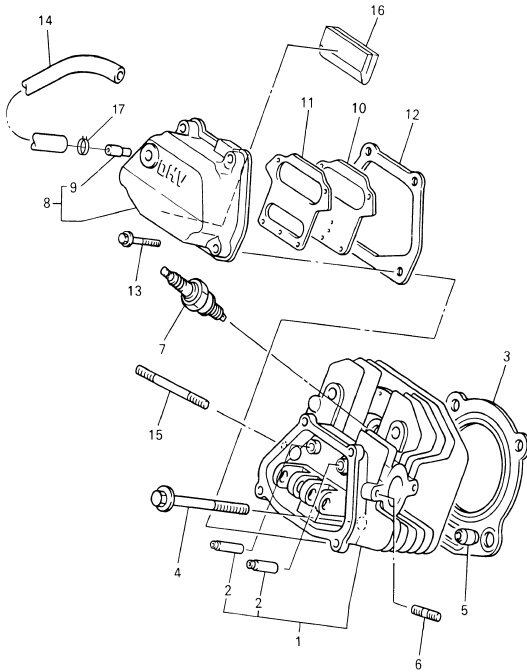
JW41110-C010

CYLINDER HEAD

Ref. No.	Part Number	Description	Qty	Remarks
1	JT0-11111-00-00	HEAD, CYLINDER 1	1	
2	JN6-11133-10-00	. GUIDE, VALVE 1	2	
3	JT0-11181-00-00	GASKET, CYLINDER HEAD 1	1	
4	95817-10070-00	BOLT, FLANGE	4	
5	99530-14016-00	PIN, DOWEL	2	
6	95627-08618-00	BOLT, STUD	2	
7	94702-00343-00	PLUG, SPARK (NGK BP4ES)	1	AP
	94702-00348-00	PLUG, SPARK (NGK-BPR2ES)	1	STD
8	JN6-11191-01-00	COVER, CYLINDER HEAD 1	1	
9	JN6-11116-00-00	. JOINT, BREATHER	1	
10	JN6-11168-00-00	COVER, BREATHER	1	
11	JN6-11169-00-00	GASKET, BREATHER COVER	1	
12	JN6-11193-00-00	GASKET, HEAD COVER 1	1	
13	95827-06030-00	BOLT, FLANGE	4	
14	JN6-E1166-00-00	PIPE, BREATHER 1	1	
15	95607-08710-00	BOLT, STUD	2	
16	JR7-11163-00-00	ELEMENT	1	
17	90467-13847-00	CLIP	2	

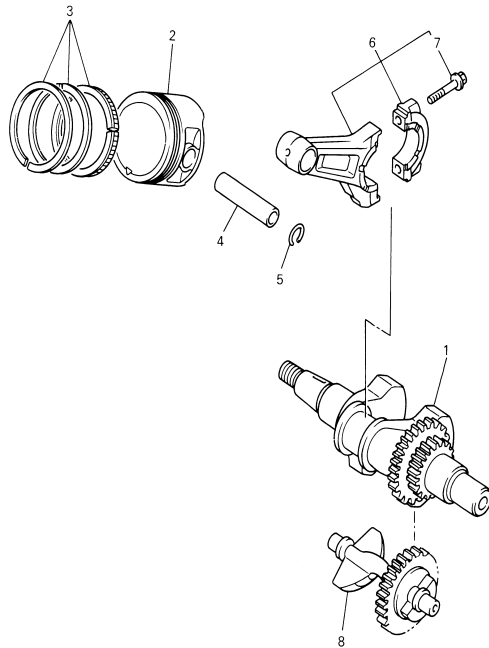
CONTENTS

ACCELERATOR	C1
AIR SHROUD FAN	A8
BODY	C11-12
BODY FITTING	D1
BRAKE	D2
BRAKE 2	B9-10
BRAKE 3	B11
BUMPER	B12
CAMSHAFT VALVE	C10
CARBURETOR	A7
CARRIER	A10
CRANKCASE	D3-4
CRANKSHAFT PISTON	A12
CYLINDER HEAD	A6
ELECTRICAL 1	A5
ELECTRICAL 2	D9
ENGINE ASSEMBLY	D10-11
ENGINE BRACKET	A4
EXHAUST	B1
FRAME	A11
FRONT SUSPENSION WHEEL	B3
FUEL TANK	B4-5
GOVERNOR	B8
HEADLIGHT	C2
INTAKE	D8
PRIMARY SHEAVE	A9
REAR ARM SUSPENSION	C3
REAR AXLE MOUNT WHEEL	B2
SEAT	C8
SECONDARY SHEAVE	D5
SHIFTER CABLES	C4
STARTING MOTOR	C9
STEERING	D6-7
TRANSMISSION 1	B6-7
	C5-7



JT01010-0011

CRANKSHAFT PISTON



Ref. No.	Part Number	Description	Qty	Remarks
1	JN6-11400-00-00	CRANKSHAFT ASSY	1	
2	JR7-11631-00-A0	PISTON (STD)	1	
	JR7-11635-00-00	PISTON (0.25MM O/S)	1	AP
	JR7-11636-00-00	PISTON (0.50MM O/S)	1	AP
3	JR7-11610-00-00	PISTON RING SET (STD)	1	
	JR7-11610-10-00	PISTON RING SET (0.25MM O/S)	1	AP
	JR7-11610-20-00	PISTON RING SET (0.50MM O/S)	1	AP
4	583-11633-00-00	PIN, PISTON	1	
5	93450-21053-00	CIRCLIP	2	
6	JN6-11650-00-00	CONNECTING ROD ASSY	1	
7	JN6-11654-00-00	. BOLT, CONNECTING ROD ..	2	
8	JN6-11454-00-00	WEIGHT 1	1	

CONTENTS

ACCELERATOR	C1
AIR SHROUD FAN	A8
BODY	C11-12
BODY 2	D1
BODY FITTING	D2
BRAKE	B9-10
BRAKE 2	B11
BRAKE 3	B12
BUMPER	C10
CAMSHAFT VALVE	A7
CARBURETOR	A10
CARRIER	D3-4
CRANKCASE	A12
CRANKSHAFT PISTON	A6
CYLINDER HEAD	A5
ELECTRICAL 1	D9
ELECTRICAL 2	D10-11
ENGINE ASSEMBLY	A4
ENGINE BRACKET	B1
EXHAUST	A11
FRAME	B3
FRONT SUSPENSION WHEEL	B4-5
FUEL TANK	B8
GOVERNOR	C2
HEADLIGHT	D8
INTAKE	A9
PRIMARY SHEAVE	C3
REAR ARM SUSPENSION	B2
REAR AXLE MOUNT WHEEL	C8
SEAT	D5
SECONDARY SHEAVE	C4
SHIFTER CABLES	C9
STARTING MOTOR	D6-7
STEERING	B6-7
TRANSMISSION 1	C5-7



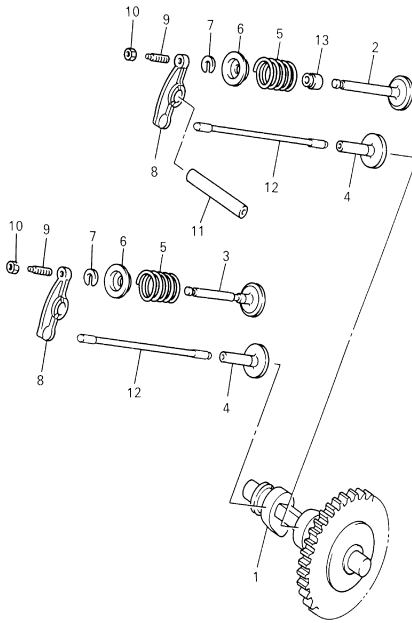
JN7010-6020

CAMSHAFT VALVE

Ref. No.	Part Number	Description	Qty	Remarks
1	JR7-12170-00-00	CAMSHAFT ASSY 1	1	
2	JN6-12111-01-00	VALVE, INTAKE	1	
3	7RH-12121-00-00	VALVE, EXHAUST	1	
4	JN6-12153-00-00	LIFTER, VALVE	2	
5	90501-264A9-00	SPRING, COMPRESSION	2	
6	J38-12117-01-00	RETAINER, VALVE SPRING	2	
7	J38-12118-00-00	COTTER, VALVE	2	
8	JN6-12151-00-00	ARM, VALVE ROCKER	2	
9	22F-12159-00-00	SCREW, VALVE ADJUSTING	2	
10	90170-05302-00	NUT	2	
11	J38-12156-00-00	SHAFT, ROCKER 2	1	
12	JR7-12154-01-00	ROD, VALVE PUSH	2	
13	4G0-12119-00-00	SEAL, VALVE STEM	1	

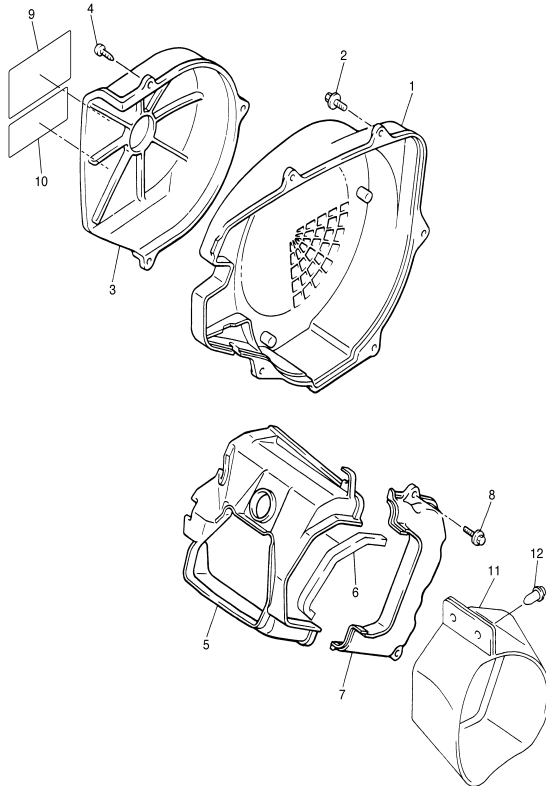
CONTENTS

ACCELERATOR	C1
AIR SHROUD FAN	A8
BODY	C11-12
BODY 2	D1
BODY FITTING	D2
BRAKE	B9-10
BRAKE 2	B11
BRAKE 3	B12
BUMPER	C10
CAMSHAFT VALVE	A7
CARBURETOR	A10
CARRIER	D3-4
CRANKCASE	A12
CRANKSHAFT PISTON	A6
CYLINDER HEAD	A5
ELECTRICAL 1	D9
ELECTRICAL 2	D10-11
ENGINE ASSEMBLY	A4
ENGINE BRACKET	B1
EXHAUST	A11
FRAME	B3
FRONT SUSPENSION WHEEL	B4-5
FUEL TANK	B8
GOVERNOR	C2
HEADLIGHT	D8
INTAKE	A9
PRIMARY SHEAVE	C3
REAR ARM SUSPENSION	B2
REAR AXLE MOUNT WHEEL	C8
SEAT	D5
SECONDARY SHEAVE	C4
SHIFTER CABLES	C9
STARTING MOTOR	D6-7
STEERING	B6-7
TRANSMISSION 1	C5-7



JT01010-0030

AIR SHROUD FAN



Ref. No.	Part Number	Description	Qty	Remarks
1	JN6-12621-00-00	CASE, FAN	1	
2	95807-06020-00	BOLT, FLANGE	5	
3	JN6-12616-00-00	COVER, FAN CASE	1	
4	97707-60520-00	SCREW, TAPPING	3	
5	JN6-12651-00-00	AIR SHROUD, CYLINDER 1	1	
6	JR7-12658-00-00	DAMPER, AIR SHROUD 1	1	
7	JN6-12652-00-00	AIR SHROUD, CYLINDER 2	1	
8	95807-06020-00	BOLT, FLANGE	2	
9	JR6-2179R-01-00	PLATE, EPA 2 (CALIFORNIA)	1	
10	7UH-2111F-00-00	LABEL, EMISSION	1	
11	JN6-E2691-00-00	DUCT, 1	1	
12	90269-08813-00	RIVET	2	

CONTENTS

ACCELERATOR	C1
AIR SHROUD FAN	A8
BODY	C11-12
BODY 2	D1
BODY FITTING	D2
BRAKE	B9-10
BRAKE 2	B11
BRAKE 3	B12
BUMPER	C10
CAMSHAFT VALVE	A7
CARBURETOR	A10
CARRIER	D3-4
CRANKCASE	A12
CRANKSHAFT PISTON	A6
CYLINDER HEAD	A5
ELECTRICAL 1	D9
ELECTRICAL 2	D10-11
ENGINE ASSEMBLY	A4
ENGINE BRACKET	B1
EXHAUST	A11
FRAME	B3
FRONT SUSPENSION WHEEL	B4-5
FUEL TANK	B8
GOVERNOR	C2
HEADLIGHT	D8
INTAKE	A9
PRIMARY SHEAVE	C3
REAR ARM SUSPENSION	B2
REAR AXLE MOUNT WHEEL	C8
SEAT	D5
SECONDARY SHEAVE	C4
SHIFTER CABLES	C9
STARTING MOTOR	D6-7
STEERING	B6-7
TRANSMISSION 1	C5-7



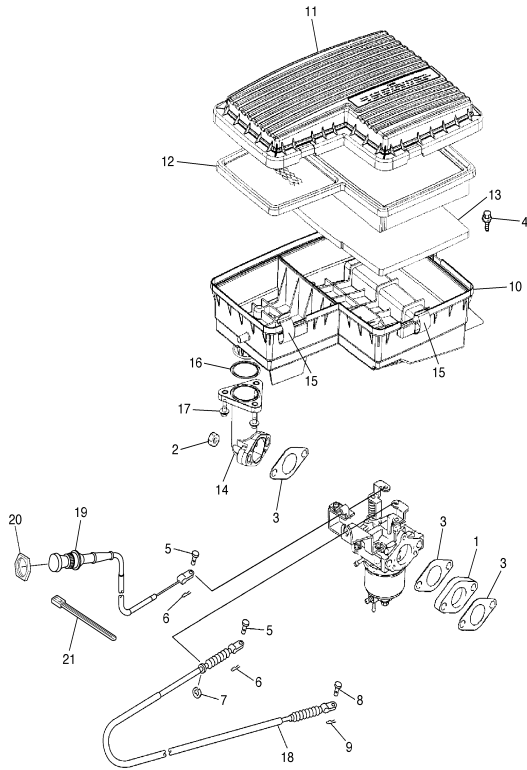
JW41110-C050

INTAKE

Ref. No.	Part Number	Description	Qty	Remarks
1	JN6-13595-00-00	JOINT	1	
2	95707-08500-00	NUT, FLANGE	2	
3	JN6-13567-00-00	GASKET	3	
4	90119-06838-00	BOLT, WITH WASHER	2	
5	91701-05010-00	PIN, CLEVIS	2	
6	90468-10049-00	CLIP	2	
7	99001-07600-00	CIRCLIP	1	
8	91701-05010-00	PIN, CLEVIS	1	
9	90468-10049-00	CLIP	1	
10	JU0-E4411-00-00	CASE, AIR CLEANER 1	1	
11	JU0-E4412-00-00	CAP, CLEANER CASE 1	1	
12	JU0-E4450-00-00	ELEMENT ASSY, AIR CLEANER	1	
13	JU0-E445E-00-00	FILTER 1	1	
14	JU0-E3586-00-00	JOINT, CARBURETOR 1	1	
15	5UH-E4424-00-00	CLIP, CAP FITTING	5	
16	93210-398D6-00	O-RING	1	
17	90105-06862-00	BOLT, FLANGE	3	
18	JN6-F6312-01-00	CABLE, THROTTLE 2	1	
19	J55-F6331-11-00	CABLE, STARTER 1	1	
20	JN6-F6333-10-00	NUT	1	
21	90464-31827-00	CLAMP	1	

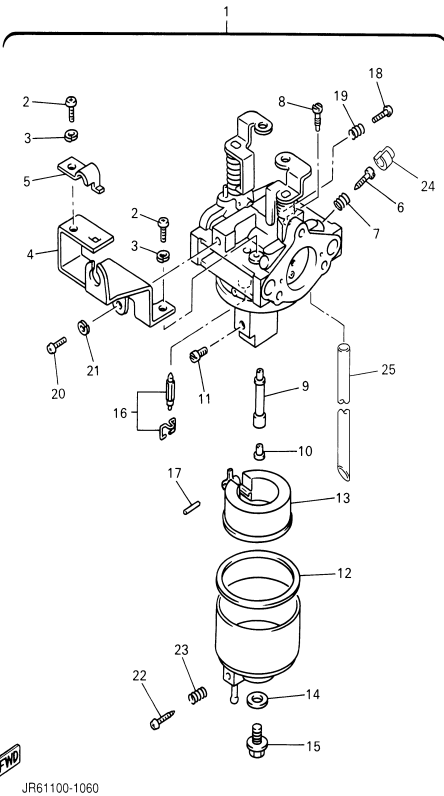
CONTENTS

ACCELERATOR	C1
AIR SHROUD FAN	A8
BODY	C11-12
BODY 2	D1
BODY FITTING	D2
BRAKE	B9-10
BRAKE 2	B11
BRAKE 3	B12
BUMPER	C10
CAMSHAFT VALVE	A7
CARBURETOR	A10
CARRIER	D3-4
CRANKCASE	A12
CRANKSHAFT PISTON	A6
CYLINDER HEAD	A5
ELECTRICAL 1	D9
ELECTRICAL 2	D10-11
ENGINE ASSEMBLY	A4
ENGINE BRACKET	B1
EXHAUST	A11
FRAME	B3
FRONT SUSPENSION WHEEL	B4-5
FUEL TANK	B8
GOVERNOR	C2
HEADLIGHT	D8
INTAKE	A9
PRIMARY SHEAVE	C3
REAR ARM SUSPENSION	B2
REAR AXLE MOUNT WHEEL	C8
SEAT	D5
SECONDARY SHEAVE	C4
SHIFTER CABLES	C9
STARTING MOTOR	D6-7
STEERING	B6-7
TRANSMISSION 1	C5-7



JW51110-C060

CARBURETOR



Ref. No.	Part Number	Description	Qty	Remarks
1	JR6-14101-00-00	CARBURETOR ASSY 1	1	
2	98507-05008-00	. SCREW, PAN HEAD	2	
3	92990-05100-00	. WASHER, SPRING	2	
4	JN6-14291-00-00	. BRACKET 1	1	
5	J10-14227-00-00	. PLATE	1	
6	7NJ-14211-00-00	. SCREW, PILOT ADJUSTING	1	
7	73A-14212-10-00	. SPRING	1	
8	732-14142-65-A0	. JET, PILOT (# 65)	1	
9	JN6-1495H-3B-00	. NOZZLE, MAIN	1	
10	73A-1414G-00-00	. PIPE, MAIN BLEED	1	
11	3G2-1423A-67-00	. JET, MAIN (# 82.5)	1	AP
	3G2-1423A-68-A0	. JET, MAIN (# 87.5)	1	STD
	3G2-1423E-33-A0	. JET, MAIN (#83.8)	1	AP
12	796-14184-00-00	. GASKET, FLOAT CHAMBER	1	
13	JN6-14185-00-00	. FLOAT	1	
14	127-14198-00-00	. GASKET	1	
15	7R1-14162-00-00	. BOLT, HOLDING	1	
16	JN5-14150-00-00	. NEEDLE ASSY	1	
17	22F-14186-00-00	. PIN, FLOAT	1	
18	1WG-14922-00-00	. SCREW, THROTTLE	1	
19	73A-14212-10-00	. SPRING	1	
20	98507-04010-00	. SCREW, PAN HEAD	1	
21	92902-04100-00	. WASHER, SPRING	1	
22	7E1-14191-00-00	. PLUG, DRAIN	1	
23	73A-14212-00-00	. SPRING	1	
24	7LV-14118-00-00	. CAP	1	
25	1KT-14197-01-00	. PIPE	1	

CONTENTS

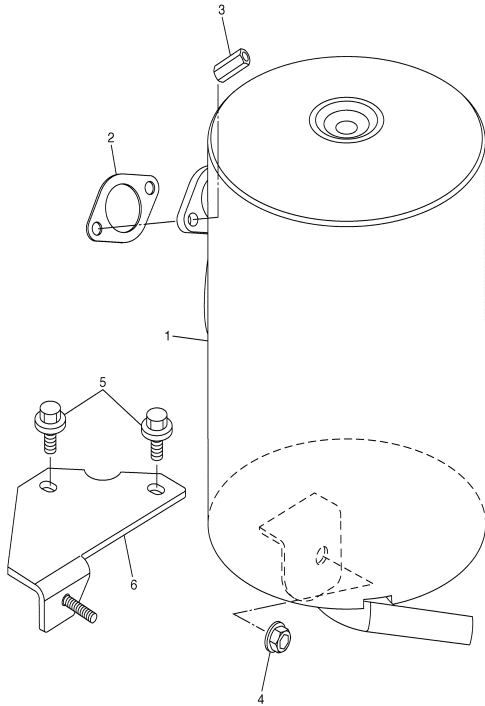
ACCELERATOR	C1
AIR SHROUD FAN	A8
BODY	C11-12
BODY 2	D1
BODY FITTING	D2
BRAKE	B9-10
BRAKE 2	B11
BRAKE 3	B12
BUMPER	C10
CAMSHAFT VALVE	A7
CARBURETOR	A10
CARRIER	D3-4
CRANKCASE	A12
CRANKSHAFT PISTON	A6
CYLINDER HEAD	A5
ELECTRICAL 1	D9
ELECTRICAL 2	D10-11
ENGINE ASSEMBLY	A4
ENGINE BRACKET	B1
EXHAUST	A11
FRAME	B3
FRONT SUSPENSION WHEEL	B4-5
FUEL TANK	B8
GOVERNOR	C2
HEADLIGHT	D8
INTAKE	A9
PRIMARY SHEAVE	C3
REAR ARM SUSPENSION	B2
REAR AXLE MOUNT WHEEL	C8
SEAT	D5
SECONDARY SHEAVE	C4
SHIFTER CABLES	C9
STARTING MOTOR	D6-7
STEERING	B6-7
TRANSMISSION 1	C5-7

EXHAUST

Ref. No.	Part Number	Description	Qty	Remarks
1	JU0-E4710-10-00	MUFFLER ASSY 1	1	
2	7KY-14613-01-00	GASKET, EXHAUST 1	1	
3	90179-08879-00	NUT	2	
4	90185-08841-00	NUT, SELF-LOCKING	1	
5	90119-08825-00	BOLT, WITH WASHER	2	
6	JN6-F1435-10-00	BRACKET, MUFFLER 1	1	

CONTENTS

ACCELERATOR	C1
AIR SHROUD FAN	A8
BODY	C11-12
BODY 2	D1
BODY FITTING	D2
BRAKE	B9-10
BRAKE 2	B11
BRAKE 3	B12
BUMPER	C10
CAMSHAFT VALVE	A7
CARBURETOR	A10
CARRIER	D3-4
CRANKCASE	A12
CRANKSHAFT PISTON	A6
CYLINDER HEAD	A5
ELECTRICAL 1	D9
ELECTRICAL 2	D10-11
ENGINE ASSEMBLY	A4
ENGINE BRACKET	B1
EXHAUST	A11
FRAME	B3
FRONT SUSPENSION WHEEL	B4-5
FUEL TANK	B8
GOVERNOR	C2
HEADLIGHT	D8
INTAKE	A9
PRIMARY SHEAVE	C3
REAR ARM SUSPENSION	B2
REAR AXLE MOUNT WHEEL	C8
SEAT	D5
SECONDARY SHEAVE	C4
SHIFTER CABLES	C9
STARTING MOTOR	D6-7
STEERING	B6-7
TRANSMISSION 1	C5-7



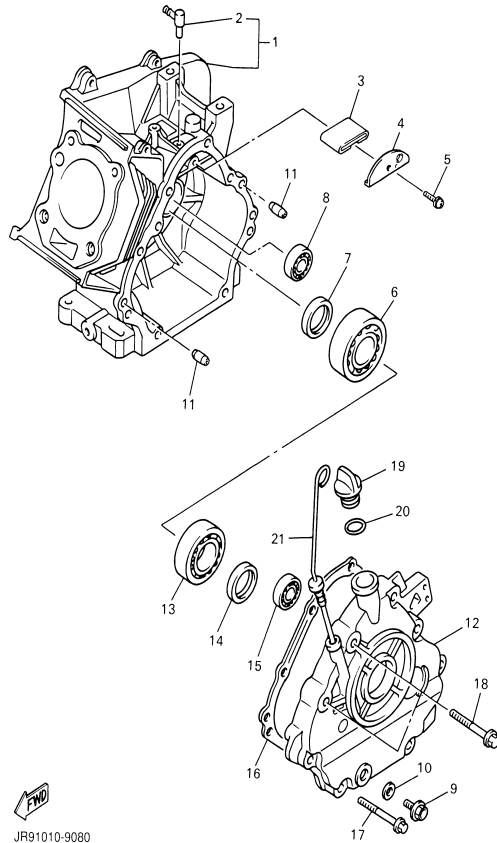
JT71010-B070

CRANKCASE

Ref. No.	Part Number	Description	Qty	Remarks
1	JR7-15100-00-00	CRANKCASE ASSY	1	
2	JN6-15155-00-00	NOZZLE 3	1	
3	JR7-15407-00-00	ELEMENT 1	1	
4	JR7-15123-00-00	PLATE, BUFFLE 1	1	
5	90159-06107-00	SCREW, WITH WASHER	1	
6	93306-30709-00	BEARING	1	
7	93102-35014-00	OIL SEAL	1	
8	93306-20201-00	BEARING (B6202)	1	
9	90340-12097-00	PLUG, STRAIGHT SCREW	1	
10	812-11198-00-00	GASKET	1	
11	99530-08016-00	PIN, DOWEL	2	
12	JN6-15411-01-00	COVER, CRANKCASE 1	1	
13	93306-20714-00	BEARING	1	
14	93102-35014-00	OIL SEAL	1	
15	93306-20201-00	BEARING (B6202)	1	
16	JN6-15451-02-00	GASKET, CRANKCASE COVER 1	1	
17	95817-08045-00	BOLT, FLANGE	6	
18	95817-10050-00	BOLT, FLANGE	2	
19	796-15363-01-00	PLUG, OIL	1	
20	93210-22344-00	O-RING	1	
21	J38-15361-00-00	GAUGE, LEVEL	1	

CONTENTS

ACCELERATOR	C1
AIR SHROUD FAN	A8
BODY	C11-12
BODY 2	D1
BODY FITTING	D2
BRAKE	B9-10
BRAKE 2	B11
BRAKE 3	B12
BUMPER	C10
CAMSHAFT VALVE	A7
CARBURETOR	A10
CARRIER	D3-4
CRANKCASE	A12
CRANKSHAFT PISTON	A6
CYLINDER HEAD	A5
ELECTRICAL 1	D9
ELECTRICAL 2	D10-11
ENGINE ASSEMBLY	A4
ENGINE BRACKET	B1
EXHAUST	A11
FRAME	B3
FRONT SUSPENSION WHEEL	B4-5
FUEL TANK	B8
GOVERNOR	C2
HEADLIGHT	D8
INTAKE	A9
PRIMARY SHEAVE	C3
REAR ARM SUSPENSION	B2
REAR AXLE MOUNT WHEEL	C8
SEAT	D5
SECONDARY SHEAVE	C4
SHIFTER CABLES	C9
STARTING MOTOR	D6-7
STEERING	B6-7
TRANSMISSION 1	C5-7



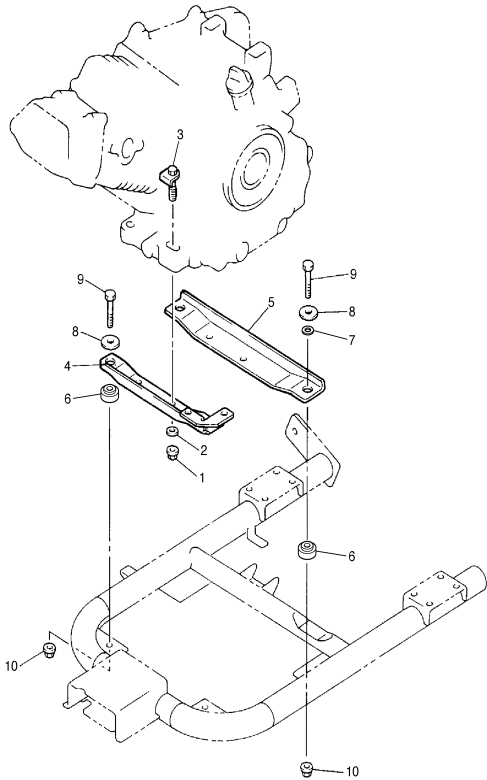
JR91010-9080

ENGINE BRACKET

Ref. No.	Part Number	Description	Qty	Remarks
1	9560P-10200-00	NUT, FLANGE	4	
2	9290P-10200-00	WASHER	4	
3	JN6-F1481-00-00	BOLT, ENGINE MOUNTING 1	4	
4	JN6-F1411-00-00	BRACKET, ENGINE 1	1	
5	JN6-F1419-02-00	BRACKET, ENGINE 2	1	
6	JR3-F1459-00-00	SPACER	4	
7	9299R-08200-00	WASHER	2	
8	90201-088K6-00	WASHER, PLATE	4	
9	90101-08880-00	BOLT	4	
10	90179-08885-00	NUT	4	

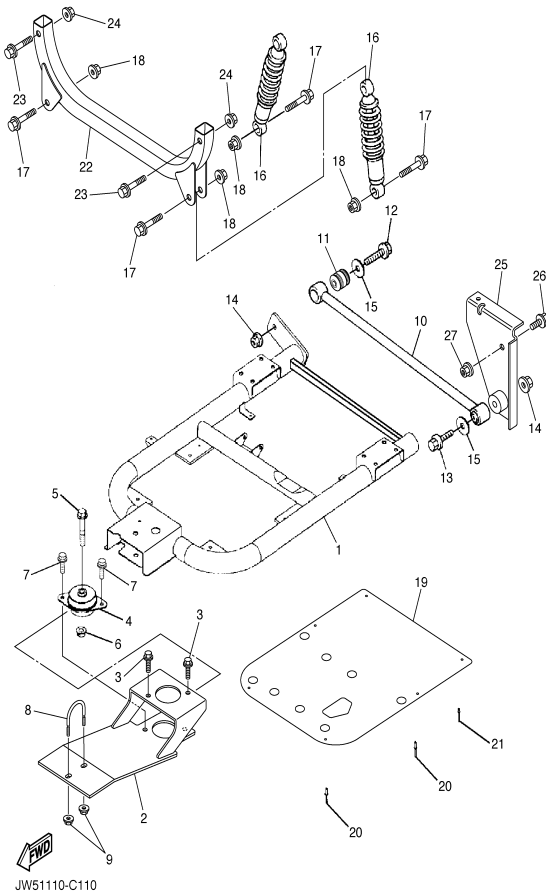
CONTENTS

ACCELERATOR	C1
AIR SHROUD FAN	A8
BODY	C11-12
BODY 2	D1
BODY FITTING	D2
BRAKE	B9-10
BRAKE 2	B11
BRAKE 3	B12
BUMPER	C10
CAMSHAFT VALVE	A7
CARBURETOR	A10
CARRIER	D3-4
CRANKCASE	A12
CRANKSHAFT PISTON	A6
CYLINDER HEAD	A5
ELECTRICAL 1	D9
ELECTRICAL 2	D10-11
ENGINE ASSEMBLY	A4
ENGINE BRACKET	B1
EXHAUST	A11
FRAME	B3
FRONT SUSPENSION WHEEL	B4-5
FUEL TANK	B8
GOVERNOR	C2
HEADLIGHT	D8
INTAKE	A9
PRIMARY SHEAVE	C3
REAR ARM SUSPENSION	B2
REAR AXLE MOUNT WHEEL	C8
SEAT	D5
SECONDARY SHEAVE	C4
SHIFTER CABLES	C9
STARTING MOTOR	D6-7
STEERING	B6-7
TRANSMISSION 1	C5-7



JW51110-C100

REAR ARM SUSPENSION



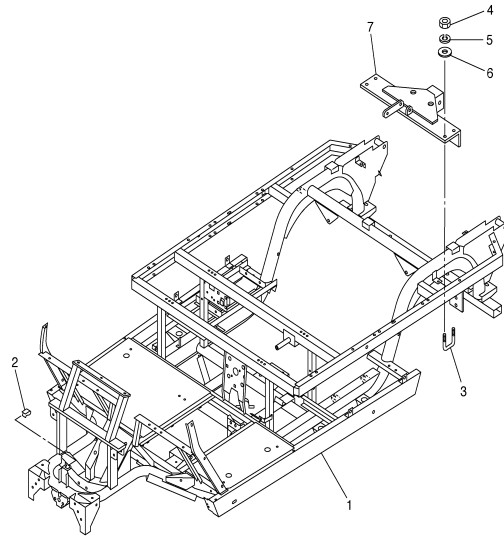
Ref. No.	Part Number	Description	Qty	Remarks
1	JN6-F2110-02-00	REAR ARM COMP.	1	
2	JU9-F2403-10-00	UNDER BRACKET COMP	1	
3	9581P-10020-00	BOLT, FLANGE	2	
4	JN6-F2123-10-00	BUSH 1	1	
5	90105-13864-00	BOLT, FLANGE	1	
6	90179-13878-00	NUT	1	
7	9581P-10020-00	BOLT, FLANGE	2	
8	JU9-F1631-00-00	BOLT 1	1	
9	9560P-10200-00	NUT, FLANGE	2	
10	JN6-F217G-00-00	ROD, CONNECTING 2	1	
11	JN6-F2124-10-00	BUSH 2	2	
12	9581P-12065-00	BOLT, FLANGE	1	
13	9581P-12090-00	BOLT, FLANGE	1	
14	9560P-12200-00	NUT, FLANGE	2	
15	90201-128S4-00	WASHER, PLATE	2	
16	JR6-F2210-00-00	SHOCK ABSORBER ASSY, REAR	2	
17	9581P-12065-00	BOLT, FLANGE	4	
18	90185-12072-00	NUT, SELF-LOCKING	4	
19	JN6-F2128-01-00	COVER, THRUST 1	1	
20	90267-48850-00	RIVET, BLIND	4	
21	90267-40851-00	RIVET, BLIND	2	
22	JU9-F5920-00-00	SUPT. BRKT. ASSY.	1	
23	9581P-12065-00	BOLT, FLANGE	2	
24	90185-12072-00	NUT, SELF-LOCKING	2	
25	JU9-F253H-00-00	BRKT., ROD PLATE 2	1	
26	9581P-12025-00	BOLT, FLANGE	2	
27	9560P-12200-00	NUT, FLANGE	2	

CONTENTS

ACCELERATOR	C1
AIR SHROUD FAN	A8
BODY	C11-12
BODY 2	D1
BODY FITTING	D2
BRAKE	B9-10
BRAKE 2	B11
BRAKE 3	B12
BUMPER	C10
CAMSHAFT VALVE	A7
CARBURETOR	A10
CARRIER	D3-4
CRANKCASE	A12
CRANKSHAFT PISTON	A6
CYLINDER HEAD	A5
ELECTRICAL 1	D9
ELECTRICAL 2	D10-11
ENGINE ASSEMBLY	A4
ENGINE BRACKET	B1
EXHAUST	A11
FRAME	B3
FRONT SUSPENSION WHEEL	B4-5
FUEL TANK	B8
GOVERNOR	C2
HEADLIGHT	D8
INTAKE	A9
PRIMARY SHEAVE	C3
REAR ARM SUSPENSION	B2
REAR AXLE MOUNT WHEEL	C8
SEAT	D5
SECONDARY SHEAVE	C4
SHIFTER CABLES	C9
STARTING MOTOR	D6-7
STEERING	B6-7
TRANSMISSION 1	C5-7

FRAME

Ref. No.	Part Number	Description	Qty	Remarks
1	JU9-F2501-00-00	FRAME COMP.	1	
2	JU0-F2567-00-00	SUPPORT 1	1	
3	90109-10862-00	BOLT	2	
4	90170-10847-00	NUT	4	
5	9290P-10100-00	WASHER	4	
6	9290P-10200-00	WASHER	4	
7	JW5-F722B-00-00	BAR, TOW	1	



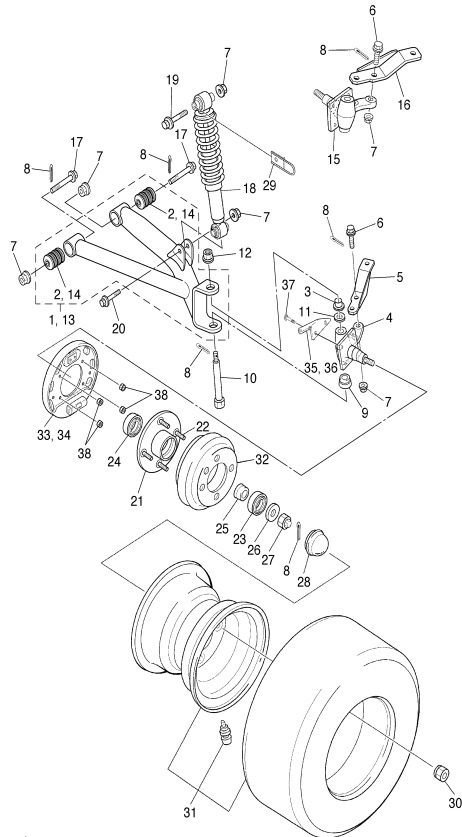
CONTENTS

ACCELERATOR	C1
AIR SHROUD FAN	A8
BODY	C11-12
BODY 2	D1
BODY FITTING	D2
BRAKE	B9-10
BRAKE 2	B11
BRAKE 3	B12
BUMPER	C10
CAMSHAFT VALVE	A7
CARBURETOR	A10
CARRIER	D3-4
CRANKCASE	A12
CRANKSHAFT PISTON	A6
CYLINDER HEAD	A5
ELECTRICAL 1	D9
ELECTRICAL 2	D10-11
ENGINE ASSEMBLY	A4
ENGINE BRACKET	B1
EXHAUST	A11
FRAME	B3
FRONT SUSPENSION WHEEL	B4-5
FUEL TANK	B8
GOVERNOR	C2
HEADLIGHT	D8
INTAKE	A9
PRIMARY SHEAVE	C3
REAR ARM SUSPENSION	B2
REAR AXLE MOUNT WHEEL	C8
SEAT	D5
SECONDARY SHEAVE	C4
SHIFTER CABLES	C9
STARTING MOTOR	D6-7
STEERING	B6-7
TRANSMISSION 1	C5-7



JU91110-C120

FRONT SUSPENSION WHEEL



JW51110-C130

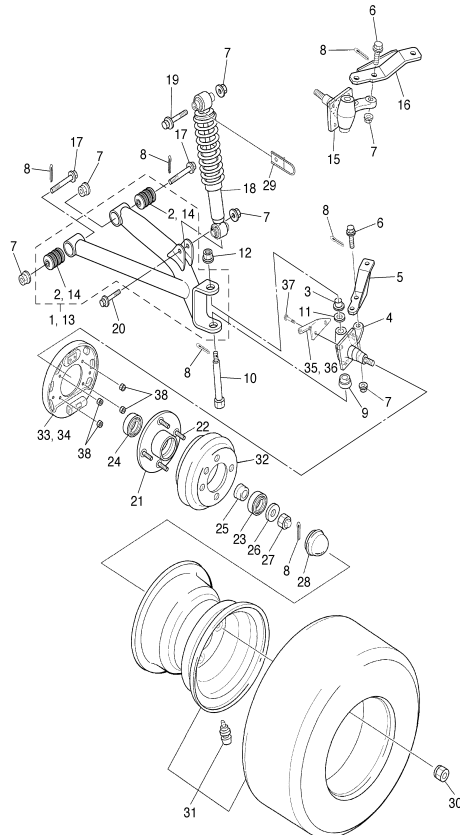
Ref. No.	Part Number	Description	Qty	Remarks
1	JU9-F3570-00-00	FRONT LOWER ARM COMP. (LEFT)	1	
2	JN6-F3526-00-00	. BUSH	2	
3	90384-15825-00	BUSH, BIMETAL FORMED	2	
4	JR6-F3501-10-00	STEERING KNUCKLE ASSY (LEFT)	1	
5	JU9-F3512-00-00	ARM, KNUCKLE 1	1	
6	90105-10895-00	BOLT, FLANGE	4	
7	95607-10200-00	NUT, U FLANGE	12	
8	91401-25020-00	PIN, COTTER	12	
9	J38-23527-00-00	SEAL, DUST 1	2	
10	JR6-F3516-00-00	KING PIN, STEERING KNUCKLE	2	
11	90201-158S6-00	WASHER, PLATE	2	
12	9560P-10200-00	NUT, FLANGE	2	
13	JU9-F3580-00-00	FRONT LOWER ARM COMP. (RIGHT)	1	
14	JN6-F3526-00-00	. BUSH	2	
15	JR6-F3502-10-00	STEERING KNUCKLE ASSY (RIGHT)	1	
16	JU9-F3522-00-00	ARM, KNUCKLE 2	1	
17	90105-10894-00	BOLT, FLANGE	4	
18	JR6-F3350-00-00	SHOCK ABSORBER ASSY	2	
19	95807-10065-00	BOLT, FLANGE	2	
20	95807-10055-00	BOLT, FLANGE	2	
21	JR6-F5110-00-00	HUB ASSY, FRONT	2	
22	90114-12803-00	BOLT, SERRATION	8	
23	93306-204X0-00	BEARING	2	
24	93306-005Y3-00	BEARING	2	
25	90387-241M7-00	COLLAR	2	
26	90209-32832-00	WASHER	2	

CONTENTS

ACCELERATOR	C1
AIR SHROUD FAN	A8
BODY	C11-12
BODY 2	D1
BODY FITTING	D2
BRAKE	B9-10
BRAKE 2	B11
BRAKE 3	B12
BUMPER	C10
CAMSHAFT VALVE	A7
CARBURETOR	A10
CARRIER	D3-4
CRANKCASE	A12
CRANKSHAFT PISTON	A6
CYLINDER HEAD	A5
ELECTRICAL 1	D9
ELECTRICAL 2	D10-11
ENGINE ASSEMBLY	A4
ENGINE BRACKET	B1
EXHAUST	A11
FRAME	B3
FRONT SUSPENSION WHEEL	B4-5
FUEL TANK	B8
GOVERNOR	C2
HEADLIGHT	D8
INTAKE	A9
PRIMARY SHEAVE	C3
REAR ARM SUSPENSION	B2
REAR AXLE MOUNT WHEEL	C8
SEAT	D5
SECONDARY SHEAVE	C4
SHIFTER CABLES	C9
STARTING MOTOR	D6-7
STEERING	B6-7
TRANSMISSION 1	C5-7

CONTINUED ON NEXT FRAME ►

FRONT SUSPENSION WHEEL



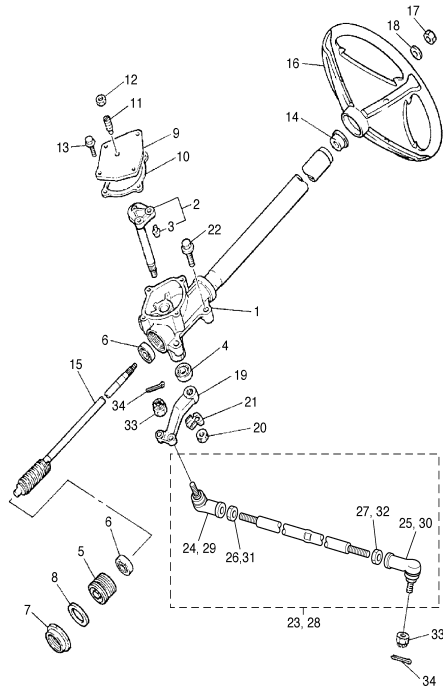
JW51110-C130

Ref. No.	Part Number	Description	Qty	Remarks
27	95607-14100-00	NUT, U	2	
28	JN6-F5118-00-00	COVER, HUB DUST	2	
29	JR6-F1339-00-00	GUIDE, WIRE	2	
30	90179-12262-00	NUT	8	
31	JU9-F5100-00-00	WHEEL ASSY (22X11-10 6PLY 244)	2	
32	JU9-G6521-00-00	DRUM	2	
33	JN6-F7290-03-00	BACKING PLATE ASSY 2	1	SEE BRAKE 2 (L.H)
34	JN6-F7280-03-00	BACKING PLATE ASSY 1	1	SEE BRAKE 3 (R.H)
35	JR6-F7263-00-00	BRACKET 1	1	
36	JR6-F7264-00-00	BRACKET 2	1	
37	9502P-08025-00	BOLT, FLANGE	8	
38	9560P-08200-00	NUT	8	

CONTENTS

ACCELERATOR	C1
AIR SHROUD FAN	A8
BODY	C11-12
BODY FITTING	D1
BRAKE	D2
BRAKE 2	B9-10
BRAKE 3	B11
BUMPER	B12
CAMSHAFT VALVE	C10
CARBURETOR	A7
CARRIER	A10
CRANKCASE	D3-4
CRANKSHAFT PISTON	A12
CYLINDER HEAD	A6
ELECTRICAL 1	A5
ELECTRICAL 2	D9
ENGINE ASSEMBLY	D10-11
ENGINE BRACKET	A4
EXHAUST	B1
FRAME	A11
FRONT SUSPENSION WHEEL	B3
FUEL TANK	B4-5
GOVERNOR	B8
HEADLIGHT	C2
INTAKE	C8
PRIMARY SHEAVE	D8
REAR ARM SUSPENSION	A9
REAR AXLE MOUNT WHEEL	C3
SEAT	B2
SECONDARY SHEAVE	C8
SHIFTER CABLES	D5
STARTING MOTOR	C4
STEERING	C9
TRANSMISSION 1	D6-7
	B6-7
	C5-7

STEERING



Ref. No.	Part Number	Description	Qty	Remarks
1	JG5-F3811-00-00	COLUMN, STEERING	1	
2	J38-23816-00-00	ARM, PITMAN	1	
3	J38-23836-00-00	PIN, PITMAN	2	
4	93102-22082-00	OIL SEAL	1	
5	J55-F3876-00-00	BOLT	1	
6	93332-000Y2-00	BEARING	2	
7	J10-23877-00-00	NUT	1	
8	J10-23444-00-00	WASHER	1	
9	JN3-F3818-00-00	COVER, STEERING	1	
10	J38-23462-01-00	SEAL, STEERING	1	
11	J10-F3459-00-00	BOLT	1	
12	90170-08024-00	NUT	1	
13	95807-06020-00	BOLT, FLANGE	4	
14	JN3-F3814-00-00	HOLDER, HANDLE UPPER	1	
15	J10-23840-00-00	STEERING SHAFT ASSY	1	
16	JN3-F3838-00-00	WHEEL, STEERING	1	
17	90185-12061-00	NUT, SELF-LOCKING	1	
18	9290P-12200-00	WASHER	1	
19	J38-23826-01-00	ARM, IDLER	1	
20	95707-16300-00	NUT, FLANGE	1	
21	90215-16814-00	WASHER, LOCK	1	
22	90105-10880-00	BOLT, FLANGE	4	
23	JU9-F3830-00-00	TIE ROD ASSY (L.H)	1	
24	JN6-F3841-00-00	JOINT, UNIVERSAL 1	1	
25	JN6-F3845-00-00	JOINT, UNIVERSAL 2	1	
26	9530N-10600-00	NUT	1	
27	90170-10414-00	NUT	1	
28	JU9-F3850-00-00	TIE ROD ASSY (R.H)	1	
29	JN6-F3841-00-00	JOINT, UNIVERSAL 1	1	
30	JN6-F3845-00-00	JOINT, UNIVERSAL 2	1	

CONTENTS

ACCELERATOR	C1
AIR SHROUD FAN	A8
BODY	C11-12
BODY 2	D1
BODY FITTING	D2
BRAKE	B9-10
BRAKE 2	B11
BRAKE 3	B12
BUMPER	C10
CAMSHAFT VALVE	A7
CARBURETOR	A10
CARRIER	D3-4
CRANKCASE	A12
CRANKSHAFT PISTON	A6
CYLINDER HEAD	A5
ELECTRICAL 1	D9
ELECTRICAL 2	D10-11
ENGINE ASSEMBLY	A4
ENGINE BRACKET	B1
EXHAUST	A11
FRAME	B3
FRONT SUSPENSION WHEEL	B4-5
FUEL TANK	B8
GOVERNOR	C2
HEADLIGHT	D8
INTAKE	A9
PRIMARY SHEAVE	C3
REAR ARM SUSPENSION	B2
REAR AXLE MOUNT WHEEL	C8
SEAT	D5
SECONDARY SHEAVE	C4
SHIFTER CABLES	C9
STARTING MOTOR	D6-7
STEERING	B6-7
TRANSMISSION 1	C5-7

CONTINUED ON NEXT FRAME ►



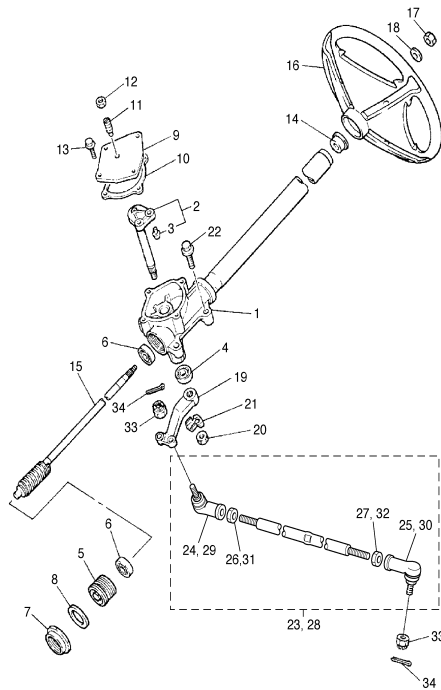
JU91110-C140

STEERING

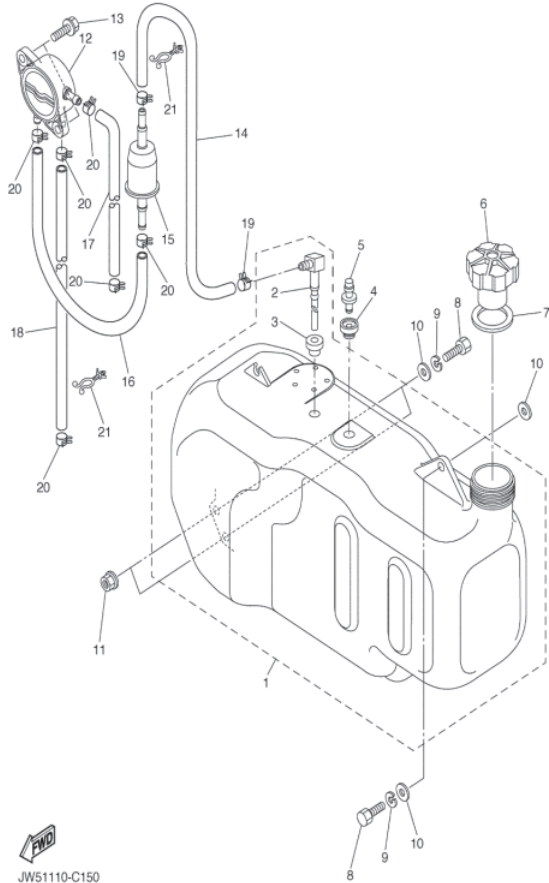
Ref. No.	Part Number	Description	Qty	Remarks
31	9530N-10600-00	. NUT	1	
32	90170-10414-00	. NUT	1	
33	95607-10200-00	NUT, U FLANGE	4	
34	91401-25020-00	PIN, COTTER	4	

CONTENTS

ACCELERATOR	C1
AIR SHROUD FAN	A8
BODY	C11-12
BODY 2	D1
BODY FITTING	D2
BRAKE	B9-10
BRAKE 2	B11
BRAKE 3	B12
BUMPER	C10
CAMSHAFT VALVE	A7
CARBURETOR	A10
CARRIER	D3-4
CRANKCASE	A12
CRANKSHAFT PISTON	A6
CYLINDER HEAD	A5
ELECTRICAL 1	D9
ELECTRICAL 2	D10-11
ENGINE ASSEMBLY	A4
ENGINE BRACKET	B1
EXHAUST	A11
FRAME	B3
FRONT SUSPENSION WHEEL	B4-5
FUEL TANK	B8
GOVERNOR	C2
HEADLIGHT	D8
INTAKE	A9
PRIMARY SHEAVE	C3
REAR ARM SUSPENSION	B2
REAR AXLE MOUNT WHEEL	C8
SEAT	D5
SECONDARY SHEAVE	C4
SHIFTER CABLES	C9
STARTING MOTOR	D6-7
STEERING	B6-7
TRANSMISSION 1	C5-7



JU91110-C140



FUEL TANK

Ref. No.	Part Number	Description	Qty	Remarks
1	JU5-F4110-00-00	FUEL TANK COMP.	1	
2	JU5-F4300-00-00	. FUEL PIPE JOINT	1	
3	JU5-F4375-00-00	. GROMMET	1	
4	J10-21773-00-00	GROMMET	1	
5	J24-24460-01-00	RELEASE VALVE ASSY	1	
6	J24-24620-01-00	BODY CAP ASSY	1	
7	J10-24612-00-00	GASKET, CAP	1	
8	97007-08025-00	BOLT	3	
9	92907-08100-00	WASHER, SPRING	3	
10	90201-088S2-00	WASHER, PLATE	4	
11	9560P-08200-00	NUT	2	
12	JN6-F4410-10-00	FUEL PUMP ASSY	1	
13	JN6-F3394-00-00	BOLT, SPECIAL	2	
14	JU5-F4312-00-00	PIPE 2	1	
15	JN6-F4560-00-00	FILTER ASSY	1	
16	JN6-F4311-20-00	PIPE, FUEL 1	1	
17	JN9-F4313-00-00	PIPE 3	1	
18	JN7-F4314-00-00	PIPE 4	1	
19	90467-12845-00	CLIP	2	
20	90467-10846-00	CLIP	6	
21	90464-11816-00	CLAMP	2	

CONTENTS

ACCELERATOR	C1
AIR SHROUD FAN	A8
BODY	C11-12
BODY 2	D1
BODY FITTING	D2
BRAKE	B9-10
BRAKE 2	B11
BRAKE 3	B12
BUMPER	C10
CAMSHAFT VALVE	A7
CARBURETOR	A10
CARRIER	D3-4
CRANKCASE	A12
CRANKSHAFT PISTON	A6
CYLINDER HEAD	A5
ELECTRICAL 1	D9
ELECTRICAL 2	D10-11
ENGINE ASSEMBLY	A4
ENGINE BRACKET	B1
EXHAUST	A11
FRAME	B3
FRONT SUSPENSION WHEEL	B4-5
FUEL TANK	B8
GOVERNOR	C2
HEADLIGHT	D8
INTAKE	A9
PRIMARY SHEAVE	C3
REAR ARM SUSPENSION	B2
REAR AXLE MOUNT WHEEL	C8
SEAT	D5
SECONDARY SHEAVE	C4
SHIFTER CABLES	C9
STARTING MOTOR	D6-7
STEERING	B6-7
TRANSMISSION 1	C5-7

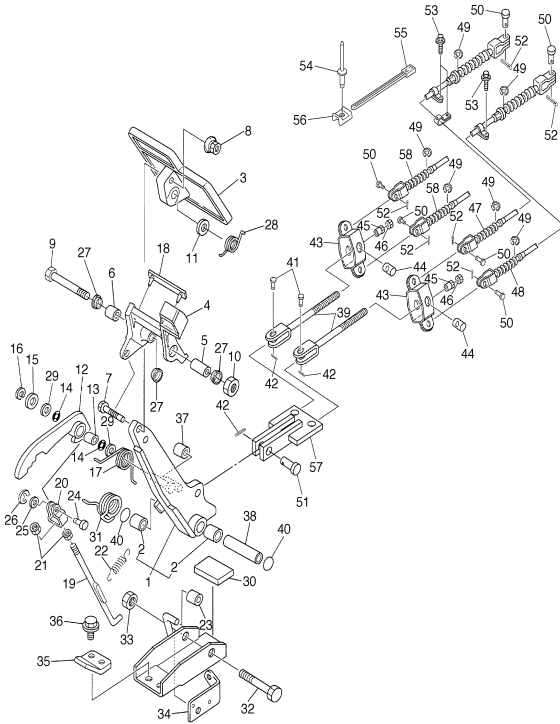
B8

BRAKE

Ref. No.	Part Number	Description	Qty	Remarks
1	J46-27250-03-00	BRAKE ARM COMP.	1	
2	90384-14080-00	. BUSH, BIMETAL FORMED ...	2	
3	JU0-27211-01-00	PEDAL, BRAKE	1	
4	JU0-25671-00-00	PEDAL, PARKING BRAKE	1	
5	90387-08014-00	COLLAR	1	
6	90387-08013-00	COLLAR	1	
7	97027-06035-00	BOLT	1	
8	90179-07564-00	NUT	1	
9	97027-08100-00	BOLT	1	
10	95307-08600-00	NUT	1	
11	92907-08200-00	WASHER	1	
12	J17-25666-02-00	SECTOR, PARKING BRAKE ..	1	
13	90384-10162-00	BUSH, BIMETAL FORMED	1	
14	J17-27221-00-00	SEAL, SHAFT	2	
15	92907-10600-00	WASHER, PLATE	1	
16	99001-07600-00	CIRCLIP	1	
17	90508-14548-00	SPRING, TORSION	1	
18	J17-25672-01-00	PAD, PARKING PEDAL	1	
19	J17-27231-03-00	ROD, BRAKE	1	
20	J17-27232-00-00	END, ROD 2	1	
21	95307-06700-00	NUT	2	
22	90506-09001-00	SPRING, TENSION	1	
23	J17-25673-00-00	DAMPER, BRAKE	1	
24	J17-27228-00-00	PIN, JOINT	1	
25	92907-05600-00	WASHER, PLATE	1	
26	99002-04600-00	CIRCLIP	1	
27	90387-12009-00	COLLAR	3	
28	90508-32015-00	SPRING, TORSION	1	
29	90201-104G8-00	WASHER, PLATE	2	
30	JN3-F7245-00-00	PAD, BRAKE PEDAL	1	

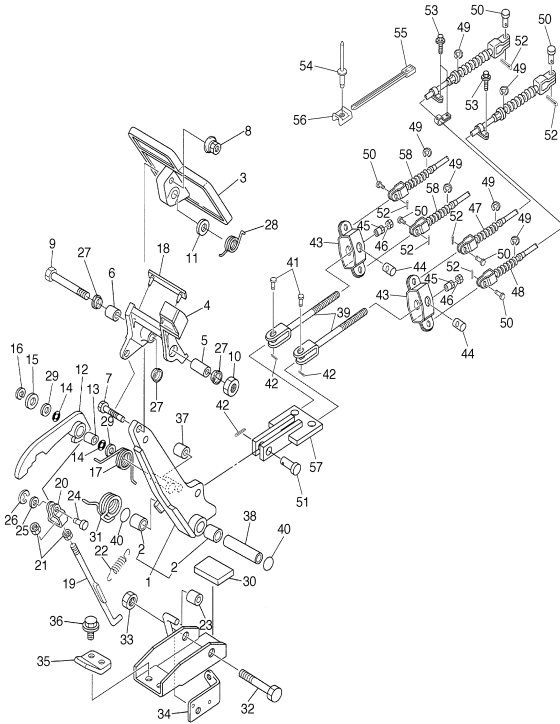
CONTENTS

ACCELERATOR	C1
AIR SHROUD FAN	A8
BODY	C11-12
BODY 2	D1
BODY FITTING	D2
BRAKE	B9-10
BRAKE 2	B11
BRAKE 3	B12
BUMPER	C10
CAMSHAFT VALVE	A7
CARBURETOR	A10
CARRIER	D3-4
CRANKCASE	A12
CRANKSHAFT PISTON	A6
CYLINDER HEAD	A5
ELECTRICAL 1	D9
ELECTRICAL 2	D10-11
ENGINE ASSEMBLY	A4
ENGINE BRACKET	B1
EXHAUST	A11
FRAME	B3
FRONT SUSPENSION WHEEL	B4-5
FUEL TANK	B8
GOVERNOR	C2
HEADLIGHT	D8
INTAKE	A9
PRIMARY SHEAVE	C3
REAR ARM SUSPENSION	B2
REAR AXLE MOUNT WHEEL	C8
SEAT	D5
SECONDARY SHEAVE	C4
SHIFTER CABLES	C9
STARTING MOTOR	D6-7
STEERING	B6-7
TRANSMISSION 1	C5-7



JW51110-C160

CONTINUED ON NEXT FRAME ►



JW51110-C160

BRAKE

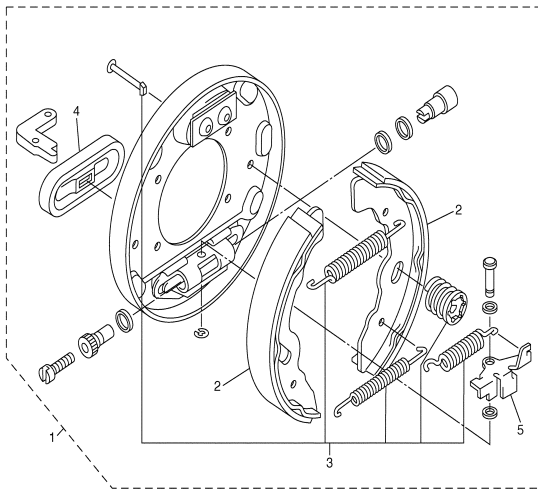
Ref. No.	Part Number	Description	Qty	Remarks
31	90508-40007-00	SPRING, TORSION	1	
32	90101-10884-00	BOLT	1	
33	95607-10200-00	NUT, U FLANGE	1	
34	J55-2252M-00-00	BRACKET, 3	1	
35	J17-27246-00-00	NAIL, BRAKE	1	
36	90105-08878-00	BOLT, FLANGE	2	
37	J17-25673-00-00	DAMPER, BRAKE	1	
38	90387-107F8-00	COLLAR	1	
39	JN6-F5685-00-00	ROD	2	
40	93210-132A8-00	O-RING	2	
41	91701-10022-00	PIN, CLEVIS	2	
42	91490-30015-00	PIN, COTTER	3	
43	J10-25681-00-00	EQUALIZER, BRAKE	2	
44	90249-14129-00	PIN	2	
45	90179-08894-00	NUT	2	
46	95307-08700-00	NUT	2	
47	JU9-F6341-00-00	CABLE, BRAKE	1	
48	JU9-F6351-00-00	CABLE, BRAKE	1	
49	99001-09600-00	CIRCLIP	8	
50	91701-08018-00	PIN, CLEVIS	8	
51	91701-10028-00	PIN, CLEVIS	1	
52	91490-25015-00	PIN, COTTER	8	
53	90105-06876-00	BOLT, FLANGE	3	
54	90267-489U1-00	RIVET, BLIND	1	
55	90464-40825-00	CLAMP	1	
56	90207-05800-00	WASHER, FINISH	1	
57	JR6-F7215-00-00	LINK	1	
58	JU9-F6361-00-00	CABLE, BRAKE	2	

CONTENTS

ACCELERATOR	C1
AIR SHROUD FAN	A8
BODY	C11-12
BODY 2	D1
BODY FITTING	D2
BRAKE	B9-10
BRAKE 2	B11
BRAKE 3	B12
BUMPER	C10
CAMSHAFT VALVE	A7
CARBURETOR	A10
CARRIER	D3-4
CRANKCASE	A12
CRANKSHAFT PISTON	A6
CYLINDER HEAD	A5
ELECTRICAL 1	D9
ELECTRICAL 2	D10-11
ENGINE ASSEMBLY	A4
ENGINE BRACKET	B1
EXHAUST	A11
FRAME	B3
FRONT SUSPENSION WHEEL	B4-5
FUEL TANK	B8
GOVERNOR	C2
HEADLIGHT	D8
INTAKE	A9
PRIMARY SHEAVE	C3
REAR ARM SUSPENSION	B2
REAR AXLE MOUNT WHEEL	C8
SEAT	D5
SECONDARY SHEAVE	C4
SHIFTER CABLES	C9
STARTING MOTOR	D6-7
STEERING	B6-7
TRANSMISSION 1	C5-7

BRAKE 2

Ref. No.	Part Number	Description	Qty	Remarks
1	JN6-F7290-03-00	BACKING PLATE ASSY 2	2	L/S FRONT & REAR
2	JN6-F5331-01-00	. BRAKE SHOE SET	1	(FOR ONE WHEEL)
3	JN6-F819G-00-00	. REPAIR PARTS KIT	1	
4	JN6-F7286-00-00	. COVER, DUST	1	
5	JN6-F722E-00-00	. LEVER, ADJUSTOR (LH)	1	



CONTENTS

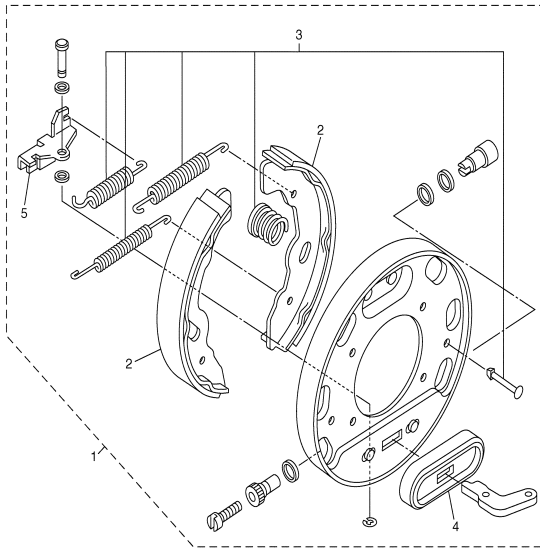
ACCELERATOR	C1
AIR SHROUD FAN	A8
BODY	C11-12
BODY 2	D1
BODY FITTING	D2
BRAKE	B9-10
BRAKE 2	B11
BRAKE 3	B12
BUMPER	C10
CAMSHAFT VALVE	A7
CARBURETOR	A10
CARRIER	D3-4
CRANKCASE	A12
CRANKSHAFT PISTON	A6
CYLINDER HEAD	A5
ELECTRICAL 1	D9
ELECTRICAL 2	D10-11
ENGINE ASSEMBLY	A4
ENGINE BRACKET	B1
EXHAUST	A11
FRAME	B3
FRONT SUSPENSION WHEEL	B4-5
FUEL TANK	B8
GOVERNOR	C2
HEADLIGHT	D8
INTAKE	A9
PRIMARY SHEAVE	C3
REAR ARM SUSPENSION	B2
REAR AXLE MOUNT WHEEL	C8
SEAT	D5
SECONDARY SHEAVE	C4
SHIFTER CABLES	C9
STARTING MOTOR	D6-7
STEERING	B6-7
TRANSMISSION 1	C5-7



JT71010-B160

BRAKE 3

Ref. No.	Part Number	Description	Qty	Remarks
1	JN6-F7280-03-00	BACKING PLATE ASSY 1	2	R/S FRONT & REAR
2	JN6-F5331-01-00	. BRAKE SHOE SET	1	(FOR ONE WHEEL)
3	JN6-F819G-00-00	. REPAIR PARTS KIT	1	
4	JN6-F7286-00-00	. COVER, DUST	1	
5	JN6-F722F-00-00	. LEVER, ADJUSTOR (RH)	1	



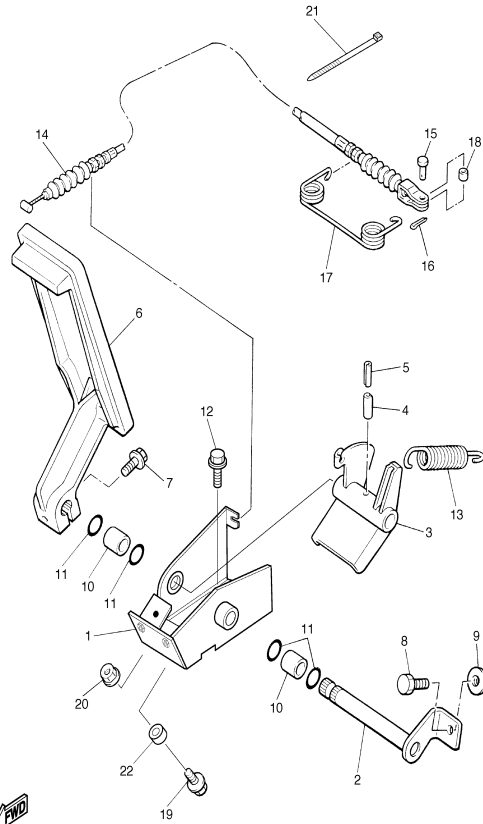
CONTENTS

ACCELERATOR	C1
AIR SHROUD FAN	A8
BODY	C11-12
BODY 2	D1
BODY FITTING	D2
BRAKE	B9-10
BRAKE 2	B11
BRAKE 3	B12
BUMPER	C10
CAMSHAFT VALVE	A7
CARBURETOR	A10
CARRIER	D3-4
CRANKCASE	A12
CRANKSHAFT PISTON	A6
CYLINDER HEAD	A5
ELECTRICAL 1	D9
ELECTRICAL 2	D10-11
ENGINE ASSEMBLY	A4
ENGINE BRACKET	B1
EXHAUST	A11
FRAME	B3
FRONT SUSPENSION WHEEL	B4-5
FUEL TANK	B8
GOVERNOR	C2
HEADLIGHT	D8
INTAKE	A9
PRIMARY SHEAVE	C3
REAR ARM SUSPENSION	B2
REAR AXLE MOUNT WHEEL	C8
SEAT	D5
SECONDARY SHEAVE	C4
SHIFTER CABLES	C9
STARTING MOTOR	D6-7
STEERING	B6-7
TRANSMISSION 1	C5-7



JT71010-B170

ACCELERATOR



JT71010-B180

Ref. No.	Part Number	Description	Qty	Remarks
1	JN6-F7874-01-00	BRACKET, ACCELERATOR PEDAL	1	
2	J17-27853-01-00	SHAFT, PEDAL 1	1	
3	J38-27872-00-00	ARM, ACCELERATOR PEDAL .	1	
4	91609-60028-00	PIN, SPRING	1	
5	91609-35028-00	PIN, SPRING	1	
6	J10-27871-01-00	PEDAL, ACCELERATOR	1	
7	95807-06025-00	BOLT, FLANGE	1	
8	90106-08806-00	BOLT	1	
9	95707-08500-00	.NUT, FLANGE	1	
10	90384-14080-00	BUSH, BIMETAL FORMED	2	
11	93210-14104-00	O-RING	4	
12	90105-08878-00	BOLT, FLANGE	3	
13	90506-26282-00	SPRING, TENSION	1	
14	JJ3-F6311-00-00	CABLE, THROTTLE 1	1	
15	91701-05012-00	PIN, CLEVIS	1	
16	90468-10049-00	CLIP	1	
17	90508-16460-00	SPRING, TORSION	1	
18	90560-05001-00	SPACER	1	
19	95807-06025-00	BOLT, FLANGE	1	
20	95707-06500-00	NUT, FLANGE	1	
21	90464-40825-00	CLAMP	2	
22	90387-068T4-00	COLLAR	1	

CONTENTS

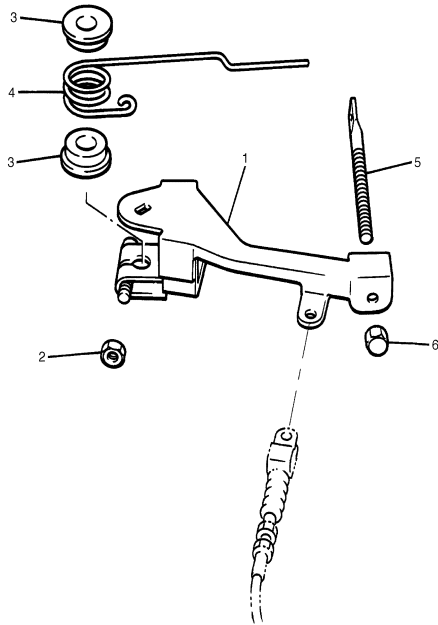
ACCELERATOR	C1
AIR SHROUD FAN	A8
BODY	C11-12
BODY 2	D1
BODY FITTING	D2
BRAKE	B9-10
BRAKE 2	B11
BRAKE 3	B12
BUMPER	C10
CAMSHAFT VALVE	A7
CARBURETOR	A10
CARRIER	D3-4
CRANKCASE	A12
CRANKSHAFT PISTON	A6
CYLINDER HEAD	A5
ELECTRICAL 1	D9
ELECTRICAL 2	D10-11
ENGINE ASSEMBLY	A4
ENGINE BRACKET	B1
EXHAUST	A11
FRAME	B3
FRONT SUSPENSION WHEEL	B4-5
FUEL TANK	B8
GOVERNOR	C2
HEADLIGHT	D8
INTAKE	A9
PRIMARY SHEAVE	C3
REAR ARM SUSPENSION	B2
REAR AXLE MOUNT WHEEL	C8
SEAT	D5
SECONDARY SHEAVE	C4
SHIFTER CABLES	C9
STARTING MOTOR	D6-7
STEERING	B6-7
TRANSMISSION 1	C5-7

GOVERNOR

Ref. No.	Part Number	Description	Qty	Remarks
1	J38-27951-00-00	LEVER, SPEED LIMITER	1	
2	95307-06600-00	NUT	1	
3	90386-08141-00	BUSH	2	
4	90508-40678-00	SPRING, TORSION	1	
5	J38-27959-00-00	SCREW, ADJUSTING	1	
6	9560P-06200-00	NUT, FLANGE	1	

CONTENTS

ACCELERATOR	C1
AIR SHROUD FAN	A8
BODY	C11-12
BODY 2	D1
BODY FITTING	D2
BRAKE	B9-10
BRAKE 2	B11
BRAKE 3	B12
BUMPER	C10
CAMSHAFT VALVE	A7
CARBURETOR	A10
CARRIER	D3-4
CRANKCASE	A12
CRANKSHAFT PISTON	A6
CYLINDER HEAD	A5
ELECTRICAL 1	D9
ELECTRICAL 2	D10-11
ENGINE ASSEMBLY	A4
ENGINE BRACKET	B1
EXHAUST	A11
FRAME	B3
FRONT SUSPENSION WHEEL	B4-5
FUEL TANK	B8
GOVERNOR	C2
HEADLIGHT	D8
INTAKE	A9
PRIMARY SHEAVE	C3
REAR ARM SUSPENSION	B2
REAR AXLE MOUNT WHEEL	C8
SEAT	D5
SECONDARY SHEAVE	C4
SHIFTER CABLES	C9
STARTING MOTOR	D6-7
STEERING	B6-7
TRANSMISSION 1	C5-7



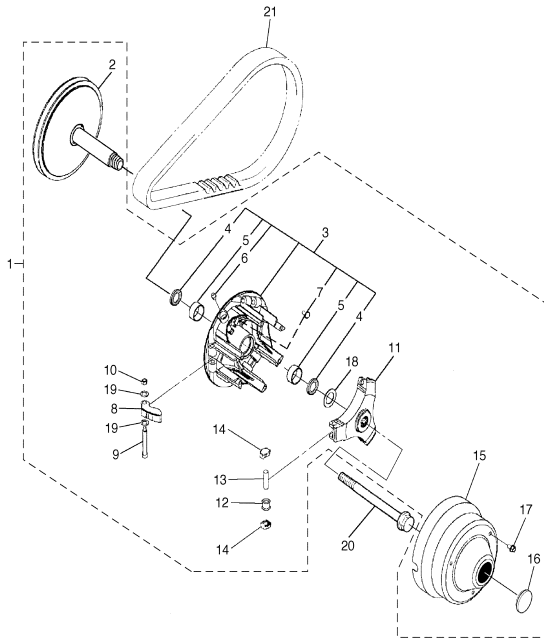
JT71010-B190

PRIMARY SHEAVE

Ref. No.	Part Number	Description	Qty	Remarks
1	JN6-G6201-04-00	PRIMARY FIXED SHEAVE ASSY	1	
2	JN6-G6210-00-00	PRIMARY FIXED SHEAVE COMP.	1	
3	JN6-G6220-00-00	PRIMARY SLIDING SHEAVE COMP.	1	
4	93101-28831-00	OIL SEAL	2	
5	90384-27823-00	BUSH, BIMETAL FORMED	2	
6	93700-06810-00	NIPPLE, GREASE	1	
7	90338-04840-00	PLUG	3	
8	JN6-G6232-01-00	WEIGHT 1	3	
9	90109-06860-00	BOLT	3	
10	90185-06834-00	NUT, SELF-LOCKING	3	
11	JN6-G6251-01-00	SPIDER	1	
12	JN6-G6258-02-00	COLLAR, ROLLER	3	
13	93610-358A3-00	PIN, DOWEL	3	
14	JN6-G6253-00-00	SLIDER	6	
15	JU0-G6231-00-00	CAP	1	
16	JU0-G6297-00-00	COVER, DUST	1	
17	90105-06861-00	BOLT, FLANGE	3	
18	90201-228K5-00	WASHER, PLATE	1	
19	JN6-G621F-00-00	SHIM, THRUST	6	
20	JN6-G6249-00-00	BOLT	1	
21	J55-G6241-00-00	V-BELT	1	

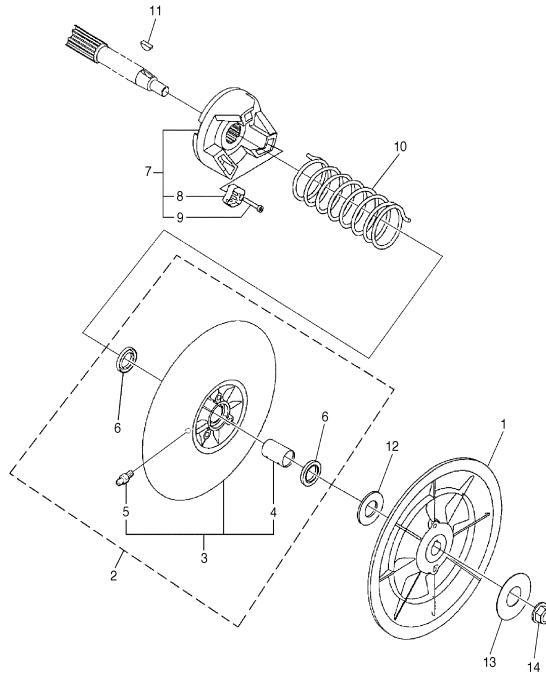
CONTENTS

ACCELERATOR	C1
AIR SHROUD FAN	A8
BODY	C11-12
BODY 2	D1
BODY FITTING	D2
BRAKE	B9-10
BRAKE 2	B11
BRAKE 3	B12
BUMPER	C10
CAMSHAFT VALVE	A7
CARBURETOR	A10
CARRIER	D3-4
CRANKCASE	A12
CRANKSHAFT PISTON	A6
CYLINDER HEAD	A5
ELECTRICAL 1	D9
ELECTRICAL 2	D10-11
ENGINE ASSEMBLY	A4
ENGINE BRACKET	B1
EXHAUST	A11
FRAME	B3
FRONT SUSPENSION WHEEL	B4-5
FUEL TANK	B8
GOVERNOR	C2
HEADLIGHT	D8
INTAKE	A9
PRIMARY SHEAVE	C3
REAR ARM SUSPENSION	B2
REAR AXLE MOUNT WHEEL	C8
SEAT	D5
SECONDARY SHEAVE	C4
SHIFTER CABLES	C9
STARTING MOTOR	D6-7
STEERING	B6-7
TRANSMISSION 1	C5-7



JT71010-B200

SECONDARY SHEAVE



Ref. No.	Part Number	Description	Qty	Remarks
1	JN6-G6260-00-00	SECONDARY FIXED SHEAVE COMP.	1	
2	JN6-G6270-01-00	SECONDARY SLIDING SHEAVE COMP.	1	
3	JN6-G6271-02-00	SECONDARY SLIDING SHEAVE	1	
4	90384-20824-00	BUSH, BIMETAL FORMED ...	1	
5	93700-06809-00	NIPPLE, GREASE	1	
6	93109-20069-00	OIL SEAL	2	
7	JN6-G6280-00-00	SECONDARY SPRING SEAT COMP.	1	
8	JN6-E7688-00-00	SHOE, RAMP	3	
9	90110-04834-00	BOLT, HEXAGON SOCKET HEAD	3	
10	90508-45849-00	SPRING, TORSION	1	
11	90280-05022-00	KEY, WOODRUFF	1	
12	90202-20130-00	WASHER, PLATE	1	
13	90201-128S5-00	WASHER, PLATE	1	
14	95607-12200-00	NUT, SELF-LOCKING	1	

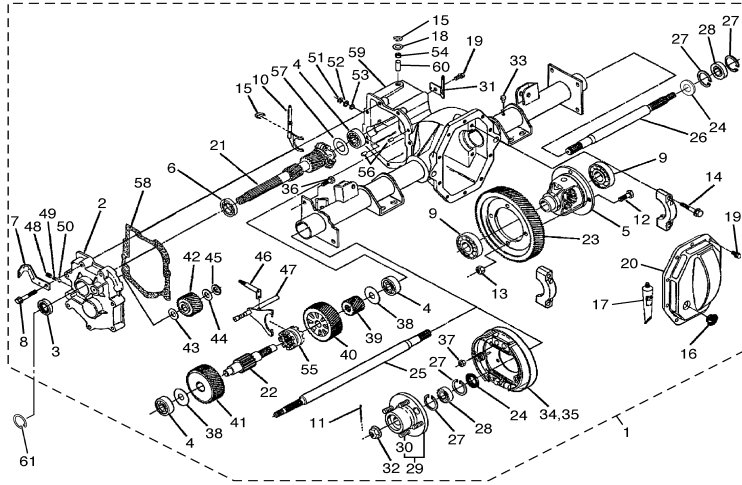
CONTENTS

ACCELERATOR	C1
AIR SHROUD FAN	A8
BODY	C11-12
BODY 2	D1
BODY FITTING	D2
BRAKE	B9-10
BRAKE 2	B11
BRAKE 3	B12
BUMPER	C10
CAMSHAFT VALVE	A7
CARBURETOR	A10
CARRIER	D3-4
CRANKCASE	A12
CRANKSHAFT PISTON	A6
CYLINDER HEAD	A5
ELECTRICAL 1	D9
ELECTRICAL 2	D10-11
ENGINE ASSEMBLY	A4
ENGINE BRACKET	B1
EXHAUST	A11
FRAME	B3
FRONT SUSPENSION WHEEL	B4-5
FUEL TANK	B8
GOVERNOR	C2
HEADLIGHT	D8
INTAKE	A9
PRIMARY SHEAVE	C3
REAR ARM SUSPENSION	B2
REAR AXLE MOUNT WHEEL	C8
SEAT	D5
SECONDARY SHEAVE	C4
SHIFTER CABLES	C9
STARTER MOTOR	D6-7
STEERING	B6-7
TRANSMISSION 1	C5-7



JT71010-B210

TRANSMISSION 1



JW41110-C230

Ref. No.	Part Number	Description	Qty	Remarks
1	JU9-G6300-00-00	TRANS AXLE ASSY	1	
2	JN3-G6313-00-00	. COVER, TRANSMISSION	1	
3	93102-25868-00	. OIL SEAL	1	
4	93306-303Y6-00	. BEARING	3	
5	JN6-G6410-00-00	. DIFFERENTIAL ASSY.	1	
6	93306-005Y4-00	. BEARING	1	
7	JN6-G6555-00-00	. BRACKET 2	1	
8	90105-08859-00	. BOLT, FLANGE	7	
9	93306-007Y0-00	. BEARING	2	
10	JN3-G633E-01-00	. BAR 1	1	
11	90252-36801-00	. PIN, COTTER	2	
12	90101-10854-00	. BOLT	4	
13	90170-10840-00	. NUT	4	
14	90105-10840-00	. BOLT, FLANGE	4	
15	JU0-F722H-00-00	. RETAINER	2	
16	JN3-G6432-00-00	. STOPPER	1	
17	JH7-G6136-00-00	. SEAL 1	1	SEE NOTE A
18	JU0-F723F-00-00	. WASHER, SPECIAL	1	
19	90101-08856-00	. BOLT	11	
20	JN3-G6314-00-00	. COVER, TRANSMISSION	1	
21	JR6-G6320-01-00	. INPUT SHAFT ASSY	1	
22	JN3-G633G-00-00	. SHAFT	1	
23	JN3-G6355-00-00	. GEAR, PRIMARY	1	
24	93101-31836-00	. OIL SEAL	2	
25	JU9-G6511-00-00	. SHAFT, REAR AXLE 1 (L.H)	1	
26	JU9-G6512-00-00	. SHAFT, REAR AXLE 2 (R.H)	1	
27	93420-52806-00	. CIRCLIP	4	
28	93306-205X2-00	. BEARING	2	
29	JR3-G6514-00-00	. HUB, REAR AXLE	2	
30	90114-12804-00	. BOLT, SERRATION	4	

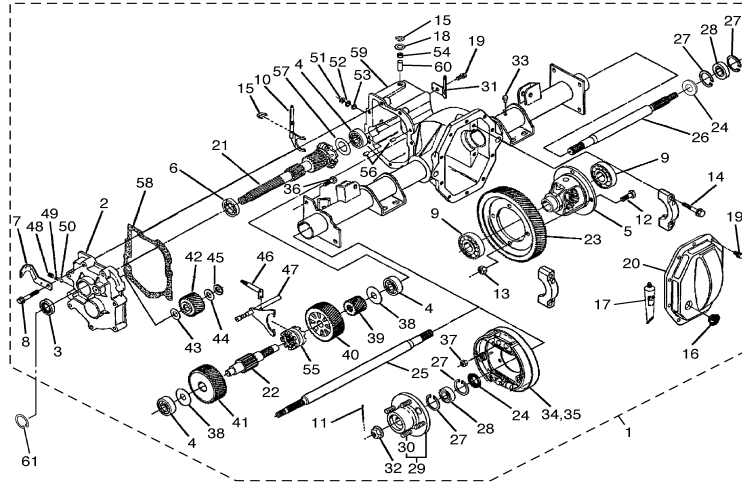
CONTENTS

ACCELERATOR	C1
AIR SHROUD FAN	A8
BODY	C11-12
BODY 2	D1
BODY FITTING	D2
BRAKE	B9-10
BRAKE 2	B11
BRAKE 3	B12
BUMPER	C10
CAMSHAFT VALVE	A7
CARBURETOR	A10
CARRIER	D3-4
CRANKCASE	A12
CRANKSHAFT PISTON	A6
CYLINDER HEAD	A5
ELECTRICAL 1	D9
ELECTRICAL 2	D10-11
ENGINE ASSEMBLY	A4
ENGINE BRACKET	B1
EXHAUST	A11
FRAME	B3
FRONT SUSPENSION WHEEL	B4-5
FUEL TANK	B8
GOVERNOR	C2
HEADLIGHT	D8
INTAKE	A9
PRIMARY SHEAVE	C3
REAR ARM SUSPENSION	B2
REAR ARM MOUNT WHEEL	C8
SEAT	D5
SECONDARY SHEAVE	C4
SHIFTER CABLES	C9
STARTING MOTOR	D6-7
STEERING	B6-7
TRANSMISSION 1	C5-7

CONTINUED ON NEXT FRAME ►

NOTE A: SEAL,1 (pn JH7-G6136-00) is not included in TRANS AXLE ASSY and is not available - use Quick Gasket ACC-11001-05-01.

TRANSMISSION 1



JW411110-C230

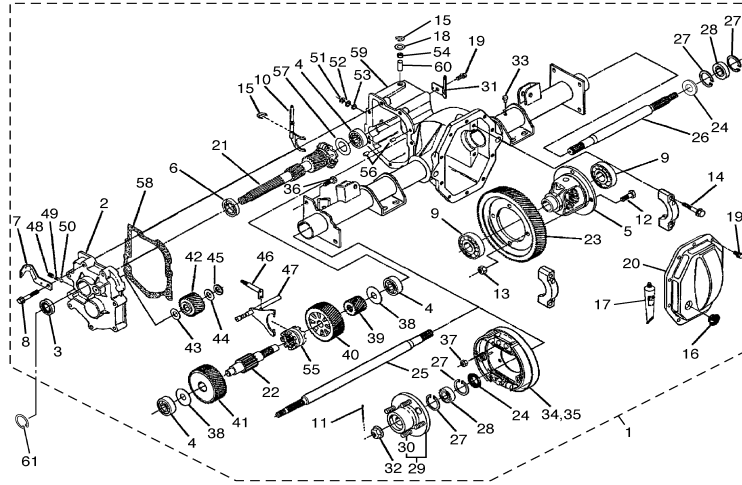
Ref. No.	Part Number	Description	Qty	Remarks
31	JN3-G6556-00-00	. BRACKET 3	1	
32	90185-19842-00	. NUT, SELF-LOCKING	2	
33	JH7-G5619-00-00	. CAP	1	
34	JN6-F7290-03-00	. BACKING PLATE ASSY 2	1	SEE BRAKE 2 (L.H)
35	JN6-F7280-03-00	. BACKING PLATE ASSY 1	1	SEE BRAKE 3 (R.H)
36	90101-08855-00	. BOLT	8	
37	90170-08841-00	. NUT	8	
38	90201-178H8-00	. WASHER, PLATE	2	
39	JN3-G6316-00-00	. GEAR, PINION 1	1	
40	JR6-G6326-00-00	. GEAR, WHEEL 1	1	
41	JN3-G6327-00-00	. GEAR, WHEEL 2	1	
42	JN3-G6356-00-00	. GEAR, IDLER	1	
43	90201-208H9-00	. WASHER, PLATE	1	
44	90201-208J0-00	. WASHER, PLATE	1	
45	93440-20813-00	. CIRCLIP	1	
46	JN3-G638A-00-00	. BAR, SHIFT 1	1	
47	JN6-G638E-00-00	. BAR, SHIFT 2	1	
48	90113-08803-00	. BOLT, SET	1	
49	90501-10852-00	. SPRING, COMPRESSION	1	
50	93500-06826-00	. BALL	1	
51	93410-12822-00	. CIRCLIP	1	
52	90202-12807-00	. WASHER, PLATE	1	
53	93104-11829-00	. OIL SEAL	1	
54	93109-10820-00	. O-RING	1	
55	JN3-G6153-00-00	. COLLAR, GUIDE	1	
56	93606-10842-00	. PIN, DOWEL	2	
57	JN3-G6344-00-00	. SHIM, 0.76MM (0.030IN)	1	UR
	JN3-G6344-10-00	. SHIM, 0.90MM (0.035IN)	1	UR
	JN3-G6344-20-00	. SHIM, 1.00MM (0.040IN)	1	UR
	JN3-G6344-30-00	. SHIM, 1.14MM (0.045IN)	1	UR

CONTENTS

ACCELERATOR	C1
AIR SHROUD FAN	A8
BODY	C11-12
BODY 2	D1
BODY FITTING	D2
BRAKE	B9-10
BRAKE 2	B11
BRAKE 3	B12
BUMPER	C10
CAMSHAFT VALVE	A7
CARBURETOR	A10
CARRIER	D3-4
CRANKCASE	A12
CRANKSHAFT PISTON	A6
CYLINDER HEAD	A5
ELECTRICAL 1	D9
ELECTRICAL 2	D10-11
ENGINE ASSEMBLY	A4
ENGINE BRACKET	B1
EXHAUST	A11
FRAME	B3
FRONT SUSPENSION WHEEL	B4-5
FUEL TANK	B8
GOVERNOR	C2
HEADLIGHT	D8
INTAKE	A9
PRIMARY SHEAVE	C3
REAR ARM SUSPENSION	B2
REAR AXLE MOUNT WHEEL	C8
SEAT	D5
SECONDARY SHEAVE	C4
SHIFTER CABLES	C9
STARTER MOTOR	D6-7
STEERING	B6-7
TRANSMISSION 1	C5-7

CONTINUED ON NEXT FRAME ►

TRANSMISSION 1



Ref. No.	Part Number	Description	Qty	Remarks
57	JN3-G6344-40-00	. SHIM, 1.27MM (0.050IN)	1	UR
	JN3-G6344-50-00	. SHIM, 1.39MM (0.055IN)	1	UR
	JN3-G6344-60-00	. SHIM, 1.52MM (0.060IN)	1	UR
	JN3-G6344-70-00	. SHIM, 1.65MM (0.065IN)	1	UR
	JN3-G6344-80-00	. SHIM, 0.38MM (0.015IN)	1	UR
	JN3-G6344-90-00	. SHIM, 1.78MM (0.070IN)	1	UR
	JN3-G6344-A0-00	. SHIM, 1.92MM (0.075IN)	1	UR
	JN3-G6344-B0-00	. SHIM, 2.03MM (0.080IN)	1	UR
	JN3-G6344-C0-00	. SHIM, 2.12MM (0.085IN)	1	UR
	JN3-G6344-D0-00	. SHIM, 2.29MM (0.090IN)	1	UR
58	JN3-G6319-00-00	. GASKET	1	
59	JU9-G6290-02-00	. CASE ASSY	1	
60	JU0-G6164-00-00	. BEARING 1	1	
61	93410-25017-00	. CIRCLIP	1	

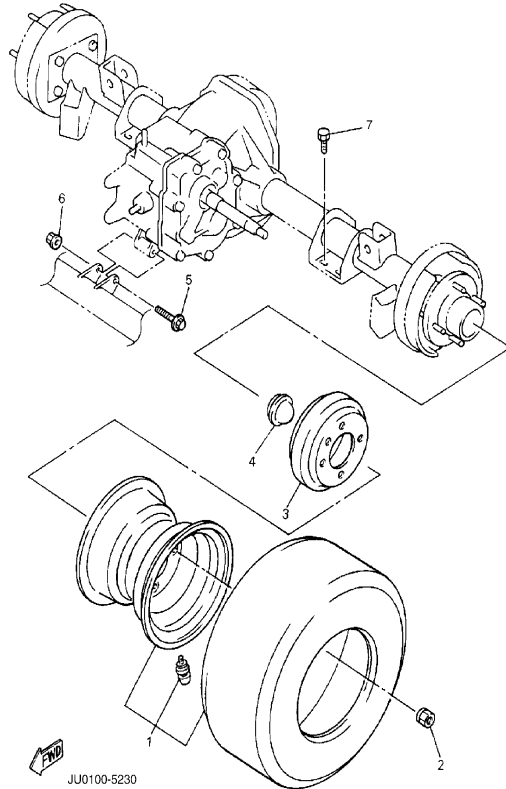
CONTENTS

ACCELERATOR	C1
AIR SHROUD FAN	A8
BODY	C11-12
BODY 2	D1
BODY FITTING	D2
BRAKE	B9-10
BRAKE 2	B11
BRAKE 3	B12
BUMPER	C10
CAMSHAFT VALVE	A7
CARBURETOR	A10
CARRIER	D3-4
CRANKCASE	A12
CRANKSHAFT PISTON	A6
CYLINDER HEAD	A5
ELECTRICAL 1	D9
ELECTRICAL 2	D10-11
ENGINE ASSEMBLY	A4
ENGINE BRACKET	B1
EXHAUST	A11
FRAME	B3
FRONT SUSPENSION WHEEL	B4-5
FUEL TANK	B8
GOVERNOR	C2
HEADLIGHT	D8
INTAKE	A9
PRIMARY SHEAVE	C3
REAR ARM SUSPENSION	B2
REAR AXLE MOUNT WHEEL	C8
SEAT	D5
SECONDARY SHEAVE	C4
SHIFTER CABLES	C9
STARTING MOTOR	D6-7
STEERING	B6-7
TRANSMISSION 1	C5-7



JW41110-C230

REAR AXLE MOUNT WHEEL



Ref. No.	Part Number	Description	Qty	Remarks
1	JU9-F5300-00-00	WHEEL ASSY (22X11-10 6PLY 244)	2	
2	90179-12262-00	NUT	8	
3	JU9-G6521-00-00	DRUM	2	
4	JN6-F5118-00-00	COVER, HUB DUST	2	
5	9581P-08075-00	BOLT, FLANGE	1	
6	95707-08500-00	NUT, FLANGE	1	
7	9751P-10620-00	BOLT, WITH WASHER	8	

CONTENTS

ACCELERATOR	C1
AIR SHROUD FAN	A8
BODY	C11-12
BODY 2	D1
BODY FITTING	D2
BRAKE	B9-10
BRAKE 2	B11
BRAKE 3	B12
BUMPER	C10
CAMSHAFT VALVE	A7
CARBURETOR	A10
CARRIER	D3-4
CRANKCASE	A12
CRANKSHAFT PISTON	A6
CYLINDER HEAD	A5
ELECTRICAL 1	D9
ELECTRICAL 2	D10-11
ENGINE ASSEMBLY	A4
ENGINE BRACKET	B1
EXHAUST	A11
FRAME	B3
FRONT SUSPENSION WHEEL	B4-5
FUEL TANK	B8
GOVERNOR	C2
HEADLIGHT	D8
INTAKE	A9
PRIMARY SHEAVE	C3
REAR ARM SUSPENSION	B2
REAR AXLE MOUNT WHEEL	C8
SEAT	D5
SECONDARY SHEAVE	C4
SHIFTER CABLES	C9
STARTING MOTOR	D6-7
STEERING	B6-7
TRANSMISSION 1	C5-7

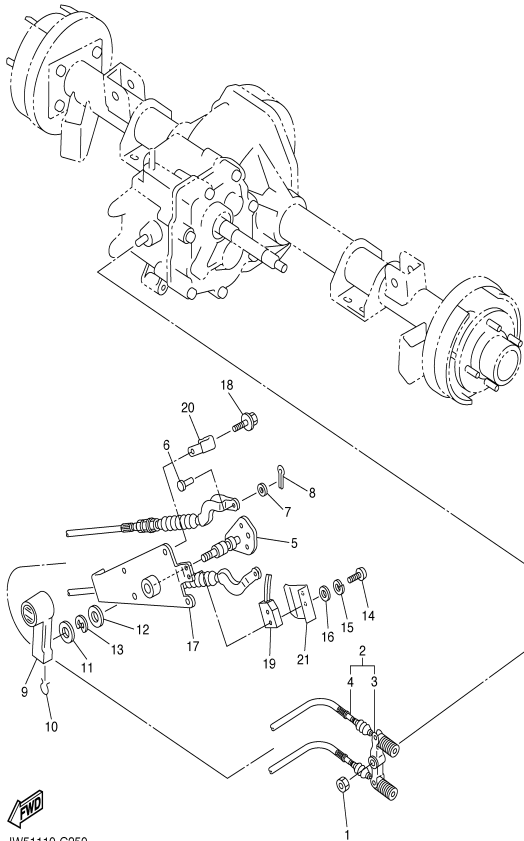
C8

SHIFTER CABLES

Ref. No.	Part Number	Description	Qty	Remarks
1	95607-08100-00	NUT, U	1	
2	JJ3-G8330-01-00	CABLE END ASSY	1	
3	J55-G6383-00-00	LEVER, SHIFT 2	1	
4	JJ3-G6371-01-00	WIRE, SHIFT	2	
5	JF2-46382-00-00	LEVER, SHIFT 1	1	
6	91701-06014-00	PIN, CLEVIS	2	
7	9290P-06600-00	WASHER	2	
8	91401-20012-00	PIN, COTTER	2	
9	JN3-G6381-00-00	KNOB, SHIFT	1	
10	JN3-G6376-00-00	SPRING SET	1	
11	90201-208S8-00	WASHER, PLATE	1	
12	90201-198S7-00	WASHER, PLATE	1	
13	99009-19400-00	CIRCLIP	1	
14	98507-04025-00	SCREW, PAN HEAD	2	
15	92907-04100-00	WASHER, SPRING	2	
16	92907-04600-00	WASHER	2	
17	JN3-G6372-00-00	BRACKET, SHIFT WIRE	1	
18	90105-06876-00	BOLT, FLANGE	4	
19	JN3-82617-01-00	SWITCH	1	
20	90465-06038-00	CLAMP	1	
21	JJ3-G6394-00-00	JOINT	1	

CONTENTS

ACCELERATOR	C1
AIR SHROUD FAN	A8
BODY	C11-12
BODY 2	D1
BODY FITTING	D2
BRAKE	B9-10
BRAKE 2	B11
BRAKE 3	B12
BUMPER	C10
CAMSHAFT VALVE	A7
CARBURETOR	A10
CARRIER	D3-4
CRANKCASE	A12
CRANKSHAFT PISTON	A6
CYLINDER HEAD	A5
ELECTRICAL 1	D9
ELECTRICAL 2	D10-11
ENGINE ASSEMBLY	A4
ENGINE BRACKET	B1
EXHAUST	A11
FRAME	B3
FRONT SUSPENSION WHEEL	B4-5
FUEL TANK	B8
GOVERNOR	C2
HEADLIGHT	D8
INTAKE	A9
PRIMARY SHEAVE	C3
REAR ARM SUSPENSION	B2
REAR AXLE MOUNT WHEEL	C8
SEAT	D5
SECONDARY SHEAVE	C4
SHIFTER CABLES	C9
STARTING MOTOR	D6-7
STEERING	B6-7
TRANSMISSION 1	C5-7



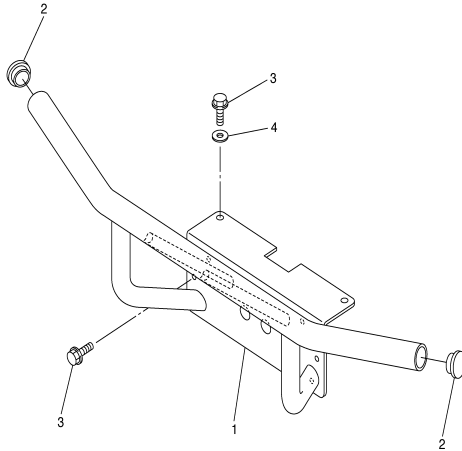
JW51110-C250

BUMPER

Ref. No.	Part Number	Description	Qty	Remarks
1	JU7-F845N-00-00	BAR, CARRY FRONT	1	
2	5UG-F2417-00-00	PLUG	2	
3	9581P-08016-00	BOLT, FLANGE	6	
4	90201-088P7-00	WASHER, PLATE	2	

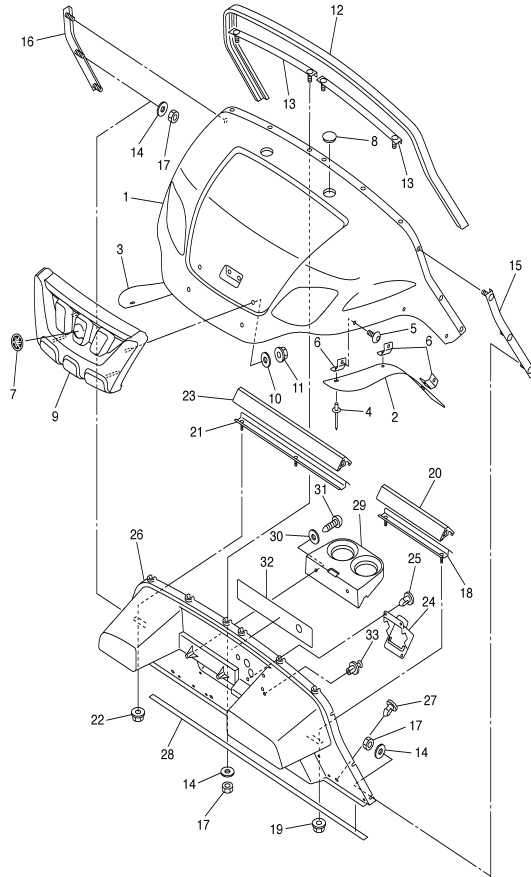
CONTENTS

ACCELERATOR	C1
AIR SHROUD FAN	A8
BODY	C11-12
BODY 2	D1
BODY FITTING	D2
BRAKE	B9-10
BRAKE 2	B11
BRAKE 3	B12
BUMPER	C10
CAMSHAFT VALVE	A7
CARBURETOR	A10
CARRIER	D3-4
CRANKCASE	A12
CRANKSHAFT PISTON	A6
CYLINDER HEAD	A5
ELECTRICAL 1	D9
ELECTRICAL 2	D10-11
ENGINE ASSEMBLY	A4
ENGINE BRACKET	B1
EXHAUST	A11
FRAME	B3
FRONT SUSPENSION WHEEL	B4-5
FUEL TANK	B8
GOVERNOR	C2
HEADLIGHT	D8
INTAKE	A9
PRIMARY SHEAVE	C3
REAR ARM SUSPENSION	B2
REAR AXLE MOUNT WHEEL	C8
SEAT	D5
SECONDARY SHEAVE	C4
SHIFTER CABLES	C9
STARTING MOTOR	D6-7
STEERING	B6-7
TRANSMISSION 1	C5-7



JU71110-C260

C10



NOE A: WHEN REPLACING "PANEL FRONT JU7-K8114-00-00", YOU MUST ALSO REPLACE "LABEL WARNING 1 JU9-K7761-00-00".

BODY

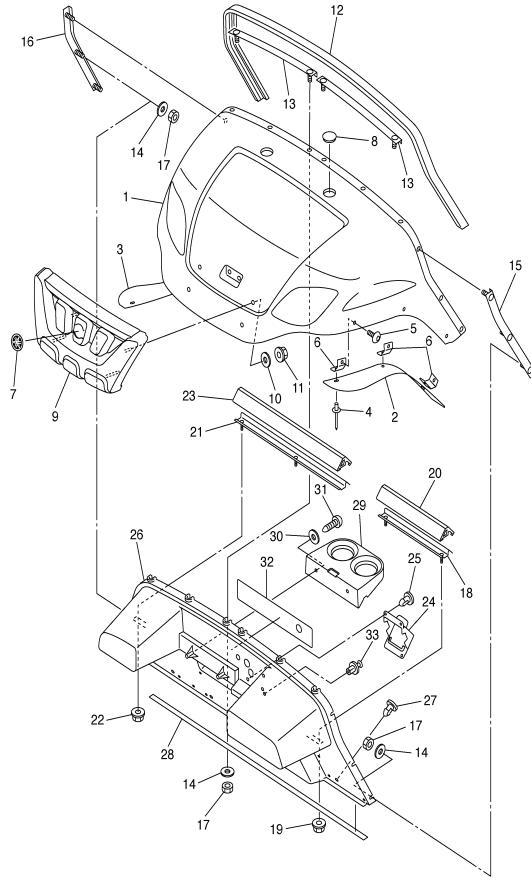
Ref. No.	Part Number	Description	Qty	Remarks
1	JU7-K811A-00-00	TRIM, UPPER COWL	1	
2	JR6-F1551-00-00	FENDER, OVER	1	
3	JR6-F1555-00-00	FENDER, OVER 2	1	
4	90267-48831-00	RIVET, BLIND	6	
5	90110-06836-00	BOLT, HEXAGON SOCKET HEAD	6	
6	JR6-F1546-00-00	STAY, FENDER 3	6	
7	5FU-F175B-01-00	TUNING FORK MARK	1	
8	JN3-K818E-00-00	CAP, PROTECTOR END 1	2	
9	JU7-K8217-00-00	GRILLE, FRONT	1	
10	90201-05800-00	WASHER, PLATE	4	
11	95607-05200-00	NUT, U FLANGE	4	
12	JF2-K811V-00-00	PROTECTOR 1	1	
13	JU0-K8261-00-00	PLATE, BODY PROTECT 1	2	
14	90201-06829-00	WASHER, PLATE	10	
15	JF2-K8262-01-00	PLATE, BODY PROTECT 2	1	
16	JF2-K8263-01-00	PLATE, BODY PROTECT 3	1	
17	90185-06836-00	NUT, SELF-LOCKING	10	
18	JF2-K8264-00-00	PLATE, BODY PROTECT 4	1	
19	9560P-06200-00	NUT, FLANGE	2	
20	JF2-K811W-00-00	PROTECTOR 2	1	
21	JF2-K8265-00-00	PLATE, BODY PROTECT 5	1	
22	9560P-06200-00	NUT, FLANGE	2	
23	JF2-K811X-00-00	PROTECTOR 3	1	
24	JF2-78273-01-00	COVER, HOLE	1	
25	90269-11042-00	RIVET	3	
26	JU7-K8114-00-00	PANEL, FRONT	1	SEE NOTE A
27	90269-08066-00	RIVET	3	
28	JN3-K815G-00-00	SEAL, FRONT STORAGE	1	
29	JF2-K835E-00-00	HOLDER, BEVERAGE	1	

CONTENTS

ACCELERATOR	C1
AIR SHROUD FAN	A8
BODY	C11-12
BODY 2	D1
BODY FITTING	D2
BRAKE	B9-10
BRAKE 2	B11
BRAKE 3	B12
BUMPER	C10
CAMSHAFT VALVE	A7
CARBURETOR	A10
CARRIER	D3-4
CRANKCASE	A12
CRANKSHAFT PISTON	A6
CYLINDER HEAD	A5
ELECTRICAL 1	D9
ELECTRICAL 2	D10-11
ENGINE ASSEMBLY	A4
ENGINE BRACKET	B1
EXHAUST	A11
FRAME	B3
FRONT SUSPENSION WHEEL	B4-5
FUEL TANK	B8
GOVERNOR	C2
HEADLIGHT	D8
INTAKE	A9
PRIMARY SHEAVE	C3
REAR ARM SUSPENSION	B2
REAR AXLE MOUNT WHEEL	C8
SEAT	D5
SECONDARY SHEAVE	C4
SHIFTER CABLES	C9
STARTING MOTOR	D6-7
STEERING	B6-7
TRANSMISSION 1	C5-7

CONTINUED ON NEXT FRAME ►





NOE A: WHEN REPLACING "PANEL FRONT JU7-K8114-00-00", YOU MUST ALSO REPLACE " LABEL WARNING 1 JU9-K7761-00-00".

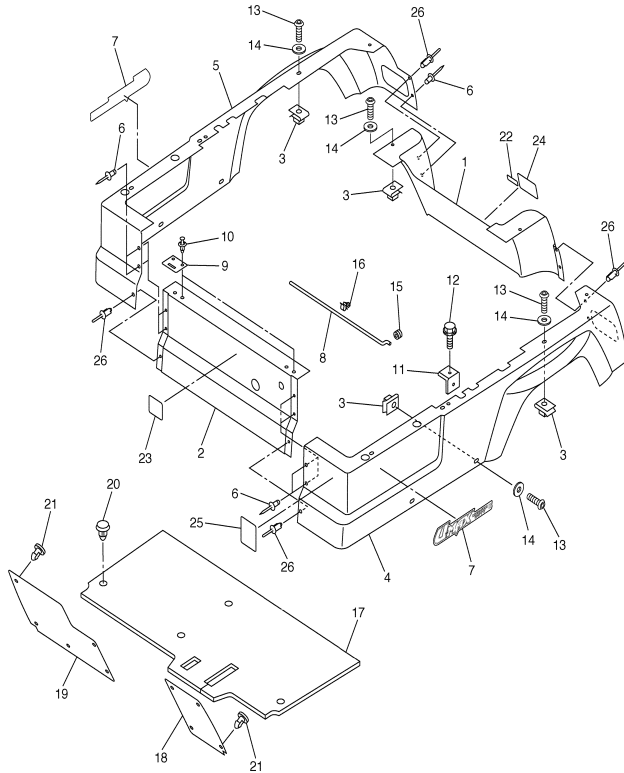
BODY

Ref. No.	Part Number	Description	Qty	Remarks
30	90201-068R6-00	WASHER, PLATE	2	
31	9770P-60130-00	SCREW, TAPPING	2	
32	JU9-K7761-00-00	LABEL, WARNING 1	1	SEE NOTE A
33	90269-08069-00	RIVET	2	

CONTENTS

ACCELERATOR	C1
AIR SHROUD FAN	A8
BODY	C11-12
BODY 2	D1
BODY FITTING	D2
BRAKE	B9-10
BRAKE 2	B11
BRAKE 3	B12
BUMPER	C10
CAMSHAFT VALVE	A7
CARBURETOR	A10
CARRIER	D3-4
CRANKCASE	A12
CRANKSHAFT PISTON	A6
CYLINDER HEAD	A5
ELECTRICAL 1	D9
ELECTRICAL 2	D10-11
ENGINE ASSEMBLY	A4
ENGINE BRACKET	B1
EXHAUST	A11
FRAME	B3
FRONT SUSPENSION WHEEL	B4-5
FUEL TANK	B8
GOVERNOR	C2
HEADLIGHT	D8
INTAKE	A9
PRIMARY SHEAVE	C3
REAR ARM SUSPENSION	B2
REAR AXLE MOUNT WHEEL	C8
SEAT	D5
SECONDARY SHEAVE	C4
SHIFTING CABLES	C9
STARTING MOTOR	D6-7
STEERING	B6-7
TRANSMISSION 1	C5-7





NOTE A: WHEN REPLACING "PANEL REAR BODY JU9-K8142-00-00", YOU MUST ALSO REPLACE "LABEL WARNING 5 JJ3-K7765-00-00", AND "LABEL WARNING JU5-K7768-00-00".

NOTE B: WHEN REPLACING "PANEL INTERMEDIATE BODY JU9-K8141-00-00", YOU MUST ALSO REPLACE "INDICATOR 1 JN3-K7741-00-00".

NOTE C: WHEN REPLACING "PANEL, BODY SHELL JU9-K8111-00-00", YOU MUST ALSO REPLACE "LABEL, CAUTION JU9-F1696-00-00".

BODY 2

Ref. No.	Part Number	Description	Qty	Remarks
1	JU9-K8142-00-00	PANEL, REAR BODY	1	SEE NOTE A
2	JU9-K8141-00-00	PANEL, INTERMEDIATE BODY	1	SEE NOTE B
3	90183-06811-00	NUT, SPRING	14	
4	JU9-K8111-00-00	PANEL, BODY SHELL	1	SEE NOTE C
5	JU9-K8112-00-00	PANEL, BODY SHELL	1	
6	90267-36853-00	RIVET, BLIND	6	
7	JU9-F1781-00-00	EMBLEM 1	2	
8	JJ3-K8226-00-00	ROD, SEAT STOPPER	1	
9	JJ3-K8427-01-00	HINGE, SEAT 2	2	
10	90267-64834-00	RIVET, BLIND	4	
11	JU9-K814H-00-00	HOOK, BODY LOCK	2	
12	90119-08800-00	BOLT, WITH WASHER	2	
13	90110-06836-00	BOLT, HEXAGON SOCKET HEAD	14	
14	90201-068R6-00	WASHER, PLATE	14	
15	90480-13018-00	GROMMET	1	
16	90464-10814-00	CLAMP	1	
17	JN6-K8233-01-00	MAT, MAIN FLOOR 3	1	
18	JN6-K8231-01-00	MAT, MAIN FLOOR 1	1	
19	JN6-K8232-01-00	MAT, MAIN FLOOR 2	1	
20	90269-08813-00	RIVET	4	
21	90267-63047-00	RIVET, BLIND	9	
22	JJ3-K7765-00-00	LABEL, WARNING 5	1	SEE NOTE A
23	JN3-K7741-00-00	INDICATOR 1	1	SEE NOTE B
24	JU5-K7768-00-00	LABEL, WARNING	1	SEE NOTE A
25	JU9-F1696-00-00	LABEL, CAUTION	1	SEE NOTE C
26	90267-62841-00	RIVET, BLIND	4	

CONTENTS

ACCELERATOR	C1
AIR SHROUD FAN	A8
BODY	C11-12
BODY 2	D1
BODY FITTING	D2
BRAKE	B9-10
BRAKE 2	B11
BRAKE 3	B12
BUMPER	C10
CAMSHAFT VALVE	A7
CARBURETOR	A10
CARRIER	D3-4
CRANKCASE	A12
CRANKSHAFT PISTON	A6
CYLINDER HEAD	A5
ELECTRICAL 1	D9
ELECTRICAL 2	D10-11
ENGINE ASSEMBLY	A4
ENGINE BRACKET	B1
EXHAUST	A11
FRAME	B3
FRONT SUSPENSION WHEEL	B4-5
FUEL TANK	B8
GOVERNOR	C2
HEADLIGHT	D8
INTAKE	A9
PRIMARY SHEAVE	C3
REAR ARM SUSPENSION	B2
REAR AXLE MOUNT WHEEL	C8
SEAT	D5
SECONDARY SHEAVE	C4
SHIFTER CABLES	C9
STARTING MOTOR	D6-7
STEERING	B6-7
TRANSMISSION 1	C5-7



JU91110-C280

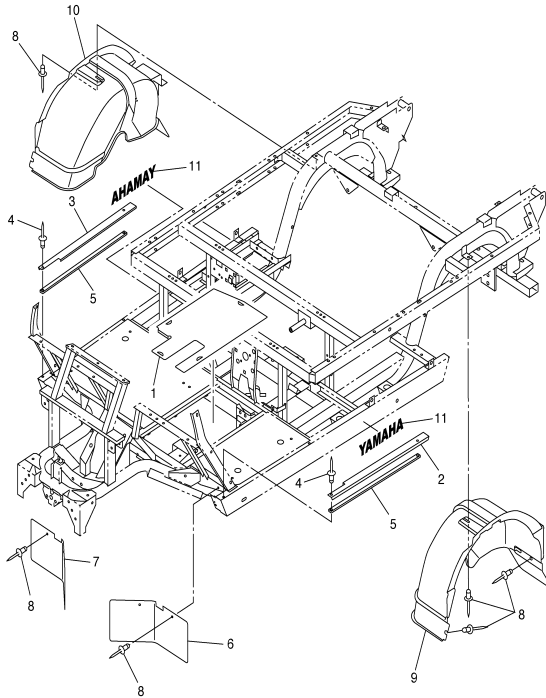
G28-A

BODY FITTING

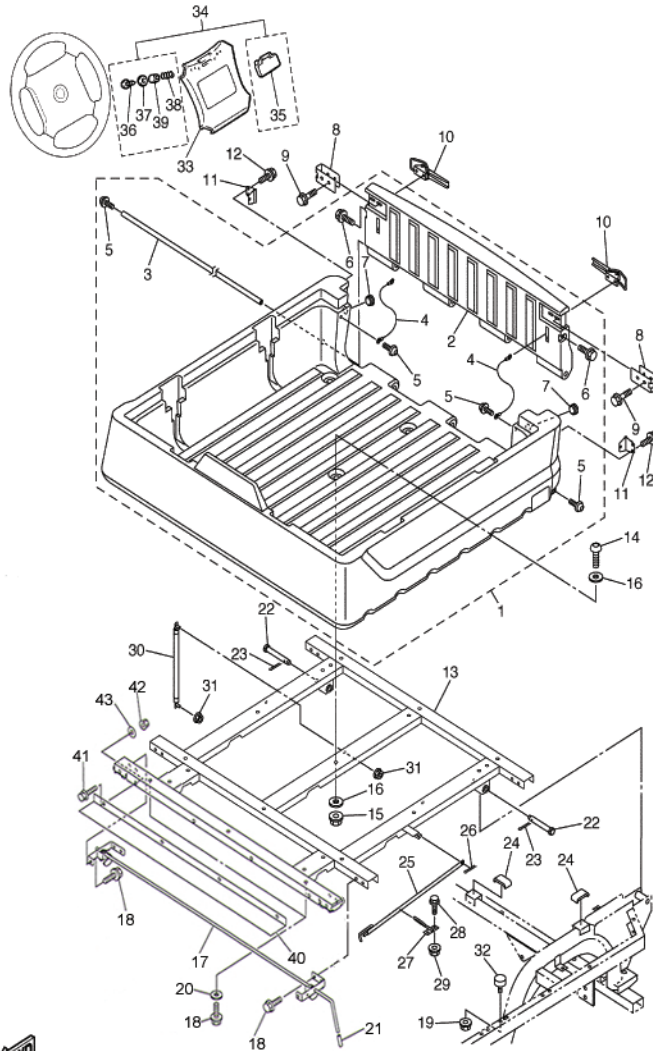
Ref. No.	Part Number	Description	Qty	Remarks
1	JN6-K8271-00-00	SERVICE LID, PEDAL	1	
2	JF2-K8215-10-00	PLATE, SIDE TRIM	1	
3	JF2-K821F-10-00	PLATE, SIDE TRIM	1	
4	90267-48154-00	RIVET, BLIND	4	
5	JJ3-K8124-00-00	REINFORCEMENT 4	2	
6	JF2-K8187-00-00	FLAP, FRONT FENDER (L.H)	1	
7	JF2-K8189-00-00	FLAP, FRONT FENDER (R.H)	1	
8	90267-48831-00	RIVET, BLIND	10	
9	JJ3-K8191-00-00	PANEL, REAR FENDER 1	1	
10	JJ3-K8192-00-00	PANEL, REAR FENDER 2	1	
11	JW5-F153A-00-00	EMBLEM, YAMAHA	2	

CONTENTS

ACCELERATOR	C1
AIR SHROUD FAN	A8
BODY	C11-12
BODY 2	D1
BODY FITTING	D2
BRAKE	B9-10
BRAKE 2	B11
BRAKE 3	B12
BUMPER	C10
CAMSHAFT VALVE	A7
CARBURETOR	A10
CARRIER	D3-4
CRANKCASE	A12
CRANKSHAFT PISTON	A6
CYLINDER HEAD	A5
ELECTRICAL 1	D9
ELECTRICAL 2	D10-11
ENGINE ASSEMBLY	A4
ENGINE BRACKET	B1
EXHAUST	A11
FRAME	B3
FRONT SUSPENSION WHEEL	B4-5
FUEL TANK	B8
GOVERNOR	C2
HEADLIGHT	D8
INTAKE	A9
PRIMARY SHEAVE	C3
REAR ARM SUSPENSION	B2
REAR AXLE MOUNT WHEEL	C8
SEAT	D5
SECONDARY SHEAVE	C4
SHIFTER CABLES	C9
STARTING MOTOR	D6-7
STEERING	B6-7
TRANSMISSION 1	C5-7



JW51110-C290



FWD
JU91110-C300
Modified

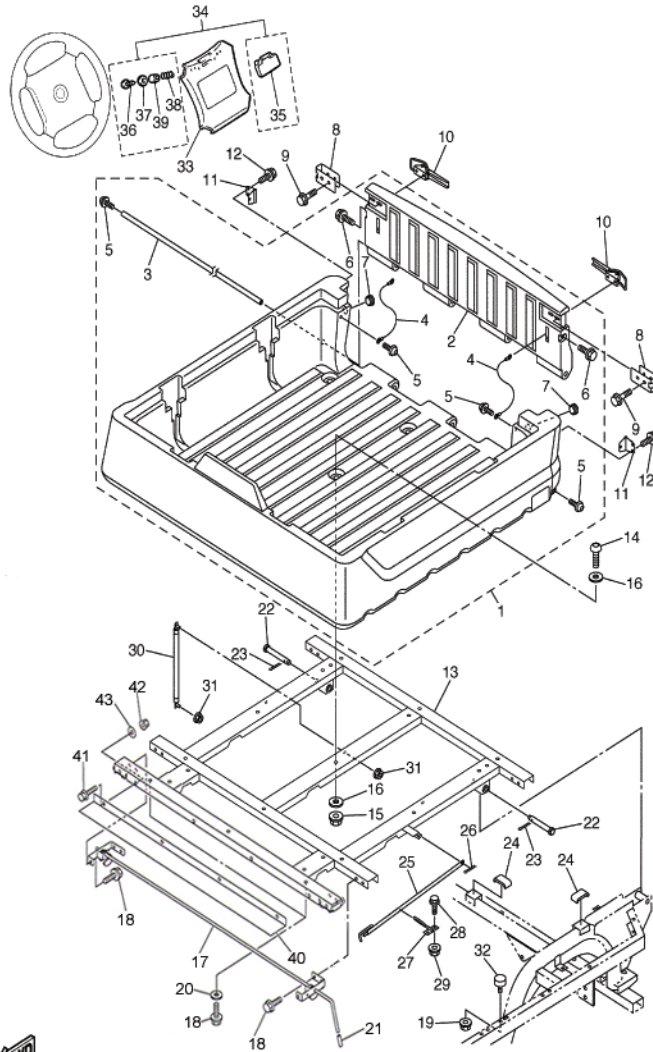
CARRIER

Ref. No.	Part Number	Description	Qty	Remarks
1	JU9-K810M-01-00	REAR STORAGE BOX COMP.	1	
2	JU9-K819K-00-00	. SHELL, RR. STORAGE LID	1	
3	JU9-K8564-00-00	. PIN, HINGE	1	
4	JU9-K7195-00-00	. HOLDER, CABLE	2	
5	JU9-K6179-00-00	. BOLT, SPECIAL 1	4	
6	JU9-K6189-00-00	. BOLT, SPECIAL 2	2	
7	JU9-K7739-10-00	. DAMPER, LID	2	
8	JU9-K7171-00-00	BODY, LATCH 1	2	
9	JU9-K8384-00-00	BOLT	4	
10	5UG-F389E-00-00	LATCH	2	
11	JU9-K7172-00-00	BODY, LATCH 2	2	
12	90119-06830-00	BOLT, WITH WASHER	6	
13	JU9-K818N-01-00	BED, BOX	1	
14	90111-10800-00	BOLT, BUTTON HEAD	7	
15	9560P-10200-00	NUT, FLANGE	7	
16	90201-10144-00	WASHER, PLATE	12	
17	JU9-K8380-01-00	LOCK ASSY	1	
18	9582P-08020-00	BOLT, FLANGE	8	
19	9560P-08200-00	NUT	2	
20	90201-088P7-00	WASHER, PLATE	2	
21	JJ3-K818M-00-00	CAP, PROTECTOR END 4	1	
22	90240-13801-00	PIN, CLEVIS	2	
23	91401-30025-00	PIN, SPLIT	2	
24	JJ3-K815H-01-00	DAMPER, LOCK	3	
25	JU5-K8158-00-00	ROD, INSPECTION LID	1	
26	91401-20020-00	PIN, COTTER	1	
27	JJ3-K8369-00-00	PIN, LEVER	1	
28	90119-06830-00	BOLT, WITH WASHER	2	
29	9560P-06200-00	NUT, FLANGE	2	
30	JJ3-K7588-00-00	DAMPER	1	

CONTENTS

ACCELERATOR	C1
AIR SHROUD FAN	A8
BODY	C11-12
BODY 2	D1
BODY FITTING	D2
BRAKE	B9-10
BRAKE 2	B11
BRAKE 3	B12
BUMPER	C10
CAMSHAFT VALVE	A7
CARBURETOR	A10
CARRIER	D3-4
CRANKCASE	A12
CRANKSHAFT PISTON	A6
CYLINDER HEAD	A5
ELECTRICAL 1	D9
ELECTRICAL 2	D10-11
ENGINE ASSEMBLY	A4
ENGINE BRACKET	B1
EXHAUST	A11
FRAME	B3
FRONT SUSPENSION WHEEL	B4-5
FUEL TANK	B8
GOVERNOR	C2
HEADLIGHT	D8
INTAKE	A9
PRIMARY SHEAVE	C3
REAR ARM SUSPENSION	B2
REAR AXLE MOUNT WHEEL	C8
SEAT	D5
SECONDARY SHEAVE	C4
SHIFTER CABLES	C9
STARTING MOTOR	D6-7
STEERING	B6-7
TRANSMISSION 1	C5-7

CONTINUED ON NEXT FRAME ►



FWD
 JU91110-C300
 Modified

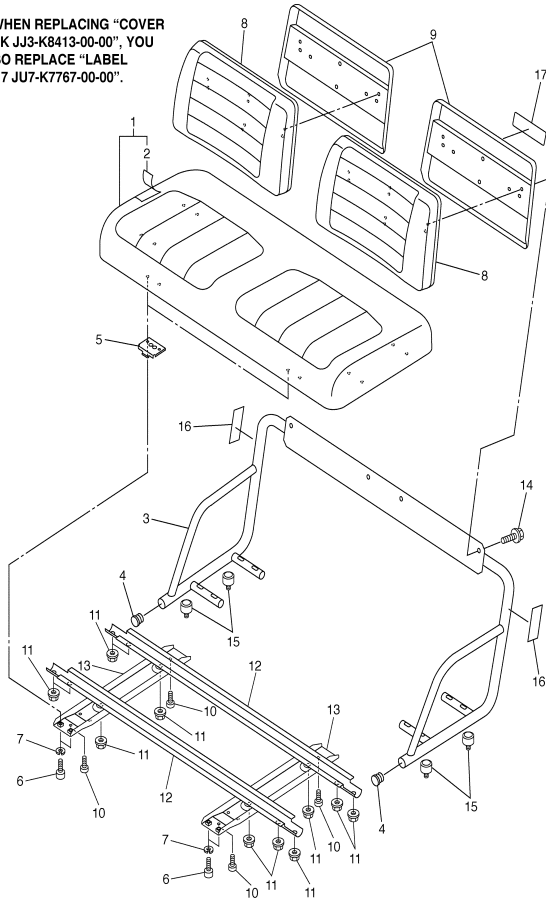
CARRIER

Ref. No.	Part Number	Description	Qty	Remarks
31	9560P-08200-00	NUT	2	
32	JU5-K8167-10-00	BUMPER, RUBBER 1	2	
33	JN3-K8357-00-00	HOLDER 1	1	
34	JN6-W001D-00-00	SCORE CARD HOLDER KIT	1	
35	JN6-K8358-01-00	HOLDER 2	1	
36	97707-40525-00	SCREW, TAPPING	2	
37	90201-048R5-00	WASHER, PLATE	2	
38	90502-10013-00	SPRING, CONICAL	2	
39	90387-046N7-00	COLLAR	2	
40	JU9-K8284-01-00	COVER, 4	1	
41	9582P-06016-00	BOLT, FLANGE	4	
42	9560P-06200-00	NUT, FLANGE	4	
43	90201-068R3-00	WASHER, PLATE	4	

CONTENTS

ACCELERATOR	C1
AIR SHROUD FAN	A8
BODY	C11-12
BODY 2	D1
BODY FITTING	D2
BRAKE	B9-10
BRAKE 2	B11
BRAKE 3	B12
BUMPER	C10
CAMSHAFT VALVE	A7
CARBURETOR	A10
CARRIER	D3-4
CRANKCASE	A12
CRANKSHAFT PISTON	A6
CYLINDER HEAD	A5
ELECTRICAL 1	D9
ELECTRICAL 2	D10-11
ENGINE ASSEMBLY	A4
ENGINE BRACKET	B1
EXHAUST	A11
FRAME	B3
FRONT SUSPENSION WHEEL	B4-5
FUEL TANK	B8
GOVERNOR	C2
HEADLIGHT	D8
INTAKE	A9
PRIMARY SHEAVE	C3
REAR ARM SUSPENSION	B2
REAR AXLE MOUNT WHEEL	C8
SEAT	D5
SECONDARY SHEAVE	C4
SHIFTER CABLES	C9
STARTING MOTOR	D6-7
STEERING	B6-7
TRANSMISSION 1	C5-7

NOTE B: WHEN REPLACING "COVER SEAT BACK JJ3-K8413-00-00", YOU MUST ALSO REPLACE "LABEL WARNING 7 JU7-K7767-00-00".



NOTE A: WHEN REPLACING "SEAT ASSY 2 JU9-K8420-00-00", YOU MUST ALSO REPLACE "LABEL WARNING 4 5UG-K7764-00-00".

SEAT

Ref. No.	Part Number	Description	Qty	Remarks
1	JU9-K8401-00-00	SEAT SUB-ASSY, CUSHION	1	
2	JU9-K8404-00-00	. COVER, SEAT	1	
3	JU9-K8420-00-00	SEAT ASSY 2	1	SEE NOTE A
4	JU7-F111A-00-00	CAP, MAIN PIPE	2	
5	JN3-K8426-01-00	HINGE, SEAT 1	2	
6	90111-06810-00	BOLT	4	
7	90204-06807-00	WASHER, SPRING	4	
8	JU7-K8402-00-00	SEAT SUB ASSY, BACK	2	
9	JJ3-K8413-10-00	COVER, SEAT BACK	2	SEE NOTE B
10	90167-04815-00	SCREW, TAPPING	4	
11	9560P-08200-00	NUT	12	
12	JN6-K8121-00-00	REINFORCEMENT 1	2	
13	JN6-K8122-02-00	REINFORCEMENT 2	2	
14	90119-06837-00	BOLT, WITH WASHER	4	
15	JU5-K8167-00-00	BUMPER, RUBBER 1	4	
16	5UG-K7764-00-00	LABEL, WARNING 4	1	SEE NOTE A
17	JU7-K7767-00-00	LABEL, WARNING 7	1	SEE NOTE B

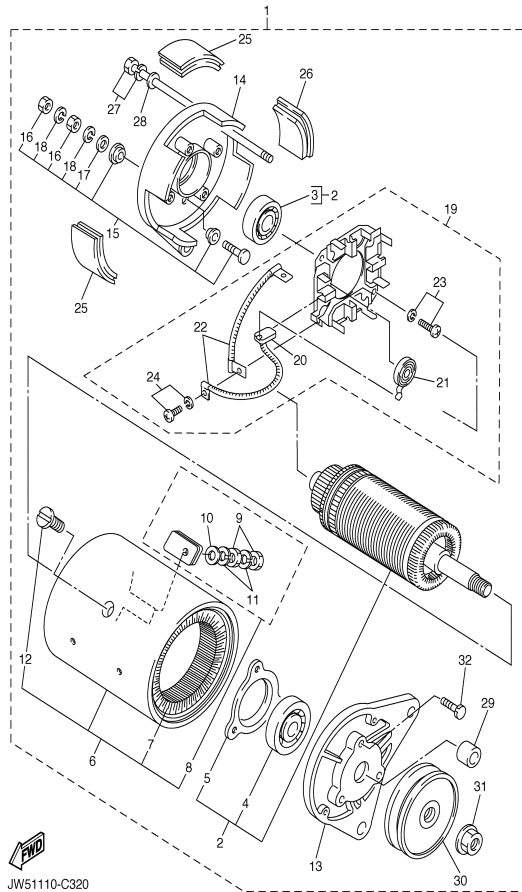
CONTENTS

ACCELERATOR	C1
AIR SHROUD FAN	A8
BODY	C11-12
BODY 2	D1
BODY FITTING	D2
BRAKE	B9-10
BRAKE 2	B11
BRAKE 3	B12
BUMPER	C10
CAMSHAFT VALVE	A7
CARBURETOR	A10
CARRIER	D3-4
CRANKCASE	A12
CRANKSHAFT PISTON	A6
CYLINDER HEAD	A5
ELECTRICAL 1	D9
ELECTRICAL 2	D10-11
ENGINE ASSEMBLY	A4
ENGINE BRACKET	B1
EXHAUST	A11
FRAME	B3
FRONT SUSPENSION WHEEL	B4-5
FUEL TANK	B8
GOVERNOR	C2
HEADLIGHT	D8
INTAKE	A9
PRIMARY SHEAVE	C3
REAR ARM SUSPENSION	B2
REAR AXLE MOUNT WHEEL	C8
SEAT	D5
SECONDARY SHEAVE	C4
SHIFTER CABLES	C9
STARTING MOTOR	D6-7
STEERING	B6-7
TRANSMISSION 1	C5-7



JW51110-C310

STARTING MOTOR



JW51110-C320

Ref. No.	Part Number	Description	Qty	Remarks
1	JN6-H1100-03-00	STARTER GENERATOR ASSY	1	
2	JN3-H1150-00-00	.. ARMATURE ASSY	1	
3	J10-H1157-10-00	.. BEARING 1 (6202 SD)	1	
4	J10-H1158-10-00	.. BEARING 2 (6203 SD)	1	
5	J10-H1159-10-00	.. HOLDER, BEARING	1	
6	JN6-H1110-10-00	.. STATOR ASSY	1	
7	JN6-H1160-10-00	.. FIELD COIL ASSY	1	
8	J10-81148-10-00	.. SCREW SET 4	2	
9	9530N-06600-00	.. NUT	2	
10	9290N-06600-00	.. WASHER	1	
11	9290N-06100-00	.. WASHER, SPRING	2	
12	J10-81146-10-00	.. SCREW 2	4	
13	JN6-H1165-00-00	.. BRACKET, STARTER GENERATOR 1	1	
14	J10-H1166-10-00	.. BRACKET, STARTER GENERATOR 2	1	
15	J10-H1147-10-00	.. SCREW 3	2	
16	9530N-06600-00	.. NUT	2	
17	9290N-06600-00	.. WASHER	1	
18	9290N-06100-00	.. WASHER, SPRING	2	
19	JN6-H1119-00-00	.. BRUSH HOLDER ASSY	1	
20	JF2-H1111-00-00	.. BRUSH	4	
21	JN6-H1113-00-00	.. SPRING, BRUSH	4	
22	J10-H1115-10-00	.. WIRE, LEAD	2	
23	9850N-05016-00	.. SCREW, PAN HEAD	2	
24	9850N-04010-00	.. SCREW, PAN HEAD	4	
25	J10-H1129-10-00	.. COVER, BRUSH	3	
26	J10-H1139-10-00	.. COVER, BRUSH 2	1	
27	J10-81145-10-00	.. SCREW 1	2	
28	9290N-06600-00	.. WASHER	2	
29	JN3-H11661-00-00	.. SPACER	1	

CONTINUED ON NEXT FRAME ►

CONTENTS

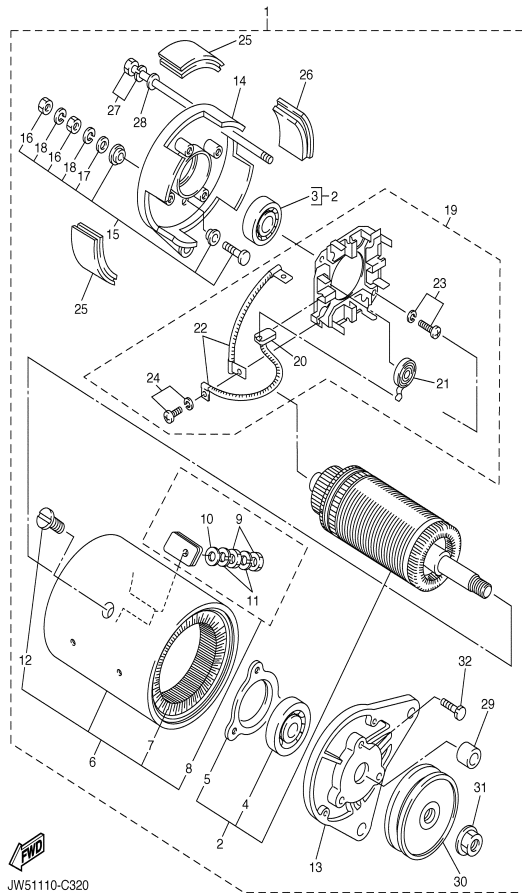
ACCELERATOR	C1
AIR SHROUD FAN	A8
BODY	C11-12
BODY 2	D1
BODY FITTING	D2
BRAKE	B9-10
BRAKE 2	B11
BRAKE 3	B12
BUMPER	C10
CAMSHAFT VALVE	A7
CARBURETOR	A10
CARRIER	D3-4
CRANKCASE	A12
CRANKSHAFT PISTON	A6
CYLINDER HEAD	A5
ELECTRICAL 1	D9
ELECTRICAL 2	D10-11
ENGINE ASSEMBLY	A4
ENGINE BRACKET	B1
EXHAUST	A11
FRAME	B3
FRONT SUSPENSION WHEEL	B4-5
FUEL TANK	B8
GOVERNOR	C2
HEADLIGHT	D8
INTAKE	A9
PRIMARY SHEAVE	C3
REAR ARM SUSPENSION	B2
REAR AXLE MOUNT WHEEL	C8
SEAT	D5
SECONDARY SHEAVE	C4
SHIFTER CABLES	C9
STARTING MOTOR	D6-7
STEERING	B6-7
TRANSMISSION 1	C5-7

STARTING MOTOR

Ref. No.	Part Number	Description	Qty	Remarks
30	JN6-H1161-00-00	. PULLEY	1	
31	90179-16889-00	. NUT	1	
32	9850N-05018-00	. SCREW, PAN HEAD	3	

CONTENTS

ACCELERATOR	C1
AIR SHROUD FAN	A8
BODY	C11-12
BODY 2	D1
BODY FITTING	D2
BRAKE	B9-10
BRAKE 2	B11
BRAKE 3	B12
BUMPER	C10
CAMSHAFT VALVE	A7
CARBURETOR	A10
CARRIER	D3-4
CRANKCASE	A12
CRANKSHAFT PISTON	A6
CYLINDER HEAD	A5
ELECTRICAL 1	D9
ELECTRICAL 2	D10-11
ENGINE ASSEMBLY	A4
ENGINE BRACKET	B1
EXHAUST	A11
FRAME	B3
FRONT SUSPENSION WHEEL	B4-5
FUEL TANK	B8
GOVERNOR	C2
HEADLIGHT	D8
INTAKE	A9
PRIMARY SHEAVE	C3
REAR ARM SUSPENSION	B2
REAR AXLE MOUNT WHEEL	C8
SEAT	D5
SECONDARY SHEAVE	C4
SHIFTER CABLES	C9
STARTING MOTOR	D6-7
STEERING	B6-7
TRANSMISSION 1	C5-7



JW51110-C320

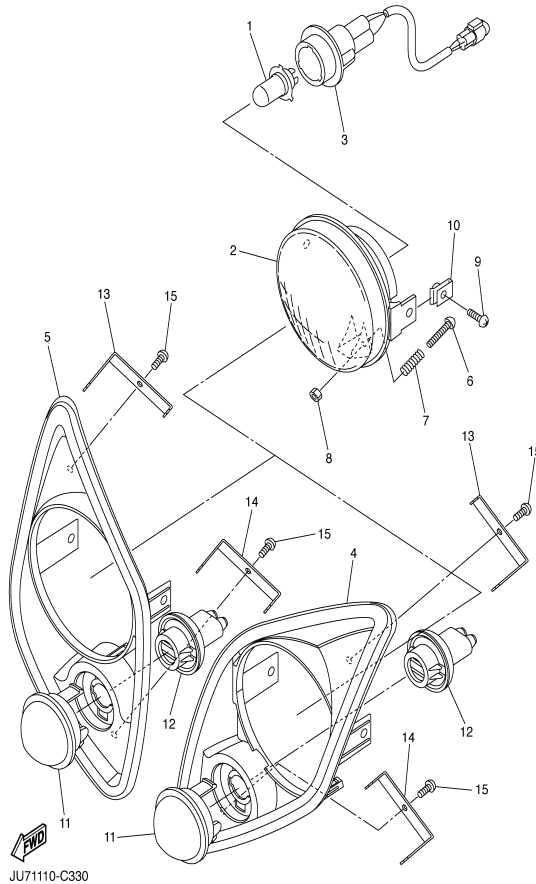
D7

HEADLIGHT

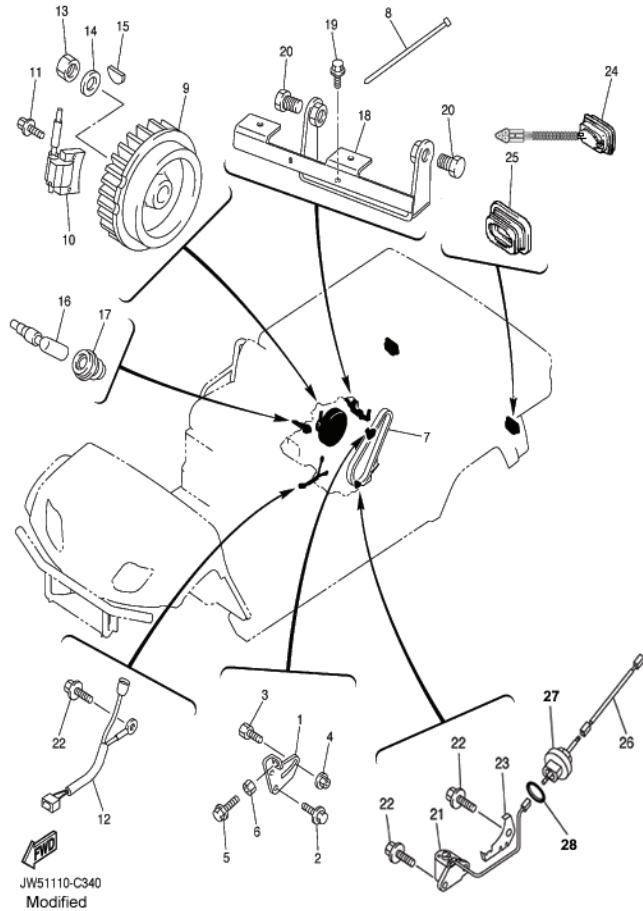
Ref. No.	Part Number	Description	Qty	Remarks
1	5FU-H4314-00-00	BULB, HEADLIGHT (12V-30/30W)	2	
2	5FU-H4320-00-00	LENS ASSY	2	
3	5FU-H4340-00-00	SOCKET CORD ASSY 1	2	
4	JU7-H411T-02-00	HOLDER, 1	1	LH
5	JU7-H411U-02-00	HOLDER, 2	1	RH
6	98507-03540-00	SCREW, PAN HEAD	2	
7	2GU-84332-00-00	SPRING, COMPRESSION	2	
8	2GU-84334-00-00	NUT, ADJUSTING	2	
9	90150-05802-00	SCREW, ROUND HEAD	4	
10	90183-05008-00	NUT, SPRING	4	
11	JU7-H5415-00-00	MARK, SIGNAL LAMP	2	
12	JU7-H3547-00-00	COVER, SOCKET	2	
13	JU7-H4118-01-00	STAY, HEADLIGHT 1	2	
14	JU7-H4119-01-00	STAY, HEADLIGHT 2	2	
15	97707-40112-00	SCREW, TAPPING	4	

CONTENTS

ACCELERATOR	C1
AIR SHROUD FAN	A8
BODY	C11-12
BODY 2	D1
BODY FITTING	D2
BRAKE	B9-10
BRAKE 2	B11
BRAKE 3	B12
BUMPER	C10
CAMSHAFT VALVE	A7
CARBURETOR	A10
CARRIER	D3-4
CRANKCASE	A12
CRANKSHAFT PISTON	A6
CYLINDER HEAD	A5
ELECTRICAL 1	D9
ELECTRICAL 2	D10-11
ENGINE ASSEMBLY	A4
ENGINE BRACKET	B1
EXHAUST	A11
FRAME	B3
FRONT SUSPENSION WHEEL	B4-5
FUEL TANK	B8
GOVERNOR	C2
HEADLIGHT	D8
INTAKE	A9
PRIMARY SHEAVE	C3
REAR ARM SUSPENSION	B2
REAR AXLE MOUNT WHEEL	C8
SEAT	D5
SECONDARY SHEAVE	C4
SHIFTER CABLES	C9
STARTING MOTOR	D6-7
STEERING	B6-7
TRANSMISSION 1	C5-7



D8

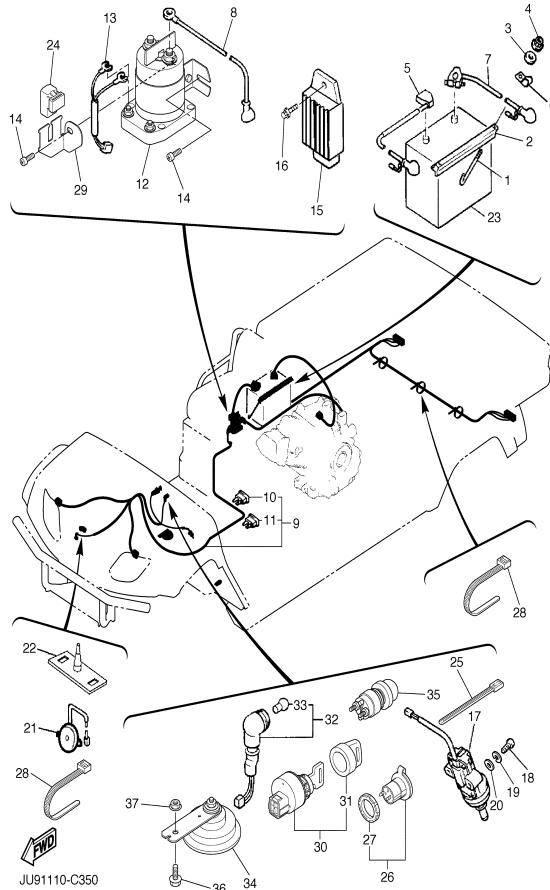


ELECTRICAL 1

Ref. No.	Part Number	Description	Qty	Remarks
1	JN6-H1170-00-00	TENSIONER ASSY	1	
2	9582P-08020-00	BOLT, FLANGE	2	
3	90109-08875-00	BOLT	1	
4	95707-08500-00	NUT, FLANGE	1	
5	90101-06478-00	BOLT	1	
6	95307-06600-00	NUT	1	
7	JN6-H1173-00-00	BELT	1	
8	90464-09823-00	CLAMP	1	
9	JR7-85650-00-00	ROTOR ASSY	1	
10	JN6-85640-01-00	T.C.I. UNIT ASSY	1	
11	95827-06025-00	BOLT, FLANGE	2	
12	JN6-82318-00-00	WIRE, SUB-LEAD	1	
13	95307-18600-00	NUT	1	
14	90201-18620-00	WASHER, PLATE	1	
15	90280-04052-00	KEY, WOODRUFF	1	
16	JN6-82370-00-00	PLUG CAP ASSY	1	
17	JE8-82372-00-00	SEAL, PLUG CAP	1	
18	JN6-H1171-00-00	BRACKET, STARTER GENERATOR	1	
19	9582P-08020-00	BOLT, FLANGE	2	
20	9581P-12025-00	BOLT, FLANGE	2	
21	JT0-85720-00-00	OIL LEVEL GAUGE ASSY	1	
22	95827-06012-00	BOLT, FLANGE	4	
23	JT0-85724-00-00	CLAMP	1	
24	JU5-H4700-10-00	TAILLIGHT ASSY	2	
25	JU5-H4718-00-00	GROMMET	2	
26	JT0-8231Y-00-00	WIRE, LEAD	1	
27	JT0-15362-00-00	PLUG, OIL LEVEL	1	
28	93210-15414-00	O-RING	1	

CONTENTS

ACCELERATOR	C1
AIR SHROUD FAN	A8
BODY	C11-12
BODY 2	D1
BODY FITTING	D2
BRAKE	B9-10
BRAKE 2	B11
BRAKE 3	B12
BUMPER	C10
CAMSHAFT VALVE	A7
CARBURETOR	A10
CARRIER	D3-4
CRANKCASE	A12
CRANKSHAFT PISTON	A6
CYLINDER HEAD	A5
ELECTRICAL 1	D9
ELECTRICAL 2	D10-11
ENGINE ASSEMBLY	A4
ENGINE BRACKET	B1
EXHAUST	A11
FRAME	B3
FRONT SUSPENSION WHEEL	B4-5
FUEL TANK	B8
GOVERNOR	C2
HEADLIGHT	D8
INTAKE	A9
PRIMARY SHEAVE	C3
REAR ARM SUSPENSION	B2
REAR AXLE MOUNT WHEEL	C8
SEAT	D5
SECONDARY SHEAVE	C4
SHIFTER CABLES	C9
STARTING MOTOR	D6-7
STEERING	B6-7
TRANSMISSION 1	C5-7



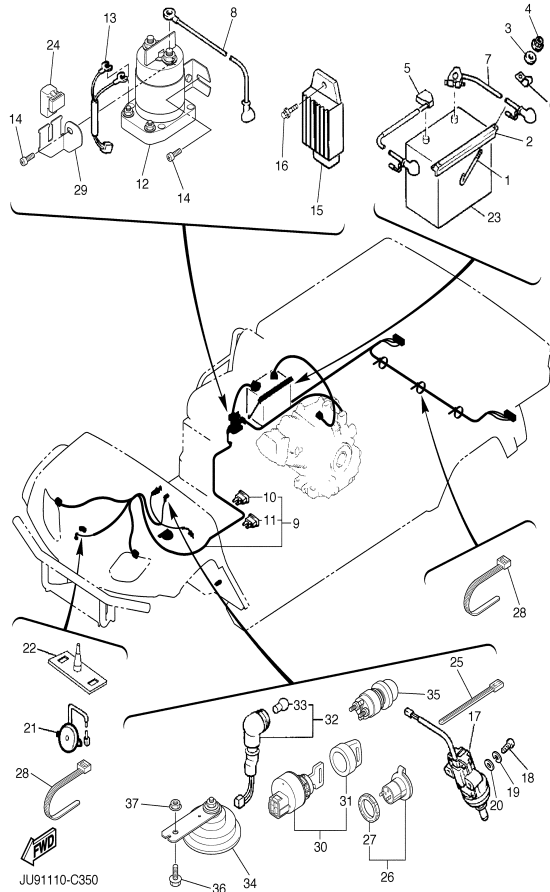
ELECTRICAL 2

Ref. No.	Part Number	Description	Qty	Remarks
1	JN3-H2133-00-00	SCREW, FITTING	2	
2	J55-H2136-00-00	PLATE, BATTERY FITTING	1	
3	9290P-06200-00	WASHER	2	
4	95707-06500-00	NUT, FLANGE	2	
5	JU9-H2115-00-00	WIRE, PLUS LEAD	1	
6	90461-08031-00	CLAMP	2	
7	JR3-H2116-00-00	WIRE, MINUS LEAD	1	
8	JR3-H2117-00-00	WIRE, LEAD	1	
9	JU9-H2590-01-00	WIRE HARNESS ASSY	1	
10	JN6-H2151-00-00	. FUSE (10 A)	2	
11	JU7-H2151-00-00	. FUSE (20 A)	1	
12	JR3-H1950-00-00	RELAY ASSY	1	
13	JN6-H2105-00-00	WIRE HARNESS	1	
14	90163-06005-00	SCREW, TAPPING	2	
15	JF2-81910-01-00	VOLTAGE REGULATOR ASSY	1	
16	90105-06876-00	BOLT, FLANGE	1	
17	JF7-82817-20-00	SWITCH	1	
18	98507-05025-00	SCREW, PAN HEAD	2	
19	92907-05100-00	WASHER, SPRING	2	
20	92907-05600-00	WASHER, PLATE	2	
21	JR1-H3383-01-00	BUZZER	1	
22	JN6-H3386-01-00	STAY, BUZZER	1	
23	JG5-H2110-01-00	BATTERY - OBTAIN LOCALLY	1	LM (12 V, BCI GROUP 24, CCA: MIN 400A)
24	4U8-81950-02-00	RELAY ASSY	1	
25	90464-40825-00	CLAMP	5	
26	5FU-H1920-10-00	TERMINAL ASSY	1	
27	5FU-H191B-10-00	. NUT	1	
28	90464-14806-00	CLAMP	5	
29	JU7-F253B-00-00	STAY, RELAY	1	

CONTENTS

ACCELERATOR	C1
AIR SHROUD FAN	A8
BODY	C11-12
BODY 2	D1
BODY FITTING	D2
BRAKE	B9-10
BRAKE 2	B11
BRAKE 3	B12
BUMPER	C10
CAMSHAFT VALVE	A7
CARBURETOR	A10
CARRIER	D3-4
CRANKCASE	A12
CRANKSHAFT PISTON	A6
CYLINDER HEAD	A5
ELECTRICAL 1	D9
ELECTRICAL 2	D10-11
ENGINE ASSEMBLY	A4
ENGINE BRACKET	B1
EXHAUST	A11
FRAME	B3
FRONT SUSPENSION WHEEL	B4-5
FUEL TANK	B8
GOVERNOR	C2
HEADLIGHT	D8
INTAKE	A9
PRIMARY SHEAVE	C3
REAR ARM SUSPENSION	B2
REAR AXLE MOUNT WHEEL	C8
SEAT	D5
SECONDARY SHEAVE	C4
SHIFTER CABLES	C9
STARTING MOTOR	D6-7
STEERING	B6-7
TRANSMISSION 1	C5-7

CONTINUED ON NEXT FRAME ►



ELECTRICAL 2

Ref. No.	Part Number	Description	Qty	Remarks
30	JU6-H2510-10-00	MAIN SWITCH ASSY	1	COMMON KEY SWITCH
31	5UG-H2579-00-00	. CAP, KEY	1	SEE NOTE A & NOTE B
32	JN6-83530-00-00	PILOT LIGHT ASSY	1	
33	123-83516-21-00	. BULB (12V-3.4W)	1	
34	4LR-83371-10-00	HORN	1	
35	JR6-H270X-00-00	SWITCH	1	
36	9582P-06016-00	BOLT, FLANGE	1	
37	95707-06500-00	NUT, FLANGE	1	

NOTE A: COMMON KEY PN JU6-H2511-10-00 (KEY CODE # 8002)

NOTE B: OPTIONAL RANDOM KEY MAIN SW PN JU6-H2510-00-00

CONTENTS

ACCELERATOR	C1
AIR SHROUD FAN	A8
BODY	C11-12
BODY FITTING	D1
BRAKE	D2
BRAKE 2	B9-10
BRAKE 3	B11
BUMPER	B12
CAMSHAFT VALVE	C10
CARBURETOR	A7
CARRIER	A10
CRANKCASE	D3-4
CRANKSHAFT PISTON	A12
CYLINDER HEAD	A6
ELECTRICAL 1	A5
ELECTRICAL 2	D9
ENGINE ASSEMBLY	D10-11
ENGINE BRACKET	A4
EXHAUST	B1
FRAME	A11
FRONT SUSPENSION WHEEL	B3
FUEL TANK	B4-5
GOVERNOR	B8
HEADLIGHT	C2
INTAKE	D8
PRIMARY SHEAVE	A9
REAR ARM SUSPENSION	C3
REAR AXLE MOUNT WHEEL	B2
SEAT	C8
SECONDARY SHEAVE	D5
SHIFTER CABLES	C4
STARTING MOTOR	C9
STEERING	D6-7
TRANSMISSION 1	B6-7
	C5-7