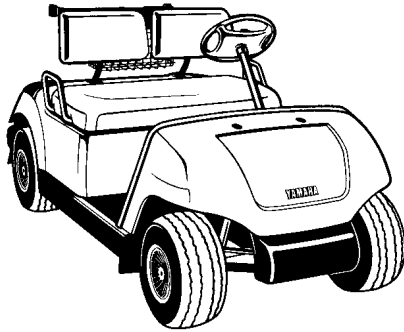


**DID YOU
KNOW?**

CartPros directs you to the right part using the part numbers from this manual. Enter the part number into our search box and it will find the part you are looking for.

**GET STARTED
HERE** →

<https://CartPros.com/f.html>



PARTS CATALOG



1996 G19EP
1997 G19ER
1998 G19ES
1999 G19ET
2000 G19EU
2001 G19EW
2002 G19EX

(JR11) U.S.A., CANADA, EUROPE, OTHERS

APRIL 2005

10JR1-100E4

**DID YOU
KNOW?**

CartPros directs you to the right part using the part numbers from this manual. Enter the part number into our search box and it will find the part you are looking for.

**GET STARTED
HERE**



<https://CartPros.com/f.html>



FOREWORD

This Parts Catalogue is related to the parts for the model(s) shown in the frame below. When you are ordering replacement parts, please refer to this Parts Catalogue and quote both part numbers and part names correctly.

G19E (JR11)

1. Modifications or additions which have been made after issue of the Parts Catalogue will be announced in the Yamaha Parts News. It is advisable that you make necessary corrections to the Parts Catalogue according to the Yamaha Parts News.

2. Abbreviations

The following abbreviations are used in this Parts Catalogue.

- “UR” Use specified part number.
- “UN” Use as many as needed.
- “AP” Alternate parts.
- “LM” Local Made (Parts need to be ordered locally)
- “F#” Frame Number (Applicable machine number)

3. Parts, which are to be supplied in an assembly, are listed with a dot (.) in front of the part name as shown below.

EXAMPLE
 CARBURETOR ASSY
 .JET, PILOT
 .NOZZLE, MAIN

4. Number of component for assembly

The numeral appearing to the right of each component part indicates the quantity of parts for each assembly unit.

EXAMPLE

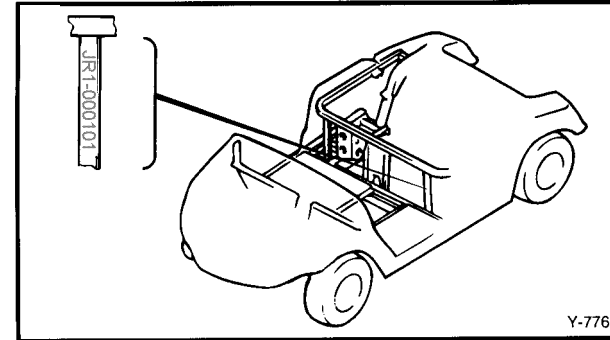
| PART NO. | DESCRIPTION | Q'TY | REMARKS |
|--------------|--------------------------|------|---------|
| 2F5-83310-60 | FRONT FLASHER LIGHT ASSY | 2 | |
| 115-83311-60 | .BULB (6V-18W) | 1 | |

5. Applicable colors of graphics are represented in the “REMARKS” as shown below.

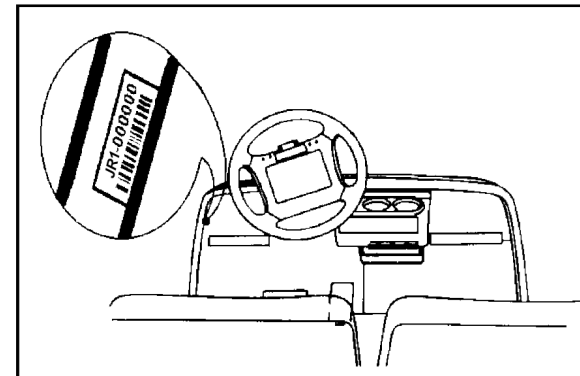
| PART NO. | DESCRIPTION | Q'TY | REMARKS |
|-----------------|---------------------|------|-----------|
| 2N4-24110-00-X5 | FUEL TANK COMP. | 1 | MAXIM RED |
| 3J1-24240-10 | .GRAPHIC, FUEL TANK | 1 | for MXR |

6. Applicable Serial No. and Color Code 2000 Model Year

- ① Frame Serial No. JR1-600101 ~
- ② Engine Serial No. JR1-600101 ~



- ① Frame Serial No. JR1-600101 ~
- ② Engine Serial No. JR1-600101 ~



7. Note that the illustrations are for reference in finding parts numbers, not to be used for assembling. When assembling, please use the applicable service manual.

8. The asterisk (*) before a reference number indicates modification items after the first edition.

**DID YOU
KNOW?**

CartPros directs you to the right part using the part numbers from this manual. Enter the part number into our search box and it will find the part you are looking for.

**GET STARTED
HERE**

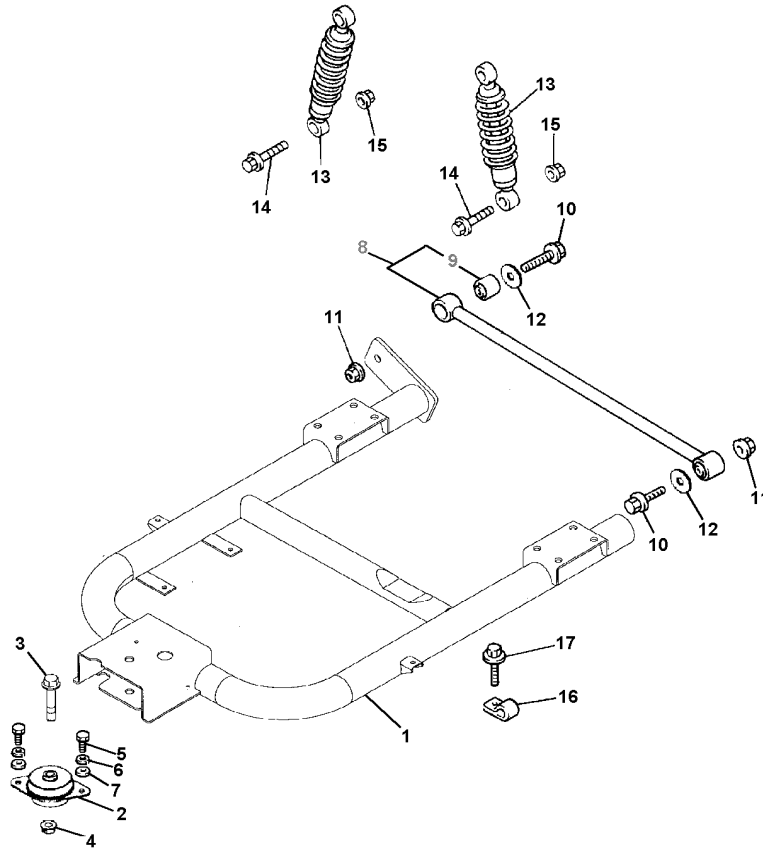


<https://CartPros.com/f.html>

CONTENTS

| CHASSIS | PAGE | | PAGE |
|--------------------------|---------|-------------------------------|---------|
| Rear Arm / Suspension | 5 | Battery Charger | 34 |
| Frame | 6 | Optional Seat Adjuster | 35 |
| Front Suspension / Wheel | 7 ~ 8 | Optional Hub Caps | 36 |
| Steering | 9 ~ 10 | Optional Windshield | 37 |
| Brake | 11 ~ 13 | Optional Sunroof | 38 |
| Brake 2 | 14 | Optional Light Kit | 39 ~ 40 |
| Brake 3 | 15 | Optional Energy / Hour Gauges | 41 |
| Accelerator | 16 | | |
| Transmission | 17 ~ 18 | | |
| Rear Axle Mount / Wheel | 19 | | |
| Bumper | 20 | | |
| Body (Front) | 21 ~ 22 | | |
| Body 2 (Rear) | 23 ~ 24 | | |
| Body Fitting | 25 | | |
| Carrier | 26 | | |
| Seat | 27 ~ 28 | | |
| Electric Motor | 29 | | |
| Controller 1 | 30 ~ 31 | | |
| Electrical 1 | 32 ~ 33 | | |

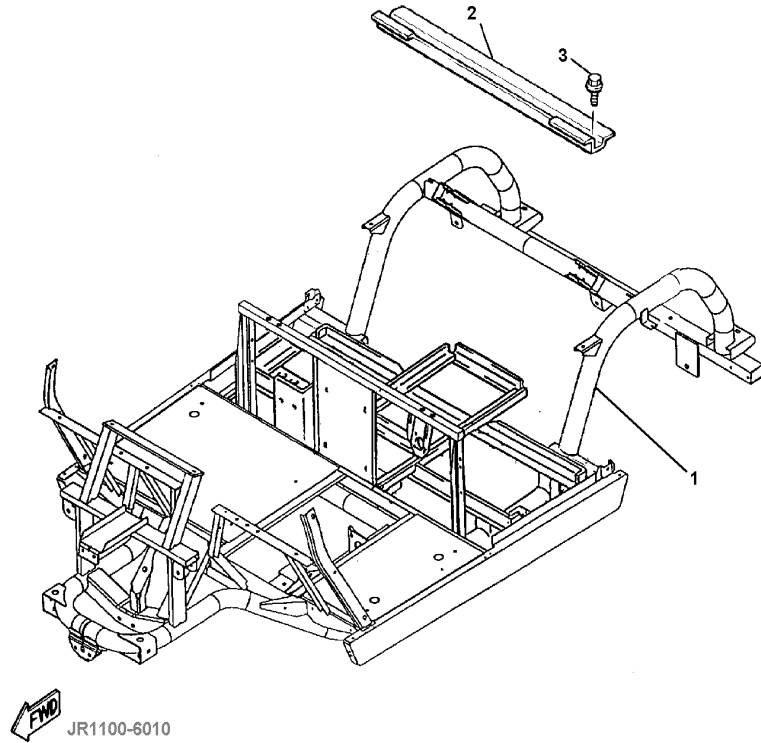
FIG. 1 REAR ARM / SUSPENSION



| REF NO. | PART NUMBER | DESCRIPTION | QTY | REMARKS |
|---------|-----------------|-----------------|-----|---------|
| 1 | JN8-F2110-00-00 | REAR ARM COMP. | 1 | |
| 2 | JN6-F2123-01-00 | BUSHING, 1 | 1 | |
| 3 | 90105-13864-00 | BOLT, FLANGE | 1 | |
| 4 | 90179-13878-00 | NUT | 1 | |
| 5 | 97017-10020-00 | BOLT, HEX. HEAD | 2 | |
| 6 | 92907-10100-00 | WASHER, LOCK | 2 | |
| 7 | 92907-10600-00 | WASHER, PLAIN | 2 | |
| 8 | JN6-F2172-00-00 | ROD, CONNECTING | 1 | |
| 9 | JN6-F2124-00-00 | BUSHING, 2 | 2 | |
| 10 | 95817-12065-00 | BOLT, FLANGE | 2 | |
| 11 | 95617-12200-00 | NUT, U-FLANGE | 2 | |
| 12 | 90201-12426-00 | WASHER, PLAIN | 2 | |
| 13 | JN4-F2210-00-00 | SHOCK ABSORBER | 2 | |
| 14 | 95807-10055-00 | BOLT, FLANGE | 4 | |
| 15 | 95607-10200-00 | NUT, U-FLANGE | 4 | |
| 16 | 90462-20186-00 | CLAMP | 2 | |
| 17 | 95817-06016-00 | BOLT, FLANGE | 2 | |



FIG. 2 FRAME



| REF NO. | PART NUMBER | DESCRIPTION | QTY | REMARKS |
|---------|-----------------|---------------------|-----|---------|
| 1 | JR1-F2501-02-00 | FRAME COMP. | 1 | |
| 2 | JN6-F254R-00-00 | SUPPORT, BODY MOUNT | 1 | |
| 3 | 95817-08016-00 | BOLT, FLANGE | 2 | |

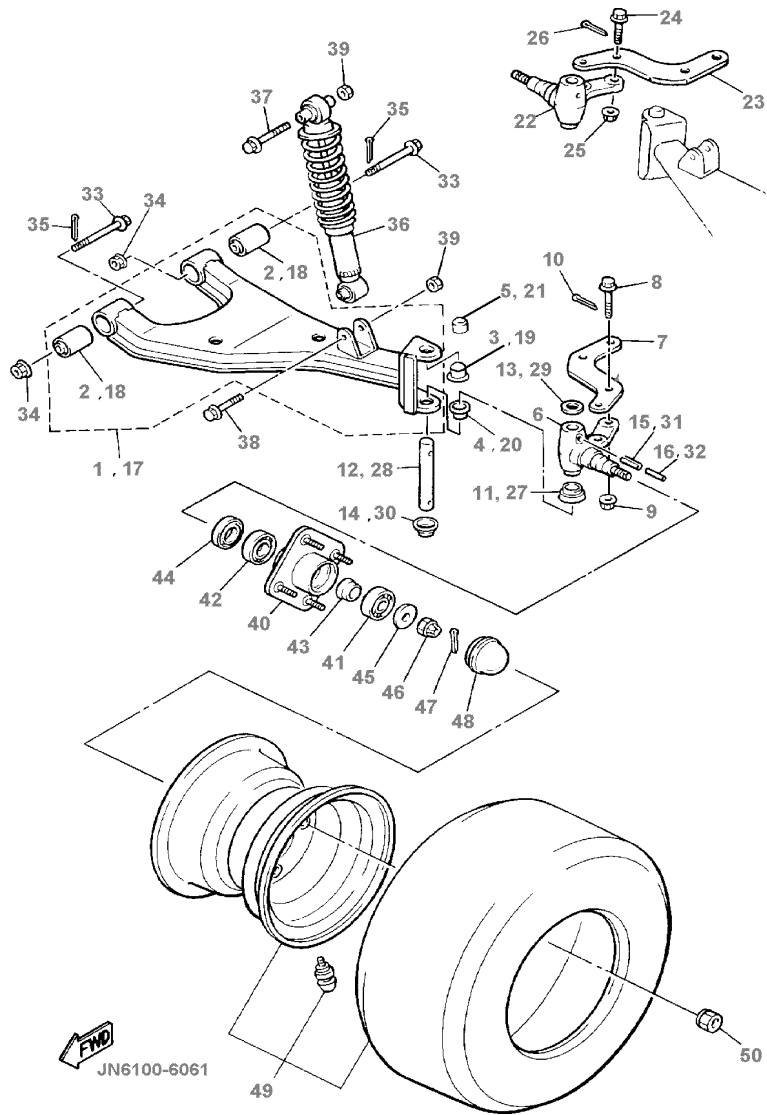


FIG. 3 FRONT SUSPENSION / WHEEL

| REF NO. | PART NUMBER | DESCRIPTION | QTY | REMARKS |
|---------|-----------------|------------------------|-----|-----------------------|
| 1 | JN6-F3570-00-00 | FRONT LOWER ARM, LEFT | 1 | |
| 2 | JN6-F3526-00-00 | .BUSHING, ARM | 1 | |
| 3 | 90384-15826-00 | BUSH, BIMETAL | 1 | UR, F# JR1-204501~ |
| 4 | 90384-15825-00 | BUSH, BIMETAL | 1 | UR, F# JR1-204501~ |
| 5 | 90334-19800-00 | PLUG, STRAIGHT | 1 | UR, F# JR1-204501~ |
| 6 | JN6-F3511-00-00 | KNUCKLE, STEERING | 1 | |
| 7 | JN3-F3512-00-00 | ARM, KNUCKLE | 1 | |
| 8 | 95814-10040-00 | BOLT, FLANGE | 2 | |
| 9 | 95617-10200-00 | NUT, U-FLANGE | 2 | |
| 10 | 91490-25020-00 | PIN, SPLIT | 2 | |
| 11 | J38-23527-00-00 | SEAL, DUST 1 | 1 | |
| 12 | J38-23516-00-00 | PIN, STEERING KNUCKLE | 1 | |
| 13 | 90201-156J2-00 | WASHER, PLAIN | 1 | |
| 14 | J38-23528-00-00 | SEAL, DUST 2 | 1 | |
| 15 | 91609-60028-00 | PIN, SPRING | 1 | |
| 16 | 91609-35028-00 | PIN, SPRING | 1 | |
| 17 | JN6-F3580-00-00 | FRONT LOWER ARM, RIGHT | 1 | |
| 18 | JN6-F3526-00-00 | .BUSHING, ARM | 1 | |
| 19 | 90384-15826-00 | BUSH, BIMETAL | 1 | |
| 20 | 90384-15825-00 | BUSH, BIMETAL | 1 | |
| 21 | 90386-19800-00 | PLUG, STRAIGHT | 1 | |
| 22 | JN6-F3521-00-00 | KNUCKLE, STEERING | 1 | |
| 23 | JN3-F3512-00-00 | ARM, KNUCKLE | 1 | |
| 24 | 95814-10040-00 | BOLT, FLANGE | 2 | |
| 25 | 95607-10200-00 | NUT, U-FLANGE | 2 | |
| 26 | 91401-25020-00 | PIN, SPLIT | 2 | |
| 27 | J38-23527-00-00 | SEAL, DUST 1 | 1 | |

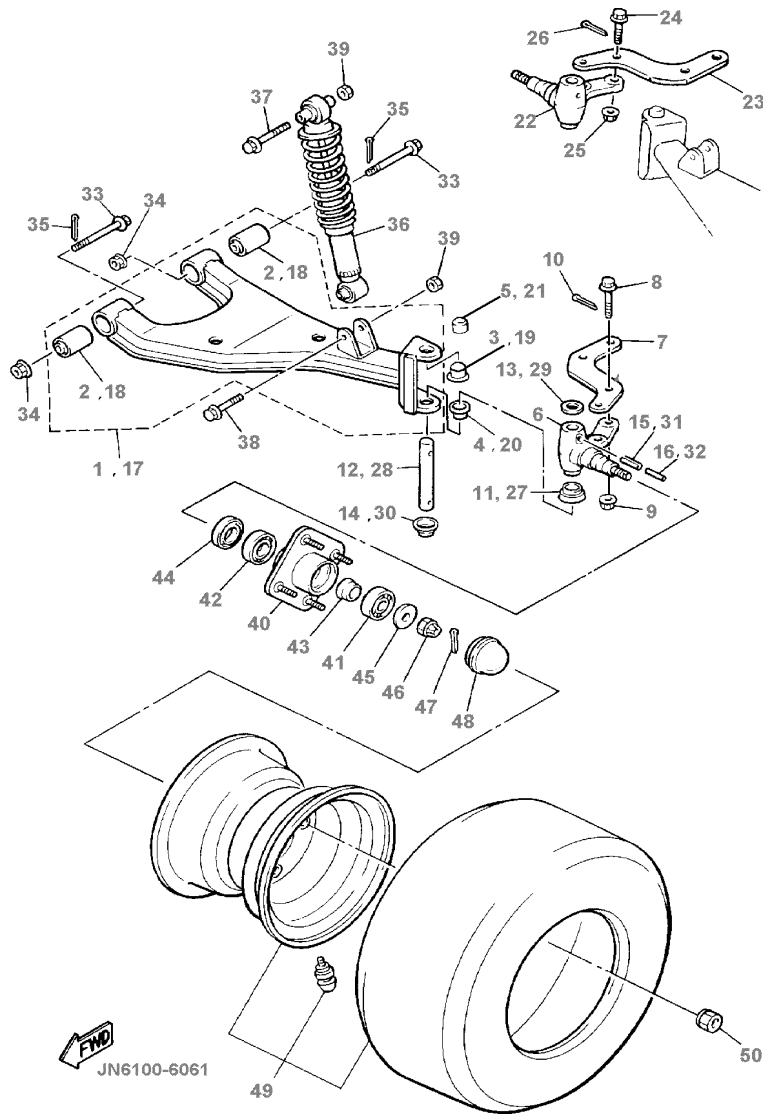


FIG. 3 FRONT SUSPENSION / WHEEL

| REF NO. | PART NUMBER | DESCRIPTION | QTY | REMARKS |
|---------|-----------------|-----------------------|-----|---------|
| 28 | J38-23516-00-00 | PIN, STEERING KNUCKLE | 1 | |
| 29 | 90201-156J2-00 | WASHER, PLAIN | 1 | |
| 30 | J38-23528-00-00 | SEAL, DUST 2 | 1 | |
| 31 | 91609-60028-00 | PIN, SPRING | 1 | |
| 32 | 91609-35028-00 | PIN, SPRING | 1 | |
| 33 | 95817-10075-00 | BOLT, FLANGE | 4 | |
| 34 | 95607-10200-00 | NUT, U-FLANGE | 4 | |
| 35 | 91490-25020-00 | PIN, SPLIT | 4 | |
| 36 | JN4-F3350-00-00 | CUSHION ASSY. | 2 | |
| 37 | 95817-10065-00 | BOLT, FLANGE | 2 | |
| 38 | 95817-10055-00 | BOLT, FLANGE | 2 | |
| 39 | 95607-10200-00 | NUT, U-FLANGE | 4 | |
| 40 | JG5-WF511-00-00 | HUB | 2 | |
| 41 | 93306-204X0-00 | BEARING | 2 | |
| 42 | 93306-005Y3-00 | BEARING | 2 | |
| 43 | 90387-241M7-00 | COLLAR | 2 | |
| 44 | 93102-30083-00 | SEAL, OIL | 2 | |
| 45 | 90209-32271-00 | WASHER | 2 | |
| 46 | 95607-14100-00 | NUT, U | 2 | |
| 47 | 91490-25020-00 | PIN, SPLIT | 2 | |
| 48 | JN6-F5118-00-00 | COVER, HUB DUST | 2 | |
| 49 | JN6-F5100-11-00 | FR. WHEEL ASSY | 2 | |
| 50 | 90179-12262-00 | NUT | 8 | |

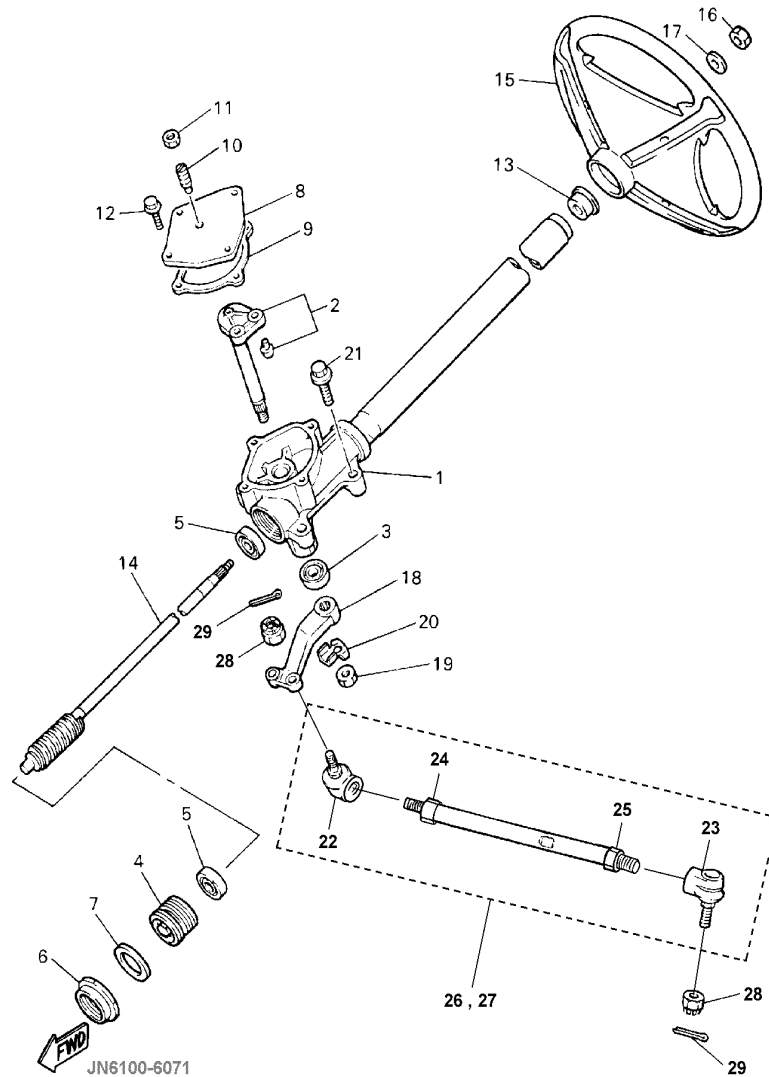


FIG. 4 STEERING

| REF NO. | PART NUMBER | DESCRIPTION | QTY | REMARKS |
|---------|-----------------|---------------------|-----|---------|
| 1 | JG5-F3811-00-00 | COLUMN, STEERING | 1 | |
| 2 | J38-23816-00-00 | ARM, PITMAN | 1 | |
| 3 | 93102-22314-00 | SEAL, OIL | 1 | |
| 4 | J55-F3876-00-00 | BOLT | 1 | |
| 5 | 93332-000Y2-00 | BEARING | 2 | |
| 6 | J10-23877-00-00 | NUT | 1 | |
| 7 | J10-23444-00-00 | WASHER | 1 | |
| 8 | JN3-F3818-00-00 | COVER, STEERING | 1 | |
| 9 | J38-23462-01-00 | SEAL, STEERING | 1 | |
| 10 | J10-23459-00-00 | BOLT | 1 | |
| 11 | 90170-08024-00 | NUT, HEX. | 1 | |
| 12 | 95817-06020-00 | BOLT, FLANGE | 4 | |
| 13 | JN3-F3814-00-00 | HOLDER, HANDLE | 1 | |
| 14 | J10-23840-00-00 | STEERING SHAFT | 1 | |
| 15 | JN3-F3838-00-00 | WHEEL, STEERING | 1 | |
| 16 | 95617-12200-00 | NUT, SELF-LOCKING | 1 | |
| 17 | 92907-12200-00 | WASHER, PLAIN | 1 | |
| 18 | J38-23826-01-00 | ARM, IDLER | 1 | |
| 19 | 95707-16300-00 | NUT, NYLON | 1 | |
| 20 | 90215-16252-00 | WASHER, TONGUE | 1 | |
| 21 | 90105-100A4-00 | BOLT, FLANGE | 4 | |
| 22 | JN6-F3841-00-00 | UNIVERSAL JOINT | 2 | |
| 23 | JN6-F3845-00-00 | UNIVERSAL JOINT | 2 | |
| 24 | 95607-10200-00 | NUT, (RH THREAD) | 2 | |
| 25 | 90170-12054-00 | NUT, (LH THREAD) | 2 | |
| 26 | JN6-F3830-11-00 | TIE ROD ASSY, RIGHT | 1 | |
| 27 | JN3-F3850-11-00 | TIE ROD ASSY, LEFT | 1 | |

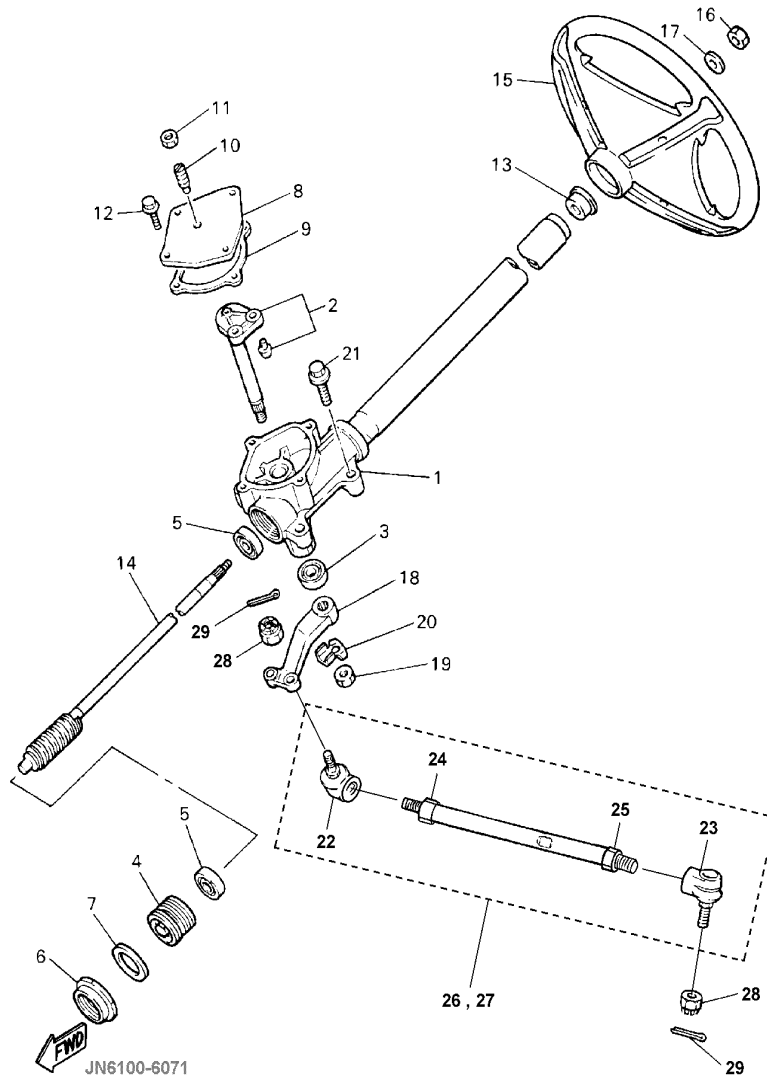


FIG. 4 STEERING

| REF NO. | PART NUMBER | DESCRIPTION | QTY | REMARKS |
|---------|----------------|---------------|-----|---------|
| 28 | 95617-10200-00 | NUT, U-FLANGE | 4 | |
| 29 | 91401-25020-00 | PIN, SPLIT | 4 | |

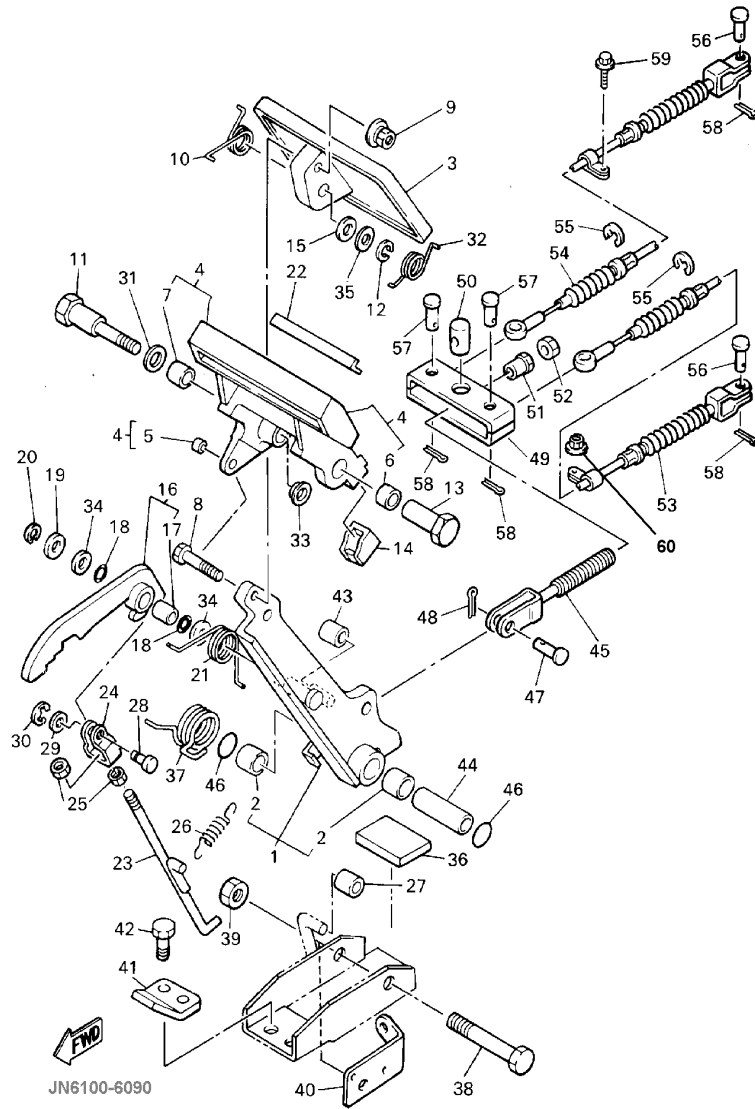


FIG. 5 BRAKE

| REF NO. | PART NUMBER | DESCRIPTION | QTY | REMARKS |
|---------|-----------------|-----------------------|-----|---------|
| 1 | J46-27250-03-00 | BRAKE ARM COMP | 1 | |
| 2 | 90384-14080-00 | .BUSH, BIMETAL FORMED | 2 | |
| 3 | J10-27211-00-00 | PEDAL, BRAKE | 1 | |
| 4 | J17-25670-01-00 | PARKING PEDAL COMP. | 1 | |
| 5 | 90384-05163-00 | .BUSH, BIMETAL | 1 | |
| 6 | 90384-12164-00 | .BUSH, BIMETAL | 1 | |
| 7 | 90380-12051-00 | .BUSH, SOLID | 1 | |
| 8 | 90101-06555-00 | BOLT, HEX. | 1 | |
| 9 | 90179-06387-00 | NUT | 1 | |
| 10 | 90508-23542-00 | SPRING,TORSION | 1 | |
| 11 | 90109-08669-00 | BOLT | 1 | |
| 12 | 92907-08100-00 | WASHER, SPRING | 1 | |
| 13 | 90179-08378-00 | NUT | 1 | |
| 14 | J17-25679-01-00 | DAMPER | 2 | |
| 15 | 92907-08200-00 | WASHER, PLAIN | 1 | |
| 16 | J17-W2561-02-00 | SECTOR, PARKING BRAKE | 1 | |
| 17 | 90384-10162-00 | .BUSH, BIMETAL | 1 | |
| 18 | J17-27221-00-00 | SEAL, SHAFT | 2 | |
| 19 | 92907-10600-00 | WASHER, PLAIN | 1 | |
| 20 | 99080-07600-00 | CIRCLIP (E) | 1 | |
| 21 | 90508-14548-00 | SPRING, TORSION | 1 | |
| 22 | J17-25672-01-00 | PAD, PARKING | 1 | |
| 23 | J17-27231-03-00 | ROD, BRAKE | 1 | |
| 24 | J17-27232-00-00 | END, ROD 1 | 1 | |
| 25 | 95317-06700-00 | NUT, HEX. | 2 | |
| 26 | 90506-08526-00 | SPRING,TENSION | 1 | |
| 27 | J17-25673-00-00 | DAMPER, BRAKE | 1 | |

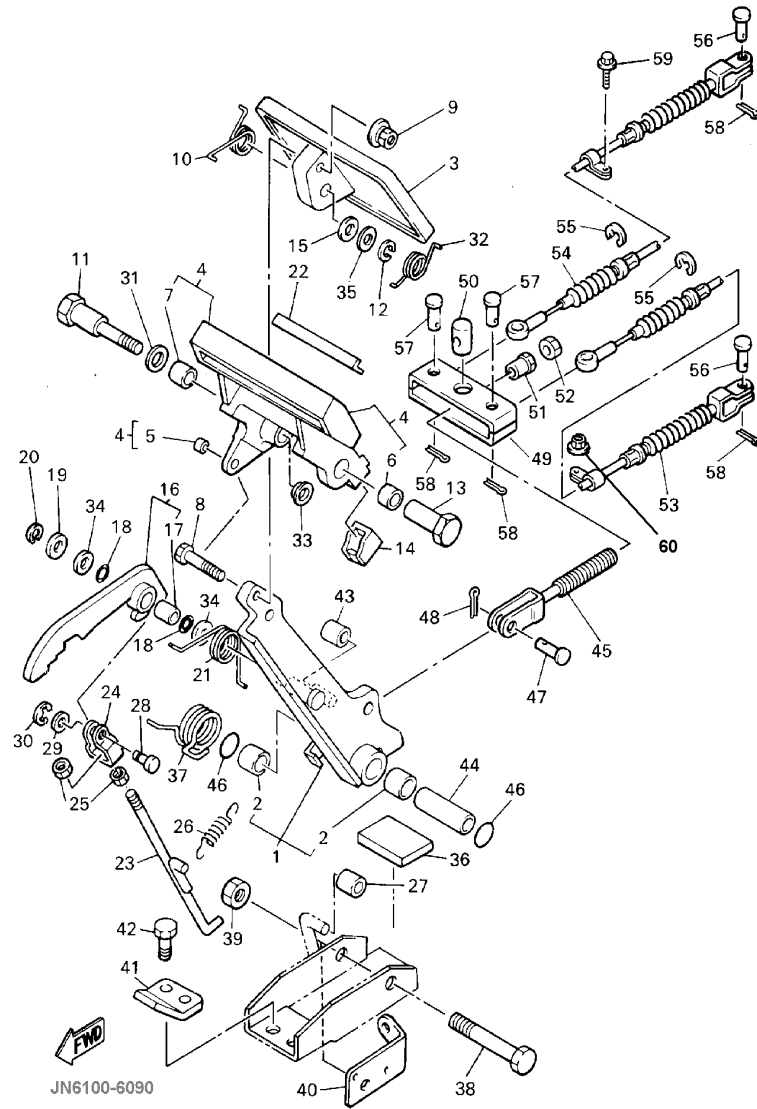


FIG. 5 BRAKE

| REF NO. | PART NUMBER | DESCRIPTION | QTY | REMARKS |
|---------|-----------------|------------------|-----|---------|
| 28 | J17-27228-00-00 | PIN, LINK JOINT | 1 | |
| 29 | 92907-05600-00 | WASHER, PLAIN | 1 | |
| 30 | 99080-04600-00 | CIRCLIP (E) | 1 | |
| 31 | 90201-123F2-00 | WASHER, PLAIN | 1 | |
| 32 | 90508-26557-00 | SPRING, TORSION | 1 | |
| 33 | 90380-12105-00 | BUSH, SOLID | 1 | |
| 34 | 90201-104G8-00 | WASHER, PLAIN | 2 | |
| 35 | J55-27226-00-00 | WASHER, LINK | 1 | |
| 36 | JN3-F7245-00-00 | PAD, BRAKE PEDAL | 1 | |
| 37 | 90508-405A9-00 | SPRING, TORSION | 1 | |
| 38 | 90101-10447-00 | BOLT, HEX. | 1 | |
| 39 | 95617-10200-00 | NUT, U-FLANGE | 1 | |
| 40 | J55-2252M-00-00 | BRACKET, 3 | 1 | |
| 41 | J17-27246-00-00 | NAIL, BRAKE | 1 | |
| 42 | 95807-08020-00 | BOLT, FLANGE | 2 | |
| 43 | J17-25673-00-00 | DAMPER, BRAKE | 1 | |
| 44 | 90387-107F8-00 | COLLAR | 1 | |
| 45 | JN6-F5685-00-00 | ROD | 1 | |
| 46 | 93210-132A8-00 | O-RING | 2 | |
| 47 | 91701-10022-00 | PIN | 1 | |
| 48 | 91490-30020-00 | PIN, SPLIT | 1 | |
| 49 | JN6-F5681-00-00 | EQUALIZER, BRAKE | 1 | |
| 50 | 90249-14129-00 | PIN | 1 | |
| 51 | 90179-08261-00 | NUT | 1 | |
| 52 | 95317-08700-00 | NUT, HEX. | 1 | |
| 53 | JN6-F6341-00-00 | WIRE, BRAKE 1 | 1 | |
| 54 | JF2-F6351-10-00 | WIRE, BRAKE 2 | 1 | |

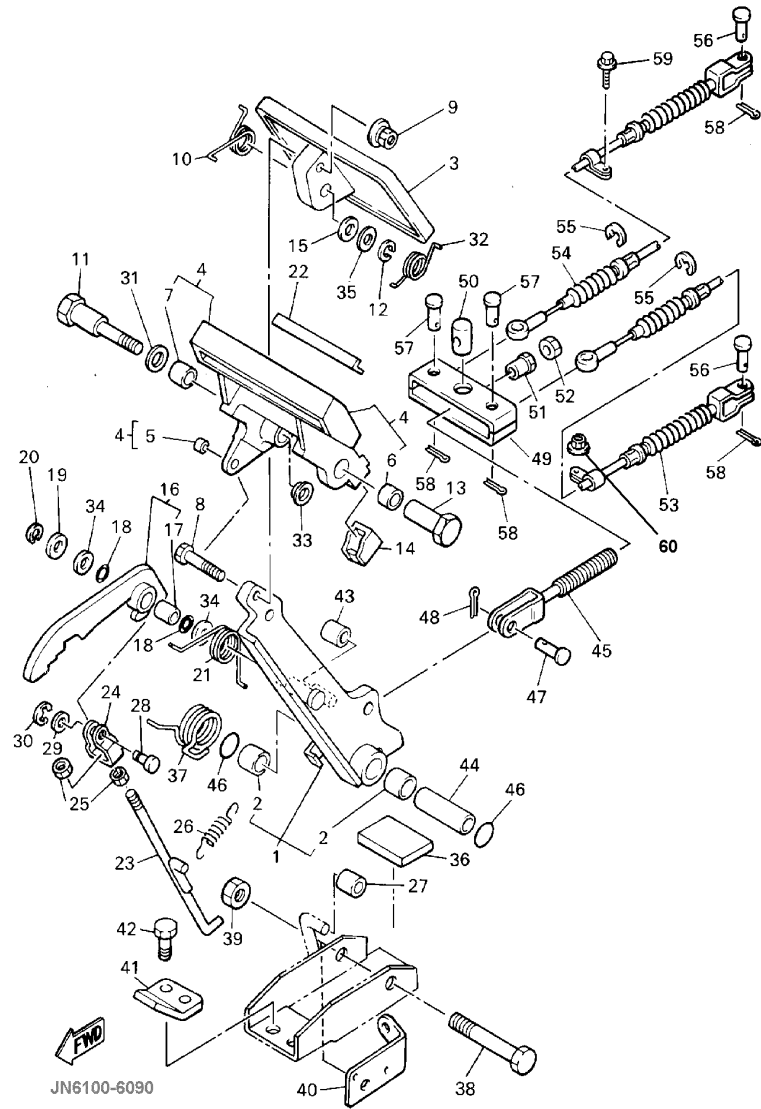
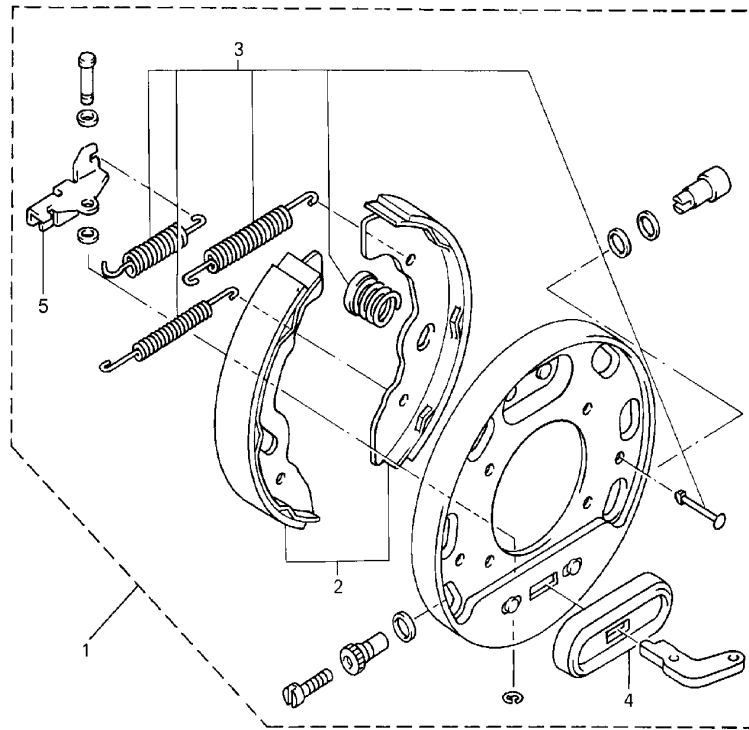


FIG. 5 BRAKE

| REF NO. | PART NUMBER | DESCRIPTION | QTY | REMARKS |
|---------|----------------|---------------|-----|---------|
| 55 | 99001-09600-00 | CIRCLIP (E) | 4 | |
| 56 | 91701-08018-00 | PIN | 2 | |
| 57 | 91701-08026-00 | PIN | 2 | |
| 58 | 91490-25020-00 | PIN,SPLIT | 4 | |
| 59 | 95817-06016-00 | BOLT, FLANGE | 2 | |
| 60 | 95607-08200-00 | NUT, U-FLANGE | 1 | |

FIG. 6 BRAKE 2

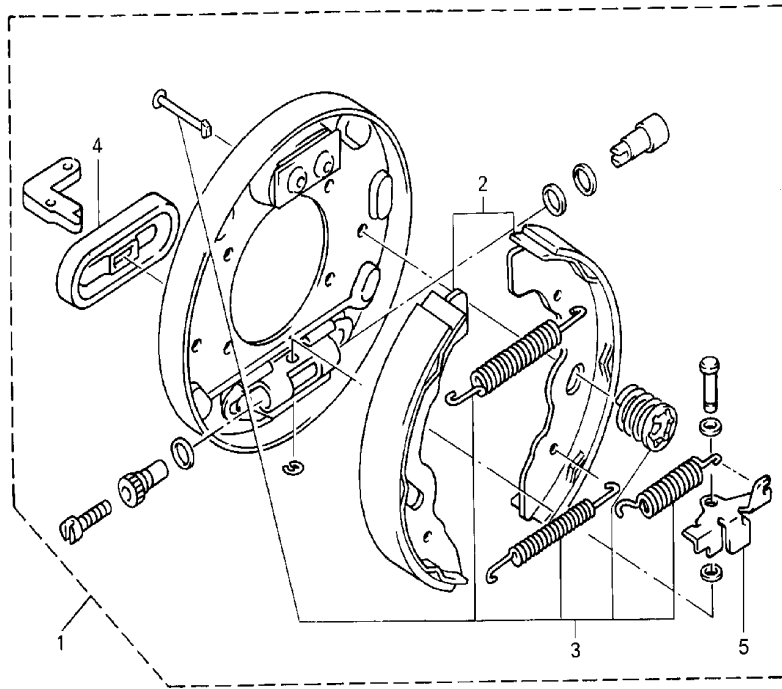


| REF NO. | PART NUMBER | DESCRIPTION | QTY | REMARKS |
|---------|-----------------|----------------------|-----|------------------------|
| 1 | JN6-F7280-00-00 | BACKING PLATE, (RH) | 1 | (FOR RIGHT WHEEL ONLY) |
| 2 | JN3-F5330-00-00 | .SHOE, BRAKE SET | 1 | (FOR ONE WHEEL) |
| 3 | JG5-F819G-00-00 | .REPAIR PARTS KIT | 1 | |
| 4 | JG5-F7286-00-00 | .COVER, DUST | 1 | |
| 5 | JN6-F722F-00-00 | .LEVER ADJUSTER (RH) | 1 | |



JN4100-5061

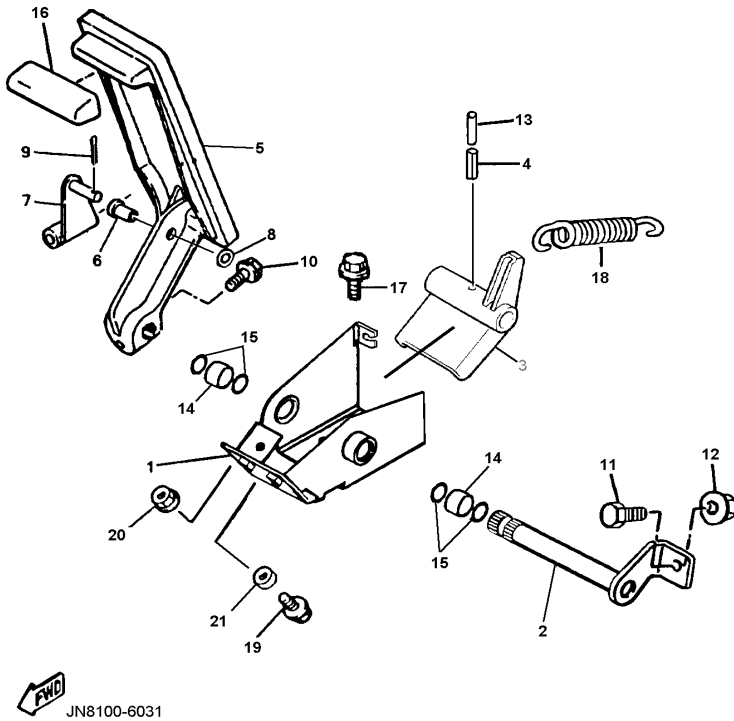
FIG. 7 BRAKE 3



| REF NO. | PART NUMBER | DESCRIPTION | QTY | REMARKS |
|---------|-----------------|----------------------|-----|-----------------------|
| 1 | JN6-F7290-00-00 | BACKING PLATE, (LH) | 1 | (FOR LEFT WHEEL ONLY) |
| 2 | JN3-F5330-00-00 | .SHOE, BRAKE SET | 1 | (FOR ONE WHEEL) |
| 3 | JG5-F819G-00-00 | .REPAIR PARTS KIT | 1 | |
| 4 | JG5-F7286-00-00 | .COVER, DUST | 1 | |
| 5 | JN6-F722E-00-00 | .LEVER ADJUSTER (LH) | 1 | |



FIG. 8 ACCELERATOR



| REF NO. | PART NUMBER | DESCRIPTION | QTY | REMARKS |
|---------|-----------------|--------------------|-----|---------|
| 1 | JN6-F7874-01-00 | BRACKET, PEDAL | 1 | |
| 2 | J17-27853-01-00 | SHAFT, PEDAL | 1 | |
| 3 | J22-27872-00-00 | ARM, ACCELERATOR | 1 | |
| 4 | 91609-60028-00 | PIN, SPRING | 1 | |
| 5 | JF3-27871-01-00 | PEDAL, ACCELERATOR | 1 | |
| 6 | 90381-06033-00 | BUSH, SOLID | 1 | |
| 7 | J14-27815-00-00 | LEVER, CRANK | 1 | |
| 8 | 92907-06600-00 | WASHER, PLAIN | 1 | |
| 9 | 91401-20015-00 | PIN, SPLIT | 1 | |
| 10 | 95817-06025-00 | BOLT, FLANGE | 1 | |
| 11 | 90106-08040-00 | BOLT, RD. HEX | 1 | |
| 12 | 95707-08500-00 | NUT, FLANGE | 1 | |
| 13 | 91609-35028-00 | PIN, SPRING | 1 | |
| 14 | 90384-14080-00 | BUSH, BIMETAL | 2 | |
| 15 | 93210-14104-00 | O-RING | 4 | |
| 16 | JN3-F7854-00-00 | COVER, PEDAL | 1 | |
| 17 | 95817-08016-00 | BOLT, HEX. H | 3 | |
| 18 | 90506-26282-00 | SPRING, TENSION | 1 | |
| 19 | 95817-06025-00 | BOLT, FLANGE | 1 | |
| 20 | 95707-06500-00 | NUT, FLANGE | 1 | |
| 21 | 90387-068T4-00 | COLLAR | 1 | |

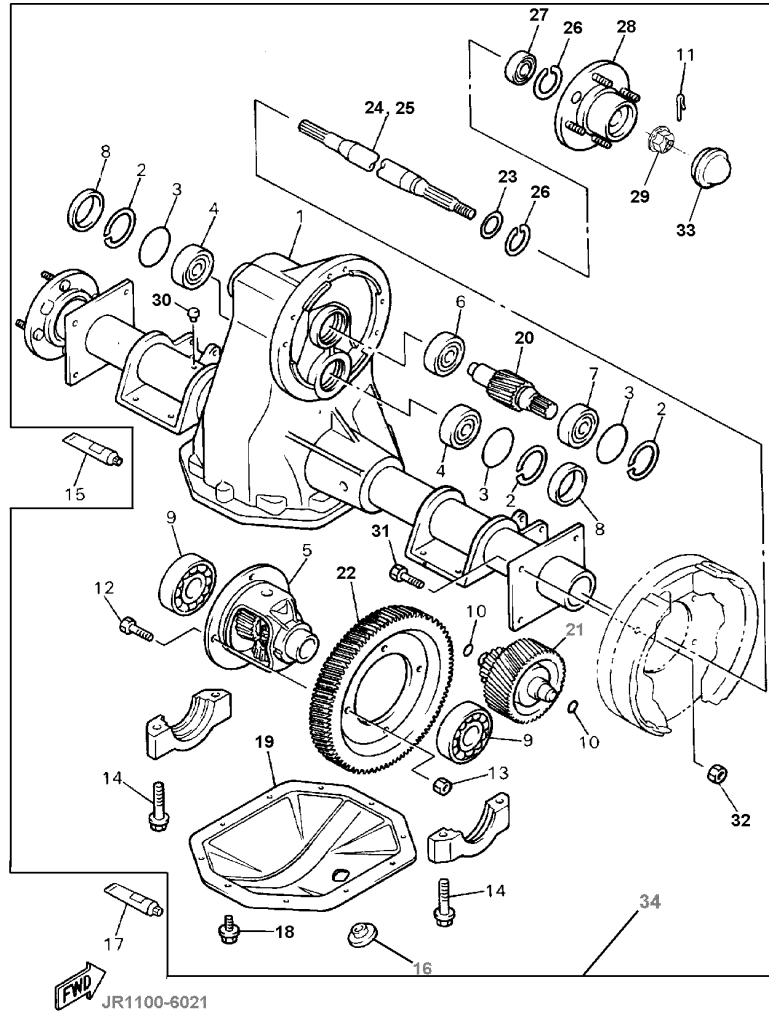
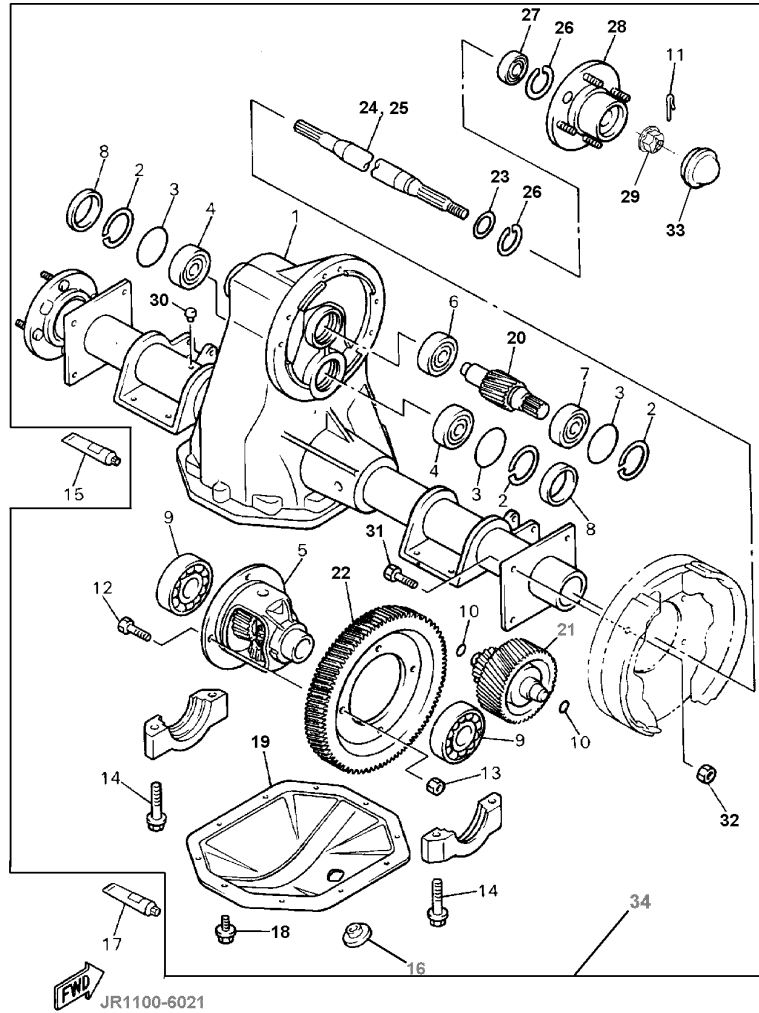


FIG. 9 TRANSAXLE 1

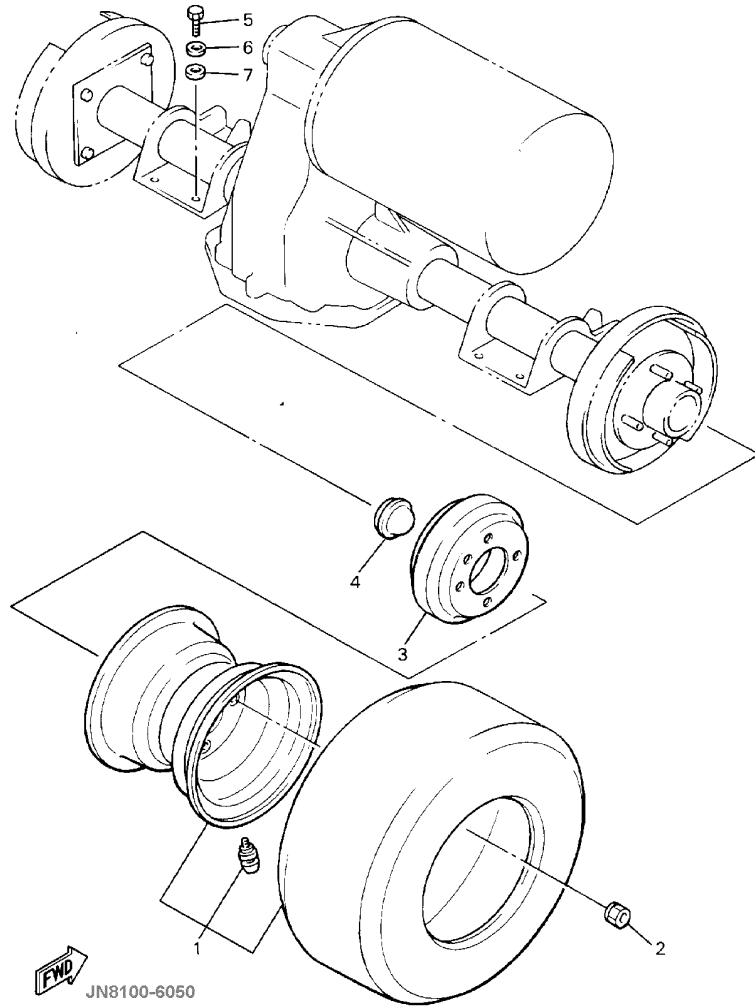
| REF NO. | PART NUMBER | DESCRIPTION | QTY | REMARKS |
|---------|-----------------|------------------------|-----|---------|
| 1 | JR1-G6310-00-00 | CASE ASSY. | 1 | |
| 2 | 93420-50804-00 | CIRCLIP | 3 | |
| 3 | 93210-478B8-00 | RING | 3 | |
| 4 | 93306-303Y6-00 | BEARING | 2 | |
| 5 | JN6-G6410-00-00 | DIFFERENTIAL ASSY. | 1 | |
| 6 | 93306-203X1-00 | BEARING | 1 | |
| 7 | 93306-005Y1-00 | BEARING | 1 | |
| 8 | JH7-G3396-00-00 | PLUG, BLIND | 2 | |
| 9 | 93306-007Y0-00 | BEARING | 2 | |
| 10 | 93210-148B9-00 | O-RING | 2 | |
| 11 | 91490-25030-00 | PIN, SPLIT | 2 | |
| 12 | 90101-10854-00 | BOLT, HEX. | 4 | |
| 13 | 90170-10840-00 | NUT, HEX. | 4 | |
| 14 | 90105-10840-00 | BOLT, FLANGE | 4 | |
| 15 | ACC-QUICK-GS-KT | SEALANT | 1 | |
| 16 | JN3-G6432-00-00 | STOPPER | 1 | |
| 17 | ACC-QUICK-GS-KT | SEALANT | 1 | |
| 18 | 90101-08856-00 | BOLT, HEX. | 10 | |
| 19 | JR1-G6312-00-00 | CASE, TRANSMISSION | 1 | |
| 20 | JH7-G6321-00-00 | SHAFT, INPUT | 1 | |
| 21 | JH7-G6350-00-00 | COUNTER GEAR | 1 | |
| 22 | JH7-G6421-00-00 | GEAR, RING | 1 | |
| 23 | 93101-24822-00 | SEAL, OIL | 2 | |
| 24 | JR1-G6512-00-00 | SHAFT, RR. AXLE, RIGHT | 1 | |
| 25 | JR1-G6511-00-00 | SHAFT, RR. AXLE, LEFT | 1 | |
| 26 | 93420-44805-00 | CIRCLIP | 4 | |

FIG. 9 TRANSAXLE 1



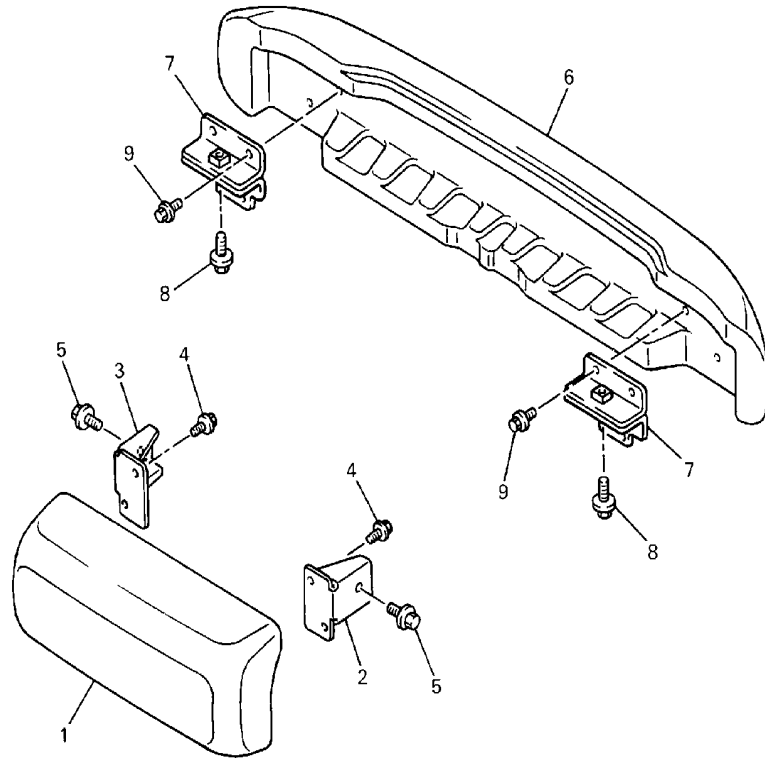
| REF NO. | PART NUMBER | DESCRIPTION | QTY | REMARKS |
|---------|-----------------|--------------------|-----|---------|
| 27 | 93306-004X5-00 | BEARING | 2 | |
| 28 | JN3-G6514-00-00 | HUB, RR. AXLE | 2 | |
| 29 | 90185-16833-00 | NUT, SELF-LOCKING | 2 | |
| 30 | JH7-G5619-00-00 | CAP | 1 | |
| 31 | 90101-08855-00 | BOLT, HEX. | 8 | |
| 32 | 90170-08841-00 | NUT, HEX. | 8 | |
| 33 | JN6-F5118-00-00 | COVER, HUB DUST | 2 | |
| 34 | JR1-G6300-01-00 | TRANSAXLE ASSEMBLY | 1 | |

FIG. 10 REAR AXLE MOUNT / WHEEL



| REF NO. | PART NUMBER | DESCRIPTION | QTY | REMARKS |
|---------|-----------------|------------------|-----|---------|
| 1 | JN6-F5100-11-00 | REAR WHEEL ASSY. | 2 | |
| 2 | 90179-12262-00 | NUT | 8 | |
| 3 | J55-G6521-00-00 | DRUM | 2 | |
| 4 | JN6-F5118-00-00 | COVER, HUB DUST | 2 | |
| 5 | 97017-10020-00 | BOLT, HEX HEAD | 8 | |
| 6 | 92907-10100-00 | WASHER | 8 | |
| 7 | 92907-10600-00 | WASHER | 8 | |

FIG. 11 BUMPER



| REF NO. | PART NUMBER | DESCRIPTION | QTY | REMARKS |
|---------|-----------------|--------------------|-----|---------|
| 1 | JN3-K7510-02-00 | FRONT BUMPER COMP. | 1 | |
| 2 | JN3-K8164-00-00 | STAY, FR. BUMPER | 1 | |
| 3 | JN3-K8165-00-00 | STAY, FR. BUMPER | 1 | |
| 4 | 95817-06016-00 | BOLT, FLANGE | 4 | |
| 5 | 95817-08016-00 | BOLT, FLANGE | 2 | |
| 6 | JN3-K7540-00-00 | REAR BUMPER | 1 | |
| 7 | JN3-K8174-00-00 | STAY, RR. BUMPER | 2 | |
| 8 | 95817-10020-00 | BOLT, FLANGE | 2 | |
| 9 | 95817-06016-00 | BOLT, FLANGE | 4 | |



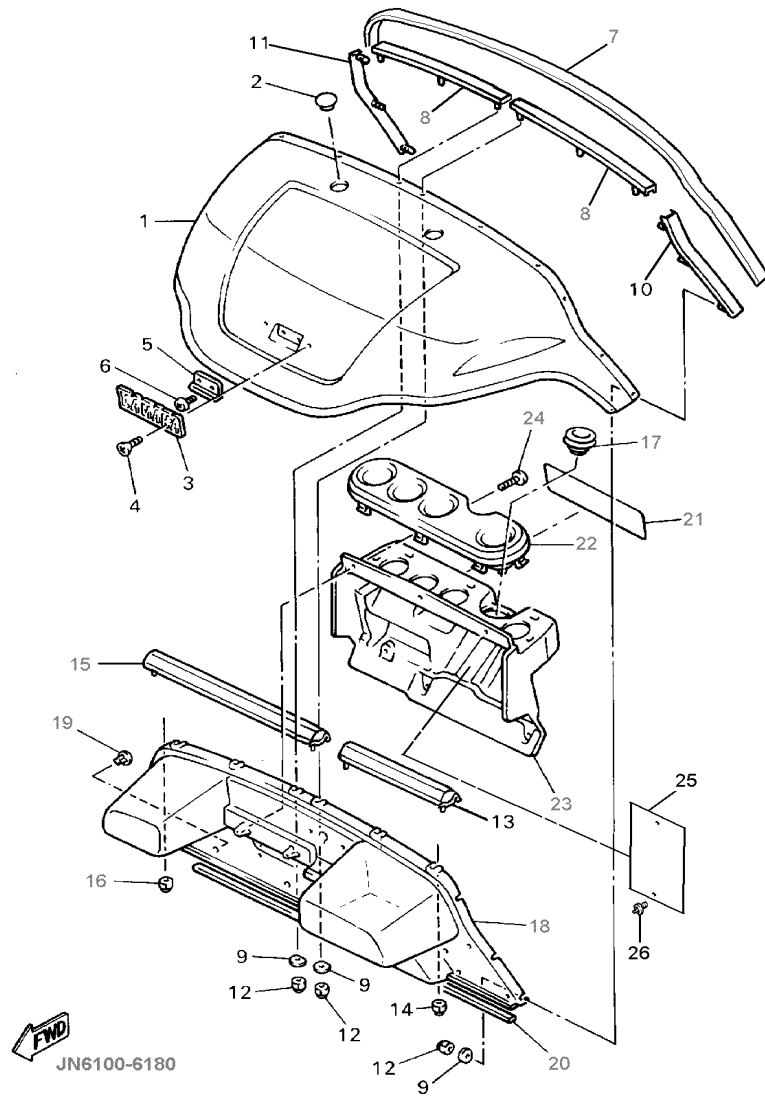
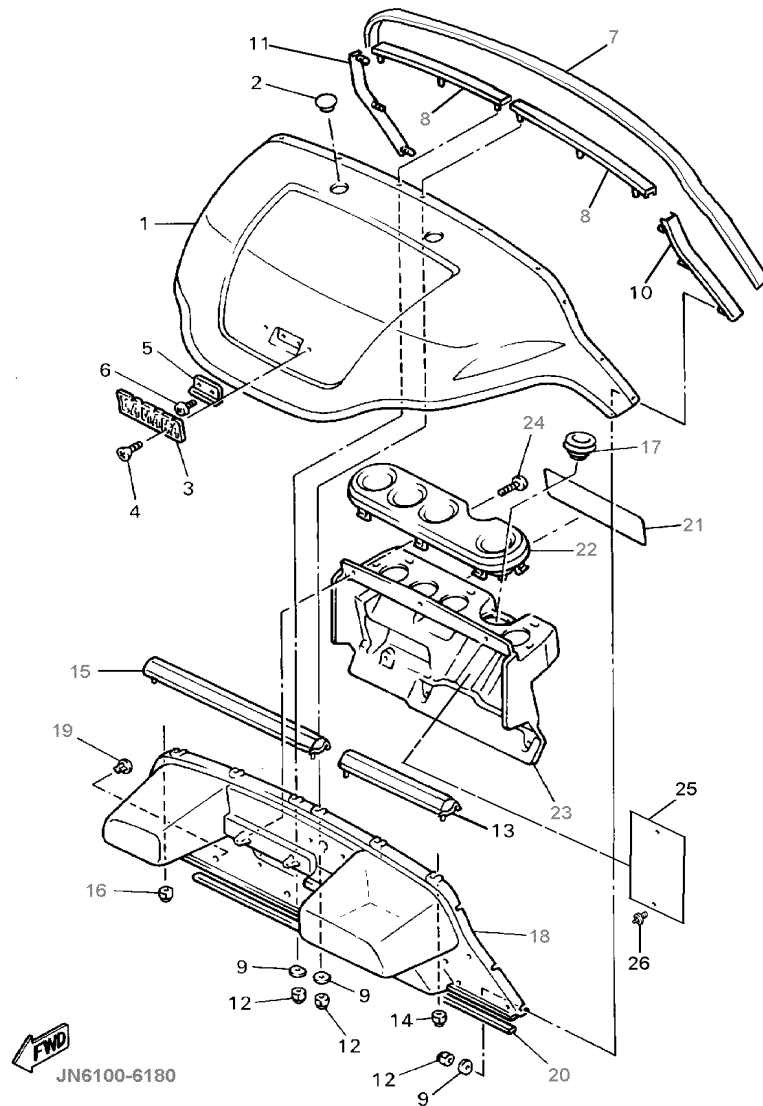


FIG. 12 BODY

| REF NO. | PART NUMBER | DESCRIPTION | QTY | REMARKS |
|---------|-----------------|-----------------------|-----|-----------------------------|
| 1 | JN3-K8115-00-00 | COWL, FRONT | 1 | IVORY |
| | JN3-K8115-10-00 | COWL, FRONT | 1 | RED |
| | JN3-K8115-30-00 | COWL, FRONT | 1 | TEAL |
| | JN3-K8115-50-00 | COWL, FRONT | 1 | HUNTER GRN |
| 2 | JN3-K818E-00-00 | CAP, PROTECTOR | 2 | W/O SUNTOP |
| 3 | JN6-F4161-01-00 | EMBLEM, 1 | 1 | |
| 4 | 90162-04002-00 | SCREW, OVAL C | 2 | |
| 5 | JF2-K811G-00-00 | BOLT, COWL FITTING | 1 | |
| 6 | 98980-06016-00 | SCREW, BINDING | 2 | |
| 7 | JF2-K811V-00-00 | PROTECTOR, 1 | 1 | |
| 8 | JF2-K8261-02-00 | PLATE, BODY PROTECTOR | 2 | |
| 9 | JN3-K8117-00-00 | PLATE, 1 | 12 | |
| 10 | JF2-K8262-01-00 | PLATE, BODY PROTECTOR | 1 | |
| 11 | JF2-K8263-01-00 | PLATE, BODY PROTECTOR | 1 | |
| 12 | 90185-06836-00 | NUT, SELF-LOCKING | 12 | |
| 13 | JN6-K8264-00-00 | PLATE, BODY PROTECTOR | 1 | |
| 14 | 95607-06200-00 | NUT, U-FLANGE | 2 | |
| 15 | JN6-K8265-00-00 | PLATE, BODY PROTECTOR | 1 | |
| 16 | 95607-06200-00 | NUT, U-FLANGE | 2 | |
| 17 | JN3-K8273-00-00 | COVER, HOLE 1 | 1 | |
| 18 | JF2-K8114-02-00 | PANEL, FRONT | 1 | |
| 19 | 90269-08066-00 | RIVET | 3 | |
| 20 | JN3-K815G-00-00 | SEAL, FRONT STORAGE | 1 | |
| 21 | JR1-K7768-00-00 | LABEL, WARNING 8 | 1 | UR, FOR USA SEE NOTE "A" |
| | JR1-K7768-10-00 | LABEL, WARNING 8 | 1 | UR, FOR CAN SEE NOTE "A" |
| | JR1-K7768-20-00 | LABEL, WARNING 8 | 1 | UR, FOR EUR SEE NOTE "A" |

FIG. 12 BODY



| REF NO. | PART NUMBER | DESCRIPTION | QTY | REMARKS |
|---------|-----------------|------------------|-----|--------------|
| 22 | JN3-K835E-00-00 | HOLDER, BEVERAGE | 1 | |
| 23 | JR1-K835G-00-00 | HOUSING, HOLDER | 1 | SEE NOTE "A" |
| 24 | 97707-60130-00 | SCREW, PAN HEAD | 6 | |
| 25 | JN6-K8182-00-00 | PLATE, 2 | 1 | |
| 26 | 90267-63047-00 | RIVET, BLIND | 2 | |

NOTE "A": When replacing "Housing Holder JR1-K835G-00-00" you must also replace "Label Warning 8 JR1-K7768-**-00".

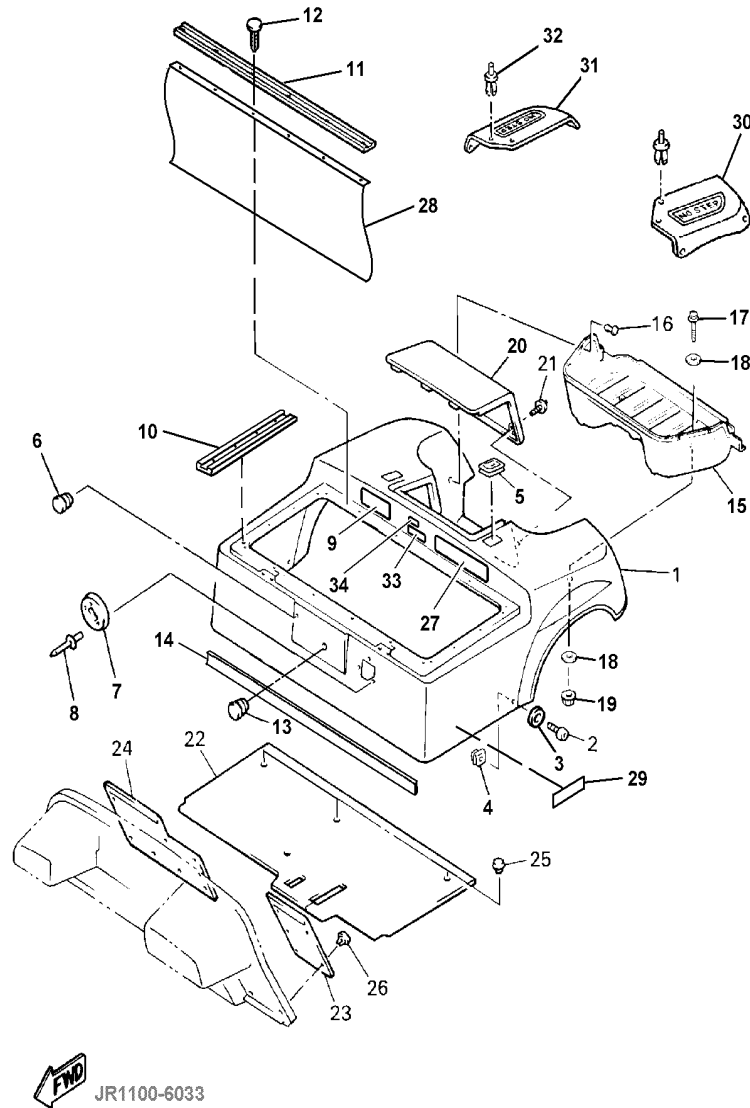


FIG. 13 BODY 2

| REF NO. | PART NUMBER | DESCRIPTION | QTY | REMARKS |
|---------|-----------------|--------------------|-----|----------------------------|
| 1 | JN4-K8142-00-00 | PANEL, REAR BODY | 1 | IVORY SEE NOTE "A" |
| | JN4-K8142-10-00 | PANEL, REAR BODY | 1 | RED SEE NOTE "A" |
| | JN4-K8142-30-00 | PANEL, REAR BODY | 1 | TEAL SEE NOTE "A" |
| | JN4-K8142-50-00 | PANEL, REAR BODY | 1 | HUNTER GRN SEE NOTE "A" |
| 2 | 90110-06200-00 | BOLT, HEX. SOCKET | 2 | |
| 3 | 90201-068H0-00 | WASHER, PLAIN | 2 | |
| 4 | 90183-06811-00 | NUT, SPRING | 2 | |
| 5 | JN3-K8363-00-00 | PROTECTOR | 2 | |
| 6 | 90338-11831-00 | PLUG | 1 | |
| 7 | JN4-K827A-00-00 | GUIDE, 1 | 1 | |
| 8 | 90267-60840-00 | RIVET, BLIND | 3 | |
| 9 | JR1-K7765-00-00 | LABEL, WARNING 5 | 1 | SEE NOTE "A" |
| 10 | JN3-K8425-00-00 | SEAL, SEAT | 2 | |
| 11 | JN3-K842A-00-00 | SEAL, SEAT 2 | 2 | |
| 12 | 90338-05834-00 | PLUG | 20 | |
| 13 | 90338-25836-00 | PLUG | 1 | |
| 14 | JN6-K824E-00-00 | TRIM, REAR BODY | 1 | |
| 15 | JF2-K8237-00-00 | COVER, REAR FLOOR | 1 | |
| 16 | 90269-08069-00 | RIVET | 7 | |
| 17 | 90101-06876-00 | BOLT, HEX. WWASHER | 2 | UR, F# JR1-000601~ |
| 18 | 90201-068G7-00 | WASHER, PLAIN | 4 | UR, F# JR1-000601~ |
| 19 | 90185-06836-00 | NUT, SELF-LOCK | 2 | UR, F# JR1-000601~ |
| 20 | JN3-K8151-00-00 | PANEL, INSPECTION | 1 | |
| 21 | 90267-36853-00 | RIVET | 2 | |

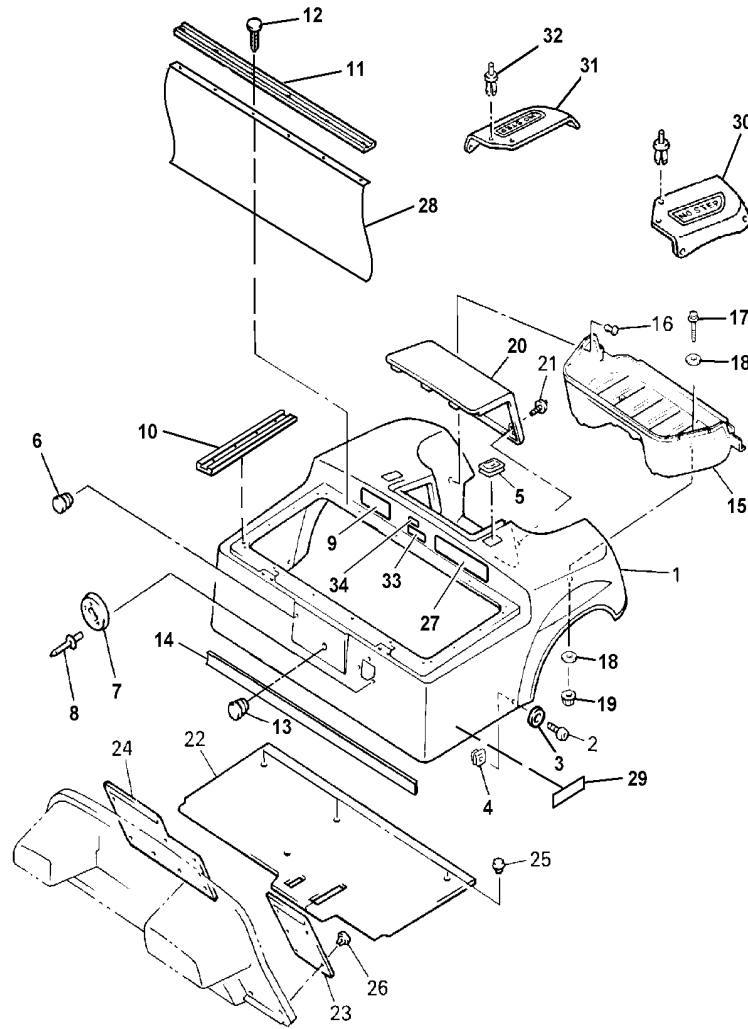
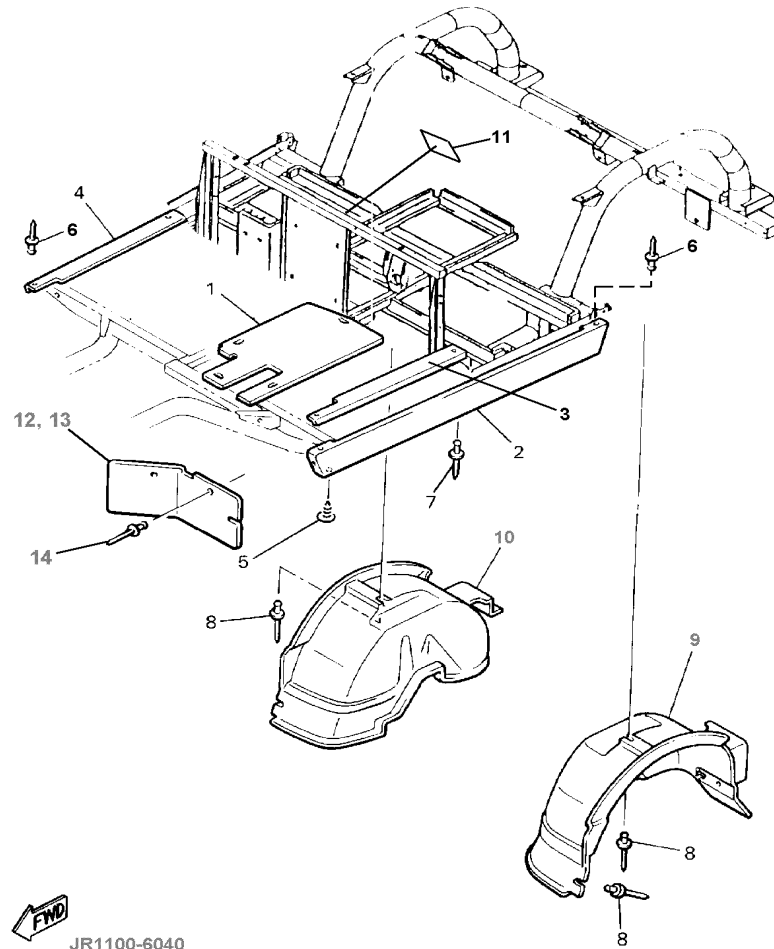


FIG. 13 BODY 2

| REF NO. | PART NUMBER | DESCRIPTION | QTY | REMARKS |
|---------|-----------------|----------------------|-----|------------------------------|
| 22 | JN6-K8233-00-00 | MAT, MAIN FLOOR 3 | 1 | |
| 23 | JN6-K8231-00-00 | MAT, MAIN FLOOR 1 | 1 | |
| 24 | JN6-K8232-00-00 | MAT, MAIN FLOOR 2 | 1 | |
| 25 | 90269-08813-00 | RIVET | 4 | |
| 26 | 90267-63047-00 | RIVET,BLIND | 9 | |
| 27 | JN4-K8297-10-00 | PLATE, CAUTION 1 | 1 | SEE NOTE "A" |
| 28 | JN8-K836A-00-00 | PROTECTOR 2 | 1 | F# JR1-202001~ |
| 29 | JR1-K8291-00-00 | EMBLEM, 1 | 2 | |
| 30 | JN3-K8243-00-00 | MAT, BODY SIDE LEFT | 1 | F# JR1-100101~ |
| 31 | JN3-K8244-00-00 | MAT, BODY SIDE RIGHT | 1 | F# JR1-100101~ |
| 32 | 90269-07810-00 | RIVET | 10 | F# JR1-100101~ |
| 33 | JN8-F4236-01-00 | MARK 2 | 1 | F# JR1-000101~ JR1-002300 |
| | JN8-F4236-10-00 | MARK 2 | 1 | F# JR1-100101~ JR1-105600 |
| | JN8-F4236-20-00 | MARK 2 | 1 | F# JR1-200101~ JR1-205100 |
| | JN8-F4236-30-00 | MARK 2 | 1 | F# JR1-300101~ JR1-306500 |
| | JN8-F4236-40-00 | MARK 2 | 1 | F# JR1-400101~ |
| 34 | JN6-F4239-00-00 | MARK 5 | 1 | |

NOTE "A": When replacing "Panel Rear Body JN4-K8142-**-00" you must also replace "Label Warning 5 JR1-K7765-00-00", and "Plate Caution 1 JN4-K8297-10-00".

FIG. 14 BODY FITTING



| REF NO. | PART NUMBER | DESCRIPTION | QTY | REMARKS |
|---------|-----------------|--------------------------|-----|------------------------------|
| 1 | JN6-K8271-00-00 | SERVICE LID | 1 | |
| 2 | JF2-K818A-00-00 | PROTECTOR, SIDE | 2 | |
| 3 | JF2-K8215-10-00 | PLATE, SIDE TRIM | 1 | |
| 4 | JF2-K821F-10-00 | PLATE, SIDE TRIM | 1 | |
| 5 | 90338-05829-00 | PLUG | 4 | |
| 6 | 90267-48154-00 | RIVET, BLIND | 6 | |
| 7 | 90267-48101-00 | RIVET, BLIND | 4 | |
| 8 | 90267-48086-00 | RIVET, BLIND | 4 | |
| 9 | JF2-K8191-00-00 | PANEL, REAR FENDER | 1 | |
| 10 | JF2-K8192-00-00 | PANEL, REAR FENDER | 1 | |
| 11 | JR1-K8298-10-00 | PLATE, CAUTION 2 | 1 | UR, USA SEE NOTE "A" |
| | JR1-K8298-20-00 | PLATE, CAUTION 2 | 1 | UR, CAN, EUR SEE NOTE "A" |
| 12 | JF2-K8187-00-00 | FLAP, FRONT FENDER LEFT | 1 | F# JR1-200101~ |
| 13 | JF2-K8189-00-00 | FLAP, FRONT FENDER RIGHT | 1 | F# JR1-200101~ |
| 14 | 90267-48831-00 | RIVET, BLIND | 4 | F# JR1-200101~ |

NOTE "A": When replacing "Frame Comp. JR1-F2501-02-00" you must also replace "Plate Caution 2 JR1-K8298-**-00".

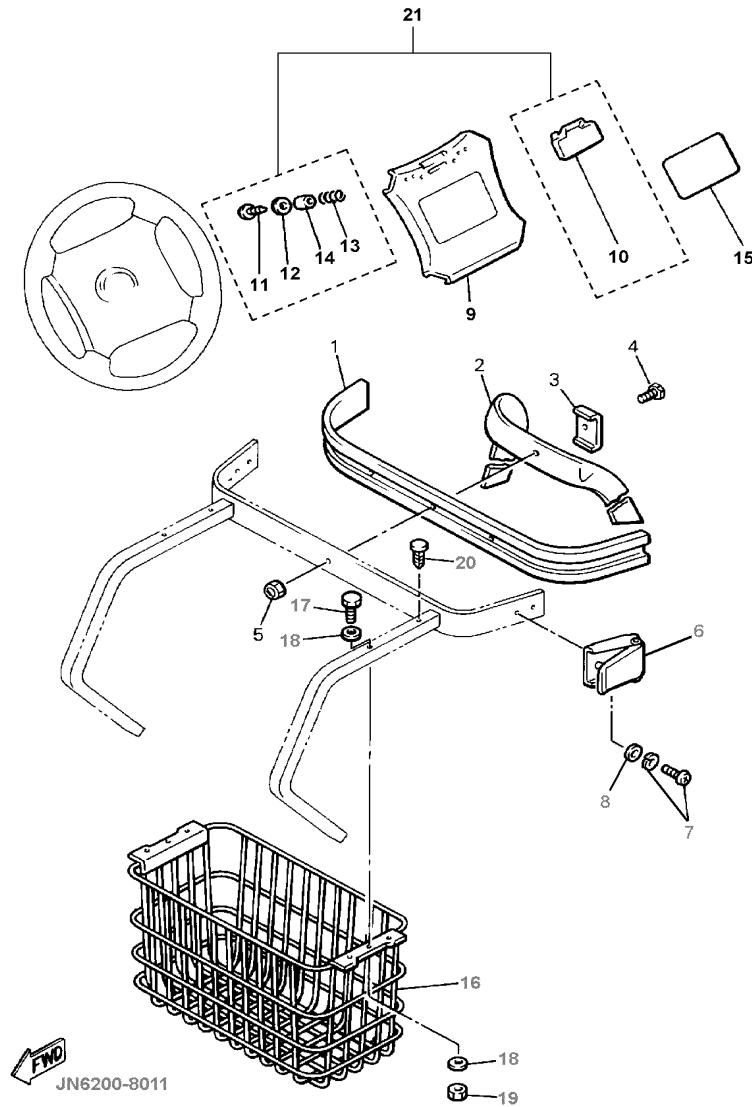


FIG. 15 CARRIER

| REF NO. | PART NUMBER | DESCRIPTION | QTY | REMARKS |
|---------|-----------------|----------------------|-----|-----------------------------|
| 1 | JF2-K8356-00-00 | PAD, BAG SUPPORT | 1 | |
| 2 | JF2-K8355-00-00 | BAND | 1 | |
| 3 | J38-78367-00-00 | PLATE, ANCHOR | 1 | |
| 4 | 90101-06865-00 | BOLT, HEX. | 1 | |
| 5 | 90185-06836-00 | NUT, SELF LOCKING | 1 | |
| 6 | JN6-K8380-00-00 | LOCK ASSY. | 2 | |
| 7 | 90159-06845-00 | SCREW, WITH WASHER | 4 | |
| 8 | 9299R-06200-00 | WASHER, PLAIN | 4 | |
| 9 | JN3-K8357-00-00 | HOLDER, 1 | 1 | SEE NOTE "A" |
| 10 | JN6-K8358-00-00 | HOLDER, 2 | 1 | |
| 11 | 97707-40525-00 | SCREW, PAN HEAD | 2 | |
| 12 | 90201-044H9-00 | WASHER, PLAIN | 2 | |
| 13 | 90502-10013-00 | SPRING, CONICAL | 2 | |
| 14 | 90387-046N7-00 | COLLAR | 2 | |
| 15 | JN3-K7762-01-00 | LABEL, WARNING 2 | 1 | UR, FOR USA SEE NOTE "A" |
| | JN3-K7762-10-00 | LABEL, WARNING 2 | 1 | UR, FOR CAN SEE NOTE "A" |
| | JN3-K7762-20-00 | LABEL, WARNING 2 | 1 | UR, FOR EUR SEE NOTE "A" |
| 16 | JN3-K8340-00-00 | LUGGAGE RACK | 1 | |
| 17 | 90111-08803-00 | BOLT, HEX. SOCKET | 2 | |
| 18 | 90201-08103-00 | WASHER, PLAIN | 4 | |
| 19 | 90185-08832-00 | NUT, SELF-LOCKING | 2 | |
| 20 | 90338-09828-00 | PLUG | 2 | |
| 21 | JN6-K8358-00-KT | SCORECARD HOLDER KIT | 1 | SEE NOTE "B" |

NOTE "A": When replacing "Holder 1 JN3-K8557-00-00" you must also replace "Label Warning 2 JN3-K7762-*-00".

NOTE "B": Includes 10, 11, 12, 13, 14

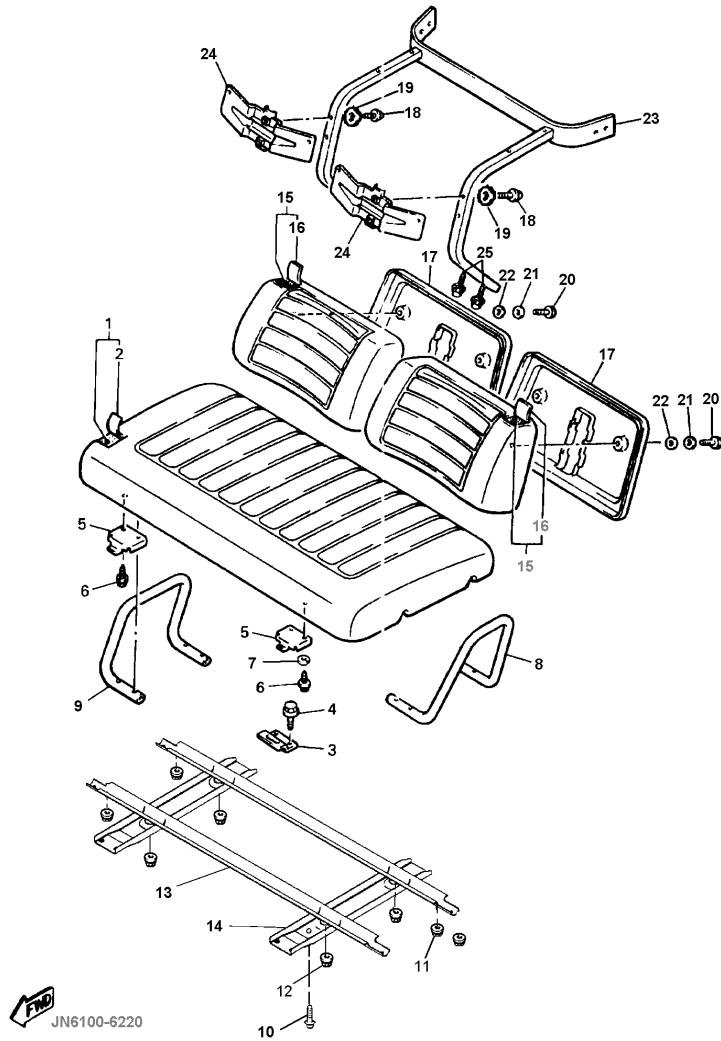
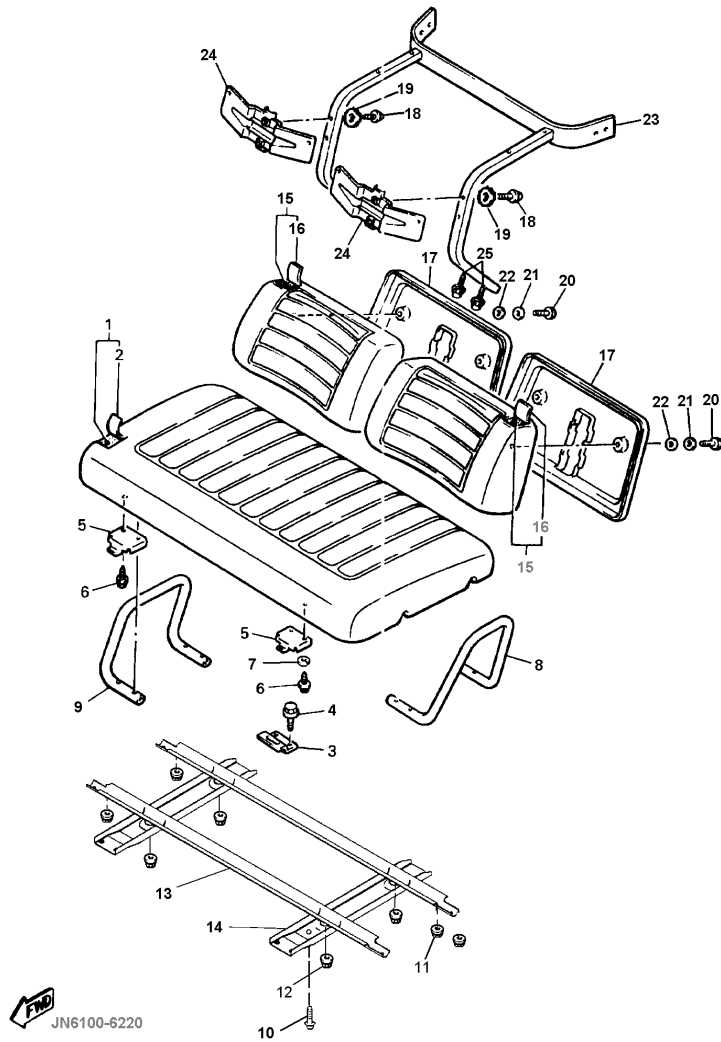


FIG. 16 SEAT

| REF NO. | PART NUMBER | DESCRIPTION | QTY | REMARKS |
|---------|-----------------|---------------------|-----|------------------------------------|
| 1 | JN6-K8401-10-00 | CUSHION SEAT | 1 | UR, F# JR1-300101~ |
| 2 | JN6-K8404-09-00 | .COVER, SEAT | 1 | UR, F# ~JR1-306500 |
| | JN6-K8404-10-00 | .COVER, SEAT | 1 | UR, F# JR1-400101~ |
| 3 | JF2-K8427-00-00 | HINGE, SEAT FEMALE | 2 | |
| 4 | 90105-06903-00 | BOLT, FLANGE | 4 | |
| 5 | JN3-K8426-01-00 | HINGE, SEAT MALE | 2 | UR, F# JR1-202001~ |
| 6 | 97395-05012-00 | BOLT HEX. HEAD | 4 | F# ~JR1-202000 |
| | 90111-06810-00 | BOLT, BUTTON | 4 | F# JR1-202001~ |
| 7 | 92990-05100-00 | WASHER, LOCK | 4 | F# ~JR1-202000 |
| | 90204-06870-00 | WASHER, LOCK | 4 | F# JR1-202001~ |
| 8 | JN3-K8361-00-00 | ARM REST 1 | 1 | |
| 9 | JN6-K8362-00-00 | ARMREST 2 | 1 | |
| 10 | 90167-04815-00 | SCREW, P/H TAPPING | 4 | |
| 11 | 90185-08839-00 | NUT, SELF LOCKING | 8 | |
| 12 | 95617-08200-00 | NUT, U-FLANGE | 4 | |
| 13 | JN6-K8121-00-00 | REINFORCEMENT 1 | 2 | |
| 14 | JN6-K8122-01-00 | REINFORCEMENT 2 | 2 | UR, SEE NOTE "A" F# JR1-202001~ |
| 15 | JN3-K8402-00-00 | BACK, SEAT SUB. | 2 | |
| 16 | JN3-K841G-09-00 | .COVER, SEAT BACK 2 | 1 | |
| 17 | JN3-K8413-00-00 | COVER, SEAT BACK | 2 | |
| 18 | 90119-08820-00 | BOLT, HEX. W/WASHER | 4 | |
| 19 | 90201-098J4-00 | WASHER, PLAIN | 4 | |
| 20 | 95880-06025-00 | BOLT, FLANGE | 4 | |
| 21 | 90201-068G0-00 | WASHER, PLAIN | 4 | |

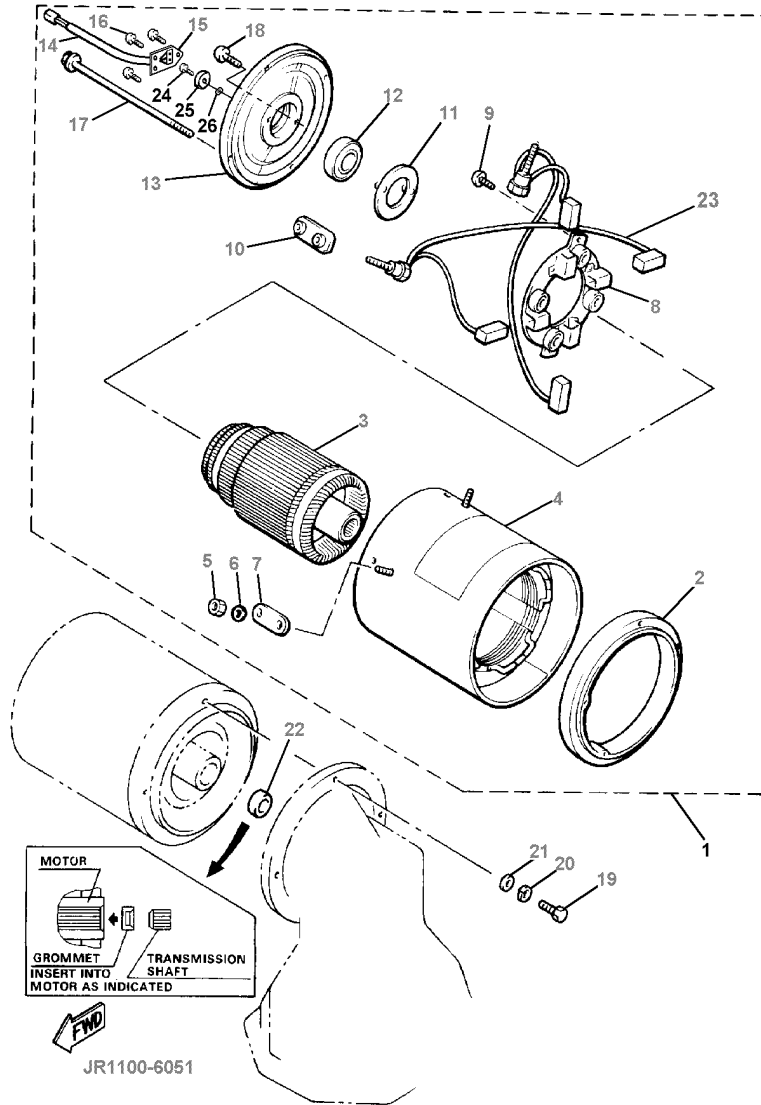
NOTE "A": For early units up to and including F# JR1-202000, you must also use REF Numbers 5 (JN3-K8426-01-00, Hinge, Seat Male), 6 (90111-06810-00, Bolt Button) and 7 (90204-06870-00, Washer, Lock).

FIG. 16 SEAT

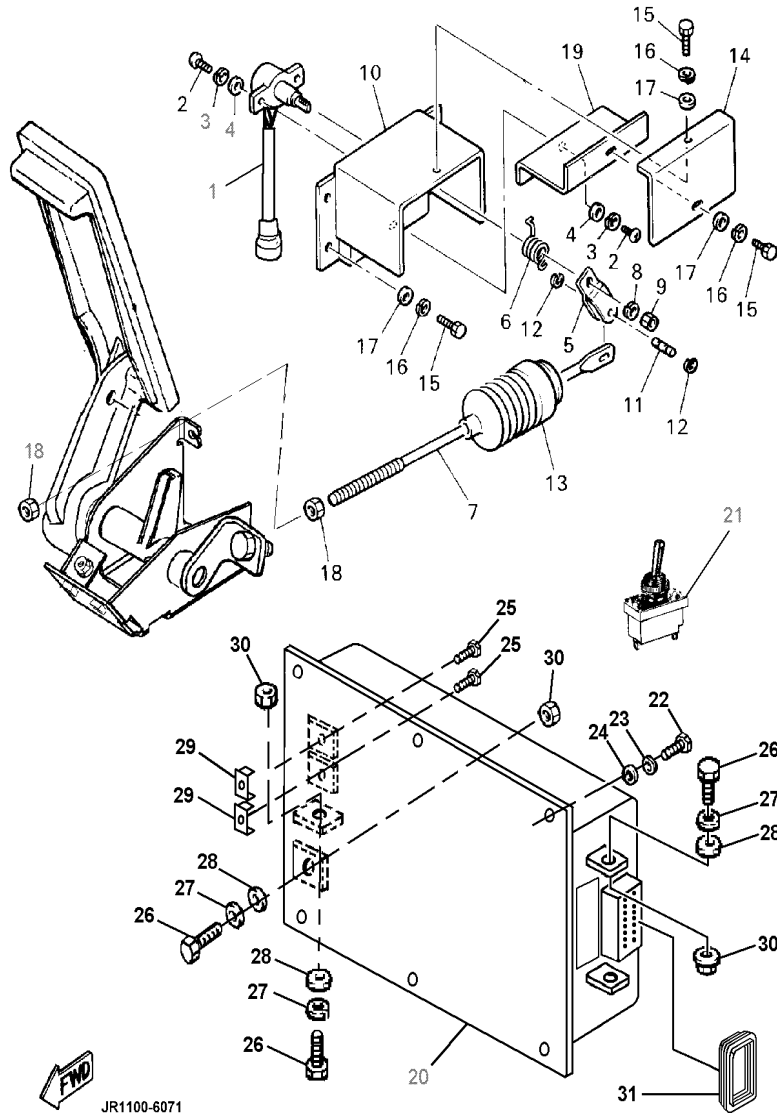


| REF NO. | PART NUMBER | DESCRIPTION | QTY | REMARKS |
|---------|-----------------|--------------------|-----|---------|
| 22 | 90201-068G6-00 | WASHER, PLAIN | 4 | |
| 23 | JN3-K8423-11-00 | SUPPORT, SEAT BACK | 1 | |
| 24 | JN3-K842H-00-00 | RETAINER, SEAT | 2 | |
| 25 | 95817-08045-00 | BOLT, FLANGE | 4 | |

FIG. 17 ELECTRIC MOTOR



| REF NO. | PART NUMBER | DESCRIPTION | QTY | REMARKS |
|---------|-----------------|----------------------|-----|---------|
| 1 | JR1-H1890-00-00 | MOTOR ASSY. | 1 | |
| 2 | JH7-H183J-00-00 | .BRACKET, FRONT | 1 | |
| 3 | JR1-H1850-00-00 | .ARMATURE ASSY | 1 | |
| 4 | JR1-H1160-00-00 | .FIELD COIL ASSY | 1 | |
| 5 | JH7-H1872-00-00 | .NUT, SPECIAL | 4 | |
| 6 | 92990-08200-00 | .WASHER, PLAIN | 4 | |
| 7 | JR1-H1843-00-00 | .WASHER, 1 | 2 | |
| 8 | JR1-H1840-00-00 | .BRUSH HOLDER | 1 | |
| 9 | JG6-H1848-00-00 | .SCREW, BRUSH HOLDER | 2 | |
| 10 | JG6-H1824-00-00 | .WASHER 2 | 2 | |
| 11 | JH7-H1856-00-00 | .RETAINER | 1 | |
| 12 | J56-H1857-00-00 | .BEARING | 1 | |
| 13 | JR1-H1822-00-00 | .BRACKET, ELECTRIC | 1 | |
| 14 | JR1-H1670-00-00 | .PICK-UP ASSY | 1 | |
| 15 | JR1-H1639-00-00 | .COVER | 1 | |
| 16 | JR1-H1645-00-00 | .SCREW 1 | 3 | |
| 17 | JR1-H1828-00-00 | .BOLT 2 | 4 | |
| 18 | JH7-H1846-00-00 | .SCREW | 2 | |
| 19 | 90101-06857-00 | BOLT | 3 | |
| 20 | 90215-06811-00 | WASHER, LOCK | 3 | |
| 21 | 90201-068E2-00 | WASHER, PLATE | 3 | |
| 22 | JH7-H1829-00-00 | GROMMET | 1 | |
| 23 | JH7-H1801-00-00 | .BRUSH SET | 1 | |
| 24 | JR1-H1826-00-00 | BOLT | 1 | |
| 25 | JR1-H181K-00-00 | MAGNET | 1 | |
| 26 | JR1-H812L-00-00 | O-RING | 1 | |

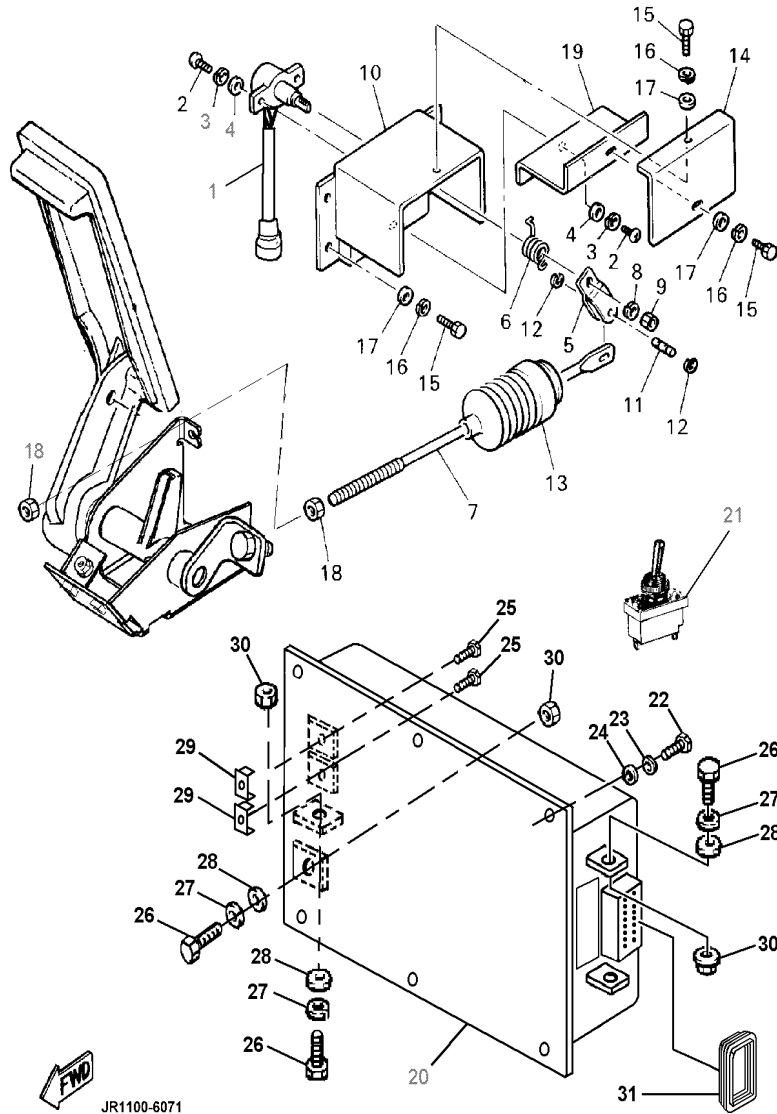


JR1100-6071

FIG. 18 CONTROLLER 1

| REF NO. | PART NUMBER | DESCRIPTION | QTY | REMARKS |
|---------|-----------------|-----------------------|-----|---------|
| 1 | JR1-85885-00-00 | THROTTLE SENSOR | 1 | |
| 2 | 98507-05316-00 | SCREW, PAN HEAD | 3 | |
| 3 | 92907-05100-00 | WASHER, LOCK | 3 | |
| 4 | 92907-05600-00 | WASHER | 3 | |
| 5 | JF3-2625H-00-00 | ARM, THROTTLE | 1 | |
| 6 | JF3-27825-00-00 | SPRING, RETURN | 1 | |
| 7 | JN4-F7241-00-00 | ROD, JOINT | 1 | |
| 8 | 92907-06100-00 | WASHER, SPRING | 1 | |
| 9 | 95307-06600-00 | NUT, HEX. | 1 | |
| 10 | JF3-27981-00-00 | BRACKET, THROTTLE | 1 | |
| 11 | JF3-27813-00-00 | PIN, PEDAL CRANK | 1 | |
| 12 | 99001-04600-00 | CIRCLIP (E) | 2 | |
| 13 | JN4-F7486-00-00 | COVER, 1 | 1 | |
| 14 | JF3-27487-00-00 | COVER, 2 | 1 | |
| 15 | 97017-05616-00 | BOLT, HEX. HEAD | 6 | |
| 16 | 92907-05100-00 | WASHER, LOCK | 6 | |
| 17 | 92907-05600-00 | WASHER | 6 | |
| 18 | 95307-08700-00 | NUT, HEX. | 2 | |
| 19 | JF3-27445-00-00 | PLATE 1 | 1 | |
| 20 | JR1-H6510-10-00 | CONTROL UNIT | 1 | |
| 21 | JR1-H2727-00-00 | SWITCH, TOW / STORAGE | 1 | |
| 22 | 97017-06020-00 | BOLT | 4 | |
| 23 | 92907-06100-00 | WASHER, LOCK | 4 | |
| 24 | 92907-06600-00 | WASHER, PLATE | 4 | |
| 25 | 90119-04824-00 | BOLT, W/WASHER | 2 | |
| 26 | 97017-08016-00 | BOLT | 4 | |
| 27 | 92907-08100-00 | WASHER, LOCK | 4 | |

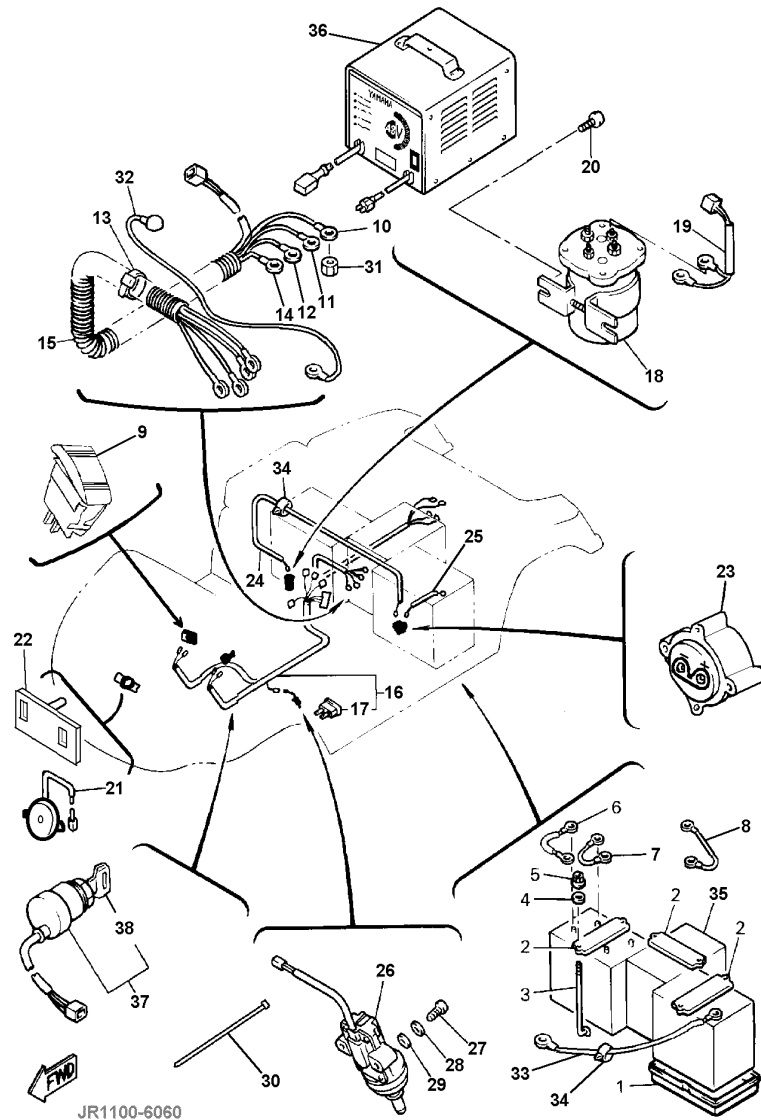
FIG. 18 CONTROLLER 1



JR1100-6071

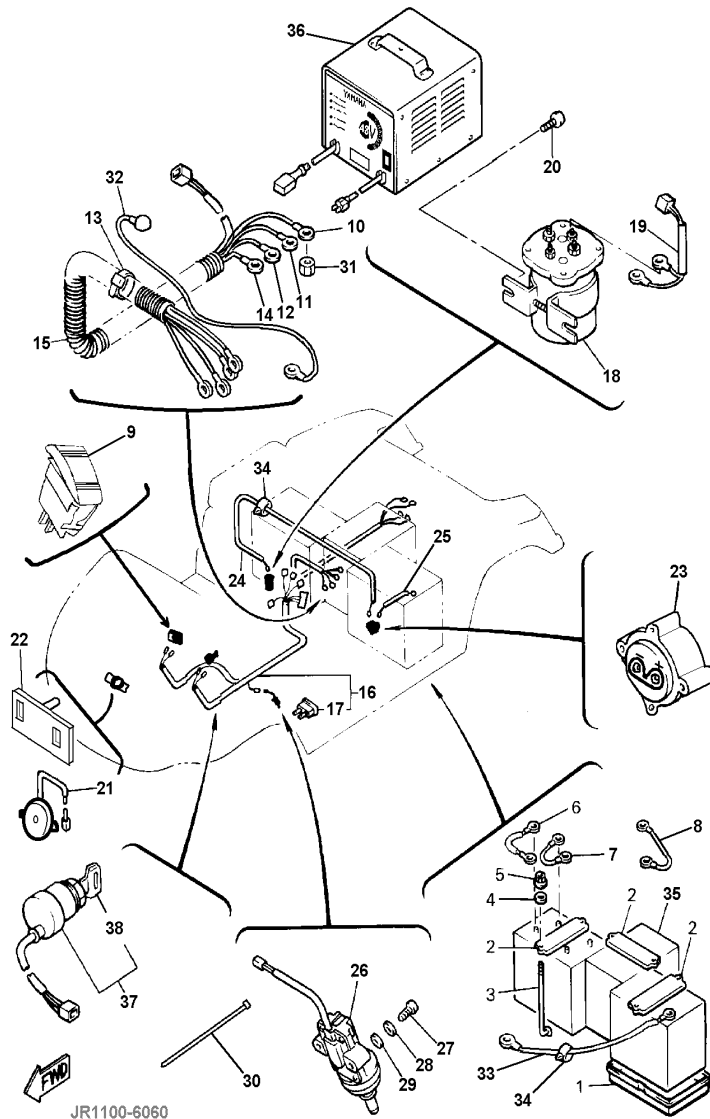
| REF NO. | PART NUMBER | DESCRIPTION | QTY | REMARKS |
|---------|-----------------|-----------------------|-----|---------|
| 28 | 92907-08600-00 | WASHER, PLATE | 4 | |
| 29 | 90183-04815-00 | NUT, SPRING | 2 | |
| 30 | 95707-08500-00 | NUT, FLANGE | 4 | |
| 31 | JR1-H215D-00-00 | SEAL MCU, CANNON PLUG | 1 | |

FIG. 19 ELECTRICAL 1



| REF NO. | PART NUMBER | DESCRIPTION | QTY | REMARKS |
|---------|-----------------|--------------------------|-----|---------|
| 1 | J56-H2123-00-00 | SEAT, BATTERY | 3 | |
| 2 | JF3-H2136-00-00 | PLATE, BATTERY | 3 | |
| 3 | JN4-H2133-00-00 | SCREW, FITTING | 6 | |
| 4 | 90201-065G8-00 | WASHER, PLAIN | 6 | |
| 5 | 95707-06500-00 | NUT, FLANGE | 6 | |
| 6 | JN8-H2115-00-00 | WIRE, PLUS LEAD | 1 | |
| 7 | JR1-H2127-01-00 | WIRE, LEAD 2 | 3 | |
| 8 | JR1-H2149-01-00 | WIRE, LEAD 3 | 2 | |
| 9 | JR1-H2917-01-00 | SWITCH, F/R CONTROL | 1 | |
| 10 | JR1-H2521-00-00 | WIRE, LEAD | 1 | |
| 11 | JR1-H2531-00-00 | WIRE, LEAD | 1 | |
| 12 | JR1-H6171-00-00 | WIRE, LEAD 1 | 1 | |
| 13 | 90465-13152-00 | CLAMP | 3 | |
| 14 | JR1-H6172-00-00 | WIRE, LEAD 2 | 1 | |
| 15 | JR1-H7196-00-00 | TUBE, 1 | 1 | |
| 16 | JR1-H2590-00-00 | WIRE HARNESS | 1 | |
| 17 | JR1-H2151-00-00 | .FUSE | 1 | (3A-BL) |
| 18 | JR1-H1950-00-00 | RELAY ASSY. | 1 | |
| 19 | JN6-H2105-00-00 | HARNESS,WIRE | 1 | |
| 20 | 90163-06005-00 | SCREW, HEX. | 2 | |
| 21 | JR1-H3383-01-00 | BUZZER | 1 | |
| 22 | JN6-H3386-00-00 | STAY, BUZZER | 1 | |
| 23 | JR1-H6181-02-00 | RECEPTACLE | 1 | |
| 24 | JR1-H1215-00-00 | WIRE, LEAD 1 | 1 | |
| 25 | JR1-H1216-00-00 | WIRE, LEAD 2 | 1 | |
| 26 | JF7-82817-20-00 | SWITCH, ACCELERATOR STOP | 1 | |
| 27 | 98507-05025-00 | SCREW, PAN HEAD | 2 | |

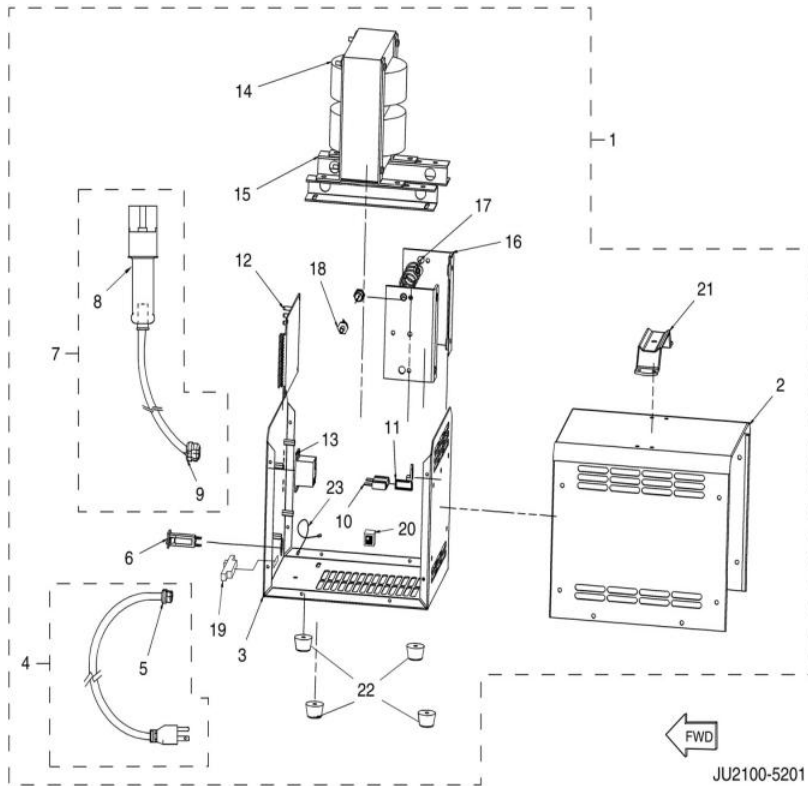
FIG. 19 ELECTRICAL 1



JR1100-6060

| REF NO. | PART NUMBER | DESCRIPTION | QTY | REMARKS |
|---------|-----------------|-----------------------------------|-----|--------------------------------------|
| 28 | 92907-05100-00 | WASHER, LOCK | 2 | |
| 29 | 92907-05600-00 | WASHER, PLATE | 2 | |
| 30 | 90464-13827-00 | CLAMP | 4 | |
| 31 | JG6-H1872-00-00 | NUT, SPECIAL | 4 | |
| 32 | JR1-H6527-00-00 | WIRE, 7 | 1 | |
| 33 | JR1-H6521-00-00 | WIRE, 1 | 1 | |
| 34 | 90464-25826-00 | CLAMP | 3 | |
| 35 | * | BATTERY ASSY, 8V BC1 GROUP GC- 2H | 6 | DOMESTIC MARKET: * OBTAIN LOCALLY |
| | JR1-H2110-00-00 | BATTERY ASSY | 6 | FOR EXPORT MARKET |
| 36 | MAC-SCR48-17-17 | CHARGER, BATTERY | 1 | 120V |
| | MAC-SCR48-17-37 | CHARGER, BATTERY | 1 | 220-240V |
| 37 | JR1-82510-02-00 | SWITCH, MAIN | 1 | STD |
| | JR1-82510-01-09 | SWITCH, MAIN (RANDOM KEY) | 1 | UR RANDOM KEY |
| 38 | J44-82511-00-YY | .KEY, MAIN SWITCH | 1 | FOR STD SWITCH ONLY |

FIG. 20 BATTERY CHARGER



| REF NO. | PART NUMBER | DESCRIPTION | QTY | REMARKS |
|---------|-----------------|--------------------------|-----|-------------------------------|
| 1 | MAC-SCR48-17-17 | CHARGER (JR1-H2107-03) | 1 | 120V SCR481717 |
| | MAC-BA165-00-20 | CHARGER (JR1-H2107-20) | 1 | EXPORT 220-240V BA1650 |
| 2 | MAC-WP141-06-20 | .CASE COVER | 1 | WP14106-2 |
| 3 | MAC-WP140-81-00 | .CASE MAIN | 1 | WP14081 |
| 4 | MAC-11438-10-00 | .AC CORD ASSY | 1 | 120V WP11438-1 |
| | | .AC CORD ASSY | 1 | EXPORT LM |
| 5 | MAC-M3660-00-00 | .AC STRAIN RELIEF | 1 | M366 |
| 6 | MAC-M1406-10-00 | .CIRCUIT BREAKER, 15A AC | 1 | M14061 |
| 7 | MAC-CDC10-23-00 | .DC CORD ASSY | 1 | CDC1023 |
| 8 | MAC-M1409-80-00 | .DC PLUG SET | 1 | M14098 |
| 9 | MAC-M6680-00-00 | .DC STRAIN RELIEF | 1 | M6680 |
| 10 | MAC-WP154-77-00 | .DC FUSE ASSY | 1 | WP15477-0 |
| 11 | MAC-M1546-10-00 | .TIE, CABLE STRAP | 1 | M15461 |
| 12 | MAC-0480S-1F-17 | .CONTROL CIRCUIT | 1 | CNM0480S1F17 |
| 13 | MAC-M1406-50-00 | .RELAY | 1 | M14065 |
| 14 | MAC-TX141-10-V0 | .POWER TRANSFORMER | 1 | U.S. 120V TX14110V |
| | MAC-TX141-70-V0 | .POWER TRANSFORMER | 1 | EXPORT 220-240V TX14170V |
| 15 | MAC-TX141-10-V1 | .TX RAIL | 2 | WP14108-1A |
| 16 | MAC-WP120-09-20 | .HEAT SINK | 2 | WP12009-2 |
| 17 | MAC-WP135-52-L0 | .SHUNT | 1 | WP13552 |
| 18 | MAC-M3998-00-00 | .RECTIFIER, SCR | 2 | M3998 |
| 19 | MAC-M1304-90-00 | .SWITCH, AC VOLTAGE | 1 | EXPORT 220-240V M13049 |
| 20 | MAC-WP139-76-00 | .RESISTOR ASSY | 1 | EXPORT 220-240V WP13976 |
| 21 | MAC-M1422-00-00 | .HANDLE | 1 | M14220 |
| 22 | MAC-M1202-60-00 | .BUMPER | 1 | M12026 |
| 23 | MAC-WP122-36-50 | .VARISTOR ASSY | 1 | U.S. 120V WP12236-5 |
| | MAC-WP140-18-40 | .VARISTOR ASSY | 1 | EXPORT 130/220-240V WP14018-4 |

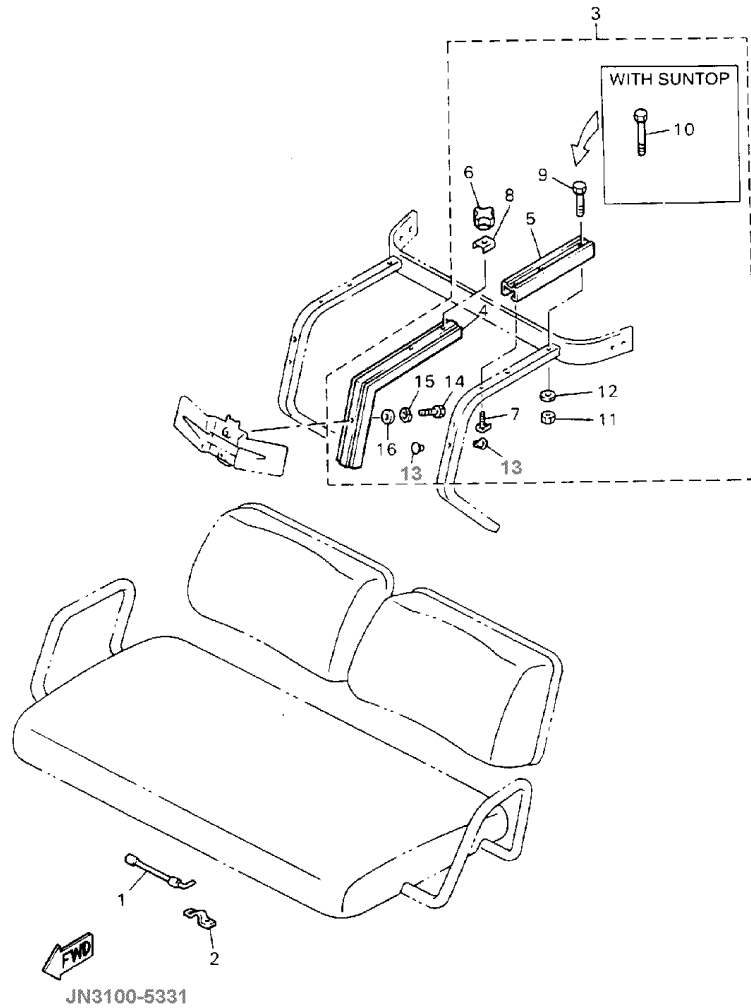


FIG. 21 OPTIONAL SEAT ADJUSTER

| REF NO. | PART NUMBER | DESCRIPTION | QTY | REMARKS |
|---------|-----------------|-----------------------|-----|---------|
| 1 | JN3-K8421-00-00 | SUPPORT, SEAT | 1 | |
| 2 | JF2-K8422-00-00 | BRACKET, SEAT SUPPORT | 1 | |
| 3 | JN3-K8450-10-00 | SEAT ADJUSTER ASSY | 1 | |
| 4 | JN3-K845A-00-00 | .MEMBER, SLIDE SEAT | 1 | |
| 5 | JN3-K8451-10-00 | .FRAME, SLIDE SEAT | 1 | |
| 6 | JN3-K8452-00-00 | .SEAT-ADJUSTER | 1 | |
| 7 | JN3-K8459-00-00 | .REINFORCEMENT, 1 | 1 | |
| 8 | JN3-K845E-00-00 | .REINFORCEMENT, 2 | 1 | |
| 9 | 97080-08045-00 | .BOLT, HEXAGON | 2 | |
| 10 | 97080-08070-00 | .BOLT, HEXAGON | 2 | |
| 11 | 95680-08100-00 | .NUT, U | 2 | |
| 12 | 92990-08200-00 | .WASHER, PLAIN | 2 | |
| 13 | 90338-09828-00 | .PLUG | 4 | |
| 14 | 97080-08020-00 | .BOLT, HEX. HEAD | 2 | |
| 15 | 92990-08100-00 | .WASHER, SPRING | 2 | |
| 16 | 92990-08600-00 | .WASHER, PLATE | 2 | |

FIG. 22 OPTIONAL HUB CAPS

| REF NO. | PART NUMBER | DESCRIPTION | QTY | REMARKS |
|---------|-----------------|----------------------|-----|------------------|
| 1 | JG5-F512L-00-00 | HUB-CAP, PLAIN | 4 | Comes with clips |
| 2 | JG5-F512M-00-00 | HUB-CAP, MAG-STYLE | 4 | Comes with clips |
| 3 | JG5-HUBCP-TF-00 | HUB-CAP, TUNING FORK | 4 | Comes with clips |

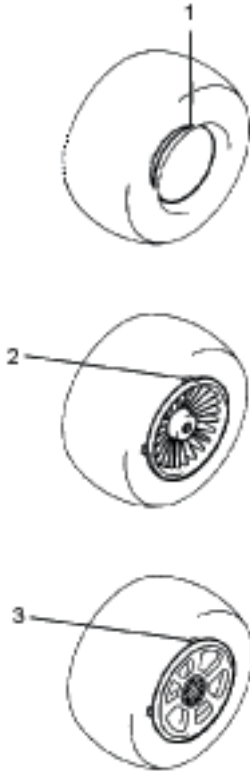
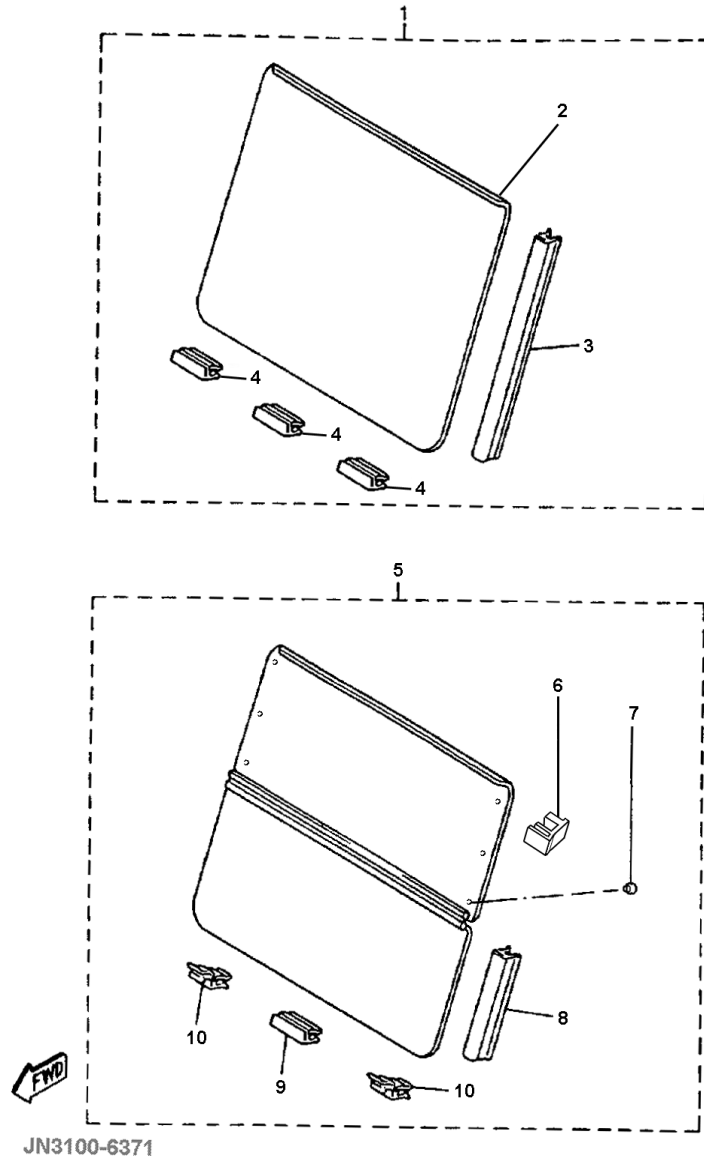


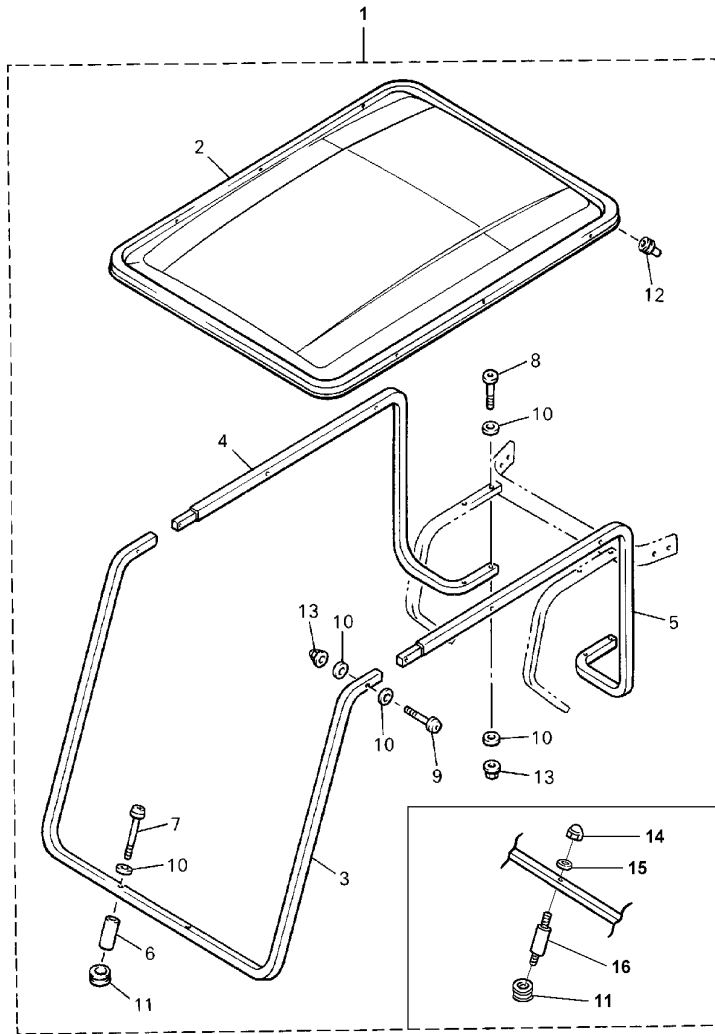
FIG. 23 OPTIONAL WINDSHIELD



| REF NO. | PART NUMBER | DESCRIPTION | QTY | REMARKS |
|---------|-----------------|--------------------------------------|-----|--------------|
| 1 | JN3-K7200-00-00 | WINDSHIELD ASSY. (ONE PIECE, CLEAR) | 1 | UR, AP |
| | JN3-K7200-10-00 | WINDSHIELD ASSY. (ONE PIECE, TINTED) | 1 | UR, AP |
| 2 | JN3-K7211-01-00 | .WINDSHIELD (ONE PIECE, CLEAR) | 1 | UR |
| | JN3-K7211-11-00 | .WINDSHIELD (ONE PIECE, TINTED) | 1 | UR |
| 3 | JN3-K838C-00-00 | .HOLDER SHIELD | 2 | |
| 4 | JN3-K722A-01-00 | .FASTENER, 2 | 3 | |
| 5 | JN3-K7200-20-00 | WINDSHIELD ASSY. (HINGED, CLEAR) | 1 | UR, AP |
| | JN3-K7200-30-00 | WINDSHIELD ASSY. (HINGED, TINTED) | 1 | UR, AP |
| 6 | ACC-CCGLU-ES-ET | LATCH, RUBBER | 2 | SEE NOTE "A" |
| 7 | JN3-K7238-00-00 | ..DAMPER, WINDSHIELD | 6 | |
| 8 | JN3-K838A-00-00 | .RETAINER 1 | 2 | |
| 9 | JN3-K722A-01-00 | .FASTENER 2 | 1 | |
| 10 | JN3-K7222-00-00 | .BRACKET, W/S | 2 | |

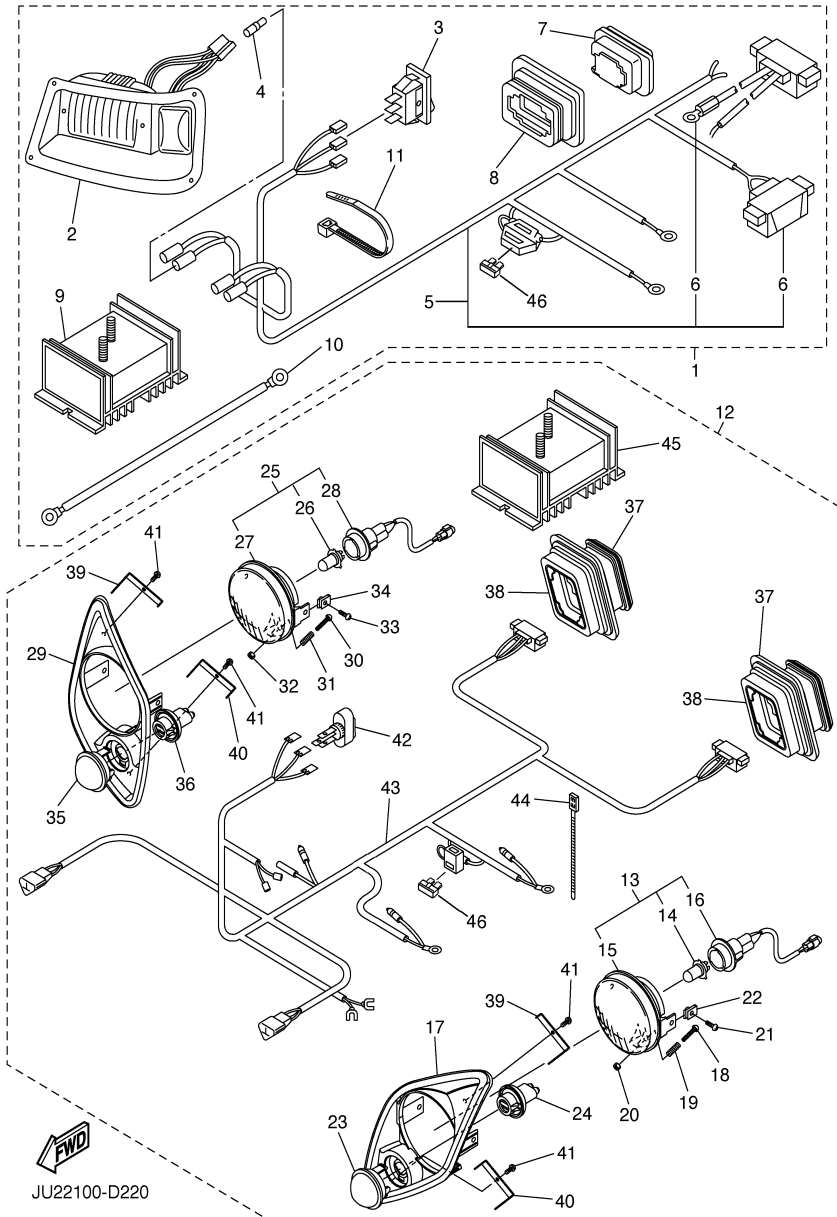
NOTE "A": Includes adhesive. Replaces old style latch for hinged windshields.

FIG. 24 OPTIONAL SUN ROOF

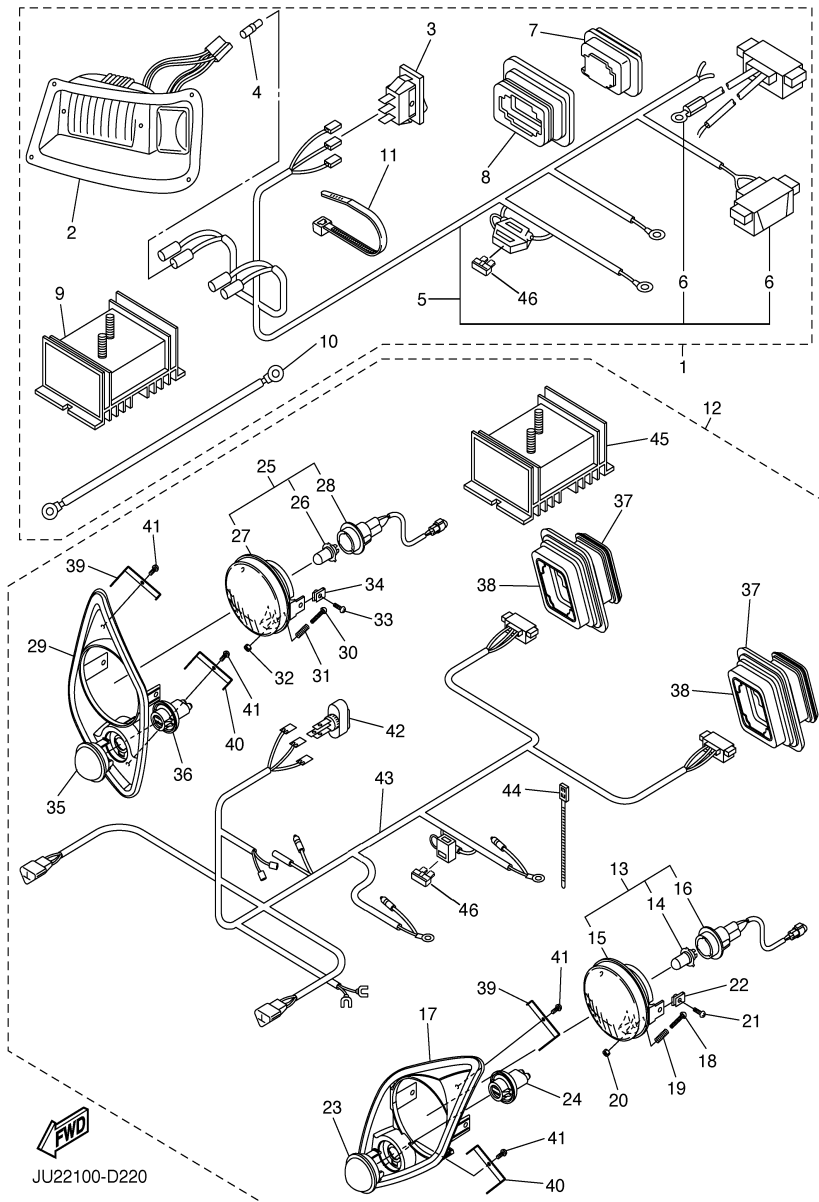


 JN3100-5371

| REF NO. | PART NUMBER | DESCRIPTION | QTY | REMARKS |
|---------|-----------------|--------------------|-----|----------------|
| 1 | JN3-K8310-10-00 | SUN ROOF ASSY | 1 | |
| 2 | JN3-K8314-00-00 | .COVER, SUNROOF | 1 | |
| 3 | JN3-K8312-00-00 | .SUPPORT, ROOF 1 | 1 | |
| 4 | JN3-K831A-00-00 | .SUPPORT, ROOF 3 | 1 | |
| 5 | JN3-K8313-00-00 | .SUPPORT, ROOF 2 | 1 | |
| 6 | 90387-09826-00 | .COLLAR | 2 | F# ~JR1-306500 |
| 7 | 90101-08862-00 | .BOLT, HEX. | 2 | F# ~JR1-306500 |
| 8 | 90101-22864-00 | .BOLT, HEX. | 4 | |
| 9 | 90101-22863-00 | .BOLT, HEX. | 6 | |
| 10 | 90201-088E5-00 | .WASHER, PLAIN | 22 | |
| 11 | JN3-K832F-00-00 | .GROMMET, ROOF | 2 | |
| 12 | JN3-K832G-00-00 | .GROMMET, ROOF | 2 | |
| 13 | 90185-12835-00 | .NUT, SELF-LOCKING | 10 | |
| 14 | 90176-08801-00 | .NUT, CAP | 2 | F# JR1-400101~ |
| 15 | 90201-098J4-00 | .WASHER, PLAIN | 2 | F# JR1-400101~ |
| 16 | JN6-K834A-00-00 | .REINF., HOLDER | 2 | F# JR1-400101~ |



| REF. NO. | PARTNUMBER | DESCRIPTION | QTY | REMARKS |
|----------|-----------------|----------------------------------|-----|---------|
| 1 | JR1-H430A-20-00 | HEADLIGHT UNIT ASSY | 1 | UR |
| 2 | JN3-H4303-20-00 | . HEADLIGHT UNIT ASSY | 2 | |
| 3 | JN3-H3976-20-00 | . SWITCH, HANDLE 1 | 1 | |
| 4 | 9E212-10401-00 | . TERMINAL | 2 | |
| 5 | JR1-H4159-00-00 | . CORD, HEADLIGHT | 1 | |
| 6 | JN3-H4517-00-00 | . . CORD, TAILLIGHT | 2 | |
| 7 | JU5-H4700-00-00 | . TAILLIGHT ASSY | 2 | |
| 8 | JU5-H4718-00-00 | . GROMMET | 2 | |
| 9 | JR1-H1910-00-00 | . VOLTAGE REGULATOR ASSY | 1 | |
| 10 | JR1-H4149-00-00 | . WIRE, LEAD 2 | 1 | |
| 11 | 90464-40800-00 | . CLAMP | 20 | |
| 12 | JU2-H430A-00-00 | HEADLIGHT UNIT ASSY | 1 | UR |
| 13 | 5FU-H4300-00-00 | . HEADLIGHT ASSY | 1 | |
| 14 | 5FU-H4314-00-00 | . . BULB, HEADLIGHT (12V-30/30W) | 1 | |
| 15 | 5FU-H4320-00-00 | . . LENS ASSY | 1 | |
| 16 | 5FU-H4340-00-00 | . . SOCKET CORD ASSY 1 | 1 | |
| 17 | JU7-H411T-02-00 | . HOLDER, 1 | 1 | |
| 18 | 98507-03540-00 | . SCREW, PAN HEAD | 1 | |
| 19 | 2GU-84332-00-00 | . SPRING, SCREW | 1 | |
| 20 | 2GU-84334-00-00 | . NUT, ADJUSTING | 1 | |
| 21 | 90150-05802-00 | . SCREW, ROUND HEAD | 2 | |
| 22 | 90183-05008-00 | . NUT, SPRING | 2 | |
| 23 | JU7-H5415-00-00 | . MARK, SIGNAL LAMP | 1 | |
| 24 | JU7-H3547-00-00 | . COVER, SOCKET | 1 | |
| 25 | 5FU-H4300-00-00 | . HEADLIGHT ASSY | 1 | |
| 26 | 5FU-H4314-00-00 | . . BULB, HEADLIGHT (12V-30/30W) | 1 | |
| 27 | 5FU-H4320-00-00 | . . LENS ASSY | 1 | |
| 28 | 5FU-H4340-00-00 | . . SOCKET CORD ASSY 1 | 1 | |
| 29 | JU7-H411U-02-00 | . HOLDER, 2 | 1 | |



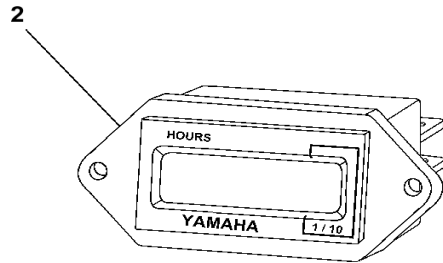
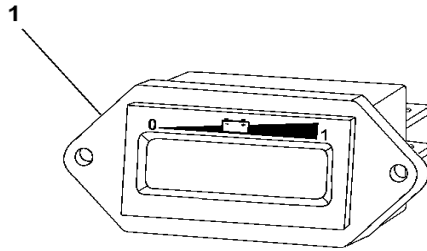
JU22100-D220

| REF. NO. | PART NUMBER | DESCRIPTION | QTY | REMARKS |
|----------|-----------------|--------------------------|-----|---------|
| 30 | 98507-03540-00 | . SCREW, PAN HEAD | 1 | |
| 31 | 2GU-84332-00-00 | . SPRING, SCREW | 1 | |
| 32 | 2GU-84334-00-00 | . NUT, ADJUSTING | 1 | |
| 33 | 90150-05802-00 | . SCREW, ROUND HEAD | 2 | |
| 34 | 90183-05008-00 | . NUT, SPRING | 2 | |
| 35 | JU7-H5415-00-00 | . MARK, SIGNAL LAMP | 1 | |
| 36 | JU7-H3547-00-00 | . COVER, SOCKET | 1 | |
| 37 | JU5-H4700-00-00 | . TAILLIGHT ASSY | 2 | |
| 38 | JU5-H4718-00-00 | . GROMMET | 2 | |
| 39 | JU7-H4118-01-00 | . STAY, HEADLIGHT 1 | 2 | |
| 40 | JU7-H4119-01-00 | . STAY, HEADLIGHT 2 | 2 | |
| 41 | 97707-40112-00 | . SCREW, TAPPING | 4 | |
| 42 | JN3-H3976-20-00 | . SWITCH, HANDLE 1 | 1 | |
| 43 | JU0-H4159-00-00 | . CORD, HEADLIGHT | 1 | |
| 44 | 90464-14806-00 | . CLAMP | 20 | |
| 45 | JR1-H1910-00-00 | . VOLTAGE REGULATOR ASSY | 1 | |
| 46 | 42X-82151-00-00 | . FUSE, (10A-BL) | 1 | |

FIG. 26 OPTIONAL ENERGY / HOUR GAUGES

| REF NO. | PART NUMBER | DESCRIPTION | QTY | REMARKS |
|---------|-----------------|----------------------|-----|--------------|
| 1 | JR1-H351C-10-00 | BATTERY ENERGY GAUGE | 1 | SEE NOTE "A" |
| 2 | JN6-H351C-00-00 | HOUR GAUGE | 1 | SEE NOTE "A" |

NOTE "A": Includes mounting screws and terminal connectors.



JN8100-1010

CONTENTS

| CHASSIS | PAGE | | PAGE |
|--------------------------|-------------|-------------------------------|-------------|
| Rear Arm / Suspension | 5 | Battery Charger | 34 |
| Frame | 6 | Optional Seat Adjuster | 35 |
| Front Suspension / Wheel | 7 ~ 8 | Optional Hub Caps | 36 |
| Steering | 9 ~ 10 | Optional Windshield | 37 |
| Brake | 11 ~ 13 | Optional Sunroof | 38 |
| Brake 2 | 14 | Optional Light Kit | 39 ~ 40 |
| Brake 3 | 15 | Optional Energy / Hour Gauges | 41 |
| Accelerator | 16 | | |
| Transmission | 17 ~ 18 | | |
| Rear Axle Mount / Wheel | 19 | | |
| Bumper | 20 | | |
| Body (Front) | 21 ~ 22 | | |
| Body 2 (Rear) | 23 ~ 24 | | |
| Body Fitting | 25 | | |
| Carrier | 26 | | |
| Seat | 27 ~ 28 | | |
| Electric Motor | 29 | | |
| Controller 1 | 30 ~ 31 | | |
| Electrical 1 | 32 ~ 33 | | |

**DID YOU
KNOW?**

CartPros directs you to the right part using the part numbers from this manual. Enter the part number into our search box and it will find the part you are looking for.

**GET STARTED
HERE**



<https://CartPros.com/f.html>