

## **PARTS CATALOGUE MODEL YEAR 2006 G23EC (JU6)**

**STARTING SERIAL NO.: JU6-300101 and following**

**OWNERS**      LT-19626-01-18  
**ASSEMBLY**    LT-11666-01-18  
**SERVICE**      LT-11616-01-18

### **CONTENTS**

ACCELERATOR	B2
BODY	B7-8
BODY 2	B9
BODY FITTING	B10
BRAKE	A10-11
BRAKE 2	A12
BRAKE 3	B1
BUMPER	B6
CARRIER	B11-12
CONTROLLER 1	C4-5
ELECTRIC MOTOR	C2
ELECTRICAL 1	C6-7
FRAME	A5
FRONT SUSPENSION WHEEL	A6-7
HEADLIGHT	C3
REAR ARM SUSPENSION	A4
REAR AXLE MOUNT WHEEL	B5
SEAT	C1
STEERING	A8-9
TRANSAXLE	B3-4

**CONTENTS**

ACCELERATOR	B2
BODY	B7-8
BODY 2	B9
BODY FITTING	B10
BRAKE	A10-11
BRAKE 2	A12
BRAKE 3	B1
BUMPER	B6
CARRIER	B11-12
CONTROLLER 1	C4-5
ELECTRIC MOTOR	C2
ELECTRICAL 1	C6-7
FRAME	A5
FRONT SUSPENSION WHEEL	A6-7
HEADLIGHT	C3
REAR ARM SUSPENSION	A4
REAR AXLE MOUNT WHEEL	B5
SEAT	C1
STEERING	A8-9
TRANSAXLE	B3-4

**FOREWORD**

This Parts Catalogue is related to the parts for the model(s) on the cover page. When you are ordering replacement parts, please refer to this Parts Catalogue and quote both part numbers and part names correctly.

6. The asterisk (\*) before a reference number indicates modified items after the first edition.

1. Modifications or additions which have been made after the issue of the Parts Catalogue will be announced in the Parts News.  
It is advisable that you make the necessary corrections to the Parts Catalogue according to the Parts News.

2. Abbreviations  
The following abbreviations are used in this Parts Catalogue.

"UR" Use specified parts number.  
 "UN" Use as many as needed.  
 "AP" Alternate Parts  
 "LM" Locally Made (Parts need to be ordered locally)  
 "F#" Frame No. (Applicable machine No.)  
 "O/S" Over Size

3. The number of components for assembly
  - Parts, which are to be supplied in an assembly, are listed with a dot (.) in front of the part name as shown below.
  - The numeral appearing to the right of each component part indicates the quantity of parts for each assembly unit.

PART NO.	DESCRIPTION	QTY	REMARKS
2F5-83310-60	FRONT FLASHER LIGHT ASSY	2	
115-83311-60	.BULB (6V-18W)	1	

4. Applicable colours of graphics are represented in the "REMARKS" as shown below.

PART NO.	DESCRIPTION	QTY	REMARKS
2N4-24110-00-X5	FUEL TANK COMP.	2	MXR
3J1-24240-10	.GRAPHIC, FUEL TANK	1	FOR MXR

5. Note that the illustrations for reference in finding parts numbers are not to be used for assembling. When assembling, please use the applicable service manual.

**CONTENTS**

ACCELERATOR	B2
BODY	B7-8
BODY 2	B9
BODY FITTING	B10
BRAKE	A10-11
BRAKE 2	A12
BRAKE 3	B1
BUMPER	B6
CARRIER	B11-12
CONTROLLER 1	C4-5
ELECTRIC MOTOR	C2
ELECTRICAL 1	C6-7
FRAME	A5
FRONT SUSPENSION WHEEL	A6-7
HEADLIGHT	C3
REAR ARM SUSPENSION	A4
REAR AXLE MOUNT WHEEL	B5
SEAT	C1
STEERING	A8-9
TRANSAXLE	B3-4

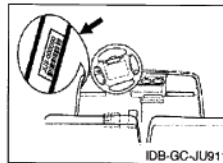
**FOREWORD**

7. Applicable Serial No.

Engine Serial No.



Frame Serial No.



10. Applicable Starting Serial No.

Frame Serial No.

Serial No.	Name Of Q'ty Column	Model Code
<b>JU6-300101</b>	<b>JU6</b>	<b>JU61</b>

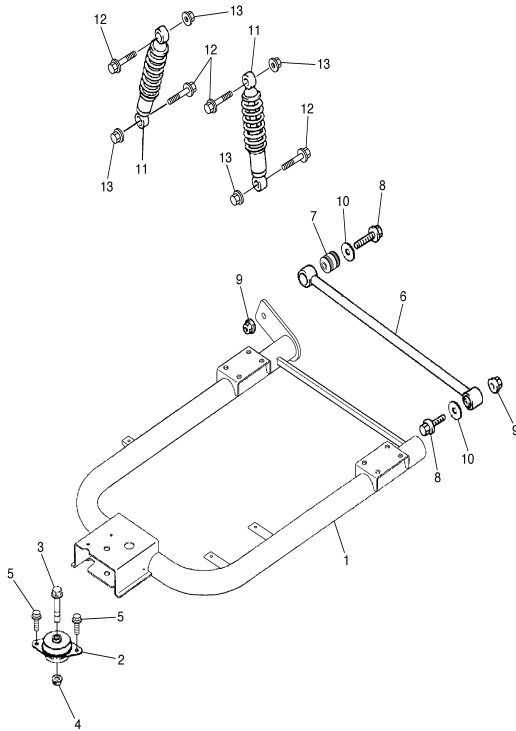
8. Applicable Colour Code (The (\*) mark shows Model colour.)

Abbreviation	Colour Name	Colour Code

9. Quantity Column Information

Column No.	Name Of Q'ty Column	Destination
1	<b>JU61</b>	U.S.A

## REAR ARM SUSPENSION



Ref. No.	Part Number	Description	Qty	Remarks
1	JU6-F2110-00-00	REAR ARM COMP. ....	1	
2	JN6-F2123-10-00	BUSH 1 .....	1	
3	90105-13864-00	BOLT, FLANGE .....	1	
4	90179-13878-00	NUT .....	1	
5	9751P-10620-00	BOLT, WITH WASHER .....	2	
6	JN6-F217G-00-00	ROD, CONNECTING 2 .....	1	
7	JN6-F2124-10-00	BUSH 2 .....	2	
8	9581P-12065-00	BOLT, FLANGE .....	2	
9	9560P-12200-00	NUT, FLANGE .....	2	
10	90201-128S4-00	WASHER, PLATE .....	2	
11	JR6-F2210-00-00	SHOCK ABSORBER ASSY, REAR .....	2	
12	9581P-12065-00	BOLT, FLANGE .....	4	
13	90185-12072-00	NUT, SELF-LOCKING .....	4	

### CONTENTS

ACCELERATOR	B2
BODY	B7-8
BODY 2	B9
BODY FITTING	B10
BRAKE	A10-11
BRAKE 2	A12
BRAKE 3	B1
BUMPER	B6
CARRIER	B11-12
CONTROLLER 1	C4-5
ELECTRIC MOTOR	C2
ELECTRICAL 1	C6-7
FRAME	A5
FRONT SUSPENSION WHEEL	A6-7
HEADLIGHT	C3
REAR ARM SUSPENSION	A4
REAR AXLE MOUNT WHEEL	B5
SEAT	C1
STEERING	A8-9
TRANSAXLE	B3-4



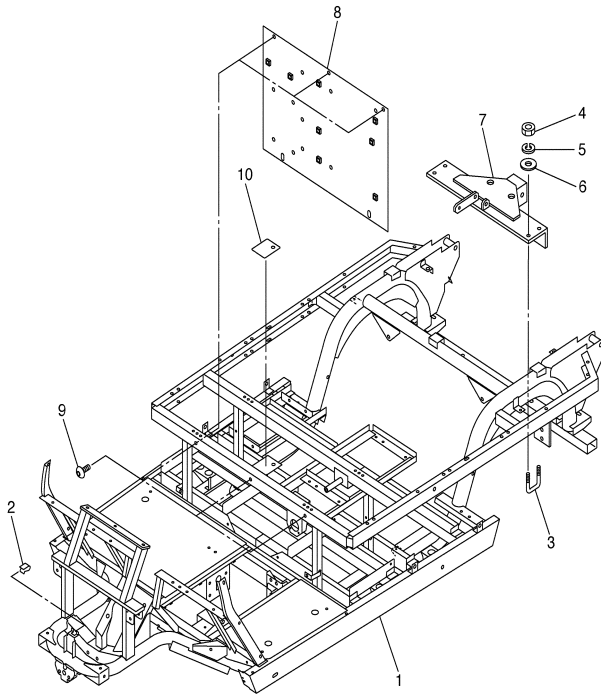
JU61110-C010

## FRAME

Ref. No.	Part Number	Description	Qty	Remarks
1	JU6-F2501-00-00	FRAME COMP. ....	1	SEE NOTE A
2	JU0-F2567-00-00	SUPPORT 1 ....	1	
3	90109-10862-00	BOLT ....	2	
4	90170-10847-00	NUT ....	4	
5	9290P-10100-00	WASHER ....	4	
6	9290P-10200-00	WASHER ....	4	
7	JW5-F722B-00-00	BAR, TOW ....	1	
8	JU6-F2527-00-00	SUPPORT, MEMBER ....	1	
9	90110-06836-00	BOLT, HEXAGON SOCKET HEAD ....	5	
10	JR1-K8298-10-00	PLATE, CAUTION 2 ....	1	SEE NOTE A

## CONTENTS

ACCELERATOR	B2
BODY	B7-8
BODY 2	B9
BODY FITTING	B10
BRAKE	A10-11
BRAKE 2	A12
BRAKE 3	B1
BUMPER	B6
CARRIER	B11-12
CONTROLLER 1	C4-5
ELECTRIC MOTOR	C2
ELECTRICAL 1	C6-7
FRAME	A5
FRONT SUSPENSION WHEEL	A6-7
HEADLIGHT	C3
REAR ARM SUSPENSION	A4
REAR AXLE MOUNT WHEEL	B5
SEAT	C1
STEERING	A8-9
TRANSAXLE	B3-4

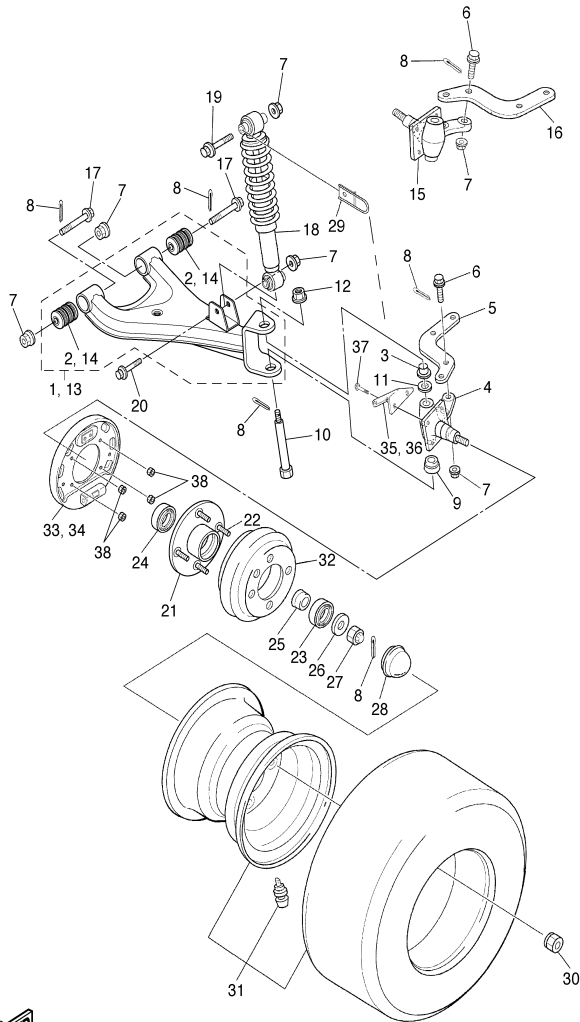


**NOTE A: WHEN REPLACING "FRAME COMP. JU6-F2501-00-00", YOU MUST ALSO REPLACE "PLATE, CAUTION 2 JR1-K8298-10-00".**



JU61110-C020

G23-E



JU51110-C130

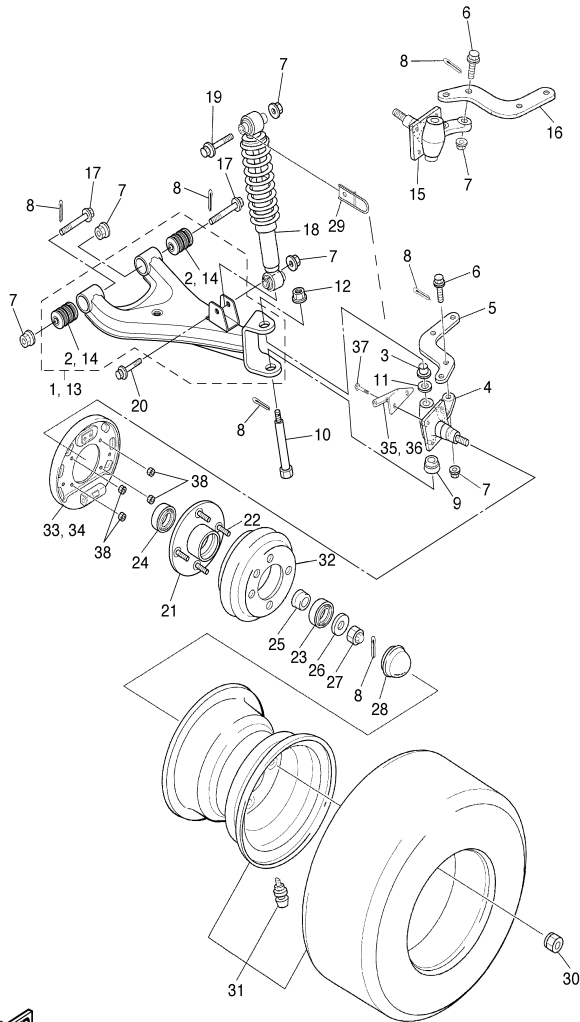
## FRONT SUSPENSION WHEEL

Ref. No.	Part Number	Description	Qty	Remarks
1	JU5-F3570-10-00	FRONT LOWER ARM COMP. (LEFT)	1	
2	JN6-F3526-00-00	. BUSH	2	
3	90384-15825-00	BUSH, BIMETAL FORMED	2	
4	JR6-F3501-10-00	STEERING KNUCKLE ASSY (LEFT)	1	
5	JN3-F3512-00-00	ARM, KNUCKLE 1	1	
6	90105-10895-00	BOLT, FLANGE	4	
7	95607-10200-00	NUT, U FLANGE	12	
8	91401-25020-00	PIN, COTTER	12	
9	J38-23527-00-00	SEAL, DUST 1	2	
10	JR6-F3516-00-00	KING PIN, STEERING KNUCKLE	2	
11	90201-158S6-00	WASHER, PLATE	2	
12	9560P-10200-00	NUT, FLANGE	2	
13	JU5-F3580-10-00	FRONT LOWER ARM COMP. (RIGHT)	1	
14	JN6-F3526-00-00	. BUSH	2	
15	JR6-F3502-10-00	STEERING KNUCKLE ASSY (RIGHT)	1	
16	JN3-F3512-00-00	ARM, KNUCKLE 1	1	
17	90105-10894-00	BOLT, FLANGE	4	
18	JR6-F3350-00-00	SHOCK ABSORBER ASSY	2	
19	95807-10065-00	BOLT, FLANGE	2	
20	95807-10055-00	BOLT, FLANGE	2	
21	JR6-F5110-00-00	HUB ASSY, FRONT	2	
22	90114-12803-00	BOLT, SERRATION	8	
23	93306-204X0-00	BEARING	2	
24	93306-005Y3-00	BEARING	2	
25	90387-241M7-00	COLLAR	2	
26	90209-32832-00	WASHER	2	

### CONTENTS

ACCELERATOR	B2
BODY	B7-8
BODY 2	B9
BODY FITTING	B10
BRAKE	A10-11
BRAKE 2	A12
BRAKE 3	B1
BUMPER	B6
CARRIER	B11-12
CONTROLLER 1	C4-5
ELECTRIC MOTOR	C2
ELECTRICAL 1	C6-7
FRAME	A5
FRONT SUSPENSION WHEEL	A6-7
HEADLIGHT	C3
REAR ARM SUSPENSION	A4
REAR AXLE MOUNT WHEEL	B5
SEAT	C1
STEERING	A8-9
TRANSAXLE	B3-4

CONTINUED ON NEXT FRAME ►



FWD  
JU51110-C130

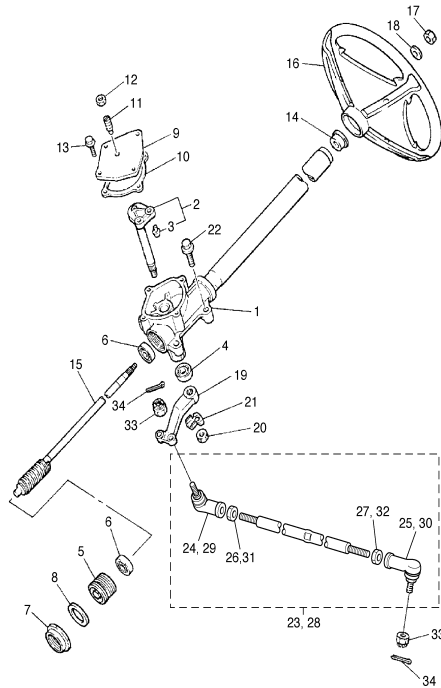
## FRONT SUSPENSION WHEEL

Ref. No.	Part Number	Description	Qty	Remarks
27	95607-14100-00	NUT, U	2	
28	JN6-F5118-00-00	COVER, HUB DUST	2	
29	JR6-F1339-00-00	GUIDE, WIRE	2	
30	90179-12262-00	NUT	8	
31	JN6-F5100-20-00	WHEEL ASSY (18X8.50-8 4PLY)	2	
32	JU0-G6521-00-00	DRUM	2	
33	JN6-F7290-03-00	BACKING PLATE ASSY 2	1	SEE BRAKE 2 (L.H)
34	JN6-F7280-03-00	BACKING PLATE ASSY 1	1	SEE BRAKE 3 (R.H)
35	JR6-F7263-00-00	BRACKET 1	1	
36	JR6-F7264-00-00	BRACKET 2	1	
37	9502P-08025-00	BOLT, FLANGE	8	
38	9560P-08200-00	NUT	8	

### CONTENTS

ACCELERATOR	B2
BODY	B7-8
BODY 2	B9
BODY FITTING	B10
BRAKE	A10-11
BRAKE 2	A12
BRAKE 3	B1
BUMPER	B6
CARRIER	B11-12
CONTROLLER 1	C4-5
ELECTRIC MOTOR	C2
ELECTRICAL 1	C6-7
FRAME	A5
FRONT SUSPENSION WHEEL	A6-7
HEADLIGHT	A3
REAR ARM SUSPENSION	A4
REAR AXLE MOUNT WHEEL	B5
SEAT	C1
STEERING	A8-9
TRANSAXLE	B3-4

## STEERING



Ref. No.	Part Number	Description	Qty	Remarks
1	JG5-F3811-00-00	COLUMN, STEERING	1	
2	J38-23816-00-00	ARM, PITMAN	1	
3	J38-23836-00-00	. PIN, PITMAN	2	
4	93102-22082-00	OIL SEAL	1	
5	J55-F3876-00-00	BOLT	1	
6	93332-000Y2-00	BEARING	2	
7	J10-23877-00-00	NUT	1	
8	J10-23444-00-00	WASHER	1	
9	JN3-F3818-00-00	COVER, STEERING	1	
10	J38-23462-01-00	SEAL, STEERING	1	
11	J10-F3459-00-00	BOLT	1	
12	90170-08024-00	NUT	1	
13	95807-06020-00	BOLT, FLANGE	4	
14	JN3-F3814-00-00	HOLDER, HANDLE UPPER	1	
15	J10-23840-00-00	STEERING SHAFT ASSY	1	
16	JN3-F3838-00-00	WHEEL, STEERING	1	
17	90185-12061-00	NUT, SELF-LOCKING	1	
18	9290P-12200-00	WASHER	1	
19	J38-23826-01-00	ARM, IDLER	1	
20	95707-16300-00	NUT, FLANGE	1	
21	90215-16814-00	WASHER, LOCK	1	
22	90105-10880-00	BOLT, FLANGE	4	
23	JN6-F3830-11-00	TIE ROD ASSY (L.H)	1	
24	JN6-F3841-00-00	. JOINT, UNIVERSAL 1	1	
25	JN6-F3845-00-00	. JOINT, UNIVERSAL 2	1	
26	9530N-10600-00	. NUT	1	
27	90170-10414-00	. NUT	1	
28	JN6-F3850-11-00	TIE ROD ASSY (R.H)	1	
29	JN6-F3841-00-00	. JOINT, UNIVERSAL 1	1	
30	JN6-F3845-00-00	. JOINT, UNIVERSAL 2	1	

## CONTENTS

ACCELERATOR	B2
BODY	B7-8
BODY 2	B9
BODY FITTING	B10
BRAKE	A10-11
BRAKE 2	A12
BRAKE 3	B1
BUMPER	B6
CARRIER	B11-12
CONTROLLER 1	C4-5
ELECTRIC MOTOR	C2
ELECTRICAL 1	C6-7
FRAME	A5
FRONT SUSPENSION WHEEL	A6-7
HEADLIGHT	C3
REAR ARM SUSPENSION	A4
REAR AXLE MOUNT WHEEL	B5
SEAT	C1
STEERING	A8-9
TRANSAXLE	B3-4

CONTINUED ON NEXT FRAME >



JU91110-C140

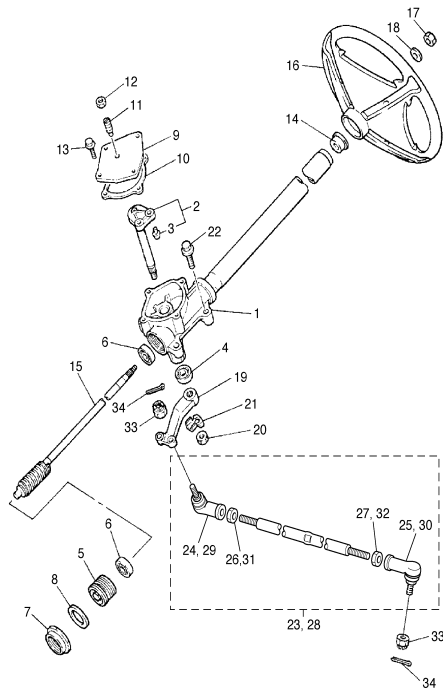


## STEERING

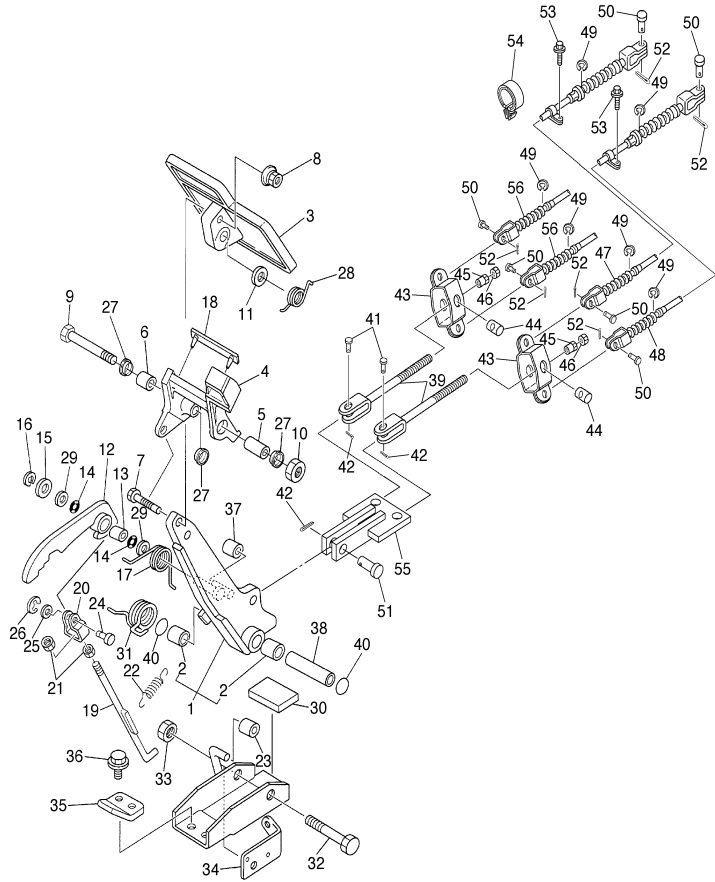
Ref. No.	Part Number	Description	Qty	Remarks
31	9530N-10600-00	. NUT .....	1	
32	90170-10414-00	. NUT .....	1	
33	95607-10200-00	NUT, U FLANGE .....	4	
34	91401-25020-00	PIN, COTTER .....	4	

## CONTENTS

ACCELERATOR	B2
BODY	B7-8
BODY 2	B9
BODY FITTING	B10
BRAKE	A10-11
BRAKE 2	A12
BRAKE 3	B1
BUMPER	B6
CARRIER	B11-12
CONTROLLER 1	C4-5
ELECTRIC MOTOR	C2
ELECTRICAL 1	C6-7
FRAME	A5
FRONT SUSPENSION WHEEL	A6-7
HEADLIGHT	C3
REAR ARM SUSPENSION	A4
REAR AXLE MOUNT WHEEL	B5
SEAT	C1
STEERING	A8-9
TRANSAXLE	B3-4



JU91110-C140



## BRAKE

Ref. No.	Part Number	Description	Qty	Remarks
1	J46-27250-03-00	BRAKE ARM COMP. ....	1	
2	90384-14080-00	. BUSH, BIMETAL FORMED ...	2	
3	JU0-27211-01-00	PEDAL, BRAKE .....	1	
4	JU0-25671-00-00	PEDAL, PARKING BRAKE ....	1	
5	90387-08014-00	COLLAR .....	1	
6	90387-08013-00	COLLAR .....	1	
7	97027-06035-00	BOLT .....	1	
8	90179-07564-00	NUT .....	1	
9	97027-08100-00	BOLT .....	1	
10	95307-08600-00	NUT .....	1	
11	92907-08200-00	WASHER .....	1	
12	J17-25666-02-00	SECTOR, PARKING BRAKE ..	1	
13	90384-10162-00	BUSH, BIMETAL FORMED ....	1	
14	J17-27221-00-00	SEAL, SHAFT .....	2	
15	92907-10600-00	WASHER, PLATE .....	1	
16	99001-07600-00	CIRCLIP .....	1	
17	90508-14548-00	SPRING, TORSION .....	1	
18	J17-25672-01-00	PAD, PARKING PEDAL .....	1	
19	J17-27231-03-00	ROD, BRAKE .....	1	
20	J17-27232-00-00	END, ROD 2 .....	1	
21	95307-06700-00	NUT .....	2	
22	90506-09001-00	SPRING, TENSION .....	1	
23	J17-25673-00-00	DAMPER, BRAKE .....	1	
24	J17-27228-00-00	PIN, JOINT .....	1	
25	92907-05600-00	WASHER, PLATE .....	1	
26	99002-04600-00	CIRCLIP .....	1	
27	90387-12009-00	COLLAR .....	3	
28	90508-32015-00	SPRING, TORSION .....	1	
29	90201-104G8-00	WASHER, PLATE .....	2	
30	JN3-F7245-00-00	PAD, BRAKE PEDAL .....	1	

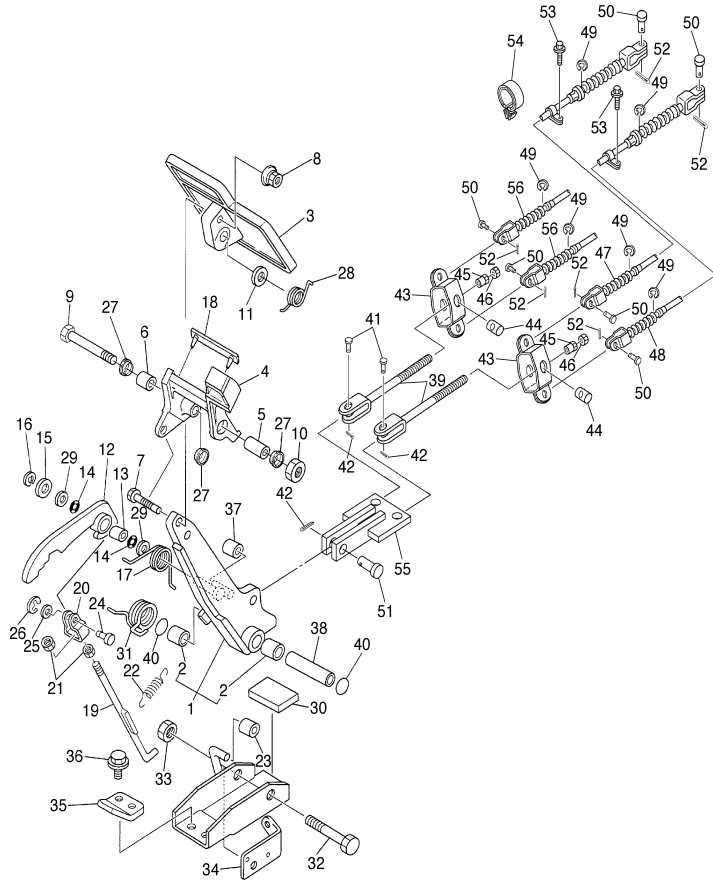
## CONTENTS

ACCELERATOR	B2
BODY	B7-8
BODY 2	B9
BODY FITTING	B10
BRAKE	A10-11
BRAKE 2	A12
BRAKE 3	B1
BUMPER	B6
CARRIER	B11-12
CONTROLLER 1	C4-5
ELECTRIC MOTOR	C2
ELECTRICAL 1	C6-7
FRAME	A5
FRONT SUSPENSION WHEEL	A6-7
HEADLIGHT	C3
REAR ARM SUSPENSION	A4
REAR AXLE MOUNT WHEEL	B5
SEAT	C1
STEERING	A8-9
TRANSAXLE	B3-4

CONTINUED ON NEXT FRAME ►



JU51110-C160



## BRAKE

Ref. No.	Part Number	Description	Qty	Remarks
31	90508-40007-00	SPRING, TORSION	1	
32	90101-10884-00	BOLT	1	
33	95607-10200-00	NUT, U FLANGE	1	
34	J55-2252M-00-00	BRACKET, 3	1	
35	J17-27246-00-00	NAIL, BRAKE	1	
36	90105-08878-00	BOLT, FLANGE	2	
37	J17-25673-00-00	DAMPER, BRAKE	1	
38	90387-107F8-00	COLLAR	1	
39	JN6-F5685-00-00	ROD	2	
40	93210-132A8-00	O-RING	2	
41	91701-10022-00	PIN, CLEVIS	2	
42	91490-30015-00	PIN, COTTER	3	
43	J10-25681-00-00	EQUALIZER, BRAKE	2	
44	90249-14129-00	PIN	2	
45	90179-08894-00	NUT	2	
46	95307-08700-00	NUT	2	
47	JJ3-F6341-01-00	CABLE, BRAKE	1	
48	JJ3-F6351-02-00	CABLE, BRAKE	1	
49	99001-09600-00	CIRCLIP	8	
50	91701-08018-00	PIN, CLEVIS	8	
51	91701-10028-00	PIN, CLEVIS	1	
52	91490-25015-00	PIN, COTTER	8	
53	90105-06876-00	BOLT, FLANGE	2	
54	90464-19815-00	CLAMP	1	
55	JR6-F7215-00-00	LINK	1	
56	JR6-F6361-00-00	CABLE, BRAKE	2	

## CONTENTS

ACCELERATOR	B2
BODY	B7-8
BODY 2	B9
BODY FITTING	B10
BRAKE	A10-11
BRAKE 2	A12
BRAKE 3	B1
BUMPER	B6
CARRIER	B11-12
CONTROLLER 1	C4-5
ELECTRIC MOTOR	C2
ELECTRICAL 1	C6-7
FRAME	A5
FRONT SUSPENSION WHEEL	A6-7
HEADLIGHT	C3
REAR ARM SUSPENSION	A4
REAR AXLE MOUNT WHEEL	B5
SEAT	C1
STEERING	A8-9
TRANSAXLE	B3-4



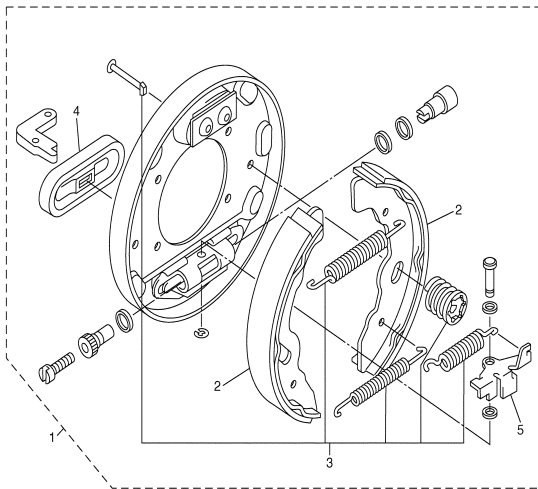
JU51110-C160

## BRAKE 2

Ref. No.	Part Number	Description	Qty	Remarks
1	JN6-F7290-03-00	BACKING PLATE ASSY 2 . . . . .	2	L/S FRONT & REAR
2	JN6-F5331-01-00	. BRAKE SHOE SET . . . . .	1	(FOR ONE WHEEL)
3	JN6-F819G-00-00	. REPAIR PARTS KIT . . . . .	1	
4	JN6-F7286-00-00	. COVER, DUST . . . . .	1	
5	JN6-F722E-00-00	. LEVER, ADJUSTOR (LH) . . . . .	1	

### CONTENTS

ACCELERATOR	B2
BODY	B7-8
BODY 2	B9
BODY FITTING	B10
BRAKE	A10-11
BRAKE 2	A12
BRAKE 3	B1
BUMPER	B6
CARRIER	B11-12
CONTROLLER 1	C4-5
ELECTRIC MOTOR	C2
ELECTRICAL 1	C6-7
FRAME	A5
FRONT SUSPENSION WHEEL	A6-7
HEADLIGHT	C3
REAR ARM SUSPENSION	A4
REAR AXLE MOUNT WHEEL	B5
SEAT	C1
STEERING	A8-9
TRANSAXLE	B3-4



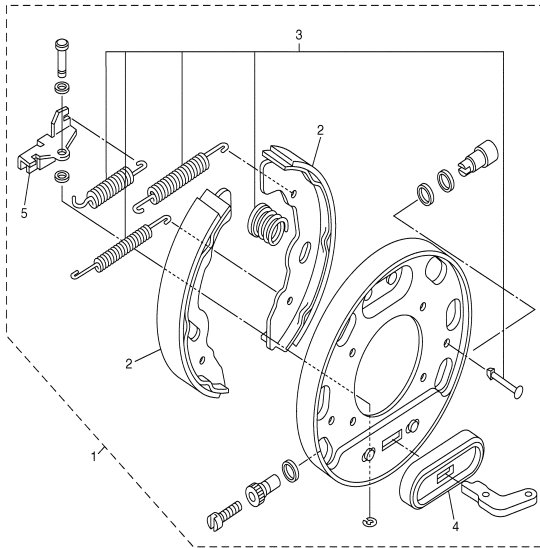
JT71010-B160

## BRAKE 3

Ref. No.	Part Number	Description	Qty	Remarks
1	JN6-F7280-03-00	BACKING PLATE ASSY 1 . . . . .	2	R/S FRONT & REAR
2	JN6-F5331-01-00	. BRAKE SHOE SET . . . . .	1	(FOR ONE WHEEL)
3	JN6-F819G-00-00	. REPAIR PARTS KIT . . . . .	1	
4	JN6-F7286-00-00	. COVER, DUST . . . . .	1	
5	JN6-F722F-00-00	. LEVER, ADJUSTOR (RH) . . . . .	1	

### CONTENTS

ACCELERATOR	B2
BODY	B7-8
BODY 2	B9
BODY FITTING	B10
BRAKE	A10-11
BRAKE 2	A12
BRAKE 3	B1
BUMPER	B6
CARRIER	B11-12
CONTROLLER 1	C4-5
ELECTRIC MOTOR	C2
ELECTRICAL 1	C6-7
FRAME	A5
FRONT SUSPENSION WHEEL	A6-7
HEADLIGHT	C3
REAR ARM SUSPENSION	A4
REAR AXLE MOUNT WHEEL	B5
SEAT	C1
STEERING	A8-9
TRANSAXLE	B3-4



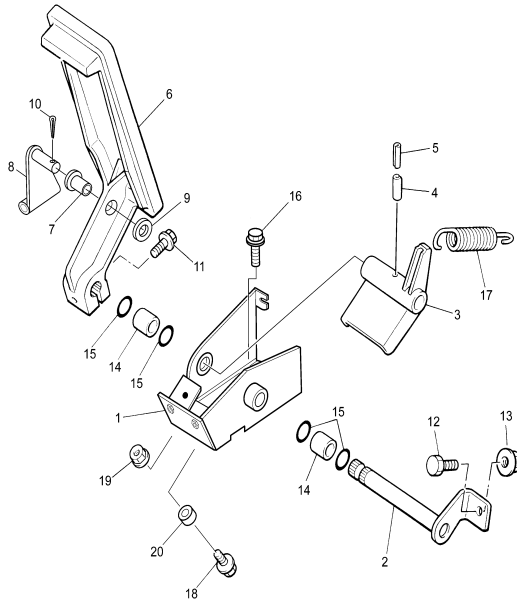
JT71010-B170

## ACCELERATOR

Ref. No.	Part Number	Description	Qty	Remarks
1	JN6-F7874-01-00	BRACKET, ACCELERATOR PEDAL	1	
2	J17-27853-01-00	SHAFT, PEDAL 1	1	
3	J22-27872-00-00	ARM, ACCELERATOR PEDAL	1	
4	91609-60028-00	PIN, SPRING	1	
5	91609-35028-00	PIN, SPRING	1	
6	JF3-27871-00-00	PEDAL, ACCELERATOR	1	
7	90381-06033-00	BUSH, SOLID	1	
8	J14-27815-00-00	LEVER, CRANK PEDAL	1	
9	9290P-06600-00	WASHER	1	
10	91401-20012-00	PIN, COTTER	1	
11	95807-06025-00	BOLT, FLANGE	1	
12	90106-08806-00	BOLT	1	
13	95707-08500-00	NUT, FLANGE	1	
14	90384-14080-00	BUSH, BIMETAL FORMED	2	
15	93210-14104-00	O-RING	4	
16	90105-08878-00	BOLT, FLANGE	3	
17	90506-26282-00	SPRING, TENSION	1	
18	95807-06025-00	BOLT, FLANGE	1	
19	95707-06500-00	NUT, FLANGE	1	
20	90387-068T4-00	COLLAR	1	

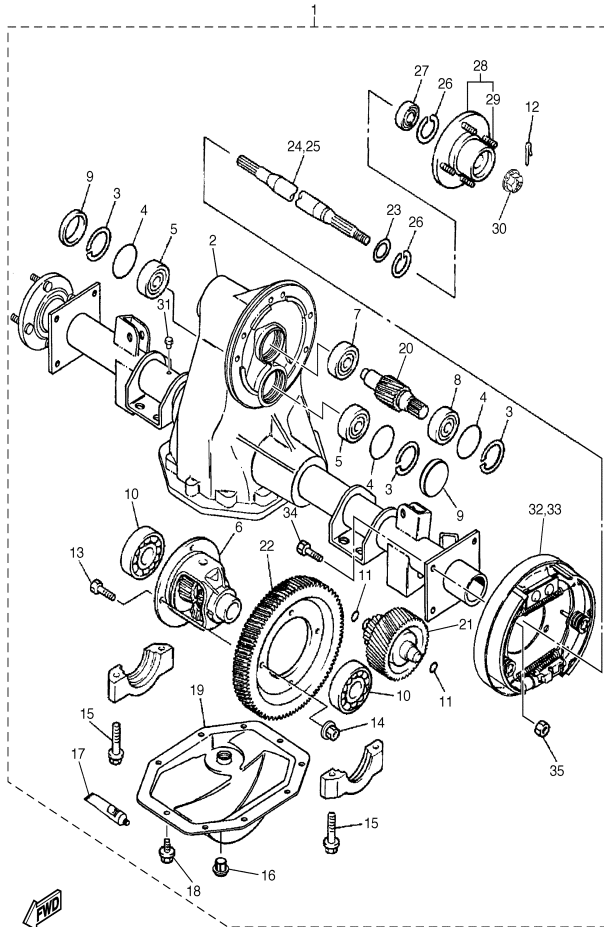
## CONTENTS

ACCELERATOR	B2
BODY	B7-8
BODY 2	B9
BODY FITTING	B10
BRAKE	A10-11
BRAKE 2	A12
BRAKE 3	B1
BUMPER	B6
CARRIER	B11-12
CONTROLLER 1	C4-5
ELECTRIC MOTOR	C2
ELECTRICAL 1	C6-7
FRAME	A5
FRONT SUSPENSION WHEEL	A6-7
HEADLIGHT	C3
REAR ARM SUSPENSION	A4
REAR AXLE MOUNT WHEEL	B5
SEAT	C1
STEERING	A8-9
TRANSAXLE	B3-4



JU2100-5080

## TRANSAXLE



JU61110-C090

Ref. No.	Part Number	Description	Qty	Remarks
1	JU6-G6300-00-00	TRANS AXLE ASSY	1	
2	JU6-G6310-00-00	. CASE ASSY	1	
3	93420-50804-00	. CIRCLIP	3	
4	93210-478B8-00	. O-RING	3	
5	93306-303Y6-00	. BEARING	2	
6	JN6-G6410-00-00	. DIFFERENTIAL ASSY.	1	
7	93306-203X1-00	. BEARING	1	
8	93306-005Y1-00	. BEARING	1	
9	JH7-G3396-00-00	. PLUG, BLIND	2	
10	93306-007Y0-00	. BEARING	2	
11	93210-148B9-00	. O-RING	2	
12	91490-25025-00	. PIN, COTTER	2	
13	90101-10854-00	. BOLT	4	
14	90170-10840-00	. NUT	4	
15	90105-10840-00	. BOLT, FLANGE	4	
16	JN3-G6432-00-00	. STOPPER	1	
17	JH7-G6136-00-00	. SEAL 1	1	SEE NOTE A
18	90101-08856-00	. BOLT	10	
19	JU6-G6314-00-00	. COVER, TRANSMISSION 2	1	
20	JU6-G6321-00-00	. SHAFT, INPUT	1	
21	JU6-G6350-00-00	. COUNTER GEAR ASSY	1	
22	JU6-G6421-00-00	. GEAR, RING	1	
23	93101-31836-00	. OIL SEAL	2	
24	JU6-G6512-00-00	. SHAFT, REAR AXLE 2 (R.H)	1	
25	JU6-G6511-00-00	. SHAFT, REAR AXLE 1 (L.H)	1	
26	93420-52806-00	. CIRCLIP	4	
27	93306-205X2-00	. BEARING	2	
28	JR3-G6514-00-00	. HUB, REAR AXLE	2	
29	90114-12804-00	. BOLT, SERRATION	8	
30	90185-19842-00	. NUT, SELF-LOCKING	2	

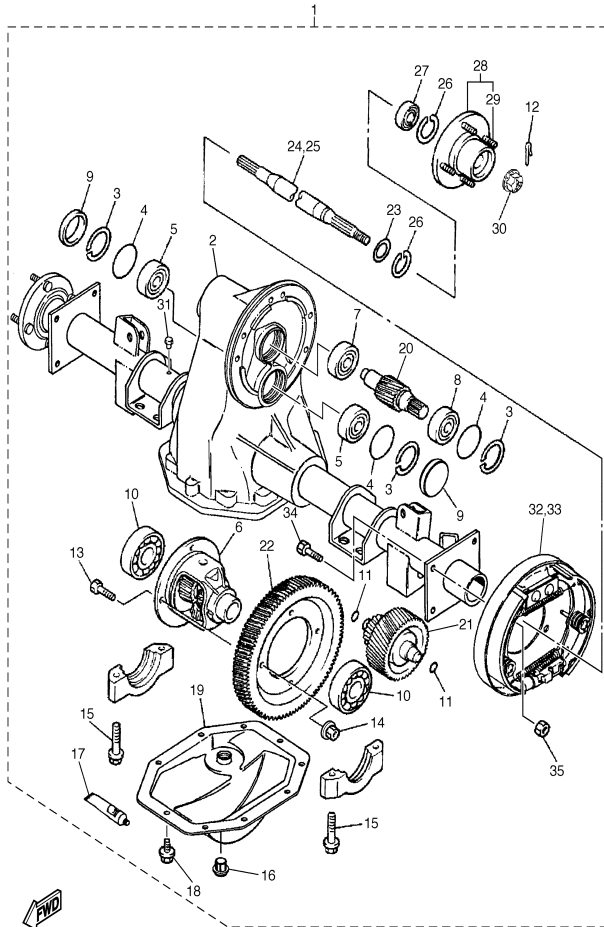
CONTINUED ON NEXT FRAME ►

NOTE A: SEAL,1 (pn JH7-G6136-00) is not included in TRANS AXLE ASSY and is not available - use Quick Gasket ACC-11001-05-01.

### CONTENTS

ACCELERATOR	B2
BODY	B7-8
BODY 2	B9
BODY FITTING	B10
BRAKE	A10-11
BRAKE 2	A12
BRAKE 3	B1
BUMPER	B6
CARRIER	B11-12
CONTROLLER 1	C4-5
ELECTRIC MOTOR	C2
ELECTRICAL 1	C6-7
FRAME	A5
FRONT SUSPENSION WHEEL	A6-7
HEADLIGHT	C3
REAR ARM SUSPENSION	A4
REAR AXLE MOUNT WHEEL	B5
SEAT	C1
STEERING	A8-9
TRANSAXLE	B3-4

## TRANSAXLE



JU61110-C090

Ref. No.	Part Number	Description	Qty	Remarks
31	JH7-G5619-00-00	. CAP .....	1	
32	JN6-F7280-03-00	. BACKING PLATE ASSY 1 ...	1	SEE BRAKE 3 (R.H)
33	JN6-F7290-03-00	. BACKING PLATE ASSY 2 ...	1	SEE BRAKE 2 (L.H)
34	90101-08855-00	. BOLT .....	8	
35	90170-08841-00	. NUT .....	8	

### CONTENTS

ACCELERATOR	B2
BODY	B7-8
BODY 2	B9
BODY FITTING	B10
BRAKE	A10-11
BRAKE 2	A12
BRAKE 3	B1
BUMPER	B6
CARRIER	B11-12
CONTROLLER 1	C4-5
ELECTRIC MOTOR	C2
ELECTRICAL 1	C6-7
FRAME	A5
FRONT SUSPENSION WHEEL	A6-7
HEADLIGHT	C3
REAR ARM SUSPENSION	A4
REAR AXLE MOUNT WHEEL	B5
SEAT	C1
STEERING	A8-9
TRANSAXLE	B3-4

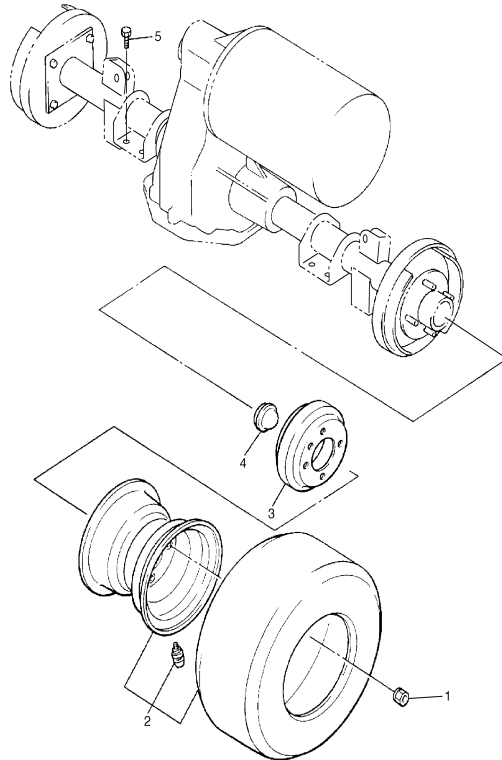


## REAR AXLE MOUNT WHEEL

Ref. No.	Part Number	Description	Qty	Remarks
1	90179-12262-00	NUT .....	8	
2	JR6-F5300-10-00	WHEEL ASSY (18X8.50-8 6PLY)	2	
3	JU0-G6521-00-00	DRUM .....	2	
4	JN6-F5118-00-00	COVER, HUB DUST .....	2	
5	9751P-10620-00	BOLT, WITH WASHER .....	8	

### CONTENTS

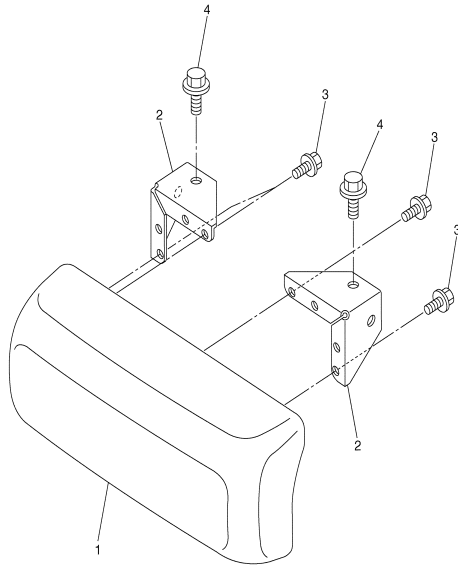
ACCELERATOR	B2
BODY	B7-8
BODY 2	B9
BODY FITTING	B10
BRAKE	A10-11
BRAKE 2	A12
BRAKE 3	B1
BUMPER	B6
CARRIER	B11-12
CONTROLLER 1	C4-5
ELECTRIC MOTOR	C2
ELECTRICAL 1	C6-7
FRAME	A5
FRONT SUSPENSION WHEEL	A6-7
HEADLIGHT	C3
REAR ARM SUSPENSION	A4
REAR AXLE MOUNT WHEEL	B5
SEAT	C1
STEERING	A8-9
TRANSAXLE	B3-4



JU61110-C100

## BUMPER

Ref. No.	Part Number	Description	Qty	Remarks
1	JN3-K7510-02-00	FRONT BUMPER COMP. ....	1	
2	JN8-K8164-00-00	STAY, FRONT BUMPER (L.H) .	2	
3	90105-06876-00	BOLT, FLANGE .....	4	
4	9581P-08016-00	BOLT, FLANGE .....	2	

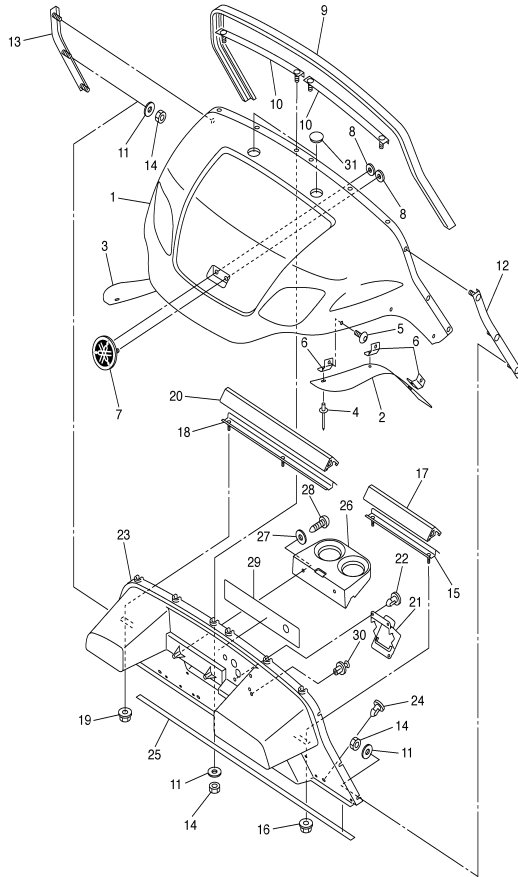


## CONTENTS

ACCELERATOR	B2
BODY	B7-8
BODY 2	B9
BODY FITTING	B10
BRAKE	A10-11
BRAKE 2	A12
BRAKE 3	B1
BUMPER	B6
CARRIER	B11-12
CONTROLLER 1	C4-5
ELECTRIC MOTOR	C2
ELECTRICAL 1	C6-7
FRAME	A5
FRONT SUSPENSION WHEEL	A6-7
HEADLIGHT	C3
REAR ARM SUSPENSION	A4
REAR AXLE MOUNT WHEEL	B5
SEAT	C1
STEERING	A8-9
TRANSAXLE	B3-4



JU51110-C260



NOTE A: WHEN REPLACING "PANEL FRONT JU7-K8114-00-00", YOU SHOULD ALSO REPLACE "LABEL WARNING 1 JU5-K7761-00-00".

## BODY

Ref. No.	Part Number	Description	Qty	Remarks
1	JU6-K811A-00-00	TRIM, UPPER COWL	1	
2	JR6-F1551-00-00	FENDER, OVER	1	
3	JR6-F1555-00-00	FENDER, OVER 2	1	
4	90267-48831-00	RIVET, BLIND	6	
5	90110-06836-00	BOLT, HEXAGON SOCKET HEAD	6	
6	JR6-F1546-00-00	STAY, FENDER 3	6	
7	JU0-F4161-00-00	EMBLEM 1	1	
8	JU0-K7573-00-00	NUT, SPECIAL	2	
9	JF2-K811V-00-00	PROTECTOR 1	1	
10	JU0-K8261-00-00	PLATE, BODY PROTECT 1	2	
11	90201-06829-00	WASHER, PLATE	10	
12	JF2-K8262-01-00	PLATE, BODY PROTECT 2	1	
13	JF2-K8263-01-00	PLATE, BODY PROTECT 3	1	
14	90185-06836-00	NUT, SELF-LOCKING	10	
15	JF2-K8264-00-00	PLATE, BODY PROTECT 4	1	
16	9560P-06200-00	NUT, FLANGE	2	
17	JF2-K811W-00-00	PROTECTOR 2	1	
18	JF2-K8265-00-00	PLATE, BODY PROTECT 5	1	
19	9560P-06200-00	NUT, FLANGE	2	
20	JF2-K811X-00-00	PROTECTOR 3	1	
21	JF2-78273-01-00	COVER, HOLE	1	
22	90269-11042-00	RIVET	3	
23	JU6-K8114-00-00	PANEL, FRONT	1	SEE NOTE A
24	90269-08066-00	RIVET	3	
25	JN3-K815G-00-00	SEAL, FRONT STORAGE	1	
26	JF2-K835E-00-00	HOLDER, BEVERAGE	1	
27	90201-068R6-00	WASHER, PLATE	2	
28	9770P-60130-00	SCREW, TAPPING	2	
29	JU6-K7761-00-00	LABEL, WARNING 1	1	SEE NOTE A

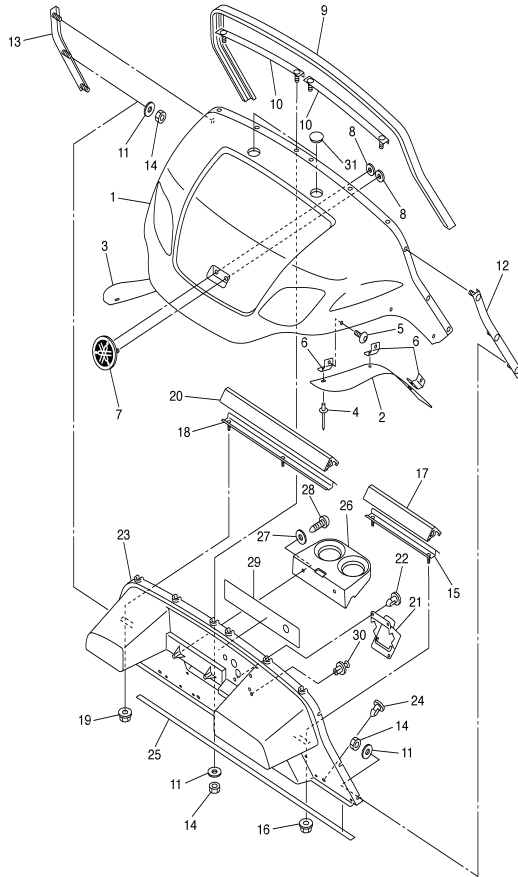
## CONTENTS

ACCELERATOR	B2
BODY	B7-8
BODY 2	B9
BODY FITTING	B10
BRAKE	A10-11
BRAKE 2	A12
BRAKE 3	B1
BUMPER	B6
CARRIER	B11-12
CONTROLLER 1	C4-5
ELECTRIC MOTOR	C2
ELECTRICAL 1	C6-7
FRAME	A5
FRONT SUSPENSION WHEEL	A6-7
HEADLIGHT	C3
REAR ARM SUSPENSION	A4
REAR AXLE MOUNT WHEEL	B5
SEAT	C1
STEERING	A8-9
TRANSAXLE	B3-4

CONTINUED ON NEXT FRAME ►



JU51110-C270



NOTE A: WHEN REPLACING " PANEL FRONT JU7-K8114-00-00", YOU SHOULD ALSO REPLACE "LABEL WARNING 1 JU5-K7761-00-00".

## BODY

Ref. No.	Part Number	Description	Qty	Remarks
30	90269-08069-00	RIVET .....	2	
31	JN3-K818E-00-00	CAP, PROTECTOR END 1 ....	2	

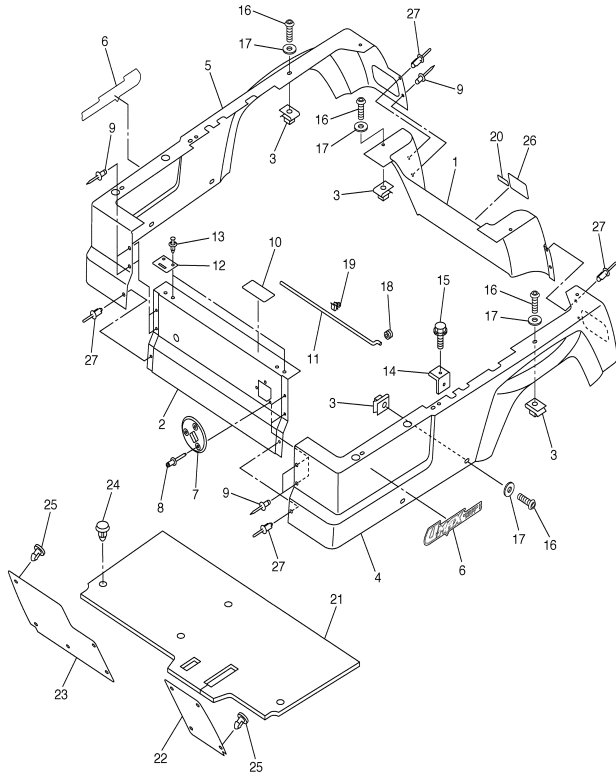
## CONTENTS

ACCELERATOR	B2
BODY	B7-8
BODY 2	B9
BODY FITTING	B10
BRAKE	A10-11
BRAKE 2	A12
BRAKE 3	B1
BUMPER	B6
CARRIER	B11-12
CONTROLLER 1	C4-5
ELECTRIC MOTOR	C2
ELECTRICAL 1	C6-7
FRAME	A5
FRONT SUSPENSION WHEEL	A6-7
HEADLIGHT	C3
REAR ARM SUSPENSION	A4
REAR AXLE MOUNT WHEEL	B5
SEAT	C1
STEERING	A8-9
TRANSAXLE	B3-4



JU51110-C270

## BODY 2



**NOTE A:** WHEN REPLACING "PANEL REAR BODY JU9-K8142-00-00", YOU MUST ALSO REPLACE "LABEL WARNING 5 JJ3-K7765-00-00", AND "LABEL WARNING JU5-K7768-00-00".

**NOTE B:** WHEN REPLACING "PANEL INTERMEDIATE BODY JU6-K8141-00-00", YOU MUST ALSO REPLACE "LABEL WARNING 5 JU6-K7765-00-00".



JU61110-C130

G23-E

Ref. No.	Part Number	Description	Qty	Remarks
1	JU9-K8142-00-00	PANEL, REAR BODY	1	SEE NOTE A
2	JU6-K8141-00-00	PANEL, INTERMEDIATE BODY	1	SEE NOTE B
3	90183-06811-00	NUT, SPRING	14	
4	JU9-K8111-00-00	PANEL, BODY SHELL	1	
5	JU9-K8112-00-00	PANEL, BODY SHELL	1	
6	JU5-F1781-00-00	EMBLEM 1	2	
7	JN4-K827A-00-00	GUIDE 1	1	
8	90267-60840-00	RIVET, BLIND	3	
9	90267-36853-00	RIVET, BLIND	6	
10	JU6-K7765-00-00	LABEL, WARNING 5	1	SEE NOTE B
11	JJ3-K8226-00-00	ROD, SEAT STOPPER	1	
12	JJ3-K8427-01-00	HINGE, SEAT 2	2	
13	90267-64834-00	RIVET, BLIND	4	
14	JU9-K814H-00-00	HOOK, BODY LOCK	2	
15	90119-08800-00	BOLT, WITH WASHER	2	
16	90110-06836-00	BOLT, HEXAGON SOCKET HEAD	14	
17	90201-068R6-00	WASHER, PLATE	14	
18	90480-13018-00	GROMMET	1	
19	90464-10814-00	CLAMP	1	
20	JJ3-K7765-00-00	LABEL, WARNING 5	1	SEE NOTE A
21	JN6-K8233-01-00	MAT, MAIN FLOOR 3	1	
22	JN6-K8231-01-00	MAT, MAIN FLOOR 1	1	
23	JN6-K8232-01-00	MAT, MAIN FLOOR 2	1	
24	90269-08813-00	RIVET	4	
25	90267-63047-00	RIVET, BLIND	9	
26	JU5-K7768-00-00	LABEL, WARNING	1	SEE NOTE A
27	90267-62841-00	RIVET, BLIND	4	

### CONTENTS

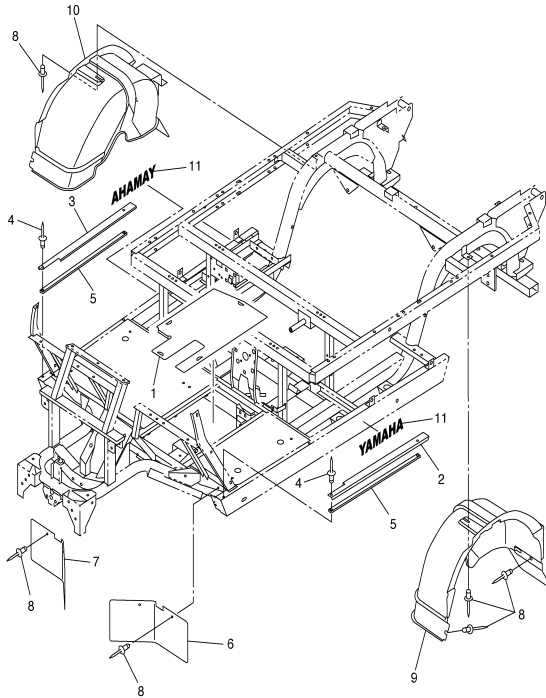
ACCELERATOR	B2
BODY	B7-8
BODY 2	B9
BODY FITTING	B10
BRAKE	A10-11
BRAKE 2	A12
BRAKE 3	B1
BUMPER	B6
CARRIER	B11-12
CONTROLLER 1	C4-5
ELECTRIC MOTOR	C2
ELECTRICAL 1	C6-7
FRAME	A5
FRONT SUSPENSION WHEEL	A6-7
HEADLIGHT	C3
REAR ARM SUSPENSION	A4
REAR AXLE MOUNT WHEEL	B5
SEAT	C1
STEERING	A8-9
TRANSAXLE	B3-4

## BODY FITTING

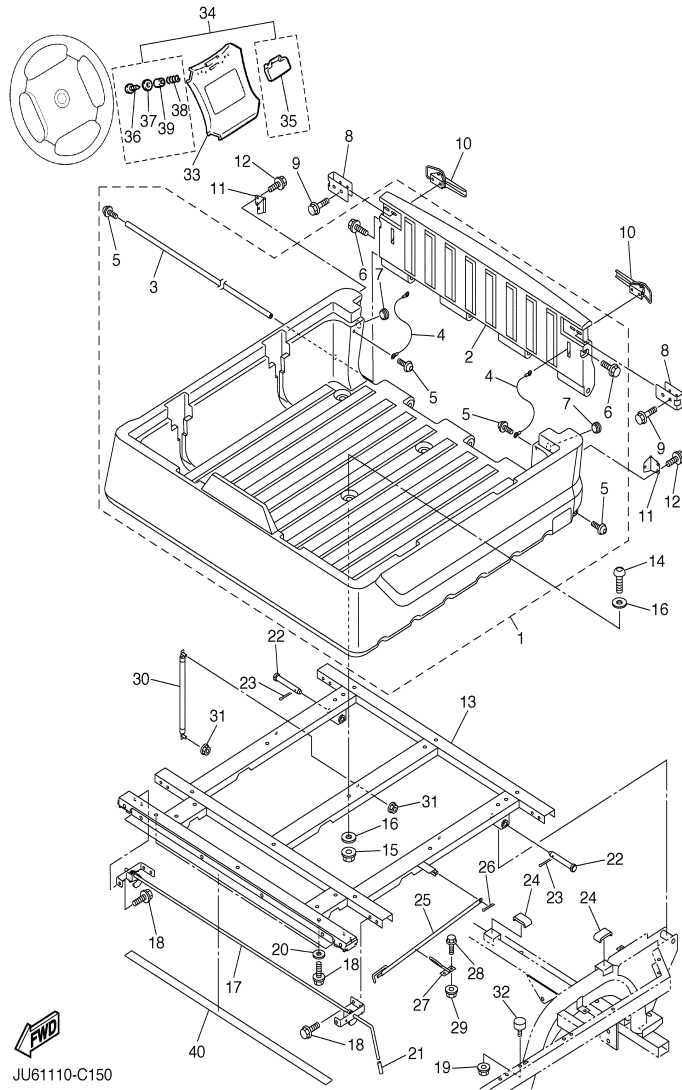
Ref. No.	Part Number	Description	Qty	Remarks
1	JN6-K8271-00-00	SERVICE LID, PEDAL	1	
2	JF2-K8215-10-00	PLATE, SIDE TRIM	1	
3	JF2-K821F-10-00	PLATE, SIDE TRIM	1	
4	90267-48154-00	RIVET, BLIND	4	
5	JJ3-K8124-00-00	REINFORCEMENT 4	2	
6	JF2-K8187-00-00	FLAP, FRONT FENDER (L.H)	1	
7	JF2-K8189-00-00	FLAP, FRONT FENDER (R.H)	1	
8	90267-48831-00	RIVET, BLIND	10	
9	JJ3-K8191-00-00	PANEL, REAR FENDER 1	1	
10	JJ3-K8192-00-00	PANEL, REAR FENDER 2	1	
11	JW5-F153A-00-00	EMBLEM, YAMAHA	2	

## CONTENTS

ACCELERATOR	B2
BODY	B7-8
BODY 2	B9
BODY FITTING	B10
BRAKE	A10-11
BRAKE 2	A12
BRAKE 3	B1
BUMPER	B6
CARRIER	B11-12
CONTROLLER 1	C4-5
ELECTRIC MOTOR	C2
ELECTRICAL 1	C6-7
FRAME	A5
FRONT SUSPENSION WHEEL	A6-7
HEADLIGHT	C3
REAR ARM SUSPENSION	A4
REAR AXLE MOUNT WHEEL	B5
SEAT	C1
STEERING	A8-9
TRANSAXLE	B3-4



JW51110-C290



JU61110-C150

## CARRIER

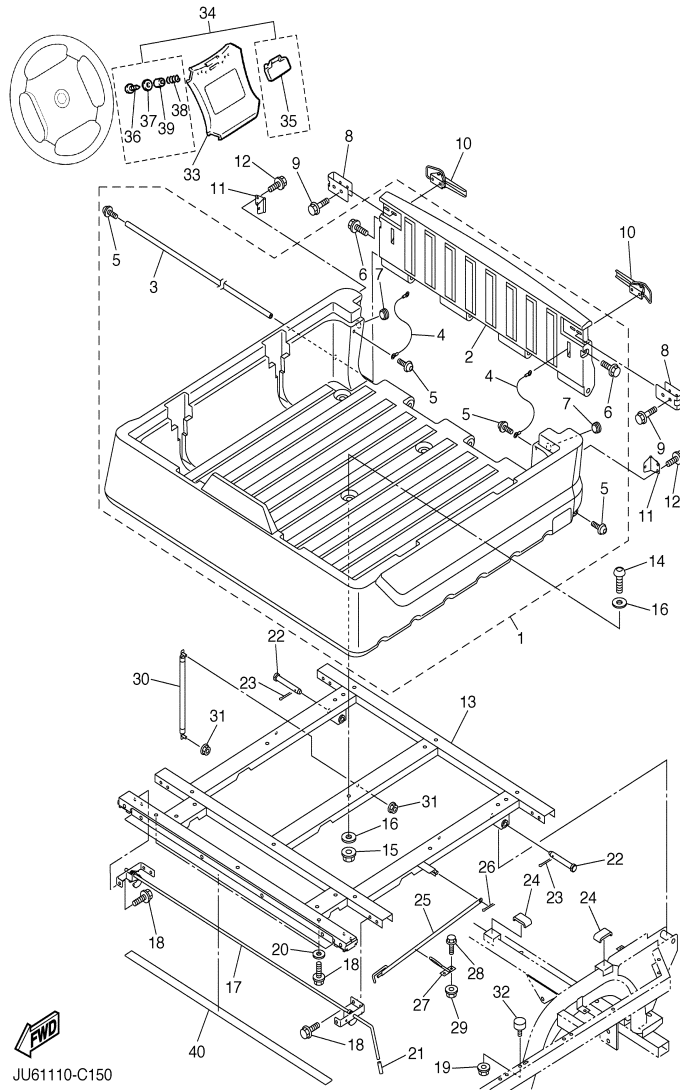
Ref. No.	Part Number	Description	Qty	Remarks
1	JU5-K810M-00-00	REAR STORAGE BOX COMP. . . . .	1	
2	JU9-K819K-00-00	. SHELL, RR. STORAGE LID . . . . .	1	
3	JU9-K8564-00-00	. PIN, HINGE . . . . .	1	
4	JU9-K7195-00-00	. HOLDER, CABLE . . . . .	2	
5	JU9-K6179-00-00	. BOLT, SPECIAL 1 . . . . .	4	
6	JU9-K6189-00-00	. BOLT, SPECIAL 2 . . . . .	2	
7	JU9-K7739-10-00	. DAMPER, LID . . . . .	2	
8	JU9-K7171-00-00	BODY, LATCH 1 . . . . .	2	
9	JU9-K8384-00-00	BOLT . . . . .	4	
10	5UG-F389E-00-00	LATCH . . . . .	2	
11	JU9-K7172-00-00	BODY, LATCH 2 . . . . .	2	
12	90119-06830-00	BOLT, WITH WASHER . . . . .	6	
13	JU9-K818N-01-00	BED, BOX . . . . .	1	
14	90111-10800-00	BOLT, BUTTON HEAD . . . . .	7	
15	9560P-10200-00	NUT, FLANGE . . . . .	7	
16	90201-10144-00	WASHER, PLATE . . . . .	12	
17	JU9-K8380-01-00	LOCK ASSY . . . . .	1	
18	9582P-08020-00	BOLT, FLANGE . . . . .	8	
19	9560P-08200-00	NUT . . . . .	2	
20	90201-088P7-00	WASHER, PLATE . . . . .	2	
21	JJ3-K818M-00-00	CAP, PROTECTOR END 4 . . . . .	1	
22	90240-13801-00	PIN, CLEVIS . . . . .	2	
23	91401-30025-00	PIN, SPLIT . . . . .	2	
24	JJ3-K815H-01-00	DAMPER, LOCK . . . . .	3	
25	JU5-K8158-00-00	ROD, INSPECTION LID . . . . .	1	
26	91401-20020-00	PIN, COTTER . . . . .	1	
27	JJ3-K8369-00-00	PIN, LEVER . . . . .	1	
28	90119-06830-00	BOLT, WITH WASHER . . . . .	2	
29	9560P-06200-00	NUT, FLANGE . . . . .	2	
30	JJ3-K7588-00-00	DAMPER . . . . .	1	

## CONTENTS

ACCELERATOR	B2
BODY	B7-8
BODY 2	B9
BODY FITTING	B10
BRAKE	A10-11
BRAKE 2	A12
BRAKE 3	B1
BUMPER	B6
CARRIER	B11-12
CONTROLLER 1	C4-5
ELECTRIC MOTOR	C2
ELECTRICAL 1	C6-7
FRAME	A5
FRONT SUSPENSION WHEEL	A6-7
HEADLIGHT	C3
REAR ARM SUSPENSION	A4
REAR AXLE MOUNT WHEEL	B5
SEAT	C1
STEERING	A8-9
TRANSAXLE	B3-4

CONTINUED ON NEXT FRAME →





## CARRIER

Ref. No.	Part Number	Description	Qty	Remarks
31	9560P-08200-00	NUT .....	2	
32	JU5-K8167-10-00	BUMPER, RUBBER 1 .....	2	
33	JN3-K8357-00-00	HOLDER 1 .....	1	
34	JN6-W001D-00-00	SCORE CARD HOLDER KIT ..	1	
35	JN6-K8358-01-00	. HOLDER 2 .....	1	
36	97707-40525-00	. SCREW, TAPPING .....	2	
37	90201-048R5-00	. WASHER, PLATE .....	2	
38	90502-10013-00	. SPRING, CONICAL .....	2	
39	90387-046N7-00	. COLLAR .....	2	
40	JU6-K7319-00-00	DAMPER 1 .....	1	

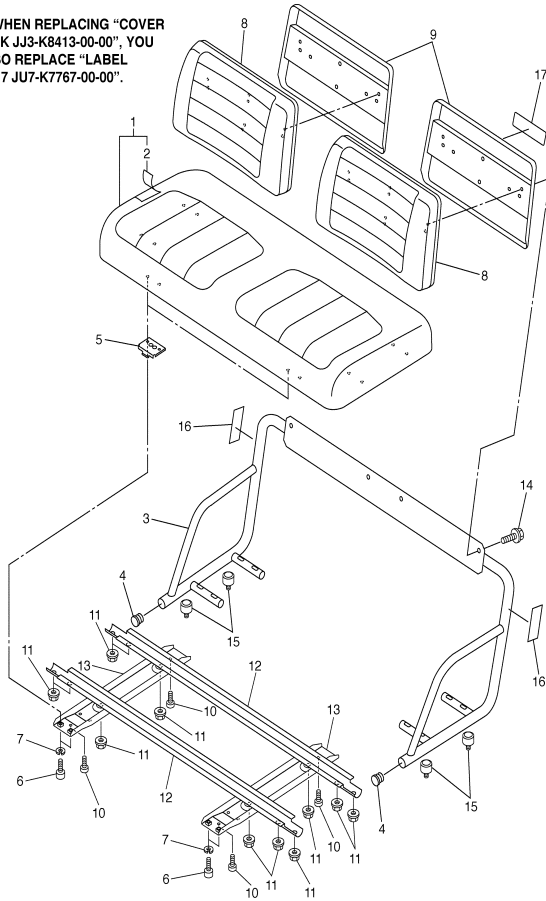
## CONTENTS

ACCELERATOR	B2
BODY	B7-8
BODY 2	B9
BODY FITTING	B10
BRAKE	A10-11
BRAKE 2	A12
BRAKE 3	B1
BUMPER	B6
CARRIER	B11-12
CONTROLLER 1	C4-5
ELECTRIC MOTOR	C2
ELECTRICAL 1	C6-7
FRAME	A5
FRONT SUSPENSION WHEEL	A6-7
HEADLIGHT	C3
REAR ARM SUSPENSION	A4
REAR AXLE MOUNT WHEEL	B5
SEAT	C1
STEERING	A8-9
TRANSAXLE	B3-4

**B12**



NOTE B: WHEN REPLACING "COVER SEAT BACK JJ3-K8413-00-00", YOU MUST ALSO REPLACE "LABEL WARNING 7 JU7-K7767-00-00".



NOTE A: WHEN REPLACING "SEAT ASSY 2 JU9-K8420-00-00", YOU MUST ALSO REPLACE "LABEL WARNING 4 5UG-K7764-00-00".

## SEAT

Ref. No.	Part Number	Description	Qty	Remarks
1	JU9-K8401-00-00	SEAT SUB-ASSY, CUSHION	1	
2	JU9-K8404-00-00	. COVER, SEAT	1	
3	JU9-K8420-00-00	SEAT ASSY 2	1	SEE NOTE A
4	JU7-F111A-00-00	CAP, MAIN PIPE	2	
5	JN3-K8426-01-00	HINGE, SEAT 1	2	
6	90111-06810-00	BOLT	4	
7	90204-06807-00	WASHER, SPRING	4	
8	JU7-K8402-00-00	SEAT SUB ASSY, BACK	2	
9	JJ3-K8413-10-00	COVER, SEAT BACK	2	SEE NOTE B
10	90167-04815-00	SCREW, TAPPING	4	
11	9560P-08200-00	NUT	12	
12	JN6-K8121-00-00	REINFORCEMENT 1	2	
13	JN6-K8122-02-00	REINFORCEMENT 2	2	
14	90119-06837-00	BOLT, WITH WASHER	4	
15	JU5-K8167-00-00	BUMPER, RUBBER 1	4	
16	5UG-K7764-00-00	LABEL, WARNING 4	2	SEE NOTE A
17	JU7-K7767-00-00	LABEL, WARNING 7	1	SEE NOTE B

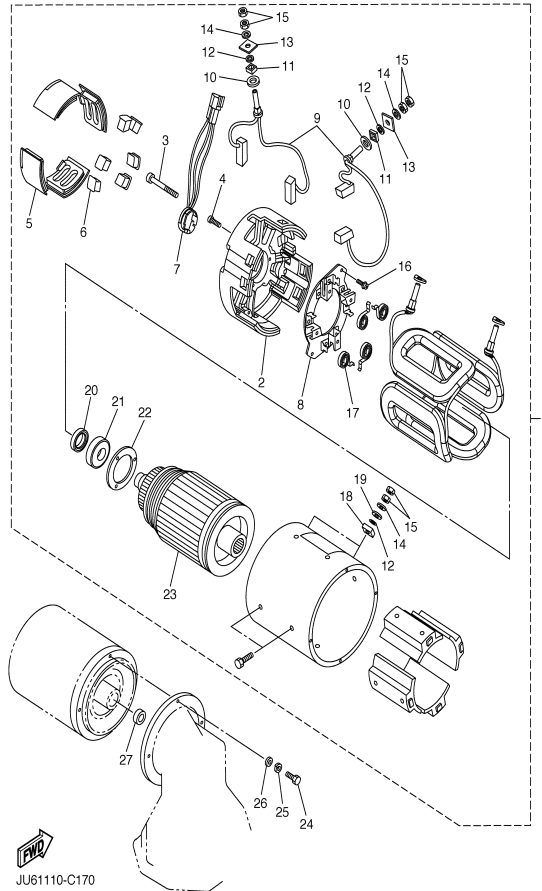
## CONTENTS

ACCELERATOR	B2
BODY	B7-8
BODY FITTING	B9
BRAKE	A10-11
BRAKE 2	A12
BRAKE 3	B1
BUMPER	B6
CARRIER	B11-12
CONTROLLER 1	C4-5
ELECTRIC MOTOR	C2
ELECTRICAL 1	C6-7
FRAME	A5
FRONT SUSPENSION WHEEL	A6-7
HEADLIGHT	C3
REAR ARM SUSPENSION	A4
REAR AXLE MOUNT WHEEL	B5
SEAT	C1
STEERING	A8-9
TRANSAXLE	B3-4



JW51110-C310

## ELECTRIC MOTOR



Ref. No.	Part Number	Description	Qty	Remarks
1	JU6-H1890-00-00	MOTOR ASSY	1	
2	JU6-H183J-00-00	. BRACKET, FRONT	1	
3	JU6-H1828-00-00	. BOLT 2	2	
4	JU6-H1846-00-00	. SCREW	3	
5	JU6-H1129-00-00	. COVER, BRUSH	4	
6	JU6-H1139-00-00	. COVER, BRUSH 2	6	
7	JU6-H1670-00-00	. PICK-UP ASSY	1	
8	JU6-H1840-00-00	. BRUSH HOLDER ASSY	1	
9	JU6-H1801-00-00	. BRUSH SET	1	
10	J56-H1824-00-00	. WASHER 2	2	
11	J56-H182G-00-00	. BUSH, TERMINAL	2	
12	J56-H1847-00-00	. O-RING	2	
13	J56-H1843-00-00	. WASHER 1	2	
14	J56-H181L-00-00	. WASHER, PLAIN	2	
15	JU6-H1872-00-00	. NUT, SPECIAL	8	
16	JU6-H1848-00-00	. SCREW, BRUSH HOLDER	2	
17	JU2-H1617-00-00	. SPRING, BRUSH	1	
18	JU6-H1824-00-00	. WASHER 2	2	
19	JU6-H1843-00-00	. WASHER 1	2	
20	JU6-H181K-00-00	. MAGNET	1	
21	JU6-H185B-00-00	. BEARING 1	1	
22	JU6-H1856-00-00	. RETAINER	1	
23	JU6-H1850-00-00	. ARMATURE ASSY	1	
24	90101-06857-00	BOLT	3	
25	90215-06811-00	WASHER, LOCK	3	
26	90201-068E2-00	WASHER, PLATE	3	
27	JH7-H1829-00-00	GROMMET	1	

### CONTENTS

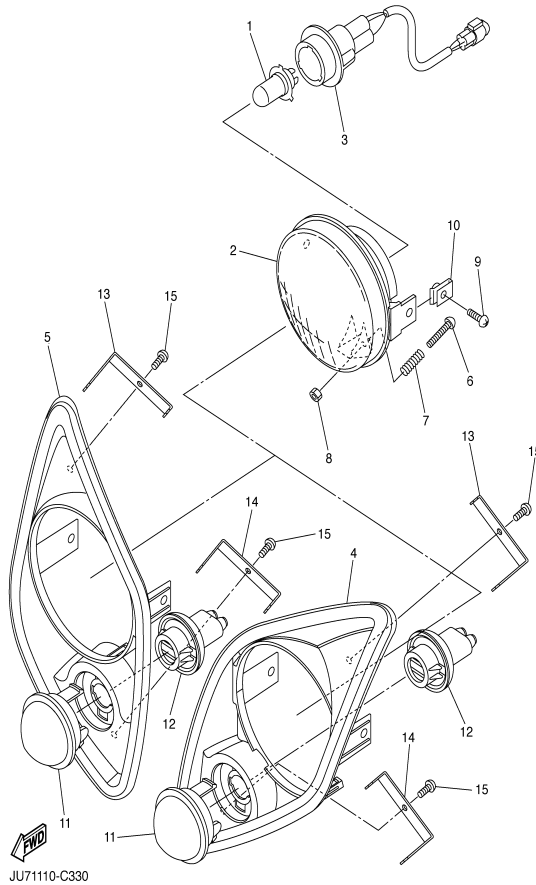
ACCELERATOR	B2
BODY	B7-8
BODY 2	B9
BODY FITTING	B10
BRAKE	A10-11
BRAKE 2	A12
BRAKE 3	B1
BUMPER	B6
CARRIER	B11-12
CONTROLLER 1	C4-5
ELECTRIC MOTOR	C2
ELECTRICAL 1	C6-7
FRAME	A5
FRONT SUSPENSION WHEEL	A6-7
HEADLIGHT	C3
REAR ARM SUSPENSION	A4
REAR AXLE MOUNT WHEEL	B5
SEAT	C1
STEERING	A8-9
TRANSAXLE	B3-4

## HEADLIGHT

Ref. No.	Part Number	Description	Qty	Remarks
1	5FU-H4314-00-00	BULB, HEADLIGHT (12V-30/30W)	2	
2	5FU-H4320-00-00	LENS ASSY	2	
3	5FU-H4340-00-00	SOCKET CORD ASSY 1	2	
4	JU7-H411T-02-00	HOLDER, 1	1	LH
5	JU7-H411U-02-00	HOLDER, 2	1	RH
6	98507-03540-00	SCREW, PAN HEAD	2	
7	2GU-84332-00-00	SPRING, COMPRESSION	2	
8	2GU-84334-00-00	NUT, ADJUSTING	2	
9	90150-05802-00	SCREW, ROUND HEAD	4	
10	90183-05008-00	NUT, SPRING	4	
11	JU7-H5415-00-00	MARK, SIGNAL LAMP	2	
12	JU7-H3547-00-00	COVER, SOCKET	2	
13	JU7-H4118-01-00	STAY, HEADLIGHT 1	2	
14	JU7-H4119-01-00	STAY, HEADLIGHT 2	2	
15	97707-40112-00	SCREW, TAPPING	4	

### CONTENTS

ACCELERATOR	B2
BODY	B7-8
BODY 2	B9
BODY FITTING	B10
BRAKE	A10-11
BRAKE 2	A12
BRAKE 3	B1
BUMPER	B6
CARRIER	B11-12
CONTROLLER 1	C4-5
ELECTRIC MOTOR	C2
ELECTRICAL 1	C6-7
FRAME	A5
FRONT SUSPENSION WHEEL	A6-7
HEADLIGHT	C3
REAR ARM SUSPENSION	A4
REAR AXLE MOUNT WHEEL	B5
SEAT	C1
STEERING	A8-9
TRANSAXLE	B3-4

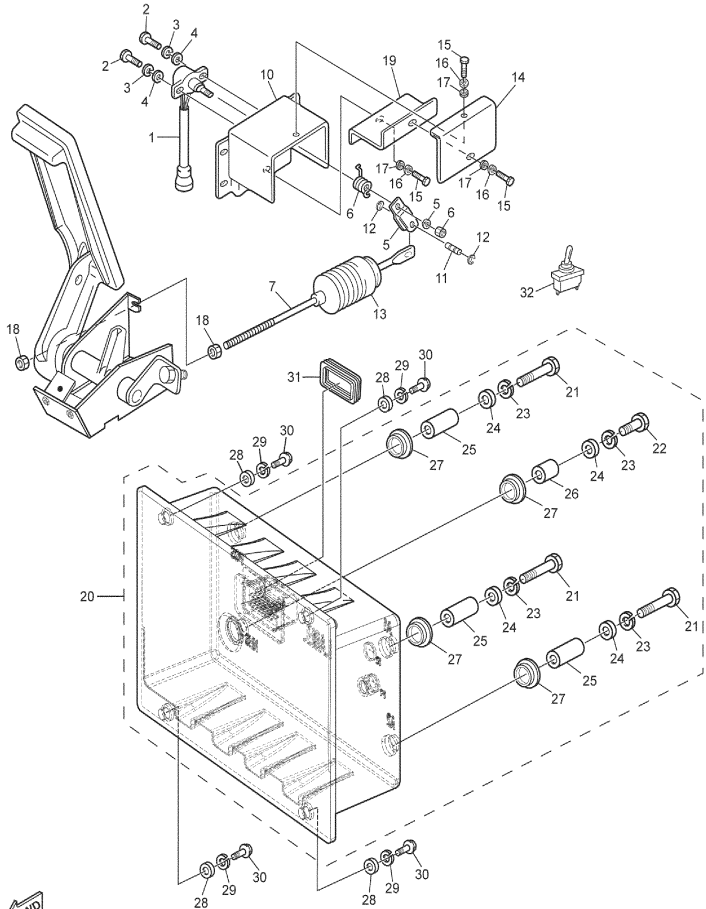


## CONTROLLER 1

Ref. No.	Part Number	Description	Qty	Remarks
1	JR1-85885-00-00	THROTTLE SENSOR ASSY ...	1	
2	98507-05016-00	SCREW, PAN HEAD .....	3	
3	92907-05100-00	WASHER, SPRING .....	3	
4	92907-05600-00	WASHER, PLATE .....	3	
5	JF3-2625H-00-00	ARM, THROTTLE .....	1	
6	JF3-27825-00-00	SPRING, RETURN .....	1	
7	JU2-F7241-00-00	ROD, JOINT .....	1	
8	9290P-06100-00	WASHER .....	1	
9	95307-06600-00	NUT .....	1	
10	JF3-27981-00-00	BRACKET, THROTTLE .....	1	
11	JF3-27813-00-00	PIN, PEDAL CRANK .....	1	
12	99002-04600-00	CIRCLIP .....	2	
13	JN4-F7486-00-00	COVER 1 .....	1	
14	JF3-27487-00-00	COVER 2 .....	1	
15	97007-05016-00	BOLT .....	6	
16	92907-05100-00	WASHER, SPRING .....	6	
17	92907-05600-00	WASHER, PLATE .....	6	
18	95307-08700-00	NUT .....	2	
19	JF3-27445-00-00	PLATE 1 .....	1	
20	JU6-H6510-00-00	MOTOR CONTROL UNIT ASSY	1	
21	JU2-H332G-00-00	. BOLT, SPECIAL 1 .....	3	
22	JU2-H332H-00-00	. BOLT, SPECIAL 2 .....	1	
23	JU2-H2534-00-00	. WASHER, LOCK .....	4	
24	JU2-H2558-00-00	. WASHER .....	4	
25	JU2-H252S-00-00	SPACER, 1 .....	3	
26	JU2-H253S-00-00	SPACER, 2 .....	1	
27	JU2-H6115-00-00	GROMMET .....	4	
28	92907-06600-00	WASHER, PLATE .....	4	
29	92907-06100-00	WASHER, SPRING .....	4	
30	97007-06020-00	BOLT .....	4	

### CONTENTS

ACCELERATOR	B2
BODY	B7-8
BODY 2	B9
BODY FITTING	B10
BRAKE	A10-11
BRAKE 2	A12
BRAKE 3	B1
BUMPER	B6
CARRIER	B11-12
CONTROLLER 1	C4-5
ELECTRIC MOTOR	C2
ELECTRICAL 1	C6-7
FRAME	A5
FRONT SUSPENSION WHEEL	A6-7
HEADLIGHT	C3
REAR ARM SUSPENSION	A4
REAR AXLE MOUNT WHEEL	B5
SEAT	C1
STEERING	A8-9
TRANSAXLE	B3-4



JU6100-5191

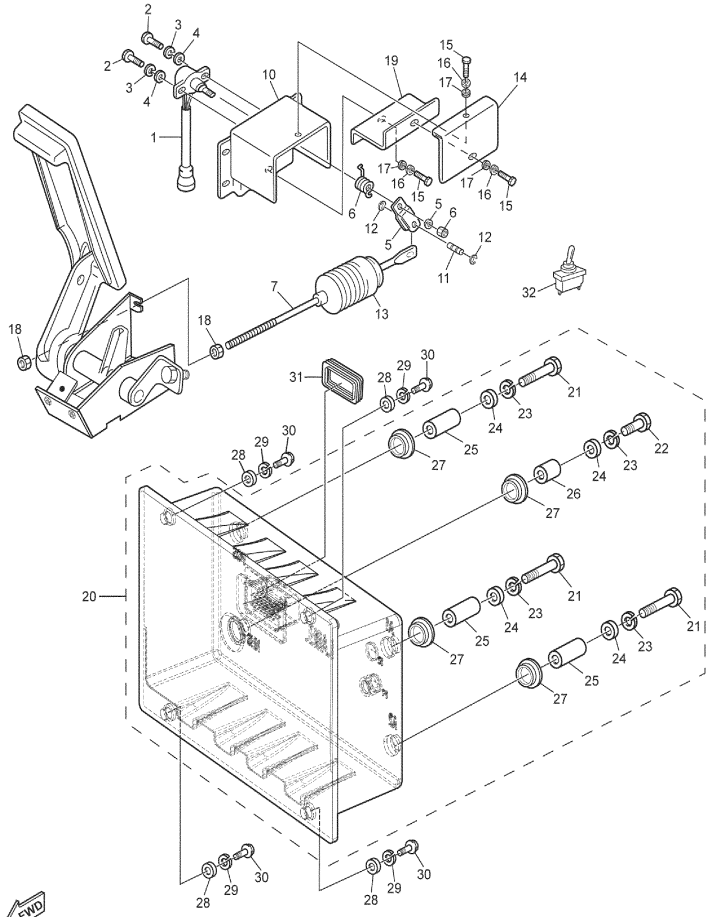
CONTINUED ON NEXT FRAME ►

## CONTROLLER 1

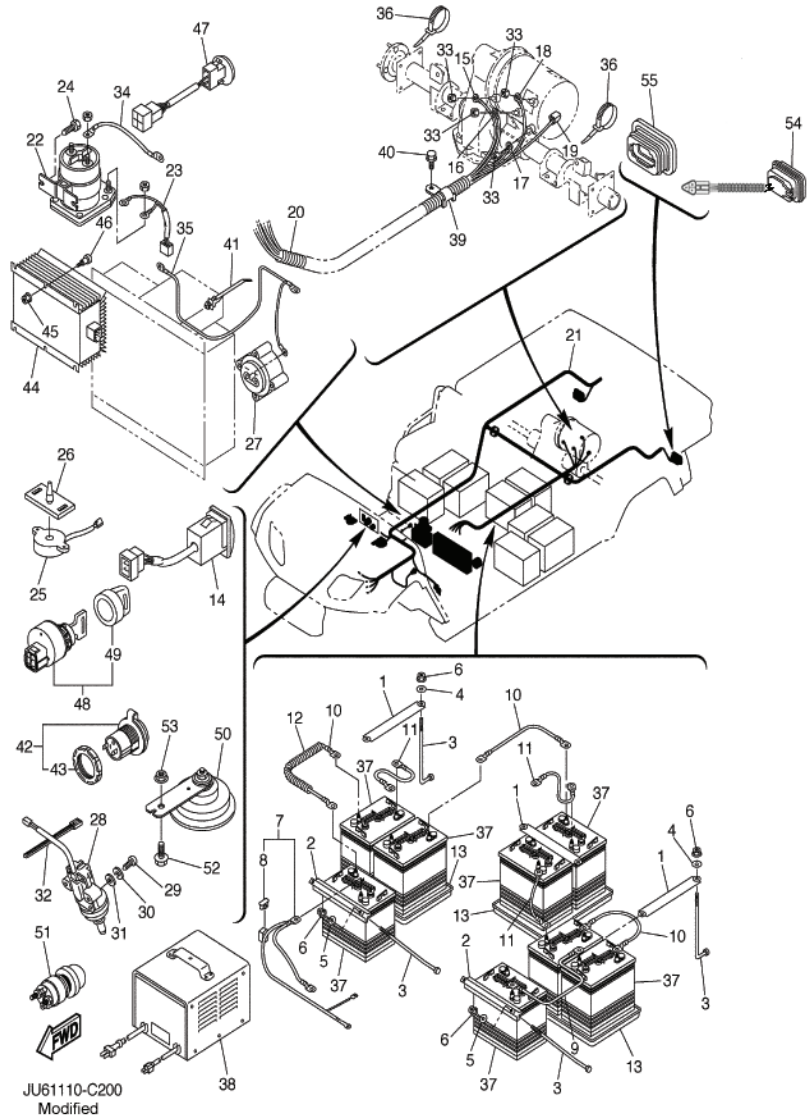
Ref. No.	Part Number	Description	Qty	Remarks
31	JR1-H215D-00-00	SEAL MCU, CANNON PLUG . . .	1	
32	JR1-H2727-00-00	SWITCH . . . . .	1	

### CONTENTS

ACCELERATOR	B2
BODY	B7-8
BODY 2	B9
BODY FITTING	B10
BRAKE	A10-11
BRAKE 2	A12
BRAKE 3	B1
BUMPER	B6
CARRIER	B11-12
CONTROLLER 1	C4-5
ELECTRIC MOTOR	C2
ELECTRICAL 1	C6-7
FRAME	A5
FRONT SUSPENSION WHEEL	A6-7
HEADLIGHT	C3
REAR ARM SUSPENSION	A4
REAR AXLE MOUNT WHEEL	B5
SEAT	C1
STEERING	A8-9
TRANSAXLE	B3-4



JU6100-5191



## ELECTRICAL 1

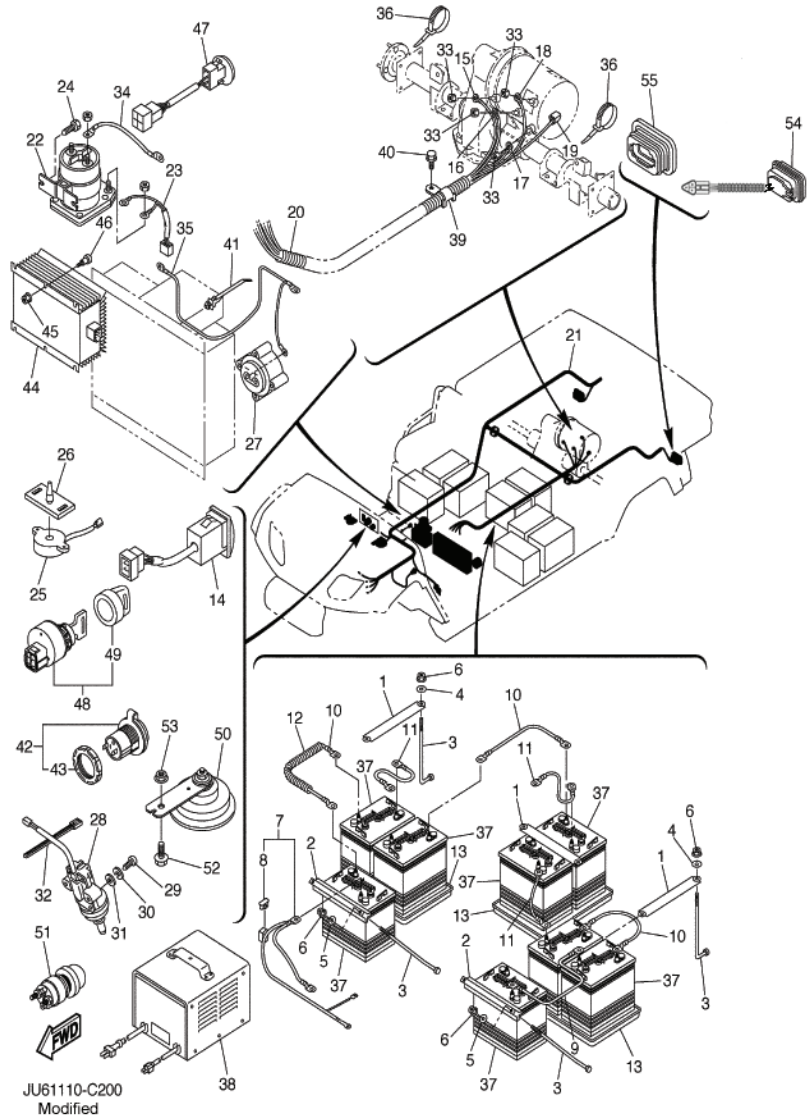
Ref. No.	Part Number	Description	Qty	Remarks
1	JF3-H2136-00-00	PLATE, BATTERY FITTING ...	3	
2	J55-H2136-00-00	PLATE, BATTERY FITTING ...	2	
3	JN4-H2133-00-00	SCREW, FITTING .....	10	
4	90201-068R7-00	WASHER, PLATE .....	6	
5	9290P-06200-00	WASHER .....	4	
6	95707-06500-00	NUT, FLANGE .....	10	
7	JU6-H2115-00-00	WIRE, PLUS LEAD .....	1	
8	JN6-H2151-00-00	. FUSE (10 A) .....	1	
9	JU6-H2148-00-00	WIRE, LEAD 4 .....	1	
10	JU6-H2127-00-00	WIRE, LEAD 2 .....	3	
11	JU6-H2149-00-00	WIRE, LEAD 3 .....	3	
12	JU6-H7197-00-00	TUBE 2 .....	1	
13	J56-H2123-00-00	SEAT, BATTERY .....	3	
14	JR1-H2917-10-00	SWITCH .....	1	
15	JU6-H2521-00-00	WIRE, LEAD .....	1	
16	JU6-H2531-00-00	WIRE, LEAD .....	1	
17	JU6-H6171-00-00	WIRE, LEAD 1 .....	1	
18	JU6-H6172-00-00	WIRE, LEAD 2 .....	1	
19	JU6-H2386-00-00	EXTENSION, WIRE HARNESS .	1	
20	JU6-H7196-00-00	TUBE 1 .....	1	
21	JU6-H2590-01-00	WIRE HARNESS ASSY .....	1	
22	JU6-H1950-00-00	RELAY ASSY .....	1	
23	JN6-H2105-00-00	WIRE HARNESS .....	1	
24	90163-06005-00	SCREW, TAPPING .....	2	
25	JR1-H3383-01-00	BUZZER .....	1	
26	JN6-H3386-01-00	STAY, BUZZER .....	1	
27	JR1-H6181-02-00	RECEPTACLE .....	1	
28	JF7-82817-20-00	SWITCH .....	1	
29	98507-05025-00	SCREW, PAN HEAD .....	2	
30	92907-05100-00	WASHER, SPRING .....	2	

## CONTENTS

ACCELERATOR	B2
BODY	B7-8
BODY 2	B9
BODY FITTING	B10
BRAKE	A10-11
BRAKE 2	A12
BRAKE 3	B1
BUMPER	B6
CARRIER	B11-12
CONTROLLER 1	C4-5
ELECTRIC MOTOR	C2
ELECTRICAL 1	C6-7
FRAME	A5
FRONT SUSPENSION WHEEL	A6-7
HEADLIGHT	C3
REAR ARM SUSPENSION	A4
REAR AXLE MOUNT WHEEL	B5
SEAT	C1
STEERING	A8-9
TRANSAXLE	B3-4

CONTINUED ON NEXT FRAME ►





## ELECTRICAL 1

Ref. No.	Part Number	Description	Qty	Remarks
31	92907-05600-00	WASHER, PLATE	2	
32	90464-40825-00	CLAMP	4	
33	JG6-H1872-00-00	NUT, SPECIAL	4	
34	JU6-H6527-00-00	WIRE 7	1	
35	JU6-H6521-00-00	WIRE 1	1	
36	90464-14806-00	CLAMP	7	
37	JN8-H2110-40-00	BATTERY ASSY	8	LM
38	JR1-H2107-03-00	CHARGER, BATTERY	1	
39	90462-20186-00	CLAMP	3	
40	90105-06876-00	BOLT, FLANGE	3	
41	90464-25800-00	CLAMP	1	
42	5FU-H1920-10-00	TERMINAL ASSY	1	
43	5FU-H191B-10-00	. NUT	1	
44	JU6-H1910-00-00	VOLTAGE REGULATOR ASSY	1	
45	95707-05300-00	NUT, FLANGE	4	
46	90111-05801-00	BOLT	4	
47	JU2-HA2F0-00-00	TRANSMITTER UNIT	1	
48	JU6-H2510-10-00	MAIN SWITCH ASSY	1	COMMON KEY SWITCH ASSY SEE NOTE A & NOTE B
49	5UG-H2579-00-00	. CAP, KEY	1	
50	4LR-83371-10-00	HORN	1	
51	JR6-H270X-00-00	SWITCH	1	
52	9582P-06016-00	BOLT, FLANGE	1	
53	95707-06500-00	NUT, FLANGE	1	
54	JU5-H4700-10-00	TAILLIGHT ASSY	2	
55	JU5-H4718-00-00	GROMMET	2	

## CONTENTS

ACCELERATOR	B2
BODY	B7-8
BODY 2	B9
BODY FITTING	B10
BRAKE	A10-11
BRAKE 2	A12
BRAKE 3	B1
BUMPER	B6
CARRIER	B11-12
CONTROLLER 1	C4-5
ELECTRIC MOTOR	C2
ELECTRICAL 1	C6-7
FRAME	A5
FRONT SUSPENSION WHEEL	A6-7
HEADLIGHT	C3
REAR ARM SUSPENSION	A4
REAR AXLE MOUNT WHEEL	B5
SEAT	C1
STEERING	A8-9
TRANSAXLE	B3-4

NOTE A: COMMON KEY PN JU6-H2511-10-00 (KEY CODE #8002)

NOTE B: OPTIONAL RANDOM KEY MAIN SW PN JU6-H2510-00-00