

**DID YOU
KNOW?**

CartPros directs you to the right part using the part numbers from this manual. Enter the part number into our search box and it will find the part you are looking for.

**GET STARTED
HERE**

→ <https://CartPros.com/f.html>

Club Car[®]

1995 - 1996 ILLUSTRATED PARTS LIST



**TOURALL, RESORT VILLAGER,
TRANS-PORTER/TRANS-SENDER**

MANUAL NUMBER 1018862-03
PRINT CODE 0196B1008A

**DID YOU
KNOW?**

CartPros directs you to the right part using the part numbers from this manual. Enter the part number into our search box and it will find the part you are looking for.

**GET STARTED
HERE**



<https://CartPros.com/f.html>

USING THE ILLUSTRATED PARTS LIST

WARNING

- **THIS MANUAL IS TO BE USED ONLY FOR IDENTIFICATION AND ORDERING OF SERVICE PARTS. BE SURE TO READ AND USE THE MAINTENANCE AND SERVICE MANUAL BEFORE ATTEMPTING ANY VEHICLE REPAIRS.**

This manual covers all 1995 and 1996 Club Car Transportation vehicles. This includes Tourall, Resort Villager, Trans-porter and Trans-sender models. There were numerous product changes affecting many 1995 and 1996 Transportation vehicles, and these changes are also covered in this manual.

The manual is divided into 17 sections. Sections 1 through 4 pertain to both gasoline and electric vehicles, sections 5 through 11 pertain to gasoline vehicles only, sections 12 through 15 pertain to electric vehicles only, and sections 16 and 17 pertain to both gasoline and electric vehicles. Note that there are two or three flags on the outside edge of each page. The first flag will contain the section number of which that page is a part. The other flag (or flags) will contain either the letter *G* or *E*, signifying that the page pertains to either the gasoline or electric vehicle only, or to both the gasoline and electric vehicles.

Use the Table of Contents to find the sections and pages that contain the parts and assemblies you seek. The Table of Contents lists section titles and numbers, and under them, the individual page titles and numbers to be found in that section.

You will also find vehicle models and serial numbers specified within the listings for individual page titles. These model and serial number specifications identify the vehicles on which parts usage as described on a particular page either began or ended. Have the serial number(s) of your vehicle(s) at hand and read the listings carefully when using the table of contents.

Typically, there is a two-page spread for each individual page title in the Table of Contents (however, some titles required several spreads). On the left-hand page is an illustration showing the parts in their relative positions; the parts are each tagged with an item number in a balloon. The right-hand page is the parts list page, and gives the page title at the top, then the item numbers (corresponding to the numbers on the illustration), part descriptions, and quantity of parts used. Some item numbers have more than one part number because several models and/or configurations of a component are represented together on one spread.

Note that a part description may be indented. This indentation corresponds to a parts assembly level indicated by the numbers 1, 2, 3, and 4 at the top left corner of the parts description area of the parts list page. A part that is indented to *level 2* is a component of the *level 1* part (assembly) that it is listed under. A *level 3* part is a component of the *level 2* part that it is listed under, and a *level 4* part is a component of the *level 3* part preceding it. In each case, the part quantity given for a level 2, 3, or 4 part *is the quantity used per next higher level assembly of which it is a component*. A part that is not indented is a level one part. This means that the quantity given is the quantity used per the portion of the vehicle illustrated on that particular spread.



P. O. Box 204658
Augusta, Georgia 30917-4658 USA
Telephone 706-863-3000
Service Parts Fax 706-855-7413

© 1996, CLUB CAR INC.

All rights reserved.

This manual effective August 1, 1995

Manual print code: 0196A00000



CONTENTS

BODY AND TRIM	SECTION 1
FRONT BODY	1-3
REAR BODY AND FENDER - TOURALL	1-5
FIRST SEAT AND SUPPORT STRUCTURE - TOURALL	1-7
SECOND SEAT AND COMPONENTS - TOURALL	1-9
REAR FOOTREST AND HANDRAILS - TOURALL	1-11
CENTER BODY AND TRIM - RESORT VILLAGER	1-13
REAR BODY AND FENDER - RESORT VILLAGER	1-15
SEATS AND SUPPORT STRUCTURES - RESORT VILLAGER	1-17
FIRST SEAT AND SUPPORT STRUCTURE - TRANS-PORTER/TRANS-SENDER	1-19
SECOND SEAT AND SUPPORT STRUCTURE - TRANS-PORTER/TRANS-SENDER	1-21
THIRD SEAT AND COMPONENTS - TRANS-SENDER	1-23
REAR FOOTREST AND HANDRAILS - TRANS-SENDER	1-25
REAR COVER - TRANS-PORTER/TRANS-SENDER	1-27
REAR CARGO BED - TRANS-PORTER	1-29
WHEELS AND TIRES	1-31
TRANSAXLE	SECTION 2
TRANSAXLE	2-3
BRAKES, PEDAL, AND CABLE ASSEMBLIES	SECTION 3
REAR BRAKE ASSEMBLY, SELF-ADJUSTING - TOURALL	3-3
REAR BRAKES, MANUALLY ADJUSTED - RESORT VILLAGER, TRANS-PORTER/TRANS-SENDER For 2 and 4-Wheel Brake Systems	3-5
BRAKE PEDAL AND CABLE ASSEMBLY - VEHICLES WITH 2-WHEEL BRAKING For Touralls, All Serial Numbers; For Resort Villagers, Trans-porter/Trans-senders Prior to Serial Number 9535-456328	3-7
BRAKE PEDAL AND CABLE ASSEMBLY - VEHICLES WITH 4-WHEEL BRAKING For Resort Villagers, Trans-porter/Trans-senders Serial Number 9535-456328 and Later	3-9
FRONT BRAKE ASSEMBLY - VEHICLES WITH 4-WHEEL BRAKING For Resort Villagers, Trans-porter/Trans-senders Serial Number 9535-456328 and Later	3-11
ACCELERATOR PEDAL ASSEMBLY, ELECTRIC VEHICLE - TOURALL For Vehicles Prior to Serial Number 9529-445519	3-13
ACCELERATOR PEDAL ASSEMBLY - GASOLINE VEHICLES AND ELECTRIC RESORT VILLAGER, TRANS-PORTER/TRANS-SENDER For Vehicles Prior to Serial Number 9529-445519	3-15
ACCELERATOR PEDAL ASSEMBLY For Vehicles Serial Number 9529-445519 and Later	3-17
STEERING AND SUSPENSION	SECTION 4
STEERING COLUMN	4-3
STEERING GEAR ASSEMBLY	4-5
FRONT SUSPENSION, UPPER - VEHICLES WITH 2-WHEEL BRAKING For All Tourall Vehicles; For Resort Villagers, Trans-porter/Trans-senders Prior to Serial Number 9535-456328	4-7
FRONT SUSPENSION, LOWER - VEHICLES WITH 2-WHEEL BRAKING For All Tourall Vehicles; For Resort Villagers, Trans-porter/Trans-senders Prior to Serial Number 9535-456328	4-9
FRONT SUSPENSION, UPPER - VEHICLES WITH 4-WHEEL BRAKING For Resort Villagers, Trans-porter/Trans-senders Serial Number 9535-456328 and Later	4-11
FRONT SUSPENSION, LOWER - VEHICLES WITH 4-WHEEL BRAKING For Resort Villagers, Trans-porter/Trans-senders Serial Number 9535-456328 and Later	4-13

CONTENTS

ELECTRICAL SYSTEM - GASOLINE VEHICLES	SECTION	5
FORWARD AND REVERSE SHIFTER ASSEMBLY - GASOLINE VEHICLES	5-3	
WIRING, GASOLINE VEHICLE - TOURALL	5-5	
ELECTRICAL COMPONENT BOX, GASOLINE VEHICLE - TOURALL	5-7	
ELECTRICAL COMPONENTS, GASOLINE VEHICLE - TOURALL	5-9	
WIRING, GASOLINE VEHICLES - RESORT VILLAGER, TRANS-PORTER/TRANS-SENDER	5-11	
ELECTRICAL COMPONENT BOX, GASOLINE VEHICLES - RESORT VILLAGER, TRANS-PORTER/TRANS-SENDER	5-13	
ELECTRICAL COMPONENTS, FRONT BODY, GASOLINE - RESORT VILLAGER, TRANS-PORTER/TRANS-SENDER	5-15	
CONTROLS AND GAUGES, GASOLINE VEHICLES - RESORT VILLAGER, TRANS-PORTER/TRANS-SENDER	5-17	
ELECTRICAL COMPONENTS, REAR BODY, GASOLINE VEHICLE - RESORT VILLAGER	5-19	
ELECTRICAL COMPONENTS, REAR BODY, GASOLINE - TRANS-PORTER/TRANS-SENDER	5-21	
STARTER/GENERATOR ASSEMBLY For Vehicles Prior to Serial Number 9533-452031	5-23	
STARTER/GENERATOR ASSEMBLY For Vehicles Serial Number 9533-452031 and Later	5-25	
STARTER/GENERATOR MOUNTING	5-27	
BATTERY MOUNTING - GASOLINE VEHICLES	5-29	
ENGINE	SECTION	6
FE 290 ENGINE - TOURALL	6-3 - 6-13	
FE 350 ENGINE - RESORT VILLAGER, TRANS-PORTER/TRANS-SENDER	6-15 - 6-25	
FUEL, INTAKE, AND GOVERNOR SYSTEMS	SECTION	7
FUEL SYSTEM	7-3	
CARBURETOR ASSEMBLY, FE 290 - TOURALL	7-5	
CARBURETOR ASSEMBLY, FE 350 - RESORT VILLAGER, TRANS-PORTER/TRANS-SENDER	7-7	
CARBURETOR INSTALLATION	7-9	
GOVERNOR AND ACCELERATOR CABLES	7-11	
EXPANSION CHAMBER, CHOKE, AND FILTER, FE 290 - TOURALL	7-13	
EXPANSION CHAMBER, CHOKE, AND FILTER, FE 350 - RESORT VILLAGER, TRANS-PORTER/TRANS-SENDER	7-15	
EXHAUST SYSTEM	SECTION	8
EXHAUST SYSTEM, FE 290 ENGINE - TOURALL	8-3	
EXHAUST SYSTEM, FE 350 ENGINE - RESORT VILLAGER, TRANS-PORTER/TRANS-SENDER	8-5	
TORQUE CONVERTER	SECTION	9
DRIVE CLUTCH	9-3	
DRIVEN CLUTCH	9-5	
TRANSMISSION	SECTION	10
TRANSMISSION	10-3 - 10-5	
REAR SUSPENSION - GASOLINE VEHICLES	SECTION	11
REAR SUSPENSION - GASOLINE VEHICLES	11-3	
STABILIZER BAR - GASOLINE VEHICLES WITH 350 ENGINES	11-5	
INNER FRAME - GASOLINE VEHICLES	11-7	

CONTENTS

ELECTRICAL SYSTEM - ELECTRIC VEHICLES	SECTION	12
FORWARD AND REVERSE SWITCH - ELECTRIC VEHICLES	12-3	
ON-BOARD COMPUTER - TOURALL, RESORT VILLAGER	12-5	
ON-BOARD COMPUTER - TRANS-PORTER/TRANS-SENDER	12-7	
MULTI-STEP POTENTIOMETER		
For Vehicles Prior to Serial Number 9529-445799	12-9	
CONTINUOUSLY VARIABLE POTENTIOMETER		
For Vehicles Serial Number 9529-445799 and Later	12-11	
WIRING -TOURALL WITH MULTI-STEP POTENTIOMETER		
For Vehicles Prior to Serial Number 9529-445799	12-13	
WIRING -TOURALL WITH CONTINUOUSLY VARIABLE POTENTIOMETER		
For Vehicles Serial Number 9529-445799 and Later	12-15	
ELECTRICAL COMPONENTS, FRONT BODY, ELECTRIC VEHICLE - TOURALL	12-17	
ELECTRICAL COMPONENTS, REAR BODY, ELECTRIC VEHICLE - TOURALL	12-19 - 12-21	
WIRING - RESORT VILLAGER WITH MULTI-STEP POTENTIOMETER		
For Vehicles Prior to Serial Number 9529-445799	12-23	
WIRING - RESORT VILLAGER WITH CONTINUOUSLY VARIABLE POTENTIOMETER		
For Vehicles Serial Number 9529-445799 and Later	12-25	
ELECTRICAL COMPONENTS, CENTER BODY, (EARLY MODEL) ELECTRIC - RESORT VILLAGER		
For Vehicles Made in Early 1995	12-27	
ELECTRICAL COMPONENTS, REAR BODY, (EARLY MODEL) ELECTRIC - RESORT VILLAGER		
For Vehicles Made in Early 1995	12-29	
ELECTRICAL COMPONENTS, REAR BODY, (LATE MODEL) ELECTRIC - RESORT VILLAGER		
For Vehicles Made in Late 1995 and All 1996	12-31 - 12-35	
WIRING - TRANS-PORTER/TRANS-SENDER WITH MULTI-STEP POTENTIOMETER		
For Vehicles Prior to Serial Number 9529-445799	12-37	
WIRING - TRANS-PORTER/TRANS-SENDER WITH CONTINUOUSLY VARIABLE POTENTIOMETER		
For Vehicles Serial Number 9529-445799 and Later	12-39	
ELECTRICAL COMPONENTS, FRONT BODY, ELECTRIC - RESORT VILLAGER, TRANS-PORTER/TRANS-SENDER	12-41	
CONTROLS AND GAUGES, ELECTRIC VEHICLES - RESORT VILLAGER, TRANS-PORTER/TRANS-SENDER	12-43	
ELECTRICAL COMPONENTS, CENTER BODY - TRANS-PORTER/TRANS-SENDER	12-45 - 12-47	
ELECTRICAL COMPONENTS, REAR BODY, ELECTRIC - TRANS-PORTER/TRANS-SENDER	12-49	
BATTERY CHARGERS	SECTION	13
POWERDRIVE CHARGER, DOMESTIC - TOURALL, RESORT VILLAGER	13-3	
POWERDRIVE CHARGER, EXPORT - TOURALL, RESORT VILLAGER	13-5	
ON-BOARD POWERDRIVE CHARGER, DOMESTIC - TRANS-PORTER/TRANS-SENDER	13-7	
ON-BOARD POWERDRIVE CHARGER, EXPORT - TRANS-PORTER/TRANS-SENDER	13-9	
ELECTRIC MOTOR	SECTION	14
MOTOR, POWERDRIVE 48 VOLT	14-3	
REAR SUSPENSION - ELECTRIC VEHICLES	SECTION	15
REAR SUSPENSION - ELECTRIC VEHICLES	15-3	
SAFETY DECALS	SECTION	16
SAFETY DECALS - TOURALL	16-3 - 16-5	
SAFETY DECALS - RESORT VILLAGER	16-7 - 16-9	
SAFETY DECALS - TRANS-PORTER/TRANS-SENDER	16-11 - 16 -15	

**DID YOU
KNOW?**

CartPros directs you to the right part using the part numbers from this manual. Enter the part number into our search box and it will find the part you are looking for.

**GET STARTED
HERE**

→ <https://CartPros.com/f.html>

CONTENTS

MAINTENANCE AND SERVICE TOOLS

SECTION 17

THE LAST SECTION OF THIS MANUAL CONTAINS A LIST OF MAINTENANCE AND SERVICE TOOLS AVAILABLE FROM CLUB CAR.

**DID YOU
KNOW?**

CartPros directs you to the right part using the part numbers from this manual. Enter the part number into our search box and it will find the part you are looking for.

**GET STARTED
HERE**



<https://CartPros.com/f.html>

**DID YOU
KNOW?**

CartPros directs you to the right part using the part numbers from this manual. Enter the part number into our search box and it will find the part you are looking for.

**GET STARTED
HERE**



<https://CartPros.com/f.html>

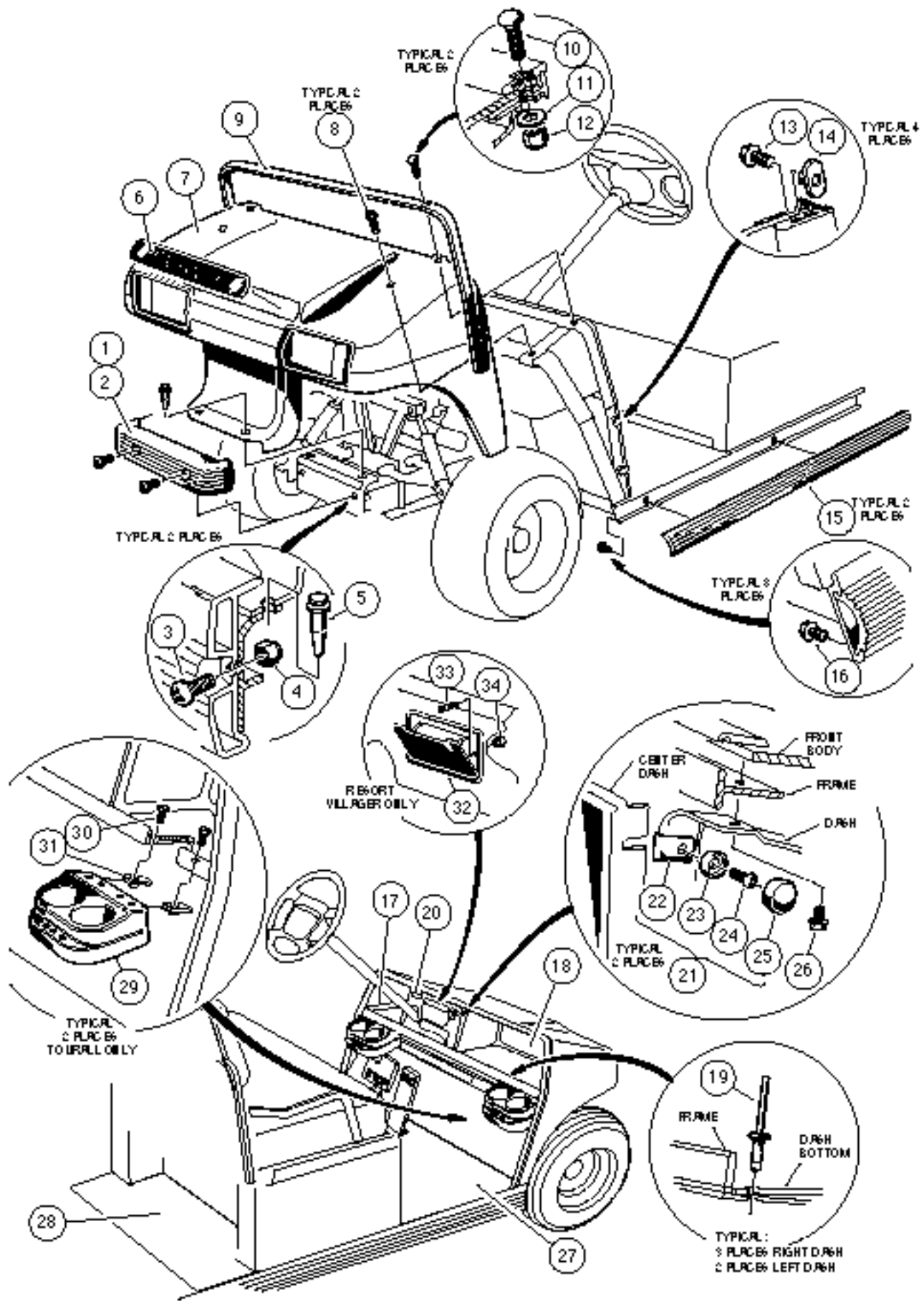
BODY AND TRIM

1

G

E

1
G
E





FRONT BODY

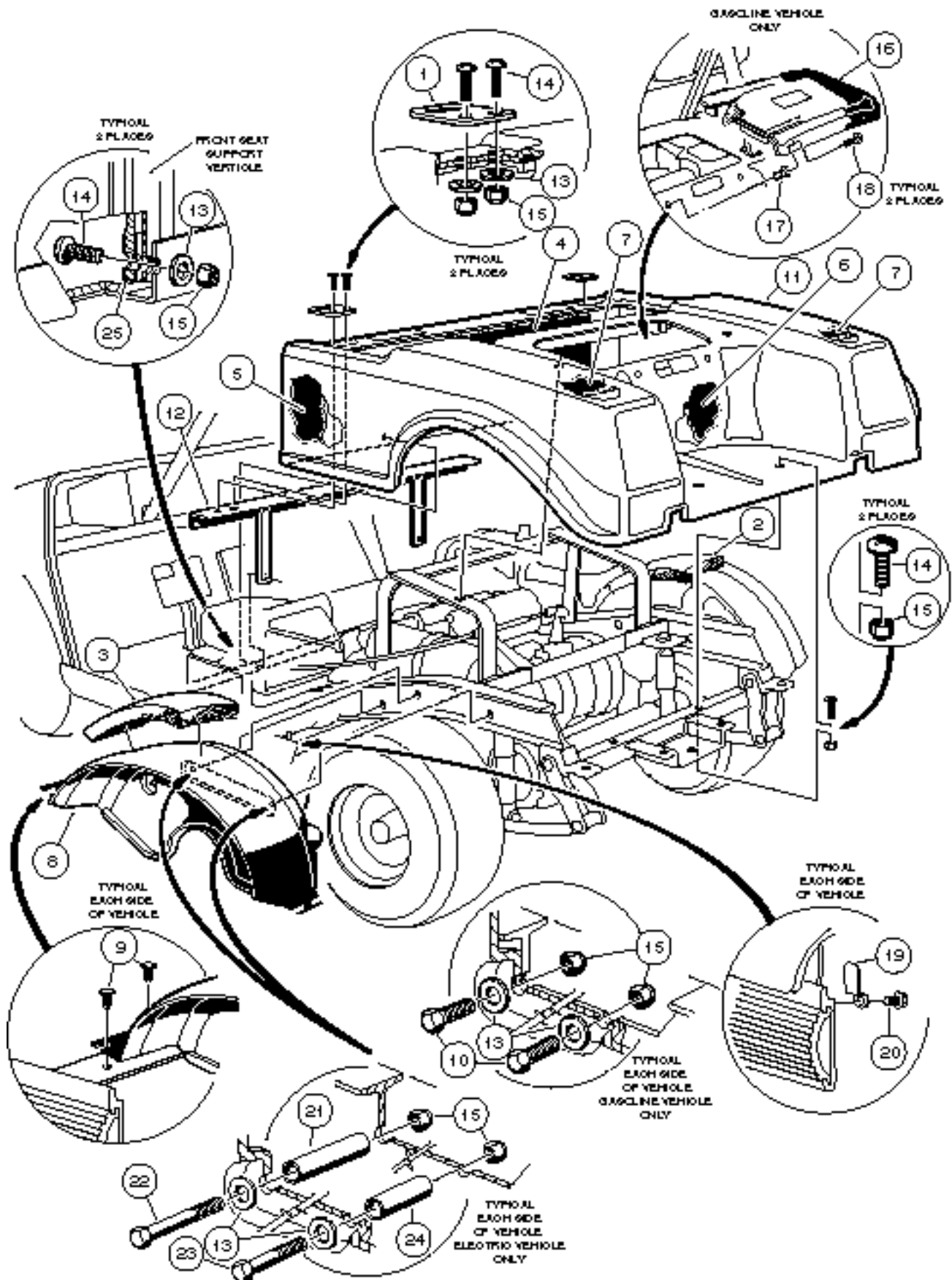
1

G

E

ITEM	PART NO.	DESCRIPTION	QTY GAS	QTY ELEC
		1 2 3 4		
1	1017080	KIT, FRONT BUMPER (INCLUDES ITEMS 2 - 5)	1	1
2	1016868	BUMPER, FRONT	1	1
3	0007251	SCREW, PHILLIPS TRUSS HEAD, 5/16 - 18 x 1	2	2
4	0007473	NUT, NYLON LOCK, 5/16 - 18	2	2
5	1016967	RIVET, BLIND PUSH TYPE	2	2
6	1016702	NAMEPLATE, SILVER	1	1
7	1016925-04	BODY, FRONT - GRAY	1	1
7	1016939-01	BODY, FRONT WITH HEADLIGHT OPENING - BEIGE	1	1
7	1016939-02	BODY, FRONT WITH HEADLIGHT OPENING - WHITE	1	1
7	1016939-04	BODY, FRONT WITH HEADLIGHT OPENING - GRAY	1	1
7	1016939-06	BODY, FRONT WITH HEADLIGHT OPENING - RED	1	1
7	1016939-08	BODY, FRONT WITH HEADLIGHT OPENING - DARK BLUE	1	1
7	1016939-09	BODY, FRONT WITH HEADLIGHT OPENING - DARK GREEN	1	1
8	0007251	SCREW, PHILLIPS TRUSS HEAD, 5/16 - 18 x 1	2	2
9	1011014	TRIM, FRONT BODY	1	1
10	1010435	BOLT, CARRIAGE, 5/16 - 18 x 1	2	2
11	0001241	WASHER, FLAT, 5/16	2	2
12	0007473	NUT, NYLON LOCK, 5/16 - 18	2	2
13	1011017	SCREW, FLANGE LOCK, 8 - 32 x 3/8	6	6
14	1011394	NUT, SLAB BASE "T" (PACKAGE OF 4 PIECES)	1	1
15	1013983	TRIM, SIDE BUMPER GUARD (TOURALL ONLY)	2	2
15	1016711	TRIM, SIDE BUMPER GUARD (RESORT VILLAGER, TRANS-PORTER/TRANS-SENDER)	2	2
16	1012047	SCREW, SELF-TAPPING, #8 - 32 x 3/8	8	8
17	1013344	COMPONENT, LEFT DASH, BLACK	1	1
18	1013343	COMPONENT, RIGHT DASH, BLACK	1	1
19	0007973	RIVET, ALUMINUM POP, 3/16	5	5
20	1016604-04	PANEL, CENTER DASH (FOR ALL VEHICLES SERIAL NUMBER 9522-436452 AND LATER)	1	1
20	1016620-02	PANEL, CENTER DASH (ELECTRIC VEHICLES ONLY) (FOR VEHICLES PRIOR TO SERIAL NUMBER 9522-436452)		1
20	1016620-03	PANEL, CENTER DASH, (GASOLINE VEHICLES ONLY) (FOR VEHICLES PRIOR TO SERIAL NUMBER 9522-436452)	1	
21	1014645	KIT, SNAP WASHER, BLACK (INCLUDES ITEMS 22 - 26)	1	1
22	N/A	NUT, SPEED, #10 - 32	1	1
23	N/A	WASHER, CUP, #10	1	1
24	N/A	SCREW, SHEET METAL, #10 x 3/4	1	1
25	N/A	COVER, SCREW HEAD	1	1
26	1011017	SCREW, FLANGE LOCK	2	2
27	1015032	MAT, FLOOR, FRONT	1	1
28	1017289	MAT, FLOOR, REAR (RESORT VILLAGER ONLY)	1	1
28	1016718	MAT, FLOOR, REAR (TRANS-PORTER/TRANS-SENDER ONLY)	1	1
29	1017083-01	KIT, DRINK HOLDER (INCLUDES ITEMS 30 AND 31) (TOURALL ONLY)	2	2
30	0007847	BOLT, HEX HEAD, 1/4 - 20 x 3/4	2	2
31	1016952	NUT, "U", 1/4 - 20	2	2
32	1011230	KIT, ASHTRAY (INCLUDES ITEMS 33 AND 34) (RESORT VILLAGER ONLY) ..	1	1
33	1011226	SCREW, OVAL COUNTERSUNK HEAD, #6 - 32 x 5/8 (RESORT VILLAGER)	2	2
34	1011229	NUT, "K" LOCK, #6 - 32 (RESORT VILLAGER)	2	2

1
G
E



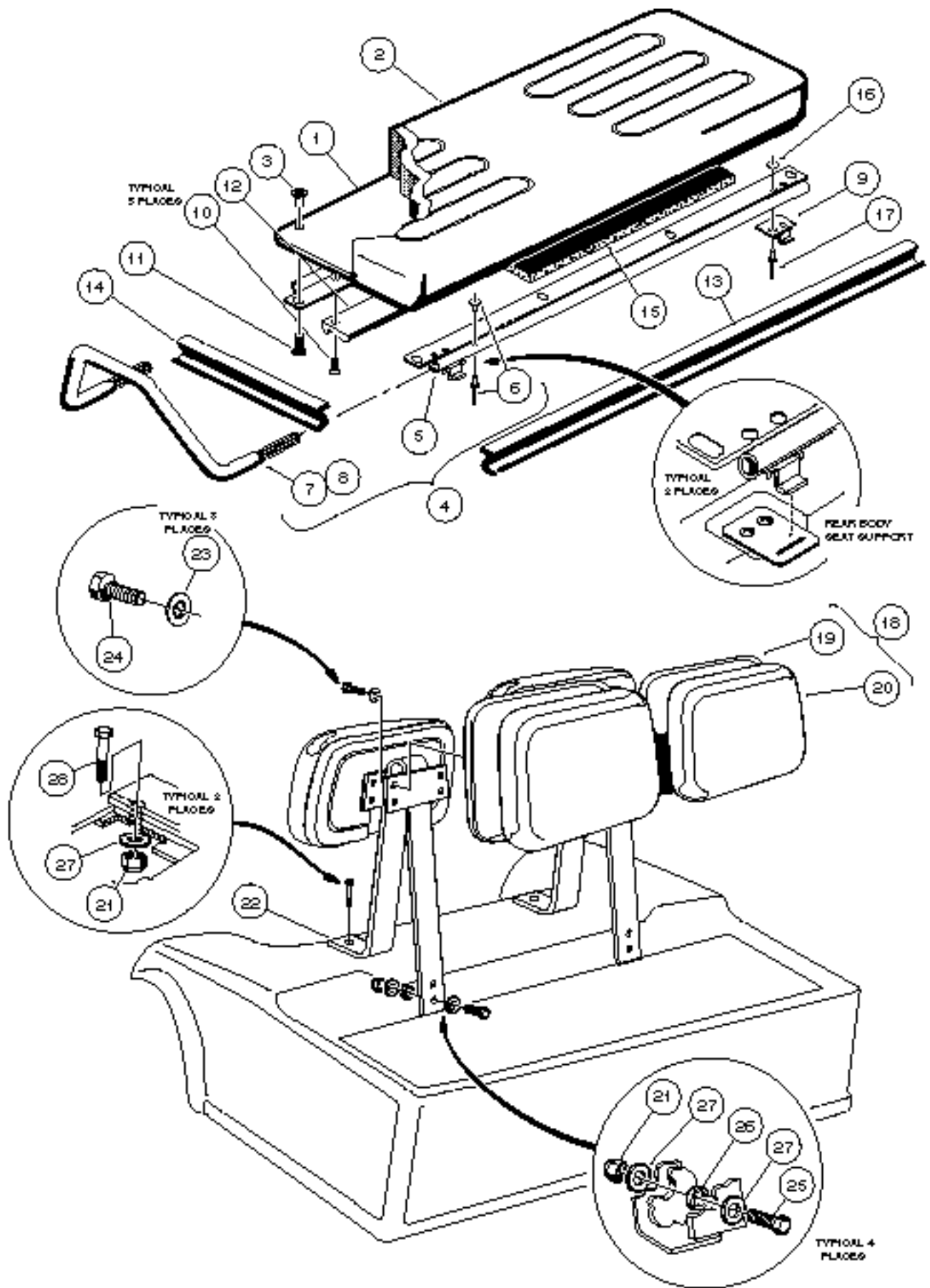


REAR BODY AND FENDER - TOURALL

1
G
E

ITEM	PART NO.	DESCRIPTION	QTY GAS	QTY ELEC
		1 2 3 4		
1	1012412	PLATE, BODY HINGE	2	2
2	1015422	INSULATION, SOUND, RIGHT SIDE FENDER, SHORT (GASOLINE VEHICLE ONLY)	1	
3	1015421	INSULATION, SOUND, LEFT SIDE FENDER, LONG (GASOLINE VEHICLE ONLY)	1	
4	1016963	INSULATION, SOUND, FRONT (GASOLINE VEHICLE ONLY)	1	
5	1017113	INSULATION, SOUND, LEFT SIDE BODY (GASOLINE VEHICLE ONLY)	1	
6	1015419	INSULATION, SOUND, BAGWELL AREA (GASOLINE VEHICLE ONLY)	1	
7	1015420	INSULATION, SOUND, BODY LEFT / RIGHT FENDER (GASOLINE VEHICLE ONLY)	2	
8	1017936	FENDER, INNER	2	2
9	1010434	BARREL, PLASTIC	4	4
10	0000304	SCREW, HEX HEAD CAP, 1/4 - 20 x 1 (GASOLINE VEHICLE ONLY)	4	
11	1016926-04	BODY, GRAY (GASOLINE VEHICLE ONLY)	1	
11	1016933-04	BODY, GRAY (ELECTRIC VEHICLE ONLY)		1
12	1017141	SUPPORT, FRONT BODY	1	1
13	0000332	WASHER, FLAT, 1/4	10	10
14	0008251	SCREW, PHILLIPS HEAD, 1/4 - 20 x 1	8	8
15	0008233	NUT, NYLON LOCK, 1/4 - 20	12	12
16	1015829-02	ASSEMBLY, ACCESS DOOR (BLACK) (GASOLINE VEHICLE ONLY)	1	
17	1015525	NUT, BLIND, 1/4 - 20 (GASOLINE VEHICLE ONLY)	2	
18	0008251	SCREW, PHILLIPS HEAD, 1/4 - 20 x 1 (GASOLINE VEHICLE ONLY)	2	
19	1017748	CLIP, BODY KEEPER	2	2
20	1012047	SCREW, SELF- TAPPING, #8 - 32 x 3/8	2	2
21	1017814	SPACER, 1 7/8 (ELECTRIC VEHICLE ONLY)		2
22	1012159	BOLT, HEX HEAD, 1/4 - 20 x 2 3/4 (ELECTRIC VEHICLE ONLY)		2
23	0007479	BOLT, HEX HEAD, 1/4 - 20 x 1 1/4 (ELECTRIC VEHICLE ONLY)		2
24	1017815	SPACER, 1/2 (ELECTRIC VEHICLE ONLY)		2
25	1019041-01	PLATE, BODY KICK	1	1

1
G
E

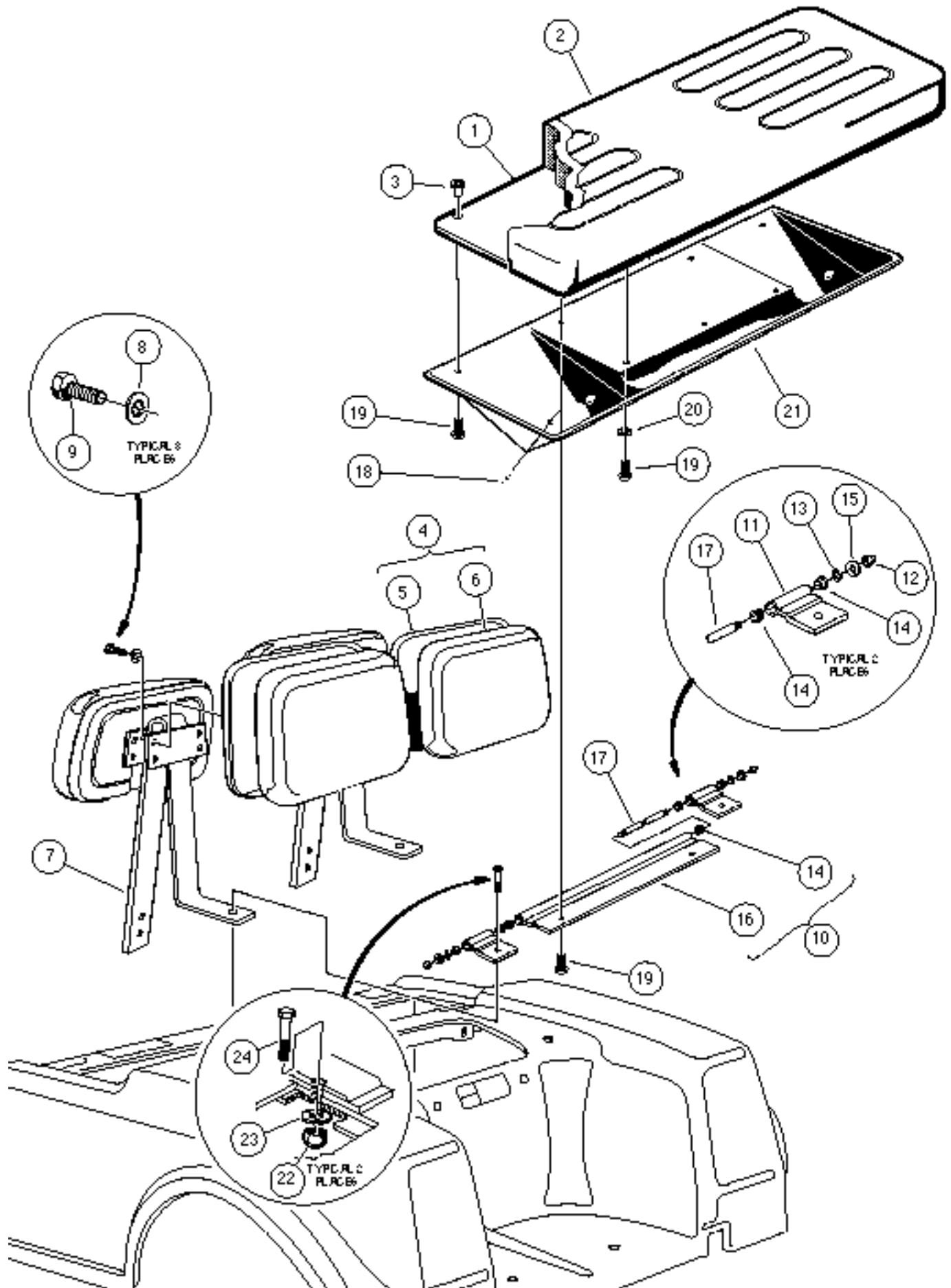


**STRUCTURE
TOURALL**

**1
G
E**

ITEM	PART NO.	DESCRIPTION	QTY GAS	QTY ELEC
		1 2 3 4		
1	1015648-05	ASSEMBLY, SEAT BOTTOM, WHITE (INCLUDES ITEMS 2 AND 3)	1	1
2	1015627-02	COVER, VINYL SEAT BOTTOM, WHITE	1	1
3	1010543	INSERT, WOOD	8	8
4	1015670	ASSEMBLY, ARMREST, SEAT BOTTOM (INCLUDES ITEMS 5 - 8)	1	1
5	1015625	BRACKET, SEAT SUPPORT	2	2
6	1012327	RIVET, MATING, 3/16	4	4
7	1011786	ASSEMBLY, ARMREST, LEFT	1	1
8	1011780	ASSEMBLY, ARMREST, RIGHT	1	1
9	1011652	PLATE, SEAT HINGE	2	2
10	1017384	SCREW, TYPE AB, #12 x 1/2	5	5
11	0000304	SCREW, HEX HEAD CAP, 1/4 - 20 x 1	8	8
12	1012597	BUMPER, SEAT	1	1
13	1012657	GASKET, SEAT, LONG (GASOLINE VEHICLE ONLY)	1	
14	1012656	GASKET, SEAT, SHORT (GASOLINE VEHICLE ONLY)	2	
15	1015417	INSULATION, SOUND (GASOLINE VEHICLE ONLY)	1	
16	1018817-01	WASHER, FLAT, STAINLESS STEEL, #8	4	4
17	1018809-01	RIVET, POP, STAINLESS STEEL, 3/16	4	4
18	1015652-02	ASSEMBLY, SEAT BACK, THIN, WHITE (INCLUDES ITEMS 19 AND 20)	2	2
19	1013335	CAP, SEAT BACK, BLACK	2	2
20	1015626-02	COVER, VINYL SEAT BACK, WHITE	2	2
21	0007473	NUT, NYLON LOCK, 5/16 - 18	6	6
22	1011182	SUPPORT, SEAT BACK	2	2
23	0008304	WASHER, LOCK, INTERNAL TOOTH, 1/4	8	8
24	0007847	SCREW, HEX HEAD, 1/4 - 20 x 3/4	8	8
25	0001218	SCREW, HEX HEAD CAP, 5/16 - 18 x 1 1/4	4	4
26	1017774	SPACER, BODY	4	4
27	0001241	WASHER, FLAT, 5/16	10	10
28	1010557	BOLT, HEX HEAD, 5/16 - 18 x 1 1/2	2	2

1
G
E

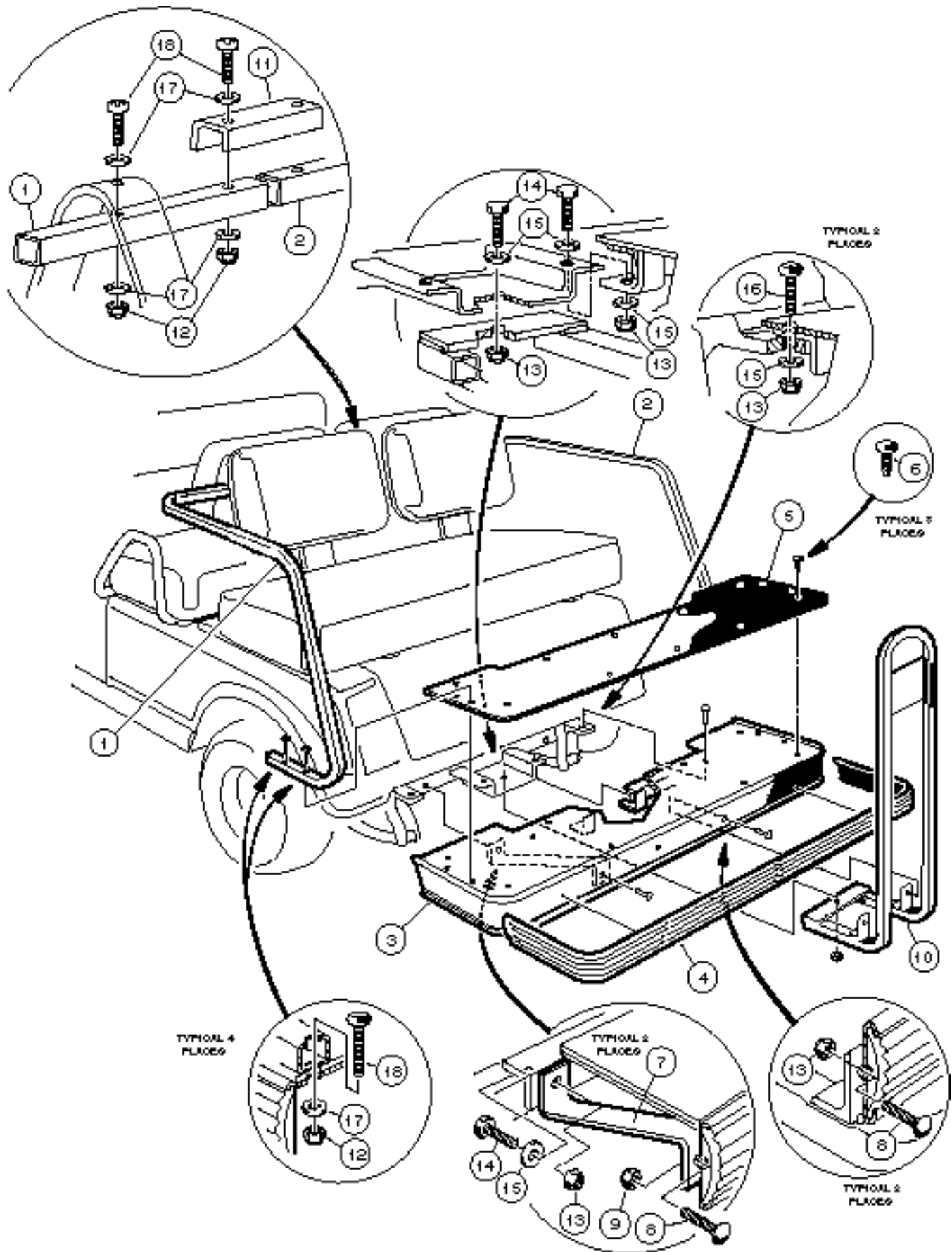


SECOND SEAT AND COMPONENTS - TOURALL

1
G
E

ITEM	PART NO.	DESCRIPTION	QTY GAS	QTY ELEC
		1 2 3 4		
1	1015648-05	ASSEMBLY, SEAT BOTTOM, WHITE (INCLUDES ITEMS 2 AND 3)	1	1
2	1015627-02	COVER, VINYL SEAT BOTTOM, WHITE	1	1
3	1010543	INSERT, WOOD	7	7
4	1015652-02	ASSEMBLY, SEAT BACK, THIN, WHITE (INCLUDES ITEMS 5 AND 6)	2	2
5	1013335	CAP, SEAT BACK, BLACK	2	2
6	1015626-02	COVER, VINYL SEAT BACK, WHITE	2	2
7	1011182	SUPPORT, SEAT BACK	2	2
8	0008304	WASHER, LOCK, 1/4 INTERNAL TOOTH	8	8
9	0007847	SCREW, HEX HEAD, 1/4 - 20 x 3/4	8	8
10	1011219	ASSEMBLY, HINGE (CONTAINS ITEMS 11 - 17)	1	1
11	1011221	HINGE (SHORT)	2	2
12	1015091	NUT, CENTERLOCK CAP, 1/4 - 20 x 1/4	2	2
13	1010695	WASHER, CURVED SPRING, 1/4	2	2
14	0008028	BUSHING, NYLON	6	6
15	0000332	WASHER, FLAT, 1/4	2	2
16	1011220	HINGE, LONG	1	1
17	1011222	PIN, HINGE (LONG)	1	1
18	1011389	BUMPER, RUBBER (PACKAGE OF 5)	1	1
19	0008251	SCREW, PHILLIPS TRUSS HEAD, 1/4 - 20 x 1	7	7
20	1011578	WASHER, FLAT, 5/16	3	3
21	1011210	SUPPORT, SEAT	1	1
22	0007473	NUT, NYLON LOCK, 5/16 - 18	2	2
23	0001241	WASHER, FLAT, 5/16	2	2
24	1010557	BOLT, HEX HEAD, 5/16 - 18 x 1 1/2	2	2

1
G
E

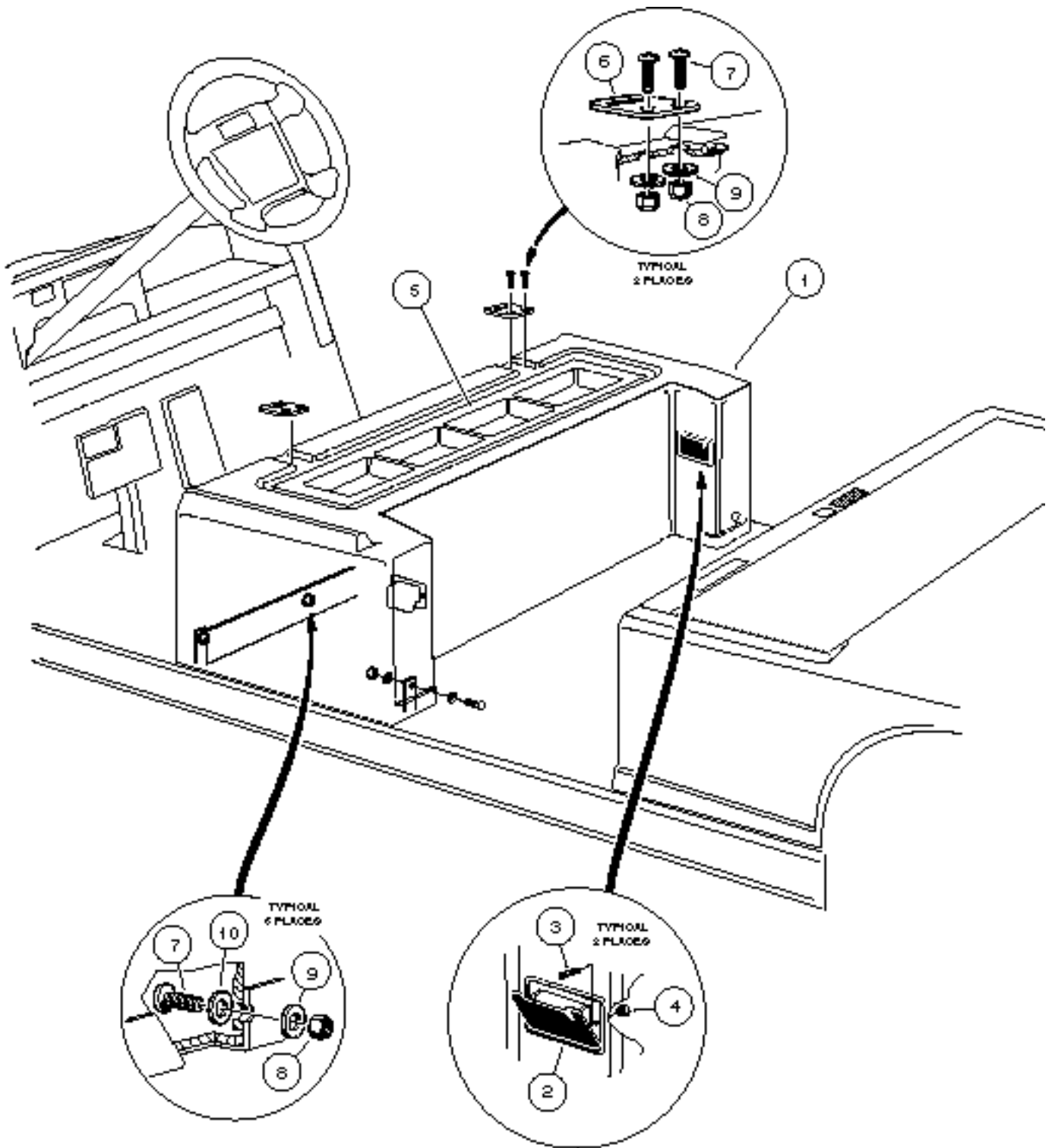


REAR FOOTREST AND HANDRAILS - TOURALL

1
G
E

ITEM	PART NO.	DESCRIPTION	QTY GAS	QTY ELEC
		1 2 3 4		
1	1018412-02	ARMREST, REAR SEAT, LEFT HAND	1	1
2	1018412-01	ARMREST, REAR SEAT, RIGHT HAND	1	1
3	1018411-01	ASSEMBLY, REAR FOOTREST (INCLUDES ITEMS 4 - 9)	1	1
4	1016835	GUARD, BUMPER	1	1
5	1018409-01	MAT, FOOTREST	1	1
6	1010434	FASTENER, PLASTIC BARREL	8	8
7	1016668	BAR, CONNECTING	2	2
8	1010435	BOLT, CARRIAGE, 5/16 - 18 x 1	4	4
9	0007473	NUT, NYLON LOCK, 5/16 - 18	2	2
10	1016842	HANDRAIL, REAR SEAT	1	1
11	1018413-01	BRACKET, ARMREST	1	1
12	0008233	NUT, NYLON LOCK, 1/4 - 20	8	8
13	0007473	NUT, NYLON LOCK, 5/16 - 18	9	9
14	0001218	SCREW, HEX HEAD CAP, 5/16 - 18 x 1 1/4	5	5
15	0001241	WASHER, FLAT, 5/16	9	9
16	0007818	SCREW, TRUSS HEAD, 5/16 - 18 x 1 1/2	2	2
17	0000332	WASHER, FLAT, 1/4	8	8
18	1011988	SCREW, PHILLIPS TRUSS HEAD, 1/4 - 20 x 2	8	8

1
G
E

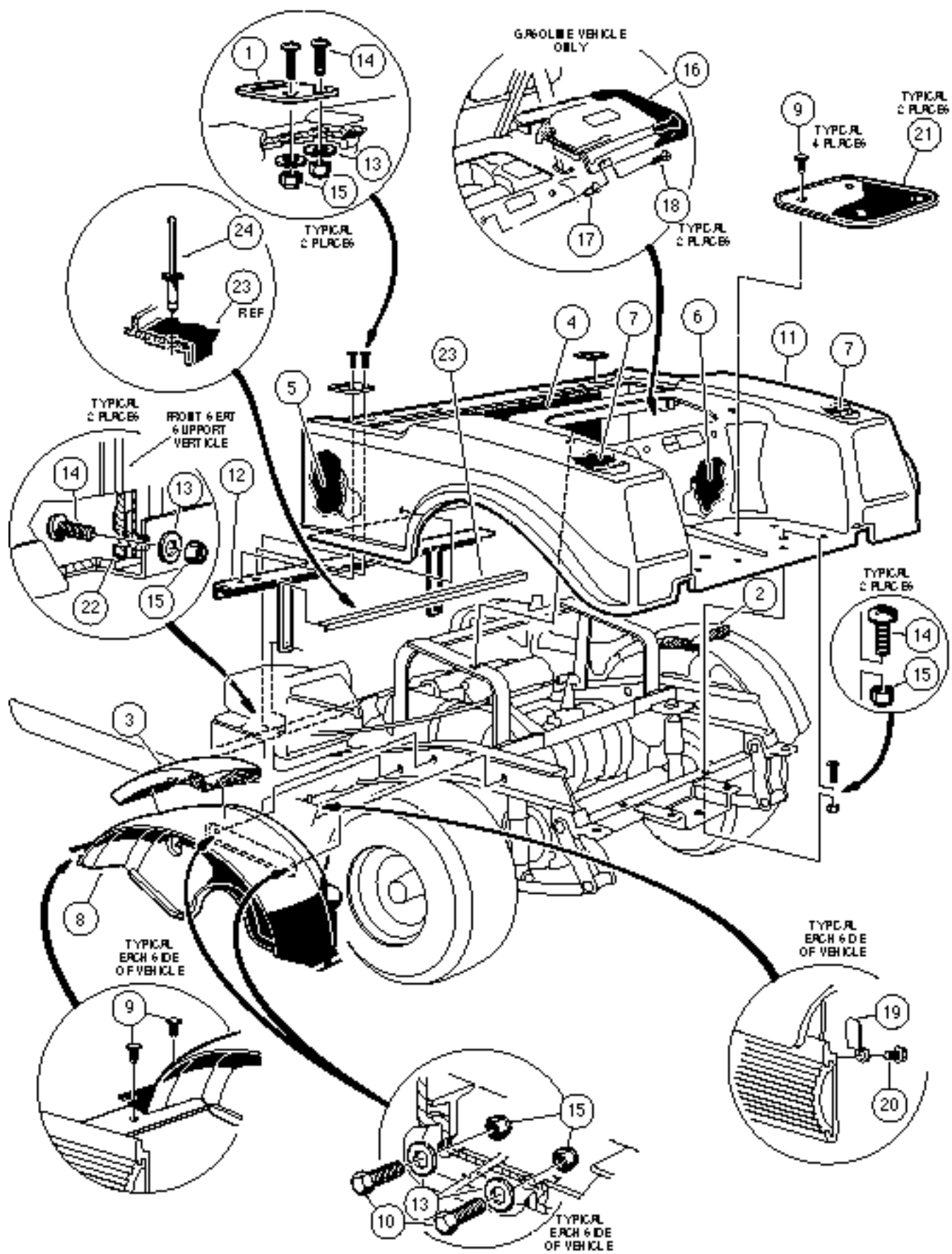


CENTER BODY AND TRIM - RESORT VILLAGER

1
G
E

ITEM	PART NO.	DESCRIPTION	QTY GAS	QTY ELEC
		1 2 3 4		
1	1017316-01	BODY, CENTER, BEIGE (GASOLINE VEHICLE ONLY)	1	
1	1017316-02	BODY, CENTER, WHITE (GASOLINE VEHICLE ONLY)	1	
1	1017316-04	BODY, CENTER, GRAY (GASOLINE VEHICLE ONLY)	1	
1	1017316-06	BODY, CENTER, RED (GASOLINE VEHICLE ONLY)	1	
1	1017316-08	BODY, CENTER, DARK BLUE (GASOLINE VEHICLE ONLY)	1	
1	1017316-09	BODY, CENTER, DARK GREEN (GASOLINE VEHICLE ONLY)	1	
1	1018575-01	BODY, CENTER, BEIGE (ELECTRIC VEHICLE ONLY)		1
1	1018575-02	BODY, CENTER, WHITE (ELECTRIC VEHICLE ONLY)		1
1	1018575-04	BODY, CENTER, GRAY (ELECTRIC VEHICLE ONLY)		1
1	1018575-06	BODY, CENTER, RED (ELECTRIC VEHICLE ONLY)		1
1	1018575-08	BODY, CENTER, DARK BLUE (ELECTRIC VEHICLE ONLY)		1
1	1018575-09	BODY, CENTER, DARK GREEN (ELECTRIC VEHICLE ONLY)		1
2	1011230	KIT, ASHTRAY (INCLUDES ITEMS 3 AND 4)	2	2
3	1011226	SCREW, OVAL COUNTERSUNK HEAD, #6 - 32 x 5/8	2	2
4	1011229	NUT, "K" LOCK, #6 - 32	2	2
5	1017423	TRAY, STORAGE	1	1
6	1012412	PLATE, SEAT HINGE	2	2
7	0008251	SCREW, PHILLIPS TRUSS HEAD, 1/4 - 20 x 1	10	10
8	0008233	NUT, NYLON LOCK, 1/4 - 20	10	10
9	0000332	WASHER, FLAT, 1/4	10	10
10	1014528	WASHER, FLAT, PLASTIC, 1/4	6	6

1
G
E



REAR BODY AND FENDER - RESORT VILLAGER

1

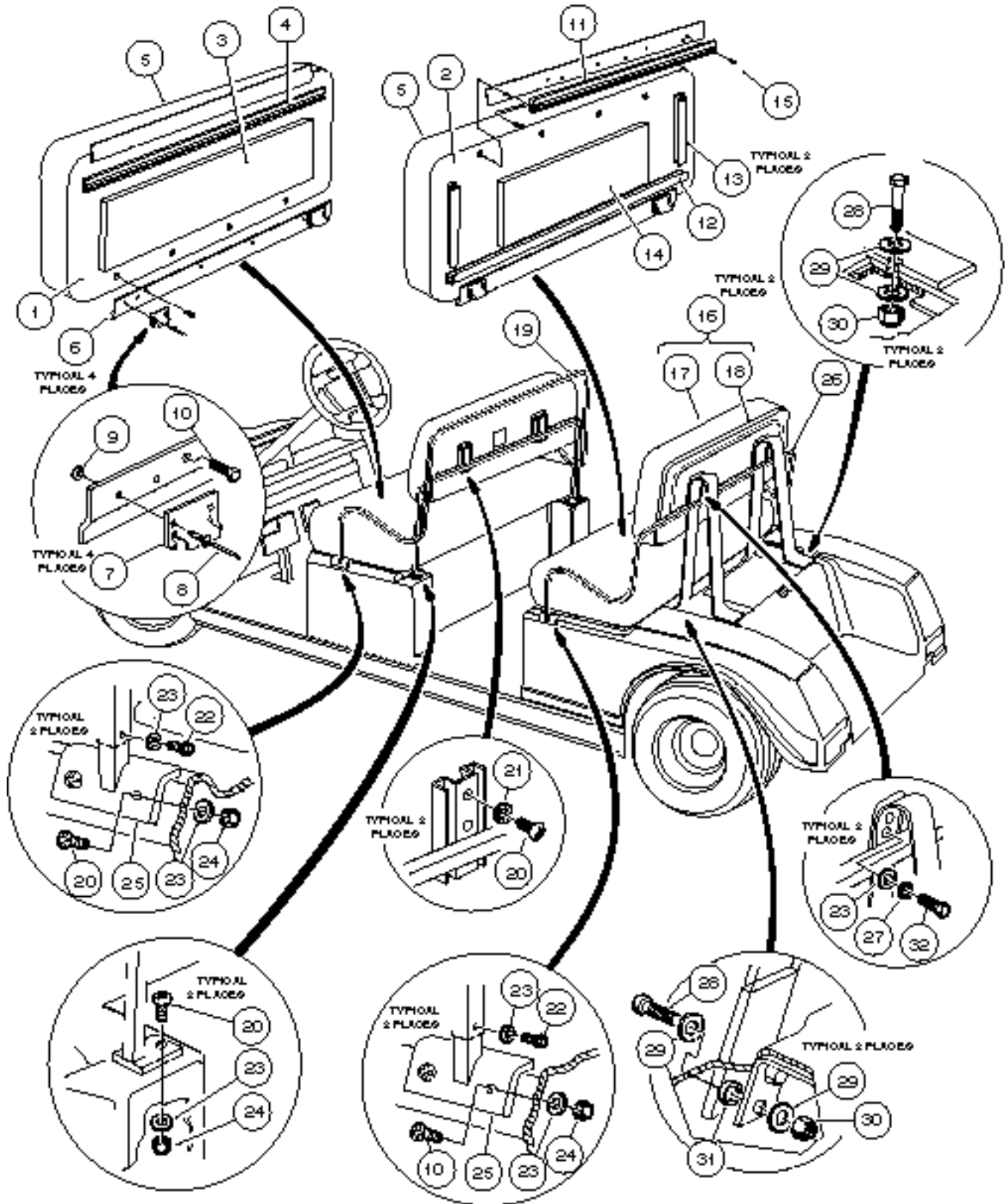
G

E

ITEM	PART NO.	DESCRIPTION	QTY GAS	QTY ELEC
		1 2 3 4		
1	1012412	PLATE, BODY HINGE	2	2
2	1015422	INSULATION, SOUND, RIGHT SIDE FENDER, SHORT (GASOLINE VEHICLE ONLY)	1	
3	1015421	INSULATION, SOUND, LEFT SIDE FENDER, LONG (GASOLINE VEHICLE ONLY)	1	
4	1016963	INSULATION, SOUND, FRONT (GASOLINE VEHICLE ONLY)	1	
5	1017113	INSULATION, SOUND, LEFT SIDE BODY (GASOLINE VEHICLE ONLY)	1	
6	1015419	INSULATION, SOUND, BAGWELL AREA (GASOLINE VEHICLE ONLY)	1	
7	1015420	INSULATION, SOUND, BODY LEFT/RIGHT FENDER (GASOLINE VEHICLE ONLY)	2	
8	1017936	FENDER, INNER	2	2
9	1010434	BARREL, PLASTIC	12	12
10	0007847	SCREW, HEX WASHER HEAD, 1/4 - 20 x 3/4 (GASOLINE VEHICLE ONLY) ...	4	
11	1017287-01	BODY, BEIGE (GASOLINE VEHICLE ONLY)	1	
11	1017287-02	BODY, WHITE (GASOLINE VEHICLE ONLY)	1	
11	1017287-04	BODY, GRAY (GASOLINE VEHICLE ONLY)	1	
11	1017287-06	BODY, RED (GASOLINE VEHICLE ONLY)	1	
11	1017287-08	BODY, DARK BLUE (GASOLINE VEHICLE ONLY)	1	
11	1017287-09	BODY, DARK GREEN (GASOLINE VEHICLE ONLY)	1	
11	1018475-01	BODY, BEIGE (ELECTRIC VEHICLE ONLY)		1
11	1018475-02	BODY, WHITE (ELECTRIC VEHICLE ONLY)		1
11	1018475-04	BODY, GRAY (ELECTRIC VEHICLE ONLY)		1
11	1018475-06	BODY, RED (ELECTRIC VEHICLE ONLY)		1
11	1018475-08	BODY, DARK BLUE (ELECTRIC VEHICLE ONLY)		1
11	1018475-09	BODY, DARK GREEN (ELECTRIC VEHICLE ONLY)		1
12	1017141	SUPPORT, FRONT BODY	1	1
13	0000332	WASHER, FLAT, 1/4	10	10
14	0008251	SCREW, PHILLIPS TRUSS HEAD, 1/4 - 20 x 1	8	8
15	0008233	NUT, NYLON LOCK, 1/4 - 20	12	12
16	1015829-02	ASSEMBLY, ACCESS DOOR (BLACK) (GASOLINE VEHICLE ONLY)	1	
17	1015525	NUT, BLIND, 1/4 - 20 (GASOLINE VEHICLE ONLY)	2	
18	0008251	SCREW, PHILLIPS TRUSS HEAD, 1/4 - 20 x 1 (GASOLINE VEHICLE ONLY) ...	2	
19	1017748	CLIP, BODY KEEPER	2	2
20	1012047	SCREW, SELF-TAPPING, #8 - 32 x 3/8	2	2
21	1014392	MAT, BAG REST	2	2
22	1019041-01	PLATE, BODY KICK	1	1
23	1018370-01	INSULATOR, BATTERY (ELECTRIC VEHICLE ONLY)		1
24	1013357	RIVET, POP (ELECTRIC VEHICLE ONLY)		2

1
G
E

SEATS VIEWED FROM THE BOTTOM



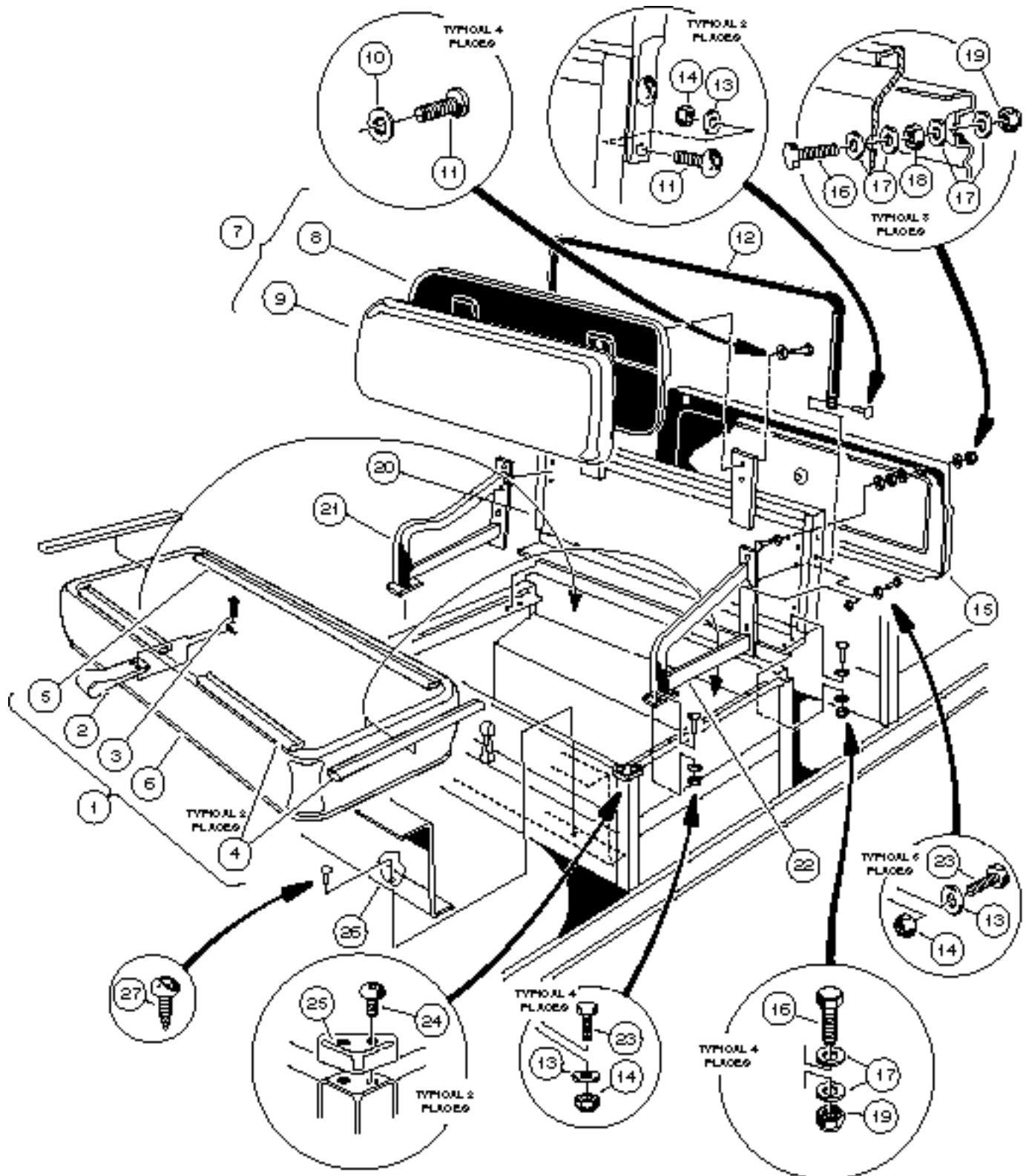


RESORT VILLAGER

1
G
E

ITEM	PART NO.	DESCRIPTION	QTY GAS	QTY ELEC
		1 2 3 4		
1	1017282-01	ASSEMBLY, FIRST SEAT BOTTOM, WHITE (INCLUDES ITEMS 3 - 10)	1	1
1	1017282-03	ASSEMBLY, FIRST SEAT BOTTOM, BUFF (INCLUDES ITEMS 3 - 10)	1	1
1	1017282-10	ASSEMBLY, FIRST SEAT BOTTOM, BLACK (INCLUDES ITEMS 3 - 10)	1	1
1	1017282-13	ASSEMBLY, FIRST SEAT BOTTOM, GRAY (INCLUDES ITEMS 3 - 10)	1	1
2	1017282-02	ASSEMBLY, SECOND SEAT BOTTOM, WHITE (INCLUDES ITEMS 5 - 15)	1	1
2	1017282-04	ASSEMBLY, SECOND SEAT BOTTOM, BUFF (INCLUDES ITEMS 5 - 15)	1	1
2	1017282-11	ASSEMBLY, SECOND SEAT BOTTOM, BLACK (INCLUDES ITEMS 5 - 15)	1	1
2	1017282-14	ASSEMBLY, SECOND SEAT BOTTOM, GRAY (INCLUDES ITEMS 5 - 15)	1	1
3	1017666	INSULATION, TRAY (FIRST SEAT ONLY)	1	1
4	1013312	BUMPER, SEAT, LONG (FIRST SEAT ONLY)	1	1
5	1015627-02	COVER, VINYL SEAT BOTTOM, WHITE	1	1
5	1015627-01	COVER, VINYL SEAT BOTTOM, BUFF	1	1
5	1015627-04	COVER, VINYL SEAT BOTTOM, BLACK	1	1
5	1015627-10	COVER, VINYL SEAT BOTTOM, GRAY	1	1
6	1017695	BRACKET, SEAT SUPPORT	2	2
7	1011652	PLATE, SEAT HINGE	2	2
8	1018809-01	RIVET, POP, STAINLESS STEEL, 3/16	4	4
9	1018817-01	WASHER, FLAT, STAINLESS STEEL, #8	4	4
10	0000304	SCREW, HEX HEAD CAP, 1/4 - 20 x 1	8	8
11	1012597	BUMPER, SEAT (SECOND SEAT ONLY)	1	1
12	1012657	GASKET, SEAT, LONG (SECOND SEAT ONLY)	1	1
13	1012656	GASKET, SEAT, SHORT (SECOND SEAT ONLY)	2	2
14	1017283	INSULATION, SOUND (SECOND SEAT ONLY)	1	1
15	1017384	SCREW, WASHER HEAD TAP, #12 (SECOND SEAT ONLY)	5	5
16	1016777-01	ASSEMBLY, SEAT BACK, WHITE (INCLUDES ITEMS 17 AND 18)	2	2
16	1016777-03	ASSEMBLY, SEAT BACK, BUFF (INCLUDES ITEMS 17 AND 18)	2	2
16	1016777-02	ASSEMBLY, SEAT BACK, BLACK (INCLUDES ITEMS 17 AND 18)	2	2
16	1016777-05	ASSEMBLY, SEAT BACK, GRAY (INCLUDES ITEMS 17 AND 18)	2	2
17	1016755-02	COVER, VINYL SEAT BACK, WHITE	2	2
17	1016755-01	COVER, VINYL SEAT BACK, BUFF	2	2
17	1016755-04	COVER, VINYL SEAT BACK, BLACK	2	2
17	1016755-06	COVER, VINYL SEAT BACK, GRAY	2	2
18	1016751	CAP, SEAT BACK, BLACK	2	2
19	1017259	WELDMENT, FRONT ARMREST	1	1
20	1015902	SCREW, PHILLIPS TRUSS HEAD, 1/4 - 20 x 1 1/4	14	14
21	0008304	WASHER, LOCK, 1/4	4	4
22	1012285	SCREW, HEX WASHER HEAD, 1/4 - 20 x 1/2	4	4
23	0000332	WASHER, FLAT, 1/4	18	18
24	0008233	NUT, NYLON LOCK, 1/4 - 20	10	10
25	1017310	WELDMENT, ARMREST MOUNTING	4	4
26	1017992-01	WELDMENT, REAR ARMREST	1	1
27	0000451	WASHER, LOCK, 1/4	4	4
28	0001218	SCREW, HEX HEAD CAP, 5/16 - 18 x 1 1/4	6	6
29	0001241	WASHER, FLAT, 5/16	12	12
30	0007473	NUT, NYLON LOCK, 5/16 - 18	6	6
31	1017774	SPACER, BODY	4	4
32	0000304	SCREW, HEX HEAD CAP, 1/4 - 20 x 1	4	4

1
G
E

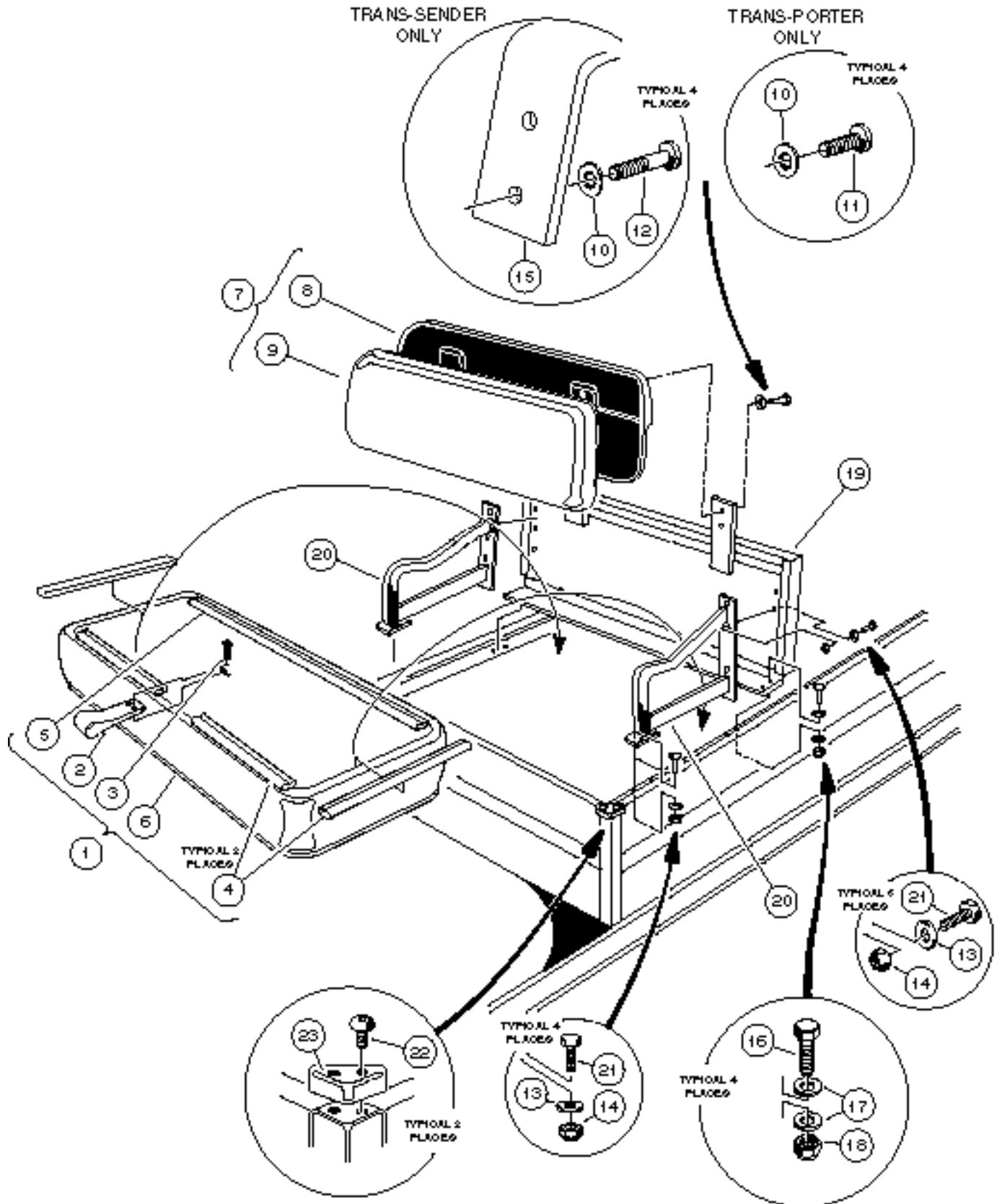


STRUCTURE TRANS-PORTER/TRANS-SENDER

1
G
E

ITEM	PART NO.	DESCRIPTION	QTY GAS	QTY ELEC
		1 2 3 4		
1	1015645-02	ASSEMBLY, SEAT BOTTOM, WHITE (INCLUDES ITEMS 2 - 6)	1	1
2	1013309	STRAP, SEAT BOTTOM	1	1
3	1010545	SCREW, HEX WASHER HEAD, 1/4 - 14 x 3/4	2	2
4	1013311	BUMPER, SEAT, SHORT	4	4
5	1013312	BUMPER, SEAT, LONG	1	1
6	1015627-02	COVER, VINYL SEAT BOTTOM, WHITE	1	1
7	1016777-01	ASSEMBLY, SEAT BACK, WHITE (INCLUDES ITEMS 8 AND 9)	1	1
8	1016751	CAP, SEAT BACK	1	1
9	1016755-02	COVER, VINYL SEAT BACK, WHITE	1	1
10	0008304	WASHER, INTERNAL TOOTH LOCK, 1/4	4	4
11	0008248	SCREW, PHILLIPS TRUSS HEAD, 1/4 - 20 x 3/4	8	8
12	1016670	HANDRAIL	1	1
13	0000332	WASHER, FLAT, 1/4	14	14
14	0008233	NUT, NYLON LOCK, 1/4 - 20	14	14
15	1016970	COVER, SEAT BACK SUPPORT	1	1
16	1010934	SCREW, HEX HEAD CAP, 5/16 - 18 x 1	7	7
17	0001241	WASHER, FLAT, 5/16	20	20
18	0001242	NUT, HEX, 5/16 - 18	3	3
19	0007473	NUT, NYLON LOCK, 5/16 - 18	7	7
20	1016723	ASSEMBLY, SEAT SUPPORT PANEL	1	1
21	1018885-01	ASSEMBLY, ARMREST, PASSENGER	1	1
22	1018885-02	ASSEMBLY, ARMREST, DRIVER	1	1
23	0000304	SCREW, HEX HEAD CAP, 1/4 - 20 x 1	10	10
24	1014321	SCREW, TORX TRUSS HEAD, #10 - 24 x 3/8	4	4
25	1014387	CAP, CORNER	2	2
26	1016701	GUARD, FORWARD & REVERSE SWITCH (ELECTRIC VEHICLES ONLY)		1
27	0001620	SCREW, SHEET METAL, #10 x 3/4 (ELECTRIC VEHICLES ONLY)		2

1
G
E

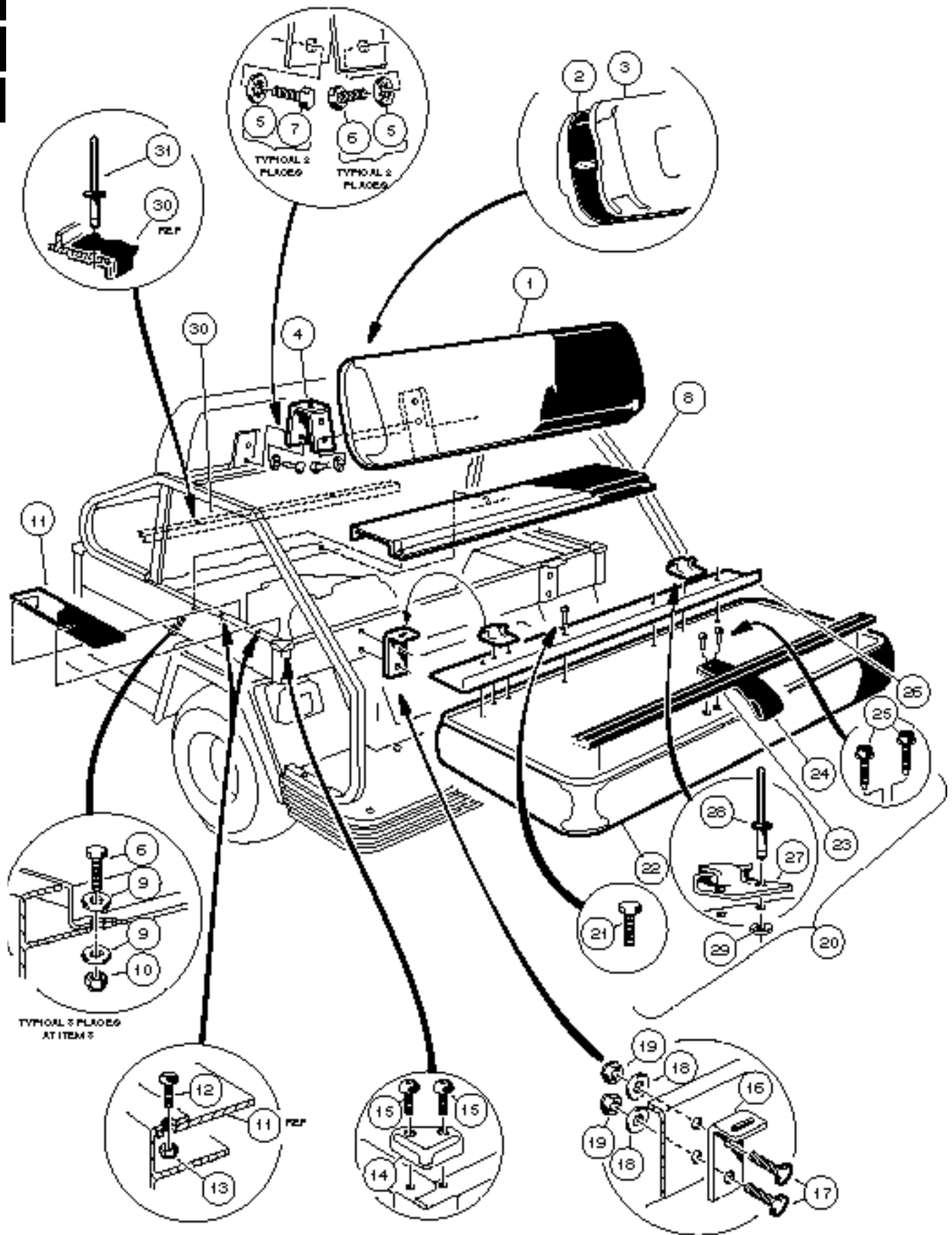


STRUCTURE TRANS-PORTER/TRANS-SENDER

1
G
E

ITEM	PART NO.	DESCRIPTION	TRANS-PORTER	TRANS-SENDER
		1 2 3 4		
1	1015645-02	ASSEMBLY, SEAT BOTTOM, WHITE (INCLUDES ITEMS 2 - 6)	1	1
2	1013309	STRAP, SEAT BOTTOM	1	1
3	1010545	SCREW, HEX WASHER HEAD, 1/4 - 14 x 3/4	2	2
4	1013311	BUMPER, SEAT, SHORT	4	4
5	1013312	BUMPER, SEAT, LONG	1	1
6	1015627-02	COVER, VINYL SEAT BOTTOM, WHITE	1	1
7	1016777-01	ASSEMBLY, SEAT BACK, WHITE (INCLUDES ITEMS 8 AND 9)	1	1
8	1016751	CAP, SEAT BACK	1	1
9	1016755-02	COVER, VINYL SEAT BACK, WHITE	1	1
10	0008304	WASHER, INTERNAL TOOTH LOCK, 1/4	4	4
11	0008248	SCREW, PHILLIPS TRUSS HEAD, 1/4 - 20 x 3/4 (TRANS-PORTER ONLY)	4	
12	0007479	SCREW, HEX HEAD CAP, 1/4 - 20 x 1 1/4 (TRANS-SENDER ONLY)		4
13	0000332	WASHER, FLAT, 1/4 (TRANS-PORTER ONLY)	10	
14	0008233	NUT, NYLON LOCK, 1/4 - 20 (TRANS-PORTER ONLY)	10	
15	1016839	MOUNT, SEAT BACK BRACKET (TRANS-SENDER ONLY)		2
16	1010934	SCREW, HEX HEAD CAP, 5/16 - 18 x 1	4	4
17	0001241	WASHER, FLAT, 5/16	8	8
18	0007473	NUT, NYLON LOCK, 5/16 - 18	4	4
19	1016723	ASSEMBLY, SEAT SUPPORT PANEL	1	1
20	1018885-01	ASSEMBLY, ARMREST, PASSENGER (TRANS-PORTER ONLY)	2	
21	0000304	SCREW, HEX HEAD CAP, 1/4 - 20 x 1 (TRANS-PORTER ONLY)	10	
22	1014321	SCREW, TORX TRUSS HEAD, #10 - 24 x 3/8	4	4
23	1014387	CAP, CORNER	2	2

1
G
E



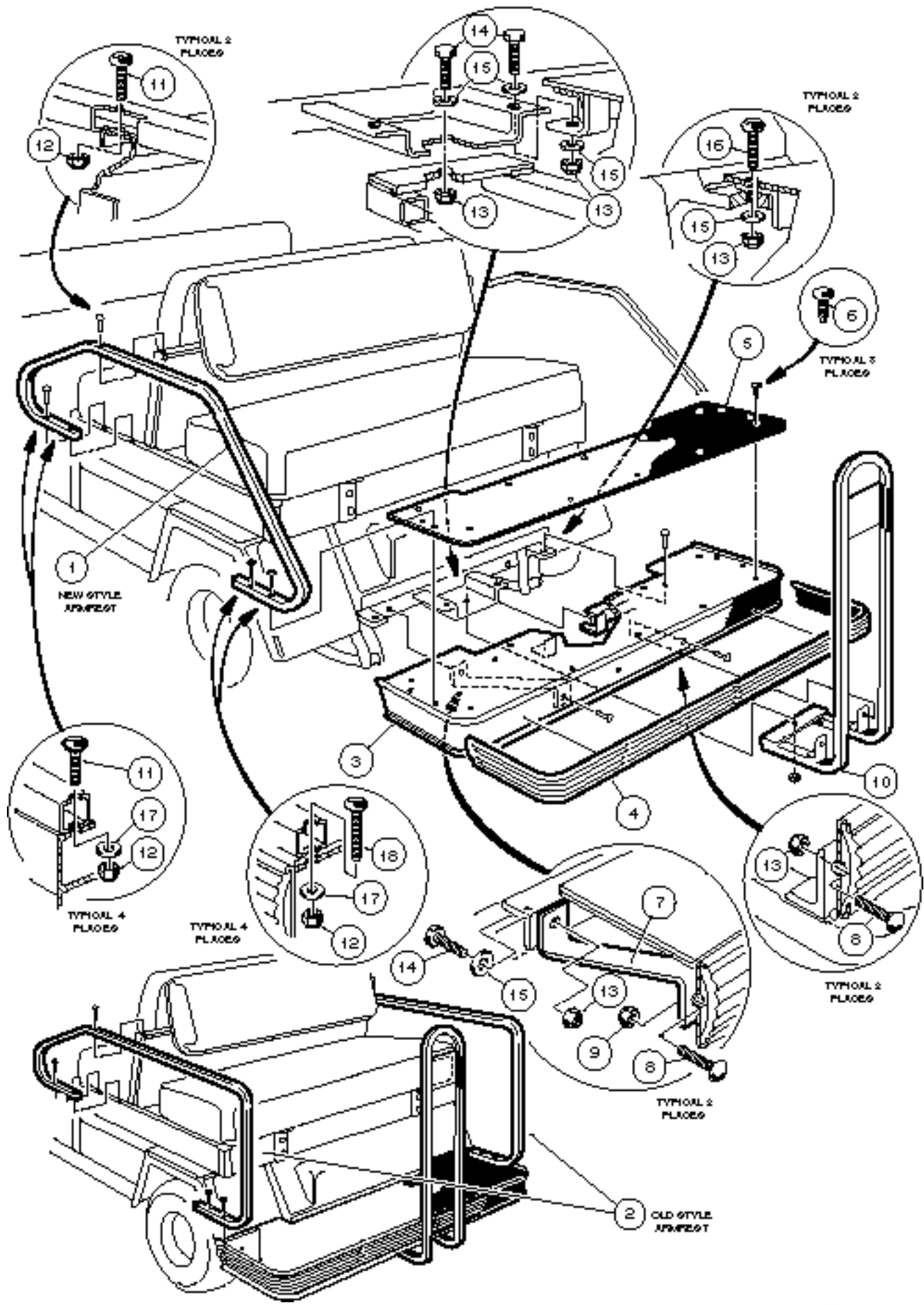


ONENTS TRANS-SENDER

1
G
E

ITEM	PART NO.	DESCRIPTION	QTY GAS	QTY ELEC
		1 2 3 4		
1	1016777-01	ASSEMBLY, SEAT BACK, WHITE (INCLUDES ITEMS 2 AND 3)	1	1
2	1016751	CAP, SEAT BACK	1	1
3	1016755-02	COVER, VINYL SEAT BACK, WHITE	1	1
4	1016839	MOUNT, SEAT BACK BRACKET	2	2
5	0008304	WASHER, INTERNAL TOOTH LOCK, 1/4	8	8
6	0007847	SCREW, HEX HEAD CAP, 1/4 - 20 x 3/4	7	7
7	0007479	SCREW, HEX HEAD CAP, 1/4 - 20 x 1 1/4	4	4
8	1016816	SUPPORT, REAR SEAT	1	1
9	0000332	WASHER, FLAT, 1/4	6	6
10	0008233	NUT, NYLON LOCK, 1/4 - 20	3	3
11	1016930	PANEL, REAR SEAT FRAME	2	2
12	1013169	SCREW, ROUND HEAD SLOTTED MACHINE, #10 - 32 x 1/2	4	4
13	1013061	NUT, NYLON LOCK, #10 - 32	4	4
14	1014387	CAP, CORNER	2	2
15	1014321	SCREW, TORX TRUSS HEAD, #10 - 24 x 3/8	4	4
16	1016819	BODY, SEAT HINGE	2	2
17	0008861	SCREW, HEX HEAD CAP, 3/8 - 16 x 1 3/4	4	4
18	1011990	WASHER, FLAT, 3/8	4	4
19	0008754	NUT, NYLON LOCK, 3/8 - 16	4	4
20	1016841-02	ASSEMBLY, SEAT BOTTOM, WHITE (INCLUDES ITEMS 21 - 29)	1	1
21	0000304	SCREW, HEX HEAD CAP, 1/4 - 20 x 1	4	4
22	1015627-02	COVER, VINYL SEAT BOTTOM, WHITE	1	1
23	1013312	BUMPER, LONG SEAT	1	1
24	1013309	STRAP, SEAT BOTTOM	1	1
25	1010545	SCREW, HEX WASHER HEAD, 1/4 - 14 x 3/4	2	2
26	1016824	ANGLE, SEAT HINGE	1	1
27	1011652	PLATE, SEAT HINGE	2	2
28	1018809-01	RIVET, POP, STAINLESS STEEL, 3/16	4	4
29	1018817-01	WASHER, FLAT, STAINLESS STEEL, #8	4	4
30	1018370-01	INSULATOR, BATTERY (ELECTRIC VEHICLE ONLY)		1
31	1013357	RIVET, POP (ELECTRIC VEHICLE ONLY)		2

1
G
E



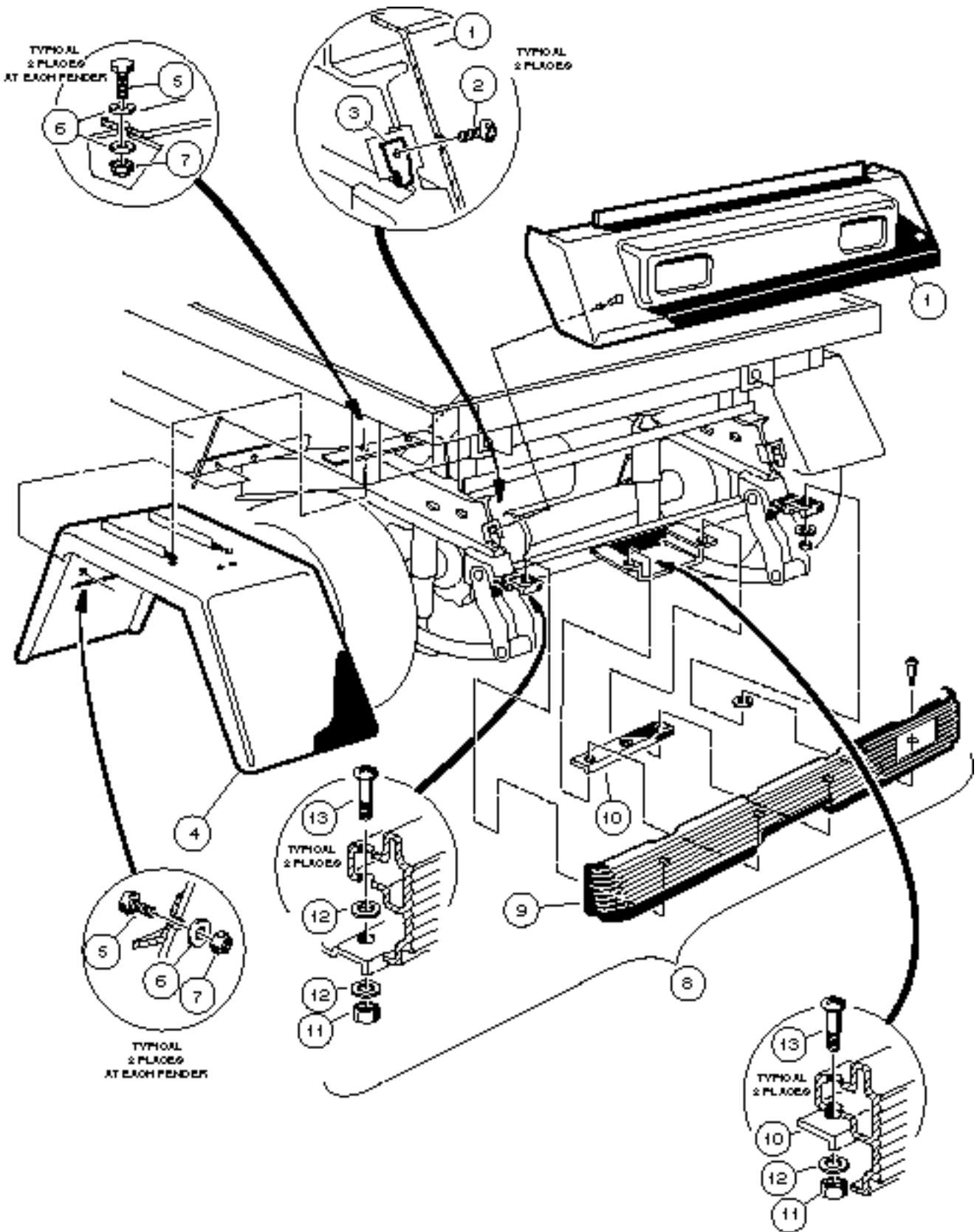


REAR FOOTREST AND HANDRAILS - TRANS-SENDER

1
G
E

ITEM	PART NO.	DESCRIPTION	QTY GAS	QTY ELEC
		1 2 3 4		
1	1018463-01	ARMREST, REAR SEAT (NEW STYLE ARMREST) (NOT INTERCHANGEABLE WITH OLD STYLE ARMREST)	2	2
2	1016826	ARMREST, REAR SEAT (OLD STYLE ARMREST) (NOT INTERCHANGEABLE WITH NEW STYLE ARMREST)	2	2
3	1016843	ASSEMBLY, REAR FOOTREST (INCLUDES ITEMS 4 - 9)	1	1
4	1016835	GUARD, BUMPER	1	1
5	1016838	MAT, FOOTREST	1	1
6	1010434	FASTENER, PLASTIC BARREL	8	8
7	1016668	BAR, CONNECTING	2	2
8	1010435	BOLT, CARRIAGE, 5/16 - 18 x 1	4	4
9	0007473	NUT, NYLON LOCK, 5/16 - 18	2	2
10	1016842	HANDRAIL, REAR SEAT	1	1
11	1017172	SCREW, PHILLIPS TRUSS HEAD, 1/4 - 20 x 1 1/2	6	6
12	0008233	NUT, NYLON LOCK, 1/4 - 20	10	10
13	0007473	NUT, NYLON LOCK, 5/16 - 18	9	9
14	0001218	SCREW, HEX HEAD CAP, 5/16 - 18 x 1 1/4	5	5
15	0001241	WASHER, FLAT, 5/16	9	9
16	0007410	SCREW, PHILLIPS TRUSS HEAD, 5/16 - 18 x 1 1/4	2	2
17	0000332	WASHER, FLAT, 1/4	8	8
18	1017181	SCREW, PHILLIPS TRUSS HEAD, 1/4 - 20 x 2	4	4

1
G
E

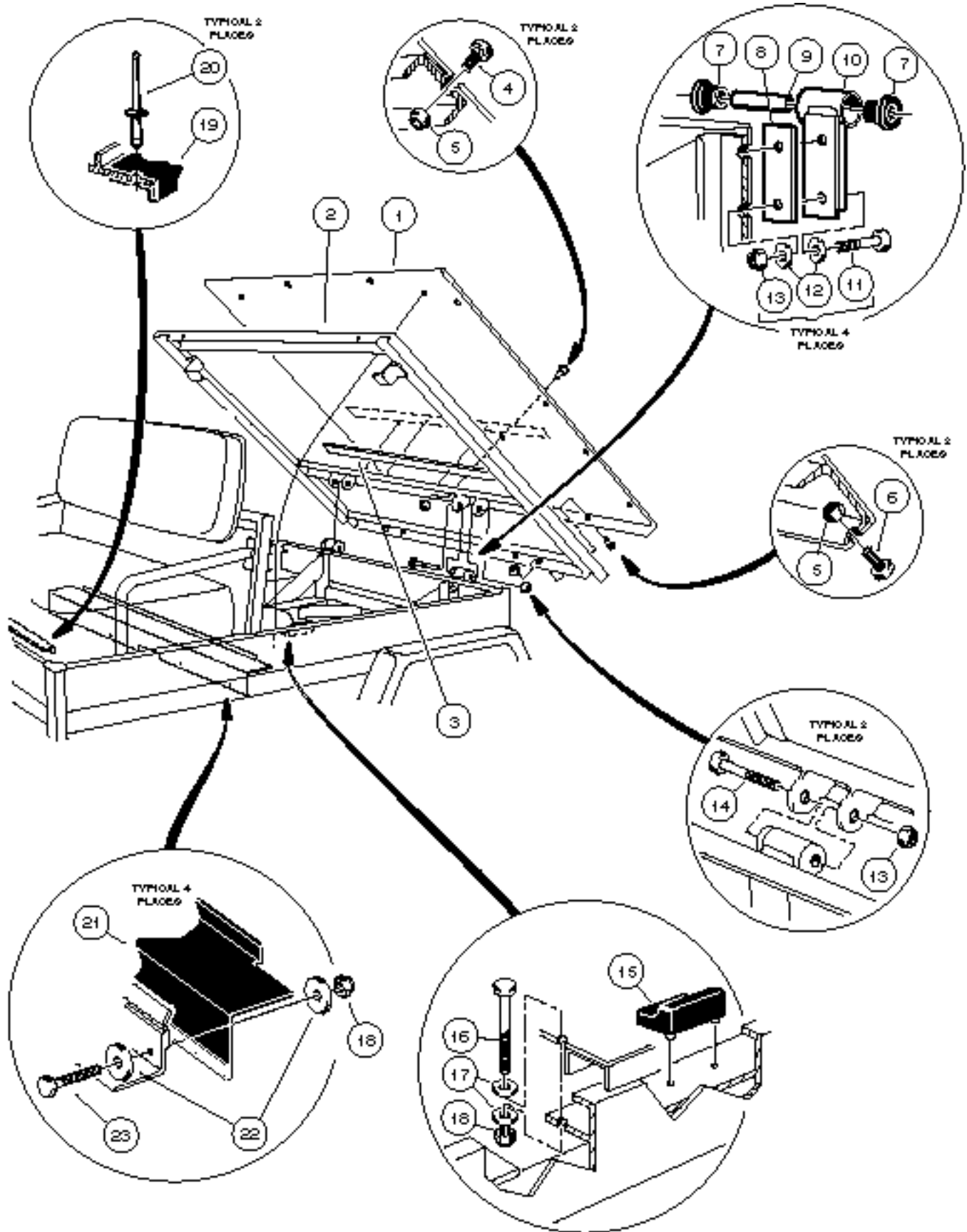


REAR COVER - TRANS-PORTER/TRANS-SENDER

1
G
E

ITEM	PART NO.	DESCRIPTION	QTY GAS	QTY ELEC
		1 2 3 4		
1	1015530	TAILSKIRT, TILT BED	1	1
2	0008248	SCREW, PHILLIPS TRUSS HEAD, 1/4 - 20 x 3/4	2	2
3	1015529	NUT, TINNEMAN, "U", 1/4 - 20	2	2
4	1016679	FENDER, REAR	2	2
5	0000304	SCREW, HEX HEAD CAP, 1/4 - 20 x 1	8	8
6	1014306	WASHER, FLAT, 1/4	12	12
7	0008233	NUT, NYLON LOCK, 1/4 - 20	8	8
8	1017079	KIT, REAR BUMPER (INCLUDES ITEMS 9 - 13) (TRANS-PORTER ONLY)	1	1
9	1016379	BUMPER, REAR (TRANS-PORTER ONLY)	1	1
10	1016875	PLATE, MOUNTING, LONG (TRANS-PORTER ONLY)	1	1
11	0007473	NUT, NYLON LOCK, 5/16 - 18 (TRANS-PORTER ONLY)	4	4
12	1011697	WASHER, FLAT, 5/16 (TRANS-PORTER ONLY).....	6	6
13	1016876	BOLT, PHILLIPS TRUSS HEAD SHOULDER, 3/8 - 18 x 2 (TRANS-PORTER ONLY)	4	4

1
G
E



REAR CARGO BED - TRANS-PORTER

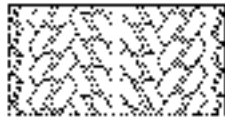
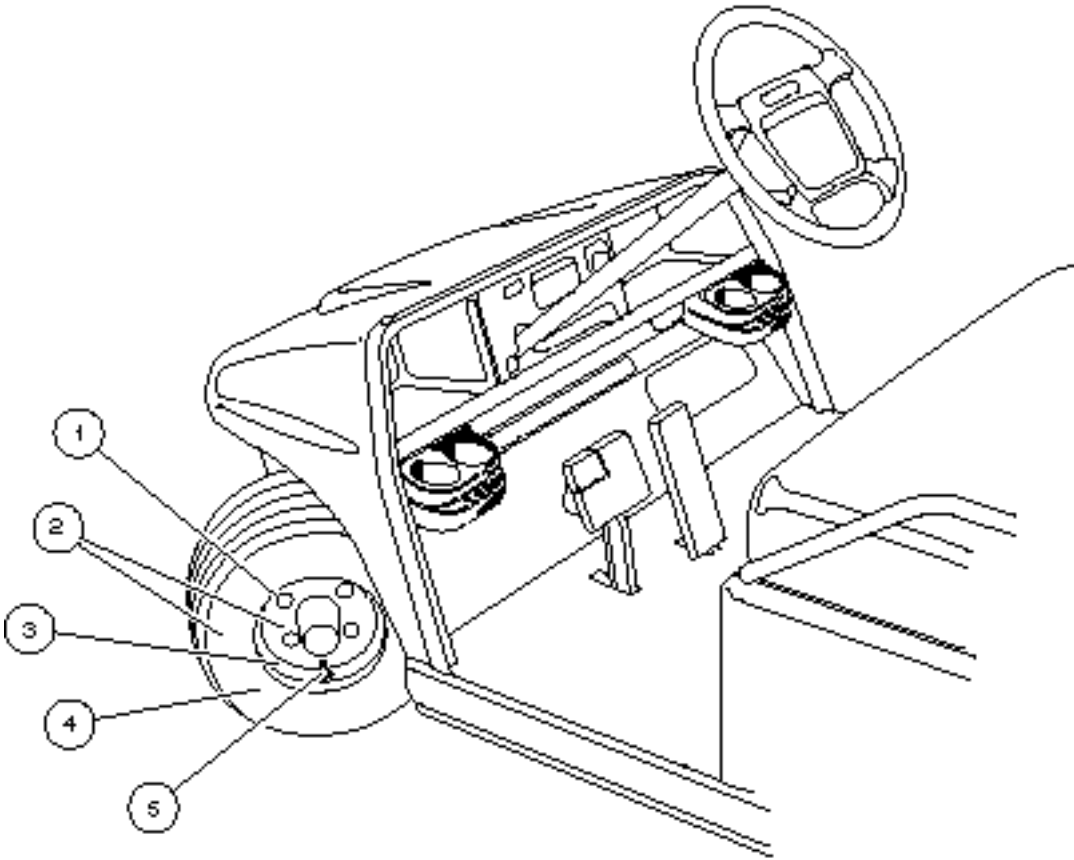
1
G
E

ITEM	PART NO.	DESCRIPTION	QTY GAS	QTY ELEC
		1 2 3 4		
1	1016724	ASSEMBLY, TILT BED (INCLUDES ITEMS 2 - 6)	1	1
2	N/A	WELDMENT, TILT BED	1	1
3	1014471	INSULATION	1	1
4	1010435	BOLT, CARRIAGE, 5/16 - 18 x 1	2	2
5	0007473	NUT, NYLON LOCK, 5/16 - 18	6	6
6	1015399	SCREW, TORX TRUSS HEAD, 5/16 - 18 x 3/4	4	4
7	1015583	BUSHING, URETHANE	4	4
8	1015507	SHIM, TILT BED PIVOT	2	2
9	1012303	BUSHING, STEEL	2	2
10	1015356	WELDMENT, TILT BED HINGE	2	2
11	0000705	SCREW, HEX HEAD CAP, 3/8 - 16 x 1 1/4	4	4
12	1011990	WASHER, FLAT, 3/8	8	8
13	0008754	NUT, NYLON LOCK, 3/8 - 16	6	6
14	0008755	SCREW, HEX HEAD CAP, 3/8 - 16 x 3 3/8	2	2
15	1015242	BUMPER, BED	2	2
16	1013872	SCREW, HEX HEAD CAP, 1/4 - 20 x 4	2	2
17	0000332	WASHER, FLAT, 1/4	4	4
18	0008233	NUT, NYLON LOCK, 1/4 - 20	6	6
19	1018370-01	INSULATOR, BATTERY (ELECTRIC VEHICLE ONLY)		1
20	1013357	RIVET, ALUMINUM POP, 5/32 (ELECTRIC VEHICLE ONLY)		2
21	1017976	SEAL, BED	1	1
22	1014306	WASHER, FLAT, 1/4	8	8
23	0007847	SCREW, HEX HEAD CAP, 1/4 - 20 x 3/4	4	4

1

G

E



POWER RIB



SOFTTRAC



WHEELS AND TIRES

1
G
E

ITEM	PART NO.	DESCRIPTION	QTY GAS	QTY ELEC
		1 2 3 4		
1	1010984	NUT, LUG	16	16
2	1016514-02	ASSEMBLY, TIRE AND WHEEL, WHITE, POWER RIB, FOUR PLY (TOURALL ONLY)	4	4
2	1016514-03	ASSEMBLY, TIRE AND WHEEL, WHITE, SOFTRAC, FOUR PLY (TOURALL ONLY)	4	4
2	1015705-06	ASSEMBLY, TIRE AND WHEEL, BEIGE, POWER RIB, SIX PLY (RESORT VILLAGER ONLY)	4	4
2	1015705-07	ASSEMBLY, TIRE AND WHEEL, BEIGE, SOFTRAC, SIX PLY (RESORT VILLAGER ONLY)	4	4
2	1016514-06	ASSEMBLY, TIRE AND WHEEL, WHITE, POWER RIB, SIX PLY	4	4
2	1016514-07	ASSEMBLY, TIRE AND WHEEL, WHITE, SOFTRAC, SIX PLY	4	4
3	1015707	WHEEL RIM, BEIGE	4	4
3	1014771	WHEEL RIM, WHITE	4	4
4	1015672	TIRE, UNMOUNTED, POWER RIB, FOUR PLY (TOURALL ONLY)	4	4
4	1015674	TIRE, UNMOUNTED, SOFTRAC, FOUR PLY (TOURALL ONLY)	4	4
4	1017370	TIRE, UNMOUNTED, POWER RIB, SIX PLY	4	4
4	1017693	TIRE, UNMOUNTED, SOFTRAC, SIX PLY	4	4
5	0007310	STEM, VALVE	4	4

**DID YOU
KNOW?**

CartPros directs you to the right part using the part numbers from this manual. Enter the part number into our search box and it will find the part you are looking for.

**GET STARTED
HERE**



<https://CartPros.com/f.html>

**DID YOU
KNOW?**

CartPros directs you to the right part using the part numbers from this manual. Enter the part number into our search box and it will find the part you are looking for.

**GET STARTED
HERE**



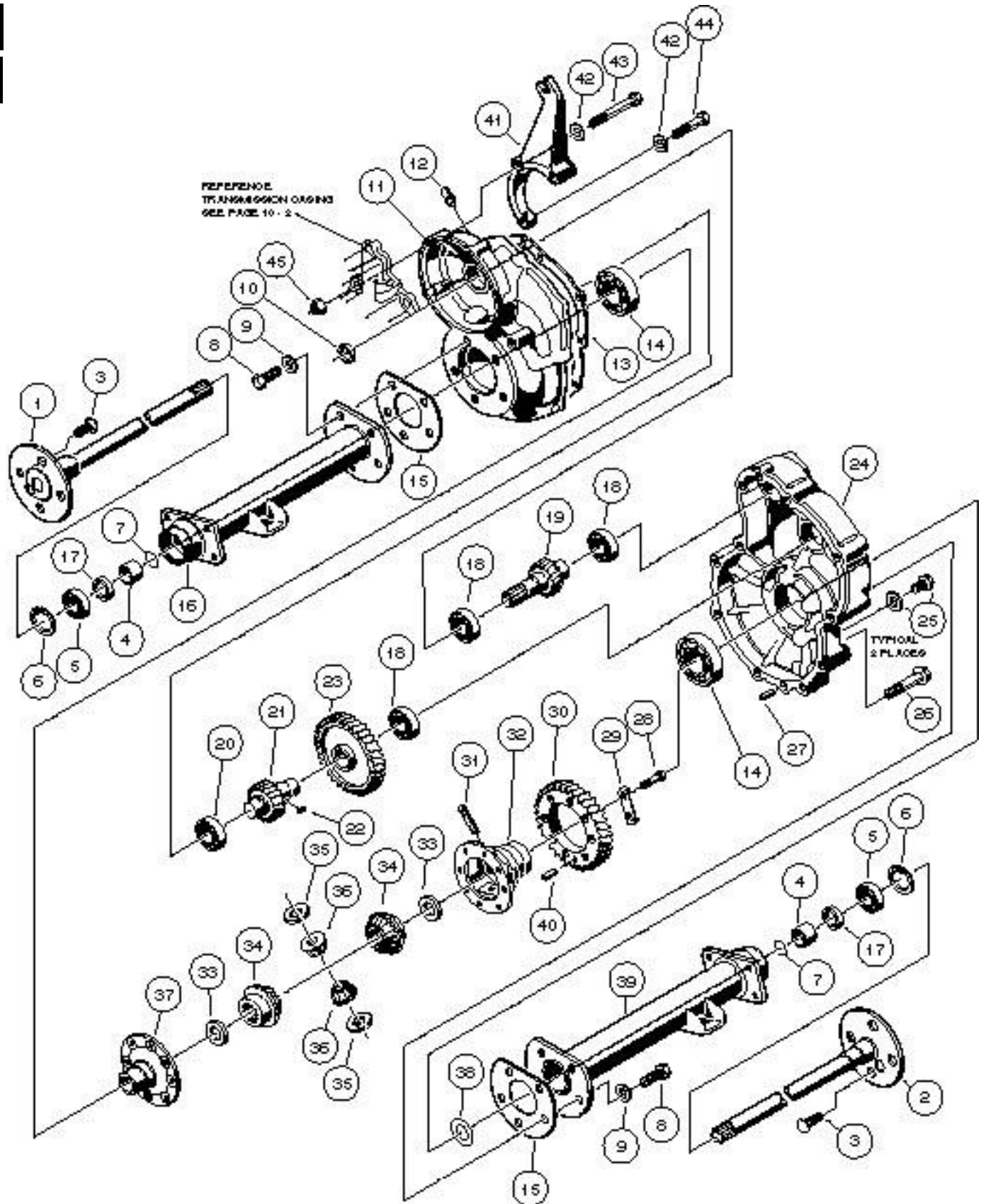
<https://CartPros.com/f.html>

TRANSAXLE

2

G

E





TRANSAXLE

2

G

E

ITEM	PART NO.	DESCRIPTION	QTY GAS	QTY ELEC
		1 2 3 4		
	1017683-02	TRANSAXLE (INCLUDES ITEMS 1 - 40)	1	1
1	1013785	AXLE ASSEMBLY, RIGHT (INCLUDES ITEMS 3 - 7)	1	1
2	1013786	AXLE ASSEMBLY, LEFT (INCLUDES ITEMS 3 - 7)	1	1
3	1013787	STUD, LUG	8	8
4	1014207	BUSHING, 25 MM I. D.	1	1
5	1011291	BEARING, OUTER AXLE TUBE	2	2
6	1013792	CIRCLIP, TYPE C	2	2
7	1016672	RING, RETAINING	2	2
8	1013790	BOLT, M10 x 1.5 x 30MM	10	10
9	1013791	WASHER, LOCK, 13/32	10	10
10	1013775	SEAL, INPUT SHAFT OIL	1	1
11	1013756	GEAR CASE, RIGHT	1	1
12	1012711	BREATHER	1	1
13	1013758	GASKET, CASE	1	1
14	0007330	BEARING, INNER AXLE TUBE	2	2
15	1013789	GASKET, AXLE TUBE	2	2
16	1017704	ASSEMBLY, AXLE TUBE, RIGHT SIDE	1	1
17	1013794	SEAL, AXLE SHAFT OIL	2	2
18	0007335	BEARING, INPUT GEAR	3	3
19	1013764	SHAFT, INPUT	1	1
20	0007336	BEARING, INTERMEDIATE GEAR	1	1
21	1013766	GEAR, INTERMEDIATE, SMALL	1	1
22	1013780	KEY, SUNK	1	1
23	1013765	GEAR, INTERMEDIATE, LARGE	1	1
24	1013757	GEAR CASE, LEFT	1	1
25	1013759	PLUG, FILL, WITH GASKET	2	2
26	1013763	BOLT, M6 x 1 x 50MM	10	10
27	1012710	PIN, DOWEL	2	2
28	1013779	BOLT, M8 x 1.25 x 37MM	8	8
29	1013782	PLATE, LOCK	4	4
30	1013767	GEAR, OUTPUT	1	1
31	1013772	PIN, DIFFERENTIAL	1	1
32	1013768	GEAR CASE, DIFFERENTIAL (LEFT)	1	1
33	1013773	PLATE, THRUST (DIFFERENTIAL GEAR)	2	2
34	1013771	GEAR, DIFFERENTIAL	2	2
35	1013774	PLATE, THRUST (IDLER GEAR)	2	2
36	1013770	GEAR, DIFFERENTIAL IDLER	1	1
37	1013769	GEAR CASE, DIFFERENTIAL (RIGHT)	1	1
38	1013781	SHIM	1	1
39	1017703	ASSEMBLY, AXLE TUBE, LEFT SIDE	1	1
40	1014193	PIN, DOWEL	1	1
41	1013866	KIT, TRANSMISSION CABLE SUPPORT BRACKET (INCLUDES 42 - 45)	1	
42	0000332	WASHER, FLAT, 1/4	6	
43	1013872	SCREW, HEX HEAD CAP, 1/4 - 20 x 4	2	
44	1012462	SCREW, HEX HEAD CAP, 1/4 - 20 x 3 1/2	1	
45	0008233	NUT, NYLON LOCK, 1/4 - 20	3	

**DID YOU
KNOW?**

CartPros directs you to the right part using the part numbers from this manual. Enter the part number into our search box and it will find the part you are looking for.

**GET STARTED
HERE**



<https://CartPros.com/f.html>

**DID YOU
KNOW?**

CartPros directs you to the right part using the part numbers from this manual. Enter the part number into our search box and it will find the part you are looking for.

**GET STARTED
HERE**



<https://CartPros.com/f.html>

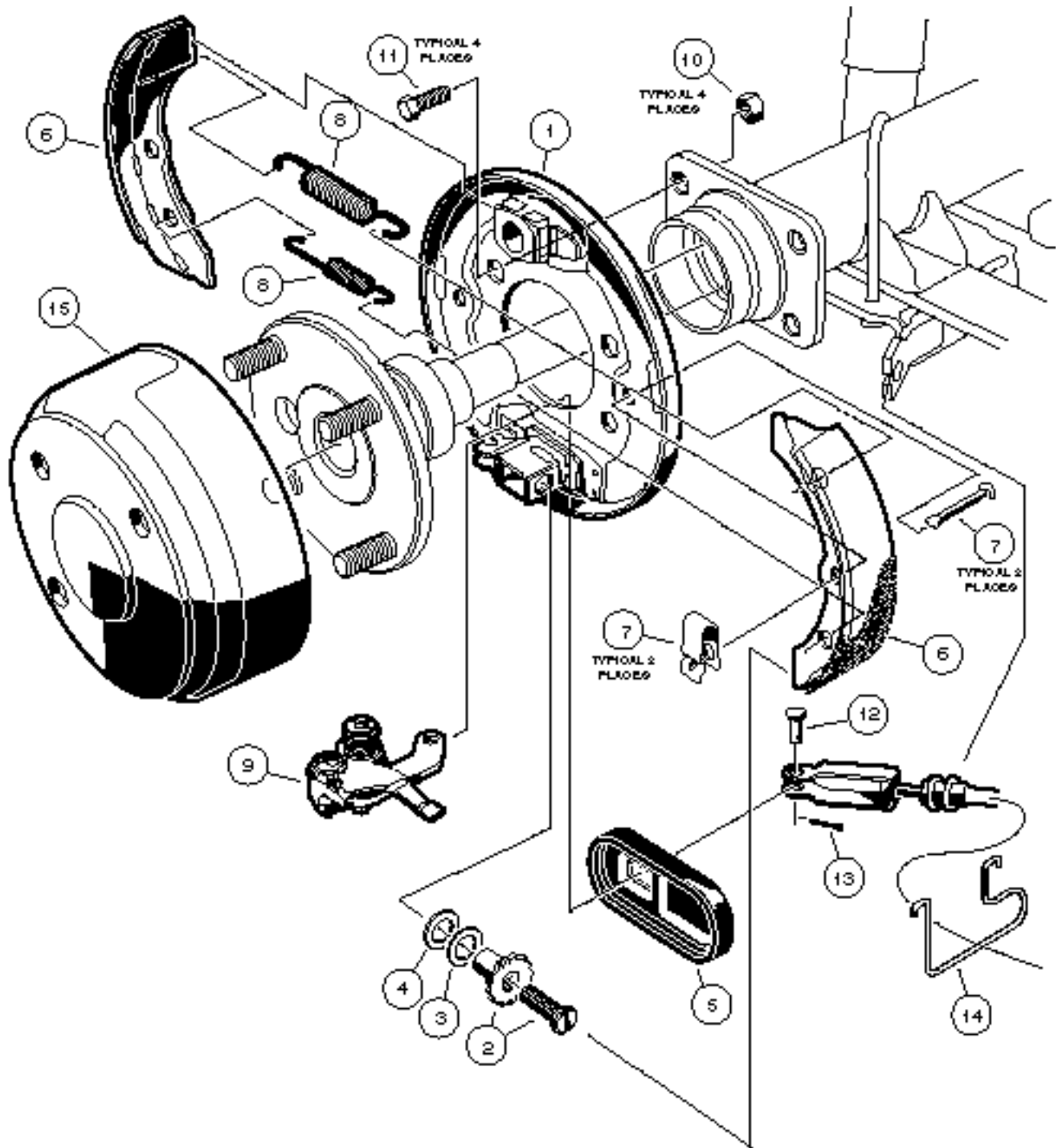
BRAKES, PEDAL, AND CABLE ASSEMBLIES

3

G

E

**3
G
E**

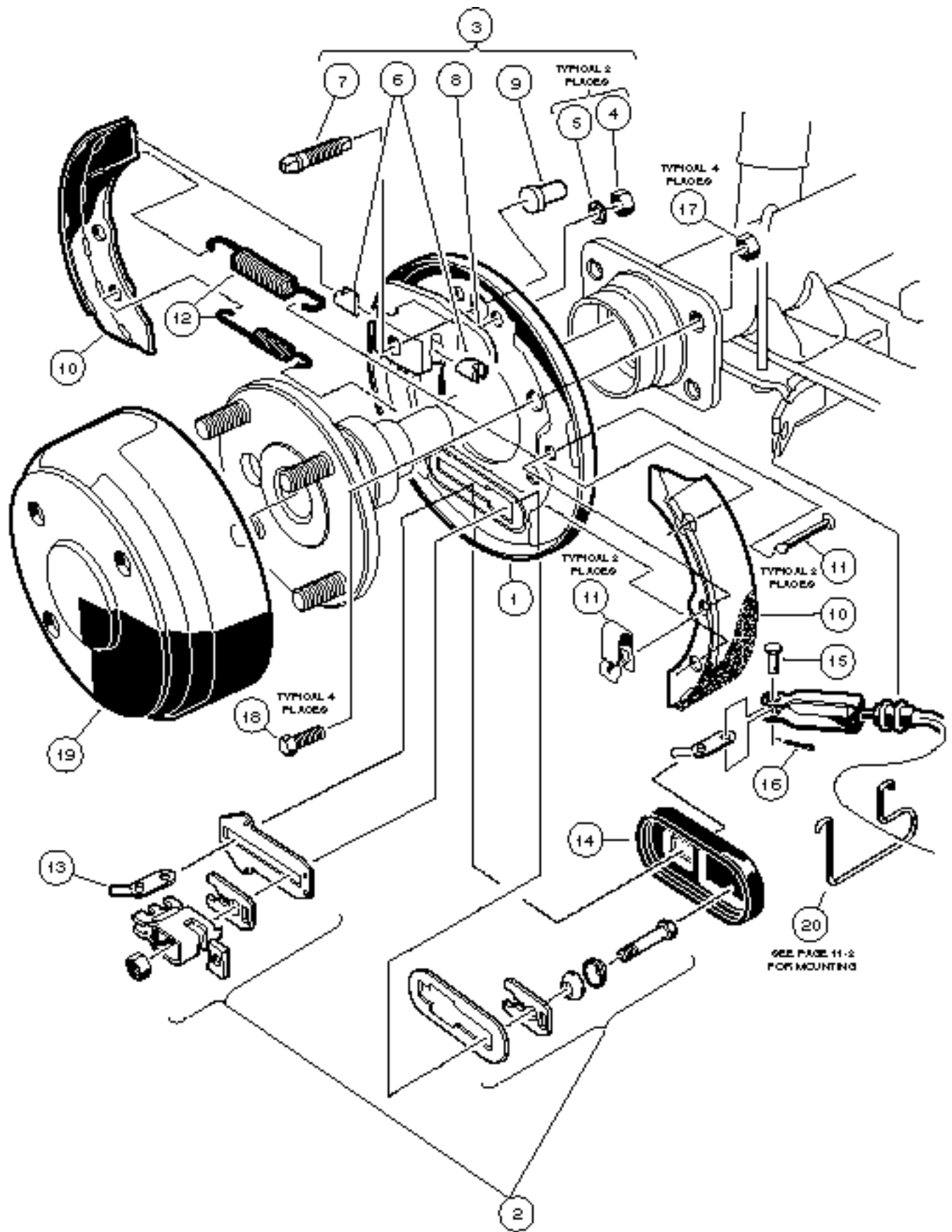


JUSTING TOURALL

3
G
E

ITEM	PART NO.	DESCRIPTION	QTY GAS	QTY ELEC
		1 2 3 4		
	1018233-01	CLUSTER, RIGHT BRAKE (INCLUDES ITEMS 1 - 9)	1	1
	1018233-02	CLUSTER, LEFT BRAKE (INCLUDES ITEMS 1 - 9)	1	1
1	1018240-01	ASSEMBLY, BACKING PLATE, RIGHT (INCLUDES ITEMS 2, 3 AND 4)	1	1
1	1018240-02	ASSEMBLY, BACKING PLATE, LEFT (INCLUDES ITEMS 2, 3 AND 4)	1	1
2	1018165-01	MECHANISM, ADJUSTING, RIGHT	1	1
2	1018165-02	MECHANISM, ADJUSTING, LEFT	1	1
3	1018239-01	WASHER	1	1
4	1018238-01	WASHER, PLATE	1	1
5	1010850	COVER, DUST	1	1
6	1018232-01	PACKAGE, BRAKE SHOE (FOUR PIECES)	1	1
7	1011466	KIT, SHOE RETAINER (FOUR PIECES)	1	1
8	1018163-01	PACKAGE, BRAKE SPRING (FOUR PIECES)	1	1
9	1018155-01	ASSEMBLY, LEVER, RIGHT	1	1
9	1018155-02	ASSEMBLY, LEVER, LEFT	1	1
10	1013924	NUT, HEX CONE, 5/16 - 24	8	8
11	1014153	BOLT, BRAKE CLUSTER MOUNTING	8	8
12	1010829	PIN, CLEVIS, 5/16	2	2
13	0001035	PIN, COTTER, 3/32 x 1	2	2
14	1013207	HANGER, BRAKE CABLE	2	2
15	1017911-01	DRUM, BRAKE	2	2

**3
G
E**

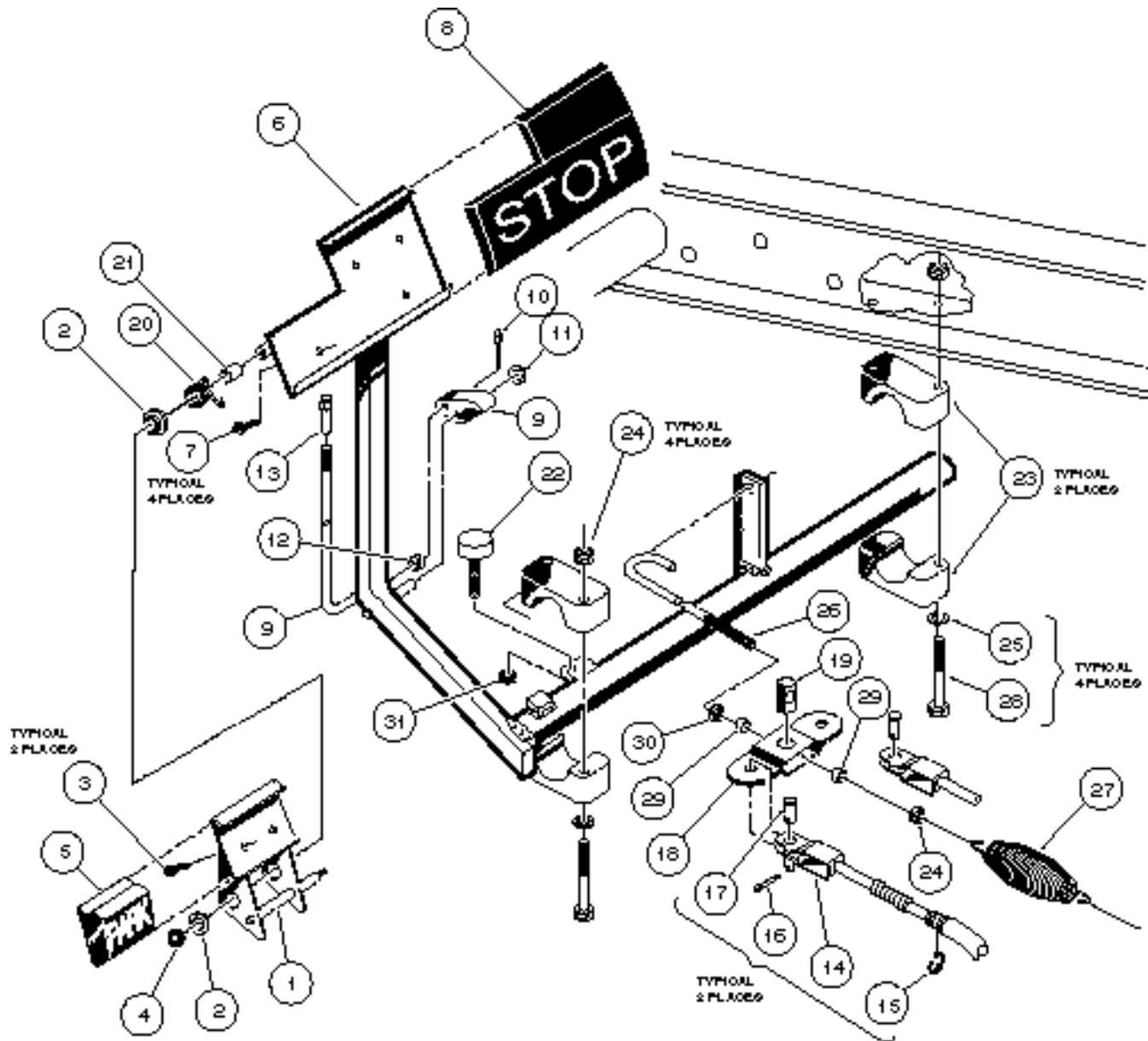


REAR BRAKE ASSEMBLY, MANUFACTURED BY JUSTED RESORT VILLAGER, TRANS-PORTER/TRANS-SENDER

3
G
E

ITEM	PART NO.	DESCRIPTION	QTY GAS	QTY ELEC
		1 2 3 4		
	1016573	CLUSTER, RIGHT BRAKE, WITHOUT BRAKE DRUM (INCLUDES ITEMS 1 - 14)	1	1
	1016557	CLUSTER, LEFT BRAKE, WITHOUT BRAKE DRUM (INCLUDES ITEMS 1 - 14)	1	1
1	1011494	PLATE, BACKING, LEFT SIDE	1	1
1	1011154	PLATE, BACKING, RIGHT SIDE	1	1
2	1011465	KIT, BRAKE ACTUATOR	1	1
3	1011467	KIT, ANCHOR BODY (INCLUDES ITEMS 4 - 9)	1	1
4	1011114	NUT, M6 x 1	2	2
5	0000451	WASHER, LOCK, 1/4	2	2
6	N/A	PISTON, ANCHOR	2	2
7	N/A	BOLT, ADJUSTMENT	1	1
8	N/A	BODY, ANCHOR	1	1
9	1011303	CAP, ADJUSTMENT BOLT	1	1
10	1011463	PACKAGE, BRAKE SHOE (FOUR PIECES)	1	1
11	1011466	KIT, SHOE RETAINER (FOUR PIECES)	1	1
12	1011464	PACKAGE, BRAKE SPRING (FOUR PIECES)	1	1
13	N/A	ARM, BRAKE LEVER	1	1
14	1010850	COVER, DUST	1	1
15	1010829	PIN, CLEVIS, 5/16	1	1
16	0001035	PIN, COTTER, 3/32 x 1	1	1
17	1013924	NUT, CONE LOCK, GRADE 8, 5/16 - 24	8	8
18	1014153	BOLT, BRAKE CLUSTER MOUNTING	8	8
19	1017911-01	DRUM, BRAKE	2	2
20	1013207	HANGER, BRAKE CABLE	2	2

**3
G
E**



ASSEMBLY VEHICLES WITH 2-WHEEL BRAKING

3

G

E

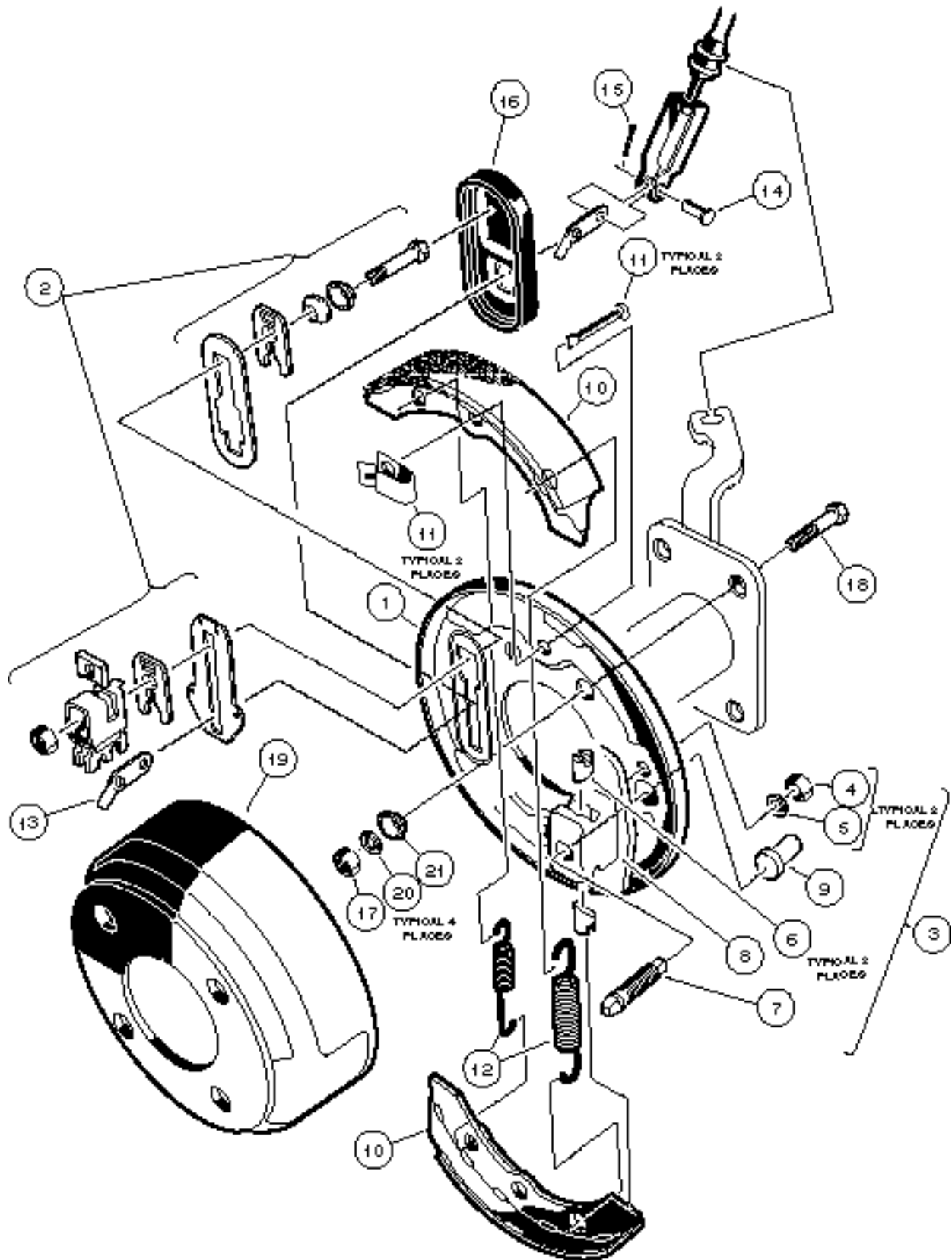
ITEM	PART NO.	DESCRIPTION	QTY GAS	QTY ELEC
		1 2 3 4 FOR ALL TOURALL VEHICLES. FOR RESORT VILLAGER AND TRANS-PORTER/TRANS-SENDER VEHICLES PRIOR TO SERIAL NUMBER 9535-456328.		
1	1011418	KIT, PARK BRAKE PEDAL (INCLUDES ITEMS 2 - 5)	1	1
2	0001032	BUSHING, NYLON	2	2
3	0007716	SCREW, SLOTTED HEX WASHER HEAD, #10 -16 x 1/2	2	2
4	1013876	NUT, PUSH, 3/8	1	1
5	1013870	PAD, PARK BRAKE	1	1
6	1011406	KIT, BRAKE PEDAL (INCLUDES ITEMS 7 AND 8)	1	1
7	0007716	SCREW, SLOTTED HEX WASHER HEAD, #10 - 16 x 1/2	4	4
8	1013869	PAD, BRAKE PEDAL	1	1
9	1016173	KIT, PARK BRAKE ROD AND PAWL (INCLUDES ITEMS 10 - 13)	1	1
10	1017029	PIN, COTTER, 7/64 x 1/2	1	1
11	1010877	NUT, PUSH, 5/16	1	1
12	1010805	SLEEVE, PARK BRAKE ROD	1	1
13	1010932	JOINT, BALL, 1/4 - 28	1	1
14	1011403	KIT, BRAKE CABLE, REAR (INCLUDES ITEMS 15 - 17)	2	2
15	1011779	CLIP, E-50 ROTOR, 1/2	2	2
16	0001035	PIN, COTTER, 3/32 x 1	2	2
17	1010829	PIN, CLEVIS, 5/16	2	2
18	1017211	KIT, EQUALIZER AND PIVOT LIMITER (INCLUDES ITEM 19)	1	1
19	N/A	PIN, EQUALIZER PIVOT	1	1
20	1010933	SPRING, PARK BRAKE TORSION	1	1
21	1010927	SPACER, PARK BRAKE	1	1
22	1010878	STOP, BRAKE	1	1
23	1011402	PACKAGE, BRAKE MOUNTING BLOCK (CONTAINS UPPER AND LOWER FOR LEFT AND RIGHT SIDES)	1	1
24	0008986	NUT, DIMPLED LOCK, 5/16 - 18	5	5
25	0001241	WASHER, FLAT, 5/16	4	4
26	1010808	ROD, EQUALIZER, REAR (TOURALL ONLY)	1	1
26	1016708-01	ROD, EQUALIZER, REAR (RESORT VILLAGER AND TRANS-PORTER/TRANS-SENDER)	1	1
27	1013532	SPRING, BRAKE RETURN (GASOLINE TOURALL ONLY)	1	
27	1013531	SPRING, BRAKE RETURN (ELECTRIC TOURALL ONLY)		1
27	1013532	SPRING, BRAKE RETURN (RESORT VILLAGER AND TRANS-PORTER/TRANS-SENDER)	1	1
28	1010921	SCREW, HEX HEAD CAP, 5/16 - 18 x 2 1/2	4	4
29	1018653-01	SPACER, EQUALIZER	2	2
30	0001242	NUT, HEX, 5/16 - 18	1	1
31	0001028	NUT, HEX, 1/4 - 20	1	1

ASSEMBLY VEHICLES WITH 4-WHEEL BRAKING

3
G
E

ITEM	PART NO.	DESCRIPTION	QTY GAS	QTY ELEC
		1 2 3 4 FOR RESORT VILLAGER AND TRANS-PORTER/TRANS-SENDER VEHICLES SERIAL NUMBER 9535-456328 AND LATER.		
1	1011418	KIT, PARK BRAKE PEDAL (INCLUDES ITEMS 2 - 5)	1	1
2	0001032	BUSHING, NYLON	2	2
3	0007716	SCREW, SLOTTED HEX WASHER HEAD, #10 -16 x 1/2	2	2
4	1013876	NUT, PUSH, 3/8	1	1
5	1013870	PAD, PARK BRAKE	1	1
6	1018782-01	KIT, BRAKE PEDAL (INCLUDES ITEMS 7 AND 8)	1	1
7	0007716	SCREW, SLOTTED HEX WASHER HEAD, #10 - 16 x 1/2	4	4
8	1013869	PAD, BRAKE PEDAL	1	1
9	1016173	KIT, PARK BRAKE ROD AND PAWL (INCLUDES ITEMS 10 - 13)	1	1
10	1017029	PIN, COTTER, 7/64 x 1/2	1	1
11	1010877	NUT, PUSH, 5/16	1	1
12	1010805	SLEEVE, PARK BRAKE ROD	1	1
13	1010932	JOINT, BALL, 1/4 - 28	1	1
14	1011403	KIT, BRAKE CABLE, REAR (INCLUDES ITEMS 16, 17 AND 18)	2	2
15	1018746-01	KIT, BRAKE CABLE, FRONT (INCLUDES ITEMS 16, 17 AND 18)	2	2
16	1011779	CLIP, E-50 ROTOR, 1/2	2	2
17	0001035	PIN, COTTER, 3/32 x 1	2	2
18	1010829	PIN, CLEVIS, 5/16	2	2
19	1017211	KIT, EQUALIZER AND PIVOT LIMITER (INCLUDES ITEM 20)	2	2
20	N/A	PIN, EQUALIZER PIVOT	1	1
21	1010933	SPRING, PARK BRAKE TORSION	1	1
22	1010927	SPACER, PARK BRAKE	1	1
23	1010878	STOP, BRAKE	1	1
24	1011402	PACKAGE, BRAKE MOUNTING BLOCK (CONTAINS UPPER AND LOWER FOR LEFT AND RIGHT SIDES)	1	1
25	0007473	NUT, NYLON LOCK, 5/16 - 18	6	6
26	0001241	WASHER, FLAT, 5/16	4	4
27	1018687-01	ROD, EQUALIZER, FRONT	1	1
28	1016708-01	ROD, EQUALIZER, REAR	1	1
29	1013532	SPRING, BRAKE RETURN	1	1
30	1010921	SCREW, HEX HEAD CAP, 5/16 - 18 x 2 1/2	4	4
31	1018653-01	SPACER, EQUALIZER	4	4
32	0001242	NUT, HEX, 5/16 - 18	2	2
33	0001028	NUT, HEX, 1/4 - 20	1	1

**3
G
E**

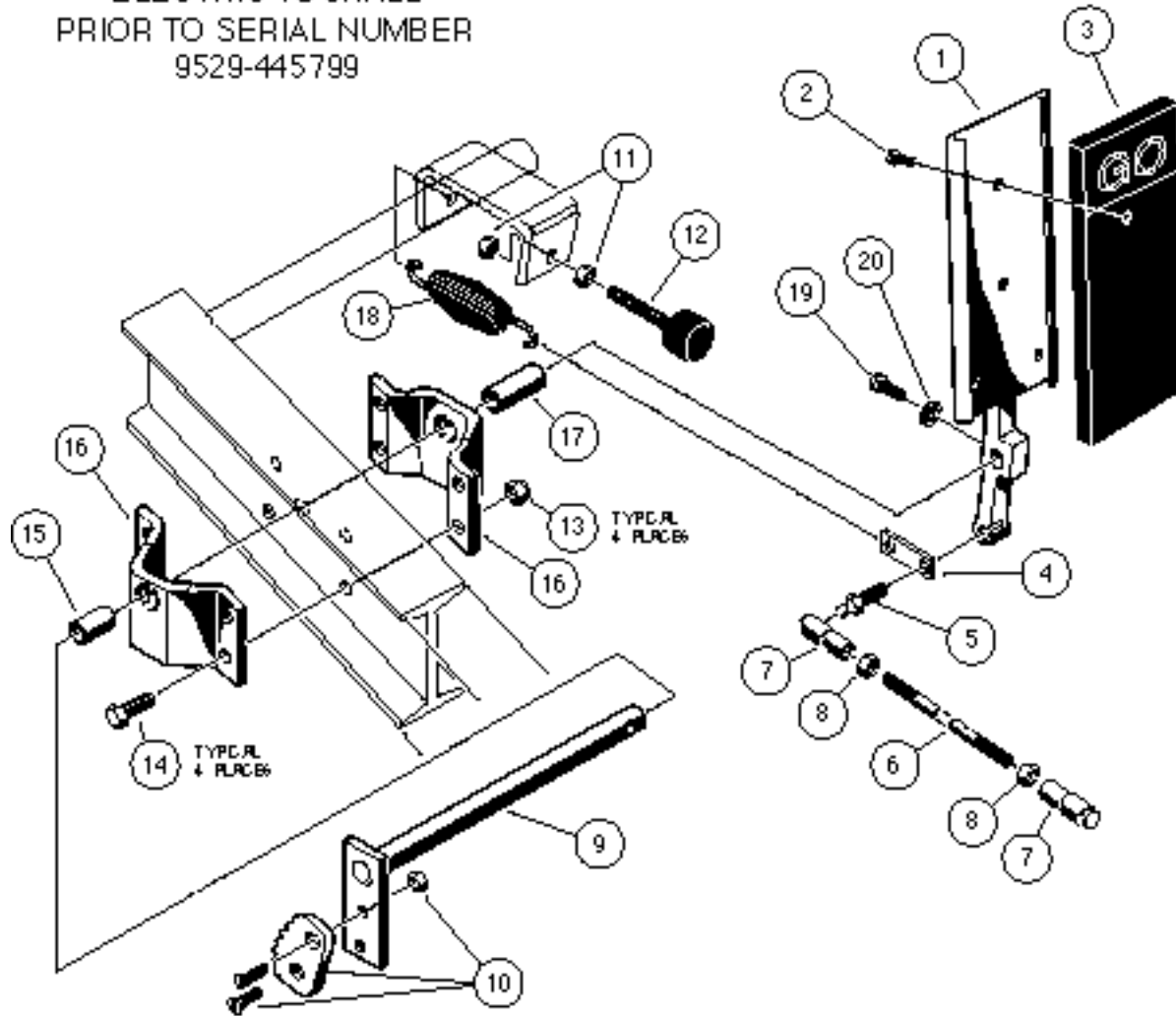


ASSEMBLY VEHICLES WITH 4-WHEEL BRAKING

3
G
E

ITEM	PART NO.	DESCRIPTION	QTY GAS	QTY ELEC
		1 2 3 4 FOR RESORT VILLAGER AND TRANS-PORTER/TRANS-SENDER VEHICLES SERIAL NUMBER 9535-456328 AND LATER.		
	1016573	CLUSTER, RIGHT BRAKE, WITHOUT BRAKE DRUM (INCLUDES ITEMS 1 - 14)	1	1
	1016557	CLUSTER, LEFT BRAKE, WITHOUT BRAKE DRUM (INCLUDES ITEMS 1 - 14)	1	1
1	1011154	PLATE, BACKING, RIGHT SIDE	1	1
1	1011494	PLATE, BACKING, LEFT SIDE	1	1
2	1011465	KIT, BRAKE ACTUATOR	1	1
3	1011467	KIT, ANCHOR BODY (INCLUDES ITEMS 4 - 9)	1	1
4	1011114	NUT, M6 x 1	2	2
5	0000451	WASHER, LOCK, 1/4	2	2
6	N/A	PISTON, ANCHOR	2	2
7	N/A	BOLT, ADJUSTMENT	1	1
8	N/A	BODY, ANCHOR	1	1
9	1011303	CAP, ADJUSTMENT BOLT	1	1
10	1011463	PACKAGE, BRAKE SHOE (FOUR PIECES)	1	1
11	1011466	KIT, SHOE RETAINER (FOUR PIECE)	1	1
12	1011464	PACKAGE, BRAKE SPRING (FOUR PIECES)	1	1
13	N/A	ARM, BRAKE LEVER	1	1
14	1010850	COVER, DUST	1	1
15	1010829	PIN, CLEVIS, 5/16	2	2
16	0001035	PIN, COTTER, 3/32 x 1	2	2
17	1018727-01	NUT, HEX, 5/16 - 24	8	8
18	1017232	BOLT, HEX HEAD, 5/16 - 24 x 1	8	8
19	1011137	DRUM, BRAKE	2	2
20	0007174	WASHER, LOCK, 5/16 x 24	8	8
21	1018690-01	WASHER, CONE	8	8

ELECTRIC TOURALL
PRIOR TO SERIAL NUMBER
9529-445799



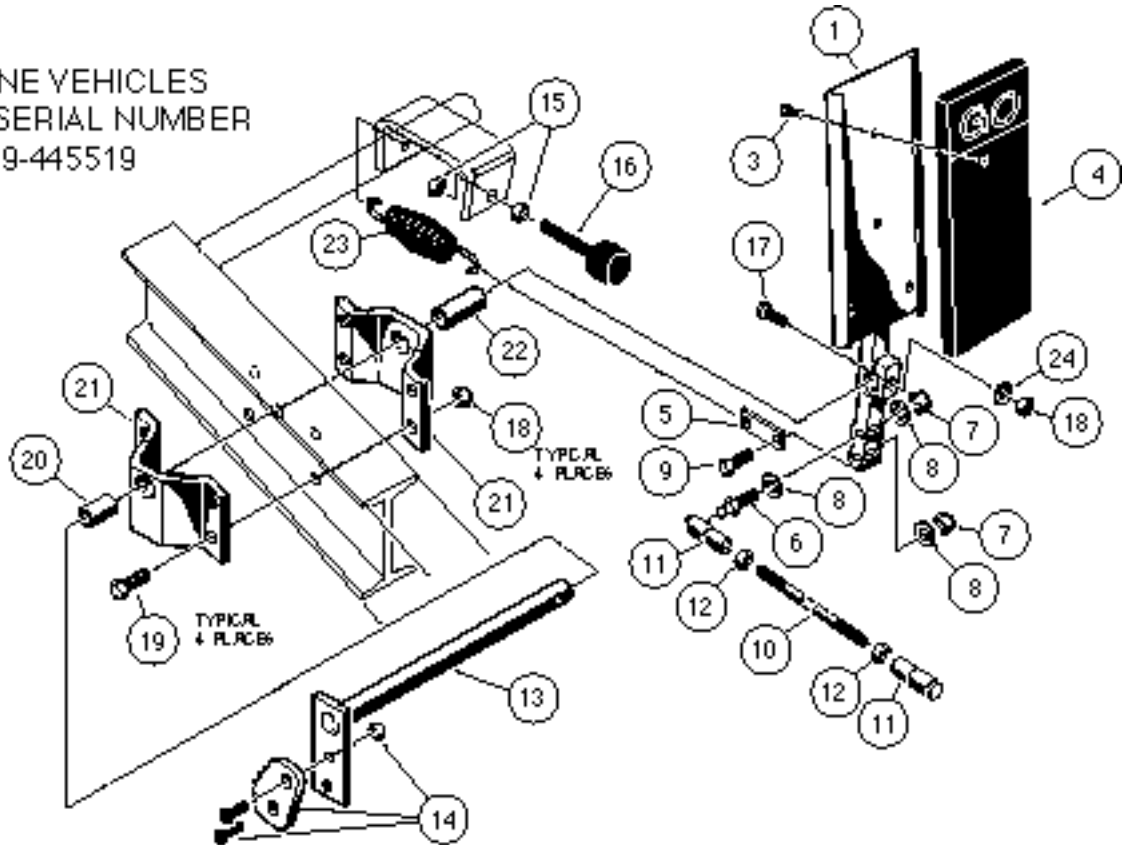
ITEM	PART NO.	DESCRIPTION	QTY ELEC
		1 2 3 4 FOR TOURALL VEHICLES PRIOR TO SERIAL NUMBER 9529-445799.	
1	1010969	ASSEMBLY, ACCELERATOR PEDAL (INCLUDES ITEMS 2 - 5)	1
2	0007716	SCREW, SLOTTED HEX WASHER HEAD, #10 - 16 x 1/2	4
3	1013871	PAD, ACCELERATOR PEDAL	1
4	1011691	HANGER, ACCELERATOR PEDAL SPRING	1
5	1010954	STUD, BALL, 1/4 - 28 x 9/16	1
6	1014085	ASSEMBLY, ACCELERATOR ROD (INCLUDES ITEMS 7 AND 8)	1
7	1011734	JOINT, BALL, SPRING LOADED, 1/4 - 28	2
8	1011084	NUT, HEX JAM, 1/4 - 28	2
9	1010973	ASSEMBLY, SUB, ACCELERATOR PIVOT ROD (INCLUDES ITEM 10)	1
10	1011877	KIT, PARK BRAKE LATCH	1
11	0001028	NUT, HEX, 1/4 - 20	2
12	1010878	STOP, BRAKE	1
13	0008233	NUT, NYLON LOCK, 1/4 - 20	4
14	1018619-01	SCREW, HEX HEAD CAP, 1/4 - 20 x 1 1/8	4
15	1011699	SPACER, 1/2	1
16	1011694	BRACKET, ACCELERATOR BEARING	2
17	1011700	SPACER, ACCELERATOR	1
18	1012075	SPRING, EXTENSION	1
19	0000403	SCREW, HEX HEAD CAP, 1/4 - 20 x 5/8	1
20	0008304	WASHER, INTERNAL TOOTH, 1/4	1

3

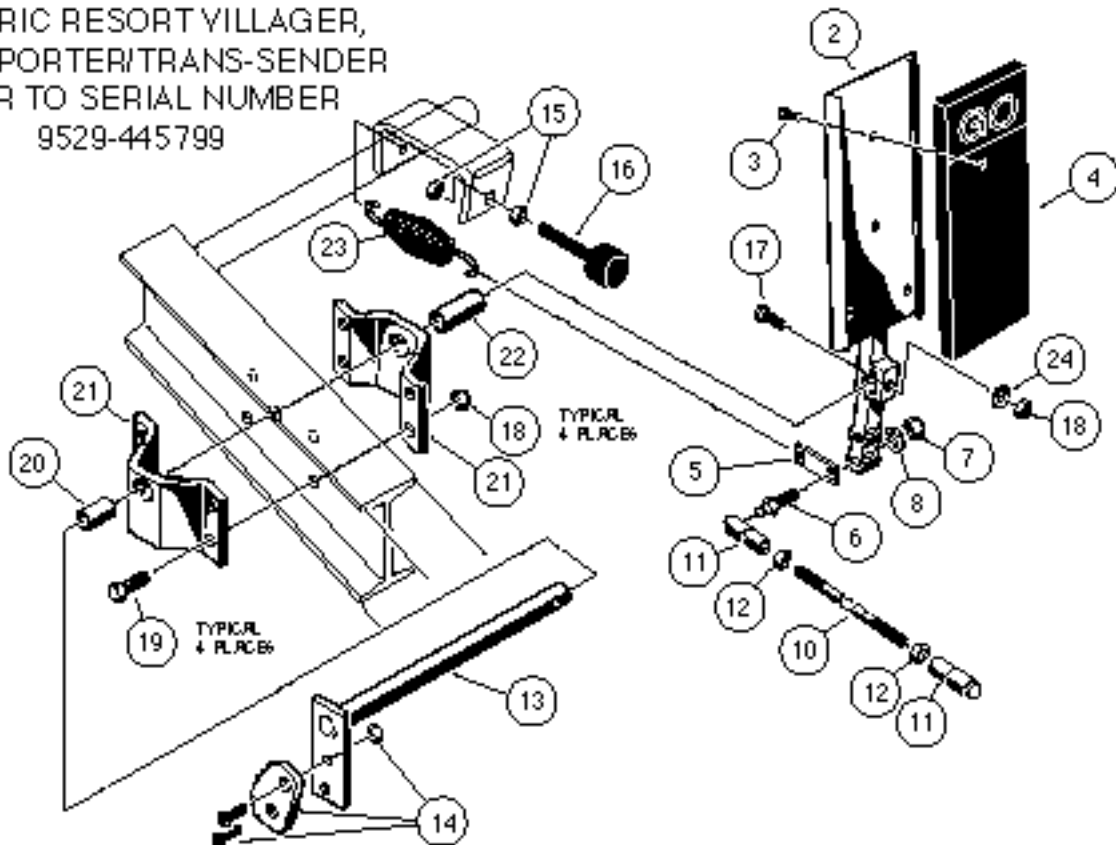
G

E

**GASOLINE VEHICLES
PRIOR TO SERIAL NUMBER
9529-445519**



**ELECTRIC RESORT VILLAGER,
TRANS-PORTER/TRANS-SENDER
PRIOR TO SERIAL NUMBER
9529-445799**



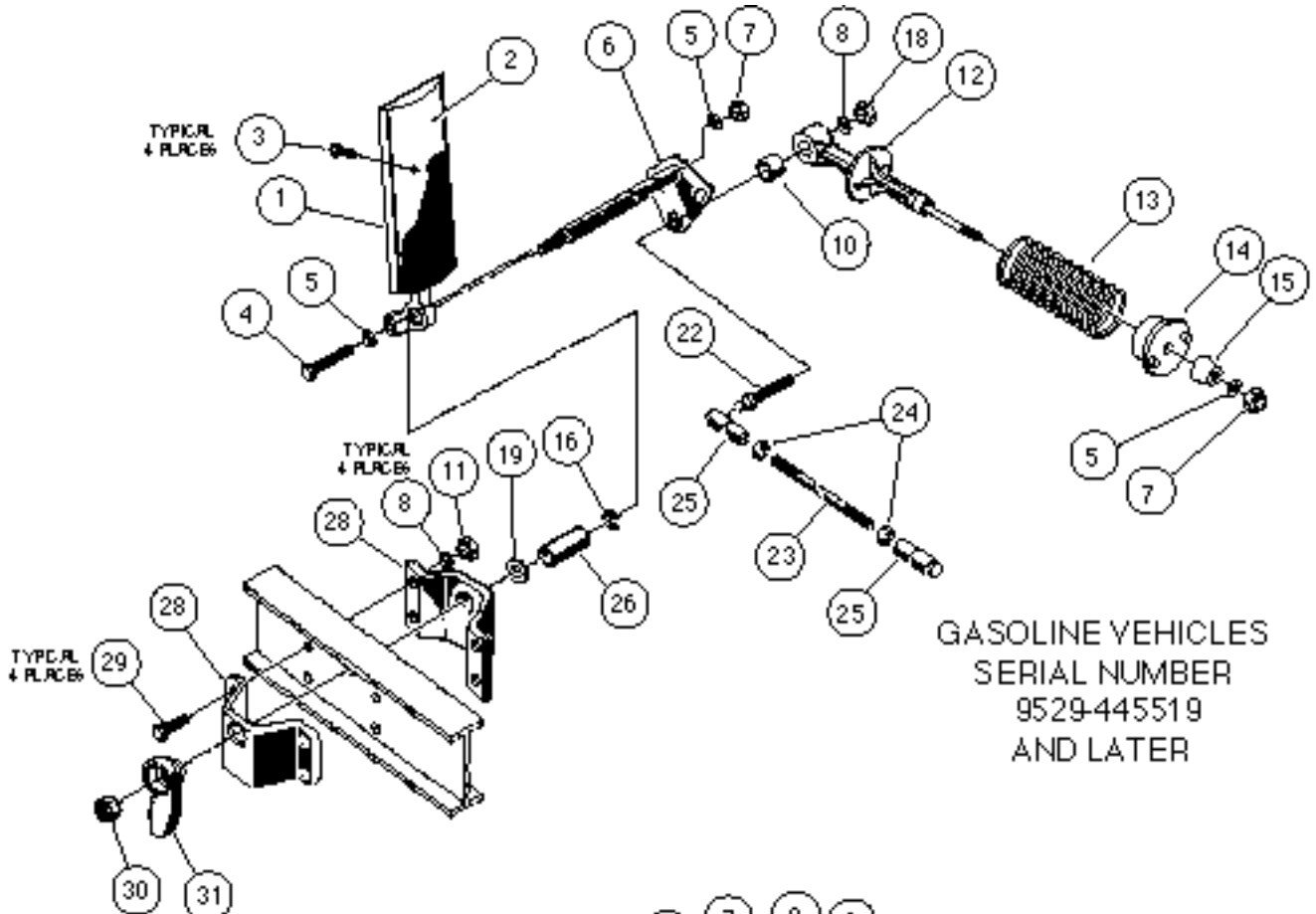


VEHICLES AND ELEC. R.V., TRANS-PORTER/TRANS-SENDER

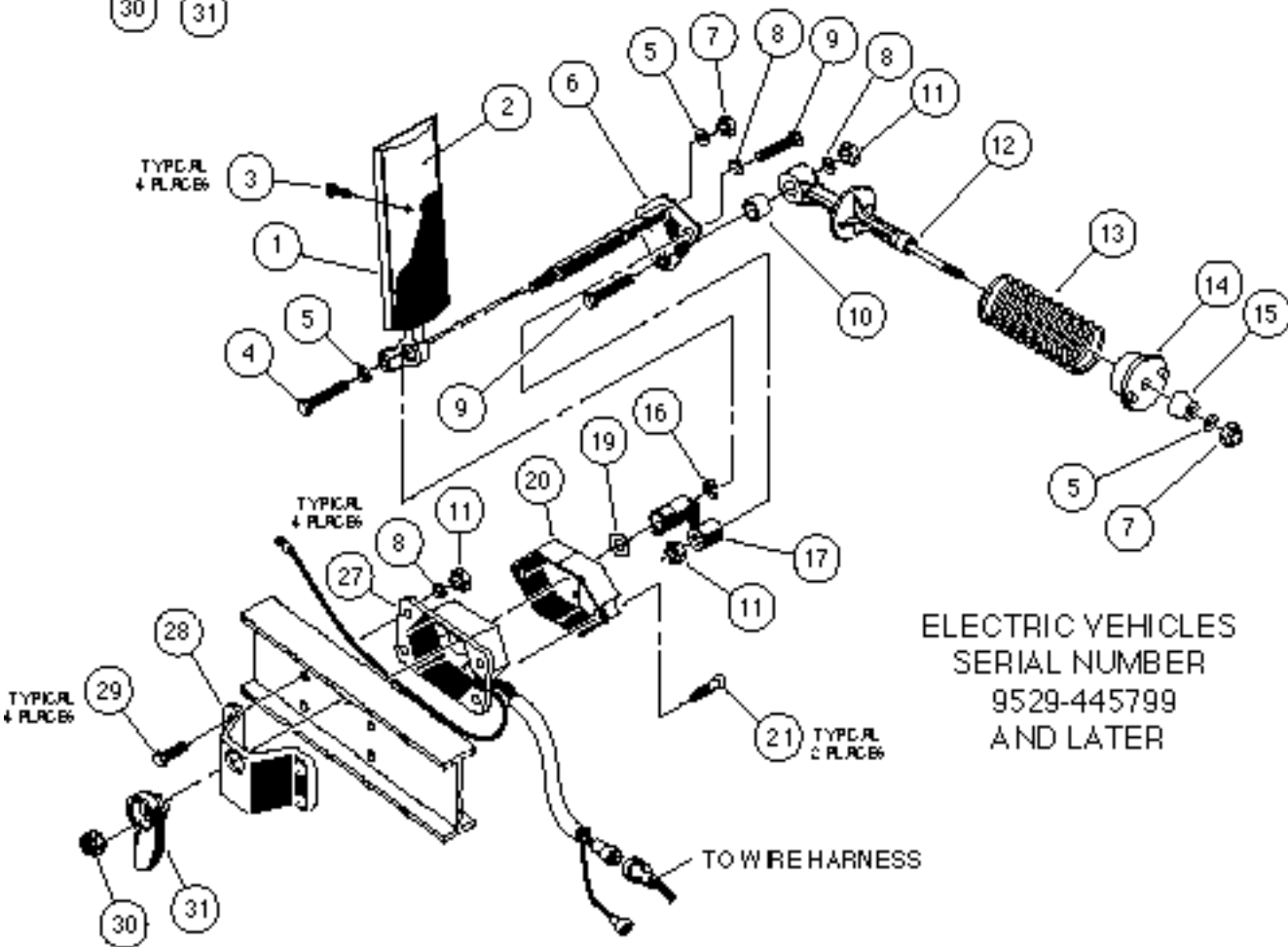
3
G
E

ITEM	PART NO.	DESCRIPTION	QTY GAS	QTY ELEC
		1 2 3 4 FOR GASOLINE VEHICLES PRIOR TO SERIAL NUMBER 9529-445519. FOR ELECTRIC VEHICLES PRIOR TO SERIAL NUMBER 9529-445799.		
1	1016377-01	ASSEMBLY, ACCELERATOR PEDAL (GASOLINE VEHICLES) (INCLUDES ITEMS 3 - 9)	1	
2	1016377-02	ASSEMBLY, ACCELERATOR PEDAL (ELECTRIC RESORT VILLAGER, TRANS-PORTER/TRANS-SENDER) (INCLUDES ITEMS 3 - 8)		1
3	0007716	SCREW, SLOTTED HEX WASHER HEAD, #10 - 16 x 1/2	4	4
4	1013871	PAD, ACCELERATOR PEDAL	1	1
5	1011691	HANGER, ACCELERATOR PEDAL SPRING	1	1
6	1016157	STUD, BALL, 1/4 - 28 x 1 1/8	1	1
7	0008717	NUT, NYLON HEX, 1/4 - 28	2	1
8	1014007	WASHER, FLAT, 1/4	3	1
9	0007510	SCREW, HEX HEAD CAP, 1/4 - 28 x 1 1/4	1	
10	1016168	ASSEMBLY, ACCELERATOR ROD, (GASOLINE TOURALL)	1	
10	1016747-02	ASSEMBLY, ACCELERATOR ROD, (GASOLINE RESORT VILLAGER, TRANS-PORTER/TRANS-SENDER) (INCLUDES ITEMS 11 AND 12)	1	
10	1016747-01	ASSEMBLY, ACCELERATOR ROD (ELECTRIC RESORT VILLAGER, TRANS-PORTER/TRANS-SENDER) (INCLUDES ITEMS 11 AND 12)		1
11	1011734	JOINT, BALL, SPRING LOADED, 1/4 - 28	2	2
12	1011084	NUT, HEX JAM, 1/4 - 28	2	2
13	1016166	ASSEMBLY, SUB, ACCELERATOR PIVOT ROD (GASOLINE TOURALL) (INCLUDES ITEM 14)	1	
13	1016166	ASSEMBLY, SUB, ACCELERATOR PIVOT ROD (ALL RESORT VILLAGER, TRANS-PORTER/TRANS-SENDER) (INCLUDES ITEM 14)	1	1
14	1011877	KIT, PARK BRAKE LATCH	1	1
15	0001028	NUT, HEX, 1/4 - 20	2	2
16	1010878	STOP, BRAKE	1	1
17	1016619	SCREW, HEX HEAD CAP, 1/4 - 20 x 1 1/2	1	1
18	0008233	NUT, NYLON LOCK, 1/4 - 20	5	5
19	1018619-01	SCREW, HEX HEAD CAP, 1/4 - 20 x 1 1/8	4	4
20	1011699	SPACER, 1/2	1	1
21	1011694	BRACKET, ACCELERATOR BEARING	2	2
22	1011700	SPACER, ACCELERATOR	1	1
23	1012075	SPRING, EXTENSION	1	1
24	0000332	WASHER, FLAT, 1/4	1	1

**3
G
E**



GASOLINE VEHICLES
SERIAL NUMBER
9529-445519
AND LATER



ELECTRIC VEHICLES
SERIAL NUMBER
9529-445799
AND LATER

ACCELERATOR PEDAL ASSEMBLY

3

G

E

ITEM	PART NO.	DESCRIPTION	QTY GAS	QTY ELEC
		1 2 3 4 FOR GASOLINE VEHICLES SERIAL NUMBER 9529-445519 AND LATER. FOR ELECTRIC VEHICLES SERIAL NUMBER 9529-445799 AND LATER.		
1	1017696	SUB-ASSEMBLY, ACCELERATOR PEDAL (INCLUDES ITEM 2)	1	1
2	1013871	PAD, PEDAL	1	1
3	0007716	SCREW, SLOTTED HEX WASHER HEAD, 310 - 16 x 1/2	4	4
4	0001218	SCREW, HEX CAP, 5/16 - 18 x 1 1/4	1	1
5	0001241	WASHER, FLAT, 5/16	3	3
6	1017325	ASSEMBLY, ACCELERATOR PIVOT ROD	1	1
7	0007473	NUT, NYLON LOCK, 5/16 - 18	2	2
8	0000332	WASHER, FLAT, 1/4	5	6
9	1018620-01	SCREW, HEX HEAD CAP, 1/4 - 20 x 1 3/8 (ELECTRIC VEHICLE ONLY)		2
10	1017424	BEARING, PIVOT SUPPORT	1	1
11	0008233	NUT, NYLON LOCK, 1/4 - 20	4	6
12	1018174-01	RETAINER, SPRING	1	1
13	101796201	SPRING, RETURN	1	1
14	1017378	CUP, SPRING	1	1
15	1017380	BUMPER, RETURN SPRING	1	1
16	1018260-01	RING, CRESCENT RETAINING	1	1
17	1017400	LEVER, ACTUATOR (ELECTRIC VEHICLE ONLY)		1
18	0008717	NUT, NYLON LOCK, 1/4 - 28 (GASOLINE VEHICLE ONLY)	1	
19	1018042-01	WASHER, PLASTIC, 1/2	1	1
20	1017743	COVER, ACCELERATOR (ELECTRIC VEHICLE ONLY)		1
21	1018043-01	SCREW, HI-LO HEX HEAD, #8 - 18 x 1/2 (ELECTRIC VEHICLE ONLY)		2
22	1018188-01	STUD, BALL (GASOLINE VEHICLE ONLY)	1	
23	1016168	ASSEMBLY, ACCELERATOR ROD (GASOLINE TOURALL) (INCLUDES ITEMS 24 AND 25)	1	
23	1016747-02	ASSEMBLY, ACCELERATOR ROD (GASOLINE RESORT VILLAGER, TRANS-PORTER/TRANS-SENDER) (INCLUDES ITEMS 24 AND 25)	1	
24	1011084	NUT, UNF HEX JAM, 1/4 - 28 (GASOLINE VEHICLE ONLY)	2	
25	1011734	JOINT, SPRING-LOADED BALL (GASOLINE VEHICLE ONLY)	2	
26	1018259-01	SPACER (GASOLINE VEHICLE ONLY)	1	
27	1017392	ASSEMBLY, POTENTIOMETER HOUSING (ELECTRIC VEHICLE ONLY)		1
28	1011694	SUPPORT, ACCELERATOR PIVOT ROD	2	1
29	1018619-01	SCREW, HEX CAP, 1/4 - 20 x 1 1/8	4	4
30	0008754	NUT, NYLON LOCK, 3/8 x 16	1	1
31	1017322	RACHET, PARK BRAKE	1	1

**DID YOU
KNOW?**

CartPros directs you to the right part using the part numbers from this manual. Enter the part number into our search box and it will find the part you are looking for.

**GET STARTED
HERE**



<https://CartPros.com/f.html>

**DID YOU
KNOW?**

CartPros directs you to the right part using the part numbers from this manual. Enter the part number into our search box and it will find the part you are looking for.

**GET STARTED
HERE**



<https://CartPros.com/f.html>

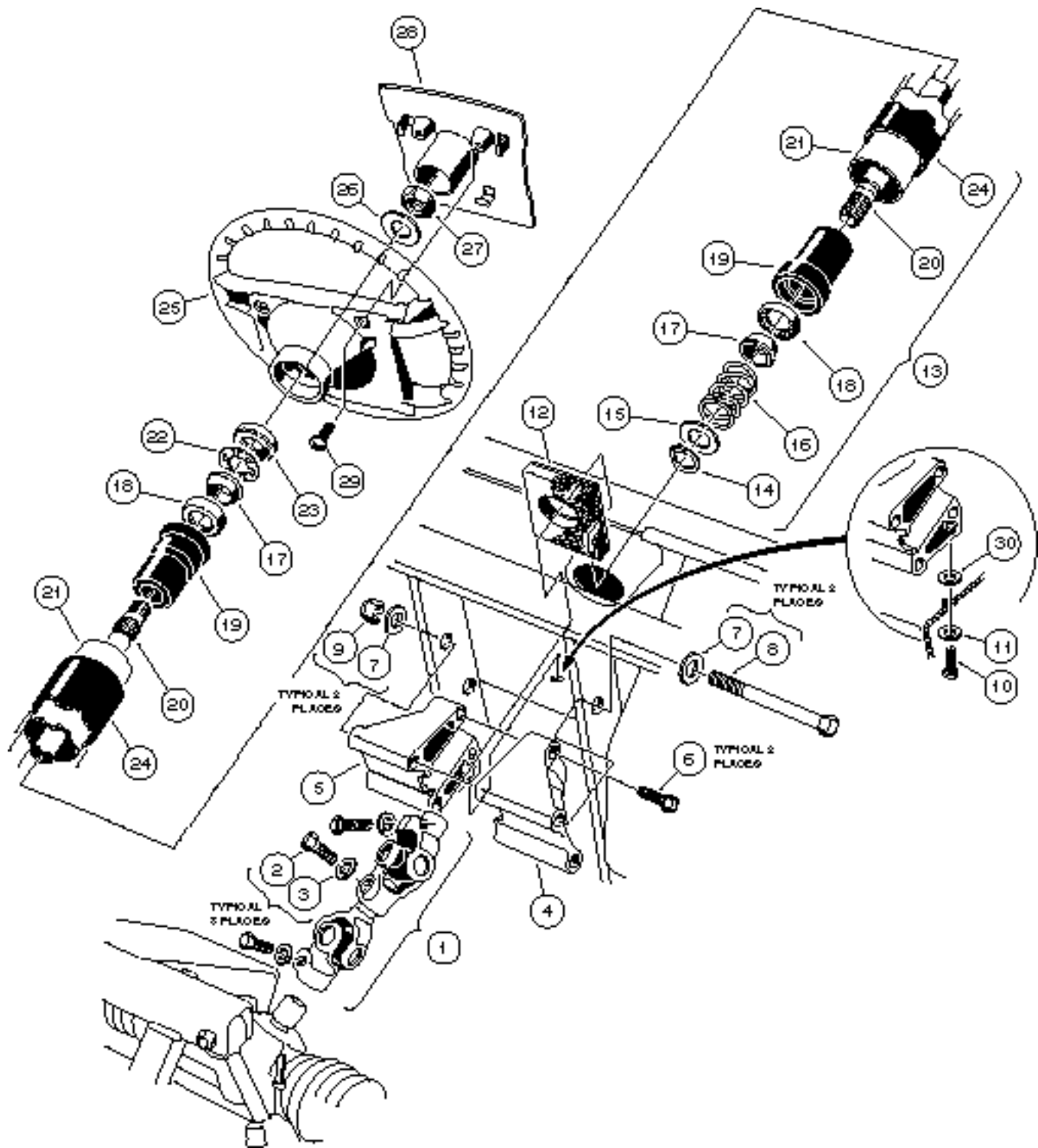
STEERING AND SUSPENSION

4

G

E

4
G
E



STEERING COLUMN

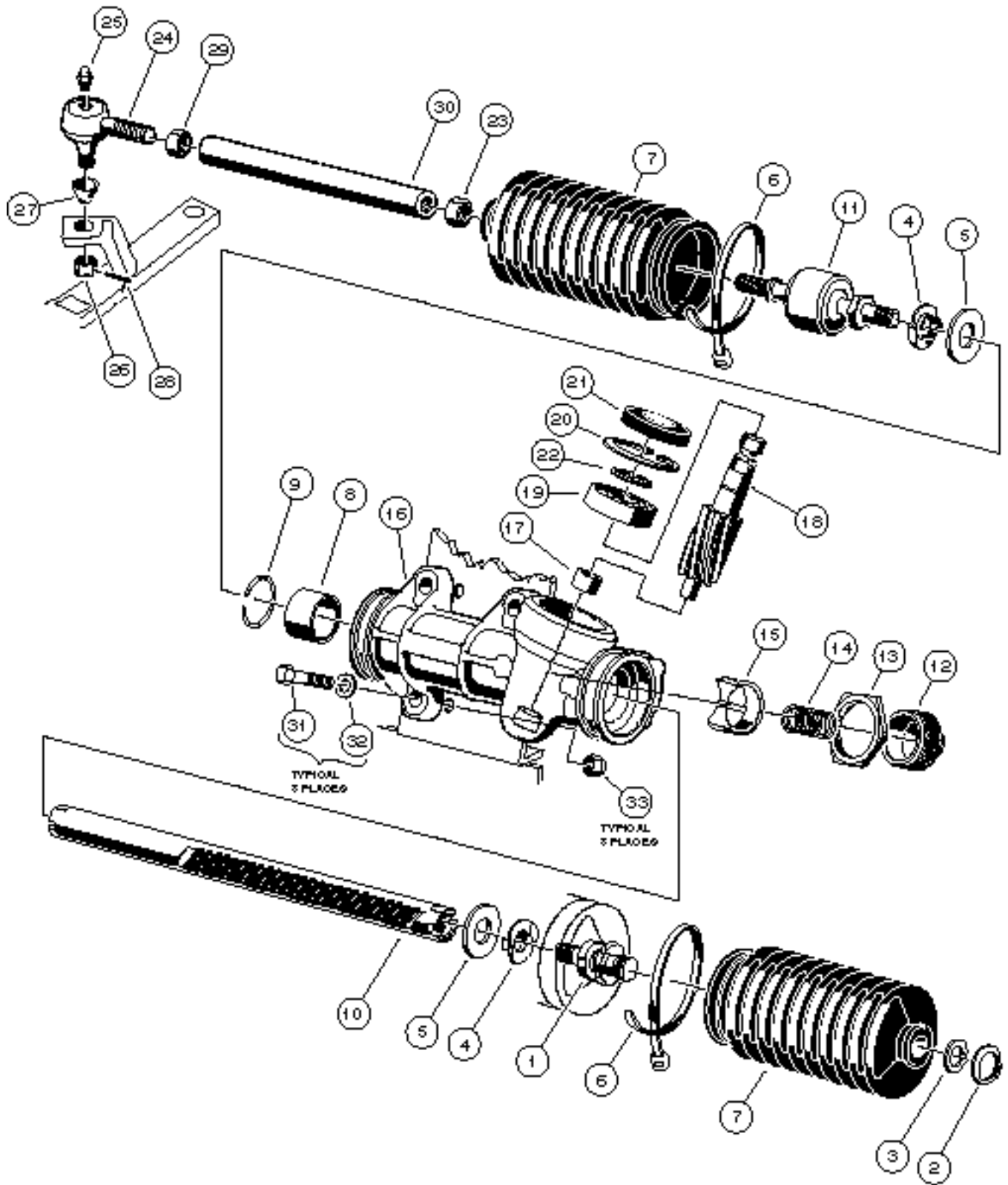
4

G

E

ITEM	PART NO.	DESCRIPTION	QTY GAS	QTY ELEC
		1 2 3 4		
1	1013861	JOINT, COMPOUND STEERING (INCLUDES ITEMS 2 AND 3)	1	1
2	1017226	SCREW, HEX HEAD CAP, M8 x 1.25 x 30MM	3	3
3	0007174	WASHER, LOCK, 5/16	3	3
4	1016185	MOUNT, STEERING COLUMN, LEFT HAND	1	1
5	1016184	MOUNT, STEERING COLUMN, RIGHT HAND	1	1
6	1016269	SCREW, HEX WASHER HEAD THREAD FORMING, 5/16 - 18 x 2	2	2
7	0000334	WASHER, FLAT, 3/8	4	4
8	1016183	SCREW, HEX HEAD CAP, 3/8 - 16 x 6 3/4	2	2
9	0008754	NUT, NYLON LOCK, 3/8 - 16	2	2
10	1014288	SCREW, HEX WASHER HEAD THREAD FORMING, 5/16 - 18 x 3/4	1	1
11	1011697	WASHER, FLAT, 5/16	1	1
12	1012499	BOOT, STEERING COLUMN	1	1
13	1016181	ASSEMBLY, STEERING COLUMN (TOURALL AND TRANS-PORTER/TRANS-SENDER) (INCLUDES ITEMS 14 - 23)	1	1
13	1017313	ASSEMBLY, STEERING COLUMN (RESORT VILLAGER ONLY) (INCLUDES ITEMS 14 - 23)	1	1
14	1012605	RING, RETAINING	1	1
15	1012604	WASHER, STEEL, 5/8	1	1
16	1014217	SPRING, COMPRESSION	1	1
17	1014125	WEDGE	2	2
18	1014213	ASSEMBLY, BEARING	2	2
19	1014126	SEAT, BEARING	2	2
20	1015545	SHAFT, STEERING COLUMN (TOURALL AND TRANS-PORTER/TRANS-SENDER)	1	1
20	1017315	SHAFT, STEERING COLUMN (RESORT VILLAGER ONLY)	1	1
21	1016622	COLUMN, ALUMINUM STEERING (TOURALL AND TRANS-PORTER/TRANS-SENDER)	1	1
21	1017314	COLUMN, ALUMINUM STEERING (RESORT VILLAGER ONLY)	1	1
22	1014214	RING, RETAINING	1	1
23	1014211	SEAL, BEARING	1	1
24	1016263	COVER, STEERING COLUMN	1	1
25	1016156	WHEEL, STEERING	1	1
26	1012604	WASHER, STEEL, 5/8	1	1
27	1017273	NUT, NYLON LOCK, 5/8 - 18	1	1
28	1016155-02	PLATE, STEERING WHEEL	1	1
29	1016663	SCREW, TYPE A PHILLIPS, #12 - 11 x 5/8	2	2
30	1011578	WASHER, TYPE B FLAT, 5/16 (RESORT VILLAGER ONLY)	1	1

4
G
E





STEERING GEAR ASSEMBLY

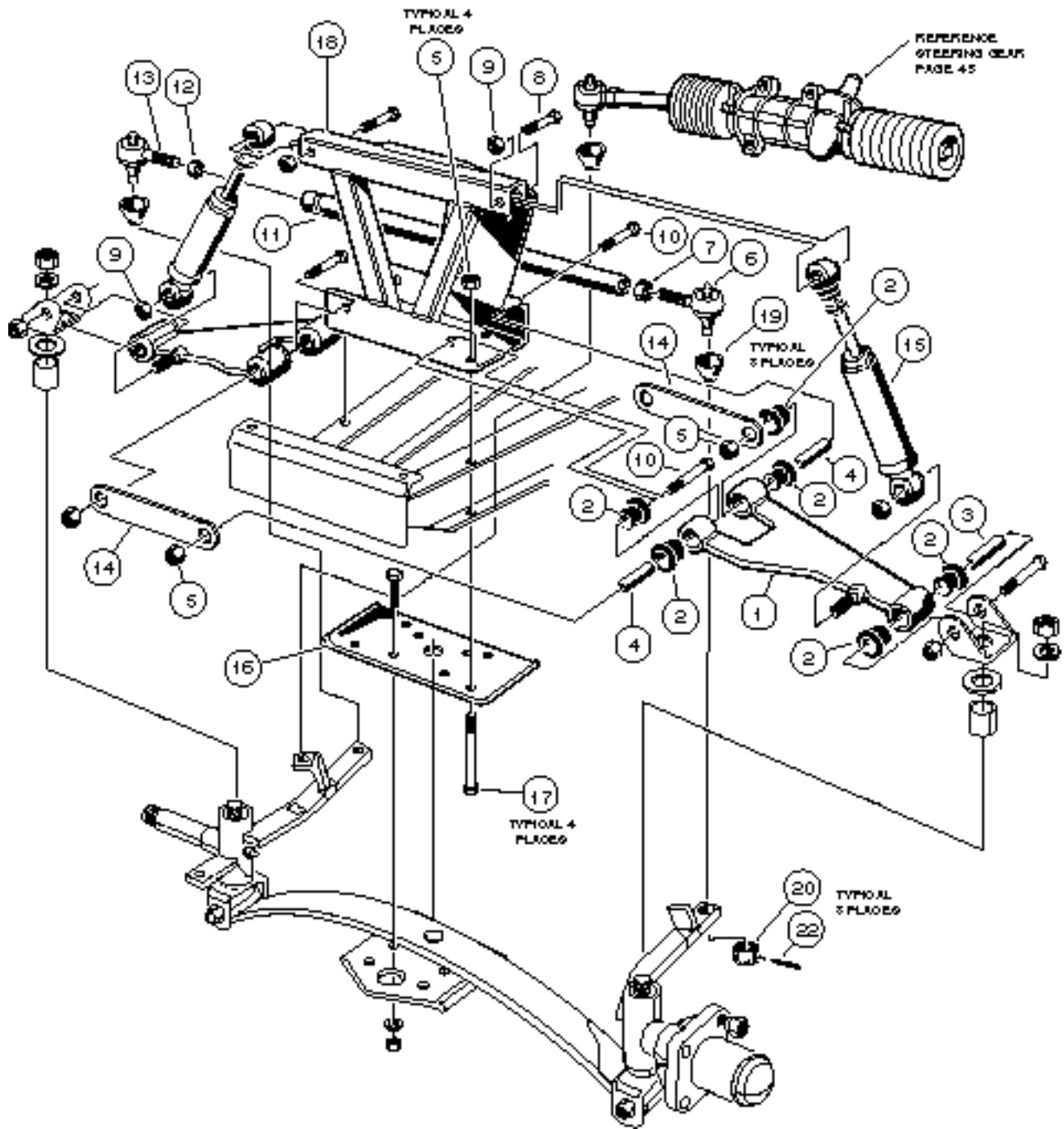
4

G

E

ITEM	PART NO.	DESCRIPTION	QTY GAS	QTY ELEC
		1 2 3 4		
	1012452	ASSEMBLY, STEERING GEAR BOX (INCLUDES ITEMS 1 - 22)	1	1
1	1018309-01	KIT, STOPPER BOLT (INCLUDES ITEMS 2 AND 3)	1	1
2	N/A	RING, SNAP	1	1
3	N/A	WASHER, END	1	1
4	1013040	WASHER, LOCK, TIE ROD	2	2
5	1013039	WASHER, TIE ROD STOPPER	2	2
6	0008990	TIE WRAP	2	2
7	1013035	SEAL, DUST	2	2
8	1013036	BUSHING, RACK	1	1
9	1013037	RING, SNAP	1	1
10	N/A	RACK, STEERING	1	1
11	1013041	RACK, END	1	1
12	N/A	SCREW, RACK GUIDE	1	1
13	1013044	NUT, LOCK, RACK SCREW	1	1
14	1013045	SPRING, RACK GUIDE PRESSURE	1	1
15	1013046	GUIDE, STEERING RACK	1	1
16	N/A	BOX, STEERING GEAR	1	1
17	N/A	BEARING, LOWER PINION	1	1
18	N/A	PINION, STEERING	1	1
19	1012884	BEARING, UPPER PINION	1	1
20	1013051	RING, SNAP	1	1
21	1013052	SEAL, DUST, STEERING PINION	1	1
22	1013031	RING, EXTERNAL RETAINING	1	1
23	1013042	NUT, HEX, M12 x 1.75	1	1
24	0007540	SOCKET, VERTICAL LEFT HAND THREAD (INCLUDES ITEMS 25, 26 AND 27) ..	1	1
25	1015597	FITTING, THREAD FORM GREASE, 1/4 - 28	1	1
26	0007602	NUT, HEX SLOTTED, 3/8 - 24	1	1
27	1011930	BOOT, DUST	1	1
28	0001035	PIN, COTTER, 3/32 x 1	1	1
29	0007555	NUT, HEX, LEFT HAND THREAD, 1/2 - 20	1	1
30	1012467	LINK, RACK AND PINION DRAG	1	1
31	0001624	BOLT, HEX HEAD, 3/8 - 16 x 1 1/2	3	3
32	0000334	WASHER, FLAT, 3/8	3	3
33	1010138	NUT, DIMPLED LOCK, 3/8 - 16	3	3

4
G
E



I, UPPER VEHICLES WITH 2-WHEEL BRAKING

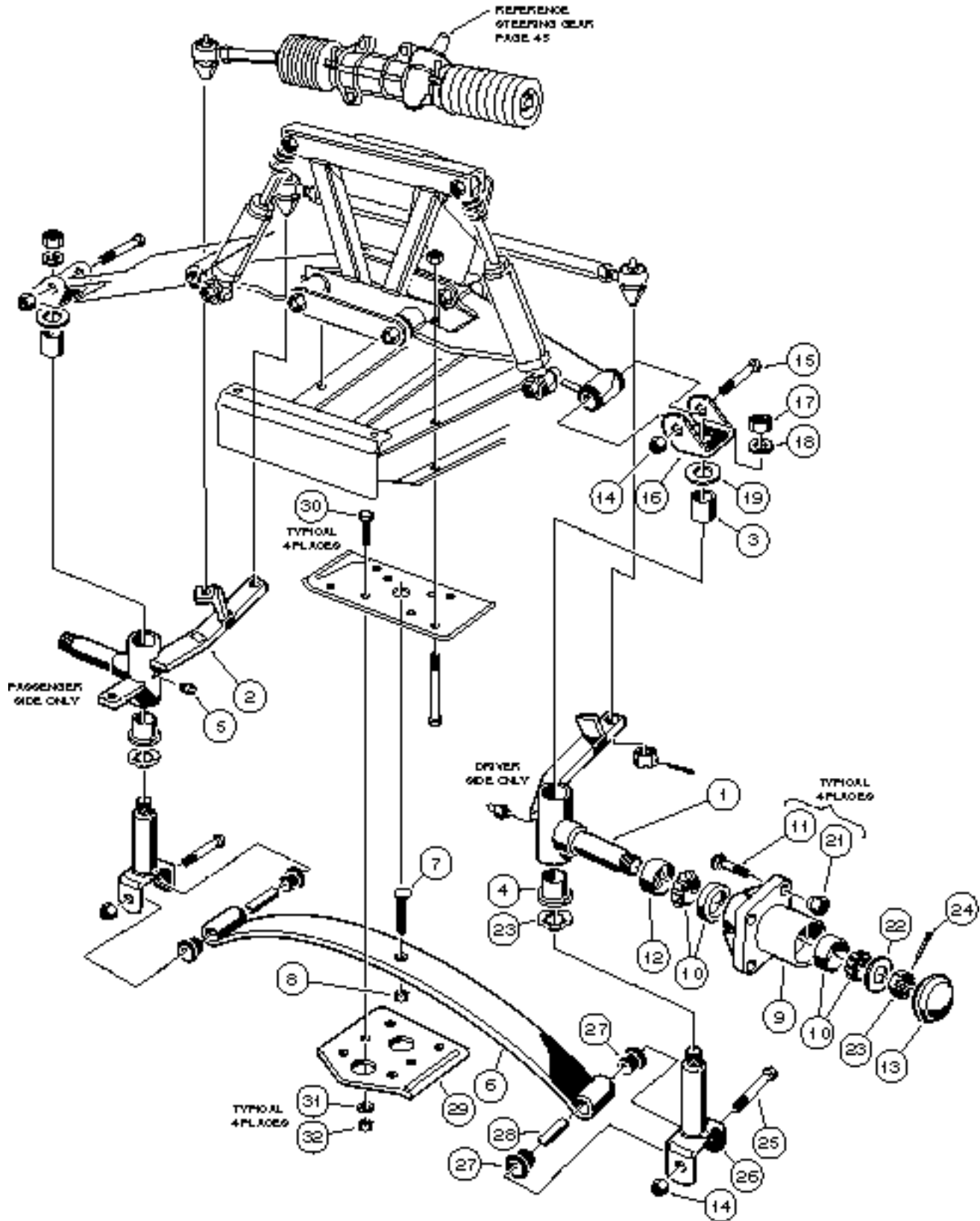
4

G

E

ITEM	PART NO.	DESCRIPTION	QTY GAS	QTY ELEC
		1 2 3 4 FOR ALL TOURALL VEHICLES. FOR RESORT VILLAGER AND TRANS-PORTER/TRANS-SENDER VEHICLES PRIOR TO SERIAL NUMBER 9535-456328.		
1	1016353	ASSEMBLY, DELTA A-PLATE (INCLUDES ITEMS 2, 3 AND 4)	2	2
2	1016346	BUSHING, URETHANE	6	6
3	1016350	SLEEVE, DELTA OUTER	1	1
4	1016349	SLEEVE, DELTA INNER	2	2
5	0008754	NUT, NYLON LOCK, 3/8 - 16	8	8
6	0007539	BALL JOINT	1	1
7	0001308	NUT, HEX, 1/2 - 20	1	1
8	0001624	BOLT, HEX HEAD, 3/8 - 16 x 1 1/2	2	2
9	1010138	NUT, DIMPLED LOCK, 3/8 - 16	4	4
10	0002402	SCREW, HEX CAP, 3/8 - 16 x 2 1/4	4	4
11	1010219	ROD, TIE	1	1
12	0007555	NUT, HEX, LEFT HAND THREAD, 1/2 - 20	1	1
13	0007540	BALL JOINT, LEFT HAND THREAD	1	1
14	1017266	STRAP, A-PLATE	2	2
15	1014235	SHOCK ABSORBER, FRONT	2	2
16	1010124	PLATE, SPRING MOUNTING	1	1
17	1010200	BOLT, HEX HEAD, 3/8 - 16 x 4 1/4	4	4
18	1016385	ASSEMBLY, DELTA SHOCK AND GEAR SUPPORT	1	1
19	1011930	SEAL, DUST	3	3
20	0007602	NUT, SLOTTED HEX, 3/8 - 24	3	3
21	0001035	PIN, COTTER, 3/32 x 1	1	1

4
G
E



LOWER VEHICLES WITH 2-WHEEL BRAKING

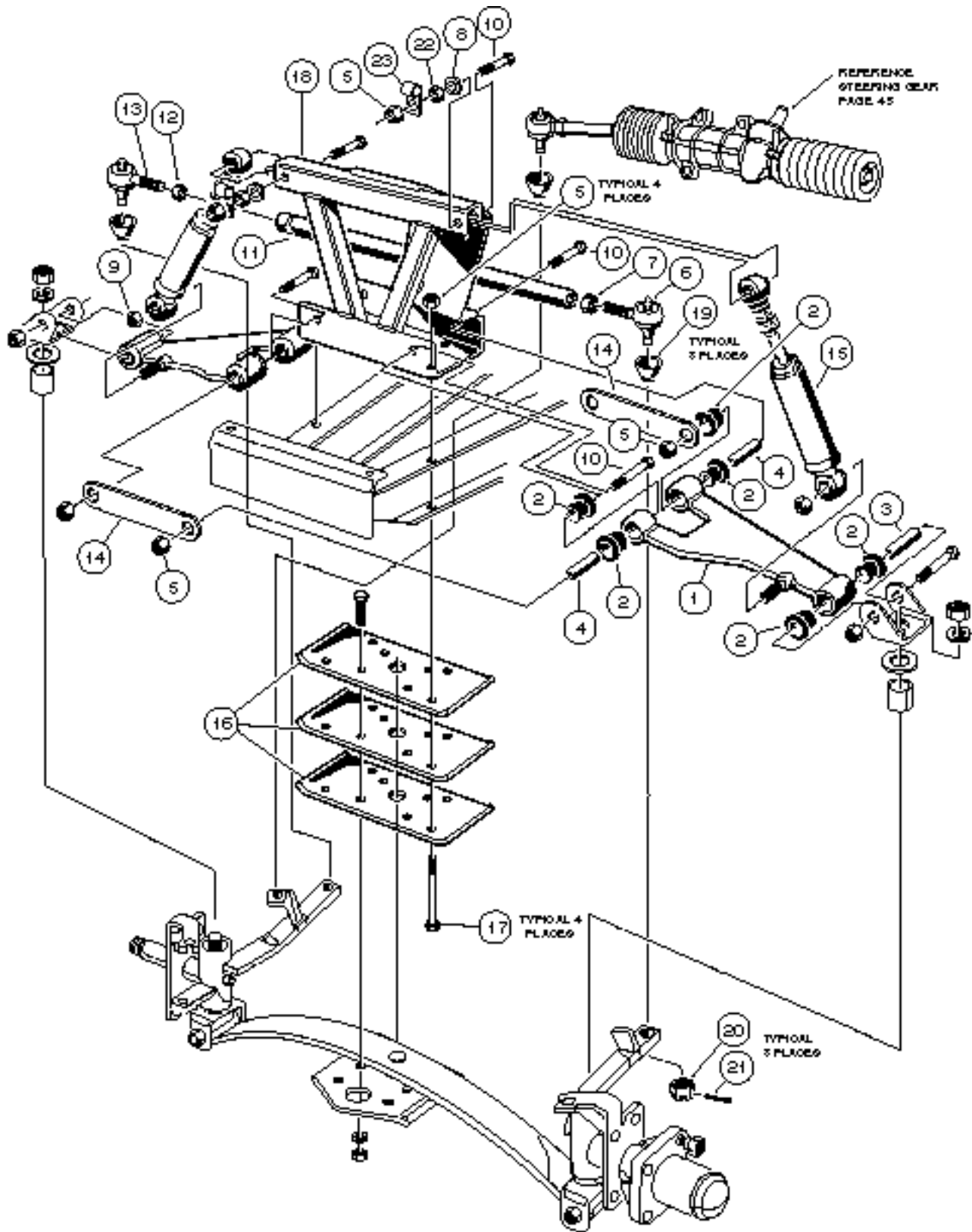
4

G

E

ITEM	PART NO.	DESCRIPTION	QTY GAS	QTY ELEC
		1 2 3 4 FOR ALL TOURALL VEHICLES. FOR RESORT VILLAGER AND TRANS-PORTER/TRANS-SENDER VEHICLES PRIOR TO SERIAL NUMBER 9535-456328.		
1	1010348	ASSEMBLY, LEFT SPINDLE (INCLUDES ITEMS 3, 4 AND 5)	1	1
2	1010347	ASSEMBLY, RIGHT SPINDLE (INCLUDES ITEMS 3, 4 AND 5)	1	1
3	0008067	BUSHING, BRONZE SPINDLE	1	1
4	0007048	BUSHING, BRONZE	1	1
5	1015597	FITTING, GREASE, 1/4 - 28	1	1
6	1012030	SPRING, TAPERED LEAF	1	1
7	0008745	ASSEMBLY, ECCENTRIC	1	1
8	0000706	NUT, HEX, 3/8 - 16	1	1
9	1011892	ASSEMBLY, HUB (INCLUDES ITEMS 10 - 13)	2	2
10	1011393	PACKAGE, HUB BEARING	2	2
11	1011304	STUD, LUG, 1/2 - 20	4	4
12	1013135	SEAL, DOUBLE LIP	1	1
13	1011887	COVER, DUST	1	1
14	0008754	NUT, NYLON LOCK, 3/8 - 16	4	4
15	1016387	SCREW, HEX HEAD CAP, 3/8 - 16 x 2 3/4	2	2
16	1016384	CLEVIS, UPPER DELTA	2	2
17	0001308	NUT, HEX, 1/2 - 20	2	2
18	0000209	WASHER, SPLIT LOCK, 1/2	2	2
19	1010150	BEARING, THRUST	2	2
20	1016389	WASHER, KINGPIN WAVE	2	2
21	1010984	NUT, LUG	8	8
22	1010005	WASHER, FLAT, 3/4	2	2
23	0007840	NUT, HEX SLOTTED, 3/4 - 16	2	2
24	0007910	PIN, COTTER, 5/32 x 1	2	2
25	0008755	SCREW, HEX HEAD CAP, 3/8 - 16 x 3 3/8	2	2
26	1016386	KINGPIN	2	2
27	1015583	BUSHING, URETHANE	4	4
28	1012303	BUSHING, STEEL	2	2
29	1014276	PLATE, FRONT SPRING RETAINER	1	1
30	0001624	SCREW, HEX HEAD CAP, 3/8 - 16 x 1 1/2	4	4
31	0000357	WASHER, LOCK, 3/8	4	4
32	0000706	NUT, HEX, 3/8 - 16	4	4

4
G
E





I, UPPER VEHICLES WITH 4-WHEEL BRAKING

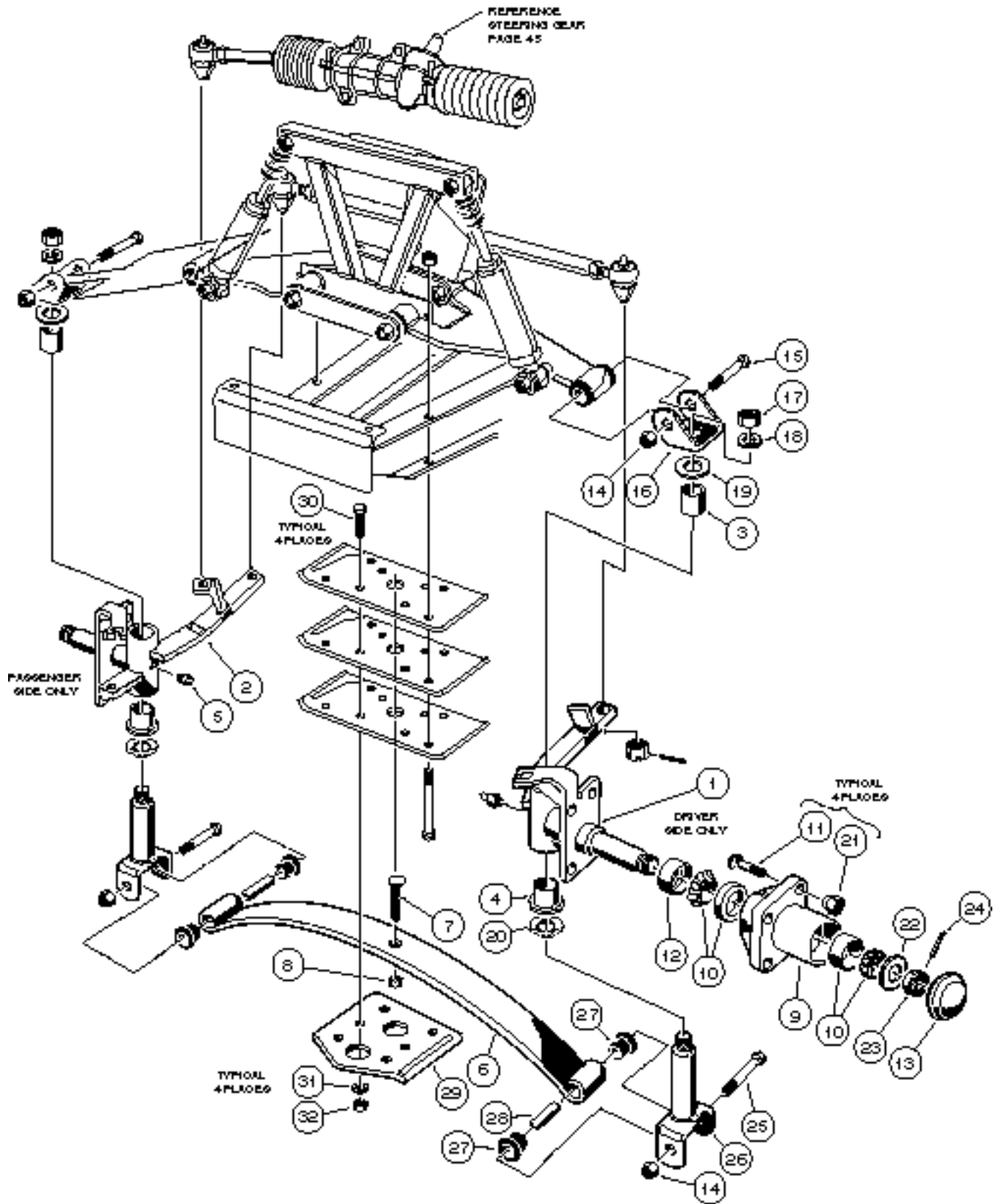
4

G

E

ITEM	PART NO.	DESCRIPTION	QTY GAS	QTY ELEC
		1 2 3 4 FOR RESORT VILLAGER AND TRANS-PORTER/TRANS-SENDER VEHICLES SERIAL NUMBER 9535-456328 AND LATER.		
1	1016353	ASSEMBLY, DELTA A-PLATE (INCLUDES ITEMS 2, 3 AND 4)	2	2
2	1016346	BUSHING, URETHANE	6	6
3	1016350	SLEEVE, DELTA OUTER	1	1
4	1016349	SLEEVE, DELTA INNER	2	2
5	0008754	NUT, NYLON LOCK, 3/8 - 16	10	10
6	0007539	BALL JOINT	1	1
7	0001308	NUT, HEX, 1/2 - 20	1	1
8	0000334	WASHER, FLAT, 3/8	2	2
9	1010138	NUT, DIMPLED LOCK, 3/8 - 16	2	2
10	0002402	BOLT, HEX HEAD, 3/8 - 16 x 2 1/4	6	6
11	1010219	ROD, TIE	1	1
12	0007555	NUT, HEX, LEFT HAND THREAD, 1/2 - 20	1	1
13	0007540	BALL JOINT, LEFT HAND THREAD	1	1
14	1017266	STRAP, A-PLATE	2	2
15	1018706-01	SHOCK ABSORBER, FRONT	2	2
16	1010124	PLATE, SPRING MOUNTING	3	3
17	1018705-01	BOLT, HEX HEAD, 3/8 - 16 x 4 3/4	4	4
18	1016385	ASSEMBLY, DELTA SHOCK AND GEAR SUPPORT	1	1
19	1011930	SEAL, DUST	3	3
20	0007602	NUT, SLOTTED HEX, 3/8 - 24	3	3
21	0001035	PIN, COTTER, 3/32 x 1	1	1
22	0000706	NUT, HEX, 3/8 - 16	2	2
23	N/A	CLAMP, BRAKE CABLE (PART OF BRAKE CABLE ASSEMBLY)	2	2

4
G
E



LOWER VEHICLES WITH 4-WHEEL BRAKING

4

G

E

ITEM	PART NO.	DESCRIPTION	QTY GAS	QTY ELEC
		1 2 3 4 FOR RESORT VILLAGER AND TRANS-PORTER/TRANS-SENDER VEHICLES SERIAL NUMBER 9535-456328 AND LATER.		
1	1018769-01	ASSEMBLY, LEFT SPINDLE (INCLUDES ITEMS 3, 4 AND 5)	1	1
2	1018770-01	ASSEMBLY, RIGHT SPINDLE (INCLUDES ITEMS 3, 4 AND 5)	1	1
3	0008067	BUSHING, BRONZE SPINDLE	1	1
4	0007048	BUSHING, BRONZE	1	1
5	1015597	FITTING, GREASE, 1/4 - 28	1	1
6	1012030	SPRING, TAPERED LEAF	1	1
7	0008745	ASSEMBLY, ECCENTRIC	1	1
8	0000706	NUT, HEX, 3/8 - 16	1	1
9	1011892	ASSEMBLY, HUB (INCLUDES ITEMS 10 - 13)	2	2
10	1011393	PACKAGE, HUB BEARING	2	2
11	1011304	STUD, LUG, 1/2 - 20	4	4
12	1013135	SEAL, DOUBLE LIP	1	1
13	1011887	COVER, DUST	1	1
14	0008754	NUT, NYLON LOCK, 3/8 - 16	4	4
15	1016387	SCREW, HEX HEAD CAP, 3/8 - 16 x 2 3/4	2	2
16	1016384	CLEVIS, UPPER DELTA	2	2
17	0001308	NUT, HEX, 1/2 - 20	2	2
18	0000209	WASHER, SPLIT LOCK, 1/2	2	2
19	1010150	BEARING, THRUST	2	2
20	1016389	WASHER, KINGPIN WAVE	2	2
21	1010984	NUT, LUG	8	8
22	1010005	WASHER, FLAT, 3/4	2	2
23	0007840	NUT, HEX SLOTTED, 3/4 - 16	2	2
24	0007910	PIN, COTTER, 5/32 x 1	2	2
25	0008755	SCREW, HEX HEAD CAP, 3/8 - 16 x 3 3/8	2	2
26	1016386	KINGPIN	2	2
27	1015583	BUSHING, URETHANE	4	4
28	1012303	BUSHING, STEEL	2	2
29	1014276	PLATE, FRONT SPRING RETAINER	1	1
30	1010177	SCREW, HEX HEAD CAP, 3/8 - 16 x 2	4	4
31	0000357	WASHER, LOCK, 3/8	4	4
32	0000706	NUT, HEX, 3/8 - 16	4	4

**DID YOU
KNOW?**

CartPros directs you to the right part using the part numbers from this manual. Enter the part number into our search box and it will find the part you are looking for.

**GET STARTED
HERE**



<https://CartPros.com/f.html>

**DID YOU
KNOW?**

CartPros directs you to the right part using the part numbers from this manual. Enter the part number into our search box and it will find the part you are looking for.

**GET STARTED
HERE**



<https://CartPros.com/f.html>

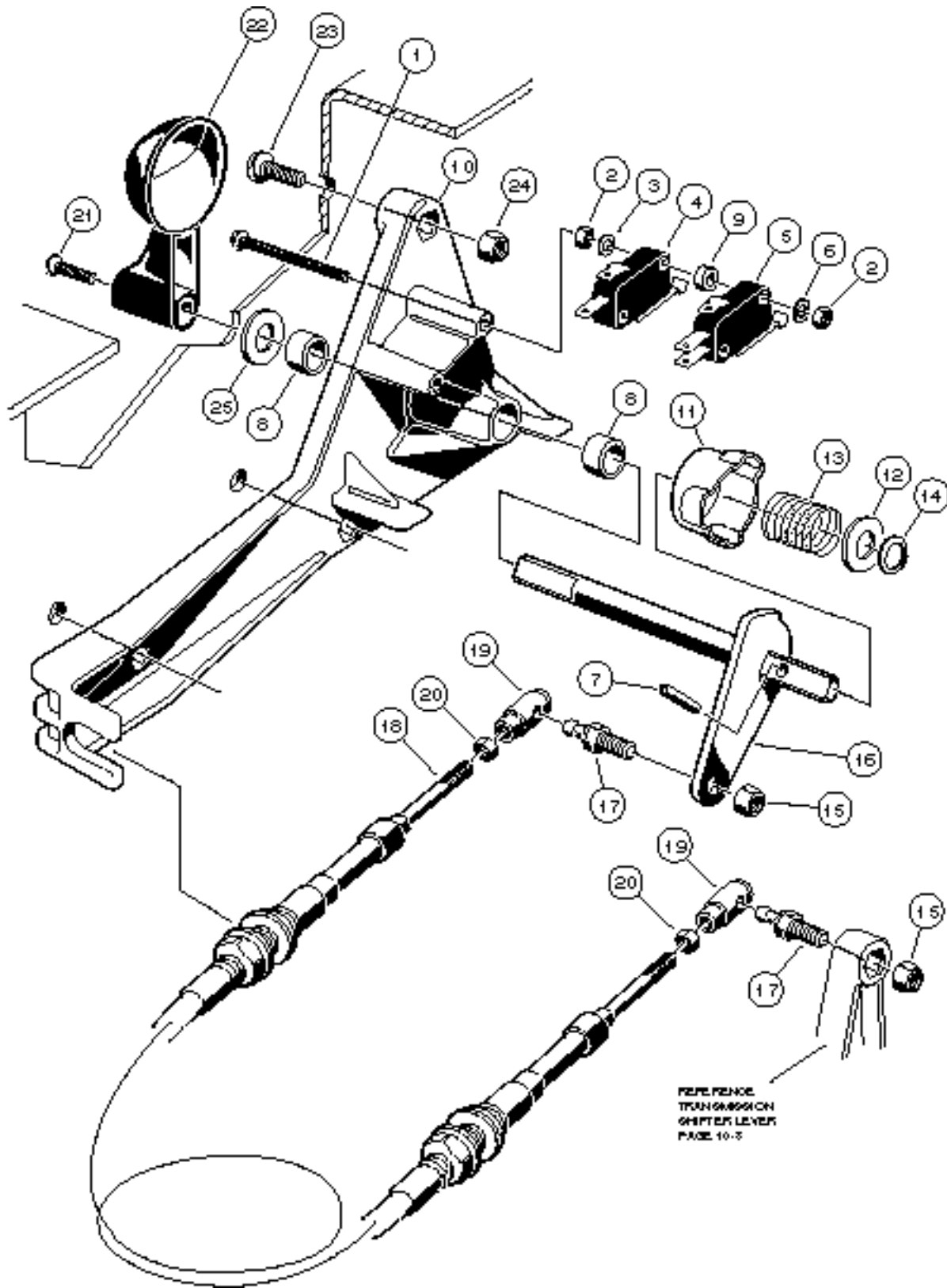
ELECTRICAL SYSTEM GASOLINE VEHICLES

5

G

5

G

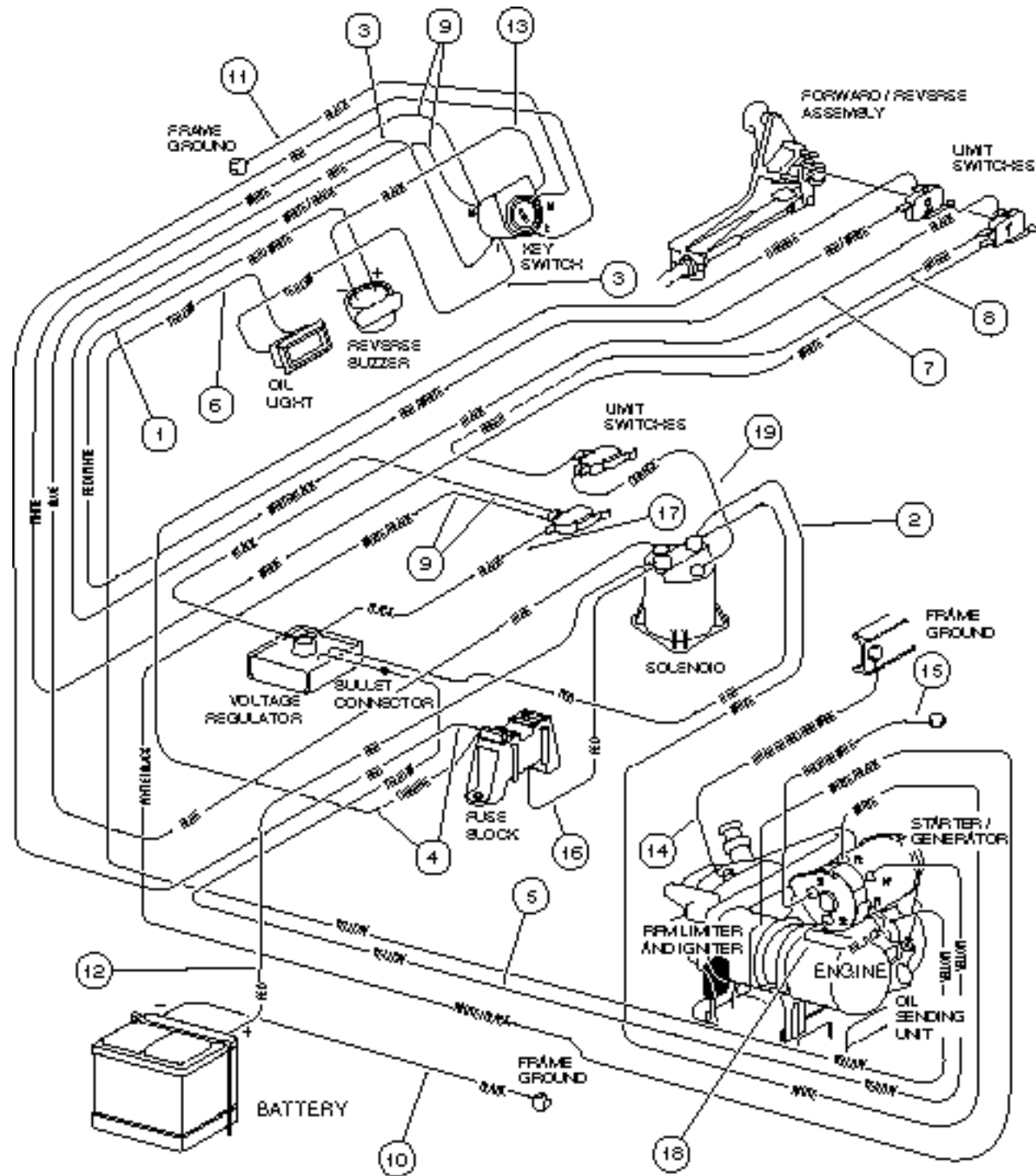


ASSEMBLY GASOLINE VEHICLES

ITEM	PART NO.	DESCRIPTION	QTY
		1 2 3 4	
	1016947	ASSEMBLY, F & R SHIFTER (INCLUDES ITEMS 1 - 17)	1
1	1012594	SCREW, MACHINE, #4 - 40 x 1 1/2	2
2	0008057	NUT, HEX HEAD, #4 - 40	4
3	1012431	WASHER, FLAT, #4	2
4	1014808	SWITCH, LIMIT	1
5	1014807	SWITCH, LIMIT	1
6	0008058	WASHER, LOCK, #4	2
7	1013591	PIN, ROLL, 1/8	1
8	1014145	BUSHING, BRONZE	2
9	1014727	WASHER, NYLON FLAT, #4	2
10	1016342	BASE, F & R SHIFTER	1
11	1014089	KIT, NEUTRAL LOCK-OUT CAM (INCLUDES ITEM 12)	1
12	1014065	WASHER, FLAT	1
13	1013590	SPRING, F & R CAM	1
14	1013589	RING, RETAINING	1
15	0008717	NUT, NYLON LOCK, 1/4 - 28	2
16	1013587	WELDMENT, F & R BELL CRANK	1
17	1010954	STUD, BALL, 1/4 - 28 x 1/4	2
18	1013085	CABLE, TRANSMISSION (INCLUDES ITEMS 19 AND 20)	1
19	1012333	JOINT, BALL	2
20	0007893	NUT, HEX, #10 - 32	2
21	1013198	SCREW, PHILLIPS OVAL COUNTERSUNK MACHINE, #8 - 32 x 5/8	1
22	1012987	HANDLE, F & R SWITCH	1
23	0008248	SCREW, PHILLIPS TRUSS HEAD, 1/4 - 20 x 3/4	4
24	0008233	NUT, NYLON LOCK, 1/4 - 20	4
25	1014065	WASHER, FLAT	1

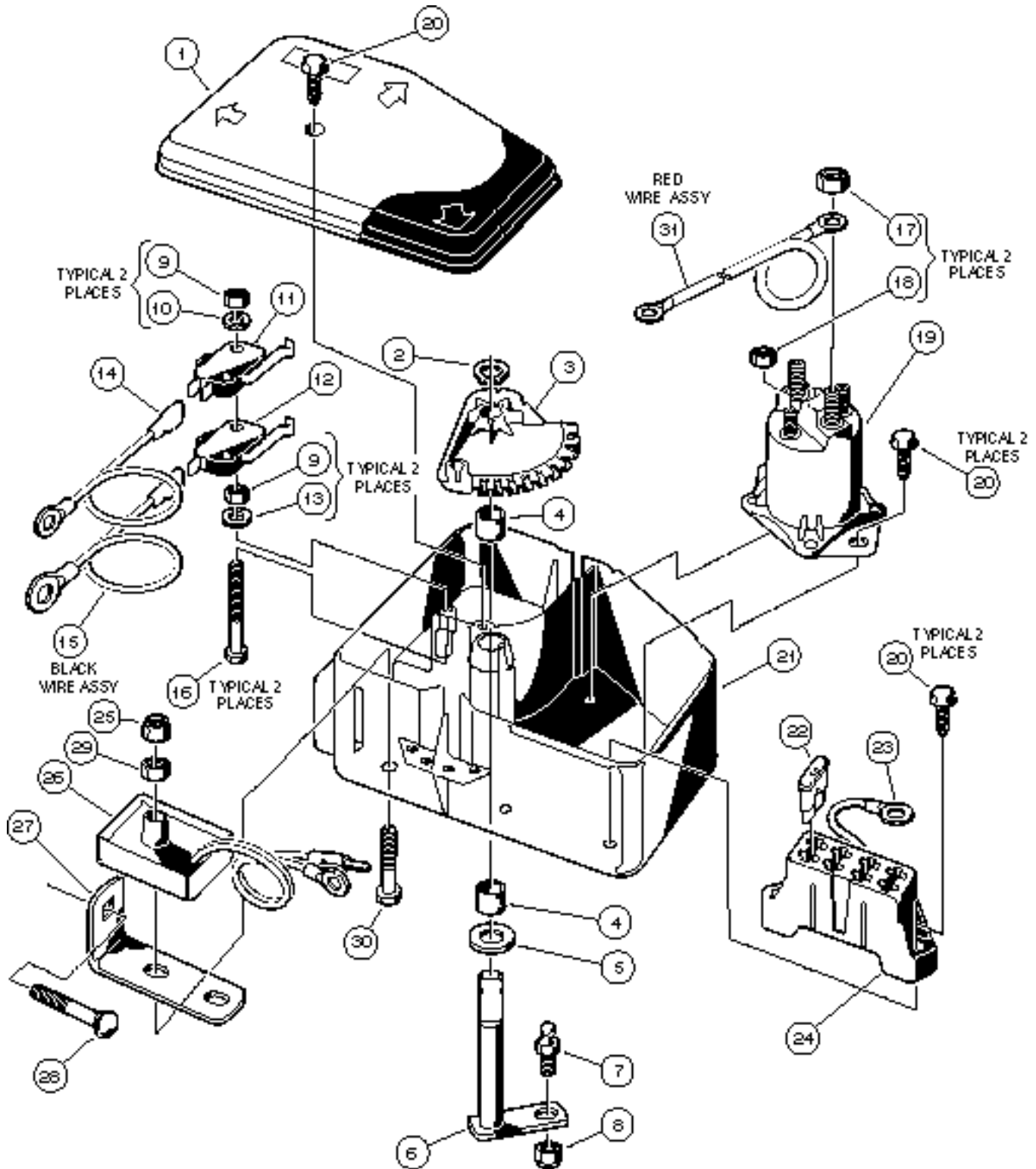
5

G



WIRING, GASOLINE VEHICLE - TOURALL

ITEM	PART NO.	DESCRIPTION	QTY
		1 2 3 4	
	1015735	WIRE HARNESS ASSEMBLY (INCLUDES ITEMS 1 - 9)	1
1	1013723	WIRE ASSEMBLY, #18 RED/WHITE	1
2	1015769	WIRE ASSEMBLY, #6 WHITE	1
3	1013601	WIRE ASSEMBLY, #18 YELLOW, #16 BLUE	1
4	1018282-01	WIRE ASSEMBLY, #16 RED, #16 ORANGE	1
5	1015738	WIRE ASSEMBLY, #16 YELLOW	1
6	1015740	WIRE ASSEMBLY, #18 YELLOW	1
7	1015780	WIRE ASSEMBLY, #18 BLACK	1
8	1015779	WIRE ASSEMBLY, #18 GREEN	1
9	1015781	WIRE ASSEMBLY, #18 WHITE, #18 WHITE/BLACK	1
10	1012382	WIRE ASSEMBLY, #6 BLACK	1
11	1012396	WIRE ASSEMBLY, #18 BLACK	1
12	1014119	WIRE ASSEMBLY, #6 RED (PART OF ELECTRICAL COMPONENT BOX)	1
13	1016857	WIRE ASSEMBLY, #18 BLACK (PART OF REVERSE BUZZER KIT)	1
14	1015332	WIRE ASSEMBLY, #10 BRAIDED GROUND	1
15	1015920	WIRE ASSEMBLY, #6 BRAIDED GROUND	1
16	1015737	WIRE ASSEMBLY, #10 RED	1
17	1016402	WIRE ASSEMBLY, #18 BLACK	1
18	1012384	WIRE ASSEMBLY, #6 BLACK	1
19	1016401	WIRE ASSEMBLY, #18 ORANGE	1



ITEM	PART NO.	DESCRIPTION	QTY
		1 2 3 4	
	1018276-01	BOX, ELECTRICAL COMPONENT, COMPLETE (INCLUDES ITEMS 1 - 31 AND 1015735 - SEE PAGE 5-5)	1
1	1015372	COVER, ELECTRICAL COMPONENT BOX	1
2	1013589	RING, RETAINING	1
3	1015373	CAM, ELECTRICAL BOX	1
4	1014145	BUSHING, BRONZE	2
5	1014065	WASHER, FLAT	1
6	1018213-01	ASSEMBLY, BELL CRANK SHAFT	1
7	1010954	STUD, BALL, 1/4 - 28	1
8	0008717	NUT, NYLON LOCK , 1/4 - 28	1
9	0008057	NUT, HEX, #4 - 40	4
10	0008058	WASHER, LOCK, #4	2
11	1014807	SWITCH, LIMIT	1
12	1014808	SWITCH, LIMIT	1
13	1012431	WASHER, FLAT, #4	2
14	1016401	WIRE ASSEMBLY, #16 ORANGE	1
15	1016402	WIRE ASSEMBLY, #16 BLACK	1
16	1015878	SCREW, HEX HEAD MACHINE, #4 - 40 x 1 5/8	2
17	0001242	NUT, HEX, 5/16 - 18	2
18	0007893	NUT, HEX, #10 - 32	2
19	1013609	SOLENOID, 12 VOLT	1
20	1015752	SCREW, HILO, #12 - 16 x 5/8	5
21	1015371	BOX, ELECTRICAL COMPONENT	1
22	1012295	FUSE, 10 AMP	1
23	1015737	WIRE ASSEMBLY, #10 RED	1
24	1015741	BLOCK, FUSE	1
25	0008233	NUT, NYLON LOCK, 1/4 - 20	1
26	1015777	ASSEMBLY, VOLTAGE REGULATOR	1
27	1015343	STRAP, GROUND	1
28	1015405	BOLT, CARRIAGE, 5/16 - 18 x 2	1
29	1015919	NUT, HEX JAM, 1/4 - 20	1
30	1013509	SCREW, HEX HEAD CAP, 1/4 - 20 x 1 3/4	1
31	1014119	WIRE ASSEMBLY, #6 RED	1

DID YOU KNOW?

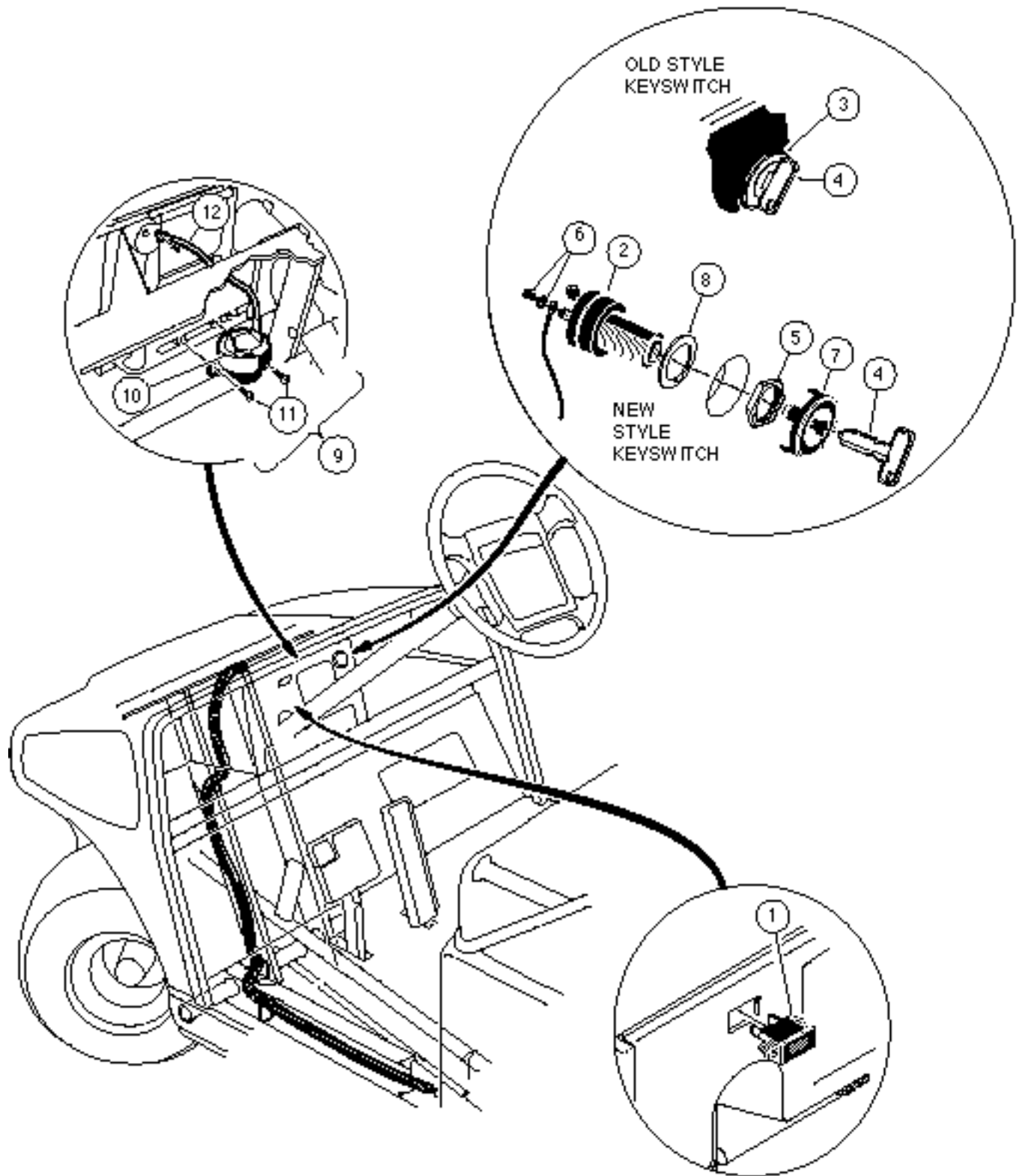
CartPros directs you to the right part using the part numbers from this manual. Enter the part number into our search box and it will find the part you are looking for.

GET STARTED HERE

<https://CartPros.com/f.html>

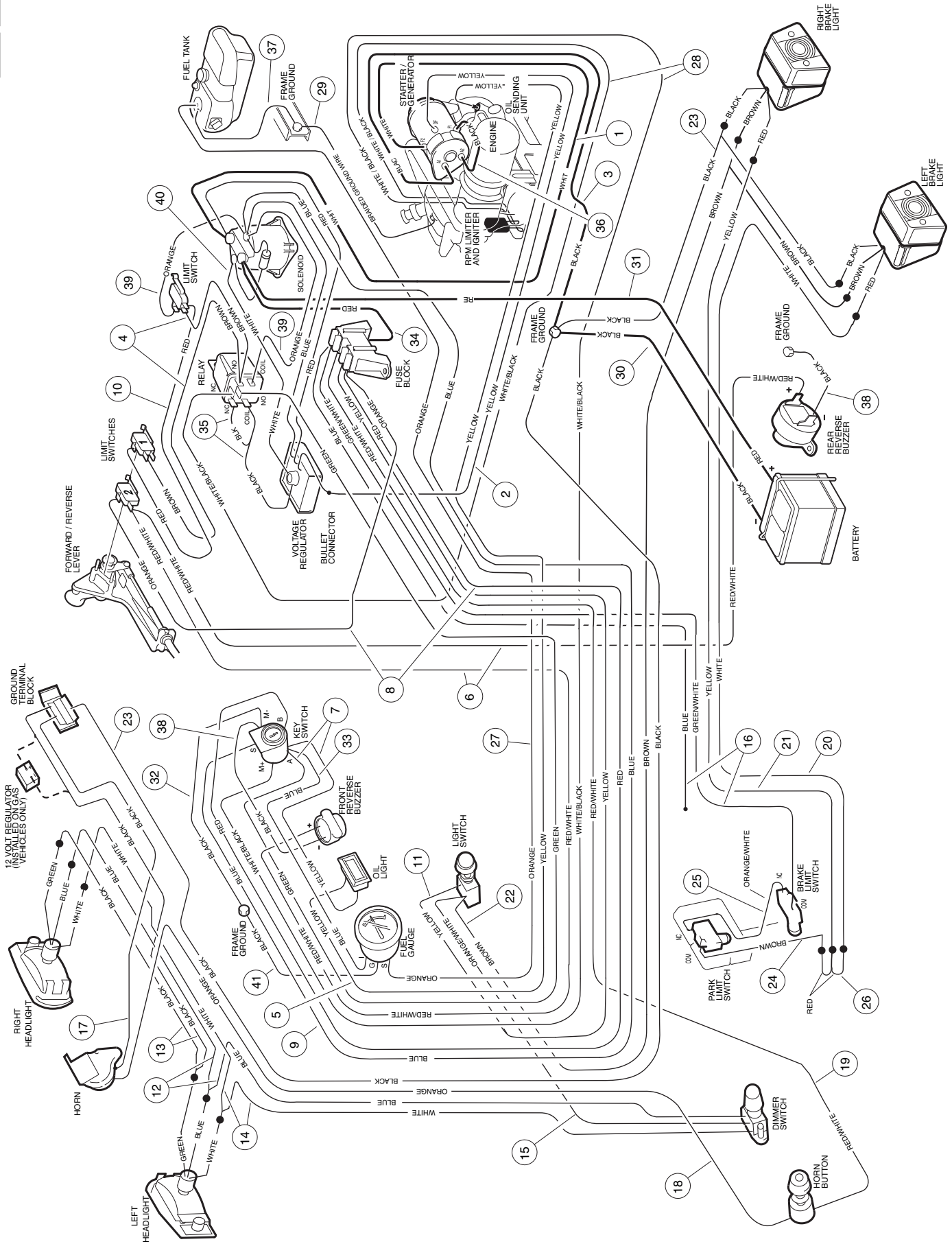
5

G



CONTENTS GASOLINE VEHICLE - TOURALL

ITEM	PART NO.	DESCRIPTION	QTY
		1 2 3 4	
1	1016630	LIGHT, OIL WARNING	1
2	1018263-01	SWITCH, KEY (FOR VEHICLES SERIAL NUMBER 9522-436452 AND LATER)	1
3	1012415	SWITCH, KEY (INCLUDES ITEM 4) (FOR VEHICLES PRIOR TO SERIAL NUMBER 9522-436452)	1
4	1012505	KEY (PAIR)	1
5	1018307-01	NUT, KEY SWITCH	1
6	1018306-01	ASSEMBLY, SCREW AND WASHER	4
7	1018345-02	CAP, KEY SWITCH	1
8	1018511-01	WASHER	1
9	1016859	KIT, REVERSE BUZZER (INCLUDES ITEMS 10, 11 AND 12)	1
10	1016851	BUZZER, REVERSE	1
11	1016849	SCREW, PAN HEAD HILO, #4 - 24 x 5/16	2
12	1016857	WIRE ASSEMBLY, #18 BLACK	1

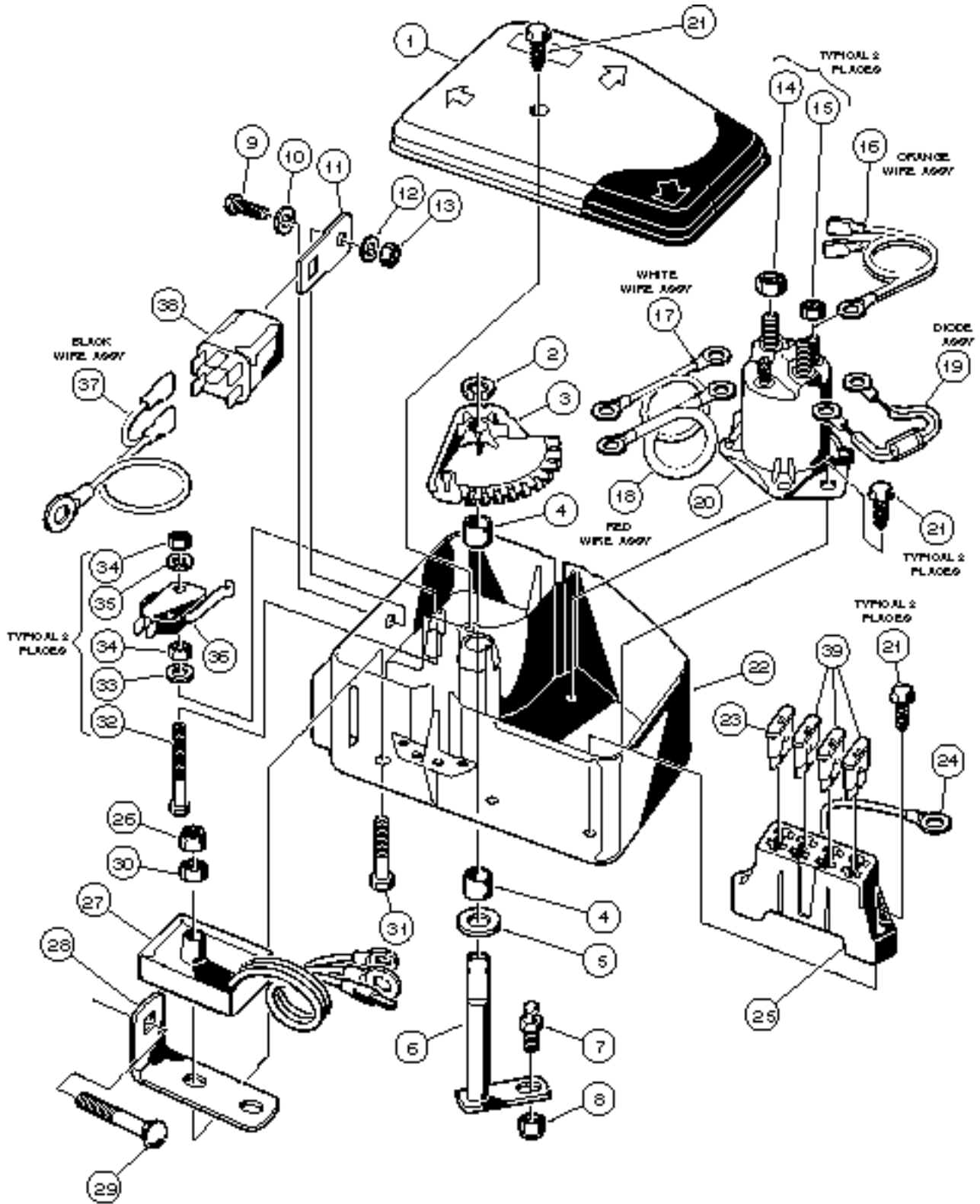


RESORT VILLAGER, TRANS-PORTER/TRANS-SENDER

ITEM	PART NO.	DESCRIPTION	QTY
		1 2 3 4	
	1017669	HARNASS, WIRE (INCLUDES ITEMS 1 - 28)	1
1	1015769	WIRE ASSEMBLY, # 6 WHITE	1
2	1015738	WIRE ASSEMBLY, #16 YELLOW	1
3	1016380	WIRE ASSEMBLY, # 6 BLACK	1
4	1017677	WIRE ASSEMBLY, #18 BROWN	1
5	1016763	WIRE ASSEMBLY, #18 YELLOW	1
6	1016765	WIRE ASSEMBLY, #18 RED/WHITE	1
7	1017676	WIRE ASSEMBLY, #18 GREEN AND YELLOW.....	1
8	1018282-03	WIRE ASSEMBLY, #16 RED AND ORANGE	1
9	1017679	WIRE ASSEMBLY, #18 BLUE	1
10	1017681	WIRE ASSEMBLY, #18 RED	1
11	1016770	WIRE ASSEMBLY, #14 YELLOW	1
12	1017052	WIRE ASSEMBLY, #18 BLUE	1
13	1016326	WIRE ASSEMBLY, #16 BLACK	1
14	1016323	WIRE ASSEMBLY, #16 WHITE	1
15	1016315	WIRE ASSEMBLY, #16 ORANGE/WHITE	1
16	1016771	WIRE ASSEMBLY, #18 GREEN/WHITE AND BLUE	1
17	1016308	WIRE ASSEMBLY, #16 BLACK	1
18	1016307	WIRE ASSEMBLY, #16 ORANGE	1
19	1016772	WIRE ASSEMBLY, #16 RED/WHITE	1
20	1016773	WIRE ASSEMBLY, #18 WHITE	1
21	1016774	WIRE ASSEMBLY, #18 YELLOW	1
22	1016775	WIRE ASSEMBLY, #18 BROWN	1
23	1016776	WIRE ASSEMBLY, #14, #18 BLACK	1
24	1016314	WIRE ASSEMBLY, #16 BROWN	1
25	1016309	WIRE ASSEMBLY, #16 ORANGE/WHITE	1
26	1016409	WIRE ASSEMBLY, #18 RED	1
27	1016778	WIRE ASSEMBLY, #18 ORANGE	1
28	1017678	WIRE ASSEMBLY, #18 WHITE/BLACK	1
29	1015332	WIRE ASSEMBLY, #10 BRAIDED GROUND WIRE	1
30	1012382	WIRE ASSEMBLY, #6 BLACK	1
31	1014119	WIRE ASSEMBLY, #6 RED	1
32	1012396	WIRE ASSEMBLY, #18 BLACK	1
33	1013463	WIRE ASSEMBLY, #18 BLUE	1
34	1015737	WIRE ASSEMBLY, #10 RED	1
35	1017005	WIRE ASSEMBLY, #18 BLACK	1
36	1012384	WIRE ASSEMBLY, #6 BLACK	1
37	1015921	WIRE ASSEMBLY, #18 BLACK	1
38	1016857	WIRE ASSEMBLY, #18 BLACK	1
39	1017006	WIRE ASSEMBLY, #18 ORANGE	1
40	1017010	WIRE ASSEMBLY, #18 WHITE	1
41	1013469	WIRE ASSEMBLY, #18 BLACK	1

5

G

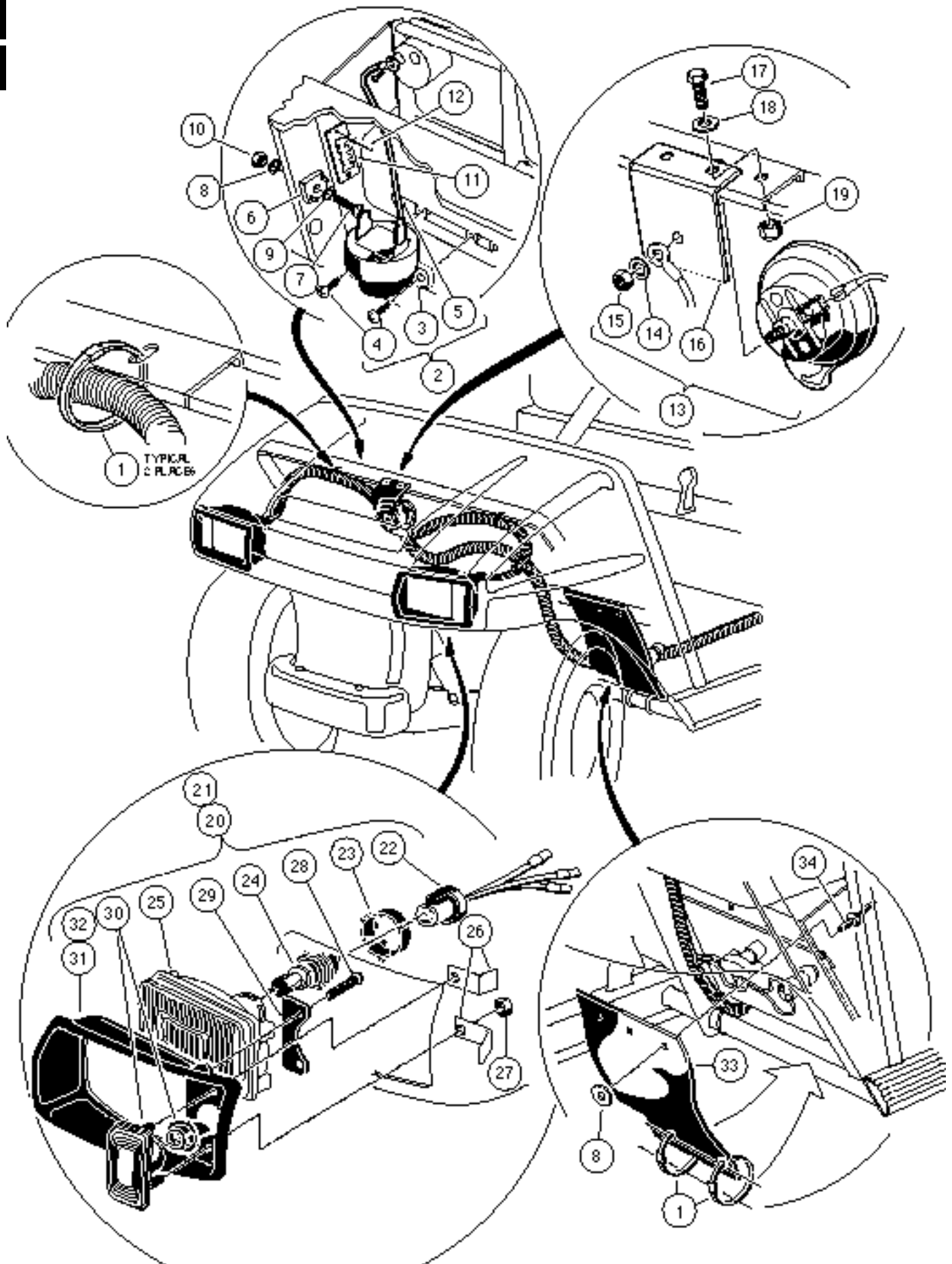


RESORT VILLAGER, TRANS-PORTER/TRANS-SENDER

ITEM	PART NO.	DESCRIPTION	QTY
		1 2 3 4	
	1018277-02	BOX, ELECTRICAL COMPONENT, COMPLETE (INCLUDES ITEMS 1 - 39 AND PART NUMBER 1017669 - SEE PAGE 5-11)	1
1	1015372	COVER, ELECTRICAL COMPONENT BOX	1
2	1013589	RING, RETAINING	1
3	1015373	CAM, ELECTRICAL BOX	1
4	1014145	BUSHING, BRONZE	2
5	1014065	WASHER, FLAT	1
6	1015345	ASSEMBLY, BELL CRANK SHAFT	1
7	1010954	STUD, BALL, 1/4 - 28	1
8	0008717	NUT, NYLON LOCK , 1/4 - 28	1
9	0008450	SCREW, HEX HEAD MACHINE, #10 - 24 x 1/2	1
10	0000183	WASHER, FLAT, #10	1
11	1017243	BRACKET, RELAY MOUNTING	1
12	0001016	WASHER, LOCK, #10	1
13	0001017	NUT, HEX, #10 - 24	1
14	0001242	NUT, HEX, 5/16 - 18	2
15	0007893	NUT, HEX, #10 - 32	2
16	1017006	WIRE ASSEMBLY, #18 ORANGE	1
17	1017010	WIRE ASSEMBLY, #18 WHITE	1
18	1014119	WIRE ASSEMBLY, #6 RED	1
19	1014948	ASSEMBLY, DIODE	1
20	1013609	SOLENOID	1
21	1015752	SCREW, HILO, #12 - 16 x 5/8	5
22	1016997	BOX, ELECTRICAL COMPONENT	1
23	1012295	FUSE, 10 AMP	1
24	1015737	WIRE ASSEMBLY, #10 RED	1
25	1015741	BLOCK, FUSE	1
26	0008233	NUT, NYLON LOCK, 1/4 - 20	1
27	1017238	REGULATOR, VOLTAGE	1
28	1015343	STRAP, GROUND	1
29	1015405	BOLT, CARRIAGE, 5/16 - 18 x 2	1
30	1015919	NUT, HEX JAM, 1/4 - 20	1
31	1013509	SCREW, HEX HEAD CAP, 1/4 - 20 x 1 3/4	1
32	1016896	SCREW, HEX HEAD MACHINE, #4 - 40 x 1 1/8	2
33	1012431	WASHER, FLAT, #4	2
34	0008057	NUT, HEX, #4 - 40	4
35	0008058	WASHER, LOCK, #4	2
36	1014807	SWITCH, LIMIT	1
37	1017005	WIRE ASSEMBLY, #18 BLACK	1
38	1017239	RELAY	1
39	1016423	FUSE, 20 AMP	3

5

G

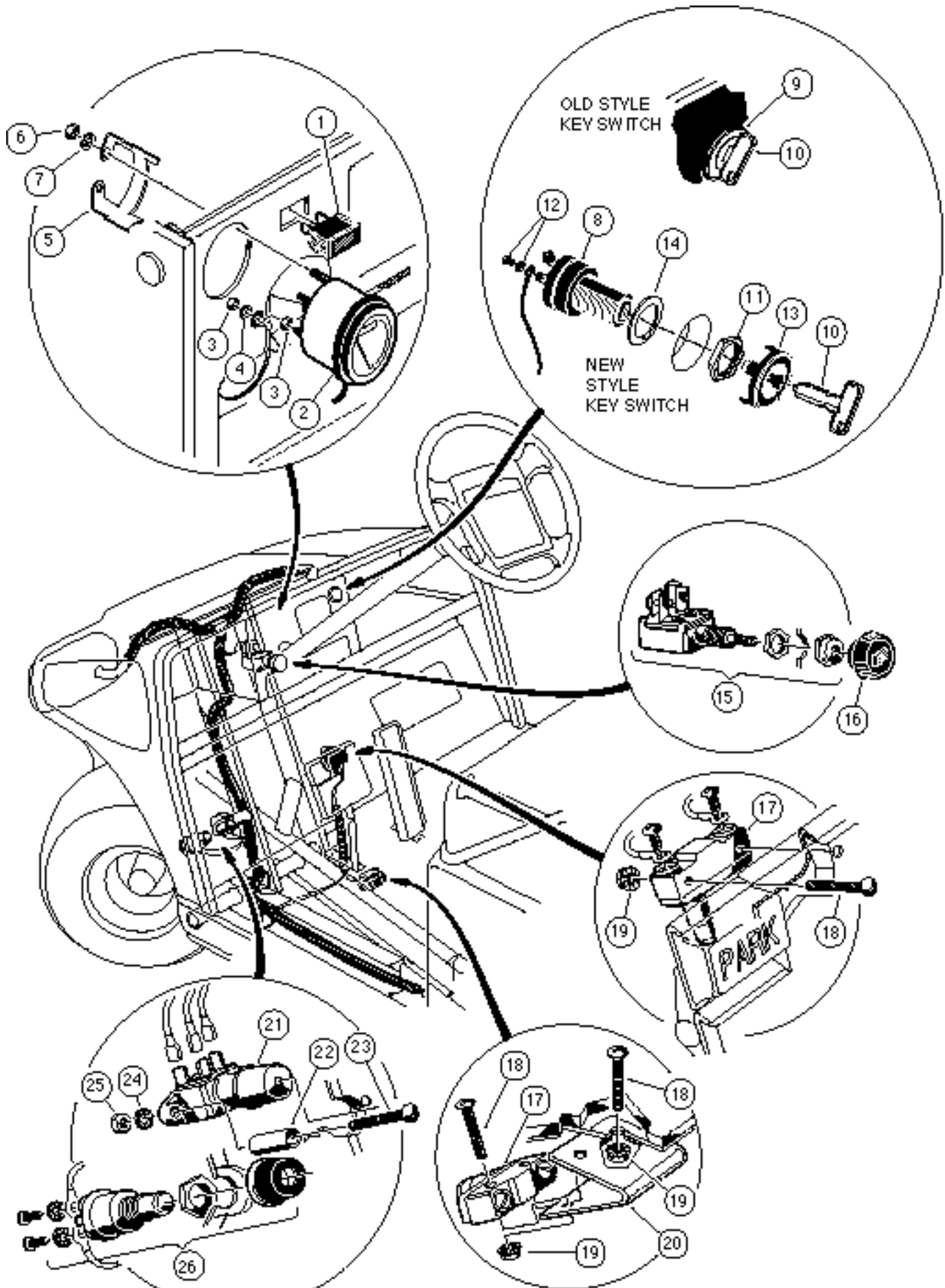


RESORT VILLAGER, TRANS-PORTER/TRANS-SENDER

ITEM	PART NO.	DESCRIPTION	QTY
		1 2 3 4	
1	0008639	WRAP, TIE	4
2	1016859	KIT, REVERSE BUZZER (INCLUDES ITEMS 3, 4 AND 5)	1
3	1016851	BUZZER, REVERSE	1
4	1016849	SCREW, PAN HEAD HILO, #4 - 24 x 5/16	2
5	1016857	WIRE ASSEMBLY, #18 BLACK	1
6	1017721	LIMITER, VOLTAGE	1
7	1010909	SCREW, MACHINE, #10 - 32 x 1 1/4	1
8	0000183	WASHER, FLAT, #10	4
9	0001016	WASHER, LOCK, #10	1
10	0007893	NUT, HEX, #10 - 32	1
11	1016356	BLOCK, TERMINAL	1
12	1013357	RIVET, ALUMINUM POP, 5/32	2
13	0004029	ASSEMBLY, HORN (INCLUDES ITEMS 14, 15 AND 16)	1
14	0007820	WASHER, INTERNAL TOOTH, 5/16	1
15	1012528	NUT, M8 x 1.25	1
16	1011825	BRACKET, HORN	1
17	0000304	BOLT, HEX HEAD, 1/4 - 20 x 1	2
18	0000332	WASHER, FLAT, 1/4	2
19	0008233	NUT, NYLON LOCK, 1/4 - 20	2
20	1016897-01	ASSEMBLY, HEADLIGHT, LEFT HAND (INCLUDES ITEMS 22 - 31)	1
21	1016897-02	ASSEMBLY, HEADLIGHT, RIGHT HAND (INCLUDES ITEMS 22 - 30 AND 32)	1
22	1017066	HARNES, HEADLIGHT WIRE	1
23	1017059	LOCK, BULB COLLAR	1
24	1017060	BULB, HALOGEN	1
25	1017061	LENS, HEADLIGHT	1
26	1017064	BRACKET, MOUNTING	2
27	0007893	NUT, HEX, #10 - 32	2
28	1013461	SCREW, HI-LO, #10 - 16 x 7/16	2
29	1017065	RETAINER, HEADLIGHT	1
30	1017062	ASSEMBLY, TURN SIGNAL LENS	1
31	1016880	BEZEL, HEADLIGHT, LEFT HAND	1
32	1016879	BEZEL, HEADLIGHT, RIGHT HAND	1
33	1015787	FLAP, SWITCH PROTECTOR	1
34	0001606	RIVET, POP, 3/16	3

5

G



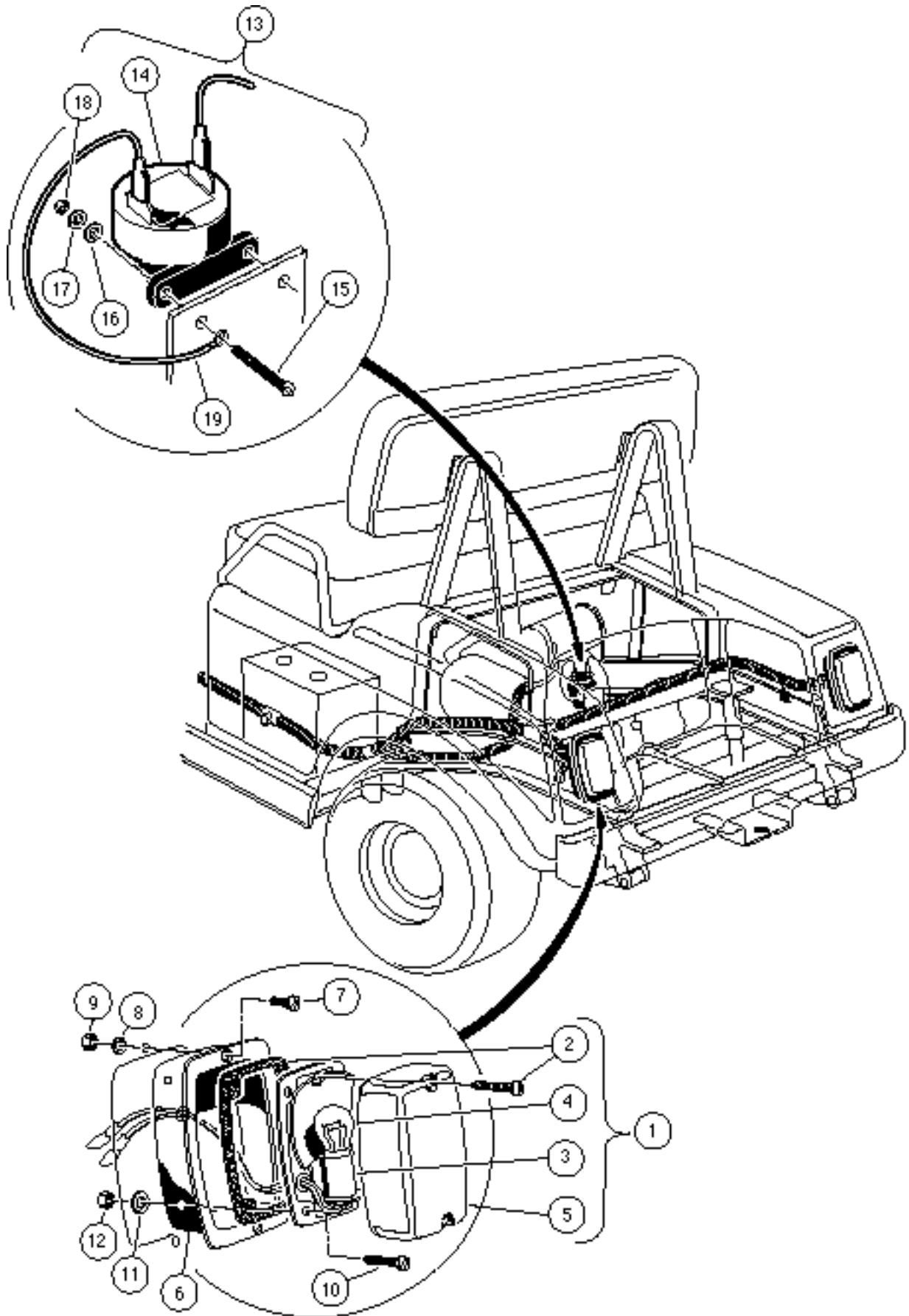


RESORT VILLAGER, TRANS-PORTER/TRANS-SENDER

ITEM	PART NO.	DESCRIPTION	QTY
		1 2 3 4	
1	1016630	LIGHT, OIL WARNING	1
2	1015103	GAUGE, FUEL (INCLUDES ITEMS 3 AND 4)	1
3	N/A	NUT, BRASS	6
4	N/A	WASHER, EXTERNAL TOOTH LOCK	3
5	1015104	BRACKET, FUEL GAUGE	1
6	1011571	NUT, HEX, #8 - 32	2
7	1011610	WASHER, LOCK, #8	2
8	1018264-01	SWITCH, KEY (FOR VEHICLES SERIAL NUMBER 9522-436452 AND LATER)	1
9	1018275-07	SWITCH, KEY, WITH DASH PANEL ASSEMBLY WITH GAUGE OPENING (INCLUDES ITEM 10) (FOR VEHICLES PRIOR TO SERIAL NUMBER 9522-436452)	1
10	1012505	KEY (PAIR)	1
11	1018307-01	NUT, KEY SWITCH	1
12	1018306-01	ASSEMBLY, SCREW AND WASHER	5
13	1018345-02	CAP, KEY SWITCH	1
14	1018511-01	WASHER	1
15	0004034	SWITCH, LIGHT (INCLUDES ITEM 16)	1
16	1013857	KNOB, LIGHT SWITCH	1
17	1011439	SWITCH, LIMIT	2
18	1011557	SCREW, MACHINE, #6 - 32 x 1	6
19	1011229	NUT, "K" LOCK, #6 - 32	6
20	1011742	BRACKET, BRAKE LIGHT SWITCH	1
21	1010889	SWITCH, DIMMER	1
22	1018713-01	STAND-OFF, DIMMER SWITCH	2
23	1018712-01	SCREW, MACHINE, #10 - 32 x 1	2
24	0008049	WASHER, INTERNAL TOOTH LOCK, #10	2
25	0007893	NUT, HEX, #10 - 32	2
26	1013443	BUTTON, HORN	1

5

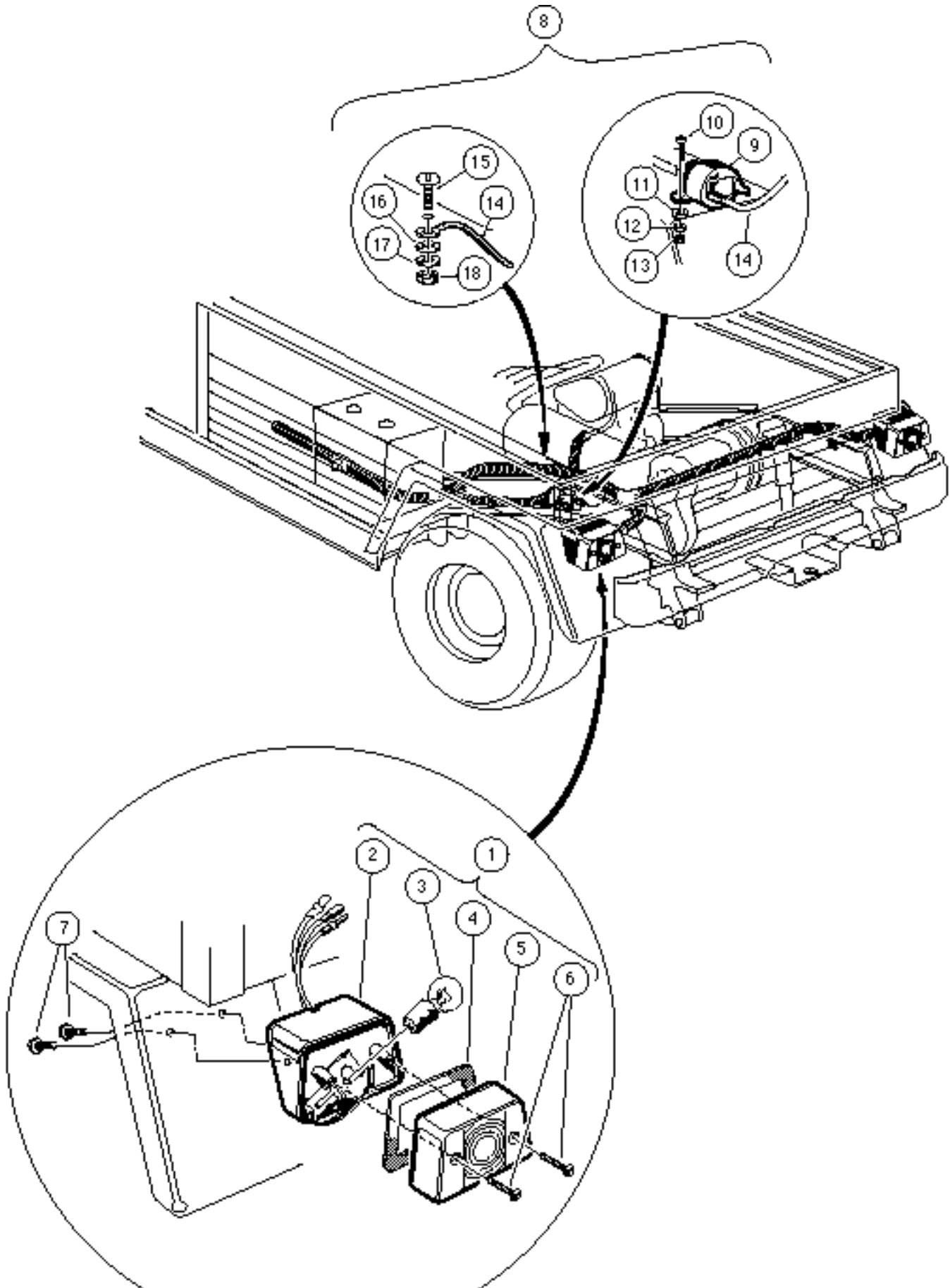
G



CAR BODY GASOLINE VEHICLE - RESORT VILLAGER

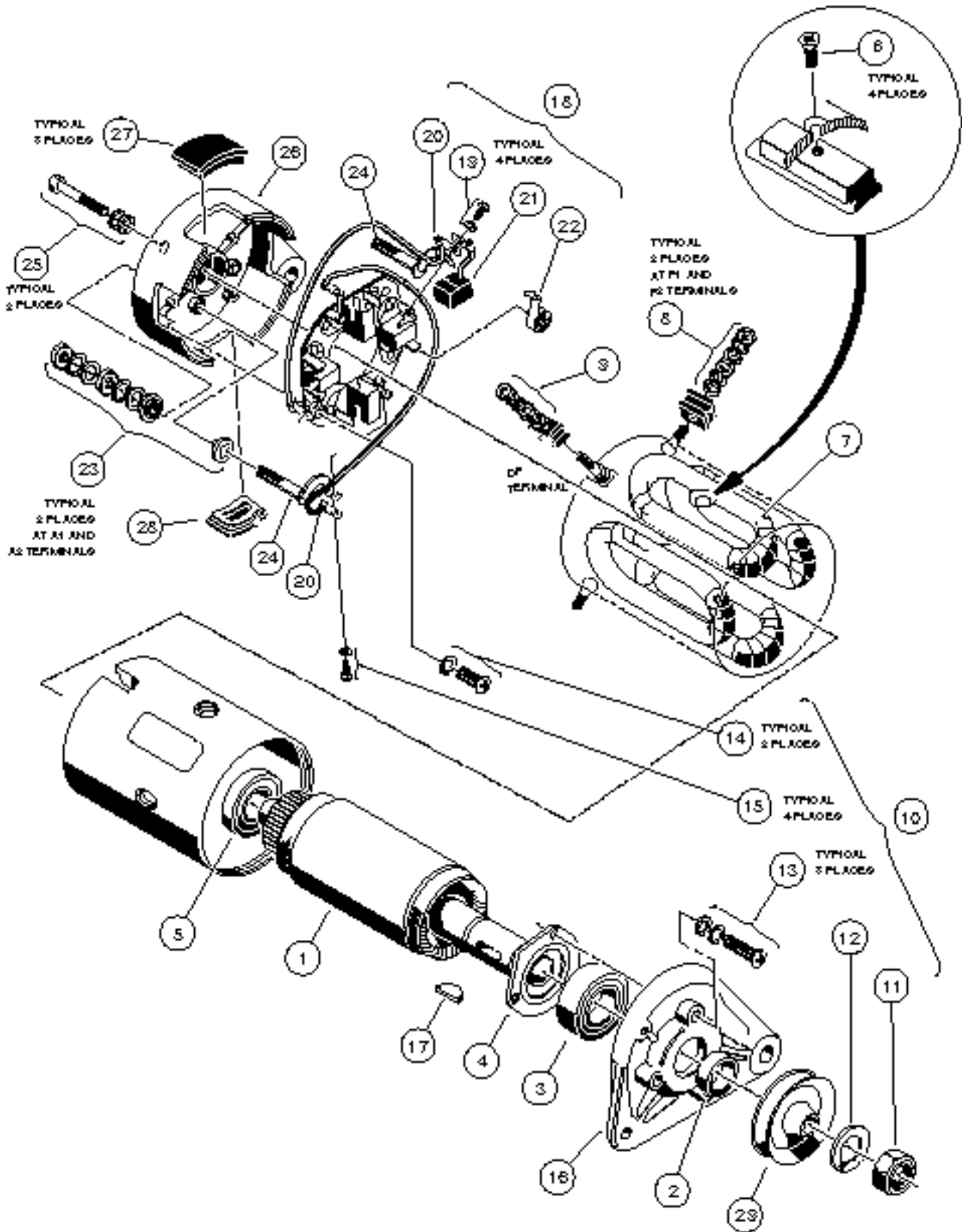
ITEM	PART NO.	DESCRIPTION	QTY
		1 2 3 4	
1	1017035	ASSEMBLY, TAILLIGHT (INCLUDES ITEMS 2 - 5)	2
2	1017699	KIT, HARDWARE	1
3	N/A	BASE, TAILLIGHT	1
4	1011582	BULB	1
5	1011843	LENS	1
6	1011497	BEZEL	2
7	1011498	SCREW, MACHINE, #8 - 32 x 1/2	4
8	1011610	WASHER, LOCK, #8	4
9	1011571	NUT, HEX, #8 - 32	4
10	1011557	SCREW, MACHINE, #6 - 32 x 1	4
11	0007591	WASHER, FLAT, #6	4
12	1011558	NUT, HEX, #6	6
13	1016859	KIT, REVERSE BUZZER (INCLUDES ITEMS 14 - 19)	1
14	1016851	BUZZER, REVERSE	1
15	0008056	SCREW, ROUND HEAD, #4 - 40 x 3/4	2
16	1012431	WASHER, FLAT, #4	2
17	0008058	WASHER, LOCK, #4	2
18	0008057	NUT, HEX, #4 - 40	2
19	1016857	WIRE ASSEMBLY, #18 BLACK	1

5
G



GASOLINE - TRANS-PORTER/TRANS-SENDER

ITEM	PART NO.	DESCRIPTION	QTY
		1 2 3 4	
1	1016717	ASSEMBLY, TAILLIGHT (TRANS-PORTER/TRANS-SENDER) (INCLUDES ITEMS 2 - 6)	2
2	N/A	HOUSING, TAILLIGHT	1
3	1011582	BULB	1
4	N/A	GASKET	1
5	N/A	LENS	1
6	N/A	SCREW, LENS	2
7	1015752	SCREW, HEX WASH HEAD, #12 - 16 x 1/2	4
8	1016859	KIT, REVERSE BUZZER (INCLUDES ITEMS 9 - 14)	1
9	1016851	BUZZER, REVERSE	1
10	0008056	SCREW, ROUND HEAD, #4 - 40 x 3/4	2
11	1012431	WASHER, FLAT, #4	2
12	0008058	WASHER, LOCK, #4	2
13	0008057	NUT, HEX, #4 - 40	2
14	1016857	WIRE ASSEMBLY, #18 BLACK	1
15	1015720	SCREW, PAN MACHINE, #6 - 32 x 1/2	1
16	0007591	WASHER, FLAT	1
17	1011622	WASHER, LOCK, #6	1
18	1011558	NUT, HEX, #6 - 32	1

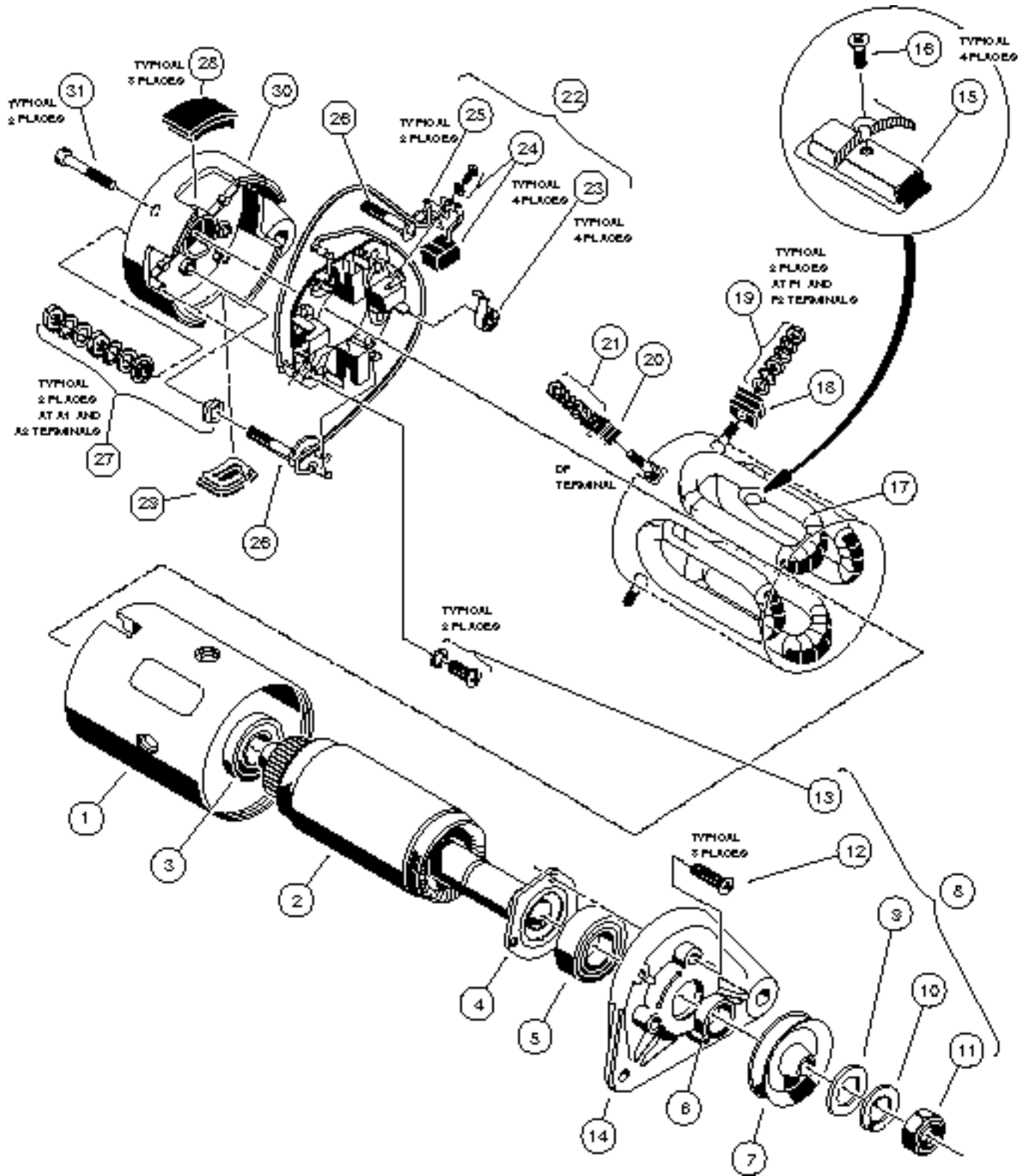


STARTER/GENERATOR ASSEMBLY

ITEM	PART NO.	DESCRIPTION	QTY
		1 2 3 4 FOR VEHICLES PRIOR TO SERIAL NUMBER 9533-452031.	
	N/A	STARTER/GENERATOR (INCLUDES ITEMS 1 - 28)	1
1	1013004	ASSEMBLY, ARMATURE	1
2	1013000	SPACER	1
3	1013001	SHAFT, BALL BEARING OUTPUT	1
4	1013002	RETAINER, BEARING	1
5	1013005	COMMUTATOR, BALL BEARING	1
6	1013009	SCREW, POLE PIECE	4
7	1013010	ASSEMBLY, FIELD COIL	1
8	1013007	PACKAGE, TERMINAL HARDWARE (F1 AND F2)	2
9	1013017	PACKAGE, TERMINAL HARDWARE (DF)	1
10	1013018	KIT, PULLEY NUT AND SCREW (INCLUDES ITEMS 11 - 15)	1
11	N/A	HEX NUT, M14 x 2	1
12	N/A	WASHER, LOCK, M14	1
13	N/A	SCREW, CROSS - RECESSED, M5 x .8 x 18MM (WITH LOCK WASHER AND FLAT WASHER)	3
14	N/A	SCREW, CROSS - RECESSED, M5 x .8 x 16MM (WITH LOCK WASHER)	2
15	N/A	SCREW, CROSS - RECESSED, M4 x .7 x 10MM (WITH LOCK WASHER)	4
16	1012999	BELL, OUTPUT SHAFT END	1
17	1013003	KEY	1
18	1013011	ASSEMBLY, BRUSH HOLDER (INCLUDES ITEMS 19 - 22)	1
19	N/A	SCREW, CROSS - RECESSED, M4 x .7 x 10MM (WITH LOCK WASHER)	4
20	1013013	LEAD, CROSSOVER	2
21	1014699	PACKAGE, BRUSH (INCLUDES 4 BRUSHES)	1
22	1013016	SPRING, BRUSH	4
23	1012990	PACKAGE, TERMINAL HARDWARE (A1 AND A2) (INCLUDES 1 OF ITEM 24)	2
24	N/A	A CONNECTOR	1
25	1012992	BOLT, CLAMP, M6 x 1 x 180MM	2
26	1012993	BELL, COMMUTATOR END	1
27	1012991	COVER, BRUSH INSPECTION PORT	3
28	1017653	COVER, BRUSH INSPECTION PORT, WITH DRAIN	1
29	1014289	PULLEY	1

5

G



STARTER/GENERATOR ASSEMBLY

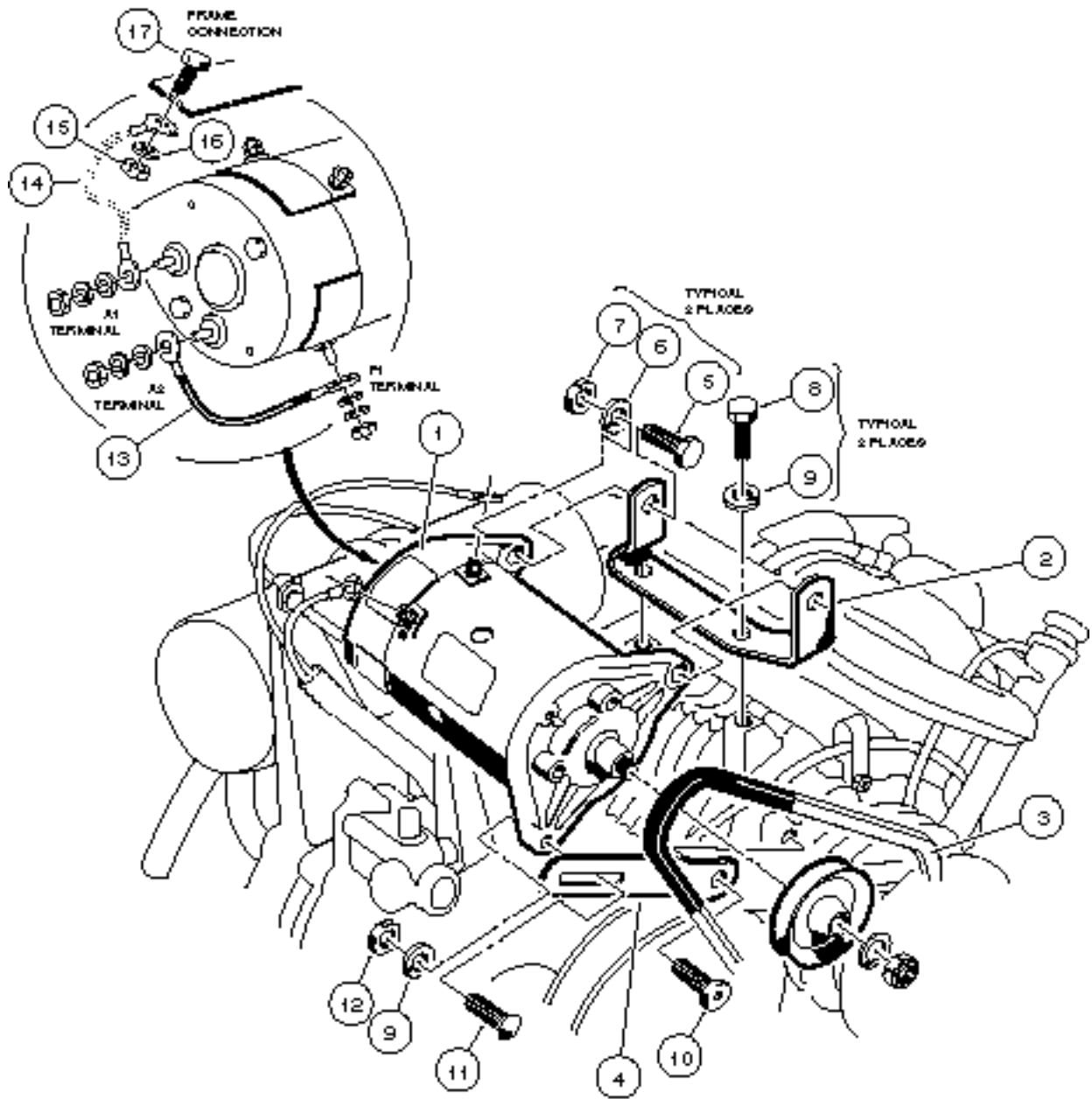
5

G

ITEM	PART NO.	DESCRIPTION	QTY
		1 2 3 4 FOR VEHICLES SERIAL NUMBER 9533-452031 AND LATER.	
	1018294-01	STARTER/GENERATOR (INCLUDES ITEMS 1 - 31)	1
1	1018752-01	YOKE	1
2	1018751-01	ASSEMBLY, ARMATURE	1
3	1013005	COMMUTATOR, BALL BEARING	1
4	1018750-01	RETAINER, BEARING	1
5	1013001	BALL BEARING, OUTPUT SHAFT	1
6	1018748-01	SPACER	1
7	1018747-01	PULLEY	1
8	1018765-01	KIT, PULLEY NUT AND SCREW (INCLUDES ITEMS 9 - 13)	1
9	N/A	WASHER, FLAT, M8	1
10	N/A	WASHER, LOCK, M14	1
11	N/A	NUT, HEX, M14 x 2	1
12	N/A	SCREW, CROSS - RECESSED, M5 x .8 x 18MM	3
13	1018965-01	SCREW, CROSS - RECESSED, M5 x .8 x 16MM (WITH LOCK WASHER)	2
14	1018749-01	END BELL, OUTPUT SHAFT	1
15	1018753-01	SET, POLE (SET OF 4)	1
16	1018754-01	SCREW, POLE PIECE (SET OF 4)	1
17	1018755-01	ASSEMBLY, FIELD COIL	1
18	1018756-01	SET, F MOLD	2
19	1018776-01	PACKAGE, TERMINAL HARDWARE (F1 AND F2)	2
20	1018757-01	SET, DF MOLD	1
21	1018777-01	PACKAGE, TERMINAL HARDWARE (DF)	1
22	1013011	HOLDER, BRUSH (INCLUDES ITEMS 23, 24 AND 25)	1
23	1018781-01	SPRING, BRUSH	4
24	1018693-01	PACKAGE, BRUSH (INCLUDES 4 BRUSHES, 4 SCREWS, 4 WASHERS)	1
25	1018762-01	ASSEMBLY, BRUSH CONNECTOR	2
26	1018758-01	A CONNECTOR (SET OF 2)	1
27	1018760-01	PACKAGE, TERMINAL HARDWARE (A1 AND A2)	2
28	1018763-01	COVER, BRUSH INSPECTION PORT (SET OF 4) (INCLUDES ITEM 29)	1
29	1017653	COVER, BRUSH INSPECTION PORT, WITH DRAIN	1
30	1018764-01	END BELL, COMMUTATOR	1
31	1018790-01	BOLT, CLAMP, M6 x 1 x 180MM	2

5

G



STARTER/GENERATOR MOUNTING

5

G

ITEM	PART NO.	DESCRIPTION	QTY
		1 2 3 4	
1	N/A	STARTER/GENERATOR (VEHICLES PRIOR TO SERIAL NUMBER 9533-452031)	1
1	1018294-01	STARTER/GENERATOR (VEHICLES SERIAL NUMBER 9533-452031 AND LATER)	1
2	1015240-01	BRACKET, MOUNTING, FE 290 (TOURALL ONLY)	1
2	1015240-02	BRACKET, MOUNTING, FE 350 (RESORT VILLAGER, TRANS-PORTER/TRANS-SENDER)	1
3	1014290	BELT	1
4	1016883	BRACKET, ADJUSTING	1
5	0000705	SCREW, HEX HEAD CAP, 3/8 - 16 x 1 1/4	2
6	0000357	WASHER, LOCK, 3/8	2
7	0000706	NUT, HEX, 3/8 - 16	2
8	1015331	SCREW, HEX HEAD CAP, M8 x 1.25 x 25MM	2
9	0007174	WASHER, LOCK, 5/16	3
10	1016074	SCREW, TORX HEAD, M8 x 1.25 x 18MM	1
11	1015932	BOLT, CARRIAGE, 5/16 - 18 x 1	1
12	0001242	NUT, HEX, 5/16 - 18	1
13	1012384	WIRE ASSEMBLY, #6 BLACK	1
14	1015920	WIRE ASSEMBLY, #6 BRAIDED GROUND (TOURALL ONLY)	1
14	1016380	WIRE ASSEMBLY, #6 BRAIDED GROUND (RESORT VILLAGER, TRANS-PORTER/TRANS-SENDER ONLY)	1
15	0007473	NUT, NYLON LOCK, 5/16 - 18	1
16	0001241	WASHER, FLAT, 5/16	1
17	0007173	SCREW, HEX HEAD CAP, 5/16 - 18 x 3/4	1

DID YOU KNOW?

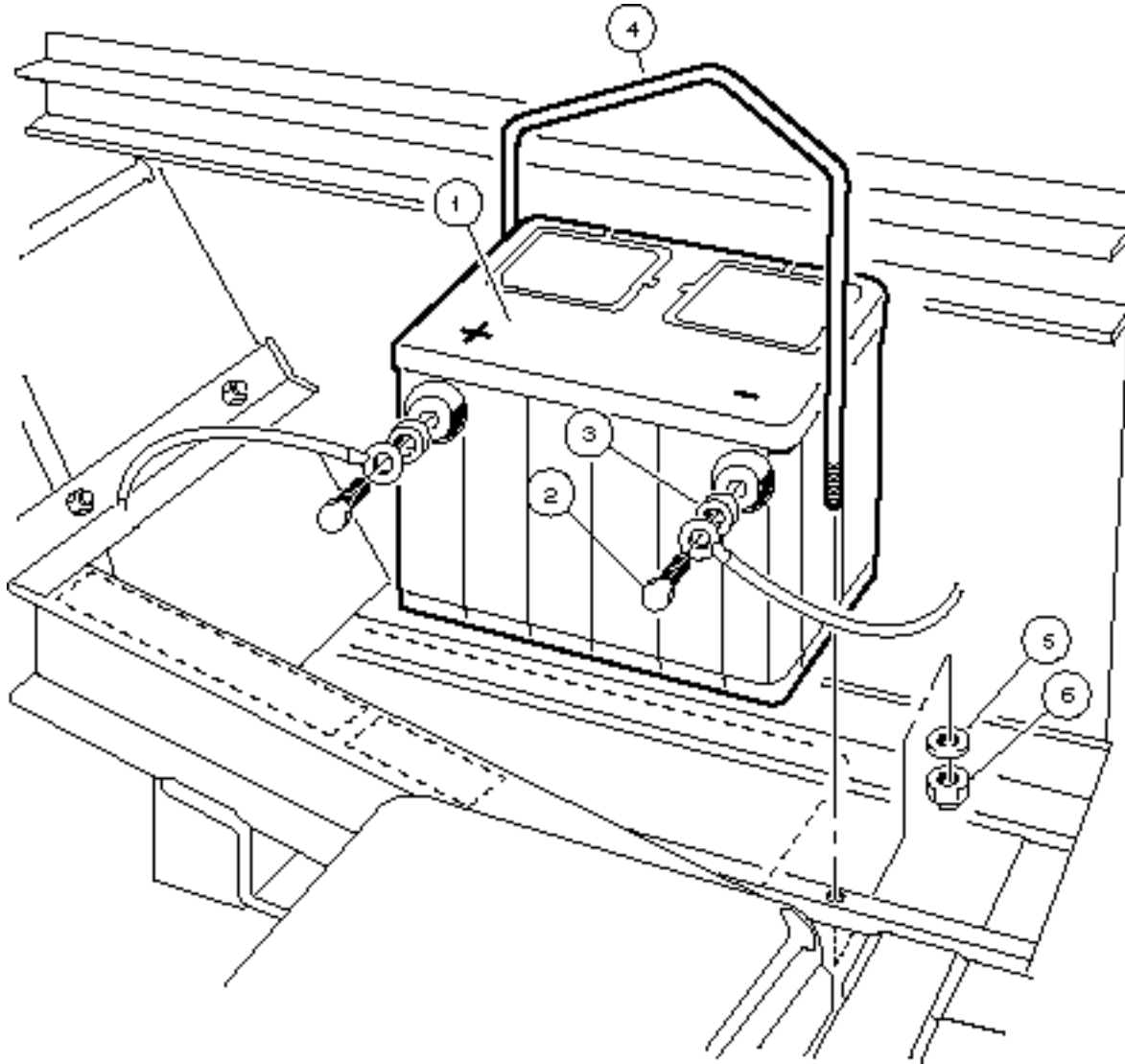
CartPros directs you to the right part using the part numbers from this manual. Enter the part number into our search box and it will find the part you are looking for.

GET STARTED HERE

<https://CartPros.com/f.html>

5

G





BATTERY MOUNTING - GASOLINE VEHICLES

ITEM	PART NO.	DESCRIPTION	QTY
		1 2 3 4	
1	1012328	BATTERY, 12 VOLT	1
2	1014375	SCREW, HEX HEAD CAP, STAINLESS STEEL, 3/8 - 16 x 1/2	2
3	1014374	SPACER, BATTERY TERMINAL BOLT	2
4	1013882	HOLD-DOWN, BATTERY	1
5	1011964	WASHER, FLAT, STAINLESS STEEL, 1/4	2
6	1015068	NUT, NYLON LOCK, STAINLESS STEEL, 1/4 - 20	2

**DID YOU
KNOW?**

CartPros directs you to the right part using the part numbers from this manual. Enter the part number into our search box and it will find the part you are looking for.

**GET STARTED
HERE**



<https://CartPros.com/f.html>

**DID YOU
KNOW?**

CartPros directs you to the right part using the part numbers from this manual. Enter the part number into our search box and it will find the part you are looking for.

**GET STARTED
HERE**

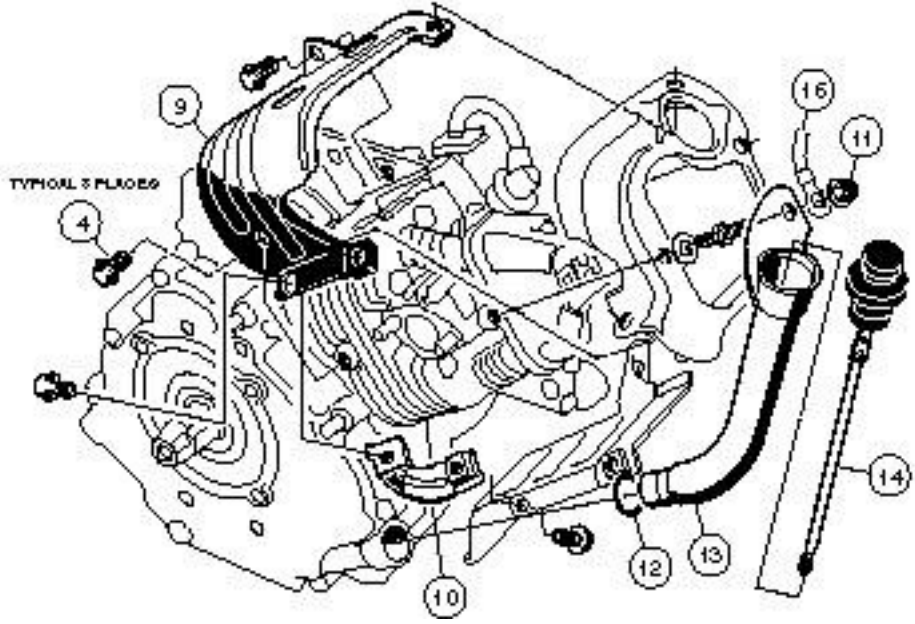
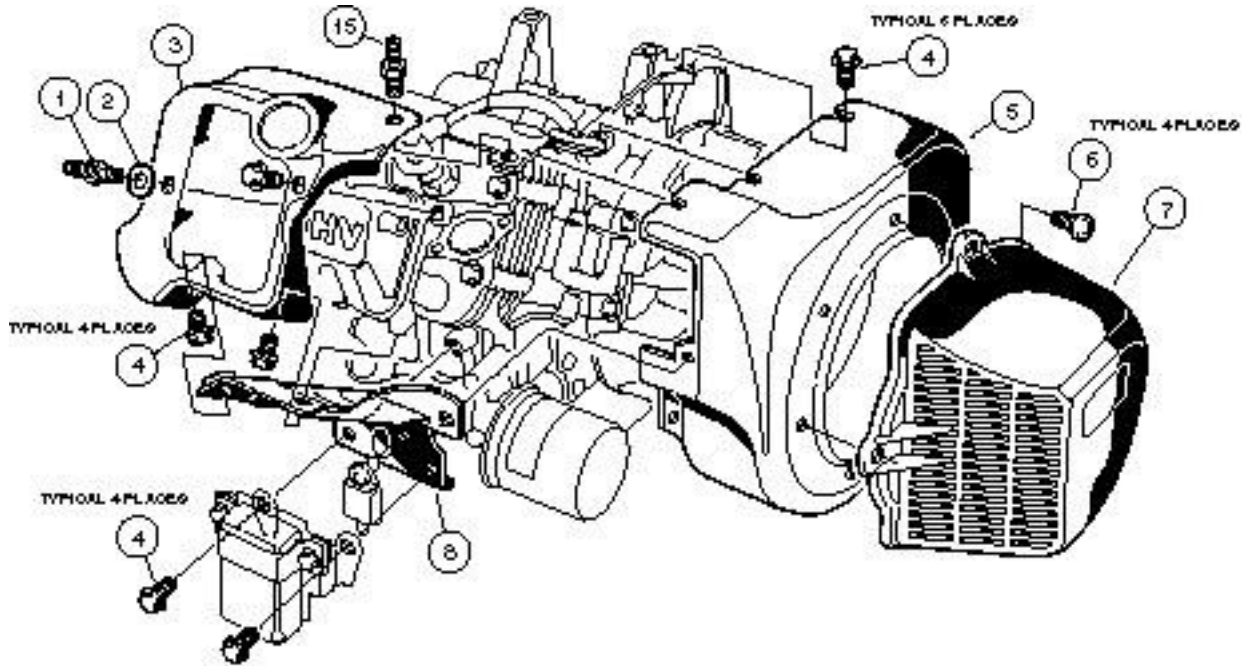


<https://CartPros.com/f.html>

ENGINE

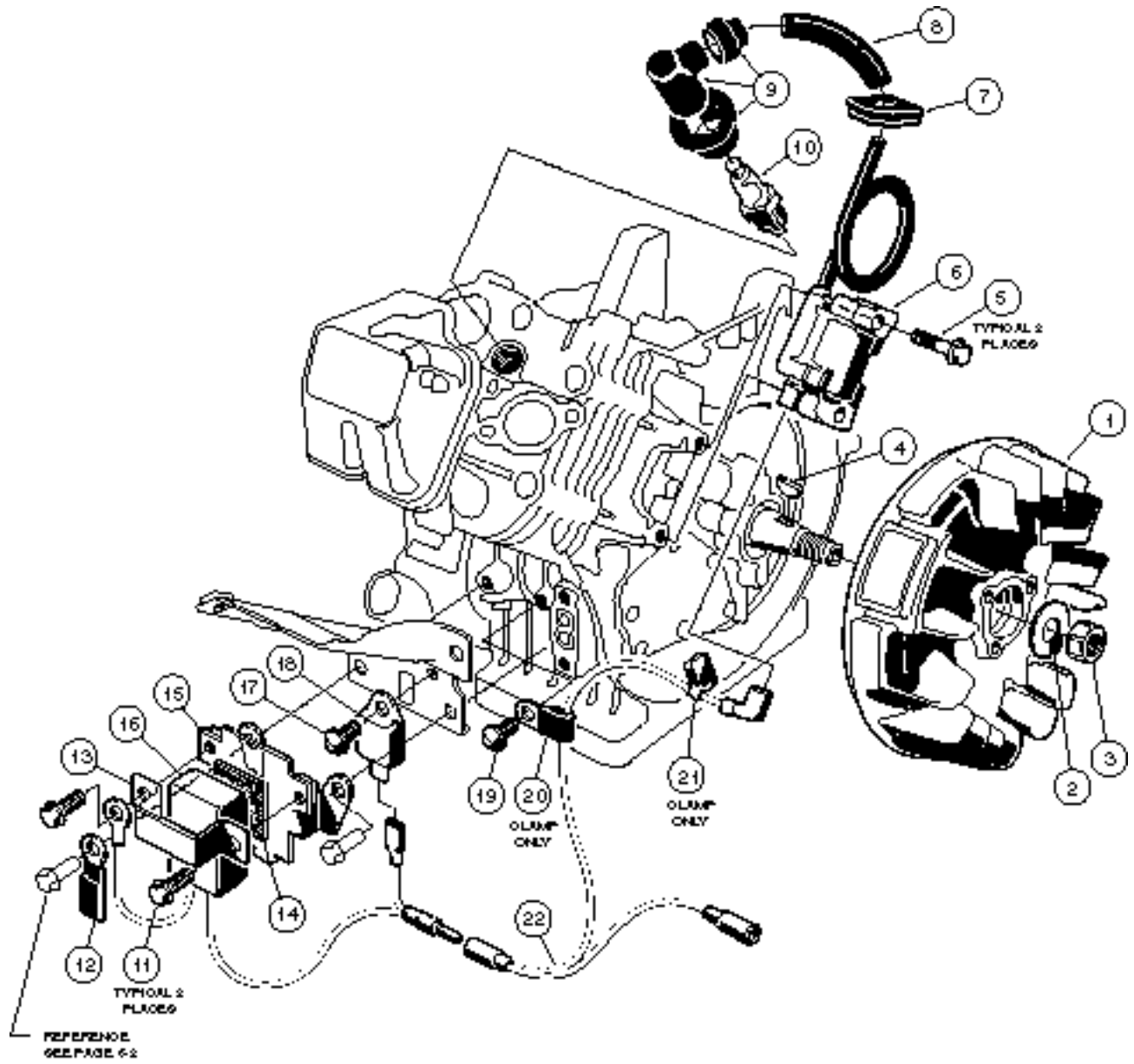
6

G



FE 290 ENGINE - TOURALL VEHICLE

ITEM	PART NO.	DESCRIPTION	QTY
		1 2 3 4	
	1015731	FE 290 OHV GASOLINE ENGINE, COMPLETE	1
1	1016507	BOLT, 2-ENDED, M6 x 1 x 29MM	1
2	1016512	WASHER, FLAT, 6MM	1
3	1016524	SHROUD, ENGINE, FE 290	1
4	1016456	BOLT, FLANGED, M6 x 1 x 12MM	17
5	1016534	HOUSING, FAN	1
6	1015969	SCREW, PAN HEAD, M6 x 1 x 14MM	4
7	1015649	SHROUD, FAN	1
8	1016526	SHROUD, ENGINE, FE 290 (LOWER)	1
9	1016525	SHROUD, ENGINE, FE 290 (UPPER)	1
10	1016443	BRACKET	1
11	1016547	NUT, M6 x 1	1
12	1016539	O-RING	1
13	1016536	TUBE, OIL FILLER, FE 290	1
14	1016531	DIPSTICK	1
15	1017221	SCREW, 2-ENDED, M6 x 1 x 46MM	1
16	1015332	WIRE ASSEMBLY, #10 BRAIDED GROUND	1

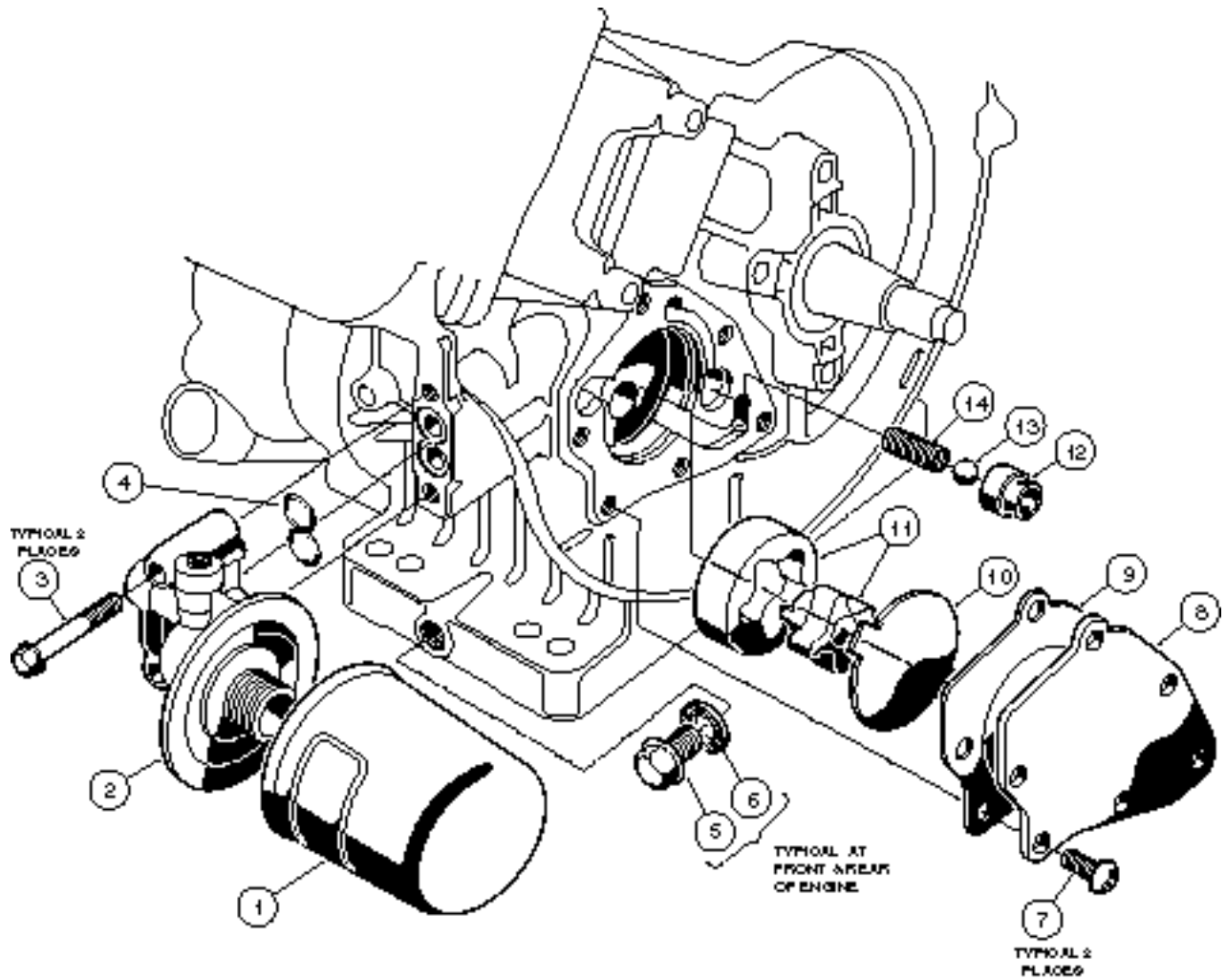


FE 290 ENGINE - TOURALL VEHICLE

ITEM	PART NO.	DESCRIPTION	QTY
		1 2 3 4	
1	1016495	FLYWHEEL, COMPLETE	1
2	1016548	WASHER, FLAT, 16MM	1
3	1016505	NUT, HEX, M16 x 2	1
4	1016562	KEY	1
5	1016455	BOLT, FLANGED, M5 x .8 x 25MM	2
6	1016492	COIL, IGNITION	1
7	1016578	GROMMET	1
8	1016588	TUBE, 7MM x 70MM	1
9	1016493	ASSEMBLY, PLUG CAP	1
10	1016111	SPARK PLUG - OHV	1
11	1016456	BOLT, FLANGED, M6 x 1 x 12MM	2
12	1012981	CLAMP	1
13	1016579	MOUNT, RPM LIMITER	1
14	1016586	DAMPER, RPM LIMITER	1
15	1016445	BRACKET, RPM LIMITER	1
16	1016511	LIMITER, RPM - OHV	1
17	1016497	SCREW, CROSS PAN HEAD, M5 x .8 x 8MM	1
18	1016491	IGNITER - OHV	1
19	1016544	SCREW, CROSS PAN HEAD SELF-TAPPING, M5 x .8 x 12MM	1
20	1016561	CLAMP	1
21	1016587	CLAMP	1
22	1016503	WIRE, LEAD	1

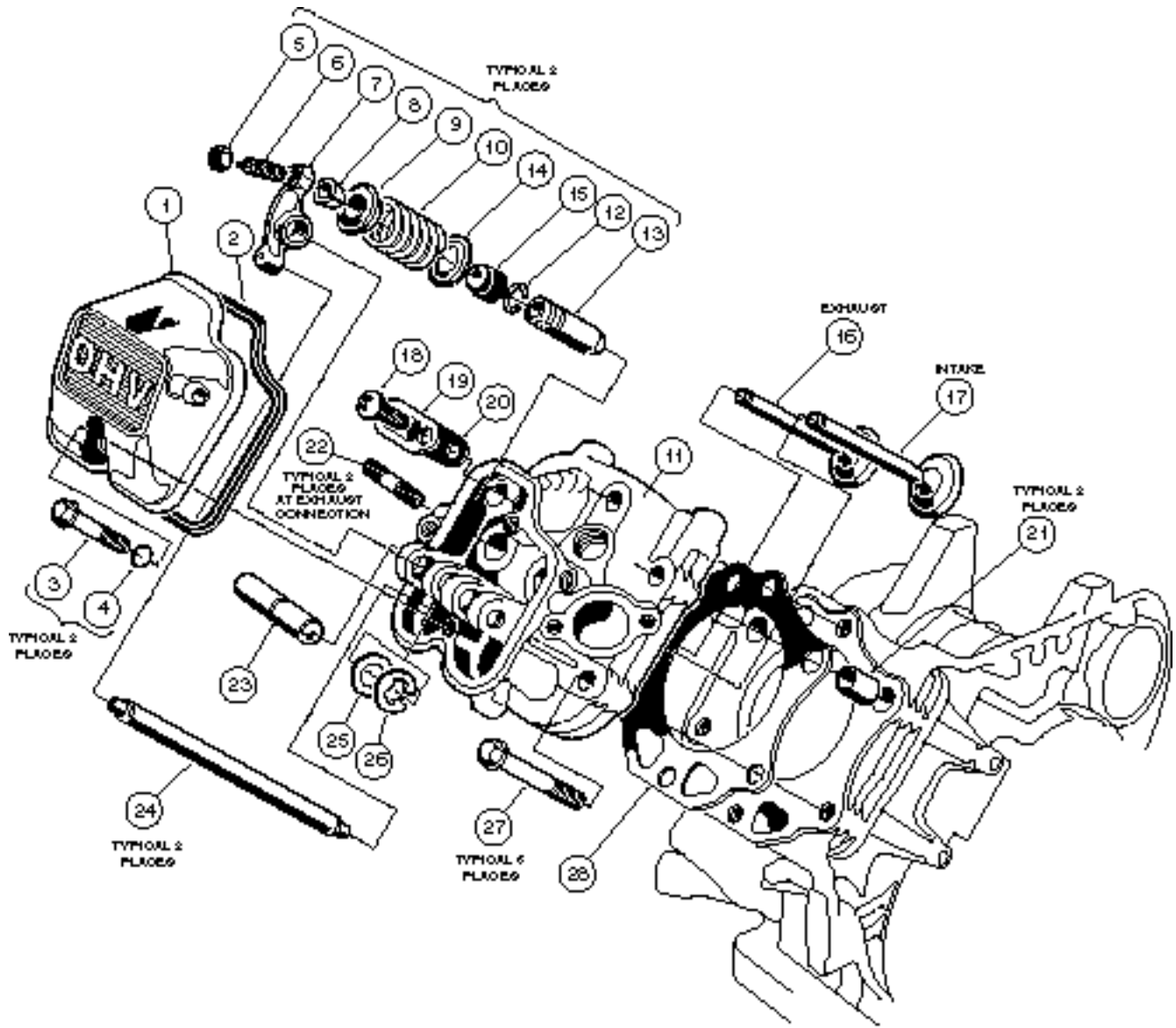
6

G



FE 290 ENGINE - TOURALL VEHICLE

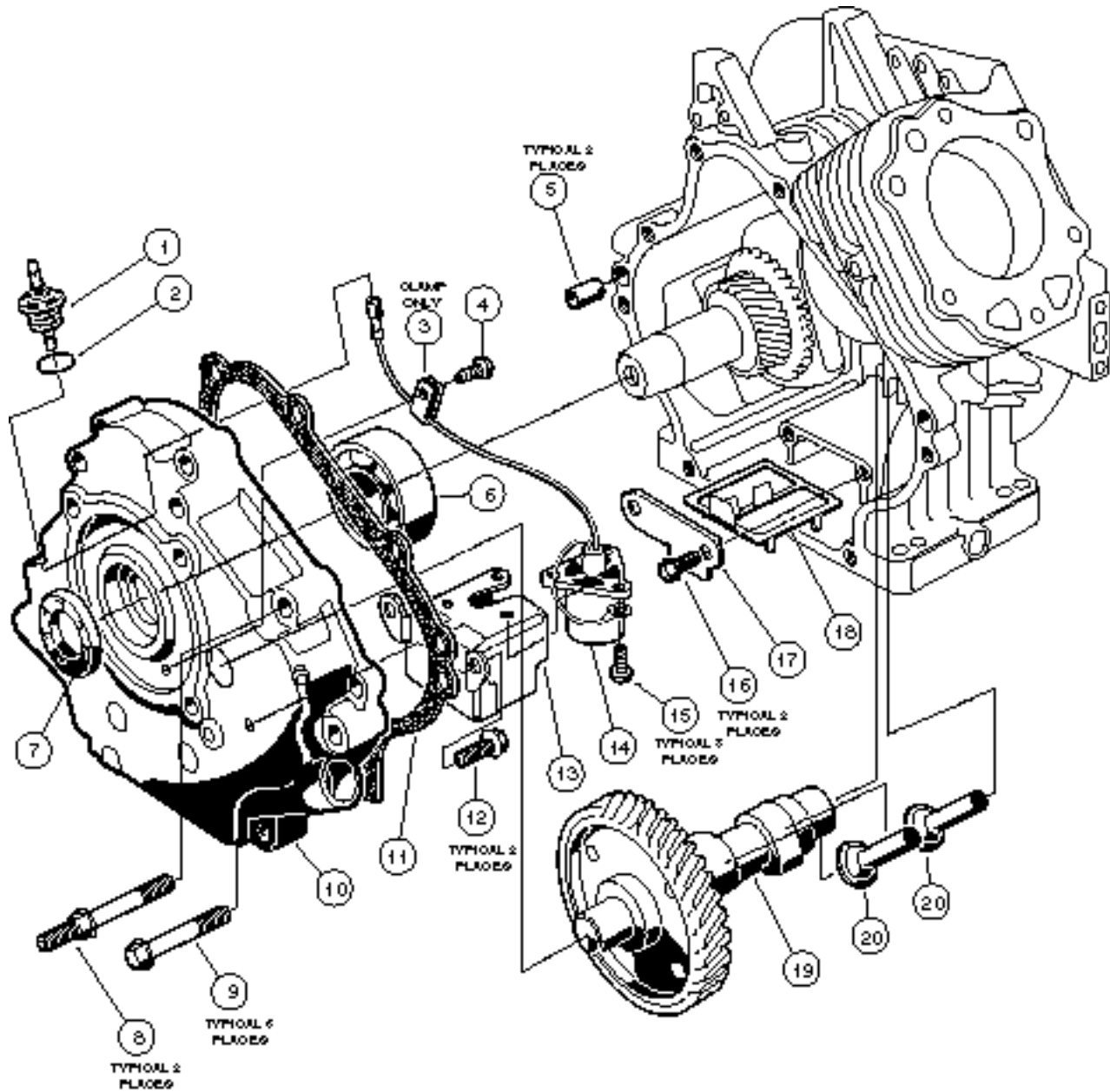
ITEM	PART NO.	DESCRIPTION	QTY
		1 2 3 4	
1	1016467	ASSEMBLY, OIL FILTER, OHV	1
2	1016502	BRACKET, OIL FILTER	1
3	1016457	BOLT, FLANGED HEX HEAD, M6 x 1 x 40MM	2
4	1016570	O-RING, OIL FILTER MOUNT	1
5	1016576	PLUG, DRAIN, FE 290	2
6	1016432	GASKET, DRAIN PLUG	2
7	1016498	SCREW, CROSS PAN HEAD, M6 x 1 x 12MM	6
8	1016484	COVER, PUMP	1
9	1016435	GASKET, OIL PUMP	1
10	1016473	PLATE, OIL PUMP	1
11	1016482-03	PUMP, OIL, AND ROTOR	1
12	1016429	SEAT, VALVE	1
13	1016537	BALL, STEEL, PRESSURE RELIEF	1
14	1016581	SPRING	1



FE 290 ENGINE - TOURALL VEHICLE

ITEM	PART NO.	DESCRIPTION	QTY
		1 2 3 4	
1	1016442	CASE, ROCKER	1
2	1016436	GASKET, ROCKER CASE	1
3	1016583	BOLT, FLANGED, M6 x 1 x 35MM	2
4	1016569	O-RING	2
5	1016545	NUT, HEX, M5 x .8	2
6	1016542	SCREW, STUD, M5 x .8	2
7	1016451	ARM, ROCKER	2
8	1016450	COLLET	2
9	1016449	RETAINER, VALVE SPRING	2
10	1016523	SPRING, ENGINE VALVE	2
11	1016431	ASSEMBLY, CYLINDER HEAD, OHV (INCLUDES ITEMS 12 AND 13)	1
12	1016560	RING, SNAP	2
13	1016519	GUIDE, VALVE	2
14	1016479	SEAT, SPRING	2
15	1016566	SEAL, VALVE	2
16	1016448	VALVE, EXHAUST	1
17	1016447	VALVE, INTAKE	1
18	1016544	SCREW, CROSS PAN HEAD SELF-TAPPING, M5 x .8 x 12MM	1
19	1016474	PLATE	1
20	1016483	VALVE	1
21	1016563	PIN	2
22	1016489	BOLT, STUD, M8 x 1.25 x 29MM	2
23	1016452	SHAFT, ROCKER	1
24	1016471	ROD, PUSH	2
25	1016549	WASHER, FLAT, M12	1
26	1016517	CIRCLIP, TYPE-E	1
27	1016458	BOLT, FLANGED, M8 x 1.25 x 45MM	6
28	1016430	GASKET, HEAD	1

6
G

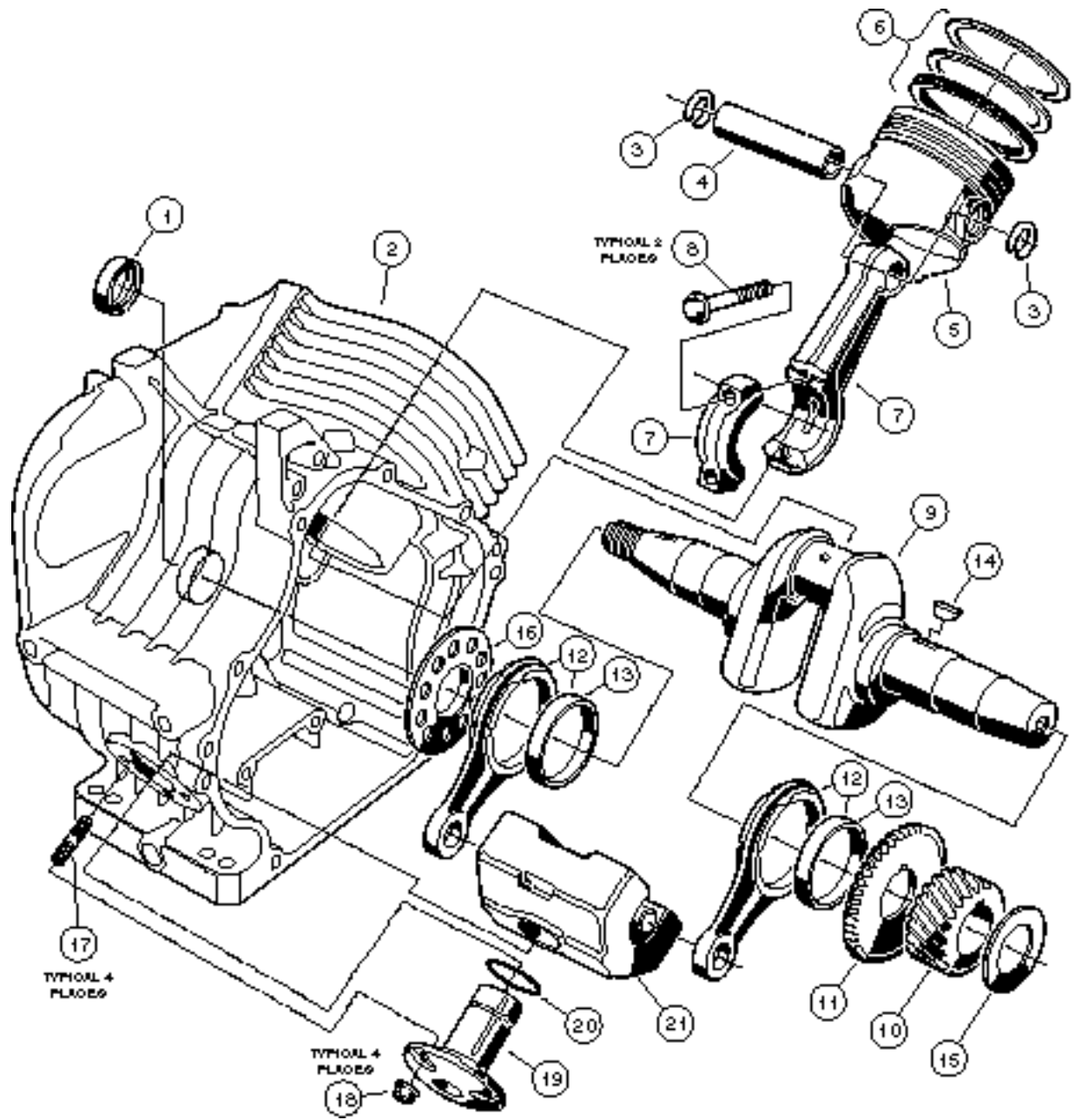




FE 290 ENGINE - TOURALL VEHICLE

ITEM	PART NO.	DESCRIPTION	QTY
		1 2 3 4	
1	1016535	CONNECTOR, CORD	1
2	1016538	O-RING	1
3	1016506	CLAMP	1
4	1016544	SCREW, CROSS PAN HEAD SELF-TAPPING, M5 x .8 x 12MM	1
5	1016564	PIN	2
6	1016565	BEARING, BALL	1
7	1016567	SEAL, CRANKSHAFT	1
8	1016584	BOLT, 2-ENDED, M8 x 1.25 x 69MM	2
9	1016458	BOLT, FLANGED, M8 x 1.25 x 45MM	6
10	1016520	COVER, CRANKCASE	1
11	1016446	GASKET, CRANKCASE COVER	1
12	1016456	BOLT, FLANGED, M6 x 1 x 12MM	2
13	1016510	BRACKET, OIL LEVEL SWITCH	1
14	1016494	SENSOR, OIL LEVEL	1
15	1016496	SCREW, CROSS PAN HEAD, M4 x .7 x 8MM	3
16	1016454	BOLT, FLANGED, M5 x .8 x 8MM	2
17	1016472	PLATE, OIL FILTER SCREEN	1
18	1016521	SCREEN, OIL FILTER	1
19	1016528	CAMSHAFT, COMPLETE	1
20	1016453	TAPPET	2

6
G



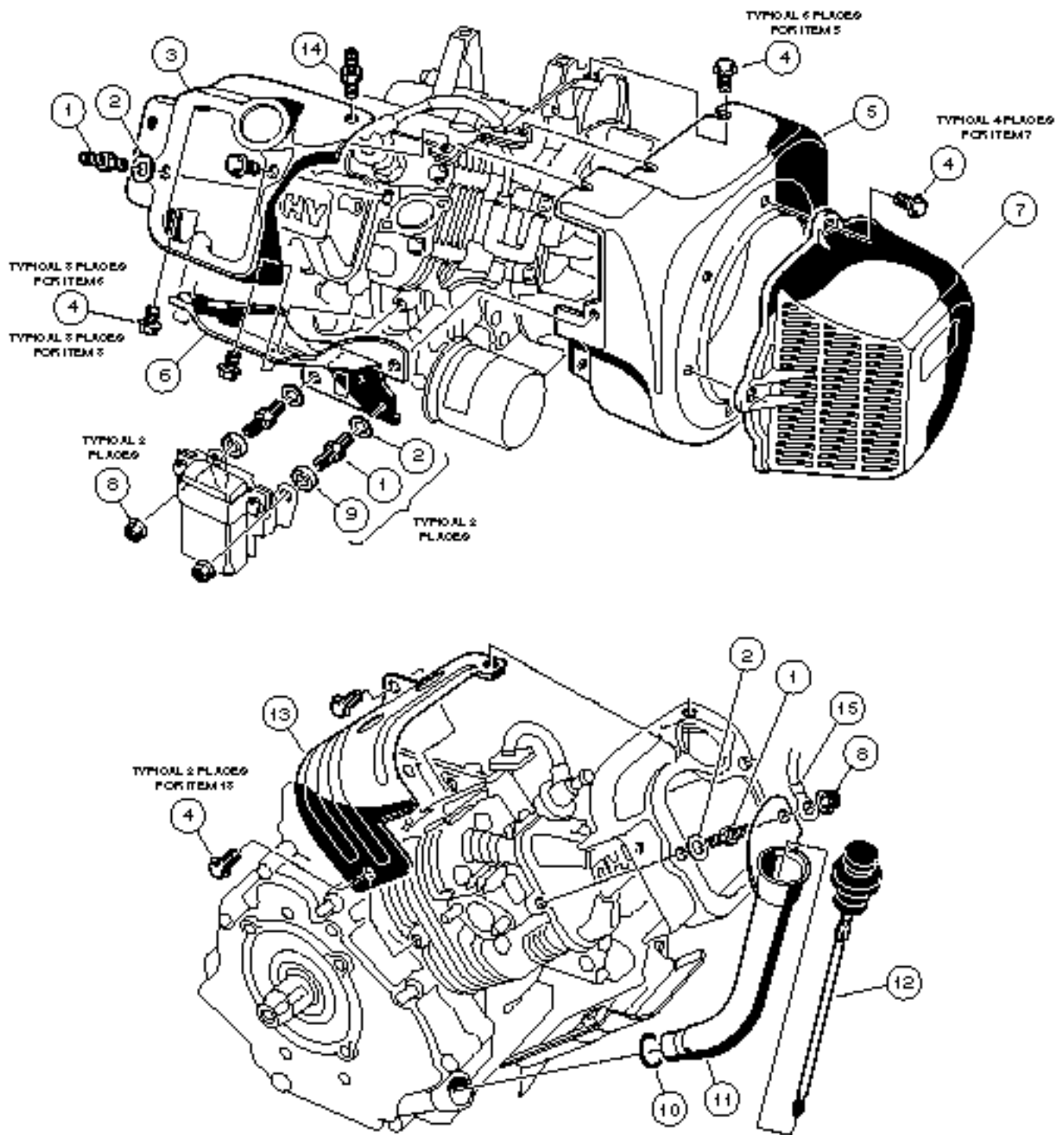


FE 290 ENGINE - TOURALL VEHICLE

ITEM	PART NO.	DESCRIPTION	QTY
		1 2 3 4	
1	1016568	SEAL, OIL	1
2	1016529	CRANKCASE, COMPLETE, OHV	1
3	1016558	RING, SNAP	2
4	1016460	PIN, PISTON	1
5	1016459-01	PISTON, STANDARD	1
5	1016459-02	PISTON, .25MM OVERSIZED	1
5	1016459-03	PISTON, .50MM OVERSIZED	1
6	1016461-01	RING SET, PISTON, STANDARD	1
6	1016461-02	RING SET, PISTON, .25MM OVERSIZED	1
6	1016461-03	RING SET, PISTON, .50MM OVERSIZED	1
7	1016475-01	ASSEMBLY, CONNECTING ROD, STANDARD (INCLUDES 2 EACH OF ITEM 8)	1
7	1016475-02	ASSEMBLY, CONNECTING ROD, .50MM UNDERSIZED (INCLUDES 2 EACH OF ITEM 8)	1
8	1016509	BOLT, HEX HEAD, M7 x 1 x 36MM	2
9	1016468	CRANKSHAFT, OHV (INCLUDES ITEMS 10, 11 AND 12)	1
10	1016533	GEAR, HELICAL	1
11	1016532	GEAR, SPUR	1
12	1016516	ASSEMBLY, CONNECTING ROD (INCLUDES ITEM 13)	2
13	1016580	BEARING, PLAIN	2
14	1016562	KEY	1
15	1016550-01	SHIM, CRANKSHAFT, 1.13MM THICK	A/R
15	1016550-02	SHIM, CRANKSHAFT, 1.18MM THICK	A/R
15	1016550-03	SHIM, CRANKSHAFT, 1.23MM THICK	A/R
15	1016550-04	SHIM, CRANKSHAFT, 1.28MM THICK	A/R
15	1016550-05	SHIM, CRANKSHAFT, 1.33MM THICK	A/R
15	1016550-06	SHIM, CRANKSHAFT, 1.38MM THICK	A/R
15	1016550-07	SHIM, CRANKSHAFT, 1.43MM THICK	A/R
15	1016550-08	SHIM, CRANKSHAFT, 1.48MM THICK	A/R
15	1016550-09	SHIM, CRANKSHAFT, 1.53MM THICK	A/R
16	1016559	SPACER	1
17	1016541	BOLT, STUD, M6 x 1 x 22MM	4
18	1016547	NUT, FLANGED, M6 x 1	4
19	1016470	SHAFT, GUIDE COUNTERBALANCE	1
20	1016571	O-RING	1
21	1016469	WEIGHT, COUNTERBALANCE	1

6

G

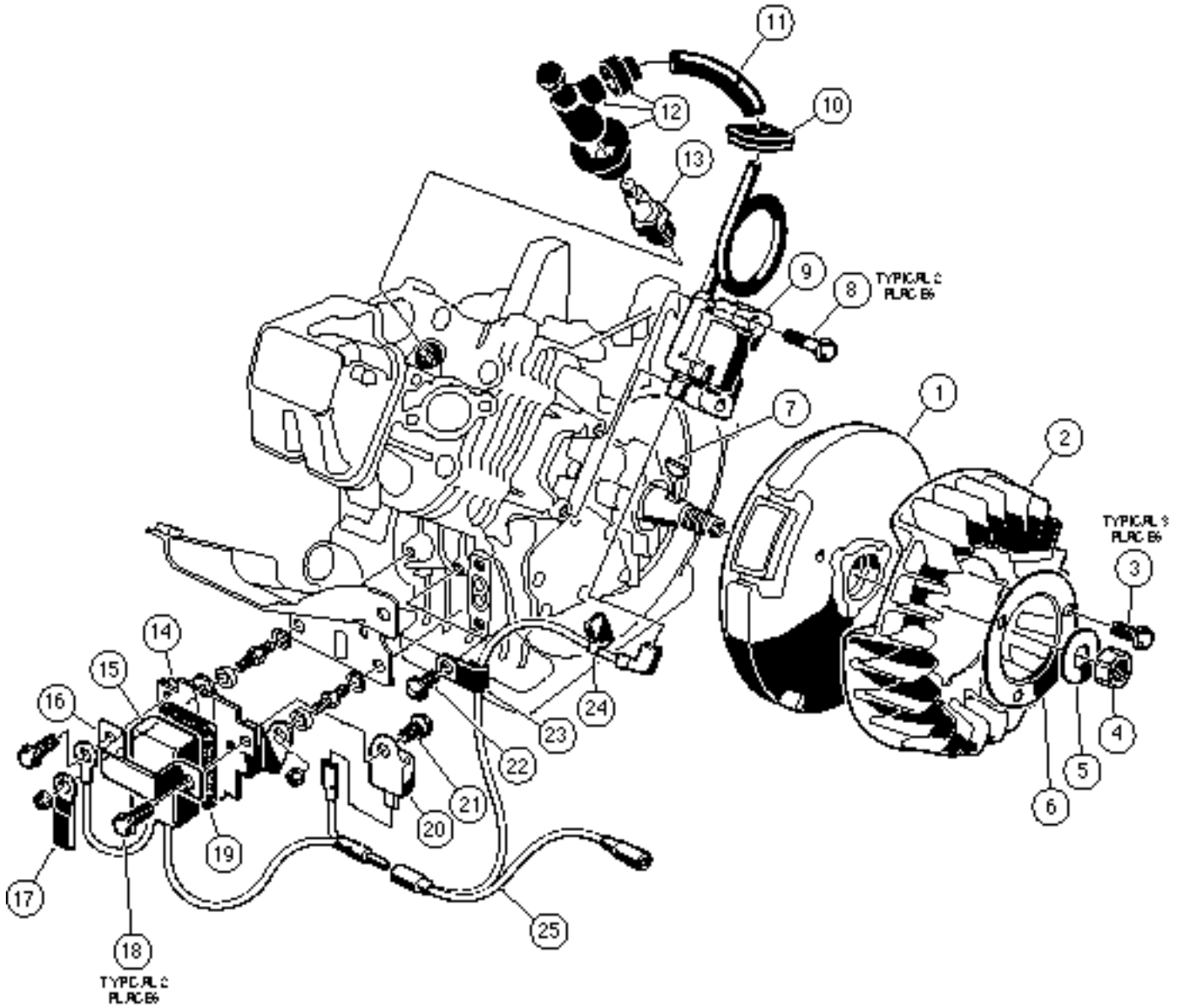




ENGINE RESORT VILLAGER, TRANS-PORTER/TRANS-SENDER

6
G

ITEM	PART NO.	DESCRIPTION	QTY
		1 2 3 4	
	1016809	FE 350 OHV GASOLINE ENGINE, COMPLETE	1
1	1016507	SCREW, 2-ENDED, M6 x 1 x 29MM	3
2	1016512	WASHER, FLAT, 6 MM	3
3	1017474	SHROUD, CYLINDER HEAD	1
4	1016456	BOLT, FLANGED, M6 x 1 x 12MM	18
5	1017485	HOUSING, FAN	1
6	1017476	SHROUD, LOWER CYLINDER	1
7	1015649	SHROUD, FAN	1
8	1016547	NUT, M6 x 1	3
9	1017500	SPACER	2
10	1016539	O-RING	1
11	1017486	TUBE, OIL FILLER	1
12	1016531	DIPSTICK	1
13	1017475	SHROUD, UPPER CYLINDER	1
14	1017221	BOLT, 2-ENDED HEX, M6 x 1 x 46MM	1
15	1015332	WIRE ASSEMBLY, #10 BRAIDED GROUND	1

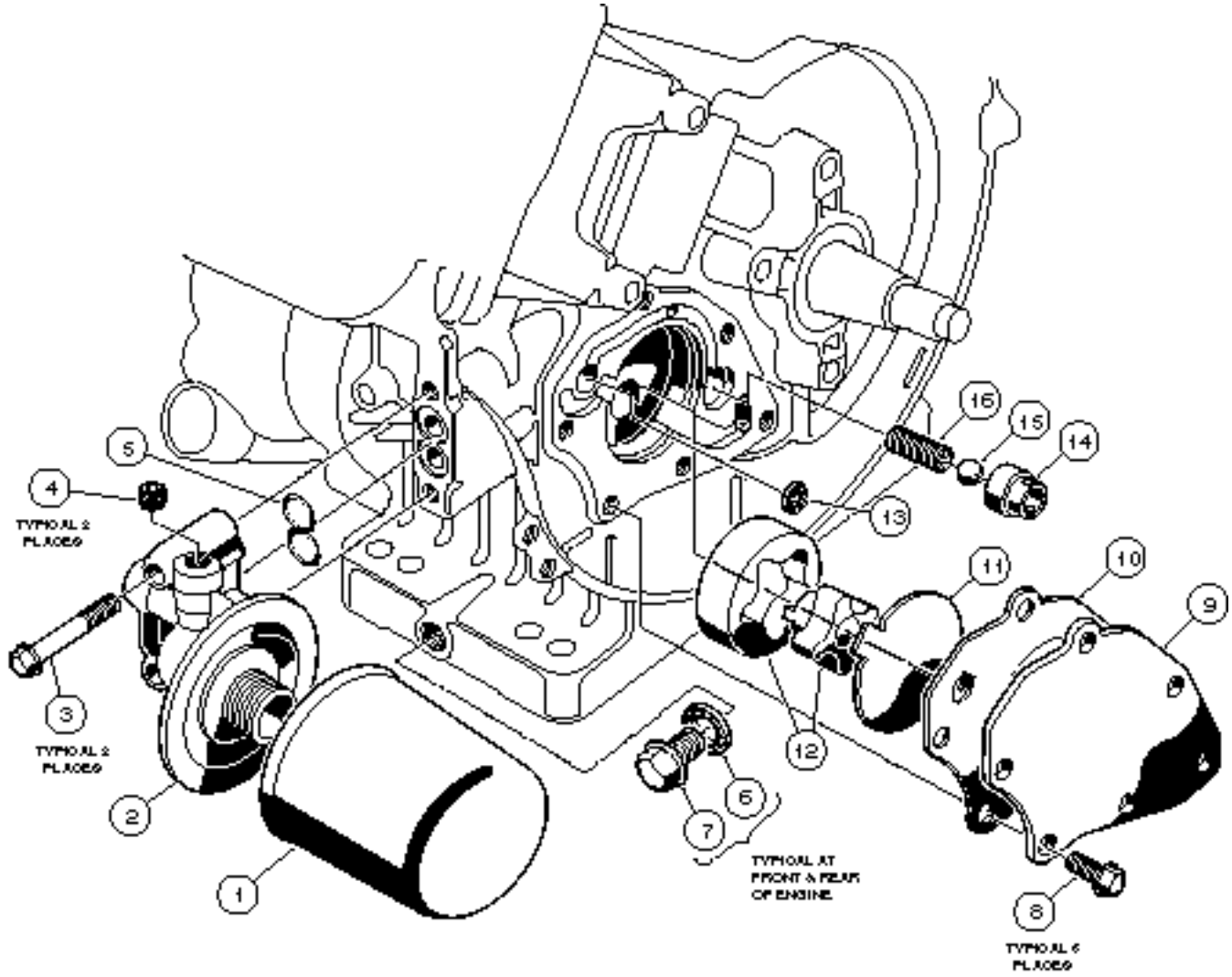




RESORT VILLAGER, TRANS-PORTER/TRANS-SENDER ENGINE

6
G

ITEM	PART NO.	DESCRIPTION	QTY
		1 2 3 4	
1	1017464	FLYWHEEL	1
2	1017482	FAN, FLYWHEEL	1
3	1017448	SCREW, FLANGED HEX HEAD, M6 x 1 x 10MM	3
4	1017467	NUT, HEX, 18MM FINE	1
5	1017490	WASHER, FLAT, 18MM	1
6	1017455	PLATE, FLYWHEEL FAN	1
7	1016562	KEY	1
8	1016455	SCREW, HEX HEAD FLANGED, M5 x 0.8 x 25MM	2
9	1016492	COIL, IGNITION	1
10	1016578	GROMMET	1
11	1016588	TUBE, 7MM I.D. x 10MM O.D. x 70MM LG.	1
12	1017463	ASSEMBLY, PLUG CAP	1
13	1018811-01	PLUG, SPARK	1
14	1016445	BRACKET, RPM LIMITER	1
15	1016511	LIMITER, RPM	1
16	1016579	MOUNT, RPM LIMITER	1
17	1012981	CLAMP	1
18	1016456	SCREW, FLANGED HEX HEAD, M6 x 1 x 12MM	2
19	1016586	DAMPER	1
20	1016491	IGNITER	1
21	1016497	SCREW, CROSS PAN HEAD, M5 x .08 x 8MM	1
22	1016544	SCREW, CROSS PAN HEAD SELF-TAPPING, M5 x 12MM	1
23	1016561	CLAMP	1
24	1016587	CLAMP	1
25	1016503	WIRE, LEAD	1

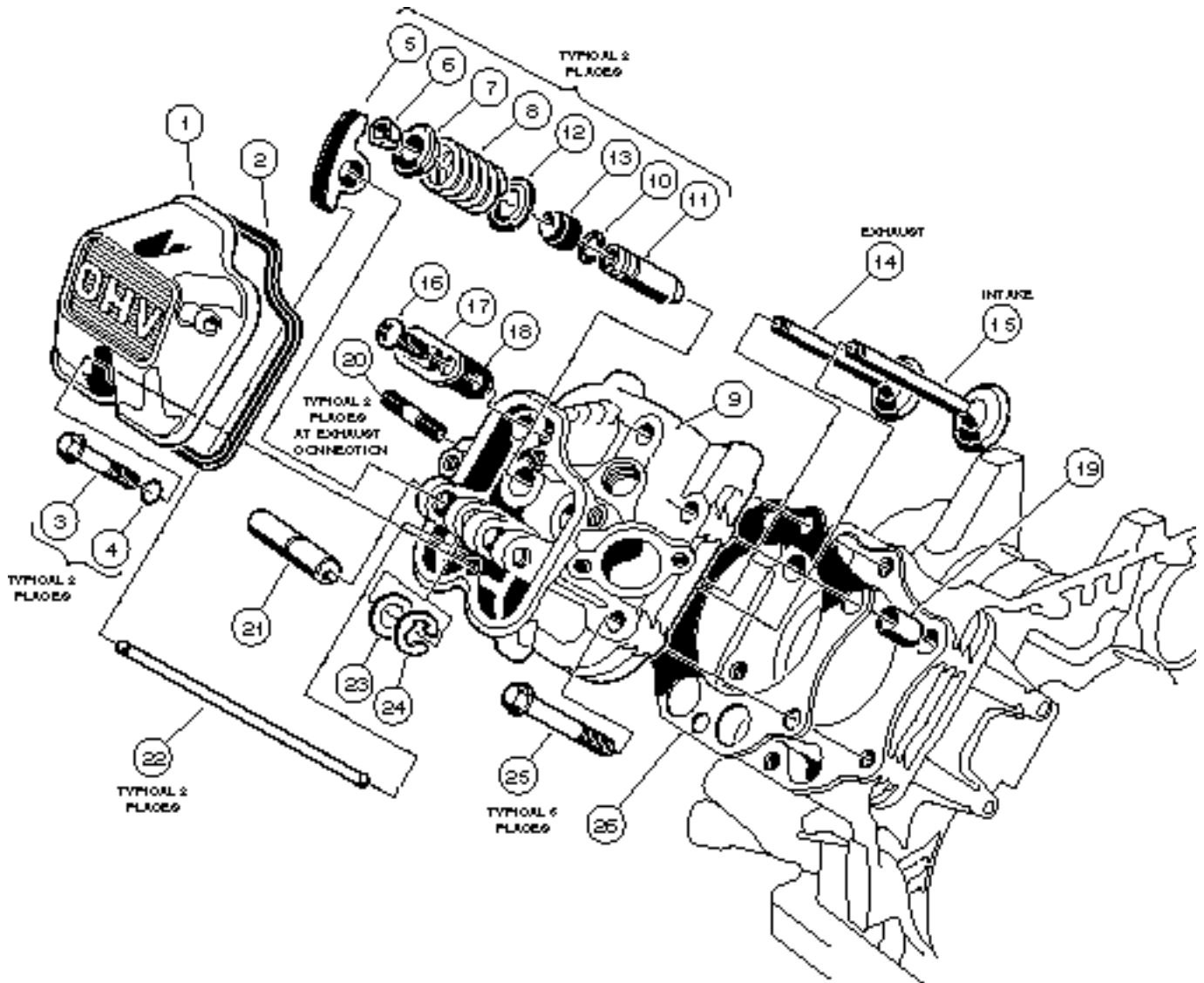




RESORT VILLAGER, TRANS-PORTER/TRANS-SENDER ENGINE

6
G

ITEM	PART NO.	DESCRIPTION	QTY
		1 2 3 4	
1	1016467	OIL FILTER	1
2	1016502	BRACKET, OIL FILTER	1
3	1016457	BOLT, FLANGED HEX HEAD, M6 x 1 x 40MM	2
4	1017507	PLUG	2
5	1016570	O-RING	1
6	1016432	GASKET, DRAIN PLUG	2
7	1016576	PLUG, DRAIN	2
8	1017456	SCREW, FLANGED HEX HEAD, M6 x 1 x 12MM	6
9	1016484	COVER, PUMP	1
10	1016435	GASKET, OIL PUMP	1
11	1016473	PLATE, OIL PUMP	1
12	1016482-03	PUMP, OIL, AND ROTOR	1
13	1017458	FILTER	1
14	1016429	SEAT, VALVE	1
15	1016537	BALL, STEEL, PRESSURE RELIEF	1
16	1016581	SPRING	1

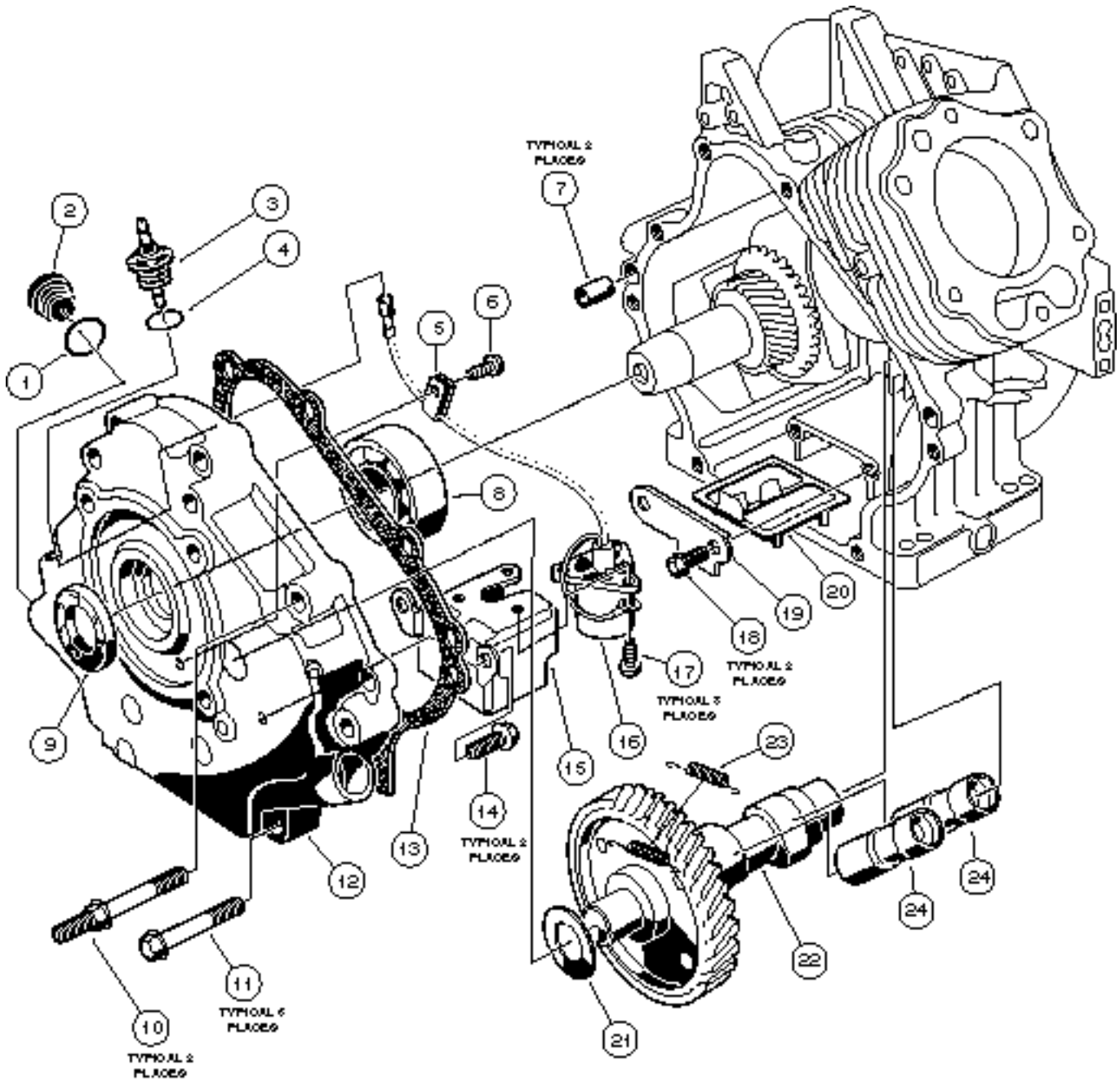




RESORT VILLAGER, TRANS-PORTER/TRANS-SENDER ENGINE

6
G

ITEM	PART NO.	DESCRIPTION	QTY
		1 2 3 4	
1	1016442	CASE, ROCKER	1
2	1016436	GASKET, ROCKER CASE	1
3	1016583	BOLT, FLANGED, M6 x 1 x 35MM	2
4	1016569	O-RING	2
5	1017446	ARM, ROCKER	2
6	1016450	COLLET	4
7	1016449	RETAINER, VALVE SPRING	2
8	1017473	SPRING, ENGINE VALVE	2
9	1017435	ASSEMBLY, CYLINDER HEAD, FE 350 (INCLUDES ITEMS 10 AND 11)	1
10	1016560	RING, SNAP	2
11	1016519	GUIDE, VALVE	2
12	1016479	SEAT, SPRING	2
13	1016566	SEAL, VALVE	2
14	1017445	VALVE, EXHAUST	1
15	1017444	VALVE, INTAKE	1
16	1016544	SCREW, CROSS PAN HEAD SELF-TAPPING, M5 x .8 x 12MM	1
17	1016474	PLATE	1
18	1016483	VALVE	1
19	1016563	PIN	2
20	1016489	BOLT, STUD, M8 x 1.25 x 29MM	2
21	1016452	SHAFT, ROCKER	1
22	1017454	ROD, PUSH	2
23	1016549	WASHER, FLAT, M12	1
24	1016517	CIRCLIP, TYPE-E	1
25	1016458	BOLT, FLANGED, M8 x 1.25 x 45MM	6
26	1017434	GASKET, HEAD	1



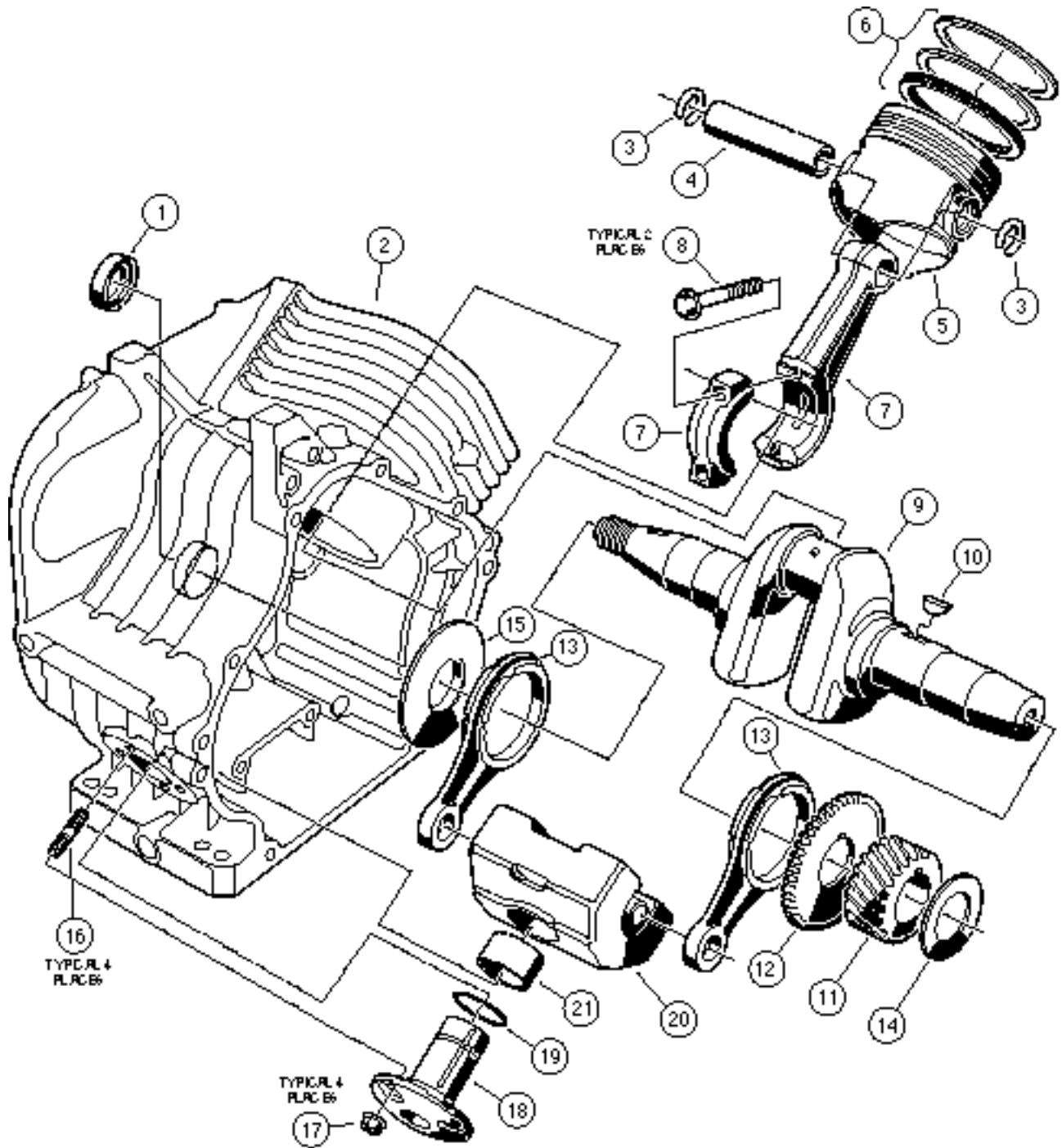


RESORT VILLAGER, TRANS-PORTER/TRANS-SENDER

ITEM	PART NO.	DESCRIPTION	QTY
		1 2 3 4	
1	1016538	O-RING	1
2	1017508	PLUG	1
3	1016535	CONNECTOR, OIL SENDING UNIT	1
4	1016538	O-RING	1
5	1016506	CLAMP	1
6	1016544	SCREW, CROSS PAN HEAD SELF-TAPPING, M5 x .8 x 12MM	1
7	1016564	PIN	2
8	1017487	BEARING, CRANKSHAFT	1
9	1017504	SEAL, CRANKSHAFT	1
10	1016584	SCREW, 2-ENDED FLANGED, M8 x 1.25 x 69MM	2
11	1017514	BOLT, FLANGED, M8 x 1.25 x 45MM	6
12	1017472	COVER, CRANKCASE	1
13	1017443	GASKET, CRANKCASE COVER	1
14	1017513	BOLT, FLANGED, M6 x 1 x 12MM	2
15	1016510	BRACKET, OIL LEVEL SWITCH	1
16	1016494	SENSOR, OIL LEVEL	1
17	1016496	SCREW, CROSS PAN HEAD, M4 x .7 x 8MM	3
18	1016454	BOLT, FLANGED, M5 x .8 x 8MM	2
19	1016472	PLATE, OIL FILTER SCREEN	1
20	1016521	SCREEN, OIL FILTER	1
21	1017518-01	SHIM, 0.3MM THICK	A/R
21	1017518-02	SHIM, 0.4MM THICK	A/R
21	1017518-03	SHIM, 0.5MM THICK	A/R
22	1017478	CAMSHAFT, FE 350 (INCLUDES ITEM 23)	1
23	1017511	SPRING	1
24	1017447	LIFTER, HYDRAULIC	2

6

G



RESORT VILLAGER, TRANS-PORTER/TRANS-SENDER ENGINE

ITEM	PART NO.	DESCRIPTION	QTY
		1 2 3 4	
1	1017503	SEAL, OIL	1
2	1017479	CRANKCASE, COMPLETE, FE 350	1
3	1017502	RING, SNAP	2
4	1017450	PIN, PISTON	1
5	1017449-01	PISTON, STANDARD	1
5	1017449-02	PISTON, .50MM OVERSIZED	1
6	1017451-01	RING SET, PISTON, STANDARD	1
6	1017451-02	RING SET, PISTON, .50MM OVERSIZED	1
7	1017457-01	ASSEMBLY, CONNECTING ROD, STANDARD (INCLUDES 2 EACH OF ITEM 8)	1
7	1017457-02	ASSEMBLY, CONNECTING ROD, .50MM UNDERSIZED (INCLUDES 2 EACH OF ITEM 8)	1
8	1017512	BOLT, HEX HEAD, M7 x 1 x 36MM	2
9	1017452	CRANKSHAFT, COMPLETE, FE 350 (INCLUDES ITEMS 10 - 13)	1
10	1016562	KEY	1
11	1016533	GEAR, HELICAL	1
12	1016532	GEAR, SPUR	1
13	1017457	ROD	2
14	1017733-01	SHIM, CRANKSHAFT, 1.18MM THICK	A/R
14	1017733-02	SHIM, CRANKSHAFT, 1.25MM THICK	A/R
14	1017733-03	SHIM, CRANKSHAFT, 1.32MM THICK	A/R
14	1017733-04	SHIM, CRANKSHAFT, 1.39MM THICK	A/R
14	1017733-05	SHIM, CRANKSHAFT, 1.46MM THICK	A/R
14	1017733-06	SHIM, CRANKSHAFT, 1.53MM THICK	A/R
14	1017733-07	SHIM, CRANKSHAFT, 1.60MM THICK	A/R
14	1017733-08	SHIM, CRANKSHAFT, 1.67MM THICK	A/R
14	1017733-09	SHIM, CRANKSHAFT, 1.74MM THICK	A/R
14	1017733-10	SHIM, CRANKSHAFT, 1.11MM THICK	A/R
14	1017733-11	SHIM, CRANKSHAFT, 1.81MM THICK	A/R
15	1017502	SPACER	1
16	1016541	BOLT, STUD, M6 x 1 x 22MM	4
17	1016547	NUT, FLANGED, M6 x 1	4
18	1016470	SHAFT, GUIDE COUNTERBALANCE	1
19	1016571	O-RING	1
20	1017453	WEIGHT, COUNTERBALANCE (INCLUDES ITEM 21)	1
21	1017510	BEARING	1

**DID YOU
KNOW?**

CartPros directs you to the right part using the part numbers from this manual. Enter the part number into our search box and it will find the part you are looking for.

**GET STARTED
HERE**



<https://CartPros.com/f.html>

**DID YOU
KNOW?**

CartPros directs you to the right part using the part numbers from this manual. Enter the part number into our search box and it will find the part you are looking for.

**GET STARTED
HERE**



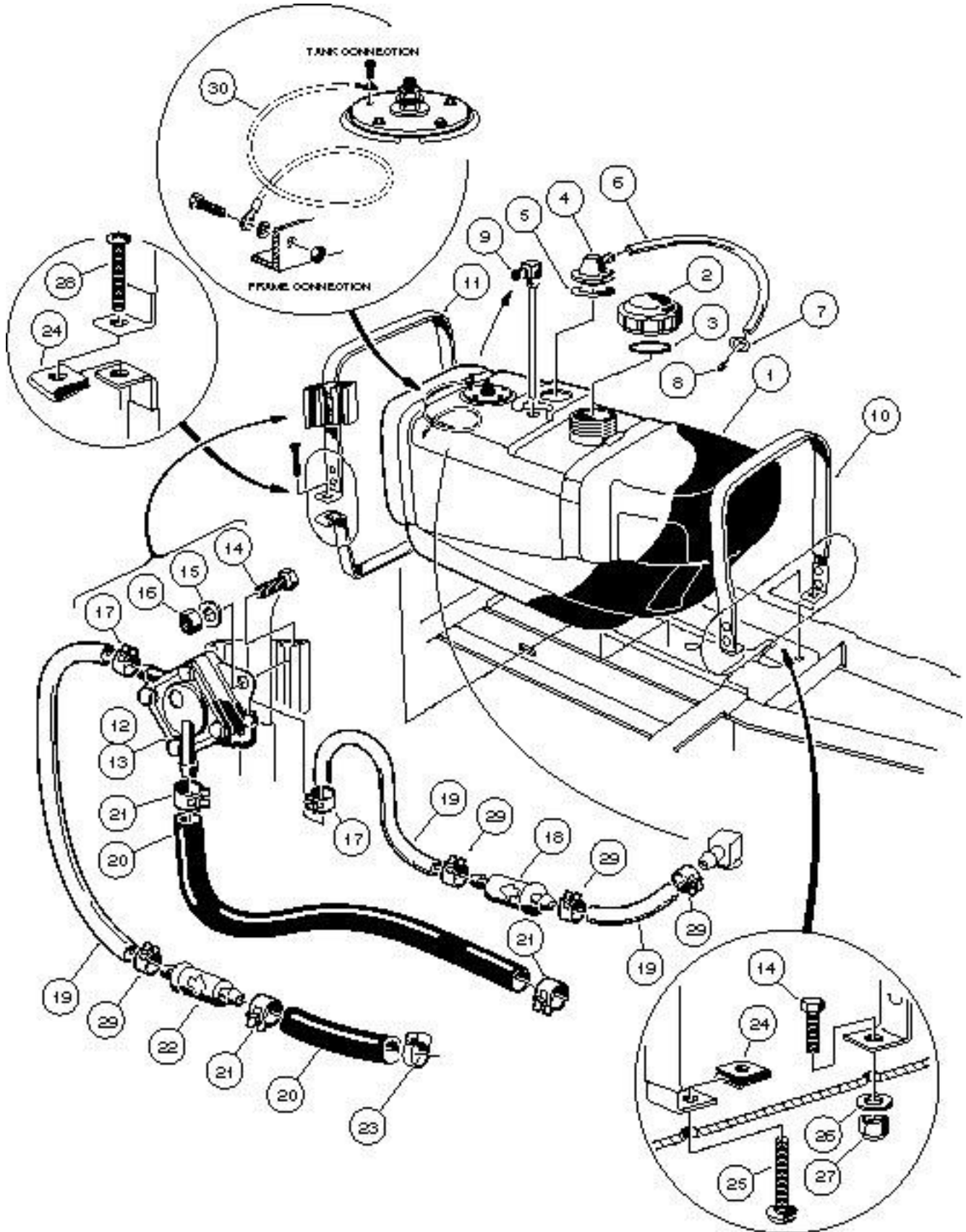
<https://CartPros.com/f.html>

FUEL, INTAKE, AND GOVERNOR SYSTEMS

7

G

7
G



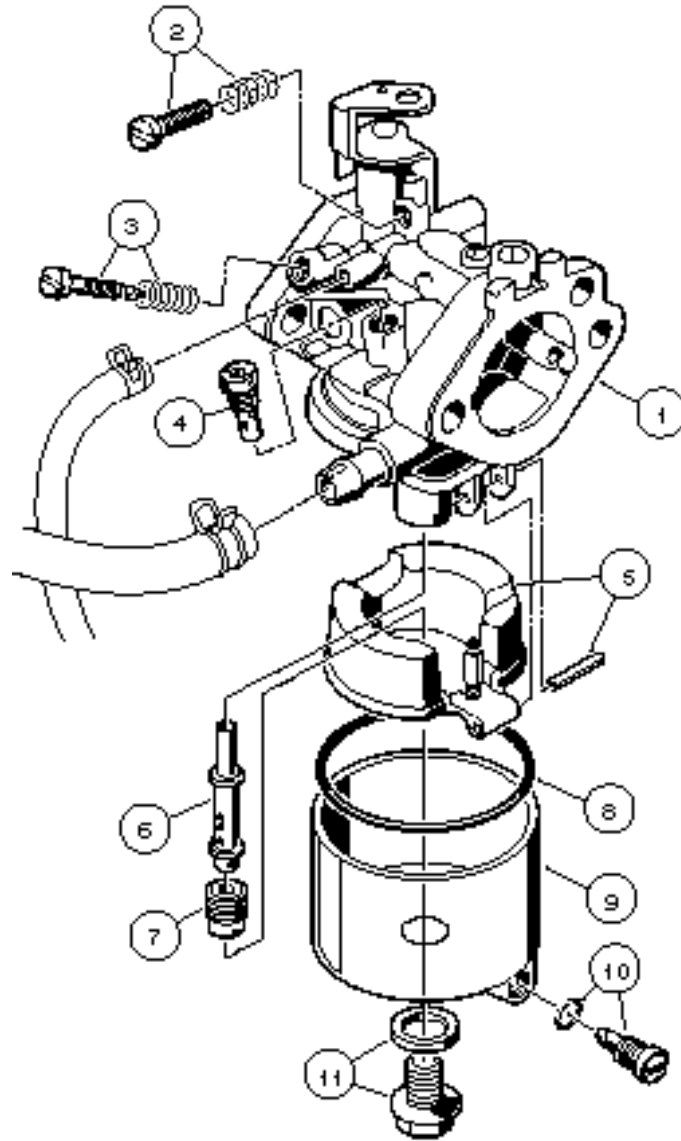


FUEL SYSTEM

ITEM	PART NO.	DESCRIPTION	QTY
		1 2 3 4	
1	1016004	KIT, FUEL TANK, WITH SENDING UNIT (INCLUDES ITEMS 2 - 8)	1
2	1015188	CAP, FUEL TANK, NONVENTED (INCLUDES GASKET)	1
3	1014535	GASKET, FUEL CAP	1
4	1015143	ASSEMBLY, FUEL TANK VENT	1
5	1015139	GROMMET, INSULATION	1
6	1015137	LINE, BULK (FUEL TANK VENT)	A/R
7	1016059	CLIP, STUD	1
8	1018244-01	BARB, VENT	1
9	1012619	TUBE, FUEL PICK-UP	1
10	1014928	ASSEMBLY, REAR FUEL STRAP	1
11	1014927	ASSEMBLY, FRONT FUEL STRAP	1
12	1014523	PUMP, FUEL IMPULSE, SQUARE BODY	1
13	1014524	PUMP, FUEL IMPULSE, SQUARE BODY REBUILD KIT	1
14	0007847	SCREW, HEX HEAD CAP, 1/4 - 20 x 3/4	3
15	0000451	WASHER, LOCK, 1/4	2
16	0001028	NUT, HEX, 1/4 - 20	2
17	1013134-01	CLAMP, HOSE (BLACK)	2
18	1013684	FILTER , PRIMARY FUEL (WHITE)	1
19	1012293	LINE, BULK FUEL (YELLOW)	A/R
20	1013692	LINE, BULK FUEL (BLACK)	A/R
21	1012649	CLAMP, HOSE (RED)	3
22	1014522	FILTER, SECONDARY FUEL (BLUE)	1
23	1013687	CLAMP, HOSE, 3/8	1
24	1014116	NUT, U-TYPE SPEED, 1/4 - 20	2
25	1013176	SCREW, PHILLIPS TRUSS HEAD, 1/4 - 20 x 2 1/2	1
26	0000332	WASHER, FLAT, 1/4	1
27	0008233	NUT, NYLON INSERT LOCK, 1/4 - 20	1
28	1011988	SCREW, PHILLIPS TRUSS HEAD, 1/4 - 20 x 2	1
29	1013134-02	CLAMP, HOSE (GREEN)	4
30	1015921	WIRE ASSEMBLY, #16 BLACK	1
	1015014	KIT, FUEL TANK SERVICE (INCLUDES ITEMS 10, 11, 14, 15, 16, 19, 20, 24, 26, 27 AND 28)	1

7

G

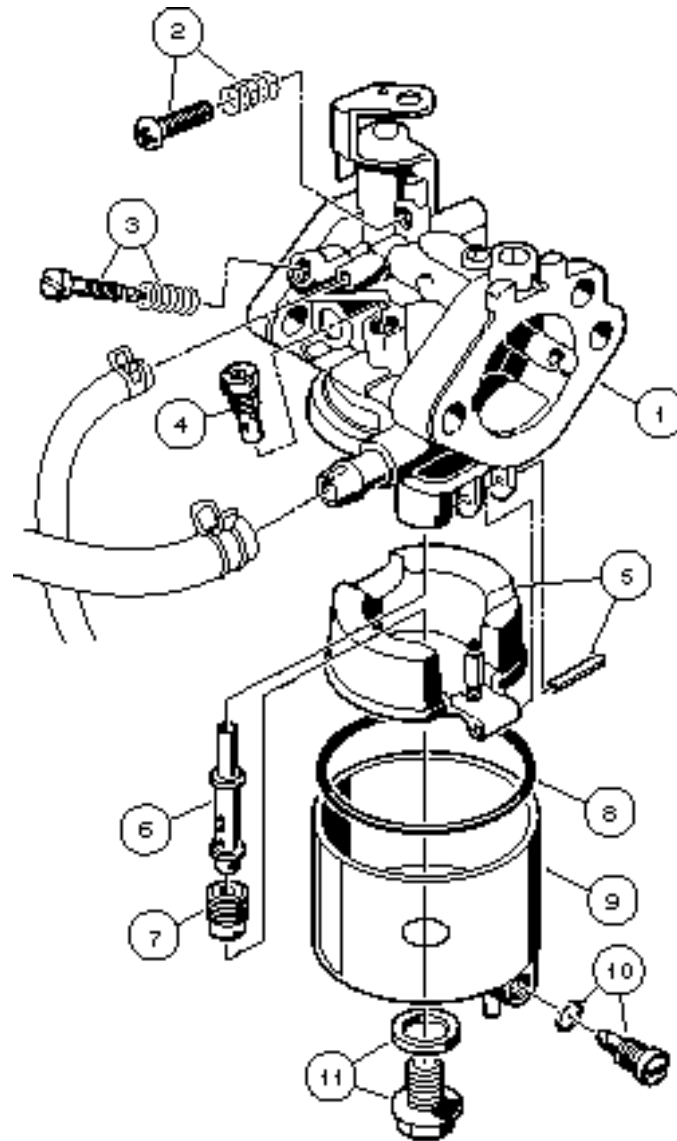


CARBURETOR ASSEMBLY, FE 290 - TOURALL

ITEM	PART NO.	DESCRIPTION	QTY
		1 2 3 4	
1	1016478	ASSEMBLY, CARBURETOR (INCLUDES ITEMS 2 - 11)	1
2	1016501	ASSEMBLY, IDLE SCREW	1
3	1016500	ASSEMBLY, PILOT AIR SCREW	1
4	1016574	JET, PILOT, #45	1
5	1016486	ASSEMBLY, FLOAT	1
6	1016530	NOZZLE, MAIN	1
		STANDARD JETTING:	
7	1016425-80	JET, MAIN, 0 - 3,000 FEET	A/R
7	1016425-78	JET, MAIN, 3,000 - 5,000 FEET	A/R
7	1016425-75	JET, MAIN, 5,000 - 8,000 FEET	A/R
7	1016425-72	JET, MAIN, 8,000 - 10,000 FEET	A/R
7	1016425-70	JET, MAIN, 10,000 FEET AND ABOVE	A/R
		BEST COLD STARTING:	
7	1016425-82	JET, MAIN, 0 - 3,000 FEET	A/R
7	1016425-80	JET, MAIN, 3,000 - 5,000 FEET	A/R
7	1016425-78	JET, MAIN, 5,000 - 8,000 FEET	A/R
7	1016425-75	JET, MAIN, 8,000 - 10,000 FEET	A/R
7	1016425-72	JET, MAIN, 10,000 FEET AND ABOVE	A/R
8	1016437	GASKET, FLOAT CHAMBER	1
9	1016487	ASSEMBLY, FLOAT CHAMBER (INCLUDES ITEM 10)	1
10	1016499	ASSEMBLY, SCREW	1
11	1016585	ASSEMBLY, BOLT	1

7

G

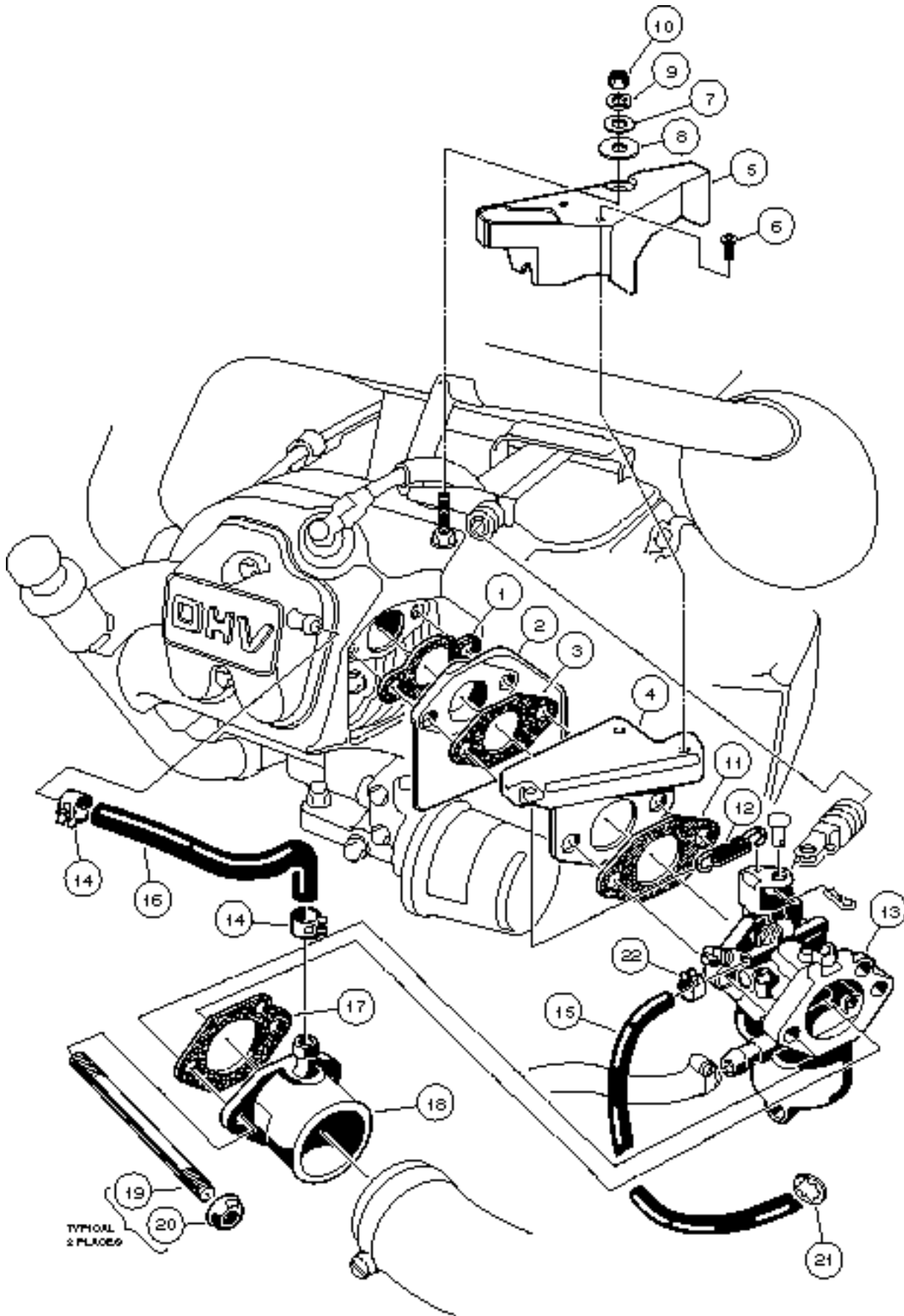




RESORT VILLAGER, TRANS-PORTER/TRANS-SENDER

ITEM	PART NO.	DESCRIPTION	QTY
		1 2 3 4	
1	1017459	ASSEMBLY, CARBURETOR (INCLUDES ITEMS 2 - 11)	1
2	1017465	ASSEMBLY, IDLE SCREW	1
3	1016500	ASSEMBLY, PILOT AIR SCREW	1
4	1017506	JET, PILOT, #48	1
5	1016486	ASSEMBLY, FLOAT	1
6	1017480	NOZZLE, MAIN	1
7	1016425-92	JET, MAIN, 0 - 3000 FEET	A/R
7	1016425-90	JET, MAIN, 3000 - 5000 FEET	A/R
7	1016425-88	JET, MAIN, 5000 - 8000 FEET	A/R
7	1016425-85	JET, MAIN, 8000 - 10,000 FEET	A/R
7	1016425-82	JET, MAIN, 10,000 FEET AND HIGHER	A/R
8	1016437	GASKET, FLOAT CHAMBER	1
9	1017461	ASSEMBLY, FLOAT CHAMBER (INCLUDES ITEM 10)	1
10	1016499	ASSEMBLY, SCREW	1
11	1016585	ASSEMBLY, BOLT	1

7
G

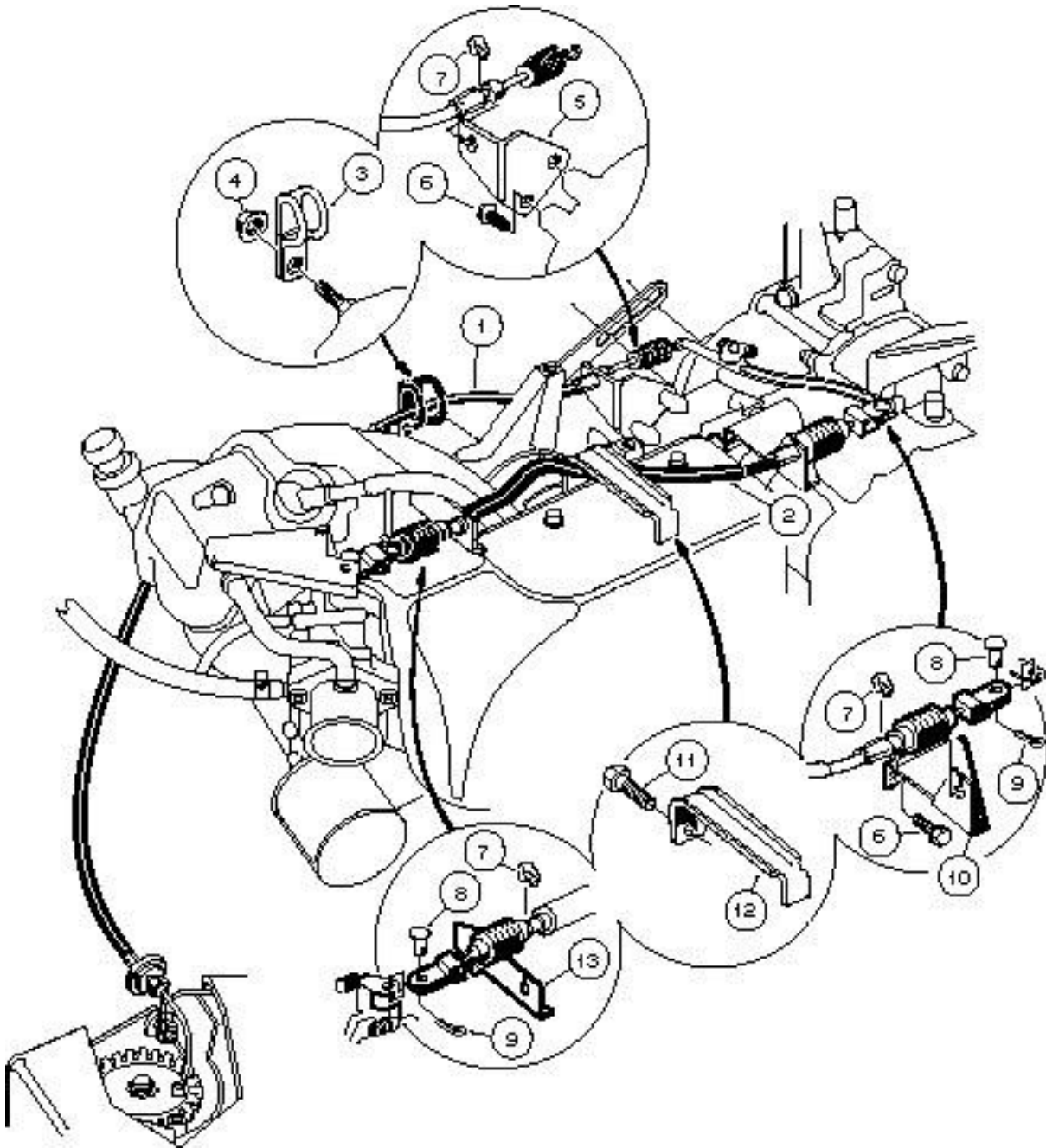


CARBURETOR INSTALLATION

ITEM	PART NO.	DESCRIPTION	QTY
		1 2 3 4	
1	1016440	GASKET, INSULATOR	1
2	1016481	INSULATOR, CARBURETOR	1
3	1016439	GASKET, CARBURETOR INSULATOR TO THROTTLE BRACKET	1
4	1016444	BRACKET, THROTTLE	1
5	1018202-01	GUARD, GOVERNOR (TOURALL ONLY)	1
6	1016103	SCREW, PAN/TORX HEAD SELF-TAPPING, #6 - 32 x 1/4 (TOURALL ONLY)	2
7	0000332	WASHER, FLAT, 1/4 (TOURALL ONLY)	1
8	0000334	WASHER, FLAT, 3/8 (TOURALL ONLY)	1
9	0000451	WASHER, LOCK, 1/4 (TOURALL ONLY)	1
10	1018876-01	NUT, NYLON LOCK, M6 x 1 (TOURALL ONLY)	1
11	1016441	GASKET, THROTTLE BRACKET TO CARBURETOR	1
12	1016582	SPRING, THROTTLE RETURN	1
13	1017459	ASSEMBLY, CARBURETOR	1
14	1013746	CLAMP, HOSE	2
15	1015877-01	TUBE, AIR VENT	1
16	1016572	TUBE, CRANKCASE VENT	1
17	1016438	GASKET, CARBURETOR TO INTAKE MANIFOLD	1
18	1016480	PIPE, INTAKE	1
19	1016490	SCREW, 2-ENDED STUD, M6 x 1 x 92MM	2
20	1016547	NUT, FLANGED, M6 x 1	2
21	1016059	CLIP, STUD	1
22	1012849	CLAMP, HOSE	1

7

G



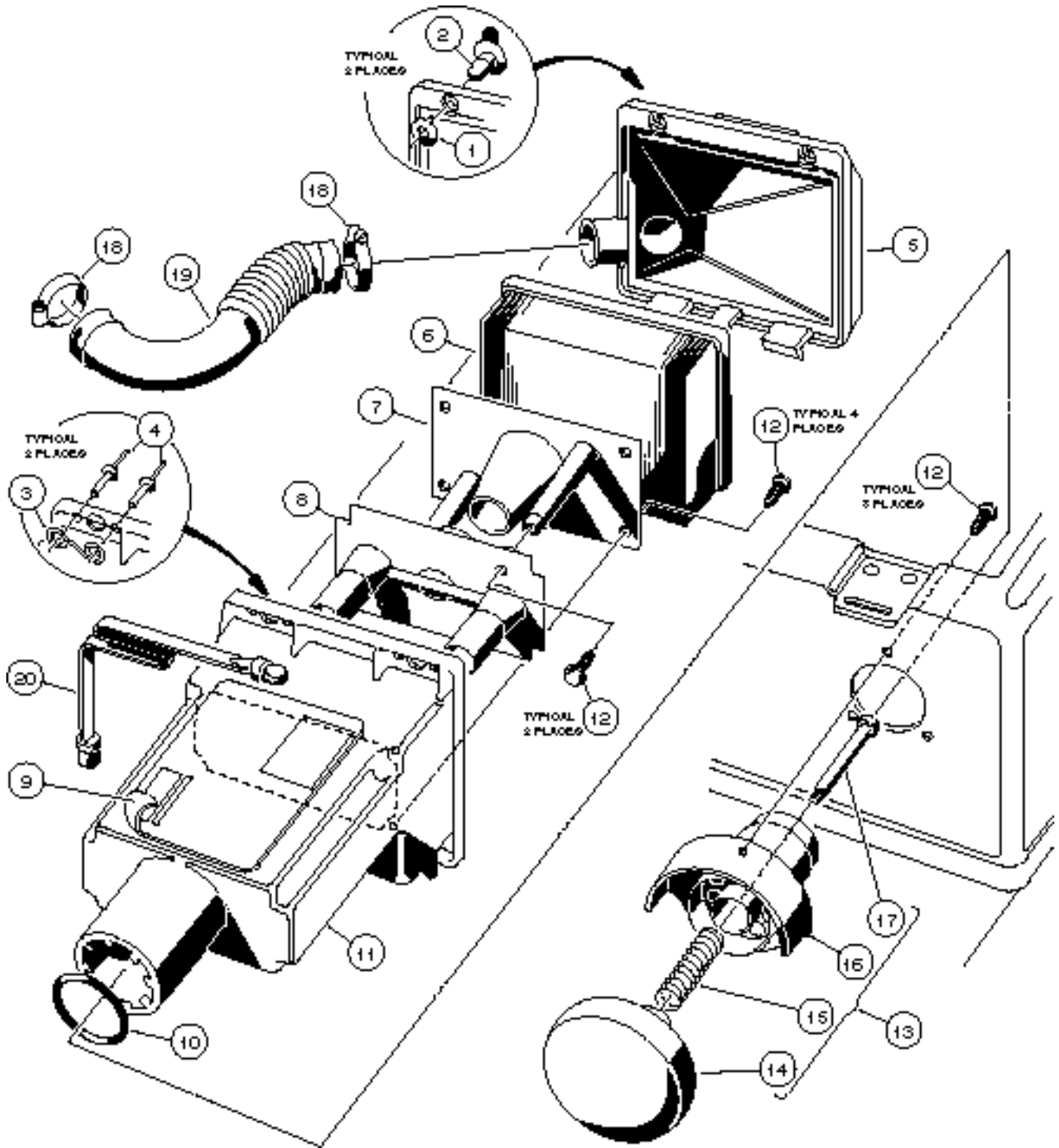


GOVERNOR AND ACCELERATOR CABLES

ITEM	PART NO.	DESCRIPTION	QTY
		1 2 3 4	
1	1015225	CABLE, ACCELERATOR	1
2	1015226-02	CABLE, GOVERNOR	1
3	1013700	CLAMP, CABLE RETAINING	2
4	1016546	NUT, FLANGED HEX, M8 x 1.25	2
5	1015410	BRACKET, ACCELERATOR SUPPORT	1
6	1012285	SCREW, HEX HEAD MACHINE, 1/4 - 20 x 5/8	4
7	1016202	"E" RING	3
8	1015408	PIN, GOVERNOR CABLE CLEVIS	2
9	1014413	PIN, HAIR SPRING COTTER, 1/8 I.D. x 5/8	2
10	1015411	BRACKET, SUPPORT	1
11	1016456	BOLT, FLANGED, M6 x 1 x 12MM	1
12	1016057	CLAMP, THROTTLE CABLE	1
13	1015845	BRACKET, GOVERNOR CABLE ENGINE	1

7

G

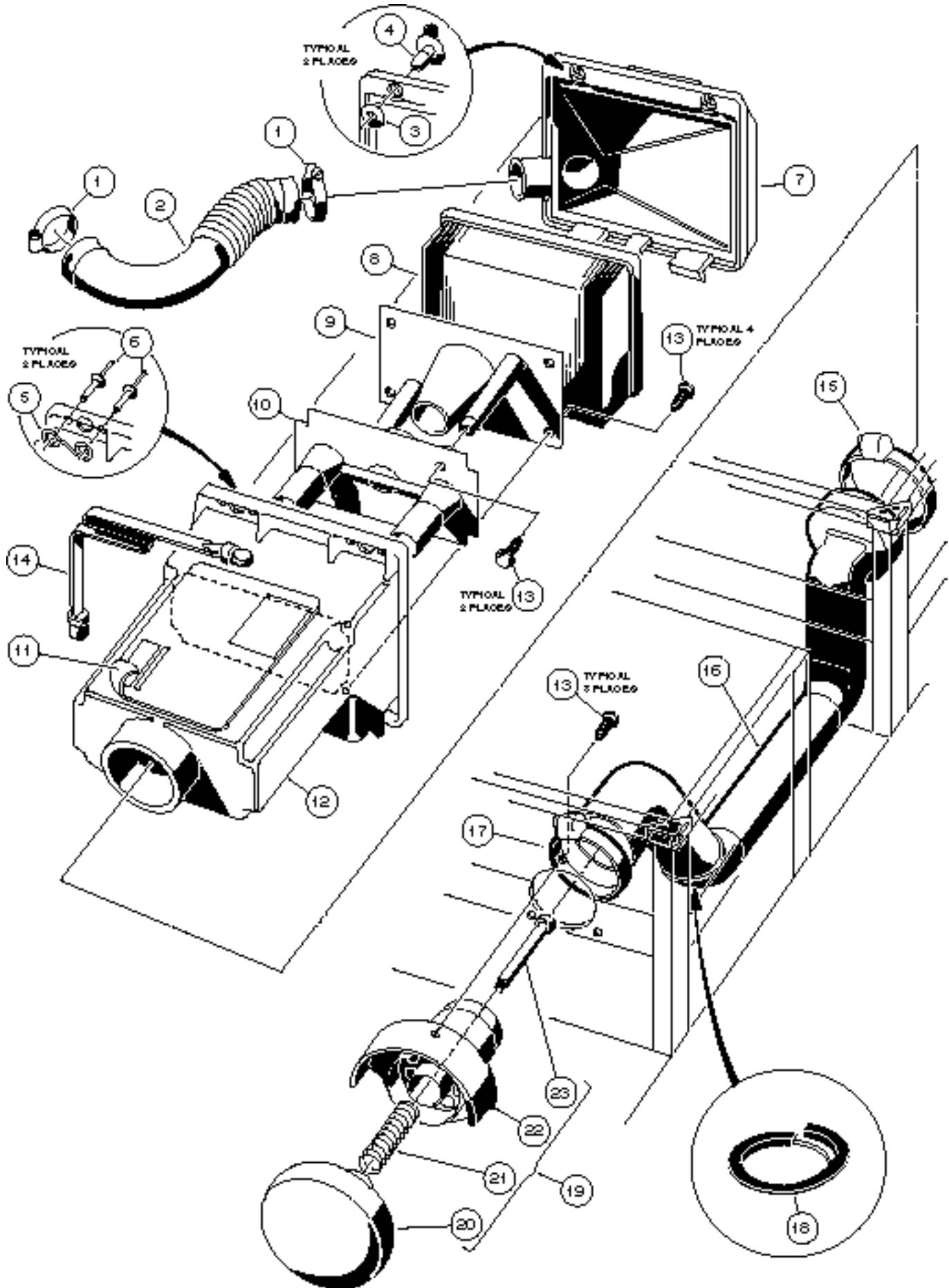


**FILTER
FE 290 - TOURALL**

ITEM	PART NO.	DESCRIPTION	QTY
		1 2 3 4	
	1015431	ASSEMBLY, INTAKE EXPANSION CHAMBER (INCLUDES ITEMS 1 - 12)	1
1	1015291	RETAINER, STUD, #6	2
2	1015290	STUD, WING HEAD, #6	2
3	1015292	SPRING, RECEPTACLE, #6	2
4	1015727	RIVET, POP, 1/8	4
5	1015293	COVER, EXPANSION CHAMBER	1
6	1015426	ELEMENT, AIR FILTER	1
7	1015542	BAFFLE, SECONDARY AIR BOX	1
8	1015541	BAFFLE, PRIMARY AIR BOX	1
9	1016062	DECAL, SERVICE	1
10	1015425	O-RING	1
11	1015540	CHAMBER, EXPANSION	1
12	1015289	SCREW, HI-LO HEX, #10 - 16 x 5/8	9
13	1015745	ASSEMBLY, CHOKE (INCLUDES ITEMS 14 - 17)	1
14	1012629	COVER, CHOKE	1
15	1012633	SPRING, CHOKE	1
16	1015485	BASE, CHOKE	1
17	1012634	SCREW, HEX SOCKET HEAD SHOULDER, 1/4 - 20 x 2	1
18	1015430	CLAMP, HOSE (AIR INTAKE)	2
19	1016228	HOSE, INTAKE	1
20	1015577	STRAP, EXPANSION CHAMBER RETENSION	1

7

G





RESORT VILLAGER, TRANS-PORTER/TRANS-SENDER

ITEM	PART NO.	DESCRIPTION	QTY
		1 2 3 4	
1	1015430	CLAMP, HOSE (AIR INTAKE)	2
2	1016228	HOSE, INTAKE	1
	1016787	ASSEMBLY, INTAKE EXPANSION CHAMBER (INCLUDES ITEMS 3 - 13)	1
3	1015291	RETAINER, STUD, #6	2
4	1015290	STUD, WING HEAD, #6	2
5	1015292	SPRING, RECEPTACLE, #6	2
6	1015727	RIVET, POP, 1/8	4
7	1015293	COVER, EXPANSION CHAMBER	1
8	1015426	ELEMENT, AIR FILTER	1
9	1015542	BAFFLE, SECONDARY AIR BOX	1
10	1015541	BAFFLE, PRIMARY AIR BOX	1
11	1016062	DECAL, SERVICE	1
12	1016788	CHAMBER, EXPANSION	1
13	1015289	SCREW, HI-LO HEX HEAD, #10 - 16 x 5/8	9
14	1015577	STRAP, EXPANSION CHAMBER RETENSION	1
15	1015716	CLAMP, HOSE (AIR INTAKE)	1
16	1016786	PLENUM, AIR INTAKE	1
17	1012349	CLAMP, HOSE	1
18	1016804	GROMMET, FLEXIBLE (TRANS-PORTER/TRANS-SENDER ONLY)	1
19	1015745	ASSEMBLY, CHOKE (INCLUDES ITEMS 20 - 23)	1
20	1012629	COVER, CHOKE	1
21	1012633	SPRING, CHOKE	1
22	1015485	BASE, CHOKE	1
23	1012634	SCREW, HEX SOCKET HEAD SHOULDER, 1/4 - 20 x 2	1

**DID YOU
KNOW?**

CartPros directs you to the right part using the part numbers from this manual. Enter the part number into our search box and it will find the part you are looking for.

**GET STARTED
HERE**



<https://CartPros.com/f.html>

**DID YOU
KNOW?**

CartPros directs you to the right part using the part numbers from this manual. Enter the part number into our search box and it will find the part you are looking for.

**GET STARTED
HERE**



<https://CartPros.com/f.html>

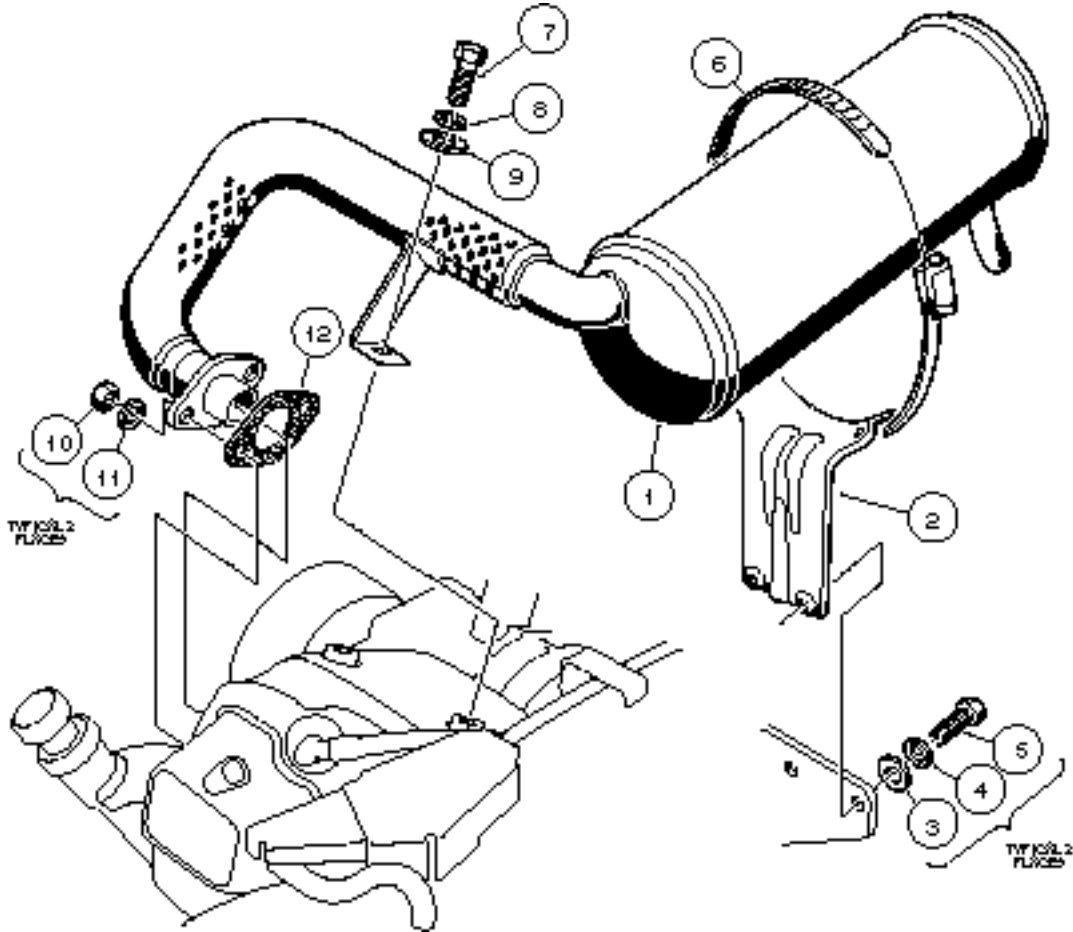
EXHAUST SYSTEM

8

G

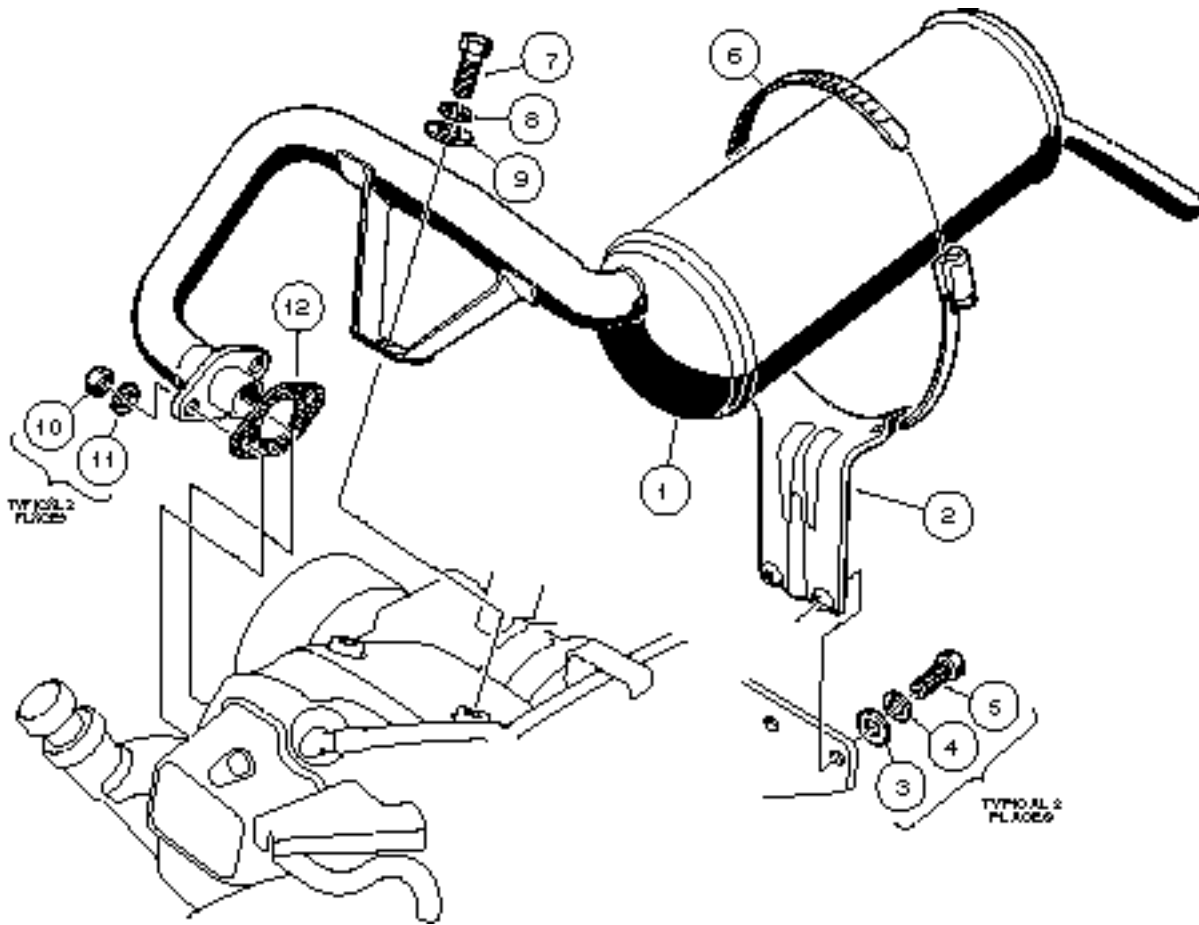
8

G



EXHAUST SYSTEM, FE 290 ENGINE - TOURALL

ITEM	PART NO.	DESCRIPTION	QTY
		1 2 3 4	
1	1018593-01	MUFFLER	1
2	1015814	BRACKET, MUFFLER MOUNTING	1
3	0000332	WASHER, FLAT, 1/4	2
4	0000451	WASHER, LOCK, 1/4	2
5	0007847	SCREW, HEX HEAD, 1/4 - 20 X 3/4	2
6	1017689	CLAMP, MUFFLER	1
7	1012830	SCREW, HEX HEAD CAP, M8 X 1.25 X 22MM	1
8	0007174	WASHER, LOCK, 5/16	1
9	1011697	WASHER, FLAT, 5/16	1
10	1012528	NUT, HEX, M8 X 1.25	2
11	1013734	WASHER, LOCK, 8MM	2
12	1015330	GASKET, EXHAUST	1





ENGINE RESORT VILLAGER, TRANS-PORTER/TRANS-SENDER

ITEM	PART NO.	DESCRIPTION	QTY
		1 2 3 4	
1	1018594-01	MUFFLER	1
2	1015814	BRACKET, MUFFLER MOUNTING	1
3	0000332	WASHER, FLAT, 1/4	2
4	0000451	WASHER, LOCK, 1/4	2
5	0007847	SCREW, HEX HEAD, 1/4 - 20 x 3/4	2
6	1017689	CLAMP, MUFFLER	1
7	1012830	SCREW, HEX HEAD CAP, M8 x 1.25 x 22MM	1
8	0007174	WASHER, LOCK, 5/16	1
9	1011697	WASHER, FLAT, 5/16	1
10	1012528	NUT, HEX, M8 x 1.25	2
11	1013734	WASHER, LOCK, 8MM	2
12	1016904	GASKET, EXHAUST	1

**DID YOU
KNOW?**

CartPros directs you to the right part using the part numbers from this manual. Enter the part number into our search box and it will find the part you are looking for.

**GET STARTED
HERE**



<https://CartPros.com/f.html>

**DID YOU
KNOW?**

CartPros directs you to the right part using the part numbers from this manual. Enter the part number into our search box and it will find the part you are looking for.

**GET STARTED
HERE**

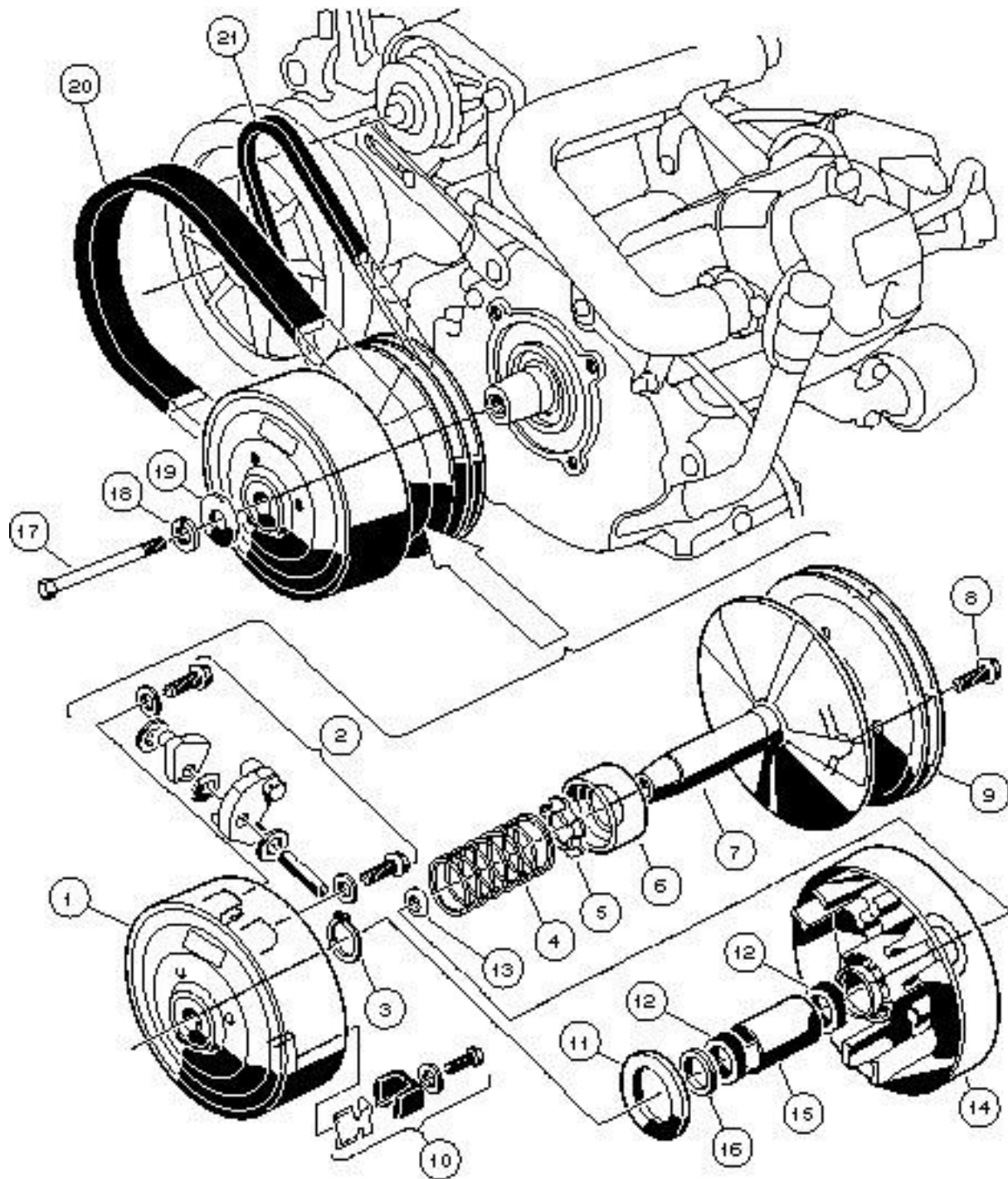


<https://CartPros.com/f.html>

TORQUE CONVERTER

9

G





DRIVE CLUTCH

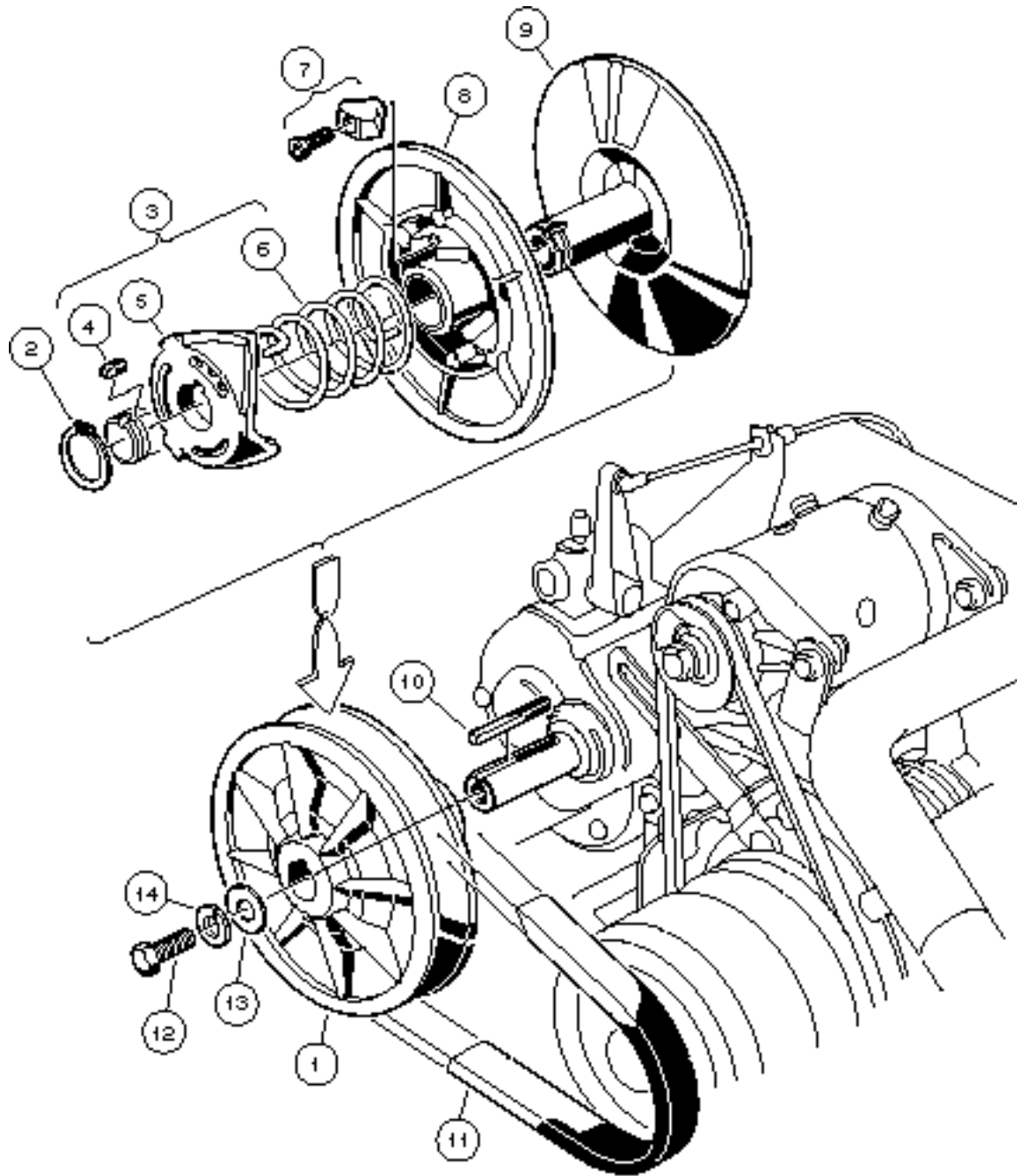
9

G

ITEM	PART NO.	DESCRIPTION	QTY
		1 2 3 4	
	1016378-02	ASSEMBLY, DRIVE CLUTCH (TOURALL ONLY) (INCLUDES ITEMS 1 - 16)	1
	1016378-04	ASSEMBLY, DRIVE CLUTCH (RESORT VILLAGER, TRANS-PORTER/TRANS-SENDER) (INCLUDES ITEMS 1 - 16)	1
1	1014059	ASSEMBLY, DRIVE HUB	1
2	1016801	KIT, DRIVE CLUTCH WEIGHT	1
3	1014057	RING, RETAINING	1
4	1014051	SPRING, DRIVE CLUTCH (TOURALL ONLY)	1
4	1016901	SPRING, DRIVE CLUTCH (RESORT VILLAGER, TRANS-PORTER/TRANS-SENDER) .	1
5	1014050	SPRING, RETAINER	1
6	1014049	BEARING, IDLER	1
7	1017383-01	ASSEMBLY, FIXED FACE (INCLUDES ITEMS 8 AND 9)	1
8	N/A	SCREW, WASHER HEAD HEX MACHINE	3
9	N/A	PULLEY	1
10	1014453	KIT, DRIVE CLUTCH BUTTON	1
11	1014058	WASHER, THRUST	1
12	1014056	RING, SPIRAL BACK-UP	2
13	1016289	SPACER, FIXED FACE SHAFT	1
14	1014052	ASSEMBLY, MOVABLE FACE (INCLUDES ITEMS 15 AND 16)	1
15	N/A	BUSHING	1
16	1014055	RETAINER	1
17	1012441	SCREW, HEX HEAD CAP, 3/8 - 24 x 5 1/2	1
18	0000357	WASHER, LOCK, 3/8	1
19	0000808	WASHER, FLAT, 3/8	1
20	1016203	BELT, DRIVE (TOURALL ONLY)	1
20	1017188	BELT, DRIVE (RESORT VILLAGER, TRANS-PORTER/TRANS-SENDER)	1
21	1014290	BELT, STARTER/GENERATOR	1

9

G





DRIVEN CLUTCH

ITEM	PART NO.	DESCRIPTION	QTY
		1 2 3 4	
1	1016360-01	ASSEMBLY, DRIVEN CLUTCH (INCLUDES ITEMS 2 - 9)	1
2	1014080	RING, RETAINING	1
3	1017755	KIT, CAM (INCLUDES ITEMS 4, 5 AND 6)	1
4	1014078	KEY	1
5	N/A	CAM	1
6	N/A	SPRING	1
7	1014454	KIT, BUTTON	1
8	1014072	ASSEMBLY, MOVEABLE FACE, WITH BUSHING	1
9	1014458	ASSEMBLY, FIXED FACE	1
10	1012455	KEY, SQUARE TRANSMISSION	1
11	1016203	BELT, DRIVE (TOURALL ONLY)	1
11	1017188	BELT, DRIVE (RESORT VILLAGER, TRANS-PORTER/TRANS-SENDER)	1
12	0007173	SCREW, HEX HEAD CAP, 5/16 - 18 x 3/4	1
13	1017327	WASHER, MOUNTING	1
14	0007174	WASHER, LOCK, 5/16	1

**DID YOU
KNOW?**

CartPros directs you to the right part using the part numbers from this manual. Enter the part number into our search box and it will find the part you are looking for.

**GET STARTED
HERE**



<https://CartPros.com/f.html>

**DID YOU
KNOW?**

CartPros directs you to the right part using the part numbers from this manual. Enter the part number into our search box and it will find the part you are looking for.

**GET STARTED
HERE**



<https://CartPros.com/f.html>

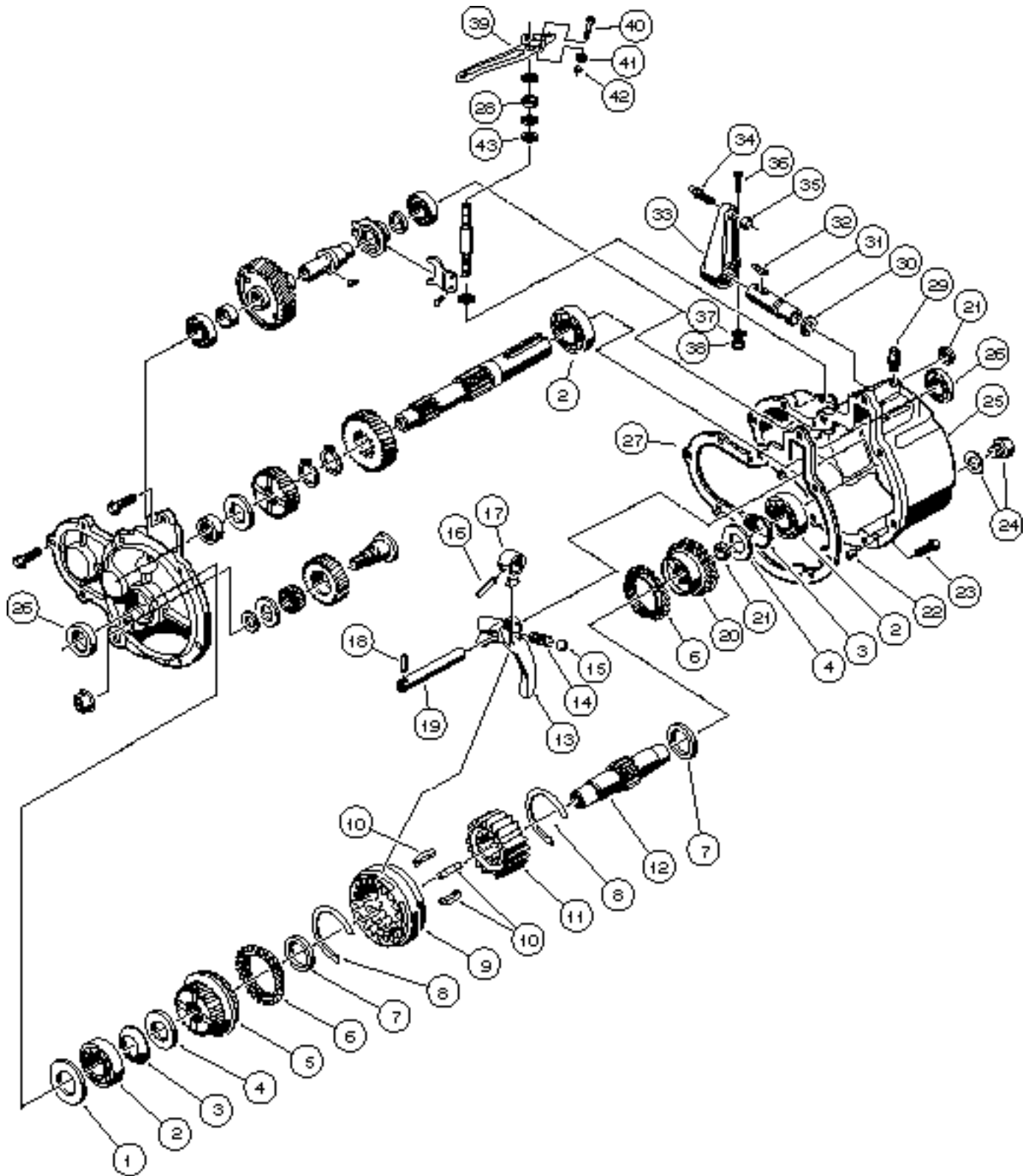
TRANSMISSION

10

G

10

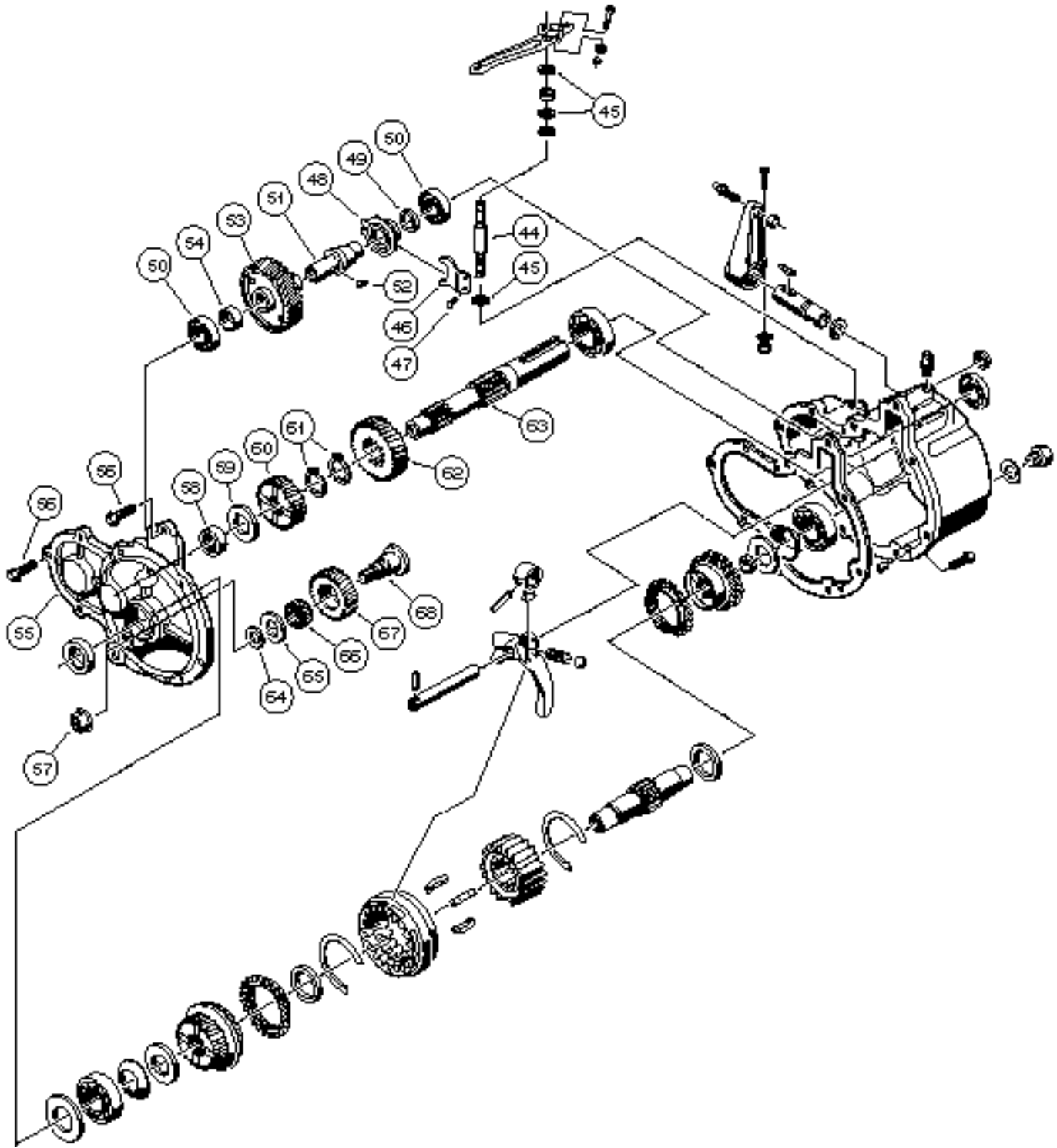
G





TRANSMISSION

ITEM	PART NO.	DESCRIPTION	QTY
		1 2 3 4	
	1015747	TRANSMISSION	1
1	1012783	SHIM, 0.2MM	A/R
1	1012784	SHIM, 0.1MM	A/R
2	0007336	BEARING, BALL	3
3	1016338	WASHER, SPRING	2
4	1016337	WASHER, THRUST	2
5	1012737	ASSEMBLY, GEAR, 34 TOOTH	1
6	1012742	RING, SYNCHRONIZER	2
7	1012743	WASHER, THRUST	2
8	1012741	SPRING, SYNCHRONIZER	2
9	1012739	SLEEVE, CLUTCH	1
10	1012740	INSERT, SYNCHRONIZER	3
11	1012738	HUB, CLUTCH	1
12	1012734	SHAFT, OUTPUT	1
13	1012746	ARM, SLEEVE SHIFT	1
14	1012748	SPRING, SHIFTER	1
15	1012747	BALL, SHIFTER	1
16	1012752	PIN, ROLL	1
17	1012750	LEVER, SHIFTER ARM, INSIDE	1
18	1012749	PIN, ROLL	1
19	1012745	ROD, SHIFT	1
20	1016591	ASSEMBLY, GEAR, 28 TOOTH	1
21	1012735	PLUG	2
22	1012710	PIN, DOWEL	2
23	1012719	SCREW, HEX HEAD CAP, M6 x 1 x 14MM	1
24	1013759	PLUG, FILL, WITH GASKET	1
25	1013960	CASE, GEAR, WITHOUT LOCKOUT OPENING	1
26	1012714	SEAL, OIL	2
27	1012717	GASKET, CASE	1
28	1012767	SEAL, OIL	1
29	1012711	BREATHER	1
30	1012754	O-RING	1
31	1012751	SHAFT, SHIFTER	1
32	1017231	KEY, WOODRUFF	1
33	1016341	LEVER, TRANSMISSION SHIFTER	1
34	1010954	STUD, BALL, 1/4 - 28 x 9/16	1
35	0008717	NUT, NYLON LOCK, 1/4 - 28	1
36	1017082	SCREW, HEX WASHER HEAD, #10 - 32 x 3/4	1
37	0000183	WASHER, FLAT, #10	1
38	1013061	NUT, NYLON LOCK, #10 - 32	1
39	1015710	ARM, GOVERNOR LEVER	1
40	1016686	BOLT, HEX, M6 x 1 x 28MM	1
41	1016513	WASHER, FLAT, M6	1
42	1012919	NUT, M6 x 1	1
43	1012765	WASHER, FLAT, M8	1





TRANSMISSION

ITEM	PART NO.	DESCRIPTION	QTY
		1 2 3 4	
44	1012762	SHAFT, GOVERNOR ARM	1
45	1012766	RING, SNAP	3
46	1012763	ARM, GOVERNOR, INTERNAL	1
47	1012764	SCREW, M4 x .7 x 6MM	2
48	1012757	SLEEVE, GOVERNOR	1
49	1012758	SPACER, THIN	1
50	1012761	BEARING, BALL	2
51	1016598	SHAFT, GOVERNOR	1
52	1012760	KEY, GOVERNOR SHAFT	1
53	1012755	GEAR, GOVERNOR, 41 TOOTH	1
54	1012759	SPACER, THICK	1
55	1016592	COVER	1
56	1012718	SCREW, HEX HEAD CAP, M6 x 1 x 20MM	4
57	1012733	NUT, FLANGE, M8 x 1.75	1
58	1012716	BEARING, NEEDLE	1
59	1012723	WASHER, THRUST, 3.0MM	A/R
59	1012724	WASHER, THRUST, 3.3MM (WHITE)	A/R
59	1012725	WASHER, THRUST, 3.6MM (YELLOW)	A/R
60	1012722	GEAR, 25 TOOTH	1
61	1012727	RING, SNAP	2
62	1016594	GEAR, 29 TOOTH	1
63	1012720	SHAFT, INPUT	1
64	1012732	O-RING	1
65	1012730	WASHER, THRUST	1
66	1012731	BEARING, NEEDLE	1
67	1012729	GEAR, REVERSE IDLER	1
68	1012728	SHAFT, IDLER	1

**DID YOU
KNOW?**

CartPros directs you to the right part using the part numbers from this manual. Enter the part number into our search box and it will find the part you are looking for.

**GET STARTED
HERE**



<https://CartPros.com/f.html>

**DID YOU
KNOW?**

CartPros directs you to the right part using the part numbers from this manual. Enter the part number into our search box and it will find the part you are looking for.

**GET STARTED
HERE**

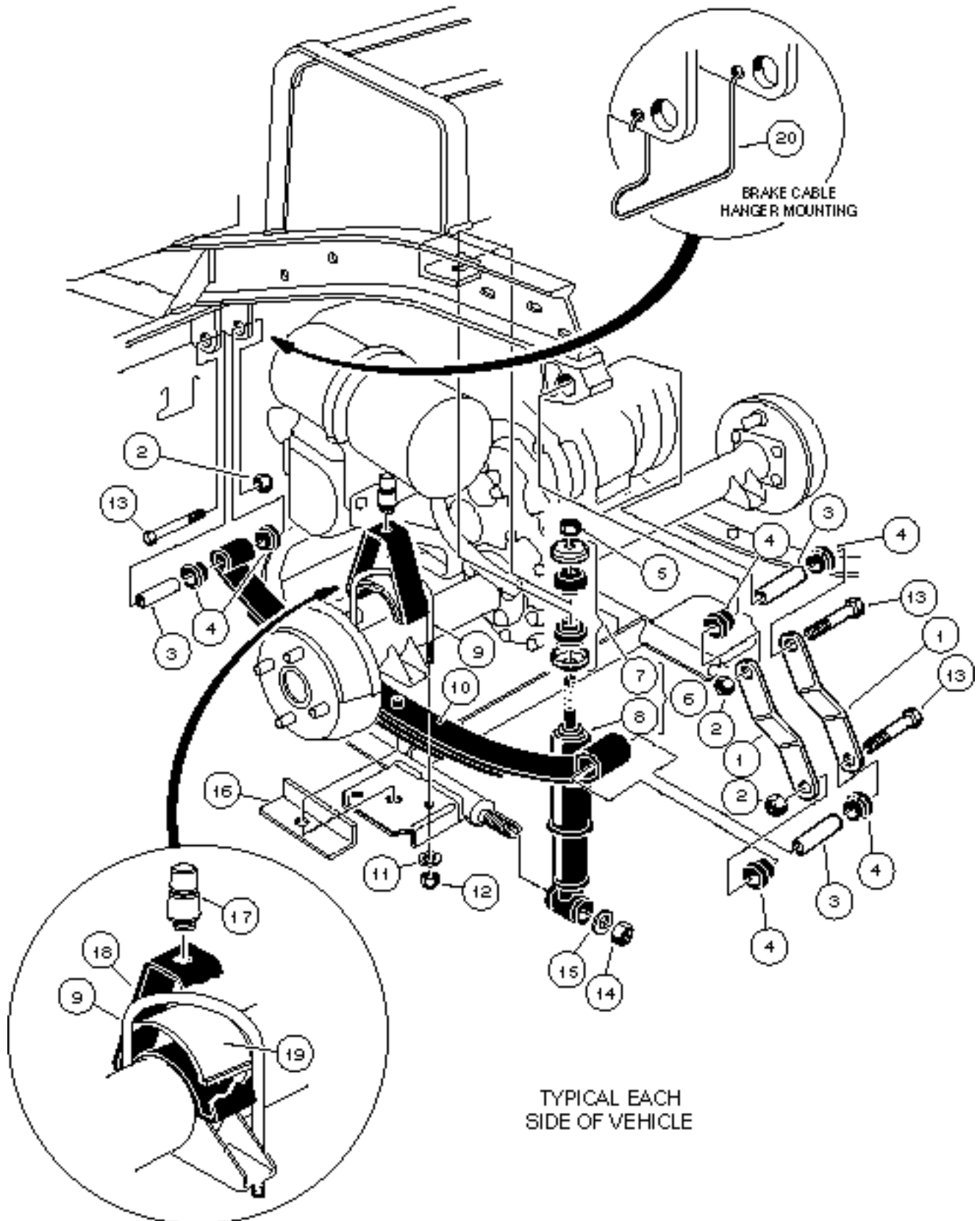


<https://CartPros.com/f.html>

REAR SUSPENSION GASOLINE VEHICLES

11

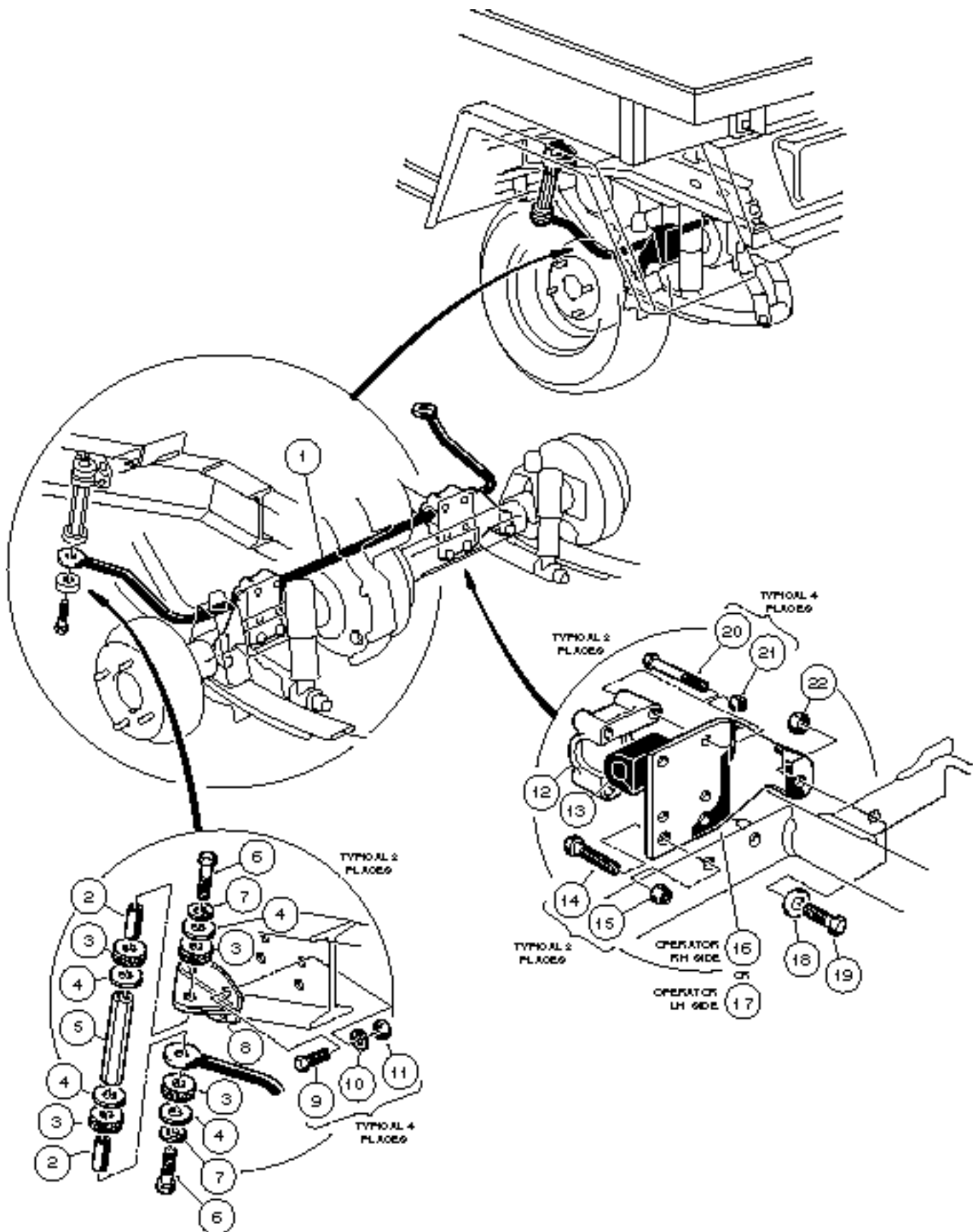
G





REAR SUSPENSION - GASOLINE VEHICLES

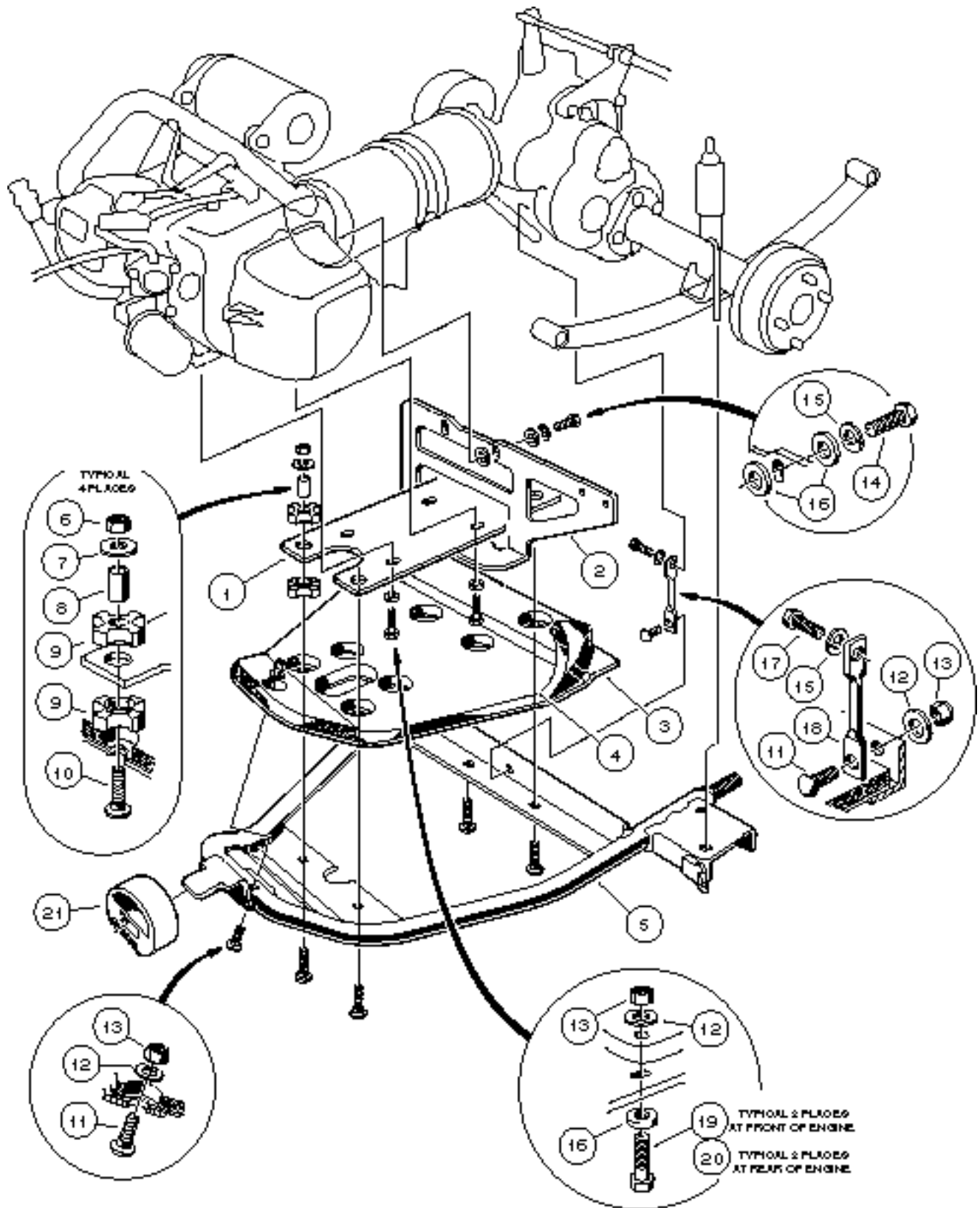
ITEM	PART NO.	DESCRIPTION	QTY
		1 2 3 4	
1	1012304	SHACKLE, REAR SPRING	4
2	0008754	NUT, NYLON LOCK, 3/8 - 16	6
3	1012303	BUSHING, STEEL	4
4	1015583	BUSHING, URETHANE	12
5	1010145	NUT, HEX, 3/8 - 24	2
6	1012781	KIT, SHOCK ABSORBER (INCLUDES ITEMS 7 AND 8)	2
7	1011415	KIT, SHOCK ABSORBER CUSHION	2
8	1014234	SHOCK ABSORBER, REAR	2
9	1014902	"U" BOLT	2
10	1014675	SPRING, REAR LEAF	2
11	1014557	WASHER, FLAT, 7/16	4
12	1014555	NUT, NYLON LOCK, 7/16 - 24	4
13	0008755	SCREW, HEX HEAD CAP, 3/8 - 16 x 3 3/8	6
14	1010188	NUT, DIMPLED LOCK, 5/8 - 11	2
15	1010193	WASHER, FLAT, 5/8	2
16	1014573	RETAINER, LEAF SPRING	2
17	1017235	BUMPER, SUSPENSION OVERLOAD	2
18	1014546-02	MOUNT, SUSPENSION OVERLOAD BUMPER	2
19	1014901	SPACER, SUSPENSION OVERLOAD BUMPER	2
20	1013207	HANGER, BRAKE CABLE	2





GASOLINE VEHICLES WITH 350 ENGINES

ITEM	PART NO.	DESCRIPTION	QTY
		1 2 3 4	
1	1015760	BAR, STABILIZER, 3/4 DIAMETER	1
2	1015457	SPACER	4
3	1015453	MOUNT, COMPRESSION	8
4	0000808	WASHER, FLAT, 3/8	8
5	1016814	LINK, STABILIZER BAR	2
6	0008861	SCREW, HEX HEAD CAP, 3/8 - 16 x 1 3/4	4
7	0000357	WASHER, LOCK, 3/8	4
8	1016813	BRACKET, STABILIZER BAR MOUNTING	2
9	0007173	SCREW, HEX HEAD CAP, 5/16 - 18 x 3/4	8
10	0007174	WASHER, LOCK, 3/8	8
11	0001242	NUT, HEX, 5/16 - 18	8
12	1015614	SUPPORT, STABILIZER BAR BUSHING	2
13	1015613	BUSHING, STABILIZER BAR	2
14	0000705	SCREW, HEX HEAD CAP, 3/8 - 16 x 1 1/4	4
15	0008754	NUT, NYLON LOCK, 3/8 - 16	4
16	1017144	PLATE, TRUSS, RIGHT SIDE	1
17	1017143	PLATE, TRUSS, LEFT SIDE	1
18	1017233	WASHER, HARDENED, 5/16	2
19	1017232	SCREW, HEX HEAD CAP, 5/16 - 24 x 1	2
20	0007311	SCREW, HEX HEAD CAP, 1/4 - 20 x 2	8
21	0008233	NUT, NYLON LOCK, 1/4 - 20	8
22	1017237	NUT, SERRATED FLANGE LOCK	2



INNER FRAME - GASOLINE VEHICLES

ITEM	PART NO.	DESCRIPTION	QTY
		1 2 3 4	
1	1016869	PLATE, INNER FRAME MOUNTING	1
2	1016206	PLATE, MUFFLER MOUNTING	1
3	1016196	PAN, BELLY	1
4	1016197	INSULATION, BELLY PAN SOUND	1
5	1016870	ASSEMBLY, INNER FRAME WELD	1
6	0008754	NUT, NYLON LOCK, 3/8 - 16	4
7	0000808	WASHER, FLAT, 3/8	4
8	1017033	BUSHING, STEEL	4
9	1016810	MOUNT, ENGINE	8
10	1012428	BOLT, CARRIAGE, 3/8 - 16 x 2 1/4	4
11	1015932	BOLT, CARRIAGE, 5/16 - 18 x 1	1
12	0001241	WASHER, FLAT, 5/16	6
13	0007473	NUT, NYLON LOCK, 5/16 - 18	6
14	1015709	SCREW, HEX HEAD CAP, M8 x 1.25 x 30MM	2
15	0007174	WASHER, LOCK, 5/16	3
16	1012571	WASHER, HEAVY FLAT, 5/16	8
17	1010577	SCREW, HEX HEAD CAP, 5/16 - 18 x 1 1/2	1
18	1016200-02	SUPPORT, TRANSMISSION STRAP	1
19	0008963	SCREW, HEX HEAD CAP, 5/16 - 18 x 1 3/4	2
20	0008916	SCREW, HEX HEAD CAP, 5/16 - 18 x 2	2
21	1012164	SNUBBER, INNER FRAME	1

**DID YOU
KNOW?**

CartPros directs you to the right part using the part numbers from this manual. Enter the part number into our search box and it will find the part you are looking for.

**GET STARTED
HERE**



<https://CartPros.com/f.html>

**DID YOU
KNOW?**

CartPros directs you to the right part using the part numbers from this manual. Enter the part number into our search box and it will find the part you are looking for.

**GET STARTED
HERE**



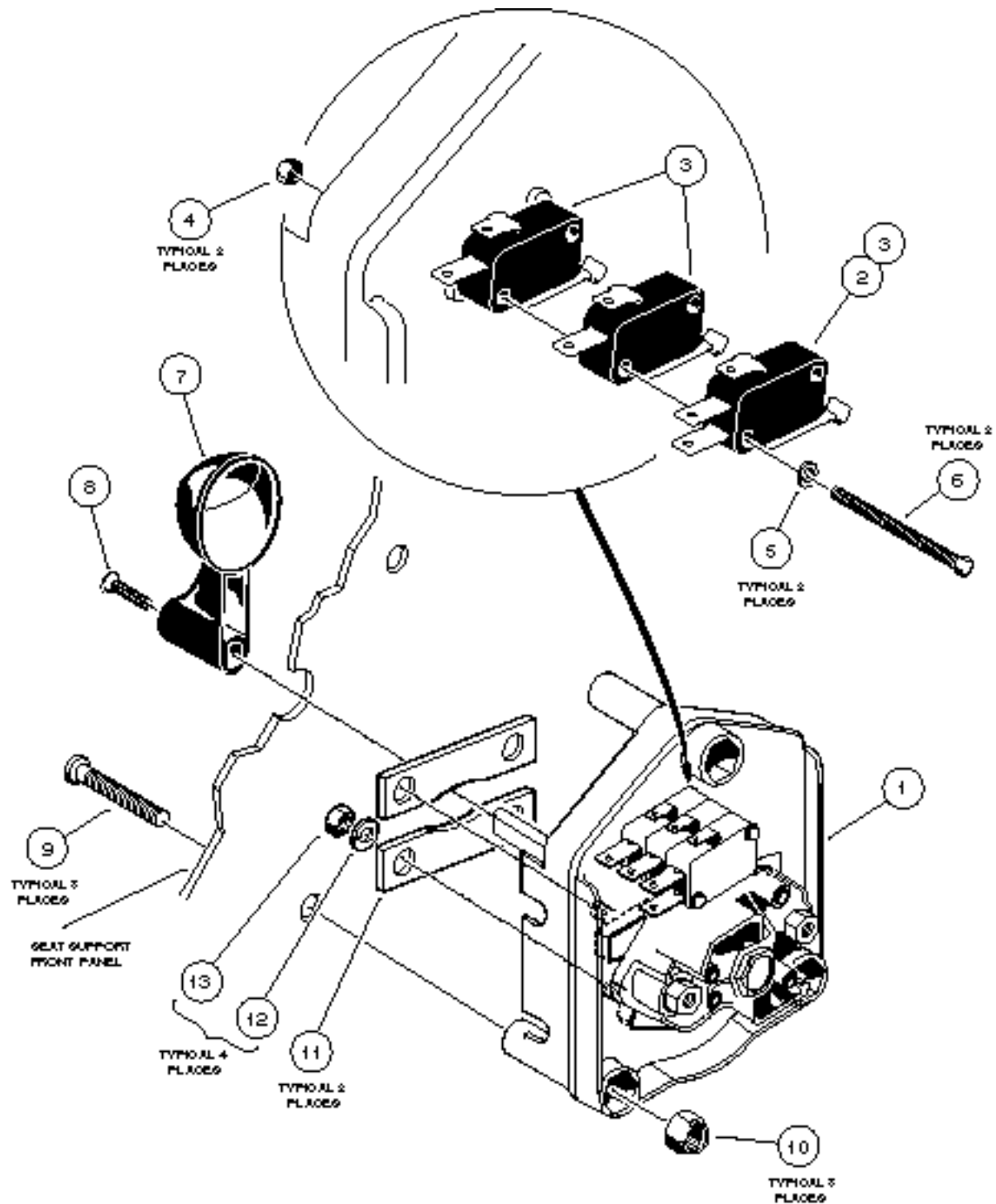
<https://CartPros.com/f.html>

ELECTRICAL SYSTEM ELECTRIC VEHICLES

12

E

12
E



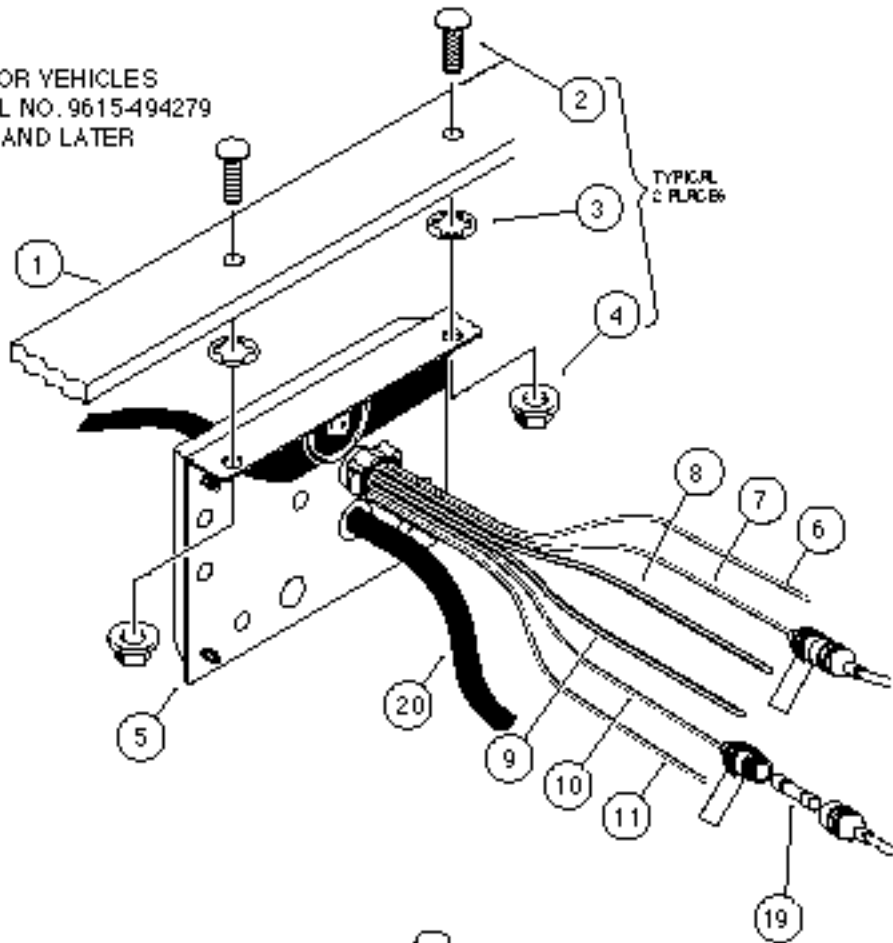
SWITCH ELECTRIC VEHICLES

ITEM	PART NO.	DESCRIPTION	QTY
		1 2 3 4	
1	1017530-05	ASSEMBLY, FOWARD AND REVERSE SWITCH (INCLUDES ITEMS 2 - 6) (FOR VEHICLES SERIAL NUMBER 9529-445799 AND LATER)	1
1	1017530-04	ASSEMBLY, FOWARD AND REVERSE SWITCH (INCLUDES ITEMS 3 - 6) (FOR VEHICLES PRIOR TO SERIAL NUMBER 9529-445799)	1
2	1014807	SWITCH, LIMIT (FOR 107530-05 ONLY)	1
3	1014808	SWITCH, LIMIT (QUANTITY 3 ON F&R SWITCH PART NO. 1017530-04)	2
4	0008057	NUT, HEX, #4 - 40	2
5	0008058	WASHER, LOCK, #4	2
6	1014871	SCREW, HEX WASHER HEAD, #4 - 40 x 2	2
7	1012987	HANDLE, FORWARD AND REVERSE SWITCH	1
8	1013198	SCREW, PHILLIPS HEAD MACHINE, #8 - 32 x 5/8	1
9	1016845	SCREW, PHILLIPS TRUSS HEAD, 1/4 - 20 x 2 1/8	3
10	0008233	NUT, NYLON LOCK, 1/4 - 20	3
11	1017799	BAR, BUSS	2
12	0000451	WASHER, LOCK, 1/4	4
13	0001028	NUT, HEX, 1/4 - 20	4

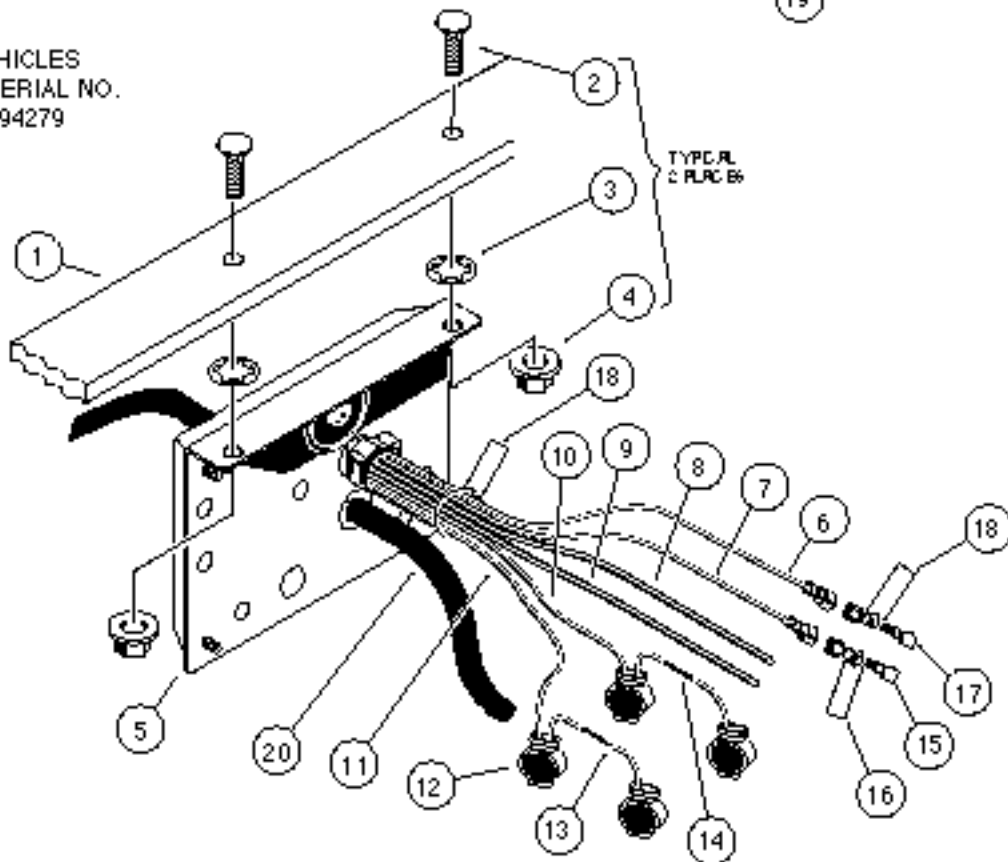
12

E

FOR VEHICLES
SERIAL NO. 9615-494279
AND LATER



FOR VEHICLES
PRIOR TO SERIAL NO.
9615-494279



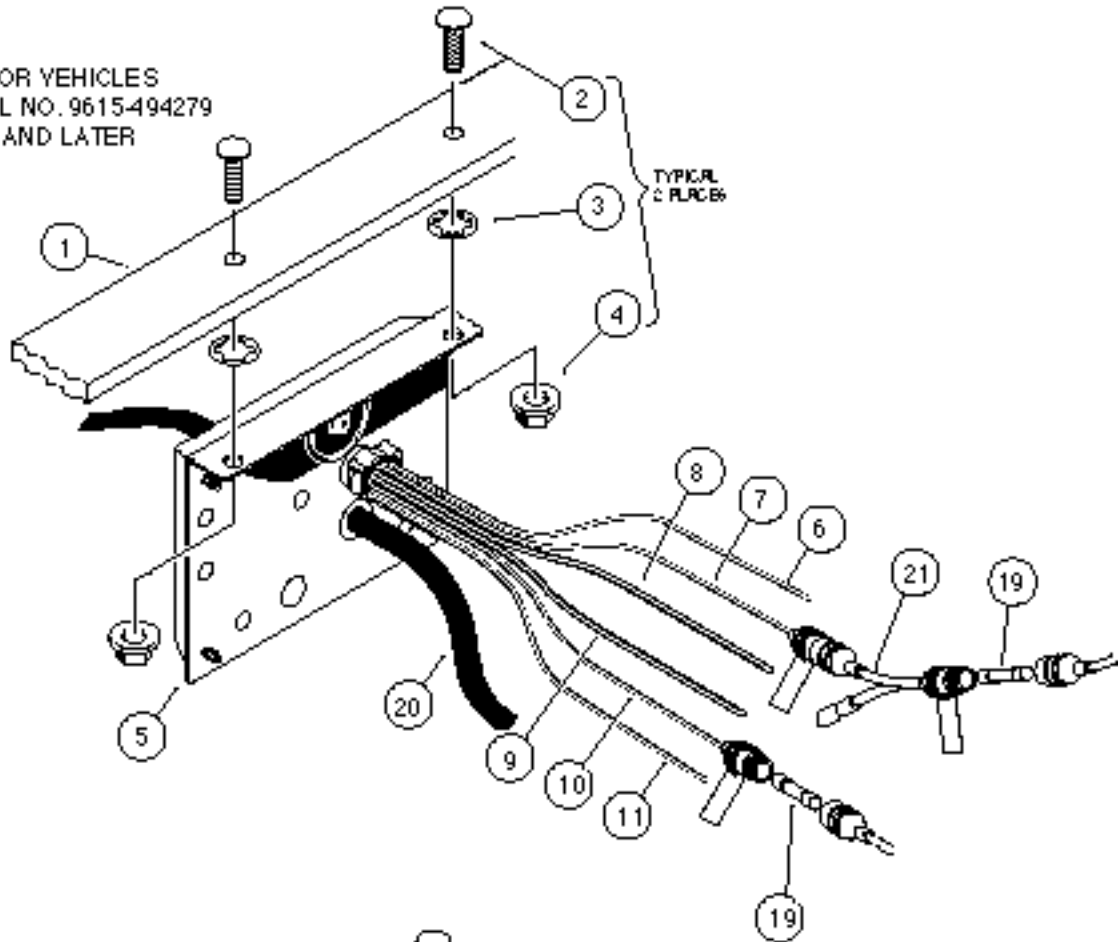
COMPUTER TOURALL, RESORT VILLAGER

ITEM	PART NO.	DESCRIPTION	QTY
		1 2 3 4	
1	1015837	PLATE, CONTROLLER MOUNTING (TOURALL AND LATE MODEL RESORT VILLAGER) .	1
1	1018207-01	BRACKET, COMPUTER MOUNTING (EARLY MODEL RESORT VILLAGER)	1
2	1017203	BOLT, CARRIAGE, 1/4 - 20 x 1	2
3	1016631	NUT, PUSH, 3/16	2
4	1018356-01	NUT, HEX FLANGED LOCK, 1/4 - 20	2
5	1018006-01	COMPUTER, ON-BOARD (INCLUDES ITEMS 2 - 20)	1
6	N/A	WIRE ASSEMBLY, #18 BROWN	1
7	N/A	WIRE ASSEMBLY, #18 GRAY	1
8	N/A	WIRE ASSEMBLY, #10 BLACK	1
9	N/A	WIRE ASSEMBLY, #10 BLACK	1
10	N/A	WIRE ASSEMBLY, #18 RED	1
11	N/A	WIRE ASSEMBLY, #18 YELLOW	1
12	1018843-01	CONNECTOR, SILICON FILLED (FOR VEHICLES PRIOR TO SERIAL NUMBER 9615-494279)	4
13	1018779-01	ASSEMBLY, FUSE, YELLOW WIRE (FOR VEHICLES PRIOR TO SERIAL NUMBER 9615-494279)	1
14	1018778-01	ASSEMBLY, FUSE, RED WIRE (FOR VEHICLES PRIOR TO SERIAL NUMBER 9615-494279)	1
15	1018633-01	FUSE ASSEMBLY, 1/4 AMP (AT GRAY WIRE) (FOR VEHICLES PRIOR TO SERIAL NUMBER 9615-494279) (INCLUDES ITEM 16)	1
16	N/A	LABEL, WARNING	1
17	1018633-02	ASSEMBLY, FUSE, 1/4 AMP (AT BROWN WIRE) (FOR VEHICLES PRIOR TO SERIAL NUMBER 9615-494279)	1
18	1018844-01	LABEL, RED WARNING	2
19	1018949-01	FUSE ASSEMBLY, 3/8 AMP (FOR VEHICLES SERIAL NUMBER 9615-494279 AND LATER)	2
20	1018278-01	KIT, GROUND WIRE, #6 BLACK (TOURALL ONLY)	1
20	1018278-02	KIT, GROUND WIRE, #6 BLACK (RESORT VILLAGER ONLY)	1

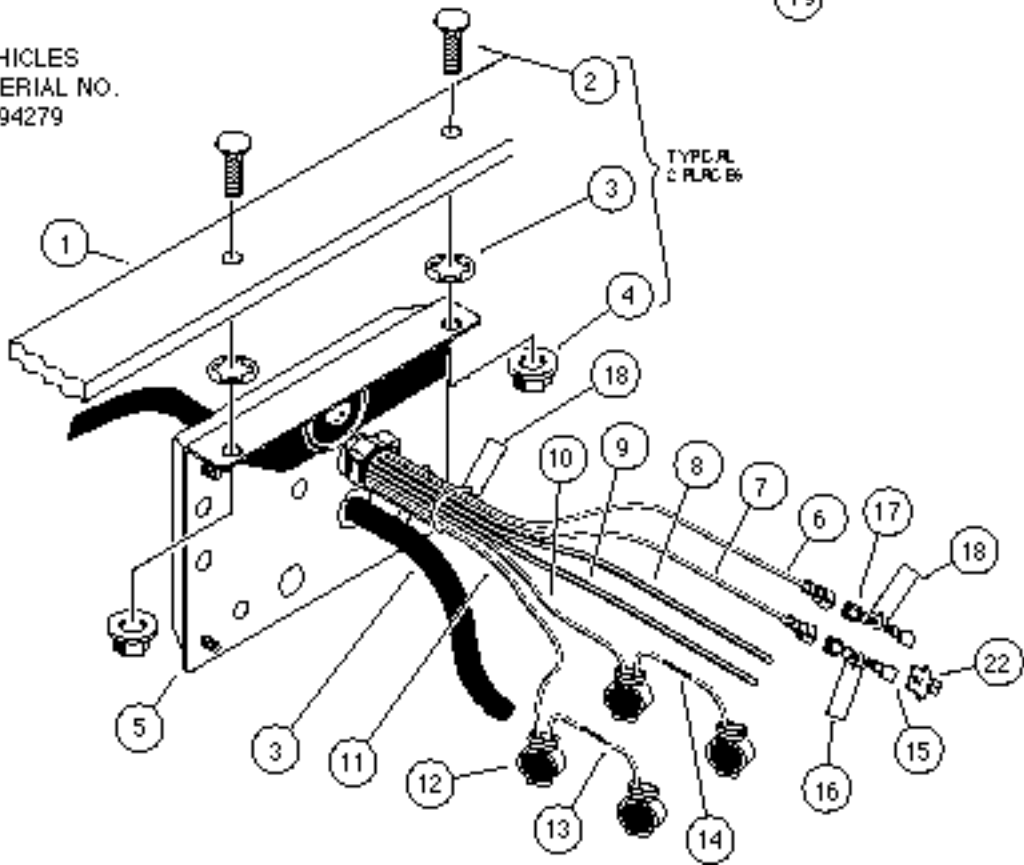
12

E

FOR VEHICLES
SERIAL NO. 9615-494279
AND LATER



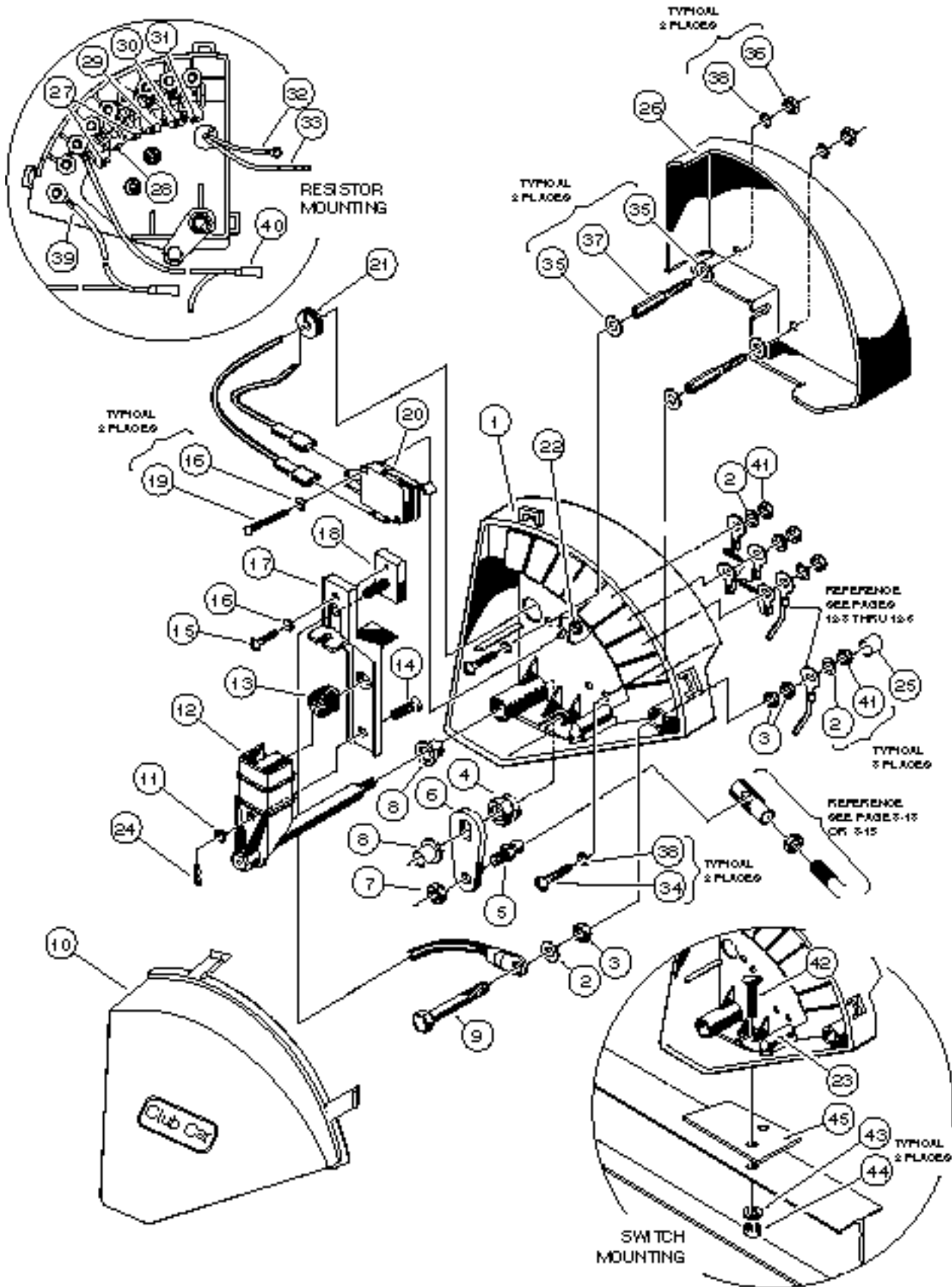
FOR VEHICLES
PRIOR TO SERIAL NO.
9615-494279



COMPUTER TRANS-PORTER/TRANS-SENDER

ITEM	PART NO.	DESCRIPTION	QTY
		1 2 3 4	
1	1018206-01	BRACKET, COMPUTER MOUNTING	1
2	1017203	BOLT, CARRIAGE, 1/4 - 20 x 1	2
3	1016631	NUT, PUSH, 3/16	2
4	1018356-01	NUT, HEX FLANGED LOCK, 1/4 - 20	2
5	1018006-02	COMPUTER, ON-BOARD (INCLUDES ITEMS 2 - 20)	1
6	N/A	WIRE ASSEMBLY, #18 BROWN	1
7	N/A	WIRE ASSEMBLY, #18 GRAY	1
8	N/A	WIRE ASSEMBLY, #10 BLACK	1
9	N/A	WIRE ASSEMBLY, #10 BLACK	1
10	N/A	WIRE ASSEMBLY, #18 RED	1
11	N/A	WIRE ASSEMBLY, #18 YELLOW	1
12	1018843-01	CONNECTOR, SILICON FILLED (FOR VEHICLES PRIOR TO SERIAL NUMBER 9615-494279)	4
13	1018778-01	ASSEMBLY, FUSE, RED WIRE (FOR VEHICLES PRIOR TO SERIAL NUMBER 9615-494279)	1
14	1018779-01	ASSEMBLY, FUSE, YELLOW WIRE (FOR VEHICLES PRIOR TO SERIAL NUMBER 9615-494279.)	1
15	1018633-01	FUSE ASSEMBLY, 1/4 AMP (AT GRAY WIRE) (FOR VEHICLES PRIOR TO SERIAL NUMBER 9615-494279) (INCLUDES ITEM 12)	1
16	N/A	LABEL, WARNING	1
17	1018633-02	ASSEMBLY, FUSE, 1/4 AMP (AT BROWN WIRE) (FOR VEHICLES PRIOR TO SERIAL NUMBER 9615-494279)	1
18	1018844-01	LABEL, RED WARNING	2
19	1018949-01	FUSE ASSEMBLY, 3/8 AMP (FOR VEHICLES SERIAL NUMBER 9615-494279 AND LATER)	3
20	1018278-02	KIT, GROUND WIRE, #6 BLACK (TRANS-PORTER/TRANS-SENDER)	1
21	1018968-01	ASSEMBLY, 3-WAY PLUG (FOR VEHICLES SERIAL NUMBER 9615-494279 AND LATER)	1
22	1018085-01	ADAPTER, RECEPTACLE AND TABS FASTON (FOR VEHICLES PRIOR TO SERIAL NUMBER 9615-494279)	1

12
E

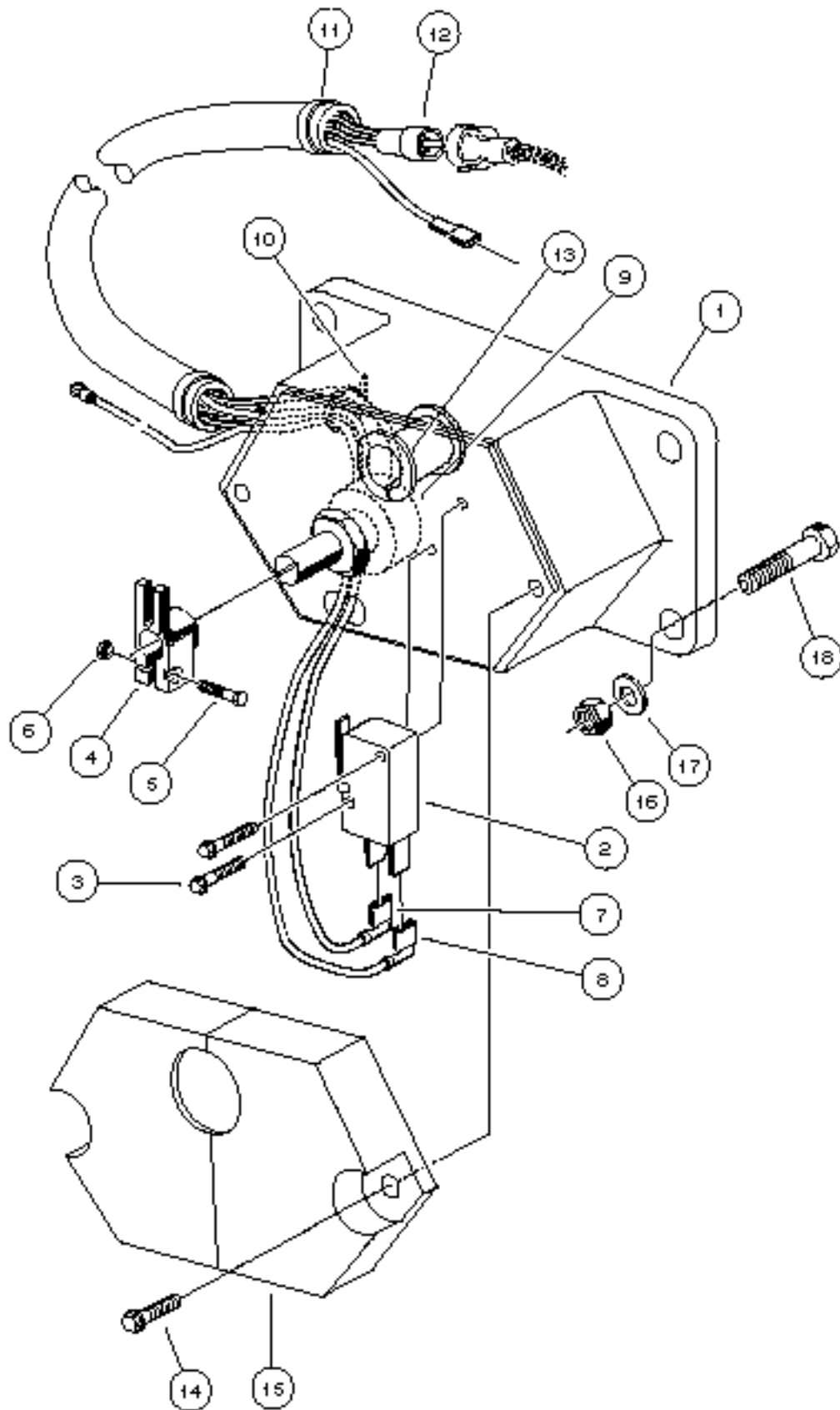




MULTI-STEP POTENTIOMETER

ITEM	PART NO.	DESCRIPTION	QTY
		1 2 3 4 FOR VEHICLES PRIOR TO SERIAL NUMBER 9529-445799.	
	1016012	ASSEMBLY, WIPER SWITCH (INCLUDES ITEMS 1 - 41)	1
1	1014999	ASSEMBLY, WIPER SWITCH CASE, 6 SPEED	1
2	0000451	WASHER, LOCK, 1/4	17
3	1014253	NUT, BRASS HEX JAM, 1/4 - 20	3
4	0007473	NUT, NYLON LOCK, 5/16 - 18	1
5	1012353	STUD, SHORT BALL, 1/4 - 28	1
6	1014003	CRANK, BELL	1
7	0008449	NUT, DIMPLED LOCK, 1/4 - 28	1
8	1012903	BEARING, BRONZE	2
9	1014189	SCREW, HEX HEAD CAP, 1/4 - 20 x 2	1
10	1013886	COVER, WIPER SWITCH	1
11	0007893	NUT, HEX, #10 - 32	1
12	1014017	CARRIER, WIPER SWITCH ARM	1
13	1013998	SPRING, WIPER SWITCH BRUSH	1
14	1014000	STUD, WIPER SWITCH ADJUSTING	1
15	1014019	SCREW, SELF-TAPPING, #4 - 40 x 3/8	1
16	0008058	WASHER, LOCK #4	3
17	1013887	ARM, SPEED SWITCH	1
18	1013860	ASSEMBLY, SWITCH BRUSH	1
19	0008056	SCREW, ROUND HEAD MACHINE, #4 - 40 x 3/4	2
20	1014807	SWITCH, LIMIT	1
21	1014010	GROMMET, SPLIT	1
22	0008057	NUT, HEX, #4 - 40	2
23	1014414	BUMPER, WIPER SWITCH	1
24	1014413	PIN, HAIR SPRING COTTER	1
25	1017692	CAP, PROTECTOR	1
26	1016061	PROTECTOR, WIPER SWITCH RESISTOR	1
27	1018269-01	ASSEMBLY, RESISTOR, 300	2
28	1018269-02	ASSEMBLY, RESISTOR, 390	1
29	1016015	ASSEMBLY, RESISTOR, 750	1
30	1018269-03	ASSEMBLY, RESISTOR, 1000	1
31	1018269-04	ASSEMBLY, RESISTOR, 2200	1
32	1014839	ASSEMBLY, WIRE, #18 GREEN/WHITE	1
33	1016142	ASSEMBLY, WIRE, #18 BLUE	1
34	1013266	SCREW, PHILLIPS TRUSS HEAD, #8 - 18 x 1/2	2
35	1013529	WASHER, FLAT, #8	4
36	1011571	NUT, HEX, #8 - 32	2
37	1016090	STAND-OFF, HEX MALE/FEMALE, #8 - 32	2
38	1012076	WASHER, EXTERNAL TOOTH LOCK, #8	4
39	1016018	ASSEMBLY, WIRE, #18 BLACK (WITH RESISTOR)	1
40	1016019	ASSEMBLY, WIRE, #18 WHITE	1
41	0001014	NUT, BRASS HEX, 1/4 - 20	15
42	1014109	BOLT, CARRIAGE, #10 - 24 x 1	2
43	1016175	WASHER, LOCK, #10	2
44	0001017	NUT, HEX, #10 - 24	2
45	1014367	SHIM, WIPER SWITCH	1

**12
E**



CONTINUOUSLY VARIABLE POTENTIOMETER

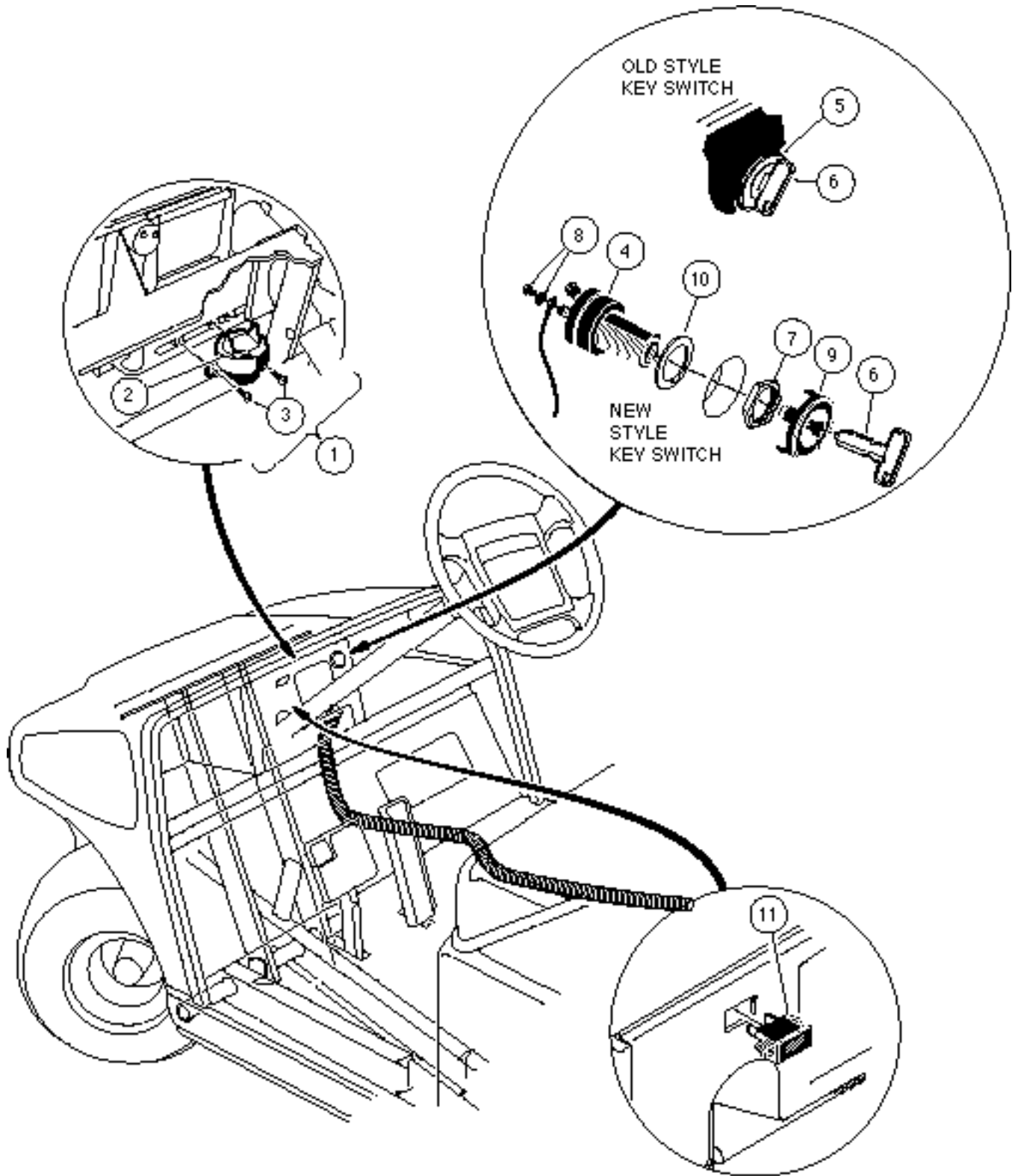
ITEM	PART NO.	DESCRIPTION	QTY
		1 2 3 4 FOR VEHICLES SERIAL NUMBER 9529-445799 AND LATER.	
	1017392	ASSEMBLY, POTENTIOMETER HOUSING (INCLUDES ITEMS 1 - 13)	1
1	N/A	HOUSING, ACCELERATOR	1
2	1017830	SWITCH, LIMIT	1
3	1018226-01	SCREW, HEX WASHER, #4 - 24	2
4	1018090-01	LEVER, POTENTIOMETER	1
5	1017853	SCREW, HEX HEAD, #6 - 32 x 3/4	1
6	1011229	NUT, LOCK, "K", #6 - 32	1
7	1017393	WIRE ASSEMBLY, #18 BLUE	1
8	1017394	WIRE ASSEMBLY, #18 GREEN/WHITE	1
9	N/A	POTENTIOMETER	1
10	0008168	WRAP, TIE	3
11	N/A	CONDUIT, ELECTRICAL	1
12	1018573-01	RECEPTACLE	1
13	1017424	BEARING, PIVOT SUPPORT	1
14	1018043-01	SCREW, HI-LO HEX HEAD, #8 - 18 x 1/2	2
15	1017743	COVER, ACCELERATOR	1
16	0008233	NUT, NYLON LOCK, 1/4 - 20	4
17	0000332	WASHER, FLAT, 1/4	4
18	1018619-01	SCREW, HEX HEAD CAP, 1/4 - 20 x 1 1/8	4

ALL WITH MULTI-STEP POTENTIOMETER

ITEM	PART NO.	DESCRIPTION	QTY
		1 2 3 4 FOR VEHICLES PRIOR TO SERIAL NUMBER 9529-445799.	
	1017942-02	HARNES, POWERDRIVE POWER WIRING (INCLUDES ITEMS 1 - 12)	
1	1015865	WIRE ASSEMBLY, #18 RED	1
2	1016122	WIRE ASSEMBLY, #18 WHITE/BLACK	1
3	1016135	WIRE ASSEMBLY, #18 RED	1
4	1016121	WIRE ASSEMBLY, #18 GREEN	1
5	1014854	WIRE ASSEMBLY, #6 ORANGE	1
6	1018109	WIRE ASSEMBLY, #6 BLUE	1
7	1017993	WIRE ASSEMBLY, #18 RED/WHITE	1
8	1017956	WIRE ASSEMBLY, #18 BROWN	1
9	1018110	WIRE ASSEMBLY, #6 BLUE	1
10	1015864	WIRE ASSEMBLY, #18 WHITE	1
11	1016133	WIRE ASSEMBLY, #18 BLUE	1
12	1016134	WIRE ASSEMBLY, #18 ORANGE	1
13	1016018	WIRE ASSEMBLY, #18 BLACK (WITH RESISTOR)	1
14	1015769	WIRE ASSEMBLY, #6 WHITE	1
15	N/A	WIRE ASSEMBLY, #18 RED (PART OF ON-BOARD COMPUTER ASSEMBLY)	1
16	1014947	ASSEMBLY, RESISTOR	1
17	1015859	WIRE ASSEMBLY, #6 RED	1
18	1014978	ASSEMBLY, DIODE	1
19	N/A	WIRE ASSEMBLY, #18 YELLOW (PART OF ON-BOARD COMPUTER ASSEMBLY)	1
20	N/A	WIRE ASSEMBLY, #10 BLACK (PART OF ON-BOARD COMPUTER ASSEMBLY)	1
21	1018278-01	KIT, GROUND WIRE, #6 BLACK	1
22	1015858	WIRE ASSEMBLY, #6 YELLOW	1
23	1015861	WIRE ASSEMBLY, #6 WHITE	1
24	1015860	WIRE ASSEMBLY, #6 GREEN	1
25	N/A	WIRE ASSEMBLY, #10 GREY (PART OF ON-BOARD COMPUTER ASSEMBLY)	1
26	N/A	WIRE ASSEMBLY, #10 BLACK (PART OF ON-BOARD COMPUTER ASSEMBLY)	1
27	N/A	WIRE ASSEMBLY, #10 RED (PART OF FUSE AND RECEPTACLE ASSEMBLY)	1
28	1017394	WIRE ASSEMBLY, #18 GREEN/WHITE	1
29	1015863	WIRE ASSEMBLY, #18 BLACK	1
30	1015864	WIRE ASSEMBLY, #18 WHITE	1
31	1017967	WIRE ASSEMBLY, #18 ORANGE/WHITE	1
32	1017957	WIRE ASSEMBLY, #6 BLACK	5

CONTINUOUSLY VARIABLE POTENTIOMETER

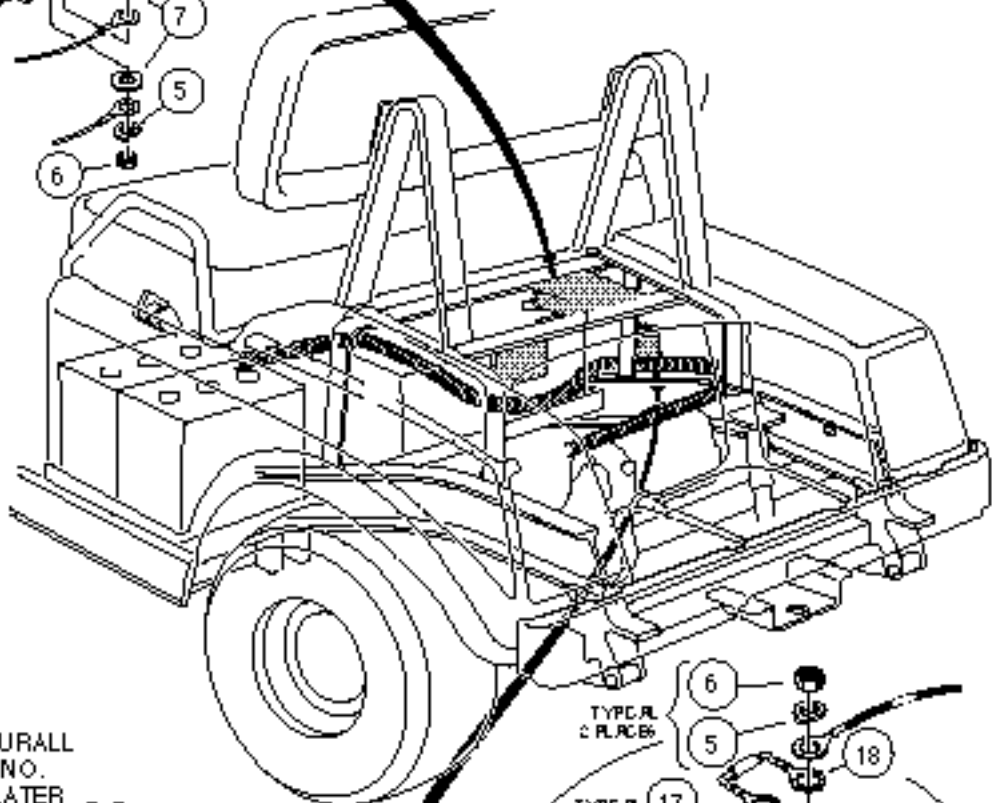
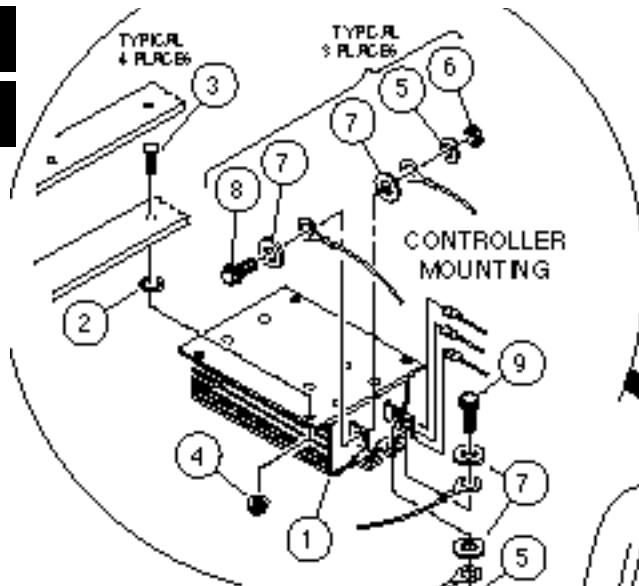
ITEM	PART NO.	DESCRIPTION	QTY
		1 2 3 4 FOR VEHICLES SERIAL NUMBER 9529-445799 AND LATER.	
	1017942-05	WIRE HARNESS (INCLUDES ITEMS 1 - 16)	1
1	1017956	WIRE ASSEMBLY, #18 BROWN	1
2	1016121	WIRE ASSEMBLY, #18 GREEN	1
3	1016135	WIRE ASSEMBLY, #18 RED	1
4	1016134	WIRE ASSEMBLY, #18 ORANGE	1
5	1018651-01	ASSEMBLY, 3-WAY PLUG (INCLUDES #18 PURPLE, #18 YELLOW AND ITEM 6) ...	1
6	1018830-01	WIRE ASSEMBLY, #18 BLACK (INCLUDES RESISTOR AND #18 WHITE WIRE) ..	1
7	1018403-01	WIRE ASSEMBLY, #18 GREEN	1
8	1016122	WIRE ASSEMBLY, #18 WHITE/BLACK	1
9	1018110	WIRE ASSEMBLY, #6 BLUE	1
10	1015856	WIRE ASSEMBLY, #6 WHITE	1
11	1014854	WIRE ASSEMBLY, #6 ORANGE	1
12	1017993	WIRE ASSEMBLY, #18 RED/WHITE	1
13	1015858	WIRE ASSEMBLY, #6 YELLOW	1
14	1015861	WIRE ASSEMBLY, #6 WHITE	1
15	1018109	WIRE ASSEMBLY, #6 BLUE	1
16	1015860	WIRE ASSEMBLY, #6 GREEN	1
17	1018865	WIRE ASSEMBLY, #18 RED	1
18	1016133	WIRE ASSEMBLY, #18 BLUE	1
19	1017967-01	WIRE ASSEMBLY, #18 ORANGE/WHITE	1
20	1017394	WIRE ASSEMBLY, #18 GREEN/WHITE	1
21	N/A	WIRE ASSEMBLY, #10 BLACK (PART OF ON-BOARD COMPUTER ASSEMBLY)	1
22	N/A	WIRE ASSEMBLY, #18 GREY (PART OF ON-BOARD COMPUTER ASSEMBLY)	1
23	N/A	WIRE ASSEMBLY, #10 RED (PART OF FUSE AND RECEPTACLE ASSEMBLY)	1
24	N/A	WIRE ASSEMBLY, #18 YELLOW (PART OF ON-BOARD COMPUTER ASSEMBLY)	1
25	N/A	WIRE ASSEMBLY, #18 RED (PART OF ON-BOARD COMPUTER ASSEMBLY)	1
26	N/A	WIRE ASSEMBLY, #10 BLACK (PART OF ON-BOARD COMPUTER ASSEMBLY)	1
27	1018278-01	KIT, GROUND WIRE, #6 BLACK	1
28	1018673-01	WIRE ASSEMBLY, #6 RED	1
29	1017948	ASSEMBLY, DIODE	1
30	1017947	ASSEMBLY, RESISTOR	1
31	1017957	WIRE ASSEMBLY, #6 BLACK	5



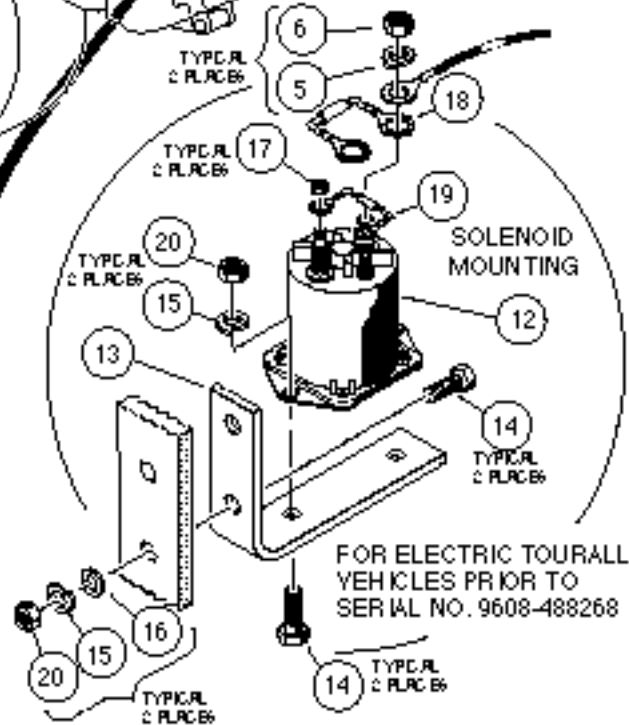
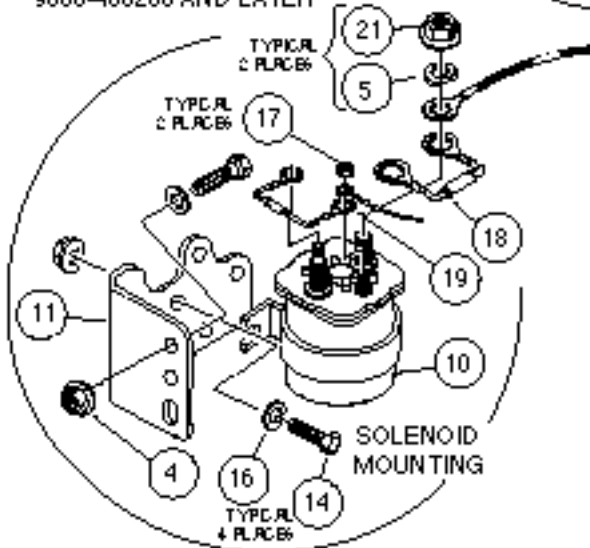
FRONT BODY ELECTRIC VEHICLE - TOURALL

ITEM	PART NO.	DESCRIPTION	QTY
		1 2 3 4	
1	1016859	KIT, REVERSE BUZZER (INCLUDES ITEMS 2 AND 3)	1
2	1016851	BUZZER, REVERSE	1
3	1016849	SCREW, PAN HEAD HILO, #4 - 24 x 5/16	2
4	1018262-01	SWITCH, KEY (FOR VEHICLES SERIAL NUMBER 9522-436452 AND LATER)	1
5	1012531	SWITCH, KEY (INCLUDES ITEM 6) (FOR VEHICLES PRIOR TO SERIAL NUMBER 9522-436452)	1
6	1012505	KEY (PAIR)	1
7	1018307-01	NUT, KEY SWITCH	1
8	1018306-01	ASSEMBLY, SCREW AND WASHER	2
9	1018345-02	CAP, KEY SWITCH	1
10	1018511-01	WASHER	1
11	1018025-01	LIGHT, BATTERY WARNING	1

12
E



FOR ELECTRIC TOURALL VEHICLES SERIAL NO. 9608-488268 AND LATER



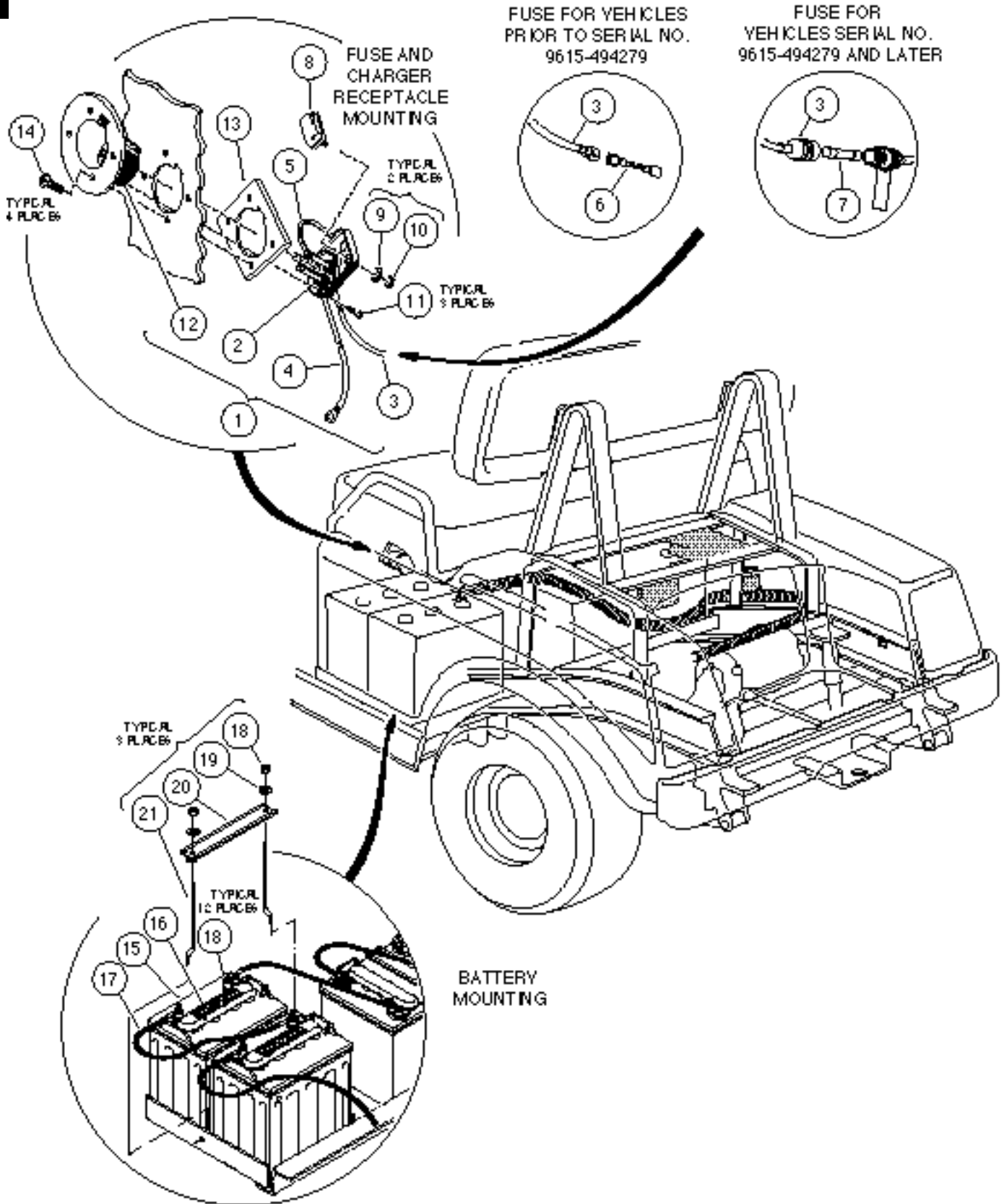
FOR ELECTRIC TOURALL VEHICLES PRIOR TO SERIAL NO. 9608-488268

CHASSIS BODY ELECTRIC VEHICLE - TOURALL

ITEM	PART NO.	DESCRIPTION	QTY
		1 2 3 4	
1	1018008	CONTROLLER, 48 VOLT (225 AMP) (FOR VEHICLES PRIOR TO SERIAL NUMBER 9529-445799)	1
1	1018402-02	CONTROLLER, 48 VOLT (235 AMP) (FOR VEHICLES WITH SERIAL NUMBERS BETWEEN 9529-445799 AND 9608-488268) ...	1
1	1018402-03	CONTROLLER, 48 VOLT (300 AMP) (FOR VEHICLES SERIAL NUMBER 9608-488268 AND LATER)	1
2	1016631	NUT, PUSH	4
3	1017203	BOLT, CARRIAGE, 1/4 - 20 x 1	4
4	1018356-01	NUT, HEX FLANGED LOCK, 1/4 - 20	8
5	0007174	WASHER, LOCK, 5/16	6
6	0001242	NUT, HEX, 5/16 - 18	6
7	0001241	WASHER, FLAT, 5/16	8
8	0007173	BOLT, HEX HEAD, 5/16 - 18 x 3/4	3
9	0001218	BOLT, HEX HEAD, 5/16 - 18 x 1 1/4	1
10	1018836-01	SOLENOID, 48 VOLT (FOR VEHICLES SERIAL NUMBER 9608-488268 AND LATER) ..	1
11	1018837-01	BRACKET, SOLENOID MOUNTING (FOR VEHICLES SERIAL NUMBER 9608-488268 AND LATER)	1
12	1018070-01	SOLENOID, 48 VOLT (FOR VEHICLES PRIOR TO SERIAL NUMBER 9608-488268)	1
13	1015838	BRACKET, SOLENOID MOUNTING (FOR VEHICLES PRIOR TO SERIAL NUMBER 9608-488268)	1
14	0007847	BOLT, HEX HEAD, 1/4 - 20 x 3/4	4
15	0000451	WASHER, LOCK, 1/4	4
16	0000332	WASHER, FLAT, 1/4	4
17	0007893	NUT, HEX, #10 - 32	2
18	1014947	ASSEMBLY, RESISTOR	1
19	1014948	ASSEMBLY, DIODE	1
20	0001028	NUT, HEX, 1/4 - 20	4
21	1017237	NUT, FLANGED LOCK, 5/16 - 24	2

12

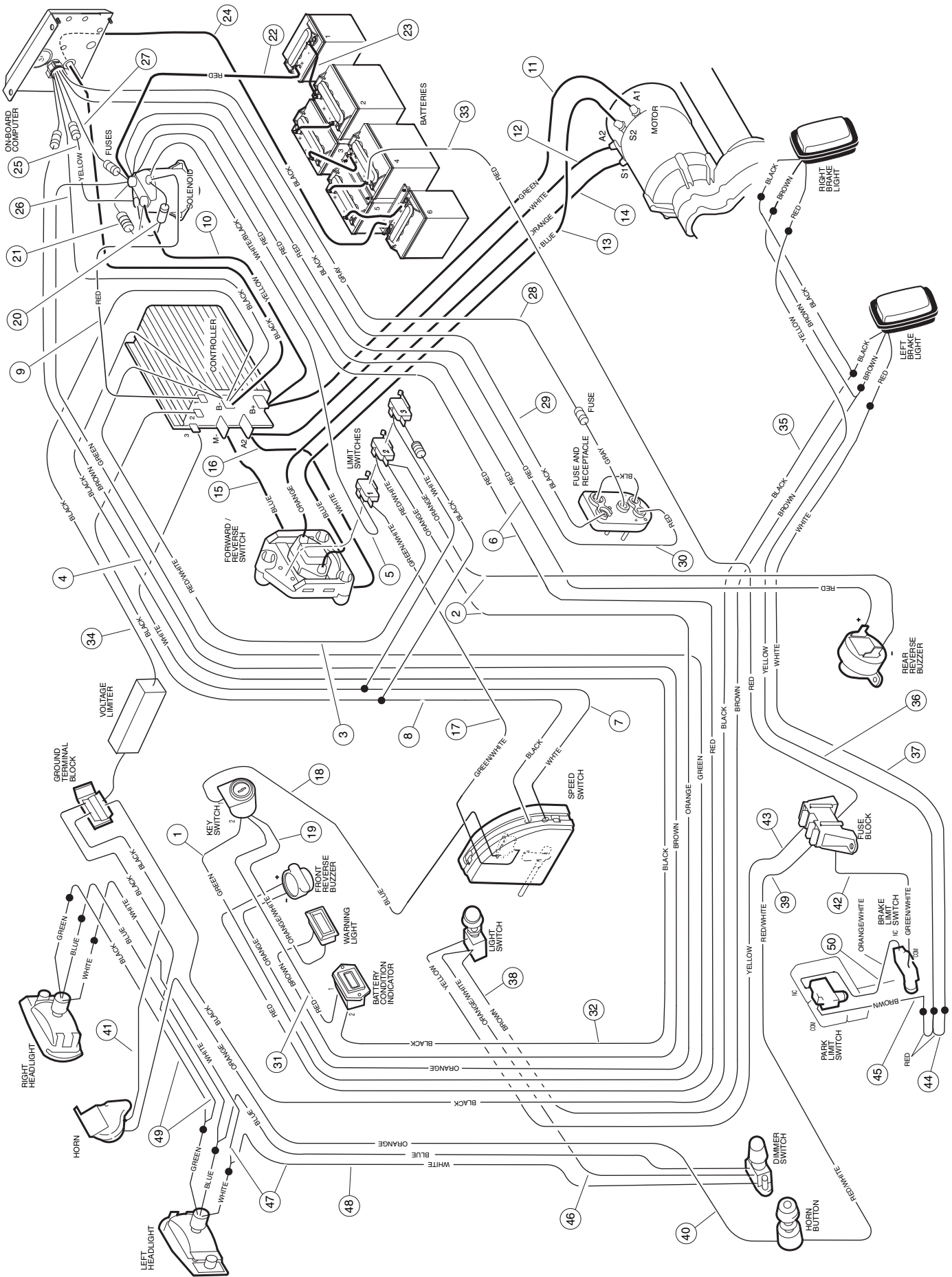
E



CAR BODY ELECTRIC VEHICLE - TOURALL

ITEM	PART NO.	DESCRIPTION	QTY
		1 2 3 4	
1	1018021-01	KIT, FUSE AND RECEPTACLE (INCLUDES ITEMS 2 - 12)	1
2	1018468-01	ASSEMBLY, FUSE AND RECEPTACLE (INCLUDES ITEMS 3 - 11)	1
3	N/A	WIRE ASSEMBLY, #10 GREY	1
4	N/A	WIRE ASSEMBLY, #10 RED	1
5	N/A	WIRE ASSEMBLY, #10 BLACK	1
6	1018633-01	ASSEMBLY, FUSE, 1/4 AMP (FOR VEHICLES PRIOR TO SERIAL NUMBER 9615-494279)	1
7	1018949-01	ASSEMBLY, FUSE, 3/8 AMP (FOR VEHICLES SERIAL NUMBER 9615-494279 AND LATER)	1
8	1017968-01	ASSEMBLY, FUSE, 48 VOLT (INCLUDES ITEMS 9 AND 10)	1
9	1018038	WASHER, NARROW TYPE 13, #10	2
10	1018028	NUT, SERRATED, #10 - 32	2
11	1017705	SCREW, PHILLIPS PAN HEAD, #8 TYPE AB	3
12	1017965-01	BEZEL, RECEPTACLE	1
13	1018010-01	PLATE, RECEPTACLE BACKING	1
14	1018320-01	SCREW, PHILLIPS PAN HEAD, #7 - 18 x 3/4	4
15	1017977-01	BATTERY, 8 VOLT POWERDRIVE	6
16	1017978-01	CAP, BATTERY, 4 PORT GANG	6
17	1017957	WIRE ASSEMBLY, #6 BLACK	5
18	1014304	NUT, STAINLESS STEEL HEX, 5/16 - 18	18
19	1011578	WASHER, FLAT, TYPE B WIDE, 5/16	6
20	1018030-01	HOLD-DOWN, BATTERY	3
21	1013683	BOLT, "J"	6

**12
E**

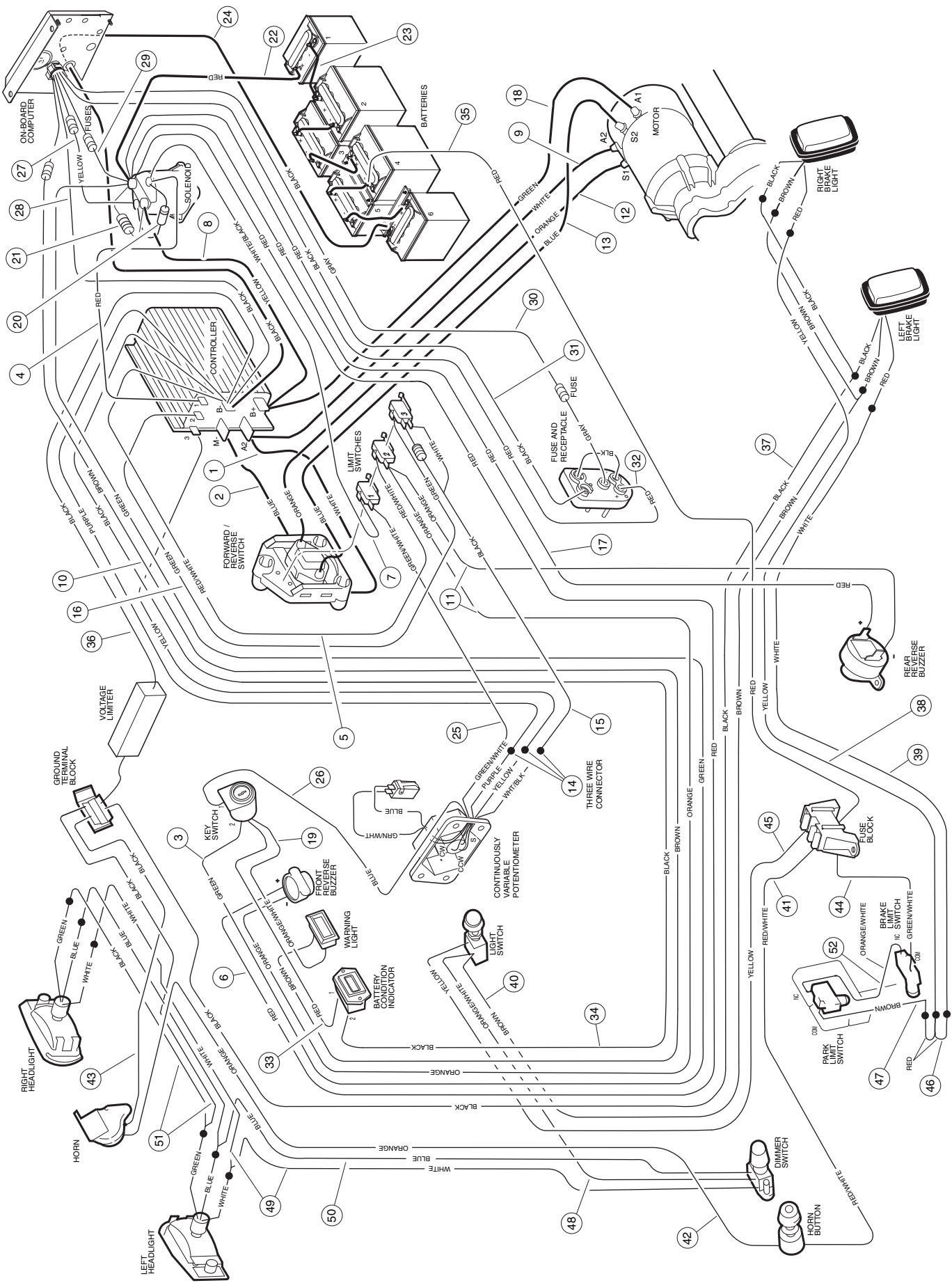




ER WITH MULTI-STEP POTENTIOMETER

ITEM	PART NO.	DESCRIPTION	QTY
		1 2 3 4 FOR VEHICLES PRIOR TO SERIAL NUMBER 9529-445799.	
	1018195-02	WIRE HARNESS (INCLUDES ITEMS 1 - 6)	1
1	1017520	WIRE ASSEMBLY, #18 GREEN	1
2	1018212-01	WIRE ASSEMBLY, #18 ORANGE	1
3	1018199-02	WIRE ASSEMBLY, #18 RED/WHITE	1
4	1018211-01	WIRE ASSEMBLY, #18 BROWN	1
5	1018200-02	WIRE ASSEMBLY, #18 WHITE/BLACK	1
6	1018214-01	WIRE ASSEMBLY, #18 RED	1
7	1018196-01	WIRE ASSEMBLY, #18 WHITE	1
8	1018198-01	WIRE ASSEMBLY, #18 BLACK (WITH RESISTOR)	1
9	1016738	WIRE ASSEMBLY, #18 RED	1
10	1016732	WIRE ASSEMBLY, #6 YELLOW	1
11	1016731	WIRE ASSEMBLY, #6 GREEN	1
12	1016730	WIRE ASSEMBLY, #6 WHITE	1
13	1016735	WIRE ASSEMBLY, #6 BLUE	1
14	1016736	WIRE ASSEMBLY, #6 ORANGE	1
15	1016728	WIRE ASSEMBLY, #6 BLUE	1
16	1016729	WIRE ASSEMBLY, #6 WHITE	1
17	1017394	WIRE ASSEMBLY, #18 GREEN/WHITE	1
18	1017393	WIRE ASSEMBLY, #18 BLUE	1
19	1017967-01	WIRE ASSEMBLY, #18 ORANGE/WHITE	1
20	1017948	ASSEMBLY, DIODE	1
21	1017947	ASSEMBLY, RESISTOR	1
22	1016734	WIRE ASSEMBLY, #6 RED	1
23	1017957	WIRE ASSEMBLY, #6 BLACK	5
24	1018278-02	KIT, GROUND WIRE, #6 BLACK	1
25	N/A	WIRE ASSEMBLY, #18 YELLOW (PART OF ON-BOARD COMPUTER ASSEMBLY)	1
26	N/A	WIRE ASSEMBLY, #10 BLACK (PART OF ON-BOARD COMPUTER ASSEMBLY)	1
27	N/A	WIRE ASSEMBLY, #18 RED (PART OF ON-BOARD COMPUTER ASSEMBLY)	1
28	N/A	WIRE ASSEMBLY, #18 GREY (PART OF ON-BOARD COMPUTER ASSEMBLY)	1
29	N/A	WIRE ASSEMBLY, #10 BLACK (PART OF ON-BOARD COMPUTER ASSEMBLY)	1
30	N/A	WIRE ASSEMBLY, #10 RED (PART OF FUSE AND RECEPTACLE ASSEMBLY)	1
31	1018181-01	WIRE ASSEMBLY, #18 RED	1
32	1018588-01	WIRE ASSEMBLY, #18 BLACK	1
33	1018106-01	WIRE ASSEMBLY, #10 RED	1
34	N/A	WIRE ASSEMBLY, #10 BLACK (PART OF VOLTAGE LIMITER ASSEMBLY)	1
35	1018369-01	WIRE ASSEMBLY, #18 BLACK	1
	1017878	WIRE HARNESS, LIGHTING (INCLUDES ITEMS 36 - 50)	1
36	1017887	WIRE ASSEMBLY, #16 YELLOW	1
37	1017888	WIRE ASSEMBLY, #16 WHITE	1
38	1017924	WIRE ASSEMBLY, #16 BROWN	1
39	1017925	WIRE ASSEMBLY, #16 RED/WHITE	1
40	1016307	WIRE ASSEMBLY, #16 ORANGE	1
41	1016308	WIRE ASSEMBLY, #16 BLACK	1
42	1017927	WIRE ASSEMBLY, #16 GREEN/WHITE	1
43	1017926	WIRE ASSEMBLY, #14 YELLOW	1
44	1016409	WIRE ASSEMBLY, #18 RED	1
45	1016314	WIRE ASSEMBLY, #16 BROWN	1
46	1016315	WIRE ASSEMBLY, #16 ORANGE/WHITE	1
47	1016323	WIRE ASSEMBLY, #16 WHITE	1
48	1017052	WIRE ASSEMBLY, #18 BLUE	1
49	1016326	WIRE ASSEMBLY, #16 BLACK	1
50	1016309	WIRE ASSEMBLY, #16 ORANGE/WHITE	1

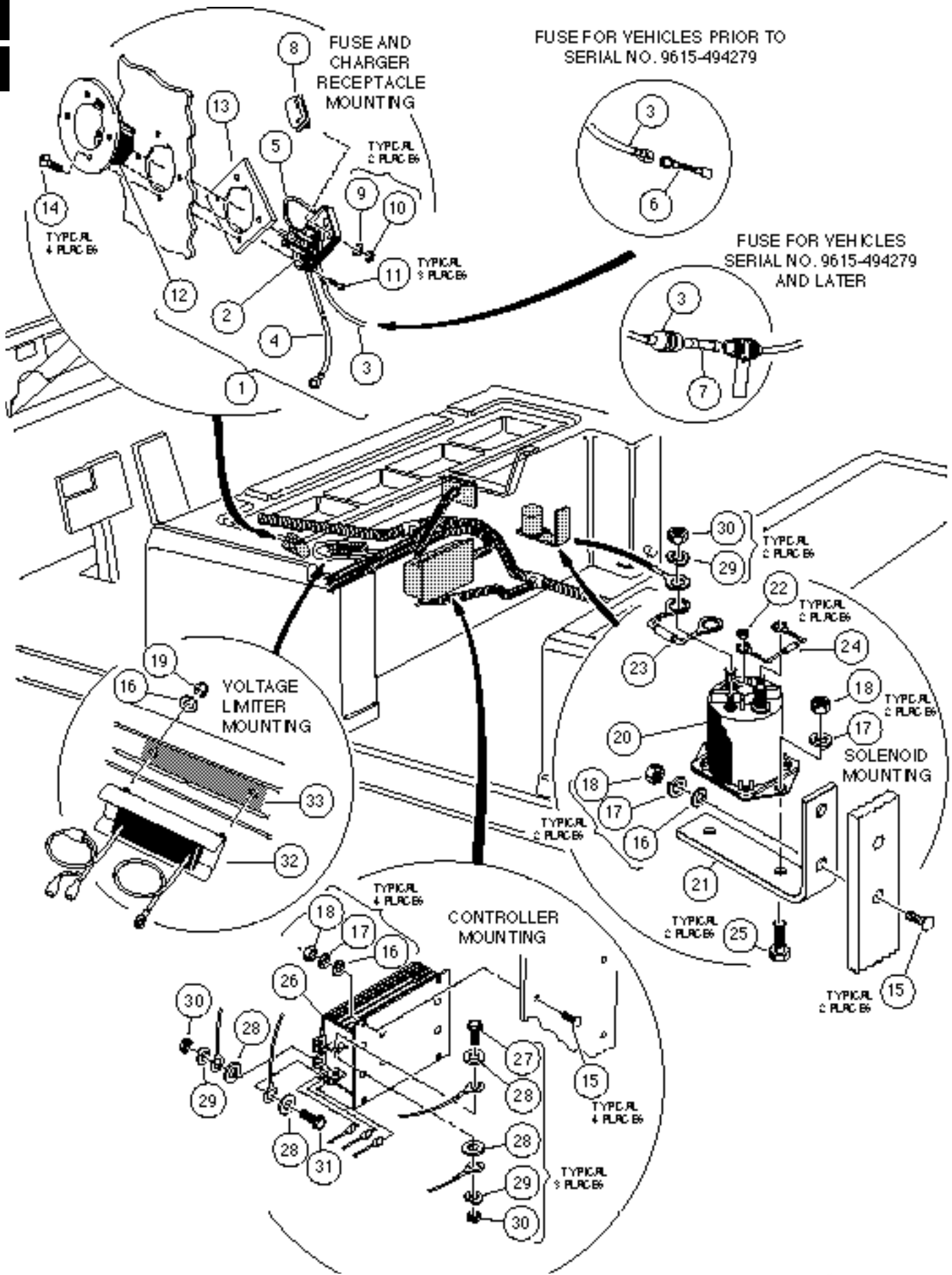
12
E



CONTINUOUSLY VARIABLE POTENTIOMETER

ITEM	PART NO.	DESCRIPTION	QTY
		1 2 3 4 FOR VEHICLES SERIAL NUMBER 9529-445799 AND LATER.	
	1018595-02	WIRE HARNESS, CONTROLLER (INCLUDES ITEMS 1 - 18)	1
1	1018691-02	WIRE ASSEMBLY, #6 WHITE	1
2	1018577-01	WIRE ASSEMBLY, #6 BLUE	1
3	1018578-01	WIRE ASSEMBLY, #18 GREEN	1
4	1015865	WIRE ASSEMBLY, #18 RED	1
5	1018581-01	WIRE ASSEMBLY, #18 RED/WHITE	1
6	1018582-01	WIRE ASSEMBLY, #18 RED	1
7	1018583-01	WIRE ASSEMBLY, #18 WHITE/BLACK	1
8	1018772-01	WIRE ASSEMBLY, #6 YELLOW	1
9	1018774-01	WIRE ASSEMBLY, #6 WHITE	1
10	1018584-01	WIRE ASSEMBLY, #18 BROWN	1
11	1018585-01	WIRE ASSEMBLY, #18 ORANGE	1
12	1018586-01	WIRE ASSEMBLY, #6 ORANGE	1
13	1018587-01	WIRE ASSEMBLY, #6 BLUE	1
14	1018651-05	ASSEMBLY, 3-WAY PLUG (INCLUDES #18 PURPLE, #18 YELLOW AND ITEM 15)	1
15	1018830-01	WIRE ASSEMBLY, #18 BLACK (INCLUDES RESISTOR AND #18 WHITE WIRE)	1
16	1018403-05	WIRE ASSEMBLY, #18 GREEN	1
17	1018767-01	WIRE ASSEMBLY, #18 RED	1
18	1018773-01	WIRE ASSEMBLY, #6 GREEN	1
19	1017967-01	WIRE ASSEMBLY, #18 ORANGE/WHITE	1
20	1017948	ASSEMBLY, DIODE	1
21	1017947	ASSEMBLY, RESISTOR	1
22	1018775-01	WIRE ASSEMBLY, #6 RED	1
23	1017957	WIRE ASSEMBLY, #6 BLACK	5
24	1018278-02	KIT, GROUND WIRE, #6 BLACK	1
25	1018252-01	WIRE ASSEMBLY, #16 GREEN/WHITE	1
26	1016133	WIRE ASSEMBLY, #18 BLUE	1
27	N/A	WIRE ASSEMBLY, #18 YELLOW (PART OF ON-BOARD COMPUTER ASSEMBLY)	1
28	N/A	WIRE ASSEMBLY, #10 BLACK (PART OF ON-BOARD COMPUTER ASSEMBLY)	1
29	N/A	WIRE ASSEMBLY, #18 RED (PART OF ON-BOARD COMPUTER ASSEMBLY)	1
30	N/A	WIRE ASSEMBLY, #18 GREY (PART OF ON-BOARD COMPUTER ASSEMBLY)	1
31	N/A	WIRE ASSEMBLY, #10 BLACK (PART OF ON-BOARD COMPUTER ASSEMBLY)	1
32	N/A	WIRE ASSEMBLY, #10 RED (PART OF FUSE AND RECEPTACLE ASSEMBLY)	1
33	1018181-01	WIRE ASSEMBLY, #18 RED	1
34	1018588-01	WIRE ASSEMBLY, #18 BLACK	1
35	1018106-01	WIRE ASSEMBLY, #10 RED	1
36	N/A	WIRE ASSEMBLY, #10 BLACK (PART OF VOLTAGE LIMITER ASSEMBLY)	1
37	1018369-01	WIRE ASSEMBLY, #18 BLACK	1
	1017878	WIRE HARNESS, LIGHTING (INCLUDES ITEMS 38 - 52)	1
38	1017887	WIRE ASSEMBLY, #16 YELLOW	1
39	1017888	WIRE ASSEMBLY, #16 WHITE	1
40	1017924	WIRE ASSEMBLY, #16 BROWN	1
41	1017925	WIRE ASSEMBLY, #16 RED/WHITE	1
42	1016307	WIRE ASSEMBLY, #16 ORANGE	1
43	1016308	WIRE ASSEMBLY, #16 BLACK	1
44	1017927	WIRE ASSEMBLY, #16 GREEN/WHITE	1
45	1017926	WIRE ASSEMBLY, #14 YELLOW	1
46	1016409	WIRE ASSEMBLY, #18 RED	1
47	1016314	WIRE ASSEMBLY, #16 BROWN	1
48	1016315	WIRE ASSEMBLY, #16 ORANGE/WHITE	1
49	1016323	WIRE ASSEMBLY, #16 WHITE	1
50	1017052	WIRE ASSEMBLY, #18 BLUE	1
51	1016326	WIRE ASSEMBLY, #16 BLACK	1
52	1016309	WIRE ASSEMBLY, #16 ORANGE/WHITE	1

12
E





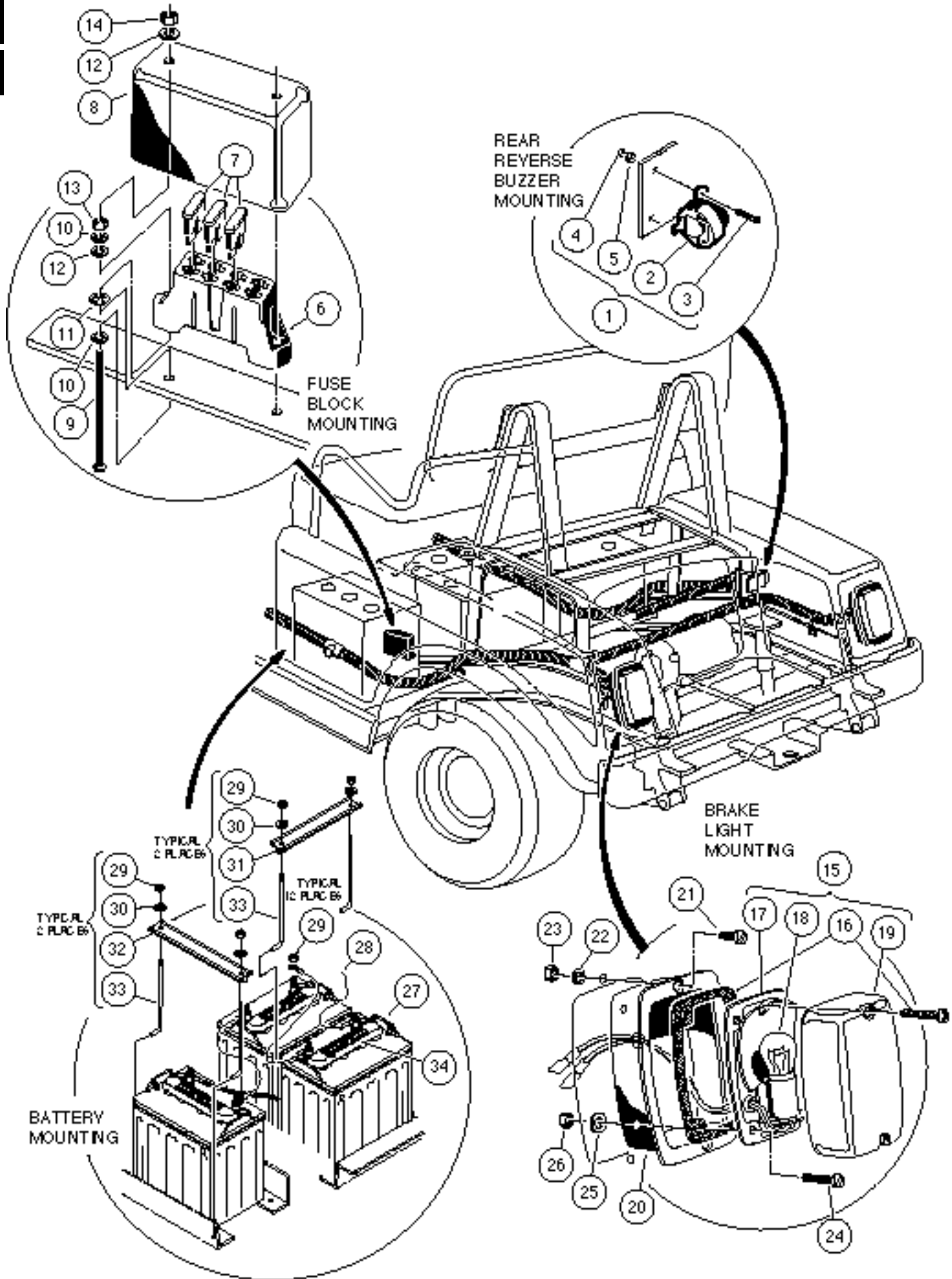
(EARLY MODEL) ELECTRIC - RESORT VILLAGER

12

E

ITEM	PART NO.	DESCRIPTION	QTY
		1 2 3 4 FOR VEHICLES MADE IN EARLY 1995.	
1	1018021-01	KIT, FUSE AND RECEPTACLE (INCLUDES ITEMS 2 - 12)	1
2	1018468-01	ASSEMBLY, FUSE AND RECEPTACLE (INCLUDES ITEMS 3 - 11)	1
3	N/A	WIRE ASSEMBLY, #10 GREY	1
4	N/A	WIRE ASSEMBLY, #10 RED	1
5	N/A	WIRE ASSEMBLY, #10 BLACK	1
6	1018633-01	FUSE ASSEMBLY, 1/4 AMP (FOR VEHICLES PRIOR TO SERIAL NUMBER 9615-494279)	1
7	1018949-01	FUSE ASSEMBLY, 3/8 AMP (FOR VEHICLES SERIAL NUMBER 9615-494279 AND LATER)	1
8	1017968-01	ASSEMBLY, FUSE, 48 VOLT (INCLUDES ITEMS 9 AND 10)	1
9	1018038	WASHER, NARROW TYPE 13, #10	2
10	1018028	NUT, SERRATED, #10 - 32	2
11	1017705	SCREW, PHILLIPS PAN HEAD, #18 TYPE AB	3
12	1017965-01	BEZEL, RECEPTACLE	1
13	1018010-01	PLATE, RECEPTACLE BACKING	1
14	1018320-01	SCREW, PHILLIPS PAN HEAD, #7 - 18 x 3/4	4
15	1015066	BOLT, CARRIAGE, 1/4 - 20 x 3/4	6
16	0000332	WASHER, FLAT, 1/4	8
17	0000451	WASHER, LOCK, 1/4	8
18	0001028	NUT, HEX, 1/4 - 20	8
19	0008233	NUT, NYLON LOCK, 1/4 - 20	2
20	1018070-01	SOLENOID, 48 VOLT (FOR VEHICLES PRIOR TO SERIAL NUMBER 9608-488268) ...	1
21	1015838	BRACKET, SOLENOID MOUNTING	1
22	0007893	NUT, HEX, #10 - 32	2
23	1014947	ASSEMBLY, RESISTOR	1
24	1014948	ASSEMBLY, DIODE	1
25	0007847	BOLT, HEX HEAD, 1/4 - 20 x 3/4	2
26	1018008	CONTROLLER, 48 VOLT (225 AMP) (FOR VEHICLES PRIOR TO SERIAL NUMBER 9529-445799)	1
26	1018402-02	CONTROLLER, 48 VOLT (235 AMP) (FOR VEHICLES WITH SERIAL NUMBERS BETWEEN 9529-445799 AND 9608-488268) ...	1
27	0007173	BOLT, HEX HEAD, 5/16 - 18 x 3/4	3
28	0001241	WASHER, FLAT, 5/16	8
29	0007174	WASHER, LOCK, 5/16	6
30	0001242	NUT, HEX, 5/16 - 18	6
31	0001218	BOLT, HEX HEAD, 5/16 - 18 x 1 1/4	1
32	1018108-01	KIT, VOLTAGE LIMITER (INCLUDES ITEM 33)	1
33	1018367-02	COMPOUND, HEAT SINK	A/R

**12
E**



CHASSIS BODY (EARLY MODEL) ELECTRIC - RESORT VILLAGER

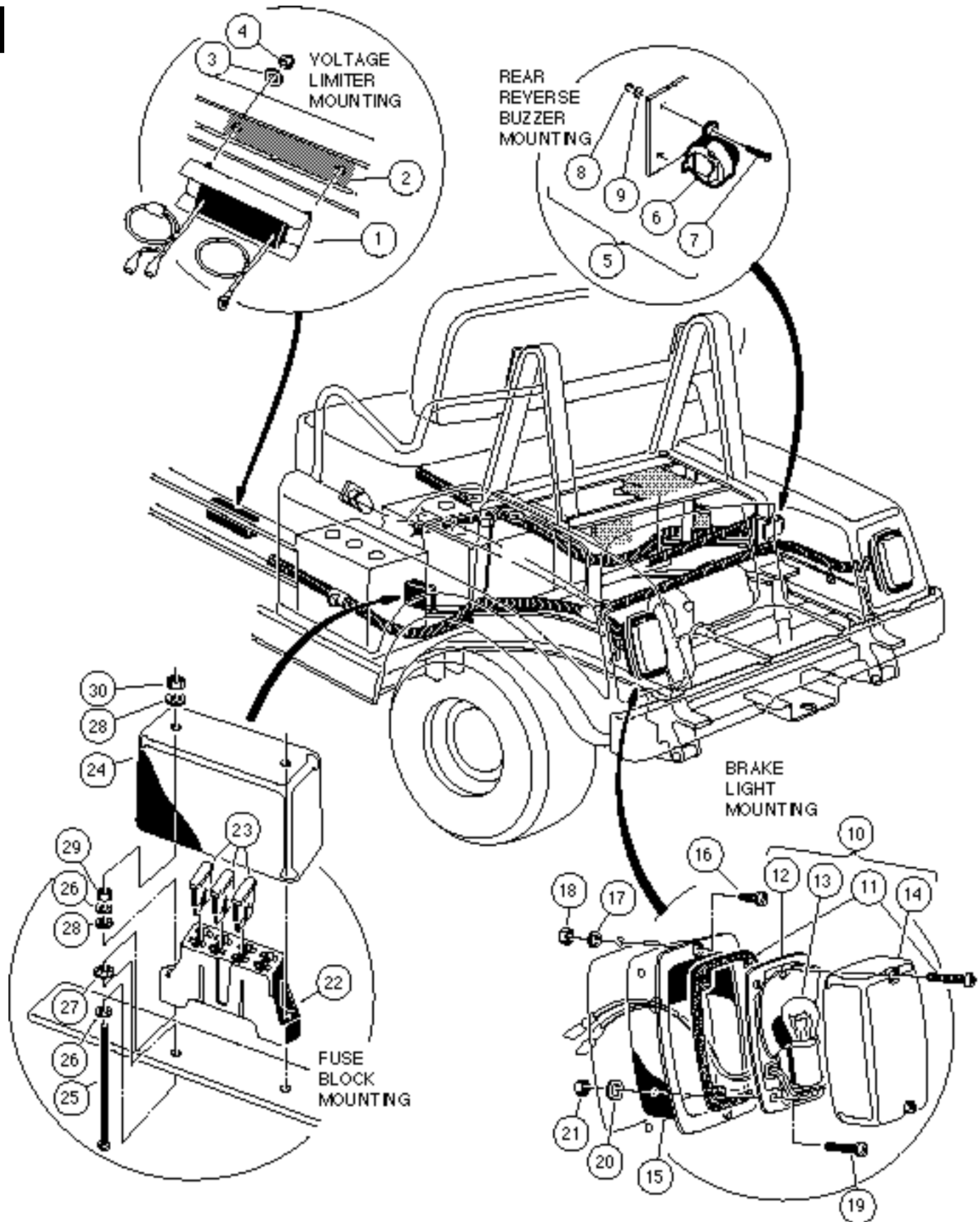
ITEM	PART NO.	DESCRIPTION	QTY
		1 2 3 4 FOR VEHICLES MADE IN EARLY 1995.	
1	1016859	KIT, REVERSE BUZZER (INCLUDES ITEMS 2 - 5)	1
2	1016851	BUZZER, REVERSE	1
3	0008056	SCREW, MACHINE, #4 - 40 x 3/4	2
4	0008057	NUT, HEX, #4 - 40	2
5	0008058	WASHER, LOCK, #4	2
6	1015741	BLOCK, FUSE	1
7	1016423	FUSE, 20 AMP	3
8	1016363	COVER, FUSE BLOCK	1
9	1016366	SCREW, MACHINE, #10 - 24 x 3	2
10	1011610	WASHER, LOCK, #10	4
11	1016631	NUT, PUSH	2
12	0000183	WASHER, FLAT, #10	4
13	0001017	NUT, HEX, #10 - 24	2
14	1012438	NUT, NYLON LOCK, #10 - 24	2
15	1017035	ASSEMBLY, TAILLIGHT (INCLUDES ITEMS 16 - 19)	2
16	1017699	KIT, HARDWARE	1
17	N/A	BASE, TAILLIGHT	1
18	1011582	BULB	1
19	1011843	LENS	1
20	1011497	BEZEL	2
21	1011498	SCREW, MACHINE, #8 - 32 x 1/2	4
22	1011610	WASHER, LOCK, #8	4
23	1011571	NUT, HEX, #8 - 32	4
24	1011557	SCREW, MACHINE, #6 - 32 x 1	4
25	0007591	WASHER, FLAT, #6	4
26	1011558	NUT, HEX, #6	6
27	1017977-01	BATTERY, 8-VOLT	6
28	1017957	WIRE ASSEMBLY, #6 BLACK	5
29	1014304	NUT, HEX, 5/16-18	20
30	1011578	WASHER, FLAT, TYPE B WIDE, 5/16	8
31	1018030-01	HOLD-DOWN, BATTERY, SHORT	2
32	1018030-02	HOLD-DOWN, BATTERY, LONG	2
33	1016682-01	ROD, BATTERY HOLD-DOWN	8
34	1017978-01	CAP, BATTERY, 4 PORT GANG	6

(LATE MODEL) ELECTRIC - RESORT VILLAGER

ITEM	PART NO.	DESCRIPTION	QTY
		1 2 3 4 FOR VEHICLES MADE IN LATE 1995 AND ALL 1996.	
1	1018008	CONTROLLER, 48 VOLT (225 AMP) (FOR VEHICLES PRIOR TO SERIAL NUMBER 9529-445799).....	1
1	1018402-02	CONTROLLER, 48 VOLT (235 AMP) (FOR VEHICLES WITH SERIAL NUMBERS BETWEEN 9529-445799 AND 9608-488268) ...	1
1	1018402-03	CONTROLLER, 48 VOLT (300 AMP) (FOR VEHICLES SERIAL NUMBER 9608-488268 AND LATER)	1
2	1016631	NUT, PUSH	4
3	1017203	BOLT, CARRIAGE, 1/4 - 20 x 1	4
4	1018356-01	NUT, HEX FLANGED LOCK, 1/4 - 20	8
5	0007174	WASHER, LOCK, 5/16	6
6	0001242	NUT, HEX, 5/16 - 18	6
7	0001241	WASHER, FLAT, 5/16	8
8	0007173	BOLT, HEX HEAD, 5/16 - 18 x 3/4	3
9	0001218	BOLT, HEX HEAD, 5/16 - 18 x 1 1/4	1
10	1018836-01	SOLENOID, 48 VOLT (FOR VEHICLES SERIAL NUMBER 9608-488268 AND LATER)	1
11	1018837-01	BRACKET, SOLENOID MOUNTING (FOR VEHICLES SERIAL NUMBER 9608-488268 AND LATER)	1
12	1018070-01	SOLENOID, 48 VOLT (FOR VEHICLES PRIOR TO SERIAL NUMBER 9608-488268)	1
13	1015838	BRACKET, SOLENOID MOUNTING (FOR VEHICLES PRIOR TO SERIAL NUMBER 9608-488268)	1
14	0007847	BOLT, HEX HEAD, 1/4 - 20 x 3/4	4
15	0000451	WASHER, LOCK, 1/4	4
16	0000332	WASHER, FLAT, 1/4	4
17	0007893	NUT, HEX, #10 - 32	2
18	1014947	ASSEMBLY, RESISTOR	1
19	1014948	ASSEMBLY, DIODE	1
20	0001028	NUT, HEX, 1/4 - 20	4
21	1017237	NUT, HEX FLANGED LOCK, 5/16 - 24	2

12

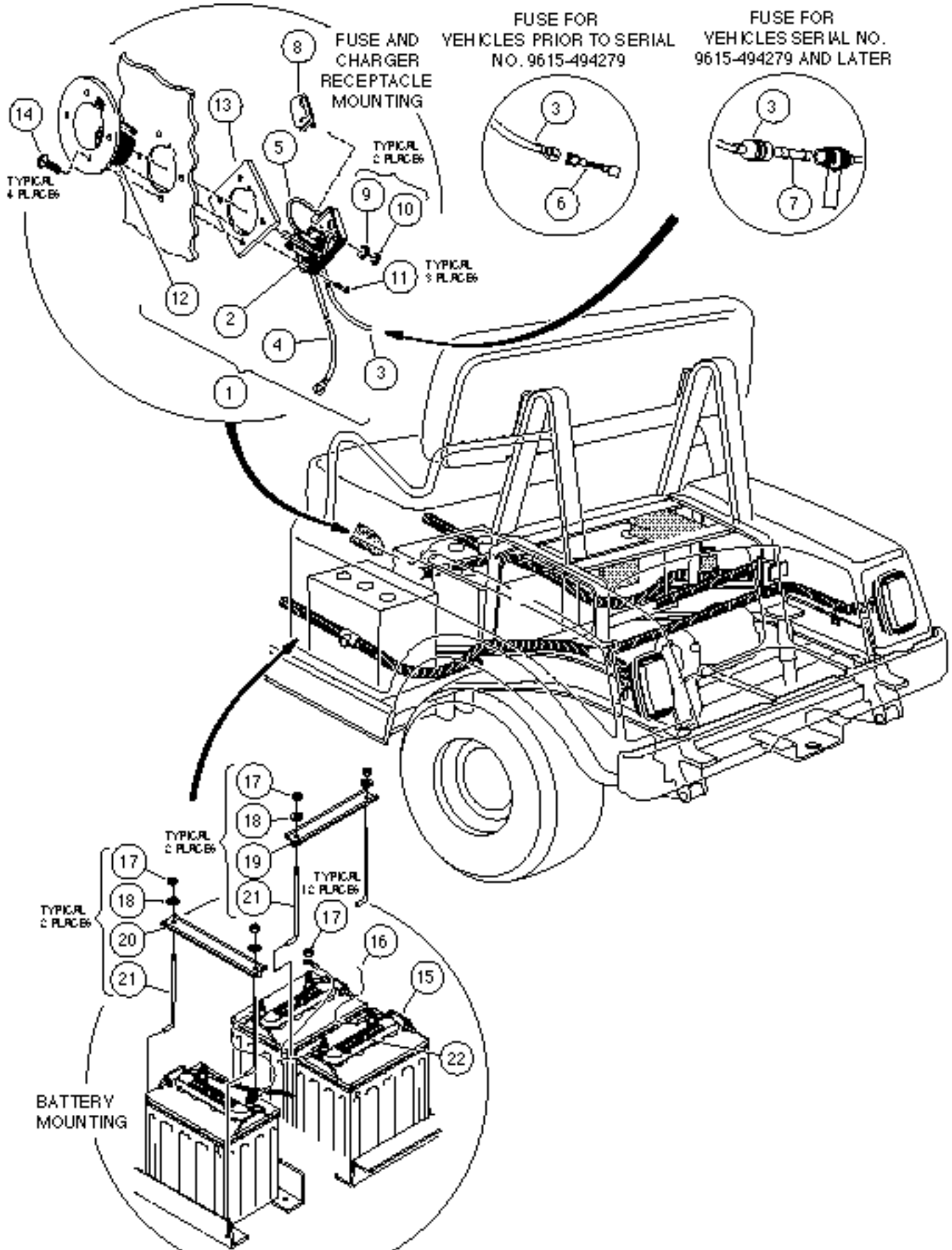
E



TRAILER BODY (LATE MODEL) ELECTRIC - RESORT VILLAGER

ITEM	PART NO.	DESCRIPTION	QTY
		1 2 3 4 FOR VEHICLES MADE IN LATE 1995 AND ALL 1996.	
1	1018108-01	KIT, VOLTAGE LIMITER (INCLUDES ITEM 2)	1
2	1018367-02	COMPOUND, HEAT SINK	A/R
3	0000332	WASHER, FLAT, 1/4	2
4	0008233	NUT, NYLON LOCK, 1/4 - 20	2
5	1016859	KIT, REVERSE BUZZER (INCLUDES ITEMS 6 - 9)	1
6	1016851	BUZZER, REVERSE	1
7	0008056	SCREW, MACHINE, #4 - 40 x 3/4	2
8	0008057	NUT, HEX, #4 - 40	2
9	0008058	WASHER, LOCK, #4	2
10	1017035	ASSEMBLY, TAILLIGHT (INCLUDES ITEMS 11 - 14)	2
11	1017699	KIT, HARDWARE	1
12	N/A	BASE, TAILLIGHT	1
13	1011582	BULB	1
14	1011843	LENS	1
15	1011497	BEZEL	2
16	1011498	SCREW, MACHINE, #8 - 32 x 1/2	4
17	1011610	WASHER, LOCK, #8	4
18	1011571	NUT, HEX, #8 - 32	4
19	1011557	SCREW, MACHINE, #6 - 32 x 1	4
20	0007591	WASHER, FLAT, #6	4
21	1011558	NUT, HEX, #6	6
22	1015741	BLOCK, FUSE	1
23	1016423	FUSE, 20 AMP	3
24	1016363	COVER, FUSE BLOCK	1
25	1016366	SCREW, MACHINE, #10 - 24 x 3	2
26	1011610	WASHER, LOCK, #10	4
27	1016631	NUT, PUSH	2
28	0000183	WASHER, FLAT, #10	4
29	0001017	NUT, HEX, #10 - 24	2
30	1012438	NUT, NYLON LOCK, #10 - 24	2

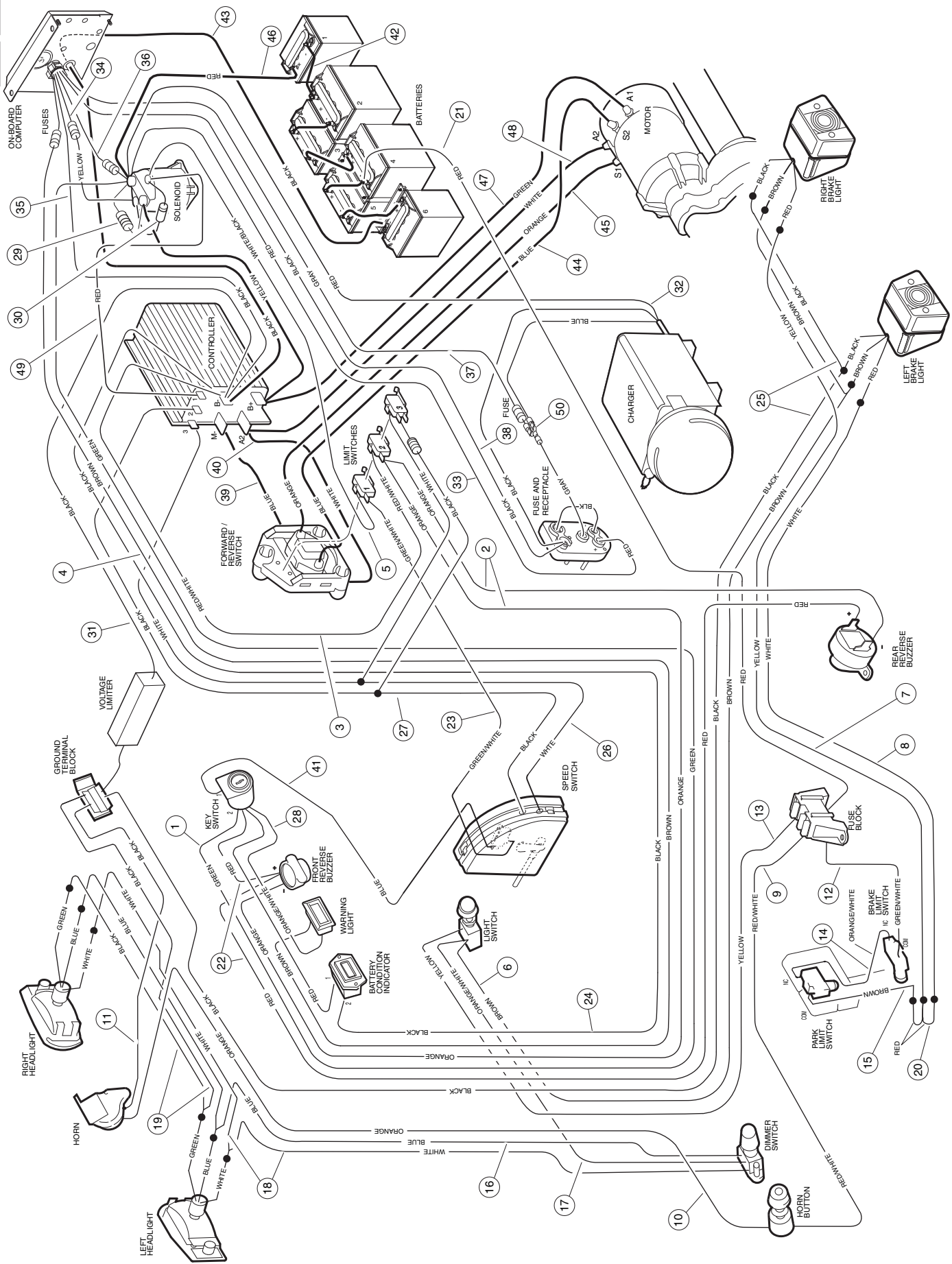
12
E



CHASSIS BODY (LATE MODEL) ELECTRIC - RESORT VILLAGER

ITEM	PART NO.	DESCRIPTION	QTY
		1 2 3 4 FOR VEHICLES MADE IN LATE 1995 AND ALL 1996.	
1	1018021-01	KIT, FUSE AND RECEPTACLE (INCLUDES ITEMS 2 - 12)	1
2	1018468-01	ASSEMBLY, FUSE AND RECEPTACLE (INCLUDES ITEMS 3 - 11)	1
3	N/A	WIRE ASSEMBLY, #10 GREY	1
4	N/A	WIRE ASSEMBLY, #10 RED	1
5	N/A	WIRE ASSEMBLY, #10 BLACK	1
6	1018633-01	FUSE ASSEMBLY, 1/4 AMP (FOR VEHICLES PRIOR TO SERIAL NUMBER 9615-494279)	1
7	1018949-01	FUSE ASSEMBLY, 3/8 AMP (FOR VEHICLES SERIAL NUMBER 9615-494279 AND LATER)	1
8	1017968-01	ASSEMBLY, FUSE, 48 VOLT (INCLUDES ITEMS 9 AND 10)	1
9	1018038	WASHER, NARROW TYPE 13, #10	2
10	1018028	NUT, SERRATED, #10 - 32	2
11	1017705	SCREW, PHILLIPS PAN HEAD, #8 TYPE AB	3
12	1017965-01	BEZEL, RECEPTACLE	1
13	1018010-01	PLATE, RECEPTACLE BACKING	1
14	1018320-01	SCREW, PHILLIPS PAN HEAD, #7 - 18 x 3/4	4
15	1017977-01	BATTERY, 8-VOLT	6
16	1017957	WIRE ASSEMBLY, #6 BLACK	5
17	1014304	NUT, HEX, 5/16 - 18	20
18	1011578	WASHER, FLAT, TYPE B WIDE, 5/16	8
19	1018030-01	HOLD-DOWN, BATTERY, SHORT	2
20	1018030-02	HOLD-DOWN, BATTERY, LONG	2
21	1016682-01	ROD, BATTERY HOLD-DOWN	8
22	1017978-01	CAP, BATTERY, 4 PORT GANG	6

12
E

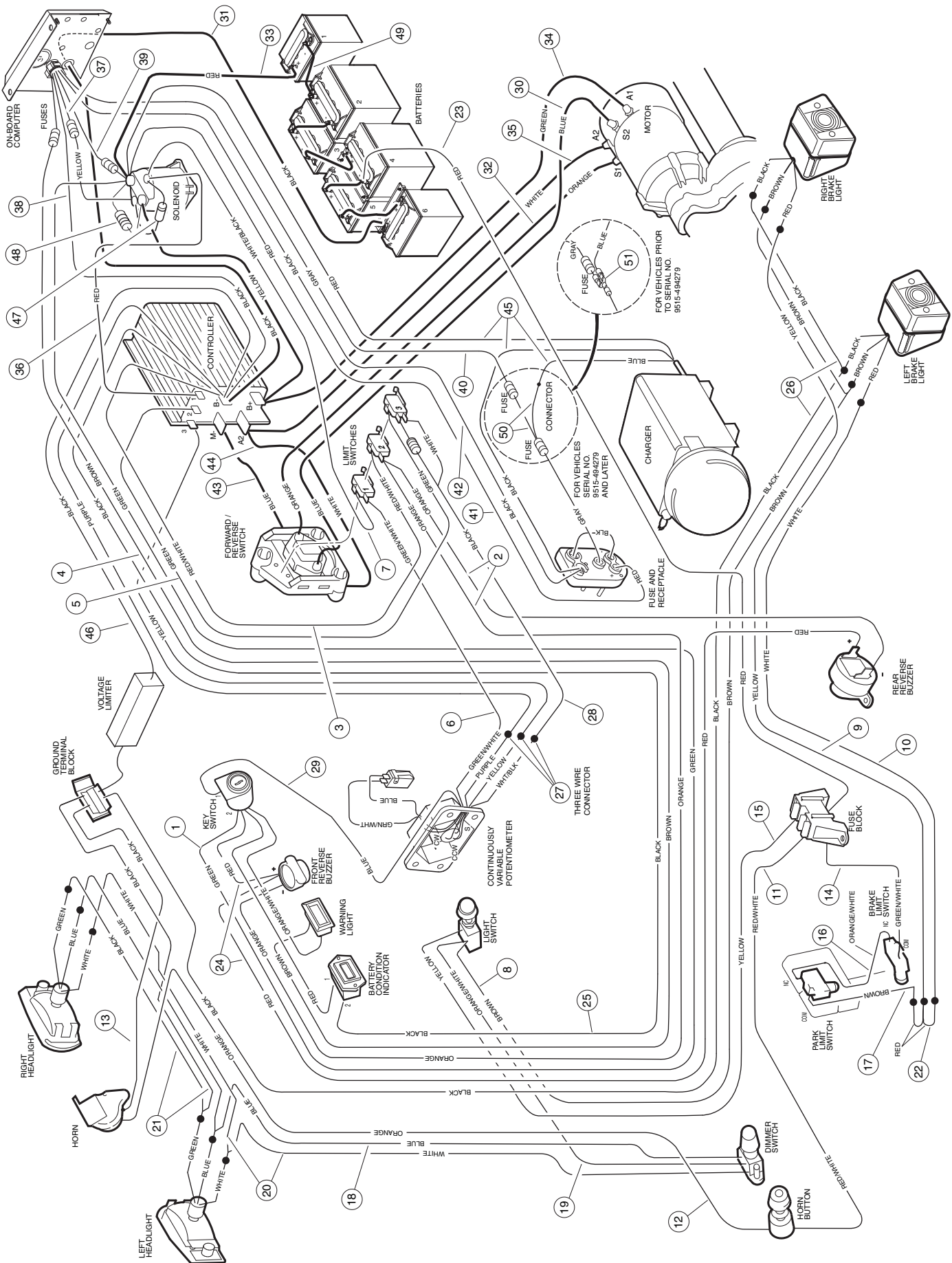




ER WITH MULTI-STEP POTENTIOMETER

ITEM	PART NO.	DESCRIPTION	QTY
		1 2 3 4 FOR VEHICLES PRIOR TO SERIAL NUMBER 9529-445799.	
	1018195-01	WIRE HARNESS (INCLUDES ITEMS 1 - 25)	1
1	1016687	WIRE ASSEMBLY, #18 GREEN	1
2	1016688	WIRE ASSEMBLY, #18 ORANGE	1
3	1018199-01	WIRE ASSEMBLY, #18 RED/WHITE	1
4	1018211-02	WIRE ASSEMBLY, #18 BROWN	1
5	1018200-01	WIRE ASSEMBLY, #18 WHITE/BLACK	1
6	1016699	WIRE ASSEMBLY, #18 BROWN	1
7	1016774	WIRE ASSEMBLY, #18 YELLOW	1
8	1016695	WIRE ASSEMBLY, #18 WHITE	1
9	1016696	WIRE ASSEMBLY, #16 RED/WHITE	1
10	1016307	WIRE ASSEMBLY, #16 ORANGE	1
11	1016308	WIRE ASSEMBLY, #16 BLACK	1
12	1016700	WIRE ASSEMBLY, #18 GREEN/WHITE	1
13	1016697	WIRE ASSEMBLY, #14 YELLOW	1
14	1016309	WIRE ASSEMBLY, #16 ORANGE/WHITE	1
15	1016314	WIRE ASSEMBLY, #16 BROWN	1
16	1017052	WIRE ASSEMBLY, #18 BLUE	1
17	1016315	WIRE ASSEMBLY, #16 ORANGE/WHITE	1
18	1016323	WIRE ASSEMBLY, #16 WHITE	1
19	1016326	WIRE ASSEMBLY, #16 BLACK	1
20	1016409	WIRE ASSEMBLY, #18 RED	1
21	1016698	WIRE ASSEMBLY, #10 RED	1
22	1016748	WIRE ASSEMBLY, #18 RED	1
23	1018252-01	WIRE ASSEMBLY, #16 GREEN/WHITE	1
24	1018182-01	WIRE ASSEMBLY, #18 BLACK	1
25	1018369-01	WIRE ASSEMBLY, #18 BLACK	1
26	1018196-01	WIRE ASSEMBLY, #18 WHITE	1
27	1018198-01	WIRE ASSEMBLY, #18 BLACK (WITH RESISTOR)	1
28	1017967-01	WIRE ASSEMBLY, #18 ORANGE/WHITE	1
29	1014947	ASSEMBLY, RESISTOR	1
30	1014948	ASSEMBLY, DIODE	1
31	N/A	WIRE ASSEMBLY, #10 BLACK (PART OF VOLTAGE LIMITER ASSEMBLY)	1
32	N/A	WIRE ASSEMBLY, #10 BLUE, #10 RED, #10 BLACK (PART OF ON-BOARD CHARGER)	1
33	N/A	WIRE ASSEMBLY, #10 RED (PART OF FUSE AND RECEPTACLE ASSEMBLY)	1
34	N/A	WIRE ASSEMBLY, #18 YELLOW (PART OF ON-BOARD COMPUTER ASSEMBLY)	1
35	N/A	WIRE ASSEMBLY, #10 BLACK (PART OF ON-BOARD COMPUTER ASSEMBLY)	1
36	N/A	WIRE ASSEMBLY, #18 RED (PART OF ON-BOARD COMPUTER ASSEMBLY)	1
37	N/A	WIRE ASSEMBLY, #18 GREY (PART OF ON-BOARD COMPUTER ASSEMBLY)	1
38	N/A	WIRE ASSEMBLY, #10 BLACK (PART OF ON-BOARD COMPUTER ASSEMBLY)	1
39	1016728	WIRE ASSEMBLY, #6 BLUE	1
40	1016729	WIRE ASSEMBLY, #6 WHITE	1
41	1017393	WIRE ASSEMBLY, #18 BLUE	1
42	1017957	WIRE ASSEMBLY, #6 BLACK	5
43	1018278-02	KIT, GROUND WIRE, #6 BLACK	1
44	1016735	WIRE ASSEMBLY, #6 BLUE	1
45	1016736	WIRE ASSEMBLY, #6 ORANGE	1
46	1016734	WIRE ASSEMBLY, #6 RED	1
47	1016731	WIRE ASSEMBLY, #6 GREEN	1
48	1016730	WIRE ASSEMBLY, #6 WHITE	1
49	1016738	WIRE ASSEMBLY, #18 RED	1
50	1018085-01	ADAPTER, RECEPTACLE AND TABS FASTON	1

12
E

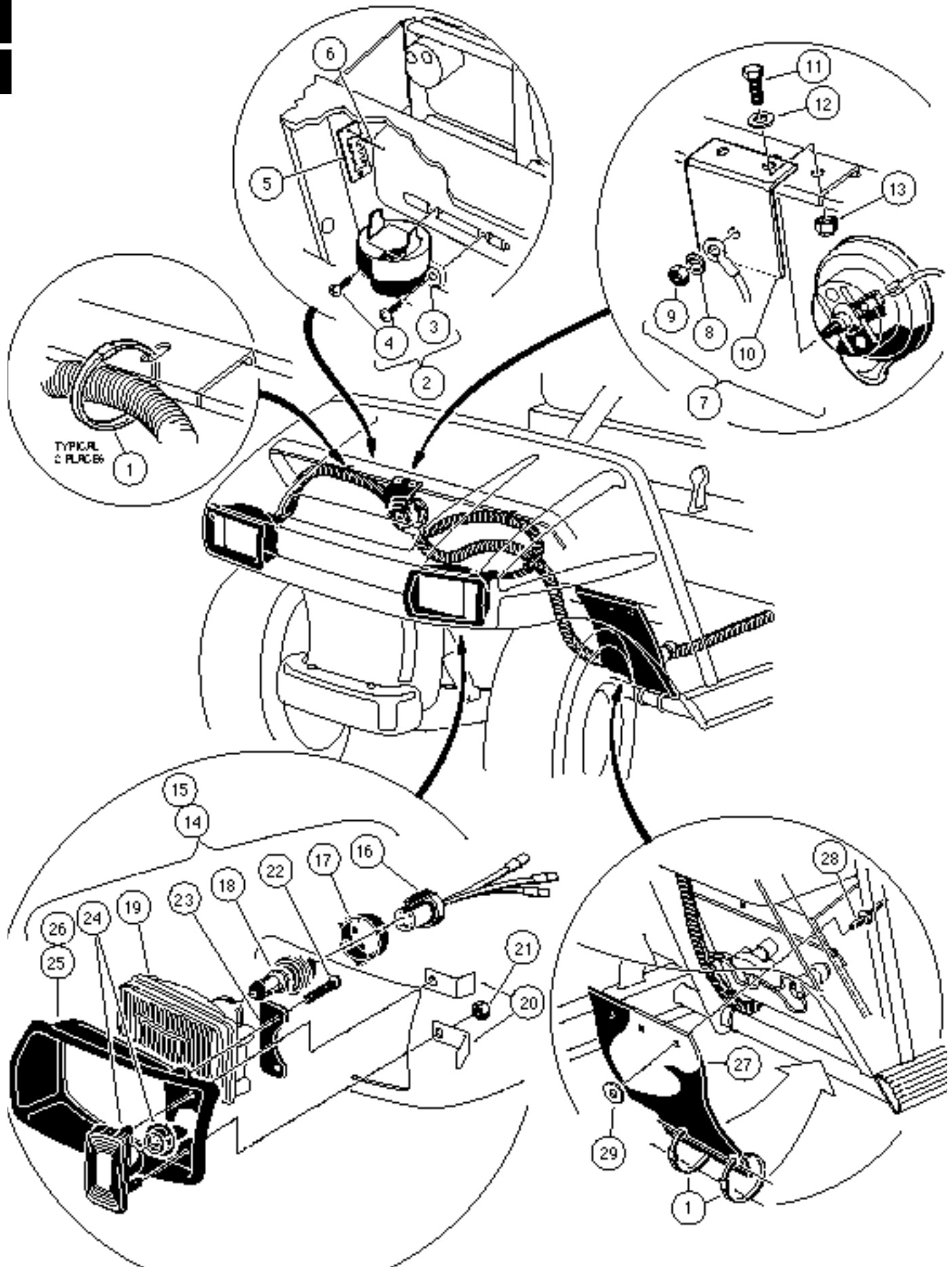




ER WITH CONTINUOUSLY VARIABLE POTENTIOMETER

ITEM	PART NO.	DESCRIPTION	QTY
		1 2 3 4	
		FOR VEHICLES SERIAL NUMBER 9529-445799 AND LATER.	
	1018195-01	WIRE HARNESS (CONTAINS ITEMS 1 - 28).....	1
1	1016687	WIRE ASSEMBLY, #18 GREEN	1
2	1016688	WIRE ASSEMBLY, #18 ORANGE	1
3	1018199-01	WIRE ASSEMBLY, #18 RED/WHITE	1
4	1018211-02	WIRE ASSEMBLY, #18 BROWN	1
5	1018403-02	WIRE ASSEMBLY, #18 GREEN	1
6	1018252-01	WIRE ASSEMBLY, #16 GREEN/WHITE	1
7	1018200-01	WIRE ASSEMBLY, #18 WHITE/BLACK	1
8	1016699	WIRE ASSEMBLY, #18 BROWN	1
9	1016774	WIRE ASSEMBLY, #18 YELLOW	1
10	1016695	WIRE ASSEMBLY, #18 WHITE	1
11	1016696	WIRE ASSEMBLY, #16 RED/WHITE	1
12	1016307	WIRE ASSEMBLY, #16 ORANGE	1
13	1016308	WIRE ASSEMBLY, #16 BLACK	1
14	1016700	WIRE ASSEMBLY, #18 GREEN/WHITE	1
15	1016697	WIRE ASSEMBLY, #14 YELLOW	1
16	1016309	WIRE ASSEMBLY, #16 ORANGE/WHITE	1
17	1016314	WIRE ASSEMBLY, #16 BROWN	1
18	1017052	WIRE ASSEMBLY, #18 BLUE	1
19	1016315	WIRE ASSEMBLY, #16 ORANGE/WHITE	1
20	1016323	WIRE ASSEMBLY, #16 WHITE	1
21	1016326	WIRE ASSEMBLY, #16 BLACK	1
22	1016409	WIRE ASSEMBLY, #18 RED	1
23	1016698	WIRE ASSEMBLY, #10 RED	1
24	1016748	WIRE ASSEMBLY, #18 RED	1
25	1018182-01	WIRE ASSEMBLY, #18 BLACK	1
26	1018369-01	WIRE ASSEMBLY, #18 BLACK	1
27	1018651-02	ASSEMBLY, 3 - WAY PLUG (INCLUDES #18 PURPLE, #18 YELLOW AND ITEM 28)	1
28	1018830-01	WIRE ASSEMBLY, #18 BLACK (INCLUDES RESISTOR AND #18 WHITE WIRE)	1
29	1016133	WIRE ASSEMBLY, #18 BLUE	1
30	1016735	WIRE ASSEMBLY, #6 BLUE	1
31	1018278-02	KIT, GROUND WIRE, #6 BLACK	1
32	1016736	WIRE ASSEMBLY, #6 ORANGE	1
33	1016734	WIRE ASSEMBLY, #6 RED	1
34	1016731	WIRE ASSEMBLY, #6 GREEN	1
35	1016730	WIRE ASSEMBLY, #6 WHITE	1
36	1016738	WIRE ASSEMBLY, #18 RED	1
37	N/A	WIRE ASSEMBLY, #18 YELLOW (PART OF ON-BOARD COMPUTER ASSEMBLY)	1
38	N/A	WIRE ASSEMBLY, #10 BLACK (PART OF ON-BOARD COMPUTER ASSEMBLY)	1
39	N/A	WIRE ASSEMBLY, #18 RED (PART OF ON-BOARD COMPUTER ASSEMBLY)	1
40	N/A	WIRE ASSEMBLY, #18 GREY (PART OF ON-BOARD COMPUTER ASSEMBLY)	1
41	N/A	WIRE ASSEMBLY, #10 RED (PART OF FUSE AND RECEPTACLE ASSEMBLY)	1
42	N/A	WIRE ASSEMBLY, #10 BLACK (PART OF ON-BOARD COMPUTER ASSEMBLY)	1
43	1016728	WIRE ASSEMBLY, #6 BLUE	1
44	1016729	WIRE ASSEMBLY, #6 WHITE	1
45	N/A	WIRE ASSEMBLY, #10 BLUE, #10 RED, #10 BLACK (PART OF ON-BOARD CHARGER)...	1
46	N/A	WIRE ASSEMBLY, #10 BLACK (PART OF VOLTAGE LIMITER ASSEMBLY)	1
47	1017948	ASSEMBLY, DIODE	1
48	1017947	ASSEMBLY, RESISTOR	1
49	1017957	WIRE ASSEMBLY, #6 BLACK	5
50	1018968-01	ASSEMBLY, 3-WAY PLUG (FOR VEHICLES SERIAL NUMBER 9615-494279 AND LATER)..	1
51	1018085-01	ADAPTER, RECEPTACLE AND TABS FASTON	1

**12
E**



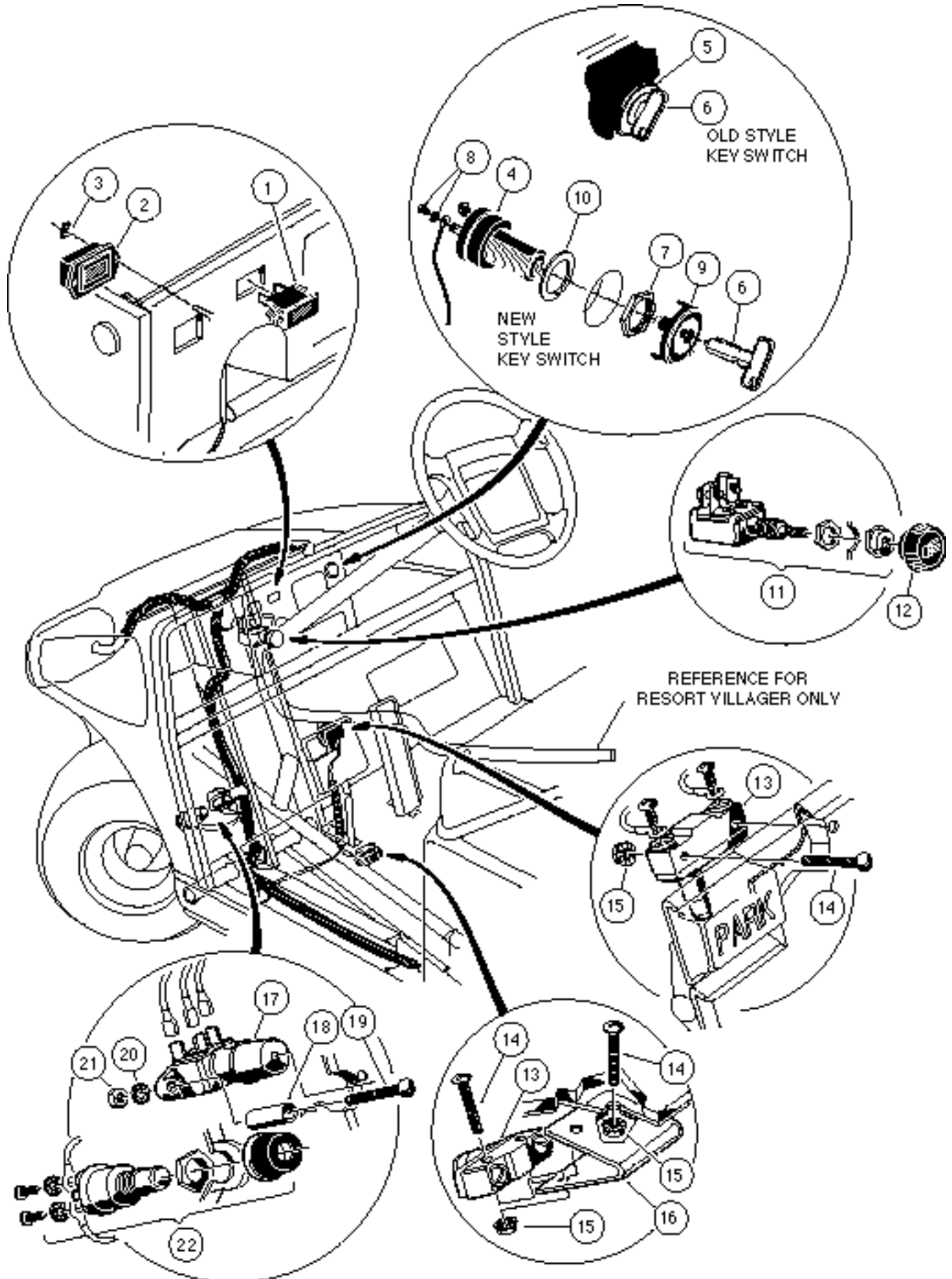


ELECTRIC RESORT VILLAGER, TRANS-PORTER/TRANS-SENDER

12
E

ITEM	PART NO.	DESCRIPTION	QTY
		1 2 3 4	
1	0008639	WRAP, TIE	4
2	1016859	KIT, REVERSE BUZZER (INCLUDES ITEMS 3 AND 4)	1
3	1016851	BUZZER, REVERSE	1
4	1016849	SCREW, PAN HEAD HI-LO, #4 - 24 x 5/16	2
5	1016356	BLOCK, TERMINAL	1
6	1013357	RIVET, ALUMINUM POP, 5/32	2
7	0004029	ASSEMBLY, HORN (INCLUDES ITEMS 8, 9 AND 10)	1
8	0007820	WASHER, INTERNAL TOOTH, 5/16	1
9	1012528	NUT, M8 x 1 1/4	1
10	1011825	BRACKET, HORN	1
11	0000304	BOLT, HEX HEAD, 1/4 - 20 x 1	2
12	0000332	WASHER, FLAT, 1/4	2
13	0008233	NUT, NYLON LOCK, 1/4 - 20	2
14	1016897-01	ASSEMBLY, HEADLIGHT, LEFT HAND (INCLUDES ITEMS 16 - 25)	1
15	1016897-02	ASSEMBLY, HEADLIGHT, RIGHT HAND (INCLUDES ITEMS 16 - 24 AND 26)	1
16	1017066	HARNES, HEADLIGHT WIRE	1
17	1017059	LOCK, BULB COLLAR	1
18	1017060	BULB, HALOGEN	1
19	1017061	LENS, HEADLIGHT	1
20	1017064	BRACKET, MOUNTING	2
21	0007893	NUT, HEX, #10 - 32	2
22	1013461	SCREW, HI-LO, #10 - 16	2
23	1017065	RETAINER, HEADLIGHT	1
24	1017062	ASSEMBLY, TURN SIGNAL LENS	1
25	1016880	BEZEL, HEADLIGHT, LEFT HAND	1
26	1016879	BEZEL, HEADLIGHT, RIGHT HAND	1
27	1015787	FLAP, SWITCH PROTECTOR	1
28	0001606	RIVET, POP, 3/16	3
29	0000183	WASHER, FLAT, #10	3

12
E





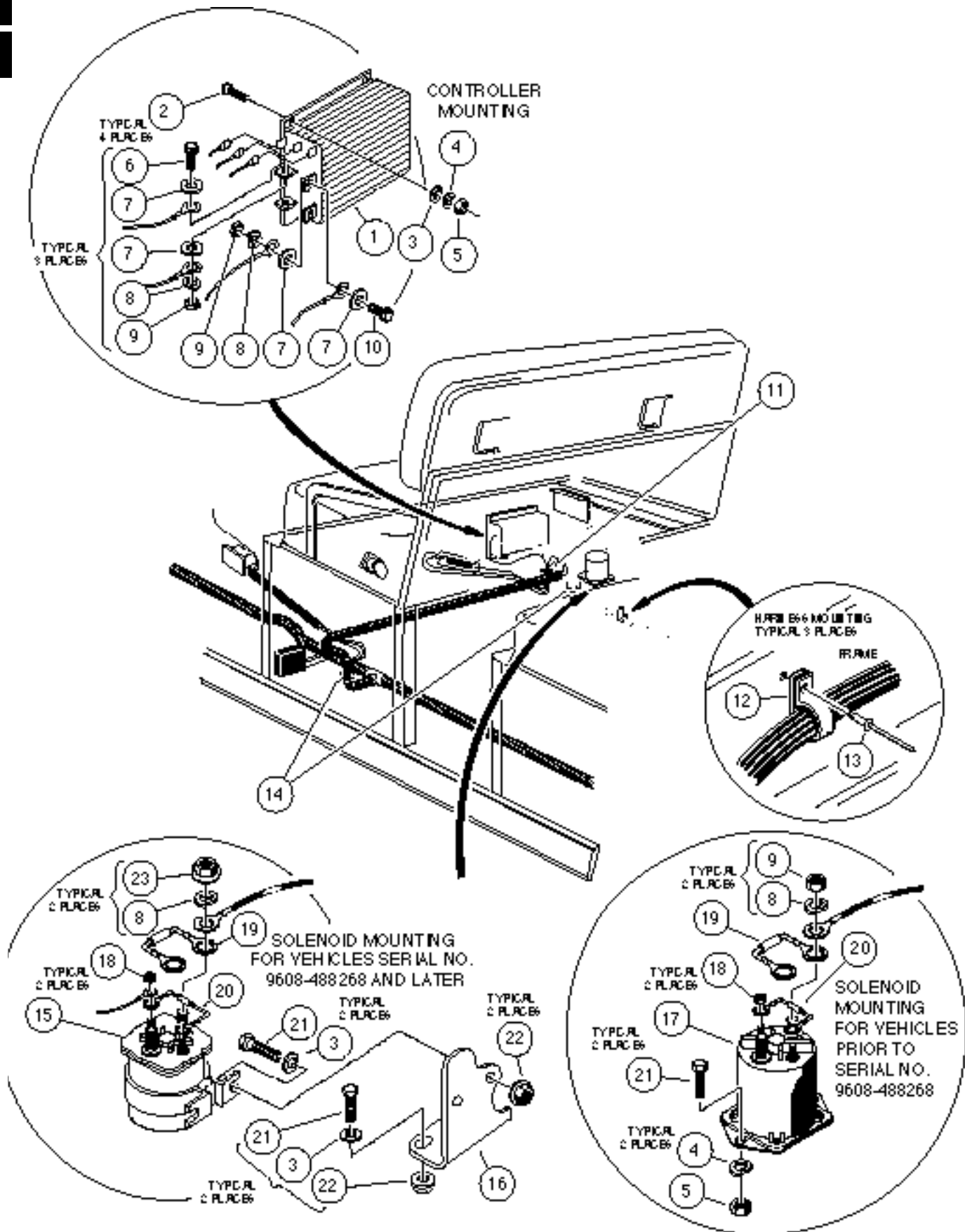
VEHICLES RESORT VILLAGER, TRANS-PORTER/TRANS-SENDER

12

E

ITEM	PART NO.	DESCRIPTION	QTY
		1 2 3 4	
1	1018025-01	LIGHT, BATTERY WARNING	1
2	1018142-01	INDICATOR, BATTERY	1
3	1018147-01	RETAINER, PUSH ON	2
4	1018262-01	SWITCH, KEY (FOR VEHICLES SERIAL NUMBER 9522-436452 AND LATER)	1
5	1012531	SWITCH, KEY (INCLUDES ITEM 6) (FOR VEHICLES PRIOR TO SERIAL NUMBER 9522-436452)	1
6	1012505	KEY (PAIR)	1
7	1018307-01	NUT, KEY SWITCH	1
8	1018306-01	ASSEMBLY, SCREW AND WASHER	2
9	1018345-02	CAP, KEY SWITCH	1
10	1018511-01	WASHER	1
11	0004034	SWITCH, LIGHT (INCLUDES ITEM 12)	1
12	1013857	KNOB, LIGHT SWITCH	1
13	1011439	SWITCH, LIMIT	2
14	1011557	SCREW, MACHINE, #6 - 32 x 1	6
15	1011229	NUT, "K" LOCK, #6 - 32	6
16	1011742	BRACKET, BRAKE LIGHT SWITCH	1
17	1010889	SWITCH, DIMMER	1
18	1018713-01	STAND-OFF, DIMMER SWITCH	2
19	1018712-01	SCREW, MACHINE, #10 - 32 x 1	2
20	0008049	WASHER, INTERNAL TOOTH LOCK, #10	2
21	0007893	NUT, HEX, #10 - 32	2
22	1013443	BUTTON, HORN	1

12
E

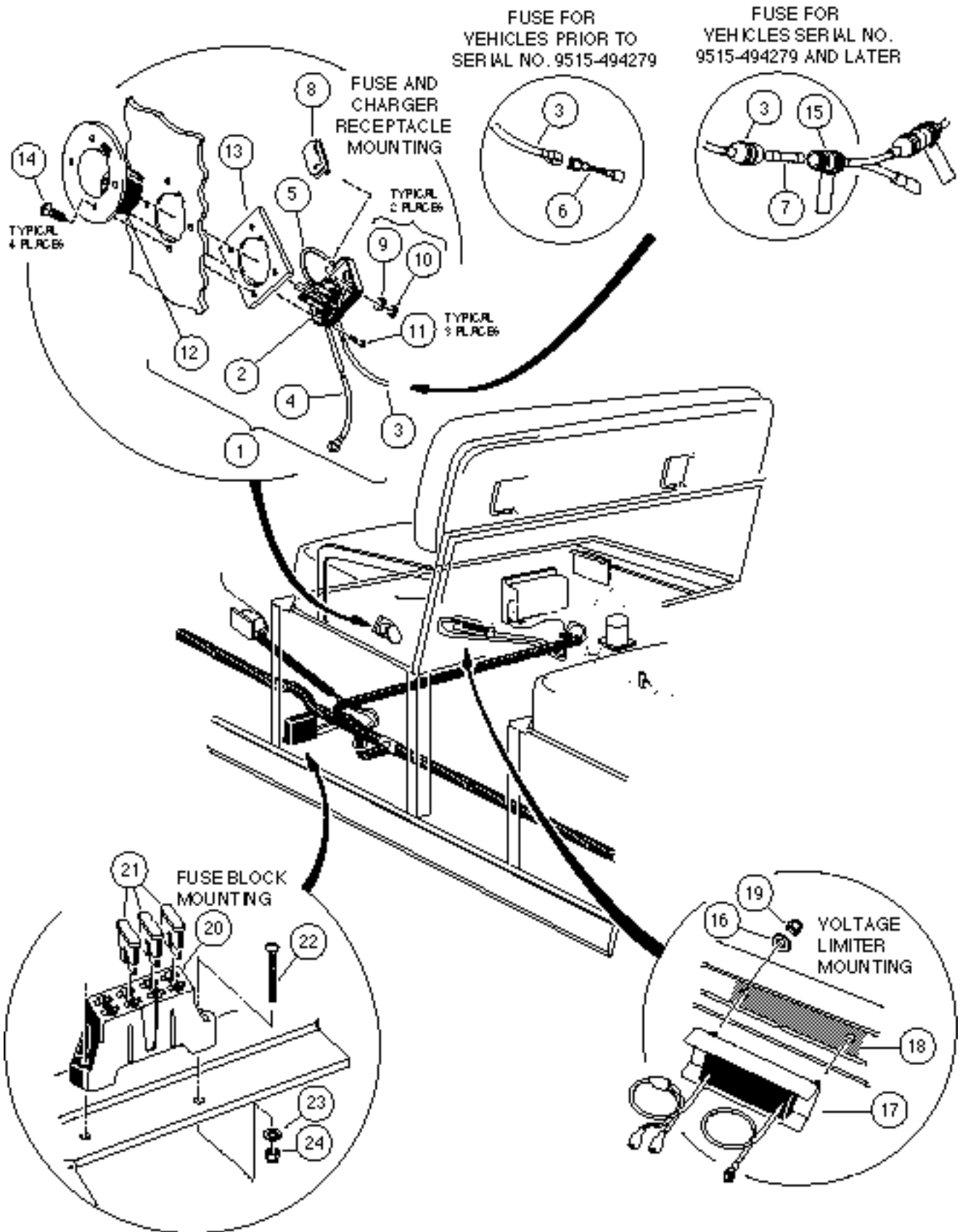




ELECTRIC - TRANSPORTER/TRANSENDER

ITEM	PART NO.	DESCRIPTION	QTY
		1 2 3 4	
1	1018008	CONTROLLER, 48 VOLT (225 AMP) (FOR VEHICLES PRIOR TO SERIAL NUMBER 9529-445799)	1
1	1018402-02	CONTROLLER, 48 VOLT (235 AMP) (FOR VEHICLES WITH SERIAL NUMBERS BETWEEN 9529-445799 AND 9608-488268) ...	1
1	1018402-03	CONTROLLER, 48 VOLT (300 AMP) (FOR VEHICLES SERIAL NUMBER 9608-488268 AND LATER)	1
2	1015066	SCREW, ROUND HEAD, 1/4 - 20 x 3/4	4
3	0000332	WASHER, FLAT, 1/4	8
4	0000451	WASHER, LOCK, 1/4	6
5	0001028	NUT, HEX, 1/4 - 20	2
6	0007173	BOLT, HEX HEAD, 5/16 - 18 x 3/4	3
7	0001241	WASHER, FLAT, 5/16	8
8	0007174	WASHER, LOCK, 5/16	6
9	0001242	NUT, HEX, 5/16 - 18	6
10	0001218	BOLT, HEX HEAD, 5/16 - 18 x 1 1/4	1
11	1018024-01	GROMMET, 5/8	1
12	1012022	CLAMP, CABLE	3
13	0001606	RIVET, POP	3
14	1016706	GROMMET, 1 1/4	2
15	1018836-01	SOLENOID, 48 VOLT (FOR VEHICLES SERIAL NUMBER 9608-488268 AND LATER) ..	1
16	1018837-01	BRACKET, SOLENOID MOUNTING (FOR VEHICLES SERIAL NUMBER 9608-488268 AND LATER)	1
17	1018070-01	SOLENOID, 48 VOLT (FOR VEHICLES PRIOR TO SERIAL NUMBER 9608-488268)	1
18	0007893	NUT, HEX, #10 - 32	2
19	1014947	ASSEMBLY, RESISTOR	1
20	1014948	ASSEMBLY, DIODE	1
21	0007847	BOLT, HEX HEAD, 1/4 - 20 x 3/4	2
22	1018356-01	NUT, HEX FLANGED LOCK, 1/4 - 20	4
23	1017237	NUT, FLANGED LOCK, 5/16 - 24	2

12
E

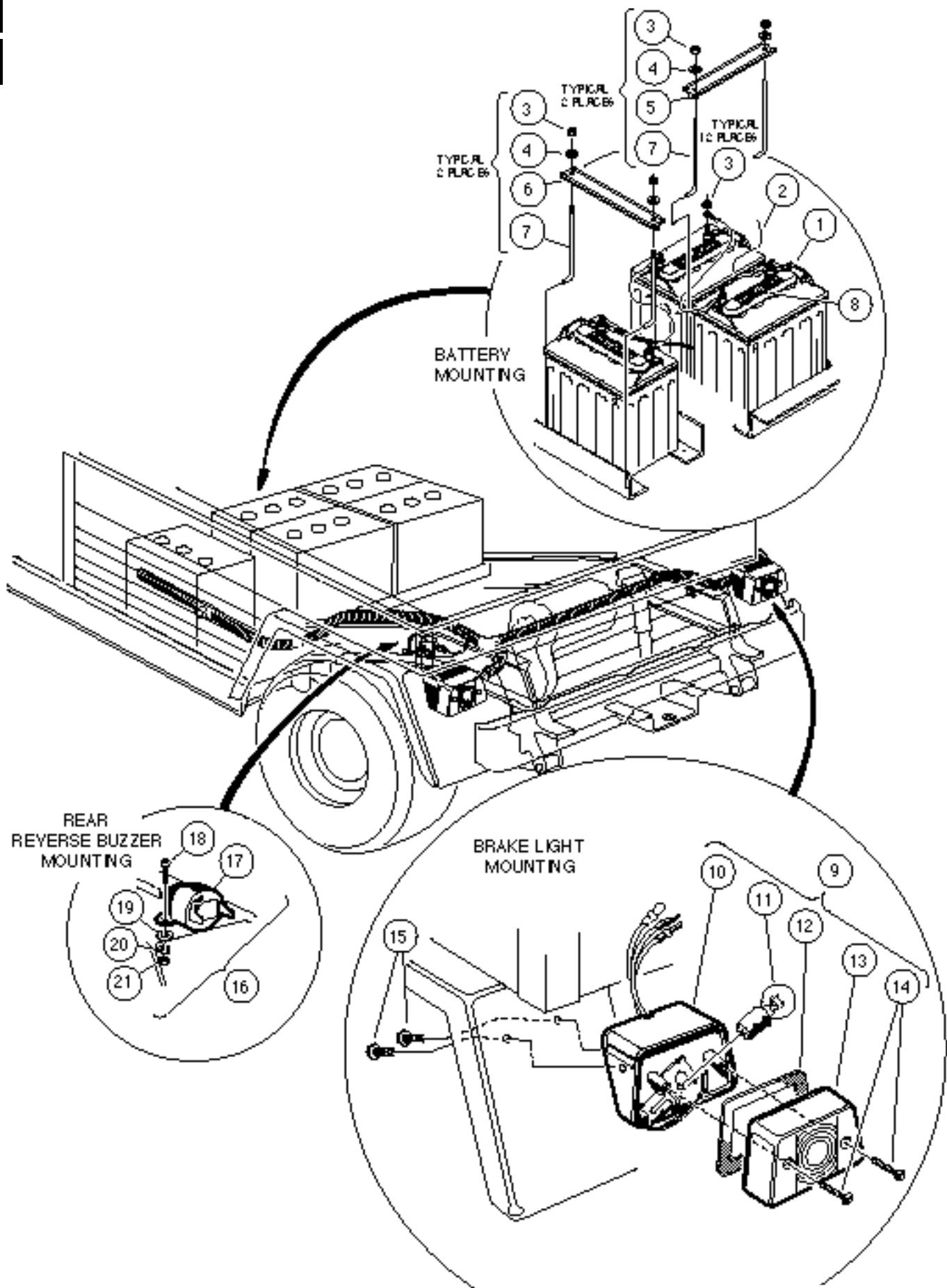


ELECTRIC - TRANSPORTER/TRANSENDER

ITEM	PART NO.	DESCRIPTION	QTY
		1 2 3 4	
1	1018021-01	KIT, FUSE AND RECEPTACLE (INCLUDES ITEMS 2 - 12)	1
2	1018468-01	ASSEMBLY, FUSE AND RECEPTACLE (INCLUDES ITEMS 3 - 11)	1
3	N/A	WIRE ASSEMBLY, #10 GREY	1
4	N/A	WIRE ASSEMBLY, #10 RED	1
5	N/A	WIRE ASSEMBLY, #10 BLACK	1
6	1018633-01	FUSE ASSEMBLY, 1/4 AMP (FOR VEHICLES PRIOR TO SERIAL NUMBER 9615-494279)	1
7	1018949-01	FUSE ASSEMBLY, 3/8 AMP (FOR VEHICLES SERIAL NUMBER 9615-494279 AND LATER)	1
8	1017968-01	ASSEMBLY, FUSE, 48 VOLT (INCLUDES ITEMS 9 AND 10)	1
9	1018038	WASHER, NARROW TYPE 13, #10	2
10	1018028	NUT, SERRATED, #10 - 32	2
11	1017705	SCREW, PHILLIPS PAN HEAD, #8 TYPE AB	3
12	1017965-01	BEZEL, RECEPTACLE	1
13	1018010-01	PLATE, RECEPTACLE BACKING	1
14	1018320-01	SCREW, PHILLIPS PAN HEAD, #7 - 18 x 3/4	4
15	1018968-01	ASSEMBLY, 3-WAY PLUG (FOR VEHICLES SERIAL NUMBER 9615-494279 AND LATER)	1
16	0000332	WASHER, FLAT, 1/4	2
17	1018108-01	LIMITER, VOLTAGE (INCLUDES ITEM 18)	1
18	1018367-02	COMPOUND, HEAT SINK	A/R
19	0008233	NUT, NYLON LOCK, 1/4 - 20	2
20	1015741	BLOCK, FUSE	1
21	1016423	FUSE, 20 AMP	3
22	1010909	SCREW, ROUND HEAD, #10 - 32 x 1 1/4	2
23	0000183	WASHER, FLAT, #10	2
24	1013061	NUT, NYLON LOCK, #10 - 32	2

12

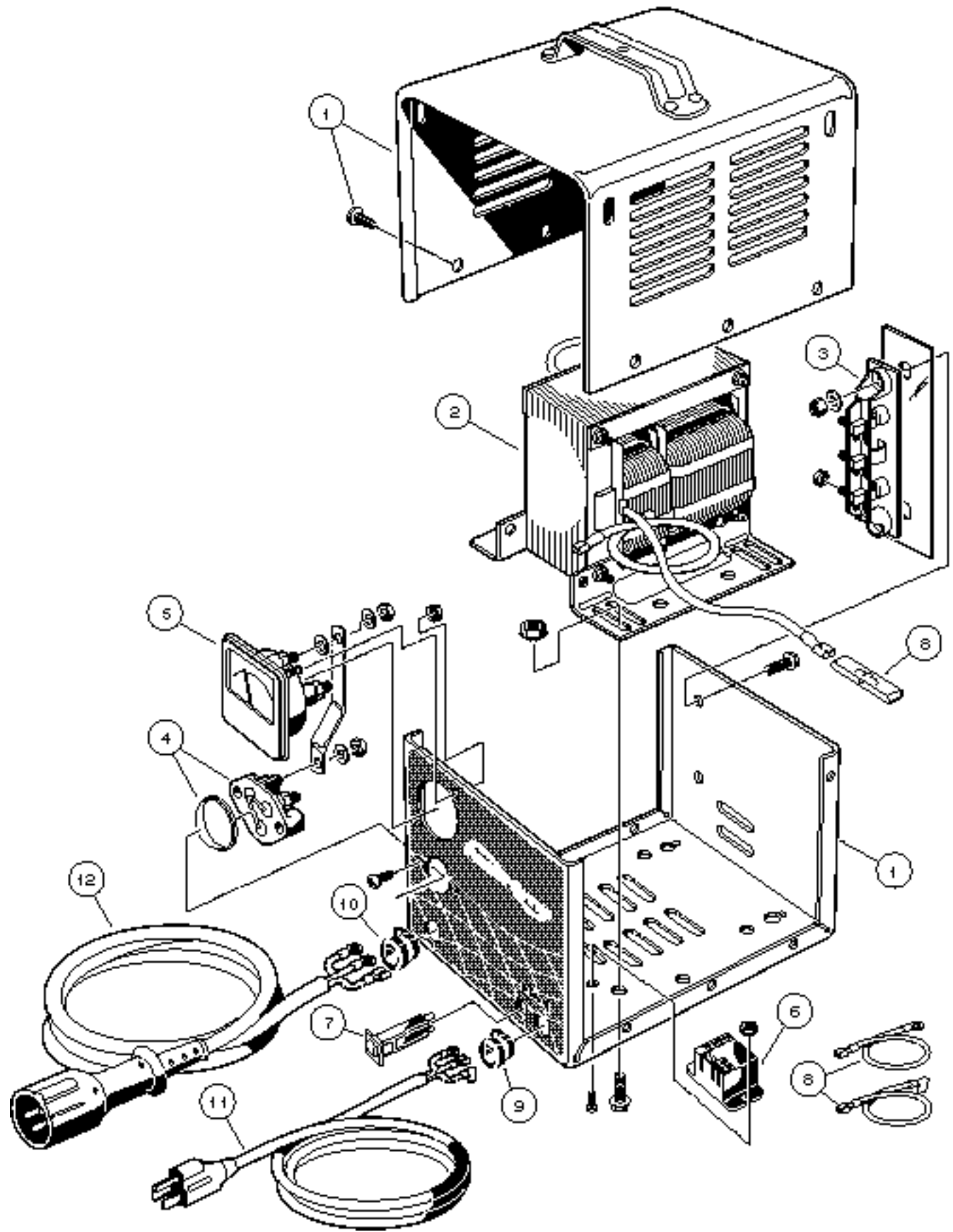
E

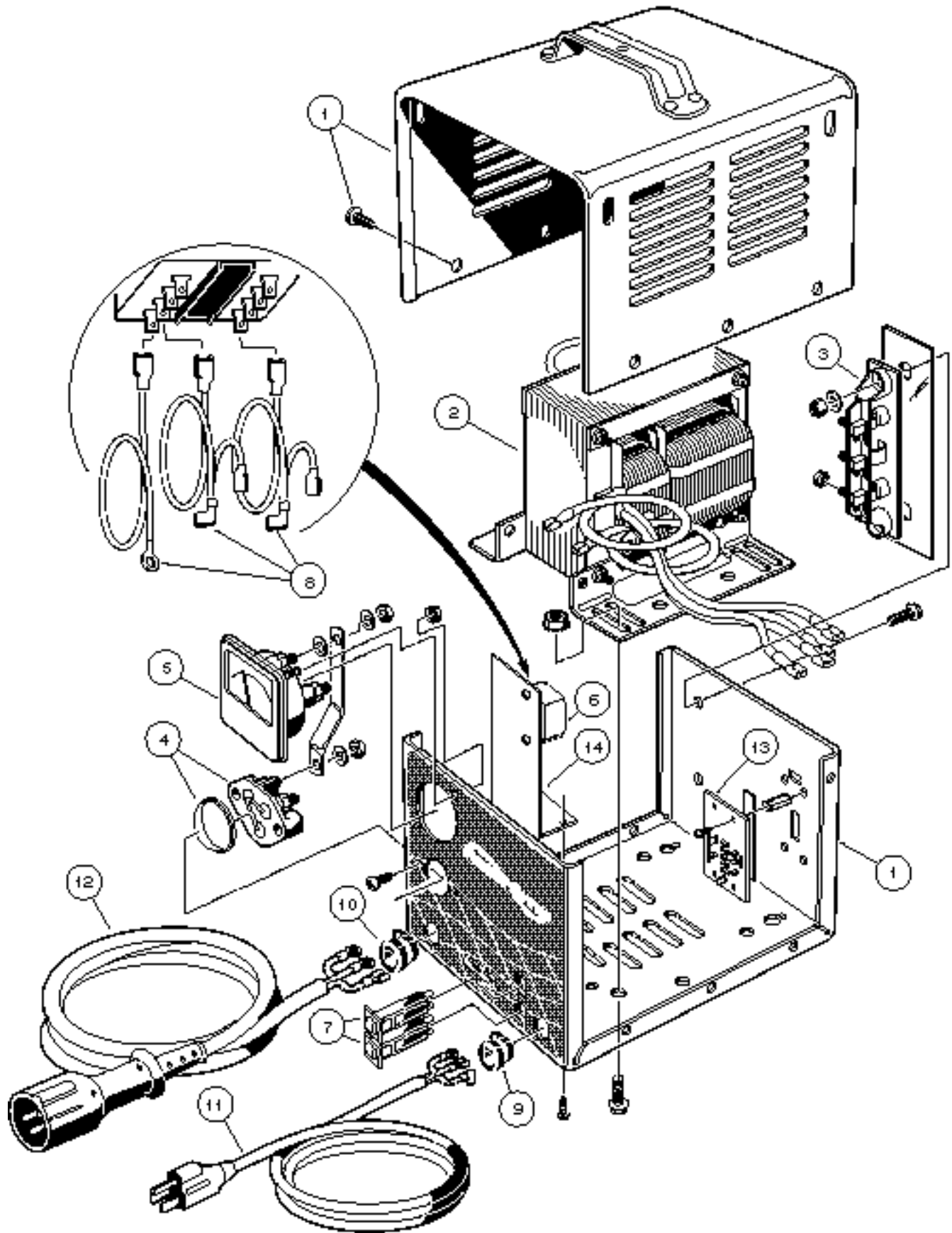


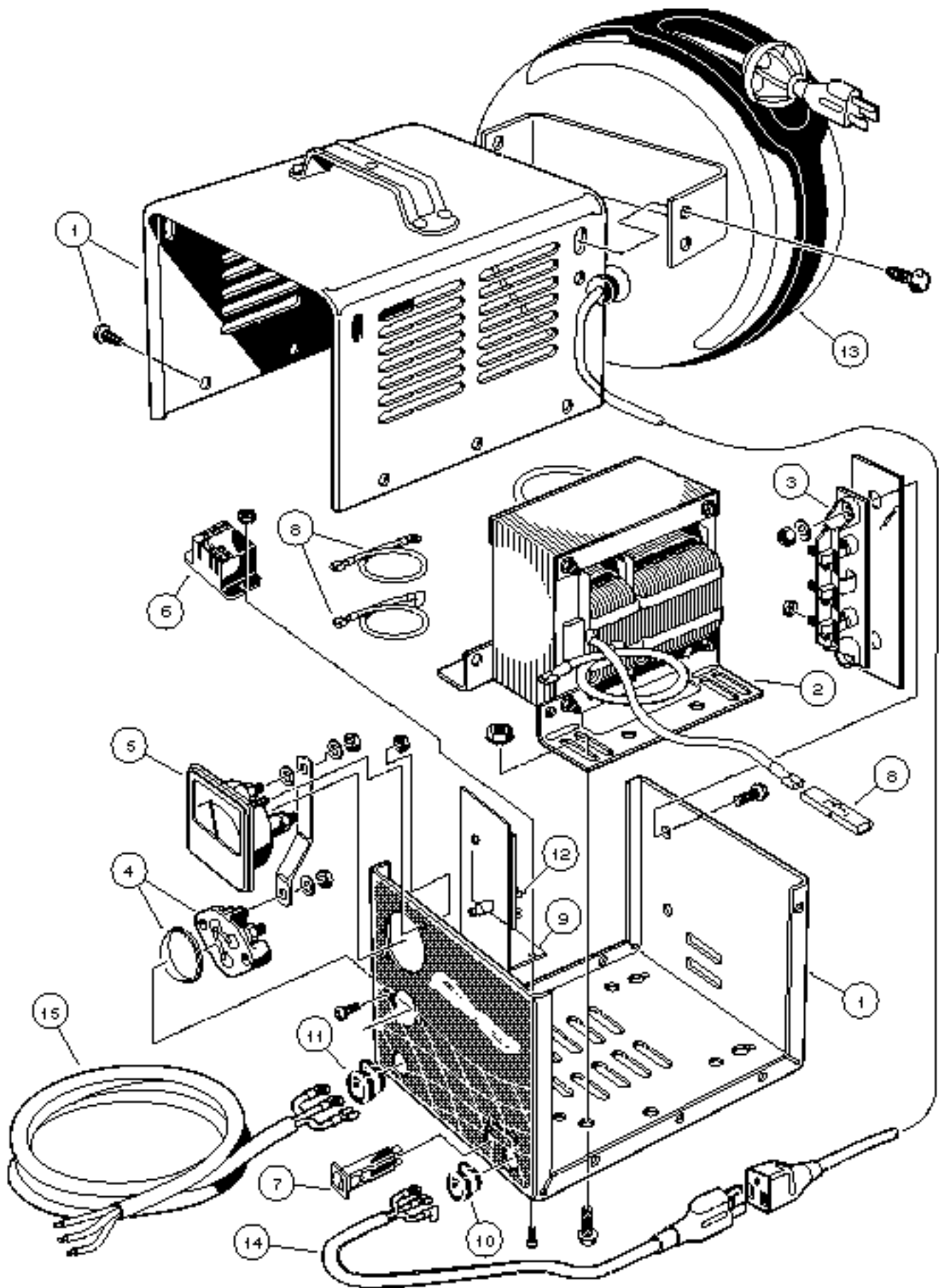
ELECTRIC - TRANS-PORTER/TRANS-SENDER

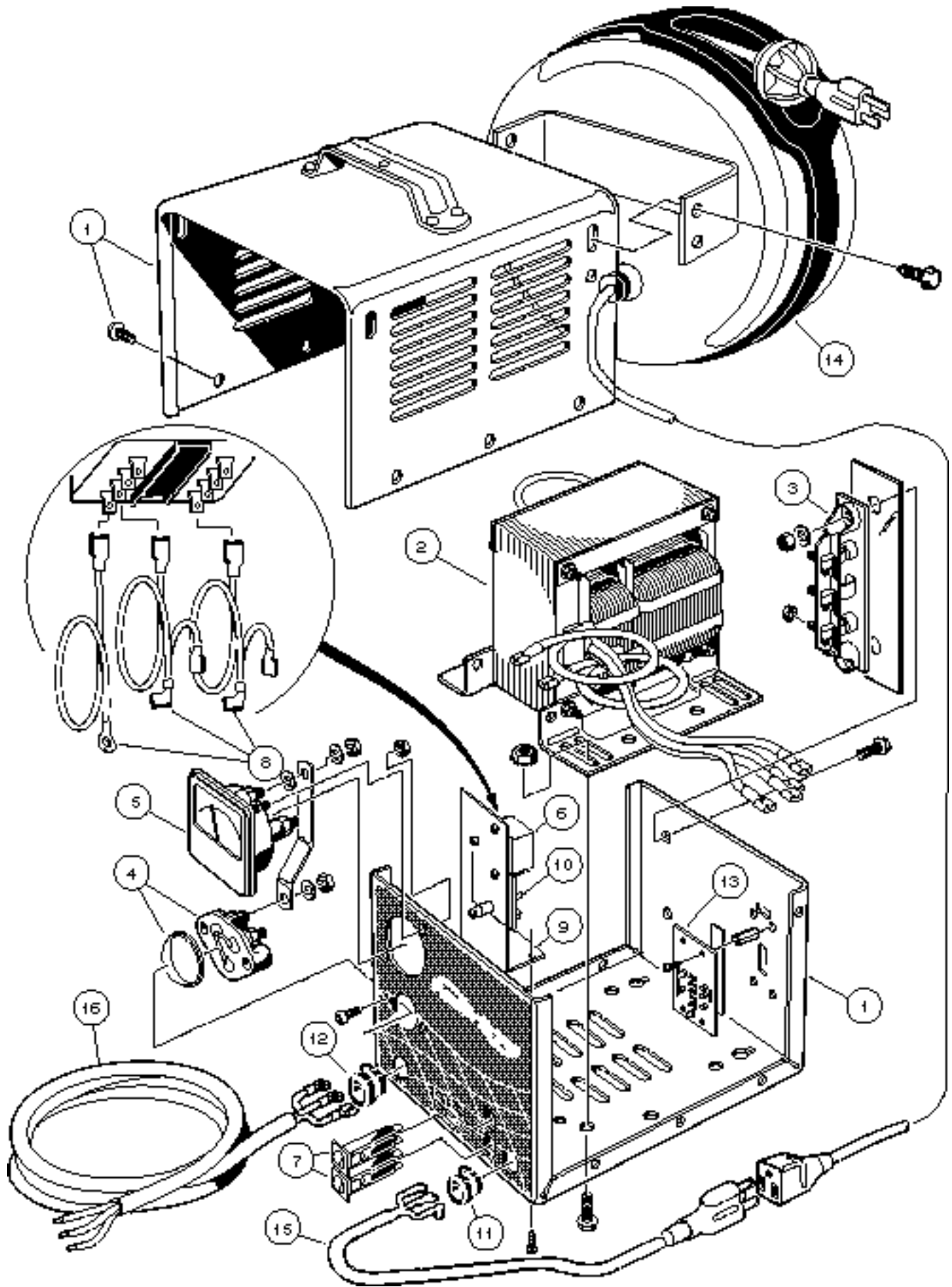
ITEM	PART NO.	DESCRIPTION	QTY
		1 2 3 4	
1	1017977-01	BATTERY, 8-VOLT	6
2	1017957	WIRE ASSEMBLY, #6 BLACK	5
3	1014304	NUT, HEX, STAINLESS STEEL, 5/16 -18	20
4	1011578	WASHER, FLAT, TYPE B WIDE, 5/16	8
5	1018030-01	HOLD-DOWN, BATTERY, SHORT	2
6	1018030-02	HOLD-DOWN, BATTERY, LONG	2
7	1016682-01	ROD, BATTERY HOLD-DOWN	8
8	1017978-01	CAP, BATTERY, 4 PORT GANG	6
9	1016717	ASSEMBLY, TAILLIGHT (INCLUDES ITEMS 10 - 14)	2
10	N/A	HOUSING, TAILLIGHT	1
11	1011582	BULB	1
12	N/A	GASKET	1
13	N/A	LENS	1
14	N/A	SCREW, LENS	2
15	1015752	SCREW, HI-LO, #12 - 16 x 5/8	2
16	1016859	KIT, REVERSE BUZZER (INCLUDES ITEMS 17 - 21)	1
17	1016851	BUZZER, REVERSE	1
18	0008056	SCREW, ROUND HEAD, #4 - 40 x 3/4	2
19	1012431	WASHER, FLAT, #4	2
20	0008058	WASHER, LOCK, #4	2
21	0008057	NUT, HEX, #4 - 40	2

13
E









**DID YOU
KNOW?**

CartPros directs you to the right part using the part numbers from this manual. Enter the part number into our search box and it will find the part you are looking for.

**GET STARTED
HERE**



<https://CartPros.com/f.html>

**DID YOU
KNOW?**

CartPros directs you to the right part using the part numbers from this manual. Enter the part number into our search box and it will find the part you are looking for.

**GET STARTED
HERE**



<https://CartPros.com/f.html>

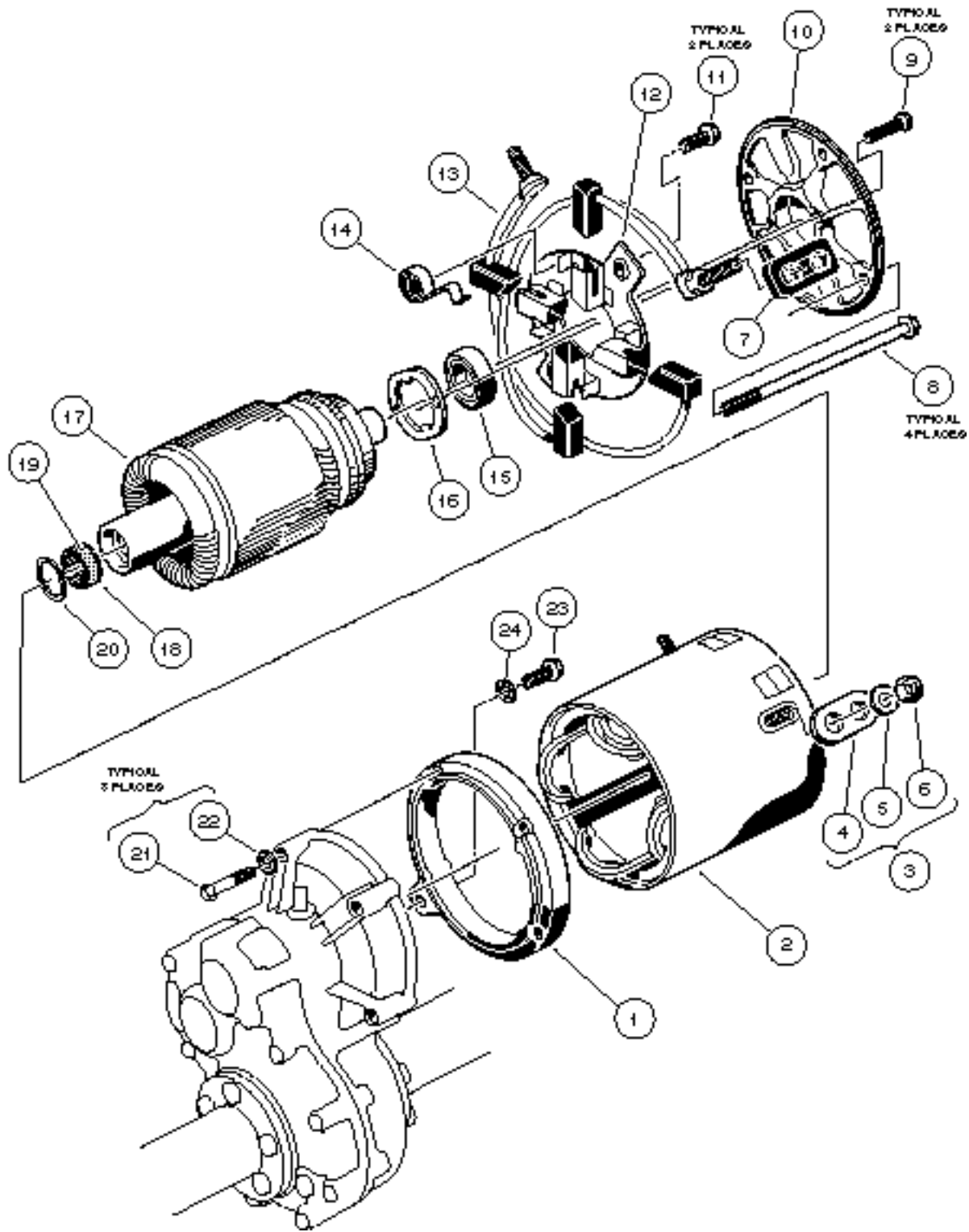
ELECTRIC MOTOR

14

E

14

E





MOTOR, POWERDRIVE 48 VOLT

ITEM	PART NO.	DESCRIPTION	QTY
		1 2 3 4	
	1018133-01	ASSEMBLY, 48 VOLT MOTOR, 3.10 HP (INCLUDES ITEMS 1 - 24)	1
1	1017944	SHIELD, END	1
2	1017958	ASSEMBLY, STATOR SHELL AND WINDING	1
3	1017947	PACKAGE, HARDWARE (INCLUDES ITEMS 4 - 7)	1
4	N/A	BUSHING, INSULATOR	2
5	N/A	WASHER, FLAT, 5/16	4
6	N/A	NUT, LOCK, 5/16 - 18	4
7	N/A	BUSHING, INSULATOR	2
8	1017961	SCREW, CLAMP	4
9	1017953	SCREW, BEARING RETAINER	2
10	1017951	SHIELD, END	1
11	1017949	SCREW, BRUSH HOLDER	2
12	1017948	RIGGING, BRUSH	1
13	1017946	PACKAGE, BRUSH (2 PIECES)	1
14	1011411	PACKAGE, BRUSH SPRING (4 PIECES)	1
15	1011290	BEARING, BALL	1
16	1017950	RETAINER, BEARING	1
17	N/A	ARMATURE	1
18	1017891-01	RING, GUIDE	1
19	1018132-02	LOCKTITE, 3 GRAM TUBE	A/R
20	1018228-01	RING, INTERNAL RETAINING	1
21	1014201	BOLT, HEX HEAD, 1/4 - 20 x 2 1/4	3
22	0000451	WASHER, LOCK, 1/4	3
23	1010934	BOLT, HEX HEAD, 5/16 - 18 x 1	1
24	0007174	WASHER, LOCK, 5/16	1

**DID YOU
KNOW?**

CartPros directs you to the right part using the part numbers from this manual. Enter the part number into our search box and it will find the part you are looking for.

**GET STARTED
HERE**



<https://CartPros.com/f.html>

**DID YOU
KNOW?**

CartPros directs you to the right part using the part numbers from this manual. Enter the part number into our search box and it will find the part you are looking for.

**GET STARTED
HERE**



<https://CartPros.com/f.html>

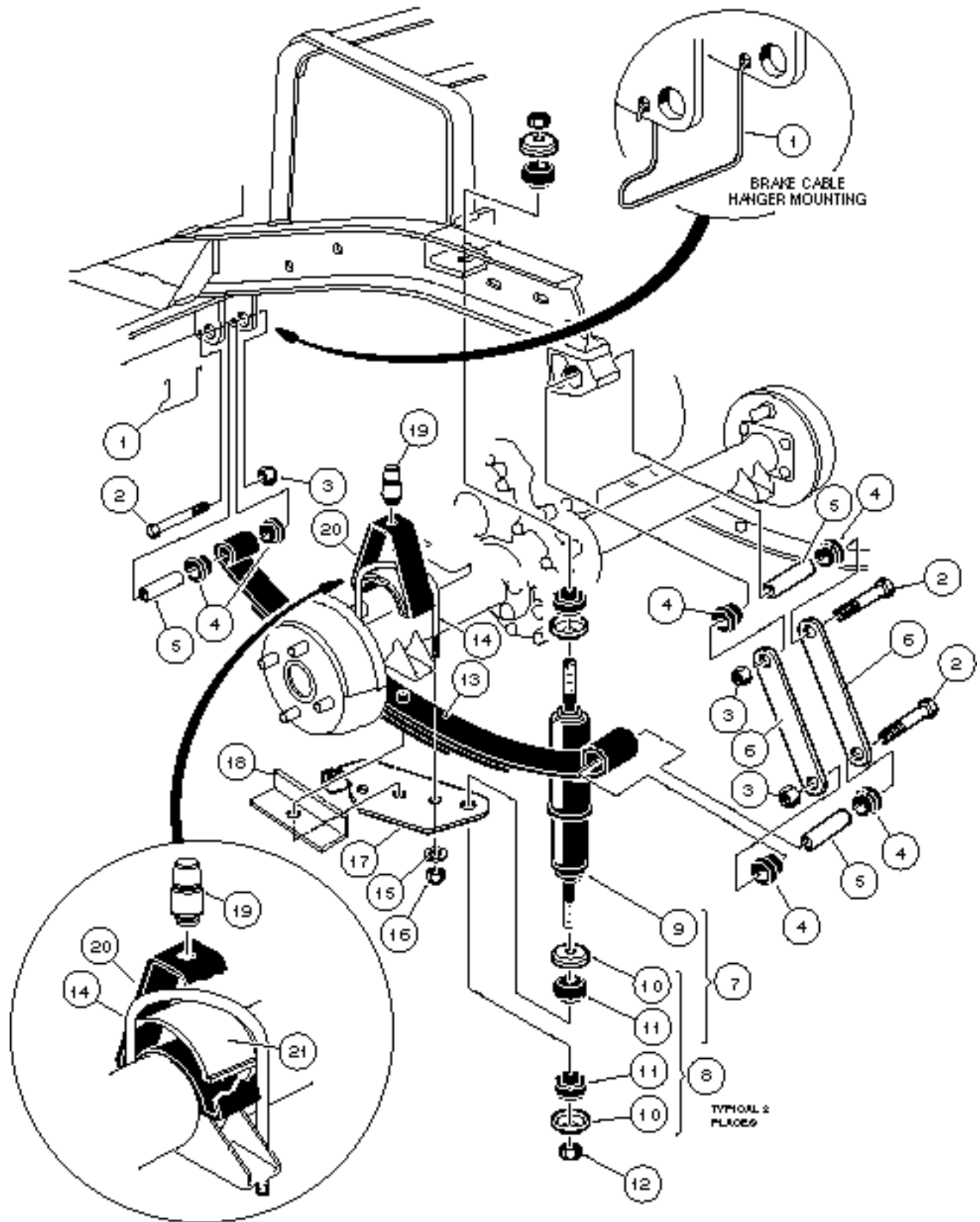
REAR SUSPENSION ELECTRIC VEHICLES

15

E

15

E



TYPICAL EACH SIDE OF VEHICLE



REAR SUSPENSION - ELECTRIC VEHICLES

ITEM	PART NO.	DESCRIPTION	QTY
		1 2 3 4	
1	1013207	HANGER, BRAKE CABLE	2
2	0008755	SCREW, HEX HEAD CAP, 3/8 - 16 x 3 1/8	6
3	1010138	NUT, DIMPLED LOCK, 3/8 - 16	6
4	1015583	BUSHING, URETHANE	12
5	1012303	BUSHING, STEEL	6
6	0007569	PLATE, SPRING SHACKLE	4
7	1013164	KIT, SHOCK ABSORBER (INCLUDES ITEMS 9, 10, AND 11)	2
8	1011415	KIT, SHOCK ABSORBER CUSHION (INCLUDES 2 EACH OF ITEMS 10 AND 11)	4
9	1014236	ABSORBER, SHOCK	2
10	N/A	RETAINER, SHOCK ABSORBER CUSHION	8
11	N/A	CUSHION, SHOCK ABSORBER	8
12	1010145	NUT, HEX HEAD, 3/8 - 24	4
13	1014675	SPRING, REAR LEAF	2
14	1014902	BOLT, "U"	2
15	1014557	WASHER, FLAT, 7/16	4
16	1014555	NUT, NYLON LOCK, 7/16 - 14	4
17	1012182	MOUNT, SHOCK, LEFT HAND	1
17	1012181	MOUNT, SHOCK, RIGHT HAND	1
18	1014573	RETAINER, LEAF SPRING	2
19	1017235	BUMPER, SUSPENSION OVERLOAD	2
20	1014549-02	MOUNT, SUSPENSION OVERLOAD BUMPER	2
21	1014901	SPACER, SUSPENSION OVERLOAD BUMPER	2

**DID YOU
KNOW?**

CartPros directs you to the right part using the part numbers from this manual. Enter the part number into our search box and it will find the part you are looking for.

**GET STARTED
HERE**



<https://CartPros.com/f.html>

**DID YOU
KNOW?**

CartPros directs you to the right part using the part numbers from this manual. Enter the part number into our search box and it will find the part you are looking for.

**GET STARTED
HERE**



<https://CartPros.com/f.html>

SAFETY DECALS

16

G

E

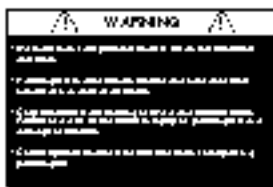
SAFETY WARNING LABEL

<p>WARNING FALLS IN, SLIPS OR TRIPS, UNBALANCE, INADEQUATE TRAINING</p>	<ul style="list-style-type: none"> • Read (or reading) Instructions Label before using vehicle. • Never exceed 11 mph on (4th) gear. • Vehicle should be driven only in specified areas by trained personnel. 	<ul style="list-style-type: none"> • Do not wear any part of the vehicle. • Only use you as required. • Operator should be wearing safety glasses. • Do not wear prohibited clothing or accessories. 	<ul style="list-style-type: none"> • Always wear seat belt on the operator's position. • Keep away from, stay and hold the till you park the vehicle. • Do not operate vehicle when being driven. • Operator will remain in control of vehicle. • Drive responsibly. 	<ul style="list-style-type: none"> • Do not obstruct view of any of your 2 drive mirrors. • Do not park (leave vehicle) facing backwards. • Maximum load capacity for use by user. • Heavy duty 11 mph to control vehicle to use to user.
--	--	--	---	---

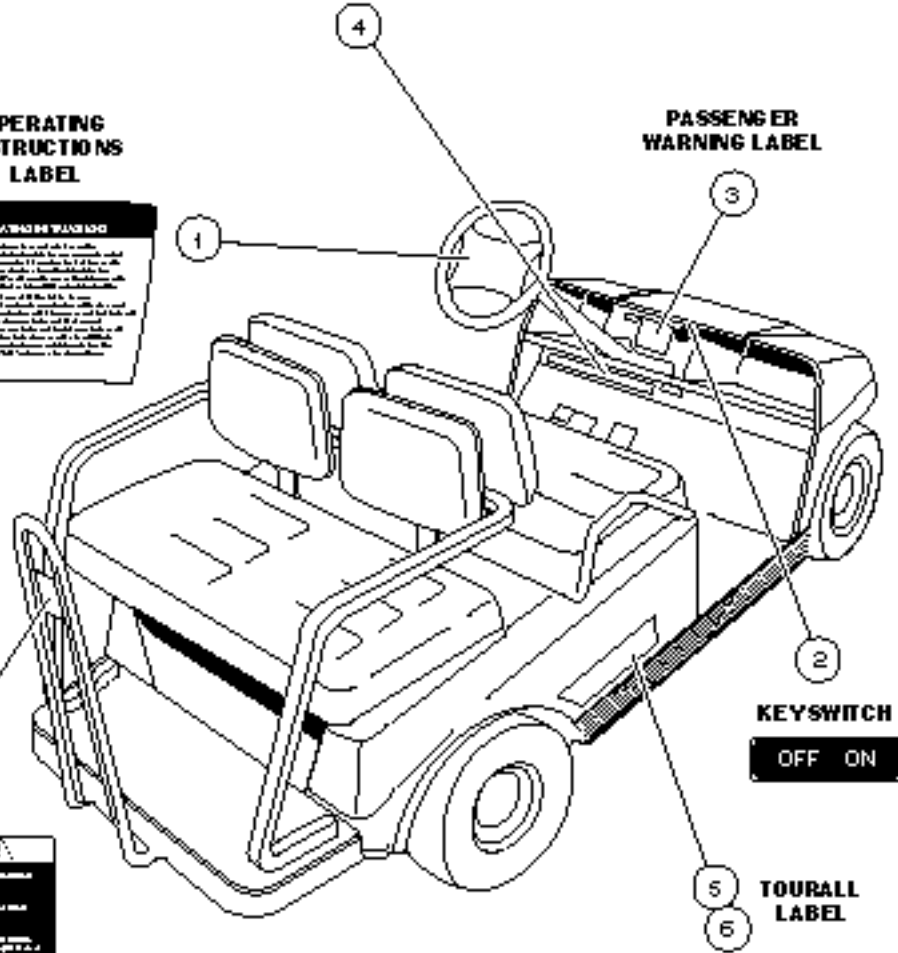
OPERATING INSTRUCTIONS LABEL



PASSENGER WARNING LABEL



PASSENGER WARNING LABEL (ON CENTER DASH & REAR HANDRAIL FACING SEAT)



TOURALL LABEL

DECALS TOURALL

ITEM	PART NO.	DESCRIPTION	QTY GAS	QTY ELEC
		1 2 3 4		
1	1016216	DECAL, OPERATING INSTRUCTIONS	1	1
2	1018251-01	DECAL, KEY SWITCH	1	1
3	1017057	DECAL, PASSENGER WARNING	2	2
4	1014883	DECAL, SAFE OPERATION WARNING	1	1
5	1014782	DECAL, TOURALL (LEFT SIDE)	1	1
6	1014783	DECAL, TOURALL (RIGHT SIDE)	1	1



DECALS TOURALL

ITEM	PART NO.	DESCRIPTION	QTY GAS	QTY ELEC
		1 2 3 4		
1	1013677	DECAL, BATTERY DANGER/POISON	1	1
2	1016109	DECAL, WIPER SWITCH CAUTION (FOR VEHICLES PRIOR TO SERIAL NUMBER 9529-445799)		1
3	1015476	DECAL, GASOLINE DANGER	1	
4	1017257	DECAL, HOT MANIFOLD WARNING	1	
5	1016062	DECAL, PERIODIC SERVICE SCHEDULE	1	
6	1015475	DECAL, MOVING PARTS WARNING	1	
7	1015474	DECAL, NEGATIVE FRAME GROUND WARNING	1	

OPERATING INSTRUCTIONS GASOLINE VEHICLE

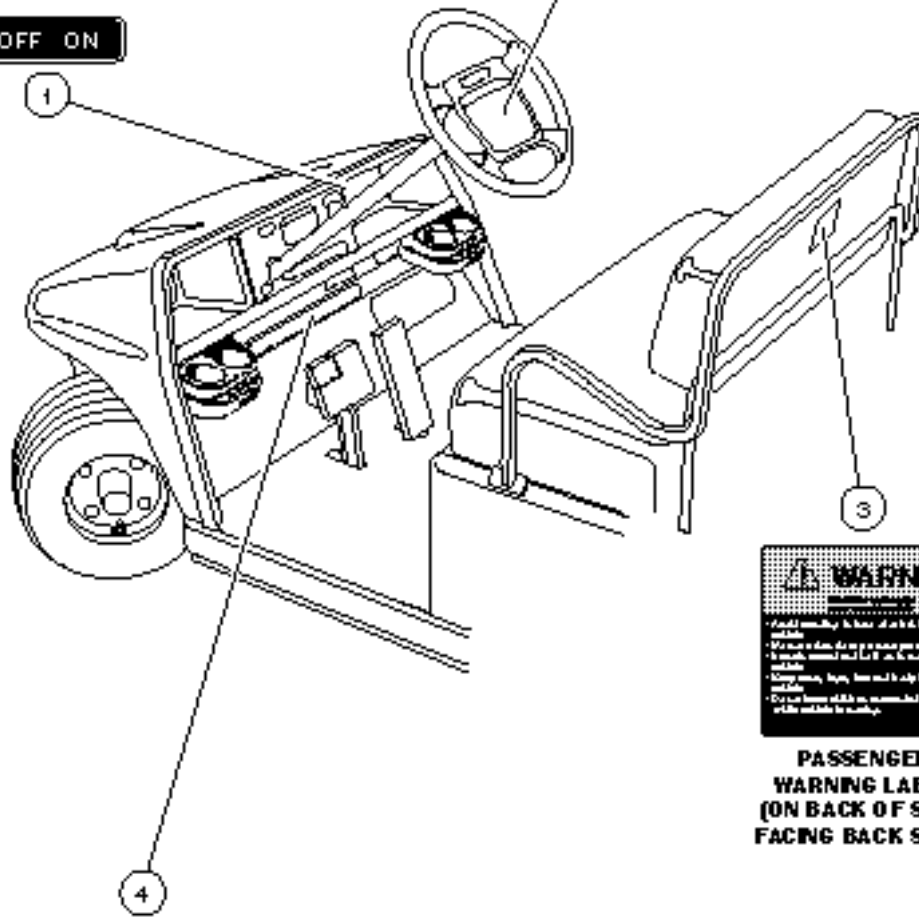
OPERATING INSTRUCTIONS ELECTRIC VEHICLE

KEY SWITCH GASOLINE VEHICLE

OFF ON START

KEY SWITCH ELECTRIC VEHICLE

OFF ON



PASSENGER WARNING LABEL (ON BACK OF SEAT FACING BACK SEAT)

<p>WARNING</p> <p>Always use proper tie-down technique. Use proper tie-down technique. Use proper tie-down technique.</p>	<ul style="list-style-type: none"> • Do not operate this vehicle on a public road. • Do not operate this vehicle on a public road. • Do not operate this vehicle on a public road. • Do not operate this vehicle on a public road. • Do not operate this vehicle on a public road. 	<ul style="list-style-type: none"> • Always wear your seat belt. • Always wear your seat belt. • Always wear your seat belt. • Always wear your seat belt. • Always wear your seat belt. 	<ul style="list-style-type: none"> • Always wear your seat belt. • Always wear your seat belt. • Always wear your seat belt. • Always wear your seat belt. • Always wear your seat belt. 	<ul style="list-style-type: none"> • Always wear your seat belt. • Always wear your seat belt. • Always wear your seat belt. • Always wear your seat belt. • Always wear your seat belt.
--	---	---	---	---

SAFETY WARNING LABEL

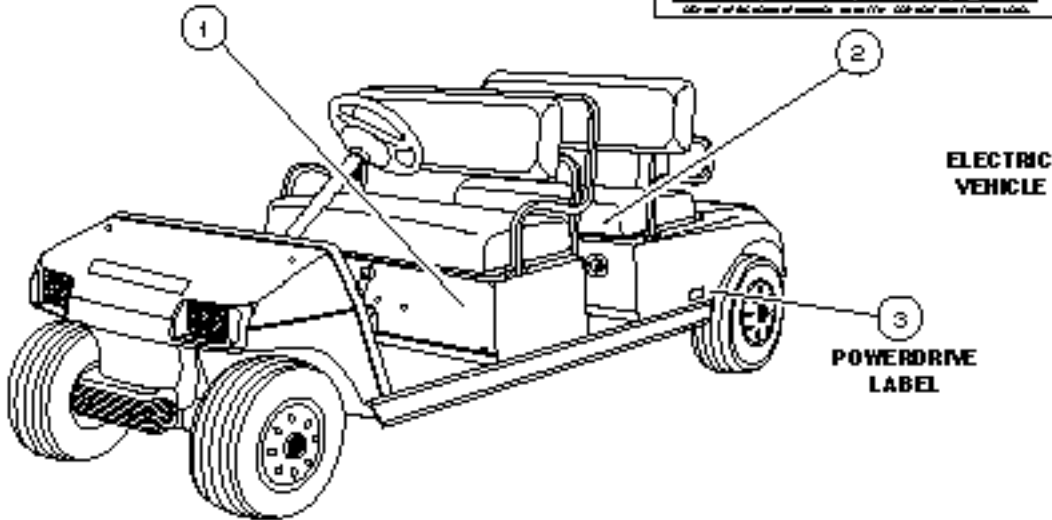
DECALS RESORT VILLAGER

ITEM	PART NO.	DESCRIPTION	QTY GAS	QTY ELEC
		1 2 3 4		
1	1018251-02	DECAL, KEY SWITCH (GASOLINE VEHICLE ONLY)	1	
1	1018251-01	DECAL, KEY SWITCH (ELECTRIC VEHICLE ONLY)		1
2	1016932	DECAL, OPERATING INSTRUCTIONS (GASOLINE VEHICLE ONLY)	1	
2	1016216	DECAL, OPERATING INSTRUCTIONS (ELECTRIC VEHICLE ONLY)		1
3	1016789	DECAL, PASSENGER WARNING	1	1
4	1014883	DECAL, SAFE OPERATION WARNING	1	1

SPEED SWITCH CAUTION LABEL (ON MULTI-STEP POTENTIOMETER) (FOR VEHICLES PRIOR TO SERIAL NUMBER 9529-445793)



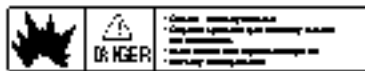
DANGER LABEL (ON BODY UNDER SEAT)



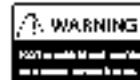
ELECTRIC VEHICLE

POWERDRIVE LABEL

GASOLINE TANK DANGER LABEL (ON BODY ADJACENT TO FUEL TANK)



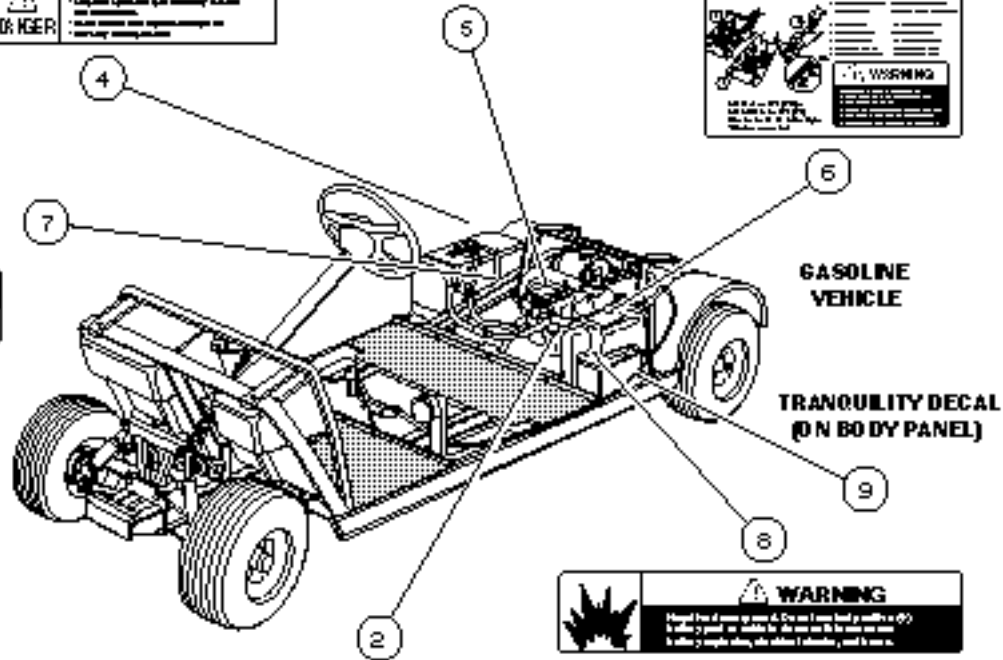
HOT MANIFOLD AND MUFFLER LABEL (ON ENGINE)



PERIODIC SERVICE SCHEDULE LABEL (ON AIR INTAKE BOX)

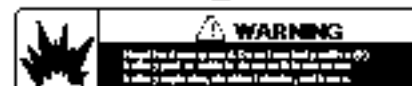


MOVING PARTS LABEL (ON FRAME)



GASOLINE VEHICLE

TRANQUILITY DECAL (ON BODY PANEL)



FRAME GROUND WARNING LABEL (ON FRAME)



DANGER LABEL (ON BODY UNDER SEAT)



DECALS RESORT VILLAGER

ITEM	PART NO.	DESCRIPTION	QTY GAS	QTY ELEC
		1 2 3 4		
1	1016109	DECAL, WIPER SWITCH CAUTION (FOR VEHICLES PRIOR TO SERIAL NUMBER 9529-445799)		1
2	1013677	DECAL, BATTERY DANGER/POISON	1	1
3	1018304-01	DECAL, POWERDRIVE GOLD		2
4	1015476	DECAL, GASOLINE DANGER	1	
5	1017257	DECAL, HOT MANIFOLD WARNING	1	
6	1016062	DECAL, PERIODIC SERVICE SCHEDULE	1	
7	1015475	DECAL, MOVING PARTS WARNING	1	
8	1015474	DECAL, NEGATIVE FRAME GROUND WARNING	1	
9	1016476-01	DECAL, TRANQUILITY	1	

TRANS-PORTER/TRANS-SENDER

ITEM	PART NO.	DESCRIPTION	QTY GAS	QTY ELEC
		1 2 3 4		
1	1015539	DECAL, VEHICLE LOADING	1	1
2	1018251-02	DECAL, KEY SWITCH (GASOLINE VEHICLE ONLY)	1	
2	1018251-01	DECAL, KEY SWITCH (ELECTRIC VEHICLE ONLY)		1
3	1016932	DECAL, OPERATING INSTRUCTIONS (GASOLINE VEHICLE ONLY)	1	
3	1016216	DECAL, OPERATING INSTRUCTIONS (ELECTRIC VEHICLE ONLY)		1
4	1014883	DECAL, SAFE OPERATION WARNING	1	1
5	1016757	DECAL, SIDE FRONT	2	2

**SPEED SWITCH
CAUTION LABEL
(ON MULTI-STEP POTENTIOMETER)
(FOR VEHICLES
PRIOR TO SERIAL
NUMBER 9529-445793)**

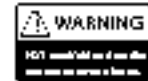
CAUTION  **DO NOT OPERATE VEHICLE WITHOUT COVER IN PLACE • DO NOT DIRECT WATER STREAM AT THIS SWITCH**

**BATTERY DANGER LABEL
(ON FRAME)**



TRANSPORTER LABEL

**HOT MANIFOLD AND MUFFLER LABEL
(ON ENGINE)**

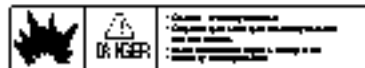


ELECTRIC VEHICLE

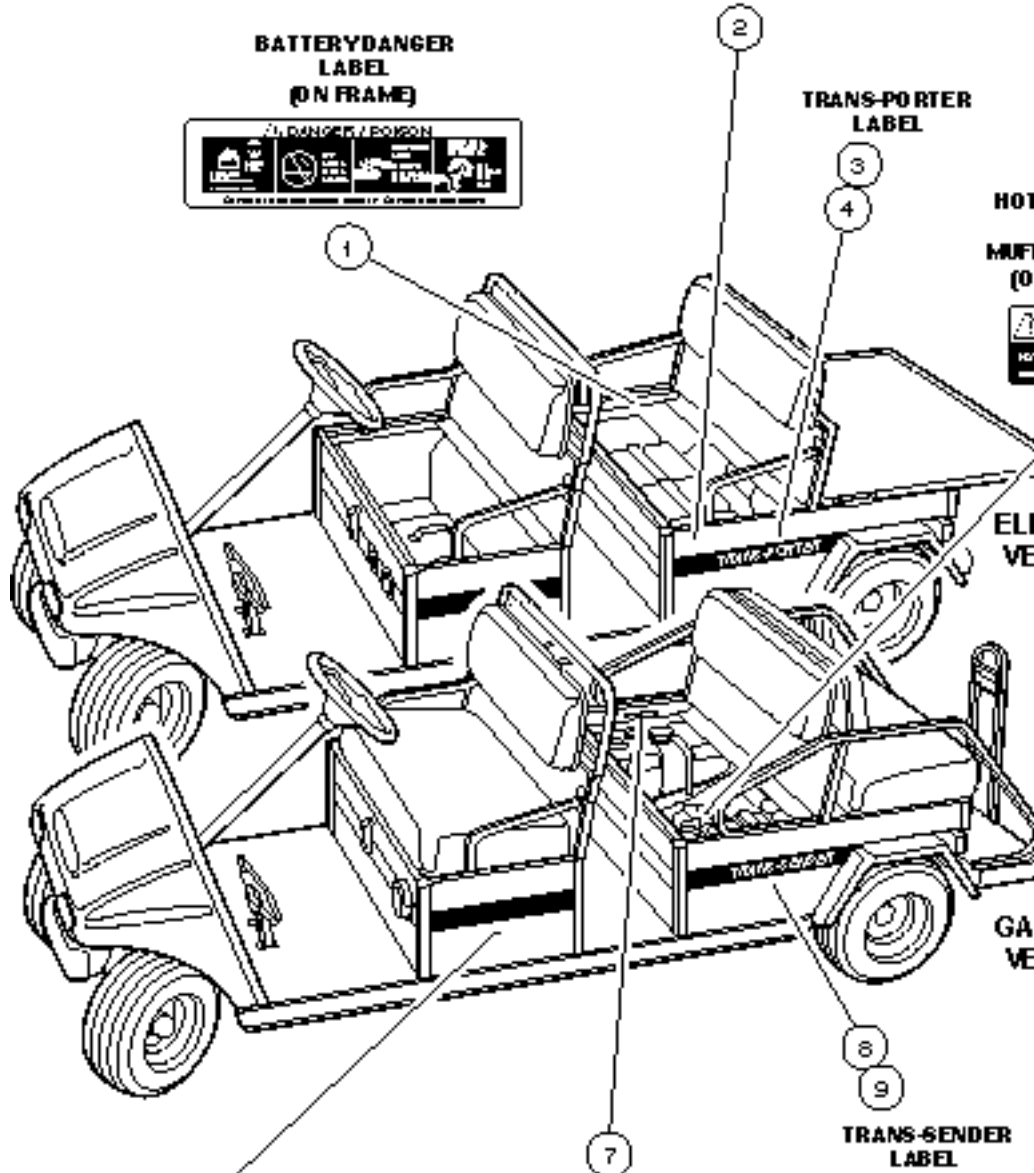
GASOLINE VEHICLE

TRANSGENDER LABEL

SIDE DECAL FRONT

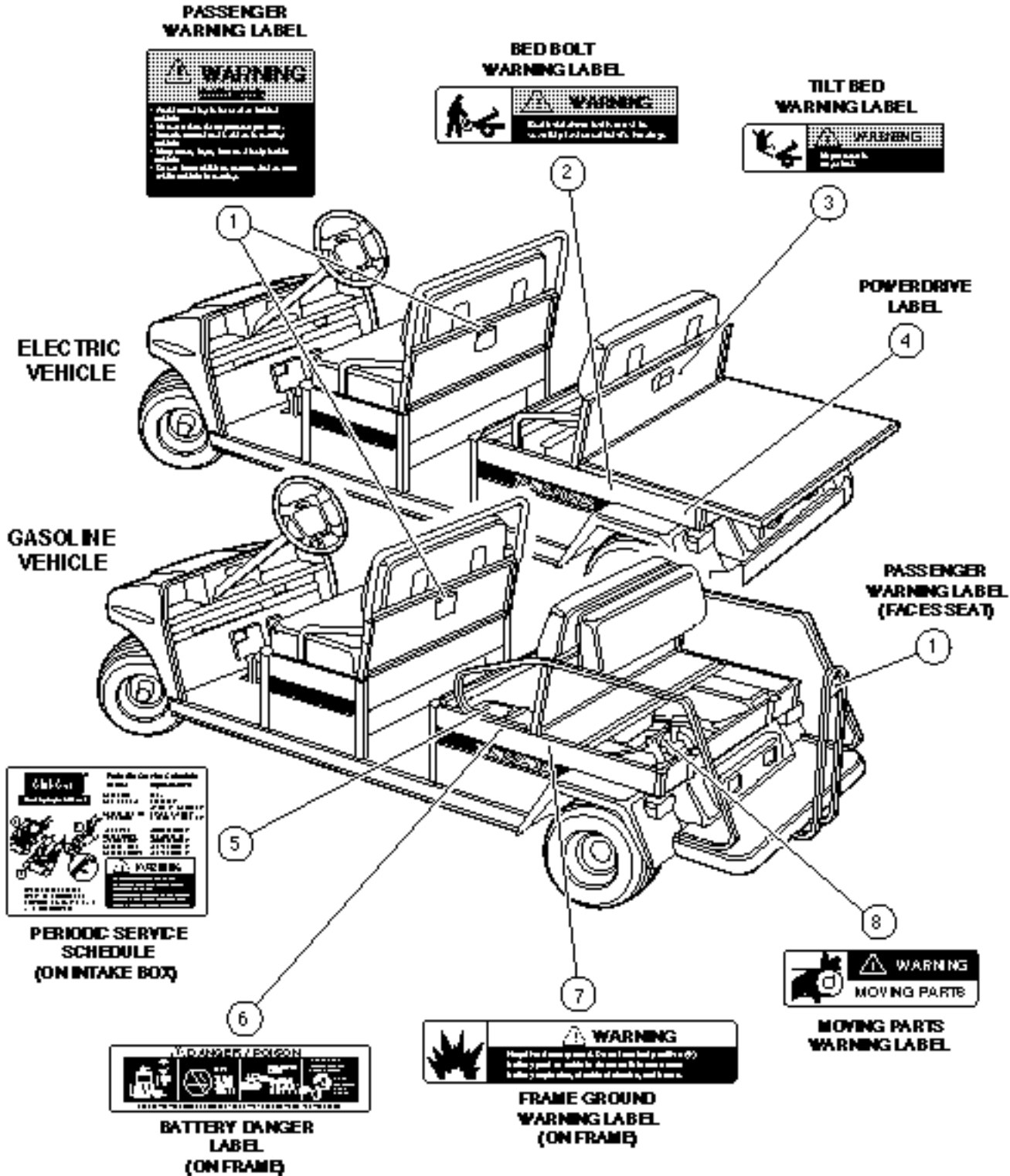


**GASOLINE TANK DANGER LABEL
(ON FRAME ADJACENT TO FUEL TANK)**



TRANS-PORTER/TRANS-SENDER

ITEM	PART NO.	DESCRIPTION	QTY GAS	QTY ELEC
		1 2 3 4		
1	1013677	DECAL, BATTERY DANGER/POISON	1	1
2	1016109	DECAL, WIPER SWITCH CAUTION (FOR VEHICLES PRIOR TO SERIAL NUMBER 9529-445799)		1
3	1016725-01	DECAL, TRANS-PORTER (RIGHT SIDE)	1	1
4	1016725-02	DECAL, TRANS-PORTER (LEFT SIDE)	1	1
5	1017257	DECAL, HOT MANIFOLD WARNING	1	
6	1016757	DECAL, SIDE FRONT	2	2
7	1015476	DECAL, GASOLINE DANGER	1	
8	1016726-01	DECAL, TRANS-SENDER (RIGHT SIDE)	1	1
9	1016726-02	DECAL, TRANS-SENDER (LEFT SIDE)	1	1



TRANS-PORTER/TRANS-SENDER

ITEM	PART NO.	DESCRIPTION	QTY GAS	QTY ELEC
		1 2 3 4		
1	1016789	DECAL, PASSENGER WARNING	2	2
2	1017078	DECAL, BED BOLT WARNING (TRANS-PORTER ONLY)	1	1
3	1015539	DECAL, TILT BED WARNING (TRANS-PORTER ONLY)	1	1
4	1018304-02	DECAL, POWERDRIVE BLACK LABEL		2
5	1016062	DECAL, PERIODIC SERVICE SCHEDULE	1	
6	1013677	DECAL, BATTERY DANGER/POISON	1	1
7	1015474	DECAL, NEGATIVE FRAME GROUND WARNING	1	
8	1015475	DECAL, MOVING PARTS WARNING	1	

**DID YOU
KNOW?**

CartPros directs you to the right part using the part numbers from this manual. Enter the part number into our search box and it will find the part you are looking for.

**GET STARTED
HERE**



<https://CartPros.com/f.html>

MAINTENANCE AND SERVICE TOOLS

DESCRIPTION	PART NUMBER
ACCELERATOR PEDAL ADJUSTMENT TOOL	1018710-01
ADHESION PROMOTER - ARMORFLEX	1016985
ARMORFLEX REPAIR KIT	1017295
BATTERY DISCHARGE MACHINE	1018319-01
BATTERY TERMINAL PROTECTOR	1014305
BATTERY THERMOMETER	1011767
BEARING AND OIL SEAL REMOVER ASSEMBLY	1016417
BEARING DRIVER SET	1016416
BEARING PULLER	1012811
BEARING PULLER WEDGE ATTACHMENT	1012812
BRAKE ADJUSTING TOOL	1013582
CALIBRATION TEST MODULE	1018871-01
CAM INSTALLATION TOOL	1018084-01
CLUTCH ALIGNMENT TOOL	1014498
CLUTCH TOOL KIT	1014510
COMMUNICATION DISPLAY MODULE	1018318-01
COMPRESSION GAUGE	1016410-01
ADAPTER	1016410-02
CONTINUITY TESTER	1011273
DRIVE CLUTCH PULLER	1014496
DRY MOLY LUBRICANT	1012151
FLY WHEEL PULLER KIT	1016627
GEAR YOKE	1016418
GUIDE RING REMOVAL TOOL	1018256-01
GUIDE RING INSERTION TOOL	1018255-01
HYDROMETER	1011478
INTERNAL RETAINING RING PLIERS	1013593
KEY SWITCH TOOL (FOR VEHICLES PRIOR TO SERIAL NUMBER 9522-436452)	1012801
LOCTITE	1018132-02
PIN EXTRACTOR TOOL	1018855-01
PISTON RING COMPRESSOR KIT	1016414
PISTON RING PLIERS	1016415
RETAINING RING PLIERS - 45° EXTERNAL	1012549
RETAINING RING PLIERS - 90° INTERNAL	1012560
SAFETY FIRST CARD (50 PER PACK)	1018231-01
SEAL PULLER	1012809
STARTER/GENERATOR BELT TENSION TOOL	1016867
STEERING COLUMN BEARING PRESS TOOL	1014264
STEERING COLUMN RETAINING RING TOOL	1014259
TACHOMETER	1016112
TOUCH-UP PAINT - BEIGE	1017097-01
TOUCH-UP PAINT - WHITE	1017097-02
TOUCH-UP PAINT - GRAY	1017097-04
TOUCH-UP PAINT - RED	1017097-06
TOUCH-UP PAINT - DARK BLUE	1017097-08
TOUCH-UP PAINT - DARK GREEN	1017097-09

PLEASE REFER TO THE MAINTENANCE AND SERVICE MANUAL FOR PROPER TOOL APPLICATION.

17

MAINTENANCE AND SERVICE TOOLS

G

E

DESCRIPTION	PART NUMBER
TRANSMISSION TOOL KIT	1014115
TRANSAXLE PINION SEAL TOOL	1014161
TRANSAXLE AXLE SEAL TOOL	1014162
TUNE-UP KIT (FE 290)	1016110-02
TUNE-UP KIT (FE 350)	1016110-03
VALVE CLEARANCE ADJUSTER SCREW HOLDER	1016413
VALVE GUIDE REAMER	1016412-01
ARBOR	1016412-02
VALVE SEAT CUTTER HOLDER BAR	1016551
VALVE SEAT CUTTER HOLDER	1016552
VALVE SEAT CUTTER 45° (32MM DIAMETER)	1016553
VALVE SEAT CUTTER 45° (35MM DIAMETER)	1016554
VALVE SEAT CUTTER 32° (35MM DIAMETER)	1016555
VALVE SPRING COMPRESSOR	1016411-01
VOLT OHM METER	1011480

PLEASE REFER TO THE MAINTENANCE AND SERVICE MANUAL FOR PROPER TOOL APPLICATION.

**DID YOU
KNOW?**

CartPros directs you to the right part using the part numbers from this manual. Enter the part number into our search box and it will find the part you are looking for.

**GET STARTED
HERE**



<https://CartPros.com/f.html>

**DID YOU
KNOW?**

CartPros directs you to the right part using the part numbers from this manual. Enter the part number into our search box and it will find the part you are looking for.

**GET STARTED
HERE**



<https://CartPros.com/f.html>