

**DID YOU
KNOW?**

CartPros directs you to the right part using the part numbers from this manual. Enter the part number into our search box and it will find the part you are looking for.

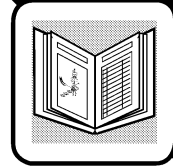
**GET STARTED
HERE** →

<https://CartPros.com/html>

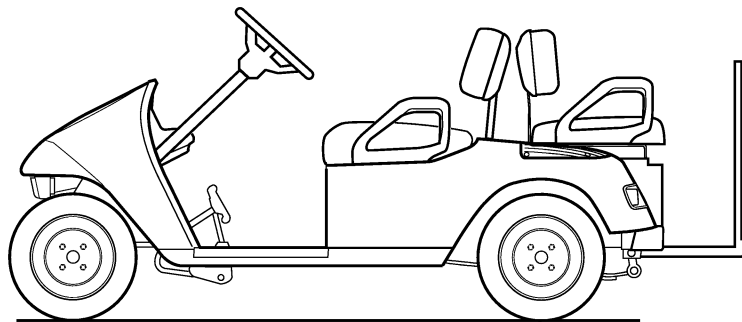
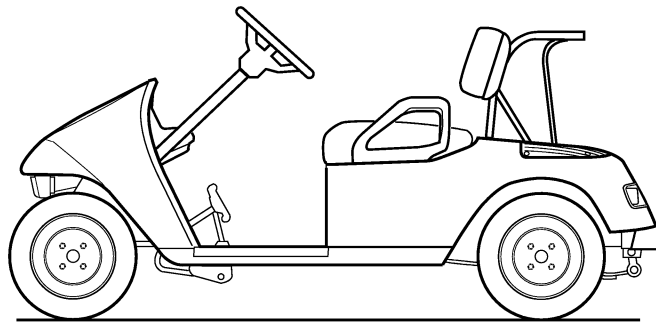
28789-G01



A Textron Company



SERVICE PARTS MANUAL



Ref Fcv 1

ELECTRIC POWERED FLEET GOLF CARS & PERSONAL VEHICLES

STARTING MODEL YEAR: 2003

SERVICE PARTS MANUAL

ELECTRIC POWERED FLEET GOLF CARS & PERSONAL VEHICLES

FLEET GOLF CAR

FLEET PDS GOLF CAR

FREEDOM™

FREEDOM™ SE

FREEDOM™ LE

PDS FREEDOM™

PDS FREEDOM™ SE

PDS FREEDOM™ LE

SHUTTLE™ 2+2

TEXTRON Golf, Turf & Specialty Products reserves the right to make design changes without obligation to make these changes on units previously sold and the information contained in this manual is subject to change without notice.

TEXTRON Golf, Turf & Specialty Products is not liable for errors in this manual or for incidental or consequential damages that result from the use of the material in this manual.

CUSTOMER SERVICE DEPARTMENT IN USA PHONE: 1-800-241-5855 FAX: 1-800-448-8124

OUTSIDE USA PHONE: 010-1-706-798-4311, FAX: 010-1-706-771-4609

TEXTRON GOLF, TURF & SPECIALTY PRODUCTS, P.O.BOX 388, AUGUSTA, GEORGIA USA 30903-0388

GENERAL INFORMATION

To obtain a copy of the limited warranty applicable to the vehicle, call or write a local Distributor, authorized Branch or the Warranty Department with vehicle serial number and manufacture date code.

The use of non Original Equipment Manufacturer (OEM) parts may void the warranty.

TABLE OF CONTENTS

SECTION	Page No.
HOW TO USE THE SERVICE PARTS MANUAL	v
ILLUSTRATED PARTS BREAKDOWN	vii
ACCELERATOR	A-1
BATTERY CHARGER - PORTABLE 36 VOLT	B-1
BATTERY CHARGER - ON BOARD 36 VOLT	B-7
BATTERY CHARGER - EXPORT 36 VOLT	B-15
BODY - FRONT	C-1
BODY - MID SECTION	C-5
BODY - REAR	C-7
BODY - FOOTREST	C-11
BODY - ACCESSORIES	C-13
BODY - ACCESSORIES CONTINUED	C-15
BODY - ACCESSORIES CONTINUED	C-17
BRAKES	D-1
DIRECTION SELECTOR	E-1
ELECTRICAL SYSTEM - COMMON	F-1
ELECTRICAL SYSTEM - PDS	F-9
ELECTRICAL SYSTEM - SERIES	F-11
ELECTRONIC SPEED CONTROL - SERIES	G-1
ELECTRONIC SPEED CONTROL - PDS	G-3
ELECTRONIC SPEED CONTROL - HD	G-7
FRONT SUSPENSION/STEERING	H-1
MOTOR	I-1
REAR AXLE	J-1
REAR SUSPENSION	K-1
SEATING AND BAG HOLDER - GOLF CAR	L-1
SEATING - SHUTTLE 2+2	L-3
SEATING - CONVERTIBLE CARRIER	L-7
TOW BAR - PERMANENT	M-1



TABLE OF CONTENTS

TOW BAR - CASUAL	M-5
WEATHER PROTECTION - GOLF CAR	N-1
WEATHER PROTECTION - SHUTTLE 2+2	N-7
WHEELS AND TIRES	O-1
SPECIALTY PRODUCTS	APPENDIX A-1
OPTIONS/ACCESSORIES	APPENDIX B-1
INDEX OF MAJOR COMPONENTS	INDEX-1

HOW TO USE THE SERVICE PARTS MANUAL

This manual is divided into several sections:

GENERAL INFORMATION

- TABLE OF CONTENTS
- HOW TO USE THE SERVICE PARTS MANUAL

ILLUSTRATED PARTS BREAKDOWN

- Contains illustrations and parts lists for all systems of the vehicle

APPENDIX

- Contains a listing of specialty products and options/accessories

INDEX OF MAJOR COMPONENTS

- Contains a listing of parts (excluding hardware) grouped by part number and description and indicates on which page(s) they can be found

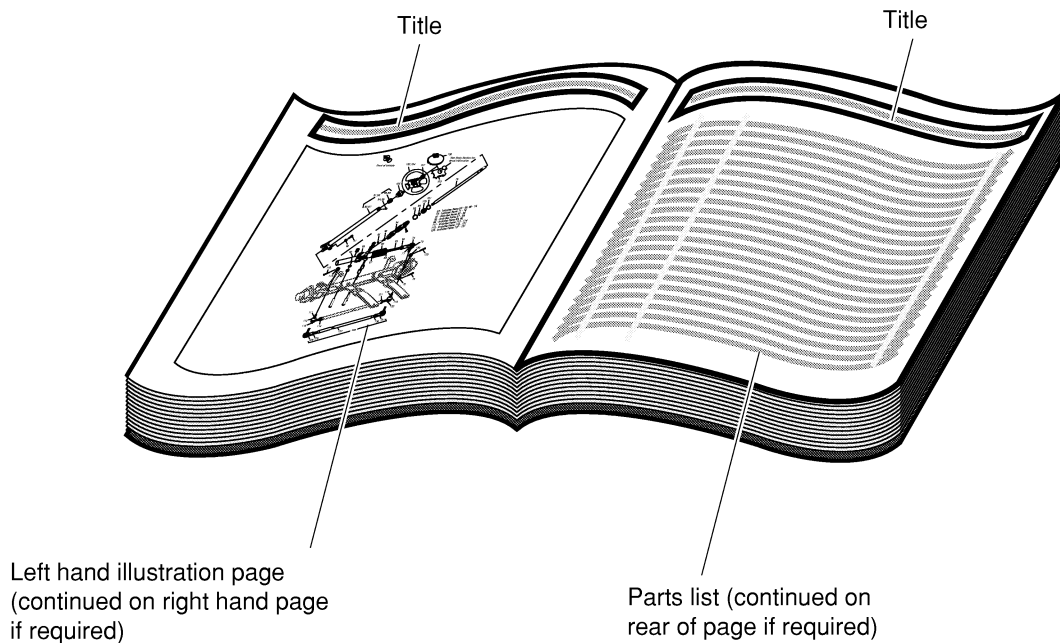
USE OF THE MANUAL

To use this manual, consult the TABLE OF CONTENTS (page iii) or the INDEX OF MAJOR COMPONENTS (located at rear of this manual) to locate the information or illustration required.

Introduction of some revisions varies due to supply of components; therefore, it is possible that various combinations of components may be found that are not directly reflected by each illustration. Consult the illustration that best suits your situation. Locate the serial number plate (see BODY located in the Illustrated Parts Breakdown section of this manual for its location) and note the complete number shown on the plate. It is important that the serial number of your vehicle and its model number be supplied to Service Parts when ordering any replacement components.

Locate the serial number plate (see BODY located in the Illustrated Parts Breakdown section of this manual for its location) and note the complete number shown on the plate.

HOW TO USE THE SERVICE PARTS MANUAL



1. WHEN THE PART NUMBER IS NOT KNOWN

- Determine the function and application of the part required. Turn to the INDEX OF MAJOR COMPONENTS and select the most appropriate component description.
- Turn to the page number indicated and locate the part description in the parts list. Read the full accompanying description for specific information regarding the part that was not shown in the index.
- From the parts list, obtain the item number assigned to it and confirm that the part selected is correct by verifying it with the pictorial representation on the illustrated page.

2. IF YOU KNOW THE PART NUMBER

- Use the INDEX OF MAJOR COMPONENTS to find the page(s) the part number appears on.
- Turn to the page number indicated and locate the part number in the parts list. Refer to the accompanying description for specific information regarding the part.
- From the parts list, obtain the item number assigned to it and confirm that the part selected is correct by verifying it with the pictorial representation on the illustrated page.

Should an asterisk (*) appear in the part number column on the parts list page, read upwards until a part number is found. The part number is the lowest assembly sold by Service Parts. The asterisk (*) indicates that the part depicted is not available for purchase.

NOTE: Descriptions are indented under the assembly that they are used on. That assembly is, in turn listed under the assembly that it is used on. This process is repeated until the highest final assembly is reached.

To facilitate the maintenance and repair of the vehicle, a Technician's Repair and Service Manual is available from the Service Parts Department.

**DID YOU
KNOW?**

CartPros directs you to the right part using the part numbers from this manual. Enter the part number into our search box and it will find the part you are looking for.

**GET STARTED
HERE**



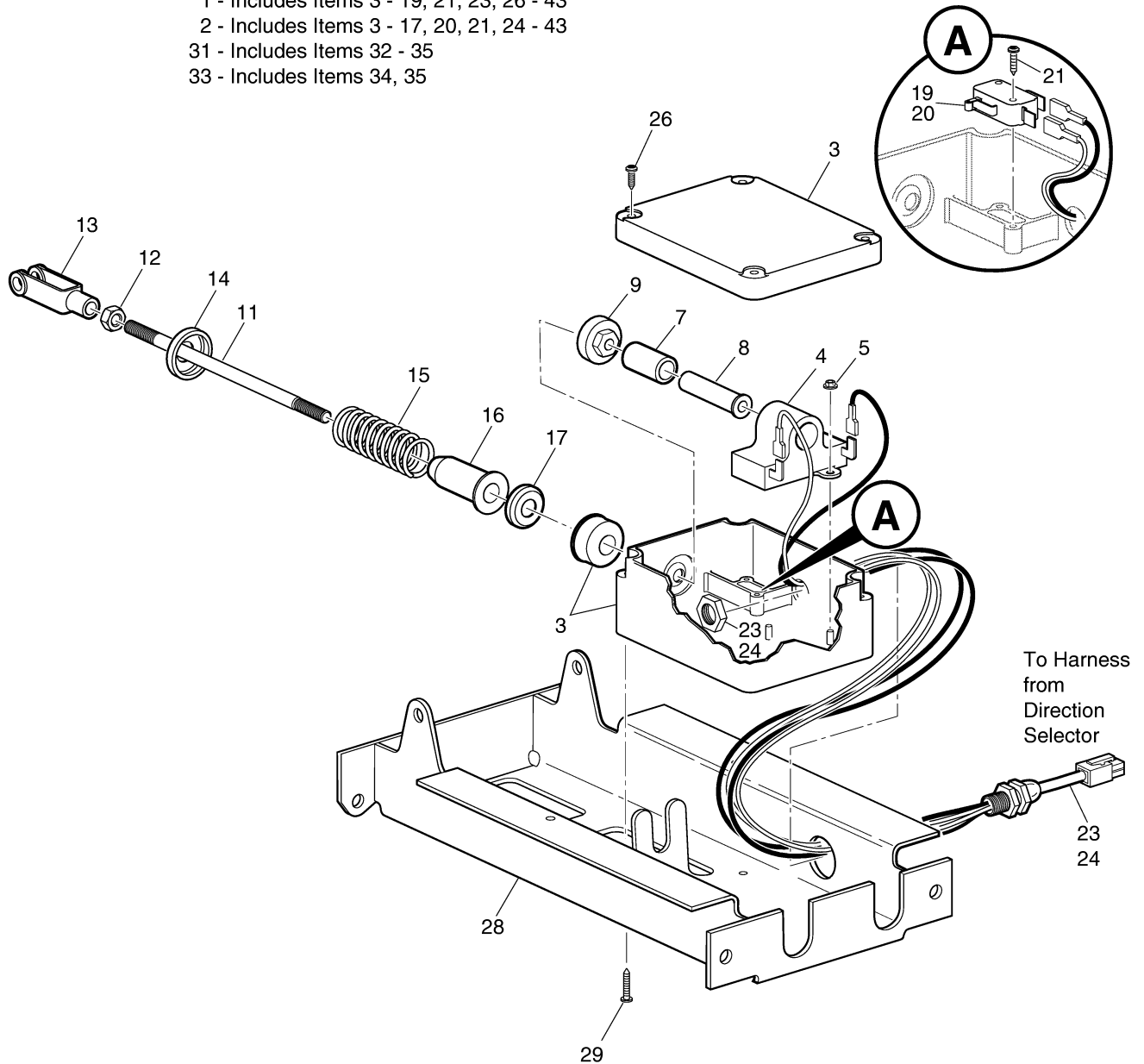
<https://CartPros.com/f.html>

ILLUSTRATED PARTS BREAKDOWN

ILLUSTRATED PARTS BREAKDOWN

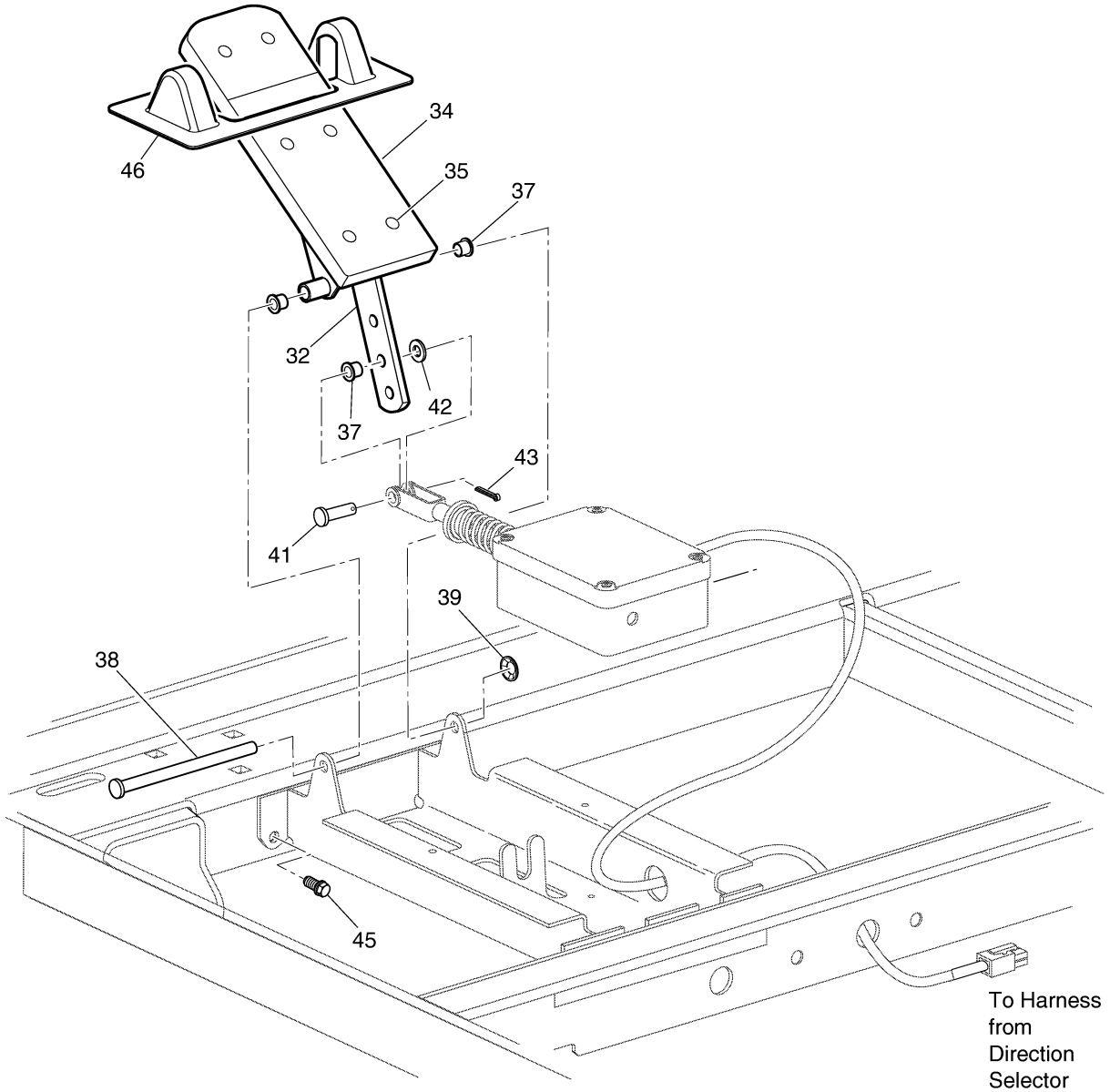
ACCELERATOR

- 1 - Includes Items 3 - 19, 21, 23, 26 - 43
- 2 - Includes Items 3 - 17, 20, 21, 24 - 43
- 31 - Includes Items 32 - 35
- 33 - Includes Items 34, 35



Ref Acl 1-1

ACCELERATOR



Ref Acl 1-2

ACCELERATOR

Where applicable, THE USE OF NON UL PARTS WILL VOID ANY UL LISTING.

When ordering parts, please specify the model and serial number of the product.

* Indicates a component that is not available as an individual part.

G** Indicates consult Customer Service Department for additional information.

ITEM	PART NO.	1 2 3 4 5	DESCRIPTION	QTY.
1	73333-G01		PEDAL BOX ASSEMBLY (INCLUDES ITEMS 3 - 19, 21, 23, 26 - 43)	1
2	73333-G05		PEDAL BOX ASSEMBLY, PDS MODEL ONLY (INCLUDES ITEMS 3 - 17, 20, 21, 24 - 43)	1
3	25853-G01		PEDAL BOX AND COVER (SEAL AND BEARING)	1
4	25854-G01		INDUCTIVE THROTTLE SENSOR	1
5	00983-G01		SELF THREADING NUT, 3/16"	2
6				
7	25857-G01		PLUNGER SLEEVE.....	1
8	28443-G01		PLUNGER.....	1
9	28444-G01		PLUNGER CAM.....	1
10				
11	73332-G01		ACCELERATOR ROD	1
12	00532-G4		NUT, 5/16 - 24.....	1
13	10385-G4		CLEVIS YOKE (ADJUSTABLE).....	1
14	17677-G2		SPRING RETAINER, 3/8"	1
15	73046-G01		COMPRESSION SPRING	1
16	17979-G1		ACCELERATOR ROD BUSHING	1
17	17677-G1		SPRING RETAINER, 1/2"	1
18				
19	25861-G01		MICRO SWITCH.....	1
20	25861-G02		MICRO SWITCH (PDS MODEL ONLY).....	1
21	00982-G01		SCREW, #4 - 14 X 5/8" LG	2
22				
23	25879-G03		WIRING HARNESS (PEDAL BOX ASSEMBLY)	1
24	25879-G05		WIRING HARNESS (PEDAL BOX ASSEMBLY) (PDS MODEL ONLY)	1
25				
26	00684-G6		SCREW, #8 - 32 X 3/4" LG (STAINLESS STEEL).....	4
27				
28	70116-G01		ACCELERATOR PEDAL BRACKET.....	1
29	01051-G01		SCREW, #8 - 16 X 1/2" LG	4

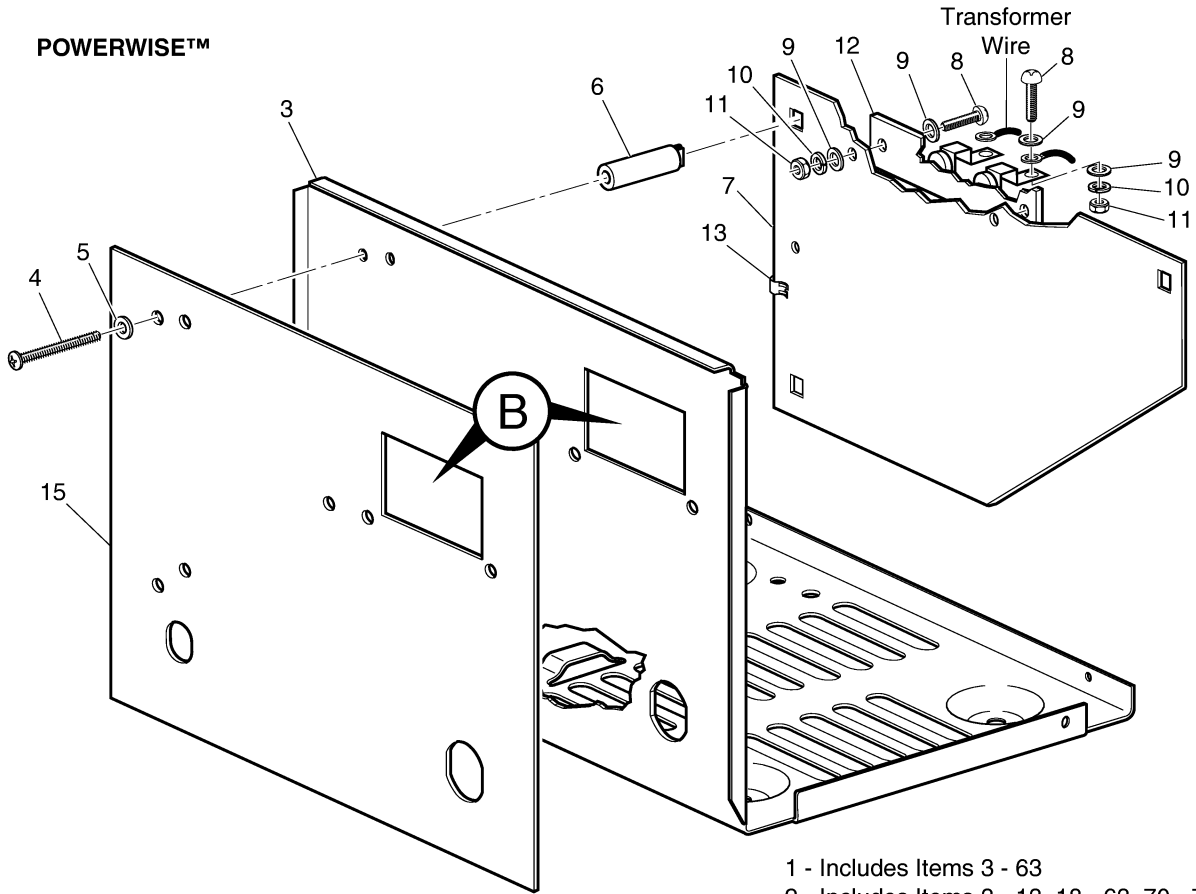
ACCELERATOR

Where applicable, THE USE OF NON UL PARTS WILL VOID ANY UL LISTING.
 When ordering parts, please specify the model and serial number of the product.
 * Indicates a component that is not available as an individual part.
 G** Indicates consult Customer Service Department for additional information.

ITEM	PART NO.	1	2	3	4	5	DESCRIPTION	QTY.
30								
31	25799-G01						ACCELERATOR PEDAL ASSEMBLY (INCLUDES ITEMS 32 - 35).....	1
32	*						ACCELERATOR PEDAL	1
33	27844-G01						ACCELERATOR PEDAL PAD KIT (INCLUDES ITEMS 34, 35).....	1
34	27512-G01						ACCELERATOR PEDAL PAD	1
35	15766-G1						OVAL RIVET 3/16" X 7/16" LG	6
36								
37	17838-G1						NYLON BUSHING	3
38	74432-G01						PEDAL PIVOT PIN	1
39	12064-G6						PUSHNUT, 9/32" I.D.	1
40								
41	10386-G3						CLEVIS PIN, 5/16" X 13/16" LG	1
42	17255-G1						TEFLON WASHER, 5/16"	1
43	10387-G3						COTTER PIN, 3/32" X 3/4" LG	1
44								
45	00715-G2						BOLT, 5/16 - 18 X 4/5" LG	4
46	70135-G01						PEDAL PIVOT COVER	1

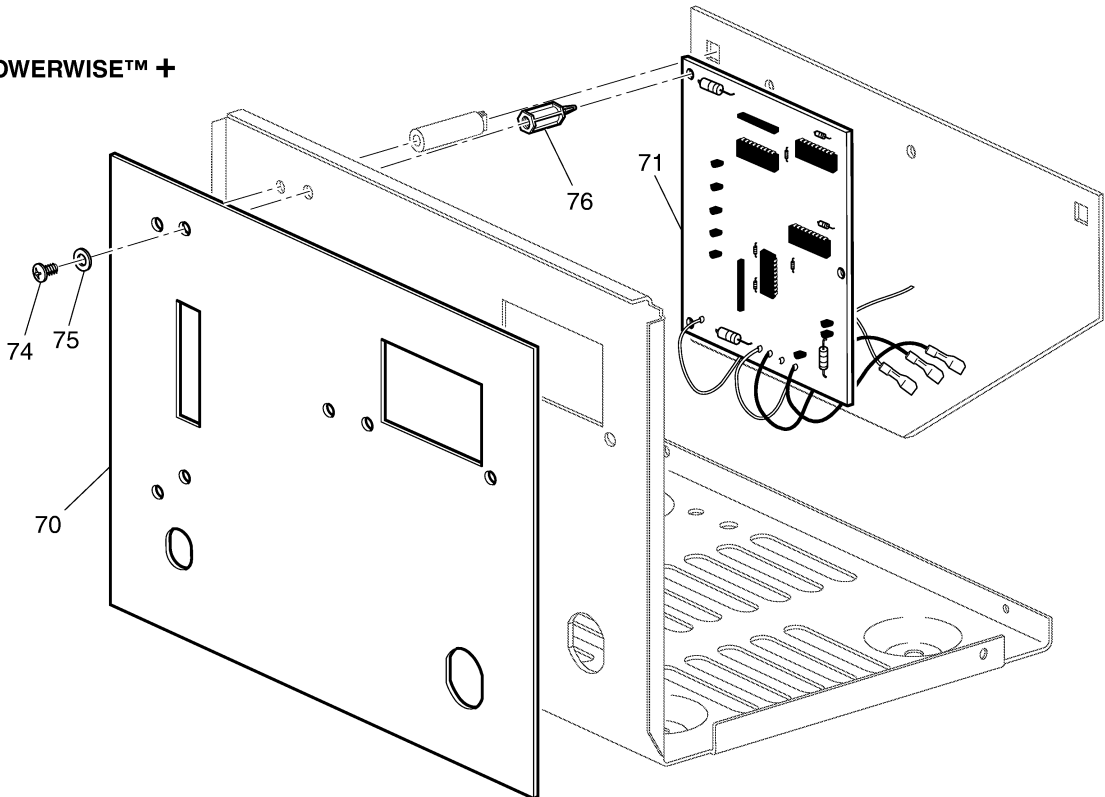
BATTERY CHARGER - PORTABLE 36 VOLT

POWERWISE™



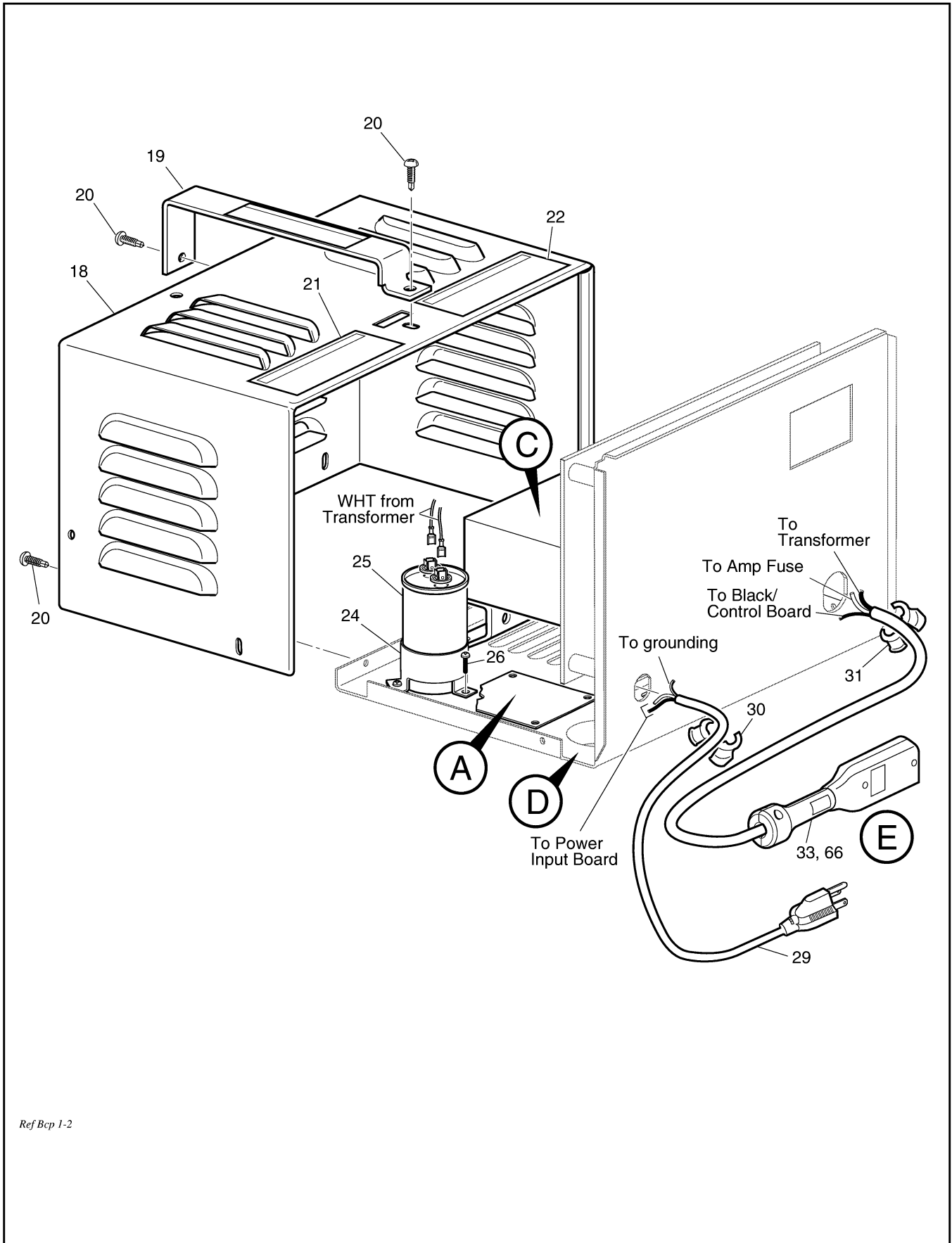
- 1 - Includes Items 3 - 63
- 2 - Includes Items 3 - 13, 18 - 63, 70 - 76

POWERWISE™ +



Ref Bcp 1-1

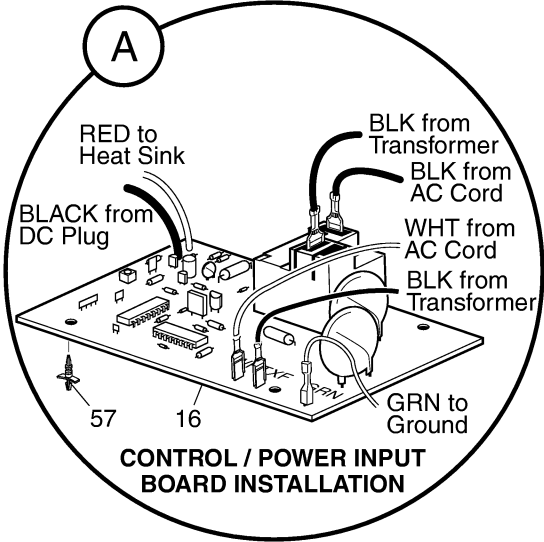
BATTERY CHARGER - PORTABLE 36 VOLT



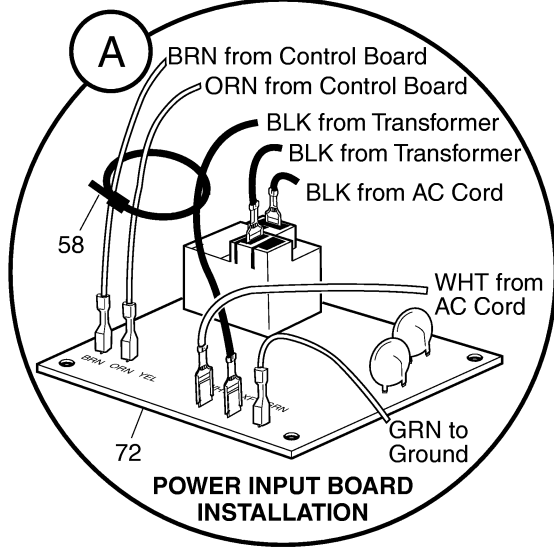
Ref Bcp 1-2

BATTERY CHARGER - PORTABLE 36 VOLT

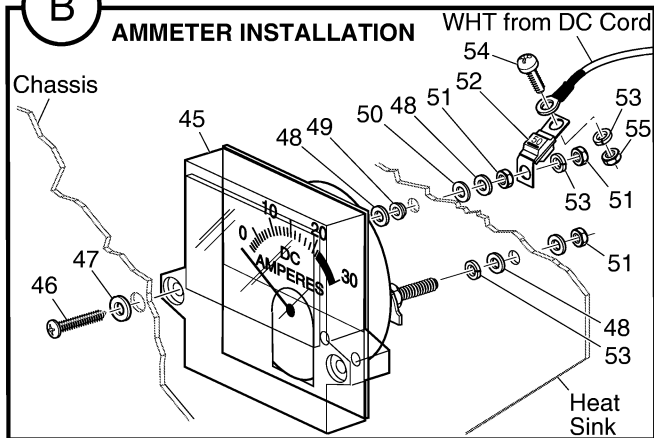
POWERWISE™



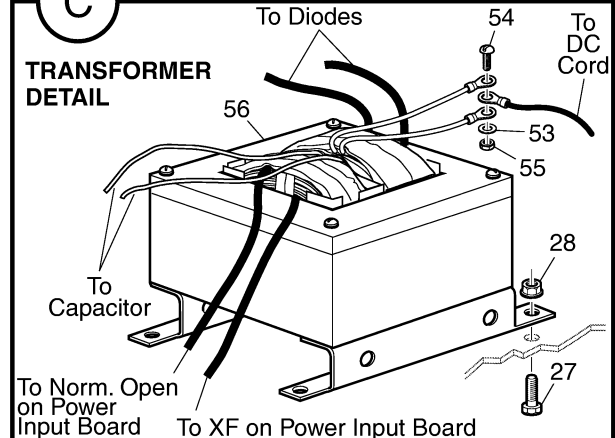
POWERWISE™ +



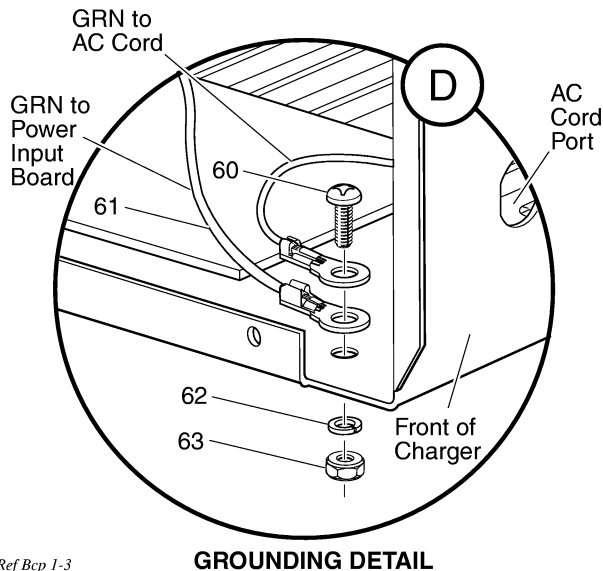
B



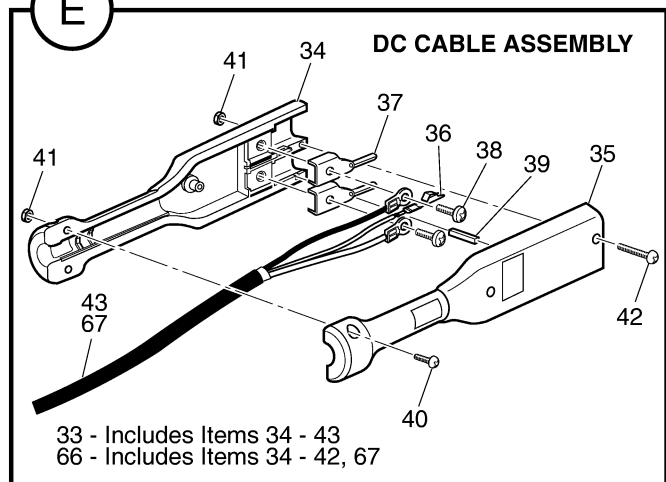
C



D



E



Ref Bcp 1-3

BATTERY CHARGER - PORTABLE 36 VOLT

Where applicable, THE USE OF NON UL PARTS WILL VOID ANY UL LISTING.

When ordering parts, please specify the model and serial number of the product.

* Indicates a component that is not available as an individual part.

G** Indicates consult Customer Service Department for additional information.

ITEM	PART NO.	1 2 3 4 5	DESCRIPTION	QTY.
1	28115-G01		POWERWISE™ CHARGER (10' CORD) (INCLUDES ITEMS 3 - 63).....	1
2	28115-G02		POWERWISE™ + CHARGER (PORTABLE, 10' CORD) (INCLUDES ITEMS 3 - 13, 18 - 63, 70 - 76).....	1
3	*		CHASSIS	1
4	00513-G6		SCREW, #8 - 18 X 1 3/4" LG	2
5	00559-G4		WASHER, #8	2
6	11572-G3		EXPANSION NUT	2
7	28104-G01		HEAT SINK	1
8	00372-G4		SCREW, #8 - 32 X 1/2" LG	4
9	00559-G4		WASHER, #8	4
10	00565-G4		LOCK WASHER, #8	4
11	00526-G1		NUT, #8 - 32.....	4
12	28548-G01		DIODE.....	1
13	28110-G01		ELECTRICAL CLIP	1
14				
15	*		LABEL (POWERWISE™)	1
16	28667-G01		CONTROL / POWER INPUT BOARD	1
17				
18	*		COVER	1
19	28102-G01		HANDLE	1
20	00614-G4		SCREW, #8 - 18 X 1/2" LG	6
21	28136-G01		LABEL (VENTILATION)	1
22	28136-G02		LABEL (CORD CONDITION).....	1
23				
24	26979-G01		CAPACITOR BRACKET	1
25	28109-G01		CAPACITOR	1
26	00969-G01		SCREW, #8 - 32 X 3/8" LG	3
27	00414-G5		BOLT, 1/4 - 20 X 5/8" LG.....	3
28	11027-G2		LOCK NUT, 1/4 - 20.....	3
29	19388-G4		AC CORD	1



BATTERY CHARGER - PORTABLE 36 VOLT

Where applicable, THE USE OF NON UL PARTS WILL VOID ANY UL LISTING.
 When ordering parts, please specify the model and serial number of the product.
 * Indicates a component that is not available as an individual part.
 G** Indicates consult Customer Service Department for additional information.

ITEM	PART NO.	1	2	3	4	5	DESCRIPTION	QTY.
30	13557-G2						STRAIN RELIEF (AC).....	1
31	13557-G3						STRAIN RELIEF (DC).....	1
32								
33	73345-G01						DC CORD AND HANDLE ASSEMBLY (INCLUDES ITEMS 34 - 43)	1
34	73051-G11						PLUG (TOP HALF).....	1
35	73051-G12						PLUG (BOTTOM HALF).....	1
36	73051-G27						AUXILIARY CONTACT.....	1
37	73051-G14						MALE PIN.....	2
38	73051-G08						SCREW, #10 - 32 X 1/2" LG (BRASS)	2
39	73051-G15						MAGNET	1
40	73051-G16						SCREW, #6 - 32 X 1/2" LG (STAINLESS STEEL)	2
41	73051-G10						LOCK NUT, #6 - 32	4
42	73051-G17						SCREW, #6 - 32 X 1" LG (STAINLESS STEEL)	2
43	73344-G01						DC CORD, 10' LG	1
44								
45	28105-G01						AMMETER.....	1
46	01051-G01						SCREW, #8 - 16 X 1/2" LG	2
47	00559-G4						WASHER, #8	2
48	01003-G01						WASHER, #10 (BRASS).....	4
49	22589-G2						SHOULDER WASHER, #10	1
50	00771-G6						NYLON WASHER, 3/8".....	1
51	00528-G4						NUT, #10 - 32 (BRASS)	3
52	28106-G01						50 AMP FUSE.....	1
53	00565-G5						LOCK WASHER, #10	4
54	00378-G4						SCREW, #10 - 24 X 1/2" LG	2
55	00526-G3						NUT, #10 - 24.....	2
56	28103-G01						TRANSFORMER	1
57	27877-G01						SPACER SUPPORT	4
58	17618-G1						WIRE TIE	2
59								

BATTERY CHARGER - PORTABLE 36 VOLT

Where applicable, THE USE OF NON UL PARTS WILL VOID ANY UL LISTING.

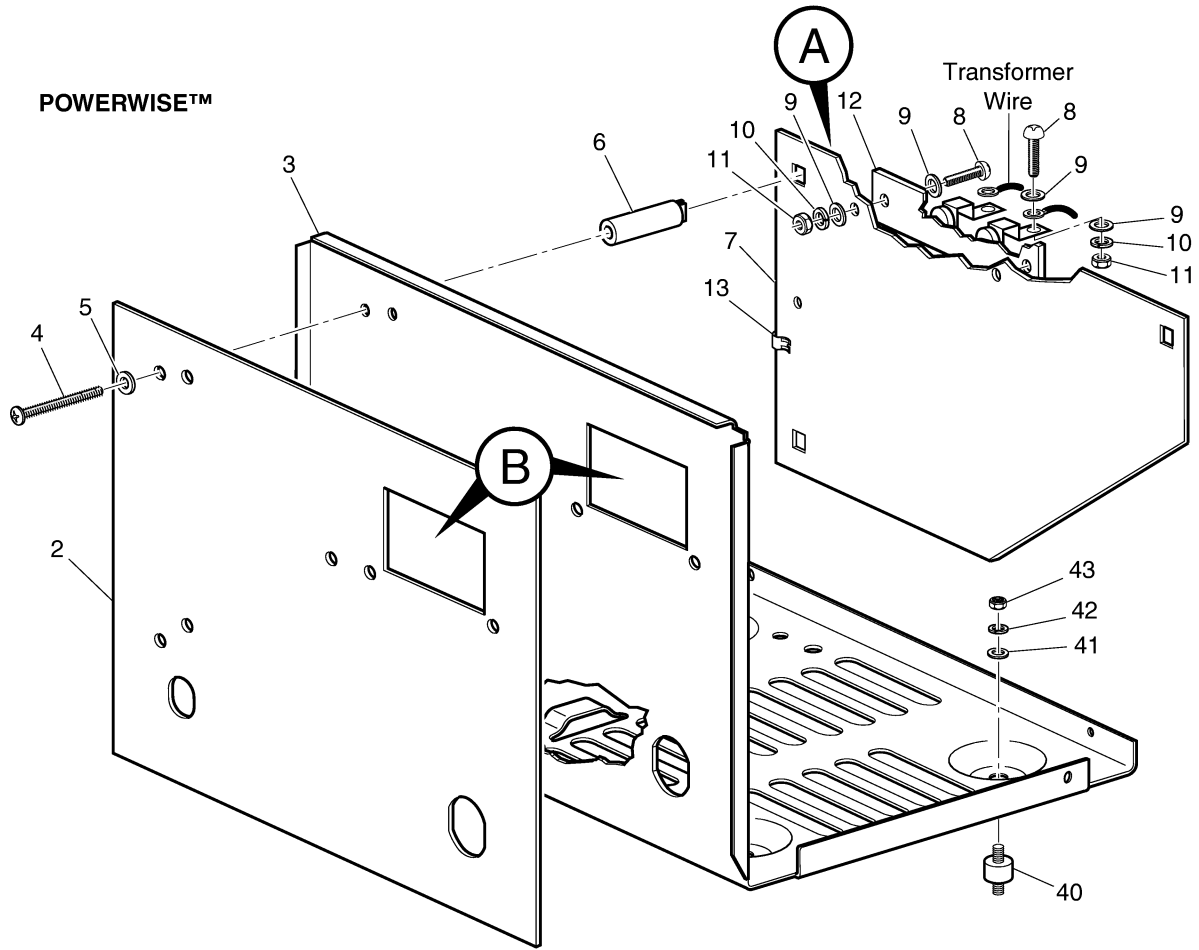
When ordering parts, please specify the model and serial number of the product.

* Indicates a component that is not available as an individual part.

G** Indicates consult Customer Service Department for additional information.

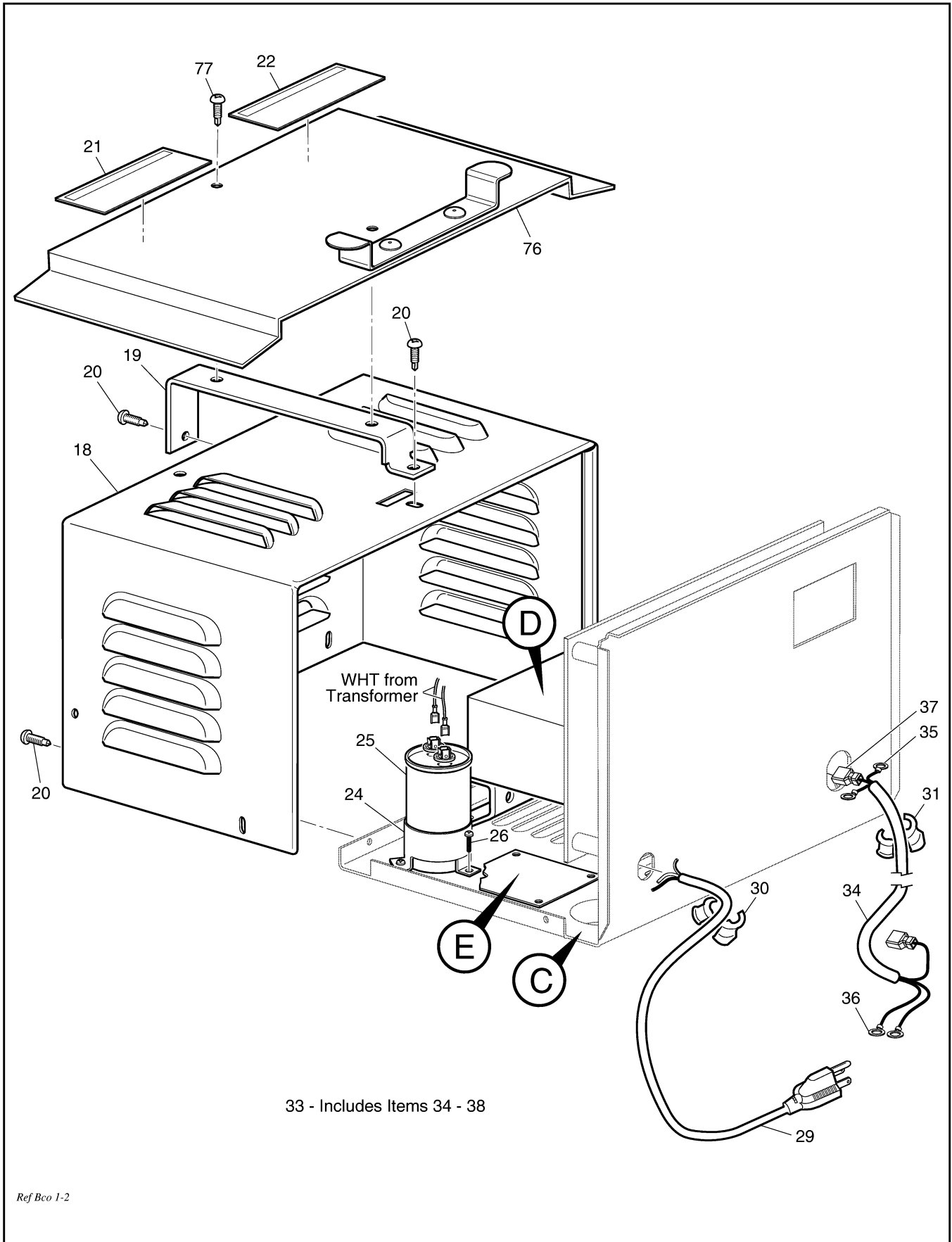
ITEM	PART NO.	1	2	3	4	5	DESCRIPTION	QTY.
60	00372-G3						SCREW, #8 - 32 X 3/8" LG	1
61	25977-G32						16 GA WIRE (GREEN 4")	1
62	00565-G4						LOCK WASHER, #8	1
63	00526-G1						NUT, #8 - 32	1
64								
65	28115-G07						POWERWISE™ CHARGER (PORTABLE, 18' CORD) (INCLUDES ITEMS 3 - 31, 45 - 63, 66, 67)	1
66	73345-G03						DC CORD AND HANDLE ASSEMBLY (INCLUDES ITEMS 34 - 42, 67)	1
67	73344-G03						DC CORD, 18' LG	1
68								
69	28115-G08						POWERWISE™ + CHARGER (PORTABLE, 18' CORD) (INCLUDES ITEMS 3 - 13, 18 - 31, 45 - 63, 66, 67, 70 - 76)	1
70	*						LABEL (POWERWISE™ +)	1
71	28667-G02						CONTROL BOARD	1
72	28667-G03						POWER INPUT BOARD	1
73								
74	01995-G01						SCREW, #6 - 19 X 5/16" LG	3
75	00559-G3						WASHER, #6	3
76	28111-G01						SUPPORT SPACER	3

BATTERY CHARGER - ON BOARD 36 VOLT



Ref Bco 1-1

BATTERY CHARGER - ON BOARD 36 VOLT

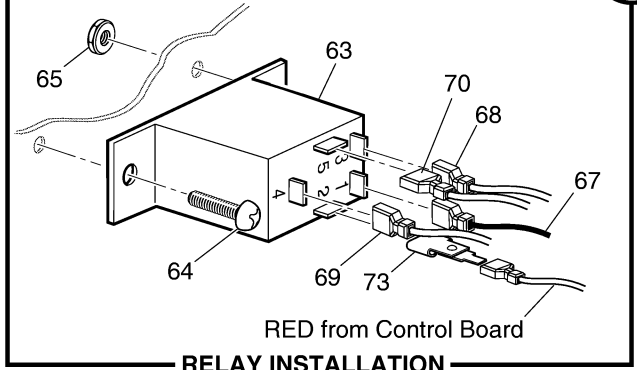


Ref Bco 1-2

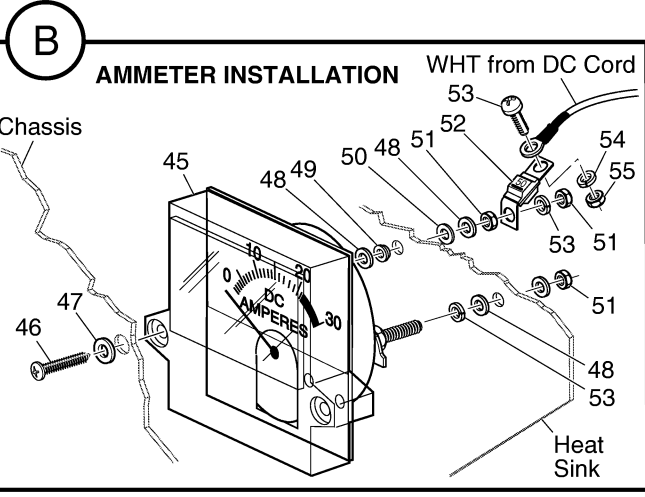
BATTERY CHARGER - ON BOARD 36 VOLT

- Pin 1 - Wire 67 to Input Board "COM"
- Pin 2 - Tab Adapter 73, RED wire from Control Board
- Pin 3 - Wire 68 to Input Board "WHT"
- Pin 4 - Wire 69 to Heat Sink Clip
- Pin 5 - Wire 70 to DC Cord RED Wire

A

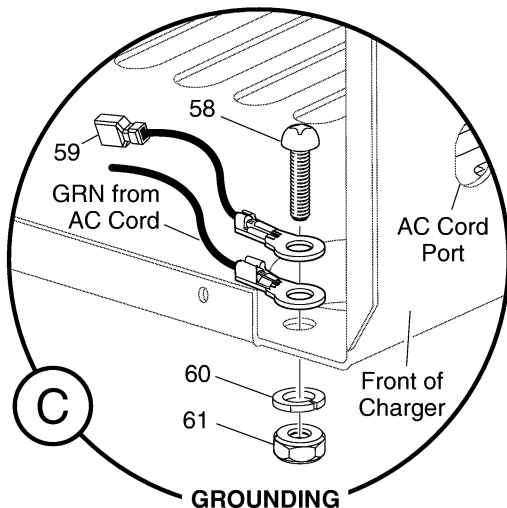


RELAY INSTALLATION



B

AMMETER INSTALLATION

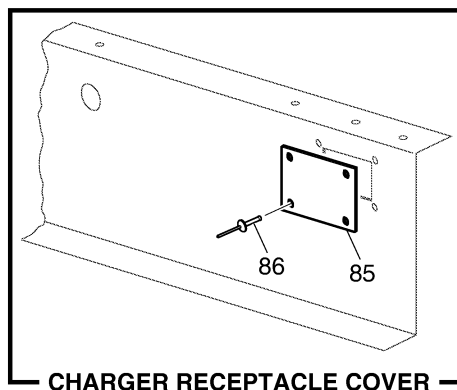
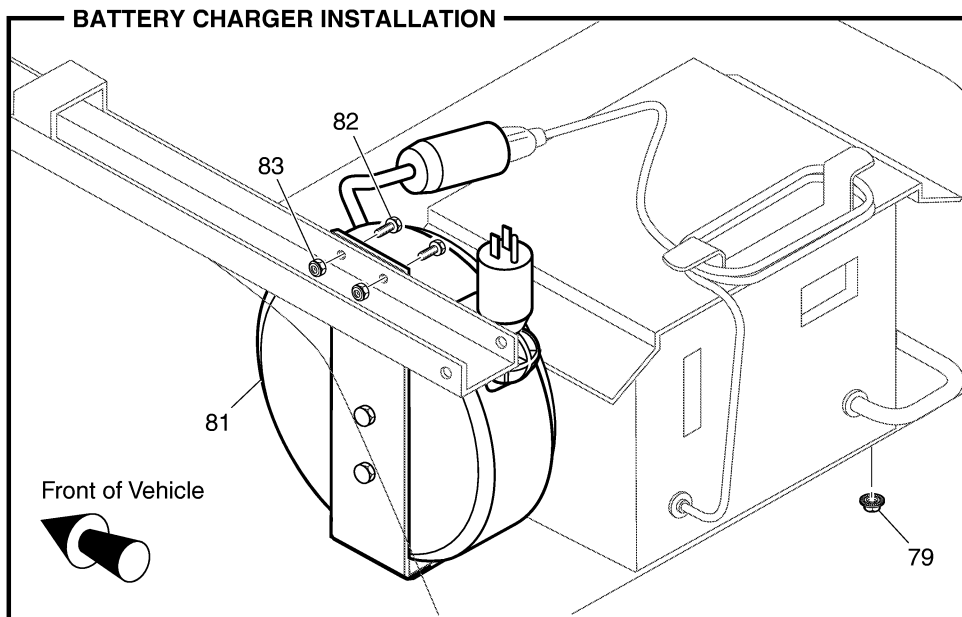
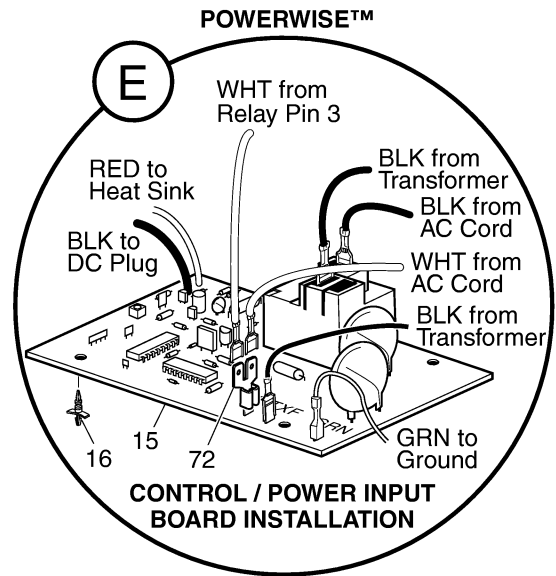
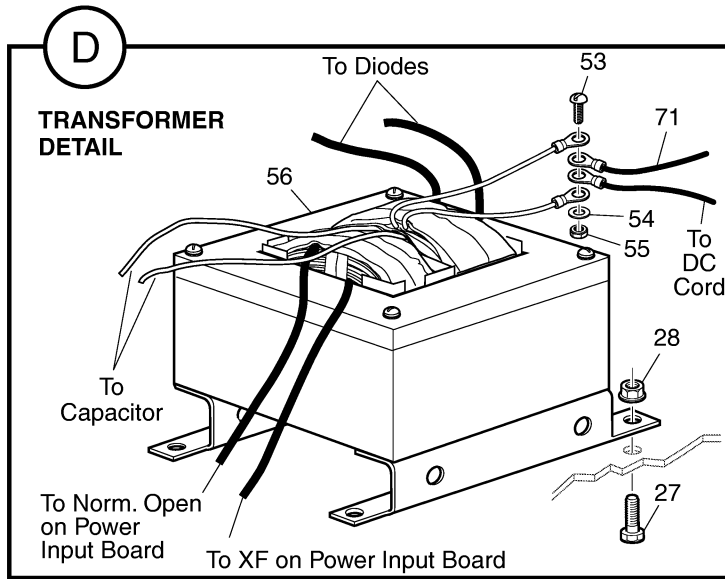


C

GROUNDING DETAIL

Ref Bco 1-3

BATTERY CHARGER - ON BOARD 36 VOLT



CHARGER RECEPTACLE COVER

Ref Bco 1-4

BATTERY CHARGER - ON BOARD 36 VOLT

Where applicable, THE USE OF NON UL PARTS WILL VOID ANY UL LISTING.

When ordering parts, please specify the model and serial number of the product.

* Indicates a component that is not available as an individual part.

G** Indicates consult Customer Service Department for additional information.

ITEM	PART NO.	1 2 3 4 5	DESCRIPTION	QTY.
1	28115-G11		POWERWISE™ CHARGER (ON BOARD) (INCLUDES ITEMS 2 - 74).....	1
2	*		LABEL (POWERWISE™)	1
3	*		CHASSIS	1
4	00513-G6		SCREW, #8 - 18 X 1 3/4" LG	2
5	00559-G4		WASHER, #8	2
6	11572-G3		EXPANSION NUT	2
7	28104-G01		HEAT SINK	1
8	00372-G4		SCREW, #8 - 32 X 1/2" LG	4
9	00559-G4		WASHER, #8	6
10	00565-G4		LOCK WASHER, #8	4
11	00526-G1		NUT, #8 - 32.....	4
12	28548-G01		DIODE.....	1
13	28110-G01		ELECTRICAL CLIP	1
14				
15	28667-G01		CONTROL / POWER INPUT BOARD	1
16	27877-G01		SPACER SUPPORT	4
17				
18	*		COVER	1
19	28102-G01		HANDLE	1
20	00614-G4		SCREW, #8 - 18 X 1/2" LG	4
21	28136-G01		LABEL (VENTILATION)	1
22	28136-G02		LABEL (CORD CONDITION).....	1
23				
24	26979-G01		CAPACITOR BRACKET	1
25	28109-G01		CAPACITOR	1
26	00969-G01		SCREW, #8 - 32 X 3/8" LG	3
27	00414-G5		BOLT, 1/4 - 20 X 5/8" LG.....	3
28	11027-G2		LOCK NUT, 1/4 - 20.....	3
29	19388-G4		AC CORD	1
30	13557-G2		STRAIN RELIEF (AC).....	1

BATTERY CHARGER - ON BOARD 36 VOLT

Where applicable, THE USE OF NON UL PARTS WILL VOID ANY UL LISTING.
 When ordering parts, please specify the model and serial number of the product.
 * Indicates a component that is not available as an individual part.
 G** Indicates consult Customer Service Department for additional information.

ITEM	PART NO.	1	2	3	4	5	DESCRIPTION	QTY.
31	13557-G3						STRAIN RELIEF (DC).....	1
32								
33	73344-G06						DC CORD ASSEMBLY (INCLUDES ITEMS 34 - 38)	1
34	28108-G01						DC CORD.....	1
35	11343-G3						RING TERMINAL, 3/16".....	2
36	11343-G1						RING TERMINAL, 5/16".....	2
37	17064-G1						FEMALE TERMINAL.....	2
38	22476-G1						HEAT SHRINK TUBING.....	A/R
39								
40	22009-G2						ISOLATION MOUNT.....	4
41	01110-G01						WASHER, 1/4" (STAINLESS STEEL).....	4
42	00664-G7						LOCK WASHER, 1/4" (STAINLESS STEEL).....	4
43	00532-G1						NUT, 1/4 - 20.....	4
44								
45	28105-G01						AMMETER.....	1
46	01051-G01						SCREW, #8 - 16 X 1/2" LG.....	2
47	00559-G4						WASHER, #8.....	2
48	01003-G01						WASHER, #10 (BRASS).....	4
49	22589-G2						SHOULDER WASHER, #10.....	1
50	00771-G6						NYLON WASHER, 3/8".....	1
51	00528-G4						NUT, #10 - 32 (BRASS).....	3
52	28106-G01						50 AMP FUSE.....	1
53	00378-G4						SCREW, #10 - 24 X 1/2" LG.....	2
54	00565-G5						LOCK WASHER, #10.....	4
55	00526-G3						NUT, #10 - 24.....	2
56	28103-G01						TRANSFORMER.....	1
57								
58	00372-G3						SCREW, #8 - 32 X 3/8" LG.....	1
59	25977-G32						16 GA WIRE (GREEN 4").....	1
60	00565-G4						LOCK WASHER, #8.....	1

BATTERY CHARGER - ON BOARD 36 VOLT

Where applicable, THE USE OF NON UL PARTS WILL VOID ANY UL LISTING.

When ordering parts, please specify the model and serial number of the product.

* Indicates a component that is not available as an individual part.

G** Indicates consult Customer Service Department for additional information.

ITEM	PART NO.	1 2 3 4 5	DESCRIPTION	QTY.
61	00526-G1		NUT, #8 - 32.....	1
62				
63	21971-G4		RELAY	1
64	00138-G4		SCREW, #6 - 32 X 1/2" LG	2
65	14390-G9		LOCK NUT, #6 - 32.....	2
66				
67	25977-G38		16 GA WIRE (BLACK 4").....	1
68	25977-G37		16 GA WIRE (WHITE 5").....	1
69	25978-G161		18 GA WIRE (BLUE 6").....	1
70	25978-G162		18 GA WIRE (YELLOW 6").....	1
71	25978-G163		18 GA WIRE (BLACK 7").....	1
72	17902-G1		ADAPTER TAB	1
73	28305-G01		ADAPTER TERMINAL, 1/4" X 3/16".....	1
74	27285-G01		ADAPTER TERMINAL, 1/4" (1 FEMALE, 3 MALE).....	1
75				
76	71968-G01		SHIELD	1
77	00106-G6		SCREW, #12 - 24 X 3/4" LG.....	2
78				
79	11027-G1		LOCK NUT, 5/16 - 18	2
80				
81	73368-G01		CORD REEL	1
82	00438-G6		BOLT, 5/16 - 18 X 3/4" LG.....	2
83	11027-G1		LOCK NUT, 5/16 - 18	2
84				
85	73173-G01		COVER PLATE	1
86	14601-G10		RIVET, 1/8" X 7/16" LG (ALUMINUM).....	4

**DID YOU
KNOW?**

CartPros directs you to the right part using the part numbers from this manual. Enter the part number into our search box and it will find the part you are looking for.

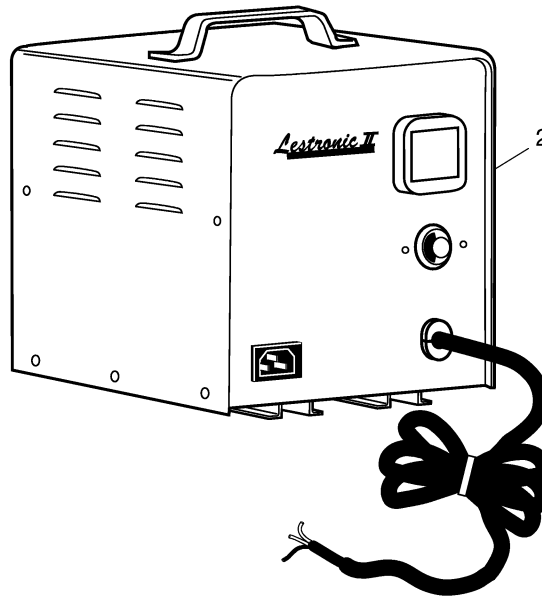
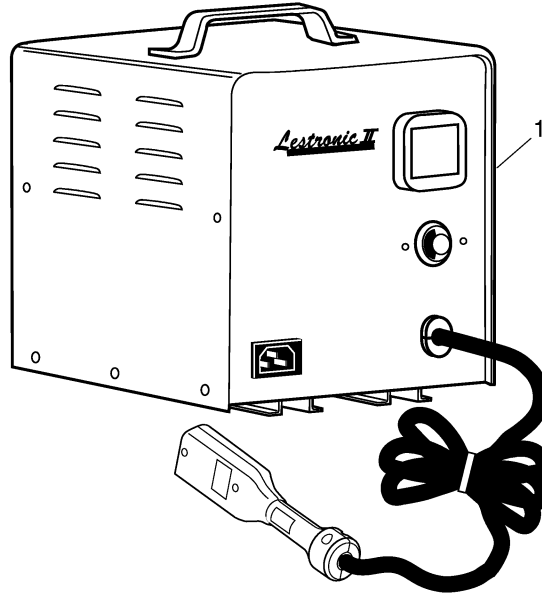
**GET STARTED
HERE**



<https://CartPros.com/f.html>

BATTERY CHARGER - ON BOARD 36 VOLT

BATTERY CHARGER - EXPORT 36 VOLT



Ref Bcl 1

BATTERY CHARGER - EXPORT 36 VOLT

Where applicable, THE USE OF NON UL PARTS WILL VOID ANY UL LISTING.

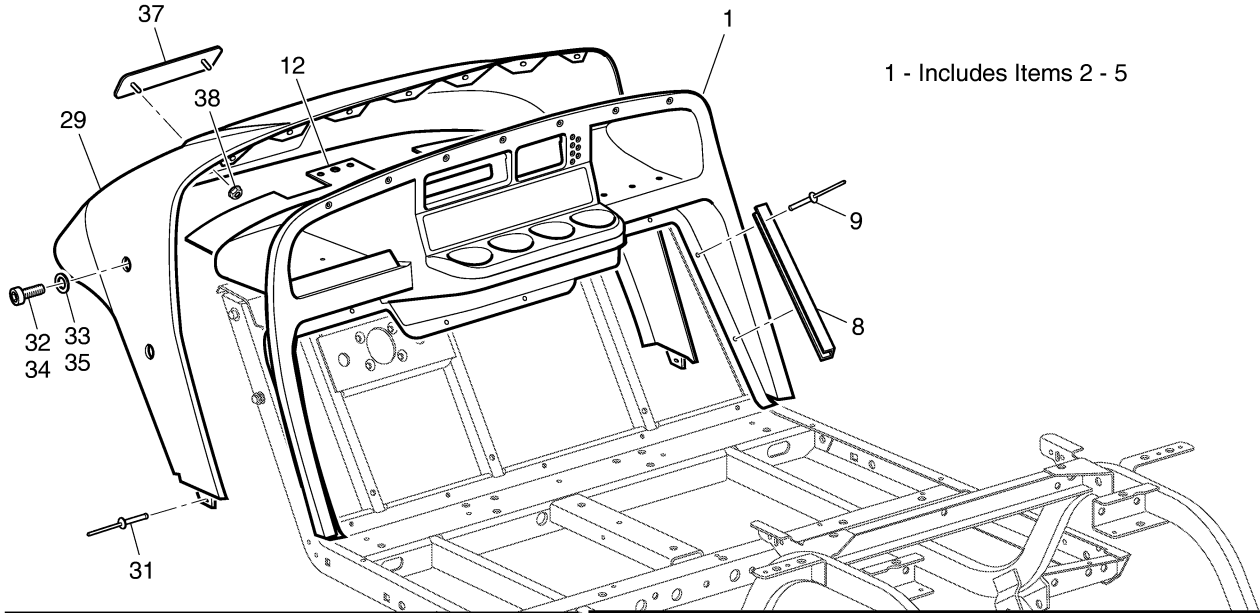
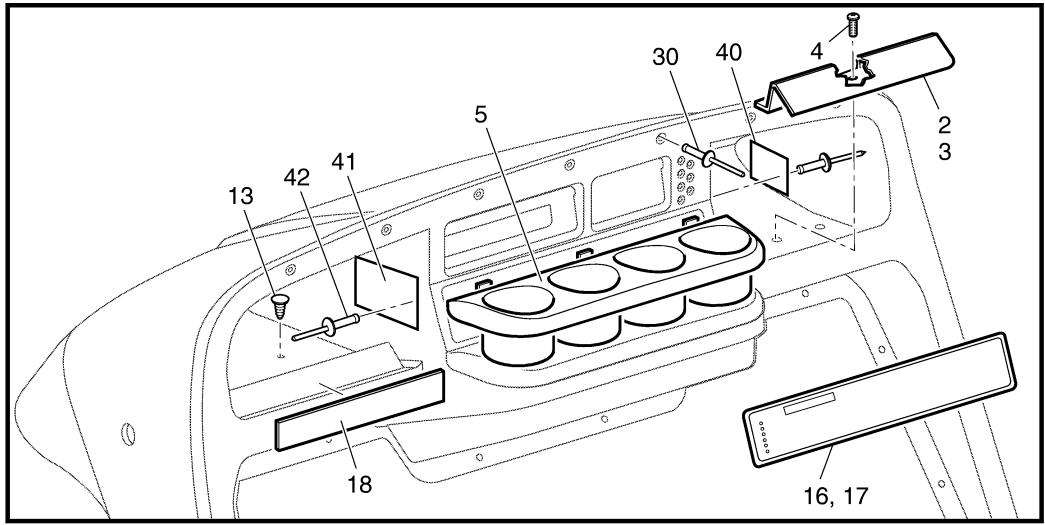
When ordering parts, please specify the model and serial number of the product.

* Indicates a component that is not available as an individual part.

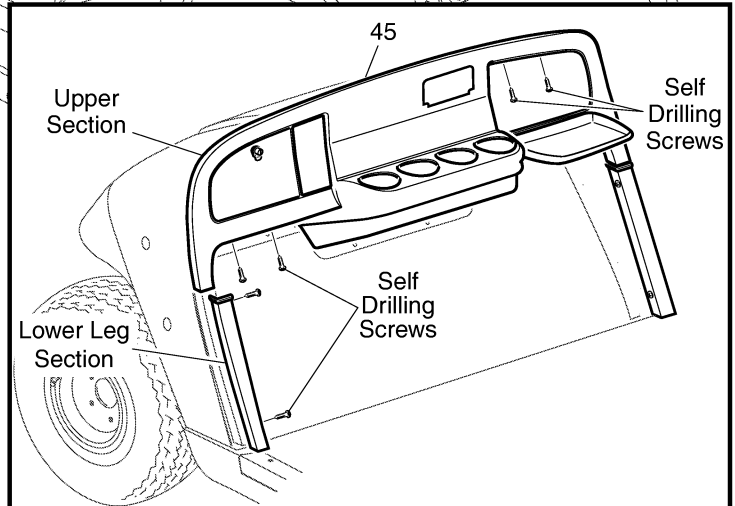
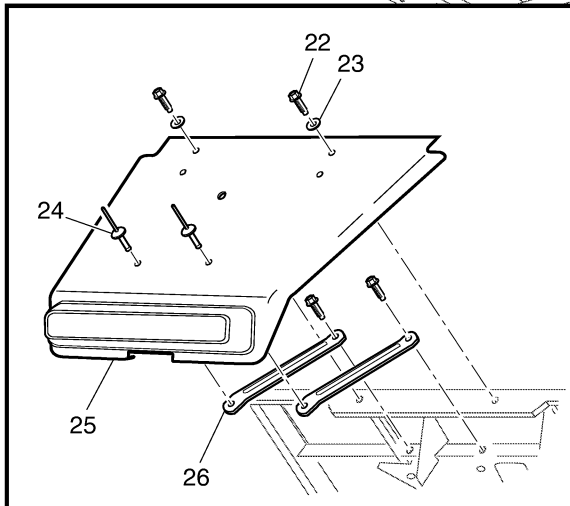
G** Indicates consult Customer Service Department for additional information.

ITEM	PART NO.	1 2 3 4 5	DESCRIPTION	QTY.
1	28516-G01		BATTERY CHARGER, LESTER, 36 VOLT, PORTABLE WITH POWERWISE CONNECTOR, CE APPROVED (OPTIONAL)	
2	28516-G03		<p>BATTERY CHARGER, LESTER, 36 VOLT, ON-BOARD, CE APPROVED (OPTIONAL)</p> <p>For service or replacement parts, contact: Lester Electrical 625 West "A" Street Lincoln, NE 68522</p> <p>Phone: (402) 477-8988, FAX: (402) 474-1769</p> <p>Always provide the following information when requesting information or ordering replacement parts:</p> <p>Model Number: Serial Number: (stamped into housing)</p>	

BODY - FRONT



1 - Includes Items 2 - 5



Ref Bod 1-1

BODY - FRONT

Where applicable, THE USE OF NON UL PARTS WILL VOID ANY UL LISTING.
 When ordering parts, please specify the model and serial number of the product.
 * Indicates a component that is not available as an individual part.
 G** Indicates consult Customer Service Department for additional information.

ITEM	PART NO.	1 2 3 4 5	DESCRIPTION	QTY.
1	71151-G01		INSTRUMENT PANEL ASSEMBLY (INCLUDES ITEMS 2 - 5)	1
2	71153-G01		BALL DEFLECTOR (PASSENGER SIDE).....	1
3	71154-G01		BALL DEFLECTOR (DRIVER SIDE)	1
4	00614-G5		SCREW, #8 - 18 X 5/8" LG	6
5	71158-G01		INSTRUMENT PANEL INSERT (4 CUP HOLDER).....	1
6				
7				
8	71115-G01		VINYL TRIM	2
9	71055-G01		RIVET, 3/16" X 1" LG (ALUMINUM)	10
10				
11				
12	71413-G01		SPLASH PANEL.....	1
13	16816-G2		RIVET, 1/4" X 3/4" LG	5
14				
15				
16	27647-G01		LABEL (SAFETY).....	1
17	35345-G01		LABEL (SAFETY - EC).....	1
18	74443-G01		LABEL (ANTI-ROLLBACK)	1
19				
20				
21				
22	01038-G01		BOLT, 1/4 - 20 X 11/16" LG	4
23	16469-G1		WASHER, 1/4"	2
24	01057-G01		RIVET, 1/4" X 1" LG	2
25	27166-G02		FRONT SHIELD	1
26	70725-G01		FRONT SHIELD BRACE.....	2
27				
28				
29	71051-G**		COWL.....	1
30	71055-G01		RIVET, 3/16" X 1" LG (ALUMINUM)	9

BODY - FRONT

Where applicable, THE USE OF NON UL PARTS WILL VOID ANY UL LISTING.
 When ordering parts, please specify the model and serial number of the product.
 * Indicates a component that is not available as an individual part.
 G** Indicates consult Customer Service Department for additional information.

ITEM	PART NO.	1 2 3 4 5	DESCRIPTION	QTY.
31	10570-G11		RIVET, 3/16" X 3/4" LG (STAINLESS STEEL)	2
32	71056-G01		BOLT, 5/16 - 18 X 5/8" LG	4
33	00570-G2		WASHER, 5/16	4
34	00438-G6		BOLT, 5/16 - 18 X 3/4" LG (WITH TOP)	2
35	01110-G03		WASHER, 5/16" (STAINLESS STEEL) (WITH TOP)	2
36				
37	71037-G02		E-Z-GO NAMEPLATE (GOLD)	1
38	71597-G01		NUT, SELF-THREADING, 5MM STUD x 10MM HEX	2
39				
40	*		SERIAL NUMBER PLATE (EARLY PRODUCTION)	1
41	*		EC PLATE (EARLY PRODUCTION)	1
42	01041-G01		RIVET, 1/8" X 13/16" LG	4
43				
44				
45	74239-G01		INSTRUMENT PANEL WOODGRAIN APPLIQUE KIT	1

**DID YOU
KNOW?**

CartPros directs you to the right part using the part numbers from this manual. Enter the part number into our search box and it will find the part you are looking for.

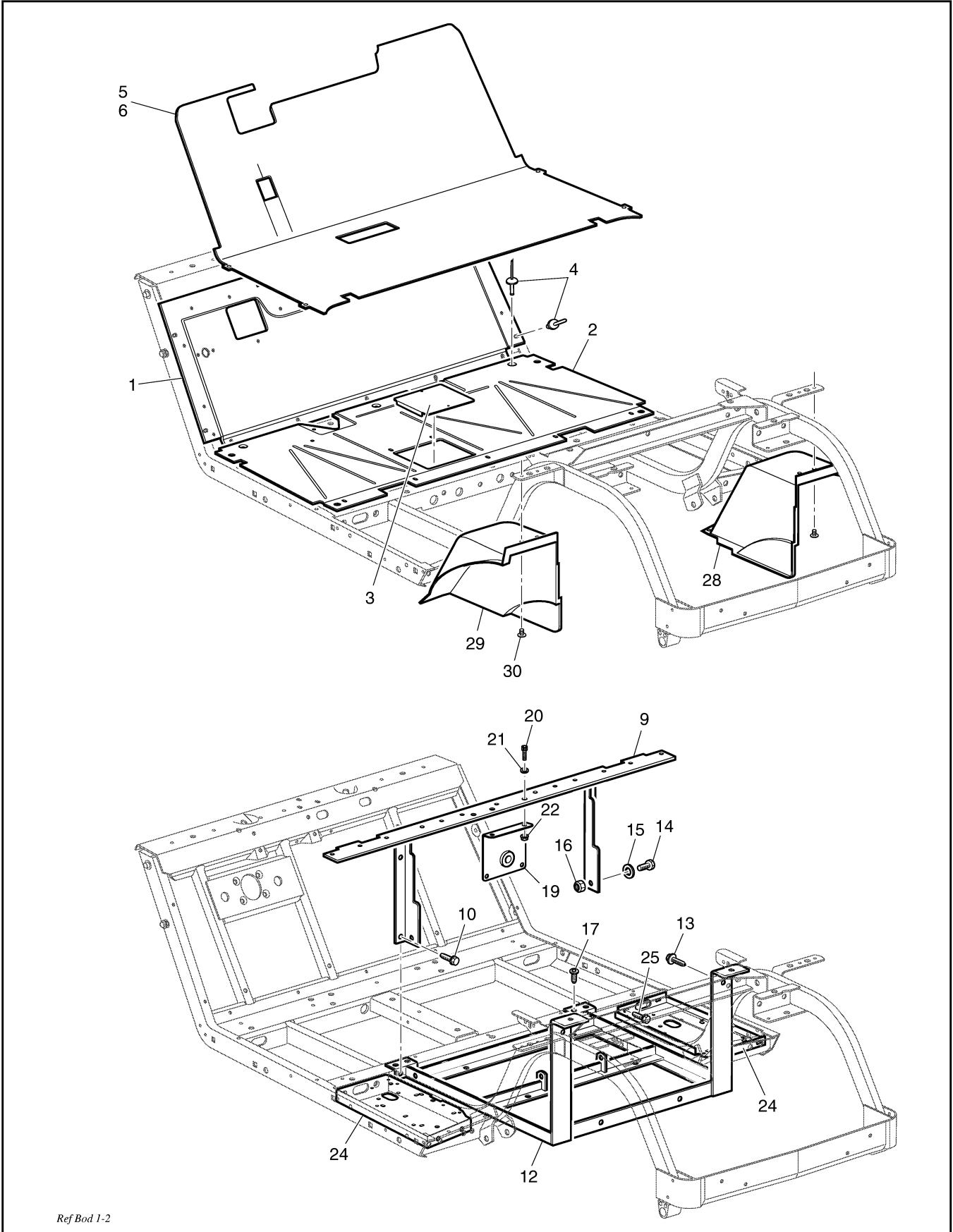
**GET STARTED
HERE**



<https://CartPros.com/f.html>

BODY - FRONT

BODY - MID SECTION



Ref Bod 1-2

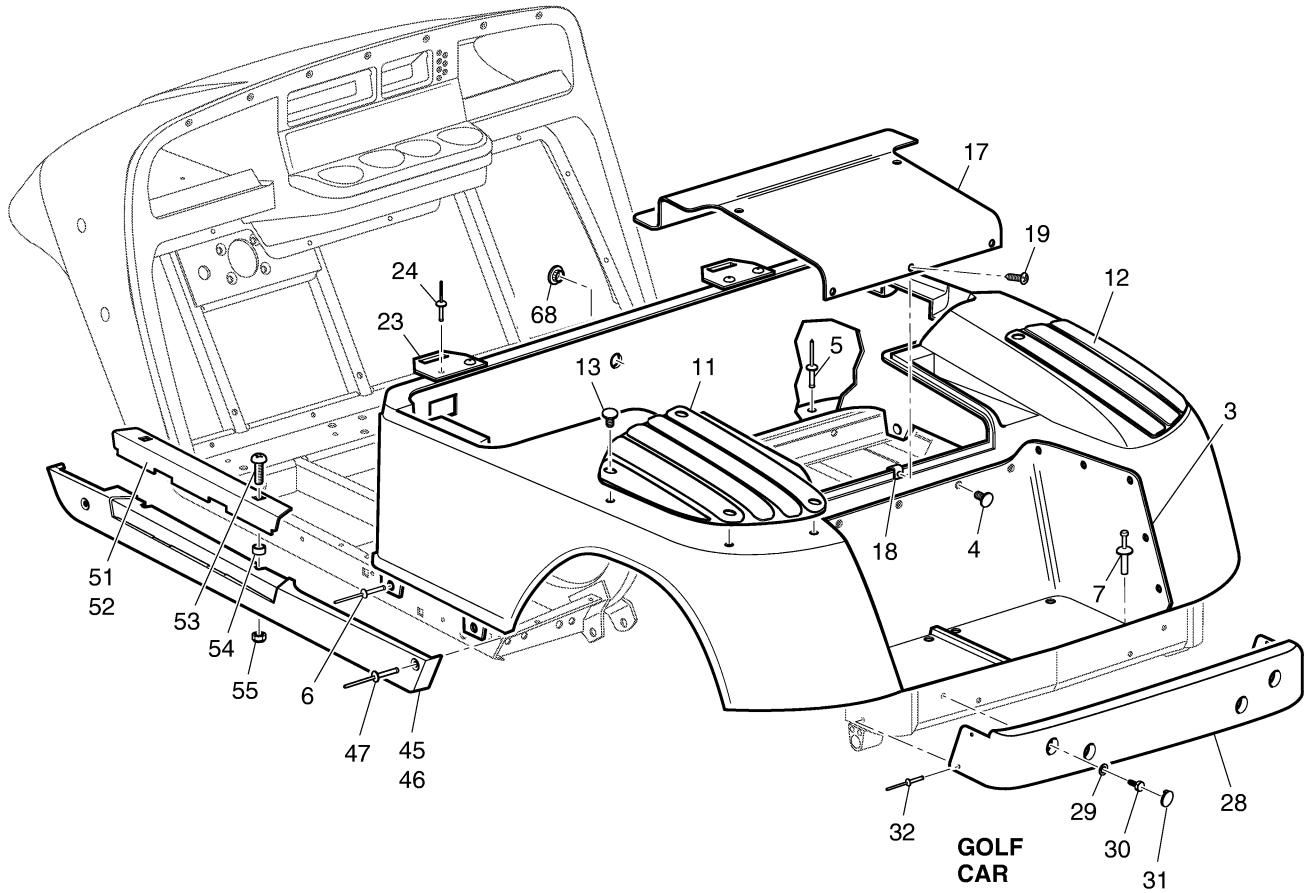
BODY - MID SECTION

Where applicable, THE USE OF NON UL PARTS WILL VOID ANY UL LISTING.
 When ordering parts, please specify the model and serial number of the product.
 * Indicates a component that is not available as an individual part.
 G** Indicates consult Customer Service Department for additional information.

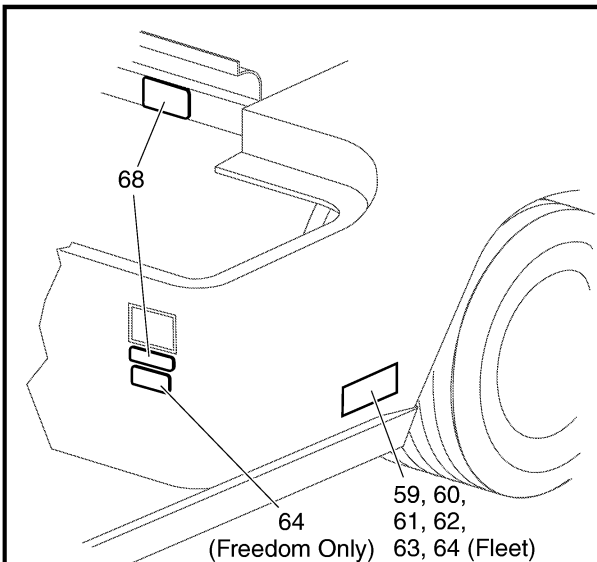
ITEM	PART NO.	1 2 3 4 5	DESCRIPTION	QTY.
1	70662-G01		UPPER FLOORPAN.....	1
2	70451-G01		LOWER FLOORPAN.....	1
3	70452-G01		ACCESS COVER.....	1
4	14601-G11		RIVET, 3/16" X 9/16" LG (ALUMINUM).....	16
5	70995-G01		FLOORMAT.....	1
6	70995-G02		FLOORMAT WITH HORN HOLES.....	1
7				
8				
9	70441-G01		SEAT FRAME.....	1
10	00715-G2		BOLT, 5/16 - 18 X 13/16" LG.....	2
11				
12	70046-G01		BATTERY RACK.....	1
13	00715-G2		BOLT, 5/16 - 18 X 13/16" LG.....	2
14	00438-G6		BOLT, 5/16 - 18 X 3/4" LG.....	2
15	00559-G8		WASHER, 5/16".....	2
16	01109-G01		LOCK NUT, 5/16 - 18 (STAINLESS STEEL).....	2
17	70200-G01		SCREW, 3/8 - 16 X 3/4" LG.....	2
18				
19	70444-G01		BRACKET.....	1
20	28272-G01		BOLT, 1/4 - 20 X 5/8" LG.....	2
21	01110-G01		WASHER, 1/4" (STAINLESS STEEL).....	2
22	11027-G2		LOCK NUT, 1/4 - 20.....	2
23				
24	70244-G02		SPLASH PANEL.....	2
25	00715-G2		BOLT, 5/16 - 18 X 13/16" LG.....	8
26				
27				
28	71812-G01		FENDER LINER (PASSENGER SIDE).....	1
29	71812-G02		FENDER LINER (DRIVER SIDE).....	1
30	16816-G2		RIVET, 1/4" X 3/4" LG.....	8

BODY - REAR

- 1 - Includes Items 3, 4
- 2 - Includes Items 3, 4

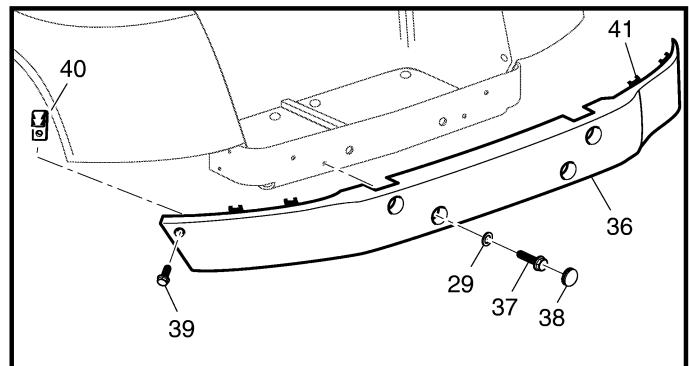


LABELS



Ref Bod 1-3

SHUTTLE 2+2 AND CONVERTIBLE CARRIER



BODY - REAR

Where applicable, THE USE OF NON UL PARTS WILL VOID ANY UL LISTING.

When ordering parts, please specify the model and serial number of the product.

* Indicates a component that is not available as an individual part.

G** Indicates consult Customer Service Department for additional information.

ITEM	PART NO.	1 2 3 4 5	DESCRIPTION	QTY.
1	71912-G0**		REAR BODY (WITHOUT TAILLIGHTS) (INCLUDES ITEMS 3, 4)	1
2	71334-G0**		REAR BODY (WITH TAILLIGHTS) (INCLUDES ITEMS 3, 4).....	1
3	71318-G01		BAGWELL LINER	1
4	16816-G1		RATCHET FASTENER, 1/4" X 9/16" LG	26
5	10570-G10		RIVET, 5/32" X 9/16" LG (STAINLESS STEEL)	6
6	10570-G12		RIVET, 1/4" X 9/16" LG (ALUMINUM)	4
7	18436-G1		RIVET, 1/4" X 3/4" LG	2
8				
9				
10				
11	75126-G01		FENDER SCUFFGUARD (DRIVER SIDE)	1
12	75126-G02		FENDER SCUFFGUARD (PASSENGER SIDE).....	1
13	16816-G2		RIVET, 1/4" X 3/4" LG	8
14				
15				
16				
17	71320-G01		ACCESS PANEL	1
18	71364-G02		'J' CLIP	1
19	01107-G01		SCREW, #8 X 5/8" LG (STAINLESS STEEL)	5
20				
21				
22				
23	71609-G01		SEAT HINGE PLATE.....	2
24	10570-G11		RIVET, 3/16" X 3/4" LG (STAINLESS STEEL)	4
25				
26				
27				
28	71578-G01		REAR BUMPER.....	1
29	00571-G2		WASHER, 5/16"	4
30	71102-G01		BOLT, 1/4 - 20 X 3/4" LG.....	4

BODY - REAR

Where applicable, THE USE OF NON UL PARTS WILL VOID ANY UL LISTING.
 When ordering parts, please specify the model and serial number of the product.
 * Indicates a component that is not available as an individual part.
 G** Indicates consult Customer Service Department for additional information.

ITEM	PART NO.	1 2 3 4 5	DESCRIPTION	QTY.
31	71514-G01		BUMPER PLUG	4
32	14601-G17		RIVET, 3/16" X 9/16" LG (ALUMINUM)	4
33				
34				
35				
36	71456-G01		REAR BUMPER (SHUTTLE 2+2)	1
37	71398-G01		BOLT, 1/4 - 20 X 1 1/4" LG	2
38	71455-G01		BUMPER PLUG	4
39	71102-G01		BOLT, 1/4 - 20 X 3/4" LG	2
40	71554-G01		'J' TYPE NUT RETAINER.....	2
41	71457-G01		BUMPER STAY	4
42				
43				
44				
45	71501-G01		ROCKER PANEL (PASSENGER SIDE).....	1
46	71502-G01		ROCKER PANEL (DRIVER SIDE)	1
47	15058-G6		RIVET, 3/16" X 15/16" LG (ALUMINUM)	4
48				
49				
50				
51	71507-G01		SILL PLATE (PASSENGER SIDE)	1
52	71507-G02		SILL PLATE (DRIVER SIDE).....	1
53	16705-G1		SCREW, 1/4 - 20 X 1" LG (STAINLESS STEEL)	4
54	23726-G4		SPACER, 5/16".....	4
55	00654-G2		LOCK NUT, 1/4 - 20 (STAINLESS STEEL)	4
56				
57				
58				
59	75960-G01		LABEL (FREEDOM).....	2
60	75962-G01		LABEL (FREEDOM SE)	2

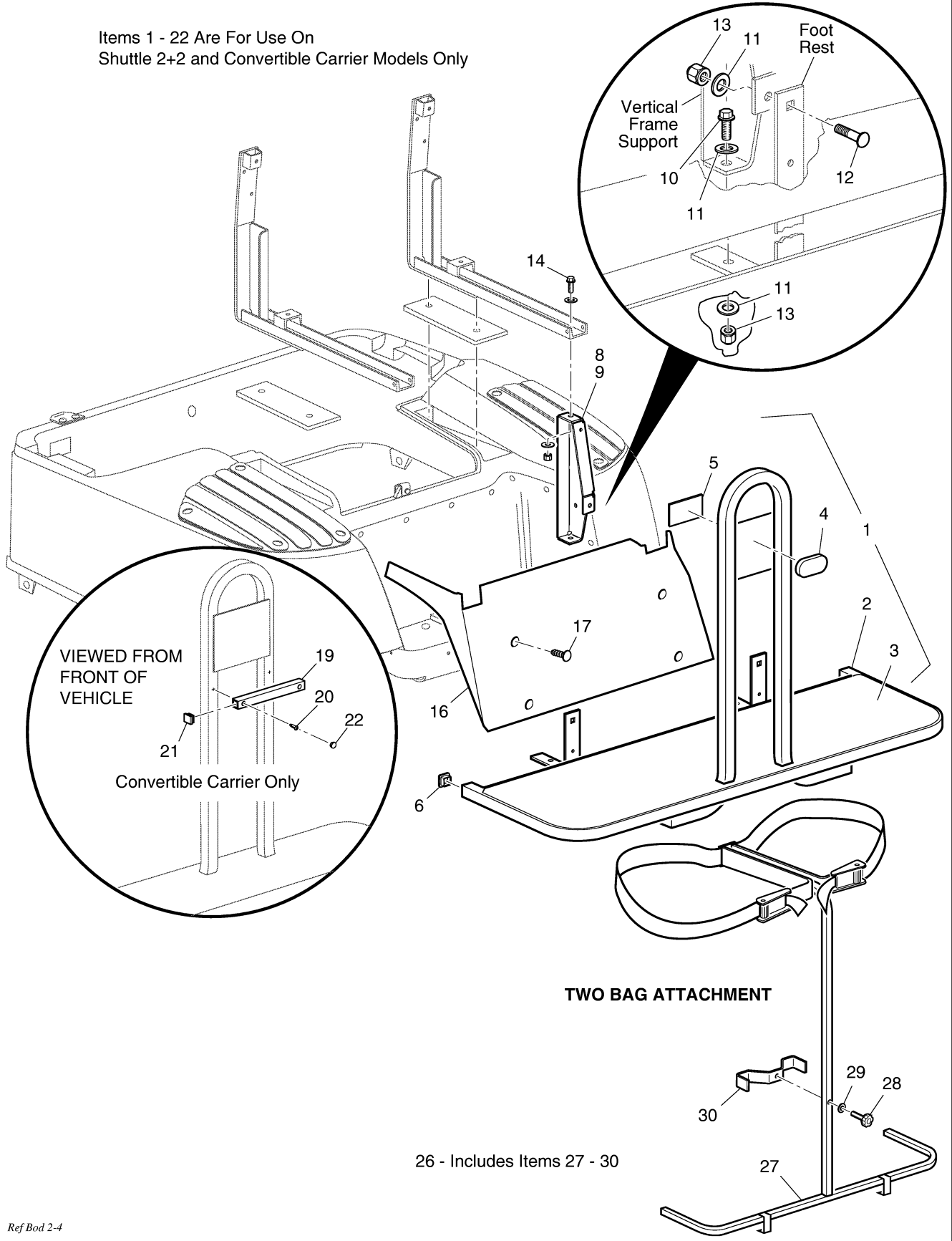
BODY - REAR

Where applicable, THE USE OF NON UL PARTS WILL VOID ANY UL LISTING.
 When ordering parts, please specify the model and serial number of the product.
 * Indicates a component that is not available as an individual part.
 G** Indicates consult Customer Service Department for additional information.

ITEM	PART NO.	1 2 3 4 5	DESCRIPTION	QTY.
61	75964-G01		LABEL (FREEDOM LE)	2
62	35434-G01		LABEL (SHUTTLE)	2
63	35430-G19		LABEL (TXT 2+2).....	2
64	73330-G01		LABEL (PRECISION DRIVE SYSTEM™).....	AR
65				
66				
67				
68	*		LABEL (SERIAL NUMBER)	1
69				
70				
71				
72	71316-G01		HOLE PLUG (DASH MOUNTED DIRECTION SELECTOR SWITCH ONLY)	1

BODY - FOOTREST

Items 1 - 22 Are For Use On Shuttle 2+2 and Convertible Carrier Models Only



VIEWED FROM FRONT OF VEHICLE

Convertible Carrier Only

TWO BAG ATTACHMENT

26 - Includes Items 27 - 30

Ref Bod 2-4

BODY - FOOTREST

Where applicable, THE USE OF NON UL PARTS WILL VOID ANY UL LISTING.

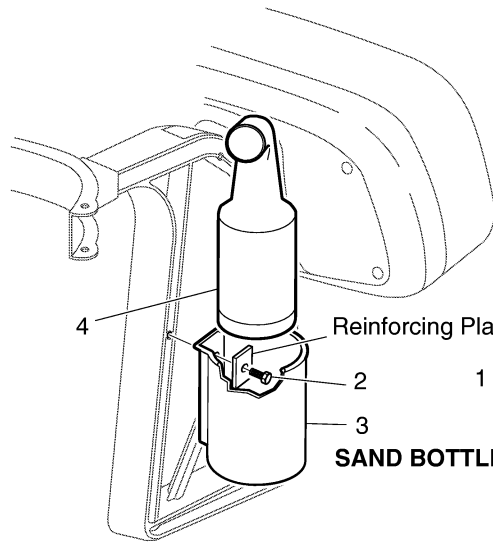
When ordering parts, please specify the model and serial number of the product.

* Indicates a component that is not available as an individual part.

G** Indicates consult Customer Service Department for additional information.

ITEM	PART NO.	1 2 3 4 5	DESCRIPTION	QTY.
1	70361-G01		FOOTREST ASSEMBLY (INCLUDES ITEMS 2 - 5)	1
2	70350-G01		FOOTREST	1
3	70362-G01		FLOOR MAT	1
4	74129-G01		REFLECTOR	1
5	74132-G01		LABEL (WARNING)	1
6	19853-G1		END CAP, 1"	2
7				
8	74126-G01		VERTICAL FRAME SUPPORT (PASSENGER SIDE)	1
9	74126-G02		VERTICAL FRAME SUPPORT (DRIVER SIDE).....	1
10	00427-G4		BOLT, 3/8 - 16 X 1 1/2" LG	2
11	00560-G1		WASHER, 3/8"	10
12	00769-G2		CARRIAGE BOLT, 3/8 - 16 X 1 1/4" LG	2
13	11098-G5		LOCK NUT, 3/8 - 16	10
14	00426-G8		BOLT, 3/8 - 16 X 1" LG	2
15				
16	74149-G01		VALANCE PANEL	1
17	16816-G2		RIVET, 1/4" X 3/4" LG	4
18				
19	75268-G01		SUPPORT TUBE.....	1
20	00106-G6		SELF THREADING SCREW, #12 - 24 X 3/4" LG	2
21	19859-G1		END CAP, 3/4".....	2
22	20271-G2		HOLE PLUG, 1/2"	2
23				
24				
25				
26	75183-G01		TWO BAG ATTACHMENT KIT (INCLUDES ITEMS 27 - 30)	1
27	75188-G01		TWO BAG ATTACHMENT	1
28	22238-G2		KNOB, 3/8 - 16 X 1 1/2" LG	1
29	17255-G1		TEFLON WASHER, 5/16"	1
30	75187-G01		SUPPORT BRACKET.....	1

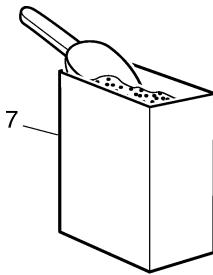
BODY - ACCESSORIES



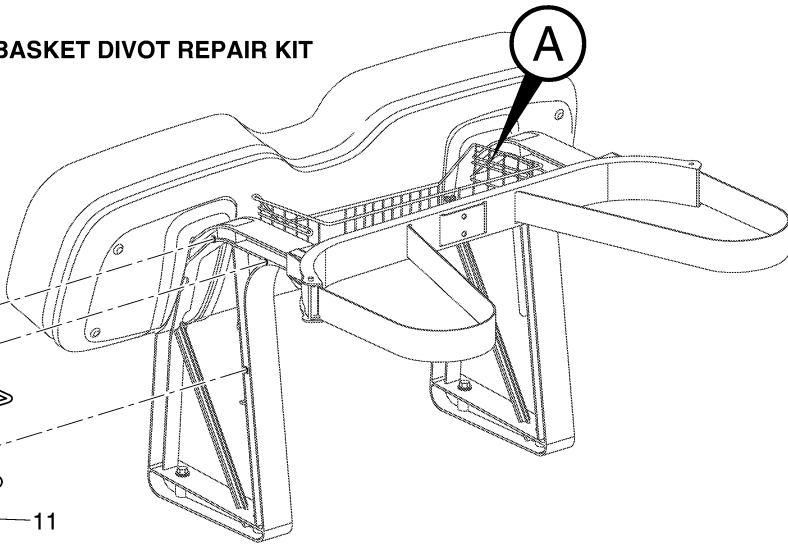
Reinforcing Plate (Part of holder)

1 - Includes Items 2 - 4

SAND BOTTLE DIVOT REPAIR KIT



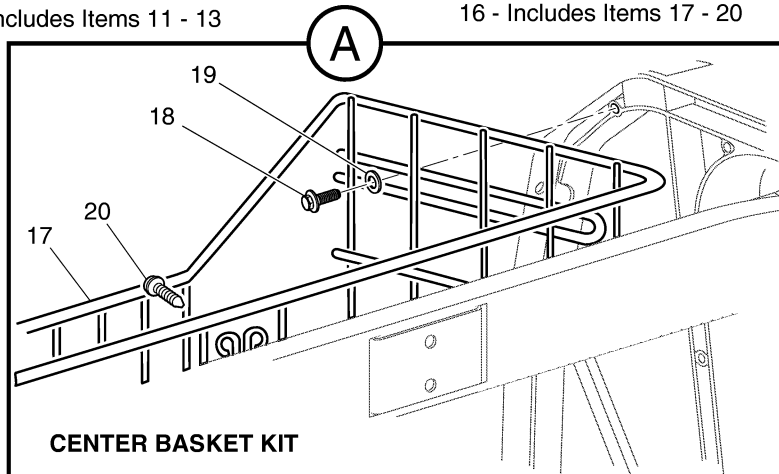
BASKET DIVOT REPAIR KIT



SIDE BASKET KIT

10 - Includes Items 11 - 13

16 - Includes Items 17 - 20



CENTER BASKET KIT

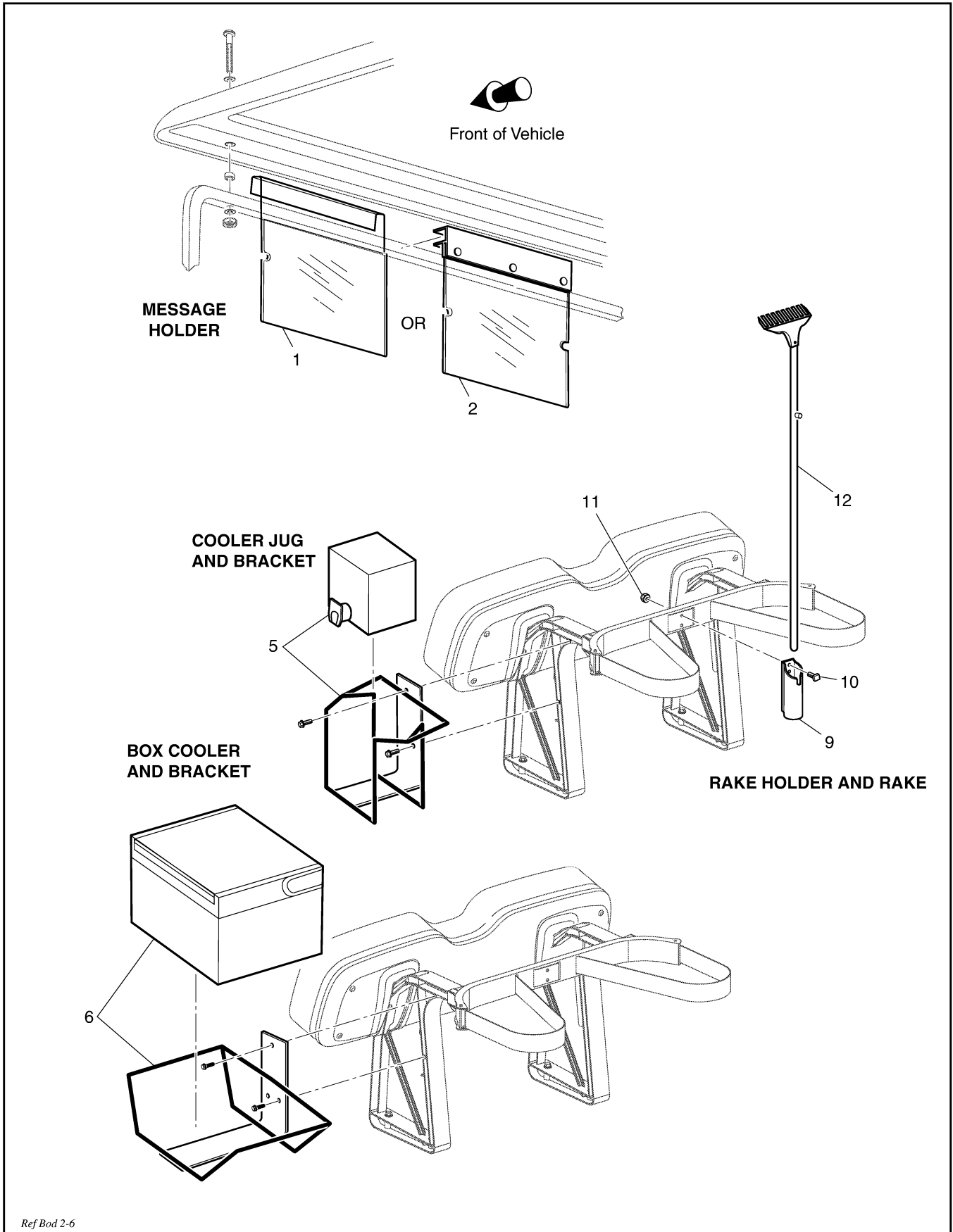
Ref Bod 2-5

BODY - ACCESSORIES

Where applicable, THE USE OF NON UL PARTS WILL VOID ANY UL LISTING.
 When ordering parts, please specify the model and serial number of the product.
 * Indicates a component that is not available as an individual part.
 G** Indicates consult Customer Service Department for additional information.

ITEM	PART NO.	1 2 3 4 5	DESCRIPTION	QTY.
1	28661-G01		SAND BOTTLE DIVOT REPAIR KIT (INCLUDES ITEMS 2 - 4)	1
2	71102-G01		BOLT, 1/4 - 20 X 3/4" LG.....	1
3	28660-G01		SAND BOTTLE HOLDER	1
4	28659-G01		SAND BOTTLE	1
5				
6				
7	23300-G01		BASKET DIVOT REPAIR KIT (INCLUDES SCOOP)	1
8				
9				
10	75007-G02		SIDE BASKET KIT (INCLUDES ITEMS 11 - 13).....	1
11	75460-G01		SIDE BASKET	1
12	71102-G01		BOLT, 1/4 - 20 X 3/4" LG.....	3
13	00793-G2		FLAT WASHER, 1/4" (STAINLESS STEEL)	3
14				
15				
16	75003-G02		CENTER BASKET KIT (INCLUDES ITEMS 17 - 20)	1
17	75461-G01		CENTER BASKET	1
18	71102-G01		BOLT, 1/4 - 20 X 3/4" LG.....	2
19	00793-G2		FLAT WASHER, 1/4" (STAINLESS STEEL)	2
20	01105-G01		SCREW, #10 X 5/8" LG (STAINLESS STEEL)	2

BODY - ACCESSORIES CONTINUED



Ref Bod 2-6

BODY - ACCESSORIES CONTINUED

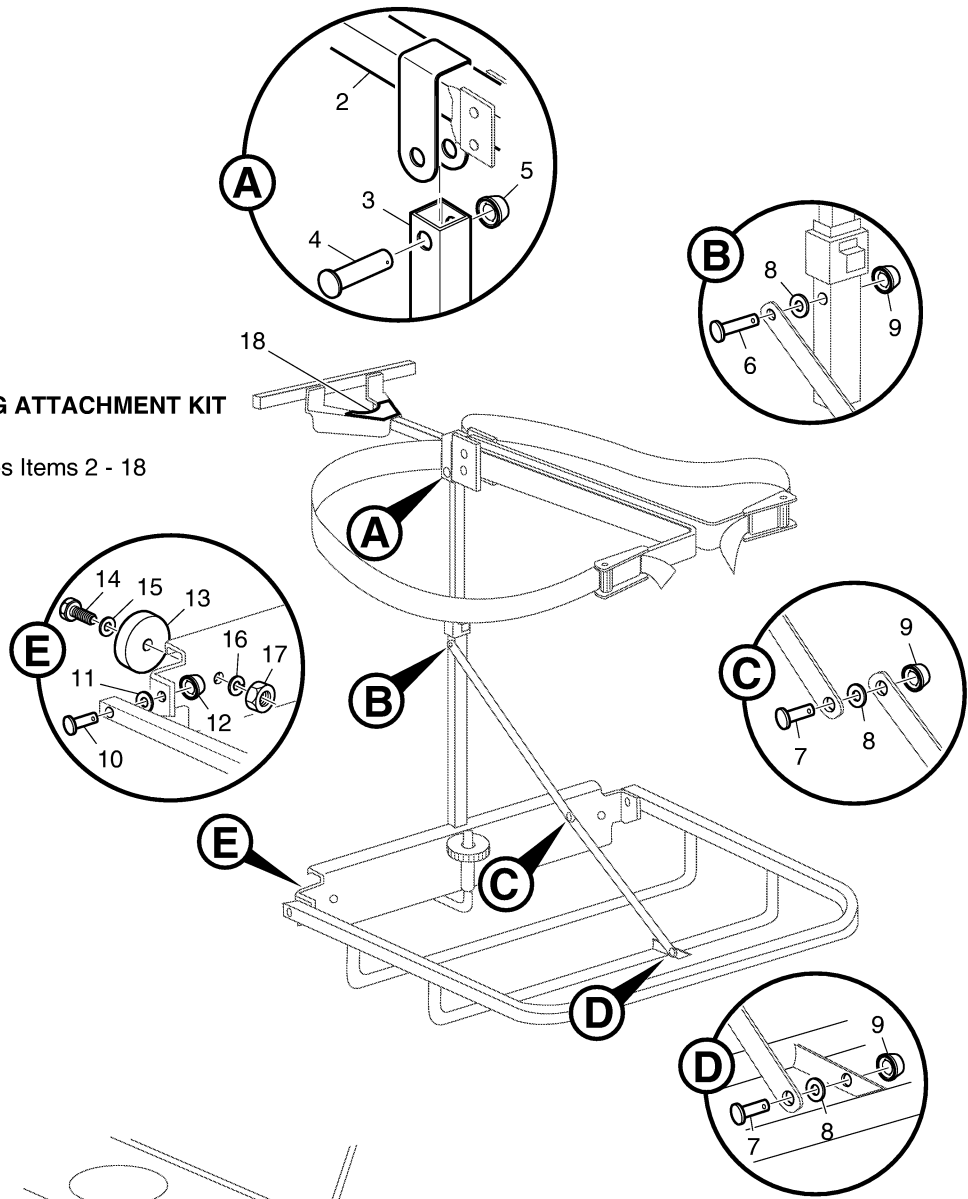
Where applicable, THE USE OF NON UL PARTS WILL VOID ANY UL LISTING.
 When ordering parts, please specify the model and serial number of the product.
 * Indicates a component that is not available as an individual part.
 G** Indicates consult Customer Service Department for additional information.

ITEM	PART NO.	1	2	3	4	5	DESCRIPTION	QTY.
1	75509-G01						MESSAGE HOLDER (ONE PIECE).....	1
2	75496-G01						MESSAGE HOLDER.....	1
3								
4								
5	75495-G01						COOLER JUG AND BRACKET KIT	1
6	75344-G01						BOX COOLER AND BRACKET KIT	1
7								
8								
9	25885-G01						RAKE HOLDER.....	1
10	00989-G6						SQUARE HEAD BOLT, 1/4 - 20 X 3/4" LG.....	2
11	11027-G2						LOCK NUT, 1/4 - 20	2
12	14735-G1						RAKE.....	1

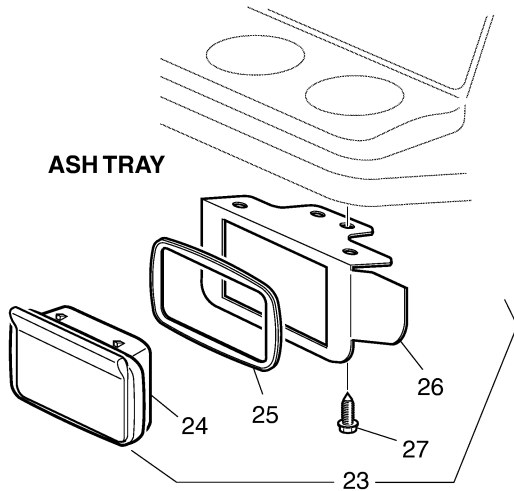
BODY - ACCESSORIES CONTINUED

FOUR BAG ATTACHMENT KIT

1 - Includes Items 2 - 18



ASH TRAY



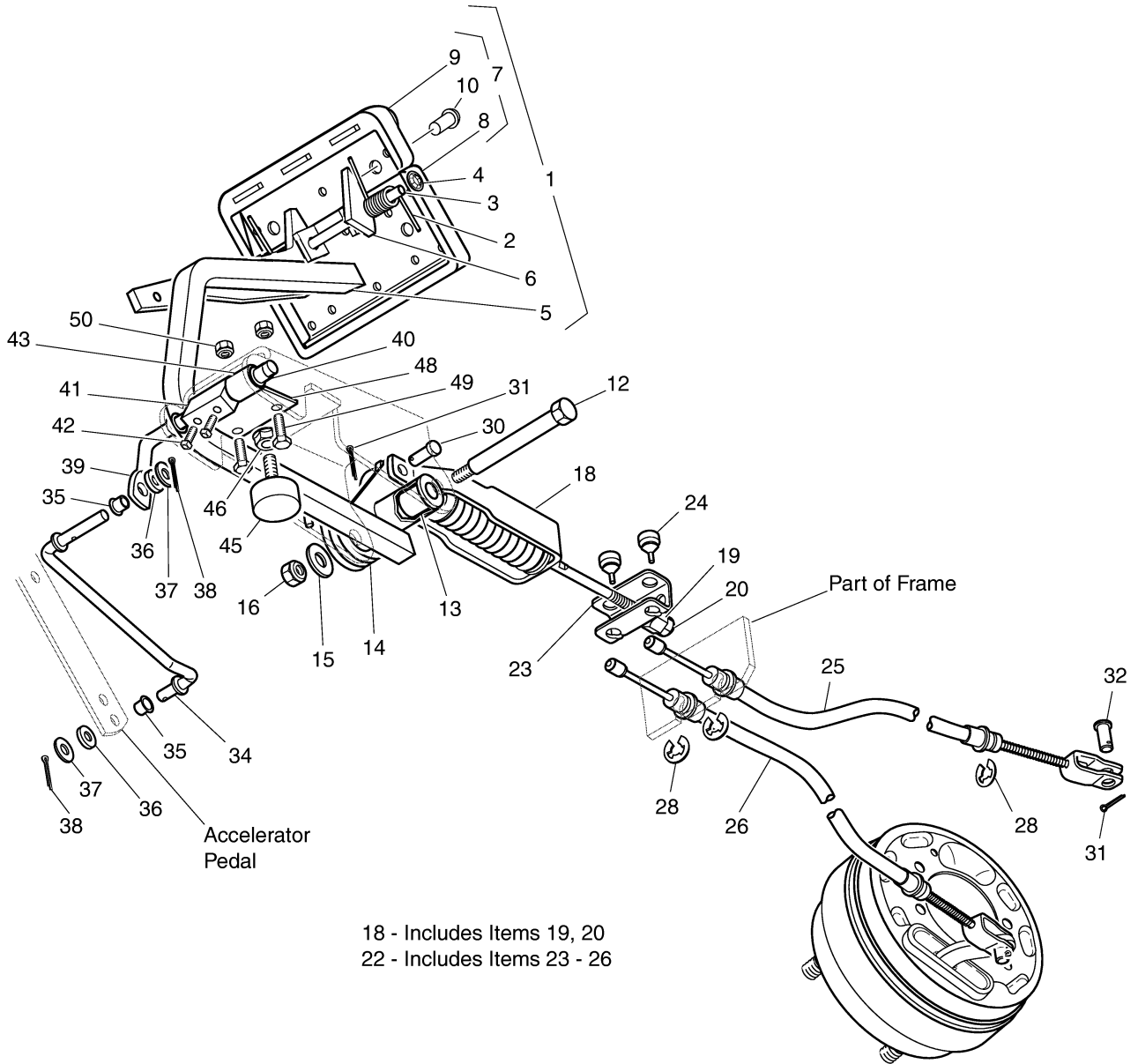
Ref Bod 2-7

BODY - ACCESSORIES CONTINUED

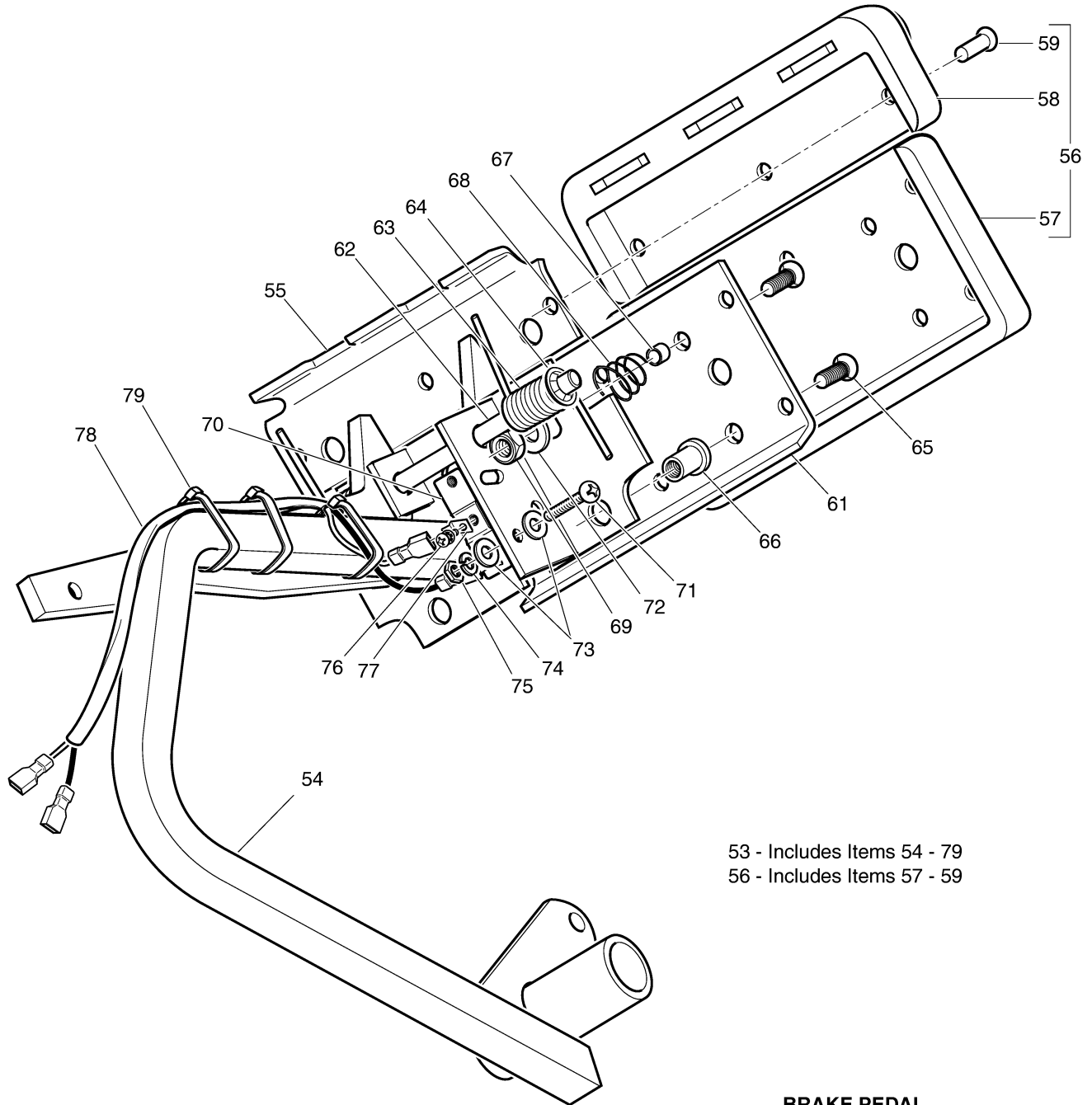
Where applicable, THE USE OF NON UL PARTS WILL VOID ANY UL LISTING.
 When ordering parts, please specify the model and serial number of the product.
 * Indicates a component that is not available as an individual part.
 G** Indicates consult Customer Service Department for additional information.

ITEM	PART NO.	1	2	3	4	5	DESCRIPTION	QTY.
1	75355-G01						FOUR BAG ATTACHMENT KIT (INCLUDES ITEMS 2 - 18)	1
2	*						TOP ASSEMBLY	1
3	*						BOTTOM ASSEMBLY	1
4	17651-G2						CLEVIS PIN, 5/16 X 1 1/8" LG.....	1
5	28129-G01						PUSH NUT, 5/16".....	1
6	17651-G2						CLEVIS PIN, 5/16 X 1 1/8" LG.....	1
7	17651-G3						CLEVIS PIN, 5/16 X 1/2" LG.....	2
8	00559-G8						WASHER, 5/16"	3
9	28129-G01						PUSH NUT, 5/16".....	3
10	*						CLEVIS PIN 3/8 X 1 1/4" LG.....	2
11	00560-G1						WASHER, 3/8"	2
12	*						PUSH NUT, 3/8".....	2
13	13728-G1						RUBBER BUMPER.....	2
14	00150-G6						SCREW, #10 - 24 X 3/4" LG	2
15	00559-G5						WASHER, #10	2
16	00565-G5						LOCK WASHER, #10	2
17	00526-G3						NUT, #10 - 24.....	2
18	*						LABEL (WARNING)	1
19								
20								
21								
22								
23	75109-G02						ASH TRAY KIT (INCLUDES ITEMS 24 - 27)	1
24	27731-G01						ASH TRAY	1
25	27736-G01						GASKET	1
26	75108-G02						BRACKET	1
27	00100-G4						SCREW, #10 - 16 X 1/2" LG	4

BRAKES



Ref Brk 1-1

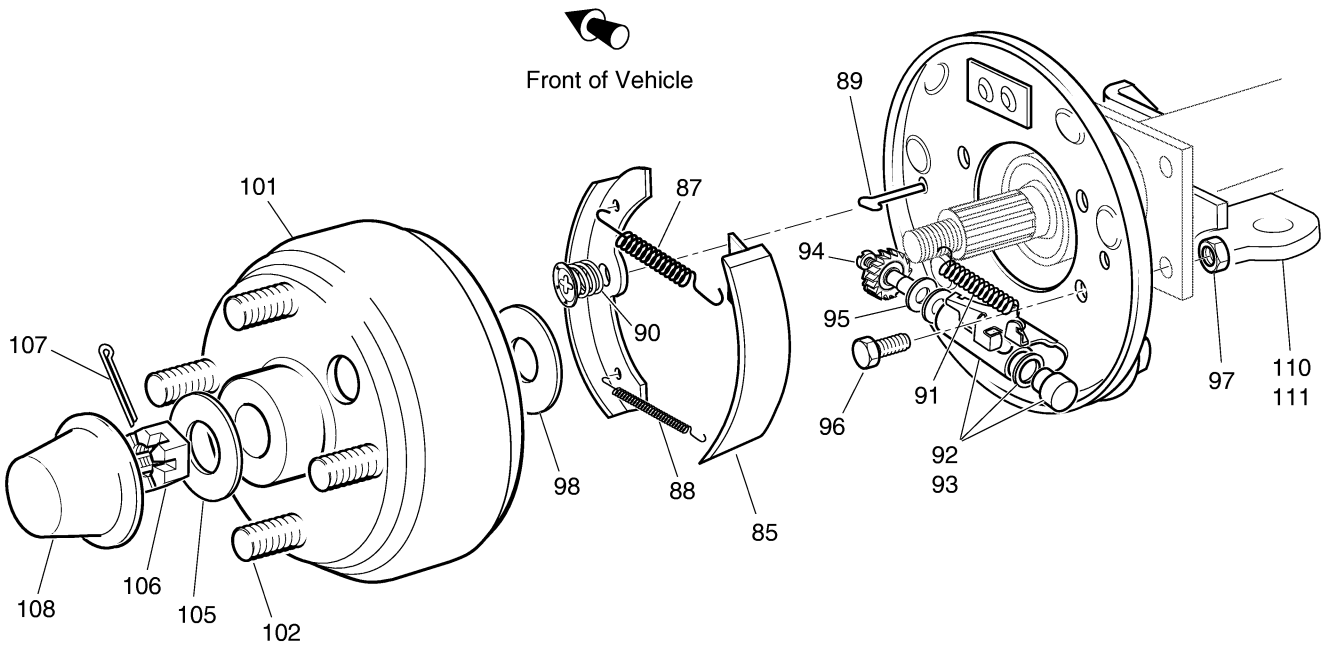


53 - Includes Items 54 - 79
56 - Includes Items 57 - 59

**BRAKE PEDAL
(VEHICLE WITH BRAKE LIGHTS)**

Ref Brk 1-2

BRAKES



- 82 - Includes Items 84 - 92, 94, 95
- 83 - Includes Items 84 - 91, 93 - 95
- 84 - Includes Items 85
- 86 - Includes Items 87 - 91
- 92 - Includes Items 94, 95
- 93 - Includes Items 94, 95
- 100 - Includes Items 101, 102

Ref Brk 1-3



BRAKES

Where applicable, THE USE OF NON UL PARTS WILL VOID ANY UL LISTING.

When ordering parts, please specify the model and serial number of the product.

* Indicates a component that is not available as an individual part.

G** Indicates consult Customer Service Department for additional information.

ITEM	PART NO.	1 2 3 4 5	DESCRIPTION	QTY.
1	70612-G01		BRAKE PEDAL ASSEMBLY (WITHOUT BRAKE LIGHTS) (INCLUDES ITEMS 2 - 10).....	1
2	70681-G01		TORSION SPRING.....	2
3	70682-G01		PIVOT PIN.....	1
4	01071-G01		PUSHNUT, 5/16".....	2
5	*		BRAKE PEDAL.....	1
6	70611-G01		PARK BRAKE PEDAL.....	1
7	70274-G01		BRAKE/PARK BRAKE PEDAL PAD KIT (INCLUDES ITEMS 8 - 10).....	1
8	*		SERVICE BRAKE PAD.....	1
9	*		PARK BRAKE PEDAL PAD.....	1
10	15766-G1		OVAL RIVET, 3/16" X 7/16" LG.....	9
11				
12	70582-G01		SHOULDER BOLT, 3/8 - 16 X 4" LG (STAINLESS STEEL).....	1
13	70581-G01		FLANGED BUSHING.....	2
14	70676-G01		TORSION SPRING.....	1
15	00643-G1		WASHER, 3/8".....	1
16	11098-G5		LOCK NUT, 3/8 - 16.....	1
17				
18	70272-G04		COMPENSATOR ASSEMBLY (INCLUDES ITEMS 19, 20).....	1
19	00963-G01		SPHERICAL NUT, 5/16 - 24.....	1
20	11098-G9		LOCK NUT, 5/16 - 24.....	1
21				
22	70969-G03		EQUALIZER AND BRAKE CABLE ASSEMBLY (INCLUDES ITEMS 23 - 26)....	1
23	28082-G01		EQUALIZER BRACKET.....	1
24	28083-G01		BRAKE COMPENSATOR BUMPER.....	2
25	*		BRAKE CABLE (DRIVER SIDE).....	1
26	*		BRAKE CABLE (PASSENGER SIDE).....	1
27				
28	01111-G01		RETAINING RING, 4/5" (STAINLESS STEEL).....	4
29				

BRAKES

Where applicable, THE USE OF NON UL PARTS WILL VOID ANY UL LISTING.
 When ordering parts, please specify the model and serial number of the product.
 * Indicates a component that is not available as an individual part.
 G** Indicates consult Customer Service Department for additional information.

ITEM	PART NO.	1 2 3 4 5	DESCRIPTION	QTY.
30	10386-G3		CLEVIS PIN, 5/16" X 13/16" LG.....	1
31	10387-G3		COTTER PIN, 3/32" X 3/4" LG.....	3
32	14443-G2		CLEVIS PIN, 5/16" X 5/8" LG.....	2
33				
34	70601-G01		KICK-OFF LINK.....	1
35	17838-G1		NYLON BUSHING.....	2
36	20835-G1		TEFLON WASHER, 3/8".....	2
37	00559-G8		WASHER, 5/16".....	2
38	10387-G3		COTTER PIN, 3/32" X 3/4" LG.....	2
39	70098-G01		KICK-OFF CAM PIVOT.....	1
40	10097-G6		FLANGED BEARING.....	2
41	70587-G01		KICK-OFF CAM.....	1
42	71215-G01		SETSCREW, 1/4 - 20 X 1/2" LG.....	2
43	14134-G4		SPACER.....	1
44				
45	70113-G01		ADJUSTABLE BUMPER.....	1
46	11027-G1		LOCK NUT, 5/16 - 18.....	1
47				
48	70080-G01		CATCH BRACKET.....	1
49	00414-G6		BOLT, 1/4 - 20 X 3/4" LG.....	2
50	00654-G2		LOCK NUT, 1/4 - 20 (STAINLESS STEEL).....	2
51				
52				
53	70690-G01		BRAKE PEDAL ASSEMBLY (WITH BRAKE LIGHTS) (INCLUDES ITEMS 54 - 79).....	1
54	*		BRAKE PEDAL.....	1
55	70611-G01		PARK BRAKE PEDAL.....	1
56	70274-G01		BRAKE/PARK BRAKE PEDAL PAD KIT (INCLUDES ITEMS 57 - 59).....	1
57	*		SERVICE BRAKE PAD.....	1
58	*		PARK BRAKE PAD.....	1

BRAKES

Where applicable, THE USE OF NON UL PARTS WILL VOID ANY UL LISTING.
 When ordering parts, please specify the model and serial number of the product.
 * Indicates a component that is not available as an individual part.
 G** Indicates consult Customer Service Department for additional information.

ITEM	PART NO.	1 2 3 4 5	DESCRIPTION	QTY.
59	15766-G1		OVAL RIVET, 3/16" x 7/16" LG.....	9
60				
61	70258-G02		BRAKE PEDAL PLATE.....	1
62	70682-G01		PIVOT PIN.....	1
63	70681-G01		TORSION SPRING.....	2
64	12064-G1		PUSHNUT, 5/16".....	1
65	00737-G8		SCREW, #10 - 24 X 7/8" LG.....	4
66	00739-G1		RUBBER NUT, #10 - 24.....	2
67	22362-G3		BRAKE PEDAL STANDOFF.....	2
68	27137-G01		CONICAL SPRING.....	2
69	11098-G7		LOCK NUT, #10 - 24.....	2
70	10606-G8		MICRO SWITCH.....	1
71	00957-G1		BOLT, #6 - 32 X 1 1/4" LG.....	2
72	00559-G5		WASHER, #10.....	2
73	00559-G3		WASHER, #6.....	4
74	00565-G3		LOCK WASHER, #6.....	2
75	00525-G5		NUT, #6 - 32.....	2
76	13514-G1		SCREW AND LOCK WASHER, #6 - 32 X 1/4" (BRASS).....	2
77	14628-G1		PUSH ON MALE TERMINAL.....	2
78	24605-G1		WIRE HARNESS (BRAKE LIGHT).....	1
79	17618-G1		WIRE TIE.....	3
80				
81				
82	70998-G01		BRAKE ASSEMBLY (DRIVER SIDE) (INCLUDES ITEMS 84 - 92, 94, 95).....	1
83	70998-G02		BRAKE ASSEMBLY (PASSENGER SIDE) (INCLUDES ITEMS 84 - 91, 93 - 95).....	1
84	70794-G01		BRAKE SHOE KIT (INCLUDES ITEM 85).....	2
85	*		BRAKE SHOE.....	2
86	27944-G01		BRAKE SPRING KIT (INCLUDES ITEMS 87 - 91).....	2
87	*		UPPER SPRING.....	1

BRAKES

Where applicable, THE USE OF NON UL PARTS WILL VOID ANY UL LISTING.
 When ordering parts, please specify the model and serial number of the product.
 * Indicates a component that is not available as an individual part.
 G** Indicates consult Customer Service Department for additional information.

ITEM	PART NO.	1	2	3	4	5	DESCRIPTION	QTY.
88	*						LOWER SPRING	1
89	*						PIN	2
90	*						CUP AND SPRING	2
91	*						ADJUSTER SPRING.....	1
92	72582-G01						BRAKE ADJUSTER KIT (DRIVER SIDE) (INCLUDES ITEMS 94, 95)	1
93	72582-G02						BRAKE ADJUSTER KIT (PASSENGER SIDE) (INCLUDES ITEMS 94, 95)	1
94	*						ADJUSTER	1
95	*						TEFLON WASHER.....	2
96	17083-G2						BOLT, 5/16 - 24 X 1" LG	8
97	15126-G1						LOCK NUT, 5/16 - 24	8
98	15485-G1						WASHER, 13/16"	2
99								
100	19186-G1						BRAKE DRUM ASSEMBLY (INCLUDES ITEMS 101 - 102).....	2
101	*						BRAKE DRUM	1
102	19862-G1						LUG BOLT, 1/2 - 20 X 1 3/16" LG	4
103								
104								
105	15487-G1						WASHER, 1 3/8" O.D. X 21/32"	2
106	15483-G1						CASTELLATED NUT, 5/8 - 18.....	2
107	10387-G1						COTTER PIN, 1/8" X 1 1/2" LG.....	2
108	74175-G01						SPINDLE CAP.....	2
109								
110	72036-G01						BRAKE CABLE BRACKET (PASSENGER SIDE).....	1
111	72036-G02						BRAKE CABLE BRACKET (DRIVER SIDE)	1

**DID YOU
KNOW?**

CartPros directs you to the right part using the part numbers from this manual. Enter the part number into our search box and it will find the part you are looking for.

**GET STARTED
HERE**

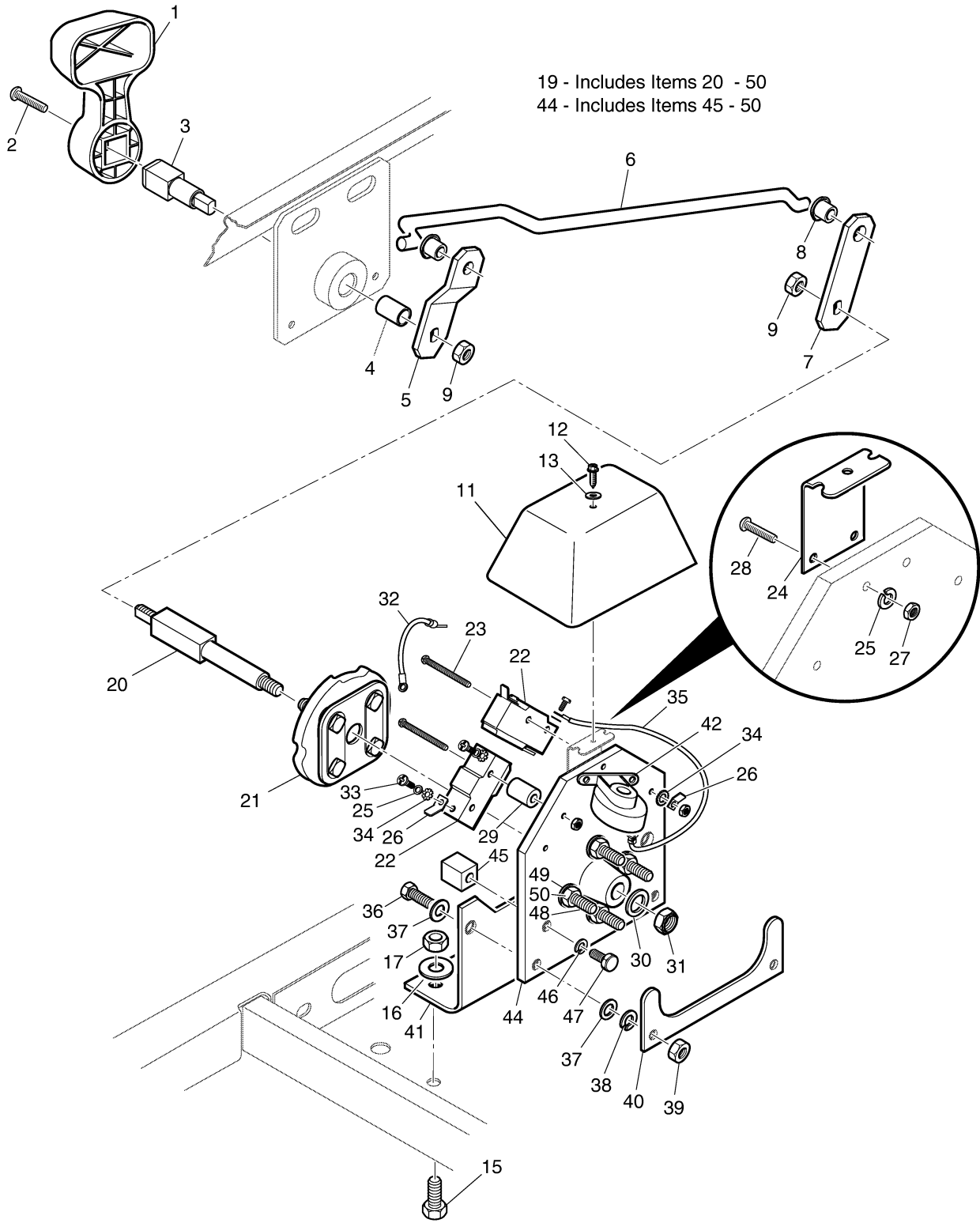


<https://CartPros.com/f.html>

BRAKES

DIRECTION SELECTOR

*NOTE: For PDS Direction Selector See ELECTRICAL SYSTEM Section



Ref Dsl 1-1

DIRECTION SELECTOR

Where applicable, THE USE OF NON UL PARTS WILL VOID ANY UL LISTING.

When ordering parts, please specify the model and serial number of the product.

* Indicates a component that is not available as an individual part.

G** Indicates consult Customer Service Department for additional information.

ITEM	PART NO.	1 2 3 4 5	DESCRIPTION	QTY.
1	71205-G01		DIRECTION SELECTOR HANDLE.....	1
2	00740-G4		SCREW, #10 - 32 X 1/2" LG (STAINLESS STEEL)	1
3	70233-G01		DIRECTION SELECTOR SHAFT.....	1
4	25664-G2		BUSHING	1
5	70334-G01		OFFSET SHIFT LINKAGE ARM	1
6	70313-G01		LINKAGE ROD.....	1
7	70232-G03		SHIFT LINKAGE ARM	1
8	22754-G3		BUSHING	2
9	14390-G1		LOCK NUT, 3/8 - 24	2
10				
11	73049-G01		DIRECTION SELECTOR COVER.....	1
12	00114-G6		SCREW, 1/4 - 14 X 3/4" LG.....	1
13	16469-G7		WASHER, 1/4"	1
14				
15	00438-G6		BOLT, 5/16 - 18 X 3/4" LG	2
16	01110-G03		WASHER, 5/16" (STAINLESS STEEL)	2
17	01109-G01		LOCK NUT, 5/16 - 18 (STAINLESS STEEL)	2
18				
19	70578-G01		DIRECTION SELECTOR ASSEMBLY (INCLUDES ITEMS 20 - 50)	1
20	73027-G01		DIRECTION SELECTOR SHAFT	1
21	12835-G1		CAM.....	1
22	10606-G2		MICRO SWITCH.....	2
23	00645-G7		SCREW, #6 - 32 X 2" LG	4
24	73048-G01		COVER BRACKET	1
25	00565-G3		LOCK WASHER, #6	6
26	14628-G1		PUSH ON MALE TERMINAL.....	3
27	00525-G5		NUT, #6 - 32.....	6
28	00645-G5		SCREW, #6 - 32 X 5/8" LG	2
29	12806-G1		SPACER	4
30	00560-G1		WASHER, 3/8"	1

DIRECTION SELECTOR

Where applicable, THE USE OF NON UL PARTS WILL VOID ANY UL LISTING.

When ordering parts, please specify the model and serial number of the product.

* Indicates a component that is not available as an individual part.

G** Indicates consult Customer Service Department for additional information.

ITEM	PART NO.	1 2 3 4 5	DESCRIPTION	QTY.
31	14390-G1		LOCK NUT, 3/8 - 24	1
32	25978-G37		18 GA WIRE (RED 4")	1
33	13514-G1		SCREW.....	4
34	00567-G3		LOCK WASHER, #6	4
35	25978-G343		18 GA WIRE (RED 6")	1
36	00661-G8		BOLT, 1/4 - 20 X 1" LG (STAINLESS STEEL)	2
37	01110-G01		WASHER, 1/4" (STAINLESS STEEL).....	4
38	00664-G7		LOCK WASHER, 1/4" (STAINLESS STEEL).....	2
39	00532-G1		NUT, 1/4 - 20.....	2
40	15461-G1		SUPPORT BRACKET.....	1
41	73031-G01		DIRECTION SELECTOR MOUNTING BRACKET	1
42	73290-G02		REVERSE WARNING BUZZER (CONTINUOUS TONE).....	1
43				
44	14651-G1		CONTACT BOARD ASSEMBLY (INCLUDES ITEMS 45 - 50)	1
45	24940-G1		STOP	2
46	00664-G7		LOCK WASHER, 1/4" (STAINLESS STEEL)	2
47	00414-G6		BOLT, 1/4 - 20 X 3/4" LG	2
48	18888-G1		CONTACT STUD, 5/16 - 18	4
49	00565-G8		LOCK WASHER, 5/16".....	4
50	00544-G3		NUT, 5/16 - 18	4

**DID YOU
KNOW?**

CartPros directs you to the right part using the part numbers from this manual. Enter the part number into our search box and it will find the part you are looking for.

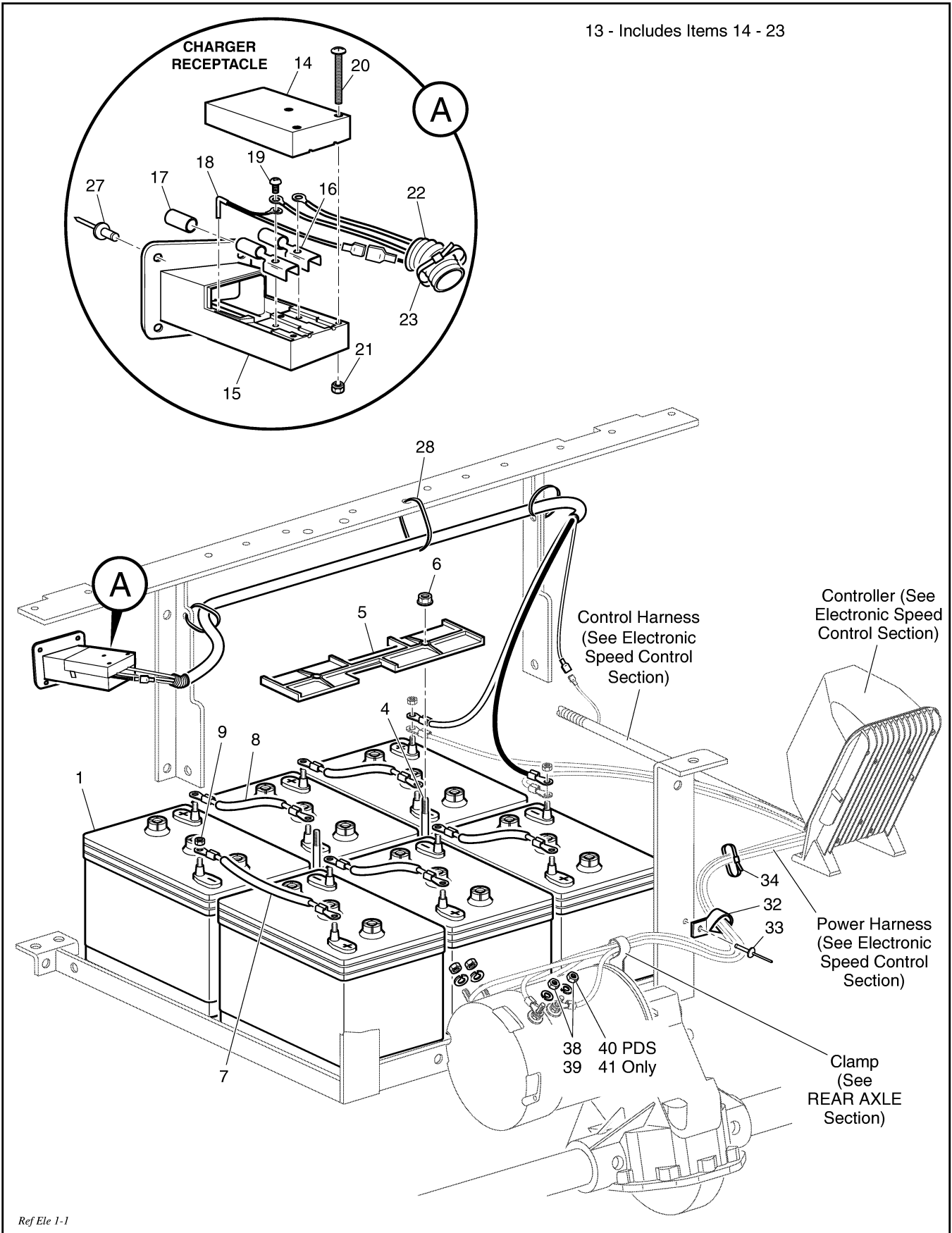
**GET STARTED
HERE**



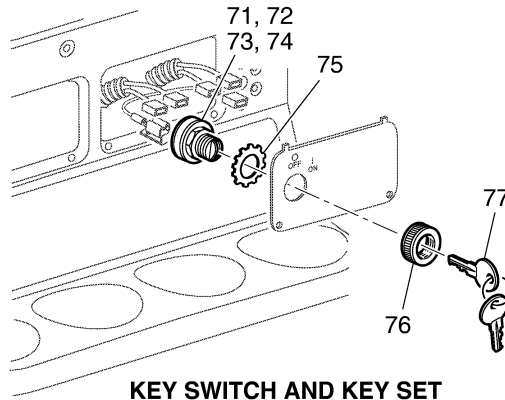
<https://CartPros.com/f.html>

DIRECTION SELECTOR

ELECTRICAL SYSTEM - COMMON



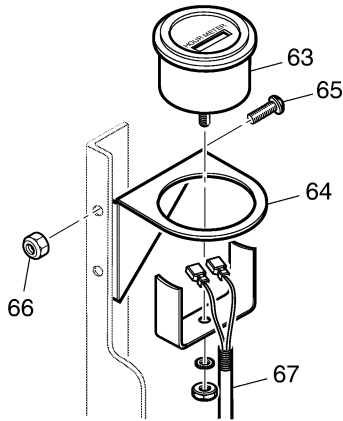
ELECTRICAL SYSTEM - COMMON



KEY SWITCH AND KEY SET

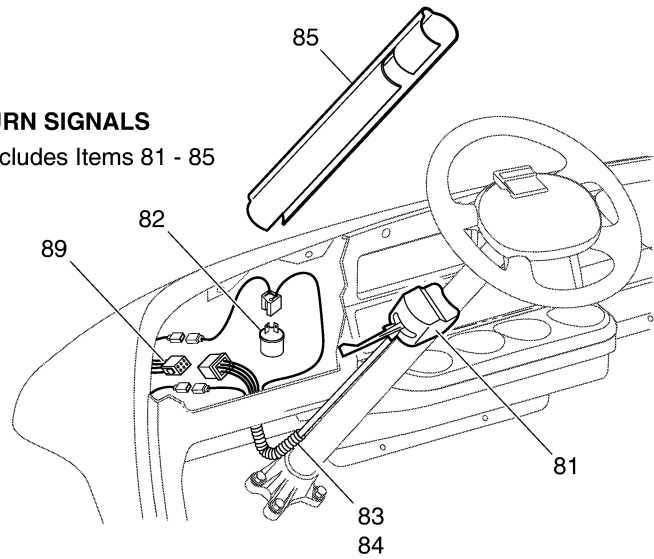
HOUR METER DETAIL

62 - Includes Items 63 - 67

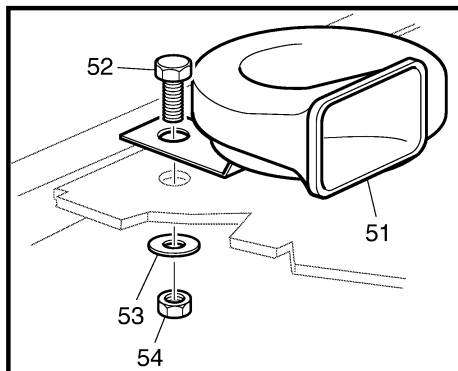
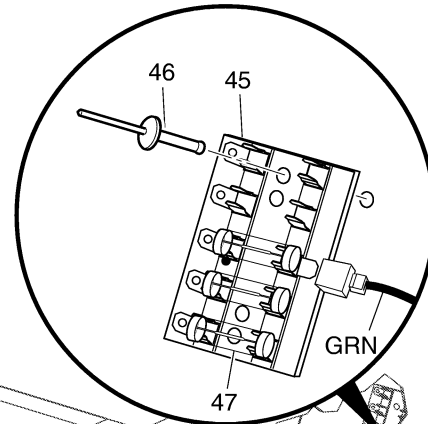
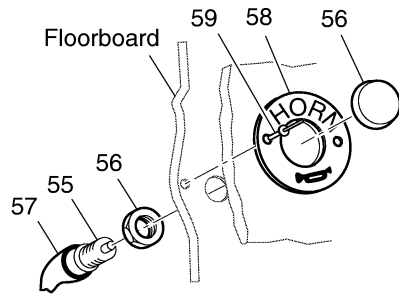


TURN SIGNALS

80 - Includes Items 81 - 85

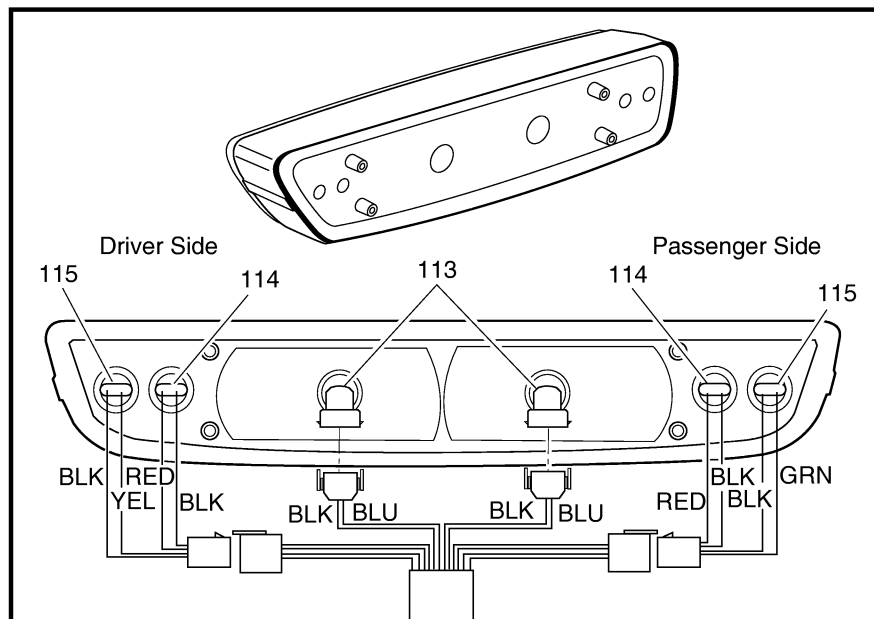
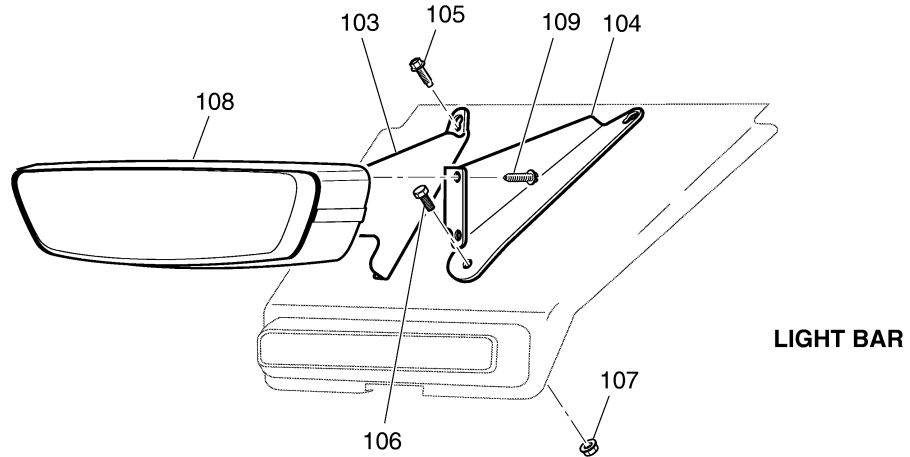
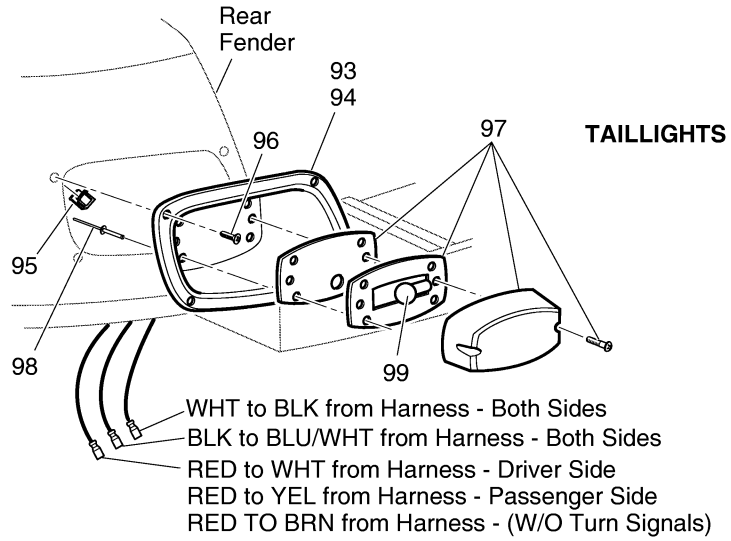


HORN BUTTON



Ref Ele 1-2

ELECTRICAL SYSTEM - COMMON



Ref Ele 1-3

ELECTRICAL SYSTEM - COMMON

Where applicable, THE USE OF NON UL PARTS WILL VOID ANY UL LISTING.

When ordering parts, please specify the model and serial number of the product.

* Indicates a component that is not available as an individual part.

G** Indicates consult Customer Service Department for additional information.

ITEM	PART NO.	1 2 3 4 5	DESCRIPTION	QTY.
1	XXXXX-GXX		6 VOLT BATTERY	6
2				
3				
4	01101-G01		HOLD DOWN BOLT (STAINLESS STEEL).....	2
5	70045-G01		BATTERY RETAINER	1
6	11027-G1		LOCK NUT, 5/16 - 18	2
7	25972-G32		6 GA WIRE (BATTERY INTERCONNECT, BLACK, 10 1/2")	1
8	25972-G40		6 GA WIRE (BATTERY INTERCONNECT, 6").....	4
9	00702-G2		NUT, 5/16 - 18	12
10				
11				
12				
13	73063-G01		CHARGER RECEPTACLE ASSEMBLY (INCLUDES ITEMS 14 - 23).....	1
14	*		RECEPTACLE COVER	1
15	*		RECEPTACLE BOTTOM	1
16	73051-G05		FEMALE CONNECTOR	2
17	73051-G06		INSULATOR SLEEVE.....	1
18	73051-G28		REED SWITCH.....	1
19	73051-G08		SCREW, #10 - 32 X 1/2" LG (BRASS)	2
20	73051-G09		SCREW, #6 - 32 X 1 3/4" LG (STAINLESS STEEL).....	3
21	73051-G10		LOCK NUT, #6 - 32	3
22	*		WIRE HARNESS (CHARGER).....	1
23	17618-G1		WIRE TIE	2
24				
25				
26				
27	71055-G01		RIVET, 3/16" X 1" LG (ALUMINUM).....	4
28	17618-G1		WIRE TIE	3
29				
30				

ELECTRICAL SYSTEM - COMMON

Where applicable, THE USE OF NON UL PARTS WILL VOID ANY UL LISTING.
 When ordering parts, please specify the model and serial number of the product.
 * Indicates a component that is not available as an individual part.
 G** Indicates consult Customer Service Department for additional information.

ITEM	PART NO.	1 2 3 4 5	DESCRIPTION	QTY.
31				
32	27327-G02		CABLE CLAMP	1
33	10570-G11		RIVET, 3/16" X 3/4" LG (STAINLESS STEEL)	1
34	17618-G1		WIRE TIE	8
35				
36				
37				
38	00993-G01		LOCK WASHER, 5/16" (SILICON BRONZE)	AR
39	28418-G01		NUT, 5/16 - 18 (BRASS).....	AR
40	00993-G02		LOCK WASHER, 1/4" (SILICON BRONZE)	2
41	28418-G02		NUT, 1/4 - 20 (BRASS).....	2
42				
43				
44				
45	22674-G1		FUSE BLOCK.....	1
46	01041-G01		RIVET, 1/8" X 13/16" LG	2
47	18392-G1		15 AMP FUSE	AR
48				
49				
50				
51	32860-G1		HORN.....	1
52	00414-G5		BOLT, 1/4 - 20 X 5/8" LG	1
53	01110-G01		WASHER, 1/4" (STAINLESS STEEL)	1
54	00654-G2		LOCK NUT, 1/4 - 20 (STAINLESS STEEL)	1
55	17318-G1		HORN SWITCH.....	1
56	17318-G2		HORN SWITCH CAP AND NUT	1
57	27068-G01		HORN SWITCH BOOT	1
58	19233-G1		HORN SWITCH LABEL	1
59	71055-G01		RIVET, 3/16" X 1" LG (ALUMINUM).....	2
60				



ELECTRICAL SYSTEM - COMMON

Where applicable, THE USE OF NON UL PARTS WILL VOID ANY UL LISTING.
 When ordering parts, please specify the model and serial number of the product.
 * Indicates a component that is not available as an individual part.
 G** Indicates consult Customer Service Department for additional information.

ITEM	PART NO.	1 2 3 4 5	DESCRIPTION	QTY.
61				
62	75113-G02		HOUR METER KIT (INCLUDES ITEMS 63 - 67).....	1
63	21573-G1		HOUR METER.....	1
64	74019-G02		HOUR METER BRACKET.....	1
65	00379-G4		SCREW, #10 - 24 X 1/2" LG.....	2
66	11098-G7		LOCK NUT, #10 - 24.....	2
67	75117-G02		WIRE HARNESS (HOUR METER).....	1
68				
69				
70				
71	17421-G1		KEY SWITCH KIT (W/O LIGHTS - STANDARD - WITH HARDWARE).....	1
72	17955-G1		KEY SWITCH (WITHOUT LIGHTS - NON STANDARD).....	1
73	18027-G1		KEY SWITCH (WITHOUT LIGHTS - INDIVIDUALLY KEYED).....	1
74	33639-G**		KEY SWITCH (WITH LIGHTS).....	1
75	00568-G6		LOCK WASHER, 3/4".....	1
76	17137-G1		FACE NUT, 3/4 - 20.....	1
77	17063-G1		KEY (SET).....	1
78				
79				
80	75107-G02		TURN SIGNAL KIT (INCLUDES ITEMS 81 - 85).....	1
81	17867-G1		TURN SIGNAL (WITH MOUNTING HARDWARE).....	1
82	21640-G1		TURN SIGNAL FLASHER.....	1
83	32307-G3		FLEX LOOM, 3/8" X 8" LG.....	1
84	17618-G1		WIRE TIE.....	2
85	20965-G3		STEERING COLUMN COVER.....	1
86				
87				
88				
89	73043-G01		WIRE HARNESS (ACCESSORY).....	1
90				

ELECTRICAL SYSTEM - COMMON

Where applicable, THE USE OF NON UL PARTS WILL VOID ANY UL LISTING.

When ordering parts, please specify the model and serial number of the product.

* Indicates a component that is not available as an individual part.

G** Indicates consult Customer Service Department for additional information.

ITEM	PART NO.	1 2 3 4 5	DESCRIPTION	QTY.
91				
92				
93	74371-G01		BEZEL (DRIVER SIDE).....	1
94	74371-G02		BEZEL (PASSENGER SIDE)	1
95	71364-G02		'J' CLIP	8
96	71425-G01		COUNTERSUNK SCREW, #8	8
97	22288-G2		BRAKE / TAILLIGHT LAMP.....	1
98	14601-G11		RIVET, 3/16" X 9/16" LG (ALUMINUM)	4
99	21759-G1		TAILLIGHT BULB	AR
100				
101				
102				
103	74236-G01		HEADLIGHT MOUNT BRACKET (PASSENGER SIDE).....	1
104	74236-G02		HEADLIGHT MOUNT BRACKET (DRIVER SIDE)	1
105	01038-G01		BOLT, 1/4 - 20 X 11/16" LG	2
106	00414-G6		BOLT, 1/4 - 20 X 3/4" LG	2
107	11027-G2		LOCK NUT, 1/4 - 20	2
108	74001-G01		HEADLIGHT AND TURN SIGNAL LIGHT	1
109	00114-G6		SCREW, 1/4 - 14 X 3/4" LG.....	4
110				
111				
112				
113	74004-G01		HEAD LIGHT BULB	AR
114	74005-G01		MARKER LIGHT BULB	AR
115	74006-G01		TURN SIGNAL BULB.....	AR

**DID YOU
KNOW?**

CartPros directs you to the right part using the part numbers from this manual. Enter the part number into our search box and it will find the part you are looking for.

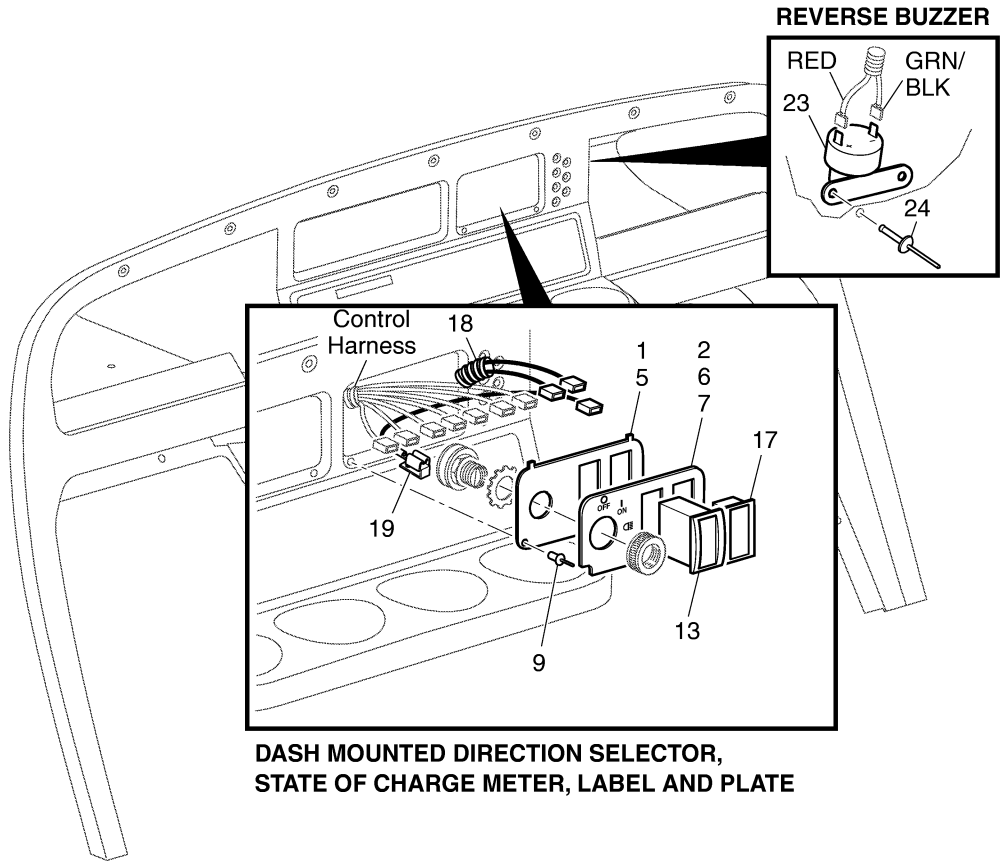
**GET STARTED
HERE**



<https://CartPros.com/f.html>

ELECTRICAL SYSTEM - COMMON

ELECTRICAL SYSTEM - PDS



Ref Ele 1-4

ELECTRICAL SYSTEM - PDS

Where applicable, THE USE OF NON UL PARTS WILL VOID ANY UL LISTING.

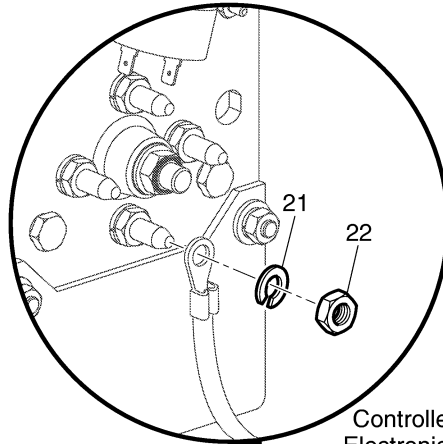
When ordering parts, please specify the model and serial number of the product.

* Indicates a component that is not available as an individual part.

G** Indicates consult Customer Service Department for additional information.

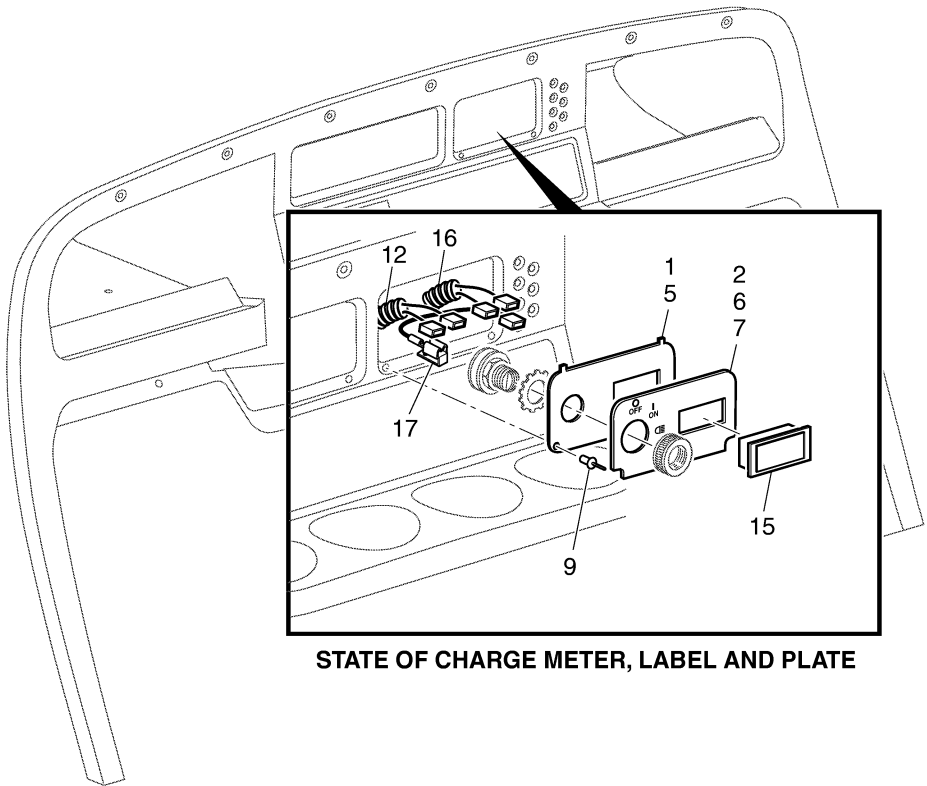
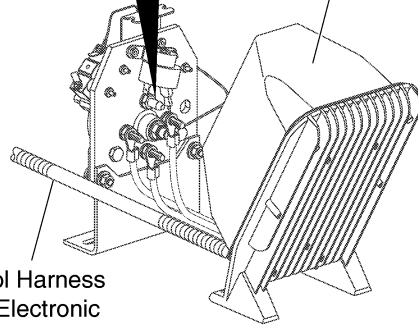
ITEM	PART NO.	1	2	3	4	5	DESCRIPTION	QTY.
1	73030-G05						PLATE (KEY SWITCH, DIRECTION SELECTOR)	1
2	74316-G01						LABEL (KEY SWITCH WITHOUT LIGHTS, DIRECTION SELECTOR).....	1
3								
4								
5	73030-G06						PLATE (KEY SWITCH, DIRECTION SELECTOR, CHARGE METER)	1
6	74320-G01						LABEL (KEY SWITCH WITHOUT LIGHTS, DIRECTION SELECTOR, CHARGE METER)	1
7	74322-G01						LABEL (KEY SWITCH WITH LIGHTS, DIRECTION SELECTOR, CHARGE METER)	1
8								
9	33623-G02						DRIVE RIVET, 3/16" X 3/8" LG	2
10								
11								
12								
13	74323-G01						DIRECTION SELECTOR SWITCH (DASH MOUNTED).....	1
14								
15								
16								
17	33636-G04						STATE OF CHARGE METER (VERTICAL)	1
18	74018-G01						WIRE HARNESS (STATE OF CHARGE METER)	1
19	25978-G74						18 GA WIRE (RED 6").....	1
20								
21								
22								
23	73290-G02						REVERSE WARNING BUZZER (CONTINUOUS TONE)	1
24	01041-G01						RIVET, 1/8" X 13/16" LG	2

ELECTRICAL SYSTEM - SERIES



Controller (See Electronic Speed Control Section)

Control Harness (See Electronic Speed Control Section)



STATE OF CHARGE METER, LABEL AND PLATE

Ref Ele 1-5

ELECTRICAL SYSTEM - SERIES

Where applicable, THE USE OF NON UL PARTS WILL VOID ANY UL LISTING.

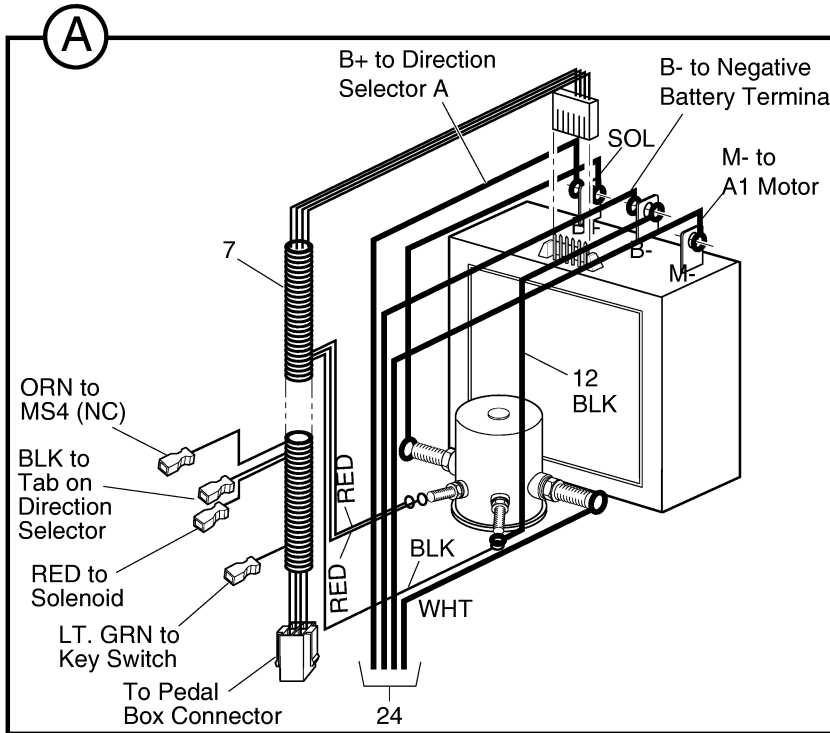
When ordering parts, please specify the model and serial number of the product.

* Indicates a component that is not available as an individual part.

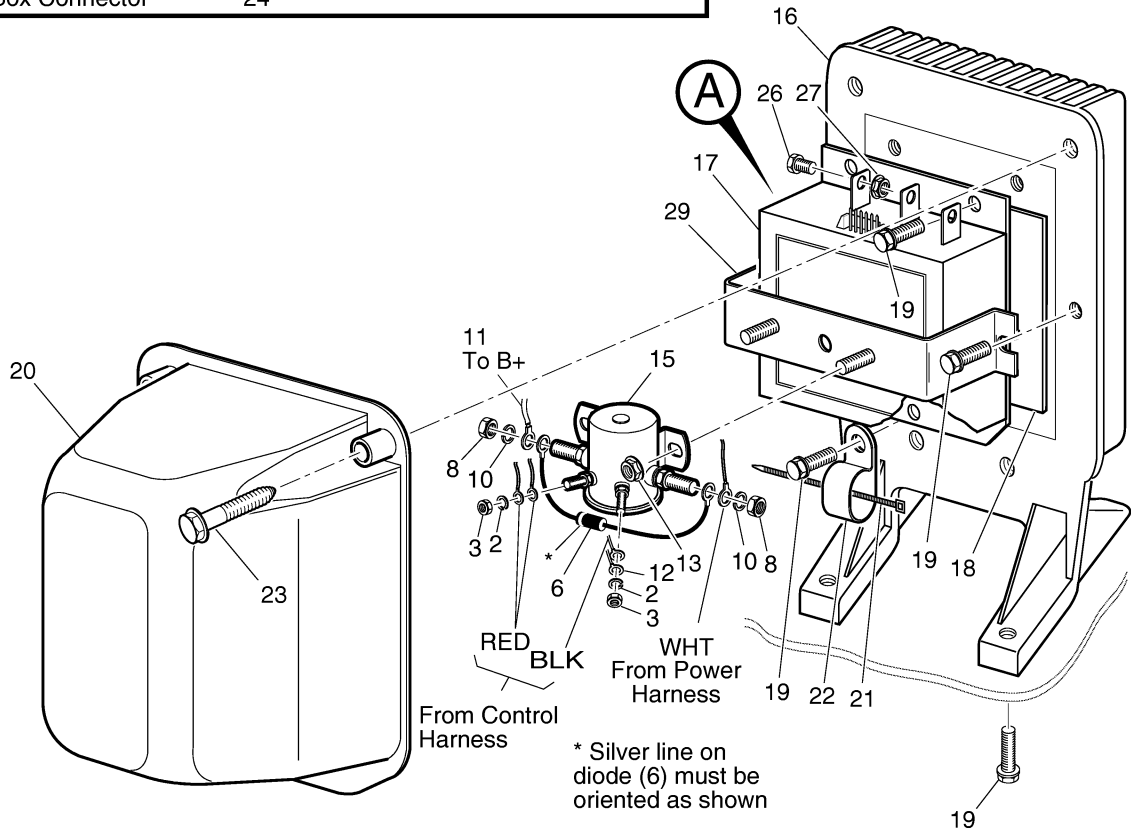
G** Indicates consult Customer Service Department for additional information.

ITEM	PART NO.	1 2 3 4 5	DESCRIPTION	QTY.
1	73030-G01		PLATE (KEY SWITCH ONLY)	1
2	71145-G01		LABEL (KEY SWITCH ONLY)	1
3				
4				
5	73030-G02		PLATE (KEY SWITCH, STATE OF CHARGE METER)	1
6	71123-G02		LABEL (KEY SWITCH W/O LIGHTS, STATE OF CHARGE METER)	1
7	71129-G02		LABEL (KEY SWITCH W/ LIGHTS, STATE OF CHARGE METER)	1
8				
9	33623-G02		DRIVE RIVET, 3/16" X 3/8" LG	2
10				
11				
12	73041-G01		WIRE HARNESS (KEY SWITCH)	1
13				
14				
15	33636-G01		STATE OF CHARGE METER	1
16	74018-G01		WIRE HARNESS (STATE OF CHARGE METER)	1
17	25978-G74		18 GA WIRE (RED 6")	1
18				
19				
20				
21	00565-G8		LOCK WASHER, 5/16"	4
22	00532-G3		NUT, 5/16 - 18	4

ELECTRONIC SPEED CONTROL - SERIES



1 - Includes Items 2 - 29



Ref Esc 1-1

ELECTRONIC SPEED CONTROL - SERIES

Where applicable, THE USE OF NON UL PARTS WILL VOID ANY UL LISTING.

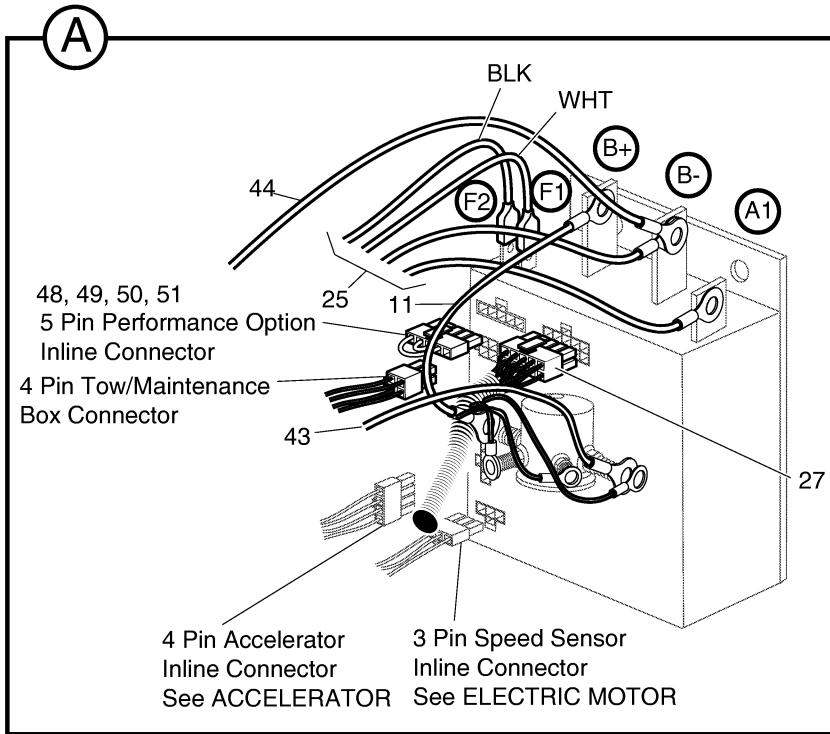
When ordering parts, please specify the model and serial number of the product.

* Indicates a component that is not available as an individual part.

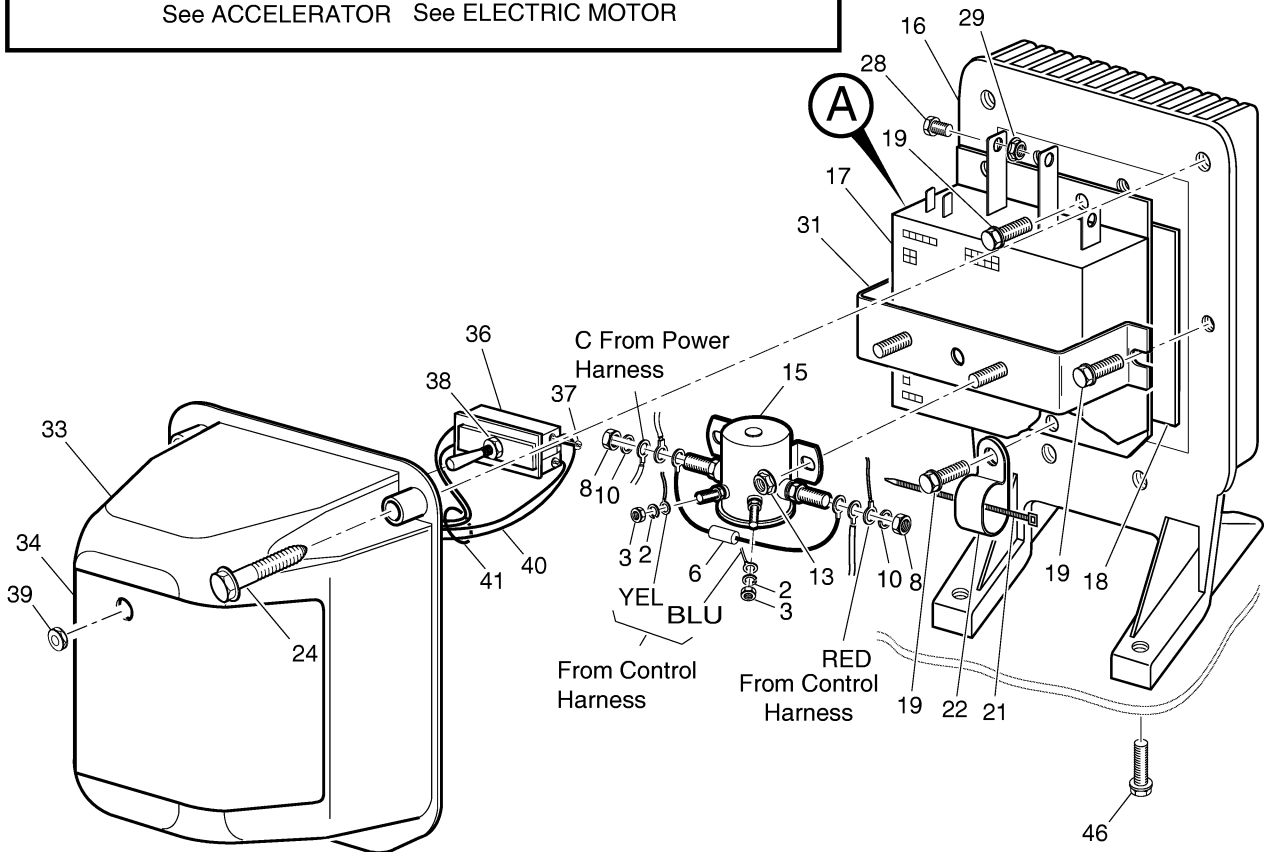
G** Indicates consult Customer Service Department for additional information.

ITEM	PART NO.	1 2 3 4 5	DESCRIPTION	QTY.
1	73056-G04		ELECTRONIC SPEED CONTROL ASSEMBLY (INCLUDES ITEMS 2 - 31).....	1
2	*		LOCK WASHER, #10	2
3	*		NUT, 10 - 32.....	2
4				
5	30353-G1		DIODE, 3 AMP.....	1
6	21764-G1		RESISTOR.....	1
7	73103-G02		WIRE HARNESS (CONTROL)	1
8	*		NUT, 5/16 - 24.....	2
9				
10	*		LOCK WASHER, 5/16"	2
11	25972-G02		6 GA WIRE (SOL - B+)	1
12	25978-G10		18 GA WIRE (SOL - B-)	1
13	11027-G2		LOCK NUT, 1/4 - 20	2
14				
15	27855-G01		SOLENOID, 36 VOLT	1
16	73083-G01		HEATSINK	1
17	25864-G05		ELECTRONIC SPEED CONTROLLER.....	1
18	73190-G01		THERMAL MOUNTING PAD	1
19	71102-G01		BOLT, 1/4 - 20 X 3/4" LG.....	9
20	73028-G01		COVER	1
21	31539-G1		WIRE TIE	1
22	73053-G01		DOUBLE TUBE CLAMP	1
23	71102-G03		BOLT, 1/4 - 20 X 1 3/16" LG.....	3
24	73039-G02		WIRE HARNESS (POWER)	1
25				
26	00270-G5		BOLT, 5/16 - 18 X 5/8" LG.....	3
27	11027-G1		LOCK NUT, 5/16 - 18.....	3
28				
29	25866-G01		SOLENOID BRACKET	1

ELECTRONIC SPEED CONTROL - PDS



- 1 - Includes Items 2 - 44
- 32 - Includes Items 33 - 41
- 36 - Includes Items 37 - 39



Ref Esp 1-1

ELECTRONIC SPEED CONTROL - PDS

Where applicable, THE USE OF NON UL PARTS WILL VOID ANY UL LISTING.
 When ordering parts, please specify the model and serial number of the product.
 * Indicates a component that is not available as an individual part.
 G** Indicates consult Customer Service Department for additional information.

ITEM	PART NO.	1 2 3 4 5	DESCRIPTION	QTY.
1	73276-G02		ELECTRONIC SPEED CONTROL ASSEMBLY (INCLUDES ITEMS 2 - 44).....	1
2	*		LOCK WASHER, #10	2
3	*		NUT, 10 - 32.....	2
4				
5				
6	21764-G1		RESISTOR.....	1
7				
8	*		NUT, 5/16 - 24.....	2
9				
10	*		LOCK WASHER, 5/16"	2
11	25972-G56		6 GA WIRE (BLACK 6", C - B+).....	1
12				
13	11027-G2		LOCK NUT, 1/4 - 20	2
14				
15	27855-G01		SOLENOID, 36 VOLT	1
16	73083-G01		HEATSINK	1
17	73326-G02		ELECTRONIC SPEED CONTROLLER	1
18	73190-G01		THERMAL MOUNTING PAD	1
19	71102-G01		BOLT, 1/4 - 20 X 3/4" LG.....	5
20				
21	31539-G1		WIRE TIE	1
22	73053-G01		DOUBLE TUBE CLAMP	1
23				
24	71102-G03		BOLT, 1/4 - 20 X 1 3/16" LG.....	4
25	73106-G01		WIRE HARNESS (POWER)	1
26				
27	74324-G01		WIRE HARNESS (CONTROL)	1
28	00270-G5		BOLT, 5/16 - 18 X 5/8" LG.....	3
29	11027-G1		LOCK NUT, 5/16 - 18.....	3
30				

ELECTRONIC SPEED CONTROL - PDS

Where applicable, THE USE OF NON UL PARTS WILL VOID ANY UL LISTING.
 When ordering parts, please specify the model and serial number of the product.
 * Indicates a component that is not available as an individual part.
 G** Indicates consult Customer Service Department for additional information.

ITEM	PART NO.	1 2 3 4 5	DESCRIPTION	QTY.
31	25866-G01		SOLENOID BRACKET	1
32	73089-G01		COVER ASSEMBLY (INCLUDES ITEMS 33 - 41)	1
33	73028-G02		COVER (WITH GASKET)	1
34	73093-G01		LABEL (TOW SWITCH)	1
35				
36	73125-G01		TOGGLE SWITCH WITH SEAL (INCLUDES ITEMS 37 - 39)	1
37	*		SCREW, #5 - 40.....	4
38	*		NUT, 15/32 - 32.....	1
39	73139-G01		SEALED NUT, 15/32 - 32.....	1
40	73138-G02		WIRE HARNESS (TOW SWITCH).....	1
41	17618-G1		WIRE TIE	1
42				
43	25972-G22		6 GA WIRE (BLACK 27", BL+ TO SOL)	1
44	25972-G32		6 GA WIRE (BLACK 36", BL- TO B-).....	1
45				
46	71102-G01		BOLT, 1/4 - 20 X 3/4" LG	4
47				
48	73272-G01		PERFORMANCE OPTION (FREEDOM) (NOT AVAILABLE FOR FLEET).....	1
49	73272-G02		PERFORMANCE OPTION (STEEP HILL)	1
50	73272-G03		PERFORMANCE OPTION (MILD HILL)	1
51	73272-G04		PERFORMANCE OPTION (ALL TERRAIN)	1

**DID YOU
KNOW?**

CartPros directs you to the right part using the part numbers from this manual. Enter the part number into our search box and it will find the part you are looking for.

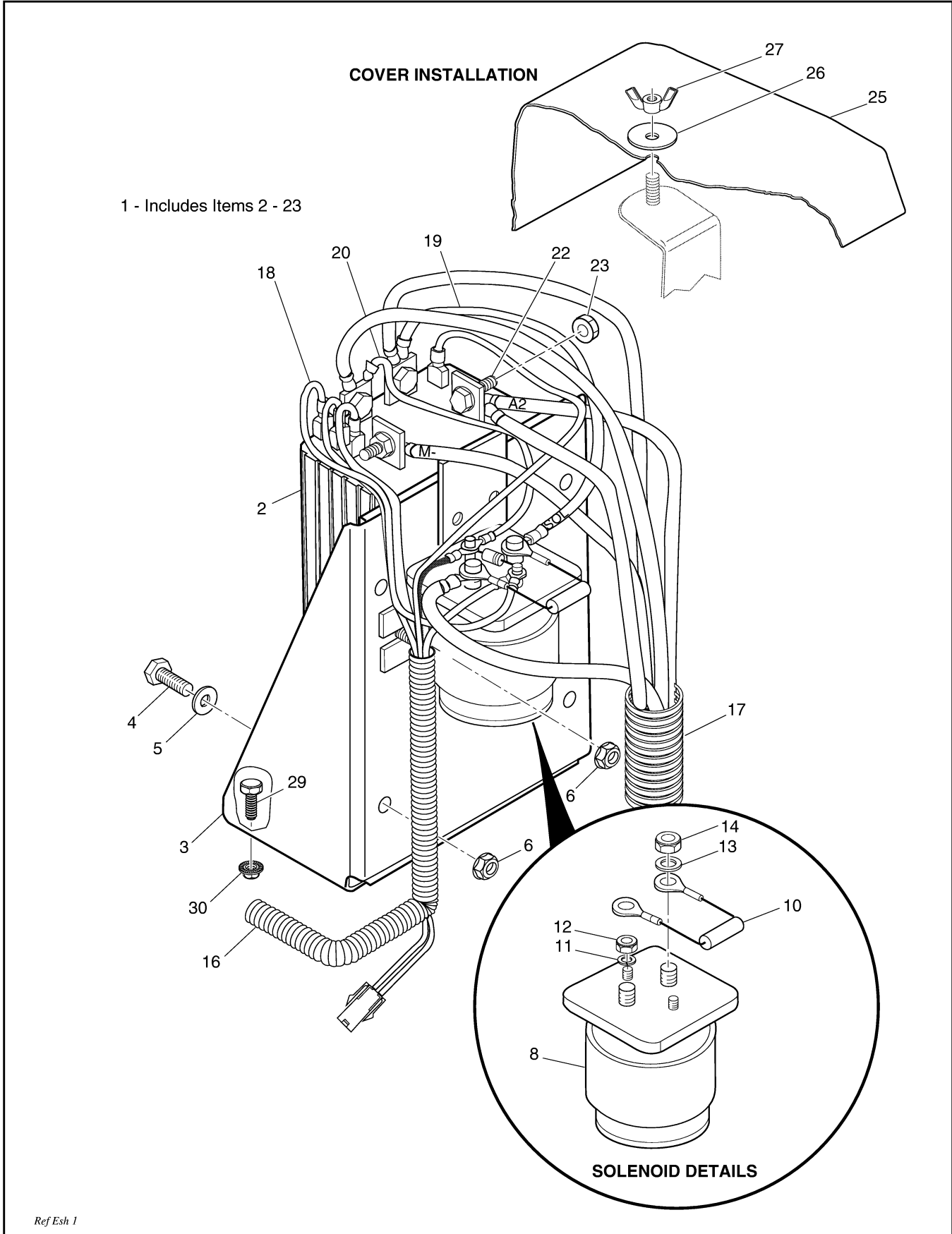
**GET STARTED
HERE**



<https://CartPros.com/f.html>

ELECTRONIC SPEED CONTROL - PDS

ELECTRONIC SPEED CONTROL - HD



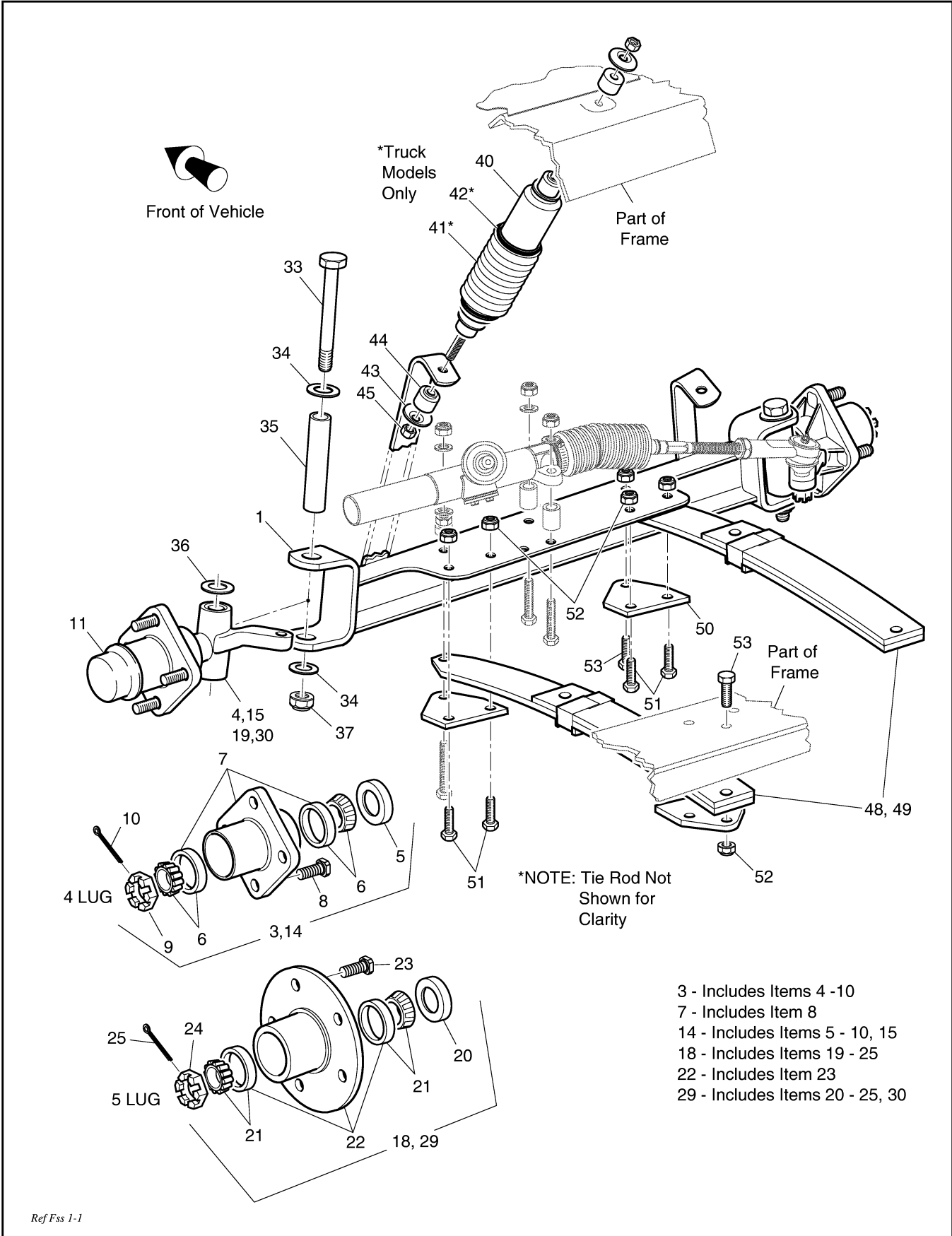
Ref Esh 1

ELECTRONIC SPEED CONTROL - HD

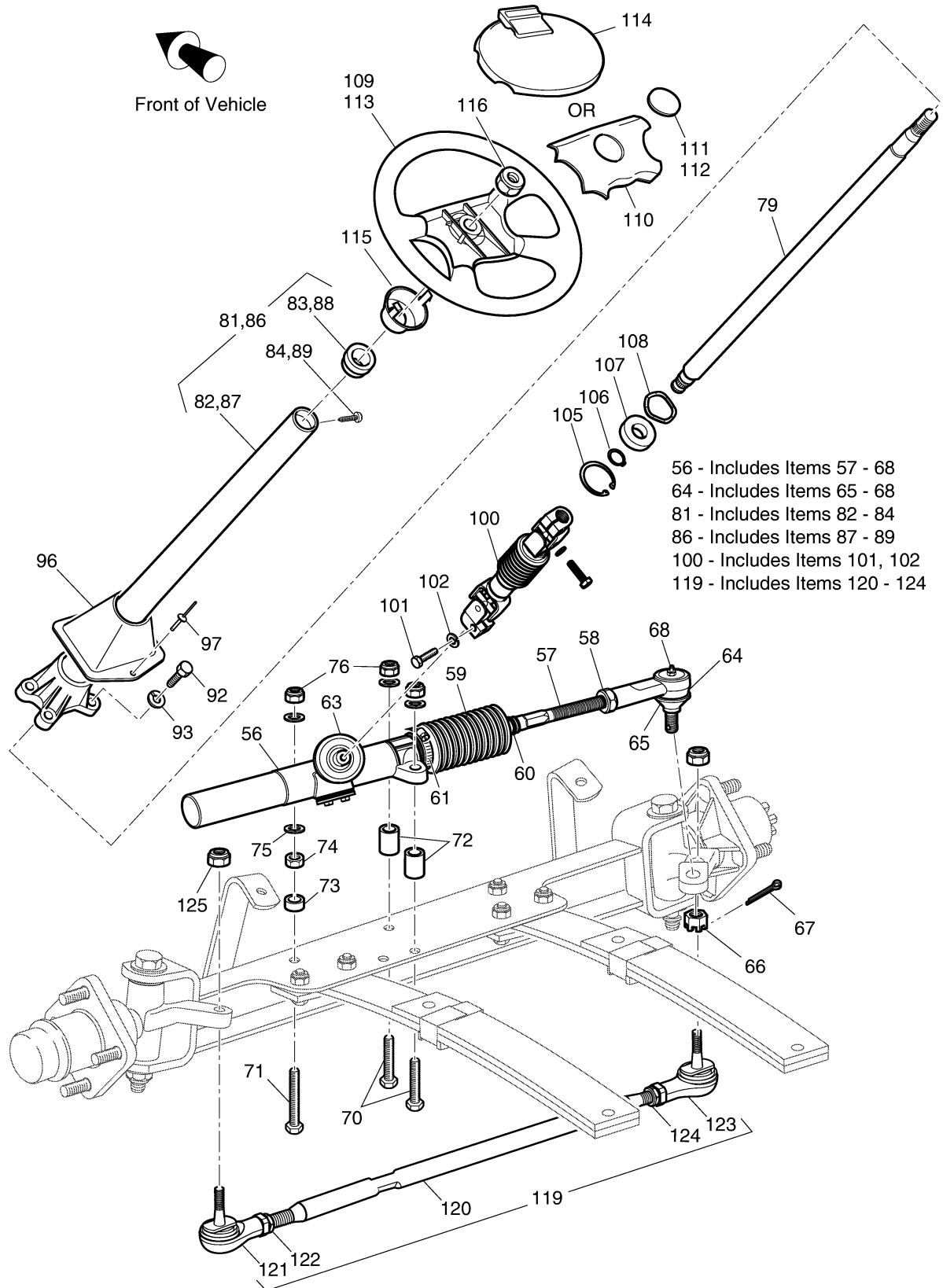
Where applicable, THE USE OF NON UL PARTS WILL VOID ANY UL LISTING.
 When ordering parts, please specify the model and serial number of the product.
 * Indicates a component that is not available as an individual part.
 G** Indicates consult Customer Service Department for additional information.

ITEM	PART NO.	1 2 3 4 5	DESCRIPTION	QTY.
1	73055-G02		ELECTRONIC SPEED CONTROL ASSEMBLY (INCLUDES ITEMS 2 - 23).....	1
2	73060-G01		ELECTRONIC SPEED CONTROLLER	1
3	74014-G01		CONTROLLER MOUNT	1
4	00414-G5		BOLT, 1/4 - 20 X 5/8" LG.....	4
5	01110-G01		WASHER, 1/4" (STAINLESS STEEL).....	2
6	11027-G2		LOCK NUT, 1/4 - 20	6
7				
8	28562-G01		SOLENOID	1
9				
10	21764-G1		RESISTOR.....	1
11	*		LOCK WASHER, #10	2
12	*		NUT, #10 - 32.....	2
13	*		WASHER, 5/16"	2
14	*		NUT, 5/16 - 24.....	2
15				
16	73095-G02		WIRE HARNESS (CONTROL)	1
17	28325-G01		WIRE HARNESS (POWER)	1
18	25978-G88		18 GA WIRE (RED 9")	1
19	25972-G02		6 GA WIRE (BLK 6", SOL - B+)	1
20	25978-G10		18 GA WIRE(BLK 6", SOL - B-).....	1
21				
22	00438-G6		BOLT, 5/16 - 18 X 3/4" LG.....	4
23	11027-G1		LOCK NUT, 5/16 - 18.....	4
24				
25	23723-G2		COVER.....	1
26	16469-G1		WASHER, 1/4"	1
27	14419-G1		WING NUT, 1/4 - 20	1
28				
29	00414-G5		BOLT, 1/4 - 20 X 5/8" LG	4
30	11027-G2		LOCK NUT, 1/4 - 20	4

FRONT SUSPENSION/STEERING



FRONT SUSPENSION/STEERING



Ref Fss 1-2

FRONT SUSPENSION/STEERING

Where applicable, THE USE OF NON UL PARTS WILL VOID ANY UL LISTING.

When ordering parts, please specify the model and serial number of the product.

* Indicates a component that is not available as an individual part.

G** Indicates consult Customer Service Department for additional information.

ITEM	PART NO.	1 2 3 4 5	DESCRIPTION	QTY.
1	70963-G01		FRONT AXLE	1
2				
3	70942-G01		SPINDLE AND HUB ASSEMBLY, 4 LUG (PASSENGER SIDE) (INCLUDES ITEMS 4 - 10).....	1
4	70942-G02		SPINDLE ASSEMBLY (PASSENGER SIDE).....	1
5	25146-G1		GREASE SEAL.....	1
6	50892-G1		ROLLER BEARING AND RACE ASSEMBLY.....	2
7	70895-G01		WHEEL HUB ASSEMBLY WITH RACES, 4 LUG (INCLUDES ITEM 8)	1
8	19862-G1		LUG BOLT, 1/2 - 20 X 1 3/16" LG.....	4
9	12093-G1		CASTELLATED NUT, 1 - 14	1
10	00798-G8		COTTER PIN, 5/32" X 1 3/4" LG	1
11	12091-G2		SPINDLE CAP.....	2
12				
13				
14	70673-G01		SPINDLE AND HUB ASSEMBLY, 4 LUG (DRIVER SIDE) (INCLUDES ITEMS 5 - 10, 15).....	1
15	70673-G02		SPINDLE ASSEMBLY (DRIVER SIDE)	1
16				
17				
18	70943-G01		SPINDLE AND HUB ASSEMBLY, 5 LUG (PASSENGER SIDE) (INCLUDES ITEMS 19 - 25).....	1
19	70942-G02		SPINDLE ASSEMBLY (PASSENGER SIDE).....	1
20	12092-G1		GREASE SEAL.....	1
21	50892-G1		ROLLER BEARING AND RACE ASSEMBLY.....	2
22	70772-G01		WHEEL HUB ASSEMBLY WITH RACES, 5 LUG (INCLUDES ITEM 23)	1
23	30143-G1		LUG BOLT, 1/2 - 20 X 1 7/32" LG.....	5
24	12093-G1		CASTELLATED NUT, 1 - 14	1
25	00798-G8		COTTER PIN, 5/32" X 1 3/4" LG	1
26				
27				
28				

FRONT SUSPENSION/STEERING

Where applicable, THE USE OF NON UL PARTS WILL VOID ANY UL LISTING.
 When ordering parts, please specify the model and serial number of the product.
 * Indicates a component that is not available as an individual part.
 G** Indicates consult Customer Service Department for additional information.

ITEM	PART NO.	1 2 3 4 5	DESCRIPTION	QTY.
29	70797-G01		SPINDLE AND HUB ASSEMBLY, 5 LUG (DRIVER SIDE) (INCLUDES ITEMS 20 - 25, 30).....	1
30	70673-G02		SPINDLE ASSEMBLY (DRIVER SIDE)	1
31				
32				
33	00407-G6		BOLT, 1/2 - 13 X 6" LG	2
34	00560-G3		WASHER, 1/2"	4
35	70745-G01		KING PIN TUBE	2
36	70754-G01		THRUST WASHER, 1" (STAINLESS STEEL).....	2
37	14390-G6		LOCK NUT, 1/2 - 13	2
38				
39				
40	70928-G01		SHOCK ABSORBER.....	2
41	70509-G01		SHOCK ABSORBER BOOT	2
42	31539-G1		WIRE TIE	4
43	10435-G1		SHOCK ABSORBER WASHER.....	8
44	10194-G1		RUBBER BUSHING	8
45	00532-G6		NUT, 3/8 - 24	4
46				
47				
48	70990-G02		LEAF SPRING (SEE PART NUMBER ON SPRING)	2
49	70989-G02		LEAF SPRING (HEAVY DUTY) (SEE PART NUMBER ON SPRING).....	2
50	70163-G02		SPRING PLATE	4
51	00463-G4		BOLT, 7/16 - 14 X 1 1/2" LG	4
52	00734-G1		LOCK NUT, 7/16 - 14	11
53	00463-G6		BOLT, 7/16 - 14 X 1 3/4" LG	7
54				
55				
56	70964-G01		RACK AND PINION UNIT (COMPLETE) (INCLUDES ITEMS 57 - 68)	1
57	70694-G01		RACK EXTENSION	1

FRONT SUSPENSION/STEERING

Where applicable, THE USE OF NON UL PARTS WILL VOID ANY UL LISTING.
 When ordering parts, please specify the model and serial number of the product.
 * Indicates a component that is not available as an individual part.
 G** Indicates consult Customer Service Department for additional information.

ITEM	PART NO.	1 2 3 4 5	DESCRIPTION	QTY.
58	*		JAM NUT, 1/2 - 20.....	1
59	70961-G01		RACK BOOT.....	1
60	12416-G2		WIRE TIE.....	1
61	11391-G8		CLAMP, 1 13/16 - 2 3/8".....	1
62				
63	70638-G01		PINION SEAL.....	1
64	70695-G01		RACK BALL JOINT (INCLUDES ITEMS 65 - 68).....	1
65	50641-G1		RUBBER BOOT.....	1
66	50209-G2		CASTELLATED NUT, 7/16 - 20.....	1
67	10387-G2		COTTER PIN, 3/32" X 1" LG.....	1
68	10389-G3		GREASE FITTING, STRAIGHT.....	1
69				
70	00464-G6		BOLT, 7/16 - 14 X 2 3/4" LG.....	2
71	01068-G01		BOLT, 7/16 - 14 X 3 1/2" LG.....	1
72	70667-G02		SPACER.....	2
73	70667-G03		SPACER (SHORT).....	1
74	00532-G7		NUT, 7/16 - 14.....	1
75	00560-G2		FLAT WASHER, 7/16".....	4
76	00734-G1		LOCK NUT, 7/16 - 14.....	3
77				
78				
79	70607-G01		STEERING SHAFT.....	1
80				
81	70758-G03		STEERING COLUMN KIT (INCLUDES ITEMS 82 - 84).....	1
82	70610-G01		STEERING COLUMN.....	1
83	28569-G01		STEERING COLUMN BUSHING.....	1
84	01022-G01		SCREW, #6 - 20 X 5/16" LG.....	1
85				
86	70758-G04		STEERING COLUMN KIT (HORN) (INCLUDES ITEMS 87 - 89).....	1
87	70610-G02		STEERING COLUMN.....	1



FRONT SUSPENSION/STEERING

Where applicable, THE USE OF NON UL PARTS WILL VOID ANY UL LISTING.
 When ordering parts, please specify the model and serial number of the product.
 * Indicates a component that is not available as an individual part.
 G** Indicates consult Customer Service Department for additional information.

ITEM	PART NO.	1 2 3 4 5	DESCRIPTION	QTY.
88	28569-G01		STEERING COLUMN BUSHING.....	1
89	01022-G01		SCREW, #6 - 20 X 5/16" LG	1
90				
91				
92	01006-G01		BOLT, 3/8 - 16 X 1 1/4" LG	4
93	00879-G1		LOCK WASHER, 3/8"	4
94				
95				
96	70997-G01		COVER.....	1
97	71055-G01		RIVET, 3/16" X 1" LG (ALUMINUM)	1
98				
99				
100	70580-G01		INTERMEDIATE SHAFT (INCLUDES ITEMS 101, 102).....	1
101	01055-G01		BOLT, M8 X 1.25 - 05.....	2
102	00565-G8		LOCK WASHER, 5/16"	2
103				
104				
105	70751-G01		RETAINING RING (INTERNAL)	1
106	70888-G01		RETAINING RING (EXTERNAL).....	1
107	15112-G1		BALL BEARING	1
108	70887-G01		WAVE WASHER.....	1
109	71146-G01		STEERING WHEEL	1
110	71147-G01		STEERING WHEEL COVER	1
111	71047-G01		LABEL (E-Z-GO)	1
112	74405-G01		LABEL (CUSHMAN).....	1
113	71948-G01		STEERING WHEEL	1
114	71950-G01		CLIPBOARD.....	1
115	71949-G01		HUB COVER	1
116	14390-G2		LOCK NUT, 5/8 - 18	1
117				

FRONT SUSPENSION/STEERING

Where applicable, THE USE OF NON UL PARTS WILL VOID ANY UL LISTING.
 When ordering parts, please specify the model and serial number of the product.
 * Indicates a component that is not available as an individual part.
 G** Indicates consult Customer Service Department for additional information.

ITEM	PART NO.	1 2 3 4 5	DESCRIPTION	QTY.
118				
119	70876-G02		TIE ROD ASSEMBLY (INCLUDES ITEMS 120 - 124).....	1
120	70897-G02		THREADED ROD (24" LG).....	1
121	70902-G01		TIE ROD END (LEFT HAND THREADS)	1
122	01069-G01		JAM NUT, M12 X 1.25 - 05 (LEFT HAND THREADS).....	1
123	70902-G02		TIE ROD END (RIGHT HAND THREADS).....	1
124	01069-G02		JAM NUT, M12 X 1.25 - 05 (RIGHT HAND THREADS)	1
125	00734-G1		LOCK NUT, 7/16 - 14	2

**DID YOU
KNOW?**

CartPros directs you to the right part using the part numbers from this manual. Enter the part number into our search box and it will find the part you are looking for.

**GET STARTED
HERE**

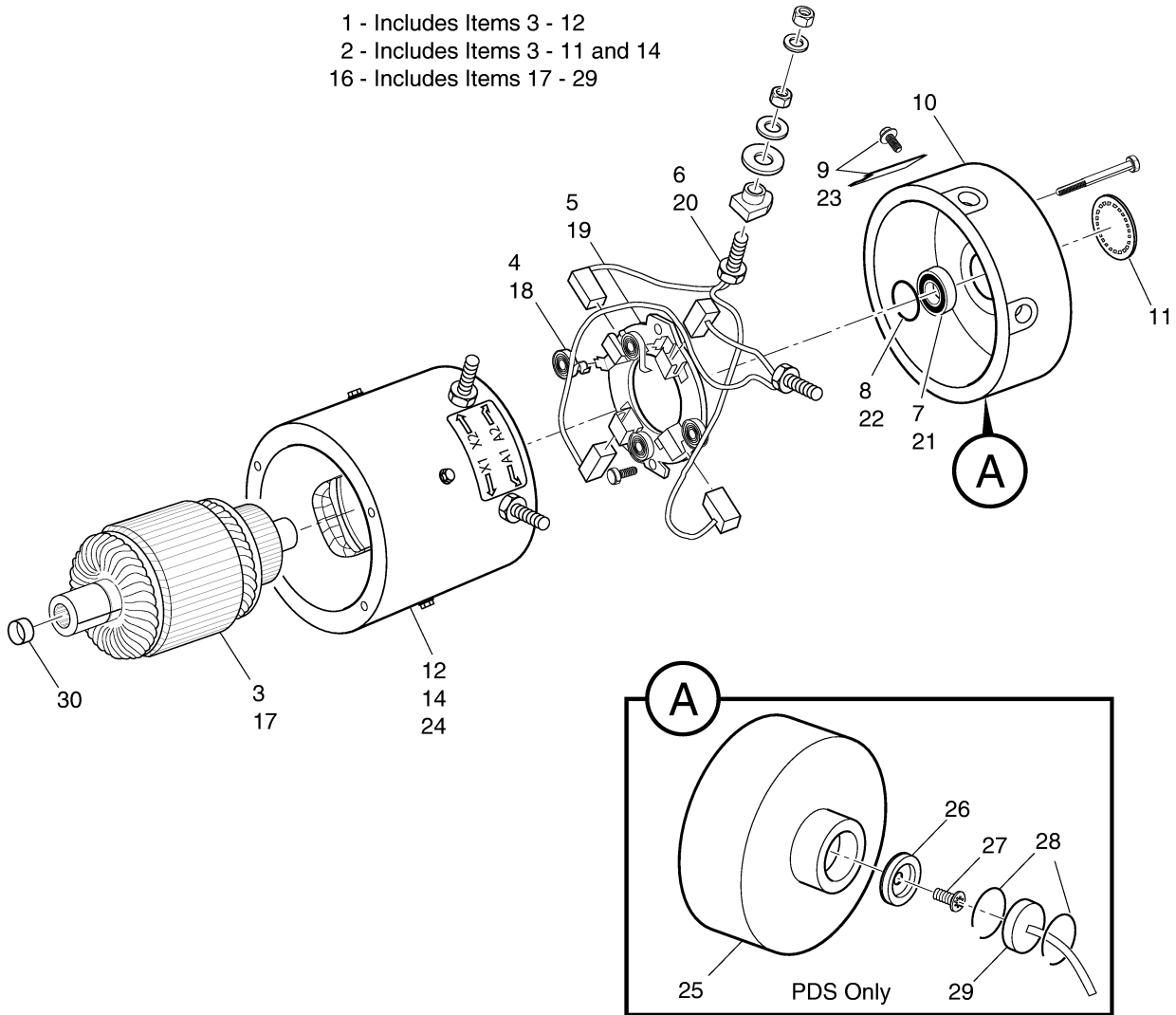


<https://CartPros.com/f.html>

FRONT SUSPENSION/STEERING

MOTOR

- 1 - Includes Items 3 - 12
- 2 - Includes Items 3 - 11 and 14
- 16 - Includes Items 17 - 29



Ref Mtr 1

MOTOR

Where applicable, THE USE OF NON UL PARTS WILL VOID ANY UL LISTING.

When ordering parts, please specify the model and serial number of the product.

* Indicates a component that is not available as an individual part.

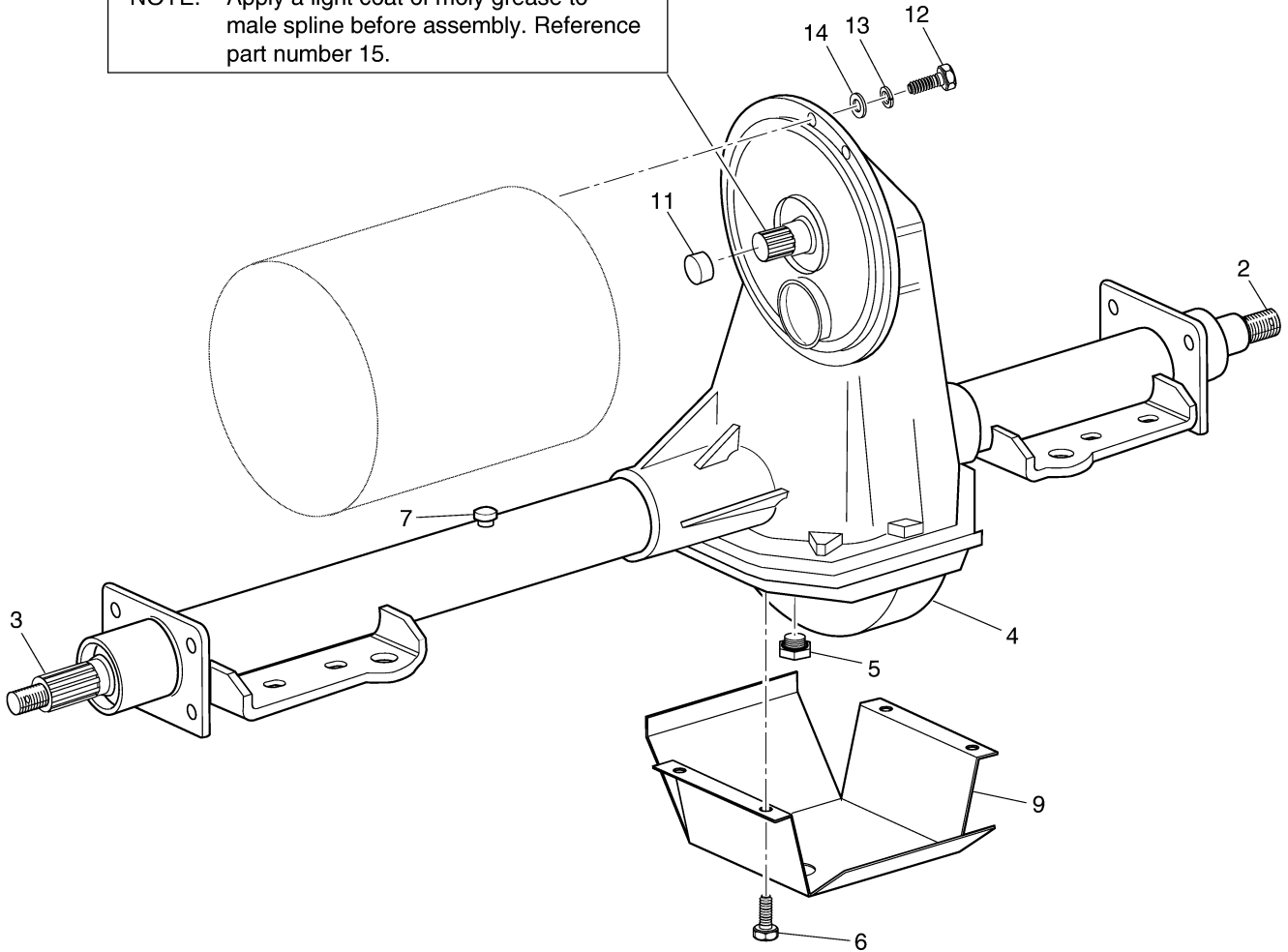
G** Indicates consult Customer Service Department for additional information.

ITEM	PART NO.	1 2 3 4 5	DESCRIPTION	QTY.
1	73124-G02		MOTOR (SERIES, FLEET SPEED) (INCLUDES ITEMS 3 - 12)	1
2	73124-G03		MOTOR (SERIES, HIGH SPEED) (INCLUDES ITEMS 3 - 11, 14).....	1
3	73120-G01		ARMATURE	1
4	73120-G03		BRUSH SPRING.....	4
5	73120-G15		BRUSH PLATE AND BOX	1
6	73120-G25		BRUSH REPLACEMENT KIT (INCLUDES HARDWARE)	1
7	73120-G07		BEARING	1
8	73120-G06		SNAP RING	1
9	73120-G09		COVER PLATE AND SCREW	1
10	73120-G08		COMMUTATOR END HOUSING	1
11	73120-G16		CAP.....	1
12	73120-G29		FRAME AND FIELD COIL (G02 MOTOR) (INCLUDES HARDWARE)	1
13				
14	73120-G30		FRAME AND FIELD COIL (G03 MOTOR) (INCLUDES HARDWARE)	1
15				
16	73124-G08		MOTOR (SEPARATELY EXCITED) (PDS) (INCLUDES ITEMS 17 - 29).....	1
17	73120-G18		ARMATURE	1
18	73120-G03		BRUSH SPRING.....	4
19	73120-G15		BRUSH PLATE AND BOX	1
20	73120-G25		BRUSH REPLACEMENT KIT (INCLUDES HARDWARE)	1
21	73120-G07		BEARING.....	1
22	73120-G06		SNAP RING	1
23	73120-G09		COVER PLATE AND SCREW	1
24	73120-G31		FRAME AND FIELD COIL (INCLUDES HARDWARE).....	1
25	73120-G19		COMMUTATOR END HOUSING	1
26	73328-G01		MAGNET.....	1
27	01037-G02		SCREW, #10 - 32 X 1/2" LG	1
28	73277-G01		RETAINING RING.....	2
29	73327-G01		SPEED SENSOR.....	1
30	24261-G1		SPLINE BUMPER	1

REAR AXLE

1 - Includes Items 2 - 7

NOTE: Apply a light coat of moly grease to male spline before assembly. Reference part number 15.



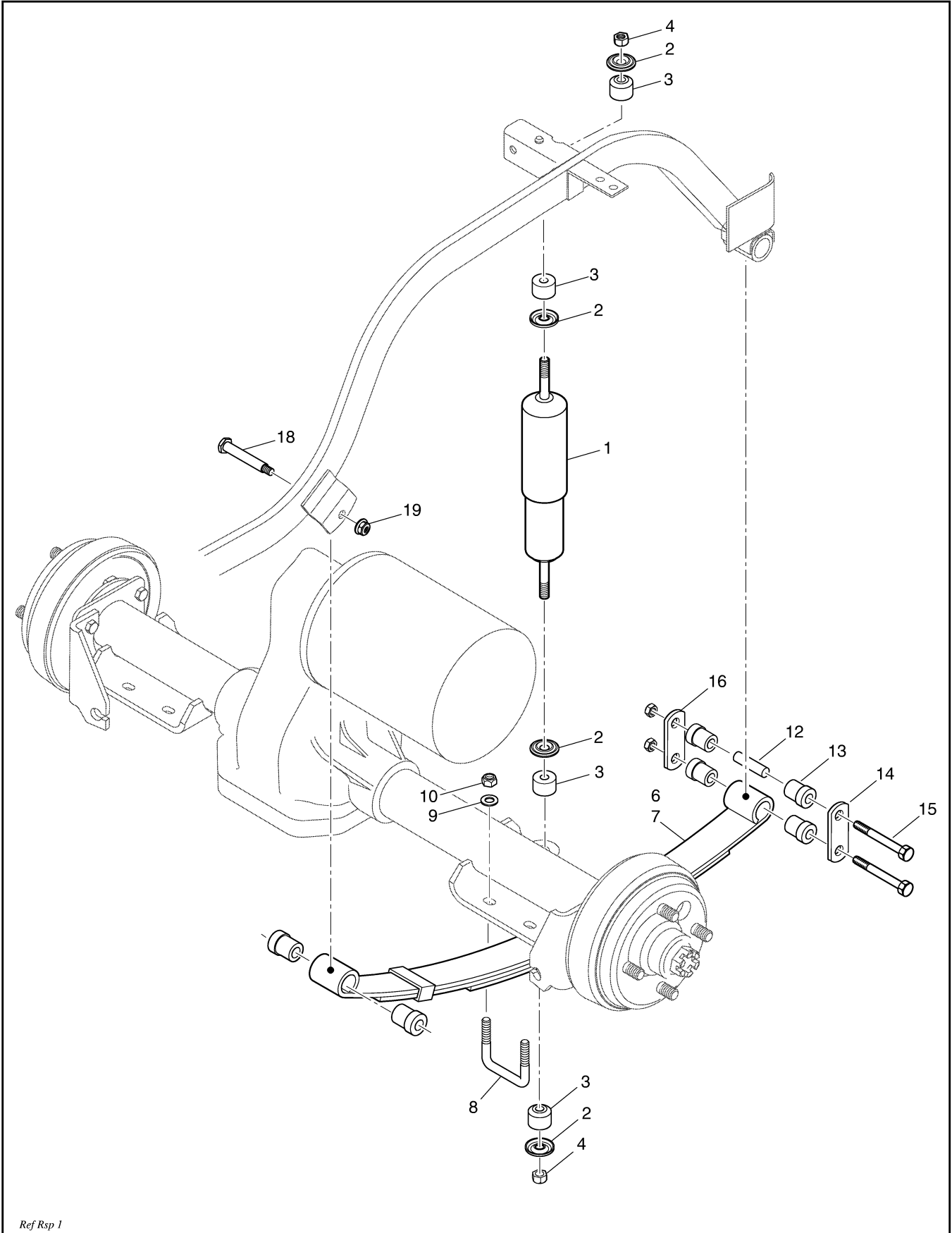
Ref Rav 1

REAR AXLE

Where applicable, THE USE OF NON UL PARTS WILL VOID ANY UL LISTING.
 When ordering parts, please specify the model and serial number of the product.
 * Indicates a component that is not available as an individual part.
 G** Indicates consult Customer Service Department for additional information.

ITEM	PART NO.	1 2 3 4 5	DESCRIPTION	QTY.
1	73500-G01		REAR AXLE ASSEMBLY (INCLUDES ITEMS 2 - 7)	1
2	20377-G12		AXLE SHAFT (PASSENGER SIDE)	1
3	20377-G11		AXLE SHAFT (DRIVER SIDE).....	1
4	*		DIFFERENTIAL COVER.....	1
5	28610-G01		FILL PLUG WITH 'O' RING.....	1
6	15558-G1		BOLT, 5/16 - 18 X 3/4" LG.....	10
7	73050-G01		VENT	1
8				
9	72763-G01		SCUFF GUARD	1
10				
11	XXXXX-XXX		SPLINE BUMPER (SEE ELECTRIC MOTOR).....	1
12	00797-G2		BOLT, 1/4 - 20 X 1 1/4" LG	3
13	00664-G7		LOCK WASHER, 1/4" (STAINLESS STEEL)	3
14	01110-G01		WASHER, 1/4" (STAINLESS STEEL)	3
15	28095-G01		MOLY LUBE, 2 OZ.	AR

REAR SUSPENSION



Ref Rsp 1

REAR SUSPENSION

Where applicable, THE USE OF NON UL PARTS WILL VOID ANY UL LISTING.

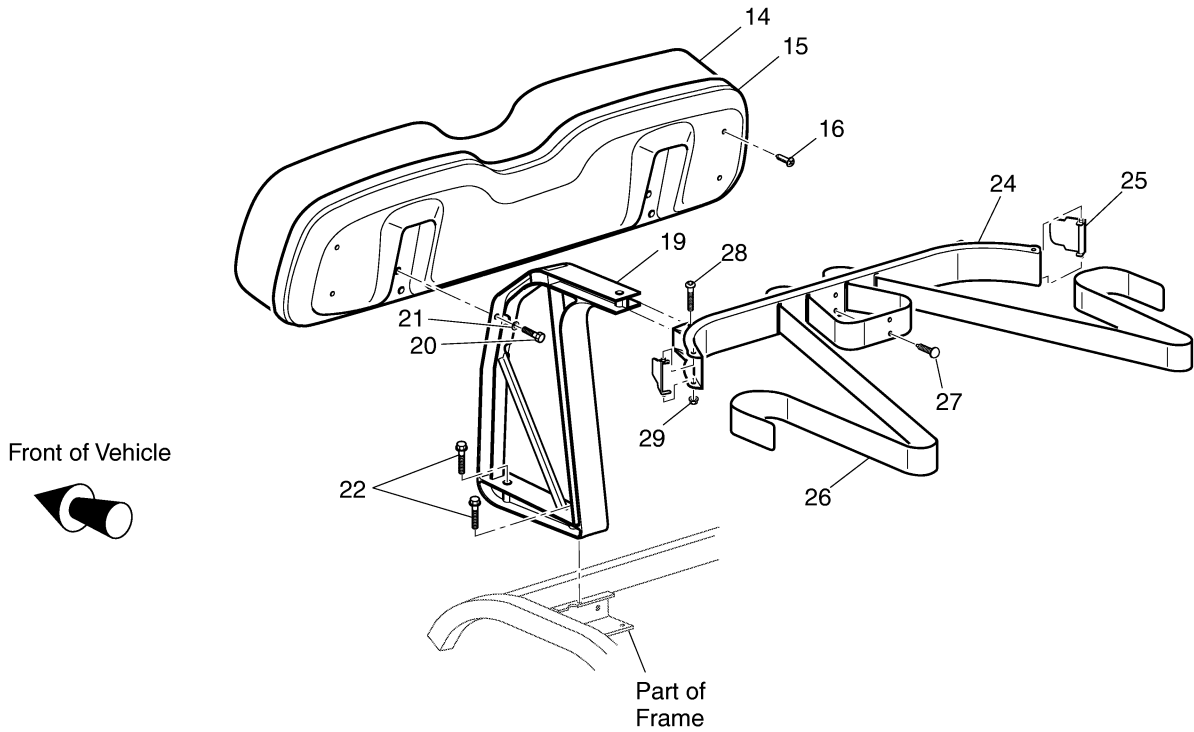
When ordering parts, please specify the model and serial number of the product.

* Indicates a component that is not available as an individual part.

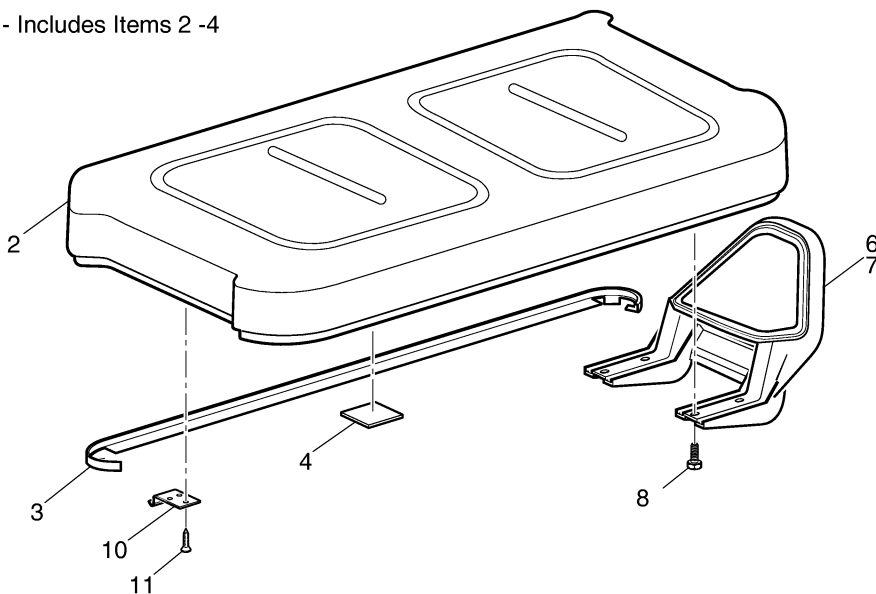
G** Indicates consult Customer Service Department for additional information.

ITEM	PART NO.	1 2 3 4 5	DESCRIPTION	QTY.
1	70324-G01		SHOCK ABSORBER.....	2
2	10435-G1		SHOCK ABSORBER WASHER.....	8
3	10194-G1		RUBBER BUSHING.....	8
4	00532-G6		NUT, 3/8 - 24.....	4
5				
6	70474-G01		LEAF SPRING, 2 LEAF.....	2
7	74207-G01		LEAF SPRING, 4 LEAF.....	2
8	72618-G01		'U' BOLT, 3/8 - 16 X 2" X 2 1/2" LG.....	4
9	00560-G1		WASHER, 3/8".....	8
10	11098-G5		LOCK NUT, 3/8 - 16.....	8
11				
12	70289-G02		SPACER.....	4
13	70291-G01		FLANGED BUSHING (LEAF SPRING).....	12
14	70290-G01		SHACKLE PLATE.....	4
15	00665-G9		BOLT, 3/8 - 16 X 3 1/2" LG (STAINLESS STEEL).....	4
16	11098-G5		LOCK NUT, 3/8 - 16.....	4
17				
18	14158-G1		SHOULDER BOLT, 3/8 - 16 X 3 1/4" LG.....	2
19	12262-G1		LOCK NUT, 3/8 - 16.....	2

SEATING AND BAG HOLDER - GOLF CAR



1 - Includes Items 2 -4



Ref Sgc 1

SEATING AND BAG HOLDER - GOLF CAR

Where applicable, THE USE OF NON UL PARTS WILL VOID ANY UL LISTING.

When ordering parts, please specify the model and serial number of the product.

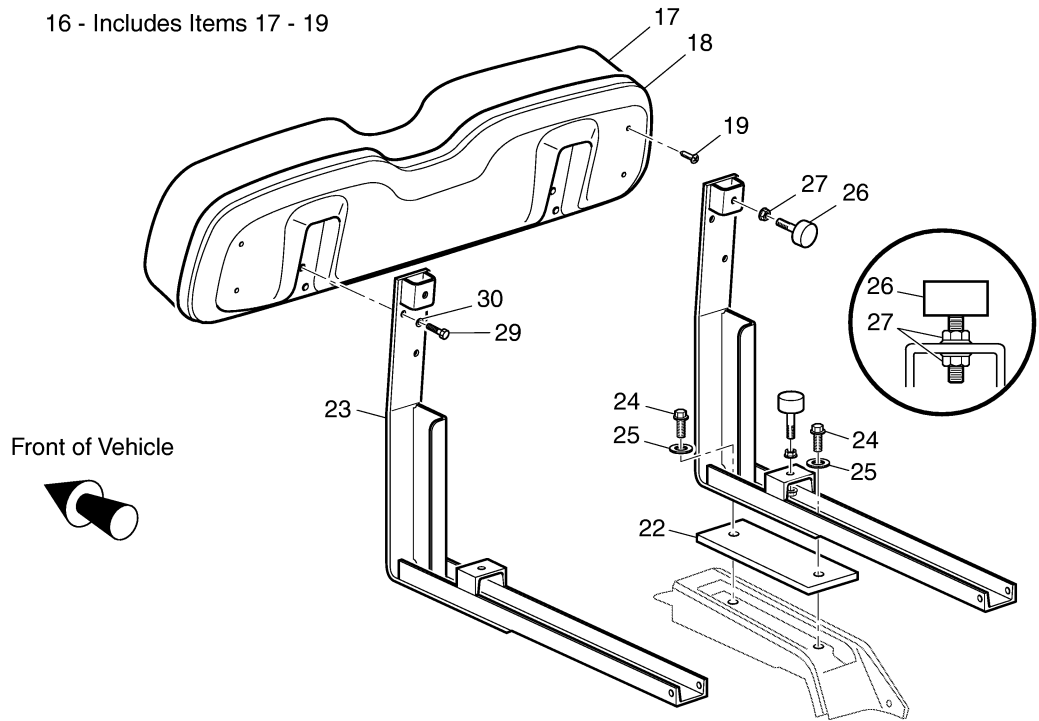
* Indicates a component that is not available as an individual part.

G** Indicates consult Customer Service Department for additional information.

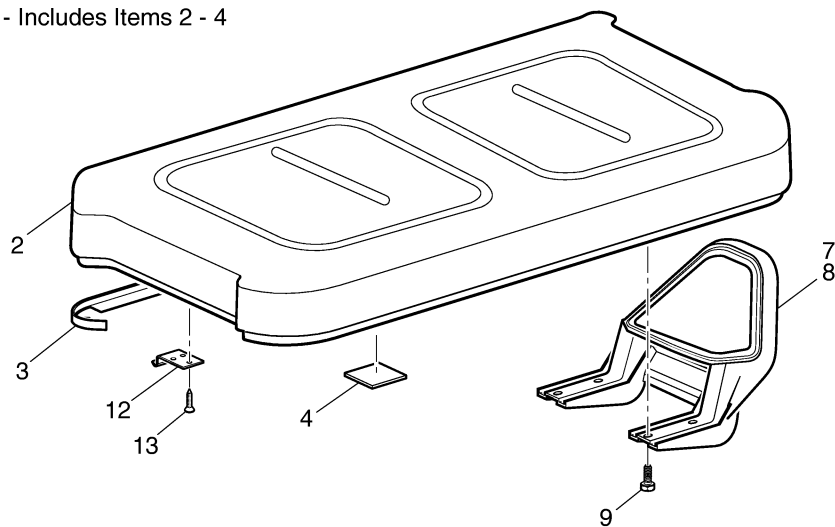
ITEM	PART NO.	1 2 3 4 5	DESCRIPTION	QTY.
1	71611-G**		SEAT BOTTOM ASSEMBLY (INCLUDES ITEMS 2 - 4)	1
2	71602-G**		VINYL SEAT BOTTOM COVER	1
3	71012-G01		VINYL TRIM (SEAT BOTTOM)	1
4	17074-G1		RUBBER PAD	2
5				
6	71701-G01		HIP RESTRAINT (PASSENGER SIDE)	1
7	71702-G01		HIP RESTRAINT (DRIVER SIDE)	1
8	71204-G01		BOLT, 1/4 - 20 X 7/8" LG	8
9				
10	71610-G01		SEAT HINGE	2
11	00720-G08		SCREW, #12 - 14 X 1" LG (STAINLESS STEEL)	4
12				
13	71751-G**		SEAT BACK ASSEMBLY (INCLUDES ITEMS 14 - 16)	1
14	71753-G**		VINYL SEAT BACK COVER	1
15	71752-G01		PLASTIC SEAT BACK COVER	1
16	01107-G01		SCREW, #8 X 5/8" LG (STAINLESS STEEL)	4
17				
18				
19	71811-G02		SEAT SUPPORT BRACKET	2
20	00661-G8		BOLT, 1/4 - 20 X 1" LG (STAINLESS STEEL)	4
21	00664-G7		LOCK WASHER, 1/4" (STAINLESS STEEL)	4
22	71802-G01		BOLT, 3/8 - 16 X 2 3/4" LG	4
23				
24	71851-G01		BAG HOLDER BRACKET	1
25	71856-G01		BAG RETAINER CLAMP	2
26	71853-G01		BAG RETAINER STRAP	1
27	16816-G1		RATCHET FASTENER, 1/4" X 9/16" LG	2
28	01102-G01		CARRIAGE BOLT, 1/4 - 20 X 1 1/2" LG (STAINLESS STEEL)	2
29	11027-G2		LOCK NUT, 1/4 - 20	2

SEATING - SHUTTLE 2+2

16 - Includes Items 17 - 19

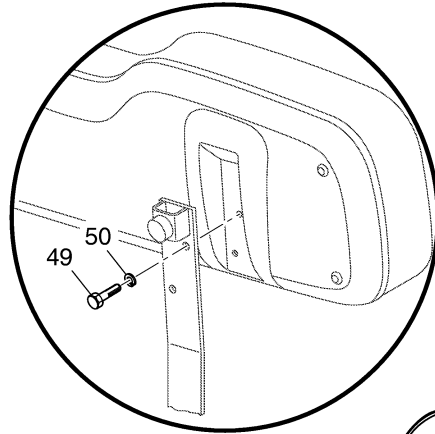


1 - Includes Items 2 - 4



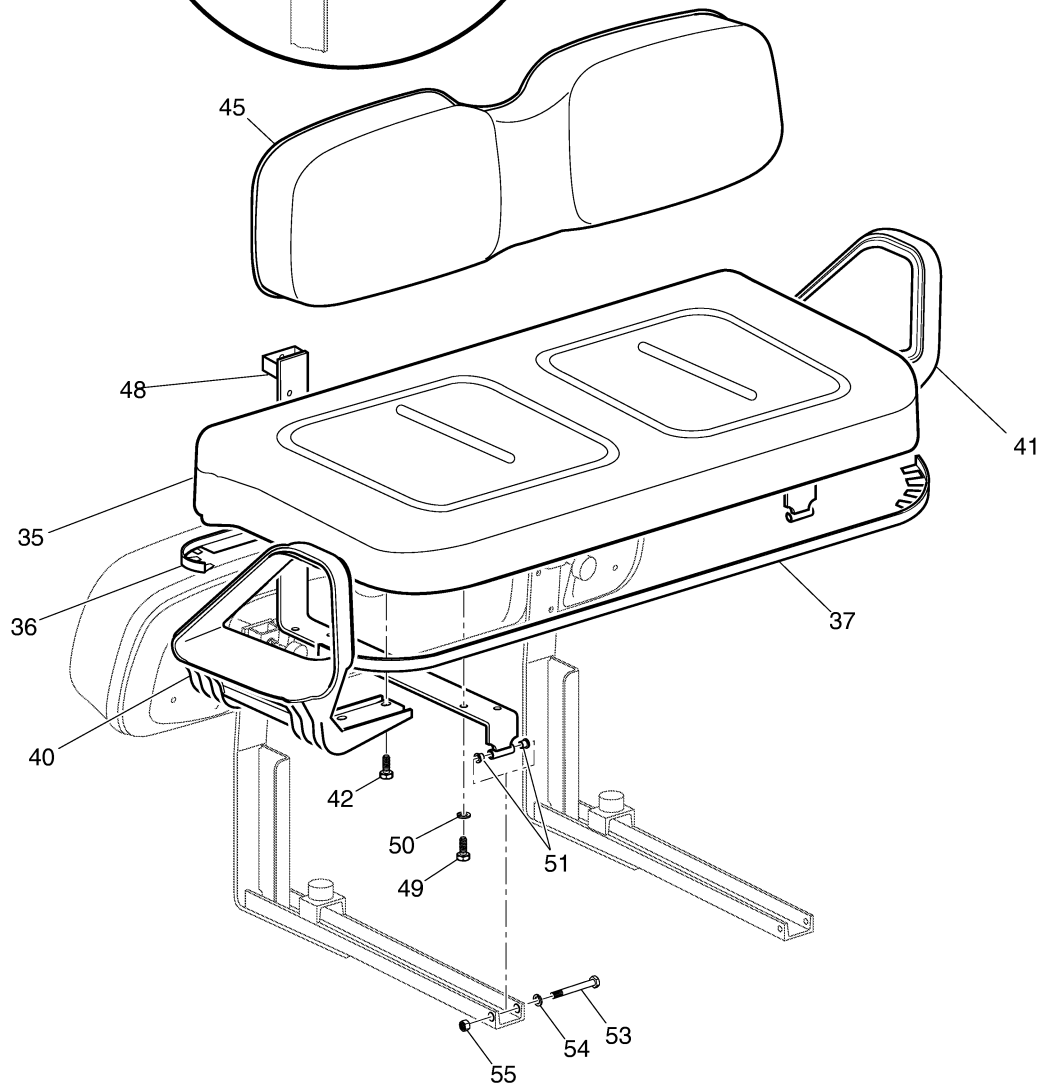
Ref Ssh 1-1

SEATING - SHUTTLE 2+2



34 - Includes Items 35 - 37

45 - Includes Items 17 - 19



Ref Ssh 1-2

SEATING - SHUTTLE 2+2

Where applicable, THE USE OF NON UL PARTS WILL VOID ANY UL LISTING.
 When ordering parts, please specify the model and serial number of the product.
 * Indicates a component that is not available as an individual part.
 G** Indicates consult Customer Service Department for additional information.

ITEM	PART NO.	1 2 3 4 5	DESCRIPTION	QTY.
1	71611-G**		SEAT BOTTOM ASSEMBLY (INCLUDES ITEMS 2 -4)	1
2	71602-G**		VINYL SEAT BOTTOM COVER	1
3	71012-G01		VINYL TRIM (SEAT BOTTOM)	1
4	17074-G1		RUBBER PAD	2
5				
6				
7	71701-G01		HIP RESTRAINT (PASSENGER SIDE)	1
8	71702-G01		HIP RESTRAINT (DRIVER SIDE)	1
9	71204-G01		BOLT, 1/4 - 20 X 7/8" LG	8
10				
11				
12	71610-G01		SEAT HINGE	2
13	00720-G08		SCREW, #12 - 14 X 1" LG (STAINLESS STEEL)	6
14				
15				
16	71751-G**		SEAT BACK ASSEMBLY (INCLUDES ITEMS 17 - 19)	1
17	71753-G**		VINYL SEAT BACK COVER	1
18	71752-G01		PLASTIC SEAT BACK COVER	1
19	01107-G01		SCREW, #8 X 5/8" LG (STAINLESS STEEL)	4
20				
21				
22	70364-G01		SPACER	2
23	74111-G01		SEAT BACK SUPPORT	2
24	01006-G02		BOLT, 3/8 - 16 X 1 1/2" LG	4
25	00560-G1		WASHER, 3/8"	4
26	70113-G01		ADJUSTABLE BUMPER	4
27	11027-G1		LOCK NUT, 5/16 - 18	6
28				
29	00661-G8		BOLT, 1/4 - 20 X 1" LG (STAINLESS STEEL)	4
30	00664-G7		LOCK WASHER, 1/4" (STAINLESS STEEL)	4



SEATING - SHUTTLE 2+2

Where applicable, THE USE OF NON UL PARTS WILL VOID ANY UL LISTING.

When ordering parts, please specify the model and serial number of the product.

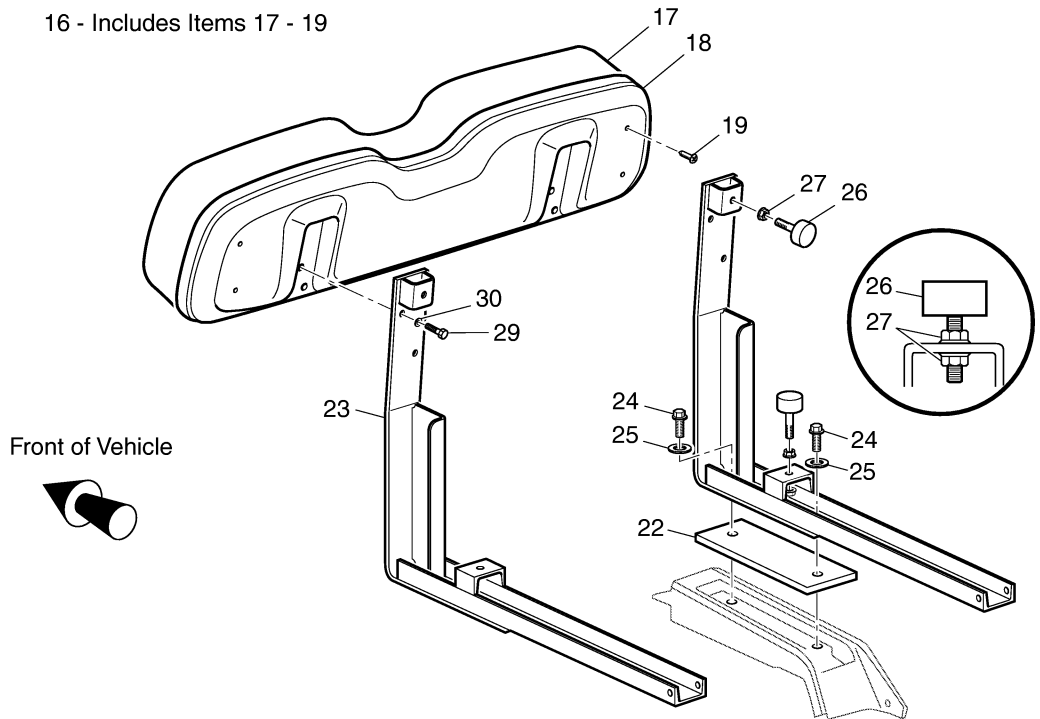
* Indicates a component that is not available as an individual part.

G** Indicates consult Customer Service Department for additional information.

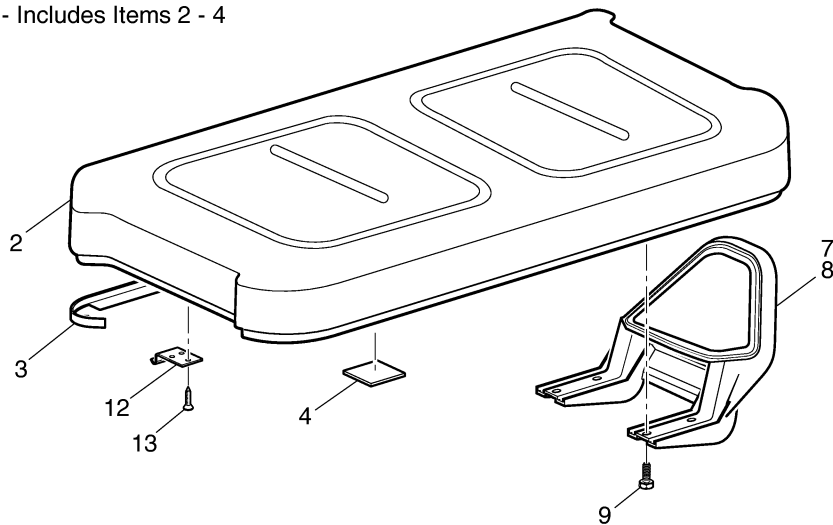
ITEM	PART NO.	1 2 3 4 5	DESCRIPTION	QTY.
31				
32				
33				
34	74139-G**		SEAT BOTTOM ASSEMBLY (INCLUDES ITEMS 42 - 44)	1
35	71602-G**		VINYL COVER (SEAT BOTTOM)	1
36	74140-G01		TRIM	1
37	71012-G01		TRIM	1
38				
39				
40	71702-G01		HIP RESTRAINT (DRIVER SIDE).....	1
41	71701-G01		HIP RESTRAINT (PASSENGER SIDE)	1
42	00661-G8		BOLT, 1/4 - 20 X 1" LG (STAINLESS STEEL).....	8
43				
44				
45	71751-G**		SEAT BACK ASSEMBLY (INCLUDES ITEMS 17 - 19).....	1
46				
47				
48	74117-G01		SEAT SUPPORT BRACKET	2
49	00661-G8		BOLT, 1/4 - 20 X 1" LG (STAINLESS STEEL).....	12
50	00664-G7		LOCK WASHER, 1/4" (STAINLESS STEEL)	12
51	17838-G1		NYLON BUSHING.....	4
52				
53	00440-G4		BOLT, 5/16 - 18 X 2 1/4" LG	2
54	00571-G2		WASHER, 5/16"	2
55	11098-G6		LOCK NUT, 5/16 - 18	2

SEATING - CONVERTIBLE CARRIER

16 - Includes Items 17 - 19

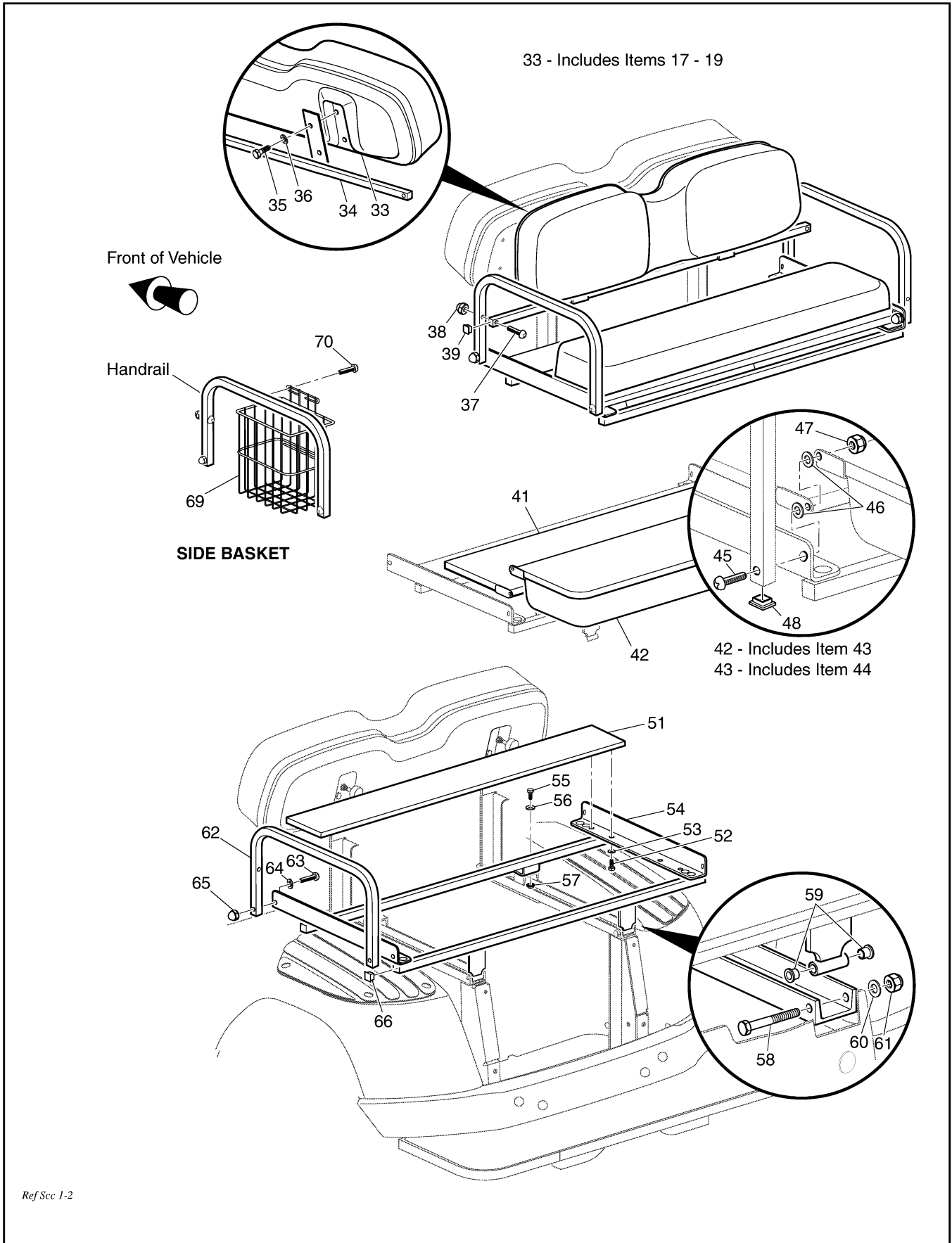


1 - Includes Items 2 - 4



Ref Sec 1-1

SEATING - CONVERTIBLE CARRIER



Ref Sec 1-2

SEATING - CONVERTIBLE CARRIER

Where applicable, THE USE OF NON UL PARTS WILL VOID ANY UL LISTING.
 When ordering parts, please specify the model and serial number of the product.
 * Indicates a component that is not available as an individual part.
 G** Indicates consult Customer Service Department for additional information.

ITEM	PART NO.	1 2 3 4 5	DESCRIPTION	QTY.
1	71611-G**		SEAT BOTTOM ASSEMBLY (INCLUDES ITEMS 2 - 4)	1
2	71602-G**		VINYL SEAT BOTTOM COVER	1
3	71012-G01		VINYL TRIM (SEAT BOTTOM)	1
4	17074-G1		RUBBER PAD	2
5				
6				
7	71701-G01		HIP RESTRAINT (PASSENGER SIDE)	1
8	71702-G01		HIP RESTRAINT (DRIVER SIDE)	1
9	00661-G8		BOLT, 1/4 - 20 X 1" LG (STAINLESS STEEL)	8
10				
11				
12	71610-G01		SEAT HINGE	2
13	00720-G08		SCREW, #12 - 14 X 1" LG (STAINLESS STEEL)	4
14				
15				
16	71751-G**		SEAT BACK ASSEMBLY (INCLUDES ITEMS 17 - 19)	1
17	71753-G**		VINYL SEAT BACK COVER	1
18	71752-G01		PLASTIC SEAT BACK COVER	1
19	01107-G01		SCREW, #8 X 5/8" LG (STAINLESS STEEL)	4
20				
21				
22	70364-G01		SPACER	2
23	74111-G01		SEAT BACK SUPPORT	2
24	01006-G02		BOLT, 3/8 - 16 X 1 1/2" LG	4
25	00560-G1		WASHER, 3/8"	4
26	70113-G01		ADJUSTABLE BUMPER	2
27	11027-G1		LOCK NUT, 5/16 - 18	2
28				
29	00661-G8		BOLT, 1/4 - 20 X 1" LG (STAINLESS STEEL)	4
30	00664-G7		LOCK WASHER, 1/4" (STAINLESS STEEL)	4

SEATING - CONVERTIBLE CARRIER

Where applicable, THE USE OF NON UL PARTS WILL VOID ANY UL LISTING.

When ordering parts, please specify the model and serial number of the product.

* Indicates a component that is not available as an individual part.

G** Indicates consult Customer Service Department for additional information.

ITEM	PART NO.	1 2 3 4 5	DESCRIPTION	QTY.
31				
32				
33	71751-G**		SEAT BACK ASSEMBLY (INCLUDES ITEMS 17 - 19).....	1
34	75258-G01		SEAT BACK SUPPORT	1
35	00661-G8		BOLT, 1/4 - 20 X 1" LG (STAINLESS STEEL).....	4
36	00664-G7		LOCK WASHER, 1/4" (STAINLESS STEEL)	4
37	16705-G6		SCREW, 1/4 - 20 X 1 3/4" LG (STAINLESS STEEL)	2
38	00520-G1		ACORN NUT, 1/4 - 20 (STAINLESS STEEL)	2
39	19859-G1		END PLUG, 3/4"	2
40				
41	75229-G01		BED	1
42	71063-G**		SEAT BOTTOM ASSEMBLY (INCLUDES ITEM 43).....	1
43	75197-G**		SEAT BOTTOM (INCLUDES ITEM 44)	1
44	75252-G**		VINYL SEAT BOTTOM COVER.....	1
45	00762-G4		SCREW, 5/16 - 18 X 1 1/2" LG (STAINLESS STEEL)	2
46	17255-G1		TEFLON WASHER, 5/16"	4
47	00654-G3		LOCK NUT, 5/16 - 18 (STAINLESS STEEL)	2
48	19859-G1		END CAP, 3/4".....	4
49				
50				
51	71060-G01		BED FRONT (INCLUDES MAT).....	1
52	00661-G6		BOLT, 1/4 - 20 X 3/4" LG (STAINLESS STEEL).....	4
53	00559-G8		WASHER, 5/16"	4
54	75193-G01		SUPPORT FRAME.....	1
55	00438-G8		BOLT, 5/16 - 18 X 1" LG	2
56	00559-G8		WASHER, 5/16"	2
57	11027-G1		LOCK NUT, 5/16 - 18	2
58	00440-G4		BOLT, 5/16 - 18 X 2 1/2" LG	2
59	17838-G1		NYLON BUSHING.....	4
60	00559-G8		WASHER, 5/16"	2

SEATING - CONVERTIBLE CARRIER

Where applicable, THE USE OF NON UL PARTS WILL VOID ANY UL LISTING.
 When ordering parts, please specify the model and serial number of the product.
 * Indicates a component that is not available as an individual part.
 G** Indicates consult Customer Service Department for additional information.

ITEM	PART NO.	1 2 3 4 5	DESCRIPTION	QTY.
61	00654-G3		LOCK NUT, 5/16 - 18 (STAINLESS STEEL)	2
62	75196-G01		HANDRAIL	2
63	00762-G2		SCREW, 5/16 - 18 X 1 1/4" LG (STAINLESS STEEL)	2
64	00664-G8		LOCK WASHER, 5/16" (STAINLESS STEEL)	2
65	00520-G3		ACORN NUT, 5/16 - 18 (STAINLESS STEEL)	2
66	75261-G02		END CAP, 1"	4
67				
68				
69	75460-G01		SIDE BASKET (BLACK).....	2
70	00106-G6		SELF THREADING SCREW, #12 - 24 X 3/4" LG	4

**DID YOU
KNOW?**

CartPros directs you to the right part using the part numbers from this manual. Enter the part number into our search box and it will find the part you are looking for.

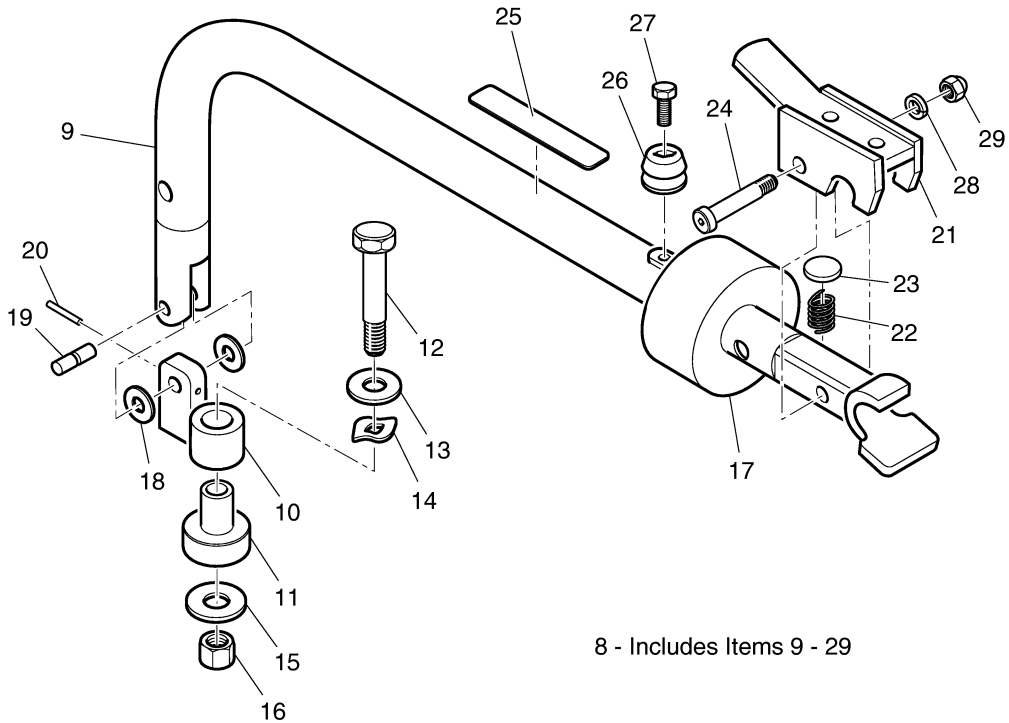
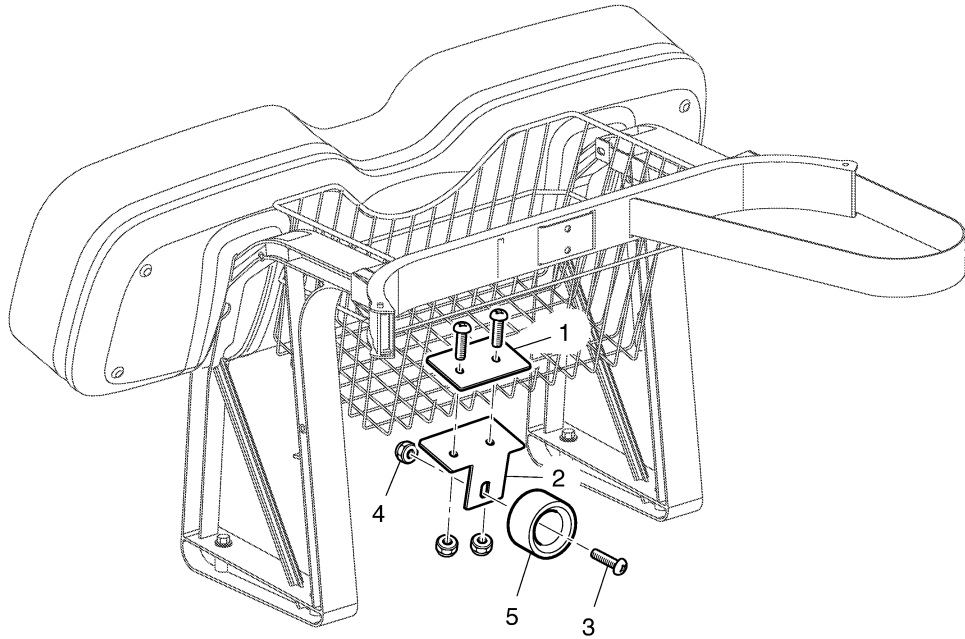
**GET STARTED
HERE**



<https://CartPros.com/f.html>

SEATING - CONVERTIBLE CARRIER

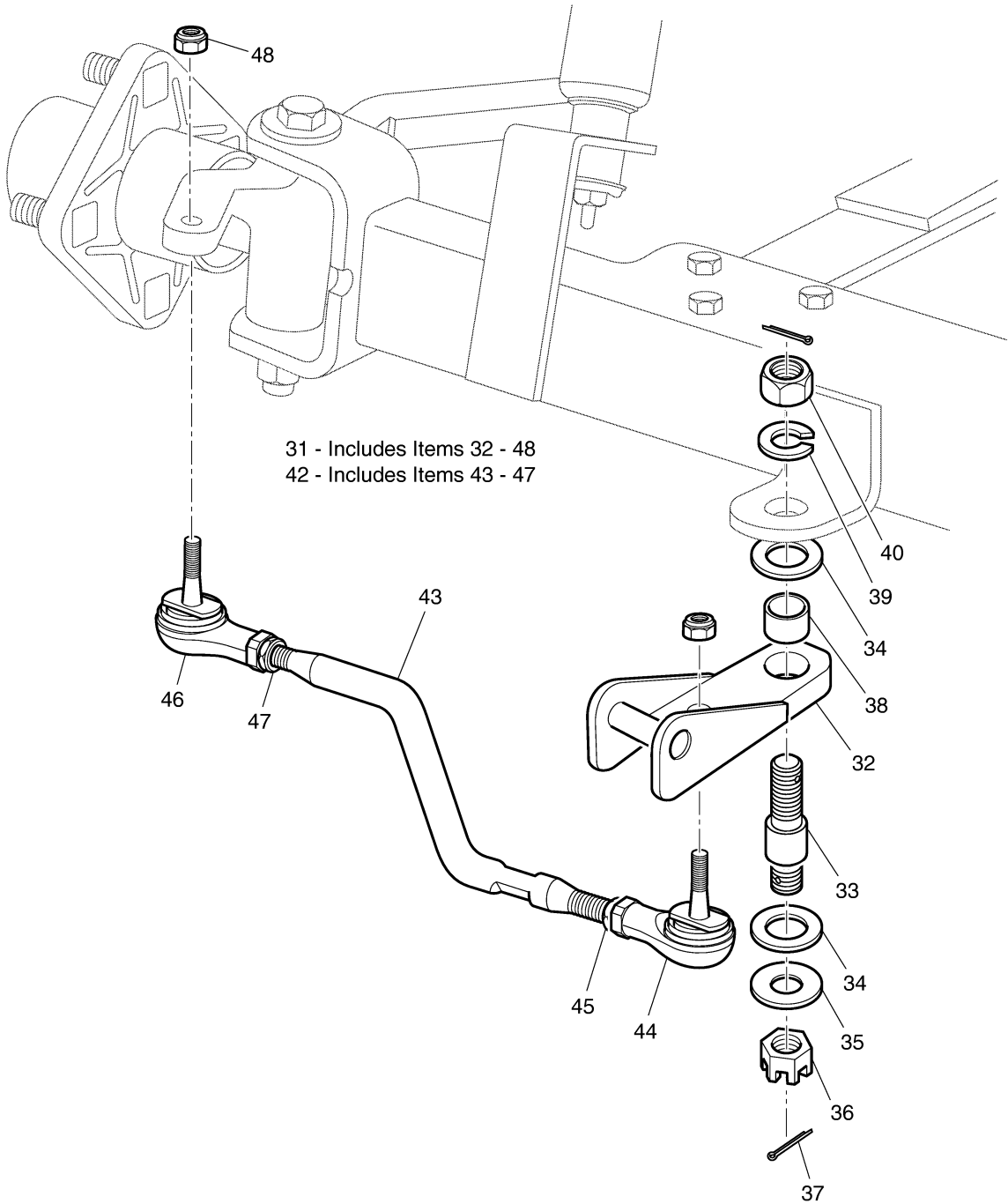
TOW BAR - PERMANENT



8 - Includes Items 9 - 29

Ref Twb 1-1

TOW BAR - PERMANENT



Ref Twb 1-2

TOW BAR - PERMANENT

Where applicable, THE USE OF NON UL PARTS WILL VOID ANY UL LISTING.
 When ordering parts, please specify the model and serial number of the product.
 * Indicates a component that is not available as an individual part.
 G** Indicates consult Customer Service Department for additional information.

ITEM	PART NO.	1 2 3 4 5	DESCRIPTION	QTY.
1	75318-G01		MOUNTING PLATE.....	1
2	75319-G01		STOP MOUNT PLATE	1
3	16705-G1		SCREW, 1/4 - 20 X 1" LG (STAINLESS STEEL)	3
4	00654-G2		LOCK NUT, 1/4 - 20 (STAINLESS STEEL)	3
5	75338-G02		FEMALE STOP	1
6				
7				
8	75304-G01		TOW BAR ASSEMBLY (TOWING VEHICLE) (INCLUDES ITEMS 9 - 29)	1
9	75299-G01		TOW BAR	1
10	75302-G01		UPPER PIVOT	1
11	75291-G01		LOWER PIVOT	1
12	00410-G8		BOLT, 1/2 - 20 X 3" LG.....	1
13	00675-G3		WASHER, 1/2" (STAINLESS STEEL).....	1
14	75339-G01		SPRING WASHER	1
15	00571-G5		WASHER, 1/2"	1
16	11098-G8		LOCK NUT, 1/2 - 20.....	1
17	75362-G01		LATCH STOP.....	1
18	75340-G01		WASHER, 3/8"	2
19	75360-G01		PIVOT PIN	1
20	13571-G7		SPRING PIN	1
21	75303-G01		LATCH	1
22	20852-G2		COMPRESSION SPRING	1
23	25661-G02		CUP WASHER.....	1
24	13005-G4		SHOULDER BOLT, 5/16 - 18 X 2" LG.....	1
25	75370-G01		LABEL (WARNING)	1
26	75338-G03		MALE STOP	1
27	12547-G4		BOLT, 6MM X 1 X 30 MM LG.....	1
28	00565-G8		LOCK WASHER, 5/16"	1
29	00520-G3		ACORN NUT, 5/16 - 18 (STAINLESS STEEL)	1
30				



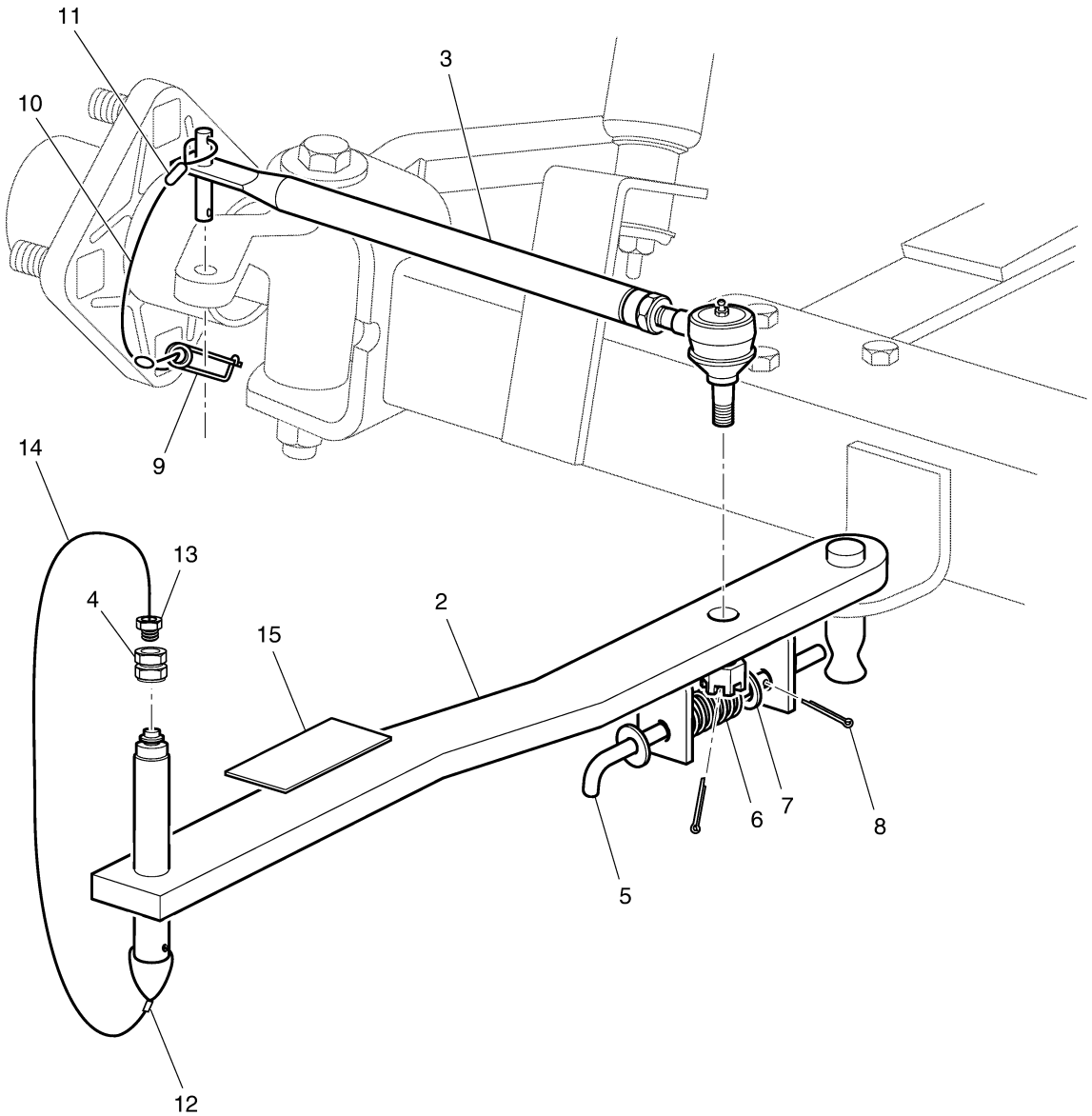
TOW BAR - PERMANENT

Where applicable, THE USE OF NON UL PARTS WILL VOID ANY UL LISTING.
 When ordering parts, please specify the model and serial number of the product.
 * Indicates a component that is not available as an individual part.
 G** Indicates consult Customer Service Department for additional information.

ITEM	PART NO.	1 2 3 4 5	DESCRIPTION	QTY.
31	75308-G01		TOW BAR HITCH ASSEMBLY (TOWED VEHICLE) (INCLUDES ITEMS 32 - 48).....	1
32	75305-G01		HITCH.....	1
33	75292-G01		PIVOT BOLT.....	1
34	75309-G01		THRUST WASHER.....	2
35	75342-G01		WASHER, 3/4".....	1
36	00518-G8		CASTELLATED NUT, 3/4 - 16.....	1
37	10387-G1		COTTER PIN, 1/8" X 1 1/2" LG.....	2
38	75307-G01		BEARING.....	1
39	00566-G6		LOCK WASHER, 3/4".....	1
40	00533-G8		NUT, 3/4 - 16.....	1
41				
42	70905-G01		TIE ROD ASSEMBLY (INCLUDES ITEMS 43 - 47).....	1
43	70903-G01		THREADED ROD.....	1
44	70902-G01		TIE ROD END (LEFT HAND THREADS).....	1
45	01069-G01		JAM NUT, M12 X 1.25-05 (LEFT HAND THREADS).....	1
46	70902-G02		TIE ROD END (RIGHT HAND THREADS).....	1
47	01069-G02		JAM NUT, M12 X 1.25-05 (RIGHT HAND THREADS).....	1
48	00734-G1		LOCK NUT, 7/16 - 14.....	2

TOW BAR - CASUAL

1 - Includes Items 2 - 15



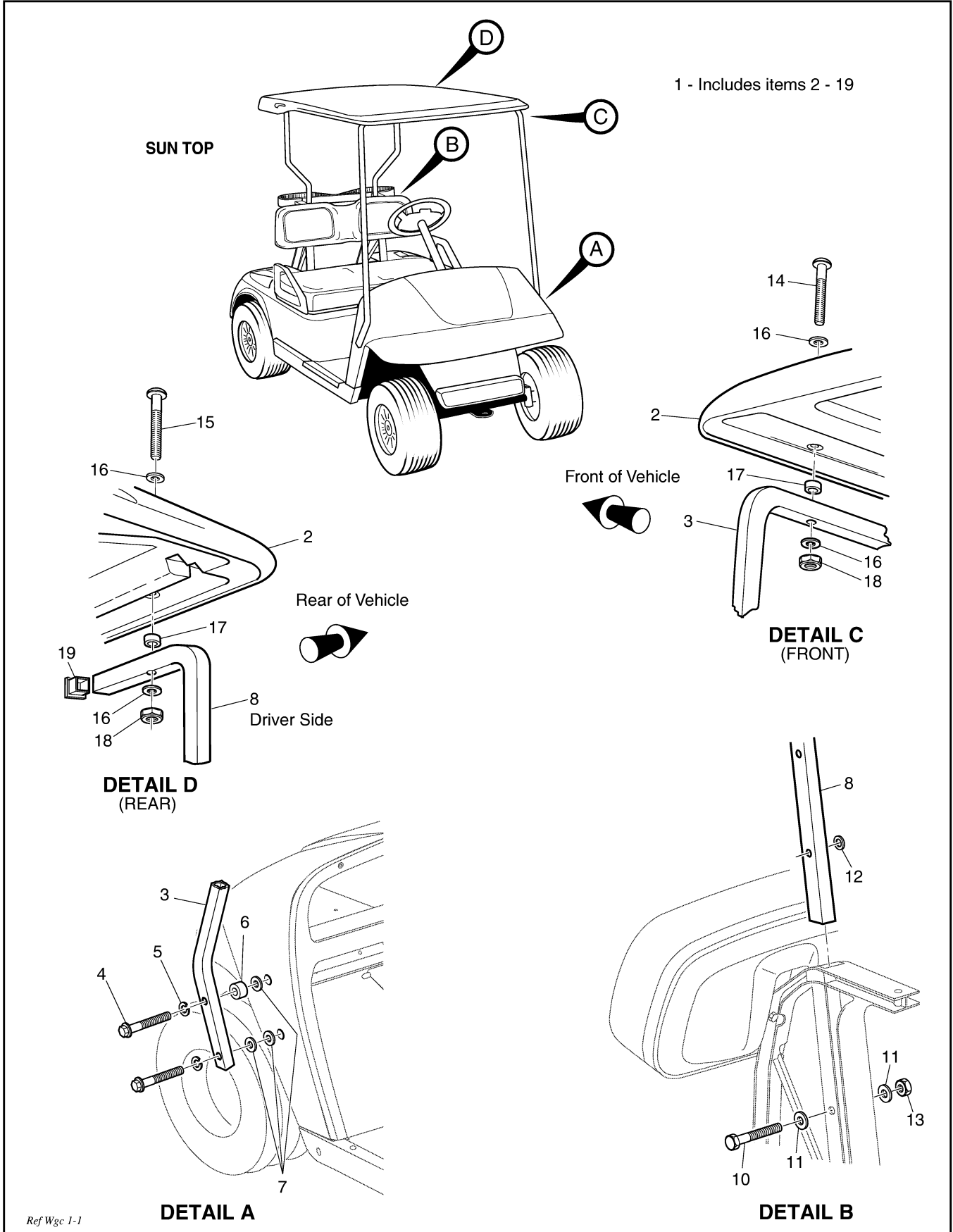
Ref Tbc 1

TOW BAR - CASUAL

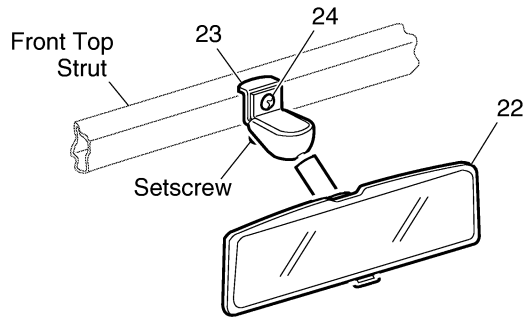
Where applicable, THE USE OF NON UL PARTS WILL VOID ANY UL LISTING.
 When ordering parts, please specify the model and serial number of the product.
 * Indicates a component that is not available as an individual part.
 G** Indicates consult Customer Service Department for additional information.

ITEM	PART NO.	1 2 3 4 5	DESCRIPTION	QTY.
1	75033-G01		CASUAL TOW BAR (INCLUDES ITEMS 2 - 15).....	1
2	*		TOW BAR	1
3	75034-G01		TIE ROD (INCLUDES NUT AND COTTER PIN)	1
4	75060-G01		COUPLING	1
5	*		LOCK PIN	1
6	75065-G01		COMPRESSION SPRING	1
7	00922-G2		WASHER, 3/8"	1
8	10387-G2		COTTER PIN, 3/32" X 1" LG	1
9	75068-G01		SAFETY PIN	1
10	14869-G5		WIRE ROPE	1
11	16783-G1		FERRULE	3
12	75067-G01		FERRULE	1
13	75035-G02		HEX HEAD PLUG.....	1
14	14869-G3		WIRE ROPE	1
15	75091-G01		LABEL (WARNING)	1

WEATHER PROTECTION - GOLF CAR

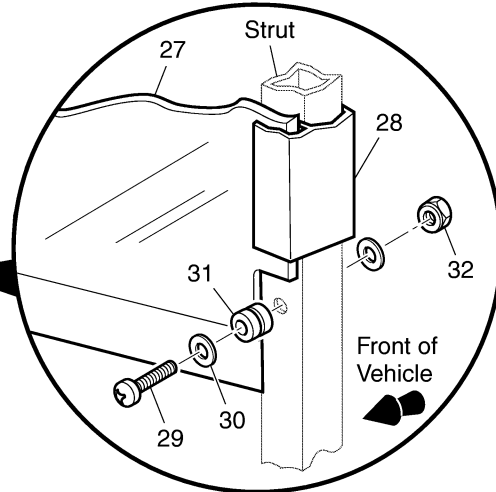
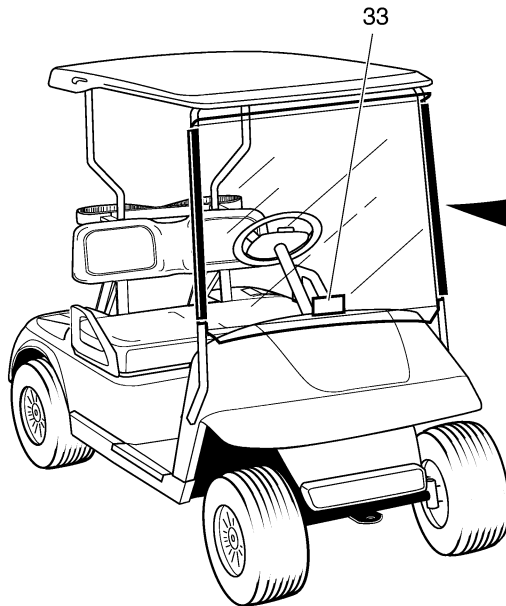


WEATHER PROTECTION - GOLF CAR



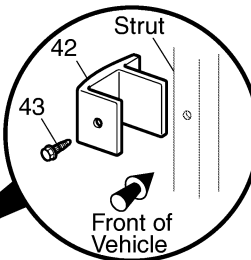
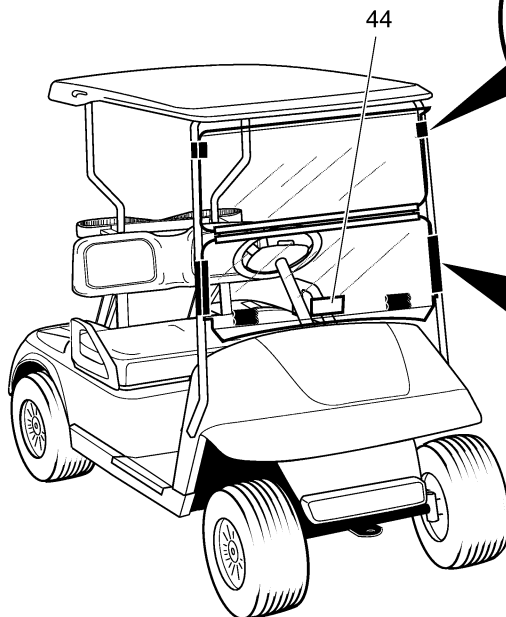
REAR VIEW MIRROR

21 - Includes Items 22 - 24



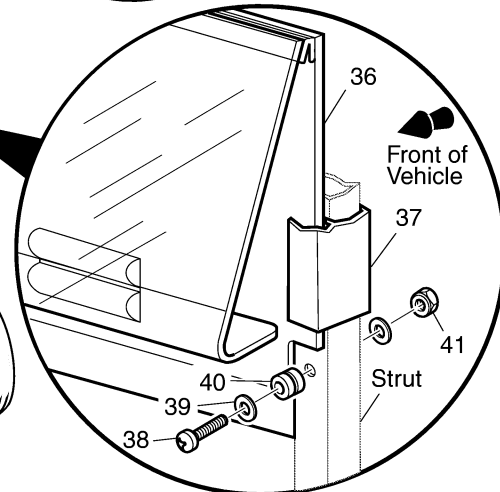
FULL WINDSHIELD

26 - Includes Items 27 - 33



FOLD DOWN WINDSHIELD

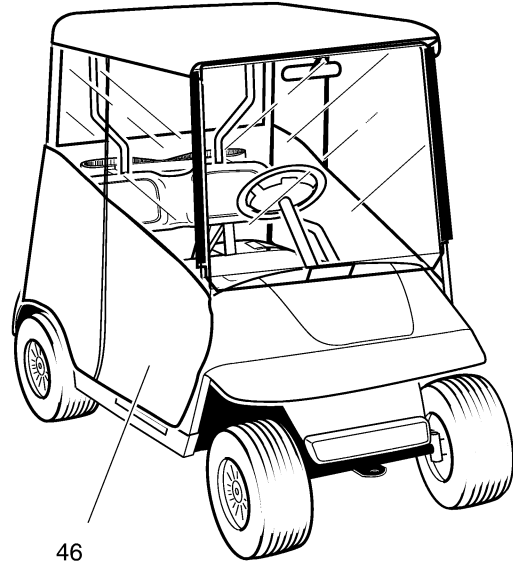
35 - Includes Items 36 - 44



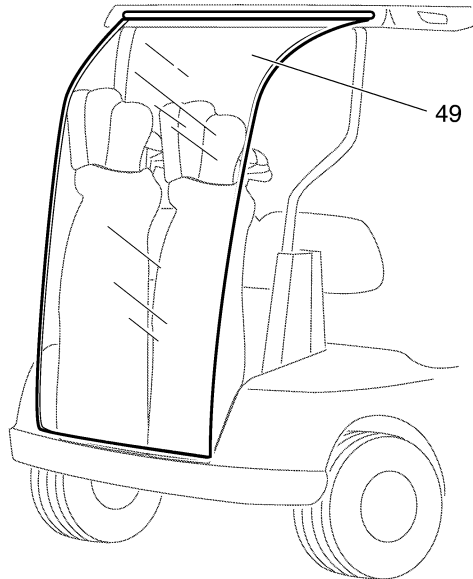
Ref Wgc 1-2

WEATHER PROTECTION - GOLF CAR

WEATHER ENCLOSURE



46
47



BAG AND RAIN CURTAIN

Ref Wgc 1-3

WEATHER PROTECTION - GOLF CAR

Where applicable, THE USE OF NON UL PARTS WILL VOID ANY UL LISTING.

When ordering parts, please specify the model and serial number of the product.

* Indicates a component that is not available as an individual part.

G** Indicates consult Customer Service Department for additional information.

ITEM	PART NO.	1 2 3 4 5	DESCRIPTION	QTY.
			For service or replacement parts, contact: Eagle Parts, Inc. 1411 Marvin Griffin Rd. Augusta, GA 30906 Telephone (706) 790-6687 or FAX (706) 790-6066	
1	75040-G**		SUN TOP KIT (GOLF CAR) (INCLUDES ITEMS 2 - 19)	1
2	27069-G**		SUN TOP	1
3	75045-G05		FRONT STRUT.....	1
4	01035-G01		BOLT, 5/16 - 18 X 2 1/4" LG.....	4
5	00905-G8		LOCK WASHER, 5/16"	4
6	75048-G01		SPACER, 1/2"	2
7	00570-G2		WASHER, 5/16"	6
8	75046-G02		REAR STRUT	2
9				
10	00685-G7		BOLT, 5/16 - 18 X 1 3/4" LG (STAINLESS STEEL)	4
11	01110-G03		WASHER, 5/16" (STAINLESS STEEL).....	8
12	17255-G1		TEFLON WASHER, 5/16"	4
13	01109-G01		LOCK NUT, 5/16 - 18 (STAINLESS STEEL).....	4
14	00753-G5		SCREW, 1/4 - 20 X 2" LG (STAINLESS STEEL).....	2
15	00753-G6		SCREW, 1/4 - 20 X 2 1/4" LG (STAINLESS STEEL).....	2
16	01110-G01		WASHER, 1/4" (STAINLESS STEEL).....	8
17	75051-G01		SPACER	4
18	00654-G2		LOCK NUT, 1/4 - 20 (STAINLESS STEEL).....	4
19	19853-G1		END CAP, 1"	2
20				
21	19528-G2		REAR VIEW MIRROR KIT (INCLUDES ITEMS 22 - 24)	1
22	19496-G1		REAR VIEW MIRROR	1
23	19502-G3		SUPPORT BRACKET.....	1
24	19527-G1		SCREW, #8 - 32 X 5/8" LG (STAINLESS STEEL).....	1
25				

WEATHER PROTECTION - GOLF CAR

Where applicable, THE USE OF NON UL PARTS WILL VOID ANY UL LISTING.
 When ordering parts, please specify the model and serial number of the product.
 * Indicates a component that is not available as an individual part.
 G** Indicates consult Customer Service Department for additional information.

ITEM	PART NO.	1 2 3 4 5	DESCRIPTION	QTY.
26	75524-G01		WINDSHIELD KIT (GOLF CAR) (INCLUDES ITEMS 27 - 33).....	1
27	*		WINDSHIELD	1
28	EGWHC12		SASH, 26" LG	2
29	EGWHS12		SCREW, 1/4 - 20 X 1 3/4" LG (STAINLESS STEEL).....	2
30	EGWHW12		WASHER, 1/4" (STAINLESS STEEL).....	4
31	EGWHG13		RUBBER GROMMET	2
32	EGWHN12		LOCK NUT, 1/4 - 20 (STAINLESS STEEL).....	2
33	EGWHL14		LABEL (SAFETY)	1
34				
35	75525-G01		FOLD DOWN WINDSHIELD KIT (GOLF CAR) (INCLUDES ITEMS 36 - 44).....	1
36	*		WINDSHIELD	1
37	EGWHC10		SASH, 12" LG	2
38	EGWHS12		SCREW, 1/4 - 20 X 1 3/4" LG (STAINLESS STEEL).....	2
39	EGWHW12		WASHER, 1/4" (STAINLESS STEEL).....	4
40	EGWHG13		RUBBER GROMMET	2
41	EGWHN12		LOCK NUT, 1/4 - 20 (STAINLESS STEEL).....	2
42	137-010		TOP GRIP, 3/4" X 2"	2
43	136-008		TOP GRIP FASTENER.....	2
44	EGWHL14		LABEL (SAFETY)	1
45				
46	75078-G01		WEATHER ENCLOSURE (3 SIDED) RECOMMENDED FOR VEHICLES WITH WINDSHIELDS.....	1
47	75079-G01		WEATHER ENCLOSURE (4 SIDED) RECOMMENDED FOR VEHICLES WITHOUT WINDSHIELDS	1
48				
49	75191-G01		BAG COVER AND RAIN CURTAIN KIT.....	1

**DID YOU
KNOW?**

CartPros directs you to the right part using the part numbers from this manual. Enter the part number into our search box and it will find the part you are looking for.

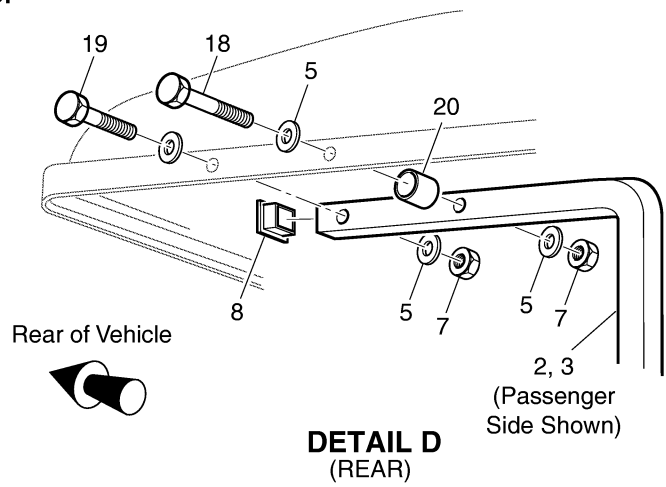
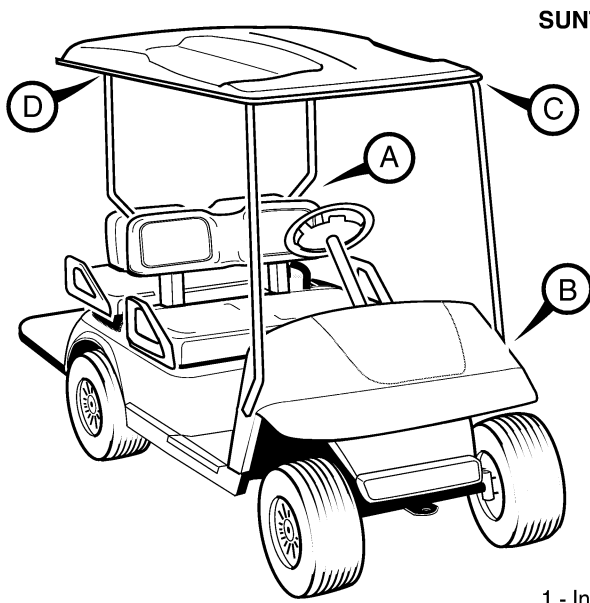
**GET STARTED
HERE**



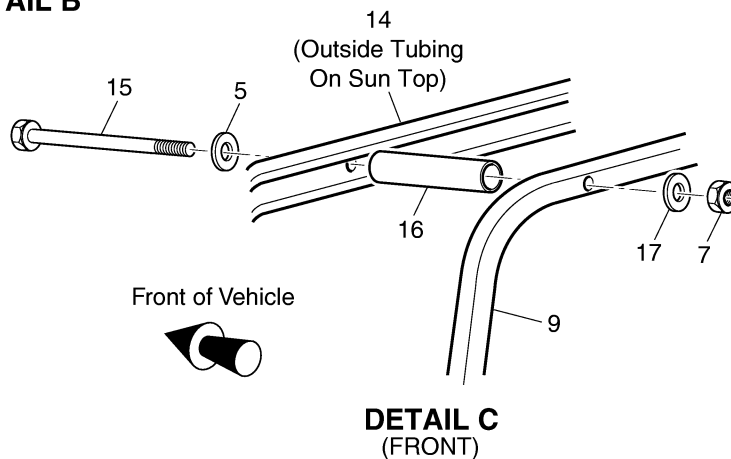
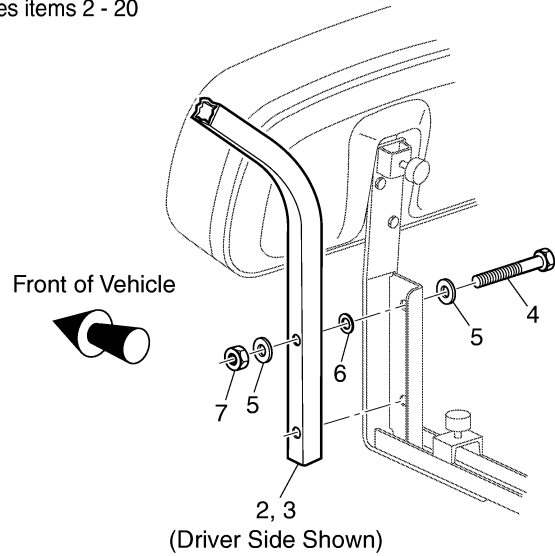
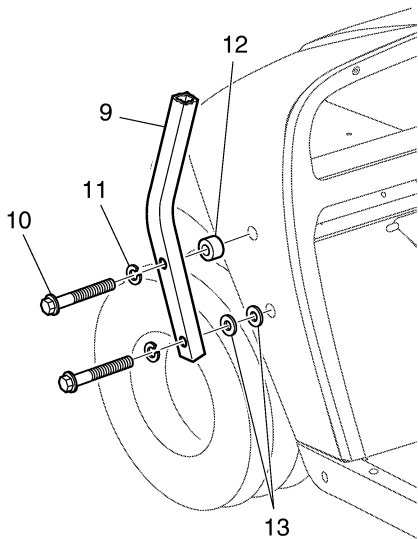
<https://CartPros.com/f.html>

WEATHER PROTECTION - GOLF CAR

WEATHER PROTECTION - SHUTTLE 2+2

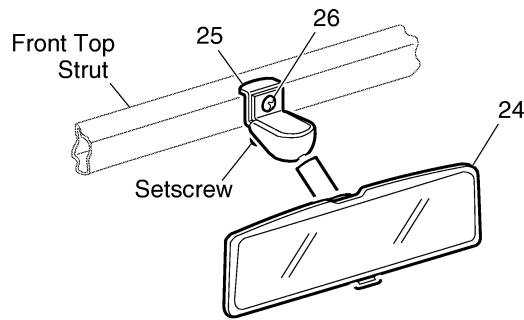


1 - Includes items 2 - 20

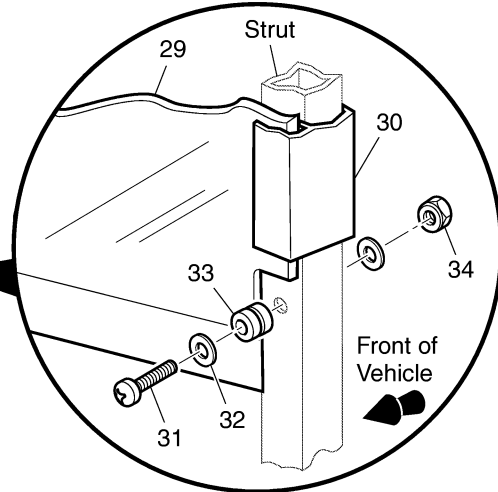
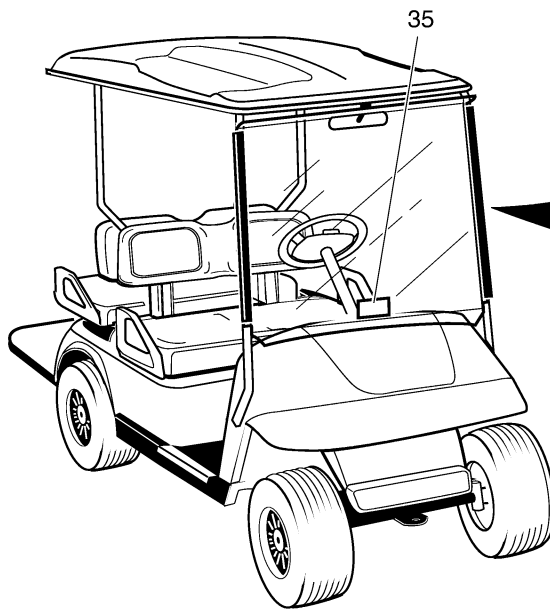


Ref Wsh 1-1

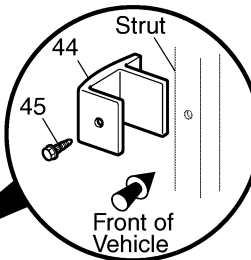
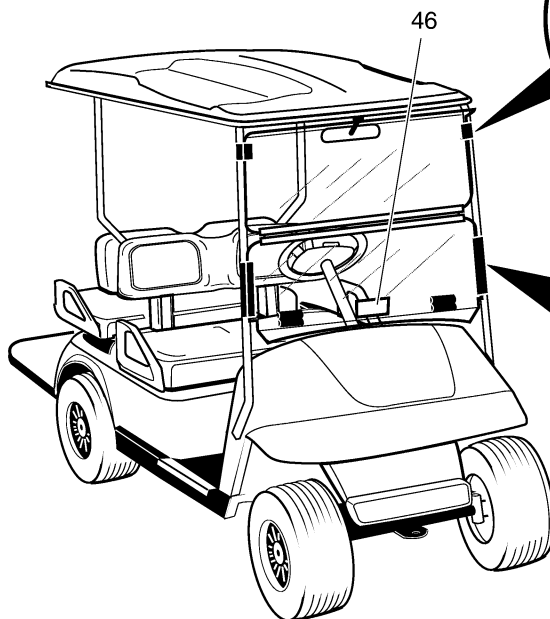
WEATHER PROTECTION - SHUTTLE 2+2



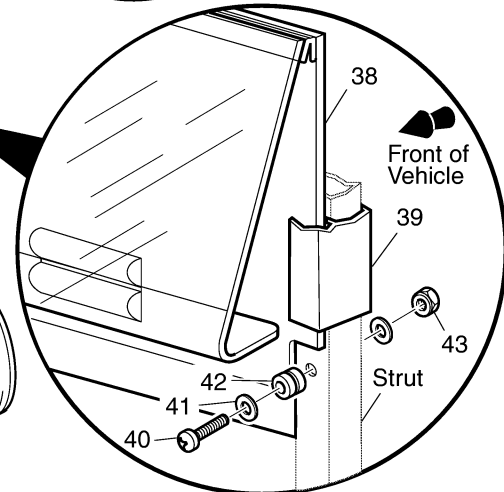
REAR VIEW MIRROR
23 - Includes Items 24 - 26



FULL WINDSHIELD
28 - Includes Items 29 - 35



FOLD DOWN WINDSHIELD
37 - Includes Items 38 - 46



Ref Wsh 1-2

WEATHER PROTECTION - SHUTTLE 2+2

Where applicable, THE USE OF NON UL PARTS WILL VOID ANY UL LISTING.

When ordering parts, please specify the model and serial number of the product.

* Indicates a component that is not available as an individual part.

G** Indicates consult Customer Service Department for additional information.

ITEM	PART NO.	1 2 3 4 5	DESCRIPTION	QTY.
			For service or replacement parts, contact: Eagle Parts, Inc. 1411 Marvin Griffin Rd. Augusta, GA 30906 Telephone (706) 790-6687 or FAX (706) 790-6066	
1	75123-G01		SUN TOP (SHUTTLE 2+2) (INCLUDES ITEMS 2 - 20)	1
2	75074-G01		REAR STRUT (DRIVER SIDE).....	1
3	75074-G02		REAR STRUT (PASSENGER SIDE)	1
4	00665-G5		BOLT, 3/8 - 16 X 1 3/4" LG (STAINLESS STEEL)	4
5	00679-G1		WASHER, 3/8 (STAINLESS STEEL).....	18
6	00771-G5		WASHER, 3/8	4
7	00891-G5		LOCK NUT, 3/8 - 16	10
8	19853-G1		END CAP, 1"	2
9	75125-G01		FRONT STRUT.....	1
10	01035-G01		BOLT, 5/16 - 18 X 2 1/4" LG.	4
11	00905-G8		LOCK WASHER, 5/16"	4
12	75048-G01		SPACER, 1/2"	2
13	00879-G1		LOCK WASHER, 3/8"	4
14	27604-G01		SUN TOP	1
15	00674-G8		BOLT, 3/8 - 16 X 5" LG (STAINLESS STEEL)	2
16	18716-G1		SPACER	2
17	00653-G1		WASHER, 3/8" (STAINLESS STEEL).....	2
18	00665-G3		BOLT, 3/8 - 16 X 2 1/2" LG (STAINLESS STEEL)	2
19	00665-G6		BOLT, 3/8 - 16 X 2" LG (STAINLESS STEEL)	2
20	24647-G1		SPACER, 1/4"	2
21				
22				
23	19528-G2		REAR VIEW MIRROR KIT (INCLUDES ITEMS 24 - 26)	1
24	19496-G1		REAR VIEW MIRROR	1
25	19502-G2		SUPPORT BRACKET.....	1
26	19527-G1		SCREW, #8 - 32 X 5/8" LG (STAINLESS STEEL).....	1

WEATHER PROTECTION - SHUTTLE 2+2

Where applicable, THE USE OF NON UL PARTS WILL VOID ANY UL LISTING.

When ordering parts, please specify the model and serial number of the product.

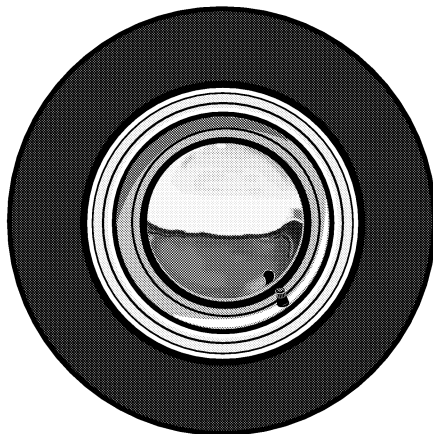
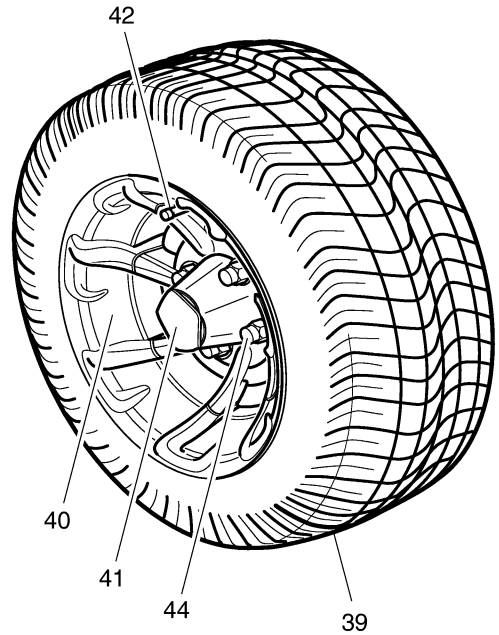
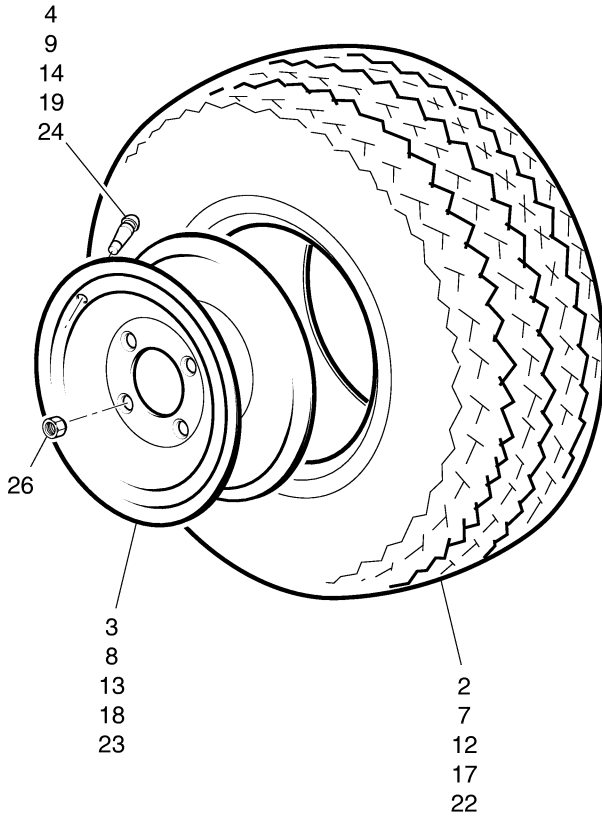
* Indicates a component that is not available as an individual part.

G** Indicates consult Customer Service Department for additional information.

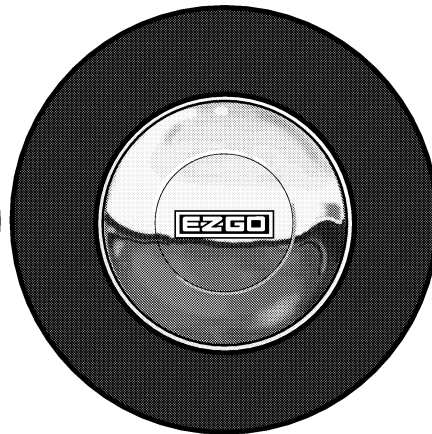
ITEM	PART NO.	1	2	3	4	5	DESCRIPTION	QTY.
27								
28	75524-G02						WINDSHIELD KIT (SHUTTLE 2+2) (INCLUDES ITEMS 29 - 35).....	1
29	*						WINDSHIELD	1
30	EGWHC12						SASH, 26" LG	2
31	EGWHS12						SCREW, 1/4 - 20 X 1 3/4" LG (STAINLESS STEEL).....	2
32	EGWHW12						WASHER, 1/4" (STAINLESS STEEL).....	4
33	EGWHG13						RUBBER GROMMET	2
34	EGWHN12						LOCK NUT, 1/4 - 20 (STAINLESS STEEL).....	2
35	EGWHL14						LABEL (SAFETY)	1
36								
37	75525-G02						FOLD DOWN WINDSHIELD KIT (SHUTTLE 2+2) (INCLUDES ITEMS 38 - 46).....	1
38	*						WINDSHIELD	1
39	EGWHC10						SASH, 12" LG	2
40	EGWHS12						SCREW, 1/4 - 20 X 1 3/4" LG (STAINLESS STEEL).....	2
41	EGWHW12						WASHER, 1/4" (STAINLESS STEEL).....	4
42	EGWHG13						RUBBER GROMMET	2
43	EGWHN12						LOCK NUT, 1/4 - 20 (STAINLESS STEEL).....	2
44	137-010						TOP GRIP, 3/4" X 2"	2
45	136-008						TOP GRIP FASTENER.....	2
46	EGWHL14						LABEL (SAFETY)	1

WHEELS AND TIRES

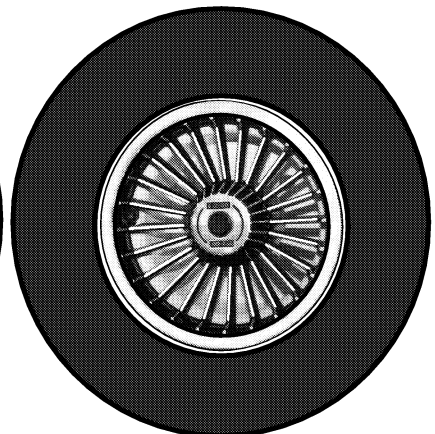
- 1 - Includes Items 2 - 4
- 6 - Includes Items 7 - 9
- 11 - Includes Items 12 - 14
- 16 - Includes Items 17 - 19
- 21 - Includes Items 22 - 24
- 38 - Includes Items 39 - 42



6" CHROME HUBCAP
28



8" CHROME HUBCAP
29



SILVER / GOLD SPOKE HUBCAP
30, 31

Ref Whl 1

WHEELS AND TIRES

Where applicable, THE USE OF NON UL PARTS WILL VOID ANY UL LISTING.

When ordering parts, please specify the model and serial number of the product.

* Indicates a component that is not available as an individual part.

G** Indicates consult Customer Service Department for additional information.

ITEM	PART NO.	1 2 3 4 5	DESCRIPTION	QTY.
1	27772-G09		TIRE AND WHEEL ASSEMBLY (LINKS 1 18 X 8.5 - 8) (INCLUDES ITEMS 2 - 4).....	4
2	27772-G10		LINKS 1 CARLISLE TIRE, 18 X 8.5 - 8	1
3	15169-G1		WHEEL RIM (4 LUG).....	1
4	11657-G1		VALVE STEM.....	1
5				
6	27772-G03		WHEEL AND TIRE ASSEMBLY (TURF SAVER 18 X 8.5 - 8) (INCLUDES ITEMS 7 - 9).....	4
7	27772-G07		CARLISLE TIRE (TURF SAVER 18 X 8.5 - 8).....	1
8	15169-G1		WHEEL RIM (4 LUG).....	1
9	11657-G1		VALVE STEM.....	1
10				
11	27775-G01		WHEEL AND TIRE ASSEMBLY (USA TRAIL 6-PLY 18.5 X 8.5 - 8) (INCLUDES ITEMS 12 - 14).....	4
12	27775-G02		CARLISLE TIRE (USA TRAIL, 6 PLY 18 X 8.5 - 8)	1
13	15169-G1		WHEEL RIM (4 LUG).....	1
14	11657-G1		VALVE STEM.....	1
15				
16	27772-G02		WHEEL AND TIRE ASSEMBLY (TURF GLIDE 18 X 8.5 - 8) (INCLUDES ITEMS 17 - 19).....	4
17	27772-G06		CARLISLE TIRE (TURF GLIDE 18 X 8.5 - 8).....	1
18	15169-G1		WHEEL RIM (4 LUG).....	1
19	11657-G1		VALVE STEM.....	1
20				
21	27772-G04		WHEEL AND TIRE ASSEMBLY (FAIRWAY 18 X 8.5 - 8) (INCLUDES ITEMS 22 - 24).....	4
22	27772-G08		CARLISLE TIRE (FAIRWAY 18 X 8.5 - 8).....	1
23	15169-G1		WHEEL RIM (4 LUG).....	1
24	11657-G1		VALVE STEM.....	1
25				
26	14723-G1		LUG NUT, 1/2 - 20.....	16
27				

WHEELS AND TIRES

Where applicable, THE USE OF NON UL PARTS WILL VOID ANY UL LISTING.
 When ordering parts, please specify the model and serial number of the product.
 * Indicates a component that is not available as an individual part.
 G** Indicates consult Customer Service Department for additional information.

ITEM	PART NO.	1 2 3 4 5	DESCRIPTION	QTY.
28	16042-G01		6" CHROME HUBCAP	4
29	16042-G02		6" CHROME HUBCAP (SET OF FOUR).....	1
30	14913-G01		8" CHROME HUBCAP	4
31	14913-G02		8" CHROME HUBCAP (SET OF FOUR).....	1
32	19241-G02		GOLD SPOKE HUBCAP	4
33	19241-G04		GOLD SPOKE HUBCAP (SET OF FOUR)	1
34	19241-G01		SILVER SPOKE HUBCAP.....	4
35	19241-G03		SILVER SPOKE HUBCAP (SET OF FOUR).....	1
36				
37				
38	28780-G01		ALLOY WHEEL AND TIRE ASSEMBLY (PRO TOUR 18 X 8.00 - 10) (INCLUDES ITEMS 39 - 42).....	4
39	74825-G01		KENDA TIRE (PRO TOUR, 18 X 8.00 - 10)	1
40	74828-G01		ALLOY WHEEL.....	1
41	28781-G01		ALLOY WHEEL CAP	1
42	74826-G01		VALVE STEM (CHROME).....	1
43				
44	28782-G01		ALLOY WHEEL LUG NUT	16

**DID YOU
KNOW?**

CartPros directs you to the right part using the part numbers from this manual. Enter the part number into our search box and it will find the part you are looking for.

**GET STARTED
HERE**



<https://CartPros.com/f.html>

SPECIALTY PRODUCTS

SPECIALTY PRODUCTS

SPECIALTY PRODUCTS

SPECIAL TOOLS	PART NO.
BATTERY MAINTENANCE KIT	25587-G01
SEAL INSTALLATION TOOL (REAR AXLE SHAFT SEAL)	18739-G1
BATTERY SET DISCHARGER, 36 VOLT, 75 AMP	28251-G01
CURRENT INDICATOR	16489-G2
DIGITAL MULTI-METER	27481-G01
CRIMPING TOOL	27765-G01
SLIDE HAMMER (AXLE/HUB REMOVAL)	15947-G1
SLIDE HAMMER (AXLE REMOVAL ONLY)	18753-G1

TOUCH UP PAINT	PART NO.
PEN 3 OUNCE (89 ML) - HUNTER GREEN	28432-G02
PEN 3 OUNCE (89 ML) - CHAMPAGNE BEIGE	28432-G01
PEN 3 OUNCE (89 ML) - WHITE	28432-G05
PEN 3 OUNCE (89 ML) - INDUSTRIAL YELLOW	28432-G03
PEN 3 OUNCE (89 ML) - ORANGE	28432-G04
PEN 3 OUNCE (89 ML) - STEEL BLUE PEARL	28432-G**
PEN 3 OUNCE (89 ML) - CAMOUFLAGE PAINT (THREE PENS)	75831-G01
AEROSOL 12 OUNCE (360 ML) - HUNTER GREEN	28140-G09
AEROSOL 12 OUNCE (360 ML) - CHAMPAGNE BEIGE	28140-G15
AEROSOL 12 OUNCE (360 ML) - WHITE	28140-G03
AEROSOL 12 OUNCE (360 ML) - INDUSTRIAL YELLOW	28140-G14
AEROSOL 12 OUNCE (360 ML) - ORANGE	28140-G13
AEROSOL 12 OUNCE (360 ML) - STEEL BLUE PEARL	28140-G**

MAINTENANCE PRODUCTS	PART NO.
FORMULA 40 VINYL-COAT® - WHITE	28166-G01
PLEXUS® CLEANER, 7 OUNCE (210 ML) (FOR WINDSHIELDS)	28433-G01
PLEXUS® CLEANER, 13 OUNCE (380 ML) (FOR WINDSHIELDS)	28433-G02
BATTERY PROTECTOR, 14 OUNCE (410 ML) SPRAY	75500-G01
WHITE LITHIUM GREASE, 14 OUNCE (410 ML) SPRAY	75502-G01
PENETRANT/LUBRICANT, 15 OUNCE (440 ML) SPRAY	75503-G01
MULTI-PURPOSE CLEANER & DEGREASER, 14 OUNCE (410 ML) SPRAY	75504-G01
MULTI-PURPOSE HAND CLEANER, 32 OUNCE (950 ML) LIQUID	75505-G01

SPECIALTY PRODUCTS

BATTERY CLEANER, 32 OUNCE (950 ML) WITH TRIGGER SPRAYER	75506-G01
BIO-DEGRADABLE CLEANER, 32 OUNCE (950 ML) WITH TRIGGER SPRAYER	75507-G01
MULTI-PURPOSE VALUE PACK	75508-G01
• BATTERY PROTECTOR, 4 OUNCE (120 ML) SPRAY	
• PENETRANT/LUBRICANT, 4 OUNCE (120 ML) SPRAY	
• WHITE LITHIUM GREASE, 4 OUNCE (120 ML) SPRAY	
• CARBURETOR & CHOKE CLEANER, 4 OUNCE (120 ML) SPRAY	

**DID YOU
KNOW?**

CartPros directs you to the right part using the part numbers from this manual. Enter the part number into our search box and it will find the part you are looking for.

**GET STARTED
HERE**



<https://CartPros.com/f.html>

OPTIONS/ACCESSORIES

OPTIONS/ACCESSORIES

OPTIONS/ACCESSORIES

ITEM	KIT NO.	SECTION
2 BAG ATTACHMENT	75183-G01	Body -Footrest
4 BAG ATTACHMENT	75335-G01	Body - Accessories Continued
ALLOY WHEEL AND TIRE ASSEMBLY	28780-G01	Wheels And Tires
ALLOY WHEEL CAP	28781-G01	Wheels And Tires
ALLOY WHEEL LUG NUT	28782-G01	Wheels And Tires
8" CHROME HUBCAP	14913-G*	Wheels And Tires
6" CHROME HUBCAP	16042-G*	Wheels And Tires
GOLD SPOKE HUBCAP	19241-G*	Wheels And Tires
SILVER SPOKE HUBCAP	19241-G*	Wheels And Tires
ASHTRAY KIT	75109-G02	Body - Accessories Continued
BAG COVER / RAIN CURTAIN KIT	75191-G01	Weather Protection - Golf Car
CONVERTIBLE CARRIER KIT	75179-G*	Body, Seating - Convertible Carrier
CENTER BASKET	75003-G02	Body - Accessories
COOLER JUG AND BRACKET KIT	75495-G01	Body - Accessories Continued
COOLER BOX AND BRACKET KIT	75344-G01	Body - Accessories Continued
DIVOT REPAIR KIT	23300-G01	Body - Accessories
HOUR METER	75113-G02	Electrical System - Common
MESSAGE HOLDER KIT (REQUIRES SUN TOP)	75509-G01	Body - Accessories Continued
MESSAGE HOLDER KIT (REQUIRES SUN TOP)	75496-G01	Body - Accessories Continued
REAR VIEW MIRROR (REQUIRES SUN TOP)	19528-G2	Weather Protection - Golf Car
SAND BOTTLE	28661-G01	Body - Accessories
SAND RAKE	14735-G1	Body - Accessories Continued
SAND RAKE HOLDER	75006-G01	Body - Accessories Continued
SHUTTLE 2+2 KIT	74150-G**	Body, Seating - Shuttle 2+2
SIDE BASKET	75007-G**	Body - Accessories
SUN TOP KIT, GOLF CAR	75040-G**	Weather Protection - Golf Car
SUN TOP KIT, SHUTTLE 2+2	75123-G01	Weather Protection - Shuttle 2+2
TOW BAR KIT (CASUAL)	75033-G01	Tow Bar - Casual
TOW BAR KIT (PERMANENT)	75310-G01	Tow Bar - Permanent
TURN SIGNAL KIT	75107-G02	Electrical System - Common
WEATHER ENCLOSURE (3 SIDED).	75078-G01	Weather Protection - Golf Car
WEATHER ENCLOSURE (3 SIDED).	75492-G01	Weather Protection - Shuttle 2+2



OPTIONS/ACCESSORIES

ITEM	KIT NO.	SECTION
WEATHER ENCLOSURE (4 SIDED).....	75079-G01.....	Weather Protection, Golf Car
WINDSHIELD KIT, GOLF CAR.....	75524-G01.....	Weather Protection, Golf Car
WINDSHIELD KIT, SHUTTLE 2+2.....	75524-G02.....	Weather Protection, Shuttle 2+2
WINDSHIELD KIT, FOLD DOWN, GOLF CAR.....	75525-G01.....	Weather Protection, Golf Car
WINDSHIELD KIT, FOLD DOWN, SHUTTLE 2+2.....	75525-G02.....	Weather Protection, Shuttle 2+2

**DID YOU
KNOW?**

CartPros directs you to the right part using the part numbers from this manual. Enter the part number into our search box and it will find the part you are looking for.

**GET STARTED
HERE**



<https://CartPros.com/f.html>

OPTIONS/ACCESSORIES

**DID YOU
KNOW?**

CartPros directs you to the right part using the part numbers from this manual. Enter the part number into our search box and it will find the part you are looking for.

**GET STARTED
HERE**



<https://CartPros.com/f.html>

INDEX OF MAJOR COMPONENTS

INDEX OF MAJOR COMPONENTS

INDEX OF MAJOR COMPONENTS

BY PART DESCRIPTION

A

ACCELERATOR PEDAL	A-4
ALLOY WHEEL	O-3
ASH TRAY	C-18
AXLE SHAFT	J-2

B

BAG COVER	N-5
BATTERY	F-4
BATTERY CHARGER, LESTER	B-16
BATTERY RACK	C-6
BEARING AND RACE	H-3
BED	L-10
BOX COOLER	C-16
BRAKE	F-7
BRAKE ADJUSTER	D-7
BRAKE ASSEMBLY	D-6
BRAKE CABLE	D-4
BRAKE DRUM	D-7
BRAKE PEDAL PAD	D-4
BRAKE SHOE	D-6
BRAKE SPRING KIT	D-6
BUMPER PLUG	C-9

C

CATCH BRACKET	D-5
CENTER BASKET	C-14
CHARGER RECEPTACLE	F-4
COMPENSATOR ASSEMBLY	D-4
CONTACT BOARD	E-3
COOLER JUG	C-16
COWL	C-2

D

DIRECTION SELECTOR	E-2
DIRECTION SELECTOR HANDLE	E-2
DIRECTION SELECTOR SWITCH (DASH MOUNTED)	F-10
DIVOT REPAIR KIT	C-14

E

ELECTRONIC SPEED CONTROLLER	G-2, G-4, G-8
-----------------------------------	---------------

INDEX OF MAJOR COMPONENTS

EQUALIZER D-4

F

FAIRWAY 18 X 8.5 - 8 O-2
 FEMALE STOP M-3
 FENDER SCUFFGUARD C-8
 FLOORMAT C-6
 FLOORMAT WITH HORN HOLE C-6
 FLOORPAN C-6
 FOOTREST C-12
 FOUR BAG ATTACHMENT KIT C-18
 FRONT AXLE H-3
 FRONT SHIELD C-2
 FRONT STRUT N-4, N-9
 FUSE BLOCK F-5

H

HEAD LIGHT F-7
 HIP RESTRAINT L-2
 HORN F-5
 HORN SWITCH F-5
 HOUR METER F-6
 HUB H-3
 HUBCAP O-3

I

INSTRUMENT PANEL C-2
 INSTRUMENT PANEL WOODGRAIN APPLIQUE KIT C-3
 INTERMEDIATE SHAFT H-6

K

KEY SWITCH F-6
 KICK-OFF D-5

L

LEAF SPRING H-4, K-2
 LEAF SPRING (HEAVY DUTY) H-4
 LINKS 1 18 X 8.5 - 8 O-2
 LUG NUT O-2, O-3

M

MALE STOP M-3

INDEX OF MAJOR COMPONENTS

MESSAGE HOLDER	C-16
MICRO SWITCH	D-6, E-2
MOTOR (SEPARATELY EXCITED) (PDS)	I-2
MOTOR (SERIES, FLEET SPEED)	I-2
MOTOR (SERIES, HIGH SPEED)	I-2

P

PEDAL BOX ASSEMBLY	A-3
PEDAL BOX ASSEMBLY, PDS MODEL	A-3
PINION SEAL	H-5
POWERWISE™ + CHARGER	B-4
POWERWISE™ CHARGER	B-4
POWERWISE™ CHARGER (ON BOARD)	B-11
PRO TOUR 18 X 8.00 - 10	O-3

R

RACK AND PINION UNIT	H-4
RACK BALL JOINT	H-5
RACK BOOT	H-5
RAIN CURTAIN	N-5
RAKE	C-16
REAR AXLE	J-2
REAR BODY (WITH TAILLIGHTS)	C-8
REAR BODY (WITHOUT TAILLIGHTS)	C-8
REAR BUMPER	C-8
REAR BUMPER (SHUTTLE 2+2)	C-9
REAR STRUT	N-4
REAR STRUT (DRIVER SIDE)	N-9
REAR STRUT (PASSENGER SIDE)	N-9
REAR VIEW MIRROR	N-4
REVERSE WARNING BUZZER	E-3, F-10
ROCKER PANEL	C-9

S

SAND BOTTLE	C-14
SCUFF GUARD	J-2
SEAT	L-2, L-5, L-9
SEAT BACK MOUNT	L-10
SEAT BACK SUPPORT	L-5, L-9
SEAT HINGE	L-2
SEAT SUPPORT BRACKET	L-2, L-6
SHOCK ABSORBER	H-4, K-2
SHOCK ABSORBER BOOT	H-4
SIDE BASKET	C-14
SILL PLATE	C-9
SOLENOID	G-8
SOLENOID, 36 VOLT	G-2, G-4

INDEX OF MAJOR COMPONENTS

SPINDLE.....	H-3
STATE OF CHARGE METER.....	F-12
STATE OF CHARGE METER (VERTICAL).....	F-10
STEERING COLUMN.....	H-5
STEERING SHAFT.....	H-5
STEERING WHEEL.....	H-6
SUN TOP.....	N-4
SUN TOP (SHUTTLE 2+2).....	N-9

T

TIE ROD.....	H-7, M-4, M-6
TOW BAR.....	M-3, M-6
TOW BAR HITCH.....	M-4
TURF GLIDE 18 X 8.5 - 8.....	O-2
TURF SAVER 18 X 8.5 - 8.....	O-2
TURN SIGNAL.....	F-6
TWO BAG ATTACHMENT KIT.....	C-12

U

USA TRAIL 6-PLY 18.5 X 8.5 - 8.....	O-2
-------------------------------------	-----

V

VALANCE PANEL.....	C-12
--------------------	------

W

WEATHER ENCLOSURE (3 SIDED).....	N-5
WEATHER ENCLOSURE (4 SIDED).....	N-5
WINDSHIELD.....	N-5, N-10
WIRE HARNESS (BRAKE LIGHT).....	D-6

BY PART NUMBER

10606-G2.....	MICRO SWITCH.....	E-2
10606-G8.....	MICRO SWITCH.....	D-6
14651-G1.....	CONTACT BOARD ASSEMBLY.....	E-3
14735-G1.....	RAKE.....	C-16
14913-G**.....	8" CHROME HUBCAP.....	O-3
16042-G**.....	6" CHROME HUBCAP.....	O-3
17318-G1.....	HORN SWITCH.....	F-5
17867-G1.....	TURN SIGNAL.....	F-6
19241-G**.....	GOLD SPOKE HUBCAP.....	O-3
19241-G**.....	SILVER SPOKE HUBCAP.....	O-3
21573-G1.....	HOUR METER.....	F-6
21807-G1.....	BRAKE DRUM.....	D-7
22674-G1.....	FUSE BLOCK.....	F-5

INDEX OF MAJOR COMPONENTS

23300-G01	BASKET DIVOT REPAIR KIT	C-14
24605-G1	WIRE HARNESS (BRAKE LIGHT)	D-6
25799-G01	ACCELERATOR PEDAL	A-4
25864-G05	ELECTRONIC SPEED CONTROLLER	G-2
27166-G02	FRONT SHIELD	C-2
27855-G01	SOLENOID, 36 VOLT	G-2, G-4
27944-G01	BRAKE SPRING KIT	D-6
28115-G01	POWERWISE™ CHARGER	B-4
28115-G02	POWERWISE™ + CHARGER	B-4
28115-G11	POWERWISE™ CHARGER (ON BOARD)	B-11
28380-G02	BATTERY CHARGER, LESTER	B-16
28516-G01	BATTERY CHARGER, LESTER	B-16
28562-G01	SOLENOID	G-8
28659-G01	SAND BOTTLE	C-14
32860-G1	HORN	F-5
33636-G01	STATE OF CHARGE METER	F-12
33636-G04	STATE OF CHARGE METER (VERTICAL)	F-10
70046-G01	BATTERY RACK	C-6
70080-G01	CATCH BRACKET	D-5
70272-G04	COMPENSATOR ASSEMBLY	D-4
70274-G01	BRAKE/PARK BRAKE PEDAL PAD KIT	D-4
70324-G01	SHOCK ABSORBER	K-2
70451-G01	LOWER FLOORPAN	C-6
70578-G01	DIRECTION SELECTOR ASSEMBLY	E-2
70597-G02	LEAF SPRING	H-4
70662-G01	UPPER FLOORPAN	C-6
70663-G01	FLOORMAT	C-6
70663-G02	FLOORMAT WITH HORN HOLE	C-6
70664-G02	LEAF SPRING (HEAVY DUTY)	H-4
70794-G01	BRAKE SHOE KIT	D-6
70928-G01	SHOCK ABSORBER	H-4
70963-G01	FRONT AXLE	H-3
70964-G01	RACK AND PINION UNIT (COMPLETE)	H-4
70969-G03	EQUALIZER AND BRAKE CABLE ASSEMBLY	D-4
70998-G01	BRAKE ASSEMBLY (DRIVER SIDE)	D-6
70998-G02	BRAKE ASSEMBLY (PASSENGER SIDE)	D-6
71051-G**	COWL	C-2
71151-G01	INSTRUMENT PANEL	C-2
71205-G01	DIRECTION SELECTOR HANDLE	E-2
71334-G**	REAR BODY (WITH TAILLIGHTS)	C-8
71456-G01	NOTCHED REAR BUMPER	C-9
71578-G01	REAR BUMPER	C-8
71912-G**	REAR BODY (WITHOUT TAILLIGHTS)	C-8
72582-G01	BRAKE ADJUSTER KIT (DRIVER SIDE)	D-7
72582-G02	BRAKE ADJUSTER KIT (PASSENGER SIDE)	D-7
72763-G01	SCUFF GUARD	J-2
73060-G01	ELECTRONIC SPEED CONTROLLER	G-8
73063-G01	CHARGER RECEPTACLE	F-4
73124-G02	MOTOR (SERIES, FLEET SPEED)	I-2
73124-G03	MOTOR (SERIES, HIGH SPEED)	I-2
73124-G08	MOTOR (SEPARATELY EXCITED) (PDS)	I-2

INDEX OF MAJOR COMPONENTS

73290-G02 REVERSE WARNING BUZZER	E-3, F-10
73326-G02 ELECTRONIC SPEED CONTROLLER	G-4
73333-G01 PEDAL BOX ASSEMBLY	A-3
73333-G05 PEDAL BOX ASSEMBLY, PDS MODEL	A-3
73500-G01 REAR AXLE	J-2
74001-G01 LIGHT BAR	F-7
74239-G01 INSTRUMENT PANEL WOODGRAIN APPLIQUE KIT	C-3
74323-G01 DIRECTION SELECTOR SWITCH (DASH MOUNTED)	F-10
75003-G02 CENTER BASKET KIT	C-14
75007-G02 SIDE BASKET KIT	C-14
75040-G** SUN TOP KIT	N-4
75045-G05 FRONT STRUT	N-4
75046-G02 REAR STRUT	N-4
75074-G01 REAR STRUT (DRIVER SIDE)	N-9
75074-G02 REAR STRUT (PASSENGER SIDE)	N-9
75109-G02 ASH TRAY KIT	C-18
75123-G01 SUN TOP (SHUTTLE 2+2)	N-9
75125-G01 FRONT STRUT	N-9
75183-G01 TWO BAG ATTACHMENT KIT	C-12
75344-G01 BOX COOLER AND BRACKET KIT	C-16
75355-G01 FOUR BAG ATTACHMENT KIT	C-18
75495-G01 COOLER JUG AND BRACKET KIT	C-16

**DID YOU
KNOW?**

CartPros directs you to the right part using the part numbers from this manual. Enter the part number into our search box and it will find the part you are looking for.

**GET STARTED
HERE**



<https://CartPros.com/f.html>

INDEX OF MAJOR COMPONENTS

**DID YOU
KNOW?**

CartPros directs you to the right part using the part numbers from this manual. Enter the part number into our search box and it will find the part you are looking for.

**GET STARTED
HERE**



<https://CartPros.com/f.html>



A Textron Company

E-Z-GO Division of Textron, Inc.

P.O. Box 388 Augusta, Georgia 30903-0388 USA

Inside USA Phone: 1-800-241-5855, FAX: 1-800-448-8124

Outside USA Phone: 010-1-706-798-4311, FAX: 010-1-706-771-4609

Copyrighted Material
This manual may not be reproduced in whole or
in part without the express permission of
E-Z-GO Division of Textron, Inc.
Technical Communications Department