

**DID YOU
KNOW?**

CartPros directs you to the right part using the part numbers from this manual. Enter the part number into our search box and it will find the part you are looking for.

**GET STARTED
HERE** →

<https://CartPros.com/f.html>

CUSHMAN[®]

A Textron Company

SERVICE PARTS MANUAL



TITAN

605878

Issue Date: September 2006. Revised Date: August 2007.

**DID YOU
KNOW?**

CartPros directs you to the right part using the part numbers from this manual. Enter the part number into our search box and it will find the part you are looking for.

**GET STARTED
HERE** →

<https://CartPros.com/f.html>

**DID YOU
KNOW?**

CartPros directs you to the right part using the part numbers from this manual. Enter the part number into our search box and it will find the part you are looking for.

**GET STARTED
HERE** →

<https://CartPros.com/f.html>

SERVICE PARTS MANUAL

ELECTRIC UTILITY VEHICLES

TITAN 36V

TITAN 36V PERSONNEL CARRIER

TITAN 48V

STARTING MODEL YEAR 2005

E-Z-GO Division of Textron, Inc. reserves the right to make design changes without obligation to make these changes on units previously sold and the information contained in this manual is subject to change without notice.

E-Z-GO Division of Textron, Inc. is not liable for errors in this manual or for incidental or consequential damages that result from the use of the material in this manual.

CUSTOMER SERVICE DEPARTMENT IN USA PHONE: 1-800-241-5855 FAX 1-800-448-8124

OUTSIDE USA PHONE: 001-706-798-4311, FAX: 001-706-771-4609

E-Z-GO DIVISION OF TEXTRON, INC., 1451 MARVIN GRIFFIN RD., AUGUSTA, GEORGIA USA 30906

SERVICE PARTS MANUAL

To obtain a copy of the limited warranty applicable to the vehicle, call or write a local Distributor, authorized Branch or the Warranty Department with vehicle serial number and manufacturer code.

The use of non Original Equipment Manufacturer (OEM) parts may void the warranty.

Overfilling of batteries may void the warranty.

BATTERY PROLONGED STORAGE

All batteries will self discharge over time. The rate of self discharge varies depending on the ambient temperature and the age and condition of the batteries.

A fully charged battery will not freeze in winter temperatures unless the temperature falls below -75° F (-60° C).

As with all electric vehicles, the batteries must be checked and recharged as required or at a minimum of 30 day intervals.

TABLE OF CONTENTS

SECTION	Page No.
HOW TO USE THE SERVICE PARTS MANUAL	v
ILLUSTRATED PARTS BREAKDOWN	vii
ACCELERATOR	A - 1
BATTERY CHARGER, ON BOARD, 36V	B - 1
BATTERY CHARGER, ON BOARD, 48V	B - 5
BODY (2 PASSENGER)	C - 1
BODY (4 PASSENGER)	C - 15
BODY (ACCESSORIES)	C - 23
PARK BRAKE	D - 1
HYDRAULIC BRAKE	D - 5
FRONT BRAKE	D - 9
REAR BRAKE	D - 13
MASTER CYLINDER	D - 17
DIRECTION SELECTOR 36V	E - 1
ELECTRICAL 36V	F - 1
ELECTRICAL 48V	F - 13
ELECTRICAL (ACCESSORY)	G - 1
MOTOR 36V SERIES	H - 1
MOTOR 48V PDS	H - 3
36 VOLT ELECTRONIC SPEED CONTROL	J - 1
48 VOLT ELECTRONIC SPEED CONTROL	J - 5
FRONT SUSPENSION	K - 1
REAR AXLE	L - 1
REAR SUSPENSION	M - 1
SEATING	N - 1
STEERING	P - 1
WEATHER PROTECTIONS (METAL CAB)	Q - 1
WEATHER PROTECTION (CAB)	Q - 5
WEATHER PROTECTION (FIBERGLASS DOORS)	Q - 10

**DID YOU
KNOW?**

CartPros directs you to the right part using the part numbers from this manual. Enter the part number into our search box and it will find the part you are looking for.

**GET STARTED
HERE** →

<https://CartPros.com/f.html>

TABLE OF CONTENTS

SECTION	Page No.
WEATHER PROTECTION (CLOTH DOORS).....	Q - 14
WHEELS AND TIRES	R - 1
SPECIALTY PRODUCTS	APPENDIX A - 1

HOW TO USE THE SERVICE PARTS MANUAL

This manual is divided into several sections:

GENERAL INFORMATION

- TABLE OF CONTENTS
- HOW TO USE THE SERVICE PARTS MANUAL

ILLUSTRATED PARTS BREAKDOWN

- Contains illustrations and parts lists for all systems of the vehicle

APPENDIX

- Contains a listing of specialty products and options/accessories

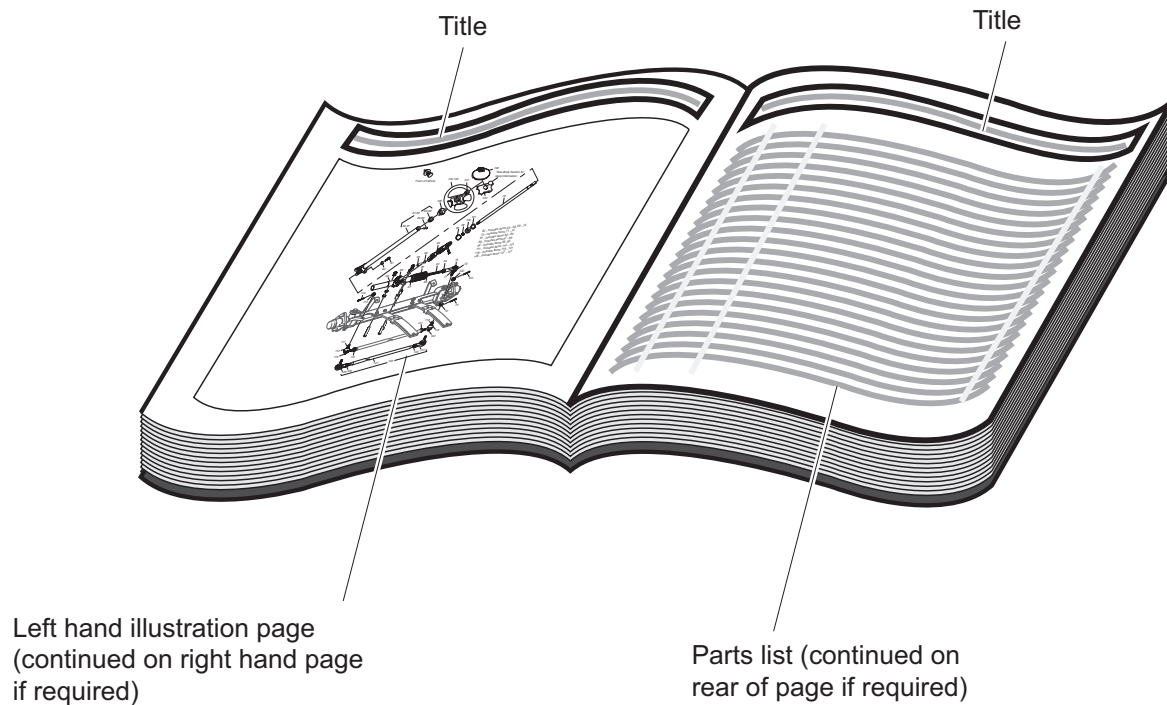
USE OF THE MANUAL

To use this manual, consult the TABLE OF CONTENTS to locate the information or illustration required.

Introduction of some revisions varies due to supply of components; therefore, it is possible that various combinations of components may be found that are not directly reflected by each illustration. Consult the illustration that best suits your situation and then contact the Service Parts Department. It is important that the serial number of your vehicle and its model number be supplied to Service Parts when ordering any replacement components.

Locate the serial number plate (see BODY located in the Illustrated Parts Breakdown section of this manual for its location) and note the complete number shown on the plate.

HOW TO USE THE SERVICE PARTS MANUAL



1. WHEN THE PART NUMBER IS NOT KNOWN

- Determine the function and application of the part required. Turn to the General Index and select the most appropriate title.
- Turn to the page number indicated and locate the desired part on the illustration.
- From the illustration, obtain the item number assigned to the desired part. Refer to the accompanying description for specific information regarding the part.

2. IF YOU KNOW THE PART NUMBER

- Locate the part number or description in the appropriate column on the parts list page.

NOTE: It is suggested that you confirm that the part selected is correct by verifying it with the pictorial representation on the illustrated page.

Should an asterisk (*) appear in the part number column on the parts list page, read upwards until a part number is found. The part number is the lowest assembly sold by Service Parts and the asterisk (*) indicates that the part depicted is not available for purchase.

NOTE: Descriptions are indented under the assembly that they are used on. That assembly is, in turn listed under the assembly that it is used on. This process is repeated until the highest final assembly is reached.

To facilitate the maintenance and repair of the vehicle, a Technician's Repair and Service Manual is available from the Service Parts Department.

**DID YOU
KNOW?**

CartPros directs you to the right part using the part numbers from this manual. Enter the part number into our search box and it will find the part you are looking for.

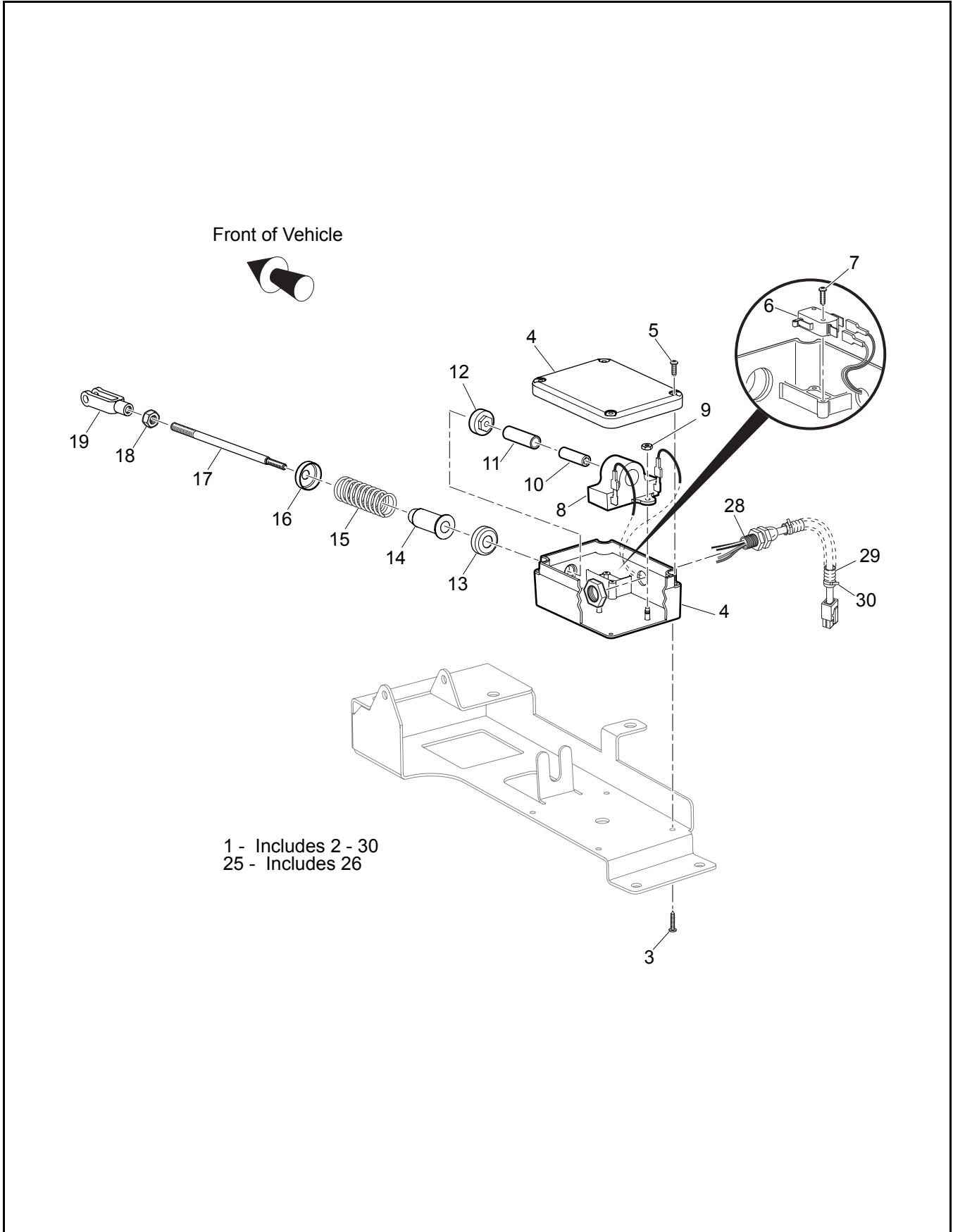
**GET STARTED
HERE** →

<https://CartPros.com/f.html>

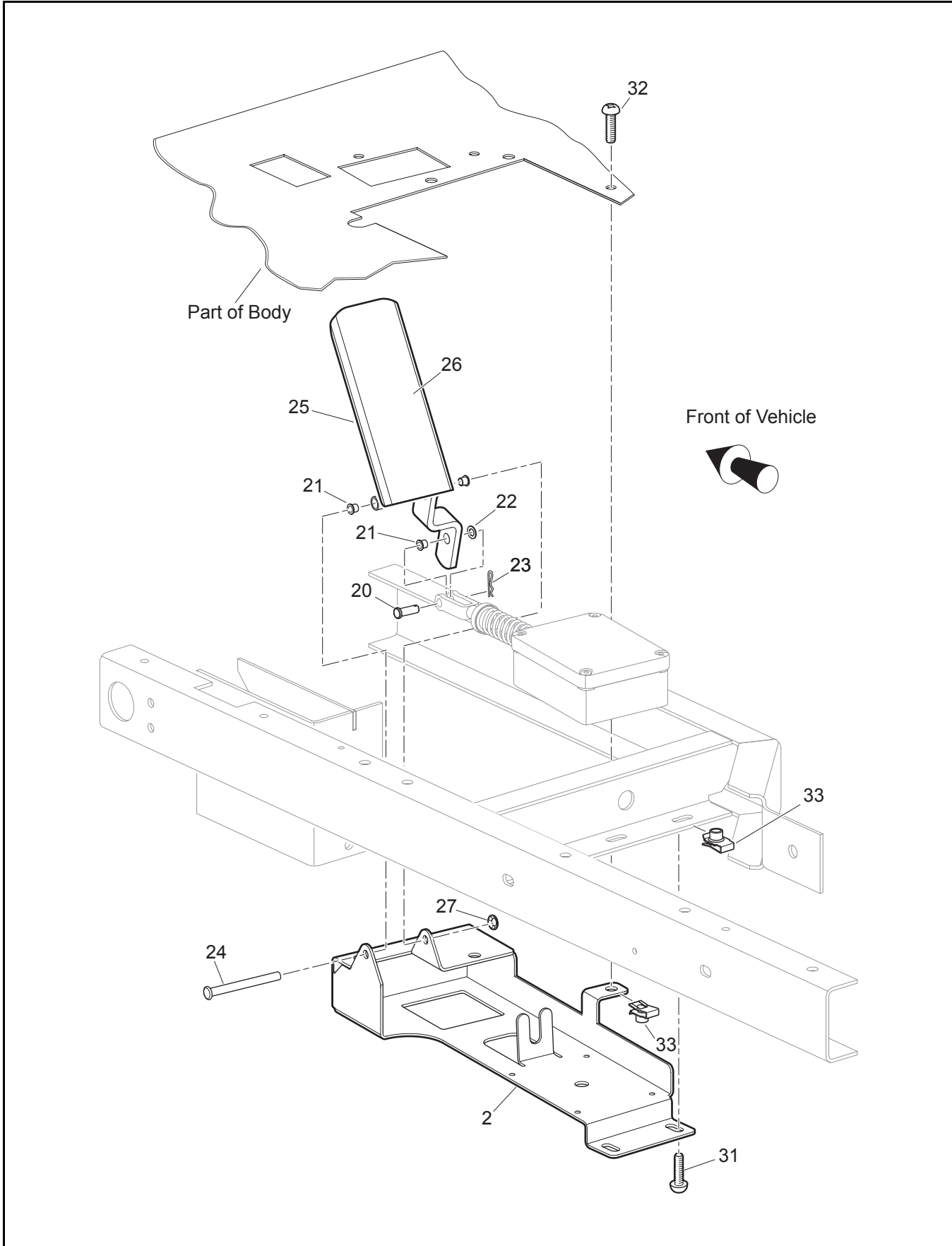
ILLUSTRATED PARTS BREAKDOWN

ILLUSTRATED PARTS BREAKDOWN

ACCELERATOR



ACCELERATOR



ACCELERATOR

THE USE OF NON U.L. PARTS WILL VOID ANY U.L. LISTING.
 When ordering parts, please specify the model and serial number of the product.
 * Indicates a component that is not available as an individual part.
 G** Indicates consult Customer Service Department for additional information.

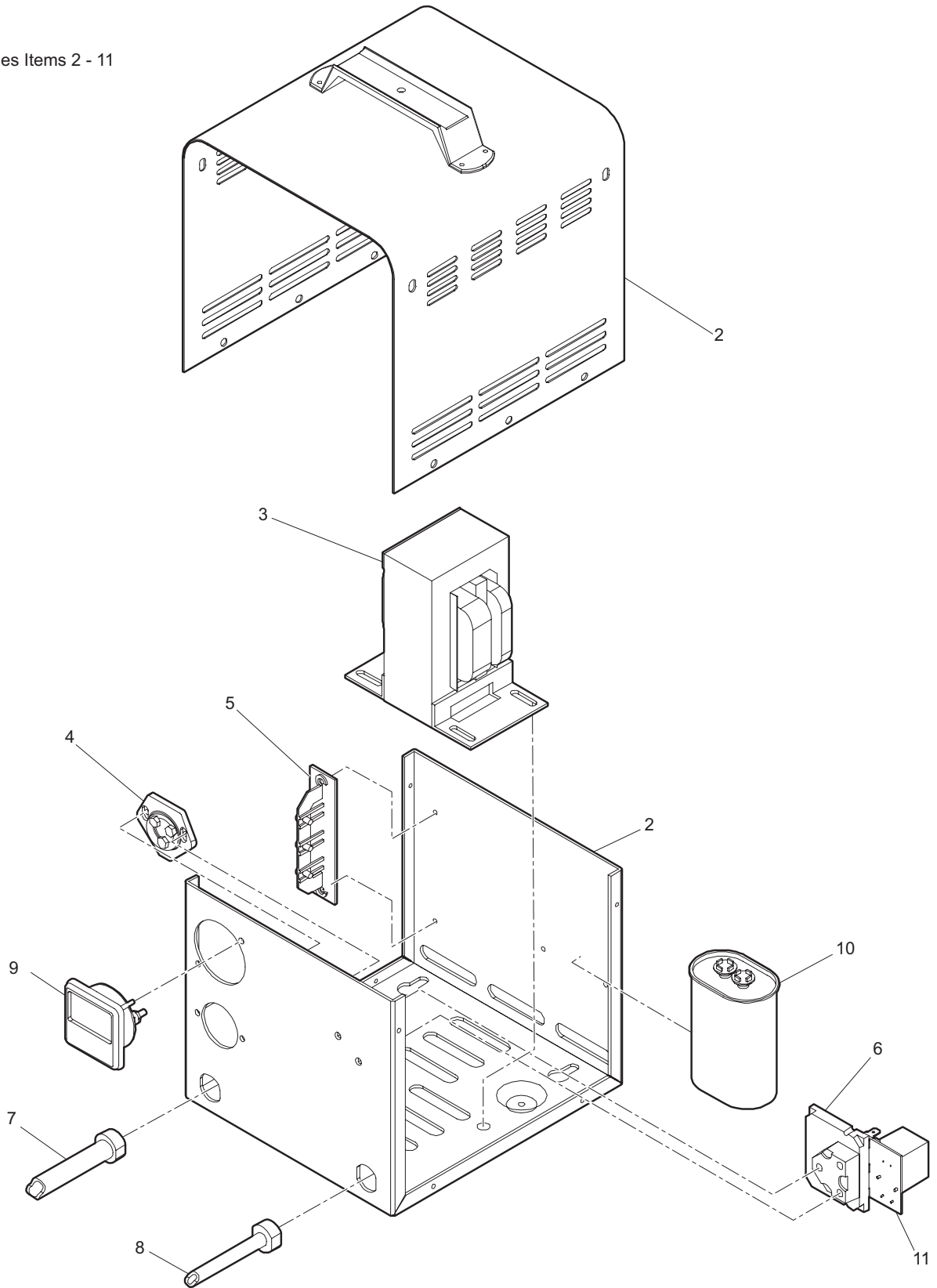
ITEM	PART NO.	1 2 3 4 5	DESCRIPTION	QTY.
1	600476		PEDAL BOX ASSEMBLY (INCLUDES ITEMS 2 - 30)	1
2	601091		PEDAL BOX BRACKET	1
3	01051-G01		SCREW, #8 - 16 X 1/2" LG	4
4	25853-G01		PEDAL BOX AND COVER	1
5	00684-G6		SCREW, #8 - 32 X 3/4" LG (STAINLESS STEEL)	2
6	25861-G01		MICRO SWITCH	1
7	01050-G01		SCREW, #4 - 20 X 5/8" LG	2
8	25854-G01		INDUCTIVE THROTTLE SENSOR	1
9	00983-G01		SELF THREADING NUT, 3/16"	2
10	28443-G01		PLUNGER	1
11	25857-G01		PLUNGER SLEEVE	1
12	28444-G01		PLUNGER CAM	1
13	17677-G1		SPRING RETAINER, 1/2"	1
14	17979-G1		ACCELERATOR ROD BUSHING	1
15	73046-G01		COMPRESSION SPRING	1
16	17677-G2		SPRING RETAINER, 3/8"	1
17	73332-G01		ACCELERATOR ROD	1
18	00532-G4		LOCK NUT, 5/16 - 24	1
19	10385-G4		CLEVIS YOKE (ADJUSTABLE)	1
20	10386-G3		CLEVIS PIN, 5/16" X 1" LG	1
21	17838-G1		NYLON BUSHING	3
22	17255-G1		TEFLON WASHER, 5/16"	1
23	01076-G01		HAIR PIN COTTER	1
24	601093		PEDAL PIVOT PIN	1
25	601150		ACCELERATOR PEDAL ASSEMBLY (INCLUDES ITEM 26)	1
26	601153		PEDAL PAD	1
27	12064-G6		PUSH NUT, 9/32"	1
28	35679-G01		WIRE HARNESS (PEDAL BOX)	1
29	17313-G1		FLEX LOOM (BULK)	AR
30	17618-G1		WIRE TIE	2

THE USE OF NON U.L. PARTS WILL VOID ANY U.L. LISTING.
When ordering parts, please specify the model and serial number of the product.
* Indicates a component that is not available as an individual part.
G** Indicates consult Customer Service Department for additional information.

ITEM	PART NO.	1 2 3 4 5	DESCRIPTION	QTY.
31	13437-G3		SCREW, LOCK, 5/16 - 18 X 1" LG.....	2
32	71056-G01		SCREW, 5/16 - 18 X 5/8" LG.....	3
33	01024-G1		U - NUT, 5/16 - 18	5

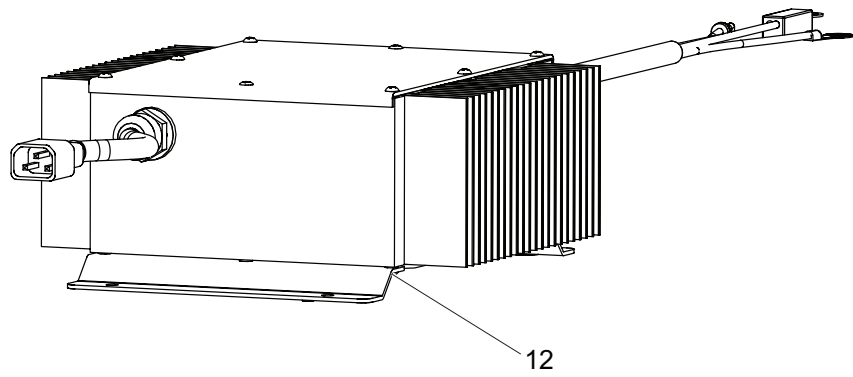
BATTERY CHARGER, ON BOARD, 36V

1 - Includes Items 2 - 11

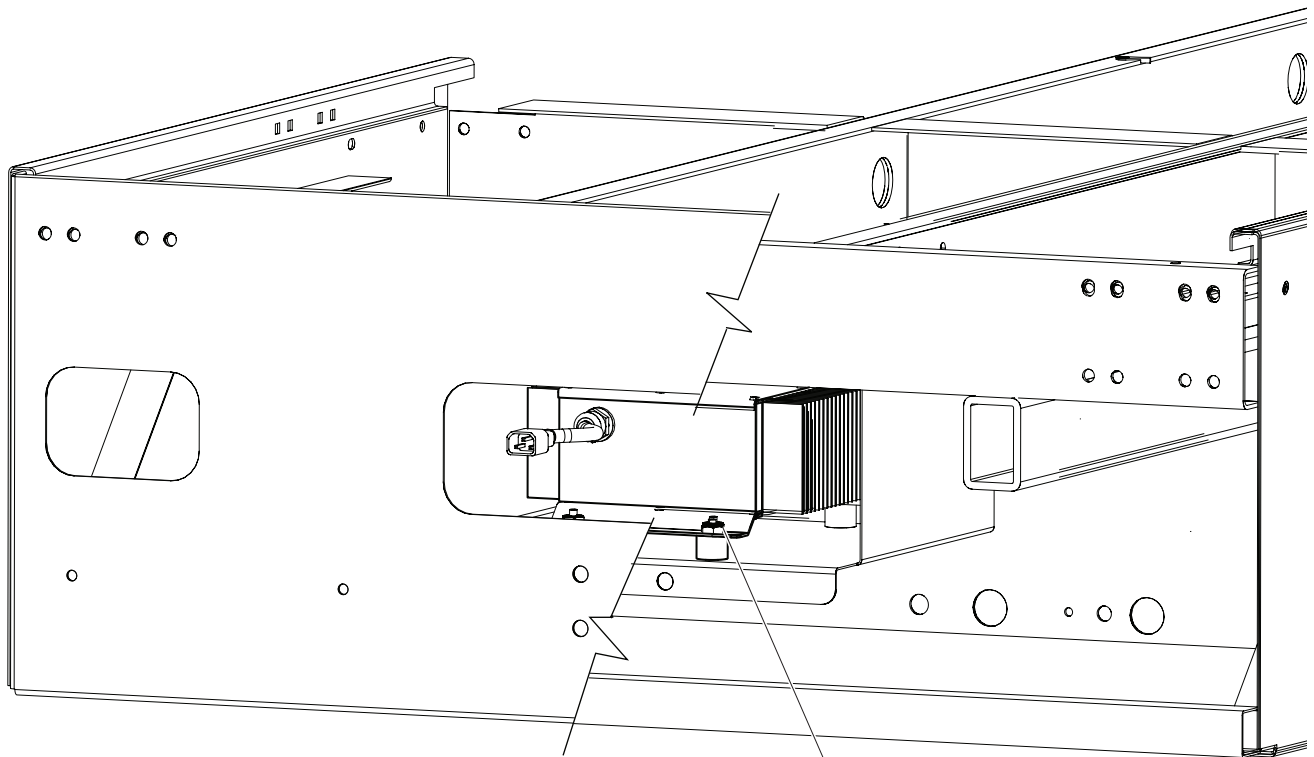


BATTERY CHARGER, ON BOARD, 36V

DELTA-Q BATTERY CHARGER



DELTA-Q BATTERY CHARGER INSTALLED IN VEHICLE



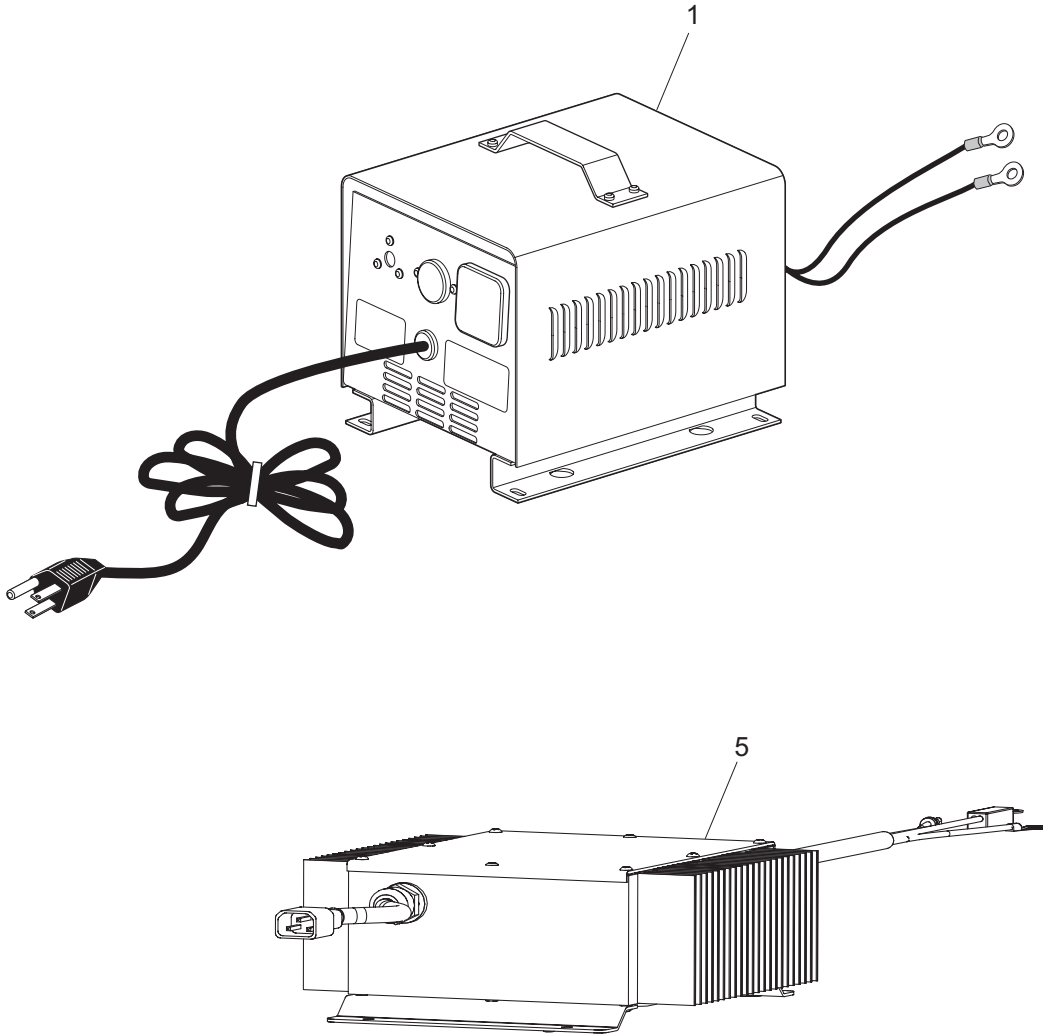
BATTERY CHARGER, ON BOARD, 36V

THE USE OF NON U.L. PARTS WILL VOID ANY U.L. LISTING.
 When ordering parts, please specify the model and serial number of the product.
 * Indicates a component that is not available as an individual part.
 G** Indicates consult Customer Service Department for additional information.

ITEM	PART NO.	1 2 3 4 5	DESCRIPTION	QTY.
1	602718		LESTER PORTABLE CHARGER (INCLUDES ITEMS 2-11)	1
2	34937S		CASE ASSEMBLY	1
3	25305S		TRANSFORMER ASSEMBLY	1
4	08776S		FUSE ASSEMBLY	1
5	16354S		DIODE ASSEMBLY	1
6	25505S		ELECTRONIC CHARGER CONTROLLER	1
7	35003-13S		DC CORD, 12/2 & 16/1, 120", POWER WISE, W/STRAIN RELIEF	1
8	21307-08S		AC CORD, 16/3, 80", NEMA 5-15P, W/STRAIN RELIEF	1
9	16369S		AMMETER, 30 AMP	1
10	04142S		CAPACITOR, 3 MFD, 660 VAC	1
11	24480S		RELAY BOARD ASSEMBLY	1
12	603388		DELTA-Q CHARGER (ON BOARD) 36V	1

BATTERY CHARGER, ON BOARD, 48V

48V BATTERY CHARGERS

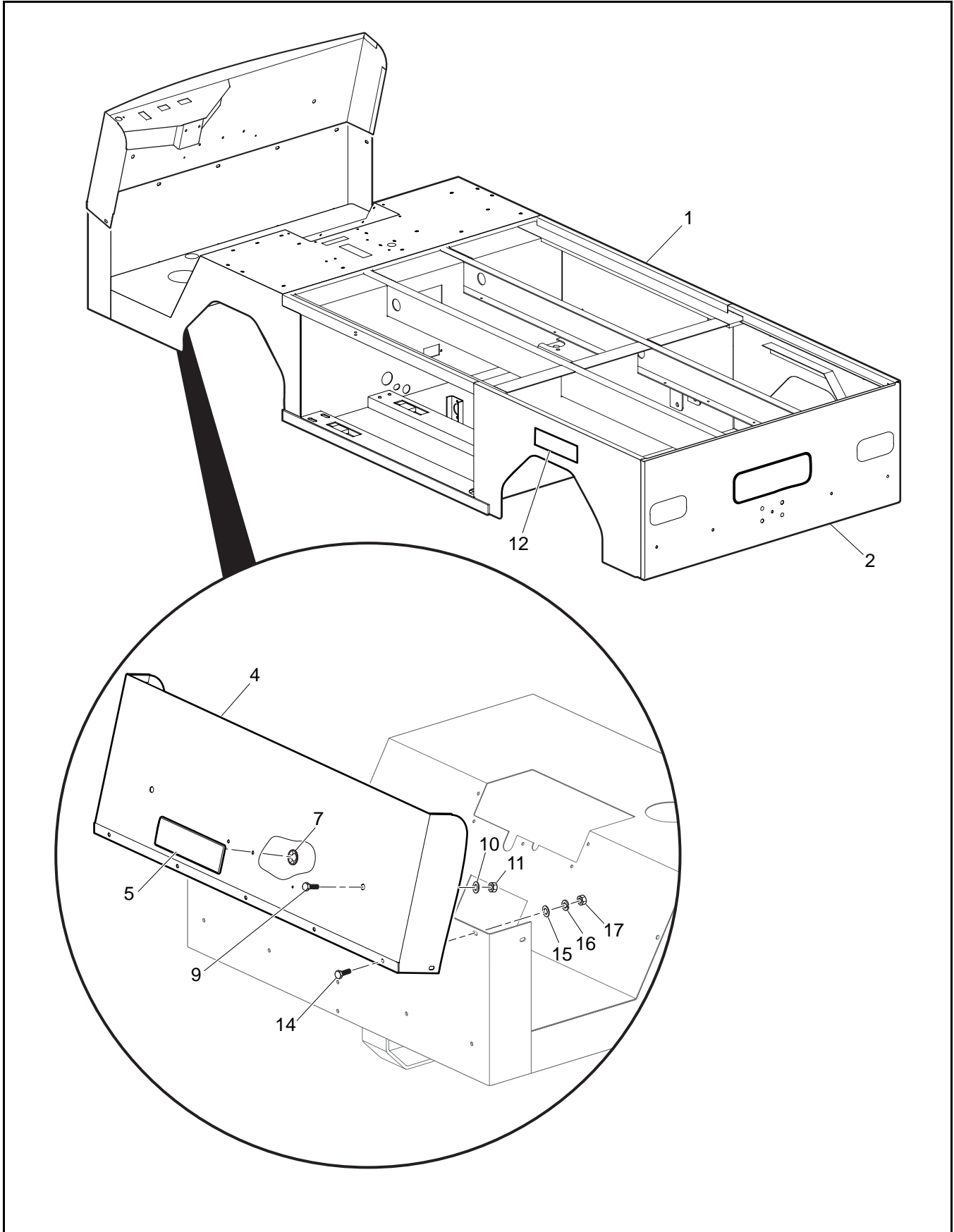


BATTERY CHARGER, ON BOARD, 48V

THE USE OF NON U.L. PARTS WILL VOID ANY U.L. LISTING.
 When ordering parts, please specify the model and serial number of the product.
 * Indicates a component that is not available as an individual part.
 G** Indicates consult Customer Service Department for additional information.

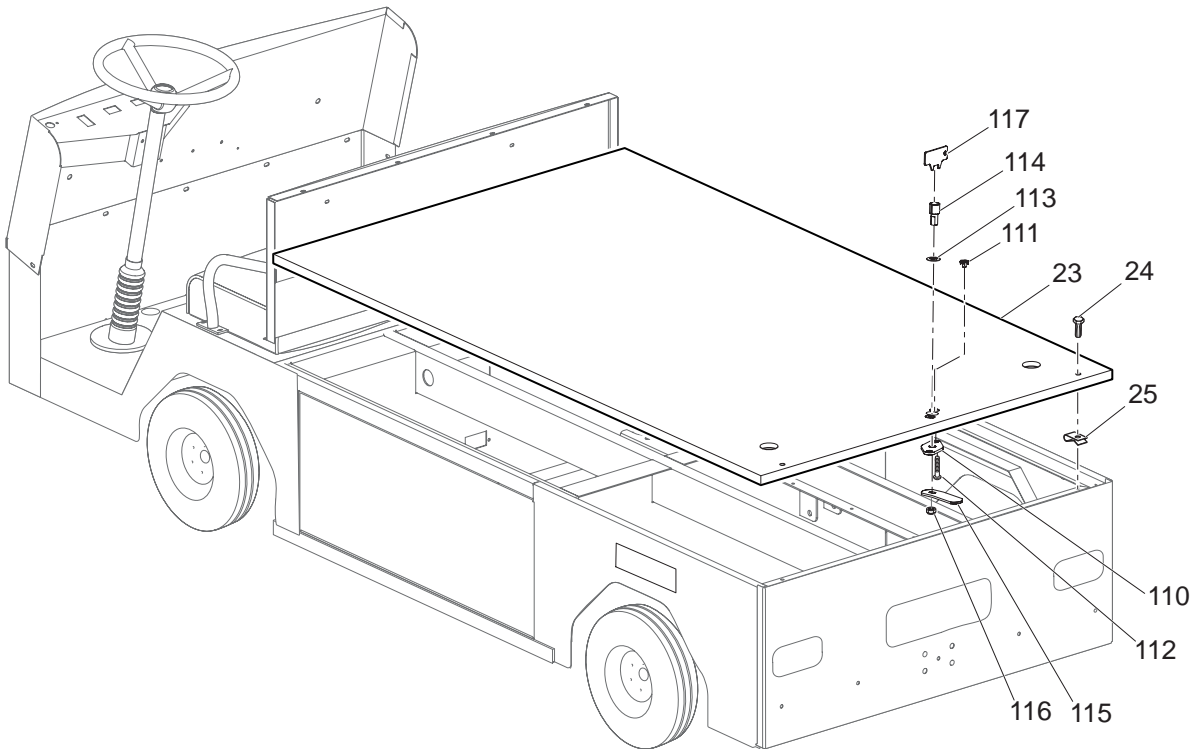
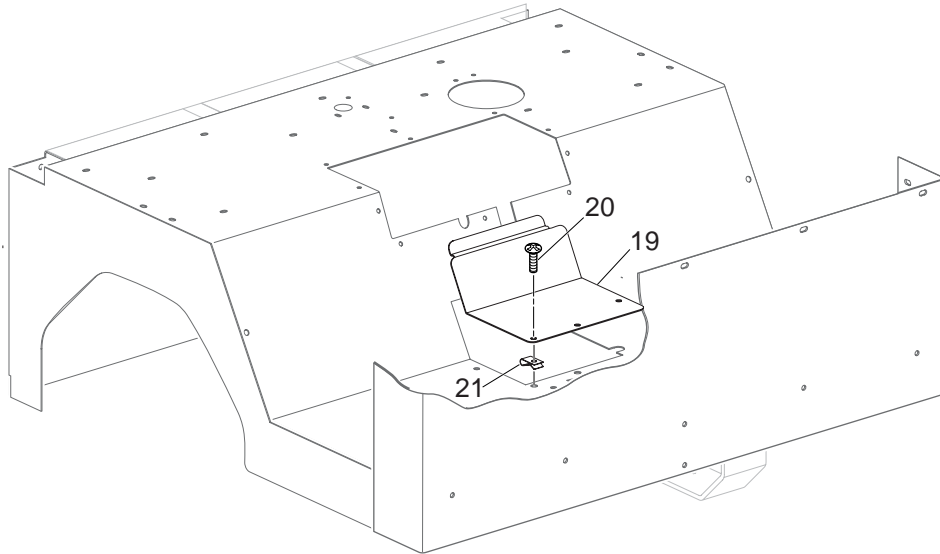
ITEM	PART NO.	1 2 3 4 5	DESCRIPTION	QTY.
1	886481		48V LESTER BATTERY CHARGER..... For charger service or replacement parts, contact: Lester Electrical 625 West "A" Street Lincoln, NE 68522 Phone: (402) 477-8988, FAX: (402) 474-1769 Always provide the following information when requesting information or ordering replacement parts: Model Number: Serial Number: (stamped into housing)	1
2				
3				
4				
5	603389		48V DELTA-Q BATTERY CHARGER.....	1

BODY (2 PASSENGER)

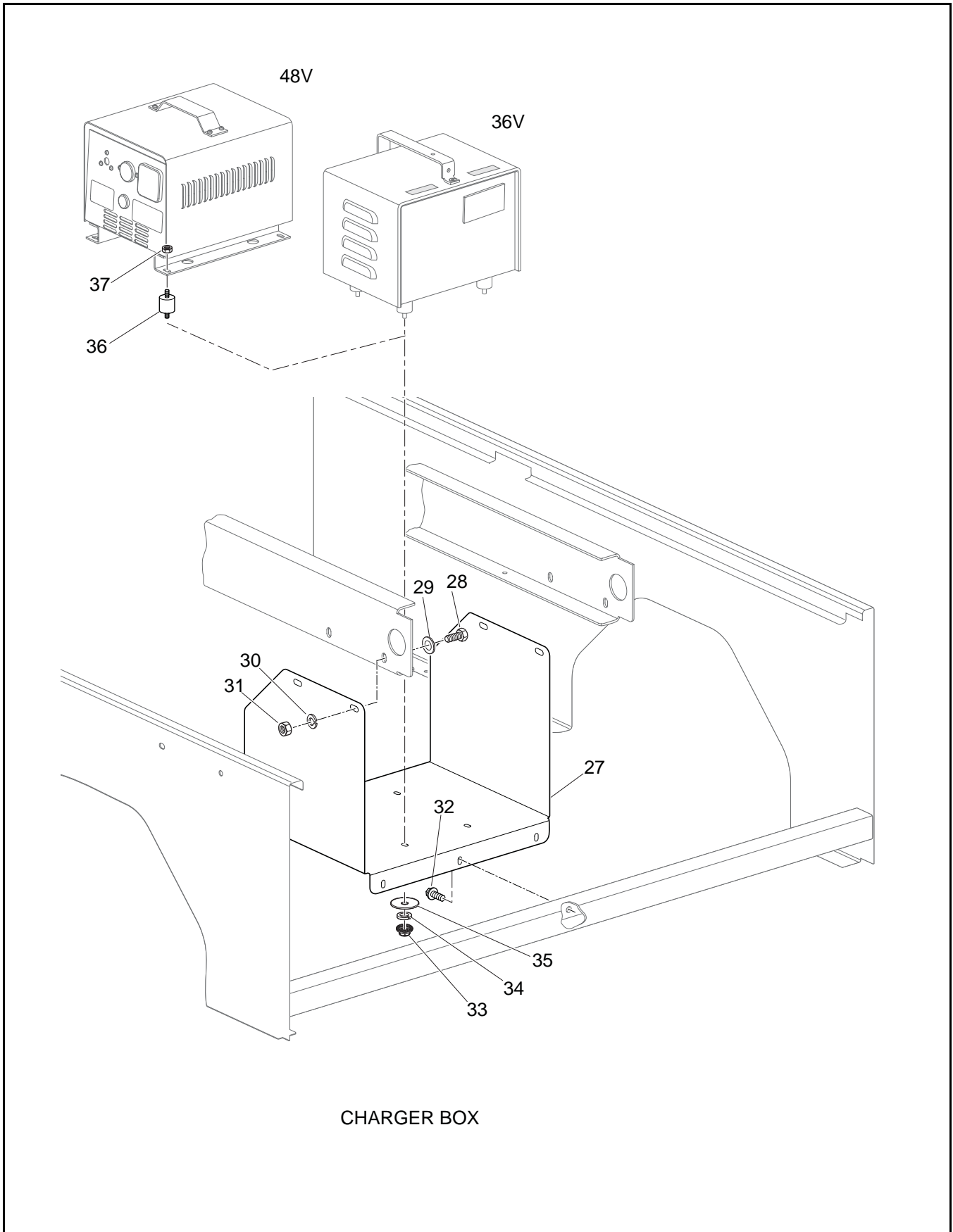


BODY (2 PASSENGER)

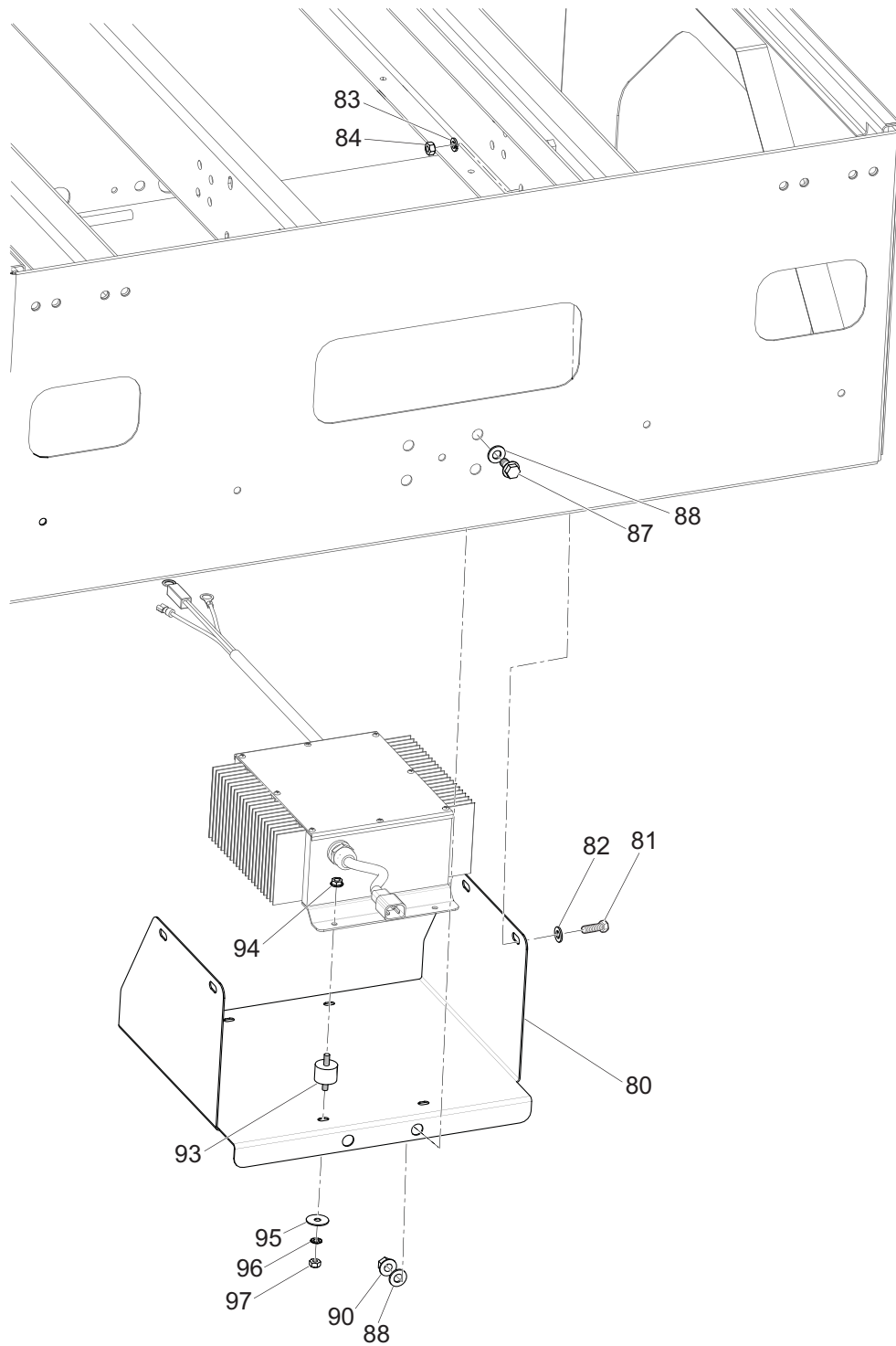
ACCESS PANEL & CARGO DECK



BODY (2 PASSENGER)

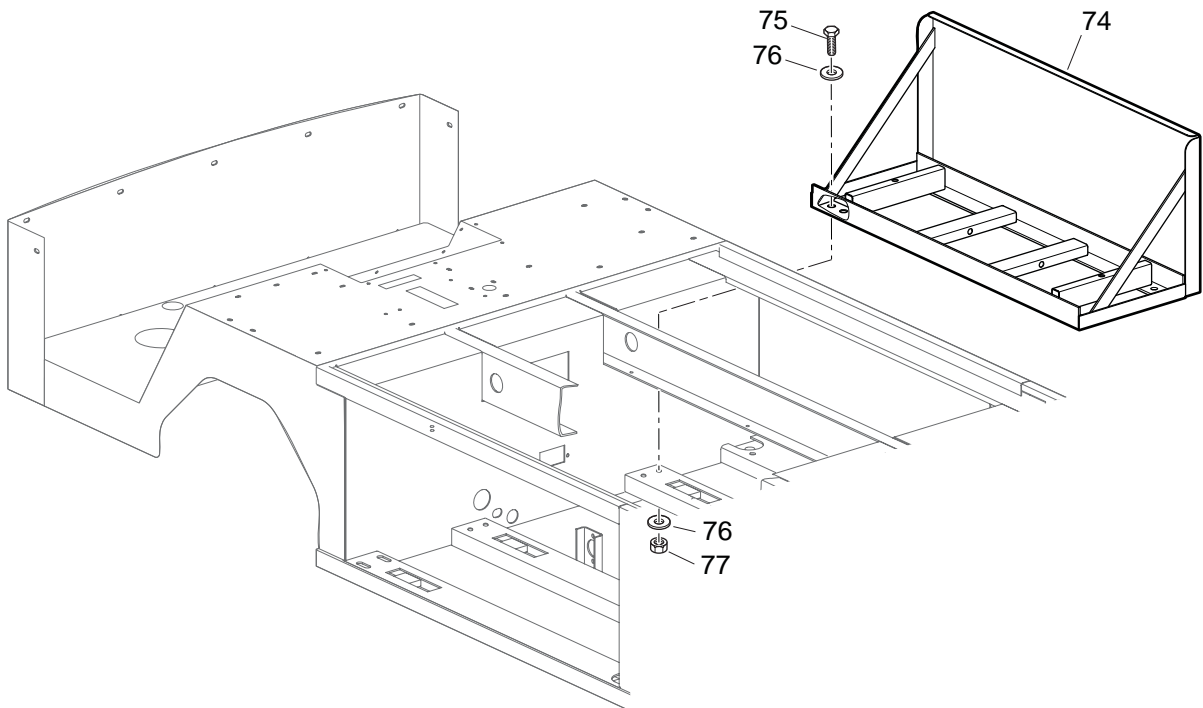


BODY (2 PASSENGER)



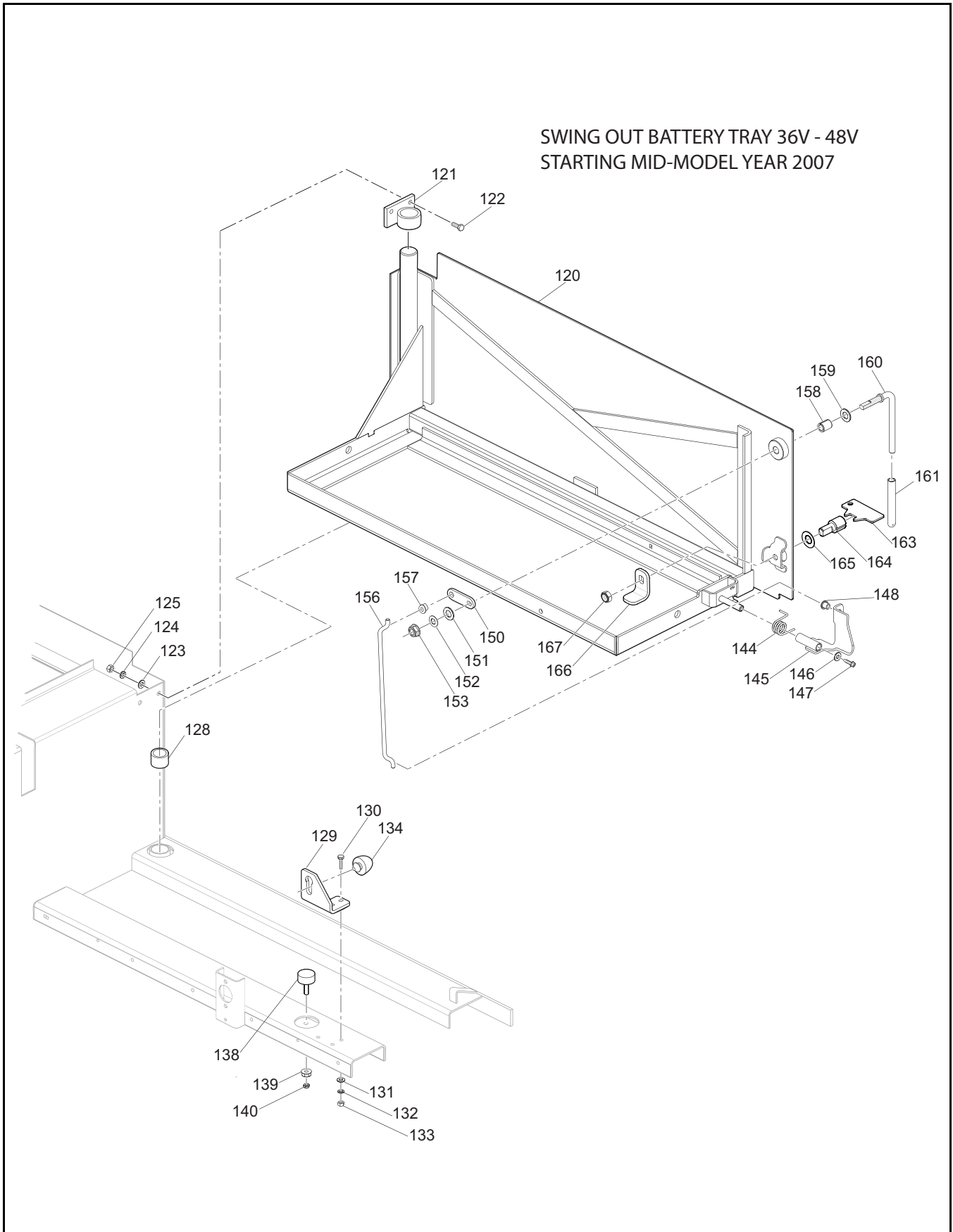
DELTA-Q CHARGER BOX

**BATTERY RACK (36V)
MODEL YEAR 2005 - MID-MODEL YEAR 2007**



BODY (2 PASSENGER)

SWING OUT BATTERY TRAY 36V - 48V
STARTING MID-MODEL YEAR 2007



BODY (2 PASSENGER)

THE USE OF NON U.L. PARTS WILL VOID ANY U.L. LISTING.
 When ordering parts, please specify the model and serial number of the product.
 * Indicates a component that is not available as an individual part.
 G** Indicates consult Customer Service Department for additional information.

ITEM	PART NO.	1 2 3 4 5	DESCRIPTION	QTY.
1	XXXXXX		BODY FRAME WELDMENT (2 PASSENGER) (SELECT COLOR) 600119 SAFETY YELLOW 603922 HUNTER GREEN 603923 WHITE 603924 RED 604524 ORANGE	1
2	7156		TRIM.....	1
3				
4	600103		COWL.....	1
5	603822		NAME PLATE, CUSHMAN.....	1
6				
7	12064-G3		PUSHNUT 3/16".....	2
8				
9	800177		BOLT, 5/16 - 18 X 3/4" LG.....	2
10	103867		WASHER, 5/16".....	2
11	306932		NUT, 5/16 - 18.....	2
12	600813		CUSHMAN DECAL.....	2
13				
14	306416		BOLT, 5/16 - 18 X 1" LG.....	7
15	103867		WASHER, 5/16".....	7
16	306325		LOCK WASHER, 5/16".....	7
17	306932		NUT, 5/16 - 18.....	7
18				
19	601092		ACCESS COVER.....	1
20	71056-G01		BOLT, 5/16 - 18 X 5/8" LG.....	3
21	01024-G01		'J' NUT, 5/16 - 18.....	3
22				
23	829337		CARGO DECK.....	1
24	800017		SCREW, 1/4 - 20 X 1" LG.....	2
25	800279		NUT, 1/4 - 20, (SPEED U-TYPE).....	2
26				
27	603754		CHARGER BOX.....	1

BODY (2 PASSENGER)

THE USE OF NON U.L. PARTS WILL VOID ANY U.L. LISTING.
 When ordering parts, please specify the model and serial number of the product.
 * Indicates a component that is not available as an individual part.
 G** Indicates consult Customer Service Department for additional information.

ITEM	PART NO.	1 2 3 4 5	DESCRIPTION	QTY.
28	00438-G6		BOLT, 5/16 - 18 X 3/4" LG	4
29	00559-G8		WASHER, 5/16"	4
30	00905-G8		LOCK WASHER, 5/16"	4
31	00532-G3		NUT, 5/16 - 18	4
32	00114-G6		SCREW, 1/4 - 10 X 3/4" LG	3
33	00532-G1		NUT, 1/4 - 20	4
34	00664-G7		LOCK WASHER, 1/4" (STAINLESS STEEL)	4
35	16469-G1		WASHER, 1/4"	4
36	22009-G1		ISOLATION MOUNT	4
37	00532-G1		NUT, 1/4 - 20	4
38				
39	XXXXXX		SWING OUT BATTERY RACK 886313G01 SAFETY YELLOW 603990 HUNTER GREEN 603994 WHITE 603995 RED 604661 ORANGE	1
40	886300		UPPER PIVOT	1
41	830483		SHIM	A/R
42	2702168		GREASE FITTING	1
43	817891		THRUST BEARING.....	1
44	306416		BOLT, 5/16 - 18 X 1" LG	2
45	306325		LOCK WASHER, 5/16"	2
46	306932		NUT, 5/16 - 18	2
47	103867		WASHER, 5/6"	2
48	828192		BRACKET	2
49	800085		CARRIAGE BOLT, 5/16 - 18 X 1" LG	2
50	103867		WASHER, 5/16"	2
51	306325		LOCK WASHER, 5/16".....	2
52	306932		NUT, 5/16 - 18	2
53				
54	886312		LATCH HANDLE	1

BODY (2 PASSENGER)

THE USE OF NON U.L. PARTS WILL VOID ANY U.L. LISTING.
 When ordering parts, please specify the model and serial number of the product.
 * Indicates a component that is not available as an individual part.
 G** Indicates consult Customer Service Department for additional information.

ITEM	PART NO.	1 2 3 4 5	DESCRIPTION	QTY.
55	830013		SPRING.....	1
56	304615		PIN	1
57	306981		WASHER.....	1
58	306328		COTTER PIN 3/32 X 3/4"	1
59	833263		BATTERY LATCH WASHER	1
60	830151		BUMPER MOUNTING CHANNEL	1
61	813850		RUBBER BUMPER	1
62	306416		BOLT, 5/16 - 18 X 1" LG	2
63	103867		WASHER, 5/16"	4
64	306325		LOCK WASHER, 5/16"	2
65	306932		NUT, 5/16 - 18	2
66				
67	827880		SHAFT.....	1
68	829228		ROLLER	1
69	303459		BOLT, 1/4 - 20 X 1 1/2" LG	2
70	308090		WASHER, 1/4"	2
71	306396		LOCK WASHER, 1/4".....	2
72	306375		NUT, 1/4 - 20	2
73				
74	XXXXXX		BATTERY TRAY (SELECT COLOR)..... 600191 SAFETY YELLOW 303996 HUNTER GREEN 303997 WHITE 303999 RED 604531 ORANGE	1
75	00427-G2		BOLT, 3/8 - 16 X 1" LG	4
76	00643-G1		WASHER, 3/8"	8
77	11098-G5		LOCK NUT, 3/8 - 16"	4
78				
79				
80	602017		CHARGER BRACKET	1
81	00438-G6		BOLT, 5/16 - 18 X 3/4" LG	4

BODY (2 PASSENGER)

THE USE OF NON U.L. PARTS WILL VOID ANY U.L. LISTING.
 When ordering parts, please specify the model and serial number of the product.
 * Indicates a component that is not available as an individual part.
 G** Indicates consult Customer Service Department for additional information.

ITEM	PART NO.	1 2 3 4 5	DESCRIPTION	QTY.
82	00559-G8		WASHER, 5/16.....	4
83	306325		LOCK WASHER, 5/16".....	4
84	00532-G3		NUT, 5/16 - 18.....	4
85				
86				
87	800385		FLANGE HEAD BOLT, 3/8 - 16 X 3/4".....	2
88	00922-G2		WASHER, 3/8".....	4
89				
90	800698		CROWN LOCK FLANGE NUT, 3/8 - 16.....	2
91				
92				
93	22009-G1		ISOLATION MOUNT.....	4
94	11027-G2		FLANGE LOCK NUT, 1/4 - 20.....	4
95	16469-G7		FENDER WASHER, 1/4".....	4
96	00567-G7		EXT TOOTH LOCK WASHER, 1/4".....	4
97	00532-G1		NUT, 1/4 - 20.....	4
98				
99				
100	35244-G01		LATCH PIN.....	2
101	34434-G01		BELLEVILLE WASHER.....	2
102	601636		LATCH PLATE.....	2
103	14390-G01		LOCK NUT, 3/8 - 24.....	2
104	00762-G4		SCREW, 5/16 - 18 X 1 1/2" LG.....	2
105	00544-G3		NUT, 5/16 - 18.....	2
106	601841		TYPE EE LATCH KEY.....	2
107				
108				
109				
110	34431-G01		LATCH PLATE.....	1
111	11782-G2		TEE NUT, 1/4 - 20.....	2

BODY (2 PASSENGER)

THE USE OF NON U.L. PARTS WILL VOID ANY U.L. LISTING.
 When ordering parts, please specify the model and serial number of the product.
 * Indicates a component that is not available as an individual part.
 G** Indicates consult Customer Service Department for additional information.

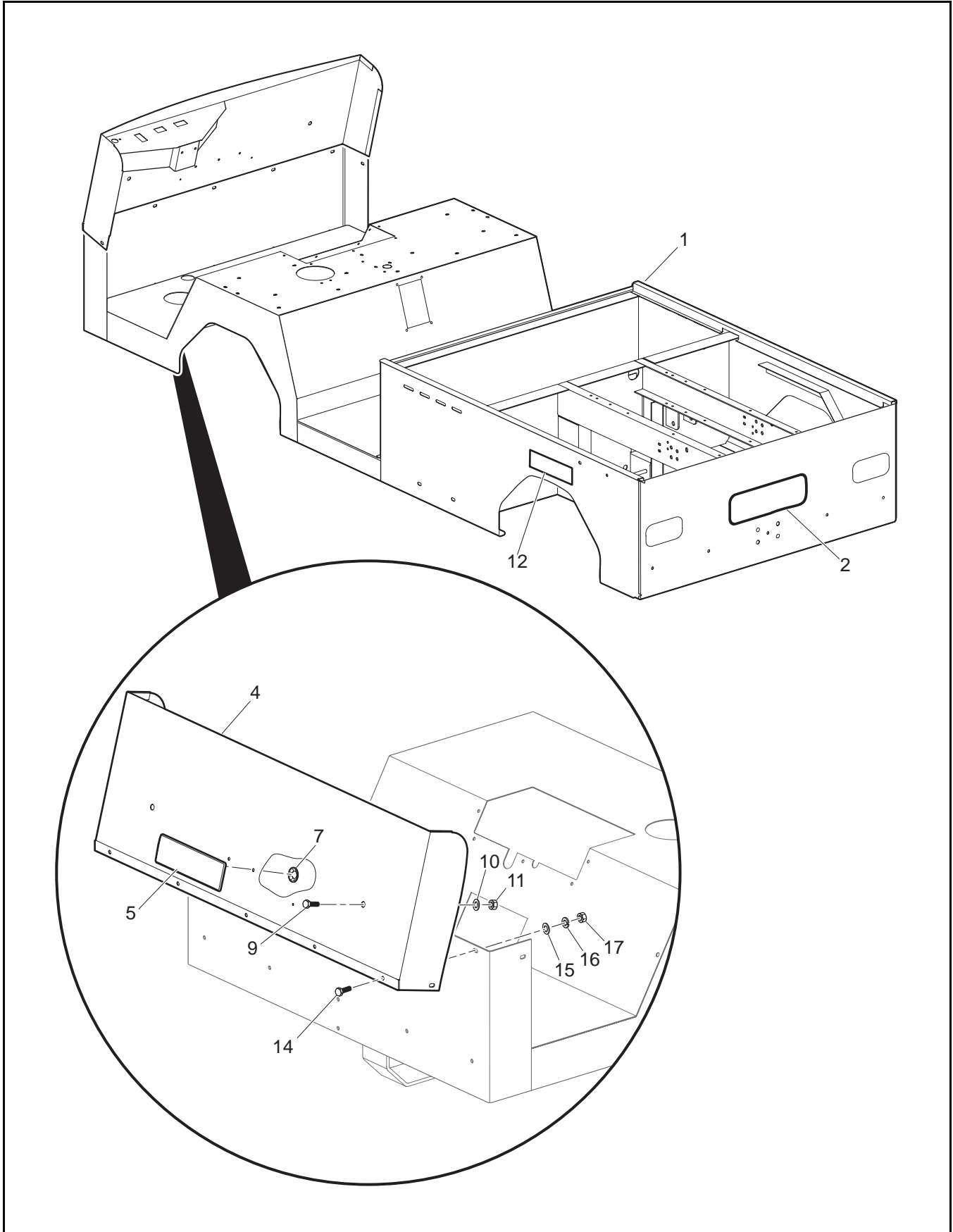
ITEM	PART NO.	1 2 3 4 5	DESCRIPTION	QTY.
112	16705-G2		SCREW, 1/4 - 20 X 5/8" LG.....	2
113	34434-G01		BELLEVILLE WASHER.....	1
114	35244-G01		LATCH PIN.....	1
115	34433-G01		LATCH.....	1
116	14390-G1		LOCK NUT, 3/8 - 24.....	1
117	601841		TYPE EE LATCH KEY.....	1
118				
119				
120	XXXXXX		SWING OUT BATTERY TRAY (SELECT COLOR)..... 604286 SAFETY YELLOW 604715 HUNTER GREEN 604716 WHITE 604717 RED 604718 ORANGE	1
121	604737		UPPER PIVOT ASSEMBLY (INCLUDES BEARING.....	1
122	306416		BOLT, 5/16 - 18 X1" LG.....	2
123	103867		WASHER, 5/16".....	2
124	306325		LOCK WASHER, 5/16".....	2
125	306932		NUT, 5/160-018.....	2
126				
127				
128	829262		PIVOT BEARING.....	1
129	604644		STOP BRACKET.....	1
130	00414G8		HEX HEAD BOLT, 1/4 - 20 X 1" LG.....	3
131	308090		WASHER, 1/4.....	3
132	306396		LOCK WASHER, 1/4.....	3
133	306375		NUT, 1/4 - 20.....	3
134	813850		BUMPER.....	1
135				
136				
137				
138	70113G01		ADJUSTABLE BUMPER.....	1

BODY (2 PASSENGER)

THE USE OF NON U.L. PARTS WILL VOID ANY U.L. LISTING.
 When ordering parts, please specify the model and serial number of the product.
 * Indicates a component that is not available as an individual part.
 G** Indicates consult Customer Service Department for additional information.

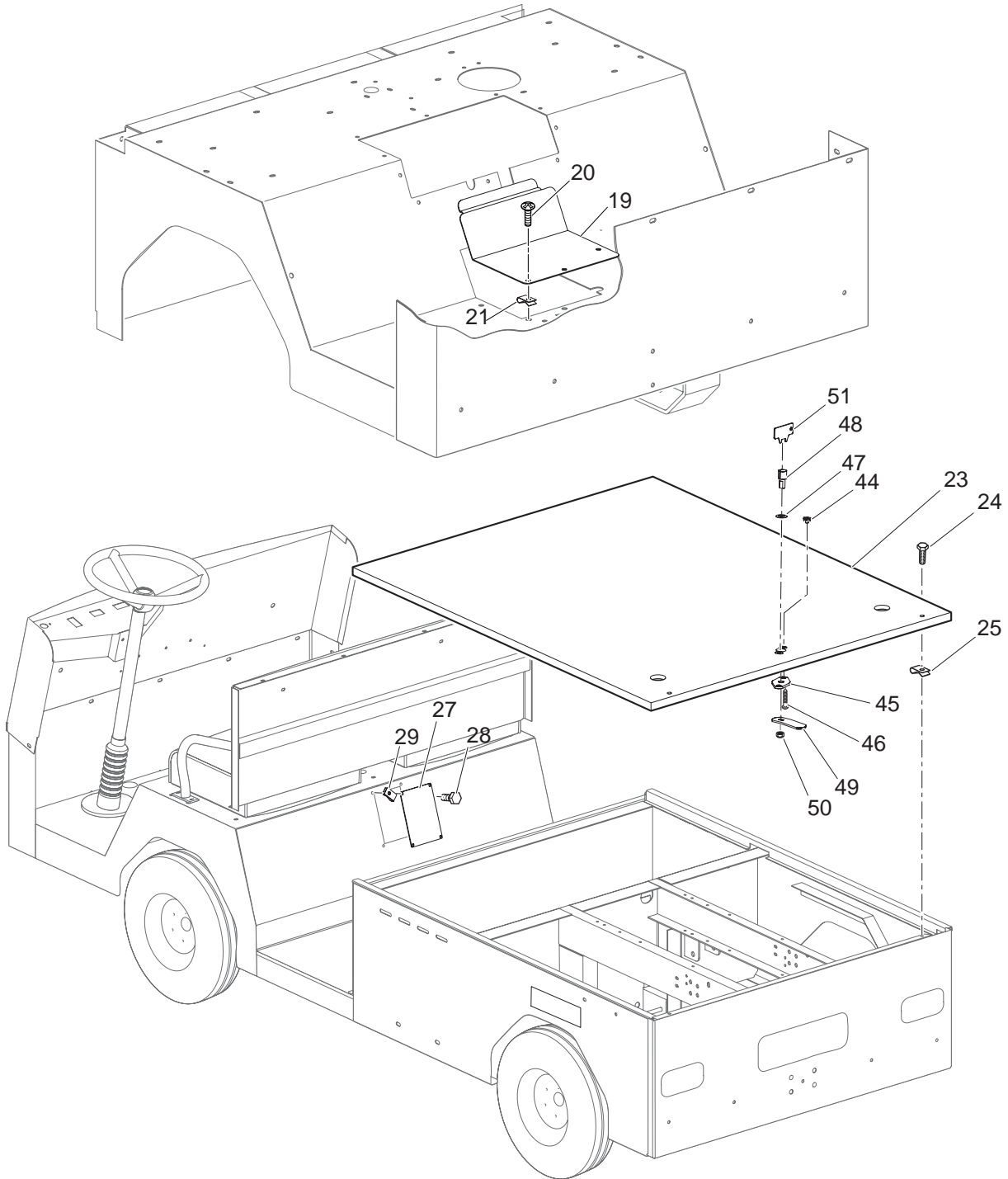
ITEM	PART NO.	1 2 3 4 5	DESCRIPTION	QTY.
139	11027G1		FLANGED LOCK NUT, 5/16 - 18	1
140	00544G1		JAM NUT, 5/16 - 18	1
141				
142				
143				
144	604228		SPRING.....	1
145	604993		LATCH.....	1
146	00559G6		WASHER, #12.....	1
147	00713G1		HEX WASHER HEAD SELF THREADING BOLT, #12 - 24	1
148	22754G04		FLIP-LOK BUSHING	1
149				
150	605001		LATCH BELLCRANK.....	1
151	00560G2		WASHER, 7/16"	1
152	34434G01		BELLEVILLE WASHER, 3/8" I.D.....	1
153	11027G5		FLANGED LOCK NUT, 3/8 - 16	1
154				
155				
156	605000		LATCH LINKAGE ROD	1
157	22754G04		FLIP-LOK BUSHING	1
158	25664G3		DU BUSHING	1
159	00560G2		WASHER, 7*16"	1
160	604999		LATCH HANDLE	1
161	71704G01		HANDLE GRIP	1
162				
163	601841		TYPE EE LATCH KEY.....	2
164	35244-G01		LATCH PIN	2
165	34434-G01		BELLEVILLE WASHER.....	2
166	601636		LATCH PLATE.....	2
167	00544-G3		NUT, 5/16 - 18 X 1 1/2" LG.....	2

BODY (4 PASSENGER)

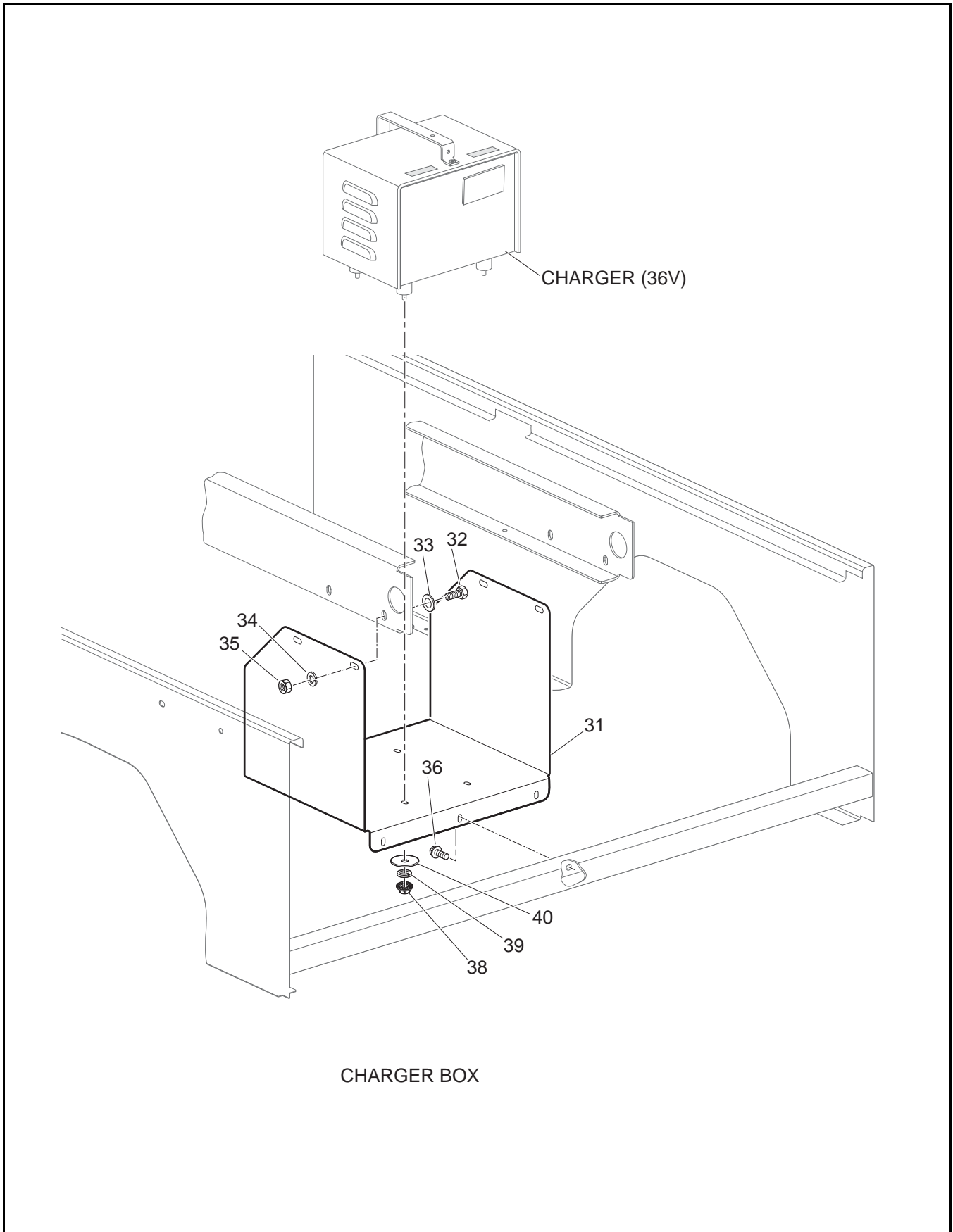


BODY (4 PASSENGER)

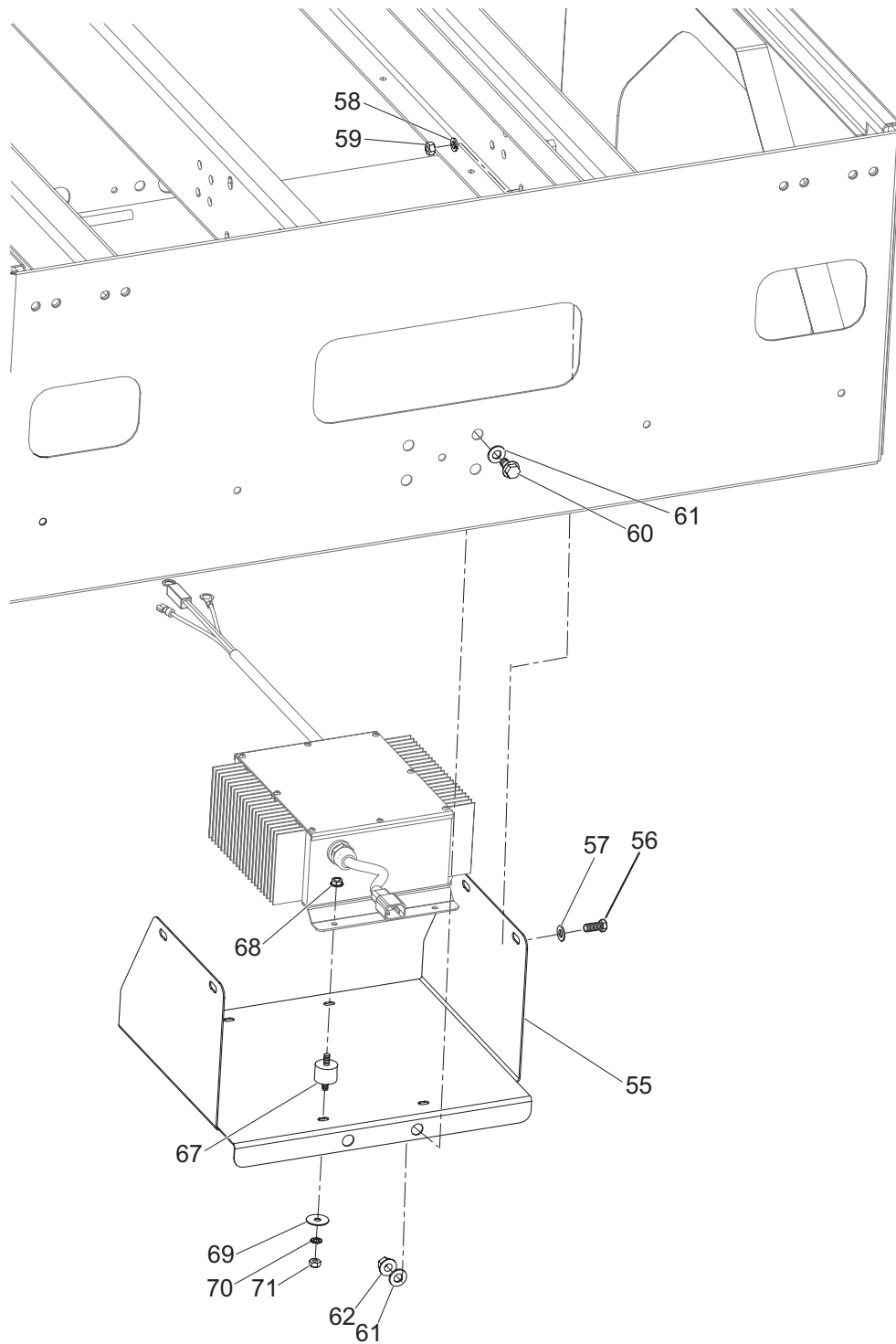
ACCESS PANEL & CARGO DECK (4 PASSENGER)



BODY (4 PASSENGER)



BODY (4 PASSENGER)



DELTA-Q CHARGER BOX

BODY (4 PASSENGER)

THE USE OF NON U.L. PARTS WILL VOID ANY U.L. LISTING.
 When ordering parts, please specify the model and serial number of the product.
 * Indicates a component that is not available as an individual part.
 G** Indicates consult Customer Service Department for additional information.

ITEM	PART NO.	1 2 3 4 5	DESCRIPTION	QTY.
1	XXXXXX		BODY FRAME WELDMENT (4 PASSENGER) (SELECT COLOR) 600120 SAFETY YELLOW 603930 HUNTER GREEN 603931 WHITE 603932 RED 604525 ORANGE	1
2	7156		TRIM.....	1
3				
4	600103		COWL.....	1
5	603822		NAME PLATE, CUSHMAN.....	1
6				
7	12064-G3		PUSHNUT, 3/16"	2
8				
9	800177		BOLT, 5/16 - 18 X 3/4" LG	2
10	103867		WASHER, 5/16"	2
11	306932		NUT, 5/16 - 18	2
12	600813		CUSHMAN DECAL	2
13				
14	306416		BOLT, 5/16 - 18 X 1" LG	7
15	103867		WASHER, 5/16"	7
16	306325		LOCK WASHER, 5/16".....	7
17	306932		NUT, 5/16 - 18	7
18				
19	601092		ACCESS COVER.....	1
20	71056-G01		SCREW, 5/16 - 18 X 5/8" LG.....	3
21	01024-G01		'J' NUT, 5/16 - 18.....	3
22				
23	837630		CARGO DECK	1
24	800017		SCREW, 1/4 - 20 X 1" LG.....	2
25	800279		NUT, 1/4 - 20, (SPEED U-TYPE)	2
26				
27	841739-G01		ACCESS COVER.....	1

BODY (4 PASSENGER)

THE USE OF NON U.L. PARTS WILL VOID ANY U.L. LISTING.
 When ordering parts, please specify the model and serial number of the product.
 * Indicates a component that is not available as an individual part.
 G** Indicates consult Customer Service Department for additional information.

ITEM	PART NO.	1 2 3 4 5	DESCRIPTION	QTY.
28	306419		BOLT, 1/4 - 20 X 1/2" LG	4
29	800279		NUT, 1/4 - 20, (SPEED U-TYPE)	4
30				
31	603754		CHARGER BOX.....	1
32	00438-G6		BOLT, 5/16 - 18 X 3/4" LG	4
33	00559-G8		WASHER, 5/16"	4
34	00905-G8		LOCK WASHER, 5/16".....	4
35	00532-G3		NUT, 5/16 - 18	4
36	00114-G6		SCREW, 1/4 - 10 X 3/4" LG.....	3
37				
38	00532-G1		NUT, 1/4 - 20	4
39	00664-G7		LOCK WASHER, 1/4" (STAINLESS STEEL)	4
40	16469-G1		WASHER, 1/4"	4
41				
42				
43				
44	11782-G2		TEE NUT, 1/4 - 20	2
45	34431-G01		LATCH PLATE	1
46	16705-G2		SCREW, 1/4 - 20 X 5/8" LG.....	2
47	34434-G01		BELLEVILLE WASHER.....	1
48	35244-G01		LATCH PIN	1
49	34433-G01		LATCH.....	1
50	14390-G1		LOCK NUT, 3/8 - 24	1
51	601841		TYPE EE LATCH KEY.....	1
52				
53				
54				
55	602017		CHARGER BRACKET	1
56	00438-G6		BOLT, 5/16 - 18 X 3/4" LG	4
57	00559-G8		WASHER, 5/16.....	4

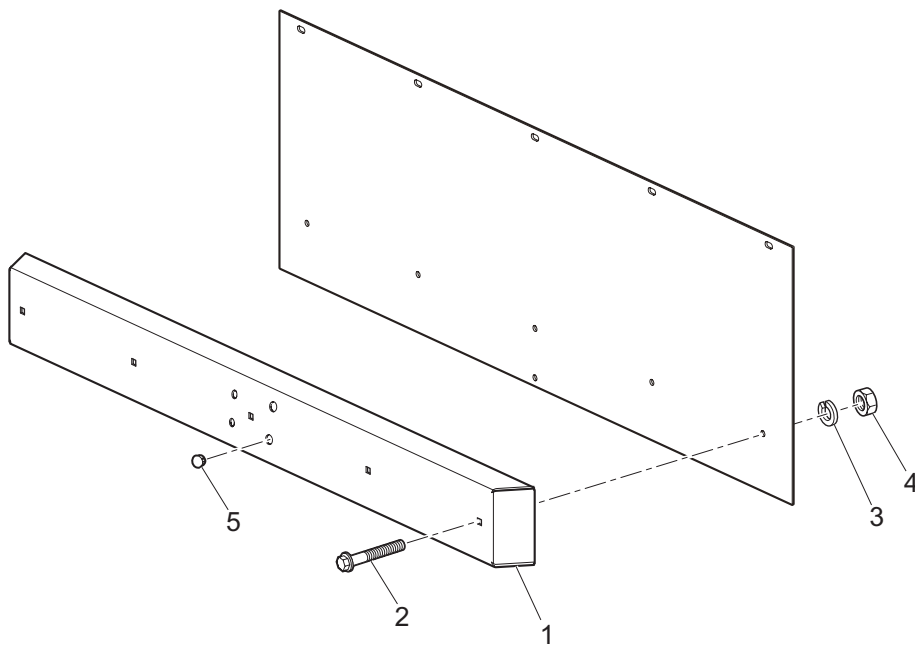
BODY (4 PASSENGER)

THE USE OF NON U.L. PARTS WILL VOID ANY U.L. LISTING.
 When ordering parts, please specify the model and serial number of the product.
 * Indicates a component that is not available as an individual part.
 G** Indicates consult Customer Service Department for additional information.

ITEM	PART NO.	1 2 3 4 5	DESCRIPTION	QTY.
58	306325		LOCK WASHER, 5/16"	4
59	00532-G3		NUT, 5/16 - 18	4
60	800385		FLANGE HEAD BOLT, 3/8 - 16 X 3/4" LG.....	2
61	00922-G2		WASHER, 3/8"	4
62	800698		LOCK NUT, 3/8-16	2
63				
64				
65				
66				
67	22009-G1		ISOLATION MOUNT	4
68	11027-G2		FLANGE LOCK NUT, 1/4 - 20	4
69	16469-G7		FENDER WASHER, 1/4".....	4
70	00567-G7		EXT TOOTH LOCK WASHER, 1/4"	4
71	00532-G1		NUT, 1/4 - 20	4

BODY (ACCESSORIES)

BUMPER (FRONT & REAR)



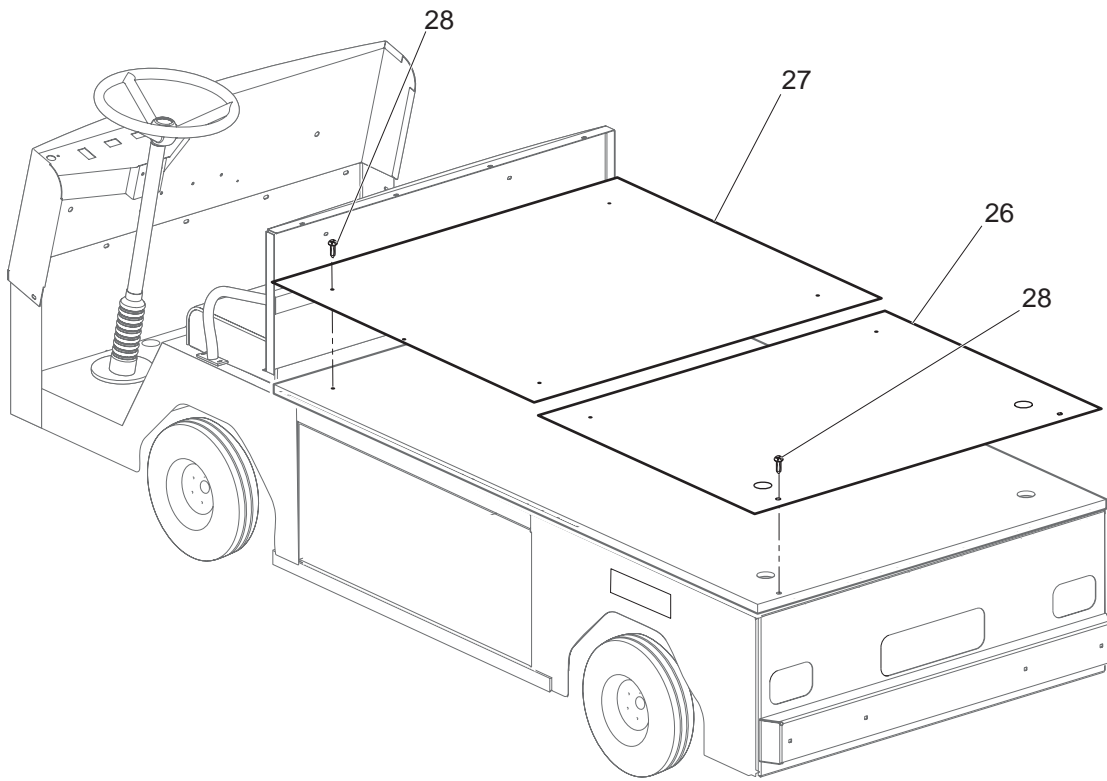
**DID YOU
KNOW?**

CartPros directs you to the right part using the part numbers from this manual. Enter the part number into our search box and it will find the part you are looking for.

**GET STARTED
HERE** →

<https://CartPros.com/f.html>

BODY (ACCESSORIES)

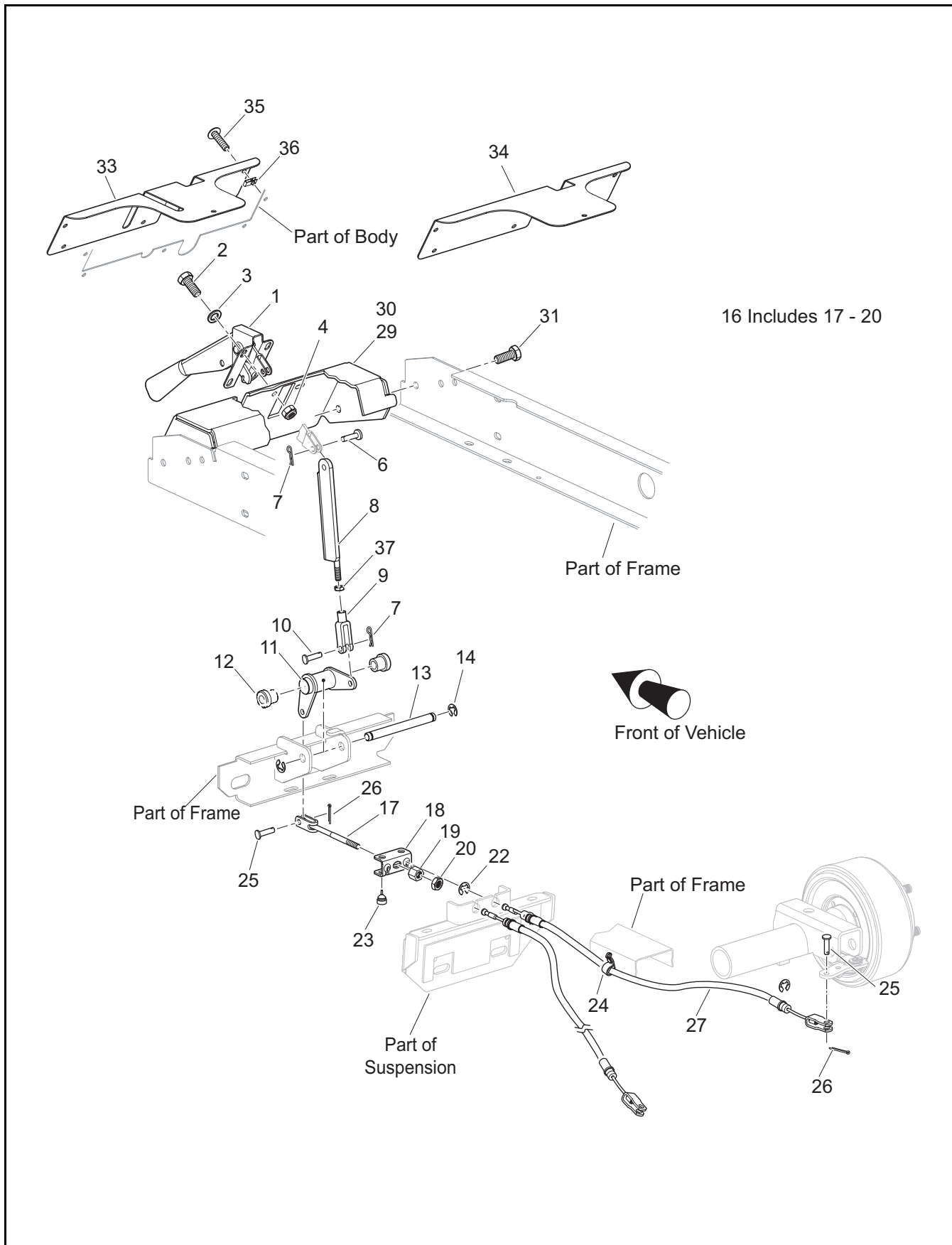


BODY (ACCESSORIES)

THE USE OF NON U.L. PARTS WILL VOID ANY U.L. LISTING.
 When ordering parts, please specify the model and serial number of the product.
 * Indicates a component that is not available as an individual part.
 G** Indicates current Customer Service Department for additional information.

ITEM	PART NO.	1 2 3 4 5	DESCRIPTION	QTY.
1	886325-G01		BUMPER	1
2	800352		CARRIAGE BOLT, 5/16 - 18 X 3" LG	5
3	306325		LOCK WASHER, 5/16"	5
4	306932		NUT, 5/16 - 18	5
5	602328		PLASTIC PLUG.....	4
6				
7				
8	830023-G01		SPACER	4
9	00405-G8		BOLT, 1/2 - 13 X 4" LG	4
10	30809-G1		WASHER, 1/2"	4
11	120166		LOCK WASHER, 1/2".....	4
12	308332		NUT, 1/2 - 13	4
13	828197-G01		SAFETY CHAIN BRACKET	1
14	825153		PINTLE HITCH.....	1
15	822829		CLEVIS HITCH.....	1
16				
17				
18	829648-G01		HITCH BRACE	2
19	602164		HITCH MOUNTING BRACKET	1
20	306414		BOLT, 3/8 - 16 X 1" LG	8
21	120177		LOCK WASHER, 3/8".....	8
22	306562		NUT, 3/8 - 16	8
23	00114-G6		SCREW, 1/4 -14 X 3/4" LG"	3
24				
25				
26	829993		FLOOR PLATE REAR	1
27	829863		FLOOR PLATE FRONT.....	1
28	00130-G5		SCREW #10 - 13 X 5/8" LG	8

PARK BRAKE



PARK BRAKE

THE USE OF NON U.L. PARTS WILL VOID ANY U.L. LISTING.
 When ordering parts, please specify the model and serial number of the product.
 * Indicates a component that is not available as an individual part.
 G** Indicates consult Customer Service Department for additional information.

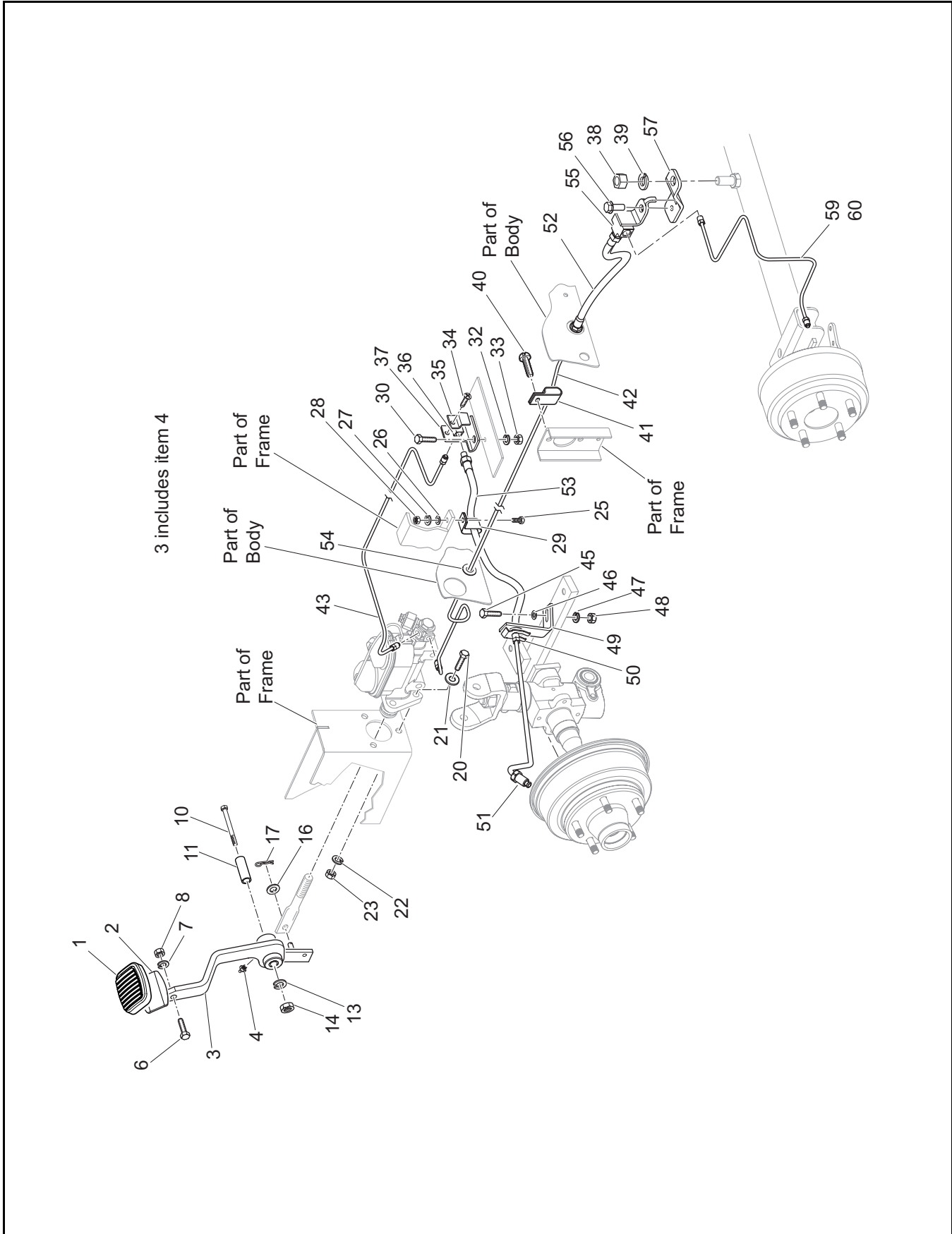
ITEM	PART NO.	1 2 3 4 5	DESCRIPTION	QTY.
1	34380-G01		PARKING BRAKE	1
2	00276-G6		BOLT, 5/16 - 24 X 3/4" LG	4
3	00559-G8		WASHER, 5/16"	4
4	11098-G9		LOCKNUT, 5/16 - 24	4
5				
6	14443-G2		CLEVIS PIN, 5/16" X 3/4" LG	1
7	01076-G1		HAIR PIN	2
8	601919		LINKAGE ROD	1
9	10385-G4		CLEVIS YOKE (ADJUSTABLE)	1
10	10386-G3		CLEVIS PIN, 5/16" X 15/16" LG	1
11	601110		BELLCRANK	1
12	70581-G02		FLANGED BUSHING	2
13	34158-G05		SHAFT	1
14	12305-G1		RETAINING RING, 25/64"	2
15				
16	34518-G01		PARKING BRAKE LINK ASSEMBLY (INCLUDES ITEMS 17 - 20)	1
17	34389-G01		CLEVIS LINK	1
18	28082-G01		EQUALIZER BRACKET	1
19	00963-G01		SPHERICAL NUT, 5/16 - 24	1
20	00544-G4		JAM NUT, 5/16 - 18	1
21				
22	12305-G01		RETAINING RING	4
23	28083-G01		BRAKE COMPENSATOR BUMPER	2
24	73964-G02		WIRE CLAMP, 3/4"	2
25	10386-G3		CLEVIS PIN, 5/16" X 13/16" LG	2
26	10387-G3		COTTER PIN, 3/32" X 3/4" LG	3
27	70968-G09		BRAKE CABLE	2
28				
29	XXXXX		SEE DIRECTION SELECTOR 36V	1
30	601100		PARK BRAKE BRACKET	1

PARK BRAKE

THE USE OF NON U.L. PARTS WILL VOID ANY U.L. LISTING.
 When ordering parts, please specify the model and serial number of the product.
 * Indicates a component that is not available as an individual part.
 G** Indicates consult Customer Service Department for additional information.

ITEM	PART NO.	1 2 3 4 5	DESCRIPTION	QTY.
31	00438-G6		BOLT, 5/16 - 18 X 3/4" LG	4
32				
33	601108		PARK BRAKE COVER, 36V	1
34	601107		PARK BRAKE COVER, 48V	1
35	16705-G3		SCREW, 1/4 - 20 X 3/4" LG (STAINLESS STEEL)	6
36	14776-G1		RETAINER NUT ('J' TYPE), 1/4 - 20	6
37	00544-G4		JAM NUT, 1/4 - 28	1

HYDRAULIC BRAKE



HYDRAULIC BRAKE

THE USE OF NON U.L. PARTS WILL VOID ANY U.L. LISTING.
 When ordering parts, please specify the model and serial number of the product.
 * Indicates a component that is not available as an individual part.
 G** Indicates consult Customer Service Department for additional information.

ITEM	PART NO.	1 2 3 4 5	DESCRIPTION	QTY.
1	810152		PEDAL COVER.....	1
2	875212		BRAKE PEDAL	1
3	601097		BRAKE LEVER (INCLUDES ITEM 4)	1
4	2702168		GREASE FITTING	1
5				
6	306414		BOLT, 3/8 - 16 X 1" LG	1
7	120177		LOCK WASHER, 3/8".....	1
8	306562		NUT, 3/8 - 16	1
9				
10	311397		SCREW, 7/16 - 14 X 3" LG.....	1
11	837612		BUSHING	1
12				
13	303269		LOCK WASHER, 7/16".....	1
14	304364		NUT, 7/16 - 14	1
15				
16	103867		WASHER, 5/16.....	1
17	306328		PIN COTTER, 3/32 x 3/4".....	1
18				
19				
20	306835		SCREW, 3/8 - 16 X 1 1/4" LG.....	3
21	603620		WASHER, 3/8"	1
22	120177		LOCK WASHER, 3/8".....	3
23	306562		NUT, 3/8 - 16	3
24				
25	800026		SCREW, 1/4 - 20 X 3/4" LG.....	2
26	308090		WASHER, 1/4"	2
27	306396		LOCK WASHER, 1/4".....	2
28	306375		NUT, 1/4 - 20	2
29	817320		WIRE CLAMP.....	2
30	306835		SCREW, 3/8 - 16 X 1 1/4" LG.....	1

HYDRAULIC BRAKE

THE USE OF NON U.L. PARTS WILL VOID ANY U.L. LISTING.
 When ordering parts, please specify the model and serial number of the product.
 * Indicates a component that is not available as an individual part.
 G** Indicates consult Customer Service Department for additional information.

ITEM	PART NO.	1 2 3 4 5	DESCRIPTION	QTY.
31				
32	120177		LOCK WASHER, 3/8".....	1
33	306562		NUT, 3/8 - 16	1
34	112050		SCREW, 1/4 - 20 X 5/8" LG TAPPING	4
35	832584		TEE MOUNTING CLAMP	1
36	820008		TEE, UNION.....	1
37	832585		BRACKET	1
38	306562		NUT, 3/8 - 16	1
39	120177		LOCK WASHER, 3/8".....	1
40	112050		SCREW, 1/4 - 20 X 5/8" LG.....	3
41	812445		CLAMP	3
42	600467		REAR BRAKE LINE	1
43	600468		FRONT BRAKE LINE.....	1
44				
45	302030		SCREW, 1/4 - 20 X 1 1/4" LG.....	2
46	308090		WASHER, 1/4"	2
47	306396		LOCK WASHER, 1/4".....	2
48	306375		NUT, 1/4 - 20	2
49	830021		FRONT HOSE MOUNTING BRACKET	2
50	809137		CLIP	2
51	830019		HYDRAULIC BRAKE TUBE.....	2
52	832587		FLEXIBLE HOSE, 18" LG	1
53	832590		FLEXIBLE HOSE, 25" LG	2
54	809231		GROMMET.....	1
55	21103-G1		BRAKE LINE TEE	1
56	112050		SCREW, 1/4 - 20 x 5/8" LG	1
57	601791		HYDRAULIC BRAKE FITTING BRACKET	1
58				
59	600470		REAR BRAKE LINE (DRIVER SIDE).....	1
60	600471		REAR BRAKE LINE (PASSENGER SIDE).....	1

FRONT BRAKE

THE USE OF NON U.L. PARTS WILL VOID ANY U.L. LISTING.

When ordering parts, please specify the model and serial number of the product.

* Indicates a component that is not available as an individual part.

G** Indicates consult Customer Service Department for additional information.

ITEM	PART NO.	1 2 3 4 5	DESCRIPTION	QTY.
1	886292		BRAKE AND SHOE ASSEMBLY (INCLUDES ITEMS 2 - 15).....	2
2	884399		BACKING PLATE.....	1
3	886371		WHEEL CYLINDER.....	1
4	306396		LOCK WASHER, 1/4".....	2
5	306419		BOLT, 1/4 - 20 X 1/2" LG.....	2
6	829348		HEEL PIN.....	1
7	306494		LOCK WASHER, 5/8".....	1
8	304104		NUT, 5/8 - 18.....	1
9				
10	809252		RETAINING RING.....	1
11	805441		SPRING.....	1
12	806761		ADJUSTMENT PIN.....	2
13	306353		LOCK WASHER, 3/8".....	2
14	306319		NUT, 3/8 - 24.....	2
15	887284		BRAKE SHOE (REPLACE BOTH SHOES ON BOTH WHEELS).....	4
16				
17	306450		BOLT, 5/16 - 18 X 3/4" LG.....	6
18	306325		LOCK WASHER, 5/16".....	6
19	330747		SCREW, 5/16 - 18 X 3/4" LG.....	2
20				
21	886226		BRAKE DRUM ASSEMBLY (INCLUDES ITEMS 22 - 24).....	2
22	829247		BRAKE DRUM.....	1
23	XXXXX		HUB (SEE FRONT SUSPENSION).....	1
24	XXXXX		LUG BOLT, 7/16 - 20 X 1 3/4" LG (SEE FRONT SUSPENSION).....	5
25				
26	XXXXX		SEAL, FRONT AXLE (SEE FRONT SUSPENSION).....	2
27	XXXXX		CONE BEARING (SEE FRONT SUSPENSION).....	2
28	XXXXX		CONE BEARING AND ROLLER (SEE FRONT SUSPENSION).....	2
29	XXXXX		WASHER, 3/4" (SEE FRONT SUSPENSION).....	2
30	XXXXX		CASTLE NUT, 3/4 - 16 (SEE FRONT SUSPENSION).....	2

FRONT BRAKE

THE USE OF NON U.L. PARTS WILL VOID ANY U.L. LISTING.
 When ordering parts, please specify the model and serial number of the product.
 * Indicates a component that is not available as an individual part.
 G** Indicates consult Customer Service Department for additional information.

ITEM	PART NO.	1 2 3 4 5	DESCRIPTION	QTY.
31	XXXXX		COTTER PIN (SEE FRONT SUSPENSION)	2
32	XXXXX		SPINDLE CAP (SEE FRONT SUSPENSION)	2

REAR BRAKE

THE USE OF NON U.L. PARTS WILL VOID ANY U.L. LISTING.
 When ordering parts, please specify the model and serial number of the product.
 * Indicates a component that is not available as an individual part.
 G** Indicates consult Customer Service Department for additional information.

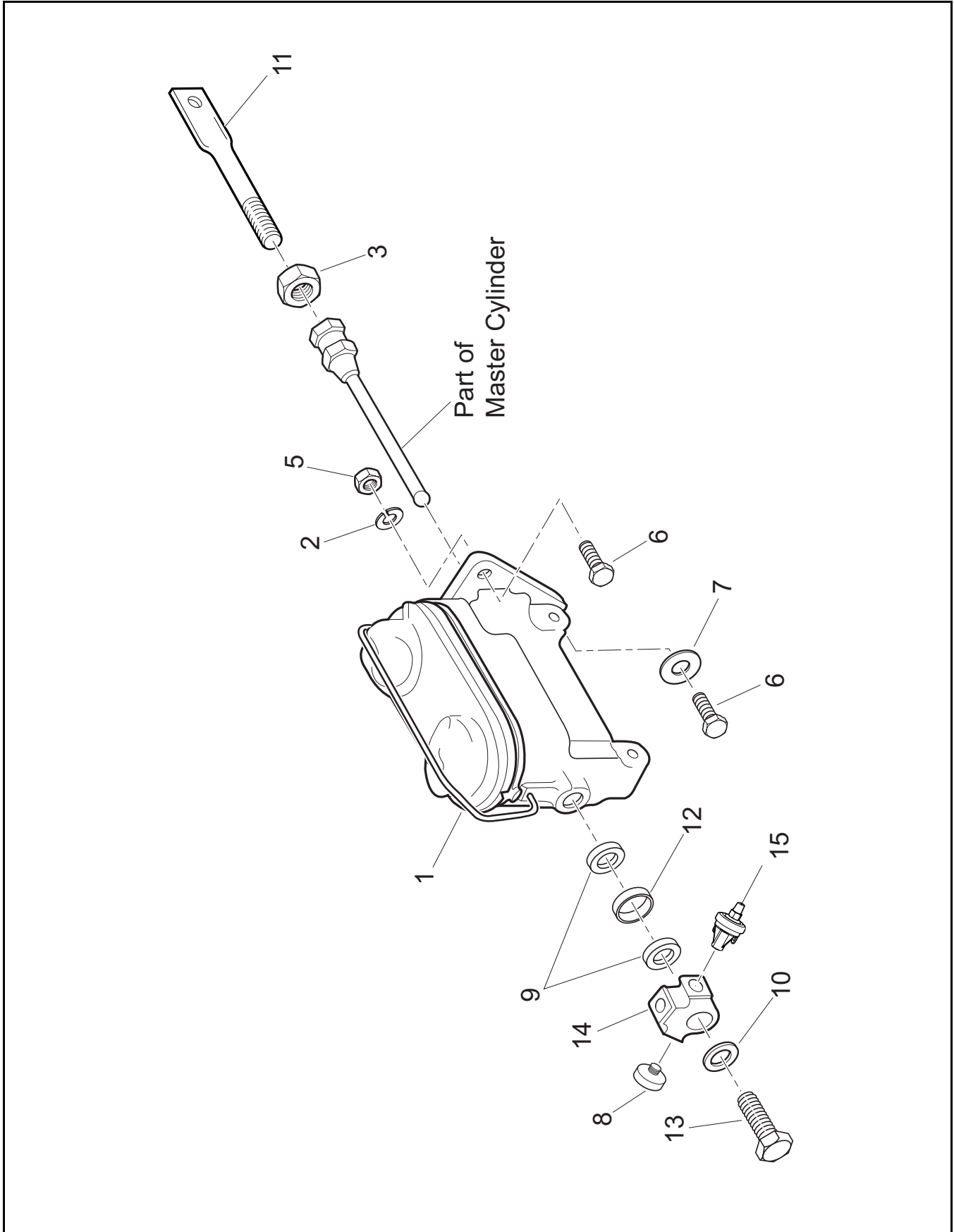
ITEM	PART NO.	1 2 3 4 5	DESCRIPTION	QTY.
1	33725-G01		BRAKE ASSEMBLY (PASSENGER SIDE) (INCLUDES ITEMS 3 - 18)	1
2	33725-G02		BRAKE ASSEMBLY (DRIVER SIDE) (INCLUDES ITEMS 3 - 18)	1
3	21086-G1		TORQUE SPIDER	1
4	21094-G1		BLEEDER VALVE	1
5	21095-G1		LOWER SPRING	1
6	21096-G1		SHOE HOLD DOWN	2
7	21097-G1		ADJUSTER	1
8	21908-G1		DUST SHIELD	1
9	70669-G01		SPRING (BLUE)	1
10	70670-G01		SPRING (YELLOW)	1
11	33726-G01		BRAKE SHOE	2
12				
13	*		PARKING BRAKE LEVER ASSEMBLY (INCLUDES ITEMS 14 - 18)	1
14	13460-G1		CURVED LEVER	1
15	13463-G1		SPRING WASHER	1
16	13462-G1		CLEVIS PIN	1
17	13464-G1		CLEVIS PIN RETAINER	1
18	22604-G1		STRAIGHT LEVER	2
19				
20	13468-G1		CLIP	2
21	33662-G01		STUD, 5/16 - 24	4
22	21562-G1		NUT, 5/16 - 24	4
23				
24	XXXXX-GX		AXLE SHAFT (PASSENGER SIDE) (SEE REAR AXLE SECTION FOR P/N)	1
25	XXXXX-GX		AXLE SHAFT (DRIVER SIDE) (SEE REAR AXLE SECTION FOR P/N)	1
26	17953-G2		BRAKE DRUM	2
27				
28	XXXXX-GX		WHEEL BOLT, 1/2 - 20 (SEE REAR AXLE SECTION FOR P/N)	5
29	XXXXX-GX		LUG NUT, 1/2 - 20 (SEE WHEELS AND TIRES SECTION FOR P/N)	5

REAR BRAKE

THE USE OF NON U.L. PARTS WILL VOID ANY U.L. LISTING.
 When ordering parts, please specify the model and serial number of the product.
 * Indicates a component that is not available as an individual part.
 G** Indicates consult Customer Service Department for additional information.

ITEM	PART NO.	1 2 3 4 5	DESCRIPTION	QTY.
30				
31	21559-G1		WIPER SEAL	1
32				
33	14584-G1		BEARING RETAINER RING	1
34	14585-G1		INNER OIL SEAL	1
35	13084-G1		WHEEL BEARING	1

MASTER CYLINDER



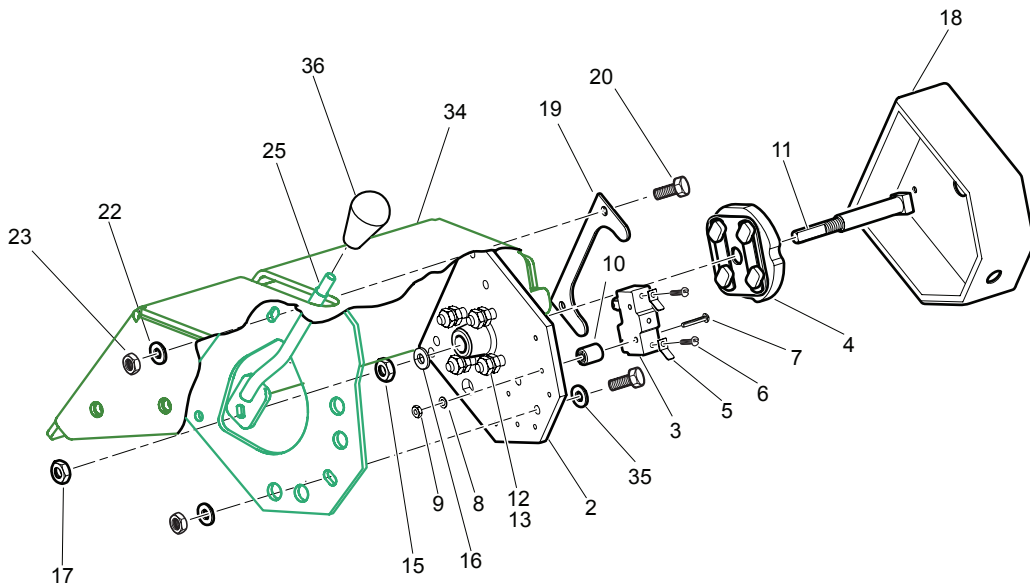
MASTER CYLINDER

THE USE OF NON U.L. PARTS WILL VOID ANY U.L. LISTING.
 When ordering parts, please specify the model and serial number of the product.
 * Indicates a component that is not available as an individual part.
 G** Indicates consult Customer Service Department for additional information.

ITEM	PART NO.	1 2 3 4 5	DESCRIPTION	QTY.
1	886752		MASTER CYLINDER	1
2	120177		LOCK WASHER, 3/8".....	3
3	2702100		NUT, 7/16 - 20, JAM	1
4				
5	306562		NUT, 3/8 - 16	3
6	306835		SCREW, 3/8 - 16 X 1 1/4" LG.....	3
7	603620		WASHER 3/8"	1
8	800227		PLUG, 1/8 - 27	1
9	810443		SEALING WASHER	2
10	810444		OUTER SEALING WASHER.....	1
11	829158		BRAKE ROD	1
12	829844		BUSHING	1
13	839140		BOLT	1
14	830817		BRASS MANIFOLD.....	1
15	620274		STOPLIGHT SWITCH.....	1

DIRECTION SELECTOR 36V

1 - Includes Items 2 - 17



DIRECTION SELECTOR 36V

THE USE OF NON U.L. PARTS WILL VOID ANY U.L. LISTING.
 When ordering parts, please specify the model and serial number of the product.
 * Indicates a component that is not available as an individual part.
 G** Indicates consult Customer Service Department for additional information.

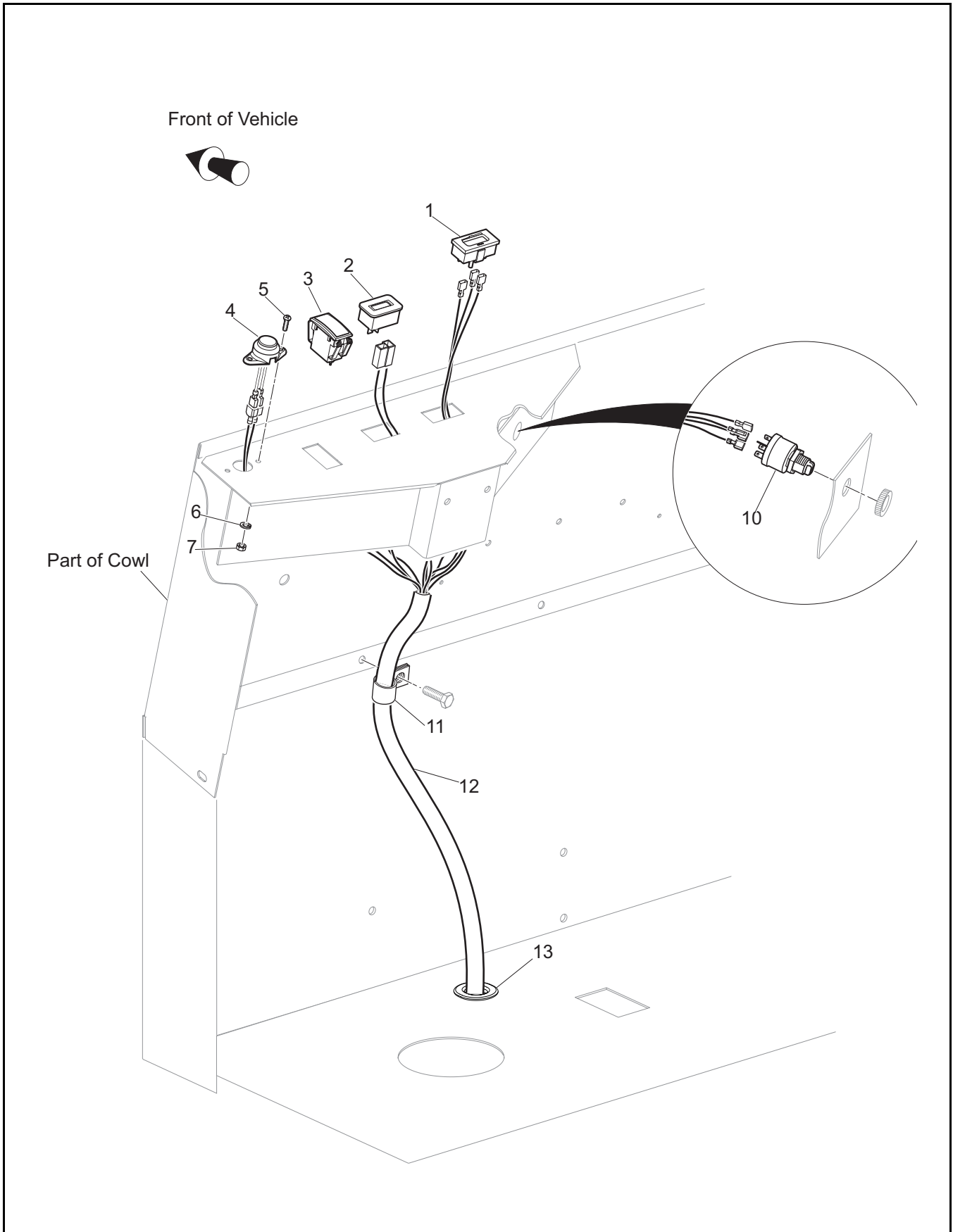
ITEM	PART NO.	1 2 3 4 5	DESCRIPTION	QTY.
1	34190-G02		DIRECTION SELECTOR ASSEMBLY (INCLUDES ITEMS 2 - 17)	1
2	14651-G1		CONTACT BOARD ASSEMBLY	1
3	10606-G4		MICRO SWITCH (HEAVY DUTY).....	2
4	12835-G1		CAM	1
5	14628-G1		FASTON TAB	4
6	13514-G1		SCREW, #6 - 32 X 1/4" LG (BRASS)	4
7	00645-G6		SCREW, #6 - 32 X 1 3/4" LG	4
8	00565-G3		LOCK WASHER, #6	4
9	00525-G5		NUT, #6 - 32.....	4
10	12806-G1		SPACER	4
11	34169-G01		SHAFT	1
12	00544-G3		NUT, 5/16 - 18.....	8
13	00565-G8		LOCK WASHER, 5/16"	4
14				
15	00532-G6		NUT, 3/8 - 24.....	2
16	00560-G1		WASHER, 3/8"	1
17	14390-G1		LOCK NUT, 3/8 - 24	1
18	35209-G01		BOOT	1
19	15461-G1		WASHER PLATE.....	1
20	302288		BOLT, 1/4 - 20 X 1" LG	3
21				
22	00559-G7		WASHER, 1/4"	3
23	14390-G4		LOCK NUT, 1/4 - 20	3
24				
25	34168 G01		FNR HANDLE ARM	1
26				
27				
28				
29				
30				

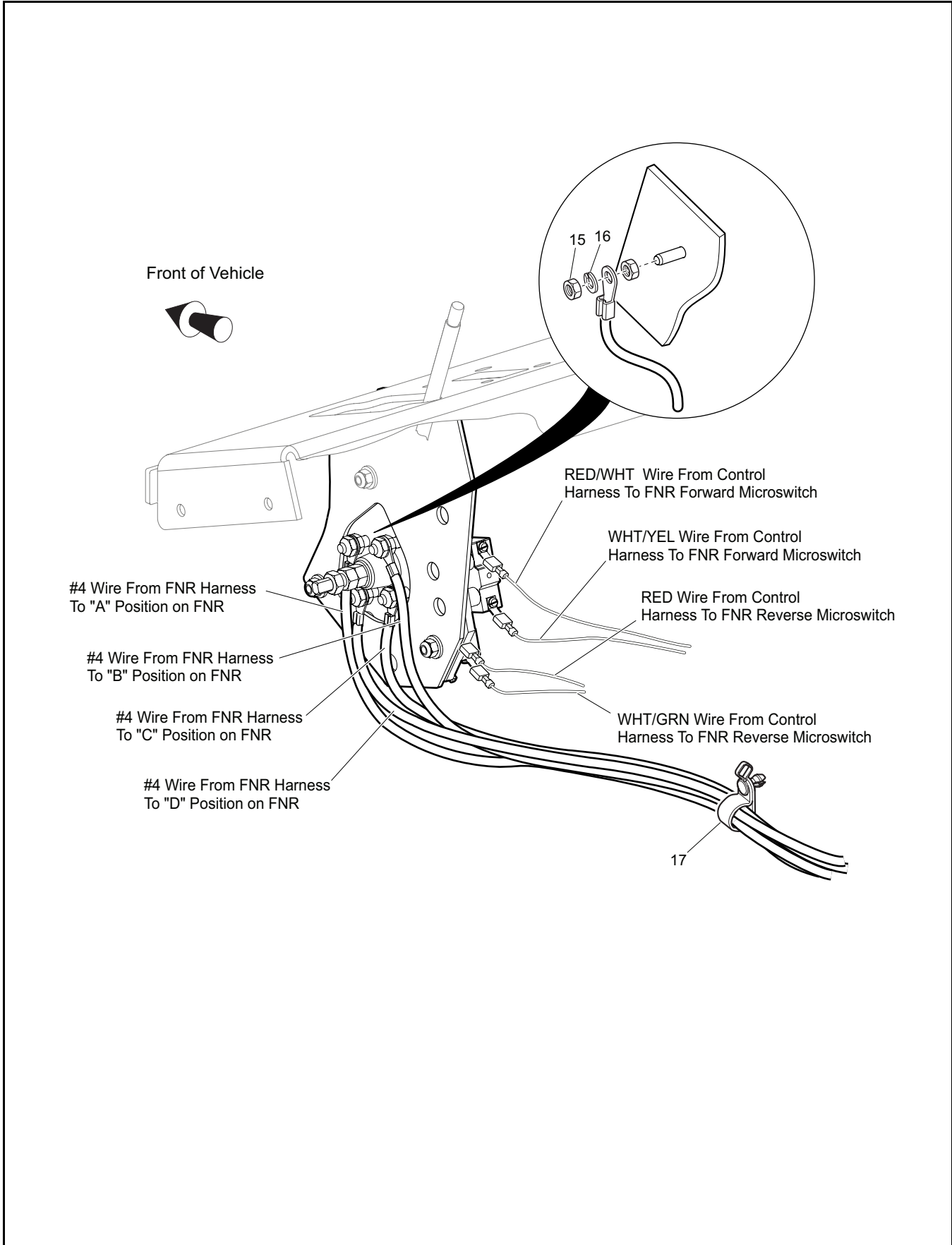
DIRECTION SELECTOR 36V

THE USE OF NON U.L. PARTS WILL VOID ANY U.L. LISTING.
 When ordering parts, please specify the model and serial number of the product.
 * Indicates a component that is not available as an individual part.
 G** Indicates consult Customer Service Department for additional information.

ITEM	PART NO.	1	2	3	4	5	DESCRIPTION	QTY.
31								
32								
33								
34	601100						BRACKET	1
35	00559-G7						WASHER, 1/4"	1
36	11989-G1						SHIFTER ARM KNOB	1
37								

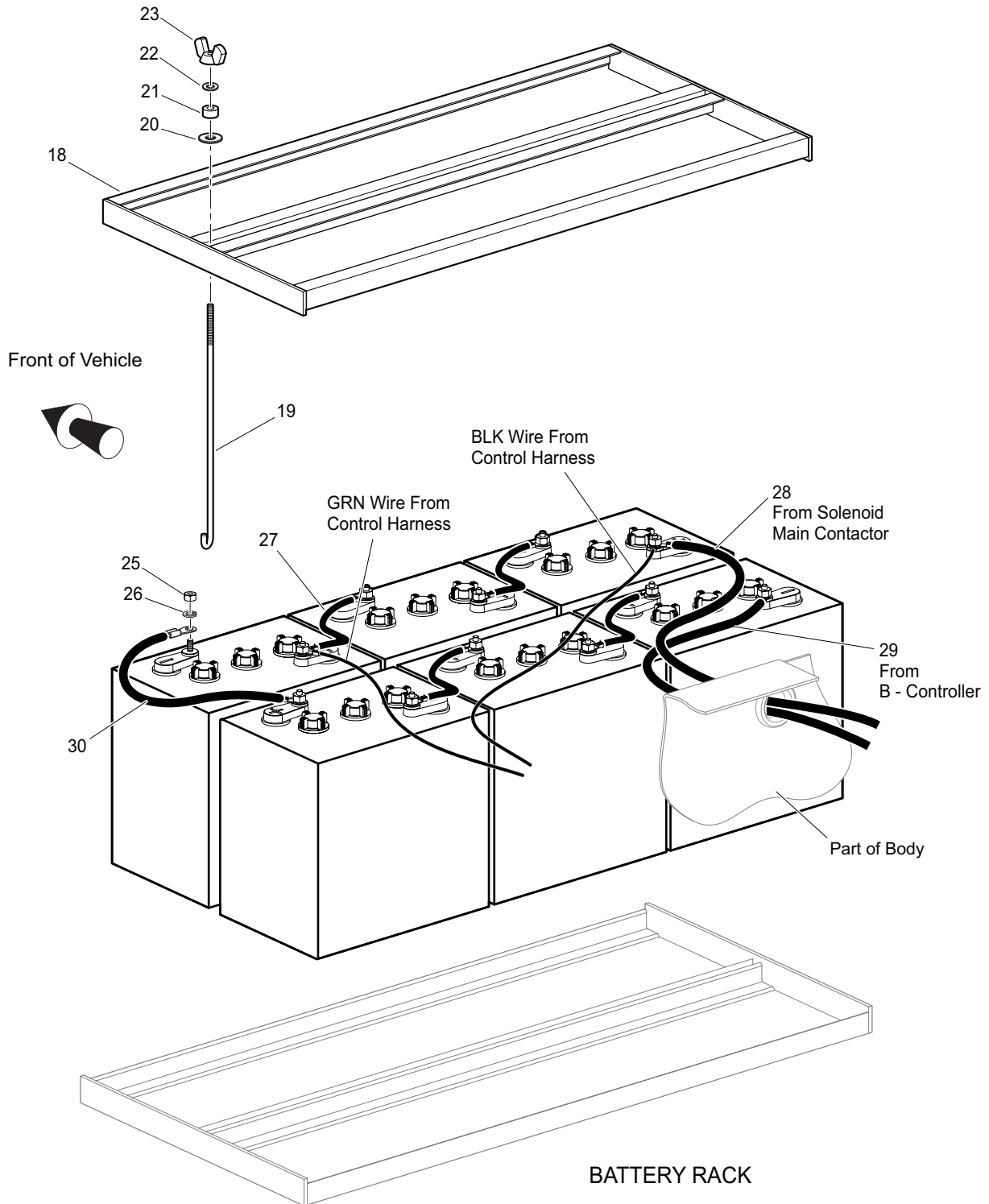
ELECTRICAL 36V



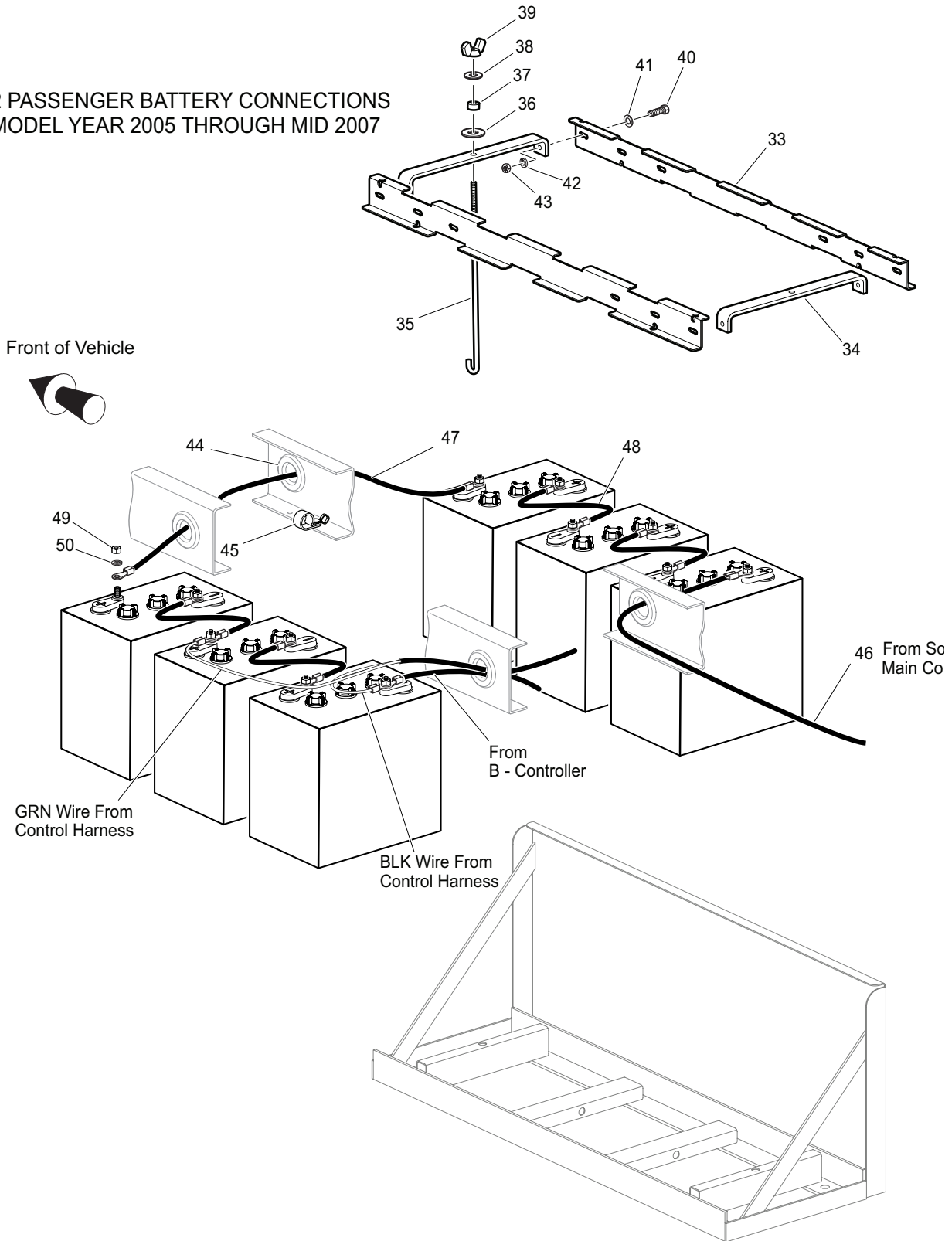


ELECTRICAL 36V

4 PASSENGER BATTERY HOLD DOWN AND BATTERY CONNECTIONS

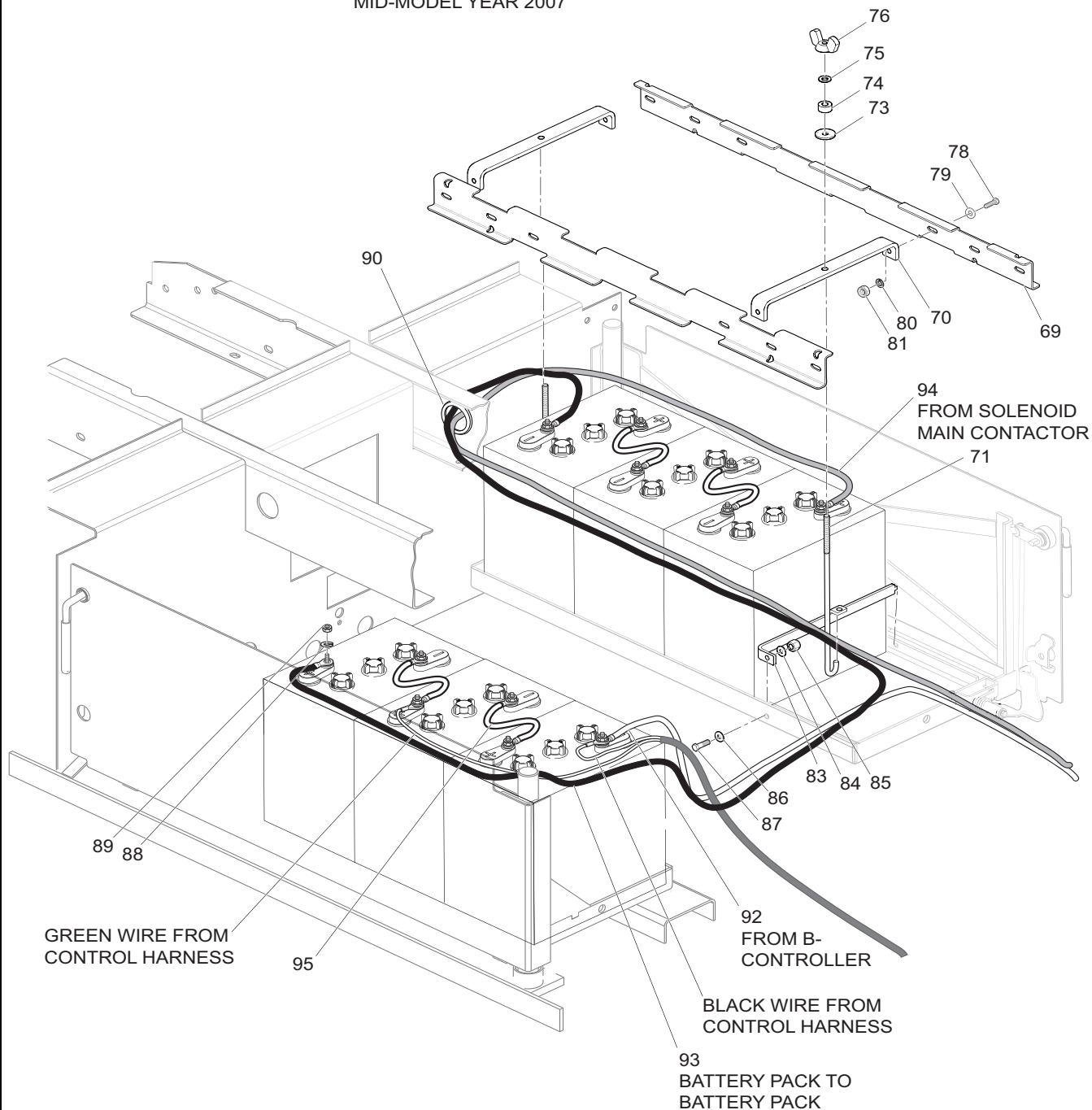


**2 PASSENGER BATTERY CONNECTIONS
MODEL YEAR 2005 THROUGH MID 2007**

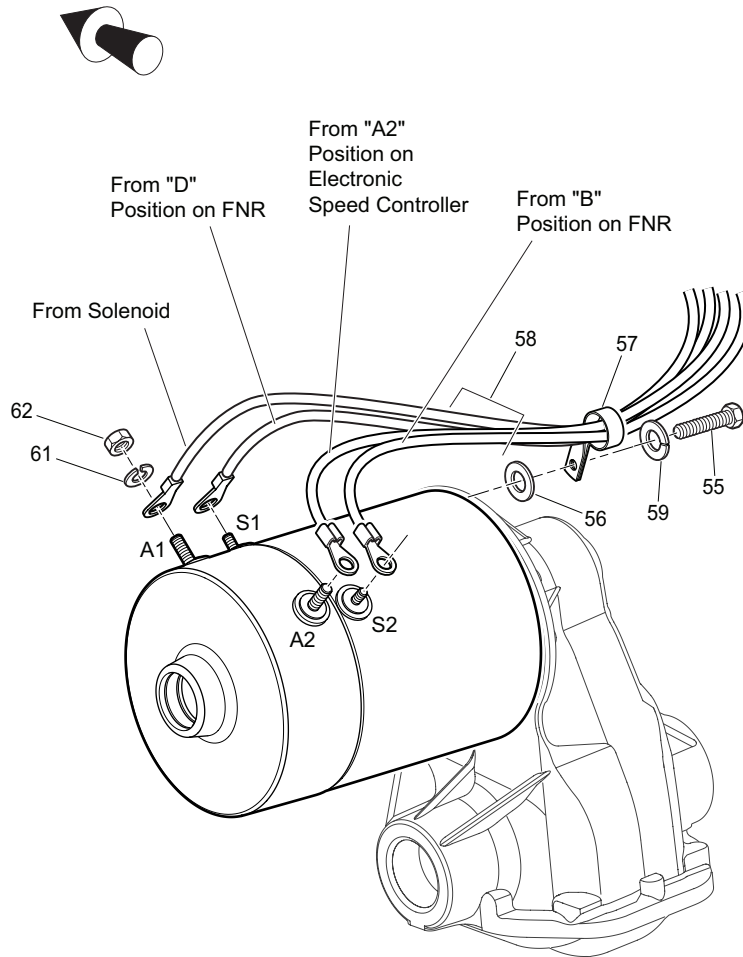


ELECTRICAL 36V

2 PASSENGER SWING OUT BATTERY TRAY
MID-MODEL YEAR 2007



Front of Vehicle

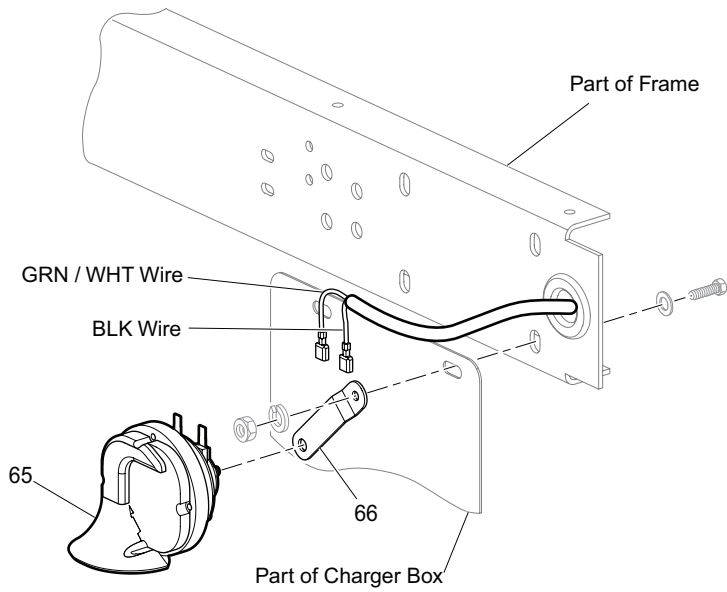


ELECTRICAL 36V

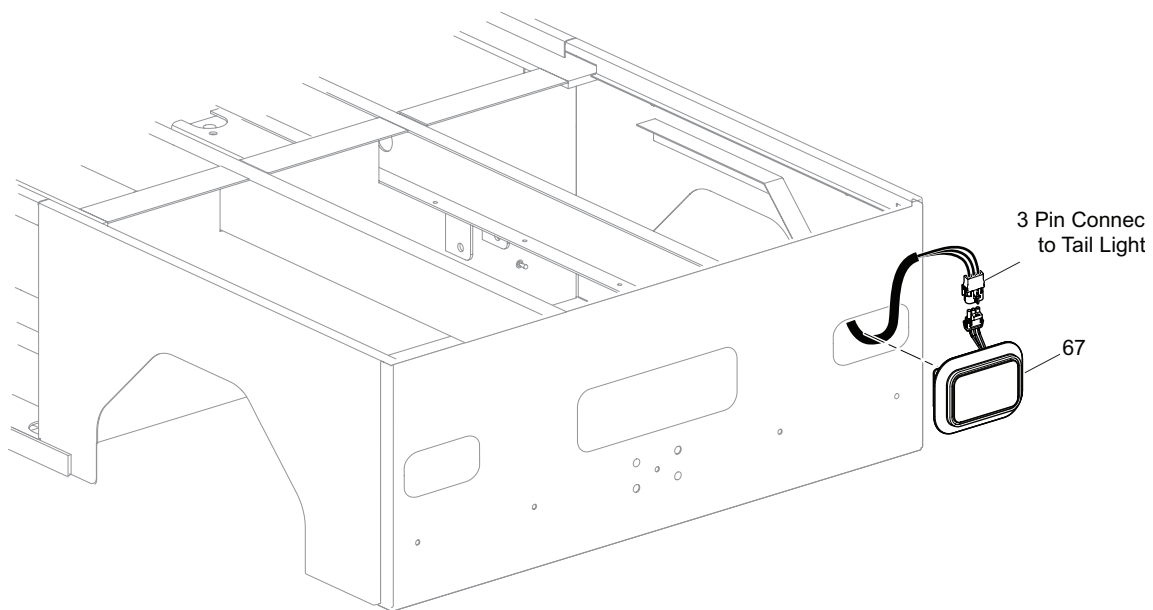
Front of Vehicle



HORN



TAIL LIGHT



ELECTRICAL 36V

THE USE OF NON U.L. PARTS WILL VOID ANY U.L. LISTING.
 When ordering parts, please specify the model and serial number of the product.
 * Indicates a component that is not available as an individual part.
 G** Indicates consult Customer Service Department for additional information.

ITEM	PART NO.	1 2 3 4 5	DESCRIPTION	QTY.
1	33636-G01		SOC METER, 36V.....	1
2	74665-G02		HOUR METER.....	1
3	73877-G01		PLUG.....	1
4	806791		HORN BUTTON.....	1
5	800296		SCREW, #10 - 24 X 3/4" LG.....	1
6	120052		LOCK WASHER.....	1
7	306531		NUT, #10 - 24.....	1
8				
9				
10	33639-G01		IGNITION SWITCH W/LIGHTS.....	1
11	11845-G3		WIRE CLAMP.....	1
12	600509		CONTROL HARNESS.....	1
13	828247		RUBBER GROMMET.....	1
14				
15	00544-G3		NUT, 5/16 - 18.....	1
16	00565-G8		LOCK WASHER, 5/16".....	1
17	73864-G02		WIRE CLAMP.....	1
18	890881		BATTERY FRAME.....	1
19	806954		J - BOLT, 5/16 - 18 X 12 1/2" LG.....	1
20	809152		WASHER.....	1
21	818303		SPACER.....	1
22	103867		WASHER, 5/16".....	1
23	800315		WING NUT, 5/16 - 18.....	1
24				
25	00702-G2		NUT, 5/16 - 24.....	1
26	00565-G8		LOCK WASHER, 5/16".....	1
27	25971-G18		WIRE, #4, 6".....	1
28	600783		WIRE, #4, 55".....	1
29	600552		WIRE, #4, 52".....	1
30	25971-G13		WIRE, #4, 10 1/2".....	1

ELECTRICAL 36V

THE USE OF NON U.L. PARTS WILL VOID ANY U.L. LISTING.
 When ordering parts, please specify the model and serial number of the product.
 * Indicates a component that is not available as an individual part.
 G** Indicates consult Customer Service Department for additional information.

ITEM	PART NO.	1	2	3	4	5	DESCRIPTION	QTY.
31								
32								
33	600459						BATTERY HOLD DOWN.....	1
34	829835						BATTERY HOLD DOWN END	1
35	806954						J - BOLT, 5/16 - 18 X 12 1/2" LG	1
36	809152						WASHER.....	1
37	818303						SPACER.....	1
38	103867						WASHER, 5/16"	1
39	800315						WING NUT, 5/16 - 18	1
40	300646						SCREW, 1/4 - 20 X 3/4" LG.....	1
41	308090						WASHER, 1/4"	1
42	306396						LOCK WASHER, 1/4".....	1
43	306375						NUT, 1/4 - 20	1
44	829997						RUBBER GROMMET.....	1
45	73864-G02						WIRE CLAMP.....	1
46	600783						WIRE, #4, 55".....	1
47	600554						WIRE, #4, 53".....	1
48	25971-G13						WIRE, #4, 10 1/2".....	1
49	00702-G2						NUT, 5/16 - 24	1
50	00565-G8						LOCK WASHER, 5/16".....	1
51								
52								
53								
54								
55	00797-G2						BOLT, 1/4 - 20 X 1 1/4" LG	1
56	00559-G7						WASHER, 1/4"	1
57	27327-G02						TWISTED CLAMP	1
58	600556						POWER HARNESS	1
59	00565G7						LOCK WASHER.....	1
60								

ELECTRICAL 36V

THE USE OF NON U.L. PARTS WILL VOID ANY U.L. LISTING.
 When ordering parts, please specify the model and serial number of the product.
 * Indicates a component that is not available as an individual part.
 G** Indicates consult Customer Service Department for additional information.

ITEM	PART NO.	1 2 3 4 5	DESCRIPTION	QTY.
61	00993-G01		LOCK WASHER, 5/16"	1
62	28418-G01		NUT, 5/16 - 18	1
63				
64				
65	32860-G1		HORN (INCLUDES ITEM 66).....	1
66	*		BRACKET	1
67	32739-G3		TAIL LIGHT	1
68				
69	2703801.7		BATTERY HOLD DOWN.....	1
70	829835		BATTERY HOLD DOWN END	1
71	604197		J-BOLT, 5/16 - 18 X 10 3/4" LG	1
72				
73	809152		WASHER.....	1
74	818303		SPACER.....	1
75	103867		WASHER, 5/16"	1
76	800315		WING NUT, 5/16 - 18	1
77				
78	300646		HEX HEAD BOLT, 1/4 - 20 X 3/4" LG.....	1
79	308090		WASHER, 1/4"	1
80	306396		LOCK WASHER, 1/4".....	1
81	306375		NUT, 1/4 - 20	1
82				
83	604651		END BAR	1
84	00559G7		WASHER, 1/4"	1
85	00891G2		LOCK NUT, 1/4 - 20	1
86	00559G7		WASHER, 1/4"	1
87	00414G8		HEX HEAD BOLT, 1/4 - 20 X 1" LG.....	1
88	000565G8		WASHER, 5/16:"	1
89	00702G2		HEAVY HEX NUT, 5/16 - 24.....	1
90	829997		RUBBER GROMMET.....	1

**DID YOU
KNOW?**

CartPros directs you to the right part using the part numbers from this manual. Enter the part number into our search box and it will find the part you are looking for.

**GET STARTED
HERE** →

<https://CartPros.com/f.html>

ELECTRIC 36V

THE USE OF NON U.L. PARTS WILL VOID ANY U.L. LISTING.

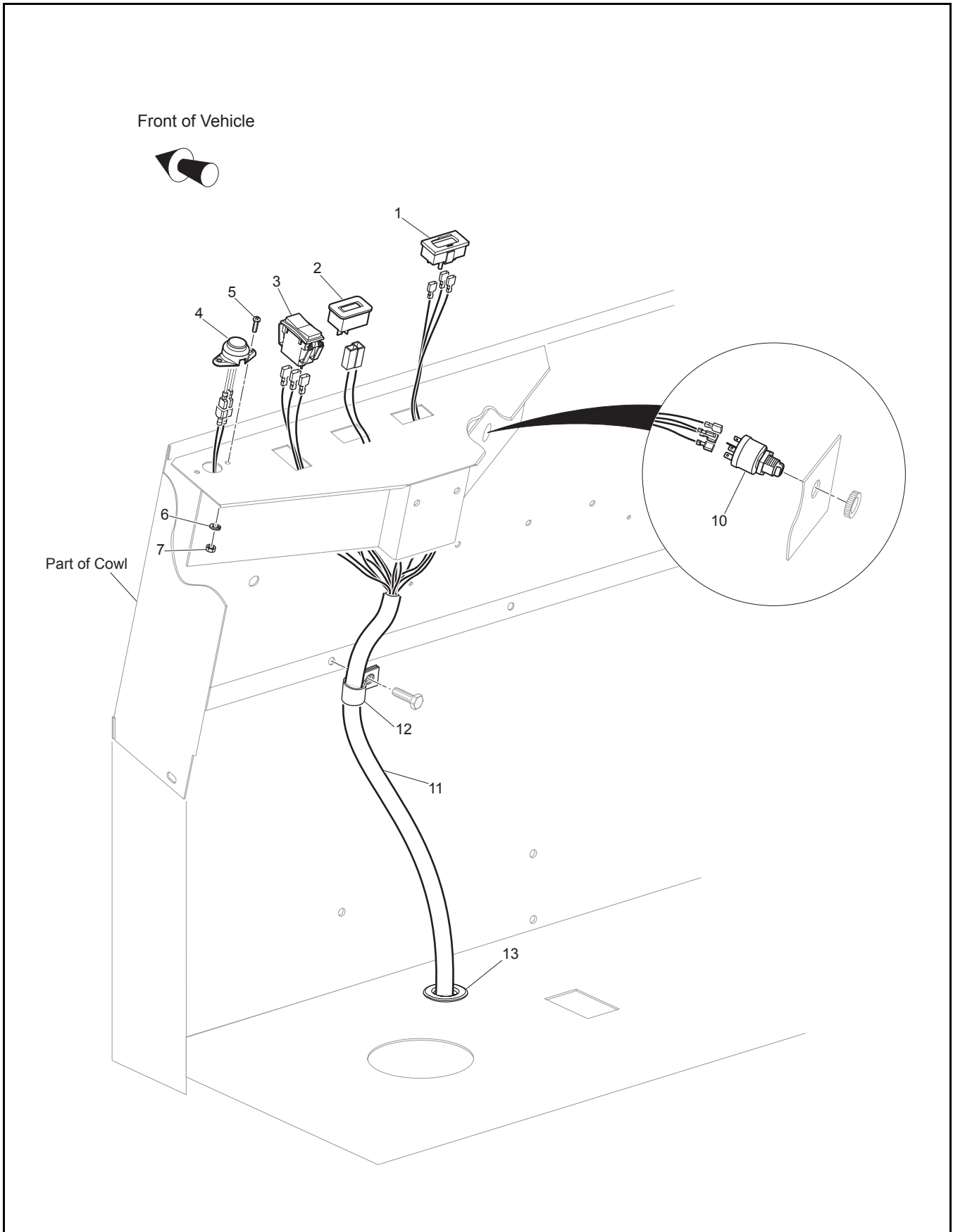
When ordering parts, please specify the model and serial number of the product.

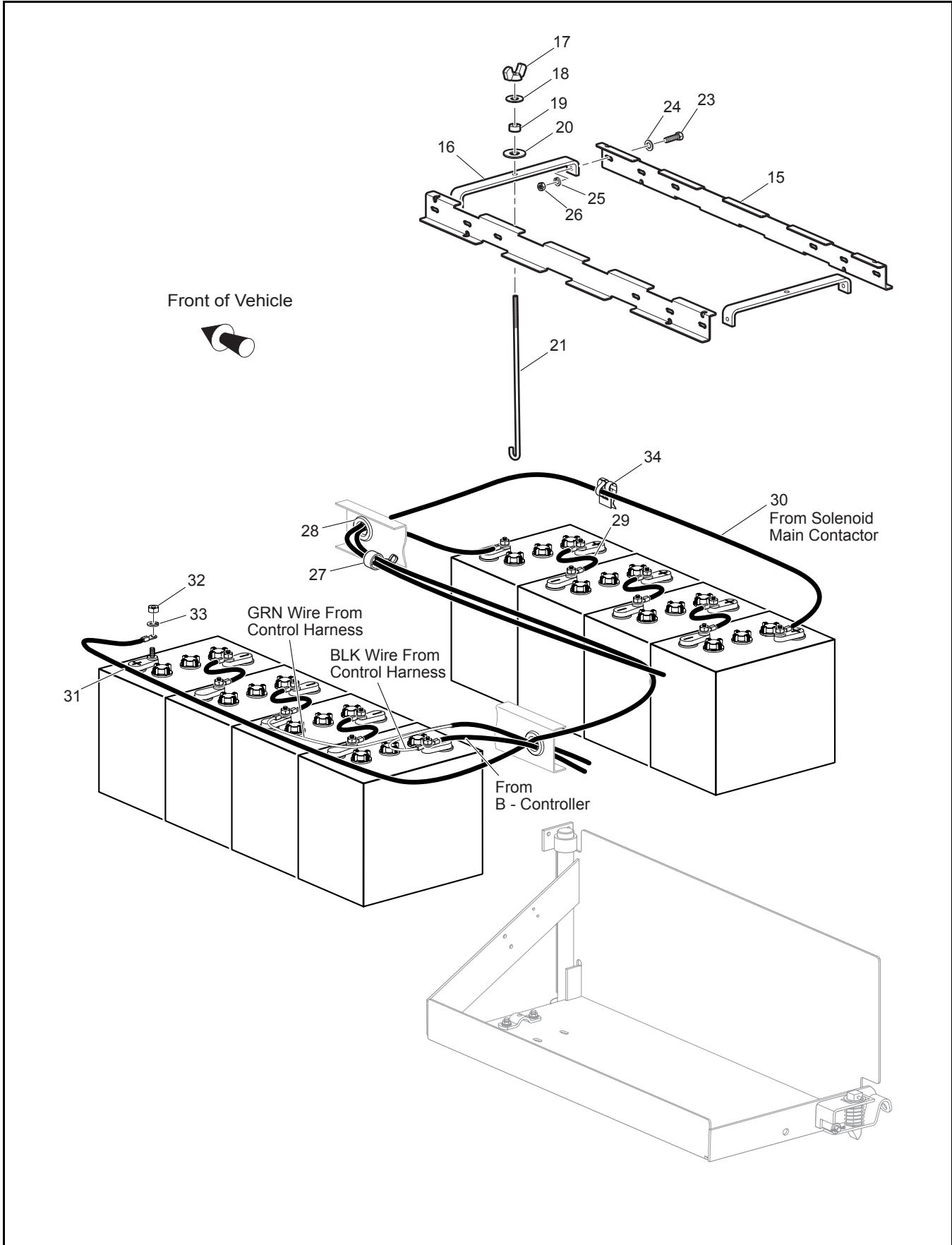
* Indicates a component that is not available as an individual part.

G** Indicates consult Customer Service Department for additional information.

ITEM	PART NO.	1 2 3 4 5	DESCRIPTION	QTY.
91				
92	600552		WIRE ASSEMBLY, #4, 117" LG.....	1
93	600553		WIRE ASSEMBLY, #4, 126" LG	1
94	600550		WIRE ASSEMBLY, #4, 80" LG	1
95	25971G13		WIRE ASSEMBLY, #4, 10" LG	1

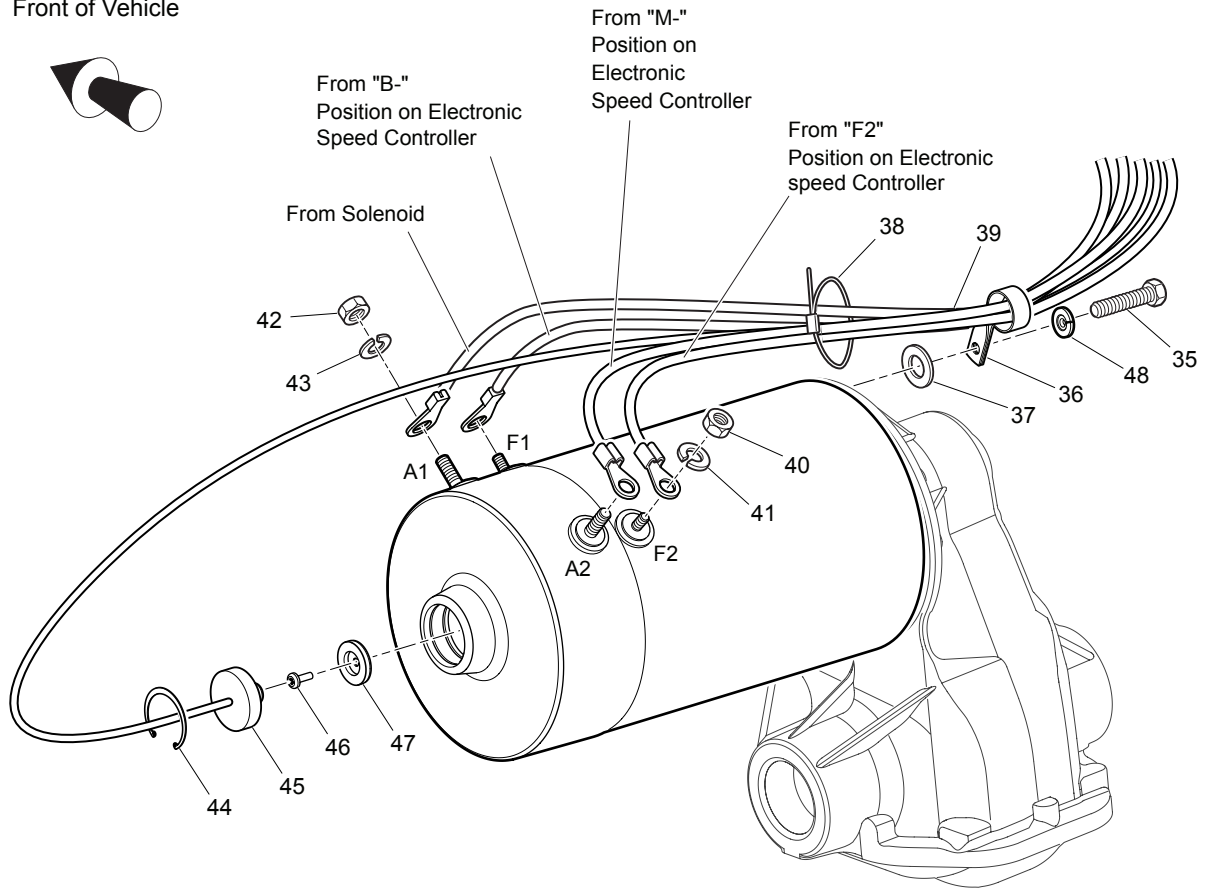
ELECTRICAL 48V

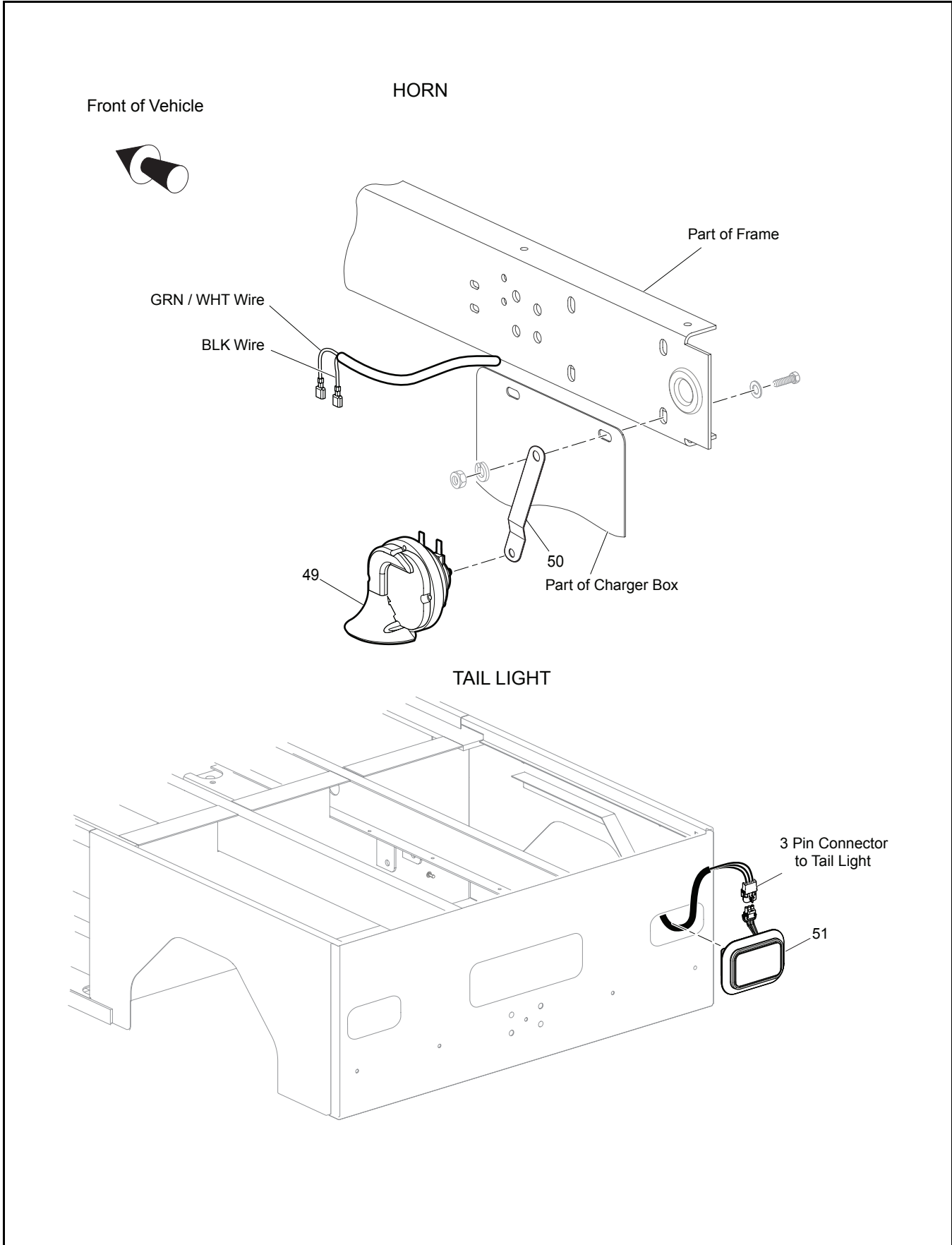




ELECTRICAL 48V

Front of Vehicle





ELECTRICAL 48V

THE USE OF NON U.L. PARTS WILL VOID ANY U.L. LISTING.
 When ordering parts, please specify the model and serial number of the product.
 * Indicates a component that is not available as an individual part.
 G** Indicates consult Customer Service Department for additional information.

ITEM	PART NO.	1 2 3 4 5	DESCRIPTION	QTY.
1	33636-G03		SOC METER, 48V.....	1
2	74665-G02		HOUR METER.....	1
3	74323-G01		FNR SWITCH.....	1
4	806791		HORN BUTTON.....	1
5	800296		SCREW, #10 - 24 X 3/4" LG.....	2
6	120052		LOCK WASHER, #10.....	2
7	306531		NUT, #10 - 24.....	2
8				
9				
10	33639-G01		IGNITION SWITCH W/LIGHTS.....	1
11	600510		CONTROL HARNESS.....	1
12	11845-G3		CLAMP.....	1
13	828247		RUBBER GROMMET.....	1
14				
15	2703801.7		BATTERY HOLD DOWN.....	1
16	829835		BATTERY HOLD DOWN END.....	1
17	800315		WING NUT, 5/16 - 18.....	1
18	103867		WASHER, 5/16".....	1
19	818303		SPACER.....	1
20	809152		WASHER.....	1
21	806954		J - BOLT, 5/16 - 18 X 12 1/2" LG.....	1
22				
23	300646		SCREW, 1/4 - 20 X 3/4" LG.....	1
24	308090		WASHER, 1/4".....	1
25	306396		LOCK WASHER, 1/4".....	1
26	306375		NUT, 1/4 - 20.....	1
27	73864-G02		WIRE CLAMP.....	1
28	829997		RUBBER GROMMET.....	1
29	25971-G13		WIRE, #4.....	1
30	600550		WIRE, #4.....	1

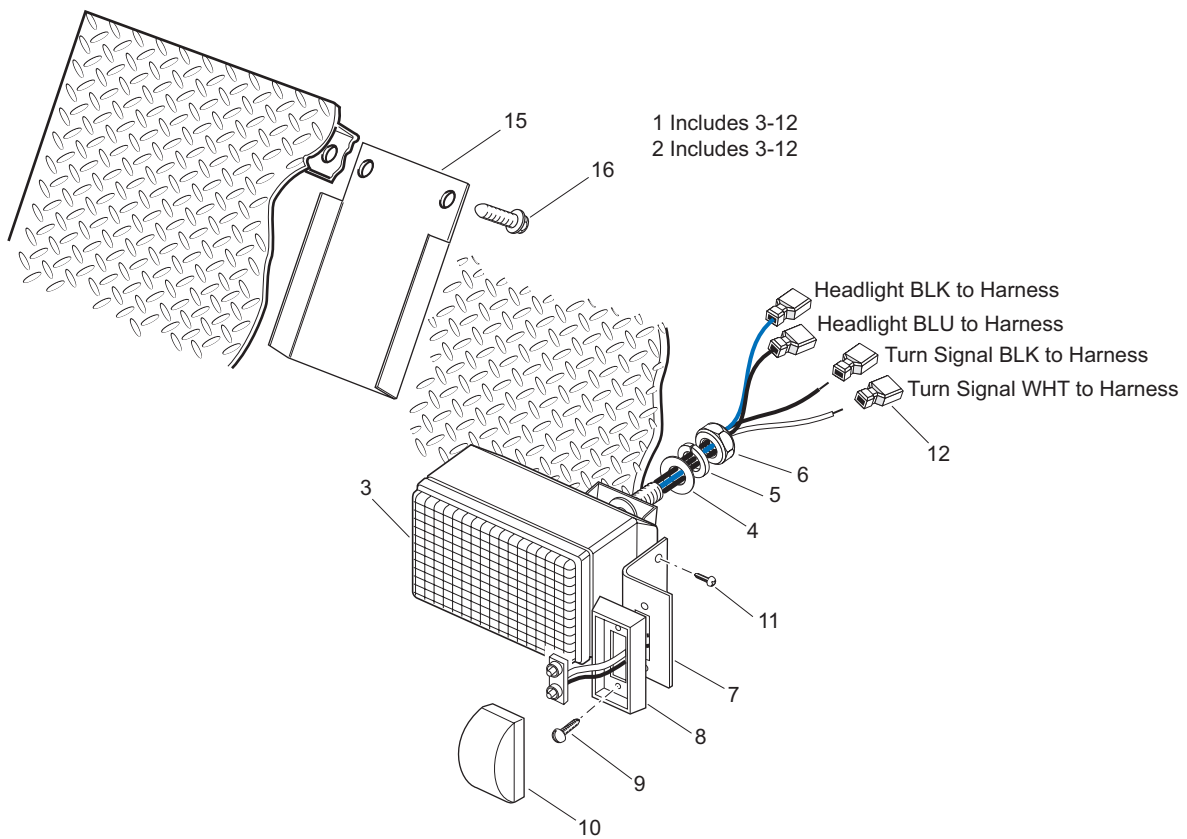
ELECTRICAL 48V

THE USE OF NON U.L. PARTS WILL VOID ANY U.L. LISTING.
 When ordering parts, please specify the model and serial number of the product.
 * Indicates a component that is not available as an individual part.
 G** Indicates consult Customer Service Department for additional information.

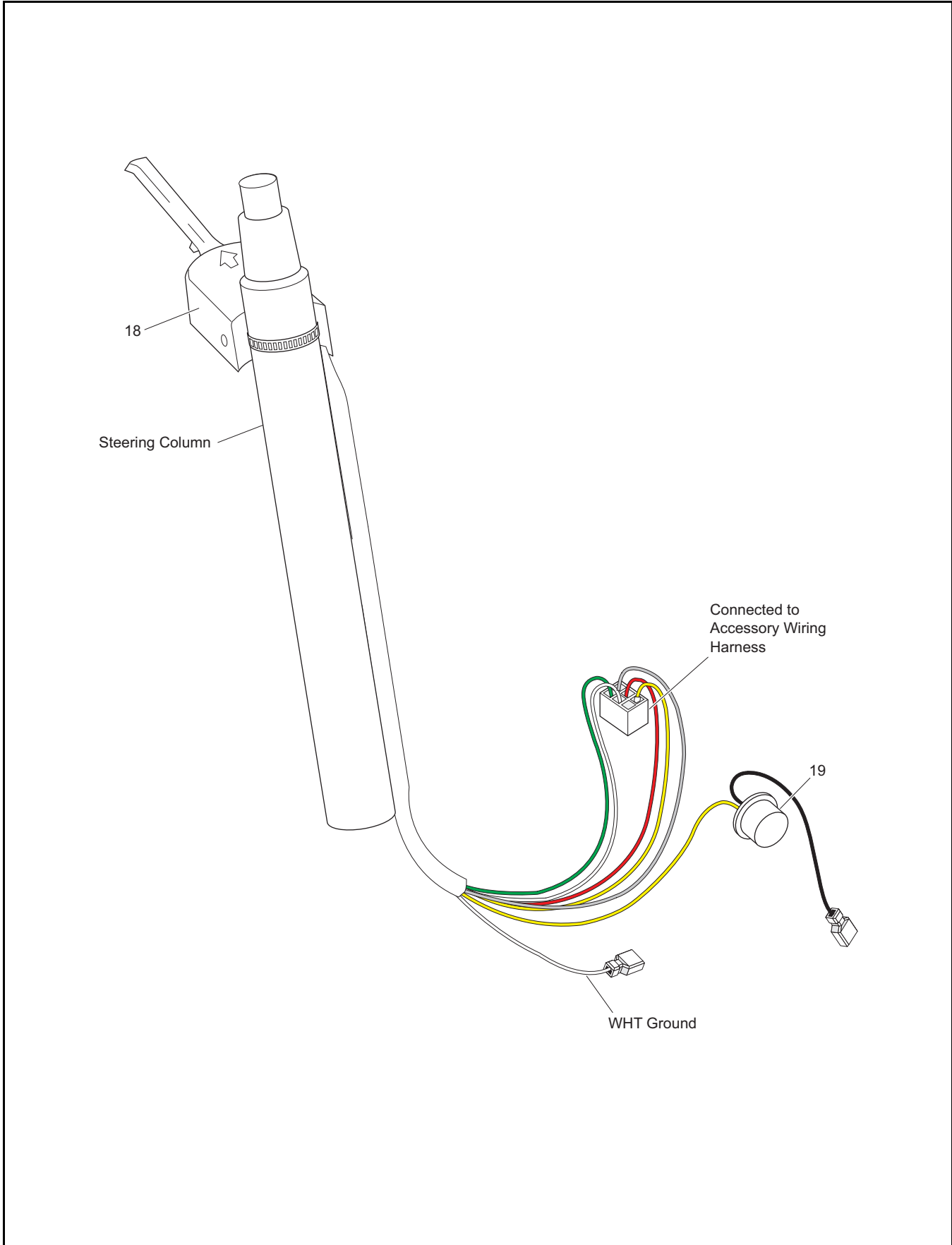
ITEM	PART NO.	1 2 3 4 5	DESCRIPTION	QTY.
31	600553		WIRE, #4	1
32	00702-G2		NUT, 5/16 - 24	1
33	00565-G8		LOCK WASHER, 5/16"	1
34	813840		CLIP	1
35	00797-G2		BOLT, 1/4 - 20 X 1 1/4" LG	1
36	27327-G02		CLAMP	1
37	00559-G7		WASHER, 1/4"	1
38	17618-G1		WIRE TIE	1
39	600785		POWER HARNESS	1
40	28418-G02		NUT, 1/4 - 20	1
41	00993-G02		LOCK WASHER	1
42	28418-G01		NUT, 5/16 - 18	1
43	00993-G01		LOCK WASHER, 5/16"	1
44	73277-G01		RETAINER RING	1
45	600784		SPEED SENSOR	1
46	01037-G02		SCREW, #10 - 32 X 1/2" LG	1
47	73328-G01		MAGNET	1
48				
49	32860-G1		HORN (INCLUDES ITEM 50)	1
50	*		BRACKET	1
51	32739-G3		TAIL LIGHT	1

ELECTRICAL (ACCESSORY)

HEADLIGHT AND TURN SIGNAL INSTALLATION



ELECTRICAL (ACCESSORY)



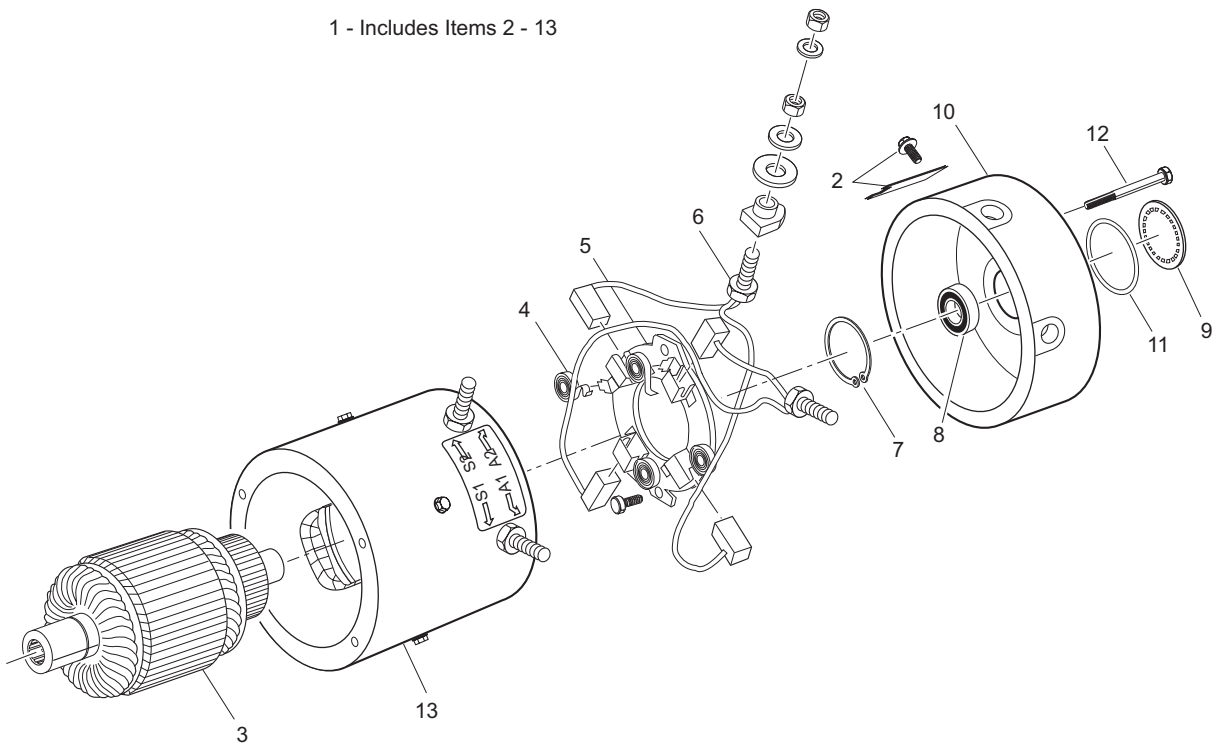
ELECTRICAL (ACCESSORY)

THE USE OF NON U.L. PARTS WILL VOID ANY U.L. LISTING.
 When ordering parts, please specify the model and serial number of the product.
 * Indicates a component that is not available as an individual part.
 G** Indicates consult Customer Service Department for additional information.

ITEM	PART NO.	1 2 3 4 5	DESCRIPTION	QTY.
1	30395-G3		HEAD LIGHT AND TURN SIGNAL (PASSENGER SIDE - OPTIONAL) (INCLUDES ITEMS 3 - 12).....	1
2	30395-G4		HEAD LIGHT AND TURN SIGNAL (DRIVER SIDE - OPTIONAL) (INCLUDES ITEMS 3 - 12).....	1
3	30394-G4		HEADLIGHT (RECTANGULAR).....	2
4	00560-G3		WASHER, 1/2".....	2
5	00566-G3		LOCK WASHER, 1/2".....	2
6	00533-G1		NUT, 1/2 - 13.....	2
7	21806-G1		TURN SIGNAL LIGHT BRACKET.....	1
8	18927-G1		ADAPTER MOUNT.....	1
9	00984-G01		SCREW, # 8 - 10 X 1/2" LG.....	2
10	19180-G2		TURN SIGNAL LIGHT.....	1
11	00598-G4		SCREW, #10 - 32 X 1/2" LG.....	2
12	17064-G2		PUSH ON TERMINAL (FEMALE).....	2
13				
14				
15	830237		WIRING COVER.....	1
16	112050		SCREW, TAPPING, 1/4 - 20 X 5/8" LG.....	2
17				
18	17867-G1		TURN SIGNAL (WITH MOUNTING HARDWARE) (OPTIONAL) (INCLUDES ITEM 19).....	1
19	21640-G1		TURN SIGNAL FLASHER.....	1

MOTOR 36V SERIES

1 - Includes Items 2 - 13

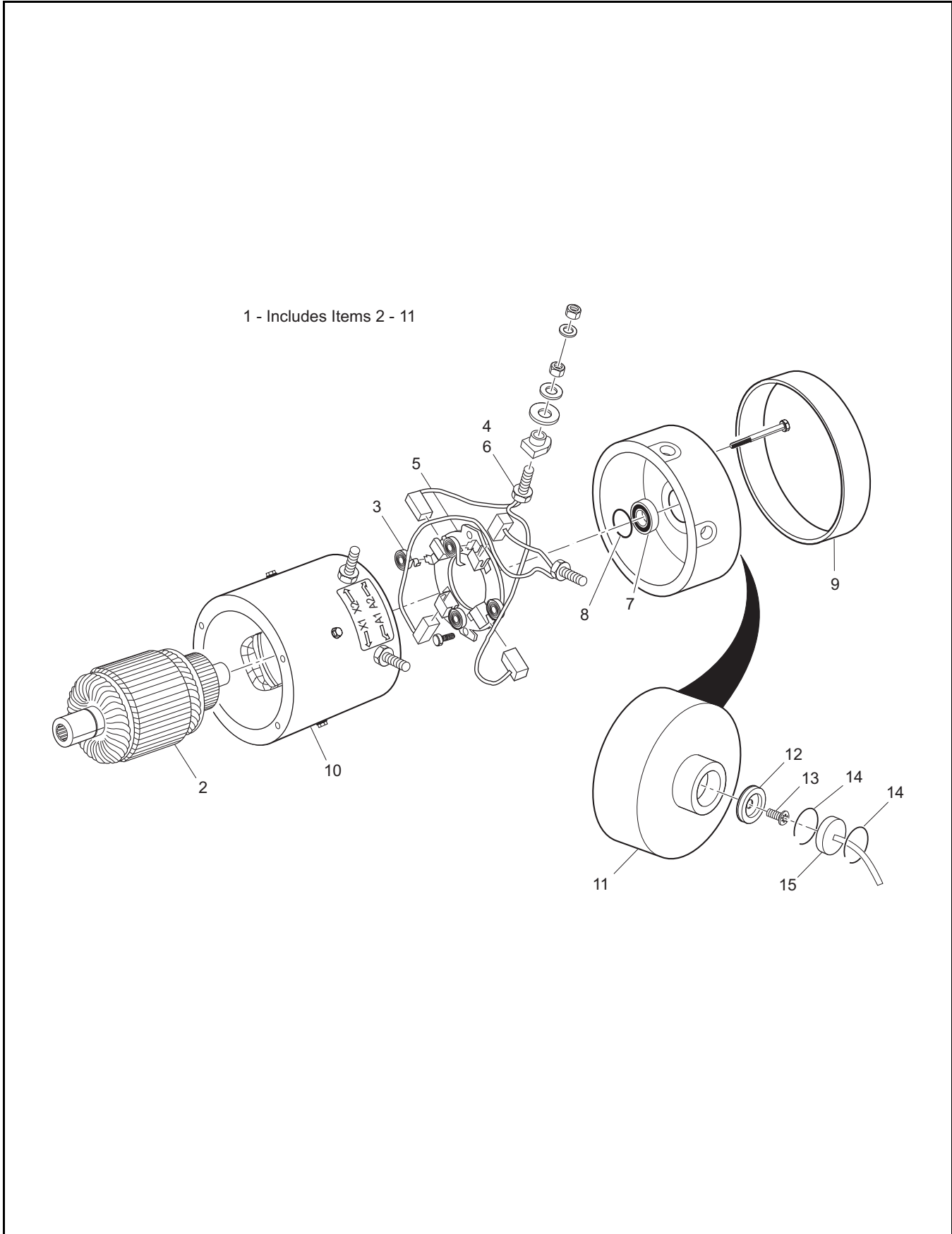


MOTOR 36V SERIES

THE USE OF NON U.L. PARTS WILL VOID ANY U.L. LISTING.
 When ordering parts, please specify the model and serial number of the product.
 * Indicates a component that is not available as an individual part.
 G** Indicates consult Customer Service Department for additional information.

ITEM	PART NO.	1 2 3 4 5	DESCRIPTION	QTY.
1	73124-G02		MOTOR, FLEET SPEED, NON - VENTED (INCLUDES ITEMS 2 - 13)	1
2	73120-G09		COVER PLATE AND SCREW	1
3	*		ARMATURE	1
4	73120-G03		BRUSH SPRING.....	4
5	73120-G15		BRUSH PLATE AND BOX	1
6	73120-G25		BRUSH REPLACEMENT KIT (INCLUDES HARDWARE)	1
7	73120-G06		SNAP RING	1
8	73120-G07		BEARING.....	1
9	73120-G16		CAP.....	1
10	73120-G08		COMMUTATOR END HEAD.....	1
11	73277-G01		RETAINING RING.....	1
12	73120-G32		COMMUTATOR HEAD SCREW	4
13	73120-G29		FRAME AND FIELD COIL (INCLUDES HARDWARE).....	1

MOTOR 48V PDS

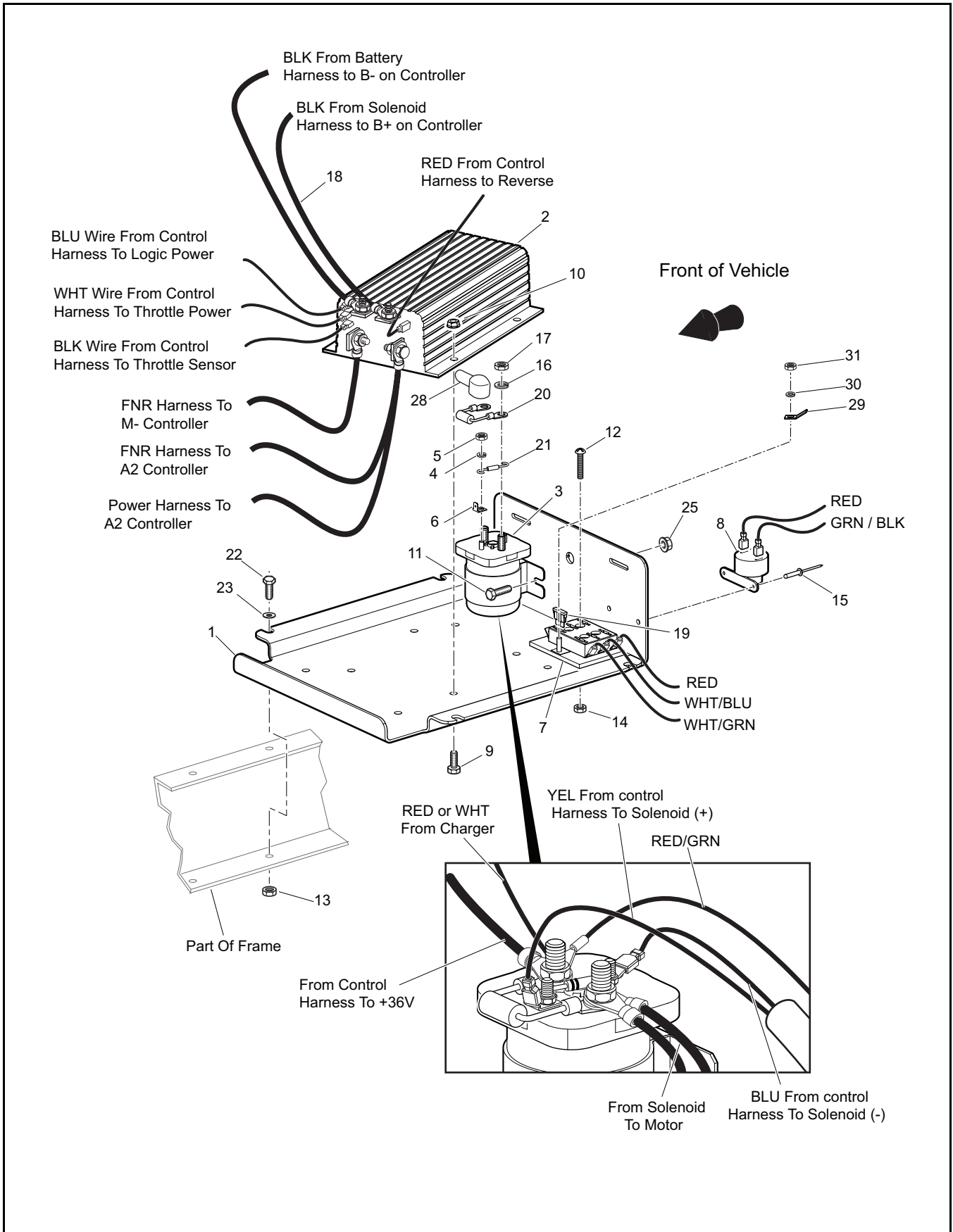


MOTOR 48V PDS

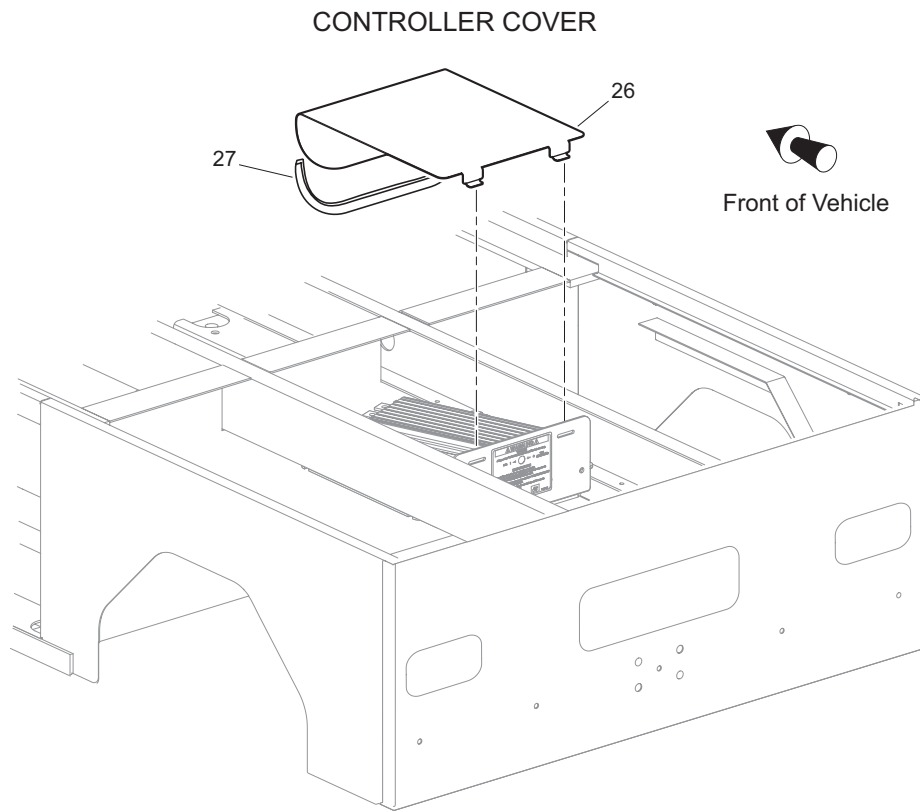
THE USE OF NON U.L. PARTS WILL VOID ANY U.L. LISTING.
 When ordering parts, please specify the model and serial number of the product.
 * Indicates a component that is not available as an individual part.
 G** Indicates consult Customer Service Department for additional information.

ITEM	PART NO.	1 2 3 4 5	DESCRIPTION	QTY.
1	73291-G04		MOTOR 48V (SEPARATELY EXCITED) (PDS) (INCLUDES ITEMS 2 - 11).....	1
2	73120-G36		ARMATURE	1
3	73120-G38		BRUSH SPRING.....	8
4	73120-G39		BRUSH	1
5	73120-G40		BRUSH BOX.....	1
6	73120-G41		BRUSH REPLACEMENT KIT (INCLUDES HARDWARE)	1
7	73120-G07		BEARING	1
8	73120-G06		SNAP RING	1
9	73120-G43		HEADBAND	1
10	73120-G37		FRAME AND FIELD COIL (INCLUDES HARDWARE).....	1
11	73120-G42		COVER COMMUTATOR END	1
12	73328-G01		MAGNET	1
13	01037-G02		SCREW, #10 - 32 X 1/2" LG.....	1
14	73277-G01		RETAINING RING	2
15	600784		SPEED SENSOR	1

36 VOLT ELECTRONIC SPEED CONTROL



36 VOLT ELECTRONIC SPEED CONTROL



36 VOLT ELECTRONIC SPEED CONTROL

THE USE OF NON U.L. PARTS WILL VOID ANY U.L. LISTING.
 When ordering parts, please specify the model and serial number of the product.
 * Indicates a component that is not available as an individual part.
 G** Indicates consult Customer Service Department for additional information.

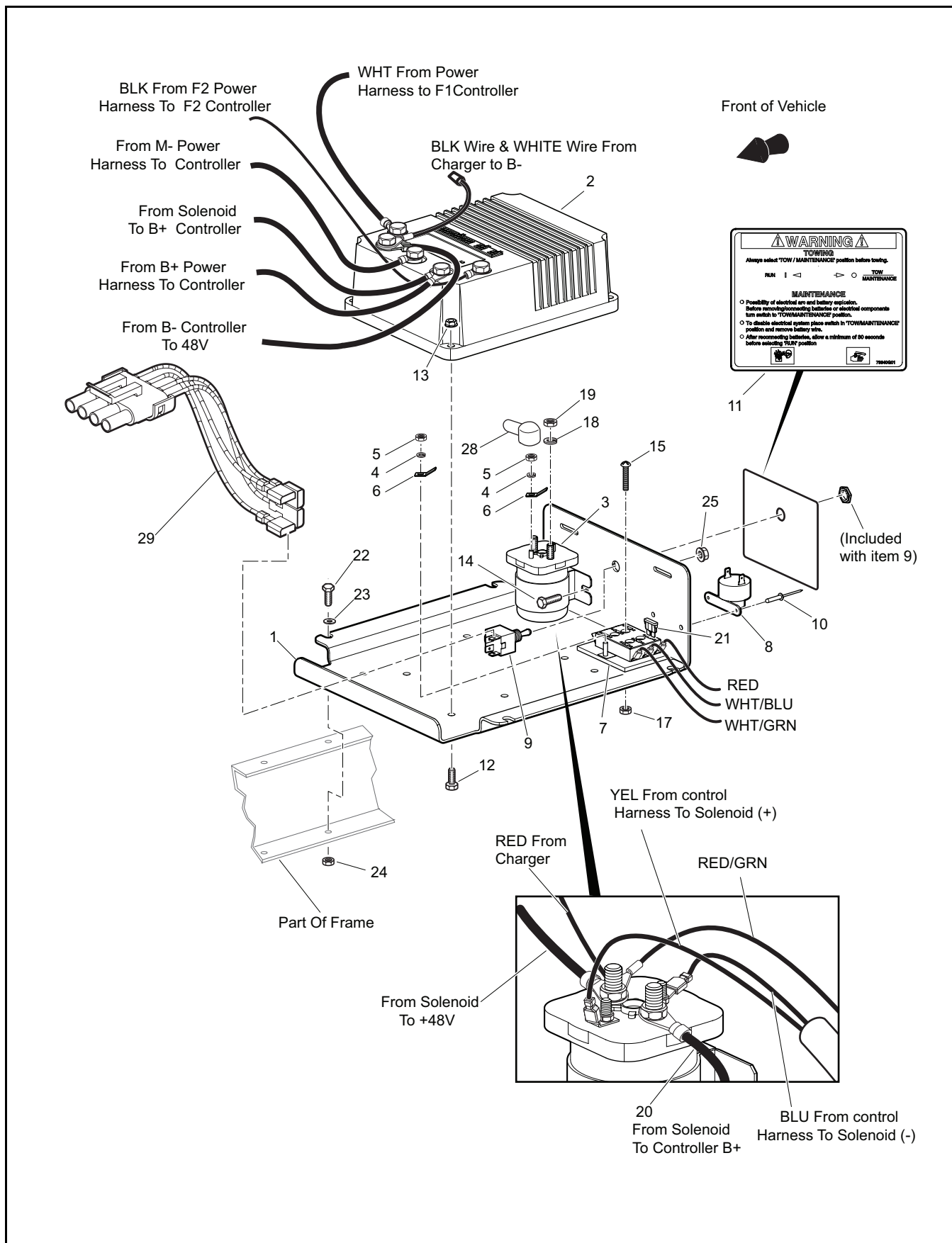
ITEM	PART NO.	1 2 3 4 5	DESCRIPTION	QTY.
1	600187		CONTROLLER MOUNTING PLATE	1
2	73060-G01		ELECTRONIC SPEED CONTROLLER (36V SYSTEM)	1
3	20468-G1		SOLENOID	1
4	00565-G5		LOCK WASHER, #10	2
5	00526-G4		LOCK NUT, #10 - 32	2
6	73446-G01		FASTON TAB 90 DEG.....	2
7	35211-G01		FUSE BLOCK (6 POSITION)	1
8	73290-G02		CONTINUOUS TONE BUZZER.....	1
9	00414-G5		BOLT, 1/4 - 20 X 5/8" LG	4
10	11027-G2		LOCK NUT, 1/4 - 20	4
11	00414-G5		BOLT, 1/4 - 20 X 5/8" LG	2
12	00379-G2		SCREW, #10 - 24 X 1 1/4" LG.....	2
13	14390-G4		LOCK NUT, 1/4 - 20	4
14	14390-G10		LOCK NUT, #10 - 24	2
15	01041-G01		RIVET, 1/8" X 13/16" LG	2
16	00565-G8		LOCK WASHER, 5/16".....	2
17	00544-G4		JAM NUT, 5/16 - 24	2
18	600551		4 GA WIRE SOL - B+	1
19	35212-G01		FUSE, 15 AMP	3
20	21764 -G1		RESISTOR	1
21	30353-G1		DIODE, 3 AMP	1
22	00414-G7		BOLT, 1/4 - 20 X 7/8" LG	4
23	16469-G1		WASHER, 1/4"	4
24				
25	11027-G2		LOCK NUT, 1/4 - 20	2
26	600276		CONTROLLER COVER	1
27	32804-G1		TRIM (14.5" REQUIRED).....	A/R
28	840177		TERMINAL BOOT	1
29	12914G1		FASTON TAB - 45	1
30	00565-G5		LOCK WASHER, #10	1

36 VOLT ELECTRONIC SPEED CONTROL

THE USE OF NON U.L. PARTS WILL VOID ANY U.L. LISTING.
When ordering parts, please specify the model and serial number of the product.
* Indicates a component that is not available as an individual part.
G** Indicates consult Customer Service Department for additional information.

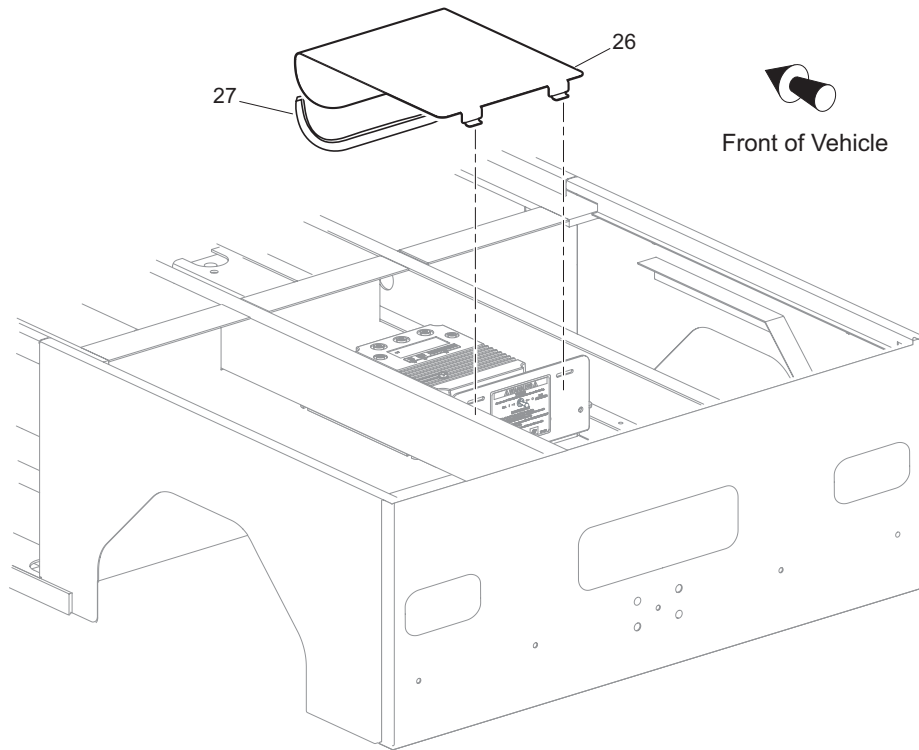
ITEM	PART NO.	1 2 3 4 5	DESCRIPTION	QTY.
31	00526-G4		LOCK NUT, #10 - 32	1

48 VOLT ELECTRONIC SPEED CONTROL



48 VOLT ELECTRONIC SPEED CONTROL

CONTROLLER COVER

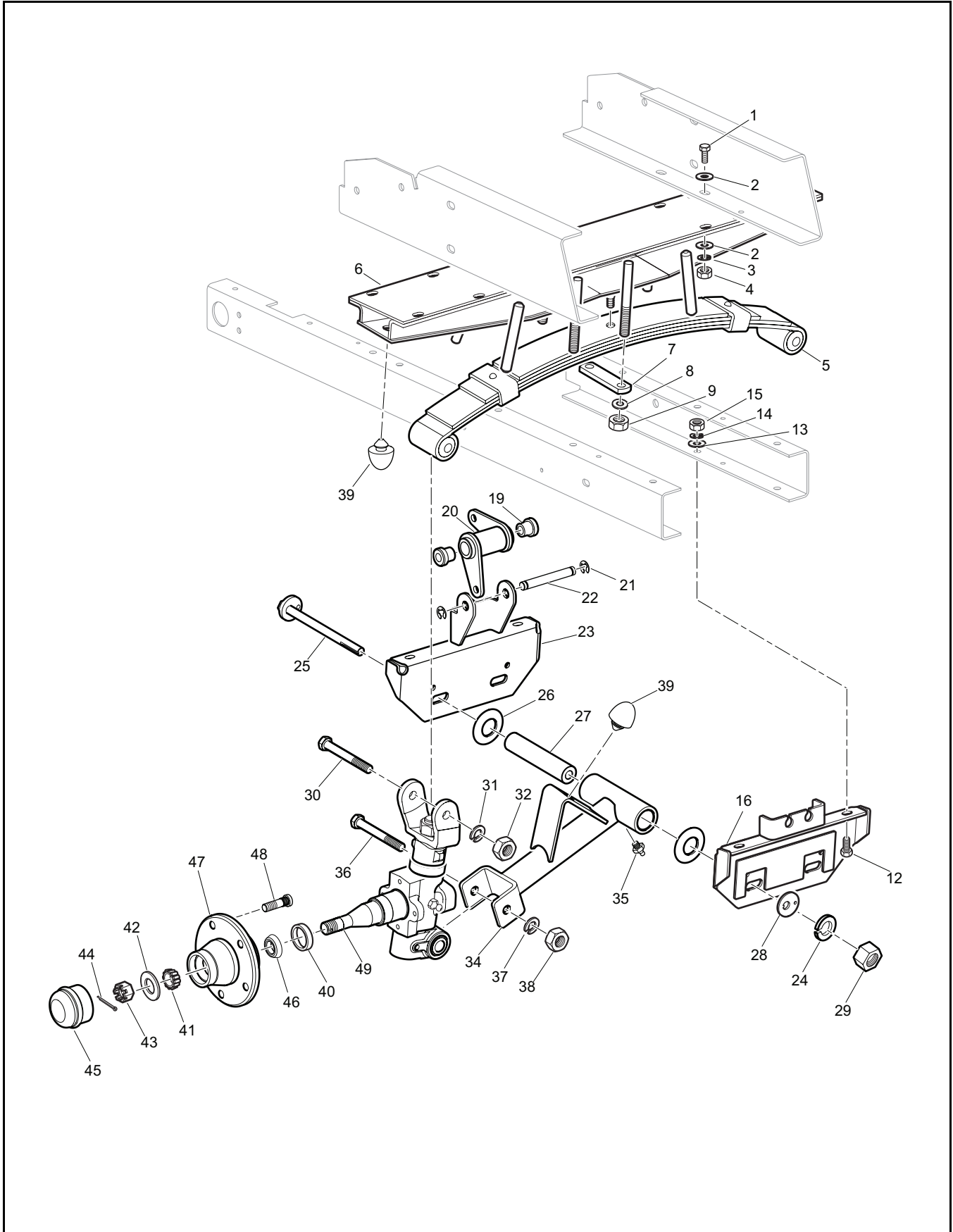


48 VOLT ELECTRONIC SPEED CONTROL

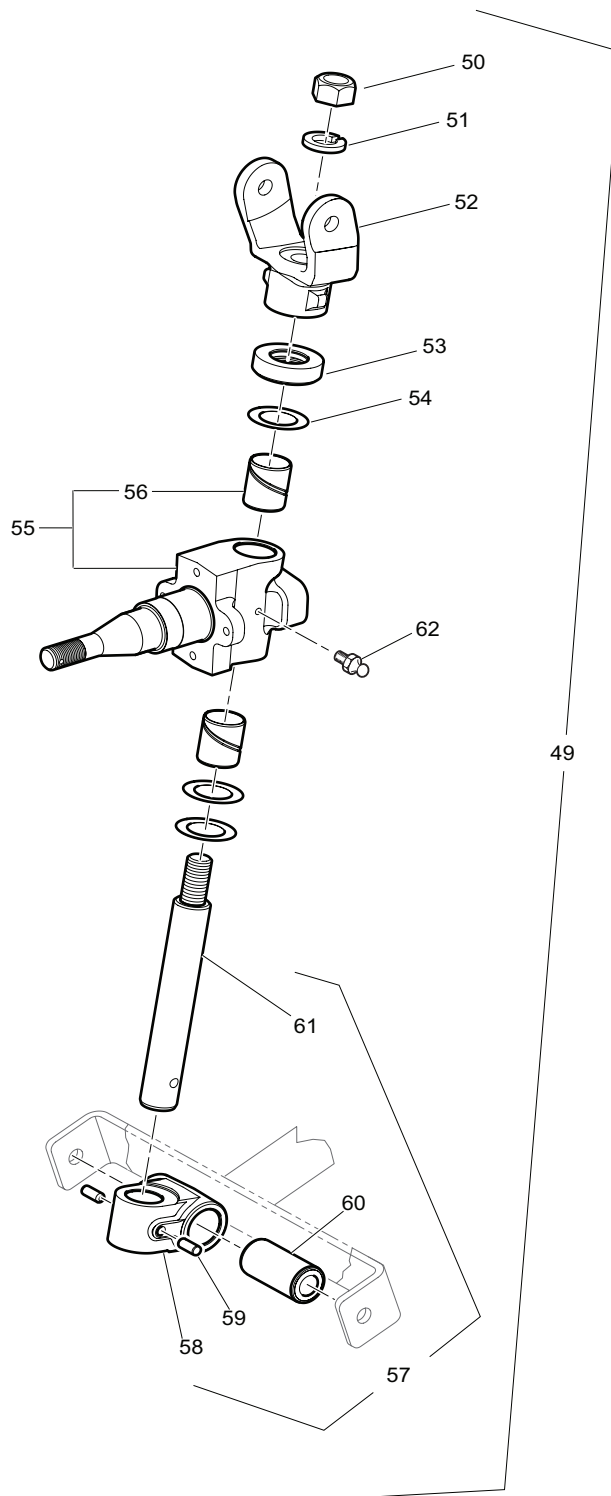
THE USE OF NON U.L. PARTS WILL VOID ANY U.L. LISTING.
 When ordering parts, please specify the model and serial number of the product.
 * Indicates a component that is not available as an individual part.
 G** Indicates consult Customer Service Department for additional information.

ITEM	PART NO.	1 2 3 4 5	DESCRIPTION	QTY.
1	600187		CONTROLLER MOUNTING PLATE	1
2	73098-G01		ELECTRONIC SPEED CONTROLLER	1
3	73231-G01		SOLENOID	1
4	00565-G5		LOCK WASHER, #10	3
5	00526-G4		LOCK NUT, #10-32	3
6	12914G1		FASTON TAB -45	3
7	35211-G01		FUSE BLOCK (6 POSITION)	1
8	73290-G02		CONTINUOUS TONE BUZZER	1
9	73354-G02		TOGGLE SWITCH	1
10	01041-G01		RIVET, 1/8" X 13/16" LG	2
11	73340-G01		LABEL - TOW/RUN SWITCH	1
12	00414-G7		BOLT, 1/4 - 20 X 7/8" LG	4
13	11027-G2		LOCK NUT, 1/4 - 20	4
14	00414-G5		BOLT, 1/4 - 20 X 5/8" LG	2
15	00379-G2		SCREW, #10 - 24 X 1 1/4" LG	2
16				
17	14390-G10		LOCK NUT, #10 - 24	2
18	00565-G8		LOCK WASHER, 5/16"	2
19	00544-G4		JAM NUT, 5/16 - 24	2
20	600551		4 GA WIRE SOL - B+	1
21	35212-G01		FUSE, 15 AMP	3
22	00414-G7		BOLT, 1/4 - 20 X 7/8" LG	4
23	16469-G1		WASHER, 1/4"	4
24	14390-G4		LOCK NUT, 1/4 - 20	4
25	11027-G2		LOCK NUT, 1/4 - 20	2
26	600276		CONTROLLER COVER	1
27	32804-G1		TRIM, (14.5" REQUIRED)	A/R
28	840177		TERMINAL BOOT	1
29	73138G03		HARNES - TOW SWITCH	1

FRONT SUSPENSION

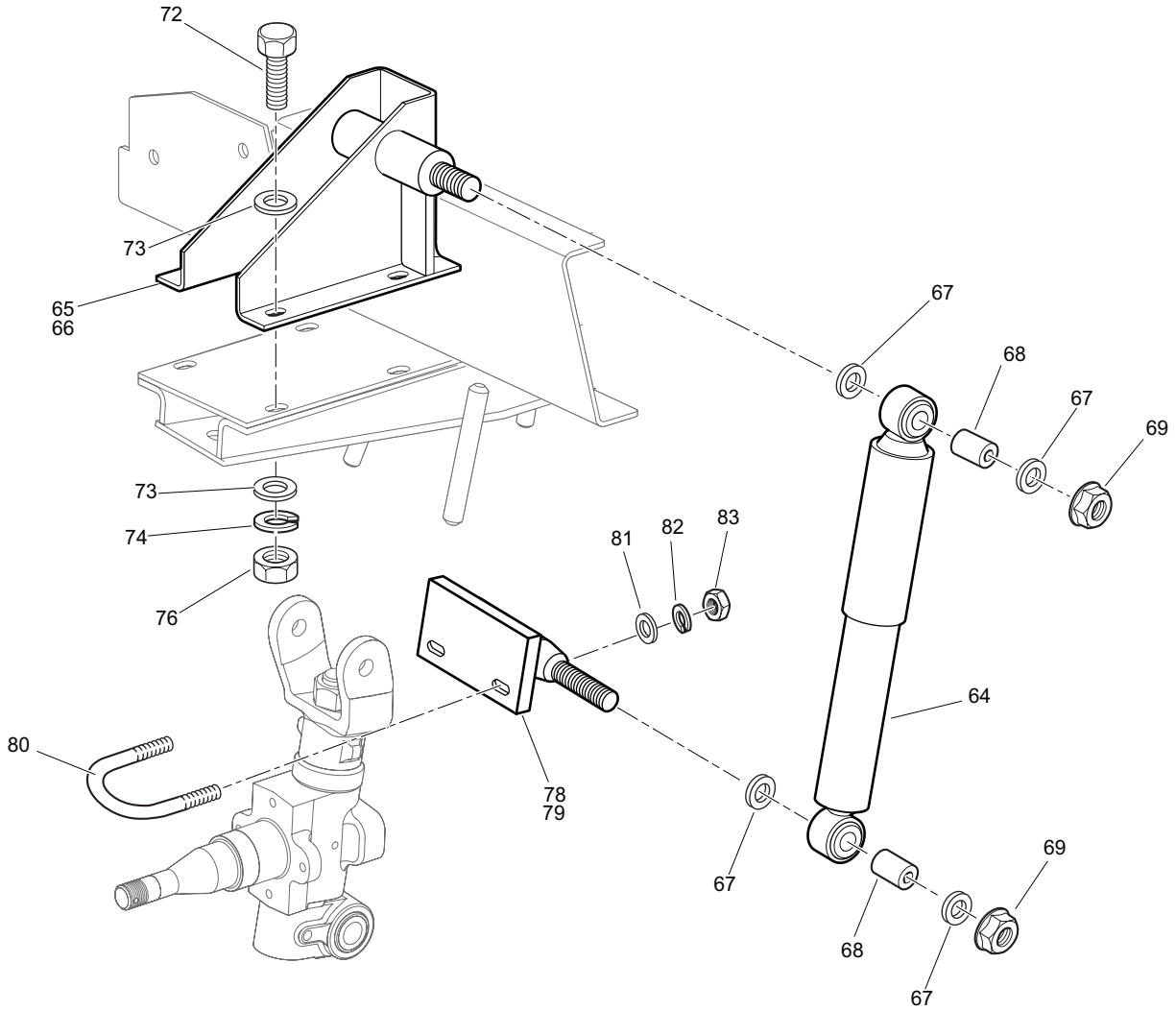


FRONT SUSPENSION



FRONT SUSPENSION

SHOCK ABSORBER



FRONT SUSPENSION

THE USE OF NON U.L. PARTS WILL VOID ANY U.L. LISTING.
 When ordering parts, please specify the model and serial number of the product.
 * Indicates a component that is not available as an individual part.
 G** Indicates consult Customer Service Department for additional information.

ITEM	PART NO.	1 2 3 4 5	DESCRIPTION	QTY.
1	306835		BOLT, 3/8 - 16 X 1 1/4" LG	4
2	306981		WASHER, 3/8"	8
3	120177		LOCK WASHER, 3/8"	4
4	306562		NUT, 3/8 - 16	4
5	886234		LEAF SPRING & BUSHING	1
6	888203		PERCH, SPRING	1
7	830012		SHACKLE PLATE	2
8	306982		WASHER, 7/16"	4
9	800294		LOCK NUT, 7/16 - 14	4
10				
11				
12	306414		BOLT, 3/8 - 16 X 1" LG	4
13	306981		WASHER, 3/8"	4
14	120177		LOCK WASHER, 3/8"	4
15	306562		NUT, 3/8 - 16	4
16	601111		LOWER ARM REAR BRACKET	1
17				
18				
19	70581-G02		FLANGED BUSHING	2
20	601110		BELLCRANK	1
21	12305-G1		RETAINING RING	2
22	34158-G05		SHAFT	1
23	888321		LOWER ARM FRONT BRACKET	1
24	120166		LOCK WASHER	2
25	888322		ECCENTRIC BOLT	2
26	833105		BELLEVILLE WASHER	4
27	832998		BUSHING	2
28	830477		ECCENTRIC WASHER	2
29	308332		NUT, 1/2 - 13	2
30	00406-G4		BOLT, 1/2 - 13 X 4 1/2" LG	2

FRONT SUSPENSION

THE USE OF NON U.L. PARTS WILL VOID ANY U.L. LISTING.
 When ordering parts, please specify the model and serial number of the product.
 * Indicates a component that is not available as an individual part.
 G** Indicates consult Customer Service Department for additional information.

ITEM	PART NO.	1 2 3 4 5	DESCRIPTION	QTY.
31	120166		LOCK WASHER, 1/2".....	2
32	308332		NUT, 1/2 - 13	2
33				
34	888325		LOWER ARM AND BUSHING ASSEMBLY (INCLUDES ITEM 35).....	2
35	831405		GREASE FITTING	2
36	00405-G8		BOLT, 1/2 - 13 X 4" LG	2
37	120166		LOCK WASHER, 1/2".....	2
38	308332		NUT, 1/2 - 13	2
39	813850		BUMPER, RUBBER	4
40	829256		GREASE SEAL	2
41	882582		CONE BEARING AND ROLLER.....	2
42	103960		WASHER, 3/4"	2
43	2702247		CASTLE NUT, 3/4 - 16	2
44	304636		COTTER PIN 1/8" X 1 1/8"	2
45	817250		SPINDLE CAP.....	2
46	886488		CONE BEARING.....	2
47	886223		HUB ASSEMBLY (INCLUDES ITEM 48).....	1
48	819804		LUG BOLT, 7/16 - 20 X 1 3/4" LG	5
49	886237		KING PIN AND SPINDLE ASSEMBLY (INCLUDES ITEMS 50 - 62).....	2
50	311745		NUT, 3/4 - 16.....	1
51	312272		LOCK WASHER, 3/4"	1
52	829251		RETAINER SPRING AND KING PIN.....	1
53	887012		BEARING.....	1
54	827648		SHIM.....	3
55	886227		SPINDLE (INCLUDES ITEM 56)	1
56	*		BUSHING	2
57	886225		KING PIN ASSEMBLY (INCLUDES ITEMS 58 - 61)	1
58	829252		SUPPORT, KING PIN.....	1
59	829318		PIN	2
60	829229		BUSHING	1

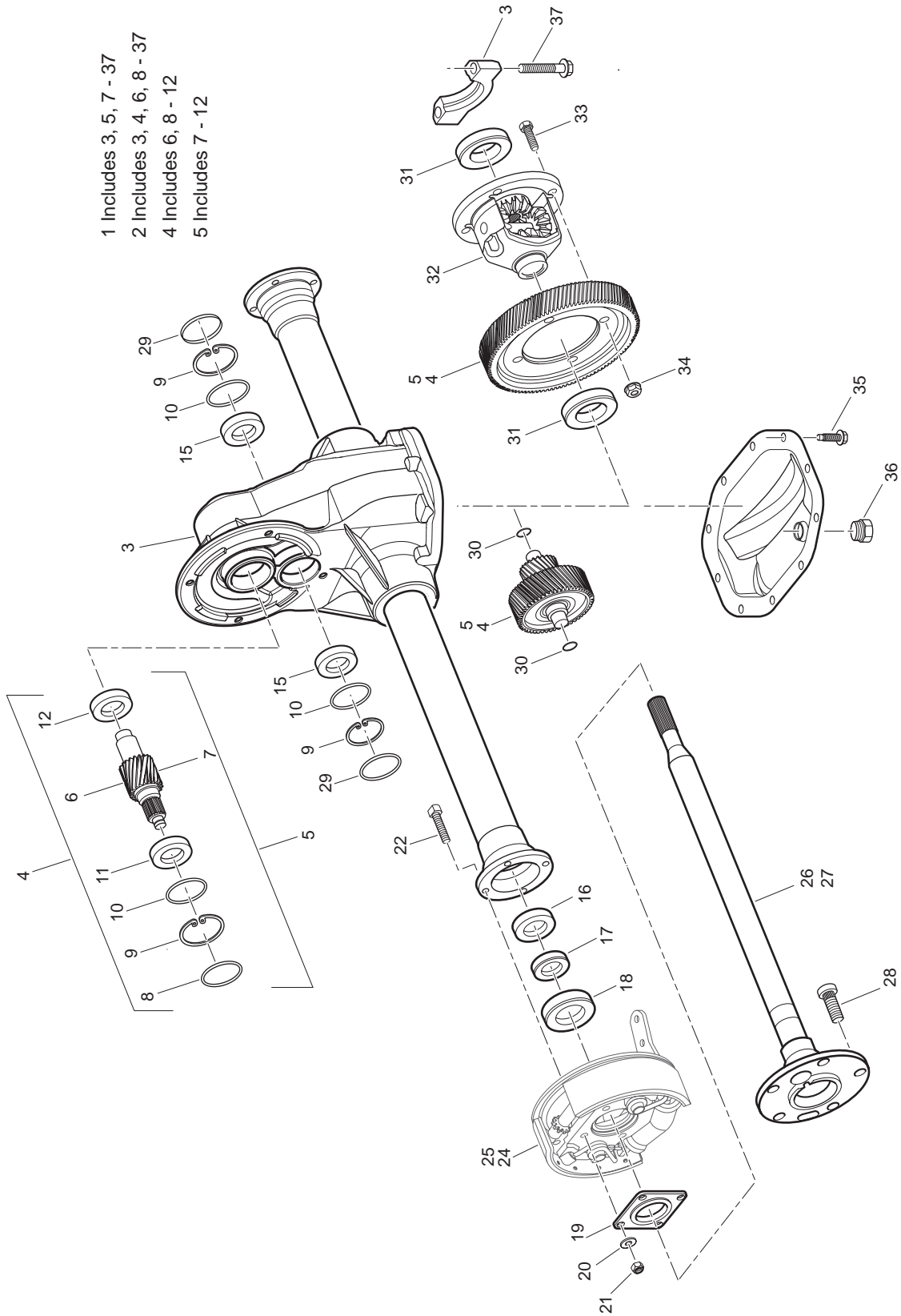
FRONT SUSPENSION

THE USE OF NON U.L. PARTS WILL VOID ANY U.L. LISTING.
 When ordering parts, please specify the model and serial number of the product.
 * Indicates a component that is not available as an individual part.
 G** Indicates consult Customer Service Department for additional information.

ITEM	PART NO.	1 2 3 4 5	DESCRIPTION	QTY.
61	829255		KING PIN.....	1
62	2702168		GREASE FITTING, 1/4 - 28	1
63				
64	807332		FRONT SHOCK ABSORBER	2
65	888200-G01		BRACKET, SPRING PERCH (PASSENGER SIDE).....	1
66	888201-G01		BRACKET, SPRING PERCH (DRIVER SIDE)	1
67	825500		CUPPED WASHER.....	8
68	823621		BUSHING	4
69	800294		LOCK NUT, 7/16 - 14	4
70				
71				
72	306835		BOLT, 3/8 - 16 X 1 1/4" LG	10
73	306981		WASHER, 3/8"	20
74	120177		LOCK WASHER, 3/8".....	10
75				
76	306562		NUT, 3/8 - 16	10
77				
78	886458-G01		STUD (PASSENGER SIDE).....	1
79	886459-G01		STUD (DRIVER SIDE)	1
80	829756		U - BOLT, 3/8 - 16.....	2
81	306981		WASHER, 3/8"	8
82	120177		LOCK WASHER, 3/8".....	8
83	306562		NUT, 3/8 - 16	8

REAR AXLE

- 1 Includes 3, 5, 7 - 37
- 2 Includes 3, 4, 6, 8 - 37
- 4 Includes 6, 8 - 12
- 5 Includes 7 - 12



REAR AXLE

THE USE OF NON U.L. PARTS WILL VOID ANY U.L. LISTING.
 When ordering parts, please specify the model and serial number of the product.
 * Indicates a component that is not available as an individual part.
 G** Indicates consult Customer Service Department for additional information.

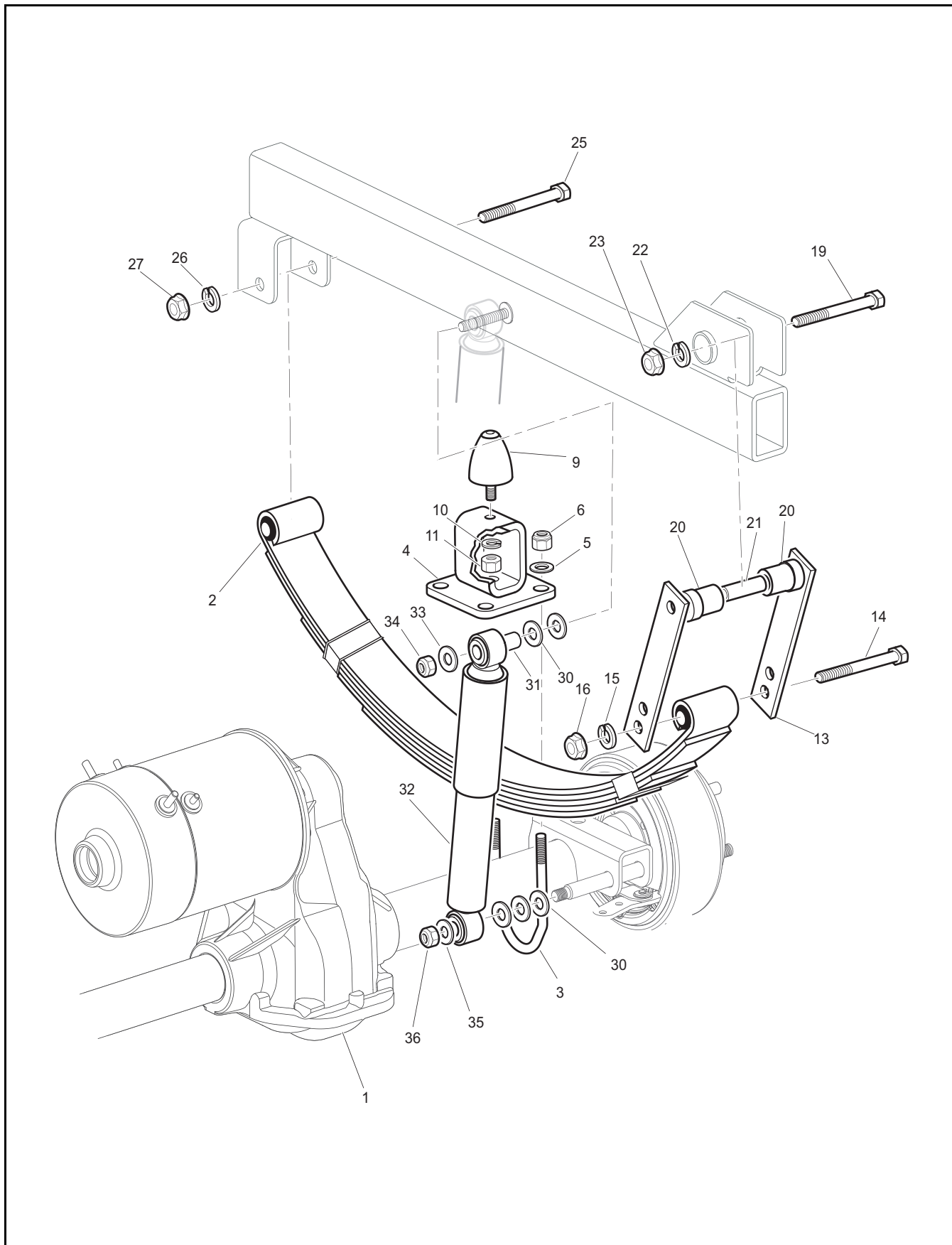
ITEM	PART NO.	1 2 3 4 5	DESCRIPTION	QTY.
1	600185-G01		AXLE ASSY 36V (INCLUDES ITEMS 3, 5, 7 - 37)	1
2	600185-G02		AXLE ASSY 48V (INCLUDES ITEMS 3, 4, 6, 8 - 37)	1
3	601061		AXLE HOUSING	1
4	601068		INPUT GEAR KIT, 48V AXLE (INCLUDES ITEMS 6, 8 - 12)	1
5	601069		INPUT GEAR KIT, 36V AXLE (INCLUDES ITEMS 7 - 12)	1
6	601062		INTERNAL GEARS KIT, 48V AXLE	1
7	601087		INTERNAL GEARS KIT, 36V AXLE	1
8	601063		"O" RING	1
9	23530-G1		RETAINING RING	3
10	24628-G1		"O" RING	3
11	23519-G1		BALL BEARING	1
12	23520-G1		BALL BEARING	1
13				
14				
15	601065		BALL BEARING	2
16	601066		OIL SEAL	2
17	601067		RETAINING RING.....	2
18	601070		TAPERED ROLLER BEARING.....	2
19	601071		OIL SEAL	2
20	601072		FLAT WASHER.....	8
21	601073		LOCK NUT.....	8
22	601074		SCREW.....	8
23				
24	XXXXXX		BRAKE ASSY DRIVER SIDE (SEE BRAKE SECTION)	1
25	XXXXXX		BRAKE ASSY PASSENGER SIDE (SEE BRAKE SECTION).....	1
26	601077		AXLE SHAFT (DRIVER SIDE).....	1
27	601078		AXLE SHAFT (PASSENGER SIDE).....	1
28	601079		WHEEL BOLT	10
29	601064		END CAP PLUG	2
30	601081		"O" RING.....	2

REAR AXLE

THE USE OF NON U.L. PARTS WILL VOID ANY U.L. LISTING.
 When ordering parts, please specify the model and serial number of the product.
 * Indicates a component that is not available as an individual part.
 G** Indicates consult Customer Service Department for additional information.

ITEM	PART NO.	1 2 3 4 5	DESCRIPTION	QTY.
31	17473-G1		BALL BEARING	2
32	601082		DIFFERENTIAL	1
33	601083		BOLT	4
34	601084		LOCK NUT	4
35	15558-G1		BOLT, 5/16 - 18 X 3/4" LG.	10
36	601085		CARRIER COVER KIT	1
37	15118-G1		BEARING CAP SCREW	4

REAR SUSPENSION



REAR SUSPENSION

THE USE OF NON U.L. PARTS WILL VOID ANY U.L. LISTING.
 When ordering parts, please specify the model and serial number of the product.
 * Indicates a component that is not available as an individual part.
 G** Indicates consult Customer Service Department for additional information.

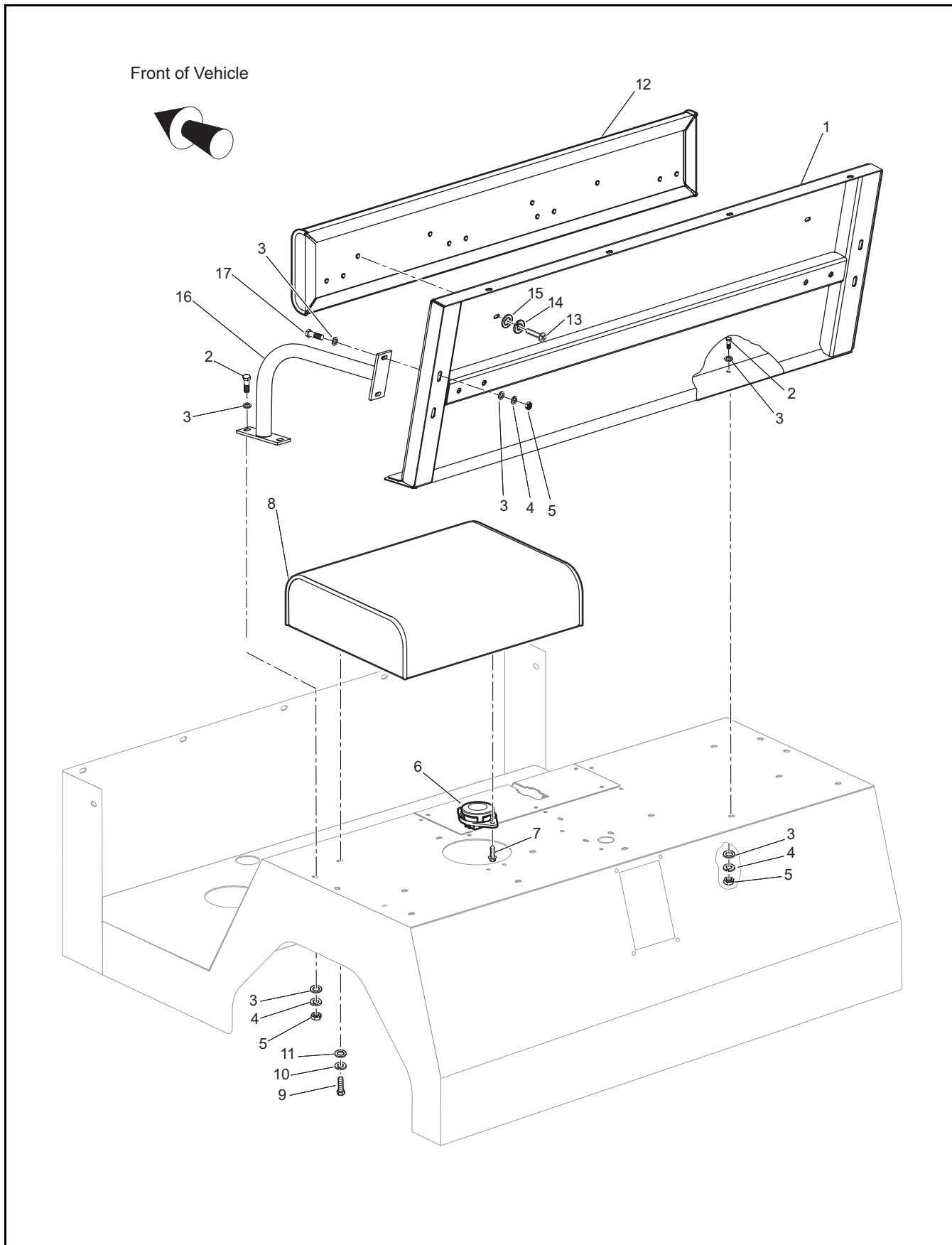
ITEM	PART NO.	1 2 3 4 5	DESCRIPTION	QTY.
1	XXXXX-GX		SEE REAR AXLE SECTION FOR P/N	1
2	887004		LEAF SPRING.....	2
3	829044		U - BOLT	4
4	600182		STOP PLATE.....	2
5	306982		WASHER, 7/16"	8
6	548061		LOCK NUT, 7/16 - 20	8
7				
8				
9	70492-G01		RUBBER BUMPER.....	2
10	00968-G01		LOCK WASHER, M10.....	2
11	00974-G01		NUT, M10 X 1.5.....	2
12				
13	829230		SHACKLE PLATE	4
14	00405-G8		BOLT, 1/2-13 X 4" LG.....	2
15	120166		LOCK WASHER, 1/2".....	2
16	308332		NUT, 1/2 - 13	2
17				
18				
19	00406-G4		BOLT, 1/2-13 X 4 1/2" LG.....	2
20	829142		FLANGED BUSHING	4
21	829258		BUSHING.....	2
22	120166		LOCK WASHER, 1/2".....	2
23	308332		NUT, 1/2 - 13	2
24				
25	00405-G8		BOLT, 1/2-13 X 4" LG.....	2
26	120166		LOCK WASHER, 1/2".....	2
27	308332		NUT, 1/2 - 13	2
28				
29				
30	70472-G01		SHOCK ABOSORBER SPACER.....	10

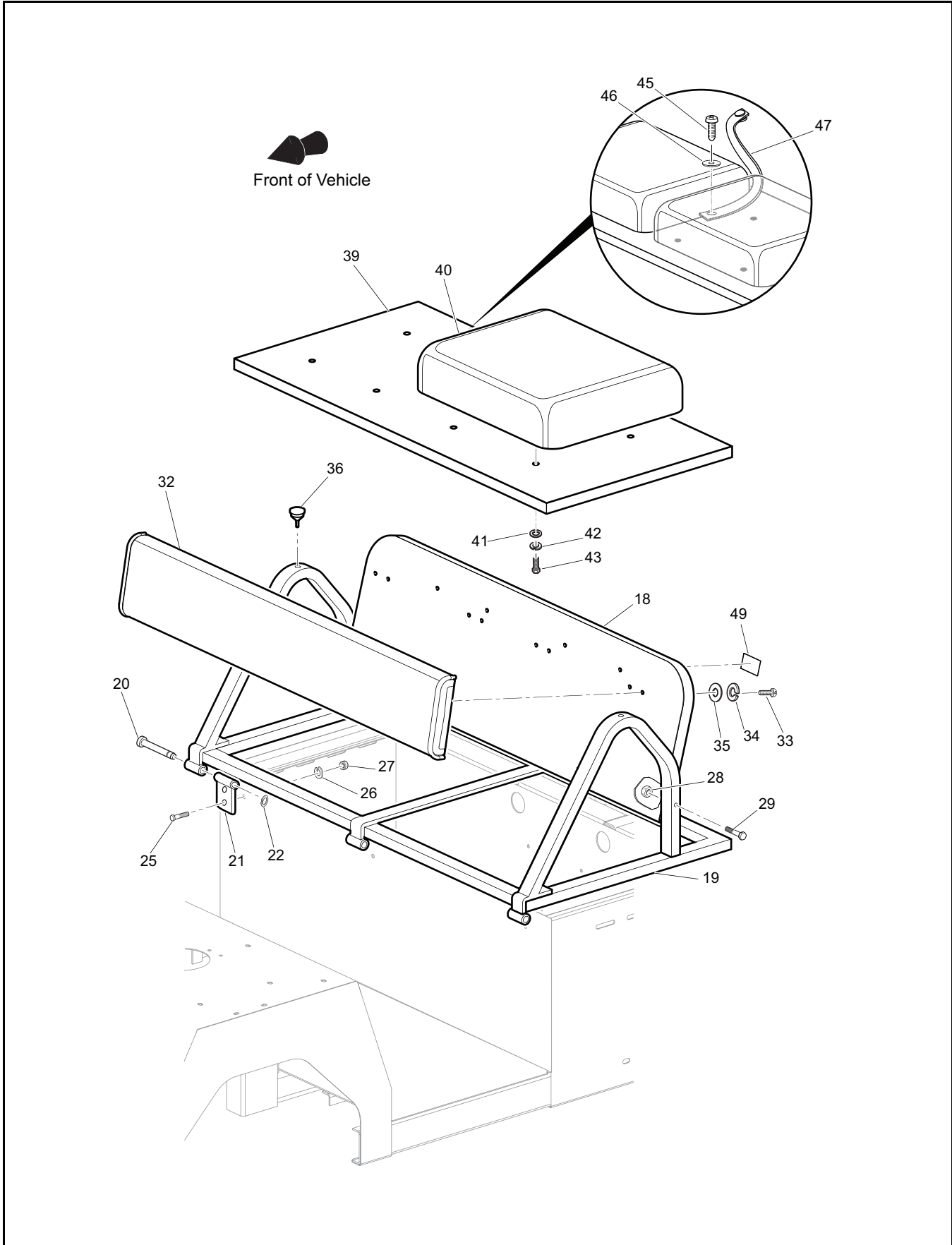
REAR SUSPENSION

THE USE OF NON U.L. PARTS WILL VOID ANY U.L. LISTING.
 When ordering parts, please specify the model and serial number of the product.
 * Indicates a component that is not available as an individual part.
 G** Indicates consult Customer Service Department for additional information.

ITEM	PART NO.	1 2 3 4 5	DESCRIPTION	QTY.
31	823621		BUSHING	2
32	807335		SHOCK ABSORBER.....	2
33	825500		CUPPED WASHER.....	4
34	800294		LOCK NUT, 7/16 - 14	2
35	00643G3		WASHER, 1/2.....	2
36	00551G1		LOCK NUT, 1/2 -13	2

SEATING





SEATING

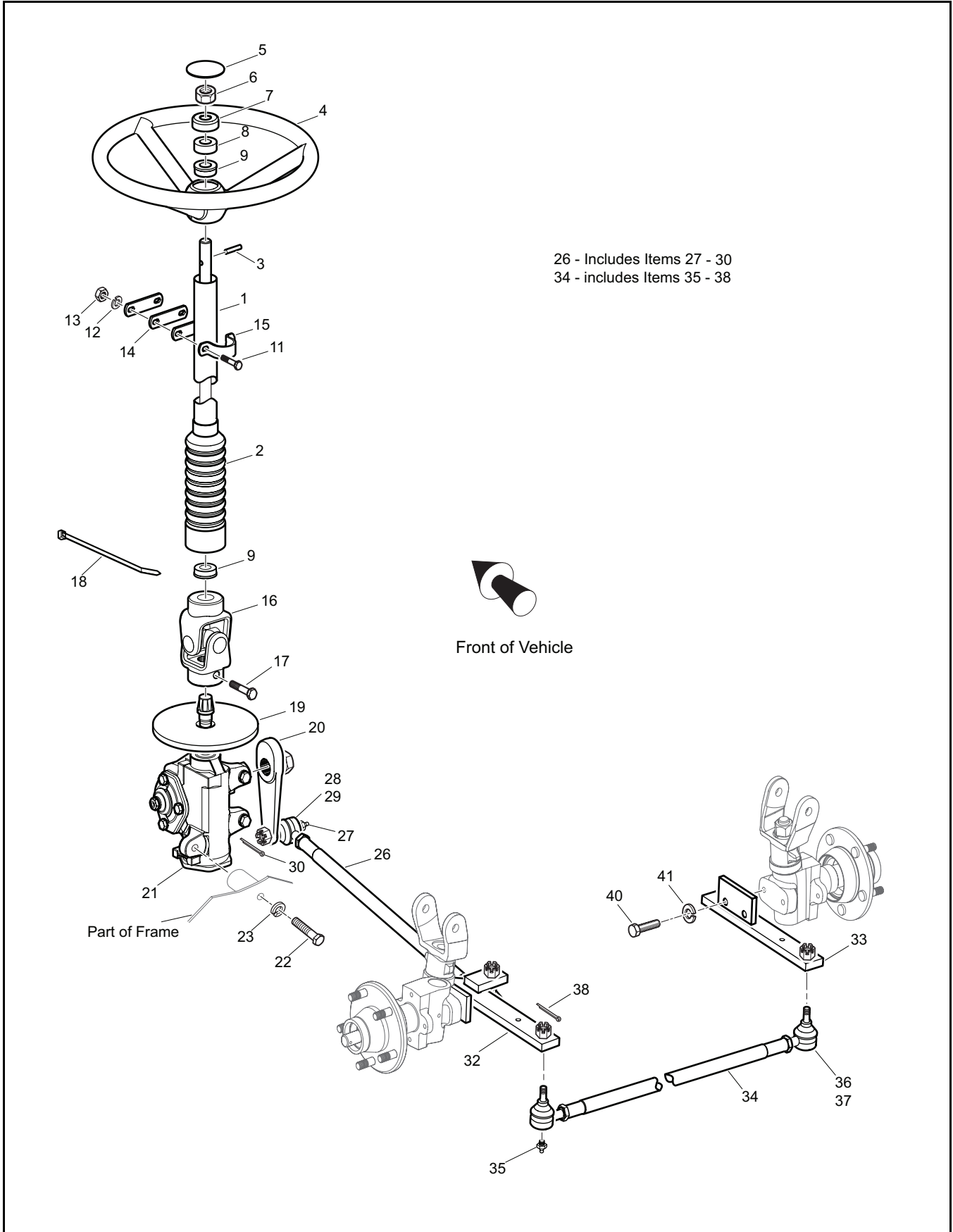
THE USE OF NON U.L. PARTS WILL VOID ANY U.L. LISTING.
 When ordering parts, please specify the model and serial number of the product.
 * Indicates a component that is not available as an individual part.
 G** Indicates consult Customer Service Department for additional information.

ITEM	PART NO.	1 2 3 4 5	DESCRIPTION	QTY.
1	603156		BACKREST PANEL.....	1
2	302288		SCREW, 1/4 - 20 X 1" LG.....	9
3	308090		WASHER, 1/4"	28
4	306396		LOCK WASHER, 1/4".....	13
5	306375		NUT, 1/4 - 20	13
6	35574-G01		SEAT SWITCH (SEE ELECTRICAL SECTION)	1
7	00114-G6		SCREW, 1/4 - 14 X 3/4" LG.....	2
8	886221		SEAT BOTTOM.....	2
9	302288		SCREW, 1/4 - 20 X 1" LG.....	6
10	306396		LOCK WASHER, 1/4".....	6
11	308090		WASHER, 1/4"	6
12	888464		BLACK BACKREST	1
13	800026		SCREW, 1/4 - 20 X 3/4" LG.....	2
14	306396		LOCK WASHER, 1/4".....	2
15	308090		WASHER, 1/4"	2
16	603154		HIP RESTRAINT	2
17	306832		SCREW, 1/4 - 20 X 2" LG.....	4
18	890880		SEAT BACK	1
19	890865		SEAT FRAME.....	1
20	869042		PIVOT PIN.....	3
21	890876		SEAT BRACKET	3
22	548333		LOCK RING.....	3
23				
24				
25	306416		BOLT, 5/16 - 18 X 1" LG	6
26	306325		LOCK WASHER, 5/16".....	6
27	306932		NUT, 5/16 - 18	6
28	800290		LOCK NUT, 5/16 - 18	2
29	548958		SCREW, 5/16 - 18 X 3 1/2" LG.....	2
30				

THE USE OF NON U.L. PARTS WILL VOID ANY U.L. LISTING.
 When ordering parts, please specify the model and serial number of the product.
 * Indicates a component that is not available as an individual part.
 G** Indicates consult Customer Service Department for additional information.

ITEM	PART NO.	1 2 3 4 5	DESCRIPTION	QTY.
31				
32	888464		BLACK BACKREST	1
33	800026		SCREW, 1/4 - 20 X 3/4" LG.....	4
34	306396		LOCK WASHER, 1/4".....	4
35	308090		WASHER, 1/4"	4
36	820951		RUBBER BUMPER.....	2
37				
38				
39	837631		SEAT MOUNTING BOARD.....	1
40	886221		SEAT BOTTOM.....	2
41	308090		WASHER, 1/4"	8
42	306396		LOCK WASHER, 1/4".....	8
43	306832		SCREW, 1/4 - 20 X 2" LG.....	8
44				
45	800296		SCREW, #10 - 24 X 3/4" LG.....	1
46	548178		WASHER #10.....	1
47	891305		STRAP	1
48				
49	829950		WARNING LABEL, PINCH POINT.....	2

STEERING



STEERING

THE USE OF NON U.L. PARTS WILL VOID ANY U.L. LISTING.
 When ordering parts, please specify the model and serial number of the product.
 * Indicates a component that is not available as an individual part.
 G** Indicates consult Customer Service Department for additional information.

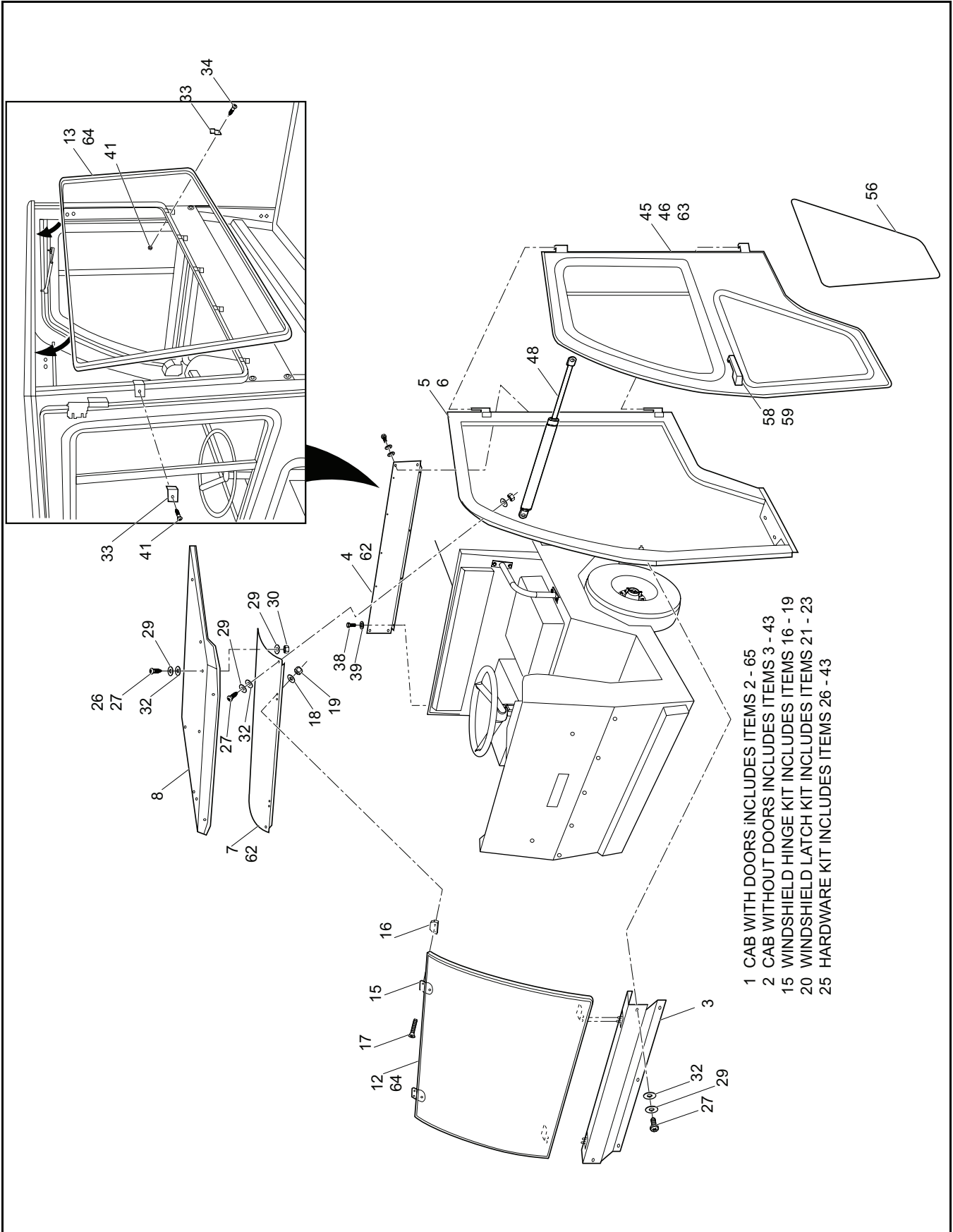
ITEM	PART NO.	1 2 3 4 5	DESCRIPTION	QTY.
1	838598		STEERING COLUMN	1
2	838828		BOOT	1
3	316945		PIN, 1/4" X 1 3/4"	1
4	827191		STEERING WHEEL	1
5	831298		NAME PLATE	1
6	307665		NUT, 3/4 - 16	1
7	810666		COVER.....	1
8	819923		COLLAR	1
9	831135		BEARING	2
10				
11	303459		BOLT, 1/4 - 20 X 1 1/2" LG	2
12	306396		LOCK WASHER, 1/4".....	2
13	306375		NUT, 1/4 - 20	2
14	830392		PLATE	3
15	808454		BRACKET, STEERING COLUMN	1
16	891730		SHAFT.....	1
17	548201		BOLT, 5/16 - 18 X 5/16" LG	1
18	320107		WIRE TIE	1
19	831585		COVER.....	1
20	830482		STEERING ARM	1
21	887597		STEERING GEAR.....	1
22	311395		BOLT, 7/16 - 14 X 1 3/4" LG	3
23	303269		LOCK WASHER, 7/16".....	3
24				
25				
26	887527		TIE ROD END ASSY (INCLUDES ITEMS 27 - 30).....	1
27	548224		GREASE FITTING	2
28	889682		TIE ROD END ASSY, RH THREAD.....	1
29	889681		TIE ROD END ASSY, LH THREAD	1
30	306328		COTTER PIN	2

STEERING

THE USE OF NON U.L. PARTS WILL VOID ANY U.L. LISTING.
 When ordering parts, please specify the model and serial number of the product.
 * Indicates a component that is not available as an individual part.
 G** Indicates consult Customer Service Department for additional information.

ITEM	PART NO.	1 2 3 4 5	DESCRIPTION	QTY.
31				
32	887497		STEERING ARM LEFT	1
33	886246		STEERING ARM RIGHT	1
34	886797		TIE ROD ASSEMBLY (INCLUDES ITEMS 35 - 38)	1
35	548224		GREASE FITTING	2
36	889682		TIE ROD END ASSEMBLY, RH THREAD	1
37	889681		TIE ROD END ASSEMBLY, LH THREAD	1
38	306328		COTTER PIN	2
39				
40	306414		BOLT, 3/8 - 16 X 1" LG	4
41	120177		LOCK WASHER, 3/8"	4

WEATHER PROTECTION (METAL CAB)



- 1 CAB WITH DOORS INCLUDES ITEMS 2 - 65
- 2 CAB WITHOUT DOORS INCLUDES ITEMS 3 - 43
- 15 WINDSHIELD HINGE KIT INCLUDES ITEMS 16 - 19
- 20 WINDSHIELD LATCH KIT INCLUDES ITEMS 21 - 23
- 25 HARDWARE KIT INCLUDES ITEMS 26 - 43

WEATHER PROTECTION (METAL CAB)

THE USE OF NON U.L. PARTS WILL VOID ANY U.L. LISTING.
 When ordering parts, please specify the model and serial number of the product.
 * Indicates a component that is not available as an individual part.
 G** Indicates consult Customer Service Department for additional information.

ITEM	PART NO.	1 2 3 4 5	DESCRIPTION	QTY.
1	604358		CAB (INCLUDES ITEMS 2 - 65)	1
2	604862		CAB WITHOUT DOORS (INCLUDES ITEMS 3 - 43).....	1
3	604335		COWL.....	1
4	604336		LOWER REAR PANEL.....	1
5	604329		DRIVER SIDE FRAME.....	1
6	604330		PASSENGER SIDE FRAME	1
7	604337		WINDSHIELD SUPPORT.....	1
8	604338		ROOF	1
9				
10				
11				
12	604333		WINDSHIELD.....	1
13	604334		REAR WINDOW.....	1
14	604339		WINDSHIELD MOLDING KIT	1
15	604340		WHINDSHIELD HINGE KIT	1
16	*		PLASTIC SPACER	2
17	*		PHILLIPS FLAT HEAD SCREW, 5/16 - 18 X 1 3/4"LG.....	4
18	*		WASHER, 5/16"	4
19	*		LOCK NUT, 5/16 - 18.....	4
20	604341		WINSHIELD LATCH KIT	1
21	*		WINDSHIELD LATCH.....	1
22	*		HEX HEAD BOLT, 1/4 - 20 X 7/8" LG	2
23	*		LOCK NUT, 1/4 - 20	2
24				
25	604351		HARDWARE KIT (INCLUDES ITEMS 26 - 43)	1
26	*		BUTTON HEAD SOCKET SCREW, 5/16 - 18 X 1" LG.....	2
27	*		BUTTON HEAD SOCKET SCREW, 5/16 - 18 X 3/4" LG.....	18
28	*		FLAT HEAD PHILLIPS SCREW, 5/16 - 18 X 1 3/4" LG.....	4
29	*		WASHER, 5/16"	40
30	*		NYLON LOCK NUT, 5/16 - 18.....	20

WEATHER PROTECTION (METAL CAB)

THE USE OF NON U.L. PARTS WILL VOID ANY U.L. LISTING.
 When ordering parts, please specify the model and serial number of the product.
 * Indicates a component that is not available as an individual part.
 G** Indicates consult Customer Service Department for additional information.

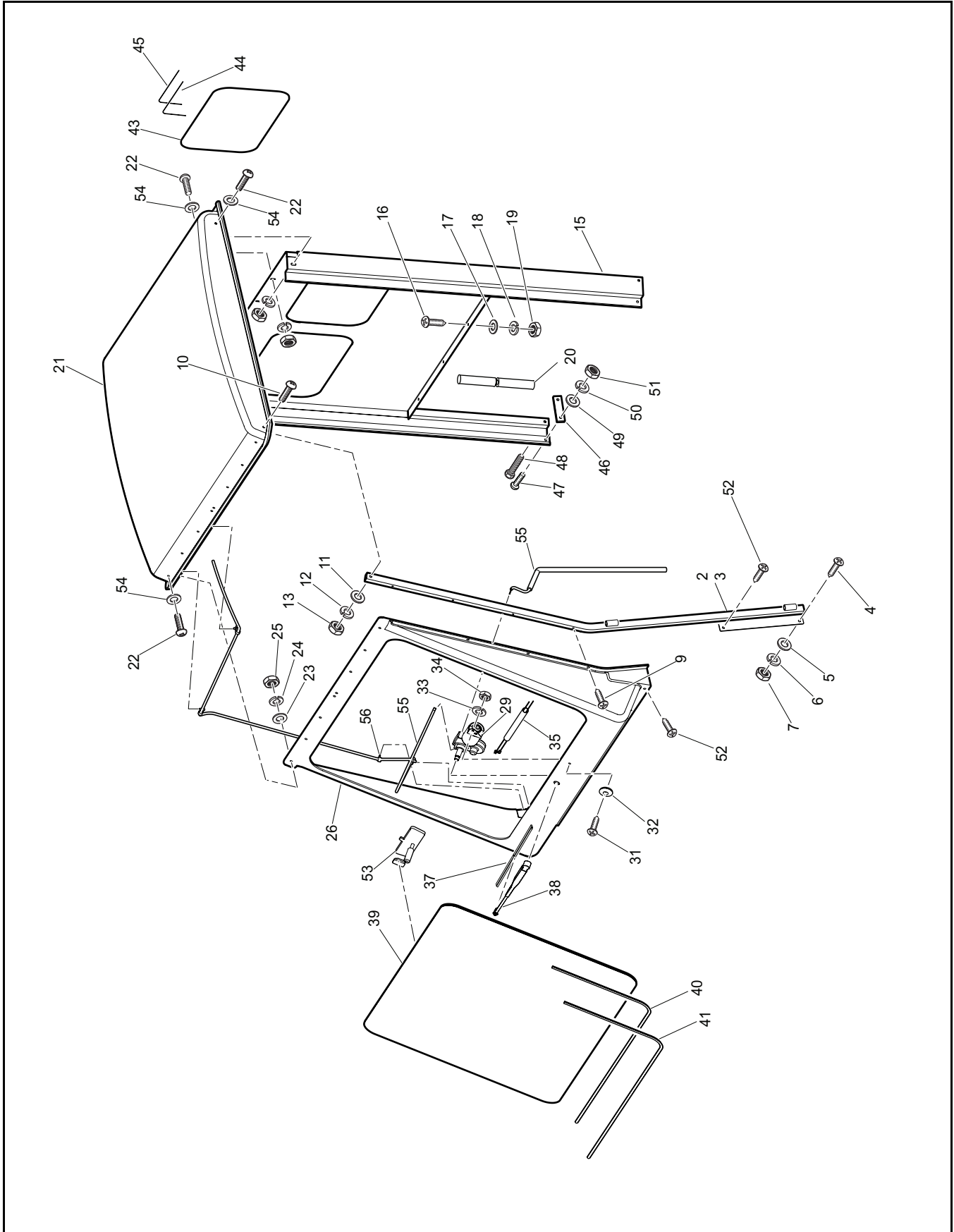
ITEM	PART NO.	1	2	3	4	5	DESCRIPTION	QTY.
31	*						PLASTIC NUT COVER, 5/16".....	16
32	*						PLASTIC WASHER, 3/8".....	20
33	*						PLASTIC WINDOW CLIP.....	5
34	*						PHILLIPS HEAD MACHINE SCREW, #10 - 32 X 1/2" LG.....	5
35	*						NYLON LOCK NUT, #10 - 32.....	5
36	*						NUT COVER, #10.....	5
37	*						NYLON LOCK NUT, 1/4 - 20.....	4
38	*						HEX HEAD BOLT, 1/4 - 20 X 3/4" LG.....	4
39	*						WASHER, 1/4".....	8
40	*						RIGHT ANGLE WINDOW CLIP.....	2
41	*						PAN HEAD PHILLIPS SELF DRILL/TAP SCREW, #10 X 1/2" LG ..	2
42	*						NUT COVER, 1/4".....	4
43	*						CARRIAGE BOLT, 5/16 - 18 X 1" LG.....	4
44								
45	604331						DOOR, DRIVER SIDE.....	1
46	604332						DOOR, PASSENGER SIDE.....	1
47								
48	604350						GAS SPRING.....	1
49								
50	604342						HINGE KIT, DRIVER SIDE DOOR.....	1
51	6004344						HINGE KIT, PASSENGER SIDE DOOR.....	1
52								
53	604345						SLIDER ASSEMBLY, DRIVER SIDE.....	1
54	6004346						SLIDER ASSEMBLY, PASSENGER SIDE.....	1
55								
56	604347						LOWER DOOR WINDOW.....	1
57								
58	604348						ROTARY DOOR LATCH WITH HANDLE, DRIVER SIDE.....	1
59	604349						ROTARY DOOR LATCH WITH HANDLE, PASSENGER SIDE.....	1
60								

WEATHER PROTECTION (METAL CAB)

THE USE OF NON U.L. PARTS WILL VOID ANY U.L. LISTING.
 When ordering parts, please specify the model and serial number of the product.
 * Indicates a component that is not available as an individual part.
 G** Indicates consult Customer Service Department for additional information.

ITEM	PART NO.	1	2	3	4	5	DESCRIPTION	QTY.
61	604353						TRIM LOK RUBBER.....	A/R
62	604354						WEATHER SEAL, 1/2".....	A/R
63	604355						SIDE BULB RUBBER, 5/8".....	A/R
64	604356						SIDE BULB RUBBER, 3/4" WITH 1/4" GRIP.....	A/R
65	604357						EXPAND-A-FOAM, 1/4" X 3/4".....	A/R

WEATHER PROTECTION (CAB)



WEATHER PROTECTION (CAB)

THE USE OF NON U.L. PARTS WILL VOID ANY U.L. LISTING.
 When ordering parts, please specify the model and serial number of the product.
 * Indicates a component that is not available as an individual part.
 G** Indicates consult Customer Service Department for additional information.

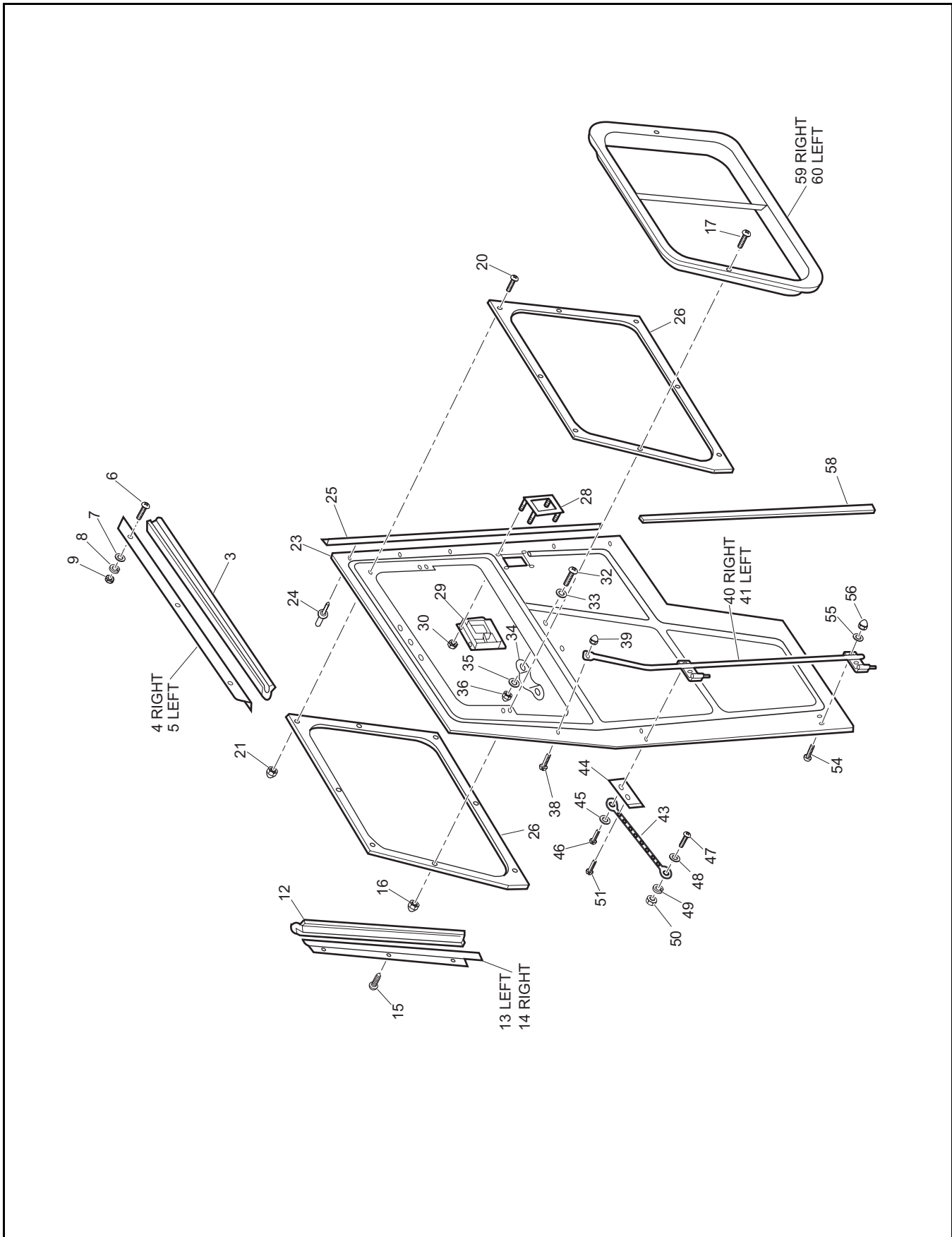
ITEM	PART NO.	1 2 3 4 5	DESCRIPTION	QTY.
1	886468-G02		CAB (INCLUDES ITEMS 2 - 53)	1
2	886950		SUPPORT, PASSENGER SIDE	1
3	886951		SUPPORT, DRIVER SIDE	1
4	800017		SCREW, 1/4 - 20 X 1" LG	2
5	308090		WASHER, 1/4"	4
6	306396		LOCK WASHER, 1/4"	4
7	306375		NUT, 1/4 - 20	4
8				
9	112050		SCREW, TAPPING, 1/4 - 20 X 5/8" LG	8
10	800455		SCREW, 1/4 - 20 X 1 3/4" LG	2
11	308090		WASHER, 1/4"	2
12	306396		LOCK WASHER, 1/4"	2
13	306375		NUT, 1/4 - 20	2
14				
15	886682		BACK, CAB	1
16	800017		SCREW, 1/4 - 20 X 1" LG	4
17	308090		WASHER, 1/4"	4
18	306396		LOCK WASHER, 1/4"	4
19	306375		NUT, 1/4 - 20	4
20	7071		SEAL, (18" EACH SIDE)	AR
21	830008		ROOF, CAB	1
22	800026		SCREW, 1/4 - 20 X 3/4" LG	16
23	308090		WASHER, 1/4"	18
24	306396		LOCK WASHER, 1/4"	18
25	306375		NUT, 1/4 - 20	18
26	830007		FRONT, CAB	1
27				
28				
29	886503		WIPER MOTOR	1
30				

WEATHER PROTECTION (CAB)

THE USE OF NON U.L. PARTS WILL VOID ANY U.L. LISTING.
 When ordering parts, please specify the model and serial number of the product.
 * Indicates a component that is not available as an individual part.
 G** Indicates consult Customer Service Department for additional information.

ITEM	PART NO.	1	2	3	4	5	DESCRIPTION	QTY.
31	800215						SCREW, #10 - 24 X 5/8" LG	1
32	821427						WASHER, SEALING.....	1
33	306998						LOCK WASHER, #10	1
34	306351						NUT, #10 - 24.....	1
35	886613						WIRE, HARNESS, WIPER MOTOR	1
36								
37	826037						WIPER BLADE	1
38	828682						WIPER ARM	1
39	830035						WINDSHIELD	1
40	7147						SEAL, (133" REQUIRED)	AR
41	7022						STRIP, (133" REQUIRED)	AR
42								
43	811757						WINDOW, REAR	2
44	7145						SEAL, (57" REQUIRED EACH WINDOW)	AR
45	7022						STRIP, (57" REQUIRED EACH WINDOW)	AR
46	830036						SPACER	2
47	800017						SCREW, 1/4 - 20 X 1" LG	2
48	306832						SCREW, 1/4 - 20 X 2" LG	2
49	308090						WASHER, 1/4"	4
50	306396						LOCK WASHER, 1/4"	4
51	306375						NUT, 1/4 - 20.....	4
52	800026						SCREW, 1/4 - 20 X 3/4" LG	2
53	807404						MIRROR	1
54	821427						WASHER, SEALING.....	16
55	602293						WIRE HARNESS	1
56	73864-G01						HARNESS CLAMP	4

WEATHER PROTECTION (FIBERGLASS DOORS)



WEATHER PROTECTION (FIBERGLASS DOORS)

THE USE OF NON U.L. PARTS WILL VOID ANY U.L. LISTING.
 When ordering parts, please specify the model and serial number of the product.
 * Indicates a component that is not available as an individual part.
 G** Indicates consult Customer Service Department for additional information.

ITEM	PART NO.	1 2 3 4 5	DESCRIPTION	QTY.
1	886469		FIBERGLASS DOOR SET (INCLUDES ITEMS 3 - 60)	1
2				
3	830351		SEAL, 27 1/8" (694MM)	2
4	830245		BRACKET, RIGHT	1
5	830437		BRACKET, LEFT	1
6	800026		SCREW, 1/4 - 20 X 3/4" LG	6
7	308090		WASHER, 1/4"	6
8	306396		LOCK WASHER, 1/4"	6
9	306375		NUT, 1/4 - 20	6
10				
11				
12	830350		SEAL, 31" (792MM)	2
13	830352		BRACKET, LEFT	1
14	830353		BRACKET, RIGHT	1
15	112050		SCREW, TAPPING, 1/4 - 20 X 5/8" LG	6
16	800039		ACORN NUT, #10 - 24	4
17	800296		SCREW, #10 - 24 X 3/4" LG	4
18	*		SEALANT, CLEAR, 12OZ (NOT ILLUSTRATED)	1
19				
20	800059		SCREW, #10 - 24 X 1/2" LG	12
21	800039		ACORN NUT, #10 - 24	12
22				
23	886760		DOOR, FIBERGLASS (INCLUDES ITEMS 24 - 25)	2
24	548247		RIVET, POP	12
25	830290		REINFORCEMENT, DOOR	1
26	842291		FRAME, WINDOW	4
27				
28	830193		TRIM PLATE	2
29	830058		LATCH, DOOR	2
30	800059		LOCK NUT, 1/4 - 20	8

WEATHER PROTECTION (FIBERGLASS DOORS)

THE USE OF NON U.L. PARTS WILL VOID ANY U.L. LISTING.

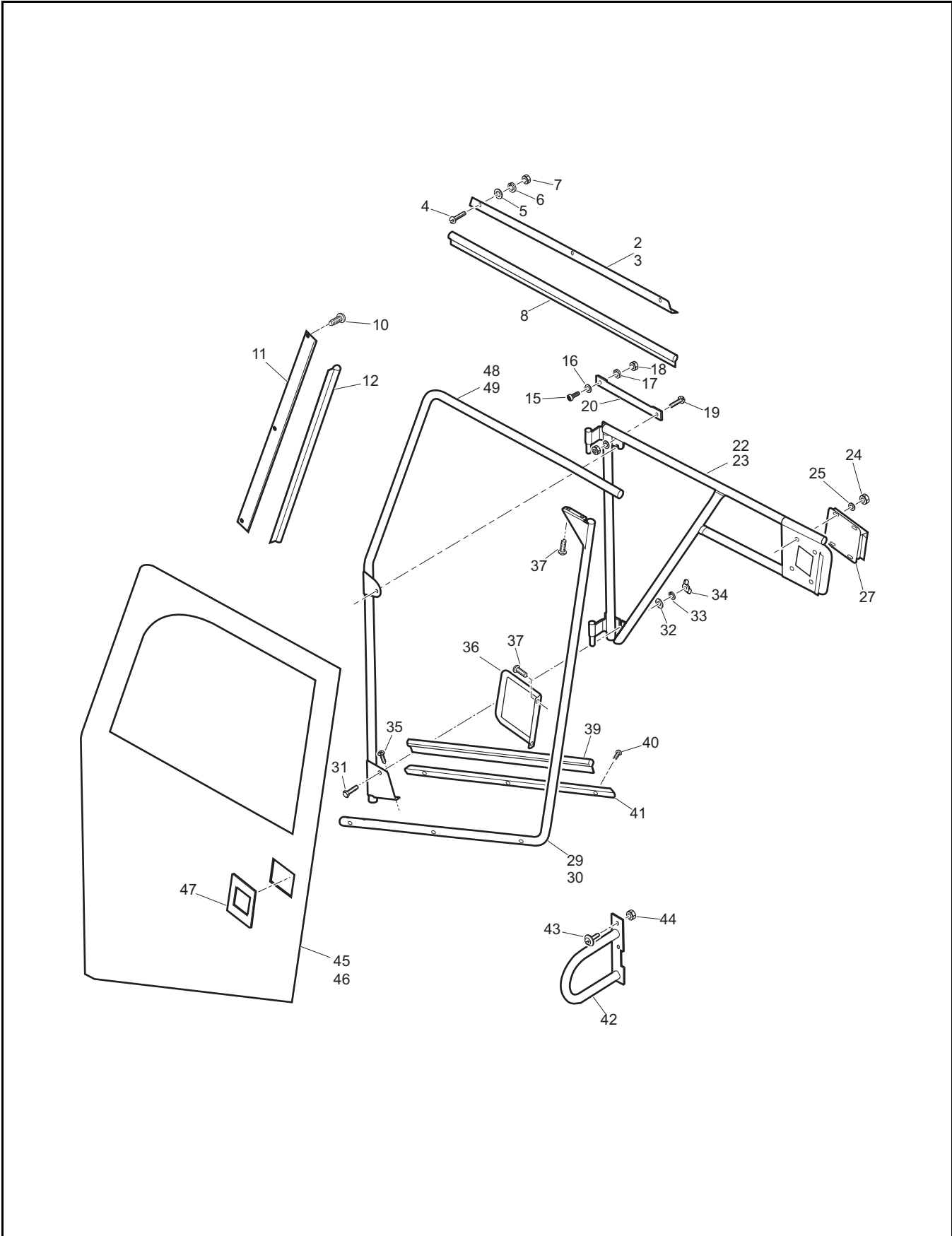
When ordering parts, please specify the model and serial number of the product.

* Indicates a component that is not available as an individual part.

G** Indicates consult Customer Service Department for additional information.

ITEM	PART NO.	1	2	3	4	5	DESCRIPTION	QTY.
31								
32	800271						SCREW, #10 - 24 X 1/2" LG	4
33	308089						WASHER, #10	4
34	823419						HANDLE	2
35	120052						LOCK WASHER, #10	4
36	800039						ACORN NUT, #10 - 24.....	4
37								
38	800024						SCREW, 1/4 - 20 X 1 1/2" LG	2
39	800037						ACORN NUT, 1/4 - 20.....	2
40	886948						HINGE ASSEMBLY, RIGHT.....	1
41	886949						HINGE ASSEMBLY, LEFT	1
42								
43	547444						CABLE ASSEMBLY, DOOR STOP	2
44	830291						PLATE, DOOR	2
45	308090						WASHER, 1/4"	2
46	800017						SCREW, 1/4 - 20 X 1" LG	2
47	800026						SCREW, 1/4 - 20 X 3/4" LG	2
48	308090						WASHER, 1/4"	2
49	306396						LOCK WASHER, 1/4"	2
50	306375						NUT, 1/4 - 20.....	2
51	800026						SCREW, 1/4 - 20 X 3/4" LG	2
52								
53								
54	800026						SCREW, 1/4 - 20 X 3/4" LG	4
55	306396						LOCK WASHER, 1/4"	4
56	800037						ACORN NUT, 1/4 - 20.....	4
57								
58	830355						SEAL, 1/4" X 1/2" X 25' (6.35MM X 12.7MM X 7.62 M).....	AR
59	894028						WINDOW, RIGHT	1
60	894029						WINDOW, LEFT.....	1

WEATHER PROTECTION (CLOTH DOORS)



WEATHER PROTECTION (CLOTH DOORS)

THE USE OF NON U.L. PARTS WILL VOID ANY U.L. LISTING.
 When ordering parts, please specify the model and serial number of the product.
 * Indicates a component that is not available as an individual part.
 G** Indicates consult Customer Service Department for additional information.

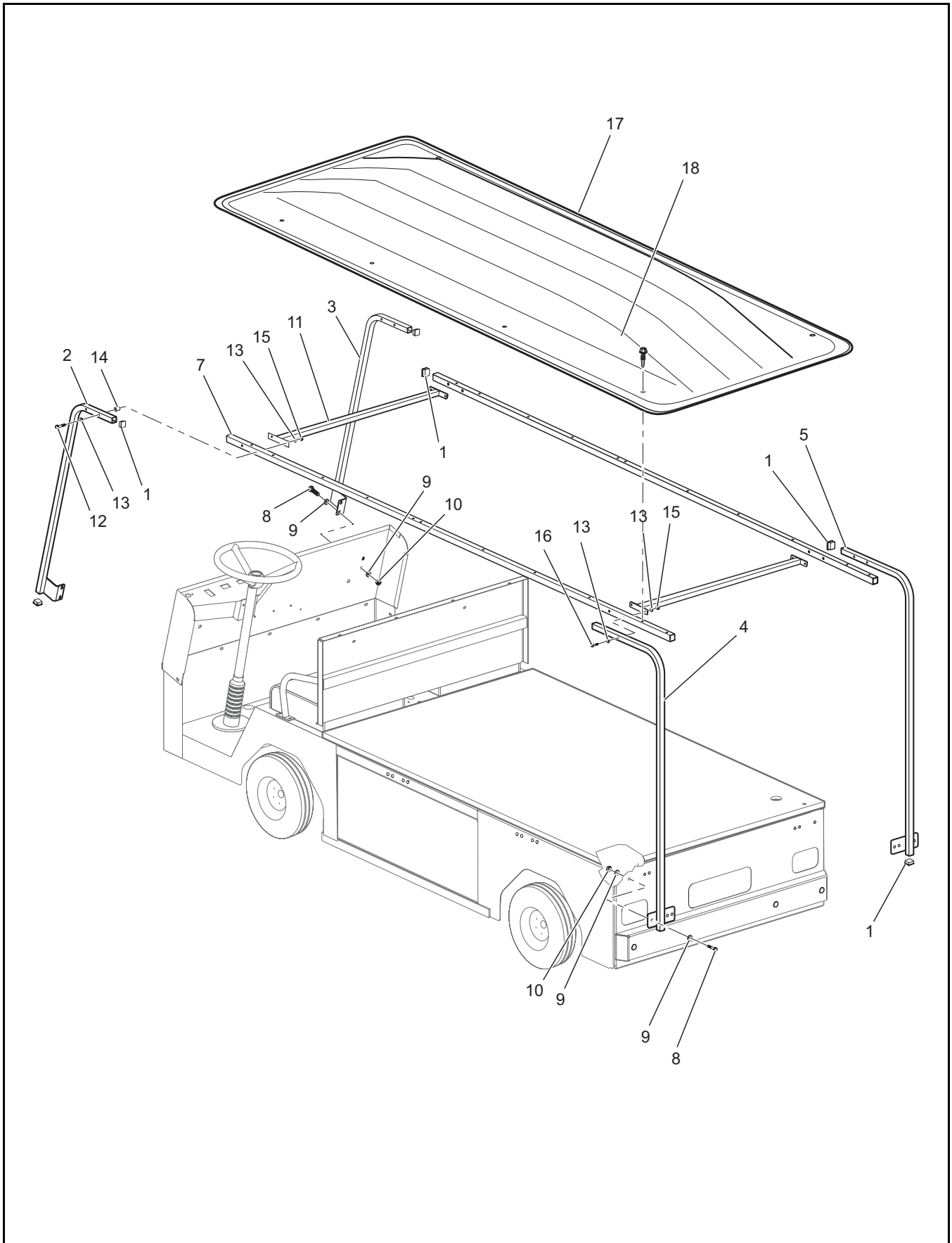
ITEM	PART NO.	1 2 3 4 5	DESCRIPTION	QTY.
1	886940		CLOTH DOOR SET (INCLUDES ITEMS 2 - 49).....	1
2	830245		BRACKET, TOP RIGHT	1
3	830437		BRACKET, TOP LEFT	1
4	800026		CARRIAGE BOLT, 1/4 - 20 X 1 3/4" LG.....	6
5	308090		WASHER, 1/4"	6
6	306396		LOCK WASHER, 1/4"	6
7	306375		NUT, 1/4 - 20.....	6
8	830351		SEAL, 27 1/8" (694MM)	2
9				
10	112050		SCREW, TAPPING, 1/4 - 20 X 5/8" LG	6
11	831017		BRACKET	2
12	830350		SEAL, 31" (792 MM)	4
13				
14				
15	302288		SCREW, 1/4 - 20 X 1" LG	2
16	308090		WASHER, 1/4"	2
17	306396		LOCK WASHER, 1/4"	2
18	306375		NUT, 1/4 - 20.....	2
19	800026		SCREW, 1/4 - 20 X 3/4" LG	2
20	843678		CABLE, DOOR STOP.....	2
21				
22	886930		FRAME, LEFT.....	1
23	886931		FRAME, RIGHT	1
24	800059		NUT, 1/4 - 20.....	8
25	308090		WASHER, 1/4"	8
26				
27	830058		LATCH, DOOR.....	2
28				
29	886934		TUBE, LEFT.....	1
30	886935		TUBE, RIGHT	1

WEATHER PROTECTION (CLOTH DOORS)

THE USE OF NON U.L. PARTS WILL VOID ANY U.L. LISTING.
 When ordering parts, please specify the model and serial number of the product.
 * Indicates a component that is not available as an individual part.
 G** Indicates consult Customer Service Department for additional information.

ITEM	PART NO.	1	2	3	4	5	DESCRIPTION	QTY.
31	800075						CARRIAGE BOLT, 1/4 - 20 X 1 3/4" LG.....	4
32	308090						WASHER, 1/4"	4
33	306396						LOCK WASHER, 1/4"	4
34	800321						WING NUT, 1/4 - 20	4
35	112050						SCREW, TAPPING, 1/4 - 20 X 5/8" LG	4
36	830510						COVER	2
37	112050						SCREW, TAPPING, 1/4 - 20 X 5/8" LG	8
38								
39	830350						SEAL, 31" (792 MM)	4
40	112050						SCREW, TAPPING, 1/4 - 20 X 5/8" LG	6
41	830513						STRIP	2
42	894790						HIP RESTRAINT.....	2
43	548902						SCREW, 5/16 - 18 X 1" LG	4
44	548911						NUT, 5/16 - 18.....	4
45	886943						DOOR COVER, RIGHT	1
46	886944						DOOR COVER, LEFT.....	1
47	830193						TRIM PLATE, DOOR LATCH.....	2
48	886932						TUBE, LEFT.....	1
49	886933						TUBE, RIGHT	1

WEATHER PROTECTION (LONG TOP)

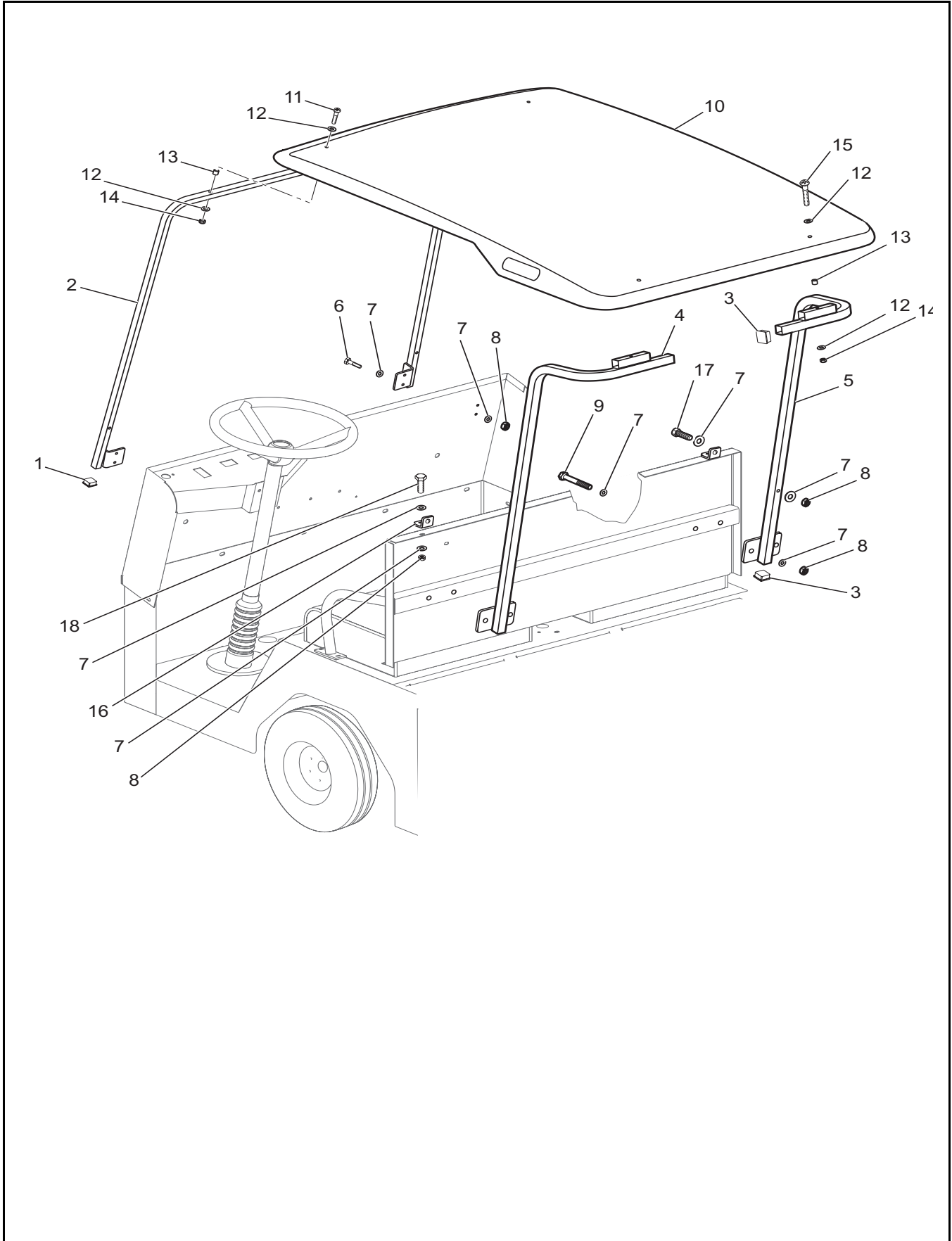


WEATHER PROTECTION (LONG TOP)

THE USE OF NON U.L. PARTS WILL VOID ANY U.L. LISTING.
 When ordering parts, please specify the model and serial number of the product.
 * Indicates a component that is not available as an individual part.
 G** Indicates consult Customer Service Department for additional information.

ITEM	PART NO.	1 2 3 4 5	DESCRIPTION	QTY.
1	19853-G1		END CAP, 1".....	12
2	602379		FRONT STRUT (DRIVER SIDE).....	1
3	602380		FRONT STRUT (PASSENGER SIDE).....	1
4	602377		REAR STRUT (DRIVER SIDE).....	1
5	602378		REAR STRUT (PASSENGER SIDE).....	1
6				
7	602321		TOP RAIL.....	2
8	00426-G6		BOLT, 3/8-16 X 3/4" LG.....	10
9	00571-G3		WASHER, 3/8".....	20
10	11098-G4		LOCK NUT, 3/8-16.....	4
11	602321		SPACER BAR.....	2
12	00441-G8		BOLT, 5/16-18 X 4" LG.....	4
13	00559-G8		WASHER, 5/16".....	16
14	75048-G04		SPACER, 3/4" OUTSIDE DIAMETER X 1" LG.....	4
15	11098-G6		LOCK NUT, 5/16-18.....	4
16	306823		BOLT, 5/16-18 X 2 3/4" LG.....	4
17	75530-G01		SUN TOP.....	1
18	602662		SELF DRILL & TAP SCREW, 12-14 X 3/4" LG.....	8

WEATHER PROTECTION (SHORT TOP)

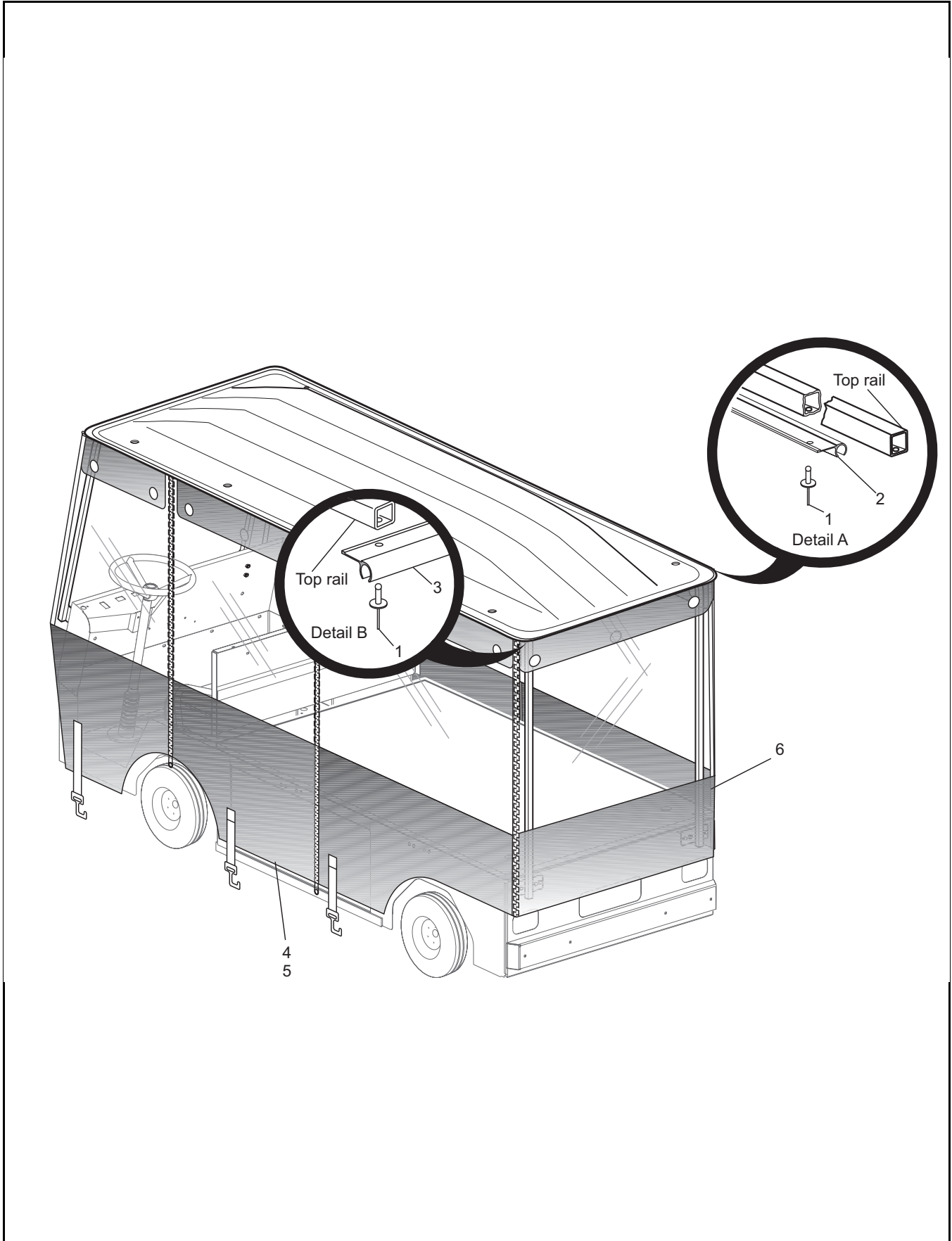


WEATHER PROTECTION (SHORT TOP)

THE USE OF NON U.L. PARTS WILL VOID ANY U.L. LISTING.
 When ordering parts, please specify the model and serial number of the product.
 * Indicates a component that is not available as an individual part.
 G** Indicates consult Customer Service Department for additional information.

ITEM	PART NO.	1 2 3 4 5	DESCRIPTION	QTY.
1	19859-G1		END CAP, 3/4"	2
2	602283		FRONT STRUT	1
3	19853-G1		END CAP, 1"	4
4	602284		REAR STRUT (DRIVER SIDE)	1
5	602285		REAR STRUT (PASSENGER SIDE).....	1
6	00438-G8		BOLT, 5/16-18 X 1" LG	4
7	00559-G8		WASHER, 5/16.....	24
8	11098-G6		LOCK NUT, 5/16-18	12
9	00272-G2		BOLT, 5/16-18 X 2 1/2" LG	4
10	27609-G01		SUN TOP	1
11	00753-G5		TRUSS HEAD BOLT, 1/4-20 X 2" LG (STAINLESS STEEL).....	2
12	00559-G7		WASHER, 1/4"	8
13	75051-G01		SPACER, 1/2" LG	4
14	00891-G2		LOCK NUT, 1/4-20	4
15	00774-G3		TRUSS HEAD BOLT, 1/4-20 X 3 1/4" LG (STAINLESS STEEL).....	2
16	602675		ANGLE BRACKET	2
17	00439-G6		BOLT, 5/16 - 18 X 1 3/4" LG	2
18	00952-G6		BOLT, 5/16 - 18 X 3/4" LG	2

WEATHER PROTECTION (CURTAINS)



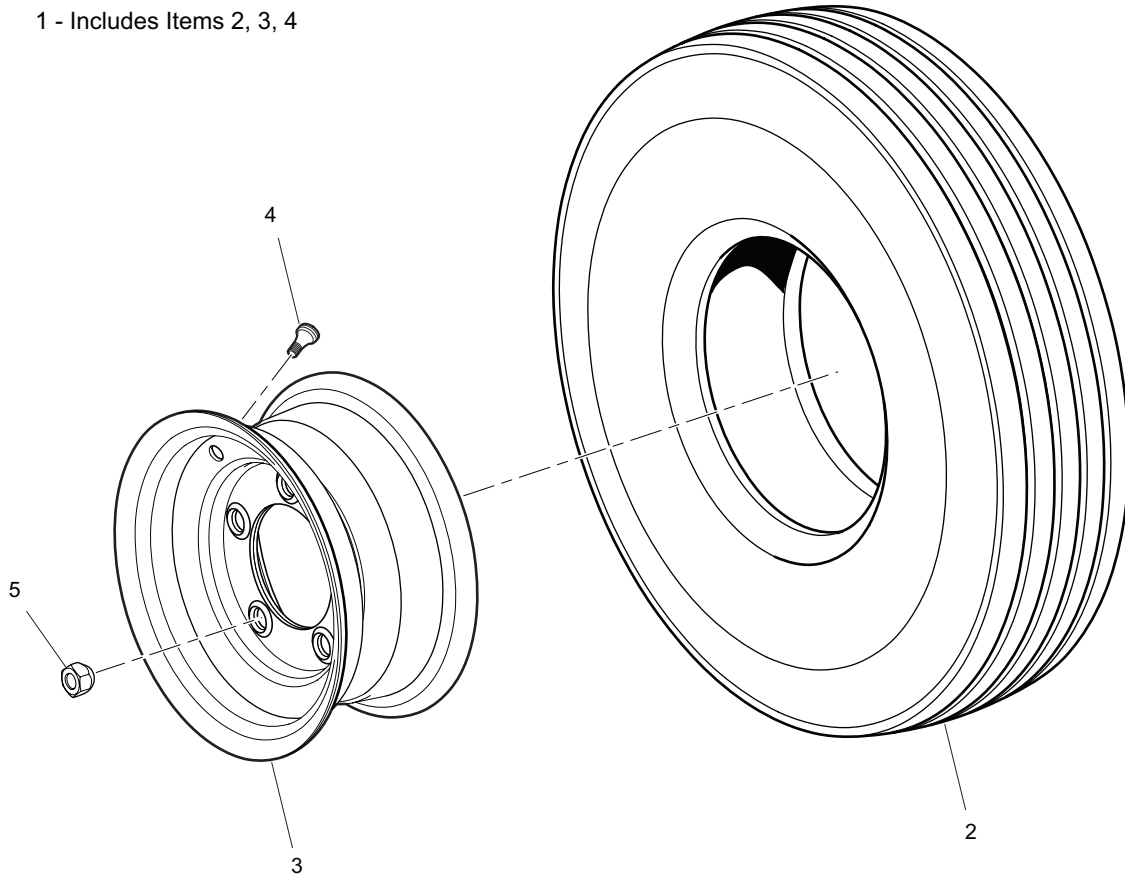
WEATHER PROTECTION (CURTAINS)

THE USE OF NON U.L. PARTS WILL VOID ANY U.L. LISTING.
 When ordering parts, please specify the model and serial number of the product.
 * Indicates a component that is not available as an individual part.
 G** Indicates consult Customer Service Department for additional information.

ITEM	PART NO.	1 2 3 4 5	DESCRIPTION	QTY.
1	548247		RIVET, POP.....	22
2	602443		EXTRUSION LONG	4
3	602444		EXTRUSION SHORT	1
4	602899		DRIVER SIDE CURTAIN.....	1
5	602441		PASSENGER SIDE CURTAIN	1
6	602753		REAR CURTAIN.....	1

WHEELS AND TIRES

1 - Includes Items 2, 3, 4



(Style of tire may differ from tire shown)

WHEELS AND TIRES

THE USE OF NON U.L. PARTS WILL VOID ANY U.L. LISTING.
 When ordering parts, please specify the model and serial number of the product.
 * Indicates a component that is not available as an individual part.
 G** Indicates consult Customer Service Department for additional information.

ITEM	PART NO.	1 2 3 4 5	DESCRIPTION	QTY.
1	600499		TIRE AND WHEEL ASSEMBLY (INCLUDES ITEMS 2, 3, 4)	AR
2	888120		TIRE, 5.70 - 8 LOAD RANGE C	1
3	832601		WHEEL RIM.....	1
4	886735		VALVE STEM.....	1
5	829441		LUG NUT, 7/16 - 20	AR

**DID YOU
KNOW?**

CartPros directs you to the right part using the part numbers from this manual. Enter the part number into our search box and it will find the part you are looking for.

**GET STARTED
HERE**



<https://CartPros.com/f.html>

**DID YOU
KNOW?**

CartPros directs you to the right part using the part numbers from this manual. Enter the part number into our search box and it will find the part you are looking for.

**GET STARTED
HERE** →

<https://CartPros.com/f.html>

SPECIALTY PRODUCTS

SPECIALTY PRODUCTS

SPECIALTY PRODUCTS

SPECIAL TOOLS	PART NO.
HIGH RESISTANCE SPARK PLUG WIRE SET26733-G02
CLUTCH PULLER (DRIVE)19779-G2
FLYWHEEL PULLER27111-G01
CURRENT INDICATOR16489-G2
DIGITAL MULTI-METER27481-G01
CRIMPING TOOL27765-G01
BATTERY MAINTENANCE KIT25587-G01
BATTERY SET DISCHARGER, 36 VOLT, 75 AMP28251-G01
BATTERY SET DISCHARGER, 48 VOLT, 56 AMP28251-G02
TUBELESS TIRE REPAIR KIT606009
TIRE PLUGGER REFILL PACK (50/BOX)606831

PAINT

TOUCH UP PEN - INDUSTRIAL YELLOW28432-G03
12 OUNCE SPRAY - INDUSTRIAL YELLOW28140-G14

PERFORMANCE PRODUCTS

PLEXUS [®] CLEANER, 13 OUNCE (FOR WINDSHIELDS)28433-G02
BATTERY PROTECTOR, 14 OUNCE SPRAY27619-G02
WHEEL BEARING GREASE12730-G1
BRAKE FLUID (DOT 3)21504-G1
E-Z-GO ALL SURFACE CLEANER606311
E-Z-GO FIBREGLASS/PLASTIC RESTORRE606313
WINDSHIELD AND PLASTIC PROTECTOR606314
64 OZ HAND CLEANER607636
4 OZ HAND CLEANER607637

**DID YOU
KNOW?**

CartPros directs you to the right part using the part numbers from this manual. Enter the part number into our search box and it will find the part you are looking for.

**GET STARTED
HERE**



<https://CartPros.com/f.html>

**DID YOU
KNOW?**

CartPros directs you to the right part using the part numbers from this manual. Enter the part number into our search box and it will find the part you are looking for.

**GET STARTED
HERE** →

<https://CartPros.com/f.html>

CUSHMAN[®]

A Textron Company

E-Z-GO Division Of Textron, Inc.,
1451 Marvin Griffin Road, Augusta, Georgia USA 30906-3852

TO CONTACT US

North America:

Technical Assistance & Warranty Phone: 1-800-774-3946, FAX: 1-800-448-8124
Service Parts Phone: 1-888-GET-EZGO (1-888-438-3946), FAX: 1-800-752-6175

International:

Phone: 001-706-798-4311, FAX: 001-706-771-4609

Certified ISO 9001 / ISO 14001 by



Copyrighted Material

This manual may not be reproduced in whole or
in part without the express permission of
E-Z-GO Division of Textron, Inc.
Technical Communications Department

