

**DID YOU  
KNOW?**

CartPros directs you to the right part using the part numbers from this manual. Enter the part number into our search box and it will find the part you are looking for.

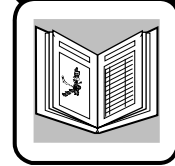
**GET STARTED  
HERE** →

<https://CartPros.com/> .html

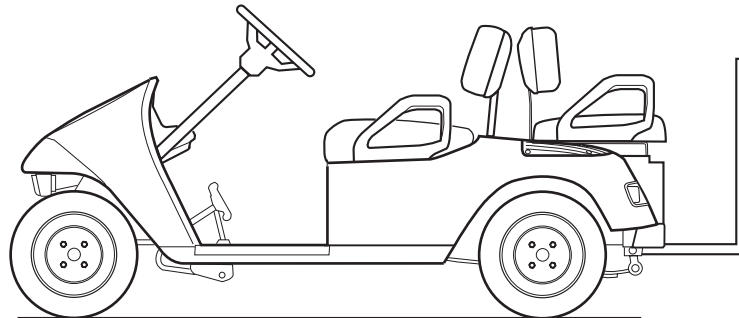
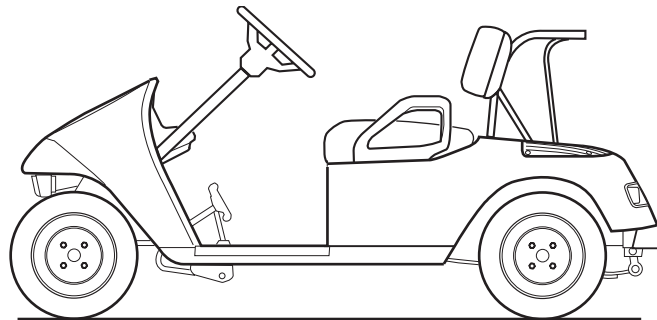
**605524**



A Textron Company



# SERVICE PARTS MANUAL



## GASOLINE POWERED FLEET GOLF CARS & PERSONAL VEHICLES

ISSUE DATE : June 2006

**DID YOU  
KNOW?**

**CartPros** directs you to the right part using the part numbers from this manual. Enter the part number into our search box and it will find the part you are looking for.

**GET STARTED  
HERE**



<https://CartPros.com/f.html>

# **SERVICE PARTS MANUAL**

**GASOLINE POWERED  
FLEET GOLF CARS &  
PERSONAL VEHICLES  
FLEET GOLF CAR**

**FREEDOM™  
FREEDOM™ SE  
FREEDOM™ LE  
FREEDOM™ HP  
FREEDOM™ HP SE  
FREEDOM™ HP LE  
SHUTTLE™ 2+2**

**STARTING MODEL YEAR 2006+**

E-Z-GO Division of TEXTRON, Inc. reserves the right to make design changes without obligation to make these changes on units previously sold and the information contained in this manual is subject to change without notice.

E-Z-GO Division of TEXTRON, Inc. is not liable for errors in this manual or for incidental or consequential damages that result from the use of the material in this manual.

**CUSTOMER SERVICE DEPARTMENT IN USA PHONE: 1-800-241-5855 FAX: 1-800-448-8124**

**OUTSIDE USA PHONE: 001-706-798-4311, FAX: 001-706-771-4609**

**E-Z-GO DIVISION OF TEXTRON, INC., P.O.BOX 388, AUGUSTA, GEORGIA USA 30906-3852**

## NOTES

To obtain a copy of the limited warranty applicable to the vehicle, call or write a local Distributor, authorized Branch or the Warranty Department with vehicle serial number and manufacturer code.

The use of non Original Equipment Manufacturer (OEM) parts may void the warranty.

Tampering with or adjusting the governor to permit vehicle to operate at above factory specifications will void the vehicle warranty.

When servicing engines, all adjustments and replacement components must be per original vehicle specifications in order to maintain the United States of America Federal and State emission certification applicable at the time of manufacture.

### BATTERY PROLONGED STORAGE

All batteries will self discharge over time. The rate of self discharge varies depending on the ambient temperature and the age and condition of the batteries.

A fully charged battery will not freeze in winter temperatures unless the temperature falls below -75° F (-60° C).

# TABLE OF CONTENTS

<b>SECTION</b>	<b>Page No.</b>
HOW TO USE THE SERVICE PARTS MANUAL .....	v
ILLUSTRATED PARTS BREAKDOWN .....	vii
ACCELERATOR .....	A-1
AIR FILTER .....	B-1
BODY - FRONT .....	C-1
BODY - MID SECTION .....	C-5
BODY - REAR .....	C-7
BODY - FOOTREST .....	C-11
BODY - ACCESSORIES .....	C-13
BODY - ACCESSORIES CONTINUED .....	C-15
BODY - ACCESSORIES CONTINUED .....	C-17
BRAKES .....	D-1
CARBURETOR AND CHOKE .....	E-1
CLUTCH .....	F-1
DIRECTION SELECTOR .....	G-1
ELECTRICAL SYSTEM .....	H-1
ENGINE 9 HP AND MUFFLER .....	J-1
ENGINE 11 HP AND MUFFLER .....	J-3
ENGINE MOUNTING .....	K-1
FRONT SUSPENSION AND STEERING .....	L-1
FUEL SYSTEM - CALIFORNIA REQUIREMENT .....	M-1
FUEL SYSTEM .....	M-3
REAR AXLE .....	N-1
REAR SUSPENSION .....	P-1
SEATING AND BAG HOLDER - GOLF CAR .....	Q-1
SEATING - SHUTTLE 2+2 .....	Q-3
SEATING - CONVERTIBLE CARRIER .....	Q-7
STARTER / GENERATOR .....	R-1
TOW BAR - PERMANENT .....	S-1

# TABLE OF CONTENTS

<b>SECTION</b>	<b>Page No.</b>
TOW BAR - CASUAL.....	S-5
WEATHER PROTECTION - GOLF CAR.....	T-1
WEATHER PROTECTION - SHUTTLE 2+2 .....	T-7
WHEELS AND TIRES .....	U-1
OPTIONS/ACCESSORIES .....	APPENDIX A-1
SPECIALTY PRODUCTS .....	APPENDIX B-1
INDEX OF MAJOR COMPONENTS .....	INDEX-1

# HOW TO USE THE SERVICE PARTS MANUAL

This manual is divided into several sections:

## GENERAL INFORMATION

- TABLE OF CONTENTS
- HOW TO USE THE SERVICE PARTS MANUAL

## ILLUSTRATED PARTS BREAKDOWN

- Contains illustrations and parts lists for all systems of the vehicle

## APPENDIX

- Contains a listing of specialty products and options/accessories

## INDEX OF MAJOR COMPONENTS

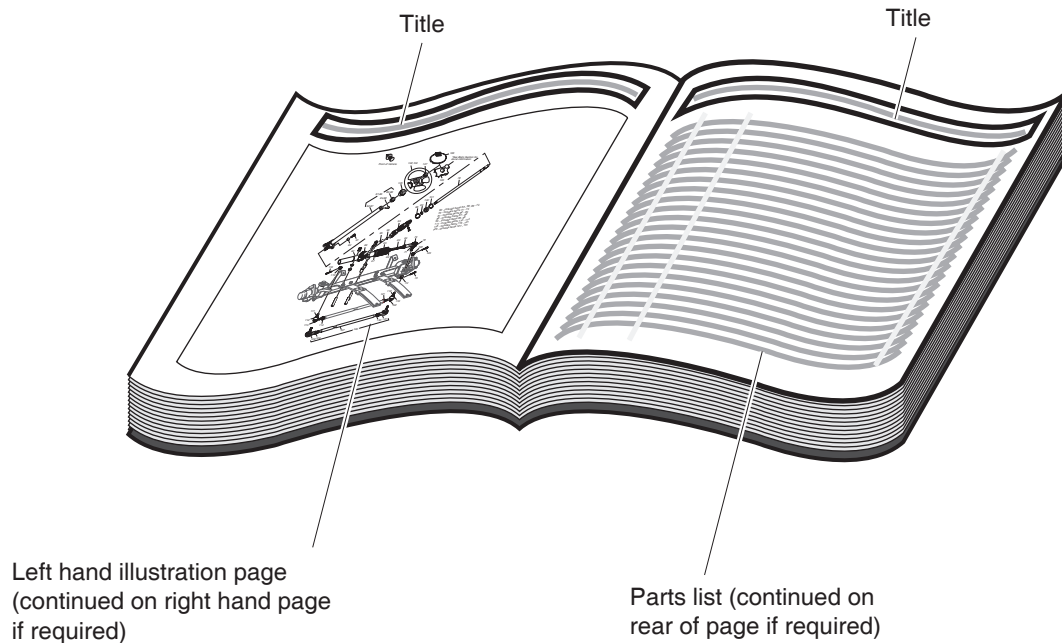
- Contains a listing of parts (excluding hardware) grouped by part description and indicates on which page(s) they can be found.

## USE OF THE MANUAL

To use this manual, consult the TABLE OF CONTENTS (page iii) to locate the information or illustration required.

Introduction of some revisions varies due to supply of components; therefore, it is possible that various combinations of components may be found that are not directly reflected by each illustration. Consult the illustration that best suits your situation. Locate the serial number plate (see BODY located in the Illustrated Parts Breakdown section of this manual for its location) and note the complete number shown on the plate. It is important that the serial number of your vehicle and its model number be supplied to Service Parts when ordering any replacement components.

# HOW TO USE THE SERVICE PARTS MANUAL



## 1. WHEN THE PART NUMBER IS NOT KNOWN

- Determine the function and application of the part required. Turn to the INDEX OF MAJOR COMPONENTS and select the most appropriate component description.
- Turn to the page number indicated and locate the part description in the parts list. Read the full accompanying description for specific information regarding the part that was not shown in the index.
- From the parts list, obtain the item number assigned to it and confirm that the part selected is correct by verifying it with the pictorial representation on the illustrated page.

## 2. IF YOU KNOW THE PART NUMBER

- Use the INDEX OF MAJOR COMPONENTS to find the page(s) the part number appears on.
- Turn to the page number indicated and locate the part number in the parts list. Refer to the accompanying description for specific information regarding the part.
- From the parts list, obtain the item number assigned to it and confirm that the part selected is correct by verifying it with the pictorial representation on the illustrated page.

Should an asterisk (\*) appear in the part number column on the parts list page, read upwards until a part number is found. The part number is the lowest assembly sold by Service Parts. The asterisk (\*) indicates that the part depicted is not available for purchase.

NOTE: Descriptions are indented under the assembly that they are used on. That assembly is, in turn listed under the assembly that it is used on. This process is repeated until the highest final assembly is reached.

**To facilitate the maintenance and repair of the vehicle, a Technician's Repair and Service Manual is available from the Service Parts Department.**



**DID YOU  
KNOW?**

CartPros directs you to the right part using the part numbers from this manual. Enter the part number into our search box and it will find the part you are looking for.

**GET STARTED  
HERE**

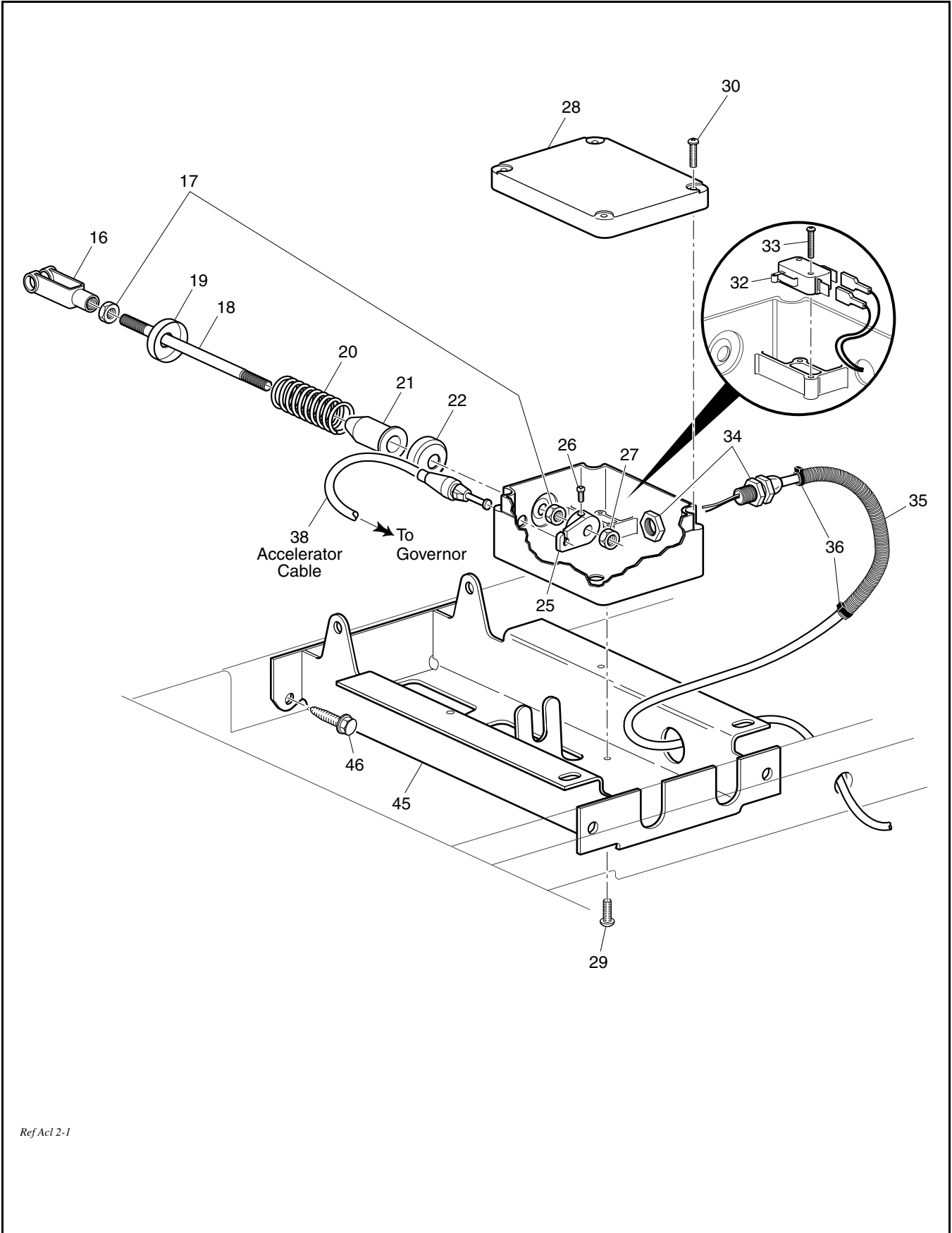


<https://CartPros.com/f.html>

## ILLUSTRATED PARTS BREAKDOWN

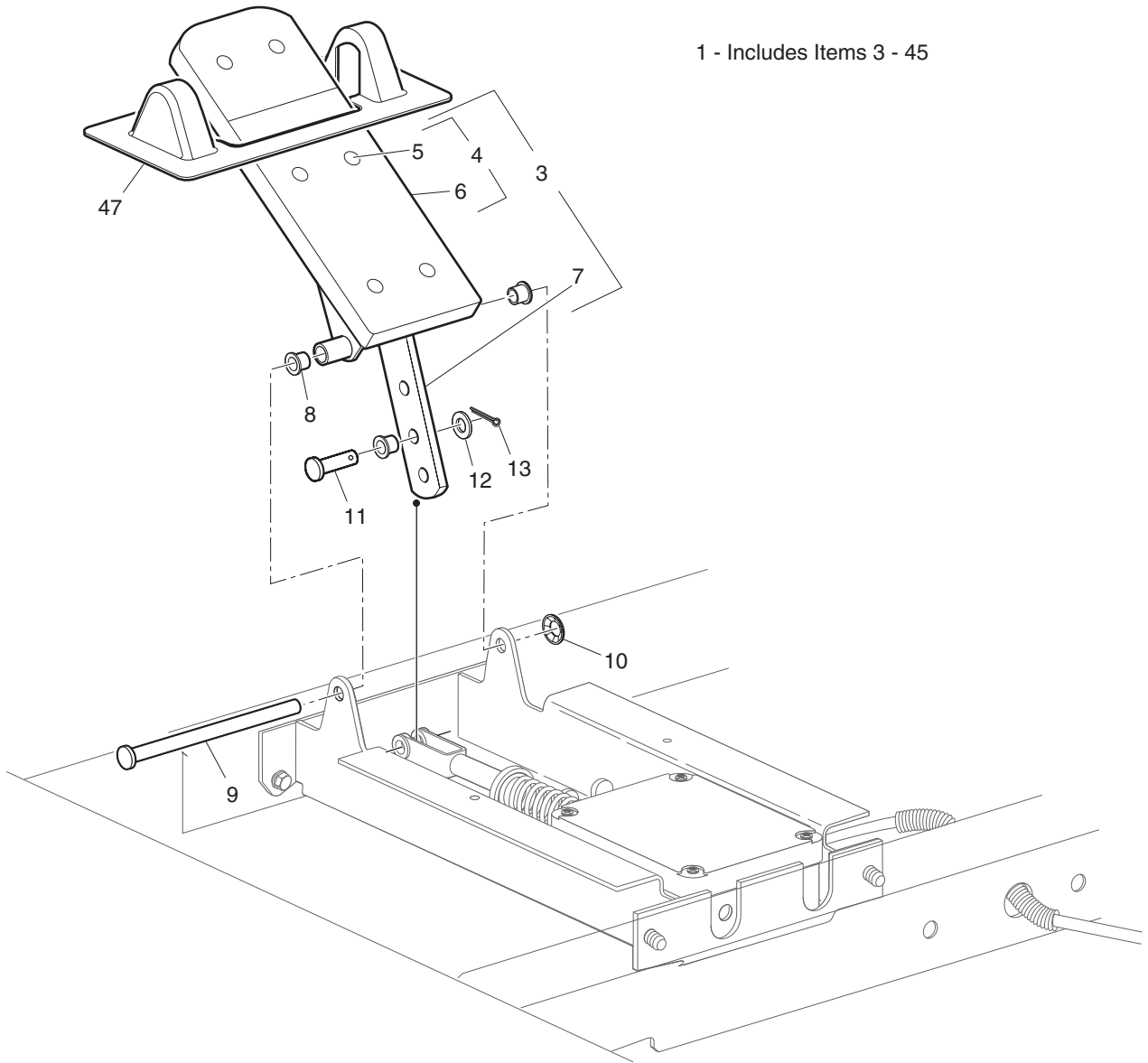
# ILLUSTRATED PARTS BREAKDOWN

# ACCELERATOR



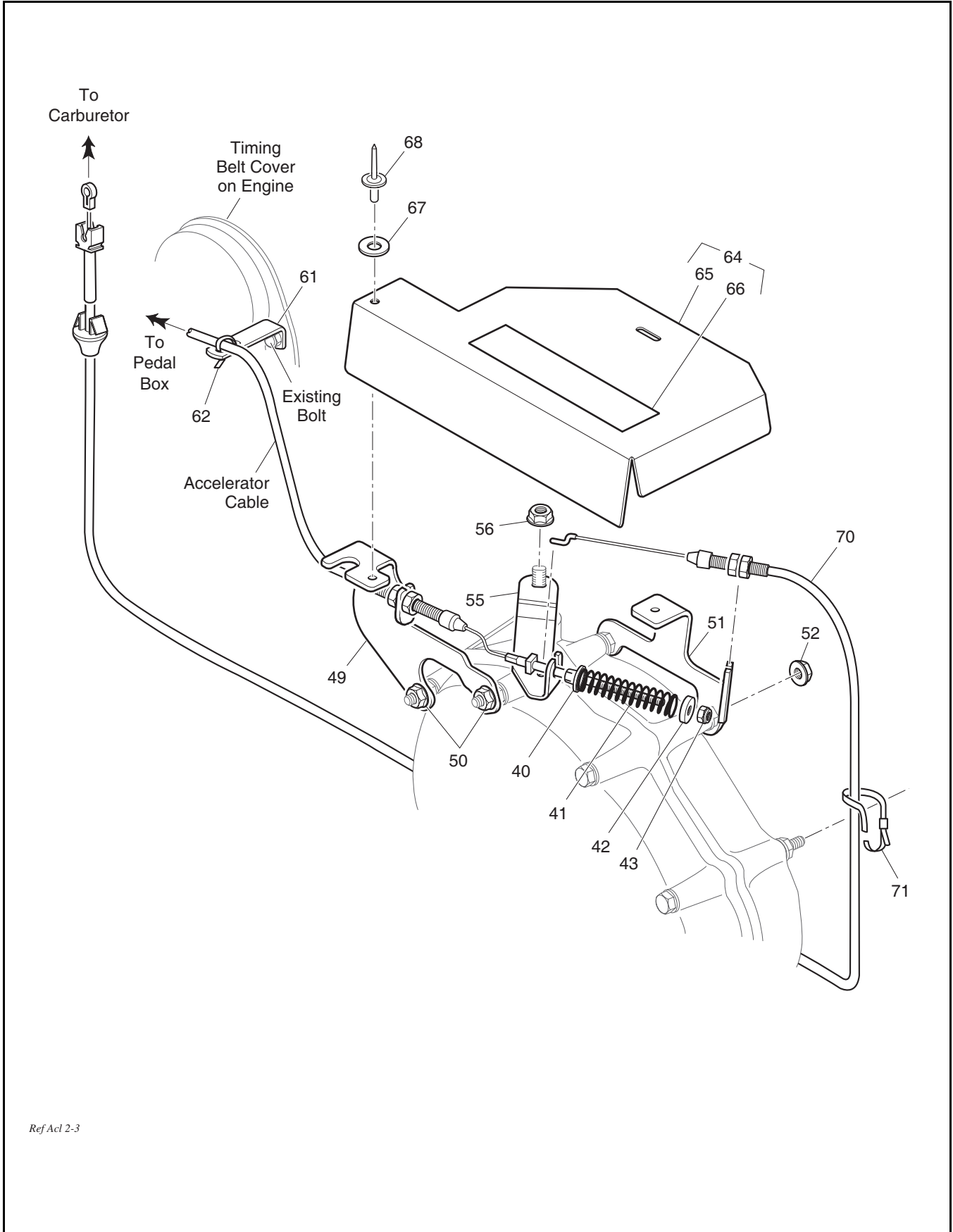
Ref Acl 2-1

# ACCELERATOR



Ref Acl 2-2

# ACCELERATOR



Ref Acl 2-3

# ACCELERATOR

Where applicable, THE USE OF NON UL PARTS WILL VOID ANY UL LISTING.

When ordering parts, please specify the model and serial number of the product.

\* Indicates a component that is not available as an individual part.

G\*\* Indicates consult Customer Service Department for additional information.

ITEM	PART NO.	1 2 3 4 5	DESCRIPTION	QTY.
1	72717-G04		PEDAL BOX ASSEMBLY (INCLUDES ITEMS 3 - 45).....	1
2				
3	25799-G03		ACCELERATOR PEDAL ASSEMBLY (INCLUDES ITEMS 4 - 7).....	1
4	27844-G01		ACCELERATOR PEDAL PAD KIT (INCLUDES ITEMS 5 - 6).....	1
5	15766-G1		OVAL RIVET, 3/16" X 7/16" LG.....	6
6	27512-G01		ACCELERATOR PEDAL PAD.....	1
7	*		ACCELERATOR PEDAL.....	1
8	17838-G1		NYLON BUSHING.....	3
9	74432-G01		PEDAL PIVOT PIN.....	1
10	12064-G6		PUSH NUT, 9/32".....	1
11	10386-G3		CLEVIS PIN, 5/16" X 13/16" LG.....	1
12	17255-G1		TEFLON WASHER, 5/16".....	1
13	10387-G3		COTTER PIN, 3/32" X 3/4" LG.....	1
14				
15				
16	10385-G4		CLEVIS YOKE (ADJUSTABLE).....	1
17	00532-G4		NUT, 5/16 - 24.....	2
18	72072-G01		ACCELERATOR ROD.....	1
19	17677-G2		SPRING RETAINER, 3/8".....	1
20	73046-G01		COMPRESSION SPRING.....	1
21	17979-G1		ACCELERATOR ROD BUSHING.....	1
22	17677-G1		SPRING RETAINER, 1/2".....	1
23				
24				
25	72716-G01		MICRO SWITCH CAM.....	1
26	00487-G3		SETSCREW, 1/4 - 20 X 3/8" LG.....	1
27	15126-G1		LOCK NUT, 5/16 - 24.....	1
28	25853-G03		PEDAL BOX AND COVER.....	1
29	01051-G01		SCREW, #8 - 16 X 1/2" LG.....	4
30	00684-G6		SCREW, #8 - 32 X 3/4" LG (STAINLESS STEEL).....	2

# ACCELERATOR

Where applicable, THE USE OF NON UL PARTS WILL VOID ANY UL LISTING.  
 When ordering parts, please specify the model and serial number of the product.  
 \* Indicates a component that is not available as an individual part.  
 G\*\* Indicates consult Customer Service Department for additional information.

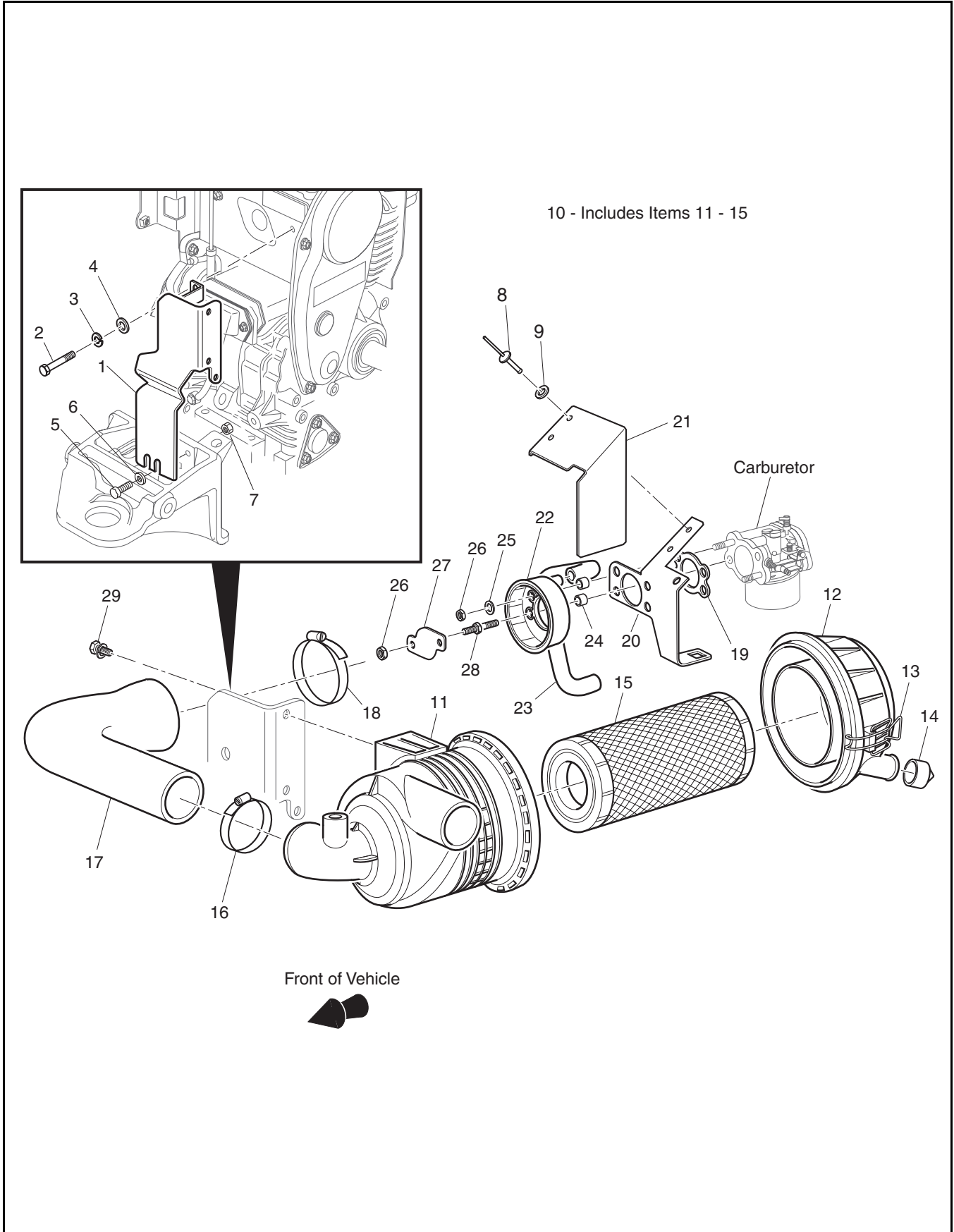
ITEM	PART NO.	1	2	3	4	5	DESCRIPTION	QTY.
31								
32	25861-G01						MICRO SWITCH.....	1
33	01050-G01						SCREW, #4 - 20 X 5/8" LG.....	2
34	72201-G04						WIRE HARNESS (PEDAL BOX) .....	1
35	17313-G1						FLEX LOOM (BULK).....	AR
36	17618-G1						WIRE TIE.....	2
37								
38	72713-G01						ACCELERATOR CABLE .....	1
39								
40	72706-G01						ACCELERATOR CABLE BUSHING.....	1
41	72707-G01						COMPRESSION SPRING .....	1
42	25727-G02						CUP WASHER, 3/16" .....	1
43	00734-G5						LOCK NUT, #10 - 32.....	1
44								
45	70116-G02						ACCELERATOR PEDAL BRACKET .....	1
46	00715-G2						BOLT, 5/16 - 18 X 13/16" LG .....	4
47	70135-G01						PEDAL PIVOT COVER.....	1
48								
49	72701-G02						ACCELERATOR CABLE MOUNTING BRACKET .....	1
50	26830-G01						LOCK NUT, M8 X 1.25 MM.....	2
51	72703-G02						THROTTLE CABLE MOUNTING BRACKET .....	1
52	26830-G01						LOCK NUT, M8 X 1.25 MM.....	2
53								
54								
55	72708-G01						GOVERNOR ARM .....	1
56	26830-G01						LOCK NUT, M8 X 1.25 MM.....	1
57								
58								
59								
60								

# ACCELERATOR

Where applicable, THE USE OF NON UL PARTS WILL VOID ANY UL LISTING.  
 When ordering parts, please specify the model and serial number of the product.  
 \* Indicates a component that is not available as an individual part.  
 G\*\* Indicates consult Customer Service Department for additional information.

ITEM	PART NO.	1 2 3 4 5	DESCRIPTION	QTY.
61	72055-G01		ACCELERATOR CABLE BRACKET .....	1
62	17618-G1		WIRE TIE .....	1
63				
64	74457-G02		GOVERNOR COVER/LABEL ASSEMBLY (INCLUDES ITEMS 65, 66) .....	1
65	72705-G01		GOVERNOR COVER .....	1
66	24880-G01		LABEL (WARNING - GOVERNOR) .....	1
67	00915-G1		BONDED WASHER, 1/4" .....	2
68	14601-G11		RIVET, 3/16" X 9/16" LG (ALUMINUM) .....	2
69				
70	72714-G01		THROTTLE CABLE .....	1
71	17618-G1		WIRE TIE .....	1

# AIR FILTER



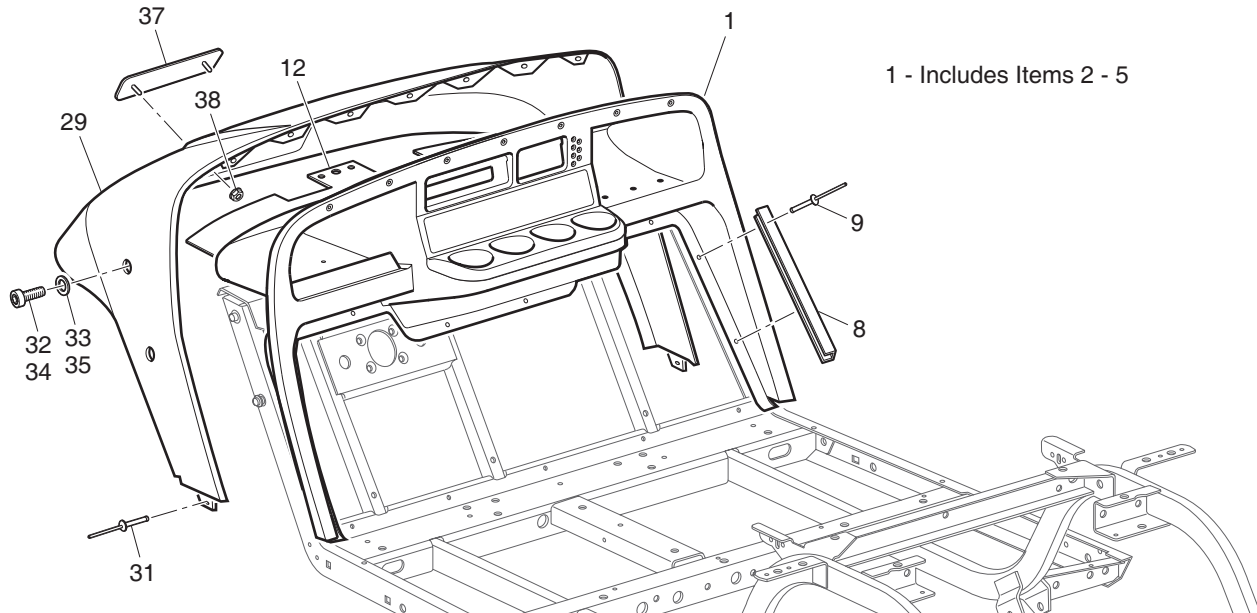
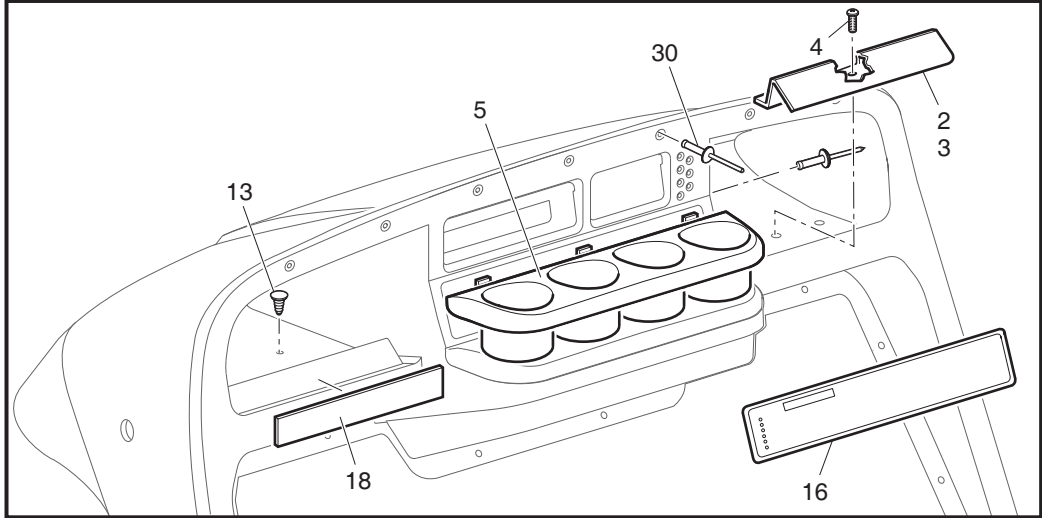


# AIR FILTER

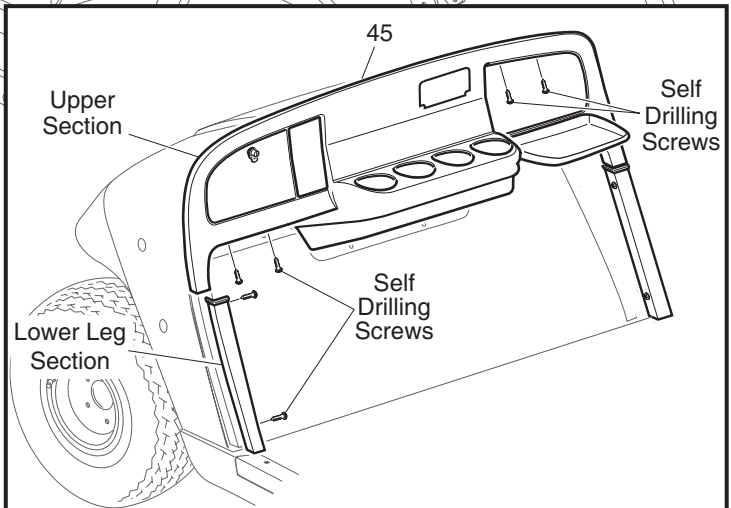
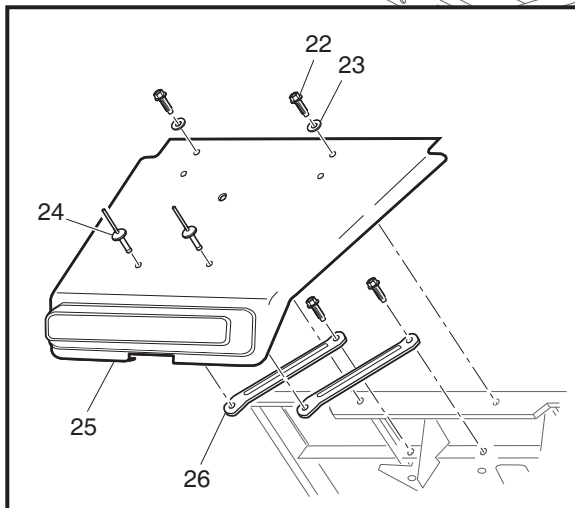
THE USE OF NON U.L. PARTS WILL VOID ANY U.L. LISTING.  
 When ordering parts, please specify the model and serial number of the product.  
 \* Indicates a component that is not available as an individual part.  
 G\*\* Indicates consult Customer Service Department for additional information.

ITEM	PART NO.	1 2 3 4 5	DESCRIPTION	QTY.
1	75878-G02		AIR FILTER BRACKET (CABLE ACTUATED CARBURETOR) .....	1
2	12547-G3		BOLT, M6 X 1MM X 20MM LG .....	1
3	00664-G7		LOCK WASHER, 1/4".....	1
4	00559-G7		WASHER, 1/4" .....	1
5	00415-G2		BOLT, 1/4 - 20 X 1 1/4" LG .....	2
6	00559-G7		WASHER, 1/4" .....	2
7	14390-G4		LOCK NUT, 1/4 - 20 .....	2
8	14601-G11		RIVET .....	2
9	00915-G1		BONDED WASHER .....	2
10	72607-G01		AIR CLEANER CANISTER ASSEMBLY (INCLUDES ITEMS 11 - 15) .....	1
11	72598-G01		AIR CLEANER CANISTER.....	1
12	72599-G01		AIR CLEANER COVER .....	1
13	72604-G01		AIR CLEANER LATCH .....	2
14	28462-G01		AIR CLEANER DUST COLLECTOR .....	1
15	28463-G01		AIR CLEANER ELEMENT .....	1
16	11391-G7		HOSE CLAMP .....	1
17	72592-G01		HOSE (AIR FILTER TO CARBURETOR) .....	1
18	11391-G6		HOSE CLAMP .....	2
19	26727-G01		CARBURETOR GASKET .....	2
20	74498-G02		CHOKE / THROTTLE BRACKET.....	1
21	604117		CHOKE / THROTTLE COVER.....	1
22	72591-G01		CARBURETOR ADAPTER .....	1
23	72151-G01		PCV HOSE.....	1
24	23726-G11		CARBURETOR MOUNTING SPACER.....	4
25	00664-G7		WASHER, 1/4" .....	2
26	13632-G1		NUT, M6 X 1.....	4
27	72605-G01		CARBURETOR BAFFLE.....	1
28	72514-G01		STUD.....	2
29	25532-G1		BOLT AND WASHER, M8 X 1.25 X 18 MM.....	2

# BODY - FRONT



1 - Includes Items 2 - 5



Ref Bod 2-1

**BODY - FRONT**

Where applicable, THE USE OF NON UL PARTS WILL VOID ANY UL LISTING.  
 When ordering parts, please specify the model and serial number of the product.  
 \* Indicates a component that is not available as an individual part.  
 G\*\* Indicates consult Customer Service Department for additional information.

ITEM	PART NO.	1 2 3 4 5	DESCRIPTION	QTY.
1	71151-G01		INSTRUMENT PANEL ASSEMBLY (INCLUDES ITEMS 2 - 5).....	1
2	71153-G01		DEFLECTOR (PASSENGER SIDE).....	1
3	71154-G01		DEFLECTOR (DRIVER SIDE).....	1
4	00614-G5		SCREW, #8 - 18 X 5/8" LG.....	6
5	71158-G01		INSTRUMENT PANEL INSERT (4 CUP HOLDER) .....	1
6				
7				
8	71115-G01		VINYL TRIM .....	2
9	71055-G01		RIVET, 3/16" X 1" LG (ALUMINUM) .....	10
10				
11				
12	71413-G01		SPLASH PANEL .....	1
13	16816-G2		RATCHET FASTENER, 1/4" X 3/4" LG .....	5
14				
15				
16	603872		LABEL (SAFETY).....	1
17				
18	74443-G01		LABEL (ANTI-ROLLBACK) .....	1
19				
20				
21				
22	01038-G01		BOLT, 1/4 - 20 X 11/16" LG .....	4
23	16469-G1		WASHER, 1/4" .....	2
24	01057-G01		RIVET, 1/4" X 1" LG .....	2
25	27166-G04		FRONT SHIELD .....	1
26	70725-G02		FRONT SHIELD BRACE.....	2
27				
28				
29	71051-G**		COWL.....	1
30	71055-G01		RIVET, 3/16" X 1" LG (ALUMINUM) .....	9

# BODY - FRONT

Where applicable, THE USE OF NON UL PARTS WILL VOID ANY UL LISTING.  
 When ordering parts, please specify the model and serial number of the product.  
 \* Indicates a component that is not available as an individual part.  
 G\*\* Indicates consult Customer Service Department for additional information.

ITEM	PART NO.	1 2 3 4 5	DESCRIPTION	QTY.
31	10570-G11		RIVET, 3/16" X 3/4" LG (STAINLESS STEEL) .....	2
32	71056-G01		BOLT, 5/16 - 18 X 5/8" LG .....	4
33	00570-G2		WASHER, 5/16.....	4
34	00438-G6		BOLT, 5/16 - 18 X 3/4" LG (WITH TOP) .....	2
35	00571-G2		WASHER, 5/16" .....	2
36				
37	71037-G02		E-Z-GO NAMEPLATE (GOLD) .....	1
38	71597-G01		NUT, SELF-THREADING, 5MM STUD x 10MM HEX.....	2
39				
40				
41				
42				
43				
44				
45	74239-G01		INSTRUMENT PANEL WOODGRAIN APPLIQUE KIT .....	1

**DID YOU  
KNOW?**

CartPros directs you to the right part using the part numbers from this manual. Enter the part number into our search box and it will find the part you are looking for.

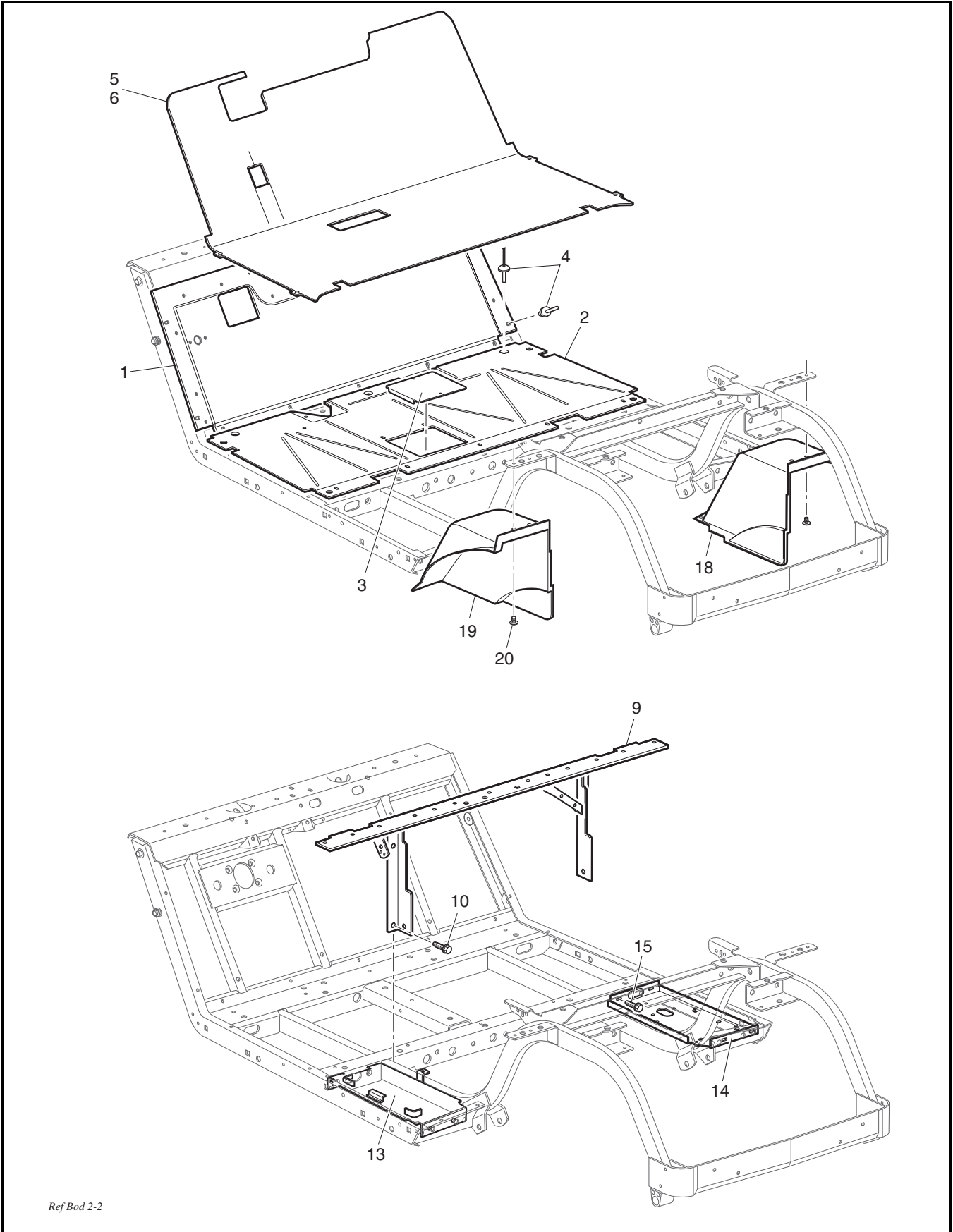
**GET STARTED  
HERE**



<https://CartPros.com/f.html>

**BODY - FRONT**

# BODY - MID SECTION



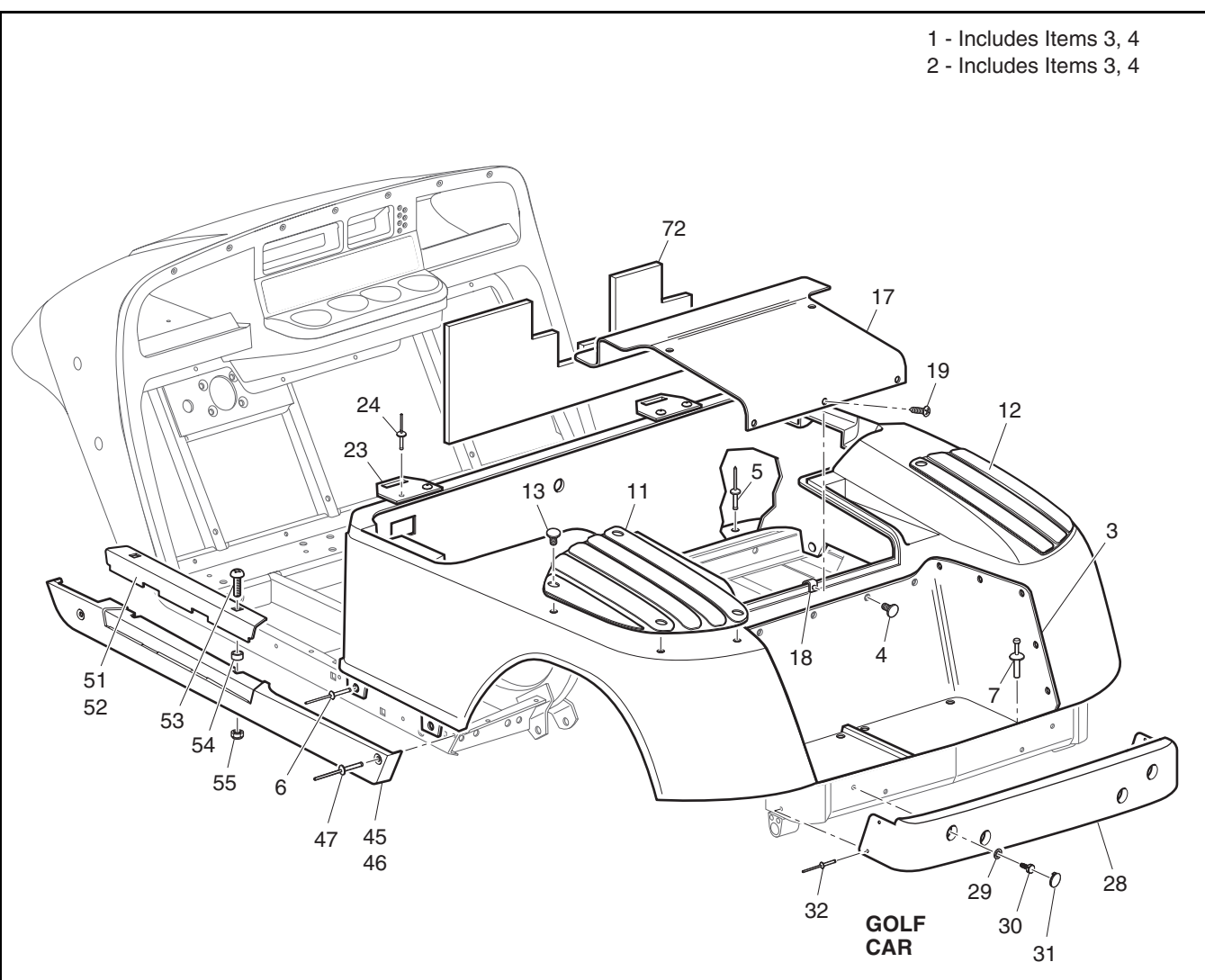
# BODY - MID SECTION

Where applicable, THE USE OF NON UL PARTS WILL VOID ANY UL LISTING.  
 When ordering parts, please specify the model and serial number of the product.  
 \* Indicates a component that is not available as an individual part.  
 G\*\* Indicates consult Customer Service Department for additional information.

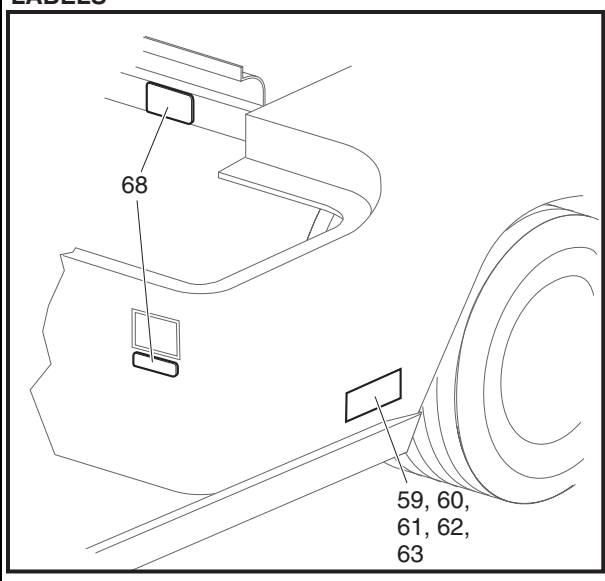
ITEM	PART NO.	1 2 3 4 5	DESCRIPTION	QTY.
1	70662-G01		UPPER FLOORPAN .....	1
2	70451-G01		LOWER FLOORPAN .....	1
3	70452-G01		ACCESS COVER.....	1
4	14601-G11		RIVET, 3/16" X 9/16" LG (ALUMINUM) .....	16
5	70995-G01		FLOORMAT .....	1
6	70995-G02		FLOORMAT WITH HORN HOLE.....	1
7				
8				
9	70440-G04		SEAT FRAME .....	1
10	00715-G2		BOLT, 5/16 - 18 X 4/5" LG .....	2
11				
12				
13	600496		BATTERY TRAY .....	1
14	70244-G03		SPLASH PANEL .....	1
15	00715-G2		BOLT, 5/16 - 18 X 4/5" LG .....	4
16				
17				
18	71812-G01		FENDER LINER (PASSENGER SIDE).....	1
19	71812-G02		FENDER LINER (DRIVER SIDE).....	1
20	16816-G2		RATCHET FASTENER, 1/4" X 3/4" LG .....	8

# BODY - REAR

- 1 - Includes Items 3, 4
- 2 - Includes Items 3, 4

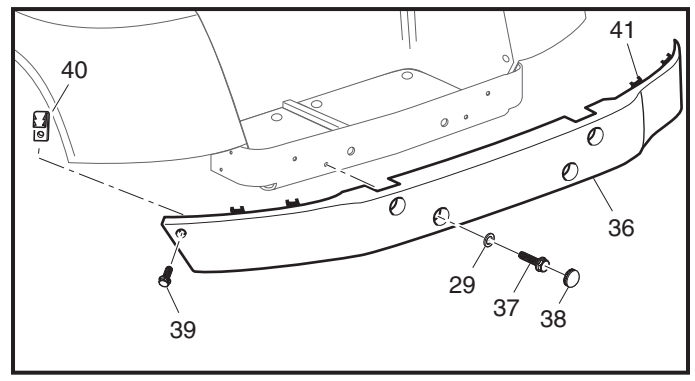


### LABELS



Ref Bod 2-3

### SHUTTLE 2+2 AND CONVERTIBLE CARRIER





**BODY - REAR**

Where applicable, THE USE OF NON UL PARTS WILL VOID ANY UL LISTING.  
 When ordering parts, please specify the model and serial number of the product.  
 \* Indicates a component that is not available as an individual part.  
 G\*\* Indicates consult Customer Service Department for additional information.

ITEM	PART NO.	1 2 3 4 5	DESCRIPTION	QTY.
1	71912-G4**		REAR BODY (WITHOUT TAILLIGHTS) (INCLUDES ITEMS 3, 4) .....	1
2	71334-G0**		REAR BODY (WITH TAILLIGHTS) (INCLUDES ITEMS 3, 4) .....	1
3	71318-G01		BAGWELL LINER .....	1
4	16816-G1		RATCHET FASTENER, 1/4" X 9/16" LG .....	26
5	10570-G10		RIVET, 5/32" X 9/16" LG (STAINLESS STEEL) .....	6
6	10570-G12		RIVET, 1/4" X 9/16" LG (ALUMINUM) .....	4
7	18436-G1		RIVET, 1/4" X 3/4" LG .....	2
8				
9				
10				
11	75126-G01		FENDER SCUFFGUARD (DRIVER SIDE) .....	1
12	75126-G02		FENDER SCUFFGUARD (PASSENGER SIDE) .....	1
13	16816-G2		RATCHET FASTENER, 1/4" X 3/4" LG .....	8
14				
15				
16				
17	71320-G01		ACCESS PANEL .....	1
18	71364-G02		'J' CLIP .....	1
19	01107-G01		SCREW, #8 X 5/8" LG (STAINLESS STEEL) .....	5
20				
21				
22				
23	71609-G01		SEAT HINGE PLATE .....	2
24	10570-G11		RIVET, 3/16" X 3/4" LG (STAINLESS STEEL) .....	4
25				
26				
27				
28	71578-G01		REAR BUMPER .....	1
29	00571-G2		WASHER, 5/16" .....	4
30	71102-G01		BOLT, 1/4 - 20 X 3/4" LG .....	4

# BODY - REAR

Where applicable, THE USE OF NON UL PARTS WILL VOID ANY UL LISTING.  
 When ordering parts, please specify the model and serial number of the product.  
 \* Indicates a component that is not available as an individual part.  
 G\*\* Indicates consult Customer Service Department for additional information.

ITEM	PART NO.	1 2 3 4 5	DESCRIPTION	QTY.
31	71514-G01		BUMPER PLUG .....	4
32	14601-G17		RIVET, 3/16" X 9/16" LG (ALUMINUM) .....	4
33				
34				
35				
36	71456-G01		REAR BUMPER (SHUTTLE 2+2) .....	1
37	71398-G01		BOLT, 1/4 - 20 X 1 1/4" LG .....	2
38	71455-G01		BUMPER PLUG .....	4
39	71102-G01		BOLT, 1/4 - 20 X 3/4" LG .....	2
40	71554-G01		'J' TYPE NUT RETAINER .....	2
41	71455-G01		BUMPER STAY .....	4
42				
43				
44				
45	71501-G01		ROCKER PANEL (PASSENGER SIDE) .....	1
46	71502-G01		ROCKER PANEL (DRIVER SIDE) .....	1
47	15058-G6		RIVET, 3/16" X 15/16" LG (ALUMINUM) .....	4
48				
49				
50				
51	71507-G01		SILL PLATE (PASSENGER SIDE) .....	1
52	71507-G02		SILL PLATE (DRIVER SIDE) .....	1
53	16705-G1		SCREW, 1/4 - 20 X 1" LG (STAINLESS STEEL) .....	4
54	23726-G4		SPACER, 5/16" .....	4
55	14390-G4		LOCK NUT, 1/4 - 20 .....	4
56				
57				
58				
59	75960-G01		LABEL (FREEDOM) .....	2
60	75962-G01		LABEL (FREEDOM SE) .....	2

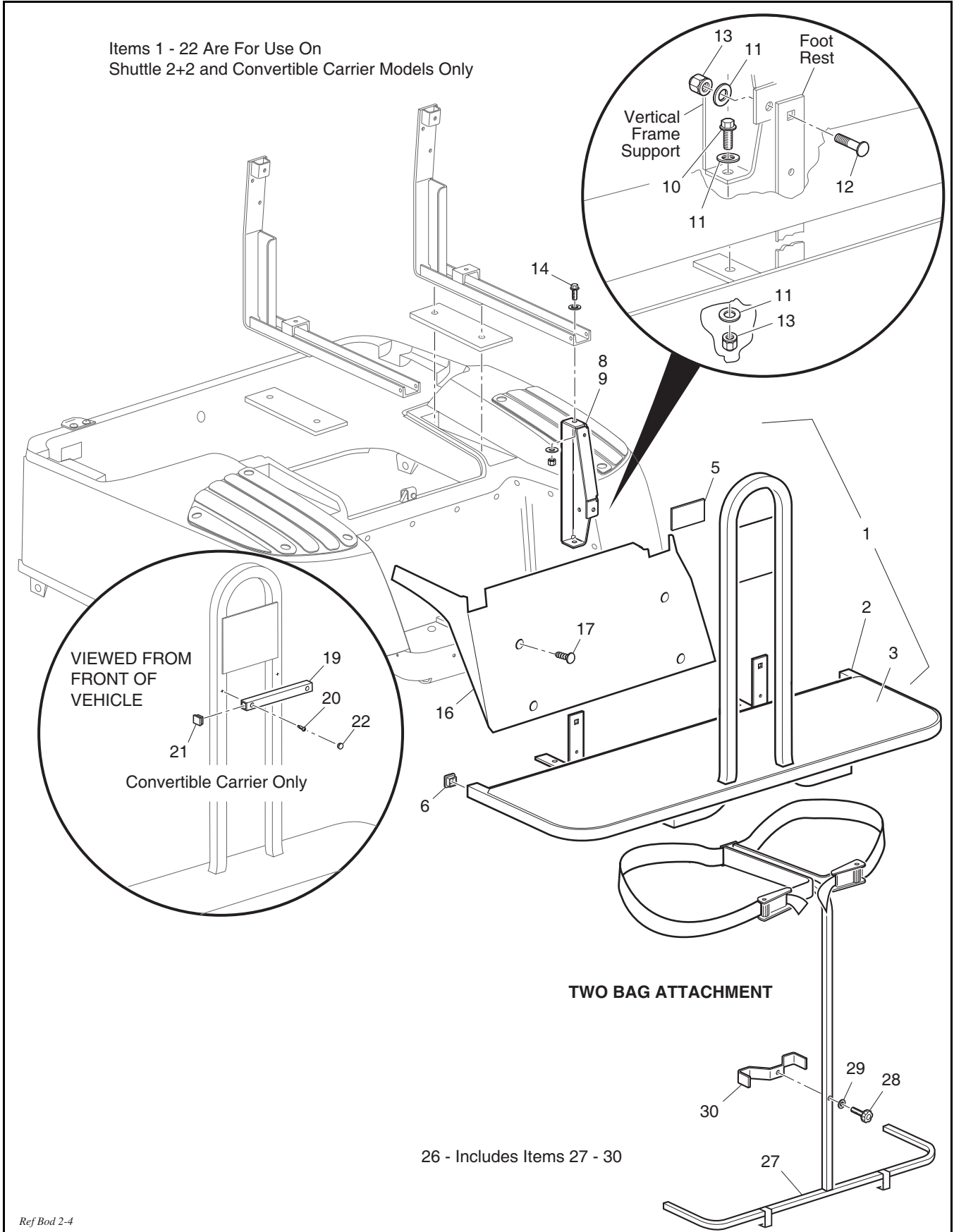
**BODY - REAR**

Where applicable, THE USE OF NON UL PARTS WILL VOID ANY UL LISTING.  
 When ordering parts, please specify the model and serial number of the product.  
 \* Indicates a component that is not available as an individual part.  
 G\*\* Indicates consult Customer Service Department for additional information.

ITEM	PART NO.	1 2 3 4 5	DESCRIPTION	QTY.
61	75964-G01		LABEL (FREEDOM LE) .....	2
62	35434-G01		LABEL (SHUTTLE) .....	2
63	35430-G19		LABEL (TXT 2+2).....	2
64				
65				
66				
67				
68	*		LABEL (SERIAL NUMBER) .....	1
69				
70				
71				
72	74024-G01		SEAT WRAP MOUNTED NOISE SUPPRESSOR.....	1

# BODY - FOOTREST

Items 1 - 22 Are For Use On Shuttle 2+2 and Convertible Carrier Models Only



Ref Bod 2-4

# BODY - FOOTREST

Where applicable, THE USE OF NON UL PARTS WILL VOID ANY UL LISTING.

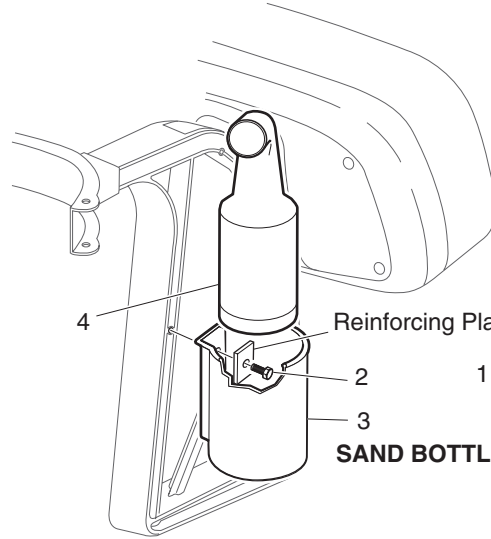
When ordering parts, please specify the model and serial number of the product.

\* Indicates a component that is not available as an individual part.

G\*\* Indicates consult Customer Service Department for additional information.

ITEM	PART NO.	1 2 3 4 5	DESCRIPTION	QTY.
1	70361-G01		FOOTREST ASSEMBLY (INCLUDES ITEMS 2 - 5).....	1
2	70633-G01		FOOTREST .....	1
3	70362-G01		FLOOR MAT .....	1
4				
5	74074-G01		LABEL (WARNING) .....	1
6	19853-G1		END CAP, 1" .....	2
7				
8	74126-G01		VERTICAL FRAME SUPPORT (PASSENGER SIDE).....	1
9	74126-G02		VERTICAL FRAME SUPPORT (DRIVER SIDE) .....	1
10	00427-G6		BOLT, 3/8 - 16 X 1 1/2" LG .....	2
11	00560-G1		WASHER, 3/8" .....	10
12	00769-G2		CARRIAGE BOLT, 3/8 - 16 X 1 1/4" LG.....	2
13	11098-G5		LOCK NUT, 3/8 - 16 .....	10
14	01006-G02		BOLT, 3/8 - 16 X 1" LG .....	2
15				
16	74149-G01		VALANCE PANEL.....	1
17	16816-G2		RATCHET FASTENER, 1/4" X 3/4" LG .....	4
18				
19	75268-G01		SUPPORT .....	1
20	00106-G6		SELF THREADING SCREW, #12 - 24 X 3/4" LG .....	2
21	19859-G1		END CAP, 3/4" .....	2
22	20271-G2		HOLE PLUG, 1/2".....	2
23				
24				
25				
26	75183-G01		TWO BAG ATTACHMENT KIT (INCLUDES ITEMS 27 - 30) .....	1
27	75188-G01		TWO BAG ATTACHMENT .....	1
28	22238-G2		KNOB, 3/8 - 16 X 1 1/2" LG .....	1
29	17255-G1		TEFLON WASHER, 5/16".....	1
30	75187-G01		SUPPORT BRACKET.....	1

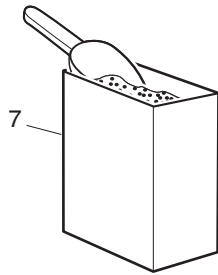
# BODY - ACCESSORIES



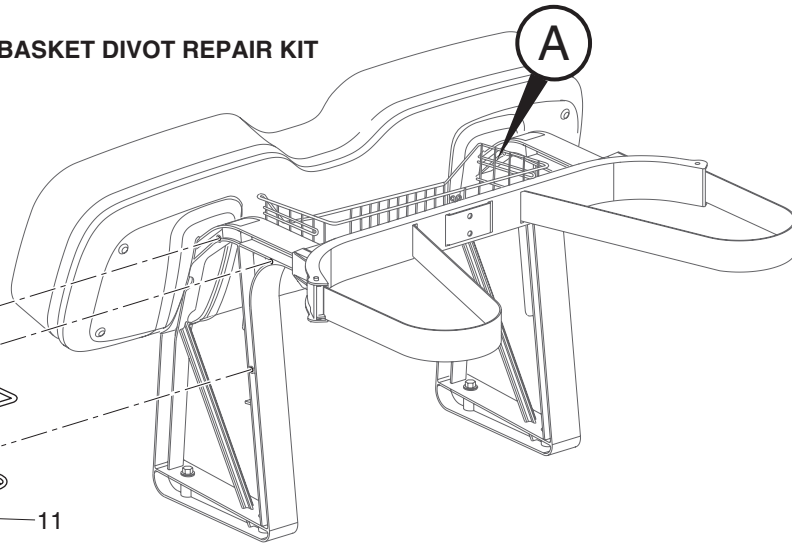
Reinforcing Plate (Part of holder)

1 - Includes Items 2 - 4

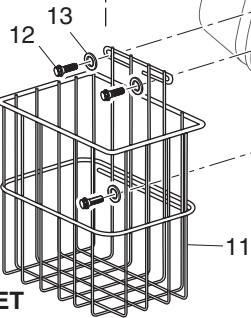
**SAND BOTTLE DIVOT REPAIR KIT**



**BASKET DIVOT REPAIR KIT**

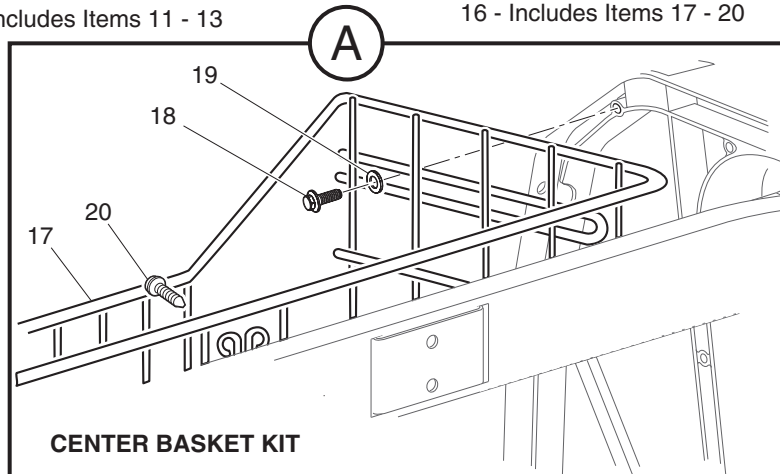


**SIDE BASKET KIT**



10 - Includes Items 11 - 13

16 - Includes Items 17 - 20



**CENTER BASKET KIT**

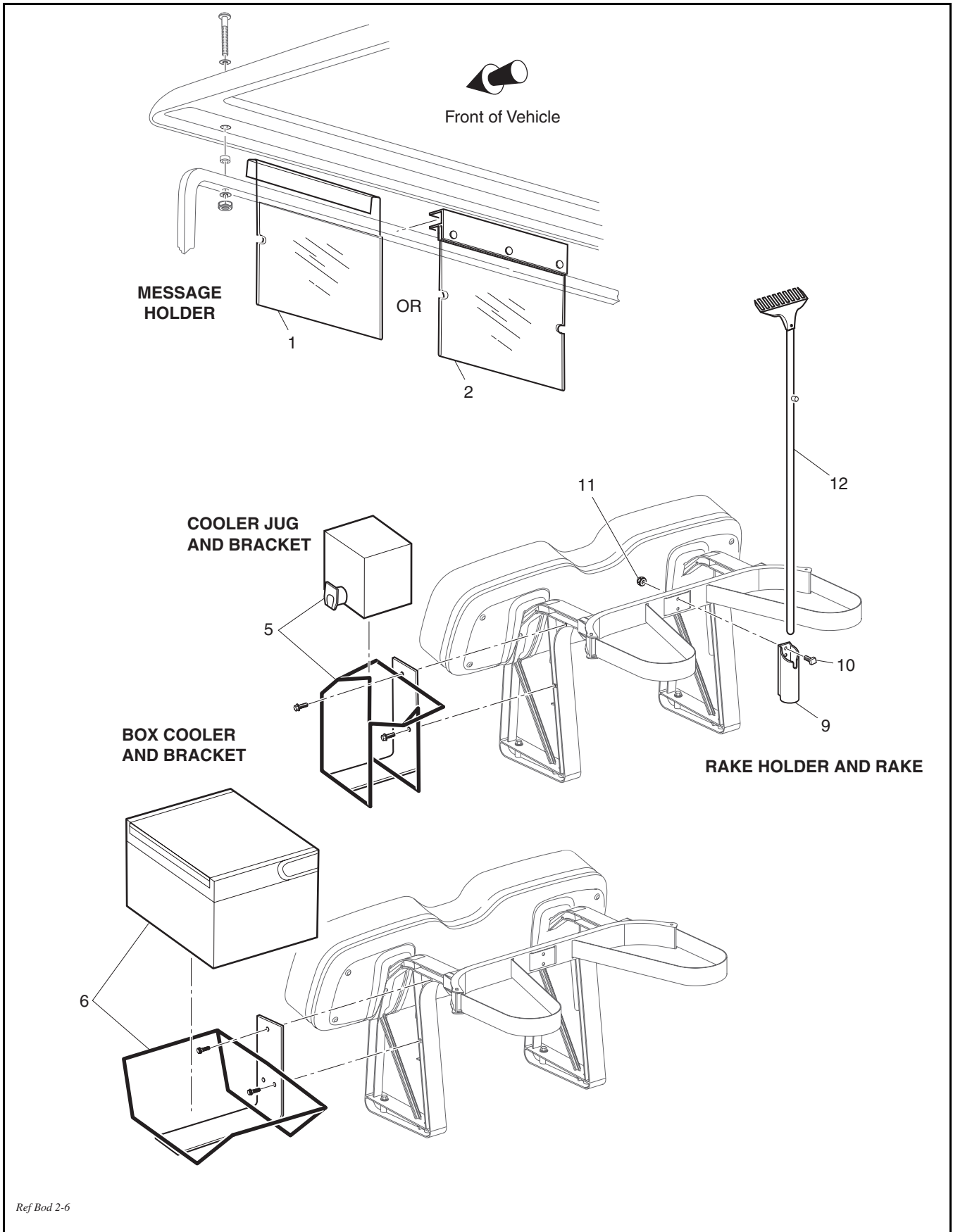
Ref Bod 2-5

# BODY - ACCESSORIES

Where applicable, THE USE OF NON UL PARTS WILL VOID ANY UL LISTING.  
 When ordering parts, please specify the model and serial number of the product.  
 \* Indicates a component that is not available as an individual part.  
 G\*\* Indicates consult Customer Service Department for additional information.

ITEM	PART NO.	1 2 3 4 5	DESCRIPTION	QTY.
1	28661-G01		SAND BOTTLE DIVOT REPAIR KIT (INCLUDES ITEMS 2 - 4).....	1
2	71102-G01		BOLT, 1/4 - 20 X 3/4" LG.....	1
3	28660-G01		SAND BOTTLE HOLDER.....	1
4	28659-G01		SAND BOTTLE.....	1
5				
6				
7	23300-G01		BASKET DIVOT REPAIR KIT (INCLUDES SCOOP).....	1
8				
9				
10	75007-G02		SIDE BASKET KIT (INCLUDES ITEMS 11 - 13).....	1
11	75460-G01		SIDE BASKET.....	1
12	71102-G01		BOLT, 1/4 - 20 X 3/4" LG.....	3
13	00793-G2		FLAT WASHER, 1/4" (STAINLESS STEEL).....	3
14				
15				
16	75003-G02		CENTER BASKET KIT (INCLUDES ITEMS 17 - 20).....	1
17	75461-G01		CENTER BASKET.....	1
18	71102-G01		BOLT, 1/4 - 20 X 3/4" LG.....	2
19	00793-G2		FLAT WASHER, 1/4" (STAINLESS STEEL).....	2
20	01105-G01		SCREW, #10 X 5/8" LG (STAINLESS STEEL).....	2

# BODY - ACCESSORIES CONTINUED



Ref Bod 2-6



# BODY - ACCESSORIES CONTINUED

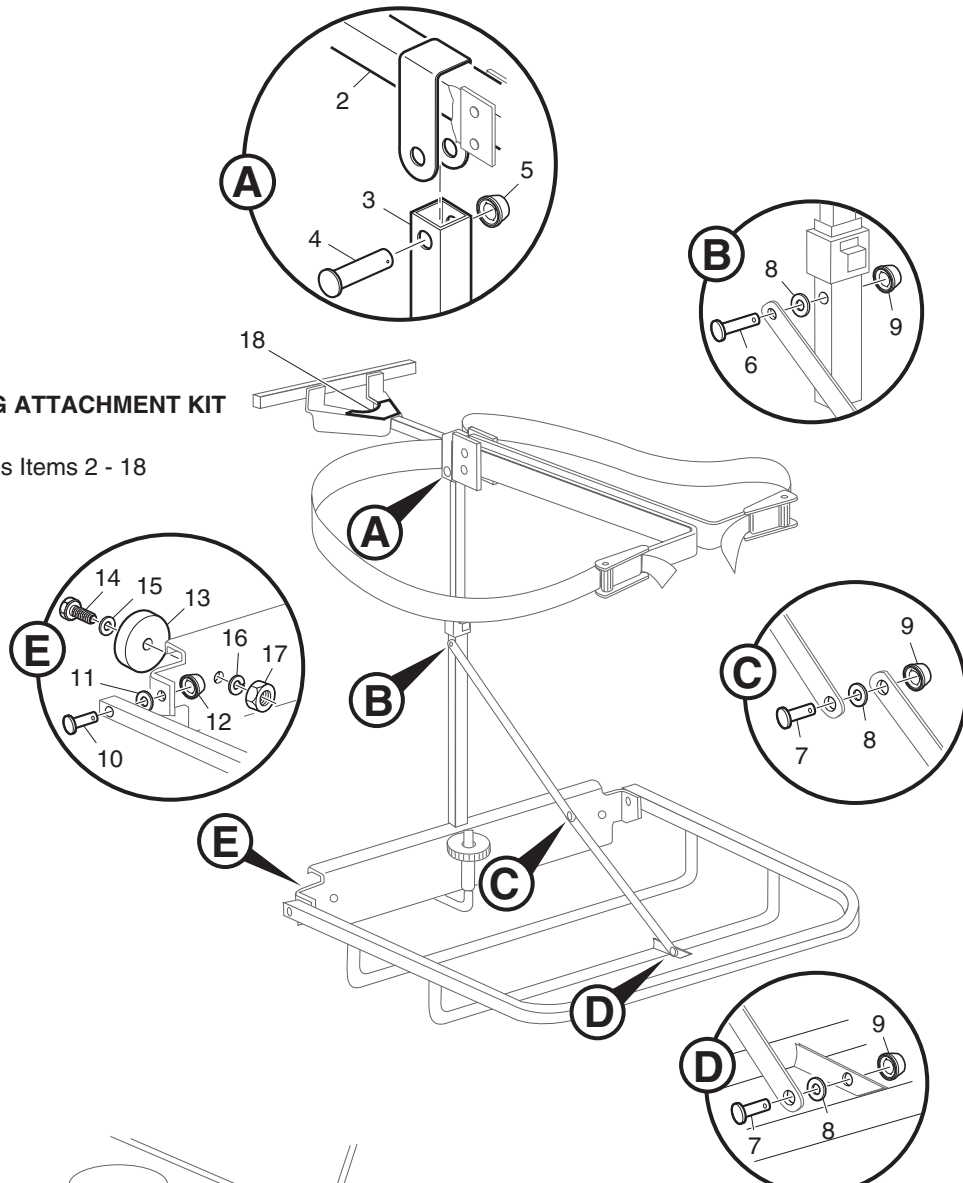
Where applicable, THE USE OF NON UL PARTS WILL VOID ANY UL LISTING.  
 When ordering parts, please specify the model and serial number of the product.  
 \* Indicates a component that is not available as an individual part.  
 G\*\* Indicates consult Customer Service Department for additional information.

ITEM	PART NO.	1	2	3	4	5	DESCRIPTION	QTY.
1	75509-G01						MESSAGE HOLDER (ONE PIECE).....	1
2	75496-G01						MESSAGE HOLDER.....	1
3								
4								
5	75495-G01						COOLER JUG AND BRACKET KIT .....	1
6	75344-G01						BOX COOLER AND BRACKET KIT .....	1
7								
8								
9	25885-G01						RAKE HOLDER.....	1
10	00989-G06						SQUARE HEAD BOLT, 1/4 - 20 X 3/4" LG .....	2
11	11027-G2						LOCK NUT, 1/4 - 20 .....	2
12	14735-G1						RAKE.....	1

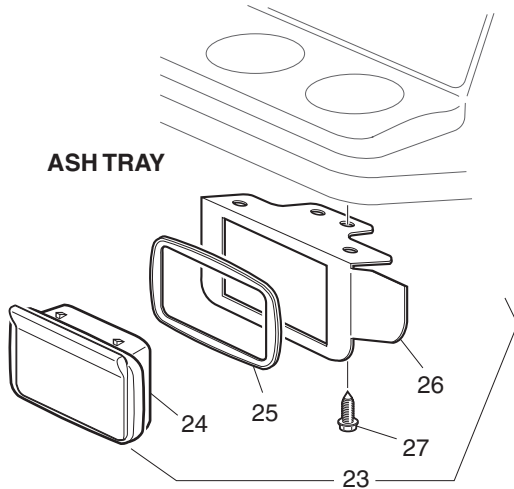
# BODY - ACCESSORIES CONTINUED

## FOUR BAG ATTACHMENT KIT

1 - Includes Items 2 - 18



## ASH TRAY



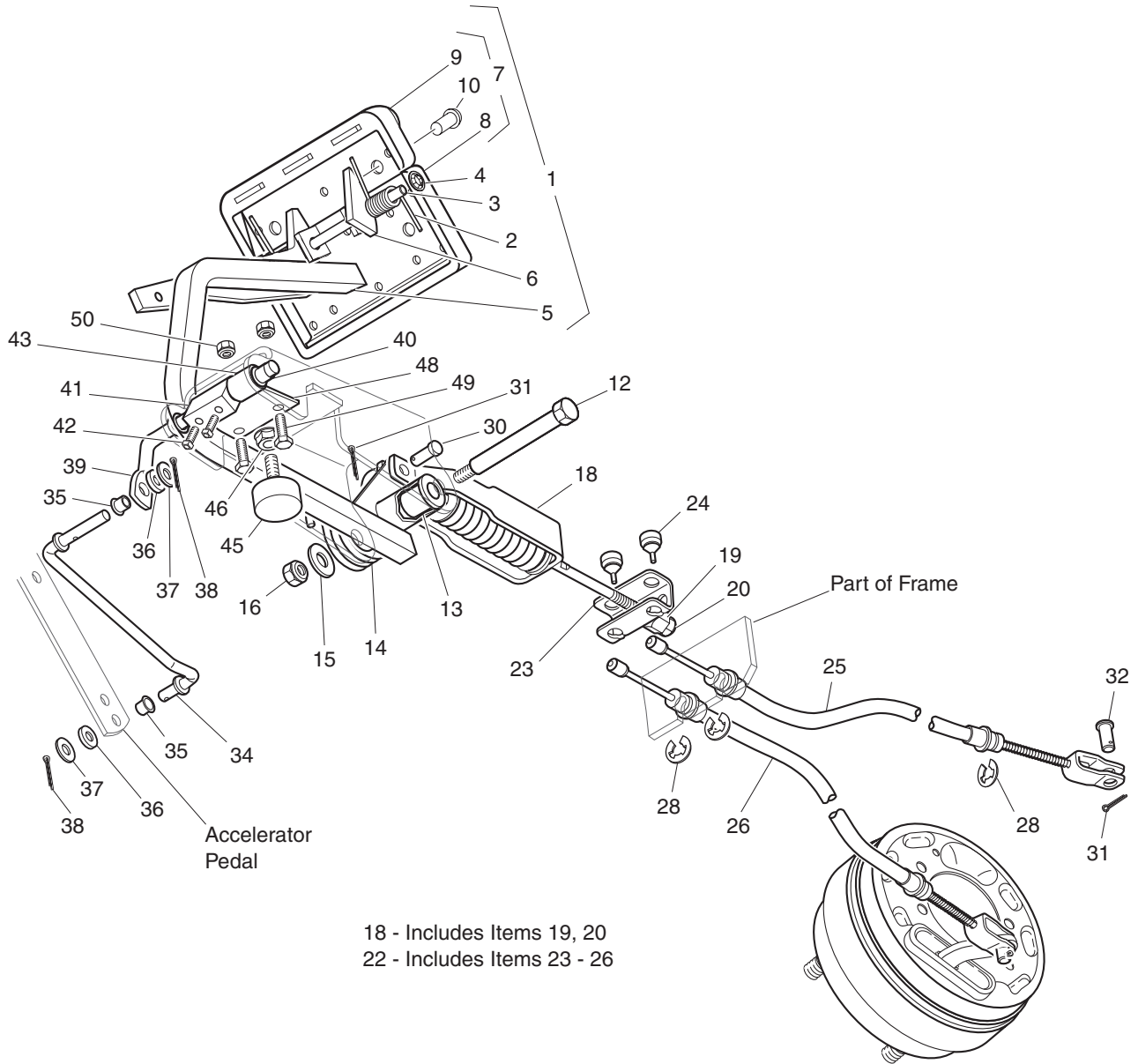
Ref Bod 2-7

# BODY - ACCESSORIES CONTINUED

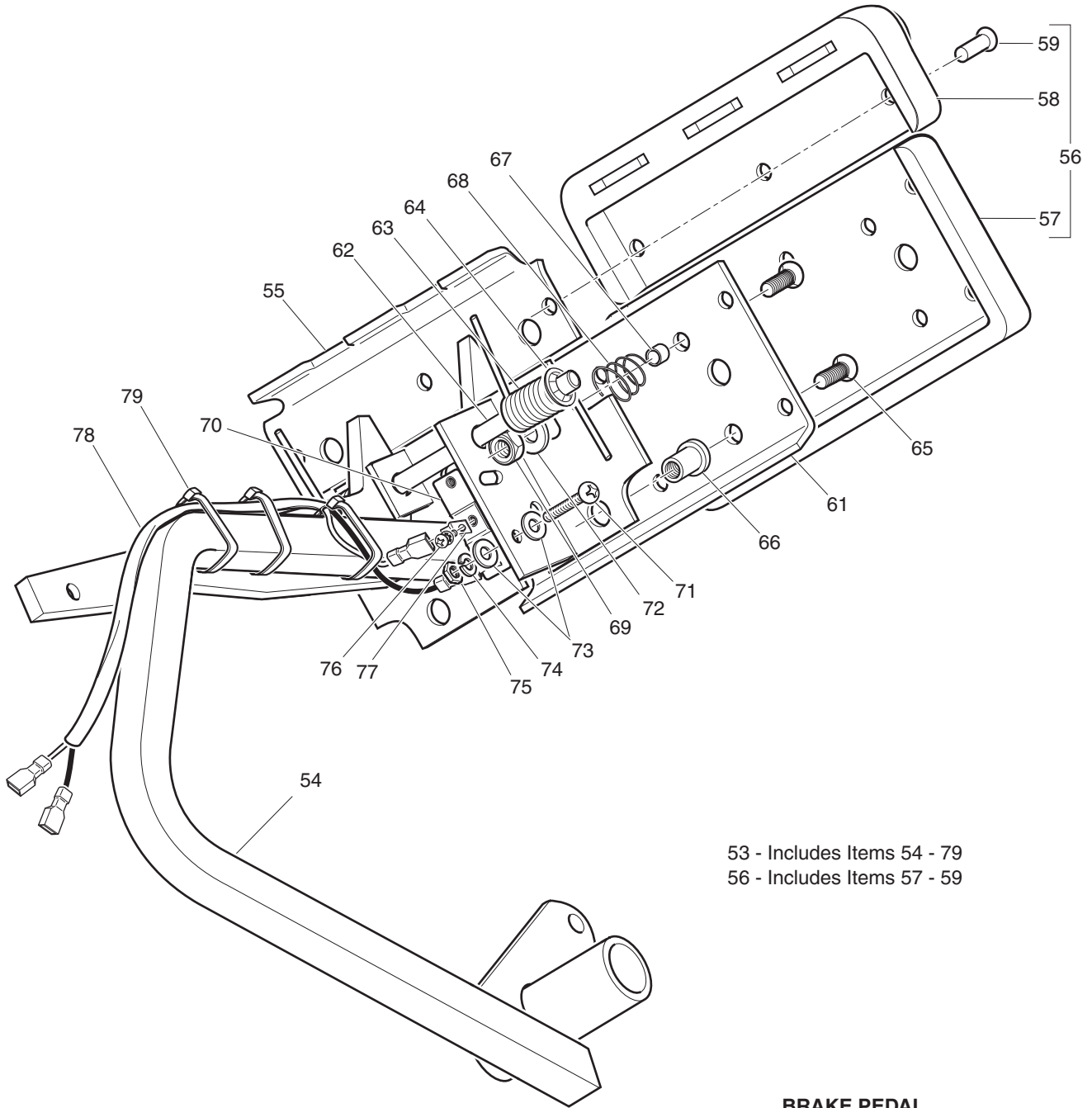
Where applicable, THE USE OF NON UL PARTS WILL VOID ANY UL LISTING.  
 When ordering parts, please specify the model and serial number of the product.  
 \* Indicates a component that is not available as an individual part.  
 G\*\* Indicates consult Customer Service Department for additional information.

ITEM	PART NO.	1 2 3 4 5	DESCRIPTION	QTY.
1	75335-G01		FOUR BAG ATTACHMENT KIT (INCLUDES ITEMS 2 - 18).....	1
2	*		TOP ASSEMBLY .....	1
3	*		BOTTOM ASSEMBLY .....	1
4	17651-G2		CLEVIS PIN, 5/16 X 1 1/8" LG.....	1
5	28129-G01		PUSH NUT, 5/16" .....	1
6	17651-G2		CLEVIS PIN, 5/16 X 1 1/8" LG.....	1
7	17651-G3		CLEVIS PIN, 5/16 X 1/2" LG.....	2
8	00559-G8		WASHER, 5/16" .....	3
9	28129-G01		PUSH NUT, 5/16" .....	3
10	*		CLEVIS PIN 3/8 X 1 1/4" LG.....	2
11	00560-G1		WASHER, 3/8" .....	2
12	*		PUSH NUT, 3/8" .....	2
13	13728-G1		RUBBER BUMPER.....	2
14	00150-G6		SCREW, #10 - 24 X 3/4" LG.....	2
15	00559-G5		WASHER, #10 .....	2
16	00565-G5		LOCK WASHER, #10 .....	2
17	00526-G3		NUT, #10 - 24 .....	2
18	*		LABEL (WARNING).....	1
19				
20				
21				
22				
23	75109-G02		ASH TRAY KIT (INCLUDES ITEMS 24 - 27) .....	1
24	27731-G01		ASH TRAY .....	1
25	27736-G01		GASKET .....	1
26	75108-G02		BRACKET .....	1
27	00100-G4		SCREW, #10 - 16 X 1/2" LG.....	4

# BRAKES



Ref Brk 2-1

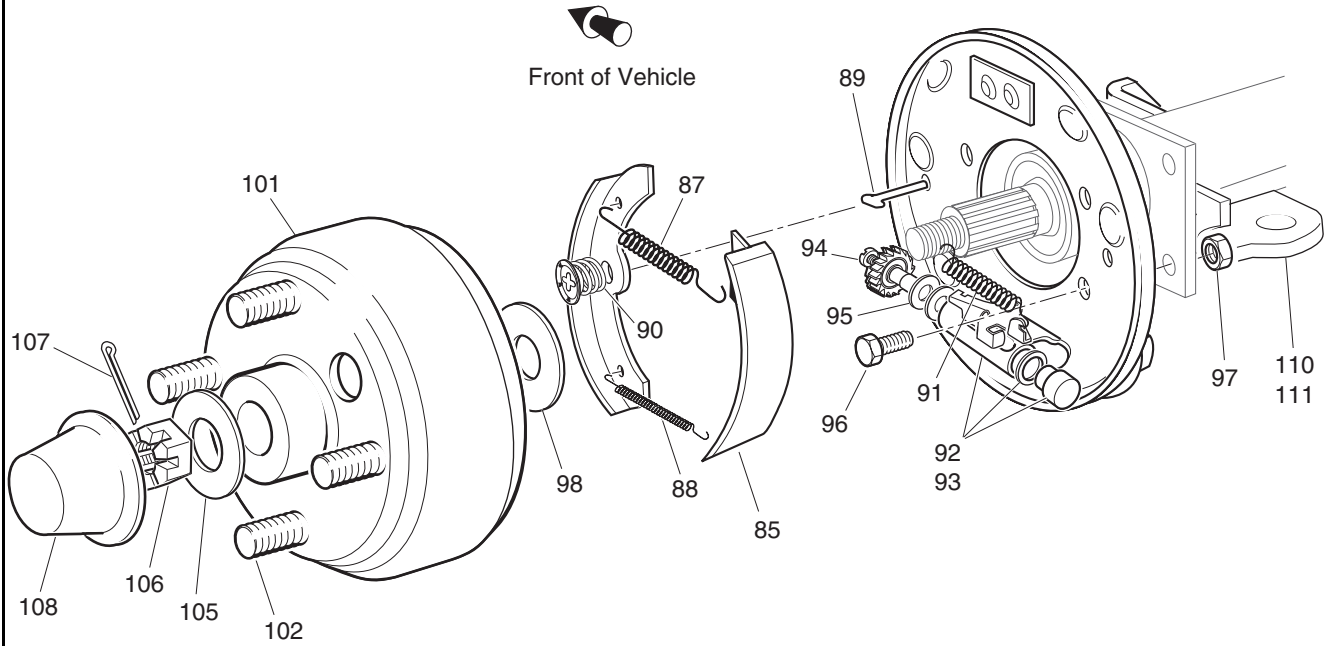


53 - Includes Items 54 - 79  
56 - Includes Items 57 - 59

**BRAKE PEDAL  
(VEHICLE WITH BRAKE LIGHTS)**

Ref Brk 2-2

# BRAKES



- 82 - Includes Items 84 - 92, 94, 95
- 83 - Includes Items 84 - 91, 93 - 95
- 84 - Includes Items 85
- 86 - Includes Items 87 - 91
- 92 - Includes Items 94, 95
- 93 - Includes Items 94, 95
- 100 - Includes Items 101, 102

Ref Brk 2-3

# BRAKES

Where applicable, THE USE OF NON UL PARTS WILL VOID ANY UL LISTING.

When ordering parts, please specify the model and serial number of the product.

\* Indicates a component that is not available as an individual part.

G\*\* Indicates consult Customer Service Department for additional information.

ITEM	PART NO.	1 2 3 4 5	DESCRIPTION	QTY.
1	70612-G02		BRAKE PEDAL ASSEMBLY (WITHOUT BRAKE LIGHTS) (INCLUDES ITEMS 2 - 10).....	1
2	70681-G01		TORSION SPRING.....	2
3	70682-G01		PIVOT PIN.....	1
4	01071-G01		PUSHNUT, 5/16".....	2
5	*		BRAKE PEDAL.....	1
6	70611-G02		PARK BRAKE PEDAL.....	1
7	70274-G01		BRAKE/PARK BRAKE PEDAL PAD KIT (INCLUDES ITEMS 8 - 10).....	1
8	*		SERVICE BRAKE PAD.....	1
9	*		PARK BRAKE PEDAL PAD.....	1
10	15766-G1		OVAL RIVET, 3/16" X 7/16" LG.....	9
11				
12	70582-G01		SHOULDER BOLT, 3/8 - 16 X 4" LG (STAINLESS STEEL).....	1
13	70581-G01		FLANGED BUSHING.....	2
14	70676-G01		TORSION SPRING.....	1
15	00643-G1		WASHER, 3/8".....	1
16	11098-G5		LOCK NUT, 3/8 - 16.....	1
17				
18	70272-G04		COMPENSATOR ASSEMBLY (INCLUDES ITEMS 19, 20).....	1
19	00963-G01		SPHERICAL NUT, 5/16 - 24.....	1
20	11098-G9		LOCK NUT, 5/16 - 24.....	1
21				
22	70969-G03		EQUALIZER AND BRAKE CABLE ASSEMBLY (INCLUDES ITEMS 23 - 26) ...	1
23	28082-G01		EQUALIZER BRACKET.....	1
24	28083-G01		BRAKE COMPENSATOR BUMPER.....	2
25	*		BRAKE CABLE (DRIVER SIDE).....	1
26	*		BRAKE CABLE (PASSENGER SIDE).....	1
27				
28	01111-G01		RETAINING RING, 4/5" (STAINLESS STEEL).....	4
29				

# BRAKES

Where applicable, THE USE OF NON UL PARTS WILL VOID ANY UL LISTING.  
 When ordering parts, please specify the model and serial number of the product.  
 \* Indicates a component that is not available as an individual part.  
 G\*\* Indicates consult Customer Service Department for additional information.

ITEM	PART NO.	1 2 3 4 5	DESCRIPTION	QTY.
30	10386-G3		CLEVIS PIN, 5/16" X 13/16" LG.....	1
31	10387-G3		COTTER PIN, 3/32" X 3/4" LG.....	3
32	14443-G2		CLEVIS PIN, 5/16" X 5/8" LG.....	2
33				
34	70601-G01		KICK-OFF LINK.....	1
35	17838-G1		NYLON BUSHING.....	2
36	20835-G1		TEFLON WASHER, 3/8".....	2
37	00559-G8		WASHER, 5/16".....	2
38	10387-G3		COTTER PIN, 3/32" X 3/4" LG.....	2
39	70098-G01		KICK-OFF CAM PIVOT.....	1
40	10097-G6		FLANGED BEARING.....	2
41	70587-G01		KICK-OFF CAM.....	1
42	71215-G01		SETSCREW, 1/4 - 20 X 1/2" LG.....	2
43	14134-G4		SPACER.....	1
44				
45	70113-G01		ADJUSTABLE BUMPER.....	1
46	11027-G1		LOCK NUT, 5/16 - 18.....	1
47				
48	70080-G02		CATCH BRACKET.....	1
49	00414-G6		BOLT, 1/4 - 20 X 3/4" LG.....	2
50	14390-G4		LOCK NUT, 1/4 - 20.....	2
51				
52				
53	70690-G02		BRAKE PEDAL ASSEMBLY (WITH BRAKE LIGHTS) (INCLUDES ITEMS 54 - 79).....	1
54	*		BRAKE PEDAL.....	1
55	70611-G02		PARK BRAKE PEDAL.....	1
56	70274-G01		BRAKE/PARK BRAKE PEDAL PAD KIT (INCLUDES ITEMS 57 - 59).....	1
57	*		SERVICE BRAKE PAD.....	1
58	*		PARK BRAKE PAD.....	1



Where applicable, THE USE OF NON UL PARTS WILL VOID ANY UL LISTING.  
 When ordering parts, please specify the model and serial number of the product.  
 \* Indicates a component that is not available as an individual part.  
 G\*\* Indicates consult Customer Service Department for additional information.

ITEM	PART NO.	1	2	3	4	5	DESCRIPTION	QTY.
59	15766-G1						OVAL RIVET, 3/16" x 7/16" LG .....	9
60								
61	70258-G02						BRAKE PEDAL PLATE.....	1
62	70682-G01						PIVOT PIN .....	1
63	70681-G01						TORSION SPRING.....	2
64	12064-G1						PUSHNUT, 5/16" .....	1
65	00737-G8						SCREW, #10 - 24 X 7/8" LG.....	4
66	00739-G1						RUBBER NUT, #10 - 24 .....	2
67	22362-G3						BRAKE PEDAL STANDOFF.....	2
68	27137-G01						CONICAL SPRING .....	2
69	11098-G7						LOCK NUT, #10 - 24.....	2
70	10606-G8						MICRO SWITCH.....	1
71	00957-G1						BOLT, #6 - 32 X 1 1/4" LG.....	2
72	00559-G5						WASHER, #10 .....	2
73	00559-G3						WASHER, #6 .....	4
74	00565-G3						LOCK WASHER, #6 .....	2
75	00525-G5						NUT, #6 - 32 .....	2
76	13514-G1						SCREW AND LOCK WASHER, #6 - 32 X 1/4" LG (BRASS) .....	2
77	14628-G1						PUSH ON MALE TERMINAL.....	2
78	24605-G1						WIRE HARNESS (BRAKE LIGHT) .....	1
79	17618-G1						WIRE TIE .....	3
80								
81								
82	70998-G01						BRAKE ASSEMBLY (DRIVER SIDE) (INCLUDES ITEMS 84 - 92, 94, 95).....	1
83	70998-G02						BRAKE ASSEMBLY (PASSENGER SIDE) (INCLUDES ITEMS 84 - 91, 93 - 95) .....	1
84	70794-G01						BRAKE SHOE KIT (INCLUDES ITEM 85).....	2
85	*						BRAKE SHOE .....	2
86	27944-G01						BRAKE SPRING KIT (INCLUDES ITEMS 87 - 91).....	2
87	*						UPPER SPRING .....	1

# BRAKES

Where applicable, THE USE OF NON UL PARTS WILL VOID ANY UL LISTING.  
 When ordering parts, please specify the model and serial number of the product.  
 \* Indicates a component that is not available as an individual part.  
 G\*\* Indicates consult Customer Service Department for additional information.

ITEM	PART NO.	1	2	3	4	5	DESCRIPTION	QTY.
88	*						LOWER SPRING .....	1
89	*						PIN .....	2
90	*						CUP AND SPRING .....	2
91	*						ADJUSTER SPRING.....	1
92	72582-G01						BRAKE ADJUSTER KIT (DRIVER SIDE) (INCLUDES ITEMS 94, 95) .....	1
93	72582-G02						BRAKE ADJUSTER KIT (PASSENGER SIDE) (INCLUDES ITEMS 94, 95)	1
94	*						ADJUSTER .....	1
95	*						TEFLON WASHER .....	2
96	17083-G2						BOLT, 5/16 - 24 X 1" LG .....	8
97	15126-G1						LOCK NUT, 5/16 - 24 .....	8
98	21809-G1						INNER BRAKE DRUM WASHER, 1 5/16" O.D. X 1" I.D. X 1/32" .....	2
99								
100	21807-G1						BRAKE DRUM ASSEMBLY (INCLUDES ITEMS 101 - 102) .....	2
101	*						BRAKE DRUM .....	1
102	19862-G1						LUG BOLT, 1/2 - 20 X 1 3/16" LG .....	4
103								
104								
105	21830-G1						OUTER BRAKE DRUM WASHER .....	2
106	00518-G8						CASTELLATED NUT, 3/4 - 16 .....	2
107	10387-G1						COTTER PIN, 1/8" X 1 1/2" LG .....	2
108	74175-G01						SPINDLE CAP .....	2
109								
110	72036-G01						BRAKE CABLE BRACKET (PASSENGER SIDE) .....	1
111	72036-G02						BRAKE CABLE BRACKET (DRIVER SIDE) .....	1

**DID YOU  
KNOW?**

CartPros directs you to the right part using the part numbers from this manual. Enter the part number into our search box and it will find the part you are looking for.

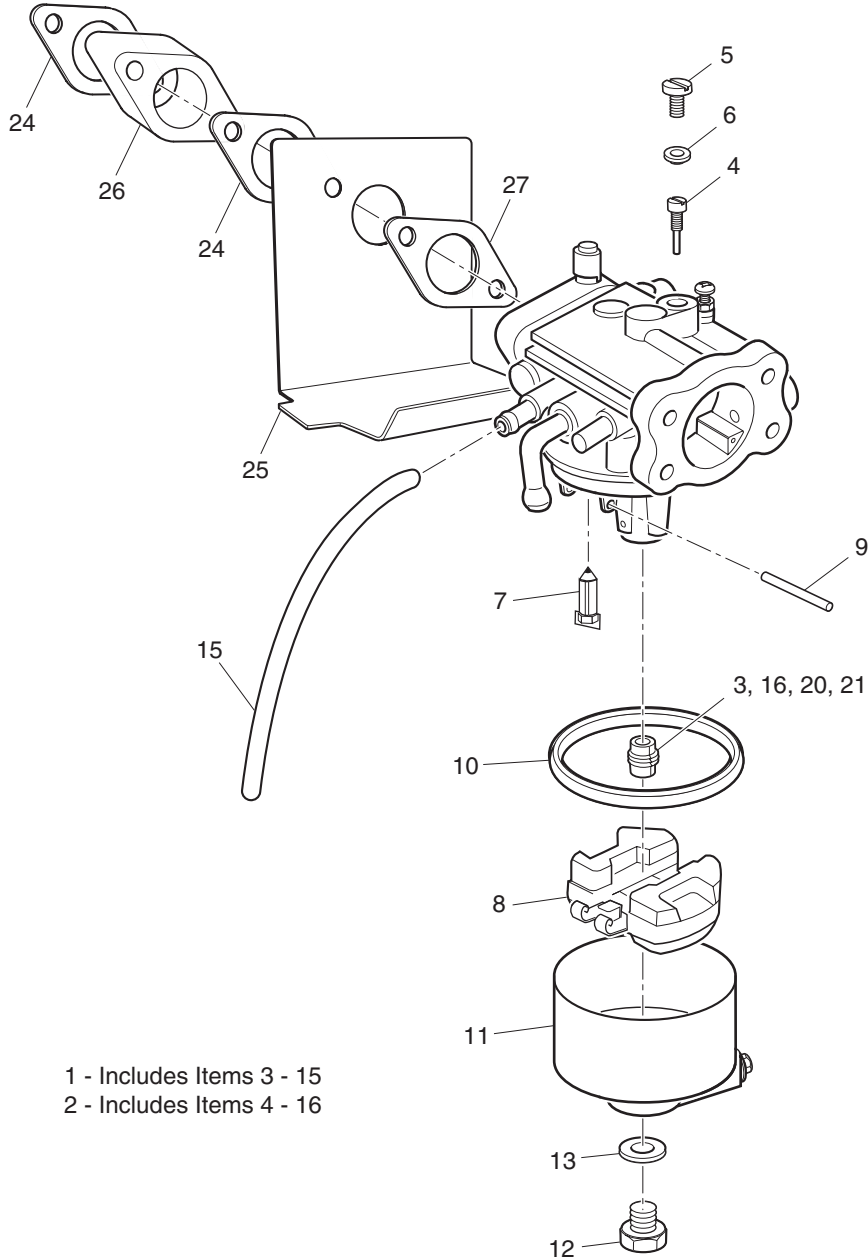
**GET STARTED  
HERE**



<https://CartPros.com/f.html>

**BRAKES**

# CARBURETOR AND CHOKE

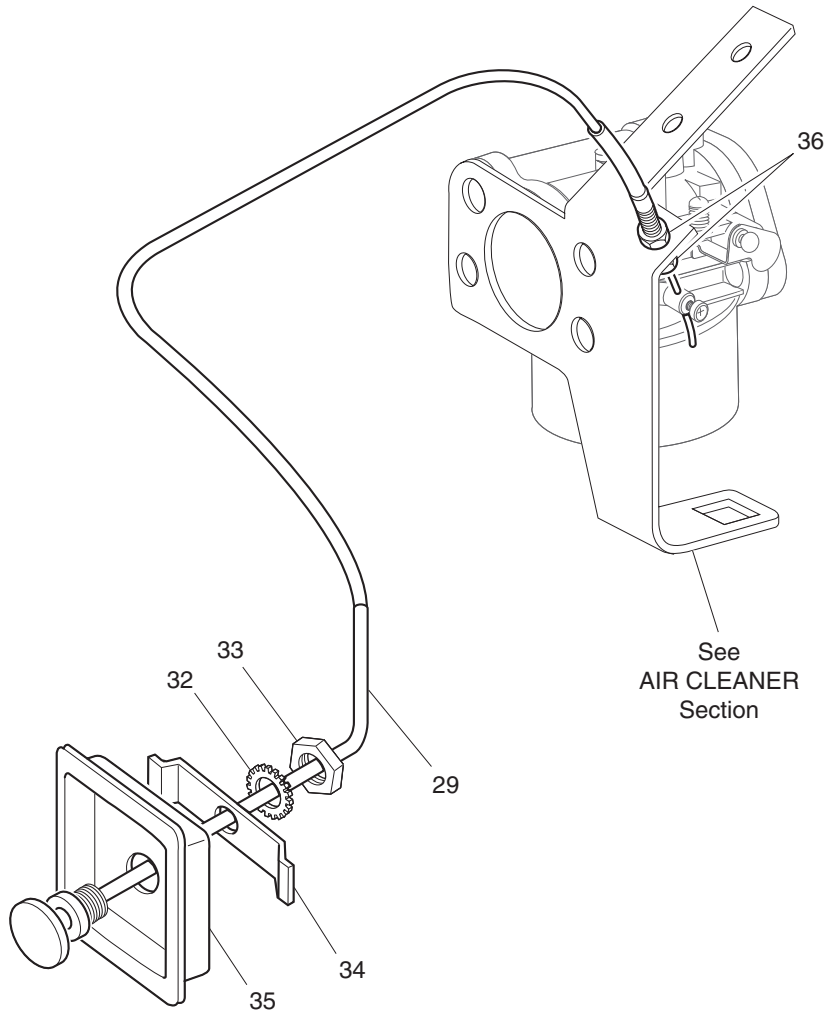


1 - Includes Items 3 - 15  
2 - Includes Items 4 - 16

Ref Cac 2-1



# CARBURETOR AND CHOKE



Ref Cac 2-2

# CARBURETOR AND CHOKE

THE USE OF NON U.L. PARTS WILL VOID ANY U.L. LISTING.  
 When ordering parts, please specify the model and serial number of the product.  
 \* Indicates a component that is not available as an individual part.  
 G\*\* Indicates consult Customer Service Department for additional information.

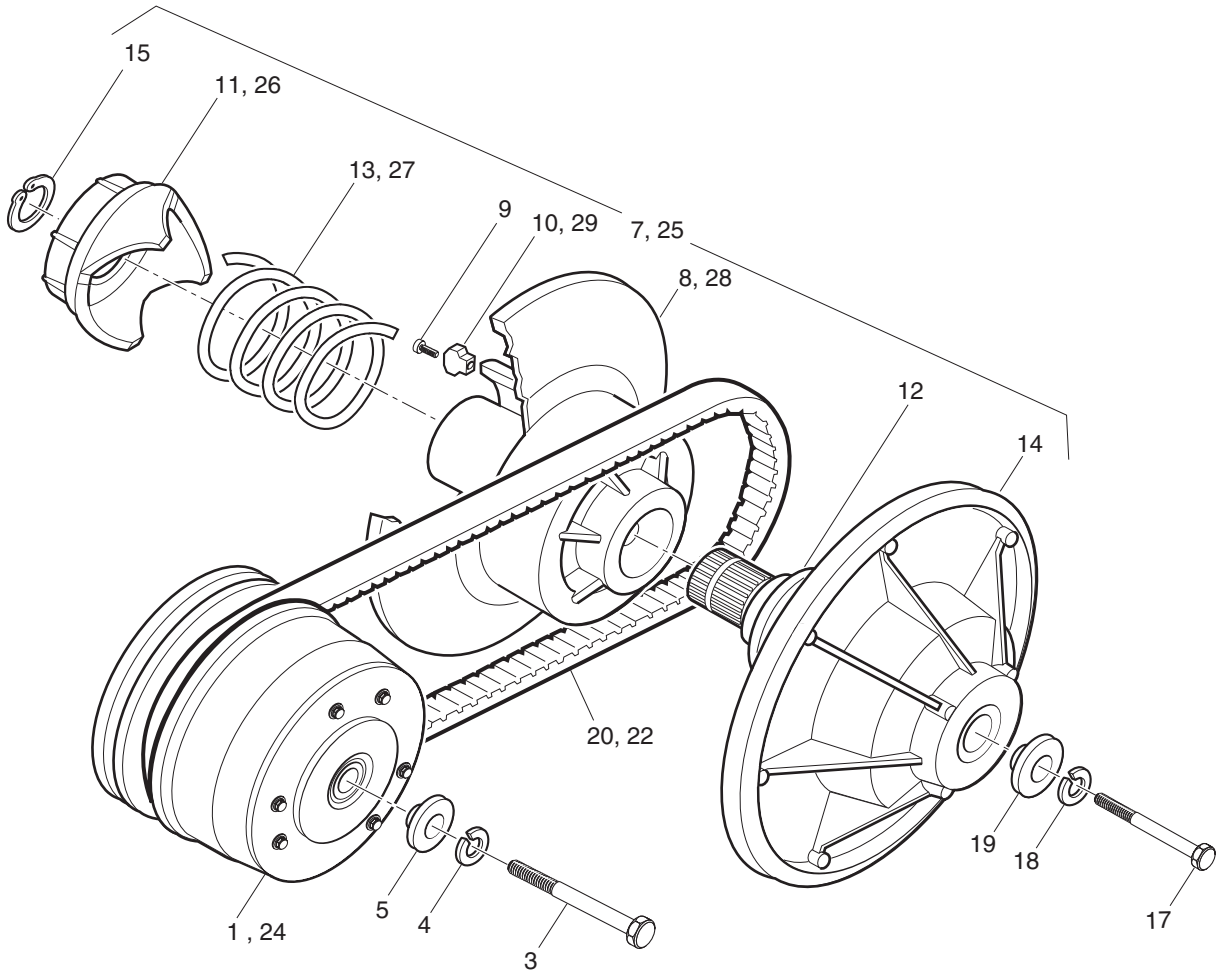
ITEM	PART NO.	1 2 3 4 5	DESCRIPTION	QTY.
1	72840G01		CARBURETOR (FOR VEHICLES ORIGINALLY EQUIPPED WITH 295cc (EH29C & EH292C) ENGINES) (INCLUDES ITEMS 3 - 15).....	1
2	72840G03		CARBURETOR (FOR VEHICLES ORIGINALLY EQUIPPED WITH 350cc (EH35C & EH352C) ENGINES) (INCLUDES ITEMS 4 - 16).....	1
3	26646G06		MAIN JET (#80) .....	1
4	26649G05		PILOT JET (#46).....	1
5	26841G01		PLUG .....	1
6	72306G01		GASKET .....	1
7	72578G01		NEEDLE VALVE .....	1
8	26648G01		FLOAT .....	1
9	26840G01		FLOAT PIN .....	1
10	26843G01		FLOAT BOWL GASKET .....	1
11	26844G01		FLOAT CHAMBER .....	1
12	26839G01		BOWL SCREW .....	1
13	26838G01		BOWL GASKET .....	1
14	72579G01		DRAIN SCREW .....	1
15	26650G01		VENT TUBE.....	1
16	26646G29		MAIN JET (#85) .....	1
17				
18				
19				
20	26646G**		MAIN JET (***) (FOR ELEVATIONS OF 3000 FT - 6000 FT) .....	1
21	26646G**		MAIN JET (***) (FOR ELEVATIONS OF 6000 FT - 10000 FT) .....	1
22				
23				
24	26726G01		CARBURETOR MOUNT GASKET .....	2
25	603871		CARBURETOR SHIELD (FOR FUJI 295 ENGINE).....	1
26	72854G01		CARBURETOR INSULATOR .....	1
27	26726G01		CARBURETOR MOUNT GASKET (FOR FUJI 295 ENGINE) .....	1
28				
29	25693G04		CHOKE CABLE (22 1/4" LG WITH NUTS) .....	1

# CARBURETOR AND CHOKE

THE USE OF NON U.L. PARTS WILL VOID ANY U.L. LISTING.  
 When ordering parts, please specify the model and serial number of the product.  
 \* Indicates a component that is not available as an individual part.  
 G\*\* Indicates consult Customer Service Department for additional information.

ITEM	PART NO.	1 2 3 4 5	DESCRIPTION	QTY.
30				
31				
32	00568G4		LOCK WASHER, 9/16".....	1
33	00545G4		JAM NUT, 9/16 - 18.....	1
34	72155G01		RETAINER .....	1
35	72154G01		CHOKE CABLE ADAPTER.....	1
36	00544G4		JAM NUT, 5/16 - 24.....	2

# CLUTCH



Ref Clt 2

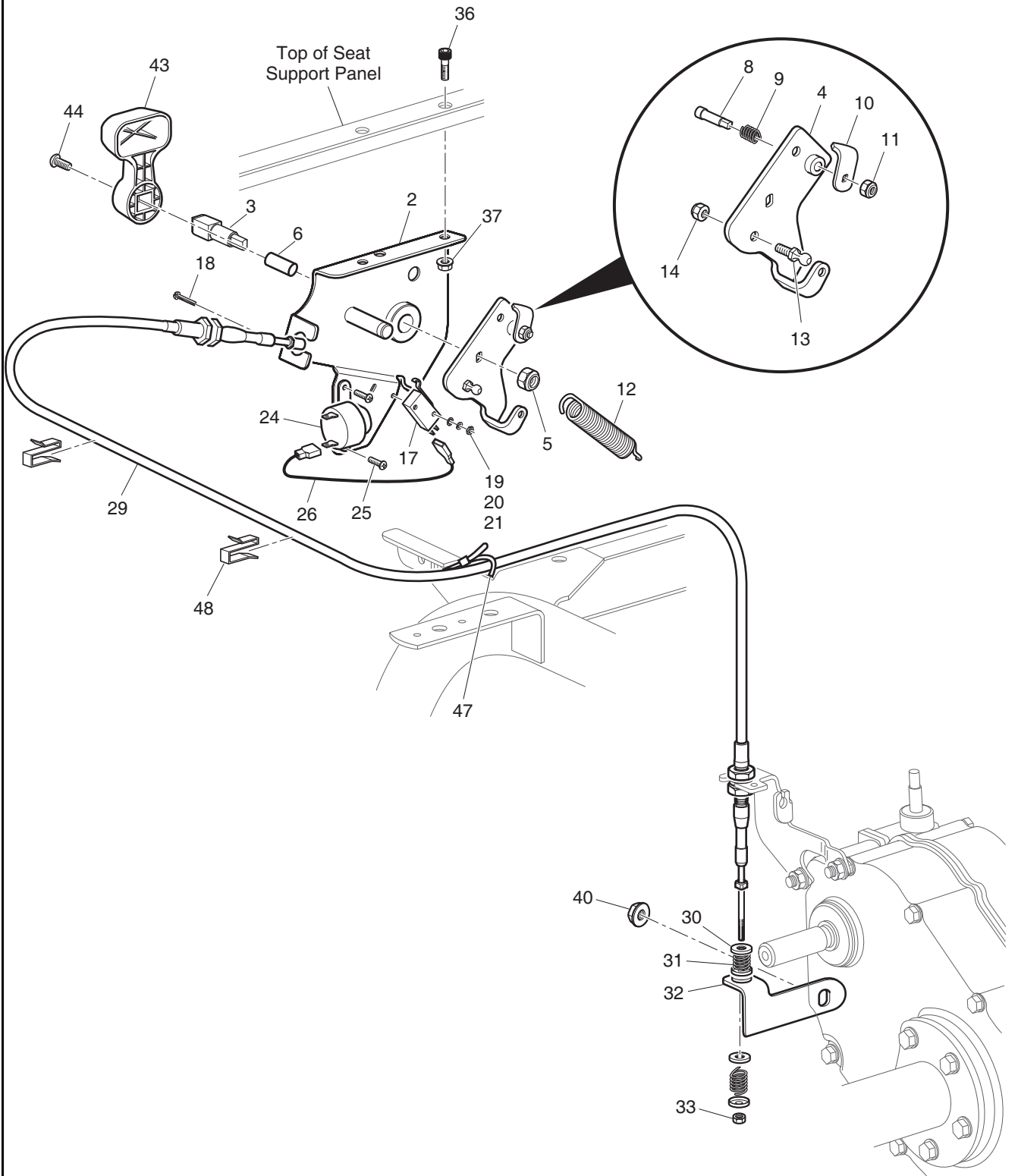


Where applicable, THE USE OF NON UL PARTS WILL VOID ANY UL LISTING.  
 When ordering parts, please specify the model and serial number of the product.  
 \* Indicates a component that is not available as an individual part.  
 G\*\* Indicates consult Customer Service Department for additional information.

ITEM	PART NO.	1 2 3 4 5	DESCRIPTION	QTY.
1	26952-G01		DRIVE CLUTCH .....	1
2				
3	00473-G9		BOLT, 7/16 - 20 X 6 1/2" LG .....	1
4	00566-G2		LOCK WASHER, 7/16".....	1
5	25757-G1		PILOT WASHER .....	1
6				
7	26301-G02		DRIVEN CLUTCH ASSEMBLY (INCLUDES ITEMS 8 - 15).....	1
8	*		MOVABLE SHEAVE (INCLUDES ITEMS 9 -10) .....	1
9	00979-G01		SCREW, #10 - 24 X 7/8" LG .....	3
10	26479-G01		RAMP BUTTON .....	3
11	*		CAM.....	1
12	24600-G1		SPACER, 1 1/2" .....	1
13	26304-G01		COMPRESSION SPRING .....	1
14	*		SHEAVE AND POST .....	1
15	27270-G01		HEAVY DUTY RETAINING RING .....	1
16				
17	00441-G8		BOLT, 5/16 - 18 X 4" LG .....	1
18	00565-G8		LOCK WASHER, 5/16".....	1
19	25756-G1		RETAINING WASHER .....	1
20	72054-G01		DRIVE BELT .....	1
21				
22	72328-G01		DRIVE BELT (HIGH ALTITUDE).....	1
23				
24	26952-G01		DRIVE CLUTCH (HIGH ALTITUDE) .....	1
25	26301-G03		DRIVEN CLUTCH ASSEMBLY (HIGH ALTITUDE) (INCLUDES ITEMS 12, 14, 15, 26, 27, 28, 29).....	1
26	*		CAM .....	1
27	26304-G01		COMPRESSION SPRING .....	1
28	*		MOVABLE SHEAVE (INCLUDES ITEMS 9, 29) .....	1
29	72324-G01		RAMP BUTTON, 4 CYCLE .....	3

# DIRECTION SELECTOR

1 - Includes Items 2 - 33



Ref Dsl 2

# DIRECTION SELECTOR

Where applicable, THE USE OF NON UL PARTS WILL VOID ANY UL LISTING.  
 When ordering parts, please specify the model and serial number of the product.  
 \* Indicates a component that is not available as an individual part.  
 G\*\* Indicates consult Customer Service Department for additional information.

ITEM	PART NO.	1 2 3 4 5	DESCRIPTION	QTY.
1	72721-G05		DIRECTION SELECTOR ASSEMBLY (INCLUDES ITEMS 2 - 33) .....	1
2	72737-G02		DIRECTION SELECTOR BRACKET WITH BUSHING .....	1
3	70233-G01		DIRECTION SELECTOR SHAFT .....	1
4	72738-G01		DIRECTION SELECTOR CAM.....	1
5	14390-G1		LOCK NUT, 3/8 - 24.....	1
6	25664-G2		BUSHING.....	1
7				
8	72724-G01		NEUTRAL LOCK PIN .....	1
9	72733-G01		COMPRESSION SPRING, 3/8" X 5/8" LG .....	1
10	72729-G01		NEUTRAL LOCK BRACKET .....	1
11	00734-G2		LOCK NUT, 1/4 - 28.....	1
12	28574-G01		EXTENSION SPRING .....	1
13	72732-G01		BALL STUD, 1/4" .....	1
14	00734-G5		LOCK NUT, #10 - 32.....	1
15				
16				
17	72736-G01		MICRO SWITCH.....	1
18	01062-G01		SCREW, #4 - 40 X 1" LG.....	2
19	00559-G1		WASHER, #4 .....	2
20	00565-G1		LOCK WASHER, #4 .....	2
21	00526-G2		NUT, #4 - 40 .....	2
22				
23				
24	73290-G03		REVERSE WARNING BUZZER .....	1
25	01063-G01		SCREW, #6 - 32 X 3/8" LG.....	2
26	25978-G345		18 GA WIRE (RED 7") .....	1
27				
28				
29	602891		PUSH / PULL SHIFTER CABLE.....	1
30	25727-G01		CUP WASHER, 1/4" .....	4

# DIRECTION SELECTOR

Where applicable, THE USE OF NON UL PARTS WILL VOID ANY UL LISTING.  
 When ordering parts, please specify the model and serial number of the product.  
 \* Indicates a component that is not available as an individual part.  
 G\*\* Indicates consult Customer Service Department for additional information.

ITEM	PART NO.	1 2 3 4 5	DESCRIPTION	QTY.
31	72735-G01		COMPRESSION SPRING, 19/32" X 1" LG .....	2
32	72730-G01		SHIFTER BRACKET WITH BUSHING .....	1
33	00734-G5		LOCK NUT, #10 - 32.....	1
34				
35				
36	70227-G01		SCREW, 1/4 - 20 X 7/8" LG .....	2
37	11027-G2		LOCK NUT, 1/4 - 20 .....	2
38				
39				
40	26830-G01		LOCK NUT, M8 X 1.25 MM .....	1
41				
42				
43	71205-G01		DIRECTION SELECTOR HANDLE.....	1
44	00740-G4		SCREW, #10 - 32 X 1/2" LG (STAINLESS STEEL).....	1
45				
46				
47	31539-G1		WIRE TIE .....	1
48	01072-G01		CABLE CLIP.....	2

**DID YOU  
KNOW?**

CartPros directs you to the right part using the part numbers from this manual. Enter the part number into our search box and it will find the part you are looking for.

**GET STARTED  
HERE**

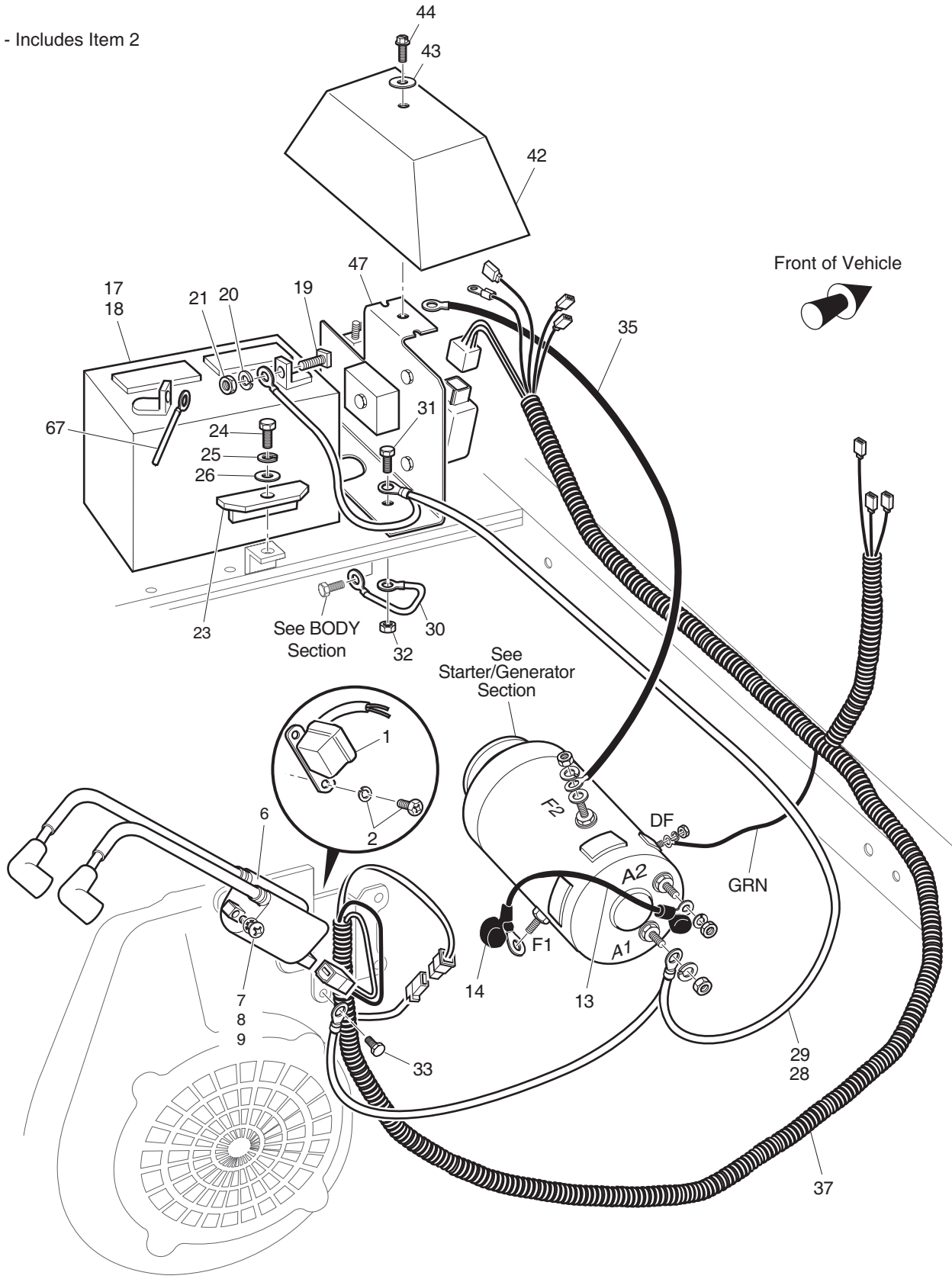


<https://CartPros.com/f.html>

**DIRECTION SELECTOR**

# ELECTRICAL SYSTEM

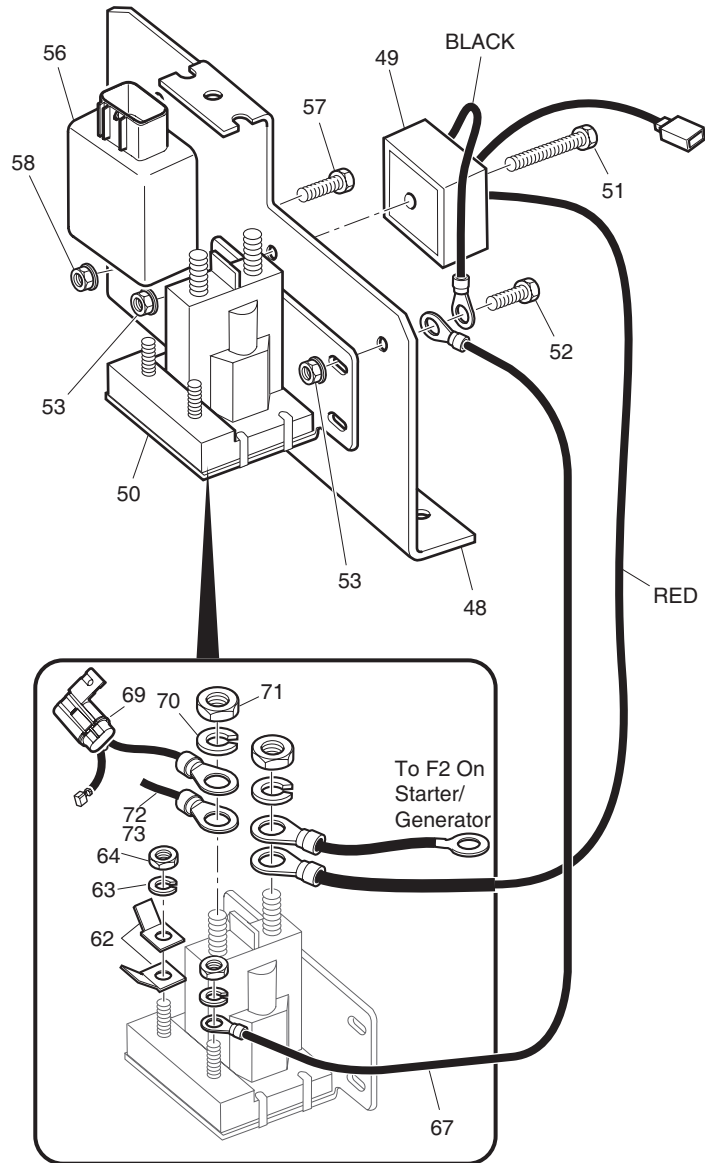
1 - Includes Item 2



Ref Ele 2-1

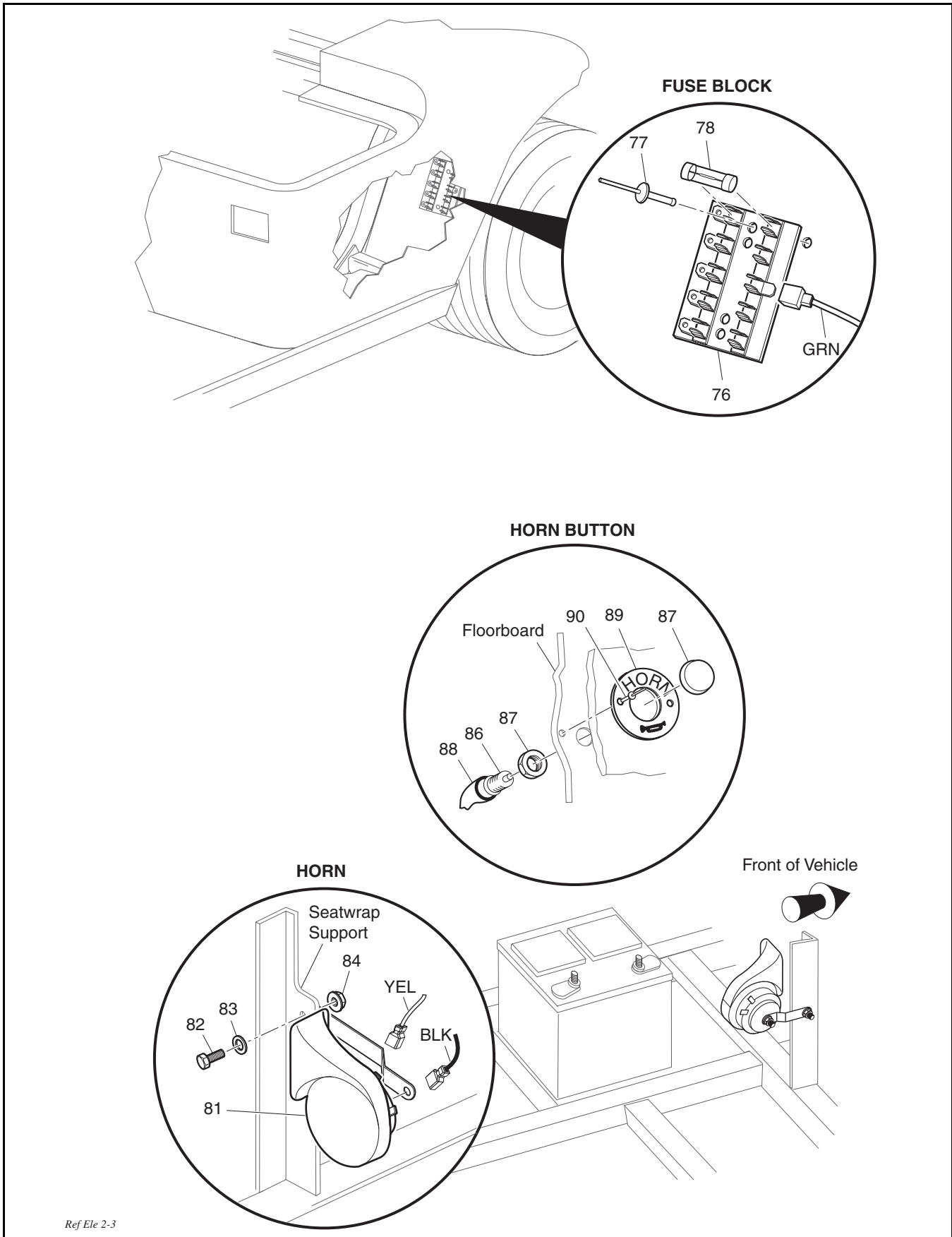
# ELECTRICAL SYSTEM

47 - Includes Items 48 - 72



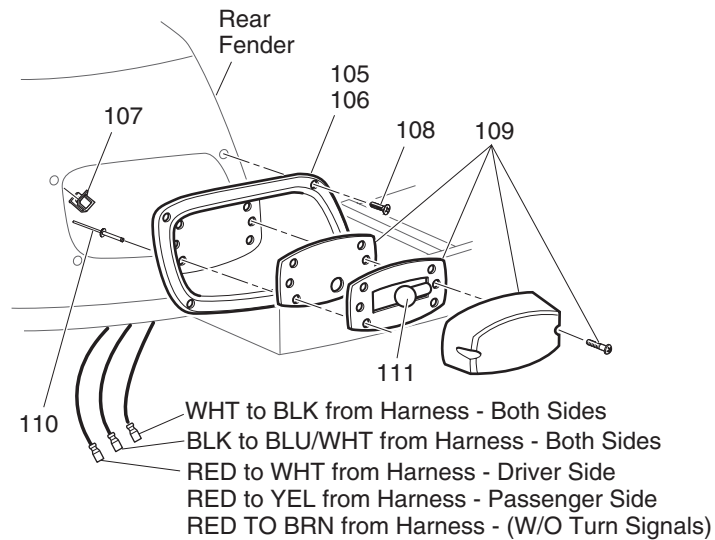
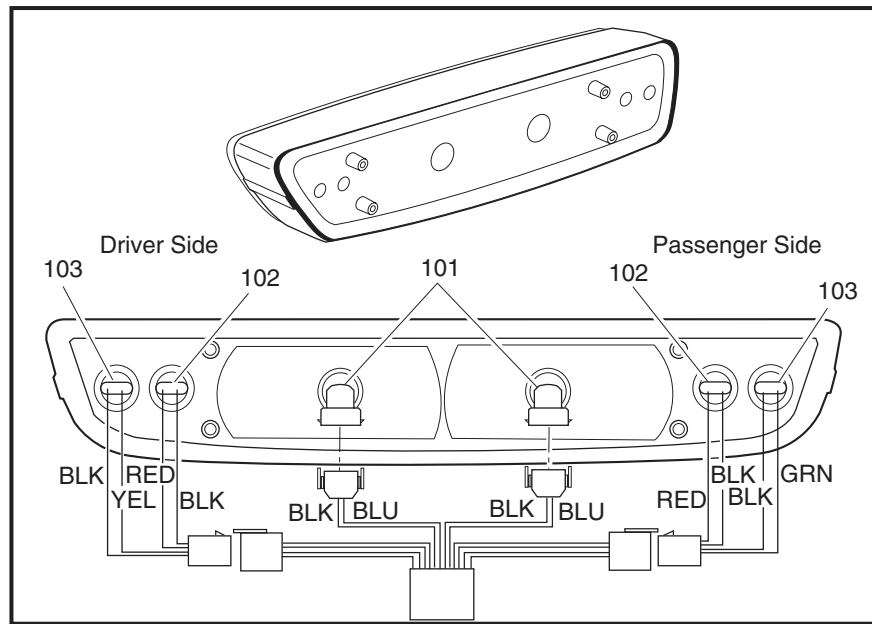
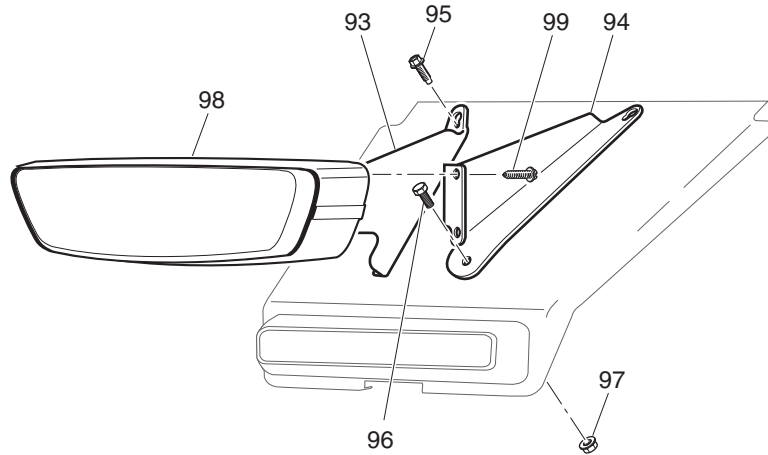
Ref Ele 2-2

# ELECTRICAL SYSTEM





# ELECTRICAL SYSTEM

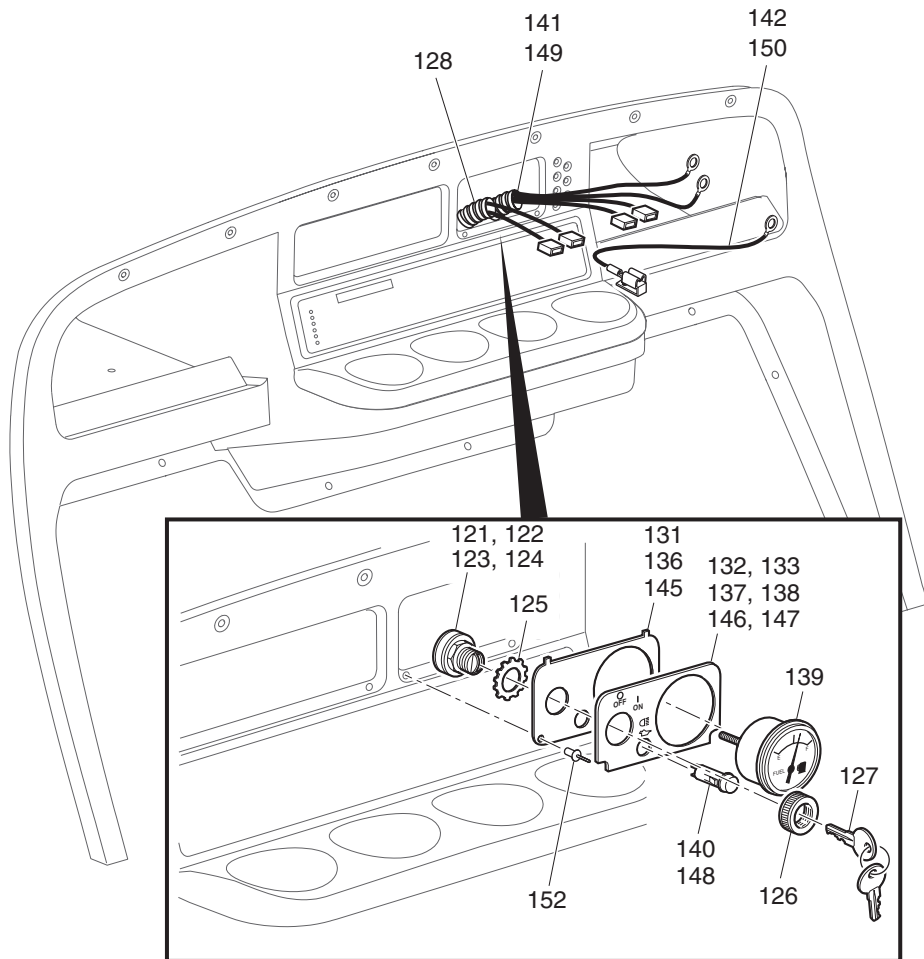
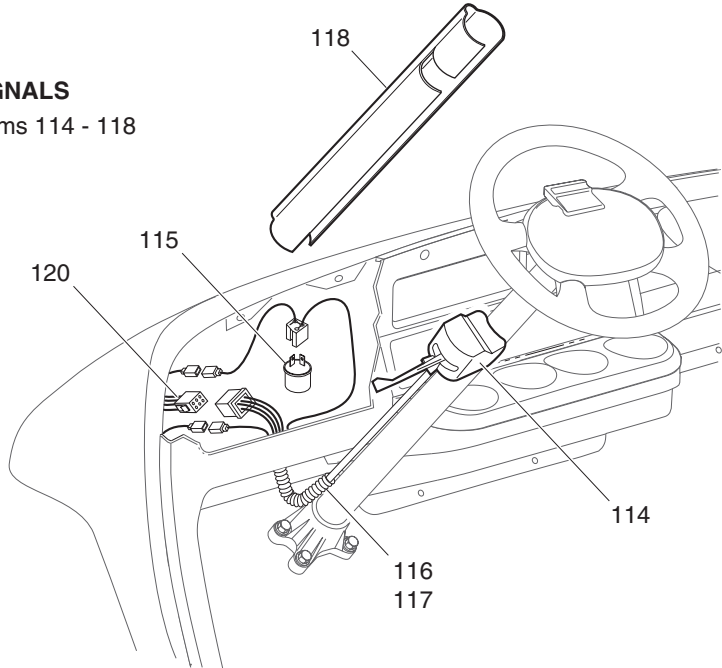


Ref Ele 2-4

# ELECTRICAL SYSTEM

## TURN SIGNALS

113 - Includes Items 114 - 118



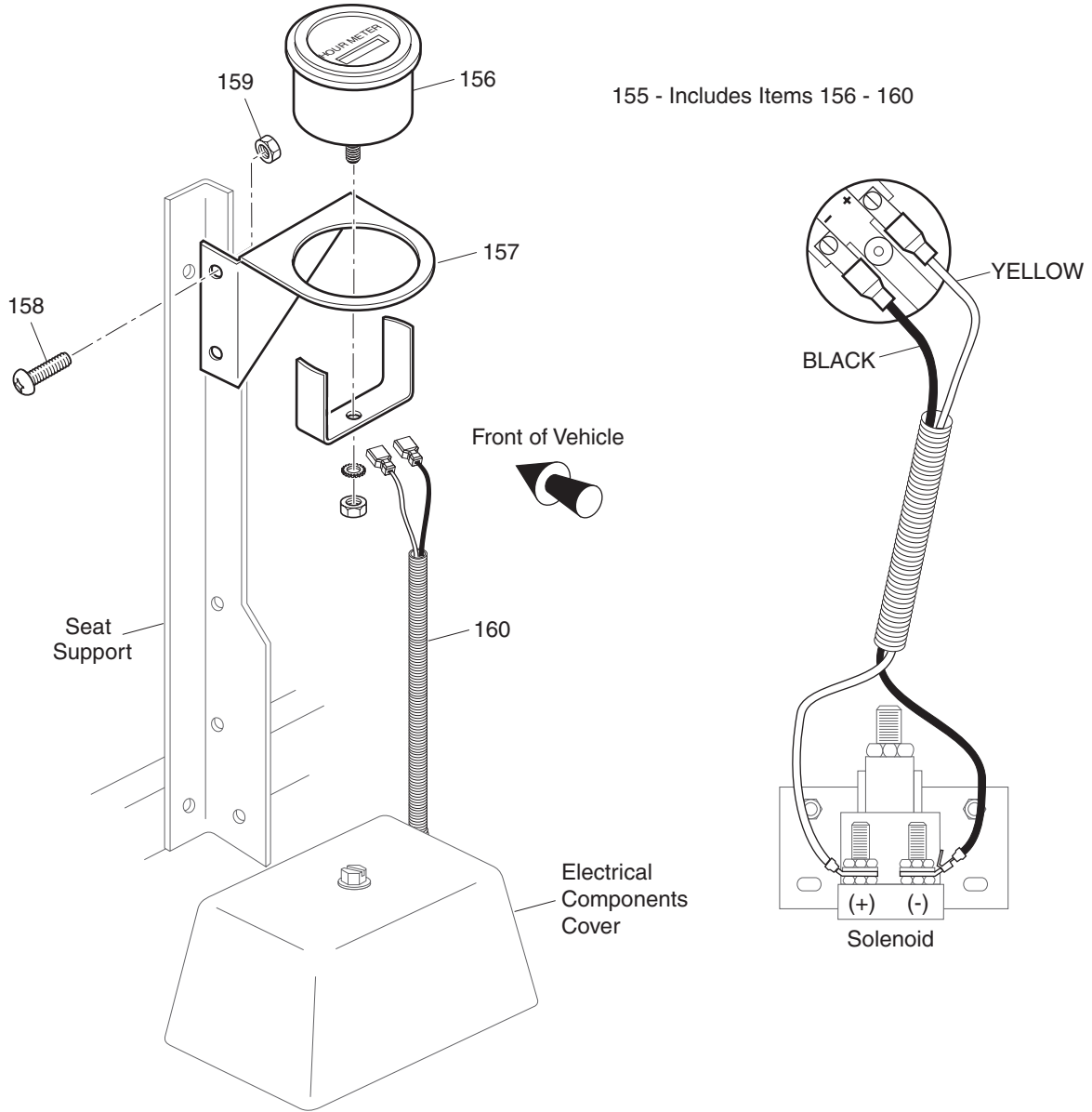
Ref Ele 2-5

**FUEL GAUGE, LOW OIL PRESSURE LIGHT, AND KEY SWITCH**



# ELECTRICAL SYSTEM

## HOUR METER



Ref Ele 2-6

# ELECTRICAL SYSTEM

Where applicable, THE USE OF NON UL PARTS WILL VOID ANY UL LISTING.  
 When ordering parts, please specify the model and serial number of the product.  
 \* Indicates a component that is not available as an individual part.  
 G\*\* Indicates consult Customer Service Department for additional information.

ITEM	PART NO.	1 2 3 4 5	DESCRIPTION	QTY.
1	72865-G01		PULSER COIL (EH292C & EH352C ENGINES) (INCLUDES ITEM 2) .....	1
2	26707-G01		BOLT AND WASHER ASSEMBLY, M5 X 0.8 X 10 MM LG .....	2
3				
4				
5				
6	72866-G01		IGNITION COIL (EH292C & EH352C ENGINES) (INCL. SPARK PLUG WIRES)	1
7	*		FLAT WASHER.....	2
8	*		LOCK WASHER.....	2
9	72871-G01		SCREW .....	2
10				
11				
12				
13	25887-G01		6 GA WIRE (BLACK, 6", F1 - A2).....	1
14	25682-G1		TERMINAL COVER .....	3
15				
16				
17	600597		BATTERY H.D ( PROLINK ) .....	1
18	24775-G*		BATTERY, 12V .....	1
19	00962-G1		BOLT, 5/16 - 18 X 1 1/4" LG .....	2
20	00993-G01		LOCK WASHER, 5/16" (SILICON BRONZE).....	2
21	00994-G01		NUT, 5/16 - 18 (SILICON BRONZE) .....	2
22				
23	72101-G02		BATTERY HOLD DOWN .....	1
24	00438-G6		BOLT, 5/16 - 18 X 3/4" LG .....	1
25	00565-G8		LOCK WASHER, 5/16".....	1
26	00571-G2		WASHER, 5/16" .....	1
27				
28	601227		BATTERY CABLE (-VE) ( PROLINK ) .....	1
29	27044-G03		GROUND CABLE.....	1
30	25976-G19		14 GA WIRE (BLACK, 6") .....	1

# ELECTRICAL SYSTEM

Where applicable, THE USE OF NON UL PARTS WILL VOID ANY UL LISTING.  
 When ordering parts, please specify the model and serial number of the product.  
 \* Indicates a component that is not available as an individual part.  
 G\*\* Indicates consult Customer Service Department for additional information.

ITEM	PART NO.	1 2 3 4 5	DESCRIPTION	QTY.
31	00438-G6		BOLT, 5/16 - 18 X 3/4" LG .....	2
32	11027-G1		LOCK NUT, 5/16 - 18 .....	2
33	26676-G01		FLANGED BOLT, M6 X 1 X 23 MM LG .....	1
34				
35	25972-G85		6 GA WIRE (BLACK 23", F2 - SOL) .....	1
36				
37	74938-G01		WIRE HARNESS (CONTROL) (EH292C & EH352C ENGINES) .....	1
38				
39				
40	17618-G1		WIRE TIE .....	AR
41				
42	73049-G01		COVER.....	1
43	16469-G1		WASHER, 1/4" .....	1
44	00114-G6		SCREW, 1/4 - 14 X 3/4" LG .....	1
45				
46				
47	72909-G01		ELEC. PLATE ASSY (EH292C & EH352C ENGINES) (INCL. ITEMS 48 - 72) ..	1
	72909-G02		ELECTRICAL PLATE ASSY ( PROLINK ) (EH29C & EH35C ENGINES) .....	1
48	73057-G01		BRACKET .....	1
49	27739-G01		VOLTAGE REGULATOR.....	1
50	27153-G01		SOLENOID .....	1
51	00415-G2		BOLT, 1/4 - 20 X 1 1/4" LG .....	1
52	00414-G8		BOLT, 1/4 - 20 X 1" LG .....	1
53	11027-G2		LOCK NUT, 1/4 - 20.....	2
54				
55				
56	72872-G01		IGNITOR (EH292C & EH352C ENGINES).....	1
57	00414-G5		BOLT, 1/4 - 20 X 5/8" LG .....	1
58	11027-G2		LOCK NUT, 1/4 - 20.....	1
59				

# ELECTRICAL SYSTEM

Where applicable, THE USE OF NON UL PARTS WILL VOID ANY UL LISTING.  
 When ordering parts, please specify the model and serial number of the product.  
 \* Indicates a component that is not available as an individual part.  
 G\*\* Indicates consult Customer Service Department for additional information.

ITEM	PART NO.	1	2	3	4	5	DESCRIPTION	QTY.
60								
61								
62	73446-G01						FASTON TAB, 90° .....	2
63	00565-G5						LOCK WASHER, #10 .....	2
64	00526-G4						NUT, #10 - 32 .....	2
65								
66								
67	25978-G56						18 GA WIRE (BLACK, 5 3/4") .....	1
68								
69	600418-G01						IN-LINE FUSE HOLDER.....	1
70	00565-G8						LOCK WASHER, 5/16" .....	2
71	00544-G4						JAM NUT, 5/16 - 24 .....	2
72	25972-G33						6 GA WIRE (BLACK, 24", B+ - SOL) .....	1
73	601226						BATTERY CABLE (+VE) (PROLINK) .....	1
74								
75								
76	22674-G1						FUSE BLOCK.....	1
77	01041-G01						RIVET, 1/8" X 13/16" LG .....	2
78	18392-G1						15 AMP FUSE .....	3
79								
80								
81	32860-G1						HORN .....	1
82	00414-G5						BOLT, 1/4 - 20 x 5/8" LG .....	1
83	00559-G7						WASHER, 5/16" .....	1
84	14390-G4						LOCK NUT, 1/4 - 20 .....	1
85								
86	17318-G1						HORN SWITCH.....	1
87	17318-G2						HORN SWITCH CAP AND NUT .....	1
88	27068-G01						HORN SWITCH BOOT .....	1
89	19233-G1						HORN SWITCH LABEL .....	1

# ELECTRICAL SYSTEM

Where applicable, THE USE OF NON UL PARTS WILL VOID ANY UL LISTING.

When ordering parts, please specify the model and serial number of the product.

\* Indicates a component that is not available as an individual part.

G\*\* Indicates consult Customer Service Department for additional information.

ITEM	PART NO.	1 2 3 4 5	DESCRIPTION	QTY.
90	71055-G01		RIVET, 3/16" X 1" LG (ALUMINUM) .....	2
91				
92				
93	74236-G03		HEADLIGHT MOUNT BRACKET (PASSENGER SIDE) .....	1
94	74236-G04		HEADLIGHT MOUNT BRACKET (DRIVER SIDE) .....	1
95	01038-G01		BOLT, 1/4 - 20 X 11/16" LG .....	2
96	00414-G6		BOLT, 1/4 - 20 X 3/4" LG .....	2
97	11027-G2		LOCK NUT, 1/4 - 20 .....	2
98	74001-G01		HEADLIGHT AND TURN SIGNAL LIGHT .....	1
99	00114-G6		SCREW, 1/4 - 14 X 3/4" LG .....	4
100				
101	74004-G01		HEADLIGHT BULB .....	AR
102	74005-G01		MARKER LIGHT BULB .....	AR
103	74006-G01		TURN SIGNAL BULB .....	AR
104				
105	74371-G01		BEZEL (DRIVER SIDE) .....	1
106	74371-G02		BEZEL (PASSENGER SIDE) .....	1
107	71364-G02		'J' CLIP .....	8
108	71425-G01		COUNTERSUNK SCREW, #8 .....	8
109	22288-G2		BRAKE / TAILLIGHT LAMP .....	1
110	14601-G11		RIVET, 3/16" X 9/16" LG (ALUMINUM) .....	4
111	21759-G1		TAILLIGHT BULB .....	AR
112				
113	75107-G02		TURN SIGNAL KIT (INCLUDES ITEMS 114 - 118) .....	1
114	17867-G1		TURN SIGNAL (WITH MOUNTING HARDWARE) (INCLUDES ITEM 115)	1
115	21640-G1		TURN SIGNAL FLASHER .....	1
116	32307-G3		FLEX LOOM, 3/8 X 8" LG .....	1
117	17618-G1		WIRE TIE .....	2
118	20965-G3		STEERING COLUMN COVER .....	1
119				

# ELECTRICAL SYSTEM

Where applicable, THE USE OF NON UL PARTS WILL VOID ANY UL LISTING.

When ordering parts, please specify the model and serial number of the product.

\* Indicates a component that is not available as an individual part.

G\*\* Indicates consult Customer Service Department for additional information.

ITEM	PART NO.	1 2 3 4 5	DESCRIPTION	QTY.
120	72228-G01		WIRE HARNESS (ACCESSORY).....	1
121	18602-G1		KEY SWITCH KIT (W/O LIGHTS - STANDARD - WITH HARDWARE).....	1
122	17955-G1		KEY SWITCH (WITHOUT LIGHTS - NON STANDARD).....	1
123	18027-G1		KEY SWITCH (WITHOUT LIGHTS - INDIVIDUALLY KEYED).....	1
124	33639-G**		KEY SWITCH (WITH LIGHTS) .....	1
125	00568-G6		LOCK WASHER, 3/4".....	1
126	17137-G1		FACE NUT, 3/4 - 20 .....	1
127	17063-G1		KEY (SET).....	1
128	73041-G01		WIRE HARNESS (KEY SWITCH).....	1
129				
130				
131	73030-G01		PLATE (KEY SWITCH ONLY) .....	1
132	71145-G01		LABEL (KEY SWITCH ONLY) WITHOUT HEADLIGHTS.....	1
133	71181-G01		LABEL (KEY SWITCH ONLY) WITH HEADLIGHTS .....	1
134				
135				
136	73030-G04		PLATE (FUEL GAUGE AND OIL LIGHT) .....	1
137	71127-G01		LABEL (OIL LIGHT AND FUEL GAUGE W/O HEADLIGHTS) .....	1
138	71131-G01		LABEL (OIL LIGHT AND FUEL GAUGE WITH HEADLIGHTS) .....	1
139	21553-G1		FUEL GAUGE .....	1
140	23474-G1		INDICATOR LIGHT .....	1
141	74311-G01		WIRE HARNESS (OIL LIGHT/FUEL GAUGE).....	1
142	25978-G122		18 GA WIRE (RED, 6" LG).....	1
143				
144				
145	73030-G04		PLATE (LOW FUEL AND OIL LIGHT INDICATOR) .....	1
146	71125-G01		LABEL (LOW FUEL AND OIL LIGHT W/O HEADLIGHTS) .....	1
147	71183-G01		LABEL (LOW FUEL AND OIL LIGHT WITH HEADLIGHTS) .....	1
148	23474-G1		INDICATOR LIGHT .....	2
149	74311-G01		WIRE HARNESS (OIL LIGHT/FUEL LIGHT) .....	1

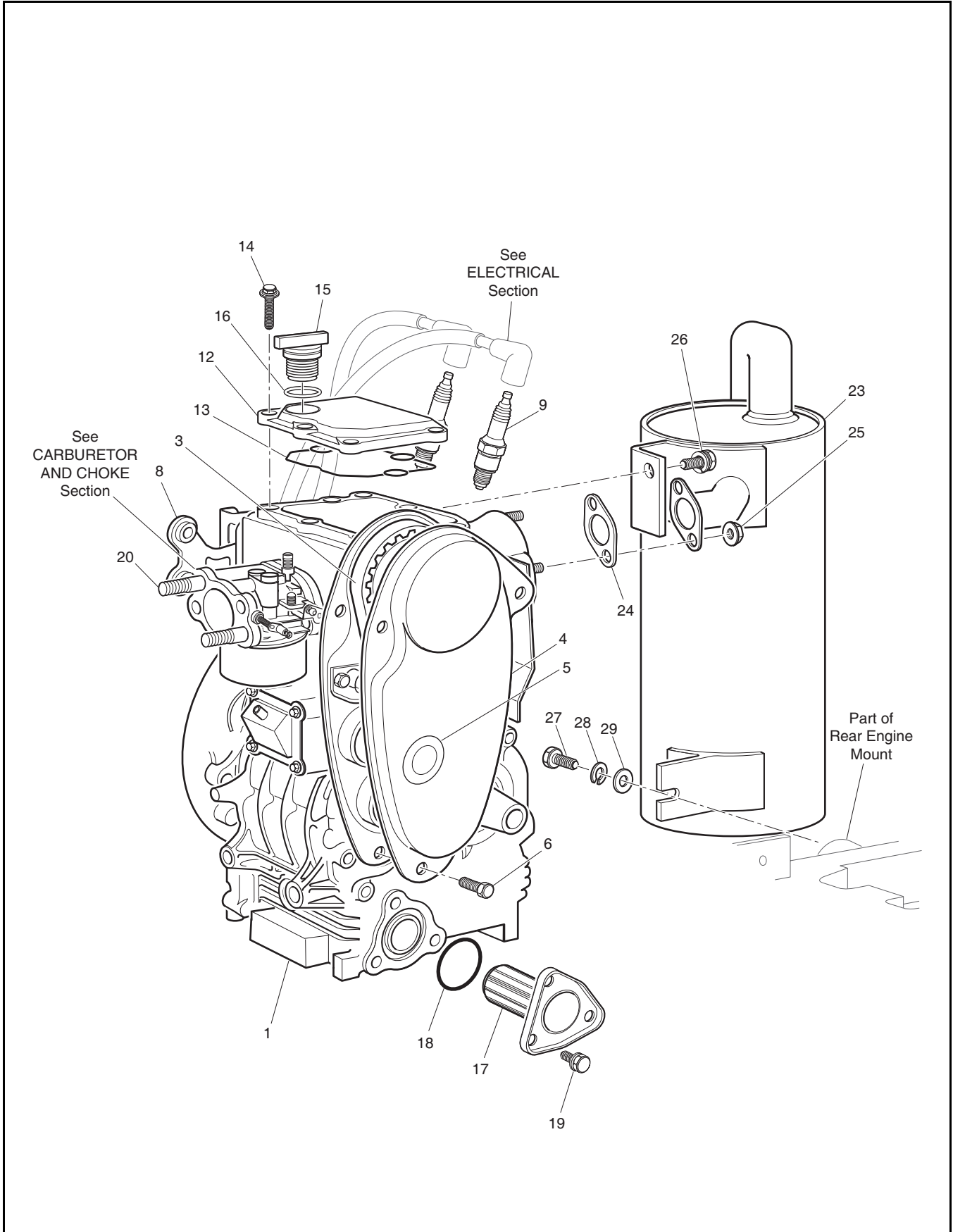


# ELECTRICAL SYSTEM

Where applicable, THE USE OF NON UL PARTS WILL VOID ANY UL LISTING.  
 When ordering parts, please specify the model and serial number of the product.  
 \* Indicates a component that is not available as an individual part.  
 G\*\* Indicates consult Customer Service Department for additional information.

ITEM	PART NO.	1	2	3	4	5	DESCRIPTION	QTY.
150	25978-G122						18 GA WIRE (RED, 6" LG).....	1
151								
152	33623-G02						DRIVE RIVET, 3/16" X 3/8" LG .....	2
153								
154								
155	75114-G02						HOUR METER KIT (INCLUDES ITEMS 156 - 160).....	1
156	21573-G1						HOUR METER.....	1
157	74019-G02						HOUR METER BRACKET.....	1
158	00379-G4						SCREW, #10 - 24 X 1/2" LG .....	2
159	14390-G10						LOCK NUT, #10 - 24.....	2
160	75117-G01						WIRE HARNESS (HOUR METER).....	1

# ENGINE 9 HP AND MUFFLER

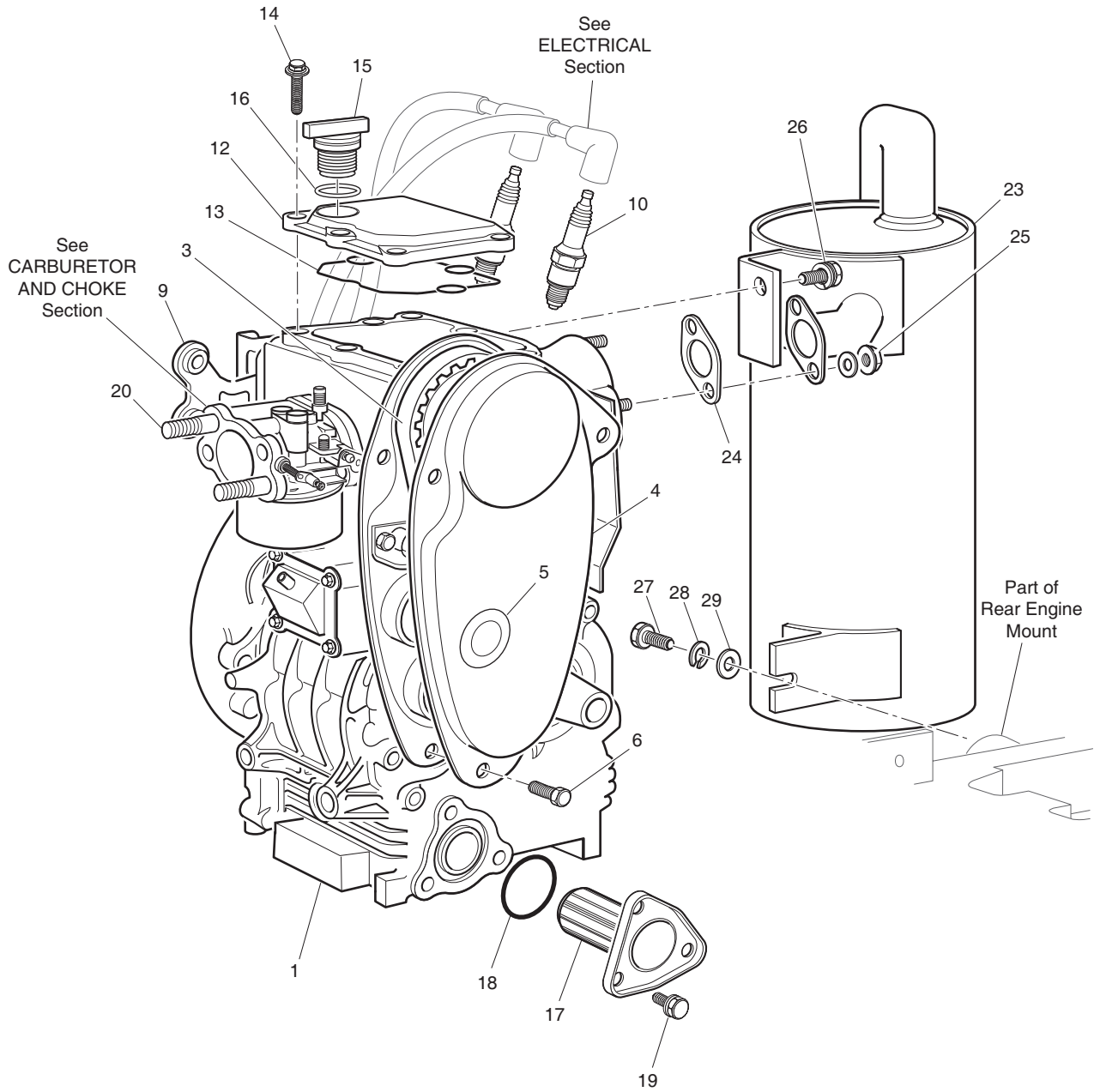


# ENGINE 9 HP AND MUFFLER

THE USE OF NON U.L. PARTS WILL VOID ANY U.L. LISTING.  
 When ordering parts, please specify the model and serial number of the product.  
 \* Indicates a component that is not available as an individual part.  
 G\*\* Indicates consult Customer Service Department for additional information.

ITEM	PART NO.	1 2 3 4 5	DESCRIPTION	QTY.
1	604254		ENGINE (EH292C) (INCLUDES ITEMS 3-10, 12-20).....	1
2				
3	26626-G01		TIMING BELT .....	1
4	72908-G01		TIMING BELT COVER.....	1
5	26631-G01		TIMING BELT COVER GROMMET .....	1
6	26678-G01		BOLT, M6 X 1 X 12 MM LG.....	3
7				
8	72885-G01		IGNITION COIL BRACKET.....	1
9	25523-G5		SPARK PLUG (NGK FR2A-D).....	2
10				
11				
12	72848-G01		VALVE COVER.....	1
13	72876-G01		VALVE COVER GASKET .....	1
14	26676-G01		FLANGED BOLT, M6 X 1 X 23 MM LG .....	6
15	26601-G01		OIL FILLER CAP .....	1
16	26720-G01		OIL FILLER 'O' RING.....	1
17	26591-G01		OIL FILTER.....	1
18	26710-G01		OIL FILTER 'O' RING.....	1
19	26680-G01		BOLT AND WASHER, M6 X 1 X 12 MM LG.....	3
20	603911		STUD, M6 X 1 X 135MM LG.....	2
21				
22				
23	74829-G01		MUFFLER .....	1
24	25531-G01		EXHAUST GASKET .....	1
25	72851-G01		NUT, M8 X 1.25MM.....	2
26	25532-G1		BOLT AND WASHER, M8 X 1.25 X 18 MM LG .....	1
27	00438-G8		BOLT, 5/16 - 18 X 1" LG .....	1
28	00565-G8		LOCK WASHER, 5/16".....	3
29	00642-G8		WASHER, 5/16" .....	1

# ENGINE 11 HP AND MUFFLER



Ref Emf 2

# ENGINE 11 HP AND MUFFLER

Where applicable, THE USE OF NON UL PARTS WILL VOID ANY UL LISTING.

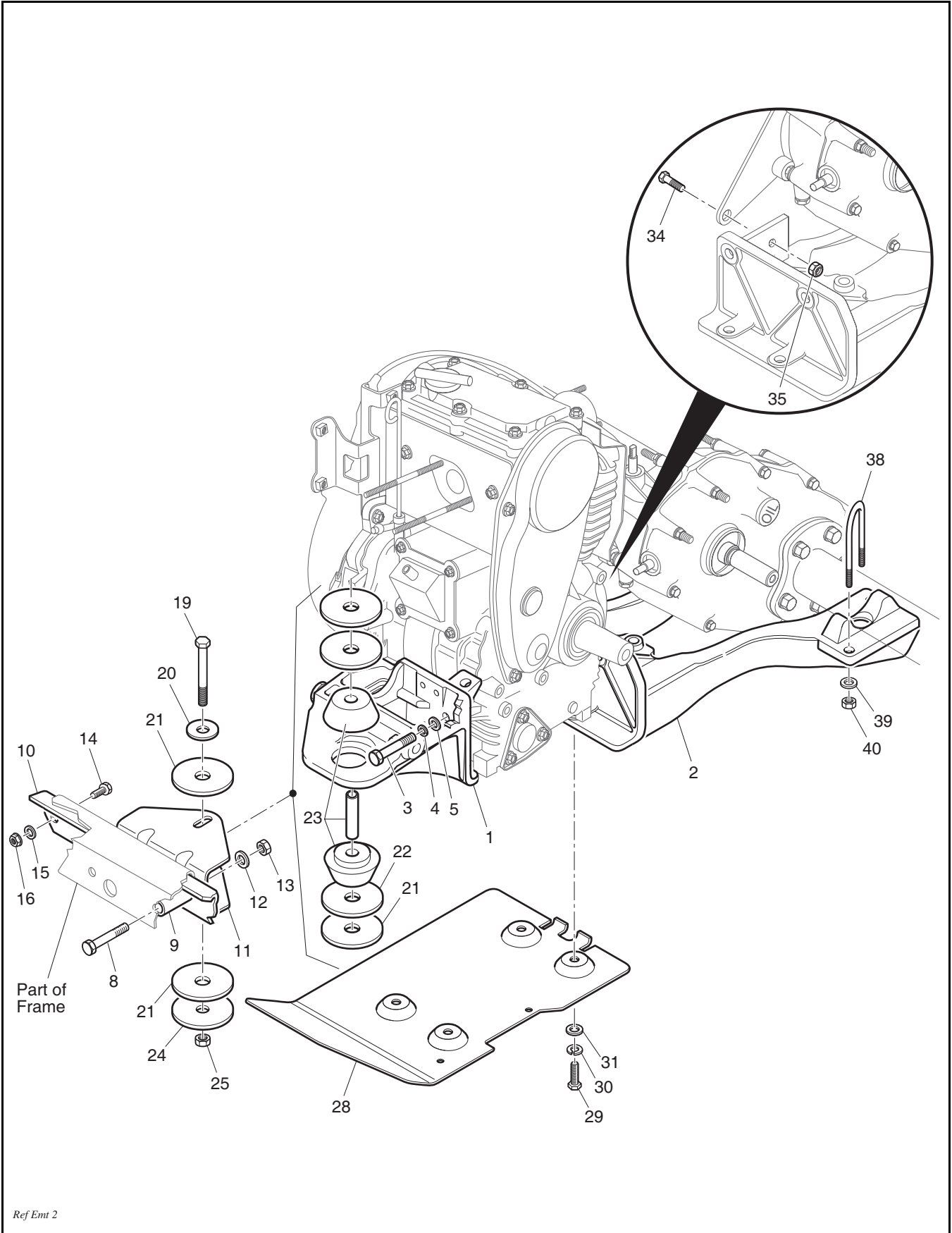
When ordering parts, please specify the model and serial number of the product.

\* Indicates a component that is not available as an individual part.

G\*\* Indicates consult Customer Service Department for additional information.

ITEM	PART NO.	1 2 3 4 5	DESCRIPTION	QTY.
1	72846-G02		ENGINE (FOR VEHICLES ORIGINALLY EQUIPPED WITH 350cc (EH35C) (INCLUDES ITEMS 3 - 20).....	1
2				
3	26626-G01		TIMING BELT .....	1
4	72908-G01		TIMING BELT COVER.....	1
5	26631-G01		TIMING BELT COVER GROMMET .....	1
6	26678-G01		BOLT, M6 X 1 X 12 MM LG.....	3
7				
8				
9	72869-G01		IGNITION COIL BRACKET.....	1
10	72867-G01		SPARK PLUG (NGK BPR5ES).....	2
11				
12	72848-G01		VALVE COVER.....	1
13	72876-G01		VALVE COVER GASKET .....	1
14	26676-G01		FLANGED BOLT, M6 X 1 X 23 MM LG .....	6
15	26601-G01		OIL FILLER CAP .....	1
16	26720-G01		OIL FILLER 'O' RING.....	1
17	26591-G01		OIL FILTER.....	1
18	26710-G01		OIL FILTER 'O' RING.....	1
19	26680-G01		BOLT AND WASHER, M6 X 1 X 12 MM LG.....	3
20	72307-G01		STUD, M6 X 1 X 115 MM LG.....	2
21				
22				
23	74829-G01		MUFFLER .....	1
24	25531-G01		EXHAUST GASKET .....	1
25	72851-G01		FLANGE NUT, M8 X 1.25 MM .....	2
26	25532-G1		BOLT AND WASHER, M8 X 1.25 X 18 MM LG .....	1
27	00438-G8		BOLT, 5/16 - 18 X 1" LG .....	1
28	00565-G8		LOCK WASHER, 5/16".....	3
29	00642-G8		WASHER, 5/16" .....	1

# ENGINE MOUNTING



Ref Emt 2

# ENGINE MOUNTING

Where applicable, THE USE OF NON UL PARTS WILL VOID ANY UL LISTING.

When ordering parts, please specify the model and serial number of the product.

\* Indicates a component that is not available as an individual part.

G\*\* Indicates consult Customer Service Department for additional information.

ITEM	PART NO.	1 2 3 4 5	DESCRIPTION	QTY.
1	72010-G01		FRONT ENGINE MOUNT .....	1
2	72011-G01		REAR ENGINE MOUNT .....	1
3	00463-G4		BOLT, 7/16 - 14 X 1 1/2" LG .....	4
4	00566-G2		LOCK WASHER, 7/16".....	4
5	00922-G3		WASHER, 7/16" .....	4
6				
7				
8	00428-G6		BOLT, 3/8 - 16 X 2 3/4" LG .....	2
9	72016-G01		SPACER.....	2
10	70269-G02		CROSSMEMBER BRACE .....	1
11	72044-G02		MOUNT BRACKET .....	1
12	00643-G1		WASHER, 3/8" .....	2
13	11098-G5		LOCK NUT, 3/8 - 16 .....	2
14	00438-G7		BOLT, 5/16 - 18 X 7/8" LG .....	2
15	01110-G03		WASHER, 5/16" (STAINLESS STEEL).....	2
16	01109-G01		LOCK NUT, 5/16 - 18 (STAINLESS STEEL) .....	2
17				
18				
19	00430-G4		BOLT, 3/8 - 16 X 4 1/2" LG .....	1
20	15121-G1		WASHER, 3/8" .....	1
21	72050-G01		PLASTIC WASHER, 2 1/4" OD X 5/8" ID X 1/8" .....	4
22	72051-G01		WASHER, 2 1/2" OD X 5/8" ID X 1/8" .....	2
23	72015-G01		ISOLATION MOUNT .....	1
24	72051-G02		WASHER, 3/8" .....	1
25	11098-G5		LOCK NUT, 3/8 - 16 .....	1
26				
27				
28	72719-G03		ENGINE GUARD.....	1
29	00463-G4		BOLT, 7/16 - 14 X 1 1/2" LG .....	4
30	00566-G2		LOCK WASHER, 7/16".....	4

# ENGINE MOUNTING

Where applicable, THE USE OF NON UL PARTS WILL VOID ANY UL LISTING.

When ordering parts, please specify the model and serial number of the product.

\* Indicates a component that is not available as an individual part.

G\*\* Indicates consult Customer Service Department for additional information.

ITEM	PART NO.	1 2 3 4 5	DESCRIPTION	QTY.
31	00922-G3		WASHER, 7/16" .....	4
32				
33				
34	00439-G1		BOLT, 5/16 - 18 X 1 1/8" LG .....	1
35	11098-G6		LOCK NUT, 5/16 - 18 (STAINLESS STEEL) .....	1
36				
37				
38	72035-G01		'U' BOLT, 7/16 - 14 X 3 7/16" X 3 9/16" LG.....	2
39	00922-G3		WASHER, 7/16" .....	4
40	00734-G1		LOCK NUT, 7/16 - 14 .....	4



**DID YOU  
KNOW?**

CartPros directs you to the right part using the part numbers from this manual. Enter the part number into our search box and it will find the part you are looking for.

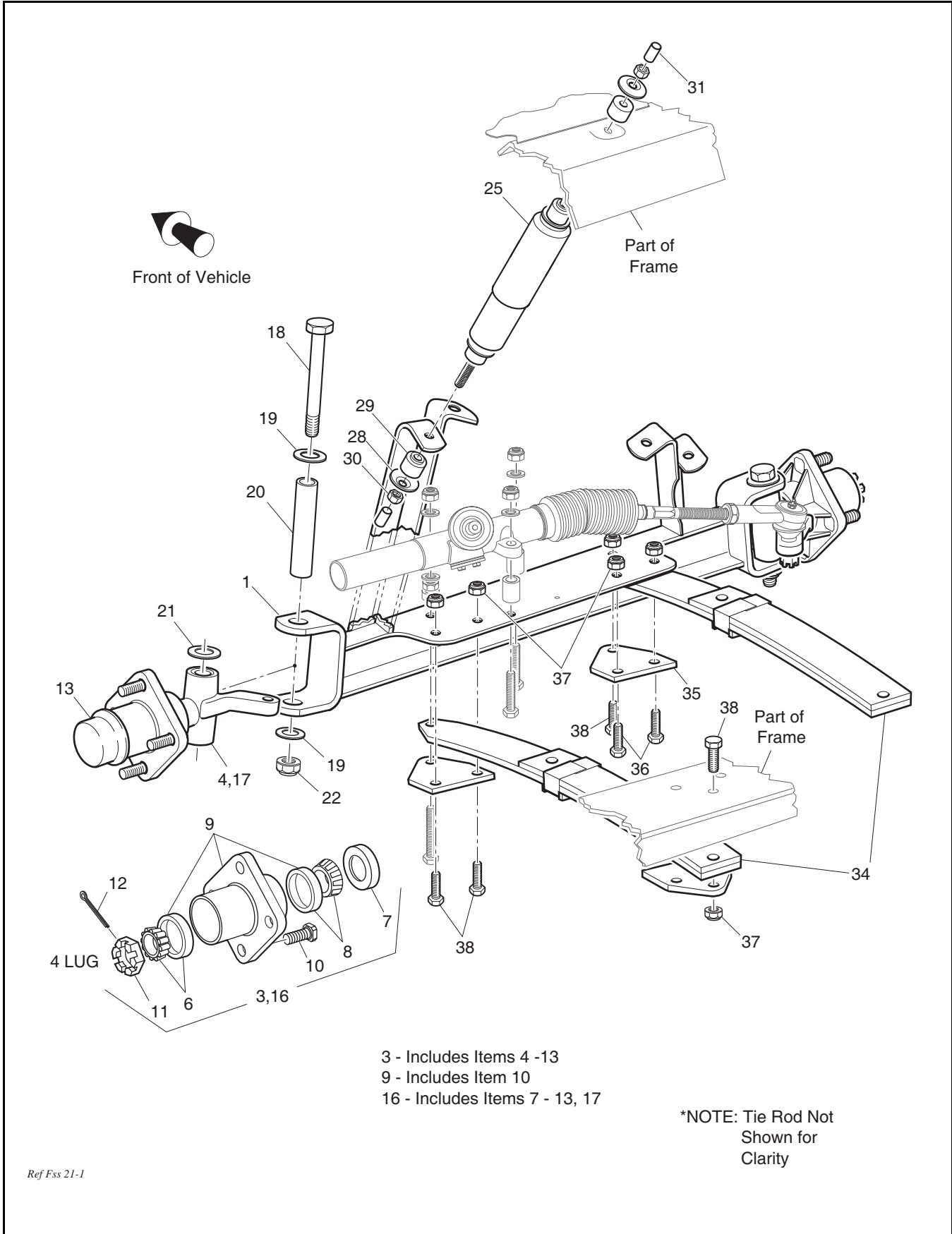
**GET STARTED  
HERE**



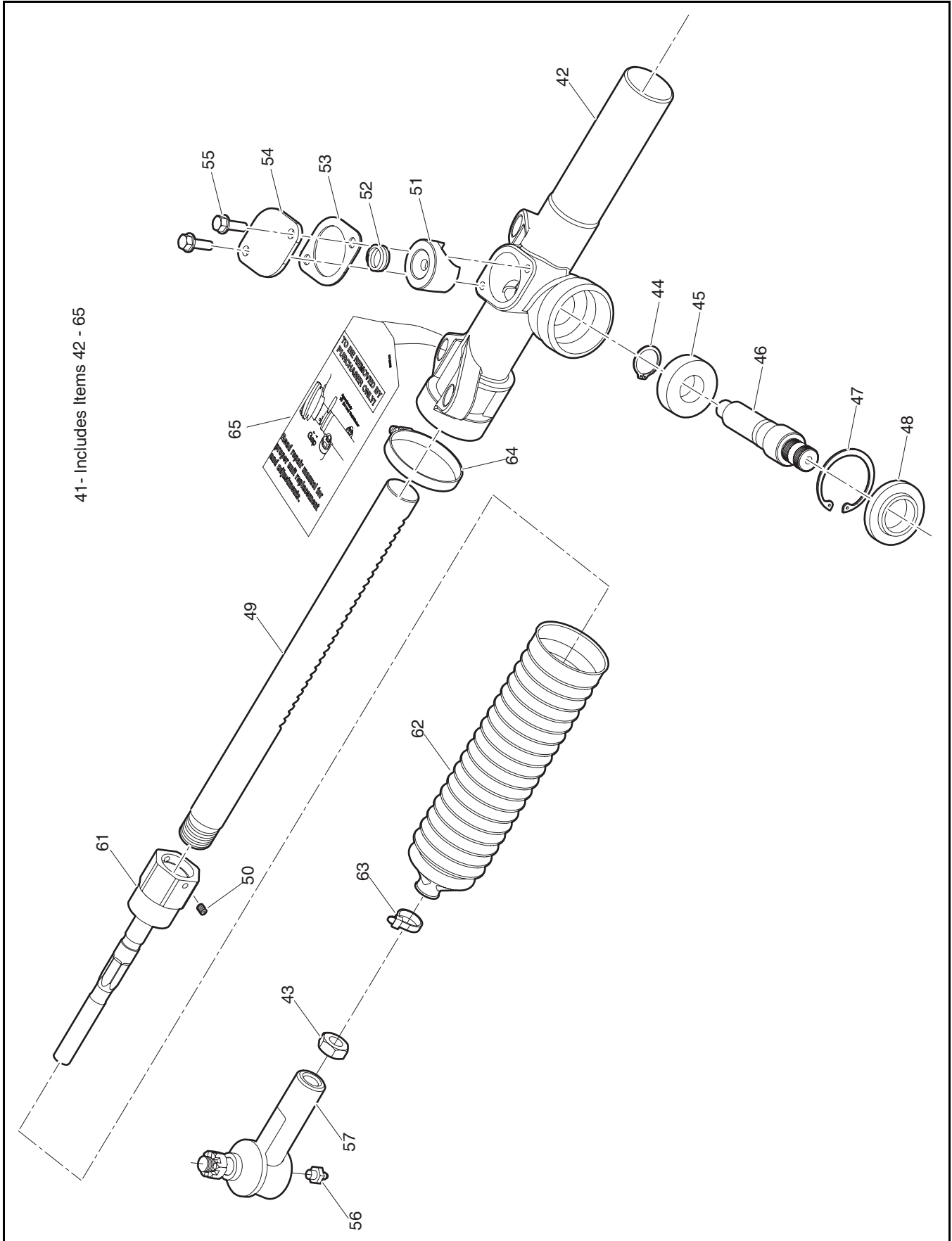
<https://CartPros.com/f.html>

## ENGINE MOUNTING

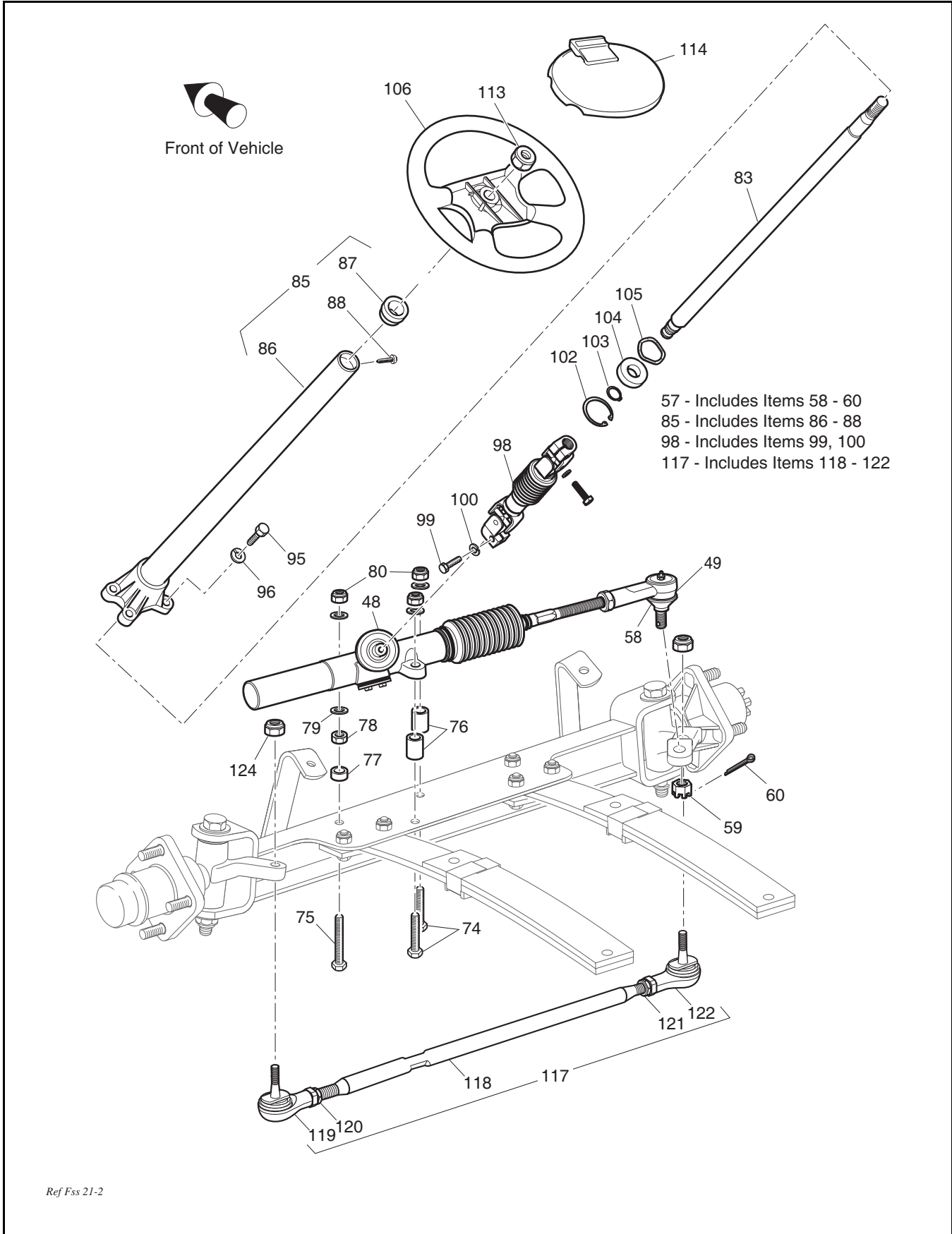
# FRONT SUSPENSION AND STEERING



# FRONT SUSPENSION AND STEERING



# FRONT SUSPENSION AND STEERING



# FRONT SUSPENSION AND STEERING

Where applicable, THE USE OF NON UL PARTS WILL VOID ANY UL LISTING.

When ordering parts, please specify the model and serial number of the product.

\* Indicates a component that is not available as an individual part.

G\*\* Indicates consult Customer Service Department for additional information.

ITEM	PART NO.	1 2 3 4 5	DESCRIPTION	QTY.
1	602513		FRONT AXLE.....	1
2				
3	70942-G03		SPINDLE AND HUB ASSEMBLY, 4 LUG (PASSENGER SIDE) (INCLUDES ITEMS 4 - 13).....	1
4	70940-G04		SPINDLE ASSEMBLY (PASSENGER SIDE) (INCLUDES ITEMS 5 - 6) .....	1
5	70648-G01		BEARING .....	1
6	70749-G01		BEARING, DP4 .....	1
7	25146-G1		GREASE SEAL.....	1
8	50892-G1		ROLLER BEARING AND RACE ASSEMBLY .....	2
9	70589-G1		WHEEL HUB ASSEMBLY WITH RACES, 4 LUG (INCLUDES ITEM 10) ....	1
10	19862-G1		LUG BOLT, 1/2 - 20 X 1 7/32" LG .....	4
11	12093-G1		SLOTTED NUT, 1 - 14.....	1
12	00798-G8		COTTER PIN, 5/32" X 1 3/4" LG .....	1
13	12091-G2		SPINDLE CAP .....	2
14				
15				
16	70673-G03		SPINDLE AND HUB ASSEMBLY, 4 LUG (DRIVER SIDE) (INCLUDES ITEMS 7 - 13 & 17) .....	1
17	70742-G02		SPINDLE ASSEMBLY (DRIVER SIDE) (INCLUDES ITEMS 5 - 6) .....	1
18	00407-G6		BOLT, 1/2 - 13 X 6" LG .....	2
19	00560-G3		WASHER, 1/2" .....	4
20	70745-G01		KING PIN TUBE .....	2
21	70754-G01		THRUST WASHER (STAINLESS STEEL) .....	2
22	14390-G6		LOCK NUT, 1/2 - 13 .....	2
23				
24				
25	76419-G01		SHOCK ABSORBER.....	2
26				
27				
28	10435-G1		SHOCK ABSORBER WASHER.....	8
29	10194-G1		RUBBER SHOCK ABSORBER BUSHING .....	8

# FRONT SUSPENSION AND STEERING

Where applicable, THE USE OF NON UL PARTS WILL VOID ANY UL LISTING.  
 When ordering parts, please specify the model and serial number of the product.  
 \* Indicates a component that is not available as an individual part.  
 G\*\* Indicates consult Customer Service Department for additional information.

ITEM	PART NO.	1 2 3 4 5	DESCRIPTION	QTY.
30	00532-G6		NUT, 3/8 - 24.....	4
31	10044-G01		VINYL CAP.....	4
32				
33				
34	70664-G03		LEAF SPRING (HEAVY DUTY) (SEE PART NUMBER ON SPRING).....	2
35	70163-G03		SPRING PLATE.....	4
36	00463-G4		BOLT, 7/16 - 14 X 1 1/2" LG.....	4
37	00734-G1		LOCK NUT, 7/16 - 14.....	11
38	00463-G6		BOLT, 7/16 - 14 X 1 3/4" LG.....	7
39				
40				
41	74964-G02		RACK AND PINION UNIT (COMPLETE) (INCLUDES ITEMS 42 - 65).....	1
42	70965-G01		STEERING RACK COVER & BEARING.....	1
43	*		JAM NUT, 1/2 - 20.....	1
44	70750-G01		RETAINING RING (EXTERNAL).....	1
45	15115-G1		BALL BEARING.....	1
46	70603-G01		PINION.....	1
47	70751-G01		RETAINING RING (INTERNAL).....	1
48	70638-G01		SEAL PINION.....	1
49	70604-G01		RACK STEERING.....	1
50	01053-G01		SCREW, 10- 32.....	1
51	70590-G01		RACK LOADER.....	1
52	70666-G01		SPRING COMPRESSION.....	1
53	70645-G01		GASKET RACK LOADER.....	1
54	70591-G01		COVER RACK LOADER.....	1
55	71102-G01		SCREW, 1/4 - 20.....	2
56	10389-G3		GREASE FITTING, STRAIGHT.....	1
57	70695-G01		RACK BALL JOINT (INCLUDES ITEMS 58 - 60).....	1
58	50641-G1		RUBBER BOOT.....	1
59	50209-G2		SLOTTED NUT, 7/16 - 20.....	1

# FRONT SUSPENSION AND STEERING

Where applicable, THE USE OF NON UL PARTS WILL VOID ANY UL LISTING.

When ordering parts, please specify the model and serial number of the product.

\* Indicates a component that is not available as an individual part.

G\*\* Indicates consult Customer Service Department for additional information.

ITEM	PART NO.	1 2 3 4 5	DESCRIPTION	QTY.
60	10387-G2		COTTER PIN, 3/32" X 1" LG .....	1
61	74694-G01		ROD END (INNER).....	1
62	70961-G01		RACK BOOT .....	1
63	12416-G2		WIRE TIE .....	1
64	11391-G8		WIRE TIE .....	1
65	604328		TAG STEERING WHEEL .....	1
66				
67				
68				
69				
70				
71				
72				
73				
74	00464-G6		BOLT, 7/16 - 14 X 2 3/4" LG .....	2
75	01068-G01		BOLT, 7/16 - 14 X 3 1/2" LG .....	1
76	70667-G02		SPACER.....	2
77	70667-G03		SPACER (SHORT).....	1
78	00532-G7		NUT, 7/16 - 14.....	1
79	00560-G2		FLAT WASHER, 7/16".....	7
80	00734-G1		LOCK NUT, 7/16 - 14 .....	3
81				
82				
83	70607-G01		STEERING SHAFT .....	1
84				
85	70758-G05		STEERING COLUMN KIT (INCLUDES ITEMS 86 - 88) .....	1
86	70610-G03		STEERING COLUMN .....	1
87	28569-G01		STEERING COLUMN BUSHING.....	1
88	01022-G01		SCREW, #6 - 20 X 5/16" LG .....	1
89				

# FRONT SUSPENSION AND STEERING

Where applicable, THE USE OF NON UL PARTS WILL VOID ANY UL LISTING.  
 When ordering parts, please specify the model and serial number of the product.  
 \* Indicates a component that is not available as an individual part.  
 G\*\* Indicates consult Customer Service Department for additional information.

ITEM	PART NO.	1 2 3 4 5	DESCRIPTION	QTY.
90				
91				
92				
93				
94				
95	01006-G01		BOLT, 3/8 - 16 X 1 1/4" LG WITH PATCHLOCK .....	4
96	00879-G1		LOCK WASHER, 3/8" .....	4
97				
98	70580-G01		INTERMEDIATE SHAFT (INCLUDES ITEMS 99, 100) .....	1
99	01055-G01		BOLT, M8 X 1 1/4" LG .....	2
100	00565-G8		LOCK WASHER, 5/16" .....	2
101				
102	70751-G01		RETAINING RING (INTERNAL) .....	1
103	70888-G01		RETAINING RING (EXTERNAL) .....	1
104	15112-G1		BALL BEARING .....	1
105	70887-G01		WAVE WASHER .....	1
106	602979		STEERING WHEEL .....	1
107				
108				
109				
110				
111				
112				
113	14390-G2		LOCK NUT, 5/8 - 18 .....	1
114	71950-G01		CLIPBOARD .....	1
115				
116				
117	74604-G01		TIE ROD ASSEMBLY (INCLUDES ITEMS 118 - 122) .....	1
118	74603-G01		THREADED ROD (24" LG) .....	1
119	70902-G01		TIE ROD END (LEFT HAND THREADS) .....	1

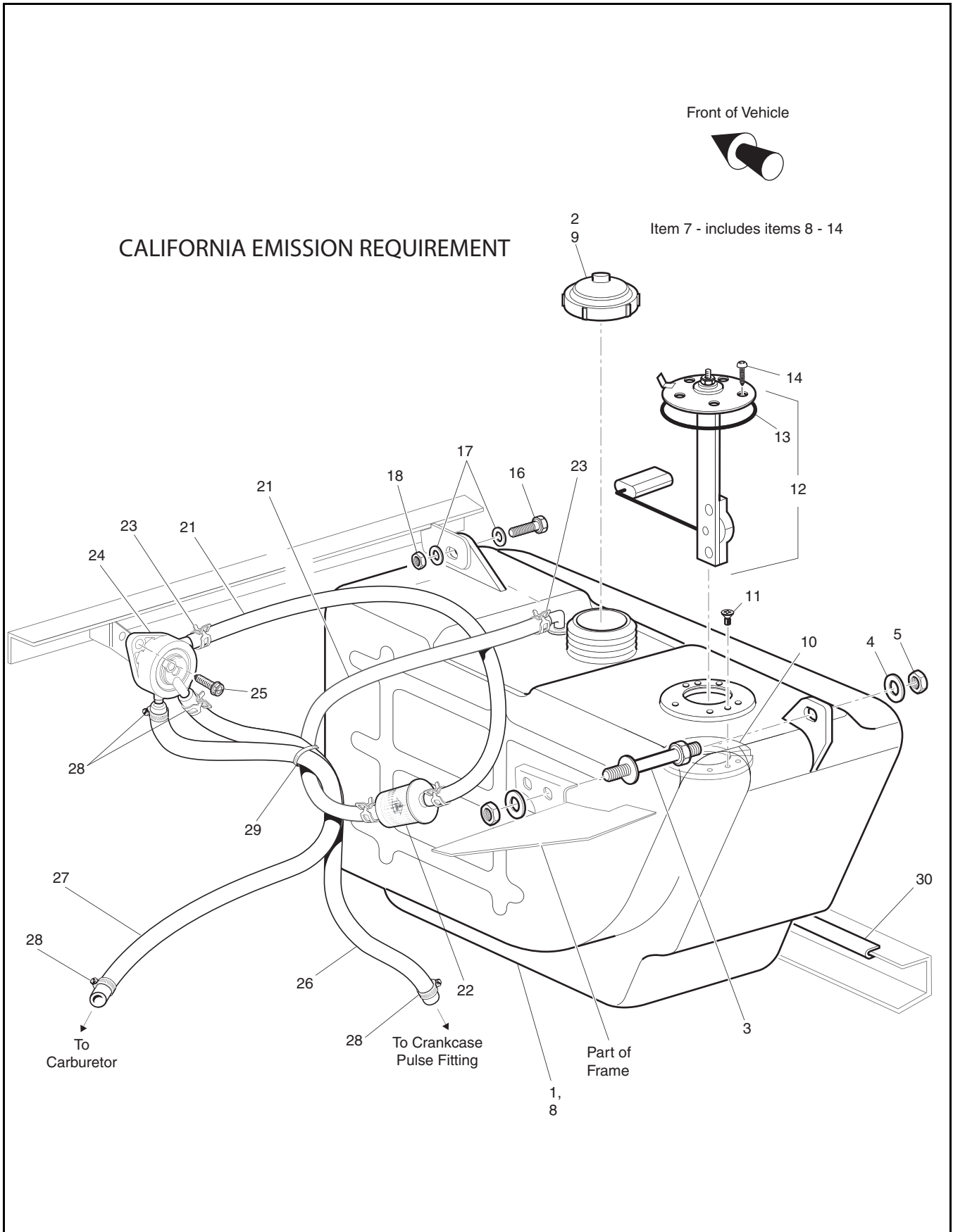


# FRONT SUSPENSION AND STEERING

Where applicable, THE USE OF NON UL PARTS WILL VOID ANY UL LISTING.  
 When ordering parts, please specify the model and serial number of the product.  
 \* Indicates a component that is not available as an individual part.  
 G\*\* Indicates consult Customer Service Department for additional information.

ITEM	PART NO.	1 2 3 4 5	DESCRIPTION	QTY.
120	01069-G01		JAM NUT, M12 X 1.25-05 (LEFT HAND THREADS) .....	1
121	70902-G02		TIE ROD END (RIGHT HAND THREADS).....	1
122	01069-G02		JAM NUT, M12 X 1.25-05 (RIGHT HAND THREADS).....	1
123				
124	00734-G1		LOCK NUT, 7/16 - 14 .....	2

# FUEL SYSTEM - CALIFORNIA REQUIREMENT



# FUEL SYSTEM - CALIFORNIA REQUIREMENT

THE USE OF NON U.L. PARTS WILL VOID ANY U.L. LISTING.

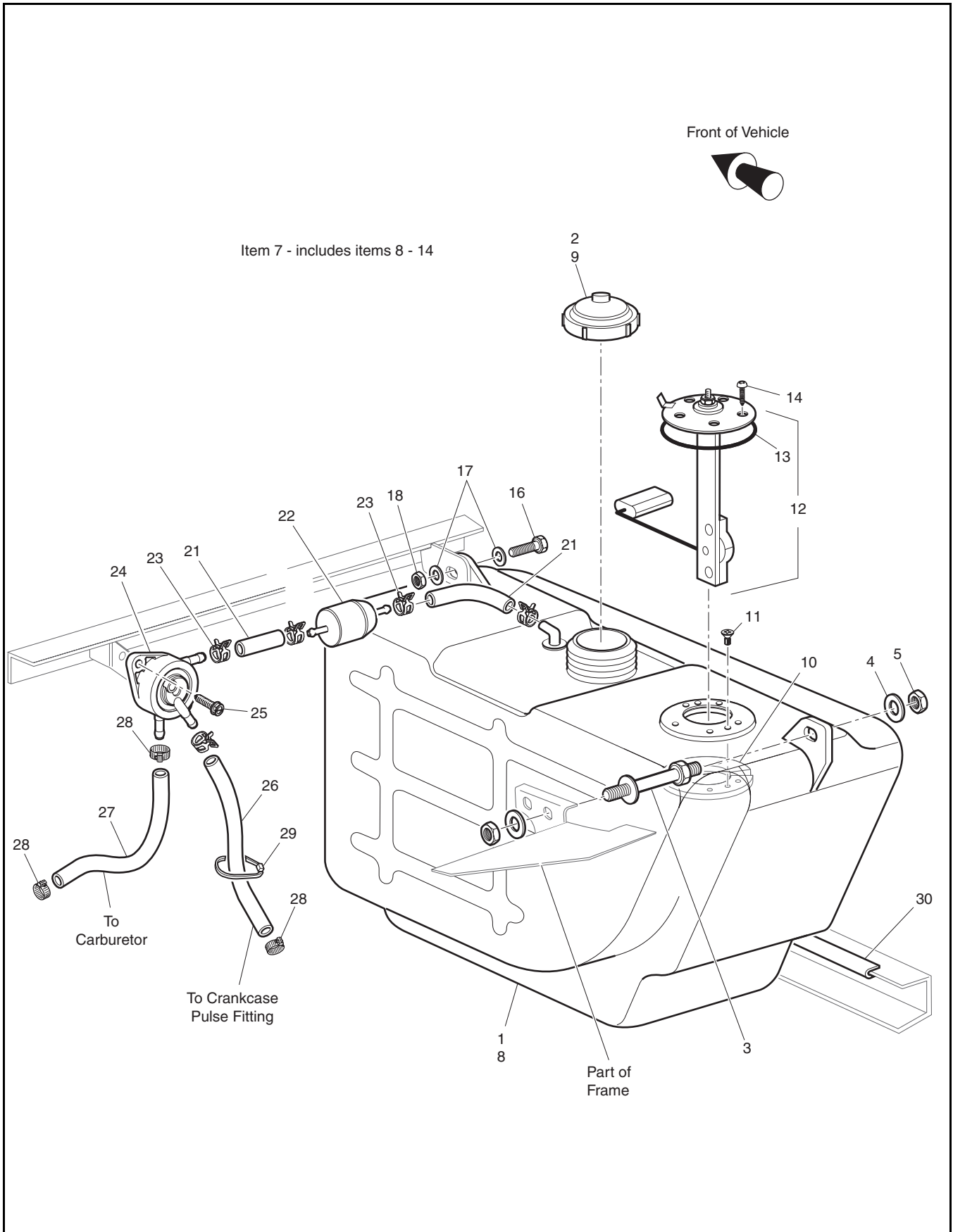
When ordering parts, please specify the model and serial number of the product.

\* Indicates a component that is not available as an individual part.

G\*\* Indicates consult Customer Service Department for additional information.

ITEM	PART NO.	1 2 3 4 5	DESCRIPTION	QTY.
1	72092G01		FUEL TANK (FOR VEHICLES WITHOUT GAUGE) .....	1
2	72282G01		FUEL TANK CAP .....	1
3	70486G01		SPACER.....	1
4	00559G8		WASHER, 5/16" .....	2
5	01109G01		LOCK NUT, 5/16 - 18 (STAINLESS STEEL) .....	2
6				
7	72231G01		FUEL TANK ASSEMBLY WITH LEVEL SWITCH (INCLUDES ITEMS 8-14).....	1
8	72092G02		FUEL TANK (FOR VEHICLES WITH FUEL GAUGE) .....	1
9	72282G01		FUEL TANK CAP.....	1
10	72229G01		FUEL LEVEL SENDER ADAPTER.....	1
11	72230G01		SCREW, #6 - 32 X 1/2" LG.....	2
12	20048G2		FUEL LEVEL SENDER (INCLUDES ITEM 13) .....	1
13	*		GASKET .....	1
14	72232G01		SCREW, #10 x 3/4" LG.....	5
15				
16	00438G8		BOLT, 5/16 - 18 X 1" LG .....	1
17	00559G8		WASHER, 5/16" .....	2
18	01109G01		LOCK NUT, 5/16 - 18 (STAINLESS STEEL) .....	1
19				
20				
21	604596		FUEL HOSE, CALIFORNIA REQUIREMENT (BULK) .....	14"
22	12902G1		FUEL LINE FILTER.....	1
23	18292G1		CLAMP .....	5
24	72873G01		FUEL PUMP.....	1
25	00114G6		SCREW, 1/4 - 14 X 3/4" LG .....	2
26	27183G01		LOW PRESSURE FUEL LINE (BULK) .....	26"
27	604596		FUEL HOSE, CALIFORNIA REQUIREMENT (BULK) .....	16"
28	11391G4		HOSE CLAMP, 1/4".....	3
29	17618G1		WIRE TIE .....	3
30	22280G1		VINYL TRIM - BLACK (BULK) .....	7"

# FUEL SYSTEM

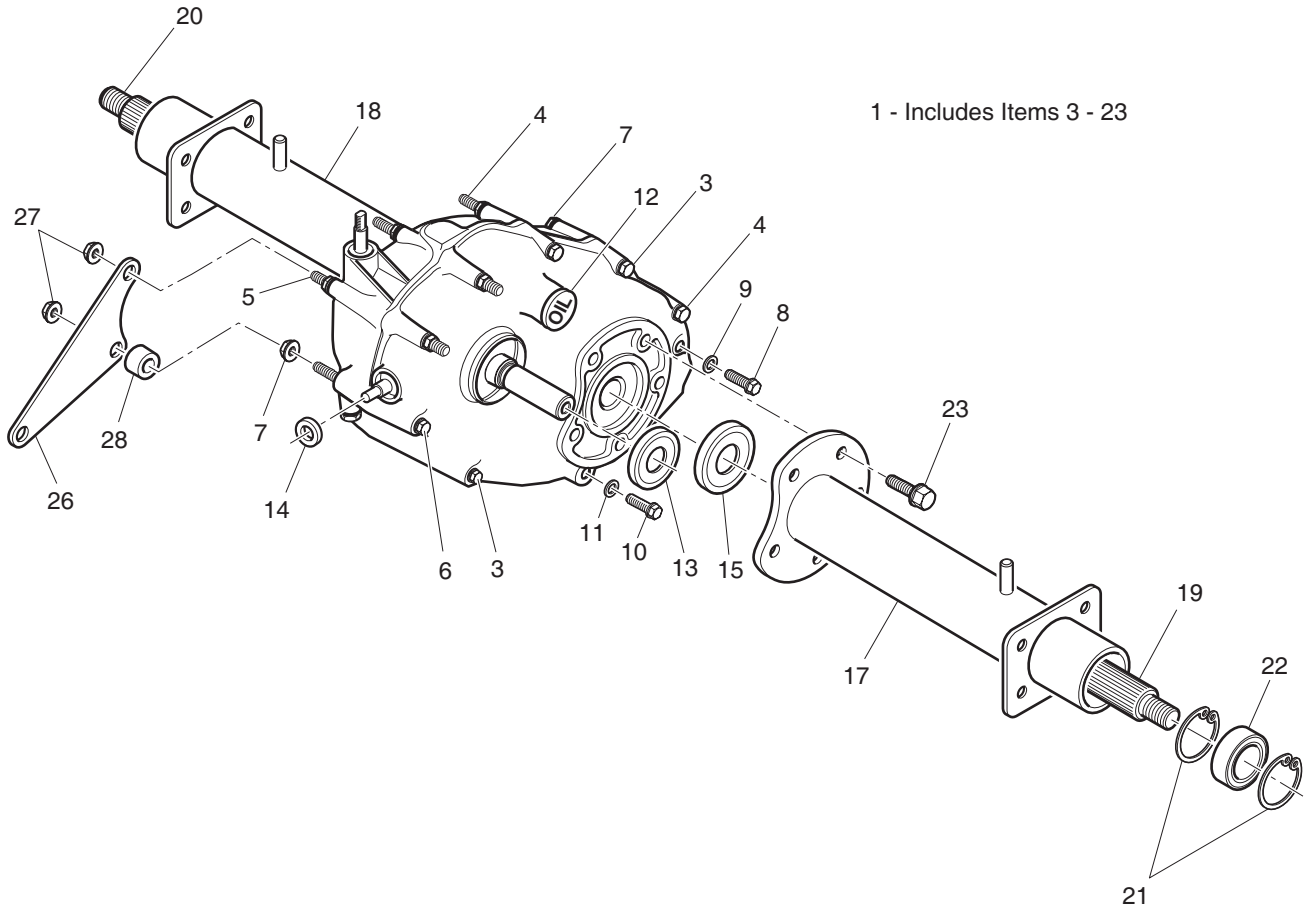


# FUEL SYSTEM

THE USE OF NON U.L. PARTS WILL VOID ANY U.L. LISTING.  
 When ordering parts, please specify the model and serial number of the product.  
 \* Indicates a component that is not available as an individual part.  
 G\*\* Indicates consult Customer Service Department for additional information.

ITEM	PART NO.	1 2 3 4 5	DESCRIPTION	QTY.
1	72092G01		FUEL TANK (FOR VEHICLES WITHOUT GAUGE) .....	1
2	72282G01		FUEL TANK CAP .....	1
3	70486G01		SPACER.....	1
4	00559G8		WASHER, 5/16" .....	2
5	01109G01		LOCK NUT, 5/16 - 18 (STAINLESS STEEL) .....	2
6				
7	72231G01		FUEL TANK ASSEMBLY WITH LEVEL SWITCH (INCLUDES ITEMS 8-14).....	1
8	72092G02		FUEL TANK (FOR VEHICLES WITH FUEL GAUGE) .....	1
9	72282G01		FUEL TANK CAP.....	1
10	72229G01		FUEL LEVEL SENDER ADAPTER.....	1
11	72230G01		SCREW, #6 - 32 X 1/2" LG.....	2
12	20048G2		FUEL LEVEL SENDER (INCLUDES ITEM 13) .....	1
13	*		GASKET .....	1
14	72232G01		SCREW WITH SEAL, #10 X 3/4" LG.....	5
15				
16	00438G8		BOLT, 5/16 - 18 X 1: LG.....	1
17	00559G8		WASHER, 5/16" .....	2
18	01109G01		LOCK NUT, 5/16 - 18 (STAINLESS STEEL) .....	1
19				
20				
21	17470G1		LOW PRESSURE FUEL LINE (BULK) .....	4"
22	72084G01		FUEL LINE FILTER.....	1
23	18292G1		CLAMP .....	5
24	72873G01		FUEL PUMP.....	1
25	00114G6		SCREW, 1/4 - 14 X 3/4" LG .....	2
26	27183G01		LOW PRESSURE FUEL LINE (BULK) .....	26"
27	17470G1		LOW PRESSURE FUEL LINE (BULK) .....	26"
28	11391G4		HOSE CLAMP, 1/4".....	3
29	17618G1		WIRE TIE .....	3
30	22280G1		VINYL TRIM - BLACK (BULK) .....	7

# REAR AXLE



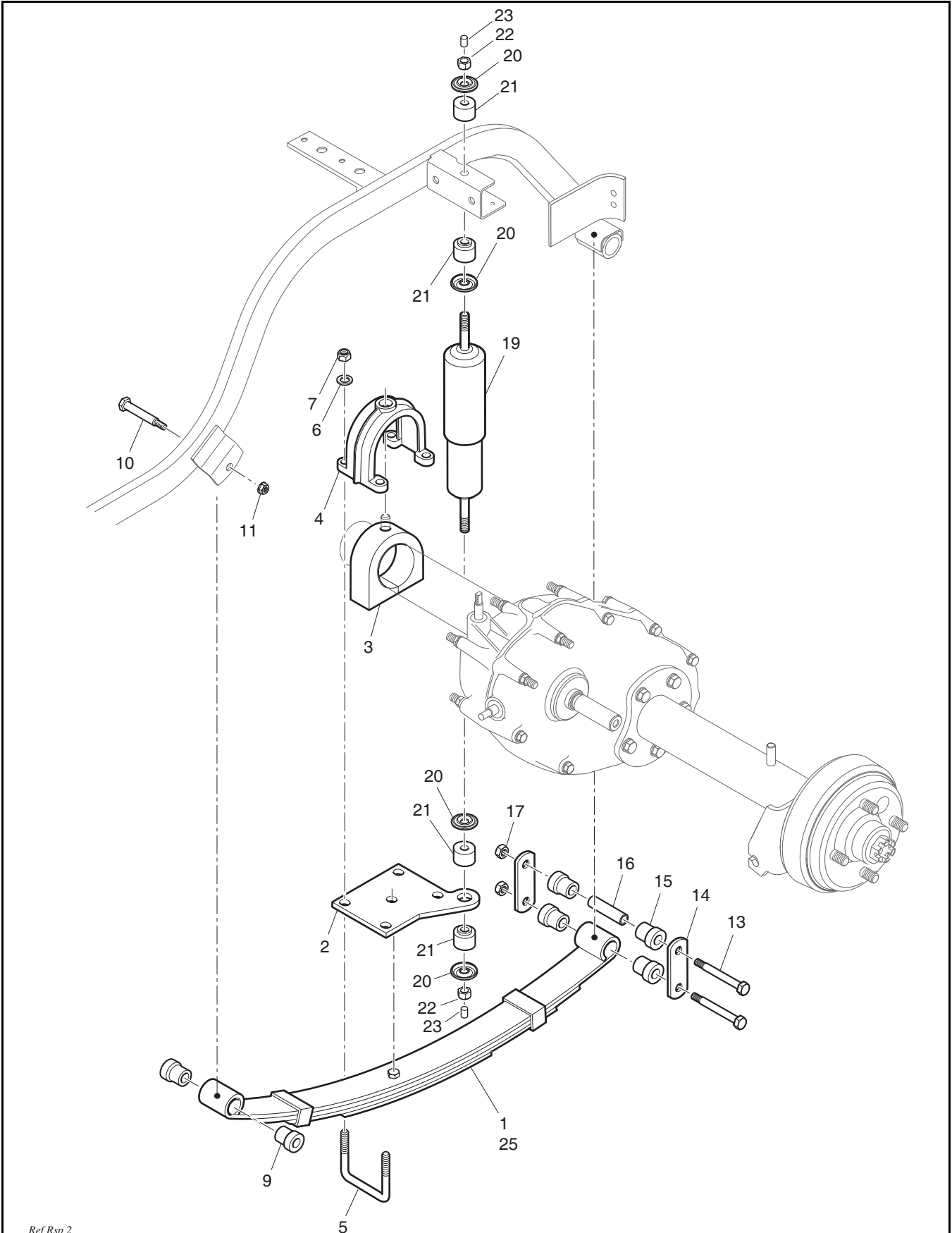
Ref Rax 2

# REAR AXLE

Where applicable, THE USE OF NON UL PARTS WILL VOID ANY UL LISTING.  
 When ordering parts, please specify the model and serial number of the product.  
 \* Indicates a component that is not available as an individual part.  
 G\*\* Indicates consult Customer Service Department for additional information.

ITEM	PART NO.	1 2 3 4 5	DESCRIPTION	QTY.
1	72715-G01		REAR AXLE (13.32:1) (INCLUDES ITEMS 3 - 23) .....	1
2	72715-G02		REAR AXLE, FREEDOM HP (10.67:1) (INCLUDES ITEMS 3 - 23) .....	1
3	26823-G01		FLANGED BOLT, M8 X 1.25 X 100 MM LG .....	5
4	26824-G01		FLANGED BOLT, M8 X 1.25 X 110 MM LG .....	2
5	*		BOLT, M8 X 1.25 X 146 MM LG .....	2
6	72052-G01		FLANGED BOLT, M8 X 1.25 X 130 MM LG .....	1
7	72269-G01		FLANGE NUT, M8 X 1.25 MM .....	12
8	26768-G01		OIL CHECK PLUG .....	1
9	26769-G01		GASKET, 8 MM .....	1
10	26770-G01		OIL DRAIN PLUG .....	1
11	26771-G01		GASKET, 14 MM .....	1
12	26772-G01		OIL FILLER PLUG .....	1
13	26761-G01		INPUT SHAFT SEAL .....	1
14	26762-G01		SHIFTER SHAFT SEAL .....	1
15	72259-G01		AXLE SHAFT SEAL .....	2
16				
17	72115-G01		AXLE TUBE (DRIVER SIDE) .....	1
18	72116-G01		AXLE TUBE (PASSENGER SIDE) .....	1
19	72056-G01		AXLE SHAFT (DRIVER SIDE) .....	1
20	72057-G01		AXLE SHAFT (PASSENGER SIDE) .....	1
21	26814-G01		RETAINING RING .....	4
22	26811-G01		BALL BEARING .....	2
23	72260-G01		FLANGED BOLT, M10 X 1.5 X 23 MM LG .....	10
24				
25				
26	72017-G02		AXLE BRACKET .....	1
27	26830-G01		LOCK NUT, M8 X 1.25 MM .....	2
28	75048-G01		SPACER, 1/2" .....	1

# REAR SUSPENSION





# REAR SUSPENSION

Where applicable, THE USE OF NON UL PARTS WILL VOID ANY UL LISTING.

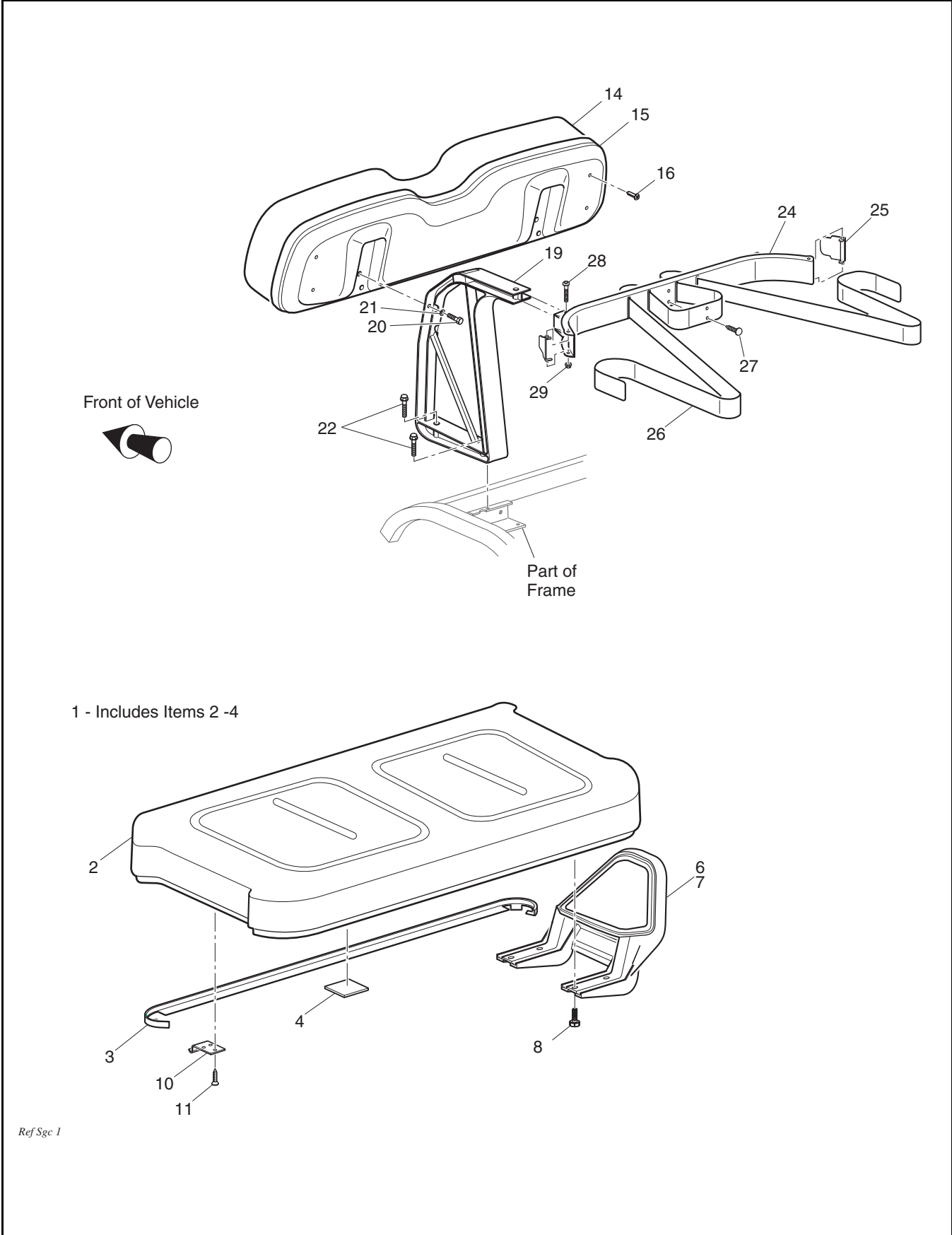
When ordering parts, please specify the model and serial number of the product.

\* Indicates a component that is not available as an individual part.

G\*\* Indicates consult Customer Service Department for additional information.

ITEM	PART NO.	1 2 3 4 5	DESCRIPTION	QTY.
1	603109		LEAF SPRING SET (CONTAINS 2 SPRINGS) .....	1
2	72028-G02		ISOMOUNT BASE PLATE .....	2
3	72117-G01		ISOMOUNT BUSHING.....	2
4	72037-G01		ISOMOUNT CAP.....	2
5	72618-G01		'U' BOLT, 3/8 - 16 X 2" X 2 1/2" LG.....	4
6	00560-G1		WASHER, 3/8" .....	8
7	11098-G5		LOCK NUT, 3/8 - 16 .....	8
8				
9	70291-G01		FLANGED BUSHING .....	4
10	14158-G1		SHOULDER BOLT, 3/8 - 16 x 3 1/4" LG.....	2
11	12262-G1		LOCK NUT, 3/8 - 16 .....	2
12				
13	00665-G9		BOLT, 3/8 - 16 X 3 1/2" LG (STAINLESS STEEL).....	4
14	70290-G02		SHACKLE PLATE .....	4
15	70291-G01		FLANGED BUSHING .....	8
16	70289-G02		SPACER.....	4
17	11098-G5		LOCK NUT, 3/8 - 16 .....	4
18				
19	76418-G01		SHOCK ABSORBER.....	2
20	10435-G1		SHOCK ABSORBER WASHER.....	8
21	10194-G1		RUBBER BUSHING .....	8
22	00532-G6		NUT, 3/8 - 24.....	4
23	10044-G01		VINYL CAP .....	4
24				
25	74207-G03		LEAF SPRING SET, (USE ON SHUTTLE 2+2 AND CONVERTIBLE CARRIER ONLY) (CONTAINS 2 SPRINGS) .....	1

# SEATING AND BAG HOLDER - GOLF CAR



# SEATING AND BAG HOLDER - GOLF CAR

Where applicable, THE USE OF NON UL PARTS WILL VOID ANY UL LISTING.

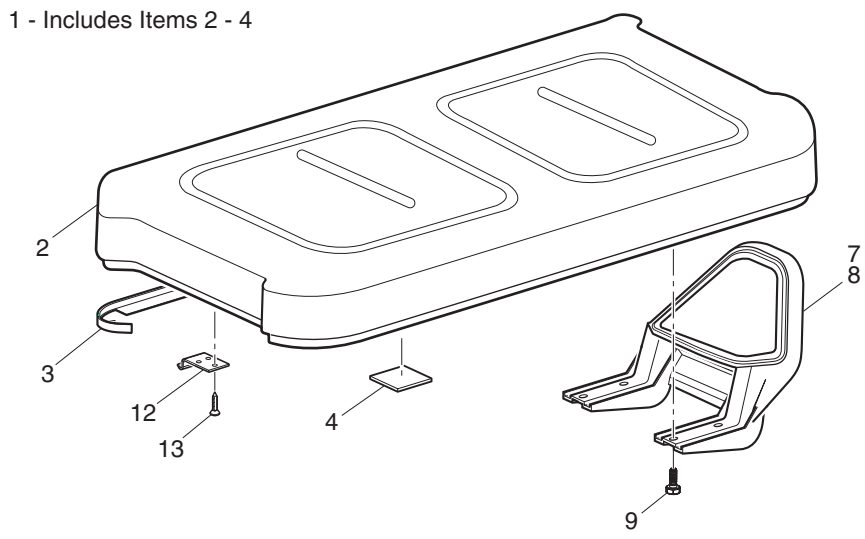
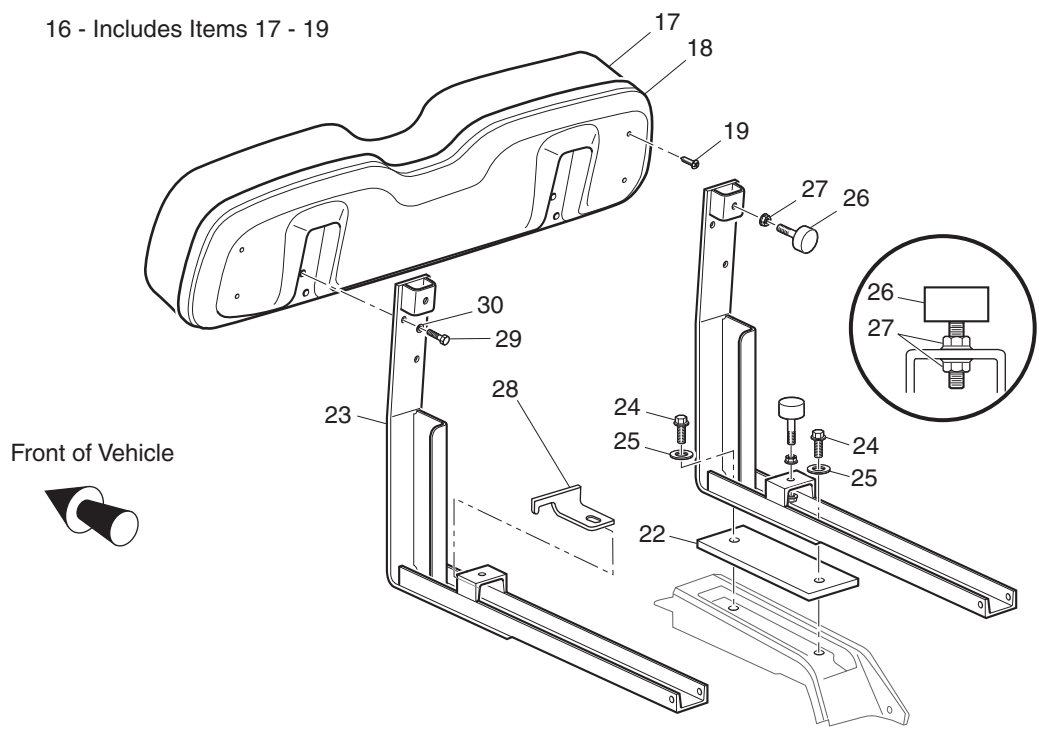
When ordering parts, please specify the model and serial number of the product.

\* Indicates a component that is not available as an individual part.

G\*\* Indicates consult Customer Service Department for additional information.

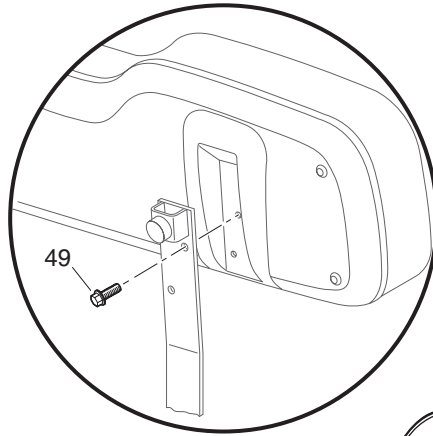
ITEM	PART NO.	1 2 3 4 5	DESCRIPTION	QTY.
1	71611-G**		SEAT BOTTOM ASSEMBLY (INCLUDES ITEMS 2 - 4) .....	1
2	71602-G**		VINYL SEAT BOTTOM COVER .....	1
3	71012-G01		VINYL TRIM (SEAT BOTTOM).....	1
4	17074-G1		RUBBER PAD.....	2
5				
6	71701-G01		HIP RESTRAINT (PASSENGER SIDE).....	1
7	71702-G01		HIP RESTRAINT (DRIVER SIDE).....	1
8	71204-G01		BOLT, 1/4 - 20 X 7/8" LG .....	8
9				
10	71610-G01		SEAT HINGE.....	2
11	00720-G08		SCREW, #12 - 14 X 1" LG (STAINLESS STEEL).....	4
12				
13	71751-G**		SEAT BACK ASSEMBLY (INCLUDES ITEMS 14 - 16) .....	1
14	71753-G**		VINYL SEAT BACK COVER .....	1
15	71752-G01		PLASTIC SEAT BACK COVER .....	1
16	01107-G01		SCREW, #8 X 5/8" LG (STAINLESS STEEL) .....	4
17				
18				
19	71811-G03		SEAT SUPPORT BRACKET.....	2
20	00661-G8		BOLT, 1/4 - 20 X 1" LG (STAINLESS STEEL).....	4
21	00664-G7		LOCK WASHER, 1/4" (STAINLESS STEEL) .....	4
22	01075-G01		BOLT, 3/8 - 16 X 2 1/2" LG .....	4
23				
24	71851-G01		BAG HOLDER BRACKET .....	1
25	71856-G01		BAG RETAINER CLAMP .....	2
26	71853-G01		BAG RETAINER STRAP .....	1
27	16816-G1		RATCHET FASTENER, 1/4" X 9/16" LG .....	2
28	01102-G01		CARRIAGE BOLT, 1/4 - 20 X 1 1/2" LG (STAINLESS STEEL) .....	2
29	11027-G2		LOCK NUT, 1/4 - 20 .....	2

# SEATING - SHUTTLE 2+2

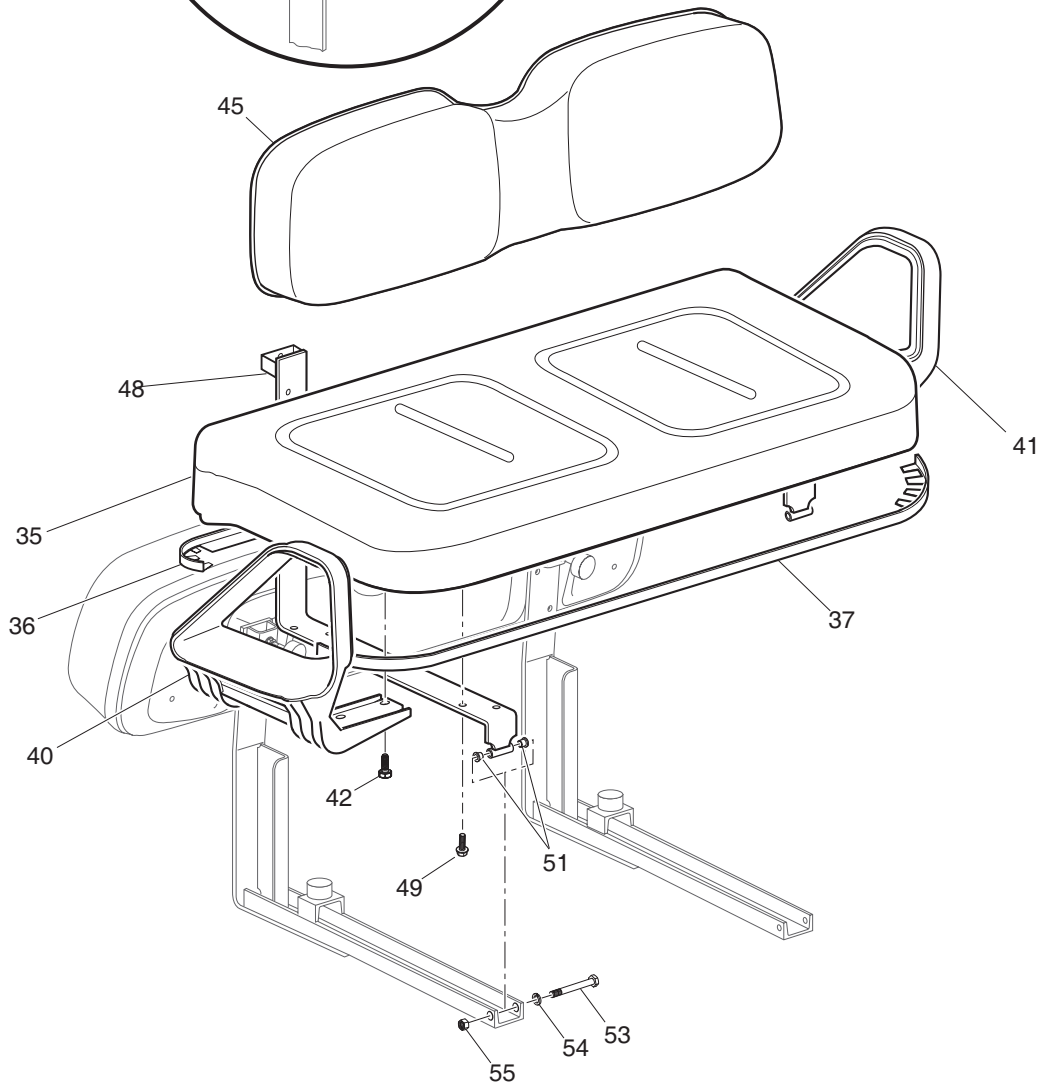


Ref Ssh 1-1

# SEATING - SHUTTLE 2+2



34 - Includes Items 35 - 37  
45 - Includes Items 17 - 19



Ref Ssh 1-2

# SEATING - SHUTTLE 2+2

Where applicable, THE USE OF NON UL PARTS WILL VOID ANY UL LISTING.  
 When ordering parts, please specify the model and serial number of the product.  
 \* Indicates a component that is not available as an individual part.  
 G\*\* Indicates consult Customer Service Department for additional information.

ITEM	PART NO.	1 2 3 4 5	DESCRIPTION	QTY.
1	71611-G**		SEAT BOTTOM ASSEMBLY (INCLUDES ITEMS 2 -4) .....	1
2	71602-G**		VINYL SEAT BOTTOM COVER .....	1
3	71012-G01		VINYL TRIM (SEAT BOTTOM).....	1
4	17074-G1		RUBBER PAD.....	2
5				
6				
7	71701-G01		HIP RESTRAINT (PASSENGER SIDE).....	1
8	71702-G01		HIP RESTRAINT (DRIVER SIDE).....	1
9	00661-G8		BOLT, 1/4 - 20 X 1" LG (STAINLESS STEEL).....	8
10				
11				
12	71610-G01		SEAT HINGE.....	2
13	00720-G08		SCREW, #12 - 14 X 1" LG (STAINLESS STEEL).....	6
14				
15				
16	71751-G**		SEAT BACK ASSEMBLY (INCLUDES ITEMS 17 - 19) .....	1
17	71753-G**		VINYL SEAT BACK COVER .....	1
18	71752-G01		PLASTIC SEAT BACK COVER .....	1
19	01107-G01		SCREW, #8 X 5/8" LG (STAINLESS STEEL) .....	4
20				
21				
22	70364-G01		SPACER.....	2
23	74111-G01		SEAT BACK SUPPORT .....	2
24	01006-G02		BOLT, 3/8 - 16 X 1 1/2" LG .....	4
25	00560-G1		WASHER, 3/8" .....	4
26	70113-G01		ADJUSTABLE BUMPER.....	4
27	11027-G1		LOCK NUT, 5/16 - 18.....	6
28	74508-G02		LATCH BRACKET - LEFT.....	1
29	00661-G8		BOLT, 1/4 - 20 X 1" LG (STAINLESS STEEL).....	4
30	00664-G7		LOCK WASHER, 1/4" (STAINLESS STEEL).....	4

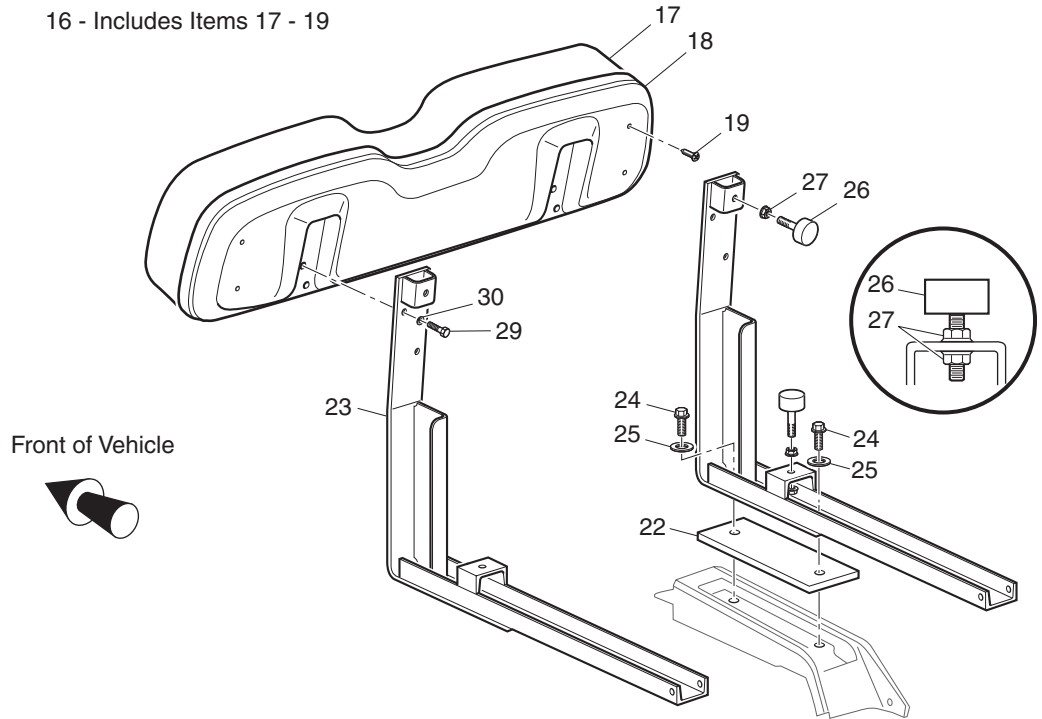
## SEATING - SHUTTLE 2+2

Where applicable, THE USE OF NON UL PARTS WILL VOID ANY UL LISTING.  
 When ordering parts, please specify the model and serial number of the product.  
 \* Indicates a component that is not available as an individual part.  
 G\*\* Indicates consult Customer Service Department for additional information.

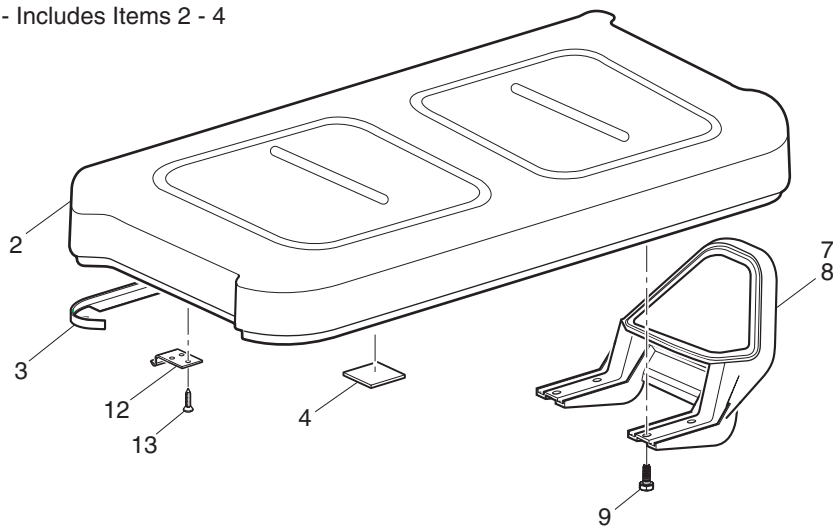
ITEM	PART NO.	1 2 3 4 5	DESCRIPTION	QTY.
31				
32				
33				
34	74139-G**		SEAT BOTTOM ASSEMBLY (INCLUDES ITEMS 42 - 44) .....	1
35	71602-G**		VINYL COVER (SEAT BOTTOM).....	1
36	74140-G01		TRIM .....	1
37	71012-G01		TRIM .....	1
38				
39				
40	71702-G01		HIP RESTRAINT (DRIVER SIDE).....	1
41	71701-G01		HIP RESTRAINT (PASSENGER SIDE).....	1
42	00661-G8		BOLT, 1/4 - 20 X 1" LG (STAINLESS STEEL).....	8
43				
44				
45	71751-G**		SEAT BACK ASSEMBLY (INCLUDES ITEMS 17 - 19) .....	1
46				
47				
48	72918-G01		SEAT SUPPORT BRACKET.....	2
49	71204-G01		BOLT, 1/4 - 20 X 1" LG (STAINLESS STEEL).....	12
50				
51	17838-G1		NYLON BUSHING.....	4
52				
53	00440-G4		BOLT, 5/16 - 18 X 2 1/4" LG .....	2
54	00559-G8		WASHER, 5/16" .....	2
55	11098-G6		LOCK NUT, 5/16 - 18 .....	2

# SEATING - CONVERTIBLE CARRIER

16 - Includes Items 17 - 19



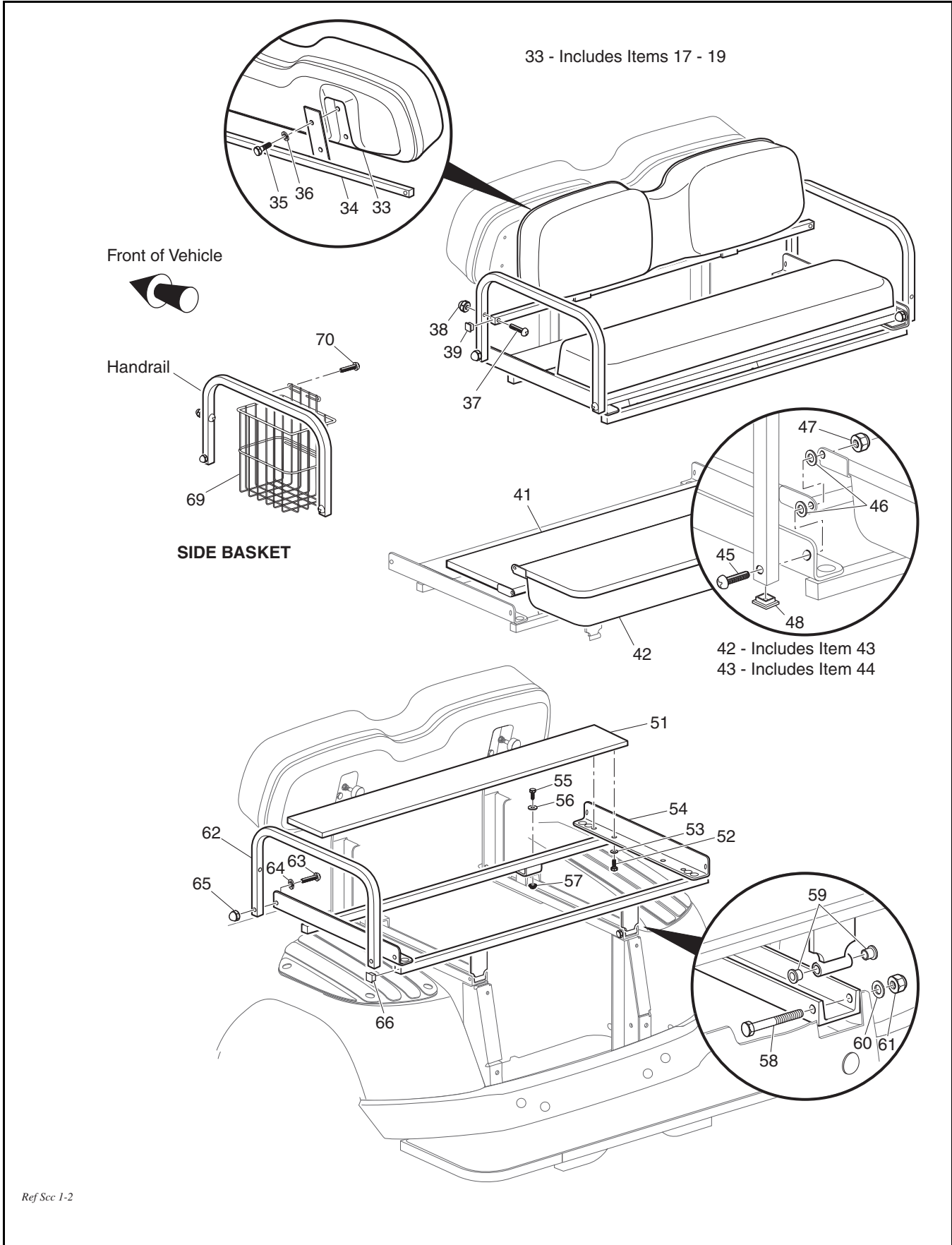
1 - Includes Items 2 - 4



Ref Scc 1-1



# SEATING - CONVERTIBLE CARRIER



Ref Sec 1-2

# SEATING - CONVERTIBLE CARRIER

Where applicable, THE USE OF NON UL PARTS WILL VOID ANY UL LISTING.  
 When ordering parts, please specify the model and serial number of the product.  
 \* Indicates a component that is not available as an individual part.  
 G\*\* Indicates consult Customer Service Department for additional information.

ITEM	PART NO.	1 2 3 4 5	DESCRIPTION	QTY.
1	71611-G**		SEAT BOTTOM ASSEMBLY (INCLUDES ITEMS 2 - 4) .....	1
2	71602-G**		VINYL SEAT BOTTOM COVER .....	1
3	71012-G01		VINYL TRIM (SEAT BOTTOM).....	1
4	17074-G1		RUBBER PAD.....	2
5				
6				
7	71701-G01		HIP RESTRAINT (PASSENGER SIDE).....	1
8	71702-G01		HIP RESTRAINT (DRIVER SIDE).....	1
9	71204-G01		BOLT, 1/4 - 20 X 1" LG (STAINLESS STEEL).....	8
10				
11				
12	71610-G01		SEAT HINGE.....	2
13	00720-G08		SCREW, #12 - 14 X 1" LG (STAINLESS STEEL).....	4
14				
15				
16	71751-G**		SEAT BACK ASSEMBLY (INCLUDES ITEMS 17 - 19) .....	1
17	71753-G**		VINYL SEAT BACK COVER .....	1
18	71752-G01		PLASTIC SEAT BACK COVER .....	1
19	01107-G01		SCREW, #8 X 5/8" LG (STAINLESS STEEL) .....	4
20				
21				
22	70364-G01		SPACER.....	2
23	74111-G01		SEAT BACK SUPPORT .....	2
24	01006-G02		BOLT, 3/8 - 16 X 1 1/2" LG .....	4
25	00560-G1		WASHER, 3/8" .....	4
26	70113-G01		ADJUSTABLE BUMPER.....	2
27	11027-G1		LOCK NUT, 5/16 - 18.....	2
28	74508-G02		LATCH BRACKET - LEFT.....	1
29	00661-G8		BOLT, 1/4 - 20 X 1" LG (STAINLESS STEEL).....	4
30	00664-G7		LOCK WASHER, 1/4" (STAINLESS STEEL).....	4

# SEATING - CONVERTIBLE CARRIER

Where applicable, THE USE OF NON UL PARTS WILL VOID ANY UL LISTING.

When ordering parts, please specify the model and serial number of the product.

\* Indicates a component that is not available as an individual part.

G\*\* Indicates consult Customer Service Department for additional information.

ITEM	PART NO.	1 2 3 4 5	DESCRIPTION	QTY.
31				
32				
33	71751-G**		SEAT BACK ASSEMBLY (INCLUDES ITEMS 17 - 19) .....	1
34	75258-G01		SEAT BACK SUPPORT .....	1
35	00661-G8		BOLT, 1/4 - 20 X 1" LG (STAINLESS STEEL) .....	4
36	00664-G6		LOCK WASHER, 1/4" (STAINLESS STEEL) .....	4
37	16705-G6		SCREW, 1/4 - 20 X 1 3/4" LG (STAINLESS STEEL) .....	2
38	00520-G1		ACORN NUT, 1/4 - 20 (STAINLESS STEEL) .....	2
39	75261-G01		END CAP, 3/4" .....	2
40				
41	71062-G01		BED .....	1
42	71063-G**		SEAT BOTTOM ASSEMBLY (INCLUDES ITEM 43) .....	1
43	75197-G**		SEAT BOTTOM (INCLUDES ITEM 44) .....	1
44	75252-G**		VINYL SEAT BOTTOM COVER .....	1
45	00762-G2		SCREW, 5/16 - 18 X 1 1/2" LG (STAINLESS STEEL) .....	2
46	00664-G8		LOCK WASHER, 5/16" (STAINLESS STEEL) .....	4
47	00520-G3		ACORN NUT, 5/16 - 18 (STAINLESS STEEL) .....	2
48	75261-G01		END CAP, 3/4" .....	4
49				
50				
51	71060-G01		BED FRONT (INCLUDES MAT) .....	1
52	00661-G6		BOLT, 1/4 - 20 X 3/4" LG (STAINLESS STEEL) .....	4
53	00664-G7		LOCK WASHER, 1/4" (STAINLESS STEEL) .....	4
54	75193-G01		SUPPORT FRAME .....	1
55	00438-G8		BOLT, 5/16 - 18 X 1" LG .....	2
56	00559-G8		WASHER, 5/16" .....	2
57	75279-G1		LOCK NUT, 5/16 - 18 .....	2
58	00440-G4		BOLT, 5/16 - 18 X 2 1/2" LG .....	2
59	17838-G1		NYLON BUSHING .....	4
60	00559-G8		WASHER, 5/16" .....	2

# SEATING - CONVERTIBLE CARRIER

Where applicable, THE USE OF NON UL PARTS WILL VOID ANY UL LISTING.  
 When ordering parts, please specify the model and serial number of the product.  
 \* Indicates a component that is not available as an individual part.  
 G\*\* Indicates consult Customer Service Department for additional information.

ITEM	PART NO.	1 2 3 4 5	DESCRIPTION	QTY.
61	11098-G6		LOCK NUT, 5/16 - 18 (STAINLESS STEEL) .....	2
62	75196-G01		HANDRAIL .....	2
63	00762-G2		SCREW, 5/16 - 18 X 1 1/4" LG (STAINLESS STEEL).....	2
64	00664-G8		LOCK WASHER, 5/16" (STAINLESS STEEL).....	2
65	00520-G3		ACORN NUT, 5/16 - 18 (STAINLESS STEEL) .....	2
66	75261-G02		END CAP, 1" .....	4
67				
68				
69	75460-G01		SIDE BASKET (BLACK).....	2
70	00106-G6		SELF THREADING SCREW, #12 - 24 X 3/4" LG .....	4

**DID YOU  
KNOW?**

CartPros directs you to the right part using the part numbers from this manual. Enter the part number into our search box and it will find the part you are looking for.

**GET STARTED  
HERE**



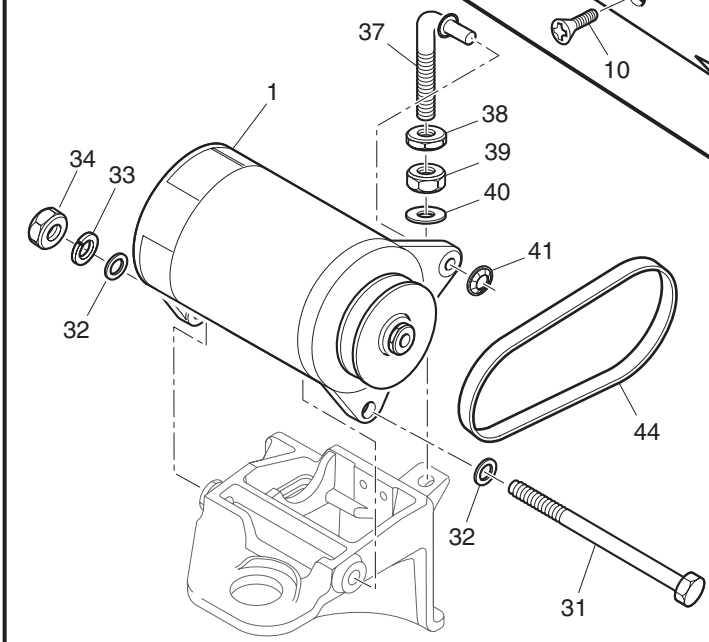
<https://CartPros.com/f.html>

## SEATING - CONVERTIBLE CARRIER

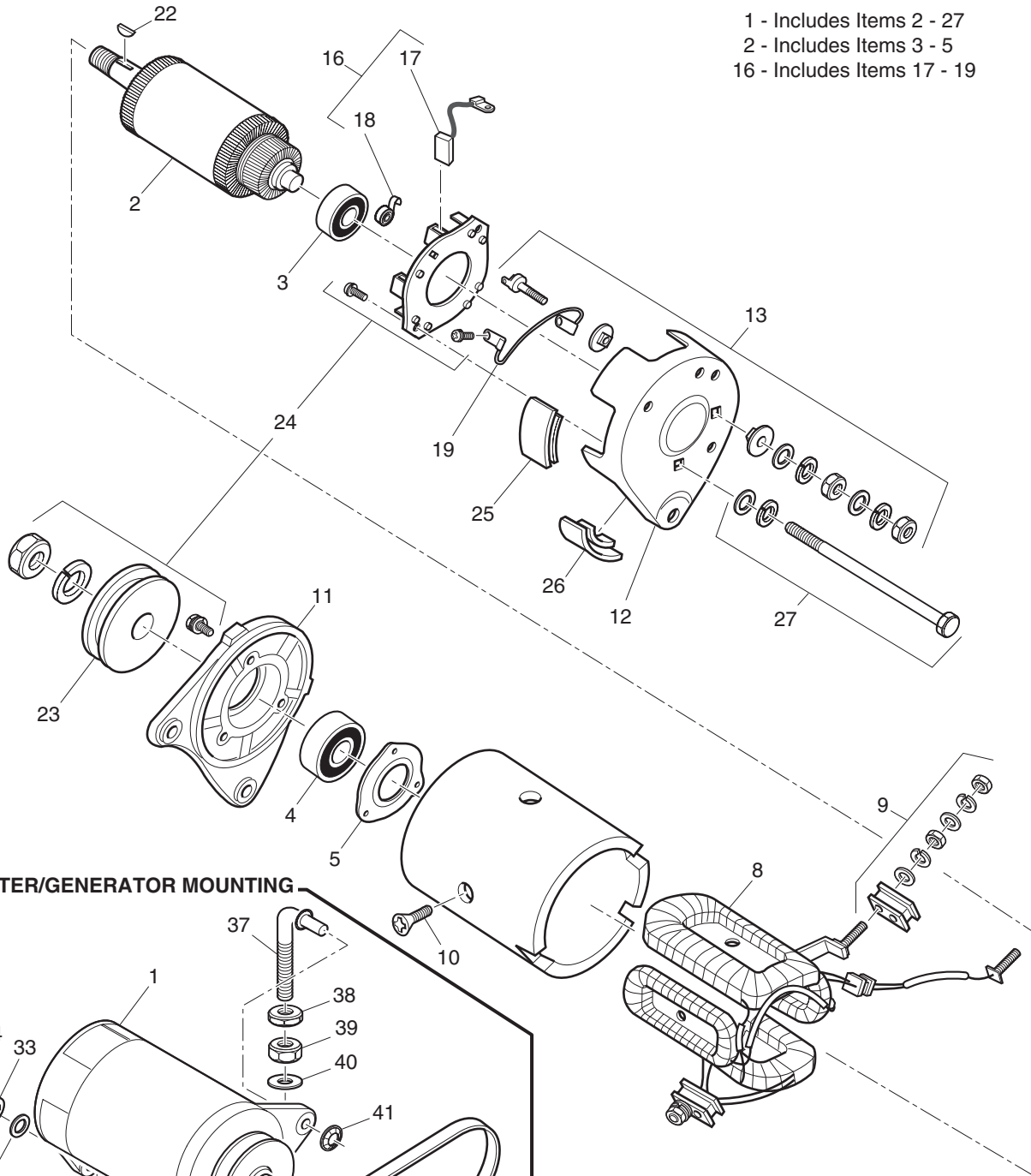
# STARTER / GENERATOR

- 1 - Includes Items 2 - 27
- 2 - Includes Items 3 - 5
- 16 - Includes Items 17 - 19

## STARTER/GENERATOR MOUNTING



Ref Stg 2



# STARTER / GENERATOR

Where applicable, THE USE OF NON UL PARTS WILL VOID ANY UL LISTING.  
 When ordering parts, please specify the model and serial number of the product.  
 \* Indicates a component that is not available as an individual part.  
 G\*\* Indicates consult Customer Service Department for additional information.

ITEM	PART NO.	1 2 3 4 5	DESCRIPTION	QTY.
1	27065-G01		STARTER / GENERATOR (INCLUDES ITEMS 2 - 27) .....	1
2	26870-G01		ARMATURE .....	1
3	26871-G01		REAR BALL BEARING .....	1
4	26872-G01		FRONT BALL BEARING.....	1
5	26873-G01		BEARING HOLDER.....	1
6				
7				
8	26875-G01		FIELD COIL .....	1
9	26876-G01		INSULATING BRUSH ASSEMBLY ('F') .....	2
10	26877-G01		POLE CORE SETSCREW.....	4
11	26878-G01		FRONT COVER.....	1
12	27879-G01		REAR COVER .....	1
13	26880-G01		TERMINAL ASSEMBLY ('A') .....	2
14				
15				
16	26881-G01		BRUSH HOLDER ASSEMBLY (INCLUDES ITEMS 17 - 19) .....	1
17	26658-G01		BRUSH.....	4
18	26882-G01		BRUSH SPRING .....	4
19	26883-G01		BRUSH CONNECTOR.....	2
20				
21				
22	26884-G01		KEY.....	1
23	26885-G01		PULLEY .....	1
24	26886-G01		BRUSH AND PULLEY HARDWARE KIT .....	1
25	26887-G01		BRUSH 1 COVER.....	3
26	26888-G01		BRUSH 2 COVER.....	2
27	26889-G01		HOUSING HARDWARE KIT.....	2
28				
29				
30				

# STARTER / GENERATOR

Where applicable, THE USE OF NON UL PARTS WILL VOID ANY UL LISTING.  
 When ordering parts, please specify the model and serial number of the product.  
 \* Indicates a component that is not available as an individual part.  
 G\*\* Indicates consult Customer Service Department for additional information.

ITEM	PART NO.	1 2 3 4 5	DESCRIPTION	QTY.
31	00938-G4		BOLT, 1/2 - 13 X 8" LG .....	1
32	00560-G3		WASHER, 1/2" .....	2
33	00566-G3		LOCK WASHER, 1/2".....	1
34	00533-G1		NUT, 1/2 - 13.....	1
35				
36				
37	28617-G01		STARTER / GENERATOR ADJUSTER.....	1
38	00544-G5		JAM NUT, 3/8 - 16.....	1
39	00532-G5		NUT, 3/8 - 16.....	1
40	00560-G1		WASHER, 3/8" .....	1
41	12064-G4		PUSH NUT, 5/16" .....	1
42				
43				
44	26414-G01		STARTER / GENERATOR BELT .....	1



**DID YOU  
KNOW?**

CartPros directs you to the right part using the part numbers from this manual. Enter the part number into our search box and it will find the part you are looking for.

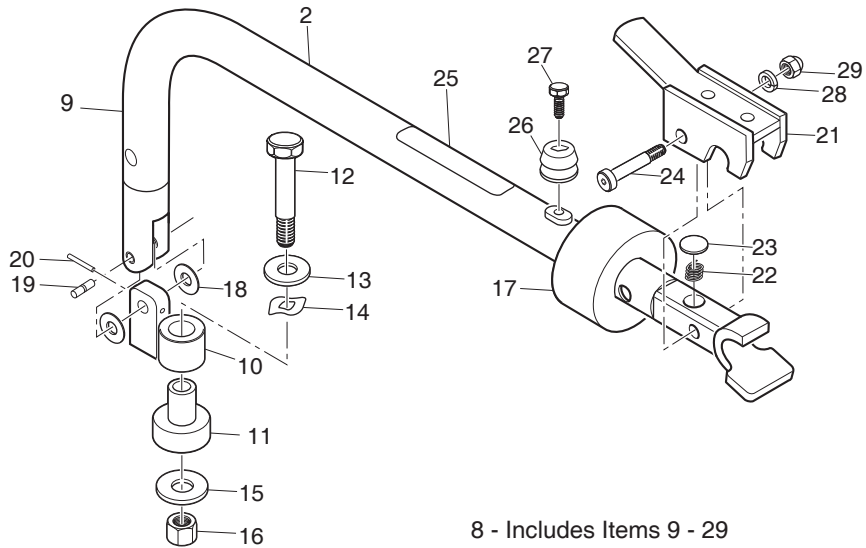
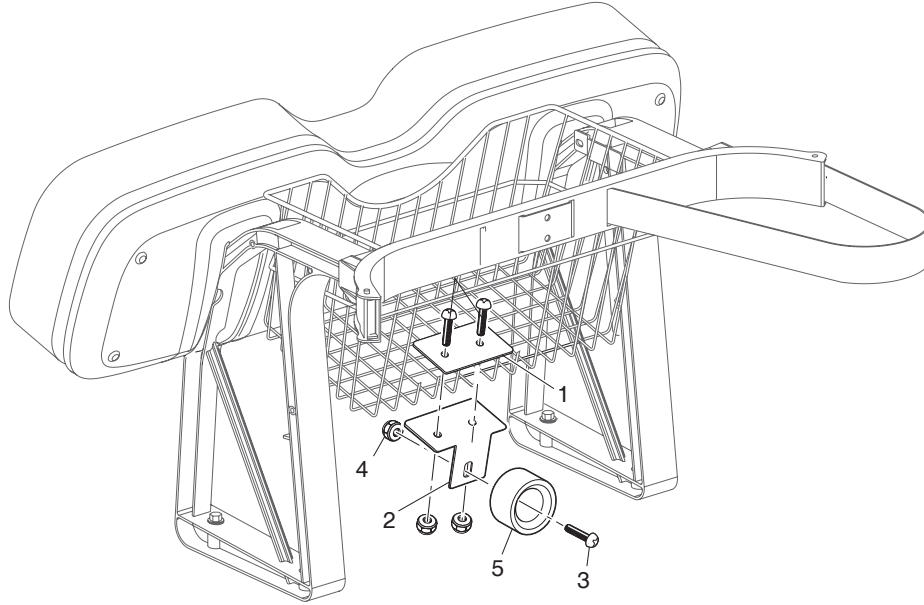
**GET STARTED  
HERE**



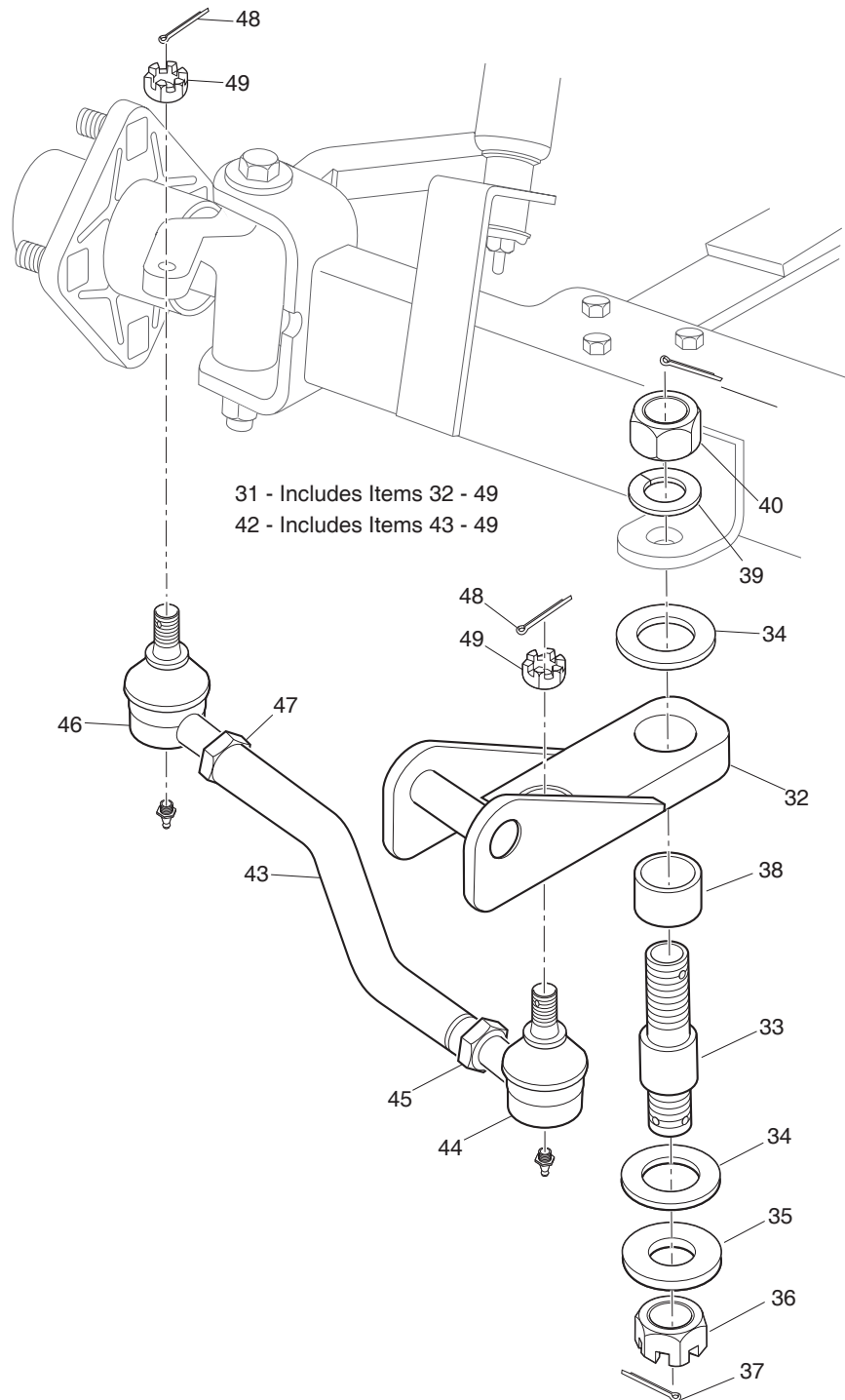
<https://CartPros.com/f.html>

## STARTER / GENERATOR

# TOW BAR - PERMANENT



# TOW BAR - PERMANENT



# TOW BAR - PERMANENT

Where applicable, THE USE OF NON UL PARTS WILL VOID ANY UL LISTING.

When ordering parts, please specify the model and serial number of the product.

\* Indicates a component that is not available as an individual part.

G\*\* Indicates consult Customer Service Department for additional information.

ITEM	PART NO.	1 2 3 4 5	DESCRIPTION	QTY.
1	75318-G01		MOUNTING PLATE .....	1
2	75319-G01		STOP MOUNT PLATE .....	1
3	16705-G1		SCREW, 1/4 - 20 X 1" LG (STAINLESS STEEL).....	3
4	00891-G2		LOCK NUT, 1/4 - 20 (STAINLESS STEEL) .....	3
5	75338-G02		FEMALE STOP .....	1
6				
7				
8	75304-G01		TOW BAR ASSEMBLY (TOWING VEHICLE) (INCLUDES ITEMS 9 - 29).....	1
9	75299-G01		TOW BAR .....	1
10	75302-G01		UPPER PIVOT .....	1
11	75291-G01		LOWER PIVOT .....	1
12	00410-G8		BOLT, 1/2 - 20 X 3" LG.....	1
13	00675-G3		WASHER, 1/2" (STAINLESS STEEL) .....	1
14	75339-G01		SPRING WASHER .....	1
15	00571-G5		WASHER, 1/2" .....	1
16	11098-G8		LOCK NUT, 1/2 - 20.....	1
17	75362-G01		LATCH STOP .....	1
18	75340-G01		WASHER, 3/8" .....	2
19	75360-G01		PIVOT PIN .....	1
20	13571-G7		SPRING PIN .....	1
21	75303-G01		LATCH .....	1
22	20852-G2		COMPRESSION SPRING .....	1
23	25661-G02		CUP WASHER.....	1
24	13005-G4		SHOULDER BOLT, 5/16 - 18 X 2" LG.....	1
25	75370-G01		LABEL (WARNING) .....	1
26	75338-G03		MALE STOP .....	1
27	12547-G4		BOLT, 6MM X 1 X 30 MM LG.....	1
28	00565-G8		LOCK WASHER, 5/16" .....	1
29	00520-G3		ACORN NUT, 5/16 - 18 (STAINLESS STEEL).....	1
30				

# TOW BAR - PERMANENT

Where applicable, THE USE OF NON UL PARTS WILL VOID ANY UL LISTING.

When ordering parts, please specify the model and serial number of the product.

\* Indicates a component that is not available as an individual part.

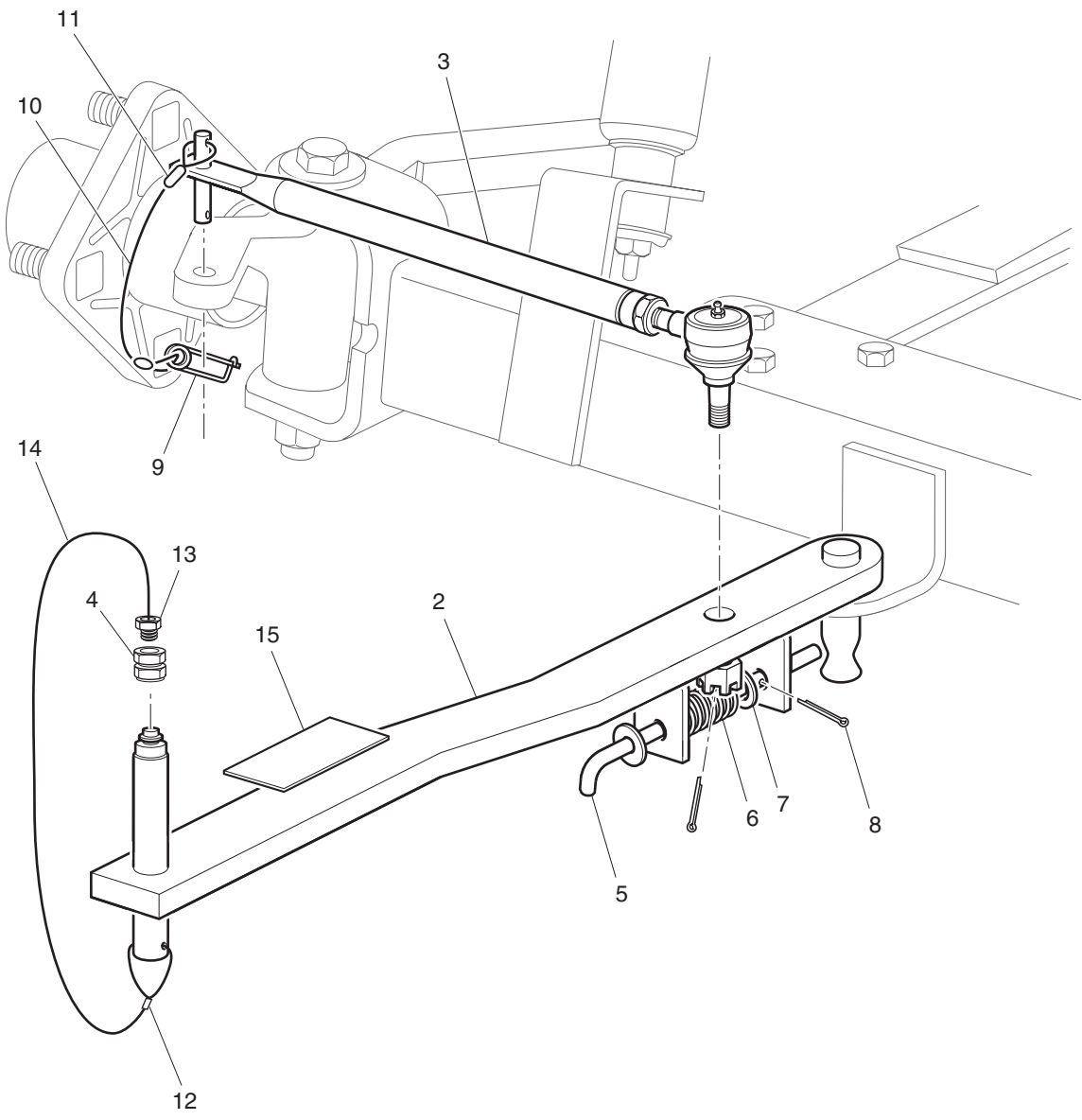
G\*\* Indicates consult Customer Service Department for additional information.

ITEM	PART NO.	1 2 3 4 5	DESCRIPTION	QTY.
31	75308-G01		TOW BAR HITCH ASSEMBLY (TOWED VEHICLE) (INCLUDES ITEMS 32 - 48).....	1
32	75305-G01		HITCH.....	1
33	75292-G01		PIVOT BOLT.....	1
34	75309-G01		THRUST WASHER.....	2
35	75342-G01		WASHER, 3/4".....	1
36	00518-G8		CASTELLATED NUT, 3/4 - 16.....	1
37	10387-G1		COTTER PIN, 1/8" X 1 1/2" LG.....	2
38	75307-G01		BEARING.....	1
39	00566-G6		LOCK WASHER, 3/4".....	1
40	00533-G8		NUT, 3/4 - 16.....	1
41				
42	602981		TIE ROD ASSEMBLY (INCLUDES ITEMS 43 - 48).....	1
43	603089		THREADED ROD.....	1
44	27205-G01		TIE ROD END (LEFT HAND THREADS).....	1
45	18434-G3		JAM NUT, M12 X 1.25-05 (LEFT HAND THREADS).....	1
46	27205-G02		TIE ROD END (RIGHT HAND THREADS).....	1
47	18434-G4		JAM NUT, M12 X 1.25-05 (RIGHT HAND THREADS).....	1
48	10387-G2		COTTER PIN.....	2
49	00734-G3		LOCK NUT, 7/16 - 14.....	2



# TOW BAR - CASUAL

1 - Includes Items 2 - 15



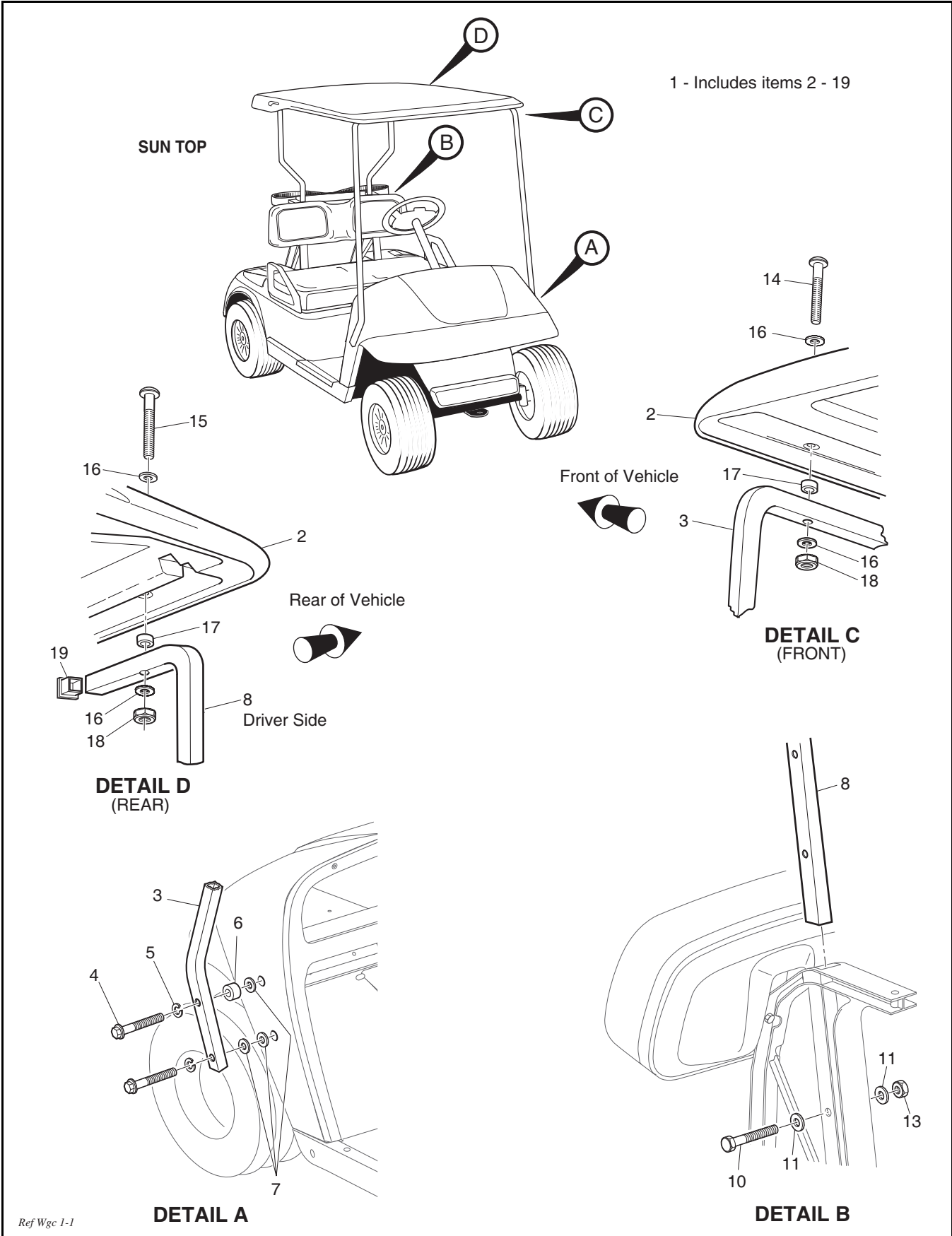
Ref Tbc 1

# TOW BAR - CASUAL

Where applicable, THE USE OF NON UL PARTS WILL VOID ANY UL LISTING.  
 When ordering parts, please specify the model and serial number of the product.  
 \* Indicates a component that is not available as an individual part.  
 G\*\* Indicates consult Customer Service Department for additional information.

ITEM	PART NO.	1 2 3 4 5	DESCRIPTION	QTY.
1	75033-G01		CASUAL TOW BAR (INCLUDES ITEMS 2 - 15) .....	1
2	*		TOW BAR .....	1
3	75034-G01		TIE ROD (INCLUDES NUT AND COTTER PIN) .....	1
4	75060-G01		COUPLING .....	1
5	*		LOCK PIN .....	1
6	75065-G01		COMPRESSION SPRING .....	1
7	00922-G2		WASHER, 3/8" .....	1
8	10387-G2		COTTER PIN, 3/32" X 1" LG .....	1
9	75068-G01		SAFETY PIN .....	1
10	14869-G5		WIRE ROPE .....	1
11	16783-G1		FERRULE .....	3
12	75067-G01		FERRULE .....	1
13	75035-G02		HEX HEAD PLUG .....	1
14	14869-G3		WIRE ROPE .....	1
15	75091-G01		LABEL (WARNING) .....	1

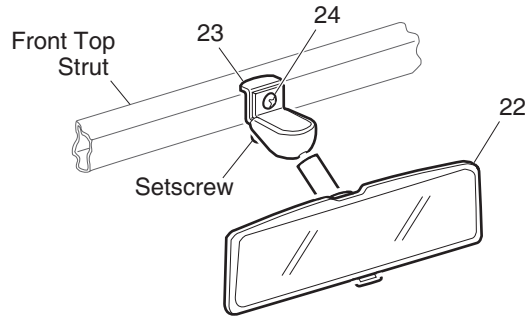
# WEATHER PROTECTION - GOLF CAR



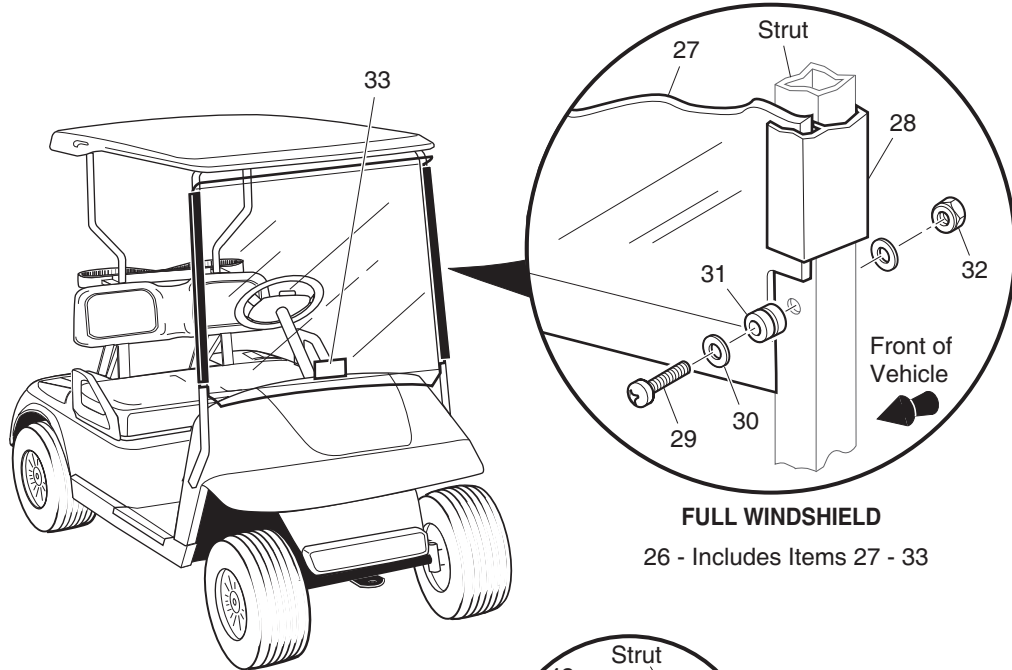
Ref Wgc 1-1



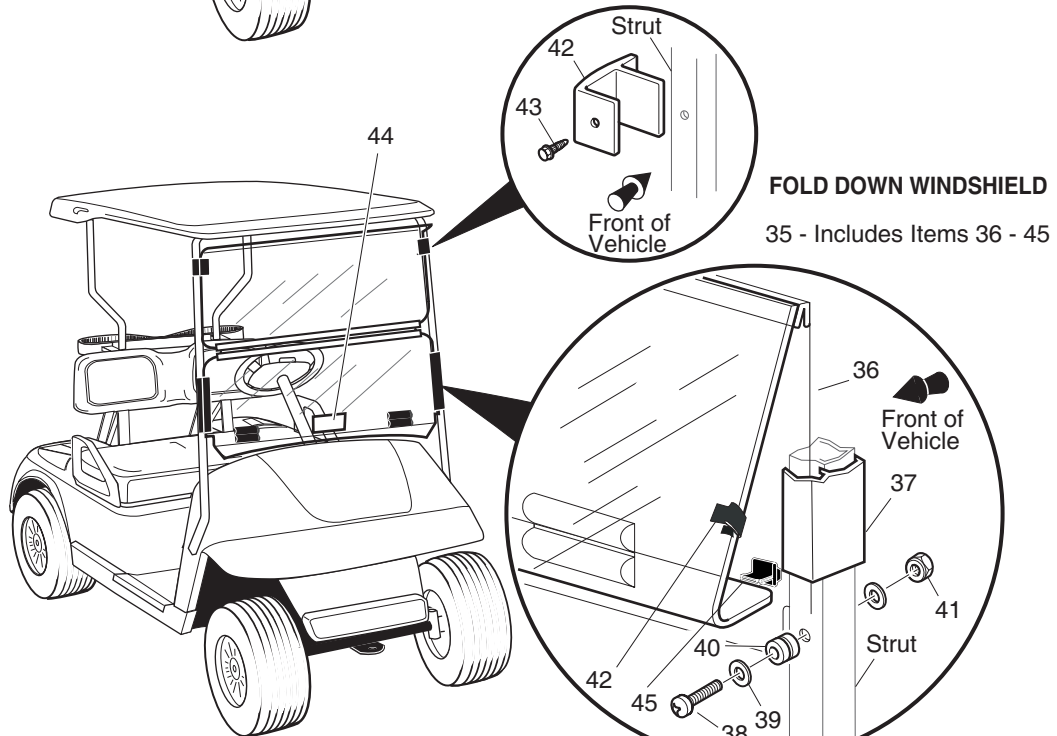
# WEATHER PROTECTION - GOLF CAR



**REAR VIEW MIRROR**  
21 - Includes Items 22 - 24



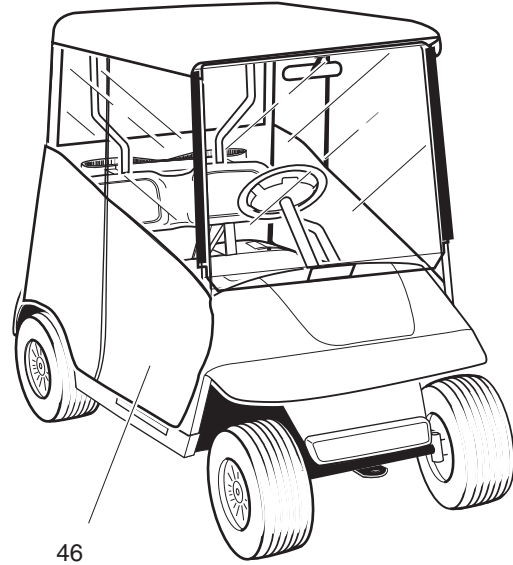
**FULL WINDSHIELD**  
26 - Includes Items 27 - 33



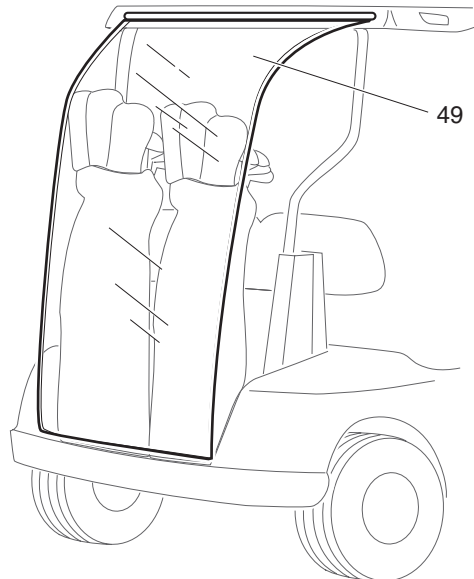
Ref Wgc 1-2

# WEATHER PROTECTION - GOLF CAR

**WEATHER ENCLOSURE**



46  
47



**BAG AND RAIN CURTAIN**

*Ref Wgc 1-3*

# WEATHER PROTECTION - GOLF CAR

Where applicable, THE USE OF NON UL PARTS WILL VOID ANY UL LISTING.

When ordering parts, please specify the model and serial number of the product.

\* Indicates a component that is not available as an individual part.

G\*\* Indicates consult Customer Service Department for additional information.

ITEM	PART NO.	1 2 3 4 5	DESCRIPTION	QTY.
			For service or replacement parts, contact: Eagle Parts, Inc. 1411 Marvin Griffin Rd. Augusta, GA 30906 Telephone (706) 790-6687 or FAX (706) 790-6066	
1	75040-G**		SUN TOP KIT (GOLF CAR) (INCLUDES ITEMS 2 - 19) .....	1
2	27069-G**		SUN TOP .....	1
3	75045-G01		FRONT STRUT .....	1
4	00440-G2		BOLT, 5/16 - 18 X 2 1/4" LG .....	4
5	00559-G8		WASHER, 5/16" .....	4
6	75048-G01		SPACER, 1/2" .....	2
7	00570-G2		WASHER, 5/16" .....	6
8	75046-G02		REAR STRUT .....	2
9				
10	00685-G7		BOLT, 5/16 - 18 X 1 3/4" LG (STAINLESS STEEL) .....	4
11	01110-G03		WASHER, 5/16" (STAINLESS STEEL) .....	8
12				
13	11098-G6		LOCK NUT, 5/16 - 18 (STAINLESS STEEL) .....	4
14	00753-G5		SCREW, 1/4 - 20 X 2" LG (STAINLESS STEEL) .....	2
15	00753-G6		SCREW, 1/4 - 20 X 2 1/4" LG (STAINLESS STEEL) .....	2
16	01110-G01		WASHER, 1/4" (STAINLESS STEEL) .....	8
17	75051-G01		SPACER .....	4
18	00891-G2		LOCK NUT, 1/4 - 20 (STAINLESS STEEL) .....	4
19	19853-G1		END CAP, 1" .....	2
20				
21	19528-G2		REAR VIEW MIRROR KIT (INCLUDES ITEMS 22 - 24) .....	1
22	19496-G1		REAR VIEW MIRROR .....	1
23	19502-G3		SUPPORT BRACKET .....	1
24	19527-G1		SCREW, #8 - 32 X 5/8" LG (STAINLESS STEEL) .....	1
25				

# WEATHER PROTECTION - GOLF CAR

Where applicable, THE USE OF NON UL PARTS WILL VOID ANY UL LISTING.  
 When ordering parts, please specify the model and serial number of the product.  
 \* Indicates a component that is not available as an individual part.  
 G\*\* Indicates consult Customer Service Department for additional information.

ITEM	PART NO.	1 2 3 4 5	DESCRIPTION	QTY.
26	75524-G01		WINDSHIELD KIT (GOLF CAR) (INCLUDES ITEMS 27 - 33).....	1
27	*		WINDSHIELD .....	1
28	EGWHC12		SASH, 26" LG .....	2
29	EGWHS12		SCREW, 1/4 - 20 X 1 3/4" LG (STAINLESS STEEL) .....	2
30	EGWHW12		WASHER, 1/4" (STAINLESS STEEL) .....	4
31	EGWHG13		RUBBER GROMMET .....	2
32	EGWHN12		LOCK NUT, 1/4 - 20 (STAINLESS STEEL) .....	2
33	EGWHL14		LABEL (SAFETY) .....	1
34				
35	74910-G01		FOLD DOWN WINDSHIELD KIT (GOLF CAR) (INCLUDES ITEMS 36 - 45)...	1
36	*		WINDSHIELD .....	1
37	110-032A		SASH, 12" LG .....	2
38	EGWHS12		SCREW, 1/4 - 20 X 1 3/4" LG (STAINLESS STEEL) .....	2
39	EGWHW12		WASHER, 1/4" (STAINLESS STEEL) .....	4
40	EGWHG13		RUBBER GROMMET .....	2
41	EGWHN12		LOCK NUT, 1/4 - 20 (STAINLESS STEEL) .....	2
42	110-055C		TOP GRIP, 3/4" X 2" .....	2
43	136-008		TOP GRIP FASTENER.....	2
44	EGWHL14		LABEL (SAFETY) .....	1
45	110-056C		BOTTOM GRIP .....	2
46	75078-G01		WEATHER ENCLOSURE (3 SIDED) RECOMMENDED FOR VEHICLES WITH WINDSHIELDS .....	1
47	75079-G01		WEATHER ENCLOSURE (4 SIDED) RECOMMENDED FOR VEHICLES WITHOUT WINDSHIELDS .....	1
48				
49	75191-G01		BAG COVER AND RAIN CURTAIN KIT .....	1

**DID YOU  
KNOW?**

CartPros directs you to the right part using the part numbers from this manual. Enter the part number into our search box and it will find the part you are looking for.

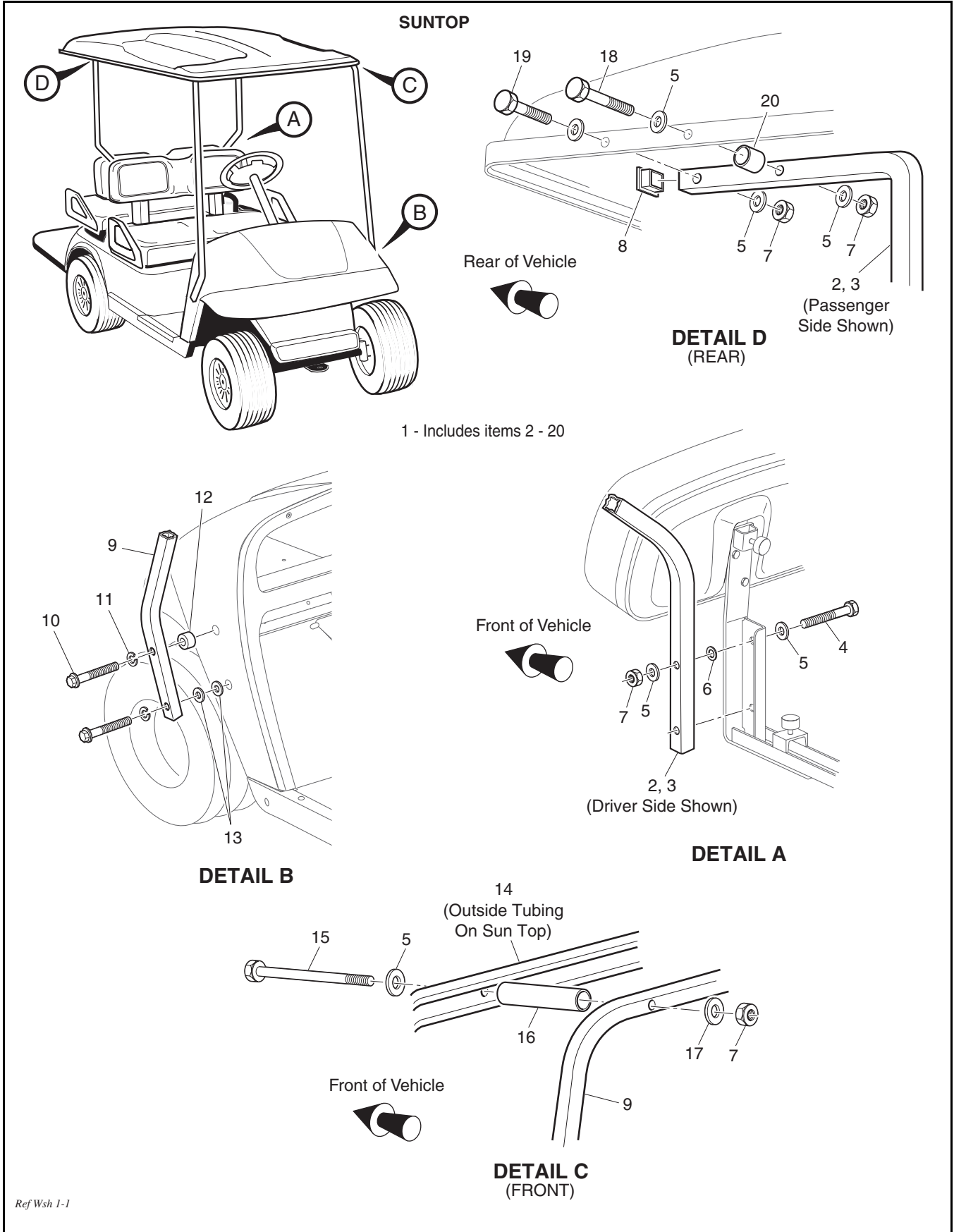
**GET STARTED  
HERE**



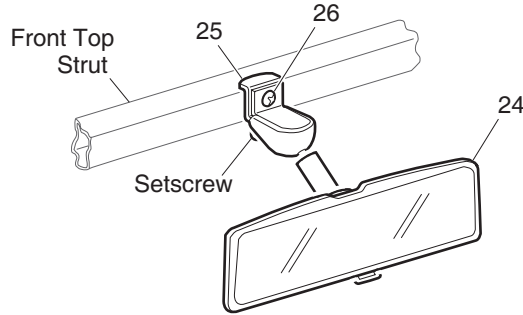
<https://CartPros.com/f.html>

## WEATHER PROTECTION - GOLF CAR

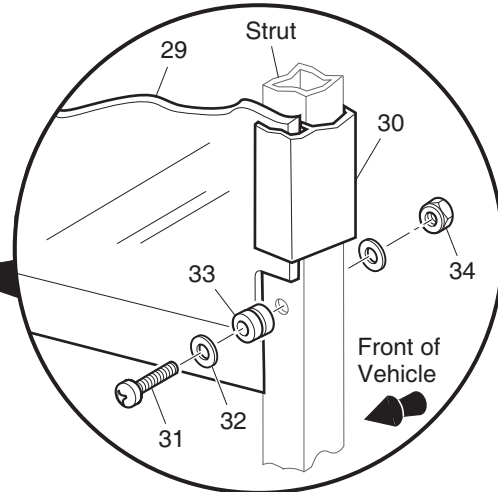
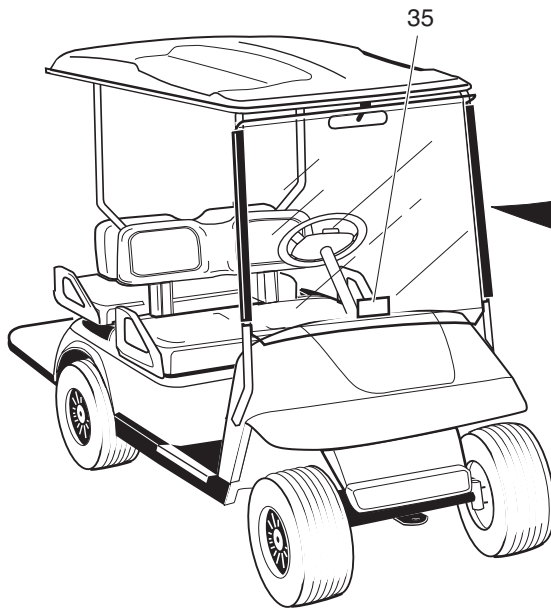
# WEATHER PROTECTION - SHUTTLE 2+2



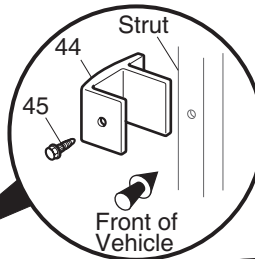
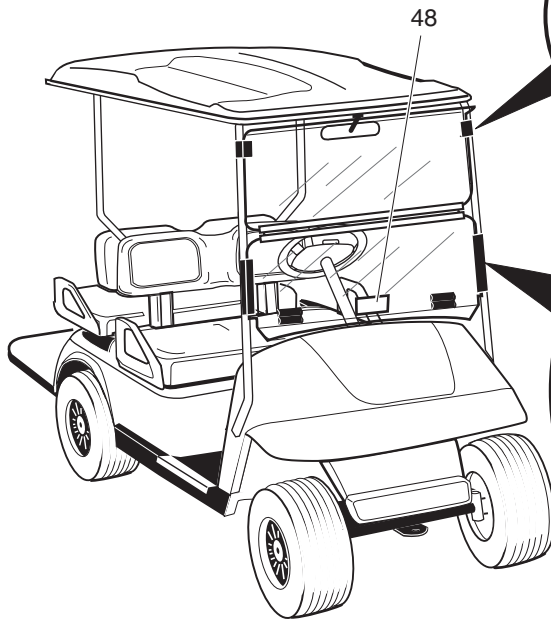
# WEATHER PROTECTION - SHUTTLE 2+2



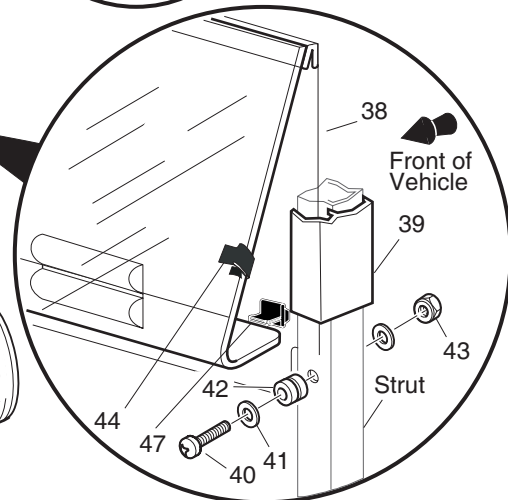
**REAR VIEW MIRROR**  
23 - Includes Items 24 - 26



**FULL WINDSHIELD**  
28 - Includes Items 29 - 35



**FOLD DOWN WINDSHIELD**  
37 - Includes Items 38 - 48



Ref Wsh 1-2

# WEATHER PROTECTION - SHUTTLE 2+2

Where applicable, THE USE OF NON UL PARTS WILL VOID ANY UL LISTING.

When ordering parts, please specify the model and serial number of the product.

\* Indicates a component that is not available as an individual part.

G\*\* Indicates consult Customer Service Department for additional information.

ITEM	PART NO.	1	2	3	4	5	DESCRIPTION	QTY.
		For service or replacement parts, contact: Eagle Parts, Inc. 1411 Marvin Griffin Rd. Augusta, GA 30906 Telephone (706) 790-6687 or FAX (706) 790-6066						
1	75123-G01	SUN TOP (SHUTTLE 2+2) (INCLUDES ITEMS 2 - 20).....						1
2	75074-G01	REAR STRUT (DRIVER SIDE).....						1
3	75074-G02	REAR STRUT (PASSENGER SIDE).....						1
4	00665-G5	BOLT, 3/8 - 16 X 1 3/4" LG (STAINLESS STEEL) .....						4
5	00679-G1	WASHER, 3/8 (STAINLESS STEEL).....						18
6	00771-G5	WASHER, 3/8 .....						4
7	00891-G5	LOCK NUT, 3/8 - 16.....						10
8	19853-G1	END CAP, 1" .....						2
9	75125-G01	FRONT STRUT.....						1
10	00440-G2	BOLT, 5/16 - 18 X 2 1/4" LG.....						4
11	00905-G8	LOCK WASHER, 5/16" .....						4
12	75048-G01	SPACER, 1/2" .....						2
13	00879-G1	LOCK WASHER, 3/8" .....						4
14	27604-G01	SUN TOP .....						1
15	00674-G8	BOLT, 3/8 - 16 X 5" LG (STAINLESS STEEL) .....						2
16	18716-G1	SPACER .....						2
17	00653-G1	WASHER, 3/8" (STAINLESS STEEL) .....						2
18	00665-G3	BOLT, 3/8 - 16 X 2 1/2" LG (STAINLESS STEEL) .....						2
19	00665-G6	BOLT, 3/8 - 16 X 2" LG (STAINLESS STEEL) .....						2
20	24647-G1	SPACER, 1/4" .....						2
21								
22								
23	19528-G2	REAR VIEW MIRROR KIT (INCLUDES ITEMS 24 - 26) .....						1
24	19496-G1	REAR VIEW MIRROR .....						1
25	19502-G02	SUPPORT BRACKET.....						1
26	19527-G1	SCREW, #8 - 32 X 5/8" LG (STAINLESS STEEL) .....						1



# WEATHER PROTECTION - SHUTTLE 2+2

Where applicable, THE USE OF NON UL PARTS WILL VOID ANY UL LISTING.

When ordering parts, please specify the model and serial number of the product.

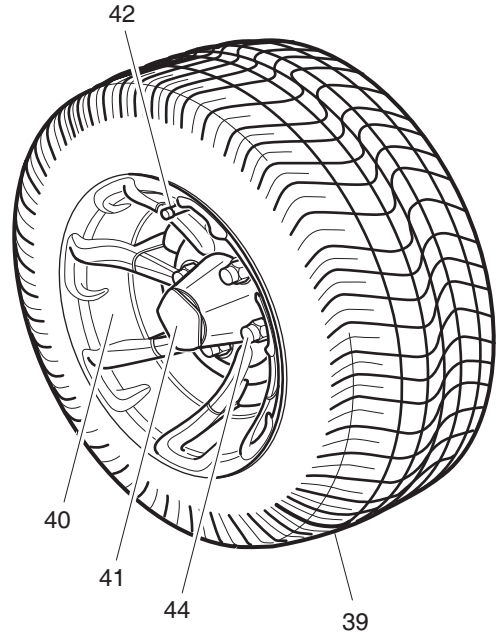
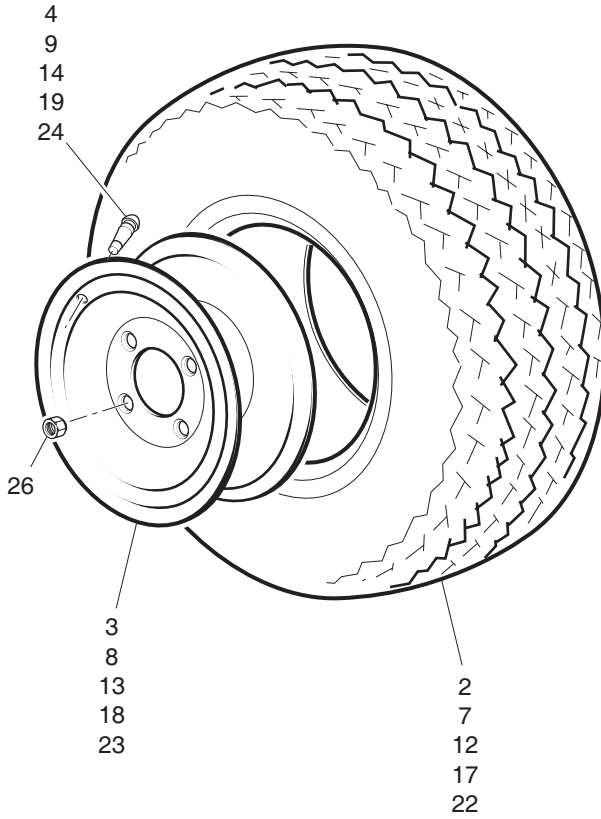
\* Indicates a component that is not available as an individual part.

G\*\* Indicates consult Customer Service Department for additional information.

ITEM	PART NO.	1	2	3	4	5	DESCRIPTION	QTY.
27								
28	75524-G02						WINDSHIELD KIT (SHUTTLE 2+2) (INCLUDES ITEMS 29 - 35).....	1
29	*						WINDSHIELD .....	1
30	EGWHC12						SASH, 26" LG .....	2
31	EGWHS12						SCREW, 1/4 - 20 X 1 3/4" LG (STAINLESS STEEL) .....	2
32	EGWHW12						WASHER, 1/4" (STAINLESS STEEL) .....	4
33	EGWHG13						RUBBER GROMMET .....	2
34	EGWHN12						LOCK NUT, 1/4 - 20 (STAINLESS STEEL) .....	2
35	EGWHL14						LABEL (SAFETY) .....	1
36								
37	74910-G02						FOLD DOWN WINDSHIELD KIT (SHUTTLE 2+2) (INCLUDES ITEMS 38 - 48).....	1
38	*						WINDSHIELD .....	1
39	110-032A						SASH, 12" LG .....	2
40	EGWHS12						SCREW, 1/4 - 20 X 1 3/4" LG (STAINLESS STEEL) .....	2
41	EGWHW12						WASHER, 1/4" (STAINLESS STEEL) .....	4
42	EGWHG13						RUBBER GROMMET .....	2
43	EGWHN12						LOCK NUT, 1/4 - 20 (STAINLESS STEEL) .....	2
44	110-055C						TOP GRIP, 3/4" X 2" .....	2
45	136-008						TOP GRIP FASTENER.....	2
46								
47	110-056C						BOTTOM GRIP .....	2
48	EGWHL14						LABEL (SAFETY) .....	1

# WHEELS AND TIRES

- 1 - Includes Items 2 - 4
- 6 - Includes Items 7 - 9
- 11 - Includes Items 12 - 14
- 16 - Includes Items 17 - 19
- 21 - Includes Items 22 - 24
- 38 - Includes Items 39 - 42



6" CHROME HUBCAP  
28



8" CHROME HUBCAP  
30



SILVER / GOLD SPOKE HUBCAP  
32 34

Ref Whl 1

# WHEELS AND TIRES

Where applicable, THE USE OF NON UL PARTS WILL VOID ANY UL LISTING.

When ordering parts, please specify the model and serial number of the product.

\* Indicates a component that is not available as an individual part.

G\*\* Indicates consult Customer Service Department for additional information.

ITEM	PART NO.	1 2 3 4 5	DESCRIPTION	QTY.
1	28757-G01		TIRE AND WHEEL ASSEMBLY (LINKS 18 X 8.50 - 8) (INCLUDES ITEMS 2 - 4).....	4
2	28764-G01		TIRE (LINKS 18 X 8.50 - 8) .....	1
3	28759-G01		WHEEL RIM (4 LUG).....	1
4	11657-G2		VALVE STEM .....	1
5				
6	28757-G03		WHEEL AND TIRE ASSEMBLY (TURF SAVER 18 X 8.50 - 8) (INCLUDES ITEMS 7 - 9).....	4
7	28764-G03		TIRE (TURF-SAVER 18 X 8.50 - 8).....	1
8	28759-G01		WHEEL RIM (4 LUG).....	1
9	11657-G2		VALVE STEM .....	1
10				
11	28842-G01		WHEEL AND TIRE ASSEMBLY (SURE TRAIL 18.5 X 8.50 - 8 LOAD RANGE C) (INCLUDES ITEMS 12 - 14).....	4
12	28764-G08		TIRE (SURE TRAIL 18.5 X 8.50 - 8 LOAD RANGE C) .....	1
13	28759-G01		WHEEL RIM (4 LUG).....	1
14	11657-G2		VALVE STEM .....	1
15				
16	28757-G02		WHEEL AND TIRE ASSEMBLY (TURF GLIDE 18 X 8.5 - 8) (INCLUDES ITEMS 17 - 19).....	4
17	28764-G02		TIRE (TURF-GLIDE 18 X 8.5 - 8) .....	1
18	28759-G01		WHEEL RIM (4 LUG).....	1
19	11657-G2		VALVE STEM .....	1
20				
21	28757-G04		WHEEL AND TIRE ASSEMBLY (FAIRWAY 18 X 8.5 - 8) (INCLUDES ITEMS 22 - 24).....	4
22	28764-G04		TIRE (FAIRWAY 18 X 8.5 - 8) .....	1
23	28759-G01		WHEEL RIM (4 LUG).....	1
24	11657-G2		VALVE STEM .....	1
25				
26	14723-G1		LUG NUT, 1/2 - 20 .....	16
27				

# WHEELS AND TIRES

Where applicable, THE USE OF NON UL PARTS WILL VOID ANY UL LISTING.  
 When ordering parts, please specify the model and serial number of the product.  
 \* Indicates a component that is not available as an individual part.  
 G\*\* Indicates consult Customer Service Department for additional information.

ITEM	PART NO.	1 2 3 4 5	DESCRIPTION	QTY.
28	16042-G01		6" CHROME HUBCAP .....	4
29	16042-G02		6" CHROME HUBCAP (SET OF FOUR).....	1
30	14913-G01		8" CHROME HUBCAP .....	4
31	14913-G02		8" CHROME HUBCAP (SET OF FOUR).....	1
32	19241-G02		GOLD SPOKE HUBCAP .....	4
33	19241-G04		GOLD SPOKE HUBCAP (SET OF FOUR) .....	1
34	19241-G01		SILVER SPOKE HUBCAP .....	4
35	19241-G03		SILVER SPOKE HUBCAP (SET OF FOUR).....	1
36				
37				
38	600599		ALLOY WHEEL AND TIRE ASSEMBLY(INCLUDES ITEMS 39 - 42) .....	4
39	601768		TIRE .....	1
40	601766		ALLOY WHEEL.....	1
41	601353		ALLOY WHEEL CAP .....	1
42	601767		VALVE STEM (CHROME) .....	1
43				
44	601354		ALLOY WHEEL LUG NUT .....	16

**DID YOU  
KNOW?**

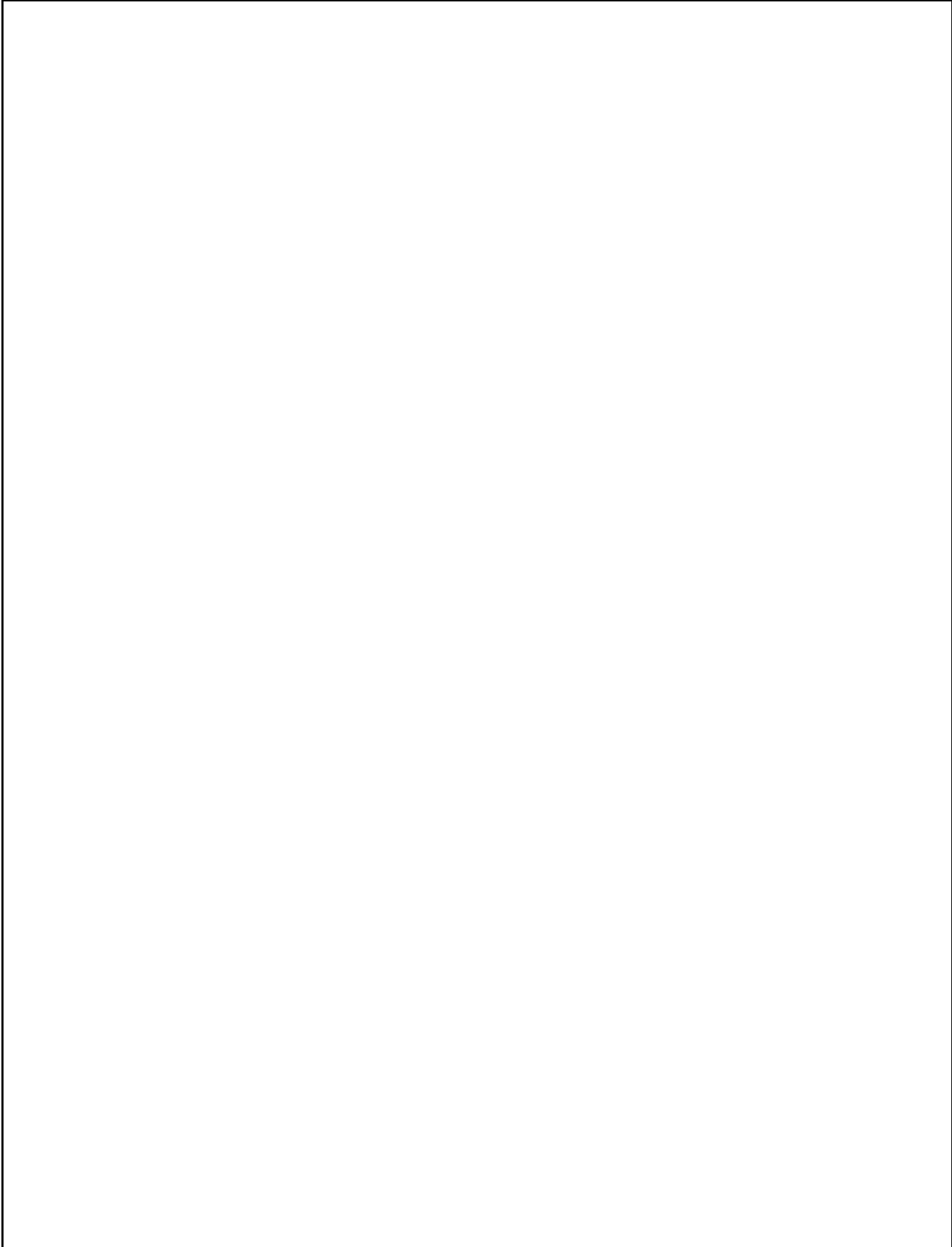
CartPros directs you to the right part using the part numbers from this manual. Enter the part number into our search box and it will find the part you are looking for.

**GET STARTED  
HERE**



<https://CartPros.com/f.html>

## WHEELS AND TIRES





**DID YOU  
KNOW?**

CartPros directs you to the right part using the part numbers from this manual. Enter the part number into our search box and it will find the part you are looking for.

**GET STARTED  
HERE**



<https://CartPros.com/f.html>

## OPTIONS/ACCESSORIES

# OPTIONS/ACCESSORIES

## OPTIONS/ACCESSORIES

ITEM	KIT NO.	SECTION
2 BAG ATTACHMENT.....	75183-G01.....	Body - Footrest
4 BAG ATTACHMENT.....	75335-G01.....	Body - Accessories Continued
ALLOY WHEEL AND TIRE ASSEMBLY.....	600599.....	Wheels And Tires
ALLOY WHEEL CAP.....	601353.....	Wheels And Tires
ALLOY WHEEL LUG NUT.....	601354.....	Wheels And Tires
8" CHROME HUBCAP.....	14913-G*.....	Wheels And Tires
6" CHROME HUBCAP.....	16042-G*.....	Wheels And Tires
GOLD SPOKE HUBCAP.....	19241-G*.....	Wheels And Tires
SILVER SPOKE HUBCAP.....	19241-G*.....	Wheels And Tires
ASHTRAY KIT.....	75109-G02.....	Body - Accessories Continued
BAG COVER / RAIN CURTAIN KIT.....	75191-G01.....	Weather Protection - Golf Car
CONVERTIBLE CARRIER KIT.....	75179-G*.....	Body, Seating - Convertible Carrier
CENTER BASKET.....	75003-G01.....	Body - Accessories
COOLER JUG AND BRACKET KIT.....	75495-G01.....	Body - Accessories Continued
COOLER BOX AND BRACKET KIT.....	75344-G01.....	Body - Accessories Continued
DIVOT REPAIR KIT.....	23300-G1.....	Body - Accessories
HIGH ALTITUDE CONVERSION KIT (3-6K FEET).....	72754-G02.....	Carburetor and Choke
HIGH ALTITUDE CONVERSION KIT (6-10K FEET).....	72754-G01.....	Carburetor and Choke
HOUR METER.....	75114-G02.....	Electrical System
MESSAGE HOLDER KIT (REQUIRES SUN TOP).....	75509-G01.....	Body - Accessories Continued
MESSAGE HOLDER KIT (REQUIRES SUN TOP).....	75496-G01.....	Body - Accessories Continued
REAR VIEW MIRROR (REQUIRES SUN TOP).....	19528-G2.....	Weather Protection - Golf Car
SAND BOTTLE.....	28661-G01.....	Body - Accessories
SAND RAKE.....	14735-G1.....	Body - Accessories Continued
SAND RAKE HOLDER.....	75006-G01.....	Body - Accessories Continued
SHUTTLE 2+2 KIT.....	74150-G**.....	Body, Seating - Shuttle 2+2
SIDE BASKET.....	75007-G**.....	Body - Accessories
SUN TOP KIT, GOLF CAR.....	75040-G**.....	Weather Protection - Golf Car
SUN TOP KIT, SHUTTLE 2+2.....	75123-G01.....	Weather Protection - Shuttle 2+2
TOW BAR KIT (CASUAL).....	75033-G01.....	Tow Bar - Casual
TOW BAR KIT (PERMANENT).....	75310-G01.....	Tow Bar - Permanent
TURN SIGNAL KIT.....	75107-G02.....	Electrical System



# OPTIONS/ACCESSORIES

ITEM	KIT NO.	SECTION
WEATHER ENCLOSURE (3 SIDED) . . . . .	75078-G01 . . . . .	Weather Protection - Golf Car
WEATHER ENCLOSURE (3 SIDED) . . . . .	75492-G01 . . . . .	Weather Protection - Shuttle 2+2
WEATHER ENCLOSURE (4 SIDED) . . . . .	75079-G01 . . . . .	Weather Protection - Golf Car
WINDSHIELD KIT, GOLF CAR . . . . .	75524-G01 . . . . .	Weather Protection - Golf Car
WINDSHIELD KIT, SHUTTLE 2+2 . . . . .	75524-G02 . . . . .	Weather Protection - Shuttle 2+2
WINDSHIELD KIT, FOLD DOWN, GOLF CAR . . . . .	75525-G01 . . . . .	Weather Protection - Golf Car
WINDSHIELD KIT, FOLD DOWN, SHUTTLE 2+2 . . . . .	75525-G02 . . . . .	Weather Protection - Shuttle 2+2



**DID YOU  
KNOW?**

CartPros directs you to the right part using the part numbers from this manual. Enter the part number into our search box and it will find the part you are looking for.

**GET STARTED  
HERE**



<https://CartPros.com/f.html>

## SPECIALTY PRODUCTS

# SPECIALTY PRODUCTS

## SPECIALTY PRODUCTS

<b>SPECIAL TOOLS</b>	<b>PART NO.</b>
HIGH RESISTANCE SPARK PLUG WIRE SET .....	26733-G02
CLUTCH PULLER (DRIVE) .....	19779-G2
FLYWHEEL PULLER.....	27111-G01
CURRENT INDICATOR.....	16489-G2
DIGITAL MULTI-METER .....	27481-G01
SLIDE HAMMER (AXLE/HUB REMOVAL) .....	15947-G1
SLIDE HAMMER (AXLE REMOVAL ONLY).....	18753-G1
COMPRESSION TESTER.....	72524-G01
FEELER GAUGE .....	72525-G01
TACHOMETER.....	72526-G01

<b>ENGINE OIL</b>	<b>PART NO.</b>
4 CYCLE ENGINE OIL, 5 GALLON (19 LITER) .....	25730-G03
4 CYCLE ENGINE OIL, 12 QUART CASE .....	25730-G04
4 CYCLE ENGINE OIL, 1 QUART BOTTLE (950 ML) .....	25730-G06

<b>TOUCH UP PAINT</b>	<b>PART NO.</b>
PEN 3 OUNCE (89 ML) - HUNTER GREEN .....	28432-G02
PEN 3 OUNCE (89 ML) - CHAMPAGNE BEIGE .....	28432-G01
PEN 3 OUNCE (89 ML) - WHITE .....	28432-G05
PEN 3 OUNCE (89 ML) - INDUSTRIAL YELLOW.....	28432-G03
PEN 3 OUNCE (89 ML) - ORANGE .....	28432-G04
PEN 3 OUNCE (89 ML) - STEEL BLUE PEARL .....	28432-G24
PEN 3 OUNCE (89 ML) - OLIVE GREEN.....	28432-G**
PEN 3 OUNCE (89 ML) - CAMOUFLAGE PAINT (THREE PENS).....	75831-G01
AEROSOL 12 OUNCE (360 ML) - HUNTER GREEN .....	28140-G09
AEROSOL 12 OUNCE (360 ML) - CHAMPAGNE BEIGE.....	28140-G15
AEROSOL 12 OUNCE (360 ML) - WHITE .....	28140-G03
AEROSOL 12 OUNCE (360 ML) - INDUSTRIAL YELLOW.....	28140-G14
AEROSOL 12 OUNCE (360 ML) - ORANGE .....	28140-G13
AEROSOL 12 OUNCE (360 ML) - STEEL BLUE PEARL .....	28140-G**
AEROSOL 12 OUNCE (360 ML) - OLIVE GREEN.....	28140-G**

## SPECIALTY PRODUCTS

<b>MAINTENANCE PRODUCTS</b>	<b>PART NO.</b>
FORMULA 40 VINYL-COAT® - WHITE .....	28166-G01
PLEXUS® CLEANER, 7 OUNCE (210 ML) (FOR WINDSHIELDS) .....	28433-G01
PLEXUS® CLEANER, 13 OUNCE (380 ML) (FOR WINDSHIELDS) .....	28433-G02
BATTERY PROTECTOR, 14 OUNCE (410 ML) SPRAY .....	75500-G01
CARBURETOR & CHOKE CLEANER, 15 OUNCE (440 ML) SPRAY .....	75501-G01
WHITE LITHIUM GREASE, 14 OUNCE (410 ML) SPRAY.....	75502-G01
PENETRANT/LUBRICANT, 15 OUNCE (440 ML) SPRAY .....	75503-G01
MULTI-PURPOSE CLEANER & DEGREASER, 14 OUNCE (410 ML) SPRAY .....	75504-G01
MULTI-PURPOSE HAND CLEANER, 32 OUNCE (950 ML) LIQUID .....	75505-G01
BATTERY CLEANER, 32 OUNCE (950 ML) WITH TRIGGER SPRAYER .....	75506-G01
BIO-DEGRADABLE CLEANER, 32 OUNCE (950 ML) WITH TRIGGER SPRAYER.....	75507-G01
MULTI-PURPOSE VALUE PACK.....	75508-G01
• BATTERY PROTECTOR, 4 OUNCE (120 ML) SPRAY	
• PENETRANT/LUBRICANT, 4 OUNCE (120 ML) SPRAY	
• WHITE LITHIUM GREASE, 4 OUNCE (120 ML) SPRAY	
• CARBURETOR & CHOKE CLEANER, 4 OUNCE (120 ML) SPRAY	



# INDEX OF MAJOR COMPONENTS

## A

ACCELERATOR CABLE .....	A-5
ALLOY WHEEL .....	U-3
ARMATURE .....	R-2
ASH TRAY .....	C-18
AXLE SHAFT .....	N-2
AXLE SHAFT SEAL .....	N-2
AXLE TUBE .....	N-2

## B

BAG COVER .....	T-5
BALL BEARING .....	N-2
BED .....	Q-10
BOX COOLER .....	C-16
BRAKE ADJUSTER .....	D-7
BRAKE ASSEMBLY .....	D-6
BRAKE CABLE .....	D-4
BRAKE DRUM .....	D-7
BRAKE SHOE .....	D-6
BRAKE SPRING KIT .....	D-6
BRUSH ASSEMBLY .....	R-2
BUMPER PLUG .....	C-9
BUZZER .....	G-2

## C

CARBURETOR .....	E-3
CATCH BRACKET .....	D-5
CENTER BASKET .....	C-14
CHOKE CABLE .....	E-3
COMPENSATOR ASSEMBLY .....	D-4
COOLER JUG .....	C-16
COWL .....	C-2

## D

DIRECTION SELECTOR HANDLE .....	G-3
DIVOT REPAIR KIT .....	C-14
DRIVE BELT .....	F-2
DRIVE CLUTCH .....	F-2
DRIVEN CLUTCH .....	F-2

## E

ENGINE .....	J-2, J-4
ENGINE GUARD .....	K-2
ENGINE MOUNT .....	K-2
EQUALIZER .....	D-4

## INDEX OF MAJOR COMPONENTS

EXHAUST GASKET ..... J-2, J-4

### F

FEMALE STOP ..... S-3  
FENDER SCUFFGUARD ..... C-8  
FIELD COIL ..... R-2  
FLOORMAT ..... C-6  
FLOORMAT WITH HORN HOLE ..... C-6  
FOOTREST ..... C-12  
FOUR BAG ATTACHMENT KIT ..... C-18  
FRONT SHIELD ..... C-2  
FRONT STRUT ..... T-4, T-9  
FUEL GAUGE ..... H-11  
FUEL TANK ..... M-2  
FUSE ..... H-9  
FUSE BLOCK ..... H-9

### G

GOVERNOR ARM ..... A-5

### H

HEADLIGHT ..... H-10  
HEADLIGHT BULB ..... H-10  
HIP RESTRAINT ..... Q-2  
HORN SWITCH ..... H-9  
HOUR METER ..... H-12  
HUBCAP ..... U-3

### I

IGNITION COIL ..... H-7  
INDICATOR LIGHT ..... H-11  
IN-LINE FUSE HOLDER ..... H-9  
INPUT SHAFT SEAL ..... N-2  
INSTRUMENT PANEL WOODGRAIN APPLIQUE KIT ..... C-3  
ISOLATION MOUNT ..... K-2

### K

KEY SWITCH ..... H-11  
KICK-OFF ..... D-5

### L

LEAF SPRING ..... P-2



# INDEX OF MAJOR COMPONENTS

LINKS 1 18 X 8.5 - 8..... U-2  
 LUG NUT ..... U-2, U-3

## M

MALE STOP..... S-3  
 MARKER LIGHT BULB ..... H-10  
 MESSAGE HOLDER..... C-16  
 MICRO SWITCH ..... A-5, D-6, G-2  
 MUFFLER..... J-2, J-4

## O

OIL FILLER CAP..... J-2, J-4  
 OIL FILTER ..... J-2, J-4  
 OIL FILTER 'O' RING ..... J-2, J-4

## P

PEDAL BOX ASSEMBLY ..... A-4  
 PEDAL PIVOT COVER..... A-5  
 PULLEY ..... R-2  
 PULSER COIL ..... H-7

## R

RAIN CURTAIN ..... T-5  
 RAKE..... C-16  
 REAR BODY (WITH TAILLIGHTS) ..... C-8  
 REAR BODY (WITHOUT TAILLIGHTS) ..... C-8  
 REAR BUMPER ..... C-8  
 REAR STRUT ..... T-4  
 REAR STRUT (DRIVER SIDE)..... T-9  
 REAR STRUT (PASSENGER SIDE)..... T-9  
 REAR VIEW MIRROR..... T-4  
 REVERSE WARNING BUZZER..... G-2  
 ROCKER PANEL ..... C-9

## S

SAND BOTTLE ..... C-14  
 SEAT ..... Q-2, Q-5, Q-9  
 SEAT BACK MOUNT ..... Q-10  
 SEAT BACK SUPPORT..... Q-5, Q-9  
 SEAT HINGE ..... Q-2  
 SEAT SUPPORT BRACKET ..... Q-2, Q-6  
 SHIFTER CABLE ..... G-2  
 SHIFTER SHAFT SEAL..... N-2  
 SHOCK ABSORBER..... P-2



## INDEX OF MAJOR COMPONENTS

SIDE BASKET .....	C-14
SILL PLATE .....	C-9
SPARK PLUG .....	J-2, J-4
STARTER / GENERATOR ADJUSTER .....	R-3
STARTER / GENERATOR BELT .....	R-3
SUN TOP .....	T-4
SUN TOP (SHUTTLE 2+2) .....	T-9

### T

TAILLIGHT BULB .....	H-10
THROTTLE CABLE .....	A-6
TIE ROD .....	S-4, S-6
TIMING BELT .....	J-2, J-4
TOW BAR .....	S-3, S-6
TOW BAR HITCH .....	S-4
TURF SAVER 18 X 8.5 - 8 .....	U-2
TURN SIGNAL .....	H-10
TURN SIGNAL BULB .....	H-10
TWO BAG ATTACHMENT KIT .....	C-12

### U

USA TRAIL 6-PLY 18.5 X 8.5 - 8 .....	U-2
--------------------------------------	-----

### V

VALANCE PANEL .....	C-12
VALVE COVER GASKET .....	J-2, J-4

### W

WEATHER ENCLOSURE (3 SIDED) .....	T-5
WEATHER ENCLOSURE (4 SIDED) .....	T-5
WINDSHIELD .....	T-5, T-10
WIRE HARNESS (ACCESSORY) .....	H-11
WIRE HARNESS (BRAKE LIGHT) .....	D-6
WIRE HARNESS (HOUR METER) .....	H-12
WIRE HARNESS (KEY SWITCH) .....	H-11
WIRE HARNESS (OIL LIGHT/FUEL GAUGE) .....	H-11
WIRE HARNESS (OIL LIGHT/FUEL LIGHT) .....	H-11
WIRE HARNESS (PEDAL BOX) .....	A-5

**DID YOU  
KNOW?**

**CartPros** directs you to the right part using the part numbers from this manual. Enter the part number into our search box and it will find the part you are looking for.

**GET STARTED  
HERE**



<https://CartPros.com/f.html>

**DID YOU  
KNOW?**

CartPros directs you to the right part using the part numbers from this manual. Enter the part number into our search box and it will find the part you are looking for.

**GET STARTED  
HERE** →

<https://CartPros.com/f.html>



A Textron Company

E-Z-GO Division Of Textron, Inc.,  
1451 Marvin Griffin Road, Augusta, Georgia USA 30906-3852

TO CONTACT US

North America:

Technical Assistance & Warranty Phone: 1-800-774-3946, FAX: 1-800-448-8124  
Service Parts Phone: 1-888-GET-EZGO (1-888-438-3946), FAX: 1-800-752-6175

International:

Phone: 001-706-798-4311, FAX: 001-706-771-4609

Certified ISO 9001 / ISO 14001 by



Copyrighted Material  
This manual may not be reproduced in whole or  
in part without the express permission of  
E-Z-GO Division of Textron, Inc.  
Technical Communications Department