

**DID YOU
KNOW?**

CartPros directs you to the right part using the part numbers from this manual. Enter the part number into our search box and it will find the part you are looking for.

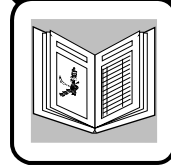
**GET STARTED
HERE** →

<https://CartPros.com/> .html

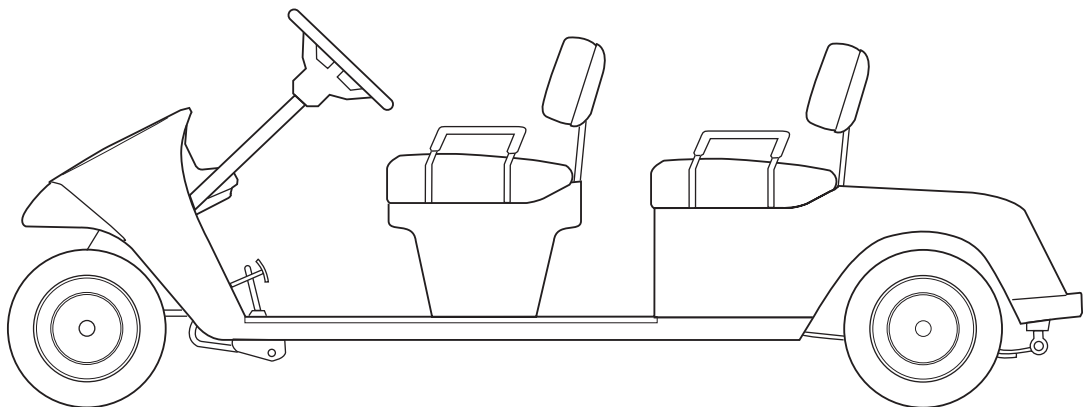
620272



A Textron Company



SERVICE PARTS MANUAL



ELECTRIC POWERED PERSONNEL CARRIERS AND GOLF CAR

ISSUED DATE APRIL 2007



SERVICE PARTS MANUAL

ELECTRIC POWERED PERSONNEL CARRIERS AND GOLF CARS

TXT 5E

STARTING MODEL YEAR 2007

E-Z-GO Division of Textron, Inc. reserves the right to make design changes without obligation to make these changes on units previously sold and the information contained in this manual is subject to change without notice.

E-Z-GO Division of Textron, Inc. is not liable for errors in this manual or for incidental or consequential damages that result from the use of the material in this manual.

CUSTOMER SERVICE DEPARTMENT IN USA PHONE: 1-800-241-5855 FAX: 1-800-448-8124

OUTSIDE USA PHONE: 001-706-798-4311, FAX: 001-706-771-4609

E-Z-GO DIVISION OF TEXTRON, INC., 1451 MARVIN GRIFFIN RD., AUGUSTA, GEORGIA USA 30906

NOTES

To obtain a copy of the limited warranty applicable to the vehicle, call or write a local Distributor, authorized Branch or the Warranty Department with vehicle serial number and manufacturer code.

The use of non Original Equipment Manufacturer (OEM) parts may void the warranty.

Overfilling of batteries may void the warranty.

BATTERY PROLONGED STORAGE

All batteries will self discharge over time. The rate of self discharge varies depending on the ambient temperature and the age and condition of the batteries.

A fully charged battery will not freeze in winter temperatures unless the temperature falls below -75° F (-60° C).

As with all electric vehicles, the batteries must be checked and recharged as required or at a minimum of 30 day intervals.



TABLE OF CONTENTS

SECTION	Page No.
HOW TO USE THE SERVICE PARTS MANUAL	v
ILLUSTRATED PARTS BREAKDOWN	vii
ACCELERATOR	A-1
BATTERY CHARGER (PORTABLE).....	B-1
BODY.....	C-1
BRAKES	D-1
BRAKES - FRONT DISC	E-1
ELECTRICAL.....	F-1
ELECTRONIC SPEED CONTROL - PDS	G-1
FRONT SUSPENSION / STEERING.....	H-1
MOTOR	J-1
REAR AXLE.....	K-1
REAR SUSPENSION	L-1
SEATING	M-1
WEATHER PROTECTION	N-1
WHEELS AND TIRES	P-1
SPECIALTY PRODUCTS	APPENDIX A-1

HOW TO USE THE SERVICE PARTS MANUAL

This manual is divided into several sections:

- GENERAL INFORMATION
- ILLUSTRATED PARTS BREAKDOWN
- APPENDIX

The first section, GENERAL INFORMATION, contains the following information:

- WARRANTY INFORMATION
- GENERAL INDEX
- HOW TO USE THE SERVICE PARTS MANUAL

The second section, ILLUSTRATED PARTS BREAKDOWN, contains illustrations and parts lists for all systems of your vehicle.

The third section, APPENDIX, contains a listing of specialty products and accessories.

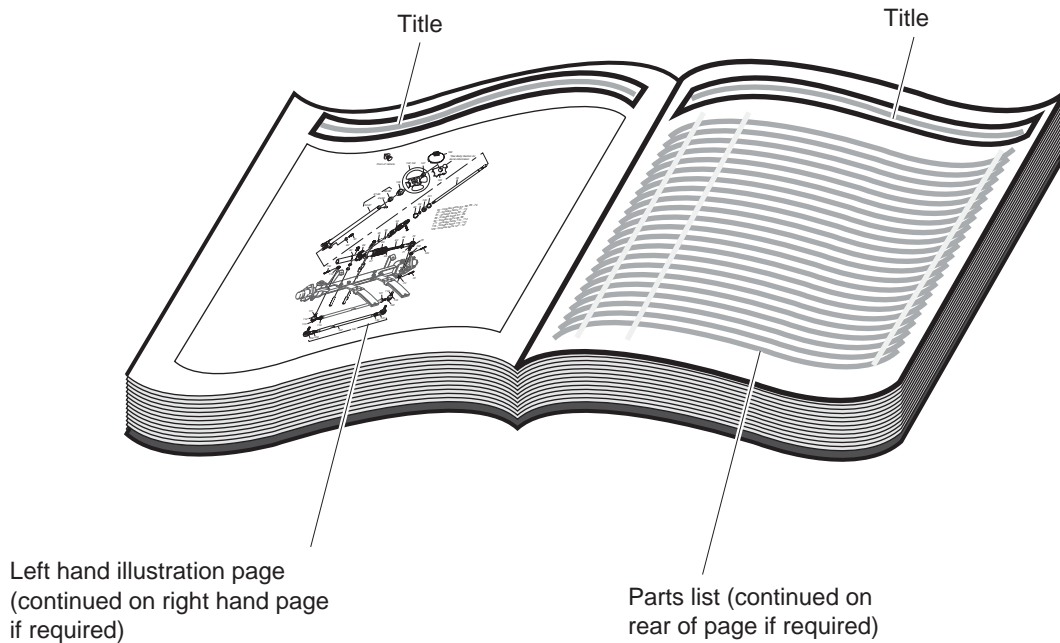
USE OF THE MANUAL

To use this manual, consult the GENERAL INDEX to locate the information or illustration required.

Introduction of some revisions varies due to supply of components; therefore, it is possible that various combinations of components may be found that are not directly reflected by each illustration. Consult the illustration that best suits your situation and then contact the Service Parts Department. It is important that the serial number of your vehicle and its model number be supplied to Service Parts when ordering any replacement components.

Locate the serial number plate (see BODY located in the Illustrated Parts Breakdown section of this manual for its location) and note the complete number shown on the plate.

HOW TO USE THE SERVICE PARTS MANUAL



1. WHEN THE PART NUMBER IS NOT KNOWN

- Determine the function and application of the part required. Turn to the General Index and select the most appropriate title.
- Turn to the page number indicated and locate the desired part on the illustration.
- From the illustration, obtain the item number assigned to the desired part. Refer to the accompanying description for specific information regarding the part.

2. IF YOU KNOW THE PART NUMBER

- Locate the part number or description in the appropriate column on the parts list page.

NOTE: It is suggested that you confirm that the part selected is correct by verifying it with the pictorial representation on the illustrated page.

Should an asterisk (*) appear in the part number column on the parts list page, read upwards until a part number is found. The part number is the lowest assembly sold by Service Parts and the asterisk (*) indicates that the part depicted is not available for purchase.

NOTE: Descriptions are indented under the assembly that they are used on. That assembly is, in turn listed under the assembly that it is used on. This process is repeated until the highest final assembly is reached.

To facilitate the maintenance and repair of the vehicle, a Technician's Repair and Service Manual is available from the Service Parts Department.

**DID YOU
KNOW?**

CartPros directs you to the right part using the part numbers from this manual. Enter the part number into our search box and it will find the part you are looking for.

**GET STARTED
HERE**



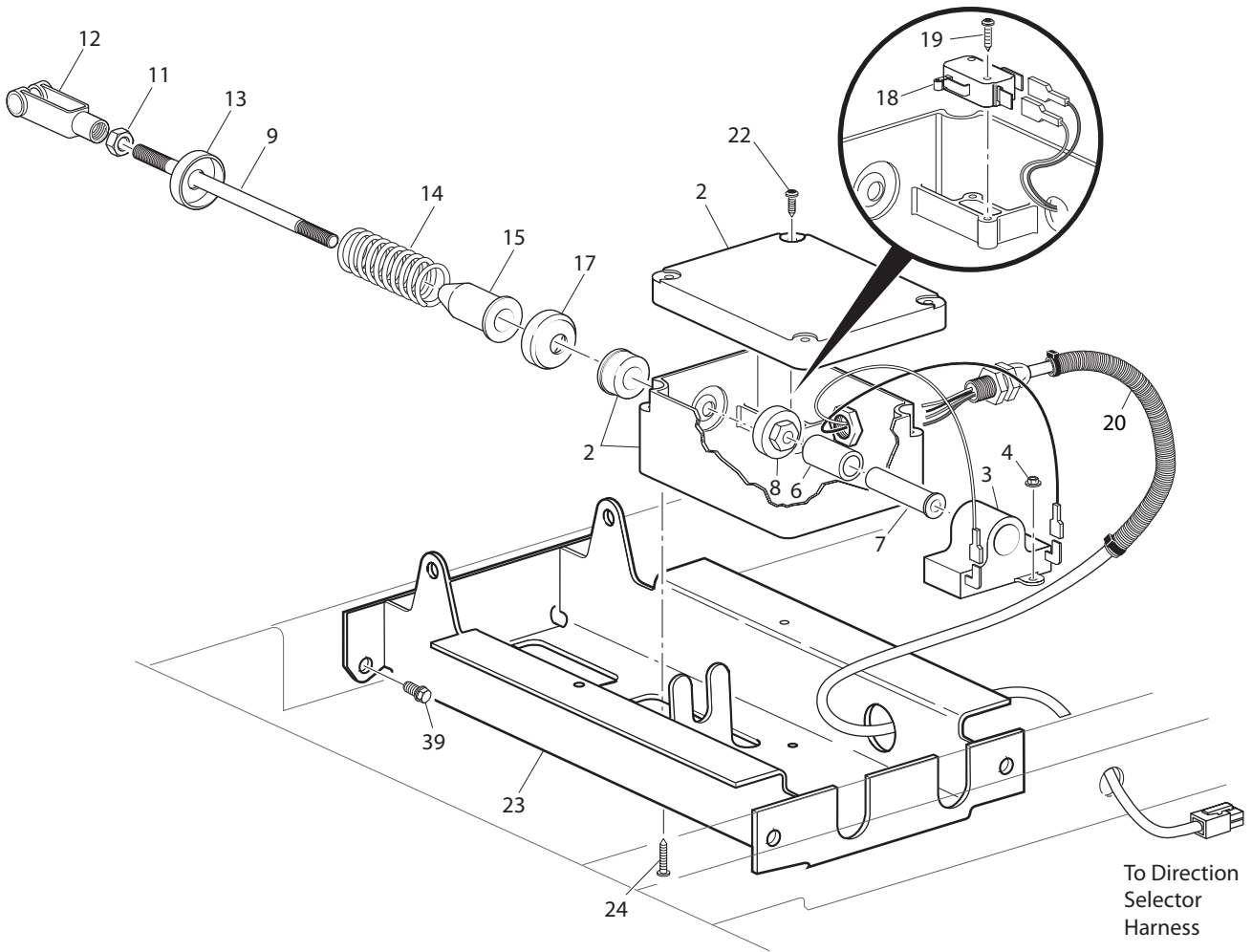
<https://CartPros.com/f.html>

ILLUSTRATED PARTS BREAKDOWN

ILLUSTRATED PARTS BREAKDOWN

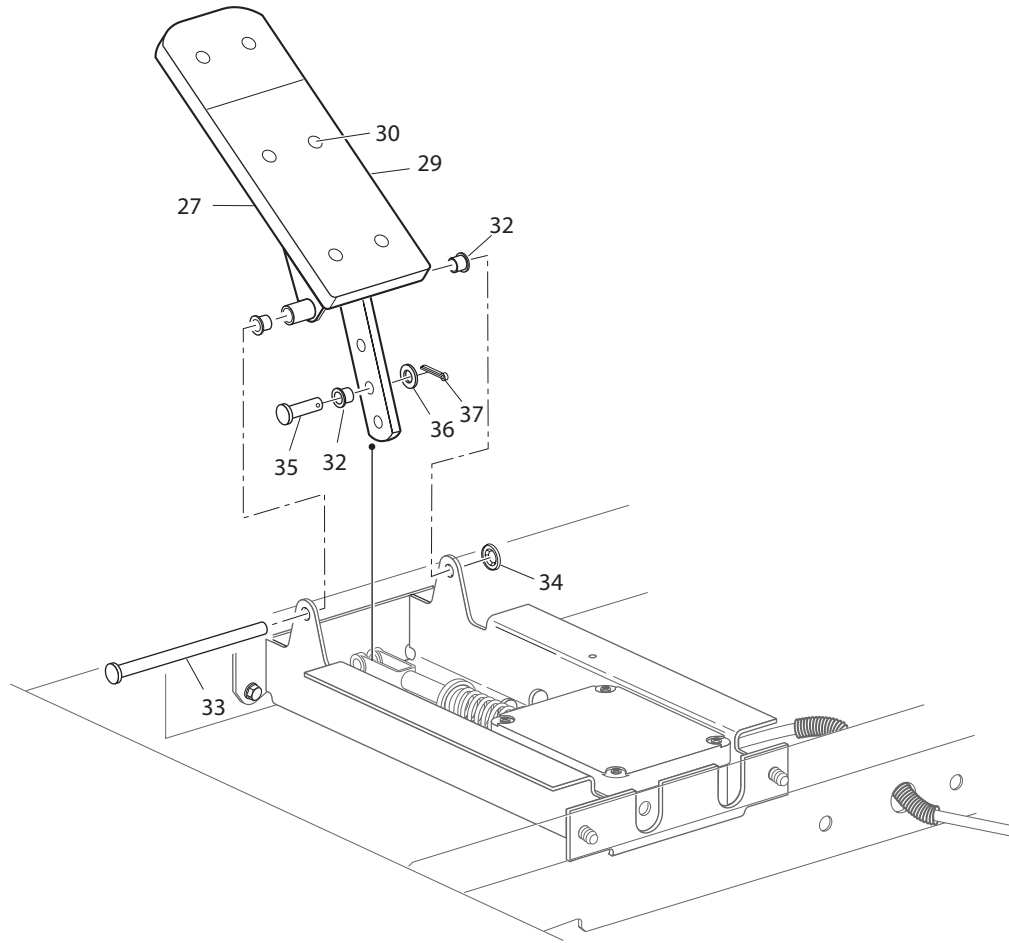
ACCELERATOR

- 1 - Includes Items 2 - 37
- 26 - Includes Items 27 - 30
- 28 - Includes Items 29, 30



Ref Acl 7-1

ACCELERATOR



Ref Acl 7-2

ACCELERATOR

When ordering parts, please specify the model and serial number of the product.

* Indicates a component that is not available as an individual part.

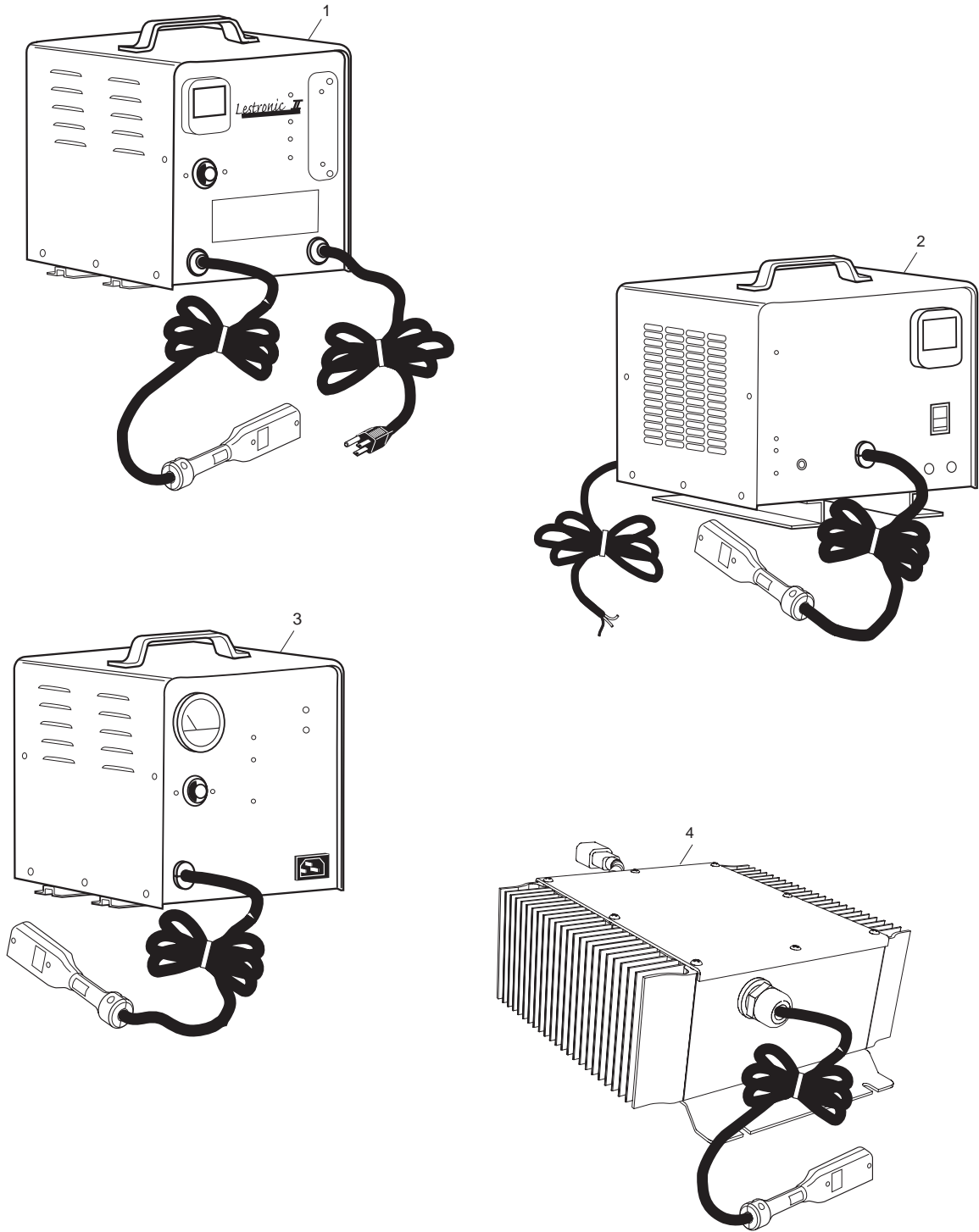
G** Indicates consult Customer Service Department for additional information.

ITEM	PART NO.	1 2 3 4 5	DESCRIPTION	QTY.
1	73333-G07		PEDAL BOX ASSEMBLY, PDS MODEL ONLY (INCLUDES ITEMS 2 - 37).....	1
2	25853-G01		PEDAL BOX AND COVER (SEAL AND BEARING).....	1
3	25854-G01		INDUCTIVE THROTTLE SENSOR	1
4	00983-G01		SELF THREADING NUT, 3/16"	2
5				
6	25857-G01		PLUNGER SLEEVE.....	1
7	28443-G01		PLUNGER.....	1
8	28444-G01		PLUNGER CAM.....	1
9	73332-G01		ACCELERATOR ROD	1
10				
11	00532-G4		LOCK NUT, 5/16 - 24	1
12	10385-G4		YOKE (ADJUSTABLE).....	1
13	17677-G2		SPRING RETAINER, 3/8"	1
14	73046-G01		COMPRESSION SPRING	1
15	17979-G1		ACCELERATOR ROD BUSHING	1
16				
17	17677-G1		SPRING RETAINER, 1/2"	1
18	25861-G02		MICRO SWITCH (PDS MODEL ONLY).....	1
19	01050-G01		SCREW, #4 - 20 X 5/8" LG	2
20	25879-G06		WIRING HARNESS (PEDAL BOX ASSEMBLY) (PDS MODEL ONLY)	1
21				
22	00684-G6		SCREW, #8 - 32 X 3/4" LG	2
23	70116-G02		ACCELERATOR PEDAL BRACKET.....	1
24	01051-G01		SCREW, #8 - 16 X 1/2" LG	4
25				
26	25799-G03		ACCELERATOR PEDAL ASSEMBLY (INCLUDES ITEMS 27 - 30).....	1
27	*		ACCELERATOR PEDAL	1
28	27844-G01		ACCELERATOR PEDAL PAD KIT (INCLUDES ITEMS 29, 30).....	1
29	27512-G01		ACCELERATOR PEDAL PAD	1

When ordering parts, please specify the model and serial number of the product.
 * Indicates a component that is not available as an individual part.
 G** Indicates consult Customer Service Department for additional information.

ITEM	PART NO.	1	2	3	4	5	DESCRIPTION	QTY.
30	15766-G1						OVAL RIVET 3/16" X 7/16" LG	6
31								
32	17838-G1						BUSHING.....	3
33	74432-G01						PEDAL PIVOT PIN	1
34	12064-G6						PUSHNUT, 9/32" I.D.	1
35	10386-G3						CLEVIS PIN, 5/16" X 13/16" LG	1
36	17255-G1						TEFLON WASHER, 5/16"	1
37	10387-G3						COTTER PIN, 3/32" X 3/4" LG	1
38								
39	00715-G2						BOLT, 5/16 - 18 X 13/16" LG.	4

BATTERY CHARGER (PORTABLE)



Ref Bcp 1

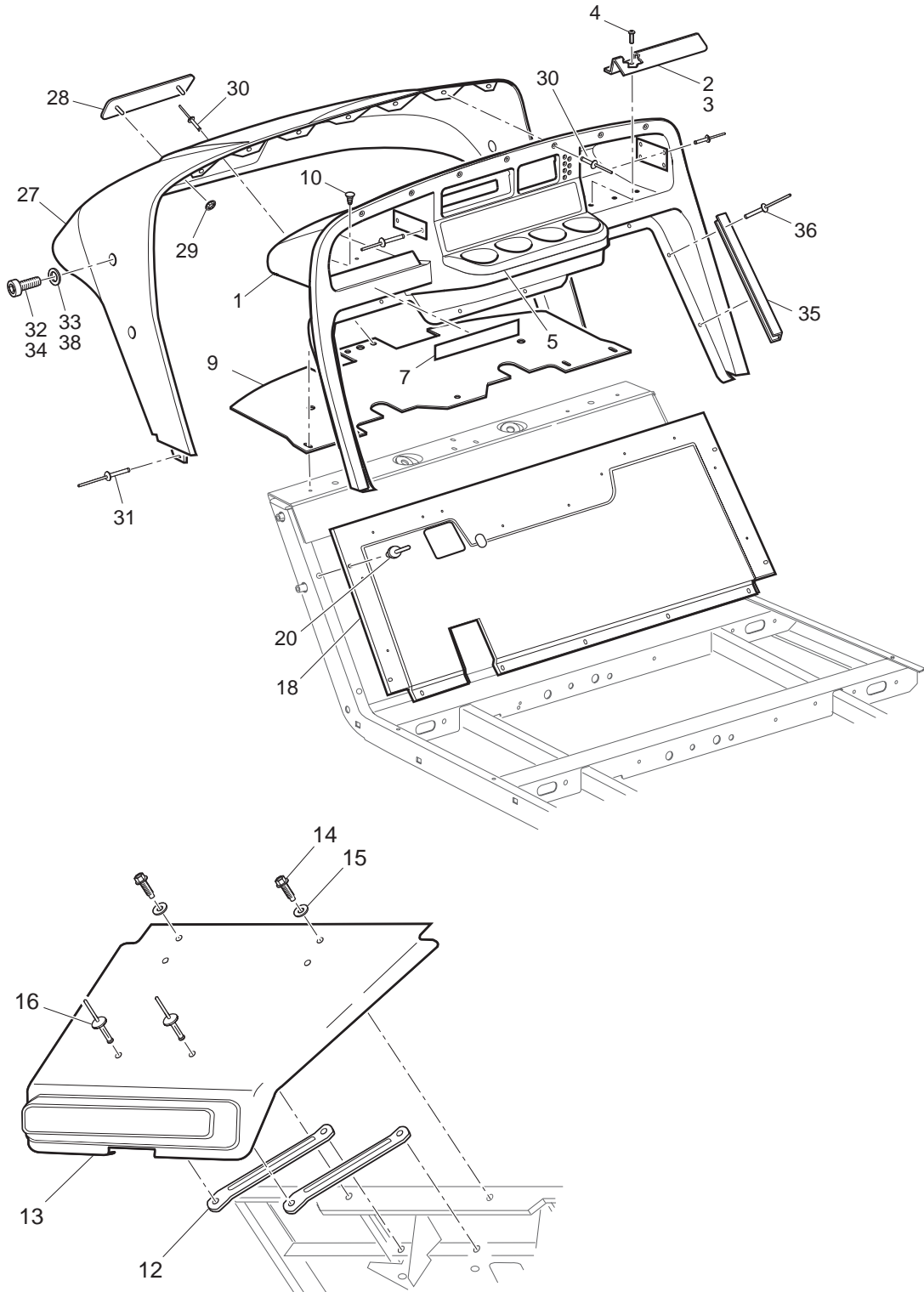
BATTERY CHARGER (PORTABLE)

THE USE OF NON U.L. PARTS WILL VOID ANY U.L. LISTING.
 When ordering parts, please specify the model and serial number of the product.
 * Indicates a component that is not available as an individual part.
 G** Indicates consult Customer Service Department for additional information.

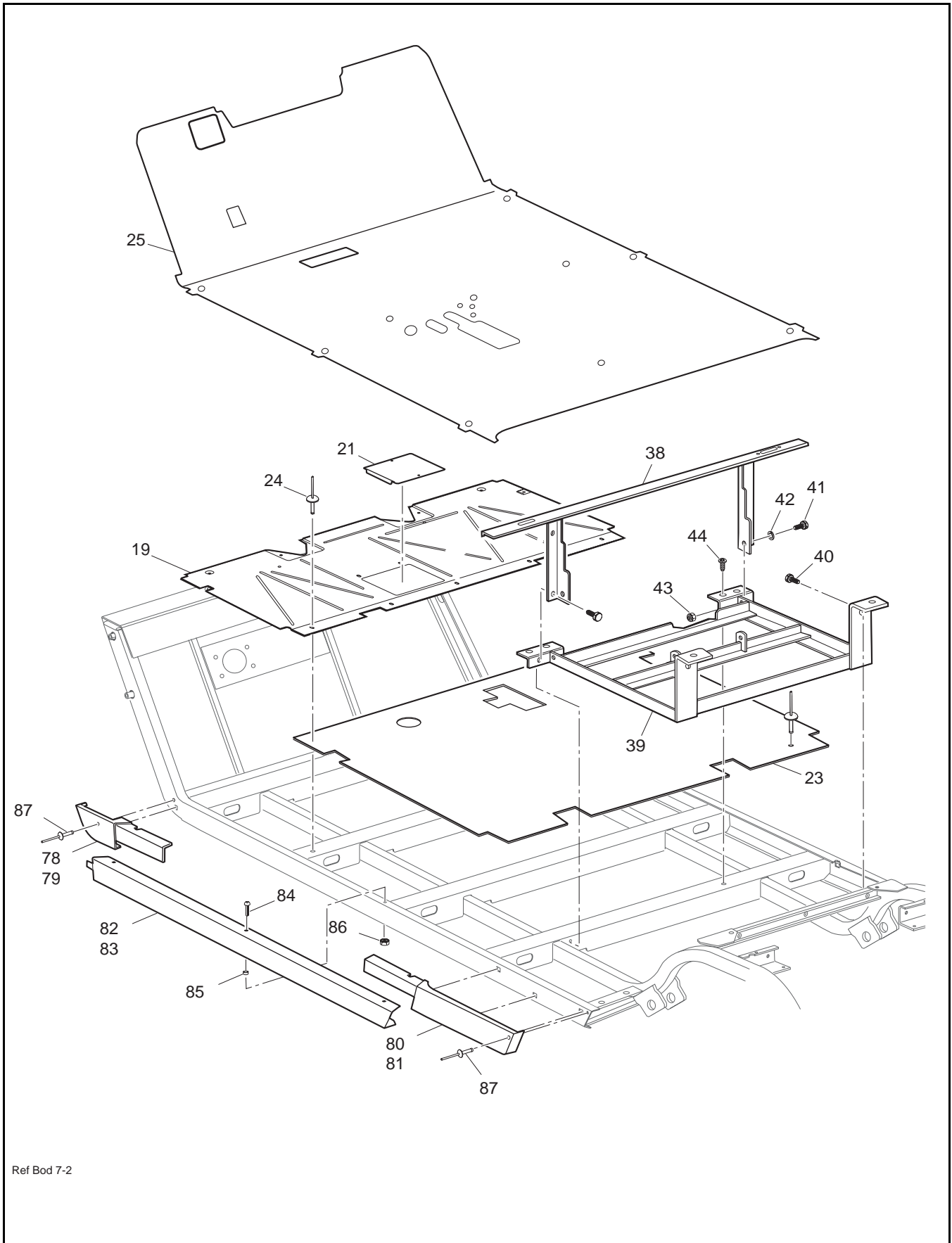
ITEM	PART NO.	1 2 3 4 5	DESCRIPTION	QTY.
1	28435-G03		48V LESTER BATTERY CHARGER.....	1
2	28435-G01		48V LESTER BATTERY CHARGER WITH SWITCHABLE INPUT	1
3	28435-G05		48V LESTER BATTERY CHARGER CE APPROVED.....	1
			For service or replacement parts, contact: Lester Electrical 625 West "A" Street Lincoln, NE 68522 Phone: (402) 477-8988, FAX: (402) 474-1769 Always provide the following information when requesting information or ordering replacement parts: Model Number: Serial Number: (stamped into housing)	
4	600341-G03		48V DELTA-Q BATTERY CHARGER WITH 10' DC CORD (INCLUDES ITEMS 5-7)	1
5	600340-G02		48V DELTA-Q CHARGER	1
6	600463-G02		48V DC CABLE ASSEMBLY	1
7	600462-G01		AC POWER CORD (NOT SHOWN).....	1

BODY

1 - Includes Items 2 - 5

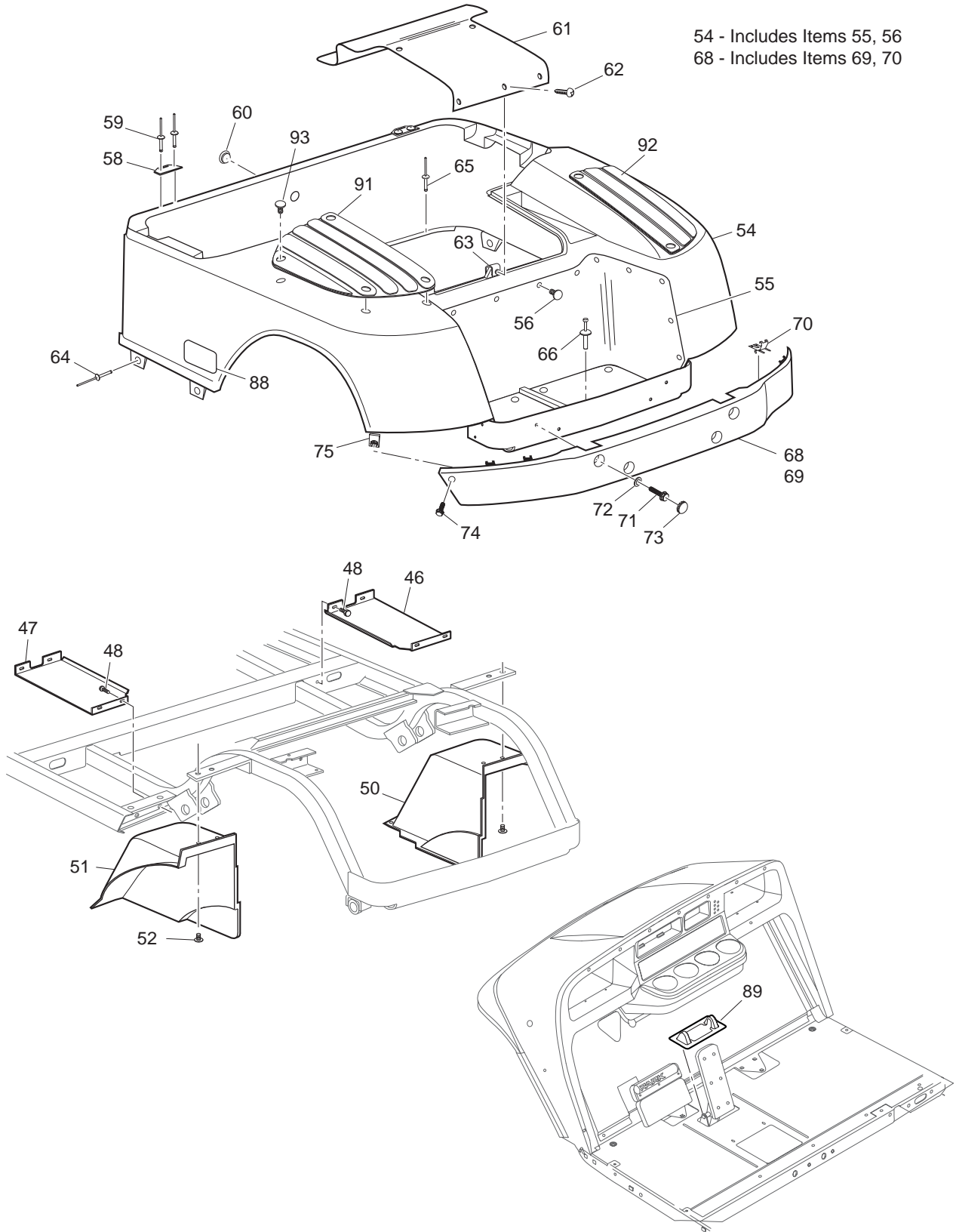


Ref Bod 7-1



Ref Bod 7-2

BODY



Ref Bod 7-3

THE USE OF NON U.L. PARTS WILL VOID ANY U.L. LISTING.
 When ordering parts, please specify the model and serial number of the product.
 * Indicates a component that is not available as an individual part.
 G** Indicates consult Customer Service Department for additional information.

ITEM	PART NO.	1 2 3 4 5	DESCRIPTION	QTY.
1	71151-G01		INSTRUMENT PANEL ASSEMBLY (INCLUDES ITEMS 2 - 5)	1
2	71153-G01		DEFLECTOR (PASSENGER SIDE)	1
3	71154-G01		DEFLECTOR (DRIVER SIDE)	1
4	00614-G5		SCREW, #8 - 18 X 5/8" LG	6
5	71158-G01		INSTRUMENT PANEL INSERT (4 CUP HOLDER)	1
6				
7	74443-G01		LABEL (ANTI-ROLLBACK)	1
8				
9	71413-G01		SPLASH PANEL	1
10	16816-G2		RATCHET FASTENER, 1/4" X 3/4" LG	5
11				
12	70725-G01		FRONT SHIELD BRACE	2
13	27166-G04		FRONT SHIELD	1
14	01038-G01		BOLT, 1/4 - 20 X 11/16" LG	2
15	16469-G1		WASHER, 1/4"	2
16	01057-G01		RIVET, KTR, 1/4" X 3/4" LG	2
17				
18	70662-G01		UPPER FLOORPAN	1
19	70451-G01		LOWER FLOORPAN	1
20	14601-G11		RIVET, 3/16" X 9/16" LG (ALUMINUM)	16
21	70452-G01		ACCESS COVER	1
22				
23	70823-G01		REAR FLOORPAN	1
24	10570-G10		RIVET, 5/32" X 9/16" LG (STAINLESS STEEL)	5
25	70668-G0*		FLOORMAT	1
26				
27	71051-G**		COWL	1
28	71037-G02		E-Z-GO NAMEPLATE (GOLD)	1
29	71597-G01		PUSHNUT, 3/16"	2
30	71055-G01		RIVET, 3/16" X 1" LG	9

BODY

THE USE OF NON U.L. PARTS WILL VOID ANY U.L. LISTING.
 When ordering parts, please specify the model and serial number of the product.
 * Indicates a component that is not available as an individual part.
 G** Indicates consult Customer Service Department for additional information.

ITEM	PART NO.	1 2 3 4 5	DESCRIPTION	QTY.
31	10570-G11		RIVET, 3/16" X 3/4" LG (STAINLESS STEEL)	2
32	71056-G01		BOLT, 5/16 - 18 X 5/8" LG (WITHOUT SUN TOP)	4
33	00570-G2		WASHER, 5/16 (WITHOUT SUN TOP).....	4
34	00438-G6		BOLT, 5/16 - 18 x 5/8 LG (WITHOUT SUN TOP).....	2
35	71115-G01		VINYL TRIM	2
36	71055-G01		RIVET, 3/16" X 1" LG	10
37	00571-G2		WASHER, 5/16 (WITHOUT SUN TOP).....	2
38	70441-G01		SEAT FRAME.....	1
39	70046-G02		BATTERY RACK	1
40	00715-G2		BOLT, 5/16 - 18 X 13/16" LG	4
41	00438-G6		BOLT, 5/16 - 18 X 3/4" LG	2
42	00559-G8		WASHER, 5/16"	2
43	11098-G6		LOCK NUT, 5/16 - 18	2
44	70200-G01		SCREW, 3/8 - 16 X 3/4" LG.....	2
45				
46	70385-G01		SPLASH PAN (PASSENGER SIDE)	1
47	70385-G02		SPLASH PAN (DRIVER SIDE).....	1
48	00715-G2		BOLT, 5/16 - 18 X 13/16" LG	8
49				
50	71812-G01		FENDER LINER (PASSENGER SIDE)	1
51	71812-G02		FENDER LINER (DRIVER SIDE).....	1
52	16816-G2		RATCHET FASTENER, 1/4" X 3/4" LG	8
53				
54	71912-G**		REAR BODY ASSEMBLY (W/OUT TAILLIGHTS) (INCLUDES ITEMS 55, 56)..	1
55	71318-G01		BAGWELL LINER	1
56	16816-G1		RATCHET FASTENER, 1/4" X 9/16" LG	20
57				
58	71609-G01		HINGE PLATE	2
59	10570-G11		RIVET, 3/16" X 3/4" LG (STAINLESS STEEL)	4
60	71316-G01		PLUG.....	1

THE USE OF NON U.L. PARTS WILL VOID ANY U.L. LISTING.
 When ordering parts, please specify the model and serial number of the product.
 * Indicates a component that is not available as an individual part.
 G** Indicates consult Customer Service Department for additional information.

ITEM	PART NO.	1 2 3 4 5	DESCRIPTION	QTY.
61	71320-G01		ACCESS PANEL	1
62	01107-G01		SCREW, #8 X 5/8" LG.....	5
63	71364-G02		'J' CLIP	1
64	10570-G12		RIVET, 1/4" X 9/16" LG (ALUMINUM).....	4
65	10570-G10		RIVET, 5/32" X 9/16" LG (STAINLESS STEEL)	6
66	18436-G1		PLASTIC DRIVE RIVET, 1/4" X 9/16" LG	2
67				
68	71451-G02		REAR BUMPER ASSEMBLY (INCLUDES ITEMS 69 & 70).....	1
69	71451-G01		REAR BUMPER.....	1
70	71457-G01		STAY	4
71	71398-G01		BOLT, 1/4 - 20 X 1 1/4" LG	4
72	00571-G2		WASHER, 5/16"	4
73	71455-G01		BUMPER PLUG	4
74	71102-G03		BOLT, 1/4 - 20 x 11/16" LG.....	2
75	71554-G01		J-TYPE NUT RETAINER, 1/4 - 20.....	2
76				
77				
78	71642-G01		ROCKER PANEL (FRONT, DRIVER SIDE)	1
79	71642-G02		ROCKER PANEL (FRONT, PASSENGER SIDE).....	1
80	71643-G01		ROCKER PANEL (REAR, DRIVER SIDE)	1
81	71643-G02		ROCKER PANEL (REAR, PASSENGER SIDE).....	1
82	71641-G01		SILL PLATE (PASSENGER SIDE).....	1
83	71641-G02		SILL PLATE (DRIVER SIDE).....	1
84	16705-G1		SCREW, 1/4 - 20 X 1" LG (STAINLESS STEEL)	6
85	23726-G4		SPACER, 5/16".....	6
86	00891-G2		LOCK NUT, 1/4 - 20	6
87	15058-G6		RIVET, 3/16" X 15/16" LG (ALUMINUM).....	4
88	600815		LABEL	2
89	70135-G01		PEDAL PIVOT COVER.....	1
90				

BODY

THE USE OF NON U.L. PARTS WILL VOID ANY U.L. LISTING.
When ordering parts, please specify the model and serial number of the product.
* Indicates a component that is not available as an individual part.
G** Indicates consult Customer Service Department for additional information.

ITEM	PART NO.	1 2 3 4 5	DESCRIPTION	QTY.
91	75126-G01		FENDER SCUFFGUARD (DRIVER SIDE)	1
92	75126-G02		FENDER SCUFFGUARD (PASSENGER SIDE).....	1
93	16816-G2		RATCHET FASTENER, 1/4" x 3/4 " LG.....	8

DID YOU KNOW?

CartPros directs you to the right part using the part numbers from this manual. Enter the part number into our search box and it will find the part you are looking for.

**GET STARTED
HERE**

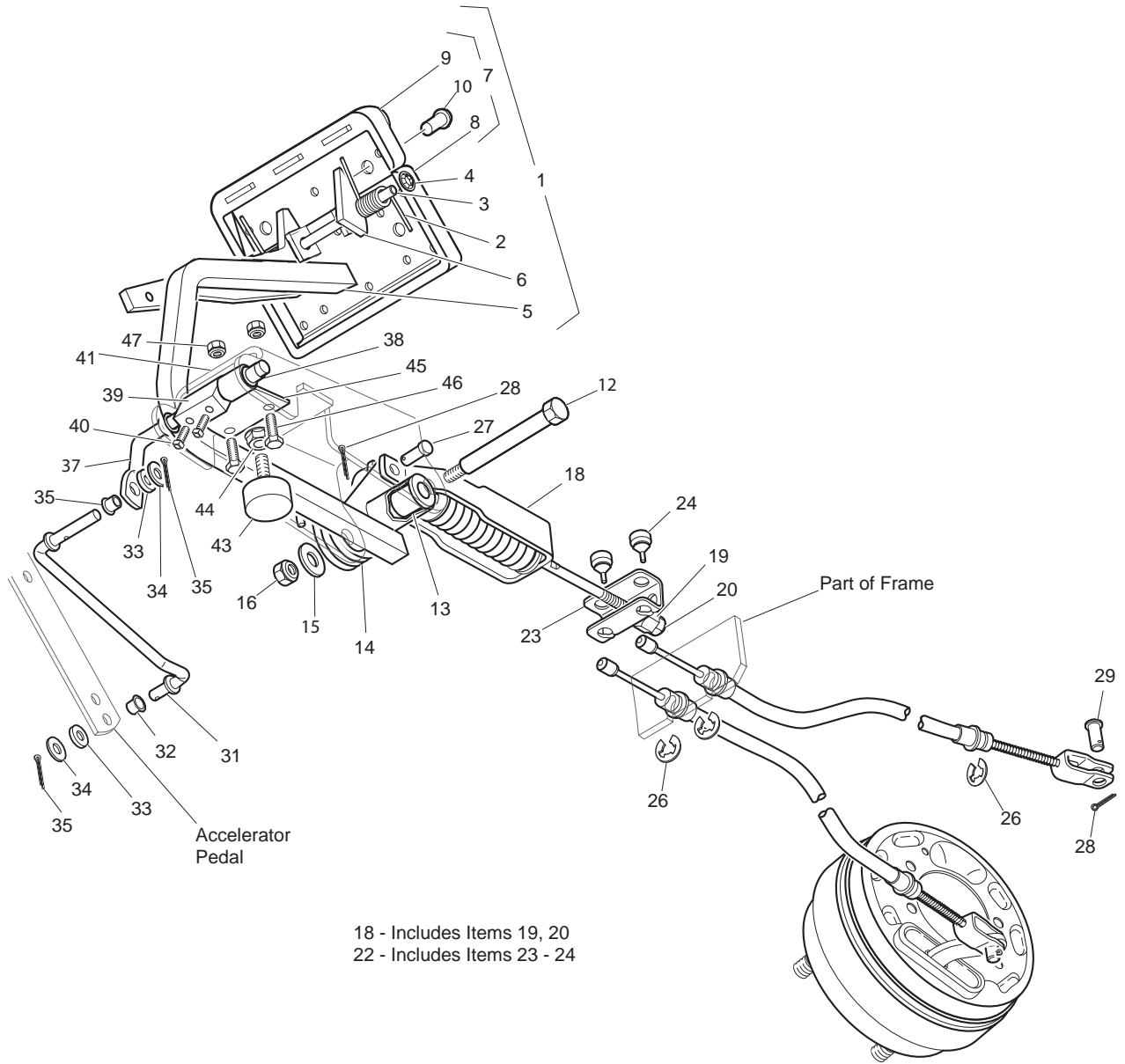


<https://CartPros.com/f.html>

BODY

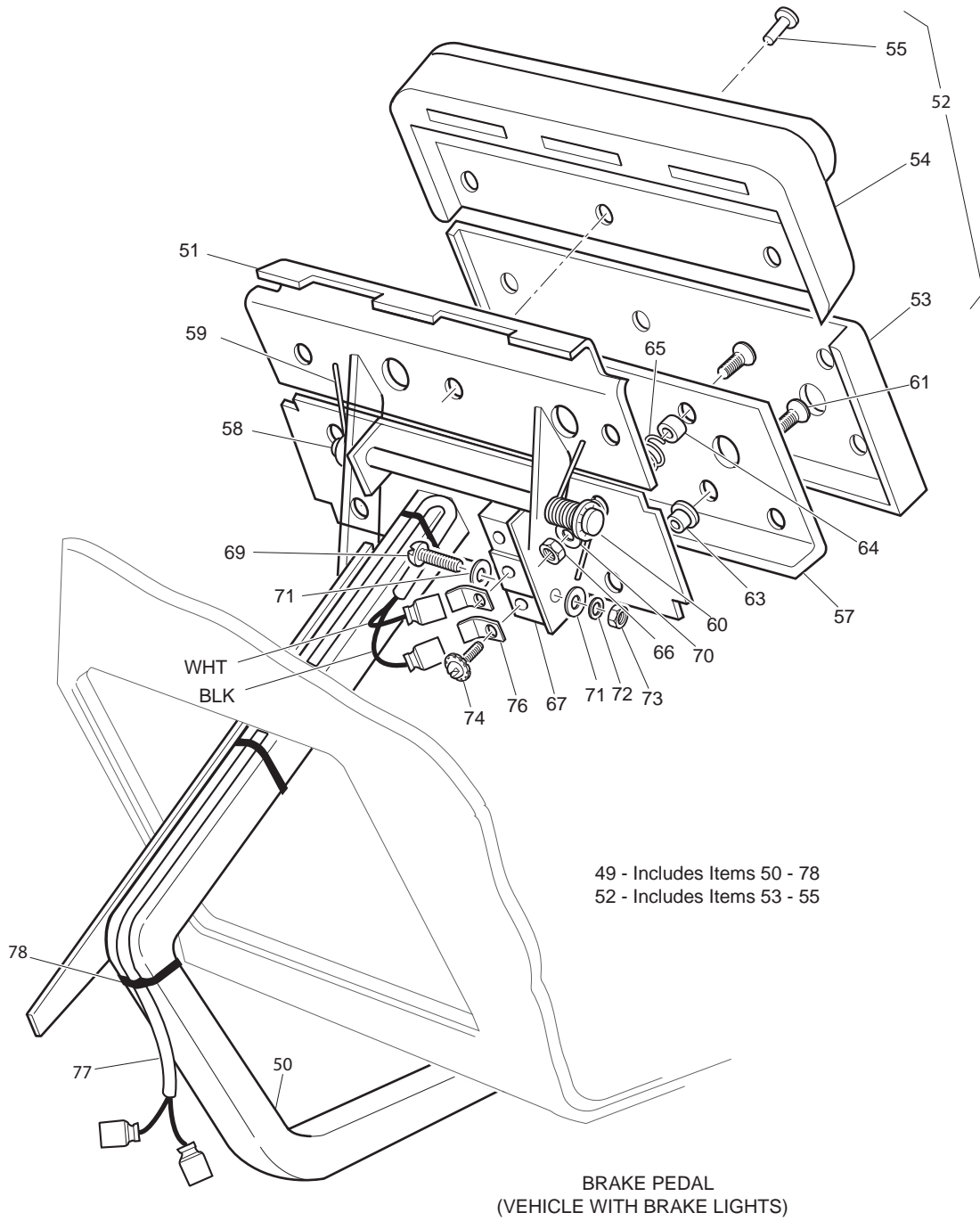
Notes:

BRAKES - MECHANICAL



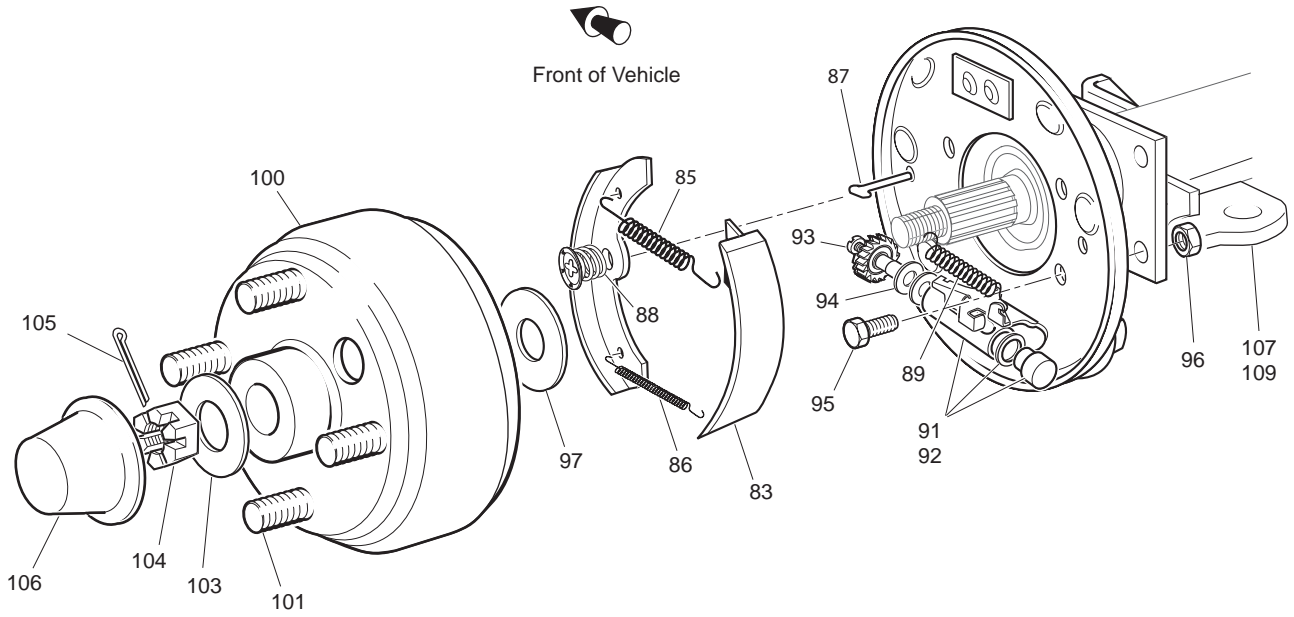
Ref Brm 8-1

BRAKES - MECHANICAL



Ref Brm 8-2

BRAKES - MECHANICAL



- 80 - Includes Items 82 - 91, 93, 94
- 81 - Includes Items 82 - 89, 92 - 94
- 82 - Includes Items 83
- 84 - Includes Items 85 - 89
- 91 - Includes Items 93, 94
- 92 - Includes Items 93, 94
- 99 - Includes Items 100, 101

Ref Brm 8-3

BRAKES - MECHANICAL

THE USE OF NON U.L. PARTS WILL VOID ANY U.L. LISTING.
 When ordering parts, please specify the model and serial number of the product.
 * Indicates a component that is not available as an individual part.
 G** Indicates consult Customer Service Department for additional information.

ITEM	PART NO.	1 2 3 4 5	DESCRIPTION	QTY.
1	70612-G02		BRAKE PEDAL ASSEMBLY (WITHOUT BRAKE LIGHTS) (INCLUDES ITEMS 2 - 10).....	1
2	70681-G01		TORSION SPRING.....	2
3	70682-G01		PIVOT PIN.....	1
4	01071-G01		PUSHNUT, 5/16".....	2
5	*		BRAKE PEDAL.....	1
6	70611-G02		PARK BRAKE PEDAL.....	1
7	70274-G01		BRAKE/PARK BRAKE PEDAL PAD KIT (INCLUDES ITEMS 8 - 10).....	1
8	*		SERVICE BRAKE PAD.....	1
9	*		PARK BRAKE PEDAL PAD.....	1
10	15766-G1		OVAL RIVET, 3/16" X 7/16" LG.....	9
11				
12	70582-G01		SHOULDER BOLT, 3/8 - 16 X 4" LG (STAINLESS STEEL).....	1
13	70581-G01		FLANGED BUSHING.....	2
14	70676-G01		TORSION SPRING.....	1
15	00643-G1		WASHER, 3/8".....	1
16	11098-G5		LOCK NUT, 3/8 - 16.....	1
17				
18	70272-G04		COMPENSATOR ASSEMBLY (INCLUDES ITEMS 19, 20).....	1
19	00963-G01		SPHERICAL NUT, 5/16 - 24.....	1
20	11098-G9		LOCK NUT, 5/16 - 24.....	1
21				
22	70969-G06		EQUALIZER AND BRAKE CABLE ASSEMBLY (INCLUDES ITEMS 23-24).....	1
23	28082-G01		EQUALIZER BRACKET.....	1
24	28083-G01		BRAKE COMPENSATOR BUMPER.....	2
25				
26	01111-G01		RETAINING RING, 13/32" (STAINLESS STEEL).....	4
27	10386-G3		CLEVIS PIN, 5/16" X 13/16" LG.....	1
28	10387-G3		COTTER PIN, 3/32" X 3/4" LG.....	3
29	14443-G2		CLEVIS PIN, 5/16" X 5/8" LG.....	2

BRAKES - MECHANICAL

THE USE OF NON U.L. PARTS WILL VOID ANY U.L. LISTING.
 When ordering parts, please specify the model and serial number of the product.
 * Indicates a component that is not available as an individual part.
 G** Indicates consult Customer Service Department for additional information.

ITEM	PART NO.	1 2 3 4 5	DESCRIPTION	QTY.
30				
31	70601-G01		KICK-OFF LINK.....	1
32	17838-G1		NYLON BUSHING.....	2
33	20835-G1		TEFLON WASHER, 3/8"	2
34	00559-G8		WASHER, 5/16"	2
35	10387-G3		COTTER PIN, 3/32" X 3/4" LG.....	2
36				
37	70098-G01		KICK-OFF CAM PIVOT.....	1
38	10097-G6		FLANGED BEARING	2
39	70587-G01		KICK-OFF CAM.....	1
40	71215-G01		SETSCREW, 1/4 - 20 X 1/2" LG.....	2
41	14134-G4		SPACER	1
42				
43	70113-G01		ADJUSTABLE BUMPER	1
44	11027-G1		LOCK NUT, 5/16 - 18	1
45	70080-G02		CATCH BRACKET	1
46	00414-G6		BOLT, 1/4 - 20 X 3/4" LG	2
47	14390-G4		LOCK NUT, 1/4 - 20 (STAINLESS STEEL).....	2
48				
49	74874-G01		BRAKE PEDAL ASSEMBLY (WITH BRAKE LIGHTS) (INCLUDES ITEMS 50 - 78).....	1
50	*		BRAKE PEDAL.....	1
51	74724-G01		PARK BRAKE PEDAL	1
52	70274-G01		BRAKE/PARK BRAKE PEDAL PAD KIT (INCLUDES ITEMS 53 - 55).....	1
53	*		SERVICE BRAKE PAD	1
54	*		PARK BRAKE PAD.....	1
55	15766-G1		OVAL RIVET, 3/16" x 7/16" LG.....	9
56				
57	70258-G03		BRAKE PEDAL PLATE	1
58	70682-G01		PIVOT PIN	1

BRAKES - MECHANICAL

THE USE OF NON U.L. PARTS WILL VOID ANY U.L. LISTING.
 When ordering parts, please specify the model and serial number of the product.
 * Indicates a component that is not available as an individual part.
 G** Indicates consult Customer Service Department for additional information.

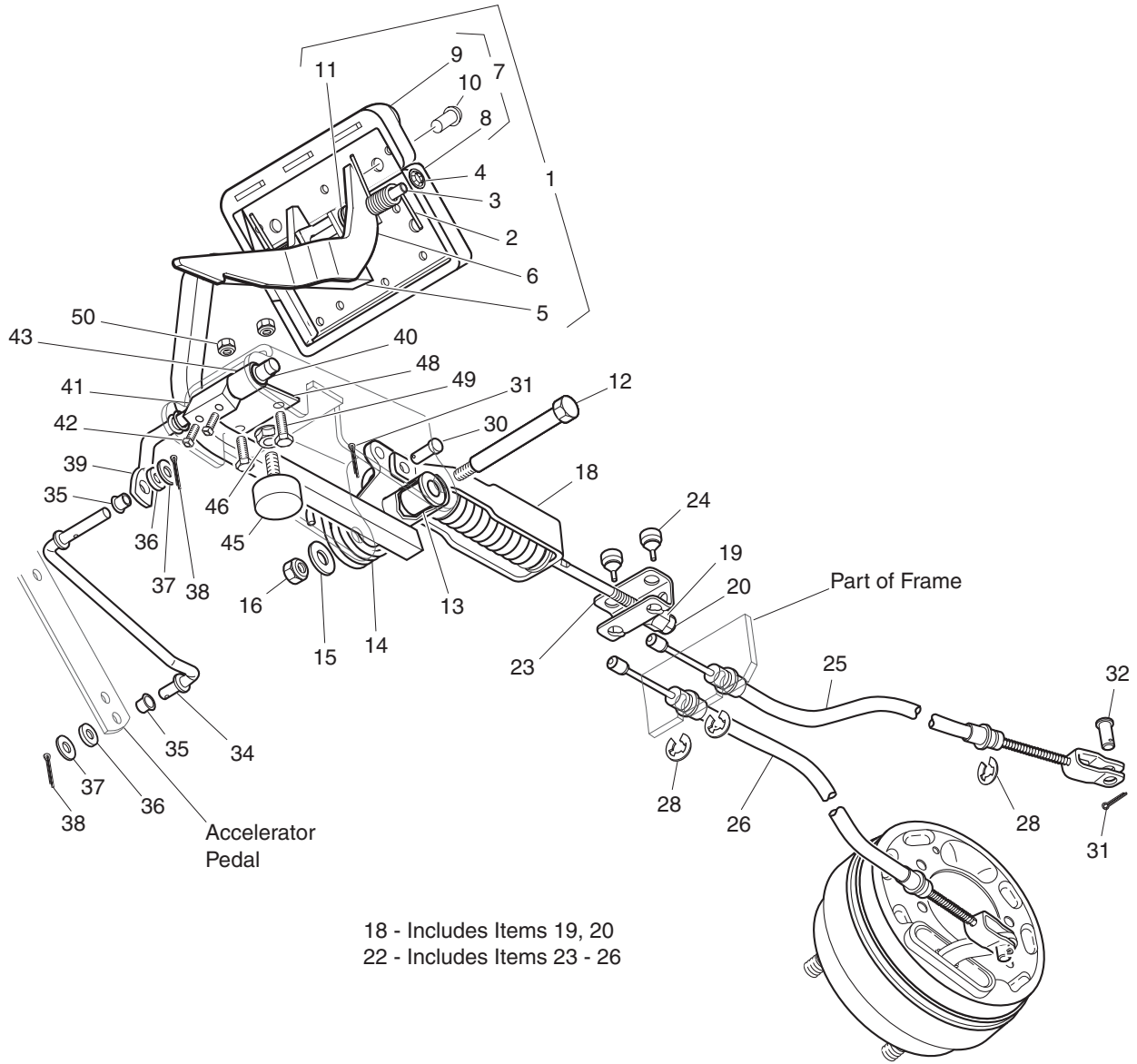
ITEM	PART NO.	1 2 3 4 5	DESCRIPTION	QTY.
59	70681-G01		TORSION SPRING	2
60	01071-G01		PUSHNUT, 5/16"	1
61	00737-G8		SCREW, #10 - 24 X 7/8" LG	4
62				
63	00739-G1		RUBBER NUT, #10 - 24.....	2
64	74535-G01		BRAKE PEDAL STANDOFF	2
65	27137-G01		CONICAL SPRING	2
66	14390-G10		LOCK NUT, #10 - 24	2
67	10606-G8		MICRO SWITCH.....	1
68				
69	00957-G1		BOLT, #6 - 32 X 1 1/4" LG.....	2
70	00559-G5		WASHER, #10	2
71	00559-G3		WASHER, #6	4
72	00565-G3		LOCK WASHER, #6	2
73	00525-G5		NUT, #6 - 32.....	2
74	13514-G1		SCREW AND LOCK WASHER, #6.....	2
75				
76	14628-G1		FASTON TAB.....	2
77	24605-G1		WIRE HARNESS (BRAKE LIGHT)	1
78	17618-G1		WIRE TIE.....	3
79				
80	70998-G01		BRAKE ASSEMBLY (DRIVER SIDE) (INCLUDES ITEMS 82 - 91, 93, 94).....	1
81	70998-G02		BRAKE ASSEMBLY (PASSENGER SIDE) (INCLUDES ITEMS 82 - 89, 92 - 94)	1
82	70794-G01		BRAKE SHOE KIT (INCLUDES ITEM 83).....	2
83	*		BRAKE SHOE	2
84	27944-G01		BRAKE SPRING KIT (INCLUDES ITEMS 85 - 89).....	2
85	*		UPPER SPRING	1
86	*		LOWER SPRING	1
87	*		PIN	2

BRAKES - MECHANICAL

THE USE OF NON U.L. PARTS WILL VOID ANY U.L. LISTING.
 When ordering parts, please specify the model and serial number of the product.
 * Indicates a component that is not available as an individual part.
 G** Indicates consult Customer Service Department for additional information.

ITEM	PART NO.	1	2	3	4	5	DESCRIPTION	QTY.
88	*						CUP AND SPRING	2
89	*						ADJUSTER SPRING.....	1
90								
91	72582-G01						BRAKE ADJUSTER KIT (DRIVER SIDE) (INCLUDES ITEMS 93, 94)	1
92	72582-G02						BRAKE ADJUSTER KIT (PASSENGER SIDE) (INCL. ITEMS 93, 94).....	1
93	*						ADJUSTER	1
94	*						TEFLON WASHER.....	2
95	17083-G2						BOLT, 5/16 - 24 X 1" LG	8
96	15126-G1						LOCK NUT, 5/16 - 24	8
97	21809-G1						INNER BRAKE DRUM WASHER, 1 5/16" OD X 1" ID X 1/32"	2
98								
99	21807-G1						BRAKE DRUM ASSEMBLY (INCLUDES ITEMS 100 - 101).....	2
100	*						BRAKE DRUM	1
101	19862-G1						LUG BOLT, 1/2 - 20 X 1 3/16" LG	4
102								
103	21830-G1						OUTER BRAKE DRUM WASHER	2
104	00518-G8						SLOTTED NUT, 3/4 - 16.....	2
105	10387-G1						COTTER PIN, 1/8" X 1 1/2" LG	2
106	74175-G01						SPINDLE CAP.....	2
107	72036-G03						BRAKE CABLE BRACKET (PASSENGER SIDE).....	1
108	72036-G04						BRAKE CABLE BRACKET (DRIVER SIDE)	1

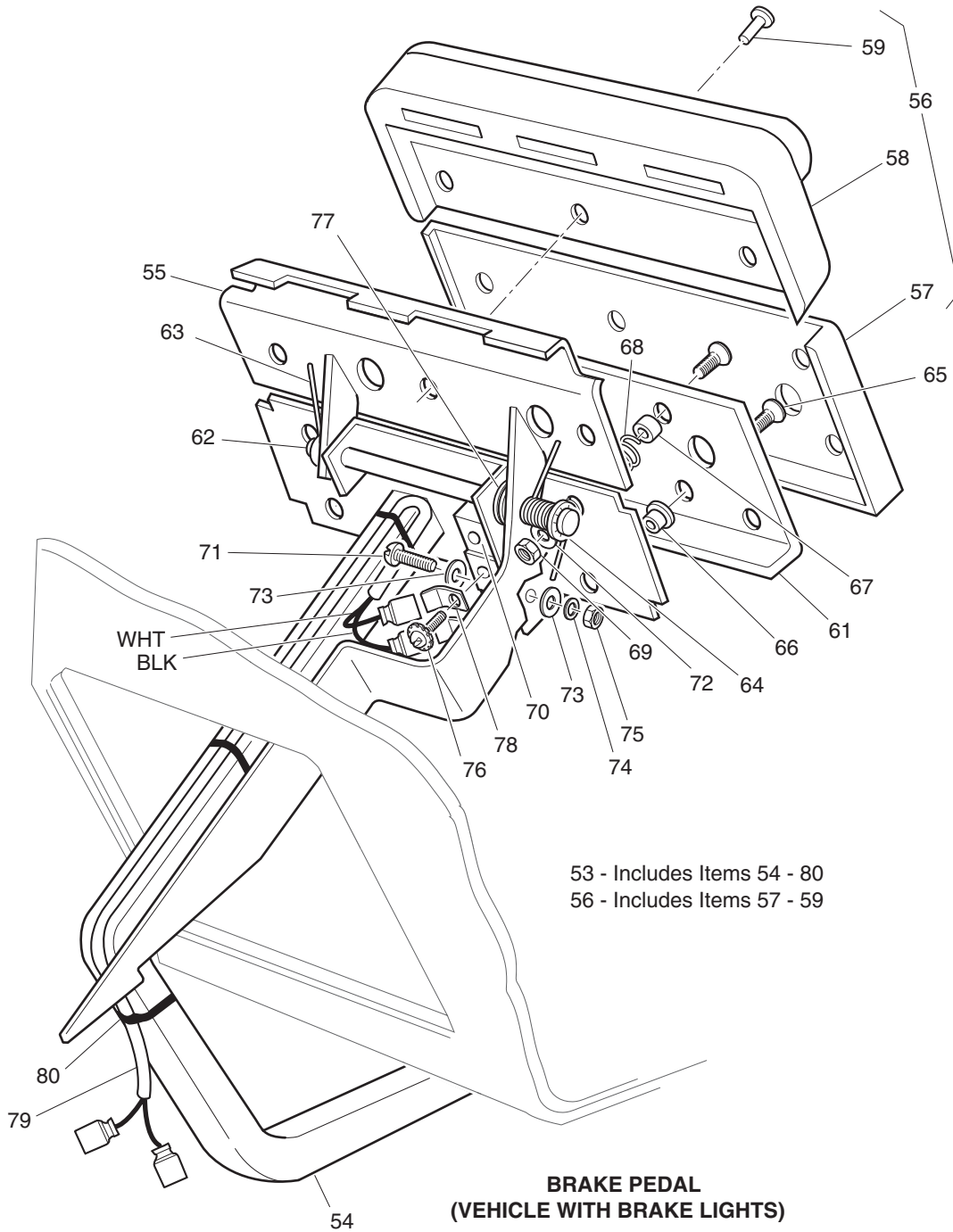
BRAKES - FRONT DISC



Ref Brh 21-1

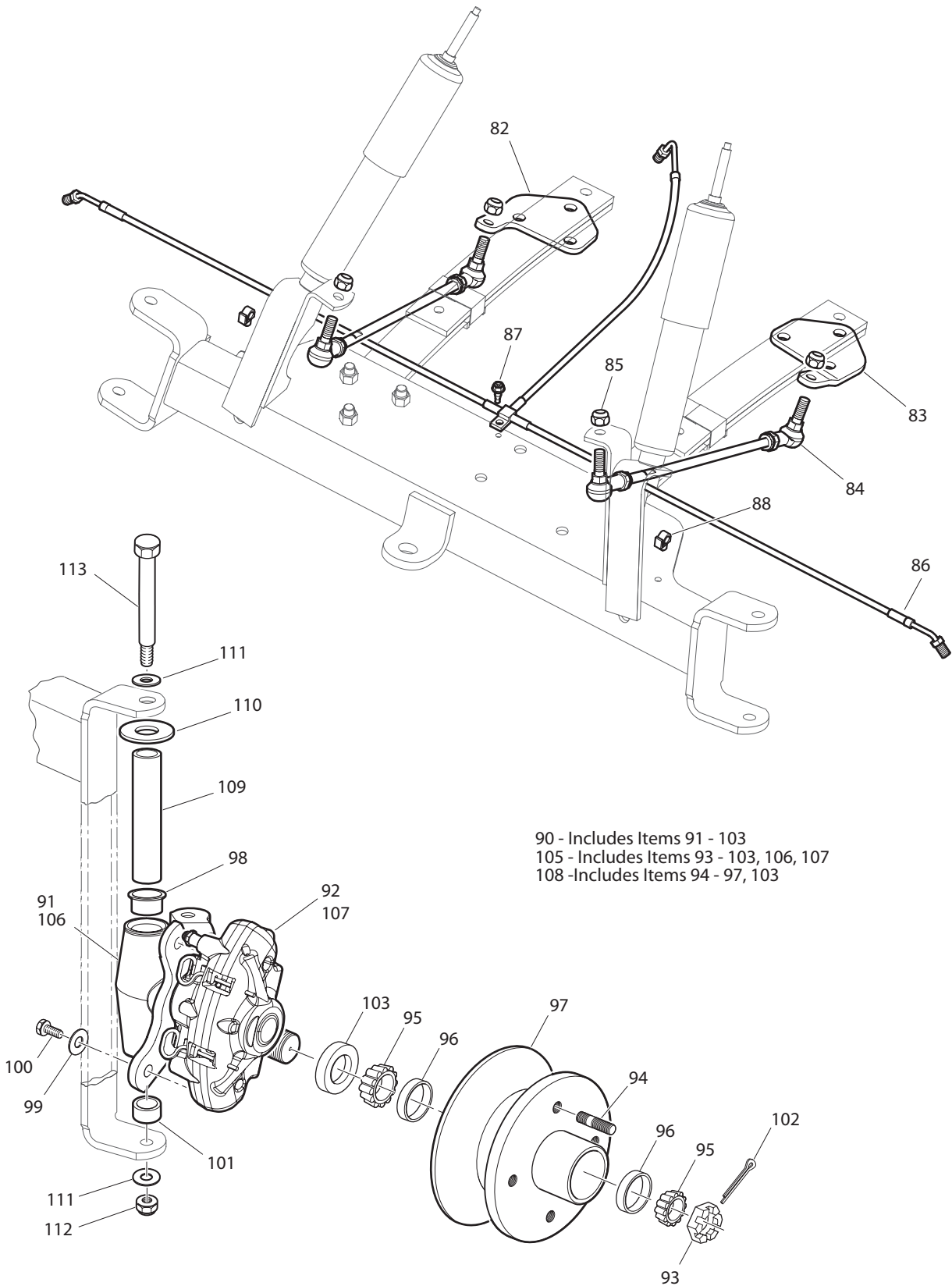


BRAKES - FRONT DISC



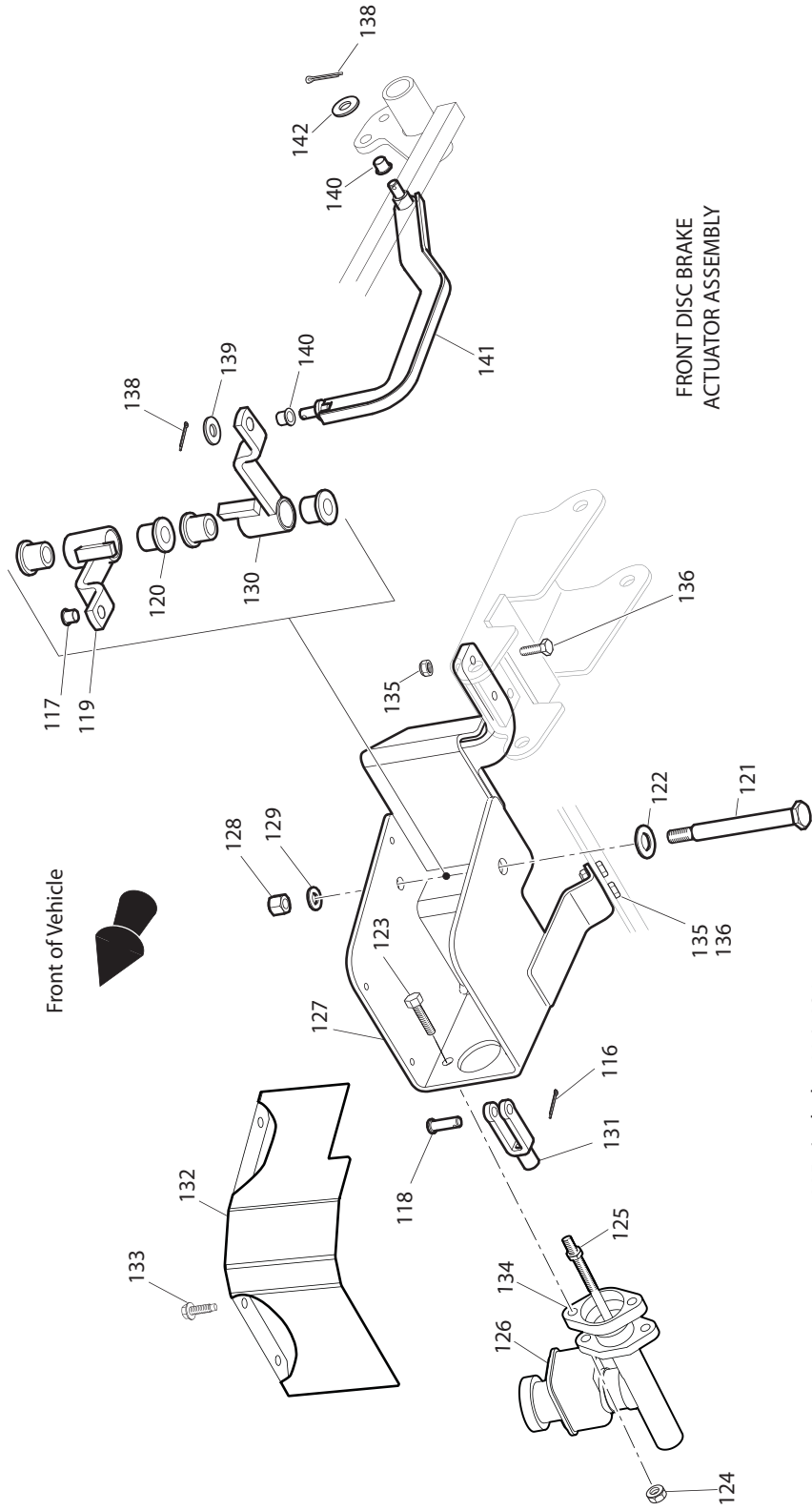
Ref Brh 21-2

BRAKES - FRONT DISC



Ref Brh 21-3

BRAKES - FRONT DISC



BRAKES - FRONT DISC

THE USE OF NON U.L. PARTS WILL VOID ANY U.L. LISTING.
 When ordering parts, please specify the model and serial number of the product.
 * Indicates a component that is not available as an individual part.
 G** Indicates consult Customer Service Department for additional information.

ITEM	PART NO.	1 2 3 4 5	DESCRIPTION	QTY.
1	70612-G01		BRAKE PEDAL ASSEMBLY (WITHOUT BRAKE LIGHTS) (INCLUDES ITEMS 2 - 11).....	1
2	70681-G01		TORSION SPRING.....	2
3	70682-G01		PIVOT PIN.....	1
4	01071-G01		PUSHNUT, 5/16".....	1
5	*		BRAKE PEDAL.....	1
6	74724-G01		PARK BRAKE PEDAL.....	1
7	70274-G01		BRAKE/PARK BRAKE PEDAL PAD KIT (INCLUDES ITEMS 8 - 10).....	1
8	*		SERVICE BRAKE PAD.....	1
9	*		PARK BRAKE PEDAL PAD.....	1
10	16409-G1		OVAL RIVET, 3/16" X 15/32" LG.....	9
11	20835-G1		WASHER, TEFLON, 3/8".....	2
12	70582-G01		SHOULDER BOLT, 3/8 - 16 X 4" LG.....	1
13	70581-G01		FLANGED BUSHING.....	2
14	70676-G01		TORSION SPRING.....	1
15	00643-G1		WASHER, 3/8".....	1
16	11098-G5		LOCK NUT, 3/8 - 16.....	1
17				
18	70272-G04		COMPENSATOR ASSEMBLY (INCLUDES ITEMS 19, 20).....	1
19	00963-G01		SPHERICAL NUT, 5/16 - 24.....	1
20	11098-G9		LOCK NUT, 5/16 - 24.....	1
21				
22	70969-G05		EQUALIZER AND BRAKE CABLE ASSEMBLY (INCLUDES ITEMS 23 - 26)....	1
23	28082-G01		EQUALIZER BRACKET.....	1
24	28083-G01		BRAKE COMPENSATOR BUMPER.....	2
25	*		BRAKE CABLE (DRIVER SIDE).....	1
26	*		BRAKE CABLE (PASSENGER SIDE).....	1
27				
28	01111-G01		RETAINING RING, S.S.....	4
29				

BRAKES - FRONT DISC

THE USE OF NON U.L. PARTS WILL VOID ANY U.L. LISTING.
 When ordering parts, please specify the model and serial number of the product.
 * Indicates a component that is not available as an individual part.
 G** Indicates consult Customer Service Department for additional information.

ITEM	PART NO.	1 2 3 4 5	DESCRIPTION	QTY.
30	10386-G3		CLEVIS PIN, 5/16" X 1" LG	1
31	10387-G3		COTTER PIN, 3/32" X 3/4" LG	3
32	14443-G2		CLEVIS PIN, 5/16" X 3/4" LG	2
33				
34	70601-G01		KICK-OFF LINK.....	1
35	17838-G1		NYLON BUSHING.....	2
36	20835-G1		TEFLON WASHER, 3/8"	2
37	00559-G8		WASHER, 5/16"	2
38	10387-G3		COTTER PIN, 3/32" X 3/4" LG	2
39	70098-G01		KICK-OFF CAM PIVOT.....	1
40	10097-G6		FLANGED BEARING	2
41	70587-G01		KICK-OFF CAM.....	1
42	71215-G01		SETSCREW, 1/4 - 20 X 1/2" LG.....	2
43	14134-G4		SPACER	1
44				
45	70113-G01		ADJUSTABLE BUMPER	1
46	11027-G1		LOCK NUT, 5/16 - 18	1
47				
48	70080-G01		CATCH BRACKET	1
49	00414-G6		BOLT, 1/4 - 20 X 3/4" LG	2
50	14390-G4		LOCK NUT, 1/4 - 20	2
51				
52				
53	74874-G01		BRAKE PEDAL ASSEMBLY (WITH BRAKE LIGHTS) (INCLUDES ITEMS 54 - 80).....	1
54	*		BRAKE PEDAL.....	1
55	74724-G01		PARK BRAKE PEDAL	1
56	70274-G01		BRAKE/PARK BRAKE PEDAL PAD KIT (INCLUDES ITEMS 57 - 59).....	1
57	*		SERVICE BRAKE PAD	1
58	*		PARK BRAKE PAD.....	1



BRAKES - FRONT DISC

THE USE OF NON U.L. PARTS WILL VOID ANY U.L. LISTING.

When ordering parts, please specify the model and serial number of the product.

* Indicates a component that is not available as an individual part.

G** Indicates consult Customer Service Department for additional information.

ITEM	PART NO.	1 2 3 4 5	DESCRIPTION	QTY.
59	16409-G1		OVAL RIVET, 3/16" X 15/32" LG	9
60				
61	70258-G03		BRAKE PEDAL PLATE	1
62	70682-G01		PIVOT PIN	1
63	70681-G01		TORSION SPRING	2
64	01071-G01		PUSHNUT, 5/16"	1
65	00737-G8		SCREW, #10 - 24 X 1" LG	4
66	00739-G1		RUBBER NUT, #10 - 24	2
67	74535-G01		BRAKE PEDAL STANDOFF	2
68	27137-G01		CONICAL SPRING	2
69	14390-G10		LOCK NUT, #10 - 24	2
70	10606-G8		MICRO SWITCH	1
71	00957-G1		SCREW, #6 - 32 X 1 1/4" LG	2
72	00559-G5		WASHER, #10	2
73	00559-G3		WASHER, #6	4
74	00565-G3		LOCK WASHER, #6	2
75	00525-G5		NUT, #6 - 32	2
76	13514-G1		SCREW AND LOCK WASHER, #6	2
77	20835-G1		WASHER, TEFLON, 3/8"	2
78	14628-G1		FASTON TAB	2
79	24605-G1		WIRE HARNESS (BRAKE LIGHT)	1
80	17618-G1		WIRE TIE	3
81				
82	74731-G02		SPRING PLATE (PASSENGER SIDE)	1
83	74731-G01		SPRING PLATE (DRIVER SIDE)	1
84	74730-G01		FOUR LINK ROD	2
85	01084-G01		LOCK NUT, M10-1.25	4
86	74736-G01		BRAKE LINE	1
87	01038-G01		SCREW, 1/4 - 20 X 4444" LG	1
88	74875-G01		WIRE RETAINER	2

BRAKES - FRONT DISC

THE USE OF NON U.L. PARTS WILL VOID ANY U.L. LISTING.

When ordering parts, please specify the model and serial number of the product.

* Indicates a component that is not available as an individual part.

G** Indicates consult Customer Service Department for additional information.

ITEM	PART NO.	1 2 3 4 5	DESCRIPTION	QTY.
89				
90	602281		SPINDLE, CALIPER AND DISC HUB ASSEMBLY (DRIVER SIDE) (INCLUDES ITEMS 91, 93 - 103).....	1
91	602176		DISC BRAKE SPINDLE (DRIVER SIDE)	1
92	74733-G02		CALIPER (DRIVER SIDE)	1
93	12093-G1		SLOTTED NUT	1
94	74864-G01		DRIVE FLANGE STUD.....	4
95	11750-G2		ROLLER BEARING	2
96	51141-G1		BEARING RACE.....	2
97	74995-G01		DISC BRAKE HUB.....	1
98	70648-G01		FLANGED BEARING.....	1
99	00566-G1		WASHER, 3/8"	2
100	00426-G6		BOLT, 3/8 - 16 X 1.....	2
101	70749-G01		BEARING.....	1
102	00798-G8		COTTER PIN	1
103	25146-G1		GREASE SEAL.....	1
104				
105	602288		SPINDLE, CALIPER AND DISC HUB ASSEMBLY (PASSENGER SIDE) (INCLUDES ITEMS 93 - 103, 107).....	1
106	602158		DISC BRAKE SPINDLE (PASSENGER SIDE).....	1
107	74733-G01		CALIPER (PASSENGER SIDE).....	1
108	74948-G01		DISC BRAKE SERVICE HUB (INCLUDES ITEMS 94 - 97, 103).....	1
109	70745-G01		KINGPIN TUBE	2
110	70754-G01		THRUST WASHER	2
111	00560-G3		WASHER, 1/2"	4
112	14390-G6		LOCKNUT, 1/2 - 13	2
113	00407-G6		CAPSCREW, 1/2 - 13 X 6" LG	2
114				
115	74702-G02		FRONT DISC BRAKE BRAKE ACTUATOR ASSEMBLY (INCLUDES ITEMS 116 - 134).....	1
116	10387-G3		COTTER PIN, 3/32 X 3/4" LG.....	1

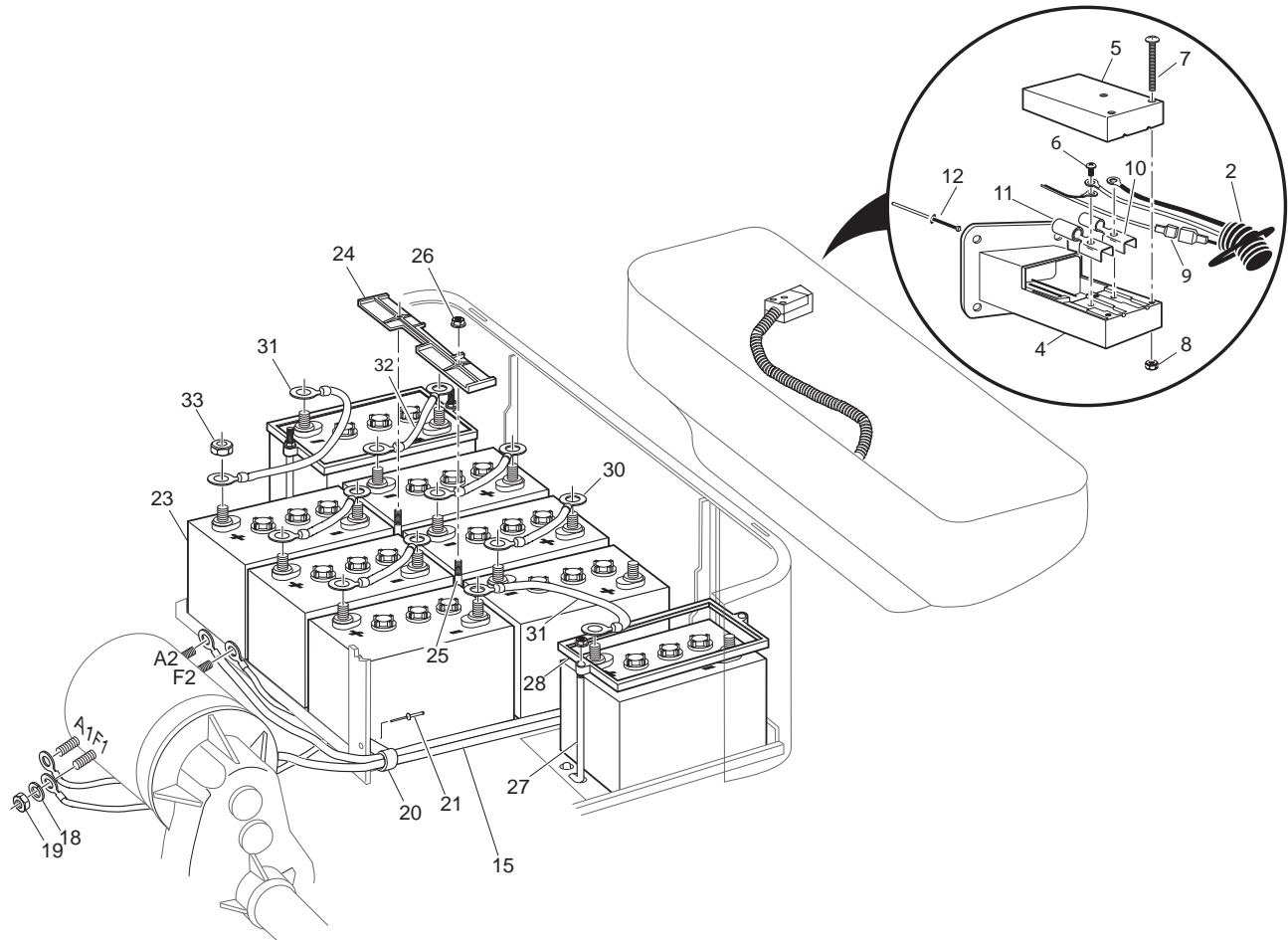
BRAKES - FRONT DISC

THE USE OF NON U.L. PARTS WILL VOID ANY U.L. LISTING.
 When ordering parts, please specify the model and serial number of the product.
 * Indicates a component that is not available as an individual part.
 G** Indicates consult Customer Service Department for additional information.

ITEM	PART NO.	1	2	3	4	5	DESCRIPTION	QTY.
117	17838-G1						NYLON BUSHING	1
118	10386-G3						CLEVIS PIN, 5/16 X 1" LG.....	1
119	74753-G01						UPPER ACTUATOR PIVOT	1
120	70581-G02						ACETAL BUSHING	4
121	74711-G01						SHOULDER BOLT	1
122	00560-G3						WASHER, 1/2"	1
123	00439-G4						BOLT, 1/2 - 13 X 6" LG.....	2
124	11098-G6						FLANDED LOCK NUT, 5/16 - 18	2
125	00544-G4						JAM NUT	1
126	604804						MASTER CYLINDER.....	1
127	74703-G01						BRAKE ACTUATOR ASSEMBLY HOUSING	1
128	11098-G5						LOCKNUT, 3/8 - 16.....	1
129	00679-G1						WASHER, 3/8" STAINLESS	1
130	74707-G01						LOWER ACTUATOR PIVOT.....	1
131	10385-G4						CLEVIS YOKE	1
132	605778						BRAKE ACTUATOR ASSEMBLY COVER	1
133	01038-G01						SCREW, 1/4 -20 SWAGEFORM.....	3
134	604565						MASTER CYLINDER SPACER	1
135	00414-G8						BOLT, 1/4 - 20 X 1 1/4" LG	4
136	00891-G2						LOCKNUT, 1/4 - 20	4
137								
138	10387-G3						COTTER PIN, 3/32 X 3/4	2
139	20835-G1						WASHER, NYLON	1
140	17838-G1						NYLON BUSHING.....	2
141	74865-G01						ACTUATOR LINKAGE	1
142	00771-G5						WASHER, 3/8"	1
143	74917-G01						DISC BRAKE PAD AND PIN KIT (SERVICES ONE CORNER) (INCLUDES ITEMS 144 - 145).....	1
144	*						BRAKE PADS	2
145	*						BRAKE PAD RETAINER PINS	2

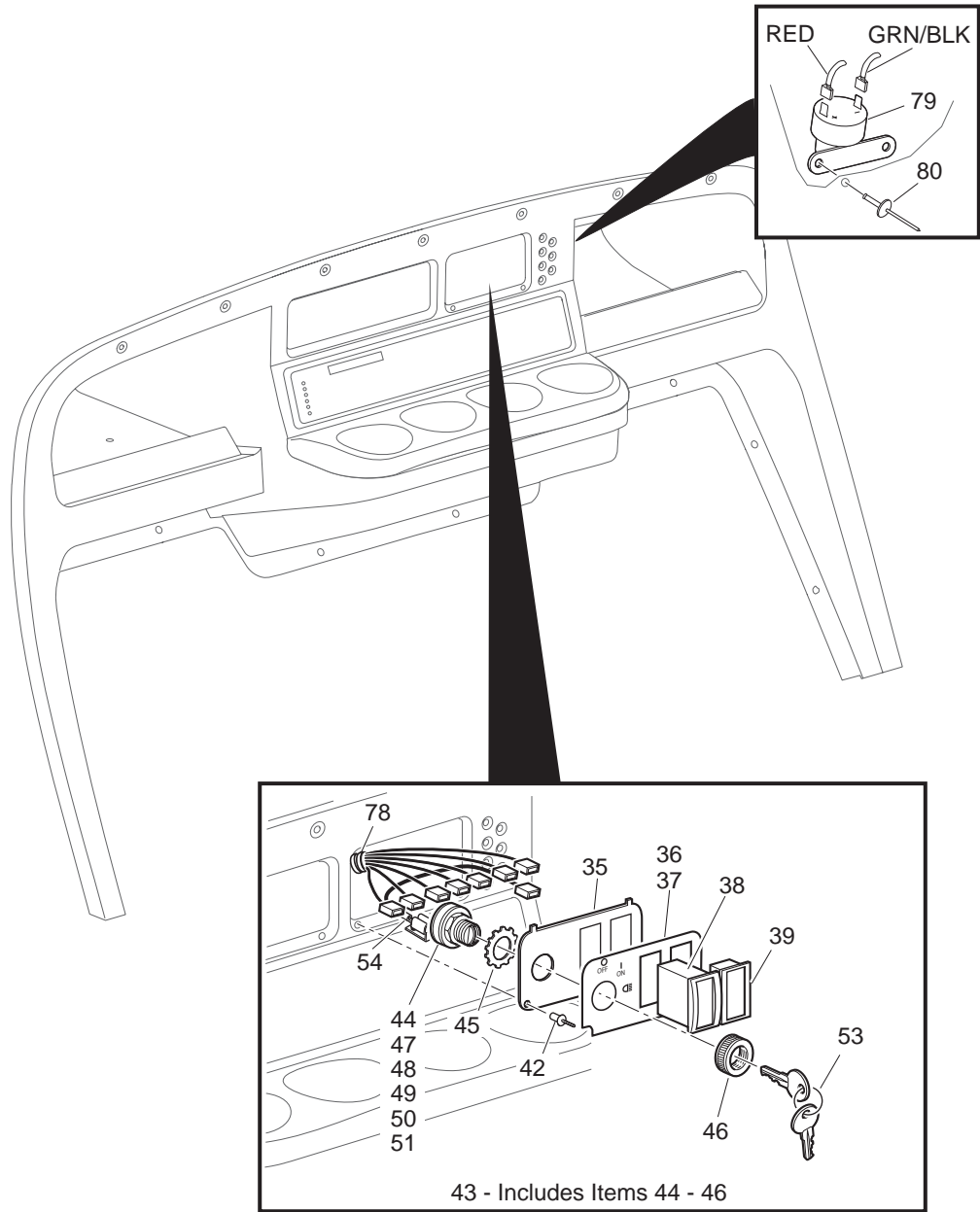
ELECTRICAL SYSTEM

- 1 - Includes Items 2 - 11
- 3 - Includes Items 4 - 11



Ref Ele 7-1

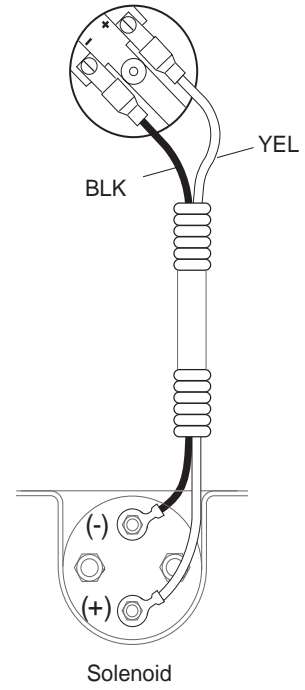
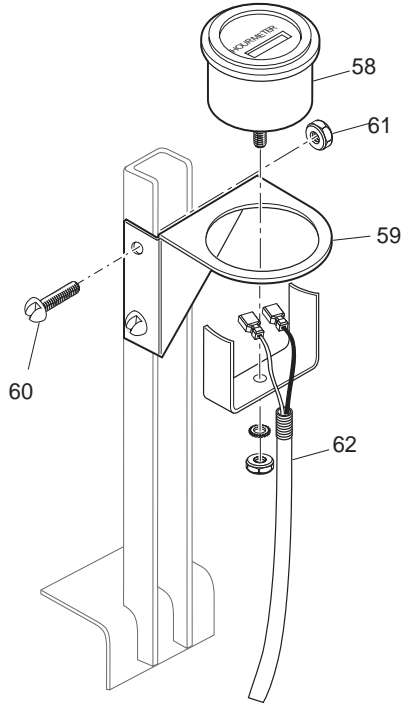
ELECTRICAL SYSTEM



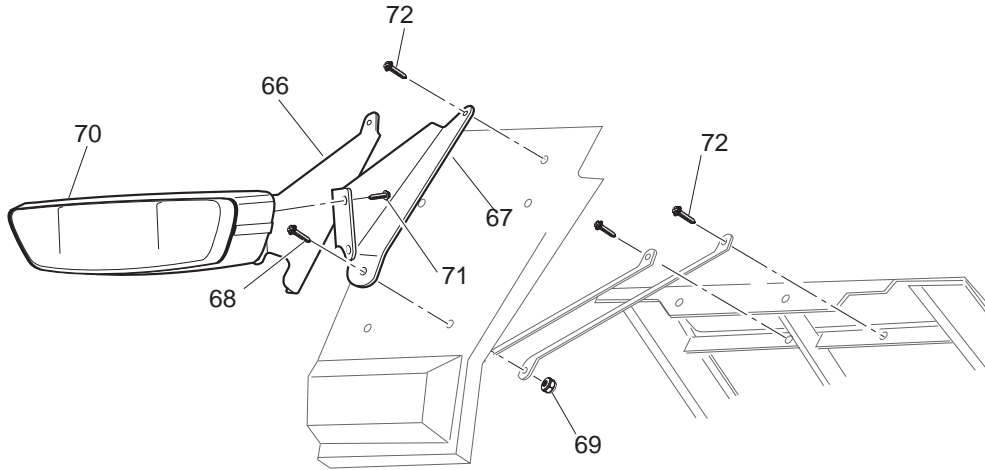
ELECTRICAL SYSTEM

HOUR METER

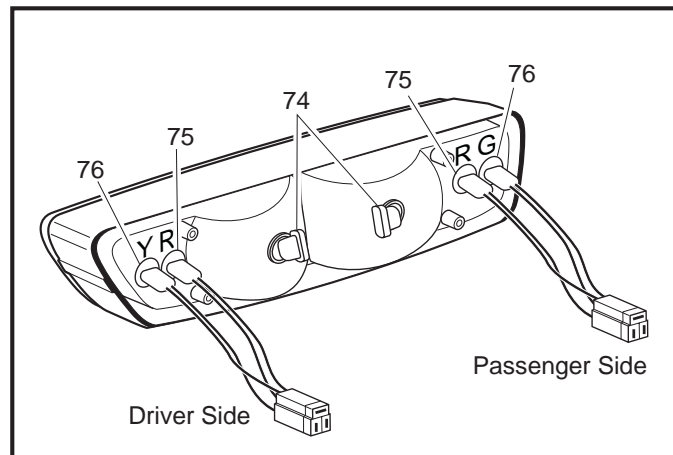
57 - Includes Items 58 - 62



ELECTRICAL SYSTEM



HEADLIGHT



ELECTRICAL SYSTEM

THE USE OF NON U.L. PARTS WILL VOID ANY U.L. LISTING.
 When ordering parts, please specify the model and serial number of the product.
 * Indicates a component that is not available as an individual part.
 G** Indicates consult Customer Service Department for additional information.

ITEM	PART NO.	1 2 3 4 5	DESCRIPTION	QTY.
1	73311-G03		CHARGER HARNESS / RECEPTACLE (INCLUDES ITEMS 2 - 11).....	1
2	602822		CHARGER HARNESS.....	1
3	73051-G30		CHARGER HARNESS RECEPTACLE (INCLUDES ITEMS 4 - 11)	1
4	73051-G22		RECEPTACLE BOTTOM	1
5	73051-G21		RECEPTACLE COVER	1
6	73051-G08		SCREW, #10 - 32 X 1/2" LG.....	2
7	73051-G09		SCREW, #6 - 32 X 1 3/4" LG.....	3
8	73051-G10		LOCK NUT, #6 - 32	3
9	25978-G25		WIRE, RED JUMPER, 18 GA.	1
10	73051-G23		FEMALE CONTACT	1
11	73051-G24		FEMALE CONTACT, INSULATED	1
12	71055-G01		RIVET, 3/16" X 1" LG	4
13				
14				
15	73349-G01		POWER HARNESS	1
16				
17				
18	00993-G01		LOCK WASHER, 5/16"	4
19	28418-G01		NUT, 5/16 - 18	4
20	27327-G02		CLAMP	1
21	10570-G11		RIVET, 3/16" X 3/4" LG (STAINLESS STEEL)	1
22				
23	XXXXX-G**		6 VOLT BATTERY	8
24	70045-G01		BATTERY RETAINER	1
25	01101-G01		HOLD DOWN BOLT	2
26	11027-G1		LOCK NUT, 5/16 - 18	6
27	70386-G01		HOLD DOWN BOLT	4
28	70387-G01		BATTERY RETAINER	2
29				
30	25971-G18		4 GA WIRE (BLK 6")	4

ELECTRICAL SYSTEM

THE USE OF NON U.L. PARTS WILL VOID ANY U.L. LISTING.
 When ordering parts, please specify the model and serial number of the product.
 * Indicates a component that is not available as an individual part.
 G** Indicates consult Customer Service Department for additional information.

ITEM	PART NO.	1 2 3 4 5	DESCRIPTION	QTY.
31	25971-G13		4 GA WIRE (BLK 10 1/2")	2
32	25971-G16		4 GA WIRE (BLK 19")	1
33	00702-G2		NUT, 5/16 - 18	16
34				
35	73030-G02		CONSOLE INSERT PLATE	1
36	74320-G01		LABEL, DIRECTION SELECTOR AND STATE OF CHARGE METER	1
37	74322-G01		LABEL, LIGHTS, DIRECTION SELECTOR & STATE OF CHARGE METER.....	1
38	74323-G01		DIRECTION SELECTOR SWITCH	1
39	33636-G05		STATE OF CHARGE METER (VERTICAL)	1
40				
41				
42	33623-G02		RIVET, 3/16" X 3/8" LG	2
43	17421-G1		IGNITION SWITCH KIT (INCLUDES ITEMS 44 - 46)	1
44	18602-G1		IGNITION SWITCH (WITHOUT LIGHTS, STANDARD KEY)	1
45	00568-G6		LOCK WASHER, 3/4"	1
46	17137-G1		FACE NUT	1
47	17955-G1		IGNITION SWITCH (WITHOUT LIGHTS, NON-STANDARD KEY)	1
48	18027-G1		IGNITION SWITCH (WITHOUT LIGHTS, INDIVIDUALLY KEYED).....	1
49	33639-G01		IGNITION SWITCH (WITH LIGHTS, STANDARD KEY)	1
50	33639-G02		IGNITION SWITCH (WITH LIGHTS, NON-STANDARD KEY).....	1
51	33639-G03		IGNITION SWITCH (WITH LIGHTS, INDIVIDUALLY KEYED)	1
52				
53	17618-G1		WIRE TIE	1
54	25978-G18		18 GA WIRE (RED 6").....	1
55				
56				
57	75113-G06		HOUR METER KIT (INCLUDES ITEMS 58 - 62).....	1
58	21573-G1		HOUR METER ASSEMBLY.....	1
59	74019-G02		HOUR METER BRACKET.....	1
60	00379-G4		SCREW, #10 - 24 X 1/2" LG	2

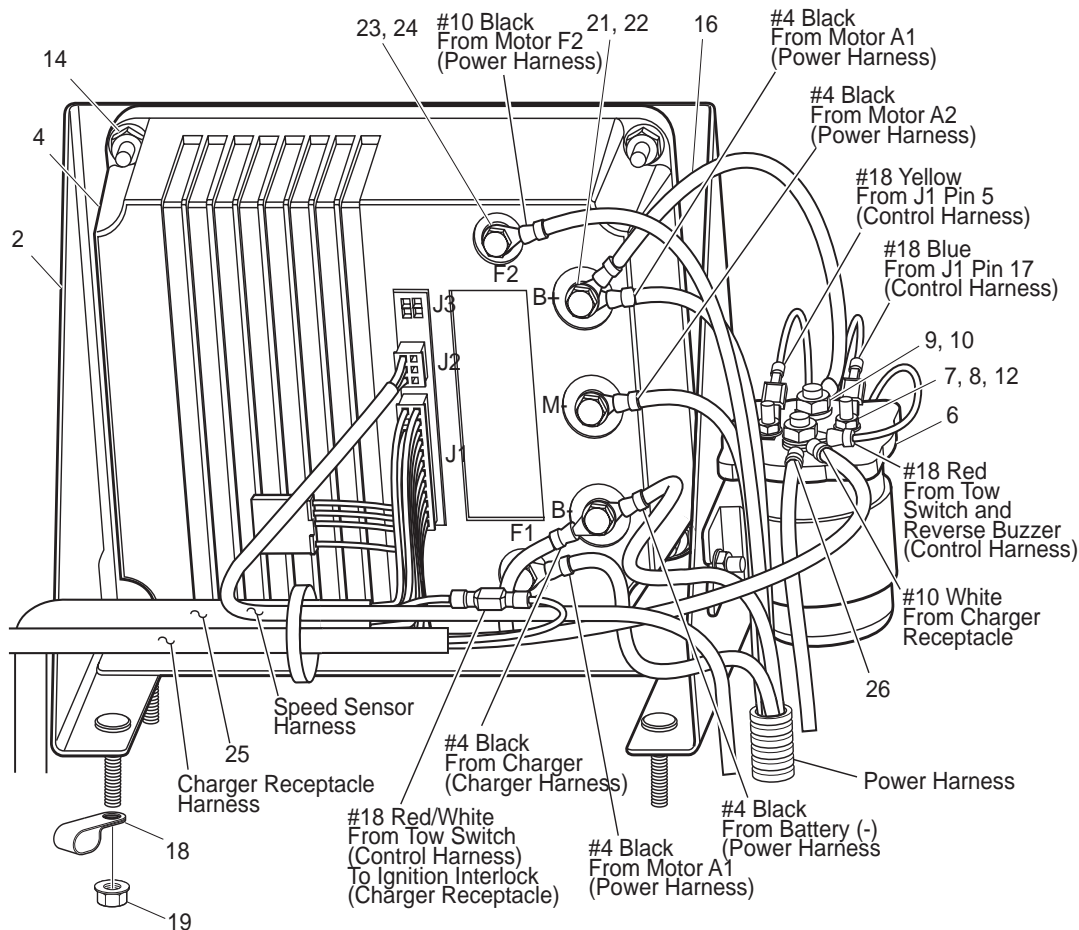
ELECTRICAL SYSTEM

THE USE OF NON U.L. PARTS WILL VOID ANY U.L. LISTING.
 When ordering parts, please specify the model and serial number of the product.
 * Indicates a component that is not available as an individual part.
 G** Indicates consult Customer Service Department for additional information.

ITEM	PART NO.	1 2 3 4 5	DESCRIPTION	QTY.
61	14390-G10		LOCK NUT, #10 - 24	2
62	75117-G04		WIRE HARNESS (HOUR METER).....	1
63				
64				
65				
66	74236-G03		HEADLIGHT MOUNT BRACKET (PASSENGER SIDE).....	1
67	74236-G04		HEADLIGHT MOUNT BRACKET (DRIVER SIDE)	1
68	00414-G6		BOLT, 1/4 - 20 X 3/4" LG	2
69	11027-G2		LOCK NUT, 1/4 - 20	2
70	74001-G01		HEADLIGHT AND TURN SIGNAL LIGHT BAR	1
71	00114-G6		SCREW, 1/4 - 20 X 3/4" LG	4
72	01038-G01		BOLT, 1/4 - 20 X 11/16" LG	4
73				
74	74004-G01		HEADLIGHT BULB	2
75	74005-G01		MARKER LIGHT BULB	2
76	74006-G01		TURN SIGNAL BULB.....	2
77				
78	73334-G01		HARNESS (CONTROL)	1
79	73290-G02		BUZZER	1
80	01041-G01		RIVET, 5/32"	2

ELECTRONIC SPEED CONTROL - PDS

1 - Includes 2 - 16



30

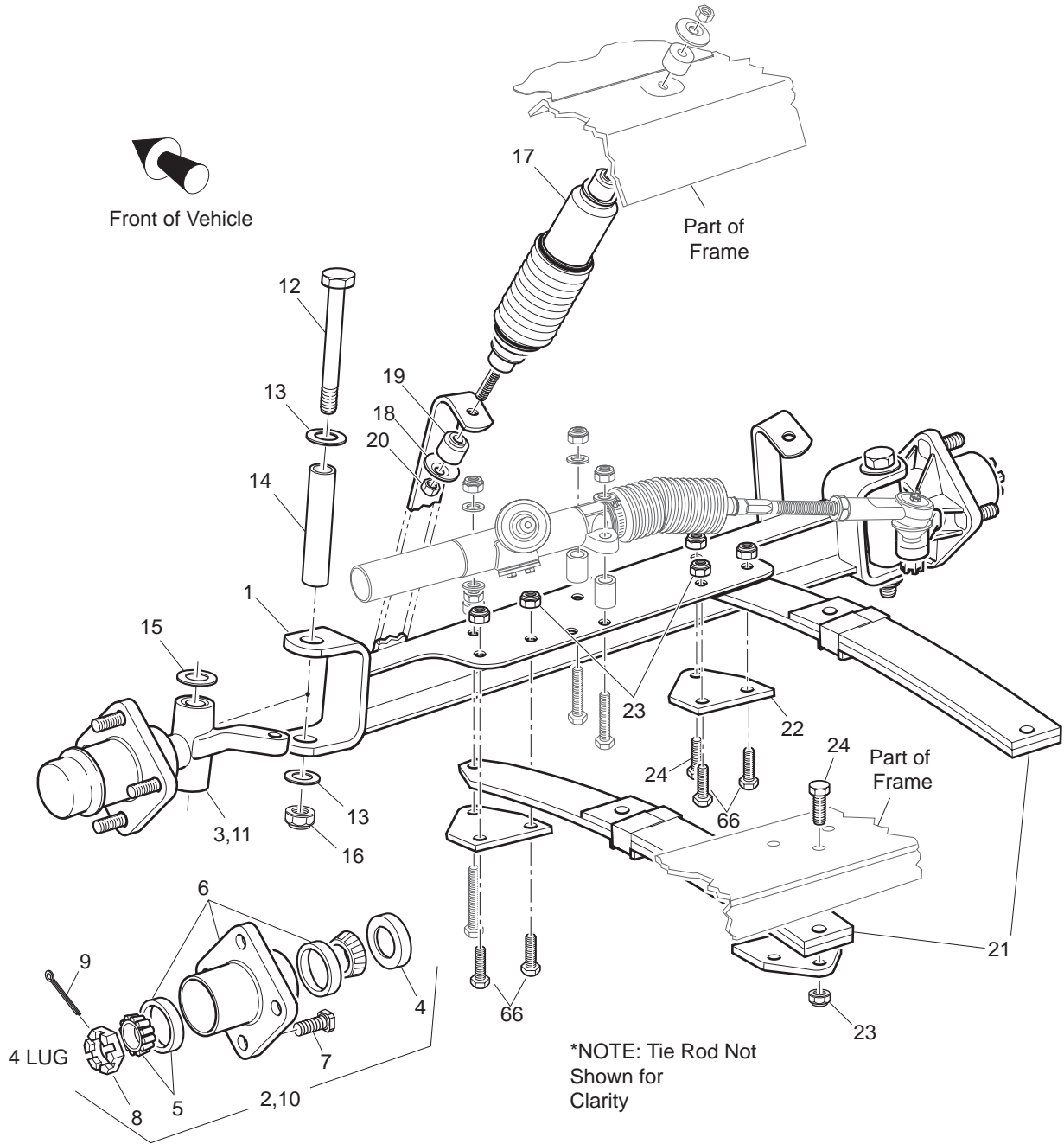
Diagnostic Trouble Code	Symptoms	Corrective Action
P0013 (P0013)	Vehicle will not start	Check timing belt/chain, valve adjustment, compression, timing, etc.
P0017 (P0017)	Vehicle will not start	Check fuel filter, fuel pump, fuel pressure, injectors, etc.
P0020 (P0020)	Vehicle will not start	Check spark plug, timing, etc.
P0021 (P0021)	Vehicle will not start	Check spark plug, timing, etc.
P0022 (P0022)	Vehicle will not start	Check spark plug, timing, etc.
P0023 (P0023)	Vehicle will not start	Check spark plug, timing, etc.
P0024 (P0024)	Vehicle will not start	Check spark plug, timing, etc.
P0025 (P0025)	Vehicle will not start	Check spark plug, timing, etc.
P0026 (P0026)	Vehicle will not start	Check spark plug, timing, etc.
P0027 (P0027)	Vehicle will not start	Check spark plug, timing, etc.
P0028 (P0028)	Vehicle will not start	Check spark plug, timing, etc.
P0029 (P0029)	Vehicle will not start	Check spark plug, timing, etc.
P0030 (P0030)	Vehicle will not start	Check spark plug, timing, etc.
P0031 (P0031)	Vehicle will not start	Check spark plug, timing, etc.
P0032 (P0032)	Vehicle will not start	Check spark plug, timing, etc.
P0033 (P0033)	Vehicle will not start	Check spark plug, timing, etc.
P0034 (P0034)	Vehicle will not start	Check spark plug, timing, etc.
P0035 (P0035)	Vehicle will not start	Check spark plug, timing, etc.
P0036 (P0036)	Vehicle will not start	Check spark plug, timing, etc.
P0037 (P0037)	Vehicle will not start	Check spark plug, timing, etc.
P0038 (P0038)	Vehicle will not start	Check spark plug, timing, etc.
P0039 (P0039)	Vehicle will not start	Check spark plug, timing, etc.
P0040 (P0040)	Vehicle will not start	Check spark plug, timing, etc.
P0041 (P0041)	Vehicle will not start	Check spark plug, timing, etc.
P0042 (P0042)	Vehicle will not start	Check spark plug, timing, etc.
P0043 (P0043)	Vehicle will not start	Check spark plug, timing, etc.
P0044 (P0044)	Vehicle will not start	Check spark plug, timing, etc.
P0045 (P0045)	Vehicle will not start	Check spark plug, timing, etc.
P0046 (P0046)	Vehicle will not start	Check spark plug, timing, etc.
P0047 (P0047)	Vehicle will not start	Check spark plug, timing, etc.
P0048 (P0048)	Vehicle will not start	Check spark plug, timing, etc.
P0049 (P0049)	Vehicle will not start	Check spark plug, timing, etc.
P0050 (P0050)	Vehicle will not start	Check spark plug, timing, etc.
P0051 (P0051)	Vehicle will not start	Check spark plug, timing, etc.
P0052 (P0052)	Vehicle will not start	Check spark plug, timing, etc.
P0053 (P0053)	Vehicle will not start	Check spark plug, timing, etc.
P0054 (P0054)	Vehicle will not start	Check spark plug, timing, etc.
P0055 (P0055)	Vehicle will not start	Check spark plug, timing, etc.
P0056 (P0056)	Vehicle will not start	Check spark plug, timing, etc.
P0057 (P0057)	Vehicle will not start	Check spark plug, timing, etc.
P0058 (P0058)	Vehicle will not start	Check spark plug, timing, etc.
P0059 (P0059)	Vehicle will not start	Check spark plug, timing, etc.
P0060 (P0060)	Vehicle will not start	Check spark plug, timing, etc.
P0061 (P0061)	Vehicle will not start	Check spark plug, timing, etc.
P0062 (P0062)	Vehicle will not start	Check spark plug, timing, etc.
P0063 (P0063)	Vehicle will not start	Check spark plug, timing, etc.
P0064 (P0064)	Vehicle will not start	Check spark plug, timing, etc.
P0065 (P0065)	Vehicle will not start	Check spark plug, timing, etc.
P0066 (P0066)	Vehicle will not start	Check spark plug, timing, etc.
P0067 (P0067)	Vehicle will not start	Check spark plug, timing, etc.
P0068 (P0068)	Vehicle will not start	Check spark plug, timing, etc.
P0069 (P0069)	Vehicle will not start	Check spark plug, timing, etc.
P0070 (P0070)	Vehicle will not start	Check spark plug, timing, etc.
P0071 (P0071)	Vehicle will not start	Check spark plug, timing, etc.
P0072 (P0072)	Vehicle will not start	Check spark plug, timing, etc.
P0073 (P0073)	Vehicle will not start	Check spark plug, timing, etc.
P0074 (P0074)	Vehicle will not start	Check spark plug, timing, etc.
P0075 (P0075)	Vehicle will not start	Check spark plug, timing, etc.
P0076 (P0076)	Vehicle will not start	Check spark plug, timing, etc.
P0077 (P0077)	Vehicle will not start	Check spark plug, timing, etc.
P0078 (P0078)	Vehicle will not start	Check spark plug, timing, etc.
P0079 (P0079)	Vehicle will not start	Check spark plug, timing, etc.
P0080 (P0080)	Vehicle will not start	Check spark plug, timing, etc.

ELECTRONIC SPEED CONTROL - PDS

THE USE OF NON U.L. PARTS WILL VOID ANY U.L. LISTING.
 When ordering parts, please specify the model and serial number of the product.
 * Indicates a component that is not available as an individual part.
 G** Indicates consult Customer Service Department for additional information.

ITEM	PART NO.	1 2 3 4 5	DESCRIPTION	QTY.
1	73348-G04		ELECTRONIC SPEED CONTROL ASSEMBLY (INCLUDES ITEMS 2 - 16).....	1
2	73351-G00		CONTROLLER MOUNT	1
3				
4	73098-G04		ELECTRONIC SPEED CONTROLLER	1
5				
6	73231-G01		48 VOLT SOLENOID (INCLUDES ITEMS 7 - 10)	1
7	*		LOCK WASHER, #10	2
8	*		NUT, #10 - 32	2
9	*		LOCK WASHER, 5/16"	2
10	*		JAM NUT, 5/16 - 24	2
11				
12	73446-G01		FASTON TAB	4
13				
14	11027-G2		LOCK NUT, 1/4 - 20	6
15				
16	25971-G17		4 GA WIRE (BLK 9")	1
17				
18	73053-G01		DOUBLE TUBE CLAMP	1
19	11027-G2		LOCK NUT, 1/4 - 20	4
20				
21	73296-G01		BOLT, 8MM X 16MM LG	3
22	00993-G01		LOCK WASHER, 5/16"	3
23	73346-G01		BOLT, 6MM X 1 X 12MM LG	2
24	00993-G02		LOCK WASHER, 1/4"	2
25	73334-G01		CONTROL HARNESS	1
26	25971-G06		4 GA WIRE (BLK 59 1/2") (SOL - BATTERY +)	1
27				
28				
29	71055-G01		RIVET, 5/32" X 3/4" LG	2
30	73398-G01		DIAGNOSTIC LABEL (FAULT CODE)	1

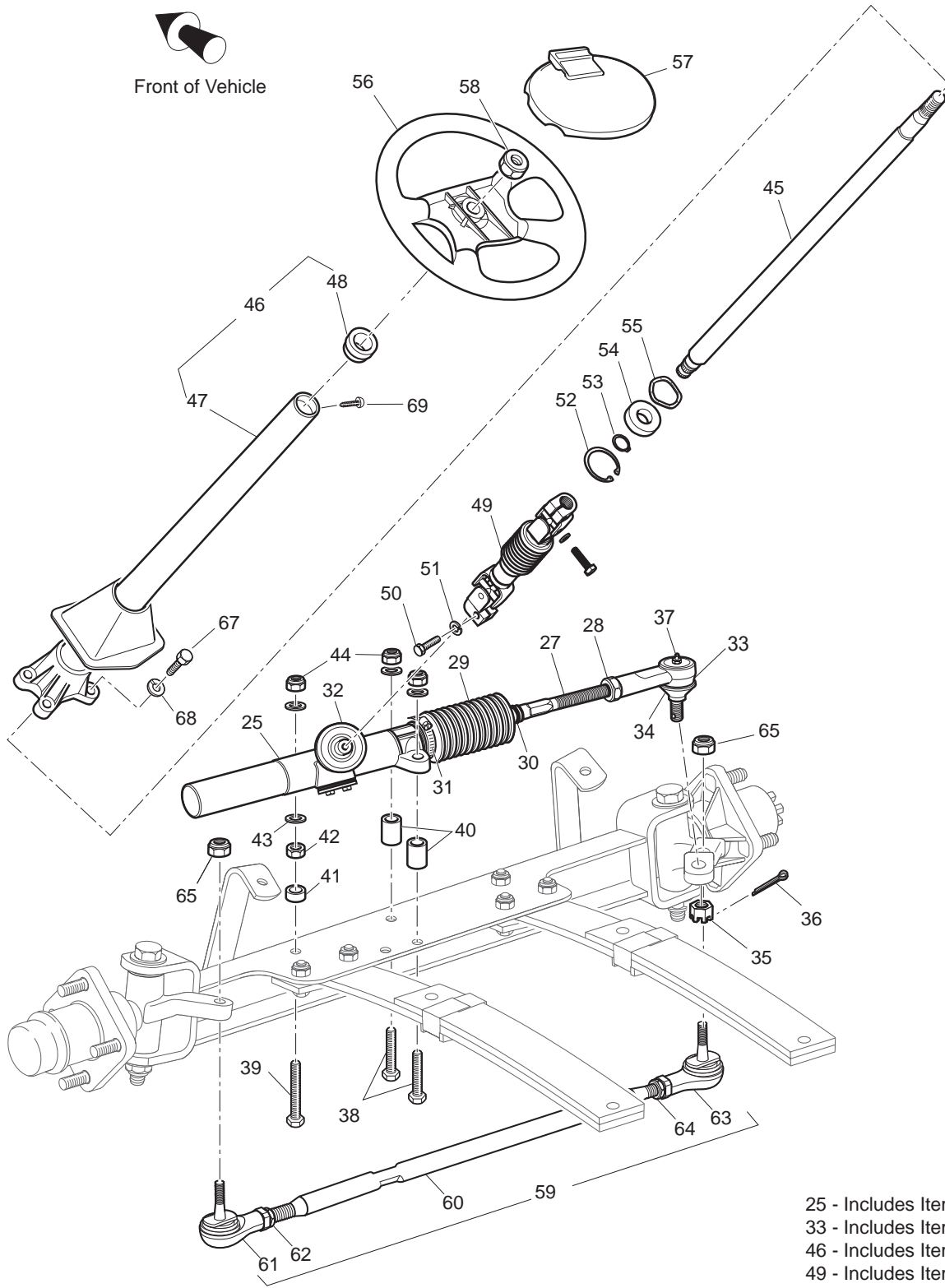
FRONT SUSPENSION/STEERING



Ref Fss 1-1

- 2 - Includes Items 3 - 9
- 6 - Includes Item 7
- 10 - Includes Items 4 - 9, 11

FRONT SUSPENSION/STEERING



- 25 - Includes Items 26 - 37
- 33 - Includes Items 34 - 37
- 46 - Includes Items 47, 48, 69
- 49 - Includes Items 51, 52
- 59 - Includes Items 60 - 64

Ref Fss 1-2

FRONT SUSPENSION/STEERING

Where applicable, THE USE OF NON UL PARTS WILL VOID ANY UL LISTING.

When ordering parts, please specify the model and serial number of the product.

* Indicates a component that is not available as an individual part.

G** Indicates consult Customer Service Department for additional information.

ITEM	PART NO.	1 2 3 4 5	DESCRIPTION	QTY.
1	602513		FRONT AXLE	1
2	70942-G03		SPINDLE AND HUB ASSEMBLY, 4 LUG (PASSENGER SIDE) (INCLUDES ITEMS 3 - 9).....	1
3	70940-G02		SPINDLE ASSEMBLY (PASSENGER SIDE).....	1
4	25146-G1		GREASE SEAL.....	1
5	50892-G1		ROLLER BEARING AND RACE ASSEMBLY.....	2
6	70895-G01		WHEEL HUB ASSEMBLY WITH RACES, 4 LUG (INCLUDES ITEM 7)	1
7	19862-G1		LUG BOLT, 1/2 - 20 X 1 3/16" LG.....	4
8	12093-G1		CASTELLATED NUT, 1 - 14	1
9	00798-G8		COTTER PIN, 5/32" X 1 3/4" LG	1
10	70673-G03		SPINDLE AND HUB ASSEMBLY, 4 LUG (DRIVER SIDE) (INCLUDES ITEMS 4 - 9, 11).....	1
11	70742-G02		SPINDLE ASSEMBLY (DRIVER SIDE)	1
12	00407-G6		BOLT, 1/2 - 13 X 6" LG	2
13	00560-G3		WASHER, 1/2"	4
14	70745-G01		KING PIN TUBE	2
15	70754-G01		THRUST WASHER, 1" (STAINLESS STEEL).....	2
16	14390-G6		LOCK NUT, 1/2 - 13	2
17	76419-G01		SHOCK ABSORBER.....	2
18	10435-G1		SHOCK ABSORBER WASHER	8
19	10194-G1		RUBBER BUSHING	8
20	00532-G6		NUT, 3/8 - 24	4
21	70664-G03		LEAF SPRING (HEAVY DUTY)	2
22	70163-G03		SPRING PLATE	4
23	00734-G1		LOCK NUT, 7/16 - 14	11
24	00463-G6		BOLT, 7/16 - 14 X 1 3/4" LG	7
25	70964-G01		RACK AND PINION UNIT (COMPLETE) (INCLUDES ITEMS 26 - 37)	1
26	*		STEERING BOX INSTALLATION TAG.....	1
27	70694-G01		RACK EXTENSION	1
28	*		JAM NUT, 1/2 - 20.....	1
29	70961-G01		RACK BOOT.....	1

FRONT SUSPENSION/STEERING

Where applicable, THE USE OF NON UL PARTS WILL VOID ANY UL LISTING.

When ordering parts, please specify the model and serial number of the product.

* Indicates a component that is not available as an individual part.

G** Indicates consult Customer Service Department for additional information.

ITEM	PART NO.	1 2 3 4 5	DESCRIPTION	QTY.
30	12416-G2		WIRE TIE	1
31	11391-G8		CLAMP, 1 13/16 - 2 3/8"	1
32	70638-G01		PINION SEAL	1
33	70695-G01		RACK BALL JOINT (INCLUDES ITEMS 34 -37)	1
34	50641-G1		RUBBER BOOT	1
35	50209-G2		CASTELLATED NUT, 7/16 - 20	1
36	10387-G2		COTTER PIN, 3/32" X 1" LG	1
37	10389-G3		GREASE FITTING, STRAIGHT	1
38	00464-G6		BOLT, 7/16 - 14 X 2 3/4" LG	2
39	01068-G01		BOLT, 7/16 - 14 X 3 1/2" LG	1
40	70667-G02		SPACER	2
41	70667-G03		SPACER (SHORT)	1
42	00532-G7		NUT, 7/16 - 14	1
43	00560-G2		FLAT WASHER, 7/16"	7
44	00734-G1		LOCK NUT, 7/16 - 14	3
45	70607-G01		STEERING SHAFT	1
46	70758-G05		STEERING COLUMN KIT (INCLUDES ITEMS 47,48 & 69)	1
47	70610-G03		STEERING COLUMN	1
48	28569-G01		STEERING COLUMN BUSHING	1
49	70580-G01		INTERMEDIATE SHAFT (INCLUDES ITEMS 50, 51)	1
50	01055-G01		BOLT, M8 X 1.25 - 05	2
51	00565-G8		LOCK WASHER, 5/16"	2
52	70751-G01		RETAINING RING (INTERNAL)	1
53	70888-G01		RETAINING RING (EXTERNAL)	1
54	15112-G1		BALL BEARING	1
55	70887-G01		WAVE WASHER	1
56	602978		STEERING WHEEL	1
57	71950-G01		CLIPBOARD	1
58	14390-G2		LOCK NUT, 5/8 - 18	1
59	70876-G02		TIE ROD ASSEMBLY (INCLUDES ITEMS 60 - 64)	1

FRONT SUSPENSION/STEERING

Where applicable, THE USE OF NON UL PARTS WILL VOID ANY UL LISTING.

When ordering parts, please specify the model and serial number of the product.

* Indicates a component that is not available as an individual part.

G** Indicates consult Customer Service Department for additional information.

ITEM	PART NO.	1 2 3 4 5	DESCRIPTION	QTY.
60	70897-G02		THREADED ROD (24" LG).....	1
61	70902-G01		TIE ROD END (LEFT HAND THREADS)	1
62	01069-G01		JAM NUT, M12 X 1.25 - 05 (LEFT HAND THREADS).....	1
63	70902-G02		TIE ROD END (RIGHT HAND THREADS).....	1
64	01069-G02		JAM NUT, M12 X 1.25 - 05 (RIGHT HAND THREADS)	1
65	00734-G1		LOCK NUT, 7/16 - 14	2
66	00463-G4		BOLT, 7/16 - 14 x 1 1/2 " LG.....	4
67	01006-G01		BOLT, 3/8 - 16 x 1 1/4" LG.....	4
68	00879 -G1		LOCK WASHER, 3/8".....	4
69	01022-G01		SCREW #6 - 20 x 5/16" LG	1

DID YOU KNOW?

CartPros directs you to the right part using the part numbers from this manual. Enter the part number into our search box and it will find the part you are looking for.

GET STARTED HERE



<https://CartPros.com/f.html>

FRONT SUSPENSION/STEERING

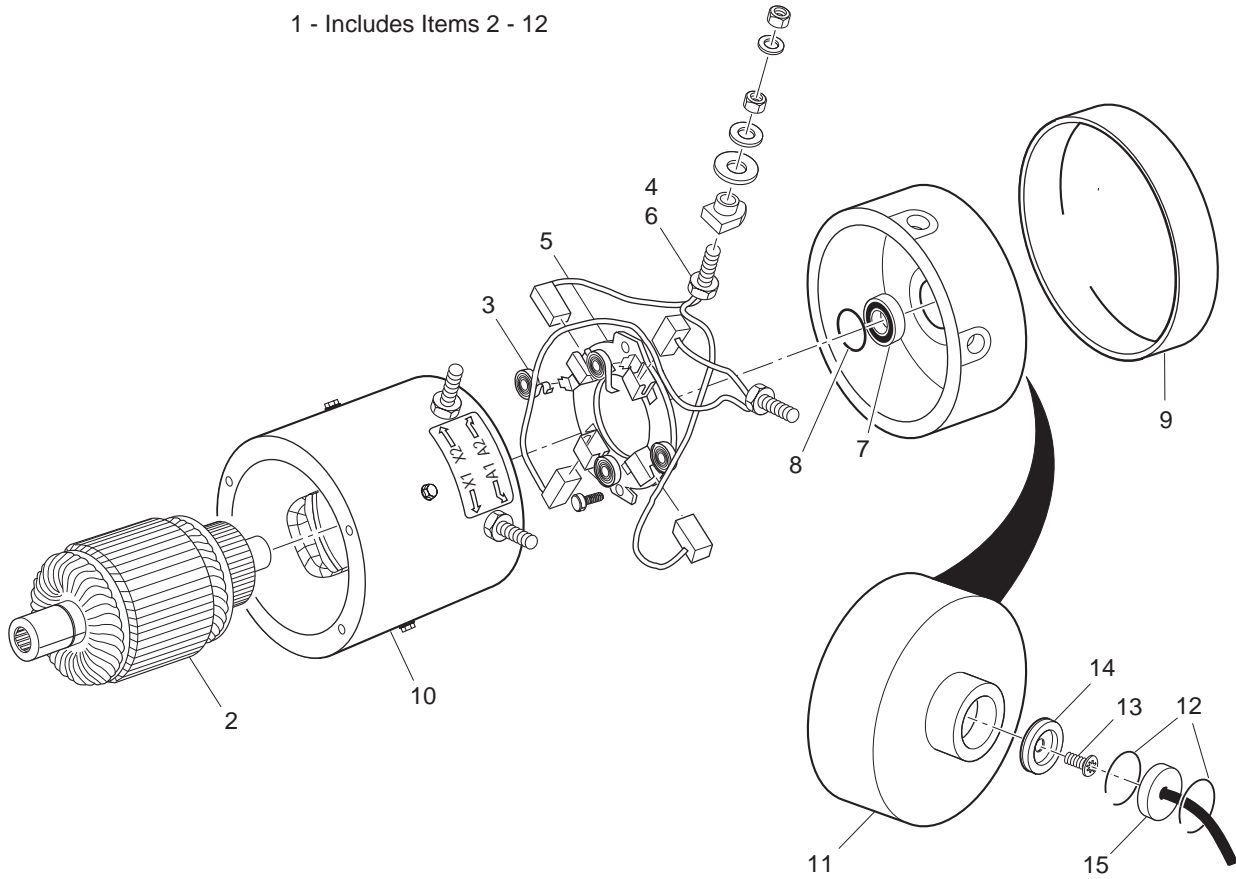
Notes:

Lined area for notes



MOTOR

1 - Includes Items 2 - 12



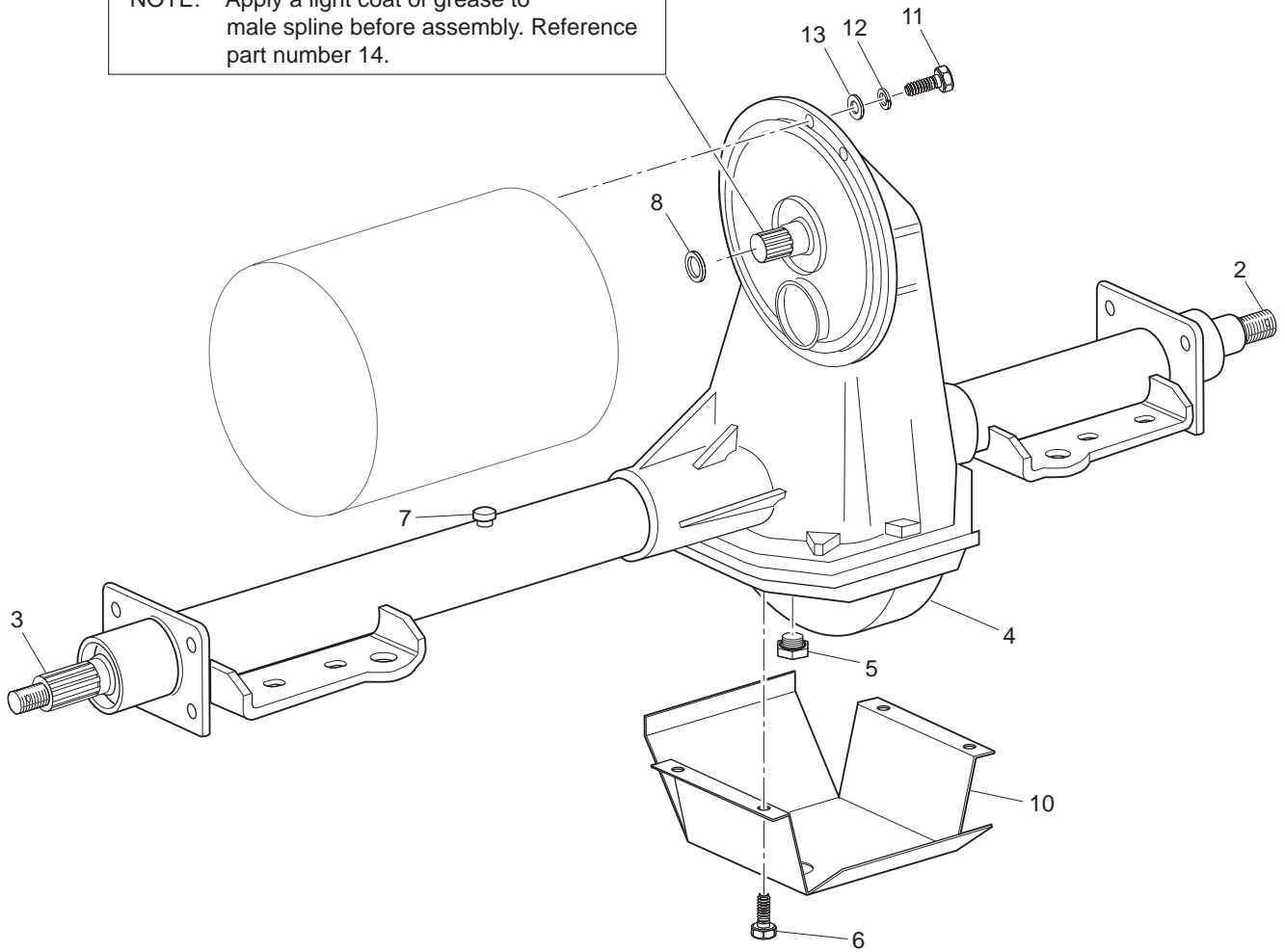
THE USE OF NON U.L. PARTS WILL VOID ANY U.L. LISTING.
 When ordering parts, please specify the model and serial number of the product.
 * Indicates a component that is not available as an individual part.
 G** Indicates consult Customer Service Department for additional information.

ITEM	PART NO.	1 2 3 4 5	DESCRIPTION	QTY.
1	73291-G04		MOTOR (SEPARATELY EXCITED) (PDS) (INCLUDES ITEMS 2-12).....	1
2	73120-G36		ARMATURE	1
3	73120-G38		BRUSH SPRING.....	4
4	73120-G39		BRUSH	4
5	73120-G40		BRUSH BOX.....	1
6	73120-G41		BRUSH REPLACEMENT KIT (INCLUDES HARDWARE)	2
7	73120-G07		BEARING	1
8	73120-G06		SNAP RING	1
9	73120-G43		HEADBAND	1
10	73120-G37		FRAME AND FIELD COIL (INCLUDES HARDWARE).....	1
11	73120-G42		COVER COMMUTATOR END	1
12	73277-G01		RETAINING RING.....	1
13	01037-G02		SCREW, #10 - 32 X 1/2" LG.....	1
14	73328-G01		MAGNET	1
15	73327-G02		SPEED SENSOR.....	1

REAR AXLE

1 - Includes Items 2 - 8

NOTE: Apply a light coat of grease to male spline before assembly. Reference part number 14.

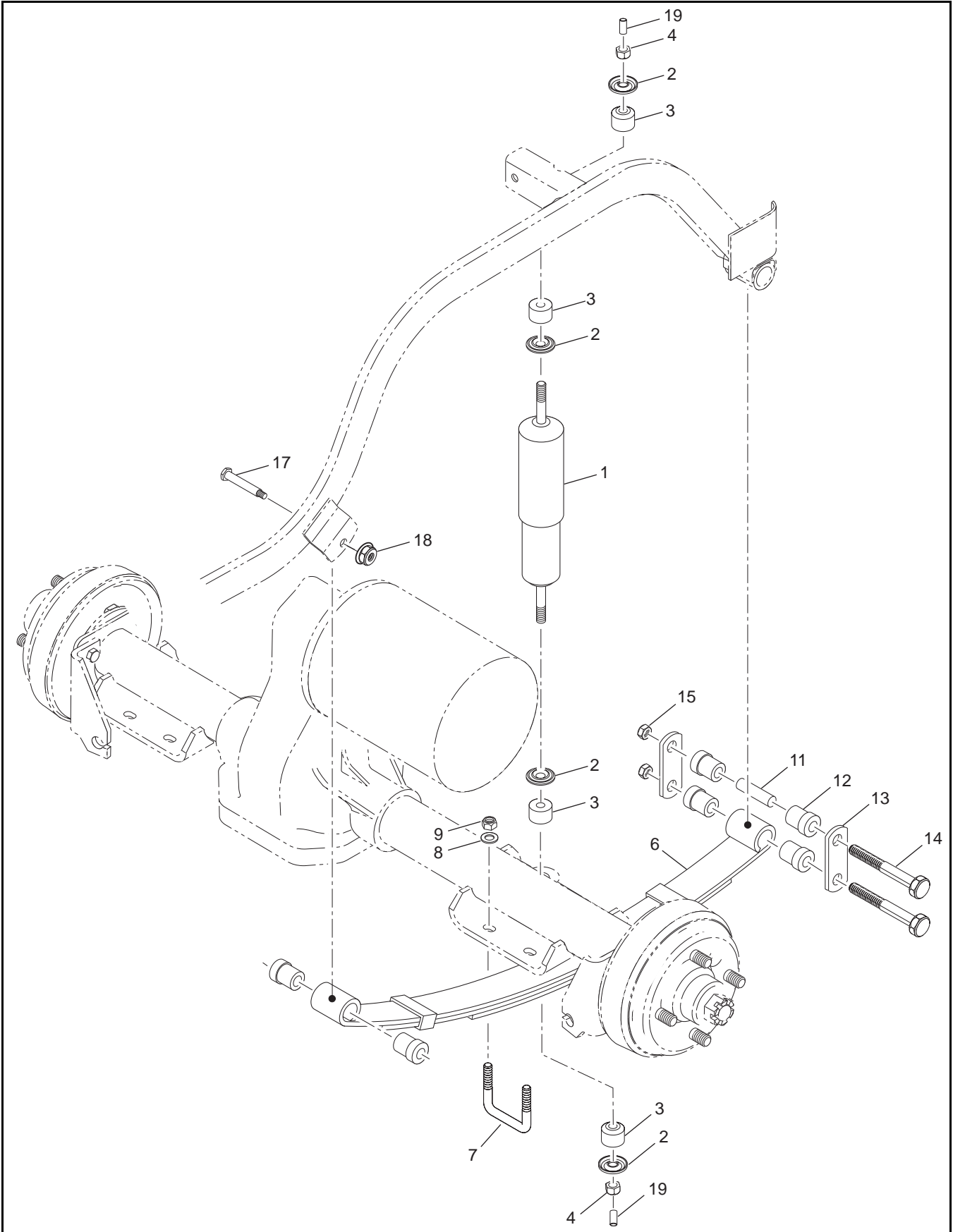


REAR AXLE

Where applicable, THE USE OF NON UL PARTS WILL VOID ANY UL LISTING.
 When ordering parts, please specify the model and serial number of the product.
 * Indicates a component that is not available as an individual part.
 G** Indicates consult Customer Service Department for additional information.

ITEM	PART NO.	1 2 3 4 5	DESCRIPTION	QTY.
1	74612-G01		REAR AXLE ASSEMBLY 14.76:1 (INCLUDES ITEMS 2 - 8)	1
2	20377-G12		AXLE SHAFT (PASSENGER SIDE)	1
3	20377-G11		AXLE SHAFT (DRIVER SIDE).....	1
4	*		DIFFERENTIAL COVER.....	1
5	28610-G01		FILL PLUG WITH 'O' RING.....	1
6	15558-G1		BOLT, 5/16 - 18 X 3/4" LG.....	10
7	73050-G01		VENT	1
8	73356-P01		O-RING INPUT SHAFT	1
9				
10	72764-G02		SCUFF GUARD	1
11	00797-G2		BOLT, 1/4 - 20 X 1 1/4" LG	3
12	00565-G7		LOCK WASHER, 1/4" (STAINLESS STEEL)	3
13	00559-G7		WASHER, 1/4" (STAINLESS STEEL)	3
14	27023-G01		GREASE	AR

REAR SUSPENSION



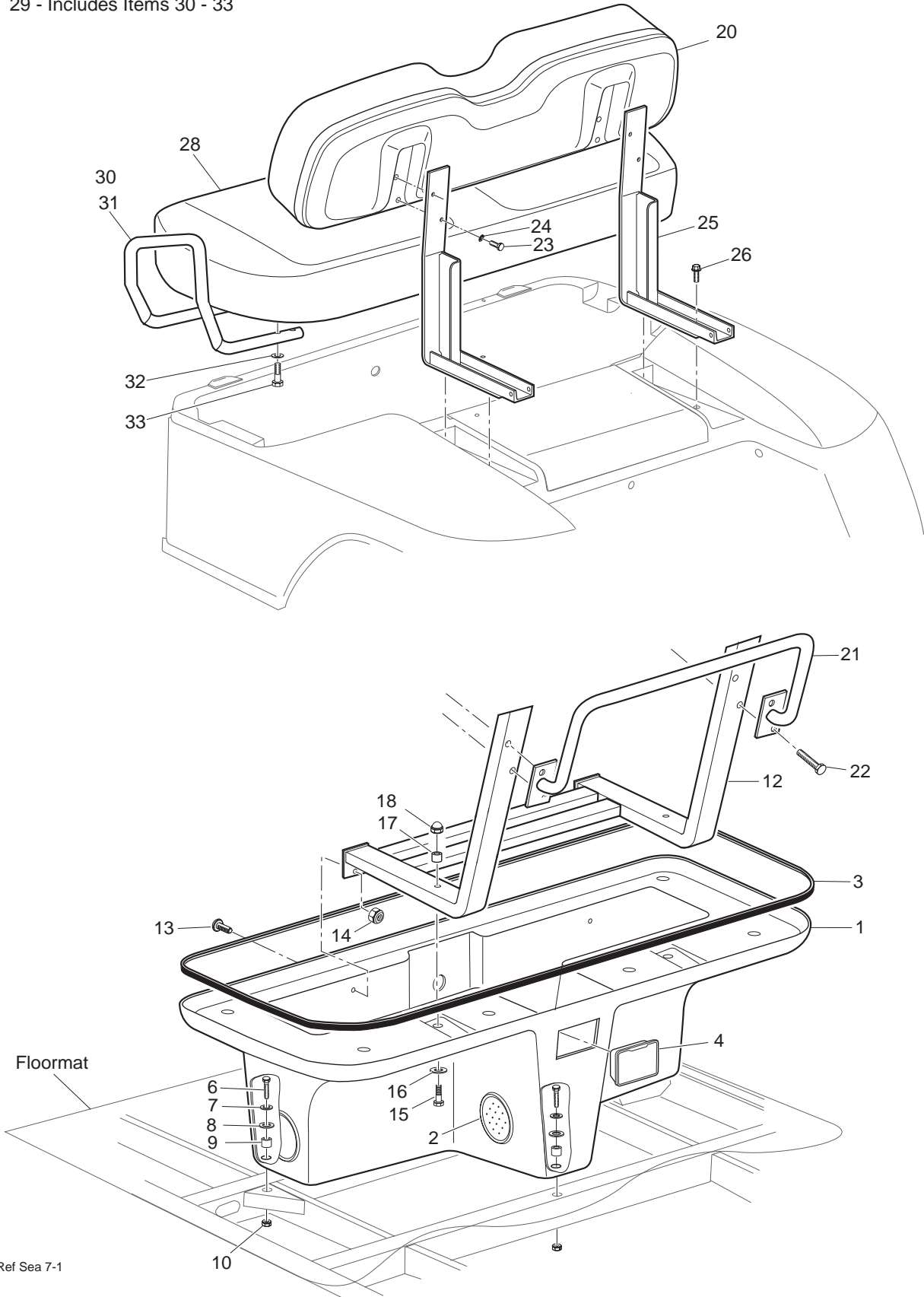
REAR SUSPENSION

THE USE OF NON U.L. PARTS WILL VOID ANY U.L. LISTING.
 When ordering parts, please specify the model and serial number of the product.
 * Indicates a component that is not available as an individual part.
 G** Indicates consult Customer Service Department for additional information.

ITEM	PART NO.	1 2 3 4 5	DESCRIPTION	QTY.
1	76418-G01		SHOCK ABSORBER.....	2
2	10435-G1		SHOCK ABSORBER WASHER.....	8
3	10194-G1		RUBBER SHOCK ABSORBER BUSHING.....	8
4	00532-G6		NUT, 3/8 - 24.....	4
5				
6	74207-G03		LEAF SPRING (HEAVY DUTY).....	2
7	72618-G01		"U" BOLT, 3/8 - 16 X 2" X 2 1/2" LG.....	4
8	00560-G1		WASHER, 3/8".....	8
9	11098-G5		LOCK NUT, 3/8 - 16.....	8
10				
11	70289-G02		SPACER.....	4
12	70291-G01		RUBBER BUSHING.....	12
13	70290-G02		SHACKLE PLATE.....	4
14	00665-G9		BOLT, 3/8 - 16 X 3 1/2" LG (STAINLESS STEEL).....	4
15	11098-G5		LOCK NUT, 3/8 - 16.....	4
16				
17	14158-G1		SHOULDER BOLT, 3/8 - 16 X 3 1/4" LG.....	2
18	12262-G1		LOCK NUT, 3/8 - 16.....	2
19	10044-G01		VINYL CAP.....	4

SEATING

29 - Includes Items 30 - 33



Ref Sea 7-1

SEATING

THE USE OF NON U.L. PARTS WILL VOID ANY U.L. LISTING.
 When ordering parts, please specify the model and serial number of the product.
 * Indicates a component that is not available as an individual part.
 G** Indicates consult Customer Service Department for additional information.

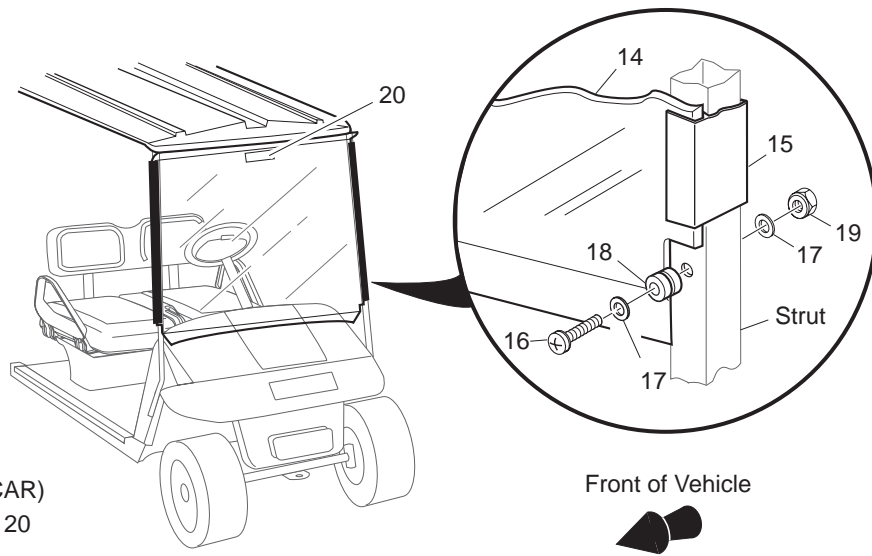
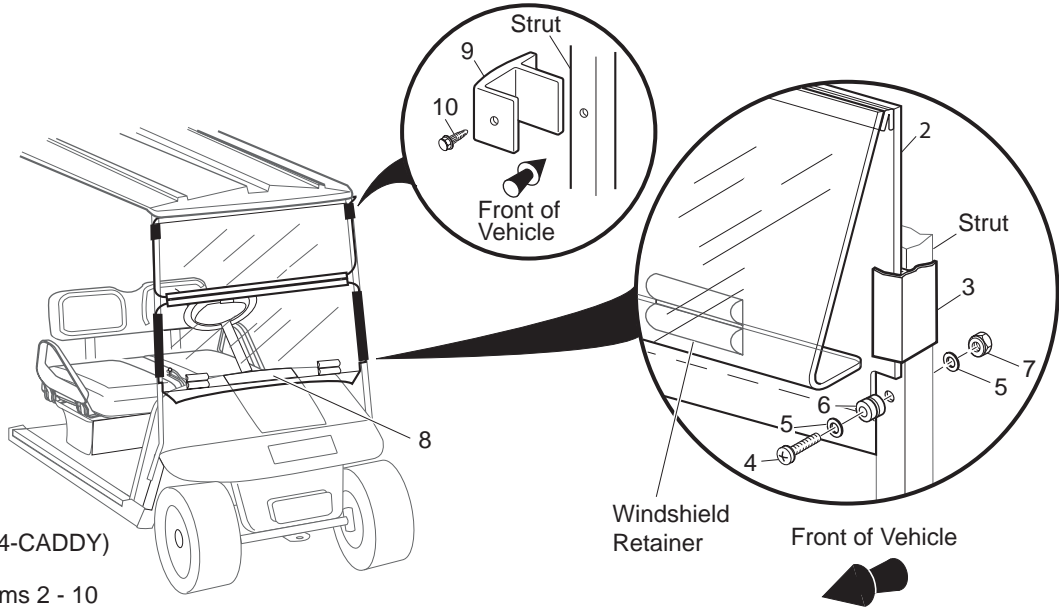
ITEM	PART NO.	1 2 3 4 5	DESCRIPTION	QTY.
1	70836-G00*		SEAT POD	1
2	71599-G01		VENT PLUG	4
3	32805-G6		TRIM, BLACK.....	1
4	27731-G01		ASHTRAY	1
5				
6	00439-G8		BOLT, 5/16 - 18 X 2" LG	3
7	00675-G1		WASHER, 1 1/4" X 3/8".....	3
8	71883-G01		RUBBER WASHER, 5/8"	3
9	23726-G9		SPACER, 3/4".....	3
10	11098-G6		LOCK NUT, 5/16 - 18	3
11				
12	71868 -G01		SEAT BACK SUPPORT	1
13	00976-G06		SCREW, 5/16 - 18 X 3/4" LG.....	2
14	11098-G6		LOCK NUT, 5/16 - 18	2
15	00427-G8		BOLT, 3/8 - 16 X 2" LG	2
16	00675-G1		WASHER, 1 1/4" X 3/8".....	2
17	23726-G4		SPACER, 5/16".....	2
18	15717-G5		ACORN NUT, 3/8 - 16	2
19				
20	71751-G**		SEAT BACK ASSEMBLY	1
21	71632-G01		HAND GRIP	1
22	71204-G02		BOLT, 1/4 - 20 X 2" LG	4
23	00414-G8		BOLT, 1/4 - 20 X 1" LG	4
24	00565-G7		LOCK WASHER, 1/4".....	4
25	74137-G01		SEAT BACK SUPPORT	2
26	01006-G02		BOLT, 3/8 - 16 X 1 1/4" LG	4
27				
28	71651-G**		SEAT BOTTOM	1
29	71646-G01		HAND HOLD KIT (INCLUDES ITEMS 30 - 33)	1
30	71876-G02		HIP RESTRAINT, REAR SEAT (DRIVER SIDE)	1

SEATING

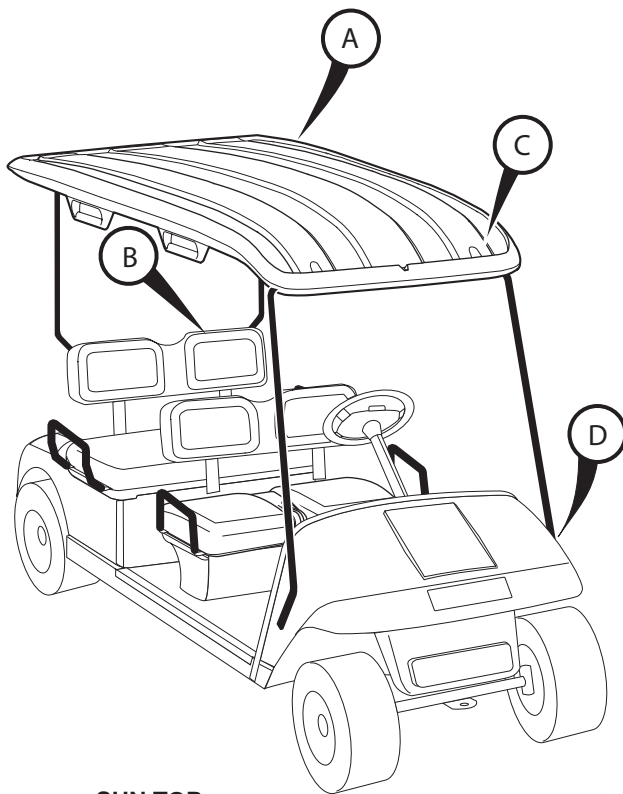
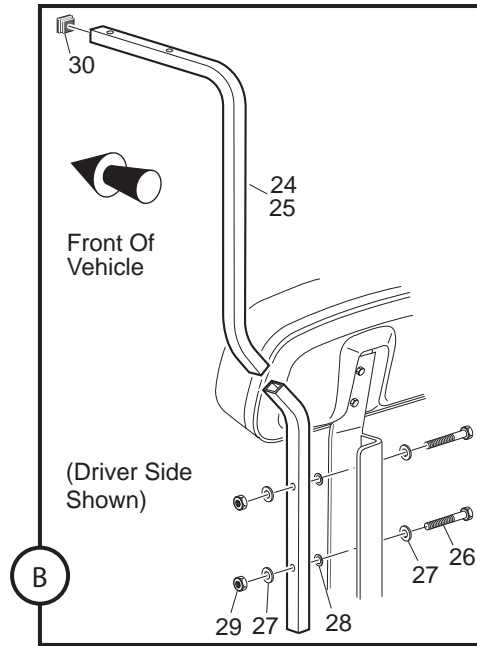
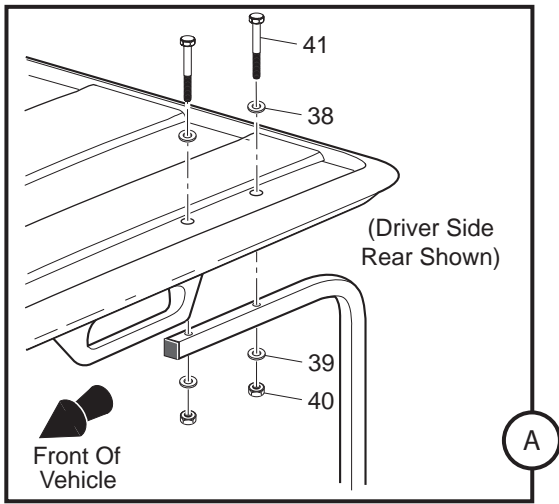
THE USE OF NON U.L. PARTS WILL VOID ANY U.L. LISTING.
When ordering parts, please specify the model and serial number of the product.
* Indicates a component that is not available as an individual part.
G** Indicates consult Customer Service Department for additional information.

ITEM	PART NO.	1	2	3	4	5	DESCRIPTION	QTY.
31	71876-G01						HIP RESTRAINT, REAR SEAT (PASSENGER SIDE).....	1
32	00559-G7						WASHER, 1/4"	8
33	00415-G2						BOLT, 1/4 - 20 X 1 1/4" LG.....	8

WEATHER PROTECTION

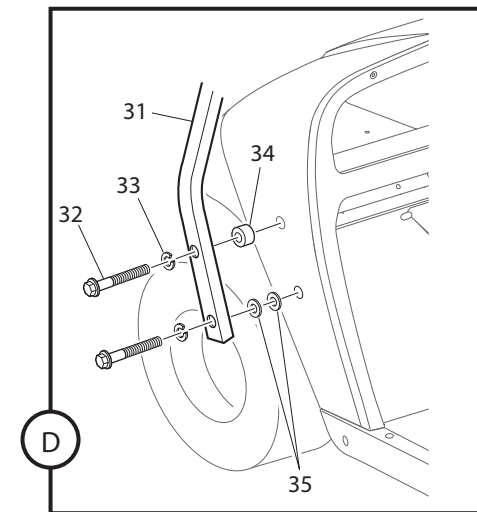
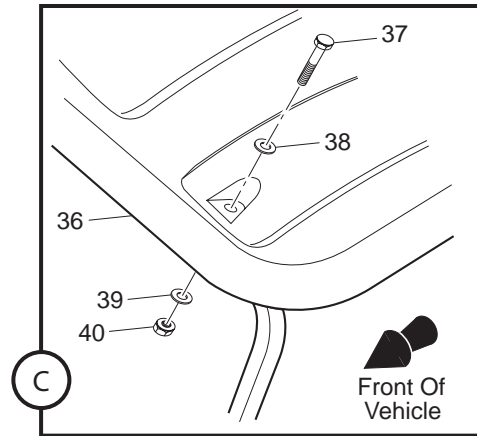


WEATHER PROTECTION



SUN TOP

23 - Includes Items 24 - 41



WEATHER PROTECTION

THE USE OF NON U.L. PARTS WILL VOID ANY U.L. LISTING.
 When ordering parts, please specify the model and serial number of the product.
 * Indicates a component that is not available as an individual part.
 G** Indicates consult Customer Service Department for additional information.

ITEM	PART NO.	1 2 3 4 5	DESCRIPTION	QTY.
1	75525G02		WINDSHIELD KIT, SPLIT,CLEAR, 4-CADDY (INCLUDES ITEMS 2 - 10)	1
2	E4WSX03		WINDSHIELD (4-CADDY)	1
3	EGWHC10		SASH, 12"	2
4	EGWHS12		SCREW, 1/4 - 20 X 1 3/4" LG (STAINLESS STEEL)	2
5	EGWHW12		WASHER, 1/4" (STAINLESS STEEL)	4
6	EGWHG13		RUBBER GROMMET	2
7	EGWHN12		LOCK NUT, 1/4 - 20 (STAINLESS STEEL)	2
8	EGWHL14		SAFETY LABEL	1
9	137-011		TOP GRIP, 1" X 2"	2
10	136-008		TOP GRIP FASTENER	2
11				
12				
13	75524G01		WINDSHIELD KIT, FLAT - CLIP ON CLEAR (INCLUDES ITEMS 14 - 20)	1
14	EGWFX03		WINDSHIELD (GOLF CAR)	1
15	EGWHC12		SASH, 26" LG	2
16	EGWHS12		SCREW, 1/4 - 20 X 1 3/4" LG (STAINLESS STEEL)	2
17	EGWHW12		WASHER, 1/4" (STAINLESS STEEL)	4
18	EGWHG13		RUBBER GROMMET	2
19	EGWHN12		LOCK NUT, 1/4 - 20 (STAINLESS STEEL)	2
20	EGWHL14		SAFETY LABEL	1
21				
22				
23	75485-G01		SUN TOP KIT (INCLUDES ITEMS 24 - 41)	1
24	75487-G02		REAR SUPPORT (DRIVER SIDE)	2
25	75487-G01		REAR SUPPORT (PASSENGER SIDE)	2
26	00665-G5		BOLT, 3/8 - 16 X 1 3/4" LG (STAINLESS STEEL)	4
27	00679-G1		WASHER, 3/8" (STAINLESS STEEL)	8
28	00771-G5		NYLON WASHER, 3/8"	4
29	00891-G5		LOCK NUT, 3/8 - 16	4
30	19853-G1		END CAP, 1"	2

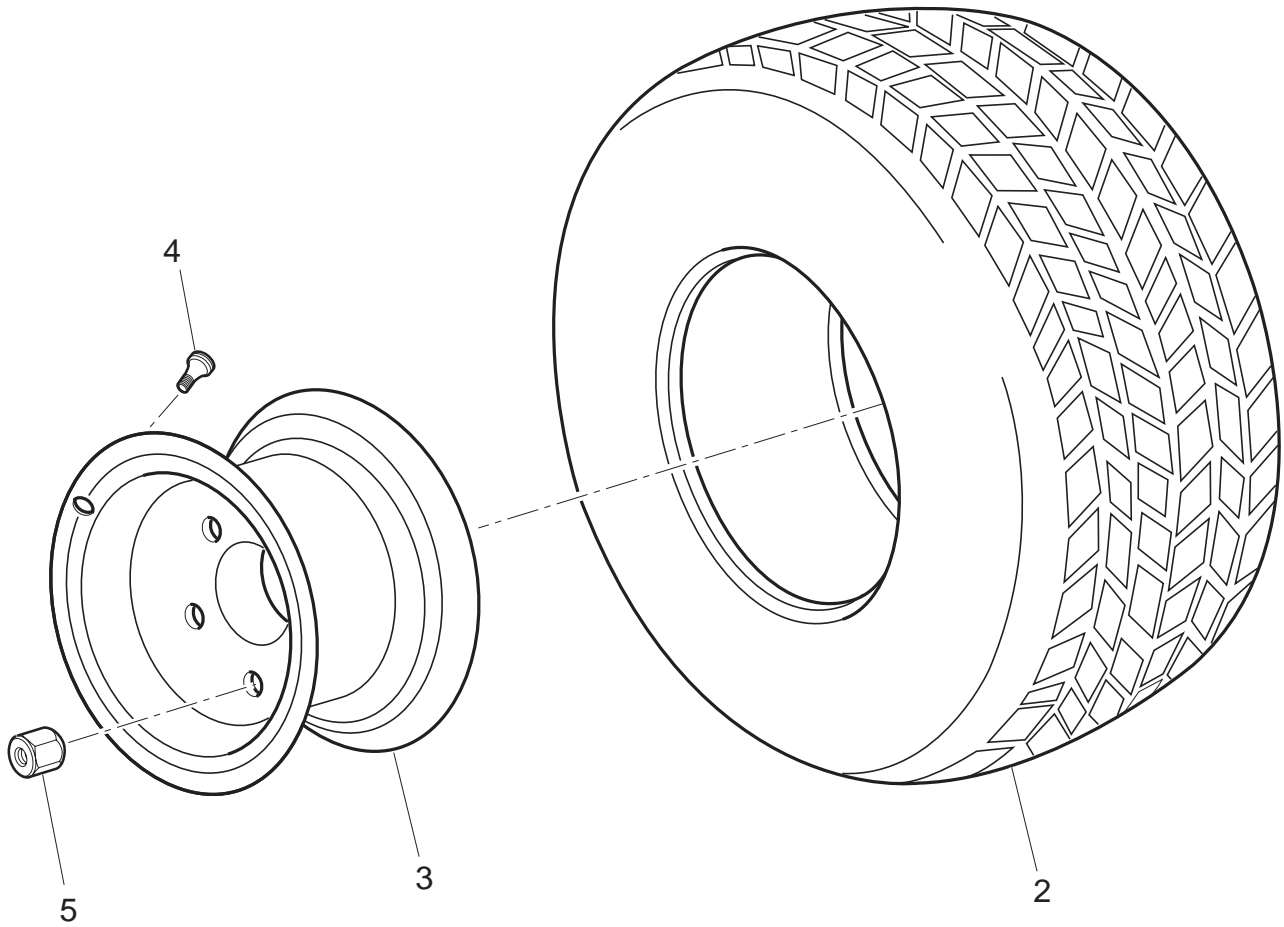
WEATHER PROTECTION

THE USE OF NON U.L. PARTS WILL VOID ANY U.L. LISTING.
 When ordering parts, please specify the model and serial number of the product.
 * Indicates a component that is not available as an individual part.
 G** Indicates consult Customer Service Department for additional information.

ITEM	PART NO.	1 2 3 4 5	DESCRIPTION	QTY.
31	75488-G01		FRONT SUPPORT	2
32	00440-G02		BOLT, 5/16 - 18 X 2 1/4" LG.....	4
33	00905-G8		LOCK WASHER, 5/16"	4
34	75048-G01		SPACER, 1/2"	2
35	00879-G1		LOCK WASHER, 3/8"	4
36	74374-G01		SUN TOP	1
37	00685-G10		BOLT, 5/16 - 18 X 2 3/4" LG (STAINLESS STEEL)	2
38	00907-G2		WASHER, 5/16" (STAINLESS STEEL).....	6
39	00660-G8		WASHER, 5/16" (STAINLESS STEEL).....	6
40	11098-G6		LOCK NUT, 5/16 - 18 (STAINLESS STEEL).....	6
41	00685-G11		BOLT, 5/16 - 18 X 3 1/4" LG (STAINLESS STEEL)	4

WHEELS AND TIRES

1 - Includes Items 2, 3, 4



(Style of tire may differ from tire shown)

WHEELS AND TIRES

Where applicable, THE USE OF NON UL PARTS WILL VOID ANY UL LISTING.
 When ordering parts, please specify the model and serial number of the product.
 * Indicates a component that is not available as an individual part.
 G** Indicates consult Customer Service Department for additional information.

ITEM	PART NO.	1	2	3	4	5	DESCRIPTION	QTY.
1	28757-G01						TIRE AND WHEEL ASSEMBLY (INCLUDES ITEMS 2, 3, 4)	AR
2	28764-G01						TIRE, 18 X 8.50 - 8 LINKS®	1
3	28759-G01						WHEEL RIM.....	1
4	11657-G2						VALVE STEM.....	1
5	14723-G1						LUG NUT, 1/2 - 20.....	AR

**DID YOU
KNOW?**

CartPros directs you to the right part using the part numbers from this manual. Enter the part number into our search box and it will find the part you are looking for.

**GET STARTED
HERE**

→ <https://CartPros.com/f.html>

SPECIALTY PRODUCTS

SPECIALTY PRODUCTS

SPECIALTY PRODUCTS

SPECIAL TOOLS

PART NO.

BATTERY MAINTENANCE KIT	25587-G01
BATTERY SET DISCHARGER, 36 VOLT, 75 AMP	28251-G01
DIGITAL MULTI-METER	27481-G01
E-Z-GO RESTORER FIBERGLASS & PLASTIC	606313
E-Z-GO W/SHIELD AND PLASTIC PROTECTOR.....	606314

TOUCH UP PAINT

PART NO.

PEN 3 OUNCE (89 ML) - HUNTER GREEN	28432-G02
PEN 3 OUNCE (89 ML) - CHAMPAGNE BEIGE	28432-G01
PEN 3 OUNCE (89 ML) - WHITE	28432-G05
PEN 3 OUNCE (89 ML) - INDUSTRIAL YELLOW.....	28432-G03
PEN 3 OUNCE (89 ML) - ORANGE	28432-G04
PEN 3 OUNCE (89 ML) - STEEL BLUE PEARL	28432-G**
PEN 3 OUNCE (89 ML) - CAMOUFLAGE PAINT (THREE PENS)	75831-G01
AEROSOL 12 OUNCE (360 ML) - HUNTER GREEN	28140-G09
AEROSOL 12 OUNCE (360 ML) - CHAMPAGNE BEIGE	28140-G15
AEROSOL 12 OUNCE (360 ML) - INDUSTRIAL YELLOW.....	28140-G14
AEROSOL 12 OUNCE (360 ML) - STEEL BLUE PEARL	28140-G**

MAINTENANCE PRODUCTS

PART NO.

FORMULA 40 VINYL-COAT® - WHITE	28166-G01
PLEXUS® CLEANER, 7 OUNCE (210 ML) (FOR WINDSHIELDS)	28433-G01
PLEXUS® CLEANER, 13 OUNCE (380 ML) (FOR WINDSHIELDS)	28433-G02
BATTERY PROTECTOR, 14 OUNCE (410 ML) SPRAY	75500-G01
WHITE LITHIUM GREASE, 14 OUNCE (410 ML) SPRAY.....	75502-G01
PENETRANT/LUBRICANT, 15 OUNCE (440 ML) SPRAY	75503-G01
MULTI-PURPOSE CLEANER & DEGREASER, 14 OUNCE (410 ML) SPRAY	75504-G01
MULTI-PURPOSE HAND CLEANER, 32 OUNCE (950 ML) LIQUID	75505-G01
BATTERY CLEANER, 32 OUNCE (950 ML) WITH TRIGGER SPRAYER.....	75506-G01
E-Z-GO ALL SURFACE CLEANER	606311
E-Z-GO BATTERY TERMINAL PROTECTOR	606312
TUBELESS TIRE REPAIR KIT	606009
TIRE PLUGGER REFILL PACK (50/BOX)	606831

SPECIALTY PRODUCTS

BIO-DEGRADABLE CLEANER, 32 OUNCE (950 ML) WITH TRIGGER SPRAYER..... 75507-G01

MULTI-PURPOSE VALUE PACK..... 75508-G01

- BATTERY PROTECTOR, 4 OUNCE (120 ML) SPRAY
- PENETRANT/LUBRICANT, 4 OUNCE (120 ML) SPRAY
- WHITE LITHIUM GREASE, 4 OUNCE (120 ML) SPRAY
- CARBURETOR & CHOKE CLEANER, 4 OUNCE (120 ML) SPRAY

**DID YOU
KNOW?**

CartPros directs you to the right part using the part numbers from this manual. Enter the part number into our search box and it will find the part you are looking for.

**GET STARTED
HERE**



<https://CartPros.com/f.html>



A Textron Company

E-Z-GO Division Of Textron, Inc.,
1451 Marvin Griffin Road, Augusta, Georgia USA 30906-3852

TO CONTACT US

North America:

Technical Assistance & Warranty Phone: 1-800-774-3946, FAX: 1-800-448-8124

Service Parts Phone: 1-888-GET-EZGO (1-888-438-3946), FAX: 1-800-752-6175

International:

Phone: 010-1-706-798-4311, FAX: 010-1-706-771-4609

Certified ISO 9001 / ISO 14001 by



Copyrighted Material
This manual may not be reproduced in whole or
in part without the express permission of
E-Z-GO Division of Textron, Inc.
Technical Communications Department