

**DID YOU
KNOW?**

CartPros directs you to the right part using the part numbers from this manual. Enter the part number into our search box and it will find the part you are looking for.

**GET STARTED
HERE**



<https://CartPros.com/f.html>



A Textron Company

RXV GASOLINE SERVICE PARTS MANUAL



607976

ISSUED JANUARY 2008
 **CARTPROS**

**DID YOU
KNOW?**

CartPros directs you to the right part using the part numbers from this manual. Enter the part number into our search box and it will find the part you are looking for.

**GET STARTED
HERE**



<https://CartPros.com/f.html>

SERVICE PARTS MANUAL

GASOLINE POWERED GOLF CARS & PERSONAL VEHICLES

RXV GOLF CAR

RXV FREEDOM™

RXV SHUTTLE 2 + 2

Starting Model Year 2008

E-Z-GO Division of TEXTRON, Inc. reserves the right to incorporate engineering and design changes to products in this Manual, without obligation to include these changes on units leased/sold previously.

The information contained in this Manual may be revised periodically by the E-Z-GO Division, and therefore is subject to change without notice.

The E-Z-GO Division **DISCLAIMS LIABILITY FOR ERRORS IN THIS MANUAL**, and the E-Z-GO Division **SPECIFICALLY DISCLAIMS LIABILITY FOR INCIDENTAL AND CONSEQUENTIAL DAMAGES** resulting from the use of the information and materials in this Manual.

TO CONTACT US

NORTH AMERICA:

TECHNICAL ASSISTANCE & WARRANTY PHONE: 1-800-774-3946, FAX: 1-800-448-8124

SERVICE PARTS PHONE: 1-888-GET-EZGO (1-888-438-3946), FAX: 1-800-752-6175

INTERNATIONAL: PHONE: 001-706-798-4311, FAX: 001-706-771-4609

E-Z-GO DIVISION OF TEXTRON, INC., 1451 MARVIN GRIFFIN ROAD, AUGUSTA, GEORGIA USA 30906-3852

GENERAL INFORMATION

This vehicle has been designed and manufactured in the United States of America (USA) as a 'World Vehicle'. The Standards and Specifications listed in the following text originate in the USA unless otherwise indicated.

The use of non Original Equipment Manufacturer (OEM) approved parts may void the warranty.

Tampering with or adjusting the governor to permit vehicle to operate at above factory specifications will void the vehicle warranty.

When servicing engines, all adjustments and replacement components must be per original vehicle specifications in order to maintain the United States of America Federal and State emission certification applicable at the time of manufacture.

BATTERY PROLONGED STORAGE

All batteries will self discharge over time. The rate of self discharge varies depending on the ambient temperature and the age and condition of the batteries.

A fully charged battery will not freeze in winter temperatures unless the temperature falls below -75° F (-60° C).

TABLE OF CONTENTS

SECTION	Page No.
HOW TO USE THE SERVICE PARTS MANUAL	Vii
ACCELERATOR PEDAL ASSEMBLY	A-1
• Pedal Cover	
• Accelerator Pedal	
• Accelerator Pedal Switch	
AIR FILTER	B-1
• Air Cleaner Element	
• Air Filter Housing	
• Air Cleaner Hose	
BODY - FRONT	C-1
• Front Bumper	
• Front Splash Shield	
• Cowl	
• Nameplate	
• Instrument Panel	
• Instrument Panel Trim	
• Cup Holder	
BODY - MID SECTION	C-5
• Pedal Cover	
• Floorboard	
• Floormat	
• Rocker Panels	
BODY - REAR	C-7
• Rear Body	
• Rear Splash Shields	
• Seat Support	
• Bagwell Liner	
• Access Panel	
BODY - ACCESSORIES	C-11
• Sand Bottle	
• Cooler Jug	
• Scuff Guard	
• Soft Swipe	
BODY - ACCESSORIES	C-13
• Divot Repair Kit	
• Club & Ball Washer	
BRAKES	D-1
• Brake Pedal Pad	
• Brake Pedal	
• Brake Cable	
• Brake Drum Assembly	
CARBURETOR AND CHOKE	E-1
• Carburetor	
• Main Jet	
• Choke Cable	
CLUTCH	F-1
• Drive Clutch	
• Driven Clutch	

TABLE OF CONTENTS

SECTION	Page No.
DIRECTION SELECTOR.....	G-1
• Push/Pull Shifter Cable	
• Compression Spring	
• Neutral Lock Bracket	
ELECTRICAL SYSTEM	H-1
• Main Harness	
• Battery	
• Hour Meter	
• Ground Cable	
• Turn Signal	
• Headlight	
• Key Switch	
• Tail Lights	
ENGINE AND MUFFLER	J-1
• Engine	
• Muffler	
• Oil Dip Stick	
• Oil Filter	
ENGINE MOUNTING.....	K-5
• Engine Pan Mount	
• Front Engine Mount	
FRONT SUSPENSION AND STEERING	L-1
• Strut	
• Spindle	
• A-Arm	
• Steering Box	
• Steering Column	
• Steering Wheel	
FUEL SYSTEM	M-1
• Fuel Tank	
• Pulse Line	
REAR AXLE	N-1
• Axle Shaft	
• Axle Tube	
• Oil Check Plug	
REAR SUSPENSION	P-1
• Shocks	
• Leaf Spring	
• Shackles	
SEATING - GOLF CAR.....	Q-1
• Seat Bottom	
• Seat Back	
• Hip Restraints	
• Seat Back Support	
SEATING - SHUTTLE 2+2	Q-5
• Seat Bottom, Rear Facing Seat	
• Seat Back, Rear Facing Seat	
• Floorboard, Rear Facing Seat	
• Arm Rest, Rear Facing Seat	



TABLE OF CONTENTS

SECTION	Page No.
STARTER / GENERATOR	R-5
• Starter	
• Starter Belt	
• Starter Tensioner	
TOW BAR	S-1
WEATHER PROTECTION - GOLF CAR	T-1
• Sun Top	
WEATHER PROTECTION - SHUTTLE 2+2	T-3
• Sun Top	
WEATHER PROTECTION - WINDHIELD	T-5
WHEELS AND TIRES	U-1
• Tire & Wheel Assembly	
• Lug Nuts	
• Dust Cap	

**DID YOU
KNOW?**

CartPros directs you to the right part using the part numbers from this manual. Enter the part number into our search box and it will find the part you are looking for.

**GET STARTED
HERE**



<https://CartPros.com/f.html>

TABLE OF CONTENTS

SECTION

Page No.

HOW TO USE THE SERVICE PARTS MANUAL

This manual is divided into several sections:

GENERAL INFORMATION

- TABLE OF CONTENTS
- HOW TO USE THE SERVICE PARTS MANUAL

ILLUSTRATED PARTS BREAKDOWN

- Contains illustrations and parts lists for all systems of the vehicle.

USE OF THE MANUAL

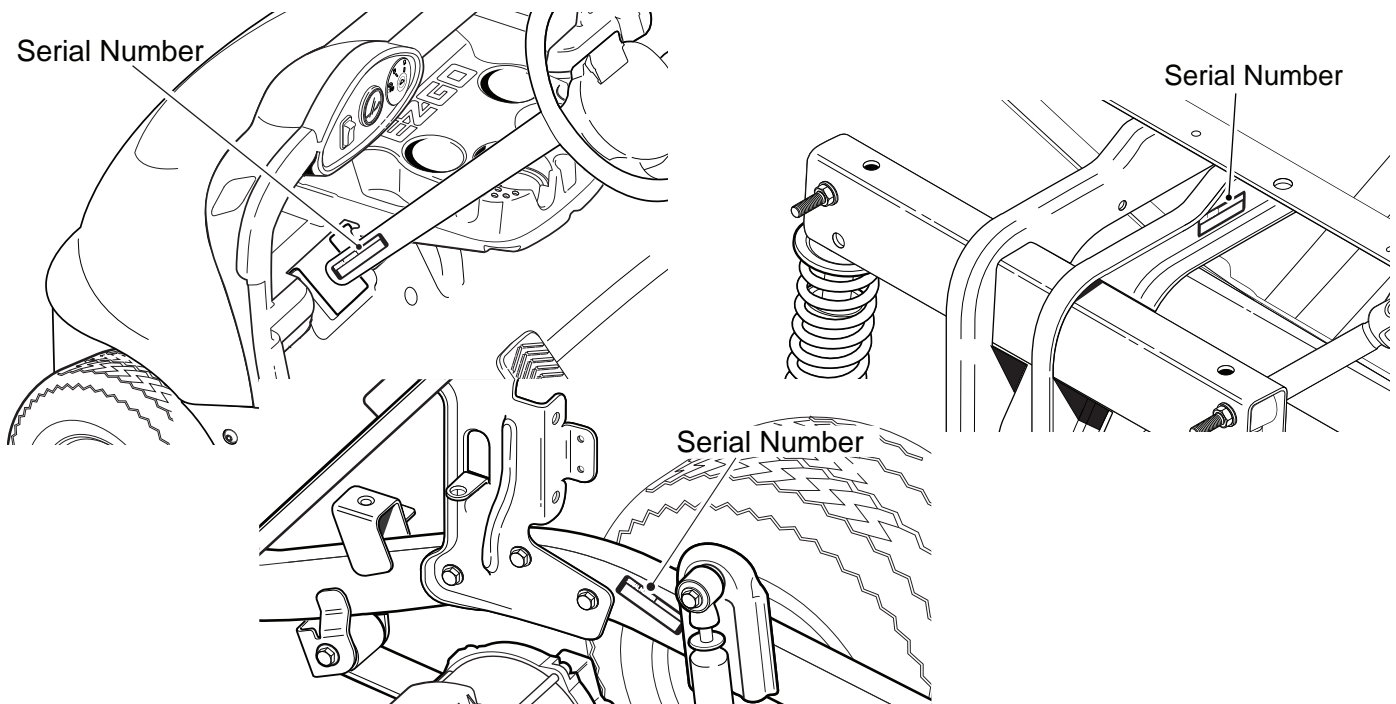
To use this manual, consult the TABLE OF CONTENTS (page iii) to locate the information or illustration required.

Introduction of some revisions varies due to supply of components; therefore, it is possible that various combinations of components may be found that are not directly reflected by each illustration. Consult the illustration that best suits your situation. Locate the serial number. It is important that the serial number of your vehicle and its model number be supplied to Service Parts when ordering any replacement components.

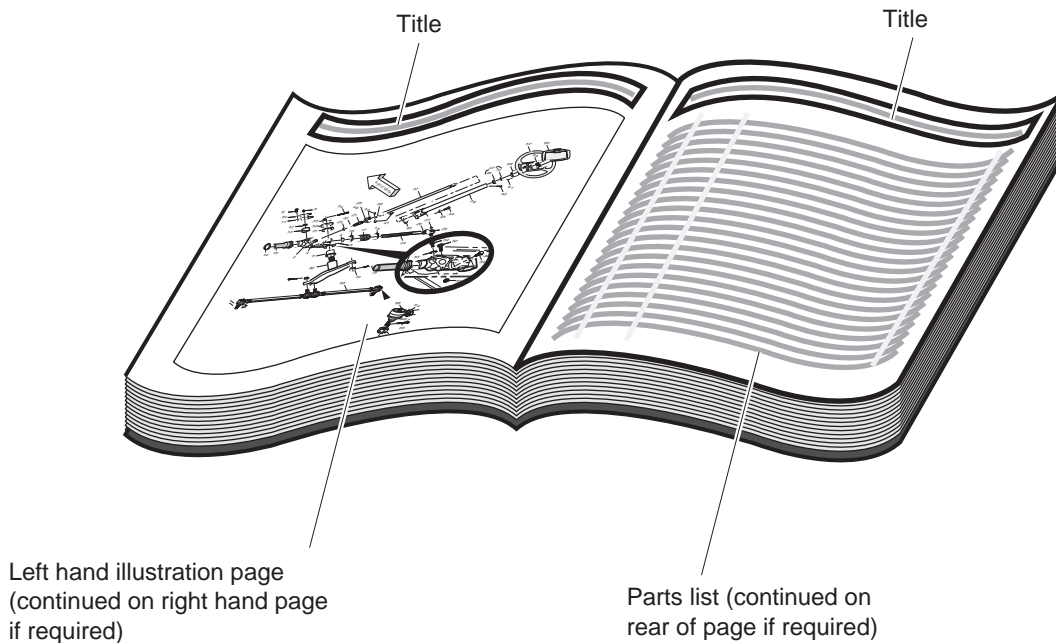
SERIAL NUMBER LOCATION

Three serial number and manufacture date code labels are on the vehicle. One is placed on the steering column, the second is located on the frame member under the front splash shield on the driver side and the third is located on the passenger side frame rail at the rear of the vehicle.

In order to obtain correct components for the vehicle, the manufacture date code, serial number and vehicle model must be provided when ordering service parts.



HOW TO USE THE SERVICE PARTS MANUAL



1. WHEN THE PART NUMBER IS NOT KNOWN

- Determine the function and application of the part required. Turn to the TABLE OF CONTENTS and select the most appropriate component description.
- Turn to the page number indicated and locate the part description in the parts list. Read the full accompanying description for specific information regarding the part that was not shown in the index.
- From the parts list, obtain the item number assigned to it and confirm that the part selected is correct by verifying it with the pictorial representation on the illustrated page.

Should an asterisk (*) appear in the part number column on the parts list page, read upwards until a part number is found. The part number is the lowest assembly sold by Service Parts. The asterisk (*) indicates that the part depicted is not available for purchase.

NOTE: Descriptions are indented under the assembly that they are used on. That assembly is, in turn listed under the assembly that it is used on. This process is repeated until the highest final assembly is reached.

To facilitate the maintenance and repair of the vehicle, a Technician's Repair and Service Manual is available from the Service Parts Department.

**DID YOU
KNOW?**

CartPros directs you to the right part using the part numbers from this manual. Enter the part number into our search box and it will find the part you are looking for.

**GET STARTED
HERE**

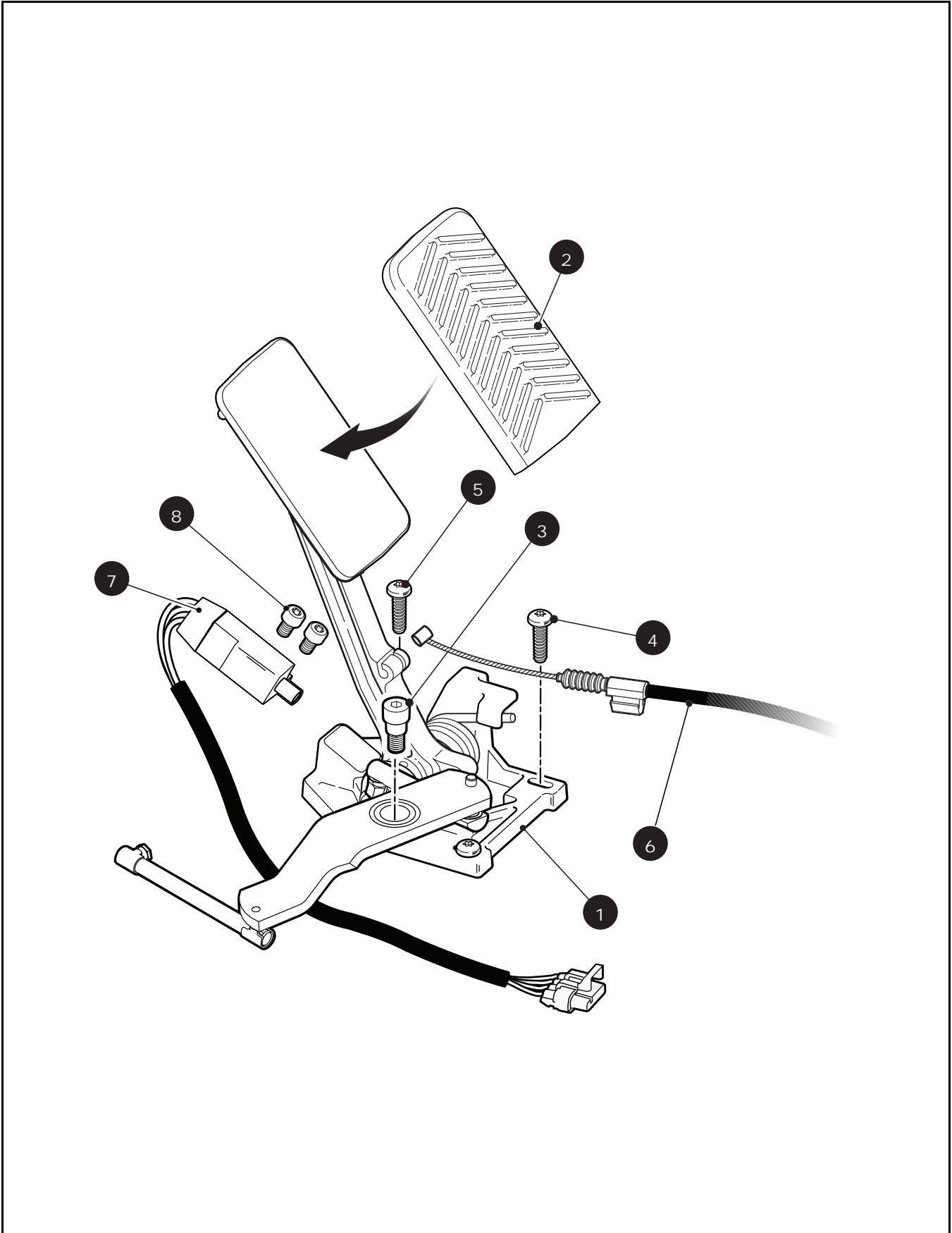


<https://CartPros.com/f.html>

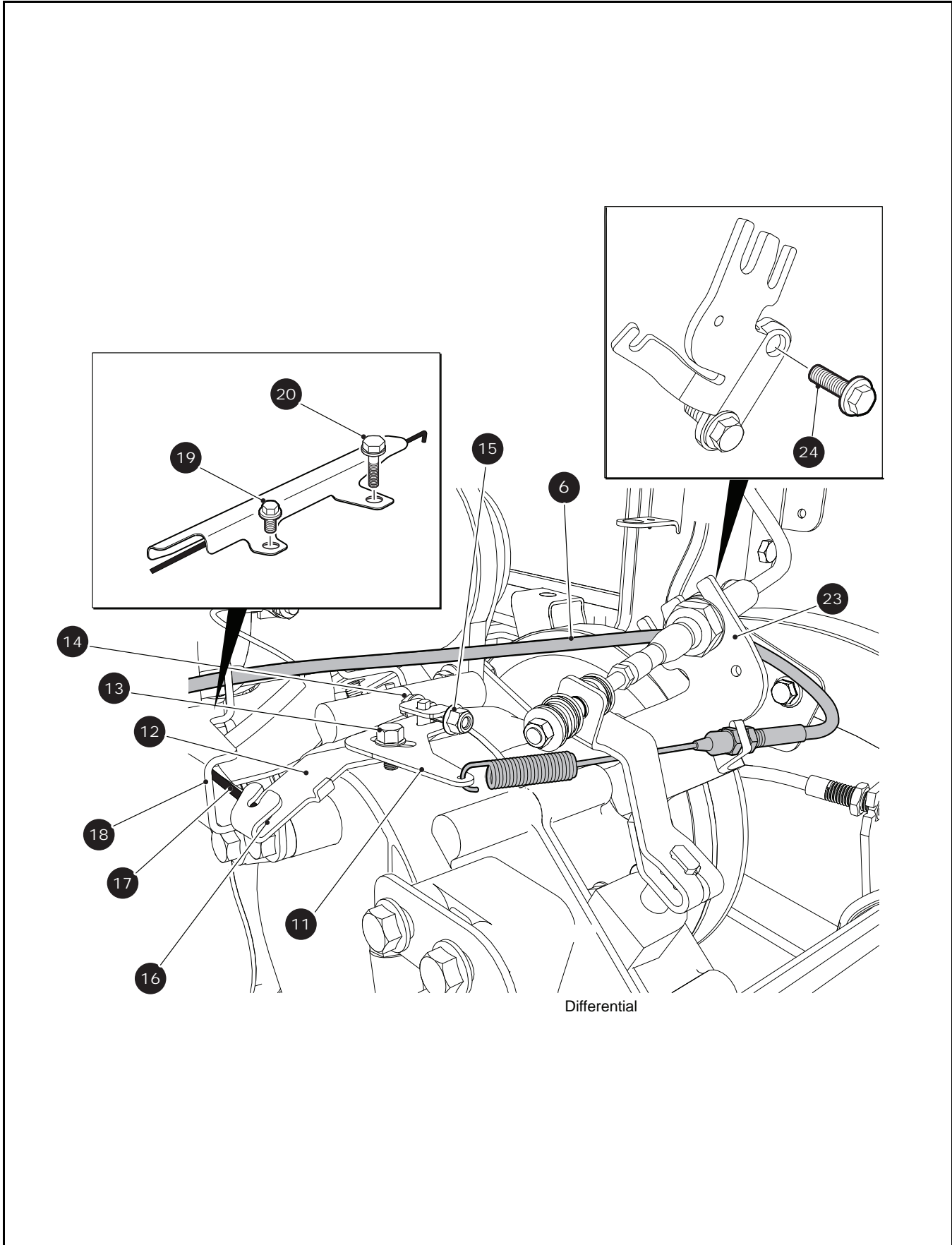
ILLUSTRATED PARTS BREAKDOWN

ILLUSTRATED PARTS BREAKDOWN

ACCELERATOR



ACCELERATOR



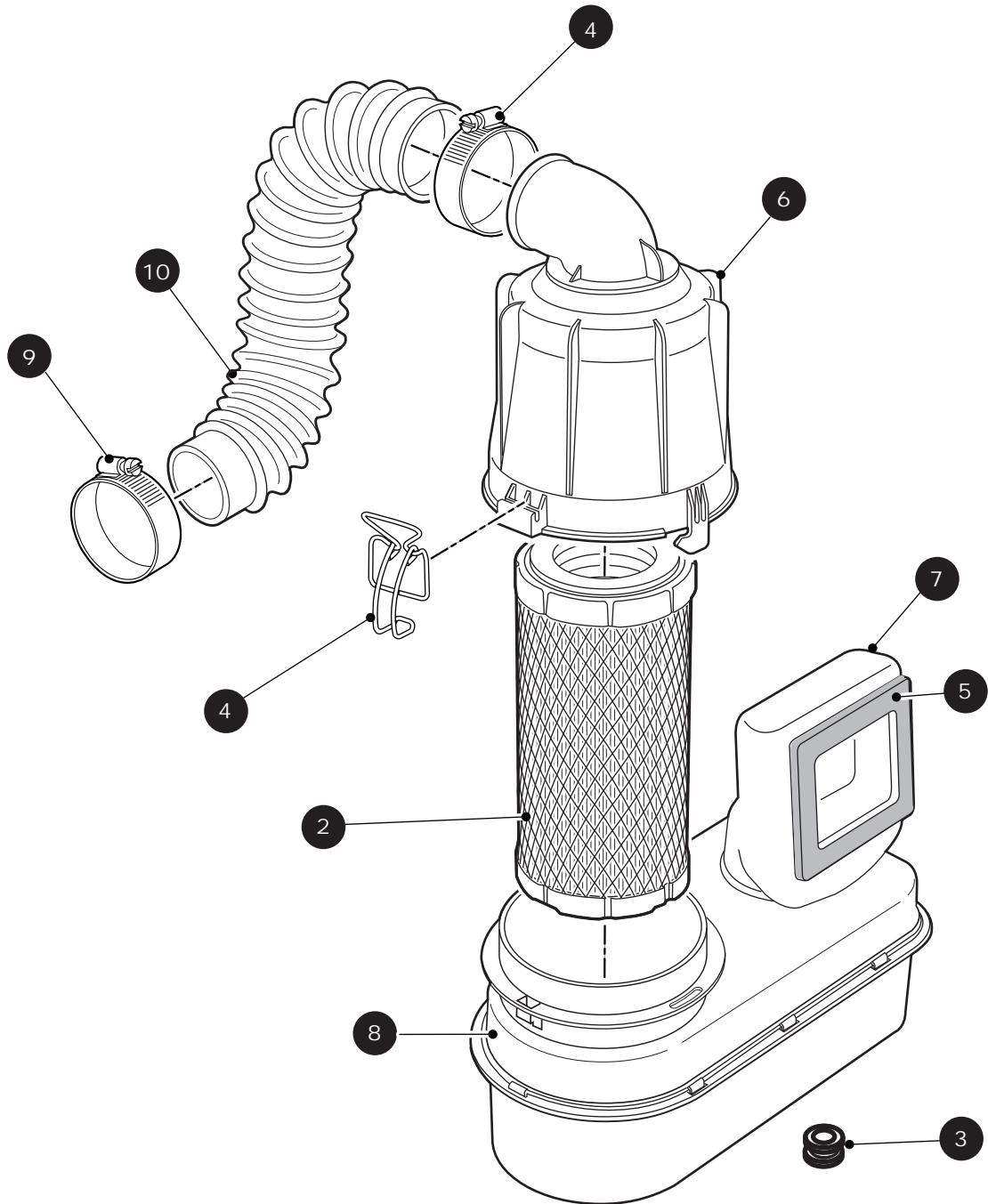
ACCELERATOR

Where applicable, THE USE OF NON UL PARTS WILL VOID ANY UL LISTING.
 When ordering parts, please specify the model and serial number of the product.
 * Indicates a component that is not available as an individual part.
 G** Indicates consult Customer Service Department for additional information.

ITEM	PART NO.	1 2 3 4 5	DESCRIPTION	QTY.
1	604991		ACCELERATOR PEDAL ASSEMBLY	1
2	600255		ACCELERATOR PEDAL COVER	1
3	604536		BOLT, M8 - 1.25 X 20	1
4	606277		BOLT, M6	3
5	608290		BOLT,	2
6	604099		ACCELERATOR CABLE	1
7	607605		ACCELERATOR PEDAL SWITCH.....	1
8	620030		SOCKET HEAD SCREW, M5 X 0.8	2
9				
10				
11	606083		UPPER GOVERNOR BRACKET	1
12	606005		LOWER GOVERNOR BRACKET	1
13	606265		BOLT, M6 - 1 X 12	1
14	606421		BOLT, M6 - 1 X 30	1
15	450452		NUT, M6 - 1.0	1
16	606283		GOVERNOR LEVER BUSHING	1
17	606284		GOVERNOR ROD	1
18	603890		GOVERNOR ROD GUARD	1
19	606264		BOLT, M6 - 1 X 20	1
20	606262		BOLT, M8 - 1.25 X 16	1
21				
22				
23	606074		GOVERNOR CABLE/DIRECTION SELECTOR BRACKET.....	1
24	606256		BOLT, M10 - 1.25 X 16	2

AIR FILTER

1 - Includes items 2 - 8

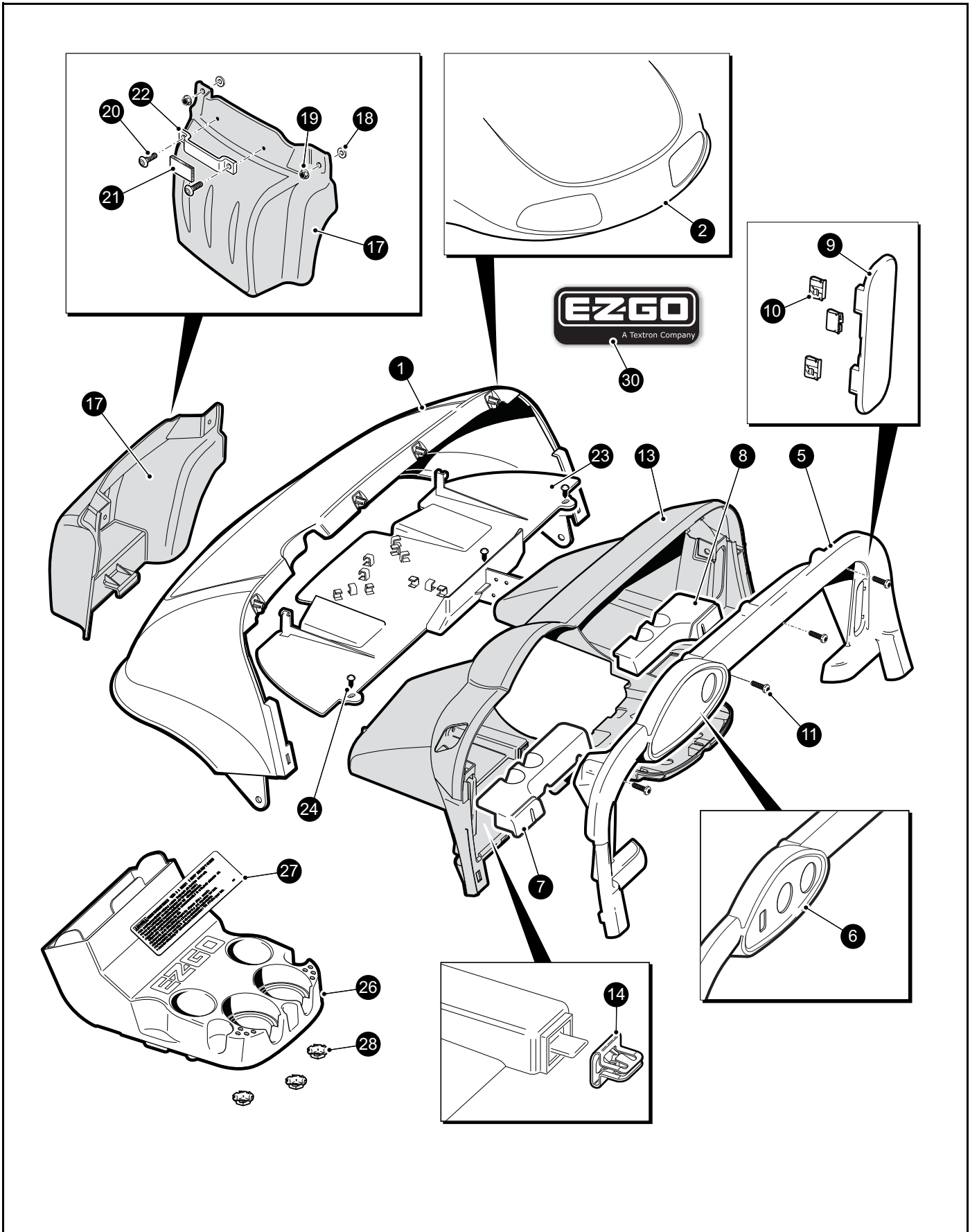


AIR FILTER

THE USE OF NON U.L. PARTS WILL VOID ANY U.L. LISTING.
 When ordering parts, please specify the model and serial number of the product.
 * Indicates a component that is not available as an individual part.
 G** Indicates consult Customer Service Department for additional information.

ITEM	PART NO.	1 2 3 4 5	DESCRIPTION	QTY.
1	601729		AIR CLEANER ASSEMBLY	1
2	28463G01		AIR CLEANER ELEMENT	1
3	603752		AIR CLEANER BASE GROMMET.....	3
4	603750		AIR FILTER LATCH	1
5	603749		INTAKE TUBE GASKET	1
6	601728		AIR FILTER HOUSING	1
7	601727		AIR FILTER INTAKE TUBE	1
8	601726		AIR FILTER COVER	1
9	11391G7		HOSE CLAMP	2
10	601910		AIR CLEANER HOSE	1

BODY



When ordering parts, please specify the model and serial number of the product.

* Indicates a component that is not available as an individual part.

*** Indicates consult Customer Service Department for additional information.

ITEM	PART NO.	1 2 3 4 5	DESCRIPTION	QTY.
1	6XXXXX***		FRONT COWL, WITHOUT HEADLIGH OPENING (see colors below) 606953 IVORY 606954 FORREST GREEN 606955 PATRIOT BLUE 606956 BLACK 606957 MOLTEN RED 606958 BRIGHT WHITE 606959 FLAME RED 606960 STEEL BLUE 608476 PLATINUM 608477 ALMOND 608493 ELECTRIC BLUE 608494 INFERNO RED	1
2	6XXXXX***		FRONT COWL, WITH HEADLIGHT OPENING (see colors below) 620227 IVORY 620228 FORREST GREEN 620229 PATRIOT BLUE 620230 BLACK 620231 MOLTEN RED 620232 BRIGHT WHITE 620233 FLAME RED 620234 STEEL BLUE 608478 PLATINUM 608479 ALMOND 608516 ELECTRIC BLUE 608517 INFERNO RED	1
3				
4				
5	600242		INSTRUMENT PANEL TRIM, FLEET	1
6	601627		INSTRUMENT PANEL TRIM, FREEDOM	1
7	600243		BALL HOLDER INSERT, DRIVER SIDE.....	1
8	600241		BALL HOLDER INSERT, PASSENGER SIDE	1
9	602388		ACCESS COVER ASSEMBLY	1
10	602100		U-CLIP	1
11				

BODY

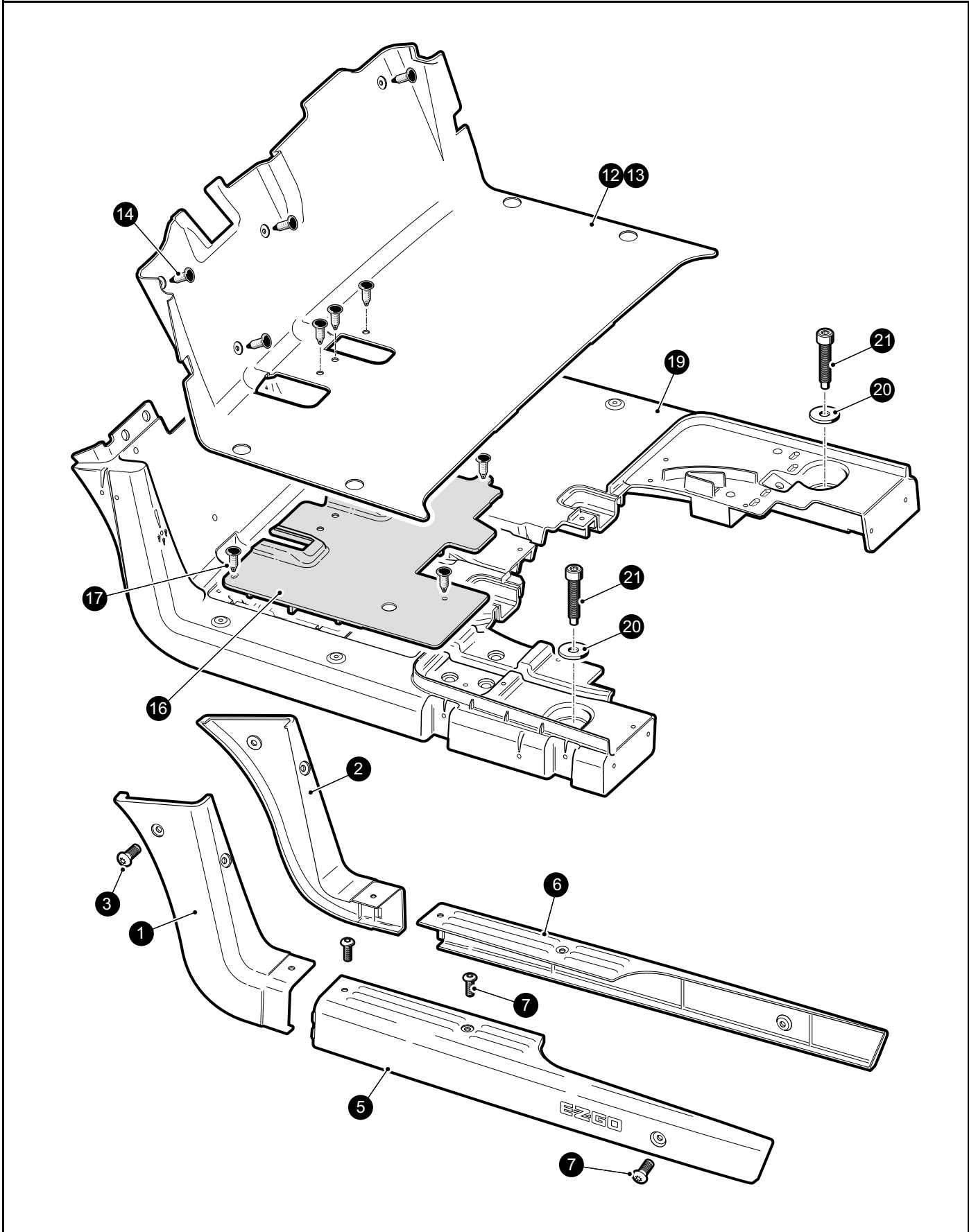
When ordering parts, please specify the model and serial number of the product.

* Indicates a component that is not available as an individual part.

*** Indicates consult Customer Service Department for additional information.

ITEM	PART NO.	1	2	3	4	5	DESCRIPTION	QTY.
12								
13	602387						INSTRUMENT PANEL	1
14	602184						SPRING CLIP	1
15								
16								
17	605935						FRONT BUMPER.....	1
18	604066						FLAT WASHER, M10 (O.D. 30, I.D. 10.5, THK. 1.75).....	1
19	600525						FLANGED HEX NUT WITH PLASTIC INSERT, M10-1.5.....	1
20	608290						PAN HEAD PHILLIPS SCREW, #10 - 16 SELF TAPING	2
21	14382-G7						NOISE SUPPRESION STRIP	1
22	608469						COWL SUPPORT	1
23	601634						FRONT SPLASH GUARD.....	1
24	16816-G2						CHRISTMAS TREE RIVET	3
25								
26	602101						CUPHOLDER ASSEMBLY (includes item 27)	1
27	602212						WARNING AND INSTRUCTION DECAL.....	1
28	71597-G01						SELF THREADING NUT	3
29								
30	606405						E - Z - GO NAMEPLATE	1
31	607545						AMBER REFLEX REFLECTOR, FRON.....	2
32								
33								
34								
35								
36								
37								
38								
39								
40								
41								
42								

BODY



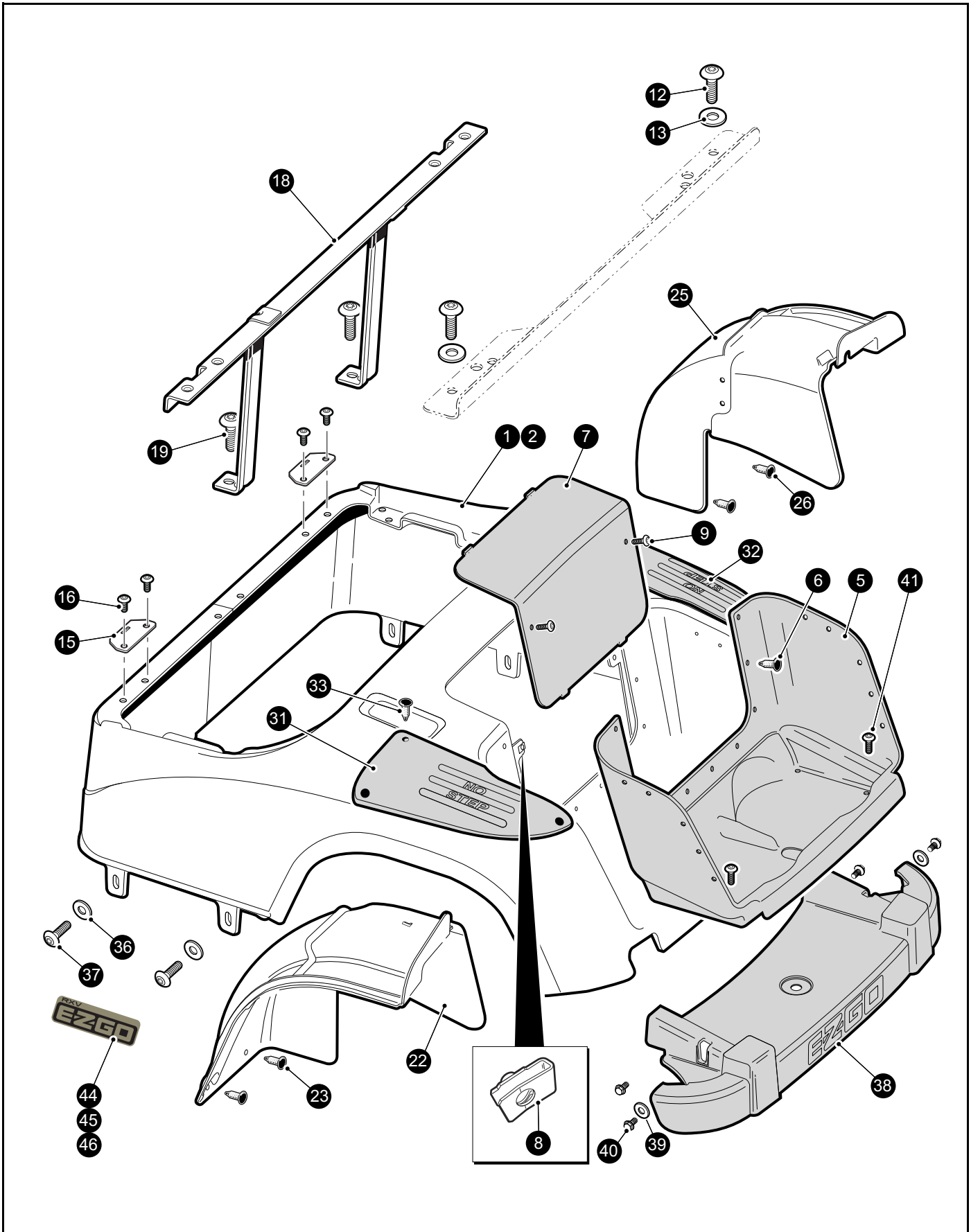
When ordering parts, please specify the model and serial number of the product.

* Indicates a component that is not available as an individual part.

*** Indicates consult Customer Service Department for additional information.

ITEM	PART NO.	1 2 3 4 5	DESCRIPTION	QTY.
1	601257		UPPER ROCKER PANEL, DRIVER SIDE	1
2	601258		UPPER ROCKER PANEL, PASSENGER SIDE	1
3	605957		BUTTON HEAD TORX SCREW, THREAD FORMING, M8.....	2
4				
5	600253		LOWER ROCKER PANEL, DRIVER SIDE	1
6	600257		LOWER ROCKER PANEL, PASSENGER SIDE	1
7	605957		BUTTON HEAD TORX SCREW, THREAD FORMING, M8.....	3
8				
9				
10				
11				
12	601118		FLOORMAT WITHOUT HOLE FOR HORN.....	1
13	603707		FLOORMAT WITH HOLE FOR HORN	1
14	16816-G2		CHRISTMAS TREE RIVET (.25 X .88).....	7
15				
16	605277		PEDAL COVER PLATE	1
17	16816-G2		CHRISTMAS TREE RIVET (.25 X .88).....	4
18				
19	603798		FLOOR BOARD.....	1
20	604066		FLAT WASHER, M10 (O.D. 30, I.D. 10.5, THK. 1.75)	2
21	602020		TORX SOCKET HEAD CAP SCREW, M10 - 1.5 X 50	2

BODY



When ordering parts, please specify the model and serial number of the product.

* Indicates a component that is not available as an individual part.

*** Indicates consult Customer Service Department for additional information.

ITEM	PART NO.	1 2 3 4 5	DESCRIPTION	QTY.
1	6XXXXX		REAR BODY ASSEMBLY WITHOUT LIGHT OPENINGS (includes items 5 - 9) (see colors below)	1
			620243 IVORY	
			620244 FORREST GREEN	
			620245 PATRIOT BLUE	
			620246 BLACK	
			620247 MOLTEN RED	
			620248 BRIGHT WHITE	
			620249 FLAME RED	
			620250 STEEL BLUE	
			608549 PLATINUM	
			608550 ALMOND	
			608551 ELECTRIC BLUE	
			608552 INFERNO RED	
2	6XXXXX		REAR BODY ASSEMBLY WITH LIGHT OPENINGS (includes items 5-9) (see colors below)	1
			620251 IVORY	
			620252 FORREST GREEN	
			620253 PATRIOT BLUE	
			620254 BLACK	
			620255 MOLTEN RED	
			620256 BRIGHT WHITE	
			620257 FLAME RED	
			620258 STEEL BLUE	
			608553 PLATINUM	
			608554 ALMOND	
			608555 ELECTRIC BLUE	
			608556 INFERNO RED	
3				
4				
5	601679		BAGWELL LINER INSERT.....	1
6	16816-G2		CHRISTMAS TREE RIVET	20
7	600249		REAR BODY ACCESS PANEL	1
8	602409		BARREL CLIP, M6-1	2
9	601326		BUTTON HEAD TORX BOLT, M6 - 1 X 20.....	2
10				

BODY

When ordering parts, please specify the model and serial number of the product.

* Indicates a component that is not available as an individual part.

*** Indicates consult Customer Service Department for additional information.

ITEM	PART NO.	1	2	3	4	5	DESCRIPTION	QTY.
11								
12	602572						PAN HEAD TORX BOLT, M10 - 1.5 X 25	2
13	604066						FLAT WASHER, M10 (O.D. 30, I.D. 10.5, THK. 1.75).....	2
14								
15	602558						SEAT HINGE PLATE	1
16	602572						PAN HEAD TORX BOLT, M10 - 1.5 X 25	2
17								
18	601921						FRONT SEAT SUPPORT ASSEMBLY.....	1
19	602572						PAN HEAD TORX BOLT, M10 - 1.5 X 25	2
20								
21								
22	601621						REAR SPLASH GUARD, DRIVER SIDE	1
23	16816-G2						CHRISTMAS TREE RIVET (.25 X .88)	4
24								
25	601622						REAR SPLASH GUARD, PASSENGER SIDE	1
26	16816-G2						CHRISTMAS TREE RIVET (.25 X .88)	4
27								
28	608513						RUBBER PAD	4
29								
30								
31	601865						SCUFF GUARD, DRIVER SIDE.....	1
32	601864						SCUFF GUARD, PASSENGER SIDE	1
33	16816-G2						CHRISTMAS TREE RIVET (.25 X .88)	6
34								
35								
36	604066						FLAT WASHER, (O.D. 30, I.D. 10.5, THK. 1.75).....	4
37	605957						BUTTON HEAD TORX SCREW, THREAD FORMING, M8	4
38	603819						REAR BUMPER	1
39	604266						FLAT WASHER, M10 (O.D. 30, I.D. 10.5, THK. 1.75).....	2
40	603799						HEX HEAD FLANGED BOLT, M10 - 1.5 X 25.....	4
41	608313						BUTTON HEAD TORX BOLT, M10 - 1.5 X 25.....	2

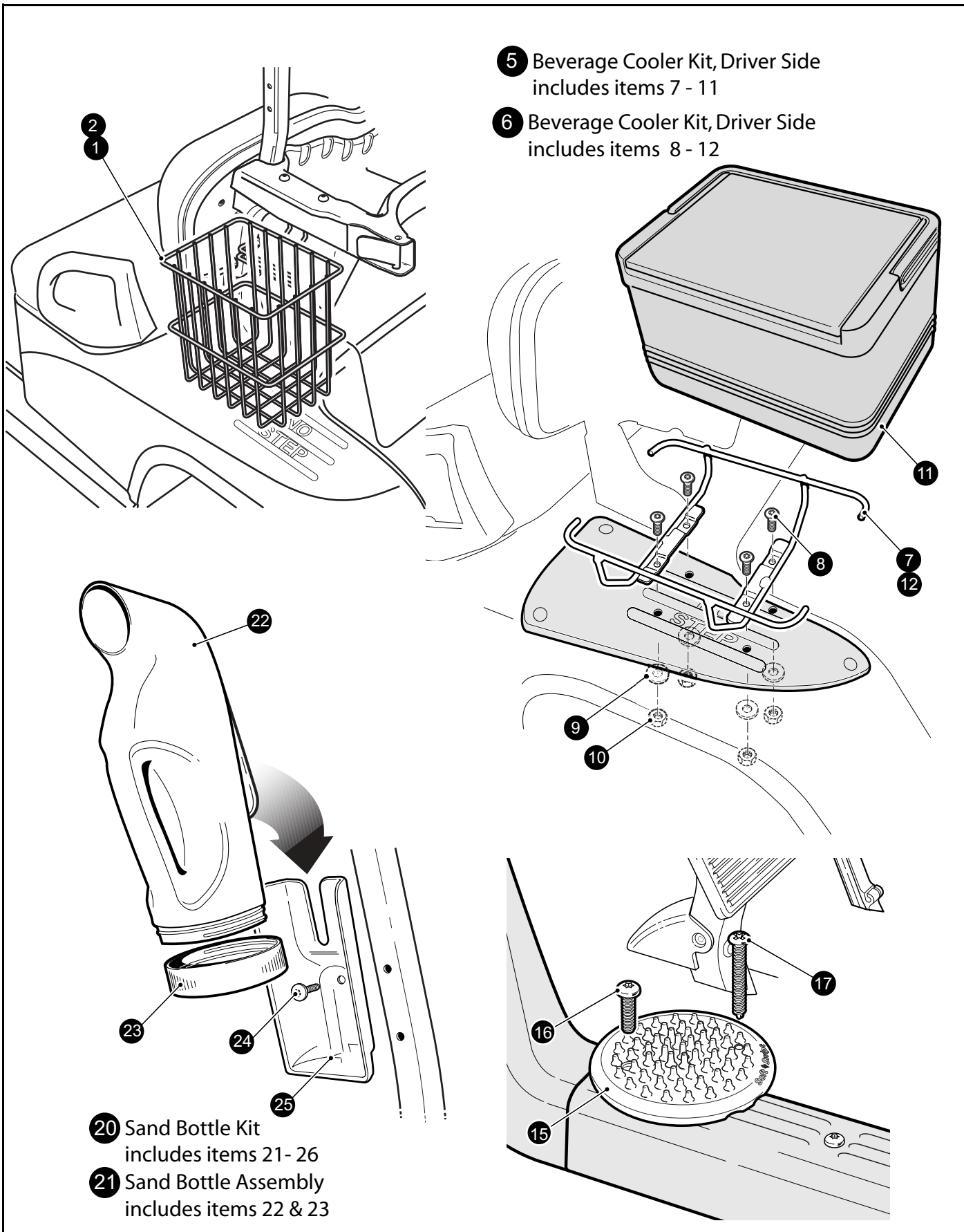
When ordering parts, please specify the model and serial number of the product.

* Indicates a component that is not available as an individual part.

*** Indicates consult Customer Service Department for additional information.

ITEM	PART NO.	1 2 3 4 5	DESCRIPTION	QTY.
42				
43				
44	607859		RXV DECAL.....	2
45	607861		E - Z - GO FREEDOM DECAL.....	2
46	607863		E - Z - GO 2 + 2 SHUTTLE DECAL.....	2
47				
48	607547		RED REFLEX REFLECTOR, REAR.....	4

BODY



5 Beverage Cooler Kit, Driver Side includes items 7 - 11

6 Beverage Cooler Kit, Driver Side includes items 8 - 12

20 Sand Bottle Kit includes items 21- 26

21 Sand Bottle Assembly includes items 22 & 23

When ordering parts, please specify the model and serial number of the product.

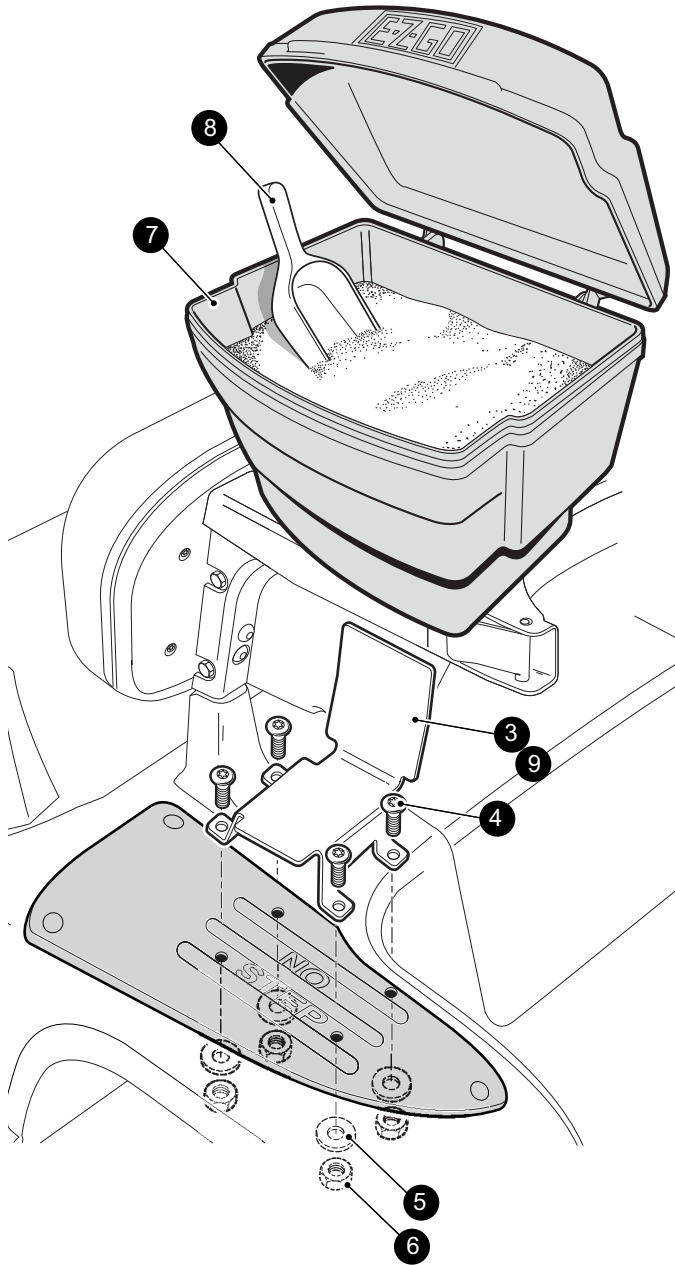
* Indicates a component that is not available as an individual part.

*** Indicates consult Customer Service Department for additional information.

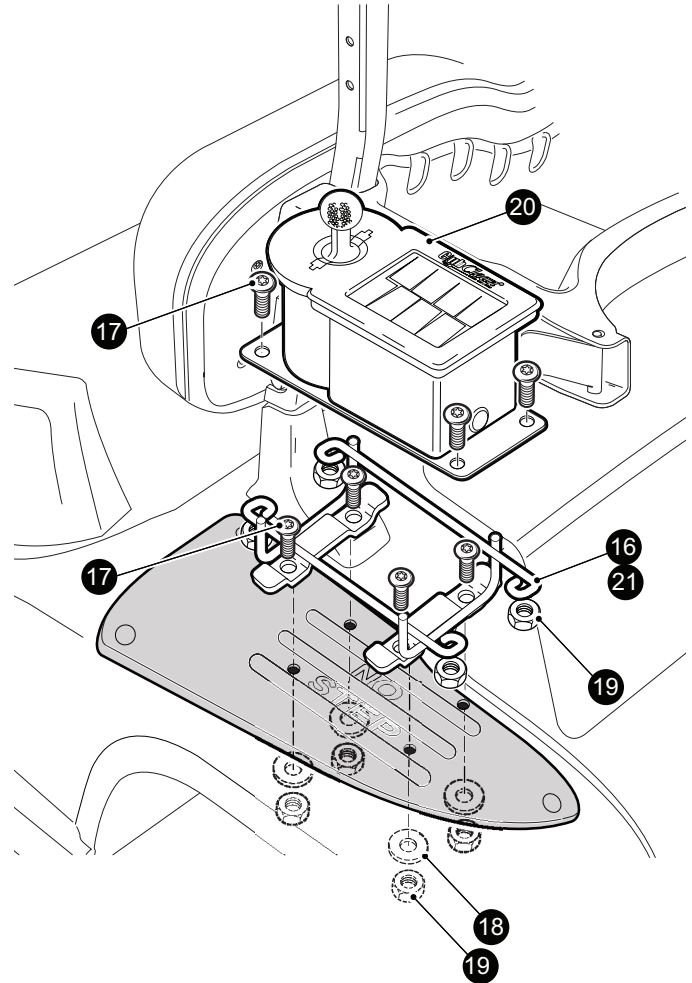
ITEM	PART NO.	1 2 3 4 5	DESCRIPTION	QTY.
1	603846		SIDE BASKET, DRIVER SIDE (use existing hardware).....	1
2	603702		SIDE BASKET, PASSENGER SIDE (use existing hardware).....	1
3				
4				
5	603733		BEVERAGE COOLER KIT, DRIVER SIDE (includes items 7 -)	1
6	604215		BEVERAGE COOLER KIT, PASSENGER SIDE (includes items 8 -).....	1
7	603706		MOUNTING BRACKET, DRIVER SIDE	1
8	600530		BUTTON HEAD TORX BOLT, M10 - 1.5 X 34.....	4
9	608520		POLYPROPYLENE WASHER.....	4
10	600525		LOCKING NUT, M10 - 1.25	4
11	601366		BEVERAGE COOLER.....	1
12	603777		MOUNTING BRACKET, PASSENGER SIDE	1
13				
14				
15	604360		SOFTSWIPE	1
16	605957		BUTTON HEAD TORX SCREW, THREAD FORMING, M8.....	1
17	620209		PAN HEAD PHILLIPS SCREW, #10 X 2"	1
18				
19				
20	607104		SAND BOTTLE KIT (includes items 21 - 25)	1
21	607102		SAND BOTTLE ASSEMBLY (includes items 22 & 23).....	1
22	605961		SAND BOTTLE	1
23	605962		SAND BOTTLE CAP	1
24	602572		PAN HEAD TORX SCREW, TAPTITE M10 - 1.5 X 25	1
25	606085		SAND BOTTLE MOUNTING BRACKET	1

BODY

- 1 Divot Repair Kit, Driver Side includes items 3 - 8
- 2 Divot Repair Kit, Driver Side includes items 4 - 9



- 14 Club & Ball Washer Kit, Driver Side includes items 16 - 20
- 15 Club & Ball Washer Kit, Driver Side includes items 17 - 21



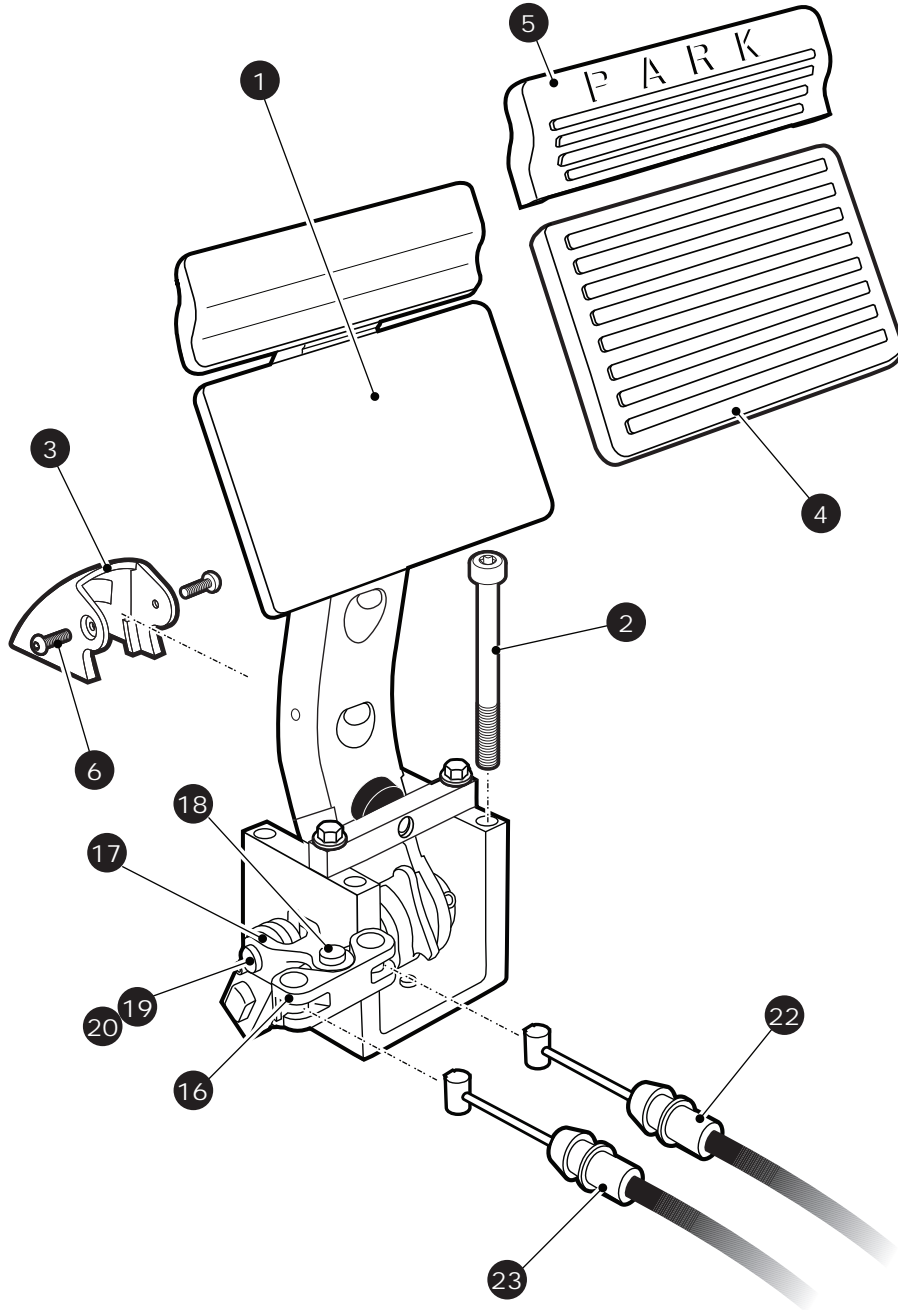
When ordering parts, please specify the model and serial number of the product.

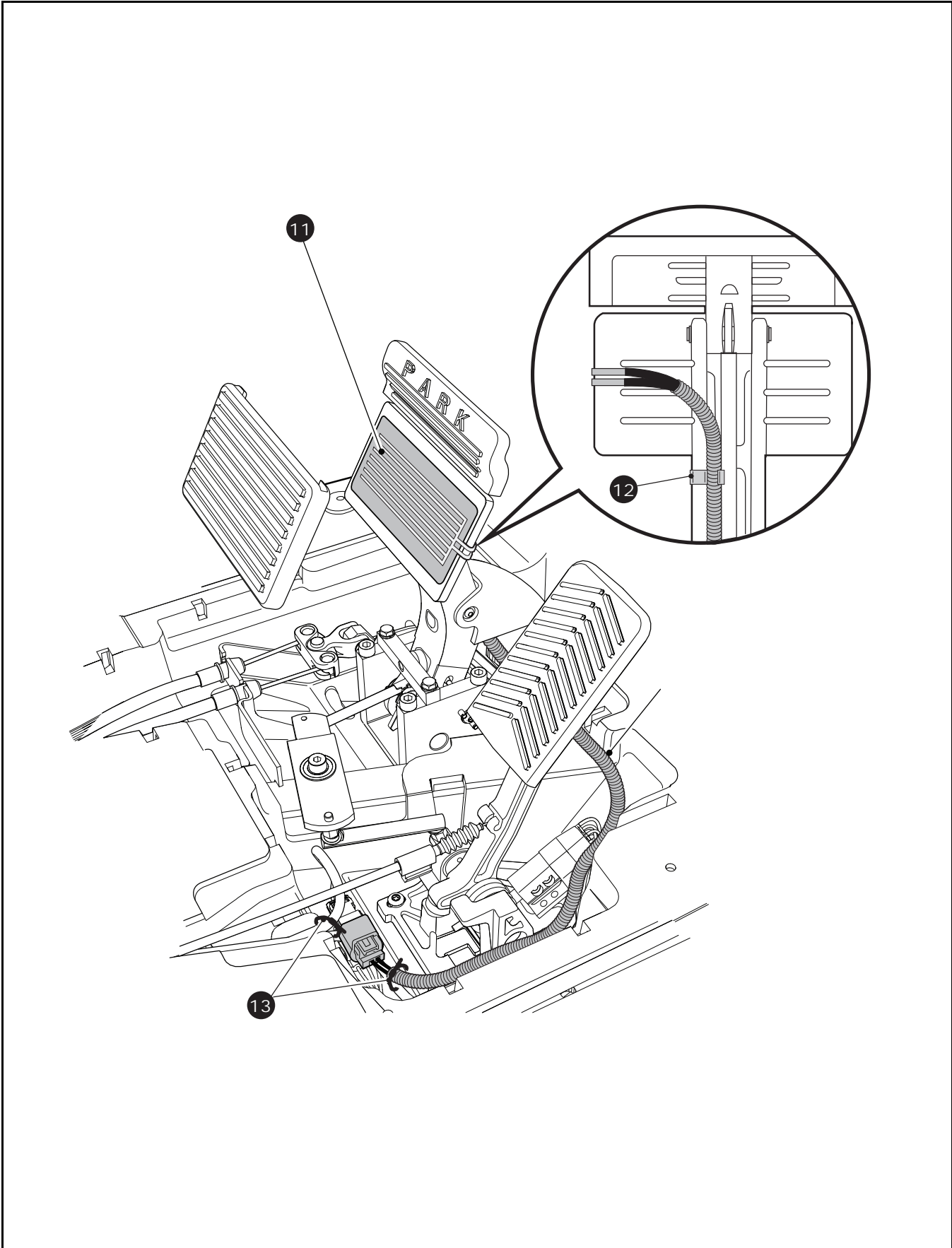
* Indicates a component that is not available as an individual part.

*** Indicates consult Customer Service Department for additional information.

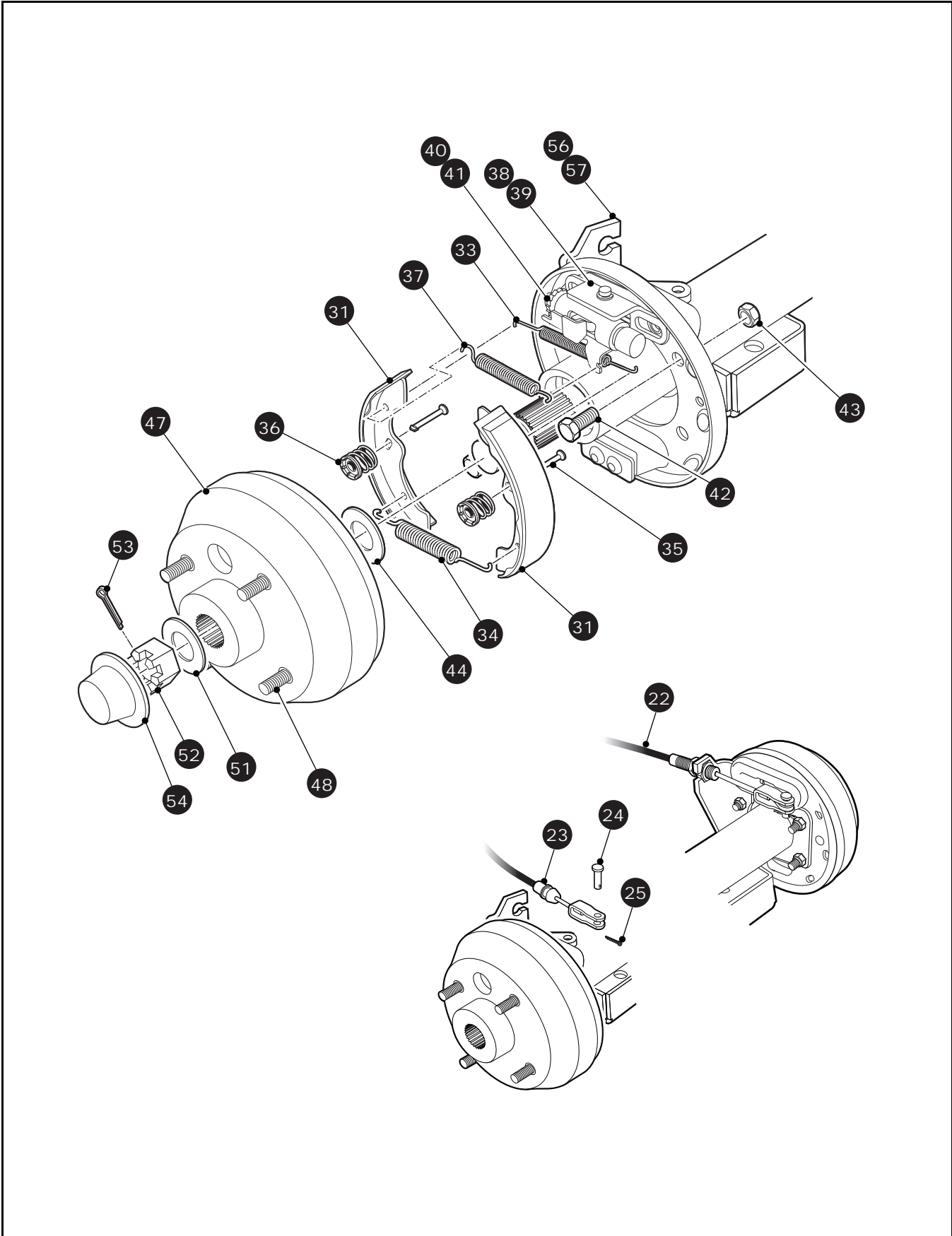
ITEM	PART NO.	1 2 3 4 5	DESCRIPTION	QTY.
1	604214		DIVOT REPAIR KIT, DRIVER SIDE (includes items 3 - 8)	1
2	603250		DIVOT REPAIR KIT, PASSENGER SIDE (includes items 4 - 9)	1
3	603825		MOUNTING BRACKET, DRIVER SIDE	1
4	600530		BUTTON HEAD TORX BOLT, M10 - 1.5 X 34.....	4
5	608520		POLYPROPYLENE WASHER.....	4
6	600525		LOCKING NUT, M10 - 1.25	4
7	601365		DIVOT REPAIR BUCKET	1
8	604642		SCOOP.....	1
9	603824		MOUNTING BRACKET, PASSENGER SIDE	1
10				
11				
12				
13				
14	604216		CLUB & BALL WASHER KIT, DRIVER SIDE (includes items 16 - 20)	1
15	603252		CLUB & BALL WASHER KIT, PASSENGER SIDE (includes items 17 - 21)...	1
16	604577		MOUNTING BRACKET, DRIVER SIDE	1
17	600530		BUTTON HEAD TORX BOLT, M10 - 1.5 X 34.....	4
18	608520		POLYPROPYLENE WASHER.....	4
19	600525		LOCKING NUT, M10 - 1.25	4
20	603836		CLUB & BALL WASHER	1
21	604576		MOUNTING BRACKET, PASSENGER SIDE	1

BRAKES





BRAKES



BRAKES

Where applicable, THE USE OF NON UL PARTS WILL VOID ANY UL LISTING.
 When ordering parts, please specify the model and serial number of the product.
 * Indicates a component that is not available as an individual part.
 G** Indicates consult Customer Service Department for additional information.

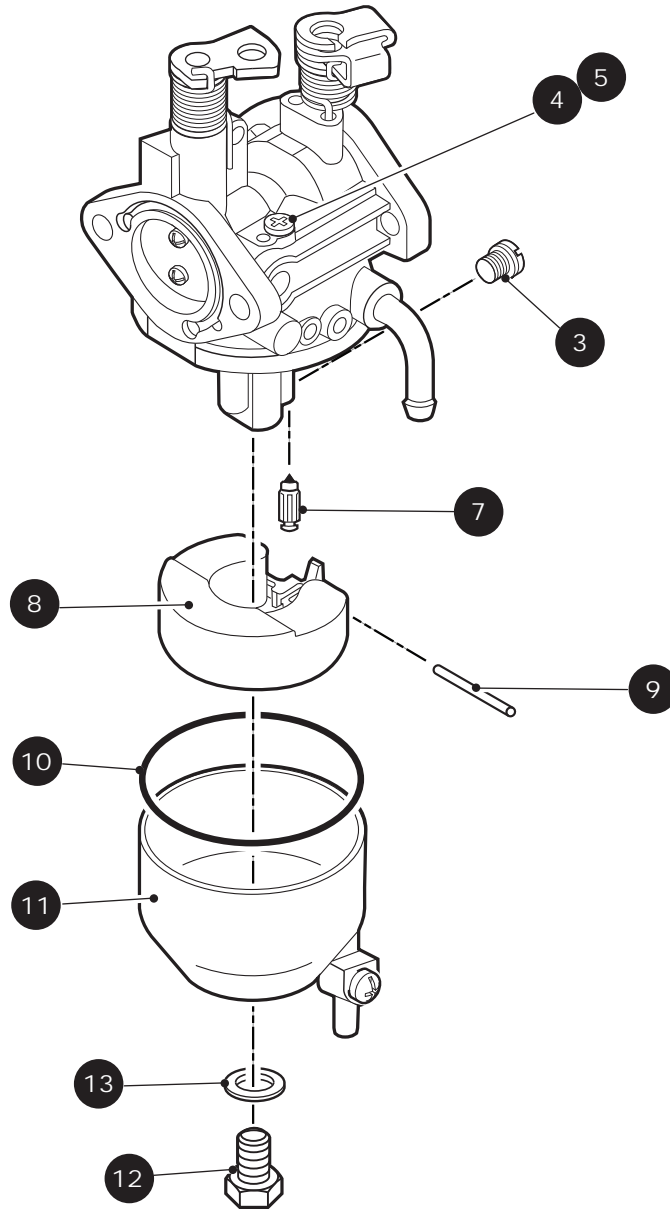
ITEM	PART NO.	1 2 3 4 5	DESCRIPTION	QTY.
1	604990		BRAKE PEDAL ASSEMBLY	
2	605254		SOCKET HEAD SCREW, M8 - 1.25 X 90.....	4
3	605688		BRAKE PEDAL COVER.....	1
4	600252		BRAKE PEDAL RUBBER COVER.....	1
5	601406		PARK BRAKE PEDAL RUBBER COVER.....	1
6	600543		BOLT, M4 - .7 X 12.....	2
7			PARK BRAKE KICK-OFF LINKAGE	1
8				
9				
10				
11	606711		BRAKE LIGHT SWITCH	1
12	606814		S-CLIP.....	1
13	17618G1		NYLON CLAMP.....	2
14				
15				
16	604458		EQUALIZER.....	1
17	604459		BRAKE CABLE CLIP	1
18	601894		CLEVIS PIN, 8MM X 21.5MM	1
19	601835		E CLIP RING, 8 MM	2
20	601895		CLEVIS PIN, 8MM X 27.0MM	1
21				
22	601286		BRAKE CABLE, PASSENGER SIDE	1
23	600323		BRAKE CABLE, DRIVER SIDE	1
24	10386G3		CLEVIS PIN.....	2
25	10387G3		COTTER PIN .94 X .75	2
26				
27				
28	70998-G01		BRAKE ASSEMBLY (PASSENGER SIDE) (INCLUDES ITEMS 30 - 38)	1
29	70998-G02		BRAKE ASSEMBLY (DRIVER SIDE) (INCLUDES ITEMS 30 - 37, 39).....	1
30	70795G01		BRAKE SHOE.....	4

BRAKES

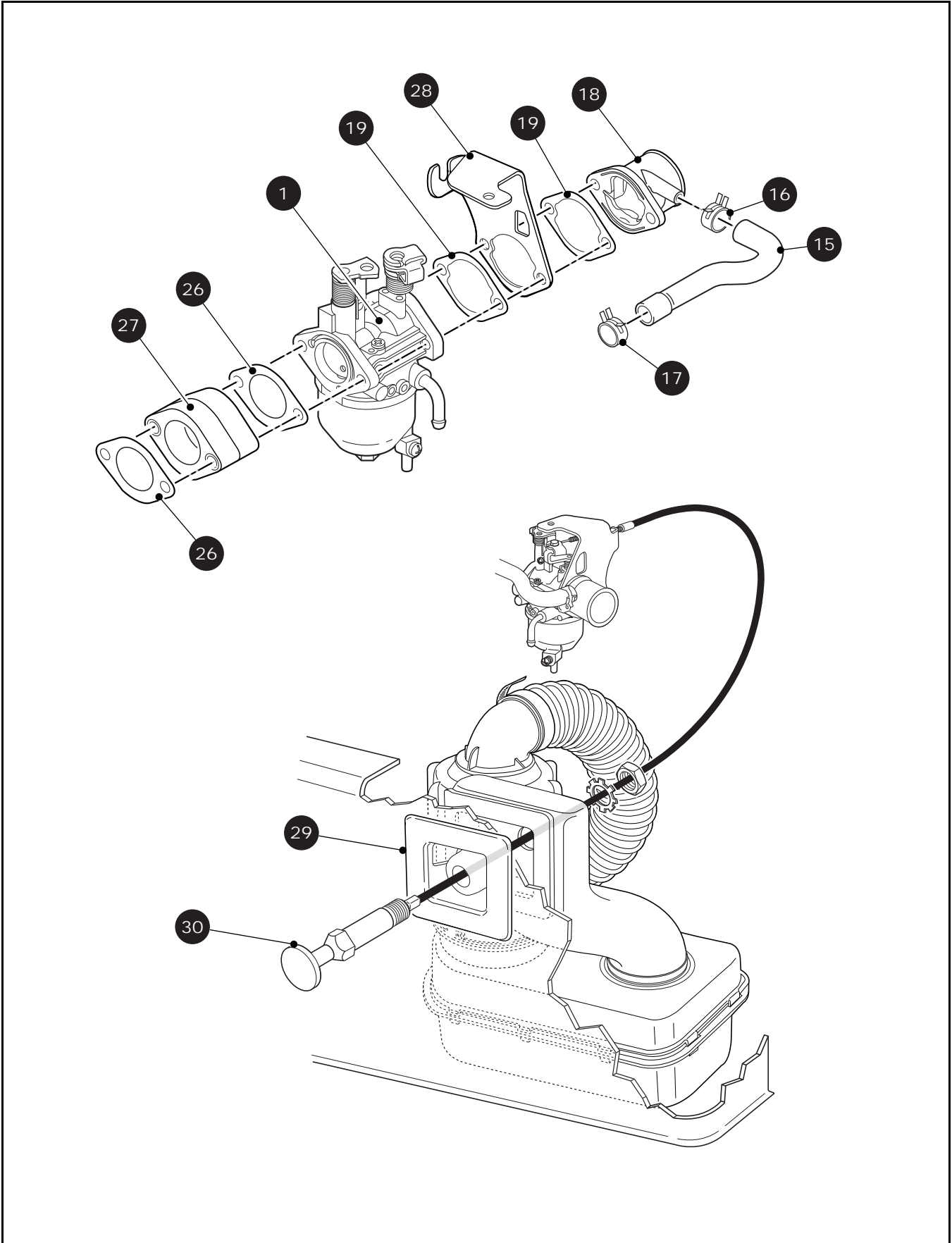
Where applicable, THE USE OF NON UL PARTS WILL VOID ANY UL LISTING.
 When ordering parts, please specify the model and serial number of the product.
 * Indicates a component that is not available as an individual part.
 G** Indicates consult Customer Service Department for additional information.

ITEM	PART NO.	1 2 3 4 5	DESCRIPTION	QTY.
31	*		BRAKE SHOES	2
32	27944-G01		BRAKE SPRING KIT (INCLUDES ITEMS 33 - 37).....	2
33	*		UPPER SPRING	1
34	*		LOWER SPRING	1
35	*		PIN	2
36	*		CUP AND SPRING	2
37	*		ADJUSTER SPRING.....	1
38	72582-G01		BRAKE ADJUSTER KIT (PASSENGER SIDE) (INCLUDES ITEMS 40, 41)	1
39	72582-G02		BRAKE ADJUSTER KIT (DRIVER SIDE) (INCLUDES ITEMS 40, 41)	1
40	*		ADJUSTER	1
41	*		TEFLON WASHER.....	2
42	17083-G2		BOLT, 5/16 - 24 X 1" LG	8
43	15126-G1		LOCK NUT, 5/16 - 24	8
44	21809-G1		INNER BRAKE DRUM WASHER, 1 5/16" O.D. X 1" I.D. X 1/32"	2
45				
46	21807-G1		BRAKE DRUM ASSEMBLY (INCLUDES ITEMS 47 - 48).....	2
47	*		BRAKE DRUM	1
48	19862-G1		LUG BOLT, 1/2 - 20 X 1 3/16" LG	4
49				
50				
51	21830-G1		OUTER BRAKE DRUM WASHER	2
52	00518-G8		CASTELLATED NUT, 3/4 - 16.....	2
53	10387-G1		COTTER PIN, 1/8" X 1 1/2" LG.....	2
54	74175-G01		SPINDLE CAP.....	2
55				
56	608200		BRAKE CABLE BRACKET (PASSENGER SIDE).....	1
57	608201		BRAKE CABLE BRACKET (DRIVER SIDE)	1

CARBURETOR AND CHOKE



CARBURETOR AND CHOKE



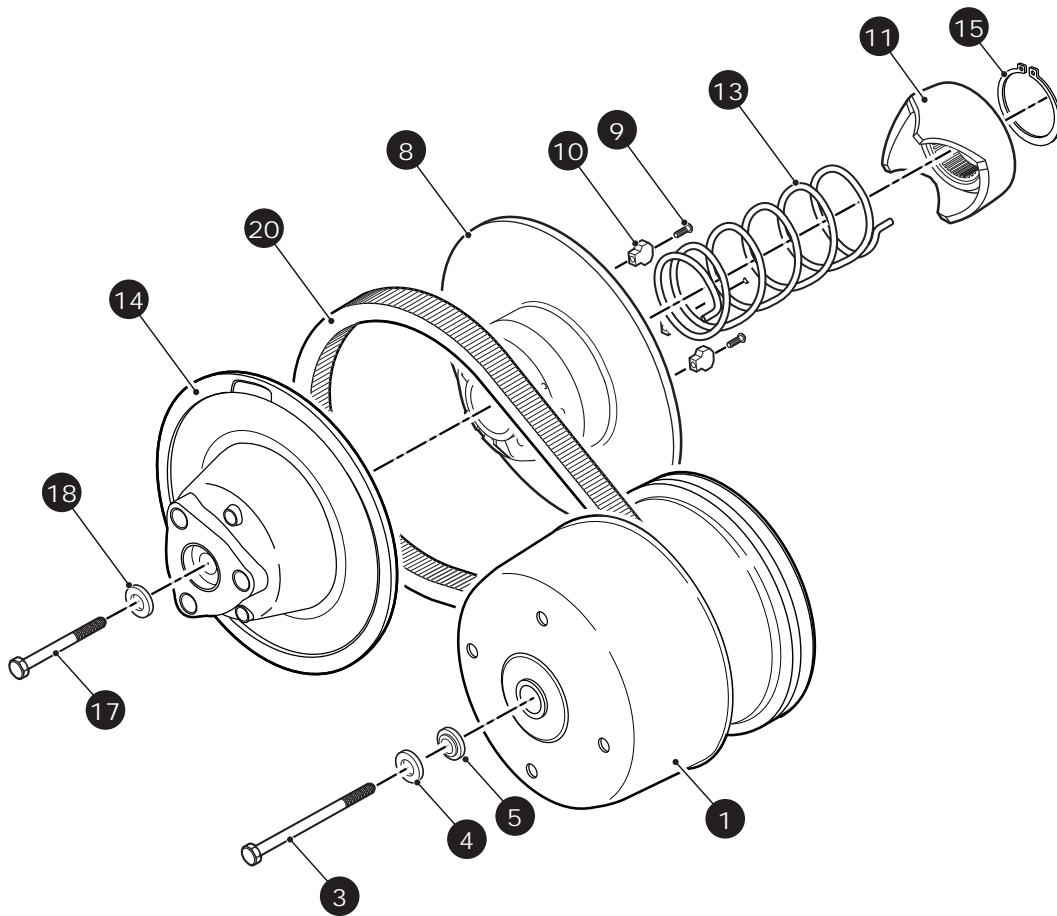
CARBURETOR AND CHOKE

THE USE OF NON U.L. PARTS WILL VOID ANY U.L. LISTING.
 When ordering parts, please specify the model and serial number of the product.
 * Indicates a component that is not available as an individual part.
 G** Indicates consult Customer Service Department for additional information.

ITEM	PART NO.	1 2 3 4 5	DESCRIPTION	QTY.
1	607954		CARBURETOR (INCLUDES ITEMS 3 - 21).....	1
2				
3	607683		MAIN JET (#104)	1
4	608021		PILOT JET (#44).....	1
5	603585		PLUG	1
6				
7	603586		NEEDLE VALVE	1
8	603587		FLOAT.....	1
9	603588		FLOAT PIN.....	1
10	603589		FLOAT BOWL GASKET	1
11	603590		FLOAT CHAMBER.....	1
12	603592		BOWL SCREW	1
13	603591		BOWL GASKET	1
14				
15	603598		BREATHER TUBE	1
16	603596		CLAMP, INTAKE TUBE.....	1
17	603597		CLAMP CYLINDER HEAD TUBE.....	1
18	603594		INTAKE TUBE.....	1
19	603593		CHOKE GASKET.....	2
20	603595		NUT, M6 X 1.0.....	2
21	608023		THROTTLE ROD ATTACHMENT BUSHING.....	1
22				
23	607684		MAIN JET (#102) (FOR ELEVATIONS OF 3000 FT - 6000 FT).....	1
24	607685		MAIN JET (#100) (FOR ELEVATIONS OF 6000 FT - 10000 FT).....	1
25				
26	603580		CARBURETOR MOUNT GASKET.....	2
27	603581		CARBURETOR INSULATOR	1
28				
29	600209		CHOKE/AIR INTAKE ADAPTER	1
30	601986		CHOKE CABLE (22 1/4" LG WITH NUTS)	1

CLUTCH

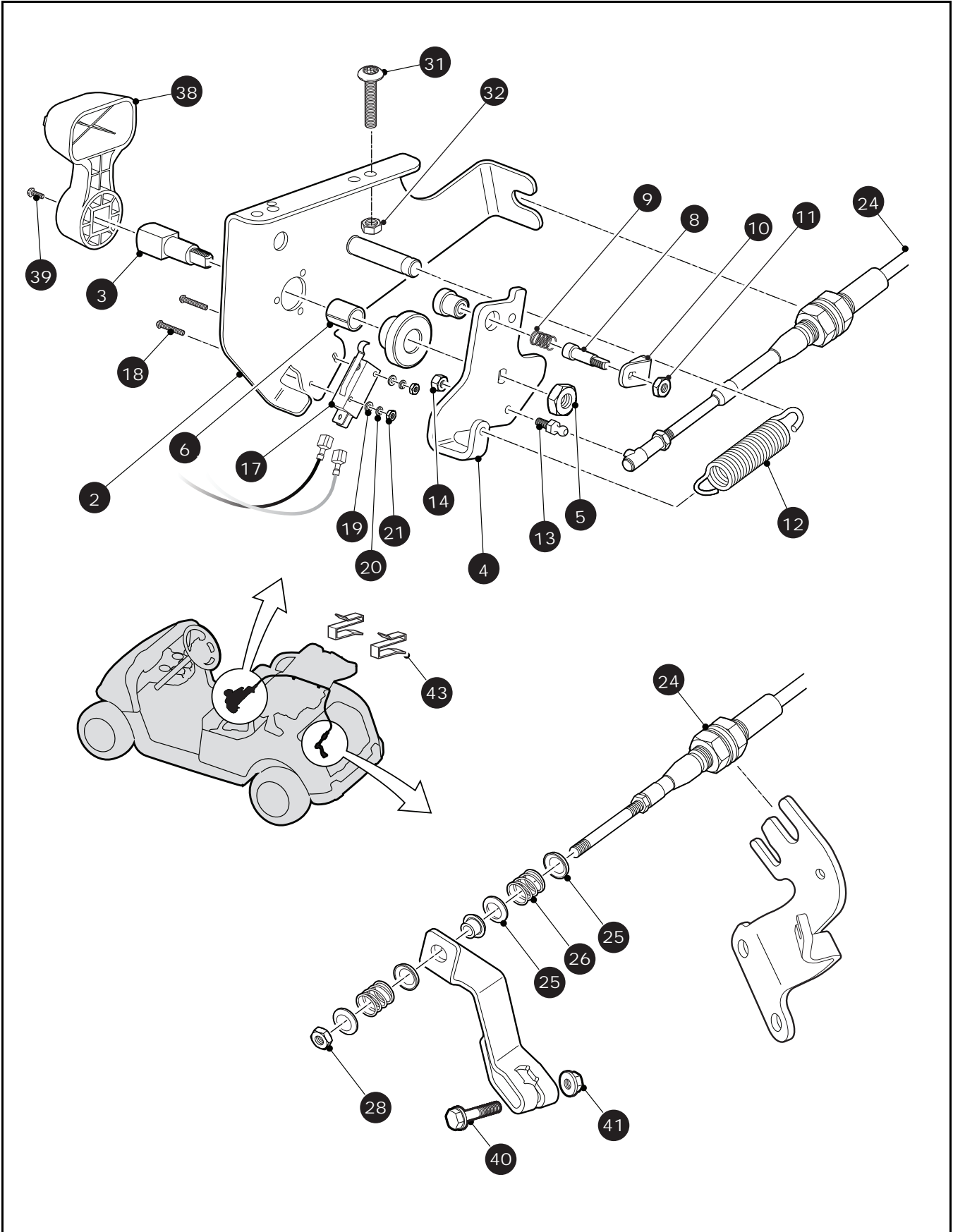
7 - Includes items 8 - 15



Where applicable, THE USE OF NON UL PARTS WILL VOID ANY UL LISTING.
 When ordering parts, please specify the model and serial number of the product.
 * Indicates a component that is not available as an individual part.
 G** Indicates consult Customer Service Department for additional information.

ITEM	PART NO.	1 2 3 4 5	DESCRIPTION	QTY.
1	602000		DRIVE CLUTCH	1
2				
3	606245		BOLT, M12 - 1.25 X 160MM LG	1
4	606239		WASHER, M12.....	1
5	606230		WASHER.....	1
6				
7	602001		DRIVEN CLUTCH ASSEMBLY (INCLUDES ITEMS 8 - 15)	1
8	*		MOVABLE SHEAVE	1
9	608210		SCREW, M4 X 25.....	3
10	608204		RAMP BUTTON	3
11	*		CAM.....	1
12				
13	608209		COMPRESSION SPRING	1
14	*		SHEAVE AND POST	1
15	608211		HEAVY DUTY RETAINING RING	1
16				
17	606243		BOLT, M12 - 1.25 X 120MM LG	1
18	606239		WASHER, M12.....	1
19				
20	606136		DRIVE BELT.....	1

DIRECTION SELECTOR



DIRECTION SELECTOR

Where applicable, THE USE OF NON UL PARTS WILL VOID ANY UL LISTING.
 When ordering parts, please specify the model and serial number of the product.
 * Indicates a component that is not available as an individual part.
 G** Indicates consult Customer Service Department for additional information.

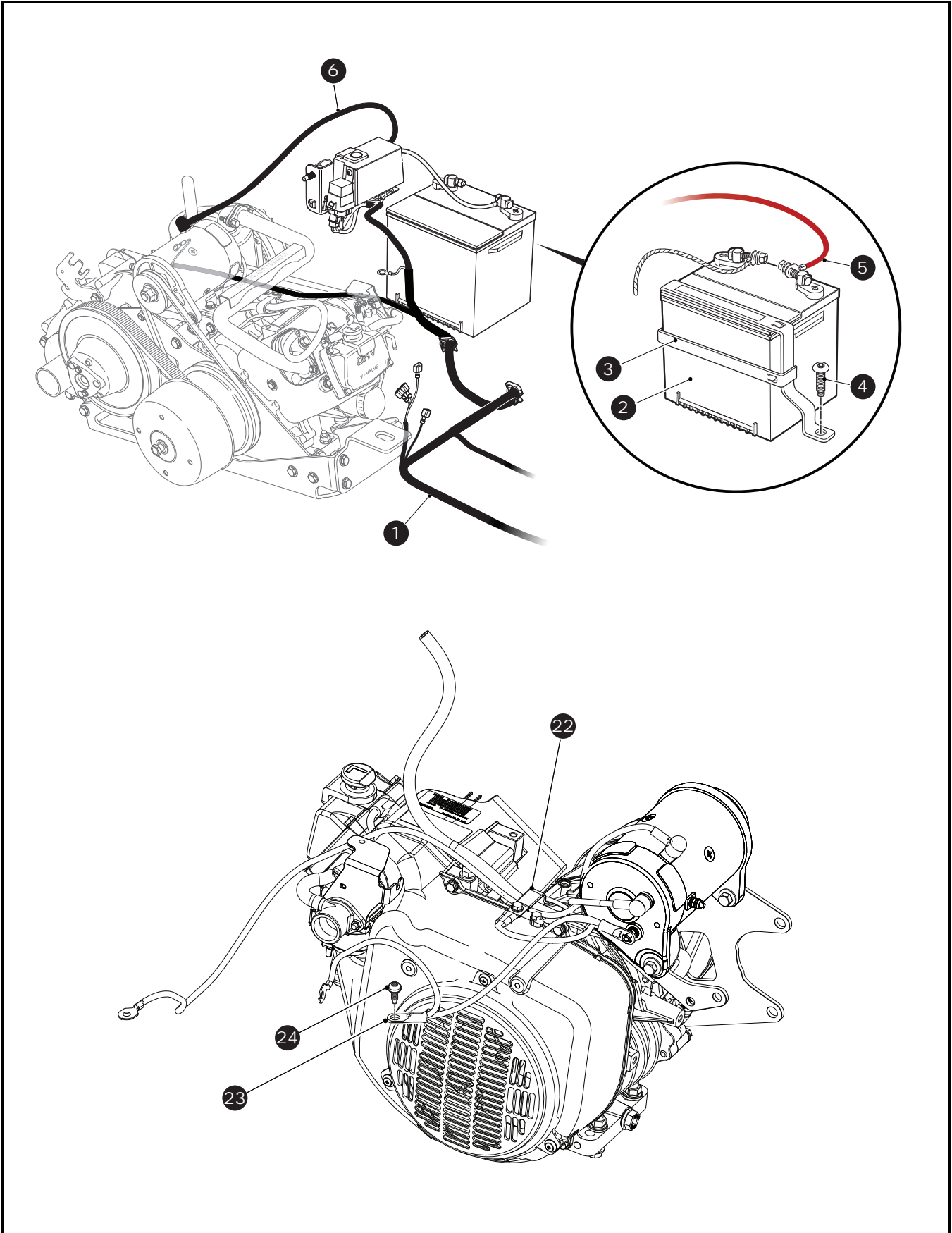
ITEM	PART NO.	1 2 3 4 5	DESCRIPTION	QTY.
1	608161		DIRECTION SELECTOR ASSEMBLY (INCLUDES ITEMS 2 - 28)	1
2	603627		DIRECTION SELECTOR BRACKET WITH BUSHING	1
3	608150		DIRECTION SELECTOR SHAFT	1
4	603700		DIRECTION SELECTOR CAM	1
5	14390-G1		LOCK NUT, 3/8 - 24	1
6	25664-G2		BUSHING.....	1
7				
8	72724-G01		NEUTRAL LOCK PIN	1
9	72733-G01		COMPRESSION SPRING, 3/8" X 5/8" LG	1
10	72729-G01		NEUTRAL LOCK BRACKET	1
11	00734-G2		LOCK NUT, 1/4 - 28	1
12	28574-G01		EXTENSION SPRING	1
13	72732-G01		BALL STUD, 1/4"	1
14	00734-G5		LOCK NUT, #10 - 32	1
15				
16				
17	72736-G01		MICRO SWITCH.....	1
18	01062-G01		SCREW, #4 - 40 X 1" LG	2
19	00559-G1		WASHER, #4	2
20	00565-G1		LOCK WASHER, #4	2
21	00526-G2		NUT, #4 - 40.....	2
22				
23				
24	603615		PUSH / PULL SHIFTER CABLE.....	1
25	25727-G01		CUP WASHER, 1/4"	4
26	72735-G01		COMPRESSION SPRING, 19/32" X 1" LG.....	2
27			SHIFTER BRACKET WITH BUSHING	1
28	00734-G5		LOCK NUT, #10 - 32	1
29				
30				

DIRECTION SELECTOR

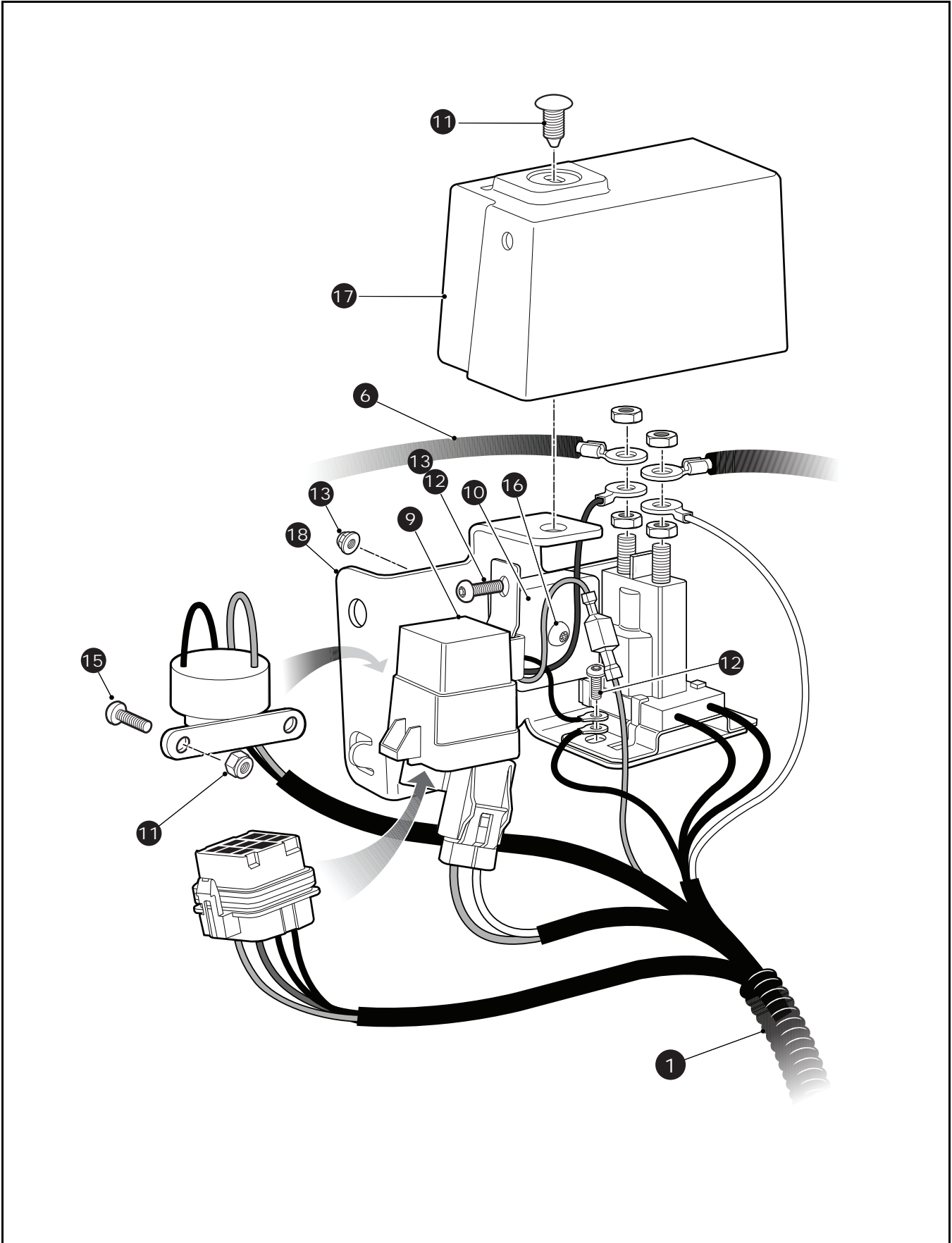
Where applicable, THE USE OF NON UL PARTS WILL VOID ANY UL LISTING.
 When ordering parts, please specify the model and serial number of the product.
 * Indicates a component that is not available as an individual part.
 G** Indicates consult Customer Service Department for additional information.

ITEM	PART NO.	1 2 3 4 5	DESCRIPTION	QTY.
31	601326		BOLT, M6 - 1.00 X 20	2
32	450452		NUT, M6 - 1.00	2
33				
34				
35	26830-G01		LOCK NUT, M8 X 1.25 MM	1
36				
37				
38	71205-G01		DIRECTION SELECTOR HANDLE	1
39	00740-G4		SCREW, #10 - 32 X 1/2" LG (STAINLESS STEEL)	1
40	606421		BOLT, M6 - 1.00 X 30	1
41	450452		NUT, M6 - 1.00	1
42				
43	01072-G01		CABLE CLIP	2

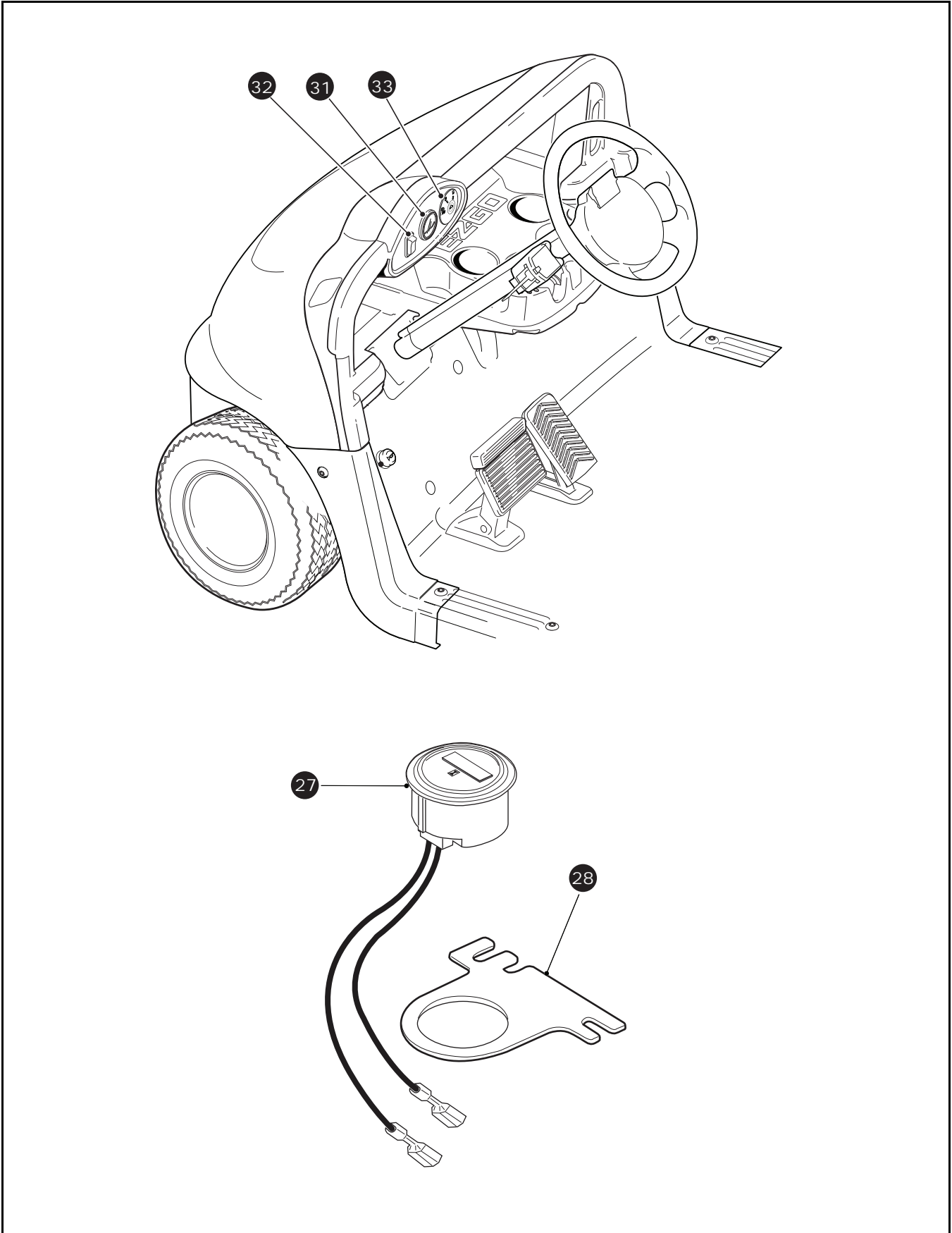
ELECTRICAL SYSTEM



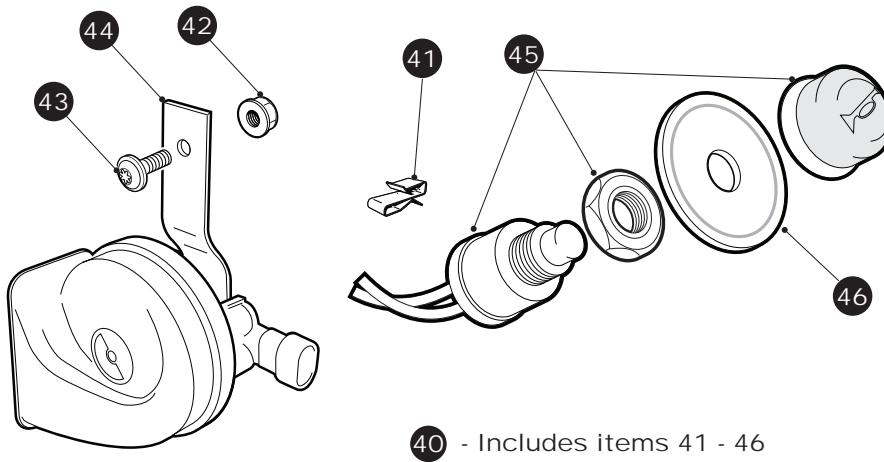
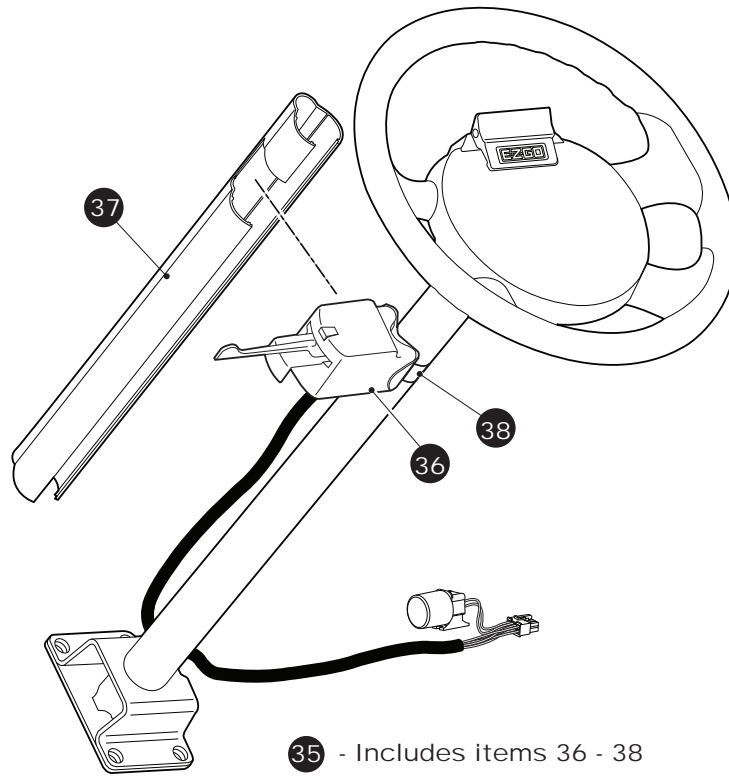
ELECTRICAL SYSTEM



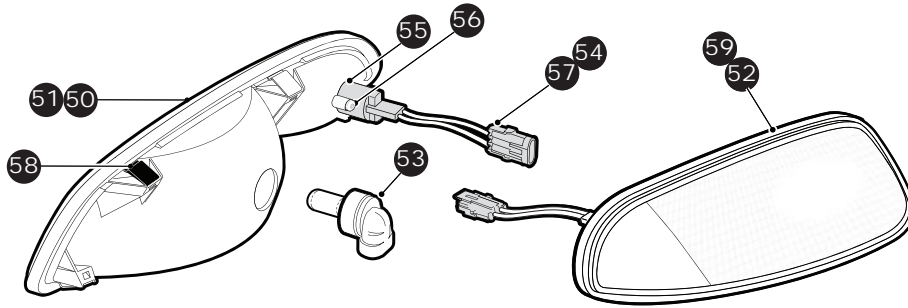
ELECTRICAL SYSTEM



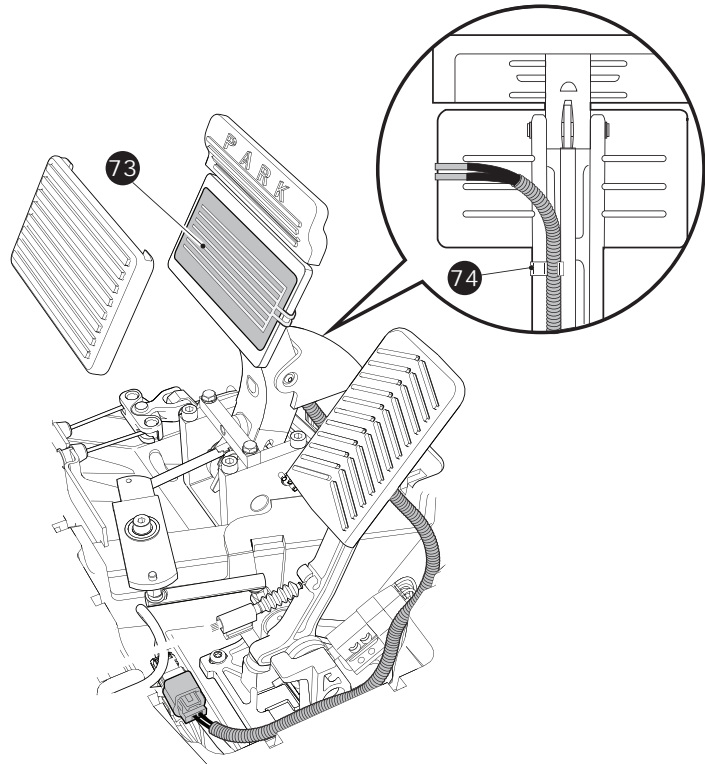
ELECTRICAL SYSTEM



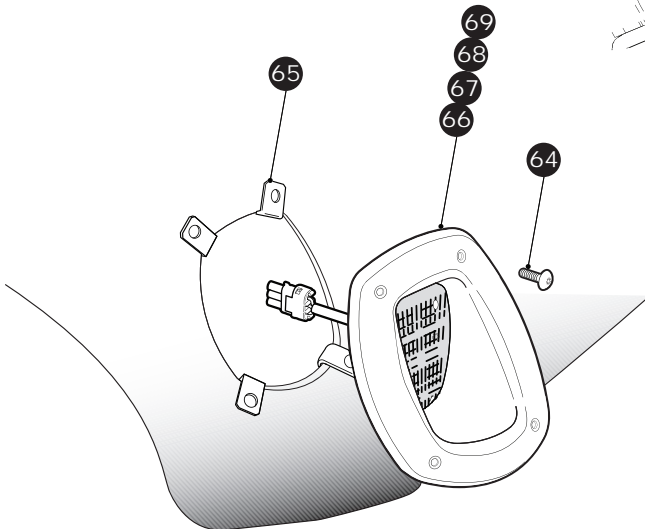
ELECTRICAL SYSTEM



49 - Includes items 50 - 59

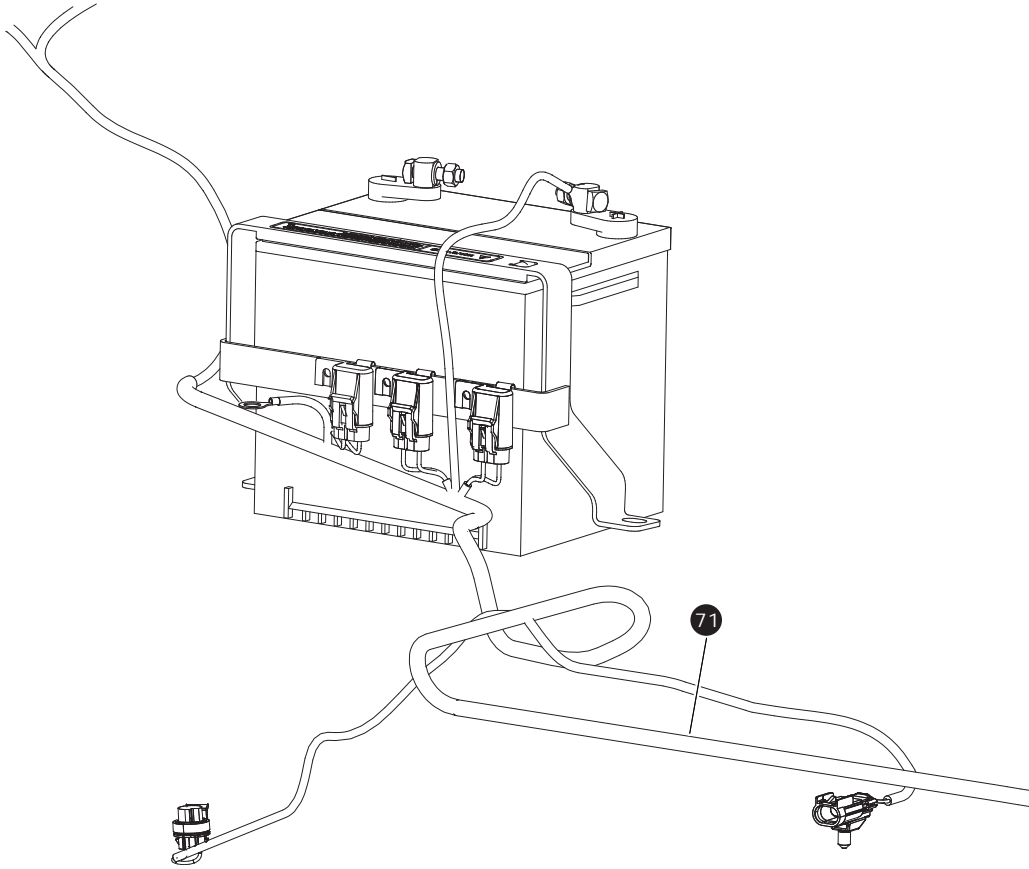


62 - Includes items 63 - 69





ELECTRICAL SYSTEM



ELECTRICAL SYSTEM

Where applicable, THE USE OF NON UL PARTS WILL VOID ANY UL LISTING.

When ordering parts, please specify the model and serial number of the product.

* Indicates a component that is not available as an individual part.

G** Indicates consult Customer Service Department for additional information.

ITEM	PART NO.	1 2 3 4 5	DESCRIPTION	QTY.
1	602163		MAIN HARNESS, FLEET	1
2	24775G1		BATTERY, 12V	1
3	601832		BATTERY TIE DOWN	1
4	605957		BOSS SCREW, M8	2
5	601462		POSITIVE BATTERY CABLE (SOL - BATT+)	1
6	603874		6 GA. WIRE, (SOL - F2)	1
7				
8				
9	603282		RELAY, 12V	1
10	27739G01		VOLTAGE REGULATOR	1
11	16816G1		RACHET FASTENER	1
12	601326		SCREW, M6 - 1.0 X 25	3
13	601476		NUT, M6 - 1	4
14	602053		NUT, M4	3
15	600543		SCREW, M4 - 0.7 X 12	3
16	602063		SCREW, M6 - 1.0 X 40	1
17	603390		COVER	1
18	600962		BRACKET	1
19				
20				
21	602070		GROUND CABLE	1
22	606962		CLAMP	1
23	606264		BOLT, M6 - 1.0 X 20	1
24	602572		BOLT, M10 - 1.5 - 25	1
25				
26				
27	607120		HOUR METER	1
28	603721		HOUR METER BRACKET	1
29				
30				

ELECTRICAL SYSTEM

Where applicable, THE USE OF NON UL PARTS WILL VOID ANY UL LISTING.
 When ordering parts, please specify the model and serial number of the product.
 * Indicates a component that is not available as an individual part.
 G** Indicates consult Customer Service Department for additional information.

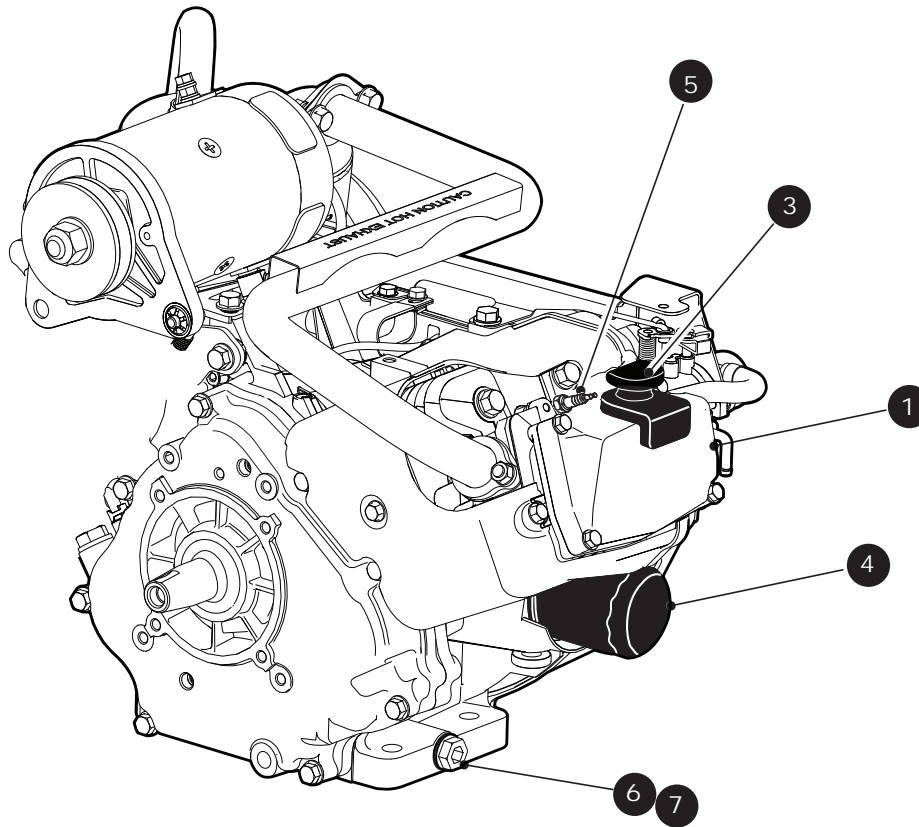
ITEM	PART NO.	1 2 3 4 5	DESCRIPTION	QTY.
31	604015		FUEL GAUGE	1
32	604019		HEADLIGHT SWITCH.....	1
33	603623		KEY SWITCH	1
34				
35	607530		TURN SIGNAL SWITCH KIT (includes items 36 - 38)	1
36	604511		TURN SIGNAL ASSEMBLY.....	1
37	20965G3		COVER	1
38	608771		RUBBER TAPE/INSULATION.....	1
39				
40	607528		HORN ASSEMBLY KIT (includes items 41- 46).....	1
41	01072G01		CLIP	2
42	601476		LOCK NUT, M6 - 1	1
43	601326		BUTTON HEAD TORX BOLT, M6 - 1 X 20	1
44	604196		HORN ASSEMBLY	1
45	604193		HORN BUTTON SWITCH ASSEMBLY	1
46	608397		HORN PLATE	1
47				
48				
49	607445		HEADLIGHT KIT (includes items 50 - 59).....	1
50	607439		HEADLIGHT ASSEMBLY, DRIVER SIDE (includes items 52 - 58)	1
51	607438		HEADLIGHT ASSEMBLY, PASSENGER SIDE (includes items 53 - 59)..	1
52	604452		GASKET, DRIVER SIDE	1
53	74004G01		HEADLIGHT BULB	1
54	604539		TURN SIGNAL BULB.....	1
55	608322		BULB RETAINER	1
56	608328		BUTTON HEAD TORX SCREW, PLASTITE.....	1
57	607487		TURN SIGNAL WIRE HARNESS	1
58	607434		HEADLIGHT RETAINING CLIP.....	4
59	607437		GASKET, PASSENGER SIDE	1
60				

ELECTRICAL SYSTEM

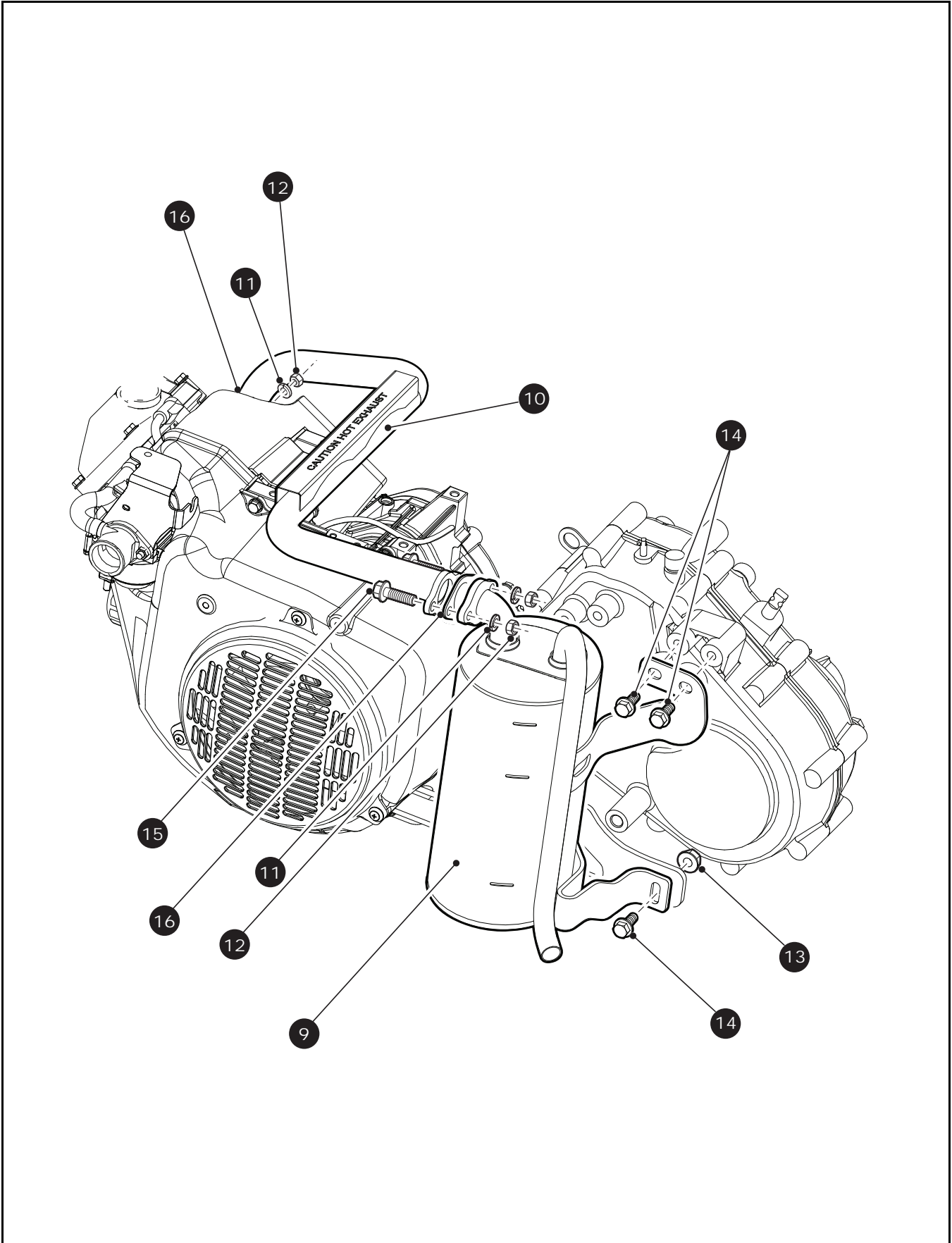
Where applicable, THE USE OF NON UL PARTS WILL VOID ANY UL LISTING.
 When ordering parts, please specify the model and serial number of the product.
 * Indicates a component that is not available as an individual part.
 G** Indicates consult Customer Service Department for additional information.

ITEM	PART NO.	1	2	3	4	5	DESCRIPTION	QTY.
61								
62	607450						TAIL LIGHT KIT (includes items 63 - 69).....	1
63	607474						TAIL LIGHT HARDWARE KIT (INCLUDES ITEMS 64 & 65).....	1
64	601326						BUTTON HEAD TORX BOLT, M6 - 1 X 20	8
65	602409						BARRELL CLIP, M6.....	8
66	603325						TAIL LIGHT ASSEMBLY, DRIVER SIDE (includes items 68 & 69.....	1
67	603326						TAIL LIGHT ASSEMBLY, PASSENGER SIDE (includes items 68 & 69) ..	1
68	604311						TAIL LIGHT BULB	1
69	604858						TAIL LIGHT LENS	1
70								
71	603848						ACCESSORY HARNESS.....	1
72								
73	606711						BRAKE LIGHT SWITCH ASSEMBLY	1
74	606814						S-CLIP	1

ENGINE AND MUFFLER



ENGINE AND MUFFLER

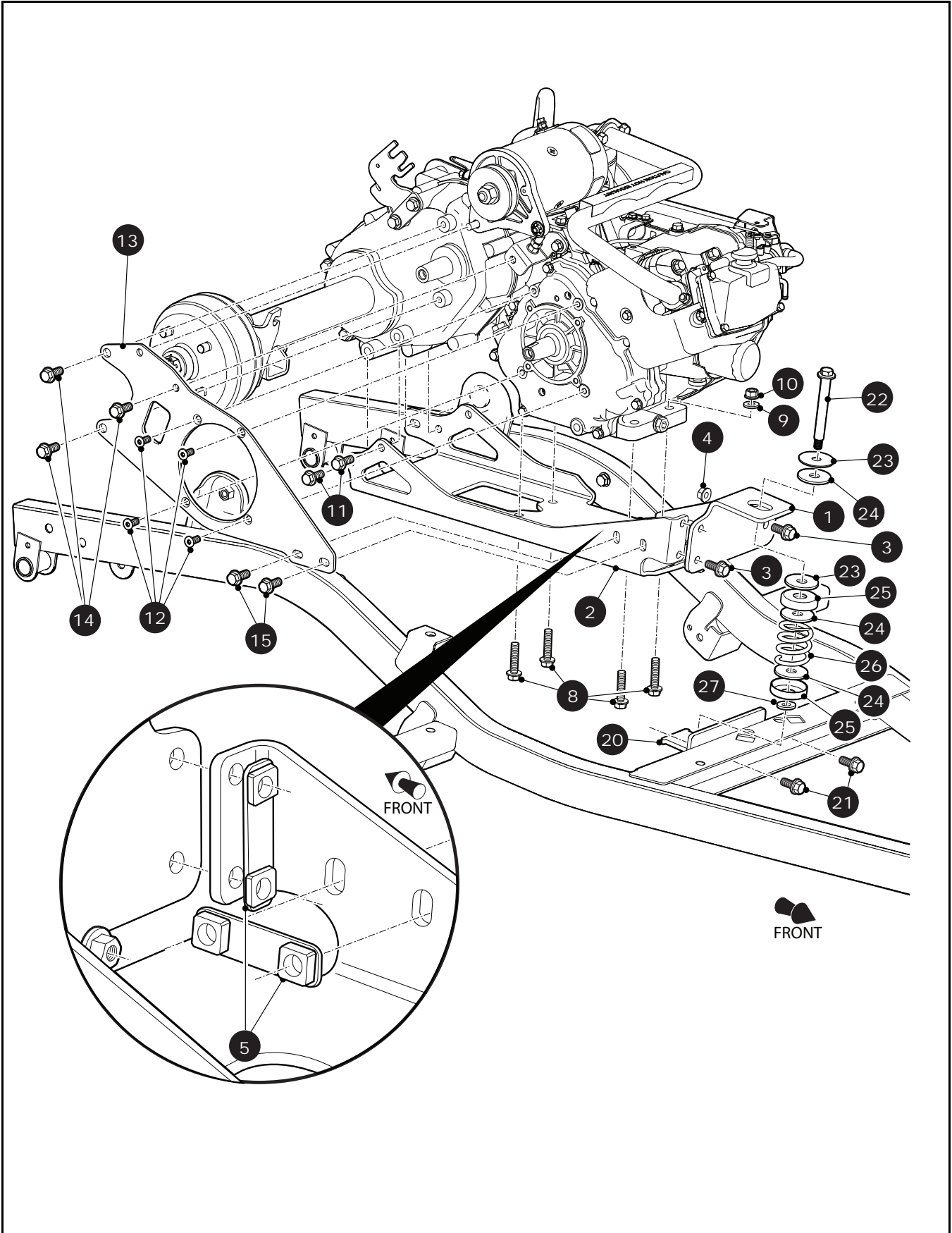


ENGINE AND MUFFLER

Where applicable, THE USE OF NON UL PARTS WILL VOID ANY UL LISTING.
 When ordering parts, please specify the model and serial number of the product.
 * Indicates a component that is not available as an individual part.
 G** Indicates consult Customer Service Department for additional information.

ITEM	PART NO.	1	2	3	4	5	DESCRIPTION	QTY.
1	602348						ENGINE.....	1
2								
3	606390						DIP STICK	1
4	607454						OIL FILTER	1
5	607462						SPARK PLUG (BPR2ES).....	1
6	603557						OIL DRAIN PLUG	1
7	603562						'O' RING, 16MM.....	1
8								
9	606984						MUFFLER	1
10	606982						EXHAUST PIPE	1
11	606272						WASHER, 8MM.....	4
12	606267						NUT, M8 X 1.25	4
13	606279						NUT, M10 - 1.25	1
14	606256						BOLT, M10 - 1.25 X 25	3
15	602330						BOLT, M8 - 1.25 X 30	2
16	603599						EXHAUST GASKET	2

ENGINE MOUNTING

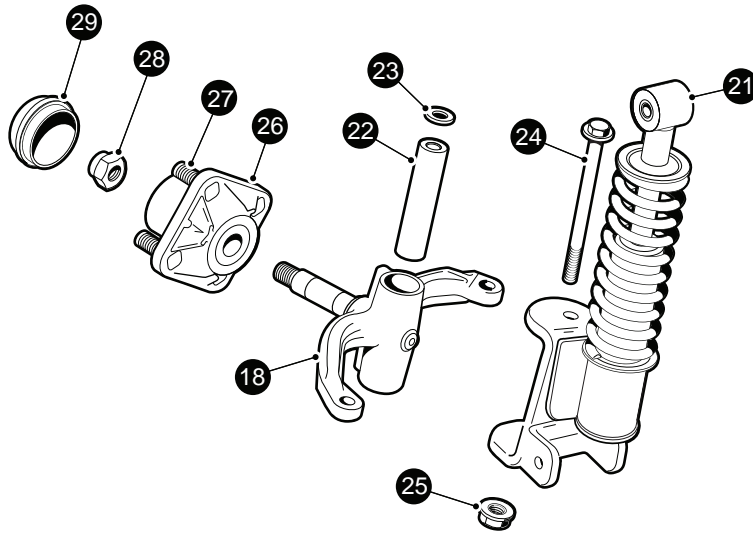


ENGINE MOUNTING

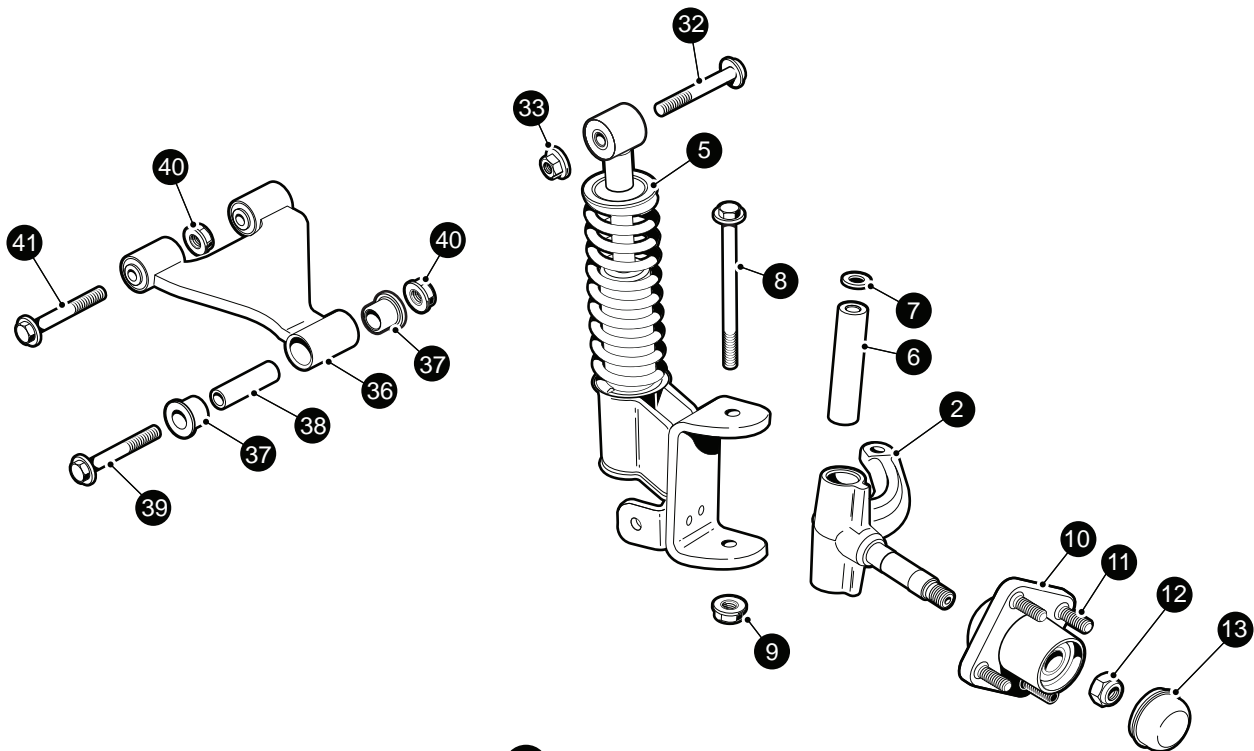
Where applicable, THE USE OF NON UL PARTS WILL VOID ANY UL LISTING.
 When ordering parts, please specify the model and serial number of the product.
 * Indicates a component that is not available as an individual part.
 G** Indicates consult Customer Service Department for additional information.

ITEM	PART NO.	1 2 3 4 5	DESCRIPTION	QTY.
1	606007		FRONT ENGINE MOUNT	1
2	603101		ENGINE PAN MOUNT	1
3	606256		BOLT, M10 - 1.25 X 25	3
4	606279		NUT, M10 - 1.25	1
5	606096		NUT PLATE	2
6				
7				
8	606259		BOLT,	4
9	603823		FLAT WASHER, M10 X 22 - 2.5.....	4
10	606279		NUT, M10 - 1.25	4
11	608020		BOLT, M10 - 1.25 X 34	4
12	606246		FLAT HEAD SCREW, T40.....	4
13	602146		DIFFERENTIAL PLATE.....	1
14	606256		BOLT, M10 - 1.25 X 25	3
15	606256		BOLT, M10 - 1.25 X 25	2
16				
17				
18				
19				
20	603683		ISO MOUNT	1
21	603799		BOLT, M10 -1.0 X 25	2
22	607299		BOLT, M10 - 1.5	1
23	607297		RUBBER WASHER.....	2
24	607298		DELIN WASHER.....	3
25	24939G2		CAP ADAPTER	2
26	606166		COMPRESSION SPRING.....	1
27	604066		WASHER, M10 - 10.5 X 30	1

FRONT SUSPENSION



17 Front Suspension Assembly Passenger Side includes items 18, 21 - 29



1 Front Suspension Assembly Driver Side includes items 2, 5 - 13

FRONT SUSPENSION

When ordering parts, please specify the model and serial number of the product.

* Indicates a component that is not available as an individual part.

*** Indicates consult Customer Service Department for additional information.

ITEM	PART NO.	1 2 3 4 5	DESCRIPTION	QTY.
1	601806		FRONT SUSPENSION ASSEMBLY, DRIVER SIDE (includes items 2 - 13) ..	1
2	607413		SPINDLE ASSEMBLY, DRIVER SIDE.....	1
3				
4				
5	601246		STRUT ASSEMBLY, DRIVER SIDE	1
6	601707		KINGPIN TUBE	1
7	601920		THRUST WASHER	1
8	601924		KINGPIN, HEX HEAD FLANGED BOLT, M12 - 1.25 X 150	1
9	600549		HEX NUT, FLANGED, M12 - 1.25	1
10	600001		HUB ASSEMBLY (includes item 11).....	1
11	607896		WHEEL STUD.....	4
12	601709		LOCKING HEX NUT, M16 - 2.....	1
13	12091-G3		SPINDLE CAP.....	1
14				
15				
16				
17	601807		FRONT SUSPENSION ASSEMBLY, PASSENGER SIDE (inc items 18 - 29)	1
18	607411		SPINDLE ASSEMBLY, PASSENGER SIDE	1
19				
20				
21	603204		STRUT ASSEMBLY, PASSENGER SIDE	1
22	601707		KINGPIN TUBE	1
23	601920		THRUST WASHER	1
24	601924		KINGPIN, HEX HEAD FLANGED BOLT, M12 - 1.25 X 150	1
25	600549		HEX NUT, FLANGED, M12 - 1.25	1
26	600001		HUB ASSEMBLY (includes item 27).....	1
27	607896		WHEEL STUD.....	4
28	601709		LOCKING HEX NUT, M16 - 2.....	1
29	12091-G3		SPINDLE CAP.....	1
30				
31				

FRONT SUSPENSION

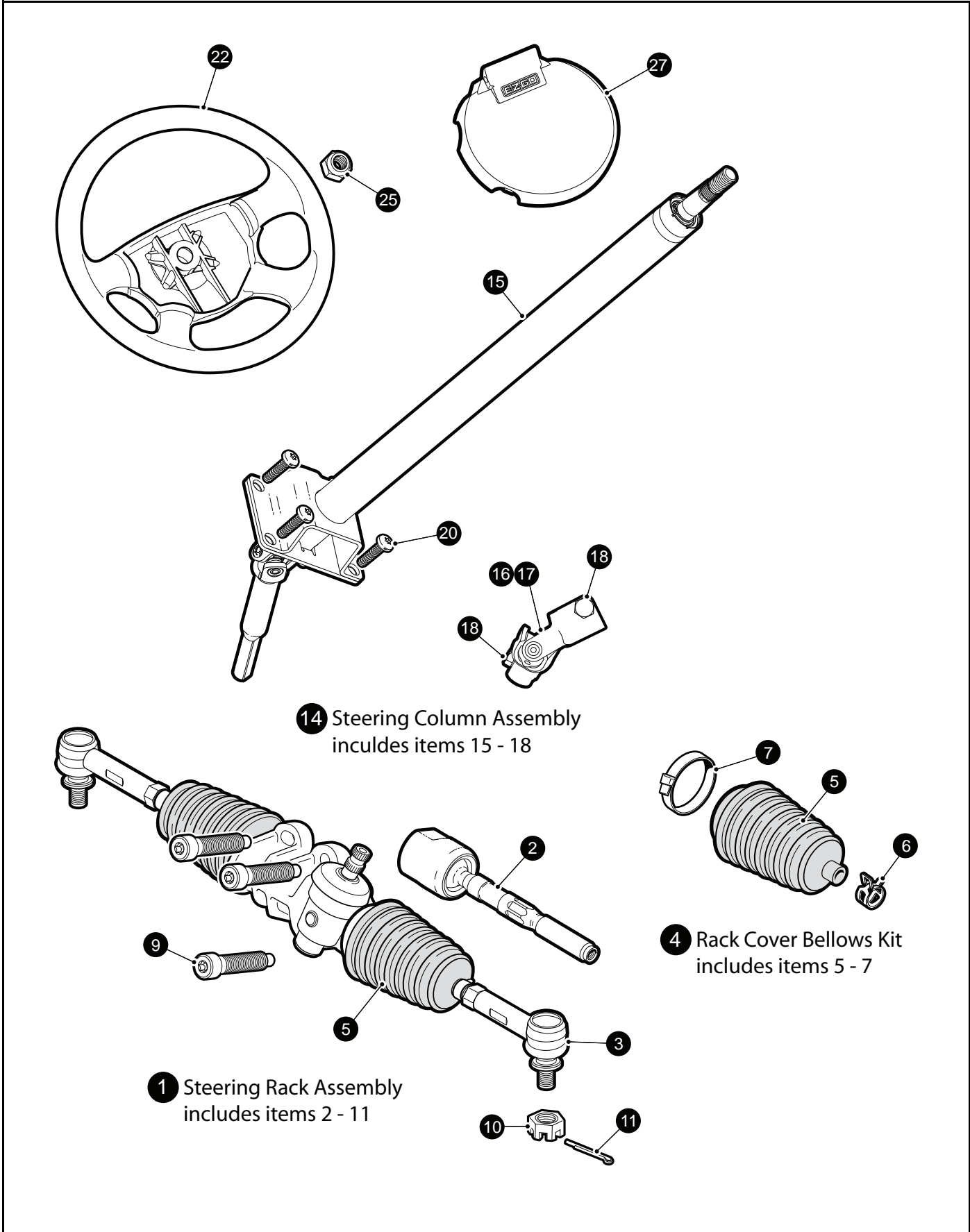
When ordering parts, please specify the model and serial number of the product.

* Indicates a component that is not available as an individual part.

*** Indicates consult Customer Service Department for additional information.

ITEM	PART NO.	1 2 3 4 5	DESCRIPTION	QTY.
32	602415		HEX HEAD FLANGED BOLT, M10 - 1.5 X 80.....	2
33	600525		HEX NUT, FLANGED LOCK, M10 - 1.5	2
34				
35				
36	604654		A-ARM ASSEMBLY	2
37	601340		A-ARM BUSHING.....	4
38	602085		A-ARM CARRIER TUBE	2
39	601754		HEX HEAD FLANGED BOLT, M10 - 1.5 X 90.....	2
40	600525		HEX NUT, FLANGED LOCK, M10 - 1.5	6
41	602415		HEX HEAD FLANGED BOLT, M10 - 1.5 X 80.....	4

FRONT SUSPENSION



14 Steering Column Assembly includes items 15 - 18

1 Steering Rack Assembly includes items 2 - 11

4 Rack Cover Bellows Kit includes items 5 - 7

FRONT SUSPENSION

When ordering parts, please specify the model and serial number of the product.

* Indicates a component that is not available as an individual part.

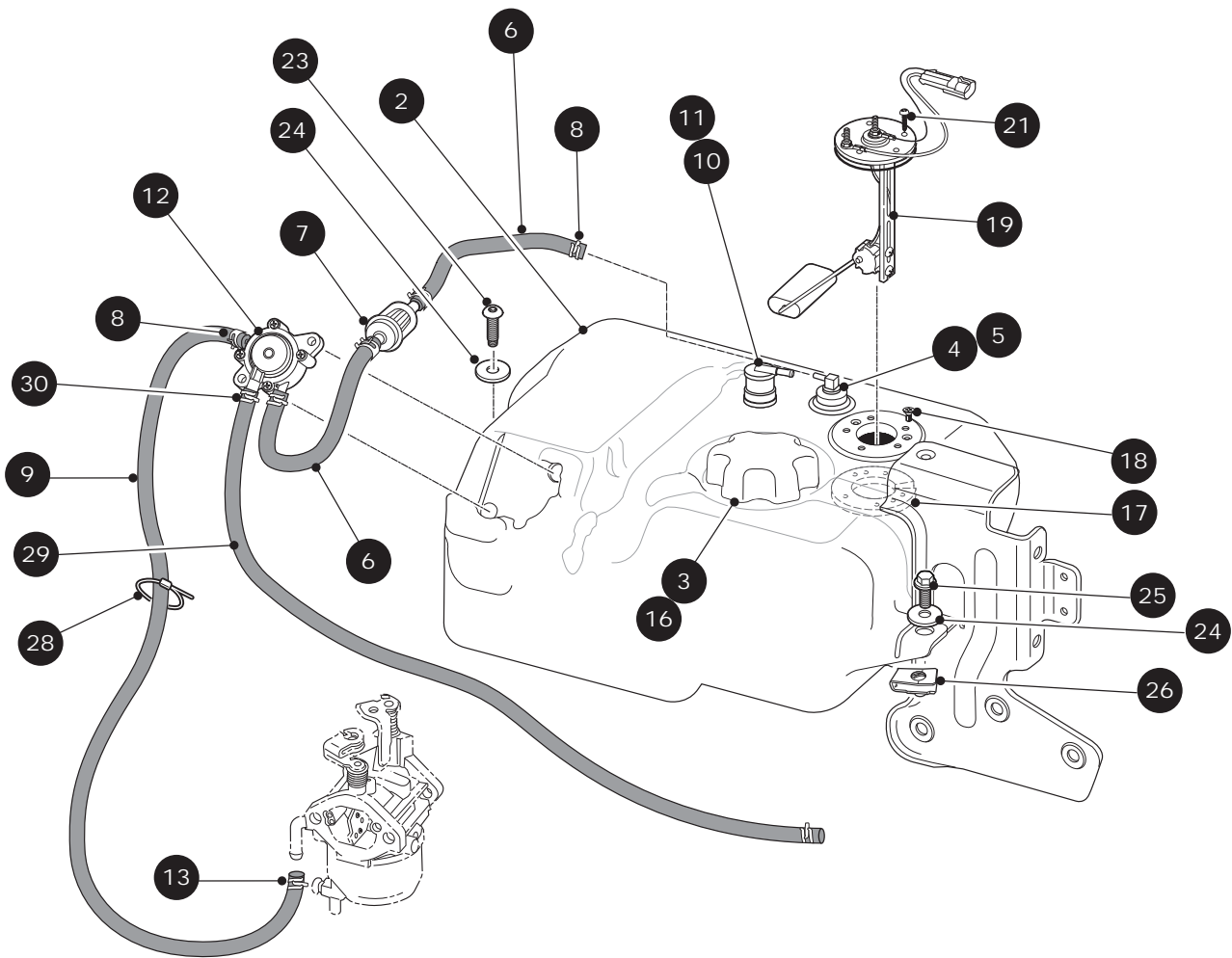
*** Indicates consult Customer Service Department for additional information.

ITEM	PART NO.	1 2 3 4 5	DESCRIPTION	QTY.
1	601500		STEERING RACK ASSEMBLY (includes items 2 - 4)	1
2	603865		STEERING ROD	2
3	604614		ROD END	2
4	604615		RACK COVER BELLOWS KIT (includes items 5 - 7)	2
5	608112		BELLOWS.....	1
6	608108		BELLOWS CLAMP (small end).....	1
7	608109		BELLOWS CLIP (large end)	1
8				
9	602020		TORX SOCKET HEAD CAP SCREW, M10 - 1.5 X 80.....	3
10	608005		CASTLE HEX NUT, M12 - 1.25	2
11	10387-G2		COTTER PIN.....	2
12				
13				
14	600333		STEERING COLUMN ASSEMBLY (includes items 15 - 18).....	1
15	608117		STEERING COLUMN SUB ASSEMBLY	1
16	604613		YOKE SUB ASSEMBLY KIT (includes items 17 & 18).....	1
17	608114		STEERING YOKE.....	1
18	608115		HEX HEAD BOLT WITH LOCK WASHER, M10 - 1.5 X 28	2
19				
20	602572		PAN HEAD TORX SCREW, TAPTITE M10 - 1.5 X 25.....	4
21				
22	602980		STEERING WHEEL.....	1
23				
24				
25	601709		LOCK NUT, M16 - 2	1
26				
27	607925		SCORECARD HOLDER ASSEMBLY	1

FUEL SYSTEM

1 - Includes Items 2 - 13

15 - Includes Items 3 - 13 & 16 - 21



FUEL SYSTEM

THE USE OF NON U.L. PARTS WILL VOID ANY U.L. LISTING.
 When ordering parts, please specify the model and serial number of the product.
 * Indicates a component that is not available as an individual part.
 G** Indicates consult Customer Service Department for additional information.

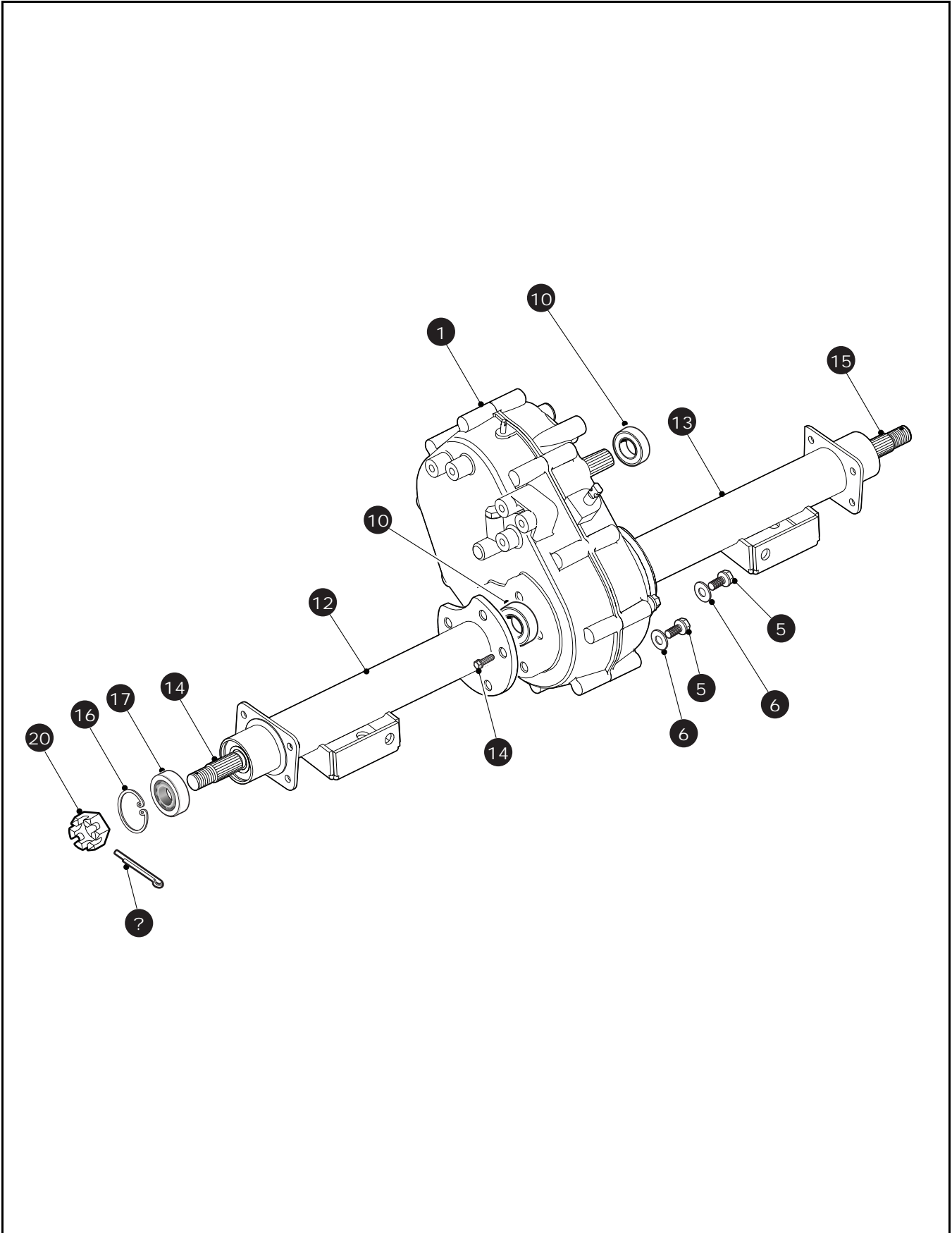
ITEM	PART NO.	1 2 3 4 5	DESCRIPTION	QTY.
1	603191		FUEL TANK ASSEMBLY	1
2	600140		FUEL TANK	1
3	620174		FUEL TANK CAP	1
4	18287G03		SIPHON TUBE.....	1
5	70988G01		GROMMET	1
6	17470G1		FUEL HOSE, (BULK).....	8"
7	72084G01		FUEL FILTER.....	1
8	18292G1		CLAMP, 1/2".....	5
9	17470G1		FUEL HOSE, (BULK) (TO CARBURETOR)	22.5"
10	606067		ROLLOVER VALVE	1
11	606068		ROLLOVER VALVE GROMMET.....	1
12	602061		FUEL PUMP	1
13	11391G4		CLAMP, 1/2".....	1
14				
15	604018		FUEL TANK ASSEMBLY WITH LEVEL SWITCH (INCLUDES ITEMS 3 -12 & 16 - 21)	1
16	604251		FUEL TANK (FOR VEHICLES WITH FUEL GUAGE)	1
17	72229G01		FUEL LEVEL SENDER ADAPTER.....	1
18	72230G01		SCREW, #6 - 32 X 1/2" LG	2
19	604188		FUEL LEVEL SENDER (INCLUDES ITEM 13)	1
20	*		GASKET	1
21	72232G01		SCREW, #10 x 3/4" LG	5
22				
23	605957		BOSS SCREW TORX, M8 - 1.25 X 25.....	1
24	604066		WASHER, WASHER M10, 10.5 X 30	2
25	603799		HEX BOLT, M10 - 1.5 X 25.....	1
26	603818		BARREL CLIP NUT, M10 - 1.5.....	1
27				
28	17618G1		WIRE TIE	1
29	27183G01		PULSE LINE (BULK), (BLACK WITH WHITE LINE MARKING)	28"

FUEL SYSTEM

THE USE OF NON U.L. PARTS WILL VOID ANY U.L. LISTING.
When ordering parts, please specify the model and serial number of the product.
* Indicates a component that is not available as an individual part.
G** Indicates consult Customer Service Department for additional information.

ITEM	PART NO.	1	2	3	4	5	DESCRIPTION	QTY.
30	18292G1						CLAMP, 1/2"	2

REAR AXLE

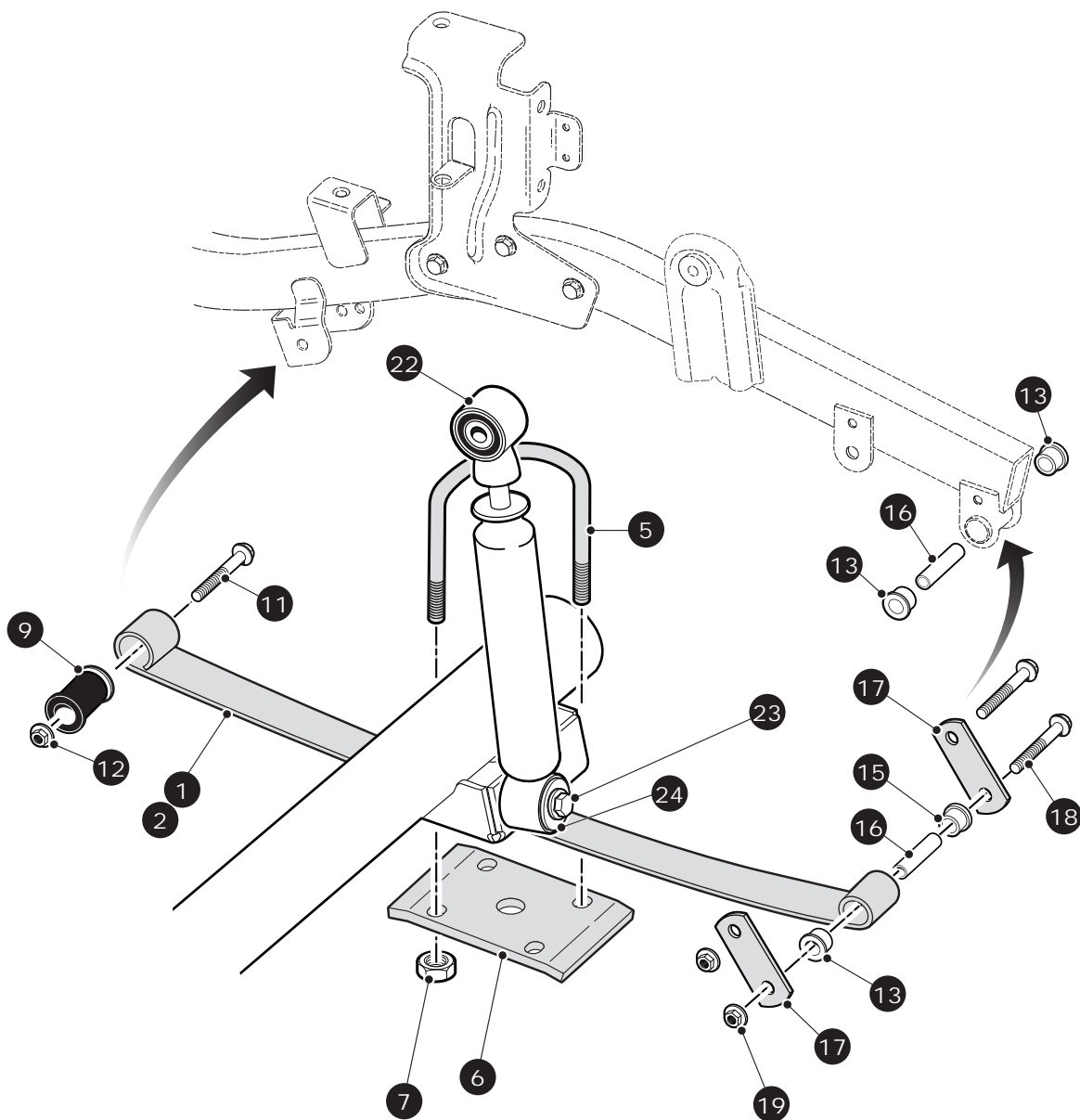


REAR AXLE

Where applicable, THE USE OF NON UL PARTS WILL VOID ANY UL LISTING.
 When ordering parts, please specify the model and serial number of the product.
 * Indicates a component that is not available as an individual part.
 G** Indicates consult Customer Service Department for additional information.

ITEM	PART NO.	1 2 3 4 5	DESCRIPTION	QTY.
1	606423		REAR AXLE, (INCLUDES ITEMS 3 - 23)	1
2				
3	26770-G01		OIL CHECK PLUG.....	1
4	26771-G01		GASKET, 14 MM.....	1
5	26770-G01		OIL DRAIN PLUG	1
6	26771-G01		GASKET, 14 MM.....	1
7				
8	72259-G01		INPUT SHAFT OIL SEAL	1
9				
10	72259-G01		AXLE SHAFT OIL SEAL.....	2
11				
12	607969		AXLE TUBE (DRIVER SIDE).....	1
13	607960		AXLE TUBE (PASSENGER SIDE)	1
14	607987		AXLE SHAFT (DRIVER SIDE).....	1
15	607988		AXLE SHAFT (PASSENGER SIDE)	1
16	26814-G01		RETAINING RING.....	2
17	26811-G01		BALL BEARING	2
18	72260-G01		FLANGED BOLT, M10 X 1.5 X 23 MM LG.....	10
19				
20	606403		SLOTTED NUT, M22 X 1.5	2

REAR SUSPENSION



REAR SUSPENSION

When ordering parts, please specify the model and serial number of the product.

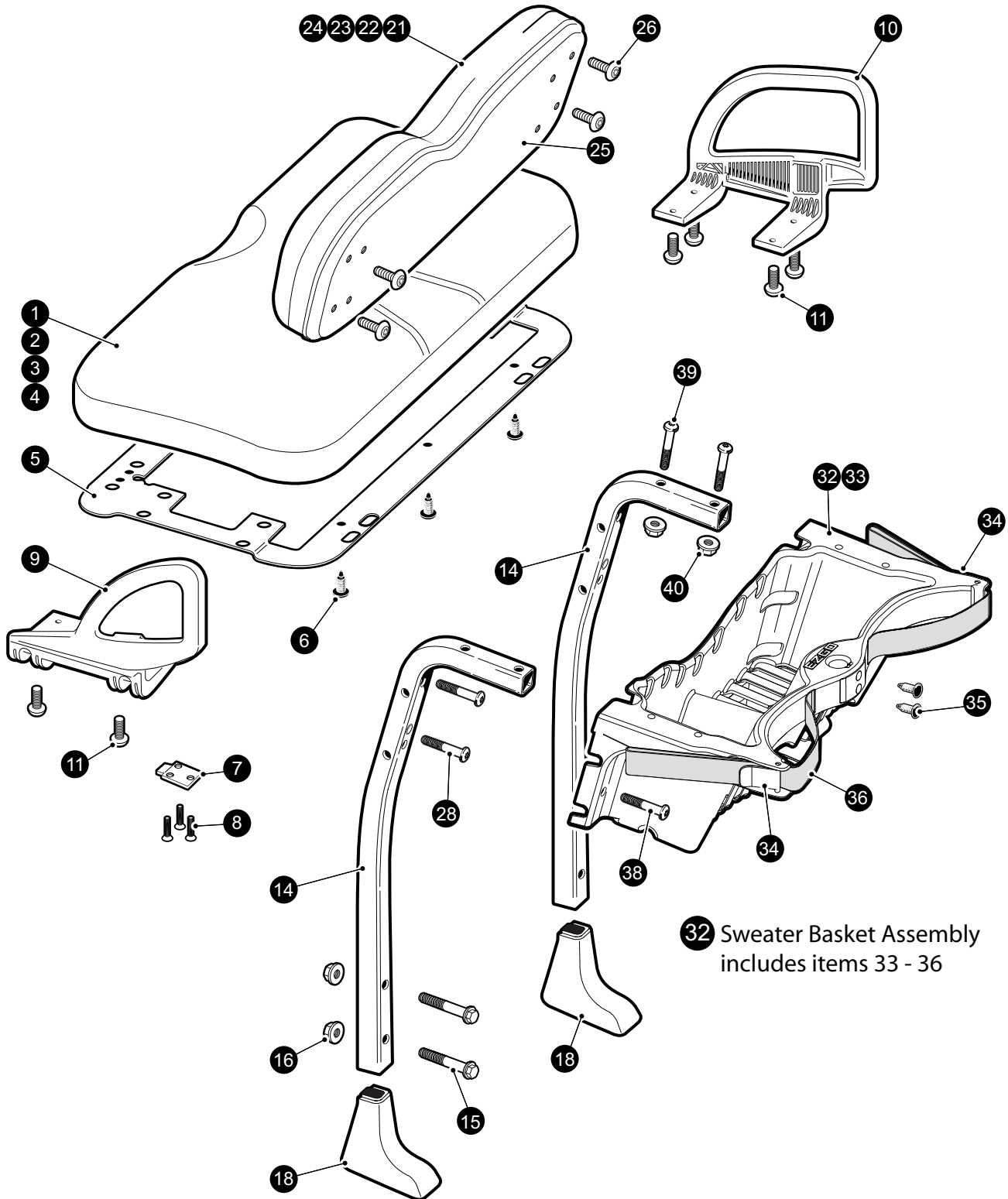
* Indicates a component that is not available as an individual part.

*** Indicates consult Customer Service Department for additional information.

ITEM	PART NO.	1 2 3 4 5	DESCRIPTION	QTY.
1	603498		TAPERED LEAF SPRING.....	2
2	604494		HEAVY DUT TAPERED LEAF SPRING	2
3				
4				
5	603415		U-BOLT	2
6	603495		LEAF SPRING PLATE	2
7	600525		LOCK NUT, M10 - 1.5	4
8				
9	605684		FRONT SPRING BUSHING.....	2
10				
11	601754		FLANGED HEX HEAD BOLT, M10 - 1.5.....	2
12	600525		LOCK NUT, M10 - 1.5	2
13				
14				
15	70291-G01		FLANGED URETHANE BUSHING (small)	8
16	620161		SPLIT STEEL SPACER	4
17	603648		SHACKLE PLATE	4
18	601754		FLANGED HEX HEAD BOLT, M10 - 1.5 X 100	4
19	600525		LOCK NUT, M10 - 1.5	4
20				
21				
22	603637		SHOCK ABSORBER	2
23	601414		FLANGED HEX HEAD BOLT, M10 - 1.5 X 65	4
24	604066		FLAT WASHER, 10.5 X 30 X 2.5	4

SEATING & BASKET

- 1 Seat Bottom Assembly includes items 2 - 11
- 21 Seat Back Assembly includes items 22 - 26



32 Sweater Basket Assembly includes items 33 - 36

SEATING & BASKET

When ordering parts, please specify the model and serial number of the product.

* Indicates a component that is not available as an individual part.

*** Indicates consult Customer Service Department for additional information.

ITEM	PART NO.	1 2 3 4 5	DESCRIPTION	QTY.
1	6XXXXX		SEAT BOTTOM ASSEMBLY (select color below), (includes items 2 - 7) 605551 STONE BEIGE SEAT BOTTOM 608013 OYSTER SEAT BOTTOM	1
2	6XXXXX		SEAT BOTTOM VINYL COVER (select color below) 600221 STONE BEIGE SEAT BOTTOM VINYL COVER 608007 OYSTER SEAT BOTTOM VINYL COVER	1
3	600503		SEAT BOTTOM FOAM.....	1
4	600502		SEAT BOTTOM WOODEN BASE ASSEMBLY.....	1
5	602551		SEAT BOTTOM COVER PLATE	1
6	16816-G2		CHRISTMAS TREE RIVET	4
7	71610-G01		SEAT HINGE	2
8	00720-G08		FLAT HEAD PHILLIPS TAPPING SCREW, #12 - 14 X 1.00	6
9	607532		HIP RESTRAINT, DRIVER SIDE.....	1
10	607653		HIP RESTRAINT, PASSENGER SIDE	1
11	600530		BUTTON HEAD TORX BOLT, M10 - 1.5 X 25.....	8
12				
13				
14	602413		SEAT BACK SUPPORT STRUT	2
15	603800		FLANGED HEX HEAD BOLT, M10 - 1.5 X 50	4
16	600525		LOCK NUT, M10 - 1.5	4
17				
18	602112		SEAT BACK SUPPORT STRUT COVER.....	2
19				
20				
21	6XXXXX		SEAT BACK ASSEMBLY (select color below), (includes items 22 -)..... 605548 STONE BEIGE SEAT BACK ASSEMBLY 608012 OYSTER SEAT BACK ASSEMBLY	1
22	6XXXXX		SEAT BACK VINYL COVER (select color below)..... 605537 STONE BEIGE SEAT BACK VINYL COVER 608006 OYSTER SEAT BACK VINYL COVER	1
23	71754-G01		SEAT BACK FOAM	1
24	605550		SEAT BACK WOODEN BASE ASSEMBLY	1

SEATING & BASKET

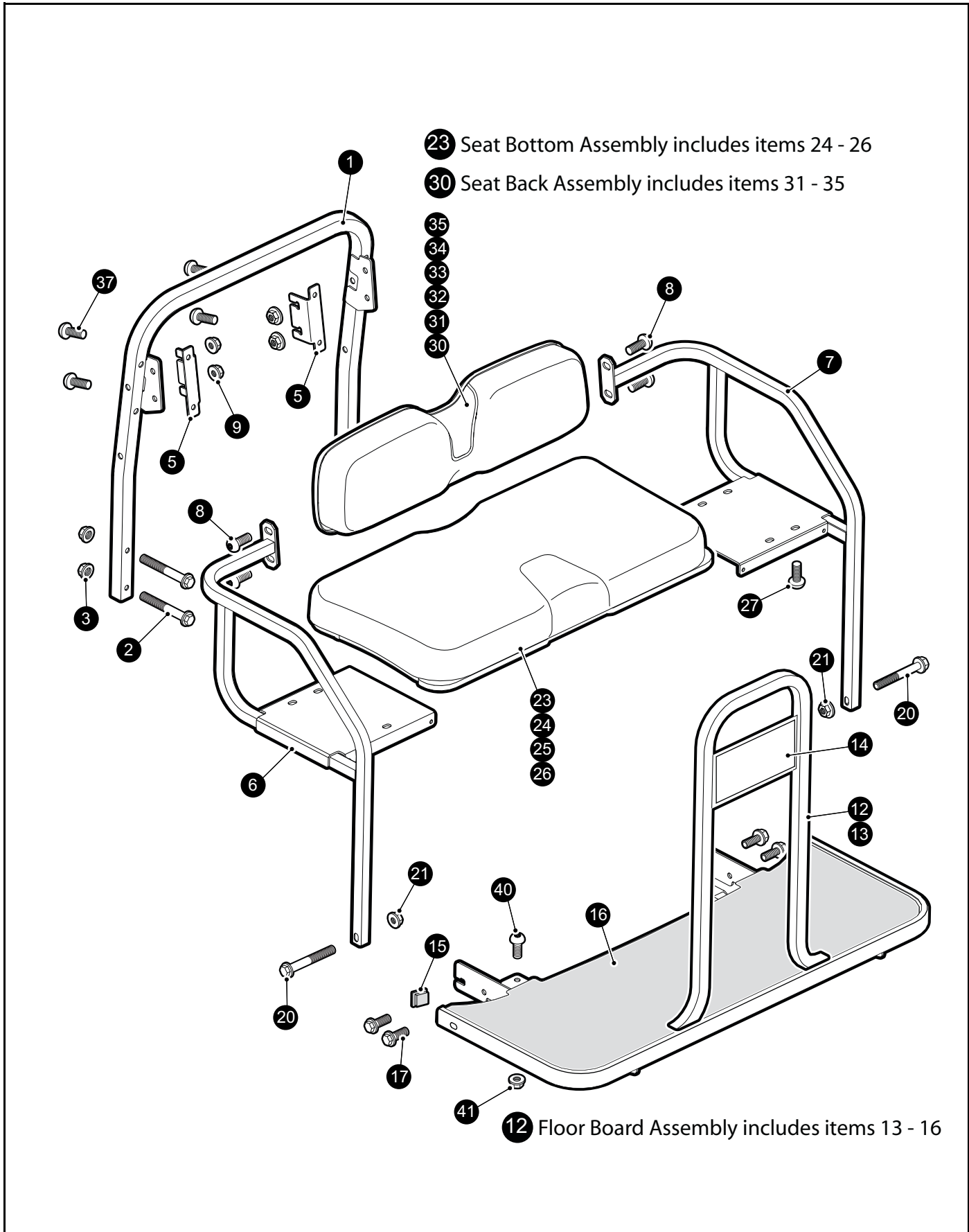
When ordering parts, please specify the model and serial number of the product.

* Indicates a component that is not available as an individual part.

*** Indicates consult Customer Service Department for additional information.

ITEM	PART NO.	1	2	3	4	5	DESCRIPTION	QTY.
25	605529						SEAT BACK BLACK PLASTIC COVER.....	1
26	603000						BUTTON HEAD TORX SCREW, PLASTITE THREAD FORMING, M6 - 1	4
27								
28	600527						BUTTON HEAD TORX BOLT, M10 - 1.5 X 60.....	4
29								
30								
31								
32	602742						SWEATER BASKET ASSEMBLY (includes items 33 - 36)	1
33	600228						SWEATER BASKET	1
34	608051						BAG STRAP CLAMP	2
35	16816-G1						CHRISTMAS TREE RIVET.....	2
36	604102						BAG STRAP.....	1
37								
38	600530						BUTTON HEAD TORX BOLT, M10 - 1.5 X 25.....	2
39	600527						BUTTON HEAD TORX BOLT, M10 - 1.5 X 60.....	4
40	600525						LOCK NUT, M10 - 1.5.....	4

SEATING & BASKET



SEATING & BASKET

When ordering parts, please specify the model and serial number of the product.

* Indicates a component that is not available as an individual part.

*** Indicates consult Customer Service Department for additional information.

ITEM	PART NO.	1 2 3 4 5	DESCRIPTION	QTY.
1	604473		SEAT BACK SUPPORT, 2 + 2 SEAT	1
2	603800		HEX HEAD FLANGED BOLT, M10 - 1.5 X 50	4
3	600525		LOCK NUT, M10 - 1.5	4
4				
5	606286		REAR SEAT BACK MOUNTING BRACKET.....	2
6	604723		ARM REST, DRIVER SIDE	1
7	604725		ARM REST, PASSENGER SIDE	1
8	600530		BUTTON HEAD TORX BOLT, M10 - 1.5 X 25	4
9	600525		LOCK NUT, M10 - 1.5	4
10				
11				
12	604457		REAR FACING SEAT FLOORBOARD ASSEMBLY (includes items 7 - 10)...	1
13	604398		FOOTREST WELDMENT	1
14	74074-G01		WARNING DECAL	1
15	19853-G1		END CAP.....	2
16	604407		RUBBER FLOORMAT	1
17	603799		HEX HEAD FLANGED BOLT, M10 - 1.5 X 25	4
18				
19				
20	602415		HEX HEAD FLANGED BOLT, M10 - 1.5 X 80	2
21	600525		LOCK NUT, M10 - 1.5	2
22				
23	6XXXX		SEAT BOTTOM ASSEMBLY (select color below) (includes items 24 - 26) 605501 STONE BEIGE SEAT BOTTOM ASSEMBLY 608010 OYSTER SEAT BOTTOM ASSEMBLY	1
24	6XXXXX		SEAT BOTTOM VINYL COVER (select color below)	1
			600221 STONE BEIGE SEAT BOTTOM VINYL COVER 608007 OYSTER SEAT BOTTOM VINYL COVER	
25	605503		SEAT BOTTOM FOAM.....	1
26	605502		SEAT BOTTOM WOODEN BASE ASSEMBLY.....	1
27	603799		HEX HEAD FLANGED BOLT, M10 - 1.5 X 25	4

SEATING & BASKET

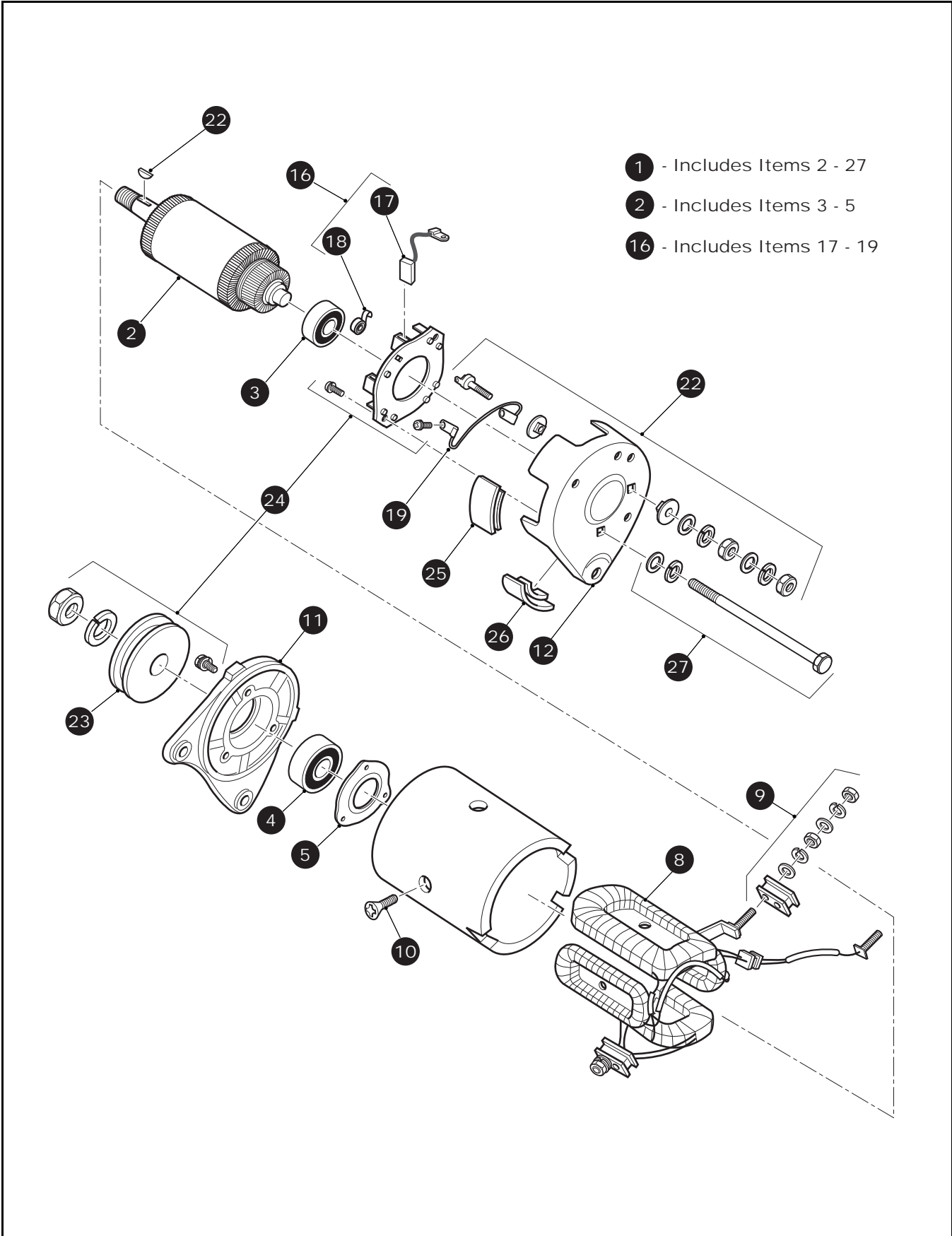
When ordering parts, please specify the model and serial number of the product.

* Indicates a component that is not available as an individual part.

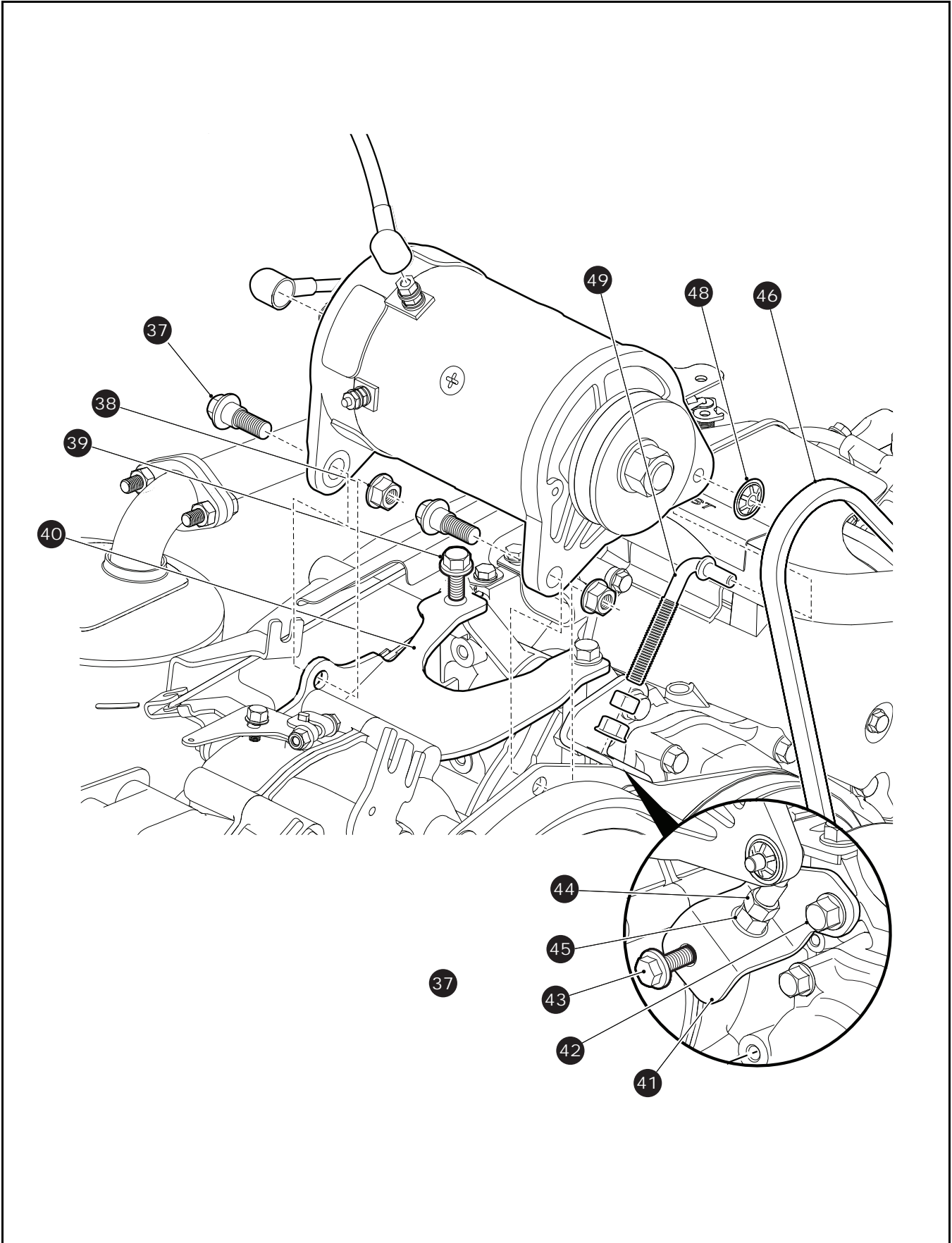
*** Indicates consult Customer Service Department for additional information.

ITEM	PART NO.	1	2	3	4	5	DESCRIPTION	QTY.
28								
29								
30	6XXXX						SEAT BACK ASSEMBLY (select color below).....	1
							605548..... STONE BEIGE SEAT BACK ASSEMBLY	
							608012..... OYSTER SEAT BACK ASSEMBLY	
31	6XXXXX						SEAT BACK VINYL COVER (select color below)	1
							605537..... STONE BEIGE SEAT BACK VINYL COVER	
							608006..... OYSTER SEAT BACK VINYL COVER	
32	71754-G01						SEAT BACK FOAM.....	1
33	605550						SEAT BACK WOODEN BASE ASSEMBLY	1
34	605529						SEAT BACK BLACK PLASTIC COVER.....	1
35	603000						BUTTON HEAD TORX SCREW, PLASTITE THREAD FORMING, M6 - 1	4
36								
37	600530						BUTTON HEAD TORX BOLT, M101 - 1.5 X 25.....	2
38								
39								
40	600530						BUTTON HEAD TORX BOLT, M10 - 1.5 X 25.....	2
41	600525						LOCK NUT, M10 - 1.5.....	2

STARTER / GENERATOR



STARTER / GENERATOR



STARTER / GENERATOR

Where applicable, THE USE OF NON UL PARTS WILL VOID ANY UL LISTING.
 When ordering parts, please specify the model and serial number of the product.
 * Indicates a component that is not available as an individual part.
 G** Indicates consult Customer Service Department for additional information.

ITEM	PART NO.	1	2	3	4	5	DESCRIPTION	QTY.	
1	27065-G01	STARTER / GENERATOR (INCLUDES ITEMS 2 - 27).....							1
2	26870-G01	ARMATURE							1
3	26871-G01	REAR BALL BEARING							1
4	26872-G01	FRONT BALL BEARING.....							1
5	26873-G01	BEARING HOLDER.....							1
6									
7									
8	26875-G01	FIELD COIL							1
9	26876-G01	INSULATING BRUSH ASSEMBLY ('F').....							2
10	26877-G01	POLE CORE SETSCREW.....							4
11	26878-G01	FRONT COVER.....							1
12	27879-G01	REAR COVER							1
13	26880-G01	TERMINAL ASSEMBLY ('A').....							2
14									
15									
16	26881-G01	BRUSH HOLDER ASSEMBLY (INCLUDES ITEMS 17 - 19)							1
17	26658-G01	BRUSH.....							4
18	26882-G01	BRUSH SPRING							4
19	26883-G01	BRUSH CONNECTOR.....							2
20									
21									
22	26884-G01	KEY.....							1
23	26885-G01	PULLEY							1
24	26886-G01	BRUSH AND PULLEY HARDWARE KIT.....							1
25	26887-G01	BRUSH 1 COVER.....							3
26	26888-G01	BRUSH 2 COVER.....							2
27	26889-G01	HOUSING HARDWARE KIT							2
28									
29									
30									

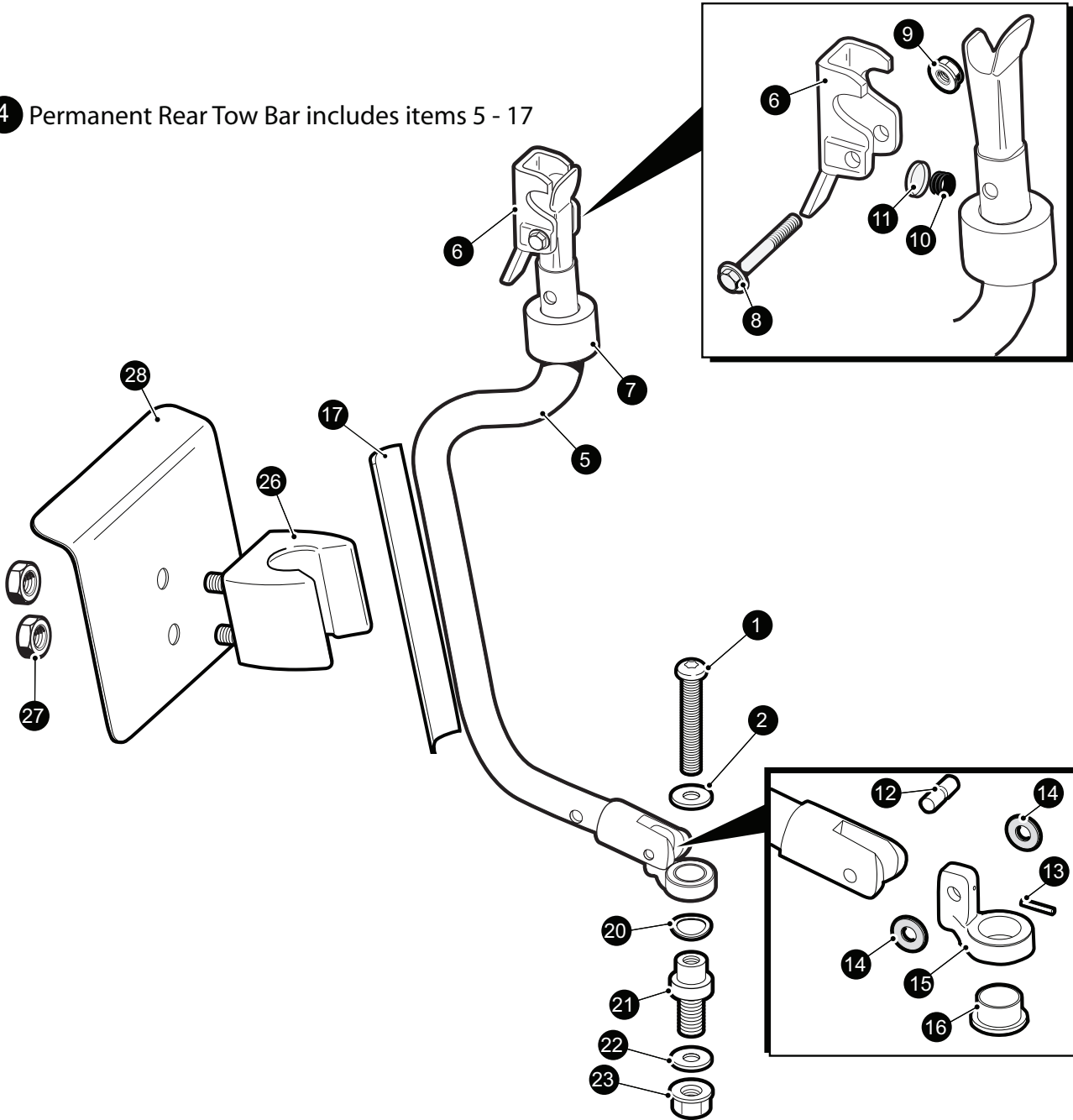
STARTER / GENERATOR

Where applicable, THE USE OF NON UL PARTS WILL VOID ANY UL LISTING.
 When ordering parts, please specify the model and serial number of the product.
 * Indicates a component that is not available as an individual part.
 G** Indicates consult Customer Service Department for additional information.

ITEM	PART NO.	1	2	3	4	5	DESCRIPTION	QTY.
31	00938-G4						BOLT, 1/2 - 13 X 8" LG	1
32	00560-G3						WASHER, 1/2"	2
33	00566-G3						LOCK WASHER, 1/2".....	1
34	00533-G1						NUT, 1/2 - 13	1
35								
36								
37	606235						BOLT, M10 - 1.25 X 20	2
38	606279						NUT, M10 - 1.25	2
39	606261						BOLT, M8 - 1.25 X 20	3
40	602141						STARTER/GENERATOR BRACKET	1
41	602145						TENSIONER BRACKET	1
42	606261						BOLT, M8 - 1.25 X 20	1
43	606256						BOLT, M10 - 1.25 X 25	1
44	606255						NUT, M10 - 1.25	1
45	606274						NUT, M10 - 1.25	1
46	606138						STARTER/GENERATOR BELT	1
47								
48	12064-G4						PUSH NUT, 5/16"	1
49	606236						TENSIONER BOLT	1

TOW BAR

4 Permanent Rear Tow Bar includes items 5 - 17



TOW BAR

When ordering parts, please specify the model and serial number of the product.

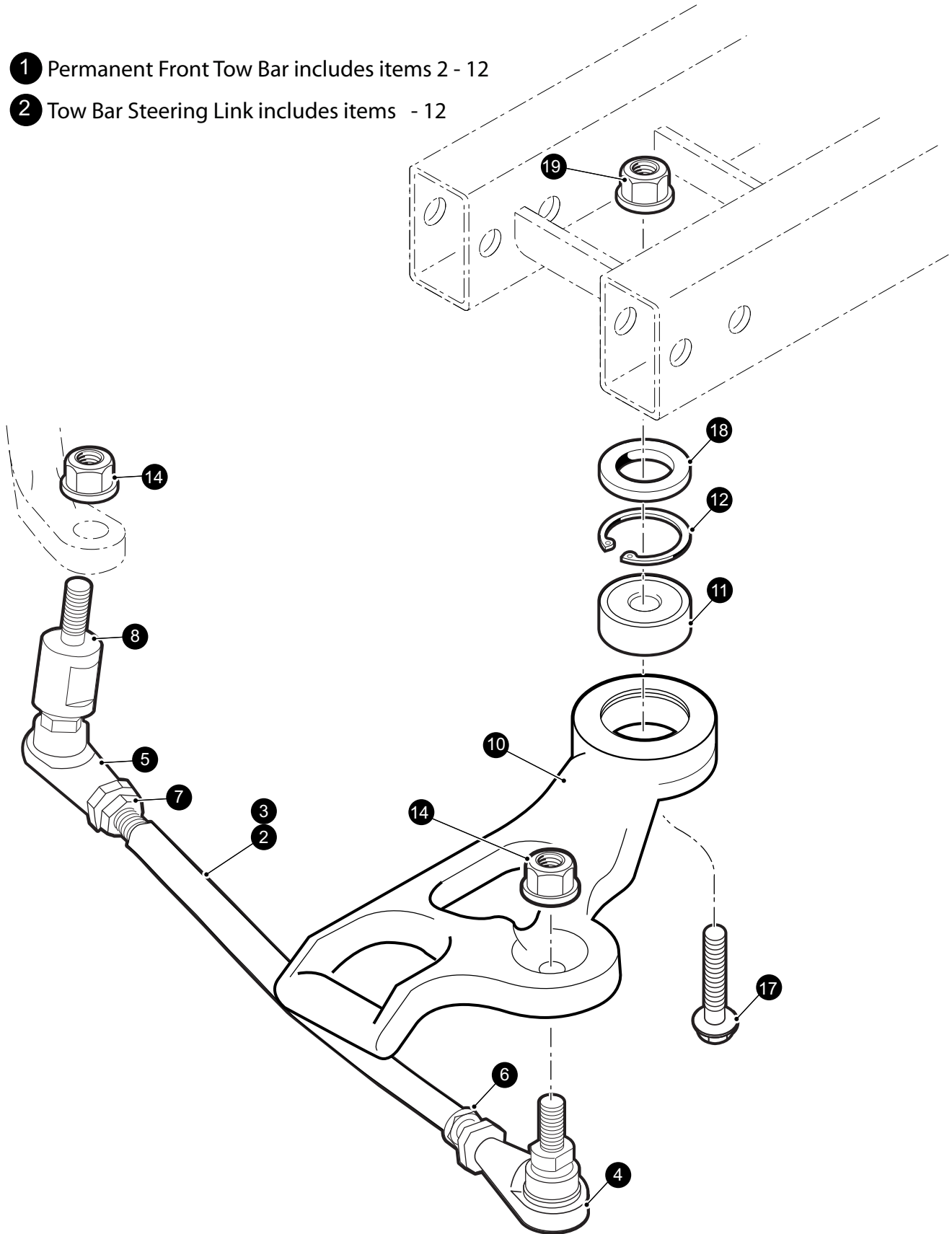
* Indicates a component that is not available as an individual part.

*** Indicates consult Customer Service Department for additional information.

ITEM	PART NO.	1 2 3 4 5	DESCRIPTION	QTY.
1	603384		PAN HEAD TORX BOLT, M12 - 1.25 X 100.....	1
2	603182		FLAT WASHER, M12, 13.5 X 32 X 3	1
3				
4	603476		PERMANENT TOW BAR (towing vehicle), (includes items 5 - 17)	1
5	603316		TOW BAR	1
6	603236		LATCH	1
7	75362-G01		LATCH STOP	1
8	601414		HEX HEAD FLANGED BOLT, M10 - 1.5 X 65	1
9	600525		FLANGED LOCK NUT, M10 - 1.5.....	1
10	20852-G2		COMPRESSION SPRING	1
11	25661-G02		CUP WASHER	1
12	603494		PIVOT PIN.....	1
13	608793		SPRING PIN.....	1
14	75340-G01		DELFIN WASHER.....	2
15	602988		TOW BAR SWIVEL	1
16	70648-G01		FLANGED BUSHING	1
17	608525		TOW BAR WARNING DECAL.....	1
18				
19				
20	603341		WAVE SPRING WASHER, 32mm	1
21	602990		TOW BAR PIVOT.....	1
22	603182		FLAT WASHER, M12, 13.5 X 32 X 3	1
23	600549		FLANGED HEX NUT, M12 - 1.25.....	1
24				
25				
26	603020		REAR TOW BAR RETAINER	1
27	600525		FLANGED HEX NUT, M10 - 1.5.....	2
28	608757		RETAINER BACKING PLATE.....	1

TOW BAR

- 1 Permanent Front Tow Bar includes items 2 - 12
- 2 Tow Bar Steering Link includes items - 12



TOW BAR

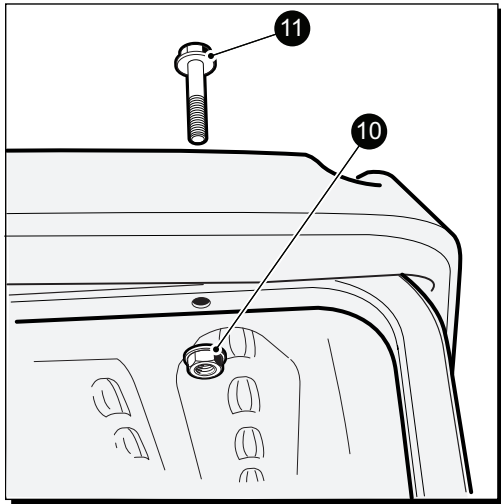
When ordering parts, please specify the model and serial number of the product.

* Indicates a component that is not available as an individual part.

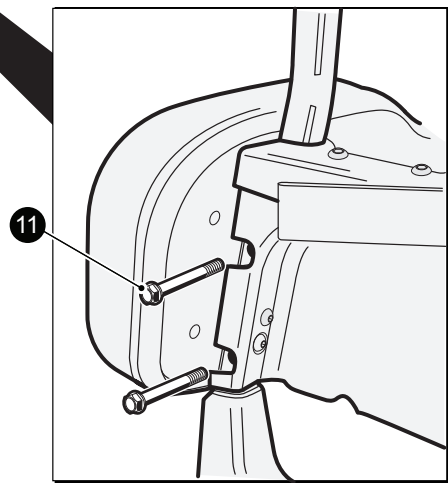
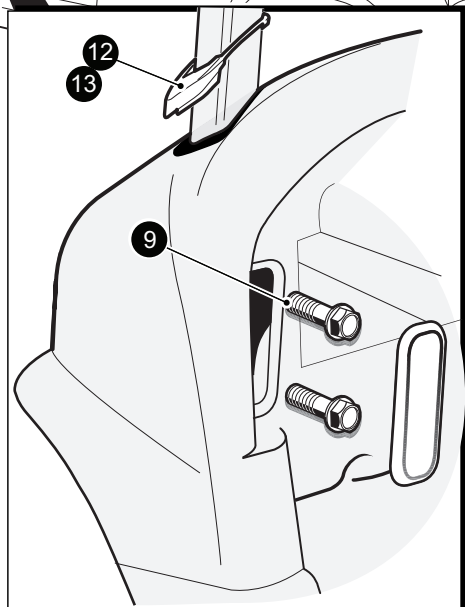
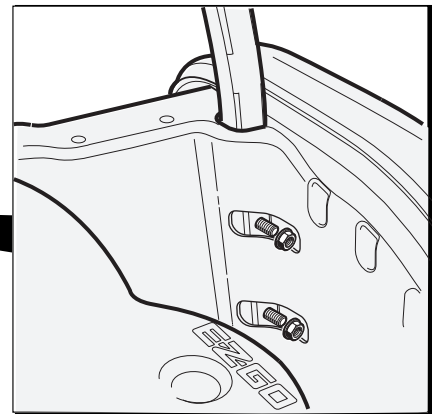
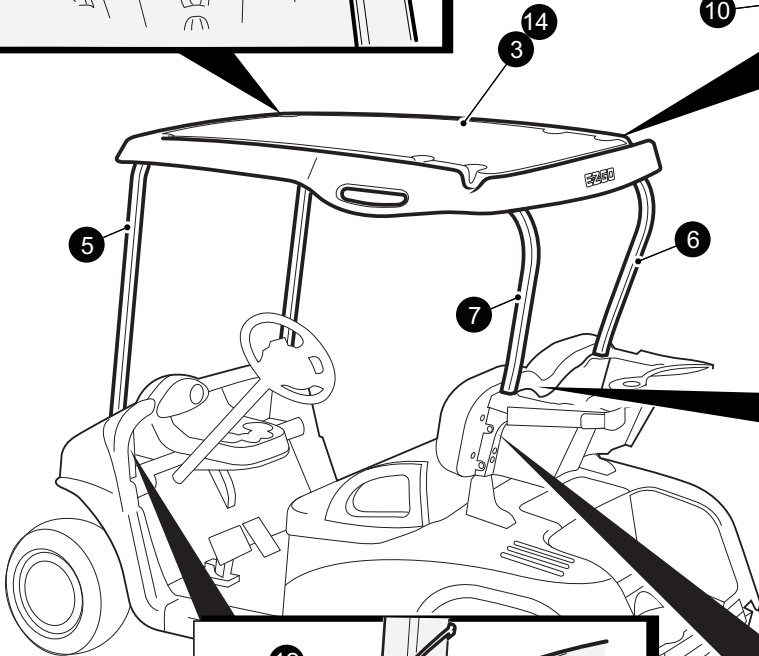
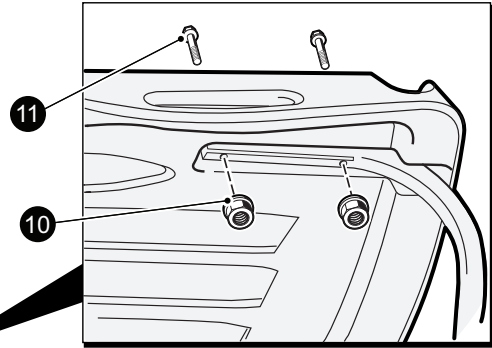
*** Indicates consult Customer Service Department for additional information.

ITEM	PART NO.	1 2 3 4 5	DESCRIPTION	QTY.
1	603475		PERMANENT TOW BAR (towed vehicle) (includes items 2 - 12)	1
2	601624		TOW BAR STEERING LINK (includes items 3 - 8)	1
3	603297		TOW BAR TIE ROD	1
4	603322		LEFT HAND TIE ROD END	1
5	601266		RIGHT HAND TIE ROD END	1
6	603487		JAM NUT, M12 - 1.25 LH	1
7	603488		JAM NUT, M12 - 1.25 RH	1
8	608739		SPACER	1
9				
10	601389		FRONT TOW BAR CASTING	1
11	606073		BEARING	1
12	607322		INTERNAL SNAP RING	1
13				
14	600549		FLANGED HEX NUT, M12 - 1.25	2
15				
16				
17	607365		HEX HEAD FLANGED BOLT, M16 - 2 X 70	1
18	606293		FRONT TOW BAR SPACER	1
19	601709		LOCKING HEX NUT, M16 - 2	1

WEATHER PROTECTION



- 1 Stone Beige Sun Top Kit includes items 3 - 13
- 2 Oyster Sun Top Kit includes items 4 - 14
- 4 Strut Kit includes items 5 - 15
- 8 Sun Top Hardware Kit includes items 9 - 13



WEATHER PROTECTION

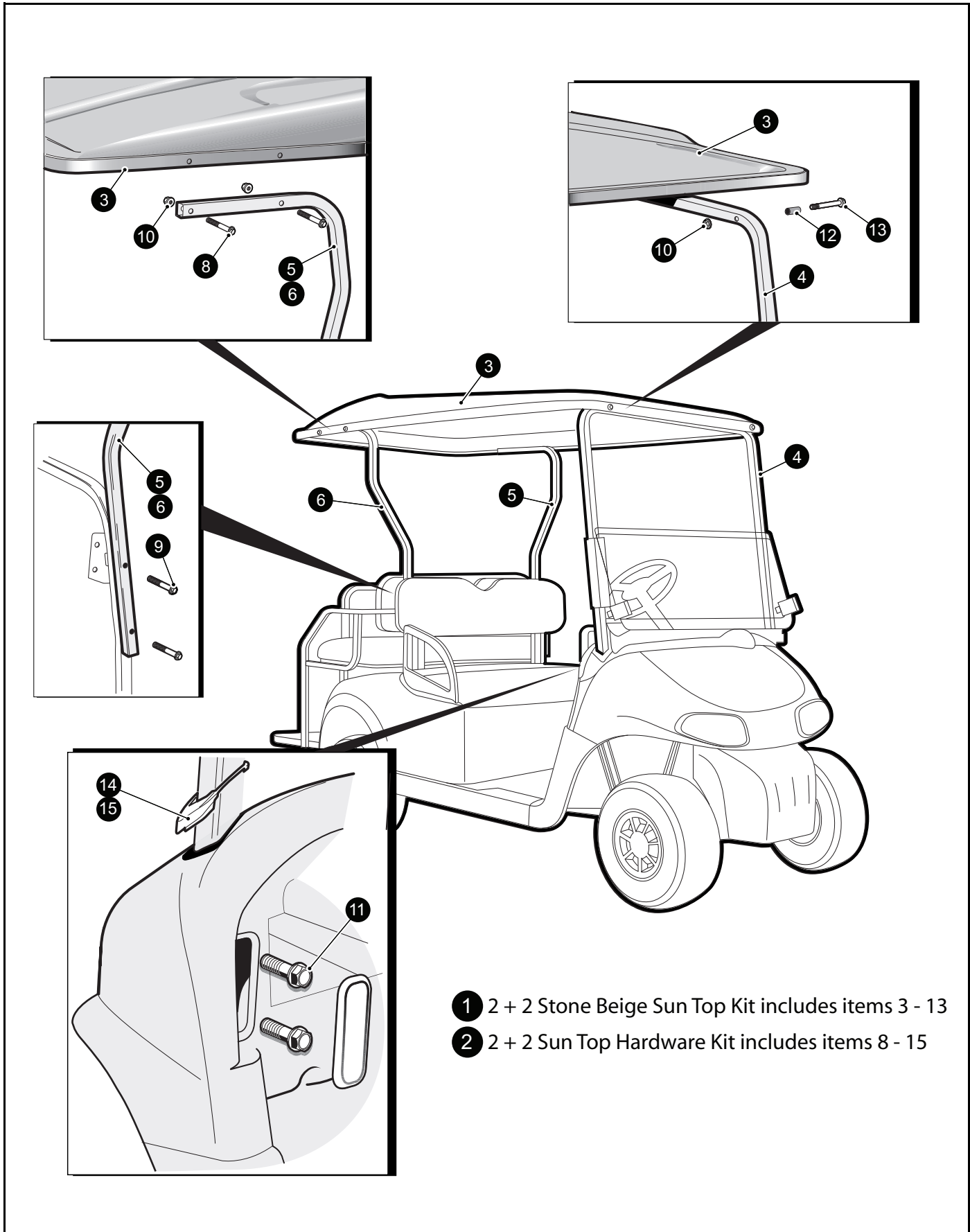
When ordering parts, please specify the model and serial number of the product.

* Indicates a component that is not available as an individual part.

*** Indicates consult Customer Service Department for additional information.

ITEM	PART NO.	1 2 3 4 5	DESCRIPTION	QTY.
1	606354		SUN TOP KIT, STONE BEIGE (includes items 3- 13)	1
2	608695		SUN TOP KIT, OYSTER (includes items 4 - 14).....	1
3	602115		SUN TOP, STONE BEIGE	1
4	608677		SUN TOP STRUT KIT (includes items 5 - 8.....	1
5	603203		FRONT STRUT	1
6	603370		REAR STRUT, PASSENGER SIDE	1
7	603369		REAR STRUT, DRIVER SIDE.....	1
8	607013		SUN TOP HARDWARE KIT (includes items 9 - 13)	1
9	602415		HEX HEAD FLANGED BOLT, M10 - 1.5 X 80.....	4
10	600525		FLANGED LOCK NUT, M10 - 1.5.....	10
11	603800		HEX HEAD FLANGED BOLT, M10 - 1.5 X 50.....	10
12	602770		GROMMET, DRIVER SIDE	1
13	602992		GROMMET, PASSENGER SIDE.....	1
14	608693		SUN TOP, OYSTER	1

WEATHER PROTECTION



- 1 2 + 2 Stone Beige Sun Top Kit includes items 3 - 13
- 2 2 + 2 Sun Top Hardware Kit includes items 8 - 15

WEATHER PROTECTION

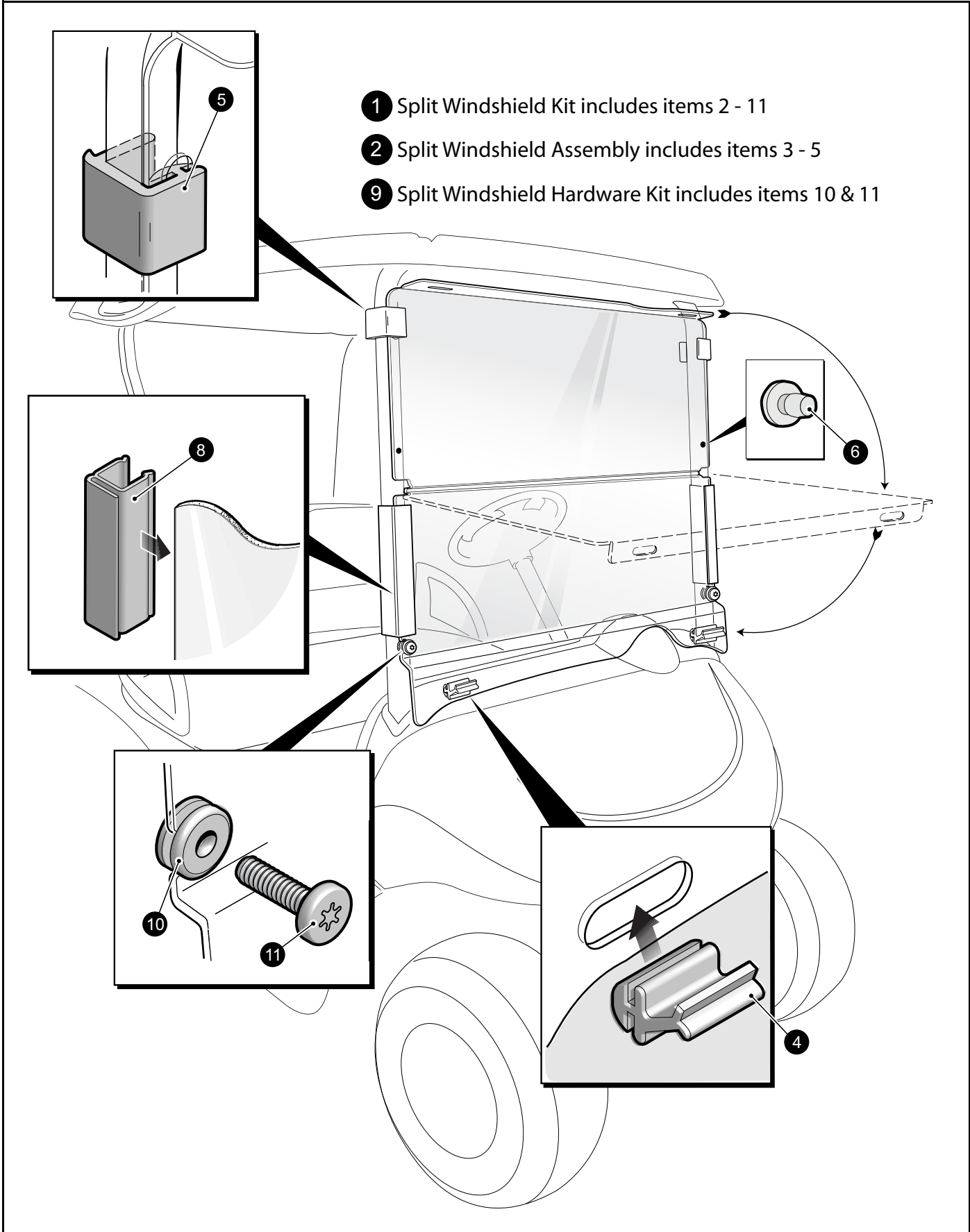
When ordering parts, please specify the model and serial number of the product.

* Indicates a component that is not available as an individual part.

*** Indicates consult Customer Service Department for additional information.

ITEM	PART NO.	1 2 3 4 5	DESCRIPTION	QTY.
1	604568		2 + 2 SUN TOP KIT, STONE BEIGE (includes items 3 - 13)	1
2				
3	603854		2 + 2 SUN TOP, STONE BEIGE	1
4	603203		FRONT STRUT	1
5	604423		2 + 2 REAR STRUT, DRIVER SIDE	1
6	604424		2 + 2 REAR STRUT, PASSENGER SIDE	1
7	604378		2 + 2 SUN TOP HARDWARE KIT (includes items 7 -)	1
8	601414		HEX HEAD FLANGED BOLT, M10 - 1.5 X 65	4
9	602415		HEX HEAD FLANGED BOLT, M10 - 1.5 X 80	4
10	600525		FLANGED LOCK NUT, M10 - 1.5	6
11	603800		HEX HEAD FLANGED BOLT, M10 - 1.5 X 50	4
12	607329		SPACER TUBE	2
13	601754		HEX HEAD FLANGED BOLT, M10 - 1.5 X 100	2
14	602770		STRUT GROMMET, DRIVER SIDE	1
15	602992		STRUT GROMMET, PASSENGER SIDE	1

WEATHER PROTECTION



WEATHER PROTECTION

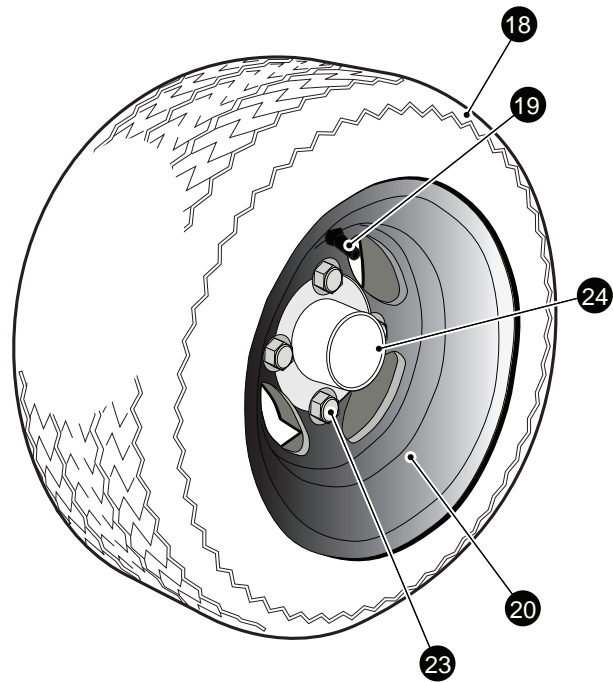
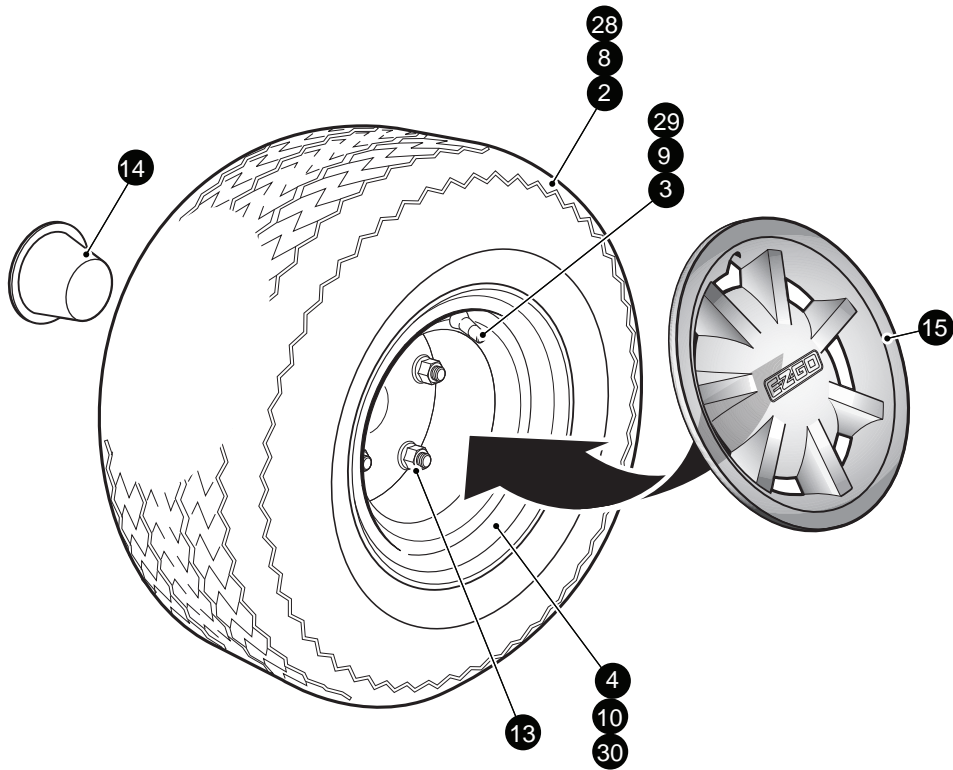
When ordering parts, please specify the model and serial number of the product.

* Indicates a component that is not available as an individual part.

*** Indicates consult Customer Service Department for additional information.

ITEM	PART NO.	1 2 3 4 5	DESCRIPTION	QTY.
1	606584		SPLIT WINDSHIELD KIT (includes items 2 - 11).....	1
2	606623		SPLIT WINDSHIELD ASSEMBLY (includes items 3 - 5).....	1
3	603738		SPLIT WINDSHIELD.....	1
4	603201		LOWER WINDSHIELD LATCH.....	2
5	603198		UPPER WINDSHIELD LATCH.....	2
6	604115		WINDSHIELD ISOLATOR.....	2
7				
8	603852		WINDSHIELD ATTACHMENT SASH.....	2
9	607014		SPLIT WINDSHIELD HARDWARE KIT (includes items 10 & 11).....	1
10	604116		GROMMET.....	2
11	602572		PAN HEAD TORX BOLT, M10 - 1.5 X 25.....	2

WHEELS AND TIRES



WHEELS AND TIRES

When ordering parts, please specify the model and serial number of the product.

* Indicates a component that is not available as an individual part.

*** Indicates consult Customer Service Department for additional information.

ITEM	PART NO.	1 2 3 4 5	DESCRIPTION	QTY.
1	603173		LINKS WHEEL AND TIRE ASSEMBLY (includes items 2 - 4).....	1
2	28764-G01		CARLISLE LINKS TIRE, 18 X 8.5 - 8	1
3	11657-G2		VALVE STEM.....	1
4	603172		STONE BEIGE WHEEL.....	1
5				
6				
7	605713		T - SHOT WHEEL AND TIRE ASSEMBLY (includes items 8 - 10).....	1
8	606379		CARLISLE T - SHOT TIRE, 4 PLY 18 X 8.5 - 8	1
9	11657-G2		VALVE STEM.....	1
10	603172		STONE BEIGE WHEEL.....	1
11				
12				
13	14723-G1		LUG NUT, 1/2 - 20 UNF	4
14	74175-G01		DUST CAP	1
15	603785		HUB CAP	1
16				
17	600599		ALLOY WHEEL AND TIRE ASSEMBLY	1
18	601768		TOUR MAX TIRE, 205 / 50 - 10	1
19	601767		VALVE STEM.....	1
20	601766		ITP ALLOY WHEEL.....	1
21				
22				
23	605310		CHROME LUG NUT, 1/20-020 UNF	4
24	601353		ALLOY WHEEL CAP	1
25				
26				
27	603216		USA WHEEL AND TIRE ASSEMBLY (includes items 28 -30).....	1
28	28764-G08		CARLISLE USA TRAIL TIRE 18.5 X 8.5 - 8.....	1
29	11657-G2		VALVE STEM.....	1
30	603172		STONE BEIGE WHEEL.....	1
31				

**DID YOU
KNOW?**

CartPros directs you to the right part using the part numbers from this manual. Enter the part number into our search box and it will find the part you are looking for.

**GET STARTED
HERE**



<https://CartPros.com/f.html>

**DID YOU
KNOW?**

CartPros directs you to the right part using the part numbers from this manual. Enter the part number into our search box and it will find the part you are looking for.

**GET STARTED
HERE** →

<https://CartPros.com/f.html>



A Textron Company

E-Z-GO Division of Textron, Inc.,
1451 Marvin Griffin Road, Augusta, Georgia 30906 - 3852 USA

TO CONTACT US...

North America:

**Technical Assistance & Warranty
Service Parts**

Phone: 1-800-774-3946, FAX: 1-800-448-8124

Phone: 1-888-GET-E-Z-GO (1-888-438-3946), FAX: 1-800-752-6175

International:

Phone: 001-706-798-4311, FAX: 001-706-771-4609

ISO 9001
ISO 14001

BUREAU VERITAS
Certification



Copyrighted Material
This manual may not be reproduced in whole or
in part without the express permission of
E-Z-GO Division of Textron, Inc.
Technical Communications Department