

**DID YOU
KNOW?**

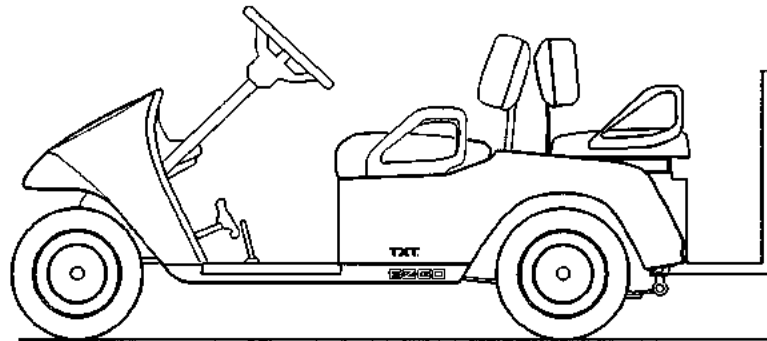
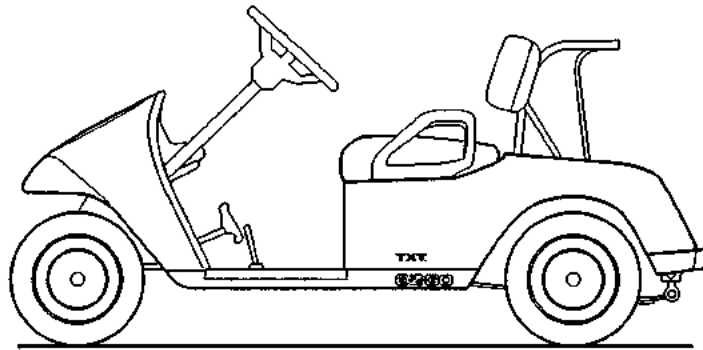
CartPros directs you to the right part using the part numbers from this manual. Enter the part number into our search box and it will find the part you are looking for.

**GET STARTED
HERE** →

<https://CartPros.com/f.html>



SERVICE PARTS MANUAL



ELECTRIC & DCS VEHICLES

MANUAL: 28287-G01

MODEL YEAR: 1996

ISSUED: 07/20/95

REVISED: 03/29/96

SERVICE PARTS MANUAL

TXT ELECTRIC VEHICLES

MODEL YEAR: 1996

VEHICLES

TXT FLEET

TXT FLEET DCS

TXT FREEDOM

TXT FREEDOM DCS

TXT 4 CADDY

CUSTOMER SERVICE DEPARTMENT PHONE 1-800-227-7029 FAX 1-800-752-6175
E-Z-GO DIVISION OF TEXTRON, INC., P.O. BOX 388, AUGUSTA, GEORGIA 30903-0388, 1-800-241-5855

LIMITED WARRANTY

WARRANTY

TO OBTAIN A COPY OF THE LIMITED WARRANTY THAT IS APPLICABLE TO YOUR VEHICLE, CALL OR WRITE YOUR LOCAL DISTRIBUTOR, BRANCH OR E-Z-GO WARRANTY DEPARTMENT.

THE USE OF NON E-Z-GO PARTS MAY VOID YOUR WARRANTY.

OVERFILLING OF BATTERIES MAY VOID YOUR WARRANTY.

GENERAL INDEX

SECTIONS	Page No.
How to use the E-Z-GO Service Manual	vii

Illustrated Parts Breakdown:

Illustration	Page No.
ACCELERATOR LINKAGE	A-1
• Accelerator Pedal	
• Accelerator Rod	
BATTERY CHARGERS, POWERWISE™	C-1
BODY AND ASSOCIATED PARTS	D-1
• Body, Front Cowl	
• Footrest	
• Floorboard	
• Rocker Panel	
• Seat Frames	
• Splash Panel	
• Valance Panel	
• Front Shield	
BRAKE LINKAGE	E-1
DIRECTION SELECTORS	I-1
ELECTRICAL SYSTEM	K-1
FRONT SUSPENSION	Q-1
• Front Axle Assembly	
• Leaf Springs and Idler Assembly	
• Hub and Spindle Assemblies	
• Tie Rod Assembly	
HORN AND LIGHTING	S-1
• Headlamp	
• Rear Lamp Assembly	
• State of Charge Meter	
• Turn Signal Assembly	
• Wire Harness	
MOTORS	T-1
REAR AXLE	U-1
REAR SUSPENSION	W-1
SEATING AND BAGRACK	Y-1
SOLID STATE SPEED CONTROLS	Z-1
• Control Rod	
• Mounting Assembly	
• Solenoid	
• Speed Control Cover	

GENERAL INDEX

Illustrated Parts Breakdown:

Illustration	Page No.
STEERING	BB-1
• Rack and Rod Assembly	
• Steering Wheel	
• Tie Rod Assembly	
WHEEL BRAKE, BENDIX	CC-1
• Brake Assembly	
• Brake Drum Assembly	
• Brake Shoe Set	
WHEEL BRAKE, NON- BENDIX	CC-3
• Brake Assembly	
• Brake Drum Assembly	
• Brake Shoe Set	
WHEELS AND TIRES	DD-1
• Tread Styles	
• Tire and Wheel Assembly	
• Valve Stem	
• Wheel Rim	

SPECIAL TOOLS

Special Tools Listing	Appendix - A
-----------------------------	--------------

ACCESSORIES

Accessory Listing	Appendix - B
-------------------------	--------------

ACCESSORIES

Accessory Installations	Appendix - C
Divot Repair Kit (Sand Bottle)	
Side Basket	
Center Basket	
Sun Top With Bagrack	
Sun Top Without Bagrack	
Wheel Covers	

GENERAL INDEX

Windshield
Ashtray
Rear View Mirror
Hour Meter

Illustrated Parts Breakdown:

Illustration	Page No.
Four Bag Attachment	
TXT Convertible Carrier	
TXT to 4-Caddy Conversion	
4-Caddy Conversion Windshield	
4-Caddy Conversion Sun Top	
4-Caddy to Convertible Carrier Conversion	
Permanent Tow Bar	

WIRING DIAGRAMS AND SCHEMATICS

Electric Vehicles	Appendix - D
-------------------------	--------------

HOW TO USE THE E-Z-GO SERVICE PARTS MANUAL

This manual is divided into several sections:

- GENERAL INFORMATION
- ILLUSTRATED PARTS BREAKDOWN FOR TXT ELECTRIC POWERED GOLF CARS
- APPENDIX A

The first section, GENERAL INFORMATION, contains the following information:

- WARRANTY INFORMATION
- GENERAL INDEX
- HOW TO USE THE E-Z-GO SERVICE PARTS MANUAL

The second section, ILLUSTRATED PARTS BREAKDOWN (IPB) FOR THE TXT ELECTRIC POWERED GOLF CARS, contains illustrations and parts lists for all systems of your vehicle.

The third section, SERVICE ACCESSORIES AND SPECIAL TOOLS, contains a listing of E-Z-GO service accessories and special tools and that may be purchased from the company to aid in the servicing of the vehicle.

USE OF THE MANUAL

To use this manual, consult the GENERAL INDEX to locate the information or illustration required.

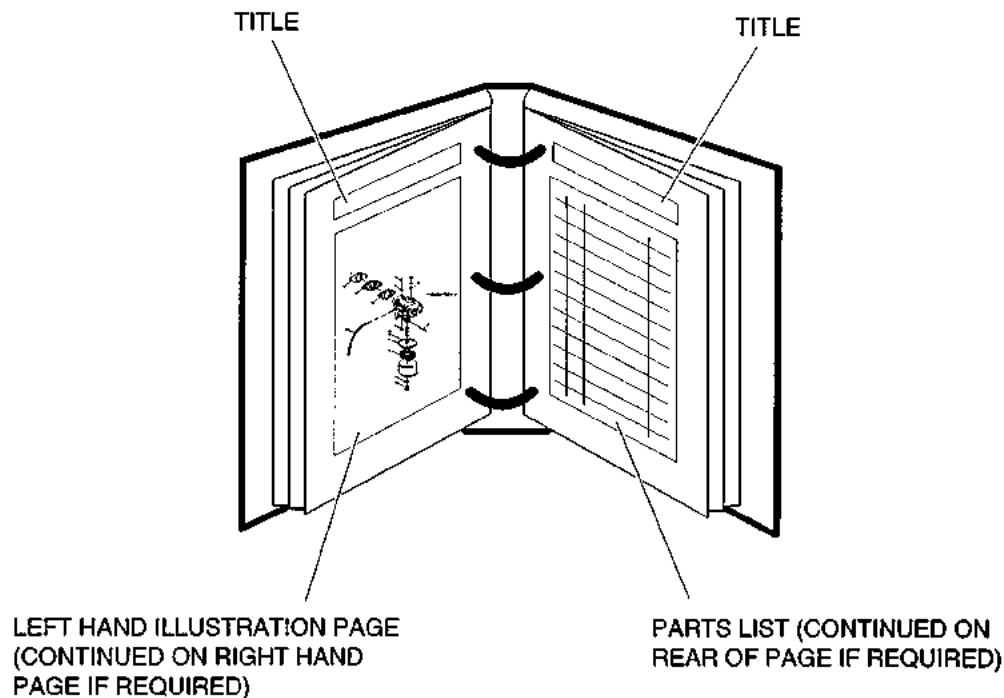
E-Z-GO manuals are revised annually to coincide with the model year change. The manual will cover all models and model years stated on the cover page. Sections that remain unchanged have the last date they were revised in the lower inside margin. New components that are interchangeable with the previous year are automatically revised and the issue date is changed.

Introduction of some revisions varies due to supply of components; therefore, it is possible that various combinations of components may be found that are not directly reflected by each illustration. Consult the illustration that best suits your situation and then contact the Service Parts Department. It is important that the serial number of your vehicle and its model number be supplied to Service Parts when ordering any replacement components.

Locate the serial number plate (see Body and Associated Parts located in the IPB section of this manual for its location) and note the complete number shown on the plate.

All relevant systems are listed in the General Index and has an alphabetical prefix. The illustration always appears first and is followed by its related parts list. Additional illustrations and parts lists with the same prefix indicate significant changes that have taken place since the last issue.

HOW TO USE THE E-Z-GO SERVICE PARTS MANUAL



1. WHEN THE PART NUMBER IS NOT KNOWN

- Determine the function and application of the part required. Turn to the General Index and select the most appropriate title.
- Turn to the page number indicated and locate the desired part on the illustration.
- From the illustration, obtain the item number assigned to the desired part. Refer to the accompanying description for specific information regarding the part.

2. IF YOU KNOW THE PART NUMBER

- Locate the part number or description in the appropriate column on the parts list page.

NOTE: It is suggested that you confirm that the part selected is correct by verifying it with the pictorial representation on the illustrated page.

Should an asterisk (*) appear in the part number column on the parts list page, read upwards until a part number is found. The part number is the lowest assembly sold by E-Z-GO and the asterisk (*) indicates that the part depicted is not available for sale by E-Z-GO.

NOTE: Descriptions are indented under the assembly that they are used on. That assembly is, in turn listed under the assembly that it is used on. This process is repeated until the highest final assembly is reached.

To facilitate the maintenance and repair of the vehicle, a Technician's Repair and Service Manual (P/N 28292-G01) is available from the E-Z-GO Service Parts Department.

**DID YOU
KNOW?**

CartPros directs you to the right part using the part numbers from this manual. Enter the part number into our search box and it will find the part you are looking for.

**GET STARTED
HERE**



<https://CartPros.com/f.html>

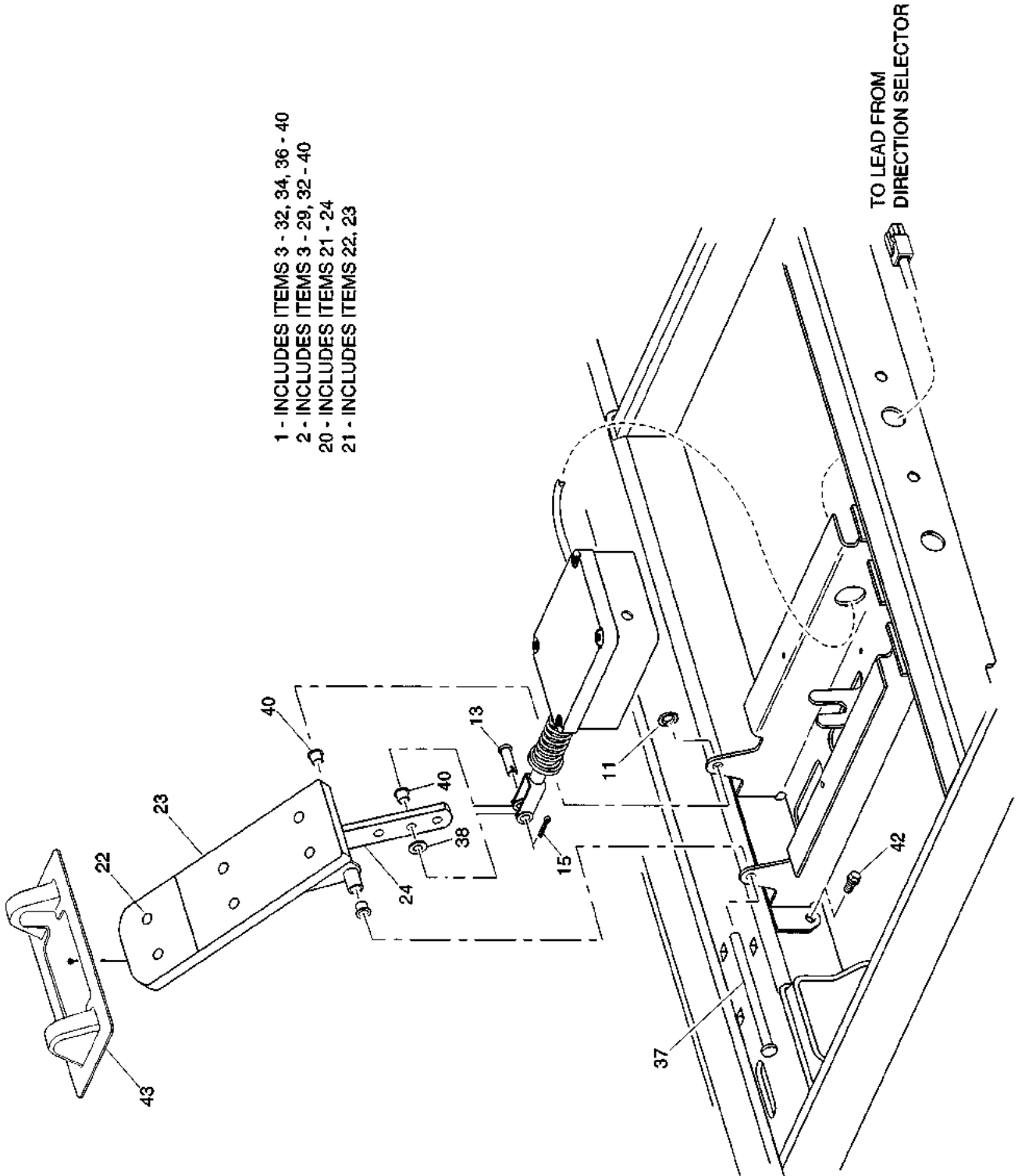


ILLUSTRATED PARTS BREAKDOWN

ACCELERATOR LINKAGE

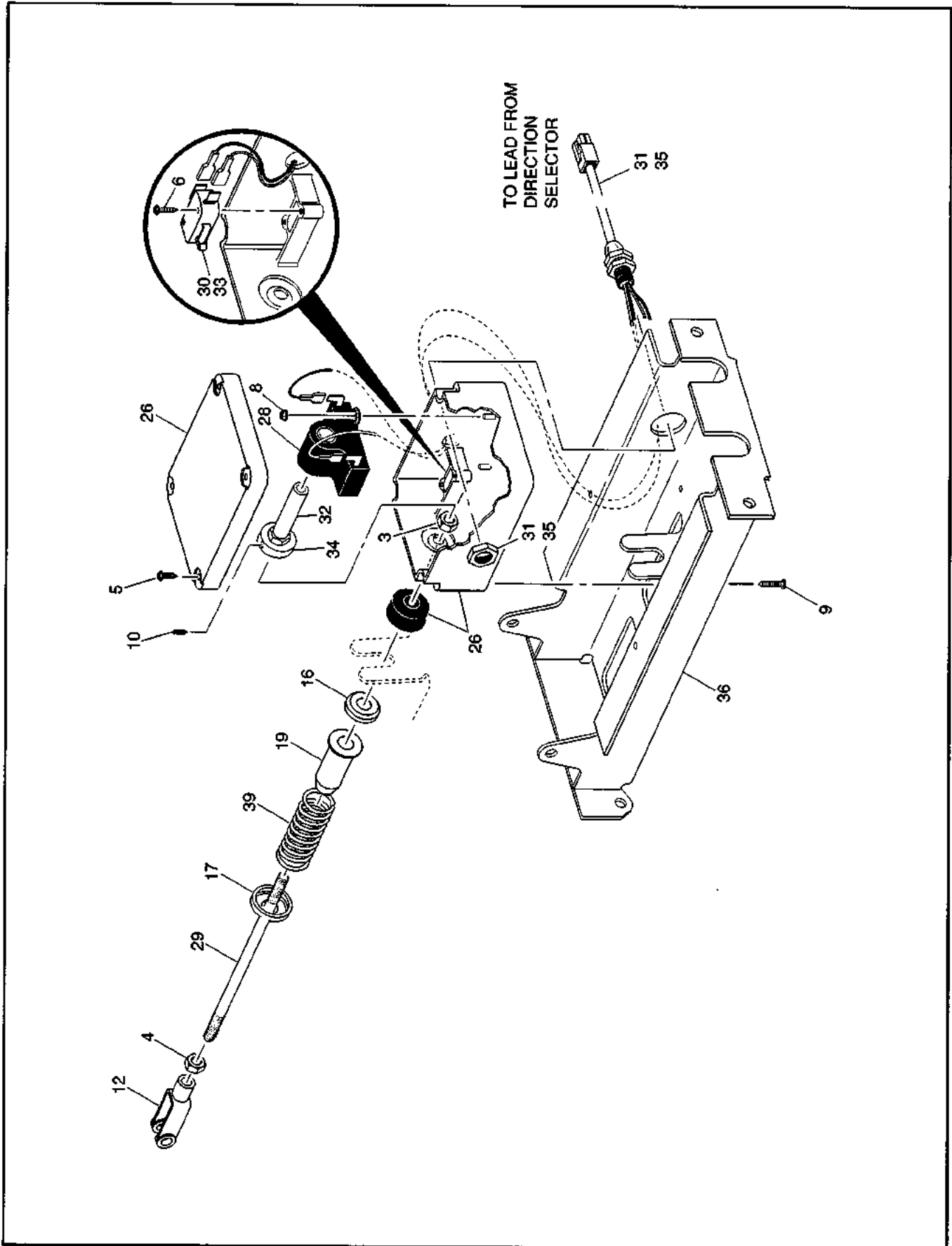
Electric Vehicle

- 1 - INCLUDES ITEMS 3 - 32, 34, 36 - 40
- 2 - INCLUDES ITEMS 3 - 29, 32 - 40
- 20 - INCLUDES ITEMS 21 - 24
- 21 - INCLUDES ITEMS 22, 23



Electric Vehicle

ACCELERATOR LINKAGE



ACCELERATOR LINKAGE

Electric Vehicle

THE USE OF NON UL PARTS WILL VOID ANY UL LISTING.

When ordering parts, please specify the model and serial number of the product.

* Indicates a component that is not available as an individual part.

G** Indicates consult Customer Service Department for additional information.

ITEM	PART NO.	1 2 3 4 5	DESCRIPTION	QTY.
1	25870-G03		PEDAL BOX ASSEMBLY (INCLUDES ITEMS 3 - 32, 34, 36 - 40)	1
2	25870-G05		PEDAL BOX ASSEMBLY, DCS MODEL ONLY (INCLUDES ITEMS 3 - 29, 32 - 40)	1
3	00550-G2		NUT, LOCK, 1/4 - 28	1
4	00532-G4		NUT, LOCK, 5/16 - 24	1
5	00684-G6		SCREW, #8 - 32 X 3/4 LG.	4
6	00982-G01		SCREW, #4 - 14 X 5/8 LG.	2
7				
8	00983-G01		NUT, SELF THREADING	2
9	00984-G01		SCREW, #8 - 10 X 1/2 LG.	4
10	00486-G2		SETSCREW, #8 - 32 X 1/8 LG.	1
11	00986-G01		PUSHNUT, 19/64 I.D.	1
12	10385-G4		YOKE, CLEVIS (ADJUSTABLE).....	1
13	10386-G3		PIN, CLEVIS, 5/16 x 15/16 LG.....	1
14				
15	10387-G3		PIN, COTTER, 3/32 x 3/4 LG.....	1
16	17677-G1		RETAINER, SPRING	1
17	17677-G2		RETAINER, SPRING	1
18				
19	17979-G1		BUSHING, ACCELERATOR ROD	1
20	25799-G01		ACCELERATOR PEDAL ASSEMBLY (INCLUDES ITEMS 21 - 24)	1
21	27844-G01		ACCELERATOR PEDAL PAD KIT (INCLUDES ITEMS 22, 23).....	1
22	15766-G1		RIVET, OVAL, 3/8 X 15/32 LG.	6
23	27512-G01		PAD, ACCELERATOR PEDAL.....	1
24	*		PEDAL, ACCELERATOR	1
25				
26	25853-G01		PEDALBOX AND COVER (SEAL AND BEARING)	1
27				
28	25854-G01		INDUCTIVE THROTTLE SENSOR	1
29	25859-G01		ACCELERATOR ROD	1

Electric Vehicle

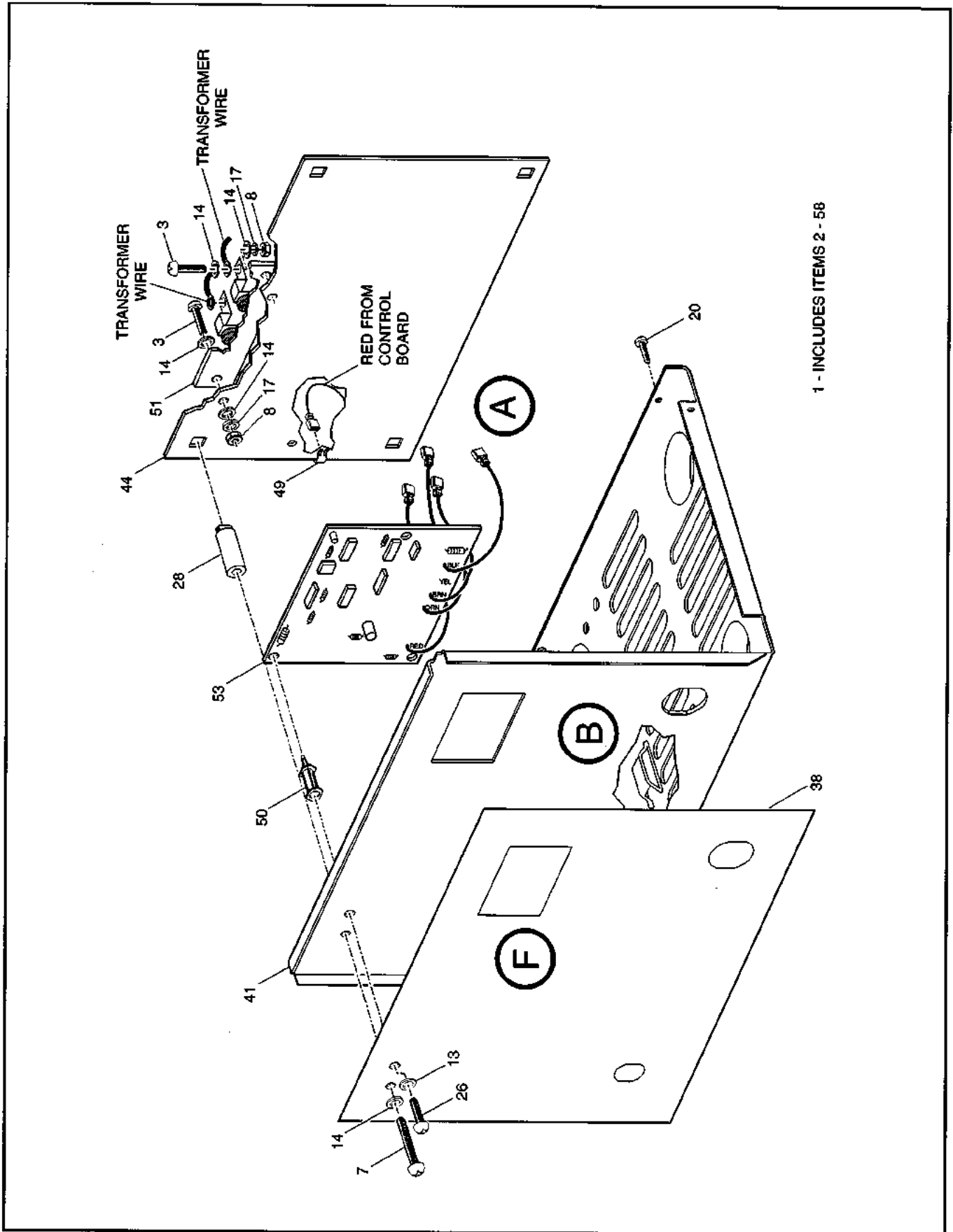
ACCELERATOR LINKAGE

THE USE OF NON UL PARTS WILL VOID ANY UL LISTING.
 When ordering parts, please specify the model and serial number of the product.
 * Indicates a component that is not available as an individual part.
 G** Indicates consult Customer Service Department for additional information.

ITEM	PART NO.	1	2	3	4	5	DESCRIPTION	QTY.
30	25861-G01						SWITCH, MICRO.....	1
31	25879-G03						WIRING HARNESS, PEDAL BOX ASSEMBLY.....	1
32	26551-G01						PLUNGER	1
33	25861-G02						SWITCH, MICRO (DCS MODEL ONLY)	1
34	26969-G01						CAM, PLUNGER	1
35	25879-G04						WIRING HARNESS, PEDAL BOX ASSEMBLY (DCS MODEL ONLY).....	1
36	70116-G01						BRACKET, PEDAL	1
37	70134-G01						PIN, PEDAL PIVOT	1
38	17255-G1						WASHER, TEFLON, 1/32 X 5/8.....	1
39	73046-G01						SPRING, COMPRESSION	1
40	17838-G1						BUSHING	3
41								
42	00715-G2						BOLT, 5/16 - 18 X 5/8 LG.	4
43	70135-G01						COVER, PEDAL PIVOT	1

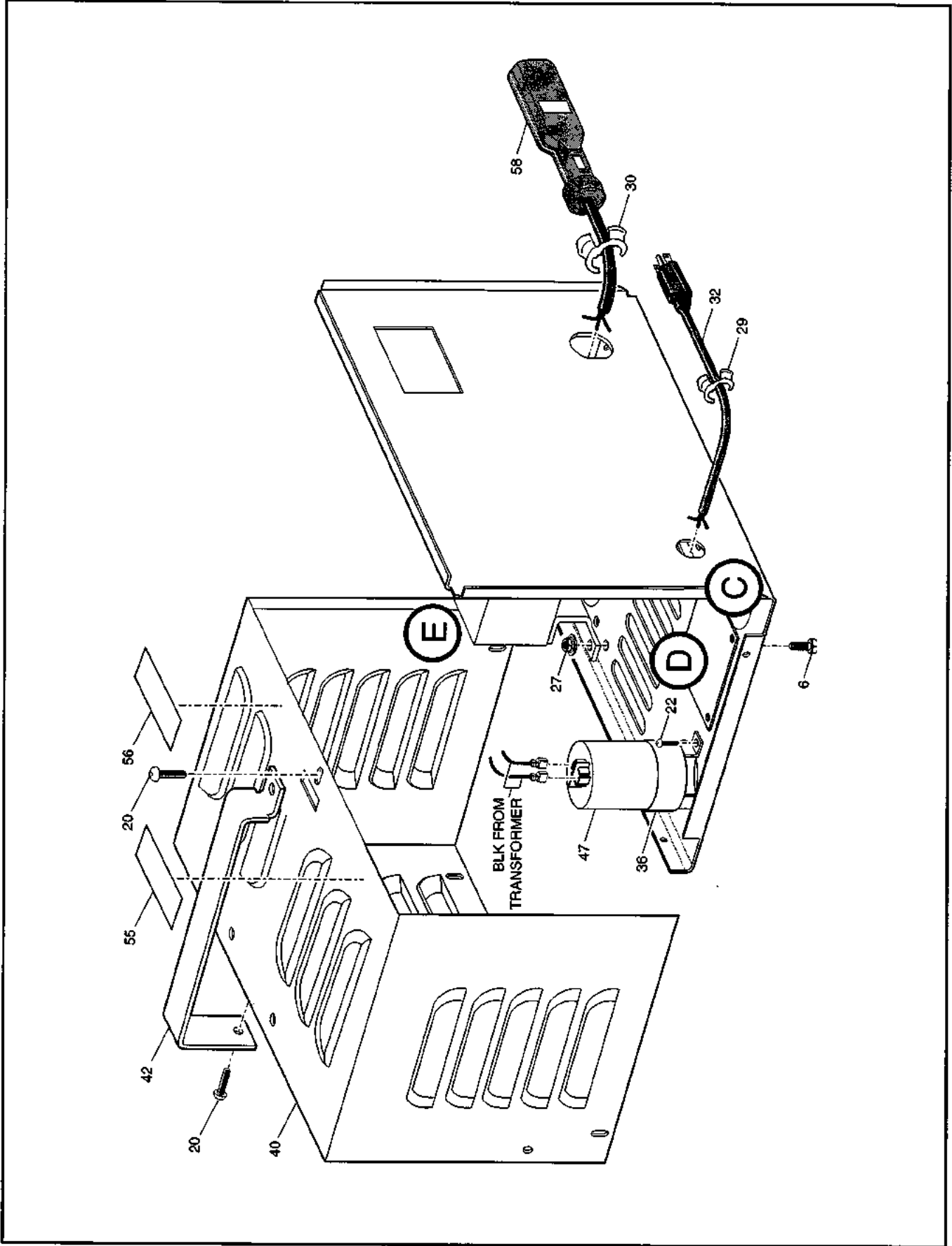
BATTERY CHARGER, POWERWISE™

Electric Vehicle



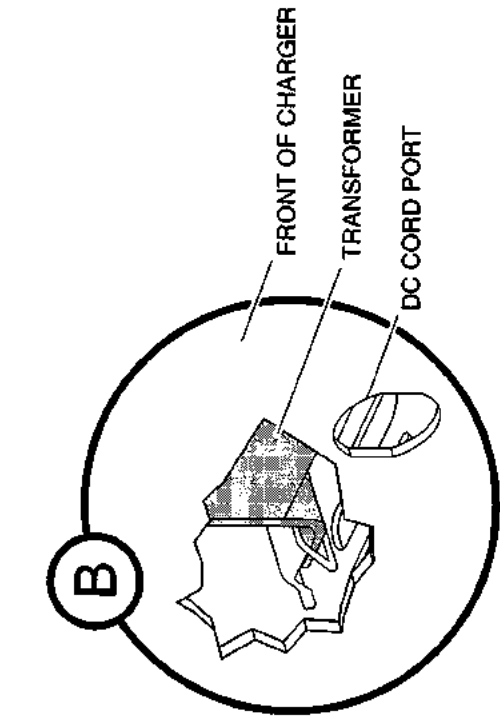
Electric Vehicle

BATTERY CHARGER, POWERWISE™

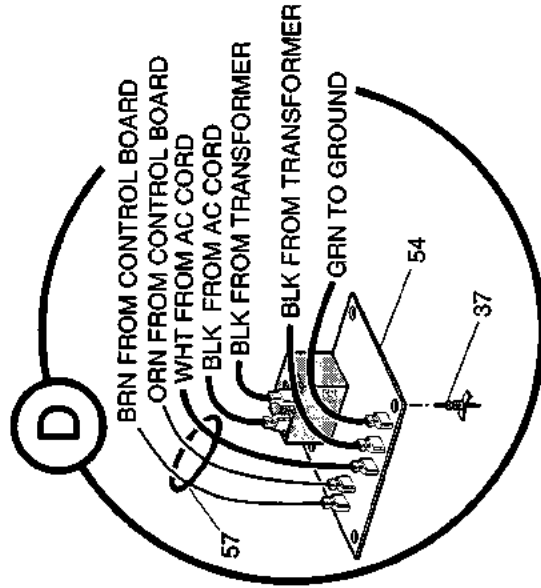


BATTERY CHARGER, POWERWISE™

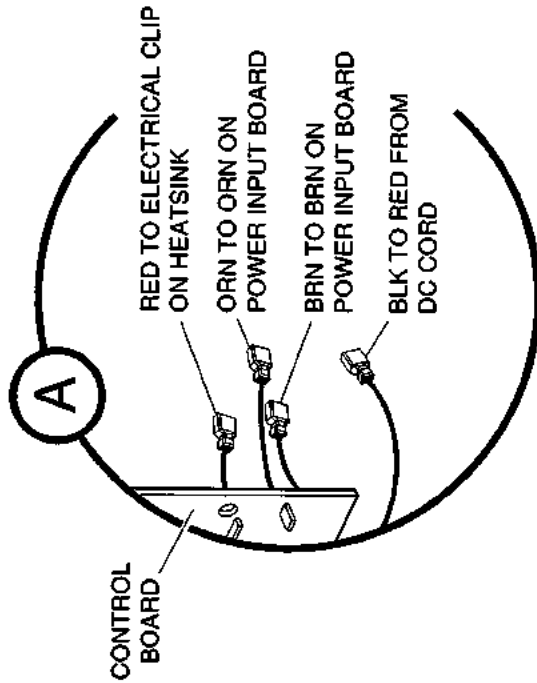
Electric Vehicle



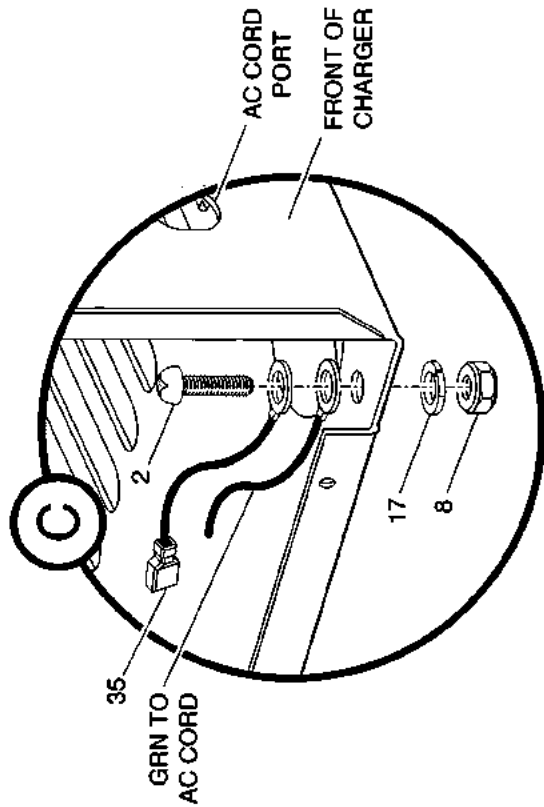
TRANSFORMER LEG INSTALLATION



POWER INPUT BOARD INSTALLATION



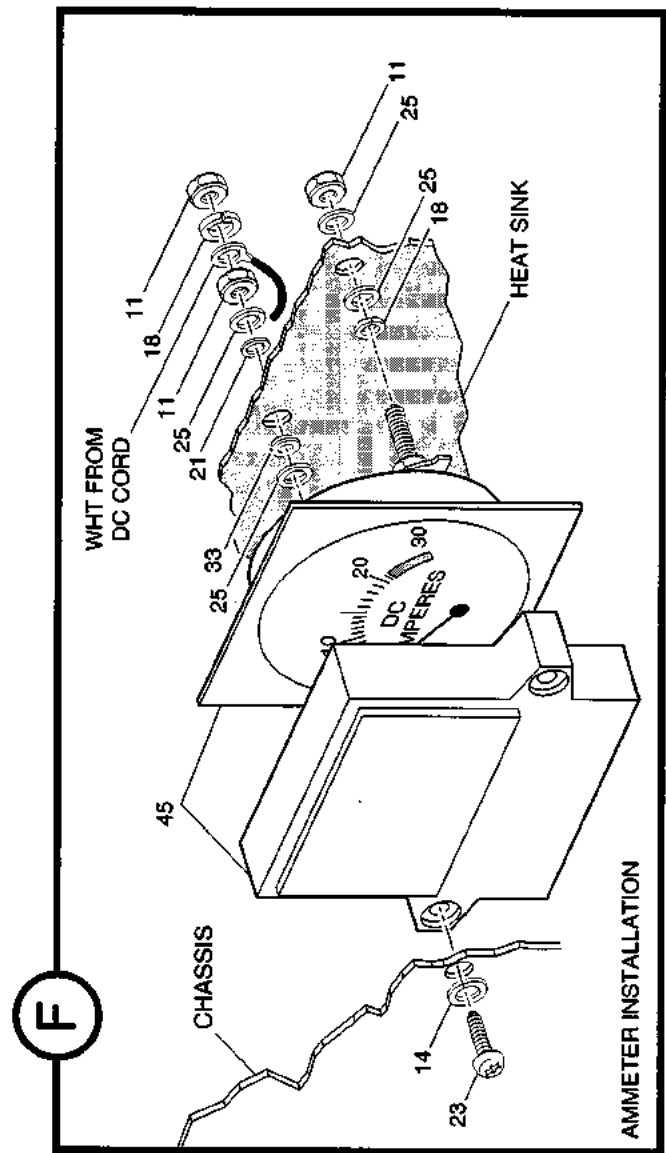
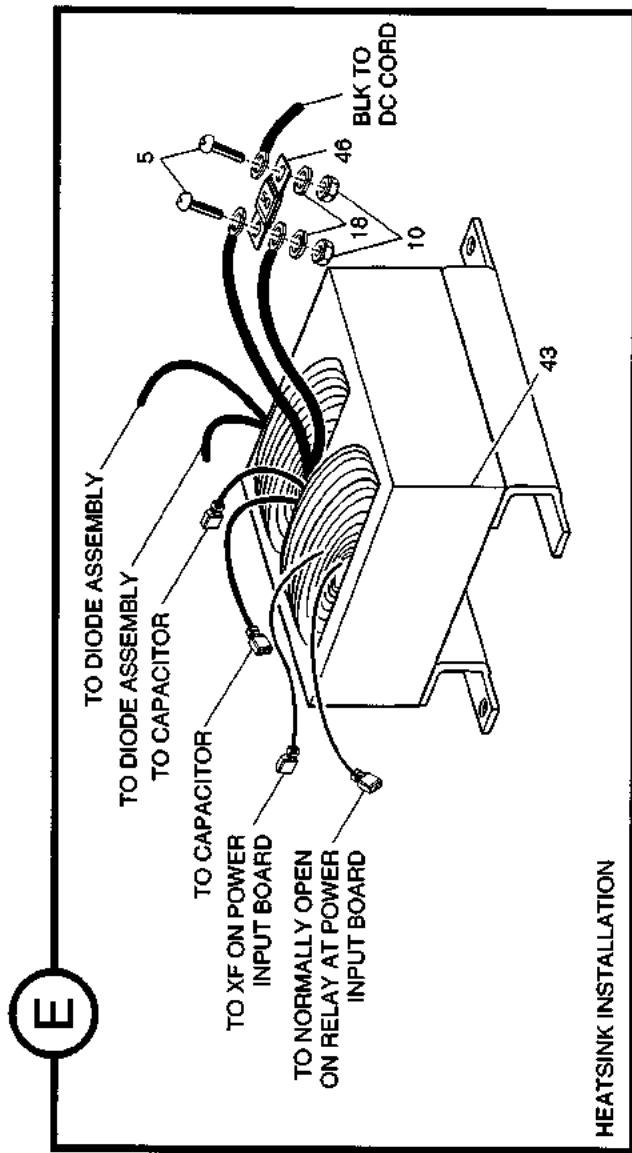
CONTROL BOARD CONNECTIONS



GROUNDING DETAIL

Electric Vehicle

BATTERY CHARGER, POWERWISE™



BATTERY CHARGER, POWERWISE™

Electric Vehicle

THE USE OF NON UL PARTS WILL VOID ANY UL LISTING.

When ordering parts, please specify the model and serial number of the product.

* Indicates a component that is not available as an individual part.

G** Indicates consult Customer Service Department for additional information.

ITEM	PART NO.	1 2 3 4 5	DESCRIPTION	QTY.
1	28115-G01		CHARGER ASSEMBLY (COMPLETE) INCLUDES ITEMS 2 - 58.....	1
2	00372-G3		SCREW, #8 - 32 X 3/8 LG.	1
3	00372-G4		SCREW, #8 - 32 X 1/2 LG.	4
4				
5	00378-G4		SCREW, #10 - 24 X 1/2 LG.	2
6	00414-G5		SCREW, 1/4 - 20 X 5/8 LG.	3
7	00513-G6		SCREW, #8 - 18 X 1 3/4 LG.	2
8	00526-G1		NUT, #8 - 32.....	5
9				
10	00526-G3		NUT, #10 - 24.....	2
11	*		NUT, #10 - 32.....	3
12				
13	00559-G3		WASHER, #6	3
14	00559-G4		WASHER, #8	12
15				
16				
17	00565-G4		WASHER, LOCK, #8	5
18	00565-G5		WASHER, LOCK, #10	4
19				
20	00614-G4		SCREW, #8 - 18 X 1/2 LG.	6
21	00771-G6		WASHER, NYLON, SPECIAL.....	1
22	00969-G01		SCREW, #8 - 32 X 3/8 LG.	3
23	00984-G01		SCREW, #8 - 10 X 1/2 LG.	2
24				
25	*		WASHER, BRASS, #10	4
26	01005-G01		SCREW, #6 - 19 X 5/16 LG.	3
27	11027-G2		NUT, LOCK, 1/4 - 20.....	3
28	11572-G3		NUT, PLASTIC EXPANSION	2
29	13557-G2		STRAIN RELIEF, AC.....	1
30	13557-G3		STRAIN RELIEF, DC	1

Electric Vehicle

BATTERY CHARGER, POWERWISE™

THE USE OF NON UL PARTS WILL VOID ANY UL LISTING.

When ordering parts, please specify the model and serial number of the product.

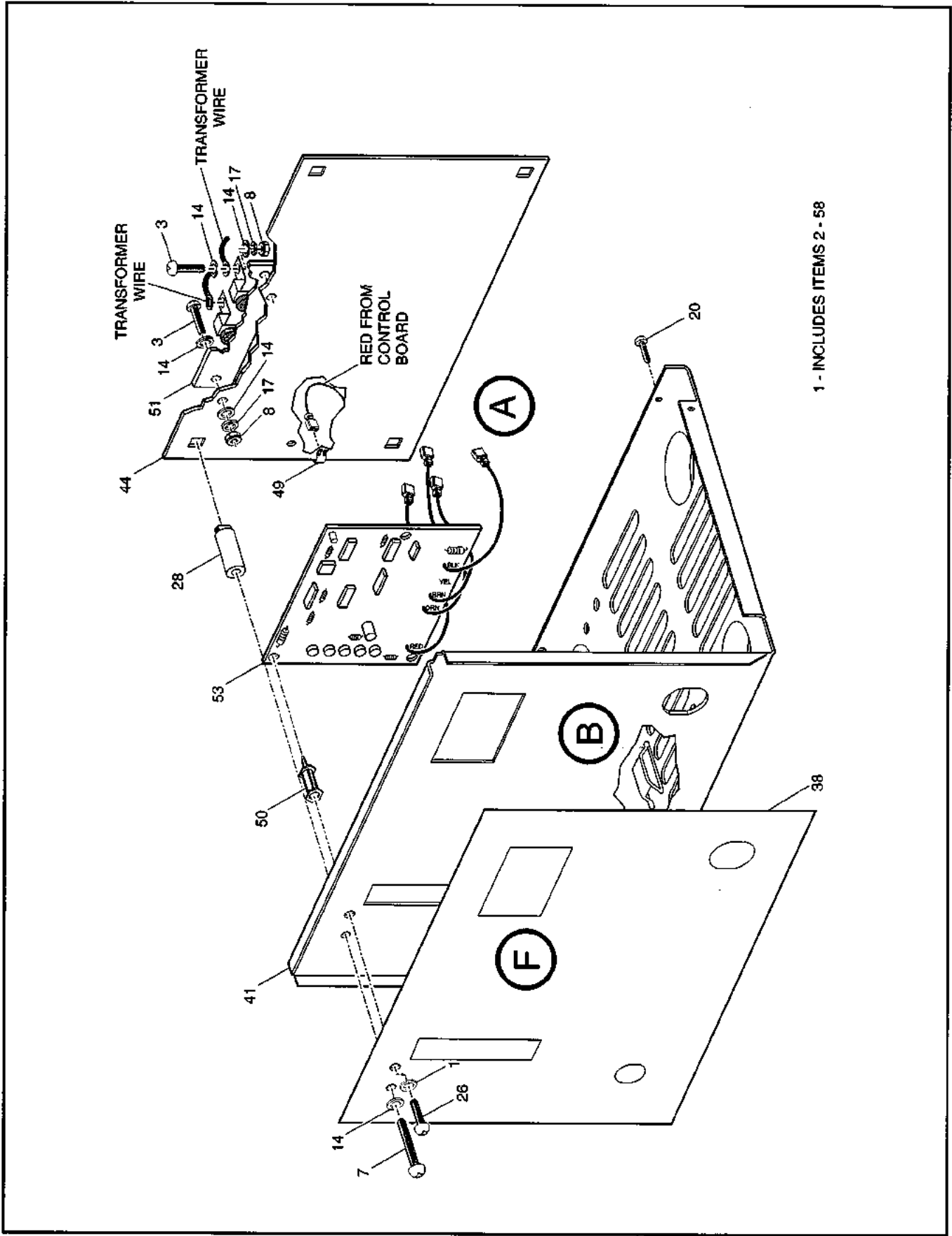
* Indicates a component that is not available as an individual part.

G** Indicates consult Customer Service Department for additional information.

ITEM	PART NO.	1	2	3	4	5	DESCRIPTION	QTY.
31								
32	19388-G4						CORD, AC	1
33	22589-G2						WASHER, SHOULDER	1
34								
35	25977-G32						WIRE, 4"	1
36	26979-G01						BRACKET, CAPACITOR	1
37	27877-G01						SUPPORT, SPACER	4
38	28091-G01						LABEL, FRONT	1
39								
40	*						COVER	1
41	*						CHASSIS	1
42	28102-G01						HANDLE	1
43	28103-G01						TRANSFORMER	1
44	28104-G01						HEAT SINK	1
45	28105-G01						AMMETER	1
46	28106-G01						FUSE, 50 AMP	1
47	28109-G01						CAPACITOR	1
48								
49	28110-G01						CLIP, ELECTRICAL	1
50	28111-G01						SUPPORT, CONTROL BOARD	3
51	28112-G01						DIODE	1
52								
53	28126-G01						BOARD, CONTROL	1
54	28126-G03						BOARD, POWER INPUT	1
55	28136-G01						TOP LABEL, VENTILATION	1
56	28136-G02						TOP LABEL, CORD CONDITION	1
57	17618-G1						CLAMP, NYLON	2
58	28137-G**						DC PLUG (COMPLETE)	1

BATTERY CHARGER, POWERWISE™ +

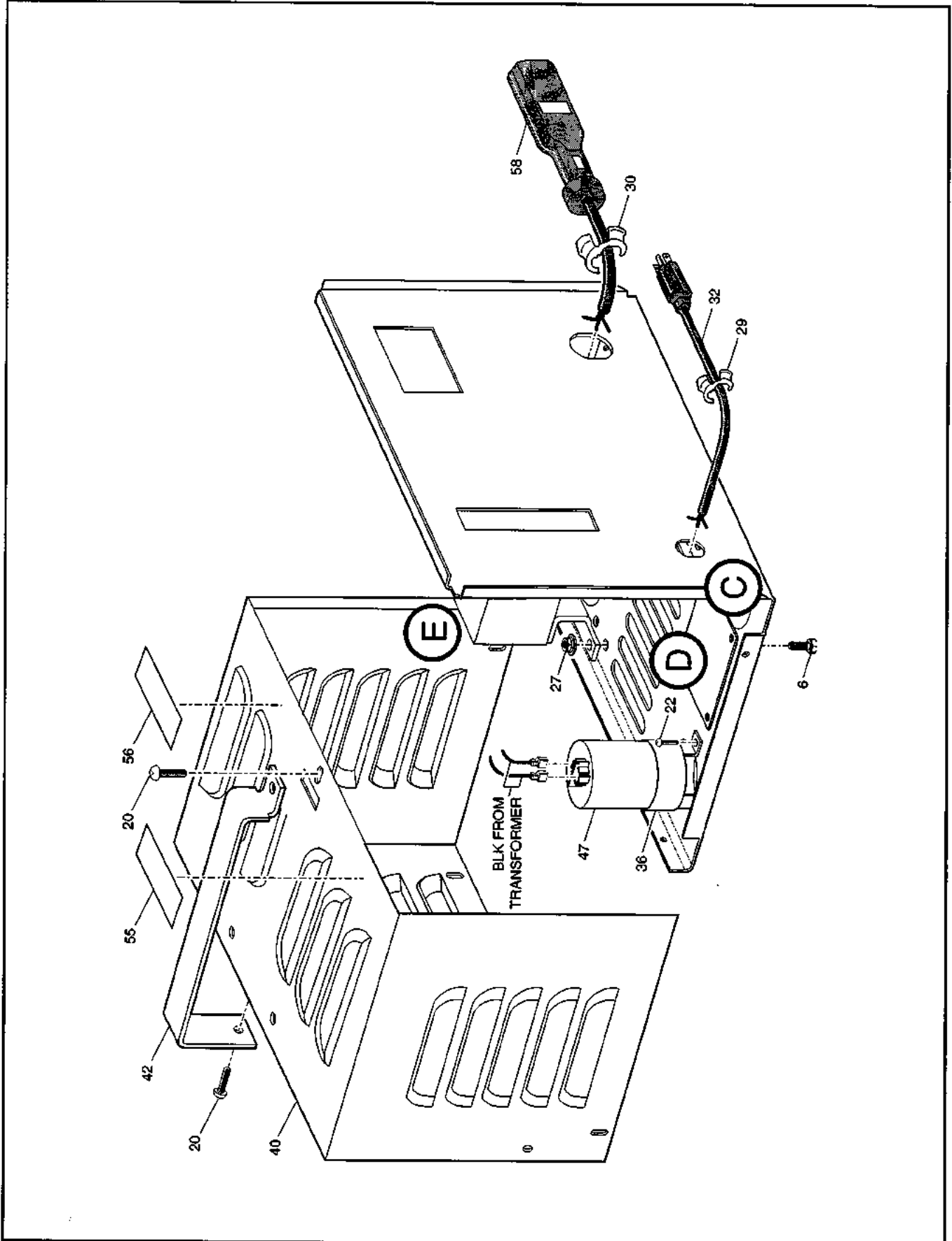
Electric Vehicle



1 - INCLUDES ITEMS 2 - 58

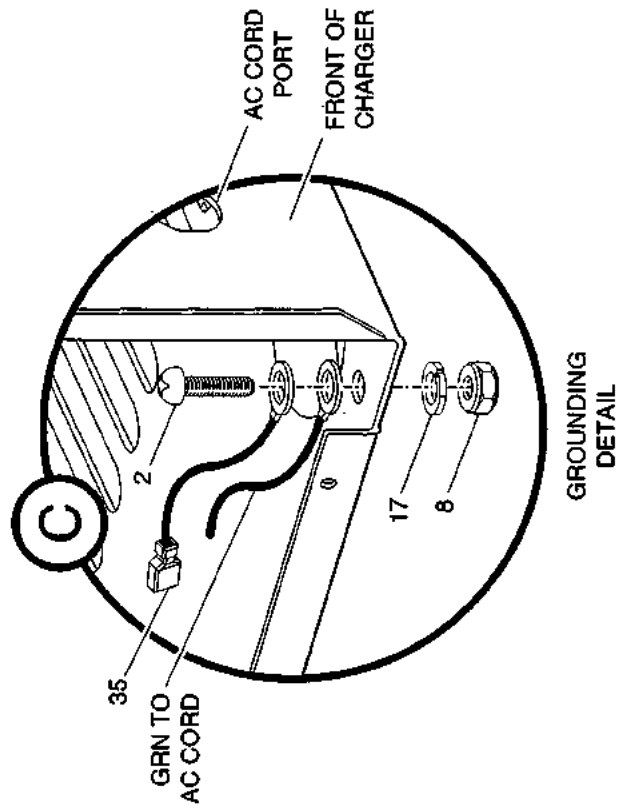
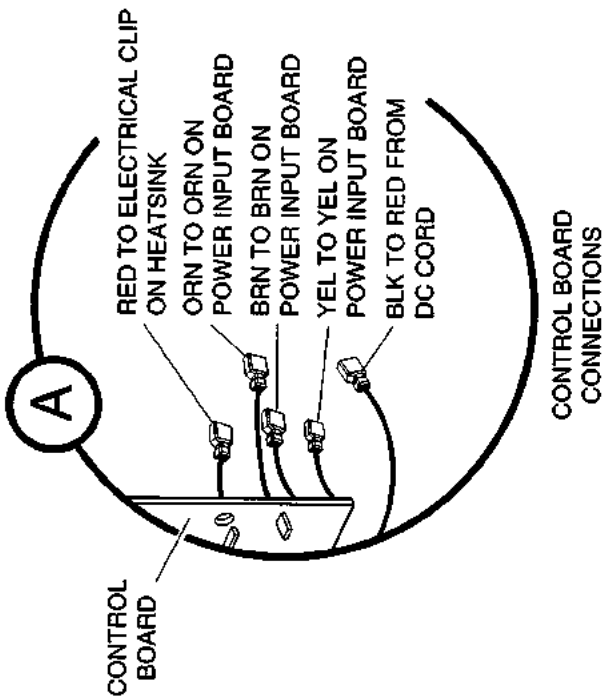
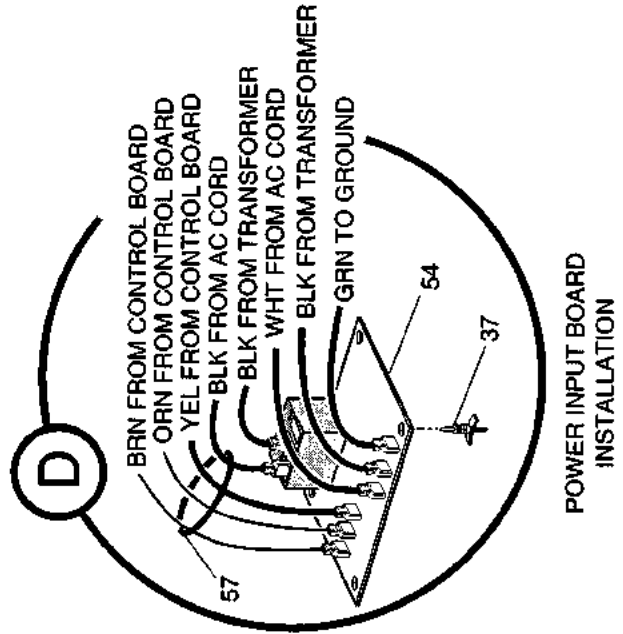
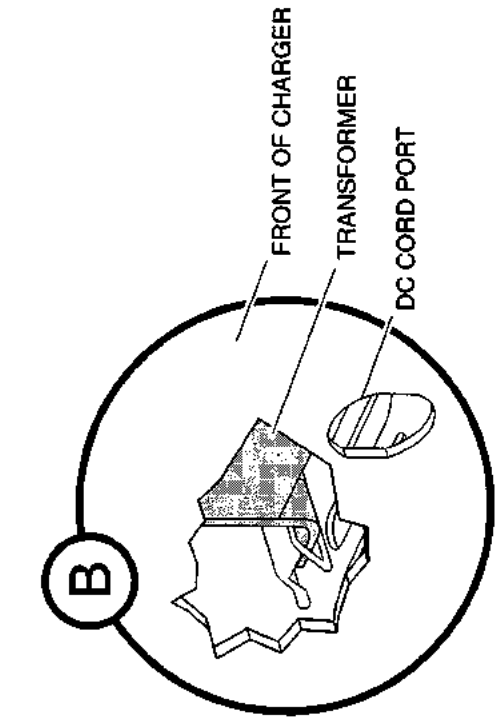
Electric Vehicle

BATTERY CHARGER, POWERWISE™ +



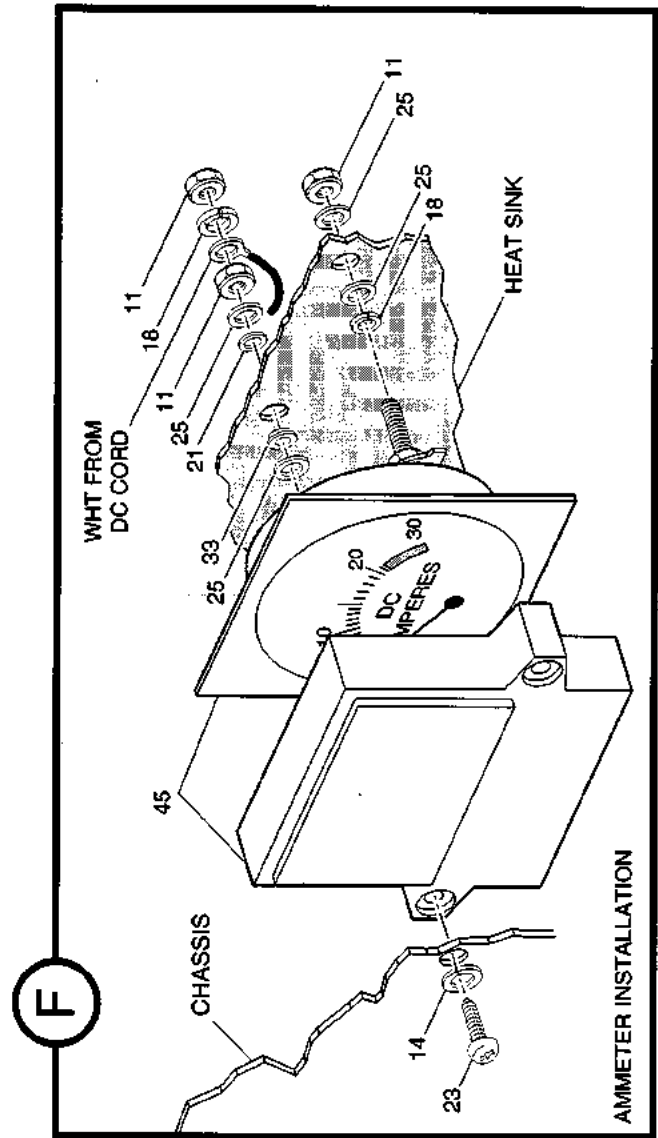
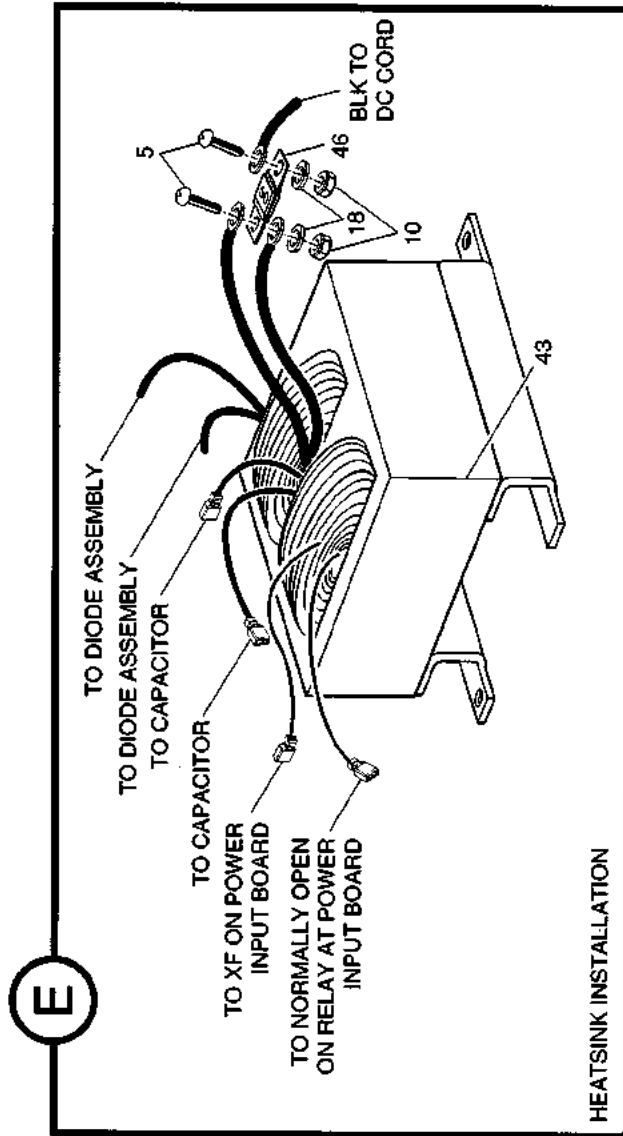
BATTERY CHARGER, POWERWISE™ +

Electric Vehicle



Electric Vehicle

BATTERY CHARGER, POWERWISE™ +



BATTERY CHARGER, POWERWISE™ + Electric Vehicle

THE USE OF NON UL PARTS WILL VOID ANY UL LISTING.

When ordering parts, please specify the model and serial number of the product.

* Indicates a component that is not available as an individual part.

G** Indicates consult Customer Service Department for additional information.

ITEM	PART NO.	1 2 3 4 5	DESCRIPTION	QTY.
1	28115-G02		CHARGER ASSEMBLY (COMPLETE) INCLUDES ITEMS 2 - 58.....	1
2	00372-G3		SCREW, #8 - 32 X 3/8 LG.	1
3	00372-G4		SCREW, #8 - 32 X 1/2 LG.	4
4				
5	00378-G4		SCREW, #10 - 24 X 1/2 LG.	2
6	00414-G5		SCREW, 1/4 - 20 X 5/8 LG.	3
7	00513-G6		SCREW, #8 - 18 X 1 3/4 LG.	2
8	00526-G1		NUT, #8 - 32.....	5
9				
10	00526-G3		NUT, #10 - 24.....	2
11	00528-G4		NUT, #10 - 32.....	3
12				
13	00559-G3		WASHER, #6	3
14	00559-G4		WASHER, #8	12
15				
16				
17	00565-G4		WASHER, LOCK, #8	5
18	00565-G5		WASHER, LOCK, #10	4
19				
20	00614-G4		SCREW, #8 - 18 X 1/2 LG.	6
21	00771-G6		WASHER, NYLON, SPECIAL.....	1
22	00969-G01		SCREW, #8 - 32 X 3/8 LG.	3
23	00984-G01		SCREW, #8 - 10 X 1/2 LG.	2
24				
25	01003-G01		WASHER, BRASS, #10	4
26	01005-G01		SCREW, #6 - 19 X 5/16 LG.	3
27	11027-G2		NUT, LOCK, 1/4 - 20.....	3
28	11572-G3		NUT, PLASTIC EXPANSION	2
29	13557-G2		STRAIN RELIEF, AC.....	1
30	13557-G3		STRAIN RELIEF, DC	1

Electric Vehicle

BATTERY CHARGER, POWERWISE™ +

THE USE OF NON UL PARTS WILL VOID ANY UL LISTING.

When ordering parts, please specify the model and serial number of the product.

* Indicates a component that is not available as an individual part.

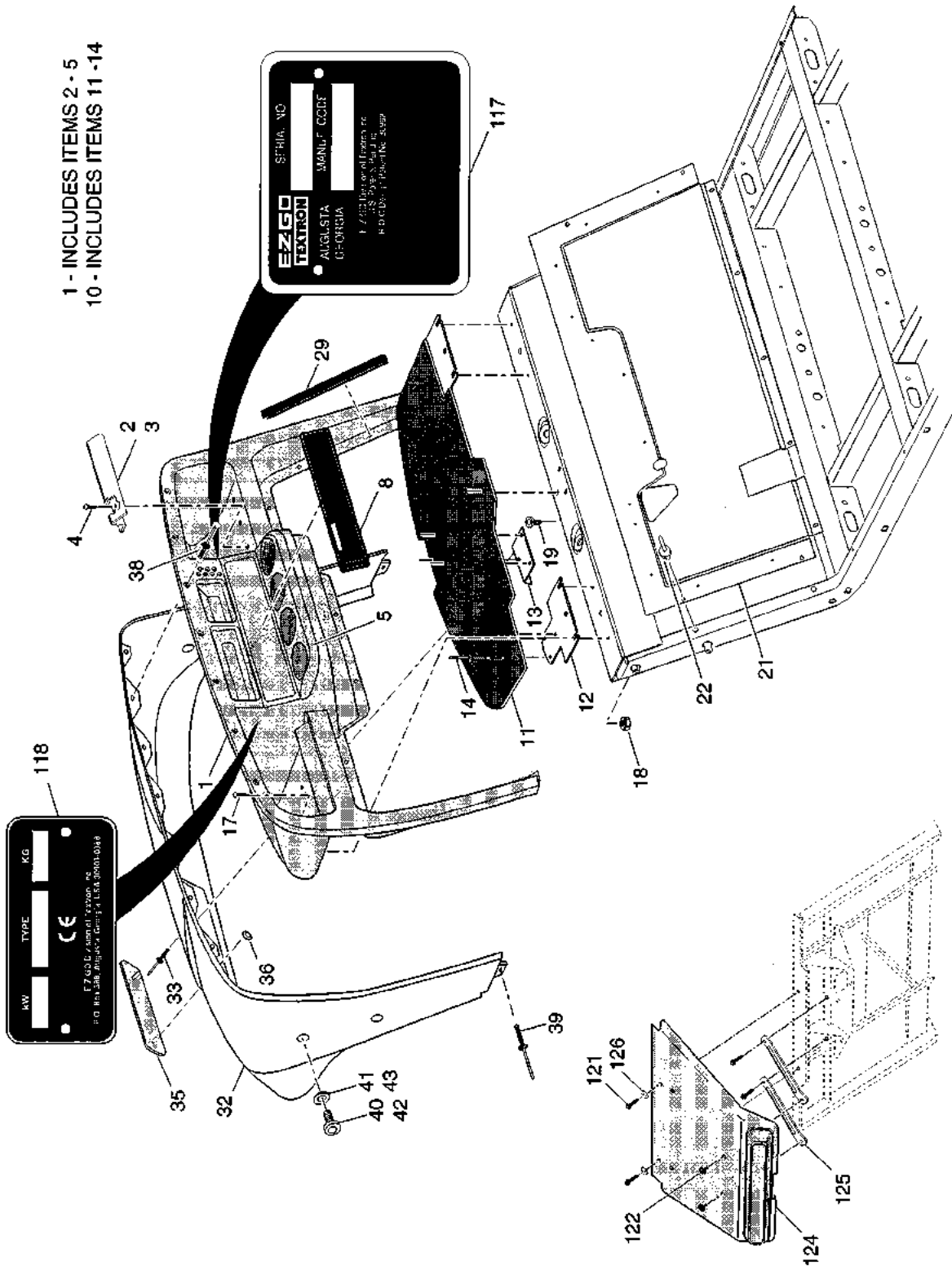
G** Indicates consult Customer Service Department for additional information.

ITEM	PART NO.	1	2	3	4	5	DESCRIPTION	QTY.
31								
32	19388-G4						CORD, AC	1
33	22589-G2						WASHER, SHOULDER.....	1
34								
35	25977-G32						WIRE, 4"	1
36	26979-G01						BRACKET, CAPACITOR	1
37	27877-G01						SUPPORT, SPACER	4
38	28091-G02						LABEL, FRONT	1
39								
40	*						COVER.....	1
41	*						CHASSIS.....	1
42	28102-G01						HANDLE	1
43	28103-G01						TRANSFORMER.....	1
44	28104-G01						HEAT SINK.....	1
45	28105-G01						AMMETER.....	1
46	28106-G01						FUSE, 50 AMP.....	1
47	28109-G01						CAPACITOR.....	1
48								
49	28110-G01						CLIP, ELECTRICAL.....	1
50	28111-G01						SUPPORT, CONTROL BOARD.....	3
51	28112-G01						DIODE	1
52								
53	28126-G02						BOARD, CONTROL	1
54	28126-G04						BOARD, POWER INPUT.....	1
55	28136-G01						TOP LABEL, VENTILATION	1
56	28136-G02						TOP LABEL, CORD CONDITION	1
57	17618-G1						CLAMP, NYLON	2
58	28137-G**						DC PLUG (COMPLETE).....	1

BODY AND ASSOCIATED PARTS

Electric Vehicle

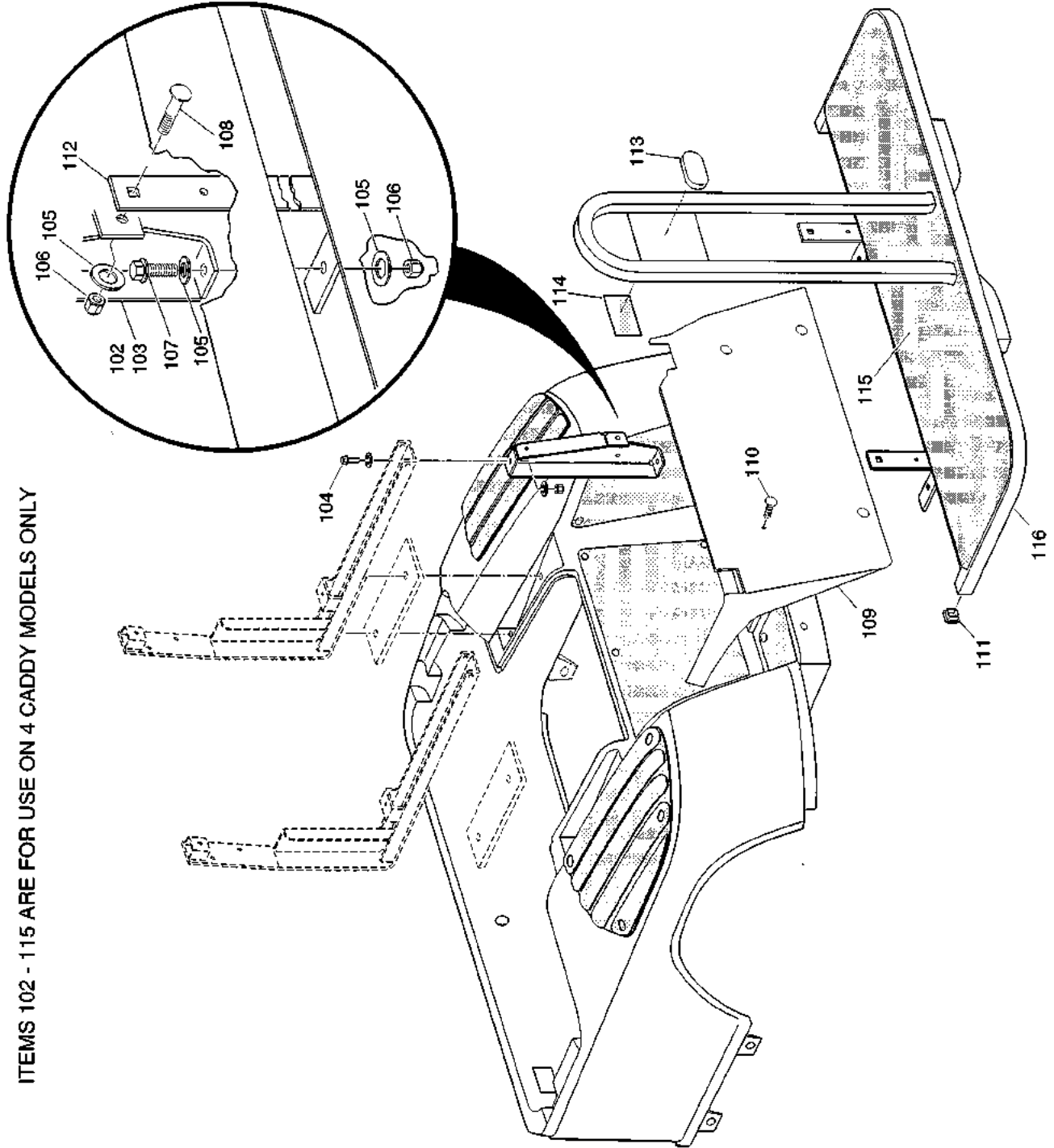
1 - INCLUDES ITEMS 2 - 5
10 - INCLUDES ITEMS 11 - 14



Electric Vehicle

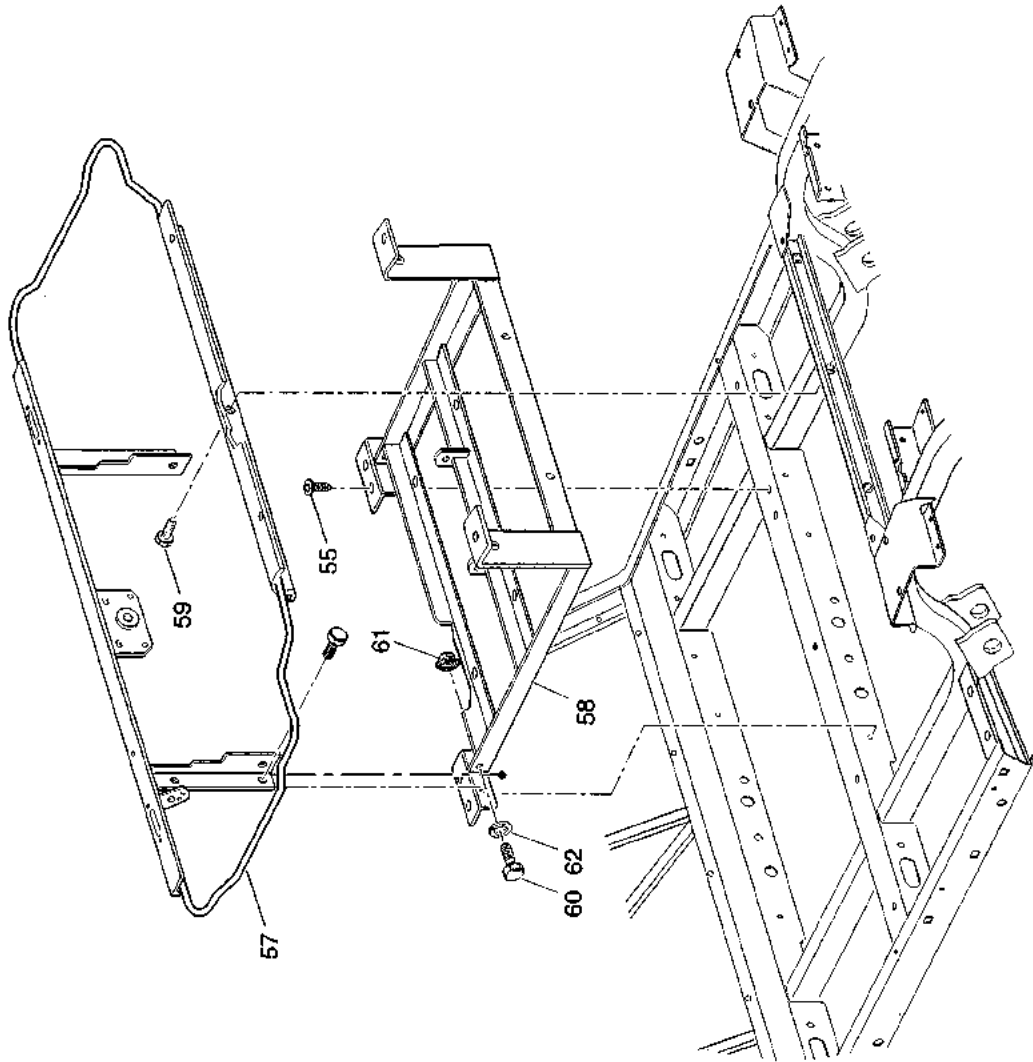
BODY AND ASSOCIATED PARTS

ITEMS 102 - 115 ARE FOR USE ON 4 CADDY MODELS ONLY



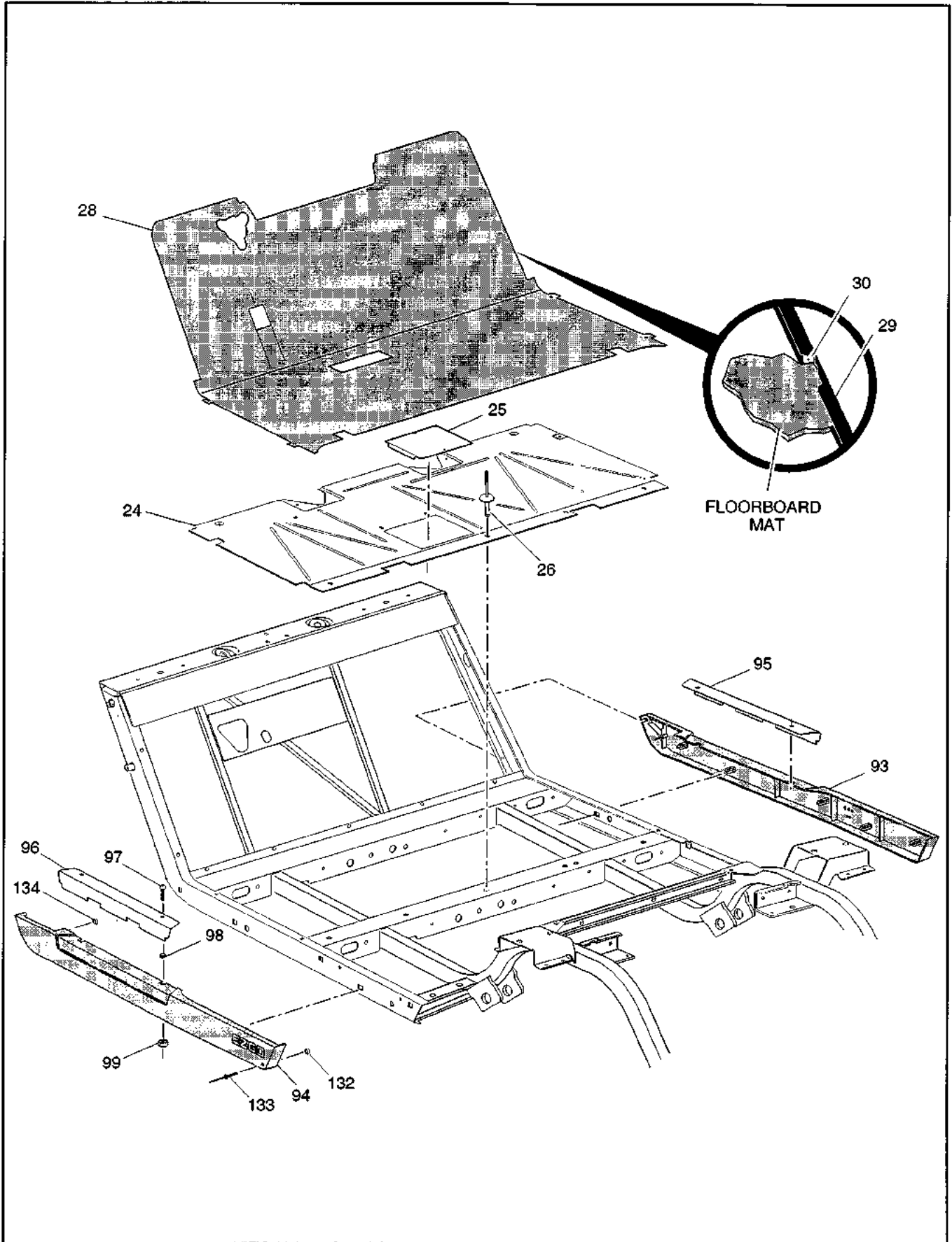
BODY AND ASSOCIATED PARTS

Electric Vehicle



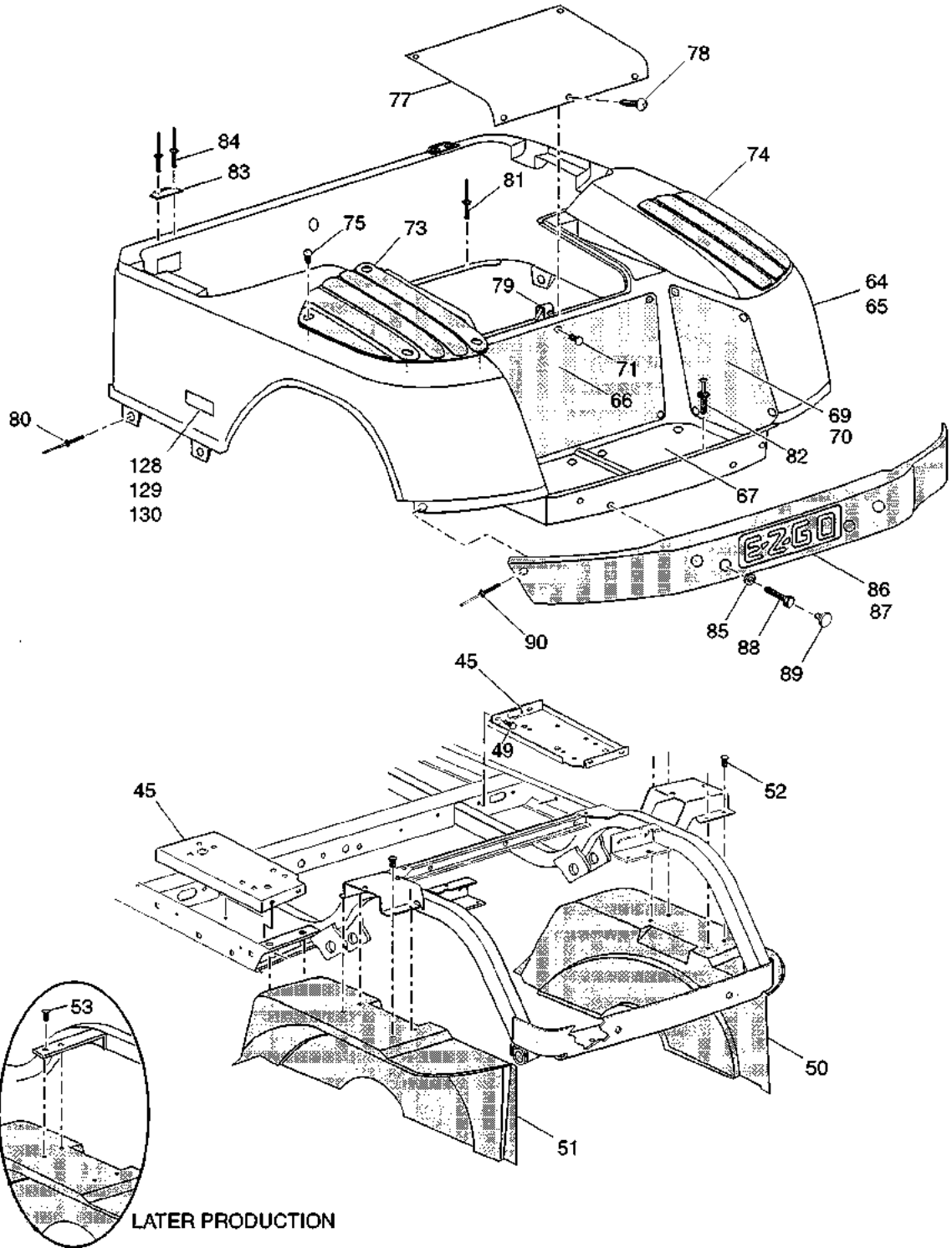
Electric Vehicle

BODY AND ASSOCIATED PARTS



BODY AND ASSOCIATED PARTS

Electric Vehicle



Electric Vehicle

BODY AND ASSOCIATED PARTS

THE USE OF NON UL PARTS WILL VOID ANY UL LISTING.

When ordering parts, please specify the model and serial number of the product.

* Indicates a component that is not available as an individual part.

G** Indicates consult Customer Service Department for additional information.

ITEM	PART NO.	1 2 3 4 5	DESCRIPTION	QTY.
1	71151-G01		INSTRUMENT PANEL ASSEMBLY (INCLUDES ITEMS 2 - 5).....	1
2	71153-G01		BALL DEFLECTOR, PASSENGER SIDE.....	1
3	71154-G01		BALL DEFLECTOR, DRIVER'S SIDE.....	1
4	00614-G5		SCREW, #8 - 18 X 5/8 LG.....	6
5	71158-G01		INSERT, 4 CUP INSTRUMENT PANEL.....	1
6				
7				
8	27647-G01		LABEL, SAFETY.....	1
9				
10	71143-G01		SPLASH PANEL ASSEMBLY (INCLUDES ITEMS 11 - 14).....	1
11	*		PANEL.....	1
12	*		BRACKET, STAY.....	2
13	*		BRACKET, PANEL.....	1
14	*		RIVET, 5/32 X 9/16 LG.....	9
15				
16				
17	00740-G4		SCREW, #10-32 X 1/2 LG.....	4
18	00921-G8		NUT, #10 - 32.....	4
19	16816-G2		FASTENER, RATCHET.....	1
20				
21	70047-G01		UPPER FLOORPAN.....	1
22	14601-G11		RIVET, 5/32 X 9/16 LG.....	10
23				
24	70451-G01		LOWER FLOORPAN.....	1
25	70452-G01		COVER, SWITCH ACCESS.....	1
26	14601-G11		RIVET, 3/16 X 9/16 LG.....	6
27				
28	70048-G01		FLOORMAT.....	1
29	71115-G01		TRIM, VINYL.....	2
30	14601-G13		RIVET, 5/32 X 9/16 LG.....	10

BODY AND ASSOCIATED PARTS

Electric Vehicle

THE USE OF NON UL PARTS WILL VOID ANY UL LISTING.

When ordering parts, please specify the model and serial number of the product.

* Indicates a component that is not available as an individual part.

G** Indicates consult Customer Service Department for additional information.

ITEM	PART NO.	1 2 3 4 5	DESCRIPTION	QTY.
31				
32	71051-G**		COWL.....	1
33	14601-G13		RIVET, 5/32 X 9/16 LG.....	2
34				
35	19817-G2		NAMEPLATE, E-Z-GO, GOLD	1
36	12064-G3		PUSHNUT, 3/16	2
37				
38	71055-G01		RIVET, 3/16 X 3/8 LG.....	7
39	10570-G11		RIVET, 3/16 X 3/4 LG.....	2
40	71056-G01		BOLT, 5/16 - 18 X 5/8 LG.	4
41	00570-G2		WASHER, 5/16.....	4
42	00438-G6		BOLT, 5/16 - 18 X 3/4 LG. (WITH TOP).....	2
43	00571-G2		WASHER, 5/16 (WITH TOP).....	2
44				
45	70244-G02		PANEL, SPLASH.....	2
46				
47				
48				
49				
50	71551-G05		FENDER LINER, EXTENDED (PASSENGER SIDE)	1
51	71552-G05		FENDER LINER, EXTENDED (DRIVER'S SIDE).....	1
52	16816-G2		RATCHET FASTENER.....	12
53	16816-G2		RATCHET FASTENER.....	8
54				
55				
56				
57	70318-G02		SEAT FRAME.....	1
58	70046-G01		BATTERY RACK	1
59	00715-G2		BOLT, 5/16 - 18 X 13/16 LG.	5
60	00438-G6		BOLT, 5/16 - 18 X 3/4 LG.	2

Electric Vehicle

BODY AND ASSOCIATED PARTS

THE USE OF NON UL PARTS WILL VOID ANY UL LISTING.

When ordering parts, please specify the model and serial number of the product.

* Indicates a component that is not available as an individual part.

G** Indicates consult Customer Service Department for additional information.

ITEM	PART NO.	1 2 3 4 5	DESCRIPTION	QTY.
61	11098-G6		NUT, LOCK, 5/16 - 18	2
62	00559-G8		WASHER, 5/16.....	2
63				
64	71301-G**		REAR BODY (WITHOUT TAILLIGHTS)	1
65	71310-G**		REAR BODY (WITH TAILLIGHTS).....	1
66	71315-G01		SCUFFGUARD, BAGWELL, FRONT	1
67	71761-G01		BAGWELL, INSERT	1
68				
69	71314-G01		SCUFFGUARD, BAGWELL, SIDE, PASSENGER SIDE.....	1
70	71314-G02		SCUFFGUARD, BAGWELL, SIDE, DRIVER'S SIDE.....	1
71	16816-G1		RATCHET FASTENER.....	26
72				
73	75126-G01		SCUFFGUARD, FENDER, DRIVER'S SIDE.....	1
74	75126-G02		SCUFFGUARD, FENDER, PASSENGER SIDE	1
75	16816-G2		RATCHET FASTENER.....	8
76				
77	71353-G**		ACCESS PANEL	1
78	71002-G01		SCREW, #8 X 5/8 LG.....	5
79	71364-G02		CLIP, "J"	1
80	10570-G12		RIVET, 1/4 X 1/2 LG.....	4
81	10570-G10		RIVET, 5/32".....	6
82	18436-G1		RIVET, DRIVE, PLASTIC, 1/4 X 3/4 LG.....	2
83	71609-G01		PLATE, HINGE.....	2
84	10570-G11		RIVET, 3/16 X 3/4 LG.....	4
85	00571-G2		WASHER, 5/16.....	4
86	71456-G01		BUMPER, REAR, NOTCHED (4 CADDY).....	1
87	71451-G01		BUMPER, REAR.....	1
88	71398-G01		BOLT, 1/4 - 20 X 1 1/4 LG.	4
89	71455-G01		PLUG, COVER, BUMPER	4
90	71055-G01		RIVET, 3/16	2

BODY AND ASSOCIATED PARTS

Electric Vehicle

THE USE OF NON UL PARTS WILL VOID ANY UL LISTING.

When ordering parts, please specify the model and serial number of the product.

* Indicates a component that is not available as an individual part.

G** Indicates consult Customer Service Department for additional information.

ITEM	PART NO.	1 2 3 4 5	DESCRIPTION	QTY.
91				
92				
93	71501-G01		ROCKER PANEL, PASSENGER SIDE	1
94	71502-G01		ROCKER PANEL, DRIVER'S SIDE	1
95	71507-G01		SILL PLATE, ROCKER PANEL, PASSENGER SIDE.....	1
96	71507-G02		SILL PLATE, ROCKER PANEL, DRIVER'S SIDE.....	1
97	16705-G1		SCREW, STAINLESS STEEL, 1/4 - 20 X 1 LG.....	4
98	23726-G4		SPACER.....	4
99	00891-G2		NUT, LOCK, 1/4 - 20	4
100				
101				
102	74126-G01		FRAME SUPPORT, VERTICAL, PASSENGER SIDE	1
103	74126-G02		FRAME SUPPORT, VERTICAL, DRIVER'S SIDE	1
104	00426-G8		BOLT, 3/8-16 X 1 LG.	2
105	00560-G1		WASHER, 3/8.....	10
106	11098-G5		NUT, LOCK, 3/8 - 16	10
107	00427-G4		BOLT, 3/8 - 16 X 1 1/2 LG.	2
108	00769-G2		BOLT, CARRIAGE, 3/8 - 16 X 1 1/4 LG.....	2
109	74149-G01		PANEL, VALANCE	1
110	16816-G2		RIVET, PLASTIC	4
111	19853-G1		PLUG, END.....	2
112	70361-G01		FOOT REST ASSEMBLY (INCLUDES ITEMS 113 - 116)	1
113	74129-G01		REFLECTOR.....	1
114	74132-G01		LABEL, WARNING	1
115	70362-G01		MAT, FLOOR.....	1
116	70350-G01		FOOT REST	1
117	*		PLATE, SERIAL NUMBER.....	1
118	*		PLATE, EC	1
119				
120				

Electric Vehicle

BODY AND ASSOCIATED PARTS

THE USE OF NON UL PARTS WILL VOID ANY UL LISTING.

When ordering parts, please specify the model and serial number of the product.

* Indicates a component that is not available as an individual part.

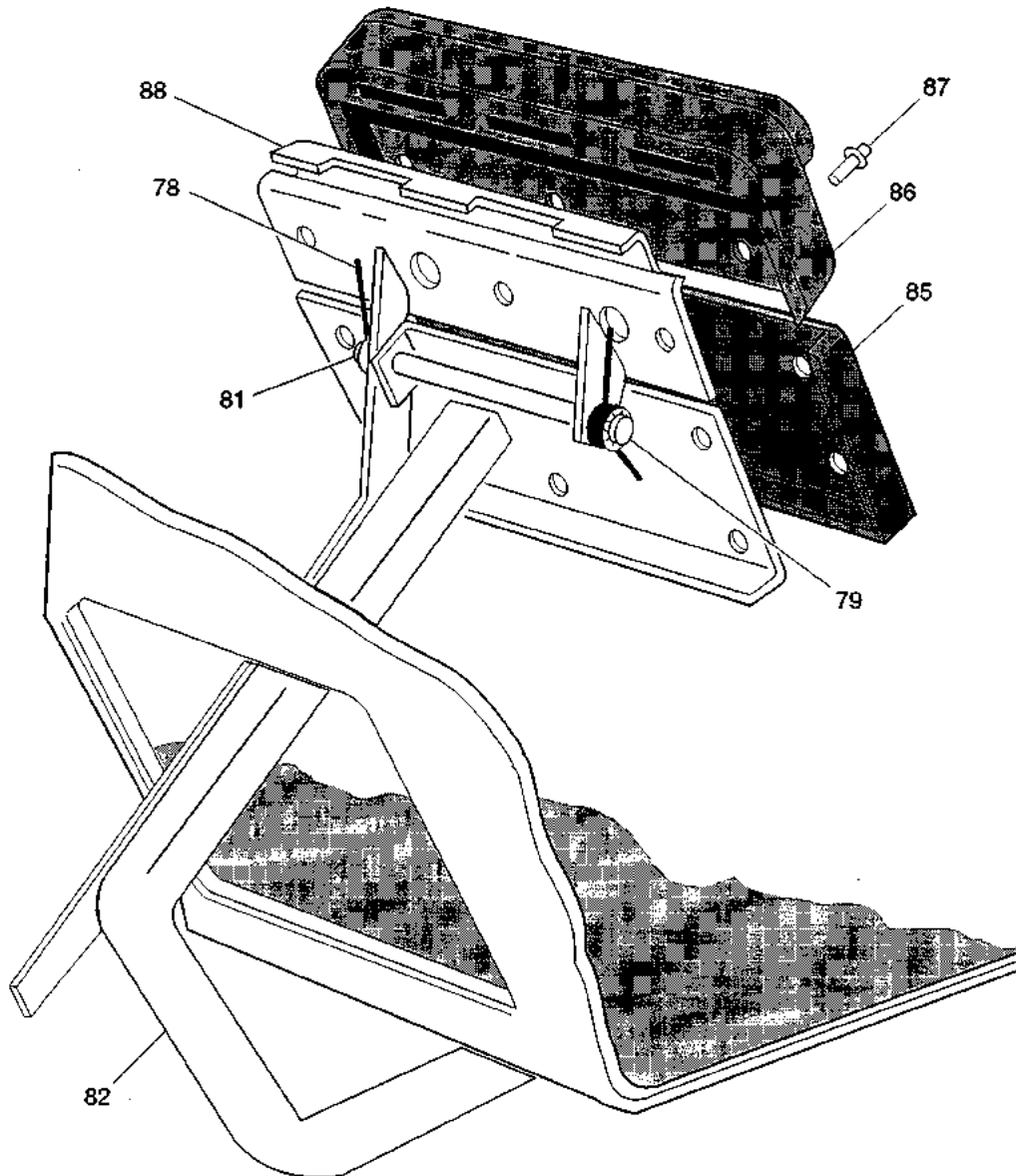
G** Indicates consult Customer Service Department for additional information.

ITEM	PART NO.	1 2 3 4 5	DESCRIPTION	QTY.
121	00114-G6		SCREW, 1/4 - 14 X 3/4 LG.....	4
122	16816-G2		FASTENER	2
123				
124	27166-G02		FRONT SHIELD.....	1
125	71015-G01		BRACE, FRONT SHIELD.....	2
126	16469-G7		WASHER, 1/4.....	2
127				
128	23676-G1		DECAL, FREEDOM	AR
129	75178-G01		DECAL, 4 CADDY	AR
130	73162-G01		DECAL, DCS.....	AR
131				
132	23726-G7		SPACER.....	1
133	15058-G4		RIVET.....	2
134	23726-G6		SPACER.....	1

BRAKE LINKAGE

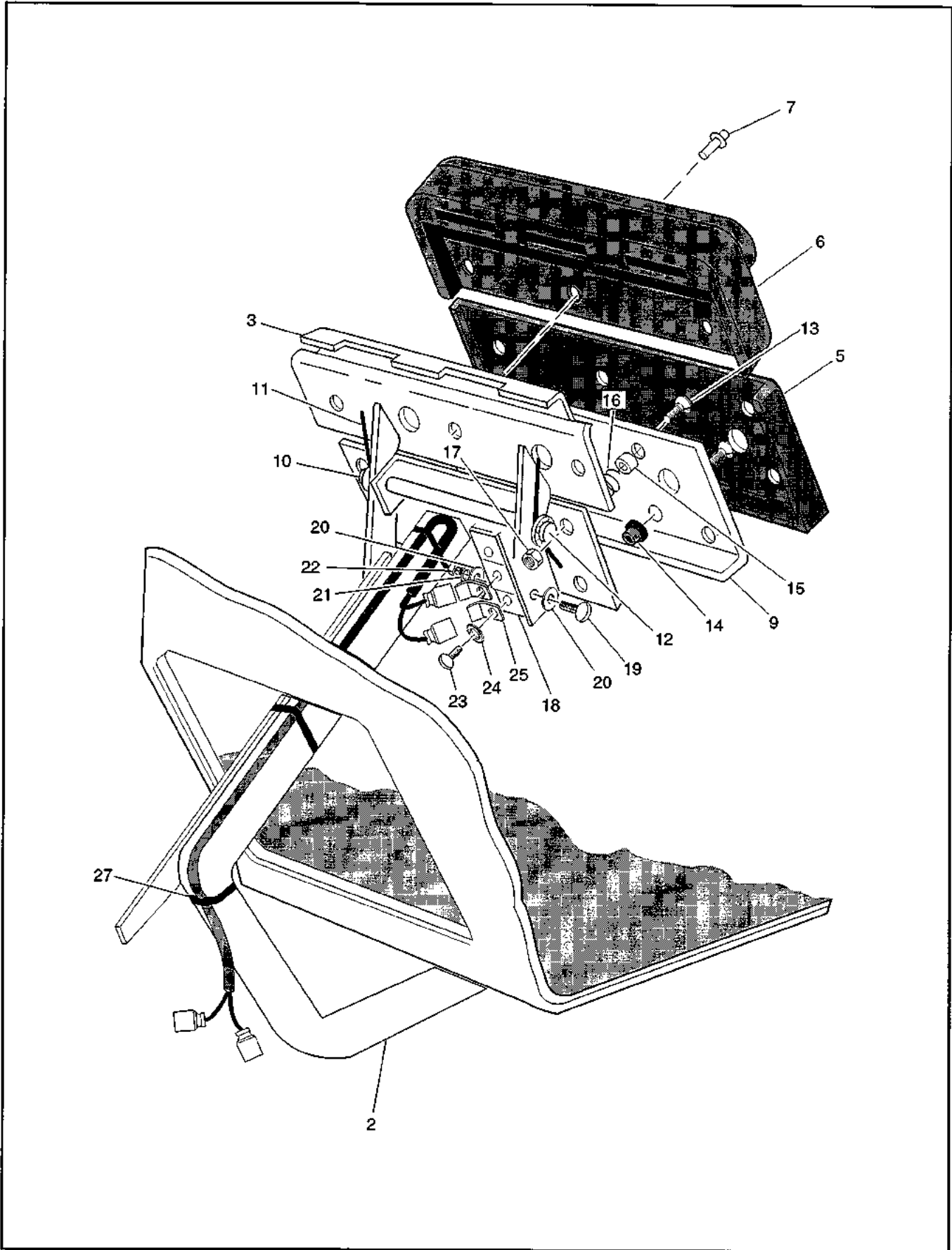
Electric Vehicle

- 1 - INCLUDES ITEMS 2 - 27
- 4 - INCLUDES ITEMS 5 - 7
- 40 - INCLUDES ITEMS 42 - 52
- 55 - INCLUDES ITEMS 56 - 59
- 77 - INCLUDES ITEMS 78 - 89



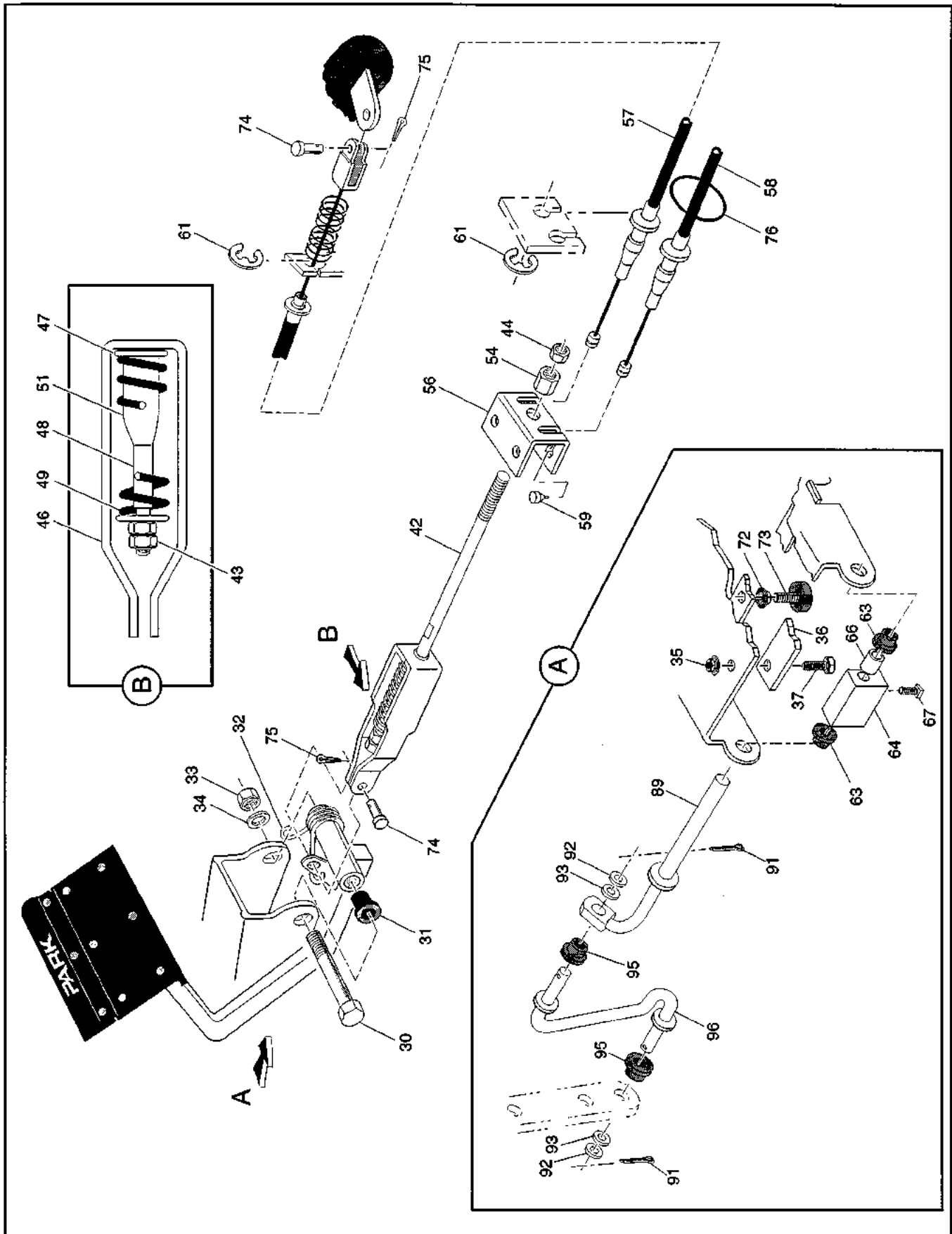
Electric Vehicle

BRAKE LINKAGE



BRAKE LINKAGE

Electric Vehicle



Electric Vehicle

BRAKE LINKAGE

THE USE OF NON UL PARTS WILL VOID ANY UL LISTING.

When ordering parts, please specify the model and serial number of the product.

* Indicates a component that is not available as an individual part.

G** Indicates consult Customer Service Department for additional information.

ITEM	PART NO.	1 2 3 4 5	DESCRIPTION	QTY.
1	70263-G01		BRAKE PEDAL ASSEMBLY (INCLUDES ITEMS 2 - 27) VEHICLES WITH BRAKE LIGHTS	1
2	*		PEDAL, BRAKE.....	1
3	*		PEDAL, PARK BRAKE	1
4	70274-G01		BRAKE/PARK BRAKE PEDAL PAD KIT (INCLUDES ITEMS 5 - 7).....	1
5	*		PAD, BRAKE PEDAL	1
6	*		PAD, PARK BRAKE	1
7	15766-G1		RIVET, 3/8 x 15/32 LG.	9
8				
9	*		PLATE, BRAKE PEDAL.....	1
10	15932-G2		PIN, PARK BRAKE PEDAL	1
11	11737-G1		SPRING, TORSION, PARK BRAKE	2
12	12064-G1		PUSHNUT, 5/16.....	1
13	00737-G8		SCREW, #10 - 24 X 1 LG.	4
14	00739-G1		NUT, RUBBER, #10 - 24.....	2
15	22362-G3		STANDOFF, BRAKE PEDAL	2
16	27137-G01		SPRING, CONICAL.....	2
17	11098-G7		NUT, LOCK, #10 - 24.....	2
18	10606-G8		SWITCH, MICRO.....	1
19	00645-G2		SCREW, #6 - 32 X 1 1/4 LG.	2
20	00559-G3		WASHER, #6	2
21	00565-G3		WASHER, LOCK, #6	2
22	00525-G5		NUT, #6 - 32.....	2
23	*		SCREW, BRASS	2
24	00567-G3		WASHER, LOCK, #6	6
25	14628-G1		TAB, FASTON, 5/16 X 5/16 LG.	2
26				
27	17618-G1		NYLON CLAMP	3
28				
29				

BRAKE LINKAGE

Electric Vehicle

THE USE OF NON UL PARTS WILL VOID ANY UL LISTING.

When ordering parts, please specify the model and serial number of the product.

* Indicates a component that is not available as an individual part.

G** Indicates consult Customer Service Department for additional information.

ITEM	PART NO.	1 2 3 4 5	DESCRIPTION	QTY.
30	70096-G01		BOLT, SHOULDER, 3/8 - 16 X 3 LG.	1
31	11079-G1		BUSHING, FLANGED	2
32	70138-G01		SPRING, TORSION	1
33	11098-G5		NUT, 3/8 - 16	1
34	00643-G1		WASHER, 3/8	1
35	11027-G2		NUT, LOCK, 1/4 - 20	2
36	70080-G01		CATCH BRACKET, PARK BRAKE	1
37	00414-G6		BOLT, 1/4 - 20 X 3/4 LG.	2
38				
39				
40	70272-G04		COMPENSATOR ASSEMBLY (INCLUDES ITEMS 42 - 54)	1
41				
42	25882-G04		ROD, LINK	1
43	00532-G4		NUT, 5/16 - 24	2
44	11098-G9		NUT, LOCK, 5/16 - 24	1
45				
46	*		YOKE, BRAKE	1
47	15121-G1		WASHER, 3/8	2
48	23061-G2		TUBE	1
49	23463-G1		SPRING, COMPRESSION	1
50				
51	17979-G1		BUSHING, ACCELERATOR ROD	1
52				
53				
54	00963-G01		NUT, SPHERICAL, 5/16 - 24	1
55	70273-G03		EQUALIZER AND BRAKE CABLE ASSEMBLY (INCLUDES ITEMS 56 - 59)	1
56	28082-G01		BRACKET, EQUALIZER	1
57	*		CABLE, BRAKE, PASSENGER SIDE	1
58	*		CABLE, BRAKE DRIVER'S SIDE	1

Electric Vehicle

BRAKE LINKAGE

THE USE OF NON UL PARTS WILL VOID ANY UL LISTING.

When ordering parts, please specify the model and serial number of the product.

* Indicates a component that is not available as an individual part.

G** Indicates consult Customer Service Department for additional information.

ITEM	PART NO.	1 2 3 4 5	DESCRIPTION	QTY.
59	28083-G01		BUMPER, BRAKE COMPENSATOR	2
60				
61	12305-G1		RING, RETAINING	4
62				
63	10097-G6		BEARING, FLANGED	2
64	25103-G1		CAM, KICK-OFF	1
65				
66	14134-G4		SPACER.....	1
67	00491-G4		SETSCREW, 1/4 - 20 X 1/2 LG.....	2
68				
69				
70				
71				
72	11027-G1		NUT, LOCK, 5/16 - 18	1
73	70113-G01		ADJUSTABLE BUMPER.....	1
74	10386-G3		PIN, CLEVIS, 5/16 X 15/16 LG.	3
75	10387-G3		PIN, COTTER, 3/32 X 3/4 LG.	5
76	12416-G1		NYLON CLAMP	2
77	70264-G01		BRAKE PEDAL ASSEMBLY (INCLUDES ITEMS 78 - 88) VEHICLES WITHOUT BRAKE LIGHTS	1
78	11737-G1		SPRING, TORSION PARK BRAKE.....	2
79	12064-G1		PUSHNUT, 5/16.....	1
80				
81	15932-G2		PIN, PARK BRAKE	1
82	*		BRAKE PEDAL.....	1
83				
84	70274-G01		BRAKE/PARK BRAKE PEDAL PAD KIT (INCLUDES ITEMS 85 - 87).....	1
85	*		PAD, BRAKE PEDAL	1
86	*		PAD, PARK BRAKE PEDAL.....	1
87	15766-G1		RIVET, 3/8 X 15/32 LG.....	9

BRAKE LINKAGE

Electric Vehicle

THE USE OF NON UL PARTS WILL VOID ANY UL LISTING.

When ordering parts, please specify the model and serial number of the product.

* Indicates a component that is not available as an individual part.

G** Indicates consult Customer Service Department for additional information.

ITEM	PART NO.	1 2 3 4 5	DESCRIPTION	QTY.
88	70265-G01		PARK BRAKE PEDAL	1
89	70098-G01		PIVOT, KICK OFF CAM	1
90				
91	10387-G3		PIN, COTTER, 3/32 X 3/4 LG.	2
92	00559-G8		WASHER, 5/16.....	2
93	20835-G1		WASHER, TEFLON.....	2
94				
95	17838-G1		BEARING	2
96	70097-G01		LINK, PARK BRAKE KICK-OFF	1

**DID YOU
KNOW?**

CartPros directs you to the right part using the part numbers from this manual. Enter the part number into our search box and it will find the part you are looking for.

**GET STARTED
HERE**



<https://CartPros.com/f.html>

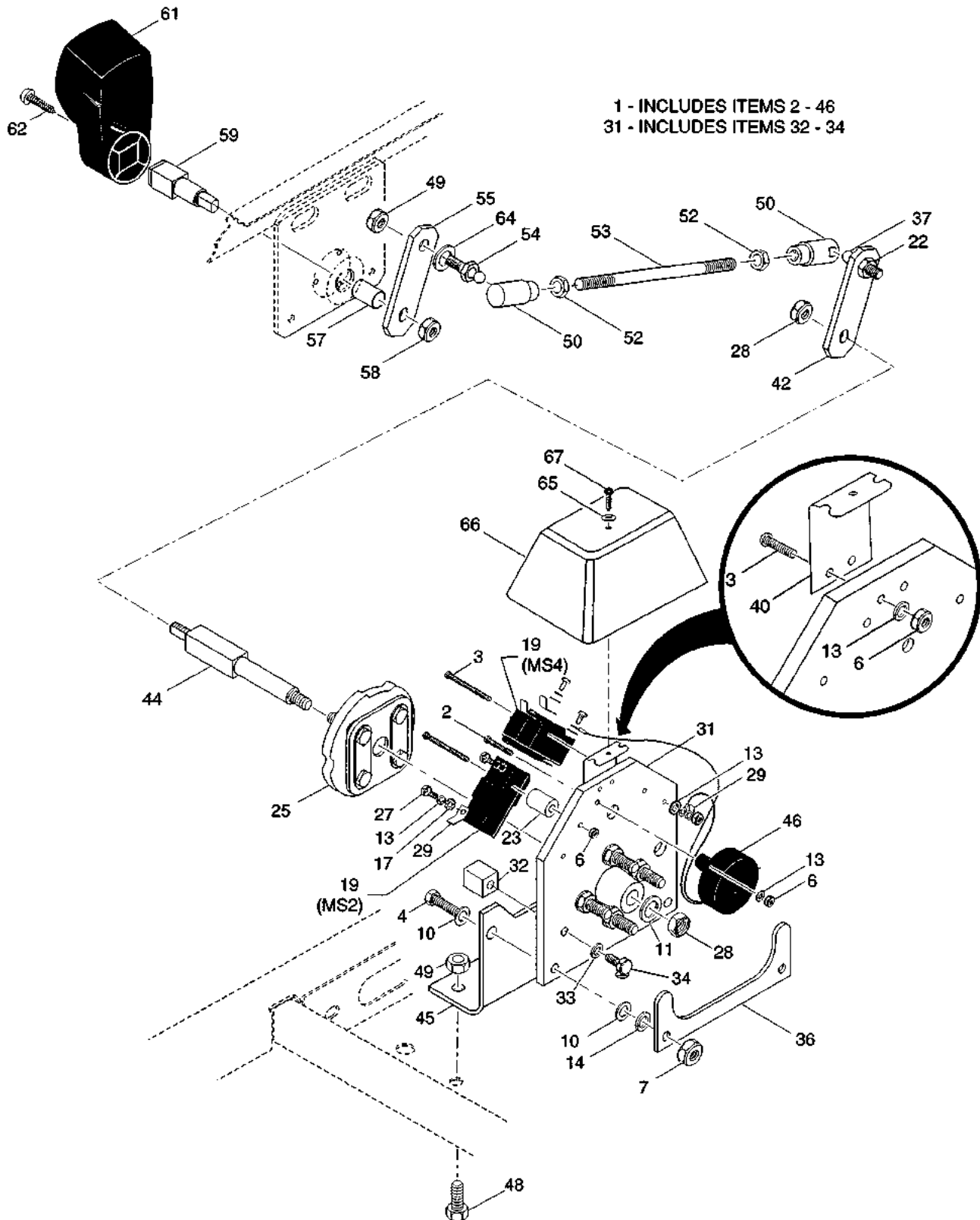
Electric Vehicle

BRAKE LINKAGE

DIRECTION SELECTOR

Electric Vehicle

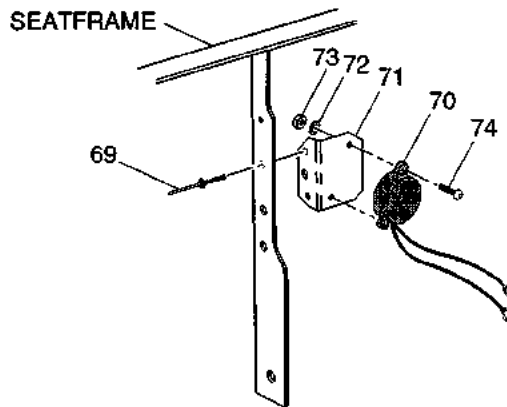
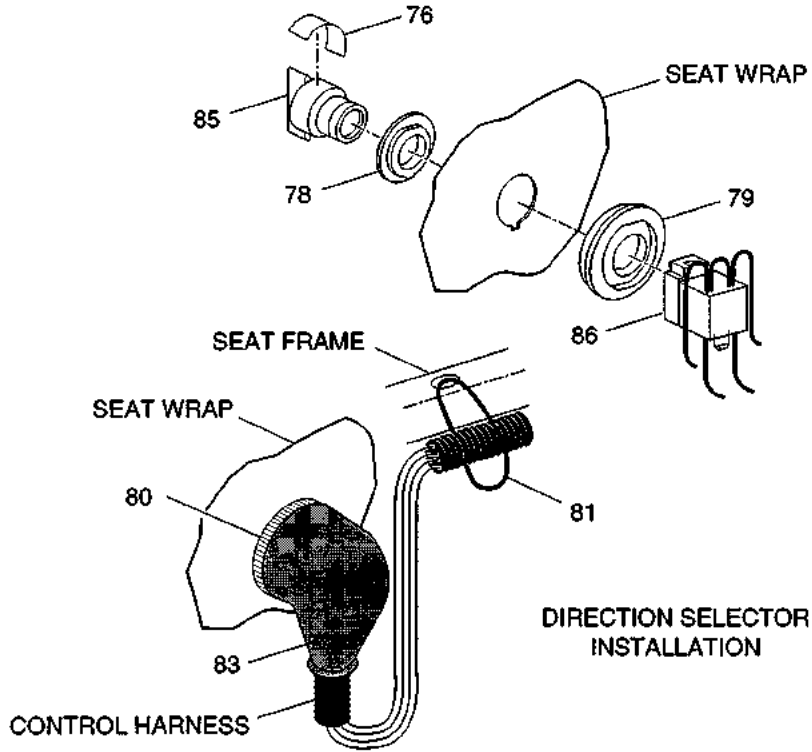
NON DCS MODELS
(EARLY PRODUCTION)



Electric Vehicle

DIRECTION SELECTOR

DCS MODELS
(EARLY PRODUCTION)



DIRECTION SELECTOR

Electric Vehicle

THE USE OF NON UL PARTS WILL VOID ANY UL LISTING.

When ordering parts, please specify the model and serial number of the product.

* Indicates a component that is not available as an individual part.

G** Indicates consult Customer Service Department for additional information.

ITEM	PART NO.	1 2 3 4 5	DESCRIPTION	QTY.
1	73036-G01		DIRECTION SELECTOR ASSEMBLY (INCLUDES ITEMS 2 - 46).....	1
2	00138-G4		SCREW, #6 - 32 X 1/2 LG.	3
3	00139-G8		SCREW, #6 - 32 X 2 LG.	4
4	00414-G8		BOLT, 1/4 - 20 X 1 LG.....	2
5				
6	00525-G5		NUT, #6 - 32.....	8
7	00532-G1		NUT, 1/4 - 20.....	2
8				
9				
10	00559-G7		WASHER, 1/4.....	4
11	00560-G1		WASHER, 3/8.....	1
12				
13	00565-G3		WASHER, LOCK, #6.....	8
14	00565-G7		WASHER, LOCK, 1/4.....	2
15				
16				
17	00567-G3		WASHER, LOCK, #6.....	4
18				
19	10606-G2		MICRO SWITCH, MS2 AND MS4.....	2
20				
21				
22	11098-G9		NUT, LOCK, 5/16 - 24.....	1
23	12806-G1		SPACER.....	4
24				
25	12835-G1		CAM.....	1
26				
27	*		SCREW.....	4
28	14390-G1		NUT, LOCK, 3/8 - 24.....	2
29	14628-G1		TAB, FASTON, 5/16 X 5/16.....	4
30				

Electric Vehicle

DIRECTION SELECTOR

THE USE OF NON UL PARTS WILL VOID ANY UL LISTING.

When ordering parts, please specify the model and serial number of the product.

* Indicates a component that is not available as an individual part.

G** Indicates consult Customer Service Department for additional information.

ITEM	PART NO.	1 2 3 4 5	DESCRIPTION	QTY.
31	14651-G1		CONTACT BOARD ASSEMBLY (INCLUDES ITEMS 32 - 34)	1
32	24940-G1		STOP.....	2
33	00565-G7		WASHER, LOCK, 1/4.....	2
34	00414-G6		BOLT, 1/4 - 20 X 3/4 LG.	2
35				
36	15461-G1		BRACKET, MOUNTING SUPPORT	1
37	15944-G3		BALL, BALL JOINT	1
38				
39				
40	73048-G01		BRACKET, COVER	1
41				
42	70232-G01		ARM, SHIFT LINKAGE.....	1
43				
44	73027-G01		SHAFT, DIRECTION SELECTOR	1
45	73031-G01		BRACKET, DIRECTION SELECTOR MOUNTING	1
46	73037-G01		BUZZER, REVERSE WARNING.....	1
47				
48	00438-G8		BOLT, 5/16 - 18 X 3/4 LG.	2
49	11098-G9		NUT, LOCK, 5/16 - 24	2
50	14444-G3		SOCKET, BALL JOINT.....	2
51				
52	00544-G4		NUT, 5/16 - 24	2
53	10697-G8		ROD, LINKAGE.....	1
54	15944-G3		BALL, JOINT BALL	1
55	70232-G02		ARM, SHIFT LINKAGE	1
56				
57	25664-G2		BEARING	1
58	14390-G1		NUT, LOCK, 3/8 - 24	1
59	70233-G01		SHAFT, DIRECTION SELECTOR.....	1
60				

DIRECTION SELECTOR

Electric Vehicle

THE USE OF NON UL PARTS WILL VOID ANY UL LISTING.

When ordering parts, please specify the model and serial number of the product.

* Indicates a component that is not available as an individual part.

G** Indicates consult Customer Service Department for additional information.

ITEM	PART NO.	1 2 3 4 5	DESCRIPTION	QTY.
61	71905-G01		HANDLE, DIRECTION SELECTOR.....	1
62	00740-G4		SCREW, STAINLESS STEEL, #10 - 32 X 1/2 LG.....	1
63				
64	00559-G8		WASHER, 5/16.....	1
65	16469-G7		WASHER, FENDER.....	1
66	73049-G01		COVER, DIRECTION SELECTOR	1
67	00114-G6		SCREW, 1/4 - 14 x 3/4 LG.	1
68				
69	14601-G16		RIVET, 5/32 (ITEMS 69 - 86 FOR USE ON DCS MODEL ONLY)	2
70	73037-G02		BUZZER	1
71	32043-G2		BRACKET, BUZZER	1
72	00565-G3		WASHER, LOCK, #6.....	2
73	00525-G5		NUT, #6 - 32	2
74	00138-G4		SCREW, #6 - 32 X 1/2 LG.....	2
75				
76	73127-G01		LABEL, DIRECTION SELECTOR	1
77				
78	73134-G01		ADAPTER, SEAT WRAP.....	1
79	73133-G01		ADAPTER, DIRECTION SELECTOR SWITCH	1
80	31539-G1		CLAMP, NYLON	1
81	17618-G1		CLAMP, NYLON	2
82				
83	73130-G01		BOOT, RUBBER.....	1
84				
85	73128-G02		KNOB, DIRECTION SELECTOR	1
86	73151-G01		BLOCK, CONTACT SWITCH.....	1

**DID YOU
KNOW?**

CartPros directs you to the right part using the part numbers from this manual. Enter the part number into our search box and it will find the part you are looking for.

**GET STARTED
HERE**



<https://CartPros.com/f.html>

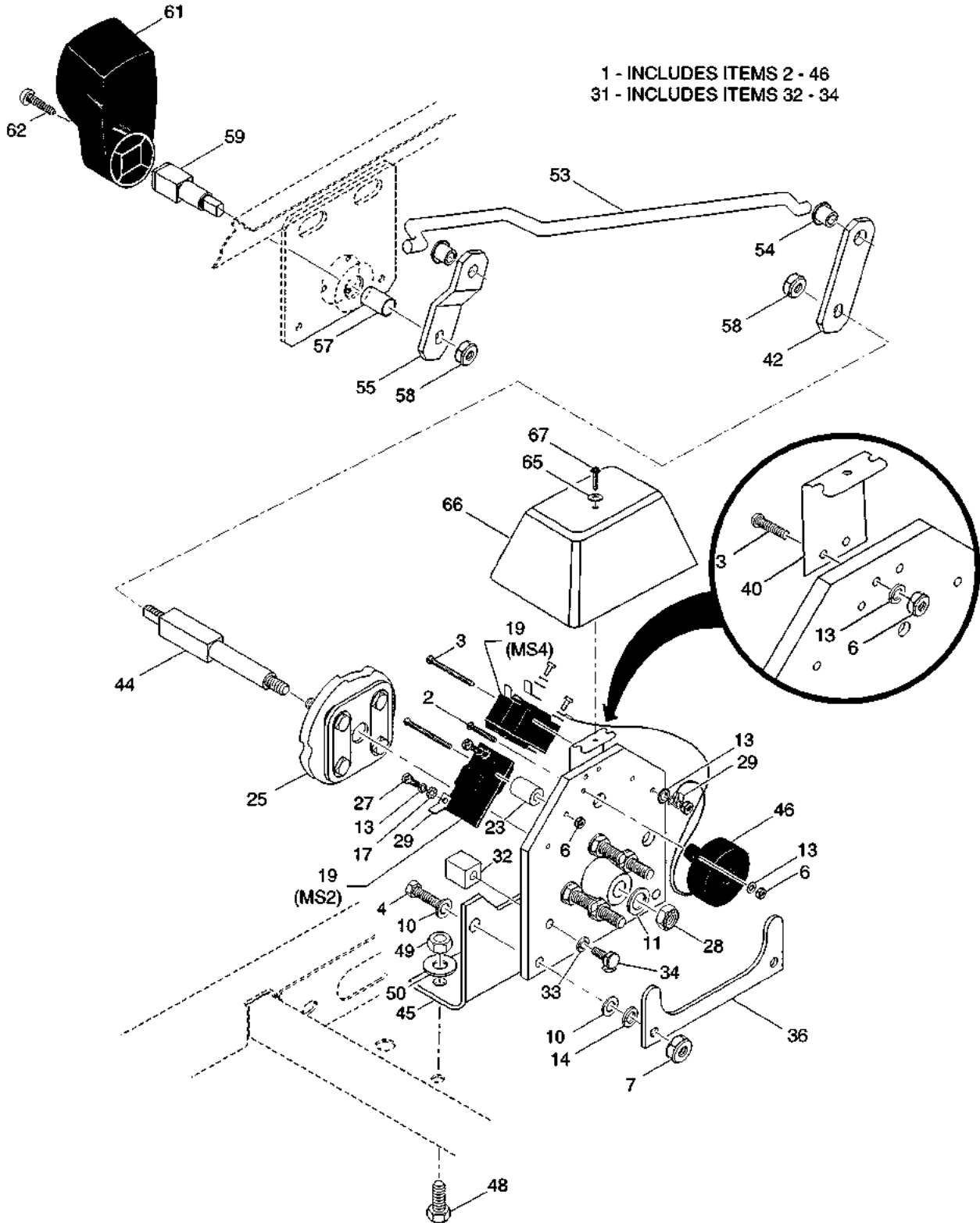
Electric Vehicle

DIRECTION SELECTOR

DIRECTION SELECTOR

Electric Vehicle

NON DCS MODELS
(LATE PRODUCTION)



Electric Vehicle

DIRECTION SELECTOR

THE USE OF NON UL PARTS WILL VOID ANY UL LISTING.

When ordering parts, please specify the model and serial number of the product.

* Indicates a component that is not available as an individual part.

G** Indicates consult Customer Service Department for additional information.

ITEM	PART NO.	1 2 3 4 5	DESCRIPTION	QTY.
1	73036-G01		DIRECTION SELECTOR ASSEMBLY (INCLUDES ITEMS 2 - 46)	1
2	00138-G6		SCREW, #6 - 32 X 3/4 LG.	3
3	00139-G8		SCREW, #6 - 32 X 2 LG.	4
4	00414-G8		BOLT, 1/4 - 20 X 1 LG.	2
5				
6	00525-G5		NUT, #6 - 32.....	8
7	00532-G1		NUT, 1/4 - 20.....	2
8				
9				
10	00559-G7		WASHER, 1/4.....	4
11	00560-G1		WASHER, 3/8.....	1
12				
13	00565-G3		WASHER, LOCK, #6	8
14	00565-G7		WASHER, LOCK, 1/4	2
15				
16				
17	00567-G3		WASHER, LOCK, #6	4
18				
19	10606-G2		MICRO SWITCH, MS2 AND MS4	2
20				
21				
22	11098-G9		NUT, LOCK, 5/16 - 24.....	1
23	12806-G1		SPACER	4
24				
25	12835-G1		CAM.....	1
26				
27	*		SCREW	4
28	14390-G1		NUT, LOCK, 3/8 - 24.....	2
29	14628-G1		TAB, FASTON, 5/16 X 5/16	4
30				

DIRECTION SELECTOR

Electric Vehicle

THE USE OF NON UL PARTS WILL VOID ANY UL LISTING.

When ordering parts, please specify the model and serial number of the product.

* Indicates a component that is not available as an individual part.

G** Indicates consult Customer Service Department for additional information.

ITEM	PART NO.	1 2 3 4 5	DESCRIPTION	QTY.
31	14651-G1		CONTACT BOARD ASSEMBLY (INCLUDES ITEMS 32 - 34)	1
32	24940-G1		STOP.....	2
33	00565-G7		WASHER, LOCK, 1/4	2
34	00414-G6		BOLT, 1/4 - 20 X 3/4 LG.	2
35				
36	15461-G1		BRACKET, MOUNTING SUPPORT	1
37				
38				
39				
40	73048-G01		BRACKET, COVER.....	1
41				
42	70232-G01		ARM, SHIFT LINKAGE	1
43				
44	73027-G01		SHAFT, DIRECTION SELECTOR	1
45	73031-G01		BRACKET, DIRECTION SELECTOR MOUNTING.....	1
46	73037-G01		BUZZER, REVERSE WARNING	1
47				
48	00438-G6		BOLT, 5/16 - 18 X 3/4 LG.	2
49	11098-G6		NUT, LOCK, 5/16 - 18	2
50	00571-G2		WASHER, 5/16.....	2
51				
52				
53	70313-G01		ROD, LINKAGE.....	1
54	22754-G3		BUSHING	2
55	70334-G01		ARM, BENT SHIFT LINKAGE	1
56				
57	25664-G2		BEARING	1
58	14390-G1		NUT, LOCK, 3/8 - 24	2
59	70233-G01		SHAFT, DIRECTION SELECTOR.....	1
60				

Electric Vehicle

DIRECTION SELECTOR

THE USE OF NON UL PARTS WILL VOID ANY UL LISTING.

When ordering parts, please specify the model and serial number of the product.

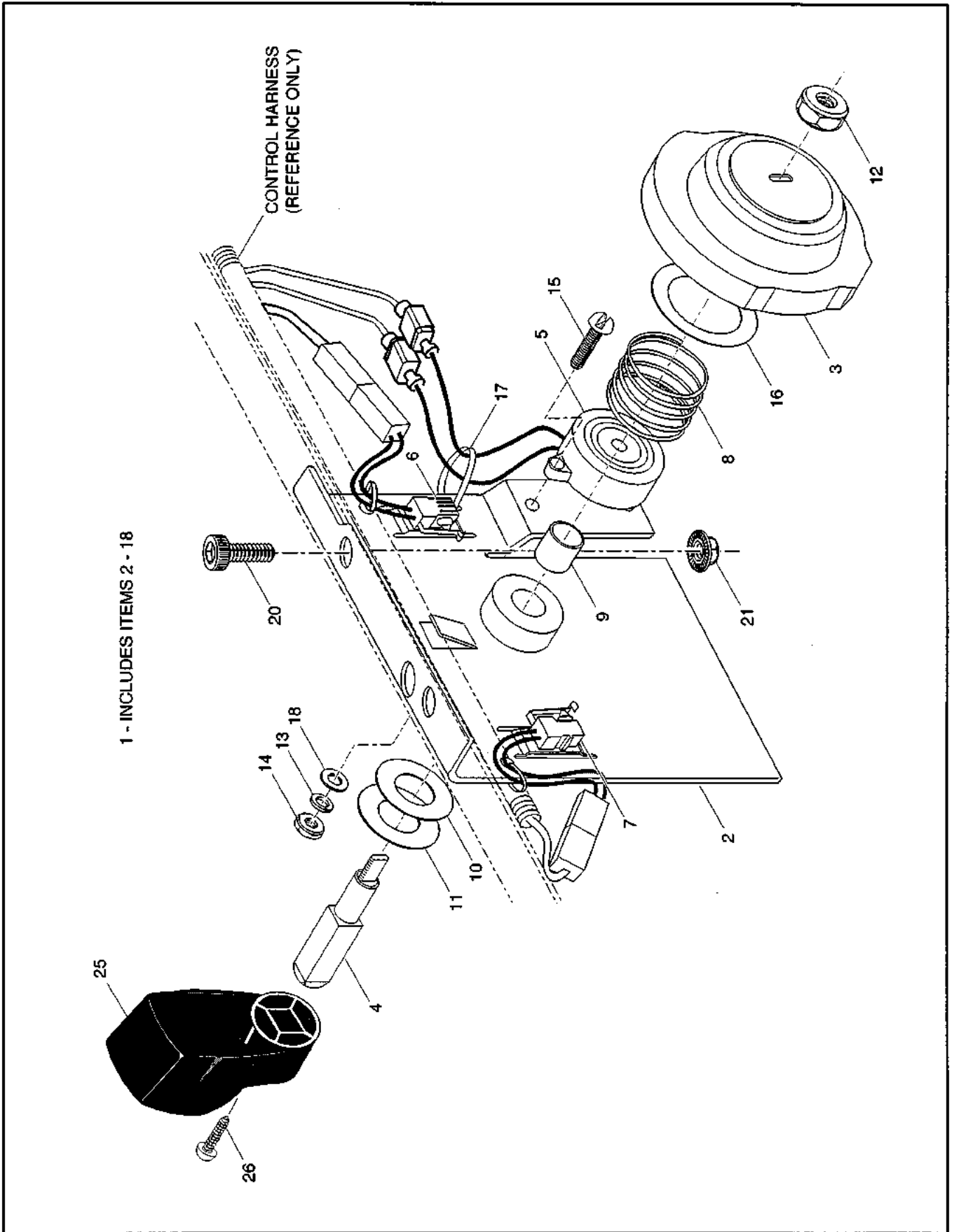
* Indicates a component that is not available as an individual part.

G** Indicates consult Customer Service Department for additional information.

ITEM	PART NO.	1 2 3 4 5	DESCRIPTION	QTY.
61	71905-G01		HANDLE, DIRECTION SELECTOR	1
62	00740-G4		SCREW, STAINLESS STEEL, #10 - 32 X 1/2 LG.....	1
63				
64				
65	16469-G7		WASHER, FENDER, STAINLESS STEEL.....	1
66	73049-G01		COVER, DIRECTION SELECTOR	1
67	00114-G6		SCREW, 1/4 - 14 x 3/4 LG.	1

DIRECTION SELECTOR (DCS MODEL)

Electric Vehicle



Electric Vehicle

DIRECTION SELECTOR (DCS MODEL)

THE USE OF NON UL PARTS WILL VOID ANY UL LISTING.

When ordering parts, please specify the model and serial number of the product.

* Indicates a component that is not available as an individual part.

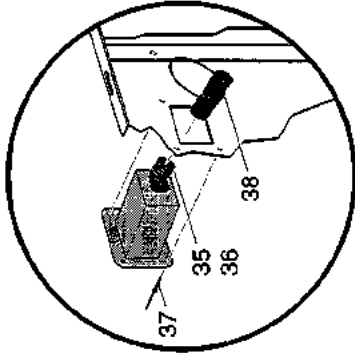
G** Indicates consult Customer Service Department for additional information.

ITEM	PART NO.	1 2 3 4 5	DESCRIPTION	QTY.
1	73180-G01		DIRECTION SELECTOR ASSEMBLY (INCLUDES ITEMS 2 - 18)	
2	73179-G01		BRACKET.....	1
3	73167-G01		CAM.....	1
4	73171-G01		SHAFT.....	1
5	73037-G02		BUZZER	1
6	73195-G01		SWITCH.....	1
7	73194-G01		SWITCH.....	1
8	73188-G01		SPRING, COMPRESSION.....	1
9	25664-G1		BUSHING	1
10	00771-G4		WASHER, NYLON, 1/2.....	1
11	73181-G01		WASHER, 1/2.....	1
12	14390-G1		NUT, LOCK, 3/8-24.....	1
13	00565-G3		WASHER, LOCK, 3/8	2
14	00525-G5		NUT, #6.....	2
15	00138-G5		SCREW, #6 - 32 X 5/8 LG.	2
16	73182-G01		WASHER, NYLON, 1 3/8.....	1
17	17618-G1		CLAMP, NYLON	3
18	00559-G3		WASHER, #6.....	2
19				
20	28272-G01		BOLT, 1/4 - 20 X 5/8 LG.	2
21				
22	11027-G2		NUT, LOCK, 1/4 - 20	2
23				
24	00559-G7		WASHER, 1/4.....	2
25	71905-G01		HANDLE, DIRECTION SELECTOR	1
26	00740-G4		SCREW, STAINLESS STEEL, #10 - 32 X 1/2 LG.....	1

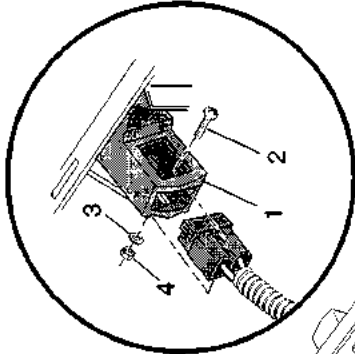
ELECTRICAL SYSTEM

Electric Vehicle

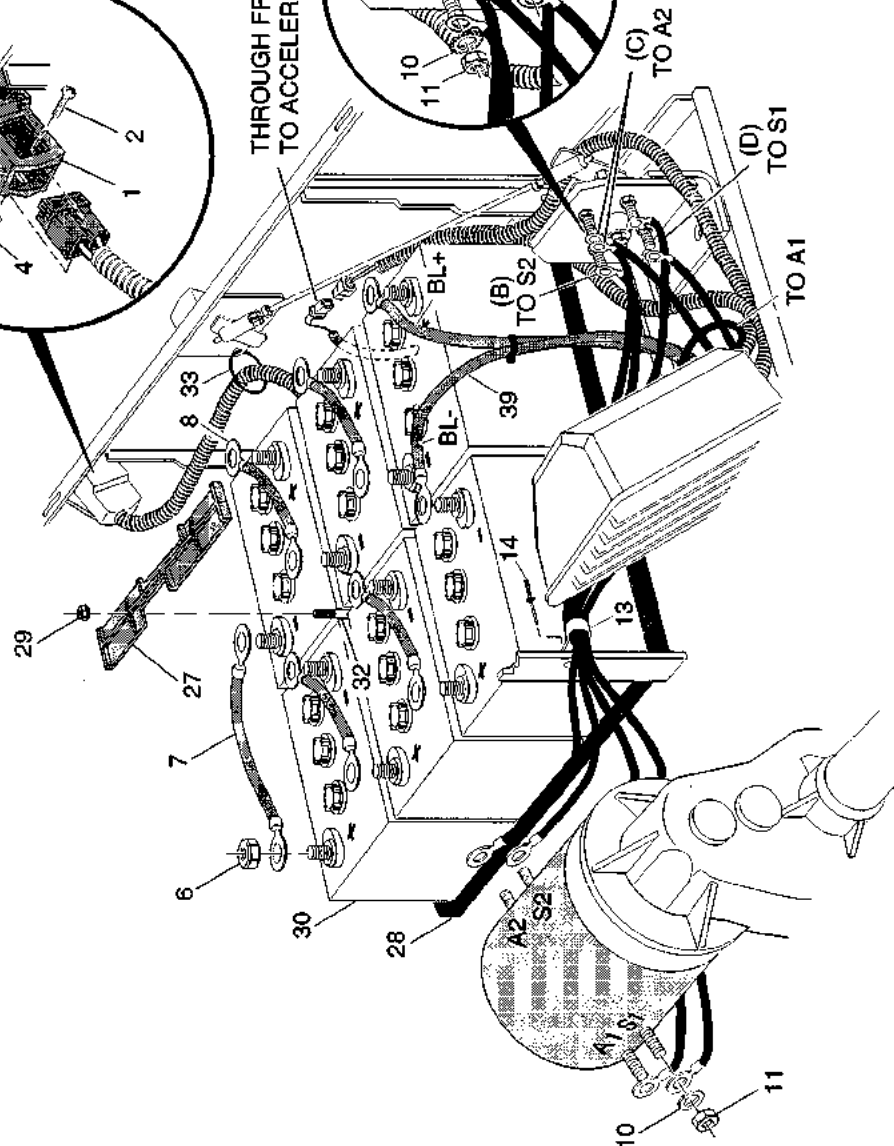
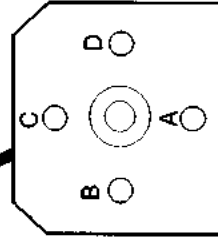
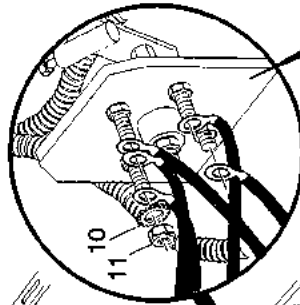
POWERWISE™ AND POWERWISE™ + BATTERY CHARGERS



TOTAL CHARGE® BATTERY CHARGERS

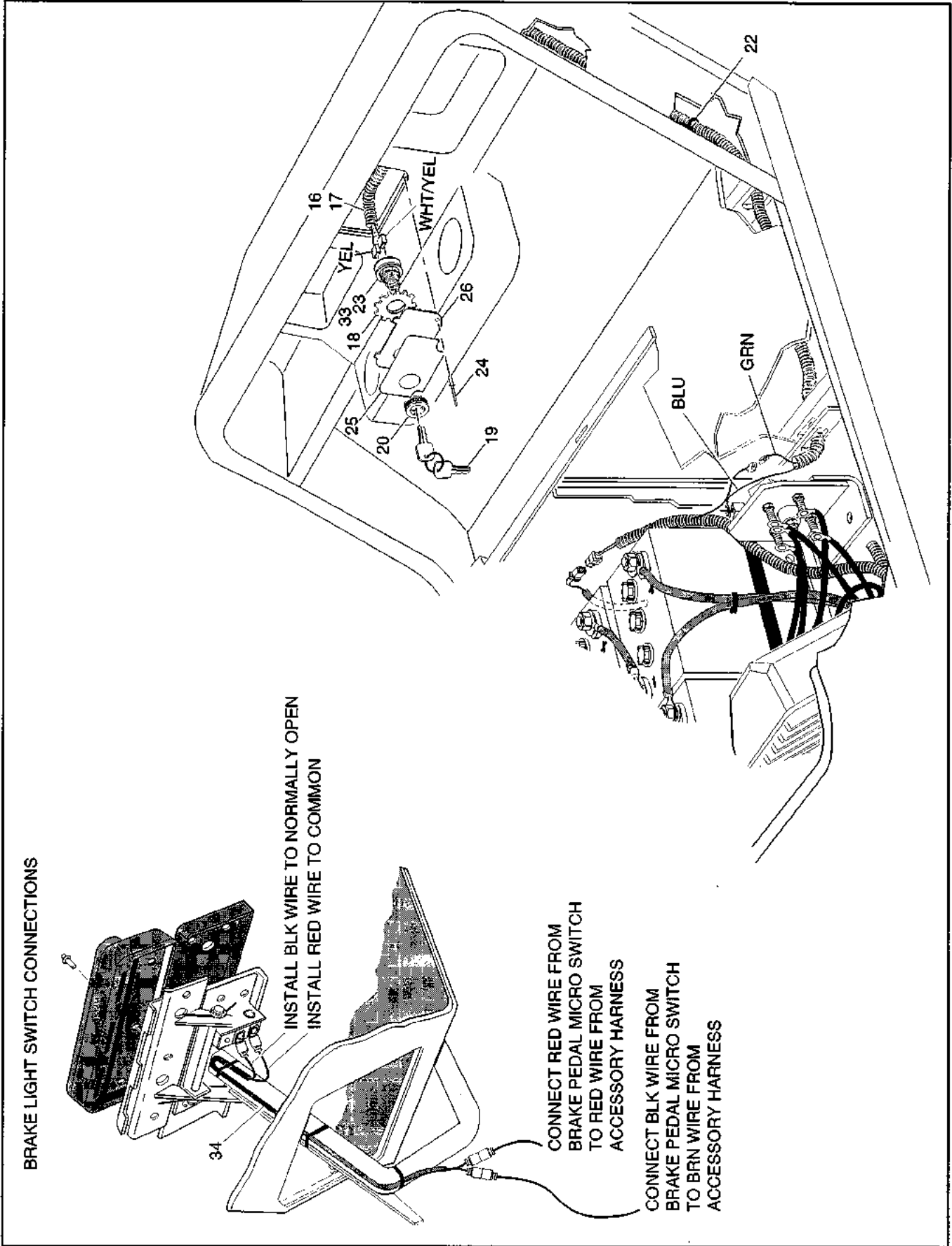


THROUGH FRAME TO ACCELERATOR PEDAL



Electric Vehicle

ELECTRICAL SYSTEM



BRAKE LIGHT SWITCH CONNECTIONS

**INSTALL BLK WIRE TO NORMALLY OPEN
INSTALL RED WIRE TO COMMON**

**CONNECT RED WIRE FROM
BRAKE PEDAL MICRO SWITCH
TO RED WIRE FROM
ACCESSORY HARNESS**

**CONNECT BLK WIRE FROM
BRAKE PEDAL MICRO SWITCH
TO BRN WIRE FROM
ACCESSORY HARNESS**

ELECTRICAL SYSTEM

Electric Vehicle

THE USE OF NON UL PARTS WILL VOID ANY UL LISTING.

When ordering parts, please specify the model and serial number of the product.

* Indicates a component that is not available as an individual part.

G** Indicates consult Customer Service Department for additional information.

ITEM	PART NO.	1 2 3 4 5	DESCRIPTION	QTY.
1	18724-G1		RECEPTACLE HOLDER.....	1
2	00645-G2		SCREW, #6 - 32 X 1 1/4 LG.....	2
3	00559-G3		WASHER, #6.....	2
4	14390-G9		NUT, LOCK, #6 - 32	2
5				
6	00702-G2		NUT, 5/16 - 24	12
7	25972-G32		WIRE	1
8	25972-G40		WIRE	4
9				
10	00567-G8		WASHER, LOCK, 5/16.....	8
11	00532-G3		NUT, 5/16 - 18	8
12				
13	27327-G01		CLAMP, TWISTED	2
14	10570-G11		RIVET, STAINLESS STEEL, 5/16	1
15				
16	73145-G01		HARNESS, KEY SWITCH (DCS MODEL ONLY)	1
17	73041-G01		HARNESS, KEY SWITCH (FLEET)	1
18	00568-G6		WASHER, LOCK, 3/4	1
19	17062-G1		KEY, IGNITION (SET)	AR
20	17137-G1		NUT, FACE.....	1
21				
22	17618-G1		CLAMP, NYLON.....	1
23	17421-G1		IGNITION SWITCH KIT, INCLUDES ALL MOUNTING HARDWARE (FOR FREEDOM SEE SECTION S - HORN AND LIGHTING)	1
24	33623-G02		RIVET, DRIVE	2
25	71145-G01		DECAL, CONSOLE INSERT PLATE.....	1
26	73030-G01		PLATE, CONSOLE INSERT (KEY ONLY).....	1
27	70045-G01		RETAINER, BATTERY	1
28	70046-G01		BATTERY RACK	1
29	11027-G1		NUT, LOCK, 5/16 - 18	2

Electric Vehicle

ELECTRICAL SYSTEM

THE USE OF NON UL PARTS WILL VOID ANY UL LISTING.

When ordering parts, please specify the model and serial number of the product.

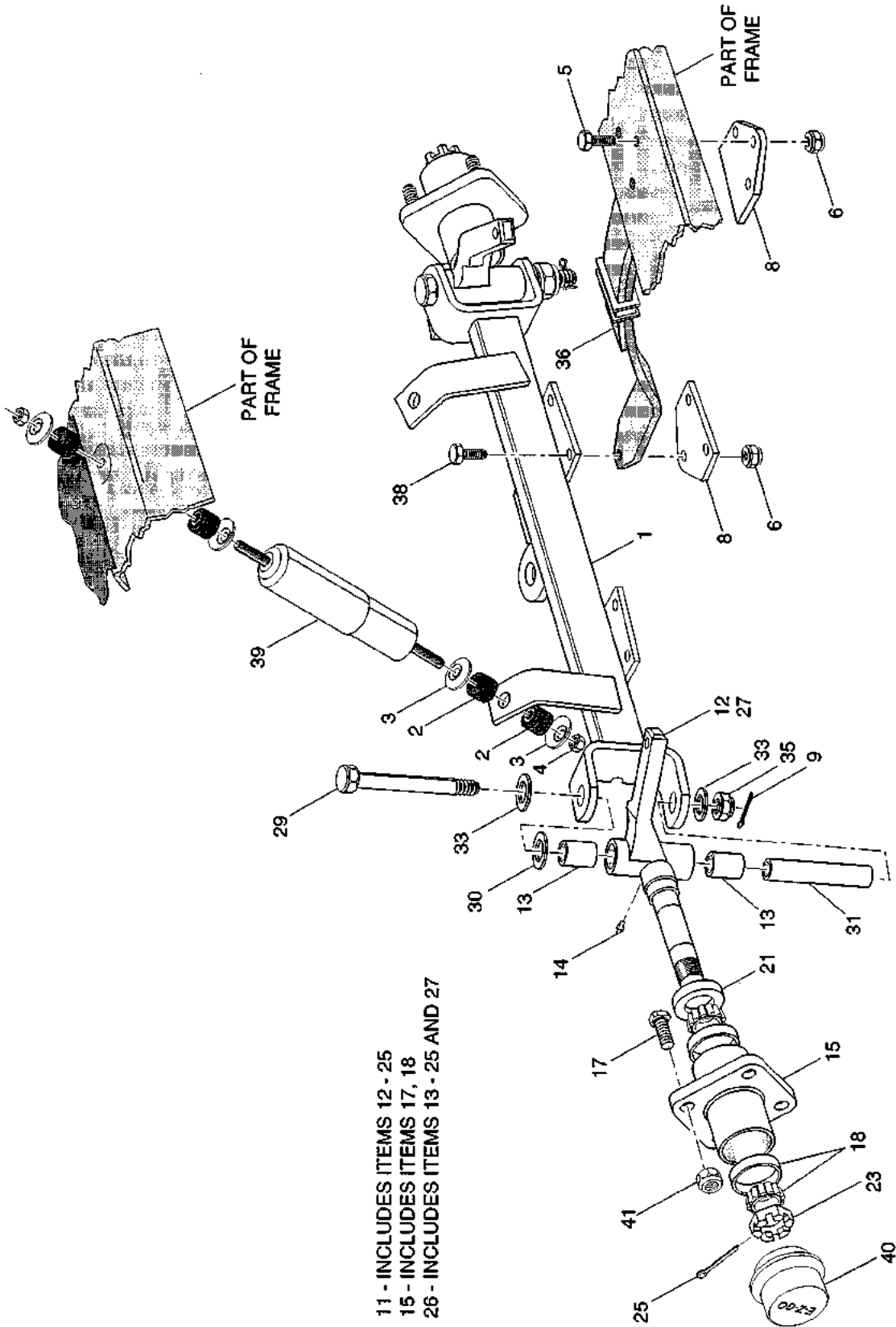
* Indicates a component that is not available as an individual part.

G** Indicates consult Customer Service Department for additional information.

ITEM	PART NO.	1	2	3	4	5	DESCRIPTION	QTY.
30	XXXXX-G**						BATTERY, 6 VOLT	6
31								
32	70121-G01						BOLT, HOLD DOWN	2
33	17618-G1						CLAMP, NYLON	1
34	24605-G1						WIRE HARNESS, BRAKE	1
35	73063-G01						CHARGER RECEPTACLE AND HARNESS ASSY. (FOR USE ON POWERWISE NON-DCS MODEL ONLY).....	1
36	73149-G01						CHARGER RECEPTACLE AND HARNESS ASSY. (FOR USE ON DCS MODEL ONLY).....	1
37	14601-G10						RIVET, 5/32	4
38	17618-G1						CLAMP, NYLON	3
39	25972-G32						WIRE, BL- TO B-.....	1

FRONT SUSPENSION

Electric Vehicle



- 11 - INCLUDES ITEMS 12 - 25
- 15 - INCLUDES ITEMS 17, 18
- 26 - INCLUDES ITEMS 13 - 25 AND 27

Electric Vehicle

FRONT SUSPENSION

THE USE OF NON UL PARTS WILL VOID ANY UL LISTING.

When ordering parts, please specify the model and serial number of the product.

* Indicates a component that is not available as an individual part.

G** Indicates consult Customer Service Department for additional information.

ITEM	PART NO.	1 2 3 4 5	DESCRIPTION	QTY.
1	70001-G01		FRONT AXLE.....	1
2	10194-G1		BUSHING, RUBBER SHOCK ABSORBER	8
3	10435-G1		WASHER, SHOCK ABSORBER.....	8
4	00532-G6		NUT, 3/8 - 24	4
5	00463-G6		BOLT, 7/16 - 14 X 1 3/4 LG.	6
6	00734-G1		NUT, LOCK, 7/16 - 14	12
7				
8	70163-G02		PLATE, SPRING	4
9	10387-G2		PIN, COTTER, 3/32 X 1 LG.	2
10				
11	70220-G01		SPINDLE ASSEMBLY, DRIVER'S SIDE (INCLUDES ITEMS 12 - 25)	1
12	*		SPINDLE, DRIVER'S SIDE	1
13	16623-G1		BEARING.....	2
14	10389-G3		GREASE FITTING.....	1
15	19932-G1		WHEEL HUB ASSEMBLY (INCLUDES ITEMS 17, 18).....	1
16				
17	19862-G1		WHEEL BOLT, 1/2 - 20.....	4
18	50892-G1		BEARING AND RACE ASSEMBLY (COMPLETE)	1
19				
20				
21	25146-G1		SEAL, GREASE.....	1
22				
23	12093-G1		NUT, SLOTTED, 17/32.....	1
24				
25	00798-G8		PIN, COTTER, 5/32 X 1 3/4 LG.	1
26	70221-G01		SPINDLE ASSEMBLY, PASSENGER SIDE (INCLUDES ITEMS 13 - 25 AND 27)	1
27	*		SPINDLE, PASSENGER SIDE.....	1
28				
29	70327-G01		PIN, SPINDLE, 1/2 - 13 X 5 1/2 LG.	2

FRONT SUSPENSION

Electric Vehicle

THE USE OF NON UL PARTS WILL VOID ANY UL LISTING.

When ordering parts, please specify the model and serial number of the product.

* Indicates a component that is not available as an individual part.

G** Indicates consult Customer Service Department for additional information.

ITEM	PART NO.	1 2 3 4 5	DESCRIPTION	QTY.
30	16982-G1		WASHER, THRUST	2
31	70328-G01		TUBE, SPINDLE PIN	2
32				
33	00571-G5		WASHER, 1/2.....	4
34				
35	14390-G6		NUT, LOCK, 1/2 -13	2
36	70049-G01		SPRING, LEAF.....	2
37				
38	00463-G4		BOLT, 7/16 - 14 X 1 1/2 LG.	6
39	70324-G01		SHOCK ABSORBER.....	2
40	12091-G1		CAP, SPINDLE	2
41	14723-G1		NUT, LUG, 1/2 - 20.....	8

**DID YOU
KNOW?**

CartPros directs you to the right part using the part numbers from this manual. Enter the part number into our search box and it will find the part you are looking for.

**GET STARTED
HERE**



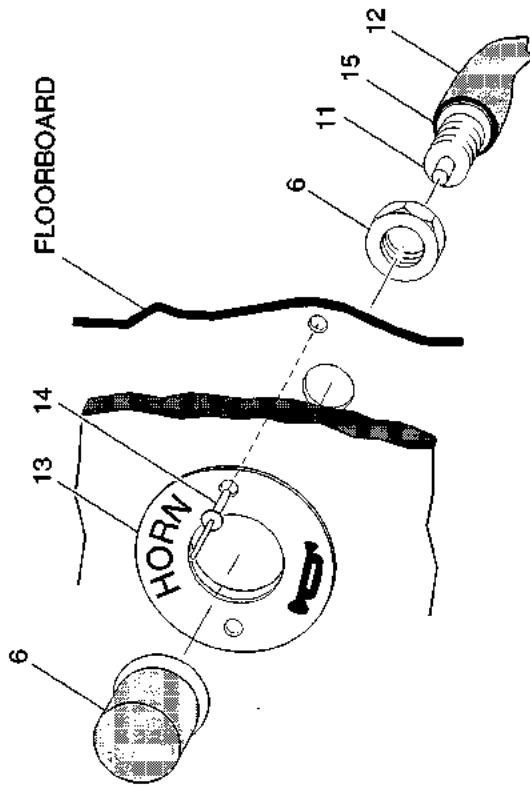
<https://CartPros.com/f.html>

Electric Vehicle

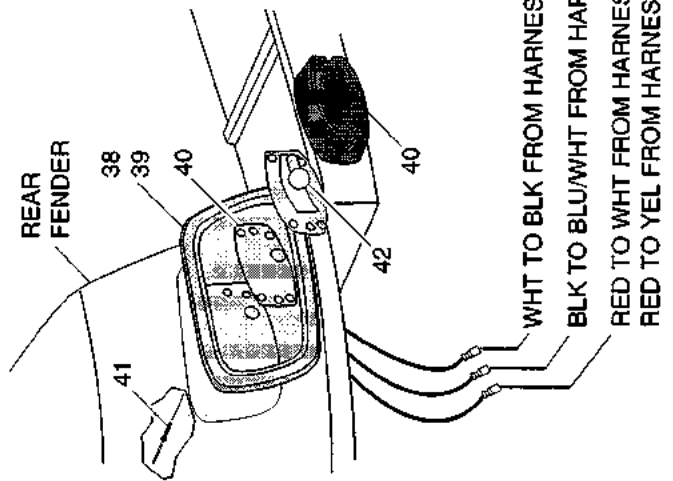
FRONT SUSPENSION

HORN AND LIGHTING

Electric Vehicle

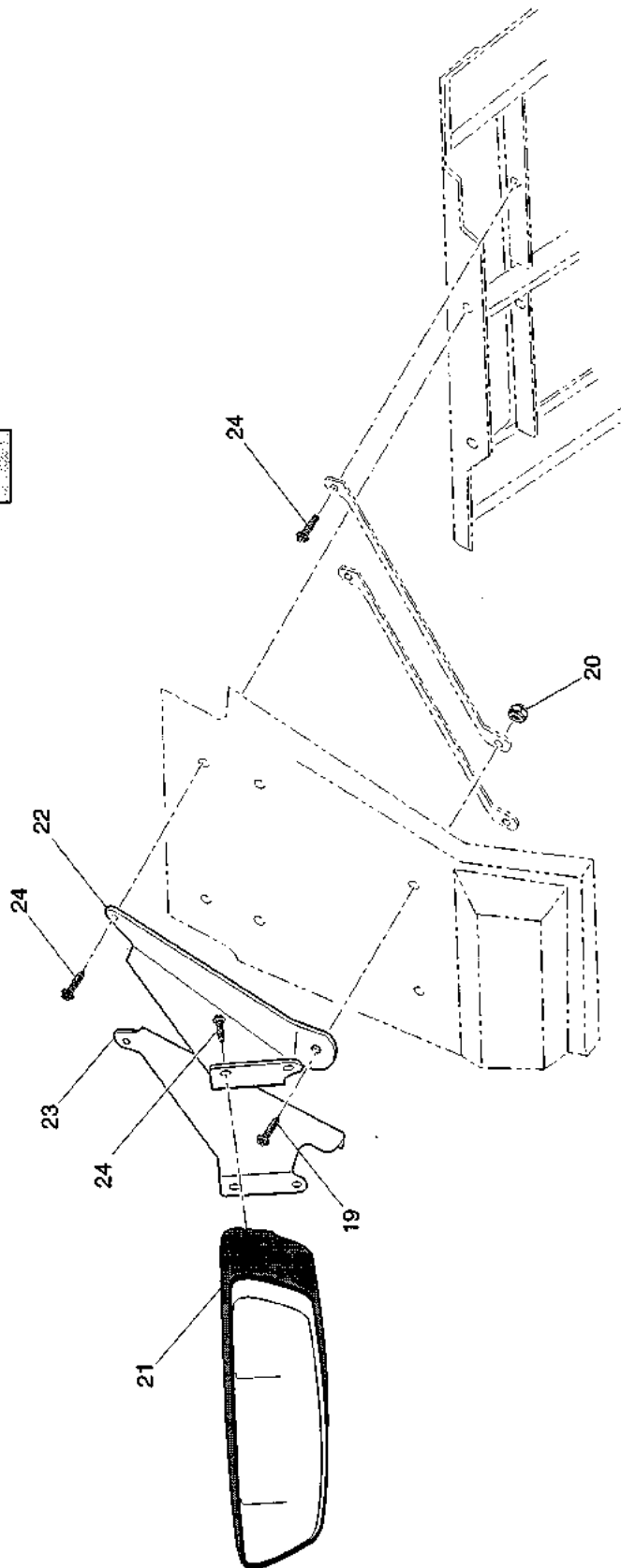
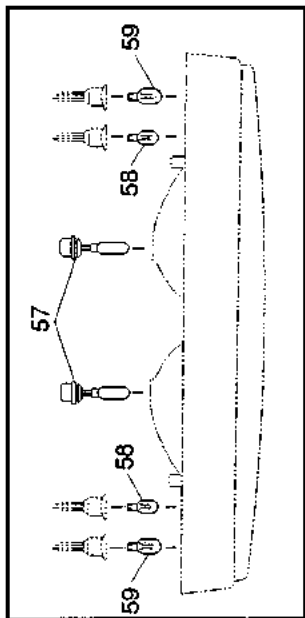
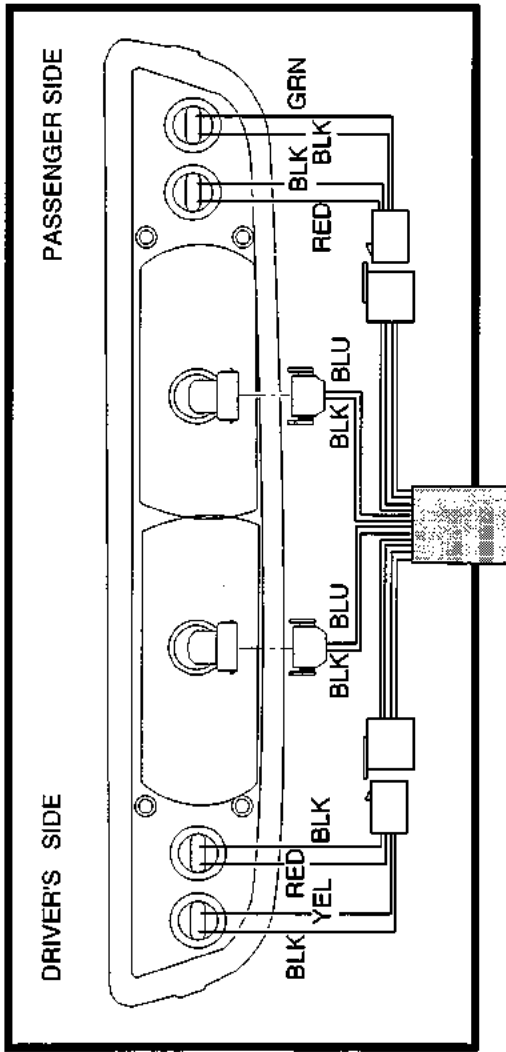


- 17 - INCLUDES ITEM 18
- 62 - INCLUDES ITEMS 63 - 69
- 65 - INCLUDES ITEMS 67 - 69



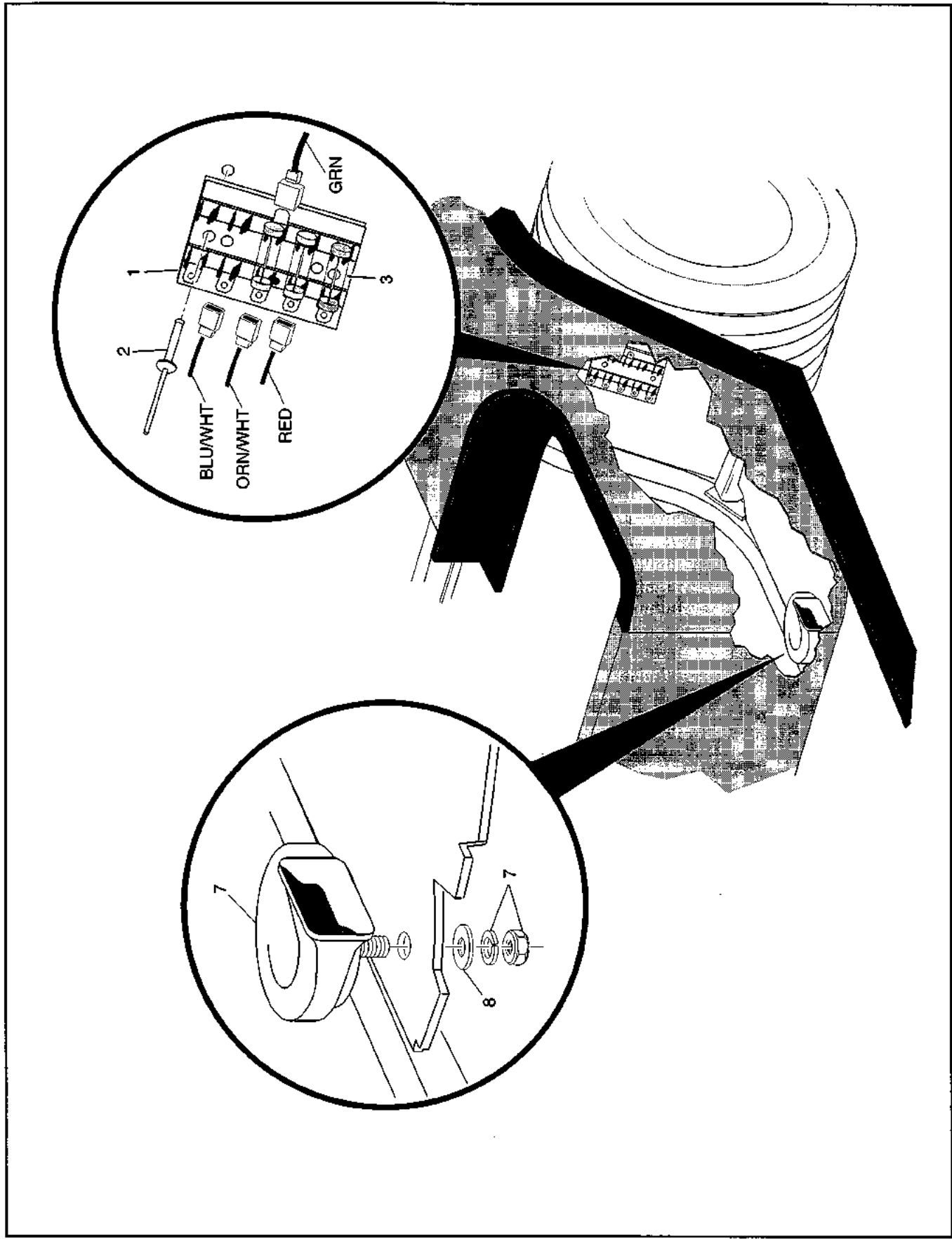
Electric Vehicle

HORN AND LIGHTING



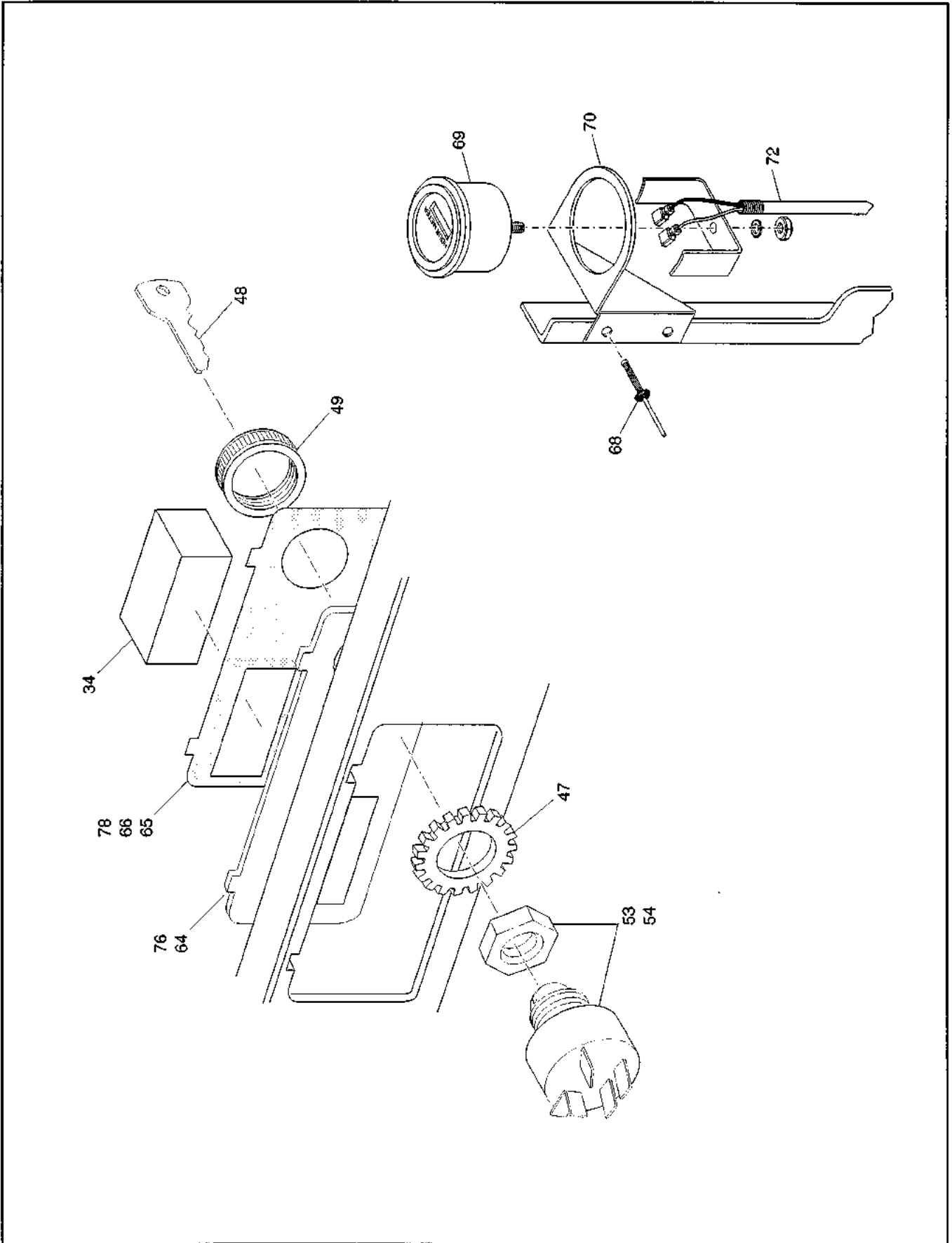
HORN AND LIGHTING

Electric Vehicle



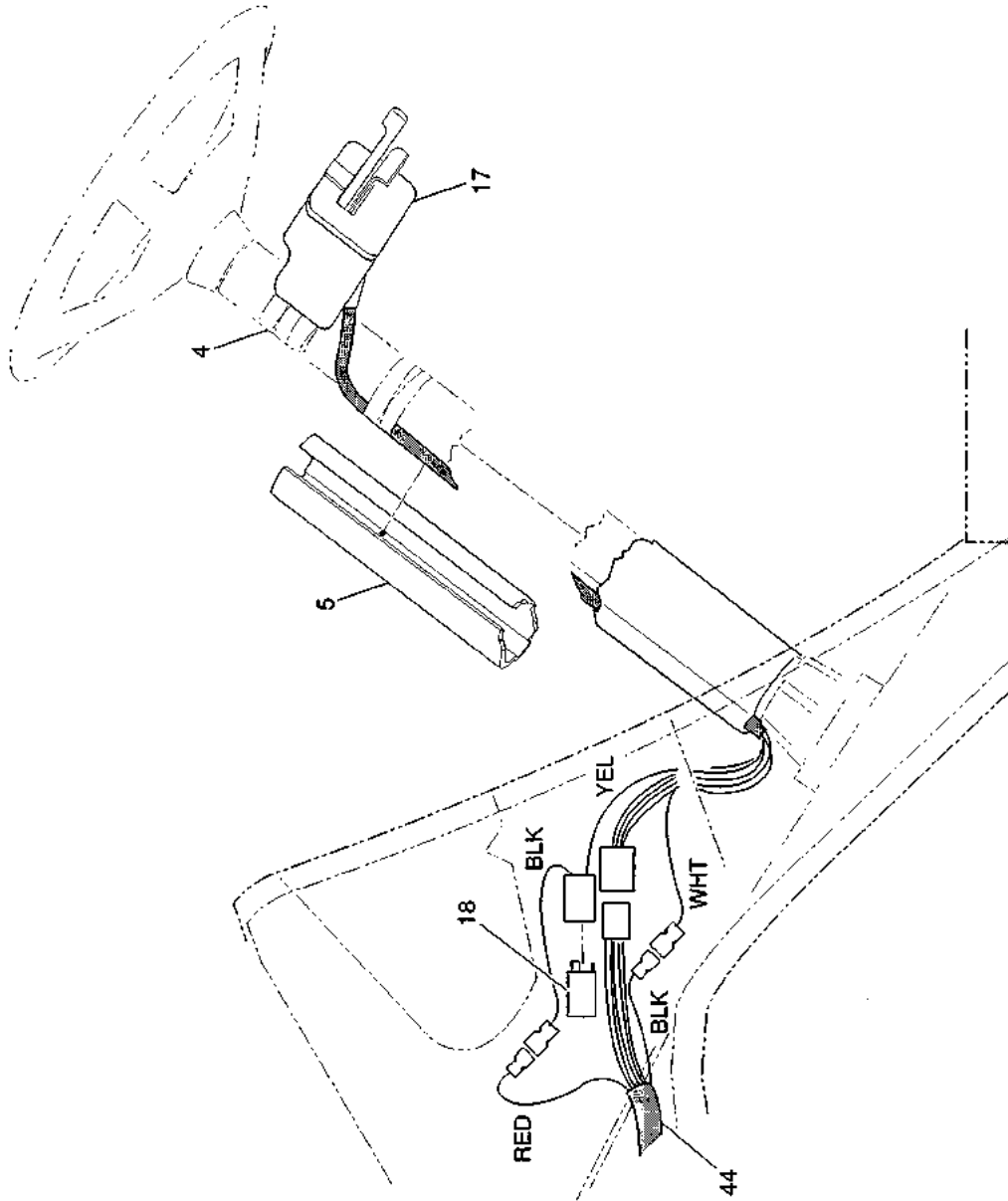
Electric Vehicle

HORN AND LIGHTING



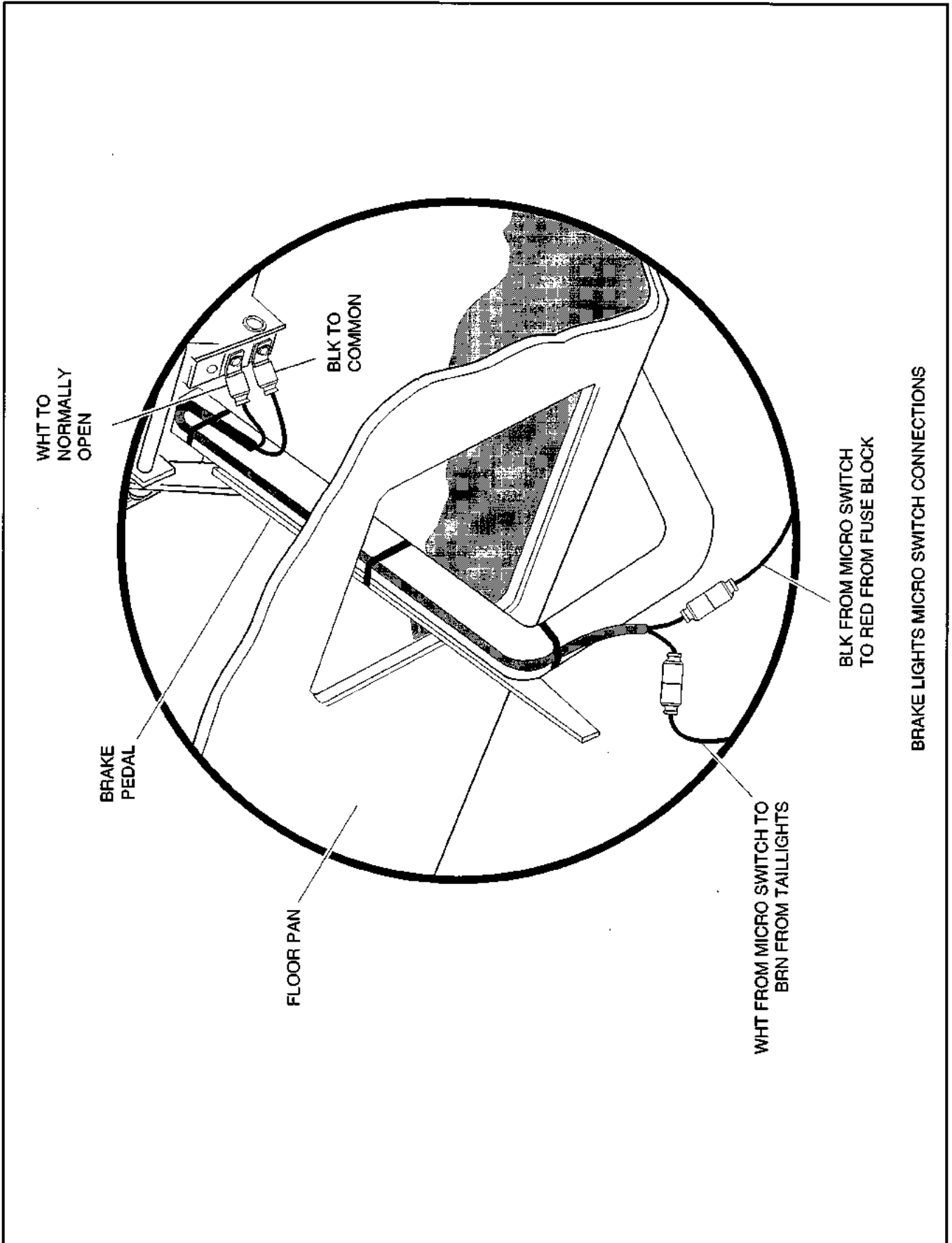
HORN AND LIGHTING

Electric Vehicle



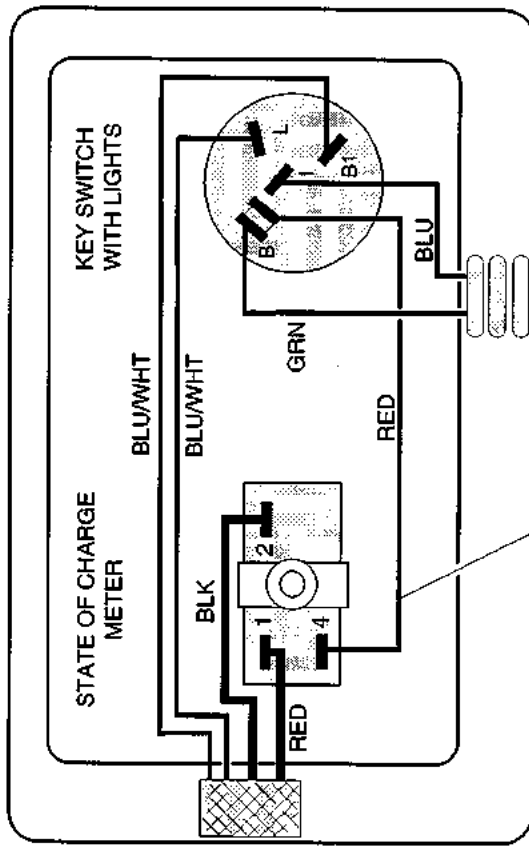
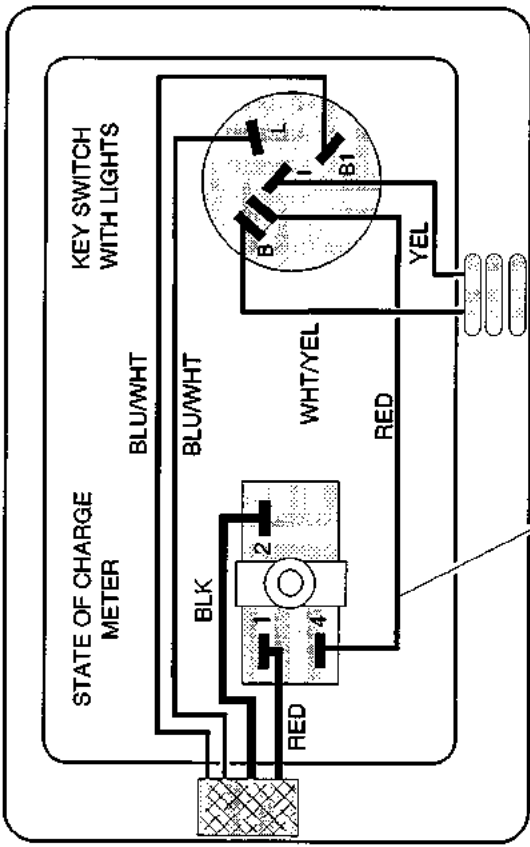
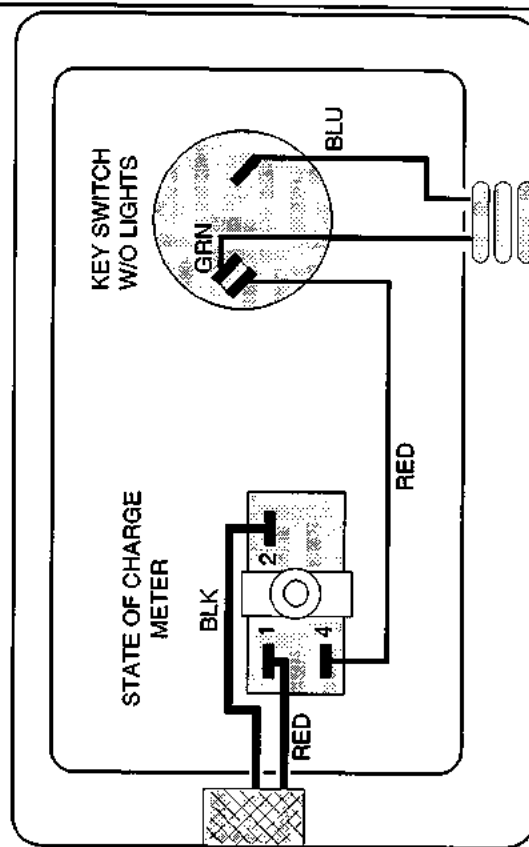
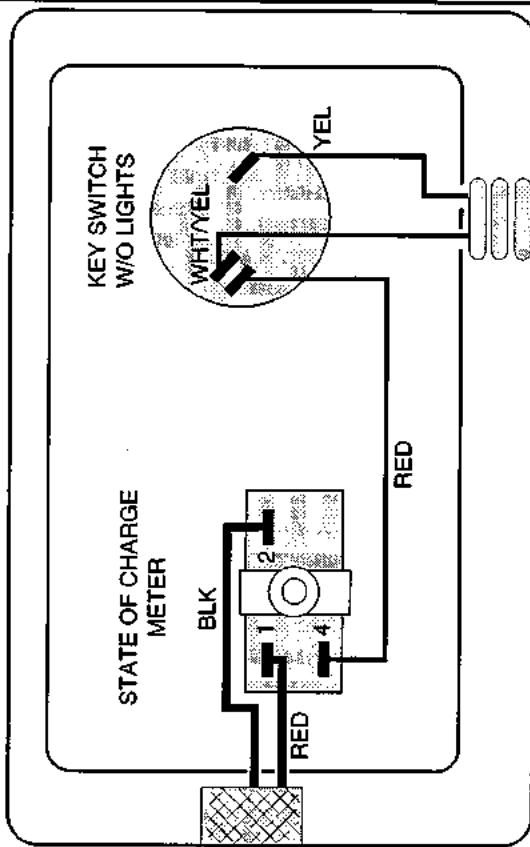
Electric Vehicle

HORN AND LIGHTING



HORN AND LIGHTING

Electric Vehicle



Electric Vehicle

HORN AND LIGHTING

THE USE OF NON UL PARTS WILL VOID ANY UL LISTING.

When ordering parts, please specify the model and serial number of the product.

* Indicates a component that is not available as an individual part.

G** Indicates consult Customer Service Department for additional information.

ITEM	PART NO.	1 2 3 4 5	DESCRIPTION	QTY.
1	22674-G1		FUSE BLOCK	1
2	71010-G01		RIVET, 5/32 X 3/8 LG.....	2
3	18392-G1		FUSE, 15 AMP	3
4	*		TAPE, VINYL.....	AR
5	20965-G3		COVER, STEERING COLUMN (VEHICLES WITH TURN SIGNALS)	1
6	17318-G2		CAP AND NUT, HORN SWITCH.....	1
7	32860-G1		HORN (WITH MOUNTING HARDWARE).....	1
8	00559-G8		WASHER, 5/16.....	1
9				
10				
11	17318-G1		SWITCH, HORN	1
12	27068-G01		BOOT, HORN SWITCH.....	1
13	19233-G1		PLATE, HORN SWITCH	1
14	14601-G7		RIVET, STAINLESS STEEL, 9/16	2
15	17618-G1		CLAMP, NYLON.....	2
16				
17	17867-G1		TURN SIGNAL (WITH MOUNTING HARDWARE)	1
18	21640-G1		FLASHER, TURN SIGNAL	1
19	00414-G6		SCREW, 1/4 - 20 X 3/4 LG.....	2
20	11027-G2		NUT, LOCK, 1/4 - 20	2
21	74001-G01		LIGHTBAR	1
22	74002-G02		BRACKET, LIGHTBAR, DRIVER'S SIDE	1
23	74002-G01		BRACKET, LIGHTBAR, PASSENGER SIDE	1
24	00114-G6		SCREW, 1/4 - 14 X 3/4 LG.....	8
25				
26				
27				
28	25978-G74		WIRE.....	1
29				
30				

HORN AND LIGHTING

Electric Vehicle

THE USE OF NON UL PARTS WILL VOID ANY UL LISTING.

When ordering parts, please specify the model and serial number of the product.

* Indicates a component that is not available as an individual part.

G** Indicates consult Customer Service Department for additional information.

ITEM	PART NO.	1	2	3	4	5	DESCRIPTION	QTY.
31								
32								
33								
34	33636-G01						STATE OF CHARGE METER	1
35								
36								
37								
38	74371-G01						BEZEL, TAILLIGHT, DRIVER'S SIDE	1
39	74371-G02						BEZEL, TAILLIGHT, PASSENGER SIDE	1
40	22260-G2						TAILLIGHT ASSEMBLY, COMPLETE	1
41	14601-G11						RIVET, 3/16 X 5/8 LG.	2
42	21759-G1						BULB, REPLACEMENT, TAILLIGHT	AR
43								
44	73043-G01						HARNES, ACCESSORY.....	1
45								
46								
47	00568-G6						WASHER, LOCK, 3/4	1
48	17063-G1						IGNITION KEY (SET)	AR
49	17137-G1						NUT, FACE	1
50								
51								
52								
53	17421-G1						SWITCH, IGNITION (INCLUDES ALL HARDWARE).....	1
54	33639-G01						SWITCH, IGNITION (WITH LIGHTS).....	1
55								
56								
57	74004-G01						BULB, REPLACEMENT, HEADLIGHT	AR
58	74005-G01						BULB, REPLACEMENT, MARKER LIGHT	AR
59	74006-G01						BULB, REPLACEMENT, TURNLIGHT	AR
60								

Electric Vehicle

HORN AND LIGHTING

THE USE OF NON UL PARTS WILL VOID ANY UL LISTING.

When ordering parts, please specify the model and serial number of the product.

* Indicates a component that is not available as an individual part.

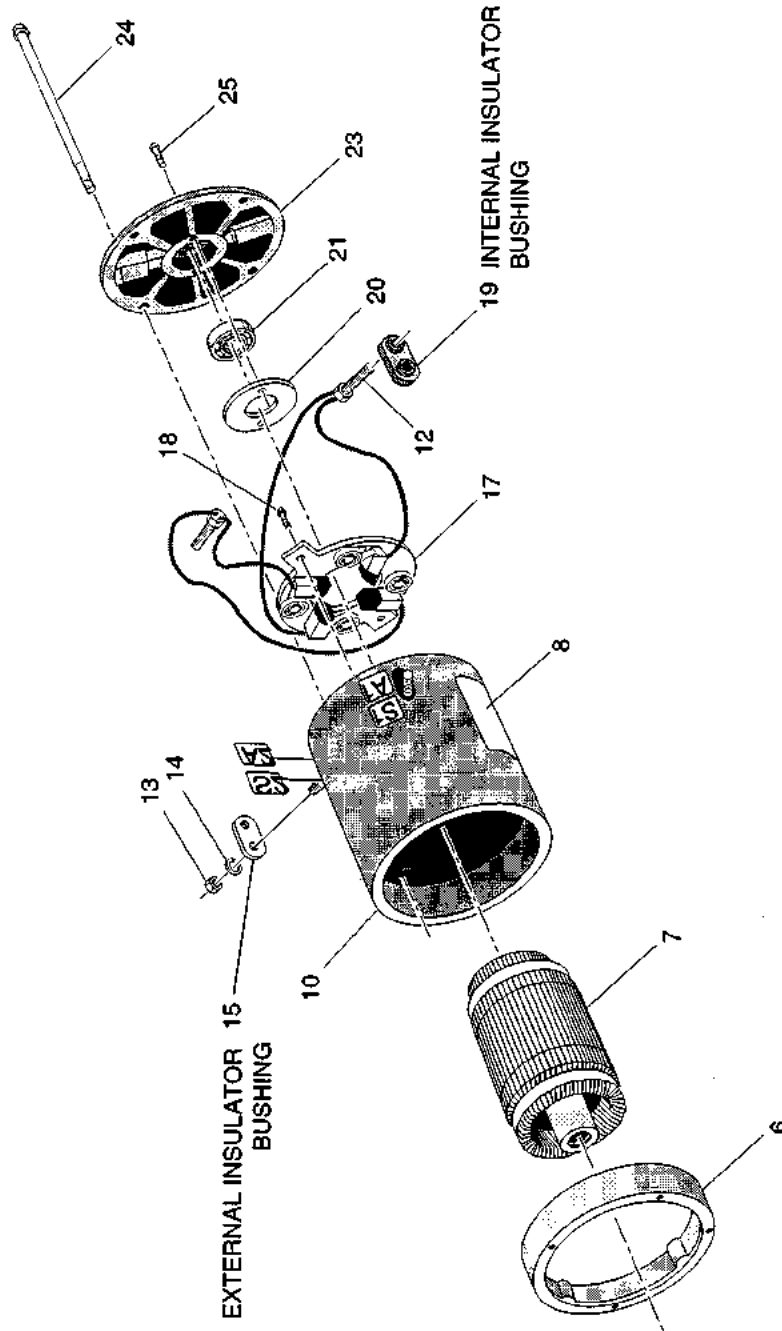
G** Indicates consult Customer Service Department for additional information.

ITEM	PART NO.	1	2	3	4	5	DESCRIPTION	QTY.
61								
62								
63								
64	73030-G02						PLATE, CONSOLE INSERT, STATE OF CHARGE METER.....	1
65	71123-G01						DECAL, CONSOLE PLATE, STATE OF CHARGE METER WITHOUT LIGHTS	1
66	71129-G01						DECAL, CONSOLE PLATE, STATE OF CHARGE METER WITH LIGHTS.....	1
67								
68	10570-G11						RIVET, 3/16 X 3/4 LG.....	2
69	21573-G1						HOURMETER	1
70	74019-G01						BRACKET, HOURMETER	1
71								
72	75117-G02						HARNES, HOUR METER.....	1
73								
74								
75								
76	73030-G01						PLATE, STANDARD CONSOLE INSERT MOUNT.....	1
77								
78	71145-G01						DECAL, CONSOLE INSERT	1

MOTORS

Electric Vehicle

2 - INCLUDES ITEMS 6 - 25
4 - INCLUDES ITEMS 6 - 25



Electric Vehicle

MOTORS

THE USE OF NON UL PARTS WILL VOID ANY UL LISTING.

When ordering parts, please specify the model and serial number of the product.

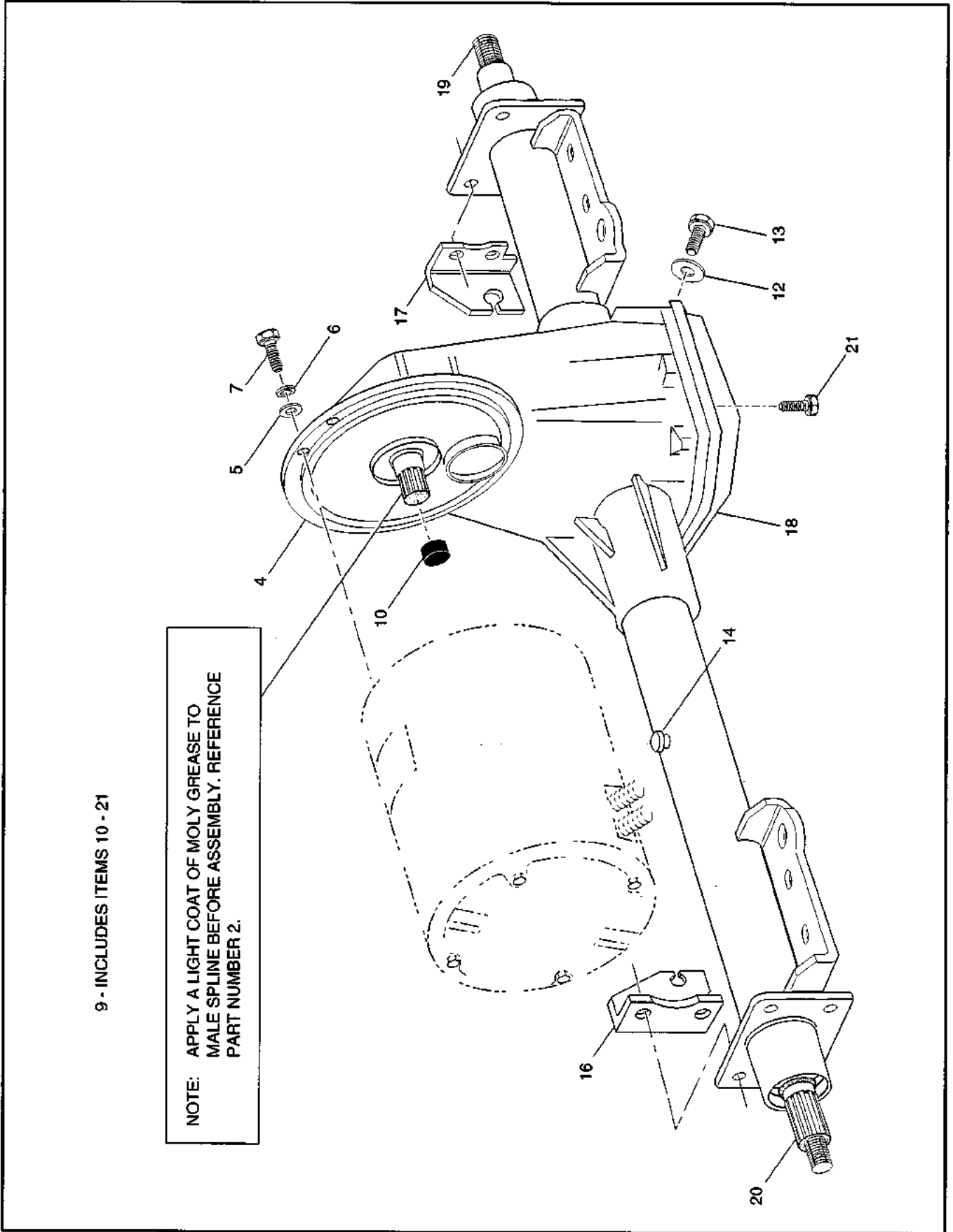
* Indicates a component that is not available as an individual part.

G** Indicates consult Customer Service Department for additional information.

ITEM	PART NO.	1 2 3 4 5	DESCRIPTION	QTY.
1	73124-G01		MOTOR, COMPLETE (DCS MODEL ONLY).....	1
2	27045-G01		MOTOR, 2.0 HP, COMPLETE (INCLUDES ITEMS 6 - 25).....	1
3				
4	73172-G01		MOTOR, 2.7 HP, COMPLETE (INCLUDES ITEMS 6 - 25).....	1
5				
6	27630-G01		END SHIELD	1
7	*		ARMATURE.....	1
8	*		STATOR COMPLETE (INCLUDES ITEMS 10 AND 17).....	1
9				
10	*		STATOR SHELL AND WINDING	1
11				
12	27630-G05		BRUSH (WITH TERM SCREW).....	2
13	27630-G06		NUT, 1/4 - 20.....	4
14	27630-G07		WASHER, 1/4.....	4
15	27630-G08		BUSHING, INSULATED	2
16				
17	27630-G09		BRUSH, RIGGING.....	1
18	27630-G10		SCREW, BRUSH HOLDER.....	2
19	27630-G11		BUSHING, INSULATED	2
20	27630-G12		RETAINER, BEARING.....	1
21	16918-G1		BALL BEARING.....	1
22				
23	27630-G14		END SHIELD	1
24	27630-G15		SCREW, CLAMP	4
25	27630-G16		SCREW, BEARING RETAINER	2

REAR AXLE

Electric Vehicle



Electric Vehicle

REAR AXLE

THE USE OF NON UL PARTS WILL VOID ANY UL LISTING.

When ordering parts, please specify the model and serial number of the product.

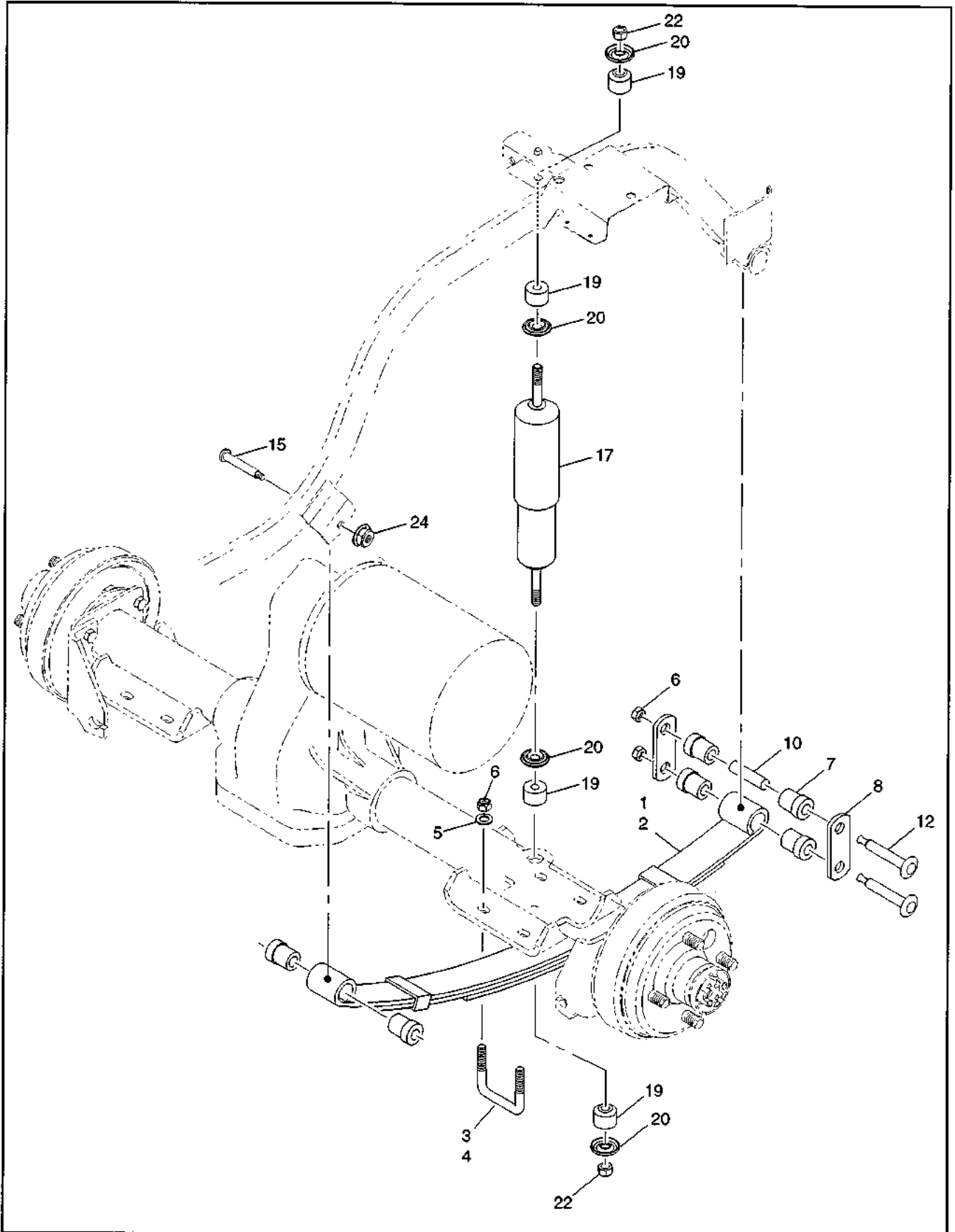
* Indicates a component that is not available as an individual part.

G** Indicates consult Customer Service Department for additional information.

ITEM	PART NO.	1	2	3	4	5	DESCRIPTION	QTY.
1								
2	28095-G01						MOLY LUBE, 2 OZ.....	AR
3								
4								
5	00559-G7						WASHER, 1/4.....	3
6	00565-G7						WASHER, LOCK, 1/4.....	3
7	00797-G2						BOLT, 1/4 - 20 X 1 1/4 LG.....	3
8								
9	73069-G01						REAR AXLE ASSEMBLY (INCLUDES ITEMS 10 - 21).....	1
10	24261-G1						BUMPER SPLINE.....	1
11								
12	25227-G1						WASHER.....	1
13	25226-G1						PLUG, FILL/CHECK.....	1
14	73050-G01						VENT ASSEMBLY (PUSH IN).....	1
15								
16	72036-G01						BRACKET, BRAKE CABLE, PASSENGER SIDE.....	1
17	72036-G02						BRACKET, BRAKE CABLE, DRIVER'S SIDE.....	1
18	25228-G1						COVER, DIFFERENTIAL.....	1
19	20377-G12						AXLE SHAFT, PASSENGER SIDE.....	1
20	20377-G11						AXLE SHAFT, DRIVER'S SIDE.....	1
21	15558-G1						SCREW, 5/16 - 18 X 3/4 LG.....	10

REAR SUSPENSION

Electric Vehicle



Electric Vehicle

REAR SUSPENSION

THE USE OF NON UL PARTS WILL VOID ANY UL LISTING.

When ordering parts, please specify the model and serial number of the product.

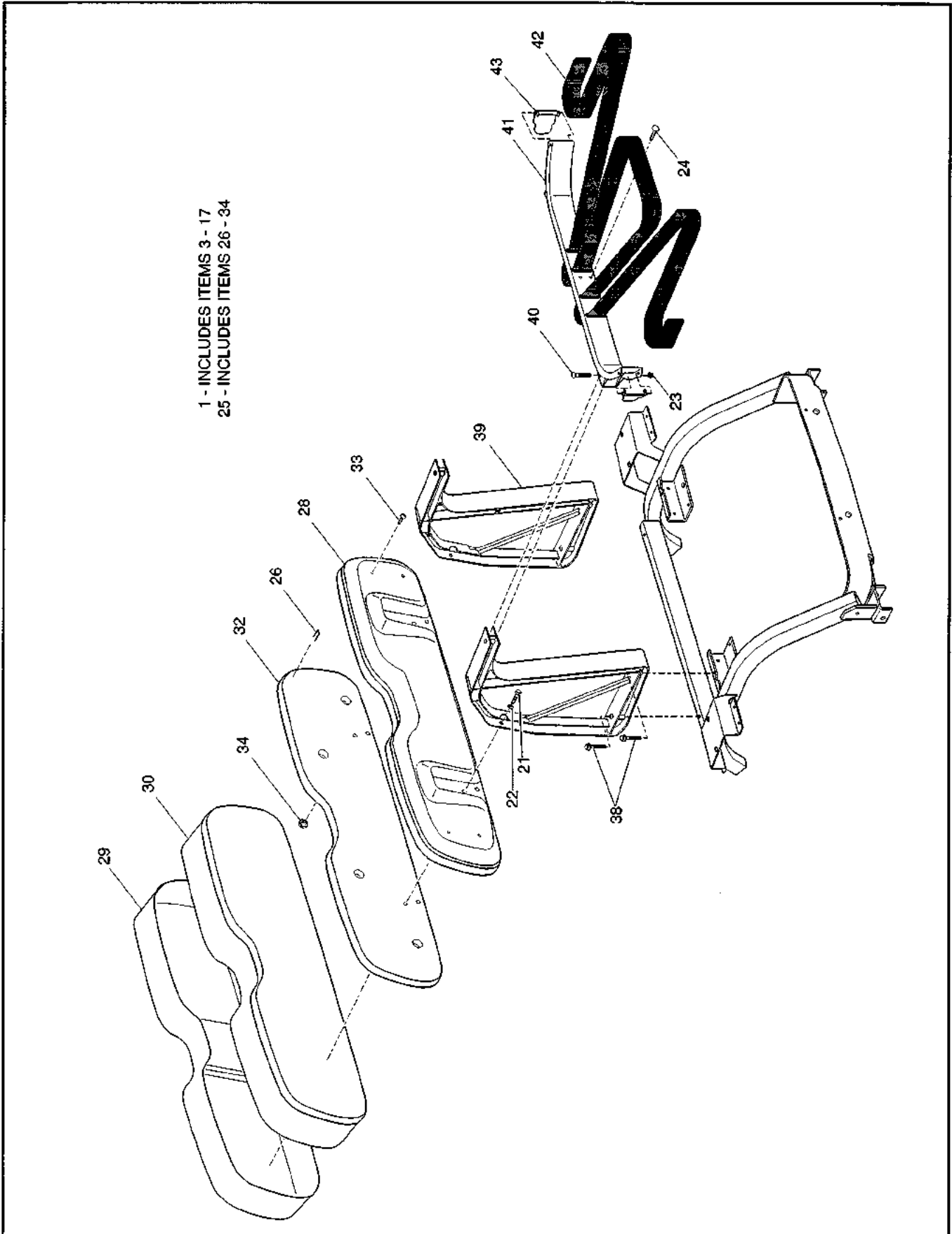
* Indicates a component that is not available as an individual part.

G** Indicates consult Customer Service Department for additional information.

ITEM	PART NO.	1 2 3 4 5	DESCRIPTION	QTY.
1	70247-G01		SPRING, LEAF	2
2	74135-G01		SPRING, LEAF (USE ON 4 CADDY ONLY).....	2
3	72029-G01		"U" BOLT, 3/8 - 16.....	4
4	74124-G01		"U" BOLT, 3/8 - 16 (USE ON 4 CADDY ONLY).....	4
5				
6	11098-G5		NUT, LOCK, 3/8 - 16	12
7	70291-G01		BUSHING, RUBBER (LEAF SPRING).....	12
8	70290-G01		SHACKLE PLATE.....	4
9				
10	70289-G02		SPACER.....	4
11				
12	00429-G4		SCREW, 3/8 - 16 X 3 1/2 LG.....	4
13				
14	12262-G1		NUT, LOCK, 3/8 - 16	2
15	14158-G1		BOLT, SHOULDER, 7/16 - 14 X 3 1/4 LG.	2
16				
17	70324-G01		SHOCK ABSORBER	2
18				
19	10194-G1		BUSHING, RUBBER, SHOCK ABSORBER	8
20	10435-G1		WASHER, SHOCK ABSORBER.....	8
21				
22	00532-G6		NUT, 3/8 - 24	4
23				
24	12262-G1		NUT, LOCK, FLANGED, 3/8 - 16	2

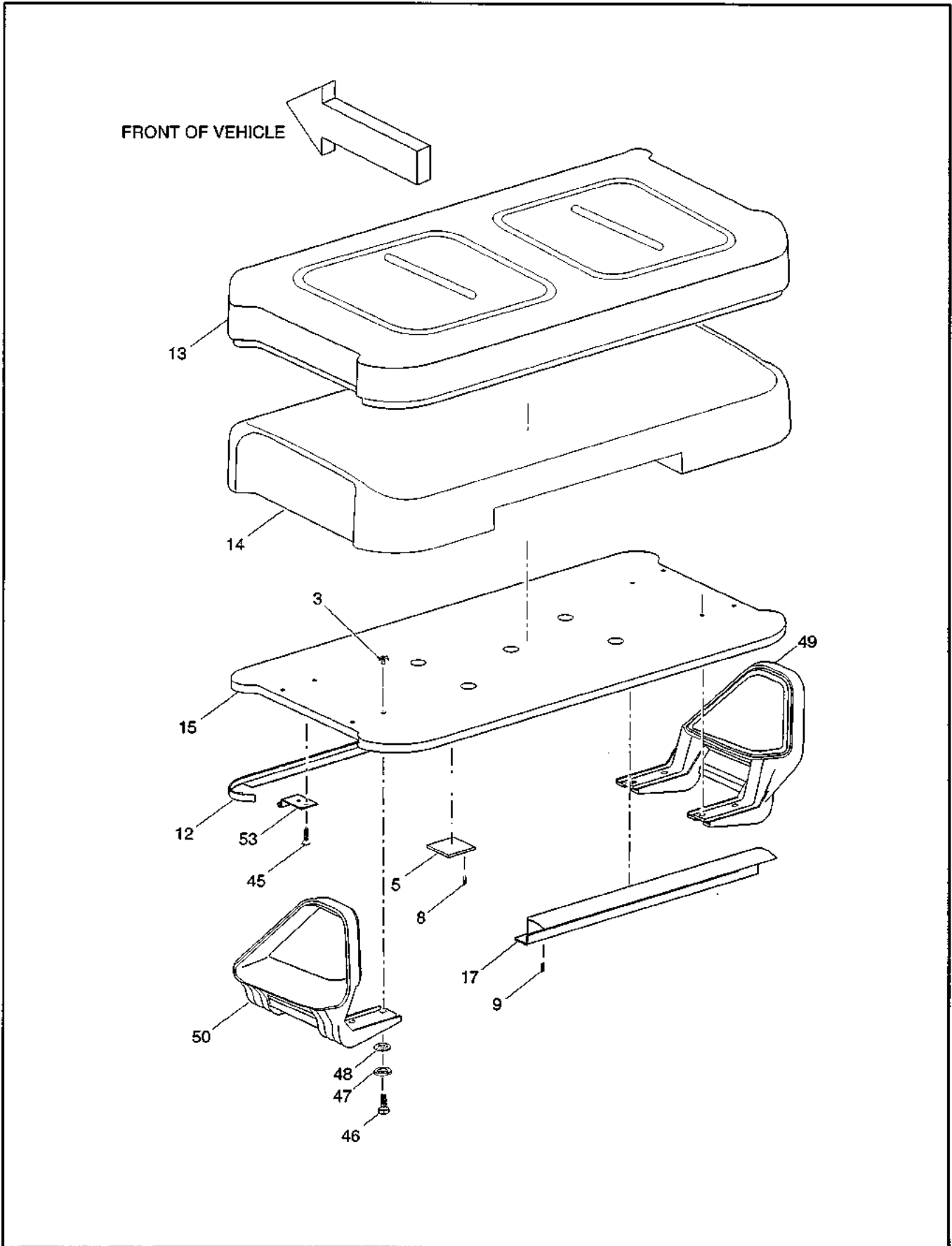
SEATING AND BAGRACK

Electric Vehicle



Electric Vehicle

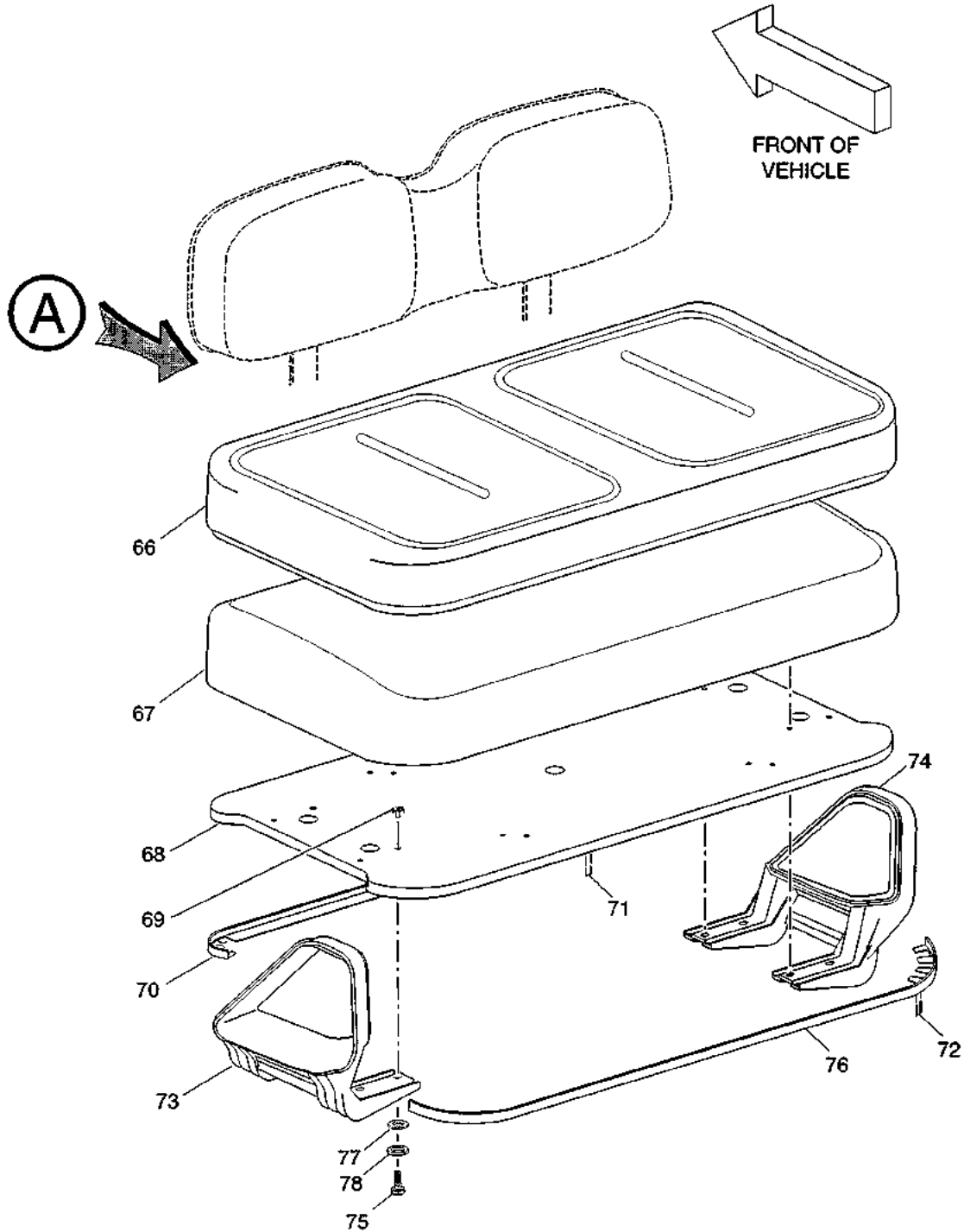
SEATING AND BAGRACK



SEATING AND BAGRACK

Electric Vehicle

ITEMS 55 - 85 ARE FOR USE ON 4 CADDY MODELS ONLY

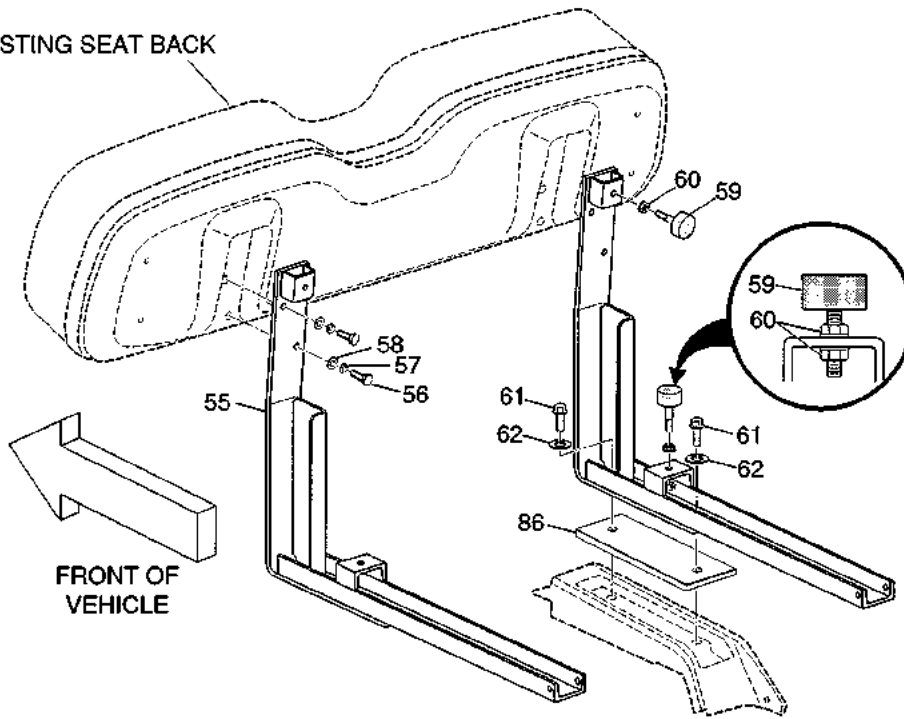


Electric Vehicle

SEATING AND BAGRACK

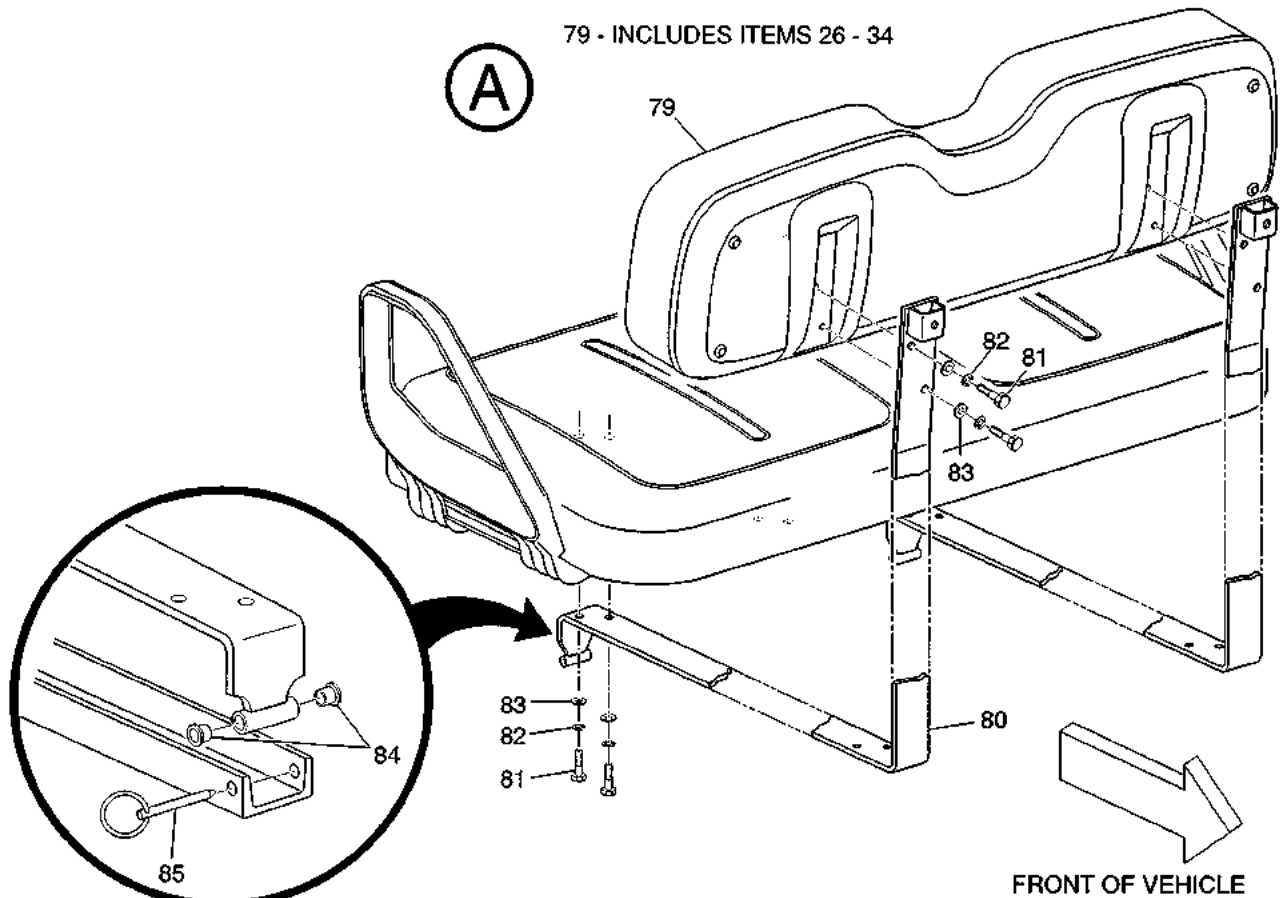
ITEMS 55 - 85 ARE FOR USE ON 4 CADDY MODELS ONLY

EXISTING SEAT BACK



79 - INCLUDES ITEMS 26 - 34

A



SEATING AND BAGRACK

Electric Vehicle

When ordering parts, please specify the model and serial number of the product.

* Indicates a component that is not available as an individual part.

G** Indicates consult Customer Service Department for additional information.

ITEM	PART NO.	1 2 3 4 5	DESCRIPTION	QTY.
1	71611-G**		SEAT BOTTOM ASSEMBLY (INCLUDES ITEMS 3 - 17)	1
2				
3	*		NUT, TEE	8
4				
5	17074-G1		BUMPER, SEAT	2
6				
7				
8	*		STAPLE, FLAT	110
9	*		STAPLE, FLAT	46
10				
11				
12	71012-G01		VINYL TRIM, SEAT BOTTOM.....	1
13	71602-G**		VINYL SEAT BOTTOM COVER	1
14	*		FOAM PADDING, SEAT BOTTOM	1
15	*		SEAT BOTTOM, WOOD	1
16				
17	71608-G01		REAR TRIM, SEAT	1
18				
19				
20				
21	00414-G8		BOLT, 1/4 - 20 X 1 LG.	4
22	00565-G7		WASHER, LOCK, 1/4	4
23	11027-G2		NUT, LOCK, 1/4 - 20	2
24	16816-G1		FASTENER, PLASTIC RATCHET.....	2
25	71751-G**		SEAT BACK ASSEMBLY (INCLUDES ITEMS 26 - 34).....	1
26	*		STAPLE, FLAT	95
27				
28	71752-G01		PLASTIC, REAR COVER SEAT BACK	1
29	71753-G**		VINYL SEAT BACK COVER	1
30	*		FOAM PADDING, SEAT BACK.....	1

Electric Vehicle

SEATING AND BAGRACK

When ordering parts, please specify the model and serial number of the product.

* Indicates a component that is not available as an individual part.

G** Indicates consult Customer Service Department for additional information.

ITEM	PART NO.	1	2	3	4	5	DESCRIPTION	QTY.
31								
32	*						SEAT BACK, WOOD	1
33	71002-G01						SCREW, #8 X 1 LG.	4
34	*						NUT, TEE	4
35								
36								
37								
38	71802-G01						BOLT, 3/8 - 16 X 2 1/4 LG.	4
39	71811-G02						BRACKET, SEAT SUPPORT	2
40	71821-G01						BOLT, CARRIAGE, 1/4 - 20 X 1 1/2 LG.	2
41	71851-G01						BRACKET, BAG HOLDER	1
42	71853-G01						STRAP, BAG RETAINER	1
43	71856-G01						CLAMP, BAG RETAINER	2
44								
45	00720-G08						SCREW, #12 - 14 X 1 LG.	4
46	00414-G8						BOLT, 1/4 - 20 X 1 LG.	8
47	00565-G7						WASHER, LOCK, 1/4	8
48	00559-G7						WASHER, 1/4	8
49	71701-G01						HIP RESTRAINT, PASSENGER SIDE	1
50	71702-G01						HIP RESTRAINT, DRIVER'S SIDE	1
51								
52								
53	71610-G01						HINGE, SEAT	2
54								
55	74111-G01						SUPPORT, SEAT BACK (ITEMS 55 - 85 FOR USE ON 4 CADDY MODELS ONLY)	2
56	00414-G8						BOLT, 1/4 - 20 X 1 LG.	4
57	00565-G7						WASHER, LOCK, 1/4	4
58	00559-G7						WASHER, 1/4	4
59	70113-G01						BUMPER, RUBBER	4

SEATING AND BAGRACK

Electric Vehicle

When ordering parts, please specify the model and serial number of the product.

* Indicates a component that is not available as an individual part.

G** Indicates consult Customer Service Department for additional information.

ITEM	PART NO.	1 2 3 4 5	DESCRIPTION	QTY.
60	11027-G1		NUT, LOCK, 5/16 - 18	6
61	01006-G02		BOLT, 3/8 - 16 X 1 1/2 LG.	4
62	00560-G1		WASHER, 3/8.....	4
63				
64	74131-G**		SEAT ASSEMBLY (INCLUDES ITEMS 65 - 79).....	1
65	74139-G**		SEAT BOTTOM ASSEMBLY (INCLUDES ITEMS 66 - 77).....	1
66	71602-G**		VINYL COVER, SEAT BOTTOM.....	1
67	*		FOAM, SEAT BOTTOM.....	1
68	*		WOOD, SEAT BOTTOM	1
69	*		NUT, TEE.....	16
70	74140-G01		TRIM, SEAT, FRONT.....	1
71	*		STAPLE, FLAT	110
72	*		STAPLE, FLAT	48
73	71702-G01		HIP RESTRAINT, DRIVER'S SIDE	1
74	71701-G01		HIP RESTRAINT, PASSENGER SIDE	1
75	00414-G8		BOLT, 1/4 - 20 X 1 LG.	8
76	71608-G01		TRIM, SEAT, REAR.....	1
77	00559-G7		WASHER, 1/4.....	8
78	00565-G7		WASHER, LOCK, 1/4	8
79	71751-G**		SEAT BACK ASSEMBLY (INCLUDES ITEMS 26 - 34)	1
80	74117-G01		BRACKET, REAR SEAT SUPPORT	2
81	00414-G8		BOLT, 1/4 - 20 X 1 LG.....	12
82	00565-G2		WASHER, LOCK, #5	12
83	00559-G7		WASHER, 1/4	12
84	17838-G1		BUSHING, NYLON.....	4
85	74134-G01		PIN, HITCH	2
86	70364-G01		SPACER.....	2

**DID YOU
KNOW?**

CartPros directs you to the right part using the part numbers from this manual. Enter the part number into our search box and it will find the part you are looking for.

**GET STARTED
HERE**



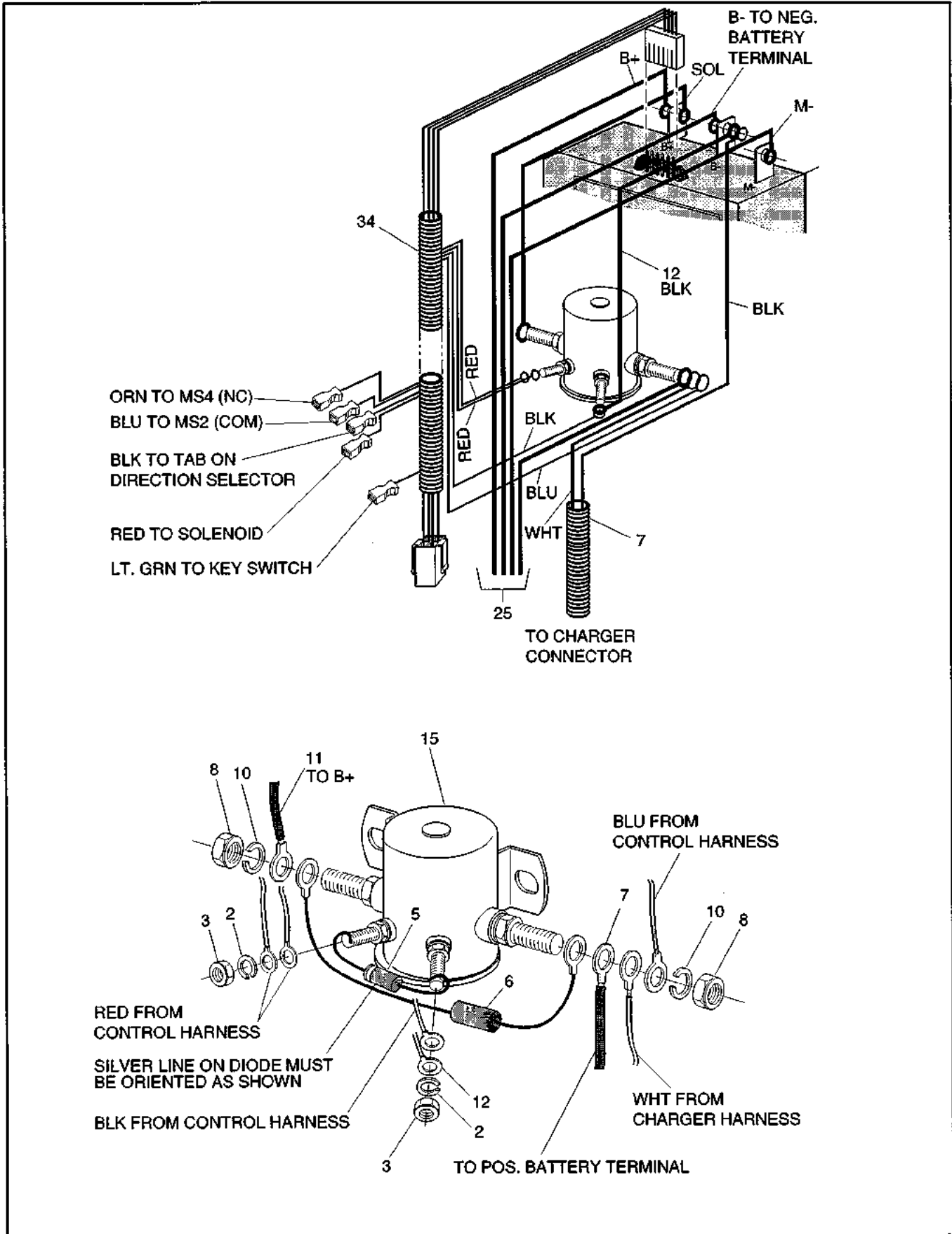
<https://CartPros.com/f.html>

Electric Vehicle

SEATING AND BAGRACK

SOLID STATE SPEED CONTROL

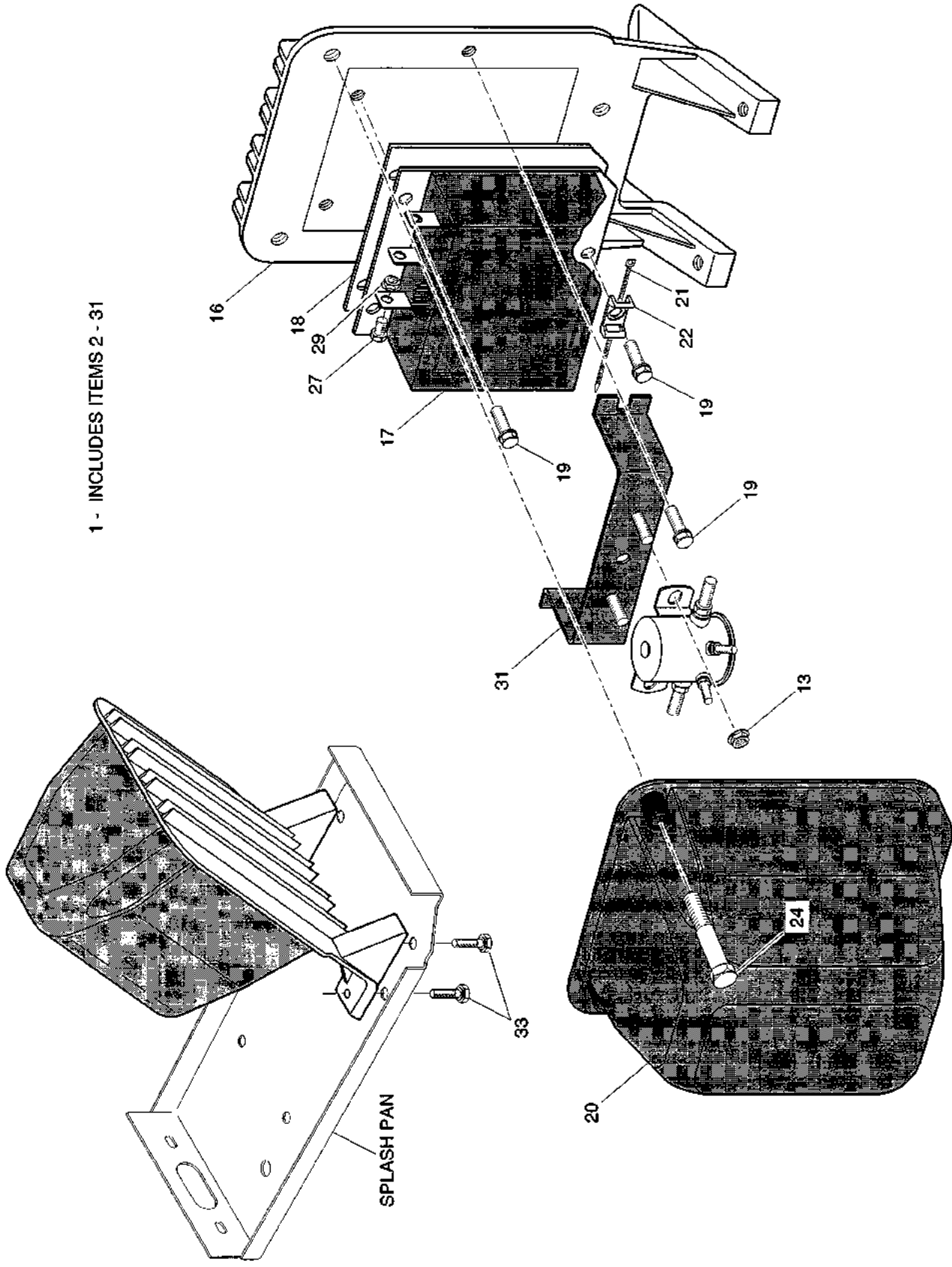
Electric Vehicle



Electric Vehicle

SOLID STATE SPEED CONTROL

1 - INCLUDES ITEMS 2 - 31



SOLID STATE SPEED CONTROL

Electric Vehicle

THE USE OF NON UL PARTS WILL VOID ANY UL LISTING.

When ordering parts, please specify the model and serial number of the product.

* Indicates a component that is not available as an individual part.

G** Indicates consult Customer Service Department for additional information.

ITEM	PART NO.	1 2 3 4 5	DESCRIPTION	QTY.
1	73056-G04		ELECTRONIC SPEED CONTROL ASSEMBLY, MID 1996 AND LATER (INCLUDES ITEMS 2 - 31).....	1
2	*		WASHER, LOCK, #10	2
3	*		NUT, 10 - 32.....	2
4				
5	30353-G1		DIODE.....	1
6	21764-G1		RESISTOR.....	1
7	73103-G02		WIRE HARNESS, CONTROL.....	1
8	*		NUT, 5/16 - 24.....	2
9				
10	*		WASHER, LOCK, 5/16	2
11	25972-G02		WIRE, SOL - B+.....	1
12	25978-G10		WIRE, SOL - B-.....	1
13	11027-G2		NUT, 1/4 - 20.....	2
14				
15	27855-G01		SOLENOID	1
16	73026-G01		HEATSINK	1
17	25864-G02		ELECTRONIC SPEED CONTROLLER	1
18	73190-G01		PAD, THERMAL MOUNTING	1
19	71102-G01		BOLT, 1/4 - 20 X 3/4 LG.....	2
20	73028-G01		COVER	1
21	31539-G1		WIRE TIE	1
22	73053-G01		MOUNT.....	1
23				
24	71102-G01		BOLT, 1/4 - 20 X 3/4 LG.....	3
25	73039-G02		WIRE HARNESS, POWER.....	1
26				
27	00270-G5		BOLT, 5/16 - 18 X 5/8 LG.....	4
28				
29	11027-G1		NUT, 5/16 - 18.....	4

Electric Vehicle

SOLID STATE SPEED CONTROL

THE USE OF NON UL PARTS WILL VOID ANY UL LISTING.

When ordering parts, please specify the model and serial number of the product.

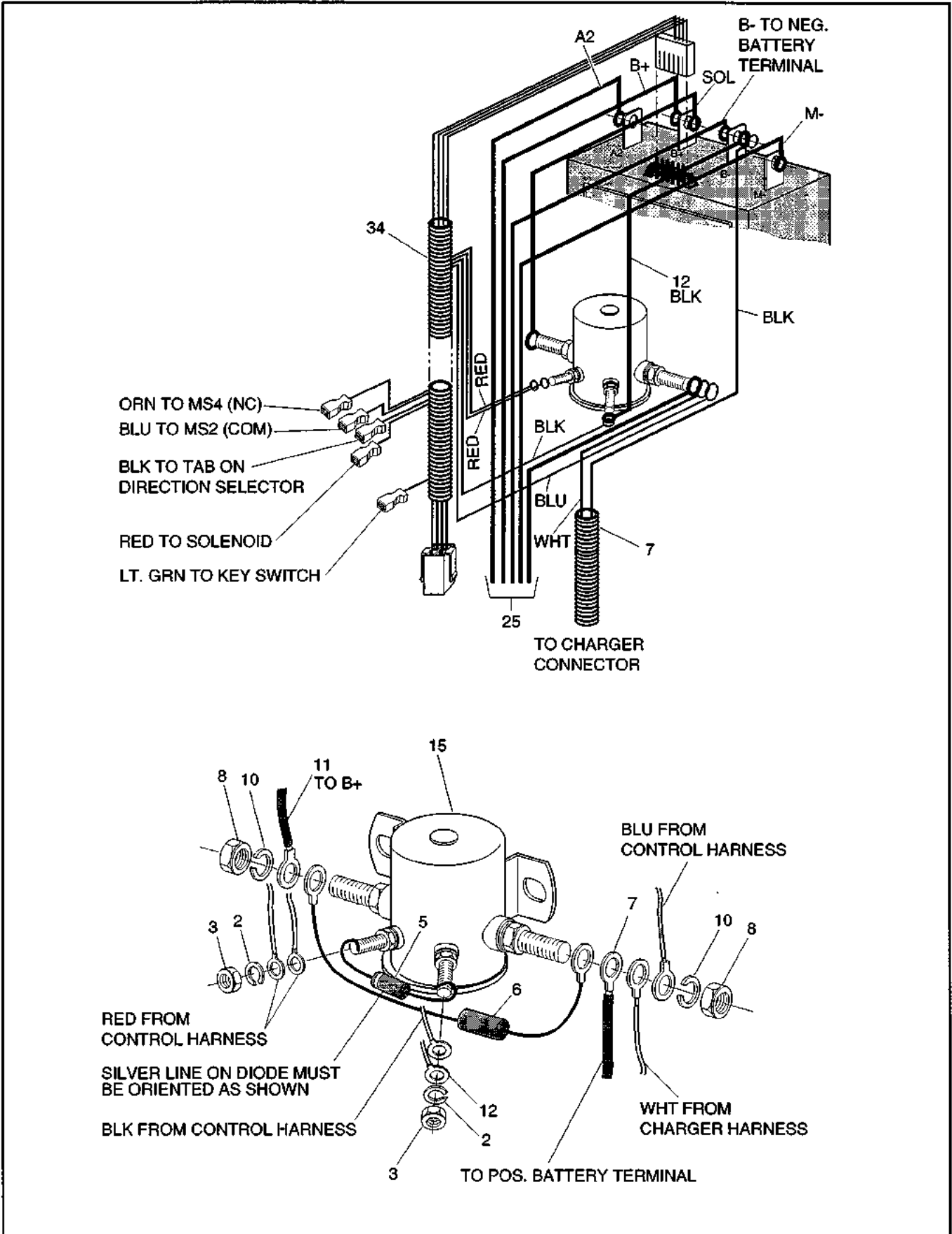
* Indicates a component that is not available as an individual part.

G** Indicates consult Customer Service Department for additional information.

ITEM	PART NO.	1	2	3	4	5	DESCRIPTION	QTY.
30								
31	25866-G01						BRACKET, SOLENOID.....	1
32								
33	71102-G01						BOLT, 1/4 - 20 X 3/4 LG.	4
34	73040-G01						WIRE HARNESS, CONTROL.....	1

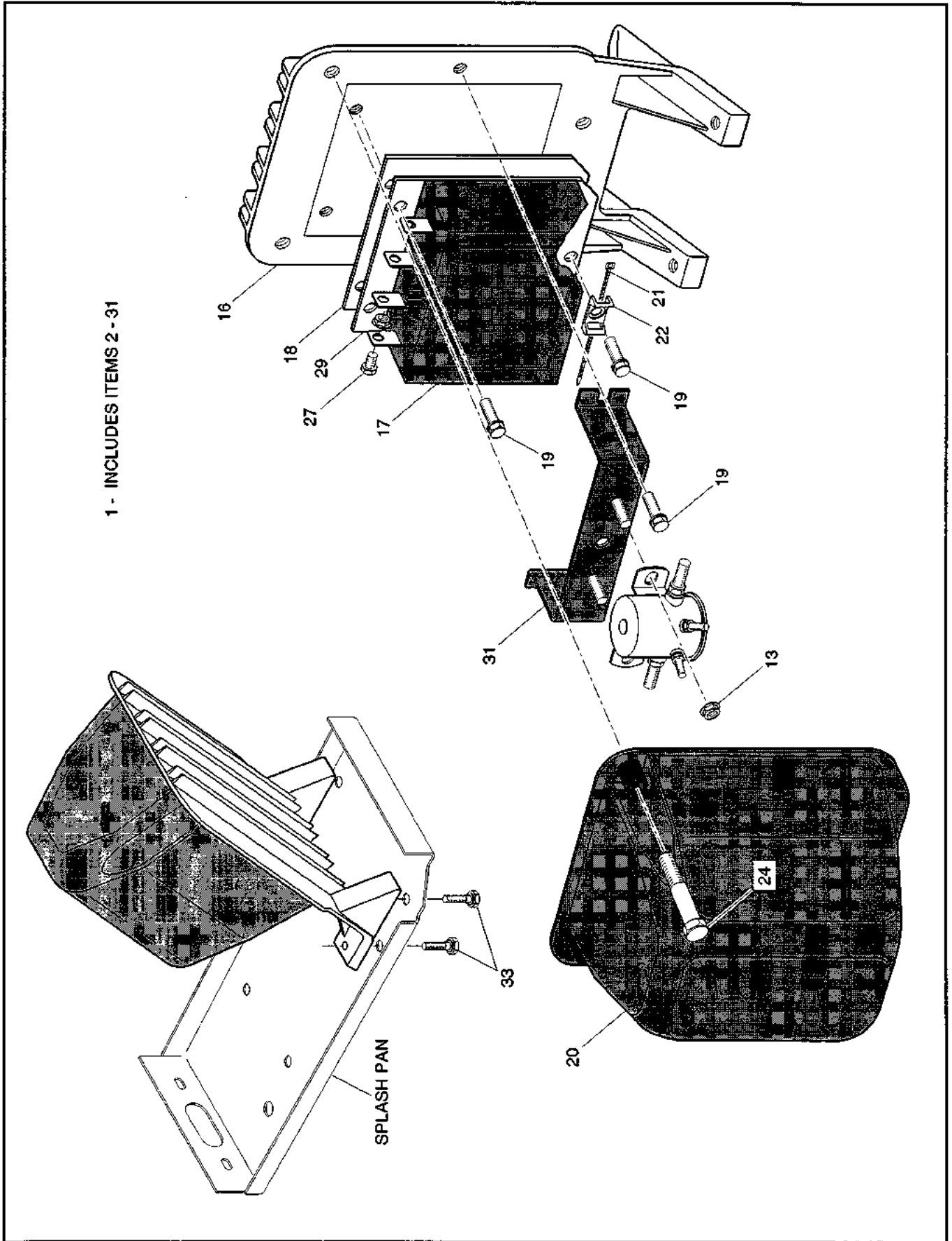
SOLID STATE SPEED CONTROL

Electric Vehicle



Electric Vehicle

SOLID STATE SPEED CONTROL



SOLID STATE SPEED CONTROL

Electric Vehicle

THE USE OF NON UL PARTS WILL VOID ANY UL LISTING.

When ordering parts, please specify the model and serial number of the product.

* Indicates a component that is not available as an individual part.

G** Indicates consult Customer Service Department for additional information.

ITEM	PART NO.	1 2 3 4 5	DESCRIPTION	QTY.
1	73056-G02		ELECTRONIC SPEED CONTROL ASSEMBLY, EARLY TO MID 1996 (INCLUDES ITEMS 2 - 31).....	1
2	*		WASHER, LOCK, #10	2
3	*		NUT, 10 - 32.....	2
4				
5	30353-G1		DIODE.....	1
6	21764-G1		RESISTOR.....	1
7	73103-G02		WIRE HARNESS, CONTROL.....	1
8	*		NUT, 5/16 - 24.....	2
9				
10	*		WASHER, LOCK, 5/16	2
11	25972-G02		WIRE, SOL - B+.....	1
12	25978-G10		WIRE, SOL - B-.....	1
13	11027-G2		NUT, 1/4 - 20.....	2
14				
15	27855-G01		SOLENOID	1
16	73026-G01		HEATSINK	1
17	25864-G02		ELECTRONIC SPEED CONTROLLER.....	1
18	73190-G01		PAD, THERMAL MOUNTING	1
19	71102-G01		BOLT, 1/4 - 20 X 3/4 LG.....	2
20	73028-G01		COVER	1
21	31539-G1		WIRE TIE	1
22	73053-G01		MOUNT.....	1
23				
24	71102-G01		BOLT, 1/4 - 20 X 3/4 LG.....	3
25	73039-G01		WIRE HARNESS, POWER.....	1
26				
27	00270-G5		BOLT, 5/16 - 18 X 5/8 LG.....	4
28				
29	11027-G1		NUT, 5/16 - 18.....	4

Electric Vehicle

SOLID STATE SPEED CONTROL

THE USE OF NON UL PARTS WILL VOID ANY UL LISTING.

When ordering parts, please specify the model and serial number of the product.

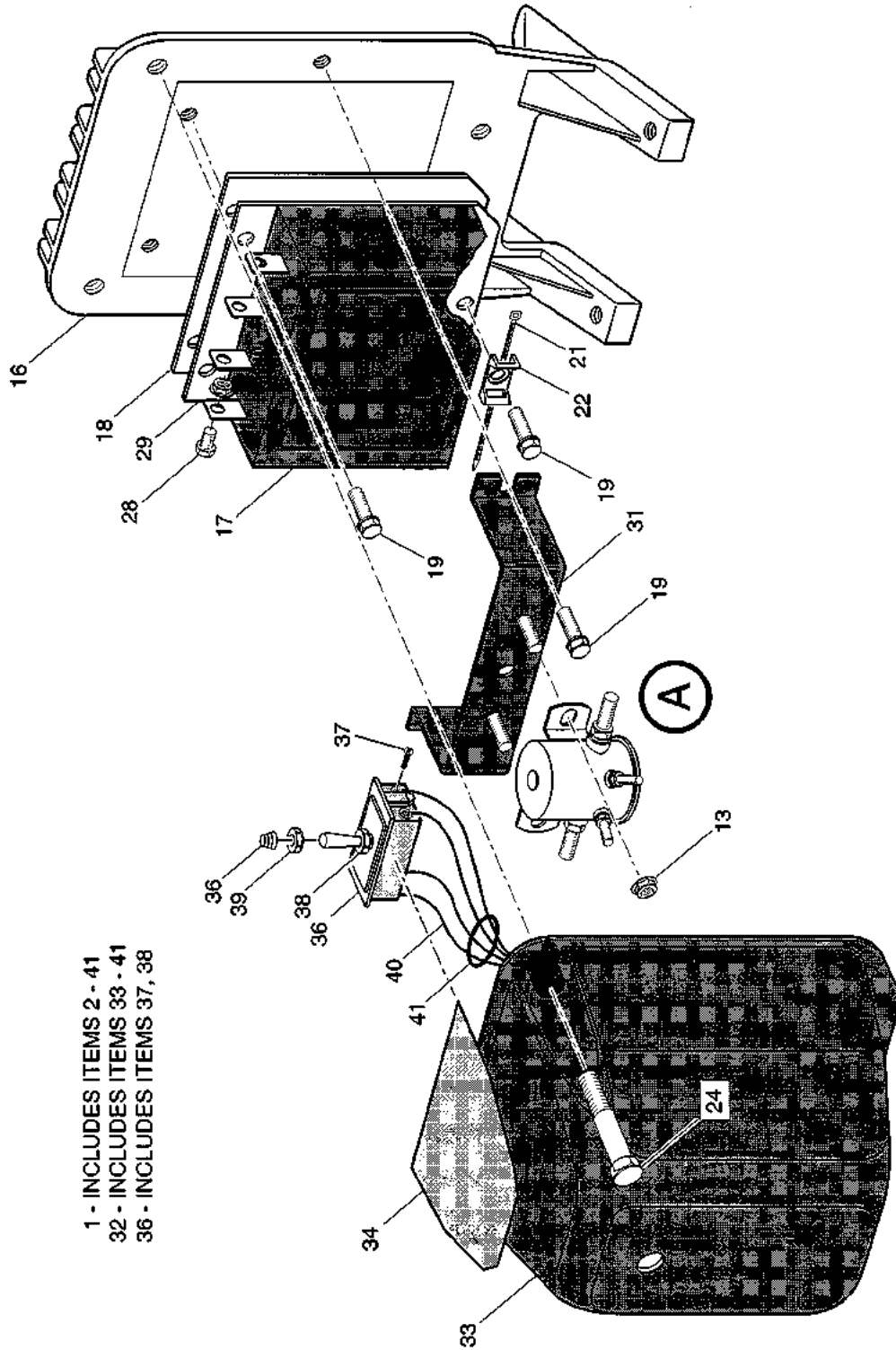
* Indicates a component that is not available as an individual part.

G** Indicates consult Customer Service Department for additional information.

ITEM	PART NO.	1 2 3 4 5	DESCRIPTION	QTY.
30				
31	25866-G01		BRACKET, SOLENOID.....	1
32				
33	71102-G01		BOLT, 1/4 - 20 X 3/4 LG.....	4
34	73040-G01		WIRE HARNESS, CONTROL.....	1

SOLID STATE SPEED CONTROL - DCS

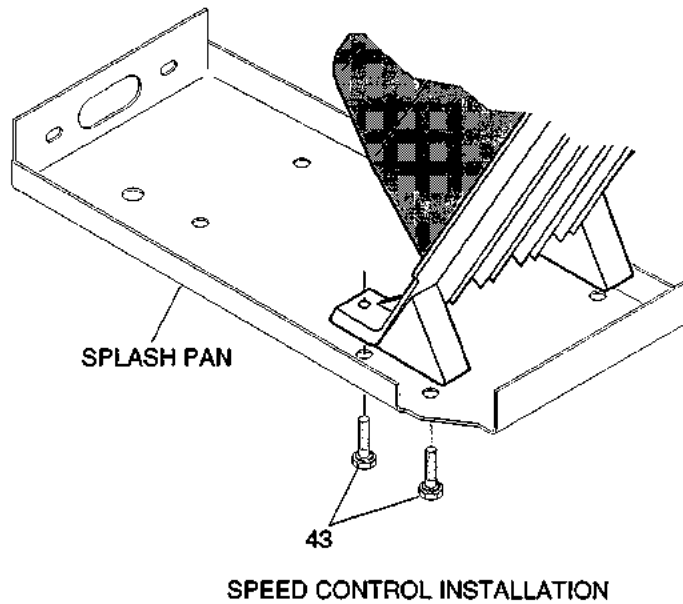
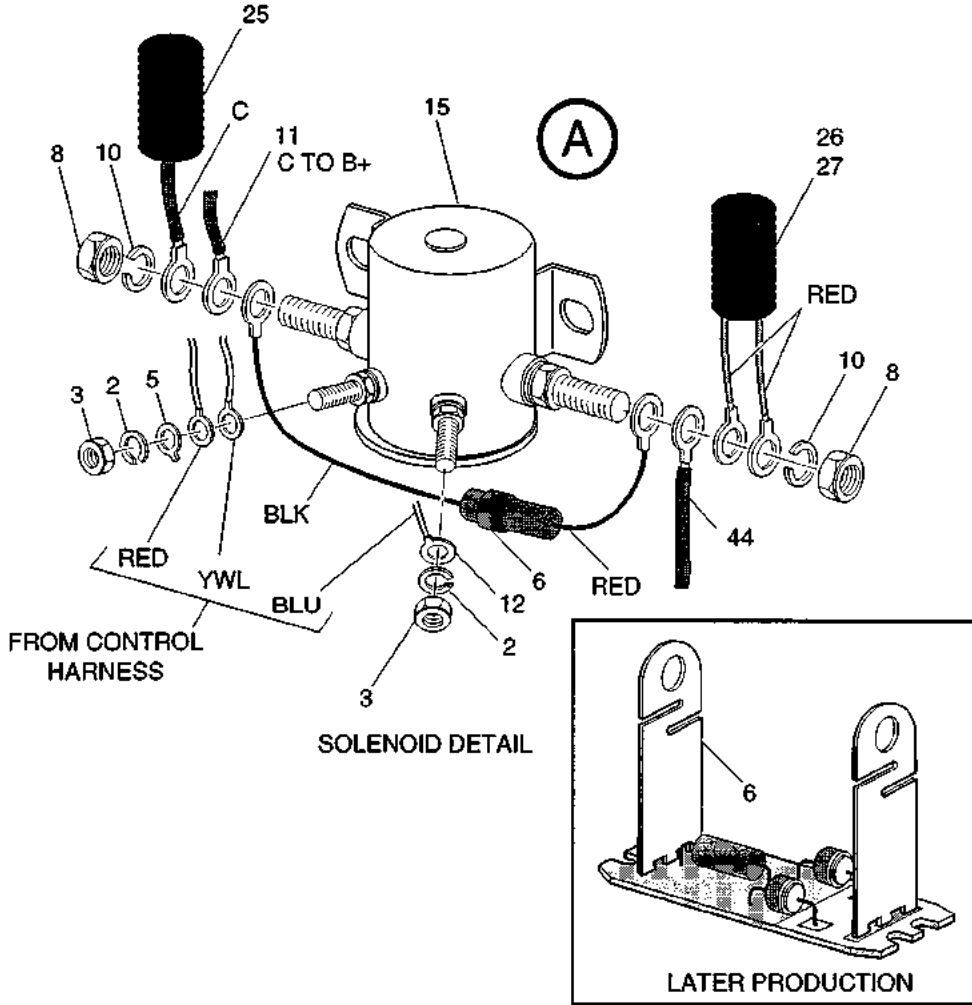
Electric Vehicle



- 1 - INCLUDES ITEMS 2 - 41
- 32 - INCLUDES ITEMS 33 - 41
- 36 - INCLUDES ITEMS 37, 38

Electric Vehicle

SOLID STATE SPEED CONTROL - DCS



SOLID STATE SPEED CONTROL - DCS

Electric Vehicle

THE USE OF NON UL PARTS WILL VOID ANY UL LISTING.

When ordering parts, please specify the model and serial number of the product.

* Indicates a component that is not available as an individual part.

G** Indicates consult Customer Service Department for additional information.

ITEM	PART NO.	1 2 3 4 5	DESCRIPTION	QTY.
1	73198-G01		SPEED CONTROL ASSEMBLY (INCLUDES ITEMS 2 - 41)	1
2	*		WASHER, LOCK, #10	2
3	*		NUT, 10 - 32.....	2
4				
5	12914-G1		TAB, TERMINAL	1
6	73150-G01		RESISTOR.....	1
7				
8	*		NUT, 5/16 - 24.....	2
9				
10	*		WASHER, LOCK, 5/16	2
11	25972-G56		WIRE, C - B+	1
12				
13	11027-G2		NUT, 1/4 - 20.....	2
14				
15	27855-G01		SOLENOID	1
16	73026-G01		HEATSINK	1
17	73144-G01		SPEED CONTROLLER	1
18	73190-G01		PAD, THERMAL MOUNTING	1
19	71102-G01		BOLT, 1/4 - 20 X 3/4 LG.....	5
20				
21	31539-G1		WIRE TIE	1
22	73053-G01		MOUNT.....	1
23				
24	71102-G03		BOLT, 1/4 - 20 X 1 1/4 LG.....	3
25	73152-G01		WIRE HARNESS, POWER.....	1
26	73153-G01		WIRE HARNESS, CONTROL (THRU JUNE 1995)	1
27	73191-G01		WIRE HARNESS, CONTROL (FROM JULY 1995)	1
28	00270-G5		BOLT, 5/16 - 18 X 5/8 LG.....	3
29	11027-G1		NUT, 5/16 - 18.....	3
30				

Electric Vehicle

SOLID STATE SPEED CONTROL - DCS

THE USE OF NON UL PARTS WILL VOID ANY UL LISTING.

When ordering parts, please specify the model and serial number of the product.

* Indicates a component that is not available as an individual part.

G** Indicates consult Customer Service Department for additional information.

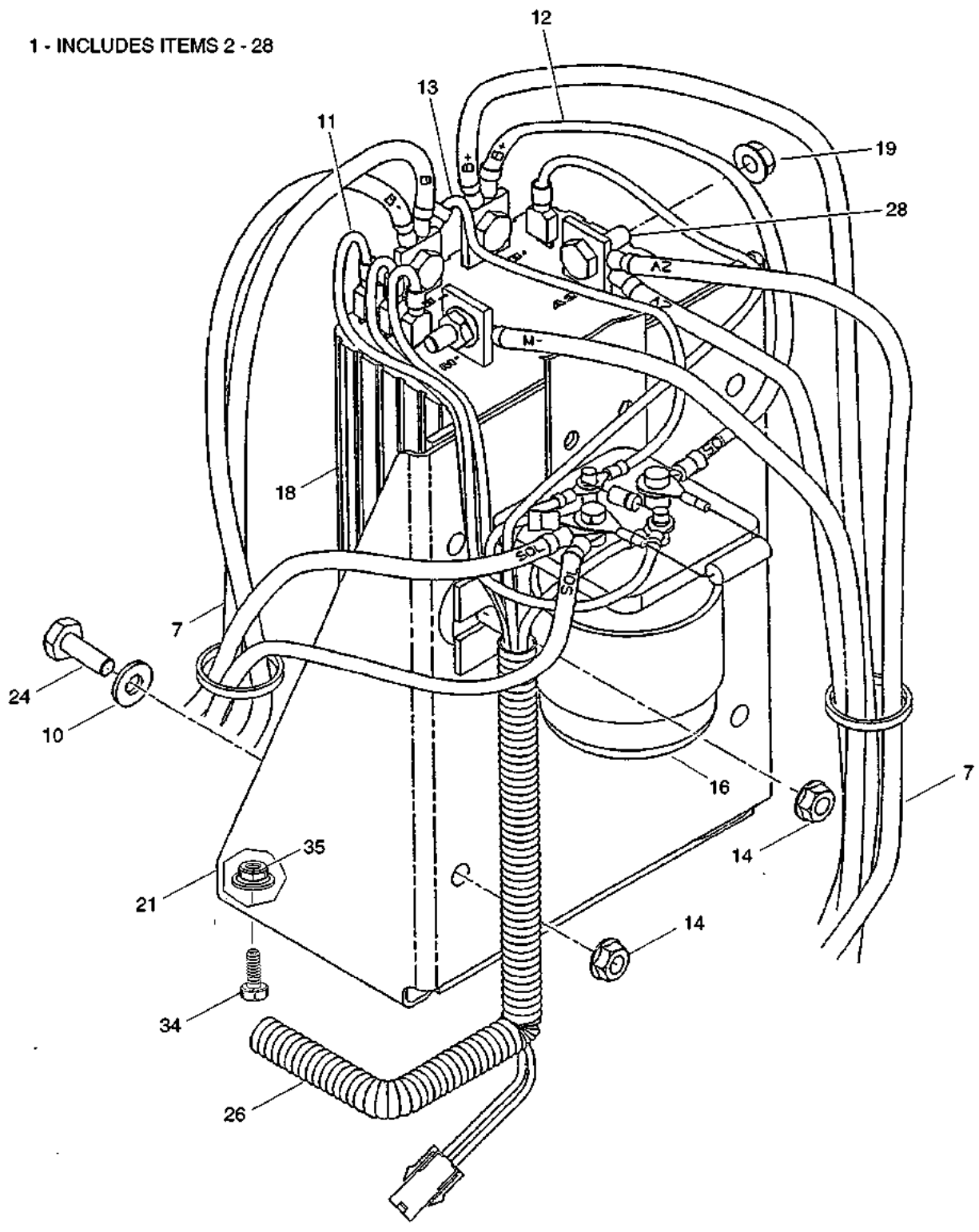
ITEM	PART NO.	1 2 3 4 5	DESCRIPTION	QTY.
31	25866-G01		BRACKET, SOLENOID.....	1
32	73137-G01		COVER ASSEMBLY (INCLUDES ITEMS 33 - 41)	1
33	73028-G02		COVER (WITH GASKET)	1
34	73132-G01		LABEL, TOW SWITCH.....	1
35				
36	73125-G01		SWITCH, TOGGLE WITH SEAL (INCLUDES ITEMS 37, 38)	1
37	*		SCREW, #5 - 40	4
38	*		NUT, 15/32 - 32.....	4
39	73139-G01		NUT, SEAL	1
40	73138-G01		HARNESS, TOW SWITCH	1
41	17618-G1		CLAMP, NYLON.....	1
42				
43	71102-G01		BOLT, 1/4 - 20 X 3/4 LG.	4
44	25972-G22		WIRE, BL+ TO SOL	1

SOLID STATE SPEED CONTROL - HD

Electric Vehicle

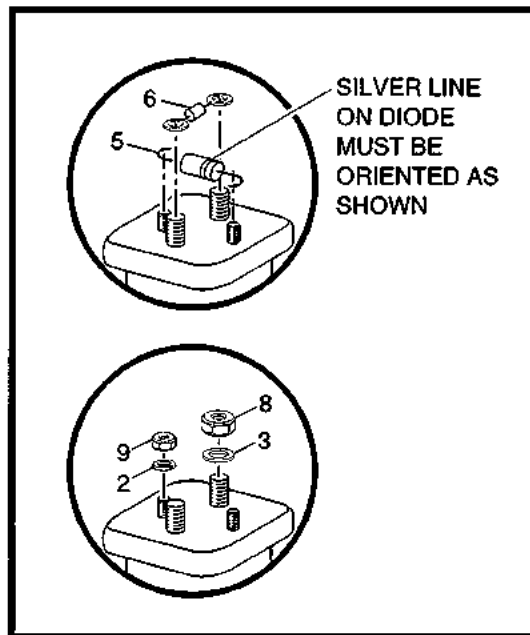
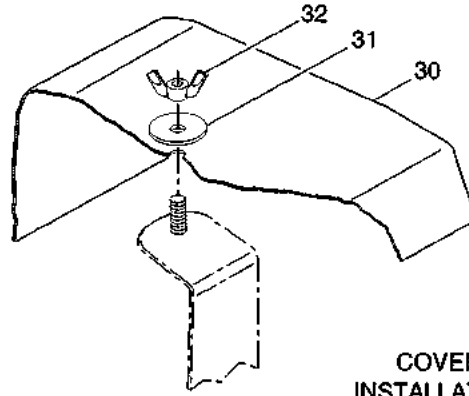
FOR USE ON FREEDOM VEHICLES ONLY

1 - INCLUDES ITEMS 2 - 28



Electric Vehicle

SOLID STATE SPEED CONTROL - HD



SOLID STATE SPEED CONTROL - HD

Electric Vehicle

THE USE OF NON UL PARTS WILL VOID ANY UL LISTING.

When ordering parts, please specify the model and serial number of the product.

* Indicates a component that is not available as an individual part.

G** Indicates consult Customer Service Department for additional information.

ITEM	PART NO.	1 2 3 4 5	DESCRIPTION	QTY.
1	73055-G02		SOLID STATE SPEED CONTROL ASSEMBLY - FOR USE ON FREEDOM VEHICLES ONLY (INCLUDES ITEMS 2 - 28)	1
2	*		WASHER, LOCK, #10	2
3	*		WASHER, 5/16	2
4				
5	30353-G1		DIODE.....	1
6	21764-G1		RESISTOR.....	1
7	28325-G01		WIRE HARNESS, CHARGER CONNECTOR	1
8	*		NUT, 5/16 - 24.....	2
9	*		NUT, #10 - 32.....	2
10	00559-G7		WASHER, 1/4	2
11	25978-G88		WIRE, FROM SOL.....	1
12	25972-G02		WIRE, SOL - B+.....	1
13	25978-G10		WIRE, FROM SOL.....	1
14	11027-G2		NUT, 1/4 - 20.....	6
15				
16	20468-G1		SOLENOID	1
17				
18	73060-G01		SOLID STATE SPEED CONTROLLER	1
19	11027-G1		NUT, LOCK, 5/16 - 18.....	4
20				
21	74014-G01		MOUNT, CONTROLLER.....	1
22				
23				
24	00414-G5		SCREW, 1/4 - 20 X 5/8 LG.	4
25				
26	73095-G02		WIRE HARNESS, POWER.....	1
27				
28	00270-G5		BOLT, 5/16 - 18 X 5/8 LG.....	4
29				

Electric Vehicle

SOLID STATE SPEED CONTROL - HD

THE USE OF NON UL PARTS WILL VOID ANY UL LISTING.

When ordering parts, please specify the model and serial number of the product.

* Indicates a component that is not available as an individual part.

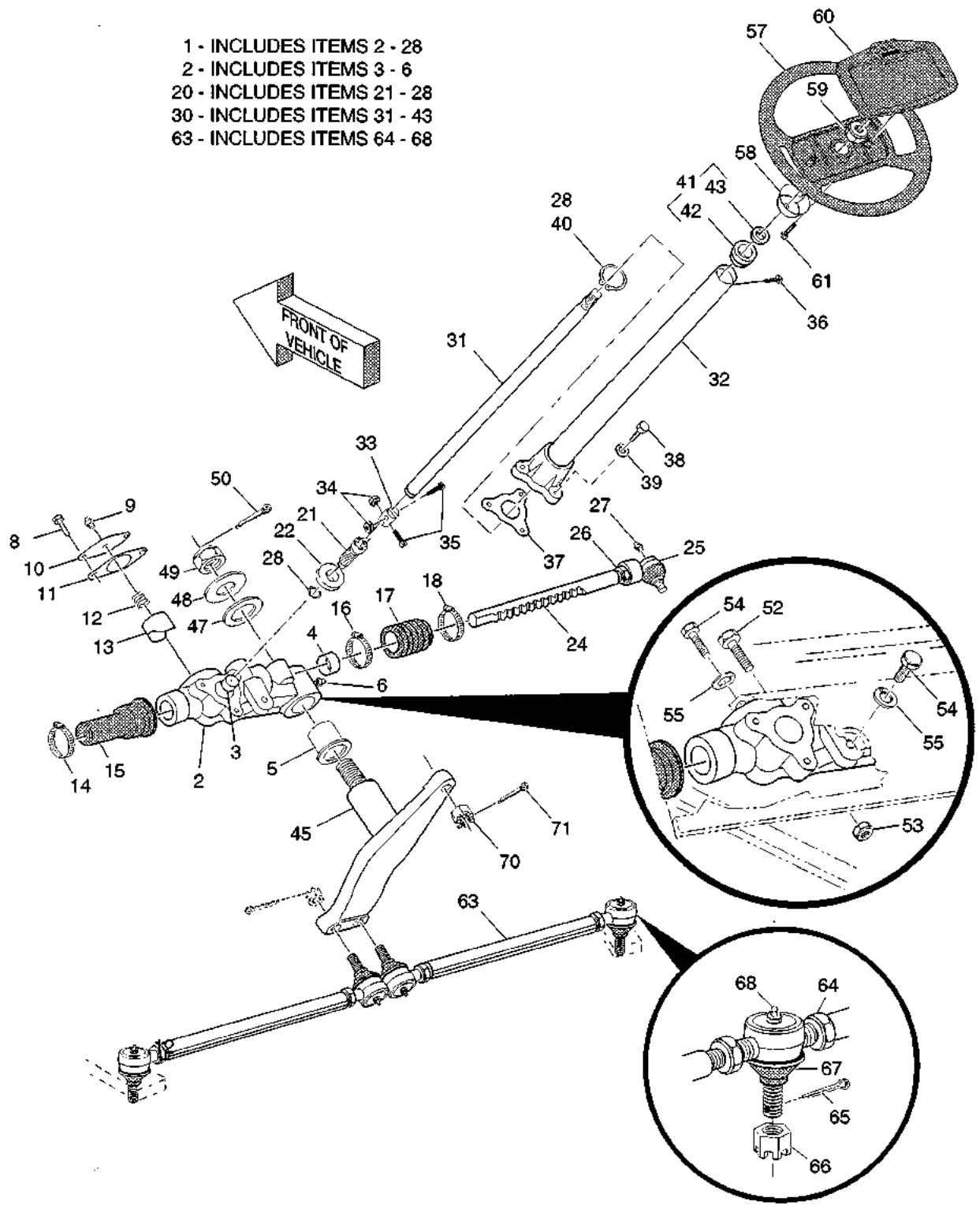
G** Indicates consult Customer Service Department for additional information.

ITEM	PART NO.	1 2 3 4 5	DESCRIPTION	QTY.
30	23723-G2		COVER, SOLID STATE SPEED CONTROL.....	1
31	16469-G1		WASHER, FENDER.....	1
32	14419-G1		WING NUT.....	1
33				
34	00715-G2		SCREW, 1/4 - 20 X 5/8 LG.....	4
35	11027-G2		NUT, 1/4 - 20.....	4

STEERING

Electric Vehicle

- 1 - INCLUDES ITEMS 2 - 28
- 2 - INCLUDES ITEMS 3 - 6
- 20 - INCLUDES ITEMS 21 - 28
- 30 - INCLUDES ITEMS 31 - 43
- 63 - INCLUDES ITEMS 64 - 68



Electric Vehicle

STEERING

When ordering parts, please specify the model and serial number of the product.

* Indicates a component that is not available as an individual part.

G** Indicates consult Customer Service Department for additional information.

ITEM	PART NO.	1 2 3 4 5	DESCRIPTION	QTY.
1	70314-G01		STEERING BOX ASSEMBLY, COMPLETE (INCLUDES ITEMS 2 - 10)	1
2	75364-G01		STEERING HOUSING (INCLUDES ITEMS 3-6).....	1
3	*		BEARING, SLEEVE	1
4	*		BEARING SLEEVE	1
5	*		BEARING, FLANGED	1
6	10389-G3		GREASE FITTING	1
7				
8	00426-G6		BOLT, 3/8 - 16 X .75 LG.....	2
9	18456-G1		GREASE FITTING, 90°	1
10	70177-G01		COVER, RACK GUIDE.....	1
11	70225-G01		GASKET, RACK GUIDE COVER.....	1
12	70178-G01		SPRING, COMPRESSION.....	1
13	70179-G01		GUIDE, RACK	1
14	11391-G1		CLAMP	1
15	70041-G01		COVER, RACK	1
16	11391-G1		CLAMP	1
17	70183-G01		RACK COVER BELLOWS	1
18	11391-G5		CLAMP	1
19				
20	70299-G01		STEERING GEAR KIT (INCLUDES ITEMS 21 - 28).....	1
21	*		GEAR PINION.....	1
22	*		BALL BEARING	1
23	*		EXTERNAL RETAINING RING	1
24	*		STEERING RACK.....	1
25	*		RACK BALL END (WITH NUT).....	1
26	*		NUT, 7/16 - 20	1
27	*		90° GREASE FITTING.....	2
28	*		INTERNAL RETAINING RING	1
29				
30	70360-G01		STEERING SHAFT/COLUMN KIT (INCLUDES ITEMS 31 - 43).....	1

STEERING

Electric Vehicle

When ordering parts, please specify the model and serial number of the product.

* Indicates a component that is not available as an individual part.

G** Indicates consult Customer Service Department for additional information.

ITEM	PART NO.	1 2 3 4 5	DESCRIPTION	QTY.
31	14322-G3		STEERING SHAFT.....	1
32	70333-G01		STEERING COLUMN	1
33	70226-G01		COUPLING	1
34	00550-G1		LOCK NUT, 1/4 - 20	2
35	70227-G01		BOLT, 1/4 - 20 X 7/8" LG.....	2
36	00118-G2		SCREW, #6 - 18 X 1/4" LG.....	1
37	70223-G01		STEERING HOUSING GASKET	1
38	00876-G2		BOLT, 3/8 - 16 X 1 1/4" LG.....	3
39	00878-G1		LOCK WASHER, 3/8"	3
40	70189-G01		INTERNAL RETAINING RING.....	1
41	17161-G1		BUSHING/SEAL KIT (INCLUDES ITEMS 42, 43)	1
42	*		STEERING COLUMN BUSHING	1
43	*		SHAFT SEAL	1
44				
45	70184-G01		IDLER.....	1
46				
47	70216-G01		THRUST WASHER, 1 1/2" I.D.....	1
48	70195-G01		THRUST WASHER, 7/8"	1
49	00734-G6		LOCK NUT, 7/8 - 9	1
50	00798-G8		COTTER PIN, 5/32 X 1 3/4" LG.....	1
51				
52	00470-G4		BOLT, 7/16 - 20 X 2 1/2" LG.....	1
53	00734-G3		LOCK NUT, 7/16 - 20	1
54	00462-G7		BOLT, 7/16 - 14 X 7/8" LG.....	2
55	00566-G2		LOCK WASHER, 7/16"	2
56				
57	18325-G1		STEERING WHEEL (INCLUDES ITEM 58)	1
58	*		HUB COVER.....	1
59	14390-G2		LOCK NUT, 5/8 - 18	1
60	27102-G01		CLIPBOARD.....	1

Electric Vehicle

STEERING

When ordering parts, please specify the model and serial number of the product.

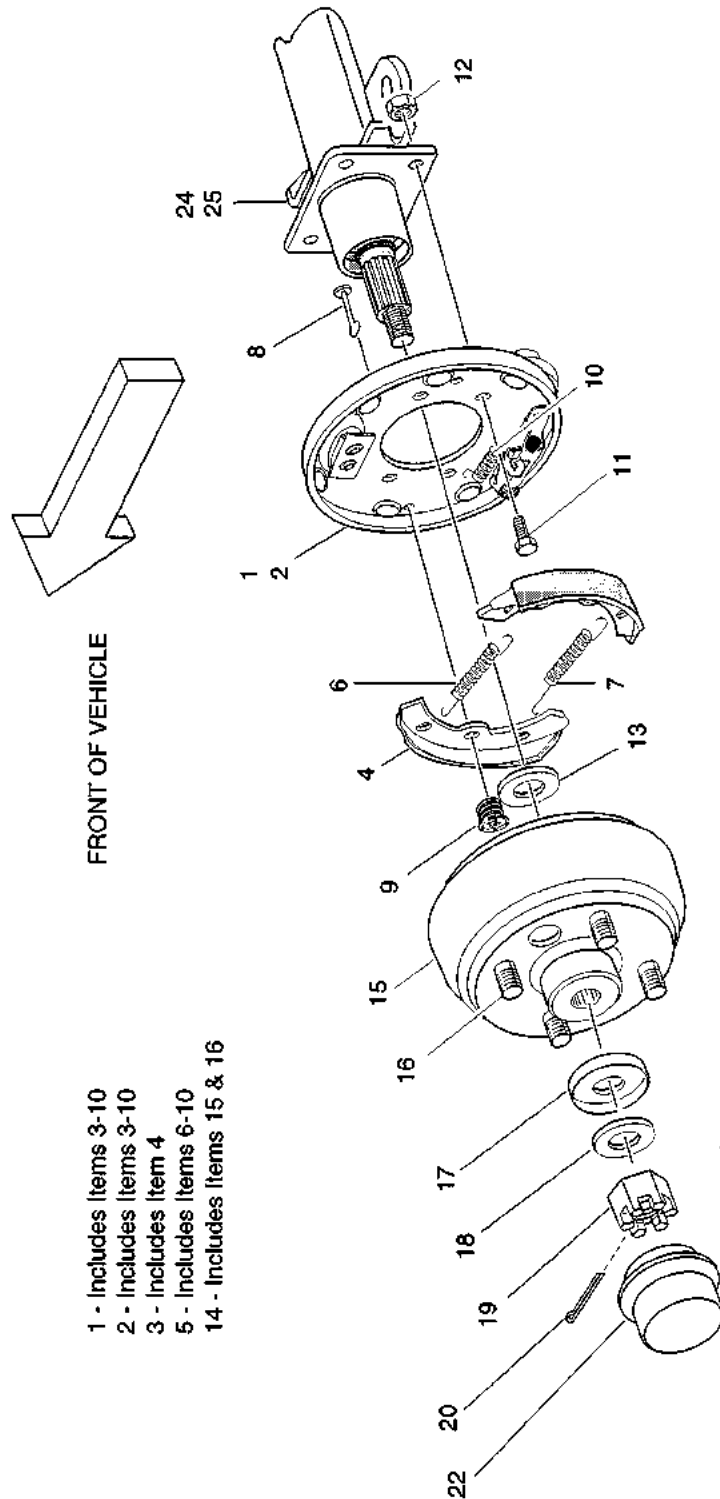
* Indicates a component that is not available as an individual part.

G** Indicates consult Customer Service Department for additional information.

ITEM	PART NO.	1 2 3 4 5	DESCRIPTION	QTY.
61	00999-G01		SCREW, #8 - 18 X 7/8" LG.	2
62				
63	70074-G01		TIE ROD ASSEMBLY (INCLUDES ITEMS 64 - 68)	2
64	18434-G2		NUT, 9/16 - 18.....	2
65	10387-G2		COTTER PIN, 3/32 X 1" LG.....	2
66	50209-G1		SLOTTED NUT, 7/16 - 20	2
67	50641-G1		RUBBER BOOT.....	2
68	10389-G3		GREASE FITTING.....	2
69				
70	50209-G1		SLOTTED NUT, 7/16 - 20.....	1
71	10387-G2		COTTER PIN, 3/32 X 1" LG.....	3

WHEEL BRAKE, BENDIX

Electric Vehicle



Electric Vehicle

WHEEL BRAKE, BENDIX

When ordering parts, please specify the model and serial number of the product.

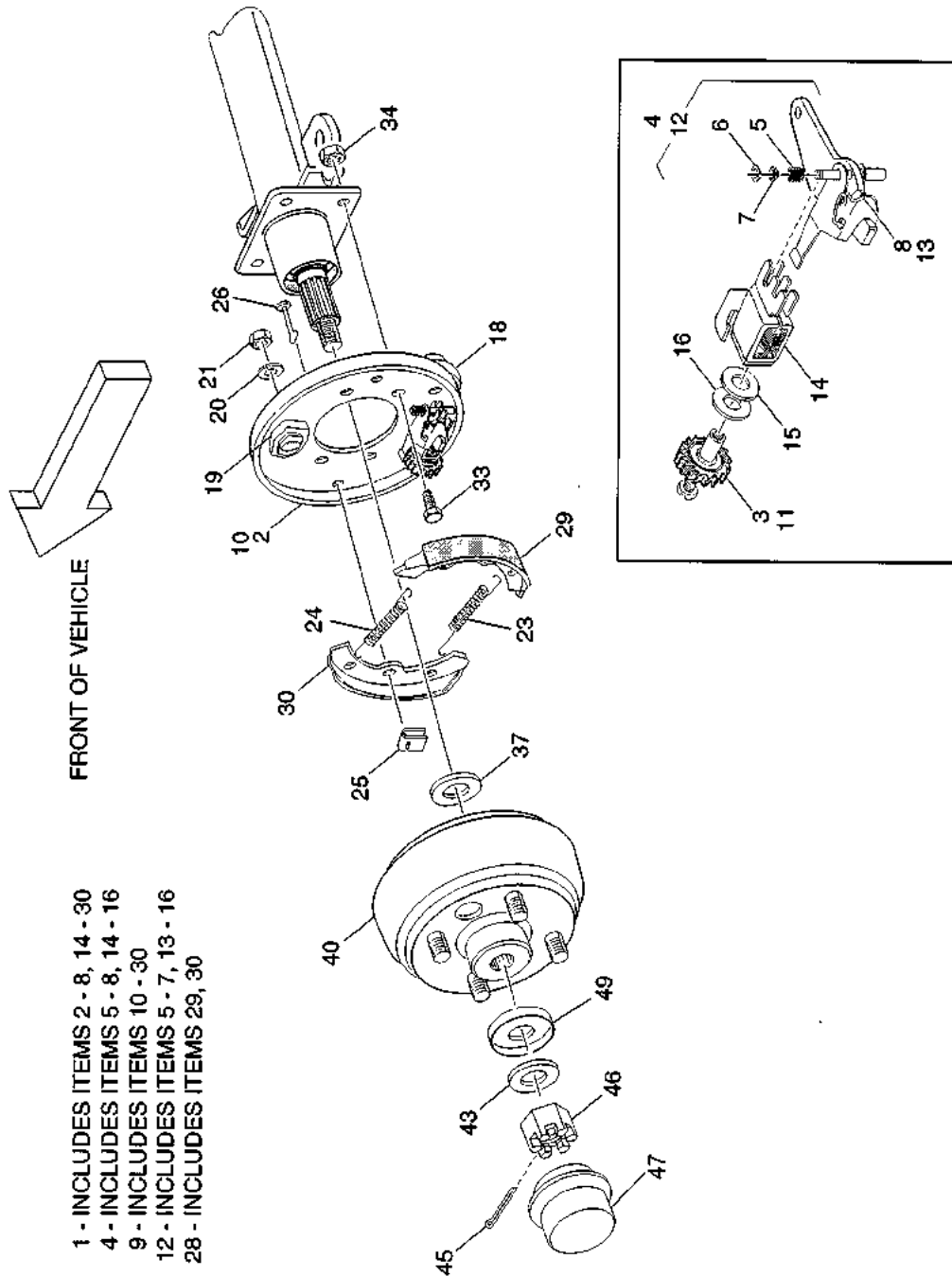
* Indicates a component that is not available as an individual part.

G** Indicates consult Customer Service Department for additional information.

ITEM	PART NO.	1 2 3 4 5	DESCRIPTION	QTY.
1	27942-G01		DRIVER SIDE BRAKE ASSEMBLY (INCLUDES ITEMS 3 - 10)	1
2	27942-G02		PASSENGER SIDE BRAKE ASSEMBLY (INCLUDES ITEMS 3 - 10).....	1
3	27945-G01		BRAKE SHOE KIT (INCLUDES ITEM 4).....	2
4	*		BRAKE SHOE.....	2
5	27944-G01		BRAKE SPRING KIT (INCLUDES ITEMS 6 - 10)	2
6	*		UPPER SPRING	1
7	*		LOWER SPRING	1
8	*		PIN	2
9	*		CUP AND SPRING.....	2
10	*		ADJUSTER SPRING	1
11	17803-G2		BOLT, 5/16 - 24 X 1" LG.....	8
12	15126-G1		LOCK NUT, 5/16 - 24	8
13	21809-G1		INNER BRAKE DRUM WASHER	2
14	21807-G1		BRAKE DRUM ASSEMBLY (INCLUDES ITEMS 15 - 16).....	2
15	*		BRAKE DRUM.....	1
16	19862-G1		LUG BOLT	4
17	24939-G2		SPINDLE CAP ADAPTER.....	2
18	21830-G1		OUTER BRAKE DRUM WASHER	2
19	00518-G8		SLOTTED NUT, 3/4 - 16	2
20	10387-G1		COTTER PIN	2
21				
22	12091-G2		SPINDLE CAP	2
23				
24	72036-G01		PASSENGER SIDE BRAKE CABLE BRACKET.....	1
25	72036-G02		DRIVER SIDE BRAKE CABLE BRACKET	1

WHEEL BRAKE, NON-BENDIX

Electric Vehicle



Electric Vehicle

WHEEL BRAKE, NON-BENDIX

THE USE OF NON UL PARTS WILL VOID ANY UL LISTING.

When ordering parts, please specify the model and serial number of the product.

* Indicates a component that is not available as an individual part.

G** Indicates consult Customer Service Department for additional information.

ITEM	PART NO.	1 2 3 4 5	DESCRIPTION	QTY.
1	22997-G2		BRAKE ASSEMBLY, PASSENGER SIDE (INCLUDES ITEMS 2 - 8, 14 - 30)	1
2	22518-G1		BACKING PLATE	1
3	23360-G1		ADJUSTER.....	1
4	23357-G1		LEVER ASSEMBLY (INCLUDES ITEMS 5 - 8, 14 - 16)	1
5	*		SPRING	1
6	*		RETAINER	1
7	*		WASHER, SHOULDER.....	1
8	23536-G1		TORSION SPRING, PASSENGER SIDE (SILVER).....	1
9	22997-G1		BRAKE ASSEMBLY, DRIVER'S SIDE (INCLUDES ITEMS 10 - 30)	1
10	22519-G1		BACKING PLATE	1
11	23361-G1		ADJUSTER.....	1
12	23358-G1		LEVER ASSEMBLY (INCLUDES ITEMS 5 - 7, 13 - 16)	1
13	23537-G1		TORSION SPRING, DRIVER'S SIDE (GOLD)	1
14	23363-G1		ADJUSTER BODY.....	1
15	23382-G1		WASHER, 1/4	1
16	23362-G1		THRUST WASHER, 1/4.....	1
17				
18	22511-G1		DUST COVER	1
19	23356-G1		ANCHOR BLOCK.....	1
20	00565-G1		WASHER, LOCK, 1/4	2
21	13632-G1		NUT, 6 MM.....	2
22				
23	23359-G1		SPRING, BRAKE ADJUSTER.....	1
24	17290-G1		SPRING, BRAKE ANCHOR	1
25	17291-G1		CLAMP, SHOE.....	2
26	17292-G1		PIN, SHOE CLAMP TENSION	2
27				
28	23364-G1		BRAKE SHOE SET (INCLUDES ITEMS 29, 30).....	1
29	23354-G1		BRAKE SHOE, TRAILING	1

WHEEL BRAKE, NON-BENDIX

Electric Vehicle

THE USE OF NON UL PARTS WILL VOID ANY UL LISTING.

When ordering parts, please specify the model and serial number of the product.

* Indicates a component that is not available as an individual part.

G** Indicates consult Customer Service Department for additional information.

ITEM	PART NO.	1	2	3	4	5	DESCRIPTION	QTY.
30	23355-G1						BRAKE SHOE, LEADING	1
31								
32								
33	17083-G2						BOLT, 5/16 - 24 X 1 LG.	8
34	15126-G1						NUT, LOCK, 5/16 - 24	8
35								
36								
37	15485-G1						WASHER, INNER WHEEL RIM	2
38								
39								
40	19186-G1						BRAKE DRUM WITH LUG BOLTS	2
41								
42								
43	15487-G1						WASHER, OUTER WHEEL RIM	2
44								
45	10387-G1						PIN, COTTER, 1/8 X 1 1/2 LG.	2
46	15483-G1						NUT, SLOTTED, 5/8 - 18	2
47	12091-G2						CAP, SPINDLE	2
48								
49	24939-G1						ADAPTOR, SPINDLE CAP	2

**DID YOU
KNOW?**

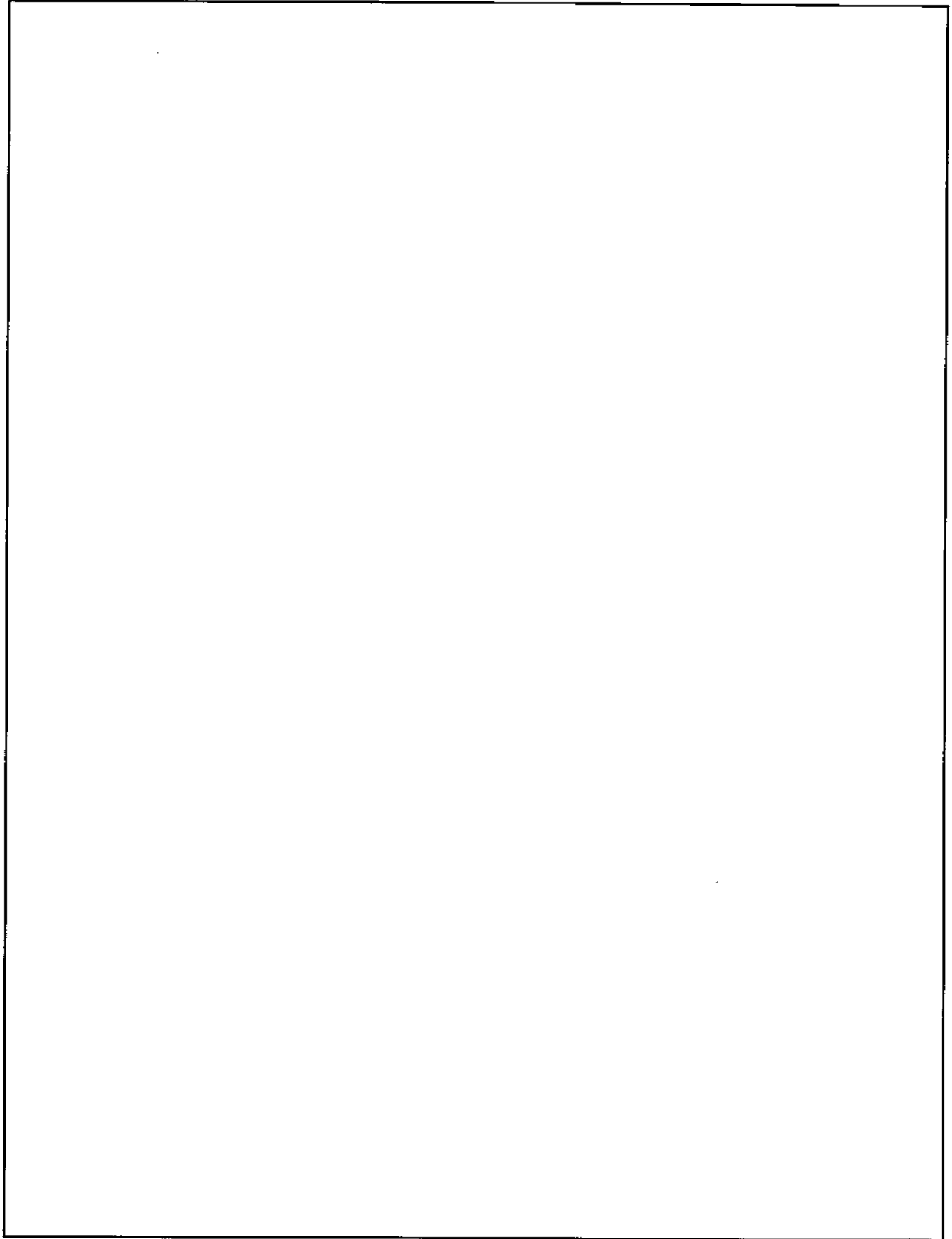
CartPros directs you to the right part using the part numbers from this manual. Enter the part number into our search box and it will find the part you are looking for.

**GET STARTED
HERE** →

<https://CartPros.com/f.html>

Electric Vehicle

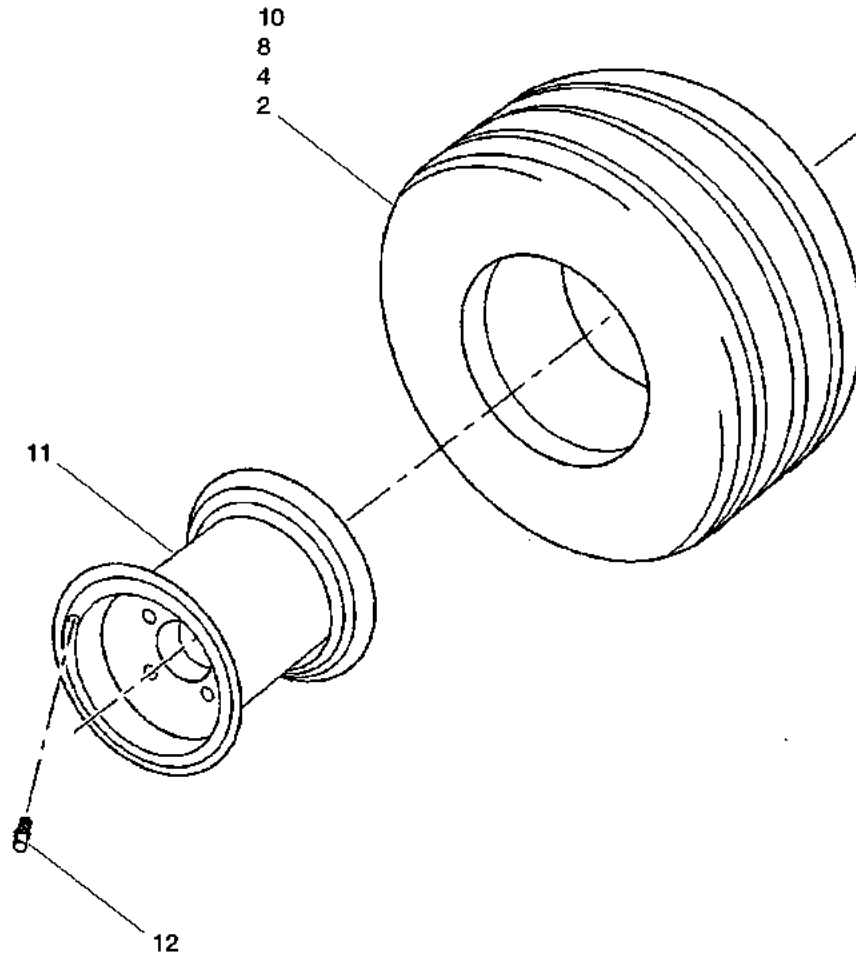
WHEEL BRAKE, NON-BENDIX



WHEELS AND TIRES

Electric Vehicle

- 1 - INCLUDES ITEMS 2, 11, 12
- 3 - INCLUDES ITEMS 4, 11, 12
- 7 - INCLUDES ITEMS 8, 11, 12
- 9 - INCLUDES ITEMS 10, 11, 12



Electric Vehicle

WHEELS AND TIRES

THE USE OF NON UL PARTS WILL VOID ANY UL LISTING.

When ordering parts, please specify the model and serial number of the product.

* Indicates a component that is not available as an individual part.

G** Indicates consult Customer Service Department for additional information.

ITEM	PART NO.	1 2 3 4 5	DESCRIPTION	QTY.
1	27772-G01		18 X 8.5 - 8 CARLISLE TIRE AND WHEEL ASSEMBLY, LINKS (INCLUDES ITEMS 2, 11, 12).....	AR
2	27772-G05		18 X 8.5 - 8 CARLISLE TIRE, LINKS	AR
3	27772-G02		18 X 8.5 - 8 CARLISLE TIRE AND WHEEL ASSEMBLY, TURF GLIDE (INCLUDES ITEMS 4, 11, 12).....	AR
4	27772-G06		18 X 8.5 - 8 CARLISLE TIRE, TURF GLIDE	AR
5				
6				
7	27772-G03		18 X 8.5 - 8 CARLISLE TIRE AND WHEEL ASSEMBLY, TURF SAVER (INCLUDES ITEMS 8, 11, 12).....	AR
8	27772-G07		18 X 8.5 - 8 CARLISLE TIRE, TURF SAVER	AR
9	27772-G04		18 X 8.5 - 8 CARLISLE TIRE AND WHEEL ASSEMBLY, FAIRWAY (INCLUDES ITEMS 10, 11, 12).....	AR
10	27772-G08		18 X 8.5 - 8 CARLISLE TIRE, FAIRWAY	AR
11	15169-G1		WHEEL RIM, 4 LUG, STANDARD	AR
12	11657-G1		VALVE STEM	AR

**DID YOU
KNOW?**

CartPros directs you to the right part using the part numbers from this manual. Enter the part number into our search box and it will find the part you are looking for.

**GET STARTED
HERE**



<https://CartPros.com/f.html>

WHEELS AND TIRES

Electric Vehicle

**DID YOU
KNOW?**

CartPros directs you to the right part using the part numbers from this manual. Enter the part number into our search box and it will find the part you are looking for.

**GET STARTED
HERE**



<https://CartPros.com/f.html>

SPECIAL TOOLS

SPECIAL TOOLS LISTING

SPECIAL TOOLS

SPECIAL TOOLS..... Part No.

BATTERY MAINTANANCE KIT	25587-G01
SEAL INSTALLATION TOOL (REAR AXLE SHAFT SEAL).....	18739-G1
BATTERY SET DISCHARGER, 36 VOLT, 75 AMP.....	28251-G01
CURRENT INDICATOR.....	16489-G1
MULTI-METER, DIGITAL.....	27481-G01
CRIMPING TOOL	27765-G01
SLIDE HAMMER (AXLE/HUB REMOVAL)	15947-G1
SLIDE HAMMER (AXLE REMOVAL ONLY).....	18753-G1

OIL, 10W-30

5 GALLONS.....	25730-G03
12 QUART CASE.....	25730-G04
55 GALLON DRUM.....	25730-G05

PAINT

.6 OUNCE BRUSH ON PAINT - HUNTER GREEN.....	28002-G04
.6 OUNCE BRUSH ON PAINT - CHAMPAGNE BEIGE.....	28002-G03
12 OUNCE SPRAY - HUNTER GREEN	28140-G09
12 OUNCE SPRAY - CHAMPAGNE BEIGE.....	28140-G15

**DID YOU
KNOW?**

CartPros directs you to the right part using the part numbers from this manual. Enter the part number into our search box and it will find the part you are looking for.

**GET STARTED
HERE**



<https://CartPros.com/f.html>

ACCESSORIES

ACCESSORIES LISTING

ACCESSORIES

ACCESSORIES LISTING

KIT NO.

SUN TOP KIT.....	75040-G01	See Kit Instruction Sheet 75055
SUN TOP KIT (4 CADDY ONLY).....	75123-G01	See Kit Instruction Sheet 75158
WINDSHIELD KIT, 4 CADDY ONLY.....	75133-G01	See Kit Instruction Sheet 75161
WINDSHIELD KIT, TINT, 4 CADDY ONLY	75133-G02	See Kit Instruction Sheet 75161
WINDSHIELD KIT, 2 BEND	75041-G03	See Kit Instruction Sheet 75043
WINDSHIELD KIT, 2 BEND, TINTED	75041-G04	See Kit Instruction Sheet 75043
WINDSHIELD KIT, SPLIT,	75077-G01	
WINDSHIELD KIT, SPLIT, TINTED.....	75077-G02	
WINDSHIELD KIT, SPLIT, 4 CADDY ONLY	75077-G03	
WINDSHIELD KIT, SPLIT, TINTED.....	75077-G04	
SAND RAKE	14735-G1	
TOW BAR KIT (PERMANENT USE)	75310-G01	See Kit Instruction Sheet 75311
WEATHER ENCLOSURE (3 SIDED).....	75078-G01	
WEATHER ENCLOSURE (4 SIDED).....	75079-G01	
REAR VIEW MIRROR (REQUIRES SUN TOP).....	19528-G2	See Kit Instruction Sheet 75162
MESSAGE HOLDER KIT (REQUIRES SUNTOP).....	75094-G01	
HOURMETER (ELECTRIC ONLY)	75113-G02	See Kit Instruction Sheet 75118
COOLER JUG / BRACKET KIT	75170-G01	
BAG COVER / RAIN CURTAIN KIT	75191-G01	
SEAT REFURBISHMENT SPRAY (WHITE)	28166-G01	
ASHTRAY KIT.....	75109-G02	See Kit Instruction Sheet 75110
URNSIGNAL KIT (4 CADDY ONLY)	75107-G02	
SANDBOTTLE	75009-G01	See Kit Instruction Sheet 75029
8" CHROME HUBCAP	14913-G*	See Kit Instruction Sheet 28244
6" CHROME HUBCAP	16042-G*	See Kit Instruction Sheet 28244
GOLD SPOKE HUBCAP	19241-G*	See Kit Instruction Sheet 28244
SILVER SPOKE HUBCAP	19241-G*	See Kit Instruction Sheet 28244
4-CADDY KIT	74150-G01	See Kit Instruction Sheet 74155
CENTER BASKET	75003-G02	See Kit Instruction Sheet 75025
SIDE BASKET	75007-G02	See Kit Instruction Sheet 75026
SCUFF GUARDS.....	75127-G02	See Kit Instruction Sheet
SUN TOP WITHOUT BAG RACK	75135-G01	See Kit Instruction Sheet 75137

GENERAL INDEX

TWO BAG ATTACHMENT	75183-G01	See Kit Instruction Sheet 75184
CONVERTIBLE CARRIER KIT	75179-G*	See Kit Instruction Sheet 75283
4-CADDY TO CONVERTIBLE CARRIER KIT	75278-G*	See Kit Instruction Sheet 75284
4 BAG ATTACHMENT	75335-G01	See Kit Instruction Sheet 75336

**DID YOU
KNOW?**

CartPros directs you to the right part using the part numbers from this manual. Enter the part number into our search box and it will find the part you are looking for.

**GET STARTED
HERE**



<https://CartPros.com/f.html>

ACCESSORIES

**DID YOU
KNOW?**

CartPros directs you to the right part using the part numbers from this manual. Enter the part number into our search box and it will find the part you are looking for.

**GET STARTED
HERE**



<https://CartPros.com/f.html>

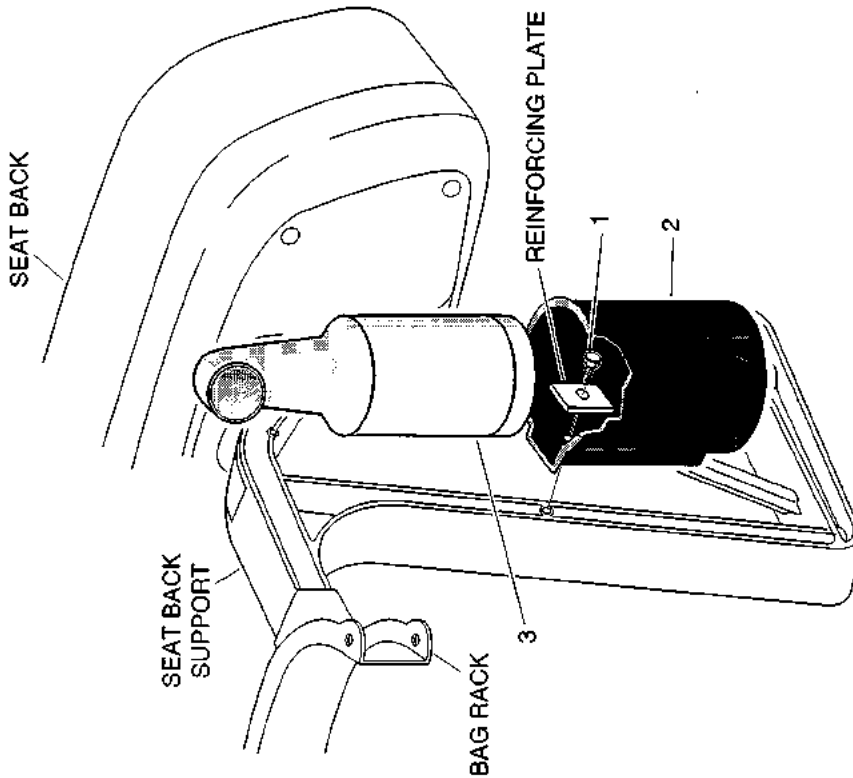
ACCESSORIES

ACCESSORIES ILLUSTRATED

NOTE: TO ORDER THIS ENTIRE FIELD KIT, REQUEST PART NO. 75009-G01
NOTE: SIDE BASKET CANNOT BE USED ON SAME SIDE OF VEHICLE WITH SAND BOTTLE KIT.

READ ALL INSTRUCTIONS BEFORE PROCEEDING.

1. INSTALLATION TIP: INSTALL THE 1/4-20 TAPTITE BOLT ITEM 1 INTO THE DESIGNATED HOLE (SEE ILLUSTRATION) IN THE METAL SEAT BACK SUPPORT TO FORM CLEAN, STRAIGHT THREADS. BACK THE TAPTITE SCREW OUT OF THE SEATBACK SUPPORT.
2. ALIGN THE HOLES IN THE REINFORCING PLATE AND THE SAND BOTTLE HOLDER, ITEM 2 WITH THE HOLE INDICATED IN THE THE METAL SEAT BACK SUPPORT. INSERT THE TAPTITE SCREW AND SECURE FIRMLY.



MEDALIST/TXT



Item 1
 1/4-20 x 3/4 Lg. Taprite Bolt

SYMBOL ◁ REFERS TO A NOTE CORRESPONDING TO LETTER ENCLOSED WITHIN IT.
 FOLLOWING PAGE(S) FOR NOTES AND PARTS LISTS.
 THIS DOCUMENT TO FACILITATE THE ORDERING OF PLACEMENT PARTS.

ITEM	QTY	PART NO.	DESCRIPTION
1	1	71102-G01	BOLT, TAPTITE, 1/4-20 X 3/4 LG.
2	1	27374-G01	HOLDER, SAND BOTTLE
3	1	27373-G01	BOTTLE, SAND

TITLE SAND BOTTLE INSTALLATION INSTRUCTION KIT				REV C
EZGO TEXTRON		FORN BY L WEBB 07/21/95	REV BY C THOMANN 07/21/95	DRAWING A NO. 75029 PG. 1 OF 1
E-Z-GO DIVISION OF TEXTRON, INC., P.O. BOX 388, AUGUSTA, GA. 30913-2699, 1-800-241-5855				

NOTE: TO ORDER THIS ENTIRE FIELD KIT, REQUEST PART NO. 75007-G02

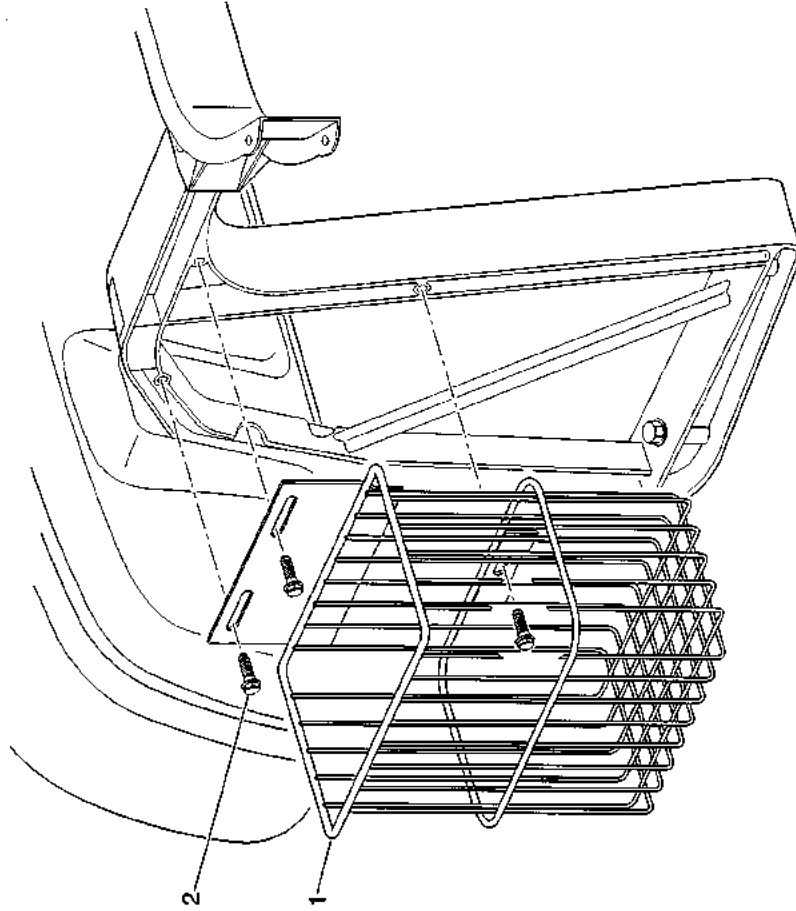
READ ALL INSTRUCTIONS BEFORE PROCEEDING.

1. ALIGN HOLES ON THE SIDE BASKET, ITEM 1 WITH HOLES IN THE SEAT BACK SUPPORT BRACKET AS SHOWN IN ILLUSTRATION.

NOTE

BASKET MAY BE INSTALLED ON EITHER SIDE OF VEHICLE

2. INSTALL THE THREAD FORMING BOLTS, ITEM 2 INTO EACH HOLE. TIGHTEN TO 60 - 85 IN. LBS. TORQUE.



ITEM	QTY	PART NO.	DESCRIPTION
1	1	75008-G01	BASKET, SIDE
2	3	71102-G02	BOLT, 1/4-20 X 1/2 LG.

TITLE SIDE BASKET INSTALLATION

ORN BY	L WEBB	REV BY	REV -
ORIG DATE	01/03/94	REV DATE	
E-Z-GO		A	DRAWING NO. 75026
			PG. 1 OF 1

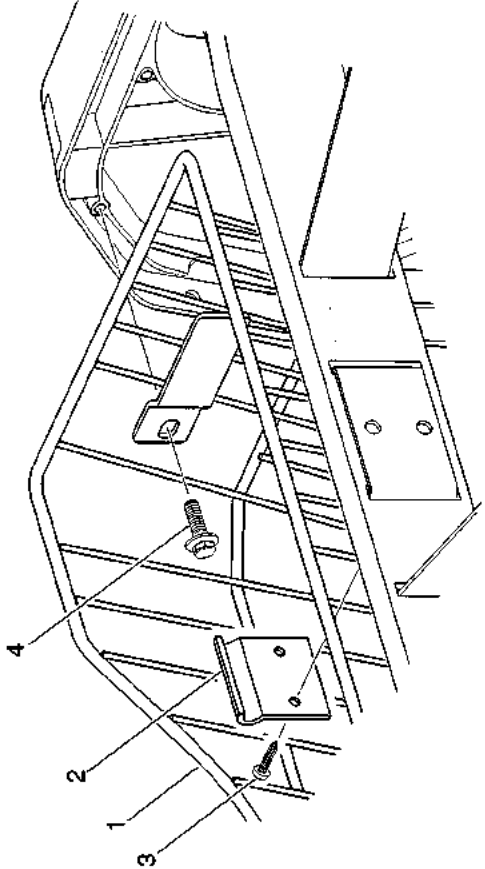
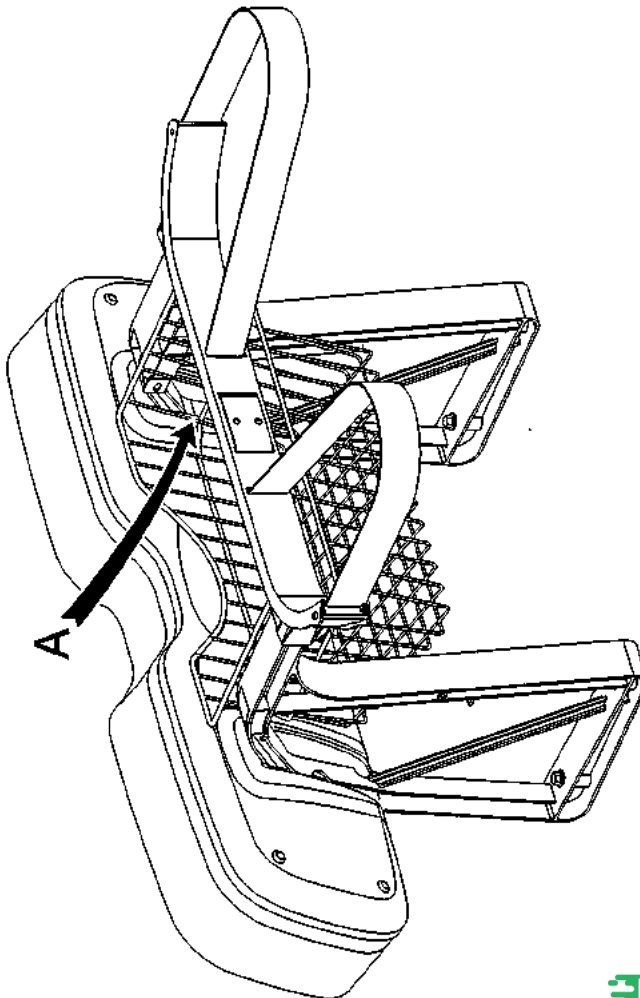
E-Z-GO DIVISION OF TEXTRON, INC., P.O. BOX 388, AUGUSTA, GA. 30913-2699, 1-800-241-5855

SYMBOL ◁ REFERS TO A NOTE CORRESPONDING TO LETTER ENCLOSED WITHIN IT.
 FOLLOWING PAGE(S) FOR NOTES AND PARTS LISTS.
 THIS DOCUMENT TO FACILITATE THE ORDERING OF PLACEMENT PARTS.

NOTE: TO ORDER THIS ENTIRE FIELD KIT, REQUEST PART NO. 75003-G02

READ ALL INSTRUCTIONS BEFORE PROCEEDING.

1. PLACE THE CENTER BASKET, ITEM 1 JUST BEHIND THE BAG RACK AS SHOWN IN ILLUSTRATION BELOW.
2. ALIGN THE GROOVE IN THE BASKET BRACKET, ITEM 2 WITH THE TOP EDGE OF THE CENTER BASKET. (SEE DETAIL A.)
3. INSTALL THE THREAD FORMING SCREWS, ITEM 4 INTO THE BASKET BRACKET AND TIGHTEN TO 15 - 20 IN. LBS. TORQUE.
4. SECURE THE CENTER BASKET TO THE SEAT BACK SUPPORTS WITH PLASTITE SCREWS, ITEM 3 AT EACH SIDE AS SHOWN. TIGHTEN TO 60 - 85 IN. LBS. TORQUE.



DETAIL A

ITEM	QTY	PART NO.	DESCRIPTION
1	1	75001-G01	BASKET, CENTER
2	1	75002-G01	BRACKET, BASKET
3	2	71002-G01	SCREW, #8 X 3/8 LG. PLASTITE
4	2	71102-G02	SCREW, 1/4-20 X 1/2 LG.

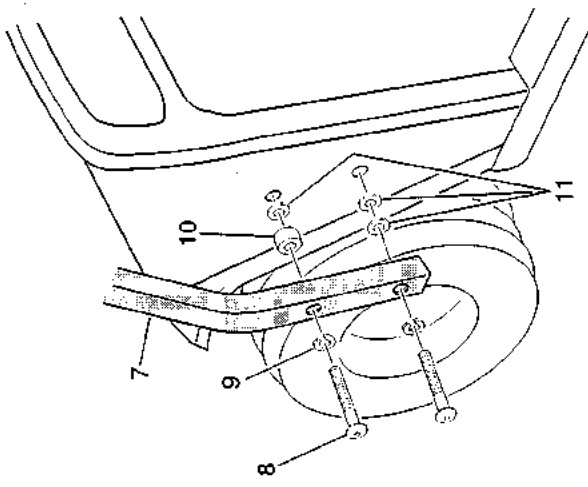
TITLE CENTER BASKET INSTALLATION

☐ SYMBOL REFERS TO A NOTE CORRESPONDING TO LETTER ENCLOSED WITHIN IT.
 ☒ FOLLOWING PAGE(S) FOR NOTES AND PARTS LISTS.
 ☑ THIS DOCUMENT TO FACILITATE THE ORDERING OF PLACEMENT PARTS.

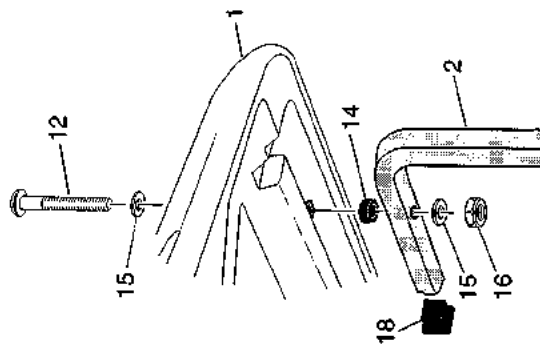


DRN BY	L WEBB	REV BY	L WEBB	DRAWING NO.	REV A
ORIG DATE	01/03/84	REV DATE	01/24/84	75025	PG. 1 OF 1

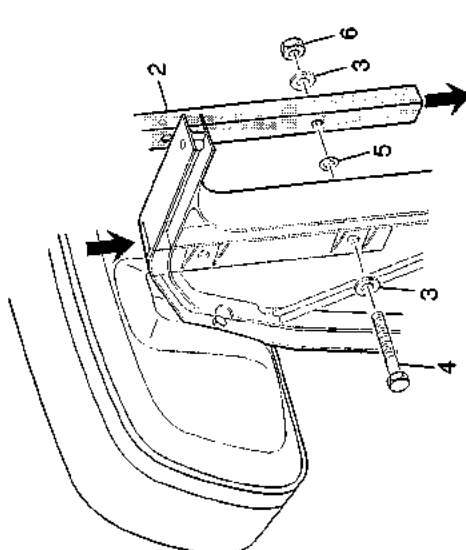
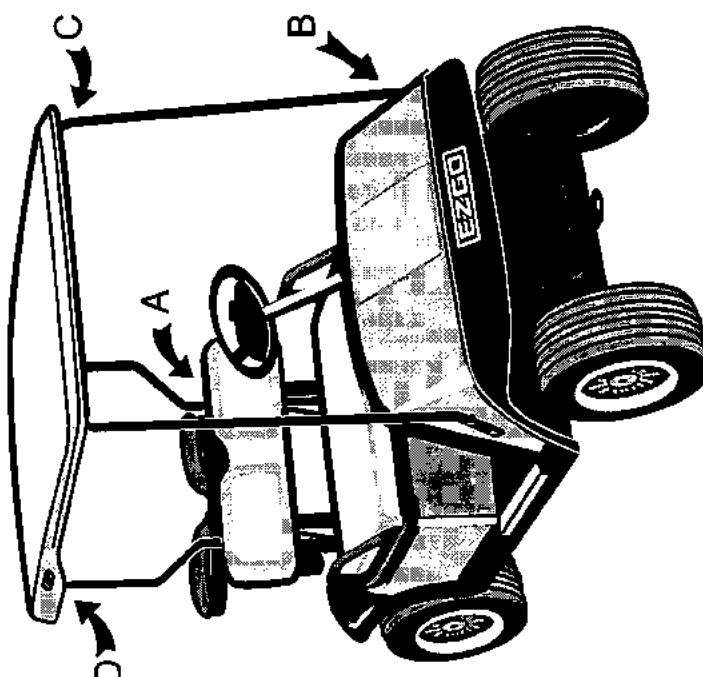
E-Z-GO DIVISION OF TEXTRON, INC., P.O. BOX 388, AUGUSTA, GA. 30913-2699, 1-800-241-5855



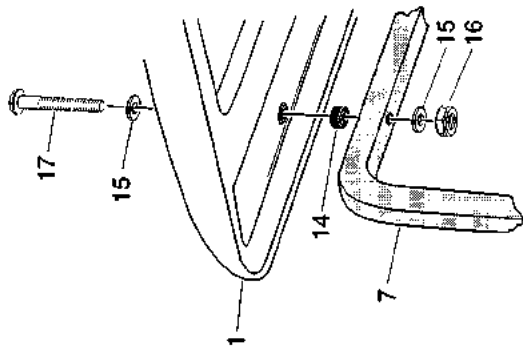
DETAIL B



DETAIL D (REAR)



DETAIL A



DETAIL C (FRONT)

☐ SYMBOL ◁ REFERS TO A NOTE CORRESPONDING TO LETTER ENCLOSED WITHIN IT.
 ☐ FOLLOWING PAGE(S) FOR NOTES AND PARTS LISTS.
 ☐ CAN THIS DOCUMENT TO FACILITATE THE ORDERING OF REPLACEMENT PARTS.

TITLE SUN TOP INSTALLATION (WITH BAG RACK)

REV E



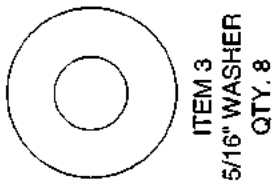
A DRAWING NO. 75055

PG. 1 OF 3

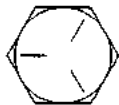
DRN BY L WEBB
 ORG DATE 12/20/83

REV BY J.Brand
 REV DATE 02/07/86

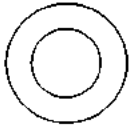
E-Z-GO DIVISION OF TEXTRON, INC., P.O. BOX 388, AUGUSTA, GA. 30913-2699, 1-800-241-5855



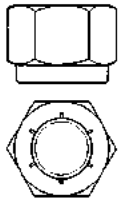
ITEM 3
5/16" WASHER
QTY. 8



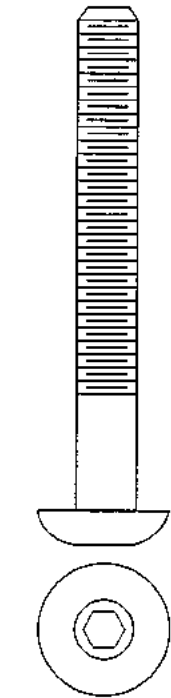
ITEM 4
5/16-18 X 1 3/4" BOLT
QTY. 4



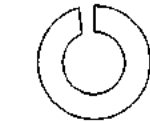
ITEM 5
5/16" TEFLON WASHER
QTY. 4



ITEM 6
5/16-18 LOCK NUT
QTY. 4



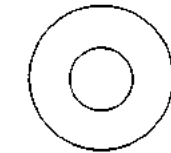
ITEM 8
5/16-18 X 2 1/8" BOLT
QTY. 4



ITEM 9
5/16" LOCK WASHER
QTY. 4



ITEM 10
PLASTIC SPACER
QTY. 4



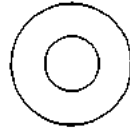
ITEM 11
5/16" WASHER
QTY. 6



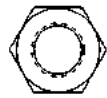
ITEM 12
1/4-20 X 2 1/4" BOLT
QTY. 2



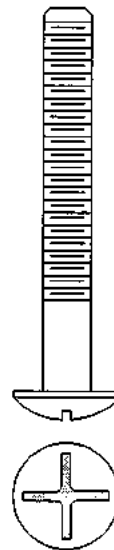
ITEM 14
PLASTIC SPACER
QTY. 4



ITEM 15
1/4" WASHER
QTY. 8



ITEM 16
1/4-20 LOCK NUT
QTY. 4



ITEM 17
1/4-20 X 2" BOLT
QTY. 2

NOTE: ALL HARDWARE SHOWN ACTUAL SIZE

SYMBOL ◁ REFERS TO A NOTE CORRESPONDING TO LETTER ENCLOSED WITHIN IT.
 FOLLOWING PAGE(S) FOR NOTES AND PARTS LISTS.
 THIS DOCUMENT TO FACILITATE THE ORDERING OF PLACEMENT PARTS.

TITLE		SUN TOP INSTALLATION (WITH BAG RACK)		REV E
E-Z-GO TEXTRON	DRN BY	L WEBB	J. Brand	DRAWING NO. 75055
	ORIG DATE	12/20/93	REV DATE	
E-Z-GO DIVISION OF TEXTRON, INC., P.O. BOX 388, AUGUSTA, GA. 30913-2699, 1-800-241-5855				PG. 2 OF 3

NOTE: TO ORDER THIS ENTIRE FIELD KIT, REQUEST 75040-G01

READ ALL INSTRUCTIONS BEFORE PROCEEDING.

A. REAR STRUTS

1. REMOVE CENTER BASKET AND OTHER ACCESSORIES THAT MAY LIMIT ACCESS REQUIRED FOR INSTALLING REAR STRUTS.
2. PLACE REAR STRUT, ITEM 2 THRU THE SQUARE HOLE IN THE TOP OF THE SEAT BACK SUPPORT.
3. ALIGN THE HOLES IN THE REAR STRUT WITH THE HOLES IN THE SEAT BACK SUPPORT BRACKET. PUSH THE STRUT TOWARD THE CENTER OF THE CAR TO GIVE CLEARANCE BETWEEN THE STRUT AND THE SEAT BACK SUPPORT.
4. PLACE WASHER, ITEM 3 ONTO BOLT, ITEM 4 AND INSERT BOLT JUST THRU SEAT BACK SUPPORT (2 - 3 THREADS). PLACE THE SMALL WHITE TEFLON WASHER, ITEM 5 ONTO THE BOLT BETWEEN THE STRUT AND SEAT BACK SUPPORT TO PREVENT SQUEAKING.
5. INSERT THE BOLT WITH THE TWO WASHERS IN PLACE THRU THE REAR STRUT. SECURE HARDWARE WITH WASHER, ITEM 3 AND LOCK NUT, ITEM 6. **DO NOT TIGHTEN HARDWARE.**
6. REPEAT STEPS 4 AND 5 FOR THE OTHER HOLE.
7. REPEAT PROCEDURE AT THE OTHER SIDE OF VEHICLE.
8. INSERT TUBE CAPS, ITEM 18 INTO THE TOP OF THE REAR STRUTS.

B. FRONT STRUT

1. REMOVE AND DISCARD THE FOUR ALLEN HEAD BOLTS FROM THE FRONT COWL USING A 7/32" ALLEN WRENCH.
2. AT THE TOP HOLE, INSTALL THE FRONT STRUT, ITEM 7 WITH BOLT, ITEM 8 AND BLACK LOCK WASHER, ITEM 9, ON THE OUTSIDE OF STRUT, AND A SPACER, ITEM 10 AND A WASHER, ITEM 11 BETWEEN THE FRONT COWL AND STRUT. **DO NOT TIGHTEN HARDWARE.**
3. AT THE BOTTOM HOLE, SECURE THE FRONT STRUT, ITEM 7 WITH BOLT, ITEM 8 AND BLACK LOCK WASHER, ITEM 9, ON THE OUTSIDE OF STRUT, AND TWO BLACK WASHERS, ITEM 11 BETWEEN THE FRONT COWL AND STRUT. **DO NOT TIGHTEN HARDWARE.**

C. SUN TOP

1. PLACE SUN TOP, ITEM 1 ONTO STRUTS
2. SECURE SUN TOP LOOSELY WITH BOLTS, ITEM 17 AT FRONT AND ITEM 12 AT REAR, PLASTIC SPACER, ITEM 14, WASHER, ITEM 15, AND LOCK NUT, ITEM 16. SEE ILLUSTRATIONS FOR INSTALLATION SEQUENCE.
3. TIGHTEN ALL SUN TOP HARDWARE TO 3 - 5 FT. LBS. TORQUE.
4. TIGHTEN ALL REAR STRUT HARDWARE TO 13 - 15 FT. LBS. TORQUE.
5. TIGHTEN ALL FRONT STRUT HARDWARE TO 17 - 19 FT. LBS. TORQUE.

ITEM	QTY	PART NO.	DESCRIPTION
1	1	27069-G01	TOP, SUN
2	2	75046-G01	STRUT, REAR
3	8	00571-G2	WASHER, 5/16"
4	4	00439-G6	BOLT, 5/16-18 X 1 3/4"
5	4	17255-G1	WASHER, TEFLON, 5/16"
6	4	11098-G6	NUT, LOCK, 5/16-18
7	1	75045-G01	STRUT, FRONT
8	4	71056-G03	BOLT, 5/16-18 X 2 1/8"
9	4	00905-G8	WASHER, LOCK, 5/16"
10	2	75048-G01	SPACER
11	6	00570-G2	WASHER, 5/16"
12	2	00753-G6	BOLT, STAINLESS STEEL, 1/4-20 X2 1/4"
13			
14	4	75051-G01	SPACER, PLASTIC
15	8	00559-G7	WASHER, 1/4"
16	4	00891-G2	NUT, LOCK, 1/4-20
17	2	00753-G5	BOLT, STAINLESS STEEL, 1/4-20 X 2"
18	2	19853-G1	CAP, TUBE, 1"

TITLE SUN TOP INSTALLATION (WITH BAG RACK)

SYMBOL ◁ REFERS TO A NOTE CORRESPONDING TO LETTER ENCLOSED WITHIN IT.
 FOLLOWING PAGE(S) FOR NOTES AND PARTS LISTS.
 OBTAIN THIS DOCUMENT TO FACILITATE THE ORDERING OF REPLACEMENT PARTS.

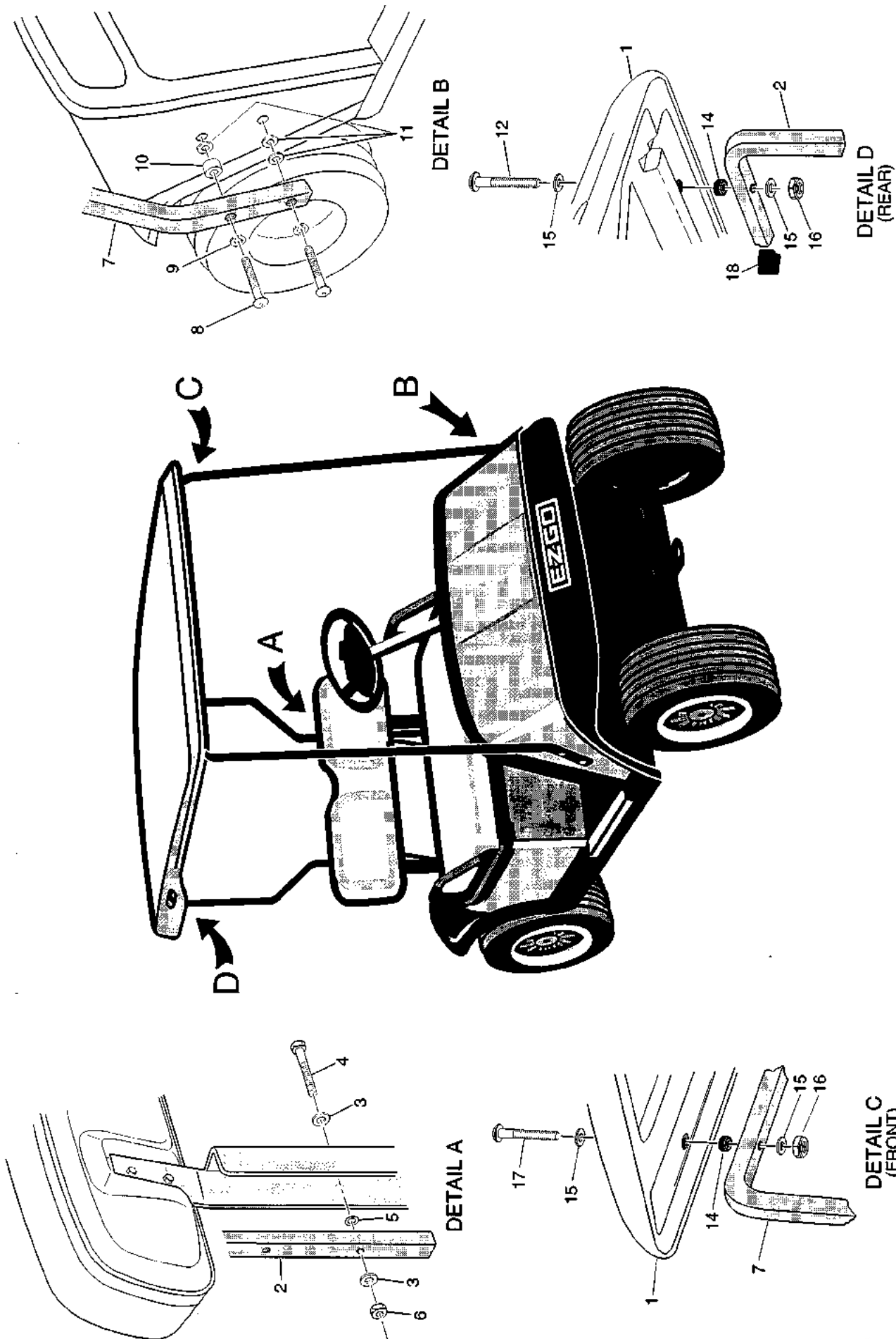


DRN BY L WEBB
 ORG DATE 12/20/83

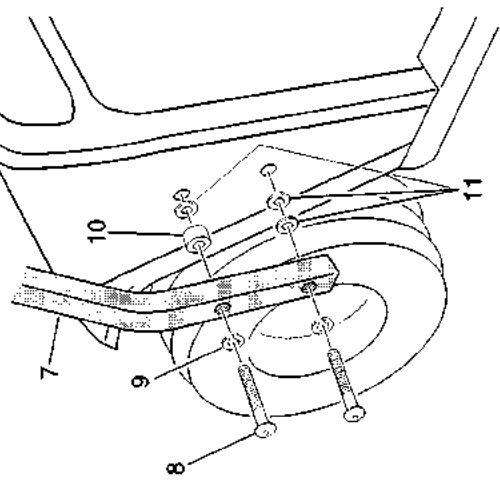
REV BY J. Brand
 REV DATE 02/07/96

DRAWING NO. 75055
 A

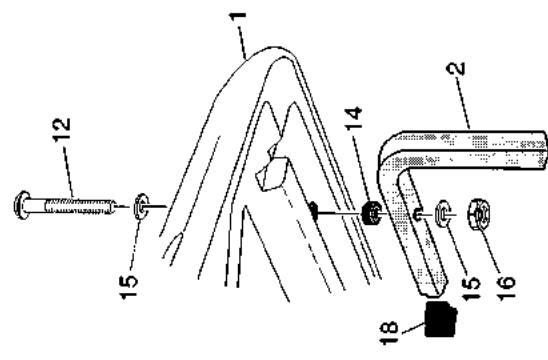
REV E
 PG. 3 OF 3



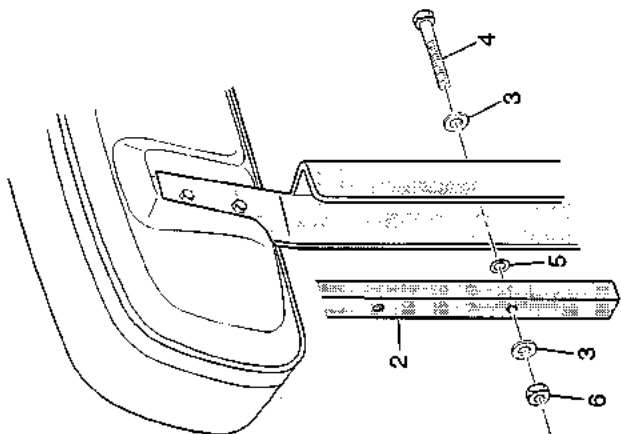
DETAIL B



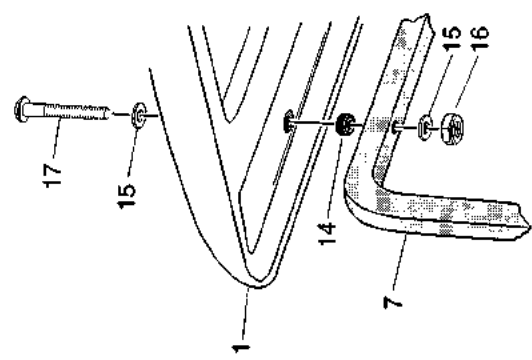
DETAIL D (REAR)



DETAIL A



DETAIL C (FRONT)



: SYMBOL < REFERS TO A NOTE CORRESPONDING TO
 : LETTER ENCLOSED WITHIN IT.
 : FOLLOWING PAGE(S) FOR NOTES AND PARTS LISTS.
 : IN THIS DOCUMENT TO FACILITATE THE ORDERING OF
 : PLACEMENT PARTS.

TITLE SUN TOP INSTALLATION (WITHOUT BAG RACK)
REV B

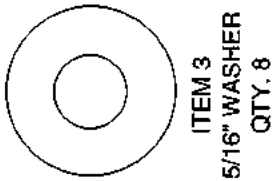
EZ-GO **TEXTRON**

DRN BY L. WEBB REV BY J. BRAND
 ORIG DATE 06/18/94 REV DATE 02/07/96

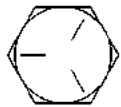
DRAWING NO. 75137
A

PG. 1 OF 3

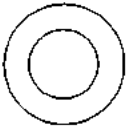
EZ-GO DIVISION OF TEXTRON, INC., P.O. BOX 388, AUGUSTA, GA. 30913-2699, 1-800-241-5855



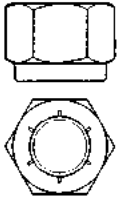
ITEM 3
5/16" WASHER
QTY. 8



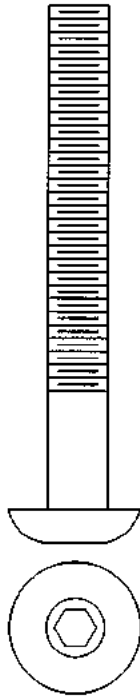
ITEM 4
5/16-18 X 1 3/4" BOLT
QTY. 4



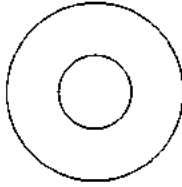
ITEM 5
5/16" TEFLON WASHER
QTY. 4



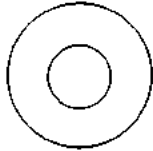
ITEM 6
5/16-18 LOCK NUT
QTY. 4



ITEM 8
5/16-18 X 2 1/8" BOLT
QTY. 4



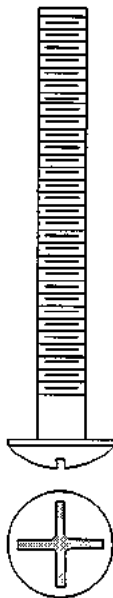
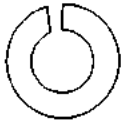
ITEM 11
5/16" BLACK WASHER
QTY. 6



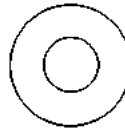
ITEM 10
SPACER
QTY. 2



ITEM 9
5/16" LOCK WASHER
QTY. 4



ITEM 12
1/4-20 X 2 1/4" BOLT
QTY. 2



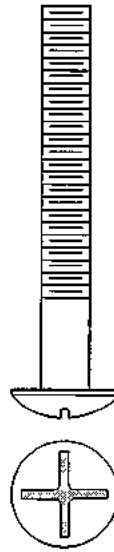
ITEM 15
1/4" WASHER
QTY. 8



ITEM 14
PLASTIC SPACER
QTY. 4



ITEM 16
1/4-20 LOCK NUT
QTY. 4



ITEM 17
1/4-20 X 2" BOLT
QTY. 2

NOTE: ALL HARDWARE SHOWN ACTUAL SIZE

SYMBOL ◁ REFERS TO A NOTE CORRESPONDING TO LETTER ENCLOSED WITHIN IT.
FOLLOWING PAGE(S) FOR NOTES AND PARTS LISTS.
OBTAIN THIS DOCUMENT TO FACILITATE THE ORDERING OF REPLACEMENT PARTS.

TITLE **SUN TOP INSTALLATION (WITHOUT BAG RACK)**

REV C

E-Z-GO **TEXTRON**

PG. 2 OF 3

DRAWING NO. 75137

A

REV BY J. Brand
REV DATE 02/07/96

DRN BY L. WEBB
ORIG DATE 06/16/94

E-Z-GO DIVISION OF TEXTRON, INC., P.O. BOX 388, AUGUSTA, GA. 30913-2699, 1-800-241-5855

NOTE: TO ORDER THIS ENTIRE FIELD KIT, REQUEST 75135-G01
READ ALL INSTRUCTIONS BEFORE PROCEEDING.

A. REAR STRUTS

1. ALIGN THE HOLES IN THE REAR STRUT WITH THE HOLES IN THE SEAT BACK SUPPORT BRACKET. PUSH THE STRUT AWAY FROM THE CENTER OF THE CAR TO GIVE CLEARANCE BETWEEN THE STRUT AND THE SEAT BACK SUPPORT.
2. PLACE WASHER, ITEM 3 ONTO BOLT, ITEM 4 AND INSERT BOLT JUST THRU SEAT BACK SUPPORT (2 - 3 THREADS). PLACE THE SMALL WHITE TEFLON WASHER, ITEM 5 ONTO THE BOLT BETWEEN THE STRUT AND SEAT BACK SUPPORT TO PREVENT SQUEAKING.
3. INSERT THE BOLT WITH THE TWO WASHERS IN PLACE THRU THE REAR STRUT. SECURE HARDWARE WITH WASHER, ITEM 3 AND LOCK NUT, ITEM 6. **DO NOT TIGHTEN HARDWARE.**
4. REPEAT STEPS 2 AND 3 FOR THE OTHER HOLE.
5. REPEAT PROCEDURE AT THE OTHER SIDE OF VEHICLE.
6. INSERT TUBE CAPS, ITEM 18 INTO THE TOP OF THE REAR STRUTS.

B. FRONT STRUT

1. REMOVE AND DISCARD THE FOUR ALLEN HEAD BOLTS FROM THE FRONT COWL USING A 7/32" ALLEN WRENCH.
2. AT THE TOP HOLE, INSTALL THE FRONT STRUT, ITEM 7 WITH BOLT, ITEM 8 AND BLACK LOCK WASHER, ITEM 9, ON THE OUTSIDE OF STRUT, AND A SPACER, ITEM 10 BETWEEN THE FRONT COWL AND STRUT. **DO NOT TIGHTEN HARDWARE.**
3. AT THE BOTTOM HOLE, SECURE THE FRONT STRUT, ITEM 7 WITH BOLT, ITEM 8 AND BLACK LOCK WASHER, ITEM 9, ON THE OUTSIDE OF STRUT, AND TWO BLACK WASHERS, ITEM 11 BETWEEN THE FRONT COWL AND STRUT. **DO NOT TIGHTEN HARDWARE.**

C. SUN TOP

1. PLACE SUN TOP, ITEM 1 ONTO STRUTS
2. SECURE SUN TOP LOOSELY WITH BOLTS, ITEM 17 AT FRONT AND ITEM 12 AT REAR, PLASTIC SPACER, ITEM 14, WASHER, ITEM 15, AND LOCK NUT, ITEM 16. SEE ILLUSTRATIONS FOR INSTALLATION SEQUENCE.
3. TIGHTEN ALL SUN TOP HARDWARE TO 3 - 5 FT. LBS. TORQUE.
4. TIGHTEN ALL REAR STRUT HARDWARE TO 13 - 15 FT. LBS. TORQUE.
5. TIGHTEN ALL FRONT STRUT HARDWARE TO 13 - 15 FT. LBS. TORQUE.

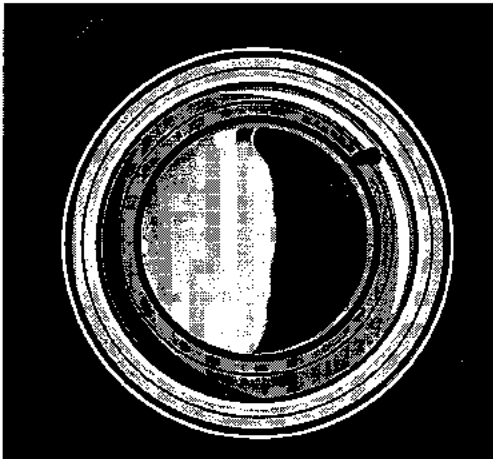
ITEM	QTY	PART NO.	DESCRIPTION
1	1	27069-G01	TOP, SUN
2	2	75136-G01	STRUT, REAR
3	8	00571-G2	WASHER, 5/16"
4	4	00439-G6	BOLT, 5/16-18 X 1 3/4"
5	4	17255-G1	WASHER, TEFLON, 5/16"
6	4	11098-G6	NUT, LOCK, 5/16-18
7	1	75045-G01	STRUT, FRONT
8	4	71056-G03	BOLT, 5/16-18 X 2 1/8"
9	4	00905-G8	WASHER, LOCK, BLACK, 5/16"
10	2	75048-G01	SPACER
11	6	00570-G2	WASHER, BLACK, 5/16"
12	2	00753-G6	BOLT, STAINLESS STEEL, 1/4-20 X2 1/4"
13			
14	4	75051-G01	SPACER, PLASTIC
15	8	00559-G7	WASHER, PLATED, 1/4"
16	4	00891-G2	NUT, LOCK, 1/4-20
17	2	00753-G5	BOLT, STAINLESS STEEL, 1/4-20 X 2"
18	2	19853-G1	CAP, TUBE, 1"

☐ SYMBOL REFERS TO A NOTE CORRESPONDING TO LETTER ENCLOSED WITHIN IT.
 ☐ FOLLOWING PAGE(S) FOR NOTES AND PARTS LISTS.
 ☐ OBTAIN THIS DOCUMENT TO FACILITATE THE ORDERING OF REPLACEMENT PARTS.

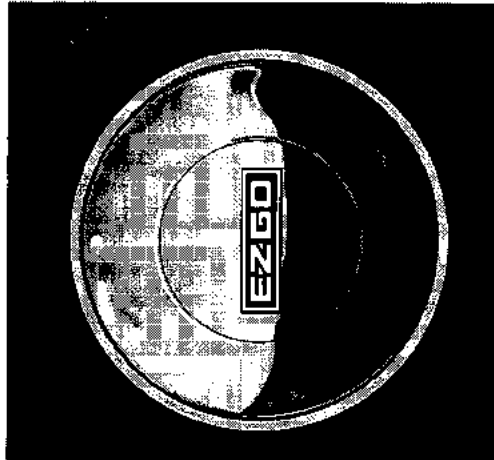
TITLE SUN TOP INSTALLATION (WITHOUT BAG RACK)

EZ-GO 	DRN BY ORIG DATE	L WEBB 06/16/94	REV BY REV DATE	J. Brand 02/07/96	DRAWING NO. 75137	REV B PG. 3 OF 3
--	---------------------	--------------------	--------------------	----------------------	----------------------	----------------------------

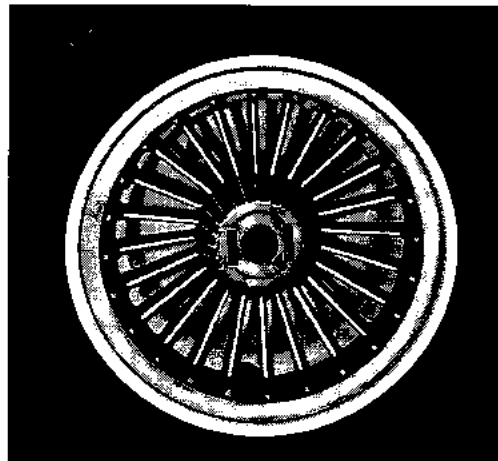
EZ-GO DIVISION OF TEXTRON, INC., P.O. BOX 388, AUGUSTA, GA. 30913-2699, 1-800-241-5855



6" CHROME HUBCAP



8" CHROME HUBCAP



GOLD / SILVER SPOKE HUBCAP

ITEM	QTY	PART NO.	DESCRIPTION
1	1	14913-G1	8" CHROME HUBCAP
2	4	14913-G2	8" CHROME HUBCAP SET
3	1	16042-G1	6" CHROME HUBCAP
4	4	16042-G2	6" CHROME HUBCAP SET
5	1	19241-G2	GOLD SPOKE HUBCAP
6	4	19241-G4	GOLD SPOKE HUBCAP SET
7	1	19241-G1	SILVER SPOKE HUBCAP
8	4	19241-G3	SILVER SPOKE HUBCAP SET

TITLE WHEEL COVER INSTALLATION

SYMBOL ◁ REFERS TO A NOTE CORRESPONDING TO LETTER ENCLOSED WITHIN IT.
 FOLLOWING PAGE(S) FOR NOTES AND PARTS LISTS.
 THIS DOCUMENT TO FACILITATE THE ORDERING OF PLACEMENT PARTS.



DRN BY
 ORIG DATE 0207/96

REV BY
 REV DATE

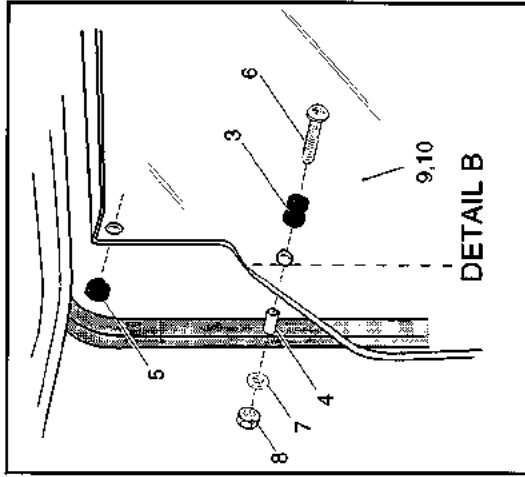
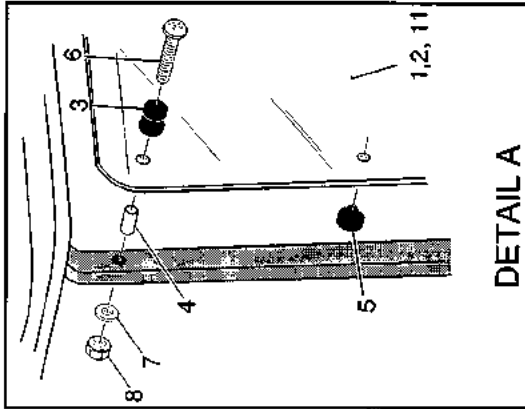
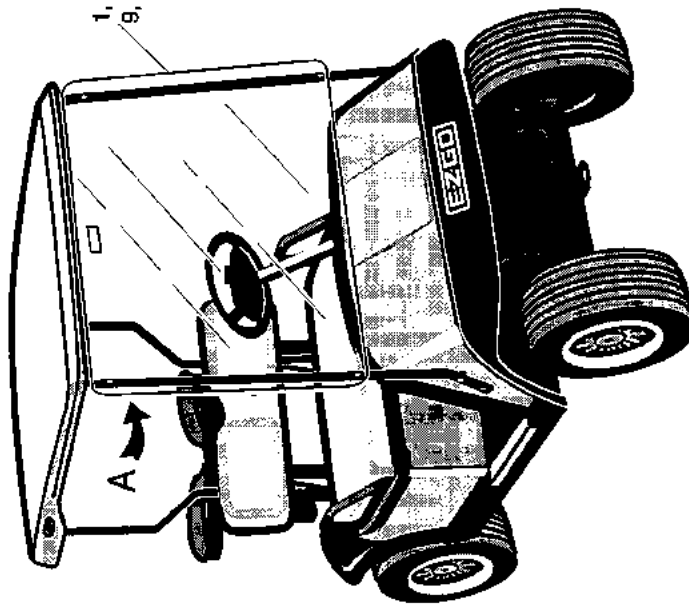
DRAWING NO. 28244

REV -

NOTE: TO ORDER THIS ENTIRE FIELD KIT, REQUEST PART NO. 75041-G0*
* CONTACT SERVICE PARTS FOR AVAILABILITY.

READ ALL INSTRUCTIONS BEFORE PROCEEDING.

1. INSERT THE RUBBER GROMMETS, ITEM 3 INTO THE TOP AND BOTTOM HOLES ON BOTH SIDES OF THE WINDSHIELD, ITEMS 1, 2, 9, OR 10.
2. INSERT THE SPACERS, ITEM 4 INTO THE RUBBER GROMMETS.
3. INSERT THE PLUG BUMPERS, ITEM 5 INTO THE CENTER HOLES OF THE WINDSHIELD, ITEMS 1, 2 OR THE TOP OF WINDSHIELD, ITEMS 9 OR 10.
4. PLACE THE WINDSHIELD AGAINST THE FRONT STRUT WITH THE SMALL TAPERED END AT THE TOP.
5. INSERT THE BOLTS, ITEM 6 THRU WINDSHIELD AND THE FRONT STRUT AND SECURE WITH WASHERS, ITEM 7 AND LOCK NUTS, ITEM 8.



ITEM	QTY	PART NO.	DESCRIPTION
1	1	75021-G01	WINDSHIELD, CLEAR, 2 BEND
2	1	75021-G02	WINDSHIELD, TINTED, 2 BEND
3	4	72147-G01	GROMMET, RUBBER
4	4	23726-G7	SPACER
5	2	75124-G01	BUMPER, PLUG
6	4	16705-G6	SCREW, 1/4-20 X 1 3/4 LG.
7	4	00660-G7	WASHER, 1/4"
8	4	00891-G2	NUT, LOCK, 1/4-20
9	1	75203-G01	WINDSHIELD, CLEAR, 4 BEND
10	1	75203-G02	WINDSHIELD, TINTED, 4 BEND
11	1	75021-G03	WINDSHIELD, CLEAR, 2 BEND, OASIS

SYMBOL REFERS TO A NOTE CORRESPONDING TO LETTER ENCLOSED WITHIN IT.
FOLLOWING PAGE(S) FOR NOTES AND PARTS LISTS.
THIS DOCUMENT TO FACILITATE THE ORDERING OF REPLACEMENT PARTS.

TITLE WINDSHIELD INSTALLATION



DRN BY: L.WEBB 12/17/93
REV BY: J.BRAND 02/23/96
REV DATE: 02/23/96

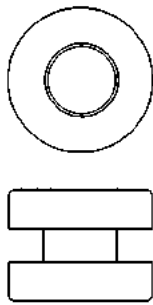
DRAWING NO. 75043
A

REV D

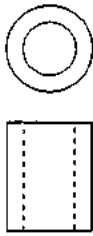
PG. 1 OF 2

E-Z-GO DIVISION OF TEXTRON, INC., P.O. BOX 388, AUGUSTA, GA. 30913-2699, 1-800-241-5855

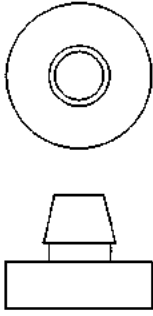
NOTE: ALL HARDWARE SHOWN ACTUAL SIZE



**ITEM 3
RUBBER GROMMET
QTY. 4**



**ITEM 4
SPACER
QTY. 4**



**ITEM 5
PLUG BUMPER
QTY. 2**



**ITEM 6
1/4-20 X 1 3/4" SCREW
QTY. 4**



**ITEM 7
1/4" WASHER
QTY. 4**



**ITEM 8
1/4-20 NUT, LOCK
QTY. 4**

SYMBOL ◁ REFERS TO A NOTE CORRESPONDING TO LETTER ENCLOSED WITHIN IT.
FOLLOWING PAGE(S) FOR NOTES AND PARTS LISTS.
THIS DOCUMENT TO FACILITATE THE ORDERING OF PLACEMENT PARTS.

TITLE WINDSHIELD INSTALLATION

REV D

PG. 2 OF 2

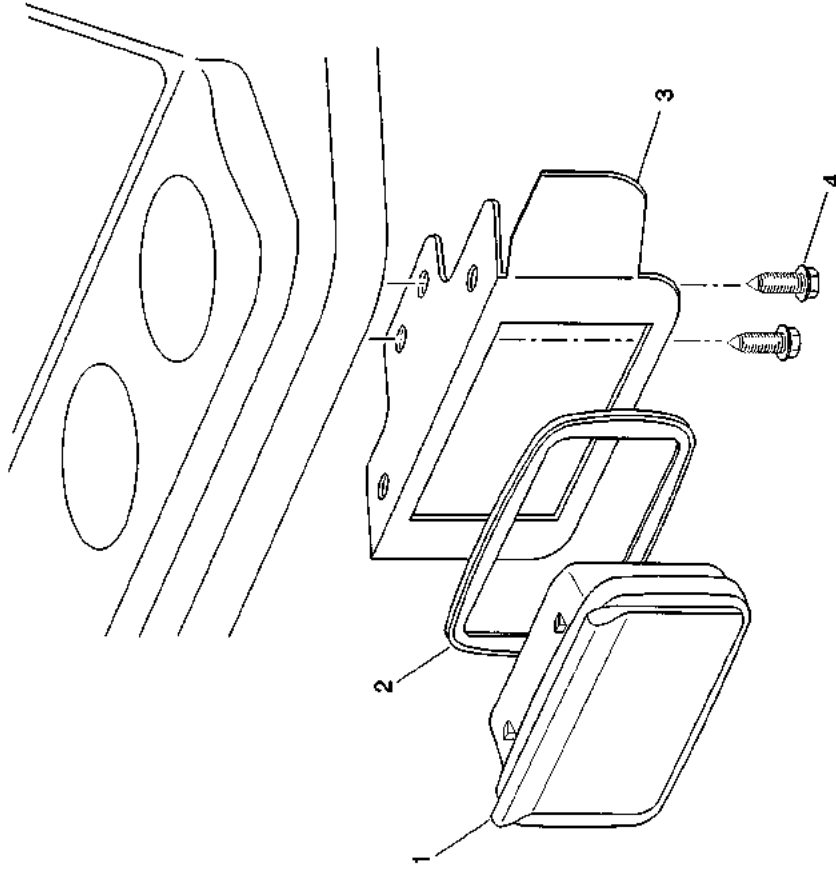
A DRAWING NO. 75043

J. WEBB REV BY 02/23/96

L. WEBB REV DATE 12/17/83

E-Z-GO TEXTRON

E-Z-GO DIVISION OF TEXTRON, INC., P.O. BOX 388, AUGUSTA, GA. 30913-2699, 1-800-241-5855



NOTE: TO ORDER THIS ENTIRE FIELD KIT, REQUEST PART NO. 75109-G02

READ ALL INSTRUCTIONS BEFORE PROCEEDING.

1. INSERT THE ASH TRAY, ITEM 1 INTO THE GASKET, ITEM 2 UNTIL THE GASKET HOOKS OVER THE FLANGES ON THE TOP AND BOTTOM OF THE ASH TRAY.
2. USING BRACKET, ITEM 3 AS A TEMPLATE, INSERT THE (4) SELF DRILLING SCREWS, ITEM 4. LOCATE BRACKET APPROXIMATELY AS SHOWN IN ILLUSTRATION.
3. SNAP THE ASH TRAY INTO THE BRACKET.

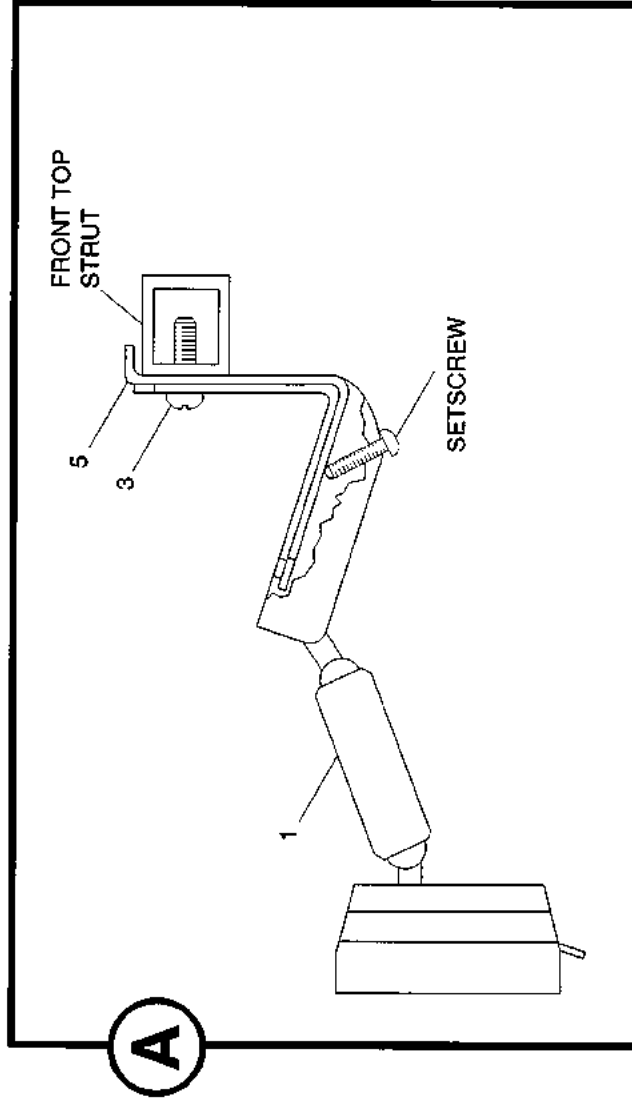
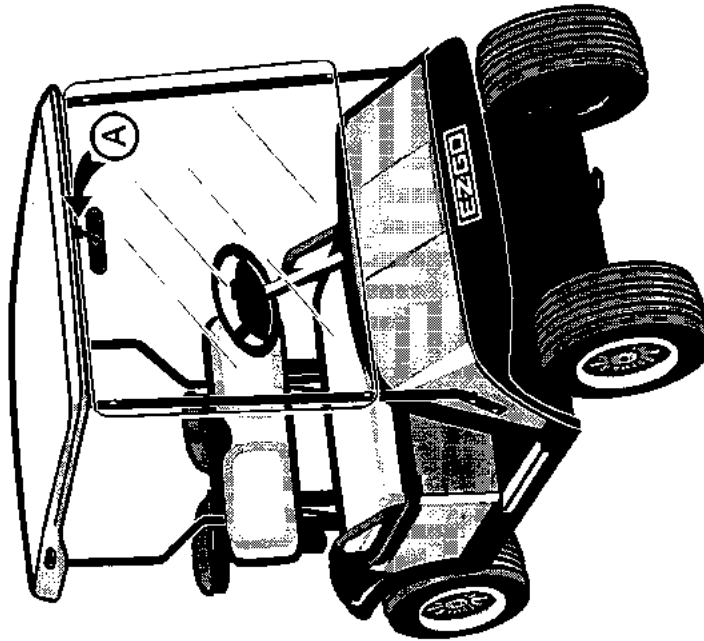
ITEM	QTY	PART NO.	DESCRIPTION
1	1	27731-G01	ASH TRAY
2	1	27736-G01	GASKET, ASH TRAY
3	1	75108-G01	BRACKET, ASH TRAY
4	4	00100-G4	SCREW, 10-16 X 1/2" LG.

TITLE ASH TRAY INSTALLATION

DRN BY	L WEBB	REV BY	REV -
ORIG DATE	01/21/94	REV DATE	
E-Z-GO		A	
DRAWING NO.		75110	
PG. 1 OF 1			

SYMBOL REFERS TO A NOTE CORRESPONDING TO LETTER ENCLOSED WITHIN IT.
 FOLLOWING PAGE(S) FOR NOTES AND PARTS LISTS.
 THIS DOCUMENT TO FACILITATE THE ORDERING OF REPLACEMENT PARTS.

E-Z-GO DIVISION OF TEXTRON, INC., P.O. BOX 388, AUGUSTA, GA. 30913-2699, 1-800-241-5855



SYMBOL ◁ REFERS TO A NOTE CORRESPONDING TO LETTER ENCLOSED WITHIN IT.
 FOLLOWING PAGE(S) FOR NOTES AND PARTS LISTS.
 THIS DOCUMENT TO FACILITATE THE ORDERING OF PLACEMENT PARTS.

TITLE REAR VIEW MIRROR INSTALLATION INSTRUCTIONS

REV -

PG. 1 OF 2

DRAWING NO. 75162
A

DRN BY CGT
 ORG DATE 05/16/94
 REV BY
 REV DATE



E-Z-GO DIVISION OF TEXTRON, INC., P.O. BOX 388, AUGUSTA, GA. 30903-0388, 1-800-241-5855

NOTE: TO ORDER THIS ENTIRE FIELD KIT, REQUEST PART NO. 19528-G2

READ ALL INSTRUCTIONS BEFORE PROCEEDING.

1. DISCARD PLASTIC MOUNTING BRACKETS AND ADHESIVE SUPPLIED WITH KIT. THESE ITEMS ARE USED IN OTHER APPLICATIONS.
2. REMOVE THE FRONT TOP HARDWARE FROM THE FRONT TOP STRUT. IT IS NOT NECESSARY TO REMOVE TOP.
3. LOCATE AND DRILL A .147 DIA. HOLE (#26 DRILL) THROUGH CENTER OF FRONT TOP STRUT (INSIDE SURFACE ONLY). SEE DETAIL A.
4. USING SCREW, ITEM 3 FASTEN SUPPORT BRACKET, ITEM 5 TO FRONT TOP STRUT AS SHOWN IN DETAIL A.
5. LOOSEN SETSCREW SUPPLIED WITH MIRROR.
6. SLIDE MIRROR, ITEM 1 ONTO BRACKET AND TIGHTEN SETSCREW. *DO NOT OVERTIGHTEN. DAMAGE TO MIRROR WILL OCCUR.*
7. REINSTALL THE TOP ONTO THE FRONT TOP STRUT. TIGHTEN HARDWARE TO 3 - 5 FT. LBS. TORQUE.

ITEM	QTY	PART NO.	DESCRIPTION
1	1	19496-G1	MIRROR, REAR VIEW
2	1	19527-G1	SCREW, STAINLESS STEEL, SELF TAP-PING, #8 - 32 x 5/8 LG.
3	1	19502-G2	BRACKET, SUPPORT
4			
5			

TITLE REAR VIEW MIRROR INSTALLATION INSTRUCTIONS

SYMBOL ◁ REFERS TO A NOTE CORRESPONDING TO LETTER ENCLOSED WITHIN IT.
 FOLLOWING PAGE(S) FOR NOTES AND PARTS LISTS.
 THIS DOCUMENT TO FACILITATE THE ORDERING OF PLACEMENT PARTS.



DRN BY
ORIG DATE

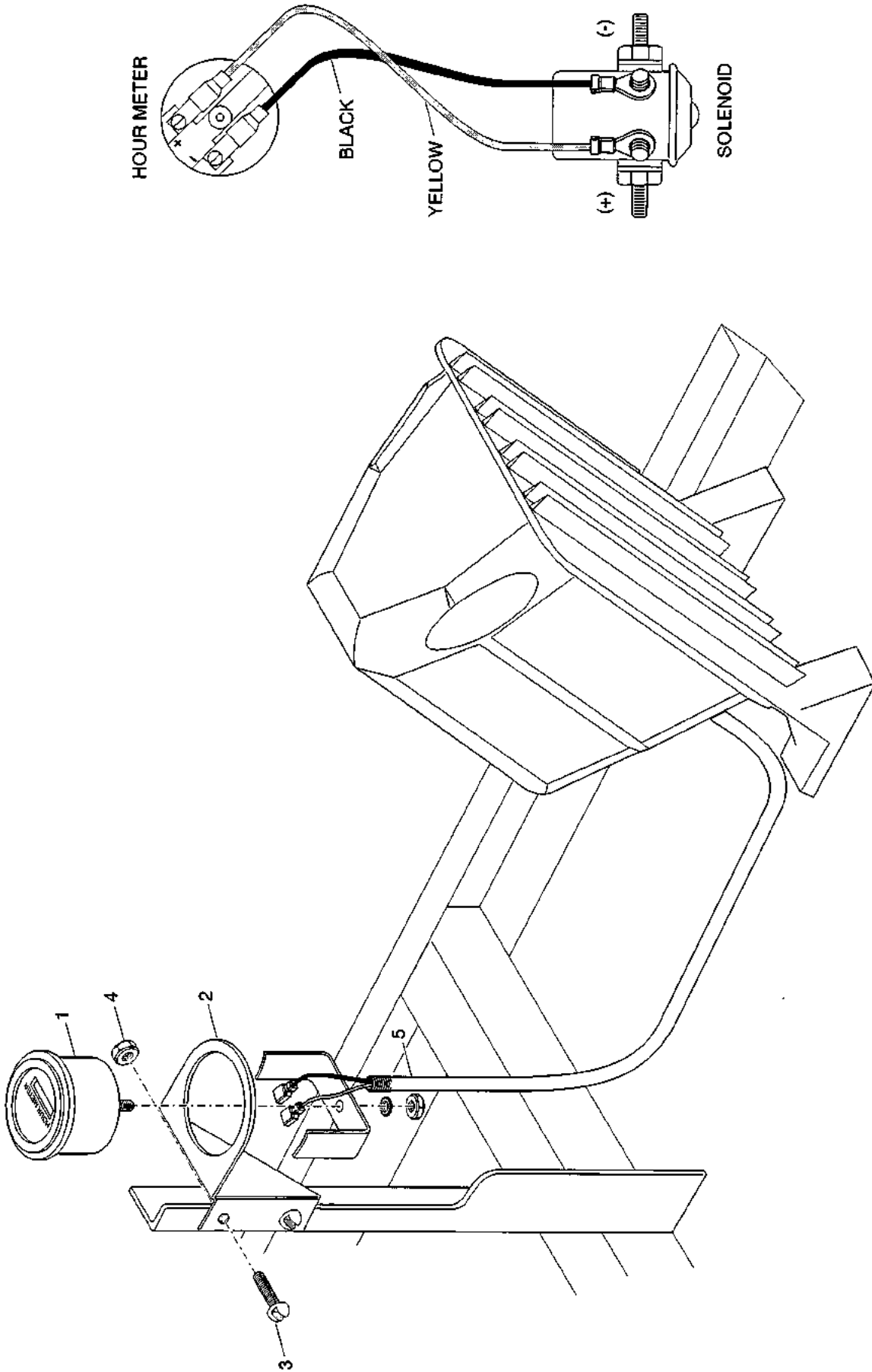
CGT
05/16/94

REV BY
REV DATE

DRAWING
A
NO. 75162

REV -

PG. 2 OF 2



SYMBOL ◁ REFERS TO A NOTE CORRESPONDING TO LETTER ENCLOSED WITHIN IT.
 FOLLOWING PAGE(S) FOR NOTES AND PARTS LISTS.
 THIS DOCUMENT TO FACILITATE THE ORDERING OF PLACEMENT PARTS.

TITLE HOUR METER INSTALLATION
E-Z-GO **TEXTRON**
 DRN BY J. RICE
 ORIG DATE 02/21/05
 REV BY
 REV DATE

REV -
 PG. 1 OF 2

E-Z-GO DIVISION OF TEXTRON, INC., P.O. BOX 388, AUGUSTA, GA. 30903-0388, 1-800-241-5855

**NOTE: TO ORDER THIS ENTIRE FIELD KIT, REQUEST PART NO. 75113-G02
READ ALL INSTRUCTIONS BEFORE PROCEEDING.**

A. ASSEMBLE HOUR METER

1. Insert Hour Meter (item 1) through Bracket (item 2), positioned as shown.
2. Using hardware supplied with the Hour Meter, secure Hour Meter to Bracket.
3. Attach Harness (item 5) to Hour Meter as shown, Yellow wire to Positive (+) terminal and Black wire to Negative (-) terminal of Hour Meter.

B. ATTACH HOUR METER ASSEMBLY

1. Locate the four (4) predrilled holes in the passenger side seat support.
2. Secure the Hour Meter Assembly to the TOP two (2) holes using Bolts (item 3) and Nuts (item 4) as shown.

C. CONNECT TO ELECTRONIC SPEED CONTROL

1. Locate the cables from the Electronic Speed Control to the batteries. Disconnect both of these cables from the batteries.
2. Remove the four (4) bolts securing the cover on the Electronic Speed Control, and remove the cover from the Electronic Speed Control.
3. Remove the nut and lock washer from the left solenoid terminal and install Yellow wire from Harness to terminal and reinstall lock washer and nut.
4. Repeat procedure on right terminal for Black wire.
5. Replace cover and reinstall bolts.
6. Reconnect Electronic Speed Control cables to batteries as connected earlier.

ITEM	QTY	PART NO.	DESCRIPTION
1	1	21573-G1	METER, HOUR
2	1	74019-G01	BRACKET, HOUR METER
3	2	00150-G4	BOLT, #10-24 - 1/2 LG.
4	2	11098-G7	NUT, #10-24
5	1	75117-G02	HARNES, HOUR METER

TITLE HOUR METER INSTALLATION

☐ SYMBOL REFERS TO A NOTE CORRESPONDING TO LETTER ENCLOSED WITHIN IT.
☐ FOLLOWING PAGE(S) FOR NOTES AND PARTS LISTS.
☐ THIS DOCUMENT TO FACILITATE THE ORDERING OF REPLACEMENT PARTS.

E-Z-GO **TEXTRON**

DRN BY J.RICE
ORIG DATE 02/21/95

REV BY
REV DATE

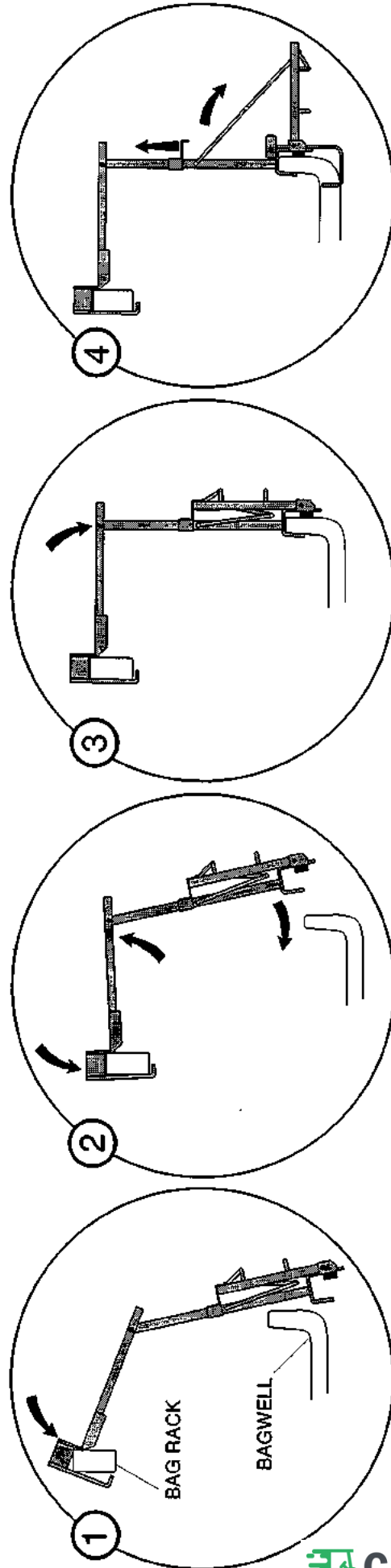
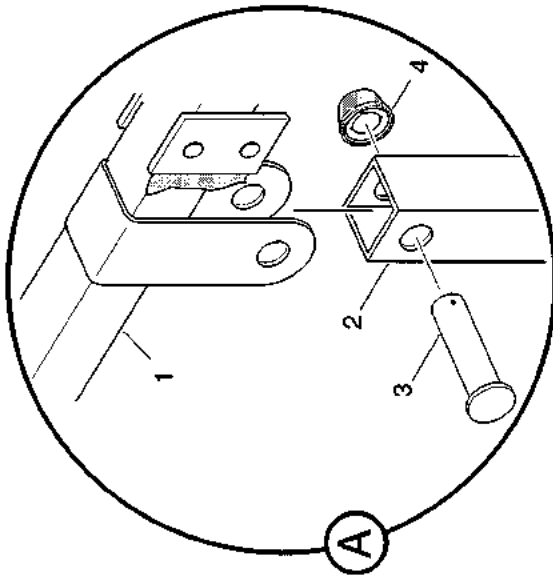
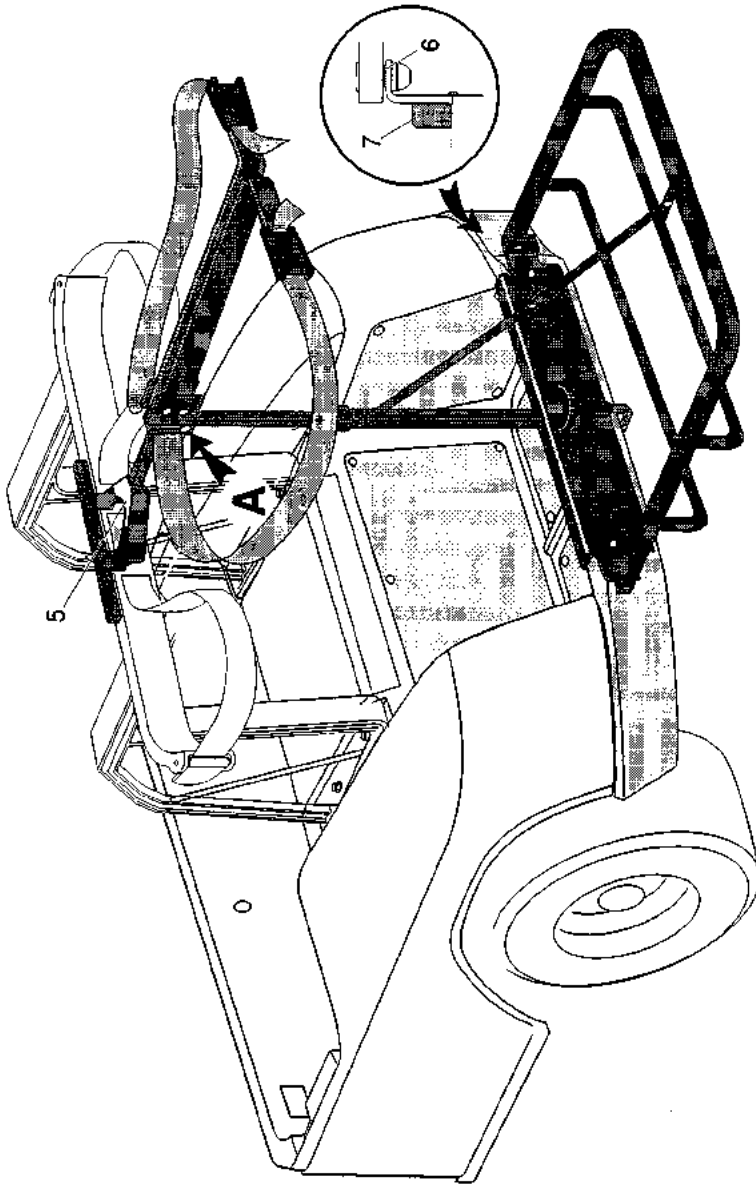
A

DRAWING NO. 75118

REV -

PG. 2 OF 2

E-Z-GO DIVISION OF TEXTRON, INC., P.O. BOX 388, AUGUSTA, GA. 30903-0388, 1-800-241-5855



TITLE TXT FOUR BAG ATTACHMENT INST'L INSTRUCTIONS

REV -

PG. 1 OF 2

DRAWING NO. 75336

A

DRN BY J. RICE
ORIG DATE 08/16/95

REV BY
REV DATE

SYMBOL ◁ REFERS TO A NOTE CORRESPONDING TO LETTER ENCLOSED WITHIN IT.
FOLLOWING PAGE(S) FOR NOTES AND PARTS LISTS.
GAIN THIS DOCUMENT TO FACILITATE THE ORDERING OF PLACEMENT PARTS.

E-Z-GO DIVISION OF TEXTRON, INC., P.O. BOX 388, AUGUSTA, GA. 30903-0388, 1-800-241-5855

NOTE: TO ORDER THIS ENTIRE FIELD KIT, REQUEST PART NO. 75335-G01
READ ALL INSTRUCTIONS BEFORE PROCEEDING.

A. FOUR BAG ATTACHMENT ASSEMBLY

1. Install the top assembly, item 1 to the bottom assembly, item 2 with clevis pin, item 3 and cap nut, item 4. See Detail A.

B. INSTALLING FOUR BAG ATTACHMENT TO VEHICLE

NOTE

It is necessary that the bottom part of the four bag attachment be disengaged from the bumper and at a level below the bumper (approx. 6-8 inches above the ground) before attempting Step 1. Note the approximate angle of the top assembly and retaining brackets shown.

1. Place the top retaining brackets over the vehicle bag rack.
2. Press down on the top retaining bracket while slightly raising the bottom part of the four bag attachment engaging the brackets with the underside of the vehicle bag rack.
3. While firmly holding retaining bracket against top of bag rack, raise the bottom of the four bag attachment *just enough to clear* the bumper on the bagwell and place on top of bumper as shown.

CAUTION

LIFTING UP ON THE BOTTOM OF THE FOUR BAG ATTACHMENT TOO FAR WILL BEND THE RETAINING BRACKETS AT THE TOP, MAKING THE ACCESSORY UNUSABLE.

4. Loosen knob on clamp sufficiently to place hook under bagwell, setting it into notch in frame.
5. Tighten the bumper clamp by turning knob clockwise until the bottom is secure.
6. Locate the retainer near the center of the four bag attachment. Slide upward to release the bagwell and lower bagwell to horizontal position.

C. REMOVING FOUR BAG ATTACHMENT FROM VEHICLE

1. Fold the bagwell up to the vertical support and secure with retainer.
2. Loosen the bumper clamp by turning knob counterclockwise and unhook clamp from bumper.

3. Lift up on the bottom part of the four bag attachment *just enough to clear* the bumper and pull down and away from vehicle.

CAUTION

LIFTING UP ON THE BOTTOM OF THE FOUR BAG ATTACHMENT TOO FAR WILL BEND THE RETAINING BRACKETS AT THE TOP, MAKING THE ACCESSORY UNUSABLE.

4. Let the bottom part of the four bag attachment angle downward to disengage the retaining brackets at the top.
5. Lift upward and forward simultaneously to remove accessory from vehicle.

ITEM	QTY	PART NO.	DESCRIPTION
1	1	75121-G01	TOP ASSEMBLY
2	1	75334-G01	BOTTOM ASSEMBLY
3	1	17651-G2	PIN, CLEVIS, 5/16 x 1 1/4" LG.
4	1	28129-G01	NUT, PUSH, 5/16"
5	1	75130-G01	LABEL, WARNING (REPLACEMENT)
6	2	00560-G1	WASHER, 3/8" (REPLACEMENT)
7	2	13728-G1	RUBBER BUMPER (REPLACEMENT)

TITLE TXT FOUR BAG ATTACHMENT INST'L INSTRUCTIONS

REV -



DRN BY	J. PRICE	REV BY	DRAWING
ORIG DATE	06/16/95	REV DATE	NO. 75336
			A

PG. 2 OF 2

☐ SYMBOL ◁ REFERS TO A NOTE CORRESPONDING TO LETTER ENCLOSED WITHIN IT.
 ☐ FOLLOWING PAGE(S) FOR NOTES AND PARTS LISTS.
 ☐ THIS DOCUMENT TO FACILITATE THE ORDERING OF REPLACEMENT PARTS.

NOTE: TO ORDER THIS ENTIRE FIELD KIT, REQUEST PART NO. 75179-G*

READ ALL INSTRUCTIONS BEFORE PROCEEDING.

TOOL LIST	QTY. REQUIRED
Jack, floor.....	1
Safety stands	4
Chocks	4
Wrench, 7/16"	1
Wrench, 1/2"	1
Wrench, 9/16"	1
Hammer, plastic faced	1
Hammer, ball peen.....	1
Center punch	1

TOOL LIST.....	QTY. REQUIRED
Ratchet, 3/8" drive.....	1
Extension, 3/8", 3".....	1
Socket, 7/16".....	1
Socket, 1/2".....	1
Socket, 9/16".....	1
Torque wrench, ft. lbs. 3/8" drive.....	1
Screwdriver, Phillips.....	1
Tape measure.....	1
Rivet Gun for 3/16" pop rivet.....	1

A. INSTALLING HEAVY DUTY SPRINGS

⚠ WARNING ⚠

BE SURE THE VEHICLE IS ON A FIRM AND LEVEL SURFACE. NEVER GET UNDER A VEHICLE WHILE IT IS SUPPORTED BY A JACK. USE SAFETY STANDS AND TEST THE STABILITY OF THE VEHICLES ON THE STANDS. ALWAYS PLACE CHOCKS IN FRONT AND BEHIND THE WHEELS THAT ARE NOT TO BE RAISED. USE CAUTION SINCE THE VEHICLE IS EXTREMELY UNSTABLE DURING THE LIFTING PROCESS.

- Place chocks in front and behind each front wheel. Center the jack under the rear bumper. (See Fig. 1)

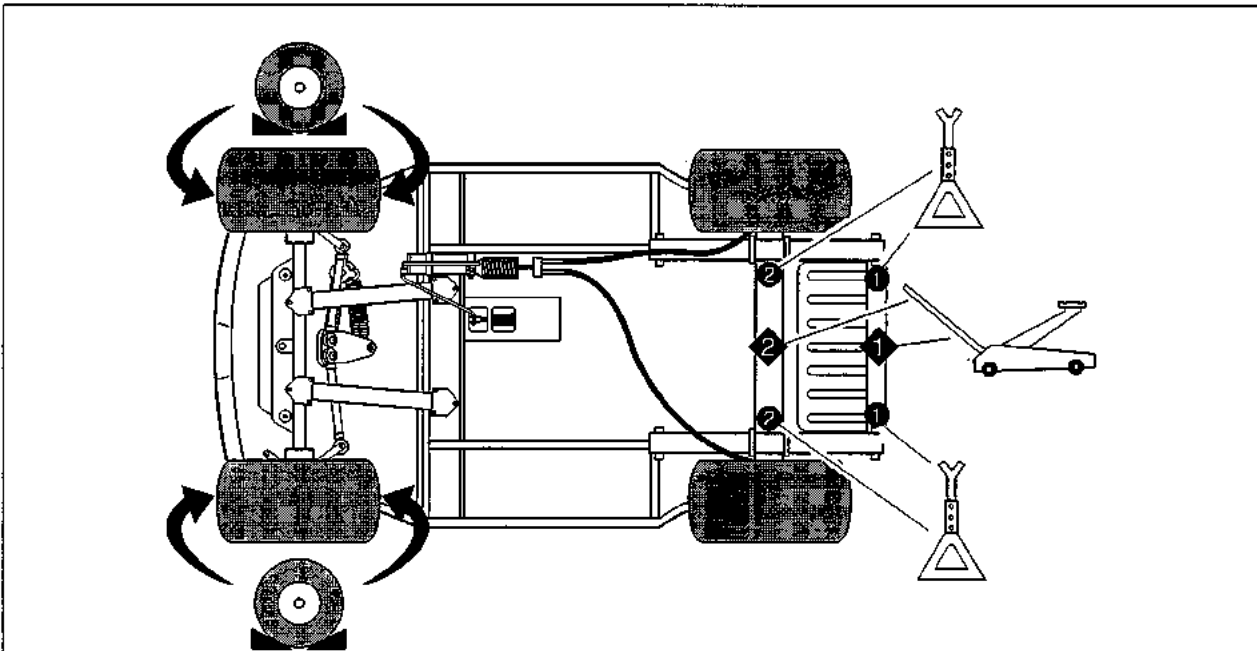


Fig. 1

- Raise the vehicle and place a safety stand under the outer ends of the rear bumper. (See Fig. 1)

TITLE CONVERTIBLE CARRIER INSTALLATION INSTRUCTIONS						REV A
EZGO TEXTRON	DRN BY ORIG DATE	J.RICE 05/25/95	REV BY REV DATE	J.RICE 07/14/95	DRAWING NO. 75283	PG. 1 OF 12

3. Lower the jack and test the stability of the vehicle on the two safety stands.
4. At the passenger side, remove the bottom shock absorber nut. (See Fig. 2)

CAUTION

NEVER LIFT OR SUPPORT THE VEHICLE ON THE REAR AXLE DIFFERENTIAL CASTING. BE CAREFUL NOT TO POSITION THE JACK IN AN AREA THAT COULD DAMAGE THE BRAKE CABLES OR HANGERS.

5. Place the jack near the center section of the rear axle and raise just enough to place a second set of safety stands at each end of the axle tubes as close to the wheel as possible. (See Fig. 1)
6. Remove the 'U' bolts and securing hardware. The nuts and 'U' bolts may be discarded but the washers should be retained for later use. (See Fig. 2)

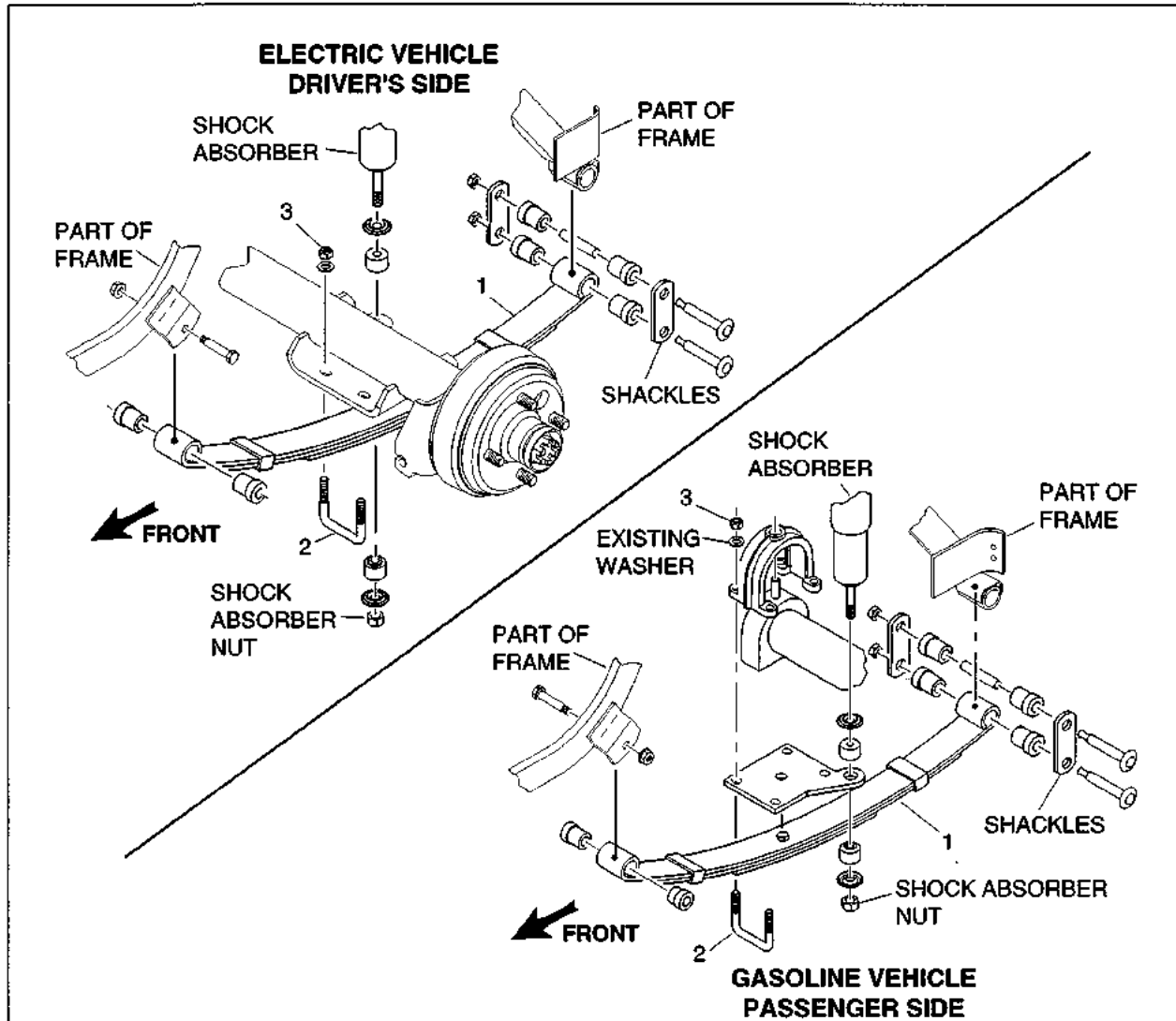


Fig. 2

7. Remove the shackles and hardware securing the spring to the frame. Remove the spring.
8. Installation of heavy duty spring is the reverse order of disassembly.
9. Install the heavy duty spring (item 1) with 'U' bolts (item 2), washers (removed from old spring), and nuts (item 3). Tighten hardware to 18-22 ft. lbs. torque.

TITLE CONVERTIBLE CARRIER INSTALLATION INSTRUCTIONS

REV A

EZGO TEXTRON

DRN BY J.RICE
ORIG DATE 05/25/95

REV BY J.RICE
REV DATE 07/14/95

DRAWING NO. 75283

PG. 2 OF 12

NOTE

When installing rear spring shackles, be sure that the cupped side of the shackle plate faces the spring.

10. Replace the hardware to secure the front end of the spring to the frame. Tighten to 21 - 25 ft. lbs. torque.
11. Replace the hardware and shackles to secure the rear end of the spring to frame. Tighten to 18 - 22 ft. lbs. torque.
12. Replace the shock absorber nut. It must be tightened until the shock absorber bushing expands to the diameter of the shock absorber washer.
13. Repeat procedure at driver's side of vehicle.

B. INSTALLING SEAT BACK SUPPORT (Refer to Fig. 3)

1. Remove the existing seat back from the seat back support and retain hardware. Remove the seat back support and bag rack assembly from the frame of the vehicle.
2. Place spacer (item 25) on frame and install the new seat back supports (item 4) to the frame using washers (item 5) and bolts (item 6). Finger tighten hardware to allow for adjustment.

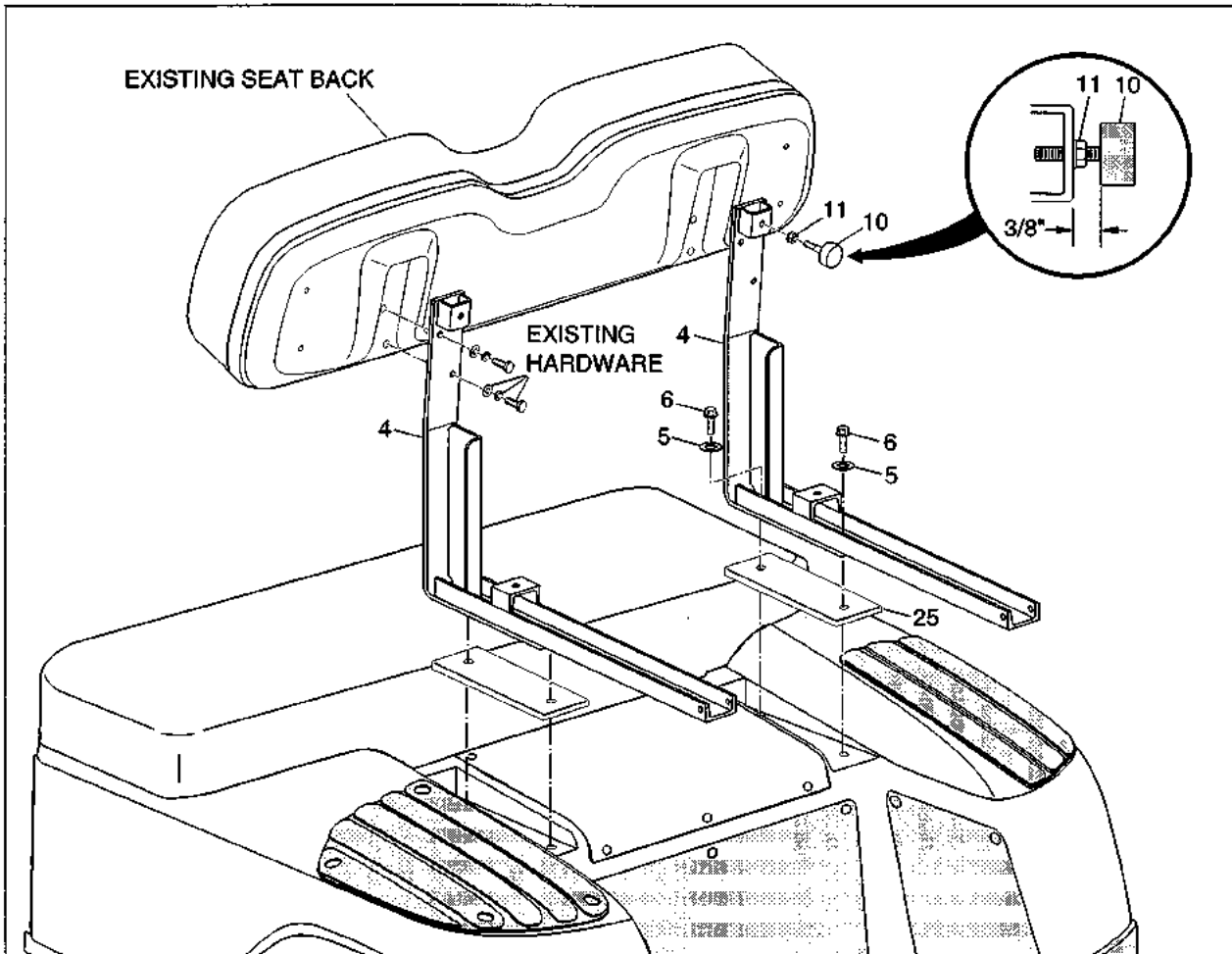


Fig. 3

3. Using existing hardware, secure the existing seat back to the new seat back support. Tighten to 5 - 7 ft. lbs. torque.
4. Install rubber bumpers (item 10) on vertical part of seat support bracket using one lock nut (item 11) (per bumper) as shown in Fig. 3. Tighten to dimension specified.
5. Tighten bolts (item 6) to 21 - 25 ft. lbs. torque.

TITLE CONVERTIBLE CARRIER INSTALLATION INSTRUCTIONS					REV A
EZGO TEXTRON	DRN BY ORIG DATE	J. RICE 05/25/95	REV BY REV DATE	J. RICE 07/14/95	DRAWING NO. 75283
E-Z-GO DIVISION OF TEXTRON, INC., P.O. BOX 388, AUGUSTA, GA. 30903-0388, 1-800-448-7					CARTPROS

C. INSTALLING NEW REAR BUMPER

1. Remove screw and washer fastening each end of existing bumper to rear fender. (On later models remove rivet.)
2. Remove hole plugs (4 places) in existing rear bumper and remove bolts securing bumper to vehicle.
3. Remove bumper and replace with new bumper (item 24) contained in kit, using bolts removed above to re-attach bumper to vehicle. Note the new bumper is secured with bolts inserted through the inner 2 mounting holes only. (See Fig. 4) Tighten to 21 - 25 ft. lbs. torque.
4. Fasten each end of bumper to rear fender using rivet (item 49). (Hole in fender may need to be enlarged to 13/64".)
5. Install hole plugs, removed earlier, in all 4 holes.

D. INSTALLING VERTICAL FRAME SUPPORT.

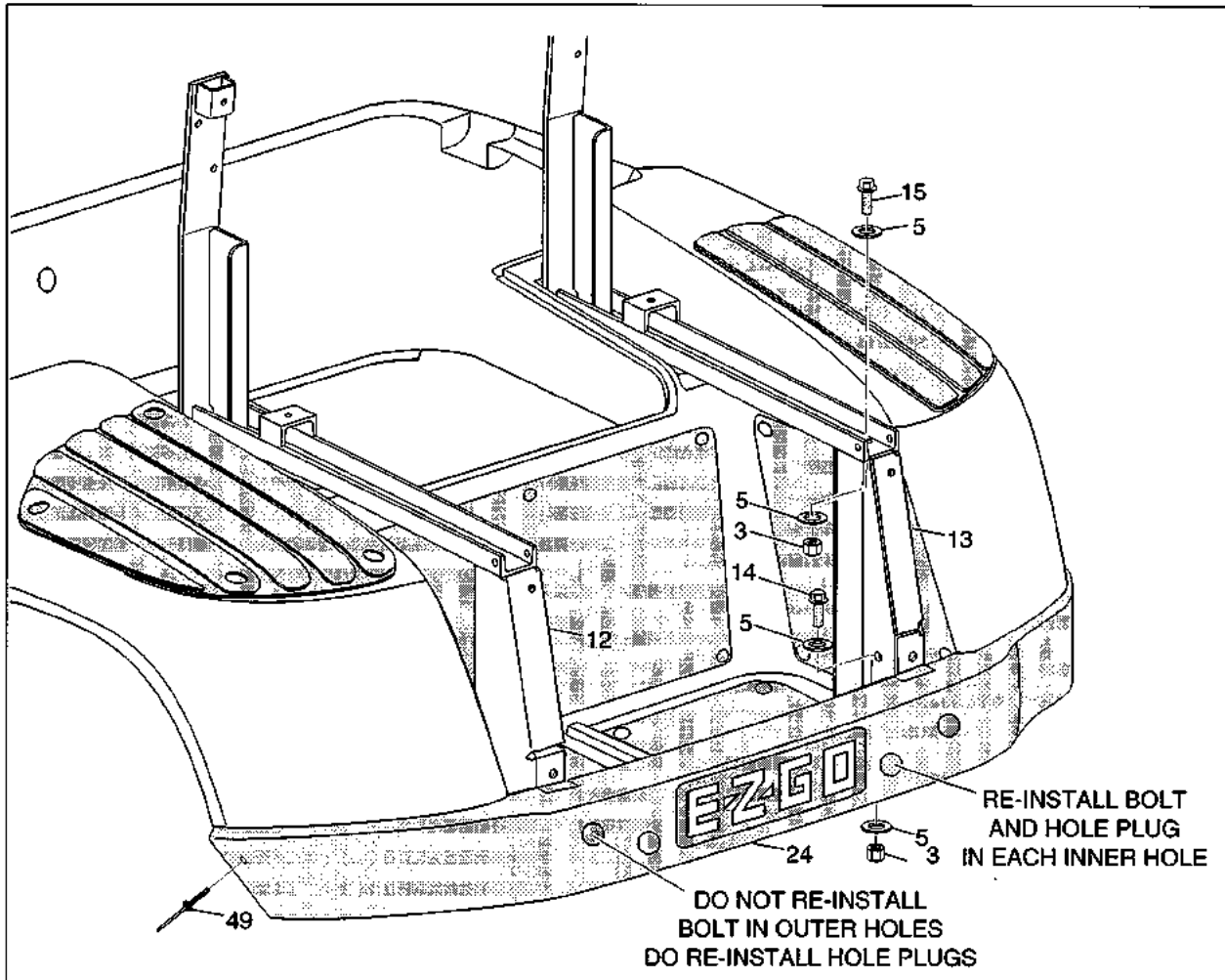


Fig. 4

1. Place vertical frame support (items 12 and 13) between the seat back support and bagwell as shown. Insert bolt (item 14) and washer (item 5) from inside bagwell and place washer (item 5) and nut (item 3) underneath frame (See Fig. 4). Finger tighten the hardware since the bottom washer and nut will be removed later for further installation.
2. Secure the top of the vertical frame support to the seat back support using bolt (item 15), washers (item 5) and nut (item 3) (See Fig. 4). Do not tighten hardware.

TITLE CONVERTIBLE CARRIER INSTALLATION INSTRUCTIONS						REV A
EZGO TEXTRON	DRN BY ORIG DATE	J. RICE 05/25/95	REV BY REV DATE	J. RICE 07/14/95	DRAWING NO. 75283	PG. 4 OF 12

NOTE

At this point, before tightening any hardware, it is critical the exact spacing is achieved to accommodate the fitting of the seat assembly into the channels of the seat back support.

3. As a 'test fit', place the support frame (item 26) into the channels of the seat back support (See Fig. 6) and tighten the hardware securing the seat back support to the vehicle frame and vertical frame support to 21-25 ft. lbs. torque.
4. Remove the support frame.

E. INSTALLING FOOT REST

1. Before attaching foot rest (item 19), mark hole centers as dimensioned and attach support tube (item 29) to foot rest with self drilling and tapping screws (item 41). Insert hole plugs (item 43) and end plugs (item 42) in support tube. (See Fig. 5)
2. Install the end plugs (item 18) into the tubing ends of the foot rest (item 19).
3. Remove the nut (item 3) and washer (item 5) (previously installed) from the underside of the frame. (See Fig. 5)

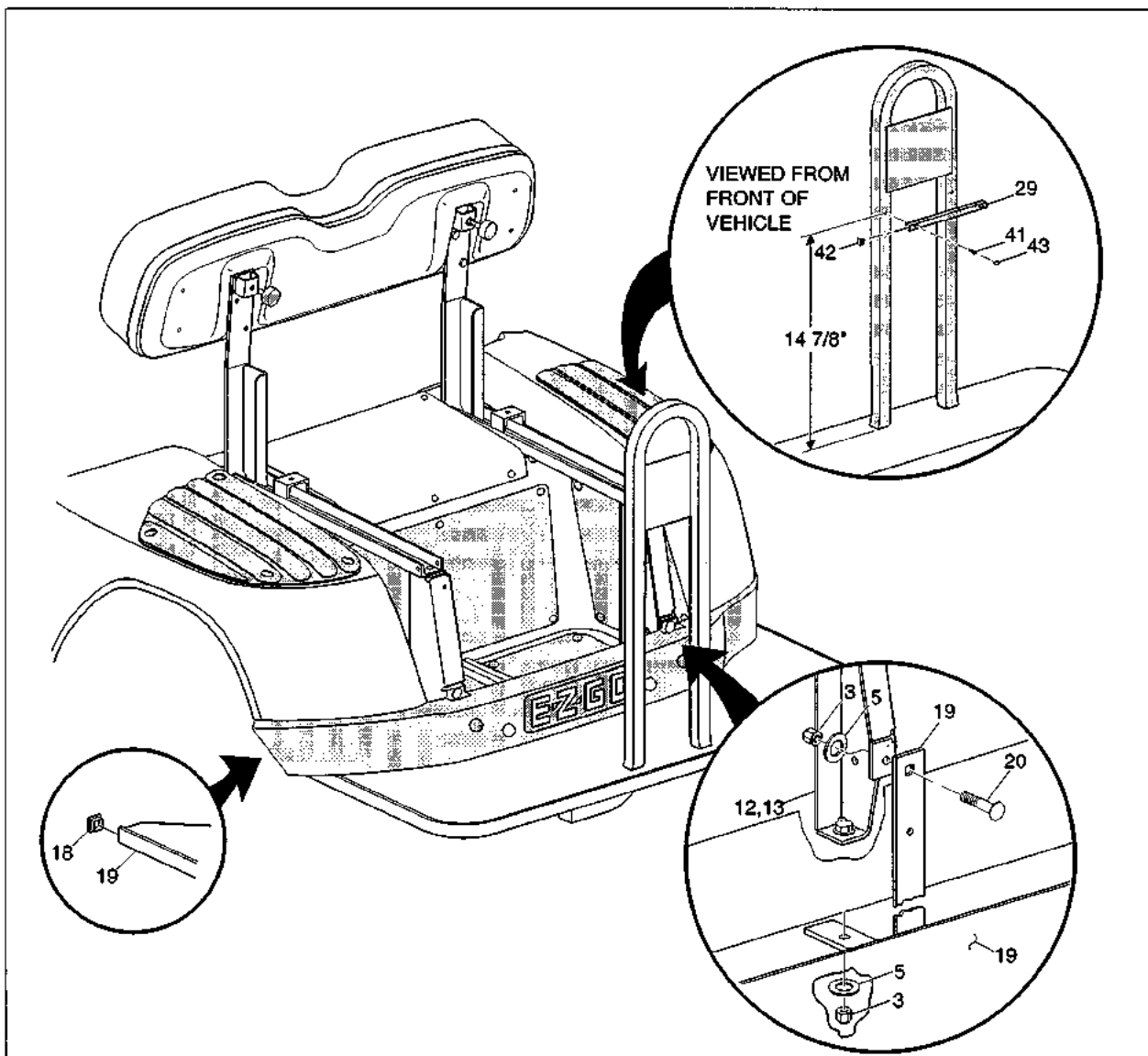


Fig. 5

TITLE CONVERTIBLE CARRIER INSTALLATION INSTRUCTIONS						REV A
EZGO TEXTRON	DRN BY ORIG DATE	J. RICE 05/25/95	REV BY REV DATE	J. RICE 07/14/95	DRAWING NO. 75283	PG. 5 OF 12

NOTE

Installation Tip: To perform step 4, it may require the assistance of another person or it may be necessary to use a jack to raise and hold the foot rest while installing hardware.

4. Place the foot rest (item 19) up against the bottom of bumper aligning the bolts that were previously installed in the bagwell with the holes in the horizontal part of the foot rest bracket. Be sure the vertical part of the foot rest bracket is inserted between the bumper and the vertical frame supports. See Detail in Fig. 5
5. Reinstall the washer and nut under the bagwell. Finger tighten to allow adjustment.
6. Align holes in foot rest bracket with holes in vertical frame support.
7. Insert carriage bolt (item 20) through the hole in bracket and vertical support and secure with washer (item 5) and nut (item 3). (See Fig. 5)
8. Tighten the nut (item 3) on the underside of the frame to 21 - 25 ft. lbs. torque. (See Fig. 5)

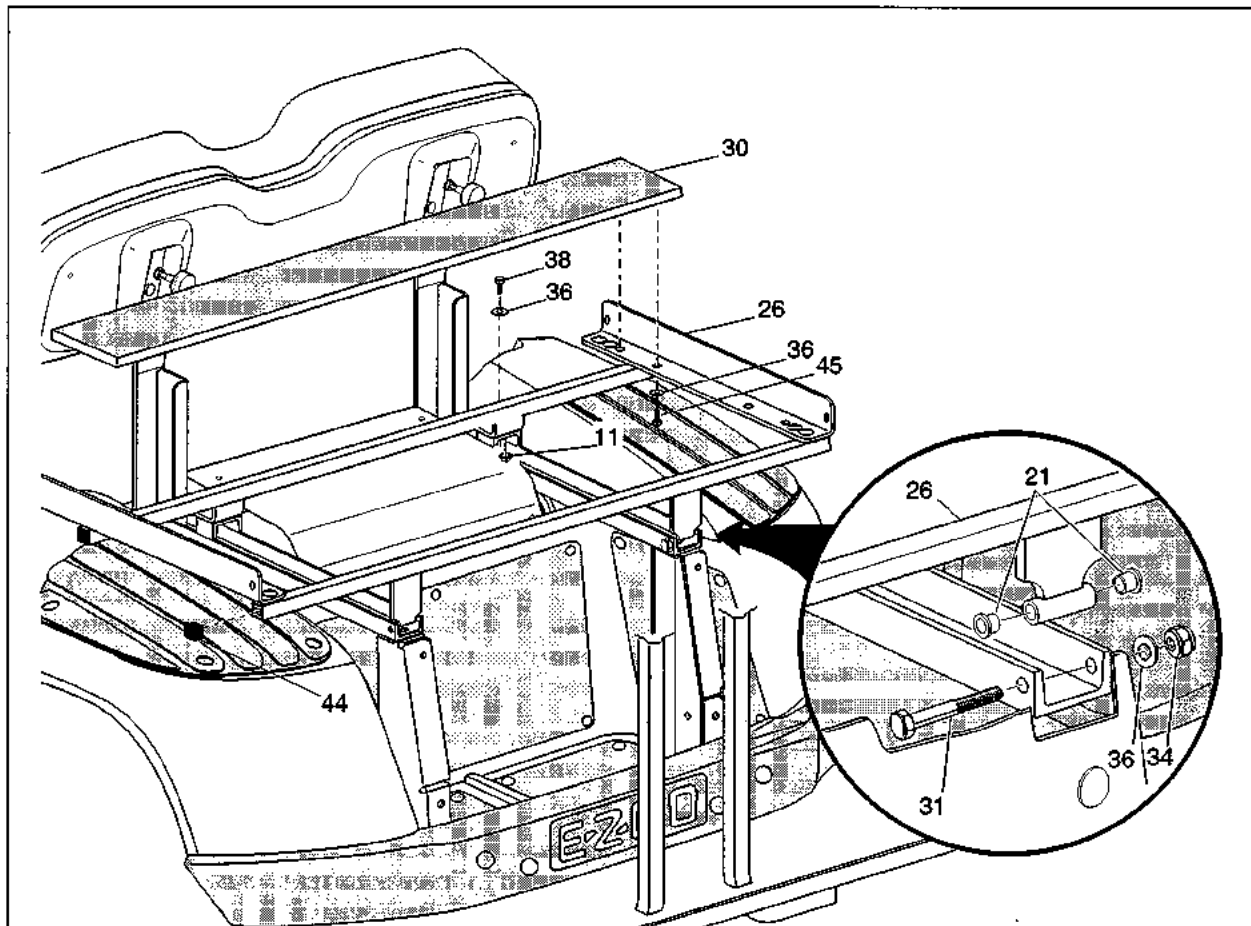


Fig. 6

F. INSTALLING SUPPORT FRAME (Refer to Fig. 6)

1. Insert the nylon bushings (item 21) into the pivot brackets in the support frame (item 26) (4 places).
2. Place the support frame into the channels of the seat back support aligning pivot brackets with existing holes.
3. Insert the bolt (item 31) through the pivot from the center of vehicle (2 places) and secure with washer (item 36) and nut (item 34).
4. Secure front of support frame to seat back support using bolt (item 38), washer (item 36) and nut (item 11).
5. Insert end plug (item 44) in each end of both tubes of support frame.

TITLE CONVERTIBLE CARRIER INSTALLATION INSTRUCTIONS						REV A
EZGO TEXTRON	DRN BY ORIG DATE	J. RICE 05/25/95	REV BY REV DATE	J. RICE 07/14/95	DRAWING NO.	75283 PG. 6 OF 12

G. INSTALLING FIXED BED (Refer to Fig. 6)

1. Attach fixed bed (item 30) to support frame (item 26) using bolt (item 45) and washer (item 36). (Two places on each end of fixed bed. Do not tighten hardware at this time as some adjustment may be necessary.

H. INSTALLING HANDRAIL (Refer to Fig. 7)

1. Insert end plug (item 42) in each end of handrail (item 27).
2. Attach handrail at forward end of support frame (item 26) using bolt (item 48), lock washer (item 37) and acorn nut (item 35). Do not tighten hardware at this time.
3. Repeat procedure on other side of support frame.

I. INSTALLING LOAD BED AND SEAT BOTTOM (Refer to Fig. 7)

1. Position load bed (item 28) in support frame as shown.
2. Position seat bottom (item 47) in support frame as shown.
3. Insert teflon washer (item 32) between support frame and load bed and again between load bed and seat bottom as shown.
4. Secure all components by inserting bolt (item 23) through handrail, support frame, washer, bed assembly, washer and seat bottom and secure with lock nut (item 34). (See Detail in Fig. 8) Tighten fixed bed hardware to 5 - 7 ft. lbs. torque and handrail hardware to 12 - 14 ft. lbs. torque.

J. INSTALLING VALANCE PANEL

1. Place the valance panel (item 16) as shown in Fig. 7 with the sides inside the bagwell.
2. Secure the valance panel to the vertical support brackets using two rivets (item 17) in each bracket.

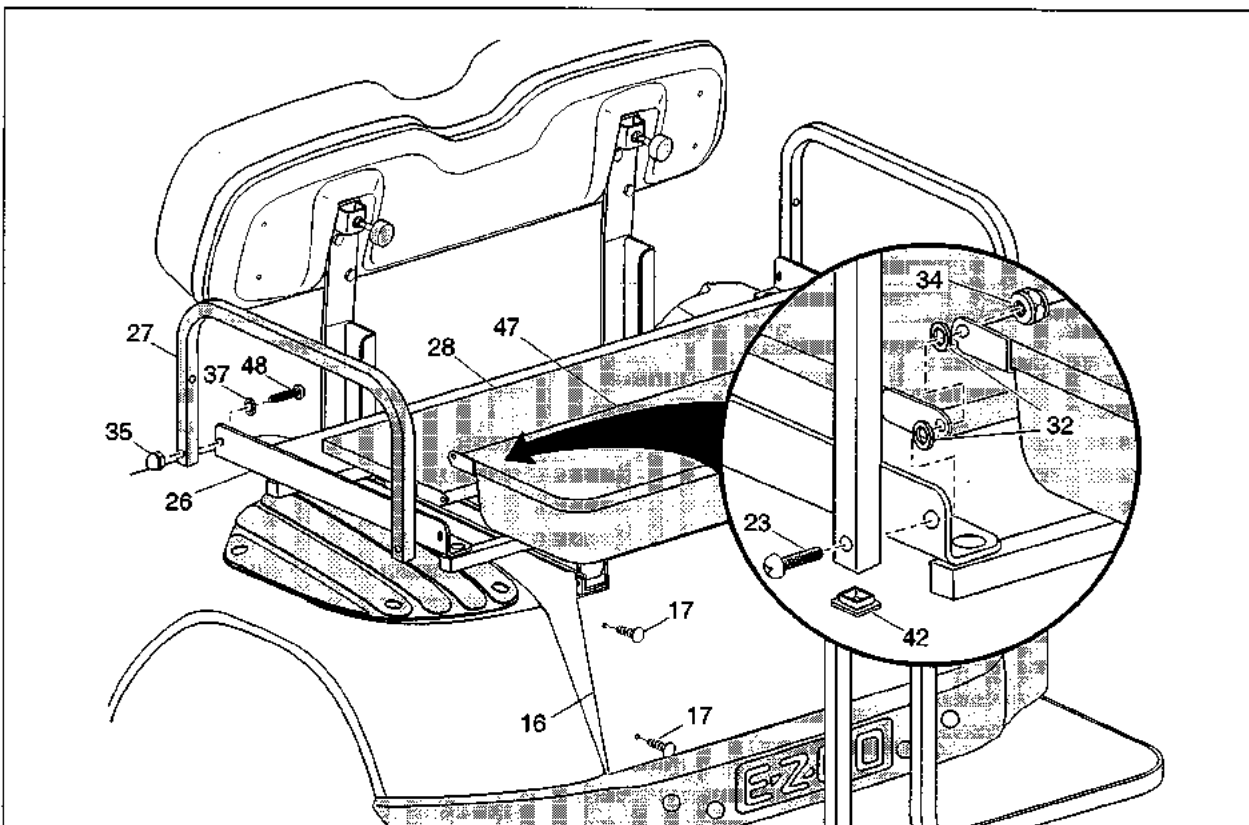
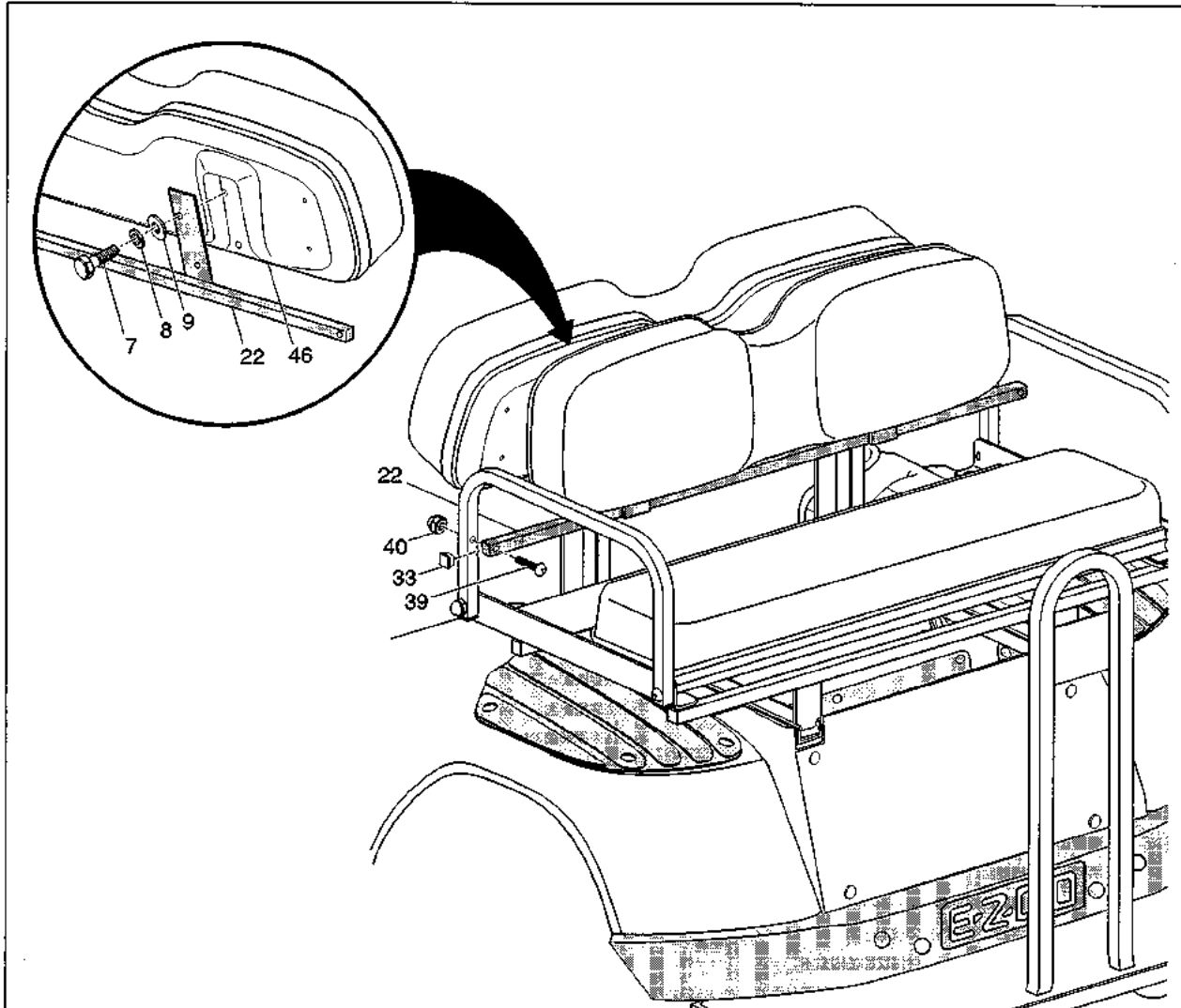


Fig. 7

TITLE CONVERTIBLE CARRIER INSTALLATION INSTRUCTIONS						REV A
EZGO TEXTRON	DRN BY ORIG DATE	J.RICE 05/25/95	REV BY REV DATE	J.RICE 07/14/95	DRAWING NO. 75283	PG. 7 OF 12

K. INSTALLING SEAT BACK (Refer to Fig. 8)

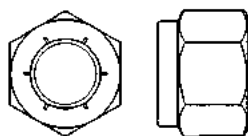
1. Attach seat back (item 46) to seat back support (item 22) using bolt (item 7), lock washer (item 8) and washer (item 9). Tighten to 5 - 7 ft. lbs. torque.
2. Secure seat back to handrail using bolt (item 39) and acorn nut (item 40). Tighten to 5 - 7 ft. lbs torque.
3. Insert end plug (item 33) in each end of seat back support tube.

**Fig. 8****TITLE CONVERTIBLE CARRIER INSTALLATION INSTRUCTIONS****REV A****EZGO TEXTRON**DRN BY J.RICE
ORIG DATE 05/25/95REV BY J.RICE
REV DATE 07/14/95

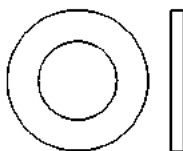
DRAWING NO. 75283

PG. 8 OF 12

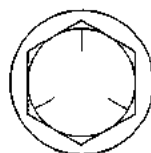
NOTE: HARDWARE SHOWN ACTUAL SIZE



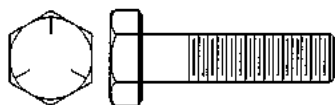
Item 3
3/8-16 Lock Nut
Qty. 14



Item 5
3/8" Washer
Qty. 14



Item 6
3/8-16 x 1 1/4" Bolt
Qty. 4



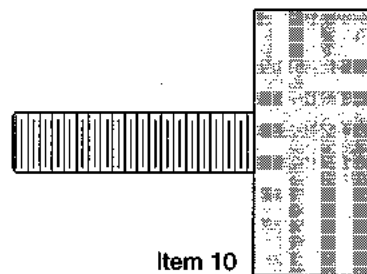
Item 7
1/4-20 x 1" Bolt
Qty. 4



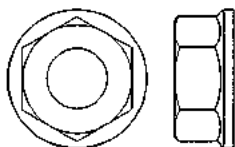
Item 8
1/4" Lock Washer
Qty. 4



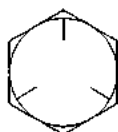
Item 9
1/4" Washer
Qty. 4



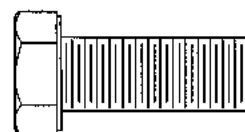
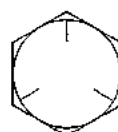
Item 10
Adjustable Rubber Bumper
Qty. 4



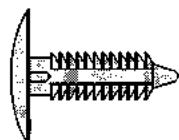
Item 11
5/16-18 Lock Nut
Qty. 6



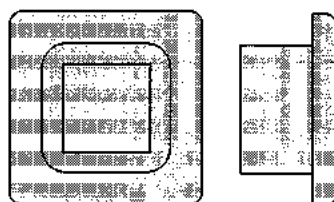
Item 14
3/8-16 x 1 1/2" Bolt
Qty. 2



Item 15
3/8-16 x 1" Bolt
Qty. 2



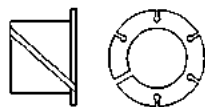
Item 17
Plastic Rivet
Qty. 6



Item 18, 44
End Plug, 1"
Qty. 2, 4



Item 20
3/8-16 x 1 1/4" Carriage Bolt
Qty. 14



Item 21
Bushing, Nylon
Qty. 4



Item 23
5/16-18 x 1 1/2" Bolt
Qty. 2

TITLE **CONVERTIBLE CARRIER INSTALLATION INSTRUCTIONS**

REV A

EZGO TEXTRON

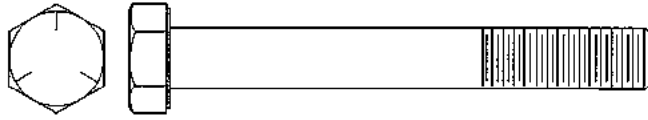
DRN BY J.RICE
ORIG DATE 05/25/95

REV BY J.RICE
REV DATE 07/14/95

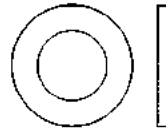
DRAWING NO. 75283

PG. 9 OF 12

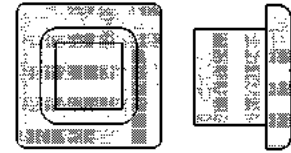
NOTE: HARDWARE SHOWN ACTUAL SIZE



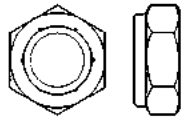
Item 31
5/16-18 x 2 1/2" Bolt
Qty. 2



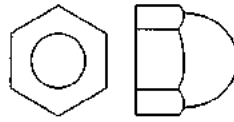
Item 32
5/8" Washer, Teflon
Qty. 4



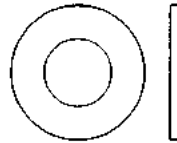
Item 33, 42
End Plug, 3/4"
Qty. 2, 6



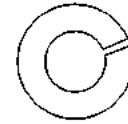
Item 34
5/16-18 Lock Nut
Qty. 4



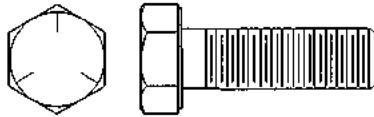
Item 35
5/16-18 Acorn Nut
Qty. 2



Item 36
5/16" Washer
Qty. 4



Item 37
5/16" Lock Washer
Qty. 2



Item 38
5/16-18 x 1" Bolt
Qty. 2



Item 39
1/4-20 x 1 3/4" Bolt
Qty. 2



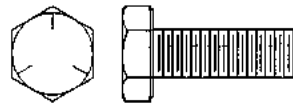
Item 40
1/4-20 Acorn Nut
Qty. 2



Item 41
#12-24 x 3/4" Screw
Qty. 2



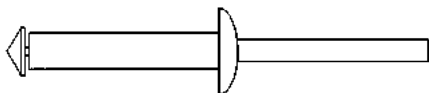
Item 43
Hole Plug, 1/2"
Qty. 2



Item 45
1/4-20 x 3/4" Bolt
Qty. 4



Item 48
5/16-18 x 1 1/4" Bolt
Qty. 2



Item 49
Rivet, 3/16"
Qty. 2

NOTE:

Items 18 and 44 are the same in appearance. However, item 18 is for 14 gauge tubing and 44 is for 11 gauge tubing.

Items 33 and 42 are the same in appearance. However, item 33 is for 11 gauge tubing and 42 is for 14 gauge tubing.

Check fit each end plug for tightest fit for correct application.

TITLE CONVERTIBLE CARRIER INSTALLATION INSTRUCTIONS					REV A	
EZGO TEXTRON		DRN BY ORIG DATE	J.RICE 05/25/95	REV BY REV DATE	J.RICE 07/14/95	DRAWING NO. 75283
E-Z-GO DIVISION OF TEXTRON, INC., P.O. BOX 388, AUGUSTA, GA. 30903-0388, 1-800-448-7476						PG. 10 OF 12

KIT CONTENTS

ITEM	QTY	PART NO.	DESCRIPTION
1	2	74135-G01	SPRING, HEAVY DUTY
2	4	74124-G01	'U' BOLT, 3/8-16 x 2 1/2" LG.
3	14	11098-G5	NUT, LOCK, 3/8-16
4	2	74111-G01	SUPPORT, SEAT BACK
5	14	00560-G1	WASHER, 3/8"
6	4	01006-G02	BOLT, 3/8-16 X 1 1/2" LG.
7	4	00414-G8	BOLT, 1/4-20 X 1" LG.
8	4	00565-G7	WASHER, LOCK, 1/4"
9	4	00559-G7	WASHER, 1/4"
10	4	70113-G01	BUMPER, ADJUSTABLE RUBBER
11	6	11027-G1	NUT, LOCK, 5/16-18
12	1	74126-G02	SUPPORT, VERTICAL FRAME, DRIVER'S SIDE
13	1	74126-G01	SUPPORT, VERTICAL FRAME, PASSENGER SIDE
14	2	00427-G4	BOLT, 3/8-16 X 1 1/2" LG.
15	2	00426-G8	BOLT, 3/8-16 X 1" LG.
16	1	74149-G01	PANEL, VALANCE
17	4	16816-G2	RIVET, PLASTIC
18	2	19853-G1	END PLUG, 1"
19	1	70361-G01	FOOT REST (INCLUDES WARNING LABEL (74132-G01))
20	2	00769-G2	BOLT, CARRIAGE, 3/8-16 X 1 1/4" LG.
21	4	17838-G1	BUSHING, NYLON
22	1	74131-G*	SEAT ASSEMBLY
23	2	00762-G4	BOLT, 5/16-18 X 1 1/2"
24	1	71456-G01	BUMPER, REAR, NOTCHED
25	2	70364-G01	SPACER
26	1	74193-G01	FRAME, SUPPORT
27	2	75196-G01	HANDRAIL
28	1	75229-G01	BED
29	1	75268-G01	TUBE, SUPPORT

TITLE	CONVERTABLE CARRIER INSTALLATION INSTRUCTIONS	REV	A
-------	--	-----	----------

EZGO TEXTRON	DRN BY ORIG DATE	J.RICE 05/25/95	REV BY REV DATE	J.RICE 07/14/95	DRAWING NO.	75283	PG. 11 OF 12
---------------------	---------------------	--------------------	--------------------	--------------------	----------------	-------	--------------

KIT CONTENTS

ITEM	QTY	PART NO.	DESCRIPTION
30.....	1.....	75273-G01.....	BED, FRONT
31.....	2.....	00440-G4.....	BOLT, 5/16-18 X 2 1/2" LG.
32.....	4.....	17255-G1.....	WASHER, TEFLON
33.....	2.....	75261-G01.....	PLUG, END, 3/4"
34.....	4.....	00654-G3.....	NUT, LOCK, 5/16-18
35.....	2.....	00520-G3.....	NUT, ACORN, 5/16-18
36.....	4.....	00559-G8.....	WASHER, 5/16"
37.....	2.....	00664-G8.....	WASHER, LOCK, 5/16"
38.....	2.....	00438-G8.....	BOLT, 5/16-18 X 1" LG.
39.....	2.....	16705-G6.....	BOLT, 1/4-20 X 1 3/4" LG.
40.....	2.....	00520-G1.....	NUT, ACORN, 1/4-20
41.....	2.....	00106-G6.....	SCREW, #12-24 X 3/4" LG.
42.....	6.....	19859-G1.....	END PLUG, 3/4"
43.....	2.....	20271-G2.....	HOLE PLUG, 1/2"
44.....	4.....	75261-G02.....	END PLUG, 1"
45.....	4.....	00661-G6.....	BOLT, 1/4-20 X 3/4" LG.
46.....	1.....	71751-G*.....	SEAT BACK
47.....	1.....	75263-G*.....	SEAT BOTTOM
48.....	2.....	00762-G02.....	BOLT, 5/16-18 X 1 1/4"
49.....	2.....	71055-G01.....	RIVET, 3/16"

(G* is determined by the color of seat back or seat bottom)

TITLE CONVERTIBLE CARRIER INSTALLATION INSTRUCTIONS						REV A
EZGO TEXTRON	DRN BY ORIG DATE	J.RICE 05/25/95	REV BY REV DATE	J.RICE 07/14/95	DRAWING NO. 75283	PG. 12 OF 12

NOTE: TO ORDER THIS ENTIRE FIELD KIT, REQUEST PART NO. 74150-G01

READ ALL INSTRUCTIONS BEFORE PROCEEDING.

TOOL LIST	QTY. REQUIRED
Jack, floor.....	1
Safety stands	4
Chocks	4
Wrench, 7/16"	1
Wrench, 1/2"	1
Wrench, 9/16"	1
Hammer, plastic faced	1
.....	

TOOL LIST.....	QTY. REQUIRED
Ratchet, 3/8" drive	1
Extension, 3/8", 3"	1
Socket, 7/16"	1
Socket, 1/2"	1
Socket, 9/16"	1
Torque wrench, ft. lbs. 3/8" drive	1
Screwdriver, Phillips	1
Rivet Gun for 3/16" pop rivet	1

A. INSTALLING HEAVY DUTY SPRINGS



BE SURE THE VEHICLE IS ON A FIRM AND LEVEL SURFACE. NEVER GET UNDER A VEHICLE WHILE IT IS SUPPORTED BY A JACK. USE SAFETY STANDS AND TEST THE STABILITY OF THE VEHICLES ON THE STANDS. ALWAYS PLACE CHOCKS IN FRONT AND BEHIND THE WHEELS THAT ARE NOT TO BE RAISED. USE CAUTION SINCE THE VEHICLE IS EXTREMELY UNSTABLE DURING THE LIFTING PROCESS.

1. Place chocks in front and behind each front wheel. Center the jack under the rear bumper. (See Fig. 1)

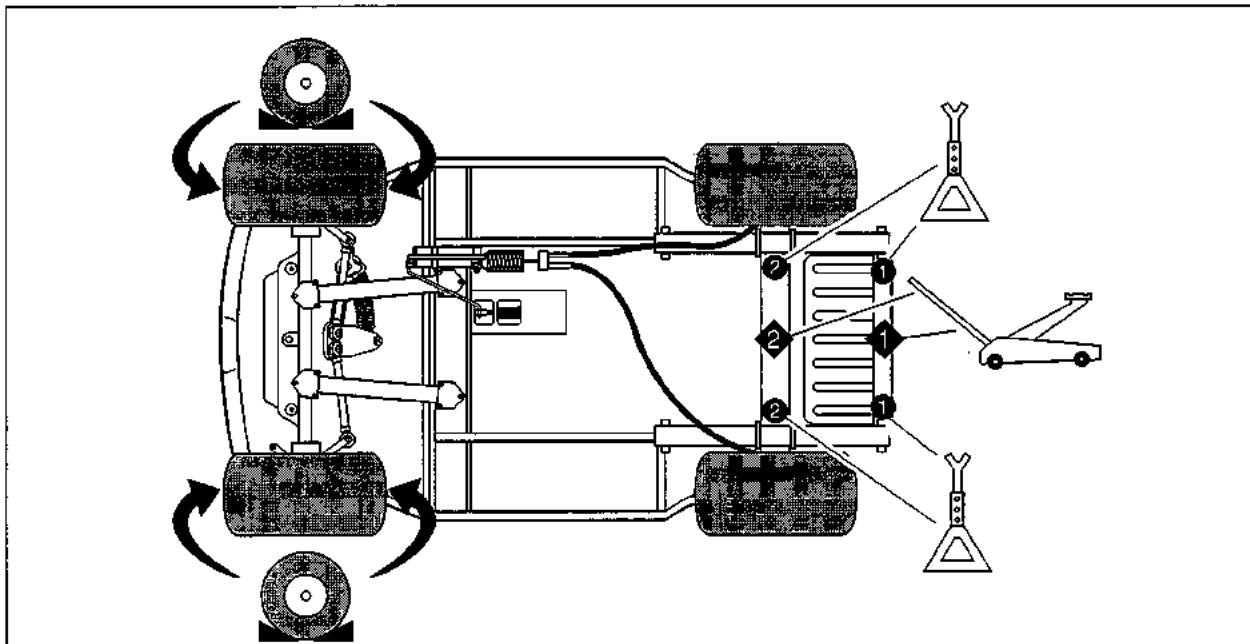


Fig. 1

2. Raise the vehicle and place a safety stand under the outer ends of the rear bumper. (See Fig. 1)

TITLE 4 CADDY INSTALLATION INSTRUCTIONS						REV A
EZGO TEXTRON	DRN BY ORIG DATE	J. RICE 05/22/95	REV BY REV DATE	J. RICE 07/14/96	DRAWING NO. 74155	PG. 1 OF 8

3. Lower the jack and test the stability of the vehicle on the two safety stands.
4. At the passenger side, remove the bottom shock absorber nut. (See Fig. 2)

CAUTION

NEVER LIFT OR SUPPORT THE VEHICLE ON THE REAR AXLE DIFFERENTIAL CASTING. BE CAREFUL NOT TO POSITION THE JACK IN AN AREA THAT COULD DAMAGE THE BRAKE CABLES OR HANGERS.

5. Place the jack near the center section of the rear axle and raise just enough to place a second set of safety stands at each end of the axle tubes as close to the wheel as possible. (See Fig. 1)
6. Remove the 'U' bolts and securing hardware. The nuts and 'U' bolts may be discarded but the washers should be retained for later use. (See Fig. 2)

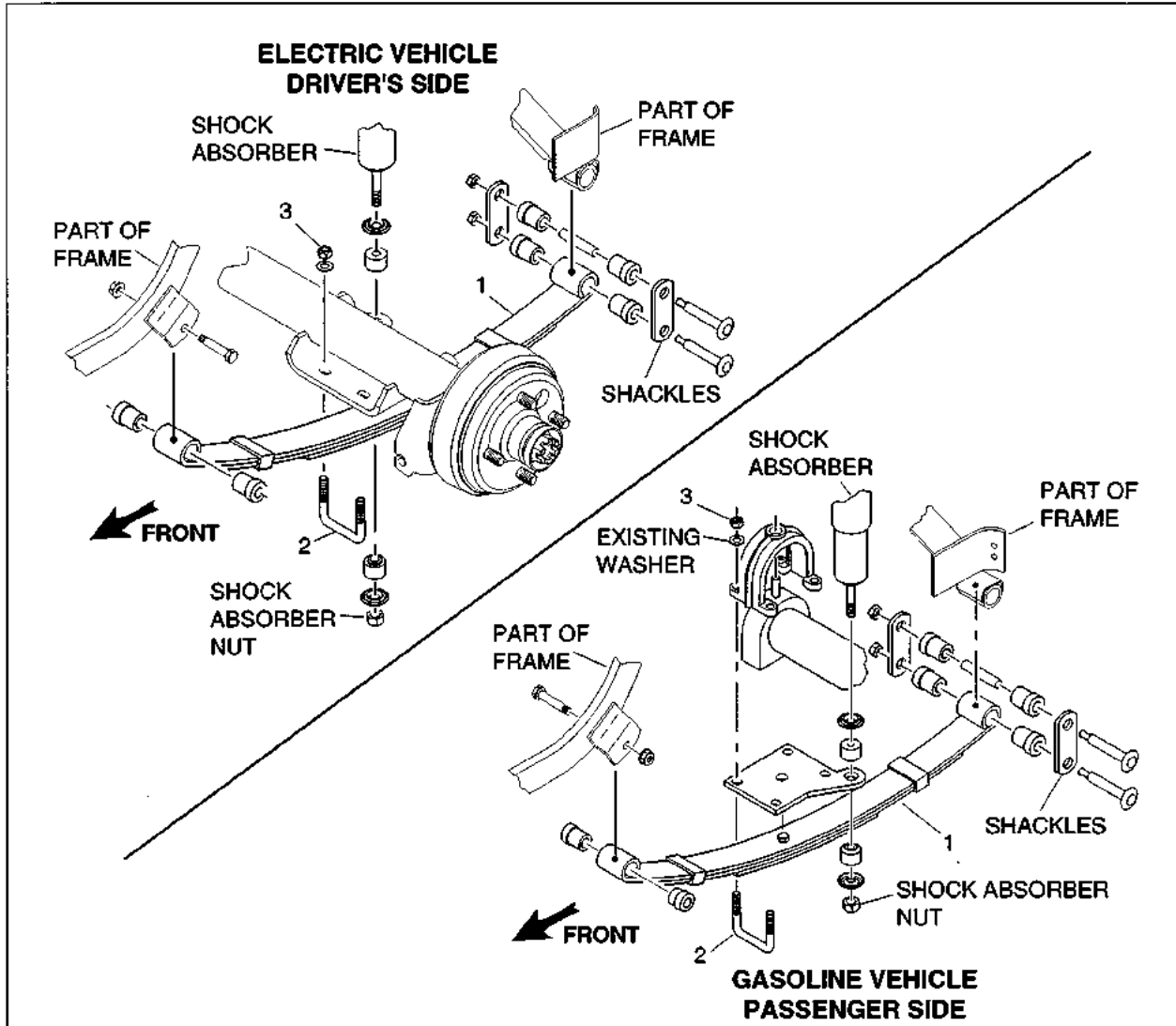


Fig. 2

7. Remove the shackles and hardware securing the spring to the frame. Remove the spring.
8. Installation of heavy duty spring is the reverse order of disassembly.
9. Install the heavy duty spring (item 1) with 'U' bolts (item 2), washers (removed from old spring), and nuts (item 3). Tighten hardware to 18-22 ft. lbs. torque.

TITLE 4 CADDY INSTALLATION INSTRUCTIONS					REV A	
EZGO TEXTRON	DRN BY J.RICE ORIG DATE 05/22/95	REV BY J.RICE REV DATE 07/14/95	DRAWING NO. 74155	PG. 2 OF 8		

NOTE

When installing rear spring shackles, be sure that the cupped side of the shackle plate faces the spring.

10. Replace the hardware to secure the front end of the spring to the frame. Tighten to 21 - 25 ft. lbs. torque.
11. Replace the hardware and shackles to secure the rear end of the spring to frame. Tighten to 18 - 22 ft. lbs. torque.
12. Replace the shock absorber nut. It must be tightened until the shock absorber bushing expands to the diameter of the shock absorber washer.
13. Repeat procedure at driver's side of vehicle.

B. INSTALLING SEAT BACK SUPPORT (Refer to Fig. 3)

1. Remove the existing seat back from the seat back support and retain hardware. Remove the seat back support and bag rack assembly from the frame of the vehicle.
2. Install the new seat back supports (item 4) to the frame using washers (item 5) and bolts (item 6). Finger tighten hardware to allow for adjustment.

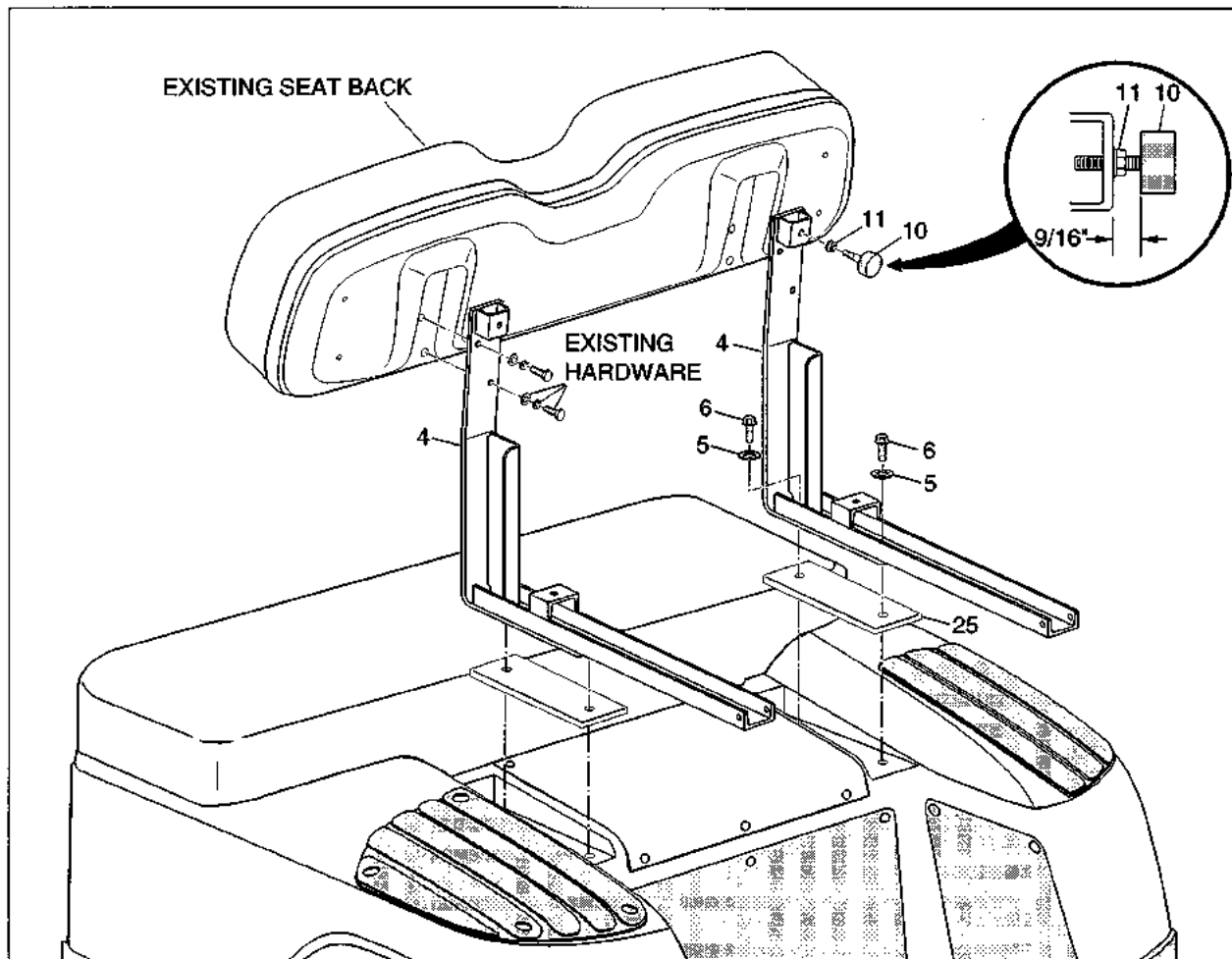


Fig. 3

3. Using existing hardware, secure the existing seat back to the new seat back support. Tighten to 5 - 7 ft. lbs. torque.
4. Install rubber bumpers (item 10) on vertical part of seat support bracket using one lock nut (item 11) (per bumper) as shown in Fig. 3. Tighten to dimension specified.
5. Tighten bolts (item 6) to 21 - 25 ft. lbs. torque.

TITLE **4 CADDY INSTALLATION INSTRUCTIONS**

REV A

EZGO TEXTRON

DRN BY J.RICE
ORIG DATE 05/22/95

REV BY J.RICE
REV DATE 07/14/95

DRAWING NO. 74155

PG. 3 OF 8

C. REPLACING REAR BUMPER

1. Remove screw and washer fastening each end of bumper to rear fender. (In later models remove rivet.)
2. Remove hole plugs (4 places) in rear bumper (item 24) and remove bolts securing bumper to vehicle.
3. Remove bumper and replace with modified bumper contained in kit, using hardware removed above to re-attach bumper to vehicle. Replace bolts using inner 2 mounting holes only. (See Fig. 4) Tighten to 21 - 25 ft. lbs. torque.
4. Fasten each end of bumper to rear fender using 3/16" rivet (item 26). (Hole in fender may need to be enlarged to 13/64")
5. Replace hole plugs, removed earlier, in all 4 holes.

D. INSTALLING VERTICAL FRAME SUPPORT.

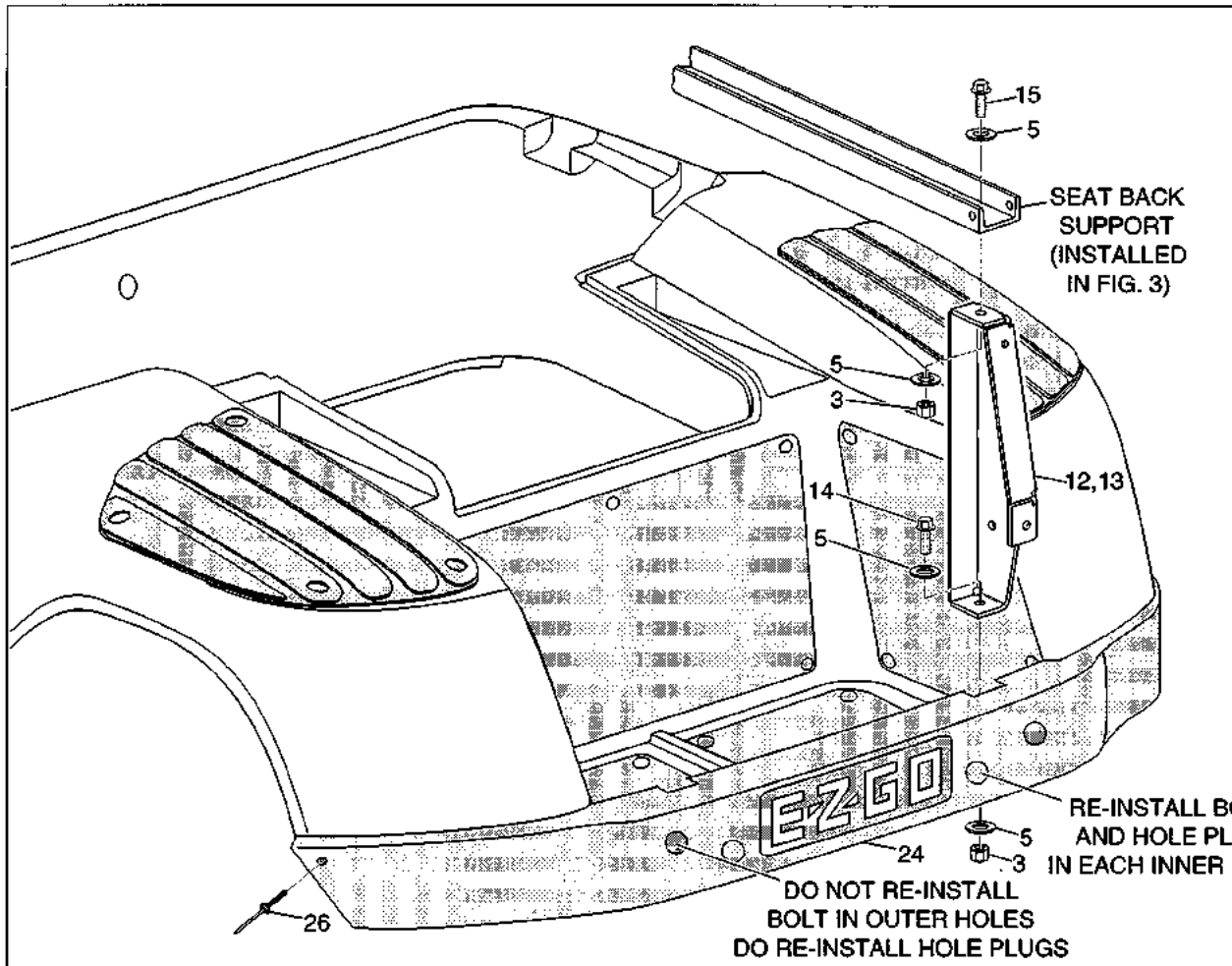


Fig. 4

1. Place vertical frame support (items 12 and 13) between the seat back support and bagwell as shown. Insert bolt (item 14) and washer (item 5) from inside bagwell and place washer (item 5) and nut (item 3) underneath frame (See Fig. 4). Finger tighten the hardware since the bottom washer and nut will be removed later for further installation.
2. Secure the top of the vertical frame support to the seat back support using bolt (item 15), washers (item 5) and nut (item 3) (See Fig. 4). Do not tighten hardware to allow for adjustment.

TITLE 4 CADDY INSTALLATION INSTRUCTIONS						REV A
EZGO TEXTRON	DRN BY ORIG DATE	J.RICE 05/22/95	REV BY REV DATE	J.RICE 07/14/95	DRAWING NO. 74155	PG. 4 OF 8

NOTE

Before tightening any hardware, it is critical the exact spacing is achieved to accommodate the fitting of the seat assembly into the channels of the seat back support.

3. As a 'test fit', place the seat assembly (item 22) into the channels of the seat back support (See Fig. 6) and tighten the hardware securing the seat back support to the vehicle frame and vertical frame support to 21-25 ft. lbs. torque.
4. Remove the seat assembly.

E. INSTALLING FOOT REST

1. Install the end plugs (item 18) into the tubing ends of the foot rest assembly (item 19).
2. Remove the nut (item 3) and washer (item 5) (previously installed) from the underside of the frame. (See Fig. 5)

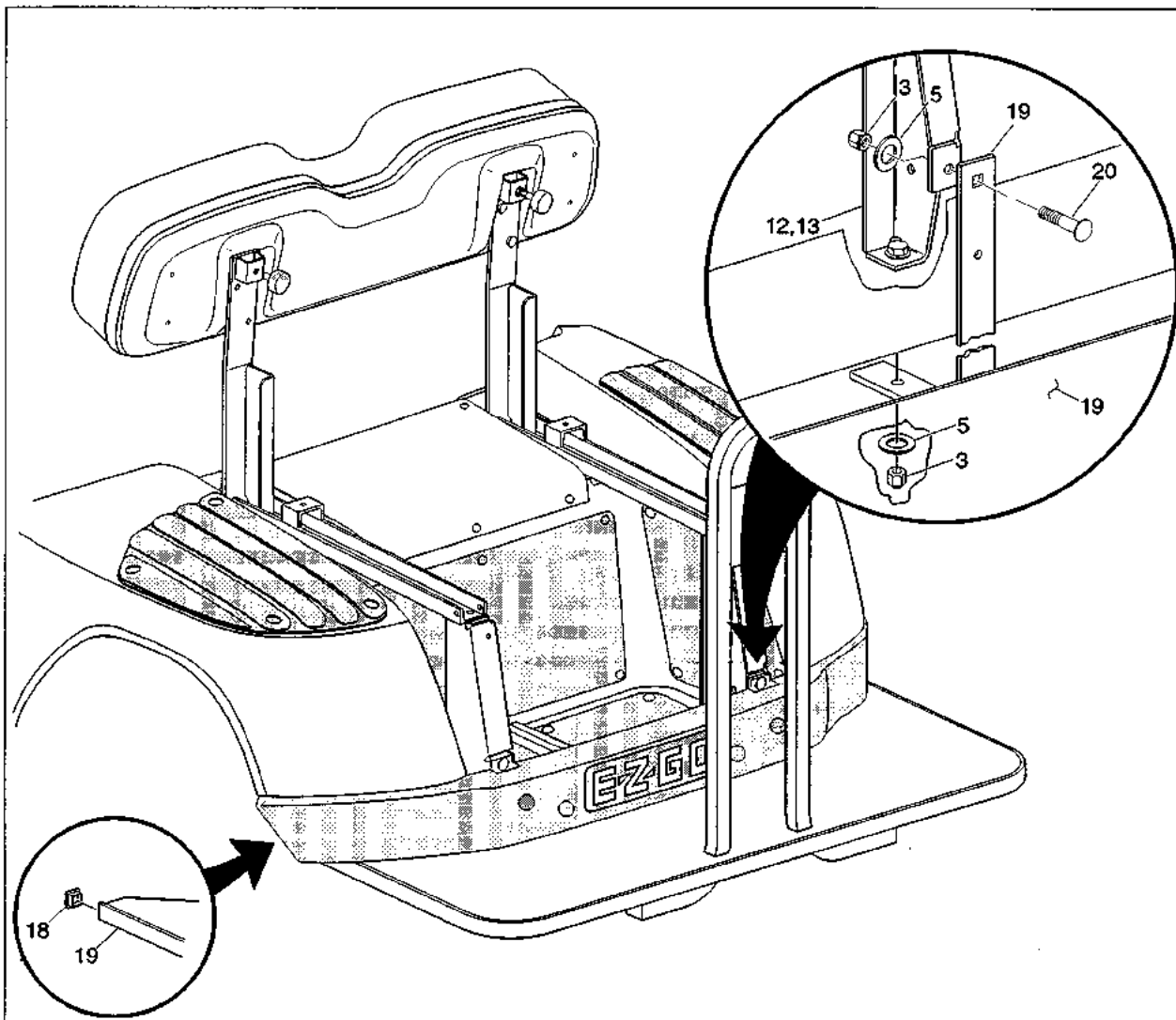


Fig. 5

NOTE

Installation Tip: To perform step 3, it may require the assistance of another person or it may be necessary to use a jack to raise and hold the foot rest assembly while installing hardware.

TITLE 4 CADDY INSTALLATION INSTRUCTIONS						REV A
EZGO TEXTRON	DRN BY ORIG DATE	J.RICE 05/22/95	REV BY REV DATE	J.RICE 07/14/95	DRAWING NO. 74155	PG. 5 OF 8

3. Place the foot rest (item 19) up against the bottom of bumper aligning the bolts that were previously installed in the bagwell with the holes in the horizontal part of the foot rest bracket. Be sure the vertical part of the foot rest bracket is inserted between the bumper and the vertical frame supports. See Detail in Fig. 5
4. Reinstall the washer and nut under the bagwell. Finger tighten to allow adjustment.
5. Align holes in foot rest bracket with holes in vertical frame support.
6. Insert carriage bolt (item 20) through the hole in bracket and vertical support and secure with washer (item 5) and nut (item 3). (See Fig. 5)
7. Tighten the nut (item 3) on the underside of the frame to 21 - 25 ft. lbs. torque. (See Fig. 5)

F. INSTALLING VALANCE PANEL

1. Place the valance panel (item 16) as shown in Fig. 6 with the sides inside the bagwell.
2. Secure the valance panel to the vertical support brackets using two rivets (item 17) in each bracket.

G. INSTALLING SEAT ASSEMBLY (Refer to Fig. 6)

1. Insert the nylon bushings (item 21) into the pivot brackets on the seat assembly (item 22, 4 places).
2. Secure the seat assembly into the channels of the seat back support aligning pivot brackets with existing holes.
3. Insert the hitch pin (item 23) through the pivot from the center of vehicle (2 places). (See Fig. 6)

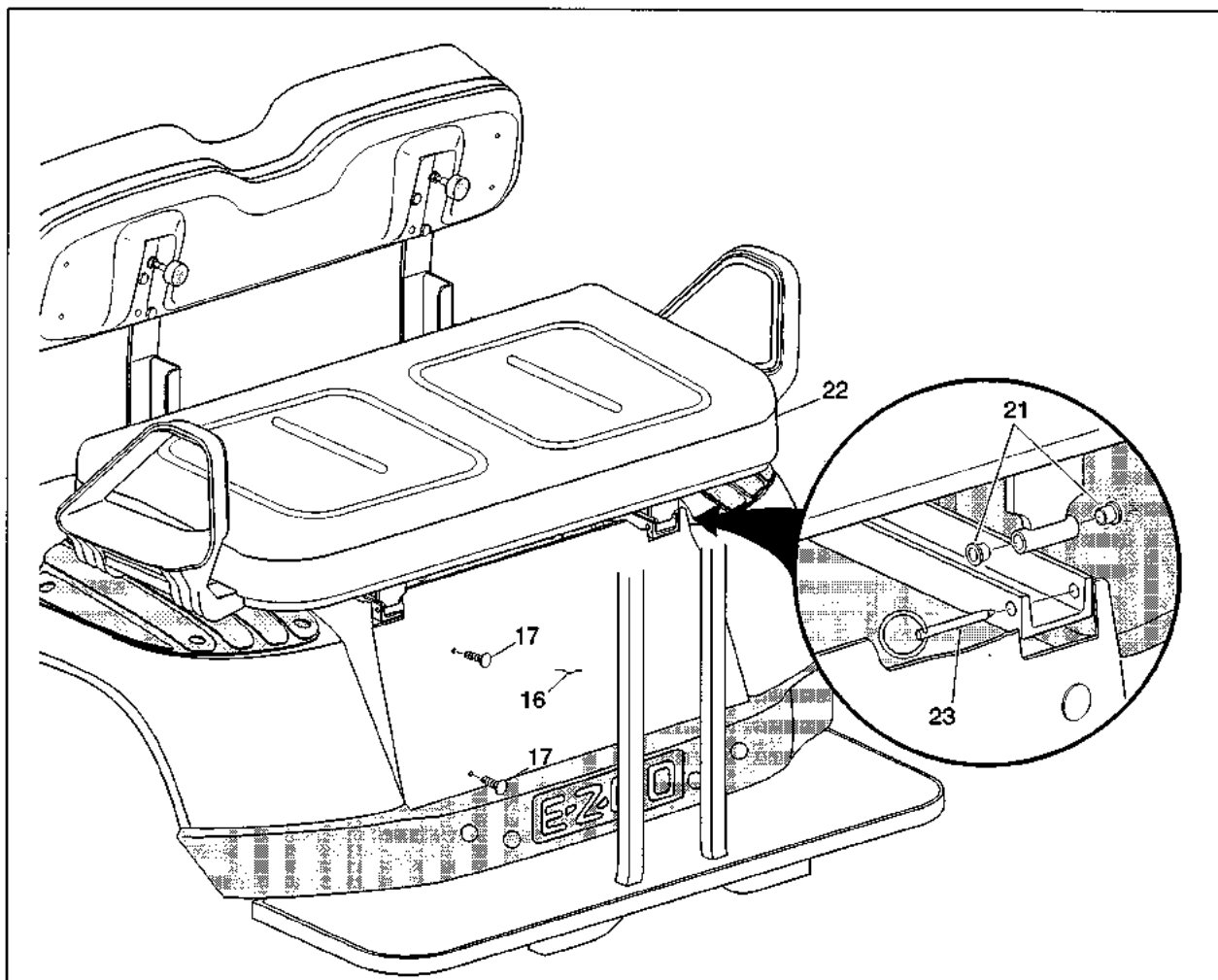
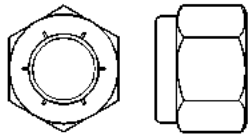


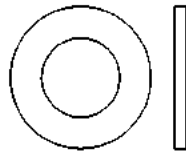
Fig. 6

TITLE 4 CADDY INSTALLATION INSTRUCTIONS						REV A
EZGO TEXTRON	DRN BY ORIG DATE	J. RICE 05/22/95	REV BY REV DATE	J. RICE 07/14/95	DRAWING NO. 74155	PG. 6 OF 8

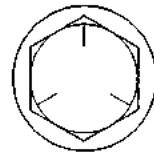
NOTE: HARDWARE SHOWN ACTUAL SIZE



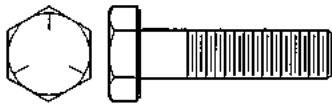
Item 3
3/8-16 Lock Nut
Qty. 14



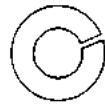
Item 5
3/8 Washer
Qty. 14



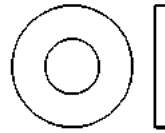
Item 6
3/8-16 x 1 1/2" Bolt
Qty. 4



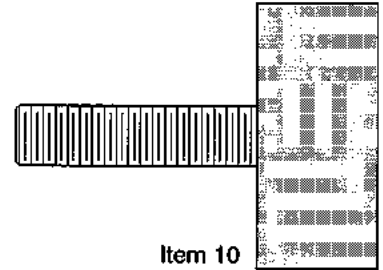
Item 7
1/4-20 x 1" Bolt
Qty. 4



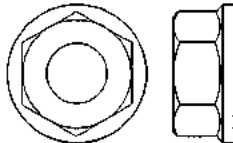
Item 8
1/4 Lock Washer
Qty. 4



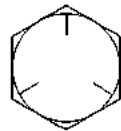
Item 9
1/4 Washer
Qty. 4



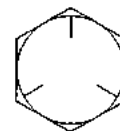
Item 10
Adjustable Rubber Bumper
Qty. 4



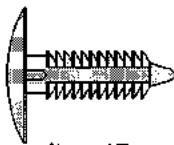
Item 11
5/16-18 Lock Nut
Qty. 6



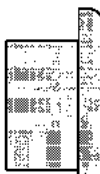
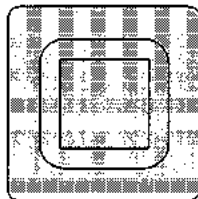
Item 14
3/8-16 x 1 1/2" Bolt
Qty. 2



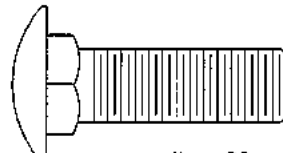
Item 15
3/8-16 x 1" Bolt
Qty. 2



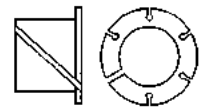
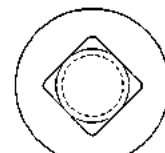
Item 17
Plastic Rivet
Qty. 6



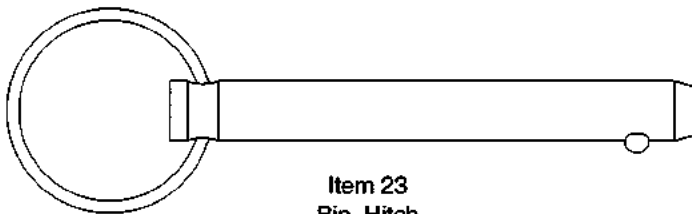
Item 18
End Plug, 1"
Qty. 2



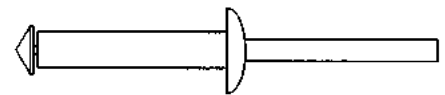
Item 20
3/8-16 x 1 1/4" Carriage Bolt
Qty. 14



Item 21
Bushing, Nylon
Qty. 4



Item 23
Pin, Hitch
Qty. 2



Item 26
Rivet, 3/16"
Qty. 2

TITLE 4 CADDY INSTALLATION INSTRUCTIONS

REV A

EZGO TEXTRON

DRN BY
ORIG DATE

J.RICE
05/22/95

REV BY
REV DATE

J.RICE
07/14/95

DRAWING
NO.

74155

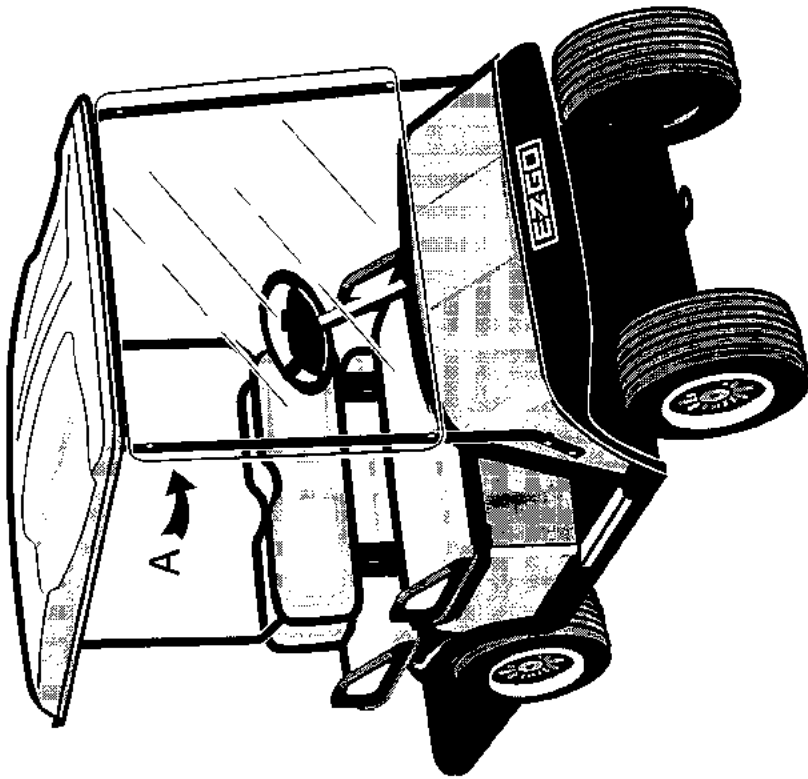
PG. 7 OF 8

KIT CONTENTS

ITEM	QTY	PART NO.	DESCRIPTION
1	2	74135-G01	SPRING, HEAVY DUTY
2	4	74124-G01	'U' BOLT, 3/8-16 x 2 1/2" LG.
3	14	11098-G5	NUT, LOCK, 3/8-16
4	2	74111-G01	SUPPORT, SEAT BACK
5	14	00560-G1	WASHER, 3/8
6	4	01006-G02	BOLT, 3/8-16 X 1 1/2" LG.
7	4	00414-G8	BOLT, 1/4-20 X 1" LG.
8	4	00565-G7	WASHER, LOCK, 1/4"
9	4	00559-G7	WASHER, 1/4"
10	4	70113-G01	BUMPER, ADJUSTABLE RUBBER
11	6	11027-G1	NUT, LOCK, 5/16-18
12	1	74126-G02	SUPPORT, VERTICAL FRAME, DRIVER'S SIDE
13	1	74126-G01	SUPPORT, VERTICAL FRAME, PASSENGER SIDE
14	2	00427-G4	BOLT, 3/8-16 X 1 1/2" LG.
15	2	00426-G8	BOLT, 3/8-16 X 1" LG.
16	1	74149-G01	PANEL, VALANCE
17	4	16816-G2	RIVET, PLASTIC
18	2	19853-G1	END PLUG, 1"
19	1	70361-G01	FOOT REST (INCLUDES WARNING LABEL (74132-G01))
20	2	00769-G2	BOLT, CARRIAGE, 3/8-16 X 1 1/4" LG.
21	4	17838-G1	BUSHING, NYLON
22	1	74131-G*	SEAT ASSEMBLY
23	2	74134-G01	PIN, HITCH
24	1	71456-G01	BUMPER, REAR, NOTCHED
25	2	70364-G01	SPACER
26	2	71055-G01	RIVET, 3/16"

TITLE	4 CADDY INSTALLATION INSTRUCTIONS	REV	A
-------	--	-----	----------

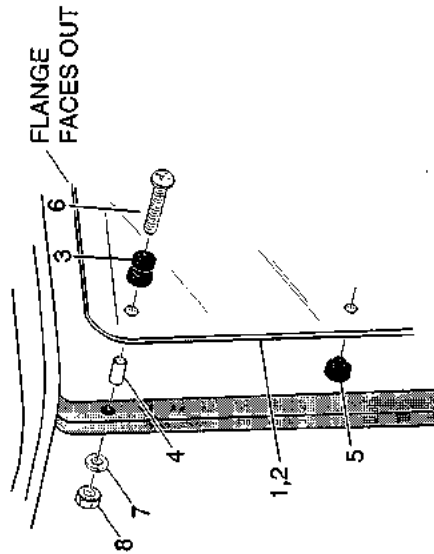
EZGO TEXTRON	DRN BY	J.RICE	REV BY	J.RICE	DRAWING NO.	74155	PG. 8 OF 8
	ORIG DATE	05/22/95	REV DATE	07/14/95			



NOTE: TO ORDER THIS ENTIRE FIELD KIT, REQUEST PART NO. 75041-G03 (CLEAR) 75041-G04 (TINTED)

READ ALL INSTRUCTIONS BEFORE PROCEEDING.

1. Insert the rubber grommets (item 3) into the top and bottom holes on both sides of the windshield (item 1 or item 2).
2. Insert the spacers (item 4) into the rubber grommets.
3. From the rear of the windshield, insert the plug bumpers (item 5) into the center holes of the windshield. See Detail A.
4. Place the windshield (item 1 or item 2) against the front strut with the small tapered end at the top.
5. Insert the bolts (item 6) through the windshield and front strut and secure with washers (item 7) and lock nuts (item 8).
6. Tighten enough to ensure that spacer (item 4) does not rattle.



DETAIL A

ITEM	QTY	PART NO.	DESCRIPTION
1	1	75160-G01	WINDSHIELD, CLEAR
2	1	75160-G02	WINDSHIELD, TINTED
3	4	72147-G01	GROMMET, RUBBER
4	4	23726-G7	SPACER
5	2	75124-G01	BUMPER, PLUG
6	4	16705-G6	SCREW, 1/4-20 X 1 3/4 LG.
7	4	00660-G7	WASHER, 1/4"
8	4	00891-G2	NUT, LOCK, 1/4-20

TITLE 4-CADDY CONVERSION WINDSHIELD INSTALLATION

REV A

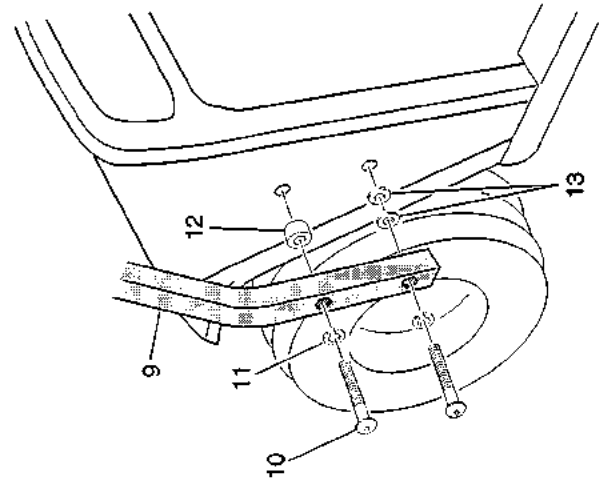


DRN BY L WEBB 07/14/94
 ORIG DATE
 REV BY A
 REV DATE
 DRAWING NO. 75161

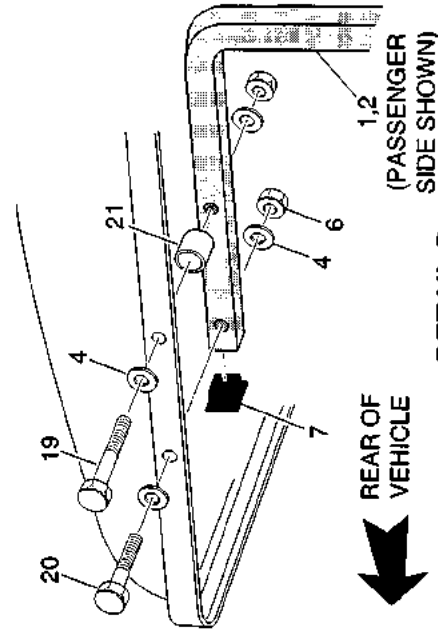
PG. 1 OF 1

SYMBOL ◁ REFERS TO A NOTE CORRESPONDING TO LETTER ENCLOSED WITHIN IT.
 FOLLOWING PAGE(S) FOR NOTES AND PARTS LISTS.
 OBTAIN THIS DOCUMENT TO FACILITATE THE ORDERING OF REPLACEMENT PARTS.

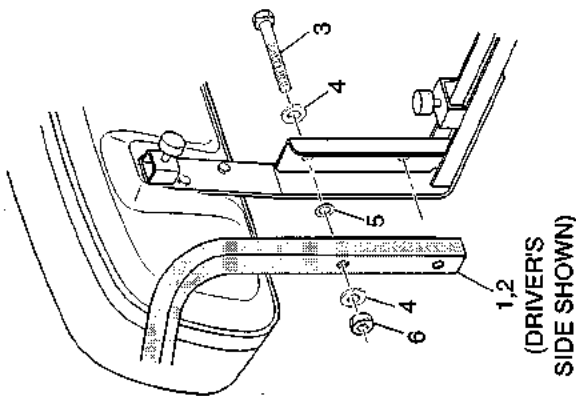
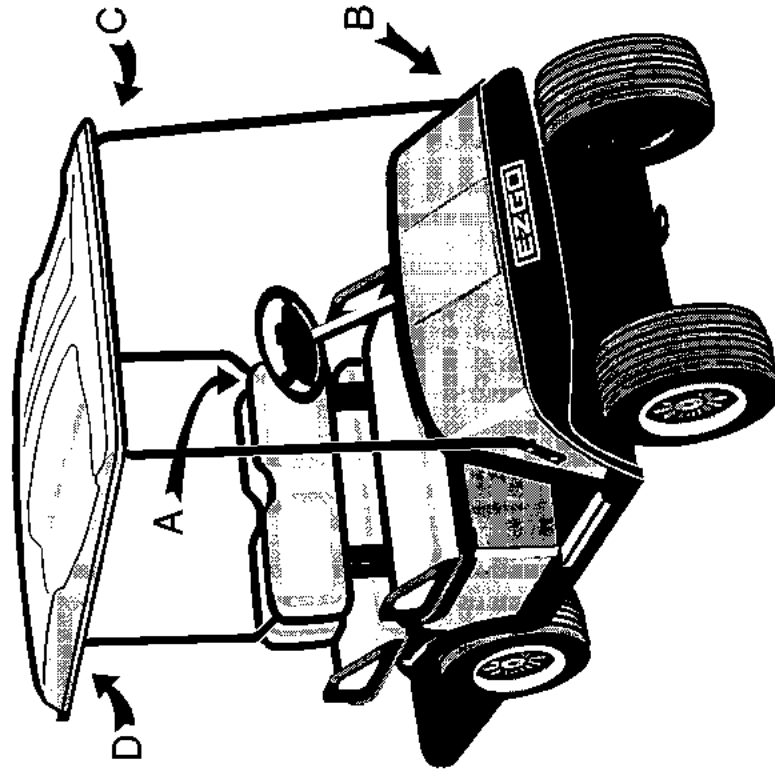
E-Z-GO DIVISION OF TEXTRON, INC., P.O. BOX 388, AUGUSTA, GA. 30913-2699, 1-800-241-5855



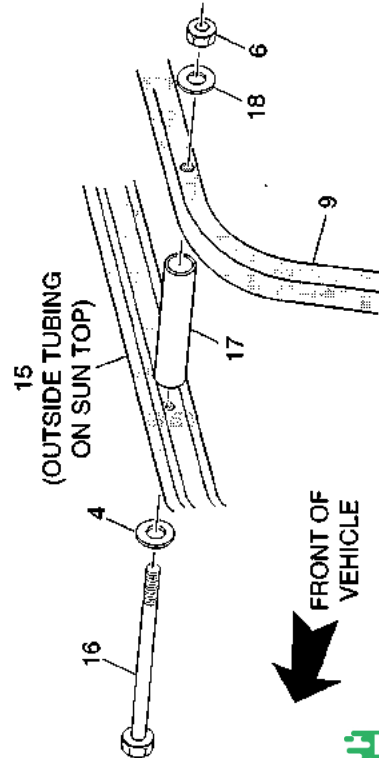
DETAIL B



DETAIL D (REAR)



DETAIL A (DRIVERS SIDE SHOWN)



DETAIL C (FRONT)

■ SYMBOL ◁ REFERS TO A NOTE CORRESPONDING TO
 ■ LETTER ENCLOSED WITHIN IT.
 ■ FOLLOWING PAGE(S) FOR NOTES AND PARTS LISTS.
 ■ FAIN THIS DOCUMENT TO FACILITATE THE ORDERING OF
 ■ PLACEMENT PARTS.

TITLE 4-CADDY CONVERSION SUN TOP INSTALLATION

REV C



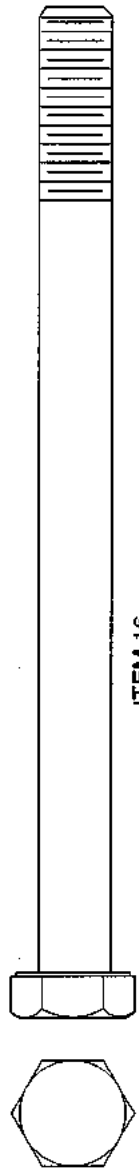
DRN BY L WEBB 07/15/94
 REV BY J.Brand 02/07/06

DRAWING NO. 75158
A

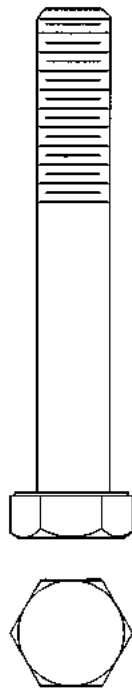
PG. 1 OF 3

E-Z-GO DIVISION OF TEXTRON, INC., P.O. BOX 388, AUGUSTA, GA. 30913-2699; 1-800-241-5855

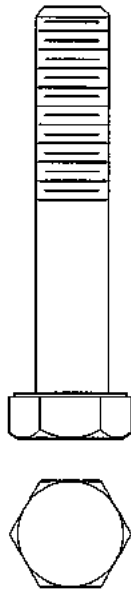
NOTE: ALL HARDWARE SHOWN ACTUAL SIZE



ITEM 16.
3/8-16 X 5" BOLT
QTY. 2



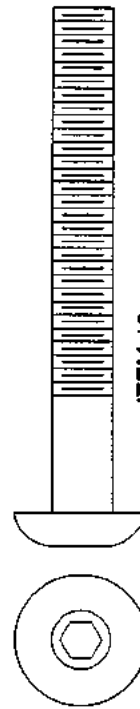
ITEM 19
3/8-16 X 2 1/2" BOLT
QTY. 2



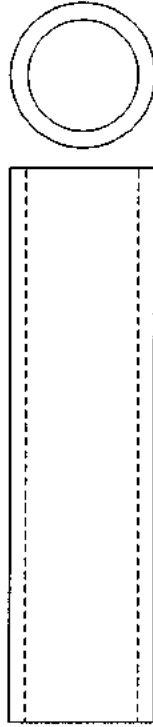
ITEM 20
3/8-16 X 2" BOLT
QTY. 2



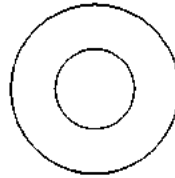
ITEM 3
3/8-16 X 1 3/4" BOLT
QTY. 4



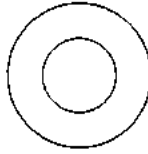
ITEM 10
5/16-18 X 2 1/8" BOLT
QTY. 4



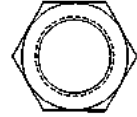
ITEM 17
SPACER
QTY. 2



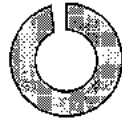
ITEM 4
3/8 WASHER
QTY. 18



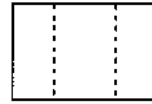
ITEM 5
3/8 NYLON WASHER
QTY. 4



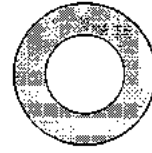
ITEM 6
3/8-16 LOCK NUT
QTY. 4



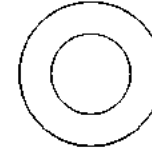
ITEM 11
5/16" BLACK LOCK WASHER
QTY. 4



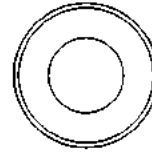
ITEM 12
SPACER
QTY. 2



ITEM 13
3/8" BLACK WASHER
QTY. 4



ITEM 18
WASHER
QTY. 2



ITEM 21
SPACER
QTY. 2

☐ SYMBOL REFERS TO A NOTE CORRESPONDING TO LETTER ENCLOSED WITHIN IT.
☐ FOLLOWING PAGE(S) FOR NOTES AND PARTS LISTS.
☐ OBTAIN THIS DOCUMENT TO FACILITATE THE ORDERING OF REPLACEMENT PARTS.

TITLE **4-CADDY CONVERSION SUN TOP INSTALLATION** REV C

E-Z-GO TEXTRON	DRN BY L. WEBB 07/14/94	REV BY J. BRAND 02/07/96	DRAWING NO. 75158	PG. 2 OF 3
------------------------------	-------------------------------	--------------------------------	----------------------	------------

E-Z-GO DIVISION OF TEXTRON, INC., P.O. BOX 388, AUGUSTA, GA. 30913-2699, 1-800-241-5855

NOTE: TO ORDER THIS ENTIRE FIELD KIT, REQUEST PART NO. 75123-G01
READ ALL INSTRUCTIONS BEFORE PROCEEDING.

A. REAR STRUTS

1. At driver's side, align the holes in the rear strut (item 1) with the holes in the seat back support bracket, being sure that the open end of the strut faces the rear of the vehicle as shown in Details A and D.
2. Insert the bolt (item 3) and washer (item 4) through the seat back support bracket. Place nylon washer (item 5) between the seat back support bracket and rear strut. Secure with washer (item 4) and lock nut (item 6) at outer side of rear strut as shown in Detail A. **DO NOT TIGHTEN HARDWARE.**
3. Repeat procedure with rear strut (item 2) at passenger side of vehicle.
4. Insert end caps (item 7) into the top of the rear struts as shown in Detail D.

B. FRONT STRUTS

1. Remove and discard the four allen head bolts from the front cowl using a 7/32" allen wrench.
2. At the upper hole (both sides of vehicle), install the front strut (item 9) with bolt (item 10) and black lock washer (item 11) on the outside of strut, and a spacer (item 12) between the front cowl and strut. **DO NOT TIGHTEN HARDWARE.** See Detail B.
3. At the lower hole, secure the strut with bolt (item 10) and black lock washer (item 11) on the outside of strut, and two black washers (item 13) between the front cowl and strut. **DO NOT TIGHTEN HARDWARE.** See Detail B.

C. SUNTOP

1. Place sun top (item 1) onto struts.
2. **AT FRONT END OF VEHICLE:** Secure sun top loosely with bolts (item 16), washers (item 4), spacers (item 17), washers (item 18) and lock nuts (item 6). See Detail C for hardware sequence. **DO NOT TIGHTEN HARDWARE.**
3. **AT REAR END OF VEHICLE:** At the hole closest to rear of vehicle, insert bolt (item 20) and washer (item 4) and secure with washer (item 4) and lock nut (item 6). See Detail D.
4. Insert bolt (item 19) and washer (item 4) through the other hole. Place spacer (item 21) between sun top and strut. Secure with washer (item 4 and lock nut (item 6). See Detail D.
5. Tighten all hardware to 13 - 15 ft. lbs. torque.

ITEM	QTY	PART NO.	DESCRIPTION
1	1	75074-G01	STRUT, REAR, DRIVER'S SIDE
2	1	75074-G02	STRUT, REAR, PASSENGER SIDE
3	4	00665-G5	BOLT, 3/8-16 X 1 3/4" LG.
4	18	00679-G1	WASHER, 3/8
5	4	00771-G5	WASHER, NYLON, 3/8
6	10	00891-G5	NUT, LOCK, 3/8-16
7	2	19853-G1	CAP, END
8			
9	1	75125-G01	STRUT, FRONT
10	4	71056-G03	BOLT, 5/16-18 X 2 1/8" LG.
11	4	00905-G8	WASHER, LOCK, BLACK, 5/16
12	2	75048-G01	SPACER, 1/2" THICK
13	4	00879-G1	WASHER, BLACK, 3/8
14			
15	1	27604-G01	TOP, SUN
16	2	00674-G8	BOLT, 3/8-16 X 5" LG.
17	2	18716-G1	SPACER
18	2	00653-G1	WASHER, 3/8
19	2	00665-G3	BOLT, 3/8-16 X 2 1/2" LG.
20	2	00665-G6	BOLT, 3/8-16 X 2" LG.
21	2	24647-G1	SPACER, 1/4" THICK

SYMBOL REFERS TO A NOTE CORRESPONDING TO LETTER ENCLOSED WITHIN IT.
 FOLLOWING PAGE(S) FOR NOTES AND PARTS LISTS.
 FAIN THIS DOCUMENT TO FACILITATE THE ORDERING OF PLACEMENT PARTS.

TITLE 4-CADDY CONVERSION SUN TOP INSTALLATION

DRN BY	L. WEBB	REV BY	J. Brand	DRAWING
ORIG DATE	07/14/94	REV DATE	02/07/96	NO. 75158
			A	PG. 3 OF 3

E-Z-GO DIVISION OF TEXTRON, INC., P.O. BOX 388, AUGUSTA, GA. 30913-2699, 1-800-241-5855

NOTE: TO ORDER THIS ENTIRE FIELD KIT, REQUEST PART NO.75278-G*
G* IS DETERMINED BY COLOR OF SEAT

READ ALL INSTRUCTIONS BEFORE PROCEEDING.

TOOL LIST	QTY. REQUIRED	TOOL LIST	QTY. REQUIRED
Jack, floor.....	1	Hammer, plastic faced.....	1
Ratchet, 3/8" drive.....	1	Torque wrench, ft. lbs., 3/8" drive.....	1
Extension, 3/8" drive.....	1	Wrench, 7/16".....	1
Socket, 7/16".....	1	Wrench, 1/2".....	1
Socket, 1/2".....	1	Wrench, 9/16".....	1
Socket, 9/16".....	1	Screwdriver, Phillips.....	1
Hammer, ball peen.....	1	Tape measure.....	1
Center punch.....	1		

A. INSTALLING SUPPORT TUBE

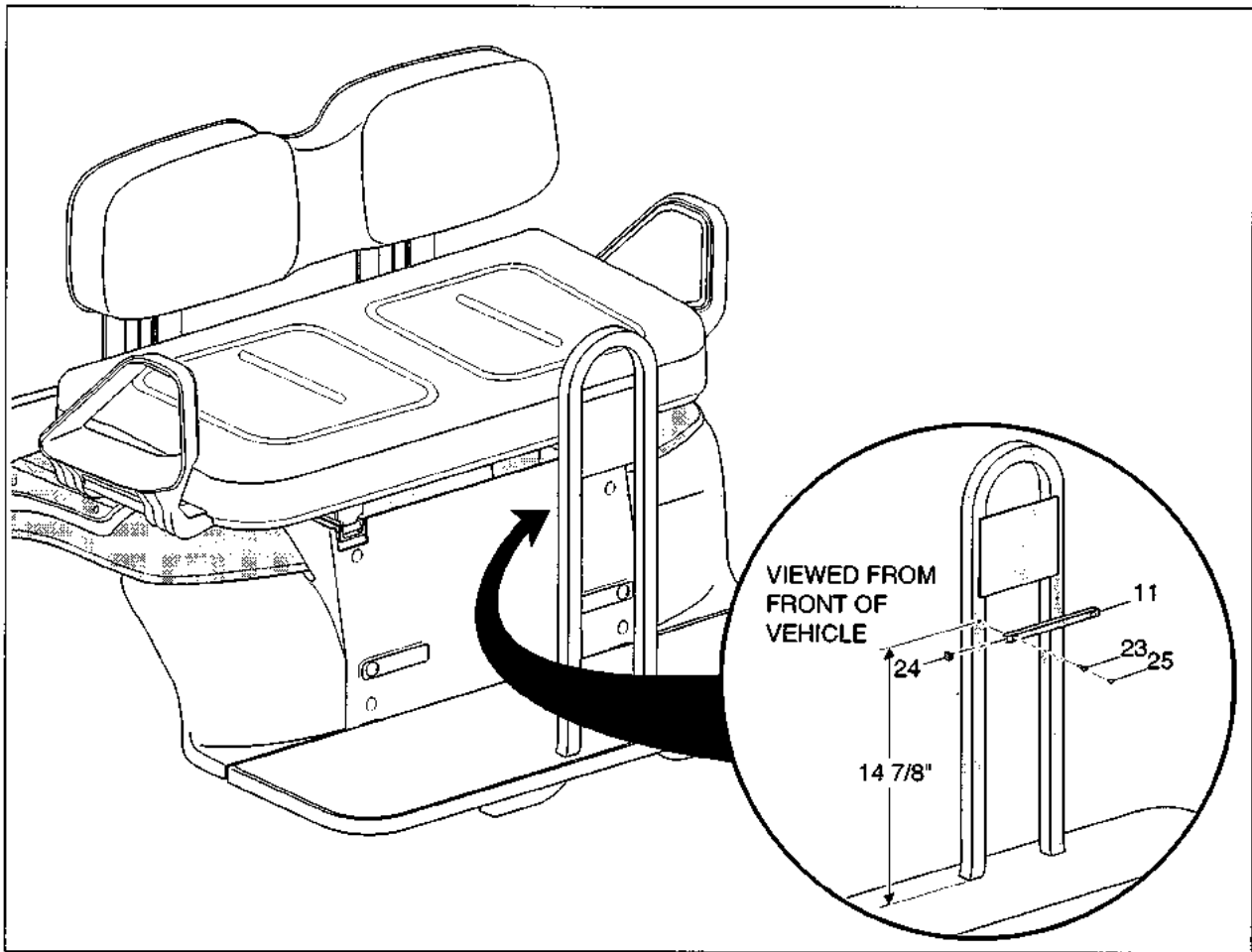


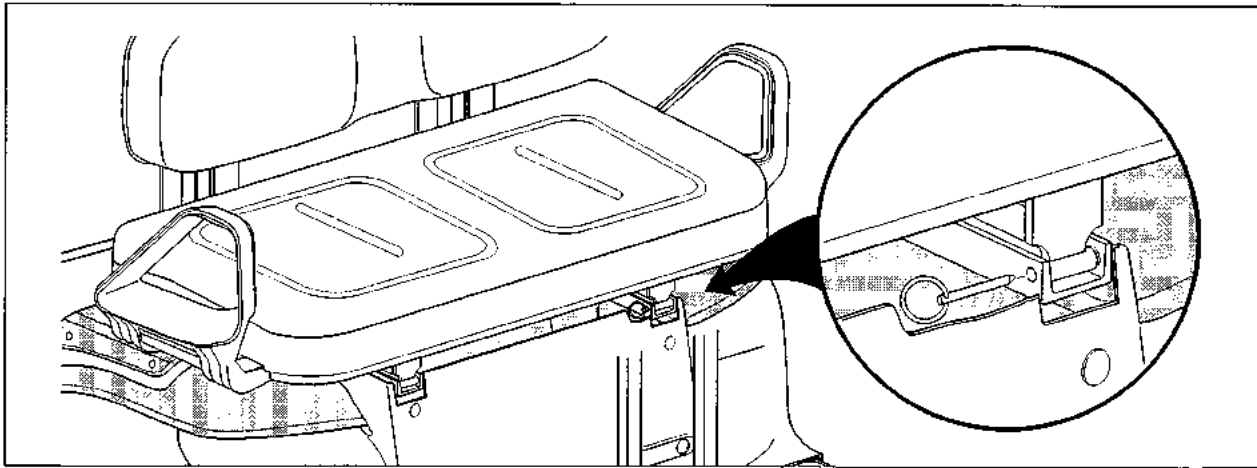
Fig. 1

1. Mark hole centers as dimensioned and attach support tube (item 11) to foot rest assembly with self drilling and tapping screws (item 23).

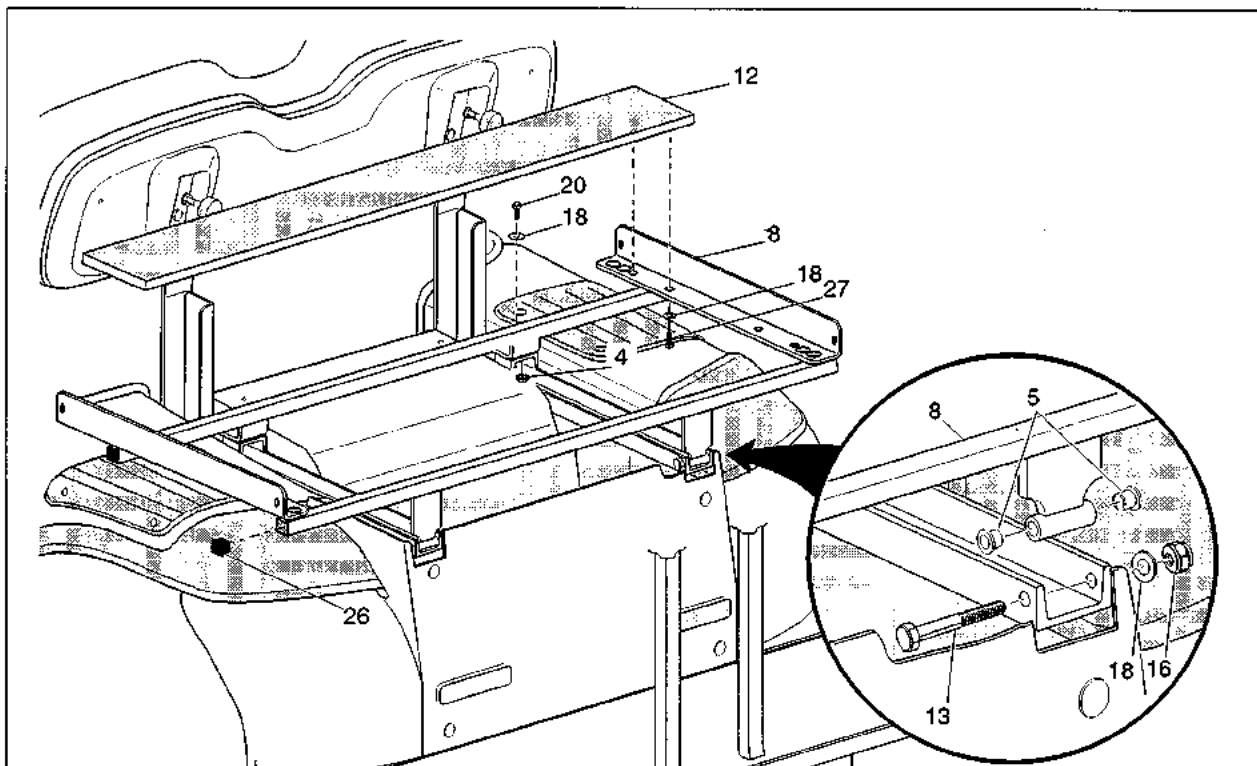
TITLE 4 CADDY TO CONVERTIBLE CARRIER RETROFIT INSTRUCTIONS				REV -
EZGO TEXTRON	DRN BY ORIG DATE	J.RICE 05/04/95	REV BY REV DATE	DRAWING NO. 75284
E-Z-GO DIVISION OF TEXTRON, INC., P.O. BOX 388, AUGUSTA, GA. 30903-0388, 1-800-448-				CARTPROS

B. REMOVING SEAT

1. Remove hitch pin at seat pivot, 2 places, and remove seat from vehicle.

**Fig. 2****C. INSTALLING SUPPORT FRAME (Refer to Fig. 3)**

1. Insert the nylon bushings (item 5) into the pivot brackets in the support frame (item 8) (4 places).
2. Place the support frame into the channels of the seat back support aligning pivot brackets with existing holes.
3. Insert the bolt (item 13) through the pivot from the center of vehicle (2 places) and secure with washer (item 18) and nut (item 34).
4. Secure front of support frame to seat back support using bolt (item 20), washer (item 18) and nut (item 4).
5. Insert end plug (item 26) in each end of both support frame cross tubes.

**Fig. 3**

TITLE	4 CADDY TO CONVERTIBLE CARRIER RETROFIT INSTRUCTIONS	REV -
EZGO TEXTRON	DRN BY J. RICE ORIG DATE 05/04/95	REV BY REV DATE
		DRAWING NO. 75284
E-Z-GO DIVISION OF TEXTRON, INC., P.O. BOX 388, AUGUSTA, GA. 30903-0388, 1-800-448-7476		PG. 2 OF 7

D. INSTALLING FIXED BED (Refer to Fig. 3)

1. Attach fixed bed (item 12) to support frame (item 8) using bolt (item 27) and washer (item 18). (Two places on each end of front bed. Tighten to 5 - 7 ft. lbs. torque.

E. INSTALLING HANDRAIL (Refer to Fig. 4)

1. Insert end plug (item 24) in each end of handrail (item 9).
2. Attach handrail at forward end of support frame (item 8) using bolt (item 30), lock washer (item 19) and acorn nut (item 17). Do not tighten hardware at this time.
3. Repeat procedure on other side of support frame.

F. INSTALLING LOAD BED AND SEAT BOTTOM (Refer to Fig. 4)

1. Position load bed (item 10) in support frame as shown.
2. Position seat bottom (item 29) in support frame as shown.
3. Insert teflon washer (item 14) between support frame and load bed and again between load bed and seat bottom as shown.
4. Secure all components by inserting bolt (item 7) through handrail, support frame, washer, bed assembly, washer and seat bottom and secure with lock nut (item 16). Tighten all handrail hardware to 12 - 14 ft. lbs. torque.

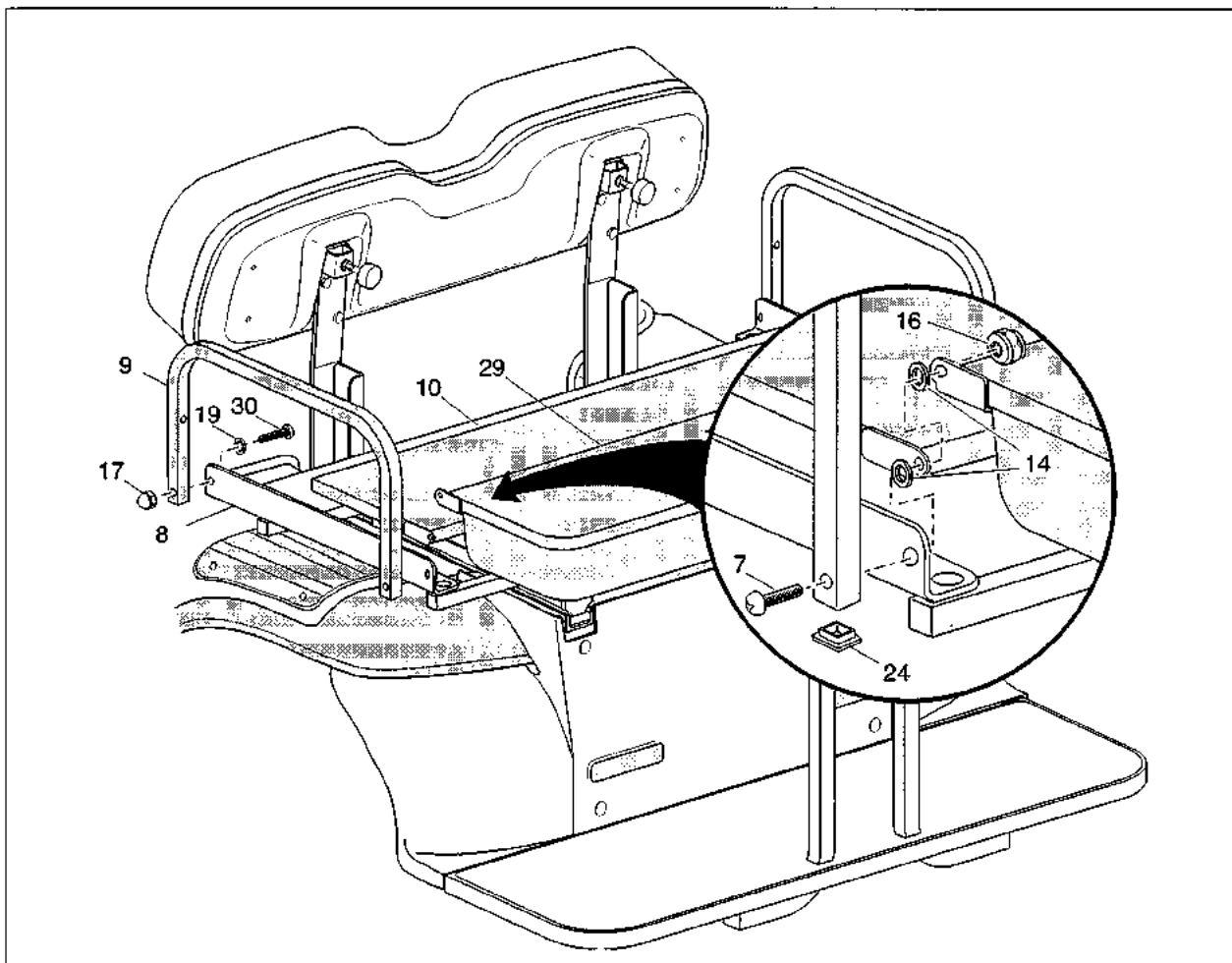


Fig. 4

TITLE 4 CADDY TO CONVERTIBLE CARRIER RETROFIT INSTRUCTIONS					REV -
EZGO TEXTRON	DRN BY ORIG DATE	J.RICE 05/04/95	REV BY REV DATE	DRAWING NO. 75284	PG. 3 OF 7

G. Adjust Seat Back Bumper

1. Loosen nut on each seat back bumper and readjust to dimension shown.

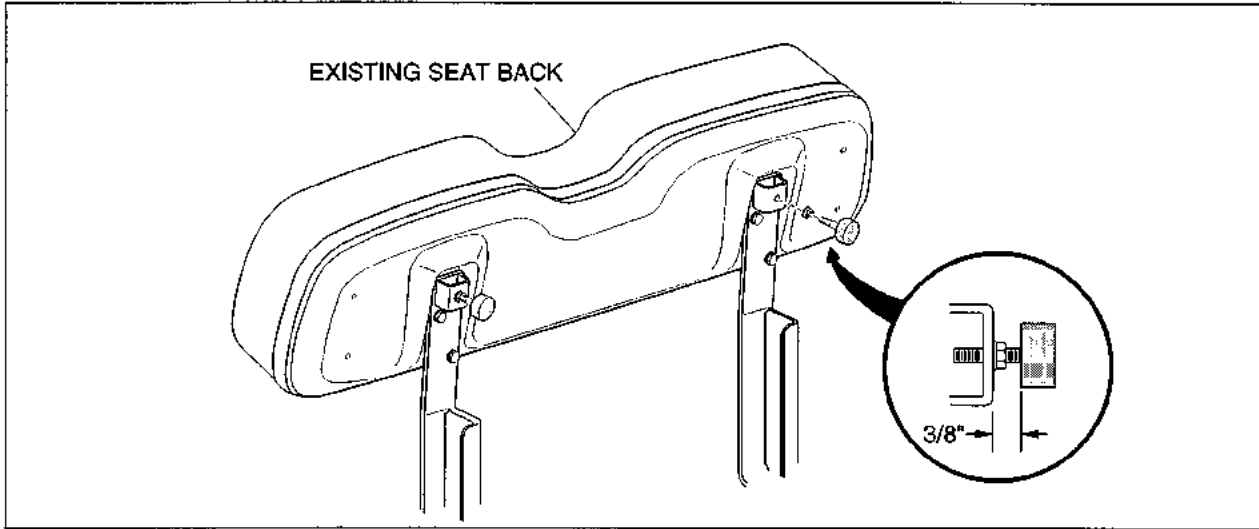


Fig. 5

H. INSTALLING SEAT BACK (Refer to Fig. 6)

1. Attach seat back (item 28) to seat back support (item 6) using bolt (item 1), lock washer (item 2) and washer (item 3). Tighten to 5 - 7 ft. lbs. torque.
2. Secure seat back to handrail using bolt (item 21) and acorn nut (item 22). Tighten to 5 - 7 ft. lbs torque.
3. Insert end plug (item 15) in each end of seat back support tube.

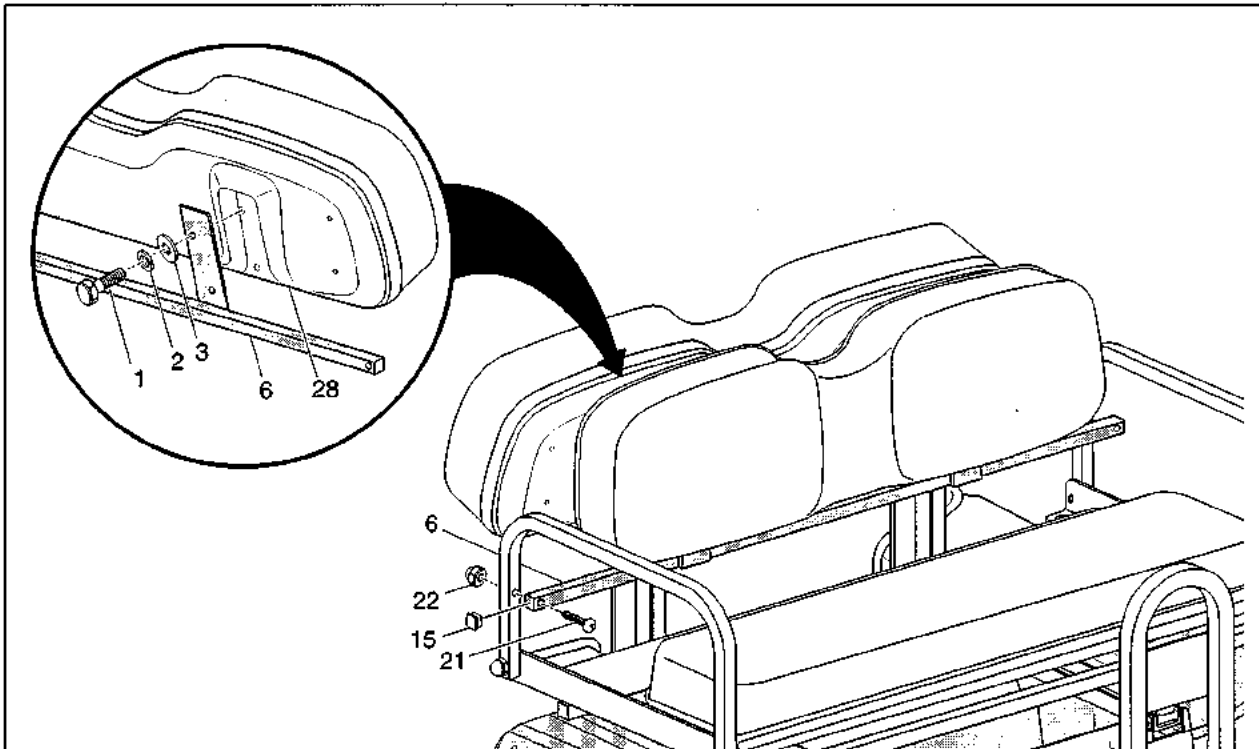
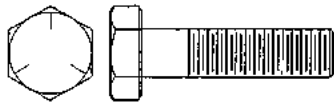


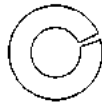
Fig. 6

TITLE 4 CADDY TO CONVERTIBLE CARRIER RETROFIT INSTRUCTIONS				REV -	
EZGO TEXTRON	DRN BY ORIG DATE	J.RICE 05/04/95	REV BY REV DATE	DRAWING NO. 75284	PG. 4 OF 7

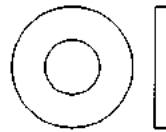
NOTE: HARDWARE SHOWN ACTUAL SIZE



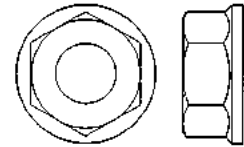
Item 1
1/4-20 x 1" Bolt
Qty. 4



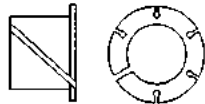
Item 2
1/4" Lock Washer
Qty. 4



Item 3
1/4" Washer
Qty. 4



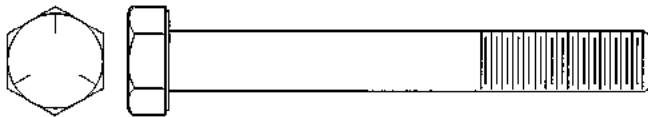
Item 4
5/16-18 Lock Nut
Qty. 6



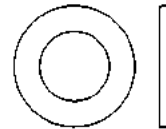
Item 5
Bushing, Nylon
Qty. 4



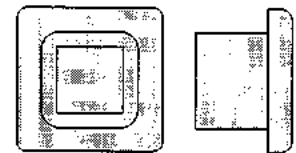
Item 7
5/16-18 x 1 1/2" Bolt
Qty. 2



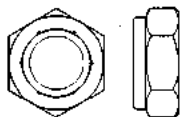
Item 13
5/16-18 x 2 1/2" Bolt
Qty. 2



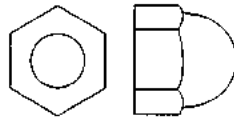
Item 14
5/8" Washer, Teflon
Qty. 4



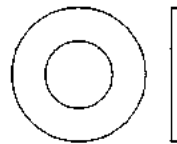
Item 15, 24
End Plug, 3/4"
Qty. 2,6



Item 16
5/16-18 Lock Nut
Qty. 4



Item 17
5/16-18 Acorn Nut
Qty. 2



Item 18
5/16" Washer
Qty. 2



Item 19
5/16" Lock Washer
Qty. 2

NOTE:

Items 15 and 24 are the same in appearance. However, item 15 is for 11 gauge tubing and 24 is for 14 gauge tubing.

Check fit each end plug for tightest fit for correct application.

TITLE 4 CADDY TO CONVERTIBLE CARRIER RETROFIT INSTRUCTIONS

REV -



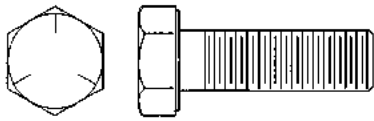
DRN BY J.RICE
ORIG DATE 05/04/96

REV BY
REV DATE

DRAWING NO. 75284

PG. 5 OF 7

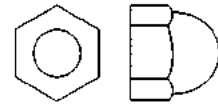
NOTE: HARDWARE SHOWN ACTUAL SIZE



Item 20
5/16-18 x 1" Bolt
Qty. 2



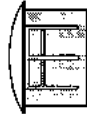
Item 21
1/4-20 x 1 3/4" Bolt
Qty. 2



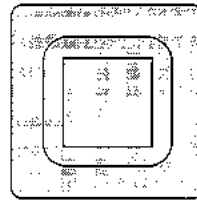
Item 22
1/4-20 Acorn Nut
Qty. 2



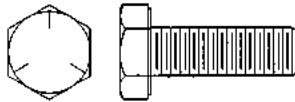
Item 23
#12-24 x 3/4" Screw
Qty. 2



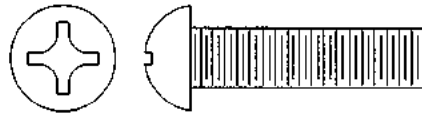
Item 25
Hole Plug, 1/2"
Qty. 2



Item 26
End Plug, 1"
Qty. 2



Item 27
1/4-20 x 3/4" Bolt
Qty. 4



Item 30
5/16-18 X 1 1/4" Bolt
Qty. 2

TITLE 4 CADDY TO CONVERTIBLE CARRIER RETROFIT INSTRUCTIONS		REV -	
EZGO TEXTRON	DRN BY J.RICE ORIG DATE 05/04/95	REV BY REV DATE	DRAWING NO. 75284

KIT CONTENTS

ITEM	QTY	PART NO.	DESCRIPTION
1	4	00414-G8	BOLT, 1/4-20 X 1" LG.
2	8	00664-G7	WASHER, LOCK, 1/4"
3	4	00559-G7	WASHER, 1/4"
4	4	11027-G1	NUT, LOCK, 5/16-18
5	4	17838-G1	BUSHING, NYLON
6	1	75258-G01	SUPPORT, SEAT BACK
7	2	00762-G4	BOLT, 5/16-18 X 1 1/2"
8	1	74193-G01	FRAME, SUPPORT
9	2	75196-G01	HANDRAIL
10	1	75229-G01	BED
11	1	75268-G01	TUBE, SUPPORT
12	1	75273-G01	BED, FRONT
13	2	00440-G4	BOLT, 5/16-18 X 2 1/2" LG.
14	4	17255-G1	WASHER, TEFLON
15	2	75261-G01	PLUG, END, 3/4"
16	4	00654-G3	NUT, LOCK, 5/16-18
17	2	00520-G3	NUT, ACORN, 5/16-18
18	2	00559-G8	WASHER, 5/16"
19	2	00664-G8	WASHER, LOCK, 5/16"
20	2	00438-G8	BOLT, 5/16-18 X 1" LG.
21	2	16705-G6	BOLT, 1/4-20 X 1 3/4" LG.
22	2	00520-G1	NUT, ACORN, 1/4-20
23	2	00106-G6	SCREW, #12-24 X 3/4" LG.
24	6	19859-G1	END PLUG, 3/4"
25	2	20271-G2	HOLE PLUG, 1/2"
26	4	75261-G02	END PLUG, 1"
27	4	00661-G6	BOLT, 1/4-20 X 3/4" LG.
28	1	71751-G*	SEAT BACK
29	1	75263-G*	SEAT BOTTOM
30	2	00762-G02	BOLT, 5/16"-18 X 1 1/4"

NOTE: G is determined by the color of seat back and seat bottom*

TITLE	4 CADDY TO CONVERTIBLE CARRIER RETROFIT INSTRUCTIONS	REV -
-------	---	-------

EZGO TEXTRON	DRN BY ORIG DATE	J.RICE 06/04/95	REV BY REV DATE	DRAWING NO.	75284	PG. 7 OF 7
---------------------	---------------------	--------------------	--------------------	----------------	-------	------------

NOTE: TO ORDER THIS ENTIRE FIELD KIT, REQUEST PART NO.75310-G01

READ ALL INSTRUCTIONS BEFORE PROCEEDING.

TOOL LIST	QTY. REQUIRED	TOOL LIST	QTY. REQUIRED
Ratchet, 1/2" drive.....	1	Wrench, 7/16".....	1
Socket, 7/16", 1/2" Drive.....	1	Wrench, 9/16".....	1
Socket, 9/16", 1/2" Drive.....	1	Wrench, 3/4".....	1
Socket, 3/4", 1/2" Drive.....	1	Wrench, 7/8".....	1
Socket, 7/8", 1/2" Drive.....	1	Wrench, 1 1/8".....	1
Socket, 1 1/8", 1/2" Drive.....	1	Screwdriver, Phillips.....	1
Torque Wrench, ft. lbs., 1/2" Drive.....	1	Pliers.....	1
Allen Wrench, 3/16".....	1		

A. INSTALLING TOW BAR ON TOWING VEHICLE

1. Tow bar has been partially assembled for your convenience.
2. Remove nut (item 9) and washer (item 8) from bolt (item 5).
3. Place tow bar into bagwell as shown and insert bolt through hole in center of bagwell near rear bumper.
4. Place washer (item 8) on bolt and secure tow bar to vehicle with nut (item 9). Tighten to 40 - 45 ft. lbs. torque.
5. Insert bolt (item 20) through male stop (item 19) and attach to tow bar weld nut as shown. Tighten by turning male stop until tight.

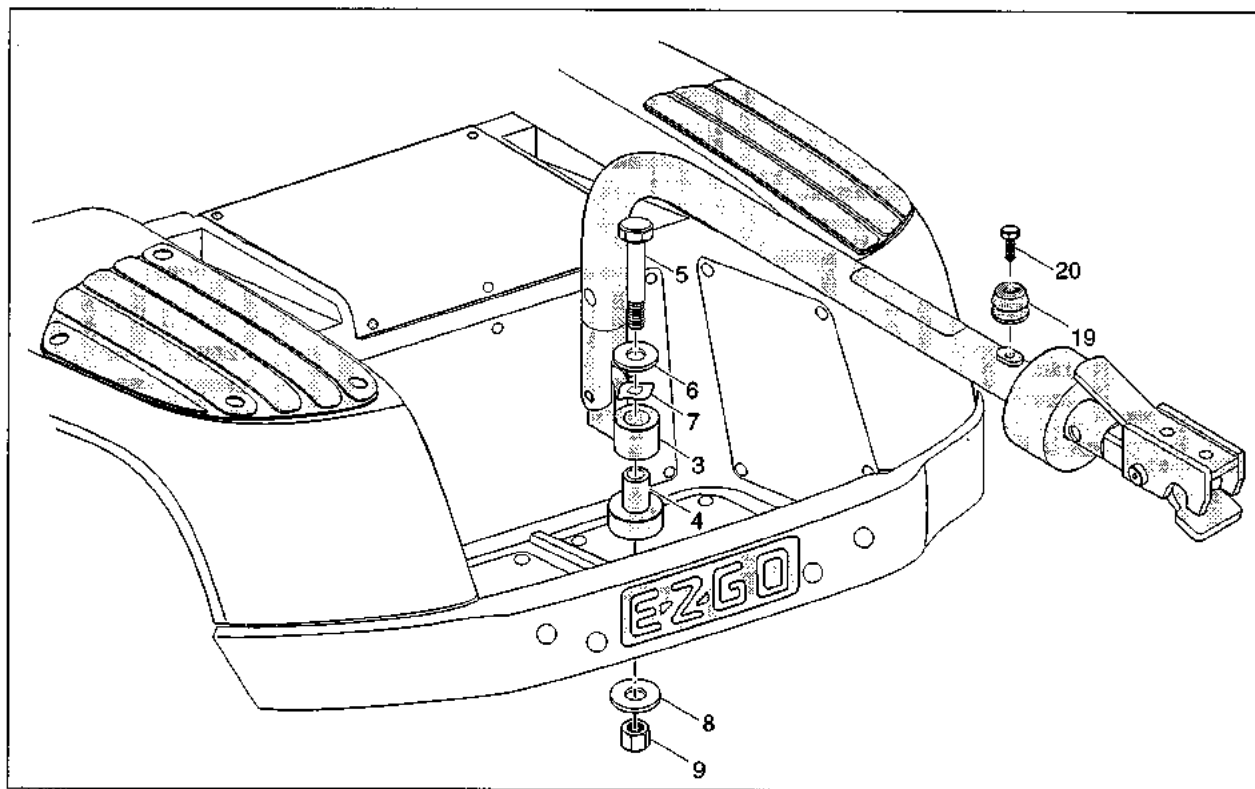


Fig. 1

TITLE		PERMANENT TOW BAR INSTALLATION INSTRUCTIONS			REV C	
EZGO TEXTRON		DRN BY ORIG DATE	J.RICE 07/05/95	REV BY REV DATE	J.RICE 11/01/95	DRAWING NO. 75311
E-Z-GO DIVISION OF TEXTRON, INC., P.O. BOX 388, AUGUSTA, GA. 30903-0388, 1-800-448-						CARTPROS

B. INSTALLING TOWED VEHICLE HITCH

1. Remove cotter pins (item 27) from both ends of pivot bolt (item 23).
2. Loosen slotted nut (item 26) on lower end of pivot bolt.
3. Remove nut (item 30) and lock washer (item 29) from upper end of pivot bolt.
4. With bolt inserted through hitch (item 22), and thrust washer (item 24) on top of hitch, insert pivot bolt through bracket on front axle from bottom and secure with washer (item 29) and nut (item 30). Tighten to 75 - 150 ft. lbs. torque. (Ensure thrust washer (item 24) between hitch and bracket is not pinched by bolt flange.) Insert cotter pin (item 27) through hole in pivot bolt and bend over with pliers.
5. While moving hitch back and forth, tighten slotted nut on bottom of pivot bolt until hitch moves freely and vertical play in joint is minimized. (Ensure thrust washer (item 24) is not pinched by bolt flange.) Align a nut slot with a hole in pivot bolt, insert cotter pin (item 27) and bend over with pliers.
6. Insert tie rod ball joint into passenger side spindle from the bottom and tighten slotted nut (Item 39) until ball joint is seated in spindle (36 ft.lbs. minimum). Insert cotter pin (item 40) through slotted nut and ball joint if possible. Continue to tighten nut as necessary to insert cotter pin. Bend over cotter pin with pliers.
7. With front wheels turned straight ahead, adjust tow bar tie rod length so that hitch is also pointing straight. Retighten jam nuts.

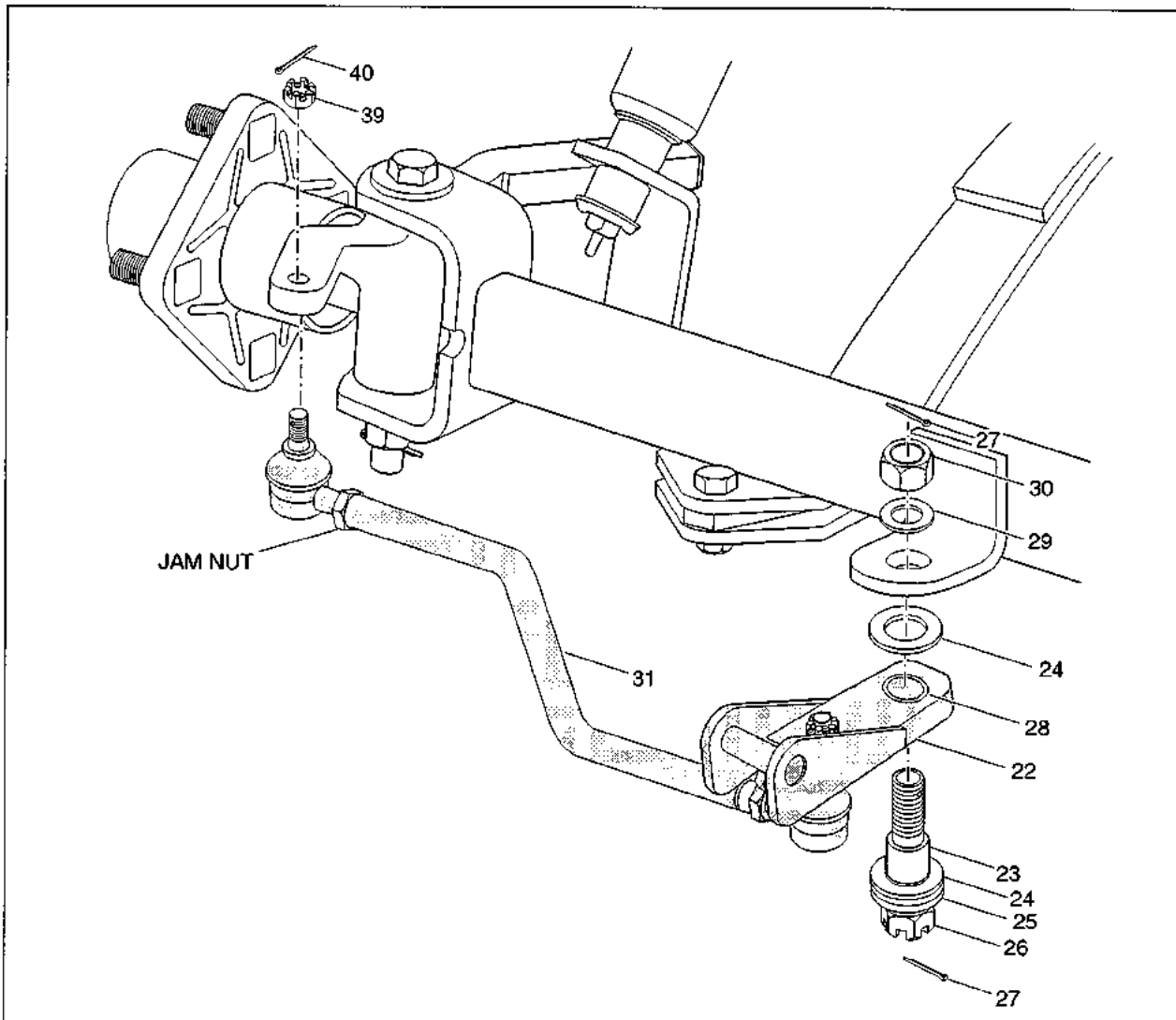


Fig. 2

TITLE PERMANENT TOW BAR INSTALLATION INSTRUCTIONS						REV C
EZGO TEXTRON		DRN BY J.RICE ORIG DATE 07/05/95	REV BY J.RICE REV DATE 11/01/95	DRAWING NO. 75311	PG. 2 OF 8	

C. INSTALLING TOW BAR STOP

1. Insert bolt (item 43) through stop (female) (item 19) and loosely attach to stop mounting plate with nut (item 44).
2. Insert bolts (item 43) through mounting plate (item 41) and place in center of basket bottom, near bagrack.
3. Place stop mounting plate under center basket as shown and loosely secure with nuts (item 44).

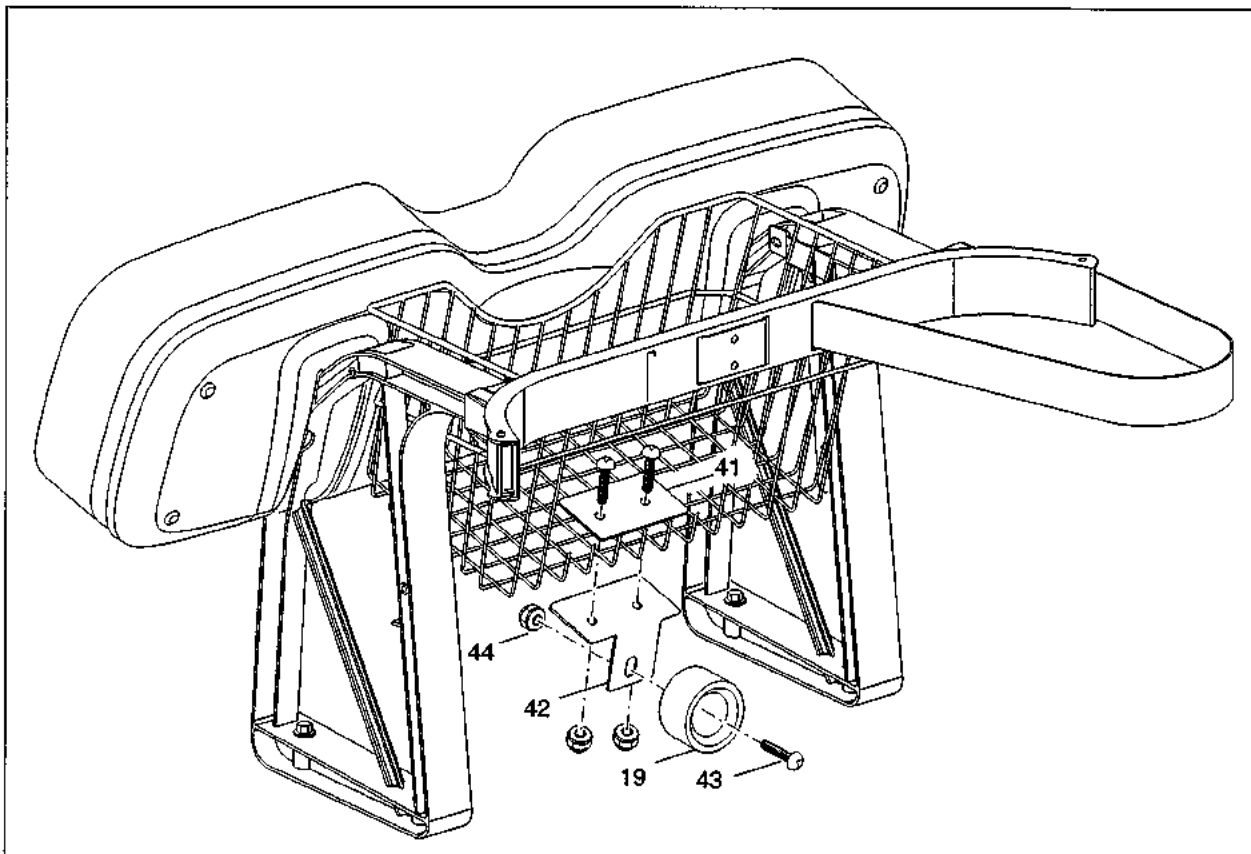


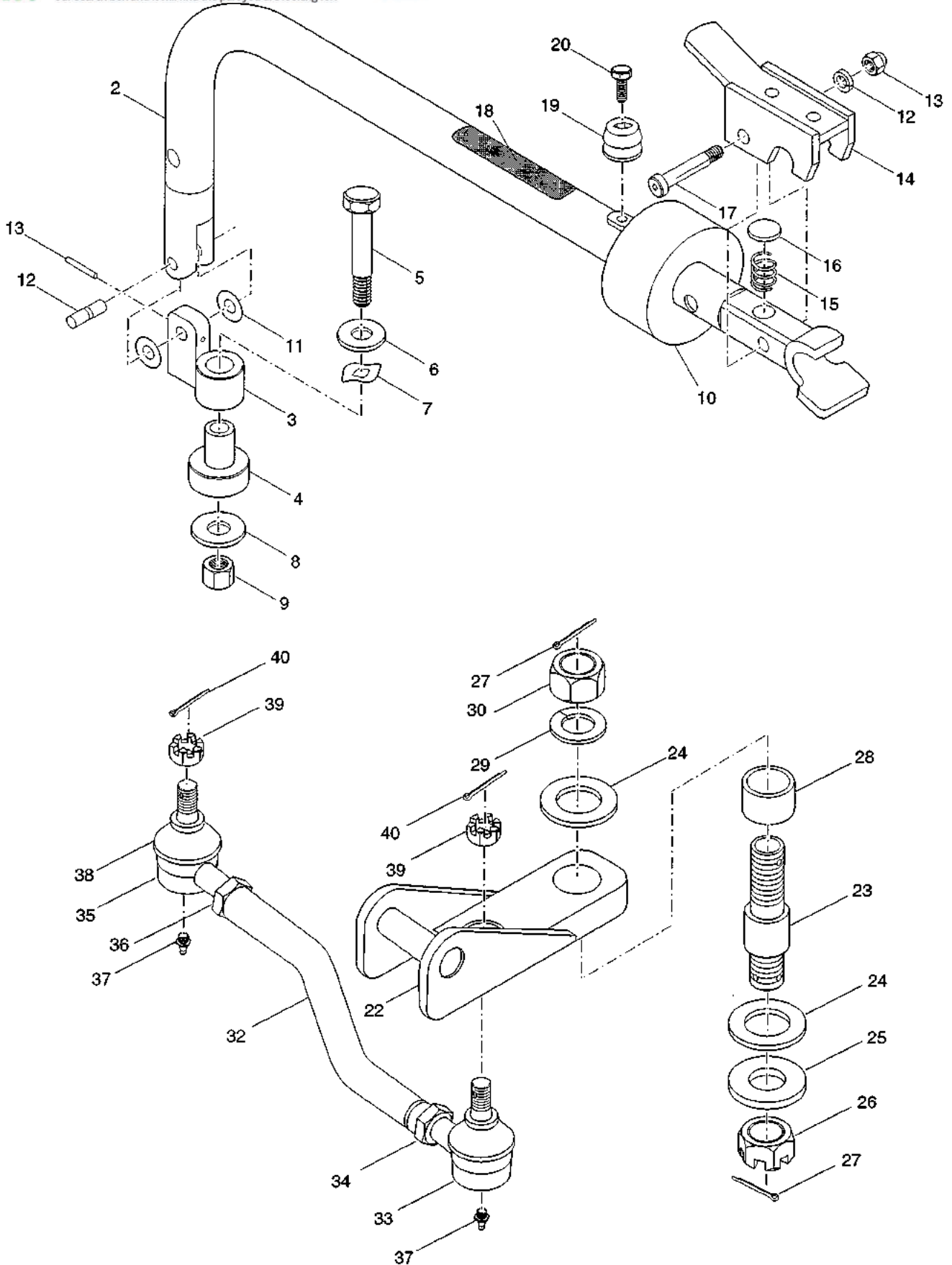
Fig. 3

4. Raise tow bar to vertical position and adjust stop (female) (item 19) position in mounting plate (item 42) slot until tow bar stop (male) is easily inserted into stop (female) and tow bar is held securely in vertical position. Slide plates back to position tow bar as close to basket as possible.
5. Tighten all mounting hardware to 10 ft. lbs. torque.

D. TOWING A VEHICLE

1. Position towing vehicle in front of vehicle to be towed.
2. Lower tow bar to horizontal position and engage tow bar onto hitch, ensuring latch is seated and hitch is securely captured by tow bar latch. Slide latch stop snugly under latch preventing latch from opening.
3. Check tow bar connection by moving tow bar up and down, sideways, and pushing vehicles apart. Tow bar must not separate from towed vehicle hitch.
4. Do not tow at speeds greater than 5 mph, and do not tow more that 3 vehicles at at time.
5. **NOTE:** Inspect tow bar latch for material deterioration before and after each use and repair as necessary.

TITLE				PERMANENT TOW BAR INSTALLATION INSTRUCTIONS		REV C	
EZGO TEXTRON		DRN BY ORIG DATE	J.RICE 07/05/95	REV BY REV DATE	J.RICE 11/01/95	DRAWING NO.	75311
E-Z-GO DIVISION OF TEXTRON, INC., P.O. BOX 388, AUGUSTA, GA. 30903-0388, 1-800-448-							CARTPROS



TITLE PERMANENT TOW BAR INSTALLATION INSTRUCTIONS

REV C



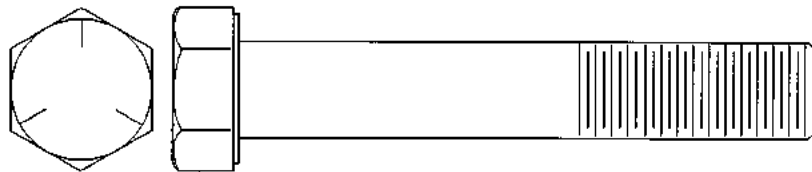
DRN BY J.RICE
ORIG DATE 07/05/95

REV BY J.RICE
REV DATE 11/01/95

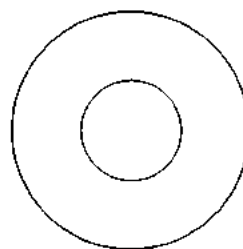
DRAWING NO. 75311

PG. 4 OF 8

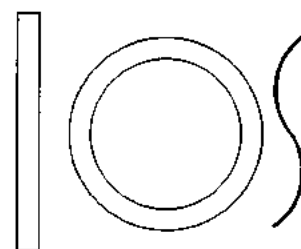
NOTE: HARDWARE SHOWN ACTUAL SIZE



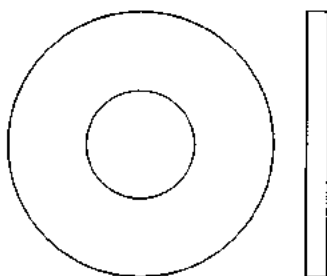
Item 5
1/2-20 X 3" Bolt
Qty. 1



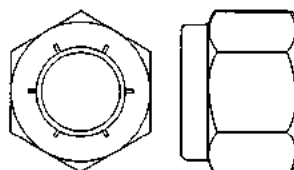
Item 6
1/2" Washer
Qty. 1



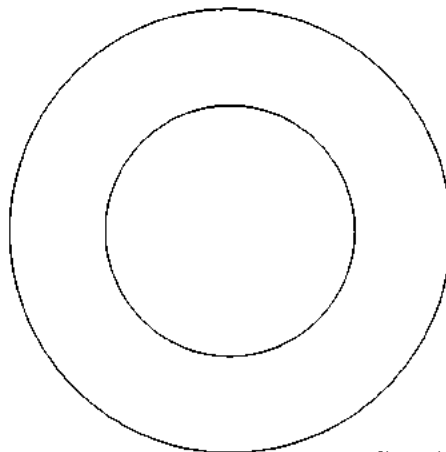
Item 7
Spring Washer
Qty. 1



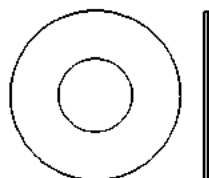
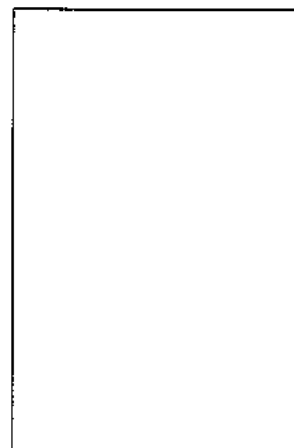
Item 8
1/2" Washer
Qty. 1



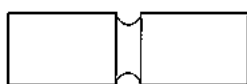
Item 9
1/2-20 Lock Nut
Qty. 1



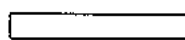
Item 10
Latch Stop
Qty. 1



Item 11
Delrin Washer
Qty. 2



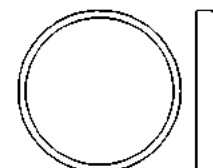
Item 12
Pivot Pin
Qty. 1



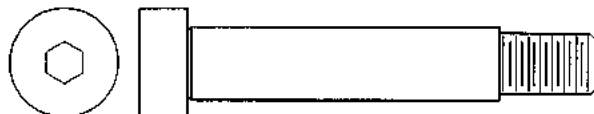
Item 13
Coil Spring Pin
Qty. 1



Item 15
Compression Spring
Qty. 1



Item 16
Cup Washer
Qty. 1



Item 17
3/8 x 1 5/8" Shoulder Bolt
Qty. 1



Item 20
6mm X 30mm Bolt
Qty. 1

TITLE **PERMANENT TOW BAR INSTALLATION INSTRUCTIONS**

REV C

EZGO TEXTRON

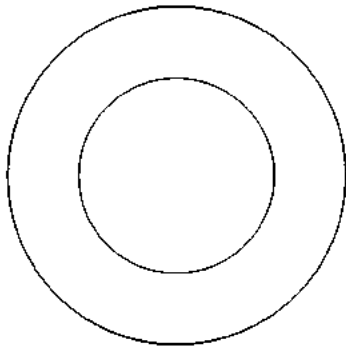
DRN BY J.RICE
ORIG DATE 07/05/95

REV BY J.RICE
REV DATE 11/01/95

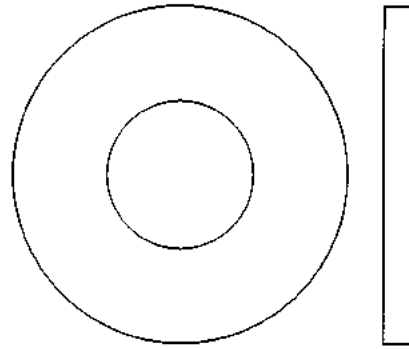
DRAWING NO. 75311

PG. 5 OF 8

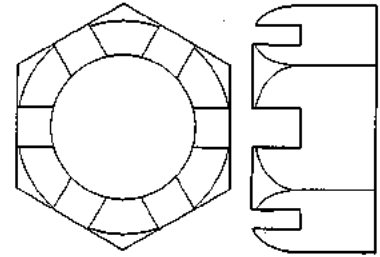
NOTE: HARDWARE SHOWN ACTUAL SIZE



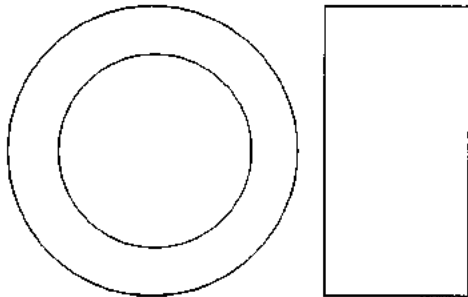
Item 24
Thrust Washer
Qty. 2



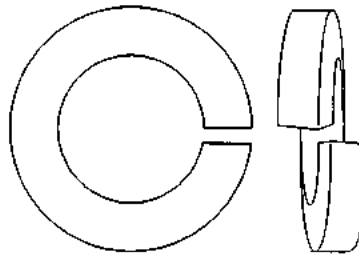
Item 25
Washer
Qty. 1



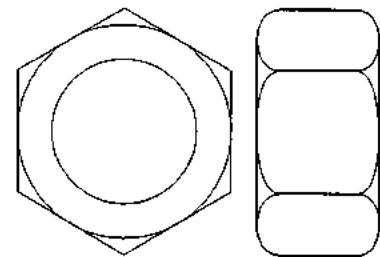
Item 26
3/4-16 Castle Nut
Qty. 1



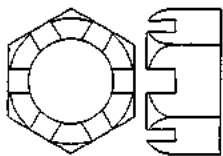
Item 28
Bearing
Qty. 1



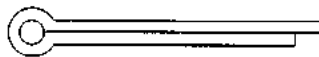
Item 29
3/4\" Lock Washer
Qty. 1



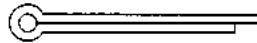
Item 30
3/4-16 Nut
Qty. 1



Item 39
7/16-20 Castle Nut
Qty. 2



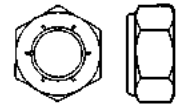
Item 27
1/8 X 1 1/4\" Cotter Pin
Qty. 2



Item 40
3/32 X 1\" Cotter Pin
Qty. 2



Item 43
1/4-20- X 1\" Bolt
Qty. 3



Item 44
1/4-20 Lock Nut
Qty. 3

TITLE PERMANENT TOW BAR INSTALLATION INSTRUCTIONS

REV C



DRN BY J.RICE
ORIG DATE 07/05/95

REV BY J.RICE
REV DATE 11/01/95

DRAWING NO. 75311

PG. 6 OF 8

KIT CONTENTS

ITEM	QTY	PART NO.	DESCRIPTION
1	1	75304-G01	TOW BAR (TOWING VEHICLE) (INCLUDES ITEMS 2 - 18)
2	1	75299-G01	TOW BAR
3	1	75302-G01	UPPER PIVOT
4	1	75291-G01	LOWER PIVOT
5	1	00410-G8	BOLT, 1/2-20 X 3" LG.
6	1	00675-G3	WASHER, 1/2"
7	1	75339-G01	SPRING WASHER
8	1	00571-G5	WASHER, 1/2"
9	1	11098-G8	LOCK NUT, 1/2-20
10	1	75362-G01	LATCH STOP
11	2	75340-G01	DELTRIN WASHER
12	2	75360-G01	PIVOT PIN
13	2	13571-G7	SPRING PIN
14	1	75303-G01	LATCH
15	1	20852-G2	COMPRESSION SPRING
16	1	25661-G02	CUP WASHER
17	1	13005-G4	SHOULDER BOLT, 3/8 X 1 5/8" LG.
18	1	75370-G01	WARNING LABEL
19	1	75338-G01	STOP (MALE AND FEMALE)
20	1	12547-G4	SCREW, 6mm x 30 mm
21	1	75308-G01	TOW BAR HITCH (TOWED VEHICLE) (INCLUDES ITEMS 22 - 40)
22	1	75305-G01	HITCH
23	1	75292-G01	PIVOT BOLT
24	2	75309-G01	THRUST WASHER
25	1	75342-G01	WASHER
26	1	00518-G8	CASTELLATED NUT, 3/4-16
27	2	10387-G1	COTTER PIN, 1/8 X 1 1/4" LG.
28	1	75307-G01	BEARING
29	1	00566-G6	LOCK WASHER, 3/4"
30	1	00533-G8	NUT, 3/4-16

TITLE			PERMANENT TOW BAR INSTALLATION INSTRUCTIONS			REV C		
EZGO TEXTRON		DRN BY ORIG DATE	J.RICE 07/05/95	REV BY REV DATE	J.RICE 11/01/95	DRAWING NO.	75311	PG. 7 OF 8

KIT CONTENTS

ITEM	QTY	PART NO.	DESCRIPTION
31	1	75306-G01	TIE ROD (INCLUDES ITEMS 30 - 39)
32	1	75287-G01	STEERING LINK
33	1	27205-G01	TIE ROD END (LEFT HAND THREADS)
34	1	*	JAM NUT, 9/16-18 (LEFT HAND THREADS)
35	1	27205-G02	TIE ROD END (RIGHT HAND THREADS))
36	1	*	JAM NUT, 9/16-18 (RIGHT HAND THREADS)
37	2	10389-G3	STRAIGHT GREASE FITTING
38	2	50641-G1	RUBBER BOOT
39	2	50209-G2	CASTELLATED NUT, , 7/16-20
40	2	10387-G2	COTTER PIN, 3/32 X 1" LG.
41	1	75318-G01	MOUNTING PLATE
42	1	75319-G01	STOP MOUNT PLATE
43	3	16705-G1	BOLT, 1/4-20 X 1" LG.
44	3	00891-G2	LOCK NUT, 1/4-20

TITLE	PERMANENT TOW BAR INSTALLATION INSTRUCTIONS	REV C
--------------	--	--------------

EZGO TEXTRON	DRN BY J,RICE ORIG DATE 07/05/95	REV BY J,RICE REV DATE 11/01/95	DRAWING NO. 75311	PG. 8 OF 8
----------------------------	-------------------------------------	------------------------------------	-------------------	------------

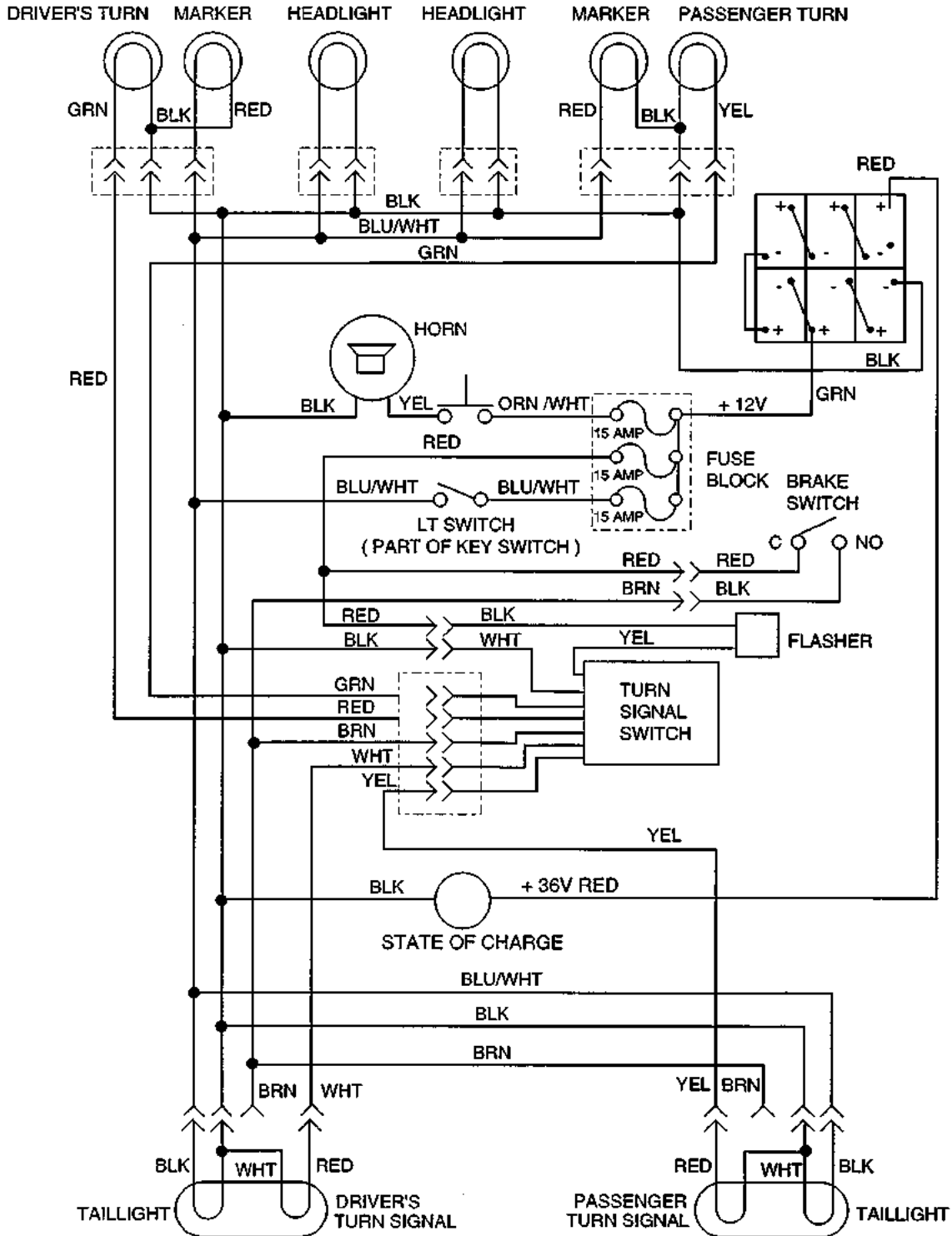
DIAGRAMS AND SCHEMATICS

WIRING DIAGRAMS AND SCHEMATICS

**REFER TO TECHNICIAN'S REPAIR AND SERVICE MANUAL FOR
NOTES, CAUTIONS AND WARNINGS.**

MANUAL P/N: 28292-G01

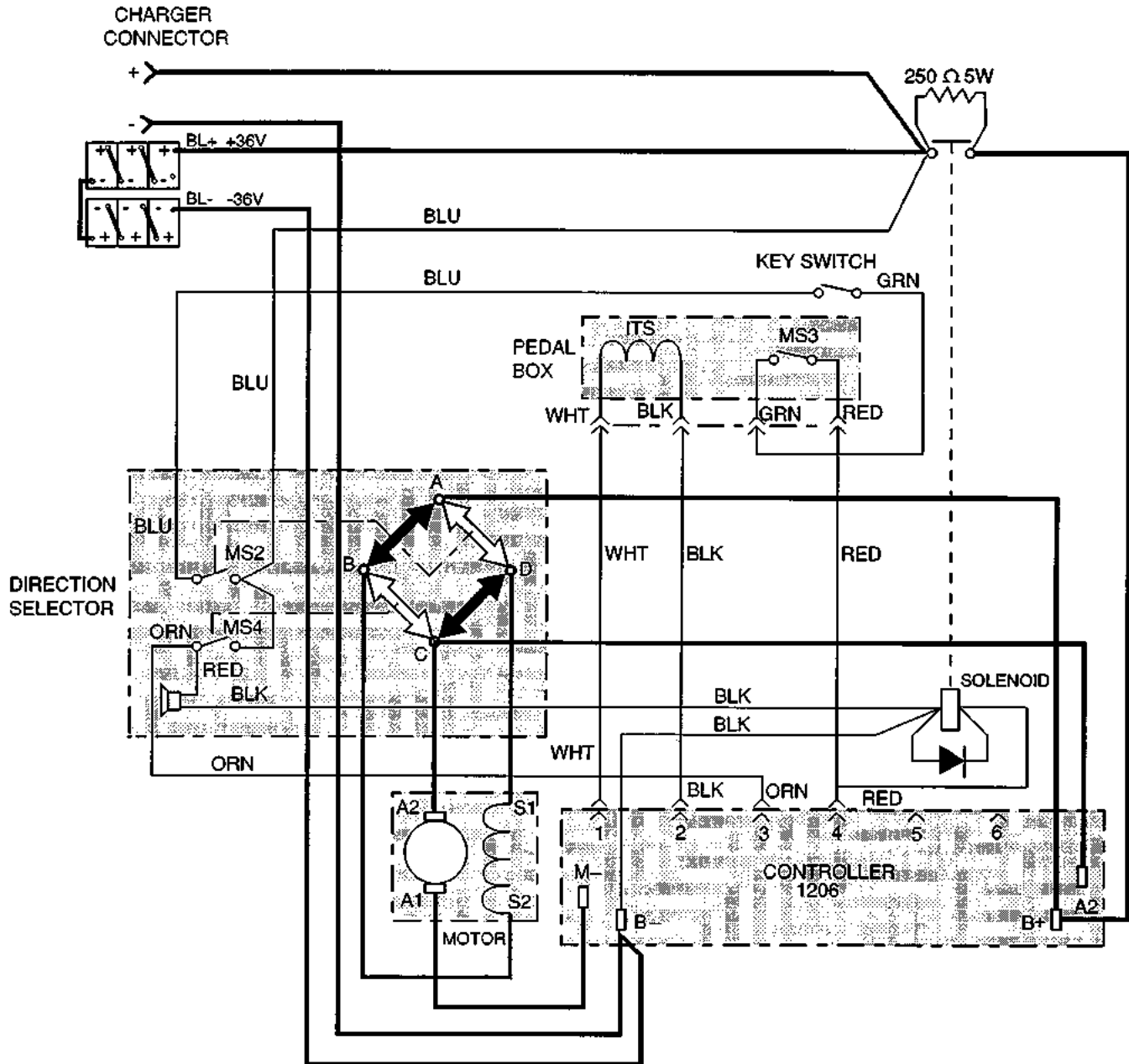
ELECTRIC VEHICLE ACCESSORY WIRING



FOR VEHICLES WITHOUT TURN SIGNALS REMOVE WHT WIRE FROM LEFT TURN SIGNAL REMOVE YEL WIRE FROM RIGHT TURN SIGNAL CONNECT BRN WIRE TO RED

● INDICATES BUTT CONNECTION WITHIN WIRING HARNESS

ELECTRIC VEHICLE WIRING DIAGRAM / SCHEMATIC



WIRES INDICATED ARE CONTAINED IN POWER HARNESS
 ALL OTHER WIRES ARE CONTROL WIRING
 MS2 IS CLOSED WHEN DIRECTION SELECTOR SWITCH IS IN FWD OR REVERSE
 MS3 IS ACTIVATED BY ACCELERATOR PEDAL
 MS4 IS CLOSED BY DIRECTION SELECTOR SWITCH IN REVERSE ONLY

**DID YOU
KNOW?**

CartPros directs you to the right part using the part numbers from this manual. Enter the part number into our search box and it will find the part you are looking for.

**GET STARTED
HERE**



<https://CartPros.com/f.html>

**DID YOU
KNOW?**

CartPros directs you to the right part using the part numbers from this manual. Enter the part number into our search box and it will find the part you are looking for.

**GET STARTED
HERE**



<https://CartPros.com/f.html>



E-Z-GO Division of Textron Inc.
P.O. Box 388 Augusta, Georgia 30903-0388 USA
Inside USA Phone: 1-800-241-5855, FAX: 1-800-448-8124
Outside USA Phone: 010-1-706-798-4311, FAX: 010-1-706-771-4609

Copyrighted Material
This manual may not be reproduced in whole or
in part without the express permission of
E-Z-GO Division of Textron Inc.
Technical Communications Department