

**DID YOU
KNOW?**

CartPros directs you to the right part using the part numbers from this manual. Enter the part number into our search box and it will find the part you are looking for.

**GET STARTED
HERE** →

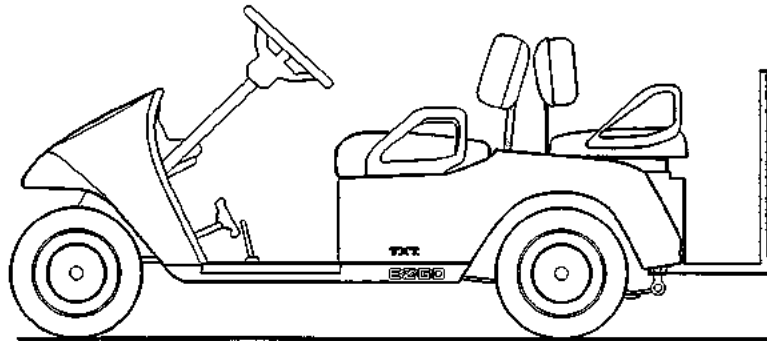
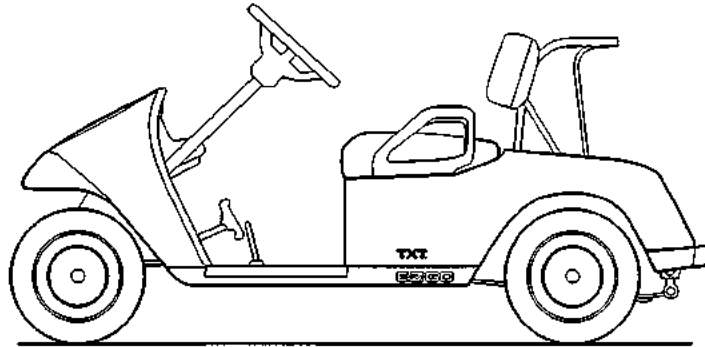
<https://CartPros.com/f.html>



a **TEXTRON** Company



SERVICE PARTS MANUAL



ELECTRIC & DCS TXT VEHICLES

MANUAL: 28405-G01

MODEL YEAR: 1997 / 1998

ISSUED: 07/96

SERVICE PARTS MANUAL

TXT ELECTRIC & DCS VEHICLES

MODEL YEAR: 1997

VEHICLES

TXT FLEET

TXT FLEET DCS

TXT FREEDOM

TXT FREEDOM DCS

TXT 4 CADDY

CUSTOMER SERVICE DEPARTMENT PHONE 1-800-227-7029 FAX 1-800-448-8124
E-Z-GO DIVISION OF TEXTRON, INC., P.O.BOX 388, AUGUSTA, GEORGIA 30903-0388, 1-800-241-5855

LIMITED WARRANTY

TO OBTAIN A COPY OF THE LIMITED WARRANTY THAT IS APPLICABLE TO YOUR VEHICLE, CALL OR WRITE YOUR LOCAL DISTRIBUTOR, BRANCH OR E-Z-GO WARRANTY DEPARTMENT.

THE USE OF NON E-Z-GO PARTS MAY VOID YOUR WARRANTY.

OVERFILLING OF BATTERIES MAY VOID YOUR WARRANTY.

GENERAL INDEX

SECTIONSPage No.

How to use the **E-Z-GO** Service Manualvii

IllustrationPage No.

ACCELERATORA-1

- Accelerator Pedal
- Accelerator Rod
- Pedal Box

BATTERY CHARGERB-1

BODY C-1

- Front Cowl, Instrument Panel, Splash Panel
- Rear Body, Foot Rest
- Seat Frame, Battery Rack
- Floorboard, Rocker Panels
- Rear Body, Bumper, Fender Liners

BRAKES D-1

- Brake Pedal with Lights
- Brake Pedal without Lights
- Linkages, Cables
- Wheel Brake

DIRECTION SELECTORE-1

DIRECTION SELECTOR (DCS)E-5

ELECTRONIC SPEED CONTROLF-1

ELECTRONIC SPEED CONTROL (DCS)F-5

ELECTRONIC SPEED CONTROL - HDF-9

ELECTRICAL SYSTEM G-1

- Batteries, Charger Receptacle
- Ignition Switch, Ignition Switch Harness, Brake Harness

ELECTRIC MOTOR H-1

- Electric Motor
- Electric Motor (DCS)

FRONT SUSPENSIONJ-1

- Front Axle Assembly
- Leaf Springs
- Hub and Spindle Assemblies

GENERAL INDEX

- Tie Rod Assembly
- Shock Absorbers

Gauges, Horn and Lighting K-1

- Horn, Fuse Block
- Hour Meter, Key Switch, Turn Signal
- Taillights
- Headlights
- Wire Harness

REAR AXLE L-1

REAR SUSPENSION M-1

- Shock Absorbers
- Leaf Springs

SEATING AND BAG HOLDER..... N-1

- Seat Bottom, Hip Restraints
- Seat Back, Bag Holder
- Rear Seat Bottom, Hip Restraints (4 Caddy)
- Seat Support Brackets (4 Caddy)

STEERING..... P-1

- Rack and Rod Assembly
- Steering Wheel
- Tie Rod Assembly

WHEELS AND TIRES Q-1

- Tread Styles
- Tire and Wheel Assembly
- Valve Stem
- Wheel Rim

SPECIAL TOOLS

Special Tools Listing..... Appendix - A

ACCESSORIES

Accessory Listing..... Appendix - B

GENERAL INDEX

ACCESSORIES

Accessory Installations	Appendix - C
Divot Repair Kit (Sand Bottle)	
Side Basket	
Center Basket	
Sun Top with Bagrack	
Sun Top without Bagrack	
Wheel Covers	
Windshield	
Ashtray	
Rear View Mirror	
Four Bag Attachment	
TXT Convertible Carrier	
TXT to 4 Caddy Conversion	
4 Caddy Conversion Windshield	
4 Caddy Conversion Sun Top	
4 Caddy to Convertible Carrier Conversion	
Permanent Tow Bar	

HOW TO USE THE E-Z-GO SERVICE PARTS MANUAL

This manual is divided into several sections:

- GENERAL INFORMATION
- ILLUSTRATED PARTS BREAKDOWN FOR TXT ELECTRIC POWERED GOLF CARS
- APPENDIX

The first section, GENERAL INFORMATION, contains the following information:

- WARRANTY INFORMATION
- GENERAL INDEX
- HOW TO USE THE E-Z-GO SERVICE PARTS MANUAL

The second section, ILLUSTRATED PARTS BREAKDOWN (IPB) FOR THE TXT ELECTRIC POWERED GOLF CARS, contains illustrations and parts lists for all systems of your vehicle.

The third section, SERVICE ACCESSORIES AND SPECIAL TOOLS, contains a listing of E-Z-GO service accessories and special tools and that may be purchased from the company to aid in the servicing of the vehicle.

USE OF THE MANUAL

To use this manual, consult the GENERAL INDEX to locate the information or illustration required.

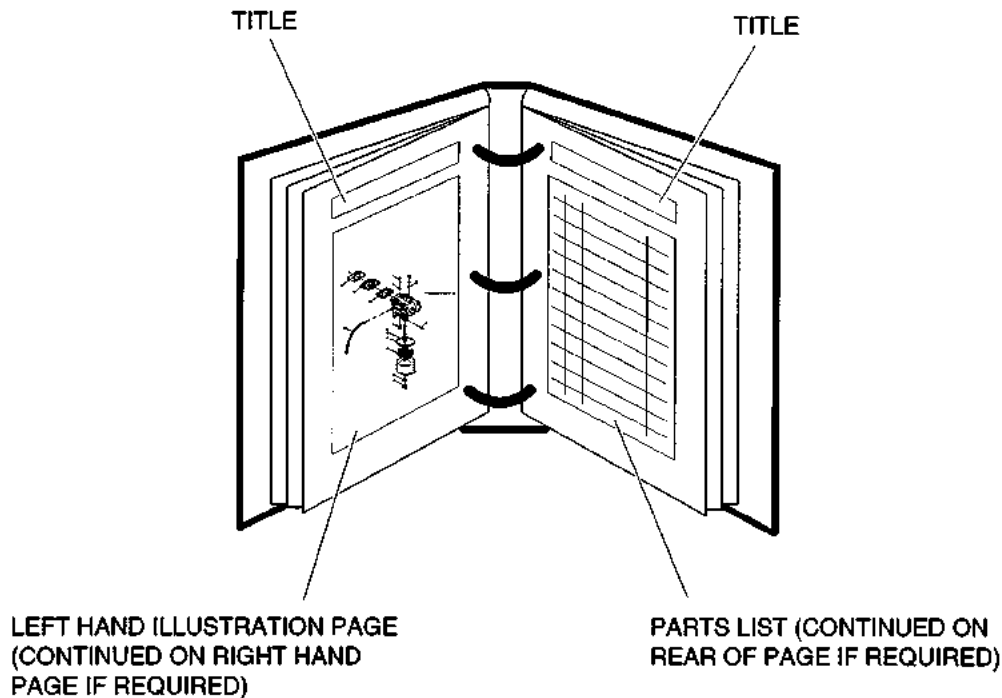
E-Z-GO manuals are revised annually to coincide with the model year change. The manual will cover all models and model years stated on the cover page. Sections that remain unchanged have the last date they were revised in the lower inside margin. New components that are interchangeable with the previous year are automatically revised and the issue date is changed.

Introduction of some revisions varies due to supply of components; therefore, it is possible that various combinations of components may be found that are not directly reflected by each illustration. Consult the illustration that best suits your situation and then contact the Service Parts Department. It is important that the serial number of your vehicle and its model number be supplied to Service Parts when ordering any replacement components.

Locate the serial number plate (see Body and Associated Parts located in the IPB section of this manual for its location) and note the complete number shown on the plate.

All relevant systems are listed in the General Index and has an alphabetical prefix. The illustration always appears first and is followed by its related parts list. Additional illustrations and parts lists with the same prefix indicate significant changes that have taken place since the last issue.

HOW TO USE THE E-Z-GO SERVICE PARTS MANUAL



1. WHEN THE PART NUMBER IS NOT KNOWN

- Determine the function and application of the part required. Turn to the General Index and select the most appropriate title.
- Turn to the page number indicated and locate the desired part on the illustration.
- From the illustration, obtain the item number assigned to the desired part. Refer to the accompanying description for specific information regarding the part.

2. IF YOU KNOW THE PART NUMBER

- Locate the part number or description in the appropriate column on the parts list page.

NOTE: It is suggested that you confirm that the part selected is correct by verifying it with the pictorial representation on the illustrated page.

Should an asterisk (*) appear in the part number column on the parts list page, read upwards until a part number is found. The part number is the lowest assembly sold by E-Z-GO and the asterisk (*) indicates that the part depicted is not available for sale by E-Z-GO.

NOTE: Descriptions are indented under the assembly that they are used on. That assembly is, in turn listed under the assembly that it is used on. This process is repeated until the highest final assembly is reached.

To facilitate the maintenance and repair of the vehicle, a Technician's Repair and Service Manual (P/N 28407-G01) is available from the E-Z-GO Service Parts Department.

**DID YOU
KNOW?**

CartPros directs you to the right part using the part numbers from this manual. Enter the part number into our search box and it will find the part you are looking for.

**GET STARTED
HERE**



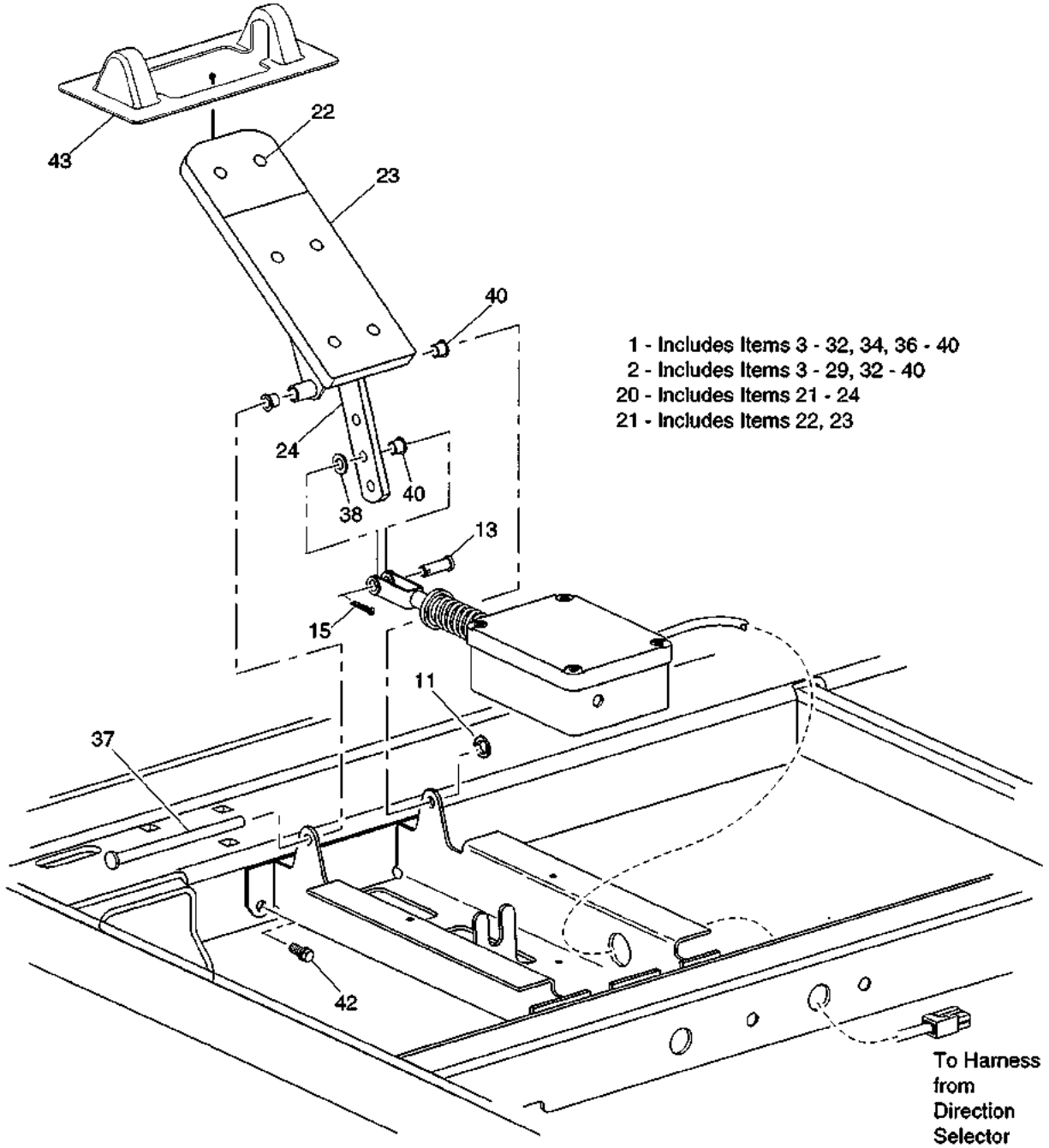
<https://CartPros.com/f.html>



ILLUSTRATED PARTS BREAKDOWN

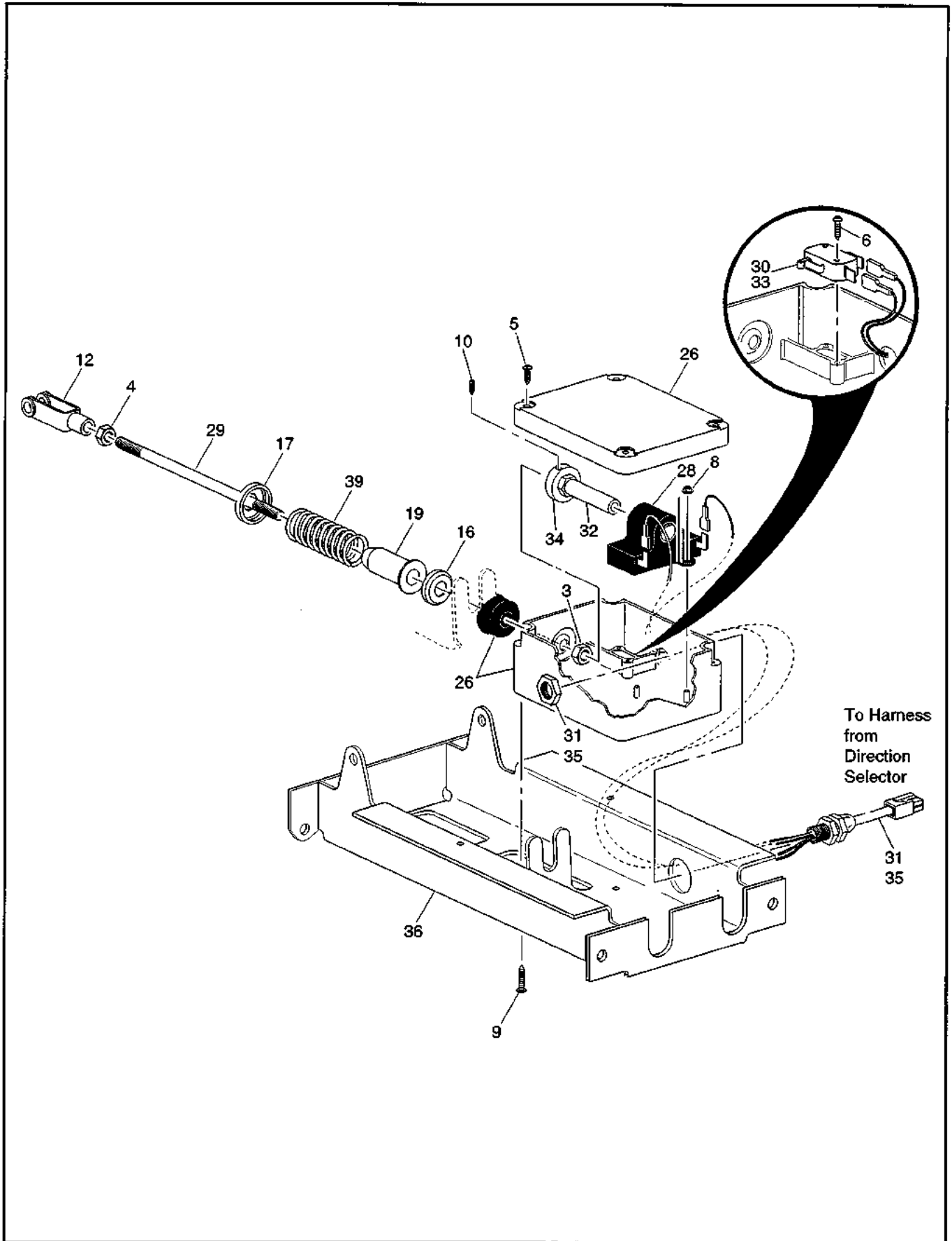
ACCELERATOR

Electric Vehicle



Electric Vehicle

ACCELERATOR



ACCELERATOR

Electric Vehicle

THE USE OF NON UL PARTS WILL VOID ANY UL LISTING.

When ordering parts, please specify the model and serial number of the product.

* Indicates a component that is not available as an individual part.

G** Indicates consult Customer Service Department for additional information.

ITEM	PART NO.	1 2 3 4 5	DESCRIPTION	QTY.
1	25870-G03		PEDAL BOX ASSEMBLY (INCLUDES ITEMS 3 - 32, 34, 36 - 40)	1
2	25870-G05		PEDAL BOX ASSEMBLY, DCS MODEL ONLY (INCLUDES ITEMS 3 - 29, 32 - 40)	1
3	00550-G2		LOCK NUT, 1/4 - 28	1
4	00532-G4		LOCK NUT, 5/16 - 24	1
5	00684-G6		SCREW, #8 - 32 X 3/4" LG.	4
6	00982-G01		SCREW, #4 - 14 X 5/8" LG.	2
7				
8	00983-G01		SELF THREADING NUT.....	2
9	00984-G01		SCREW, #8 - 10 X 1/2" LG.	4
10	00486-G2		SETSCREW, #8 - 32 X 1/8" LG.	1
11	00986-G01		PUSHNUT, 19/64" I.D.	1
12	10385-G4		YOKE (ADJUSTABLE)	1
13	10386-G3		CLEVIS PIN, 5/16" x 15/16" LG.....	1
14				
15	10387-G3		COTTER PIN, 3/32" x 3/4" LG.	1
16	17677-G1		SPRING RETAINER	1
17	17677-G2		SPRING RETAINER	1
18				
19	17979-G1		ACCELERATOR ROD BUSHING	1
20	25799-G01		ACCELERATOR PEDAL ASSEMBLY (INCLUDES ITEMS 21 - 24)	1
21	27844-G01		ACCELERATOR PEDAL PAD KIT (INCLUDES ITEMS 22, 23)	1
22	15766-G1		OVAL RIVET 3/8" X 15/32" LG.	6
23	27512-G01		ACCELERATOR PEDAL PAD	1
24	*		ACCELERATOR PEDAL	1
25				
26	25853-G01		PEDAL BOX AND COVER (SEAL AND BEARING)	1
27				
28	25854-G01		INDUCTIVE THROTTLE SENSOR.....	1
29	25859-G01		ACCELERATOR ROD.....	1

Electric Vehicle

ACCELERATOR

THE USE OF NON UL PARTS WILL VOID ANY UL LISTING.

When ordering parts, please specify the model and serial number of the product.

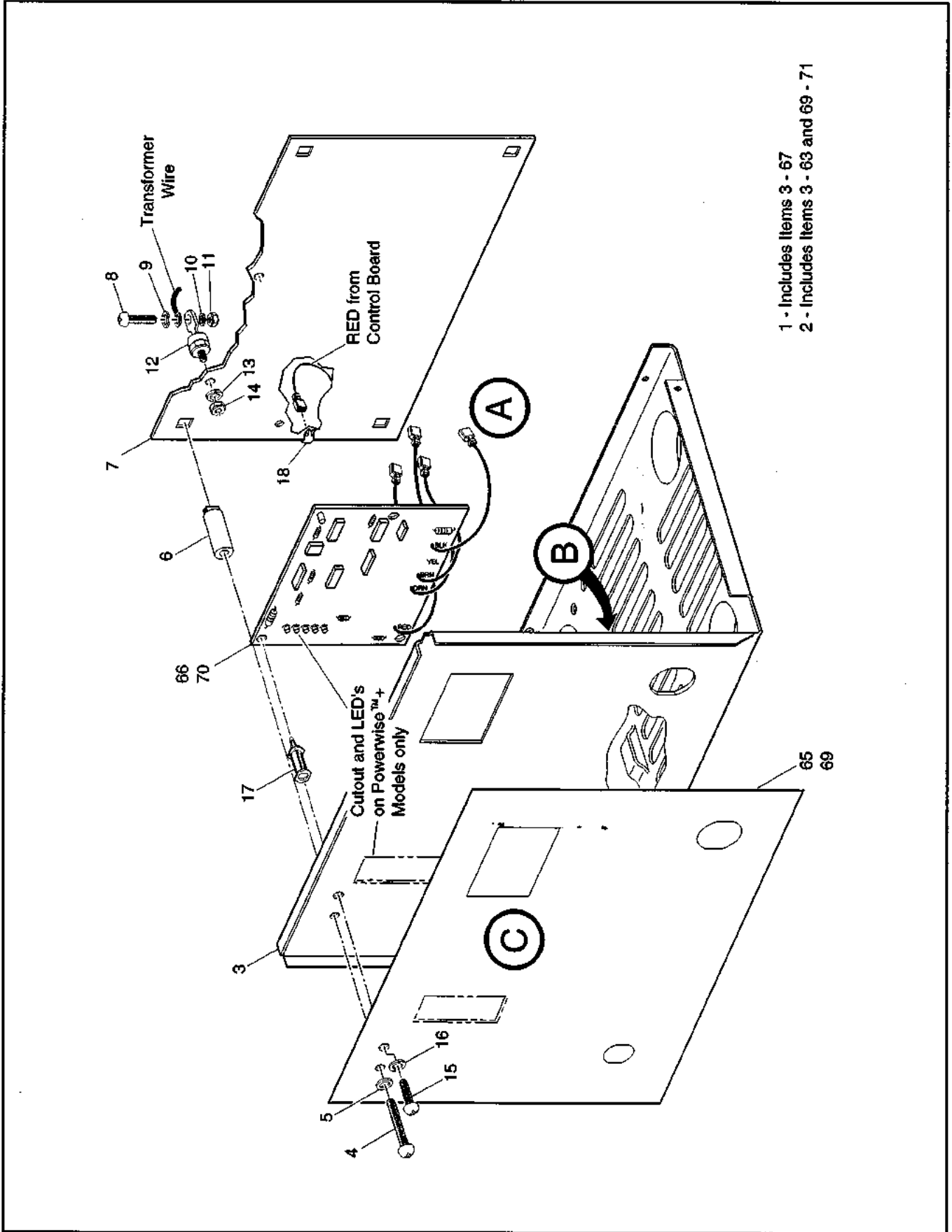
* Indicates a component that is not available as an individual part.

G** Indicates consult Customer Service Department for additional information.

ITEM	PART NO.	1	2	3	4	5	DESCRIPTION	QTY.
30	25861-G01						MICRO SWITCH.....	1
31	25879-G03						WIRING HARNESS (PEDAL BOX ASSEMBLY).....	1
32	26551-G01						PLUNGER	1
33	25861-G02						MICRO SWITCH (DCS MODEL ONLY).....	1
34	26969-G01						PLUNGER CAM	1
35	25879-G04						WIRING HARNESS (PEDAL BOX ASSEMBLY) (DCS MODEL ONLY).....	1
36	70116-G01						PEDAL BRACKET	1
37	70134-G01						PIN.....	1
38	17255-G1						TEFLON WASHER, 1/32" X 5/8"	1
39	73046-G01						COMPRESSION SPRING	1
40	17838-G1						BUSHING	3
41								
42	00715-G2						BOLT, 5/16 - 18 X 5/8" LG.	4
43	70135-G01						PEDAL PIVOT COVER	1

BATTERY CHARGER

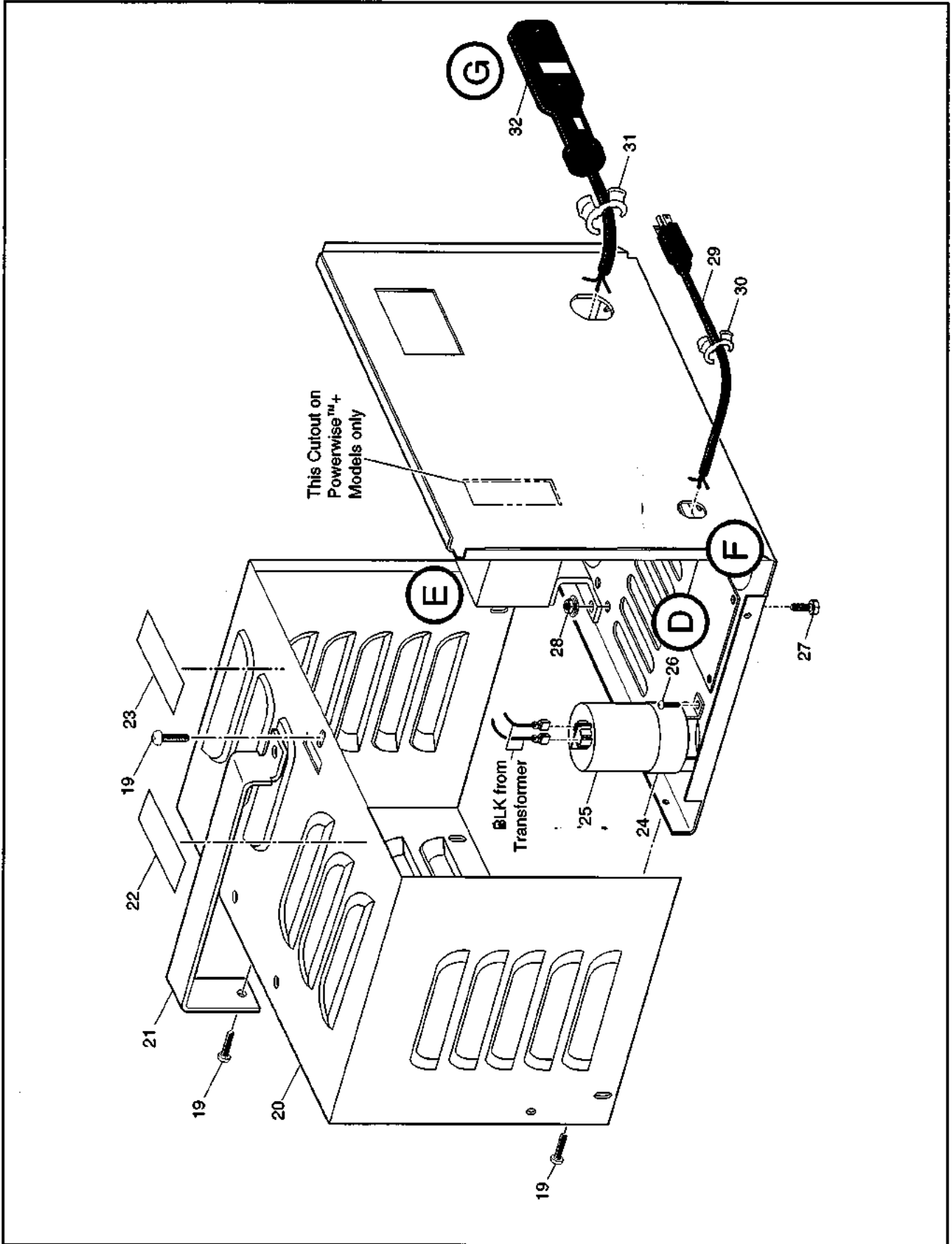
Electric Vehicle



- 1 - Includes Items 3 - 67
- 2 - Includes Items 3 - 63 and 69 - 71

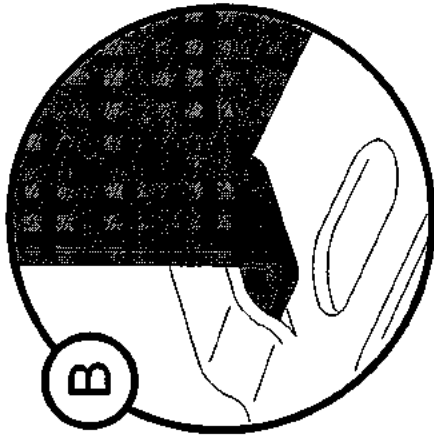
Electric Vehicle

BATTERY CHARGER

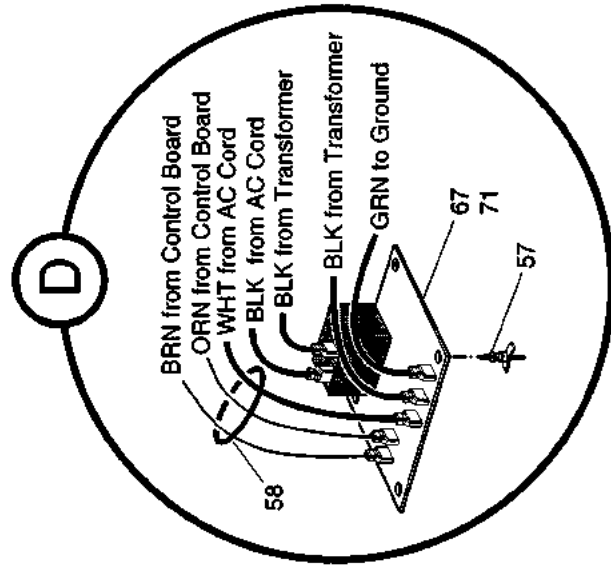


BATTERY CHARGER

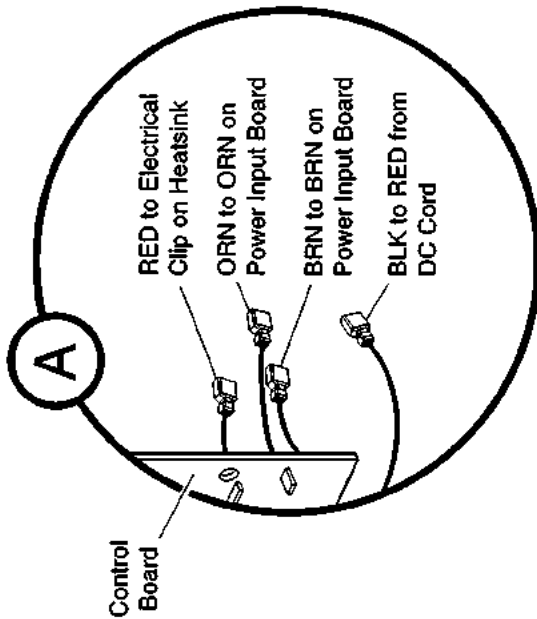
Electric Vehicle



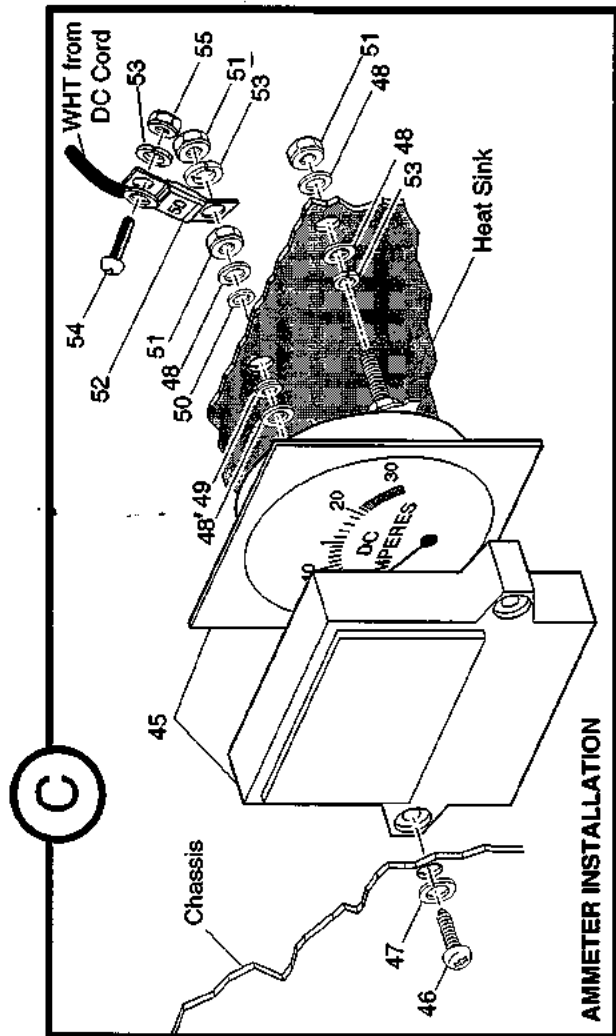
TRANSFORMER LEG INSTALLATION



POWER INPUT BOARD INSTALLATION



CONTROL BOARD CONNECTIONS

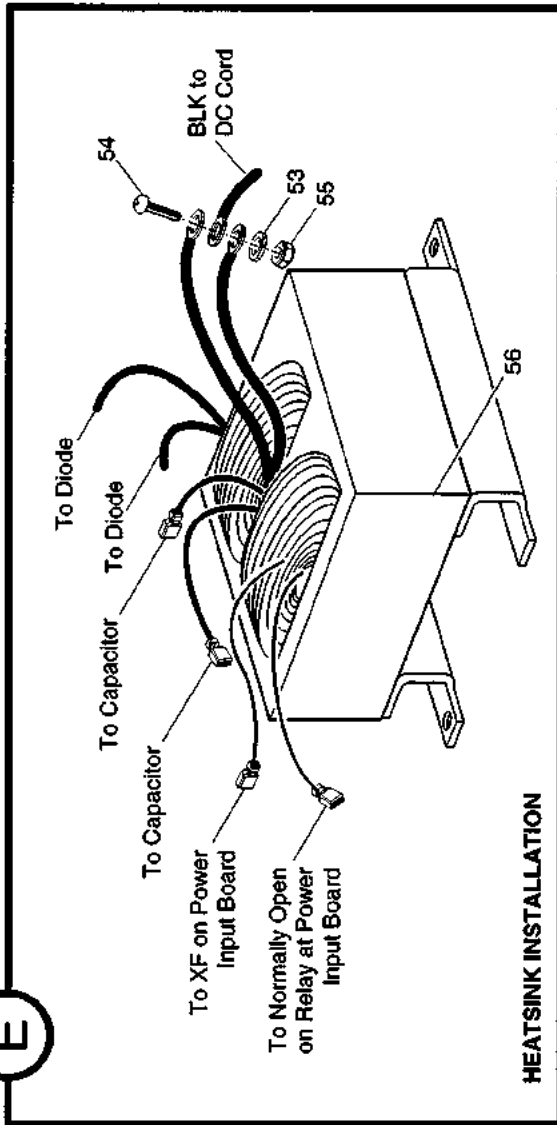


AMMETER INSTALLATION

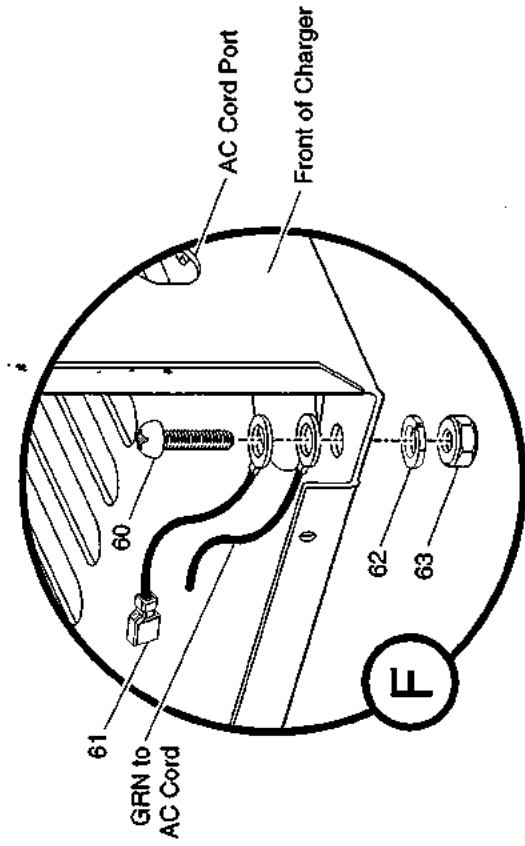
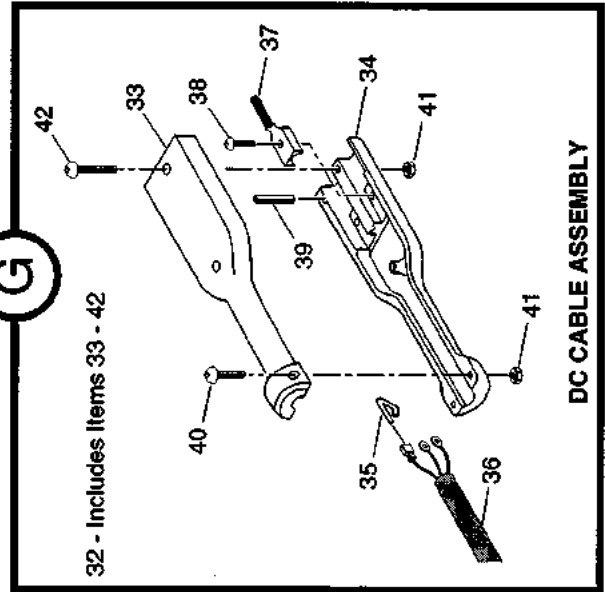
Electric Vehicle

BATTERY CHARGER

E



G



F

BATTERY CHARGER

Electric Vehicle

THE USE OF NON UL PARTS WILL VOID ANY UL LISTING.

When ordering parts, please specify the model and serial number of the product.

* Indicates a component that is not available as an individual part.

G** Indicates consult Customer Service Department for additional information.

ITEM	PART NO.	1	2	3	4	5	DESCRIPTION	QTY.
1	28115-G01						POWERWISE™ CHARGER (INCLUDES ITEMS 3 - 67)	1
2	28115-G02						POWERWISE™ + CHARGER (INCLUDES ITEMS 3 - 63 AND 69 - 71).....	1
3	*						CHASSIS	1
4	00513-G6						SCREW, #8 - 18 X 1 3/4" LG.	2
5	00559-G4						WASHER, #8	10
6	11572-G3						PLASTIC EXPANSION NUT	2
7	28104-G01						HEAT SINK	1
8	00138-G3						SCREW, #6-32 X 3/8" LG	2
9	00559-G3						WASHER, #6.	2
10	00567-G3						LOCK WASHER, #6.....	2
11	00525-G5						NUT, #6 - 32.....	2
12	18488-G1						DIODE.....	1
13	00565-G7						WASHER, LOCK 1/4.....	2
14	00532-G2						NUT, 1/4 - 28.....	2
15	01005-G01						SCREW, #6 - 19 X 5/16" LG.	3
16	00559-G3						WASHER, #6	3
17	28111-G01						CONTROL BOARD SUPPORT	3
18	28110-G01						ELECTRICAL CLIP	1
19	00614-G4						SCREW, #8 - 18 X 1/2" LG.	6
20	*						COVER	1
21	28102-G01						HANDLE	1
22	28136-G01						LABEL (VENTILATION)	1
23	28136-G02						LABEL (CORD CONDITION).....	1
24	26979-G01						CAPACITOR BRACKET	1
25	28109-G01						CAPACITOR.....	1
26	00969-G01						SCREW, #8 - 32 X 3/8" LG.	3
27	00414-G5						SCREW, 1/4 - 20 X 5/8" LG.	3
28	11027-G2						LOCK NUT, 1/4 - 20.....	3
29	19388-G4						AC CORD	1
30	13557-G2						STRAIN RELIEF (AC).....	1

Electric Vehicle

BATTERY CHARGER

THE USE OF NON UL PARTS WILL VOID ANY UL LISTING.

When ordering parts, please specify the model and serial number of the product.

* Indicates a component that is not available as an individual part.

G** Indicates consult Customer Service Department for additional information.

ITEM	PART NO.	1	2	3	4	5	DESCRIPTION	QTY.
31	13557-G3						STRAIN RELIEF (DC)	1
32	28137-G01						DC PLUG ASSEMBLY (INCLUDES ITEMS 33 - 42)	1
33	73051-G11						PLUG (TOP HALF).....	1
34	73051-G12						PLUG (BOTTOM HALF).....	1
35	73051-G13						AUXILARY CONTACT	1
36	28114-G01						DC CORD	1
37	73051-G14						MALE PIN	2
38	73051-G08						BRASS SCREW, #10 - 32 X 1/2" LG.	2
39	73051-G15						MAGNET	1
40	73051-G16						SCREW, #6 - 32 X 1/2" LG. (STAINLESS STEEL)	2
41	73051-G10						LOCK NUT, #6 - 32	4
42	73051-G17						SCREW, #6 - 32 X 1" LG. (STAINLESS STEEL)	2
43								
44								
45	28105-G01						AMMETER.....	1
46	00984-G01						SCREW, #8 - 10 X 1/2" LG.	2
47	00559-G4						WASHER, #8	2
48	01003-G01						BRASS WASHER, #10	4
49	22589-G2						SHOULDER WASHER	1
50	00771-G6						NYLON WASHER.....	1
51	00528-G4						NUT, #10 - 32.....	3
52	28106-G01						50 AMP FUSE	1
53	00565-G5						LOCK WASHER, #10	4
54	00378-G4						SCREW, #10 - 24 X 1/2" LG.	2
55	00526-G3						NUT, #10 - 24.....	2
56	28103-G01						TRANSFORMER.....	1
57	27877-G01						SPACER SUPPORT	4
58	17618-G1						WIRE TIE	2
59								
60	00372-G3						SCREW, #8 - 32 X 3/8" LG.	1

BATTERY CHARGER

Electric Vehicle

THE USE OF NON UL PARTS WILL VOID ANY UL LISTING.

When ordering parts, please specify the model and serial number of the product.

* Indicates a component that is not available as an individual part.

G** Indicates consult Customer Service Department for additional information.

ITEM	PART NO.	1	2	3	4	5	DESCRIPTION	QTY.
61	25977-G32						WIRE, 4"	1
62	00565-G4						LOCK WASHER, #8.....	1
63	00526-G1						NUT, #8 - 32.....	1
64								
65	*						LABEL (POWERWISE™)	1
66	28126-G01						CONTROL BOARD (POWERWISE™)	1
67	28126-G03						POWER INPUT BOARD (POWERWISE™)	1
68								
69	*						LABEL (POWERWISE™+)	1
70	28126-G02						CONTROL BOARD (POWERWISE™+)	1
71	28126-G04						POWER INPUT BOARD (POWERWISE™+).....	1

**DID YOU
KNOW?**

CartPros directs you to the right part using the part numbers from this manual. Enter the part number into our search box and it will find the part you are looking for.

**GET STARTED
HERE**



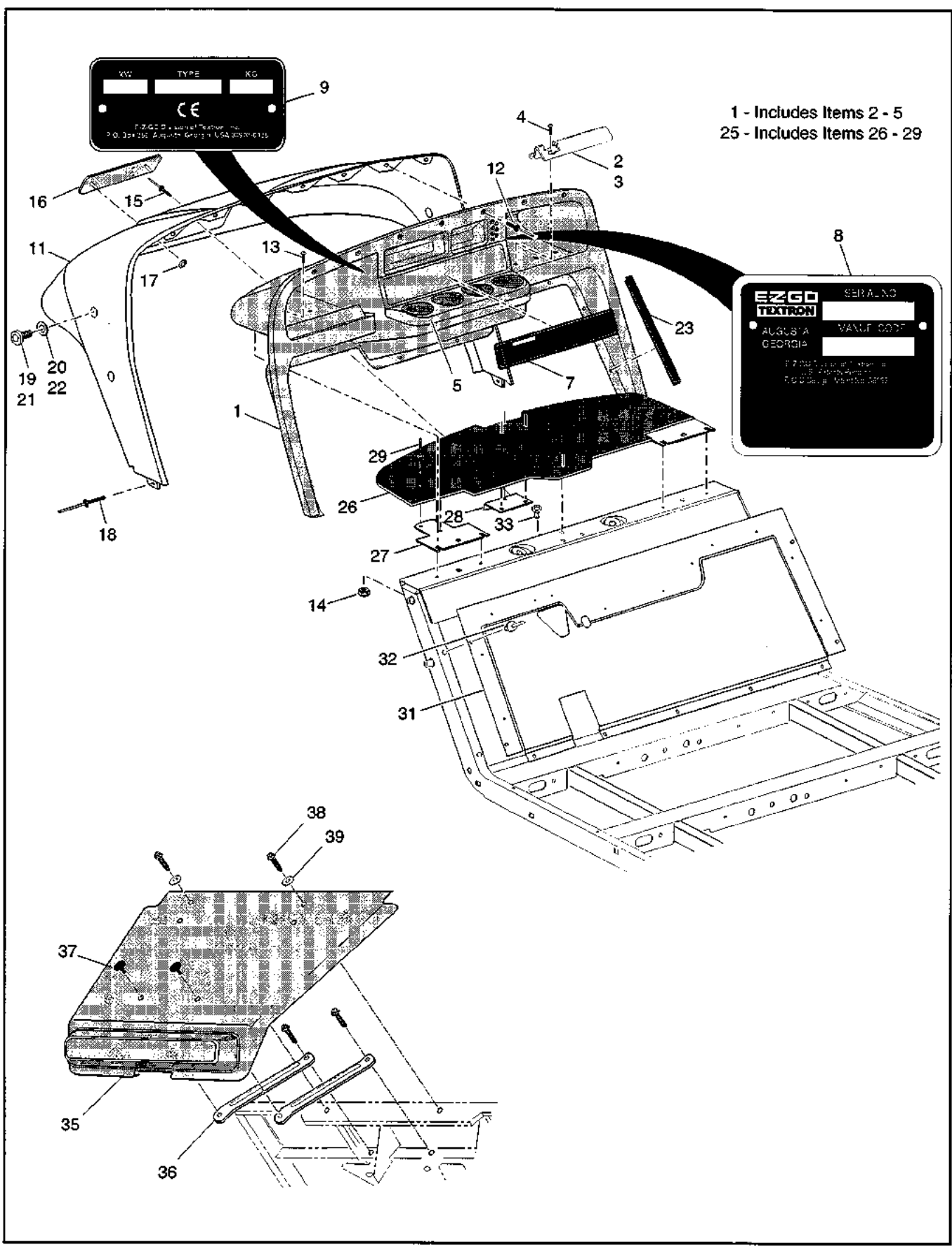
<https://CartPros.com/f.html>

Electric Vehicle

BATTERY CHARGER

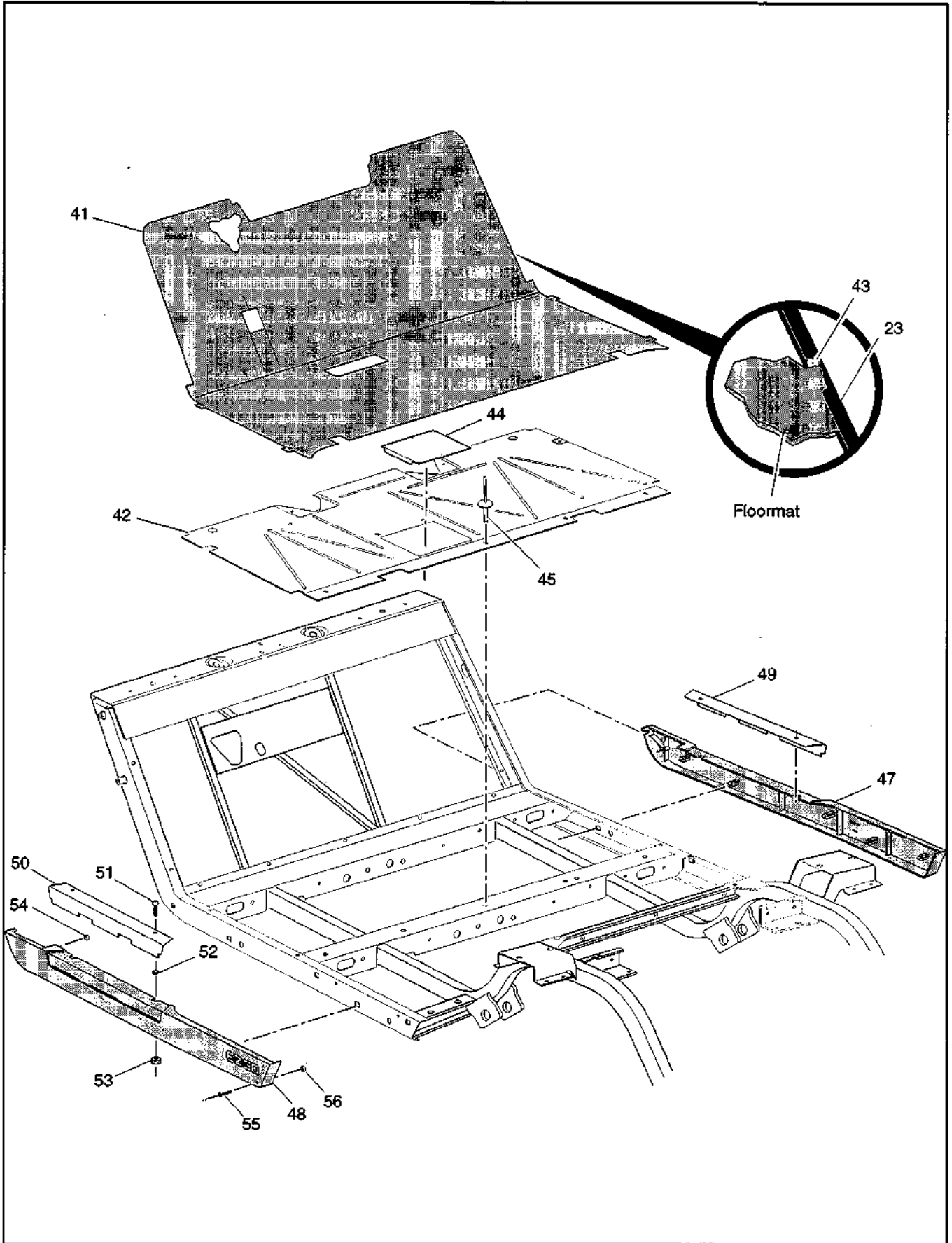
BODY

Electric Vehicle



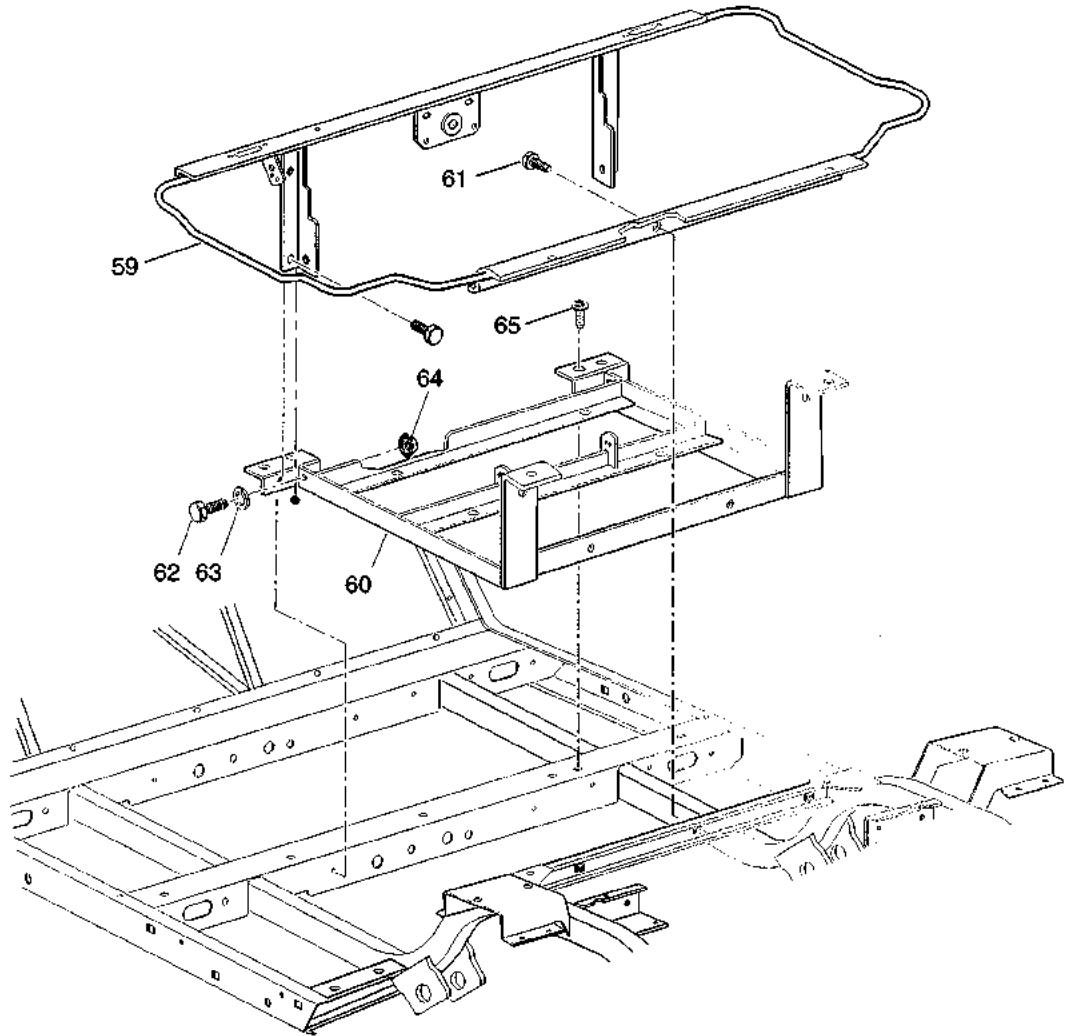
Electric Vehicle

BODY



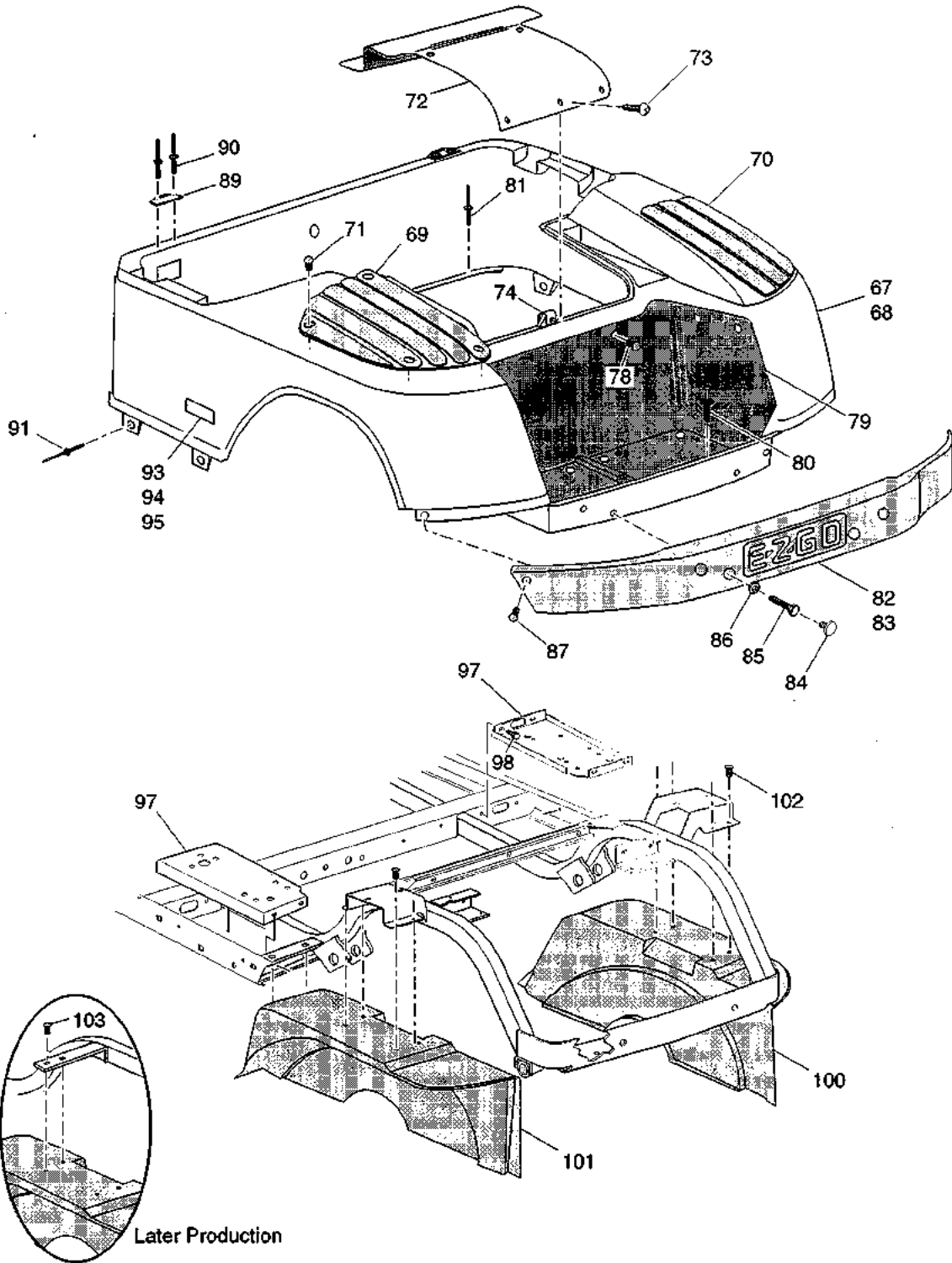
BODY

Electric Vehicle



Electric Vehicle

BODY

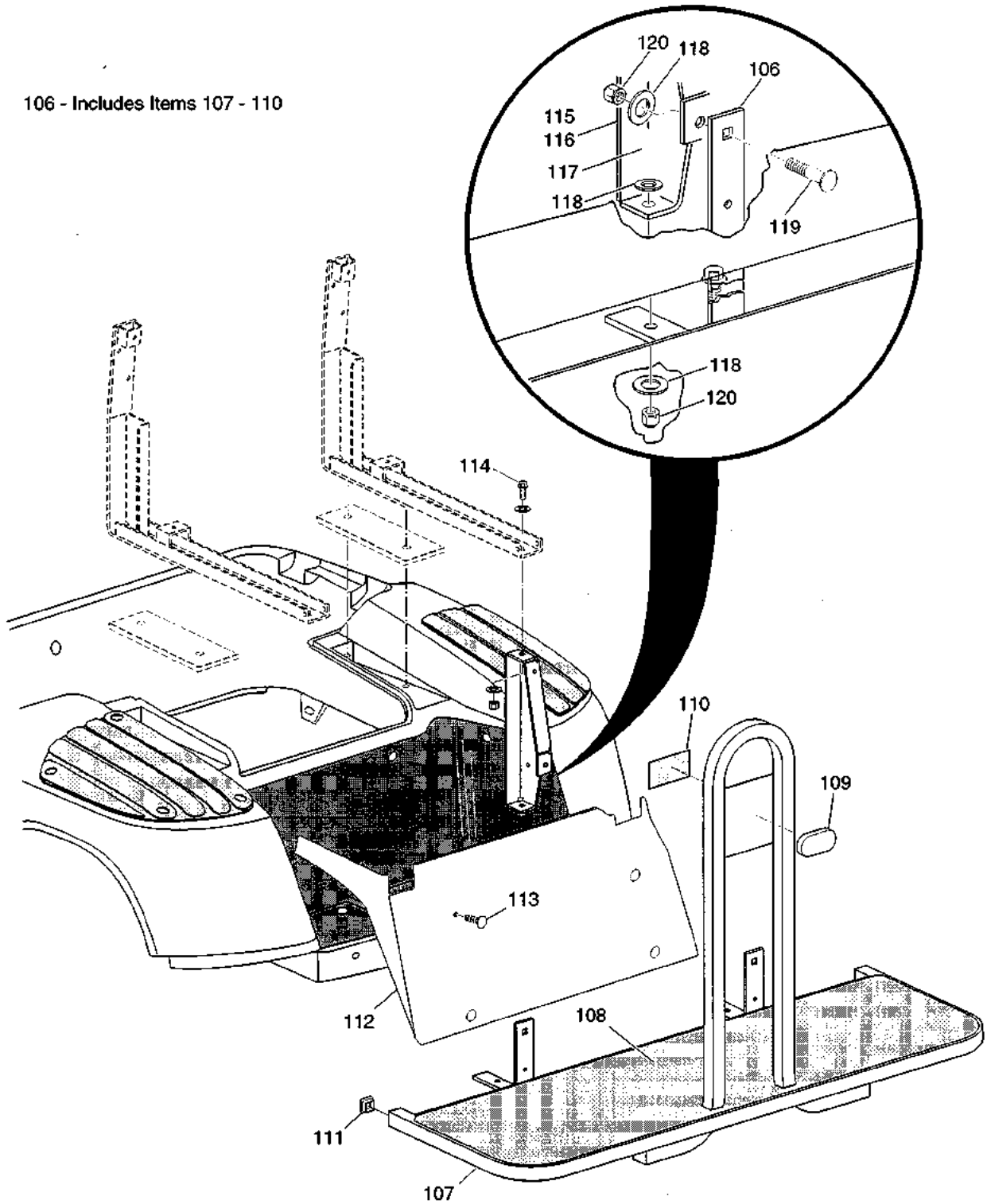


BODY

Electric Vehicle

Items 106 - 120 are for use on 4 Caddy models only

106 - Includes Items 107 - 110



Electric Vehicle

BODY

THE USE OF NON UL PARTS WILL VOID ANY UL LISTING.

When ordering parts, please specify the model and serial number of the product.

* Indicates a component that is not available as an individual part.

G** Indicates consult Customer Service Department for additional information.

ITEM	PART NO.	1 2 3 4 5	DESCRIPTION	QTY.
1	71151-G01		INSTRUMENT PANEL ASSEMBLY (INCLUDES ITEMS 2 - 5).....	1
2	71153-G01		BALL DEFLECTOR (PASSENGER SIDE)	1
3	71154-G01		BALL DEFLECTOR (DRIVER SIDE).....	1
4	00614-G5		SCREW, #8 - 18 X 5/8" LG.....	6
5	71158-G01		INSTRUMENT PANEL INSERT (4 CUP HOLDER).....	1
6				
7	27647-G01		LABEL (SAFETY).....	1
8	*		SERIAL NUMBER PLATE.....	1
9	*		EC PLATE	1
10				
11	71051-G**		COWL.....	1
12	71055-G01		RIVET, 3/16" X 3/8" LG.	7
13	00740-G4		SCREW, #10-32 X 1/2" LG.	4
14	00921-G8		NUT, #10 - 32	4
15	14601-G13		RIVET, 5/32" X 9/16" LG.	2
16	19817-G2		E-Z-GO NAMEPLATE	1
17	12064-G3		PUSHNUT, 3/16"	2
18	10570-G11		RIVET, 3/16" X 3/4" LG.	2
19	71056-G01		BOLT, 5/16 - 18 X 5/8" LG.....	4
20	00570-G2		WASHER, 5/16"	4
21	00438-G6		BOLT, 5/16 - 18 X 3/4" LG. (WITH TOP)	2
22	00571-G2		WASHER, 5/16" (WITH TOP).....	2
23	71115-G01		VINYL TRIM	2
24				
25	71143-G01		SPLASH PANEL ASSEMBLY (INCLUDES ITEMS 26 - 29).....	1
26	*		PANEL	1
27	*		STAY BRACKET	2
28	*		PANEL BRACKET	1
29	*		RIVET, 5/32" X 9/16" LG.....	9
30				

BODY

Electric Vehicle

THE USE OF NON UL PARTS WILL VOID ANY UL LISTING.

When ordering parts, please specify the model and serial number of the product.

* Indicates a component that is not available as an individual part.

G** Indicates consult Customer Service Department for additional information.

ITEM	PART NO.	1 2 3 4 5	DESCRIPTION	QTY.
31	70047-G01		UPPER FLOORPAN	1
32	14601-G11		RIVET, 5/32" X 9/16" LG.	10
33	16816-G2		RATCHET FASTENER.....	1
34				
35	27166-G02		FRONT SHIELD.....	1
36	71015-G01		FRONT SHIELD BRACE.....	2
37	16816-G2		FASTENER	2
38	00114-G6		SCREW, 1/4 - 14 X 3/4" LG.	4
39	16469-G7		WASHER, 1/4"	2
40				
41	70048-G01		FLOORMAT.....	1
42	70451-G01		LOWER FLOORPAN.....	1
43	14601-G13		RIVET, 5/32" X 9/16" LG	10
44	70452-G01		SWITCH ACCESS COVER.....	1
45	14601-G11		RIVET, 3/16" X 9/16" LG.	6
46				
47	71501-G01		ROCKER PANEL (PASSENGER SIDE).....	1
48	71502-G01		ROCKER PANEL (DRIVER SIDE)	1
49	71507-G01		SILL PLATE (PASSENGER SIDE)	1
50	71507-G02		SILL PLATE (DRIVER SIDE)	1
51	16705-G1		SCREW, 1/4 - 20 X 1" LG. (STAINLESS STEEL)	4
52	23726-G4		SPACER.....	4
53	00891-G2		LOCK NUT, 1/4 - 20	4
54	23726-G6		SPACER.....	1
55	15058-G4		RIVET.....	2
56	23726-G7		SPACER.....	1
57				
58				
59	70318-G02		SEAT FRAME.....	1
60	70046-G01		BATTERY RACK	1

Electric Vehicle

BODY

THE USE OF NON UL PARTS WILL VOID ANY UL LISTING.

When ordering parts, please specify the model and serial number of the product.

* Indicates a component that is not available as an individual part.

G** Indicates consult Customer Service Department for additional information.

ITEM	PART NO.	1 2 3 4 5	DESCRIPTION	QTY.
61	00715-G2		BOLT, 5/16 - 18 X 13/16" LG.....	5
62	00438-G6		BOLT, 5/16 - 18 X 3/4" LG.....	2
63	00559-G8		WASHER, 5/16".....	2
64	11098-G6		LOCK NUT, 5/16 - 18.....	2
65	70200-G01		TORX SCREW, 3/8-16.....	2
66				
67	71301-G**		REAR BODY (WITHOUT TAILLIGHTS).....	1
68	71310-G**		REAR BODY (WITH TAILLIGHTS).....	1
69	75126-G01		FENDER SCUFFGUARD (DRIVER SIDE).....	1
70	75126-G02		FENDER SCUFFGUARD (PASSENGER SIDE).....	1
71	16816-G2		RATCHET FASTENER.....	8
72	71320-G01		ACCESS PANEL.....	1
73	71002-G01		SCREW, #8 X 5/8" LG.....	5
74	71364-G02		"J" CLIP.....	1
75				
76				
77				
78	16816-G1		RATCHET FASTENER.....	26
79	71318-G01		BAGWELL LINER.....	1
80	18436-G1		RIVET, 1/4" X 3/4" LG.....	2
81	10570-G10		RIVET, 5/32".....	6
82	71456-G01		NOTCHED REAR BUMPER (4 CADDY).....	1
83	71451-G01		REAR BUMPER.....	1
84	71455-G01		BUMPER PLUG.....	4
85	71398-G01		BOLT, 1/4 - 20 X 1 1/4" LG.....	4
86	00571-G2		WASHER, 5/16".....	4
87	16816-G4		RATCHET FASTENER.....	2
88				
89	71609-G01		HINGE PLATE.....	2
90	10570-G11		RIVET, 3/16" X 3/4" LG.....	4

BODY

Electric Vehicle

THE USE OF NON UL PARTS WILL VOID ANY UL LISTING.

When ordering parts, please specify the model and serial number of the product.

* Indicates a component that is not available as an individual part.

G** Indicates consult Customer Service Department for additional information.

ITEM	PART NO.	1 2 3 4 5	DESCRIPTION	QTY.
91	10570-G12		RIVET, 1/4" X 1/2" LG.	4
92				
93	23676-G1		DECAL (FREEDOM).....	AR
94	75178-G01		DECAL (4 CADDY).....	AR
95	73162-G01		DECAL (DCS)	AR
96				
97	70244-G02		SPLASH PANEL.....	2
98	00715-G2		BOLT, 5/16-18 X 13/16" LG	4
99				
100	71551-G05		FENDER LINER, EXTENDED (PASSENGER SIDE)	1
101	71552-G05		FENDER LINER, EXTENDED (DRIVER SIDE).....	1
102	16816-G2		RATCHET FASTENER.....	12
103	16816-G2		RATCHET FASTENER.....	8
104				
105				
106	70361-G01		FOOT REST ASSEMBLY (INCLUDES ITEMS 107 - 110)	1
107	70350-G01		FOOTREST	1
108	70362-G01		FLOORMAT	1
109	74129-G01		REFLECTOR	1
110	74132-G01		LABEL (WARNING).....	1
111	19853-G1		END PLUG.....	2
112	74149-G01		VALANCE PANEL	1
113	16816-G2		PLASTIC RIVET.....	4
114	00426-G8		BOLT, 3/8-16 X 1" LG.....	2
115	74126-G01		VERTICAL FRAME SUPPORT (PASSENGER SIDE)	1
116	74126-G02		VERTICAL FRAME SUPPORT (DRIVER SIDE)	1
117	00427-G4		BOLT, 3/8 - 16 X 1 1/2" LG.....	2
118	00560-G1		WASHER, 3/8"	10
119	00769-G2		CARRIAGE BOLT, 3/8 - 16 X 1 1/4" LG.	2
120	11098-G5		LOCK NUT, 3/8 - 16	10

**DID YOU
KNOW?**

CartPros directs you to the right part using the part numbers from this manual. Enter the part number into our search box and it will find the part you are looking for.

**GET STARTED
HERE**



<https://CartPros.com/f.html>

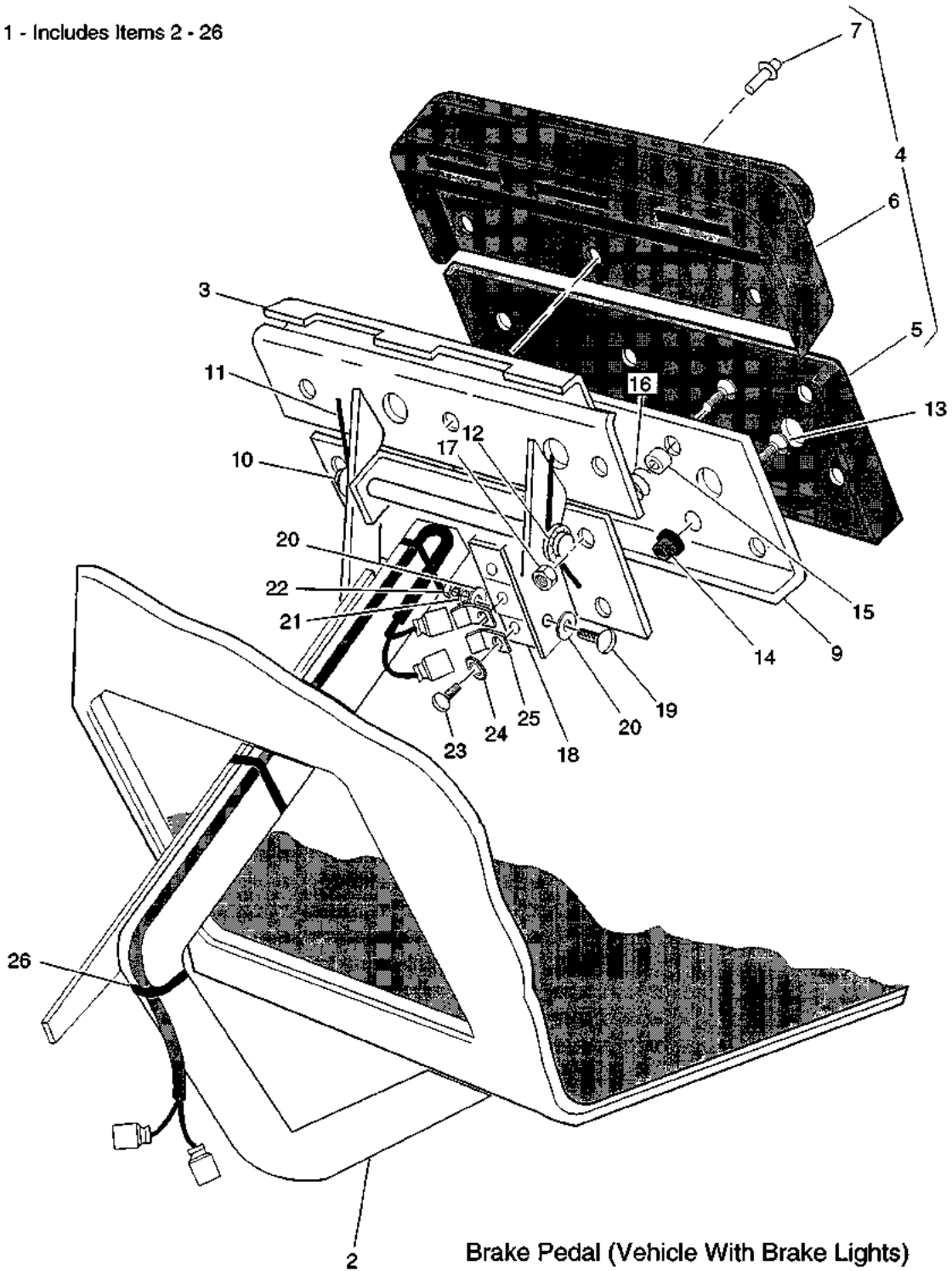
Electric Vehicle

BODY

BRAKES

Electric Vehicle

1 - Includes Items 2 - 26

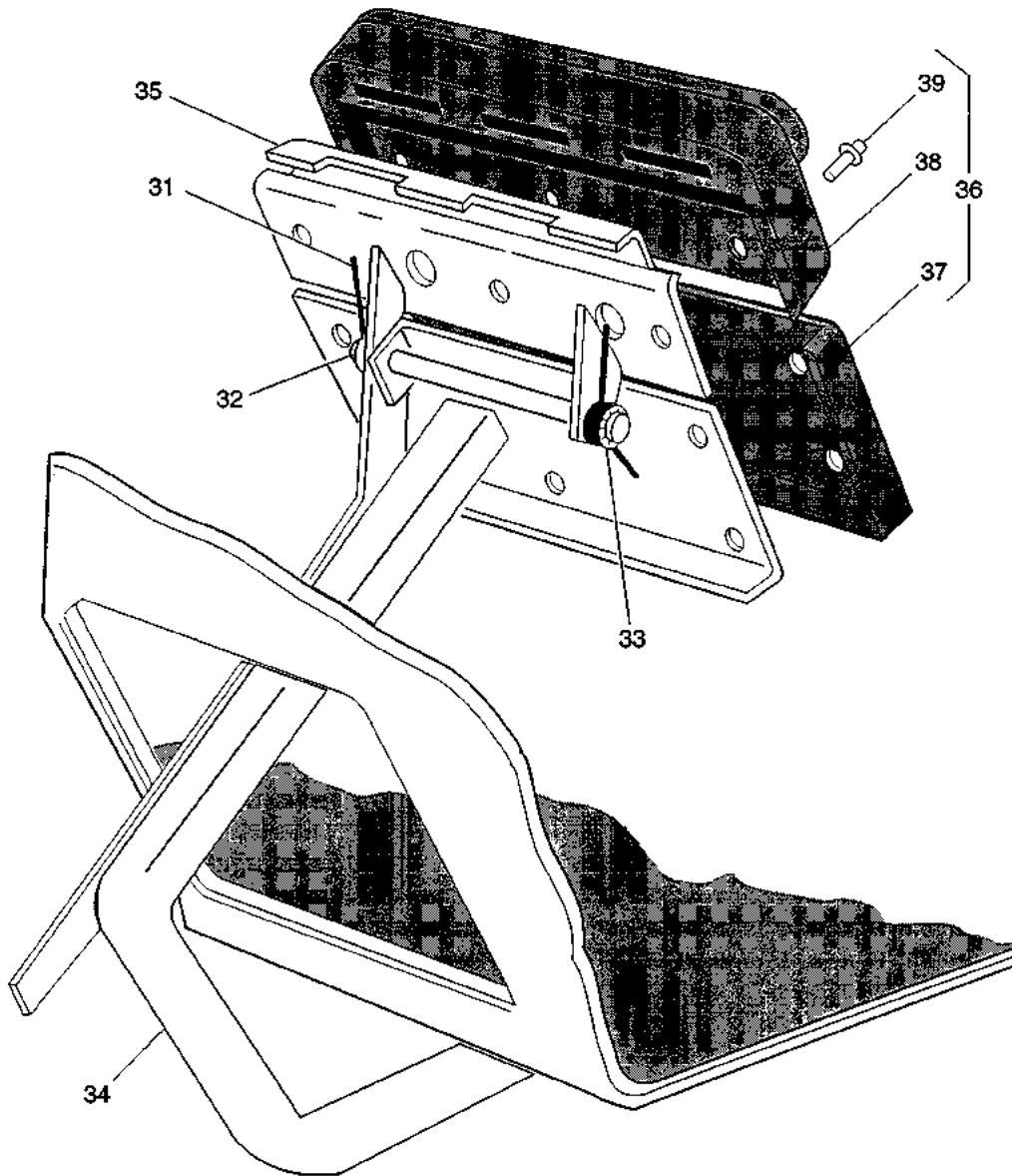


Brake Pedal (Vehicle With Brake Lights)

Electric Vehicle

BRAKES

30 - Includes Items 31 - 39

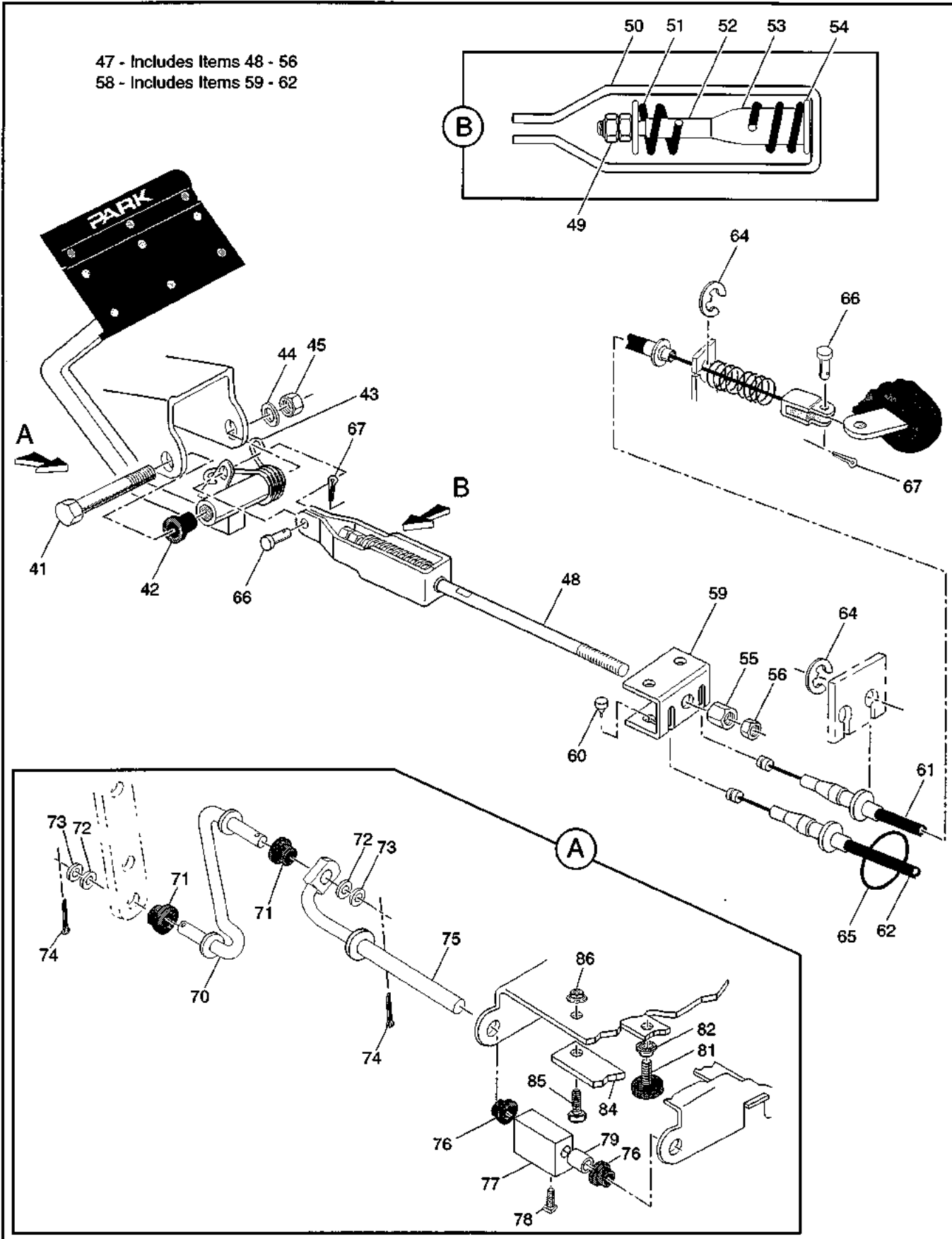


Brake Pedal (Vehicle Without Brake Lights)

BRAKES

Electric Vehicle

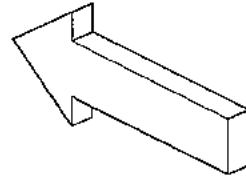
47 - Includes Items 48 - 56
58 - Includes Items 59 - 62



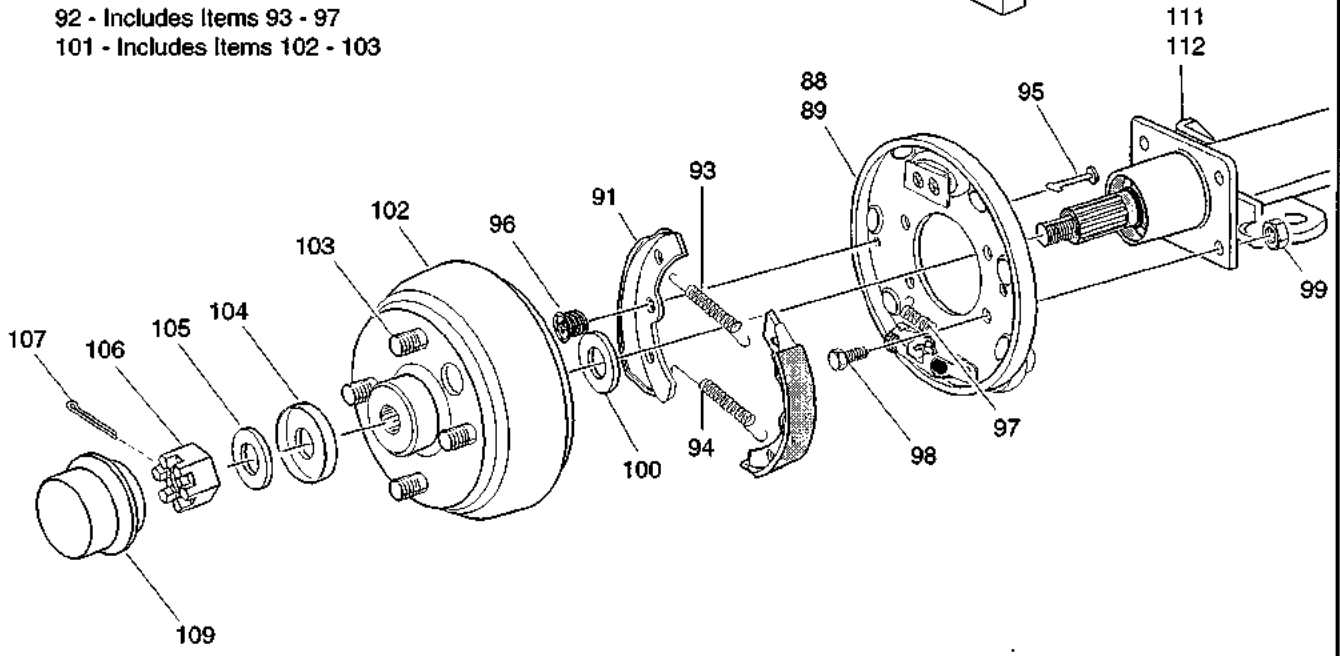
Electric Vehicle

BRAKES

Front of Vehicle



- 88 - Includes Items 90 - 97
- 89 - Includes Items 90 - 97
- 90 - Includes Item 91
- 92 - Includes Items 93 - 97
- 101 - Includes Items 102 - 103



BRAKES

Electric Vehicle

THE USE OF NON UL PARTS WILL VOID ANY UL LISTING.

When ordering parts, please specify the model and serial number of the product.

* Indicates a component that is not available as an individual part.

G** Indicates consult Customer Service Department for additional information.

ITEM	PART NO.	1 2 3 4 5	DESCRIPTION	QTY.
1	70263-G01		BRAKE PEDAL ASSEMBLY (INCLUDES ITEMS 2 - 26) VEHICLES WITH BRAKE LIGHTS	1
2	*		BRAKE PEDAL	1
3	*		PARK BRAKE PEDAL	1
4	70274-G01		BRAKE/PARK BRAKE PEDAL PAD KIT (INCLUDES ITEMS 5 - 7)	1
5	*		SERVICE BRAKE PEDAL PAD	1
6	*		PARK BRAKE PAD	1
7	15766-G1		RIVET, 3/8 x 15/32" LG.	9
8				
9	*		SERVICE BRAKE PEDAL PLATE	1
10	15932-G2		PIVOT PIN	1
11	11737-G1		TORSION SPRING	2
12	12064-G1		PUSHNUT, 5/16"	1
13	00737-G8		SCREW, #10 - 24 X 1" LG.	4
14	00739-G1		RUBBER NUT, #10 - 24	2
15	22362-G3		BRAKE PEDAL STANDOFF	2
16	27137-G01		CONICAL SPRING	2
17	11098-G7		LOCK NUT, #10 - 24	2
18	10606-G8		MICRO SWITCH	1
19	00645-G2		SCREW, #6 - 32 X 1 1/4" LG.	2
20	00559-G3		WASHER, #6	2
21	00565-G3		LOCK WASHER, #6	2
22	00525-G5		NUT, #6 - 32	2
23	*		BRASS SCREW	2
24	00567-G3		LOCK WASHER, #6	6
25	14628-G1		FASTON TAB, 5/16" X 5/16" LG	2
26	17618-G1		WIRE TIE	3
27				
28				
29				

Electric Vehicle

BRAKES

THE USE OF NON UL PARTS WILL VOID ANY UL LISTING.

When ordering parts, please specify the model and serial number of the product.

* Indicates a component that is not available as an individual part.

G** Indicates consult Customer Service Department for additional information.

ITEM	PART NO.	1 2 3 4 5	DESCRIPTION	QTY.
30	70264-G01		BRAKE PEDAL ASSEMBLY (INCLUDES ITEMS 31 - 39) VEHICLES WITHOUT BRAKE LIGHTS.....	1
31	11737-G1		TORSION SPRING.....	2
32	15932-G2		PIVOT PIN	1
33	12064-G1		PUSHNUT, 5/16"	1
34	*		SERVICE BRAKE PEDAL	1
35	70265-G01		PARK BRAKE PEDAL	1
36	70274-G01		BRAKE/PARK BRAKE PEDAL PAD KIT (INCLUDES ITEMS 37 - 39).....	1
37	*		SERVICE BRAKE PEDAL PAD.....	1
38	*		PARK BRAKE PEDAL PAD	1
39	15766-G1		RIVET, 3/8" X 15/32" LG.	9
40				
41	70096-G01		SHOULDER BOLT, 3/8 - 16 X 3" LG.....	1
42	11079-G1		FLANGED BUSHING.....	2
43	70138-G01		TORSION SPRING	1
44	00643-G1		WASHER, 3/8"	1
45	11098-G5		NUT, 3/8 - 16	1
46				
47	70272-G04		COMPENSATOR ASSEMBLY (INCLUDES ITEMS 48 - 56).....	1
48	25882-G04		LINKAGE ROD	1
49	00532-G4		NUT, 5/16 - 24.....	2
50	*		YOKE	1
51	23463-G1		COMPRESSION SPRING	1
52	23061-G2		TUBE	1
53	17979-G1		BUSHING	1
54	15121-G1		WASHER, 3/8"	2
55	00963-G01		SPHERICAL NUT, 5/16 - 24	1
56	11098-G9		LOCK NUT, 5/16 - 24.....	1
57				

BRAKES

Electric Vehicle

THE USE OF NON UL PARTS WILL VOID ANY UL LISTING.

When ordering parts, please specify the model and serial number of the product.

* Indicates a component that is not available as an individual part.

G** Indicates consult Customer Service Department for additional information.

ITEM	PART NO.	1 2 3 4 5	DESCRIPTION	QTY.
58	70273-G03		EQUALIZER AND BRAKE CABLE ASSEMBLY (INCLUDES ITEMS 59 - 62).....	1
59	28082-G01		EQUALIZER BRACKET.....	1
60	28083-G01		BRAKE COMPENSATOR BUMPER.....	2
61	*		BRAKE CABLE (PASSENGER SIDE).....	1
62	*		BRAKE CABLE (DRIVER SIDE).....	1
63				
64	12305-G1		RETAINING RING.....	4
65	12416-G2		WIRE TIE.....	2
66	10386-G3		CLEVIS PIN, 5/16" X 15/16" LG.....	3
67	10387-G3		COTTER PIN, 3/32" X 3/4" LG.....	5
68				
69				
70	70097-G01		KICK-OFF LINK.....	1
71	17838-G1		FLANGED BEARING.....	2
72	20835-G1		TEFLON WASHER.....	2
73	00559-G8		WASHER, 5/16".....	2
74	10387-G3		COTTER PIN, 3/32" X 3/4" LG.....	2
75	70098-G01		KICK OFF CAM PIVOT.....	1
76	10097-G6		FLANGED BEARING.....	2
77	25103-G1		KICK-OFF CAM.....	1
78	71215-G01		SETSCREW WITH PATCH LOCK, 1/4 - 20 X 1/2" LG.....	2
79	14134-G4		SPACER.....	1
80				
81	70113-G01		ADJUSTABLE BUMPER.....	1
82	11027-G1		LOCK NUT, 5/16 - 18.....	1
83				
84	70080-G01		CATCH BRACKET.....	1
85	00414-G6		BOLT, 1/4 - 20 X 3/4" LG.....	2
86	11027-G2		LOCK NUT, 1/4 - 20.....	2

Electric Vehicle

BRAKES

THE USE OF NON UL PARTS WILL VOID ANY UL LISTING.

When ordering parts, please specify the model and serial number of the product.

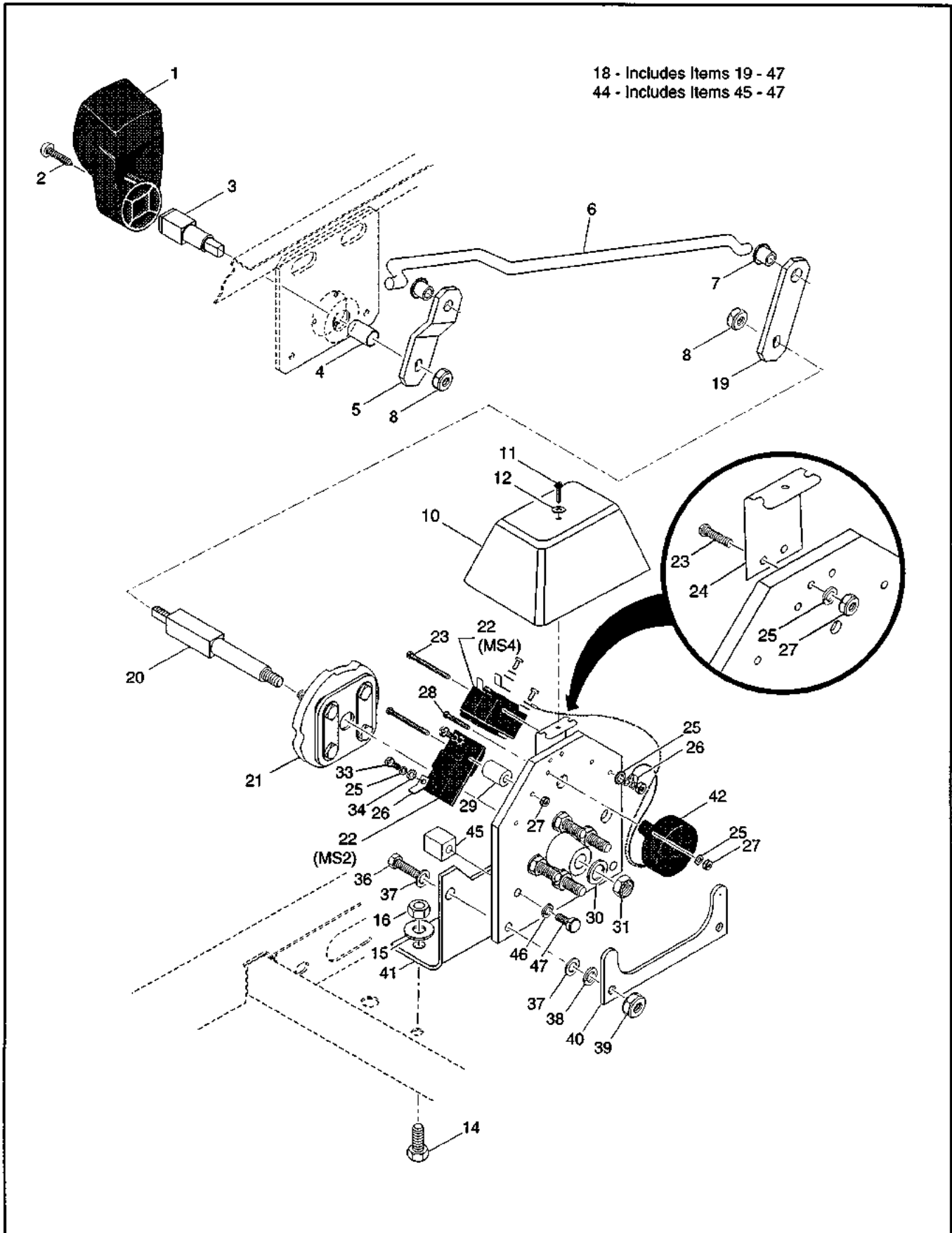
* Indicates a component that is not available as an individual part.

G** Indicates consult Customer Service Department for additional information.

ITEM	PART NO.	1	2	3	4	5	DESCRIPTION	QTY.
87								
88	27942-G01						DRIVER SIDE BRAKE ASSEMBLY (INCLUDES ITEMS 90 - 97)	1
89	27942-G02						PASSENGER SIDE BRAKE ASSEMBLY (INCLUDES ITEMS 90 - 97)	1
90	27945-G01						BRAKE SHOE KIT (INCLUDES ITEM 91).....	2
91	*						BRAKE SHOE.....	2
92	27944-G01						BRAKE SPRING KIT (INCLUDES ITEMS 93 - 97)	2
93	*						UPPER SPRING	1
94	*						LOWER SPRING	1
95	*						PIN	2
96	*						CUP AND SPRING	2
97	*						ADJUSTER SPRING	1
98	17803-G2						BOLT, 5/16 - 24 X 1" LG.	8
99	15126-G1						LOCK NUT, 5/16 - 24	8
100	21809-G1						INNER BRAKE DRUM WASHER.....	2
101	21807-G1						BRAKE DRUM ASSEMBLY (INCLUDES ITEMS 102 - 103).....	2
102	*						BRAKE DRUM.....	1
103	19862-G1						LUG BOLT	4
104	24939-G2						SPINDLE CAP ADAPTER.....	2
105	21830-G1						OUTER BRAKE DRUM WASHER	2
106	00518-G8						SLOTTED NUT, 3/4 - 16.....	2
107	10387-G1						COTTER PIN.....	2
108								
109	12091-G2						SPINDLE CAP	2
110								
111	72036-G01						BRAKE CABLE BRACKET (PASSENGER SIDE).....	1
112	72036-G02						BRAKE CABLE BRACKET (DRIVER SIDE).....	1

DIRECTION SELECTOR

Electric Vehicle



Electric Vehicle

DIRECTION SELECTOR

THE USE OF NON UL PARTS WILL VOID ANY UL LISTING.

When ordering parts, please specify the model and serial number of the product.

* Indicates a component that is not available as an individual part.

G** Indicates consult Customer Service Department for additional information.

ITEM	PART NO.	1 2 3 4 5	DESCRIPTION	QTY.
1	71905-G01		DIRECTION SELECTOR HANDLE.....	1
2	00740-G4		SCREW, #10 - 32 X 1/2" LG. (STAINLESS STEEL)	1
3	70233-G01		DIRECTION SELECTOR SHAFT	1
4	25664-G2		BEARING.....	1
5	70334-G01		OFFSET SHIFT LINKAGE ARM	1
6	70313-G01		LINKAGE ROD.....	1
7	22754-G3		BUSHING.....	2
8	14390-G1		LOCK NUT, 3/8 - 24	2
9				
10	73049-G01		DIRECTION SELECTOR COVER.....	1
11	00114-G6		SCREW, 1/4 - 14 x 3/4" LG.	1
12	16469-G7		FENDER WASHER (STAINLESS STEEL).....	1
13				
14	00438-G6		BOLT, 5/16 - 18 X 3/4" LG.	2
15	00571-G2		WASHER, 5/16"	2
16	11098-G6		LOCK NUT, 5/16 - 18	2
17				
18	73036-G01		DIRECTION SELECTOR ASSEMBLY (INCLUDES ITEMS 19 - 47)	1
19	70232-G01		SHIFT LINKAGE ARM.....	1
20	73027-G01		DIRECTION SELECTOR SHAFT	1
21	12835-G1		CAM.....	1
22	10606-G2		MICRO SWITCH, MS2 AND MS4	2
23	00139-G8		SCREW, #6 - 32 X 2" LG.	4
24	73048-G01		COVER BRACKET	1
25	00565-G3		LOCK WASHER, #6	8
26	14628-G1		FASTON TAB, 5/16" X 5/16"	4
27	00525-G5		NUT, #6 - 32.....	8
28	00138-G6		SCREW, #6 - 32 X 3/4" LG.	3
29	12806-G1		SPACER	4
30	00560-G1		WASHER, 3/8".....	1

DIRECTION SELECTOR

Electric Vehicle

THE USE OF NON UL PARTS WILL VOID ANY UL LISTING.

When ordering parts, please specify the model and serial number of the product.

* Indicates a component that is not available as an individual part.

G** Indicates consult Customer Service Department for additional information.

ITEM	PART NO.	1	2	3	4	5	DESCRIPTION	QTY.
31	14390-G1						LOCK NUT, 3/8 - 24	2
32								
33	*						SCREW.....	4
34	00567-G3						LOCK WASHER, #6.....	4
35								
36	00414-G8						BOLT, 1/4 - 20 X 1" LG.....	2
37	00559-G7						WASHER, 1/4"	4
38	00565-G7						LOCK WASHER, 1/4"	2
39	00532-G1						NUT, 1/4 - 20.....	2
40	15461-G1						SUPPORT BRACKET.....	1
41	73031-G01						DIRECTION SELECTOR MOUNTING BRACKET	1
42	73037-G01						REVERSE WARNING BUZZER	1
43								
44	14651-G1						CONTACT BOARD ASSEMBLY (INCLUDES ITEMS 45 - 47).....	1
45	24940-G1						STOP	2
46	00565-G7						LOCK WASHER, 1/4"	2
47	00414-G6						BOLT, 1/4 - 20 X 3/4" LG.	2

**DID YOU
KNOW?**

CartPros directs you to the right part using the part numbers from this manual. Enter the part number into our search box and it will find the part you are looking for.

**GET STARTED
HERE**



<https://CartPros.com/f.html>

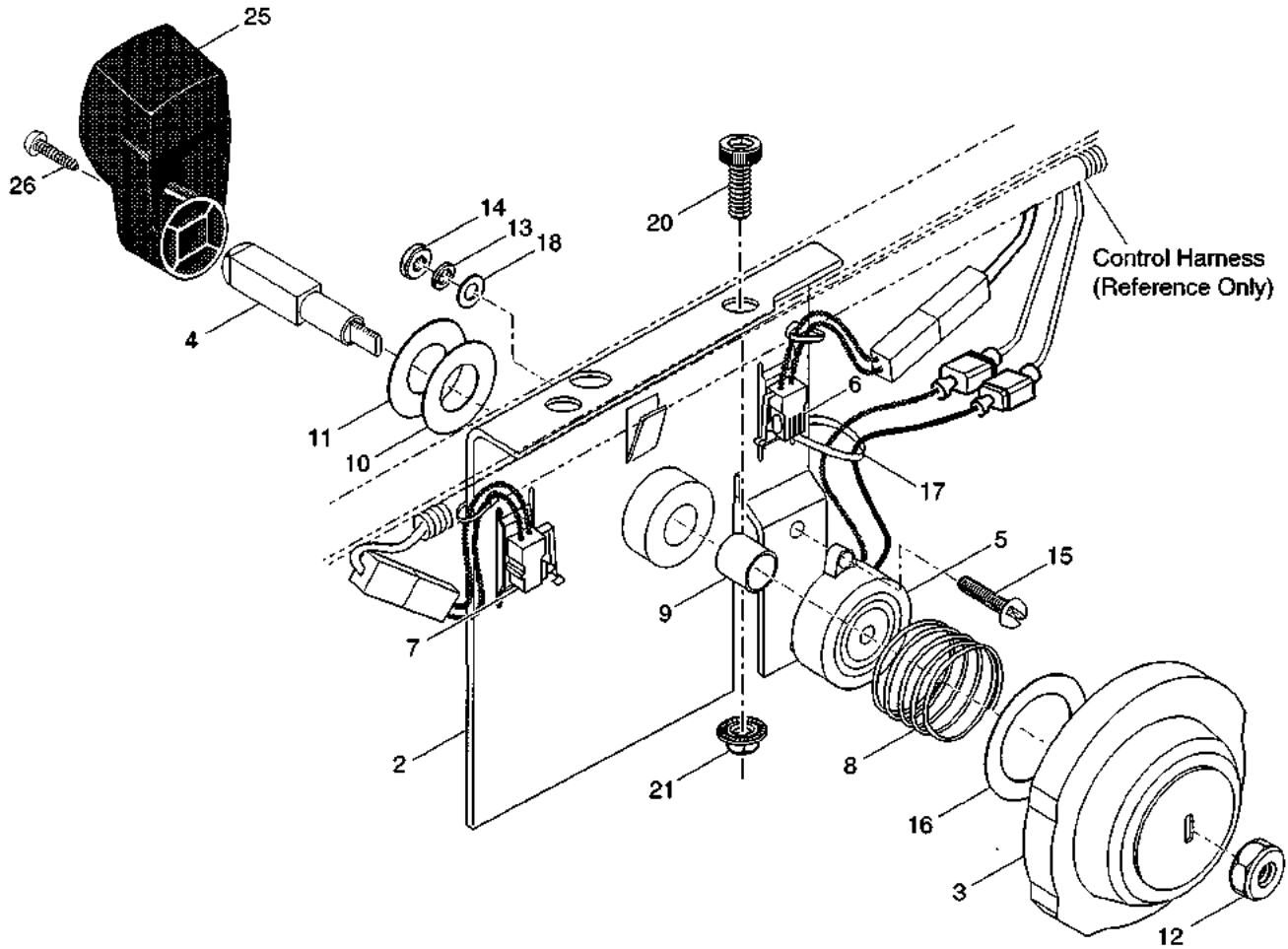
Electric Vehicle

DIRECTION SELECTOR

DIRECTION SELECTOR (DCS)

Electric Vehicle

1 - Includes Items 2 - 18



Electric Vehicle

DIRECTION SELECTOR (DCS)

THE USE OF NON UL PARTS WILL VOID ANY UL LISTING.

When ordering parts, please specify the model and serial number of the product.

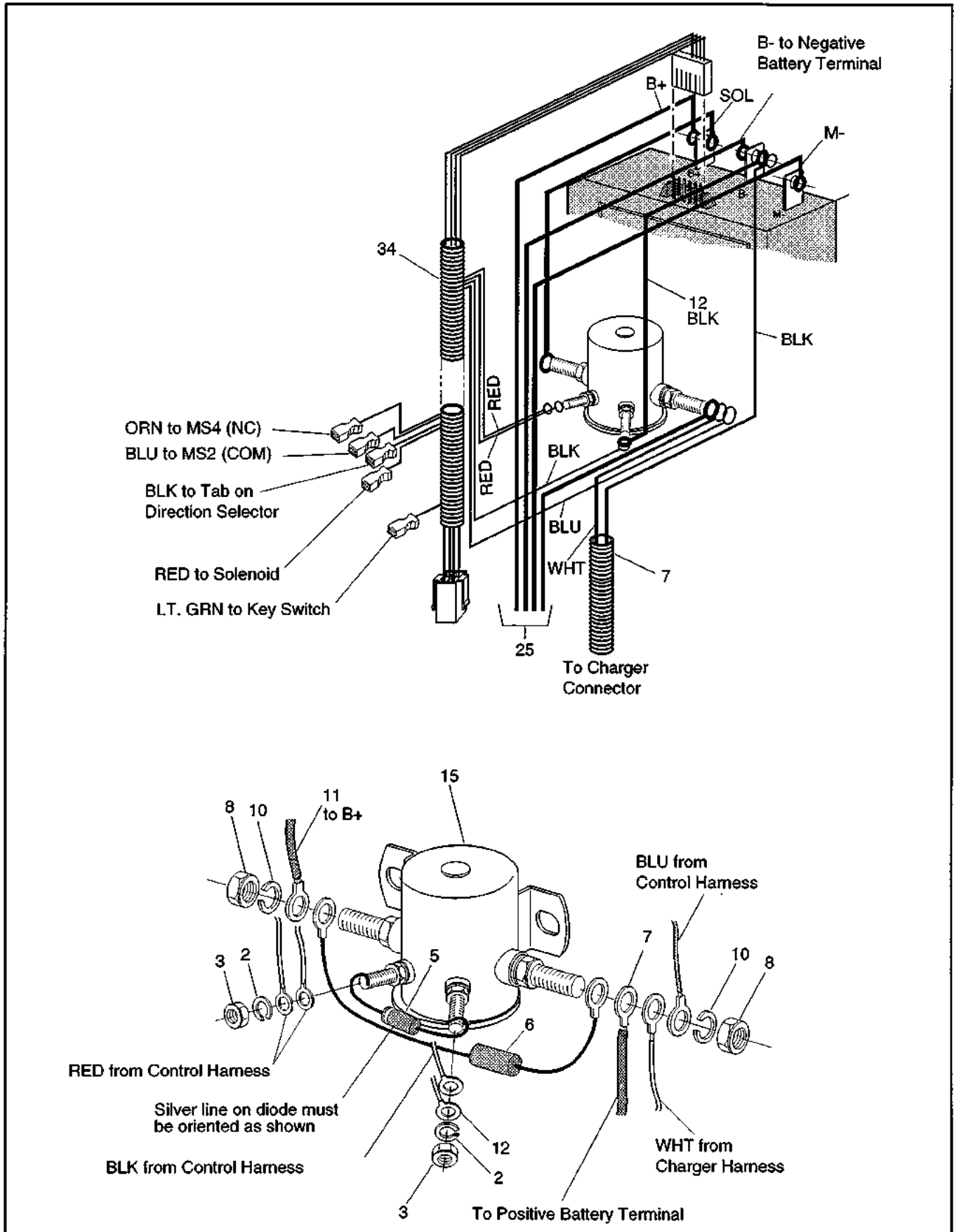
* Indicates a component that is not available as an individual part.

G** Indicates consult Customer Service Department for additional information.

ITEM	PART NO.	1 2 3 4 5	DESCRIPTION	QTY.
1	73180-G01		DIRECTION SELECTOR ASSEMBLY (INCLUDES ITEMS 2 - 18)	
2	73179-G01		BRACKET	1
3	73167-G01		CAM.....	1
4	73171-G01		DIRECTION SELECTOR SHAFT	1
5	73037-G02		REVERSE WARNING BUZZER	1
6	73195-G01		MICRO SWITCH.....	1
7	73194-G01		MICRO SWITCH.....	1
8	73188-G01		COMPRESSION SPRING	1
9	25664-G1		BUSHING	1
10	00771-G4		NYLON WASHER, 1/2"	1
11	73181-G01		WASHER, 1/2"	1
12	14390-G1		LOCK NUT, 3/8-24.....	1
13	00565-G3		LOCK WASHER, 3/8"	2
14	00525-G5		NUT, #6.....	2
15	00138-G5		SCREW, #6 - 32 X 5/8" LG.	2
16	73182-G01		NYLON WASHER, 1 3/8".....	1
17	17618-G1		WIRE TIE	3
18	00559-G3		WASHER, #6	2
19				
20	28272-G01		BOLT, 1/4 - 20 X 5/8" LG.....	2
21				
22	11027-G2		LOCK NUT, 1/4 - 20	2
23				
24	00559-G7		WASHER, 1/4"	2
25	71905-G01		DIRECTION SELECTOR HANDLE.....	1
26	00740-G4		SCREW, #10 - 32 X 1/2" LG. (STAINLESS STEEL)	1

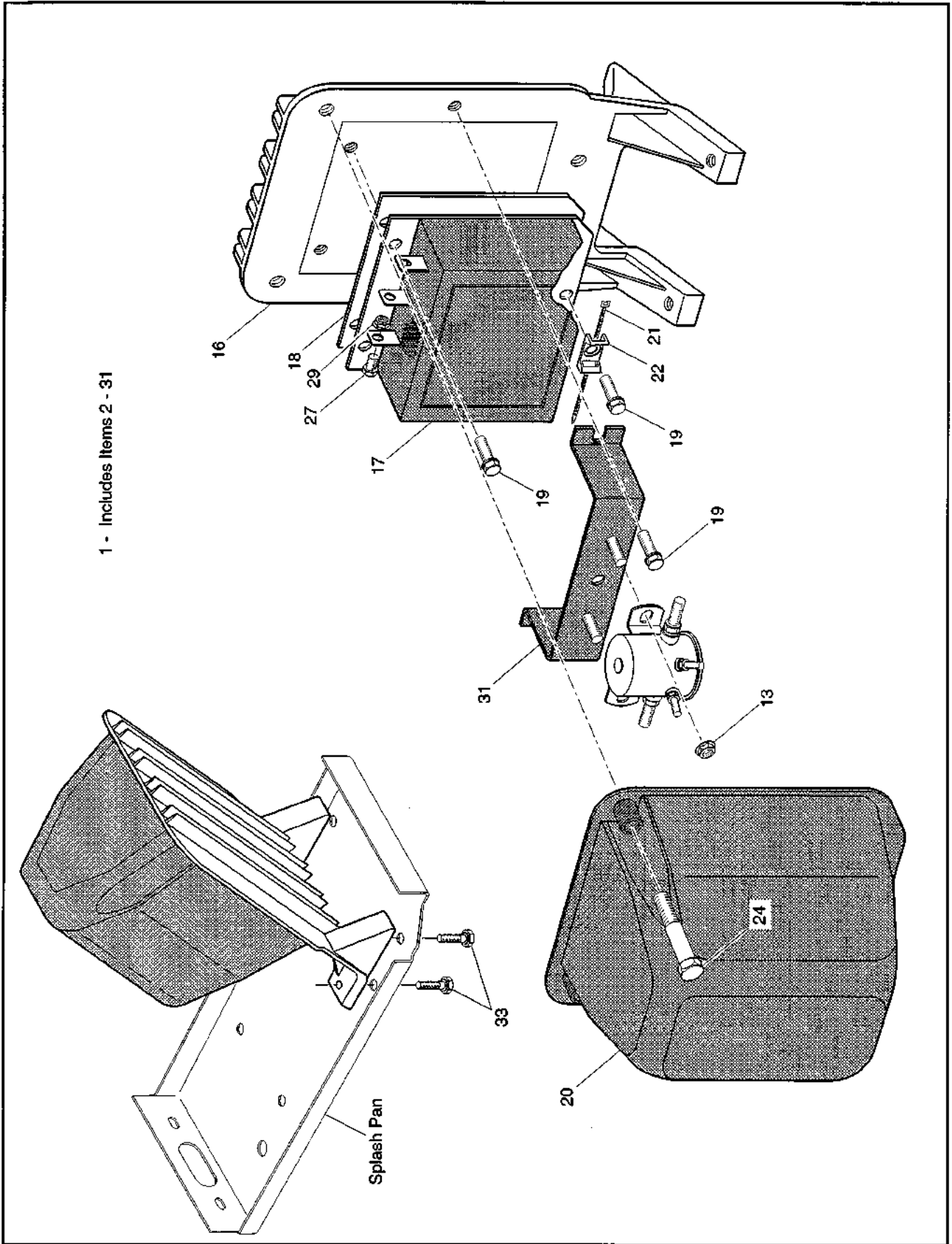
ELECTRONIC SPEED CONTROL

Electric Vehicle



Electric Vehicle

ELECTRONIC SPEED CONTROL



ELECTRONIC SPEED CONTROL

Electric Vehicle

THE USE OF NON UL PARTS WILL VOID ANY UL LISTING.

When ordering parts, please specify the model and serial number of the product.

* Indicates a component that is not available as an individual part.

G** Indicates consult Customer Service Department for additional information.

ITEM	PART NO.	1 2 3 4 5	DESCRIPTION	QTY.
1	73056-G04		ELECTRONIC SPEED CONTROL ASSEMBLY (INCLUDES ITEMS 2 - 31).....	1
2	*		LOCK WASHER, #10.....	2
3	*		NUT, 10 - 32.....	2
4				
5	30353-G1		DIODE, 3 AMP.....	1
6	21764-G1		RESISTOR.....	1
7	73103-G02		WIRE HARNESS (CONTROL).....	1
8	*		NUT, 5/16 - 24.....	2
9				
10	*		LOCK WASHER, 5/16".....	2
11	25972-G02		WIRE (SOL - B+).....	1
12	25978-G10		WIRE (SOL - B-).....	1
13	11027-G2		NUT, 1/4 - 20.....	2
14				
15	27855-G01		SOLENOID, 36 VOLT.....	1
16	73026-G01		HEATSINK.....	1
17	25864-G02		ELECTRONIC SPEED CONTROLLER.....	1
18	73190-G01		THERMAL MOUNTING PAD.....	1
19	71102-G01		BOLT, 1/4 - 20 X 3/4" LG.....	2
20	73028-G01		COVER.....	1
21	31539-G1		WIRE TIE.....	1
22	73053-G01		MOUNT.....	1
23				
24	71102-G01		BOLT, 1/4 - 20 X 3/4" LG.....	3
25	73039-G02		WIRE HARNESS (POWER).....	1
26				
27	00270-G5		BOLT, 5/16 - 18 X 5/8" LG.....	4
28				
29	11027-G1		NUT, 5/16 - 18.....	4
30				

Electric Vehicle

ELECTRONIC SPEED CONTROL

THE USE OF NON UL PARTS WILL VOID ANY UL LISTING.

When ordering parts, please specify the model and serial number of the product.

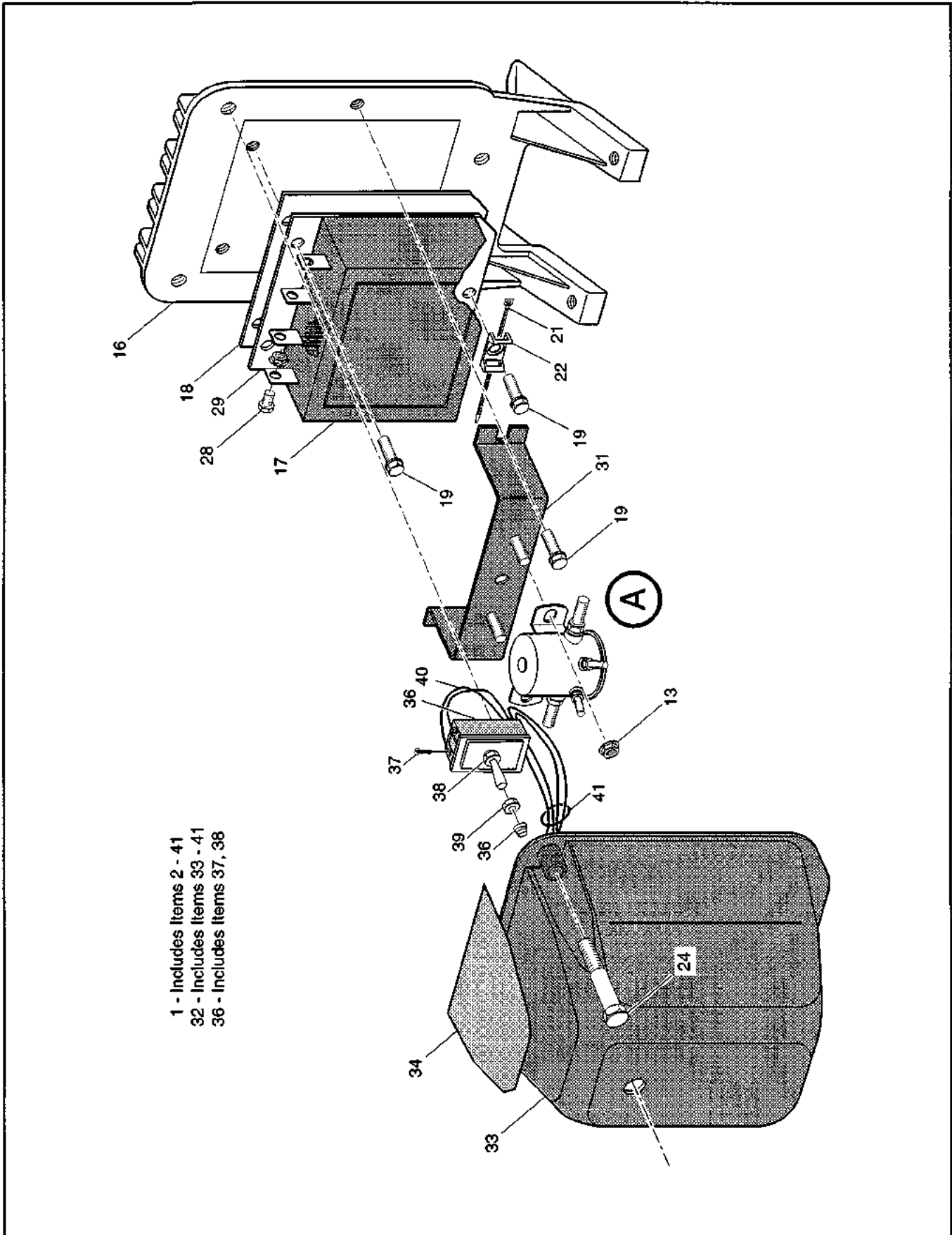
* Indicates a component that is not available as an individual part.

G** Indicates consult Customer Service Department for additional information.

ITEM	PART NO.	1 2 3 4 5	DESCRIPTION	QTY.
31	25866-G01		SOLENOID BRACKET	1
32				
33	71102-G01		BOLT, 1/4 - 20 X 3/4" LG.	4
34	73040-G01		WIRE HARNESS (CONTROL)	1

ELECTRONIC SPEED CONTROL - DCS

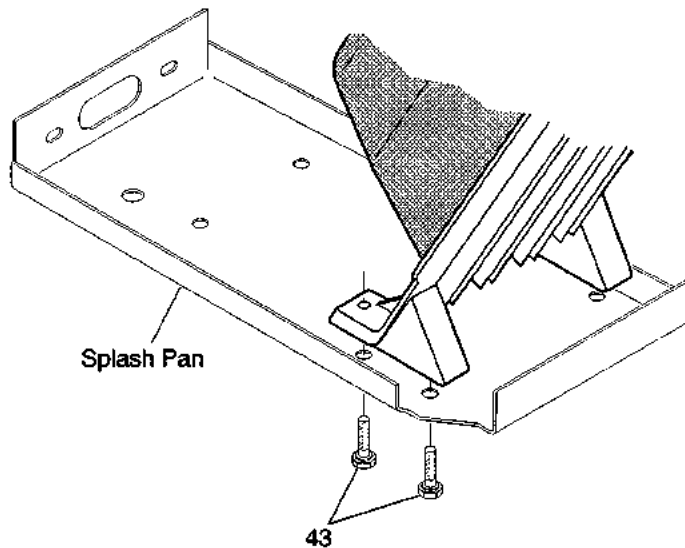
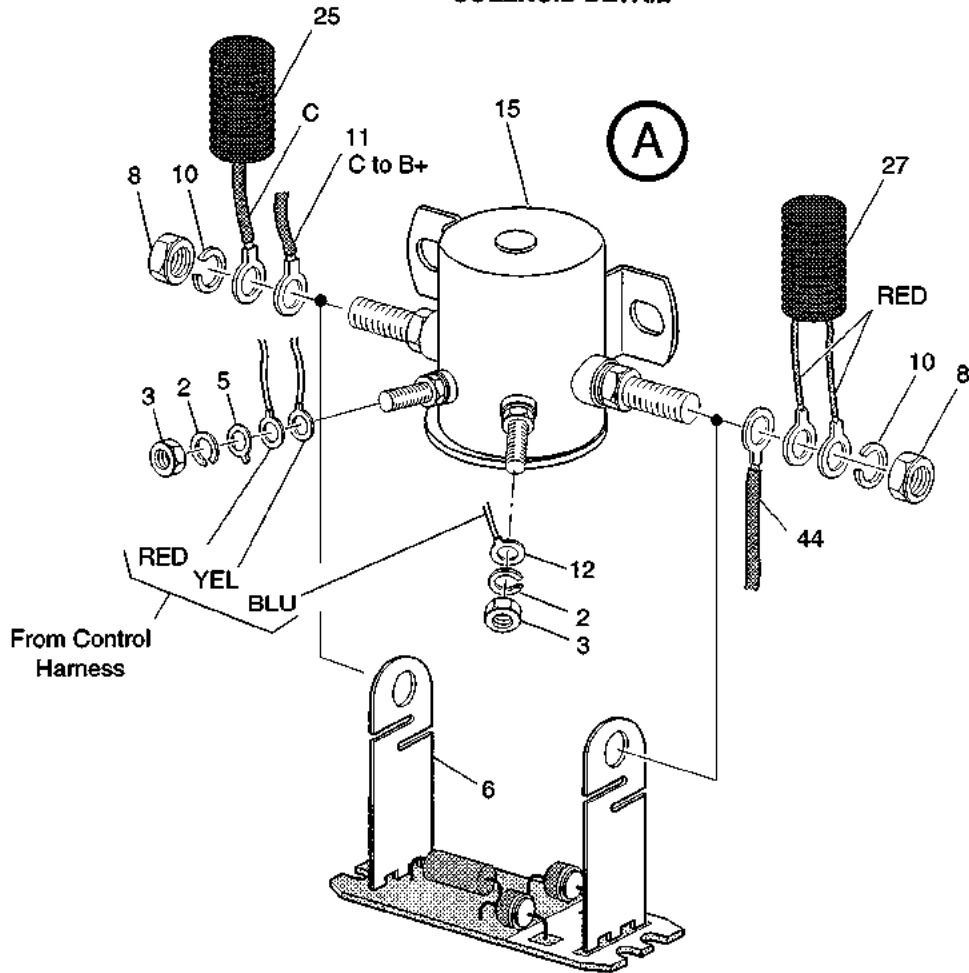
Electric Vehicle



Electric Vehicle

ELECTRONIC SPEED CONTROL - DCS

SOLENOID DETAIL



SPEED CONTROL INSTALLATION

ELECTRONIC SPEED CONTROL - DCS

Electric Vehicle

THE USE OF NON UL PARTS WILL VOID ANY UL LISTING.

When ordering parts, please specify the model and serial number of the product.

* Indicates a component that is not available as an individual part.

G** Indicates consult Customer Service Department for additional information.

ITEM	PART NO.	1 2 3 4 5	DESCRIPTION	QTY.
1	73198-G01		SPEED CONTROL ASSEMBLY (INCLUDES ITEMS 2 - 41).....	1
2	*		LOCK WASHER, #10.....	2
3	*		NUT, 10 - 32.....	2
4				
5	12914-G1		TERMINAL TAB	1
6	73150-G01		RESISTOR.....	1
7				
8	*		NUT, 5/16 - 24.....	2
9				
10	*		LOCK WASHER, 5/16"	2
11	25972-G56		WIRE (C - B+).....	1
12				
13	11027-G2		NUT, 1/4 - 20.....	2
14				
15	27855-G01		SOLENOID	1
16	73026-G01		HEATSINK	1
17	73144-G01		SPEED CONTROLLER	1
18	73190-G01		THERMAL MOUNTING PAD	1
19	71102-G01		BOLT, 1/4 - 20 X 3/4" LG.....	5
20				
21	31539-G1		WIRE TIE	1
22	73053-G01		MOUNT.....	1
23				
24	71102-G03		BOLT, 1/4 - 20 X 1 1/4" LG.....	3
25	73152-G01		WIRE HARNESS (POWER)	1
26				
27	73191-G01		WIRE HARNESS (CONTROL)	1
28	00270-G5		BOLT, 5/16 - 18 X 5/8" LG.....	3
29	11027-G1		NUT, 5/16 - 18.....	3
30				

Electric Vehicle

ELECTRONIC SPEED CONTROL - DCS

THE USE OF NON UL PARTS WILL VOID ANY UL LISTING.

When ordering parts, please specify the model and serial number of the product.

* Indicates a component that is not available as an individual part.

G** Indicates consult Customer Service Department for additional information.

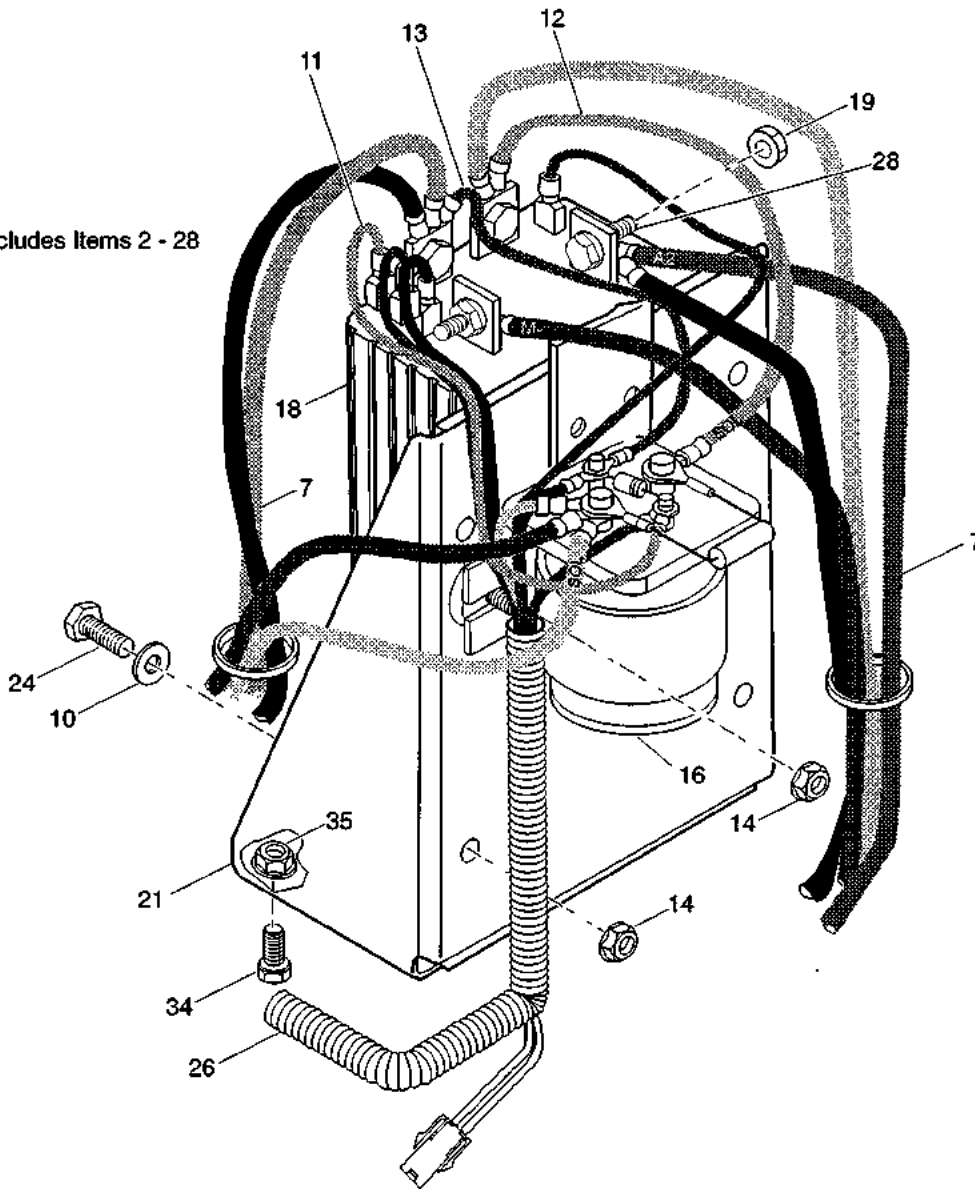
ITEM	PART NO.	1 2 3 4 5	DESCRIPTION	QTY.
31	25866-G01		SOLENOID BRACKET	1
32	73137-G01		COVER ASSEMBLY (INCLUDES ITEMS 33 - 41)	1
33	73028-G02		COVER (WITH GASKET)	1
34	73132-G01		LABEL (TOW SWITCH)	1
35				
36	73125-G01		TOGGLE SWITCH WITH SEAL (INCLUDES ITEMS 37, 38)	1
37	*		SCREW, #5 - 40	4
38	*		NUT, 15/32 - 32.....	4
39	73139-G01		SEAL NUT.....	1
40	73138-G01		WIRE HARNESS (TOW SWITCH).....	1
41	17618-G1		WIRE TIE	1
42				
43	71102-G01		BOLT, 1/4 - 20 X 3/4" LG.....	4
44	25972-G22		WIRE (BL+ TO SOL)	1

ELECTRONIC SPEED CONTROL - HD

Electric Vehicle

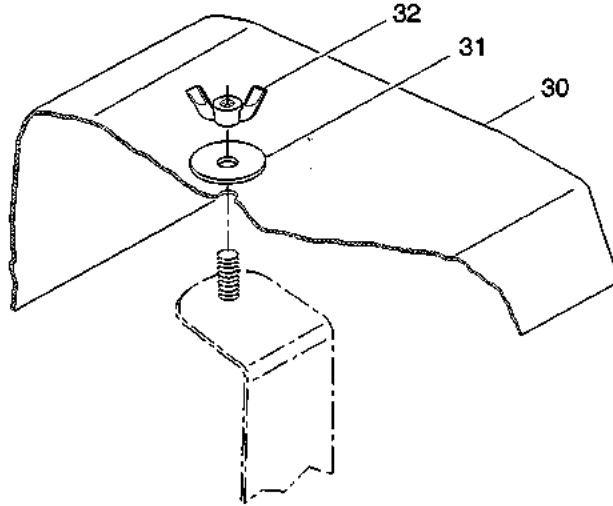
For Use on Freedom Vehicles Only

1 - Includes Items 2 - 28

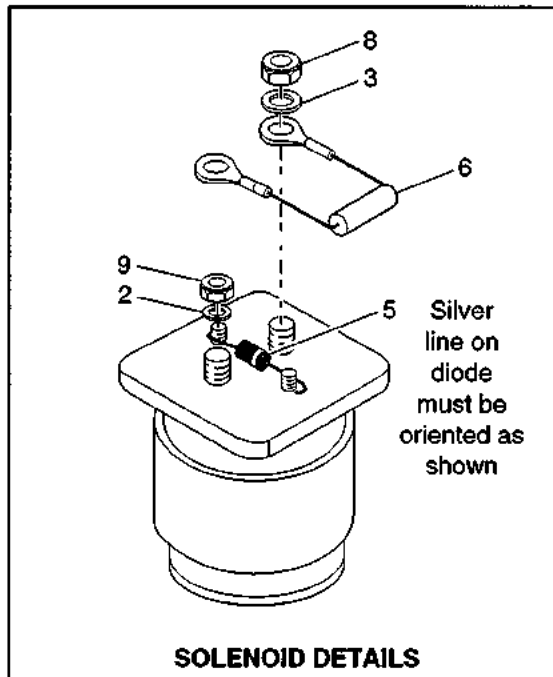


Electric Vehicle

ELECTRONIC SPEED CONTROL - HD



COVER INSTALLATION



SOLENOID DETAILS

ELECTRONIC SPEED CONTROL - HD

Electric Vehicle

THE USE OF NON UL PARTS WILL VOID ANY UL LISTING.

When ordering parts, please specify the model and serial number of the product.

* Indicates a component that is not available as an individual part.

G** Indicates consult Customer Service Department for additional information.

ITEM	PART NO.	1 2 3 4 5	DESCRIPTION	QTY.
1	73055-G02		ELECTRONIC SPEED CONTROL ASSEMBLY - FOR USE ON FREEDOM VEHICLES ONLY (INCLUDES ITEMS 2 - 28).....	1
2	*		LOCK WASHER, #10.....	2
3	*		WASHER, 5/16".....	2
4				
5	30353-G1		DIODE.....	1
6	21764-G1		RESISTOR.....	1
7	28325-G01		WIRE HARNESS (CHARGER CONNECTOR).....	1
8	*		NUT, 5/16 - 24.....	2
9	*		NUT, #10 - 32.....	2
10	00559-G7		WASHER, 1/4".....	2
11	25978-G88		WIRE (FROM SOL)	1
12	25972-G02		WIRE (SOL - B+)	1
13	25978-G10		WIRE (FROM SOL)	1
14	11027-G2		NUT, 1/4 - 20.....	6
15				
16	20468-G1		SOLENOID	1
17				
18	73060-G01		ELECTRONIC SPEED CONTROLLER	1
19	11027-G1		LOCK NUT, 5/16 - 18.....	4
20				
21	74014-G01		CONTROLLER MOUNT	1
22				
23				
24	00414-G5		SCREW, 1/4 - 20 X 5/8" LG.	4
25				
26	73095-G02		WIRE HARNESS (POWER)	1
27				
28	00270-G5		BOLT, 5/16 - 18 X 5/8" LG.....	4
29				

Electric Vehicle

ELECTRONIC SPEED CONTROL - HD

THE USE OF NON UL PARTS WILL VOID ANY UL LISTING.

When ordering parts, please specify the model and serial number of the product.

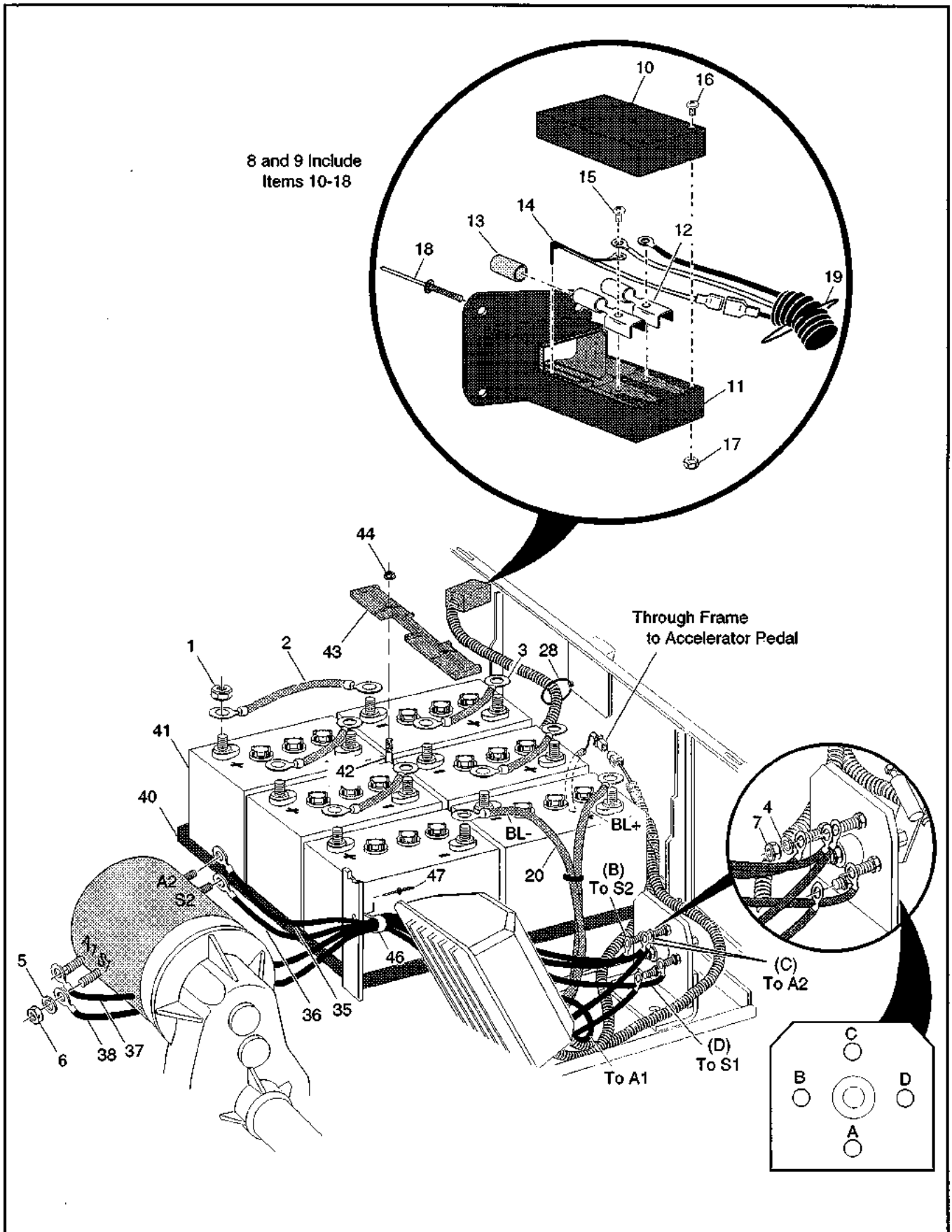
* Indicates a component that is not available as an individual part.

G** Indicates consult Customer Service Department for additional information.

ITEM	PART NO.	1	2	3	4	5	DESCRIPTION	QTY.
30	23723-G2						COVER.....	1
31	16469-G1						WASHER, 9/32"	1
32	14419-G1						WING NUT, 1/4 - 20	1
33								
34	00715-G2						SCREW, 1/4 - 20 X 5/8" LG.	4
35	11027-G2						NUT, 1/4 - 20	4

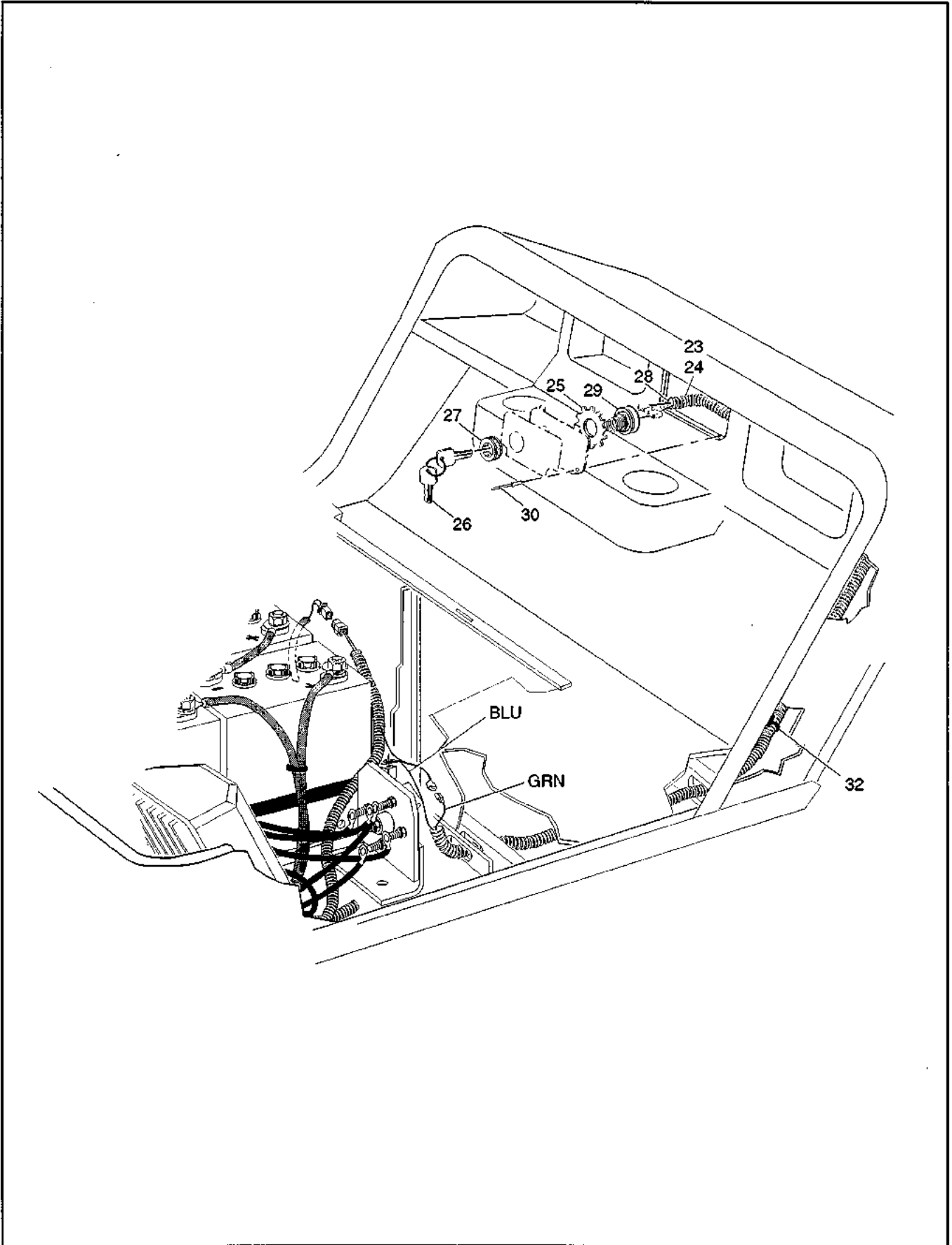
ELECTRICAL SYSTEM

Electric Vehicle



Electric Vehicle

ELECTRICAL SYSTEM



ELECTRICAL SYSTEM

Electric Vehicle

THE USE OF NON UL PARTS WILL VOID ANY UL LISTING.

When ordering parts, please specify the model and serial number of the product.

* Indicates a component that is not available as an individual part.

G** Indicates consult Customer Service Department for additional information.

ITEM	PART NO.	1 2 3 4 5	DESCRIPTION	QTY.
1	00702-G2		NUT, 5/16 - 18	12
2	25972-G32		BATTERY INTERCONNECT WIRE, 10 1/2" LG.....	1
3	25972-G40		BATTERY INTERCONNECT WIRE, 6" LG.....	4
4	00565-G8		LOCKWASHER, 5/15"	4
5	00993-G01		LOCK WASHER, SILICON BRONZE, 5/16".....	4
6	28418-G01		NUT, BRONZE, 5/16 - 18	4
7	00532-G3		NUT, 5/16-18	4
8	73051-G01		CHARGER RECEPTACLE WIRE HARNESS ASSEMBLY	1
9	73149-G01		CHARGER RECEPTACLE WIRE HARNESS ASSEMBLY (FOR USE ON DCS MODELS ONLY).....	1
10	73051-G03		RECEPTACLE COVER.....	1
11	73051-G04		RECEPTACLE BOTTOM	1
12	73051-G05		FEMALE RADSOK	2
13	73051-G06		INSULATOR SLEEVE.....	1
14	73051-G07		REED SWITCH.....	1
15	73051-G08		SCREW, 10 - 32 X 1/2" LG.	2
16	73051-G09		SCREW, 6 - 32 X 1 3/4" LG.	3
17	73051-G10		LOCK NUT.....	3
18	14601-G10		RIVET, 5/32" X 13/32" LG	4
19	17618-G1		WIRE TIE.....	3
20	25972-G32		WIRE (BL- TO B-).....	1
21				
22				
23	73145-G01		HARNESS (KEY SWITCH) (DCS MODEL ONLY)	1
24	73041-G01		HARNESS (KEY SWITCH) (FLEET).....	1
25	00568-G6		LOCK WASHER, 3/4"	1
26	17063-G1		IGNITION KEY (SET).....	AR
27	17137-G1		FACE NUT.....	1
28	17618-G1		WIRE TIE.....	1
29	XXXXX-XX		IGNITION SWITCH KIT (INCLUDES ALL MOUNTING HARDWARE) (SEE SECTION K - GAUGES, HORN AND LIGHTING FOR P/N)	1

Electric Vehicle

ELECTRICAL SYSTEM

THE USE OF NON UL PARTS WILL VOID ANY UL LISTING.

When ordering parts, please specify the model and serial number of the product.

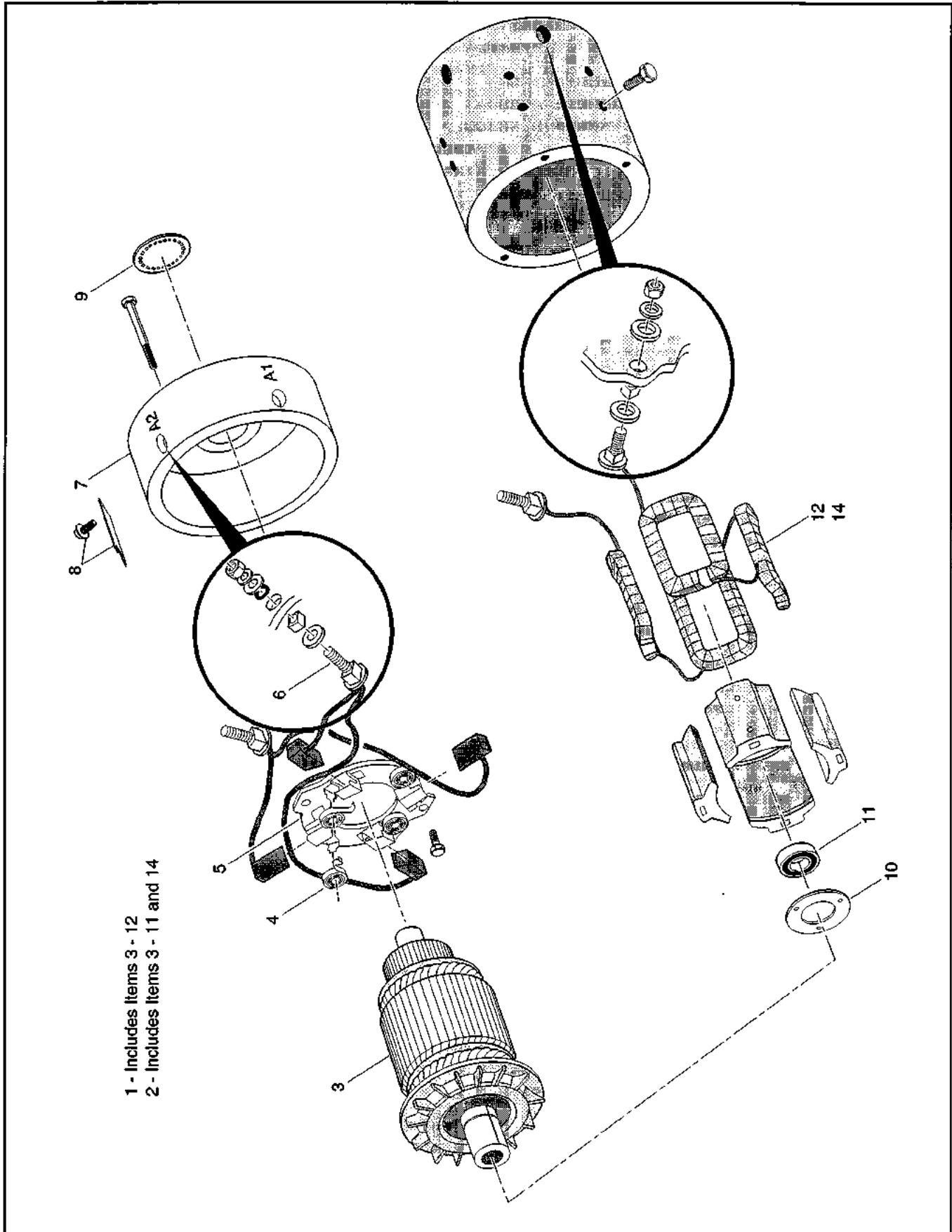
* Indicates a component that is not available as an individual part.

G** Indicates consult Customer Service Department for additional information.

ITEM	PART NO.	1	2	3	4	5	DESCRIPTION	QTY.
30	33623-G02						DRIVE RIVET, 3/16" x 3/8" LG.....	2
31								
32	17618-G1						WIRE TIE	1
33								
34								
35	25972-G60						MOTOR WIRE, 43" LG.....	1
36	25972-G37						MOTOR WIRE, 40 1/2" LG.....	1
37	25972-G59						MOTOR WIRE, 54 1/2" LG.....	1
38	25972-G38						MOTOR WIRE, 45" LG.....	1
39								
40	70046-G01						BATTERY RACK	1
41	XXXXX-G**						BATTERY (6 VOLT)	6
42	70121-G01						HOLD DOWN BOLT	2
43	70045-G01						BATTERY RETAINER	1
44	11027-G1						LOCK NUT, 5/16 - 18	2
45								
46	27327-G01						CABLE CLAMP	2
47	10570-G11						RIVET, 5/16" (STAINLESS STEEL).....	1

ELECTRIC MOTOR

Electric Vehicle



1 - Includes items 3 - 12
2 - Includes items 3 - 11 and 14

Electric Vehicle

ELECTRIC MOTOR

THE USE OF NON UL PARTS WILL VOID ANY UL LISTING.

When ordering parts, please specify the model and serial number of the product.

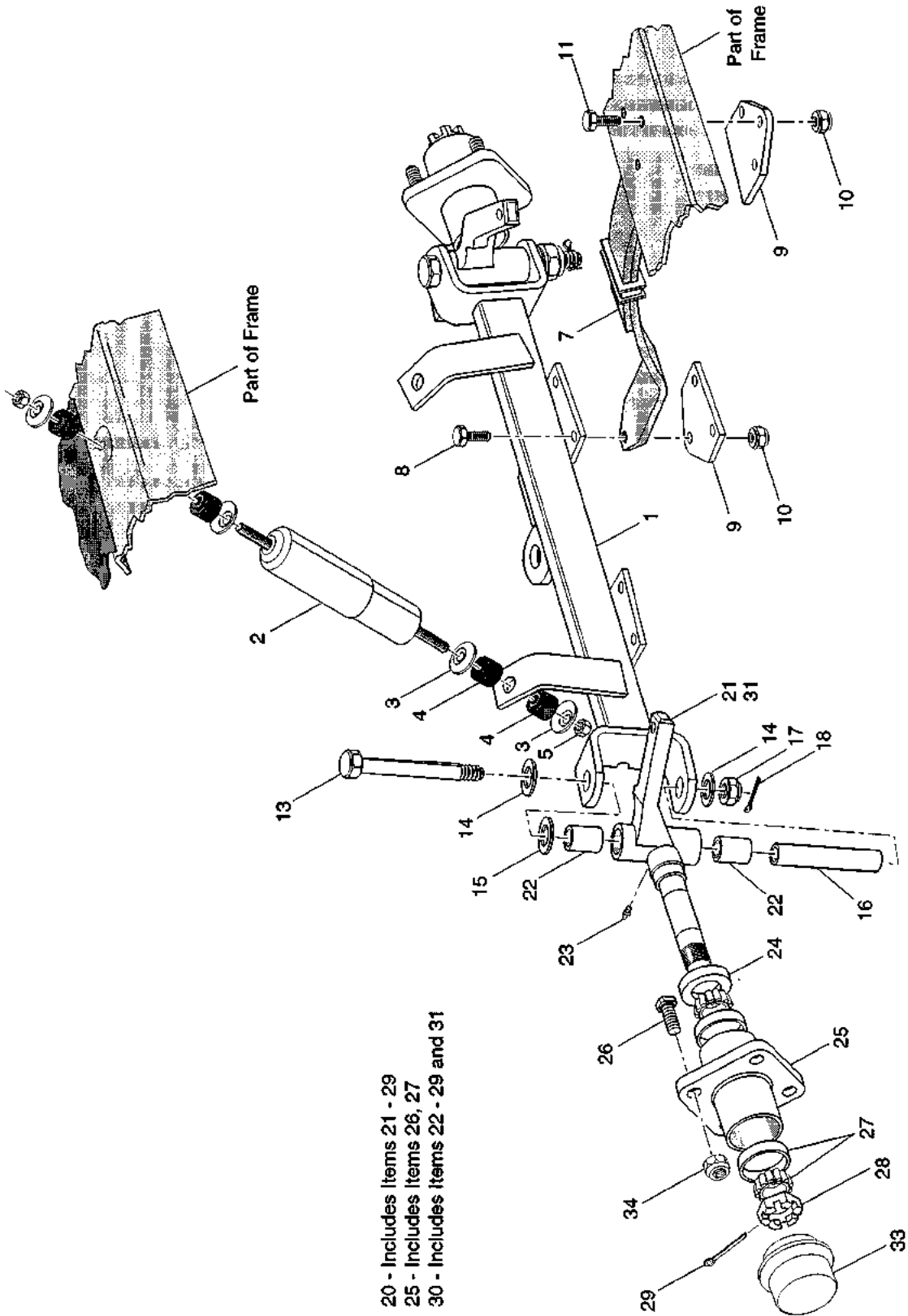
* Indicates a component that is not available as an individual part.

G** Indicates consult Customer Service Department for additional information.

ITEM	PART NO.	1 2 3 4 5	DESCRIPTION	QTY.
1	73124-G01		MOTOR, COMPLETE (DCS MODEL) (INCLUDES ITEMS 3 - 12).....	1
2	73124-G02		MOTOR, COMPLETE (INCLUDES ITEMS 3 - 11 AND 14).....	1
3	*		ARMATURE	1
4	73120-G03		BRUSH SPRING	4
5	73120-G04		BRUSH PLATE AND BOX	1
6	73120-G05		BRUSH REPLACEMENT KIT (INCLUDES HARDWARE).....	1
7	73120-G08		COVER COMMUTATOR END	1
8	73120-G09		COVER PLATE & SCREW	1
9	73120-G10		CAP	1
10	73120-G06		SNAP RING	1
11	73120-G07		BEARING.....	1
12	73120-G02		FIELD COIL KIT (INCLUDES HARDWARE)	1
13				
14	73120-G11		FIELD COIL KIT (INCLUDES HARDWARE)	1

FRONT SUSPENSION

Electric Vehicle



Electric Vehicle

FRONT SUSPENSION

THE USE OF NON UL PARTS WILL VOID ANY UL LISTING.

When ordering parts, please specify the model and serial number of the product.

* Indicates a component that is not available as an individual part.

G** Indicates consult Customer Service Department for additional information.

ITEM	PART NO.	1 2 3 4 5	DESCRIPTION	QTY.
1	70001-G01		FRONT AXLE.....	1
2	70324-G01		SHOCK ABSORBER	2
3	10435-G1		SHOCK ABSORBER WASHER.....	8
4	10194-G1		RUBBER SHOCK ABSORBER BUSHING	8
5	00532-G6		NUT, 3/8 - 24.....	4
6				
7	70049-G01		LEAF SPRING	2
8	00463-G4		BOLT, 7/16 - 14 X 1 1/2" LG.....	6
9	70163-G02		SPRING PLATE	4
10	00734-G1		LOCK NUT, 7/16 - 14	12
11	00463-G6		BOLT, 7/16 - 14 X 1 3/4" LG.....	6
12				
13	70327-G01		SPINDLE PIN, 1/2 - 13 X 5 1/2" LG.....	2
14	00571-G5		WASHER, 1/2"	4
15	16982-G1		THRUST WASHER, 57/64" I.D.	2
16	70328-G01		SPINDLE PIN TUBE	2
17	14390-G6		LOCK NUT, 1/2 -13.....	2
18	10387-G2		COTTER PIN, 3/32" X 1" LG.....	2
19				
20	70220-G01		SPINDLE ASSEMBLY (DRIVER SIDE) (INCLUDES ITEMS 21 - 29)	
21	*		SPINDLE	1
22	16623-G1		BEARING.....	2
23	10389-G3		GREASE FITTING.....	1
24	25146-G1		GREASE SEAL.....	1
25	19932-G1		WHEEL HUB ASSEMBLY (INCLUDES ITEMS 26, 27).....	1
26	19862-G1		LUG BOLT, 1/2 - 20 X 1 7/32" LG.....	4
27	50892-G1		BEARING AND RACE ASSEMBLY (COMPLETE)	1
28	12093-G1		SLOTTED NUT, 1-14	1
29	00798-G8		COTTER PIN, 5/32" X 1 3/4" LG.	1

FRONT SUSPENSION

Electric Vehicle

THE USE OF NON UL PARTS WILL VOID ANY UL LISTING.

When ordering parts, please specify the model and serial number of the product.

* Indicates a component that is not available as an individual part.

G** Indicates consult Customer Service Department for additional information.

ITEM	PART NO.	1 2 3 4 5	DESCRIPTION	QTY.
30	70221-G01		SPINDLE ASSEMBLY (PASSENGER SIDE) (INCLUDES ITEMS 22 - 29 AND 31)	1
31	*		SPINDLE.....	1
32				
33	12091-G02		SPINDLE CAP.....	2
34	14723-G1		LUG NUT, 1/2 - 20.....	8

**DID YOU
KNOW?**

CartPros directs you to the right part using the part numbers from this manual. Enter the part number into our search box and it will find the part you are looking for.

**GET STARTED
HERE**



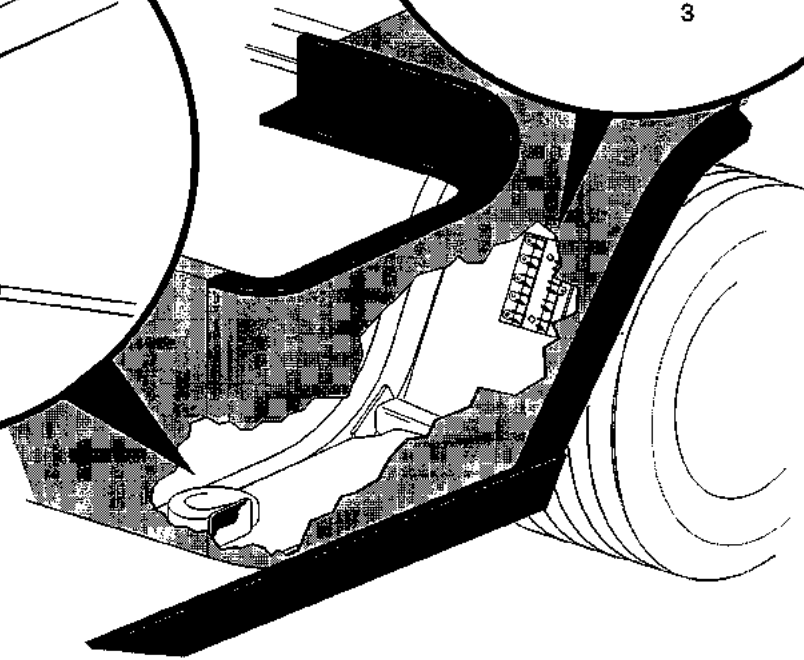
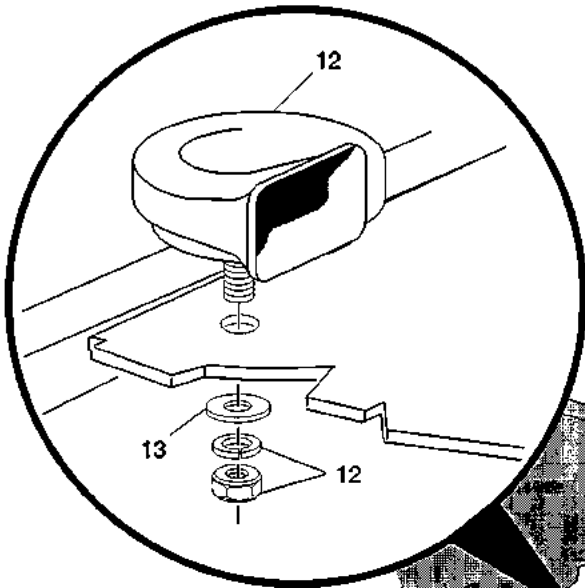
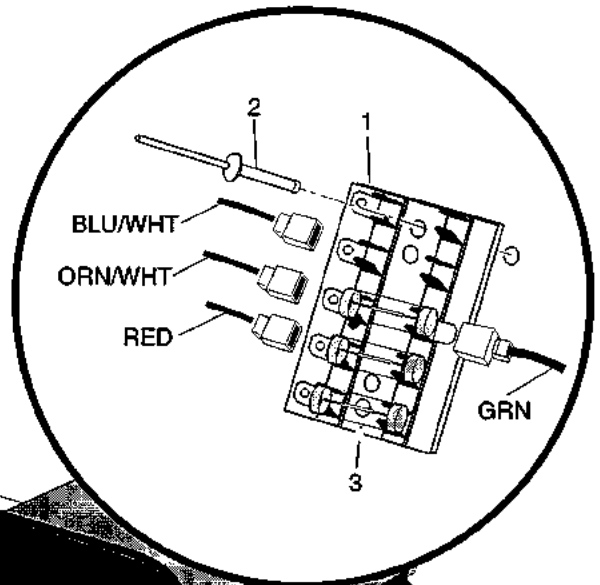
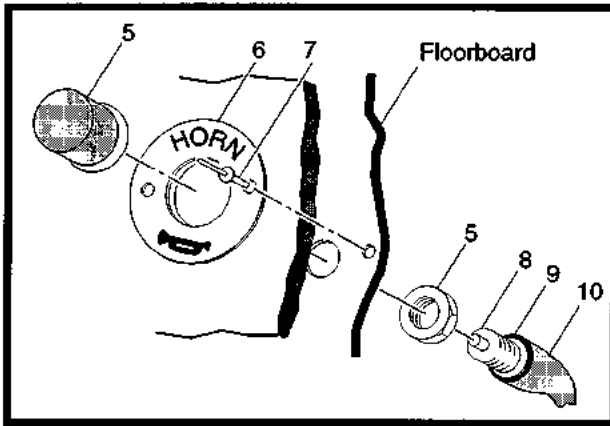
<https://CartPros.com/f.html>

Electric Vehicle

FRONT SUSPENSION

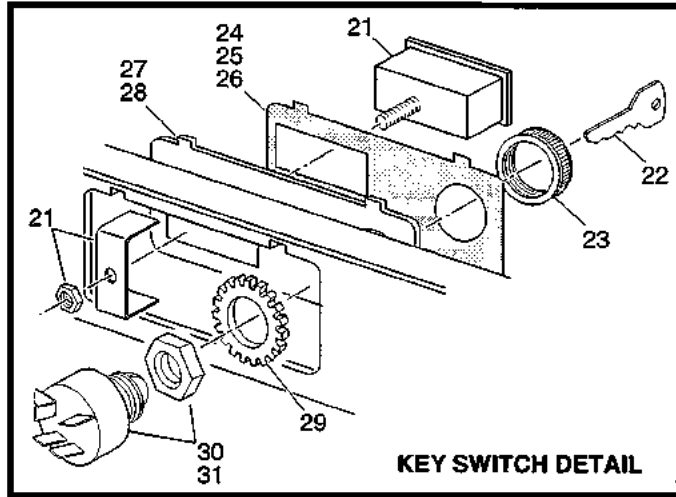
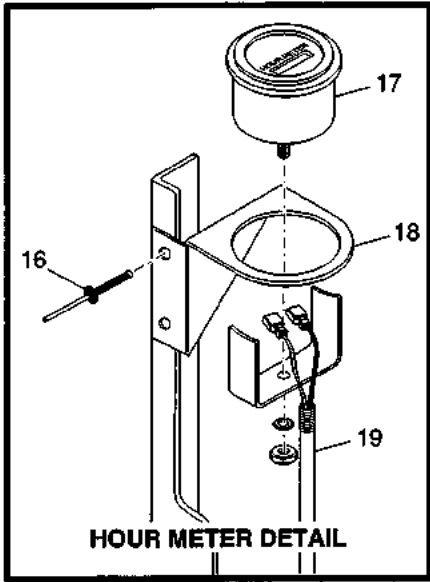
GAUGES, HORN AND LIGHTING

Electric Vehicle

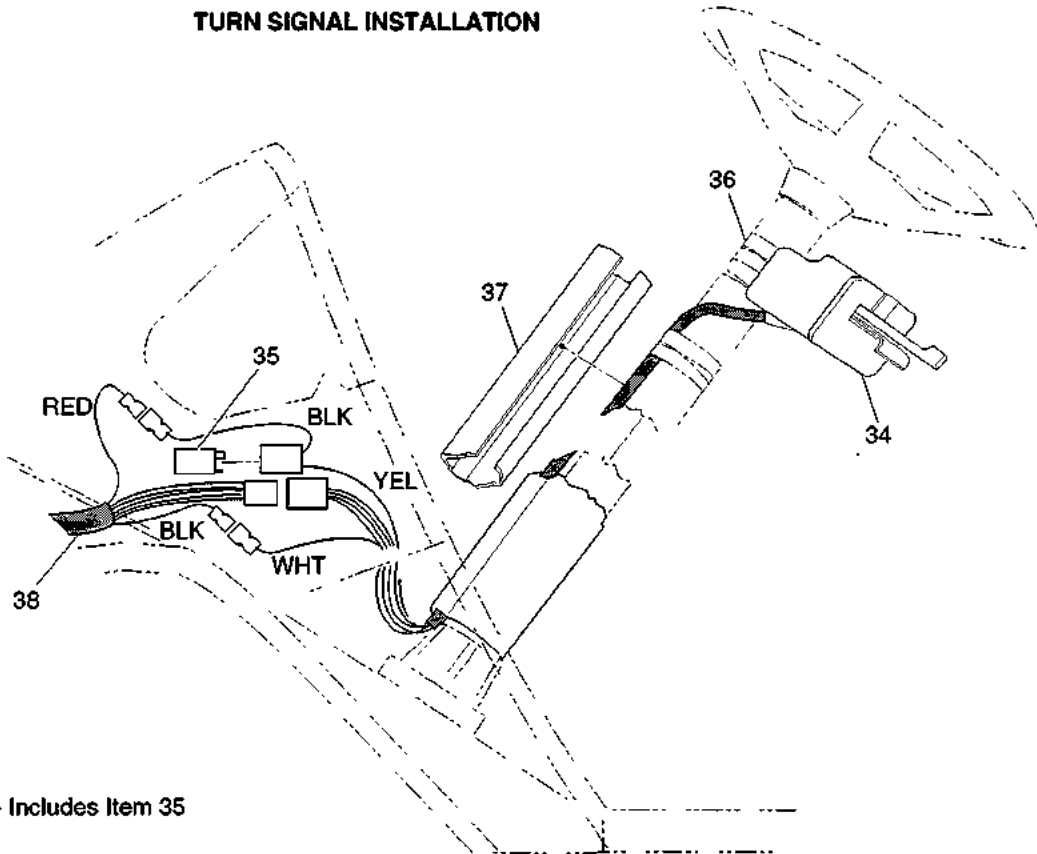


Electric Vehicle

GAUGES, HORN AND LIGHTING



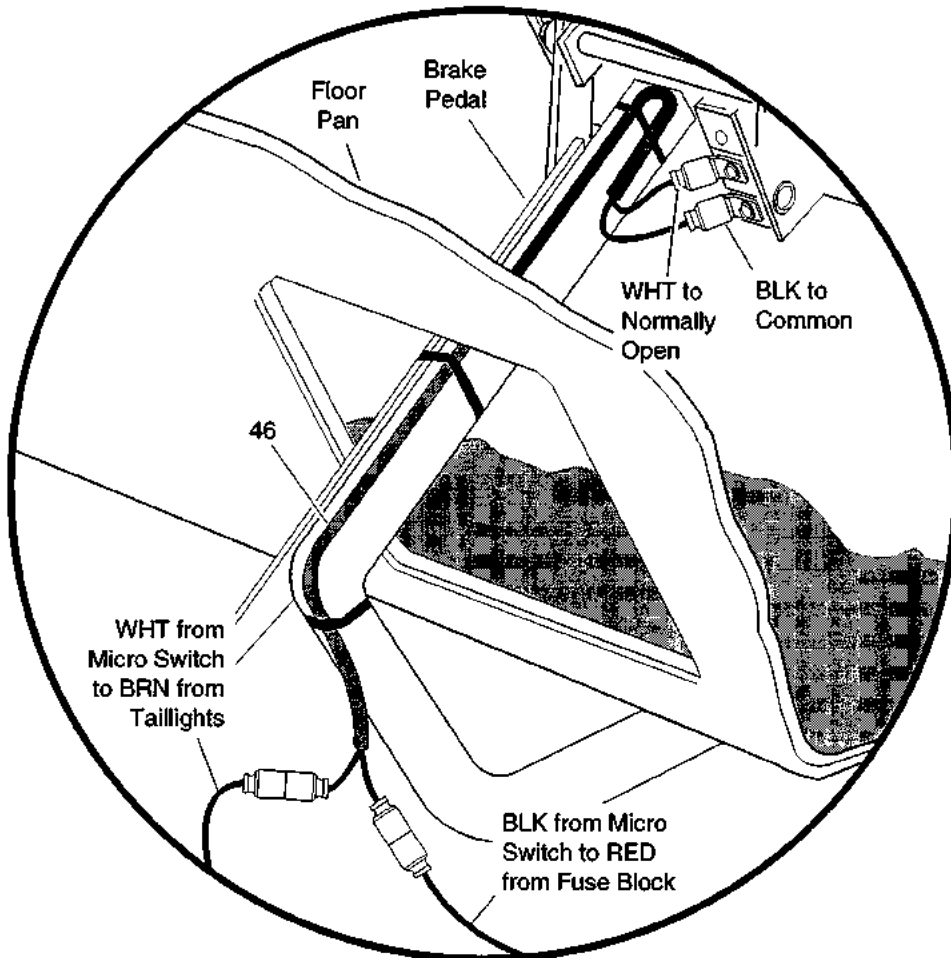
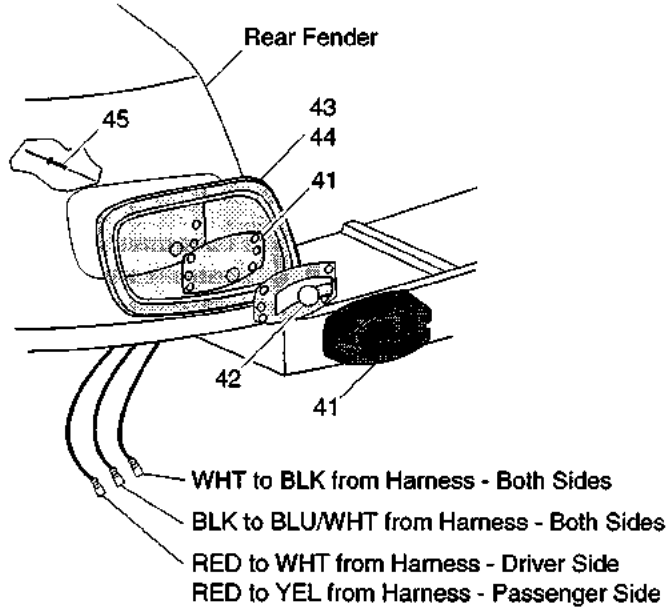
TURN SIGNAL INSTALLATION



34 - Includes Item 35

GAUGES, HORN AND LIGHTING

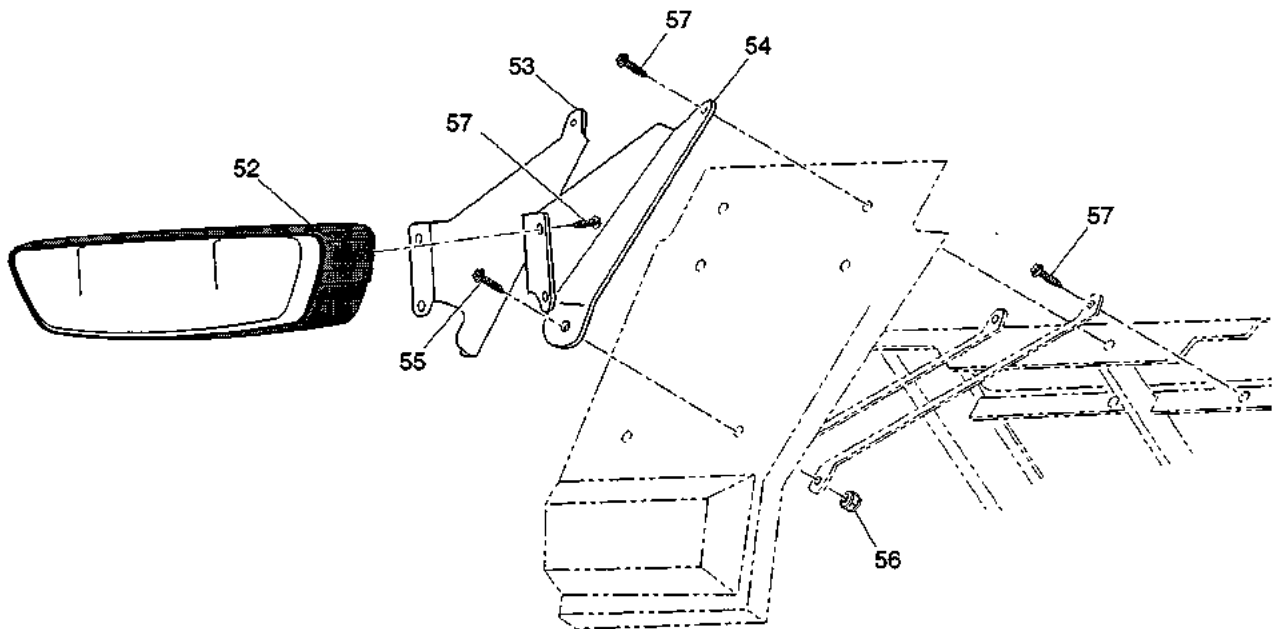
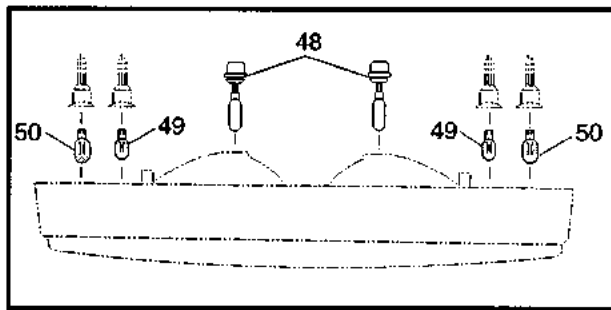
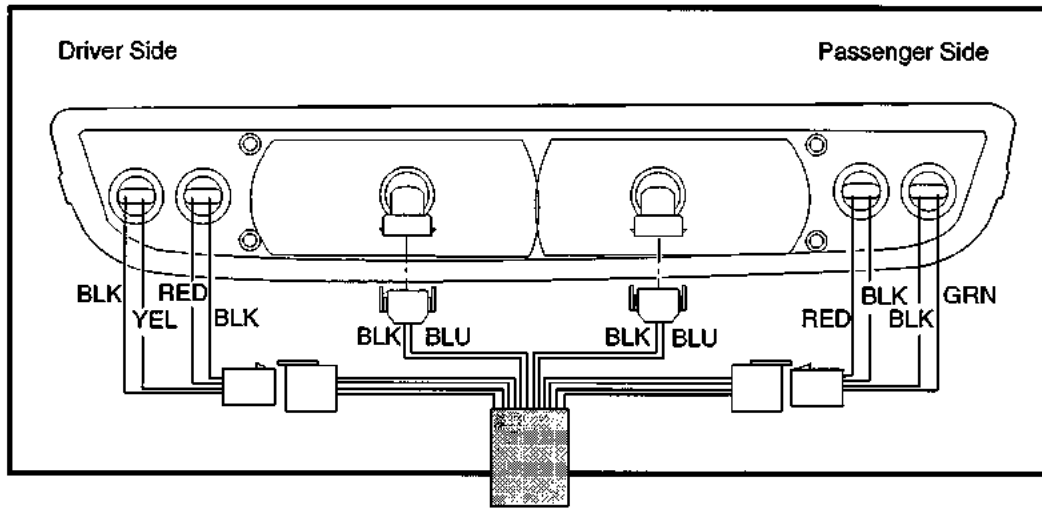
Electric Vehicle



BRAKE LIGHTS MICRO SWITCH CONNECTIONS

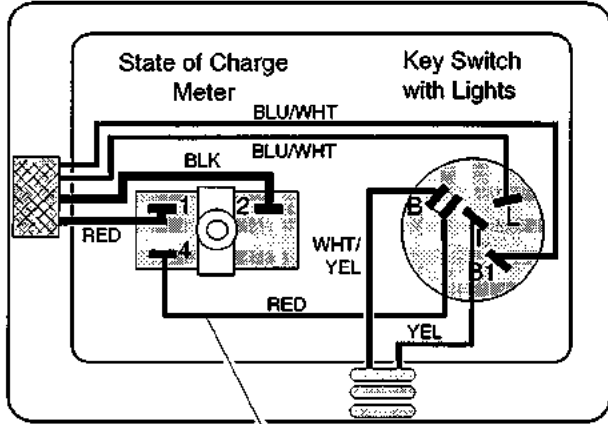
Electric Vehicle

GAUGES, HORN AND LIGHTING



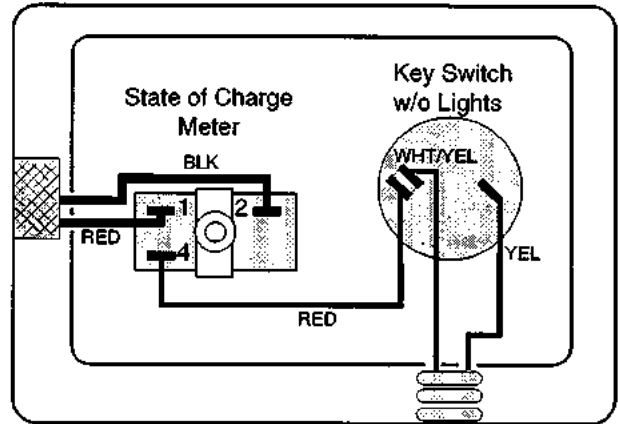
GAUGES, HORN AND LIGHTING

Electric Vehicle

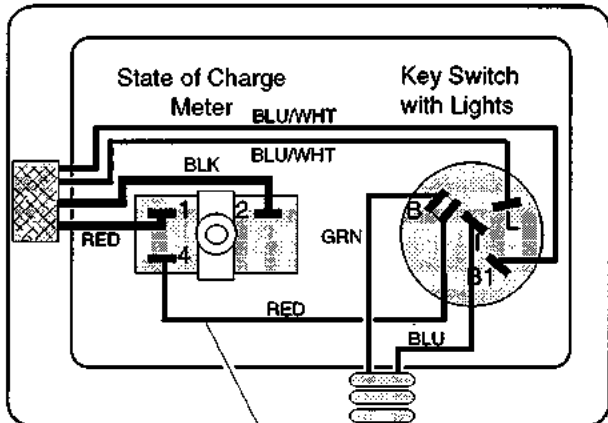


DCS MODEL ONLY

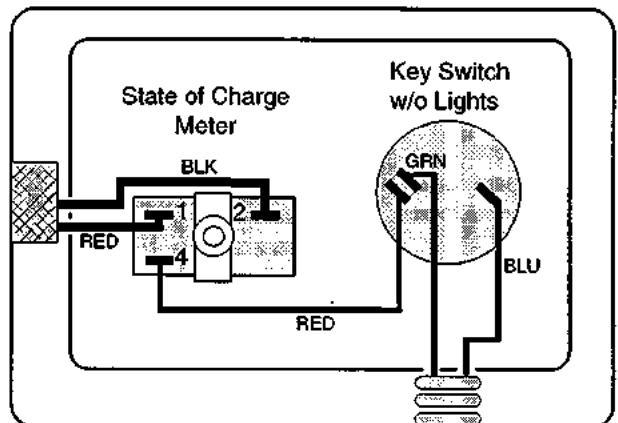
59



DCS MODEL ONLY



59



Electric Vehicle

GAUGES, HORN AND LIGHTING

THE USE OF NON UL PARTS WILL VOID ANY UL LISTING.

When ordering parts, please specify the model and serial number of the product.

* Indicates a component that is not available as an individual part.

G** Indicates consult Customer Service Department for additional information.

ITEM	PART NO.	1 2 3 4 5	DESCRIPTION	QTY.
1	22674-G1		FUSE BLOCK	1
2	71010-G01		RIVET, 5/32 X 3/8" LG.....	2
3	18392-G1		FUSE (15 AMP)	3
4				
5	17318-G2		HORN SWITCH BUTTON AND NUT.....	1
6	19233-G1		HORN SWITCH PLATE	1
7	14601-G7		RIVET (STAINLESS STEEL) 9/16".....	2
8	17318-G1		HORN SWITCH	1
9	17618-G1		WIRE TIE	2
10	27068-G01		HORN SWITCH BOOT	1
11				
12	32860-G1		HORN (WITH MOUNTING HARDWARE).....	1
13	00559-G8		WASHER, 5/16"	1
14				
15				
16	10570-G11		RIVET, 3/16" X 3/4" LG.....	2
17	21573-G1		HOUR METER.....	1
18	74019-G01		HOUR METER BRACKET	1
19	75117-G02		WIRE HARNESS (HOUR METER).....	1
20				
21	33636-G01		STATE OF CHARGE METER	1
22	17063-G1		IGNITION KEY (SET).....	AR
23	17137-G1		FACE NUT	1
24	71145-G01		DECAL (CONSOLE INSERT)	1
25	71123-G01		DECAL (CONSOLE PLATE, STATE OF CHARGE METER W/O LIGHTS)	1
26	71129-G01		DECAL (CONSOLE PLATE, STATE OF CHARGE METER W/ LIGHTS)	1
27	73030-G01		PLATE (STANDARD CONSOLE INSERT MOUNT).....	1
28	73030-G02		PLATE (CONSOLE INSERT, STATE OF CHARGE METER).....	1
29	00568-G6		LOCK WASHER, 3/4".....	1
30	17421-G1		IGNITION SWITCH (INCLUDES ALL HARDWARE)	1

GAUGES, HORN AND LIGHTING

Electric Vehicle

THE USE OF NON UL PARTS WILL VOID ANY UL LISTING.

When ordering parts, please specify the model and serial number of the product.

* Indicates a component that is not available as an individual part.

G** Indicates consult Customer Service Department for additional information.

ITEM	PART NO.	1 2 3 4 5	DESCRIPTION	QTY.
31	33639-G01		IGNITION SWITCH (WITH LIGHTS).....	1
32				
33				
34	17867-G1		TURN SIGNAL (WITH MOUNTING HARDWARE)	1
35	21640-G1		FLASHER	1
36	*		VINYL TAPE	AR
37	20965-G3		STEERING COLUMN COVER (VEHICLES WITH TURN SIGNALS)	1
38	73043-G01		WIRE HARNESS (ACCESSORY)	1
39				
40				
41	22260-G2		TAILLIGHT ASSEMBLY (COMPLETE).....	1
42	21759-G1		TAILLIGHT BULB (REPLACEMENT)	AR
43	74371-G01		BEZEL (DRIVER SIDE).....	1
44	74371-G02		BEZEL (PASSENGER SIDE)	1
45	14601-G11		RIVET, 3/16" X 5/8" LG.	2
46	24605-G1		WIRE HARNESS (BRAKE LIGHT)	1
47				
48	74004-G01		HEADLIGHT BULB (REPLACEMENT)	AR
49	74005-G01		MARKER LIGHT BULB (REPLACEMENT).....	AR
50	74006-G01		TURN LIGHT BULB (REPLACEMENT)	AR
51				
52	74001-G01		HEADLIGHT AND TURN SIGNAL	1
53	74002-G01		HEADLIGHT AND TURN SIGNAL BRACKET (PASSENGER SIDE).....	1
54	74002-G02		HEADLIGHT AND TURN SIGNAL BAR BRACKET (DRIVER SIDE).....	1
55	00414-G6		SCREW, 1/4 - 20 X 3/4" LG.....	2
56	11027-G2		LOCK NUT, 1/4 - 20	2
57	00114-G6		SCREW, 1/4 - 14 X 3/4" LG.....	8
58				
59	25978-G74		WIRE, 18 GA. RED	1

**DID YOU
KNOW?**

CartPros directs you to the right part using the part numbers from this manual. Enter the part number into our search box and it will find the part you are looking for.

**GET STARTED
HERE**



<https://CartPros.com/f.html>

Electric Vehicle

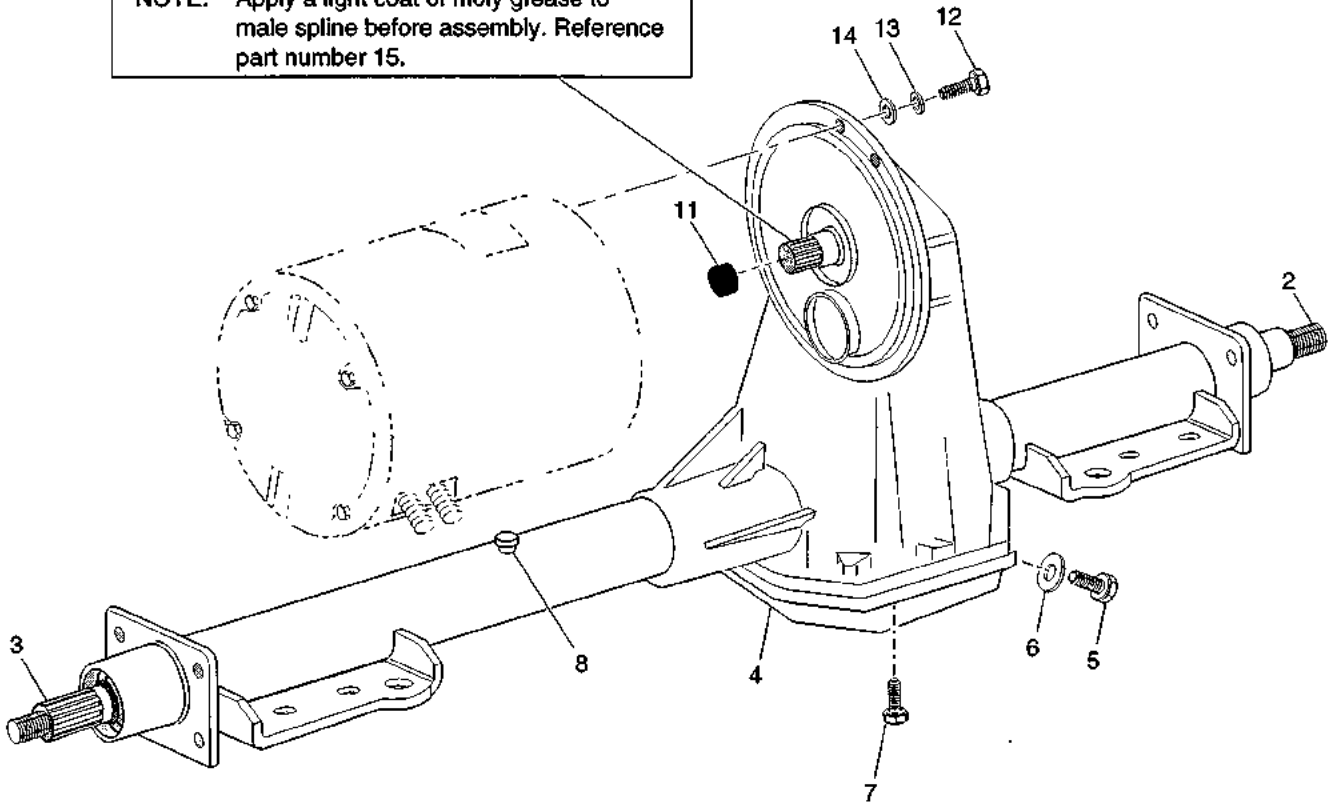
GAUGES, HORN AND LIGHTING

REAR AXLE

Electric Vehicle

1 - Includes Items 2 - 8

NOTE: Apply a light coat of moly grease to male spline before assembly. Reference part number 15.



Electric Vehicle

REAR AXLE

THE USE OF NON UL PARTS WILL VOID ANY UL LISTING.

When ordering parts, please specify the model and serial number of the product.

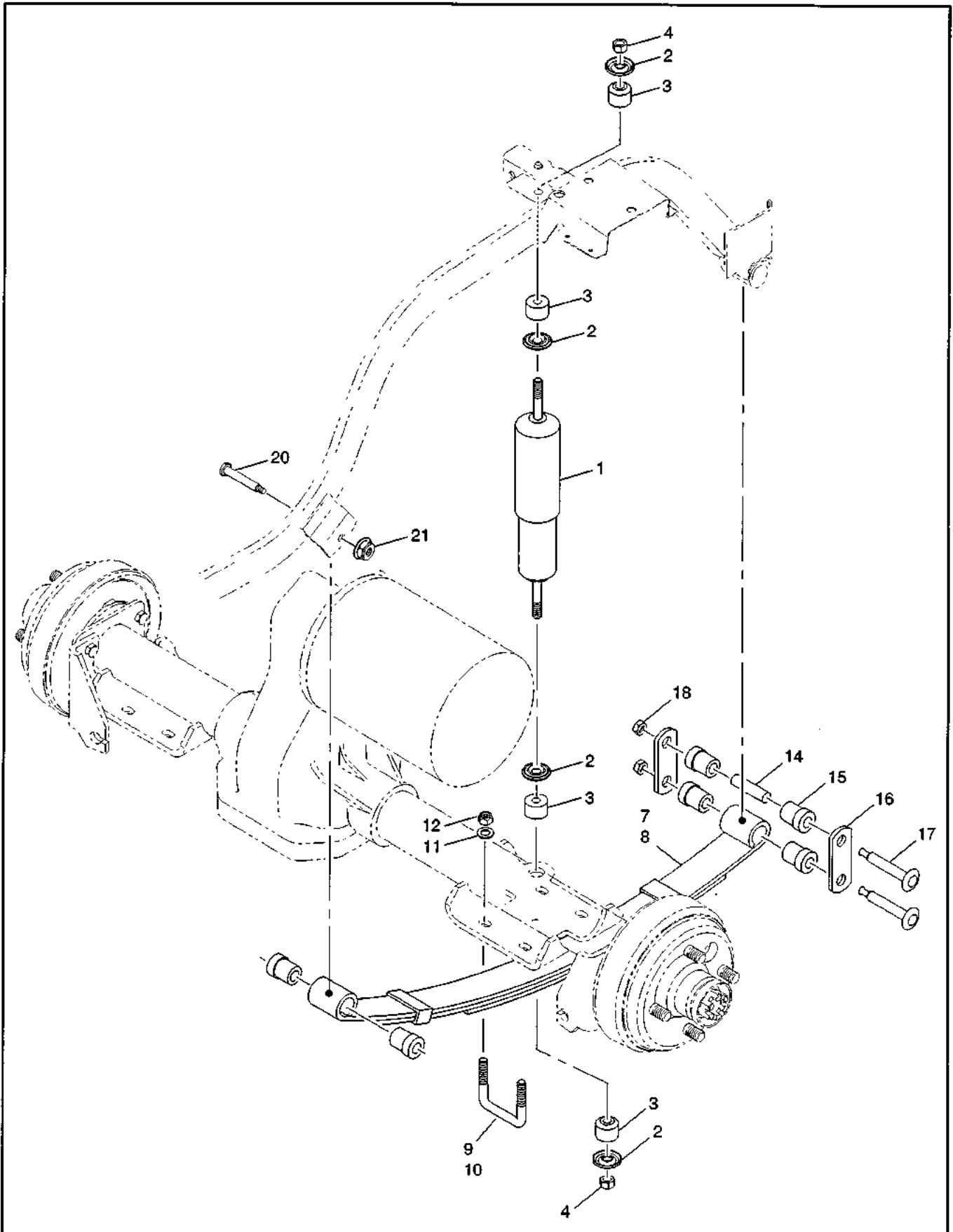
* Indicates a component that is not available as an individual part.

G** Indicates consult Customer Service Department for additional information.

ITEM	PART NO.	1 2 3 4 5	DESCRIPTION	QTY.
1	73069-G01		REAR AXLE ASSEMBLY (INCLUDES ITEMS 2 - 8)	1
2	20377-G12		AXLE SHAFT (PASSENGER SIDE)	1
3	20377-G11		AXLE SHAFT (DRIVER SIDE)	1
4	25228-G1		DIFFERENTIAL COVER.....	1
5	25226-G1		FILL/CHECK PLUG	1
6	25227-G1		WASHER	1
7	15558-G1		SCREW, 5/16 - 18 X 3/4" LG.....	10
8	73050-G01		VENT	1
9				
10				
11	24261-G1		BUMPER SPLINE	1
12	00797-G2		BOLT, 1/4 - 20 X 1 1/4" LG.....	3
13	00565-G7		LOCK WASHER, 1/4".....	3
14	00559-G7		WASHER, 1/4"	3
15	28095-G01		MOLY LUBE, 2 OZ.	AR

REAR SUSPENSION

Electric Vehicle



Electric Vehicle

REAR SUSPENSION

THE USE OF NON UL PARTS WILL VOID ANY UL LISTING.

When ordering parts, please specify the model and serial number of the product.

* Indicates a component that is not available as an individual part.

G** Indicates consult Customer Service Department for additional information.

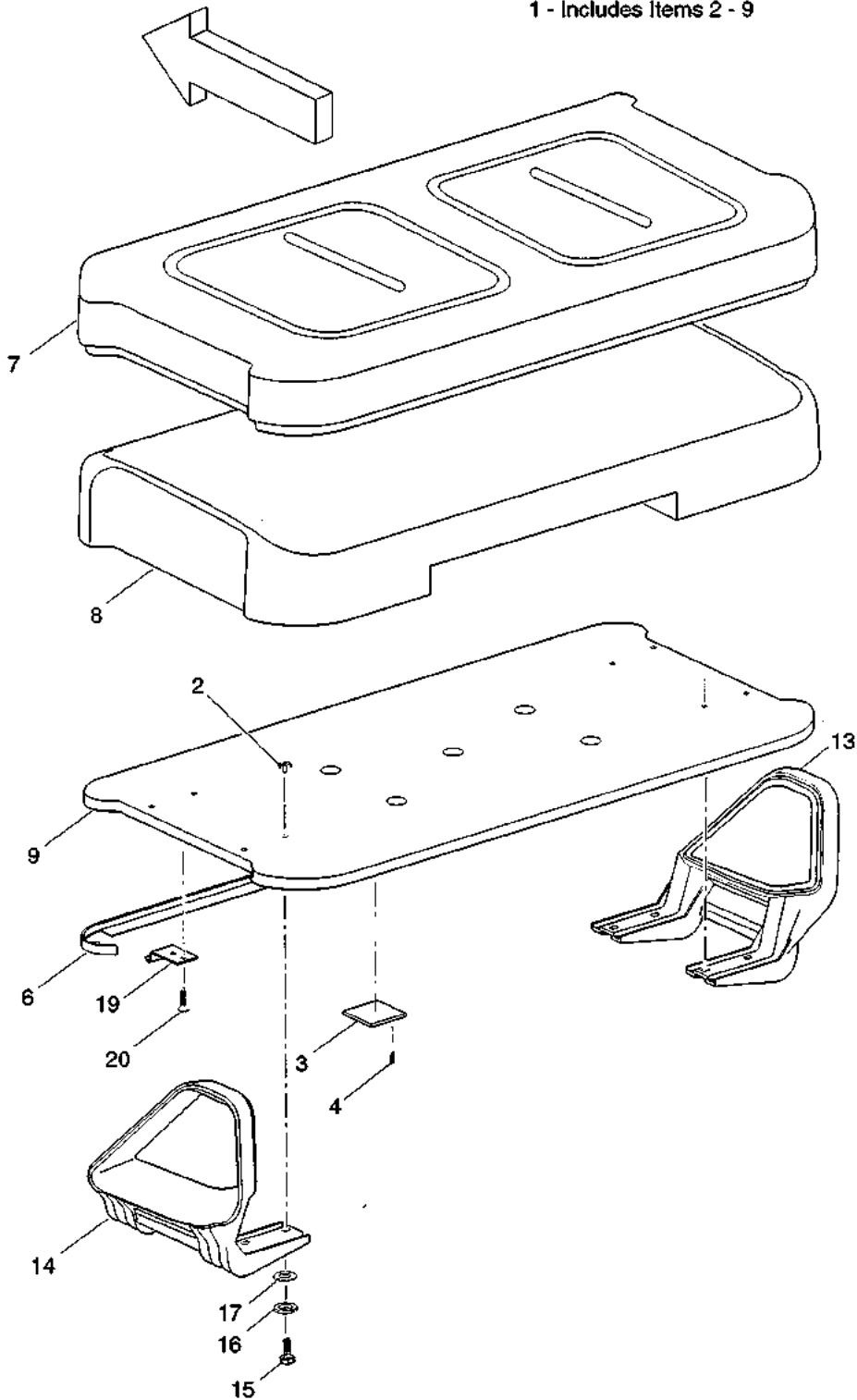
ITEM	PART NO.	1 2 3 4 5	DESCRIPTION	QTY.
1	70324-G01		SHOCK ABSORBER	2
2	10435-G1		SHOCK ABSORBER WASHER	8
3	10194-G1		RUBBER SHOCK ABSORBER BUSHING	8
4	00532-G6		NUT, 3/8 - 24	4
5				
6				
7	70505-G01		LEAF SPRING KIT	2
8	70506-G01		LEAF SPRING KIT (USE ON 4 CADDY ONLY)	2
9	72029-G01		"U" BOLT, 3/8 - 16	4
10	74124-G01		"U" BOLT, 3/8 - 16 (USE ON 4 CADDY ONLY)	4
11	00560-G1		WASHER, 3/8"	
12	11098-G5		LOCK NUT, 3/8 - 16	8
13				
14	70289-G02		SPACER	4
15	70291-G01		RUBBER BUSHING (LEAF SPRING)	12
16	70290-G01		SHACKLE PLATE	4
17	00429-G4		BOLT, 3/8 - 16 X 3 1/2" LG.	4
18	11098-G5		LOCK NUT, 3/8 - 16	4
19				
20	14158-G1		SHOULDER BOLT, 7/16 - 14 X 3 1/4" LG.	2
21	12262-G1		LOCK NUT, 3/8 - 16	2

SEATING AND BAG HOLDER

Electric Vehicle

Front of Vehicle

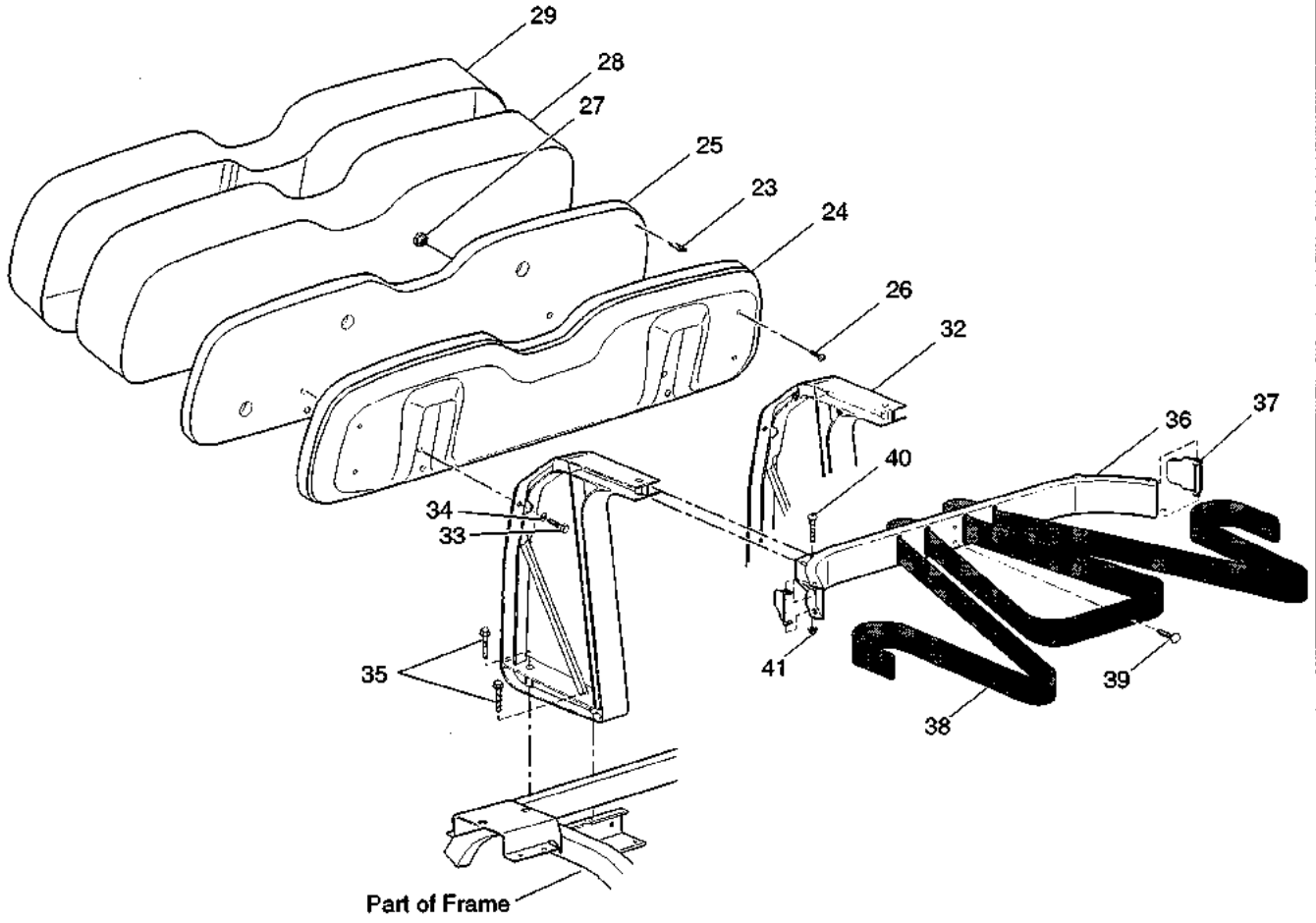
1 - Includes Items 2 - 9



Electric Vehicle

SEATING AND BAG HOLDER

22 - Includes Items 23 - 29



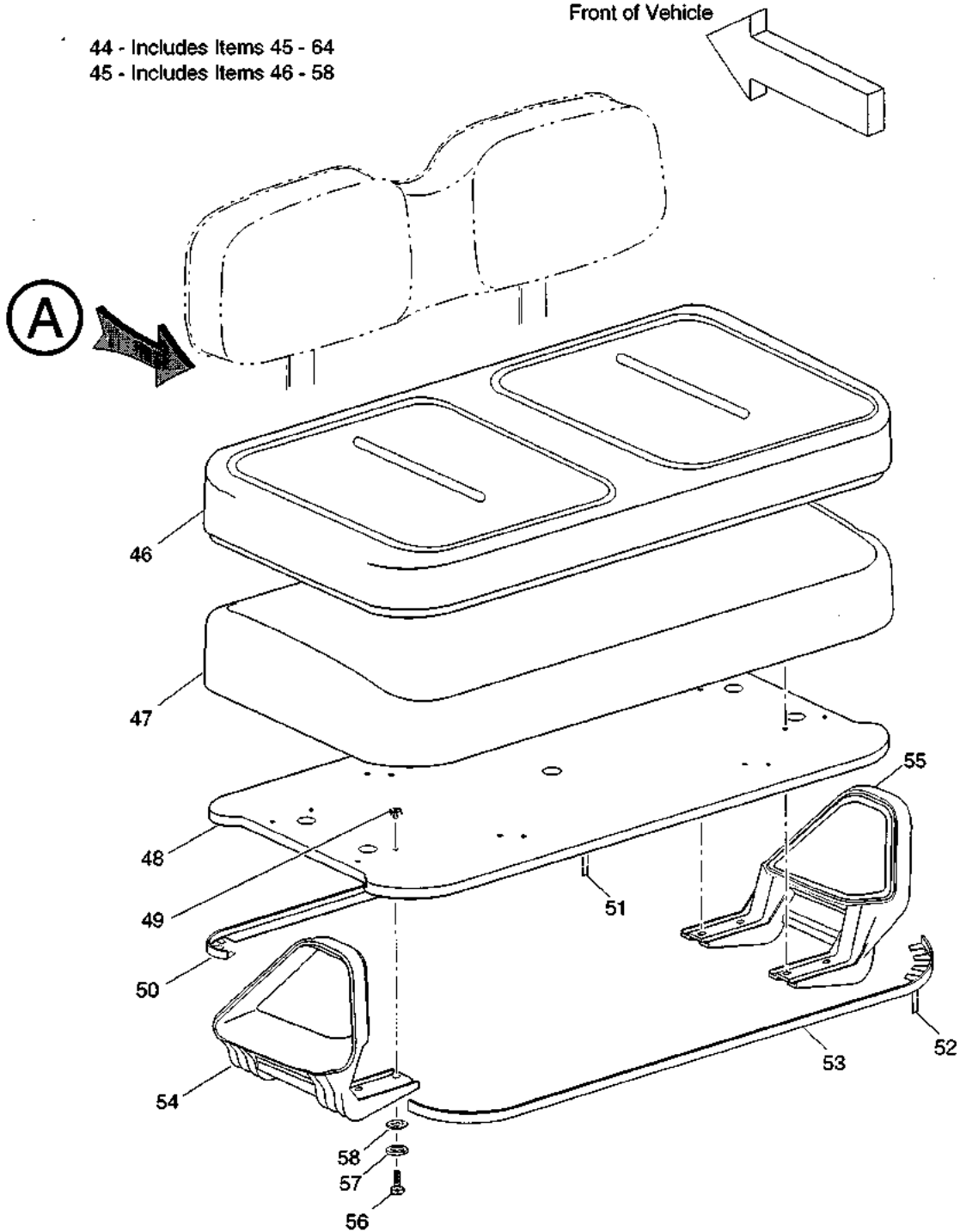
SEATING AND BAG HOLDER

Electric Vehicle

ITEMS 44 - 77 ARE FOR USE ON 4 CADDY MODELS ONLY

- 44 - Includes Items 45 - 64
- 45 - Includes Items 46 - 58

Front of Vehicle

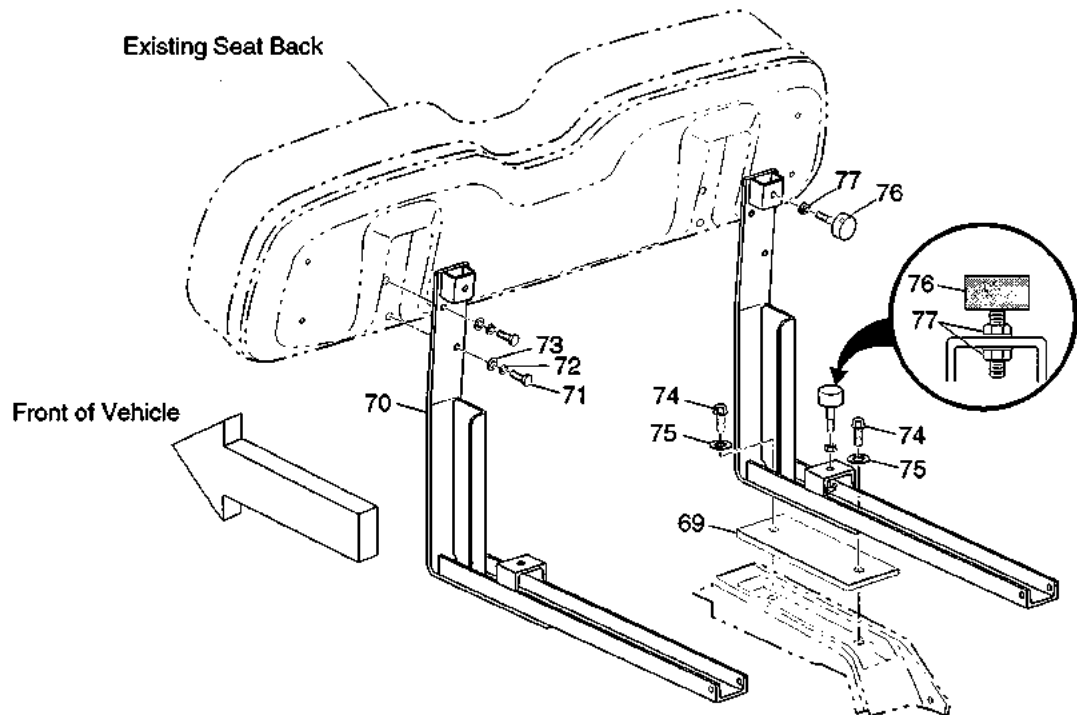
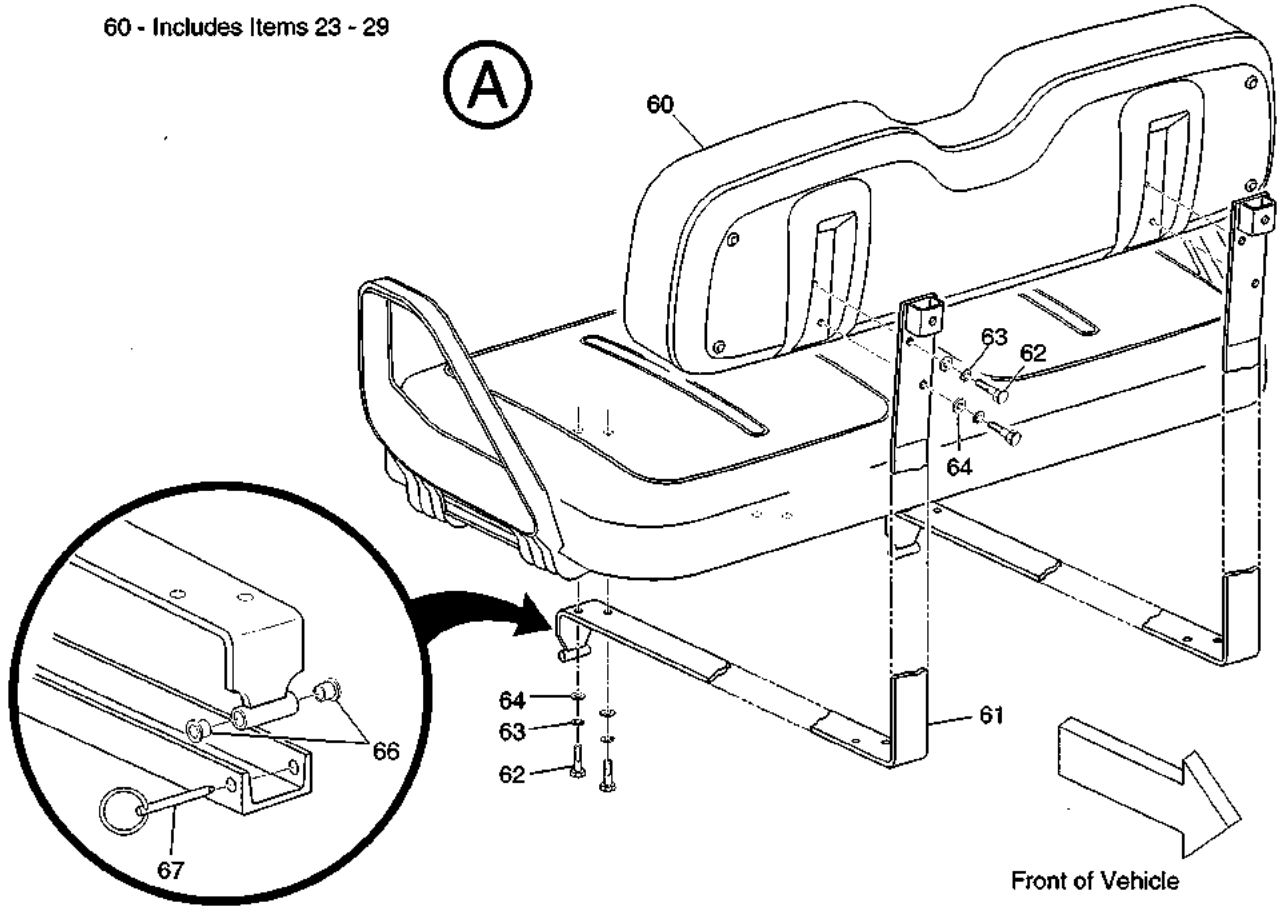


Electric Vehicle

SEATING AND BAG HOLDER

ITEMS 44 - 77 ARE FOR USE ON 4 CADDY MODELS ONLY

60 - Includes Items 23 - 29



SEATING AND BAG HOLDER

Electric Vehicle

When ordering parts, please specify the model and serial number of the product.

* Indicates a component that is not available as an individual part.

G** Indicates consult Customer Service Department for additional information.

ITEM	PART NO.	1 2 3 4 5	DESCRIPTION	QTY.
1	71611-G**		SEAT BOTTOM ASSEMBLY (INCLUDES ITEMS 2 - 9).....	1
2	*		TEE NUT.....	8
3	17074-G1		BUMPER.....	2
4	*		FLAT STAPLE	110
5				
6	71012-G01		VINYL TRIM (SEAT BOTTOM)	1
7	71602-G**		VINYL SEAT BOTTOM COVER.....	1
8	*		FOAM PADDING (SEAT BOTTOM)	1
9	*		SEAT BOTTOM (WOOD).....	1
10				
11				
12				
13	71701-G01		HIP RESTRAINT (PASSENGER SIDE)	1
14	71702-G01		HIP RESTRAINT (DRIVER SIDE).....	1
15	00414-G8		BOLT, 1/4 - 20 X 1" LG.	8
16	00565-G7		LOCK WASHER, 1/4"	8
17	00559-G7		WASHER, 1/4".....	8
18				
19	71610-G01		SEAT HINGE	2
20	00720-G08		SCREW, #12 - 14 X 1" LG.....	4
21				
22	71751-G**		SEAT BACK ASSEMBLY (INCLUDES ITEMS 23 - 29).....	1
23	*		FLAT STAPLE	95
24	71752-G01		PLASTIC SEAT BACK COVER.....	1
25	*		SEAT BACK (WOOD)	1
26	71002-G01		SCREW, #8 X 1" LG.	4
27	*		TEE NUT.....	4
28	*		FOAM PADDING (SEAT BACK).....	1
29	71753-G**		VINYL SEAT BACK COVER	1
30				

Electric Vehicle

SEATING AND BAG HOLDER

When ordering parts, please specify the model and serial number of the product.

* Indicates a component that is not available as an individual part.

G** Indicates consult Customer Service Department for additional information.

ITEM	PART NO.	1 2 3 4 5	DESCRIPTION	QTY.
31				
32	71811-G02		SEAT SUPPORT BRACKET	2
33	00414-G8		BOLT, 1/4 - 20 X 1" LG.	4
34	00565-G7		LOCK WASHER, 1/4"	4
35	71802-G01		BOLT, 3/8 - 16 X 2 1/4" LG.	4
36	71851-G01		BAG HOLDER BRACKET	1
37	71856-G01		BAG RETAINER CLAMP	2
38	71853-G01		BAG RETAINER STRAP	1
39	16816-G1		RATCHET FASTENER	2
40	71821-G01		CARRIAGE BOLT, 1/4 - 20 X 1 1/2" LG.	2
41	11027-G2		LOCK NUT, 1/4 - 20	2
42				
43				
44	74131-G**		SEAT ASSEMBLY (INCLUDES ITEMS 45 - 64)	1
45	74139-G**		SEAT BOTTOM ASSEMBLY (INCLUDES ITEMS 46 - 58)	1
46	71602-G**		VINYL COVER (SEAT BOTTOM)	1
47	*		FOAM PADDING (SEAT BOTTOM)	1
48	*		SEAT BOTTOM (WOOD)	1
49	*		TEE NUT	16
50	71012-G01		SEAT TRIM	1
51	*		FLAT STAPLE	110
52	*		FLAT STAPLE	48
53	74140-G01		SEAT TRIM	1
54	71702-G01		HIP RESTRAINT (DRIVER SIDE)	1
55	71701-G01		HIP RESTRAINT (PASSENGER SIDE)	1
56	00414-G8		BOLT, 1/4 - 20 X 1" LG.	8
57	00565-G7		LOCK WASHER, 1/4"	8
58	00559-G7		WASHER, 1/4"	8
59				
60	71751-G**		SEAT BACK ASSEMBLY (INCLUDES ITEMS 23 - 29)	1

SEATING AND BAG HOLDER

Electric Vehicle

When ordering parts, please specify the model and serial number of the product.

* Indicates a component that is not available as an individual part.

G** Indicates consult Customer Service Department for additional information.

ITEM	PART NO.	1	2	3	4	5	DESCRIPTION	QTY.
61	74117-G01						SEAT SUPPORT BRACKET	2
62	00414-G8						BOLT, 1/4 - 20 X 1" LG.....	12
63	00565-G2						LOCK WASHER, #5.....	12
64	00559-G7						WASHER, 1/4"	12
65								
66	17838-G1						NYLON BUSHING.....	4
67	74134-G01						QUICK RELEASE PIN	2
68								
69	70364-G01						SPACER	2
70	74111-G01						SEAT BACK SUPPORT	2
71	00414-G8						BOLT, 1/4 - 20 X 1" LG.....	4
72	00565-G7						LOCK WASHER, 1/4"	4
73	00559-G7						WASHER, 1/4"	4
74	01006-G02						BOLT, 3/8 - 16 X 1 1/2" LG.....	4
75	00560-G1						WASHER, 3/8".....	4
76	70113-G01						RUBBER BUMPER	4
77	11027-G1						LOCK NUT, 5/16 - 18	6

**DID YOU
KNOW?**

CartPros directs you to the right part using the part numbers from this manual. Enter the part number into our search box and it will find the part you are looking for.

**GET STARTED
HERE** →

<https://CartPros.com/f.html>

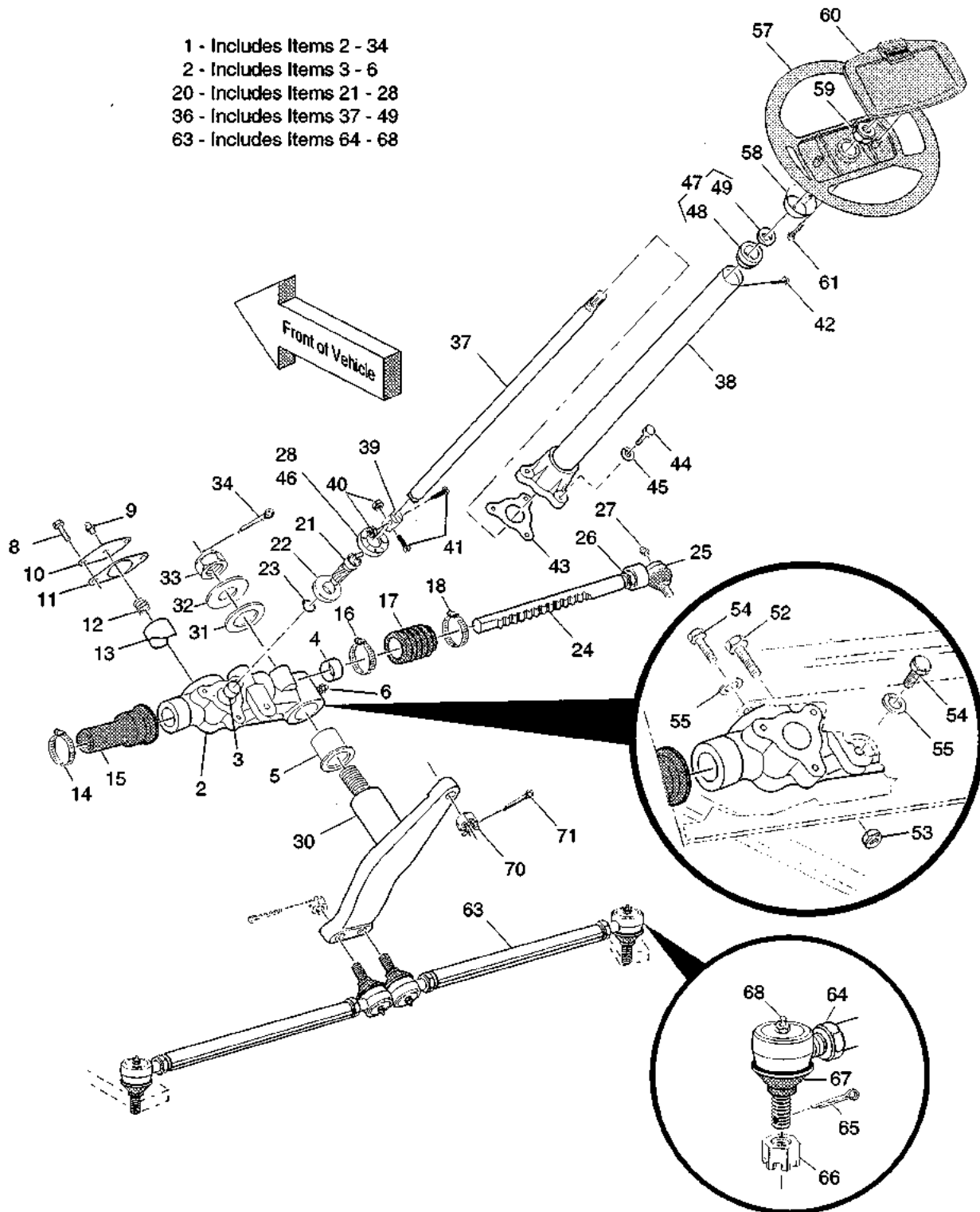
Electric Vehicle

SEATING AND BAG HOLDER

STEERING

Electric Vehicle

- 1 - Includes Items 2 - 34
- 2 - Includes Items 3 - 6
- 20 - Includes Items 21 - 28
- 36 - Includes Items 37 - 49
- 63 - Includes Items 64 - 68



Electric Vehicle

STEERING

When ordering parts, please specify the model and serial number of the product.

* Indicates a component that is not available as an individual part.

G** Indicates consult Customer Service Department for additional information.

ITEM	PART NO.	1 2 3 4 5	DESCRIPTION	QTY.
1	70314-G02		STEERING BOX ASSEMBLY (COMPLETE) (INCLUDES ITEMS 2 - 34).....	1
2	75364-G01		STEERING HOUSING (INCLUDES ITEMS 3-6).....	1
3	*		SLEEVE BEARING.....	1
4	*		SLEEVE BEARING.....	1
5	*		FLANGED BEARING.....	1
6	10389-G3		GREASE FITTING.....	1
7				
8	00426-G6		BOLT, 3/8 - 16 X 3/4" LG.	2
9	18456-G1		90° GREASE FITTING.....	1
10	70177-G01		RACK GUIDE COVER.....	1
11	70225-G01		GASKET.....	1
12	70178-G01		COMPRESSION SPRING.....	1
13	70179-G01		RACK GUIDE.....	1
14	11391-G1		CLAMP.....	1
15	70041-G01		RACK COVER.....	1
16	11391-G1		GEAR CLAMP.....	1
17	70183-G01		BELLOWS.....	1
18	11391-G5		GEAR CLAMP.....	1
19				
20	70299-G01		STEERING GEAR KIT (INCLUDES ITEMS 21 - 28).....	1
21	70297-G01		GEAR PINION.....	1
22	15112-G1		BALL BEARING.....	1
23	70190-G01		EXTERNAL RETAINING RING.....	1
24	70298-G01		STEERING RACK.....	1
25	70192-G01		RACK BALL END (WITH NUT).....	1
26	00544-G8		NUT, 7/16 - 20.....	1
27	18456-G1		90° GREASE FITTING.....	2
28	70466-G01		RETAINER.....	1
29				
30	70184-G01		IDLER.....	1

STEERING

Electric Vehicle

When ordering parts, please specify the model and serial number of the product.

* Indicates a component that is not available as an individual part.

G** Indicates consult Customer Service Department for additional information.

ITEM	PART NO.	1	2	3	4	5	DESCRIPTION	QTY.
31	70216-G01						THRUST WASHER, 1 1/2" I.D.	1
32	70195-G01						THRUST WASHER, 7/8".....	1
33	00734-G6						LOCK NUT, 7/8 - 9.....	1
34	00798-G8						COTTER PIN, 5/32" X 1 3/4" LG.....	1
35								
36	70360-G01						STEERING SHAFT/COLUMN KIT (INCLUDES ITEMS 37 -49)	1
37	14322-G3						STEERING SHAFT.....	1
38	70333-G01						STEERING COLUMN	1
39	70226-G01						COUPLING	1
40	00550-G1						LOCK NUT, 1/4 - 20.....	2
41	70227-G01						BOLT, 1/4 - 20 X 7/8" LG.....	2
42	01022-G01						SCREW, #6 - 20 X 5/16" LG.....	1
43	70223-G01						STEERING HOUSING GASKET	1
44	00876-G2						BOLT, 3/8 - 16 X 1 1/4" LG.....	3
45	00878-G1						LOCK WASHER, 3/8"	3
46	70466-G01						RETAINER	1
47	17161-G1						BUSHING/SEAL KIT (INCLUDES ITEMS 42, 43)	1
48	*						STEERING COLUMN BUSHING.....	1
49	*						SHAFT SEAL	1
50								
51								
52	00470-G4						BOLT, 7/16 - 20 X 2 1/2" LG.	1
53	00734-G3						LOCK NUT, 7/16 - 20	1
54	00462-G7						BOLT, 7/16 - 14 X 7/8" LG.	2
55	00566-G2						LOCK WASHER, 7/16".....	2
56								
57	18325-G1						STEERING WHEEL (INCLUDES ITEM 58)	1
58	*						HUB COVER.....	1
59	14390-G2						LOCK NUT, 5/8 - 18	1
60	27102-G01						CLIPBOARD.....	1

Electric Vehicle

STEERING

When ordering parts, please specify the model and serial number of the product.

* Indicates a component that is not available as an individual part.

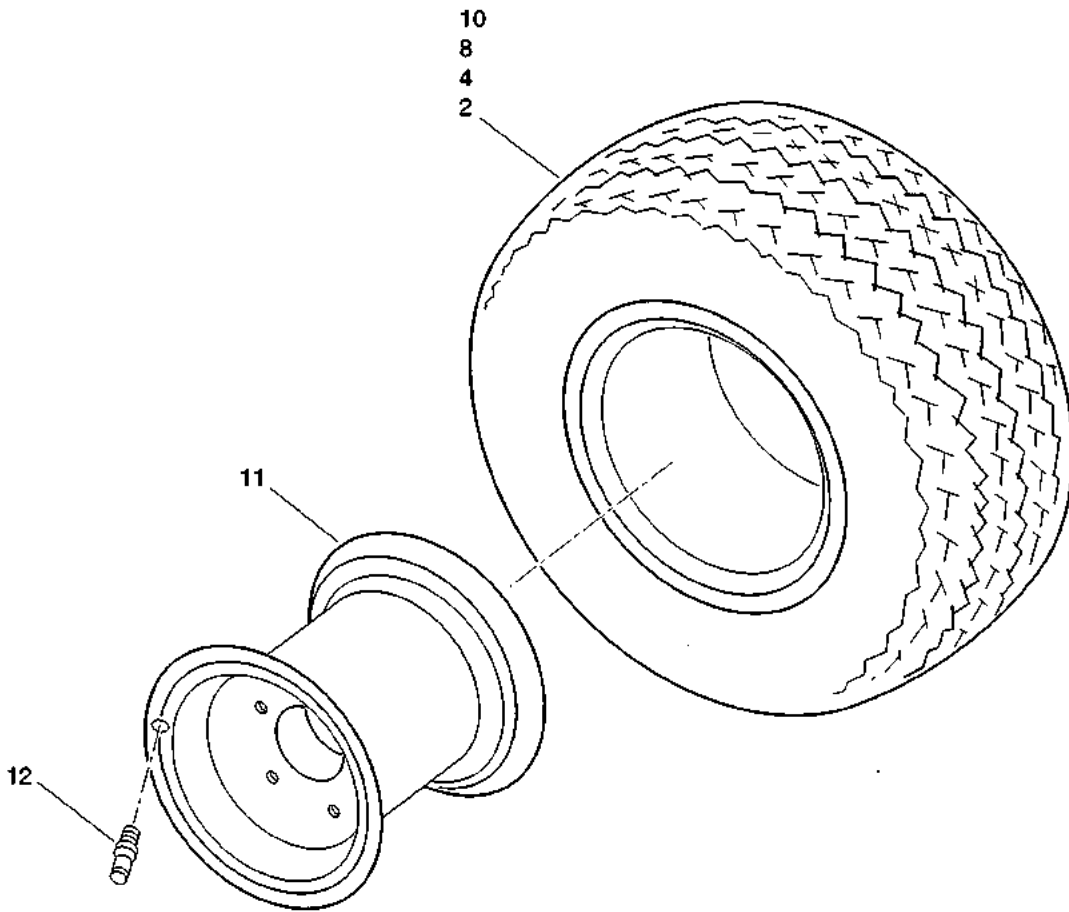
G** Indicates consult Customer Service Department for additional information.

ITEM	PART NO.	1 2 3 4 5	DESCRIPTION	QTY.
61	00999-G01		SCREW, #8 - 18 X 7/8" LG.	2
62				
63	70074-G01		TIE ROD ASSEMBLY (INCLUDES ITEMS 64 - 68)	2
64	18434-G2		NUT, 9/16 - 18.....	2
65	10387-G2		COTTER PIN, 3/32" X 1" LG.	2
66	50209-G1		SLOTTED NUT, 7/16 - 20.....	2
67	50641-G1		RUBBER BOOT.....	2
68	10389-G3		GREASE FITTING.....	2
69				
70	50209-G1		SLOTTED NUT, 7/16 - 20.....	1
71	10387-G2		COTTER PIN, 3/32" X 1" LG.....	3

WHEELS AND TIRES

Electric Vehicle

- 1 - Includes Items 2, 11, 12
- 3 - Includes Items 4, 11, 12
- 7 - Includes Items 8, 11, 12
- 9 - Includes Items 10, 11, 12



Electric Vehicle

WHEELS AND TIRES

THE USE OF NON UL PARTS WILL VOID ANY UL LISTING.

When ordering parts, please specify the model and serial number of the product.

* Indicates a component that is not available as an individual part.

G** Indicates consult Customer Service Department for additional information.

ITEM	PART NO.	1 2 3 4 5	DESCRIPTION	QTY.
1	27772-G01		18 X 8.5 - 8 CARLISLE TIRE AND WHEEL ASSEMBLY (LINKS) (INCLUDES ITEMS 2, 11, 12).....	AR
2	27772-G05		18 X 8.5 - 8 CARLISLE TIRE (LINKS).....	AR
3	27772-G02		18 X 8.5 - 8 CARLISLE TIRE AND WHEEL ASSEMBLY (TURF GLIDE) (INCLUDES ITEMS 4, 11, 12).....	AR
4	27772-G06		18 X 8.5 - 8 CARLISLE TIRE (TURF GLIDE).....	AR
5				
6				
7	27772-G03		18 X 8.5 - 8 CARLISLE TIRE AND WHEEL ASSEMBLY (TURF SAVER) (INCLUDES ITEMS 8, 11, 12).....	AR
8	27772-G07		18 X 8.5 - 8 CARLISLE TIRE (TURF SAVER).....	AR
9	27772-G04		18 X 8.5 - 8 CARLISLE TIRE AND WHEEL ASSEMBLY (FAIRWAY) (INCLUDES ITEMS 10, 11, 12).....	AR
10	27772-G08		18 X 8.5 - 8 CARLISLE TIRE (FAIRWAY).....	AR
11	15169-G1		WHEEL RIM (STANDARD 4 LUG).....	AR
12	11657-G1		VALVE STEM	AR

**DID YOU
KNOW?**

CartPros directs you to the right part using the part numbers from this manual. Enter the part number into our search box and it will find the part you are looking for.

**GET STARTED
HERE**



<https://CartPros.com/f.html>

WHEELS AND TIRES

Electric Vehicle

**DID YOU
KNOW?**

CartPros directs you to the right part using the part numbers from this manual. Enter the part number into our search box and it will find the part you are looking for.

**GET STARTED
HERE**



<https://CartPros.com/f.html>

SPECIAL TOOLS

SPECIAL TOOLS LISTING

SPECIAL TOOLS

SPECIAL TOOLS Part No.

BATTERY MAINTANANCE KIT	25587-G01
SEAL INSTALLATION TOOL (REAR AXLE SHAFT SEAL)	18739-G1
BATTERY SET DISCHARGER, 36 VOLT, 75 AMP	28251-G01
CURRENT INDICATOR	16489-G1
DIGITAL MULTI-METER	27481-G01
CRIMPING TOOL	27765-G01
SLIDE HAMMER (AXLE/HUB REMOVAL).....	15947-G1
SLIDE HAMMER (AXLE REMOVAL ONLY).....	18753-G1

PAINT

.6 OZ. BRUSH ON PAINT - HUNTER GREEN	28002-G04
.6 OZ. BRUSH ON PAINT - CHAMPAGNE BEIGE	28002-G03
12 OZ. SPRAY - HUNTER GREEN	28140-G09
12 OZ. SPRAY - CHAMPAGNE BEIGE.....	28140-G15

**DID YOU
KNOW?**

CartPros directs you to the right part using the part numbers from this manual. Enter the part number into our search box and it will find the part you are looking for.

**GET STARTED
HERE**



<https://CartPros.com/f.html>

ACCESSORIES

ACCESSORIES LISTING

ACCESSORIES

ACCESSORIES LISTING

KIT NO.

SUN TOP KIT	75040-G01	See Kit Instruction Sheet 75055
SUN TOP KIT (4 CADDY ONLY).....	75123-G01	See Kit Instruction Sheet 75158
WINDSHIELD KIT, 4 CADDY ONLY	75133-G01	See Kit Instruction Sheet 75161
WINDSHIELD KIT, TINT, 4 CADDY ONLY	75133-G02	See Kit Instruction Sheet 75161
WINDSHIELD KIT, 2 BEND	75041-G03	See Kit Instruction Sheet 75043
WINDSHIELD KIT, 2 BEND, TINTED	75041-G04	See Kit Instruction Sheet 75043
WINDSHIELD KIT, SPLIT,	75077-G01	
WINDSHIELD KIT, SPLIT, TINTED	75077-G02	
WINDSHIELD KIT, SPLIT, 4 CADDY ONLY	75077-G03	
WINDSHIELD KIT, SPLIT, TINTED	75077-G04	
SAND RAKE	14735-G1	
TOW BAR KIT (PERMANENT USE)	75310-G01	See Kit Instruction Sheet 75311
WEATHER ENCLOSURE (3 SIDED).....	75078-G01	
WEATHER ENCLOSURE (4 SIDED).....	75079-G01	
REAR VIEW MIRROR (REQUIRES SUN TOP).....	19528-G2	See Kit Instruction Sheet 75162
MESSAGE HOLDER KIT (REQUIRES SUNTOP).....	75094-G01	
HOUR METER.....	75113-G02	
COOLER JUG / BRACKET KIT	75170-G01	
BAG COVER / RAIN CURTAIN KIT	75191-G01	
SEAT REFURBISHMENT SPRAY (WHITE)	28166-G01	
ASHTRAY KIT.....	75109-G02	See Kit Instruction Sheet 75110
TURN SIGNAL KIT (4 CADDY ONLY)	75107-G02	
SAND BOTTLE	75009-G01	See Kit Instruction Sheet 75029
8" CHROME HUBCAP	14913-G*	See Kit Instruction Sheet 28244
6" CHROME HUBCAP	16042-G*	See Kit Instruction Sheet 28244
GOLD SPOKE HUBCAP	19241-G*	See Kit Instruction Sheet 28244
SILVER SPOKE HUBCAP	19241-G*	See Kit Instruction Sheet 28244
4-CADDY KIT	74150-G01	See Kit Instruction Sheet 74155
CENTER BASKET	75003-G02	See Kit Instruction Sheet 75025
SIDE BASKET	75007-G02	See Kit Instruction Sheet 75026
SCUFF GUARDS.....	75127-G02	
SUN TOP WITHOUT BAG RACK	75135-G01	See Kit Instruction Sheet 75137

GENERAL INDEX

TWO BAG ATTACHMENT	75183-G01	See Kit Instruction Sheet 75184
CONVERTIBLE CARRIER KIT	75179-G*	See Kit Instruction Sheet 75283
4-CADDY TO CONVERTIBLE CARRIER KIT	75278-G*	See Kit Instruction Sheet 75284
4 BAG ATTACHMENT	75335-G01	See Kit Instruction Sheet 75336

**DID YOU
KNOW?**

CartPros directs you to the right part using the part numbers from this manual. Enter the part number into our search box and it will find the part you are looking for.

**GET STARTED
HERE**



<https://CartPros.com/f.html>

ACCESSORIES

**DID YOU
KNOW?**

CartPros directs you to the right part using the part numbers from this manual. Enter the part number into our search box and it will find the part you are looking for.

**GET STARTED
HERE**



<https://CartPros.com/f.html>

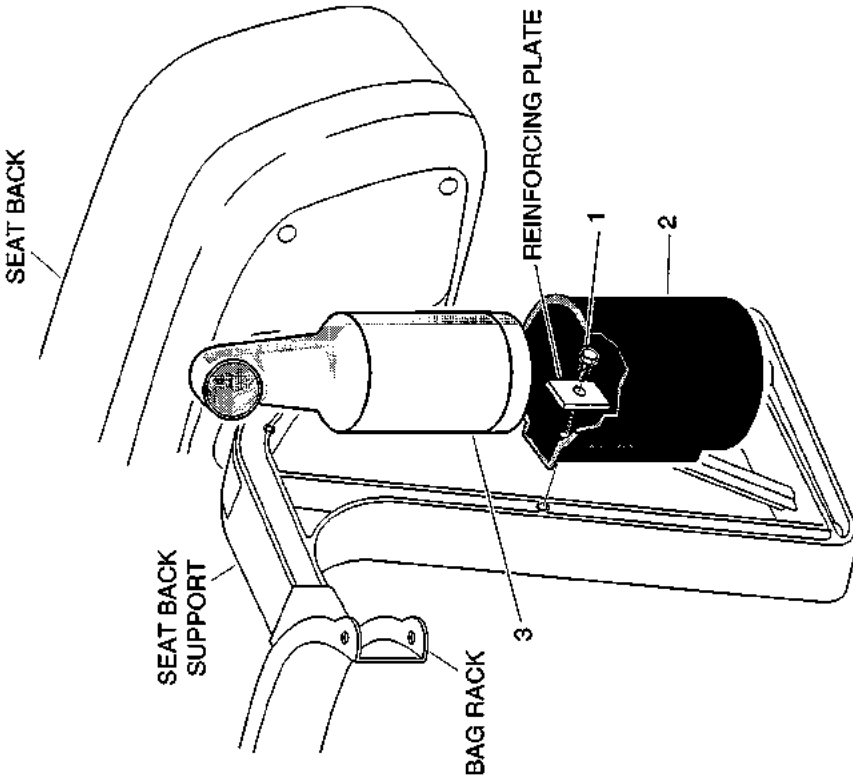
ACCESSORIES

ACCESSORIES ILLUSTRATED

NOTE: TO ORDER THIS ENTIRE FIELD KIT, REQUEST PART NO. 75009-G01
NOTE: SIDE BASKET CANNOT BE USED ON SAME SIDE OF VEHICLE WITH SAND BOTTLE KIT.

READ ALL INSTRUCTIONS BEFORE PROCEEDING.

1. INSTALLATION TIP: INSTALL THE 1/4-20 TAPTITE BOLT ITEM 1 INTO THE DESIGNATED HOLE (SEE ILLUSTRATION) IN THE METAL SEAT BACK SUPPORT TO FORM CLEAN, STRAIGHT THREADS. BACK THE TAPTITE SCREW OUT OF THE SEATBACK SUPPORT.
2. ALIGN THE HOLES IN THE REINFORCING PLATE AND THE SAND BOTTLE HOLDER, ITEM 2 WITH THE HOLE INDICATED IN THE THE METAL SEAT BACK SUPPORT. INSERT THE TAPTITE SCREW AND SECURE FIRMLY.



MEDALIST/TXT



Item 1
 1/4-20 x 3/4 Lg. Taptite Bolt

◀ REFERS TO A NOTE CORRESPONDING TO THE LETTER ENCLOSED WITHIN IT.
 FOLLOWING PAGE(S) FOR NOTES AND PARTS LISTS.
 THIS DOCUMENT TO FACILITATE THE ORDERING OF PLACEMENT PARTS.

ITEM	QTY	PART NO.	DESCRIPTION
1	1	71102-G01	BOLT, TAPTITE, 1/4-20 X 3/4 LG.
2	1	27374-G01	HOLDER, SAND BOTTLE
3	1	27373-G01	BOTTLE, SAND

TITLE SAND BOTTLE INSTALLATION INSTRUCTION KIT				REV C
EZ-GO		DRN BY L WEBB	REV BY C THOMANN	DRAWING NO. 75029
		ORIG DATE 11/29/93	REV DATE 07/21/95	PG. 1 OF 1

E-Z-GO DIVISION OF TEXTRON, INC., P.O. BOX 388, AUGUSTA, GA. 30913-2699, 1-800-241-5855

NOTE: TO ORDER THIS ENTIRE FIELD KIT, REQUEST PART NO. 75007-G02

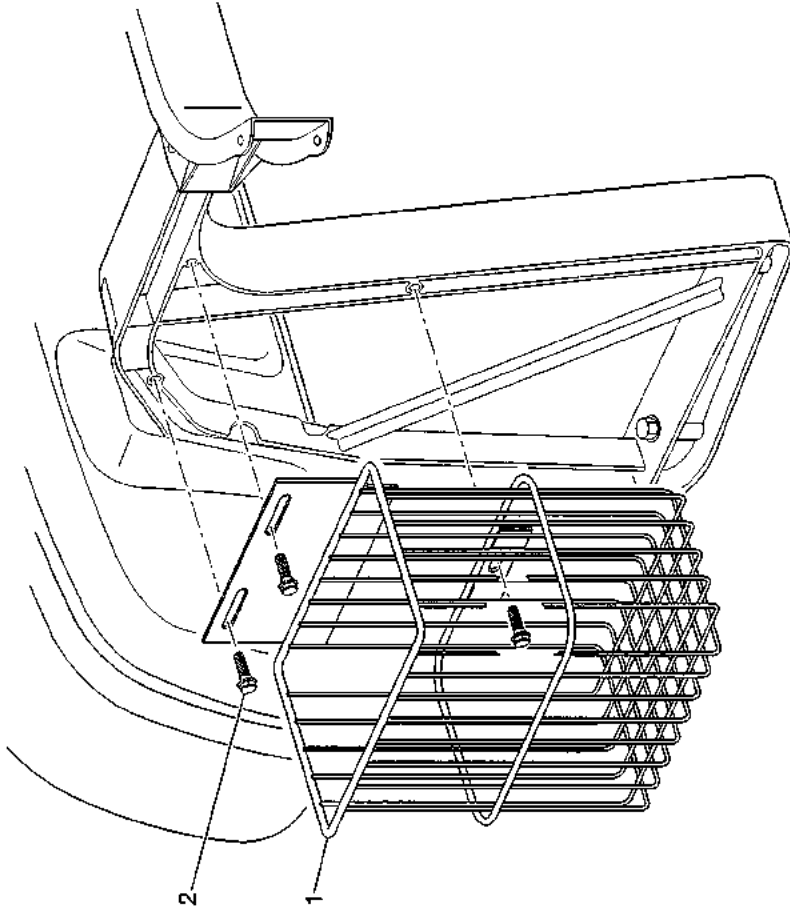
READ ALL INSTRUCTIONS BEFORE PROCEEDING.

1. ALIGN HOLES ON THE SIDE BASKET, ITEM 1 WITH HOLES IN THE SEAT BACK SUPPORT BRACKET AS SHOWN IN ILLUSTRATION.

NOTE

BASKET MAY BE INSTALLED ON EITHER SIDE OF VEHICLE

2. INSTALL THE THREAD FORMING BOLTS, ITEM 2 INTO EACH HOLE. TIGHTEN TO 60 - 85 IN. LBS. TORQUE.



ITEM	QTY	PART NO.	DESCRIPTION
1	1	75008-G01	BASKET, SIDE
2	3	71102-G02	BOLT, 1/4-20 X 1/2 LG.

TITLE SIDE BASKET INSTALLATION

DRN BY EZGO	L. WEBB	REV BY	REV -
ORIG DATE 01/03/94	01/03/94	DRAWING NO. 75026	PG. 1 OF 1

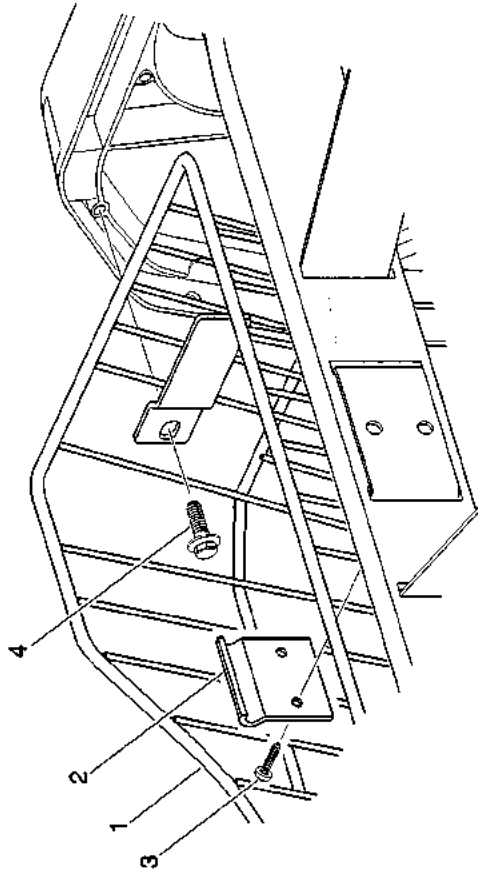
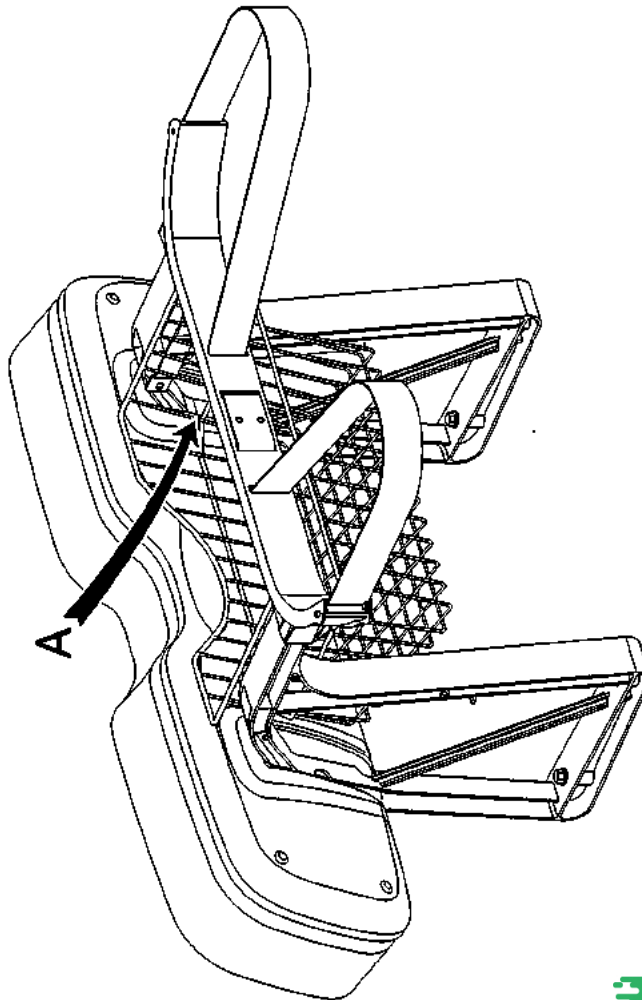
THE SYMBOL ◁ REFERS TO A NOTE CORRESPONDING TO THE LETTER ENCLOSED WITHIN IT.
SEE FOLLOWING PAGE(S) FOR NOTES AND PARTS LISTS.
OBTAIN THIS DOCUMENT TO FACILITATE THE ORDERING OF REPLACEMENT PARTS.

E-Z-GO DIVISION OF TEXTRON, INC., P.O. BOX 388, AUGUSTA, GA. 30913-2699, 1-800-241-5855

NOTE: TO ORDER THIS ENTIRE FIELD KIT, REQUEST PART NO. 75003-G02

READ ALL INSTRUCTIONS BEFORE PROCEEDING.

1. PLACE THE CENTER BASKET, ITEM 1 JUST BEHIND THE BAG RACK AS SHOWN IN ILLUSTRATION BELOW.
2. ALIGN THE GROOVE IN THE BASKET BRACKET, ITEM 2 WITH THE TOP EDGE OF THE CENTER BASKET. (SEE DETAIL A.)
3. INSTALL THE THREAD FORMING SCREWS, ITEM 4 INTO THE BASKET BRACKET AND TIGHTEN TO 15 - 20 IN. LBS. TORQUE.
4. SECURE THE CENTER BASKET TO THE SEAT BACK SUPPORTS WITH PLASTITE SCREWS, ITEM 3 AT EACH SIDE AS SHOWN. TIGHTEN TO 60 - 85 IN. LBS. TORQUE.



DETAIL A

ITEM	QTY	PART NO.	DESCRIPTION
1	1	75001-G01	BASKET, CENTER
2	1	75002-G01	BRACKET, BASKET
3	2	71002-G01	SCREW, #8 X 3/8 LG. PLASTITE
4	2	71102-G02	SCREW, 1/4-20 X 1/2 LG.

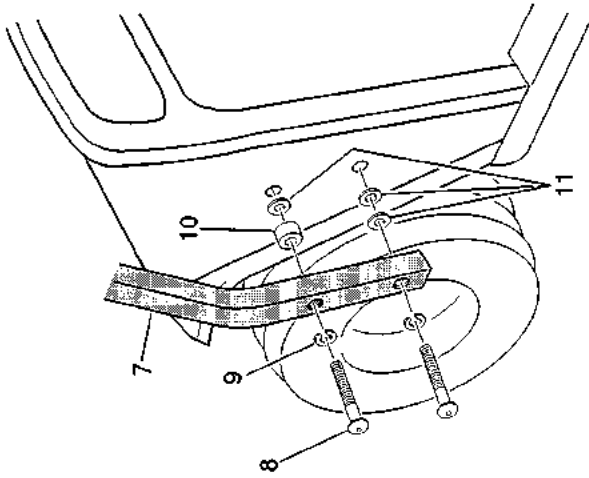
EZ-GO **TEXTORON** **DRN BY** **L WEBB** **REV BY** **L WEBB** **TITLE** **CENTER BASKET INSTALLATION** **REV** **A**

◀ REFERS TO A NOTE CORRESPONDING TO THE LETTER ENCLOSED WITHIN IT.
 E FOLLOWING PAGE(S) FOR NOTES AND PARTS LISTS.
 TAIN THIS DOCUMENT TO FACILITATE THE ORDERING OF PLACEMENT PARTS.

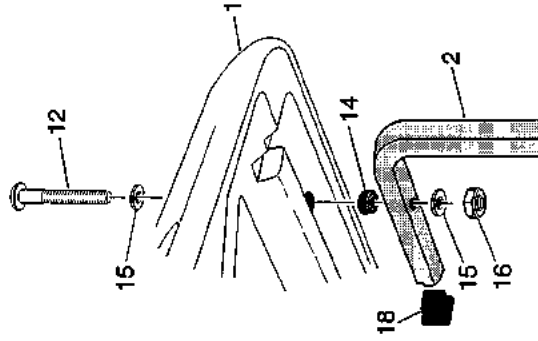
EZ-GO **TEXTORON** **DRN BY** **L WEBB** **REV BY** **L WEBB** **DRAWING** **A**

ORIG DATE 01/03/94 **REV DATE** 01/24/94 **NO.** 75025 **PG.** 1 OF 1

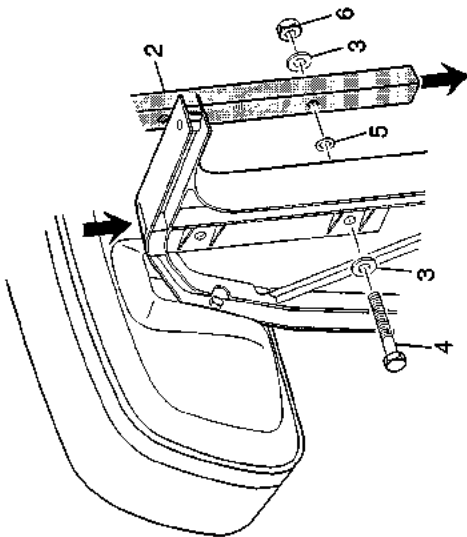
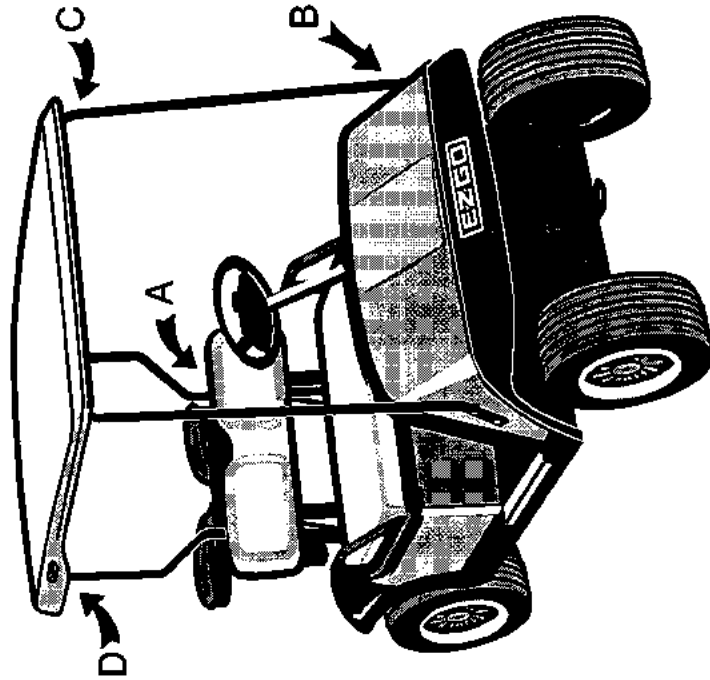
E-Z-GO DIVISION OF TEXTORON, INC., P.O. BOX 388, AUGUSTA, GA. 30913-2699, 1-800-241-5855



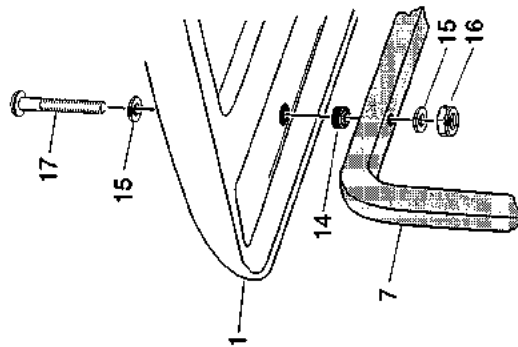
DETAIL B



**DETAIL D
(REAR)**



DETAIL A



**DETAIL C
(FRONT)**

E SYMBOL \triangleleft REFERS TO A NOTE CORRESPONDING TO THE LETTER ENCLOSED WITHIN IT.
 E FOLLOWING PAGE(S) FOR NOTES AND PARTS LISTS.
 TAIN THIS DOCUMENT TO FACILITATE THE ORDERING OF PLACEMENT PARTS.

TITLE SUN TOP INSTALLATION (WITH BAG RACK)

REV E



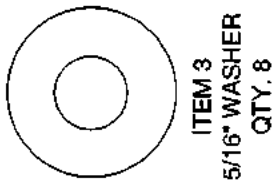
DRN BY L WEBB
 ORIG DATE 12/20/93

REV BY J-BRAND
 REV DATE 02/07/96

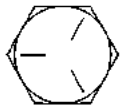
DRAWING NO. 75055

PG. 1 OF 3

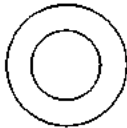
E-Z-GO DIVISION OF TEXTRON, INC., P.O. BOX 388, AUGUSTA, GA. 30913-2699, 1-800-241-5855



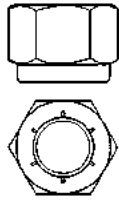
ITEM 3
5/16" WASHER
QTY. 8



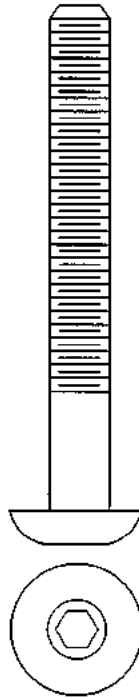
ITEM 4
5/16-18 X 1 3/4" BOLT
QTY. 4



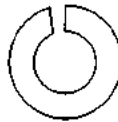
ITEM 5
5/16" TEFLON WASHER
QTY. 4



ITEM 6
5/16-18 LOCK NUT
QTY. 4



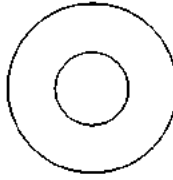
ITEM 8
5/16-18 X 2 1/8" BOLT
QTY. 4



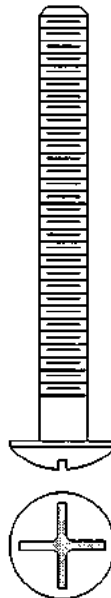
ITEM 9
5/16" LOCK WASHER
QTY. 4



ITEM 10
SPACER
QTY. 2



ITEM 11
5/16" WASHER
QTY. 6



ITEM 12
1/4-20 X 2 1/4" BOLT
QTY. 2



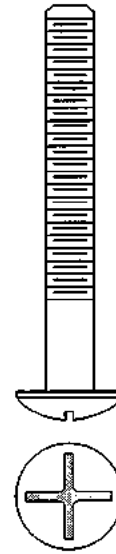
ITEM 14
PLASTIC SPACER
QTY. 4



ITEM 15
1/4" WASHER
QTY. 8



ITEM 16
1/4-20 LOCK NUT
QTY. 4



ITEM 17
1/4-20 X 2" BOLT
QTY. 2

NOTE: ALL HARDWARE SHOWN ACTUAL SIZE

☞ SYMBOL \sphericalangle REFERS TO A NOTE CORRESPONDING TO LETTER ENCLOSED WITHIN IT.
☞ FOLLOWING PAGE(S) FOR NOTES AND PARTS LISTS.
☞ OBTAIN THIS DOCUMENT TO FACILITATE THE ORDERING OF PLACEMENT PARTS.

TITLE SUN TOP INSTALLATION (WITH BAG RACK)



DRN BY L WEBB
ORIG DATE 12/20/93

REV BY J. Brand
REV DATE 02/07/96

DRAWING NO. 75055

REV E
PG. 2 OF 3

NOTE: TO ORDER THIS ENTIRE FIELD KIT, REQUEST 75040-G01
READ ALL INSTRUCTIONS BEFORE PROCEEDING.

A. REAR STRUTS

1. REMOVE CENTER BASKET AND OTHER ACCESSORIES THAT MAY LIMIT ACCESS REQUIRED FOR INSTALLING REAR STRUTS.
2. PLACE REAR STRUT, ITEM 2 THRU THE SQUARE HOLE IN THE TOP OF THE SEAT BACK SUPPORT.
3. ALIGN THE HOLES IN THE REAR STRUT WITH THE HOLES IN THE SEAT BACK SUPPORT BRACKET. PUSH THE STRUT TOWARD THE CENTER OF THE CAR TO GIVE CLEARANCE BETWEEN THE STRUT AND THE SEAT BACK SUPPORT.
4. PLACE WASHER, ITEM 3 ONTO BOLT, ITEM 4 AND INSERT BOLT JUST THRU SEAT BACK SUPPORT (2 - 3 THREADS). PLACE THE SMALL WHITE TEFLON WASHER, ITEM 5 ONTO THE BOLT BETWEEN THE STRUT AND SEAT BACK SUPPORT TO PREVENT SQUEAKING.
5. INSERT THE BOLT WITH THE TWO WASHERS IN PLACE THRU THE REAR STRUT. SECURE HARDWARE WITH WASHER, ITEM 3 AND LOCK NUT, ITEM 6. **DO NOT TIGHTEN HARDWARE.**
6. REPEAT STEPS 4 AND 5 FOR THE OTHER HOLE.
7. REPEAT PROCEDURE AT THE OTHER SIDE OF VEHICLE.
8. INSERT TUBE CAPS, ITEM 18 INTO THE TOP OF THE REAR STRUTS.

B. FRONT STRUT

1. REMOVE AND DISCARD THE FOUR ALLEN HEAD BOLTS FROM THE FRONT COWL USING A 7/32" ALLEN WRENCH.
2. AT THE TOP HOLE, INSTALL THE FRONT STRUT, ITEM 7 WITH BOLT, ITEM 8 AND BLACK LOCK WASHER, ITEM 9, ON THE OUTSIDE OF STRUT, AND A SPACER, ITEM 10 AND A WASHER, ITEM 11 BETWEEN THE FRONT COWL AND STRUT. **DO NOT TIGHTEN HARDWARE.**
3. AT THE BOTTOM HOLE, SECURE THE FRONT STRUT, ITEM 7 WITH BOLT, ITEM 8 AND BLACK LOCK WASHER, ITEM 9, ON THE OUTSIDE OF STRUT, AND TWO BLACK WASHERS, ITEM 11 BETWEEN THE FRONT COWL AND STRUT. **DO NOT TIGHTEN HARDWARE.**

C. SUNTOP

1. PLACE SUN TOP, ITEM 1 ONTO STRUTS
2. SECURE SUN TOP LOOSELY WITH BOLTS, ITEM 17 AT FRONT AND ITEM 12 AT REAR, PLASTIC SPACER, ITEM 14, WASHER, ITEM 15, AND LOCK NUT, ITEM 16. SEE ILLUSTRATIONS FOR INSTALLATION SEQUENCE.
3. TIGHTEN ALL SUN TOP HARDWARE TO 3 - 5 FT. LBS. TORQUE.
4. TIGHTEN ALL REAR STRUT HARDWARE TO 13 - 15 FT. LBS. TORQUE.
5. TIGHTEN ALL FRONT STRUT HARDWARE TO 17 - 19 FT. LBS. TORQUE.

ITEM	QTY	PART NO.	DESCRIPTION
1	1	27069-G01	TOP, SUN
2	2	75046-G01	STRUT, REAR
3	8	00571-G2	WASHER, 5/16"
4	4	00439-G6	BOLT, 5/16-18 X 1 3/4"
5	4	17255-G1	WASHER, TEFLON, 5/16"
6	4	11098-G6	NUT, LOCK, 5/16-18
7	1	75045-G01	STRUT, FRONT
8	4	71056-G03	BOLT, 5/16-18 X 2 1/8"
9	4	00905-G8	WASHER, LOCK, 5/16"
10	2	75048-G01	SPACER
11	6	00570-G2	WASHER, 5/16"
12	2	00753-G6	BOLT, STAINLESS STEEL, 1/4-20 X2 1/4"
13			
14	4	75051-G01	SPACER, PLASTIC
15	8	00559-G7	WASHER, 1/4"
16	4	00891-G2	NUT, LOCK, 1/4-20
17	2	00753-G5	BOLT, STAINLESS STEEL, 1/4-20 X 2"
18	2	19853-G1	CAP, TUBE, 1"

E SYMBOL ◁ REFERS TO A NOTE CORRESPONDING TO THE LETTER ENCLOSED WITHIN IT.
 SEE FOLLOWING PAGE(S) FOR NOTES AND PARTS LISTS.
 OBTAIN THIS DOCUMENT TO FACILITATE THE ORDERING OF REPLACEMENT PARTS.

TITLE SUN TOP INSTALLATION (WITH BAG RACK)



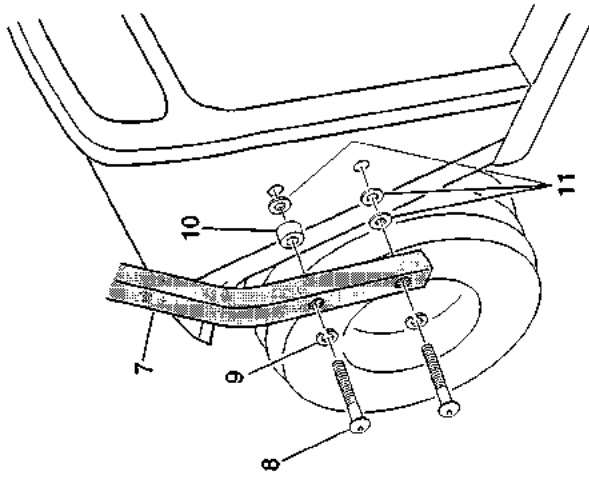
DRN BY L WEBB 12/20/99
 REV BY J. Brand 09/07/96
 REV DATE

A DRAWING NO. 75055

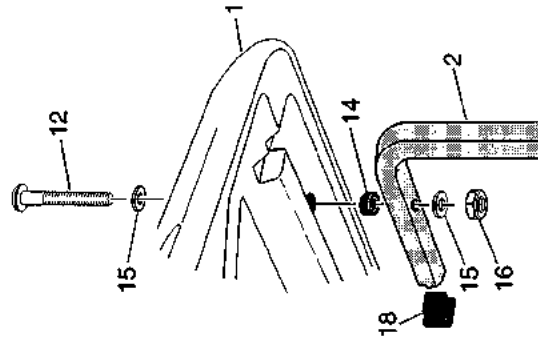
REV E

PG. 3 OF 3

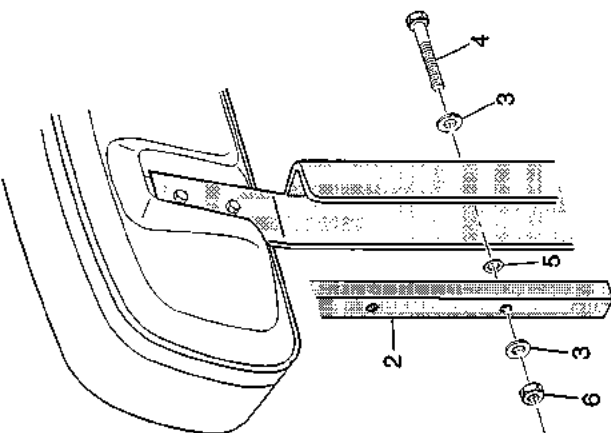
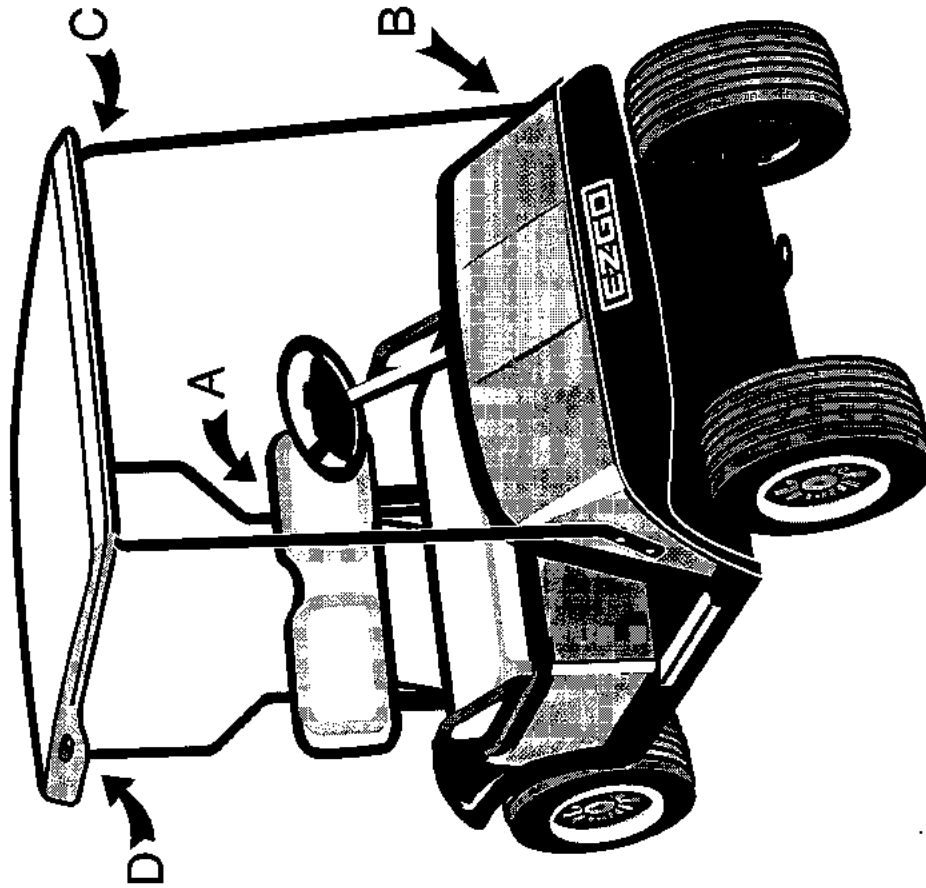
E-Z-GO DIVISION OF TEXTRON, INC., P.O. BOX 388, AUGUSTA, GA. 30913-2699, 1-800-241-5855



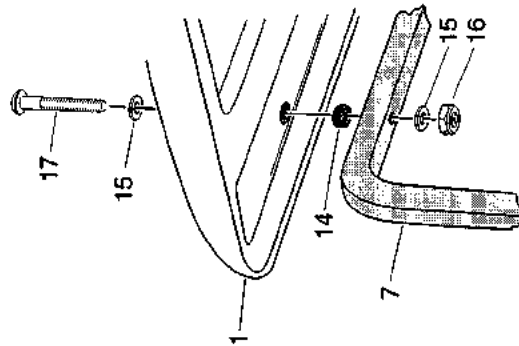
DETAIL B



DETAIL D (REAR)



DETAIL A



DETAIL C (FRONT)

TITLE SUN TOP INSTALLATION (WITHOUT BAG RACK)

REV B



J. Brand

REV BY

L WEBB

DRN BY

02/07/96

06/16/94

REV DATE

02/07/96

REV DATE

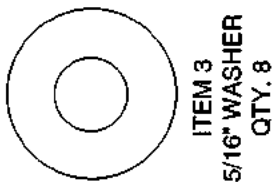
A

DRAWING NO. 75137

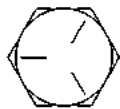
PG. 1 OF 3

E SYMBOL \triangleleft REFERS TO A NOTE CORRESPONDING TO THE LETTER ENCLOSED WITHIN IT.
E FOLLOWING PAGE(S) FOR NOTES AND PARTS LISTS.
AIN THIS DOCUMENT TO FACILITATE THE ORDERING OF PLACEMENT PARTS.

E-Z-GO DIVISION OF TEXTRON, INC., P.O. BOX 388, AUGUSTA, GA. 30913-2699, 1-800-241-5855



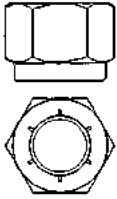
ITEM 3
5/16" WASHER
QTY. 8



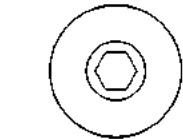
ITEM 4
5/16-18 X 1 3/4" BOLT
QTY. 4



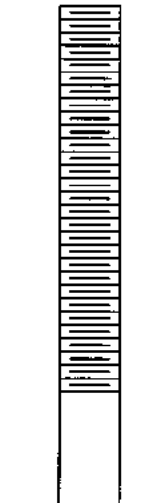
ITEM 5
5/16" TEFLON WASHER
QTY. 4



ITEM 6
5/16-18 LOCK NUT
QTY. 4



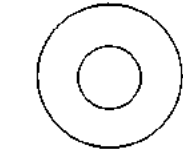
ITEM 8
5/16-18 X 2 1/8" BOLT
QTY. 4



ITEM 9
5/16" LOCK WASHER
QTY. 4



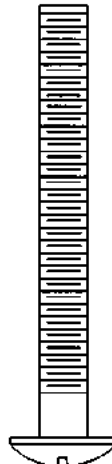
ITEM 10
SPACER
QTY. 2



ITEM 11
5/16" BLACK WASHER
QTY. 6



ITEM 12
1/4-20 X 2 1/4" BOLT
QTY. 2



ITEM 14
PLASTIC SPACER
QTY. 4



ITEM 15
1/4" WASHER
QTY. 8



ITEM 16
1/4-20 LOCK NUT
QTY. 4



ITEM 17
1/4-20 X 2" BOLT
QTY. 2



NOTE: ALL HARDWARE SHOWN ACTUAL SIZE

E SYMBOL REFERS TO A NOTE CORRESPONDING TO THE LETTER ENCLOSED WITHIN IT.
E FOLLOWING PAGE(S) FOR NOTES AND PARTS LISTS.
AIN THIS DOCUMENT TO FACILITATE THE ORDERING OF PLACEMENT PARTS.

TITLE SUN TOP INSTALLATION (WITHOUT BAG RACK)

EZ-GO 

DRN BY L.WEBB
 REV BY J. Brand
 ORIG DATE 06/16/84
 REV DATE 02/07/96

A
 DRAWING NO. 75137

REV C

PG. 2 OF 3

E-Z-GO DIVISION OF TEXTRON, INC., P.O. BOX 388, AUGUSTA, GA. 30913-2689, 1-800-241-5855

NOTE: TO ORDER THIS ENTIRE FIELD KIT, REQUEST 75135-G01
READ ALL INSTRUCTIONS BEFORE PROCEEDING.

C. SUN TOP

1. PLACE SUN TOP, ITEM 1 ONTO STRUTS
2. SECURE SUN TOP LOOSELY WITH BOLTS, ITEM 17 AT FRONT AND ITEM 12 AT REAR, PLASTIC SPACER, ITEM 14, WASHER, ITEM 15, AND LOCK NUT, ITEM 16. SEE ILLUSTRATIONS FOR INSTALLATION SEQUENCE.
3. TIGHTEN ALL SUN TOP HARDWARE TO 3 - 5 FT. LBS. TORQUE.
4. TIGHTEN ALL REAR STRUT HARDWARE TO 13 - 15 FT. LBS. TORQUE.
5. TIGHTEN ALL FRONT STRUT HARDWARE TO 13 - 15 FT. LBS. TORQUE.

A. REAR STRUTS

1. ALIGN THE HOLES IN THE REAR STRUT WITH THE HOLES IN THE SEAT BACK SUPPORT BRACKET. PUSH THE STRUT AWAY FROM THE CENTER OF THE CAR TO GIVE CLEARANCE BETWEEN THE STRUT AND THE SEAT BACK SUPPORT.
2. PLACE WASHER, ITEM 3 ONTO BOLT, ITEM 4 AND INSERT BOLT JUST THRU SEAT BACK SUPPORT (2 - 3 THREADS). PLACE THE SMALL WHITE TEFLON WASHER, ITEM 5 ONTO THE BOLT BETWEEN THE STRUT AND SEAT BACK SUPPORT TO PREVENT SQUEAKING.
3. INSERT THE BOLT WITH THE TWO WASHERS IN PLACE THRU THE REAR STRUT. SECURE HARDWARE WITH WASHER, ITEM 3 AND LOCK NUT, ITEM 6. **DO NOT TIGHTEN HARDWARE.**
4. REPEAT STEPS 2 AND 3 FOR THE OTHER HOLE.
5. REPEAT PROCEDURE AT THE OTHER SIDE OF VEHICLE.
6. INSERT TUBE CAPS, ITEM 18 INTO THE TOP OF THE REAR STRUTS.

B. FRONT STRUT

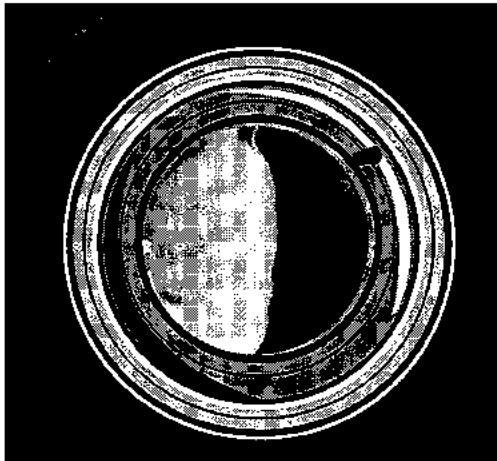
1. REMOVE AND DISCARD THE FOUR ALLEN HEAD BOLTS FROM THE FRONT COWL USING A 7/32" ALLEN WRENCH.
2. AT THE TOP HOLE, INSTALL THE FRONT STRUT, ITEM 7 WITH BOLT, ITEM 8 AND BLACK LOCK WASHER, ITEM 9, ON THE OUTSIDE OF STRUT, AND A SPACER, ITEM 10 BETWEEN THE FRONT COWL AND STRUT. **DO NOT TIGHTEN HARDWARE.**
3. AT THE BOTTOM HOLE, SECURE THE FRONT STRUT, ITEM 7 WITH BOLT, ITEM 8 AND BLACK LOCK WASHER, ITEM 9, ON THE OUTSIDE OF STRUT, AND TWO BLACK WASHERS, ITEM 11 BETWEEN THE FRONT COWL AND STRUT. **DO NOT TIGHTEN HARDWARE.**

ITEM	QTY	PART NO.	DESCRIPTION
1	1	27069-G01	TOP, SUN
2	2	75136-G01	STRUT, REAR
3	8	00571-G2	WASHER, 5/16"
4	4	00439-G6	BOLT, 5/16-18 X 1 3/4"
5	4	17255-G1	WASHER, TEFLON, 5/16"
6	4	11098-G6	NUT, LOCK, 5/16-18
7	1	75045-G01	STRUT, FRONT
8	4	71056-G03	BOLT, 5/16-18 X 2 1/8"
9	4	00905-G8	WASHER, LOCK, BLACK, 5/16"
10	2	75048-G01	SPACER
11	6	00570-G2	WASHER, BLACK, 5/16"
12	2	00753-G6	BOLT, STAINLESS STEEL, 1/4-20 X2 1/4"
13			
14	4	75051-G01	SPACER, PLASTIC
15	8	00559-G7	WASHER, PLATED, 1/4"
16	4	00891-G2	NUT, LOCK, 1/4-20
17	2	00753-G5	BOLT, STAINLESS STEEL, 1/4-20 X 2"
18	2	19853-G1	CAP, TUBE, 1"

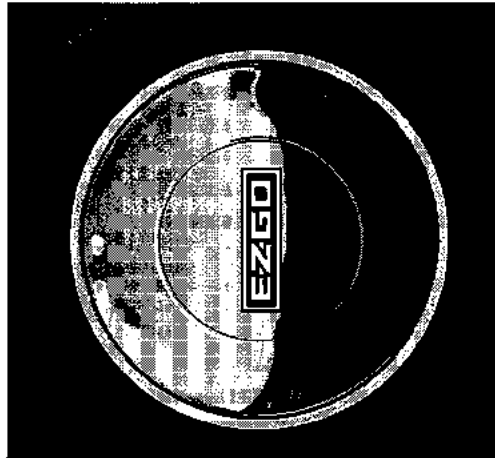
TITLE SUN TOP INSTALLATION (WITHOUT BAG RACK)

DRN BY	L WEBB	REV BY	J. Brand	DRAWING	REV B
ORIG DATE	08/16/94	REV DATE	02/07/96	NO. 75137	PG. 3 OF 3
EZGO			A		

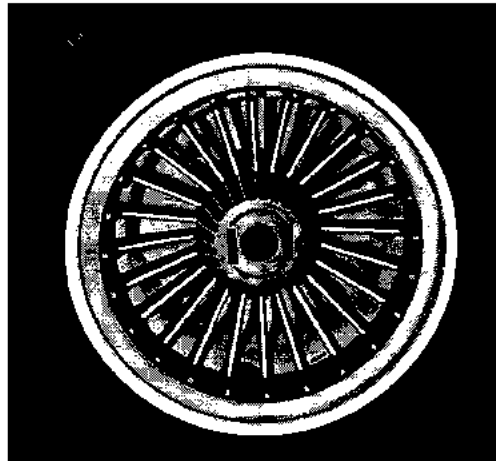
☐ SYMBOL REFERS TO A NOTE CORRESPONDING TO LETTER ENCLOSED WITHIN IT.
 ☐ FOLLOWING PAGE(S) FOR NOTES AND PARTS LISTS.
 ☐ THIS DOCUMENT TO FACILITATE THE ORDERING OF PLACEMENT PARTS.



6" CHROME HUBCAP



8" CHROME HUBCAP



GOLD / SILVER SPOKE HUBCAP

ITEM	QTY	PART NO.	DESCRIPTION
1	1	14913-G1	8" CHROME HUBCAP
2	4	14913-G2	8" CHROME HUBCAP SET
3	1	16042-G1	6" CHROME HUBCAP
4	4	16042-G2	6" CHROME HUBCAP SET
5	1	19241-G2	GOLD SPOKE HUBCAP
6	4	19241-G4	GOLD SPOKE HUBCAP SET
7	1	19241-G1	SILVER SPOKE HUBCAP
8	4	19241-G3	SILVER SPOKE HUBCAP SET

THE SYMBOL ◁ REFERS TO A NOTE CORRESPONDING TO THE LETTER ENCLOSED WITHIN IT.
SEE FOLLOWING PAGE(S) FOR NOTES AND PARTS LISTS.
OBTAIN THIS DOCUMENT TO FACILITATE THE ORDERING OF REPLACEMENT PARTS.

TITLE WHEEL COVER INSTALLATION



DRN BY
CGT
02/07/95

REV BY
REV DATE

A
DRAWING NO. 28244

REV -

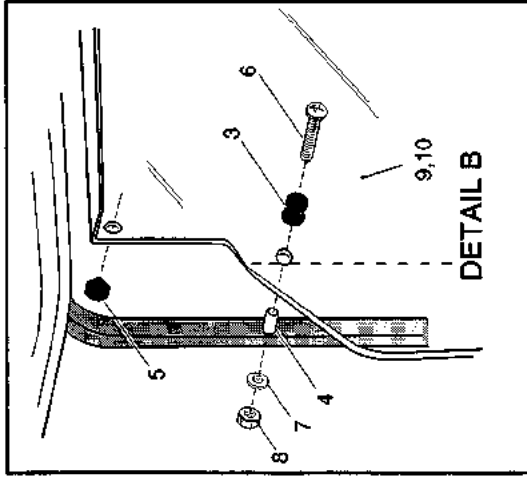
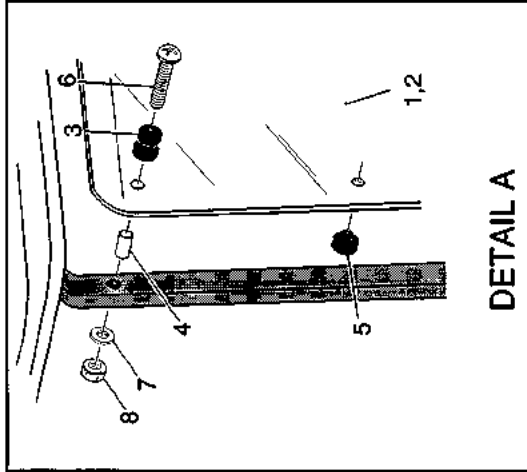
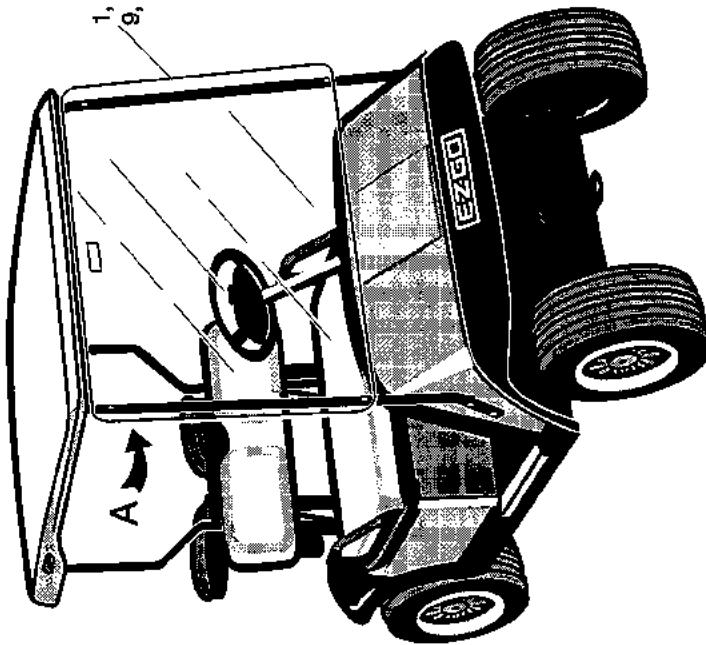
PG. 1 OF 1

E-Z-GO DIVISION OF TEXTRON, INC., P.O. BOX 388, AUGUSTA, GA. 30913-2699, 1-800-241-5855

NOTE: TO ORDER THIS ENTIRE FIELD KIT, REQUEST PART NO. 75041-G0*
* CONTACT SERVICE PARTS FOR AVAILABILITY.

READ ALL INSTRUCTIONS BEFORE PROCEEDING.

1. INSERT THE RUBBER GROMMETS, ITEM 3 INTO THE TOP AND BOTTOM HOLES ON BOTH SIDES OF THE WINDSHIELD, ITEMS 1, 2, 9, OR 10.
2. INSERT THE SPACERS, ITEM 4 INTO THE RUBBER GROMMETS.
3. INSERT THE PLUG BUMPERS, ITEM 5 INTO THE CENTER HOLES OF THE WINDSHIELD, ITEMS 1, 2 OR THE TOP OF WINDSHIELD, ITEMS 9 OR 10.
4. PLACE THE WINDSHIELD AGAINST THE FRONT STRUT WITH THE SMALL TAPERED END AT THE TOP.
5. INSERT THE BOLTS, ITEM 6 THRU WINDSHIELD AND THE FRONT STRUT AND SECURE WITH WASHERS, ITEM 7 AND LOCK NUTS, ITEM 8.



ITEM	QTY	PART NO.	DESCRIPTION
1	1	75021-G01	WINDSHIELD, CLEAR, 2 BEND
2	1	75021-G02	WINDSHIELD, TINTED, 2 BEND
3	4	72147-G01	GROMMET, RUBBER
4	4	23726-G7	SPACER
5	2	75124-G01	BUMPER, PLUG
6	4	16705-G6	SCREW, 1/4-20 X 1 3/4 LG.
7	4	00660-G7	WASHER, 1/4"
8	4	00891-G2	NUT, LOCK, 1/4-20
9	1	75203-G01	WINDSHIELD, CLEAR, 4 BEND
10	1	75203-G02	WINDSHIELD, TINTED, 4 BEND

THE SYMBOL ◁ REFERS TO A NOTE CORRESPONDING TO THE LETTER ENCLOSED WITHIN IT.
SEE FOLLOWING PAGE(S) FOR NOTES AND PARTS LISTS.
OBTAIN THIS DOCUMENT TO FACILITATE THE ORDERING OF REPLACEMENT PARTS.

TITLE WINDSHIELD INSTALLATION



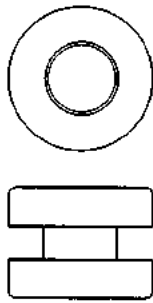
DRN BY L WEBB 12/17/93
REV BY J.BRAND 06/31/96
REV DATE

A DRAWING NO. 75043

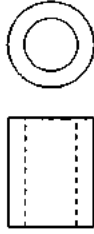
REV C

PG. 1 OF 2

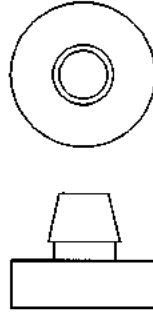
NOTE: ALL HARDWARE SHOWN ACTUAL SIZE



**ITEM 3
RUBBER GROMMET
QTY. 4**



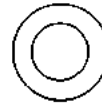
**ITEM 4
SPACER
QTY. 4**



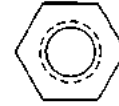
**ITEM 5
PLUG BUMPER
QTY. 2**



**ITEM 6
1/4-20 X 1 3/4" SCREW
QTY. 4**



**ITEM 7
1/4" WASHER
QTY. 4**



**ITEM 8
1/4-20 NUT, LOCK
QTY. 4**

≡ SYMBOL ◁ REFERS TO A NOTE CORRESPONDING TO
 ≡ LETTER ENCLOSED WITHIN IT.
 ≡ FOLLOWING PAGE(S) FOR NOTES AND PARTS LISTS.
 ≡ IN THIS DOCUMENT TO FACILITATE THE ORDERING OF
 PLACEMENT PARTS.

TITLE WINDSHIELD INSTALLATION

REV C

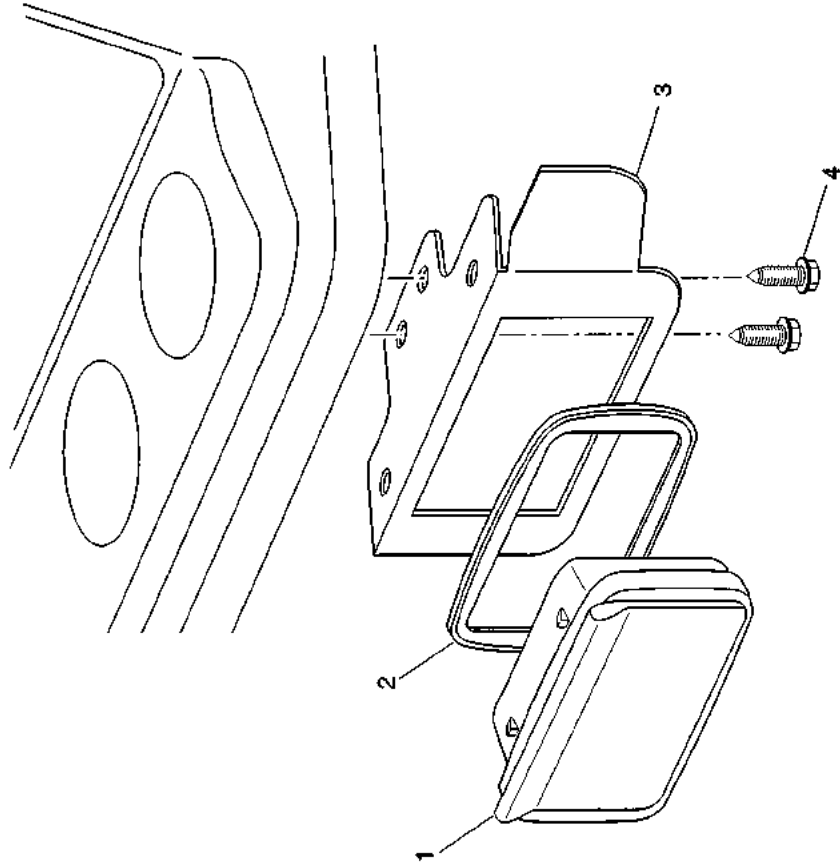


DRN BY	L. WEBB	REV BY	J. BRAND
ORIG DATE	12/17/93	REV DATE	09/31/95

A	DRAWING NO.	75043
----------	-------------	-------

PG. 2 OF 2

E-Z-GO DIVISION OF TEXTRON, INC., P.O. BOX 388, AUGUSTA, GA. 30913-2899, 1-800-241-5855



NOTE: TO ORDER THIS ENTIRE FIELD KIT, REQUEST PART NO. 75109-G02

READ ALL INSTRUCTIONS BEFORE PROCEEDING.

1. INSERT THE ASH TRAY, ITEM 1 INTO THE GASKET, ITEM 2 UNTIL THE GASKET HOOKS OVER THE FLANGES ON THE TOP AND BOTTOM OF THE ASH TRAY.
2. USING BRACKET, ITEM 3 AS A TEMPLATE, INSERT THE (4) SELF DRILLING SCREWS, ITEM 4. LOCATE BRACKET APPROXIMATELY AS SHOWN IN ILLUSTRATION.
3. SNAP THE ASH TRAY INTO THE BRACKET.

ITEM	QTY	PART NO.	DESCRIPTION
1	1	27731-G01	ASH TRAY
2	1	27736-G01	GASKET, ASH TRAY
3	1	75108-G01	BRACKET, ASH TRAY
4	4	00100-G4	SCREW, 10-16 X 1/2" LG.

TITLE ASH TRAY INSTALLATION

REV - PG. 1 OF 1

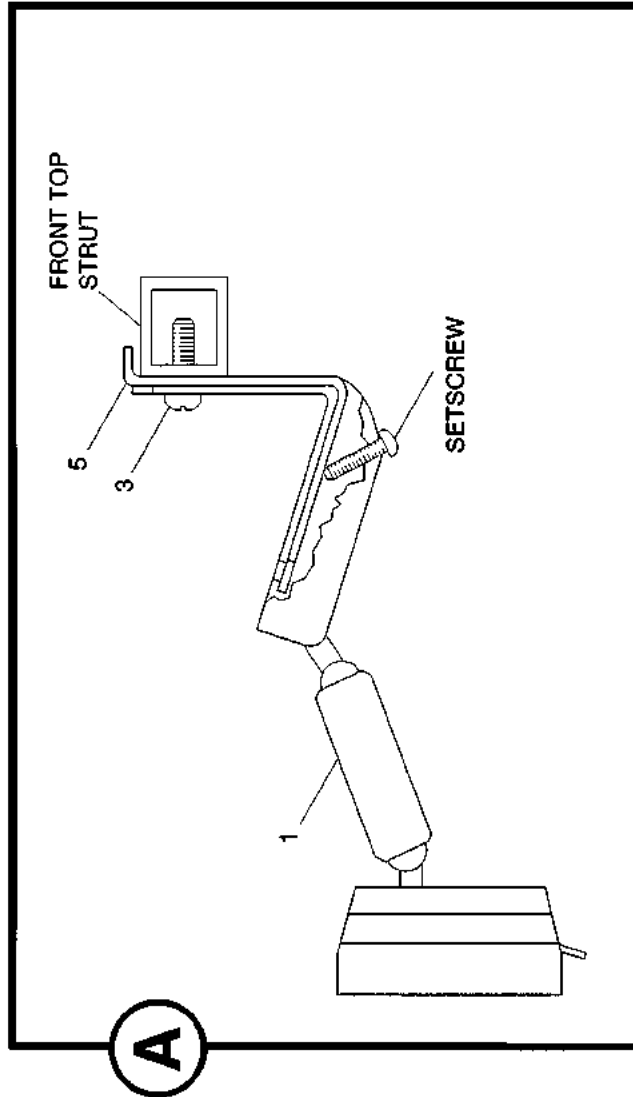
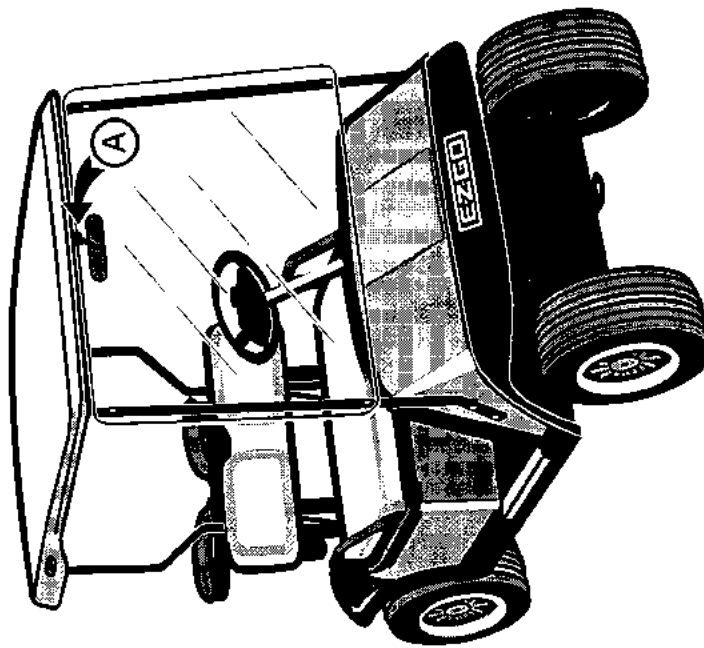
E-Z-GO **TEXTRON**

DRAWING NO. 75110

DRN BY L WEBB 01/21/94
 ORG DATE
 REV BY REV DATE

◀ REFERS TO A NOTE CORRESPONDING TO THE LETTER ENCLOSED WITHIN IT.
 FOLLOWING PAGE(S) FOR NOTES AND PARTS LISTS.
 THIS DOCUMENT TO FACILITATE THE ORDERING OF PLACEMENT PARTS.

E-Z-GO DIVISION OF TEXTRON, INC., P.O. BOX 388, AUGUSTA, GA. 30913-2699, 1-800-241-5855



E SYMBOL ◁ REFERS TO A NOTE CORRESPONDING TO
 E LETTER ENCLOSED WITHIN IT.
 E FOLLOWING PAGE(S) FOR NOTES AND PARTS LISTS.
 TAIN THIS DOCUMENT TO FACILITATE THE ORDERING OF
 PLACEMENT PARTS.

TITLE REAR VIEW MIRROR INSTALLATION INSTRUCTIONS



DRN BY CGT
 ORIG DATE 05/16/94

REV BY
 REV DATE

DRAWING NO. 75162
 A

REV -

PG. 1 OF 2

E-Z-GO DIVISION OF TEXTRON, INC., P.O. BOX 388, AUGUSTA, GA. 30903-0388, 1-800-241-5855

NOTE: TO ORDER THIS ENTIRE FIELD KIT, REQUEST PART NO. 19528-G2

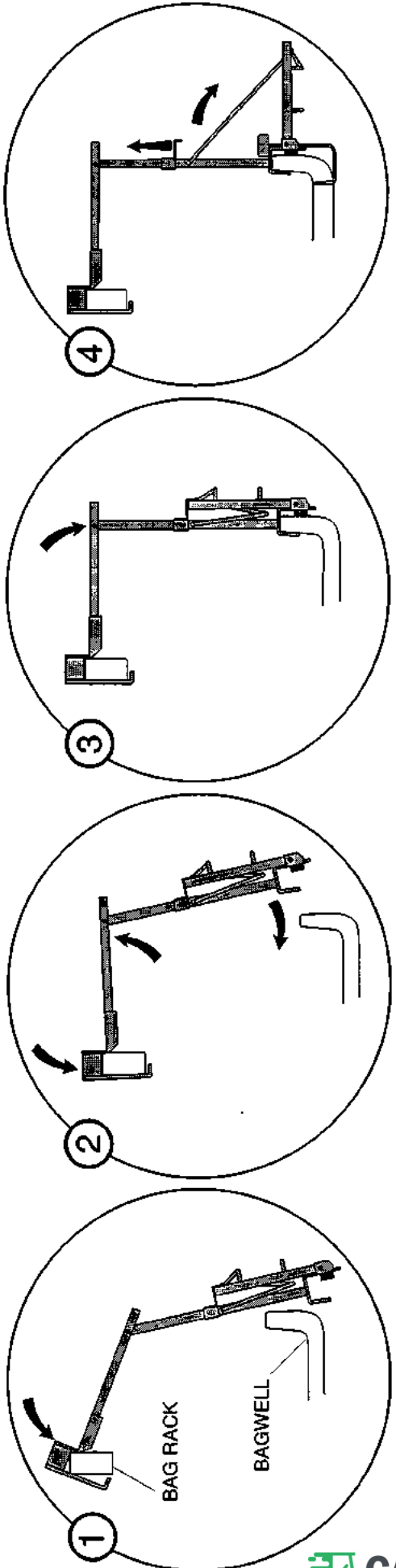
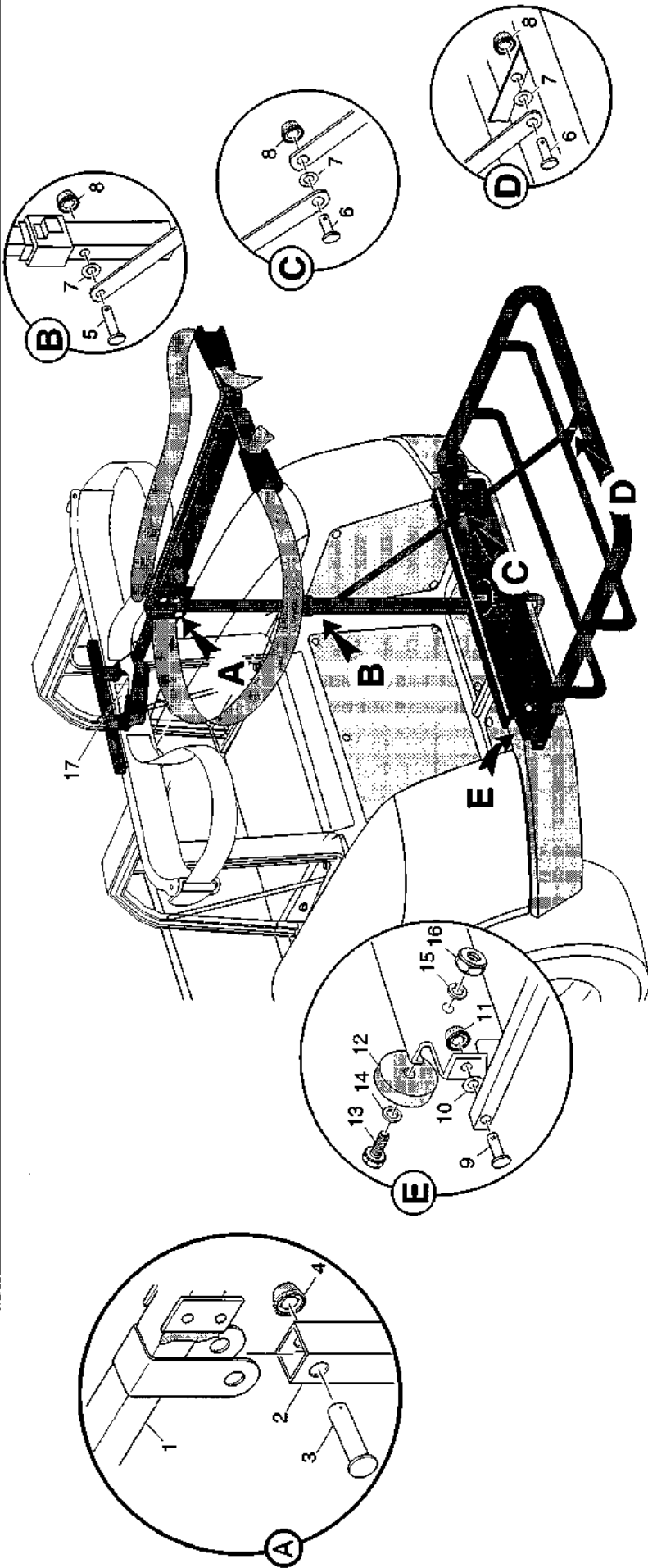
READ ALL INSTRUCTIONS BEFORE PROCEEDING.

1. DISCARD PLASTIC MOUNTING BRACKETS AND ADHESIVE SUPPLIED WITH KIT. THESE ITEMS ARE USED IN OTHER APPLICATIONS.
2. REMOVE THE FRONT TOP HARDWARE FROM THE FRONT TOP STRUT. IT IS NOT NECESSARY TO REMOVE TOP.
3. LOCATE AND DRILL A .147 DIA. HOLE (#26 DRILL) THROUGH CENTER OF FRONT TOP STRUT (INSIDE SURFACE ONLY). SEE DETAIL A.
4. USING SCREW, ITEM 3 FASTEN SUPPORT BRACKET, ITEM 5 TO FRONT TOP STRUT AS SHOWN IN DETAIL A.
5. LOOSEN SETSCREW SUPPLIED WITH MIRROR.
6. SLIDE MIRROR, ITEM 1 ONTO BRACKET AND TIGHTEN SETSCREW. *DO NOT* OVERTIGHTEN. DAMAGE TO MIRROR WILL OCCUR.
7. REINSTALL THE TOP ONTO THE FRONT TOP STRUT. TIGHTEN HARDWARE TO 3 - 5 FT. LBS. TORQUE.

ITEM	QTY	PART NO.	DESCRIPTION
1	1	19496-G1	MIRROR, REAR VIEW
2	1	19527-G1	SCREW, STAINLESS STEEL, SELF TAP-PING, #8 - 32 x 5/8 LG.
3	1	19502-G2	BRACKET, SUPPORT

TITLE REAR VIEW MIRROR INSTALLATION INSTRUCTIONS		REV -
E-Z-GO		DRAWING NO. 75162
DRN BY CGT 05/16/94	REV BY A	PG. 2 OF 2
E-Z-GO DIVISION OF TEXTRON, INC., P.O. BOX 388, AUGUSTA, GA. 30903-0388, 1-800-241-5855		

E SYMBOL ◁ REFERS TO A NOTE CORRESPONDING TO THE LETTER ENCLOSED WITHIN IT. FOLLOWING PAGE(S) FOR NOTES AND PARTS LISTS. MAINTAIN THIS DOCUMENT TO FACILITATE THE ORDERING OF REPLACEMENT PARTS.



E SYMBOL ◁ REFERS TO A NOTE CORRESPONDING TO
 E LETTER ENCLOSED WITHIN IT.
 E FOLLOWING PAGE(S) FOR NOTES AND PARTS LISTS.
 E OBTAIN THIS DOCUMENT TO FACILITATE THE ORDERING OF
 PLACEMENT PARTS.

TITLE TXT FOUR BAG ATTACHMENT INST'L INSTRUCTIONS

REV -	REV -
DRAWING NO. 75336	PG. 1 OF 2



DRN BY J.RICE
 ORIG DATE 07/19/95

REV BY A
 REV DATE 75336

E-Z-GO DIVISION OF TEXTRON, INC., P.O. BOX 388, AUGUSTA, GA. 30903-0388, 1-800-241-5855

NOTE: TO ORDER THIS ENTIRE FIELD KIT, REQUEST PART NO. 75335-G01
READ ALL INSTRUCTIONS BEFORE PROCEEDING.
 ITEMS 1 - 4 ARE FOR ASSEMBLY OF FOUR BAG ATTACHMENT.
 ITEMS 5 - 17 ARE FOR REPLACEMENT PURPOSES.

A. FOUR BAG ATTACHMENT ASSEMBLY

1. Install the top assembly, item 1 to the bottom assembly, item 2 with clevis pin, item 3 and cap nut, item 4. See Detail A.

B. INSTALLING FOUR BAG ATTACHMENT TO VEHICLE

NOTE

It is necessary that the bottom part of the four bag attachment be disengaged from the bumper and at a level below the bumper (approx. 6-8 inches above the ground) before attempting Step 1. Note the approximate angle of the top assembly and retaining brackets shown.

1. Place the top retaining brackets over the vehicle bag rack.
2. Press down on the top retaining bracket while slightly raising the bottom part of the four bag attachment engaging the brackets with the underside of the vehicle bag rack.
3. While firmly holding retaining bracket against top of bag rack, raise the bottom of the four bag attachment *just enough to clear* the bumper and place on top of bumper as shown.

CAUTION

LIFTING UP ON THE BOTTOM OF THE FOUR BAG ATTACHMENT TOO FAR WILL BEND THE RETAINING BRACKETS AT THE TOP, MAKING THE ACCESSORY UNUSABLE.

4. Loosen knob on clamp sufficiently to place hook under bagwell, setting it into notch in frame.
5. Tighten the bumper clamp by turning knob clockwise until the bottom is secure.
6. Locate the retainer near the center of the four bag attachment. Slide upward to release the bagwell and lower bagwell to horizontal position.

C. REMOVING FOUR BAG ATTACHMENT FROM VEHICLE

1. Fold the bagwell up to the vertical support and secure with retainer.

2. Loosen the bumper clamp by turning knob counterclockwise and unhook clamp from bumper.
3. Lift up on the bottom part of the four bag attachment *just enough to clear* the bumper and pull down and away from vehicle.

CAUTION

LIFTING UP ON THE BOTTOM OF THE FOUR BAG ATTACHMENT TOO FAR WILL BEND THE RETAINING BRACKETS AT THE TOP, MAKING THE ACCESSORY UNUSABLE.

4. Let the bottom part of the four bag attachment angle downward to disengage the retaining brackets at the top.
5. Lift upward and forward simultaneously to remove accessory from vehicle.

ITEM	QTY	PART NO.	DESCRIPTION
1	1	75121-G01	TOP ASSEMBLY
2	1	75334-G01	BOTTOM ASSEMBLY
3	1	17651-G2	PIN, CLEVIS, 5/16 x 1 1/4" LG.
4	1	28129-G01	NUT, PUSH, 5/16"
5	1	17651-G2	PIN, CLEVIS, 5/16 x 1 1/4" LG. (1 REPL)
6	2	17651-G3	PIN, CLEVIS, 5/16 x 5/8" LG. (REPL)
7	3	00559-G8	WASHER, 5/16" (REPLACEMENT)
8	3	28129-G01	NUT, PUSH, 5/16" (REPLACEMENT)
9	2	17651-G1	PIN, CLEVIS, 3/8 x 1 1/4" LG. (REPL)
10	2	00560-G1	WASHER, 3/8" (REPLACEMENT)
11	2	28129-G02	NUT, PUSH, 3/8" (REPLACEMENT)
12	2	13728-G1	RUBBER BUMPER (REPLACEMENT)
13	2	00150-G6	SCREW, #10-24 x 3/4" LG. (REPL)
14	2	00559-G5	WASHER, #10 (REPLACEMENT)
15	2	00565-G5	WASHER, LOCK #10 (REPLACEMENT)
16	2	00526-G3	NUT, #10-24 (REPLACEMENT)
17	1	75130-G01	LABEL, WARNING (REPLACEMENT)

E SYMBOL ◁ REFERS TO A NOTE CORRESPONDING TO LETTER ENCLOSED WITHIN IT.		E FOLLOWING PAGE(S) FOR NOTES AND PARTS LISTS.		E THIS DOCUMENT TO FACILITATE THE ORDERING OF PLACEMENT PARTS.	
TITLE		TXT FOUR BAG ATTACHMENT INST'L INSTRUCTIONS		REV -	
E-Z-GO		E-Z-GO		E-Z-GO	
DRN BY	J.RICE	REV BY	A	DRAWING NO.	75336
ORIG DATE	07/18/95	REV DATE			
E-Z-GO DIVISION OF TEXTRON, INC., P.O. BOX 388, AUGUSTA, GA. 30903-0388, 1-800-241-5855					

NOTE: TO ORDER THIS ENTIRE FIELD KIT, REQUEST PART NO. 75179-G*

READ ALL INSTRUCTIONS BEFORE PROCEEDING.

TOOL LIST	QTY. REQUIRED
Jack, floor.....	1
Safety stands	4
Chocks	4
Wrench, 7/16"	1
Wrench, 1/2"	1
Wrench, 9/16"	1
Hammer, plastic faced.....	1
Hammer, ball peen.....	1
Center punch	1

TOOL LIST	QTY. REQUIRED
Ratchet, 3/8" drive.....	1
Extension, 3/8", 3"	1
Socket, 7/16"	1
Socket, 1/2"	1
Socket, 9/16"	1
Torque wrench, ft. lbs. 3/8" drive.....	1
Screwdriver, Phillips	1
Tape measure.....	1
Rivet Gun for 3/16" pop rivet	1

A. INSTALLING HEAVY DUTY SPRINGS

⚠ WARNING ⚠

BE SURE THE VEHICLE IS ON A FIRM AND LEVEL SURFACE. NEVER GET UNDER A VEHICLE WHILE IT IS SUPPORTED BY A JACK. USE SAFETY STANDS AND TEST THE STABILITY OF THE VEHICLES ON THE STANDS. ALWAYS PLACE CHOCKS IN FRONT AND BEHIND THE WHEELS THAT ARE NOT TO BE RAISED. USE CAUTION SINCE THE VEHICLE IS EXTREMELY UNSTABLE DURING THE LIFTING PROCESS.

1. Place chocks in front and behind each front wheel. Center the jack under the rear bumper. (See Fig. 1)

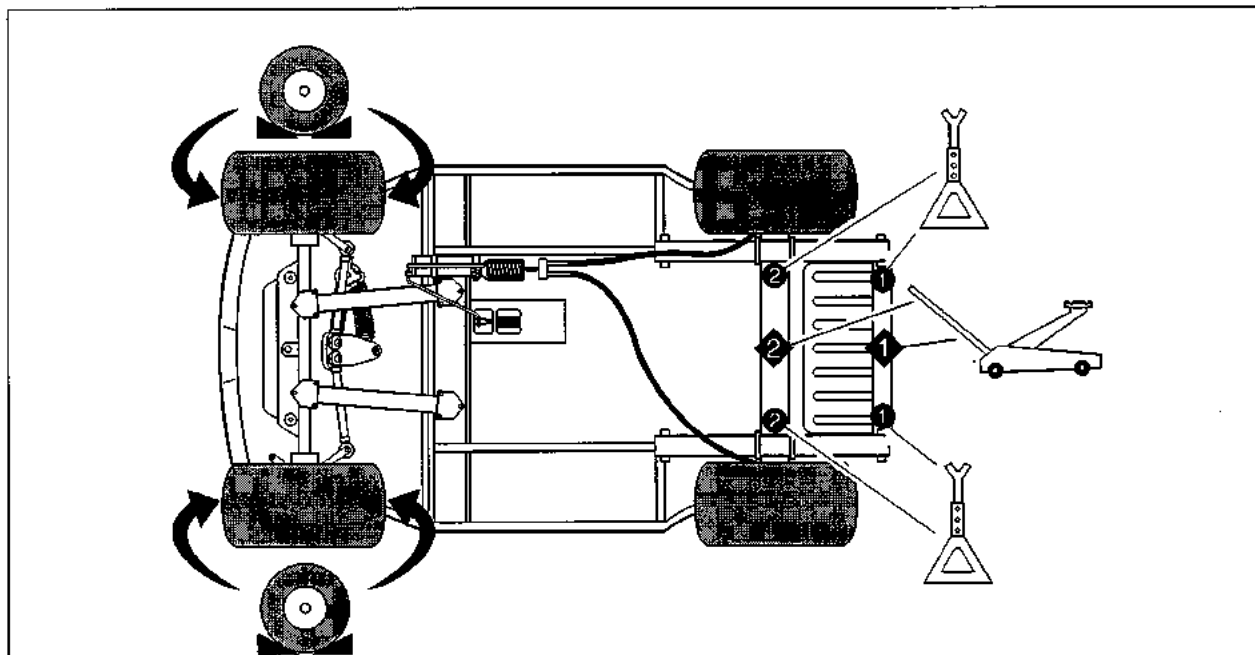


Fig. 1

2. Raise the vehicle and place a safety stand under the outer ends of the rear bumper. (See Fig. 1)

TITLE CONVERTIBLE CARRIER INSTALLATION INSTRUCTIONS						REV A
EZGO TEXTRON	DRN BY ORIG DATE	J.RICE 05/25/95	REV BY REV DATE	J.RICE 07/14/95	DRAWING NO.	75283 PG. 1 OF 12

3. Lower the jack and test the stability of the vehicle on the two safety stands.
4. At the passenger side, remove the bottom shock absorber nut. (See Fig. 2)

CAUTION

NEVER LIFT OR SUPPORT THE VEHICLE ON THE REAR AXLE DIFFERENTIAL CASTING. BE CAREFUL NOT TO POSITION THE JACK IN AN AREA THAT COULD DAMAGE THE BRAKE CABLES OR HANGERS.

5. Place the jack near the center section of the rear axle and raise just enough to place a second set of safety stands at each end of the axle tubes as close to the wheel as possible. (See Fig. 1)
6. Remove the 'U' bolts and securing hardware. The nuts and 'U' bolts may be discarded but the washers should be retained for later use. (See Fig. 2)

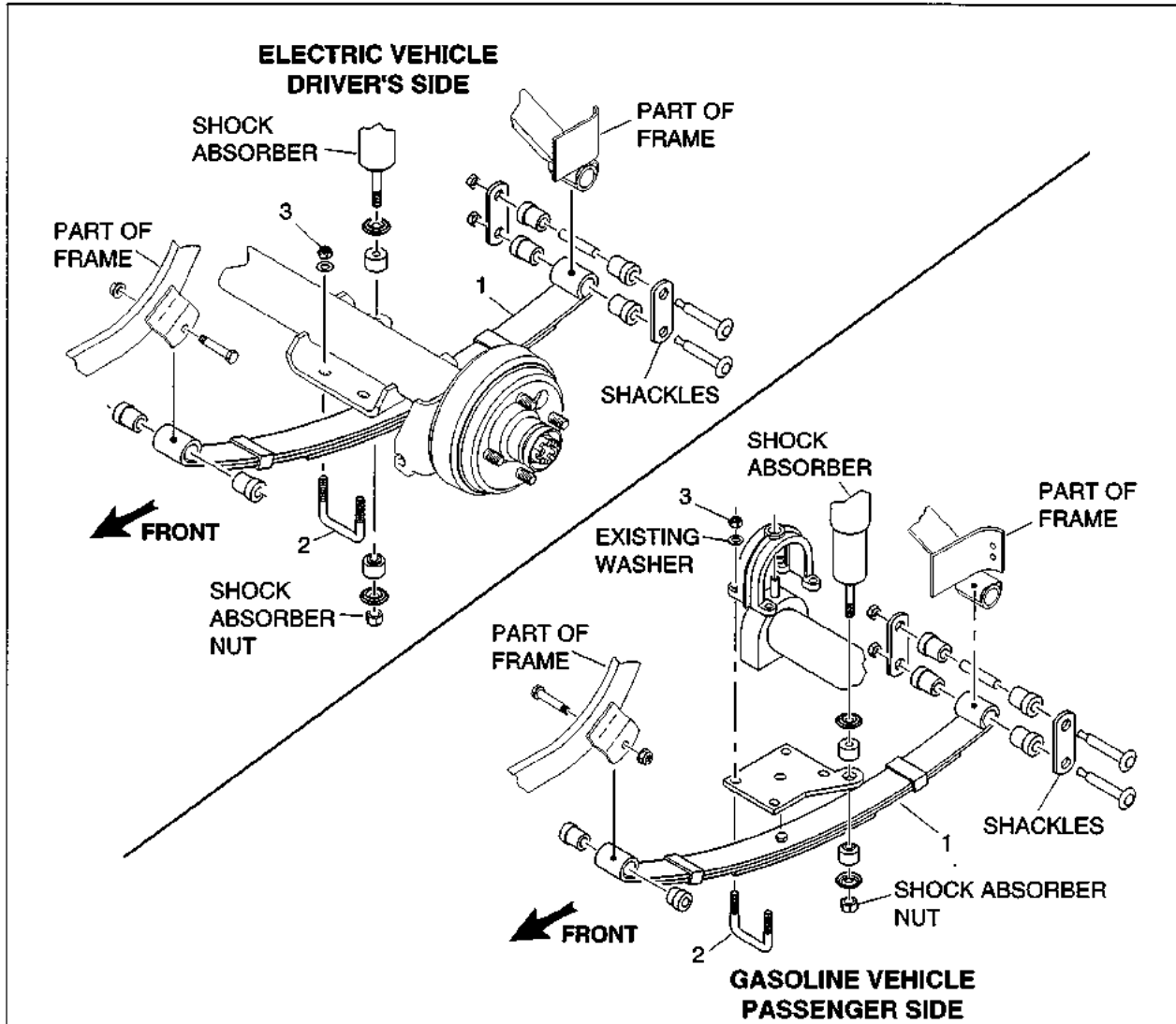


Fig. 2

7. Remove the shackles and hardware securing the spring to the frame. Remove the spring.
8. Installation of heavy duty spring is the reverse order of disassembly.
9. Install the heavy duty spring (item 1) with 'U' bolts (item 2), washers (removed from old spring), and nuts (item 3). Tighten hardware to 18-22 ft. lbs. torque.

TITLE CONVERTIBLE CARRIER INSTALLATION INSTRUCTIONS					REV A	
EZGO TEXTRON		DRN BY J. RICE ORIG DATE 05/25/95	REV BY J. RICE REV DATE 07/14/95	DRAWING NO. 75283	PG. 2 OF 12	

NOTE

When installing rear spring shackles, be sure that the cupped side of the shackle plate faces the spring.

10. Replace the hardware to secure the front end of the spring to the frame. Tighten to 21 - 25 ft. lbs. torque.
11. Replace the hardware and shackles to secure the rear end of the spring to frame. Tighten to 18 - 22 ft. lbs. torque.
12. Replace the shock absorber nut. It must be tightened until the shock absorber bushing expands to the diameter of the shock absorber washer.
13. Repeat procedure at driver's side of vehicle.

B. INSTALLING SEAT BACK SUPPORT (Refer to Fig. 3)

1. Remove the existing seat back from the seat back support and retain hardware. Remove the seat back support and bag rack assembly from the frame of the vehicle.
2. Place spacer (item 25) on frame and install the new seat back supports (item 4) to the frame using washers (item 5) and bolts (item 6). Finger tighten hardware to allow for adjustment.

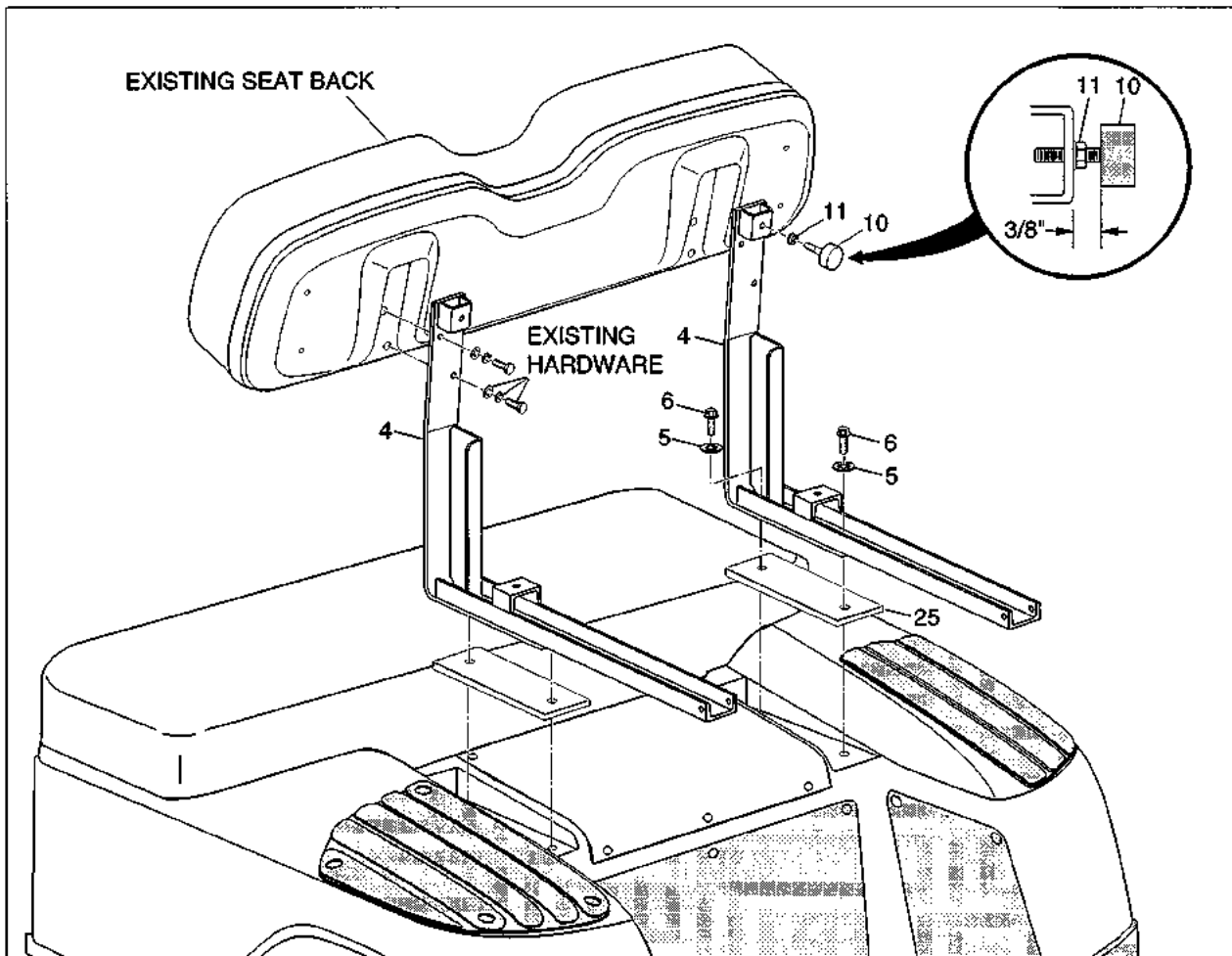


Fig. 3

3. Using existing hardware, secure the existing seat back to the new seat back support. Tighten to 5 - 7 ft. lbs. torque.
4. Install rubber bumpers (item 10) on vertical part of seat support bracket using one lock nut (item 11) (per bumper) as shown in Fig. 3. Tighten to dimension specified.
5. Tighten bolts (item 6) to 21 - 25 ft. lbs. torque.

TITLE CONVERTIBLE CARRIER INSTALLATION INSTRUCTIONS						REV A
EZGO TEXTRON	DRN BY ORIG DATE	J.RICE 05/25/95	REV BY REV DATE	J.RICE 07/14/95	DRAWING NO.	75283 PG. 3 OF 12

C. INSTALLING NEW REAR BUMPER

1. Remove screw and washer fastening each end of existing bumper to rear fender. (On later models remove rivet.)
2. Remove hole plugs (4 places) in existing rear bumper and remove bolts securing bumper to vehicle.
3. Remove bumper and replace with new bumper (item 24) contained in kit, using bolts removed above to re-attach bumper to vehicle. Note the new bumper is secured with bolts inserted through the inner 2 mounting holes only. (See Fig. 4) Tighten to 21 - 25 ft. lbs. torque.
4. Fasten each end of bumper to rear fender using rivet (item 49). (Hole in fender may need to be enlarged to 13/64".)
5. Install hole plugs, removed earlier, in all 4 holes.

D. INSTALLING VERTICAL FRAME SUPPORT.

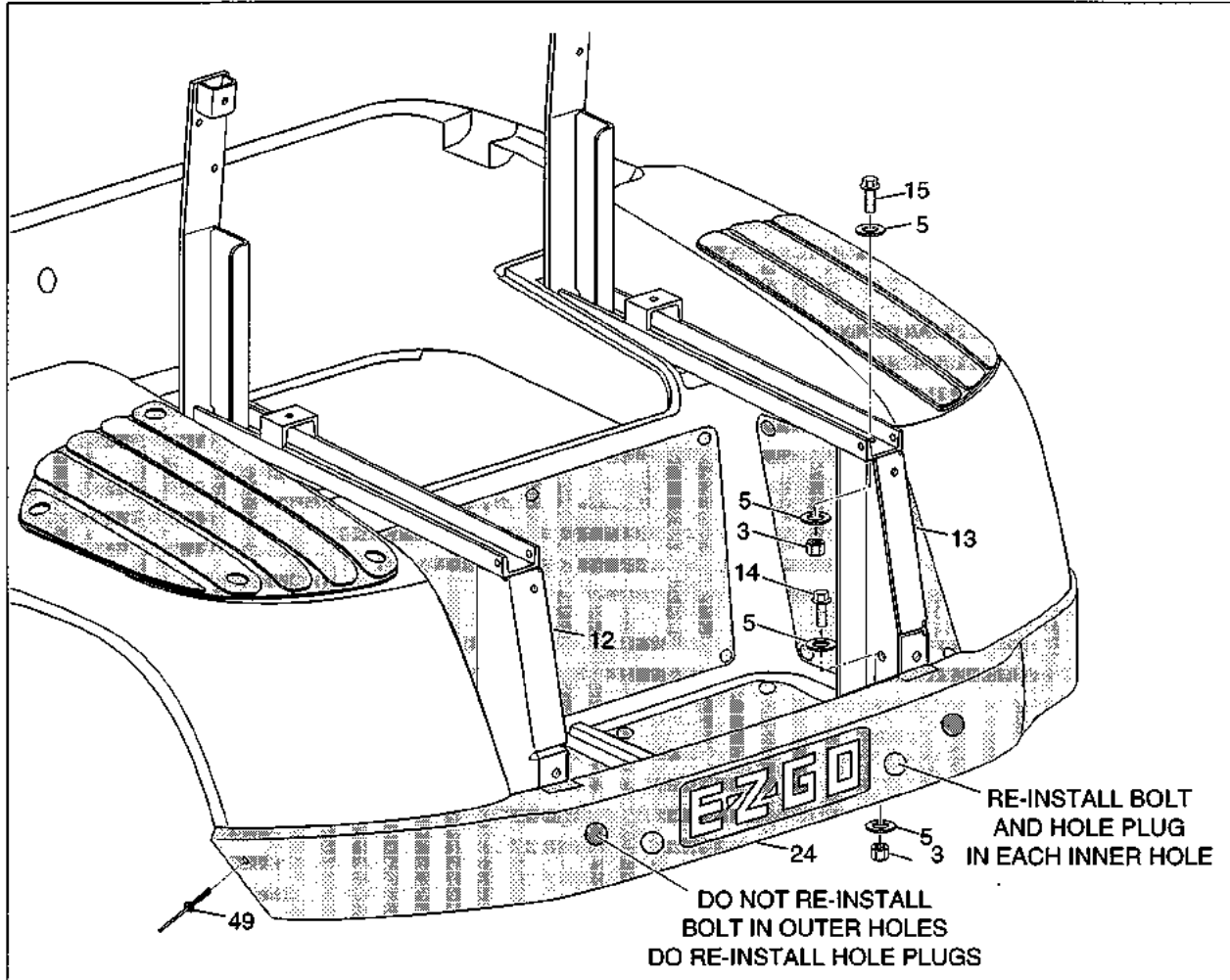


Fig. 4

1. Place vertical frame support (items 12 and 13) between the seat back support and bagwell as shown. Insert bolt (item 14) and washer (item 5) from inside bagwell and place washer (item 5) and nut (item 3) underneath frame (See Fig. 4). Finger tighten the hardware since the bottom washer and nut will be removed later for further installation.
2. Secure the top of the vertical frame support to the seat back support using bolt (item 15), washers (item 5) and nut (item 3) (See Fig. 4). Do not tighten hardware.

TITLE CONVERTIBLE CARRIER INSTALLATION INSTRUCTIONS					REV A	
EZGO TEXTRON		DRN BY ORIG DATE	J. RICE 05/25/95	REV BY REV DATE	J. RICE 07/14/95	DRAWING NO. 75283
E-Z-GO DIVISION OF TEXTRON, INC., P.O. BOX 388, AUGUSTA, GA. 30903-0388, 1-800-448-7476						PG. 4 OF 12

NOTE

At this point, before tightening any hardware, it is critical the exact spacing is achieved to accommodate the fitting of the seat assembly into the channels of the seat back support.

3. As a 'test fit', place the support frame (item 26) into the channels of the seat back support (See Fig. 6) and tighten the hardware securing the seat back support to the vehicle frame and vertical frame support to 21-25 ft. lbs. torque.
4. Remove the support frame.

E. INSTALLING FOOT REST

1. Before attaching foot rest (item 19), mark hole centers as dimensioned and attach support tube (item 29) to foot rest with self drilling and tapping screws (item 41). Insert hole plugs (item 43) and end plugs (item 42) in support tube. (See Fig. 5)
2. Install the end plugs (item 18) into the tubing ends of the foot rest (item 19).
3. Remove the nut (item 3) and washer (item 5) (previously installed) from the underside of the frame. (See Fig. 5)

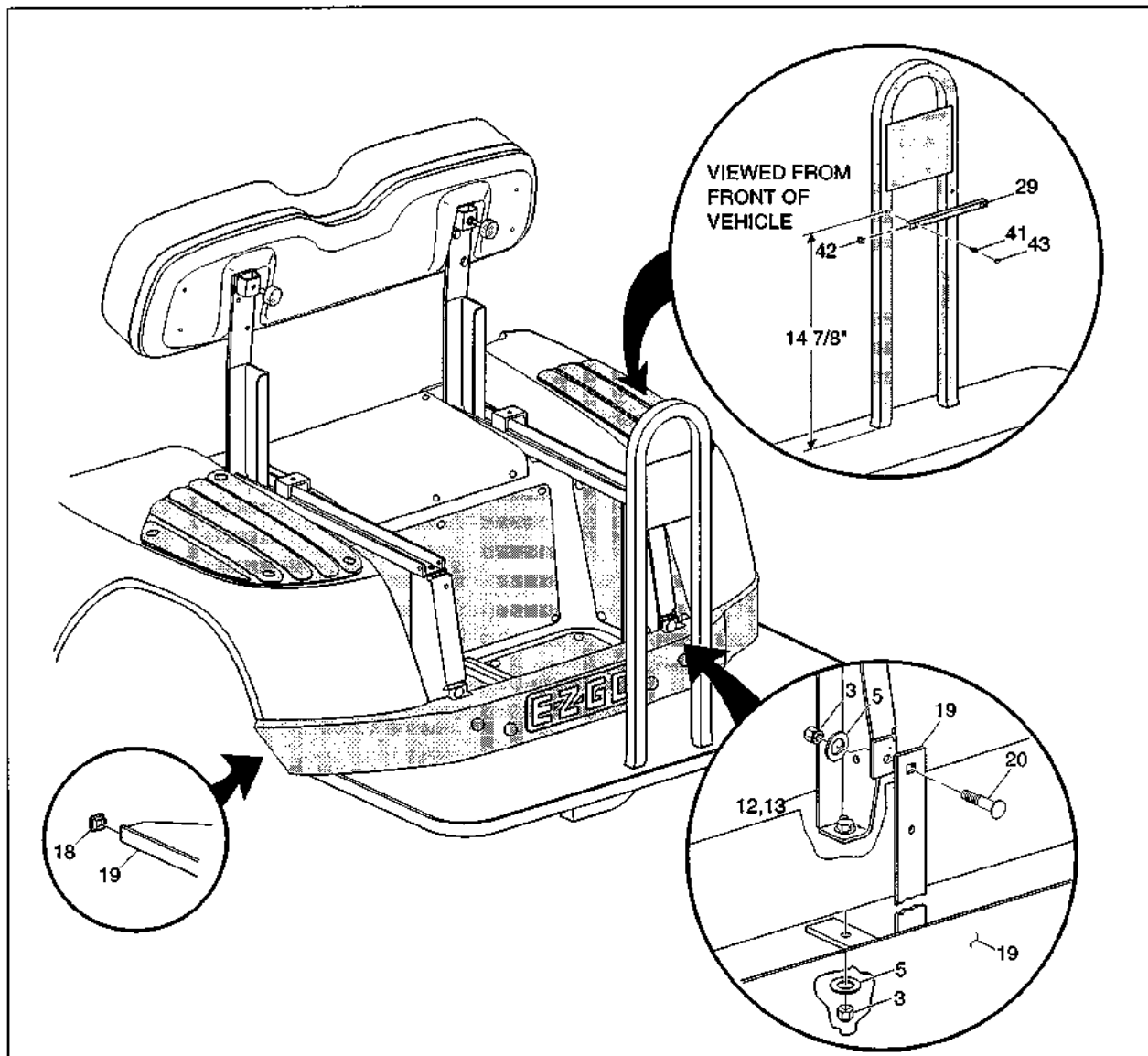


Fig. 5

TITLE CONVERTIBLE CARRIER INSTALLATION INSTRUCTIONS						REV A
EZGO TEXTRON	DRN BY ORIG DATE	J. RICE 05/25/95	REV BY REV DATE	J. RICE 07/14/95	DRAWING NO. 75283	PG. 5 OF 12

NOTE

Installation Tip: To perform step 4, it may require the assistance of another person or it may be necessary to use a jack to raise and hold the foot rest while installing hardware.

4. Place the foot rest (item 19) up against the bottom of bumper aligning the bolts that were previously installed in the bagwell with the holes in the horizontal part of the foot rest bracket. Be sure the vertical part of the foot rest bracket is inserted between the bumper and the vertical frame supports. See Detail in Fig. 5
5. Reinstall the washer and nut under the bagwell. Finger tighten to allow adjustment.
6. Align holes in foot rest bracket with holes in vertical frame support.
7. Insert carriage bolt (item 20) through the hole in bracket and vertical support and secure with washer (item 5) and nut (item 3). (See Fig. 5)
8. Tighten the nut (item 3) on the underside of the frame to 21 - 25 ft. lbs. torque. (See Fig. 5)

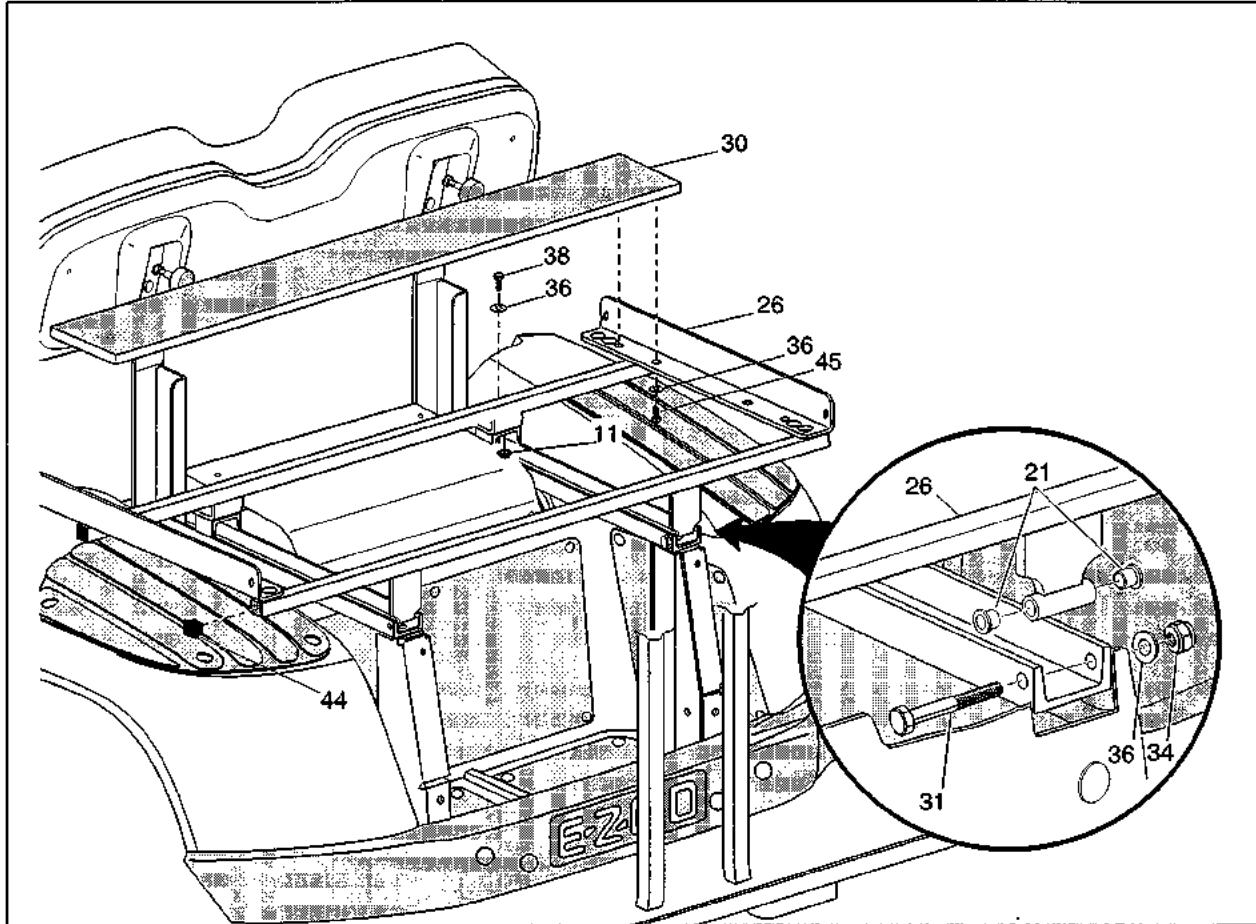


Fig. 6

F. INSTALLING SUPPORT FRAME (Refer to Fig. 3)

1. Insert the nylon bushings (item 21) into the pivot brackets in the support frame (item 26) (4 places).
2. Place the support frame into the channels of the seat back support aligning pivot brackets with existing holes.
3. Insert the bolt (item 31) through the pivot from the center of vehicle (2 places) and secure with washer (item 36) and nut (item 34).
4. Secure front of support frame to seat back support using bolt (item 38), washer (item 36) and nut (item 11).
5. Insert end plug (item 44) in each end of both tubes of support frame.

TITLE CONVERTIBLE CARRIER INSTALLATION INSTRUCTIONS					REV A	
EZGO TEXTRON		DRN BY J. RICE ORIG DATE 05/25/95	REV BY J. RICE REV DATE 07/14/95	DRAWING NO. 75283	PG. 6 OF 12	

G. INSTALLING FIXED BED (Refer to Fig. 3)

1. Attach fixed bed (item 30) to support frame (item 26) using bolt (item 45) and washer (item 36). (Two places on each end of fixed bed. Do not tighten hardware at this time as some adjustment may be necessary.

H. INSTALLING HANDRAIL (Refer to Fig. 3)

1. Insert end plug (item 42) in each end of handrail (item 27).
2. Attach handrail at forward end of support frame (item 26) using bolt (item 48), lock washer (item 37) and acorn nut (item 35). Do not tighten hardware at this time.
3. Repeat procedure on other side of support frame.

I. INSTALLING LOAD BED AND SEAT BOTTOM (Refer to Fig. 3)

1. Position load bed (item 28) in support frame as shown.
2. Position seat bottom (item 47) in support frame as shown.
3. Insert teflon washer (item 32) between support frame and load bed and again between load bed and seat bottom as shown.
4. Secure all components by inserting bolt (item 23) through handrail, support frame, washer, bed assembly, washer and seat bottom and secure with lock nut (item 34). (See Detail in Fig. 3) Tighten fixed bed hardware to 5 - 7 ft. lbs. torque and handrail hardware to 12 - 14 ft. lbs. torque.

J. INSTALLING VALANCE PANEL

1. Place the valance panel (item 16) as shown in Fig. 7 with the sides inside the bagwell.
2. Secure the valance panel to the vertical support brackets using two rivets (item 17) in each bracket.

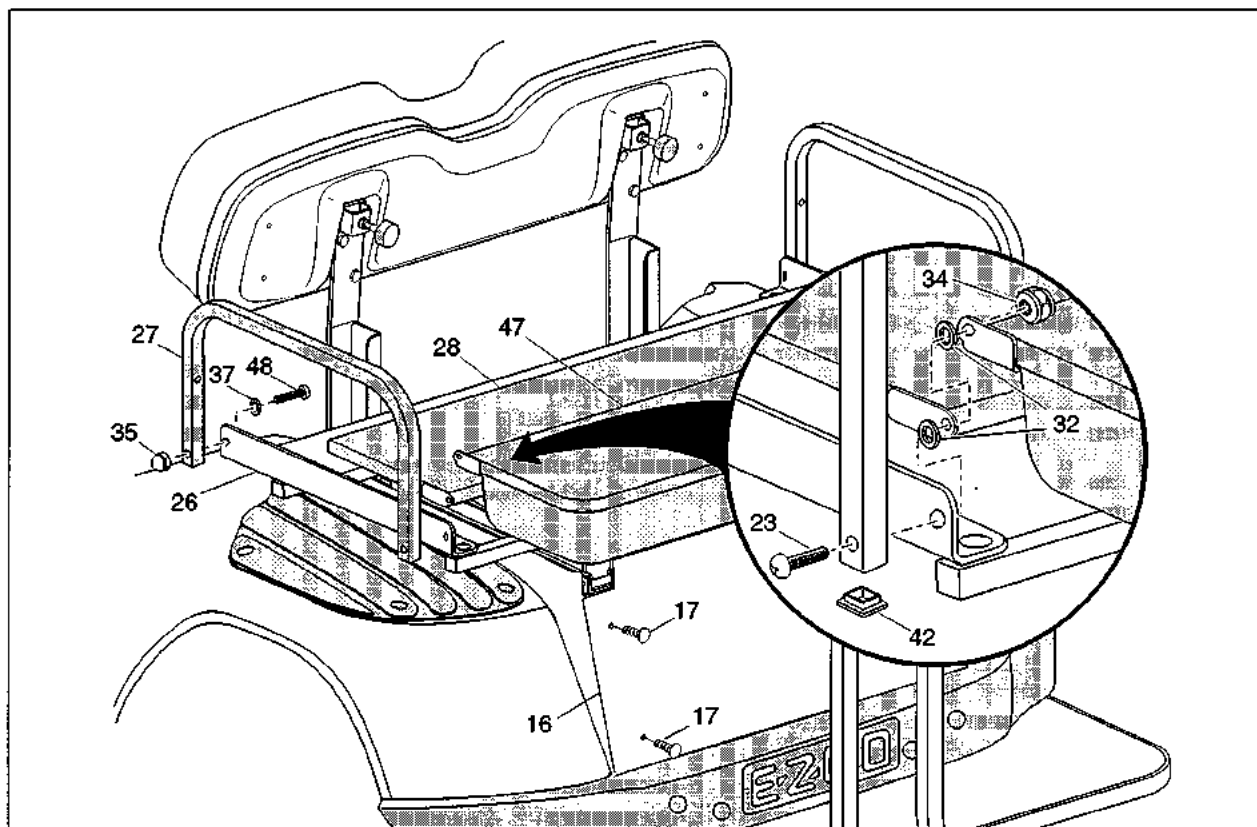
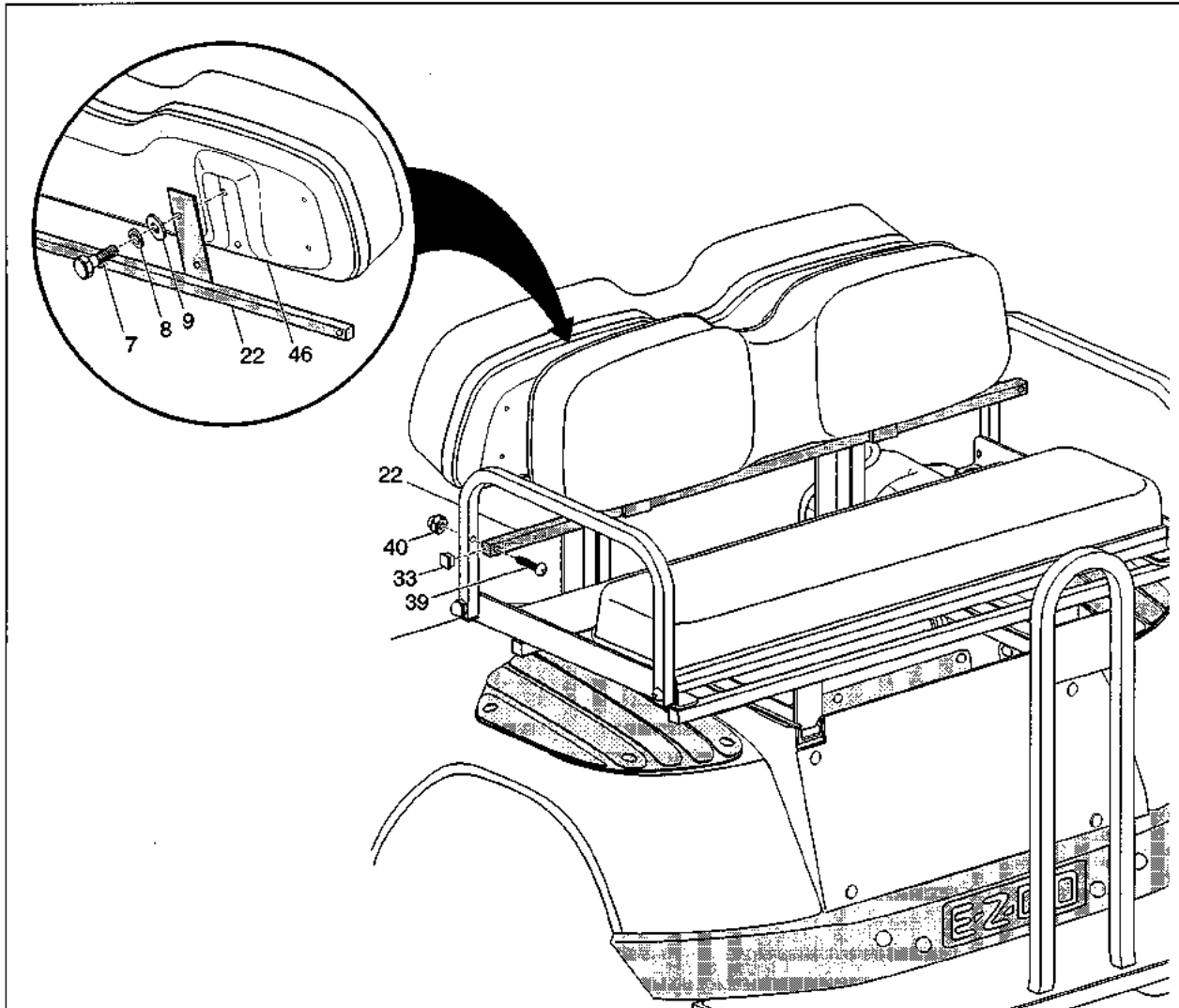


Fig. 7

TITLE CONVERTIBLE CARRIER INSTALLATION INSTRUCTIONS					REV A
EZGO TEXTRON	DRN BY ORIG DATE	J.RICE 05/23/95	REV BY REV DATE	J.RICE 07/14/95	DRAWING NO. 75283
					PG. 7 OF 12

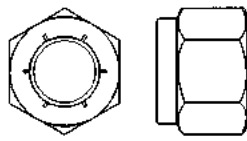
K. INSTALLING SEAT BACK (Refer to Fig. 3)

1. Attach seat back (item 46) to seat back support (item 22) using bolt (item 7), lock washer (item 8) and washer (item 9). Tighten to 5 - 7 ft. lbs. torque.
2. Secure seat back to handrail using bolt (item 39) and acorn nut (item 40). Tighten to 5 - 7 ft. lbs torque.
3. Insert end plug (item 33) in each end of seat back support tube.

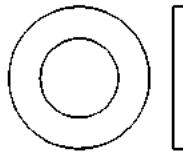
**Fig. 8**

TITLE CONVERTIBLE CARRIER INSTALLATION INSTRUCTIONS				REV A		
EZGO TEXTRON	DRN BY ORIG DATE	J.RICE 05/25/95	REV BY REV DATE	J.RICE 07/14/95	DRAWING NO. 75283	PG. 8 OF 12

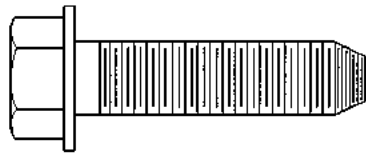
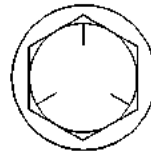
NOTE: HARDWARE SHOWN ACTUAL SIZE



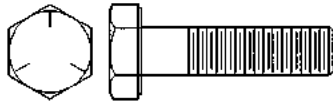
Item 3
3/8-16 Lock Nut
Qty. 14



Item 5
3/8" Washer
Qty. 14



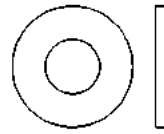
Item 6
3/8-16 x 1 1/4" Bolt
Qty. 4



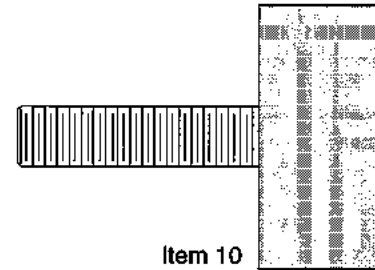
Item 7
1/4-20 x 1" Bolt
Qty. 4



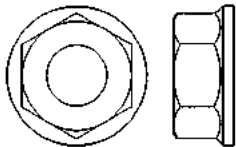
Item 8
1/4" Lock Washer
Qty. 4



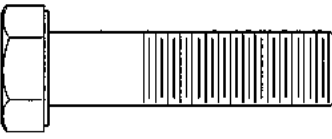
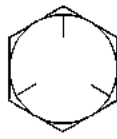
Item 9
1/4" Washer
Qty. 4



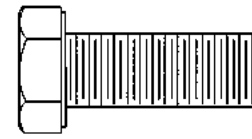
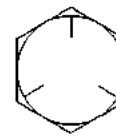
Item 10
Adjustable Rubber Bumper
Qty. 4



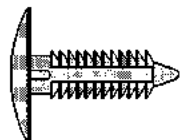
Item 11
5/16-18 Lock Nut
Qty. 6



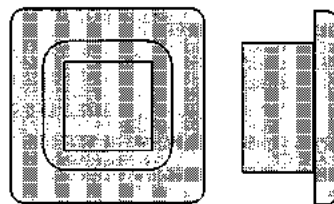
Item 14
3/8-16 x 1 1/2" Bolt
Qty. 2



Item 15
3/8-16 x 1" Bolt
Qty. 2



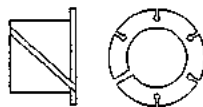
Item 17
Plastic Rivet
Qty. 6



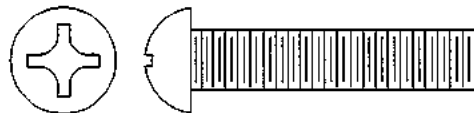
Item 18, 44
End Plug, 1"
Qty. 2, 4



Item 20
3/8-16 x 1 1/4" Carriage Bolt
Qty. 14



Item 21
Bushings, Nylon
Qty. 4



Item 23
5/16-18 x 1 1/2" Bolt
Qty. 2

TITLE CONVERTIBLE CARRIER INSTALLATION INSTRUCTIONS

REV A

EZGO TEXTRON

DRN BY
ORIG DATE

J.RICE
05/25/95

REV BY
REV DATE

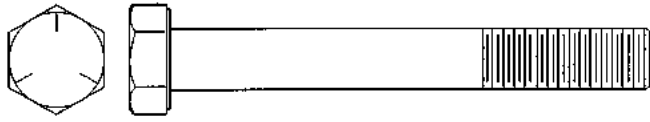
J.RICE
07/14/95

DRAWING
NO.

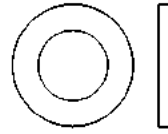
75283

PG. 9 OF 12

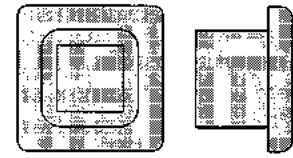
NOTE: HARDWARE SHOWN ACTUAL SIZE



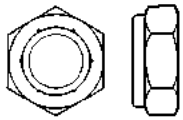
Item 31
5/16-18 x 2 1/2" Bolt
Qty. 2



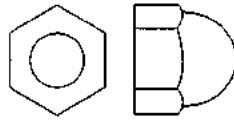
Item 32
5/8" Washer, Teflon
Qty. 4



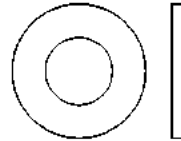
Item 33, 42
End Plug, 3/4"
Qty. 2, 6



Item 34
5/16-18 Lock Nut
Qty. 4



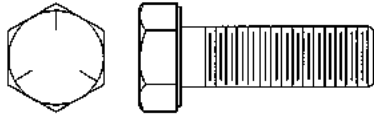
Item 35
5/16-18 Acorn Nut
Qty. 2



Item 36
5/16" Washer
Qty. 4



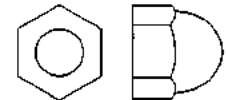
Item 37
5/16" Lock Washer
Qty. 2



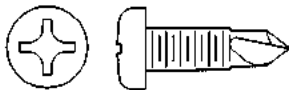
Item 38
5/16-18 x 1" Bolt
Qty. 2



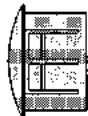
Item 39
1/4-20 x 1 3/4" Bolt
Qty. 2



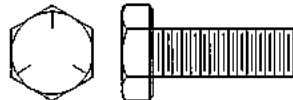
Item 40
1/4-20 Acorn Nut
Qty. 2



Item 41
#12-24 x 3/4" Screw
Qty. 2



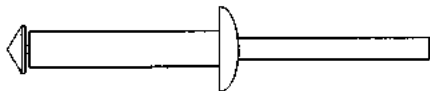
Item 43
Hole Plug, 1/2"
Qty. 2



Item 45
1/4-20 x 3/4" Bolt
Qty. 4



Item 48
5/16-18 x 1 1/4" Bolt
Qty. 2



Item 49
Rivet, 3/16"
Qty. 2

NOTE:

Items 18 and 44 are the same in appearance. However, item 18 is for 14 gauge tubing and 44 is for 11 gauge tubing.

Items 33 and 42 are the same in appearance. However, item 33 is for 11 gauge tubing and 42 is for 14 gauge tubing.

Check fit each end plug for tightest fit for correct application.

TITLE CONVERTIBLE CARRIER INSTALLATION INSTRUCTIONS					REV A	
EZGO TEXTRON		DRN BY ORIG DATE	J.RICE 05/25/95	REV BY REV DATE	J.RICE 07/14/95	DRAWING NO. 75283
E-Z-GO DIVISION OF TEXTRON, INC., P.O. BOX 388, AUGUSTA, GA. 30903-0388, 1-800-448-7476						PG. 10 OF 12

KIT CONTENTS

ITEM	QTY	PART NO.	DESCRIPTION
1	2	74135-G01	SPRING, HEAVY DUTY
2	4	74124-G01	'U' BOLT, 3/8-16 x 2 1/2" LG.
3	14	11098-G5	NUT, LOCK, 3/8-16
4	2	74111-G01	SUPPORT, SEAT BACK
5	14	00560-G1	WASHER, 3/8"
6	4	01006-G02	BOLT, 3/8-16 X 1 1/2" LG.
7	4	00414-G8	BOLT, 1/4-20 X 1" LG.
8	4	00565-G7	WASHER, LOCK, 1/4"
9	4	00559-G7	WASHER, 1/4"
10	4	70113-G01	BUMPER, ADJUSTABLE RUBBER
11	6	11027-G1	NUT, LOCK, 5/16-18
12	1	74126-G02	SUPPORT, VERTICAL FRAME, DRIVER'S SIDE
13	1	74126-G01	SUPPORT, VERTICAL FRAME, PASSENGER SIDE
14	2	00427-G4	BOLT, 3/8-16 X 1 1/2" LG.
15	2	00426-G8	BOLT, 3/8-16 X 1" LG.
16	1	74149-G01	PANEL, VALANCE
17	4	16816-G2	RIVET, PLASTIC
18	2	19853-G1	END PLUG, 1"
19	1	70361-G01	FOOT REST (INCLUDES WARNING LABEL (74132-G01))
20	2	00769-G2	BOLT, CARRIAGE, 3/8-16 X 1 1/4" LG.
21	4	17838-G1	BUSHING, NYLON
22	1	74131-G*	SEAT ASSEMBLY
23	2	00762-G4	BOLT, 5/16-18 X 1 1/2"
24	1	71456-G01	BUMPER, REAR, NOTCHED
25	2	70364-G01	SPACER
26	1	74193-G01	FRAME, SUPPORT
27	2	75196-G01	HANDRAIL
28	1	75229-G01	BED
29	1	75268-G01	TUBE, SUPPORT

TITLE CONVERTABLE CARRIER INSTALLATION INSTRUCTIONS						REV A
EZGO TEXTRON	DRN BY ORIG DATE	J.RICE 05/25/95	REV BY REV DATE	J.RICE 07/14/95	DRAWING NO. 75283	PG. 11 OF 12

KIT CONTENTS

ITEM	QTY	PART NO.	DESCRIPTION
30	1	75273-G01	BED, FRONT
31	2	00440-G4	BOLT, 5/16-18 X 2 1/2" LG.
32	4	17255-G1	WASHER, TEFLON
33	2	75261-G01	PLUG, END, 3/4"
34	4	00654-G3	NUT, LOCK, 5/16-18
35	2	00520-G3	NUT, ACORN, 5/16-18
36	4	00559-G8	WASHER, 5/16"
37	2	00664-G8	WASHER, LOCK, 5/16"
38	2	00438-G8	BOLT, 5/16-18 X 1" LG.
39	2	16705-G6	BOLT, 1/4-20 X 1 3/4" LG.
40	2	00520-G1	NUT, ACORN, 1/4-20
41	2	00106-G6	SCREW, #12-24 X 3/4" LG.
42	6	19859-G1	END PLUG, 3/4"
43	2	20271-G2	HOLE PLUG, 1/2"
44	4	75261-G02	END PLUG, 1"
45	4	00661-G6	BOLT, 1/4-20 X 3/4" LG.
46	1	71751-G*	SEAT BACK
47	1	75263-G*	SEAT BOTTOM
48	2	00762-G02	BOLT, 5/16-18 X 1 1/4"
49	2	71055-G01	RIVET, 3/16"

(G* is determined by the color of seat back or seat bottom)

TITLE CONVERTIBLE CARRIER INSTALLATION INSTRUCTIONS					REV A	
EZGO TEXTRON		DRN BY ORIG DATE	J.RICE 05/25/95	REV BY REV DATE	J.RICE 07/14/95	DRAWING NO. 75283
						PG. 12 OF 12

NOTE: TO ORDER THIS ENTIRE FIELD KIT, REQUEST PART NO. 74150-G01

READ ALL INSTRUCTIONS BEFORE PROCEEDING.

TOOL LIST	QTY. REQUIRED
Jack, floor.....	1
Safety stands	4
Chocks	4
Wrench, 7/16"	1
Wrench, 1/2"	1
Wrench, 9/16"	1
Hammer, plastic faced.....	1
.....	

TOOL LIST.....	QTY. REQUIRED
Ratchet, 3/8" drive.....	1
Extension, 3/8", 3"	1
Socket, 7/16"	1
Socket, 1/2"	1
Socket, 9/16"	1
Torque wrench, ft. lbs. 3/8" drive.....	1
Screwdriver, Phillips	1
Rivet Gun for 3/16" pop rivet	1

A. INSTALLING HEAVY DUTY SPRINGS



BE SURE THE VEHICLE IS ON A FIRM AND LEVEL SURFACE. NEVER GET UNDER A VEHICLE WHILE IT IS SUPPORTED BY A JACK. USE SAFETY STANDS AND TEST THE STABILITY OF THE VEHICLES ON THE STANDS. ALWAYS PLACE CHOCKS IN FRONT AND BEHIND THE WHEELS THAT ARE NOT TO BE RAISED. USE CAUTION SINCE THE VEHICLE IS EXTREMELY UNSTABLE DURING THE LIFTING PROCESS.

1. Place chocks in front and behind each front wheel. Center the jack under the rear bumper. (See Fig. 1)

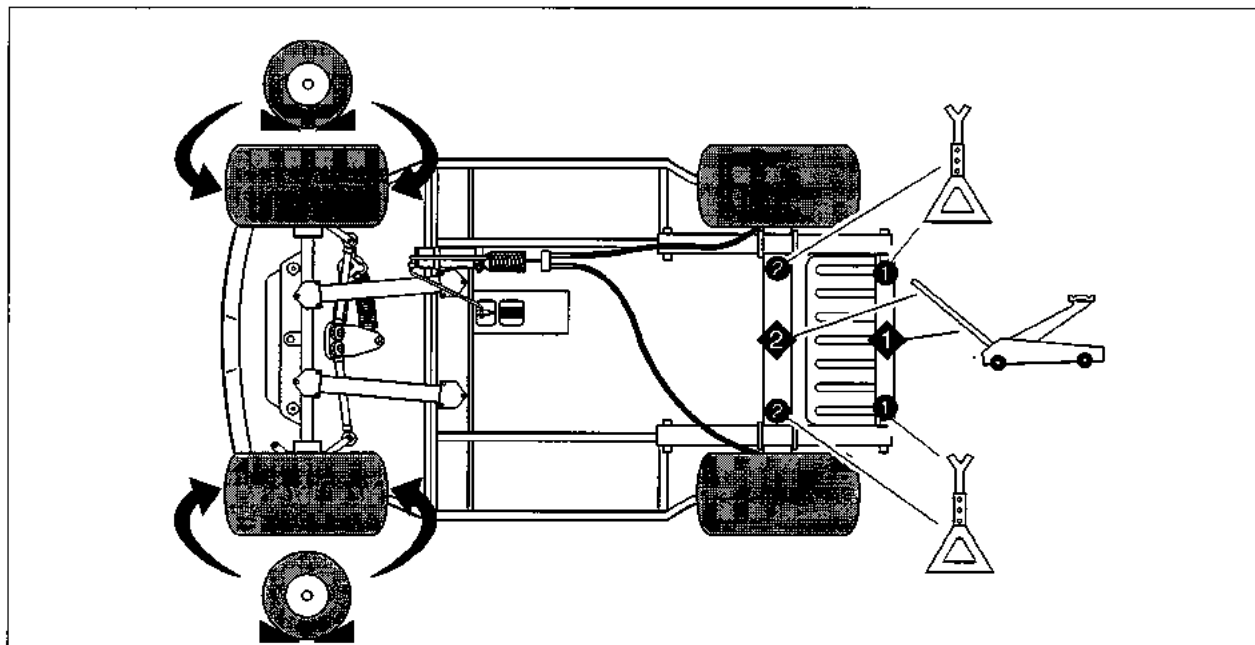


Fig. 1

2. Raise the vehicle and place a safety stand under the outer ends of the rear bumper. (See Fig. 1)

TITLE 4 CADDY INSTALLATION INSTRUCTIONS						REV A
EZGO TEXTRON	DRN BY ORIG DATE	J.RICE 05/22/95	REV BY REV DATE	J.RICE 07/14/95	DRAWING NO. 74155	PG. 1 OF 8

3. Lower the jack and test the stability of the vehicle on the two safety stands.
4. At the passenger side, remove the bottom shock absorber nut. (See Fig. 2)

CAUTION

NEVER LIFT OR SUPPORT THE VEHICLE ON THE REAR AXLE DIFFERENTIAL CASTING. BE CAREFUL NOT TO POSITION THE JACK IN AN AREA THAT COULD DAMAGE THE BRAKE CABLES OR HANGERS.

5. Place the jack near the center section of the rear axle and raise just enough to place a second set of safety stands at each end of the axle tubes as close to the wheel as possible. (See Fig. 1)
6. Remove the 'U' bolts and securing hardware. The nuts and 'U' bolts may be discarded but the washers should be retained for later use. (See Fig. 2)

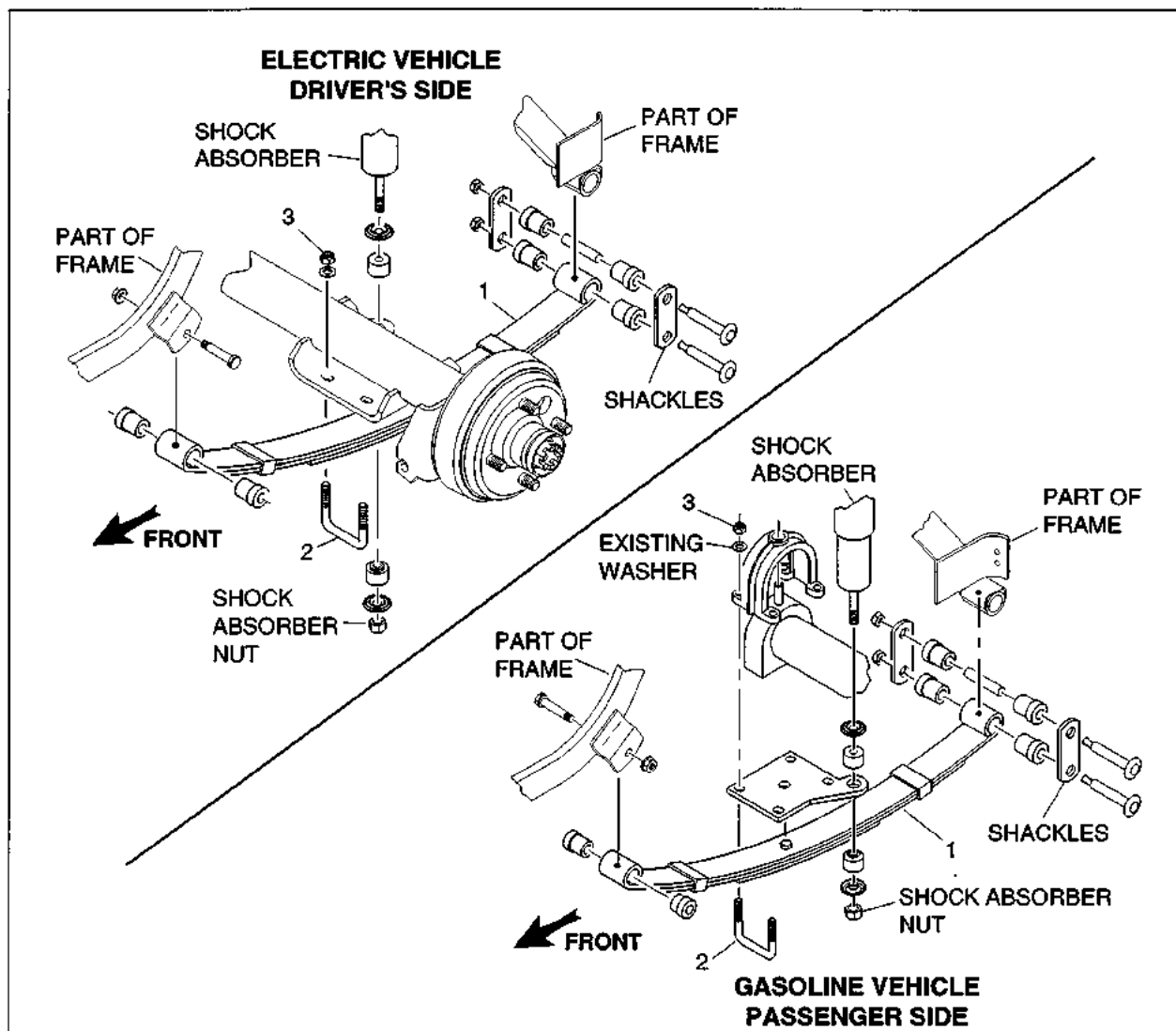


Fig. 2

7. Remove the shackles and hardware securing the spring to the frame. Remove the spring.
8. Installation of heavy duty spring is the reverse order of disassembly.
9. Install the heavy duty spring (item 1) with 'U' bolts (item 2), washers (removed from old spring), and nuts (item 3). Tighten hardware to 18-22 ft. lbs. torque.

TITLE 4 CADDY INSTALLATION INSTRUCTIONS					REV A	
EZGO <small>TEXTRON</small>	DRN BY ORIG DATE	J.RICE 05/22/95	REV BY REV DATE	J.RICE 07/14/95	DRAWING NO.	74155
						PG. 2 OF 8

NOTE

When installing rear spring shackles, be sure that the cupped side of the shackle plate faces the spring.

10. Replace the hardware to secure the front end of the spring to the frame. Tighten to 21 - 25 ft. lbs. torque.
11. Replace the hardware and shackles to secure the rear end of the spring to frame. Tighten to 18 - 22 ft. lbs. torque.
12. Replace the shock absorber nut. It must be tightened until the shock absorber bushing expands to the diameter of the shock absorber washer.
13. Repeat procedure at driver's side of vehicle.

B. INSTALLING SEAT BACK SUPPORT (Refer to Fig. 3)

1. Remove the existing seat back from the seat back support and retain hardware. Remove the seat back support and bag rack assembly from the frame of the vehicle.
2. Install the new seat back supports (item 4) to the frame using washers (item 5) and bolts (item 6). Finger tighten hardware to allow for adjustment.

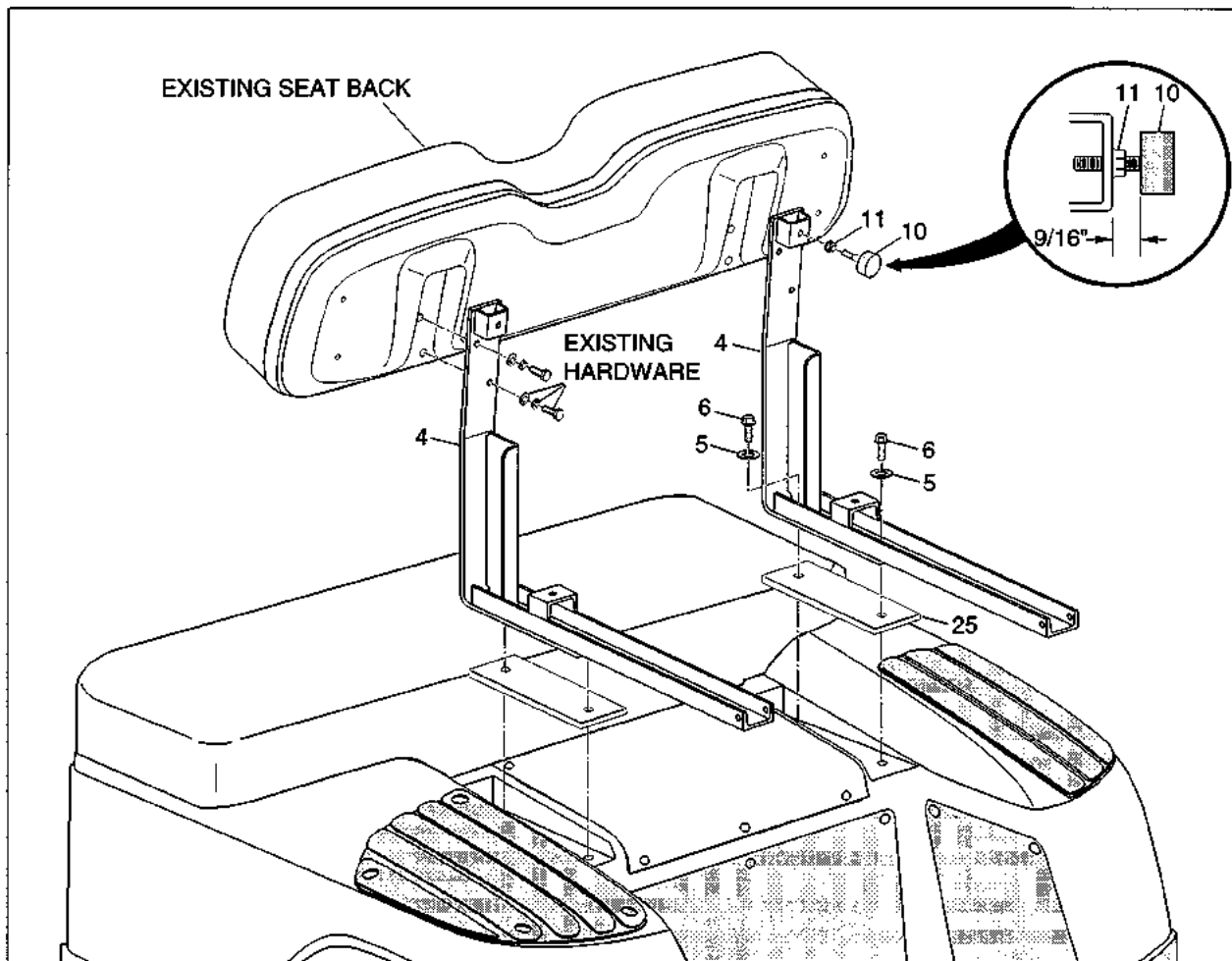


Fig. 3

3. Using existing hardware, secure the existing seat back to the new seat back support. Tighten to 5 - 7 ft. lbs. torque.
4. Install rubber bumpers (item 10) on vertical part of seat support bracket using one lock nut (item 11) (per bumper) as shown in Fig. 3. Tighten to dimension specified.
5. Tighten bolts (item 6) to 21 - 25 ft. lbs. torque.

TITLE 4 CADDY INSTALLATION INSTRUCTIONS					REV A	
EZGO TEXTRON	DRN BY ORIG DATE	J.RICE 05/22/95	REV BY REV DATE	J.RICE 07/14/95	DRAWING NO.	74155 PG. 3 OF 8

C. REPLACING REAR BUMPER

1. Remove screw and washer fastening each end of bumper to rear fender. (In later models remove rivet.)
2. Remove hole plugs (4 places) in rear bumper (item 24) and remove bolts securing bumper to vehicle.
3. Remove bumper and replace with modified bumper contained in kit, using hardware removed above to re-attach bumper to vehicle. Replace bolts using inner 2 mounting holes only. (See Fig. 4) Tighten to 21 - 25 ft. lbs. torque.
4. Fasten each end of bumper to rear fender using 3/16" rivet (item 26). (Hole in fender may need to be enlarged to 13/64")
5. Replace hole plugs, removed earlier, in all 4 holes.

D. INSTALLING VERTICAL FRAME SUPPORT.

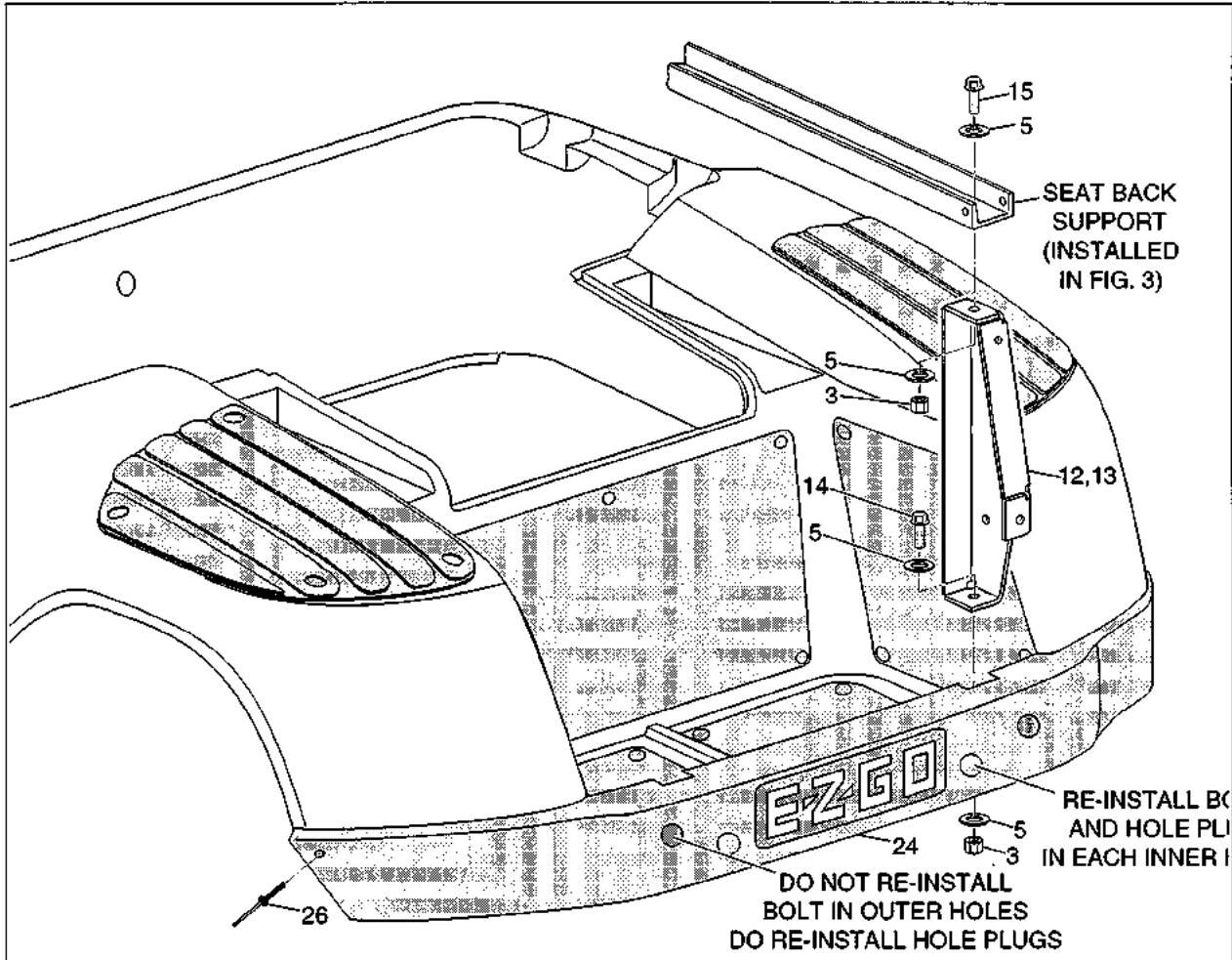


Fig. 4

1. Place vertical frame support (items 12 and 13) between the seat back support and bagwell as shown. Insert bolt (item 14) and washer (item 5) from inside bagwell and place washer (item 5) and nut (item 3) underneath frame (See Fig. 4). Finger tighten the hardware since the bottom washer and nut will be removed later for further installation.
2. Secure the top of the vertical frame support to the seat back support using bolt (item 15), washers (item 5) and nut (item 3) (See Fig. 4). Do not tighten hardware to allow for adjustment.

TITLE 4 CADDY INSTALLATION INSTRUCTIONS				REV A	
EZGO TEXTRON	DRN BY ORIG DATE	J.RICE 05/22/95	REV BY REV DATE	J.RICE 07/14/95	DRAWING NO. 74155
					PG. 4 OF 8

NOTE

Before tightening any hardware, it is critical the exact spacing is achieved to accommodate the fitting of the seat assembly into the channels of the seat back support.

3. As a 'test fit', place the seat assembly (item 22) into the channels of the seat back support (See Fig. 6) and tighten the hardware securing the seat back support to the vehicle frame and vertical frame support to 21-25 ft. lbs. torque.
4. Remove the seat assembly.

E. INSTALLING FOOT REST

1. Install the end plugs (item 18) into the tubing ends of the foot rest assembly (item 19).
2. Remove the nut (item 3) and washer (item 5) (previously installed) from the underside of the frame. (See Fig. 5)

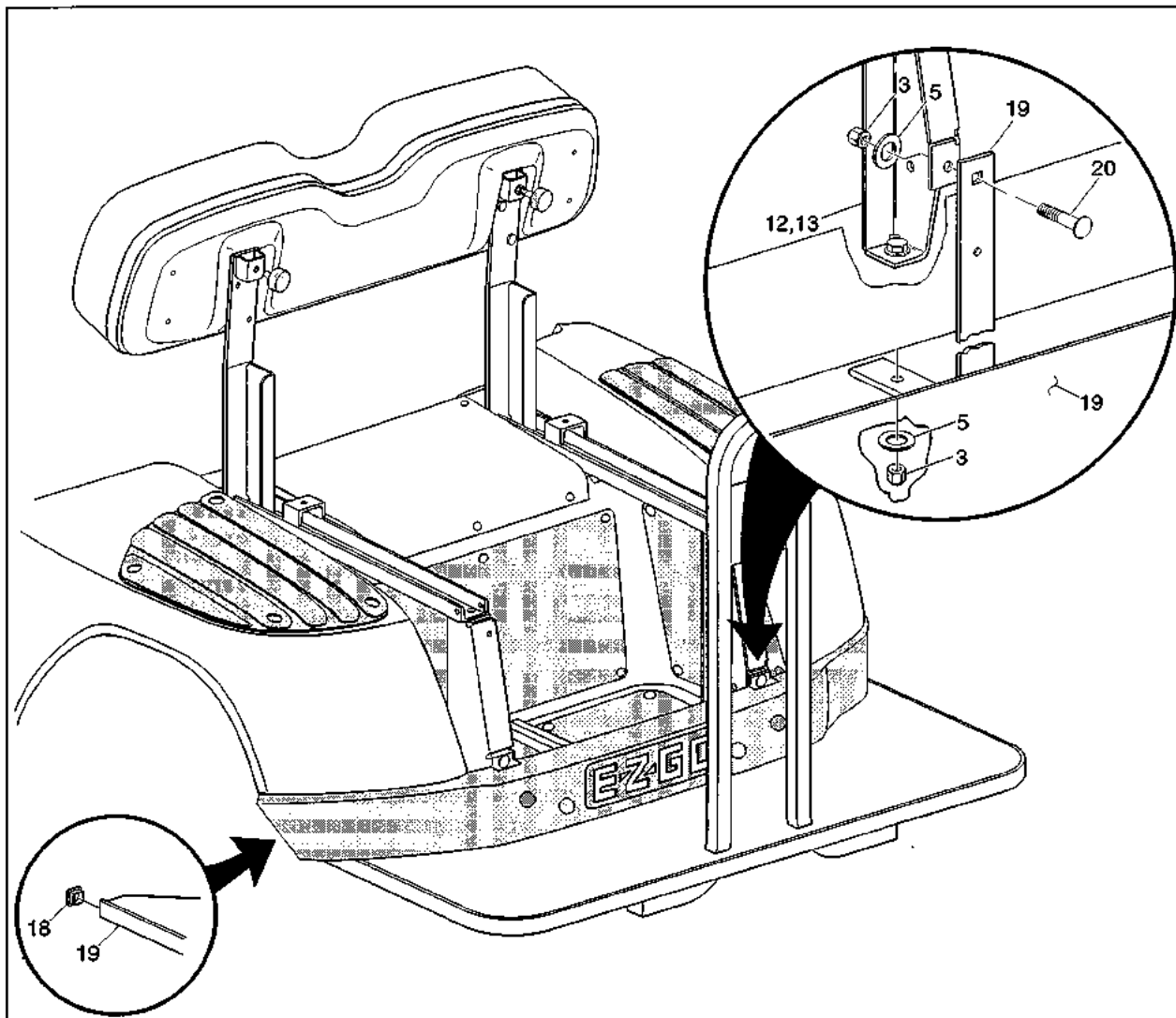


Fig. 5

NOTE

Installation Tip: To perform step 3, it may require the assistance of another person or it may be necessary to use a jack to raise and hold the foot rest assembly while installing hardware.

TITLE 4 CADDY INSTALLATION INSTRUCTIONS					REV A
EZGO TEXTRON	DRN BY ORIG DATE	J.RICE 05/22/95	REV BY REV DATE	J.RICE 07/14/95	DRAWING NO. 74155
E-Z-GO DIVISION OF TEXTRON, INC., P.O. BOX 388, AUGUSTA, GA. 30903-0388, 1-800-448-7					PG. 5 OF 8

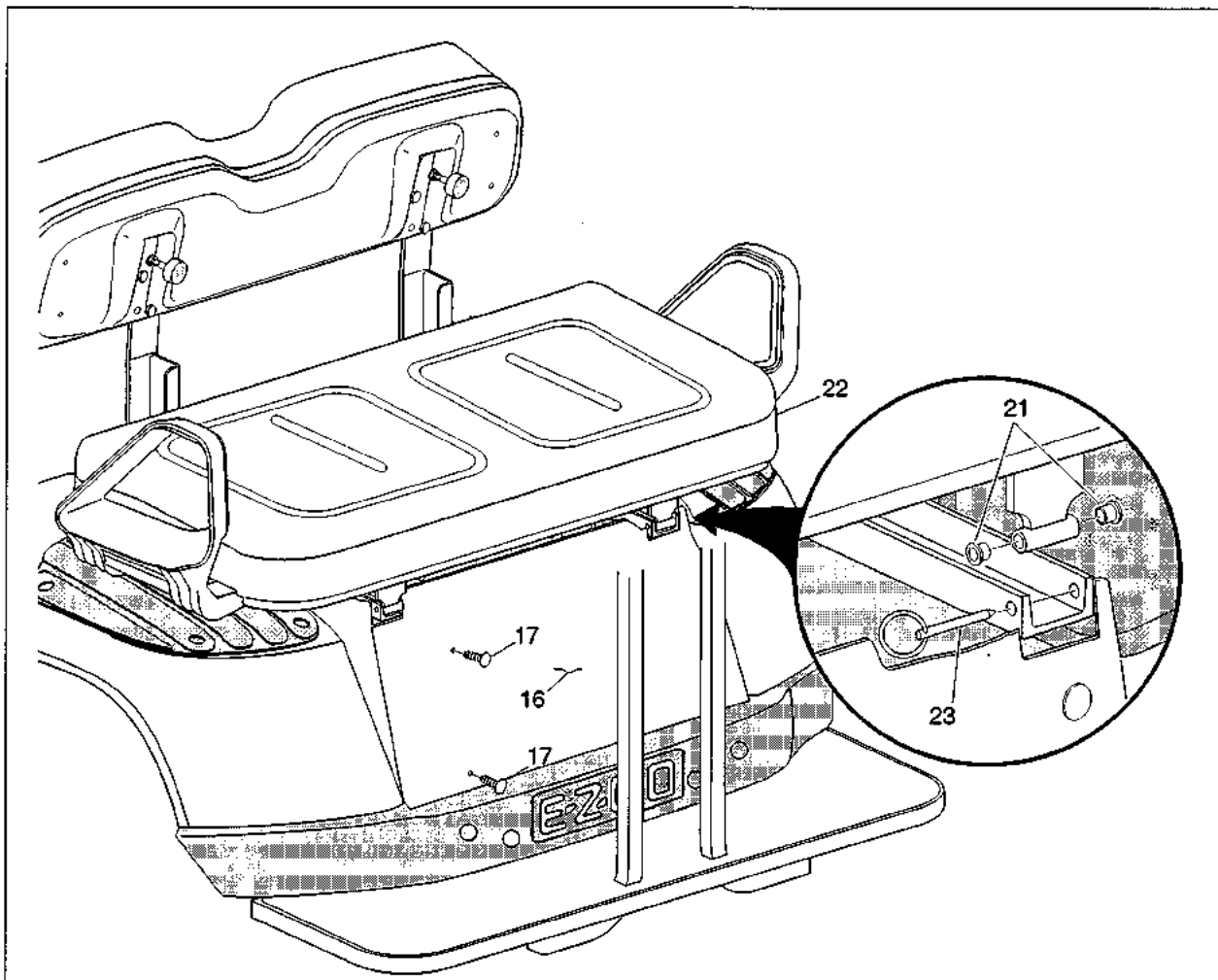
3. Place the foot rest (item 19) up against the bottom of bumper aligning the bolts that were previously installed in the bagwell with the holes in the horizontal part of the foot rest bracket. Be sure the vertical part of the foot rest bracket is inserted between the bumper and the vertical frame supports. See Detail in Fig. 5
4. Reinstall the washer and nut under the bagwell. Finger tighten to allow adjustment.
5. Align holes in foot rest bracket with holes in vertical frame support.
6. Insert carriage bolt (item 20) through the hole in bracket and vertical support and secure with washer (item 5) and nut (item 3). (See Fig. 5)
7. Tighten the nut (item 3) on the underside of the frame to 21 - 25 ft. lbs. torque. (See Fig. 5)

F. INSTALLING VALANCE PANEL

1. Place the valance panel (item 16) as shown in Fig. 6 with the sides inside the bagwell.
2. Secure the valance panel to the vertical support brackets using two rivets (item 17) in each bracket.

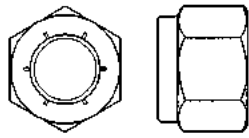
G. INSTALLING SEAT ASSEMBLY (Refer to Fig. 3)

1. Insert the nylon bushings (item 21) into the pivot brackets on the seat assembly (item 22, 4 places).
2. Secure the seat assembly into the channels of the seat back support aligning pivot brackets with existing holes.
3. Insert the hitch pin (item 23) through the pivot from the center of vehicle (2 places). (See Fig. 6)

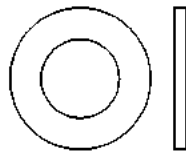
**Fig. 6**

TITLE 4 CADDY INSTALLATION INSTRUCTIONS						REV A
EZGO TEXTRON	DRN BY ORIG DATE	J. RICE 05/22/95	REV BY REV DATE	J. RICE 07/14/95	DRAWING NO. 74155	PG. 6 OF 8

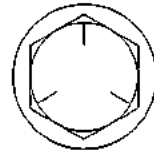
NOTE: HARDWARE SHOWN ACTUAL SIZE



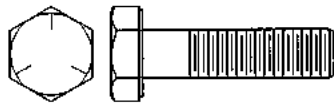
Item 3
3/8-16 Lock Nut
Qty. 14



Item 5
3/8 Washer
Qty. 14



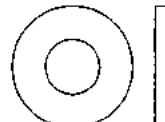
Item 6
3/8-16 x 1 1/2" Bolt
Qty. 4



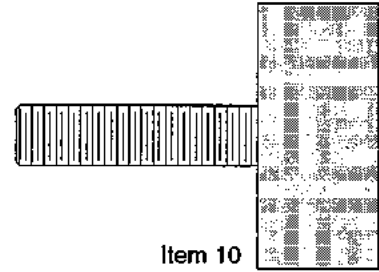
Item 7
1/4-20 x 1" Bolt
Qty. 4



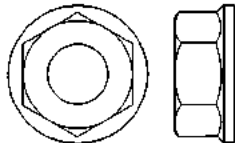
Item 8
1/4 Lock Washer
Qty. 4



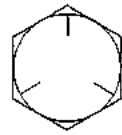
Item 9
1/4 Washer
Qty. 4



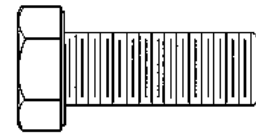
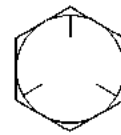
Item 10
Adjustable Rubber Bumper
Qty. 4



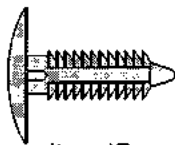
Item 11
5/16-18 Lock Nut
Qty. 6



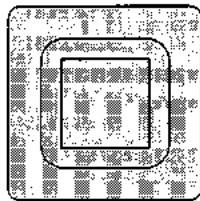
Item 14
3/8-16 x 1 1/2" Bolt
Qty. 2



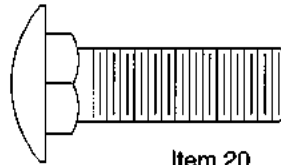
Item 15
3/8-16 x 1" Bolt
Qty. 2



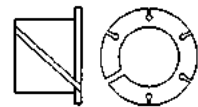
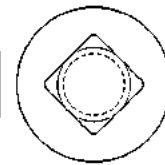
Item 17
Plastic Rivet
Qty. 6



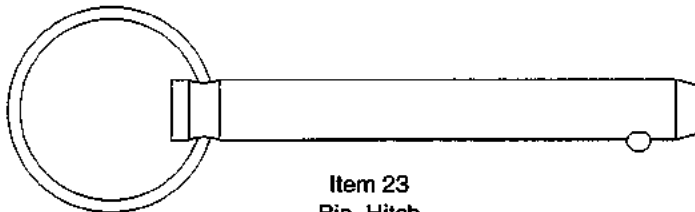
Item 18
End Plug, 1"
Qty. 2



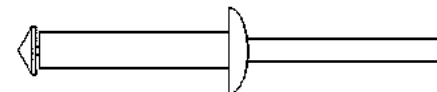
Item 20
3/8-16 x 1 1/4" Carriage Bolt
Qty. 14



Item 21
Bushings, Nylon
Qty. 4



Item 23
Pin, Hitch
Qty. 2



Item 26
Rivet, 3/16"
Qty. 2

TITLE 4 CADDY INSTALLATION INSTRUCTIONS

REV A



DRN BY J.RICE
ORIG DATE 05/22/95

REV BY J.RICE
REV DATE 07/14/95

DRAWING NO. 74155

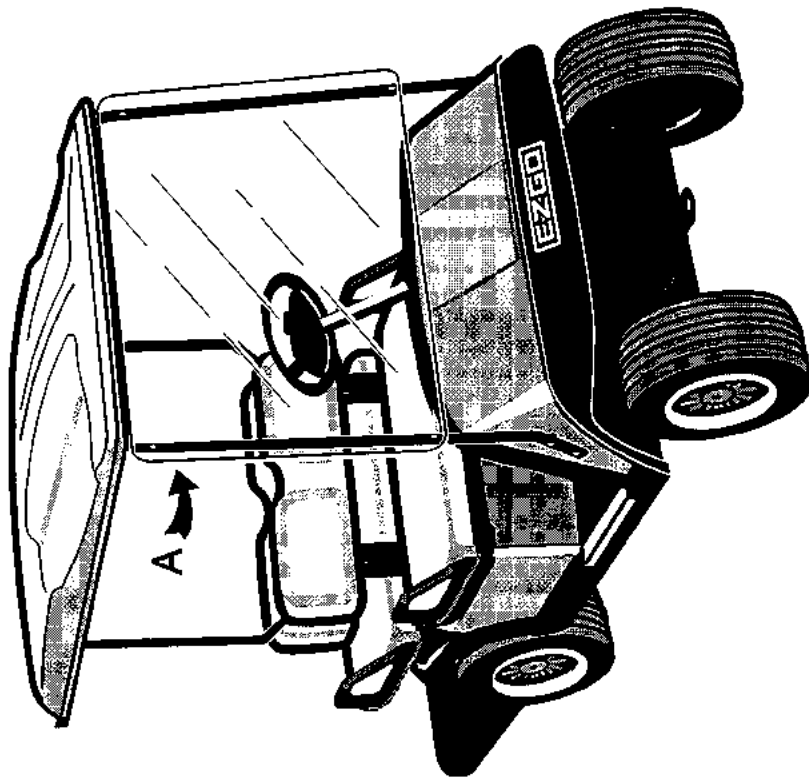
PG. 7 OF 8

KIT CONTENTS

ITEM	QTY	PART NO.	DESCRIPTION
1	2	74135-G01	SPRING, HEAVY DUTY
2	4	74124-G01	'U' BOLT, 3/8-16 x 2 1/2" LG.
3	14	11098-G5	NUT, LOCK, 3/8-16
4	2	74111-G01	SUPPORT, SEAT BACK
5	14	00560-G1	WASHER, 3/8
6	4	01006-G02	BOLT, 3/8-16 X 1 1/2" LG.
7	4	00414-G8	BOLT, 1/4-20 X 1" LG.
8	4	00565-G7	WASHER, LOCK, 1/4"
9	4	00559-G7	WASHER, 1/4"
10	4	70113-G01	BUMPER, ADJUSTABLE RUBBER
11	6	11027-G1	NUT, LOCK, 5/16-18
12	1	74126-G02	SUPPORT, VERTICAL FRAME, DRIVER'S SIDE
13	1	74126-G01	SUPPORT, VERTICAL FRAME, PASSENGER SIDE
14	2	00427-G4	BOLT, 3/8-16 X 1 1/2" LG.
15	2	00426-G8	BOLT, 3/8-16 X 1" LG.
16	1	74149-G01	PANEL, VALANCE
17	4	16816-G2	RIVET, PLASTIC
18	2	19853-G1	END PLUG, 1"
19	1	70361-G01	FOOT REST (INCLUDES WARNING LABEL (74132-G01))
20	2	00769-G2	BOLT, CARRIAGE, 3/8-16 X 1 1/4" LG.
21	4	17838-G1	BUSHING, NYLON
22	1	74131-G*	SEAT ASSEMBLY
23	2	74134-G01	PIN, HITCH
24	1	71456-G01	BUMPER, REAR, NOTCHED
25	2	70364-G01	SPACER
26	2	71055-G01	RIVET, 3/16"

TITLE	4 CADDY INSTALLATION INSTRUCTIONS	REV	A
-------	--	-----	----------

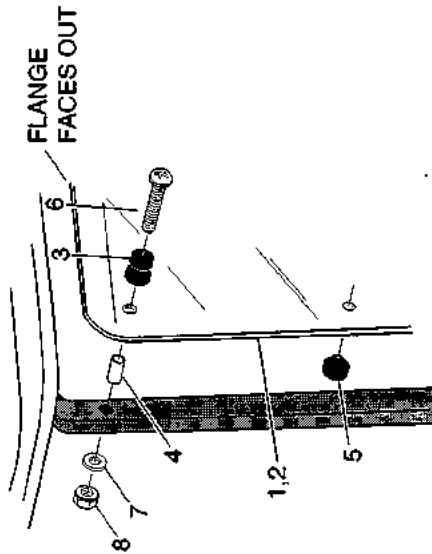
EZGO TEXTRON	DRN BY ORIG DATE	J.FICE 05/22/95	REV BY REV DATE	J.FICE 07/14/95	DRAWING NO.	74155	PG. 8 OF 8
---------------------	---------------------	--------------------	--------------------	--------------------	-------------	-------	------------



NOTE: TO ORDER THIS ENTIRE FIELD KIT, REQUEST PART NO. 75133-G01 (CLEAR) 75133-G02 (TINTED)

READ ALL INSTRUCTIONS BEFORE PROCEEDING.

1. Insert the rubber grommets (item 3) into the top and bottom holes on both sides of the windshield (item 1 or item 2).
2. Insert the spacers (item 4) into the rubber grommets.
3. From the rear of the windshield, insert the plug bumpers (item 5) into the center holes of the windshield. See Detail A.
4. Place the windshield (item 1 or item 2) against the front strut with the small tapered end at the top.
5. Insert the bolts (item 6) through the windshield and front strut and secure with washers (item 7) and lock nuts (item 8).
6. Tighten enough to ensure that spacer (item 4) does not rattle.



DETAIL A

ITEM	QTY	PART NO.	DESCRIPTION
1	1	75160-G01	WINDSHIELD, CLEAR
2	1	75160-G02	WINDSHIELD, TINTED
3	4	72147-G01	GROMMET, RUBBER
4	4	23726-G7	SPACER
5	2	75124-G01	BUMPER, PLUG
6	4	16705-G6	SCREW, 1/4-20 X 1 3/4 LG.
7	4	00660-G7	WASHER, 1/4"
8	4	00891-G2	NUT, LOCK, 1/4-20

TITLE 4-CADDY CONVERSION WINDSHIELD INSTALLATION

REV A



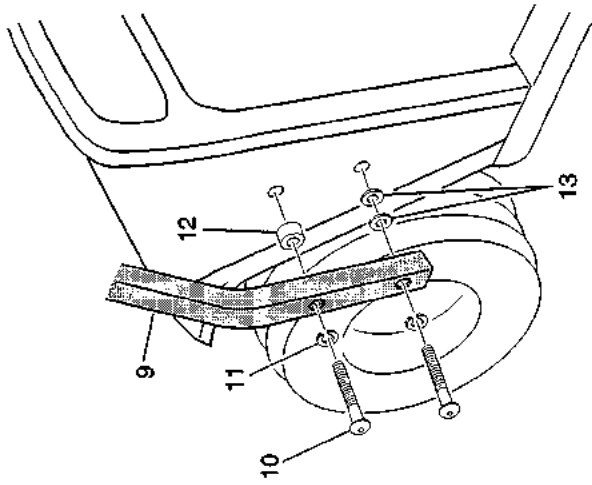
DRN BY L WEBB
ORIG DATE 07/14/94

REV BY
REV DATE

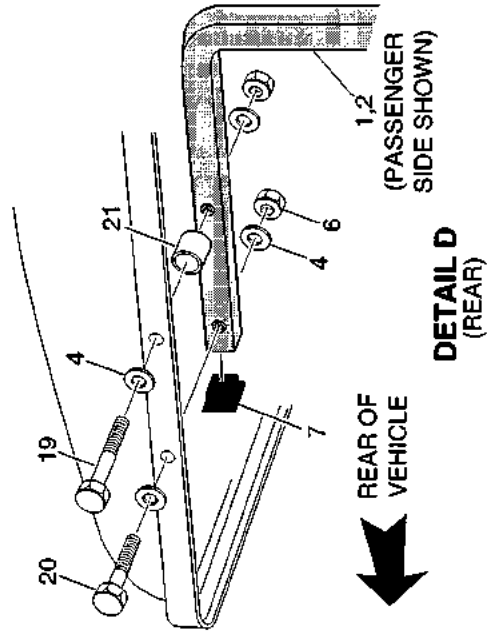
DRAWING NO. 75161
A
PG. 1 OF 1

THE SYMBOL ◁ REFERS TO A NOTE CORRESPONDING TO THE LETTER ENCLOSED WITHIN IT.
SEE FOLLOWING PAGE(S) FOR NOTES AND PARTS LISTS.
OBTAIN THIS DOCUMENT TO FACILITATE THE ORDERING OF REPLACEMENT PARTS.

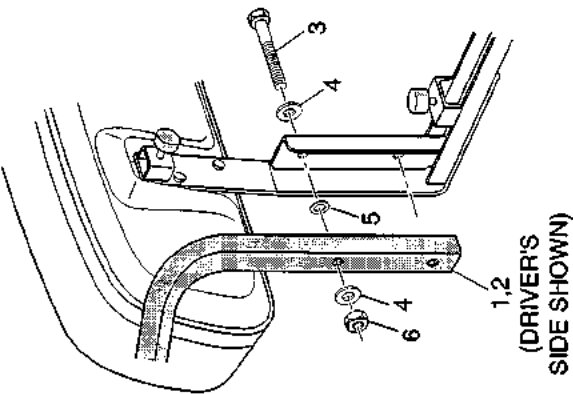
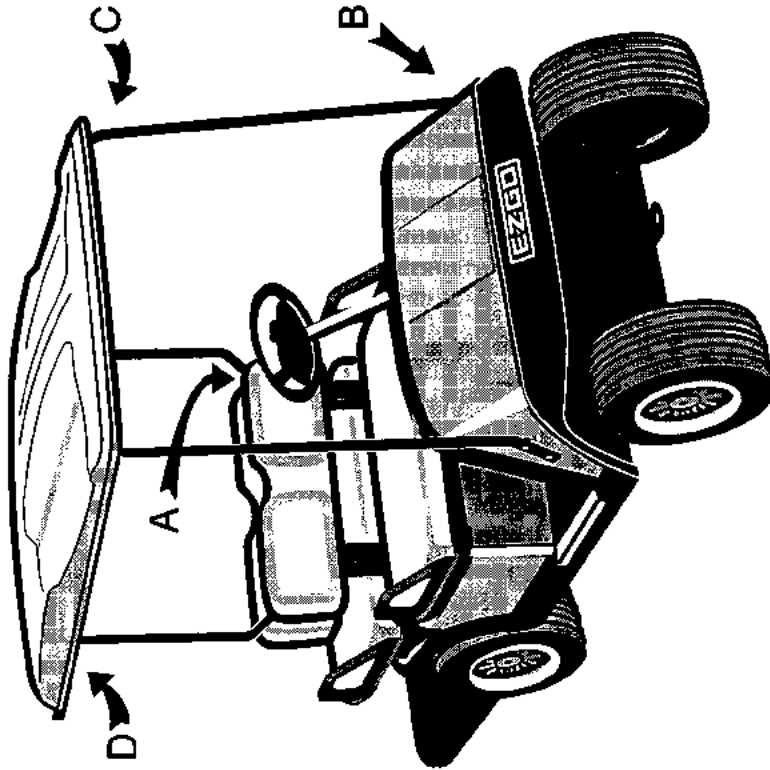
E-Z-GO DIVISION OF TEXTRON, INC., P.O. BOX 388, AUGUSTA, GA. 30913-2699, 1-800-241-5855



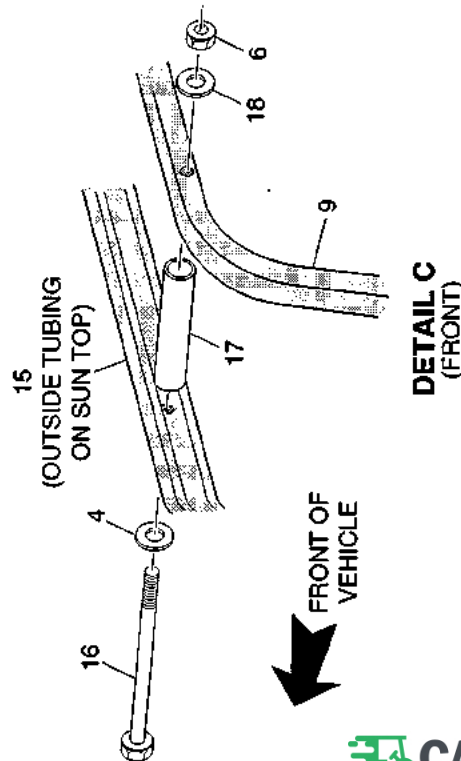
DETAIL B



DETAIL D (REAR)



DETAIL A



DETAIL C (FRONT)

E SYMBOL ◁ REFERS TO A NOTE CORRESPONDING TO THE LETTER ENCLOSED WITHIN IT.
 E FOLLOWING PAGE(S) FOR NOTES AND PARTS LISTS.
 TO FACILITATE THE ORDERING OF PLACEMENT PARTS.

TITLE **4-CADDY CONVERSION SUN TOP INSTALLATION**

REV C

EZ-GO **TEXTRON**

DRN BY L WEBB
 ORIG DATE 07/15/94

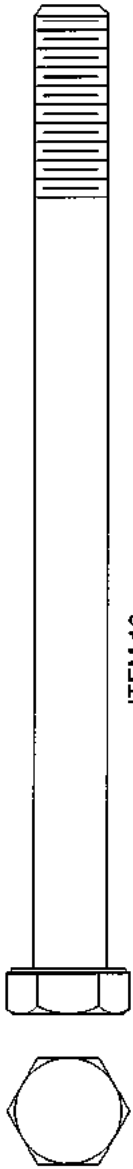
REV BY J.BRAND
 REV DATE 02/07/96

DRAWING NO. 75158

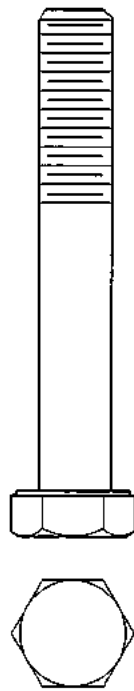
PG. 1 OF 3

E-Z-GO DIVISION OF TEXTRON, INC., P.O. BOX 388, AUGUSTA, GA. 30913-2699, 1-800-241-5855

NOTE: ALL HARDWARE SHOWN ACTUAL SIZE



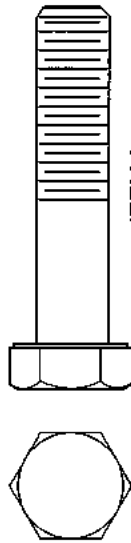
ITEM 16
3/8-16 X 5" BOLT
QTY. 2



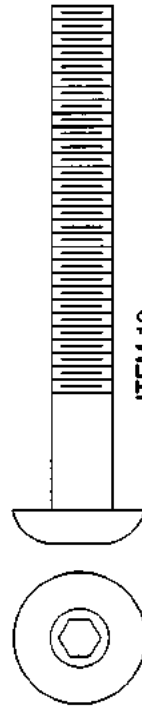
ITEM 19
3/8-16 X 2 1/2" BOLT
QTY. 2



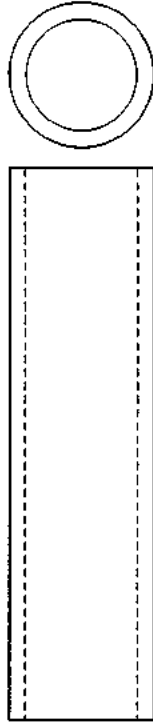
ITEM 20
3/8-16 X 2" BOLT
QTY. 2



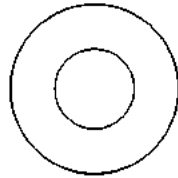
ITEM 3
3/8-16 X 1 3/4" BOLT
QTY. 4



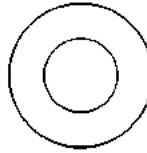
ITEM 10
5/16-18 X 2 1/8" BOLT
QTY. 4



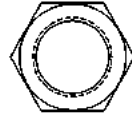
ITEM 17
SPACER
QTY. 2



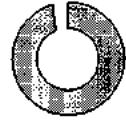
ITEM 4
3/8 WASHER
QTY. 18



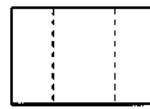
ITEM 5
3/8 NYLON WASHER
QTY. 4



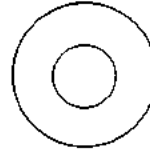
ITEM 6
3/8-16 LOCK NUT
QTY. 4



ITEM 11
5/16" BLACK LOCK WASHER
QTY. 4



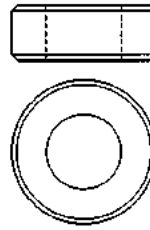
ITEM 12
SPACER
QTY. 2



ITEM 13
3/8" BLACK WASHER
QTY. 4



ITEM 18
WASHER
QTY. 2



ITEM 21
SPACER
QTY. 2

E SYMBOL REFERS TO A NOTE CORRESPONDING TO THE LETTER ENCLOSED WITHIN IT.
E FOLLOWING PAGE(S) FOR NOTES AND PARTS LISTS.
TAIN THIS DOCUMENT TO FACILITATE THE ORDERING OF PLACEMENT PARTS.

TITLE 4-CADDY CONVERSION SUN TOP INSTALLATION

REV C



DRN BY L WEBB
ORIG DATE 07/14/94

REV BY J.BRAND
REV DATE 02/07/96

DRAWING NO. 75158
A

PG. 2 OF 3

E-Z-GO DIVISION OF TEXTRON, INC., P.O. BOX 388, AUGUSTA, GA. 30913-2699, 1-800-241-5855

NOTE: TO ORDER THIS ENTIRE FIELD KIT, REQUEST PART NO. 75123-G01
READ ALL INSTRUCTIONS BEFORE PROCEEDING.

A. REAR STRUTS

1. At driver's side, align the holes in the rear strut (item 1) with the holes in the seat back support bracket, being sure that the open end of the strut faces the rear of the vehicle as shown in Details A and D.
2. Insert the bolt (item 3) and washer (item 4) through the seat back support bracket. Place nylon washer (item 5) between the seat back support bracket and rear strut. Secure with washer (item 4) and lock nut (item 6) at outer side of rear strut as shown in Detail A. **DO NOT TIGHTEN HARDWARE.**
3. Repeat procedure with rear strut (item 2) at passenger side of vehicle.
4. Insert end caps (item 7) into the top of the rear struts as shown in Detail D.


B. FRONT STRUTS

1. Remove and discard the four allen head bolts from the front cowl using a 7/32" allen wrench.
2. At the upper hole (both sides of vehicle), install the front strut (item 9) with bolt (item 10) and black lock washer (item 11) on the outside of strut, and a spacer (item 12) between the front cowl and strut. **DO NOT TIGHTEN HARDWARE.** See Detail B.
3. At the lower hole, secure the strut with bolt (item 10) and black lock washer (item 11) on the outside of strut, and two black washers (item 13) between the front cowl and strut. **DO NOT TIGHTEN HARDWARE.** See Detail B.

C. SUN TOP

1. Place sun top (item 1) onto struts.
2. AT FRONT END OF VEHICLE: Secure sun top loosely with bolts (item 16), washers (item 4), spacers (item 17), washers (item 18) and lock nuts (item 6). See Detail C for hardware sequence. **DO NOT TIGHTEN HARDWARE.**
3. AT REAR END OF VEHICLE: At the hole closest to rear of vehicle, insert bolt (item 20) and washer (item 4) and secure with washer (item 4) and lock nut (item 6). See Detail D.
4. Insert bolt (item 19) and washer (item 4) through the other hole. Place spacer (item 21) between sun top and strut. Secure with washer (item 4) and lock nut (item 6). See Detail D.
5. Tighten all hardware to 13 - 15 ft. lbs. torque.

ITEM	QTY	PART NO.	DESCRIPTION
1	1	75074-G01	STRUT, REAR, DRIVER'S SIDE
2	1	75074-G02	STRUT, REAR, PASSENGER SIDE
3	4	00665-G5	BOLT, 3/8-16 X 1 3/4" LG.
4	18	00679-G1	WASHER, 3/8
5	4	00771-G5	WASHER, NYLON, 3/8
6	10	00891-G5	NUT, LOCK, 3/8-16
7	2	19853-G1	CAP, END
8			
9	1	75125-G01	STRUT, FRONT
10	4	71056-G03	BOLT, 5/16-18 X 2 1/8" LG.
11	4	00905-G8	WASHER, LOCK, BLACK, 5/16
12	2	75048-G01	SPACER, 1/2" THICK
13	4	00879-G1	WASHER, BLACK, 3/8
14			
15	1	27604-G01	TOP, SUN
16	2	00674-G8	BOLT, 3/8-16 X 5" LG.
17	2	18716-G1	SPACER
18	2	00653-G1	WASHER, 3/8
19	2	00665-G3	BOLT, 3/8-16 X 2 1/2" LG.
20	2	00665-G6	BOLT, 3/8-16 X 2" LG.
21	2	24647-G1	SPACER, 1/4" THICK

<p>E SYMBOL REFERS TO A NOTE CORRESPONDING TO THE LETTER ENCLOSED WITHIN IT.</p> <p>E FOLLOWING PAGE(S) FOR NOTES AND PARTS LISTS.</p> <p>TAKE THIS DOCUMENT TO FACILITATE THE ORDERING OF PLACEMENT PARTS.</p>		<p>TITLE 4-CADDY CONVERSION SUN TOP INSTALLATION</p>		<p>REV C</p>			
<p>E-Z-GO  TEXTRON</p>		<p>DRN BY ORIG DATE</p>	<p>L WEBB 07/14/94</p>	<p>REV BY REV DATE</p>	<p>J.Brand 02/07/96</p>	<p>DRAWING NO. 75158</p>	<p>PG. 3 OF 3</p>
<p>E-Z-GO DIVISION OF TEXTRON, INC., P.O. BOX 388, AUGUSTA, GA. 30913-2699, 1-800-241-5855</p>							

NOTE: TO ORDER THIS ENTIRE FIELD KIT, REQUEST PART NO. 75278-G*
G* IS DETERMINED BY COLOR OF SEAT

READ ALL INSTRUCTIONS BEFORE PROCEEDING.

TOOL LIST	QTY. REQUIRED
Jack, floor.....	1
Ratchet, 3/8" drive.....	1
Extension, 3/8" drive.....	1
Socket, 7/16".....	1
Socket, 1/2".....	1
Socket, 9/16".....	1
Hammer, ball peen.....	1
Center punch.....	1

TOOL LIST	QTY. REQUIRED
Hammer, plastic faced.....	1
Torque wrench, ft. lbs., 3/8" drive.....	1
Wrench, 7/16".....	1
Wrench, 1/2".....	1
Wrench, 9/16".....	1
Screwdriver, Phillips.....	1
Tape measure.....	1

A. INSTALLING SUPPORT TUBE

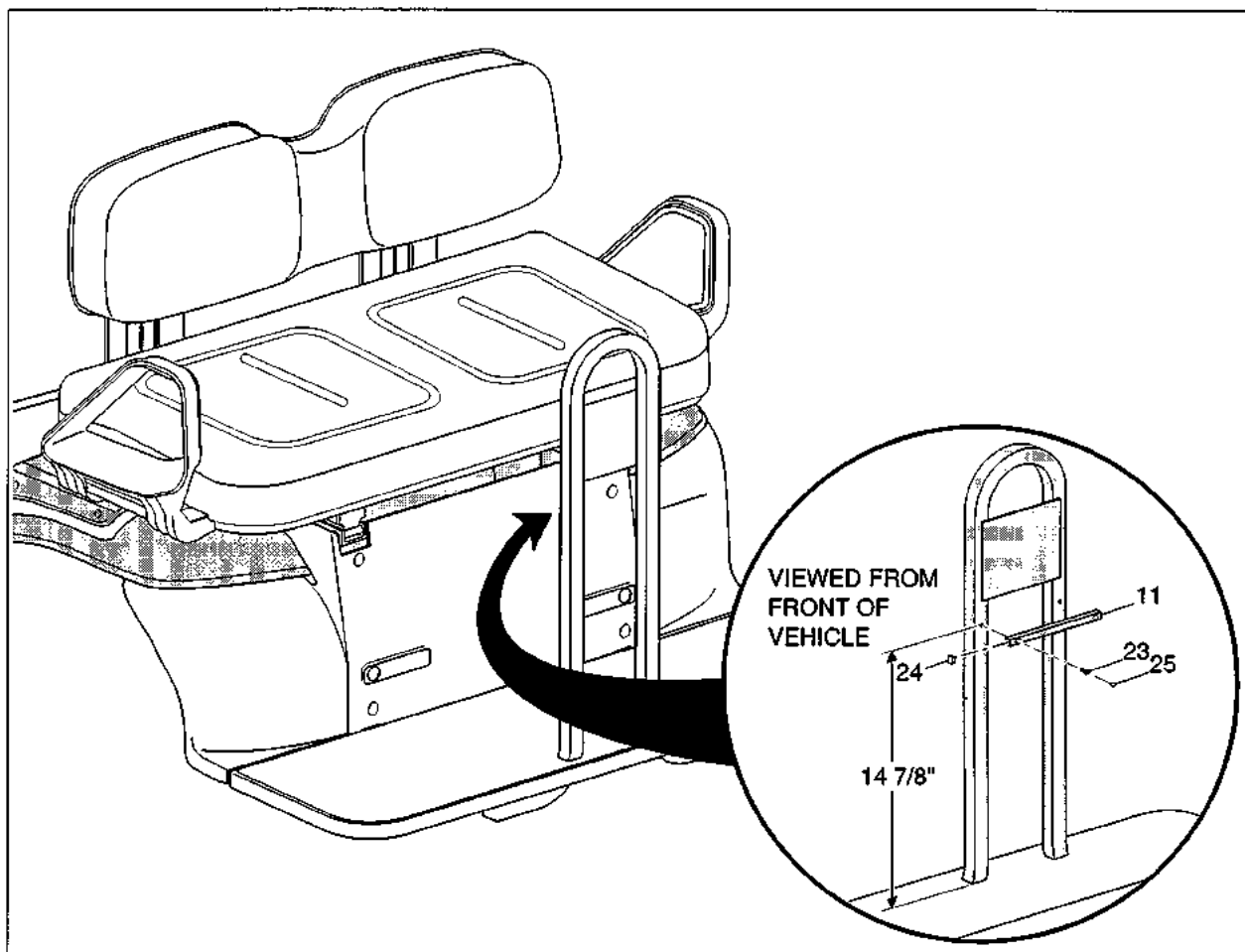


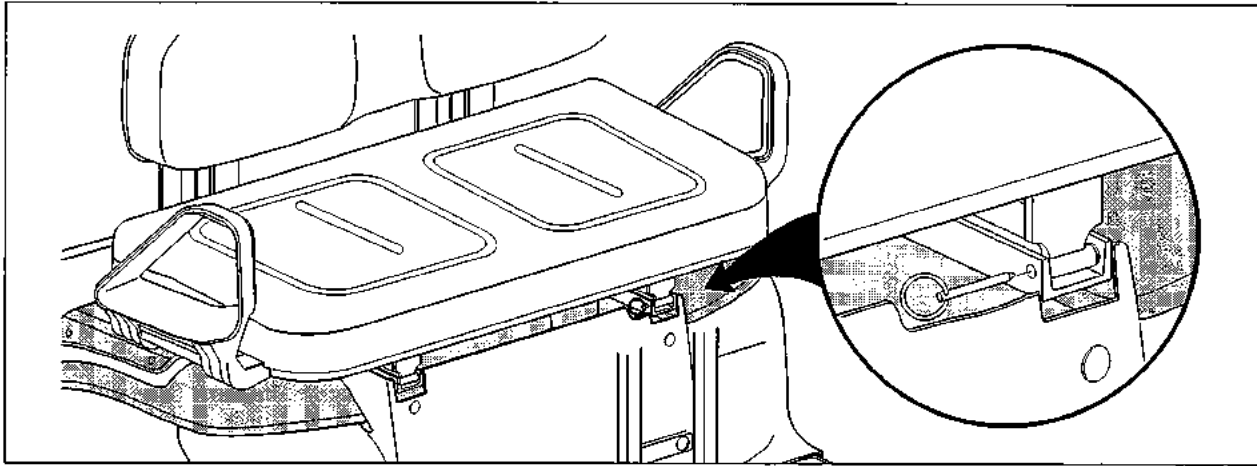
Fig. 1

1. Mark hole centers as dimensioned and attach support tube (item 11) to foot rest assembly with self drilling and tapping screws (item 23).

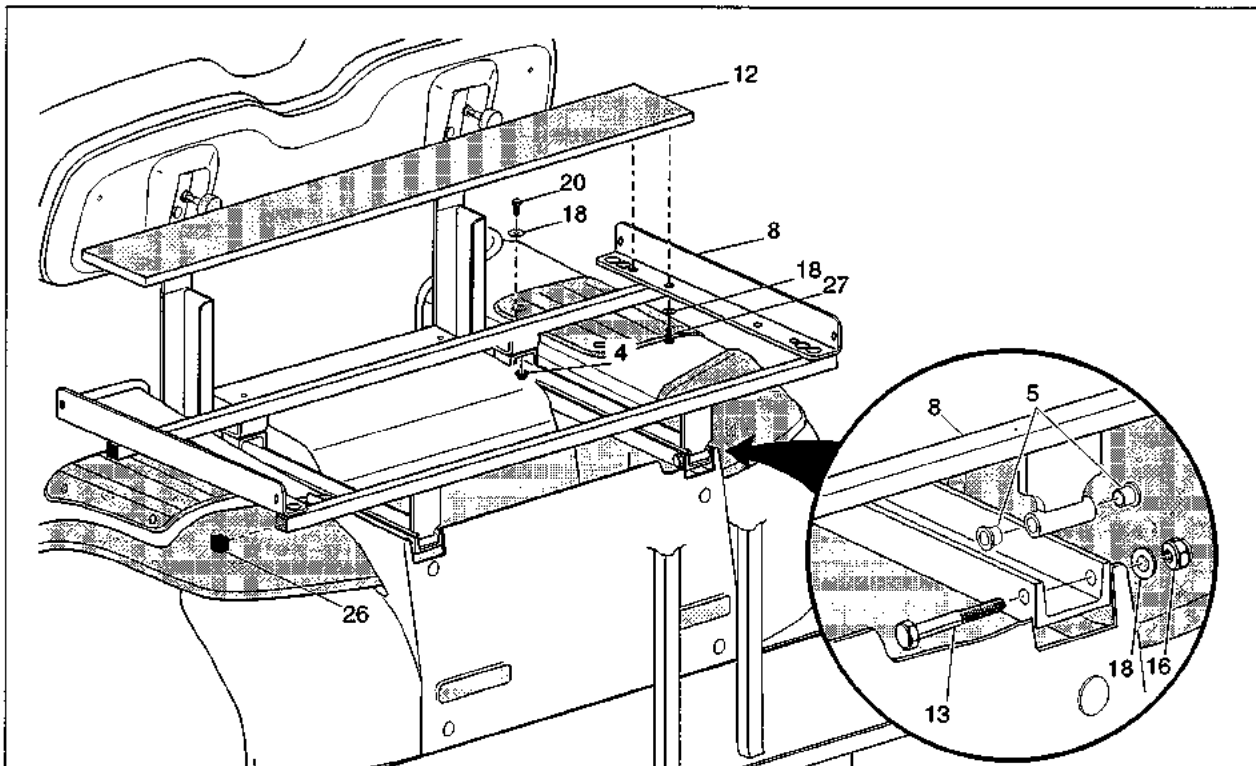
TITLE 4 CADDY TO CONVERTIBLE CARRIER RETROFIT INSTRUCTIONS (MEDALIST/TXT)					REV -
EZGO TEXTRON	DRN BY ORIG DATE	J.RICE 05/04/95	REV BY REV DATE	DRAWING NO. 75284	PG. 1 OF 7

B. REMOVING SEAT

1. Remove hitch pin at seat pivot, 2 places, and remove seat from vehicle.

**Fig. 2****C. INSTALLING SUPPORT FRAME (Refer to Fig. 3)**

1. Insert the nylon bushings (item 5) into the pivot brackets in the support frame (item 8) (4 places).
2. Place the support frame into the channels of the seat back support aligning pivot brackets with existing holes.
3. Insert the bolt (item 13) through the pivot from the center of vehicle (2 places) and secure with washer (item 18) and nut (item 34).
4. Secure front of support frame to seat back support using bolt (item 20), washer (item 18) and nut (item 4).
5. Insert end plug (item 26) in each end of both support frame cross tubes.

**Fig. 3**

TITLE	4 CADDY TO CONVERTIBLE CARRIER RETROFIT INSTRUCTIONS (MEDALIST/TXT)	REV -
E-Z-GO TEXTRON	DRN BY J.RICE ORIG DATE 05/04/95	REV BY REV DATE
	DRAWING NO. 75284	PG. 2 OF 7

D. INSTALLING FIXED BED (Refer to Fig. 3)

1. Attach fixed bed (item 12) to support frame (item 8) using bolt (item 27) and washer (item 18). (Two places on each end of front bed. Tighten to 5 - 7 ft. lbs. torque.

E. INSTALLING HANDRAIL (Refer to Fig. 3)

1. Insert end plug (item 24) in each end of handrail (item 9).
2. Attach handrail at forward end of support frame (item 8) using bolt (item 30), lock washer (item 19) and acorn nut (item 17). Do not tighten hardware at this time.
3. Repeat procedure on other side of support frame.

F. INSTALLING LOAD BED AND SEAT BOTTOM (Refer to Fig. 3)

1. Position load bed (item 10) in support frame as shown.
2. Position seat bottom (item 29) in support frame as shown.
3. Insert teflon washer (item 14) between support frame and load bed and again between load bed and seat bottom as shown.
4. Secure all components by inserting bolt (item 7) through handrail, support frame, washer, bed assembly, washer and seat bottom and secure with lock nut (item 16). Tighten all handrail hardware to 12 - 14 ft. lbs. torque.

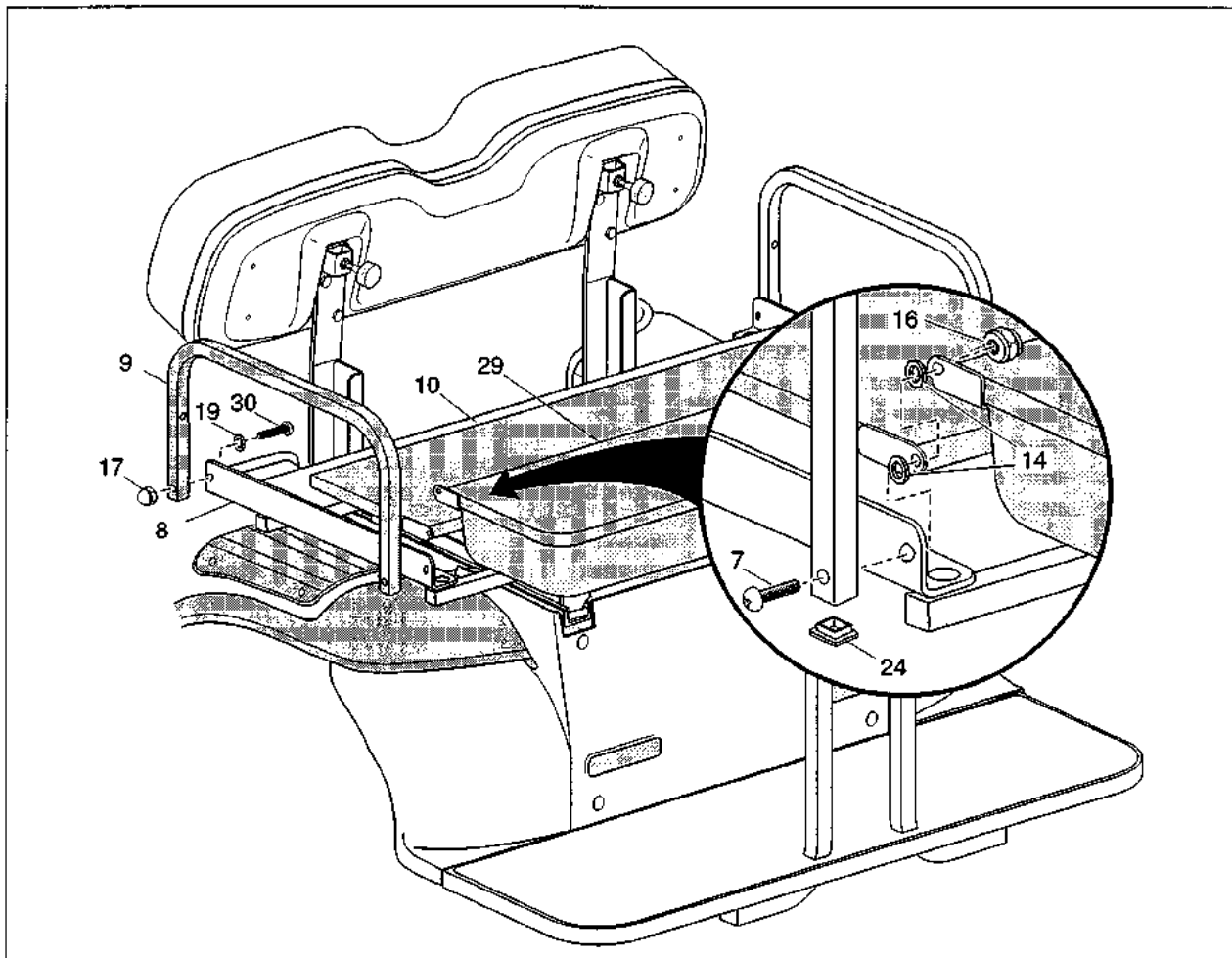


Fig. 4

TITLE 4 CADDY TO CONVERTIBLE CARRIER RETROFIT INSTRUCTIONS (MEDALIST/TXT)					REV -
EZGO TEXTRON	DRN BY ORIG DATE	J.RICE 05/04/95	REV BY REV DATE	DRAWING NO. 75284	PG. 3 OF 7

G. Adjust Seat Back Bumper

1. Loosen nut on each seat back bumper and readjust to dimension shown.

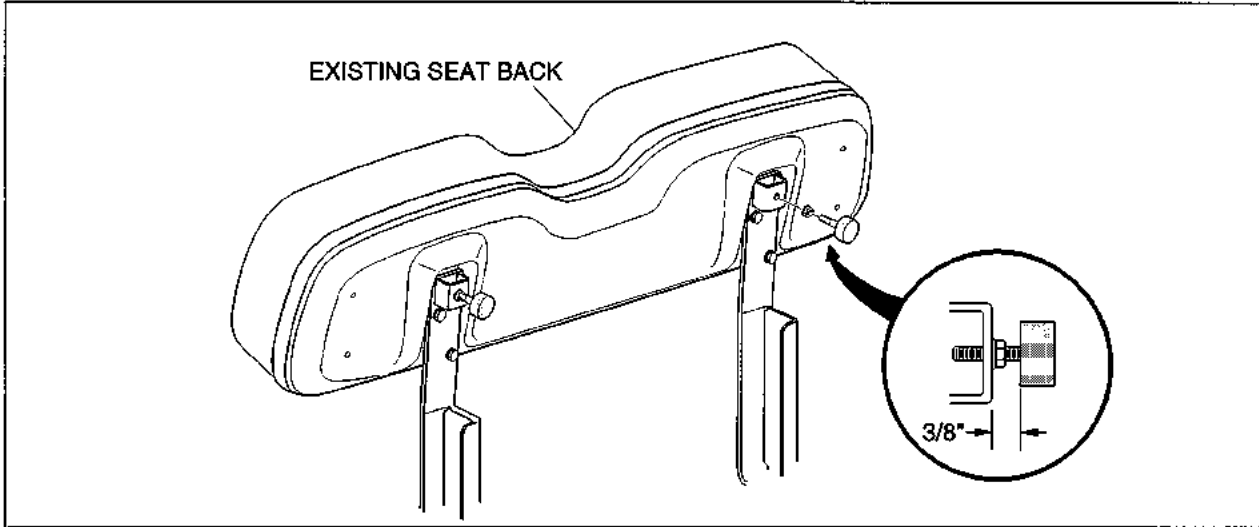


Fig. 5

H. INSTALLING SEAT BACK (Refer to Fig. 3)

1. Attach seat back (item 28) to seat back support (item 6) using bolt (item 1), lock washer (item 2) and washer (item 3). Tighten to 5 - 7 ft. lbs. torque.
2. Secure seat back to handrail using bolt (item 21) and acorn nut (item 22). Tighten to 5 - 7 ft. lbs torque.
3. Insert end plug (item 15) in each end of seat back support tube.

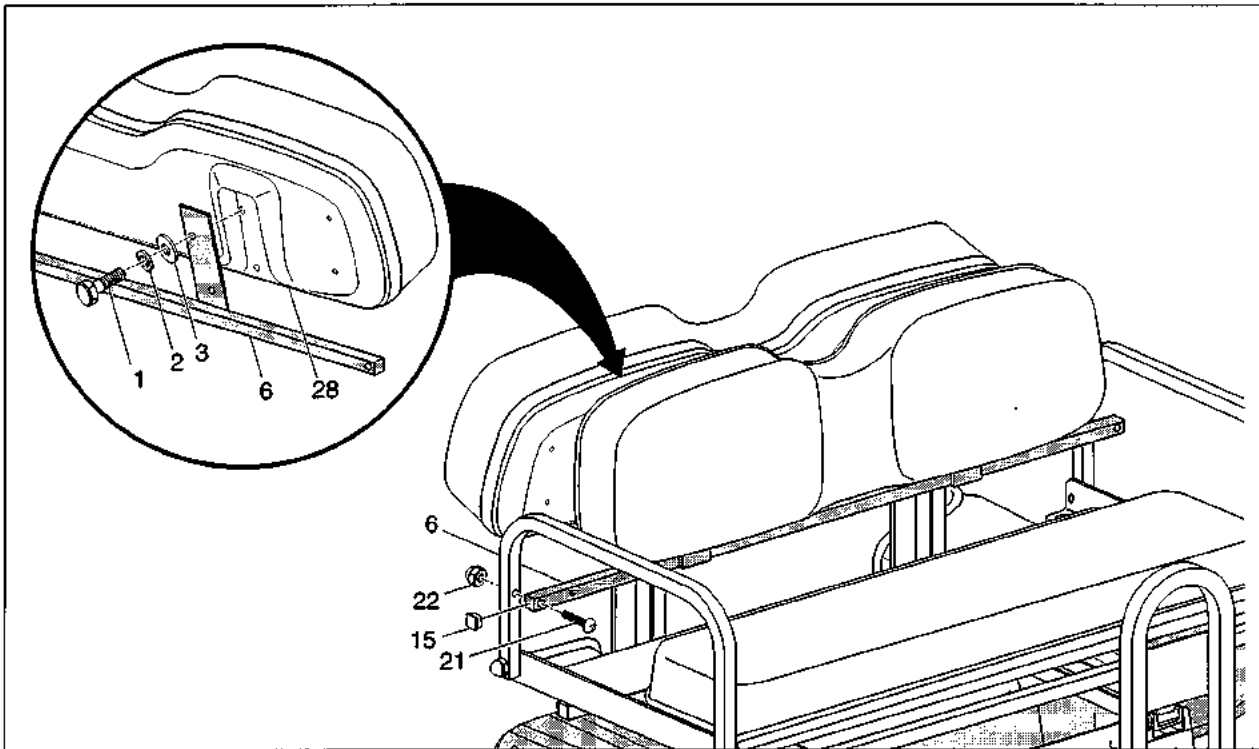
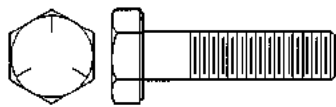


Fig. 6

TITLE 4 CADDY TO CONVERTIBLE CARRIER RETROFIT INSTRUCTIONS (MEDALIST/TXT)				REV -	
EZGO TEXTRON		DRN BY ORIG DATE	J. RICE 05/04/95	REV BY REV DATE	DRAWING NO. 75284
E-Z-GO DIVISION OF TEXTRON, INC., P.O. BOX 388, AUGUSTA, GA. 30903-0388, 1-800-448-7476					PG. 4 OF 7

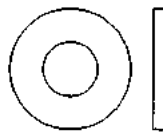
NOTE: HARDWARE SHOWN ACTUAL SIZE



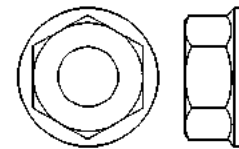
Item 1
1/4-20 x 1" Bolt
Qty. 4



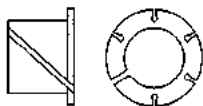
Item 2
1/4" Lock Washer
Qty. 4



Item 3
1/4" Washer
Qty. 4



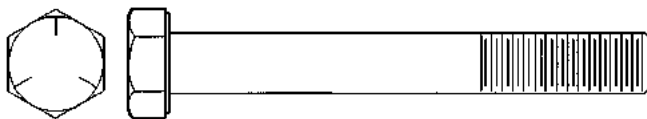
Item 4
5/16-18 Lock Nut
Qty. 6



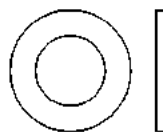
Item 5
Bushings, Nylon
Qty. 4



Item 7
5/16-18 x 1 1/2" Bolt
Qty. 2



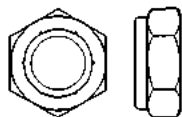
Item 13
5/16-18 x 2 1/2" Bolt
Qty. 2



Item 14
5/8" Washer, Teflon
Qty. 4



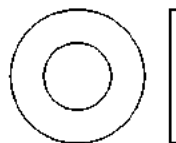
Item 15, 24
End Plug, 3/4"
Qty. 2,6



Item 16
5/16-18 Lock Nut
Qty. 4



Item 17
5/16-18 Acorn Nut
Qty. 2



Item 18
5/16" Washer
Qty. 2



Item 19
5/16" Lock Washer
Qty. 2

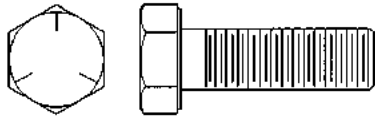
NOTE:

Items 15 and 24 are the same in appearance. However, item 15 is for 11 gauge tubing and 24 is for 14 gauge tubing.

Check fit each end plug for tightest fit for correct application.

TITLE 4 CADDY TO CONVERTIBLE CARRIER RETROFIT INSTRUCTIONS (MEDALIST/TXT)				REV -
EZGO TEXTRON	DRN BY ORIG DATE	J. RICE 05/04/95	REV BY REV DATE	DRAWING NO. 75284
E-Z-GO DIVISION OF TEXTRON, INC., P.O. BOX 388, AUGUSTA, GA. 30903-0388, 1-800-448-7				PG. 5 OF 7

NOTE: HARDWARE SHOWN ACTUAL SIZE



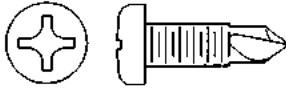
Item 20
5/16-18 x 1" Bolt
Qty. 2



Item 21
1/4-20 x 1 3/4" Bolt
Qty. 2



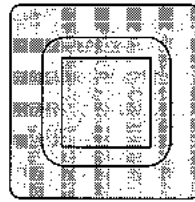
Item 22
1/4-20 Acorn Nut
Qty. 2



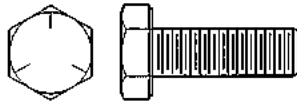
Item 23
#12-24 x 3/4" Screw
Qty. 2



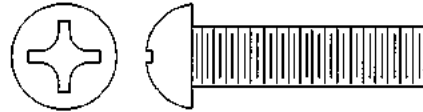
Item 25
Hole Plug, 1/2"
Qty. 2



Item 26
End Plug, 1"
Qty. 2



Item 27
1/4-20 x 3/4" Bolt
Qty. 4



Item 30
5/16-18 X 1 1/4" Bolt
Qty. 2

TITLE 4 CADDY TO CONVERTIBLE CARRIER RETROFIT INSTRUCTIONS (MEDALIST/TXT)

REV -

EZGO TEXTRON

DRN BY J. RICE
ORIG DATE 05/04/95

REV BY
REV DATE

DRAWING NO. 75284

PG. 6 OF 7

KIT CONTENTS

ITEM	QTY	PART NO.	DESCRIPTION
1	4	00414-G8	BOLT, 1/4-20 X 1" LG.
2	8	00664-G7	WASHER, LOCK, 1/4"
3	4	00559-G7	WASHER, 1/4"
4	4	11027-G1	NUT, LOCK, 5/16-18
5	4	17838-G1	BUSHING, NYLON
6	1	75258-G01	SUPPORT, SEAT BACK
7	2	00762-G4	BOLT, 5/16-18 X 1 1/2"
8	1	74193-G01	FRAME, SUPPORT
9	2	75196-G01	HANDRAIL
10	1	75229-G01	BED
11	1	75268-G01	TUBE, SUPPORT
12	1	75273-G01	BED, FRONT
13	2	00440-G4	BOLT, 5/16-18 X 2 1/2" LG.
14	4	17255-G1	WASHER, TEFLON
15	2	75261-G01	PLUG, END, 3/4"
16	4	00654-G3	NUT, LOCK, 5/16-18
17	2	00520-G3	NUT, ACORN, 5/16-18
18	2	00559-G8	WASHER, 5/16"
19	2	00664-G8	WASHER, LOCK, 5/16"
20	2	00438-G8	BOLT, 5/16-18 X 1" LG.
21	2	16705-G6	BOLT, 1/4-20 X 1 3/4" LG.
22	2	00520-G1	NUT, ACORN, 1/4-20
23	2	00106-G6	SCREW, #12-24 X 3/4" LG.
24	6	19859-G1	END PLUG, 3/4"
25	2	20271-G2	HOLE PLUG, 1/2"
26	4	75261-G02	END PLUG, 1"
27	4	00661-G6	BOLT, 1/4-20 X 3/4" LG.
28	1	71751-G*	SEAT BACK
29	1	75263-G*	SEAT BOTTOM
30	2	00762-G02	BOLT, 5/16"-18 X 1 1/4"

NOTE: G is determined by the color of seat back and seat bottom*

TITLE 4 CADDY TO CONVERTIBLE CARRIER RETROFIT INSTRUCTIONS (MEDALIST/TXT)				REV -
EZGO TEXTRON	DRN BY ORIG DATE	J.FICE 05/04/95	REV BY REV DATE	DRAWING NO. 75284
				PG. 7 OF 7

NOTE: TO ORDER THIS ENTIRE FIELD KIT, REQUEST PART NO. 75310-G01

READ ALL INSTRUCTIONS BEFORE PROCEEDING.

TOOL LIST	QTY. REQUIRED	TOOL LIST	QTY. REQUIRED
Ratchet, 1/2" drive.....	1	Wrench, 7/16".....	1
Socket, 7/16", 1/2" Drive	1	Wrench, 9/16".....	1
Socket, 9/16", 1/2" Drive	1	Wrench, 3/4".....	1
Socket, 3/4", 1/2" Drive	1	Wrench, 7/8".....	1
Socket, 7/8", 1/2" Drive	1	Wrench, 1 1/8".....	1
Socket, 1 1/8", 1/2" Drive	1	Screwdriver, Phillips	1
Torque Wrench, ft. lbs., 1/2" Drive.....	1	Pliers	1
Allen Wrench, 3/16".....	1		

A. INSTALLING TOW BAR ON TOWING VEHICLE

1. Tow bar has been partially assembled for your convenience.
2. Remove nut (item 9) and washer (item 8) from bolt (item 5).
3. Place tow bar into bagwell as shown and insert bolt through hole in center of bagwell near rear bumper.
4. Place washer (item 8) on bolt and secure tow bar to vehicle with nut (item 9). Tighten to 40 - 45 ft. lbs. torque.
5. Insert bolt (item 20) through male stop (item 19) and attach to tow bar weld nut as shown. Tighten by turning male stop until tight.

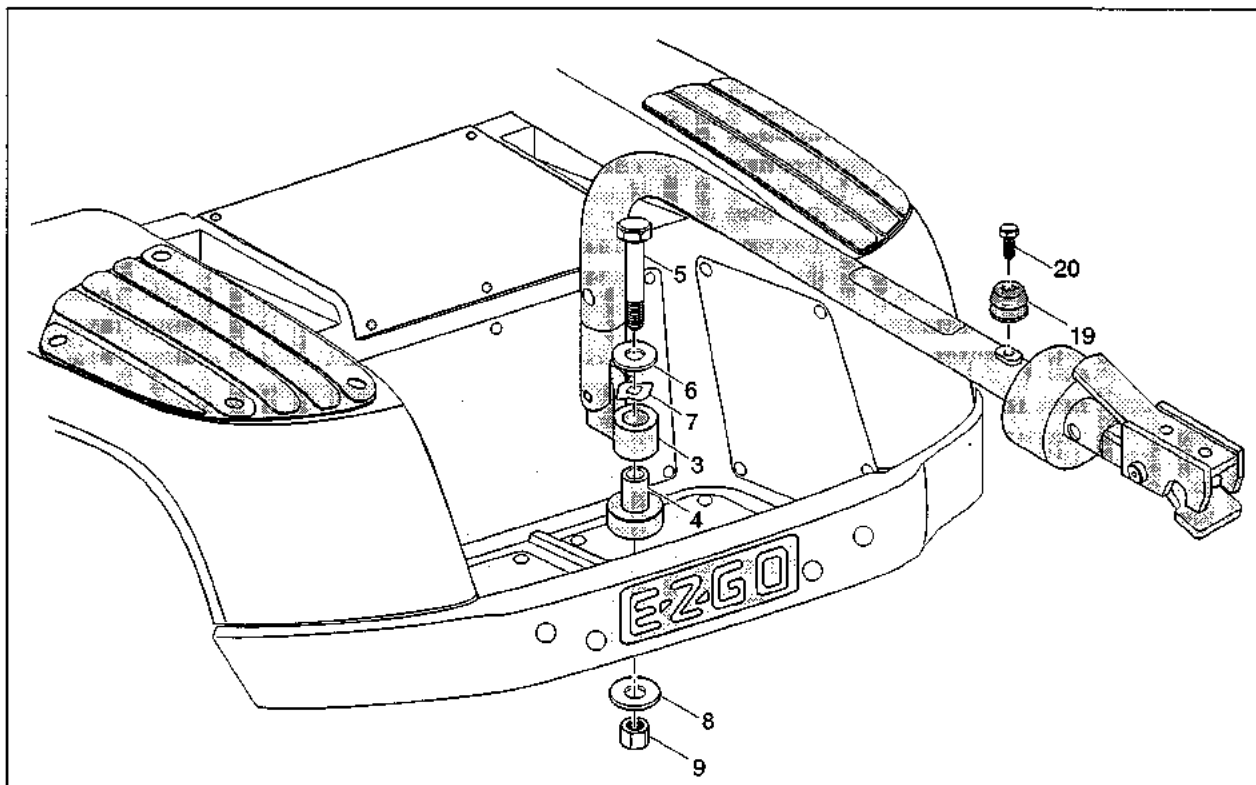


Fig. 1

TITLE PERMANENT TOW BAR INSTALLATION INSTRUCTIONS						REV C
EZGO TEXTRON	DRN BY	J.RICE	REV BY	J.RICE	DRAWING NO.	75311
	ORIG DATE	07/06/95	REV DATE	11/01/95		PG. 1 OF 8

B. INSTALLING TOWED VEHICLE HITCH

1. Remove cotter pins (item 27) from both ends of pivot bolt (item 23).
2. Loosen slotted nut (item 26) on lower end of pivot bolt.
3. Remove nut (item 30) and lock washer (item 29) from upper end of pivot bolt.
4. With bolt inserted through hitch (item 22), and thrust washer (item 24) on top of hitch, insert pivot bolt through bracket on front axle from bottom and secure with washer (item 29) and nut (item 30). Tighten to 75 - 150 ft. lbs. torque. (Ensure thrust washer (item 24) between hitch and bracket is not pinched by bolt flange.) Insert cotter pin (item 27) through hole in pivot bolt and bend over with pliers.
5. While moving hitch back and forth, tighten slotted nut on bottom of pivot bolt until hitch moves freely and vertical play in joint is minimized. (Ensure thrust washer (item 24) is not pinched by bolt flange.) Align a nut slot with a hole in pivot bolt, insert cotter pin (item 27) and bend over with pliers.
6. Insert tie rod ball joint into passenger side spindle from the bottom and tighten slotted nut (Item 39) until ball joint is seated in spindle (36 ft.lbs. minimum). Insert cotter pin (item 40) through slotted nut and ball joint if possible. Continue to tighten nut as necessary to insert cotter pin. Bend over cotter pin with pliers.
7. With front wheels turned straight ahead, adjust tow bar tie rod length so that hitch is also pointing straight. Retighten jam nuts.

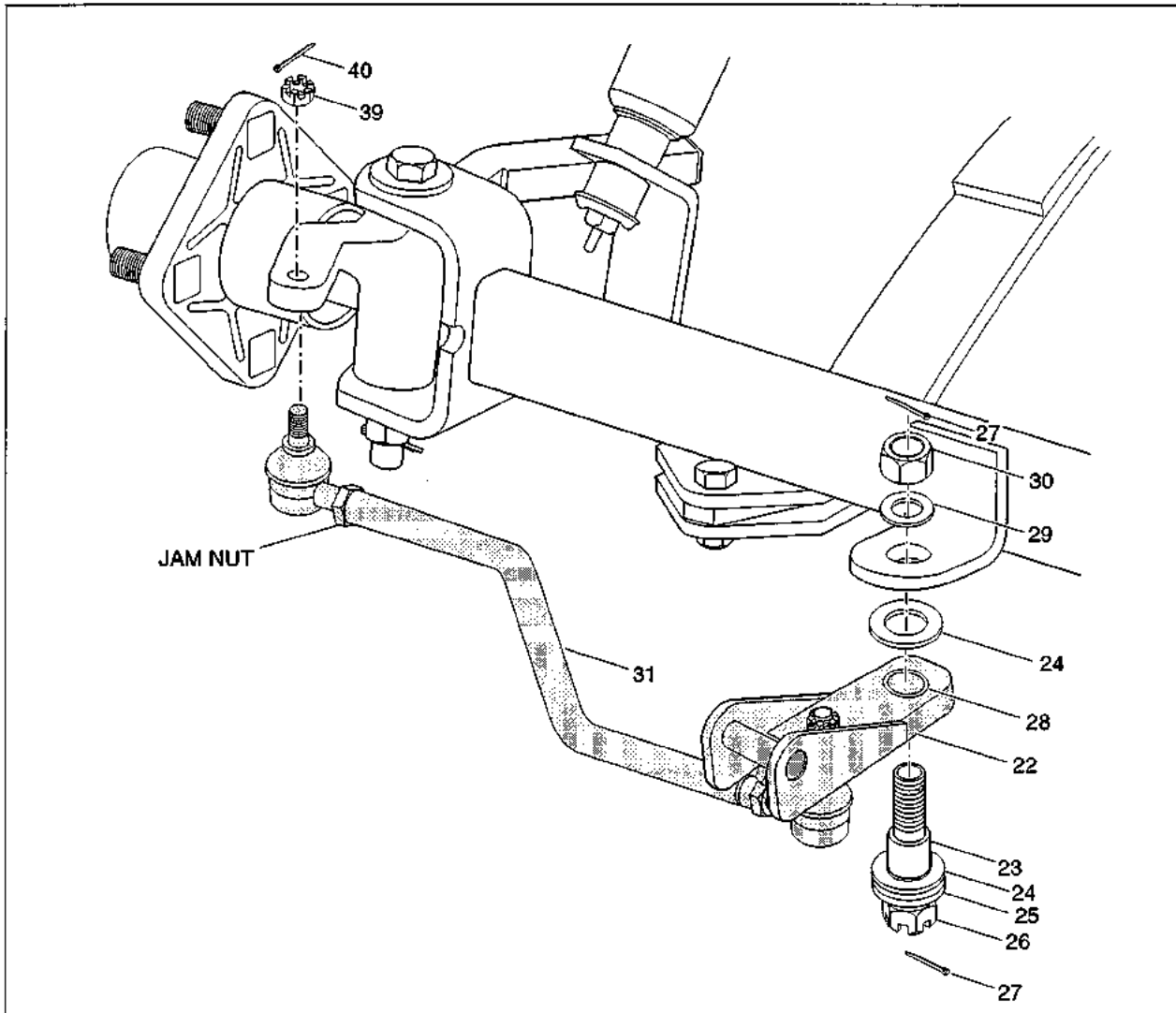


Fig. 2

TITLE PERMANENT TOW BAR INSTALLATION INSTRUCTIONS						REV C
EZGO TEXTRON	DRN BY ORIG DATE	J.RICE 07/05/95	REV BY REV DATE	J.RICE 11/01/95	DRAWING NO. 75311	PG. 2 OF 8

C. INSTALLING TOW BAR STOP

1. Insert bolt (item 43) through stop (female) (item 19) and loosely attach to stop mounting plate with nut (item 44).
2. Insert bolts (item 43) through mounting plate (item 41) and place in center of basket bottom, near bagrack.
3. Place stop mounting plate under center basket as shown and loosely secure with nuts (item 44).

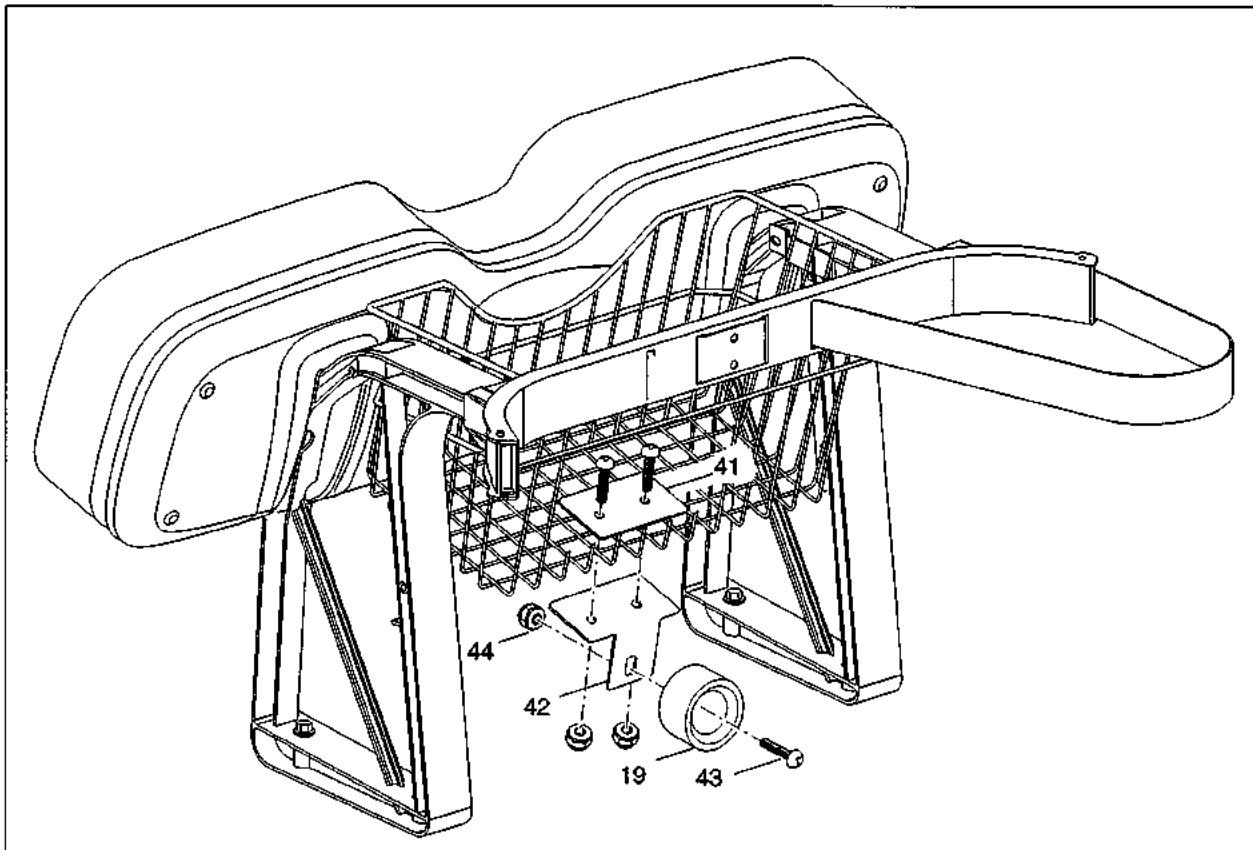


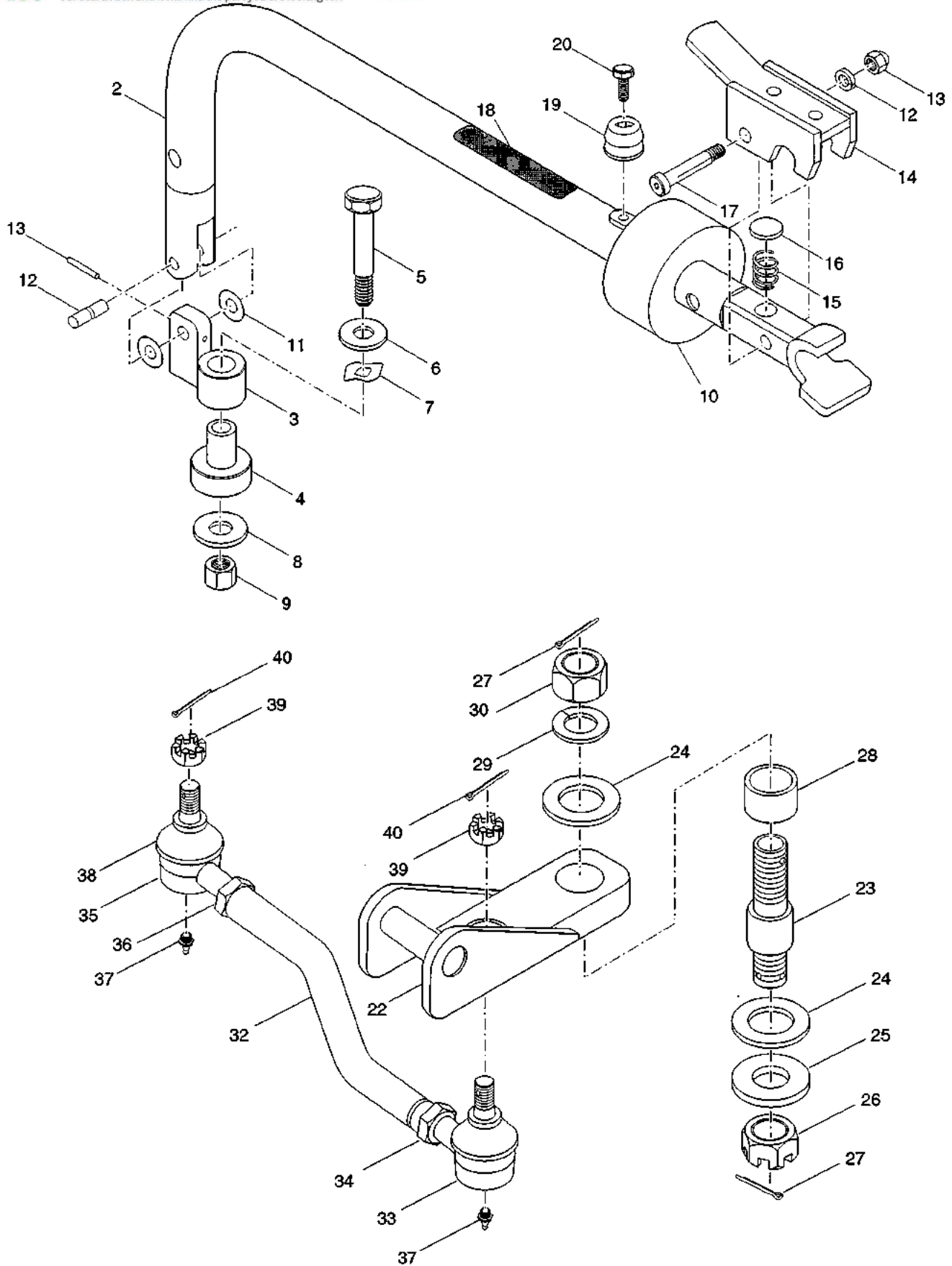
Fig. 3

4. Raise tow bar to vertical position and adjust stop (female) (item 19) position in mounting plate (item 42) slot until tow bar stop (male) is easily inserted into stop (female) and tow bar is held securely in vertical position. Slide plates back to position tow bar as close to basket as possible.
5. Tighten all mounting hardware to 10 ft. lbs. torque.

D. TOWING A VEHICLE

1. Position towing vehicle in front of vehicle to be towed.
2. Lower tow bar to horizontal position and engage tow bar onto hitch, ensuring latch is seated and hitch is securely captured by tow bar latch. Slide latch stop snugly under latch preventing latch from opening.
3. Check tow bar connection by moving tow bar up and down, sideways, and pushing vehicles apart. Tow bar must not separate from towed vehicle hitch.
4. Do not tow at speeds greater than 5 mph, and do not tow more than 3 vehicles at a time.
5. **NOTE:** Inspect tow bar latch for material deterioration before and after each use and repair as necessary.

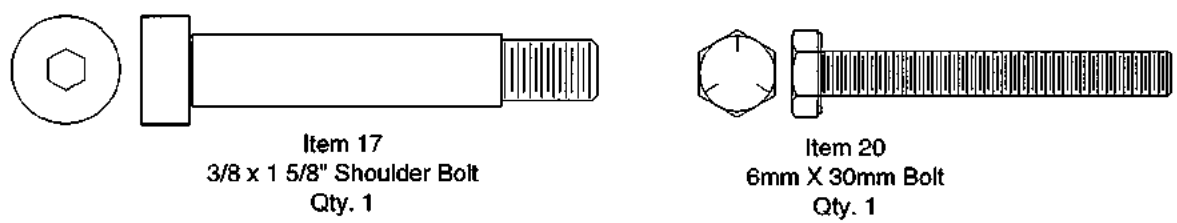
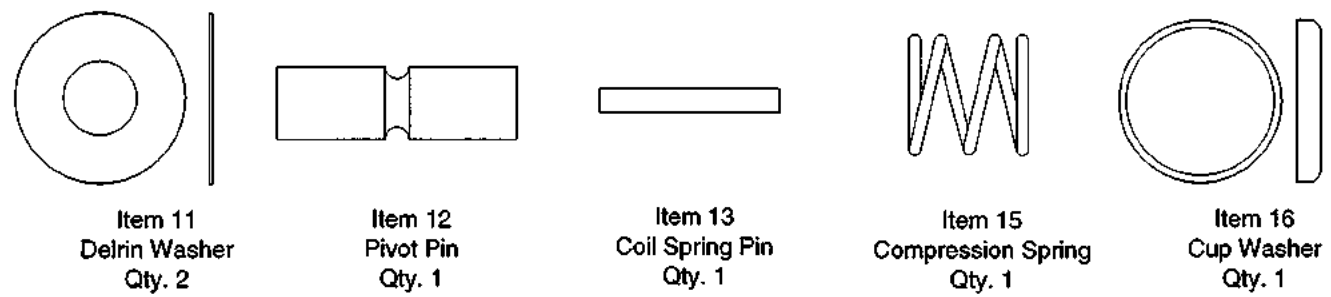
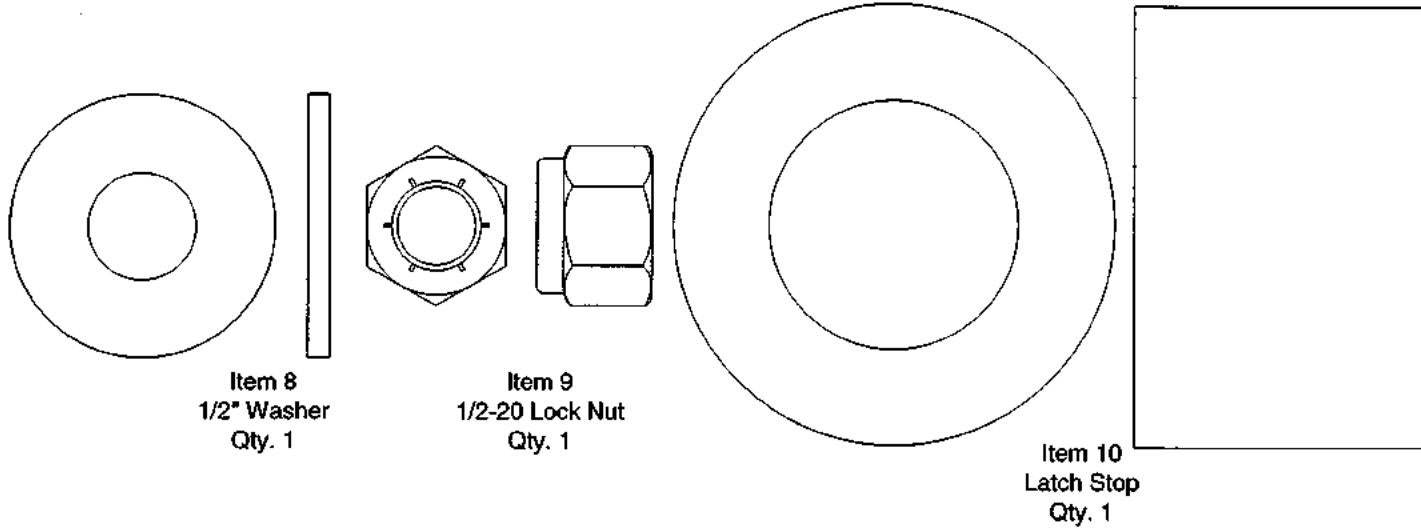
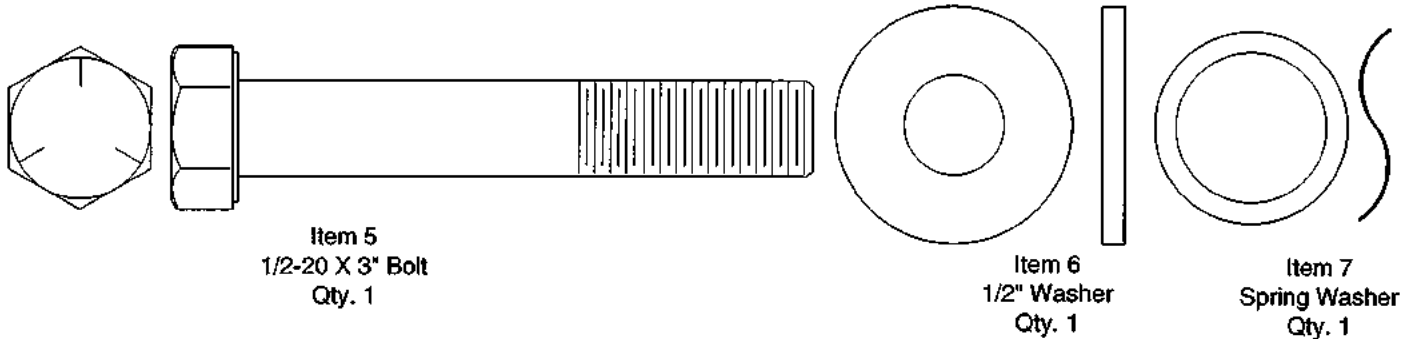
TITLE PERMANENT TOW BAR INSTALLATION INSTRUCTIONS					REV C
EZGO TEXTRON	DRN BY ORIG DATE	J.RICE 07/05/95	REV BY REV DATE	J.RICE 11/01/95	DRAWING NO. 75311
					PG. 3 OF 8



TITLE **PERMANENT TOW BAR INSTALLATION INSTRUCTIONS** REV C

EZGO TEXTRON	DRN BY ORIG DATE	J.RICE 07/05/95	REV BY REV DATE	J.RICE 11/01/95	DRAWING NO.	75311	PG. 4 OF 8
----------------------------	---------------------	--------------------	--------------------	--------------------	----------------	-------	------------

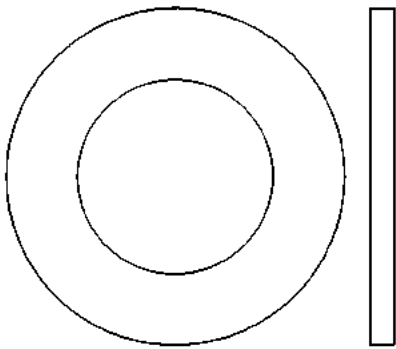
NOTE: HARDWARE SHOWN ACTUAL SIZE



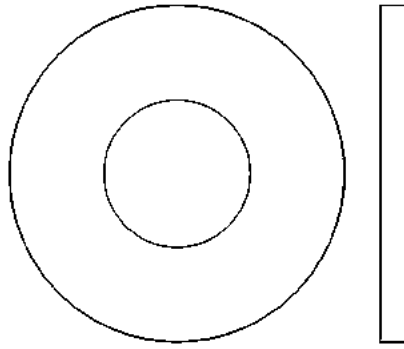
TITLE PERMANENT TOW BAR INSTALLATION INSTRUCTIONS REV C

EZGO TEXTRON	DRN BY J. RICE	REV BY J. RICE	DRAWING NO. 75311	PG. 5 OF 8
	ORIG DATE 07/05/95	REV DATE 11/01/95		

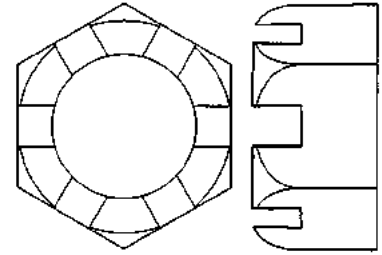
NOTE: HARDWARE SHOWN ACTUAL SIZE



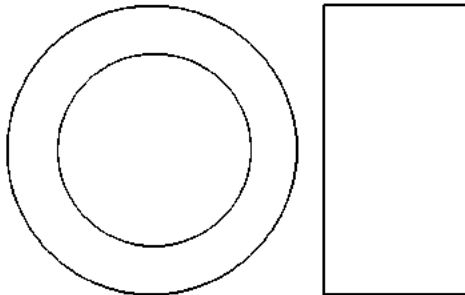
Item 24
Thrust Washer
Qty. 2



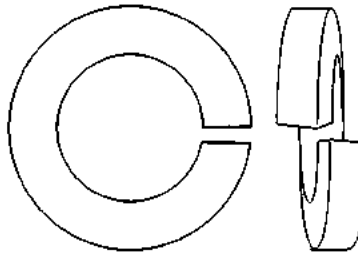
Item 25
Washer
Qty. 1



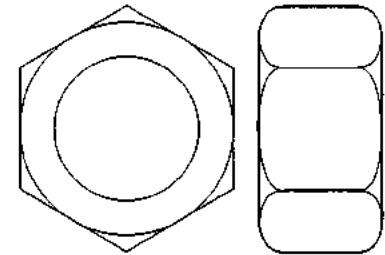
Item 26
3/4-16 Castle Nut
Qty. 1



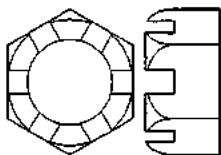
Item 28
Bearing
Qty. 1



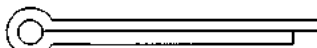
Item 29
3/4\" Lock Washer
Qty. 1



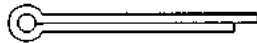
Item 30
3/4-16 Nut
Qty. 1



Item 39
7/16-20 Castle Nut
Qty. 2



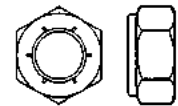
Item 27
1/8 X 1 1/4\" Cotter Pin
Qty. 2



Item 40
3/32 X 1\" Cotter Pin
Qty. 2



Item 43
1/4-20- X 1\" Bolt
Qty. 3



Item 44
1/4-20 Lock Nut
Qty. 3

TITLE PERMANENT TOW BAR INSTALLATION INSTRUCTIONS

REV C

EZGO TEXTRON

DRN BY J.RICE
ORIG DATE 07/05/95

REV BY J.RICE
REV DATE 11/01/95

DRAWING NO. 75311

PG. 6 OF 8

KIT CONTENTS

ITEM	QTY	PART NO.	DESCRIPTION
1	1	75304-G01	TOW BAR (TOWING VEHICLE) (INCLUDES ITEMS 2 - 18)
2	1	75299-G01	TOW BAR
3	1	75302-G01	UPPER PIVOT
4	1	75291-G01	LOWER PIVOT
5	1	00410-G8	BOLT, 1/2-20 X 3" LG.
6	1	00675-G3	WASHER, 1/2"
7	1	75339-G01	SPRING WASHER
8	1	00571-G5	WASHER, 1/2"
9	1	11098-G8	LOCK NUT, 1/2-20
10	1	75362-G01	LATCH STOP
11	2	75340-G01	DELFIN WASHER
12	2	75360-G01	PIVOT PIN
13	2	13571-G7	SPRING PIN
14	1	75303-G01	LATCH
15	1	20852-G2	COMPRESSION SPRING
16	1	25661-G02	CUP WASHER
17	1	13005-G4	SHOULDER BOLT, 3/8 X 1 5/8" LG.
18	1	75370-G01	WARNING LABEL
19	1	75338-G01	STOP (MALE AND FEMALE)
20	1	12547-G4	SCREW, 6mm x 30 mm
21	1	75308-G01	TOW BAR HITCH (TOWED VEHICLE) (INCLUDES ITEMS 22 - 40)
22	1	75305-G01	HITCH
23	1	75292-G01	PIVOT BOLT
24	2	75309-G01	THRUST WASHER
25	1	75342-G01	WASHER
26	1	00518-G8	CASTELLATED NUT, 3/4-16
27	2	10387-G1	COTTER PIN, 1/8 X 1 1/4" LG.
28	1	75307-G01	BEARING
29	1	00566-G6	LOCK WASHER, 3/4"
30	1	00533-G8	NUT, 3/4-16

TITLE	PERMANENT TOW BAR INSTALLATION INSTRUCTIONS	REV C
-------	--	-------

EZGO TEXTRON	DRN BY	J.RICE	REV BY	J.RICE	DRAWING NO.	75311	PG. 7 OF 8
	ORIG DATE	07/05/95	REV DATE	11/01/95			

KIT CONTENTS

ITEM	QTY	PART NO.	DESCRIPTION
31	1	75306-G01	TIE ROD (INCLUDES ITEMS 30 - 39)
32	1	75287-G01	STEERING LINK
33	1	27205-G01	TIE ROD END (LEFT HAND THREADS)
34	1	*	JAM NUT, 9/16-18 (LEFT HAND THREADS)
35	1	27205-G02	TIE ROD END (RIGHT HAND THREADS))
36	1	*	JAM NUT, 9/16-18 (RIGHT HAND THREADS)
37	2	10389-G3	STRAIGHT GREASE FITTING
38	2	50641-G1	RUBBER BOOT
39	2	50209-G2	CASTELLATED NUT, , 7/16-20
40	2	10387-G2	COTTER PIN, 3/32 X 1" LG.
41	1	75318-G01	MOUNTING PLATE
42	1	75319-G01	STOP MOUNT PLATE
43	3	16705-G1	BOLT, 1/4-20 X 1" LG.
44	3	00891-G2	LOCK NUT, 1/4-20

TITLE PERMANENT TOW BAR INSTALLATION INSTRUCTIONS						REV C
EZGO TEXTRON	DRN BY ORIG DATE	J.RICE 07/05/95	REV BY REV DATE	J.RICE 11/01/95	DRAWING NO. 75311	PG. 8 OF 8

**DID YOU
KNOW?**

CartPros directs you to the right part using the part numbers from this manual. Enter the part number into our search box and it will find the part you are looking for.

**GET STARTED
HERE** →

<https://CartPros.com/f.html>



a **TEXTRON** Company

E-Z-GO Division of Textron Inc.
P.O. Box 388 Augusta, Georgia 30903-0388 USA
Inside USA Phone: 1-800-241-5855, FAX: 1-800-448-8124
Outside USA Phone: 010-1-706-798-4311, FAX: 010-1-706-771-4609

Copyrighted Material
This manual may not be reproduced in whole or
in part without the express permission of
E-Z-GO Division of Textron Inc.
Technical Communications Department