

**DID YOU
KNOW?**

CartPros directs you to the right part using the part numbers from this manual. Enter the part number into our search box and it will find the part you are looking for.

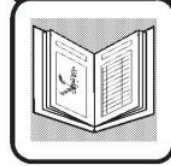
**GET STARTED
HERE** →

<https://CartPros.com/>

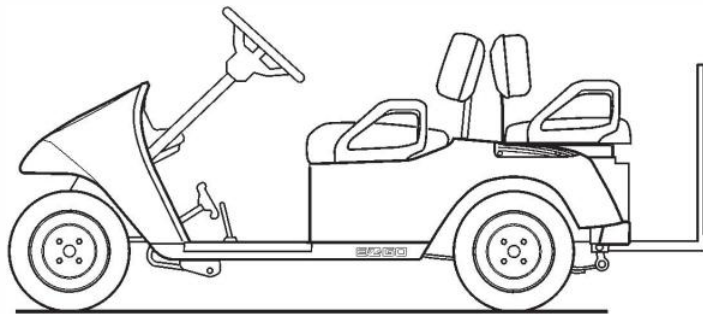
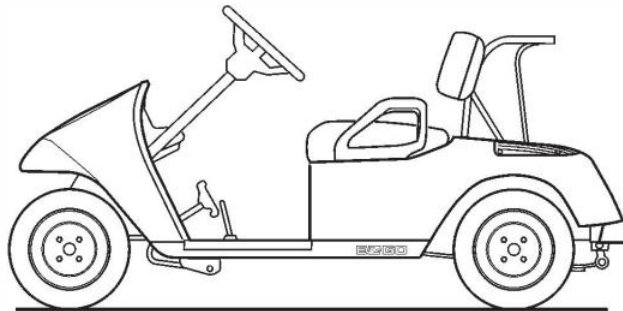
28470-G01



a **TEXTRON** Company



SERVICE PARTS MANUAL



ELECTRIC AND DCS TXT VEHICLES

MODEL YEAR: 1998/99

REVISED: 8/99

CARTPROS

SERVICE PARTS MANUAL

TXT ELECTRIC & DCS VEHICLES

MODEL YEAR: 1998

VEHICLES

TXT FLEET

TXT FLEET DCS

TXT FREEDOM

TXT FREEDOM DCS

TXT 4 CADDY

CUSTOMER SERVICE DEPARTMENT PHONE 1-800-227-7029 FAX 1-800-448-8124
E-Z-GO DIVISION OF TEXTRON, INC., P.O.BOX 388, AUGUSTA, GEORGIA 30903-0388, 1-800-241-5855



LIMITED WARRANTY

TO OBTAIN A COPY OF THE LIMITED WARRANTY THAT IS APPLICABLE TO YOUR VEHICLE, CALL OR WRITE YOUR LOCAL DISTRIBUTOR, BRANCH OR E-Z-GO WARRANTY DEPARTMENT.

THE USE OF NON E-Z-GO PARTS MAY VOID YOUR WARRANTY.

OVERFILLING OF BATTERIES MAY VOID YOUR WARRANTY.

GENERAL INDEX

SECTION	Page No.
How to use the E-Z-GO Service Parts Manual.....	vii
ILLUSTRATED PARTS BREAKDOWN:	
ACCELERATOR	
• Accelerator Pedal	A-1
• Pedal Box	A-2
BATTERY CHARGER	
• PowerWise™ Battery Charger, PowerWise™ + Battery Charger	B-1
BODY	
• Front Cowl, Front Shield, Ashtray Kit, Instrument Panel	C-1
• Floorboard, Floormat, Rocker Panel	C-2
• Seat Wrap Support, Battery Tray Rack.....	C-3
• Rear Body, Bumper, Access Lid, Scuff Guards.....	C-4
• Rear Body-4 Caddy/Convertible Carrier, Footrest, Two Bag Attachment.....	C-5
• Sand Bottle and Basket Divot Repair Kit, Side Basket, Center Basket	C-6
• Message Holder, Cooler Jug, Cooler Box, Rake and Holder	C-7
• Four Bag Attachment	C-8
BRAKES	
• Brake Pedal With Lights	D-1
• Brake Pedal Without Lights	D-2
• Equalizer and Brake Cables.....	D-3
• Wheel Brake Assembly	D-4
DIRECTION SELECTOR	
• Direction Selector.....	E-1
DIRECTION SELECTOR (DCS)	
• Direction Selector.....	E-1
ELECTRONIC SPEED CONTROL.....	
• Electronic Speed Controller, Solenoid.....	F-1
ELECTRONIC SPEED CONTROL (DCS).....	
• Electronic Speed Controller, Solenoid.....	F-1
ELECTRONIC SPEED CONTROL (HD)	
• Electronic Speed Controller, Solenoid.....	F-1
ELECTRICAL SYSTEM	
• Charger Receptacle (Non DCS), Wiring.....	G-1
• Charger Receptacle (DCS), Wiring	G-2
• Horn, Fuse Block, Hour Meter.....	G-3
• Turn Signal, Key Switch, State of Charge Meter	G-4
• Brake Pedal & Taillight Connections.....	G-5

GENERAL INDEX

SECTION	Page No.
ELECTRICAL SYSTEM (Continued)	
• Headlight and Connections.....	G-6
• Ignition Key Wiring	G-7
ELECTRIC MOTOR	
• Electric Motor.....	H-1
FRONT SUSPENSION	
• Front Axle, Spindle, Wheel Hub, Shock Absorber, Spring	J-1
REAR AXLE	
• Axle Tube, Axle Shaft, Shifter Cable Bracket	K-1
REAR SUSPENSION	
• U-Bolt, Leaf Spring Set, Shock Absorber	L-1
SEATING AND BAGHOLDER, GOLF CAR	
• Seat Bottom, Seat Back, Hip Restraint.....	M-1
SEATING, 4 CADDY	
• Front Seat Bottom, Front Seat Back, Hip Restraint	M-5
• Rear Seat Bottom, Rear Seat Back, Hip Restraint	M-6
SEATING, 4 CONVERTIBLE CARRIER	
• Front Seat Bottom, Front Seat Back, Hip Restraint	M-9
• Rear Seat Bottom, Rear Seat Back, Hip Restraint	M-10
STEERING	
• Rack and Rod Assembly, Steering Wheel, Tie Rod Assembly	N-1
TOW BAR, PERMANENT	
• Tow Bar, Tow Bar Hitch	P-1
TOW BAR, CASUAL	
• Tow Bar, Tie Rod.....	P-5
WEATHER PROTECTION, GOLF CAR	
• Sun Top Kit.....	Q-1
• Windshield Kit-Split Screen, Windshield Kit-Solid, Rear View Mirror Kit.....	Q-2
• Weather Enclosures, Golf Bag Cover/Rain Curtain	Q-3
WEATHER PROTECTION, 4 CADDY	
• Sun Top Kit.....	Q-7
• Windshield Kit-Split Screen, Windshield Kit-Solid, Rear View Mirror Kit.....	Q-8
WHEELS AND TIRES	
• Tire, Wheel Rim, Valve Stem, Chrome Hubcaps, Spoke Hubcaps	R-1

GENERAL INDEX

SECTION

Page No.

SPECIALTY PRODUCTS:

Special Tools	Appendix - A
Paint	Appendix - A
Performance Products	Appendix - A

ACCESSORIES:

Accessory Listing	Appendix - B
-------------------------	--------------

**DID YOU
KNOW?**

CartPros directs you to the right part using the part numbers from this manual. Enter the part number into our search box and it will find the part you are looking for.

**GET STARTED
HERE**



<https://CartPros.com/f.html>

GENERAL INDEX

HOW TO USE THE E-Z-GO SERVICE PARTS MANUAL

This manual is divided into several sections:

- GENERAL INFORMATION
- ILLUSTRATED PARTS BREAKDOWN FOR TXT ELECTRIC POWERED GOLF CARS
- APPENDIX

The first section, GENERAL INFORMATION, contains the following information:

- WARRANTY INFORMATION
- GENERAL INDEX
- HOW TO USE THE E-Z-GO SERVICE PARTS MANUAL

The second section, ILLUSTRATED PARTS BREAKDOWN (IPB) FOR THE TXT ELECTRIC POWERED GOLF CARS, contains illustrations and parts lists for all systems of your vehicle.

The third section, APPENDIX, contains a listing of Specialty products and accessories.

USE OF THE MANUAL

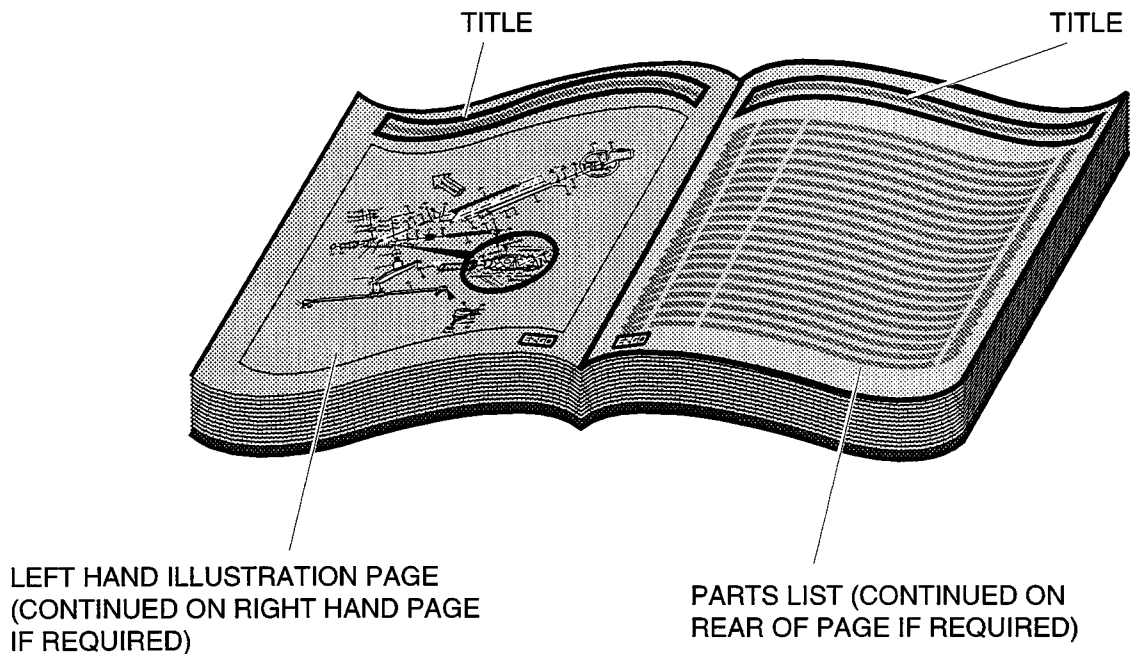
To use this manual, consult the GENERAL INDEX to locate the information or illustration required.

E-Z-GO manuals are revised annually to coincide with the model year change. The manual will cover all models and model years stated on the cover page. Sections that remain unchanged have the last date they were revised in the lower inside margin. New components that are interchangeable with the previous year are automatically revised and the issue date is changed.

Introduction of some revisions varies due to supply of components; therefore, it is possible that various combinations of components may be found that are not directly reflected by each illustration. Consult the illustration that best suits your situation and then contact the Service Parts Department. It is important that the serial number of your vehicle and its model number be supplied to Service Parts when ordering any replacement components.

Locate the serial number plate (see Body and Associated Parts located in the IPB section of this manual for its location) and note the complete number shown on the plate.

HOW TO USE THE E-Z-GO SERVICE PARTS MANUAL



1. WHEN THE PART NUMBER IS NOT KNOWN

- Determine the function and application of the part required. Turn to the General Index and select the most appropriate title.
- Turn to the page number indicated and locate the desired part on the illustration.
- From the illustration, obtain the item number assigned to the desired part. Refer to the accompanying description for specific information regarding the part.

2. IF YOU KNOW THE PART NUMBER

- Locate the part number or description in the appropriate column on the parts list page.

NOTE: It is suggested that you confirm that the part selected is correct by verifying it with the pictorial representation on the illustrated page.

Should an asterisk (*) appear in the part number column on the parts list page, read upwards until a part number is found. The part number is the lowest assembly sold by E-Z-GO and the asterisk (*) indicates that the part depicted is not available for sale by E-Z-GO.

NOTE: Descriptions are indented under the assembly that they are used on. That assembly is, in turn listed under the assembly that it is used on. This process is repeated until the highest final assembly is reached.

To facilitate the maintenance and repair of the vehicle, a Technician's Repair and Service Manual (P/N 28407-G01) is available from the E-Z-GO Service Parts Department.

**DID YOU
KNOW?**

CartPros directs you to the right part using the part numbers from this manual. Enter the part number into our search box and it will find the part you are looking for.

**GET STARTED
HERE**

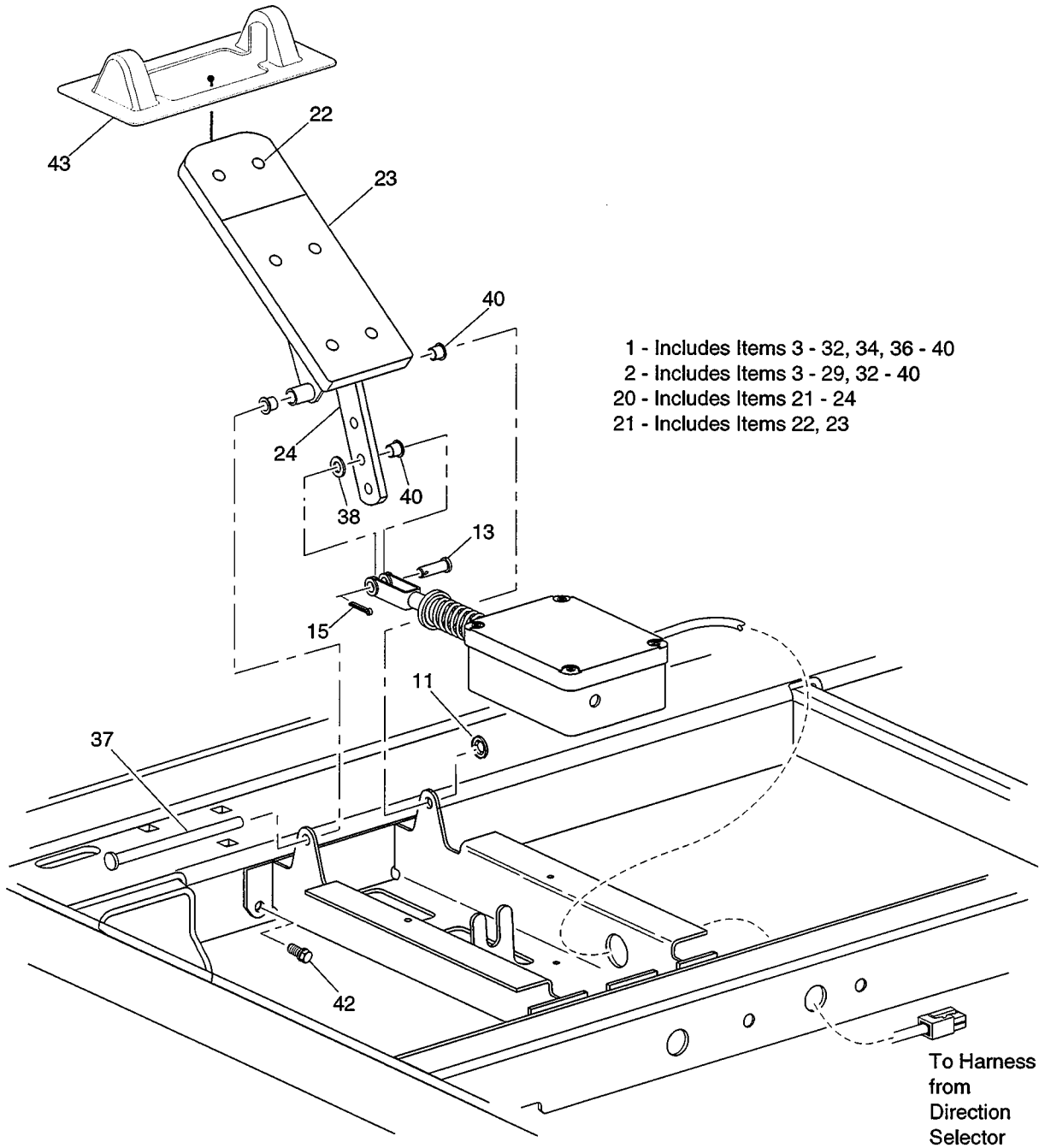


<https://CartPros.com/f.html>

ILLUSTRATED PARTS BREAKDOWN

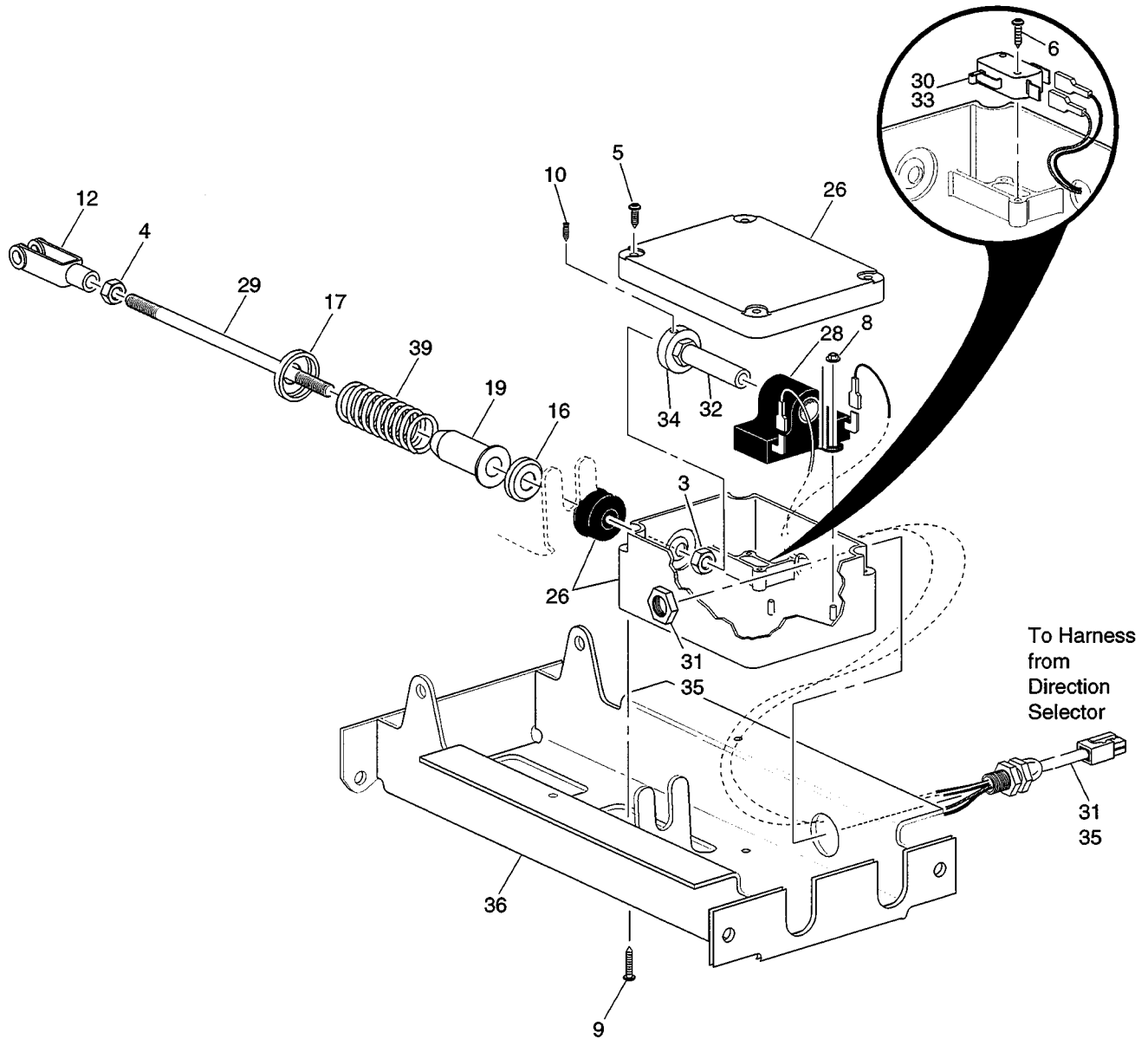
ACCELERATOR

Electric Vehicle



Electric Vehicle

ACCELERATOR



ACCELERATOR

Electric Vehicle

THE USE OF NON UL PARTS WILL VOID ANY UL LISTING.

When ordering parts, please specify the model and serial number of the product.

* Indicates a component that is not available as an individual part.

G** Indicates consult Customer Service Department for additional information.

ITEM	PART NO.	1 2 3 4 5	DESCRIPTION	QTY.
1	25870-G03		PEDAL BOX ASSEMBLY (INCLUDES ITEMS 3 - 32, 34, 36 - 40)	1
2	25870-G05		PEDAL BOX ASSEMBLY, DCS MODEL ONLY (INCLUDES ITEMS 3 - 29, 32 - 40)	1
3	00550-G2		LOCK NUT, 1/4 - 28	1
4	00532-G4		LOCK NUT, 5/16 - 24	1
5	00684-G6		SCREW, #8 - 32 X 3/4" LG.	4
6	00982-G01		SCREW, #4 - 14 X 5/8" LG.	2
7				
8	00983-G01		SELF THREADING NUT, 3/16"	2
9	00984-G01		SCREW, #8 - 10 X 1/2" LG.	4
10	00486-G2		SETSCREW, #8 - 32 X 1/8" LG.	1
11	00986-G01		PUSHNUT, 9/32" I.D.	1
12	10385-G4		YOKE (ADJUSTABLE)	1
13	10386-G3		CLEVIS PIN, 5/16" x 1" LG.	1
14				
15	10387-G3		COTTER PIN, 3/32" x 3/4" LG.	1
16	17677-G1		SPRING RETAINER, 1/2"	1
17	17677-G2		SPRING RETAINER, 3/8"	1
18				
19	17979-G1		ACCELERATOR ROD BUSHING	1
20	25799-G01		ACCELERATOR PEDAL ASSEMBLY (INCLUDES ITEMS 21 - 24)	1
21	27844-G01		ACCELERATOR PEDAL PAD KIT (INCLUDES ITEMS 22, 23)	1
22	15766-G1		OVAL RIVET 3/8" X 3/8" LG.	6
23	27512-G01		ACCELERATOR PEDAL PAD	1
24	*		ACCELERATOR PEDAL	1
25				
26	25853-G01		PEDAL BOX AND COVER (SEAL AND BEARING)	1
27				
28	25854-G01		INDUCTIVE THROTTLE SENSOR.....	1
29	25859-G01		ACCELERATOR ROD.....	1

Electric Vehicle

ACCELERATOR

THE USE OF NON UL PARTS WILL VOID ANY UL LISTING.

When ordering parts, please specify the model and serial number of the product.

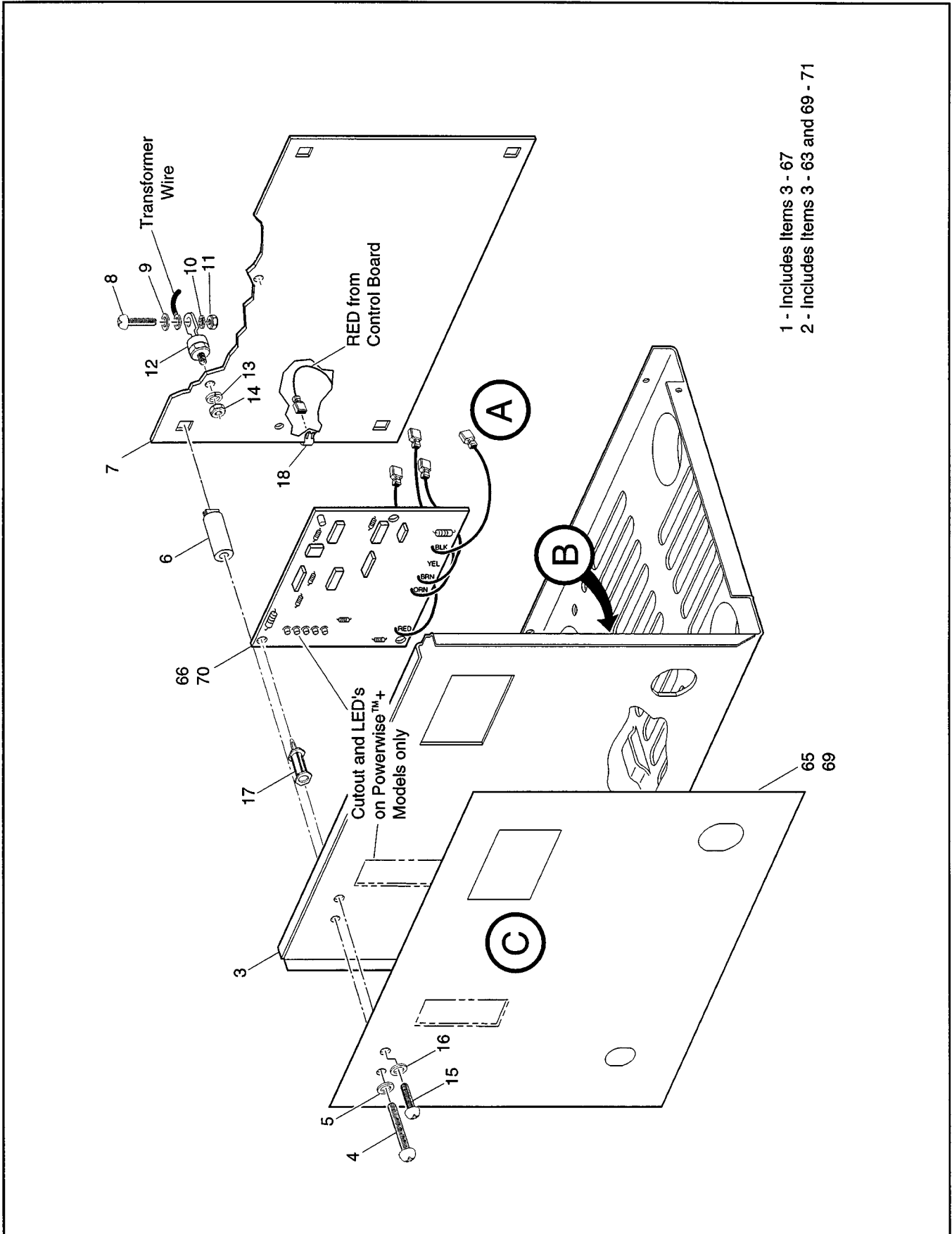
* Indicates a component that is not available as an individual part.

G** Indicates consult Customer Service Department for additional information.

ITEM	PART NO.	1	2	3	4	5	DESCRIPTION	QTY.
30	25861-G01						MICRO SWITCH.....	1
31	25879-G03						WIRING HARNESS (PEDAL BOX ASSEMBLY).....	1
32	26551-G01						PLUNGER	1
33	25861-G02						MICRO SWITCH (DCS MODEL ONLY).....	1
34	26969-G01						PLUNGER CAM	1
35	25879-G04						WIRING HARNESS (PEDAL BOX ASSEMBLY) (DCS MODEL ONLY).....	1
36	70116-G01						ACCELERATOR PEDAL BRACKET	1
37	70134-G01						PEDAL PIVOT PIN.....	1
38	17255-G1						TEFLON WASHER, 5/16"	1
39	73046-G01						COMPRESSION SPRING	1
40	17838-G1						BUSHING	3
41								
42	00715-G2						BOLT, 5/16 - 18 X 13/16" LG.	4
43	70135-G01						PEDAL PIVOT COVER	1

BATTERY CHARGER

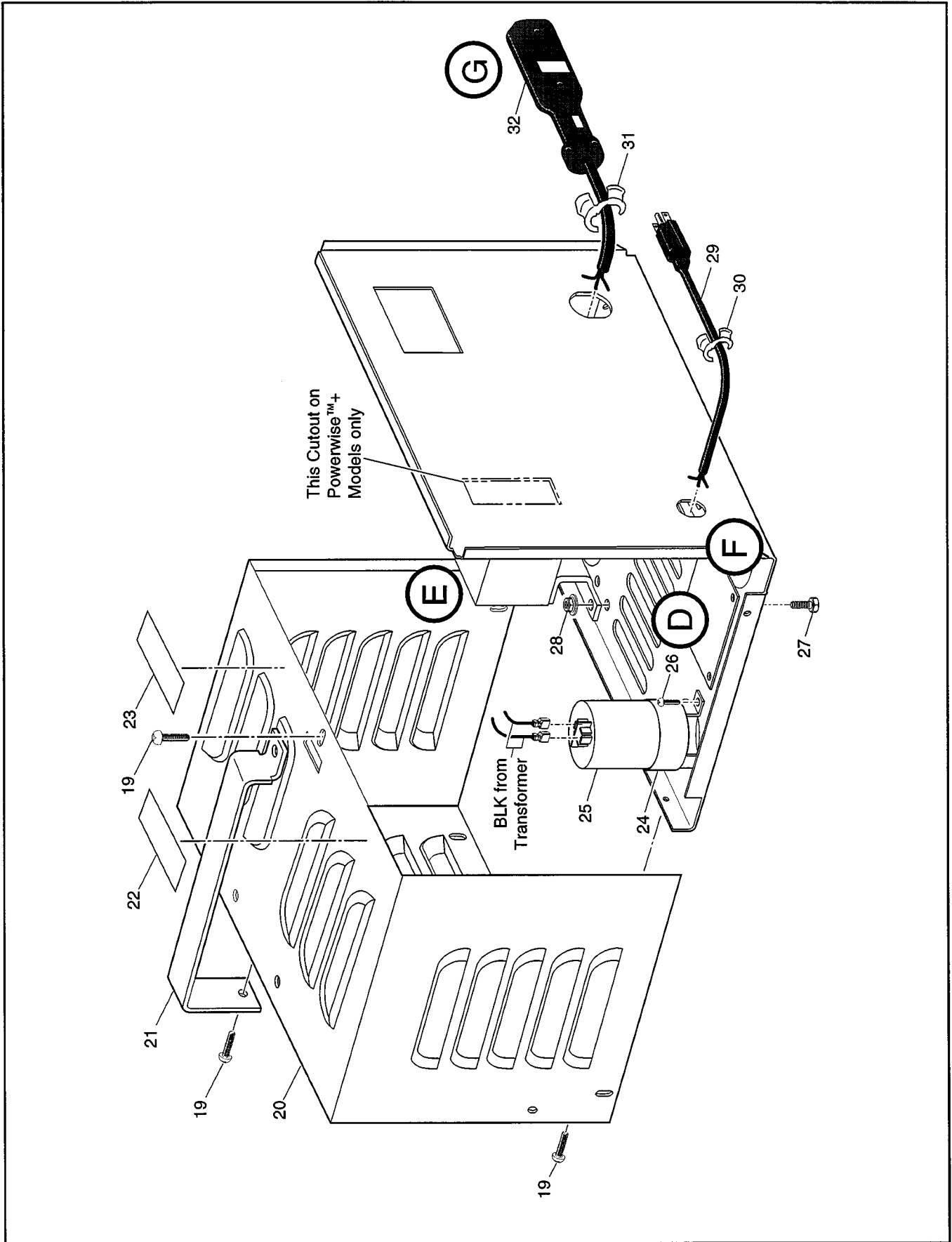
Electric Vehicle



- 1 - Includes Items 3 - 67
- 2 - Includes Items 3 - 63 and 69 - 71

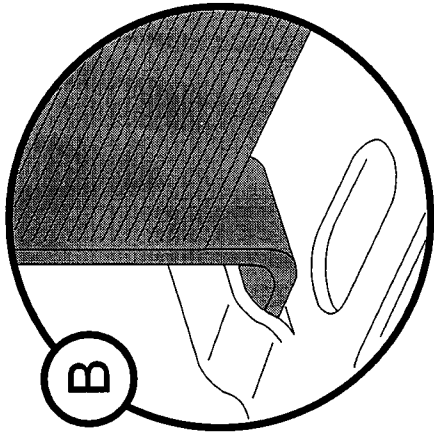
Electric Vehicle

BATTERY CHARGER

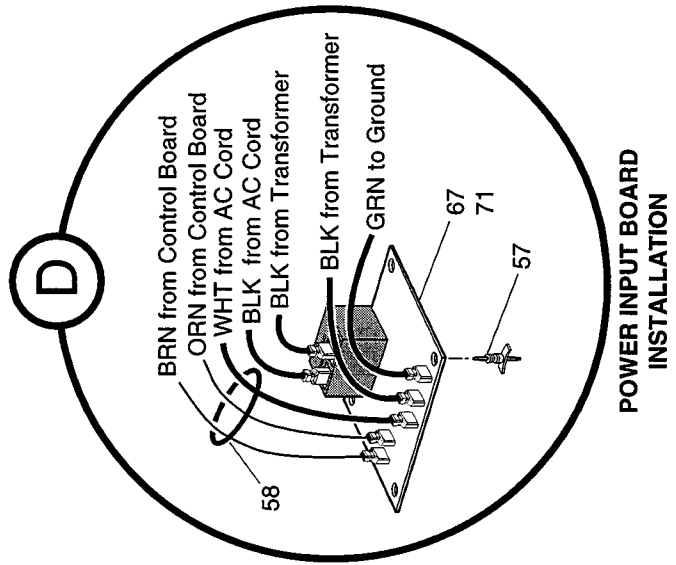


BATTERY CHARGER

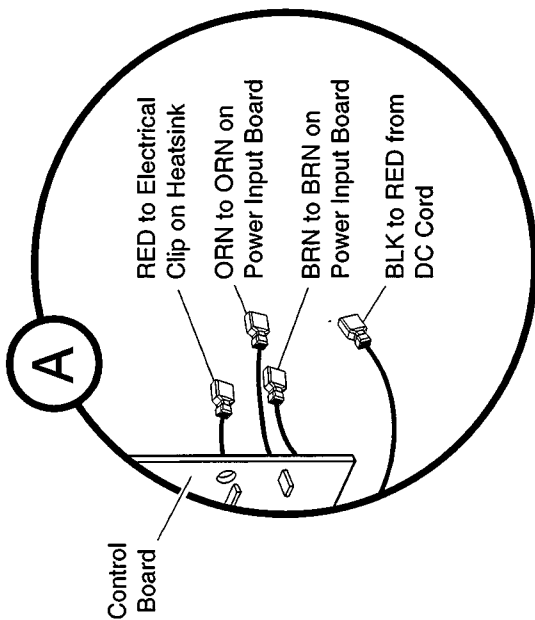
Electric Vehicle



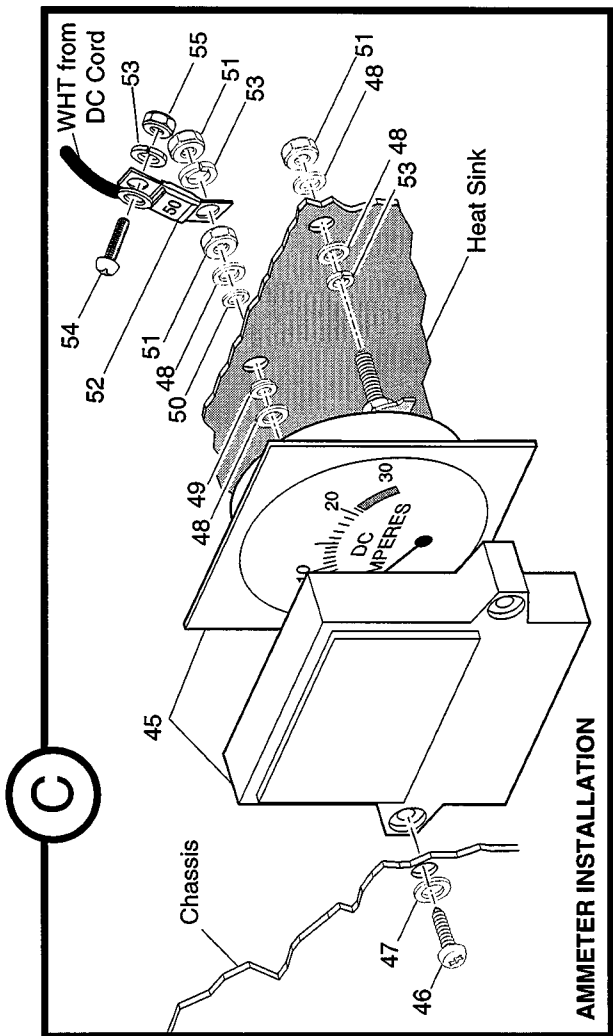
TRANSFORMER LEG INSTALLATION



POWER INPUT BOARD INSTALLATION



CONTROL BOARD CONNECTIONS

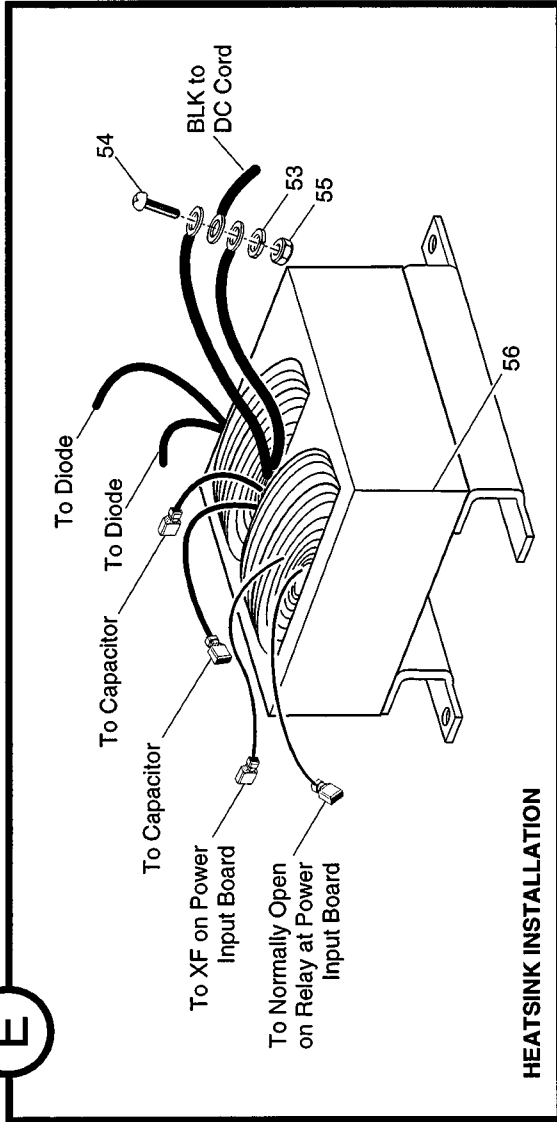


AMMETER INSTALLATION

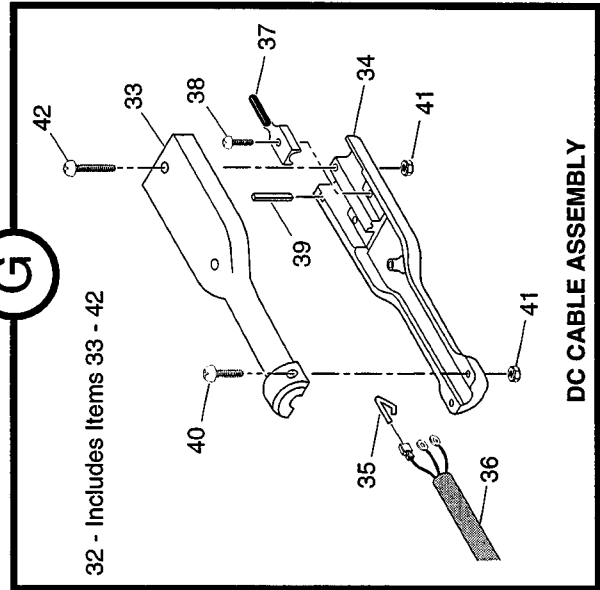
Electric Vehicle

BATTERY CHARGER

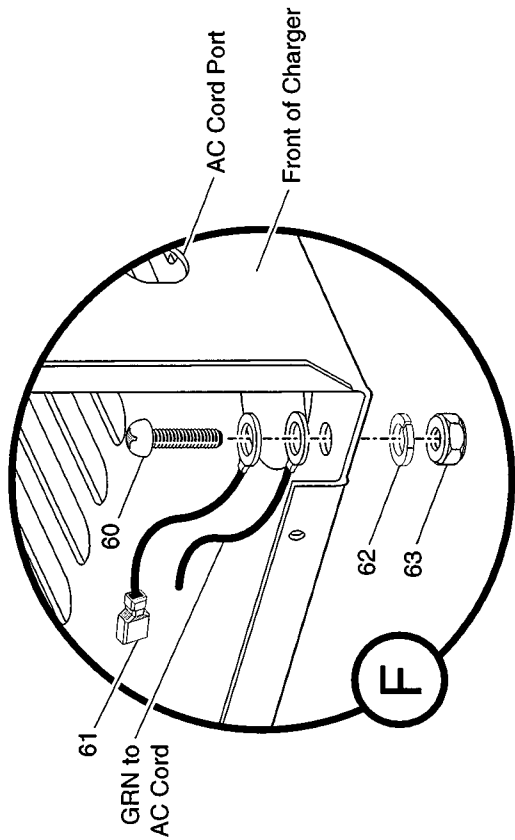
E



G



F



BATTERY CHARGER

Electric Vehicle

THE USE OF NON UL PARTS WILL VOID ANY UL LISTING.

When ordering parts, please specify the model and serial number of the product.

* Indicates a component that is not available as an individual part.

G** Indicates consult Customer Service Department for additional information.

ITEM	PART NO.	1 2 3 4 5	DESCRIPTION	QTY.
1	28115-G01		POWERWISE™ CHARGER (INCLUDES ITEMS 3 - 67)	1
2	28115-G02		POWERWISE™ + CHARGER (INCLUDES ITEMS 3 - 63 AND 69 - 71).....	1
3	*		CHASSIS	1
4	00513-G6		SCREW, #8 - 18 X 1 3/4" LG.	2
5	00559-G4		WASHER, #8	2
6	11572-G3		PLASTIC EXPANSION NUT	2
7	28104-G01		HEAT SINK	1
8	00138-G3		SCREW, #6-32 X 3/8" LG	2
9	00559-G3		WASHER, #6.	2
10	00567-G3		LOCK WASHER, #6.....	5
11	00525-G5		NUT, #6 - 32.....	2
12	18488-G1		DIODE.....	2
13	00565-G7		LOCKWASHER, 1/4"	2
14	00532-G2		NUT, 1/4 - 28.....	2
15	01005-G01		SCREW, #6 - 19 X 5/16" LG.	3
16				
17	28111-G01		CONTROL BOARD SUPPORT	3
18	28110-G01		ELECTRICAL CLIP.....	1
19	00614-G4		SCREW, #8 - 18 X 1/2" LG.	6
20	*		COVER	1
21	28102-G01		HANDLE	1
22	28136-G01		LABEL (VENTILATION)	1
23	28136-G02		LABEL (CORD CONDITION).....	1
24	26979-G01		CAPACITOR BRACKET	1
25	28109-G01		CAPACITOR.....	1
26	00969-G01		SCREW, #8 - 32 X 3/8" LG.	3
27	00414-G5		SCREW, 1/4 - 20 X 5/8" LG.	3
28	11027-G2		LOCK NUT, 1/4 - 20.....	3
29	19388-G4		AC CORD	1
30	13557-G2		STRAIN RELIEF (AC).....	1

Electric Vehicle

BATTERY CHARGER

THE USE OF NON UL PARTS WILL VOID ANY UL LISTING.

When ordering parts, please specify the model and serial number of the product.

* Indicates a component that is not available as an individual part.

G** Indicates consult Customer Service Department for additional information.

ITEM	PART NO.	1 2 3 4 5	DESCRIPTION	QTY.
31	13557-G3		STRAIN RELIEF (DC)	1
32	28137-G01		DC CORD AND HANDLE ASSEMBLY (INCLUDES ITEMS 33 - 42)	1
33	73051-G11		PLUG (TOP HALF).....	1
34	73051-G12		PLUG (BOTTOM HALF).....	1
35	73051-G13		AUXILARY CONTACT	1
36	28114-G01		DC CORD	1
37	73051-G14		MALE PIN	2
38	73051-G08		BRASS SCREW, #10 - 32 X 1/2" LG.	2
39	73051-G15		MAGNET	1
40	73051-G16		SCREW, #6 - 32 X 1/2" LG. (STAINLESS STEEL)	2
41	73051-G10		LOCK NUT, #6 - 32	4
42	73051-G17		SCREW, #6 - 32 X 1" LG. (STAINLESS STEEL)	2
43				
44				
45	28105-G01		AMMETER.....	1
46	00984-G01		SCREW, #8 - 10 X 1/2" LG.	2
47	00559-G4		WASHER, #8	2
48	01003-G01		BRASS WASHER, #10	4
49	22589-G2		SHOULDER WASHER, #10	1
50	00771-G6		NYLON WASHER, #10.....	1
51	00528-G4		NUT, #10 - 32.....	3
52	28106-G01		50 AMP FUSE	1
53	00565-G5		LOCK WASHER, #10	4
54	00378-G4		SCREW, #10 - 24 X 1/2" LG.	2
55	00526-G3		NUT, #10 - 24.....	2
56	28103-G01		TRANSFORMER.....	1
57	27877-G01		SPACER SUPPORT	4
58	17618-G1		WIRE TIE.....	2
59				
60	00372-G3		SCREW, #8 - 32 X 3/8" LG.	1



BATTERY CHARGER

Electric Vehicle

THE USE OF NON UL PARTS WILL VOID ANY UL LISTING.

When ordering parts, please specify the model and serial number of the product.

* Indicates a component that is not available as an individual part.

G** Indicates consult Customer Service Department for additional information.

ITEM	PART NO.	1 2 3 4 5	DESCRIPTION	QTY.
61	25977-G32		16 GA. WIRE (GREEN, 4")	1
62	00565-G4		LOCK WASHER, #8.....	1
63	00526-G1		NUT, #8 - 32.....	1
64				
65	*		LABEL (POWERWISE™)	1
66	28126-G01		CONTROL BOARD (POWERWISE™)	1
67	28126-G03		POWER INPUT BOARD (POWERWISE™)	1
68				
69	*		LABEL (POWERWISE™+)	1
70	28126-G02		CONTROL BOARD (POWERWISE™+)	1
71	28126-G04		POWER INPUT BOARD (POWERWISE™+)	1

**DID YOU
KNOW?**

CartPros directs you to the right part using the part numbers from this manual. Enter the part number into our search box and it will find the part you are looking for.

**GET STARTED
HERE**



<https://CartPros.com/f.html>

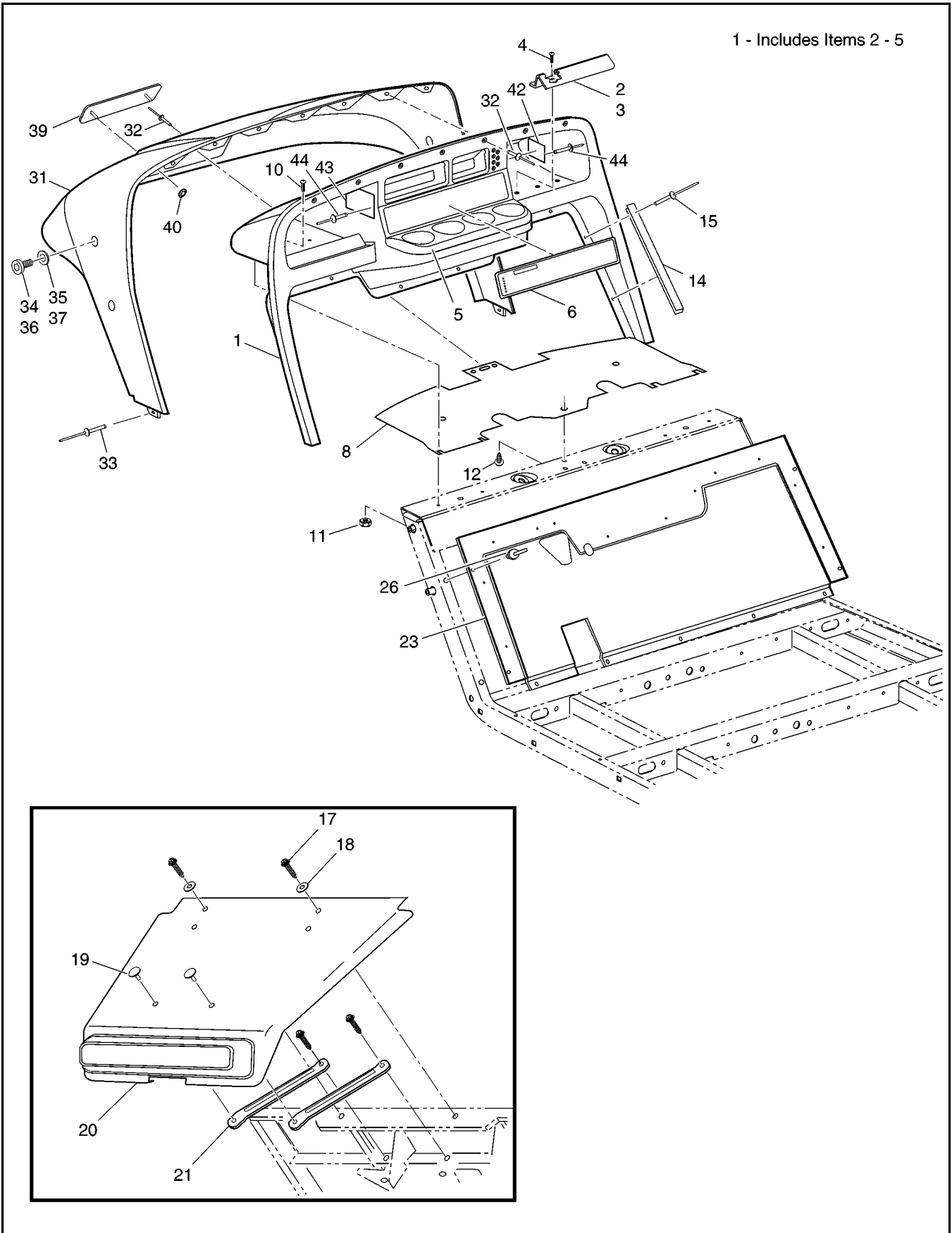
Electric Vehicle

BATTERY CHARGER



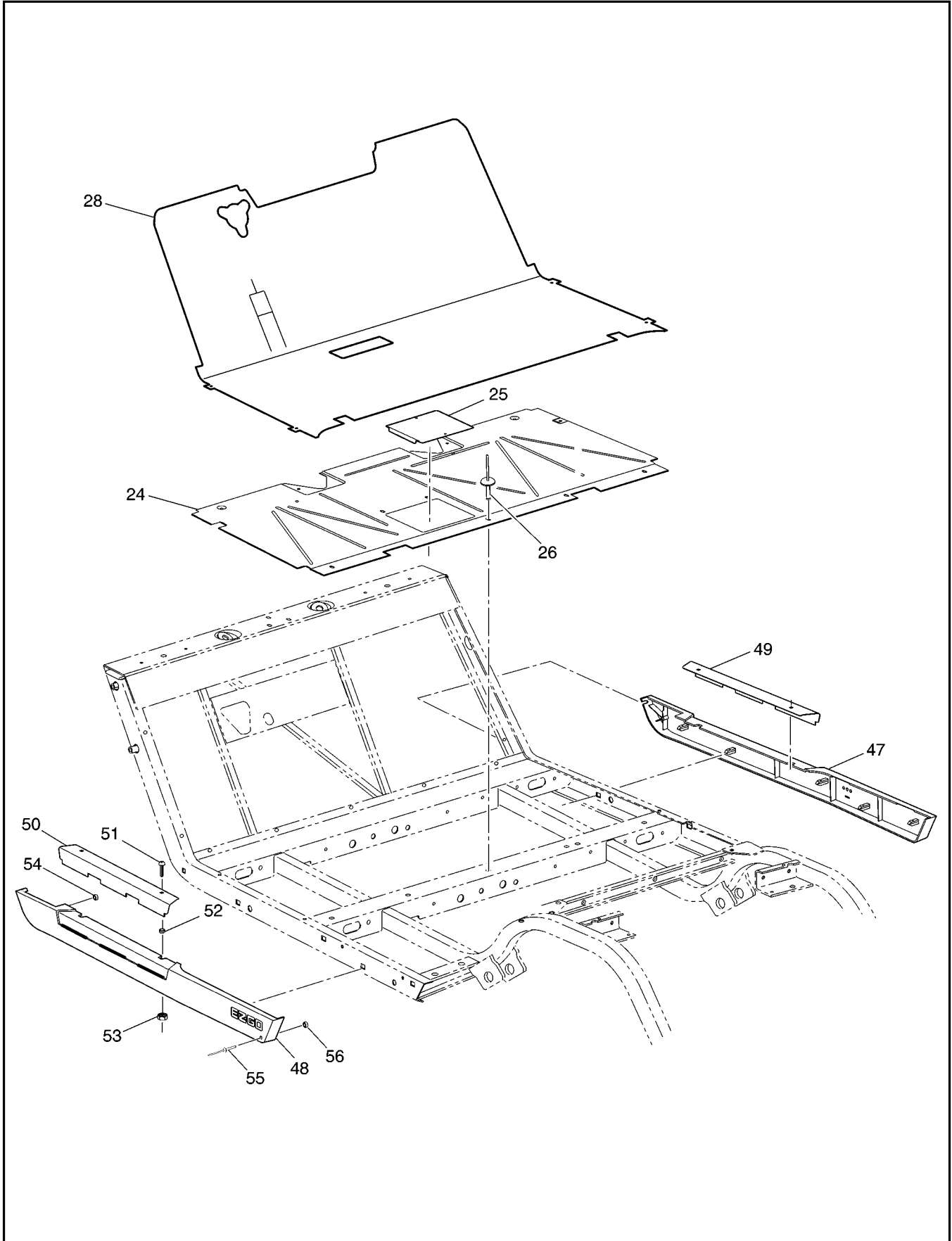
BODY

Electric Vehicle



Electric Vehicle

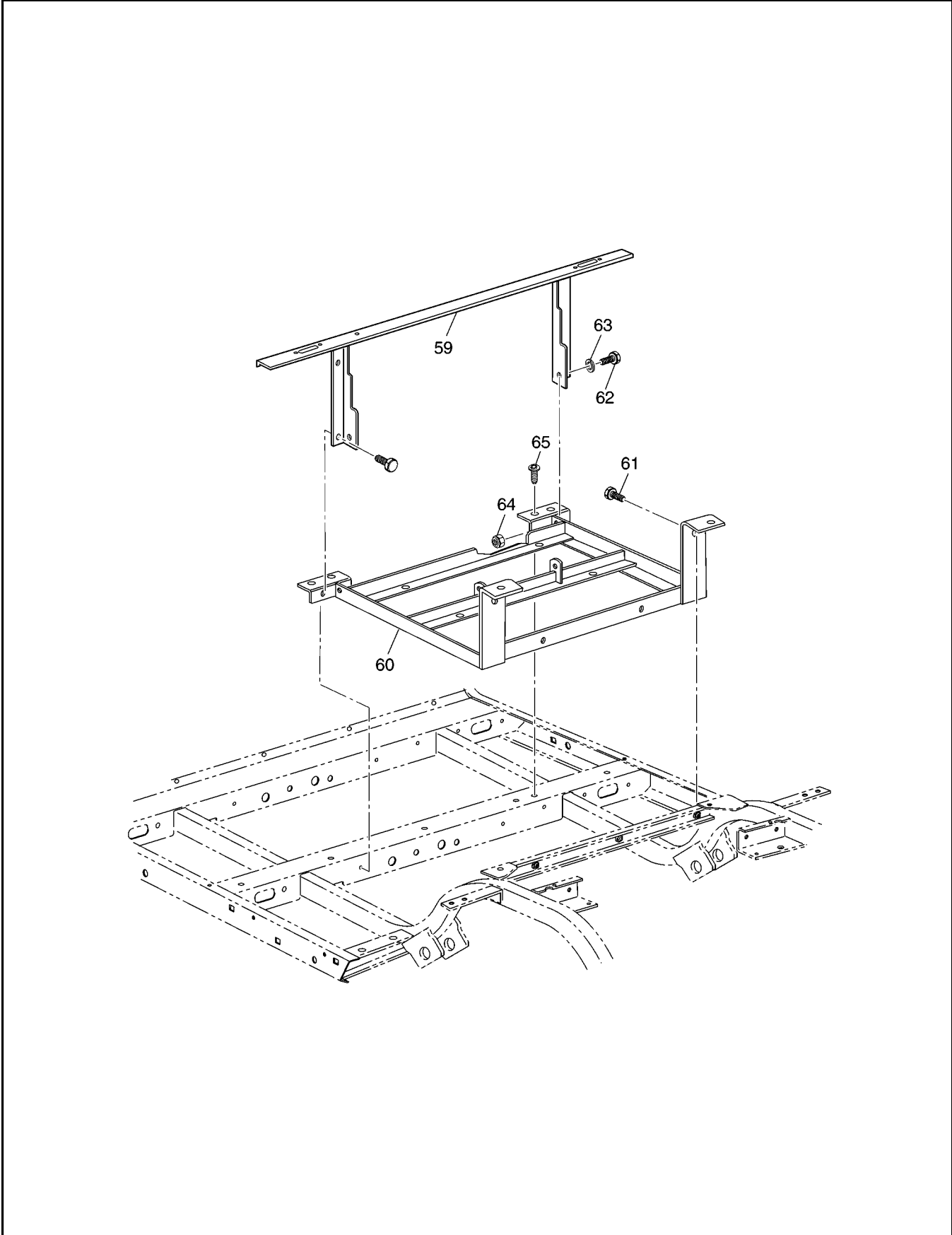
BODY





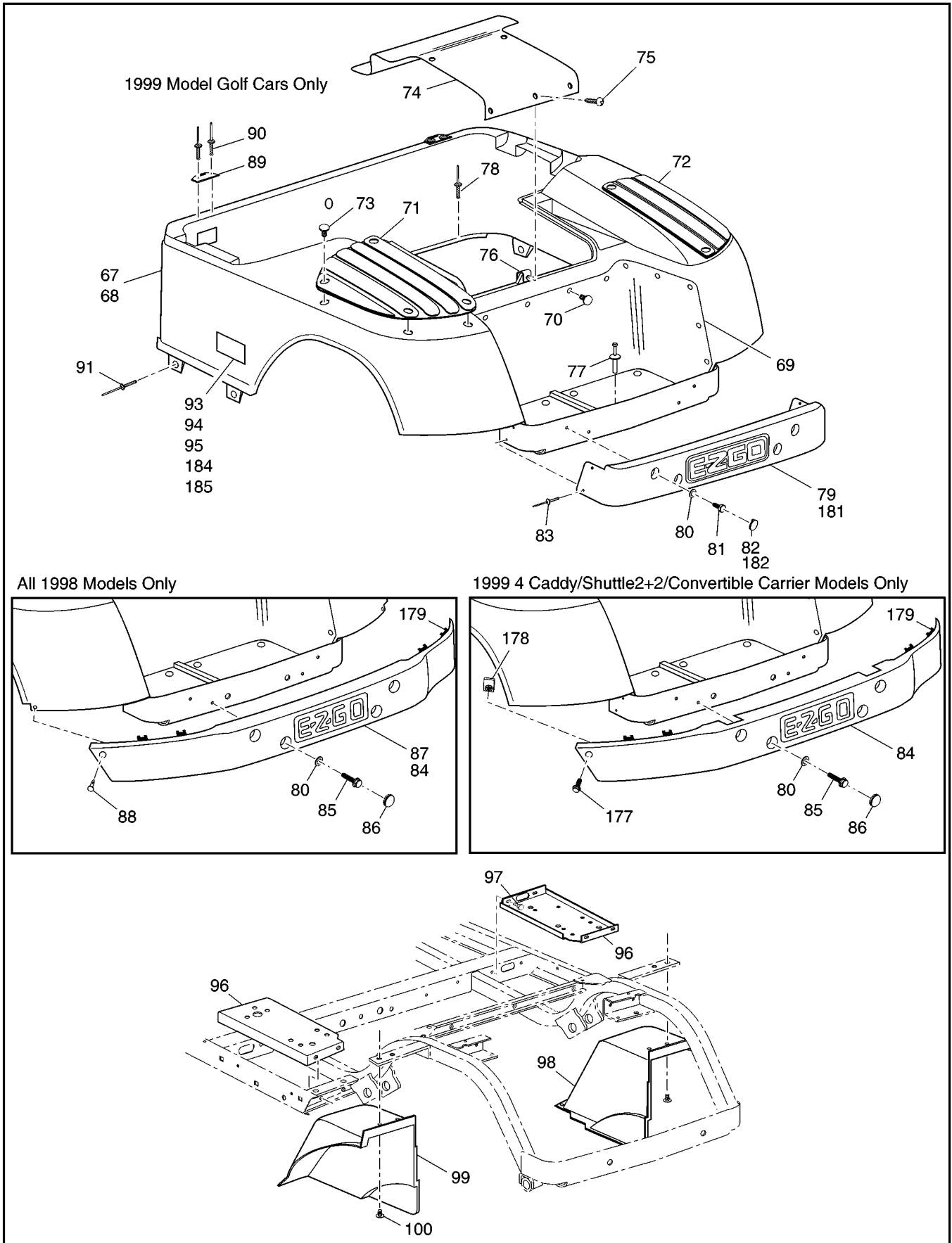
BODY

Electric Vehicle



Electric Vehicle

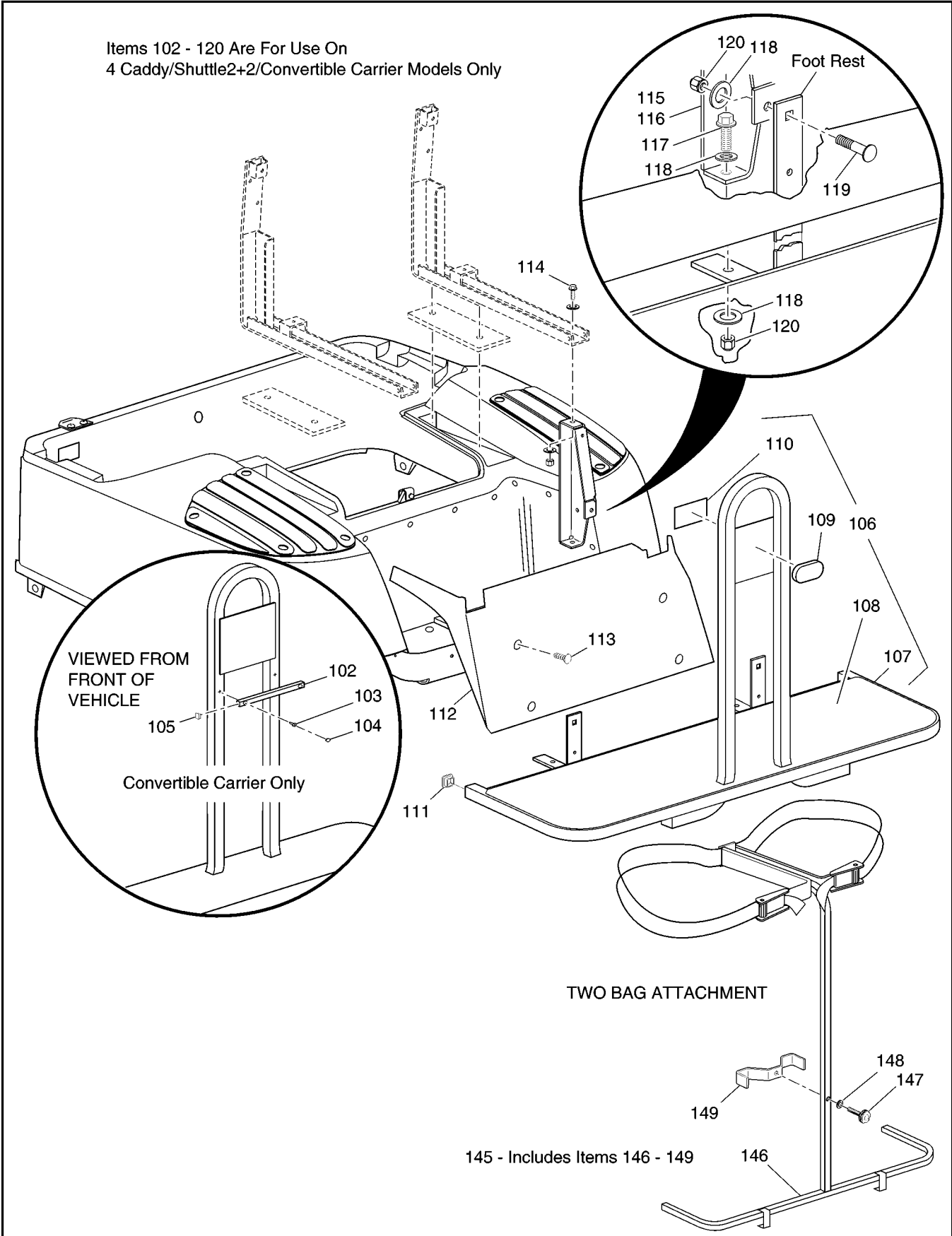
BODY



BODY

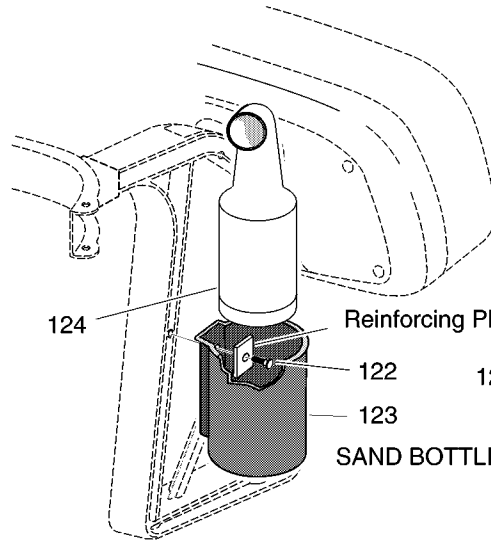
Electric Vehicle

Items 102 - 120 Are For Use On
4 Caddy/Shuttle2+2/Convertible Carrier Models Only



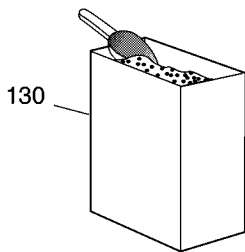
Electric Vehicle

BODY

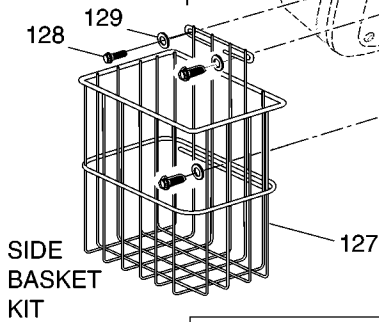


121 - Includes Items 122 - 124

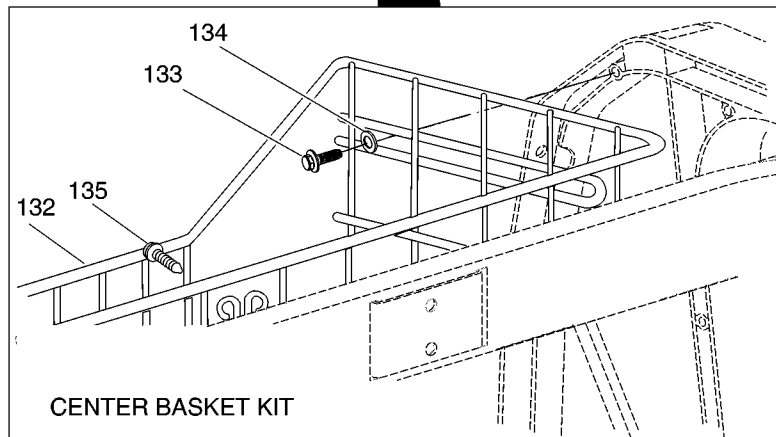
SAND BOTTLE DIVOT REPAIR KIT



BASKET DIVOT REPAIR KIT



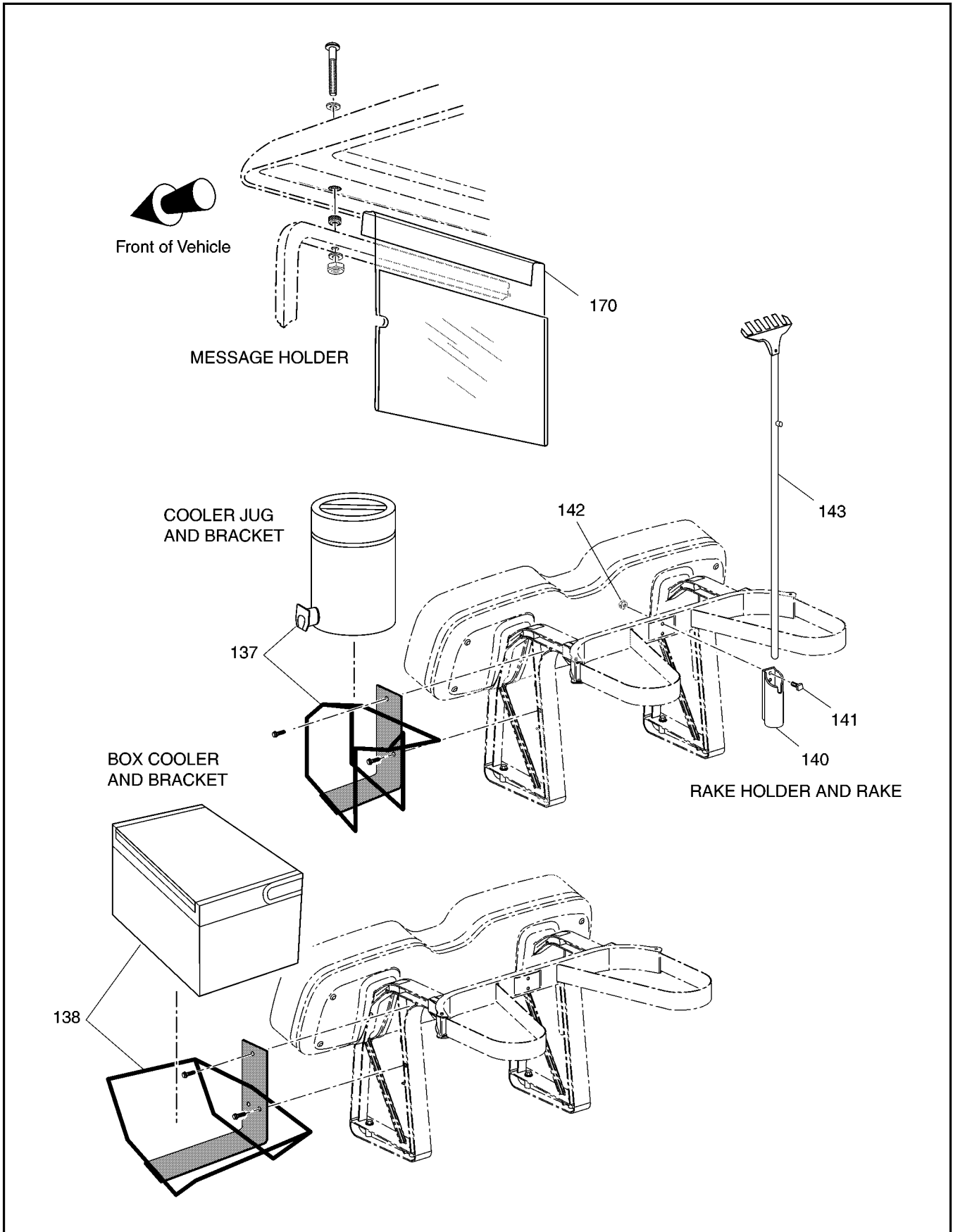
126 - Includes Items 127 - 129



131 - Includes Items 132 - 135

BODY

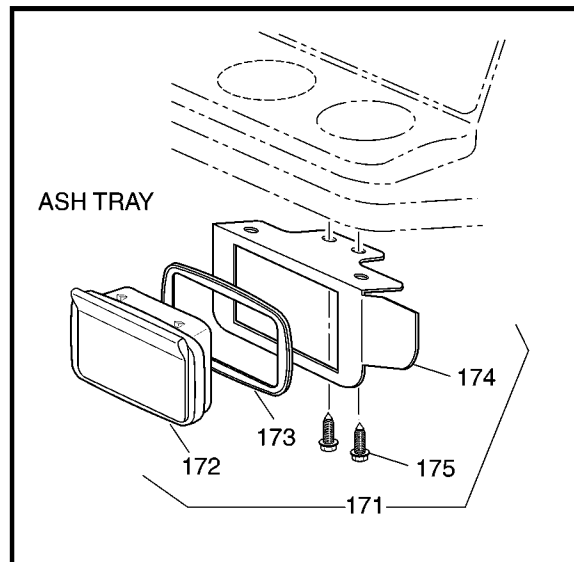
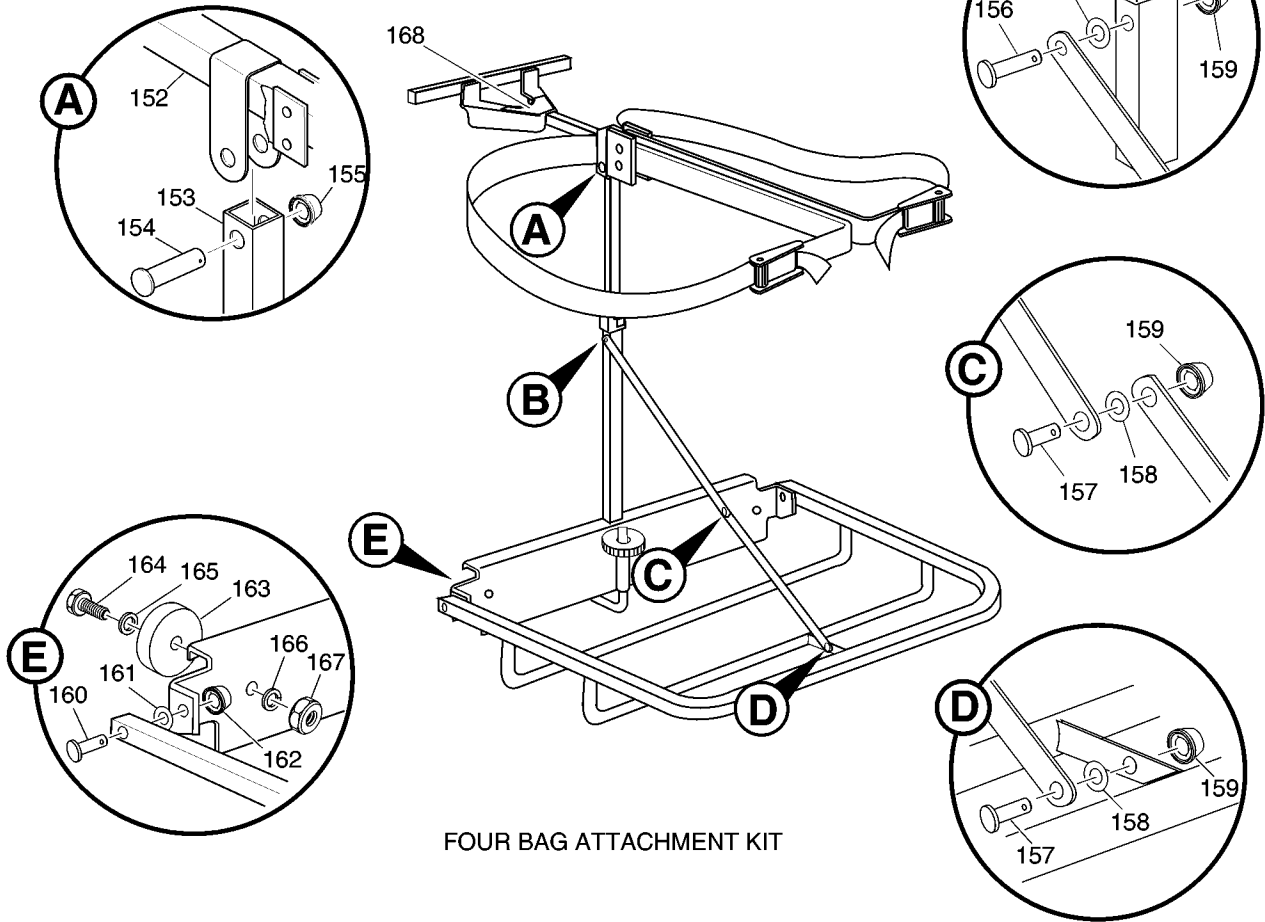
Electric Vehicle



Electric Vehicle

BODY

151 - Includes Items 152 - 168



BODY

Electric Vehicle

When ordering parts, please specify the model and serial number of the product.

* Indicates a component that is not available as an individual part.

G** Indicates consult Customer Service Department for additional information.

ITEM	PART NO.	1 2 3 4 5	DESCRIPTION	QTY.
1	71151-G01		INSTRUMENT PANEL ASSEMBLY (INCLUDES ITEMS 2 - 5)	1
2	71153-G01		BALL DEFLECTOR (PASSENGER SIDE)	1
3	71154-G01		BALL DEFLECTOR (DRIVER SIDE).....	1
4	00614-G5		SCREW, #8 - 18 X 5/8" LG.....	6
5	71158-G01		INSTRUMENT PANEL INSERT (4 CUP HOLDER)	1
6	27647-G01		LABEL (SAFETY).....	1
7				
8	71413-G01		SPLASH PANEL.....	1
9				
10	01036-G01		SCREW, #10 - 24 X 3/4" LG.	4
11	11098-G7		LOCK NUT, #10 - 24	4
12	16816-G2		RATCHET FASTENER, 1/4" X 3/4" LG.....	1
13				
14	71115-G01		VINYL TRIM	2
15	71055-G01		RIVET, 3/16" X 3/8" LG.	10
16				
17	01038-G01		SCREW, 1/4 - 20 X 1/2" LG.	4
18	16469-G7		WASHER, 1/4"	2
19	16816-G2		RATCHET FASTENER, 1/4" X 3/4" LG.....	2
20	27166-G02		FRONT SHIELD.....	1
21	71015-G01		FRONT SHIELD BRACE.....	2
22				
23	71510-G01		UPPER FLOORPAN	1
24	70451-G01		LOWER FLOORPAN.....	1
25	70452-G01		ACCESS COVER.....	1
26	14601-G11		RIVET, 3/16 X 9/16" LG.....	16
27				
28	70048-G01		FLOORMAT.....	1
29				
30				

Electric Vehicle

BODY

When ordering parts, please specify the model and serial number of the product.
 * Indicates a component that is not available as an individual part.
 G** Indicates consult Customer Service Department for additional information.

ITEM	PART NO.	1 2 3 4 5	DESCRIPTION	QTY.
31	71051-G**		COWL	1
32	71055-G01		RIVET, 3/16" X 3/8" LG.	9
33	10570-G11		RIVET, 3/16" X 3/4" LG.	2
34	71056-G01		BOLT, 5/16 - 18 X 5/8" LG.	4
35	00570-G2		WASHER, 5/16.....	4
36	00438-G6		BOLT, 5/16 - 18 X 3/4" LG. (WITH TOP)	2
37	00571-G2		WASHER, 5/16" (WITH TOP)	2
38				
39	71037-G02		E-Z-GO NAMEPLATE (GOLD).....	1
40	12064-G3		PUSHNUT, 3/16"	2
41				
42	*		SERIAL NUMBER PLATE.....	1
43	*		EC PLATE	1
44	10141-G01		RIVET, 5/32" X 7/8" LG.	4
45				
46				
47	71501-G01		ROCKER PANEL (PASSENGER SIDE)	1
48	71502-G01		ROCKER PANEL (DRIVER SIDE)	1
49	71507-G01		SILL PLATE (PASSENGER SIDE).....	1
50	71507-G02		SILL PLATE (DRIVER SIDE)	1
51	16705-G1		SCREW, 1/4 - 20 X 1" LG. (STAINLESS STEEL)	4
52	23726-G4		SPACER.....	4
53	00891-G2		LOCK NUT, 1/4 - 20	4
54	23726-G6		SPACER.....	1
55	15058-G4		RIVET, 3/16" X 5/16" LG.	2
56	23726-G7		SPACER.....	1
57				
58				
59	70441-G01		SEAT FRAME.....	1
60	70046-G01		BATTERY RACK	1



BODY

Electric Vehicle

When ordering parts, please specify the model and serial number of the product.

* Indicates a component that is not available as an individual part.

G** Indicates consult Customer Service Department for additional information.

ITEM	PART NO.	1 2 3 4 5	DESCRIPTION	QTY.
61	00715-G2		BOLT, 5/16 - 18 X 13/16" LG.	4
62	00438-G6		BOLT, 5/16 - 18 X 3/4" LG.	2
63	00559-G8		WASHER, 5/16"	2
64	11098-G6		LOCK NUT, 5/16 - 18	2
65	70200-G01		SCREW, 3/8 - 16 X 1/4" LG.	2
66				
67	71912-G**		REAR BODY (WITHOUT TAILLIGHTS) (INCLUDES ITEMS 69, 70)	1
68	71334-G**		REAR BODY (WITH TAILLIGHTS) (INCLUDES ITEMS 69, 70).....	1
69	71318-G01		BAGWELL LINER.....	1
70	16816-G1		RATCHET FASTENER, 1/4" X 5/8" LG.	26
71	75126-G01		FENDER SCUFFGUARD (DRIVER SIDE)	1
72	75126-G02		FENDER SCUFFGUARD (PASSENGER SIDE).....	1
73	16816-G2		RATCHET FASTENER, 1/4" X 3/4" LG.....	8
74	71320-G01		ACCESS PANEL	1
75	71002-G01		SCREW, #8 X 5/8" LG.....	5
76	71364-G02		"J" CLIP	1
77	18436-G1		RIVET, 1/4" X 3/4" LG.	2
78	10570-G10		RIVET, 5/32" X 9/16" LG.	6
79	71336-G01		REAR BUMPER (EARLY 1999 GOLF CARS ONLY).....	1
80	00559-G8		WASHER, 5/16"	4
81	01039-G01		BOLT, 1/4 - 20 X 5/8" LG.....	4
82	71945-G01		BUMPER PLUG (EARLY 1999 GOLF CARS ONLY)	4
83	14601-G17		RIVET, 3/16" X 9/16" LG.	4
84	71456-G01		NOTCHED REAR BUMPER (1998-99 4 CADDY/SHUTTLE2+2)	1
85	71398-G01		BOLT, 1/4 - 20 X 1 1/4" LG.....	4
86	71455-G01		BUMPER PLUG	4
87	71451-G01		REAR BUMPER (1998 GOLF CARS ONLY)	1
88	16816-G4		RATCHET FASTENER.....	2
89	71609-G01		HINGE PLATE.....	2
90	10570-G11		RIVET, 3/16" X 3/4" LG.	4

Electric Vehicle

BODY

When ordering parts, please specify the model and serial number of the product.
 * Indicates a component that is not available as an individual part.
 G** Indicates consult Customer Service Department for additional information.

ITEM	PART NO.	1 2 3 4 5	DESCRIPTION	QTY.
91	10570-G12		RIVET, 1/4" X 1/2" LG.	4
92				
93	23676-G1		DECAL (FREEDOM)	AR
94	75178-G01		DECAL (4 CADDY)	AR
95	73162-G01		DECAL (DCS)	AR
96	70244-G02		SPLASH PANEL.....	2
97	00715-G2		BOLT, 5/16 - 18 X 13/16" LG.....	8
98	71812-G01		FENDER LINER (PASSENGER SIDE)	1
99	71812-G02		FENDER LINER (DRIVER SIDE).....	1
100	16816-G2		RATCHET FASTENER, 1/4" X 3/4" LG.....	8
101				
102	75268-G01		SUPPORT	1
103	00106-G6		SCREW, #12 - 24 X 3/4" LG.	2
104	19859-G1		END CAP, 3/4"	2
105	20271-G2		HOLE PLUG, 1/2"	2
106	70361-G01		FOOT REST ASSEMBLY (INCLUDES ITEMS 107 - 110)	1
107	70350-G01		FOOTREST	1
108	70362-G01		FLOORMAT	1
109	74129-G01		REFLECTOR.....	1
110	74132-G01		LABEL (WARNING).....	1
111	19853-G1		END CAP, 1"	2
112	74149-G01		VALANCE PANEL	1
113	16816-G2		RATCHET FASTENER, 1/4" X 3/4" LG.....	4
114	00426-G8		BOLT, 3/8-16 X 1" LG.....	2
115	74126-G01		VERTICAL FRAME SUPPORT (PASSENGER SIDE)	1
116	74126-G02		VERTICAL FRAME SUPPORT (DRIVER SIDE)	1
117	00427-G4		BOLT, 3/8 - 16 X 1 1/2" LG.....	2
118	00560-G1		WASHER, 3/8"	10
119	00769-G2		CARRIAGE BOLT, 3/8 - 16 X 1 1/4" LG.	2
120	11098-G5		LOCK NUT, 3/8 - 16	10



BODY

Electric Vehicle

When ordering parts, please specify the model and serial number of the product.
 * Indicates a component that is not available as an individual part.
 G** Indicates consult Customer Service Department for additional information.

ITEM	PART NO.	1 2 3 4 5	DESCRIPTION	QTY.
121	75009-G01		SAND BOTTLE DIVOT REPAIR KIT.....	1
122	71102-G01		BOLT, 1/4 - 20 X 3/4" LG.....	1
123	27374-G01		SAND BOTTLE HOLDER.....	1
124	27373-G01		SAND BOTTLE.....	1
125				
126	75007-G02		SIDE BASKET KIT	1
127	75460-G01		SIDE BASKET	1
128	71102-G01		BOLT, 1/4 - 20 X 3/4" LG.....	3
129	01031-G01		FLAT WASHER, 1/4"	3
130	23300-G01		BASKET DIVOT REPAIR KIT (INCLUDES SCOOP).....	1
131	75003-G02		CENTER BASKET KIT.....	1
132	75461-G01		CENTER BASKET.....	1
133	71102-G01		BOLT, 1/4 - 20 X 3/4" LG.....	3
134	01031-G01		FLAT WASHER, 1/4"	3
135	01032-G01		PLASTITE SCREW, #10 X 5/8" LG.....	2
136				
137	75170-G01		COOLER JUG AND BRACKET KIT.....	1
138	75344-G01		BOX COOLER AND BRACKET KIT	1
139				
140	25885-G01		RAKE HOLDER	1
141	00989-G06		SQUARE HEAD BOLT, 1/4 - 20 X 3/4" LG.....	2
142	11027-G2		LOCK NUT, 1/4 - 20	2
143	14735-G1		RAKE	1
144				
145	75183-G01		TWO BAG ATTACHMENT KIT.....	1
146	75188-G01		BAG ATTACHMENT	1
147	22238-G2		KNOB, 3/8 - 16 X 1 1/2" LG.....	1
148	17255-G1		TEFLON WASHER, 5/16"	1
149	75187-G01		SUPPORT BRACKET	1
150				

Electric Vehicle

BODY

When ordering parts, please specify the model and serial number of the product.

* Indicates a component that is not available as an individual part.

G** Indicates consult Customer Service Department for additional information.

ITEM	PART NO.	1 2 3 4 5	DESCRIPTION	QTY.
151	75355-G01		FOUR BAG ATTACHMENT KIT	1
152	*		TOP ASSEMBLY	1
153	*		BOTTOM ASSEMBLY	1
154	17651-G2		CLEVIS PIN, 5/16 X 1 1/4" LG.	1
155	28129-G01		PUSH NUT, 5/16"	1
156	17651-G2		CLEVIS PIN, 5/16 X 1 1/4" LG.	1
157	17651-G3		CLEVIS PIN, 5/16 X 1/2" LG.	2
158	00559-G8		WASHER, 5/16".....	3
159	28129-G01		PUSH NUT, 5/16"	3
160	*		CLEVIS PIN 3/8 X 1 1/4"LG	2
161	00560-G1		WASHER, 3/8".....	2
162	*		PUSH NUT, 3/8"	2
163	13728-G1		RUBBER BUMPER	2
164	00150-G6		SCREW, #10 - 24 X 3/4" LG.....	2
165	00559-G5		WASHER, #10.....	2
166	00565-G5		LOCK WASHER, #10.....	2
167	00526-G3		NUT, #10 - 24	2
168	*		LABEL (WARNING).....	1
169				
170	75094-G01		MESSAGE HOLDER	1
171	75109-G02		ASH TRAY KIT	1
172	27731-G01		ASH TRAY	1
173	27736-G01		GASKET	1
174	75108-G01		BRACKET.....	1
175	00100-G4		SCREW, #10 - 16 X 1/2" LG.....	4
176				
177	01038-G01		BOLT, 1/4 - 20 x 11/16" LG.....	2
178	01042-G01		J-TYPE NUT RETAINER.....	2
179	71457-G01		BUMPER STAY	4
180				



BODY

Electric Vehicle

When ordering parts, please specify the model and serial number of the product.
 * Indicates a component that is not available as an individual part.
 G** Indicates consult Customer Service Department for additional information.

ITEM	PART NO.	1 2 3 4 5	DESCRIPTION	QTY.
181	71515-G01		REAR BUMPER (LATE 1999 GOLF CARS ONLY)	1
182	71514-G01		BUMPER PLUG (LATE 1999 GOLF CARS ONLY).....	4
183				
184	35434-G01		DECAL (SHUTTLE).....	AR
185	35430-G19		DECAL (2+2).....	AR

**DID YOU
KNOW?**

CartPros directs you to the right part using the part numbers from this manual. Enter the part number into our search box and it will find the part you are looking for.

**GET STARTED
HERE**



<https://CartPros.com/f.html>

Electric Vehicle

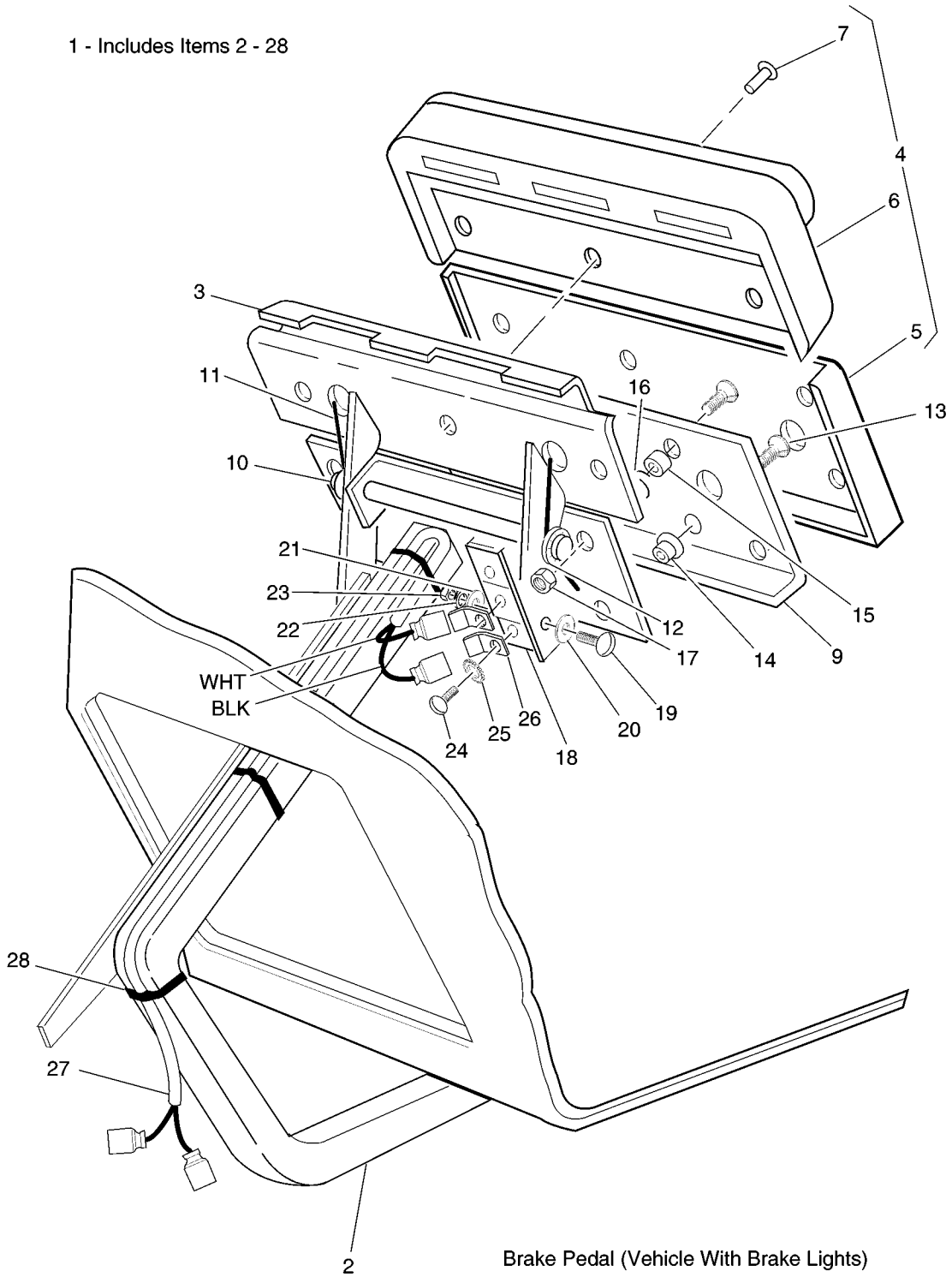
BODY



BRAKES

Electric Vehicle

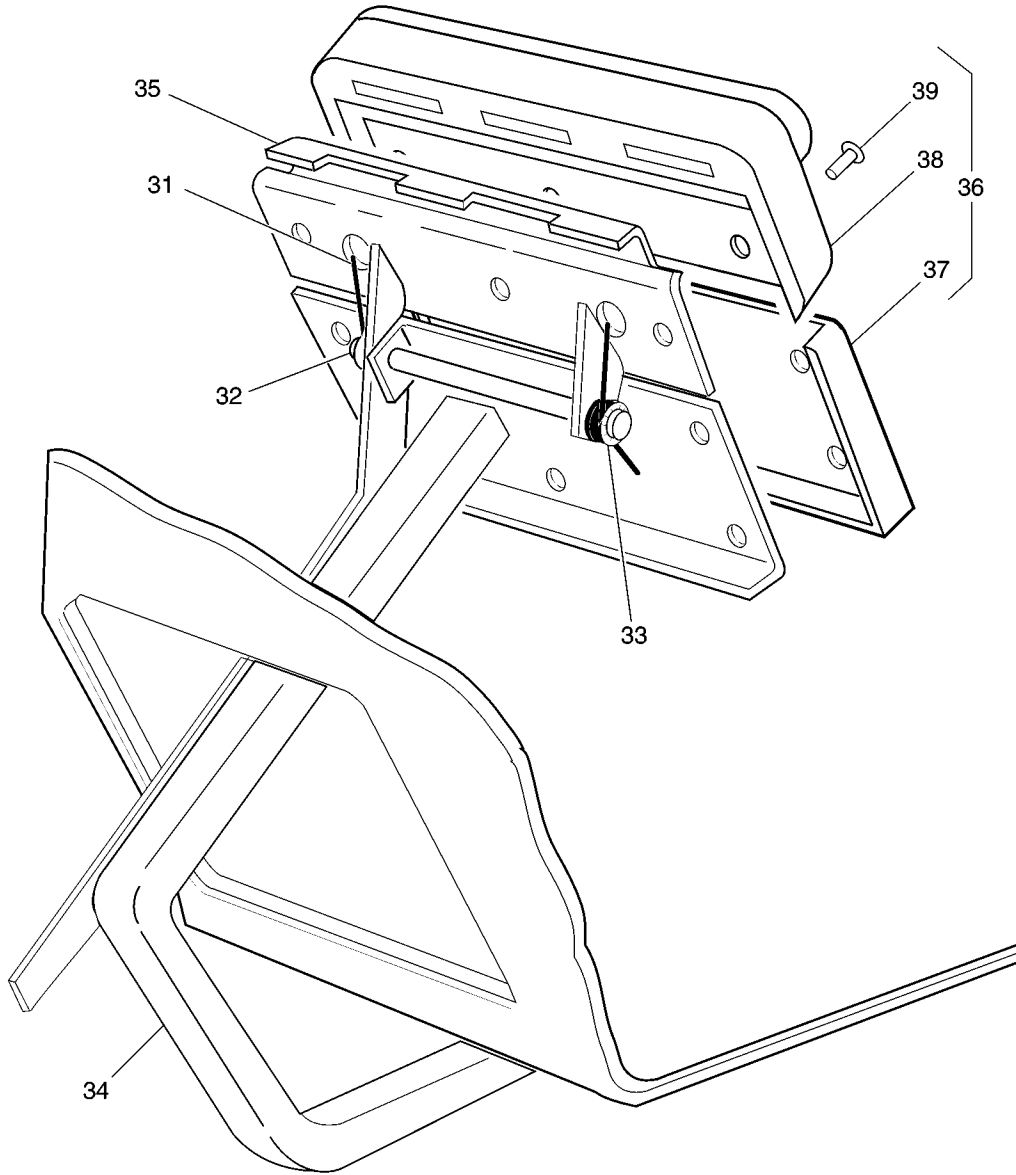
1 - Includes Items 2 - 28



Electric Vehicle

BRAKES

30 - Includes Items 31 - 39

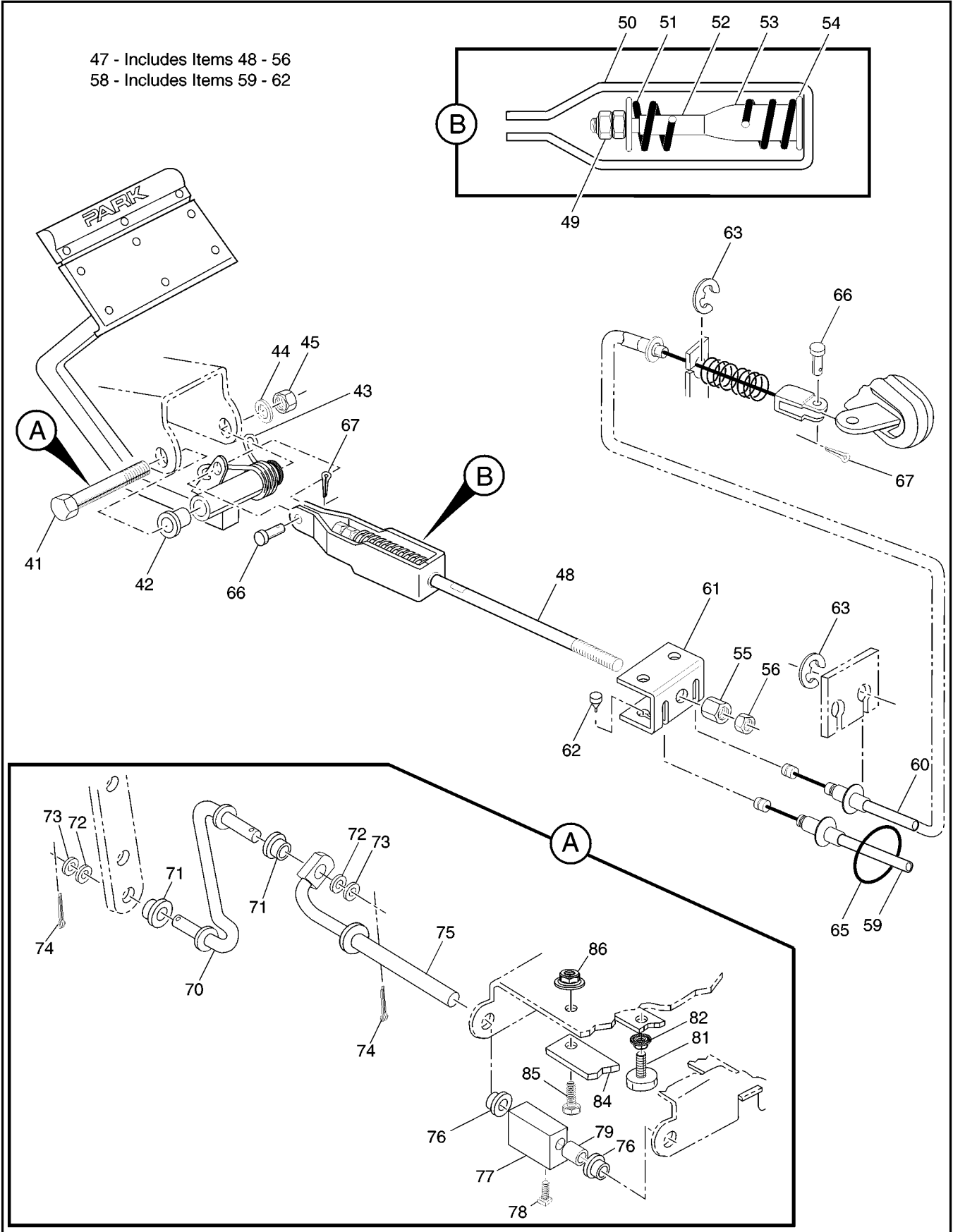


Brake Pedal (Vehicle Without Brake Lights)

BRAKES

Electric Vehicle

47 - Includes Items 48 - 56
58 - Includes Items 59 - 62

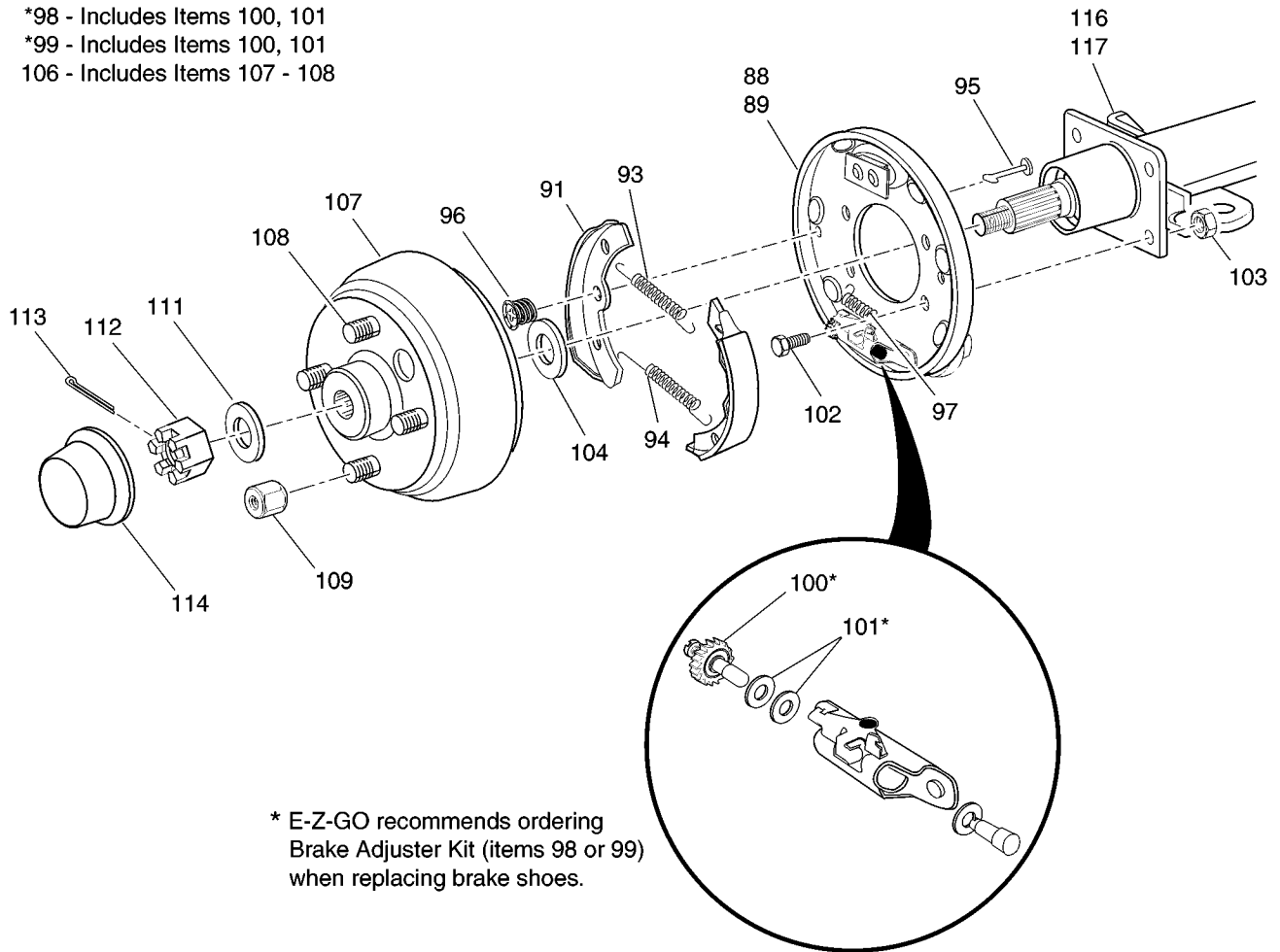


Electric Vehicle

BRAKES

- 88 - Includes Items 90 - 98, 100, 101
- 89 - Includes Items 90 - 97, 99 - 101
- 90 - Includes Item 91
- 92 - Includes Items 93 - 97
- *98 - Includes Items 100, 101
- *99 - Includes Items 100, 101
- 106 - Includes Items 107 - 108

Front of Vehicle



* E-Z-GO recommends ordering Brake Adjuster Kit (items 98 or 99) when replacing brake shoes.

BRAKES

Electric Vehicle

When ordering parts, please specify the model and serial number of the product.

* Indicates a component that is not available as an individual part.

G** Indicates consult Customer Service Department for additional information.

ITEM	PART NO.	1 2 3 4 5	DESCRIPTION	QTY.
1	70263-G01		BRAKE PEDAL ASSEMBLY (WITH BRAKE LIGHTS) (INCLUDES ITEMS 2 - 28)	1
2	*		BRAKE PEDAL	1
3	70265-G01		PARK BRAKE PEDAL.....	1
4	70274-G01		BRAKE/PARK BRAKE PEDAL PAD KIT (INCLUDES ITEMS 5 - 7)	1
5	*		SERVICE BRAKE PAD	1
6	*		PARK BRAKE PAD	1
7	15766-G1		OVAL RIVET, 3/16" x 3/8" LG	9
8				
9	*		SERVICE BRAKE PEDAL PLATE	1
10	15932-G2		PIVOT PIN	1
11	11737-G1		TORSION SPRING	2
12	12064-G1		PUSHNUT, 5/16"	1
13	00737-G8		SCREW, #10 - 24 X 1" LG	4
14	00739-G1		RUBBER NUT, #10 - 24	2
15	22362-G3		BRAKE PEDAL STANDOFF	2
16	27137-G01		CONICAL SPRING	2
17	11098-G7		LOCK NUT, #10 - 24	2
18	10606-G8		MICRO SWITCH	1
19	00645-G2		SCREW, #6 - 32 X 1 1/4" LG	2
20	00559-G5		WASHER, #10.....	2
21	00559-G3		WASHER, #6.....	2
22	00565-G3		LOCK WASHER, #6.....	2
23	00525-G5		NUT, #6 - 32	2
24	*		BRASS SCREW.....	2
25	00567-G3		LOCK WASHER, #6.....	2
26	14628-G1		FASTON TAB	2
27	24605-G1		WIRE HARNESS (BRAKE LIGHT)	1
28	17618-G1		WIRE TIE	3
29				

Electric Vehicle

BRAKES

When ordering parts, please specify the model and serial number of the product.

* Indicates a component that is not available as an individual part.

G** Indicates consult Customer Service Department for additional information.

ITEM	PART NO.	1 2 3 4 5	DESCRIPTION	QTY.
30	70264-G01		BRAKE PEDAL ASSEMBLY (WITHOUT BRAKE LIGHTS) (INCLUDES ITEMS 31 - 39)	1
31	11737-G1		TORSION SPRING	2
32	15932-G2		PIVOT PIN.....	1
33	12064-G1		PUSHNUT, 5/16"	1
34	*		BRAKE PEDAL.....	1
35	70265-G01		PARK BRAKE PEDAL.....	1
36	70274-G01		BRAKE/PARK BRAKE PEDAL PAD KIT (INCLUDES ITEMS 37 - 39).....	1
37	*		SERVICE BRAKE PAD	1
38	*		PARK BRAKE PEDAL PAD.....	1
39	15766-G1		OVAL RIVET, 3/16" X 3/8" LG	9
40				
41	70582-G01		SHOULDER BOLT, 3/8 - 16 X 4" LG.....	1
42	70581-G01		FLANGED BUSHING	2
43	70676-G01		TORSION SPRING	1
44	00643-G1		WASHER, 3/8"	1
45	11098-G5		LOCK NUT, 3/8 - 16	1
46				
47	70272-G04		COMPENSATOR ASSEMBLY (INCLUDES ITEMS 48 - 56).....	1
48	25882-G04		LINKAGE ROD	1
49	00532-G4		NUT, 5/16 - 24	2
50	27330-G01		YOKE.....	1
51	23463-G1		COMPRESSION SPRING.....	1
52	23061-G2		COMPENSATOR STOP TUBE	1
53	17979-G1		BUSHING	1
54	15121-G1		WASHER, 3/8".....	2
55	00963-G01		SPHERICAL NUT, 5/16 - 24.....	1
56	11098-G9		LOCK NUT, 5/16 - 24.....	1
57				

BRAKES

Electric Vehicle

When ordering parts, please specify the model and serial number of the product.

* Indicates a component that is not available as an individual part.

G** Indicates consult Customer Service Department for additional information.

ITEM	PART NO.	1	2	3	4	5	DESCRIPTION	QTY.
58	70716-G03						EQUALIZER AND BRAKE CABLE ASSEMBLY (INCLUDES ITEMS 59 - 62) ...	1
59	*						BRAKE CABLE (DRIVER SIDE)	1
60	*						BRAKE CABLE (PASSENGER SIDE).....	1
61	28082-G01						EQUALIZER BRACKET	1
62	28083-G01						BRAKE COMPENSATOR BUMPER	2
63	12305-G1						RETAINING RING	4
64								
65	12416-G2						WIRE TIE	2
66	10386-G3						CLEVIS PIN, 5/16" X 1" LG.....	3
67	10387-G3						COTTER PIN, 3/32" X 3/4" LG.....	3
68								
69								
70	70601-G01						KICK-OFF LINK	1
71	17838-G1						NYLON BUSHING.....	2
72	20835-G1						TEFLON WASHER, 3/8"	2
73	00559-G8						WASHER, 5/16"	2
74	10387-G3						COTTER PIN, 3/32" X 3/4" LG.....	2
75	70098-G01						KICK-OFF CAM PIVOT.....	1
76	10097-G6						FLANGED BEARING	2
77	25103-G2						KICK-OFF CAM.....	1
78	71215-G01						SETSCREW, 1/4 - 20 X 1/2" LG	2
79	14134-G4						SPACER.....	1
80								
81	70113-G01						ADJUSTABLE BUMPER.....	1
82	11027-G1						LOCK NUT, 5/16 - 18	1
83								
84	70080-G01						CATCH BRACKET	1
85	00414-G6						BOLT, 1/4 - 20 X 3/4" LG.....	2
86	11027-G2						LOCK NUT, 1/4 - 20	2
87								

Electric Vehicle

BRAKES

When ordering parts, please specify the model and serial number of the product.

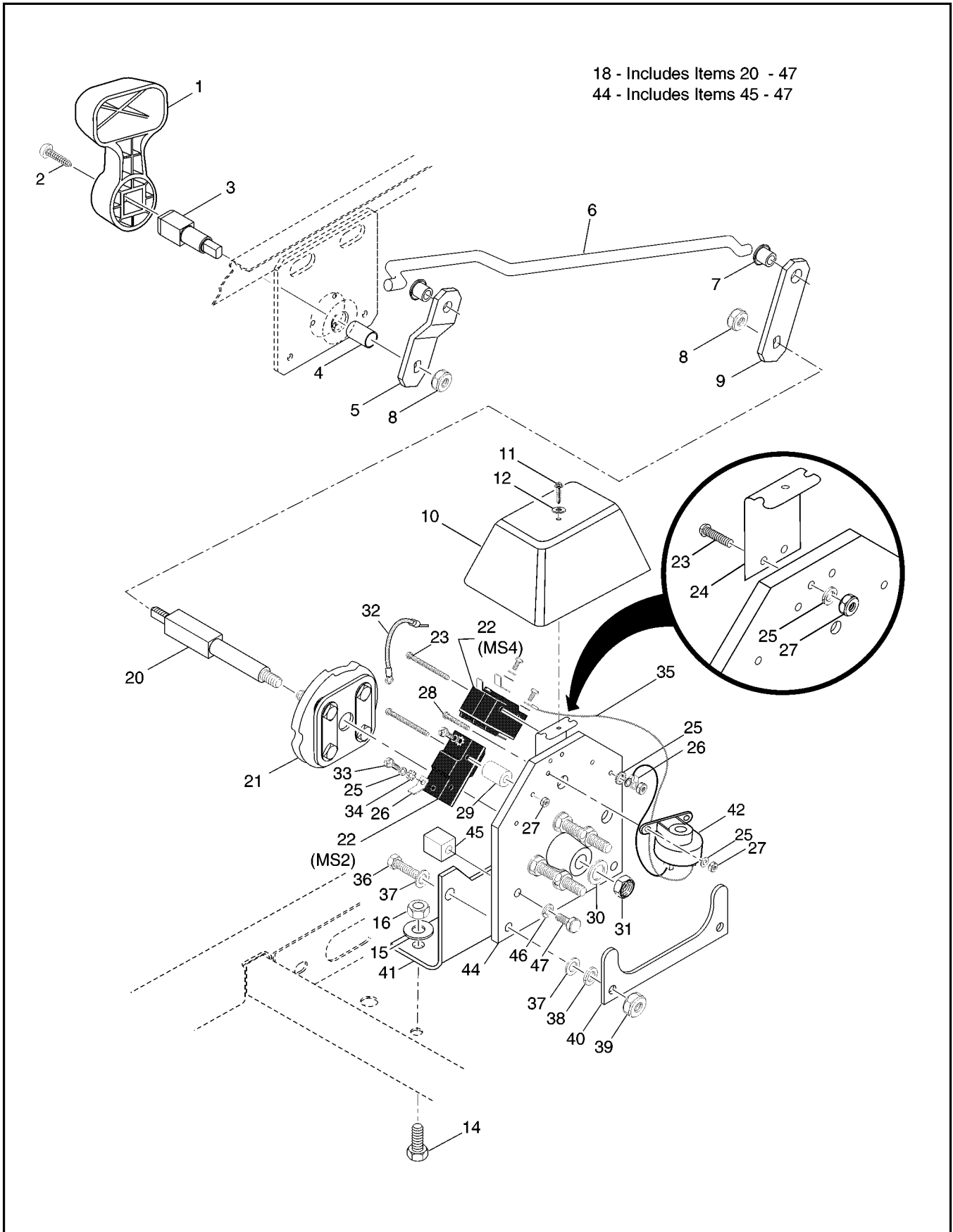
* Indicates a component that is not available as an individual part.

G** Indicates consult Customer Service Department for additional information.

ITEM	PART NO.	1 2 3 4 5	DESCRIPTION	QTY.
88	72422-G01		BRAKE ASSEMBLY (DRIVER SIDE) (INCLUDES ITEMS 90 - 98, 100, 101)....	1
89	72422-G02		BRAKE ASSEMBLY (PASSENGER SIDE) (INCL. ITEMS 90 - 97, 99 - 101)	1
90	27945-G01		BRAKE SHOE KIT (INCLUDES ITEM 91)	2
91	*		BRAKE SHOE	2
92	27944-G01		BRAKE SPRING KIT (INCLUDES ITEMS 93 - 97)	2
93	*		UPPER SPRING	1
94	*		LOWER SPRING	1
95	*		PIN	2
96	*		CUP AND SPRING	2
97	*		ADJUSTER SPRING.....	1
98	72582-G01		BRAKE ADJUSTER KIT (DRIVER SIDE) (INCLUDES ITEMS 100 - 101)....	1
99	72582-G02		BRAKE ADJUSTER KIT (PASSENGER SIDE) (INCL. ITEMS 100 - 101)	1
100	*		ADJUSTER	1
101	*		TEFLON WASHER	2
102	17083-G2		BOLT, 5/16 - 24 X 1" LG.....	8
103	15126-G1		LOCK NUT, 5/16 - 24	8
104	15485-G1		INNER BRAKE DRUM WASHER	2
105				
106	19186-G1		BRAKE DRUM ASSEMBLY (INCLUDES ITEMS 107 - 108)	2
107	*		BRAKE DRUM.....	1
108	19862-G1		LUG BOLT, 1/2 - 20	4
109	14723-G1		LUG NUT, 1/2 - 20.....	8
110				
111	15487-G1		WASHER, 1 3/8" O.D. X 21/32"	2
112	15483-G1		SLOTTED NUT, 5/8 - 18	2
113	10387-G1		COTTER PIN, 1/8" X 1 1/2" LG.....	2
114	74175-G01		SPINDLE CAP	2
115				
116	72036-G01		BRAKE CABLE BRACKET (PASSENGER SIDE)	1
117	72036-G02		BRAKE CABLE BRACKET (DRIVER SIDE).....	1

DIRECTION SELECTOR

Electric Vehicle



Electric Vehicle

DIRECTION SELECTOR

THE USE OF NON UL PARTS WILL VOID ANY UL LISTING.

When ordering parts, please specify the model and serial number of the product.

* Indicates a component that is not available as an individual part.

G** Indicates consult Customer Service Department for additional information.

ITEM	PART NO.	1 2 3 4 5	DESCRIPTION	QTY.
1	71205-G01		DIRECTION SELECTOR HANDLE	1
2	00740-G4		SCREW, #10 - 32 X 1/2" LG. (STAINLESS STEEL)	1
3	70233-G01		DIRECTION SELECTOR SHAFT	1
4	25664-G2		BEARING	1
5	70334-G01		OFFSET SHIFT LINKAGE ARM	1
6	70313-G01		LINKAGE ROD	1
7	22754-G3		BUSHING	2
8	14390-G1		LOCK NUT, 3/8 - 24	2
9	70232-G03		SHIFT LINKAGE ARM	1
10	73049-G01		DIRECTION SELECTOR COVER	1
11	00114-G6		SCREW, 1/4 - 14 x 3/4" LG.	1
12	16469-G7		WASHER, 1/4" (STAINLESS STEEL)	1
13				
14	00438-G6		BOLT, 5/16 - 18 X 3/4" LG.	2
15	00571-G2		WASHER, 5/16"	2
16	11098-G6		LOCK NUT, 5/16 - 18	2
17				
18	70578-G01		DIRECTION SELECTOR ASSEMBLY (INCLUDES ITEMS 20 - 47)	1
19				
20	73027-G01		DIRECTION SELECTOR SHAFT	1
21	12835-G1		CAM	1
22	10606-G2		MICRO SWITCH, MS2 AND MS4	2
23	00139-G8		SCREW, #6 - 32 X 2" LG.	4
24	73048-G01		COVER BRACKET	1
25	00565-G3		LOCK WASHER, #6	8
26	14628-G1		FASTON TAB, 5/16" X 5/16"	4
27	00525-G5		NUT, #6 - 32	8
28	00138-G6		SCREW, #6 - 32 X 3/4" LG.	3
29	12806-G1		SPACER	4
30	00560-G1		WASHER, 3/8"	1

DIRECTION SELECTOR

Electric Vehicle

THE USE OF NON UL PARTS WILL VOID ANY UL LISTING.

When ordering parts, please specify the model and serial number of the product.

* Indicates a component that is not available as an individual part.

G** Indicates consult Customer Service Department for additional information.

ITEM	PART NO.	1	2	3	4	5	DESCRIPTION	QTY.
31	14390-G1						LOCK NUT, 3/8 - 24	2
32	25978-G37						18 GA WIRE (RED 6")	1
33	*						SCREW.....	4
34	00567-G3						LOCK WASHER, #6	4
35	25978-G256						18 GA WIRE (RED)	1
36	00414-G8						BOLT, 1/4 - 20 X 1" LG.....	2
37	00559-G7						WASHER, 1/4"	4
38	00565-G7						LOCK WASHER, 1/4"	2
39	00532-G1						NUT, 1/4 - 20.....	2
40	15461-G1						SUPPORT BRACKET.....	1
41	73031-G01						DIRECTION SELECTOR MOUNTING BRACKET	1
42	73290-G02						REVERSE WARNING BUZZER	1
43								
44	14651-G1						CONTACT BOARD ASSEMBLY (INCLUDES ITEMS 45 - 47)	1
45	24940-G1						STOP	2
46	00565-G7						LOCK WASHER, 1/4"	2
47	00414-G6						BOLT, 1/4 - 20 X 3/4" LG.	2

**DID YOU
KNOW?**

CartPros directs you to the right part using the part numbers from this manual. Enter the part number into our search box and it will find the part you are looking for.

**GET STARTED
HERE**



<https://CartPros.com/f.html>

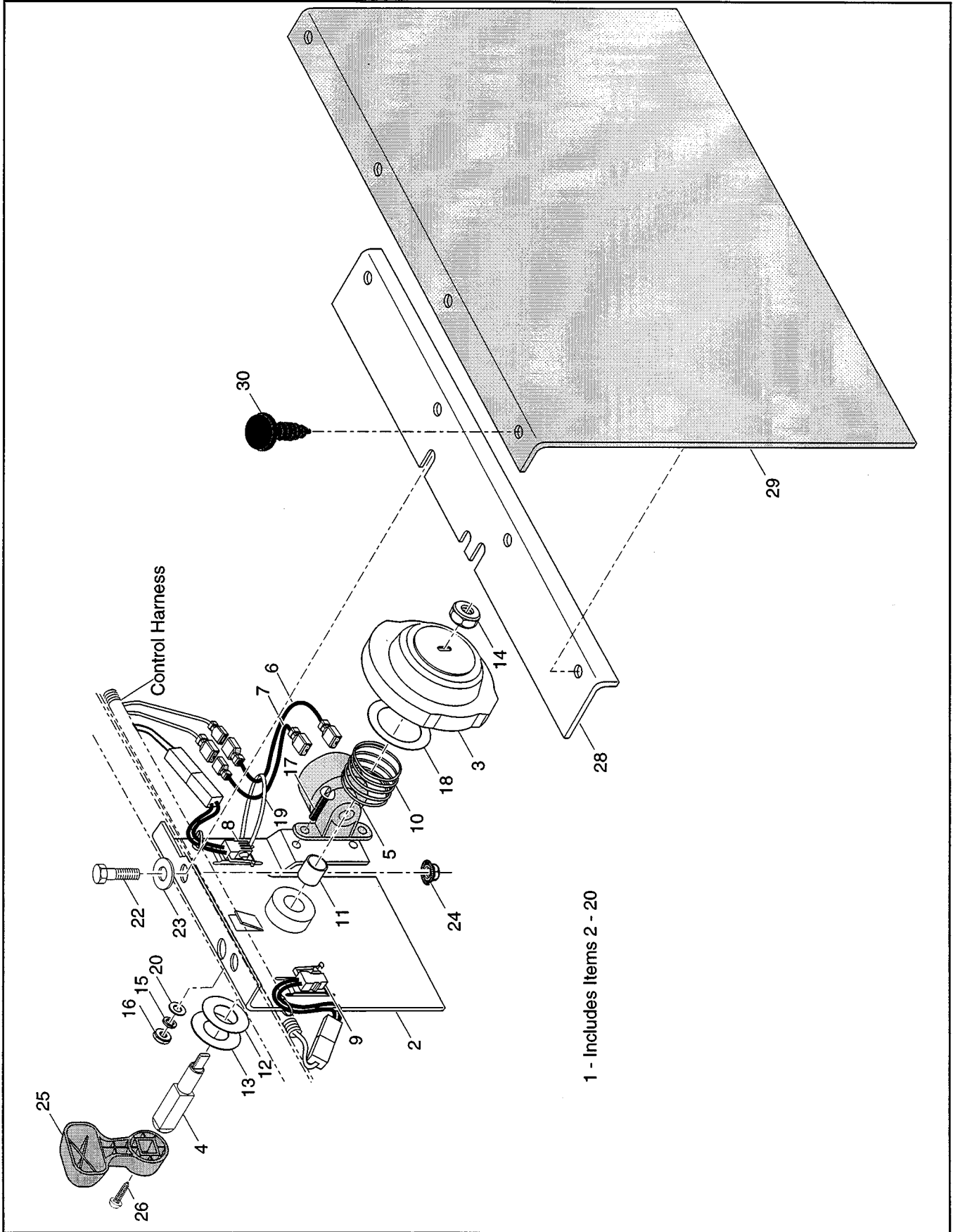
Electric Vehicle

DIRECTION SELECTOR



DIRECTION SELECTOR (DCS)

Electric Vehicle



Electric Vehicle

DIRECTION SELECTOR (DCS)

THE USE OF NON UL PARTS WILL VOID ANY UL LISTING.

When ordering parts, please specify the model and serial number of the product.

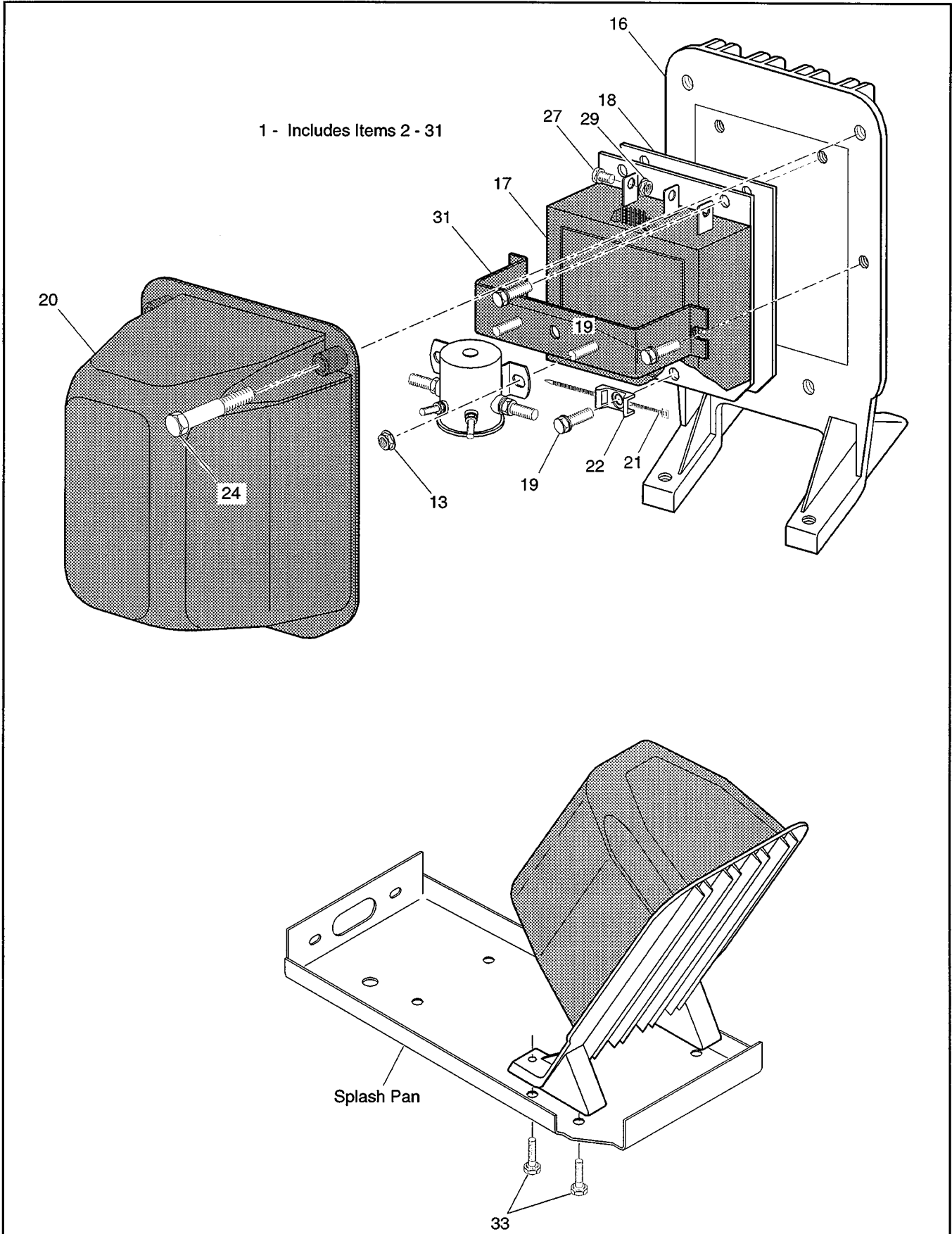
* Indicates a component that is not available as an individual part.

G** Indicates consult Customer Service Department for additional information.

ITEM	PART NO.	1 2 3 4 5	DESCRIPTION	QTY.
1	73180-G01		DIRECTION SELECTOR ASSEMBLY (INCLUDES ITEMS 2 - 20)	
2	73179-G01		BRACKET	1
3	73167-G01		CAM.....	1
4	73171-G01		DIRECTION SELECTOR SHAFT	1
5	73180-G02		REVERSE WARNING BUZZER (CONTINUOUS TONE).....	1
6	25978-G287		18 GA WIRE (BLACK 6").....	1
7	25978-G286		18 GA WIRE (RED 6").....	1
8	73195-G01		MICRO SWITCH.....	1
9	73194-G01		MICRO SWITCH.....	1
10	73188-G01		COMPRESSION SPRING	1
11	25664-G1		BUSHING	1
12	00771-G4		NYLON WASHER, 1/2".....	1
13	73181-G01		WASHER, 1/2"	1
14	14390-G1		LOCK NUT, 3/8-24.....	1
15	00565-G3		LOCK WASHER, #6	2
16	00525-G5		NUT, #6.....	2
17	00138-G5		SCREW, #6 - 32 X 5/8" LG.	2
18	73182-G01		NYLON WASHER, 1 3/8".....	1
19	17618-G1		WIRE TIE	3
20	00559-G3		WASHER, #6	2
21				
22	70227-G01		BOLT, 1/4 - 20 X 7/8" LG.	2
23	00559-G7		WASHER, 1/4"	2
24	11027-G2		LOCK NUT, 1/4 - 20	2
25	71905-G01		DIRECTION SELECTOR HANDLE.....	1
26	00740-G4		SCREW (STAINLESS STEEL) #10 - 32 X 1/2" LG.	1
27				
28	73301-G01		DIRECTION SELECTOR COVER BRACKET	1
29	73300-G01		DIRECTION SELECTOR COVER.....	1
30	16816-G1		RATCHET FASTENER.....	4

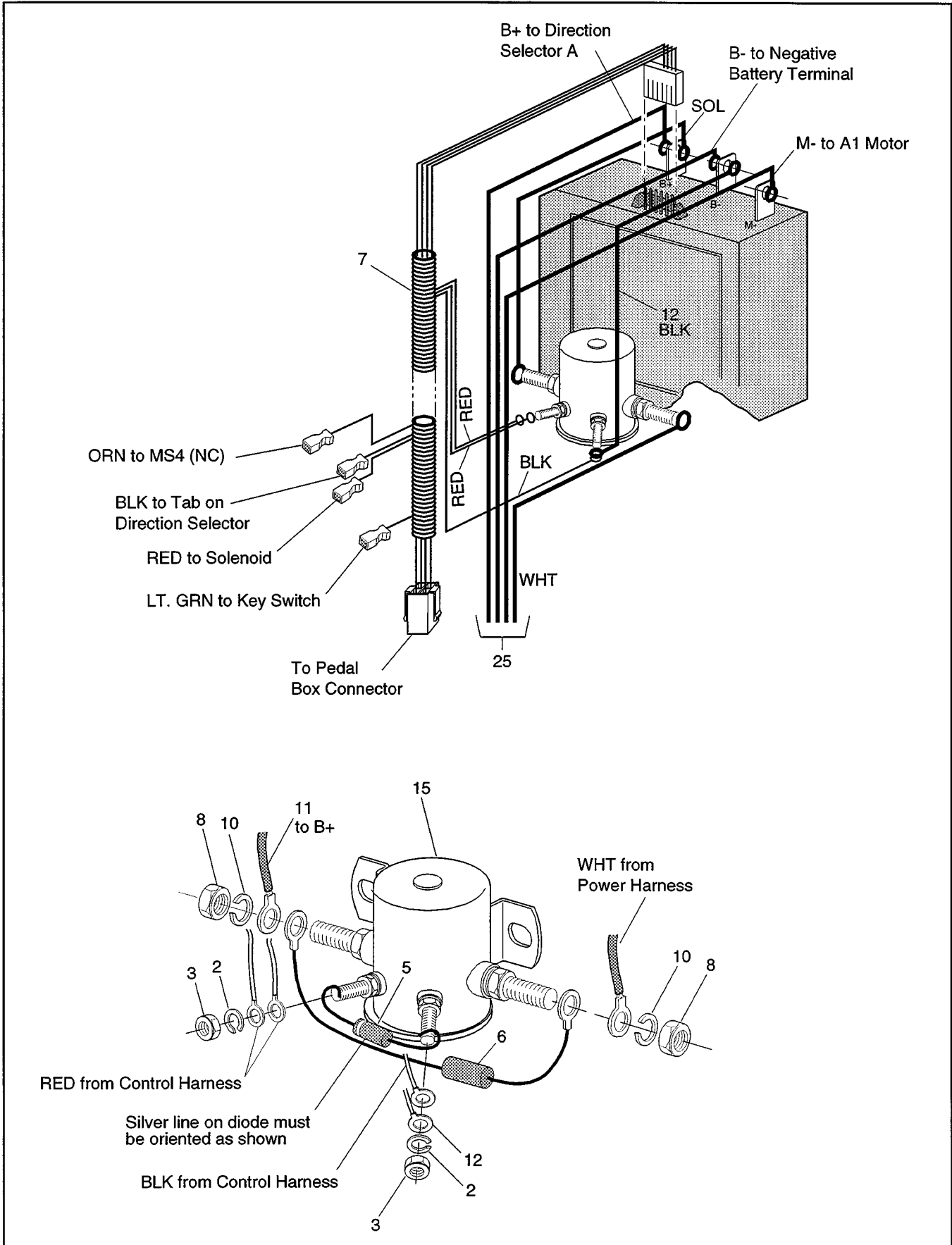
ELECTRONIC SPEED CONTROL

Electric Vehicle



Electric Vehicle

ELECTRONIC SPEED CONTROL



ELECTRONIC SPEED CONTROL

Electric Vehicle

THE USE OF NON UL PARTS WILL VOID ANY UL LISTING.

When ordering parts, please specify the model and serial number of the product.

* Indicates a component that is not available as an individual part.

G** Indicates consult Customer Service Department for additional information.

ITEM	PART NO.	1	2	3	4	5	DESCRIPTION	QTY.
1	73056-G04	ELECTRONIC SPEED CONTROL ASSEMBLY (INCLUDES ITEMS 2 - 31)					1	
2	*	LOCK WASHER, #10.....					2	
3	*	NUT, 10 - 32.....					2	
4								
5	30353-G1	DIODE, 3 AMP.....					1	
6	21764-G1	RESISTOR.....					1	
7	73103-G02	WIRE HARNESS (CONTROL)					1	
8	*	NUT, 5/16 - 24.....					2	
9								
10	*	LOCK WASHER, 5/16"					2	
11	25972-G02	WIRE (SOL - B+)					1	
12	25978-G10	WIRE (SOL - B-)					1	
13	11027-G2	NUT, 1/4 - 20.....					2	
14								
15	27855-G01	SOLENOID, 36 VOLT					1	
16	73077-G01	HEATSINK					1	
17	25864-G01	ELECTRONIC SPEED CONTROLLER					1	
18	73190-G01	THERMAL MOUNTING PAD					1	
19	71102-G01	BOLT, 1/4 - 20 X 3/4" LG.....					2	
20	73028-G01	COVER					1	
21	31539-G1	WIRE TIE					1	
22	73053-G01	MOUNT.....					1	
23								
24	71102-G03	BOLT, 1/4 - 20 X 1 1/4" LG.....					3	
25	73039-G02	WIRE HARNESS (POWER)					1	
26								
27	00270-G5	BOLT, 5/16 - 18 X 5/8" LG.....					4	
28								
29	11027-G1	NUT, 5/16 - 18.....					4	
30								

Electric Vehicle

ELECTRONIC SPEED CONTROL

THE USE OF NON UL PARTS WILL VOID ANY UL LISTING.

When ordering parts, please specify the model and serial number of the product.

* Indicates a component that is not available as an individual part.

G** Indicates consult Customer Service Department for additional information.

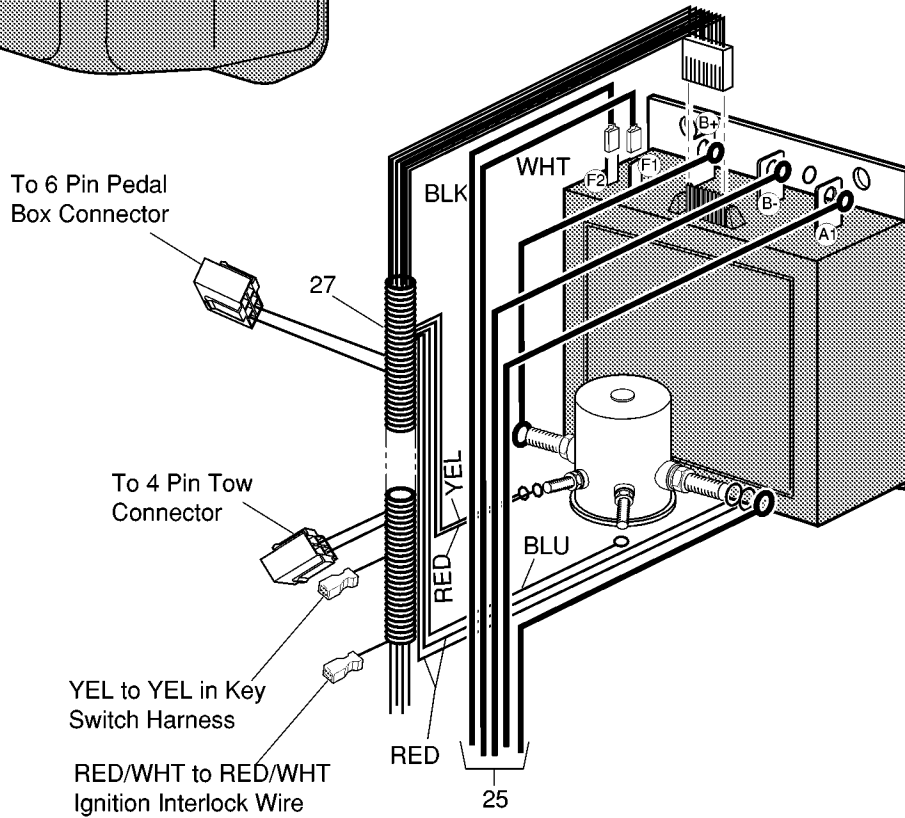
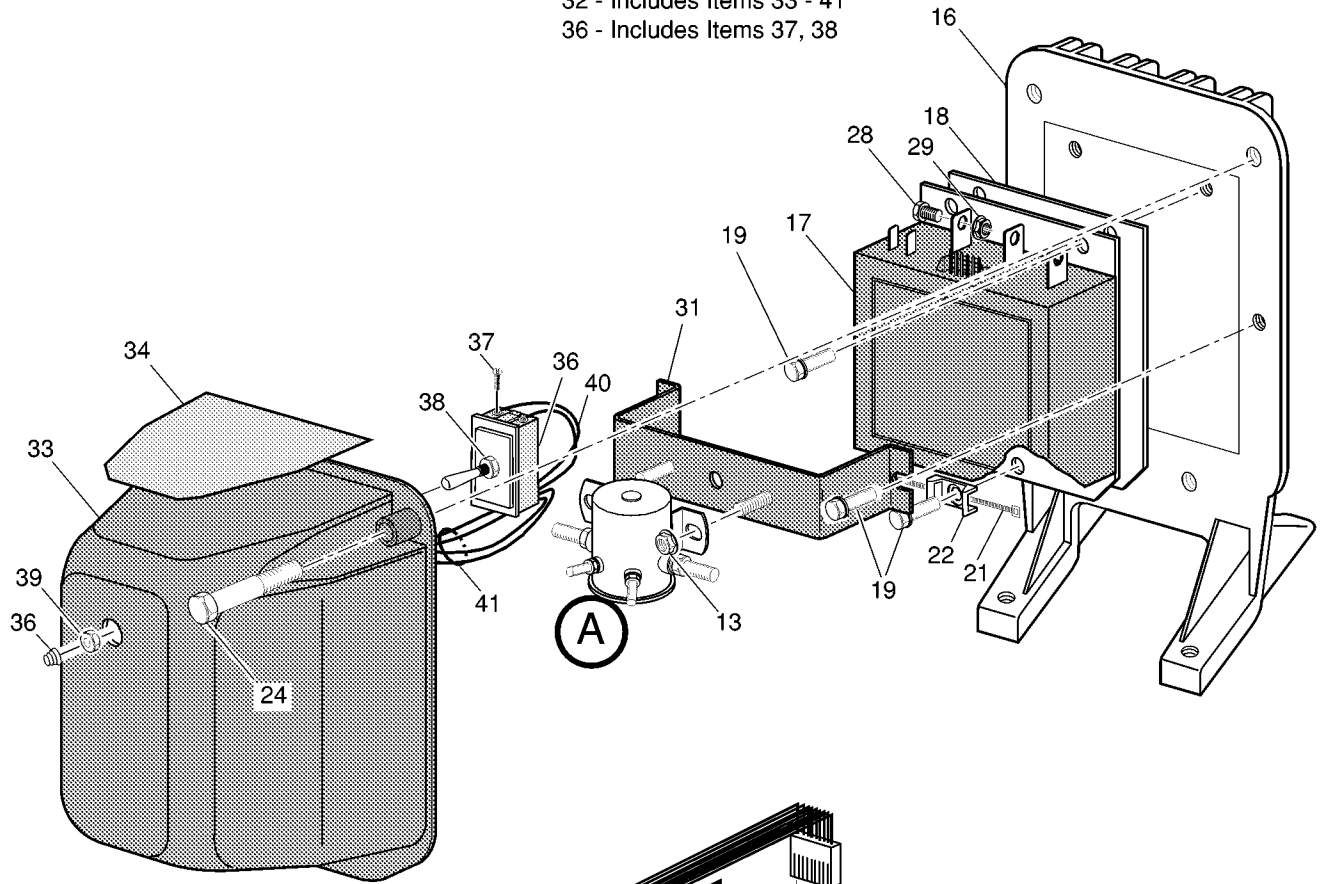
ITEM	PART NO.	1	2	3	4	5	DESCRIPTION	QTY.
31	25866-G01						SOLENOID BRACKET	1
32								
33	71102-G01						BOLT, 1/4 - 20 X 3/4" LG.	4



ELECTRONIC SPEED CONTROL - DCS

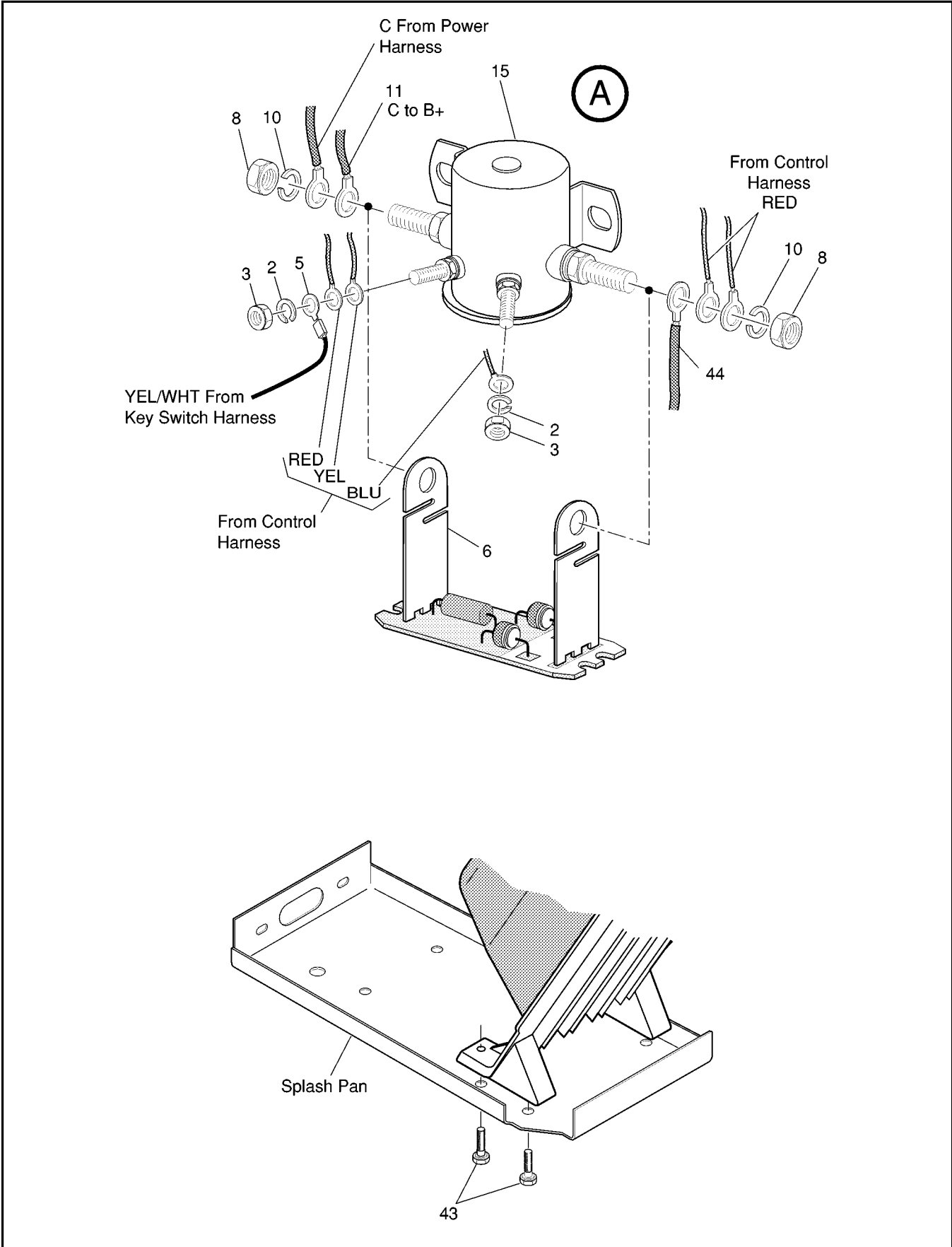
Electric Vehicle

- 1 - Includes Items 2 - 41
- 32 - Includes Items 33 - 41
- 36 - Includes Items 37, 38



Electric Vehicle

ELECTRONIC SPEED CONTROL - DCS



ELECTRONIC SPEED CONTROL - DCS

Electric Vehicle

THE USE OF NON UL PARTS WILL VOID ANY UL LISTING.

When ordering parts, please specify the model and serial number of the product.

* Indicates a component that is not available as an individual part.

G** Indicates consult Customer Service Department for additional information.

ITEM	PART NO.	1 2 3 4 5	DESCRIPTION	QTY.
1	73198-G01		SPEED CONTROL ASSEMBLY (INCLUDES ITEMS 2 - 41).....	1
2	*		LOCK WASHER, #10	2
3	*		NUT, 10 - 32.....	2
4				
5	12914-G1		FASTON TAB.....	1
6	28336-G01		RESISTOR.....	1
7				
8	*		NUT, 5/16 - 24.....	2
9				
10	*		LOCK WASHER, 5/16"	2
11	25972-G56		6 GA WIRE (BLACK 6", C - B+).....	1
12				
13	11027-G2		LOCK NUT, 1/4 - 20	2
14				
15	27855-G01		SOLENOID	1
16	73083-G01		HEATSINK	1
17	73144-G06		SPEED CONTROLLER	1
18	73190-G01		THERMAL MOUNTING PAD	1
19	71102-G01		BOLT, 1/4 - 20 X 3/4" LG.....	5
20				
21	31539-G1		WIRE TIE	1
22	73053-G01		MOUNT.....	1
23				
24	71102-G03		BOLT, 1/4 - 20 X 1 1/4" LG.....	3
25	73152-G01		WIRE HARNESS (POWER)	1
26				
27	73191-G01		WIRE HARNESS (CONTROL)	1
28	00270-G5		BOLT, 5/16 - 18 X 5/8" LG.....	3
29	11027-G1		LOCK NUT, 5/16 - 18.....	3
30				

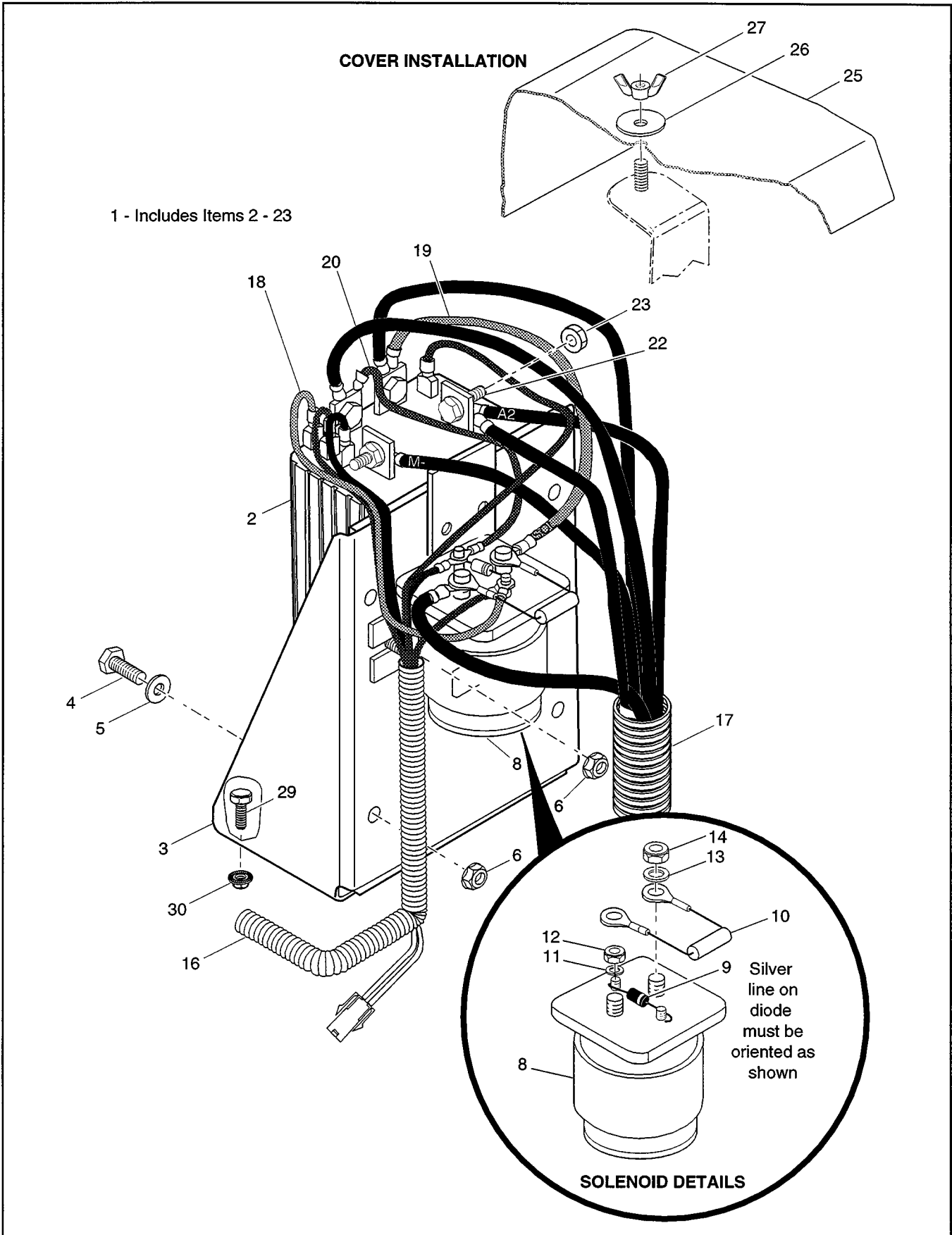
Electric Vehicle ELECTRONIC SPEED CONTROL - DCS

THE USE OF NON UL PARTS WILL VOID ANY UL LISTING.
 When ordering parts, please specify the model and serial number of the product.
 * Indicates a component that is not available as an individual part.
 G** Indicates consult Customer Service Department for additional information.

ITEM	PART NO.	1	2	3	4	5	DESCRIPTION	QTY.
31	25866-G01						SOLENOID BRACKET	1
32	73137-G01						COVER ASSEMBLY (INCLUDES ITEMS 33 - 41)	1
33	73028-G02						COVER (WITH GASKET)	1
34	73132-G01						LABEL (TOW SWITCH)	1
35								
36	73125-G01						TOGGLE SWITCH WITH SEAL (INCLUDES ITEMS 37, 38)	1
37	*						SCREW, #5 - 40	4
38	*						NUT, 15/32 - 32.....	4
39	73139-G01						SEAL NUT.....	1
40	73138-G01						WIRE HARNESS (TOW SWITCH).....	1
41	17618-G1						WIRE TIE	1
42								
43	71102-G01						BOLT, 1/4 - 20 X 3/4" LG.....	4
44	25972-G22						6 GA WIRE (BLACK 27", BL+ TO SOL).....	1

ELECTRONIC SPEED CONTROL - HD

Electric Vehicle



Electric Vehicle

ELECTRONIC SPEED CONTROL - HD

THE USE OF NON UL PARTS WILL VOID ANY UL LISTING.

When ordering parts, please specify the model and serial number of the product.

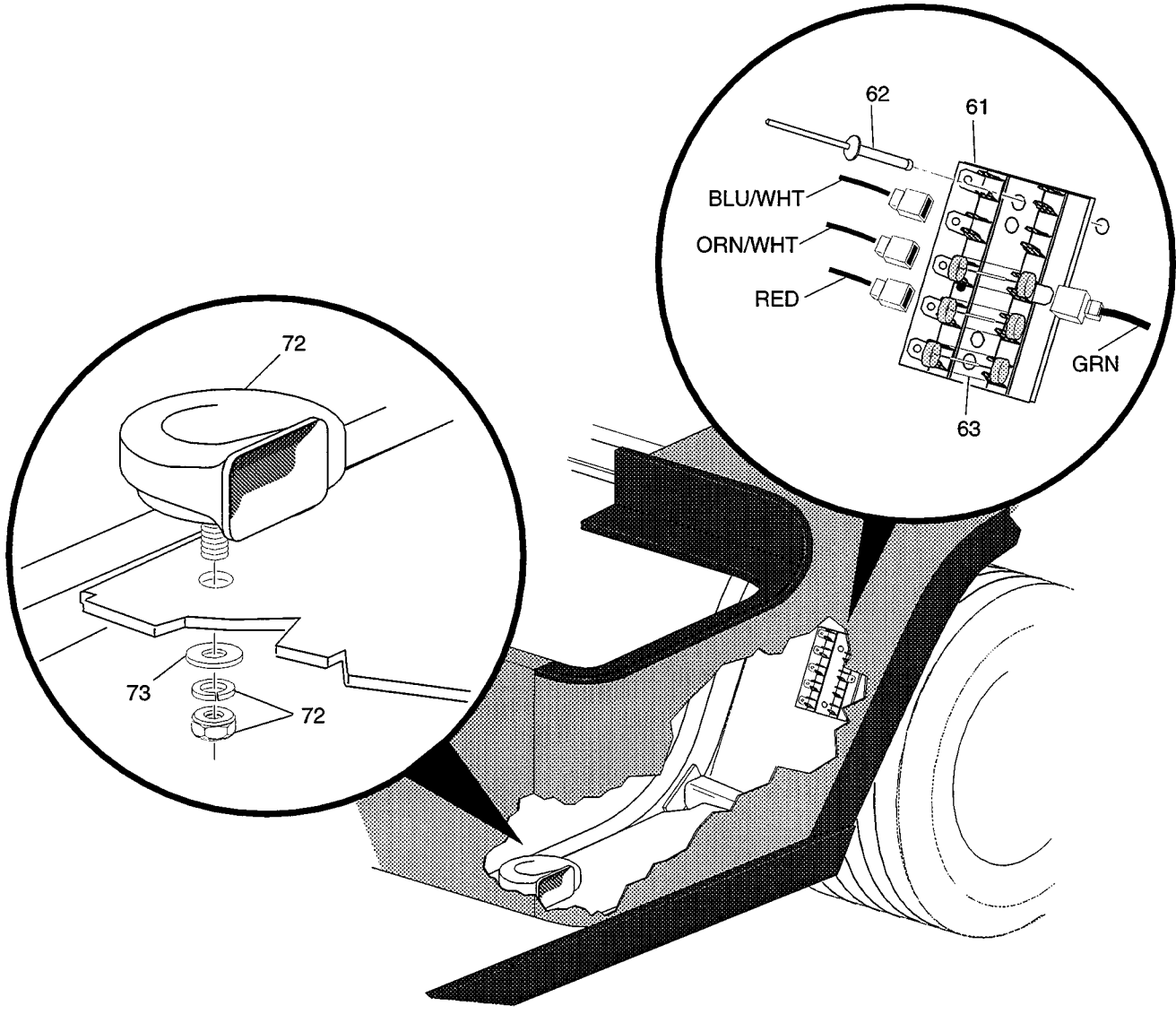
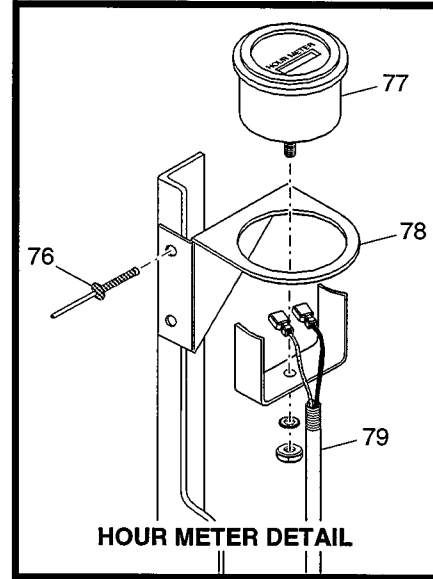
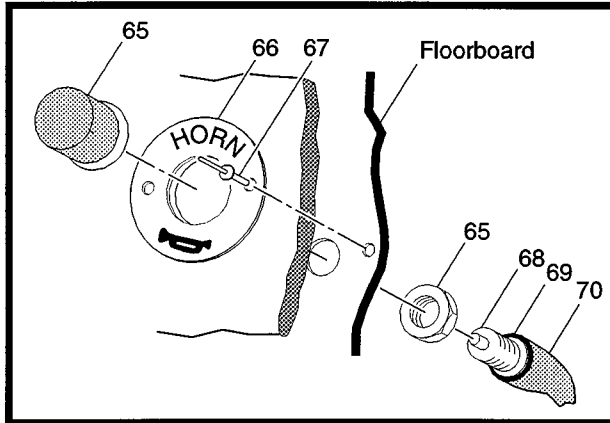
* Indicates a component that is not available as an individual part.

G** Indicates consult Customer Service Department for additional information.

ITEM	PART NO.	1 2 3 4 5	DESCRIPTION	QTY.
1	73055-G02		ELECTRONIC SPEED CONTROL ASSEMBLY (INCLUDES ITEMS 2 - 23).....	1
2	73060-G01		ELECTRONIC SPEED CONTROLLER.....	1
3	74014-G01		CONTROLLER MOUNT.....	1
4	00414-G5		BOLT, 1/4 - 20 X 5/8" LG.	4
5	00559-G7		WASHER, 1/4".....	2
6	11027-G2		LOCK NUT, 1/4 - 20.....	6
7				
8	20468-G1		SOLENOID.....	1
9	30353-G1		DIODE.....	1
10	21764-G1		RESISTOR.....	1
11	*		LOCK WASHER, #10.....	2
12	*		NUT, #10 - 32.....	2
13	*		WASHER, 5/16".....	2
14	*		NUT, 5/16 - 24.....	2
15				
16	73095-G02		WIRE HARNESS (CONTROL).....	1
17	28325-G01		WIRE HARNESS (POWER).....	1
18	25978-G88		18 GAUGE WIRE (RED 9").....	1
19	25972-G02		6 GAUGE WIRE (BLK 6", SOL - B+).....	1
20	25978-G10		18 GAUGE WIRE(BLK 6", SOL - B-).....	1
21				
22	00270-G5		BOLT, 5/16 - 18 X 5/8" LG.	4
23	11027-G1		LOCK NUT, 5/16 - 18.....	4
24				
25	23723-G2		COVER.....	1
26	16469-G1		WASHER, 1/4".....	1
27	14419-G1		WING NUT, 1/4 - 20.....	1
28				
29	00414-G5		BOLT, 1/4 - 20 X 5/8" LG.	4
30	11027-G2		NUT, 1/4 - 20.....	4

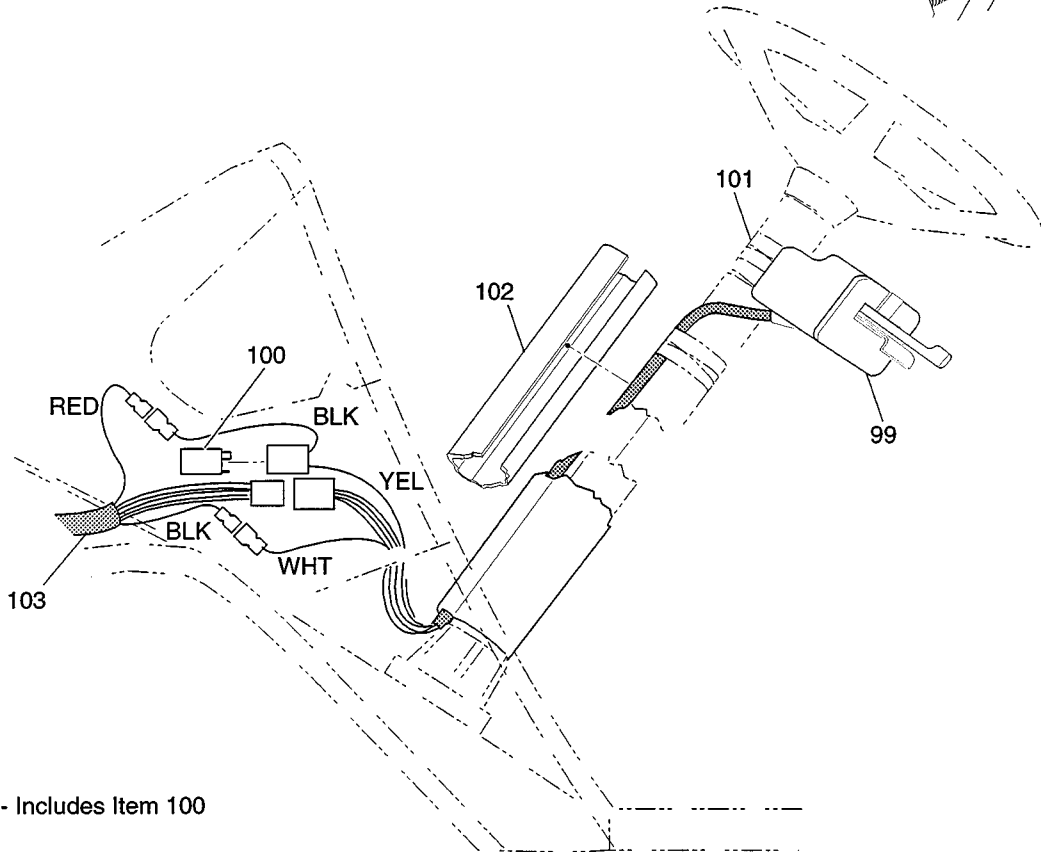
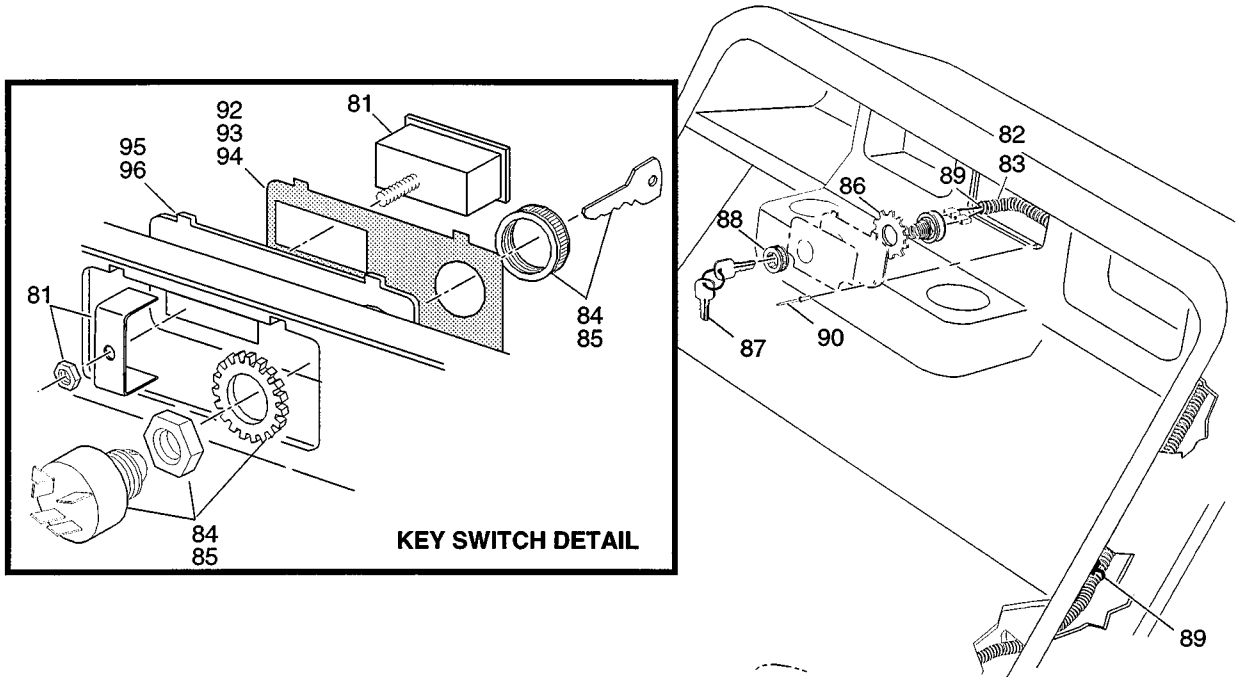
ELECTRICAL SYSTEM

Electric Vehicle



Electric Vehicle

ELECTRICAL SYSTEM

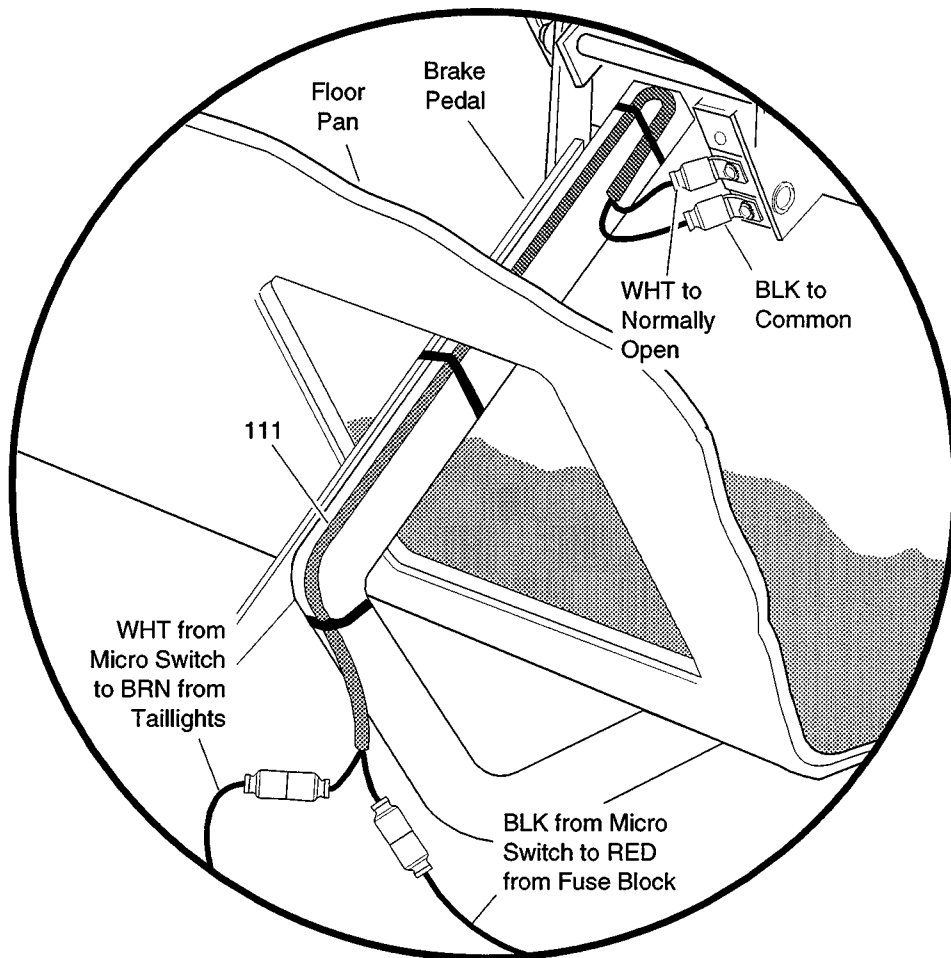
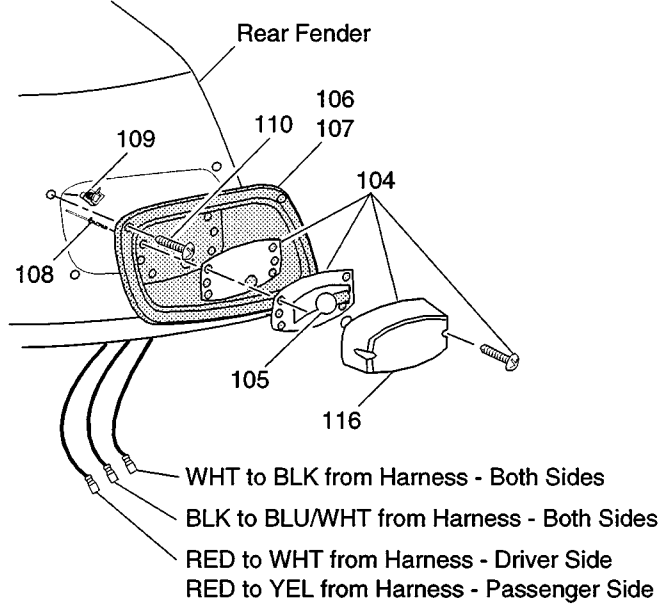


99 - Includes Item 100

TURN SIGNAL INSTALLATION

ELECTRICAL SYSTEM

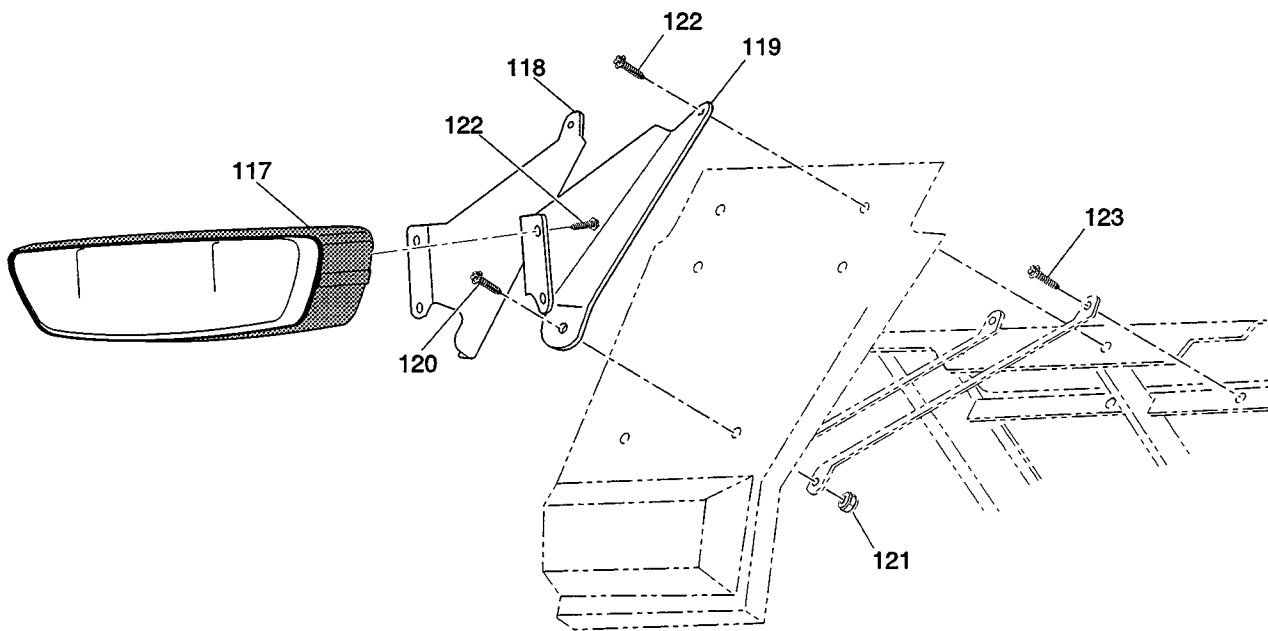
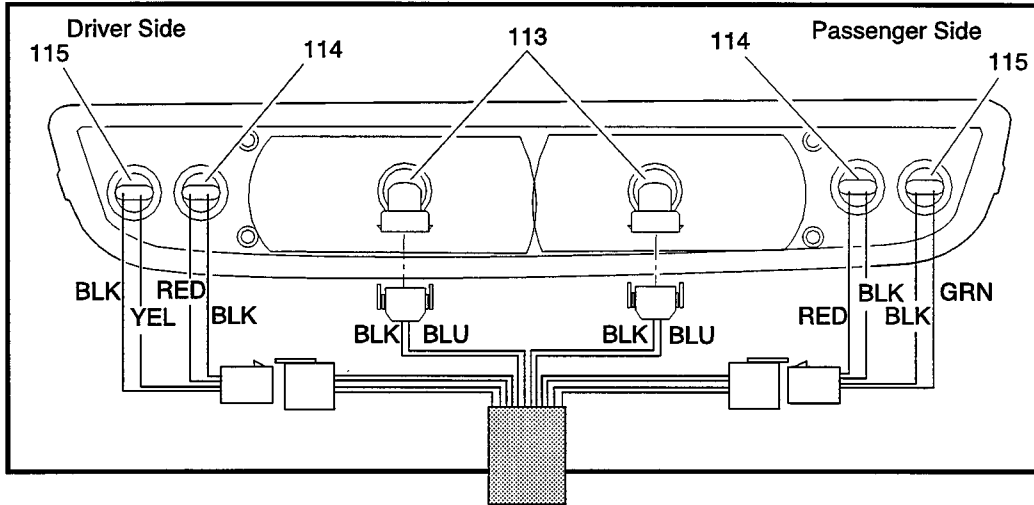
Electric Vehicle



BRAKE LIGHTS MICRO SWITCH CONNECTIONS

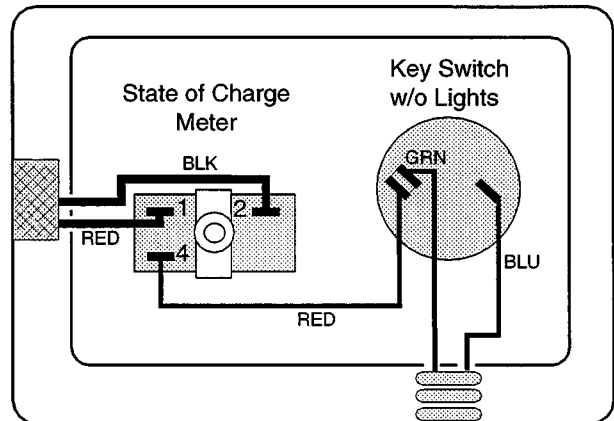
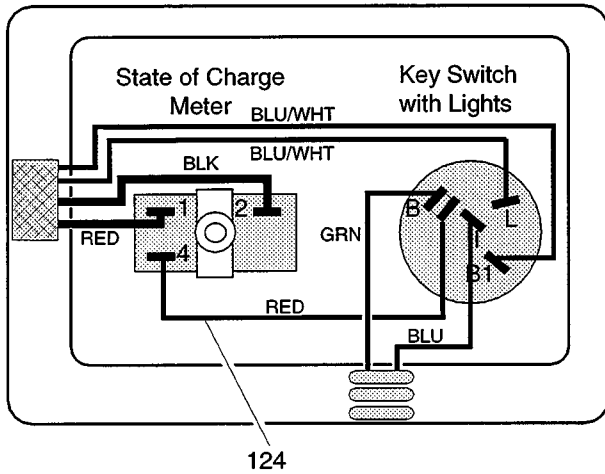
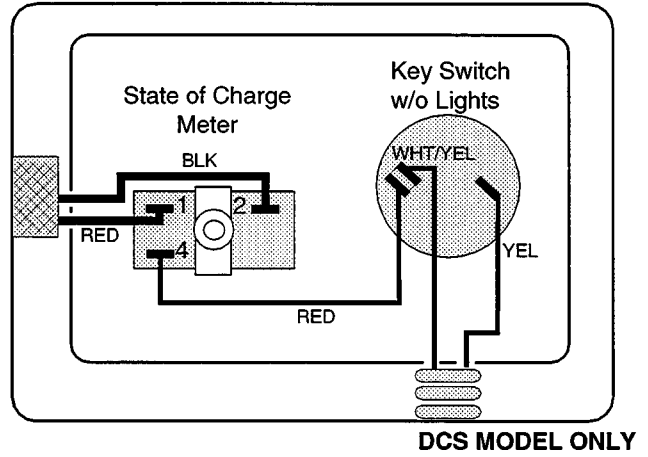
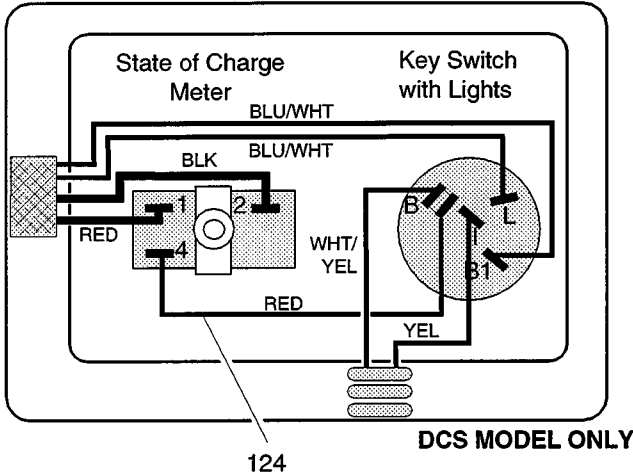
Electric Vehicle

ELECTRICAL SYSTEM



ELECTRICAL SYSTEM

Electric Vehicle



Electric Vehicle

ELECTRICAL SYSTEM

THE USE OF NON UL PARTS WILL VOID ANY UL LISTING.

When ordering parts, please specify the model and serial number of the product.

* Indicates a component that is not available as an individual part.

G** Indicates consult Customer Service Department for additional information.

ITEM	PART NO.	1 2 3 4 5	DESCRIPTION	QTY.
1	00702-G2		NUT, 5/16 - 18	12
2	25972-G32		6 GA WIRE (BATTERY INTERCONNECT, BLACK, 10 1/2")	1
3	25972-G40		6 GA WIRE (BATTERY INTERCONNECT, 6")	4
4	00565-G8		LOCK WASHER, 5/16"	4
5	00993-G01		LOCK WASHER, SILICON BRONZE, 5/16"	4
6	28418-G01		NUT, BRONZE, 5/16 - 18	4
7	00532-G3		NUT, 5/16 - 18	4
8	73063-G01		CHARGER RECEPTACLE ASSEMBLY (FOR USE ON NON-DCS MODELS ONLY)	1
9	*		WIRE HARNESS (CHARGER).....	1
10	*		RECEPTACLE COVER.....	1
11	*		RECEPTACLE BOTTOM	1
12	73051-G05		FEMALE RADSOK	2
13	73051-G06		INSULATOR SLEEVE.....	1
14	73051-G07		REED SWITCH.....	1
15	73051-G08		SCREW, #10 - 32 X 1/2" LG (BRASS)	2
16	73051-G09		SCREW, #6 - 32 X 1 3/4" LG (STAINLESS STEEL).....	3
17	73051-G10		LOCK NUT, #6 - 32.....	3
18	14601-G10		RIVET, 5/32" X 7/16" LG.....	4
19	17618-G1		WIRE TIE	3
20	25972-G79		6 GA WIRE (BLACK, 36", BL- TO B-)	1
21	25972-G79		6 GA WIRE (BLACK, 27", BL+ TO SOL)	1
22				
23	25972-G60		MOTOR WIRE (43", C-A2).....	1
24	25972-G37		MOTOR WIRE (40 1/2", B-S2)	1
25	25972-G59		MOTOR WIRE (54 1/2", M- TO A1).....	1
26	25972-G38		MOTOR WIRE (45", D-S1).....	1
27				
28	70046-G01		BATTERY RACK	1
29	XXXXX-G**		BATTERY (6 VOLT)	6

ELECTRICAL SYSTEM

Electric Vehicle

THE USE OF NON UL PARTS WILL VOID ANY UL LISTING.

When ordering parts, please specify the model and serial number of the product.

* Indicates a component that is not available as an individual part.

G** Indicates consult Customer Service Department for additional information.

ITEM	PART NO.	1 2 3 4 5	DESCRIPTION	QTY.
30	70121-G01		HOLD DOWN BOLT	2
31	70045-G01		BATTERY RETAINER.....	1
32	11027-G1		LOCK NUT, 5/16 - 18	2
33				
34	27327-G01		CLAMP	2
35	10570-G11		RIVET, 3/16" X 3/4" LG.....	1
36				
37	73149-G01		CHARGER RECEPTACLE ASSEMBLY (FOR USE ON DCS MODELS ONLY).....	1
38	*		RECEPTACLE COVER.....	1
39	*		RECEPTACLE BOTTOM	1
40	73051-G05		FEMALE RADSOK	2
41	73051-G06		INSULATOR SLEEVE.....	1
42	73051-G18		REED SWITCH.....	1
43	73051-G08		SCREW, 10 - 32 X 1/2" LG.	2
44	73051-G09		SCREW, 6 - 32 X 1 3/4" LG (STAINLESS STEEL)	3
45	73051-G10		LOCK NUT, #6-32	3
46	14601-G10		RIVET, 5/32" X 7/16" LG	4
47	*		WIRE HARNESS (CHARGER).....	1
48				
49	25974-G14		10 GA WIRE (WHITE 55 3/4", S1 - F1).....	1
50	25974-G13		10 GA WIRE (BLACK 58", S2 - F2).....	1
51	25972-G57		6 GA WIRE (BLACK 54 1/2", A1 - A1).....	1
52	25972-G55		6 GA WIRE (BLACK 50", A2 - C)	1
53	25972-G79		6 GA WIRE (BLACK 36", BL- TO B-).....	1
54	25972-G22		6 GA WIRE (BLACK 27", BL+ - SOL).....	1
55				
56	10570-G10		RIVET, 5/32 X 9/16" LG STAINLESS STEEL	2
57	73193-G01		CLAMP	2
58	17618-G1		WIRE TIE.....	10

Electric Vehicle

ELECTRICAL SYSTEM

THE USE OF NON UL PARTS WILL VOID ANY UL LISTING.

When ordering parts, please specify the model and serial number of the product.

* Indicates a component that is not available as an individual part.

G** Indicates consult Customer Service Department for additional information.

ITEM	PART NO.	1 2 3 4 5	DESCRIPTION	QTY.
59				
60				
61	22674-G1		FUSE BLOCK	1
62	71010-G01		RIVET, 5/32" X 3/8" LG.	2
63	18392-G1		15 AMP FUSE.....	3
64				
65	17318-G2		HORN SWITCH CAP AND NUT	1
66	19233-G1		HORN SWITCH PLATE	1
67	14601-G7		RIVET, 9/16" X 11/16" (STAINLESS STEEL).	2
68	17318-G1		HORN SWITCH	1
69	17618-G1		WIRE TIE	2
70	27068-G01		HORN SWITCH BOOT	1
71				
72	32860-G1		HORN (WITH MOUNTING HARDWARE).....	1
73	00559-G8		WASHER, 5/16"	1
74				
75				
76	10570-G11		RIVET, 3/16" X 3/4" LG.	2
77	21573-G1		HOUR METER	1
78	74019-G01		HOUR METER BRACKET	1
79	75117-G02		WIRE HARNESS (HOUR METER).....	1
80				
81	33636-G01		STATE OF CHARGE METER	1
82	73145-G01		HARNESS (KEY SWITCH) (DCS MODEL ONLY)	1
83	73041-G01		HARNESS (KEY SWITCH) (FLEET)	1
84	17421-G1		IGNITION SWITCH (INCLUDES ALL HARDWARE)	1
85	33639-G01		IGNITION SWITCH (WITH LIGHTS)	1
86	00568-G6		LOCK WASHER, 3/4"	1
87	17063-G1		IGNITION KEY (SET)	AR
88	17137-G1		FACE NUT, 3/4" - 20	1



ELECTRICAL SYSTEM

Electric Vehicle

THE USE OF NON UL PARTS WILL VOID ANY UL LISTING.

When ordering parts, please specify the model and serial number of the product.

* Indicates a component that is not available as an individual part.

G** Indicates consult Customer Service Department for additional information.

ITEM	PART NO.	1 2 3 4 5	DESCRIPTION	QTY.
89	17618-G1		WIRE TIE.....	1
90	33623-G02		RIVET, 3/16" x 3/8" LG.	2
91				
92	71145-G01		DECAL (IGNITION SWITCH ONLY).....	1
93	71123-G01		DECAL (CONSOLE PLATE, STATE OF CHARGE METER W/O LIGHTS).....	1
94	71129-G01		DECAL (CONSOLE PLATE, STATE OF CHARGE METER W/ LIGHTS)	1
95	73030-G01		PLATE (STANDARD CONSOLE INSERT MOUNT)	1
96	73030-G02		PLATE (CONSOLE INSERT, STATE OF CHARGE METER)	1
97				
98				
99	17867-G1		TURN SIGNAL (WITH MOUNTING HARDWARE)	1
100	21640-G1		FLASHER	1
101	*		VINYL TAPE	AR
102	20965-G3		STEERING COLUMN COVER (VEHICLES WITH TURN SIGNALS)	1
103	73043-G01		WIRE HARNESS (ACCESSORY).....	1
104	22260-G2		TAILLIGHT ASSEMBLY (COMPLETE).....	1
105	21759-G1		TAILLIGHT BULB (REPLACEMENT).....	AR
106	74371-G01		BEZEL (DRIVER SIDE).....	1
107	74371-G02		BEZEL (PASSENGER SIDE)	1
108	14601-G11		RIVET, 3/16" X 9/16" LG.	2
109	71364-G02		'J'CLIP	8
110	71425-G01		COUNTERSUNK SCREW, #8.....	8
111	24605-G1		WIRE HARNESS (BRAKE LIGHT)	1
112				
113	74004-G01		HEADLIGHT BULB (REPLACEMENT)	AR
114	74005-G01		MARKER LIGHT BULB (REPLACEMENT).....	AR
115	74006-G01		TURN LIGHT BULB (REPLACEMENT)	AR
116				
117	74001-G01		LIGHT BAR	1
118	74002-G01		LIGHT BAR BRACKET (PASSENGER SIDE).....	1

Electric Vehicle

ELECTRICAL SYSTEM

THE USE OF NON UL PARTS WILL VOID ANY UL LISTING.

When ordering parts, please specify the model and serial number of the product.

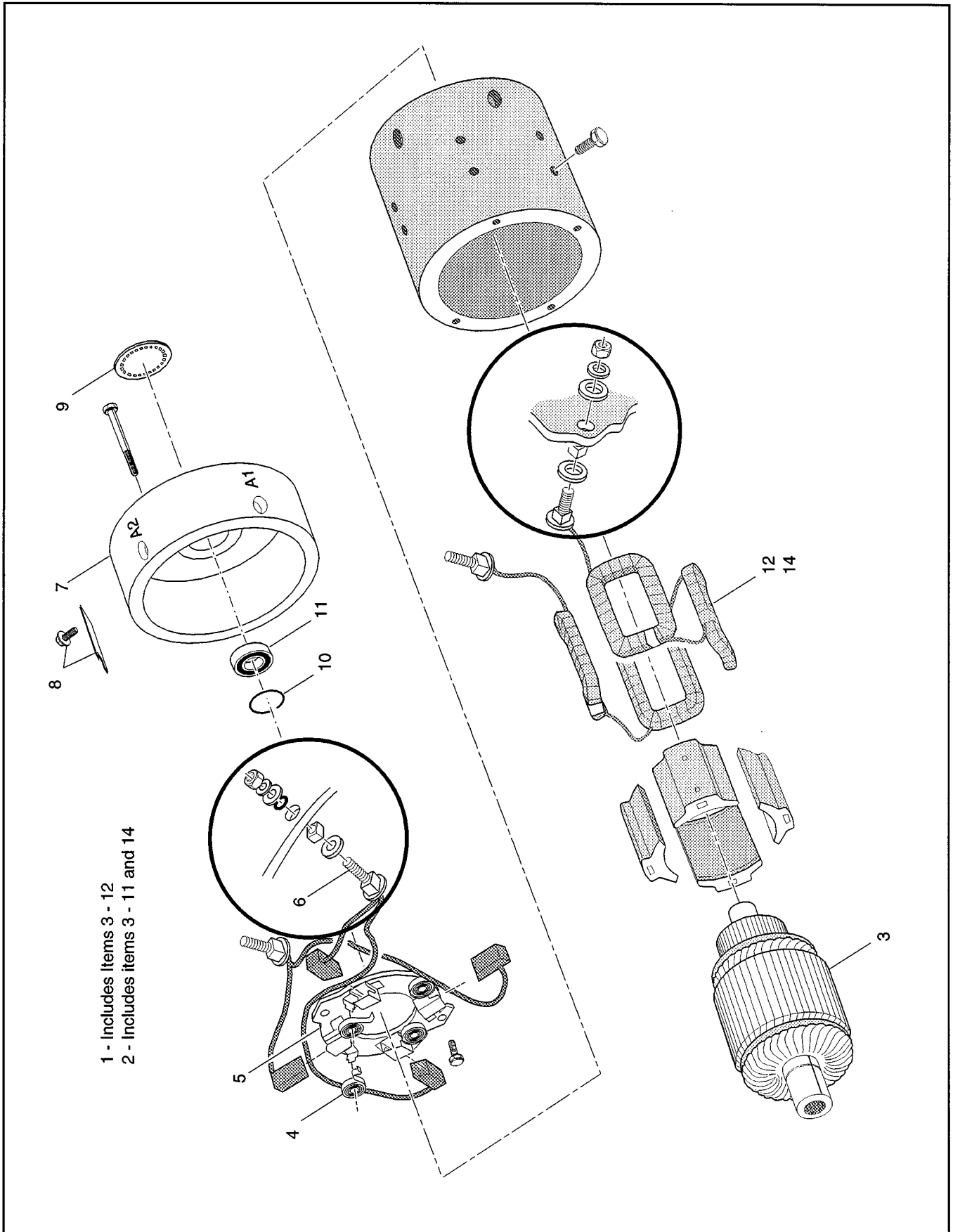
* Indicates a component that is not available as an individual part.

G** Indicates consult Customer Service Department for additional information.

ITEM	PART NO.	1 2 3 4 5	DESCRIPTION	QTY.
119	74002-G02		LIGHT BAR BRACKET (DRIVER SIDE)	1
120	00414-G6		SCREW, 1/4 - 20 X 3/4" LG.	2
121	11027-G2		LOCK NUT, 1/4 - 20	2
122	00114-G6		SCREW, 1/4 - 14 X 3/4" LG.	8
123	01028-G01		SCREW, 1/4 - 14 X 3/4" LG	2
124	25978-G74		18 GA WIRE (RED 6").....	1

ELECTRIC MOTOR

Electric Vehicle



- 1 - Includes items 3 - 12
- 2 - Includes items 3 - 11 and 14

Electric Vehicle

ELECTRIC MOTOR

THE USE OF NON UL PARTS WILL VOID ANY UL LISTING.

When ordering parts, please specify the model and serial number of the product.

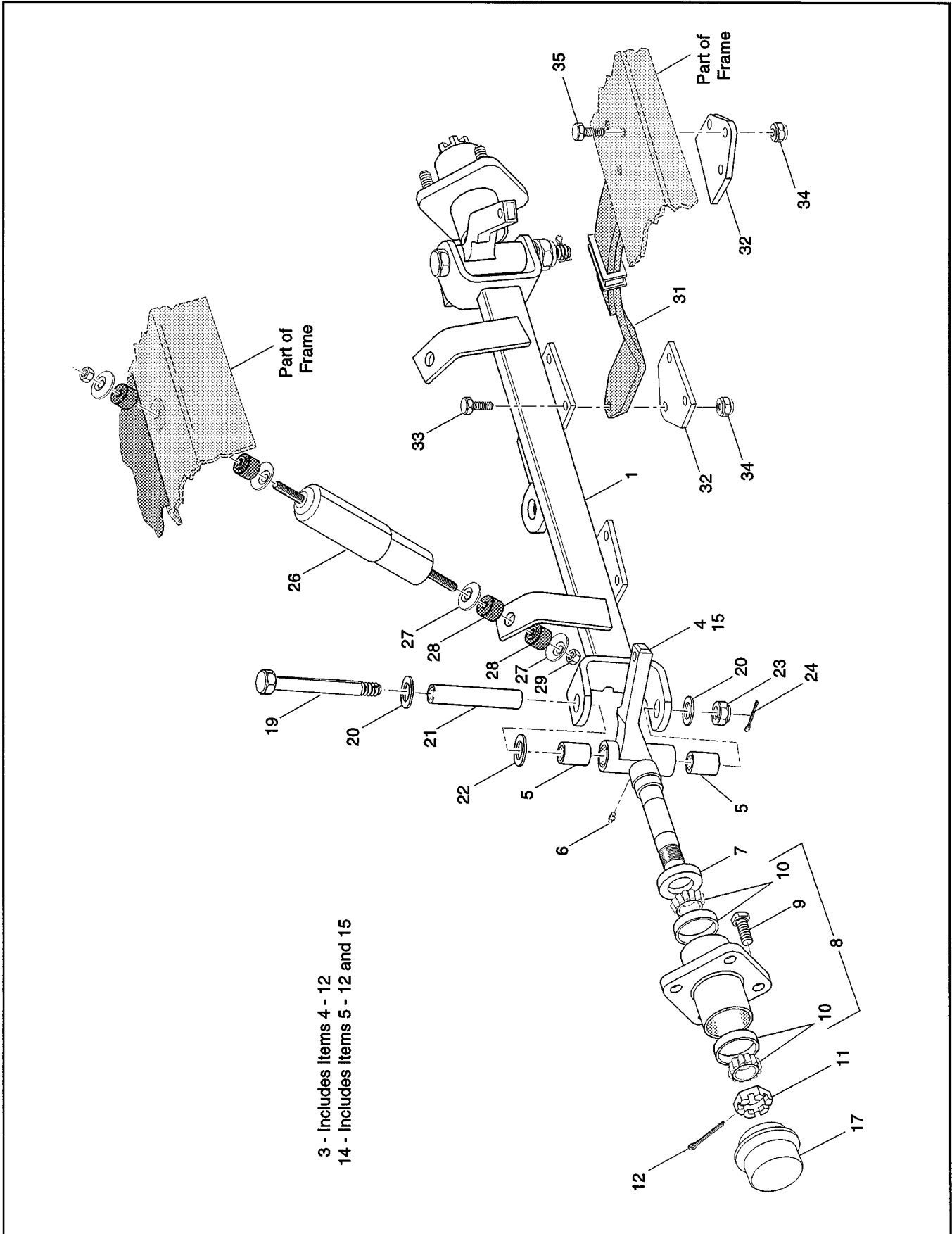
* Indicates a component that is not available as an individual part.

G** Indicates consult Customer Service Department for additional information.

ITEM	PART NO.	1 2 3 4 5	DESCRIPTION	QTY.
1	73124-G01		MOTOR, COMPLETE (DCS MODEL) (INCLUDES ITEMS 3 - 12).....	1
2	73124-G02		MOTOR, COMPLETE (INCLUDES ITEMS 3 - 11 AND 14).....	1
3	*		ARMATURE	1
4	73120-G03		BRUSH SPRING	4
5	73120-G04		BRUSH PLATE AND BOX	1
6	73120-G05		BRUSH REPLACEMENT KIT (INCLUDES HARDWARE).....	1
7	73120-G08		COVER COMMUTATOR END	1
8	73120-G09		COVER PLATE & SCREW	1
9	73120-G10		CAP	1
10	73120-G06		SNAP RING.....	1
11	73120-G07		BEARING.....	1
12	73120-G02		FIELD COIL KIT (INCLUDES HARDWARE)	1
13				
14	73120-G11		FIELD COIL KIT (INCLUDES HARDWARE)	1

FRONT SUSPENSION

Electric Vehicle



Electric Vehicle

FRONT SUSPENSION

When ordering parts, please specify the model and serial number of the product.

* Indicates a component that is not available as an individual part.

G** Indicates consult Customer Service Department for additional information.

ITEM	PART NO.	1 2 3 4 5	DESCRIPTION	QTY.
1	70001-G01		FRONT AXLE.....	1
2				
3	70220-G01		SPINDLE ASSEMBLY (DRIVER SIDE) (INCLUDES ITEMS 4 - 12).....	1
4	*		SPINDLE (DRIVER SIDE).....	1
5	16623-G1		BEARING.....	2
6	10389-G3		GREASE FITTING.....	1
7	25146-G1		GREASE SEAL.....	1
8	19932-G1		WHEEL HUB ASSEMBLY (INCLUDES ITEMS 9, 10).....	1
9	19862-G1		LUG BOLT, 1/2 - 20.....	4
10	50892-G1		BEARING AND RACE ASSEMBLY (COMPLETE).....	2
11	12093-G1		SLOTTED NUT, 17/32.....	1
12	00798-G8		COTTER PIN, 5/32" X 1 3/4" LG.	1
13				
14	70221-G01		SPINDLE ASSEMBLY (PASSENGER SIDE) (INCLUDES ITEMS 5 - 12, 15) ...	1
15	*		SPINDLE (PASSENGER SIDE).....	1
16				
17	12091-G2		SPINDLE CAP	2
18				
19	70327-G01		SPINDLE PIN, 1/2 - 13 X 5 1/2" LG.	2
20	00571-G5		WASHER, 1/2"	4
21	70328-G01		SPINDLE PIN TUBE	2
22	16982-G1		THRUST WASHER, 7/8"	2
23	14390-G6		LOCK NUT, 1/2 - 13	2
24	10387-G2		COTTER PIN, 3/32 X 1" LG.	2
25				
26	70324-G01		SHOCK ABSORBER	2
27	10435-G1		SHOCK ABSORBER WASHER.....	8
28	10194-G1		RUBBER BUSHING	8
29	00532-G6		NUT, 3/8 - 24	4
30				

FRONT SUSPENSION

Electric Vehicle

When ordering parts, please specify the model and serial number of the product.
 * Indicates a component that is not available as an individual part.
 G** Indicates consult Customer Service Department for additional information.

ITEM	PART NO.	1 2 3 4 5	DESCRIPTION	QTY.
31	70049-G01		LEAF SPRING.....	2
32	70163-G02		SPRING PLATE.....	4
33	00463-G4		BOLT, 7/16 - 14 X 1 1/2" LG.	6
34	00734-G1		LOCK NUT, 7/16 - 14	12
35	00463-G6		BOLT, 7/16 - 14 X 1 3/4" LG.	6

**DID YOU
KNOW?**

CartPros directs you to the right part using the part numbers from this manual. Enter the part number into our search box and it will find the part you are looking for.

**GET STARTED
HERE**



<https://CartPros.com/f.html>

Electric Vehicle

FRONT SUSPENSION

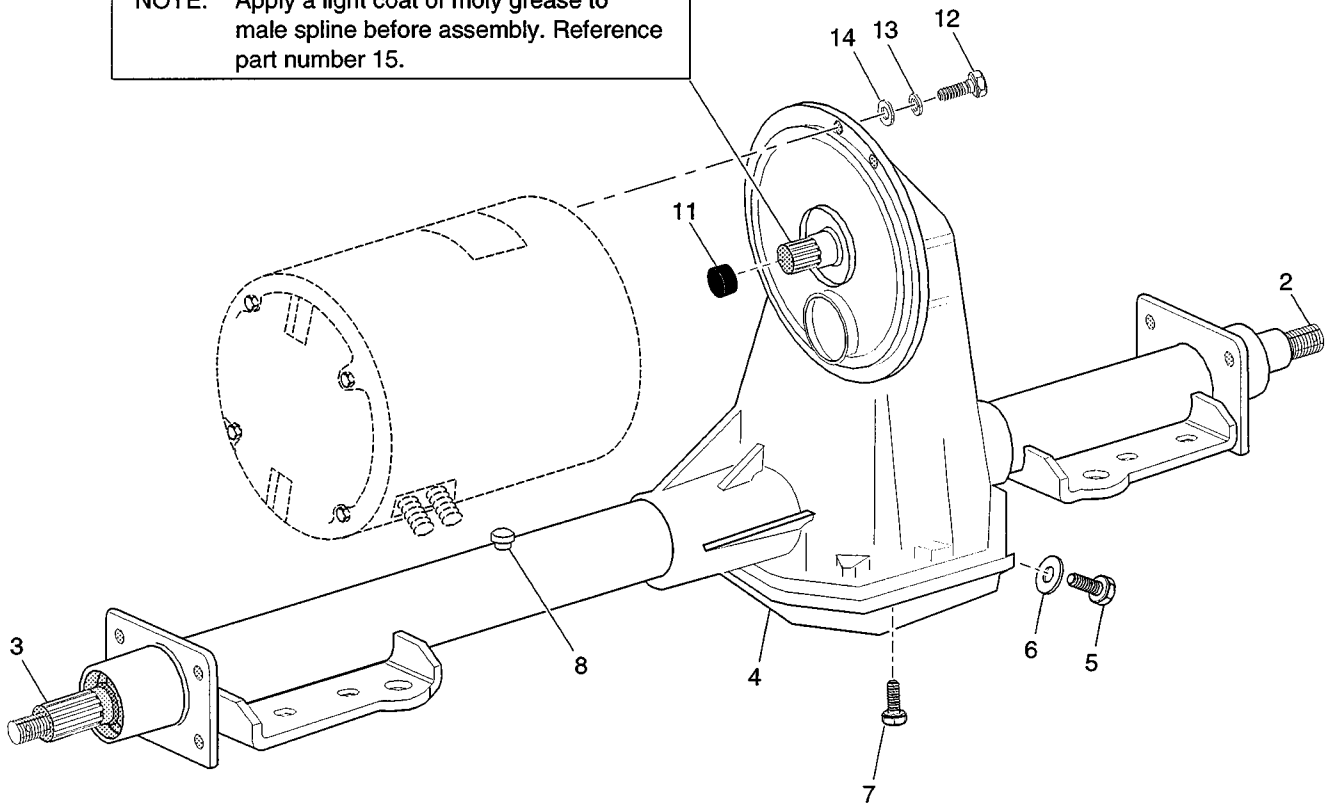


REAR AXLE

Electric Vehicle

1 - Includes Items 2 - 8

NOTE: Apply a light coat of moly grease to male spline before assembly. Reference part number 15.



Electric Vehicle

REAR AXLE

THE USE OF NON UL PARTS WILL VOID ANY UL LISTING.

When ordering parts, please specify the model and serial number of the product.

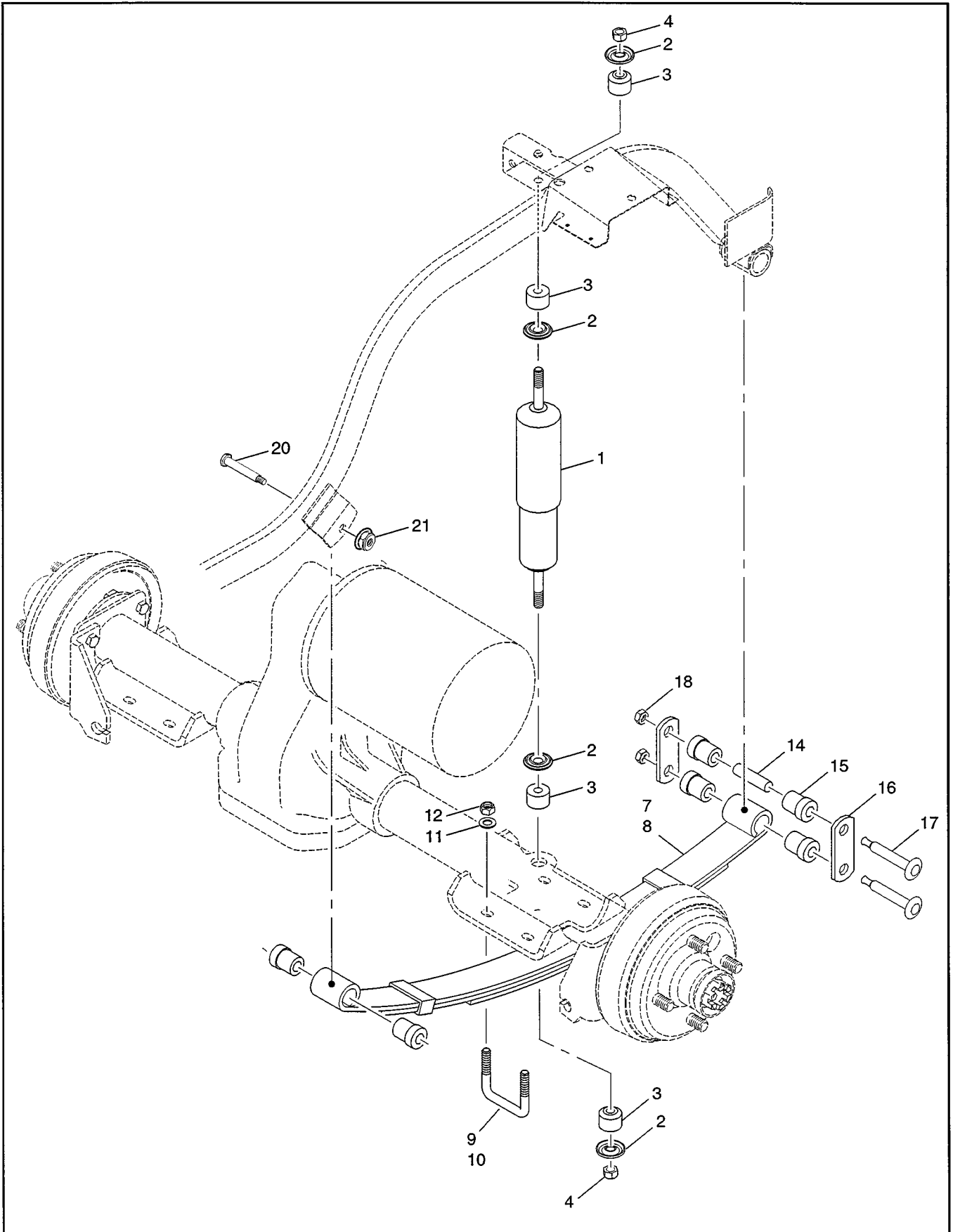
* Indicates a component that is not available as an individual part.

G** Indicates consult Customer Service Department for additional information.

ITEM	PART NO.	1 2 3 4 5	DESCRIPTION	QTY.
1	73069-G01		REAR AXLE ASSEMBLY (INCLUDES ITEMS 2 - 8)	1
2	20377-G12		AXLE SHAFT (PASSENGER SIDE)	1
3	20377-G11		AXLE SHAFT (DRIVER SIDE)	1
4	25228-G1		DIFFERENTIAL COVER.....	1
5	25226-G1		FILL/CHECK PLUG	1
6	25227-G1		WASHER	1
7	15558-G1		SCREW, 5/16 - 18 X 3/4" LG.....	10
8	73050-G01		VENT	1
9				
10				
11	24261-G1		BUMPER SPLINE.....	1
12	00797-G2		BOLT, 1/4 - 20 X 1 1/4" LG.....	3
13	00565-G7		LOCK WASHER, 1/4"	3
14	00559-G7		WASHER, 1/4"	3
15	28095-G01		MOLY LUBE, 2 OZ.	AR

REAR SUSPENSION

Electric Vehicle



Electric Vehicle

REAR SUSPENSION

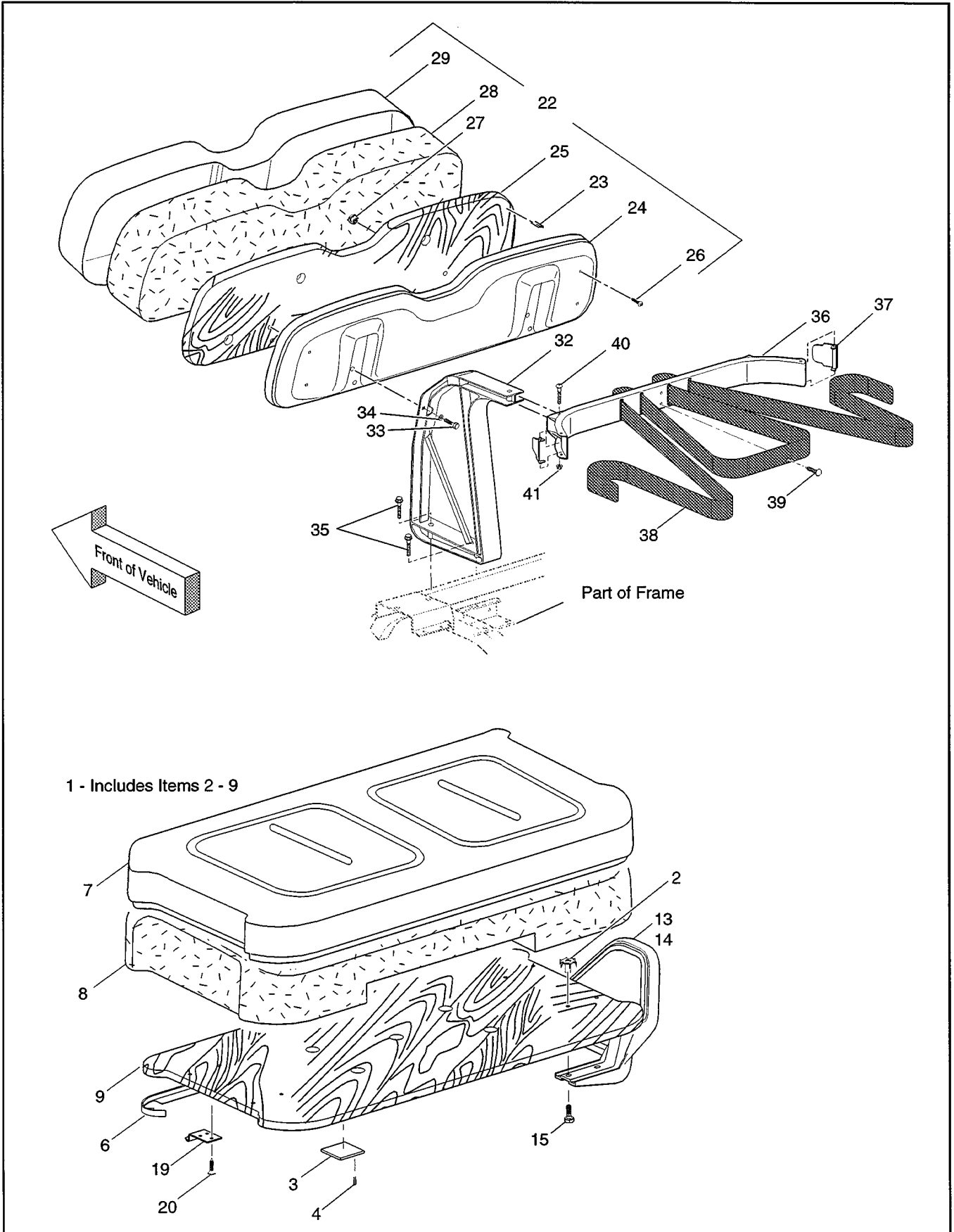
THE USE OF NON UL PARTS WILL VOID ANY UL LISTING.
 When ordering parts, please specify the model and serial number of the product.
 * Indicates a component that is not available as an individual part.
 G** Indicates consult Customer Service Department for additional information.

ITEM	PART NO.	1 2 3 4 5	DESCRIPTION	QTY.
1	70324-G01		SHOCK ABSORBER	2
2	10435-G1		SHOCK ABSORBER WASHER	8
3	10194-G1		RUBBER SHOCK ABSORBER BUSHING	8
4	00532-G6		NUT, 3/8 - 24	4
5				
6				
7	70505-G01		LEAF SPRING KIT	2
8	70506-G01		LEAF SPRING KIT (USE ON 4 CADDY ONLY)	2
9	72029-G01		"U" BOLT, 3/8 - 16	4
10	74124-G01		"U" BOLT, 3/8 - 16 (USE ON 4 CADDY ONLY)	4
11	00560-G1		WASHER, 3/8"	8
12	11098-G5		LOCK NUT, 3/8 - 16	8
13				
14	70289-G02		SPACER	4
15	70291-G01		BUSHING (LEAF SPRING)	12
16	70290-G01		SHACKLE PLATE	4
17	00429-G4		BOLT, 3/8 - 16 X 3 1/2" LG.	4
18	11098-G5		LOCK NUT, 3/8 - 16	4
19				
20	14158-G1		SHOULDER BOLT, 3/8" - 16 X 3 1/4" LG.	2
21	12262-G1		LOCK NUT, 3/8 - 16	2



SEATING AND BAG HOLDER, GOLF CAR

Electric Vehicle



Electric Vehicle

SEATING AND BAG HOLDER, GOLF CAR

When ordering parts, please specify the model and serial number of the product.

* Indicates a component that is not available as an individual part.

G** Indicates consult Customer Service Department for additional information.

ITEM	PART NO.	1 2 3 4 5	DESCRIPTION	QTY.
1	71611-G**		SEAT BOTTOM ASSEMBLY (INCLUDES ITEMS 2 - 9)	1
2	*		TEE NUT	8
3	17074-G1		BUMPER	2
4	*		FLAT STAPLE	110
5				
6	71012-G01		VINYL TRIM (SEAT BOTTOM)	1
7	71602-G**		VINYL SEAT BOTTOM COVER.....	1
8	*		FOAM PADDING (SEAT BOTTOM).....	1
9	*		SEAT BOTTOM (WOOD).....	1
10				
11				
12				
13	71701-G01		HIP RESTRAINT (PASSENGER SIDE)	1
14	71702-G01		HIP RESTRAINT (DRIVER SIDE)	1
15	71204-G01		BOLT, 1/4 - 20 X 7/8" LG.	8
16				
17				
18				
19	71610-G01		SEAT HINGE.....	2
20	00720-G08		SCREW, #12 - 14 X 1" LG.	4
21				
22	71751-G**		SEAT BACK ASSEMBLY (INCLUDES ITEMS 23 - 29).....	1
23	*		FLAT STAPLE	95
24	71752-G01		PLASTIC SEAT BACK COVER	1
25	*		SEAT BACK (WOOD)	1
26	71002-G01		SCREW, #8 X 5/8" LG.	4
27	*		TEE NUT	4
28	*		FOAM PADDING (SEAT BACK)	1
29	71753-G**		VINYL SEAT BACK COVER	1
30				

SEATING AND BAG HOLDER, GOLF CAR

Electric Vehicle

When ordering parts, please specify the model and serial number of the product.

* Indicates a component that is not available as an individual part.

G** Indicates consult Customer Service Department for additional information.

ITEM	PART NO.	1 2 3 4 5	DESCRIPTION	QTY.
31				
32	71811-G02		SEAT SUPPORT BRACKET	2
33	00414-G8		BOLT, 1/4 - 20 X 1" LG.	4
34	00565-G7		LOCK WASHER, 1/4"	4
35	71802-G01		BOLT, 3/8 - 16 X 2 1/4" LG.	4
36	71851-G01		BAG HOLDER BRACKET	1
37	71856-G01		BAG RETAINER CLAMP	2
38	71853-G01		BAG RETAINER STRAP	1
39	16816-G1		RATCHET FASTENER, 1/4" x 5/8" LG	2
40	71821-G01		CARRIAGE BOLT, 1/4 - 20 X 1 1/2" LG.	2
41	11027-G2		LOCK NUT, 1/4 - 20	2

**DID YOU
KNOW?**

CartPros directs you to the right part using the part numbers from this manual. Enter the part number into our search box and it will find the part you are looking for.

**GET STARTED
HERE**



<https://CartPros.com/f.html>

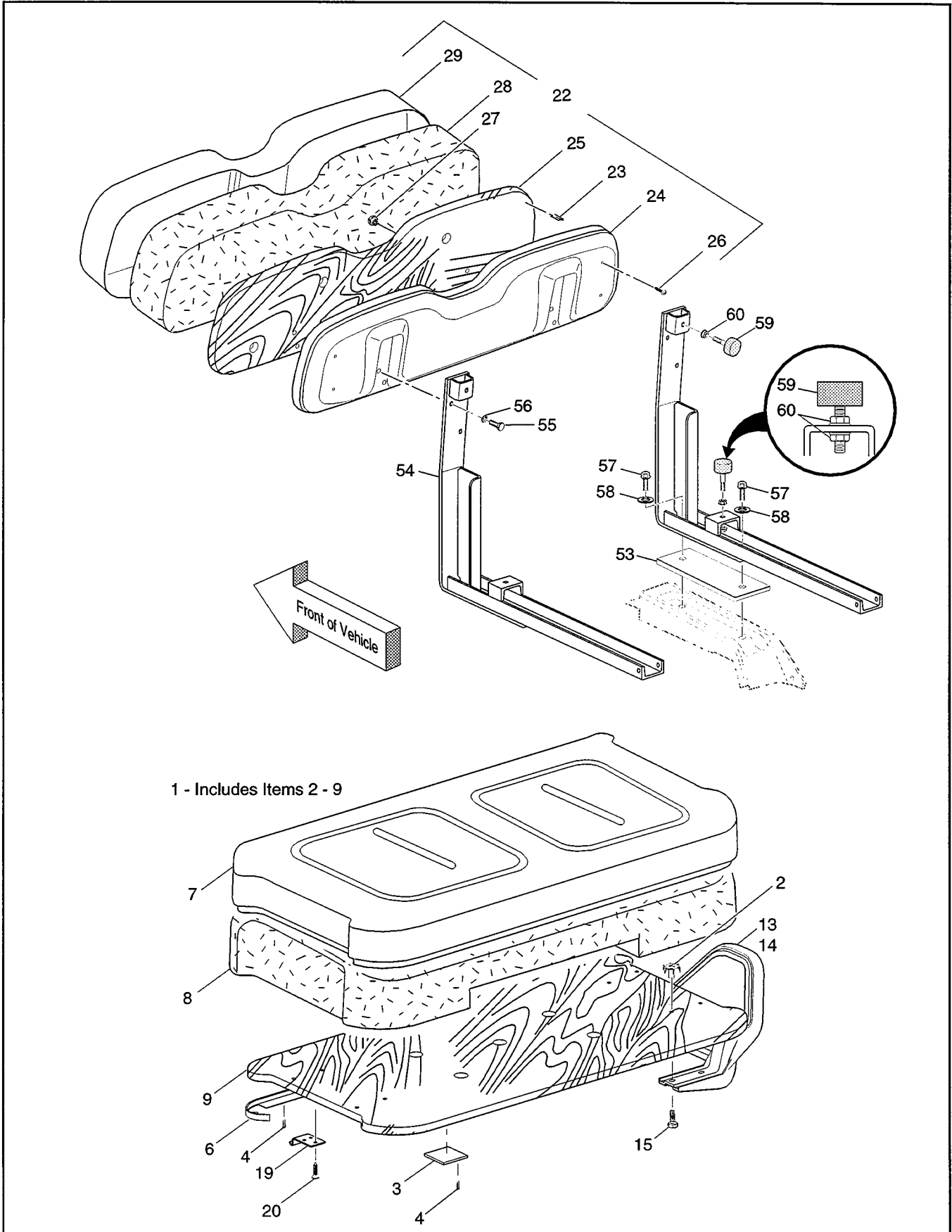
Electric Vehicle

SEATING AND BAG HOLDER, GOLF CAR



SEATING, 4 CADDY

Electric Vehicle



SEATING, 4 CADDY

Electric Vehicle

When ordering parts, please specify the model and serial number of the product.

* Indicates a component that is not available as an individual part.

G** Indicates consult Customer Service Department for additional information.

ITEM	PART NO.	1 2 3 4 5	DESCRIPTION	QTY.
1	71611-G**		SEAT BOTTOM ASSEMBLY (INCLUDES ITEMS 2 - 10).....	1
2	*		TEE NUT.....	8
3	17074-G1		BUMPER.....	2
4	*		FLAT STAPLE	110
5				
6	71012-G01		VINYL TRIM (SEAT BOTTOM)	1
7	71602-G**		VINYL SEAT BOTTOM COVER.....	1
8	*		FOAM PADDING (SEAT BOTTOM)	1
9	*		SEAT BOTTOM (WOOD)	1
10				
11				
12				
13	71701-G01		HIP RESTRAINT (PASSENGER SIDE)	1
14	71702-G01		HIP RESTRAINT (DRIVER SIDE).....	1
15	71204-G01		BOLT, 1/4 - 20 X 7/8" LG.	8
16				
17				
18				
19	71610-G01		SEAT HINGE	2
20	00720-G08		SCREW, #12 - 14 X 1" LG.....	6
21				
22	71751-G**		SEAT BACK ASSEMBLY (INCLUDES ITEMS 23 - 29)	1
23	*		FLAT STAPLE	95
24	71752-G01		PLASTIC SEAT BACK COVER.....	1
25	*		SEAT BACK (WOOD)	1
26	71002-G01		SCREW, #8 X 5/8" LG.	4
27	*		TEE NUT.....	4
28	*		FOAM PADDING (SEAT BACK).....	1
29	71753-G**		VINYL SEAT BACK COVER	1
30				

Electric Vehicle

SEATING, 4 CADDY

When ordering parts, please specify the model and serial number of the product.

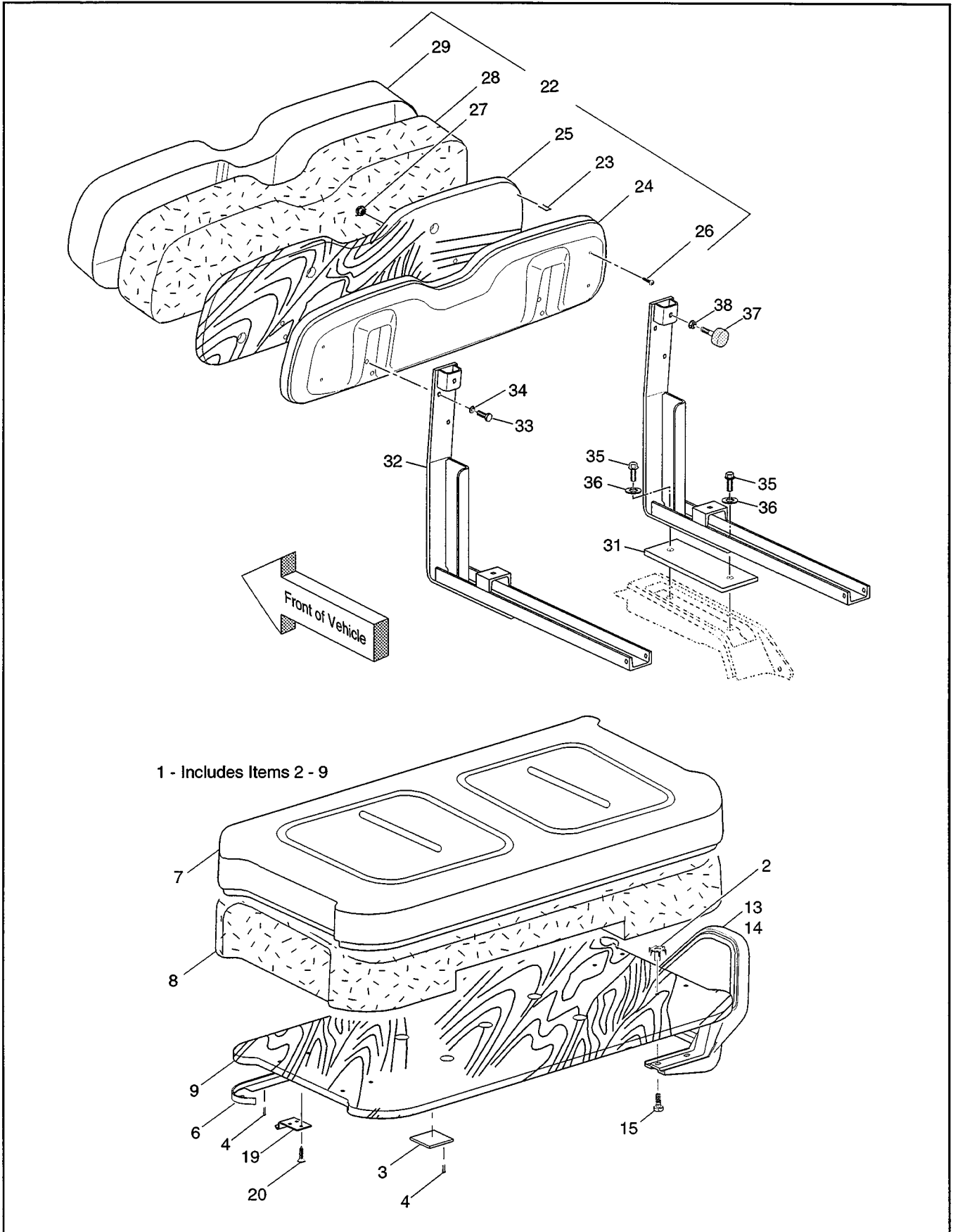
* Indicates a component that is not available as an individual part.

G** Indicates consult Customer Service Department for additional information.

ITEM	PART NO.	1 2 3 4 5	DESCRIPTION	QTY.
31				
32				
33	74139-G**		SEAT BOTTOM ASSEMBLY (INCLUDES ITEMS 33 - 46)	1
34	71602-G**		VINYL COVER (SEAT BOTTOM)	1
35	*		FOAM PADDING (SEAT BOTTOM)	1
36	*		SEAT BOTTOM (WOOD).....	1
37	*		TEE NUT	16
38	74140-G01		TRIM.....	1
39	*		FLAT STAPLE	110
40				
41	71012-G01		TRIM.....	1
42	71702-G01		HIP RESTRAINT (DRIVER SIDE).....	1
43	71701-G01		HIP RESTRAINT (PASSENGER SIDE).....	1
44	00414-G8		BOLT, 1/4 - 20 X 1" LG.	8
45				
46	71751-G**		SEAT BACK ASSEMBLY (INCLUDES ITEMS 23 - 29).....	1
47	74117-G01		SEAT SUPPORT BRACKET	2
48	00414-G8		BOLT, 1/4 - 20 X 1" LG.....	12
49	00565-G7		LOCK WASHER, 1/4"	12
50	17838-G1		NYLON BUSHING	4
51	74134-G01		QUICK RELEASE PIN	2
52				
53	70364-G01		SPACER.....	2
54	74111-G01		SEAT BACK SUPPORT	2
55	00414-G8		BOLT, 1/4 - 20 X 1" LG.....	4
56	00565-G7		LOCK WASHER, 1/4"	4
57	01006-G02		BOLT, 3/8 - 16 X 1 1/2" LG.....	4
58	00560-G1		WASHER, 3/8"	4
59	70113-G01		RUBBER BUMPER.....	4
60	11027-G1		LOCK NUT, 5/16 - 18	6

SEATING, CONVERTIBLE CARRIER

Electric Vehicle

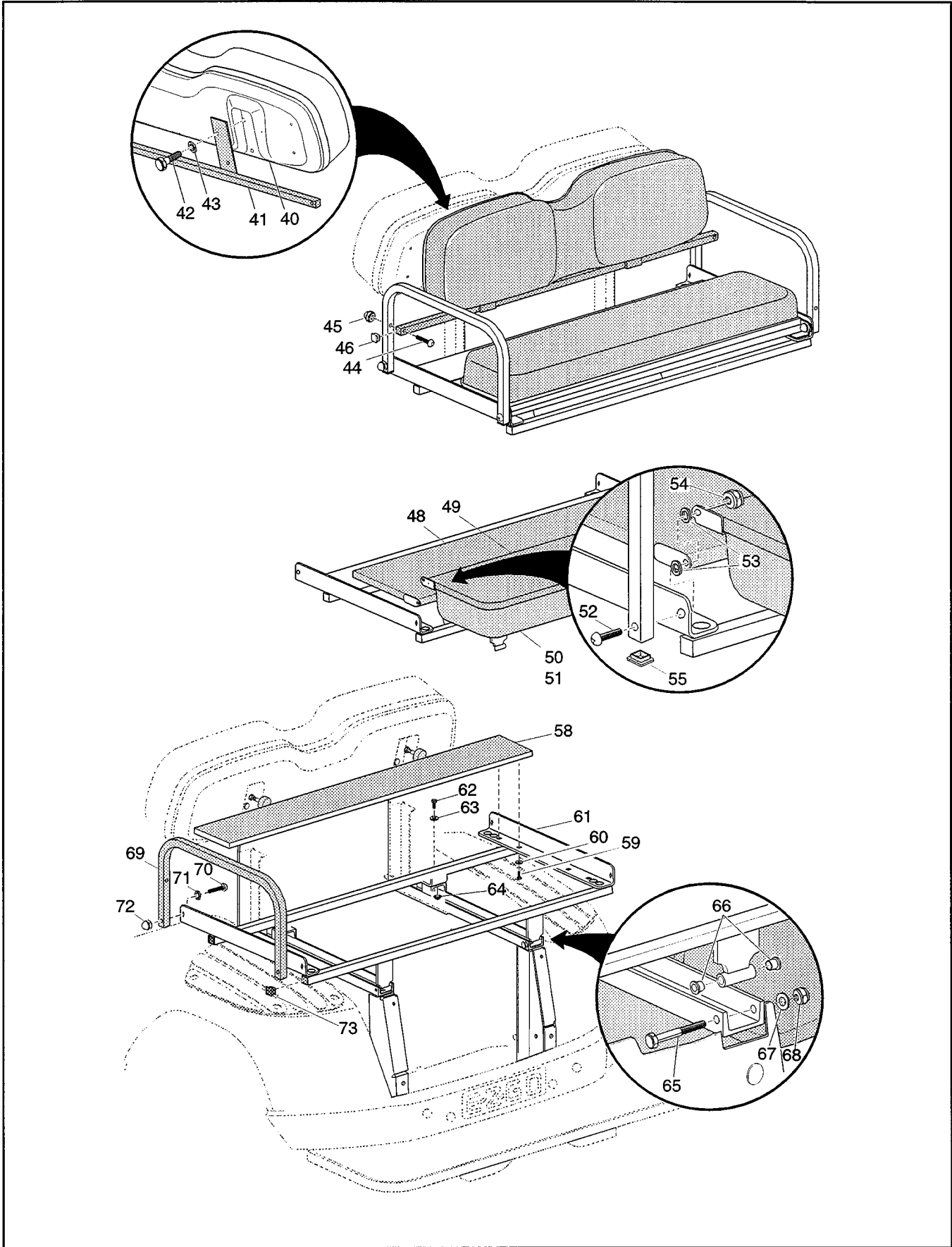


1 - Includes Items 2 - 9

Front of Vehicle

Electric Vehicle

SEATING, CONVERTIBLE CARRIER



SEATING, CONVERTIBLE CARRIER

Electric Vehicle

When ordering parts, please specify the model and serial number of the product.

* Indicates a component that is not available as an individual part.

G** Indicates consult Customer Service Department for additional information.

ITEM	PART NO.	1 2 3 4 5	DESCRIPTION	QTY.
1	71611-G**		SEAT BOTTOM ASSEMBLY (INCLUDES ITEMS 2 - 10).....	1
2	*		TEE NUT.....	8
3	17074-G1		BUMPER.....	2
4	*		FLAT STAPLE	110
5	*		FLAT STAPLE	46
6	71012-G01		VINYL TRIM (SEAT BOTTOM)	1
7	71602-G**		VINYL SEAT BOTTOM COVER.....	1
8	*		FOAM PADDING (SEAT BOTTOM)	1
9	*		SEAT BOTTOM (WOOD)	1
10				
11				
12				
13	71701-G01		HIP RESTRAINT (PASSENGER SIDE)	1
14	71702-G01		HIP RESTRAINT (DRIVER SIDE).....	1
15	00414-G8		BOLT, 1/4 - 20 X 1" LG.	8
16				
17				
18				
19	71610-G01		SEAT HINGE	2
20	00720-G08		SCREW, #12 - 14 X 1" LG.....	4
21				
22	71751-G**		SEAT BACK ASSEMBLY (INCLUDES ITEMS 23 - 29)	1
23	*		FLAT STAPLE	95
24	71752-G01		PLASTIC SEAT BACK COVER.....	1
25	*		SEAT BACK (WOOD)	1
26	71002-G01		SCREW, #8 X 5/8" LG.	4
27	*		TEE NUT.....	4
28	*		FOAM PADDING (SEAT BACK).....	1
29	71753-G**		VINYL SEAT BACK COVER	1
30				

Electric Vehicle

SEATING, CONVERTIBLE CARRIER

When ordering parts, please specify the model and serial number of the product.

* Indicates a component that is not available as an individual part.

G** Indicates consult Customer Service Department for additional information.

ITEM	PART NO.	1 2 3 4 5	DESCRIPTION	QTY.
31	70364-G01		SPACER.....	2
32	74111-G01		SEAT BACK SUPPORT	2
33	00414-G8		BOLT, 1/4 - 20 X 1" LG.....	4
34	00565-G7		LOCK WASHER, 1/4"	4
35	01006-G02		BOLT, 3/8 - 16 X 1 1/2" LG.....	4
36	00560-G1		WASHER, 3/8"	4
37	70113-G01		RUBBER BUMPER.....	2
38	11027-G1		LOCK NUT, 5/16 - 18	2
39				
40	71751-G**		SEAT BACK ASSEMBLY (INCLUDES ITEMS 23 - 29).....	1
41	75258-G01		SEAT BACK MOUNT	1
42	00414-G8		BOLT, 1/4 - 20 X 1" LG.....	4
43	00565-G7		LOCK WASHER, 1/4"	4
44	16705-G6		BOLT, 1/4 - 20 X 1 3/4" LG.....	2
45	00520-G1		ACORN NUT, 1/4 - 20	2
46	19859-G1		END PLUG, 3/4".....	2
47				
48	75229-G01		BED ASSEMBLY (INCLUDES HINGE AND MAT)	1
49	75263-G01		SEAT BOTTOM ASSEMBLY (INCLUDES HINGE AND MAT)	1
50	75197-G**		SEAT BOTTOM.....	1
51	75252-G01		VINYL SEAT BOTTOM COVER	1
52	00762-G4		BOLT, 5/16 - 18 X 1 1/2"LG.....	2
53	17255-G1		TEFLON WASHER, 5/16"	4
54	00654-G3		LOCK NUT, 5/16 - 18	2
55	19859-G1		END CAP, 3/4".....	4
56				
57				
58	75273-G01		BED FRONT (INCLUDES MAT).....	1
59	00661-G6		BOLT, 1/4 - 20 X 3/4" LG.....	4
60	00559-G8		WASHER, 5/16"	4

SEATING, CONVERTIBLE CARRIER

Electric Vehicle

When ordering parts, please specify the model and serial number of the product.

* Indicates a component that is not available as an individual part.

G** Indicates consult Customer Service Department for additional information.

ITEM	PART NO.	1 2 3 4 5	DESCRIPTION	QTY.
61	75193-G01		SUPPORT FRAME.....	1
62	00438-G8		BOLT, 5/16 -18 X 1" LG.	2
63	00559-G8		WASHER, 5/16".....	2
64	11027-G1		LOCK NUT, 5/16 - 18	2
65	00440-G4		BOLT, 5/16 -18 X 2 1/2" LG.	2
66	17838-G1		NYLON BUSHING.....	4
67	00559-G8		WASHER, 5/16".....	2
68	00654-G3		LOCK NUT, 5/16 - 18	2
69	75196-G01		HANDRAIL	2
70	00762-G02		BOLT, 5/16 -18 X 1 1/4" LG.	2
71	00664-G8		LOCK WASHER, 5/16".....	2
72	00520-G3		ACORN NUT, 5/16 - 18	2
73	75261-G02		END CAP, 1".....	4

**DID YOU
KNOW?**

CartPros directs you to the right part using the part numbers from this manual. Enter the part number into our search box and it will find the part you are looking for.

**GET STARTED
HERE**



<https://CartPros.com/f.html>

Electric Vehicle

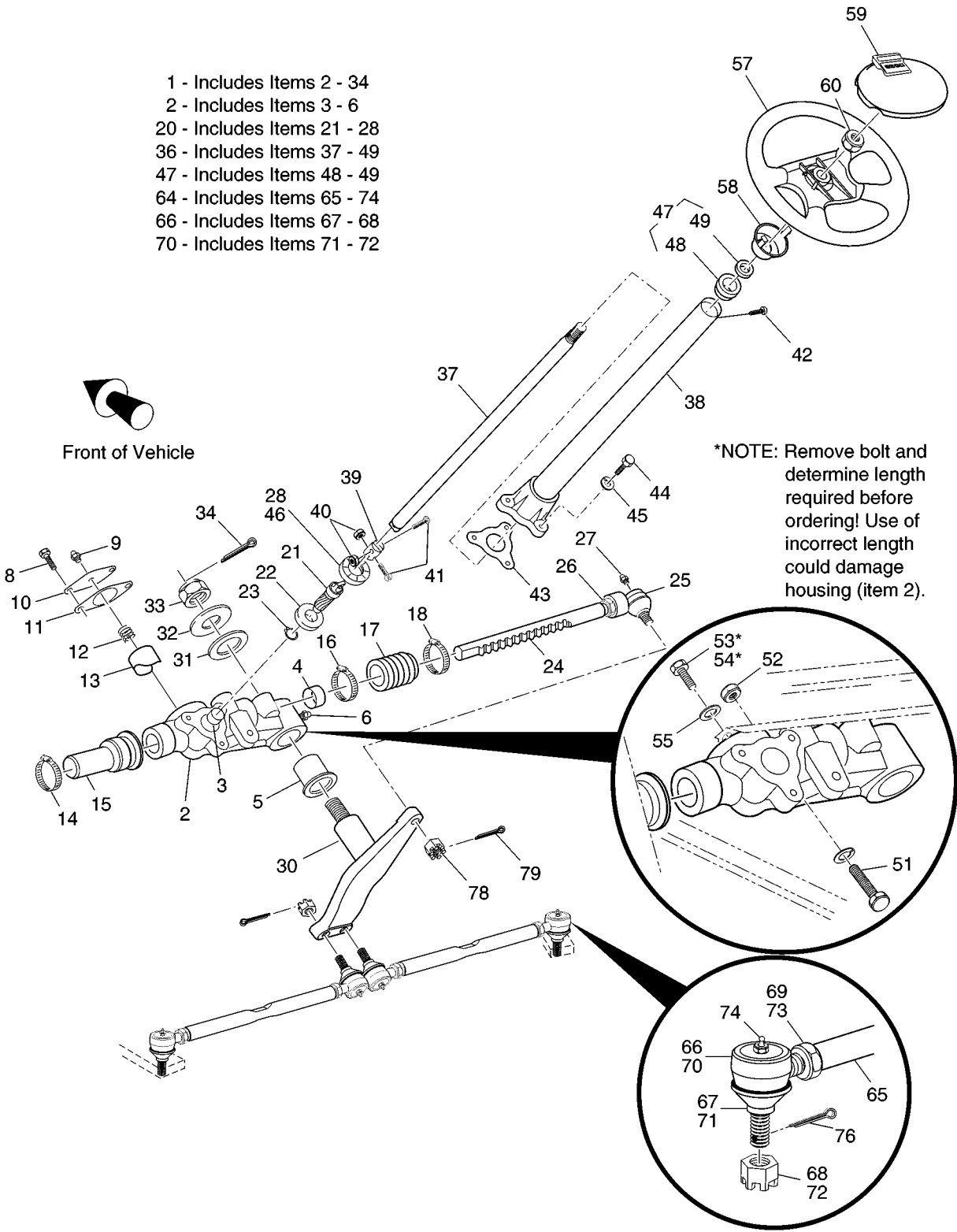
SEATING, CONVERTIBLE CARRIER



STEERING

Electric Vehicle

- 1 - Includes Items 2 - 34
- 2 - Includes Items 3 - 6
- 20 - Includes Items 21 - 28
- 36 - Includes Items 37 - 49
- 47 - Includes Items 48 - 49
- 64 - Includes Items 65 - 74
- 66 - Includes Items 67 - 68
- 70 - Includes Items 71 - 72



Electric Vehicle

STEERING

When ordering parts, please specify the model and serial number of the product.

* Indicates a component that is not available as an individual part.

G** Indicates consult Customer Service Department for additional information.

ITEM	PART NO.	1 2 3 4 5	DESCRIPTION	QTY.
1	70314-G02		STEERING BOX ASSEMBLY (COMPLETE) (INCLUDES ITEMS 2 - 34)	1
2	75364-G01		STEERING HOUSING (INCLUDES ITEMS 3 - 6).....	1
3	*		SLEEVE BEARING	1
4	*		SLEEVE BEARING	1
5	*		FLANGED BEARING	1
6	10389-G3		GREASE FITTING, STRAIGHT	1
7				
8	00426-G6		BOLT, 3/8 - 16 X 3/4" LG.....	2
9	18456-G1		GREASE FITTING, 90°	1
10	70177-G01		RACK GUIDE COVER	1
11	70225-G01		GASKET	1
12	70178-G01		COMPRESSION SPRING.....	1
13	70179-G01		RACK GUIDE	1
14	11391-G1		HOSE CLAMP, 1 1/4"	1
15	70041-G01		RACK COVER.....	1
16	11391-G1		HOSE CLAMP, 1 1/4"	1
17	70183-G01		BELLOWS	1
18	11391-G5		HOSE CLAMP, 3/4"	1
19				
20	70299-G01		STEERING GEAR KIT (INCLUDES ITEMS 21 - 28).....	1
21	70297-G01		GEAR PINION.....	1
22	15112-G1		BALL BEARING	1
23	70190-G01		EXTERNAL RETAINING RING	1
24	70298-G01		STEERING RACK	1
25	70192-G01		RACK BALL END	1
26	00532-G8		NUT, 7/16 - 20	1
27	18456-G1		GREASE FITTING, 90°	1
28	70466-G01		RETAINER	1
29				
30	70184-G01		IDLER.....	1

STEERING

Electric Vehicle

When ordering parts, please specify the model and serial number of the product.

* Indicates a component that is not available as an individual part.

G** Indicates consult Customer Service Department for additional information.

ITEM	PART NO.	1 2 3 4 5	DESCRIPTION	QTY.
31	70216-G01		THRUST WASHER, 1 1/2"	1
32	70195-G01		THRUST WASHER, 7/8"	1
33	00734-G6		LOCK NUT, 7/8 - 9.....	1
34	00798-G8		COTTER PIN, 5/32" X 1 3/4" LG.	1
35				
36	70360-G01		STEERING SHAFT/COLUMN KIT (INCLUDES ITEMS 37 - 49)	1
37	14322-G3		STEERING SHAFT.....	1
38	70333-G01		STEERING COLUMN	1
39	70558-G01		COUPLING.....	1
40	00550-G1		LOCK NUT, 1/4 - 20.....	2
41	70227-G01		BOLT, 1/4 - 20 X 7/8" LG.	2
42	01022-G01		SCREW, #6 - 20 X 5/16" LG.....	1
43	70223-G01		GASKET	1
44	01034-G01		BOLT, 3/8 - 16 X 1 1/2" LG. WITH PATCHLOCK	3
45	00878-G1		LOCK WASHER, 3/8"	3
46	70466-G01		RETAINER.....	1
47	17161-G1		BUSHING AND SEAL KIT (INCLUDES ITEMS 48, 49)	1
48	*		STEERING COLUMN BUSHING.....	1
49	*		SHAFT SEAL.....	1
50				
51	00470-G4		BOLT, 7/16 - 20 X 2 1/2" LG.....	1
52	00734-G3		LOCK NUT, 7/16 - 20	1
53	01033-G01		BOLT, 7/16 - 14 X 1 1/4" LG. WITH PATCHLOCK (PROD. SINCE 4-98)	2
54	01033-G02		BOLT, 7/16 - 14 X 7/8" LG. WITH PATCHLOCK (PRIOR TO 4-98 PROD.)	2
55	00566-G2		LOCK WASHER, 7/16".....	3
56				
57	71948-G01		STEERING WHEEL	1
58	71949-G01		HUB.....	1
59	71950-G01		CLIPBOARD	1
60	14390-G2		LOCK NUT, 5/8 - 18	1

Electric Vehicle

STEERING

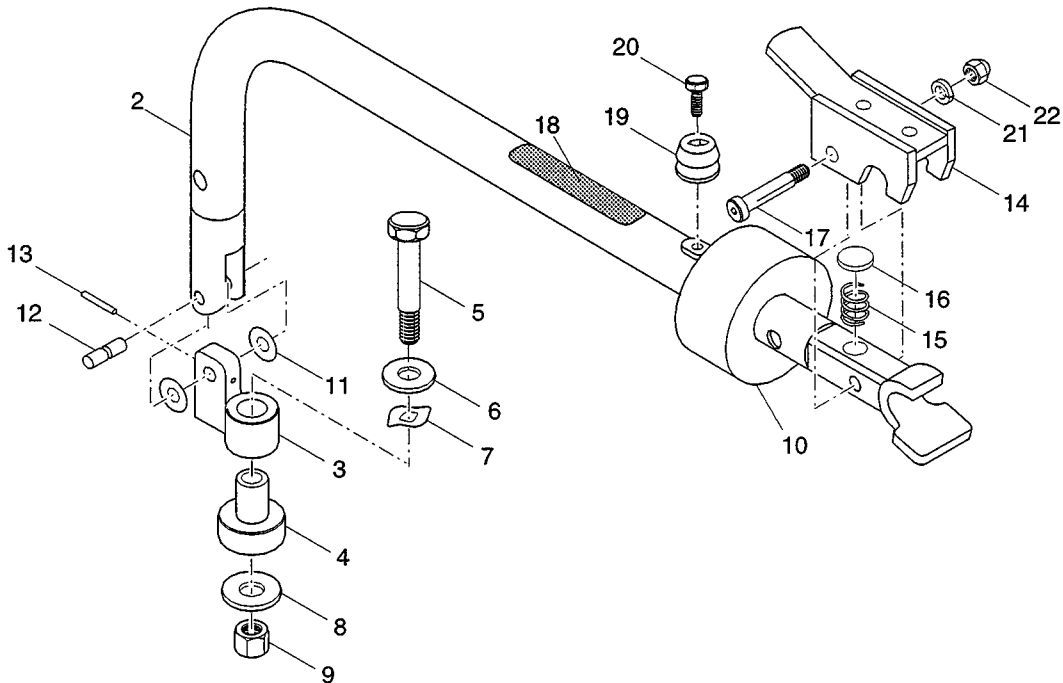
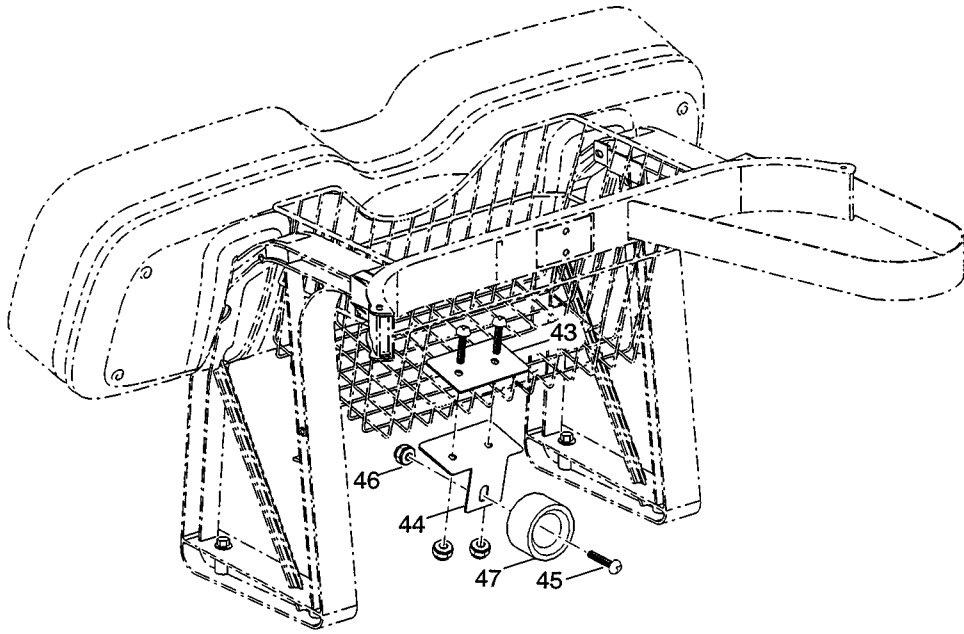
When ordering parts, please specify the model and serial number of the product.
 * Indicates a component that is not available as an individual part.
 G** Indicates consult Customer Service Department for additional information.

ITEM	PART NO.	1	2	3	4	5	DESCRIPTION	QTY.
61								
62								
63								
64	70074-G01						TIE ROD ASSEMBLY (INCLUDES ITEMS 65 - 74).....	2
65	70583-G02						THREADED TUBE WITH FLAT	1
66	27205-G01						TIE ROD END (LEFT HAND THREAD) (INCLUDES ITEMS 67 - 68).....	1
67	50641-G1						RUBBER BOOT	1
68	50209-G2						SLOTTED NUT, 7/16 - 20.....	1
69	18434-G3						JAM NUT, 9/16 - 18 (LEFT HAND THREAD)	1
70	27205-G02						TIE ROD END (RIGHT HAND THREAD) (INCLUDES ITEMS 71 - 72).....	1
71	50641-G1						RUBBER BOOT	1
72	50209-G2						SLOTTED NUT, 7/16 - 20.....	1
73	18434-G4						JAM NUT, 9/16 - 18 (RIGHT HAND THREAD).....	1
74	10389-G3						GREASE FITTING, STRAIGHT	2
75								
76	10387-G2						COTTER PIN, 3/32" X 1" LG.....	2
77								
78	50209-G2						SLOTTED NUT, 7/16 - 20	1
79	10387-G2						COTTER PIN, 3/32" X 1" LG.....	1



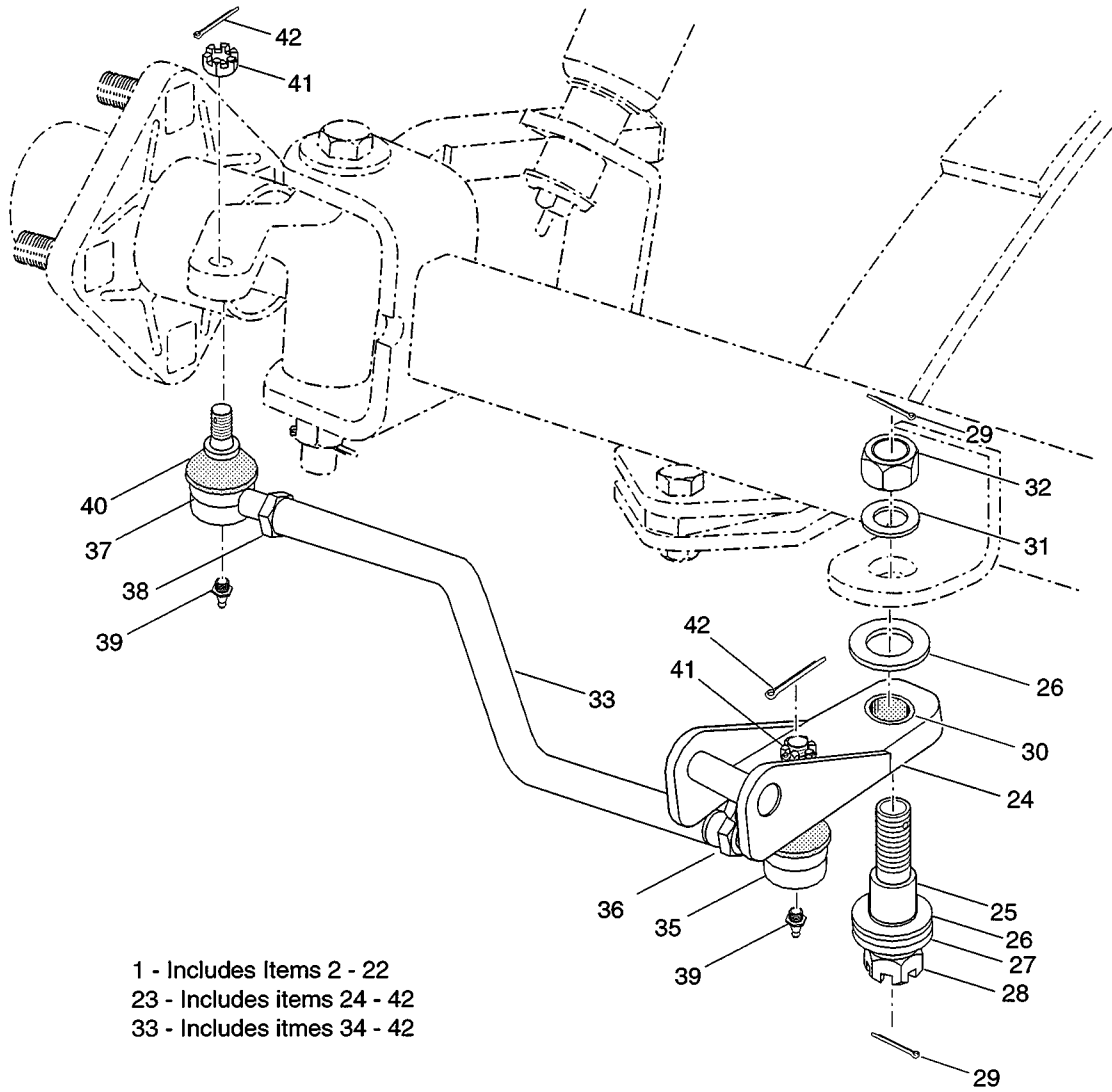
TOW BAR, PERMANENT

Electric Vehicle



Electric Vehicle

TOW BAR, PERMANENT



- 1 - Includes Items 2 - 22
- 23 - Includes items 24 - 42
- 33 - Includes itmes 34 - 42

TOW BAR, PERMANENT

Electric Vehicle

When ordering parts, please specify the model and serial number of the product.

* Indicates a component that is not available as an individual part.

G** Indicates consult Customer Service Department for additional information.

ITEM	PART NO.	1 2 3 4 5	DESCRIPTION	QTY.
1	75304-G01		TOW BAR (TOWING VEHICLE) (INCLUDES ITEMS 2 - 22).....	1
2	75299-G01		TOW BAR	1
3	75302-G01		UPPER PIVOT	1
4	75291-G01		LOWER PIVOT	1
5	00410-G8		BOLT, 1/2 - 20 X 3" LG.....	1
6	00675-G3		WASHER, 1/2"	1
7	75339-G01		SPRING WASHER.....	1
8	00571-G5		WASHER, 1/2"	1
9	11098-G8		LOCK NUT, 1/2 - 20.....	1
10	75362-G01		LATCH STOP.....	1
11	75340-G01		DELRIN WASHER, 3/8"	2
12	75360-G01		PIVOT PIN	2
13	13571-G7		SPRING PIN	2
14	75303-G01		LATCH.....	1
15	20852-G2		COMPRESSION SPRING	1
16	25661-G02		CUP WASHER.....	1
17	13005-G4		SHOULDER BOLT, 3/8 X 1 5/8" LG.....	1
18	75370-G01		LABEL (WARNING)	1
19	75338-G03		MALE STOP	1
20	12547-G4		SCREW, 6MM x 30 MM	1
21	00565-G8		LOCK WASHER, 5/16"	1
22	00520-G3		ACORN NUT, 5/16 - 18.....	1
23	75308-G01		TOW BAR HITCH (TOWED VEHICLE) (INCLUDES ITEMS 24 - 42)	1
24	75305-G01		HITCH.....	1
25	75292-G01		PIVOT BOLT	1
26	75309-G01		THRUST WASHER	2
27	75342-G01		WASHER, 3/4"	1
28	00518-G8		CASTELLATED NUT, 3/4 - 16.....	1
29	10387-G1		COTTER PIN, 1/8" X 1 1/2" LG.....	2
30	75307-G01		BEARING.....	1

Electric Vehicle

TOW BAR, PERMANENT

When ordering parts, please specify the model and serial number of the product.

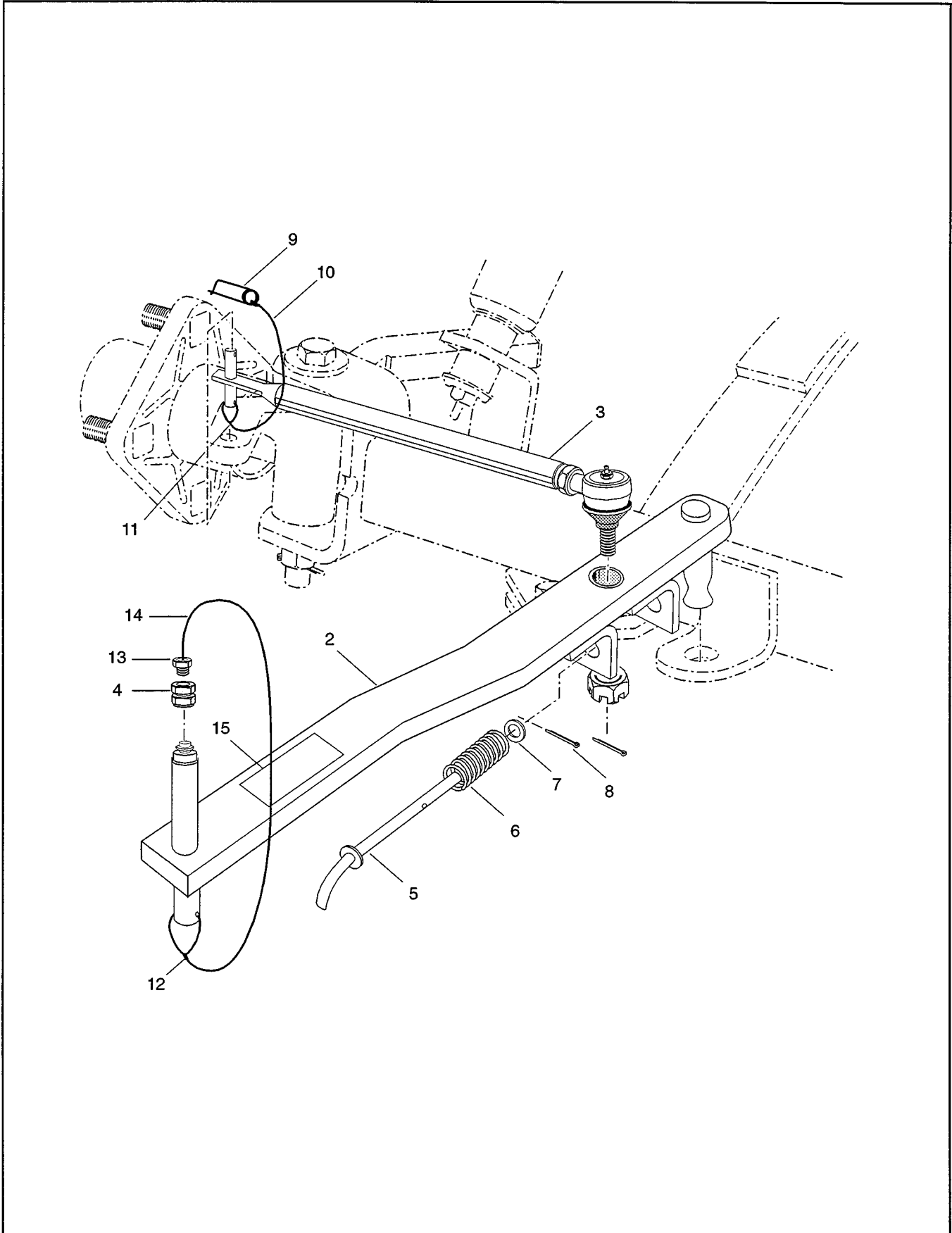
* Indicates a component that is not available as an individual part.

G** Indicates consult Customer Service Department for additional information.

ITEM	PART NO.	1 2 3 4 5	DESCRIPTION	QTY.
31	00566-G6		LOCK WASHER, 3/4"	1
32	00533-G8		NUT, 3/4 - 16.....	1
33	75306-G01		TIE ROD (INCLUDES ITEMS 34 - 42)	1
34	75287-G01		STEERING LINK.....	1
35	27205-G01		TIE ROD END (LEFT HAND THREADS).....	1
36	*		JAM NUT, 9/16 - 18 (LEFT HAND THREADS).....	1
37	27205-G02		TIE ROD END (RIGHT HAND THREADS))	1
38	*		JAM NUT, 9/16 - 18 (RIGHT HAND THREADS)	1
39	10389-G3		GREASE FITTING	2
40	50641-G1		RUBBER BOOT	2
41	50209-G2		CASTELLATED NUT, 7/16 - 20	2
42	10387-G2		COTTER PIN, 3/32" X 1" LG.....	2
43	75318-G01		MOUNTING PLATE	1
44	75319-G01		STOP MOUNT PLATE	1
45	16705-G1		SCREW, 1/4 - 20 X 1" LG.	3
46	00891-G2		LOCK NUT, 1/4 - 20	3
47	75338-G02		FEMALE STOP	1

TOW BAR, CASUAL

Electric Vehicle



Electric Vehicle

TOW BAR, CASUAL

When ordering parts, please specify the model and serial number of the product.

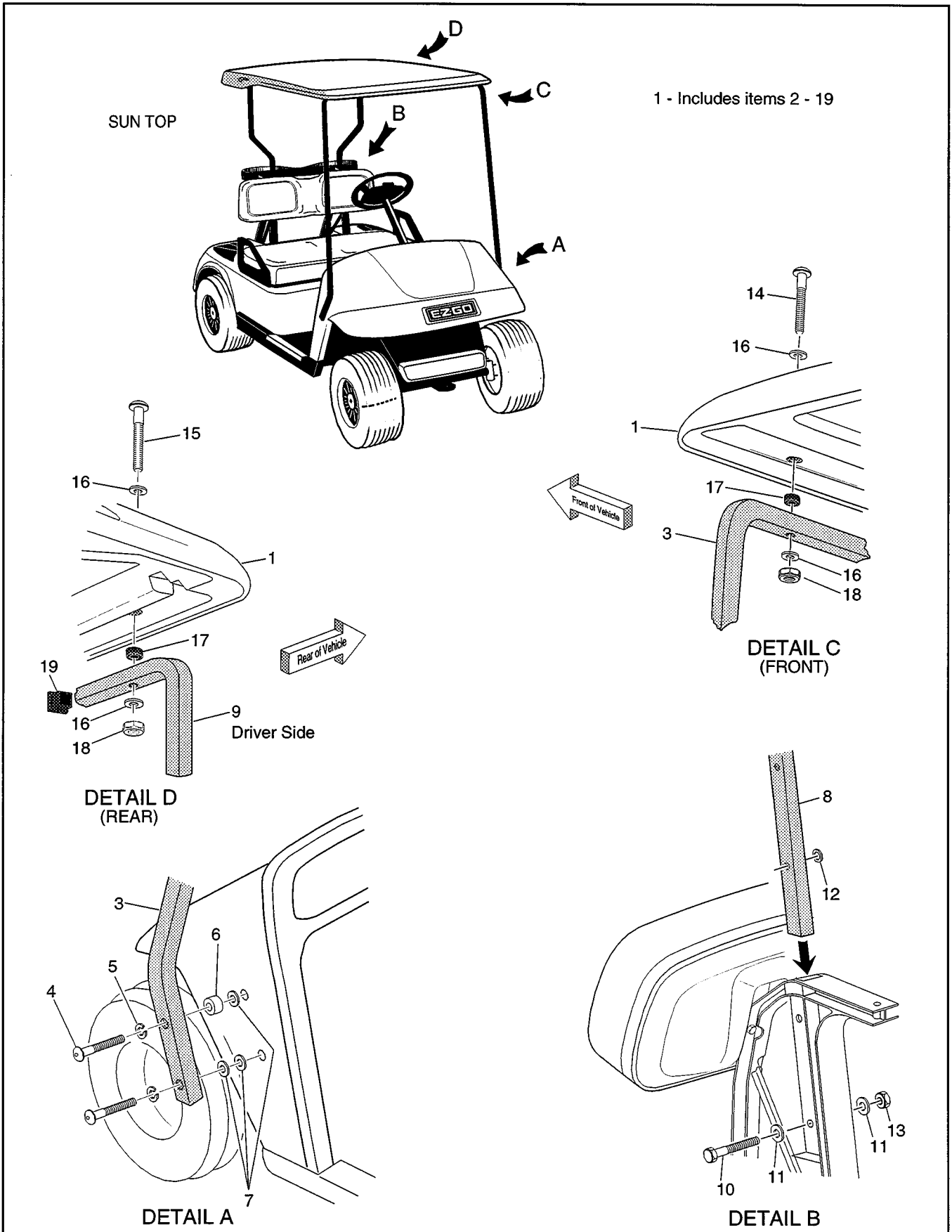
* Indicates a component that is not available as an individual part.

G** Indicates consult Customer Service Department for additional information.

ITEM	PART NO.	1	2	3	4	5	DESCRIPTION	QTY.
1	75033-G01						CASUAL TOW BAR, (INCLUDES ITEMS 2 - 15).....	1
2	*						TOW BAR	1
3	75034-G01						TIE ROD (INCLUDES NUT AND COTTER PIN).....	1
4	75060-G01						COUPLING	1
5	*						LOCK PIN.....	1
6	75065-G01						COMPRESSION SPRING.....	1
7	00922-G2						WASHER, 3/8".....	1
8	10387-G2						COTTER PIN, 3/32" X 1" LG.	1
9	75068-G01						SAFETY PIN.....	1
10	14869-G5						WIRE ROPE	1
11	16783-G1						FERRULE	3
12	75067-G01						FERRULE	1
13	75035-G01						HEX HEAD PLUG.....	1
14	14869-G3						WIRE ROPE	1
15	*						LABEL (WARNING).....	1

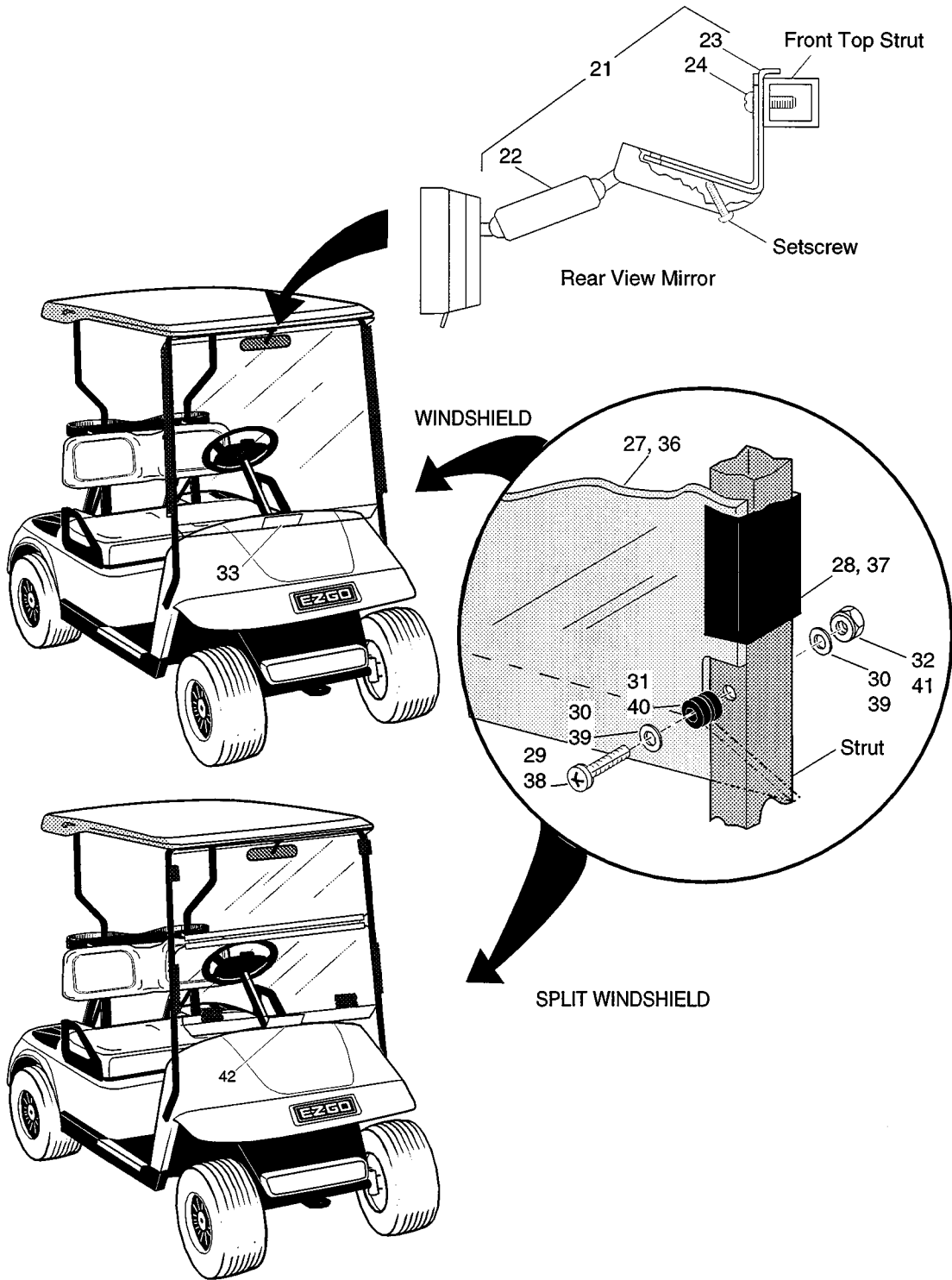
WEATHER PROTECTION, GOLF CAR

Electric Vehicle



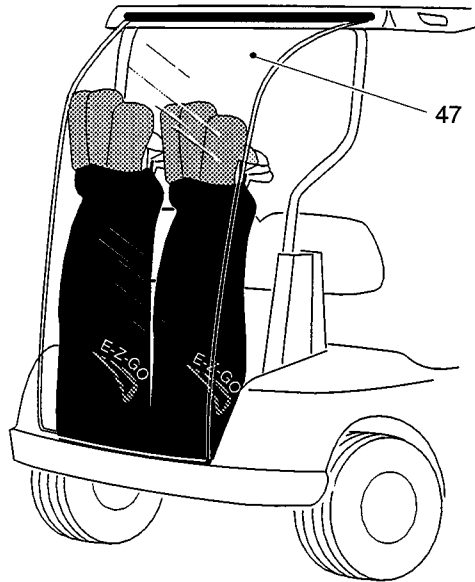
Electric Vehicle

WEATHER PROTECTION, GOLF CAR



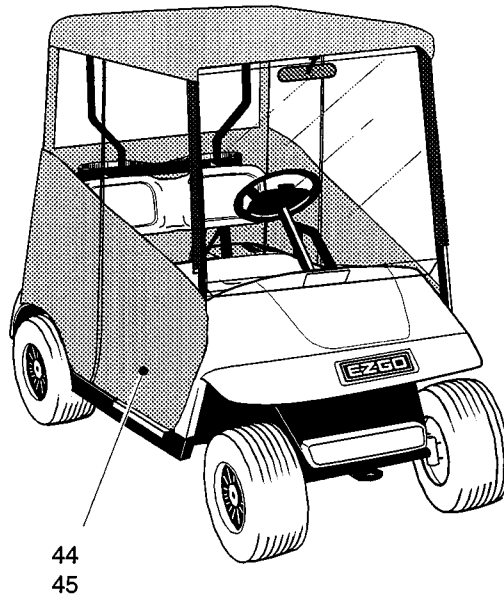
WEATHER PROTECTION, GOLF CAR

Electric Vehicle



BAG AND RAIN CURTAIN

WEATHER ENCLOSURE



Electric Vehicle

WEATHER PROTECTION, GOLF CAR

Replacement parts for the windshield may be obtained from Eagle Parts, Inc. 1811 Wilkinson Rd. Augusta, GA 30904. Telephone (706) 729-9911 or FAX (706) 729-0055

* Indicates a component that is not available as an individual part.

G** Indicates consult Customer Service Department for additional information.

ITEM	PART NO.	1 2 3 4 5	DESCRIPTION	QTY.
1	75040-G01		SUN TOP KIT (GOLF CAR)	1
2	27069-G01		SUN TOP	1
3	75045-G01		FRONT STRUT.....	1
4	71056-G03		BOLT, 5/16 - 18 X 2 1/8" LG	4
5	00905-G8		LOCK WASHER, 5/16"	4
6	75048-G01		SPACER, 1/2"	2
7	00570-G2		WASHER, 5/16".....	6
8	75343-G01		REAR STRUT (DRIVER SIDE)	1
9	75343-G02		REAR STRUT (PASSENGER SIDE)	1
10	00439-G6		BOLT, 5/16 - 18 X 1 3/4" LG	4
11	00571-G2		WASHER, 5/16".....	8
12	15121-G1		WASHER, 3/8" X 1 1/4"	2
13	11098-G6		LOCK NUT, 5/16 - 18.....	4
14	00753-G5		SCREW, 1/4 - 20 X 2" LG (STAINLESS STEEL).....	2
15	00753-G6		SCREW, 1/4 - 20 X 2 1/4" LG (STAINLESS STEEL).....	2
16	00559-G7		WASHER, 1/4"	8
17	75051-G01		SPACER	4
18	00891-G2		LOCK NUT, 1/4 - 20.....	4
19	19853-G1		END CAP, 1"	2
20				
21	19528-G2		REAR VIEW MIRROR KIT	1
22	19496-G1		REAR VIEW MIRROR	1
23	19502-G2		SUPPORT BRACKET.....	1
24	19527-G1		SCREW, #8 - 32 X 5/8" LG (STAINLESS STEEL).....	1
25				
26	75513-G01		WINDSHIELD KIT, (GOLF CAR).....	1
27	*		WINDSHIELD	1
28	EGWHC12		SASH, 26" LG.....	2
29	EGWHS12		SCREW, 1/4 - 20 X 1 3/4"LG (STAINLESS STEEL).....	2.
30	EGWHW12		WASHER, 1/4" (STAINLESS STEEL).....	4

WEATHER PROTECTION, GOLF CAR

Electric Vehicle

Replacement parts for the windshield may be obtained from Eagle Parts, Inc. 1811 Wilkinson Rd. Augusta, GA 30904. Telephone (706) 729-9911 or FAX (706) 729-0055

* Indicates a component that is not available as an individual part.

G** Indicates consult Customer Service Department for additional information.

ITEM	PART NO.	1	2	3	4	5	DESCRIPTION	QTY.
31	EGWHG13						RUBBER GROMMET	2
32	EGWHN12						LOCK NUT, 1/4 - 20 (STAINLESS STEEL)	2
33	EGWHL-14						LABEL (SAFETY)	1
34								
35	75514-G01						WINDSHIELD KIT, SPLIT SCREEN (GOLF CAR)	1
36	*						WINDSHIELD	1
37	EGWHC10						SASH, 12" LG.	2
38	EGWHS12						SCREW, 1/4 - 20 X 1 3/4" LG (STAINLESS STEEL)	2
39	EGHWH12						WASHER, 1/4" (STAINLESS STEEL)	4
40	EGWHG13						RUBBER GROMMET	2
41	EGWHN12						LOCK NUT, 1/4 - 20 (STAINLESS STEEL)	2
42	EGWHL-14						LABEL (SAFETY)	1
43								
44	75078-G01						WEATHER ENCLOSURE (3 SIDED) RECOMMENDED FOR VEHICLES WITH WINDSHIELDS	1
45	75079-G01						WEATHER ENCLOSURE (4 SIDED) RECOMMENDED FOR VEHICLES WITHOUT WINDSHIELDS	1
46								
47	75191-G01						BAG COVER AND RAIN CURTAIN KIT	1

**DID YOU
KNOW?**

CartPros directs you to the right part using the part numbers from this manual. Enter the part number into our search box and it will find the part you are looking for.

**GET STARTED
HERE**



<https://CartPros.com/f.html>

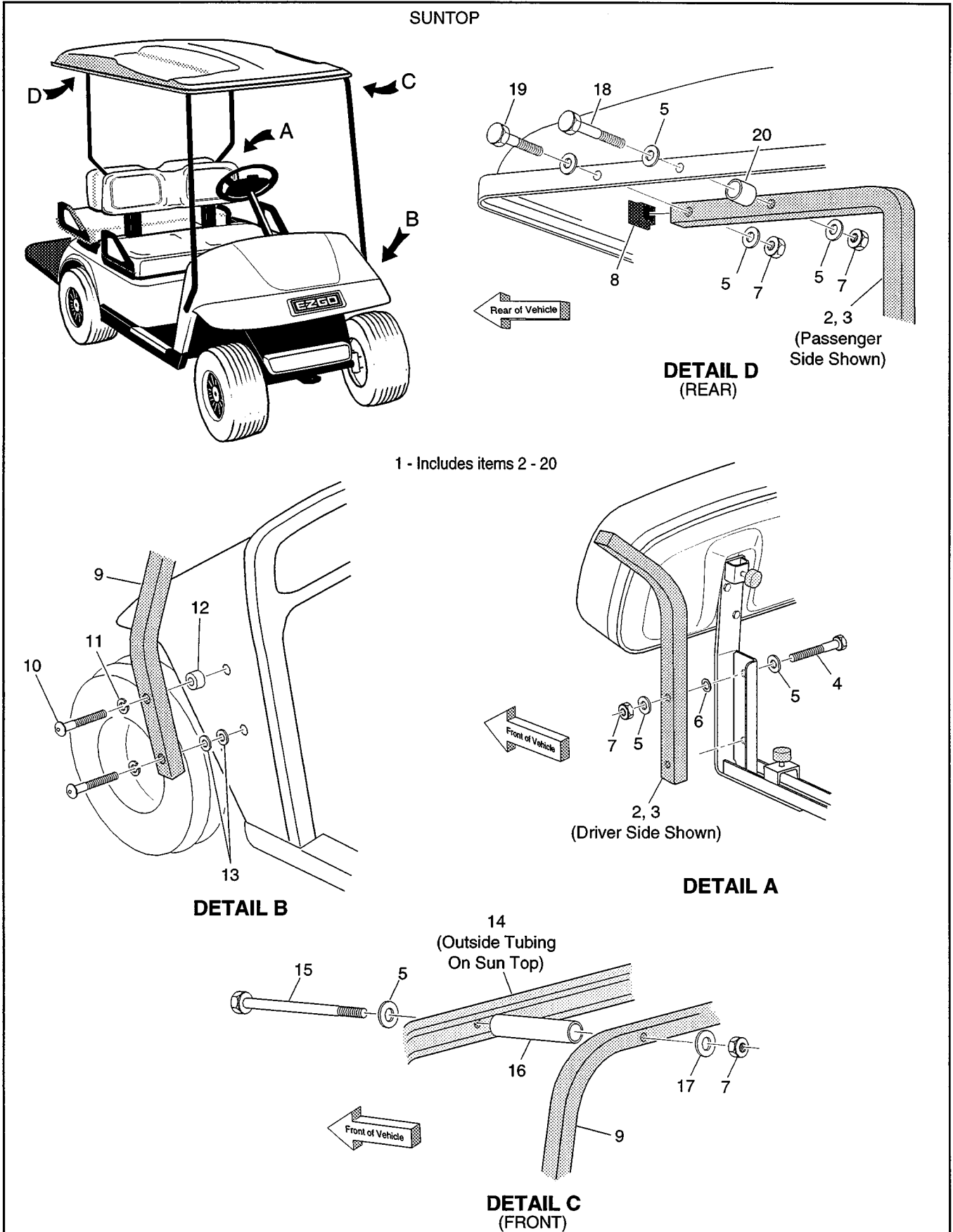
Electric Vehicle

WEATHER PROTECTION, GOLF CAR



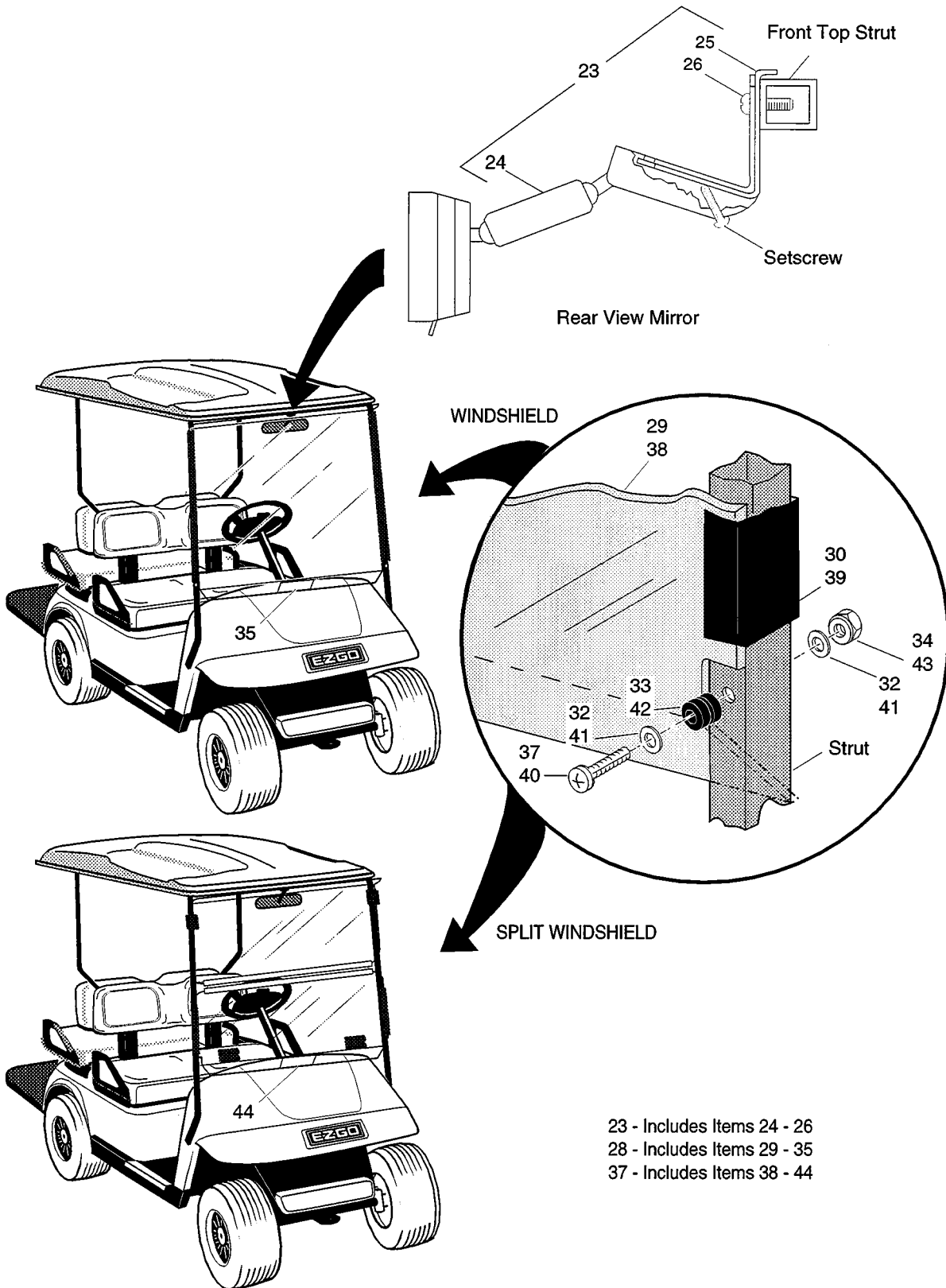
WEATHER PROTECTION, 4 CADDY

Electric Vehicle



Electric Vehicle

WEATHER PROTECTION, 4 CADDY



WEATHER PROTECTION, 4 CADDY

Electric Vehicle

Replacement parts for the windshield may be obtained from Eagle Parts, Inc. 1811 Wilkinson Rd. Augusta, GA 30904. Telephone (706) 729-9911 or FAX (706) 729-0055

* Indicates a component that is not available as an individual part.

G** Indicates consult Customer Service Department for additional information.

ITEM	PART NO.	1 2 3 4 5	DESCRIPTION	QTY.
1	75123-G01		SUN TOP (4 CADDY) (INCLUDES ITEMS 2 - 20)	1
2	75074-G01		REAR STRUT (DRIVER SIDE).....	1
3	75074-G02		REAR STRUT (PASSENGER SIDE)	1
4	00665-G5		BOLT, 3/8 - 16 X 1 3/4" LG.....	4
5	00679-G1		WASHER, 3/8	18
6	00771-G5		WASHER, 3/8	4
7	00891-G5		LOCK NUT, 3/8 - 16.....	10
8	19853-G1		END CAP, 1"	2
9	75125-G01		FRONT STRUT	1
10	71056-G03		BOLT, 5/16 - 18 X 2 1/8" LG.....	4
11	00905-G8		LOCK WASHER, 5/16"	4
12	75048-G01		SPACER, 1/2"	2
13	00879-G1		WASHER, 3/8"	4
14	27604-G01		SUN TOP	1
15	00674-G8		BOLT, 3/8 - 16 X 5" LG.....	2
16	18716-G1		SPACER.....	2
17	00653-G1		WASHER, 3/8" (STAINLESS STEEL).....	2
18	00665-G3		BOLT, 3/8 - 16 X 2 1/2" LG (STAINLESS STEEL).....	2
19	00665-G6		BOLT, 3/8 - 16 X 2" LG.....	2
20	24647-G1		SPACER, 1/4"	2
21				
22				
23	19528-G2		REAR VIEW MIRROR KIT (INCLUDES ITEMS 24 - 26)	1
24	19496-G1		REAR VIEW MIRROR	1
25	19502-G2		SUPPORT BRACKET.....	1
26	19527-G1		SCREW, #8 - 32 X 5/8" LG (STAINLESS STEEL).....	1
27				
28	75513-G02		WINDSHIELD KIT, (4 CADDY) (INCLUDES ITEMS 29 - 35)	1
29	*		WINDSHIELD	1
30	EGWHC12		SASH, 26" LG.....	2

Electric Vehicle

WEATHER PROTECTION, 4 CADDY

Replacement parts for the windshield may be obtained from Eagle Parts, Inc. 1811 Wilkinson Rd. Augusta, GA 30904. Telephone (706) 729-9911 or FAX (706) 729-0055

* Indicates a component that is not available as an individual part.

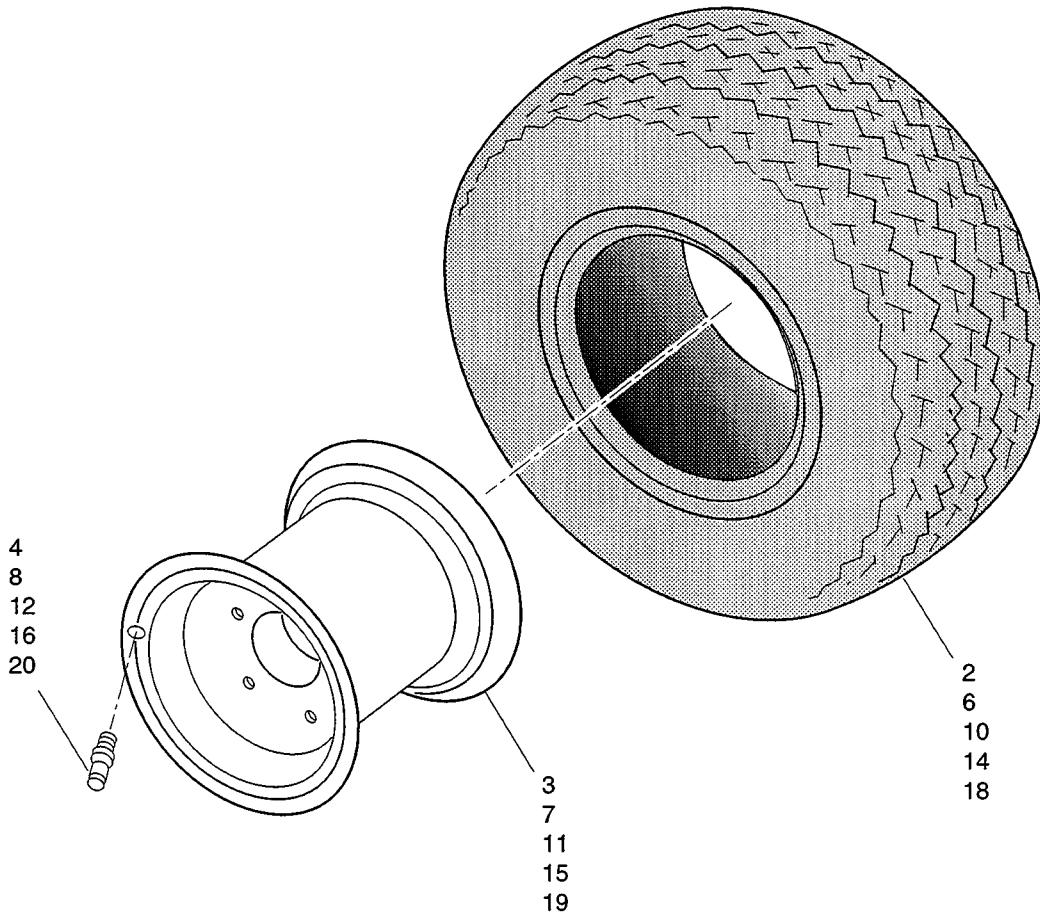
G** Indicates consult Customer Service Department for additional information.

ITEM	PART NO.	1 2 3 4 5	DESCRIPTION	QTY.
31	EGWHS12		SCREW, 1/4 - 20 X 1 3/4"LG (STAINLESS STEEL).....	2.
32	EGWHW12		WASHER, 1/4" (STAINLESS STEEL).....	4
33	EGWHG13		RUBBER GROMMET	2
34	EGWHN12		LOCK NUT, 1/4 - 20 (STAINLESS STEEL).....	2
35	EGWHL-14		LABEL (SAFETY)	1
36				
37	75514-G02		WINDSHIELD KIT, SPLIT SCREEN (4 CADDY) (INCLUDES ITEMS 38 - 44)	1
38	*		WINDSHIELD	1
39	EGWHC10		SASH, 12" LG.....	2
40	EGWHS12		SCREW, 1/4 - 20 X 1 3/4"LG (STAINLESS STEEL).....	2.
41	EGWHW12		WASHER, 1/4" (STAINLESS STEEL).....	4
42	EGWHG13		RUBBER GROMMET	2
43	EGWHN12		LOCK NUT, 1/4 - 20 (STAINLESS STEEL).....	2
44	EGWHL-14		LABEL (SAFETY)	1

WHEELS AND TIRES

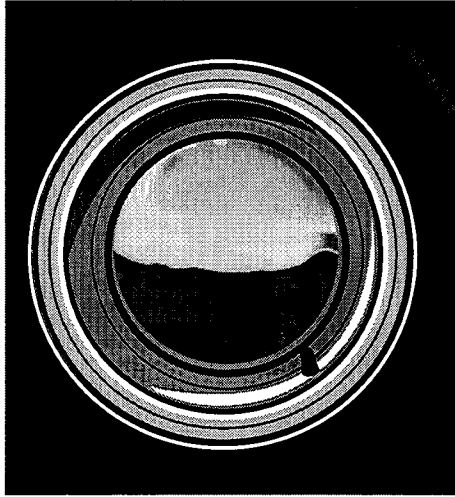
Electric Vehicle

- 1 - Includes Items 2-4
- 5 - Includes Items 6-8
- 9 - Includes Items 10-12
- 13 - Includes Items 14-16
- 17 - Includes Items 18-20



Electric Vehicle

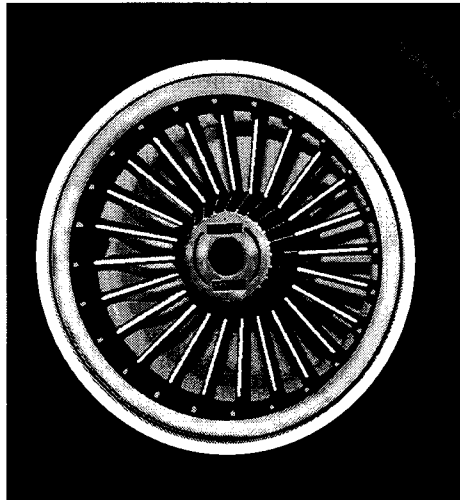
WHEELS AND TIRES



6" CHROME HUBCAP
23



8" CHROME HUBCAP
22



GOLD / SILVER SPOKE HUBCAP
24
25

WHEELS AND TIRES

Electric Vehicle

When ordering parts, please specify the model and serial number of the product.

* Indicates a component that is not available as an individual part.

G** Indicates consult Customer Service Department for additional information.

ITEM	PART NO.	1 2 3 4 5	DESCRIPTION	QTY.
1	27772-G09		TIRE AND WHEEL ASSEMBLY (LINKS 1 18 X 8.5 - 8) (INCLUDES ITEMS 2-4).....	AR
2	27772-G10		LINKS 1 CARLISLE TIRE, 18 X 8.5 - 8.....	AR
3	15169-G1		WHEEL RIM (4 LUG).....	AR
4	11657-G1		VALVE STEM.....	AR
5	27772-G03		WHEEL AND TIRE ASSEMBLY (TURF SAVER 18 X 8.5 - 8) (INCLUDES ITEMS 6-8).....	AR
6	27772-G07		CARLISLE TIRE (TURF SAVER 18 X 8.5 - 8).....	AR
7	15169-G1		WHEEL RIM (4 LUG).....	AR
8	11657-G1		VALVE STEM.....	AR
9	27775-G01		WHEEL AND TIRE ASSEMBLY (USA TRAIL 6-PLY 18.5 X 8.5 - 8) (INCLUDES ITEMS 10-12).....	AR
10	27775-G02		CARLISLE TIRE (USA TRAIL, 6 PLY 18 X 8.5 - 8).....	AR
11	15169-G1		WHEEL RIM (4 LUG).....	AR
12	11657-G1		VALVE STEM.....	AR
13	27772-G02		WHEEL AND TIRE ASSEMBLY (TURF GLIDE 18 X 8.5 - 8) (INCLUDES ITEMS 14-16).....	AR
14	27772-G06		CARLISLE TIRE (TURF GLIDE 18 X 8.5 - 8).....	AR
15	15169-G1		WHEEL RIM (4 LUG).....	AR
16	11657-G1		VALVE STEM.....	AR
17	27772-G04		WHEEL AND TIRE ASSEMBLY (FAIRWAY 18 X 8.5 - 8) (INCLUDES ITEMS 18-20).....	AR
18	27772-G08		CARLISLE TIRE (FAIRWAY 18 X 8.5 - 8).....	AR
19	15169-G1		WHEEL RIM (4 LUG).....	AR
20	11657-G1		VALVE STEM.....	AR
21				
22	14913-G**		8" CHROME HUBCAP (OPTIONAL).....	AR
23	16042-G**		6" CHROME HUBCAP (OPTIONAL).....	AR
24	19241-G**		GOLD SPOKE HUBCAP (OPTIONAL).....	AR
25	19241-G**		SILVER SPOKE HUBCAP (OPTIONAL).....	AR

**DID YOU
KNOW?**

CartPros directs you to the right part using the part numbers from this manual. Enter the part number into our search box and it will find the part you are looking for.

**GET STARTED
HERE**



<https://CartPros.com/f.html>

SPECIALTY PRODUCTS

SPECIALTY PRODUCTS

SPECIALTY PRODUCTS

SPECIAL TOOLS

Part No.

BATTERY SET DISCHARGER, 36 VOLT, 75 AMP	28251-G01
BATTERY MAINTANANCE KIT	25587-G01
CURRENT INDICATOR	16489-G2
DIGITAL MULTI-METER	27481-G01
CRIMPING TOOL	27765-G01
SLIDE HAMMER (AXLE/HUB REMOVAL).....	15947-G1
SLIDE HAMMER (AXLE REMOVAL ONLY).....	18753-G1

PAINT

HUNTER GREEN - TOUCH-UP PEN	28432-G02
CHAMPAGNE BEIGE - TOUCH-UP PEN	28432-G01
HUNTER GREEN - 12 OZ. AEROSOL.....	28140-G09
CHAMPAGNE BEIGE - 12 OZ. AEROSOL.....	28140-G15

PERFORMANCE PRODUCTS

FORMULA 40 VINYL-COAT® - WHITE	28166-G01
“PLEXUS”® CLEANER, 7 OZ. (FOR WINDSHIELDS)	28433-G01
“PLEXUS”® CLEANER, 13 OZ. (FOR WINDSHIELDS)	28433-G02
BATTERY PROTECTOR, 14 OZ AEROSOL	75500-G01
CARBURETOR & CHOKE CLEANER, 15 OZ AEROSOL	75501-G01
WHITE LITHIUM GREASE, 14 OZ AEROSOL.....	75502-G01
PENETRANT/LUBRICANT, 15 OZ AEROSOL.....	75503-G01
MULTI-PURPOSE CLEANER & DEGREASER, 14 OZ AEROSOL	75504-G01
MULTI-PURPOSE HAND CLEANER, 32 OZ LIQUID.....	75505-G01
BATTERY CLEANER, 32 OZ W/TRIGGER SPRAYER.....	75506-G01
BIODEGRADABLE CLEANER, 32 OZ W/TRIGGER SPRAYER	75507-G01
MULTI-PURPOSE VALUE PACK	75508-G01
• BATTERY PROTECTOR, 4 OZ AEROSOL	• WHITE LITHIUM GREASE, 4 OZ AEROSOL
• PENETRANT/LUBRICANT, 4 OZ AEROSOL	• CARBURETOR & CHOKE CLEANER, 4 OZ AEROSOL

**DID YOU
KNOW?**

CartPros directs you to the right part using the part numbers from this manual. Enter the part number into our search box and it will find the part you are looking for.

**GET STARTED
HERE**



<https://CartPros.com/f.html>

ACCESSORIES

ACCESSORIES LISTING

ACCESSORIES

ACCESSORIES LISTING	KIT NO.	LOCATION IN MANUAL
SUN TOP KIT, GOLF CAR.....	75040-G01	See Weather Protection, Golf Car Section
SUN TOP KIT (4 CADDY ONLY).....	75123-G01	See Weather Protection, 4 Caddy Section
WINDSHIELD KIT, GOLF CAR.....	75513-G01	See Weather Protection, Golf Car Section
WINDSHIELD KIT, 4 CADDY ONLY.....	75513-G02	See Weather Protection, 4 Caddy Section
WINDSHIELD KIT, SPLIT, GOLF CAR	75514-G01	See Weather Protection, Golf Car Section
WINDSHIELD KIT, SPLIT, 4 CADDY ONLY	75514-G02	See Weather Protection, 4 Caddy Section
SAND RAKE	14735-G1	See Body and Associated Parts Section
TOW BAR KIT (PERMANENT USE)	75310-G01	See Tow Bar, Permanent Section
WEATHER ENCLOSURE (3 SIDED).....	75078-G01	See Weather Protection, Golf Car Section
WEATHER ENCLOSURE (4 SIDED).....	75079-G01	See Weather Protection, Golf Car Section
REAR VIEW MIRROR (REQUIRES SUN TOP).....	19528-G2	See Weather Protection, Golf Car Section
MESSAGE HOLDER KIT (REQUIRES SUNTOP).....	75094-G01	See Body and Associated Parts Section
HOURMETER.....	75114-G02	See Electrical Section
COOLER JUG / BRACKET KIT	75170-G01	See Body and Associated Parts Section
BAG COVER / RAIN CURTAIN KIT	75191-G01	See Weather Protection, Golf Car Section
ASHTRAY KIT.....	75109-G02	See Body and Associated Parts Section
URNSIGNAL KIT	75107-G02	See Electrical Section
SANDBOTTLE	75009-G01	See Body and Associated Parts Section
8" CHROME HUBCAP	14913-G*	See Wheels and Tires Section
6" CHROME HUBCAP	16042-G*	See Wheels and Tires Section
GOLD SPOKE HUBCAP	19241-G*	See Wheels and Tires Section
SILVER SPOKE HUBCAP.....	19241-G*.....	See Wheels and Tires Section
4-CADDY KIT	74150-G01	See Body and Associated Parts, Seating, 4 Caddy, and Rear Suspension Sections
CENTER BASKET	75003-G02	See Body and Associated Parts Section
SIDE BASKET	75007-G02	See Body and Associated Parts Section
TWO BAG ATTACHMENT.....	75183-G01	See Body and Associated Parts Section
CONVERTIBLE CARRIER KIT.....	75179-G*.....	See Body and Associated Parts, Seating-Convertible Carrier, and Rear Suspension Sections
4 BAG ATTACHMENT	75335-G01	See Body and Associated Parts Section

**DID YOU
KNOW?**

CartPros directs you to the right part using the part numbers from this manual. Enter the part number into our search box and it will find the part you are looking for.

**GET STARTED
HERE** →

<https://CartPros.com/f.html>



a **TEXTRON** Company

E-Z-GO Division of Textron Inc.

P.O. Box 388 Augusta, Georgia 30903-0388 USA

Inside USA Phone: 1-800-227-7029, FAX: 1-800-752-6175

Outside USA Phone: 010-1-706-798-4311, FAX: 010-1-706-771-4601

Copyrighted Material
This manual may not be reproduced in whole or
in part without the express permission of
E-Z-GO Division of Textron Inc.
Technical Communications Department